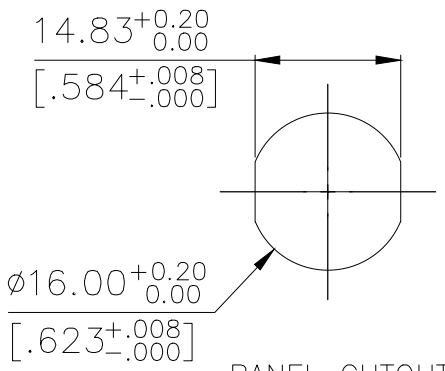
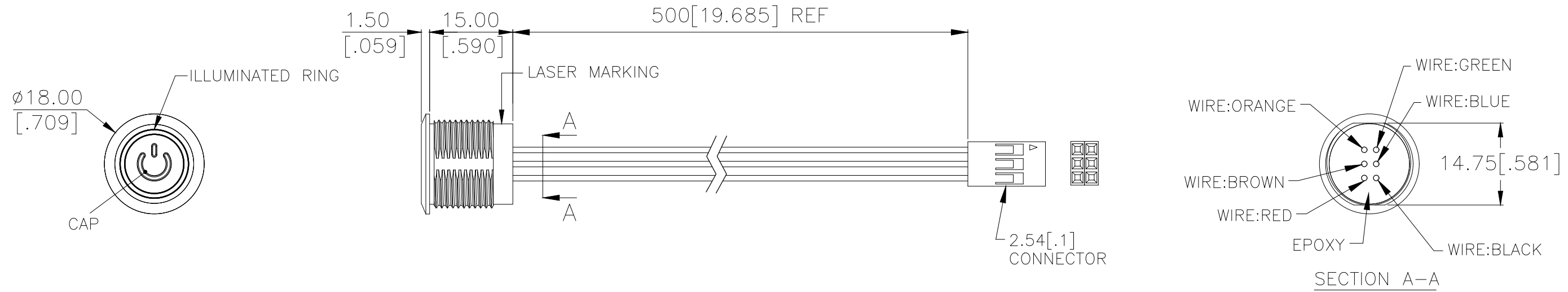
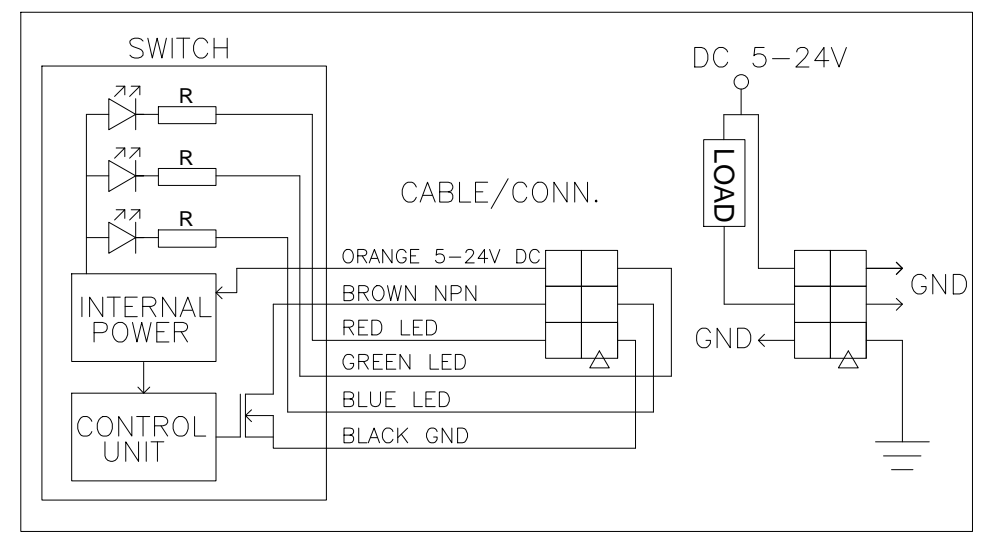
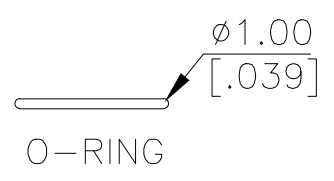
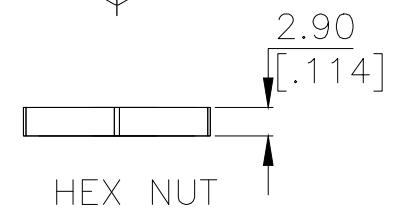
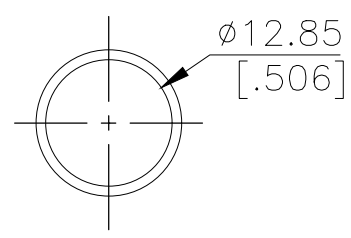
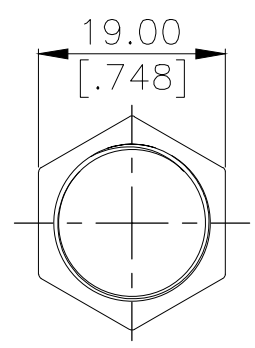
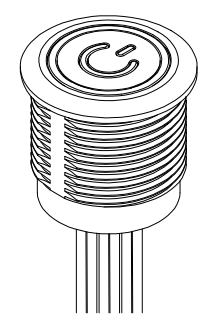
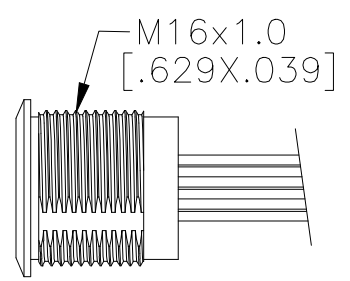


THIS DRAWING IS UNPUBLISHED. RELEASED FOR PUBLICATION  
 © COPYRIGHT - TE Connectivity Ltd. ALL RIGHTS RESERVED.

| P | LTR | DESCRIPTION | DATE      | DWN | APVD |
|---|-----|-------------|-----------|-----|------|
| 1 |     | NEW DRAWING | 28SEP2018 | GCM | AS   |



PANEL CUTOUT  
 MAX.PANEL THICKNESS: 8.0 [.315] MAX



APPLICATION DIAGRAM

| INDICATOR |      |       |      |
|-----------|------|-------|------|
| SWITCH    | LED  |       |      |
|           | RED  | GREEN | BLUE |
| OFF       |      |       |      |
| ON        | USER |       |      |

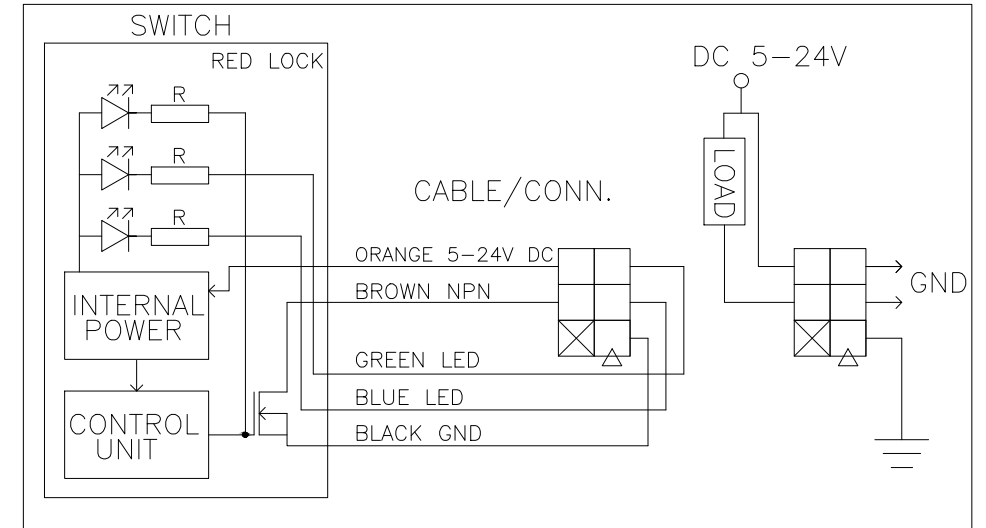
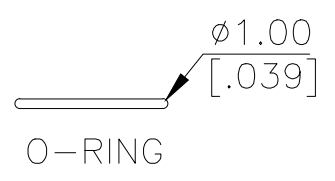
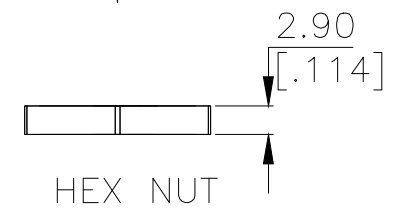
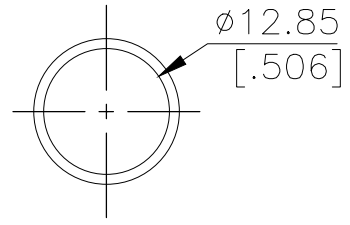
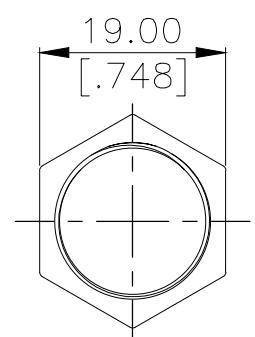
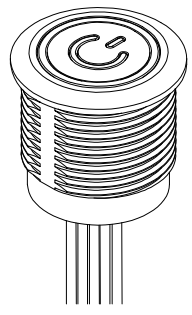
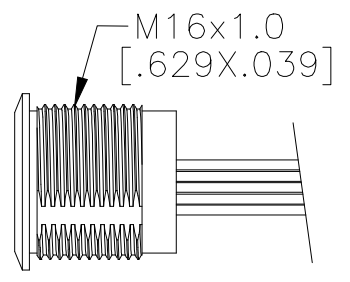
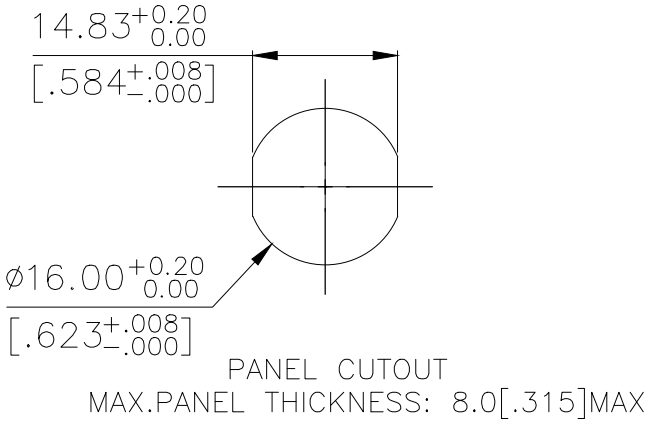
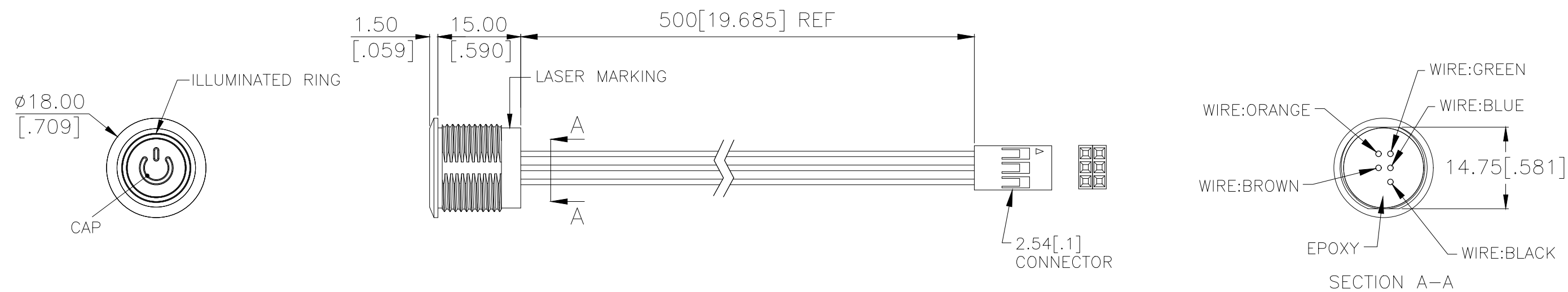
| APPLICABLE FOR TE P/N: |
|------------------------|
| 2342833-1              |
| 2342833-3              |
| 2342833-5              |
| 2342833-7              |
| 2342833-8              |
| 2342833-9              |

**PRELIMINARY**

|  |     |                  |           |   |                                 |       |     |       |     |       |     |       |     |        |     |
|--|-----|------------------|-----------|---|---------------------------------|-------|-----|-------|-----|-------|-----|-------|-----|--------|-----|
| THIS DRAWING IS A CONTROLLED DOCUMENT.   |     | DWN              | 29SEP2018 | <b>PRELIMINARY</b>  | <b>STE</b> TE Connectivity Ltd. |       |     |       |     |       |     |       |     |        |     |
| DIMENSIONS: mm [INCHES]  |     | CHK              | 29SEP2018 |   |                                 |       |     |       |     |       |     |       |     |        |     |
| TOLERANCES UNLESS OTHERWISE SPECIFIED:   |     | APVD             | 29SEP2018 |   |                                 |       |     |       |     |       |     |       |     |        |     |
| <table border="0"> <tr><td>0 PLC</td><td>± -</td></tr> <tr><td>1 PLC</td><td>± -</td></tr> <tr><td>2 PLC</td><td>± -</td></tr> <tr><td>3 PLC</td><td>± -</td></tr> <tr><td>4 PLC</td><td>± -</td></tr> <tr><td>ANGLES</td><td>± -</td></tr> </table> |     | 0 PLC            | ± -       |   |                                 | 1 PLC | ± - | 2 PLC | ± - | 3 PLC | ± - | 4 PLC | ± - | ANGLES | ± - |
| 0 PLC  | ± - |                  |           |   |                                 |       |     |       |     |       |     |       |     |        |     |
| 1 PLC  | ± - |                  |           |   |                                 |       |     |       |     |       |     |       |     |        |     |
| 2 PLC  | ± - |                  |           |   |                                 |       |     |       |     |       |     |       |     |        |     |
| 3 PLC  | ± - |                  |           |   |                                 |       |     |       |     |       |     |       |     |        |     |
| 4 PLC  | ± - |                  |           |   |                                 |       |     |       |     |       |     |       |     |        |     |
| ANGLES   | ± - |                  |           |   |                                 |       |     |       |     |       |     |       |     |        |     |
| MATERIAL   |     | PRODUCT SPEC     |           | SWITCH,AV,CAPACITIVE,16mm,FL BTN, ILLUM RING W/POWER LOGO,LED, LEADED W/2x3 REC |                                 |       |     |       |     |       |     |       |     |        |     |
| FINISH   |     | APPLICATION SPEC |           | SIZE  | A3                              |       |     |       |     |       |     |       |     |        |     |
|  |     | WEIGHT           |           | CAGE CODE   | 00779                           |       |     |       |     |       |     |       |     |        |     |
|  |     | CUSTOMER DRAWING |           | DRAWING NO  | C=2342833                       |       |     |       |     |       |     |       |     |        |     |
|  |     |                  |           | RESTRICTED TO   |                                 |       |     |       |     |       |     |       |     |        |     |
|  |     |                  |           | SCALE   | NTS                             |       |     |       |     |       |     |       |     |        |     |
|  |     |                  |           | SHEET   | 1 OF 3                          |       |     |       |     |       |     |       |     |        |     |
|  |     |                  |           | REV   | 1                               |       |     |       |     |       |     |       |     |        |     |

THIS DRAWING IS UNPUBLISHED. RELEASED FOR PUBLICATION  
 © COPYRIGHT - TE Connectivity Ltd. ALL RIGHTS RESERVED.

| REVISIONS |     |             |      |     |      |
|-----------|-----|-------------|------|-----|------|
| P         | LTR | DESCRIPTION | DATE | DWN | APVD |
| -         | -   | SEE SHEET 1 | -    | -   | -    |



APPLICATION DIAGRAM

|                        |
|------------------------|
| APPLICABLE FOR TE P/N: |
| 2342833-2              |
| 2342833-4              |
| 2342833-6              |

**PRELIMINARY**

|   |  |                                 |   |                 |                      |               |
|---|--|---------------------------------|---|-----------------|----------------------|---------------|
| THIS DRAWING IS A CONTROLLED DOCUMENT.  |  | DWN GANESH C M 29SEP2018        | TE Connectivity Ltd.  |                 |                      |               |
| DIMENSIONS: mm [INCHES]<br>   |  | CHK ALEXANDER SHARPE 29SEP2018  |   |                 |                      |               |
| TOLERANCES UNLESS OTHERWISE SPECIFIED:<br>0 PLC ± -<br>1 PLC ± -<br>2 PLC ± -<br>3 PLC ± -<br>4 PLC ± -<br>ANGLES ± - |  | APVD ALEXANDER SHARPE 29SEP2018 | NAME  |                 |                      |               |
| MATERIAL  |  | PRODUCT SPEC                    | SWITCH,AV,CAPACITIVE,16mm,FL BTN, ILLUM RING W/POWER LOGO,LED, LEADED W/2x3 REC |                 |                      |               |
| FINISH  |  | APPLICATION SPEC                | SIZE A3   | CAGE CODE 00779 | DRAWING NO C-2342833 | RESTRICTED TO |
|   |  | WEIGHT                          | CUSTOMER DRAWING  |                 |                      | SCALE NTS     |
|   |  |                                 | SHEET 2 of 3  |                 |                      | REV 1         |

THIS DRAWING IS UNPUBLISHED. RELEASED FOR PUBLICATION  
 © COPYRIGHT - TE Connectivity Ltd. ALL RIGHTS RESERVED.

| REVISIONS |     |             |      |     |      |
|-----------|-----|-------------|------|-----|------|
| P         | LTR | DESCRIPTION | DATE | DWN | APVD |
| -         | -   | SEE SHEET 1 | -    | -   | -    |


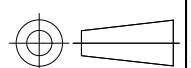
NOTES:

1. SPECIFICATIONS:
  1. OPERATING LIFE: 50 MILLION CYCLE MIN.
  2. CONTACT RESISTANCE: 1Ω MAX.
  3. OPERATING TEMPERATURE: -20°C to 65°C
2. MATERIAL:
  1. SEALING: SILICONE, EPOXY
  2. O-RING: SILICONE
  3. HEX NUT: NICKEL PLATED BRASS
3. PACKAGING:
 

SWITCH ASSEMBLIES ARE INDIVIDUALLY BUNDLED.  
 HARDWARE IS NOT ASSEMBLED TO THE SWITCHED.
4. COMPLIANCE:
 

ALL MATERIALS AND FINISHES SHALL COMPLY WITH EU DIRECTIVE  
 2002/95/EC OF 27 JAN2003(ROHS).
5. HARDWARE IS SHIPPED UNASSEMBLED.

|                     |                     |           |                       |                      |             |
|---------------------|---------------------|-----------|-----------------------|----------------------|-------------|
| PC; STAINLESS STEEL | STAINLESS STEEL 316 | RGB       | MOMENTARY             | AVC16MS16FE1DT5B04   | 2342833-9   |
| PC; STAINLESS STEEL | STAINLESS STEEL 304 | RGB       | MOMENTARY             | AVC16MS04FE1DT5B04   | 2342833-8   |
| PC; ALUMINUM        | ALUMINUM            | RGB       | MOMENTARY             | AVC16MAIOFE1DT5B04   | 2342833-7   |
| PC; STAINLESS STEEL | STAINLESS STEEL 316 | RED LOCK  | LOCKING               | AVC16LS16FE13T5B04   | 2342833-6   |
| PC; STAINLESS STEEL | STAINLESS STEEL 316 | RGB       | LOCKING               | AVC16LS16FE1DT5B04   | 2342833-5   |
| PC; STAINLESS STEEL | STAINLESS STEEL 304 | RED LOCK  | LOCKING               | AVC16LS04FE13T5B04   | 2342833-4   |
| PC; STAINLESS STEEL | STAINLESS STEEL 304 | RGB       | LOCKING               | AVC16LS04FE1DT5B04   | 2342833-3   |
| PC; ALUMINUM        | ALUMINUM            | RED LOCK  | LOCKING               | AVC16LAIOFE13T5B04   | 2342833-2   |
| PC; ALUMINUM        | ALUMINUM            | RGB       | LOCKING               | AVC16LAIOFE1DT5B04   | 2342833-1   |
| CAP MATERIAL        | BUSHING MATERIAL    | LED COLOR | CONTACT CONFIGURATION | TE SMART PART NUMBER | PART NUMBER |

|   |  |                                       |  |  |  |
|---|--|---------------------------------------|--|--|--|
| THIS DRAWING IS A CONTROLLED DOCUMENT.  |  | DWN<br>GANESH C M<br>29SEP2018        |  TE Connectivity Ltd. |  |  |
| DIMENSIONS:<br>mm [INCHES]  |  | CHK<br>ALEXANDER SHARPE<br>29SEP2018  |  |  |  |
|  |  | APVD<br>ALEXANDER SHARPE<br>29SEP2018 | RESTRICTED TO  |  |  |
| TOLERANCES UNLESS OTHERWISE SPECIFIED:  |  | PRODUCT SPEC                          | SIZE   |  |  |
| 0 PLC ± -   |  | APPLICATION SPEC                      | CAGE CODE  |  |  |
| 1 PLC ± -   |  | WEIGHT                                | DRAWING NO   |  |  |
| 2 PLC ± -   |  | A3 00779 C-2342833                    |  |  |  |
| 3 PLC ± -   |  | CUSTOMER DRAWING                      |  |  |  |
| 4 PLC ± -   |  | SCALE NTS                             |  |  |  |
| ANGLES ± -  |  | SHEET 3 OF 3                          |  |  |  |
| FINISH  |  | REV 1                                 |  |  |  |

**PRELIMINARY**



Компания «ЭлектроПласт» предлагает заключение долгосрочных отношений при поставках импортных электронных компонентов на взаимовыгодных условиях!

Наши преимущества:

- Оперативные поставки широкого спектра электронных компонентов отечественного и импортного производства напрямую от производителей и с крупнейших мировых складов;
- Поставка более 17-ти миллионов наименований электронных компонентов;
- Поставка сложных, дефицитных, либо снятых с производства позиций;
- Оперативные сроки поставки под заказ (от 5 рабочих дней);
- Экспресс доставка в любую точку России;
- Техническая поддержка проекта, помощь в подборе аналогов, поставка прототипов;
- Система менеджмента качества сертифицирована по Международному стандарту ISO 9001;
- Лицензия ФСБ на осуществление работ с использованием сведений, составляющих государственную тайну;
- Поставка специализированных компонентов (Xilinx, Altera, Analog Devices, Intersil, Interpoint, Microsemi, Aeroflex, Peregrine, Syfer, Eurofarad, Texas Instrument, Miteq, Cobham, E2V, MA-COM, Hittite, Mini-Circuits, General Dynamics и др.);

Помимо этого, одним из направлений компании «ЭлектроПласт» является направление «Источники питания». Мы предлагаем Вам помощь Конструкторского отдела:

- Подбор оптимального решения, техническое обоснование при выборе компонента;
- Подбор аналогов;
- Консультации по применению компонента;
- Поставка образцов и прототипов;
- Техническая поддержка проекта;
- Защита от снятия компонента с производства.



#### Как с нами связаться

**Телефон:** 8 (812) 309 58 32 (многоканальный)

**Факс:** 8 (812) 320-02-42

**Электронная почта:** [org@eplast1.ru](mailto:org@eplast1.ru)

**Адрес:** 198099, г. Санкт-Петербург, ул. Калинина, дом 2, корпус 4, литера А.