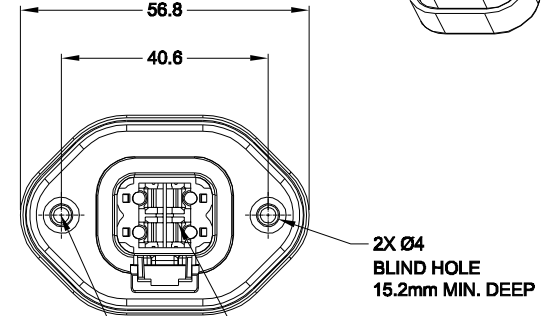
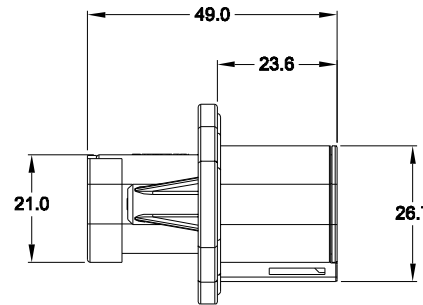
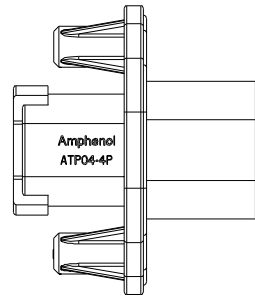
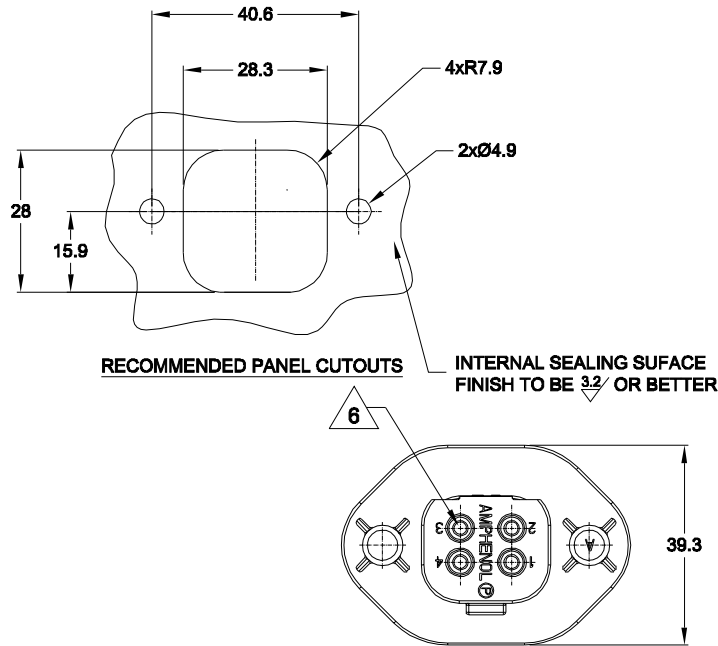
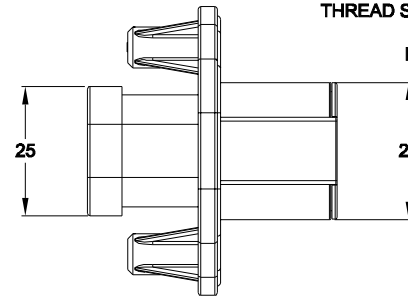


REVISIONS					
REV	ECO	DESCRIPTION	DATE	BY	APPR
A1	-	NEW RELEASE	16/JAN/15	TOM	TOMMY
A2	-	UPDATED DRAWING	14/MAR/15	ORION	TOMMY



WILL ACCEPT PLASTIC SELF  
THREAD SCREWS: EXAMPLE: ST4.8

RECOMMENDED TORQUE  
VALUES: 1.9-2.2 N.M



NOTES: UNLESS OTHERWISE SPECIFIED

- MATERIAL:  
HOUSING: THERMOPLASTIC; COLOR: SEE PN CHART  
SEAL: SILICONE RUBBER
- MODIFICATIONS: FLANGE MOUNTING;
- SPECIFICATIONS:  
3.1 CURRENT RATING: 25 AMPS  
3.2 OPERATING TEMPERATURE: -55°C TO +125°C  
3.3 DIELECTRIC WITHSTANDING VOLTAGE: LESS THAN 2 MILLIAMPS CURRENT LEAKAGE @ 1500 VOLTS AC.  
3.4 INSULATION RESISTANCE: 1000 MEGOHMS MIN @ 25°C.  
3.5 MOISTURE RESISTANCE: IP67 ( MATED CONDITION )  
3.8 MATING CYCLE DURABILITY: 100 CYCLES  
3.7 RoHS COMPLIANT
- MATING PART: ATP06-4S\* PLUG.  
(\* = MODIFICATIONS AND COLORS )
- ALL DIMENSIONS ARE FOR REFERENCE USE ONLY.

6 CONTACT SIZE AND REAR SEAL WIRE RANGE:

CONTACT SIZE	MIN. INSUL O.D.	MAX. INSUL O.D.	TYPICAL WIRE RANGE
12	3.40 mm (.134 in)	4.95 mm (.195 in)	10 - 14 AWG

PART NUMBER CHART	
COLOR	PART NUMBER
BLACK	ATP04-4P-PM07GEC
GREY	ATP04-4P-PM08GEC

SEE PART NUMBER CHART		DESCRIPTION		ITEM
QUANTITY	PART NUMBER	MATERIALS LIST		
UNLESS OTHERWISE SPECIFIED				
1) All dimensions are in metric(mm).				
2) Tolerances are as follows:				
1 PL DEC ±0.30 Fractions ±1/64				
2 PL DEC ±0.16 Angles ±1°				
3) Note reference =				
MATERIAL SPECIFICATIONS:		CUSTOMER:		
PROCESS SPECIFICATIONS:		THIS DRAWING IS SUPPLIED FOR INFORMATION ONLY. DESIGN FEATURES, SPECIFICATIONS AND PERFORMANCE DATA SHOWN HEREON ARE THE PROPERTY OF THE AMPHENOL CORPORATION. NO RIGHTS OF REPRODUCTION ARE IMPLIED. ALL DIMENSIONS ARE SUBJECT TO NORMAL MANUFACTURING VARIATIONS.		
NEXT ABBY:		SCALE: NONE		
SIGNATURES		DATE		
DRAWN: ORION		16/JAN/15		
CHECKED:		ENGINEER:		
APPROVAL:		CUSTOMER:		
SIGNATURES		DATE		
DRAWN: ORION		16/JAN/15		
CHECKED:		ENGINEER:		
APPROVAL:		CUSTOMER:		
SIGNATURES		DATE		
DRAWN: ORION		16/JAN/15		
CHECKED:		ENGINEER:		
APPROVAL:		CUSTOMER:		
SIGNATURES		DATE		
DRAWN: ORION		16/JAN/15		
CHECKED:		ENGINEER:		
APPROVAL:		CUSTOMER:		
SIGNATURES		DATE		
DRAWN: ORION		16/JAN/15		
CHECKED:		ENGINEER:		
APPROVAL:		CUSTOMER:		
SIGNATURES		DATE		
DRAWN: ORION		16/JAN/15		
CHECKED:		ENGINEER:		
APPROVAL:		CUSTOMER:		
SIGNATURES		DATE		
DRAWN: ORION		16/JAN/15		
CHECKED:		ENGINEER:		
APPROVAL:		CUSTOMER:		
SIGNATURES		DATE		
DRAWN: ORION		16/JAN/15		
CHECKED:		ENGINEER:		
APPROVAL:		CUSTOMER:		
SIGNATURES		DATE		
DRAWN: ORION		16/JAN/15		
CHECKED:		ENGINEER:		
APPROVAL:		CUSTOMER:		
SIGNATURES		DATE		
DRAWN: ORION		16/JAN/15		
CHECKED:		ENGINEER:		
APPROVAL:		CUSTOMER:		
SIGNATURES		DATE		
DRAWN: ORION		16/JAN/15		
CHECKED:		ENGINEER:		
APPROVAL:		CUSTOMER:		
SIGNATURES		DATE		
DRAWN: ORION		16/JAN/15		
CHECKED:		ENGINEER:		
APPROVAL:		CUSTOMER:		
SIGNATURES		DATE		
DRAWN: ORION		16/JAN/15		
CHECKED:		ENGINEER:		
APPROVAL:		CUSTOMER:		
SIGNATURES		DATE		
DRAWN: ORION		16/JAN/15		
CHECKED:		ENGINEER:		
APPROVAL:		CUSTOMER:		
SIGNATURES		DATE		
DRAWN: ORION		16/JAN/15		
CHECKED:		ENGINEER:		
APPROVAL:		CUSTOMER:		
SIGNATURES		DATE		
DRAWN: ORION		16/JAN/15		
CHECKED:		ENGINEER:		
APPROVAL:		CUSTOMER:		
SIGNATURES		DATE		
DRAWN: ORION		16/JAN/15		
CHECKED:		ENGINEER:		
APPROVAL:		CUSTOMER:		
SIGNATURES		DATE		
DRAWN: ORION		16/JAN/15		
CHECKED:		ENGINEER:		
APPROVAL:		CUSTOMER:		
SIGNATURES		DATE		
DRAWN: ORION		16/JAN/15		
CHECKED:		ENGINEER:		
APPROVAL:		CUSTOMER:		
SIGNATURES		DATE		
DRAWN: ORION		16/JAN/15		
CHECKED:		ENGINEER:		
APPROVAL:		CUSTOMER:		
SIGNATURES		DATE		
DRAWN: ORION		16/JAN/15		
CHECKED:		ENGINEER:		
APPROVAL:		CUSTOMER:		
SIGNATURES		DATE		
DRAWN: ORION		16/JAN/15		
CHECKED:		ENGINEER:		
APPROVAL:		CUSTOMER:		
SIGNATURES		DATE		
DRAWN: ORION		16/JAN/15		
CHECKED:		ENGINEER:		
APPROVAL:		CUSTOMER:		
SIGNATURES		DATE		
DRAWN: ORION		16/JAN/15		
CHECKED:		ENGINEER:		
APPROVAL:		CUSTOMER:		
SIGNATURES		DATE		
DRAWN: ORION		16/JAN/15		
CHECKED:		ENGINEER:		
APPROVAL:		CUSTOMER:		
SIGNATURES		DATE		
DRAWN: ORION		16/JAN/15		
CHECKED:		ENGINEER:		
APPROVAL:		CUSTOMER:		
SIGNATURES		DATE		
DRAWN: ORION		16/JAN/15		
CHECKED:		ENGINEER:		
APPROVAL:		CUSTOMER:		
SIGNATURES		DATE		
DRAWN: ORION		16/JAN/15		
CHECKED:		ENGINEER:		
APPROVAL:		CUSTOMER:		
SIGNATURES		DATE		
DRAWN: ORION		16/JAN/15		
CHECKED:		ENGINEER:		
APPROVAL:		CUSTOMER:		
SIGNATURES		DATE		
DRAWN: ORION		16/JAN/15		
CHECKED:		ENGINEER:		
APPROVAL:		CUSTOMER:		
SIGNATURES		DATE		
DRAWN: ORION		16/JAN/15		
CHECKED:		ENGINEER:		
APPROVAL:		CUSTOMER:		
SIGNATURES		DATE		
DRAWN: ORION		16/JAN/15		
CHECKED:		ENGINEER:		
APPROVAL:		CUSTOMER:		
SIGNATURES		DATE		
DRAWN: ORION		16/JAN/15		
CHECKED:		ENGINEER:		
APPROVAL:		CUSTOMER:		
SIGNATURES		DATE		
DRAWN: ORION		16/JAN/15		
CHECKED:		ENGINEER:		
APPROVAL:		CUSTOMER:		
SIGNATURES		DATE		
DRAWN: ORION		16/JAN/15		
CHECKED:		ENGINEER:		
APPROVAL:		CUSTOMER:		
SIGNATURES		DATE		
DRAWN: ORION		16/JAN/15		
CHECKED:		ENGINEER:		
APPROVAL:		CUSTOMER:		
SIGNATURES		DATE		
DRAWN: ORION		16/JAN/15		
CHECKED:		ENGINEER:		
APPROVAL:		CUSTOMER:		
SIGNATURES		DATE		
DRAWN: ORION		16/JAN/15		
CHECKED:		ENGINEER:		
APPROVAL:		CUSTOMER:		
SIGNATURES		DATE		
DRAWN: ORION		16/JAN/15		
CHECKED:		ENGINEER:		
APPROVAL:		CUSTOMER:		
SIGNATURES		DATE		
DRAWN: ORION		16/JAN/15		
CHECKED:		ENGINEER:		
APPROVAL:		CUSTOMER:		
SIGNATURES		DATE		
DRAWN: ORION		16/JAN/15		
CHECKED:		ENGINEER:		
APPROVAL:		CUSTOMER:		
SIGNATURES		DATE		
DRAWN: ORION		16/JAN/15		
CHECKED:		ENGINEER:		
APPROVAL:		CUSTOMER:		
SIGNATURES		DATE		
DRAWN: ORION		16/JAN/15		
CHECKED:		ENGINEER:		
APPROVAL:		CUSTOMER:		
SIGNATURES		DATE		
DRAWN: ORION		16/JAN/15		
CHECKED:		ENGINEER:		
APPROVAL:		CUSTOMER:		
SIGNATURES		DATE		
DRAWN: ORION		16/JAN/15		
CHECKED:		ENGINEER:		
APPROVAL:		CUSTOMER:		
SIGNATURES		DATE		
DRAWN: ORION		16/JAN/15		
CHECKED:		ENGINEER:		
APPROVAL:		CUSTOMER:		
SIGNATURES		DATE		
DRAWN: ORION		16/JAN/15		
CHECKED:		ENGINEER:		
APPROVAL:		CUSTOMER:		
SIGNATURES		DATE		
DRAWN: ORION		16/JAN/15		
CHECKED:		ENGINEER:		
APPROVAL:		CUSTOMER:		
SIGNATURES		DATE		
DRAWN: ORION		16/JAN/15		
CHECKED:		ENGINEER:		
APPROVAL:		CUSTOMER:		
SIGNATURES		DATE		
DRAWN: ORION		16/JAN/15		
CHECKED:		ENGINEER:		
APPROVAL:		CUSTOMER:		
SIGNATURES		DATE		
DRAWN: ORION		16/JAN/15		
CHECKED:		ENGINEER:		
APPROVAL:		CUSTOMER:		
SIGNATURES		DATE		
DRAWN: ORION		16/JAN/15		
CHECKED:		ENGINEER:		
APPROVAL:		CUSTOMER:		
SIGNATURES		DATE		
DRAWN: ORION		16/JAN/15		
CHECKED:		ENGINEER:		
APPROVAL:		CUSTOMER:		
SIGNATURES		DATE		
DRAWN: ORION		16/JAN/15		
CHECKED:		ENGINEER:		
APPROVAL:		CUSTOMER:		
SIGNATURES		DATE		
DRAWN: ORION		16/JAN/15		
CHECKED:		ENGINEER:		
APPROVAL:		CUSTOMER:		
SIGNATURES		DATE		
DRAWN: ORION		16/JAN/15		
CHECKED:		ENGINEER:		
APPROVAL:		CUSTOMER:		
SIGNATURES		DATE		
DRAWN: ORION		16/JAN/15		
CHECKED:		ENGINEER:		
APPROVAL:		CUSTOMER:		
SIGNATURES		DATE		
DRAWN: ORION		16/JAN/15		
CHECKED:		ENGINEER:		
APPROVAL:		CUSTOMER:		
SIGNATURES		DATE		
DRAWN: ORION		16/JAN/15		
CHECKED:		ENGINEER:		
APPROVAL:		CUSTOMER:		
SIGNATURES		DATE		
DRAWN: ORION		16/JAN/15		
CHECKED:		ENGINEER:		
APPROVAL:		CUSTOMER:		
SIGNATURES		DATE		
DRAWN: ORION		16/JAN/15		
CHECKED:		ENGINEER:		
APPROVAL:		CUSTOMER:		
SIGNATURES		DATE		
DRAWN: ORION		16/JAN/15		
CHECKED:		ENGINEER:		
APPROVAL:		CUSTOMER:		
SIGNATURES		DATE		
DRAWN: ORION		16/JAN/15		
CHECKED:		ENGINEER:		
APPROVAL:		CUSTOMER:		
SIGNATURES		DATE		
DRAWN: ORION		16/JAN/15		
CHECKED:		ENGINEER:		
APPROVAL:		CUSTOMER:		
SIGNATURES		DATE		
DRAWN: ORION		16/JAN/15		
CHECKED:		ENGINEER:		
APPROVAL:		CUSTOMER:		
SIGNATURES		DATE		
DRAWN: ORION		16/JAN/15		
CHECKED:		ENGINEER:		
APPROVAL:		CUSTOMER:		
SIGNATURES		DATE		
DRAWN: ORION		16/JAN/15		
CHECKED:		ENGINEER:		
APPROVAL:		CUSTOMER:		
SIGNATURES		DATE		
DRAWN: ORION		16/JAN/15		
CHECKED:		ENGINEER:		
APPROVAL:		CUSTOMER:		
SIGNATURES		DATE		
DRAWN: ORION		16/JAN/15		
CHECKED:		ENGINEER:		
APPROVAL:		CUSTOMER:		
SIGNATURES		DATE		
DRAWN: ORION		16/JAN/15		
CHECKED:		ENGINEER:		
APPROVAL:		CUSTOMER:		
SIGNATURES		DATE		
DRAWN: ORION		16/JAN/15		
CHECKED:		ENGINEER:		
APPROVAL:		CUSTOMER:		
SIGNATURES		DATE		
DRAWN: ORION		16/JAN/15		
CHECKED:		ENGINEER:		
APPROVAL:		CUSTOMER:		
SIGNATURES		DATE		
DRAWN: ORION		16/JAN/15		
CHECKED:		ENGINEER:		
APPROVAL:		CUSTOMER:		
SIGNATURES		DATE		
DRAWN: ORION		16/JAN/15		
CHECKED:		ENGINEER:		
APPROVAL:		CUSTOMER:		
SIGNATURES		DATE		
DRAWN: ORION		16/JAN/15		
CHECKED:		ENGINEER:		
APPROVAL:		CUSTOMER:		
SIGNATURES		DATE		
DRAWN: ORION		16/JAN/15		
CHECKED:		ENGINEER:		
APPROVAL:		CUSTOMER:		
SIGNATURES		DATE		
DRAWN: ORION		16/JAN/15		
CHECKED:		ENGINEER:		
APPROVAL:		CUSTOMER:		
SIGNATURES		DATE		
DRAWN: ORION		16/JAN/15		
CHECKED:		ENGINEER:		
APPROVAL:		CUSTOMER:		
SIGNATURES		DATE		
DRAWN: ORION		16/JAN/15		
CHECKED:		ENGINEER:		
APPROVAL:		CUSTOMER:		
SIGNATURES		DATE		
DRAWN: ORION		16/JAN/15		
CHECKED:		ENGINEER:		
APPROVAL:		CUSTOMER:		
SIGNATURES		DATE		
DRAWN: ORION		16/JAN/15		
CHECKED:		ENGINEER:		
APPROVAL:		CUSTOMER:		
SIGNATURES		DATE		
DRAWN: ORION		16/JAN/15		
CHECKED:		ENGINEER:		
APPROVAL:		CUSTOMER:		
SIGNATURES		DATE		
DRAWN: ORION		16/JAN/15		
CHECKED:		ENGINEER:		
APPROVAL:		CUSTOMER:		
SIGNATURES		DATE		
DRAWN: ORION		16/JAN/15		
CHECKED:		ENGINEER:		
APPROVAL:		CUSTOMER:		
SIGNATURES				



Компания «ЭлектроПласт» предлагает заключение долгосрочных отношений при поставках импортных электронных компонентов на взаимовыгодных условиях!

Наши преимущества:

- Оперативные поставки широкого спектра электронных компонентов отечественного и импортного производства напрямую от производителей и с крупнейших мировых складов;
- Поставка более 17-ти миллионов наименований электронных компонентов;
- Поставка сложных, дефицитных, либо снятых с производства позиций;
- Оперативные сроки поставки под заказ (от 5 рабочих дней);
- Экспресс доставка в любую точку России;
- Техническая поддержка проекта, помощь в подборе аналогов, поставка прототипов;
- Система менеджмента качества сертифицирована по Международному стандарту ISO 9001;
- Лицензия ФСБ на осуществление работ с использованием сведений, составляющих государственную тайну;
- Поставка специализированных компонентов (Xilinx, Altera, Analog Devices, Intersil, Interpoint, Microsemi, Aeroflex, Peregrine, Syfer, Eurofarad, Texas Instrument, Miteq, Cobham, E2V, MA-COM, Hittite, Mini-Circuits, General Dynamics и др.);

Помимо этого, одним из направлений компании «ЭлектроПласт» является направление «Источники питания». Мы предлагаем Вам помощь Конструкторского отдела:

- Подбор оптимального решения, техническое обоснование при выборе компонента;
- Подбор аналогов;
- Консультации по применению компонента;
- Поставка образцов и прототипов;
- Техническая поддержка проекта;
- Защита от снятия компонента с производства.



#### Как с нами связаться

**Телефон:** 8 (812) 309 58 32 (многоканальный)

**Факс:** 8 (812) 320-02-42

**Электронная почта:** [org@eplast1.ru](mailto:org@eplast1.ru)

**Адрес:** 198099, г. Санкт-Петербург, ул. Калинина, дом 2, корпус 4, литера А.