



IMPACT™ Backplane Connector System

RoHS
Ready 



Table of Contents

Introduction 3-7

Daughter Card Receptacle Assemblies

6 Pair Daughter Card Receptacle Assemblies 8

5 Pair Daughter Card Receptacle Assemblies 9

4 Pair Daughter Card Receptacle Assemblies 10

3 Pair Daughter Card Receptacle Assemblies 11

2 Pair Daughter Card Receptacle Assemblies 12

Mezzanine Assemblies

5 Pair Mezzanine Assemblies 13

Backplane Header Assemblies

6 Pair Backplane Header Assemblies 14

5 Pair Backplane Header Assemblies 15

4 Pair Backplane Header Assemblies 16

3 Pair Backplane Header Assemblies 17

2 Pair Backplane Header Assemblies 18

Coplanar Header (RAM) Assemblies

2 Pair Coplanar Header (RAM) Assemblies 19

Orthogonal Receptacle Assemblies

6 Pair Orthogonal Receptacle Assemblies 20

5 Pair Orthogonal Receptacle Assemblies 21

4 Pair Orthogonal Receptacle Assemblies 22

3 Pair Orthogonal Receptacle Assemblies 23

Orthogonal Header Assemblies

6 Pair Orthogonal Header Assemblies 24

5 Pair Orthogonal Header Assemblies 25

4 Pair Orthogonal Header Assemblies 26

3 Pair Orthogonal Header Assemblies 27

Part Number Index 28

Global Contacts 31

Disclaimer

While TE has made every reasonable effort to ensure the accuracy of the information in this catalog, TE does not guarantee that it is error-free, nor does TE make any other representation, warranty or guarantee that the information is accurate, correct, reliable or current. TE reserves the right to make any adjustments to the information contained herein at any time without notice. TE expressly disclaims all implied warranties regarding the information contained herein, including, but not limited to, any implied warranties of merchantability or fitness for a particular purpose. The dimensions in this catalog are for reference purposes only and are subject to change without notice. Specifications are subject to change without notice. Consult TE for the latest dimensions and design specifications.

© Copyright 2011 Tyco Electronics Corporation. All Rights Reserved.

MULTIGIG RT, Z-PACK, Z-PACK HM-Zd, Z-PACK HS3, Z-PACK Slim UHD, Z-PACK TinMan, TE Connectivity, TE connectivity (logo) and TE (logo) are trademarks of the TE Connectivity Ltd family of companies.

IMPACT is a trademark of Molex, Inc.

Other logos, product and Company names mentioned herein may be trademarks of their respective owners.

Visit the IMPACT connector webpage at: www.te.com/products/Impact

Introduction

Product Facts

- Differential pair density up to 80 pairs per linear inch
- Broad-edge-coupled, differential-pair system
- PCB routing complexity and costs are reduced by using 1.90 mm by 1.35 mm (.075" by .053") grid on backplane and daughter card
- Offers flexibility and advanced mechanical and electrical performance with two compliant-pin attach options
- Inline staggered, bifurcated contact beams in daughter card interface provides improved mating performance

Industry Applications

- Telecommunications equipment
 - Hubs, routers, switches
- Central office, cellular infrastructure and multi-platform service (DSL, Cable Data) systems
- Data networking equipment
 - Servers
 - Storage
- Test and measurement equipment
- Medical diagnostic equipment



TE Connectivity offers a variety of backplane/midplane solutions to meet the demand for increased network bandwidth and advanced technology. Each solution is designed for high performance, increased density and compatibility with industry-standard interfaces. TE provides a user-friendly transition between the PCB-mounted connector and the backplane/midplane. TE has extensive knowledge and expertise on high-speed interface design. Your specific needs can be customized and transformed into new manufacturable designs.

The IMPACT backplane connector and cable system from TE pushes the speed and density envelope to meet the growing demands of next-generation telecommunication and data net-

working equipment; the system is available in 2-6 pair configurations with a complete range of guidance and power-solution options plus right-angle cable assemblies.

The IMPACT system is available in two compliant-pin design options on both daughter card and backplane connectors, providing customers ultimate flexibility to optimize their designs for advanced mechanical and electrical performance. The IMPACT system's mating interface provides in-line staggered, bifurcated contacts that provide 2 points of contact for the long-term reliability performance and built-in, ground-signal sequencing. This reduces the average mating force per connector to improve the mechanical mating performance of the system.

Material and Finish

- Signal Contact** — High Performance Copper (Cu) Alloy
- Ground Contact** — High Performance Copper (Cu) Alloy
- Housing** — Liquid Crystal Polymer, UL 94V-0

Platings

- Contact Area** — 0.76 μm (30 μm) Gold (Au) min.
- Solder Tail Area** — Tin (Sn) or Tin/Lead (Sn/Pb)
- Underplating** — Nickel (Ni)
- PCB Thickness** — 1.60 mm (.062") typical

Ratings

- Temperature Range** — -55°C to 85°C max.
- Current Rating** — 0.75 A per pin max.
- Durability** — 200 cycles
- Operating Voltage** — 30 VAC RMS/DC max.
- Mating Force** — 0.30 N (9.066 lb) max. per pin
- Compliant Pin Retention Force to PCB** — 3.56 N (.80 lb) per compliant pin average min.
- Compliant Pin Insertion Force to PCB** — 26.7 N (6.0 lb) max. per contact
- Signal Integrity**
- Insulation Resistance** — 10,000 Megohms min.

Technical Documents

Product Specification

108-2351

Application Specification

114-13258

Visit the IMPACT connector webpage at: www.te.com/products/Impact

Introduction (Continued)



| | Header Width (W) | Pairs/Inch |
|-------------------------|------------------|------------|
| 2 Pair IMPACT Connector | 12.65 mm | 27 |
| 3 Pair IMPACT Connector | 16.70 mm | 40 |
| 4 Pair IMPACT Connector | 20.75 mm | 54 |
| 5 Pair IMPACT Connector | 24.8 mm | 67 |
| 6 Pair IMPACT Connector | 28.85 mm | 80 |

| | Receptacles | Headers |
|--------|-------------|-----------|
| 2 Pair | 2057405-1 | 2057428-1 |
| 3 Pair | 2007705-1 | 2007786-1 |
| 4 Pair | 2007717-1 | 2007818-1 |
| 5 Pair | 2110106-1 | 2007850-1 |
| 6 Pair | 2007741-1 | 2007882-1 |

All the numbers provided are for 0.39mm PCB plated thru hole use. Part numbers are available for 0.46mm PCB plated thru holes by contacting the respective country product information center listed on the bottom of each page.



Visit the IMPACT connector webpage at: www.te.com/products/Impact

Introduction (Continued)

IMPACT Connector Family
Standard, Monoblock
Solutions

2 Pair IMPACT (W = 12.65 mm)
Density = 27 Pairs/Inch
10 column = 20 Diff. Pairs
16 column = 32 Diff. Pairs



3 Pair IMPACT (W = 16.7 mm)
Density = 40 Pairs/Inch
10 column = 30 Diff. Pairs
16 column = 48 Diff. Pairs



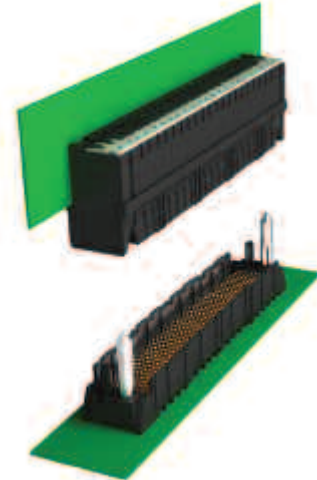
4 Pair IMPACT (W = 20.75 mm)
Density = 54 Pairs/Inch
10 column = 40 Diff. Pairs
16 column = 64 Diff. Pairs



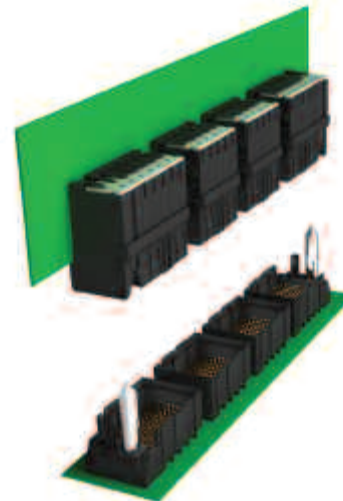
5 Pair IMPACT (W = 24.80 mm)
Density = 67 Pairs/Inch
10 column = 50 Diff. Pairs
16 column = 80 Diff. Pairs



6 Pair IMPACT (W = 28.85 mm)
Density = 80 Pairs/Inch
10 column = 60 Diff. Pairs
16 column = 96 Diff. Pairs



End-to-End Stackable Example



End Wall Separation Example

Visit the IMPACT connector webpage at: www.te.com/products/Impact

Introduction (Continued)

Worst Case Crosstalk

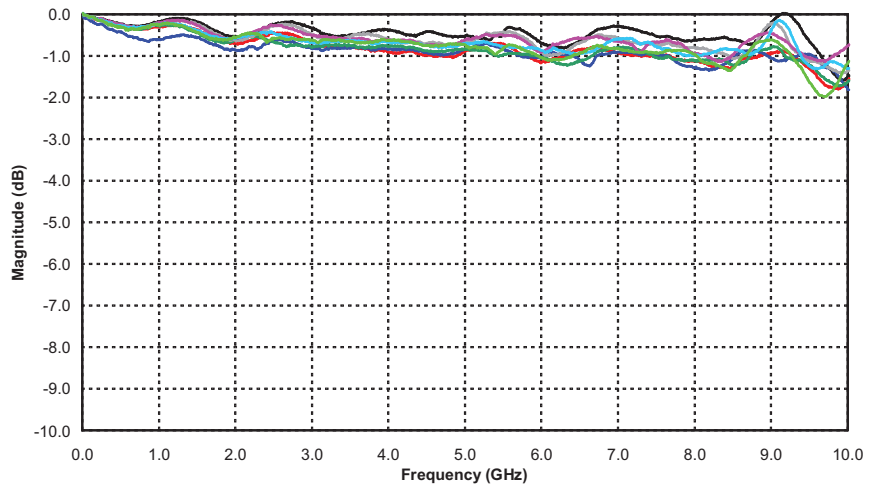
| | |
|--|-------------|
| All NEXT | 2.7% |
| All FeXT | 0.7% |
| Recommended Pinout (as shown below) | 1.5% |



Test Data

- Vertical Header — Right-Angle Receptacle
 - 4 pair connector module
 - 1.9 mm column pitch
 - 0.0146" plated through holes
- 50 ps (20-80%) edge rate
- Includes two 1.5 mm [0.060] vias to bottom layer traces
- Asynchronous noise sum of peaks from each aggressor, divided by differential swing (A-B)

Differential Insertion Loss



Differential Impedance

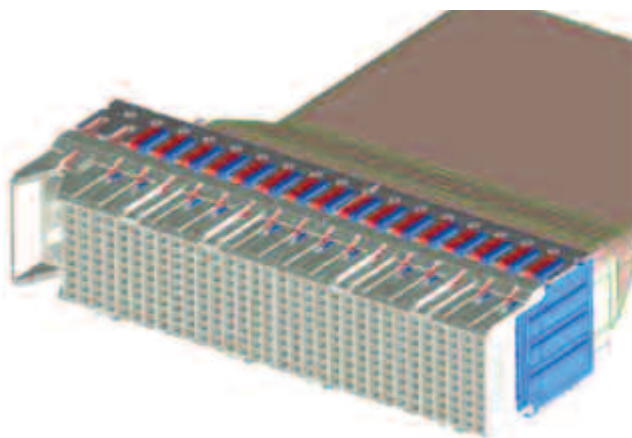


Visit the IMPACT connector webpage at: www.te.com/products/Impact

Introduction (Continued)

IMPACT High Performance Cable Assembly Planned:

- 3 x 16 wafer stack — 96 diff. pair total
- IMPACT wafer to wafer pitch — 3.8 mm
- Assumes 3 m length — 26 AWG raw cable
- Integral guidance
- Robust, stamped, metal wafer stack stiffener



100 Ohm

| Pair Size | Columns | Pins | Pairs |
|-----------|---------|------|-------|
| 2 Pair | 10 | 60 | 20 |
| | 16 | 96 | 32 |
| 3 Pair | 8 | 72 | 24 |
| | 10 | 90 | 30 |
| | 16 | 144 | 48 |
| 4 Pair | 8 | 96 | 32 |
| | 10 | 120 | 40 |
| | 16 | 192 | 64 |
| 5 Pair | 10 | 150 | 50 |
| | 12 | 180 | 60 |
| | 16 | 240 | 80 |
| 6 Pair | 10 | 180 | 60 |
| | 14 | 252 | 84 |
| | 16 | 288 | 96 |

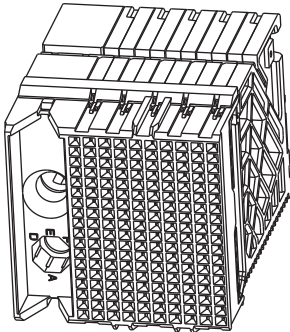
85 Ohm

| Pair Size | Columns | Pins | Pairs |
|-----------|---------|------|-------|
| 5 Pair | 10 | 150 | 50 |
| | 16 | 240 | 80 |

Visit the IMPACT connector webpage at: www.te.com/products/Impact

Daughter Card Receptacle Assemblies

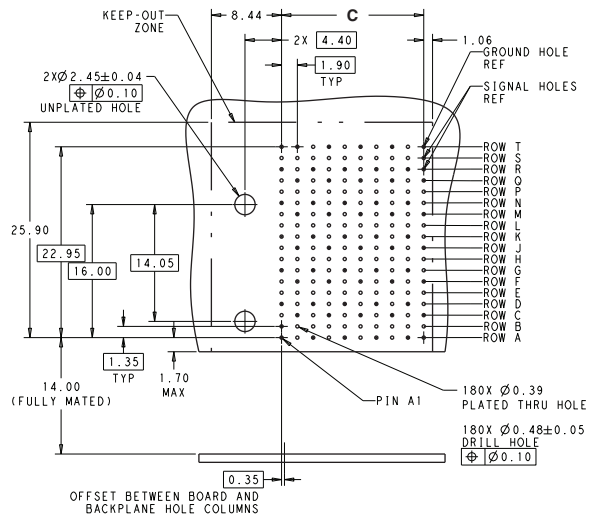
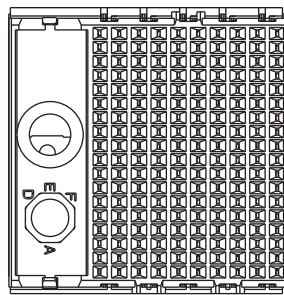
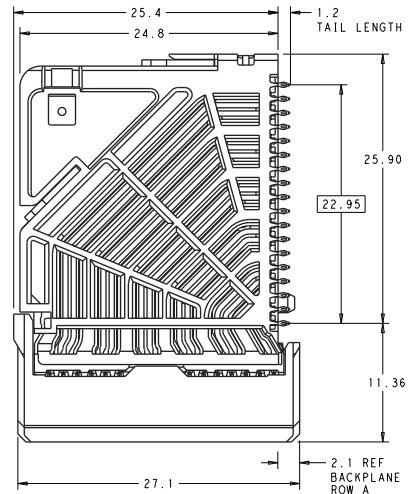
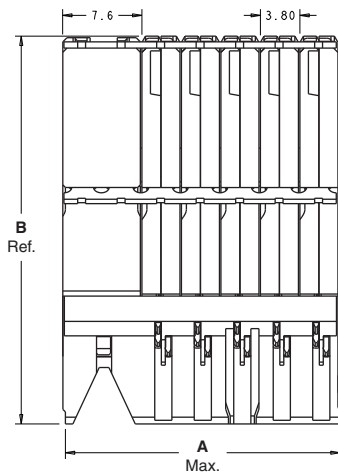
6 Pair Daughter Card Receptacle Assemblies



| Column | Guide | Part Number | Dimension | | | Application Tooling | Mates With |
|--------|----------|-------------|-----------|------|------|---------------------|------------|
| | | | A | B | C | | |
| 10 | Left | 2007739-1 | 26.6 | 37.3 | 17.1 | 2018534-1 | 2007873-1 |
| | Right | 2007740-1 | 26.6 | 37.3 | 17.1 | 2018534-1 | 2007877-1 |
| | Unguided | 2007741-1 | 19 | 37.3 | 17.1 | 2018534-1 | 2007886-1 |
| 16 | Left | 2007745-1 | 38 | 37.3 | 28.5 | 2018535-1 | 2007889-1 |
| | Right | 2007746-1 | 38 | 37.3 | 28.5 | 2018535-1 | 2007893-1 |
| | Unguided | 2007747-1 | 30.4 | 37.3 | 28.5 | 2018535-1 | 2007902-1 |

Note: 10 column part number 2007739-1 is pictured below.

All the numbers provided are for 0.39mm PCB plated thru hole use. Part numbers are available for 0.46mm PCB plated thru holes by contacting the respective country product information center listed on the bottom of each page.



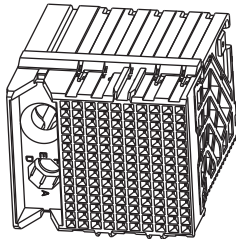
| | |
|--|------|
| | None |
| | |
| | |
| | |
| | |

Recommended PCB Layout
Min. Board Thickness 1.0

Visit the IMPACT connector webpage at: www.te.com/products/Impact

Daughter Card Receptacle Assemblies (Continued)

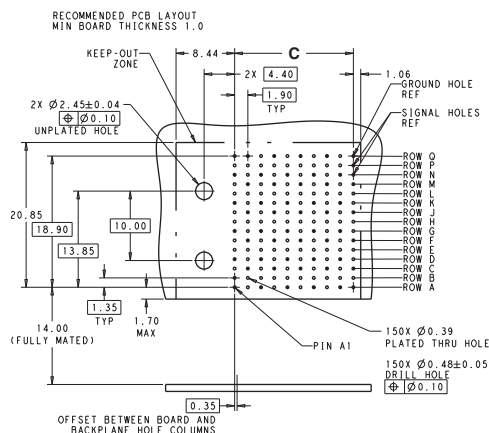
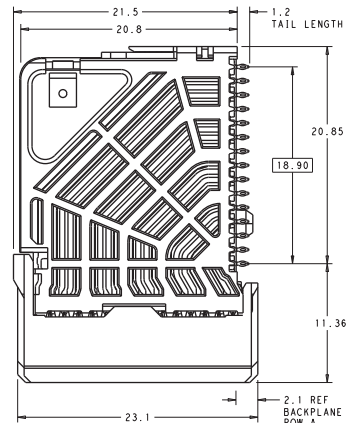
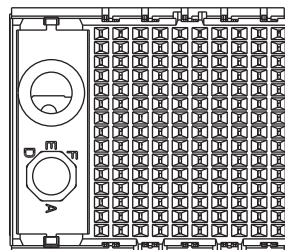
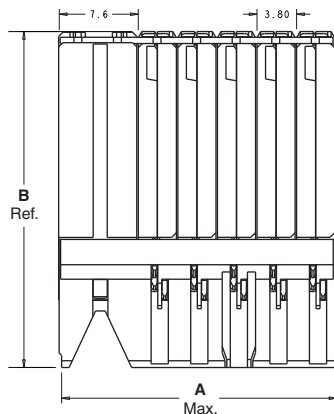
5 Pair Daughter Card Receptacle Assemblies



| Column | Guide | Part Number | Dimension | | | Application Tooling | Mates With |
|--------|----------|-------------|-----------|------|------|---------------------|------------|
| | | | A | B | C | | |
| 10 | Left | 2110104-1 | 26.6 | 32.3 | 17.1 | 2018448-1 | 2007841-1 |
| | Right | 2110105-1 | 26.6 | 32.3 | 17.1 | 2018448-1 | 2007845-1 |
| | Unguided | 2110106-1 | 19.0 | 32.3 | 17.1 | 2018448-1 | 2007854-1 |
| 16 | Left | 2110122-1 | 38.0 | 32.3 | 28.5 | 2018532-1 | 2007857-1 |
| | Right | 2110123-1 | 38.0 | 32.3 | 28.5 | 2018532-1 | 2007861-1 |
| | Unguided | 2110124-1 | 30.4 | 32.3 | 28.5 | 2018532-1 | 2007870-1 |

Note: 10 column part number 2110104-1 is pictured below.

All the numbers provided are for 0.39mm PCB plated thru hole use. Part numbers are available for 0.46mm PCB plated thru holes by contacting the respective country product information center listed on the bottom of each page.



| Key Position Chart | |
|--------------------|------|
| | None |
| | |
| | |
| | |
| | |

Recommended PCB Layout
Min. Board Thickness 1.0

Visit the IMPACT connector webpage at: www.te.com/products/Impact

Daughter Card Receptacle Assemblies (Continued)

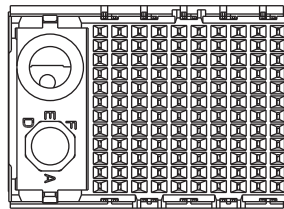
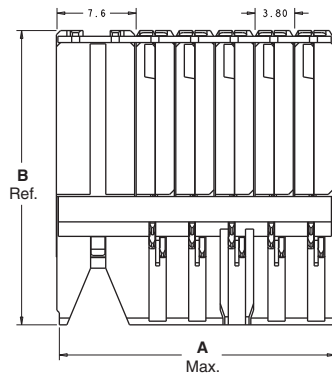
4 Pair Daughter Card Receptacle Assemblies



| Column | Guide | Part Number | Dimension | | | Application Tooling | Mates With |
|--------|----------|-------------|-----------|------|------|---------------------|------------|
| | | | A | B | C | | |
| 10 | Left | 2007715-1 | 26.6 | 28.2 | 17.1 | 2018530-1 | 2007809-1 |
| | Right | 2007716-1 | 26.6 | 28.2 | 17.1 | 2018530-1 | 2007813-1 |
| | Unguided | 2007717-1 | 19 | 28.2 | 17.1 | 2018530-1 | 2007822-1 |
| 16 | Left | 2007721-1 | 38 | 28.2 | 28.5 | 2018531-1 | 2007825-1 |
| | Right | 2007722-1 | 38 | 28.2 | 28.5 | 2018531-1 | 2007829-1 |
| | Unguided | 2007723-1 | 30.4 | 28.2 | 28.5 | 2018531-1 | 2007838-1 |

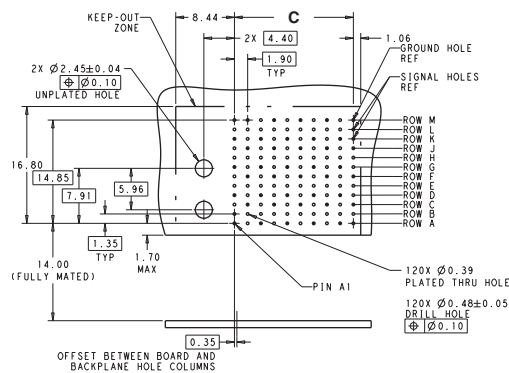
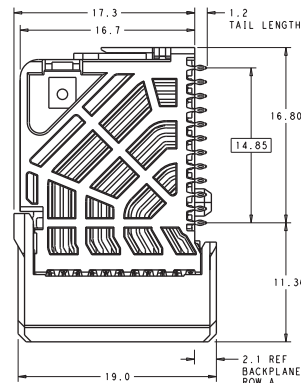
Note: 10 column part number 2007715-1 is pictured below.

All the numbers provided are for 0.39mm PCB plated thru hole use. Part numbers are available for 0.46mm PCB plated thru holes by contacting the respective country product information center listed on the bottom of each page.



Key Position Chart

| | |
|------|---|
| None | |
| A | E |
| B | F |
| C | G |
| D | H |

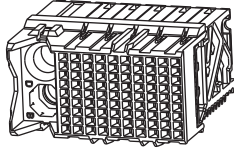


Recommended PCB Layout
Min. Board Thickness 1.0

Visit the IMPACT connector webpage at: www.te.com/products/Impact

Daughter Card Receptacle Assemblies (Continued)

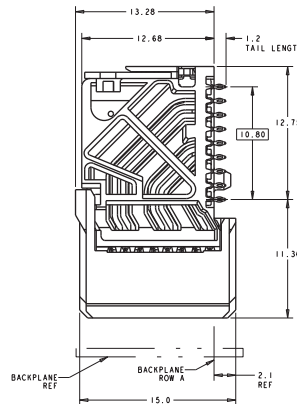
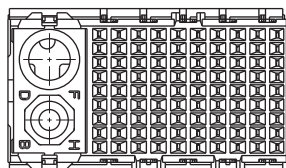
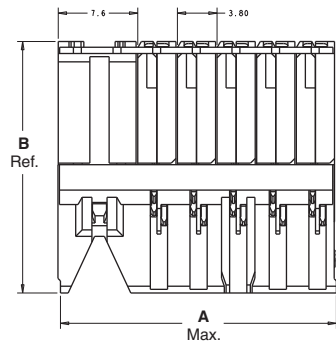
3 Pair Daughter Card Receptacle Assemblies



| Column | Guide | Part Number | Dimension | | | Application Tooling | Mates With |
|--------|----------|-------------|-----------|------|------|---------------------|------------|
| | | | A | B | C | | |
| 10 | Left | 2007703-1 | 26.6 | 24.2 | 17.1 | 2018380-1 | 2007777-1 |
| | Right | 2007704-1 | 26.6 | 24.2 | 17.1 | 2018380-1 | 2007781-1 |
| | Unguided | 2007705-1 | 19 | 24.2 | 17.1 | 2018380-1 | 2007789-1 |
| 16 | Left | 2007709-1 | 38 | 24.2 | 28.5 | 2018381-1 | 2007793-1 |
| | Right | 2007710-1 | 38 | 24.2 | 28.5 | 2018381-1 | 2007797-1 |
| | Unguided | 2007711-1 | 30.4 | 24.2 | 28.5 | 2018381-1 | 2007805-1 |

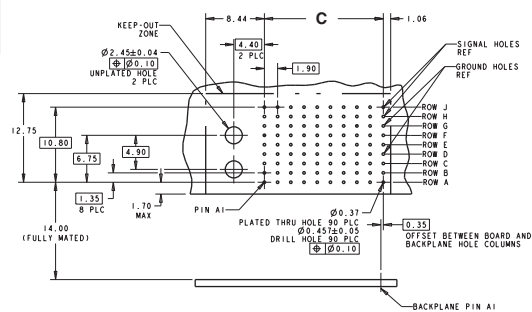
Note: 10 column part number 2007703-1 is pictured below.

All the numbers provided are for 0.39mm PCB plated thru hole use. Part numbers are available for 0.46mm PCB plated thru holes by contacting the respective country product information center listed on the bottom of each page.



Key Position Chart

| | |
|--|------|
| | None |
| | |
| | |
| | |
| | |

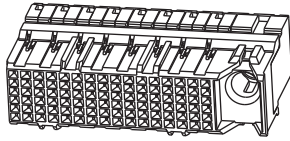


**Recommended PCB Layout
Min. Board Thickness 1.0**

Visit the IMPACT connector webpage at: www.te.com/products/Impact

Daughter Card Receptacle Assemblies (Continued)

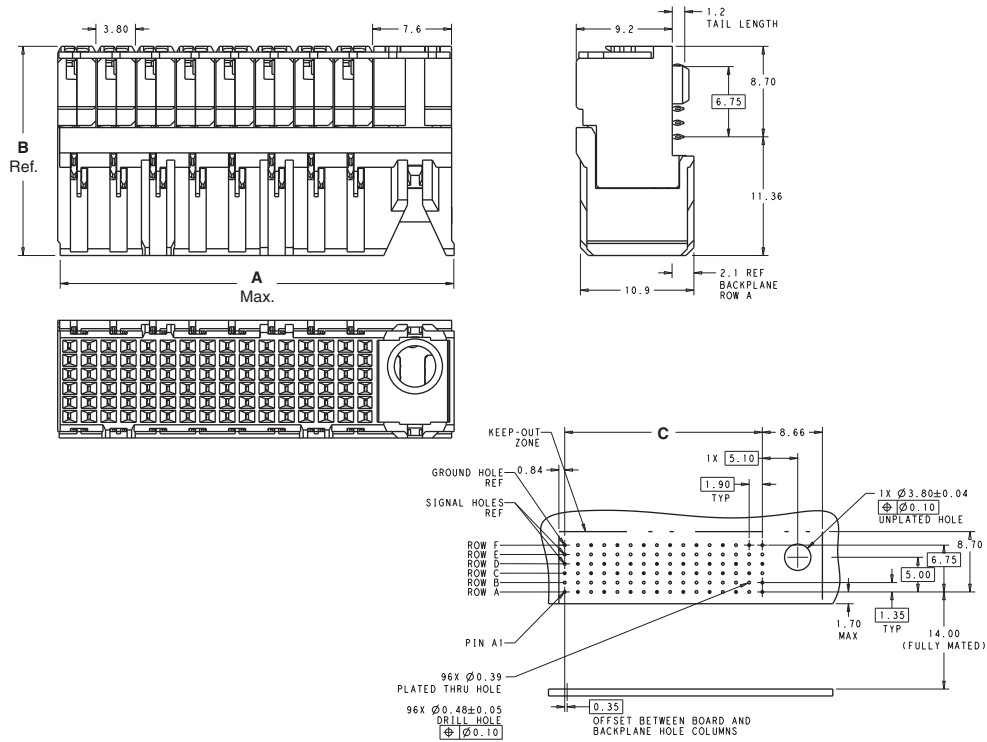
2 Pair Daughter Card Receptacle Assemblies



| Column | Guide | Part Number | Dimension | | | Application Tooling | Mates With |
|--------|----------|-------------|-----------|------|------|---------------------|------------|
| | | | A | B | C | | |
| 10 | Left | 2057403-1 | 26.6 | 20.1 | 17.1 | 2018538-1 | 2057419-1 |
| | Right | 2057404-1 | 26.6 | 20.1 | 17.1 | 2018538-1 | 2057423-1 |
| | Unguided | 2057405-1 | 19 | 20.1 | 17.1 | 2018538-1 | 2057432-1 |
| 16 | Left | 2057409-1 | 38 | 20.1 | 28.5 | 2018539-1 | 2057737-1 |
| | Right | 2057410-1 | 38 | 20.1 | 28.5 | 2018539-1 | 2057741-1 |
| | Unguided | 2057411-1 | 30.4 | 20.1 | 28.5 | 2018539-1 | 2057750-1 |

Note: 16 column part number 2057410-1 is pictured below.

All the numbers provided are for 0.39mm PCB plated thru hole use. Part numbers are available for 0.46mm PCB plated thru holes by contacting the respective country product information center listed on the bottom of each page.

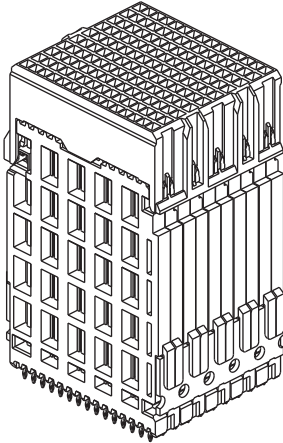


Recommended PCB Layout
Min. Board Thickness 1.6

Visit the IMPACT connector webpage at: www.te.com/products/Impact

Mezzanine Assemblies

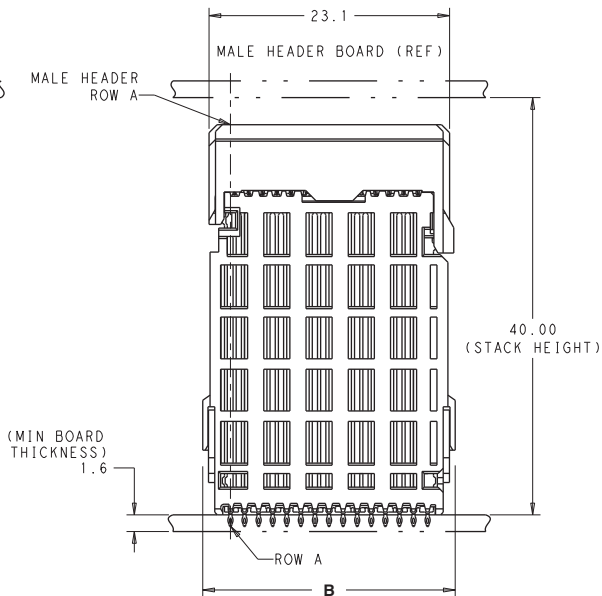
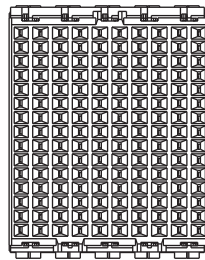
5 Pair Mezzanine Receptacle Assemblies



| Column | Stack Height | Guide | Part Number | Dimension | | | Application Tooling | Mates With |
|--------|--------------|----------|-------------|-----------|------|------|---------------------|------------|
| | | | | A | B | C | | |
| 10 | 40 mm | Left | 2149911-1 | 26.6 | 24.2 | 17.1 | 2018774-1 | 2007840-1 |
| | | Right | 2149912-1 | 26.6 | 24.2 | 17.1 | 2018774-1 | 2007844-1 |
| | | Unguided | 2149913-1 | 19.0 | 24.2 | 17.1 | 2018774-1 | 2007850-1 |
| 16 | 28 mm | Left | 2149392-1 | 26.6 | 24.2 | 28.5 | 2018774-2 | 2007856-1 |
| | | Right | 2149393-1 | 26.6 | 24.2 | 28.5 | 2018774-2 | 2007860-1 |
| | | Unguided | 2149394-1 | 19.0 | 24.2 | 28.5 | 2018774-2 | 2007866-1 |

Note: 10 column part number 2149913-1 is pictured below.

All the numbers provided are for 0.39mm PCB plated thru hole use. Part numbers are available for 0.46mm PCB plated thru holes by contacting the respective country product information center listed on the bottom of each page.



Visit the IMPACT connector webpage at: www.te.com/products/Impact

Backplane Header Assemblies

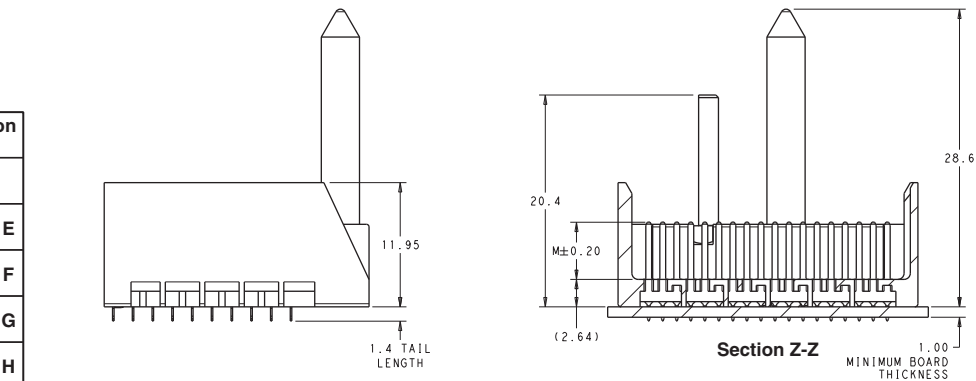
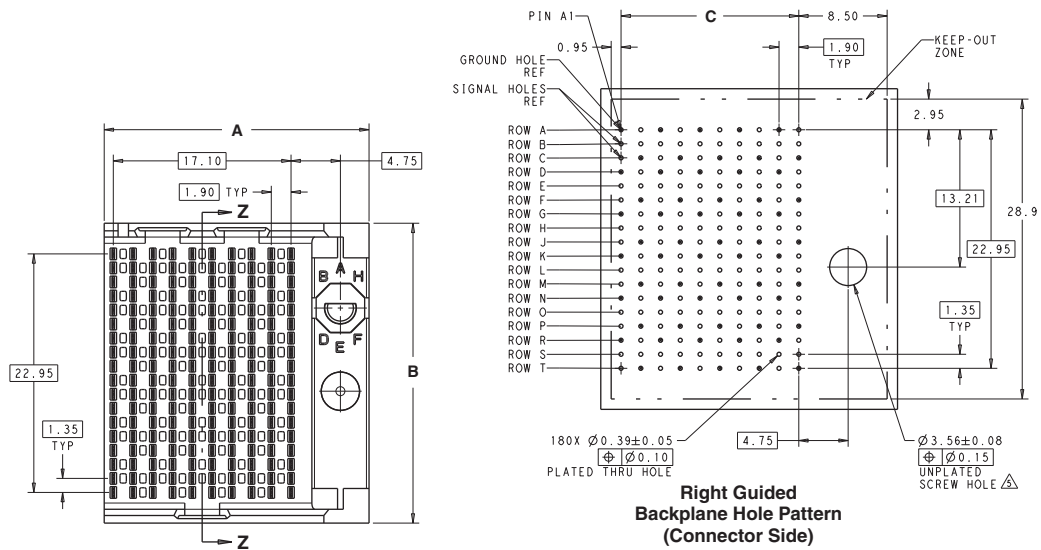
6 Pair Backplane Header Assemblies



| Column | Guide | Wall End | Part Number | Dimension | | | Application Tooling | Mates With |
|--------|----------|----------|-------------|-----------|------|------|---------------------|------------|
| | | | | A | B | C | | |
| 10 | Left | Right | 2007875-1 | 26.9 | 28.9 | 17.1 | 2018527-1 | 2007739-1 |
| | | Open | 2007873-1 | 25.5 | 28.9 | 17.1 | 2018527-1 | 2007739-1 |
| | Right | Left | 2007879-1 | 26.9 | 28.9 | 17.1 | 2018527-1 | 2007740-1 |
| | | Open | 2007877-1 | 25.5 | 28.9 | 17.1 | 2018527-1 | 2007740-1 |
| | Unguided | Left | 2007885-1 | 20.3 | 28.9 | 17.1 | 2018527-1 | 2007741-1 |
| | | Right | 2007887-1 | 20.3 | 28.9 | 17.1 | 2018527-1 | 2007741-1 |
| | | Dual | 2007886-1 | 21.7 | 28.9 | 17.1 | 2018527-1 | 2007741-1 |
| | | Open | 2007884-1 | 18.9 | 28.9 | 17.1 | 2018527-1 | 2007741-1 |
| 16 | Left | Right | 2007891-1 | 38.3 | 28.9 | 28.5 | 2018528-1 | 2007745-1 |
| | | Open | 2007889-1 | 36.9 | 28.9 | 28.5 | 2018528-1 | 2007745-1 |
| | Right | Left | 2007895-1 | 38.3 | 28.9 | 28.5 | 2018528-1 | 2007746-1 |
| | | Open | 2007893-1 | 36.9 | 28.9 | 28.5 | 2018528-1 | 2007746-1 |
| | Unguided | Left | 2007901-1 | 31.7 | 28.9 | 28.5 | 2018528-1 | 2007747-1 |
| | | Right | 2007903-1 | 31.7 | 28.9 | 28.5 | 2018528-1 | 2007747-1 |
| | | Dual | 2007902-1 | 33.1 | 28.9 | 28.5 | 2018528-1 | 2007747-1 |
| | | Open | 2007900-1 | 30.3 | 28.9 | 28.5 | 2018528-1 | 2007747-1 |

Note: 10 column part number 2007877-1 is pictured below.

All the numbers provided are for 0.39mm PCB plated thru hole use. Part numbers are available for 0.46mm PCB plated thru holes by contacting the respective country product information center listed on the bottom of each page.

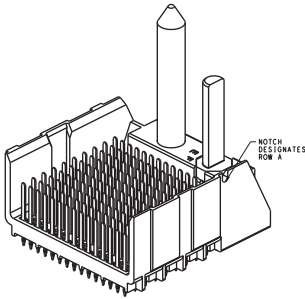


| Key Position Chart | |
|--------------------|------|
| | None |
| | |
| | |
| | |
| | |

Visit the IMPACT connector webpage at: www.te.com/products/Impact

Backplane Header Assemblies (Continued)

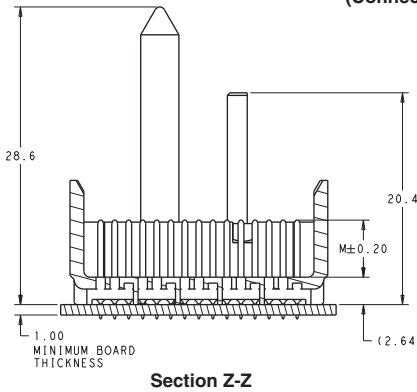
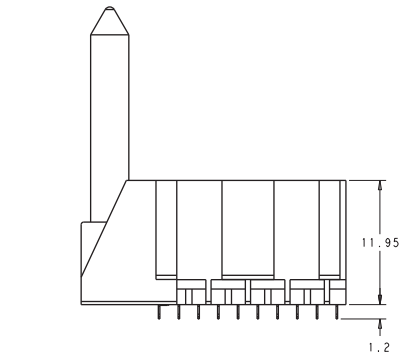
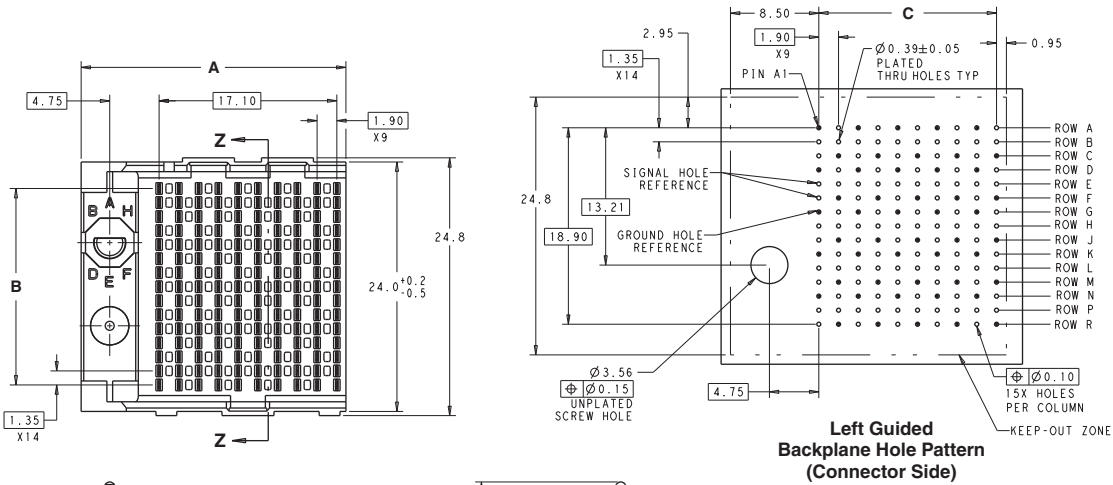
5 Pair Backplane Header Assemblies



| Column | Guide | Wall End | Part Number | Dimension | | | Application Tooling | Mates With |
|--------|----------|----------|-------------|-----------|------|------|---------------------|------------|
| | | | | A | B | C | | |
| 10 | Left | Right | 2007843-1 | 26.9 | 24.8 | 17.1 | 2018446-1 | 2110104-1 |
| | | Open | 2007841-1 | 25.5 | 24.8 | 17.1 | 2018446-1 | 2110104-1 |
| | Right | Left | 2007847-1 | 26.9 | 24.8 | 17.1 | 2018446-1 | 2110105-1 |
| | | Open | 2007845-1 | 25.5 | 24.8 | 17.1 | 2018446-1 | 2110105-1 |
| | Unguided | Left | 2007853-1 | 20.3 | 24.8 | 17.1 | 2018446-1 | 2110106-1 |
| | | Right | 2007855-1 | 20.3 | 24.8 | 17.1 | 2018446-1 | 2110106-1 |
| | | Dual | 2007854-1 | 21.7 | 24.8 | 17.1 | 2018446-1 | 2110106-1 |
| | | Open | 2007852-1 | 18.9 | 24.8 | 17.1 | 2018446-1 | 2110106-1 |
| 16 | Left | Right | 2007853-1 | 38.3 | 24.8 | 28.5 | 2018525-1 | 2110122-1 |
| | | Open | 2007857-1 | 36.9 | 24.8 | 28.5 | 2018525-1 | 2110122-1 |
| | Right | Left | 2007863-1 | 38.3 | 24.8 | 28.5 | 2018525-1 | 2110123-1 |
| | | Open | 2007861-1 | 36.9 | 24.8 | 28.5 | 2018525-1 | 2110123-1 |
| | Unguided | Left | 2007869-1 | 31.7 | 24.8 | 28.5 | 2018525-1 | 2110124-1 |
| | | Right | 2007871-1 | 31.7 | 24.8 | 28.5 | 2018525-1 | 2110124-1 |
| | | Dual | 2007870-1 | 33.1 | 24.8 | 28.5 | 2018525-1 | 2110124-1 |
| | | Open | 2007868-1 | 30.3 | 24.8 | 28.5 | 2018525-1 | 2110124-1 |

Note: 10 column part number 2007841-1 is pictured below.

All the numbers provided are for 0.39mm PCB plated thru hole use. Part numbers are available for 0.46mm PCB plated thru holes by contacting the respective country product information center listed on the bottom of each page.

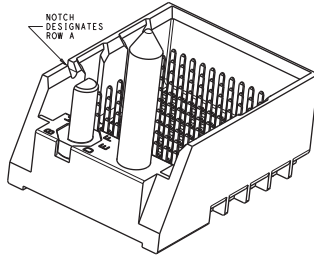


| Key Position Chart | |
|--------------------|------|
| A | None |
| B | A |
| C | B |
| D | C |
| E | D |
| F | E |
| G | F |
| H | G |

Visit the IMPACT connector webpage at: www.te.com/products/Impact

Backplane Header Assemblies (Continued)

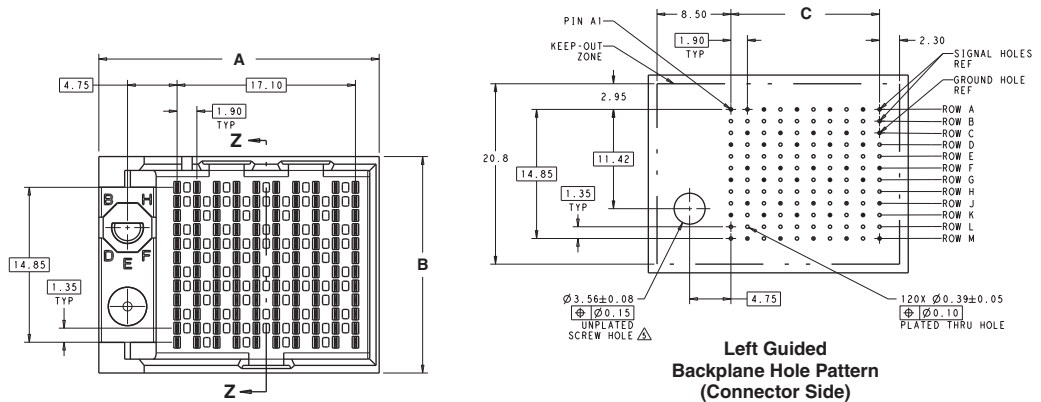
4 Pair Backplane Header Assemblies



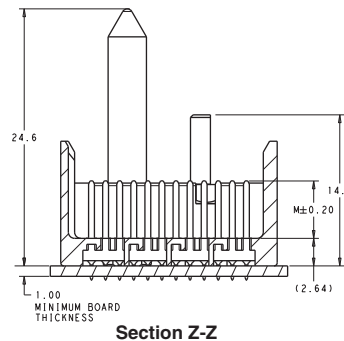
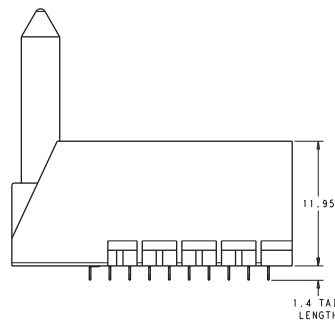
| Column | Guide | Wall End | Part Number | Dimension | | | Application Tooling | Mates With |
|--------|----------|----------|-------------|-----------|------|------|---------------------|------------|
| | | | | A | B | C | | |
| 10 | Left | Right | 2007811-1 | 26.9 | 20.8 | 17.1 | 2018524-1 | 2007715-1 |
| | | Open | 2007809-1 | 25.5 | 20.8 | 17.1 | 2018524-1 | 2007715-1 |
| | Right | Left | 2007815-1 | 26.9 | 20.8 | 17.1 | 2018524-1 | 2007716-1 |
| | | Open | 2007813-1 | 25.5 | 20.8 | 17.1 | 2018524-1 | 2007716-1 |
| | Unguided | Left | 2007821-1 | 20.3 | 20.8 | 17.1 | 2018524-1 | 2007717-1 |
| | | Right | 2007823-1 | 20.3 | 20.8 | 17.1 | 2018524-1 | 2007717-1 |
| | | Dual | 2007822-1 | 21.7 | 20.8 | 17.1 | 2018524-1 | 2007717-1 |
| | | Open | 2007820-1 | 18.9 | 20.8 | 17.1 | 2018524-1 | 2007717-1 |
| 16 | Left | Right | 2007827-1 | 38.3 | 20.8 | 28.5 | 2018513-1 | 2007721-1 |
| | | Open | 2007825-1 | 36.9 | 20.8 | 28.5 | 2018513-1 | 2007721-1 |
| | Right | Left | 2007831-1 | 38.3 | 20.8 | 28.5 | 2018513-1 | 2007722-1 |
| | | Open | 2007829-1 | 36.9 | 20.8 | 28.5 | 2018513-1 | 2007722-1 |
| | Unguided | Left | 2007837-1 | 31.7 | 20.8 | 28.5 | 2018513-1 | 2007723-1 |
| | | Right | 2007839-1 | 31.7 | 20.8 | 28.5 | 2018513-1 | 2007723-1 |
| | | Dual | 2007838-1 | 33.1 | 20.8 | 28.5 | 2018513-1 | 2007723-1 |
| | | Open | 2007836-1 | 30.3 | 20.8 | 28.5 | 2018513-1 | 2007723-1 |

Note: 10 column part number 2007811-1 is pictured below.

All the numbers provided are for 0.39mm PCB plated thru hole use. Part numbers are available for 0.46mm PCB plated thru holes by contacting the respective country product information center listed on the bottom of each page.



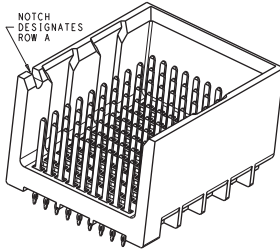
| Key Position Chart | |
|--------------------|------|
| | None |
| | |
| | |
| | |
| | |



Visit the IMPACT connector webpage at: www.te.com/products/Impact

Backplane Header Assemblies (Continued)

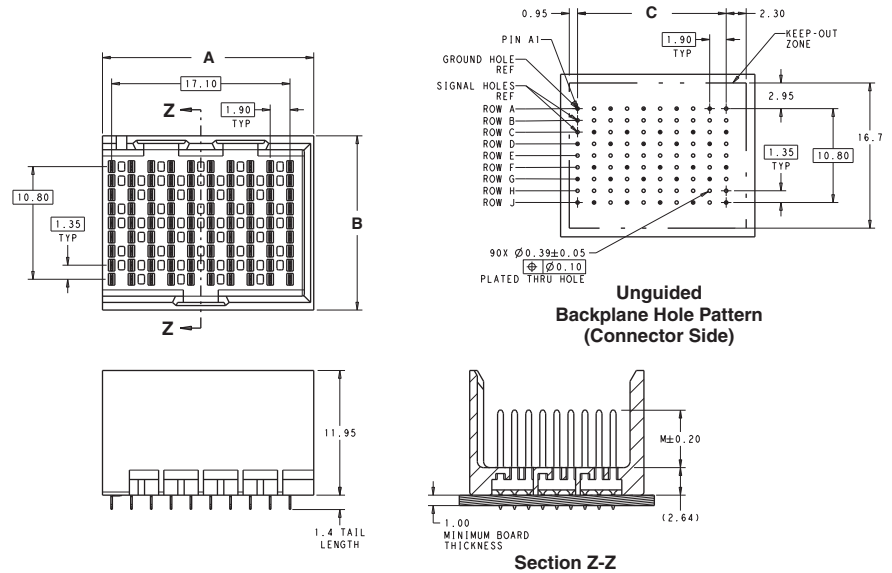
3 Pair Backplane Header Assemblies



| Column | Guide | Wall End | Part Number | Dimension | | | Application Tooling | Mates With | |
|----------|----------|----------|-------------|-----------|------|------|---------------------|------------|-----------|
| | | | | A | B | C | | | |
| 10 | Left | Right | 2007779-1 | 26.9 | 16.7 | 17.1 | 2018377-1 | 2007703-1 | |
| | | Open | 2007777-1 | 25.5 | 16.7 | 17.1 | 2018377-1 | 2007703-1 | |
| | Right | Left | 2007783-1 | 26.9 | 16.7 | 17.1 | 2018377-1 | 2007704-1 | |
| | | Open | 2007781-1 | 25.5 | 16.7 | 17.1 | 2018377-1 | 2007704-1 | |
| | Unguided | Left | 2007789-1 | 20.3 | 16.7 | 17.1 | 2018377-1 | 2007705-1 | |
| | | Right | 2007791-1 | 20.3 | 16.7 | 17.1 | 2018377-1 | 2007705-1 | |
| | | Dual | 2007790-1 | 21.7 | 16.7 | 17.1 | 2018377-1 | 2007705-1 | |
| | | Open | 2007788-1 | 18.9 | 16.7 | 17.1 | 2018377-1 | 2007705-1 | |
| | 16 | Left | Right | 2007795-1 | 38.3 | 16.7 | 28.5 | 2018378-1 | 2007709-1 |
| | | | Open | 2007793-1 | 36.9 | 16.7 | 28.5 | 2018378-1 | 2007709-1 |
| Right | | Left | 2007799-1 | 38.3 | 16.7 | 28.5 | 2018378-1 | 2007710-1 | |
| | | Open | 2007797-1 | 36.9 | 16.7 | 28.5 | 2018378-1 | 2007710-1 | |
| Unguided | | Left | 2007805-1 | 31.7 | 16.7 | 28.5 | 2018378-1 | 2007711-1 | |
| | | Right | 2007807-1 | 31.7 | 16.7 | 28.5 | 2018378-1 | 2007711-1 | |
| | | Dual | 2007806-1 | 33.1 | 16.7 | 28.5 | 2018378-1 | 2007711-1 | |
| | | Open | 2007804-1 | 30.3 | 16.7 | 28.5 | 2018378-1 | 2007711-1 | |

Note: 10 column part number 2007791-1 is pictured below.

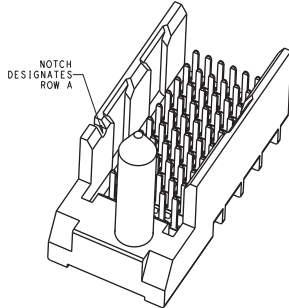
All the numbers provided are for 0.39mm PCB plated thru hole use. Part numbers are available for 0.46mm PCB plated thru holes by contacting the respective country product information center listed on the bottom of each page.



Visit the IMPACT connector webpage at: www.te.com/products/Impact

Backplane Header Assemblies (Continued)

2 Pair Backplane Header Assemblies



| Column | Guide | Wall End | Part Number | Dimension | | | Application Tooling | Mates With |
|--------|----------|----------|-------------|-----------|------|------|---------------------|------------|
| | | | | A | B | C | | |
| 10 | Left | Right | 2057421-1 | 26.9 | 12.7 | 17.1 | 2018536-1 | 2057403-1 |
| | | Open | 2057419-1 | 25.5 | 12.7 | 17.1 | 2018536-1 | 2057403-1 |
| | Right | Left | 2057425-1 | 25.5 | 12.7 | 17.1 | 2018536-1 | 2057404-1 |
| | | Open | 2057423-1 | 26.9 | 12.7 | 17.1 | 2018536-1 | 2057404-1 |
| | Unguided | Left | 2057431-1 | 20.3 | 12.7 | 17.1 | 2018536-1 | 2057405-1 |
| | | Right | 2057433-1 | 20.3 | 12.7 | 17.1 | 2018536-1 | 2057405-1 |
| | | Dual | 2057432-1 | 21.7 | 12.7 | 17.1 | 2018536-1 | 2057405-1 |
| | | Open | 2057430-1 | 18.9 | 12.7 | 17.1 | 2018536-1 | 2057405-1 |
| | | Left | 2057739-1 | 38.3 | 12.7 | 28.5 | 2018537-1 | 2057409-1 |
| | | Right | 2057737-1 | 36.9 | 12.7 | 28.5 | 2018537-1 | 2057409-1 |
| 16 | Right | Left | 2057743-1 | 38.3 | 12.7 | 28.5 | 2018537-1 | 2057410-1 |
| | | Open | 2057741-1 | 36.9 | 12.7 | 28.5 | 2018537-1 | 2057410-1 |
| | | Left | 2057749-1 | 31.7 | 12.7 | 28.5 | 2018537-1 | 2057411-1 |
| | Unguided | Right | 2057751-1 | 31.7 | 12.7 | 28.5 | 2018537-1 | 2057411-1 |
| | | Dual | 2057750-1 | 33.1 | 12.7 | 28.5 | 2018537-1 | 2057411-1 |
| | | Open | 2057748-1 | 30.3 | 12.7 | 28.5 | 2018537-1 | 2057411-1 |

Note: 10 column part number 2057419-1 is pictured below.

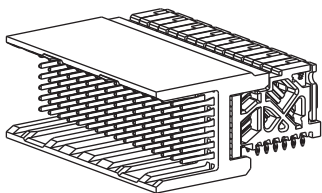
All the numbers provided are for 0.39mm PCB plated thru hole use. Part numbers are available for 0.46mm PCB plated thru holes by contacting the respective country product information center listed on the bottom of each page.



Visit the IMPACT connector webpage at: www.te.com/products/Impact

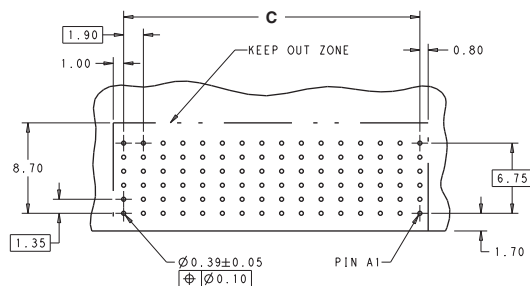
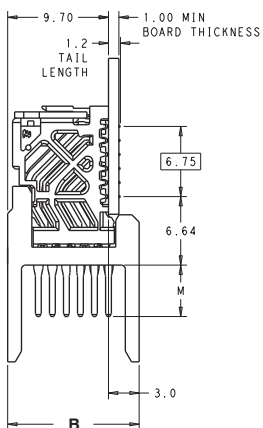
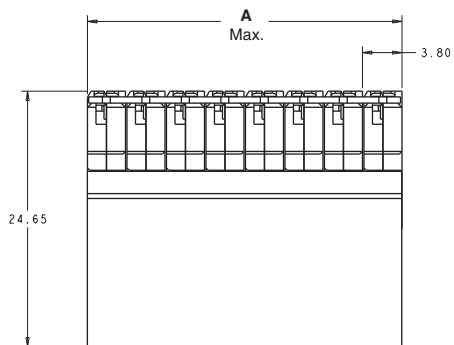
Coplanar Header (RAM) Assemblies (Continued)

2 Pair Coplanar Header (RAM) Assemblies

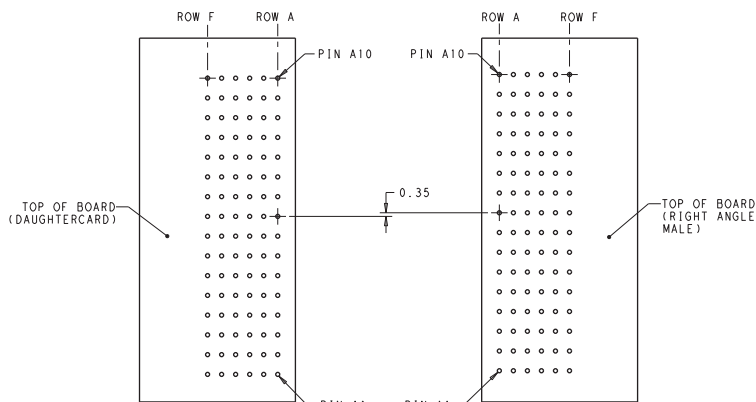
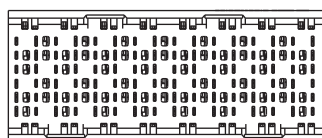


| Column | Guide | Wall End | Part Number | Dimension | | | Application Tooling | Mates With |
|--------|----------|----------|-------------|-----------|------|------|---------------------|------------|
| | | | | A | B | C | | |
| 10 | Left | Right | 2143017-2 | 28 | 12.7 | 17.1 | 2018779-1 | 2057404-1 |
| | | Open | 2143016-2 | 26.6 | 12.7 | 17.1 | 2018779-1 | 2057404-1 |
| | Right | Left | 2143019-2 | 28 | 12.7 | 17.1 | 2018779-1 | 2057403-1 |
| | | Open | 2143018-2 | 26.6 | 12.7 | 17.1 | 2018779-1 | 2057403-1 |
| | Unguided | Left | 2143013-2 | 20.4 | 12.7 | 17.1 | 2018779-1 | 2057405-1 |
| | | Right | 2143015-2 | 20.4 | 12.7 | 17.1 | 2018779-1 | 2057405-1 |
| | | Dual | 2143014-2 | 21.8 | 12.7 | 17.1 | 2018779-1 | 2057405-1 |
| | | Open | 2143012-2 | 19 | 12.7 | 17.1 | 2018779-1 | 2057405-1 |
| 16 | Left | Right | 2143314-2 | 39.4 | 12.7 | 28.5 | 2018779-2 | 2057410-1 |
| | | Open | 2143313-2 | 38 | 12.7 | 28.5 | 2018779-2 | 2057410-1 |
| | Right | Left | 2143316-2 | 39.4 | 12.7 | 28.5 | 2018779-2 | 2057409-1 |
| | | Open | 2143315-2 | 38 | 12.7 | 28.5 | 2018779-2 | 2057409-1 |
| | Unguided | Left | 2143310-2 | 31.8 | 12.7 | 28.5 | 2018779-2 | 2057411-1 |
| | | Right | 2143312-2 | 31.8 | 12.7 | 28.5 | 2018779-2 | 2057411-1 |
| | | Dual | 2143311-2 | 33.2 | 12.7 | 28.5 | 2018779-2 | 2057411-1 |
| | | Open | 2143309-2 | 30.4 | 12.7 | 28.5 | 2018779-2 | 2057411-1 |

Note: 16 column part number 2143309-1 is pictured below.



Recommended PCB Layout



Coplanar Mated Signal Paths



Left Guided Right Angle Male Mates To Right Guided Right Angle Receptacle

Visit the IMPACT connector webpage at: www.te.com/products/Impact

Orthogonal Receptacle Assemblies

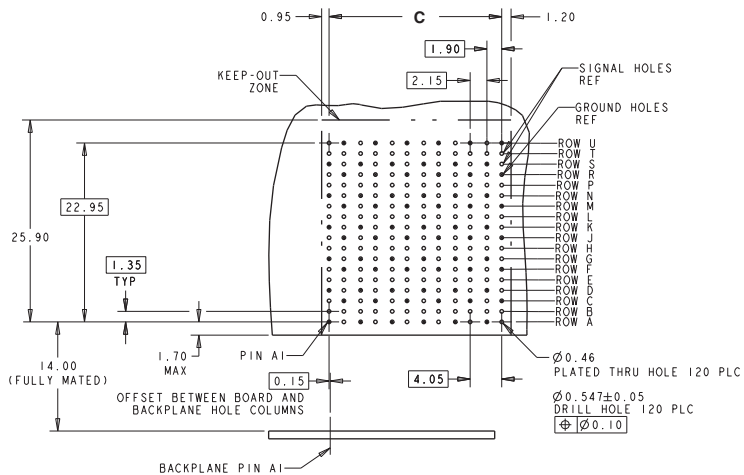
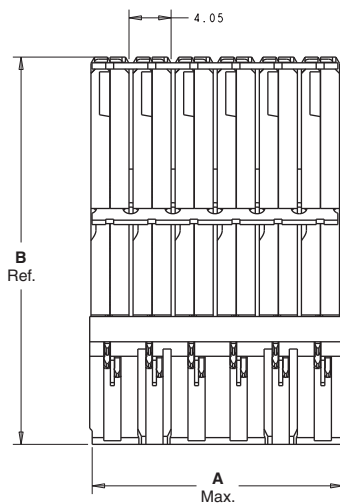
6 Pair Orthogonal Receptacle Assemblies



| Column | Guide | Part Number | Dimension | | | Application Tooling | Mates With |
|--------|----------|-------------|-----------|------|-------|---------------------|------------|
| | | | A | B | C | | |
| 10 | Left | 2132718-1 | 28.35 | 37.3 | 18.1 | 2018773-1 | 2143249-1 |
| | Right | 2132719-1 | 28.35 | 37.3 | 18.1 | 2018773-1 | 2143251-1 |
| | Unguided | 2132720-1 | 20.25 | 37.3 | 18.1 | 2018773-1 | 2143255-1 |
| 12 | Left | 2132721-1 | 32.4 | 37.3 | 22.15 | 2018773-2 | 2143265-1 |
| | Right | 2132722-1 | 32.4 | 37.3 | 22.15 | 2018773-2 | 2143267-1 |
| | Unguided | 2132723-1 | 24.3 | 37.3 | 22.15 | 2018773-2 | 2143271-1 |

Note: 12 column part number 2132723-1 is pictured below.

All the numbers provided are for 0.39mm PCB plated thru hole use. Part numbers are available for 0.46mm PCB plated thru holes by contacting the respective country product information center listed on the bottom of each page.

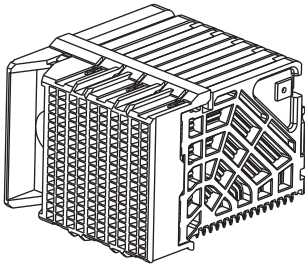


**Recommended PCB Layout
Min. Board Thickness 1.0**

Visit the IMPACT connector webpage at: www.te.com/products/Impact

Orthogonal Receptacle Assemblies (Continued)

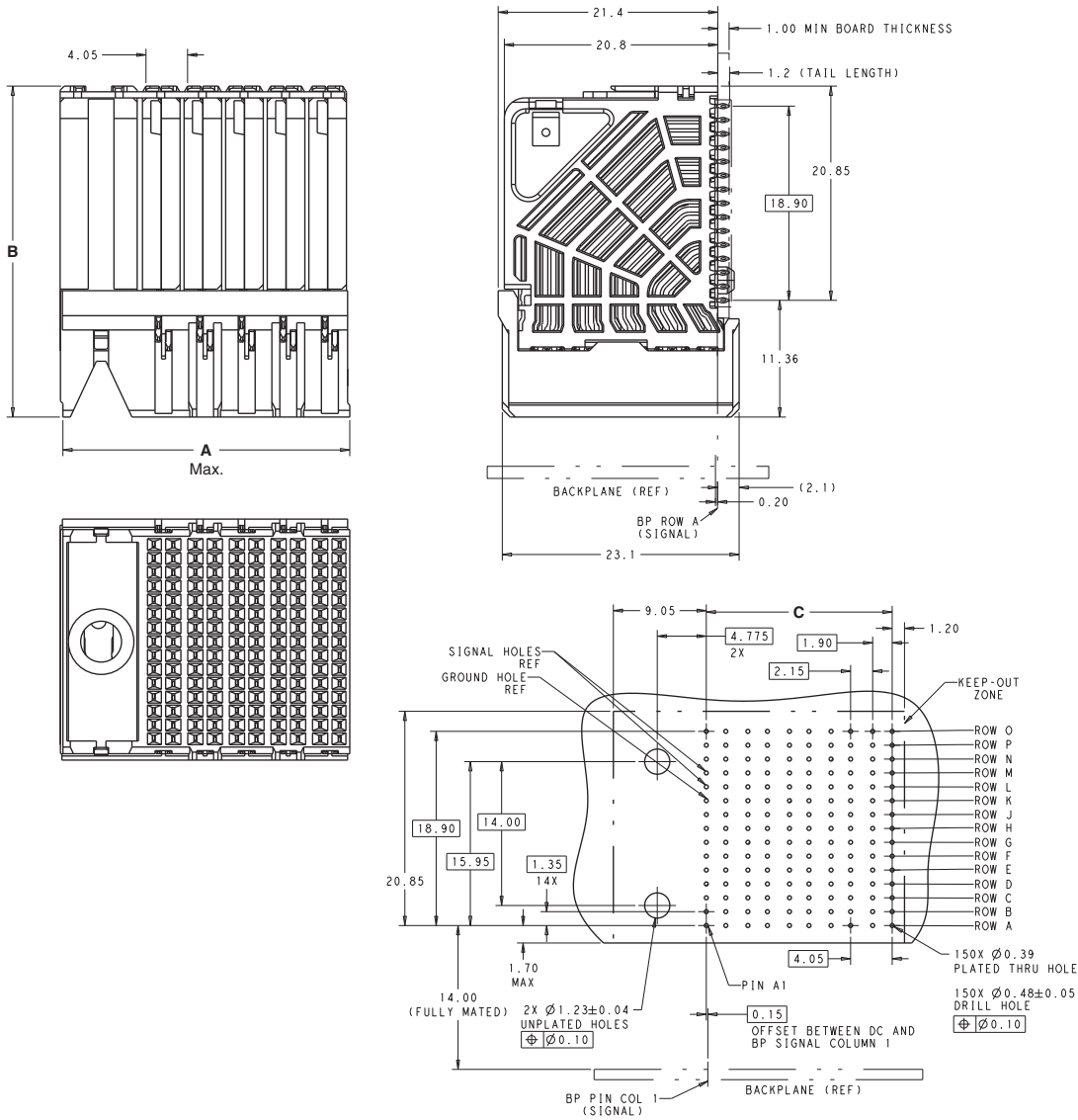
5 Pair Orthogonal Receptacle Assemblies



| Column | Guide | Part Number | Dimension | | | Application Tooling | Mates With |
|--------|----------|-------------|-----------|------|-------|---------------------|------------|
| | | | A | B | C | | |
| 8 | Left | 2132690-1 | 24.3 | 32.3 | 14.05 | 2018772-1 | 2143545-1 |
| | Right | 2132691-1 | 24.3 | 32.3 | 14.05 | 2018772-1 | 2143547-1 |
| | Unguided | 2132692-1 | 16.2 | 32.3 | 14.05 | 2018772-1 | 2143550-1 |
| 10 | Left | 2132693-1 | 28.35 | 32.3 | 18.1 | 2018772-2 | 2143557-1 |
| | Right | 2132694-1 | 28.35 | 32.3 | 18.1 | 2018772-2 | 2143559-1 |
| | Unguided | 2132695-1 | 20.25 | 32.3 | 18.1 | 2018772-2 | 2143562-1 |
| 12 | Left | 2132696-1 | 32.4 | 32.3 | 22.15 | 2018772-3 | 2143569-1 |
| | Right | 2132697-1 | 32.4 | 32.3 | 22.15 | 2018772-3 | 2143571-1 |
| | Unguided | 2132698-1 | 24.3 | 32.3 | 22.15 | 2018772-3 | 2143574-1 |

Note: 10 column part number 2132693-1 is pictured below.

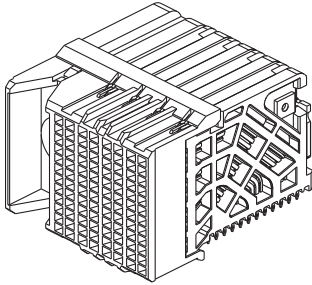
All the numbers provided are for 0.39mm PCB plated thru hole use. Part numbers are available for 0.46mm PCB plated thru holes by contacting the respective country product information center listed on the bottom of each page.



Visit the IMPACT connector webpage at: www.te.com/products/Impact

Orthogonal Receptacle Assemblies (Continued)

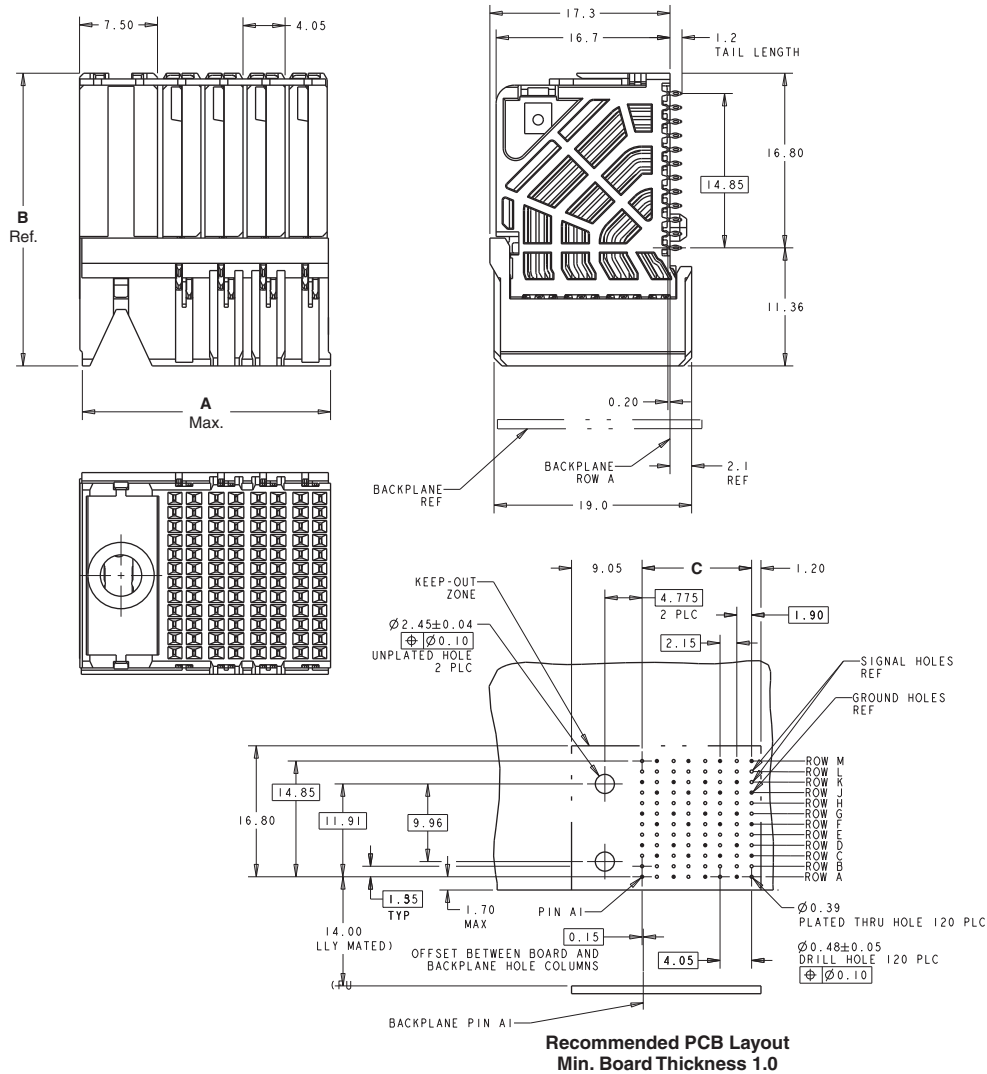
4 Pair Orthogonal Receptacle Assemblies



| Column | Guide | Part Number | Dimension | | | Application Tooling | Mates With |
|--------|----------|-------------|-----------|------|-------|---------------------|------------|
| | | | A | B | C | | |
| 6 | Left | 2132461-1 | 20.25 | 28.2 | 10 | 2018771-1 | 2132593-1 |
| | Right | 2132462-1 | 20.25 | 28.2 | 10 | 2018771-1 | 2132595-1 |
| | Unguided | 2132463-1 | 12.15 | 28.2 | 10 | 2018771-1 | 2132599-1 |
| 8 | Left | 2132464-1 | 24.3 | 28.2 | 14.05 | 2018771-2 | 2132609-1 |
| | Right | 2132465-1 | 24.3 | 28.2 | 14.05 | 2018771-2 | 2132611-1 |
| | Unguided | 2132466-1 | 16.2 | 28.2 | 14.05 | 2018771-2 | 2132615-1 |
| 10 | Left | 2132467-1 | 28.35 | 28.2 | 18.1 | 2018771-3 | 2132597-1 |
| | Right | 2132468-1 | 28.35 | 28.2 | 18.1 | 2018771-3 | 2132599-1 |
| | Unguided | 2132469-1 | 20.25 | 28.2 | 18.1 | 2018771-3 | 2132631-1 |

Note: 8 column part number 2132464-1 is pictured below.

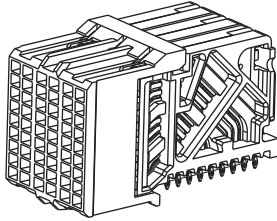
All the numbers provided are for 0.39mm PCB plated thru hole use. Part numbers are available for 0.46mm PCB plated thru holes by contacting the respective country product information center listed on the bottom of each page.



Visit the IMPACT connector webpage at: www.te.com/products/Impact

Orthogonal Receptacle Assemblies (Continued)

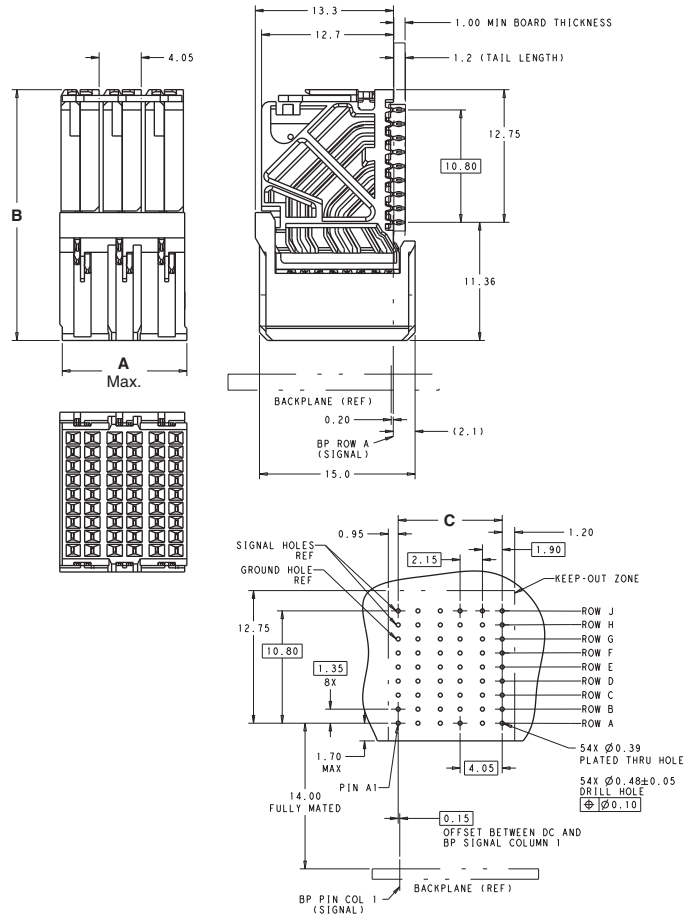
3 Pair Orthogonal Receptacle Assemblies



| Column | Guide | Part Number | Dimension | | | Application Tooling | Mates With |
|--------|----------|-------------|-----------|------|-------|---------------------|------------|
| | | | A | B | C | | |
| 6 | Left | 2132422-1 | 20.25 | 24.1 | 10 | 2018770-1 | 2132561-1 |
| | Right | 2132423-1 | 20.25 | 24.1 | 10 | 2018770-1 | 2132563-1 |
| | Unguided | 2132424-1 | 12.15 | 24.1 | 10 | 2018770-1 | 2132567-1 |
| 8 | Left | 2132425-1 | 24.3 | 24.1 | 14.05 | 2018770-2 | 2132577-1 |
| | Right | 2132426-1 | 24.3 | 24.1 | 14.05 | 2018770-2 | 2132579-1 |
| | Unguided | 2132427-1 | 16.2 | 24.1 | 14.05 | 2018770-2 | 2132583-1 |

Note: 6 column part number 2132424-1 is pictured below.

All the numbers provided are for 0.39mm PCB plated thru hole use. Part numbers are available for 0.46mm PCB plated thru holes by contacting the respective country product information center listed on the bottom of each page.

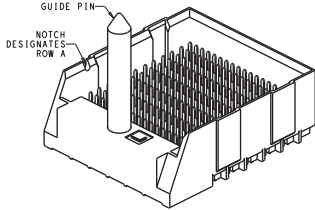


Recommended PCB Layout

Visit the IMPACT connector webpage at: www.te.com/products/Impact

Orthogonal Header Assemblies

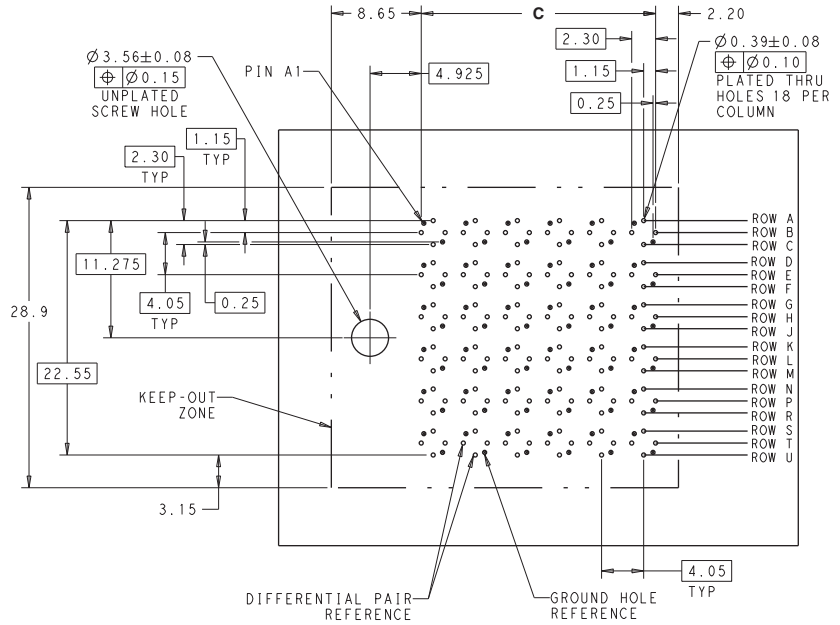
6 Pair Orthogonal Header Assemblies



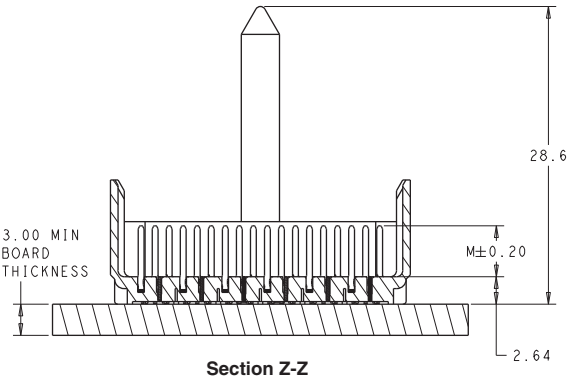
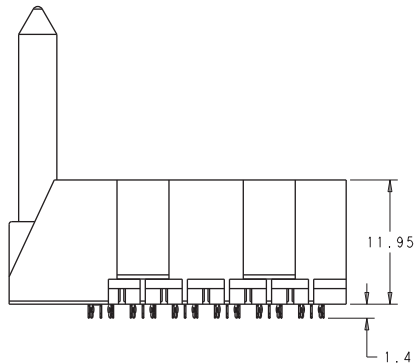
All the numbers provided are for 0.39mm PCB plated thru hole use. Part numbers are available for 0.46mm PCB plated thru holes by contacting the respective country product information center listed on the bottom of each page.

| Column | Guide | Wall End | Part Number | Dimension | | | Application Tooling | Mates With |
|--------|-----------|-----------|-------------|-----------|-----------|-----------|---------------------|------------|
| | | | | A | B | C | | |
| 10 | Left | Right | 2143250-1 | 28.4 | 28.9 | 18.5 | 2018773-1 | 2132718-1 |
| | | Open | 2143249-1 | 27 | 28.9 | 18.5 | 2018773-1 | 2132718-1 |
| | Right | Left | 2143252-1 | 28.4 | 28.9 | 18.5 | 2018773-1 | 2132719-1 |
| | | Open | 2143251-1 | 27 | 28.9 | 18.5 | 2018773-1 | 2132719-1 |
| | Unguided | Left | 2143254-1 | 21.5 | 28.9 | 18.5 | 2018773-1 | 2132720-1 |
| | | Right | 2143256-1 | 21.5 | 28.9 | 18.5 | 2018773-1 | 2132720-1 |
| Dual | | 2143255-1 | 22.9 | 28.9 | 18.5 | 2018773-1 | 2132720-1 | |
| Open | | 2143253-1 | 20.1 | 28.9 | 18.5 | 2018773-1 | 2132720-1 | |
| 12 | Left | Right | 2143266-1 | 32.4 | 28.9 | 22.55 | 2018773-2 | 2132721-1 |
| | | Open | 2143265-1 | 31 | 28.9 | 22.55 | 2018773-2 | 2132721-1 |
| | Right | Left | 2143268-1 | 32.4 | 28.9 | 22.55 | 2018773-2 | 2132722-1 |
| | | Open | 2143267-1 | 31 | 28.9 | 22.55 | 2018773-2 | 2132722-1 |
| | Unguided | Left | 2143270-1 | 25.55 | 28.9 | 22.55 | 2018773-2 | 2132723-1 |
| | | Right | 2143272-1 | 25.55 | 28.9 | 22.55 | 2018773-2 | 2132723-1 |
| Dual | 2143271-1 | 26.95 | 28.9 | 22.55 | 2018773-2 | 2132723-1 | | |
| Open | 2143269-1 | 24.15 | 28.9 | 22.55 | 2018773-2 | 2132723-1 | | |

Note: 12 column part number 2143266-1 is pictured below.



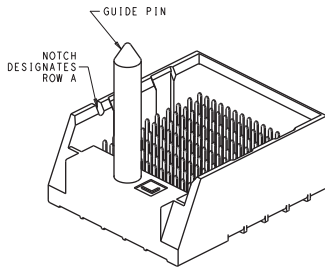
Left Guided Backplane Hole Pattern (Connector Side)



Visit the IMPACT connector webpage at: www.te.com/products/Impact

Orthogonal Header Assemblies (Continued)

5 Pair Orthogonal Header Assemblies

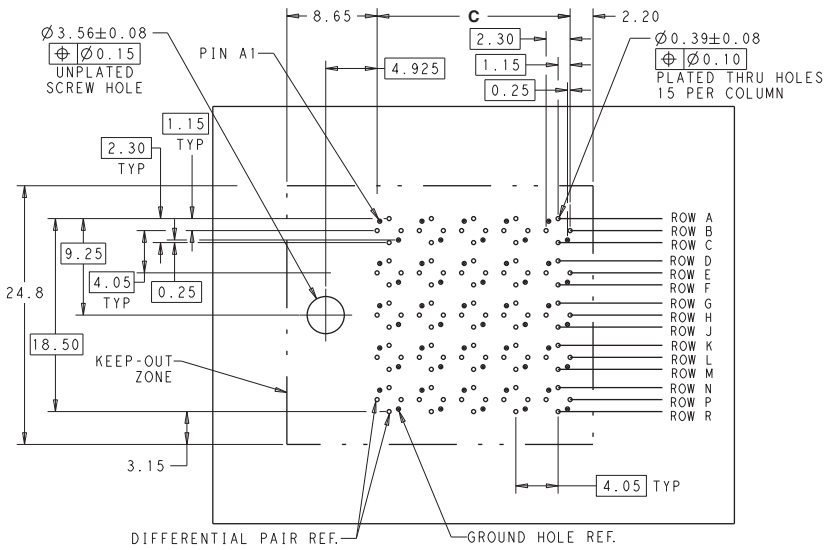
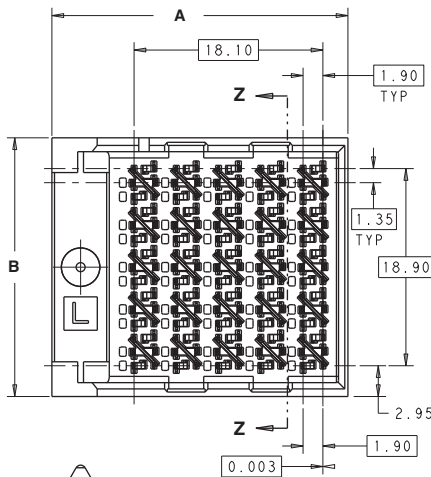


Note: 10 column part number 2143558-1 is pictured below.

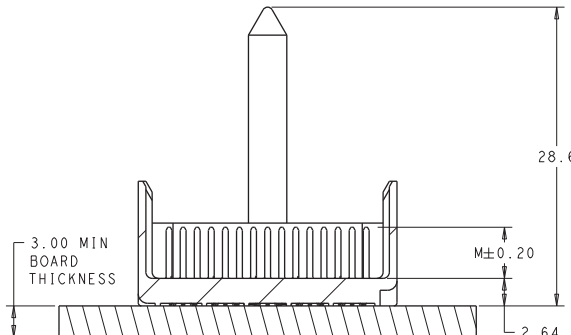
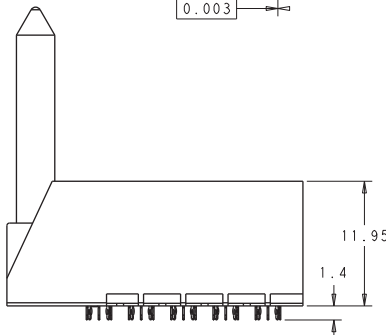
All the numbers provided are for 0.39mm PCB plated thru hole use. Part numbers are available for 0.46mm PCB plated thru holes by contacting the respective country product information center listed on the bottom of each page.

| Column | Guide | Wall End | Part Number | Dimension | | | Application Tooling | Mates With |
|--------|----------|-----------|-------------|-----------|-------|-----------|---------------------|------------|
| | | | | A | B | C | | |
| 8 | Left | Right | 2143546-1 | 24.3 | 24.8 | 14.45 | 2018772-1 | 2132690-1 |
| | | Open | 2143545-1 | 22.9 | 24.8 | 14.45 | 2018772-1 | 2132690-1 |
| | Right | Left | 2143548-1 | 24.3 | 24.8 | 14.45 | 2018772-1 | 2132691-1 |
| | | Open | 2143547-1 | 22.9 | 24.8 | 14.45 | 2018772-1 | 2132691-1 |
| | Unguided | Left | 2143621-1 | 17.45 | 24.8 | 14.45 | 2018772-1 | 2132692-1 |
| | | Right | 2143622-1 | 17.45 | 24.8 | 14.45 | 2018772-1 | 2132692-1 |
| Dual | | 2143550-1 | 18.85 | 24.8 | 14.45 | 2018772-1 | 2132692-1 | |
| Open | | 2143549-1 | 16.05 | 24.8 | 14.45 | 2018772-1 | 2132692-1 | |
| 10 | Left | Right | 2143558-1 | 28.4 | 24.8 | 18.5 | 2018772-2 | 2132693-1 |
| | | Open | 2143557-1 | 27 | 24.8 | 18.5 | 2018772-2 | 2132693-1 |
| | Right | Left | 2143560-1 | 28.4 | 24.8 | 18.5 | 2018772-2 | 2132694-1 |
| | | Open | 2143559-1 | 27 | 24.8 | 18.5 | 2018772-2 | 2132694-1 |
| | Unguided | Left | 2143625-1 | 21.5 | 24.8 | 18.5 | 2018772-2 | 2132695-1 |
| | | Right | 2143626-1 | 21.5 | 24.8 | 18.5 | 2018772-2 | 2132695-1 |
| Dual | | 2143562-1 | 22.9 | 24.8 | 18.5 | 2018772-2 | 2132695-1 | |
| Open | | 2143561-1 | 20.1 | 24.8 | 18.5 | 2018772-2 | 2132695-1 | |
| 12 | Left | Right | 2143570-1 | 32.4 | 24.8 | 22.55 | 2018772-3 | 2132696-1 |
| | | Open | 2143569-1 | 31 | 24.8 | 22.55 | 2018772-3 | 2132696-1 |
| | Right | Left | 2143572-1 | 32.4 | 24.8 | 22.55 | 2018772-3 | 2132697-1 |
| | | Open | 2143571-1 | 31 | 24.8 | 22.55 | 2018772-3 | 2132697-1 |
| | Unguided | Left | 2143629-1 | 25.55 | 24.8 | 22.55 | 2018772-3 | 2132698-1 |
| | | Right | 2143630-1 | 25.55 | 24.8 | 22.55 | 2018772-3 | 2132698-1 |
| Dual | | 2143574-1 | 26.95 | 24.8 | 22.55 | 2018772-3 | 2132698-1 | |
| Open | | 2143573-1 | 24.15 | 24.8 | 22.55 | 2018772-3 | 2132698-1 | |

Visit the IMPACT connector webpage at: www.te.com/products/Impact



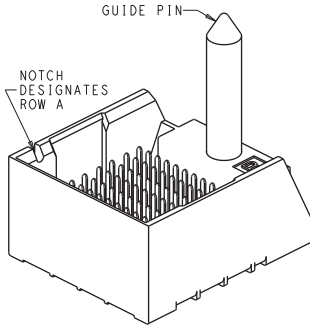
Left Guided Backplane Hole Pattern (Connector Side)



Section Z-Z

Orthogonal Header Assemblies (Continued)

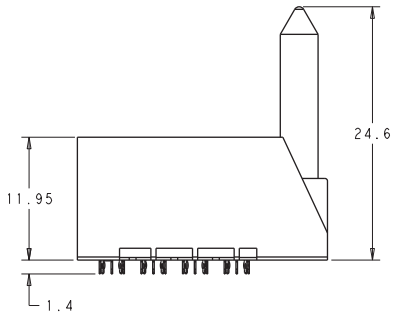
4 Pair Orthogonal Header Assemblies



Note: 8 column part number 2132610-1 is pictured below.

All the numbers provided are for 0.39mm PCB plated thru hole use. Part numbers are available for 0.46mm PCB plated thru holes by contacting the respective country product information center listed on the bottom of each page.

| Column | Guide | Wall End | Part Number | Dimension | | | Application Tooling | Mates With |
|--------|----------|----------|-------------|-----------|------|-------|---------------------|------------|
| | | | | A | B | C | | |
| 6 | Left | Right | 2132594-1 | 20.3 | 20.8 | 10.4 | 2018771-1 | 2132461-1 |
| | | Open | 2132593-1 | 18.9 | 20.8 | 10.4 | 2018771-1 | 2132461-1 |
| | Right | Left | 2132596-1 | 20.3 | 20.8 | 10.4 | 2018771-1 | 2132462-1 |
| | | Open | 2132595-1 | 18.9 | 20.8 | 10.4 | 2018771-1 | 2132462-1 |
| | Unguided | Left | 2132598-1 | 13.4 | 20.8 | 10.4 | 2018771-1 | 2132463-1 |
| | | Right | 2132600-1 | 13.4 | 20.8 | 10.4 | 2018771-1 | 2132463-1 |
| 8 | Left | Dual | 2132599-1 | 14.8 | 20.8 | 10.4 | 2018771-1 | 2132463-1 |
| | | Open | 2132597-1 | 12 | 20.8 | 10.4 | 2018771-1 | 2132463-1 |
| | Right | Right | 2132610-1 | 24.3 | 20.8 | 14.45 | 2018771-2 | 2132464-1 |
| | | Open | 2132609-1 | 22.9 | 20.8 | 14.45 | 2018771-2 | 2132464-1 |
| | Right | Left | 2132612-1 | 24.3 | 20.8 | 14.45 | 2018771-2 | 2132465-1 |
| | | Open | 2132611-1 | 22.9 | 20.8 | 14.45 | 2018771-2 | 2132465-1 |
| | Unguided | Left | 2132614-1 | 17.45 | 20.8 | 14.45 | 2018771-2 | 2132466-1 |
| | | Right | 2132616-1 | 17.45 | 20.8 | 14.45 | 2018771-2 | 2132466-1 |
| | | Dual | 2132615-1 | 18.85 | 20.8 | 14.45 | 2018771-2 | 2132466-1 |
| | | Open | 2132613-1 | 16.05 | 20.8 | 14.45 | 2018771-2 | 2132466-1 |
| 10 | Left | Right | 2132626-1 | 28.4 | 20.8 | 18.5 | 2018771-3 | 2132467-1 |
| | | Open | 2132625-1 | 27 | 20.8 | 18.5 | 2018771-3 | 2132467-1 |
| | Right | Left | 2132628-1 | 28.4 | 20.8 | 18.5 | 2018771-3 | 2132468-1 |
| | | Open | 2132627-1 | 27 | 20.8 | 18.5 | 2018771-3 | 2132468-1 |
| | Unguided | Left | 2132630-1 | 21.5 | 20.8 | 18.5 | 2018771-3 | 2132469-1 |
| | | Right | 2132632-1 | 21.5 | 20.8 | 18.5 | 2018771-3 | 2132469-1 |
| | | Dual | 2132631-1 | 22.9 | 20.8 | 18.5 | 2018771-3 | 2132469-1 |
| | | Open | 2132629-1 | 20.1 | 20.8 | 18.5 | 2018771-3 | 2132469-1 |

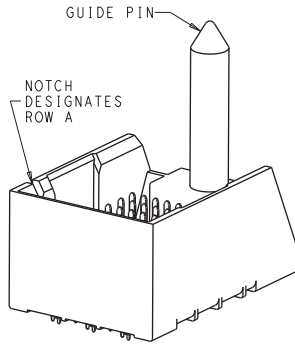


Left Guided Backplane Hole Pattern (Connector Side)

Visit the IMPACT connector webpage at: www.te.com/products/Impact

Orthogonal Header Assemblies (Continued)

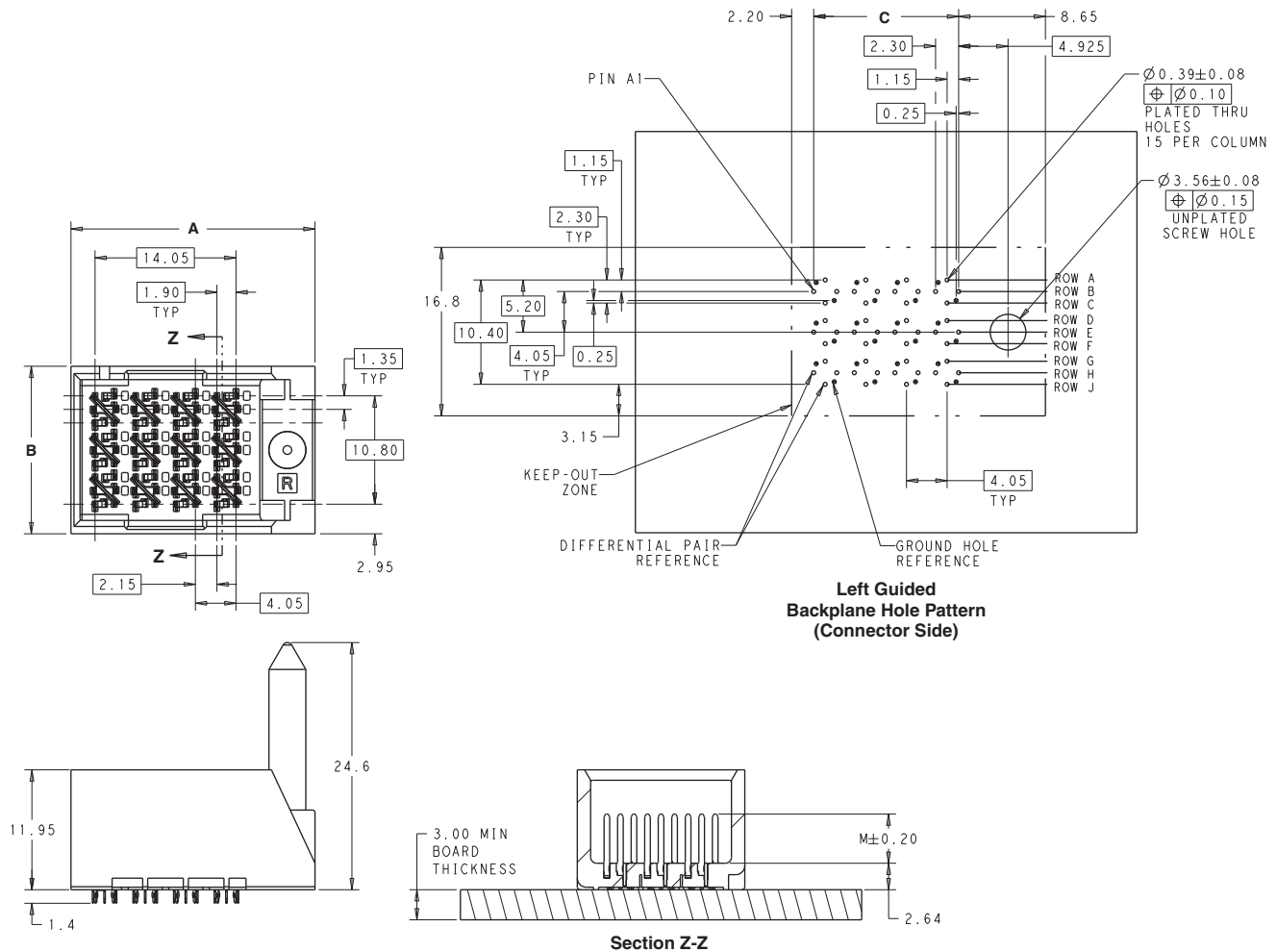
3 Pair Orthogonal Header Assemblies



| Column | Guide | Wall End | Part Number | Dimension | | | Application Tooling | Mates With |
|--------|----------|-----------|-------------|-----------|------|-----------|---------------------|------------|
| | | | | A | B | C | | |
| 6 | Left | Right | 2132562-1 | 20.3 | 16.7 | 10.4 | 2018770-1 | 2132422-1 |
| | | Open | 2132561-1 | 18.9 | 16.7 | 10.4 | 2018770-1 | 2132422-1 |
| | Right | Left | 2132564-1 | 20.3 | 16.7 | 10.4 | 2018770-1 | 2132423-1 |
| | | Open | 2132563-1 | 18.9 | 16.7 | 10.4 | 2018770-1 | 2132423-1 |
| | Unguided | Left | 2132566-1 | 13.4 | 16.7 | 10.4 | 2018770-1 | 2132424-1 |
| | | Right | 2132568-1 | 13.4 | 16.7 | 10.4 | 2018770-1 | 2132424-1 |
| Dual | | 2132567-1 | 14.8 | 16.7 | 10.4 | 2018770-1 | 2132424-1 | |
| 8 | Left | Right | 2132578-1 | 24.3 | 16.7 | 14.45 | 2018770-2 | 2132425-1 |
| | | Open | 2132577-1 | 22.9 | 16.7 | 14.45 | 2018770-2 | 2132425-1 |
| | Right | Left | 2132580-1 | 24.3 | 16.7 | 14.45 | 2018770-2 | 2132426-1 |
| | | Open | 2132579-1 | 22.9 | 16.7 | 14.45 | 2018770-2 | 2132426-1 |
| | Unguided | Left | 2132582-1 | 17.45 | 16.7 | 14.45 | 2018770-2 | 2132427-1 |
| | | Right | 2132584-1 | 17.45 | 16.7 | 14.45 | 2018770-2 | 2132427-1 |
| | | Dual | 2132583-1 | 18.85 | 16.7 | 14.45 | 2018770-2 | 2132427-1 |
| | | Open | 2132581-1 | 16.05 | 16.7 | 14.45 | 2018770-2 | 2132427-1 |

Note: 8 column part number 2132580-1 is pictured below.

All the numbers provided are for 0.39mm PCB plated thru hole use. Part numbers are available for 0.46mm PCB plated thru holes by contacting the respective country product information center listed on the bottom of each page.



Visit the IMPACT connector webpage at: www.te.com/products/Impact

Part Number Index

Note: This index lists all cataloged parts by base no. only. Complete part nos. (with prefixes and/or suffixes) are shown on the page(s) indicated.

| Part No. | Page | Part No. | Page | Part No. | Page |
|----------|-----------|----------|---------------|----------|--------|
| 2007703 | 11, 17 | 2007855 | 15 | 2132427 | 23, 27 |
| 2007704 | 11, 17 | 2007856 | 13 | 2132461 | 22, 26 |
| 2007705 | 4, 11, 17 | 2007857 | 9, 15 | 2132462 | 22, 26 |
| 2007709 | 11, 17 | 2007860 | 13 | 2132463 | 22, 26 |
| 2007710 | 11, 17 | 2007861 | 9, 15 | 2132464 | 22, 26 |
| 2007711 | 11, 17 | 2007863 | 15 | 2132465 | 22, 26 |
| 2007715 | 10, 16 | 2007866 | 13 | 2132466 | 22, 26 |
| 2007716 | 10, 16 | 2007868 | 15 | 2132467 | 22, 26 |
| 2007717 | 4, 10, 16 | 2007869 | 15 | 2132468 | 22, 26 |
| 2007721 | 10, 16 | 2007870 | 9, 15 | 2132469 | 22, 26 |
| 2007722 | 10, 16 | 2007871 | 15 | 2132561 | 23, 27 |
| 2007723 | 10, 16 | 2007873 | 8, 14 | 2132562 | 27 |
| 2007739 | 8, 14 | 2007875 | 14 | 2132563 | 23, 27 |
| 2007740 | 8, 14 | 2007877 | 8, 14 | 2132564 | 27 |
| 2007741 | 4, 8, 14 | 2007879 | 14 | 2132565 | 27 |
| 2007745 | 8, 14 | 2007882 | 4 | 2132566 | 27 |
| 2007746 | 8, 14 | 2007884 | 14 | 2132567 | 23, 27 |
| 2007747 | 8, 14 | 2007885 | 14 | 2132568 | 27 |
| 2007777 | 11, 17 | 2007886 | 8, 14 | 2132577 | 23, 27 |
| 2007779 | 17 | 2007887 | 14 | 2132578 | 27 |
| 2007781 | 11, 17 | 2007889 | 8, 14 | 2132579 | 23, 27 |
| 2007783 | 17 | 2007891 | 14 | 2132580 | 27 |
| 2007786 | 4 | 2007893 | 8, 14 | 2132581 | 27 |
| 2007788 | 17 | 2007895 | 14 | 2132582 | 27 |
| 2007789 | 11, 17 | 2007900 | 14 | 2132583 | 23, 27 |
| 2007790 | 17 | 2007901 | 14 | 2132584 | 27 |
| 2007791 | 17 | 2007902 | 8, 14 | 2132593 | 22, 26 |
| 2007793 | 11, 17 | 2007903 | 14 | 2132594 | 26 |
| 2007795 | 17 | 2057403 | 12, 18, 19 | 2132595 | 22, 26 |
| 2007797 | 11, 17 | 2057404 | 12, 18, 19 | 2132596 | 26 |
| 2007799 | 17 | 2057405 | 4, 12, 18, 19 | 2132597 | 22, 26 |
| 2007804 | 17 | 2057409 | 12, 18, 19 | 2132598 | 26 |
| 2007805 | 11, 17 | 2057410 | 12, 18, 19 | 2132599 | 22, 26 |
| 2007806 | 17 | 2057411 | 12, 18, 19 | 2132600 | 26 |
| 2007807 | 17 | 2057419 | 12, 18 | 2132609 | 22, 26 |
| 2007809 | 10, 16 | 2057421 | 18 | 2132610 | 26 |
| 2007811 | 16 | 2057423 | 12, 18 | 2132611 | 22, 26 |
| 2007813 | 10, 16 | 2057425 | 18 | 2132612 | 26 |
| 2007815 | 16 | 2057428 | 4 | 2132613 | 26 |
| 2007818 | 4 | 2057430 | 18 | 2132614 | 26 |
| 2007820 | 16 | 2057431 | 18 | 2132615 | 22, 26 |
| 2007821 | 16 | 2057432 | 12, 18 | 2132616 | 26 |
| 2007822 | 10, 16 | 2057433 | 18 | 2132625 | 26 |
| 2007823 | 16 | 2057737 | 12, 18 | 2132626 | 26 |
| 2007825 | 10, 16 | 2057739 | 18 | 2132627 | 26 |
| 2007827 | 16 | 2057741 | 12, 18 | 2132628 | 26 |
| 2007829 | 10, 16 | 2057743 | 18 | 2132629 | 26 |
| 2007831 | 16 | 2057748 | 18 | 2132630 | 26 |
| 2007836 | 16 | 2057749 | 18 | 2132631 | 22, 26 |
| 2007837 | 16 | 2057750 | 12, 18 | 2132632 | 26 |
| 2007838 | 10, 16 | 2057751 | 18 | 2132690 | 21, 25 |
| 2007839 | 16 | 2110104 | 9, 15 | 2132691 | 21, 25 |
| 2007840 | 13 | 2110105 | 9, 15 | 2132692 | 21, 25 |
| 2007841 | 9, 15 | 2110106 | 4, 9, 15 | 2132693 | 21, 25 |
| 2007843 | 15 | 2110122 | 9, 15 | 2132694 | 21, 25 |
| 2007844 | 13 | 2110123 | 9, 15 | 2132695 | 21, 25 |
| 2007845 | 9, 15 | 2110124 | 9, 15 | 2132696 | 21, 25 |
| 2007847 | 15 | 2132422 | 23, 27 | 2132697 | 21, 25 |
| 2007850 | 4, 13 | 2132423 | 23, 27 | 2132698 | 21, 25 |
| 2007852 | 15 | 2132424 | 23, 27 | 2132718 | 20, 24 |
| 2007853 | 15 | 2132425 | 23, 27 | 2132719 | 20, 24 |
| 2007854 | 9, 15 | 2132426 | 23, 27 | 2132720 | 20, 24 |

Part Number Index (Continued)

| Part No. | Page | Part No. | Page | Part No. | Page |
|----------|--------|----------|--------|----------|--------|
| 2132721 | 20, 24 | 2143268 | 24 | 2143560 | 25 |
| 2132722 | 20, 24 | 2143269 | 24 | 2143561 | 25 |
| 2132723 | 20, 24 | 2143270 | 24 | 2143562 | 21, 25 |
| 2143012 | 19 | 2143271 | 20, 24 | 2143569 | 21, 25 |
| 2143013 | 19 | 2143272 | 24 | 2143570 | 25 |
| 2143014 | 19 | 2143309 | 19 | 2143571 | 21, 25 |
| 2143015 | 19 | 2143310 | 19 | 2143572 | 25 |
| 2143016 | 19 | 2143311 | 19 | 2143573 | 25 |
| 2143017 | 19 | 2143312 | 19 | 2143574 | 21, 25 |
| 2143018 | 19 | 2143313 | 19 | 2143621 | 25 |
| 2143019 | 19 | 2143314 | 19 | 2143622 | 25 |
| 2143249 | 20, 24 | 2143315 | 19 | 2143625 | 25 |
| 2143250 | 24 | 2143316 | 19 | 2143626 | 25 |
| 2143251 | 20, 24 | 2143545 | 21, 25 | 2143629 | 25 |
| 2143252 | 24 | 2143546 | 25 | 2143630 | 25 |
| 2143253 | 24 | 2143547 | 21, 25 | 2149392 | 13 |
| 2143254 | 24 | 2143548 | 25 | 2149393 | 13 |
| 2143255 | 20, 24 | 2143549 | 25 | 2149394 | 13 |
| 2143256 | 24 | 2143550 | 21, 25 | 2149911 | 13 |
| 2143265 | 20, 24 | 2143557 | 21, 25 | 2149912 | 13 |
| 2143266 | 24 | 2143558 | 25 | 2149913 | 13 |
| 2143267 | 20, 24 | 2143559 | 21, 25 | | |

Tooling Part Number Index

| Part No. | Page | Part No. | Page | Part No. | Page |
|----------|------|----------|------|----------|--------|
| 2018377 | 17 | 2018527 | 14 | 2018538 | 12 |
| 2018378 | 17 | 2018528 | 14 | 2018539 | 12 |
| 2018380 | 11 | 2018530 | 10 | 2018770 | 23, 27 |
| 2018381 | 11 | 2018531 | 10 | 2018771 | 22, 26 |
| 2018446 | 15 | 2018532 | 9 | 2018772 | 21, 25 |
| 2018448 | 9 | 2018534 | 8 | 2018773 | 20, 24 |
| 2018513 | 16 | 2018535 | 8 | 2018774 | 13 |
| 2018524 | 16 | 2018536 | 18 | 2018779 | 19 |
| 2018525 | 15 | 2018537 | 18 | | |

te.com

© 2011 Tyco Electronics Corporation, a TE Connectivity Ltd. Company. All Rights Reserved.

7-1773458-1 LUG PDF 04/2011

TE Connectivity, TE connectivity (logo) and TE (logo) are trademarks. Other logos, product and/or company names might be trademarks of their respective owners.





Компания «ЭлектроПласт» предлагает заключение долгосрочных отношений при поставках импортных электронных компонентов на взаимовыгодных условиях!

Наши преимущества:

- Оперативные поставки широкого спектра электронных компонентов отечественного и импортного производства напрямую от производителей и с крупнейших мировых складов;
- Поставка более 17-ти миллионов наименований электронных компонентов;
- Поставка сложных, дефицитных, либо снятых с производства позиций;
- Оперативные сроки поставки под заказ (от 5 рабочих дней);
- Экспресс доставка в любую точку России;
- Техническая поддержка проекта, помощь в подборе аналогов, поставка прототипов;
- Система менеджмента качества сертифицирована по Международному стандарту ISO 9001;
- Лицензия ФСБ на осуществление работ с использованием сведений, составляющих государственную тайну;
- Поставка специализированных компонентов (Xilinx, Altera, Analog Devices, Intersil, Interpoint, Microsemi, Aeroflex, Peregrine, Syfer, Eurofarad, Texas Instrument, Miteq, Cobham, E2V, MA-COM, Hittite, Mini-Circuits, General Dynamics и др.);

Помимо этого, одним из направлений компании «ЭлектроПласт» является направление «Источники питания». Мы предлагаем Вам помощь Конструкторского отдела:

- Подбор оптимального решения, техническое обоснование при выборе компонента;
- Подбор аналогов;
- Консультации по применению компонента;
- Поставка образцов и прототипов;
- Техническая поддержка проекта;
- Защита от снятия компонента с производства.



Как с нами связаться

Телефон: 8 (812) 309 58 32 (многоканальный)

Факс: 8 (812) 320-02-42

Электронная почта: org@eplast1.ru

Адрес: 198099, г. Санкт-Петербург, ул. Калинина, дом 2, корпус 4, литера А.