

DESIGNED & DIMENSIONED
IN MILLIMETERS [INCHES]

MEC5-XXX-XX-X-RA-XX-TR

DO NOT
SCALE FROM
THIS PRINT

No OF POSITIONS (PER ROW)

-030, -040, -050,
-060, -070, -080

TAPE & REEL

OPTION
(REQUIRED)

-W1: WELD TAB THROUGH HOLE
(SEE FIG 2, SHT 3)
-W2: WELD TAB SURFACE MOUNT
(SEE FIG 1)

CARD THICKNESS

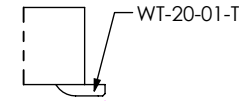
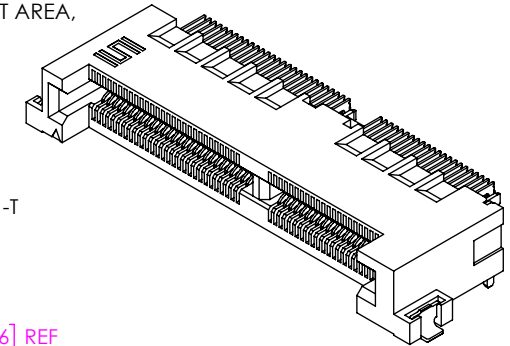
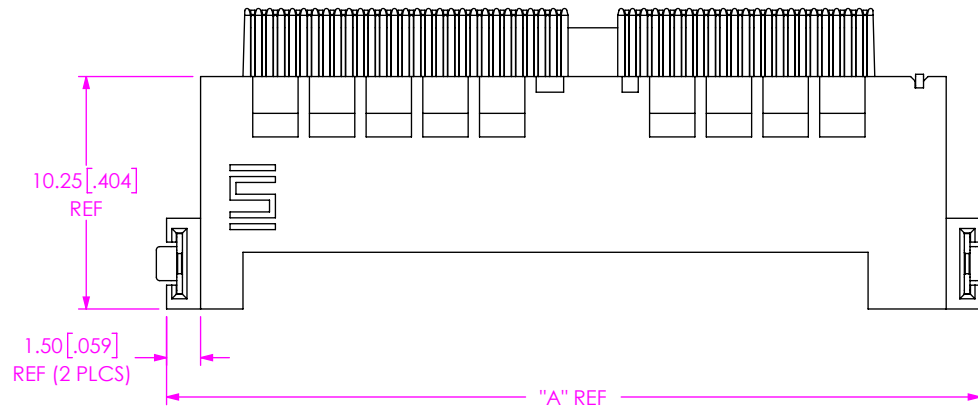
-01: FOR .062" THICK BOARD

PLATING SPECIFICATION

-L: 10µ" GOLD IN CONTACT AREA,
MATTE TIN TAIL
-S: 30µ" GOLD IN CONTACT AREA,
MATTE TIN TAIL

ROW SPECIFICATION

-RA: RIGHT ANGLE



DETAIL 'A'
SCALE 6:1

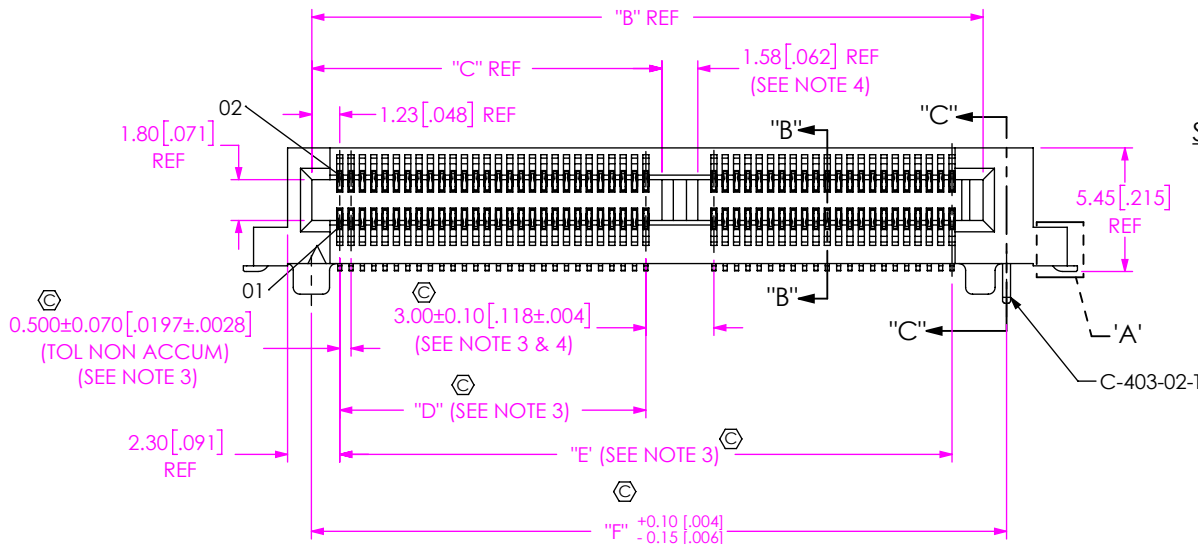


TABLE 1

NO OF POS	"A"	"B"	"C"
-030	23.38 [0.920]	17.10 [0.673]	N/A
-040	28.38 [1.117]	22.10 [0.870]	N/A
-050	35.88 [1.413]	29.60 [1.165]	15.44 [0.608]
-060	40.88 [1.609]	34.60 [1.362]	17.94 [0.706]
-070	45.88 [1.806]	39.60 [1.559]	20.44 [0.805]
-080	50.88 [2.003]	44.60 [1.756]	22.94 [0.903]

NO OF POS	"D"	"E"	"F"
-030	N/A	14.50 [0.571]	18.16 [0.715]
-040	N/A	19.50 [0.768]	23.16 [0.912]
-050	13.50 [0.531]	27.00 [1.063]	30.66 [1.207]
-060	16.00 [0.630]	32.00 [1.260]	35.66 [1.404]
-070	18.50 [0.728]	37.00 [1.457]	40.66 [1.601]
-080	21.00 [0.827]	42.00 [1.654]	45.66 [1.798]

FIG 1
MEC5-050-01-X-D-RA-W2-TR SHOWN

NOTES:

- ⊗ REPRESENTS A CRITICAL DIMENSION.
- MINIMUM PUSHOUT FORCE: 0.5 LBS FOR C-401, WT-20, WT-51; 1.0 LBS FOR C-403.
- MEASURE BOTH TOP AND BOTTOM ROWS.
- POLARIZATION RIB IS NOT PRESENT ON -030 & -040 POSITIONS.
- FOR QUANTITIES UP TO 49 PCS., NO LEADER, TRAILER OR REEL WILL BE SUPPLIED.
FOR QUANTITIES OF 50-124 PCS., NO LEADER OR TRAILER WILL BE SUPPLIED,
SPICES MAY BE PRESENT.

UNLESS OTHERWISE SPECIFIED,
DIMENSIONS ARE IN MILLIMETERS.
TOLERANCES ARE:
DECIMALS ANGLES
X.X: ±0.3 [.01] 2°
X.XX: ±0.10 [.004]
X.XXX: ±0.051 [.0020]

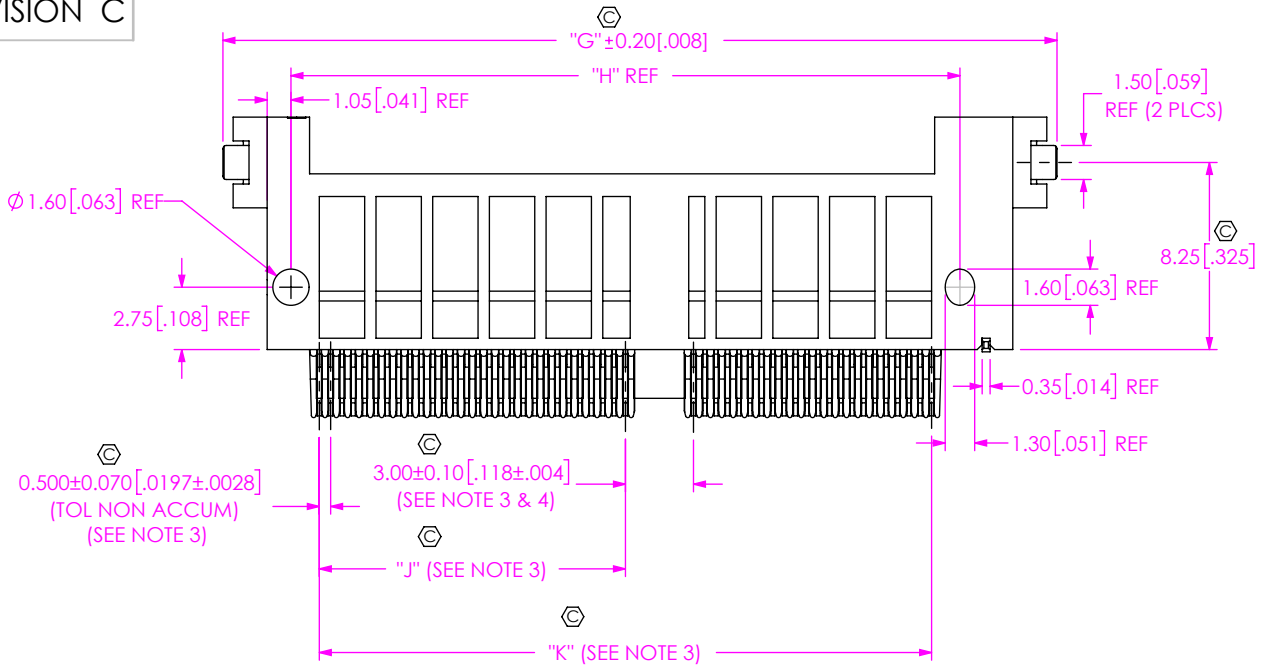
PROPRIETARY NOTE
THIS DOCUMENT CONTAINS CONFIDENTIAL AND PROPRIETARY INFORMATION AND ALL DESIGN, MANUFACTURING, REPRODUCTION, USE, PATENT RIGHTS AND SALES RIGHTS ARE EXPRESSLY RESERVED BY SAMTEC, INC. THIS DOCUMENT SHALL NOT BE DISCLOSED, IN WHOLE OR PART, TO ANY UNAUTHORIZED PERSON OR ENTITY NOR REPRODUCED, TRANSFERRED OR INCORPORATED IN ANY OTHER PROJECT IN ANY MANNER WITHOUT THE EXPRESS WRITTEN CONSENT OF SAMTEC, INC.

MATERIAL: DO NOT SCALE DRAWING SHEET SCALE: 3:1
INSULATOR: LCP, UL 94 V0, COLOR: BLACK
CONTACT: Cu ALLOY
WELD TAB: BRASS ALLOY



520 PARK EAST BLVD, NEW ALBANY, IN 47150
PHONE: 812-944-6733 FAX: 812-948-5047
e-Mail: info@SAMTEC.com code 53322

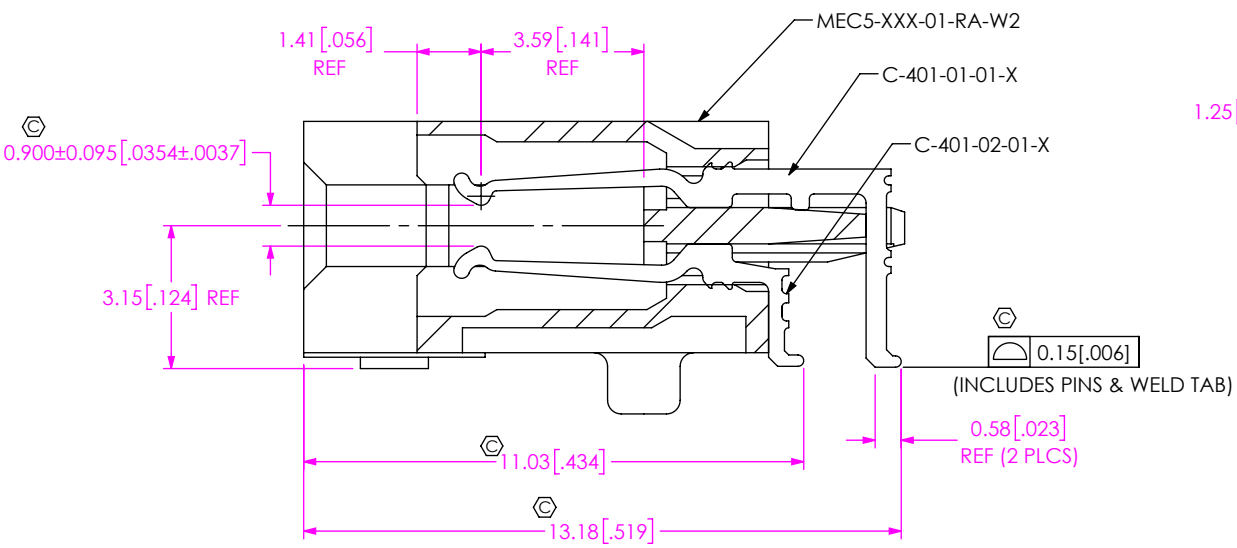
DESCRIPTION:
0.5mm HIGH SPEED EDGE CARD ASSEMBLY
DWG. NO.
MEC5-XXX-XX-X-RA-XX-TR
BY: JESSIE W 6/3/2015 SHEET 1 OF 4



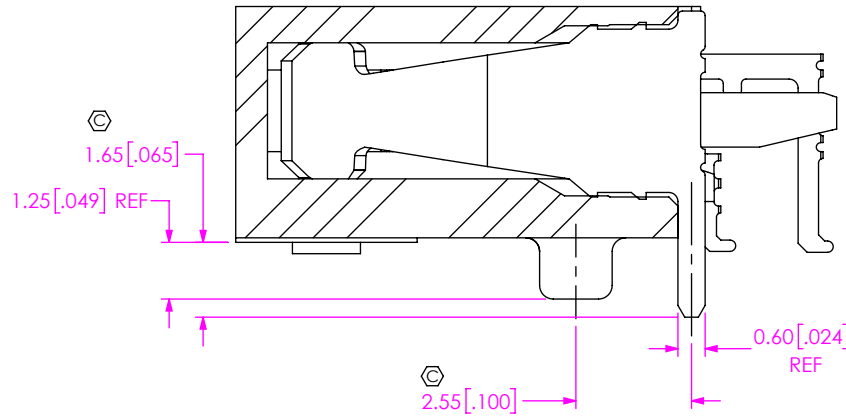
BOTTOM VIEW

TABLE 2		
NO OF POS	"G"	"H"
-030	24.28 [0.956]	17.00 [0.669]
-040	29.28 [1.153]	22.00 [0.866]
-050	36.78 [1.448]	29.50 [1.161]
-060	41.78 [1.645]	34.50 [1.358]
-070	46.78 [1.842]	39.50 [1.555]
-080	51.78 [2.039]	44.50 [1.752]

NO OF POS	"J"	"K"
-030	N/A	14.50 [0.571]
-040	N/A	19.50 [0.768]
-050	13.50 [0.531]	27.00 [1.063]
-060	16.00 [0.630]	32.00 [1.260]
-070	18.50 [0.728]	37.00 [1.457]
-080	21.00 [0.827]	42.00 [1.654]



SECTION "B"-"B"
SCALE 6 : 1



SECTION "C"-"C"
SCALE 6 : 1

PROPRIETARY NOTE
THIS DOCUMENT CONTAINS CONFIDENTIAL AND PROPRIETARY INFORMATION AND ALL DESIGN, MANUFACTURING, REPRODUCTION, USE, PATENT RIGHTS AND SALES RIGHTS ARE EXPRESSLY RESERVED BY SAMTEC, INC. THIS DOCUMENT SHALL NOT BE DISCLOSED, IN WHOLE OR PART, TO ANY UNAUTHORIZED PERSON OR ENTITY NOR REPRODUCED, TRANSFERRED OR INCORPORATED IN ANY OTHER PROJECT IN ANY MANNER WITHOUT THE EXPRESS WRITTEN CONSENT OF SAMTEC, INC.

DO NOT SCALE DRAWING

SHEET SCALE: 3:1



520 PARK EAST BLVD, NEW ALBANY, IN 47150
PHONE: 812-944-6733 FAX: 812-948-5047
e-Mail info@SAMTEC.com code 55322

DESCRIPTION:
0.5mm HIGH SPEED EDGE CARD ASSEMBLY

DWG. NO.
MEC5-XXX-XX-X-RA-XX-TR

BY: JESSIE W 6/3/2015 SHEET 2 OF 4

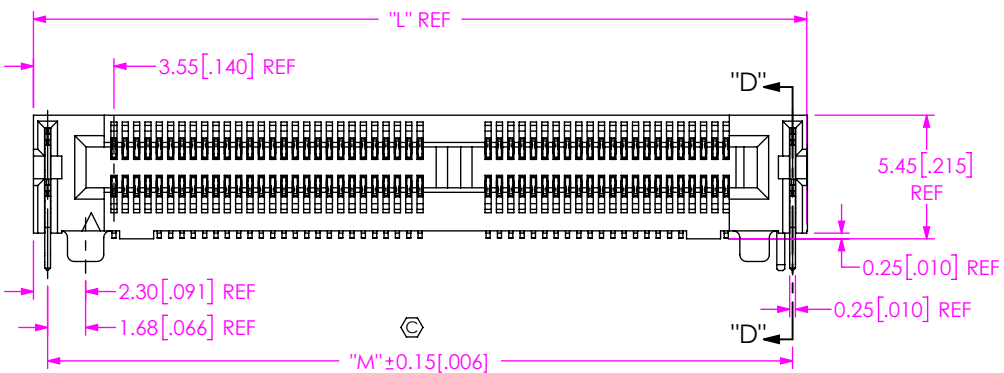
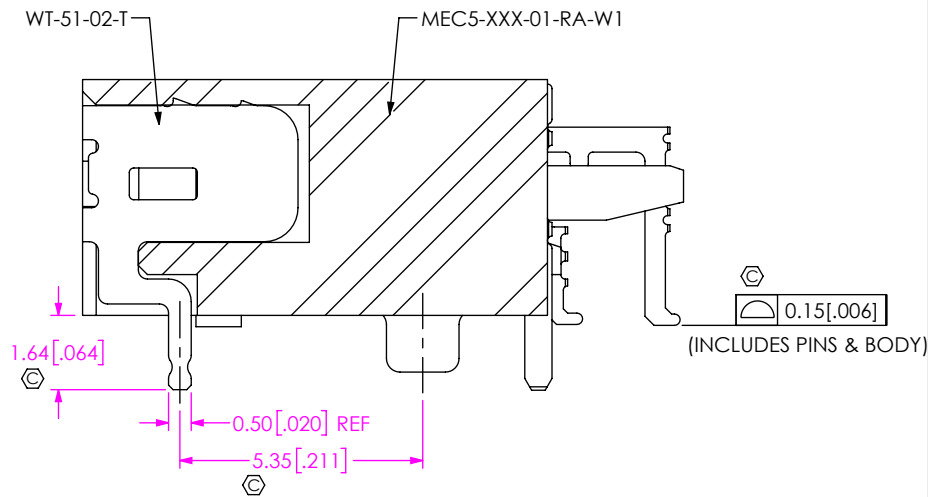
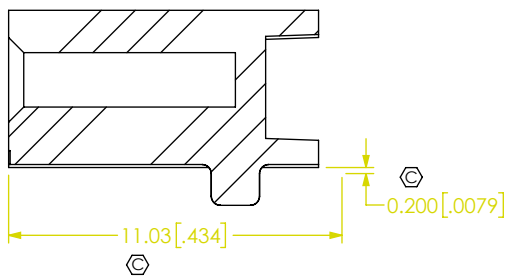


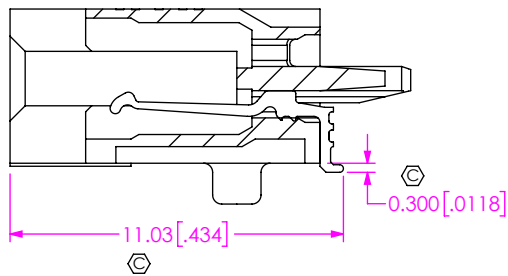
FIG 2
MEC5-050-01-X-D-RA-W1-TR SHOWN
(DIFFERENT AS SHOWN, OTHERWISE SAME AS FIG 1)



SECTION "D"-"D"
SCALE 6 : 1



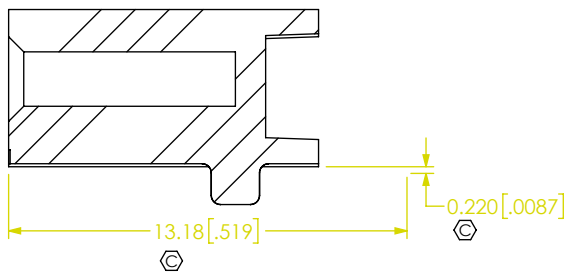
IN-PROCESS 1 FOR W1
FILL C-401-02-01-X



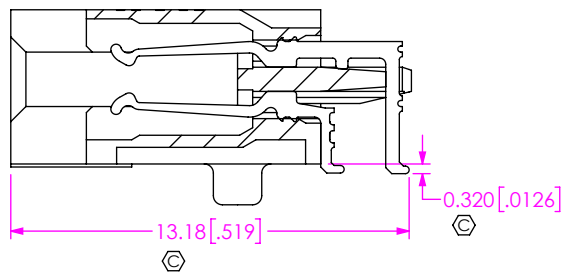
IN-PROCESS 1 FOR W2
FILL C-401-02-01-X

TABLE 3

NO OF POS	"L"	"M"
-030	22.88 [0.901]	21.63 [0.852]
-040	27.88 [1.098]	26.63 [1.048]
-050	35.38 [1.393]	34.13 [1.344]
-060	40.38 [1.590]	39.13 [1.541]
-070	45.38 [1.787]	44.13 [1.737]
-080	50.38 [1.983]	49.13 [1.934]



IN-PROCESS 2 FOR W1
FILL C-401-01-01-X



IN-PROCESS 2 FOR W2
FILL C-401-01-01-X

PROPRIETARY NOTE
THIS DOCUMENT CONTAINS CONFIDENTIAL AND PROPRIETARY INFORMATION AND ALL DESIGN, MANUFACTURING, REPRODUCTION, USE, PATENT RIGHTS AND SALES RIGHTS ARE EXPRESSLY RESERVED BY SAMTEC, INC. THIS DOCUMENT SHALL NOT BE DISCLOSED, IN WHOLE OR PART, TO ANY UNAUTHORIZED PERSON OR ENTITY NOR REPRODUCED, TRANSFERRED OR INCORPORATED IN ANY OTHER PROJECT IN ANY MANNER WITHOUT THE EXPRESS WRITTEN CONSENT OF SAMTEC, INC.

DO NOT SCALE DRAWING

SHEET SCALE: 3:1

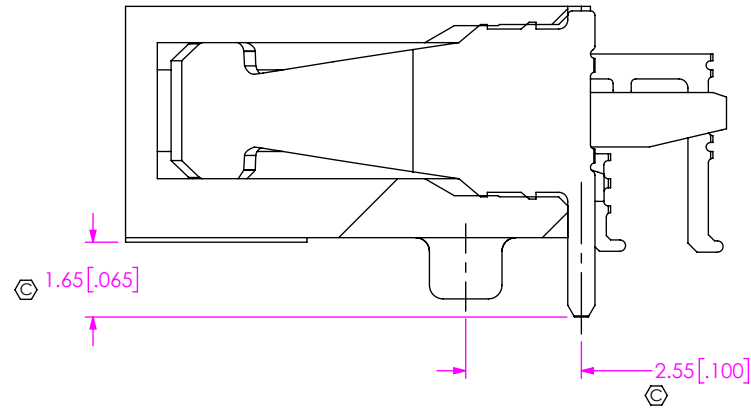


520 PARK EAST BLVD, NEW ALBANY, IN 47150
PHONE: 812-944-6733 FAX: 812-948-5047
e-Mail info@SAMTEC.com code 55322

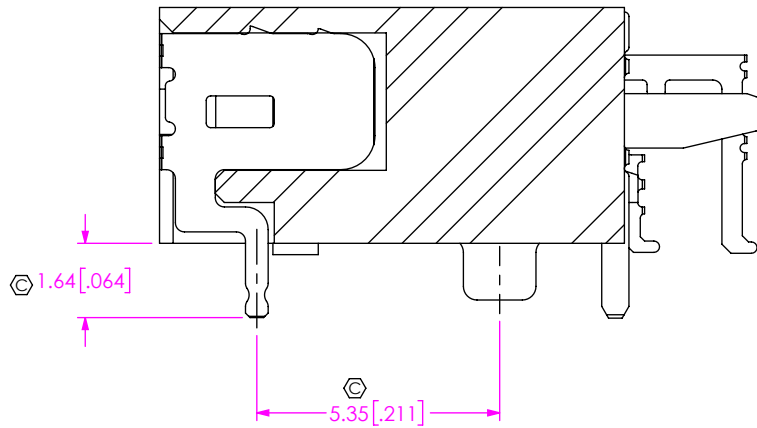
DESCRIPTION:
0.5mm HIGH SPEED EDGE CARD ASSEMBLY

DWG. NO.
MEC5-XXX-XX-X-RA-XX-TR

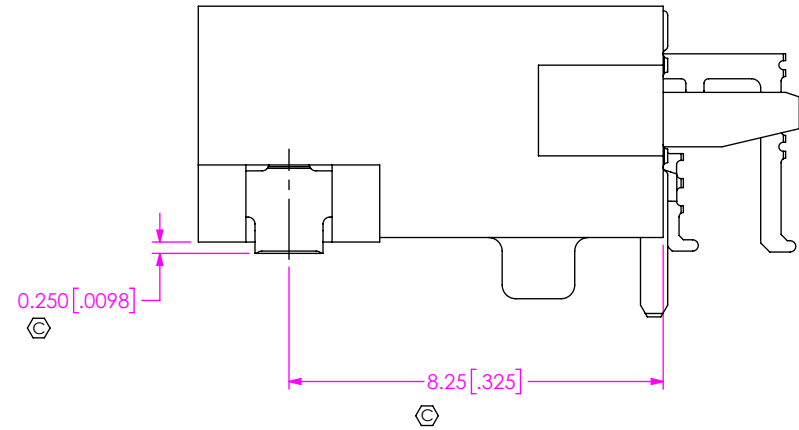
BY: JESSIE W 6/3/2015 SHEET 3 OF 4



IN-PROCESS 3
FILL C-403-02-T



IN-PROCESS 4 FOR W1
FILL WT-51-02-T



IN-PROCESS 4 FOR W2
FILL WT-20-01-T

<p>PROPRIETARY NOTE</p> <p>THIS DOCUMENT CONTAINS CONFIDENTIAL AND PROPRIETARY INFORMATION AND ALL DESIGN, MANUFACTURING, REPRODUCTION, USE, PATENT RIGHTS AND SALES RIGHTS ARE EXPRESSLY RESERVED BY SAMTEC, INC. THIS DOCUMENT SHALL NOT BE DISCLOSED, IN WHOLE OR PART, TO ANY UNAUTHORIZED PERSON OR ENTITY NOR REPRODUCED, TRANSFERRED OR INCORPORATED IN ANY OTHER PROJECT IN ANY MANNER WITHOUT THE EXPRESS WRITTEN CONSENT OF SAMTEC, INC.</p>	<p>samtec</p> <p>520 PARK EAST BLVD, NEW ALBANY, IN 47150 PHONE: 812-944-6733 FAX: 812-948-5047 e-Mail info@SAMTEC.com code 55322</p>
<p>SHEET SCALE: 3:1</p>	<p>DESCRIPTION: 0.5mm HIGH SPEED EDGE CARD ASSEMBLY</p>
	<p>DWG. NO. MEC5-XXX-XX-X-RA-XX-TR</p> <p>BY: JESSIE W 6/3/2015 SHEET 4 OF 4</p>



Компания «ЭлектроПласт» предлагает заключение долгосрочных отношений при поставках импортных электронных компонентов на взаимовыгодных условиях!

Наши преимущества:

- Оперативные поставки широкого спектра электронных компонентов отечественного и импортного производства напрямую от производителей и с крупнейших мировых складов;
- Поставка более 17-ти миллионов наименований электронных компонентов;
- Поставка сложных, дефицитных, либо снятых с производства позиций;
- Оперативные сроки поставки под заказ (от 5 рабочих дней);
- Экспресс доставка в любую точку России;
- Техническая поддержка проекта, помощь в подборе аналогов, поставка прототипов;
- Система менеджмента качества сертифицирована по Международному стандарту ISO 9001;
- Лицензия ФСБ на осуществление работ с использованием сведений, составляющих государственную тайну;
- Поставка специализированных компонентов (Xilinx, Altera, Analog Devices, Intersil, Interpoint, Microsemi, Aeroflex, Peregrine, Syfer, Eurofarad, Texas Instrument, Miteq, Cobham, E2V, MA-COM, Hittite, Mini-Circuits, General Dynamics и др.);

Помимо этого, одним из направлений компании «ЭлектроПласт» является направление «Источники питания». Мы предлагаем Вам помощь Конструкторского отдела:

- Подбор оптимального решения, техническое обоснование при выборе компонента;
- Подбор аналогов;
- Консультации по применению компонента;
- Поставка образцов и прототипов;
- Техническая поддержка проекта;
- Защита от снятия компонента с производства.



Как с нами связаться

Телефон: 8 (812) 309 58 32 (многоканальный)

Факс: 8 (812) 320-02-42

Электронная почта: org@eplast1.ru

Адрес: 198099, г. Санкт-Петербург, ул. Калинина, дом 2, корпус 4, литера А.