

**MPS Series, Snap Action**

**Features**

- Wire lug or pc terminals
- Customer selected actuator cap size and color
- Entire series epoxy sealed terminals
- Actuator guards, decorative hardware, and silicone boot seals available



**Typical performance characteristics**

|                             |                             |
|-----------------------------|-----------------------------|
| Contact configuration       | SPDT, DPDT                  |
| Contact timing              | Break-Before-Make           |
| Contact rating max.         | 3 A @ 125 VAC               |
| Electrical life             | 50,000 cycles               |
| Contact resistance, initial | 10 mOhms max.               |
| Insulation resistance       | 1,000 MOhms min.            |
| Dielectric strength         | 1,500 Volts rms @ sea level |
| Actuation force             | 200-700 gf                  |
| Actuator travel             | momentary .04 (1.0mm)       |
|                             | push on/off .098 (2.5mm)    |

**Environmental specification**

|                        |                                              |
|------------------------|----------------------------------------------|
| Operating temperature  | -15°C to +70°C                               |
| Storage temperature    | -15°C to +70°C                               |
| Solder heat resistance | wave solder capable to 265°C and hand solder |
| Seal                   | epoxy sealed terminals                       |

**Material specifications**

|                           |                             |
|---------------------------|-----------------------------|
| Contacts                  | phosphor bronze silver clad |
| Actuator                  | copper alloy nickel plated  |
| Terminals                 | copper alloy silver plated  |
| Case                      | epoxy resin                 |
| Frame                     | stainless steel             |
| Support Bracket           | brass tin plated            |
| RoHS Directive 2002/95/EC | compliant                   |

Pushbutton Switches

|                    |                                                              |  |  |  |  |  |            |                  |           |          |           |           |                                                              |  |  |
|--------------------|--------------------------------------------------------------|--|--|--|--|--|------------|------------------|-----------|----------|-----------|-----------|--------------------------------------------------------------|--|--|
| <b>Product key</b> | Typical product key                                          |  |  |  |  |  | <b>MPS</b> | <b>1</b>         | <b>03</b> | <b>F</b> | <b>PC</b> | <b>04</b> |                                                              |  |  |
| <b>Type</b>        | <b>MPS</b> Pushbutton Switches, Snap Action, 3Amp            |  |  |  |  |  |            |                  |           |          |           |           |                                                              |  |  |
| <b>Poles</b>       | <b>1</b> 1 pole                                              |  |  |  |  |  |            | <b>2</b> 2 poles |           |          |           |           |                                                              |  |  |
| <b>Contact</b>     | <b>03</b> 3 A @125 VAC                                       |  |  |  |  |  |            |                  |           |          |           |           |                                                              |  |  |
| <b>Function</b>    | <b>D</b> <b>single pole</b><br>Push-On/Push-Off<br>momentary |  |  |  |  |  |            |                  |           |          |           |           | <b>N</b> <b>double pole</b><br>Push-On/Push-Off<br>momentary |  |  |
| <b>Terminals</b>   | <b>blank</b> wire lug                                        |  |  |  |  |  |            |                  |           |          |           |           | <b>RA</b> right angle PC terminal                            |  |  |
|                    | <b>PC</b> printed circuit board                              |  |  |  |  |  |            |                  |           |          |           |           | <b>WW</b> wire wrap or extended PC                           |  |  |
|                    | <b>PCV</b> printed circuit board, with support               |  |  |  |  |  |            |                  |           |          |           |           |                                                              |  |  |
| <b>Material</b>    | <b>04</b> RoHS compliant                                     |  |  |  |  |  |            |                  |           |          |           |           |                                                              |  |  |

**MPS Series, Snap Action (Continued)**

**Function**



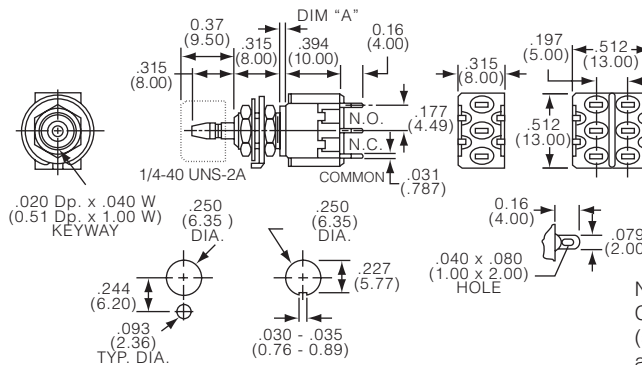
| Fct. | Poles |    |      |          |          |
|------|-------|----|------|----------|----------|
| D    | 1     | On | On   | 3-2      | 3-1      |
| F    | 1     | On | (On) | 3-2      | 3-1      |
| N    | 2     | On | On   | 3-2, 6-5 | 3-1, 6-4 |
| R    | 2     | On | (On) | 3-2, 6-5 | 3-1, 6-4 |

Off indicates a mechanical position with no electrical connection  
 (On) indicates momentary connection

**Terminals**



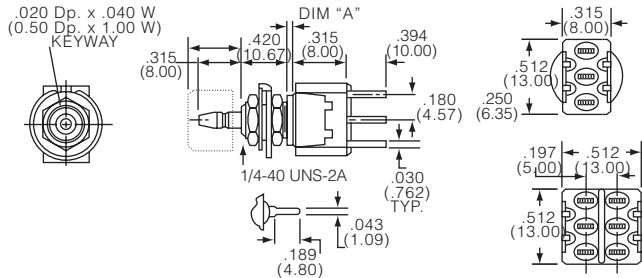
**blank wire lug**



| Funct | Action          | Dim A        |
|-------|-----------------|--------------|
| D     | 1p, push-On/Off | 2.54 (.100)  |
| F     | 1p, momentary   | 1.016 (.040) |
| N     | 2p, push-On/Off | 2.54 (.100)  |
| R     | 2p, momentary   | 1.016 (.040) |

Note: hardware included with switches. Caps not supplied, order separately (see cap model C22 and C23 under accessories)

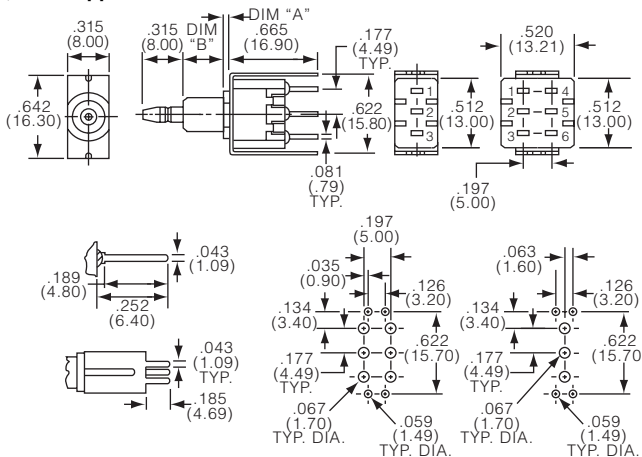
**PC printed circuit board**



| Funct | Action          | Dim A        |
|-------|-----------------|--------------|
| D     | 1p, push-On/Off | 2.54 (.100)  |
| F     | 1p, momentary   | 1.016 (.040) |
| N     | 2p, push-On/Off | 2.54 (.100)  |
| R     | 2p, momentary   | 1.016 (.040) |

Caps not supplied, order separately (see cap model C22 and C23 under accessories)

**PCV printed circuit board, with support**

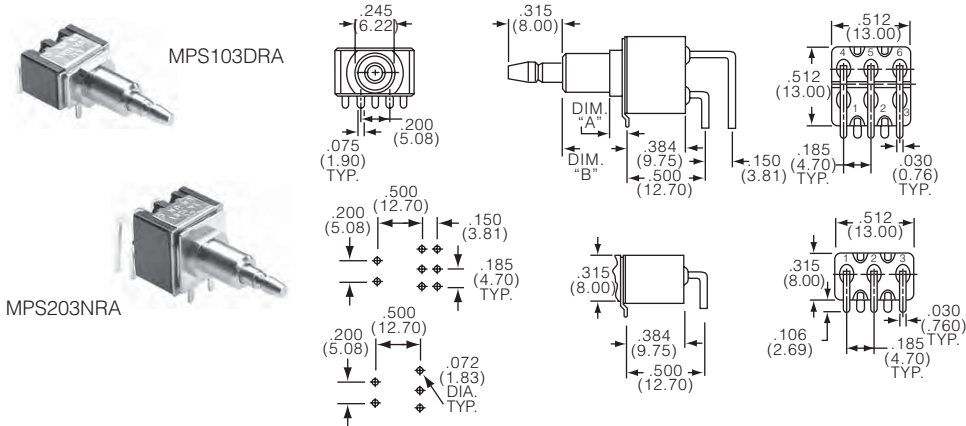


| Funct | Dim A       | Dim B       |
|-------|-------------|-------------|
| D     | 2.03 (.080) | 8.00 (.315) |
| F     | 1.01 (.040) | 7.49 (.295) |
| R     | 1.01 (.040) | 7.49 (.295) |

Caps not supplied, order separately (see cap model C22 and C23 under accessories)

**MPS Series, Snap Action (Continued)**

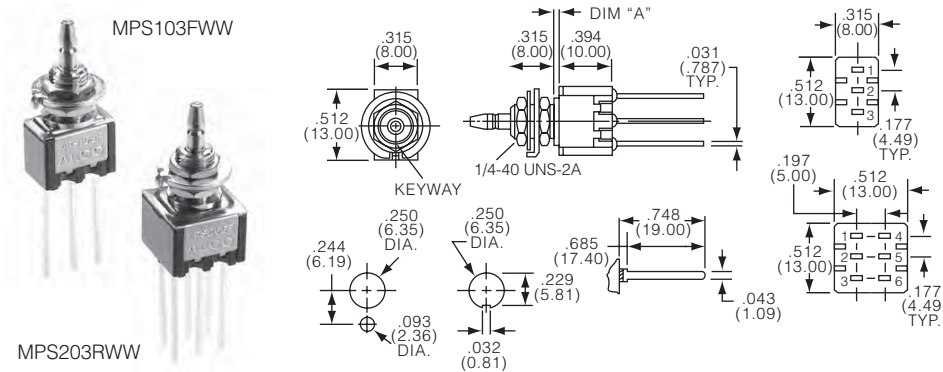
**RA right angle, printed circuit board**



| Funct | Dim A       | Dim B       |
|-------|-------------|-------------|
| D     | 2.54 (.100) | 10.7 (.432) |
| F     | 1.52 (.060) | 9.24 (.364) |
| N     | 2.54 (.100) | 10.7 (.432) |
| R     | 1.52 (.060) | 9.24 (.364) |

Caps not supplied, order separately (see cap model C22 and C23 under accessories)

**WW wire wrap, extended pcb**



| Funct | Action          | Dim A        |
|-------|-----------------|--------------|
| F     | 1p, momentary   | 1.016 (.040) |
| N     | 2p, push-On/Off | 2.54 (.100)  |
| R     | 2p, momentary   | 1.016 (.040) |

Caps not supplied, order separately (see cap model C22 and C23 under accessories)

| Product key  | Poles       | Contact         | Function         | Terminals             | Material  | Part Number |
|--------------|-------------|-----------------|------------------|-----------------------|-----------|-------------|
| MPS103D04    | single pole | 3 A<br>@125 VAC | Push-On/Push-Off | solder lug            | RoHS      | 1825092-1   |
| MPS103DPC04  |             |                 |                  | printed circuit board | compliant | 1825399-1   |
| MPS103DPCV04 |             |                 |                  | PCB, with support     |           | 1825401-1   |
| MPS103DRA04  |             |                 |                  | right angle PCB       |           | 1825400-1   |
| MPS103F04    | double pole |                 | momentary        | solder lug            |           | 1825092-2   |
| MPS103FPC04  |             |                 |                  | printed circuit board |           | 1825399-2   |
| MPS103FPCV04 |             |                 |                  | PCB, with support     |           | 1825401-2   |
| MPS103FRA04  |             |                 |                  | right angle PCB       |           | 1825400-2   |
| MPS103FWW04  |             |                 | wire wrap        |                       | 1825402-1 |             |
| MPS203N04    | double pole |                 | Push-On/Push-Off | solder lug            |           | 1825092-3   |
| MPS203NPC04  |             |                 |                  | printed circuit board |           | 1825399-3   |
| MPS203NPCV04 |             |                 |                  | PCB, with support     |           | 1825401-3   |
| MPS203NRA04  |             |                 |                  | right angle PCB       |           | 1825400-3   |
| MPS203R04    | double pole |                 | momentary        | solder lug            |           | 1825092-4   |
| MPS203RPC04  |             |                 |                  | printed circuit board |           | 1825399-4   |
| MPS203RPCV04 |             |                 |                  | PCB, with support     |           | 1825401-4   |
| MPS203RRA04  |             |                 |                  | right angle PCB       |           | 1825400-4   |
| MPS203RWW04  |             |                 | wire wrap        |                       | 1825402-2 |             |



Компания «ЭлектроПласт» предлагает заключение долгосрочных отношений при поставках импортных электронных компонентов на взаимовыгодных условиях!

Наши преимущества:

- Оперативные поставки широкого спектра электронных компонентов отечественного и импортного производства напрямую от производителей и с крупнейших мировых складов;
- Поставка более 17-ти миллионов наименований электронных компонентов;
- Поставка сложных, дефицитных, либо снятых с производства позиций;
- Оперативные сроки поставки под заказ (от 5 рабочих дней);
- Экспресс доставка в любую точку России;
- Техническая поддержка проекта, помощь в подборе аналогов, поставка прототипов;
- Система менеджмента качества сертифицирована по Международному стандарту ISO 9001;
- Лицензия ФСБ на осуществление работ с использованием сведений, составляющих государственную тайну;
- Поставка специализированных компонентов (Xilinx, Altera, Analog Devices, Intersil, Interpoint, Microsemi, Aeroflex, Peregrine, Syfer, Eurofarad, Texas Instrument, Miteq, Cobham, E2V, MA-COM, Hittite, Mini-Circuits, General Dynamics и др.);

Помимо этого, одним из направлений компании «ЭлектроПласт» является направление «Источники питания». Мы предлагаем Вам помощь Конструкторского отдела:

- Подбор оптимального решения, техническое обоснование при выборе компонента;
- Подбор аналогов;
- Консультации по применению компонента;
- Поставка образцов и прототипов;
- Техническая поддержка проекта;
- Защита от снятия компонента с производства.



#### Как с нами связаться

**Телефон:** 8 (812) 309 58 32 (многоканальный)

**Факс:** 8 (812) 320-02-42

**Электронная почта:** [org@eplast1.ru](mailto:org@eplast1.ru)

**Адрес:** 198099, г. Санкт-Петербург, ул. Калинина, дом 2, корпус 4, литера А.