

# NCT75

## Industry Standard Digital Temperature Sensor with 2-wire Interface

The NCT75 is a two-wire serially programmable temperature sensor with an over-temperature/interrupt output pin to signal out of limit conditions. This is an open-drain pin and can operate in either comparator or interrupt mode. Temperature measurements are converted into digital form using a high resolution (12 bit), sigma-delta, analog-to-digital converter (ADC). The device operates over the  $-55^{\circ}\text{C}$  to  $+125^{\circ}\text{C}$  temperature range.

Communication with the NCT75 is accomplished via the SMBus/I<sup>2</sup>C interface. Three address selection pins, A2, A1 and A0, can be used to connect up to 8 NCT75s to a single bus. Through this interface the NCT75s internal registers may be accessed. These registers allow the user to read the current temperature, change the configuration settings and adjust the temperature limits.

The NCT75 has a wide supply voltage range of 3.0 V to 5.5 V. The average supply current is 575  $\mu\text{A}$  at 3.3 V. It also offers a shutdown mode to conserve power. The typical shutdown current is 3  $\mu\text{A}$ .

The NCT75 is available in three, space saving packages – 8-lead DFN, 8-lead Micro8™ and 8-lead SOIC and is also fully pin and register compatible with the LM75 and TCN75.

### Features

- 12-bit Temperature-to-Digital Converter
- Input Voltage Range from 3.0 V to 5.5 V
- Temperature Range from  $-55^{\circ}\text{C}$  to  $+125^{\circ}\text{C}$
- SMBus/I<sup>2</sup>C Interface
- Overtemperature Indicator
- Support for SMBus/ $\overline{\text{ALERT}}$
- Shutdown Mode for Low Power Consumption
- One-shot Mode
- Available in 8-pin DFN, 8-pin Micro8™ and SOIC Packages
- These Devices are Pb-Free, Halogen Free/BFR Free and are RoHS Compliant

### Applications

- Computer Thermal Monitoring
- Thermal Protection
- Isolated Sensors
- Battery Management
- Office Electronics
- Electronic Test Equipment
- Thermostat Controls
- System Thermal Management



ON Semiconductor®

<http://onsemi.com>



DFN8  
CASE 506AA

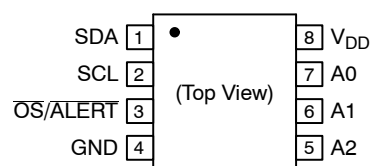


SOIC8  
CASE 751

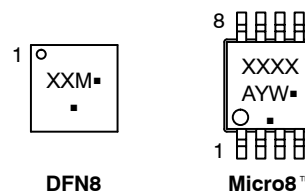


Micro8™  
CASE 846A

### PIN ASSIGNMENT



### MARKING DIAGRAMS

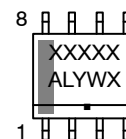


DFN8

Micro8™

XXXX = Specific Device Code  
M = Date Code  
A = Assembly Location  
Y = Year  
W = Work Week  
▪ = Pb-Free Package

(Note: Microdot may be in either location)



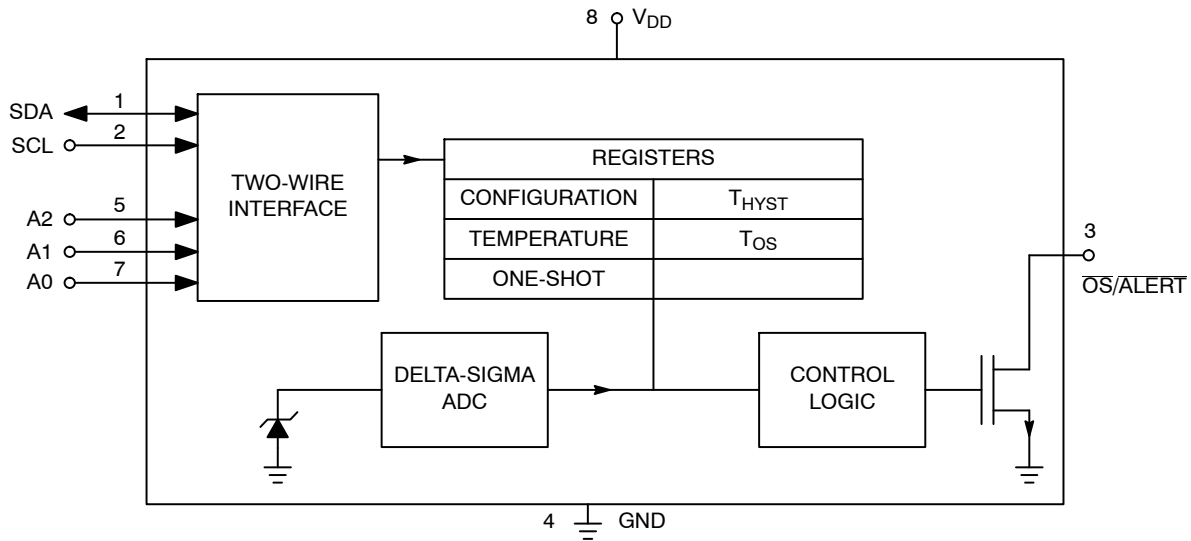
SOIC8

XXXXX = Specific Device Code  
A = Assembly Location  
L = Wafer Lot  
Y = Year  
W = Work Week  
▪ = Pb-Free Package

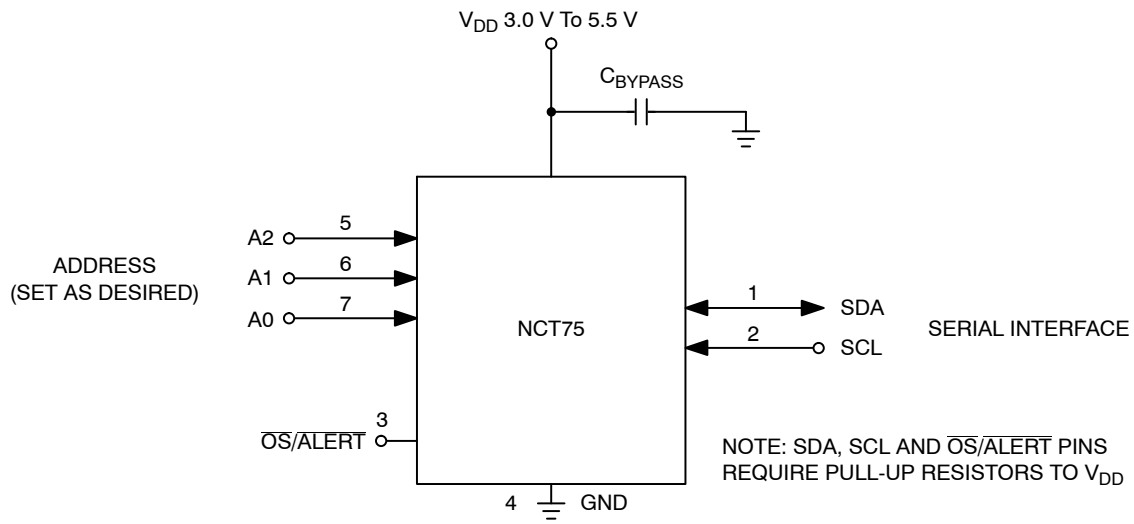
### ORDERING INFORMATION

See detailed ordering and shipping information in the package dimensions section on page 11 of this data sheet.

# NCT75



**Figure 1. Simplified Block Diagram**



**Figure 2. Typical Application Circuit**

**Table 1. PIN FUNCTION DESCRIPTION**

| Pin No. | Pin Name                     | Description   |
|---------|------------------------------|---|
| 1       | SDA                          | SMBus/I <sup>2</sup> C Serial Bi-directional Data Input/Output. Open-drain pin; needs a pull-up resistor.                               |
| 2       | SCL                          | Serial Clock Input. Open-drain pin; needs a pull-up resistor.   |
| 3       | $\overline{\text{OS/ALERT}}$ | Over-temperature Indicator. Open-drain output; needs a pullup resistor. Active Low output.  |
| 4       | GND                          | Power Supply Ground.  |
| 5       | A2                           | SMBus/I <sup>2</sup> C Serial Bus Address Selection Pin. Connect to GND or V <sub>DD</sub> to set the desired I <sup>2</sup> C address. |
| 6       | A1                           | SMBus/I <sup>2</sup> C Serial Bus Address Selection Pin. Connect to GND or V <sub>DD</sub> to set the desired I <sup>2</sup> C address. |
| 7       | A0                           | SMBus/I <sup>2</sup> C Serial Bus Address Selection Pin. Connect to GND or V <sub>DD</sub> to set the desired I <sup>2</sup> C address. |
| 8       | V <sub>DD</sub>              | Positive Supply Voltage, 3.0 V to 5.5 V. Bypass to ground with a 0.1 $\mu\text{F}$ bypass capacitor.                                    |

# NCT75

**Table 2. ABSOLUTE MAXIMUM RATINGS** (Note 1)

| Rating  | Symbol       | Value                  | Unit |
|---|--------------|------------------------|------|
| Supply Voltage  | $V_{DD}$     | -0.3 to +7             | V    |
| Input Voltage on SCL, SDA, A2, A1, A0 and $\overline{OS}/ALERT$ . |              | -0.3 to $V_{DD} + 0.3$ | V    |
| Input Current on SDA, A2, A1, A0 and $\overline{OS}/ALERT$ .      | $I_{IN}$     | -1 to +50              | mA   |
| Maximum Junction Temperature                                      | $T_{J(max)}$ | 150.7                  | °C   |
| Operating Temperature Range                                       | $T_{OP}$     | -55 to 125             | °C   |
| Storage Temperature Range   | $T_{STG}$    | -65 to 160             | °C   |
| ESD Capability, Human Body Model (Note 2)                         | $ESD_{HBM}$  | 2,000                  | V    |
| ESD Capability, Machine Model (Note 2)                            | $ESD_{MM}$   | 400                    | V    |

Stresses exceeding Maximum Ratings may damage the device. Maximum Ratings are stress ratings only. Functional operation above the Recommended Operating Conditions is not implied. Extended exposure to stresses above the Recommended Operating Conditions may affect device reliability.

1. Refer to ELECTRICAL CHARACTERISTICS and APPLICATION INFORMATION for Safe Operating Area.
2. This device series incorporates ESD protection and is tested by the following methods:  
 ESD Human Body Model tested per AEC-Q100-002 (EIA/JESD22-A114)  
 ESD Machine Model tested per AEC-Q100-003 (EIA/JESD22-A115)

**Table 3. OPERATING RANGES** (Note 3)

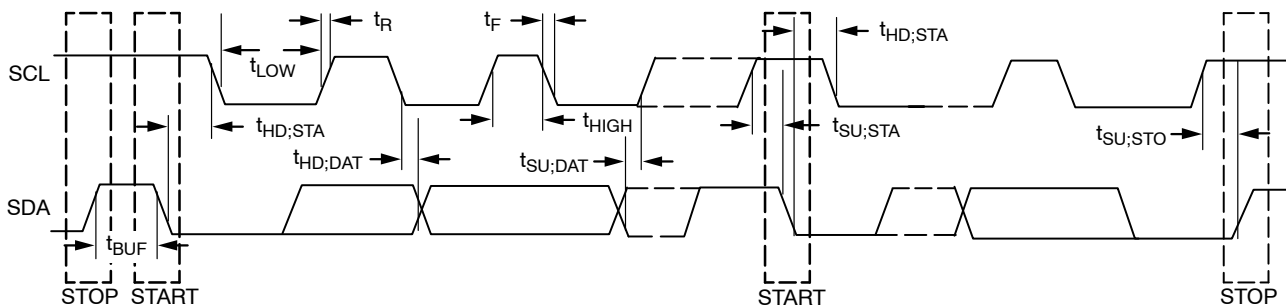
| Rating                              | Symbol   | Min | Max | Unit |
|-------------------------------------|----------|-----|-----|------|
| Operating Supply Voltage            | $V_{IN}$ | 3.0 | 5.5 | V    |
| Operating Ambient Temperature Range | $T_A$    | -55 | 125 | °C   |

3. Refer to ELECTRICAL CHARACTERISTICS and APPLICATION INFORMATION for Safe Operating Area.

**Table 4. SMBus TIMING SPECIFICATIONS**

| Parameter                                       | Symbol       | Test Conditions          | Min | Typ | Max | Unit    |
|---|--------------|--------------------------|-----|-----|-----|---------|
| Serial Clock Frequency                          | $f_{SCL}$    |                          | DC  | -   | 400 | kHz     |
| Start Condition Hold Time                       | $t_{HD:STA}$ |                          | 0.6 | -   | -   | $\mu s$ |
| Stop Condition Setup Time                       | $t_{SU:STO}$ | 90% of SCL to 10% of SDA | 100 | -   | -   | ns      |
| Clock Low Period                                | $t_{LOW}$    |                          | 1.3 | -   | -   | $\mu s$ |
| Clock High Period                               | $t_{HIGH}$   |                          | 0.6 | -   | -   | $\mu s$ |
| Start Condition Setup Time                      | $t_{SU:STA}$ | 90% of SCL to 90% of SDA | 100 | -   | -   | ns      |
| Data Setup Time                                 | $t_{SU:DAT}$ | 10% of SDA to 10% of SCL | 100 | -   | -   | ns      |
| Data Hold Time (Note 4)                         | $t_{HD:DAT}$ | 10% of SCL to 10% of SDA | 0   | -   | 76  | ns      |
| SDA/SCL Rise Time                               | $t_R$        |                          | -   | 300 | -   | ns      |
| SDA/SCL Fall Time                               | $t_F$        |                          | -   | 300 | -   | ns      |
| Minimum RESET Pulse Width                       | $t_{RESET}$  |                          | 1.3 | -   | -   | $\mu s$ |
| Bus Free Time Between STOP and START Conditions | $t_{BUF}$    |                          | 1.3 | -   | -   | $\mu s$ |

4. This refers to the hold time when the NCT75 is writing data to the bus.



**Figure 3. Serial Interface Timing**

# NCT75

**Table 5. ELECTRICAL CHARACTERISTICS**

( $T_A = T_{MIN}$  to  $T_{MAX}$ ,  $V_{DD} = 3.0$  V to 5.5 V. All specifications for  $-55^{\circ}\text{C}$  to  $+125^{\circ}\text{C}$ , unless otherwise noted.)

| Parameter                                | Test Conditions  | Min                 | Typ         | Max                           | Unit               |
|--|--|---------------------|-------------|-------------------------------|--------------------|
| <b>TEMPERATURE SENSOR AND ADC</b>        |  |                     |             |                               |                    |
| Accuracy at $V_{DD} = 3.0$ V to 5.5 V    | $T_A = 0^{\circ}\text{C}$ to $+70^{\circ}\text{C}$<br>$T_A = -25^{\circ}\text{C}$ to $+100^{\circ}\text{C}$<br>$T_A = -55^{\circ}\text{C}$ to $+125^{\circ}\text{C}$ | –<br>–<br>–         | –<br>–<br>– | $\pm 1$<br>$\pm 2$<br>$\pm 3$ | $^{\circ}\text{C}$ |
| ADC Resolution                           |  | –                   | 12          | –                             | Bits               |
| Temperature Resolution                   |  | –                   | 0.0625      | –                             | $^{\circ}\text{C}$ |
| Temperature Conversion Time              | One-shot Mode  | –                   | 48.5        | –                             | ms                 |
| Update Rate                              |  | –                   | 80          | –                             | ms                 |
| <b>POWER REQUIREMENTS</b>                |  |                     |             |                               |                    |
| Supply Voltage                           |  | 3.0                 | –           | 5.5                           | V                  |
| POR Threshold                            |  | 2.75                | –           | –                             | V                  |
| Supply Current                           | Peak Current while Converting and I <sup>2</sup> C Interface Inactive  | –                   | –           | 0.8                           | mA                 |
| Average Current                          | Average Current over 1 Conversion Cycle  | –                   | 0.44        | 0.575                         | mA                 |
| Shutdown Mode at 3.3 V                   | Supply Current in Shutdown Mode  | –                   | 3           | 12                            | $\mu\text{A}$      |
| <b>OS/ALERT OUTPUT (OPEN DRAIN)</b>      |  |                     |             |                               |                    |
| Output Low Voltage, $V_{OL}$             | $I_{OL} = 4$ mA  | –                   | 0.15        | 0.4                           | V                  |
| Pin Capacitance                          |  | –                   | 10          | –                             | pF                 |
| High Output Leakage Current, $I_{OH}$    | OS/ALERT Pin Pulled Up to 5.5 V  | –                   | 0.1         | 5                             | $\mu\text{A}$      |
| <b>DIGITAL INPUTS (SDA, SCL)</b>         |  |                     |             |                               |                    |
| Input Current                            | $V_{IN} = 0$ V to $V_{DD}$   | –                   | –           | 1                             | $\mu\text{A}$      |
| Input Low Voltage, $V_{IL}$              | $V_{DD} = 3.3$ V (Note 5)  | –                   | –           | $0.3 \times V_{DD}$           | V                  |
| Input High Voltage, $V_{IH}$             | $V_{DD} = 3.3$ V (Note 5)  | $0.7 \times V_{DD}$ | –           | –                             | V                  |
| SCL, SDA Glitch Rejection                | Input Filtering Suppresses Noise Spikes of Less than 50 ns   | –                   | –           | 50                            | ns                 |
| Pin Capacitance                          |  | –                   | 3           | –                             | pF                 |
| <b>DIGITAL OUTPUT (SDA) (OPEN DRAIN)</b> |  |                     |             |                               |                    |
| Output High Current, $I_{OH}$            | $V_{OH} = 5$ V   | –                   | –           | 1                             | $\mu\text{A}$      |
| Output Low Voltage, $V_{OL}$             | $I_{OL} = 3$ mA  | –                   | –           | 0.4                           | V                  |
| Output Capacitance, $C_{OUT}$            |  | –                   | 3           | –                             | pF                 |

5. Guaranteed by characterization, not production tested.

## APPLICATION INFORMATION

**Functional Description**

The NCT75 temperature sensor converts an analog temperature measurement to a digital representation by using an on-chip measurement transistor and a 12 bit Delta-Sigma ADC.

The device includes an open drain  $\overline{\text{ALERT}}$  output which can be used to signal that the programmed temperature limit has been exceeded.

The two main modes of operation are normal and shutdown mode. In normal mode the NCT75 performs a new temperature conversion every 80 ms. This new value is then updated to the temperature value register (address 0x00) and also compared to the  $T_{OS}$  register limit (default = 80°C). If the temperature value register is read during the conversion sequence the value returned is the previously stored value. A bus read does not affect the conversion that is in progress.

In shutdown mode temperature conversion is disabled and the temperature value register holds the last valid temperature reading. The NCT75 can still be communicated with in this mode as the interface is still active. The device mode is controlled via bit 0 of the configuration register.

While in shutdown mode a conversion can be initiated by writing an arbitrary value to the one-shot register (0x04). This has the effect of powering up the NCT75, performing a conversion, comparing the new temperature with the programmed limit and then going back into shutdown mode.

The  $\overline{\text{OS}}/\overline{\text{ALERT}}$  pin can be configured in many ways to allow it to be used in many different system configurations.

The overtemperature output can be configured to operate as a comparator type output (which is self clearing once the temperature has returned below the hysteresis value) or an interrupt type output (which requires the master to read an internal register AND the temperature to return below the hysteresis value before going into an inactive state). The  $\overline{\text{ALERT}}$  pin can also be configured as an active high or active low output.

**Temperature Measurement Results**

The results of the on chip temperature measurements are stored in the temperature value register and compared with the  $T_{OS}$  and  $T_{HYST}$  limit register.

The temperature value,  $T_{OS}$  and  $T_{HYST}$  registers are 16 bits wide and have a resolution of 0.0625°C. The data is stored as a 12 bit 2s complement word. The data is left justified, D15 is the MSB and is the sign bit. The four LSBs (D3 to D0) are always 0 as they are not part of the result.

While the ADC of the NCT75 can theoretically measure temperatures in the range of -128°C to 127°C, the NCT75 is guaranteed to measure from -55°C to +125°C.

Table 6 shows the relevant temperature bits for a 12 bit temperature reading. A 2-byte read is required to obtain the full 12 bit temperature reading. If an 8 bit (1°C resolution) reading is required then a single byte read is sufficient.

**Table 6. 12-BIT TEMPERATURE DATA FORMAT**

| Temperature | Binary Value<br>D15 to D4 | Hex Value |
|-------------|---------------------------|-----------|
| -55°C       | 1100 1001 0000            | 0xC90     |
| -25°C       | 1110 0111 0000            | 0xE70     |
| -0.0625°C   | 1111 1111 1111            | 0xFFF     |
| 0°C         | 0000 0000 0000            | 0x000     |
| +0.0625°C   | 0000 0000 0001            | 0x001     |
| +25°C       | 0001 1001 0000            | 0x190     |
| +75.25°C    | 0100 1011 0100            | 0x4B4     |
| +100°C      | 0110 0100 0000            | 0x640     |
| +125°C      | 0111 1101 0000            | 0x7D0     |

**Temperature Data Conversion****12-bit Temperature Data Format**

Positive Temperature = ADC Code (decimal)/16

*Example 190h = 400d/16 = +25°C*

Negative Temperature = (ADC Code(decimal) - 4096)/16

*Example E70h = (3696d - 4096)/16 = -25°C*

**One-shot Mode**

One of the features of the NCT75 is a One-shot Temperature Measurement Mode. This mode is useful if reduced power consumption is a design requirement.

To enable one-shot mode bit 5 of the configuration register needs to be set. Once, enabled, the NCT75 goes immediately into shutdown mode. Here, the current consumption is reduced to a typical value of 3  $\mu\text{A}$ . Writing address 0x04 to the address pointer register initiates a one-shot temperature measurement. This powers up the NCT75, carries out a temperature measurement, and then powers down again. The data written to this register is irrelevant and is not stored. It is the write operation that causes the one-shot conversion.

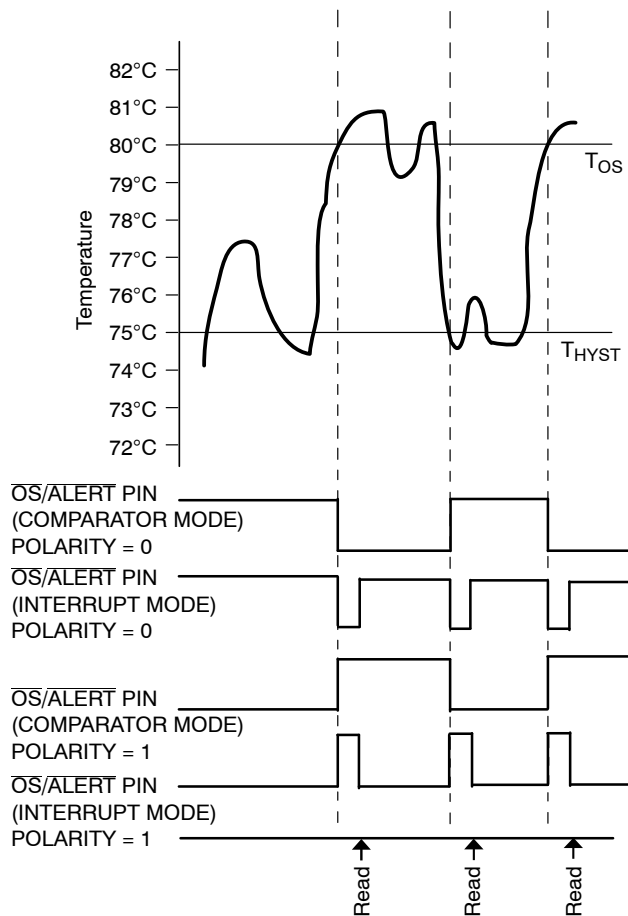


Figure 4. One-shot  $\overline{\text{OS/ALERT}}$  Pin Operation

**Fault Queue**

A fault is defined as when the temperature exceeds a pre-defined temperature limit. This limit can be programmed in the  $T_{\text{HYST}}$  and the  $T_{\text{OS}}$  setpoint registers. Bits 3 and 4 of the configuration register determine the number of faults necessary to trigger the  $\overline{\text{OS/ALERT}}$  pin. Up to six faults can be programmed to prevent false tripping when the NCT75 is used in a noisy temperature environment. In order for the  $\overline{\text{OS/ALERT}}$  output to be set these faults must occur consecutively.

**Registers**

The NCT75 contains six registers for configuring and reading the temperature: the address pointer register, 4 data registers and a one-shot register. The configuration register, the address pointer register and the one-shot register are all 8 bits wide while the temperature register,  $T_{\text{HYST}}$  and  $T_{\text{OS}}$  registers are all 16 bits wide. All registers, except for the temperature register, can be read from and written to (the temperature register is read only). The power on state and address of each register are listed in Table 9.

**Address Pointer Register**

The address pointer register is used to select which register is to respond to a read or write operation. The three LSBs (P2, P1 & P0) of this write only register are used to select the appropriate register. On power up this register is loaded with a value of 0x00 and so points to the temperature register. Table 7 shows the bits of the address pointer register and Table 8 shows the pointer address selecting each of the registers available.

Table 7. ADDRESS POINTER REGISTER

|         | P7 | P6 | P5 | P4 | P3 | P2 | P1 | P0 |
|---------|----|----|----|----|----|----|----|----|
| Default | 0  | 0  | 0  | 0  | 0  | 0  | 0  | 0  |

Table 8. REGISTER ADDRESSES SELECTION

| P2 | P1 | P0 | Register Selected          |
|----|----|----|----------------------------|
| 0  | 0  | 0  | Stored Temperature         |
| 0  | 0  | 1  | Configuration              |
| 0  | 1  | 0  | $T_{\text{HYST}}$ Setpoint |
| 0  | 1  | 1  | $T_{\text{OS}}$ Setpoint   |
| 1  | 0  | 0  | One-shot                   |

Table 9. NCT75 REGISTER SET

| Register Address | Register Name            | Power-on Default Value |    |
|------------------|--------------------------|------------------------|----|
|                  |                          | Hex                    | °C |
| 0x00 (R)         | Stored Temperature Value | 0x0000                 | 0  |
| 0x01 (R/W)       | Configuration            | 0x00                   | -  |
| 0x02 (R/W)       | $T_{\text{HYST}}$        | 0x4B00                 | 75 |
| 0x03 (R/W)       | $T_{\text{OS}}$          | 0x5000                 | 80 |
| 0x04 (R/W)       | One-shot                 | 0xXX                   | -  |

# NCT75

## Temperature Register

The temperature measured by the parts internal sensor is stored in this 16-bit read only register. The data is stored in

twos complement format with the MSB as the sign bit. The 8 MSBs must be read first followed by the 8 LSBs.

**Table 10. TEMPERATURE VALUE REGISTER**

| MSB |     |     |     |     |     |    |    |    |    |    |    |    | LSB |    |    |  |
|-----|-----|-----|-----|-----|-----|----|----|----|----|----|----|----|-----|----|----|--|
| D15 | D14 | D13 | D12 | D11 | D10 | D9 | D8 | D7 | D6 | D5 | D4 | D3 | D2  | D1 | D0 |  |
| 0   | 0   | 0   | 0   | 0   | 0   | 0  | 0  | 0  | 0  | 0  | 0  | X  | X   | X  | X  |  |

## Configuration Register

This 8-bit read/write register is used to configure the NCT75 into its various modes of operation. The different modes are listed in Table 11 and explained in more detail below.

**Table 11. CONFIGURATION REGISTER**

| Bit | Configuration                                 | Default Value |
|-----|---|---------------|
| D7  | Reserved                                      | 0             |
| D6  | Reserved                                      | 0             |
| D5  | One-shot Mode                                 | 0             |
| D4  | Fault-queue                                   | 0             |
| D3  | Fault-queue                                   | 0             |
| D2  | $\overline{OS}/\overline{ALERT}$ Pin Polarity | 0             |
| D1  | Cmp/Int Mode                                  | 0             |
| D0  | Shutdown Mode                                 | 0             |

D7: Reserved

Write 0 to this bit.

D6: Reserved

Write 0 to this bit.

D5: One-shot Mode

D5 = 0 Part is in normal mode and converting every 60 ms. (Default)

D5 = 1 Setting this bit puts the part into one-shot mode. The part is normally powered down in this mode until the one shot register is written to. Once this register is written to one conversion is performed and the part returns to its shutdown state.

D[4:3]: Fault Queue

D4 D3 These two bits determine how many overtemperature conditions occur before the  $\overline{OS}/\overline{ALERT}$  pin is triggered. This helps to prevent false triggering of the output.

0 0 = 1 Fault (Default)

0 1 = 2 Faults

1 0 = 4 Faults

2 1 = 6 Faults

D2:  $\overline{OS}/\overline{ALERT}$  pin polarity

This selects the polarity of the  $\overline{OS}/\overline{ALERT}$  output pin.

D2 = 0 Output is active low. (Default)

D2 = 1 Output is active high.

D1: Cmp/Int

D1 = 0 Comparator mode. (Default)

D1 = 1 Interrupt mode.

D0: Shutdown

D0 = 0 Normal mode – part is fully powered. (Default)

D0 = 1 Shutdown mode – all circuitry except for the SMBus interface is powered down. Write a 0 to this bit to power up again.

## T<sub>HYST</sub> Register

The T<sub>HYST</sub> register stores the temperature hysteresis value for the overtemperature output. This value is picked to stop the  $\overline{OS}/\overline{ALERT}$  pin from being asserted and de-asserted in noisy temperature environments. This limit is stored in the 16 bit register in twos complement format. The MSB is the temperature sign bit. The 8 MSBs must be read first followed by the 8 LSBs. The default value is +75°C.

**Table 12. T<sub>HYST</sub> REGISTER**

| MSB |     |     |     |     |     |    |    |    |    |    |    |    | LSB |    |    |  |
|-----|-----|-----|-----|-----|-----|----|----|----|----|----|----|----|-----|----|----|--|
| D15 | D14 | D13 | D12 | D11 | D10 | D9 | D8 | D7 | D6 | D5 | D4 | D3 | D2  | D1 | D0 |  |
| 0   | 1   | 0   | 0   | 1   | 0   | 1  | 1  | 0  | 0  | 0  | 0  | X  | X   | X  | X  |  |

## T<sub>OS</sub> Register

This register stores the temperature limit at which the part asserts an  $\overline{OS}/\overline{ALERT}$ . Once the measured temperature reaches this value an alert or overtemperature output is generated.

The data is stored in twos complement format with the MSB as the sign bit. The 8 MSBs must be read first followed by the 8 LSBs. The default limit +80°C.

**Table 13. T<sub>OS</sub> REGISTER**

| MSB |     |     |     |     |     |    |    |    |    |    |    |    | LSB |    |    |  |
|-----|-----|-----|-----|-----|-----|----|----|----|----|----|----|----|-----|----|----|--|
| D15 | D14 | D13 | D12 | D11 | D10 | D9 | D8 | D7 | D6 | D5 | D4 | D3 | D2  | D1 | D0 |  |
| 0   | 1   | 0   | 1   | 0   | 0   | 0  | 0  | 0  | 0  | 0  | 0  | X  | X   | X  | X  |  |

**Serial Interface**

Control of the NCT75 is carried out via the SMBus/I<sup>2</sup>C compatible serial interface. The NCT75 is connected to this bus as a slave device, under the control of a master device.

**Serial Bus Address**

Control of the NCT75 is carried out via the serial bus. The NCT75 is connected to this bus as a slave device under the control of a master device. The NCT75 has a 7-bit serial address. The four MSBs are fixed and set to 1001 while the 3 LSBs can be configured by the user using pins 5, 6 and 7 (A2, A1 and A0). Each of these pins can be configured in one of two ways low or high. This gives eight different address options listed in Table 14 below. The state of these pins is continually sampled and so can be changed after power up.

**Table 14. SERIAL BUS ADDRESS OPTIONS**

| MSBs |    |    |    | LSBs |    |    | Address |
|------|----|----|----|------|----|----|---------|
| A6   | A5 | A4 | A3 | A2   | A1 | A0 | Hex     |
| 1    | 0  | 0  | 1  | 0    | 0  | 0  | 0x48    |
| 1    | 0  | 0  | 1  | 0    | 0  | 1  | 0x49    |
| 1    | 0  | 0  | 1  | 0    | 1  | 0  | 0x4A    |
| 1    | 0  | 0  | 1  | 0    | 1  | 1  | 0x4B    |
| 1    | 0  | 0  | 1  | 1    | 0  | 0  | 0x4C    |
| 1    | 0  | 0  | 1  | 1    | 0  | 1  | 0x4D    |
| 1    | 0  | 0  | 1  | 1    | 1  | 0  | 0x4E    |
| 1    | 0  | 0  | 1  | 1    | 1  | 1  | 0x4F    |

The NCT75 also features a SMBus/I<sup>2</sup>C timeout function whereby the SMBus/I<sup>2</sup>C interface times out after 22.5 ms of no activity on the SDA line. After this time, the NCT75 resets the SDA line back to its idle state (high impedance) and waits for the next start condition.

The serial bus protocol operates as follows:

1. The master initiates data transfer by establishing a start condition, defined as a high to low transition on the serial data line SDA, while the serial clock line SCL remains high. This indicates that an address/data stream is going to follow. All slave peripherals connected to the serial bus respond to the start condition and shift in the next eight bits, consisting of a 7-bit address (MSB first) plus a read/write (R/ $\overline{W}$ ) bit, which determines the direction of the data transfer i.e. whether data is written to, or read from, the slave device. The peripheral with the address corresponding to the transmitted address responds by pulling the data line low during the low period before the ninth clock pulse, known as the acknowledge bit. All other devices on the bus now remain idle while the selected device waits for data to be read from or written to it. If the R/ $\overline{W}$  bit is a zero then the

master writes to the slave device. If the R/ $\overline{W}$  bit is a one then the master reads from the slave device.

2. Data is sent over the serial bus in sequences of nine clock pulses, eight bits of data followed by an acknowledge bit from the receiver of data. Transitions on the data line must occur during the low period of the clock signal and remain stable during the high period, since a low-to-high transition when the clock is high can be interpreted as a stop signal.
3. When all data bytes have been read or written, stop conditions are established. In write mode, the master pulls the data line high during the tenth clock pulse to assert a stop condition. In read mode, the master overrides the acknowledge bit by pulling the data line high during the low period before the ninth clock pulse. This is known as no acknowledge. The master takes the data line low during the low period before the tenth clock pulse, then high during the tenth clock pulse to assert a stop condition.

Any number of bytes of data can be transferred over the serial bus in one operation. However, it is not possible to mix read and write in one operation because the type of operation is determined at the beginning and cannot subsequently be changed without starting a new operation.

**Writing Data**

There are two types of writes used in the NCT75:

**Setting up the Address Pointer Register for a Register Read**

To read data from a particular register, the address pointer register must hold the address of the register being read. To configure the address pointer register a single write operation (shown in Figure 5). It consists of the device address followed by the address being written to the address pointer register. This will then be followed by a read operation.

**Writing Data to a Register**

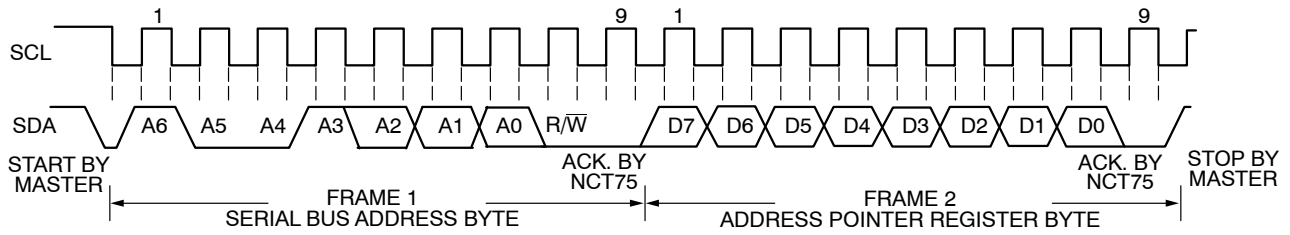
Due to the different size registers used by the NCT75, there are two types of write operations. One is for the 8 bit wide configuration register and the other for the 16 bit wide limit registers.

Figure 6 shows the sequence required to write to the configuration register. It consists of the device address, the data register being written to and the data being written the selected register.

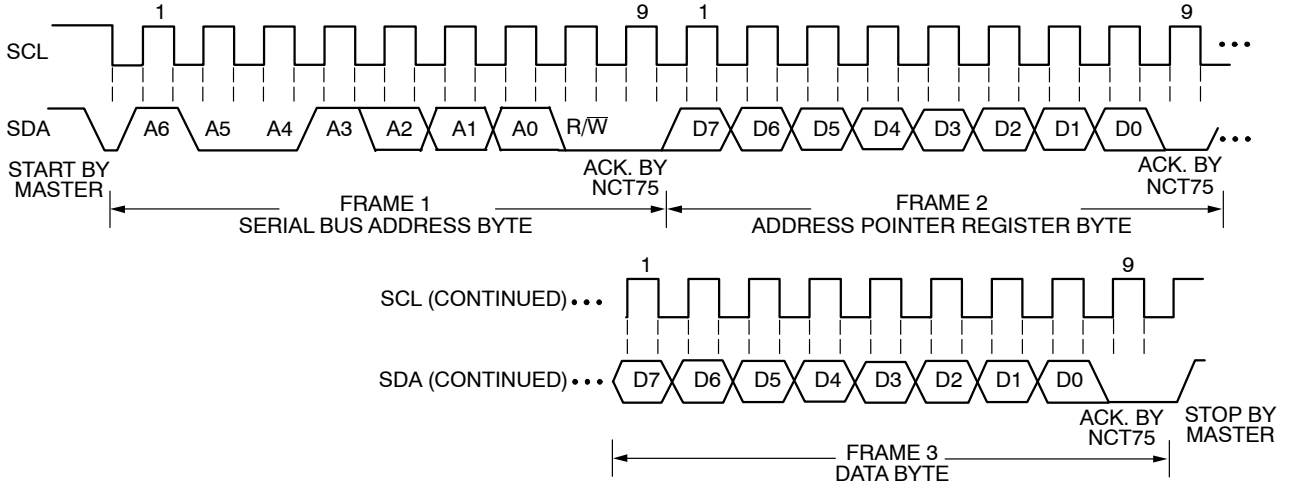
The two temperature limit registers (T<sub>HYST</sub> and T<sub>OS</sub>) are 16 bits wide and require two data bytes to be written to these registers. This sequence is shown in Figure 7. It consists of the device address, the data register being written to and the two data bytes being written to the selected register.



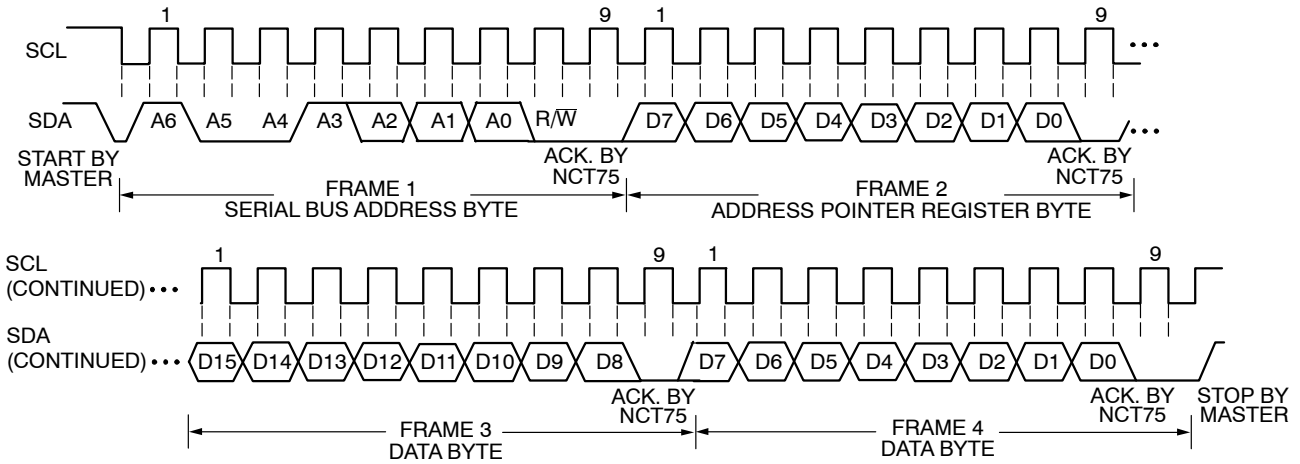
# NCT75



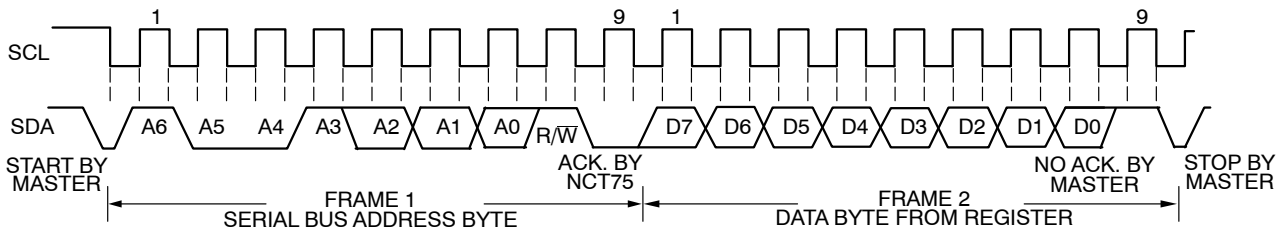
**Figure 5. Writing to the Address Pointer Register**



**Figure 6. Writing a Register Address to the Address Pointer Register, then Writing a Single Byte of Data to the Configuration Register**

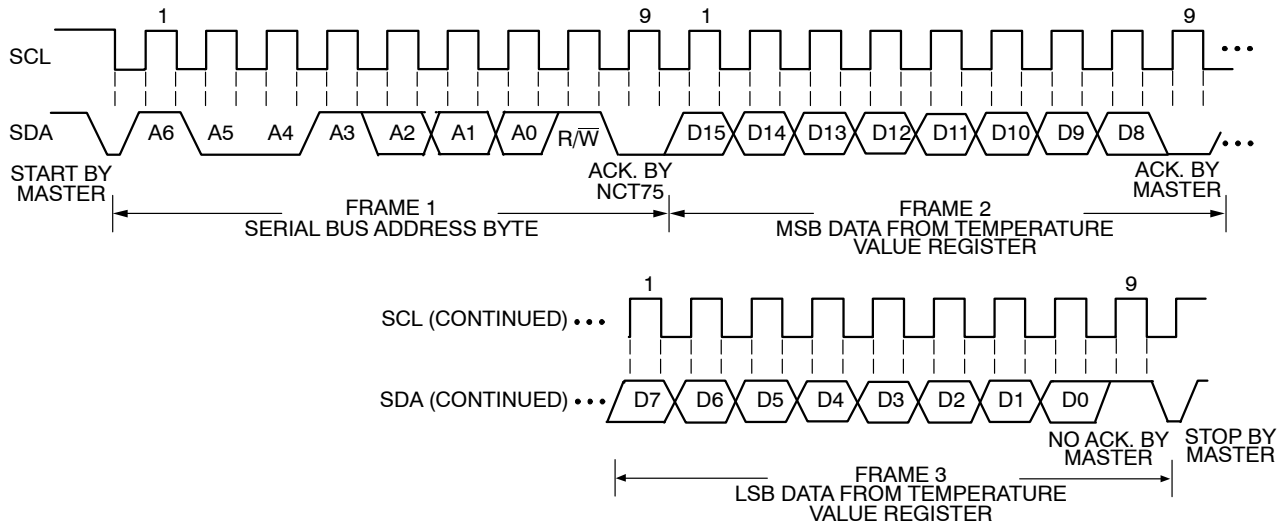


**Figure 7. Writing to the Address Pointer Register Followed by Two Bytes of Data to a 16 Bit Limit Register**



**Figure 8. Reading Data from the Configuration Register**

## NCT75



**Figure 9. Reading Data from the Temperature Value Register**

### Reading Data

Reading data from the NCT75 is done in two different ways depending on the register being read. The configuration register is only 8 bits wide so a single byte read is used for this (shown in Figure 8). This consists of the device address followed by the data from the register.

Reading the data in the temperature value register requires a two byte read (shown in Figure 9). This consists of the device address, followed by two bytes of data from the temperature register (the first byte is the MSB). In both cases the address pointer register of the register being read must be written to prior to performing a read operation.

### $\overline{OS/ALERT}$ Output Overtemperature Modes

The  $\overline{OS/ALERT}$  output pin can operate in two different modes – overtemperature mode and SMBus alert mode. The pin defaults to overtemperature mode on power up. This means that it becomes active when the measured temperature meets or exceeds the limit stored in the  $T_{OS}$  setpoint register. At this point it can deal with the event in one of two ways which depends on the mode it is in. The two overtemperature modes are: comparator mode and interrupt mode. Comparator mode is the default mode on power up.

More information on comparator and interrupt modes along with the SMBus alert mode are explained below.

### Comparator Mode

In Comparator Mode, the  $\overline{OS/ALERT}$  pin becomes active when the measured temperature equals or exceeds the limit stored in the  $T_{OS}$  setpoint register. The pin returns to its inactive status when the temperature drops below the  $T_{HYST}$  setpoint register value.

NOTE: Shutdown mode does not reset the output state for comparator mode.

### Interrupt Mode

In the interrupt mode, the  $\overline{OS/ALERT}$  pin becomes active when the temperature equals or exceeds the  $T_{OS}$  limit for a consecutive number of faults. It can be reset by performing a read operation on any register in the NCT75. The output can only become active again when the  $T_{OS}$  limit has been equalled or exceeded.

Figure 10 shows how both the interrupt and comparator modes operate in relation to the output pin ( $\overline{OS/ALERT}$ ). It also shows the operation of the polarity bit in the configuration register.

# NCT75

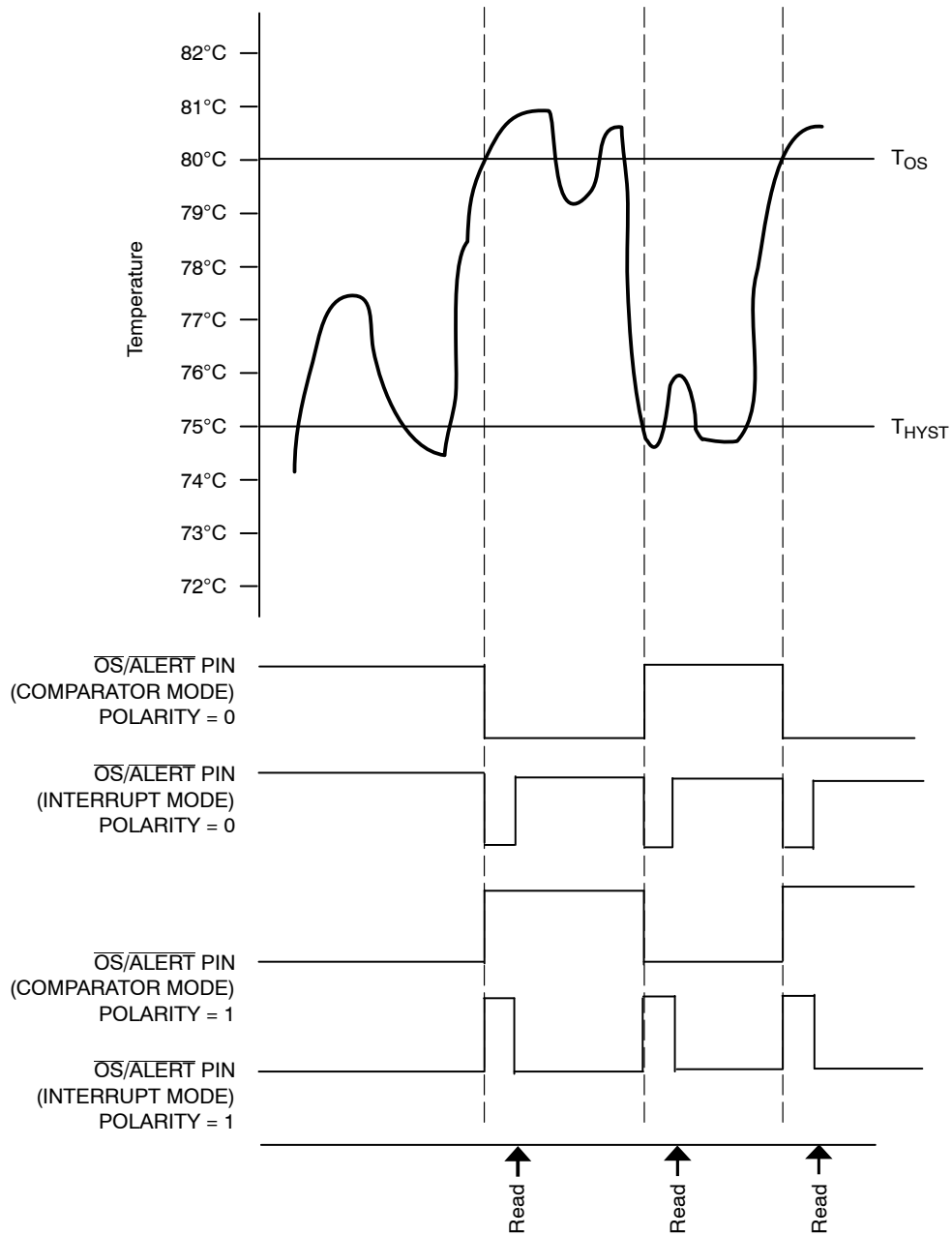


Figure 10.  $\overline{OS}/ALERT$  Output Temperature Response Diagram

Table 15. ORDERING INFORMATION

| Model Number* | Temperature Range | Temperature Accuracy | Package Description | Package Option <sup>†</sup> |
|---------------|-------------------|----------------------|---------------------|-----------------------------|
| NCT75DMR2G    | -55°C to +125°C   | ±1°C                 | 8-lead Micro8™      | 3,000 Tape & Reel           |
| NCT75DR2G     | -55°C to +125°C   | ±1°C                 | 8-lead SOIC         | 2,500 Tape & Reel           |
| NCT75MNR2G    | -55°C to +125°C   | ±1°C                 | 8-lead DFN (2x2)    | 3,000 Tape & Reel           |

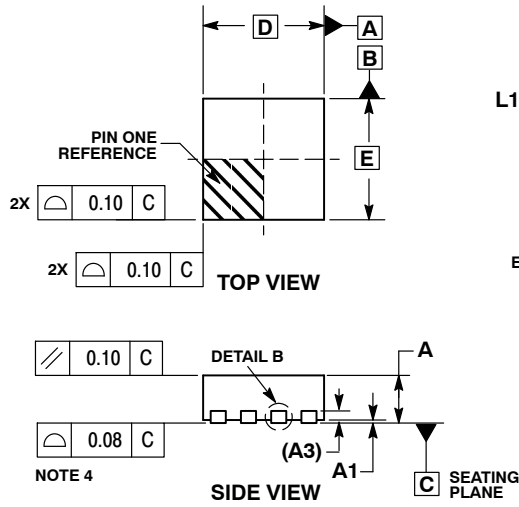
<sup>†</sup>For information on tape and reel specifications, including part orientation and tape sizes, please refer to our Tape and Reel Packaging Specifications Brochure, BRD8011/D.

\*The "G" suffix indicates Pb-Free package available.

# NCT75

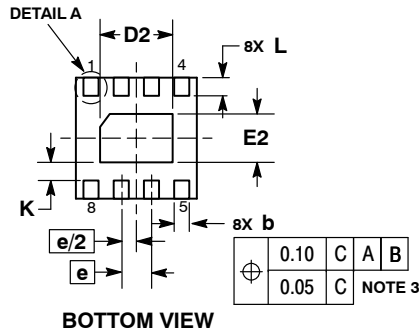
## PACKAGE DIMENSIONS

DFN8 2x2, 0.5P  
CASE 506AA-01  
ISSUE E

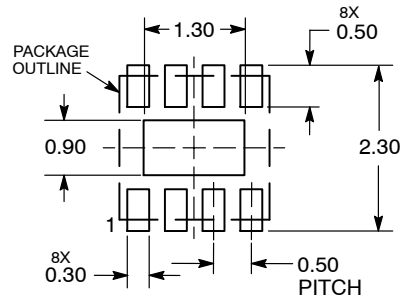


- NOTES:
1. DIMENSIONING AND TOLERANCING PER ASME Y14.5M, 1994.
  2. CONTROLLING DIMENSION: MILLIMETERS.
  3. DIMENSION b APPLIES TO PLATED TERMINAL AND IS MEASURED BETWEEN 0.15 AND 0.20 MM FROM TERMINAL TIP
  4. COPLANARITY APPLIES TO THE EXPOSED PAD AS WELL AS THE TERMINALS.

| DIM | MILLIMETERS |      |
|-----|-------------|------|
|     | MIN         | MAX  |
| A   | 0.80        | 1.00 |
| A1  | 0.00        | 0.05 |
| A3  | 0.20 REF    |      |
| b   | 0.20        | 0.30 |
| D   | 2.00 BSC    |      |
| D2  | 1.10        | 1.30 |
| E   | 2.00 BSC    |      |
| E2  | 0.70        | 0.90 |
| e   | 0.50 BSC    |      |
| K   | 0.30 REF    |      |
| L   | 0.25        | 0.35 |
| L1  | ---         |      |



### RECOMMENDED SOLDERING FOOTPRINT\*



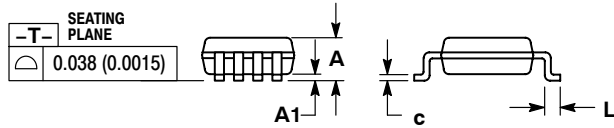
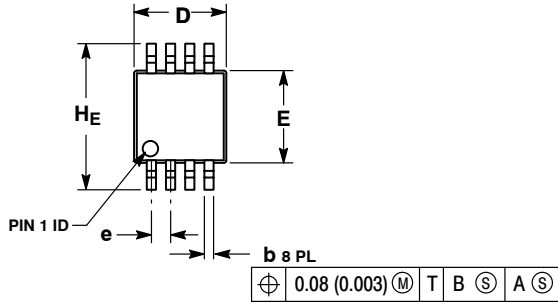
DIMENSIONS: MILLIMETERS

\*For additional information on our Pb-Free strategy and soldering details, please download the ON Semiconductor Soldering and Mounting Techniques Reference Manual, SOLDERRM/D.

# NCT75

## PACKAGE DIMENSIONS

Micro8™  
CASE 846A-02  
ISSUE H

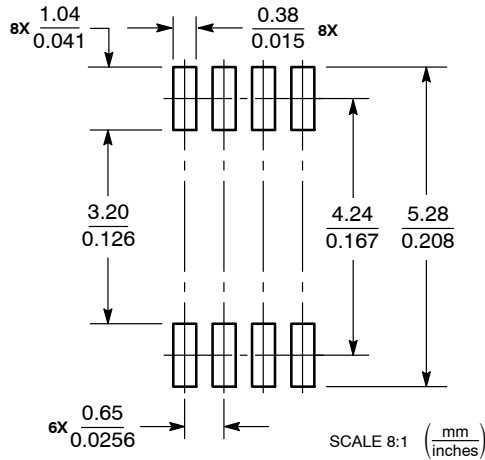


NOTES:

1. DIMENSIONING AND TOLERANCING PER ANSI Y14.5M, 1982.
2. CONTROLLING DIMENSION: MILLIMETER.
3. DIMENSION A DOES NOT INCLUDE MOLD FLASH, PROTRUSIONS OR GATE BURRS. MOLD FLASH, PROTRUSIONS OR GATE BURRS SHALL NOT EXCEED 0.15 (0.006) PER SIDE.
4. DIMENSION B DOES NOT INCLUDE INTERLEAD FLASH OR PROTRUSION. INTERLEAD FLASH OR PROTRUSION SHALL NOT EXCEED 0.25 (0.010) PER SIDE.
5. 846A-01 OBSOLETE, NEW STANDARD 846A-02.

| DIM | MILLIMETERS |      |      | INCHES    |       |       |
|-----|-------------|------|------|-----------|-------|-------|
|     | MIN         | NOM  | MAX  | MIN       | NOM   | MAX   |
| A   | --          | --   | 1.10 | --        | --    | 0.043 |
| A1  | 0.05        | 0.08 | 0.15 | 0.002     | 0.003 | 0.006 |
| b   | 0.25        | 0.33 | 0.40 | 0.010     | 0.013 | 0.016 |
| c   | 0.13        | 0.18 | 0.23 | 0.005     | 0.007 | 0.009 |
| D   | 2.90        | 3.00 | 3.10 | 0.114     | 0.118 | 0.122 |
| E   | 2.90        | 3.00 | 3.10 | 0.114     | 0.118 | 0.122 |
| e   | 0.65 BSC    |      |      | 0.026 BSC |       |       |
| L   | 0.40        | 0.55 | 0.70 | 0.016     | 0.021 | 0.028 |
| HE  | 4.75        | 4.90 | 5.05 | 0.187     | 0.193 | 0.199 |

### SOLDERING FOOTPRINT\*

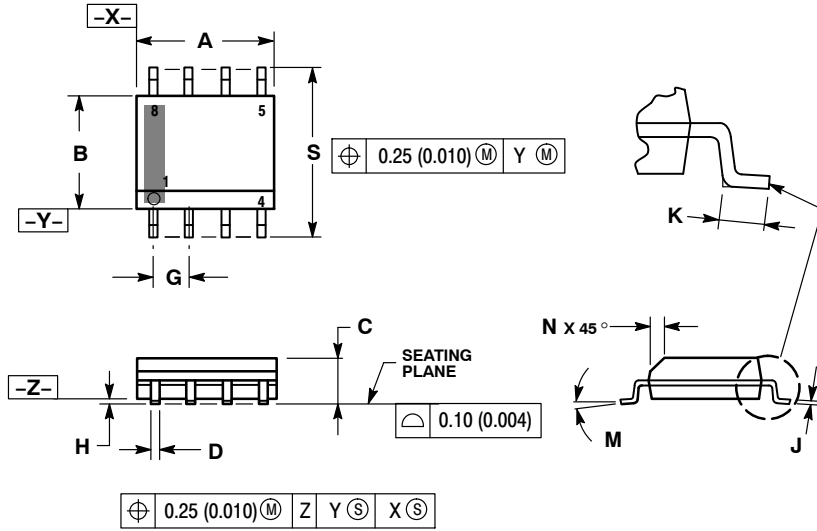


\*For additional information on our Pb-Free strategy and soldering details, please download the ON Semiconductor Soldering and Mounting Techniques Reference Manual, SOLDERRM/D.

# NCT75

## PACKAGE DIMENSIONS

SOIC-8 NB  
CASE 751-07  
ISSUE AK

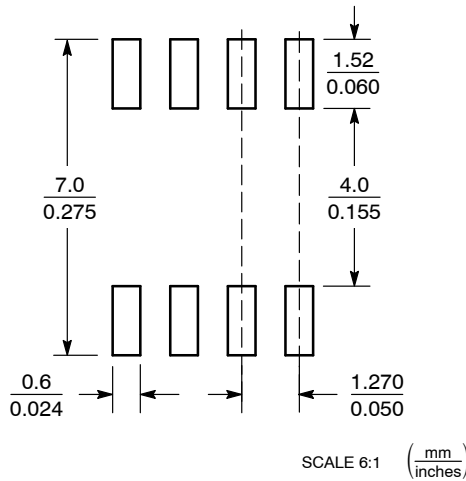


**NOTES:**

1. DIMENSIONING AND TOLERANCING PER ANSI Y14.5M, 1982.
2. CONTROLLING DIMENSION: MILLIMETER.
3. DIMENSION A AND B DO NOT INCLUDE MOLD PROTRUSION.
4. MAXIMUM MOLD PROTRUSION 0.15 (0.006) PER SIDE.
5. DIMENSION D DOES NOT INCLUDE DAMBAR PROTRUSION. ALLOWABLE DAMBAR PROTRUSION SHALL BE 0.127 (0.005) TOTAL IN EXCESS OF THE D DIMENSION AT MAXIMUM MATERIAL CONDITION.
6. 751-01 THRU 751-06 ARE OBSOLETE. NEW STANDARD IS 751-07.

| DIM | MILLIMETERS |      | INCHES    |       |
|-----|-------------|------|-----------|-------|
|     | MIN         | MAX  | MIN       | MAX   |
| A   | 4.80        | 5.00 | 0.189     | 0.197 |
| B   | 3.80        | 4.00 | 0.150     | 0.157 |
| C   | 1.35        | 1.75 | 0.053     | 0.069 |
| D   | 0.33        | 0.51 | 0.013     | 0.020 |
| G   | 1.27 BSC    |      | 0.050 BSC |       |
| H   | 0.10        | 0.25 | 0.004     | 0.010 |
| J   | 0.19        | 0.25 | 0.007     | 0.010 |
| K   | 0.40        | 1.27 | 0.016     | 0.050 |
| M   | 0°          | 8°   | 0°        | 8°    |
| N   | 0.25        | 0.50 | 0.010     | 0.020 |
| S   | 5.80        | 6.20 | 0.228     | 0.244 |

### SOLDERING FOOTPRINT\*



\*For additional information on our Pb-Free strategy and soldering details, please download the ON Semiconductor Soldering and Mounting Techniques Reference Manual, SOLDERRM/D.

Micro8 is a trademark of International Rectifier.

ON Semiconductor and are registered trademarks of Semiconductor Components Industries, LLC (SCILLC). SCILLC owns the rights to a number of patents, trademarks, copyrights, trade secrets, and other intellectual property. A listing of SCILLC's product/patent coverage may be accessed at [www.onsemi.com/site/pdf/Patent-Marking.pdf](http://www.onsemi.com/site/pdf/Patent-Marking.pdf). SCILLC reserves the right to make changes without further notice to any products herein. SCILLC makes no warranty, representation or guarantee regarding the suitability of its products for any particular purpose, nor does SCILLC assume any liability arising out of the application or use of any product or circuit, and specifically disclaims any and all liability, including without limitation special, consequential or incidental damages. "Typical" parameters which may be provided in SCILLC data sheets and/or specifications can and do vary in different applications and actual performance may vary over time. All operating parameters, including "Typicals" must be validated for each customer application by customer's technical experts. SCILLC does not convey any license under its patent rights nor the rights of others. SCILLC products are not designed, intended, or authorized for use as components in systems intended for surgical implant into the body, or other applications intended to support or sustain life, or for any other application in which the failure of the SCILLC product could create a situation where personal injury or death may occur. Should Buyer purchase or use SCILLC products for any such unintended or unauthorized application, Buyer shall indemnify and hold SCILLC and its officers, employees, subsidiaries, affiliates, and distributors harmless against all claims, costs, damages, and expenses, and reasonable attorney fees arising out of, directly or indirectly, any claim of personal injury or death associated with such unintended or unauthorized use, even if such claim alleges that SCILLC was negligent regarding the design or manufacture of the part. SCILLC is an Equal Opportunity/Affirmative Action Employer. This literature is subject to all applicable copyright laws and is not for resale in any manner.

### PUBLICATION ORDERING INFORMATION

**LITERATURE FULFILLMENT:**  
Literature Distribution Center for ON Semiconductor  
P.O. Box 5163, Denver, Colorado 80217 USA  
Phone: 303-675-2175 or 800-344-3860 Toll Free USA/Canada  
Fax: 303-675-2176 or 800-344-3867 Toll Free USA/Canada  
Email: [orderlit@onsemi.com](mailto:orderlit@onsemi.com)

**N. American Technical Support:** 800-282-9855 Toll Free  
USA/Canada  
**Europe, Middle East and Africa Technical Support:**  
Phone: 421 33 790 2910  
**Japan Customer Focus Center**  
Phone: 81-3-5817-1050

**ON Semiconductor Website:** [www.onsemi.com](http://www.onsemi.com)  
**Order Literature:** <http://www.onsemi.com/orderlit>  
For additional information, please contact your local Sales Representative



Компания «ЭлектроПласт» предлагает заключение долгосрочных отношений при поставках импортных электронных компонентов на взаимовыгодных условиях!

Наши преимущества:

- Оперативные поставки широкого спектра электронных компонентов отечественного и импортного производства напрямую от производителей и с крупнейших мировых складов;
- Поставка более 17-ти миллионов наименований электронных компонентов;
- Поставка сложных, дефицитных, либо снятых с производства позиций;
- Оперативные сроки поставки под заказ (от 5 рабочих дней);
- Экспресс доставка в любую точку России;
- Техническая поддержка проекта, помощь в подборе аналогов, поставка прототипов;
- Система менеджмента качества сертифицирована по Международному стандарту ISO 9001;
- Лицензия ФСБ на осуществление работ с использованием сведений, составляющих государственную тайну;
- Поставка специализированных компонентов (Xilinx, Altera, Analog Devices, Intersil, Interpoint, Microsemi, Aeroflex, Peregrine, Syfer, Eurofarad, Texas Instrument, Miteq, Cobham, E2V, MA-COM, Hittite, Mini-Circuits, General Dynamics и др.);

Помимо этого, одним из направлений компании «ЭлектроПласт» является направление «Источники питания». Мы предлагаем Вам помощь Конструкторского отдела:

- Подбор оптимального решения, техническое обоснование при выборе компонента;
- Подбор аналогов;
- Консультации по применению компонента;
- Поставка образцов и прототипов;
- Техническая поддержка проекта;
- Защита от снятия компонента с производства.



#### Как с нами связаться

**Телефон:** 8 (812) 309 58 32 (многоканальный)

**Факс:** 8 (812) 320-02-42

**Электронная почта:** [org@eplast1.ru](mailto:org@eplast1.ru)

**Адрес:** 198099, г. Санкт-Петербург, ул. Калинина, дом 2, корпус 4, литера А.