

## S9S08RN16DS

### S9S08RN16 Series Data Sheet

Supports: S9S08RN16 and S9S08RN8

#### Key features

- 8-Bit S08 central processor unit (CPU)
  - Up to 20 MHz bus at 2.7 V to 5.5 V across temperature range of -40 °C to 125 °C
  - Supporting up to 40 interrupt/reset sources
  - Supporting up to four-level nested interrupt
  - On-chip memory
  - Up to 16 KB flash read/program/erase over full operating voltage and temperature
  - Up to 256 byte EEPROM with ECC; 2-byte erase sector; EEPROM program and erase while executing code from flash
  - Up to 2048 byte random-access memory (RAM)
  - Flash and RAM access protection
- Power-saving modes
  - One low-power stop mode; reduced power wait mode
  - Peripheral clock enable register can disable clocks to unused modules, reducing currents; allows clocks to remain enabled to specific peripherals in stop3 mode
- Clocks
  - Oscillator (XOSC) - loop-controlled Pierce oscillator; crystal or ceramic resonator
  - Internal clock source (ICS) - containing a frequency-locked-loop (FLL) controlled by internal or external reference; precision trimming of internal reference allowing 1% deviation across temperature range of 0 °C to 70 °C and -40 °C to 85 °C, 1.5% deviation across temperature range of -40 °C to 105 °C, and 2% deviation across temperature range of -40 °C to 125 °C; up to 20 MHz
- System protection
  - Watchdog with independent clock source
  - Low-voltage detection with reset or interrupt; selectable trip points
  - Illegal opcode detection with reset
  - Illegal address detection with reset
- Development support
  - Single-wire background debug interface
  - Breakpoint capability to allow three breakpoints setting during in-circuit debugging
  - On-chip in-circuit emulator (ICE) debug module containing two comparators and nine trigger modes

Freescale reserves the right to change the detail specifications as may be required to permit improvements in the design of its products.

- Peripherals
  - ACMP - one analog comparator with both positive and negative inputs; separately selectable interrupt on rising and falling comparator output; filtering
  - ADC - 12-channel, 12-bit resolution for 48-, 32-pin packages; 10-channel, 10-bit resolution for 20-pin package; 8-channel, 10-bit for 16-pin package; 2.5  $\mu$ s conversion time; data buffers with optional watermark; automatic compare function; internal bandgap reference channel; operation in stop mode; optional hardware trigger
  - CRC - programmable cyclic redundancy check module
  - FTM - two flex timer modulators modules including one 6-channel and one 2-channel ones; 16-bit counter; each channel can be configured for input capture, output compare, edge- or center-aligned PWM mode
  - IIC - One inter-integrated circuit module; up to 400 kbps; multi-master operation; programmable slave address; supporting broadcast mode and 10-bit addressing
  - MTIM - One modulo timer with 8-bit prescaler and overflow interrupt
  - RTC - 16-bit real time counter (RTC)
  - SCI - two serial communication interface (SCI/UART) modules optional 13-bit break; full duplex non-return to zero (NRZ); LIN extension support
  - SPI - one 8-bit serial peripheral interface (SPI) modules; full-duplex or single-wire bidirectional; master or slave mode
  - TSI - supporting up to 16 external electrodes; configurable software or hardware scan trigger; fully support freescale touch sensing software library; capability to wake MCU from stop3 mode
- Input/Output
  - Up to 35 GPIOs including one output-only pin
  - One 8-bit keyboard interrupt module (KBI)
  - Two true open-drain output pins
  - Four, ultra-high current sink pins supporting 20 mA source/sink current
- Package options
  - 48-pin LQFP
  - 32-pin LQFP
  - 20-pin TSSOP
  - 16-pin TSSOP

# Table of Contents

1	Ordering parts.....	4	5.2.2	Debug trace timing specifications.....	16
1.1	Determining valid orderable parts.....	4	5.2.3	FTM module timing.....	17
2	Part identification.....	4	5.3	Thermal specifications.....	18
2.1	Description.....	4	5.3.1	Thermal characteristics.....	18
2.2	Format.....	4	6	Peripheral operating requirements and behaviors.....	19
2.3	Fields.....	4	6.1	External oscillator (XOSC) and ICS characteristics.....	19
2.4	Example.....	5	6.2	NVM specifications.....	21
3	Parameter Classification.....	5	6.3	Analog.....	23
4	Ratings.....	5	6.3.1	ADC characteristics.....	23
4.1	Thermal handling ratings.....	5	6.3.2	Analog comparator (ACMP) electricals.....	25
4.2	Moisture handling ratings.....	6	6.4	Communication interfaces.....	26
4.3	ESD handling ratings.....	6	6.4.1	SPI switching specifications.....	26
4.4	Voltage and current operating ratings.....	6	6.5	Human-machine interfaces (HMI).....	29
5	General.....	7	6.5.1	TSI electrical specifications.....	29
5.1	Nonswitching electrical specifications.....	7	7	Dimensions.....	29
5.1.1	DC characteristics.....	7	7.1	Obtaining package dimensions.....	29
5.1.2	Supply current characteristics.....	14	8	Pinout.....	30
5.1.3	EMC performance.....	15	8.1	Signal multiplexing and pin assignments.....	30
5.2	Switching specifications.....	15	8.2	Device pin assignment.....	32
5.2.1	Control timing.....	15	9	Revision history.....	34

# 1 Ordering parts

## 1.1 Determining valid orderable parts

Valid orderable part numbers are provided on the web. To determine the orderable part numbers for this device, go to [freescale.com](http://freescale.com) and perform a part number search for the following device numbers: RN16 and RN8.

# 2 Part identification

## 2.1 Description

Part numbers for the chip have fields that identify the specific part. You can use the values of these fields to determine the specific part you have received.

## 2.2 Format

Part numbers for this device have the following format:

S 9 S08 RN AA F1 B CC

## 2.3 Fields

This table lists the possible values for each field in the part number (not all combinations are valid):

Field	Description	Values
S	Qualification status	<ul style="list-style-type: none"> <li>S = fully qualified, general market flow</li> </ul>
9	Memory	<ul style="list-style-type: none"> <li>9 = flash based</li> </ul>
S08	Core	<ul style="list-style-type: none"> <li>S08 = 8-bit CPU</li> </ul>
RN	Device family	<ul style="list-style-type: none"> <li>RN</li> </ul>
AA	Approximate flash size in KB	<ul style="list-style-type: none"> <li>16 = 16 KB</li> <li>8 = 8 KB</li> </ul>
F1	Fab and mask set identifier	<ul style="list-style-type: none"> <li>W2</li> </ul>
B	Temperature range (°C)	<ul style="list-style-type: none"> <li>M = -40 to 125</li> </ul>
CC	Package designator	<ul style="list-style-type: none"> <li>LF = 48-LQFP</li> </ul>

Field	Description	Values
		<ul style="list-style-type: none"> <li>• LC = 32-LQFP</li> <li>• TJ = 20-TSSOP</li> <li>• TG = 16-TSSOP</li> </ul>

## 2.4 Example

This is an example part number:

S9S08RN16W2MLF

## 3 Parameter Classification

The electrical parameters shown in this supplement are guaranteed by various methods. To give the customer a better understanding, the following classification is used and the parameters are tagged accordingly in the tables where appropriate:

**Table 1. Parameter Classifications**

P	Those parameters are guaranteed during production testing on each individual device.
C	Those parameters are achieved by the design characterization by measuring a statistically relevant sample size across process variations.
T	Those parameters are achieved by design characterization on a small sample size from typical devices under typical conditions unless otherwise noted. All values shown in the typical column are within this category.
D	Those parameters are derived mainly from simulations.

### NOTE

The classification is shown in the column labeled “C” in the parameter tables where appropriate.

## 4 Ratings

### 4.1 Thermal handling ratings

Symbol	Description	Min.	Max.	Unit	Notes
T <sub>STG</sub>	Storage temperature	-55	150	°C	1
T <sub>SDR</sub>	Solder temperature, lead-free	—	260	°C	2

1. Determined according to JEDEC Standard JESD22-A103, *High Temperature Storage Life*.

- Determined according to IPC/JEDEC Standard J-STD-020, *Moisture/Reflow Sensitivity Classification for Nonhermetic Solid State Surface Mount Devices*.

## 4.2 Moisture handling ratings

Symbol	Description	Min.	Max.	Unit	Notes
MSL	Moisture sensitivity level	—	3	—	1

- Determined according to IPC/JEDEC Standard J-STD-020, *Moisture/Reflow Sensitivity Classification for Nonhermetic Solid State Surface Mount Devices*.

## 4.3 ESD handling ratings

Symbol	Description	Min.	Max.	Unit	Notes
V <sub>HBM</sub>	Electrostatic discharge voltage, human body model	-6000	+6000	V	1
V <sub>CDM</sub>	Electrostatic discharge voltage, charged-device model	-500	+500	V	2
I <sub>LAT</sub>	Latch-up current at ambient temperature of 125°C	-100	+100	mA	3

- Determined according to JEDEC Standard JESD22-A114, *Electrostatic Discharge (ESD) Sensitivity Testing Human Body Model (HBM)*.
- Determined according to JEDEC Standard JESD22-C101, *Field-Induced Charged-Device Model Test Method for Electrostatic-Discharge-Withstand Thresholds of Microelectronic Components*.
- Determined according to JEDEC Standard JESD78D, IC Latch-up Test.
  - Test was performed at 125 °C case temperature (Class II).
  - I/O pins pass +100/-100 mA I-test with I<sub>dd</sub> current limit at 400mA.
  - I/O pins pass +20/-100 mA I-test with I<sub>dd</sub> current limit at 1000mA.
  - Supply groups pass 1.5 V<sub>ccmax</sub>.
  - RESET\_B pin was only tested with negative I-test due to product conditioning requirement.

## 4.4 Voltage and current operating ratings

Absolute maximum ratings are stress ratings only, and functional operation at the maxima is not guaranteed. Stress beyond the limits specified in below table may affect device reliability or cause permanent damage to the device. For functional operating conditions, refer to the remaining tables in this document.

This device contains circuitry protecting against damage due to high static voltage or electrical fields; however, it is advised that normal precautions be taken to avoid application of any voltages higher than maximum-rated voltages to this high-impedance circuit. Reliability of operation is enhanced if unused inputs are tied to an appropriate logic voltage level (for instance, either V<sub>SS</sub> or V<sub>DD</sub>) or the programmable pullup resistor associated with the pin is enabled.

Symbol	Description	Min.	Max.	Unit
$V_{DD}$	Supply voltage	-0.3	5.8	V
$I_{DD}$	Maximum current into $V_{DD}$	—	120	mA
$V_{DIO}$	Digital input voltage (except RESET, EXTAL, XTAL, or true open drain pin PTA2 and PTA3)	-0.3	$V_{DD} + 0.3$	V
	Digital input voltage (true open drain pin PTA2 and PTA3)	-0.3	6	V
$V_{AIO}$	Analog <sup>1</sup> , RESET, EXTAL, and XTAL input voltage	-0.3	$V_{DD} + 0.3$	V
$I_D$	Instantaneous maximum current single pin limit (applies to all port pins)	-25	25	mA
$V_{DDA}$	Analog supply voltage	$V_{DD} - 0.3$	$V_{DD} + 0.3$	V

1. All digital I/O pins, except open-drain pin PTA2 and PTA3, are internally clamped to  $V_{SS}$  and  $V_{DD}$ . PTA2 and PTA3 is only clamped to  $V_{SS}$ .

## 5 General

### 5.1 Nonswitching electrical specifications

#### 5.1.1 DC characteristics

This section includes information about power supply requirements and I/O pin characteristics.

**Table 2. DC characteristics**

Symbol	C	Descriptions		Min	Typical <sup>1</sup>	Max	Unit	
—	—	Operating voltage		—	2.7	5.5	V	
$V_{OH}$	C	Output high voltage	All I/O pins, standard-drive strength	5 V, $I_{load} = -5$ mA	$V_{DD} - 0.8$	—	—	V
	C			3 V, $I_{load} = -2.5$ mA	$V_{DD} - 0.8$	—	—	V
	C	High current drive pins, high-drive strength <sup>2</sup>	5 V, $I_{load} = -20$ mA	$V_{DD} - 0.8$	—	—	V	
	C		3 V, $I_{load} = -10$ mA	$V_{DD} - 0.8$	—	—	V	
$I_{OHT}$	D	Output high current	Max total $I_{OH}$ for all ports	5 V	—	—	-100	mA
				3 V	—	—	-50	
$V_{OL}$	C	Output low voltage	All I/O pins, standard-drive strength	5 V, $I_{load} = 5$ mA	—	—	0.8	V
	C			3 V, $I_{load} = 2.5$ mA	—	—	0.8	V

Table continues on the next page...

**Table 2. DC characteristics (continued)**

Symbol	C	Descriptions			Min	Typical <sup>1</sup>	Max	Unit
	C		High current drive pins, high-drive strength <sup>2</sup>	5 V, $I_{load} = 20$ mA	—	—	0.8	V
	C			3 V, $I_{load} = 10$ mA	—	—	0.8	V
$I_{OLT}$	D	Output low current	Max total $I_{OL}$ for all ports	5 V	—	—	100	mA
				3 V	—	—	50	
$V_{IH}$	P	Input high voltage	All digital inputs	$V_{DD} > 4.5$ V	$0.70 \times V_{DD}$	—	—	V
	C			$V_{DD} > 2.7$ V	$0.75 \times V_{DD}$	—	—	
$V_{IL}$	P	Input low voltage	All digital inputs	$V_{DD} > 4.5$ V	—	—	$0.30 \times V_{DD}$	V
	C			$V_{DD} > 2.7$ V	—	—	$0.35 \times V_{DD}$	
$V_{hys}$	C	Input hysteresis	All digital inputs	—	$0.06 \times V_{DD}$	—	—	mV
$I_{in}$	P	Input leakage current	All input only pins (per pin)	$V_{IN} = V_{DD}$ or $V_{SS}$	—	0.1	1	$\mu$ A
$I_{OZ}$	P	Hi-Z (off-state) leakage current	All input/output (per pin)	$V_{IN} = V_{DD}$ or $V_{SS}$	—	0.1	1	$\mu$ A
$I_{OZTOT}$	C	Total leakage combined for all inputs and Hi-Z pins	All input only and I/O	$V_{IN} = V_{DD}$ or $V_{SS}$	—	—	2	$\mu$ A
$R_{PU}$	P	Pullup resistors	All digital inputs, when enabled (all I/O pins other than PTA2 and PTA3)	—	30.0	—	50.0	k $\Omega$
$R_{PU}^3$	P	Pullup resistors	PTA2 and PTA3 pin	—	30.0	—	60.0	k $\Omega$
$I_{IC}$	D	DC injection current <sup>4, 5, 6</sup>	Single pin limit	$V_{IN} < V_{SS}$ , $V_{IN} > V_{DD}$	-0.2	—	2	mA
			Total MCU limit, includes sum of all stressed pins		-5	—	25	
$C_{in}$	C	Input capacitance, all pins			—	—	7	pF
$V_{RAM}$	C	RAM retention voltage			—	2.0	—	V

1. Typical values are measured at 25 °C. Characterized, not tested.
2. Only PTB4, PTB5 support ultra high current output.
3. The specified resistor value is the actual value internal to the device. The pullup value may appear higher when measured externally on the pin.
4. All functional non-supply pins, except for PTA2 and PTA3, are internally clamped to  $V_{SS}$  and  $V_{DD}$ .
5. Input must be current-limited to the value specified. To determine the value of the required current-limiting resistor, calculate resistance values for positive and negative clamp voltages, then use the large one.
6. Power supply must maintain regulation within operating  $V_{DD}$  range during instantaneous and operating maximum current conditions. If the positive injection current ( $V_{in} > V_{DD}$ ) is higher than  $I_{DD}$ , the injection current may flow out of  $V_{DD}$  and could result in external power supply going out of regulation. Ensure that external  $V_{DD}$  load will shunt current higher than maximum injection current when the MCU is not consuming power, such as no system clock is present, or clock rate is very low (which would reduce overall power consumption).



**Table 3. LVD and POR Specification**

Symbol	C	Description	Min	Typ	Max	Unit	
V <sub>POR</sub>	D	POR re-arm voltage <sup>1,2</sup>	1.5	1.75	2.0	V	
V <sub>LVDH</sub>	C	Falling low-voltage detect threshold - high range (LVDV = 1) <sup>3</sup>	4.2	4.3	4.4	V	
V <sub>LWV1H</sub>	C	Falling low-voltage warning threshold - high range	Level 1 falling (LVWV = 00)	4.3	4.4	4.5	V
V <sub>LWV2H</sub>	C		Level 2 falling (LVWV = 01)	4.5	4.5	4.6	V
V <sub>LWV3H</sub>	C		Level 3 falling (LVWV = 10)	4.6	4.6	4.7	V
V <sub>LWV4H</sub>	C		Level 4 falling (LVWV = 11)	4.7	4.7	4.8	V
V <sub>HYSH</sub>	C	High range low-voltage detect/warning hysteresis	—	100	—	mV	
V <sub>LVDL</sub>	C	Falling low-voltage detect threshold - low range (LVDV = 0)	2.56	2.61	2.66	V	
V <sub>LVDW1L</sub>	C	Falling low-voltage warning threshold - low range	Level 1 falling (LVWV = 00)	2.62	2.7	2.78	V
V <sub>LVDW2L</sub>	C		Level 2 falling (LVWV = 01)	2.72	2.8	2.88	V
V <sub>LVDW3L</sub>	C		Level 3 falling (LVWV = 10)	2.82	2.9	2.98	V
V <sub>LVDW4L</sub>	C		Level 4 falling (LVWV = 11)	2.92	3.0	3.08	V
V <sub>HYSDL</sub>	C	Low range low-voltage detect hysteresis	—	40	—	mV	
V <sub>HYSWL</sub>	C	Low range low-voltage warning hysteresis	—	80	—	mV	
V <sub>BG</sub>	P	Buffered bandgap output <sup>4</sup>	1.14	1.16	1.18	V	

1. Maximum is highest voltage that POR is guaranteed.
2. POR ramp time must be longer than 20us/V to get a stable startup.
3. Rising thresholds are falling threshold + hysteresis.
4. Voltage factory trimmed at V<sub>DD</sub> = 5.0 V, Temp = 125 °C

### Typical $I_{OH}$ Vs. $V_{DD}-V_{OH}$ (low drive strength) ( $V_{DD} = 5\text{ V}$ )

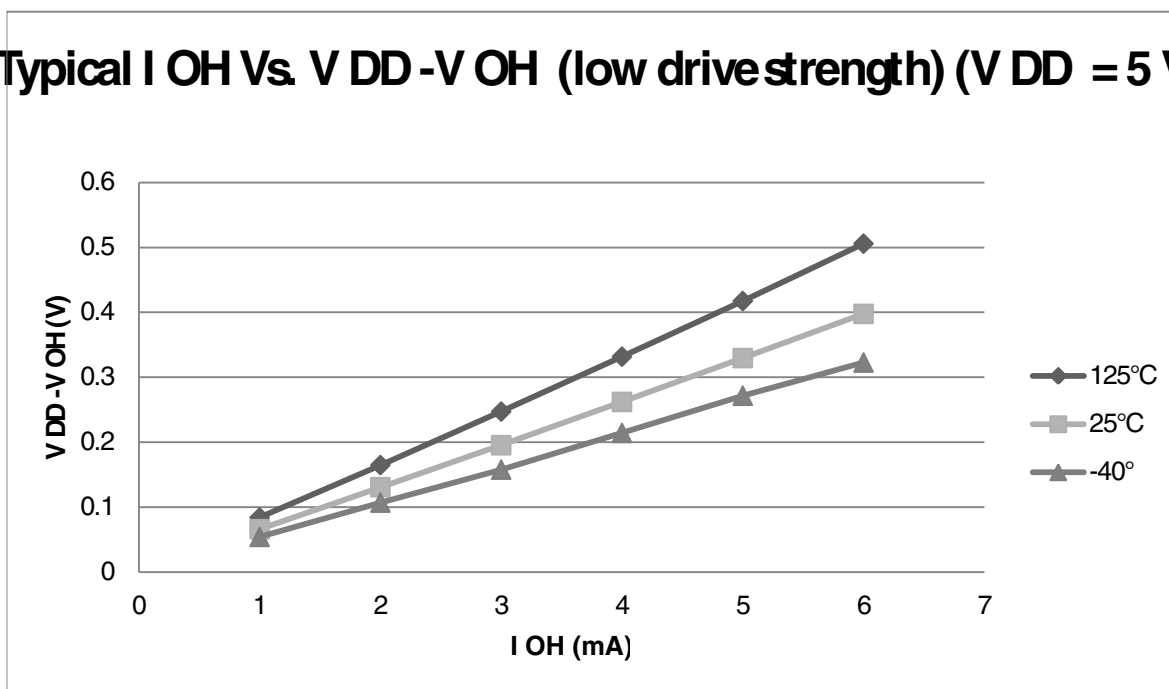


Figure 1. Typical  $I_{OH}$  Vs.  $V_{DD}-V_{OH}$  (standard drive strength) ( $V_{DD} = 5\text{ V}$ )

### Typical $I_{OH}$ Vs. $V_{DD}-V_{OH}$ (low drive strength) ( $V_{DD} = 3\text{ V}$ )

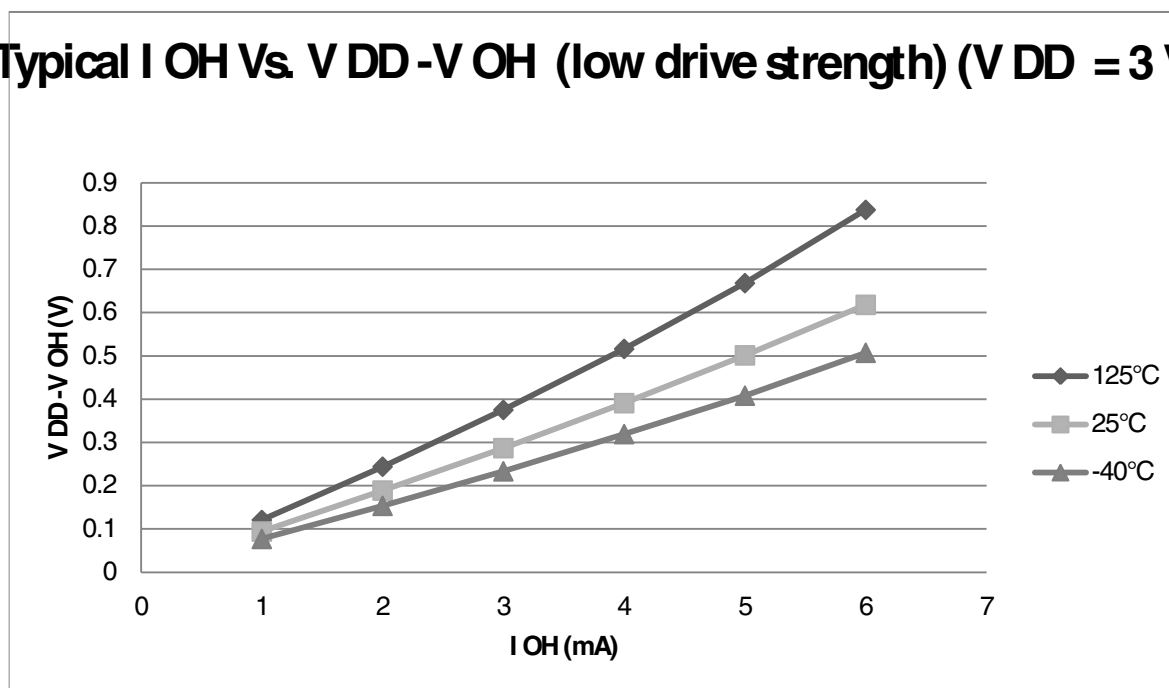


Figure 2. Typical  $I_{OH}$  Vs.  $V_{DD}-V_{OH}$  (standard drive strength) ( $V_{DD} = 3\text{ V}$ )

### Typical $I_{OH}$ Vs. $V_{DD}-V_{OH}$ (high drive strength) ( $V_{DD} = 5\text{ V}$ )

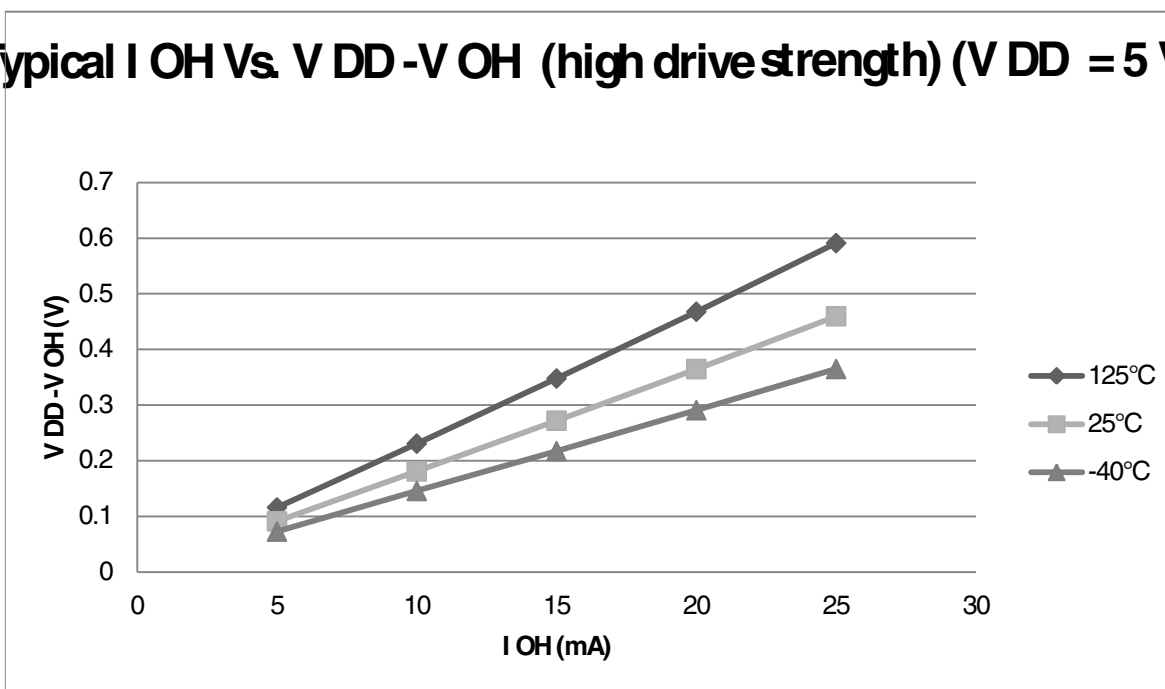


Figure 3. Typical  $I_{OH}$  Vs.  $V_{DD}-V_{OH}$  (high drive strength) ( $V_{DD} = 5\text{ V}$ )

### Typical $I_{OH}$ Vs. $V_{DD}-V_{OH}$ (high drive strength) ( $V_{DD} = 3\text{ V}$ )

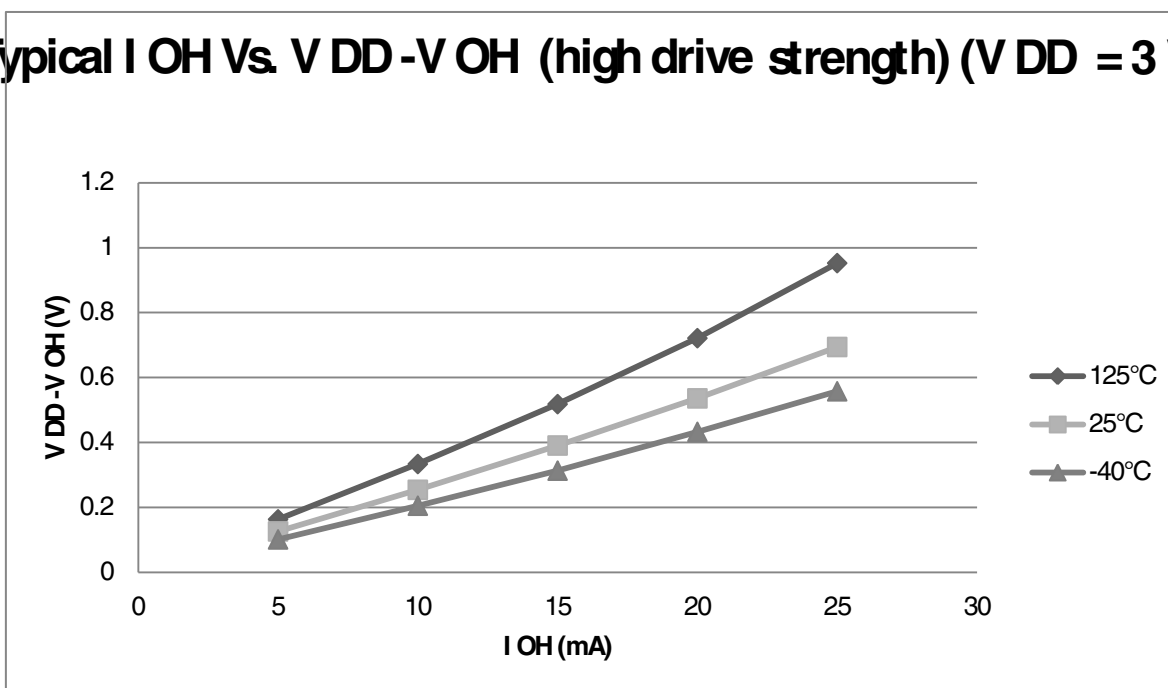


Figure 4. Typical  $I_{OH}$  Vs.  $V_{DD}-V_{OH}$  (high drive strength) ( $V_{DD} = 3\text{ V}$ )



Figure 5. Typical  $I_{OL}$  Vs.  $V_{OL}$  (standard drive strength) ( $V_{DD} = 5\text{ V}$ )



Figure 6. Typical  $I_{OL}$  Vs.  $V_{OL}$  (standard drive strength) ( $V_{DD} = 3\text{ V}$ )

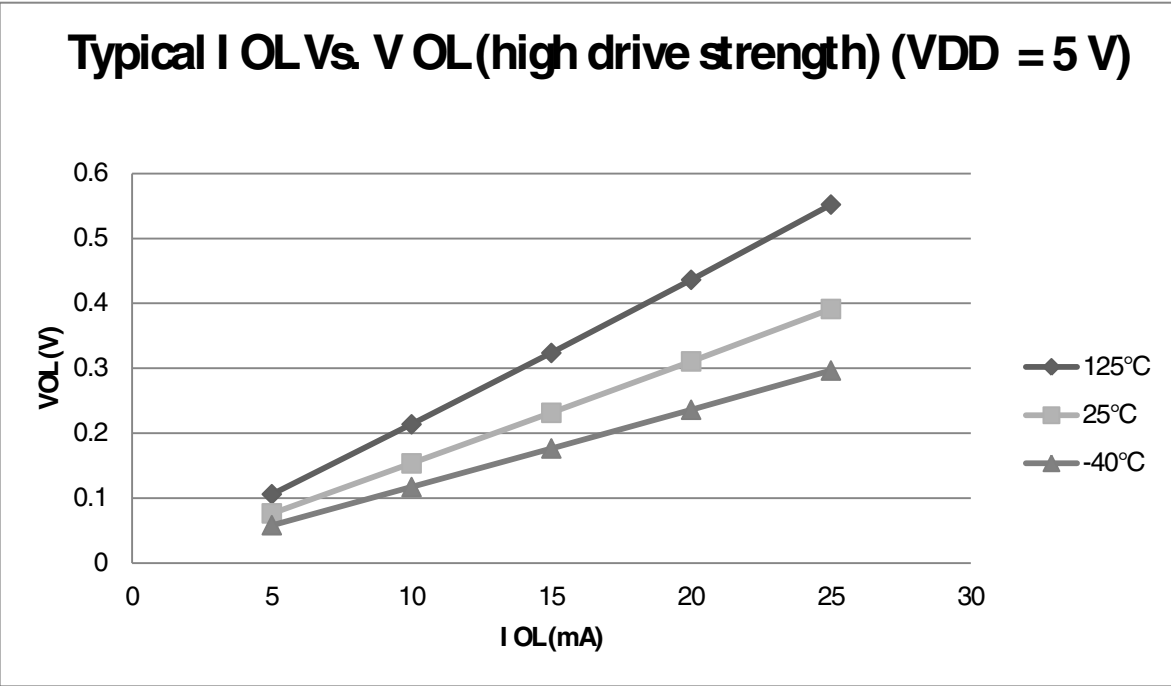


Figure 7. Typical I<sub>OL</sub> Vs. V<sub>OL</sub> (high drive strength) (V<sub>DD</sub> = 5 V)

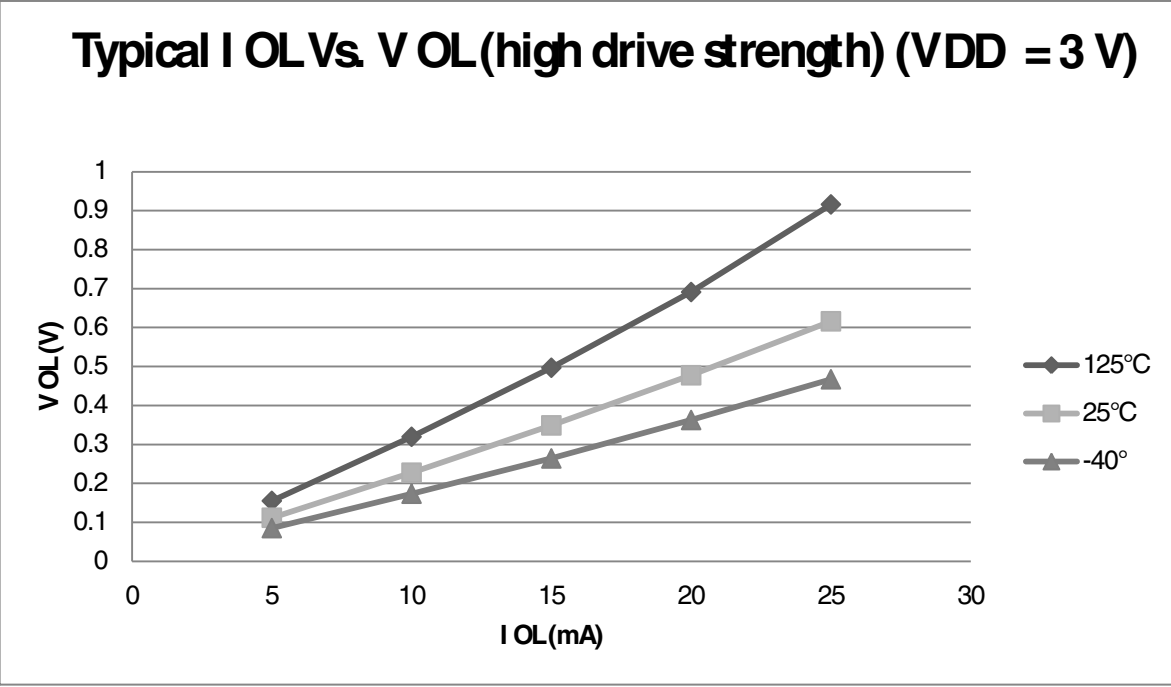


Figure 8. Typical I<sub>OL</sub> Vs. V<sub>OL</sub> (high drive strength) (V<sub>DD</sub> = 3 V)

## 5.1.2 Supply current characteristics

This section includes information about power supply current in various operating modes.

**Table 4. Supply current characteristics**

Num	C	Parameter	Symbol	Bus Freq	V <sub>DD</sub> (V)	Typical <sup>1</sup>	Max	Unit	Temp
1	C	Run supply current FEI mode, all modules on; run from flash	R <sub>I</sub> DD	20 MHz	5	7.60	—	mA	-40 to 125 °C
	C			10 MHz		4.65	—		
	C			1 MHz		1.90	—		
	C			20 MHz	3	7.05	—		
	C			10 MHz		4.40	—		
	C			1 MHz		1.85	—		
2	C	Run supply current FEI mode, all modules off & gated; run from flash	R <sub>I</sub> DD	20 MHz	5	5.88	—	mA	-40 to 125 °C
	C			10 MHz		3.70	—		
	C			1 MHz		1.85	—		
	C			20 MHz	3	5.35	—		
	C			10 MHz		3.42	—		
	C			1 MHz		1.80	—		
3	P	Run supply current FBE mode, all modules on; run from RAM	R <sub>I</sub> DD	20 MHz	5	10.9	14.0	mA	-40 to 125 °C
	C			10 MHz		6.10	—		
	C			1 MHz		1.69	—		
	C			20 MHz	3	8.18	—		
	C			10 MHz		5.14	—		
	C			1 MHz		1.44	—		
4	P	Run supply current FBE mode, all modules off & gated; run from RAM	R <sub>I</sub> DD	20 MHz	5	8.50	13.0	mA	-40 to 125 °C
	C			10 MHz		5.07	—		
	C			1 MHz		1.59	—		
	C			20 MHz	3	6.11	—		
	C			10 MHz		4.10	—		
	C			1 MHz		1.34	—		
5	C	Wait mode current FEI mode, all modules on	W <sub>I</sub> DD	20 MHz	5	5.95	—	mA	-40 to 125 °C
	C			10 MHz		3.50	—		
	C			1 MHz		1.24	—		
	C			20 MHz	3	5.45	—		
	C			10 MHz		3.25	—		
	C			1 MHz		1.20	—		
6	C	Stop3 mode supply current no clocks active (except 1kHz LPO clock) <sup>2,3</sup>	S3 <sub>I</sub> DD	—	5	4.6	—	μA	-40 to 125 °C
	C			—	3	4.5	—		-40 to 125 °C
7	C	ADC adder to stop3	—	—	5	40	—	μA	-40 to 125 °C

Table continues on the next page...

**Table 4. Supply current characteristics (continued)**

Num	C	Parameter	Symbol	Bus Freq	V <sub>DD</sub> (V)	Typical <sup>1</sup>	Max	Unit	Temp
	C	ADLPC = 1 ADLSMP = 1 ADCO = 1 MODE = 10B ADICLK = 11B			3	39	—		
8	C	TSI adder to stop3 <sup>4</sup>	—	—	5	121	—	μA	-40 to 125 °C
	C	PS = 010B NSCN = 0x0F EXTCHRG = 0 REFCHRG = 0 DVOLT = 01B			3	120	—		
9	C	LVD adder to stop3 <sup>5</sup>	—	—	5	128	—	μA	-40 to 125 °C
	C				3	124	—		

1. Data in Typical column was characterized at 5.0 V, 25 °C or is typical recommended value.
2. RTC adder cause <1 μA I<sub>DD</sub> increase typically, RTC clock source is 1kHz LPO clock.
3. ACMP adder cause <10 μA I<sub>DD</sub> increase typically.
4. The current varies with TSI configuration and capacity of touch electrode. Please refer to [TSI electrical specifications](#).
5. LVD is periodically woken up from stop3 by 5% duty cycle. The period is equal to or less than 2 ms.

### 5.1.3 EMC performance

Electromagnetic compatibility (EMC) performance is highly dependent on the environment in which the MCU resides. Board design and layout, circuit topology choices, location and characteristics of external components as well as MCU software operation all play a significant role in EMC performance. The system designer should consult Freescale applications notes such as [AN2321](#), [AN1050](#), [AN1263](#), [AN2764](#), and [AN1259](#) for advice and guidance specifically targeted at optimizing EMC performance.

## 5.2 Switching specifications

### 5.2.1 Control timing

**Table 5. Control timing**

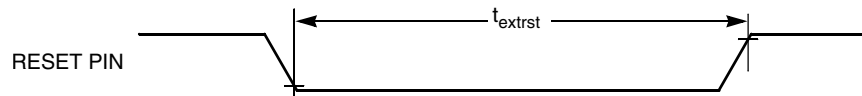
Num	C	Rating	Symbol	Min	Typical <sup>1</sup>	Max	Unit
1	P	Bus frequency ( $t_{cyc} = 1/f_{Bus}$ )	f <sub>Bus</sub>	DC	—	20	MHz
2	P	Internal low power oscillator frequency	f <sub>LPO</sub>	0.67	1.0	1.25	KHz

Table continues on the next page...

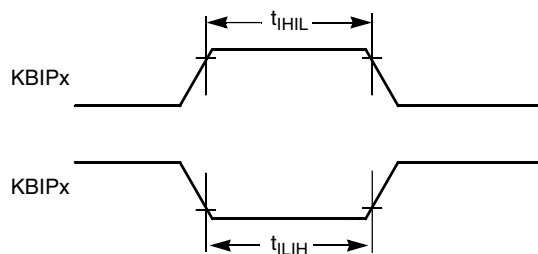
**Table 5. Control timing (continued)**

Num	C	Rating	Symbol	Min	Typical <sup>1</sup>	Max	Unit
3	D	External reset pulse width <sup>2</sup>	$t_{extrst}$	$1.5 \times t_{Self\_reset}$	—	—	ns
4	D	Reset low drive	$t_{rstdrv}$	$34 \times t_{cyc}$	—	—	ns
5	D	BKGD/MS setup time after issuing background debug force reset to enter user or BDM modes	$t_{MSSU}$	500	—	—	ns
6	D	BKGD/MS hold time after issuing background debug force reset to enter user or BDM modes <sup>3</sup>	$t_{MSH}$	100	—	—	ns
7	D	Keyboard interrupt pulse width	Asynchronous path <sup>2</sup>	$t_{LIH}$	100	—	ns
	D		Synchronous path	$t_{IHIL}$	$1.5 \times t_{cyc}$	—	ns
8	C	Port rise and fall time - standard drive strength (load = 50 pF) <sup>4</sup>	—	$t_{Rise}$	—	10.2	ns
	C		—	$t_{Fall}$	—	9.5	ns
	C	Port rise and fall time - high drive strength (load = 50 pF) <sup>4</sup>	—	$t_{Rise}$	—	5.4	ns
	C		—	$t_{Fall}$	—	4.6	ns

1. Typical values are based on characterization data at  $V_{DD} = 5.0\text{ V}$ ,  $25\text{ }^\circ\text{C}$  unless otherwise stated.
2. This is the shortest pulse that is guaranteed to be recognized as a reset pin request.
3. To enter BDM mode following a POR, BKGD/MS must be held low during the powerup and for a hold time of  $t_{MSH}$  after  $V_{DD}$  rises above  $V_{LVD}$ .
4. Timing is shown with respect to 20%  $V_{DD}$  and 80%  $V_{DD}$  levels. Temperature range  $-40\text{ }^\circ\text{C}$  to  $125\text{ }^\circ\text{C}$ .



**Figure 9. Reset timing**



**Figure 10. KBIPx timing**

## 5.2.2 Debug trace timing specifications

**Table 6. Debug trace operating behaviors**

Symbol	Description	Min.	Max.	Unit
$t_{cyc}$	Clock period	Frequency dependent		MHz
$t_{wl}$	Low pulse width	2	—	ns

Table continues on the next page...



**Table 6. Debug trace operating behaviors (continued)**

Symbol	Description	Min.	Max.	Unit
$t_{wh}$	High pulse width	2	—	ns
$t_r$	Clock and data rise time	—	3	ns
$t_f$	Clock and data fall time	—	3	ns
$t_s$	Data setup	3	—	ns
$t_h$	Data hold	2	—	ns


**Figure 11. TRACE\_CLKOUT specifications**

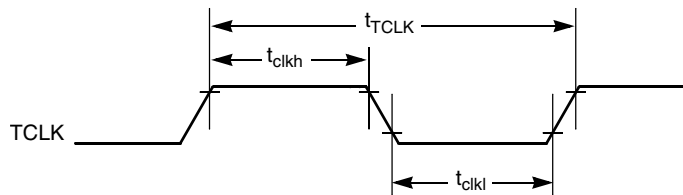
**Figure 12. Trace data specifications**

### 5.2.3 FTM module timing

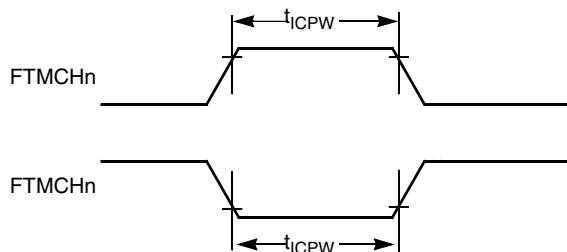
Synchronizer circuits determine the shortest input pulses that can be recognized or the fastest clock that can be used as the optional external source to the timer counter. These synchronizers operate from the current bus rate clock.

**Table 7. FTM input timing**

No.	C	Function	Symbol	Min	Max	Unit
1	D	External clock frequency	$f_{TCLK}$	0	$f_{Bus}/4$	Hz
2	D	External clock period	$t_{TCLK}$	4	—	$t_{cyc}$
3	D	External clock high time	$t_{clkh}$	1.5	—	$t_{cyc}$
4	D	External clock low time	$t_{clkl}$	1.5	—	$t_{cyc}$
5	D	Input capture pulse width	$t_{ICPW}$	1.5	—	$t_{cyc}$



**Figure 13. Timer external clock**



**Figure 14. Timer input capture pulse**

## 5.3 Thermal specifications

### 5.3.1 Thermal characteristics

This section provides information about operating temperature range, power dissipation, and package thermal resistance. Power dissipation on I/O pins is usually small compared to the power dissipation in on-chip logic and voltage regulator circuits, and it is user-determined rather than being controlled by the MCU design. To take  $P_{I/O}$  into account in power calculations, determine the difference between actual pin voltage and  $V_{SS}$  or  $V_{DD}$  and multiply by the pin current for each I/O pin. Except in cases of unusually high pin current (heavy loads), the difference between pin voltage and  $V_{SS}$  or  $V_{DD}$  will be very small.

**Table 8. Thermal characteristics**

Rating	Symbol	Value	Unit
Operating temperature range (packaged)	$T_A$	$T_L$ to $T_H$ -40 to 125	$^{\circ}\text{C}$
Junction temperature range	$T_J$	-40 to 135	$^{\circ}\text{C}$
Thermal resistance single-layer board			
48-pin LQFP	$\theta_{JA}$	82	$^{\circ}\text{C}/\text{W}$
32-pin LQFP	$\theta_{JA}$	88	$^{\circ}\text{C}/\text{W}$
20-pin TSSOP	$\theta_{JA}$	116	$^{\circ}\text{C}/\text{W}$
16-pin TSSOP	$\theta_{JA}$	130	$^{\circ}\text{C}/\text{W}$
Thermal resistance four-layer board			

Table continues on the next page...

**Table 8. Thermal characteristics (continued)**

Rating	Symbol	Value	Unit
48-pin LQFP	$\theta_{JA}$	58	°C/W
32-pin LQFP	$\theta_{JA}$	59	°C/W
20-pin TSSOP	$\theta_{JA}$	76	°C/W
16-pin TSSOP	$\theta_{JA}$	87	°C/W

The average chip-junction temperature ( $T_J$ ) in °C can be obtained from:

$$T_J = T_A + (P_D \times \theta_{JA})$$

Where:

$T_A$  = Ambient temperature, °C

$\theta_{JA}$  = Package thermal resistance, junction-to-ambient, °C/W

$$P_D = P_{int} + P_{I/O}$$

$P_{int} = I_{DD} \times V_{DD}$ , Watts - chip internal power

$P_{I/O}$  = Power dissipation on input and output pins - user determined

For most applications,  $P_{I/O} \ll P_{int}$  and can be neglected. An approximate relationship between  $P_D$  and  $T_J$  (if  $P_{I/O}$  is neglected) is:

$$P_D = K \div (T_J + 273 \text{ °C})$$

Solving the equations above for K gives:

$$K = P_D \times (T_A + 273 \text{ °C}) + \theta_{JA} \times (P_D)^2$$

where K is a constant pertaining to the particular part. K can be determined by measuring  $P_D$  (at equilibrium) for a known  $T_A$ . Using this value of K, the values of  $P_D$  and  $T_J$  can be obtained by solving the above equations iteratively for any value of  $T_A$ .

## 6 Peripheral operating requirements and behaviors

## 6.1 External oscillator (XOSC) and ICS characteristics

**Table 9. XOSC and ICS specifications (temperature range = -40 to 125 °C ambient)**

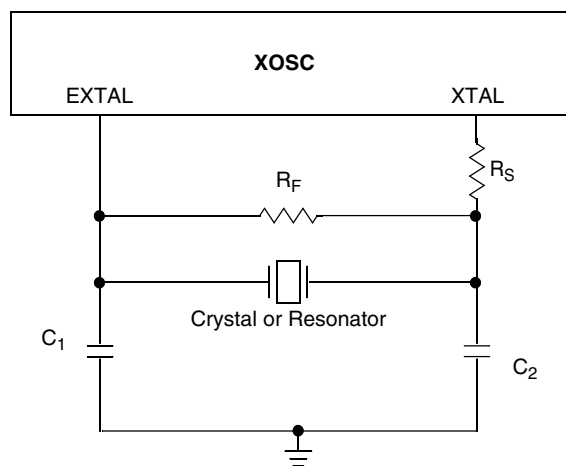
Num	C	Characteristic		Symbol	Min	Typical <sup>1</sup>	Max	Unit
1	C	Oscillator crystal or resonator	Low range (RANGE = 0)	$f_{lo}$	32	—	40	kHz
	C		High range (RANGE = 1) FEE or FBE mode <sup>2</sup>	$f_{hi}$	4	—	20	MHz
	C		High range (RANGE = 1), high gain (HGO = 1), FBELP mode	$f_{hi}$	4	—	20	MHz
	C		High range (RANGE = 1), low power (HGO = 0), FBELP mode	$f_{hi}$	4	—	20	MHz
2	D	Load capacitors		C1, C2	See Note <sup>3</sup>			
3	D	Feedback resistor	Low Frequency, Low-Power Mode <sup>4</sup>	$R_F$	—	—	—	MΩ
			Low Frequency, High-Gain Mode		—	10	—	MΩ
			High Frequency, Low-Power Mode		—	1	—	MΩ
			High Frequency, High-Gain Mode		—	1	—	MΩ
4	D	Series resistor - Low Frequency	Low-Power Mode <sup>4</sup>	$R_S$	—	—	—	kΩ
			High-Gain Mode		—	200	—	kΩ
5	D	Series resistor - High Frequency	Low-Power Mode <sup>4</sup>	$R_S$	—	—	—	kΩ
	D	Series resistor - High Frequency, High-Gain Mode	4 MHz		—	0	—	kΩ
	D		8 MHz		—	0	—	kΩ
	D		16 MHz		—	0	—	kΩ
6	C	Crystal start-up time Low range = 39.0625 kHz crystal; High range = 20 MHz crystal <sup>5, 6</sup>	Low range, low power	$t_{CSTL}$	—	1000	—	ms
	C		Low range, high power		—	800	—	ms
	C		High range, low power	$t_{CSTH}$	—	3	—	ms
	C		High range, high power		—	1.5	—	ms
7	T	Internal reference start-up time		$t_{IRST}$	—	20	50	μs
8	D	Square wave input clock frequency	FEE or FBE mode <sup>2</sup>	$f_{extal}$	0.03125	—	5	MHz
	D		FBELP mode		0	—	20	MHz
9	P	Average internal reference frequency - trimmed		$f_{int\_t}$	—	39.0625	—	kHz
10	P	DCO output frequency range - trimmed		$f_{dco\_t}$	16	—	20	MHz
11	P	Total deviation of DCO output from trimmed frequency <sup>5</sup>	Over full voltage range and temperature range of -40 to 125 °C	$\Delta f_{dco\_t}$	—	—	±2.0	
	C		Over full voltage range and temperature range of -40 to 105 °C		—	—	±1.5	% $f_{dco}$

Table continues on the next page...

**Table 9. XOSC and ICS specifications (temperature range = -40 to 125 °C ambient)  
(continued)**

Num	C	Characteristic	Symbol	Min	Typical <sup>1</sup>	Max	Unit
	C	Over fixed voltage and temperature range of 0 to 70 °C				±1.0	
12	C	FLL acquisition time <sup>5, 7</sup>	$t_{Acquire}$	—	—	2	ms
13	C	Long term jitter of DCO output clock (averaged over 2 ms interval) <sup>8</sup>	$C_{Jitter}$	—	0.02	0.2	% $f_{dco}$

1. Data in Typical column was characterized at 5.0 V, 25 °C or is typical recommended value.
2. When ICS is configured for FEE or FBE mode, input clock source must be divisible using RDIV to within the range of 31.25 kHz to 39.0625 kHz.
3. See crystal or resonator manufacturer's recommendation.
4. Load capacitors ( $C_1, C_2$ ), feedback resistor ( $R_F$ ) and series resistor ( $R_S$ ) are incorporated internally when RANGE = HGO = 0.
5. This parameter is characterized and not tested on each device.
6. Proper PC board layout procedures must be followed to achieve specifications.
7. This specification applies to any time the FLL reference source or reference divider is changed, trim value changed, or changing from FLL disabled (FBELP, FBILP) to FLL enabled (FEI, FEE, FBE, FBI). If a crystal/resonator is being used as the reference, this specification assumes it is already running.
8. Jitter is the average deviation from the programmed frequency measured over the specified interval at maximum  $f_{Bus}$ . Measurements are made with the device powered by filtered supplies and clocked by a stable external clock signal. Noise injected into the FLL circuitry via  $V_{DD}$  and  $V_{SS}$  and variation in crystal oscillator frequency increase the  $C_{Jitter}$  percentage for a given interval.


**Figure 15. Typical crystal or resonator circuit**

## 6.2 NVM specifications

This section provides details about program/erase times and program/erase endurance for the flash and EEPROM memories.

**Table 10. Flash characteristics**

C	Characteristic	Symbol	Min <sup>1</sup>	Typical <sup>2</sup>	Max <sup>3</sup>	Unit <sup>4</sup>
D	Supply voltage for program/erase -40 °C to 125 °C	V <sub>prog/erase</sub>	2.7	—	5.5	V
D	Supply voltage for read operation	V <sub>Read</sub>	2.7	—	5.5	V
D	NVM Bus frequency	f <sub>NVMBUS</sub>	1	—	25	MHz
D	NVM Operating frequency	f <sub>NVMOP</sub>	0.8	1	1.05	MHz
D	Erase Verify All Blocks	t <sub>VFYALL</sub>	—	—	17338	t <sub>cyc</sub>
D	Erase Verify Flash Block	t <sub>RD1BLK</sub>	—	—	16913	t <sub>cyc</sub>
D	Erase Verify EEPROM Block	t <sub>RD1BLK</sub>	—	—	810	t <sub>cyc</sub>
D	Erase Verify Flash Section	t <sub>RD1SEC</sub>	—	—	484	t <sub>cyc</sub>
D	Erase Verify EEPROM Section	t <sub>DRD1SEC</sub>	—	—	555	t <sub>cyc</sub>
D	Read Once	t <sub>RDONCE</sub>	—	—	450	t <sub>cyc</sub>
D	Program Flash (2 word)	t <sub>PGM2</sub>	0.12	0.12	0.29	ms
D	Program Flash (4 word)	t <sub>PGM4</sub>	0.20	0.21	0.46	ms
D	Program Once	t <sub>PGMONCE</sub>	0.20	0.21	0.21	ms
D	Program EEPROM (1 Byte)	t <sub>DPGM1</sub>	0.10	0.10	0.27	ms
D	Program EEPROM (2 Byte)	t <sub>DPGM2</sub>	0.17	0.18	0.43	ms
D	Program EEPROM (3 Byte)	t <sub>DPGM3</sub>	0.25	0.26	0.60	ms
D	Program EEPROM (4 Byte)	t <sub>DPGM4</sub>	0.32	0.33	0.77	ms
D	Erase All Blocks	t <sub>ERSALL</sub>	96.01	100.78	101.49	ms
D	Erase Flash Block	t <sub>ERSBLK</sub>	95.98	100.75	101.44	ms
D	Erase Flash Sector	t <sub>ERSPG</sub>	19.10	20.05	20.08	ms
D	Erase EEPROM Sector	t <sub>DERSPG</sub>	4.81	5.05	20.57	ms
D	Unsecure Flash	t <sub>UNSECU</sub>	96.01	100.78	101.48	ms
D	Verify Backdoor Access Key	t <sub>VFYKEY</sub>	—	—	464	t <sub>cyc</sub>
D	Set User Margin Level	t <sub>MLOADU</sub>	—	—	407	t <sub>cyc</sub>
C	FLASH Program/erase endurance T <sub>L</sub> to T <sub>H</sub> = -40 °C to 125 °C	n <sub>FLPE</sub>	10 k	100 k	—	Cycles
C	EEPROM Program/erase endurance T <sub>L</sub> to T <sub>H</sub> = -40 °C to 125 °C	n <sub>FLPE</sub>	50 k	500 k	—	Cycles
C	Data retention at an average junction temperature of T <sub>Javg</sub> = 85°C after up to 10,000 program/erase cycles	t <sub>D_ret</sub>	15	100	—	years

1. Minimum times are based on maximum f<sub>NVMOP</sub> and maximum f<sub>NVMBUS</sub>
2. Typical times are based on typical f<sub>NVMOP</sub> and maximum f<sub>NVMBUS</sub>
3. Maximum times are based on typical f<sub>NVMOP</sub> and typical f<sub>NVMBUS</sub> plus aging
4. t<sub>cyc</sub> = 1 / f<sub>NVMBUS</sub>

Program and erase operations do not require any special power sources other than the normal  $V_{DD}$  supply. For more detailed information about program/erase operations, see the Memory section.

## 6.3 Analog

### 6.3.1 ADC characteristics

Table 11. 5 V 12-bit ADC operating conditions

Characteristic	Conditions	Symb	Min	Typ <sup>1</sup>	Max	Unit	Comment
Supply voltage	Absolute	$V_{DDA}$	2.7	—	5.5	V	—
	Delta to $V_{DD}$ ( $V_{DD}-V_{DDAD}$ )	$\Delta V_{DDA}$	-100	0	+100	mV	
Ground voltage	Delta to $V_{SS}$ ( $V_{SS}-V_{SSA}$ ) <sup>2</sup>	$\Delta V_{SSA}$	-100	0	+100	mV	
Input voltage		$V_{ADIN}$	$V_{REFL}$	—	$V_{REFH}$	V	
Input capacitance		$C_{ADIN}$	—	4.5	5.5	pF	
Input resistance		$R_{ADIN}$	—	3	5	k $\Omega$	—
Analog source resistance	12-bit mode	$R_{AS}$	—	—	2	k $\Omega$	External to MCU
	• $f_{ADCK} > 4$ MHz		—	—	5		
	• $f_{ADCK} < 4$ MHz		—	—	5		
10-bit mode	—	—	5	k $\Omega$	External to MCU		
• $f_{ADCK} > 4$ MHz	—	—	10				
• $f_{ADCK} < 4$ MHz	—	—	10				
8-bit mode (all valid $f_{ADCK}$ )	—	—	10				
ADC conversion clock frequency	High speed (ADLPC=0)	$f_{ADCK}$	0.4	—	8.0	MHz	—
	Low power (ADLPC=1)		0.4	—	4.0		

1. Typical values assume  $V_{DDA} = 5.0$  V, Temp = 25°C,  $f_{ADCK}=1.0$  MHz unless otherwise stated. Typical values are for reference only and are not tested in production.
2. DC potential difference.

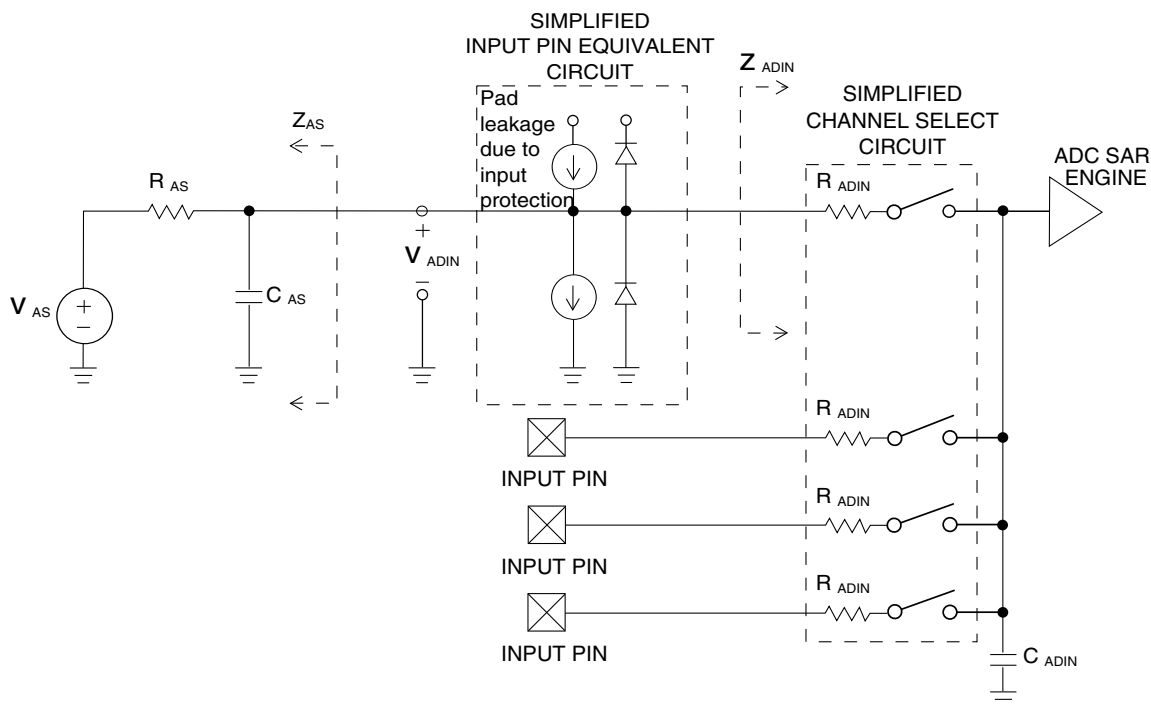


Figure 16. ADC input impedance equivalency diagram

Table 12. 12-bit ADC Characteristics ( $V_{REFH} = V_{DDA}$ ,  $V_{REFL} = V_{SSA}$ )

Characteristic	Conditions	C	Symb	Min	Typ <sup>1</sup>	Max	Unit
Supply current ADLPC = 1 ADLSMP = 1 ADCO = 1		T	$I_{DDA}$	—	133	—	$\mu\text{A}$
Supply current ADLPC = 1 ADLSMP = 0 ADCO = 1		T	$I_{DDA}$	—	218	—	$\mu\text{A}$
Supply current ADLPC = 0 ADLSMP = 1 ADCO = 1		T	$I_{DDA}$	—	327	—	$\mu\text{A}$
Supply current ADLPC = 0 ADLSMP = 0 ADCO = 1		T	$I_{DDAD}$	—	582	990	$\mu\text{A}$
Supply current	Stop, reset, module off	T	$I_{DDA}$	—	0.011	1	$\mu\text{A}$
ADC asynchronous clock source	High speed (ADLPC = 0)	P	$f_{ADACK}$	2	3.3	5	MHz

Table continues on the next page...



**Table 12. 12-bit ADC Characteristics ( $V_{REFH} = V_{DDA}$ ,  $V_{REFL} = V_{SSA}$ ) (continued)**

Characteristic	Conditions	C	Symb	Min	Typ <sup>1</sup>	Max	Unit
	Low power (ADLPC = 1)			1.25	2	3.3	
Conversion time (including sample time)	Short sample (ADLSMP = 0)	T	$t_{ADC}$	—	20	—	ADCK cycles
	Long sample (ADLSMP = 1)			—	40	—	
Sample time	Short sample (ADLSMP = 0)	T	$t_{ADS}$	—	3.5	—	ADCK cycles
	Long sample (ADLSMP = 1)			—	23.5	—	
Total unadjusted Error <sup>2</sup>	12-bit mode	T	$E_{TUE}$	—	$\pm 5.0$	—	LSB <sup>3</sup>
	10-bit mode	P		—	$\pm 1.5$	$\pm 2.0$	
	8-bit mode	P <sup>4</sup>		—	$\pm 0.7$	$\pm 1.0$	
Differential Non-Linearity	12-bit mode	T	DNL	—	$\pm 1.0$	—	LSB <sup>3</sup>
	10-bit mode <sup>5</sup>	P		—	$\pm 0.25$	$\pm 0.5$	
	8-bit mode <sup>5</sup>	P <sup>4</sup>		—	$\pm 0.15$	$\pm 0.25$	
Integral Non-Linearity	12-bit mode	T	INL	—	$\pm 1.0$	—	LSB <sup>3</sup>
	10-bit mode	T		—	$\pm 0.3$	$\pm 0.5$	
	8-bit mode	T		—	$\pm 0.15$	$\pm 0.25$	
Zero-scale error <sup>6</sup>	12-bit mode	C	$E_{ZS}$	—	$\pm 2.0$	—	LSB <sup>3</sup>
	10-bit mode	P		—	$\pm 0.25$	$\pm 1.0$	
	8-bit mode	P <sup>4</sup>		—	$\pm 0.65$	$\pm 1.0$	
Full-scale error <sup>7</sup>	12-bit mode	T	$E_{FS}$	—	$\pm 2.5$	—	LSB <sup>3</sup>
	10-bit mode	T		—	$\pm 0.5$	$\pm 1.0$	
	8-bit mode	T		—	$\pm 0.5$	$\pm 1.0$	
Quantization error	$\leq 12$ bit modes	D	$E_Q$	—	—	$\pm 0.5$	LSB <sup>3</sup>
Input leakage error <sup>8</sup>	all modes	D	$E_{IL}$	$I_{in} * R_{AS}$			mV
Temp sensor slope	-40°C– 25°C	D	m	—	3.266	—	mV/°C
	25°C– 125°C			—	3.638	—	
Temp sensor voltage	25°C	D	$V_{TEMP25}$	—	1.396	—	V

1. Typical values assume  $V_{DDA} = 5.0$  V, Temp = 25°C,  $f_{ADCK} = 1.0$  MHz unless otherwise stated. Typical values are for reference only and are not tested in production.
2. Includes quantization.
3.  $1 \text{ LSB} = (V_{REFH} - V_{REFL})/2^N$
4. 10-bit mode only for package LQFP48/32, TSSOP20/16. Those parameters are only achieved by the design characterization.
5. Monotonicity and no-missing-codes guaranteed in 10-bit and 8-bit modes
6.  $V_{ADIN} = V_{SSA}$
7.  $V_{ADIN} = V_{DDA}$
8.  $I_{in}$  = leakage current (refer to DC characteristics)

## 6.3.2 Analog comparator (ACMP) electricals

**Table 13. Comparator electrical specifications**

C	Characteristic	Symbol	Min	Typical	Max	Unit
D	Supply voltage	$V_{DDA}$	2.7	—	5.5	V
T	Supply current (Operation mode)	$I_{DDA}$	—	10	20	$\mu$ A
D	Analog input voltage	$V_{AIN}$	$V_{SS} - 0.3$	—	$V_{DDA}$	V
P	Analog input offset voltage	$V_{AIO}$	—	—	40	mV
C	Analog comparator hysteresis (HYST=0)	$V_H$	—	15	20	mV
C	Analog comparator hysteresis (HYST=1)	$V_H$	—	20	30	mV
T	Supply current (Off mode)	$I_{DDAOFF}$	—	60	—	nA
C	Propagation Delay	$t_D$	—	0.4	1	$\mu$ s

## 6.4 Communication interfaces

### 6.4.1 SPI switching specifications

The serial peripheral interface (SPI) provides a synchronous serial bus with master and slave operations. Many of the transfer attributes are programmable. The following tables provide timing characteristics for classic SPI timing modes. Refer to the SPI chapter of the chip's reference manual for information about the modified transfer formats used for communicating with slower peripheral devices. All timing is shown with respect to 20%  $V_{DD}$  and 70%  $V_{DD}$ , unless noted, and 100 pF load on all SPI pins. All timing assumes slew rate control is disabled and high drive strength is enabled for SPI output pins.

**Table 14. SPI master mode timing**

Nu m.	Symbol	Description	Min.	Max.	Unit	Comment
1	$f_{op}$	Frequency of operation	$f_{Bus}/2048$	$f_{Bus}/2$	Hz	$f_{Bus}$ is the bus clock
2	$t_{SPSCK}$	SPSCK period	$2 \times t_{Bus}$	$2048 \times t_{Bus}$	ns	$t_{Bus} = 1/f_{Bus}$
3	$t_{Lead}$	Enable lead time	1/2	—	$t_{SPSCK}$	—
4	$t_{Lag}$	Enable lag time	1/2	—	$t_{SPSCK}$	—
5	$t_{WSPSCK}$	Clock (SPSCK) high or low time	$t_{Bus} - 30$	$1024 \times t_{Bus}$	ns	—
6	$t_{SU}$	Data setup time (inputs)	15	—	ns	—
7	$t_{HI}$	Data hold time (inputs)	0	—	ns	—
8	$t_v$	Data valid (after SPSCK edge)	—	25	ns	—
9	$t_{HO}$	Data hold time (outputs)	0	—	ns	—
10	$t_{RI}$	Rise time input	—	$t_{Bus} - 25$	ns	—

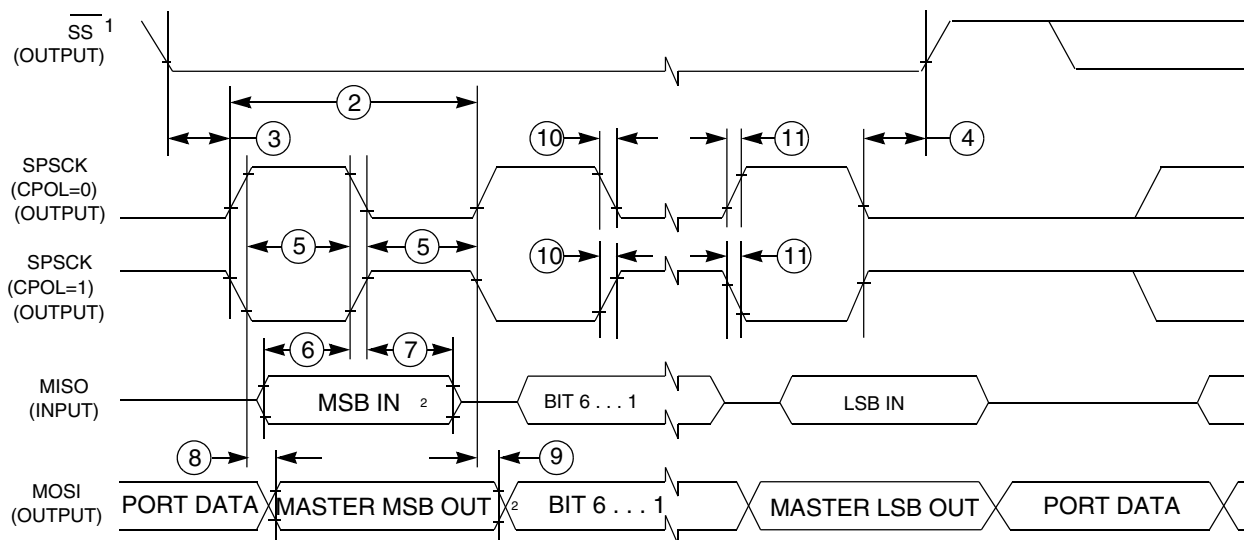
Table continues on the next page...

**Table 14. SPI master mode timing (continued)**

Nu m.	Symbol	Description	Min.	Max.	Unit	Comment
	$t_{FI}$	Fall time input				
11	$t_{RO}$	Rise time output	—	25	ns	—
	$t_{FO}$	Fall time output				



1. If configured as an output.
2. LSBF = 0. For LSBF = 1, bit order is LSB, bit 1, ..., bit 6, MSB.

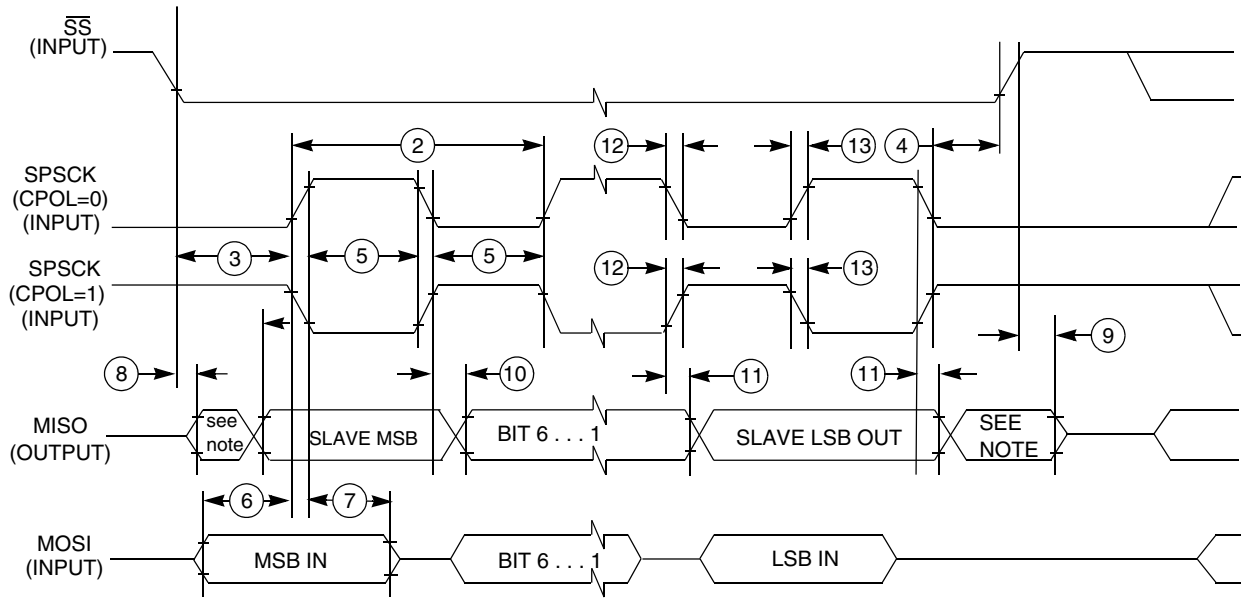
**Figure 17. SPI master mode timing (CPHA=0)**


1. If configured as output
2. LSBF = 0. For LSBF = 1, bit order is LSB, bit 1, ..., bit 6, MSB.

**Figure 18. SPI master mode timing (CPHA=1)**

**Table 15. SPI slave mode timing**

Nu m.	Symbol	Description	Min.	Max.	Unit	Comment
1	$f_{op}$	Frequency of operation	0	$f_{BUS}/4$	Hz	$f_{BUS}$ is the bus clock as defined in .
2	$t_{SPSCK}$	SPSCK period	$4 \times t_{BUS}$	—	ns	$t_{BUS} = 1/f_{BUS}$
3	$t_{Lead}$	Enable lead time	1	—	$t_{BUS}$	—
4	$t_{Lag}$	Enable lag time	1	—	$t_{BUS}$	—
5	$t_{WSPSCK}$	Clock (SPSCK) high or low time	$t_{BUS} - 30$	—	ns	—
6	$t_{SU}$	Data setup time (inputs)	15	—	ns	—
7	$t_{HI}$	Data hold time (inputs)	25	—	ns	—
8	$t_a$	Slave access time	—	$t_{BUS}$	ns	Time to data active from high-impedance state
9	$t_{dis}$	Slave MISO disable time	—	$t_{BUS}$	ns	Hold time to high-impedance state
10	$t_v$	Data valid (after SPSCK edge)	—	25	ns	—
11	$t_{HO}$	Data hold time (outputs)	0	—	ns	—
12	$t_{RI}$	Rise time input	—	$t_{BUS} - 25$	ns	—
	$t_{FI}$	Fall time input				
13	$t_{RO}$	Rise time output	—	25	ns	—
	$t_{FO}$	Fall time output				



NOTE: Not defined

**Figure 19. SPI slave mode timing (CPHA = 0)**

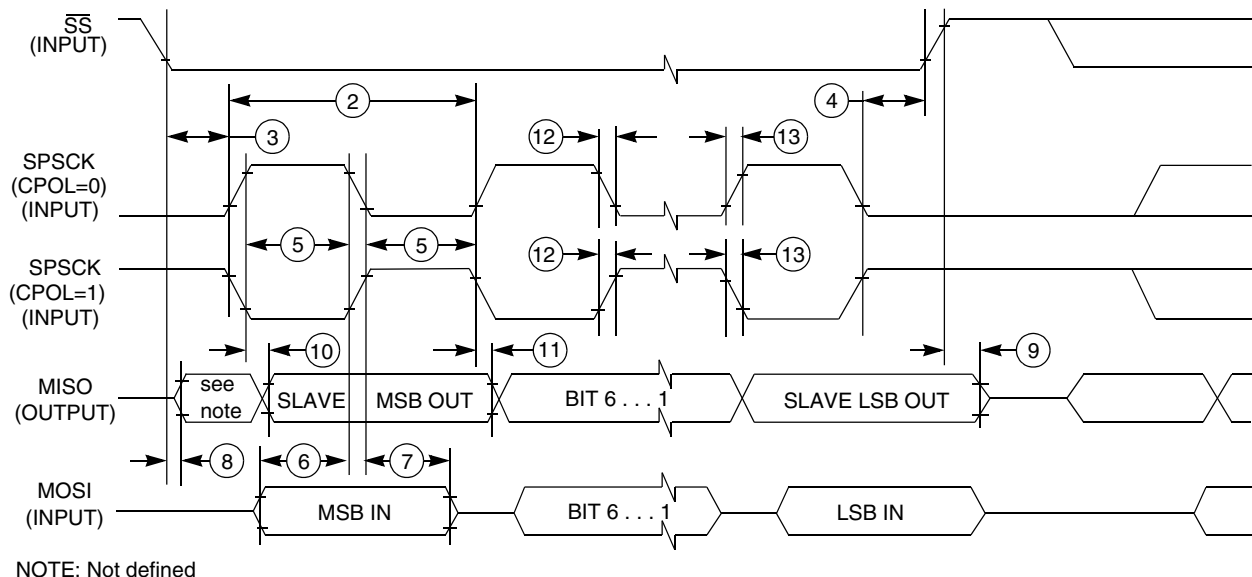


Figure 20. SPI slave mode timing (CPHA=1)

## 6.5 Human-machine interfaces (HMI)

### 6.5.1 TSI electrical specifications

Table 16. TSI electrical specifications

Symbol	Description	Min.	Type	Max	Unit
TSI_RUNF	Fixed power consumption in run mode	—	100	—	μA
TSI_RUNV	Variable power consumption in run mode (depends on oscillator's current selection)	1.0	—	128	μA
TSI_EN	Power consumption in enable mode	—	100	—	μA
TSI_DIS	Power consumption in disable mode	—	1.2	—	μA
TSI_TEN	TSI analog enable time	—	66	—	μs
TSI_CREF	TSI reference capacitor	—	1.0	—	pF
TSI_DVOLT	Voltage variation of VP & VM around nominal values	-10	—	10	%

## 7 Dimensions

### 7.1 Obtaining package dimensions

Package dimensions are provided in package drawings.

To find a package drawing, go to [freescale.com](http://freescale.com) and perform a keyword search for the drawing's document number:

If you want the drawing for this package	Then use this document number
16-pin TSSOP	98ASH70247A
20-pin TSSOP	98ASH70169A
32-pin LQFP	98ASH70029A
48-pin LQFP	98ASH00962A

## 8 Pinout

### 8.1 Signal multiplexing and pin assignments

The following table shows the signals available on each pin and the locations of these pins on the devices supported by this document. The Port Control Module is responsible for selecting which ALT functionality is available on each pin.

**Table 17. Pin availability by package pin-count**

Pin Number				Lowest Priority <-- --> Highest				
48-LQFP	32-LQFP	20-TSSOP	16-TSSOP	Port Pin	Alt 1	Alt 2	Alt 3	Alt 4
1	1	—	—	PTD1 <sup>1</sup>	—	FTM2CH3	—	—
2	2	—	—	PTD0 <sup>1</sup>	—	FTM2CH2	—	—
3	—	—	—	PTE4	—	TCLK2	—	—
4	—	—	—	PTE3	—	BUSOUT	—	—
5	3	3	3	—	—	—	—	V <sub>DD</sub>
6	4	—	—	—	—	—	V <sub>DDA</sub>	V <sub>REFH</sub>
7	5	—	—	—	—	—	V <sub>SSA</sub>	V <sub>REFL</sub>
8	6	4	4	—	—	—	—	V <sub>SS</sub>
9	7	5	5	PTB7	—	—	SCL	EXTAL
10	8	6	6	PTB6	—	—	SDA	XTAL
11	—	—	—	—	—	—	—	V <sub>SS</sub>
12	—	—	—	NC				
13	—	—	—	NC				
14	9	7	7	PTB5 <sup>1</sup>	—	FTM2CH5	SS0	—
15	10	8	8	PTB4 <sup>1</sup>	—	FTM2CH4	MISO0	—
16	11	9	—	PTC3	—	FTM2CH3	ADP11	TSI9
17	12	10	—	PTC2	—	FTM2CH2	ADP10	TSI8
18	—	—	—	PTD7	—	—	—	—

Table continues on the next page...

**Table 17. Pin availability by package pin-count (continued)**

Pin Number				Lowest Priority <-- --> Highest				
48-LQFP	32-LQFP	20-TSSOP	16-TSSOP	Port Pin	Alt 1	Alt 2	Alt 3	Alt 4
19	—	—	—	PTD6	—	—	—	—
20	—	—	—	PTD5	—	—	—	—
21	13	11	—	PTC1	—	FTM2CH1	ADP9	TSI7
22	14	12	—	PTC0	—	FTM2CH0	ADP8	TSI6
23	15	13	9	PTB3	KBI0P7	MOSI0	ADP7	TSI5
24	16	14	10	PTB2	KBI0P6	SPSCK0	ADP6	TSI4
25	17	15	11	PTB1	KBI0P5	TXD0	ADP5	TSI3
26	18	16	12	PTB0	KBI0P4	RXD0	ADP4	TSI2
27	19	—	—	PTA7	—	FTM2FAULT2	ADP3	TSI1
28	20	—	—	PTA6	—	FTM2FAULT1	ADP2	TSI0
29	—	—	—	NC				
30	—	—	—	—	—	—	—	V <sub>SS</sub>
31	—	—	—	—	—	—	—	V <sub>DD</sub>
32	—	—	—	PTD4	—	—	—	—
33	21	—	—	PTD3	—	—	—	TSI15
34	22	—	—	PTD2	—	—	—	TSI14
35	23	17	13	PTA3 <sup>2</sup>	KBI0P3	TXD0	SCL	—
36	24	18	14	PTA2 <sup>2</sup>	KBI0P2	RXD0	SDA	—
37	25	19	15	PTA1	KBI0P1	FTM0CH1	ACMP1	ADP1
38	26	20	16	PTA0	KBI0P0	FTM0CH0	ACMP0	ADP0
39	27	—	—	PTC7	—	TxD1	—	TSI13
40	28	—	—	PTC6	—	RxD1	—	TSI12
41	—	—	—	NC				
42	—	—	—	PTE2	—	MISO0	—	—
43	—	—	—	PTE1	—	MOSI0	—	—
44	—	—	—	PTE0	—	SPSCK0	—	—
45	29	—	—	PTC5	—	FTM0CH1	—	TSI11
46	30	—	—	PTC4	—	FTM0CH0	—	TSI10
47	31	1	1	—	—	—	—	RESET
48	32	2	2	—	—	—	BKGD	MS

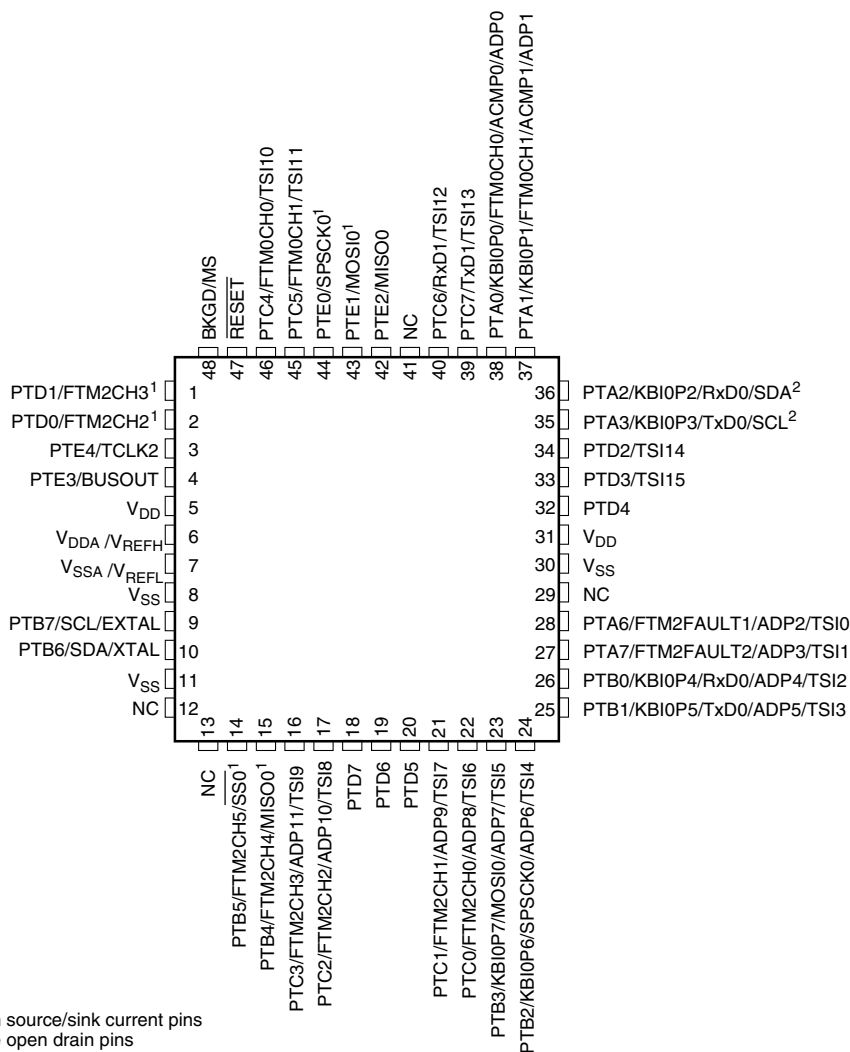
1. This is a high current drive pin when operated as output.
2. This is a true open-drain pin when operated as output.

### Note

When an alternative function is first enabled, it is possible to get a spurious edge to the module. User software must clear any associated flags before interrupts are enabled. The table above illustrates the priority if multiple modules are enabled. The

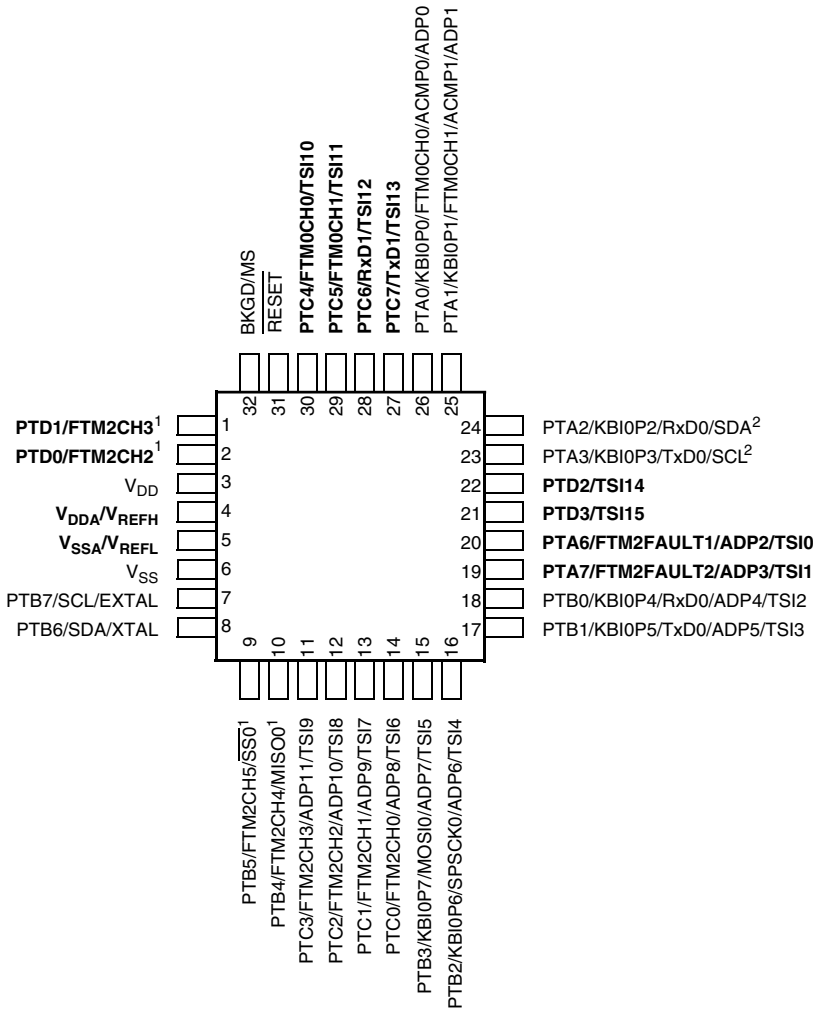
highest priority module will have control over the pin. Selecting a higher priority pin function with a lower priority function already enabled can cause spurious edges to the lower priority module. Disable all modules that share a pin before enabling another module.

## 8.2 Device pin assignment



**Figure 21. S9S08RN16 48-pin LQFP package**

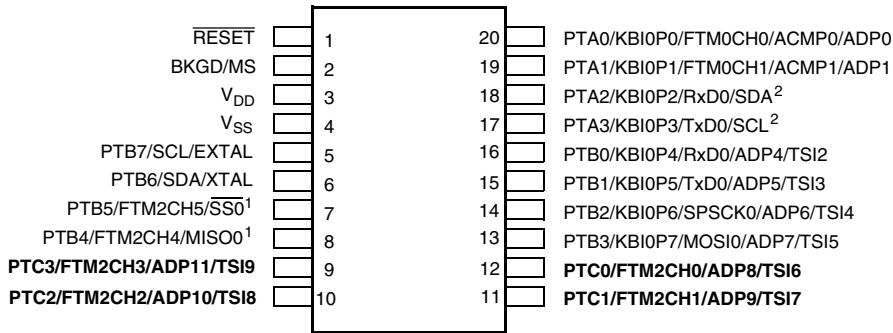




Pins in **bold** are not available on less pin-count packages.

- 1. High source/sink current pins
- 2. True open drain pins

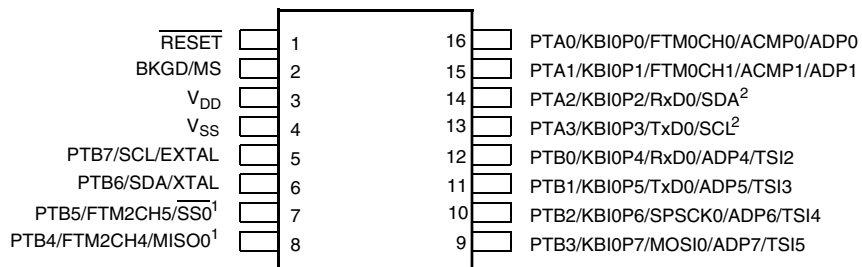
**Figure 22. S9S08RN16 32-pin LQFP package**



Pins in **bold** are not available on less pin-count packages.

- 1. High source/sink current pins
- 2. True open drain pins

**Figure 23. S9S08RN16 20-pin TSSOP package**



- 1. High source/sink current pins
- 2. True open drain pins

**Figure 24. S9S08RN16 16-pin TSSOP package**

## 9 Revision history

The following table provides a revision history for this document.

**Table 18. Revision history**

Rev. No.	Date	Substantial Changes
1	02/2014	Initial Release



**How to Reach Us:**

**Home Page:**

[freescale.com](http://freescale.com)

**Web Support:**

[freescale.com/support](http://freescale.com/support)

Information in this document is provided solely to enable system and software implementers to use Freescale products. There are no express or implied copyright licenses granted hereunder to design or fabricate any integrated circuits based on the information in this document. Freescale reserves the right to make changes without further notice to any products herein.

Freescale makes no warranty, representation, or guarantee regarding the suitability of its products for any particular purpose, nor does Freescale assume any liability arising out of the application or use of any product or circuit, and specifically disclaims any and all liability, including without limitation consequential or incidental damages. "Typical" parameters that may be provided in Freescale data sheets and/or specifications can and do vary in different applications, and actual performance may vary over time. All operating parameters, including "typicals," must be validated for each customer application by customer's technical experts. Freescale does not convey any license under its patent rights nor the rights of others. Freescale sells products pursuant to standard terms and conditions of sale, which can be found at the following address: [freescale.com/SalesTermsandConditions](http://freescale.com/SalesTermsandConditions).

Freescale, the Freescale logo, CodeWarrior and Processor Expert are trademarks of Freescale Semiconductor, Inc., Reg. U.S. Pat. & Tm. Off. Tower is a trademark of Freescale Semiconductor, Inc. All other product or service names are the property of their respective owners.

© 2014 Freescale Semiconductor, Inc.



Компания «ЭлектроПласт» предлагает заключение долгосрочных отношений при поставках импортных электронных компонентов на взаимовыгодных условиях!

Наши преимущества:

- Оперативные поставки широкого спектра электронных компонентов отечественного и импортного производства напрямую от производителей и с крупнейших мировых складов;
- Поставка более 17-ти миллионов наименований электронных компонентов;
- Поставка сложных, дефицитных, либо снятых с производства позиций;
- Оперативные сроки поставки под заказ (от 5 рабочих дней);
- Экспресс доставка в любую точку России;
- Техническая поддержка проекта, помощь в подборе аналогов, поставка прототипов;
- Система менеджмента качества сертифицирована по Международному стандарту ISO 9001;
- Лицензия ФСБ на осуществление работ с использованием сведений, составляющих государственную тайну;
- Поставка специализированных компонентов (Xilinx, Altera, Analog Devices, Intersil, Interpoint, Microsemi, Aeroflex, Peregrine, Syfer, Eurofarad, Texas Instrument, Miteq, Cobham, E2V, MA-COM, Hittite, Mini-Circuits, General Dynamics и др.);

Помимо этого, одним из направлений компании «ЭлектроПласт» является направление «Источники питания». Мы предлагаем Вам помощь Конструкторского отдела:

- Подбор оптимального решения, техническое обоснование при выборе компонента;
- Подбор аналогов;
- Консультации по применению компонента;
- Поставка образцов и прототипов;
- Техническая поддержка проекта;
- Защита от снятия компонента с производства.



#### Как с нами связаться

**Телефон:** 8 (812) 309 58 32 (многоканальный)

**Факс:** 8 (812) 320-02-42

**Электронная почта:** [org@eplast1.ru](mailto:org@eplast1.ru)

**Адрес:** 198099, г. Санкт-Петербург, ул. Калинина, дом 2, корпус 4, литера А.