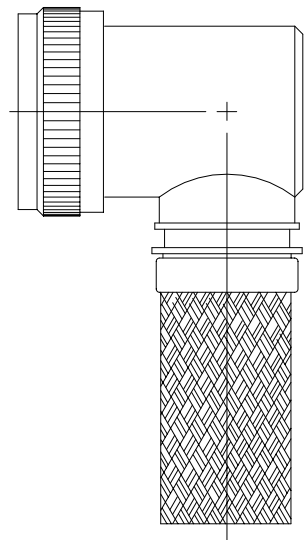


| REVISIONS |                         |      |          |
|-----------|-------------------------|------|----------|
| LTR       | DESCRIPTION             | DATE | APPROVED |
| L         | REVISED PER ECN AD94022 |      |          |



CODE 40 SHIELDED 90° ADAPTER

NOTES:

- THIS PRODUCT IS DESIGNED TO TERMINATE A HEAT SHRINKABLE LIPPED BOOT TO A CONNECTOR.
- FOR ADDITIONAL DIMENSIONS, ORDERING INFORMATION AND MODIFICATIONS, SEE CH00-0250-004.
- ADAPTER TO BE PERMANENTLY MARKED WITH CODE IDENT. NO. AND PART NO. (E.G.: 06090-208M912-19B08).
- FOR LARGER ENTRY SIZES, A 2 PIECE ADAPTER (TYPE II) IS SUPPLIED.
- BRAID TERMINATION RING MAY BE SUPPLIED AS TINEL-LOCK SHAPE MEMORY RING AT MANUFACTURER'S OPTION.
- ADAPTER MATES TO MIL-C-38999 SERIES III & IV, CLASS C, F, K AND W, D38999/20, /24, /26, /40, /46, /47 CONNECTORS AND WHEN SO MATED SHALL PROVIDE A WATER-TIGHT SEAL MEETING THE REQUIREMENTS OF MIL-C-85049, PAR. 3.5.7.

If this document is printed it becomes uncontrolled.  
Check for the latest revision.

SPECIFICATION CONTROL DRAWING

UNLESS OTHERWISE SPECIFIED  
DIMENSIONS ARE IN INCHES.  
METRIC DIMENSIONS ARE  
IN BRACKETS.

DECIMALS  
.XXX ± — [ mm]  
.XX ± — [ mm]  
.X ± — [ mm]

ANGLES  
.X ± —

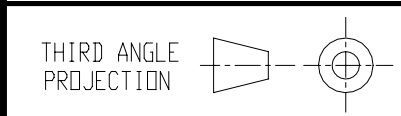
|                          |                  |
|--------------------------|------------------|
| DRAWN<br>R. RAMIREZ      | DATE<br>03-19-93 |
| CHECKED                  | DATE             |
| APPROVED<br>W. C. GAY    | DATE<br>05-19-93 |
| APPROVED                 | DATE             |
| CAD NAME \ACAD12\208M9XX |                  |



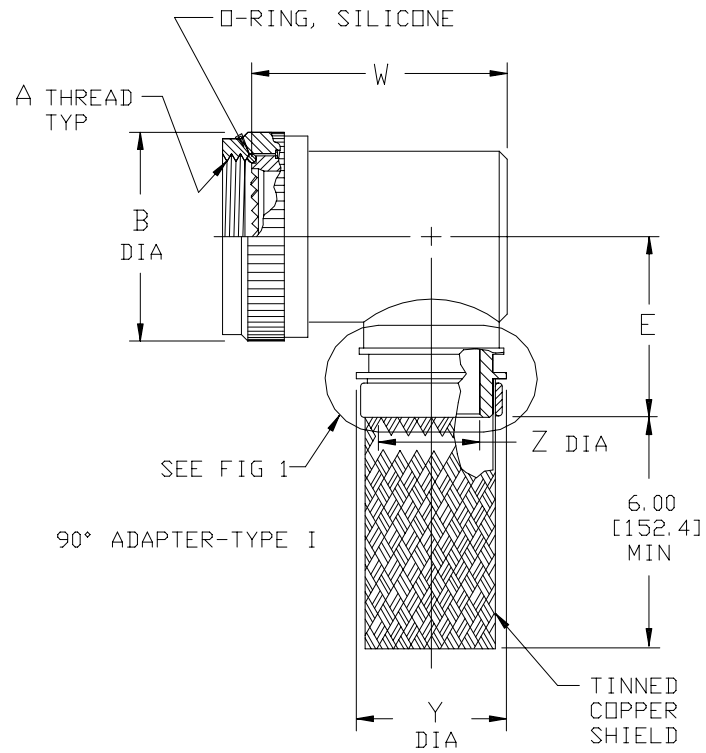
Tyco Electronics Corporation  
300 Constitution Drive  
Menlo Park, CA. 94025 U.S.A.



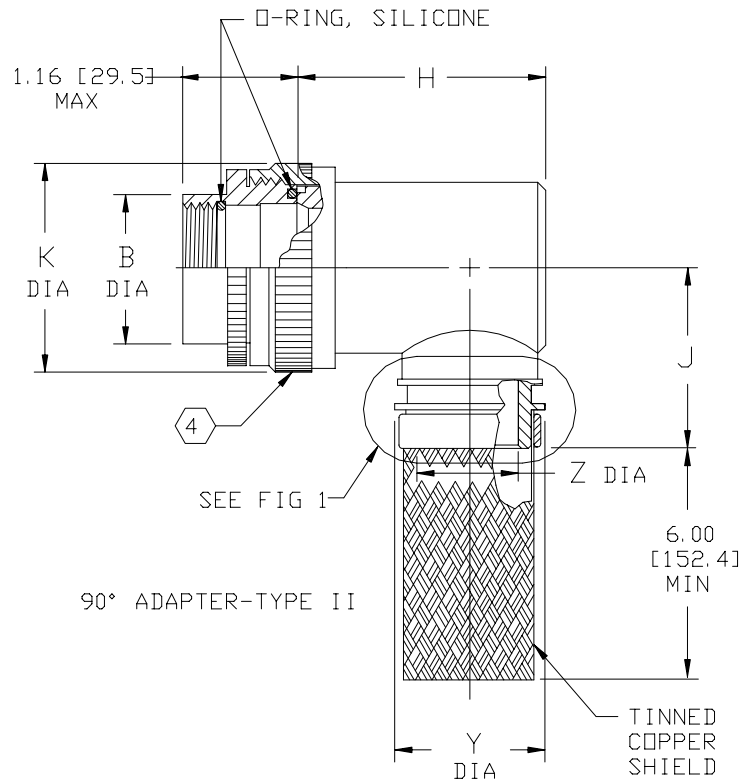
TITLE  
ADAPTER, SHIELD, 90°  
CODE 40



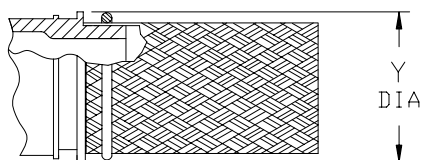
|                       |                          |                     |              |
|-----------------------|--------------------------|---------------------|--------------|
| SIZE<br>A             | CODE IDENT. NO.<br>06090 | DWG. NO.<br>208M9XX | REV<br>L     |
| DO NOT SCALE THIS DWG |                          |                     | SHEET 1 OF 3 |



90° ADAPTER-TYPE I



90° ADAPTER-TYPE II



TINEL-LOCK TERMINATION

FIG 1 (5)

If this document is printed it becomes uncontrolled.  
Check for the latest revision.

|                       |      |            |                           |              |
|-----------------------|------|------------|---------------------------|--------------|
| SIZE                  | CODE | IDENT. NO. | DWG. NO.                  | REV          |
| A                     |      | 06090      | 208M9XX                   | L            |
| DO NOT SCALE THIS DWG |      |            | CAD NAME \ACAD12\208M9X-2 | SHEET 2 OF 3 |

TABLE I


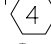
| BASE<br>PART<br>NO. | SHELL SIZE  |     | MAX<br>ENTRY<br>SIZE<br>TYPE I  | A<br>METRIC THD<br>CLASS 6H | B<br>DIA<br>MAX | E<br>MAX       |
|---------------------|--|-----|--|-----------------------------|-----------------|----------------|
|                     | COML   | MIL |  |                             |                 |                |
| 208M908             | 9  | A   | 04   | M12 X 1.0                   | .750<br>[19.1]  | 1.15<br>[29.2] |
| 208M910             | 11   | B   | 07   | M15 X 1.0                   | .850<br>[21.6]  | 1.21<br>[30.7] |
| 208M912             | 13   | C   | 09   | M18 X 1.0                   | 1.000<br>[25.4] | 1.28<br>[32.5] |
| 208M914             | 15   | D   | 10   | M22 X 1.0                   | 1.150<br>[29.2] | 1.34<br>[34.0] |
| 208M916             | 17   | E   | 12   | M25 X 1.0                   | 1.250<br>[31.8] | 1.40<br>[35.6] |
| 208M918             | 19   | F   | 14   | M28 X 1.0                   | 1.400<br>[35.6] | 1.46<br>[37.1] |
| 208M920             | 21   | G   | 16   | M31 X 1.0                   | 1.500<br>[38.1] | 1.53<br>[38.9] |
| 208M922             | 23   | H   | 18   | M34 X 1.0                   | 1.650<br>[41.9] | 1.59<br>[40.4] |
| 208M924             | 25   | J   | 20   | M37 X 1.0                   | 1.750<br>[44.5] | 1.67<br>[42.4] |

TABLE II

| ENTRY<br>SIZE | K<br>MAX       | Z<br>±.020<br>[±0.51] | Y<br>DIA<br>MIN  | J<br>MAX       | W<br>MAX       | H<br>MAX       |
|---------------|----------------|-----------------------|------------------|----------------|----------------|----------------|
| 03            | NA             | .187<br>[4.75]        | .393<br>[9.98]   | NA             | 1.23<br>[31.2] | NA             |
| 04            | NA             | .250<br>[6.35]        | .456<br>[11.58]  | NA             | 1.23<br>[31.2] | NA             |
| 05            | .80<br>[20.3]  | .312<br>[7.92]        | .515<br>[13.08]  | 1.16<br>[29.5] | 1.29<br>[32.8] | 1.19<br>[30.2] |
| 06            | .80<br>[20.3]  | .375<br>[9.53]        | .581<br>[14.76]  | 1.16<br>[29.5] | 1.35<br>[34.3] | 1.19<br>[30.2] |
| 07            | .92<br>[23.4]  | .438<br>[11.13]       | .643<br>[16.33]  | 1.22<br>[31.0] | 1.42<br>[36.1] | 1.38<br>[35.1] |
| 08            | .92<br>[23.4]  | .500<br>[12.70]       | .705<br>[17.91]  | 1.22<br>[31.0] | 1.48<br>[37.6] | 1.38<br>[35.1] |
| 09            | 1.18<br>[30.0] | .562<br>[14.27]       | .705<br>[17.91]  | 1.35<br>[34.3] | 1.60<br>[40.6] | 1.51<br>[38.4] |
| 10            | 1.18<br>[30.0] | .625<br>[15.88]       | .831<br>[21.11]  | 1.35<br>[34.3] | 1.60<br>[40.6] | 1.51<br>[38.4] |
| 11            | 1.18<br>[30.0] | .688<br>[17.48]       | .893<br>[22.68]  | 1.40<br>[35.6] | 1.73<br>[43.9] | 1.63<br>[41.4] |
| 12            | 1.35<br>[34.3] | .750<br>[19.05]       | .953<br>[24.21]  | 1.40<br>[35.6] | 1.73<br>[43.9] | 1.63<br>[41.4] |
| 13            | 1.41<br>[35.8] | .812<br>[20.62]       | .953<br>[24.21]  | 1.46<br>[37.1] | 1.85<br>[47.0] | 1.78<br>[45.2] |
| 14            | 1.41<br>[35.8] | .875<br>[22.23]       | 1.081<br>[27.46] | 1.46<br>[37.1] | 1.85<br>[47.0] | 1.78<br>[45.2] |
| 15            | 1.60<br>[40.6] | .938<br>[23.83]       | 1.143<br>[29.03] | 1.53<br>[38.9] | 2.00<br>[50.8] | 1.88<br>[47.8] |
| 16            | 1.60<br>[40.6] | 1.000<br>[25.40]      | 1.205<br>[30.61] | 1.53<br>[38.9] | 2.00<br>[50.8] | 1.88<br>[47.8] |
| 18            | 1.66<br>[42.2] | 1.125<br>[28.58]      | 1.381<br>[35.08] | 1.59<br>[40.4] | 2.13<br>[54.1] | 2.01<br>[51.1] |
| 20            | 2.04<br>[51.8] | 1.250<br>[31.75]      | 1.506<br>[38.25] | 1.78<br>[45.2] | 2.25<br>[57.2] | 2.13<br>[54.1] |
| 22            | 2.23<br>[56.6] | 1.375<br>[34.93]      | 1.631<br>[41.43] | 1.85<br>[47.0] | NA             | 2.29<br>[58.2] |
| 24            | 2.23<br>[56.6] | 1.500<br>[38.10]      | 1.756<br>[44.60] | 1.92<br>[48.8] | NA             | 2.42<br>[61.5] |
| 28            | 2.48<br>[63.0] | 1.750<br>[44.45]      | 2.004<br>[50.90] | 2.17<br>[55.1] | NA             | 2.67<br>[67.8] |

If this document is printed it becomes uncontrolled.  
Check for the latest revision.

|                       |                          |                           |              |
|-----------------------|--------------------------|---------------------------|--------------|
| SIZE<br>A             | CODE IDENT. NO.<br>06090 | DWG. NO.<br>208M9XX       | REV<br>L     |
| DO NOT SCALE THIS DWG |                          | CAD NAME \ACAD12\208M9X-3 | SHEET 3 OF 3 |



Компания «ЭлектроПласт» предлагает заключение долгосрочных отношений при поставках импортных электронных компонентов на взаимовыгодных условиях!

Наши преимущества:

- Оперативные поставки широкого спектра электронных компонентов отечественного и импортного производства напрямую от производителей и с крупнейших мировых складов;
- Поставка более 17-ти миллионов наименований электронных компонентов;
- Поставка сложных, дефицитных, либо снятых с производства позиций;
- Оперативные сроки поставки под заказ (от 5 рабочих дней);
- Экспресс доставка в любую точку России;
- Техническая поддержка проекта, помощь в подборе аналогов, поставка прототипов;
- Система менеджмента качества сертифицирована по Международному стандарту ISO 9001;
- Лицензия ФСБ на осуществление работ с использованием сведений, составляющих государственную тайну;
- Поставка специализированных компонентов (Xilinx, Altera, Analog Devices, Intersil, Interpoint, Microsemi, Aeroflex, Peregrine, Syfer, Eurofarad, Texas Instrument, Miteq, Cobham, E2V, MA-COM, Hittite, Mini-Circuits, General Dynamics и др.);

Помимо этого, одним из направлений компании «ЭлектроПласт» является направление «Источники питания». Мы предлагаем Вам помощь Конструкторского отдела:

- Подбор оптимального решения, техническое обоснование при выборе компонента;
- Подбор аналогов;
- Консультации по применению компонента;
- Поставка образцов и прототипов;
- Техническая поддержка проекта;
- Защита от снятия компонента с производства.



#### Как с нами связаться

**Телефон:** 8 (812) 309 58 32 (многоканальный)

**Факс:** 8 (812) 320-02-42

**Электронная почта:** [org@eplast1.ru](mailto:org@eplast1.ru)

**Адрес:** 198099, г. Санкт-Петербург, ул. Калинина, дом 2, корпус 4, литера А.