

## Smart Low Side Power Switch

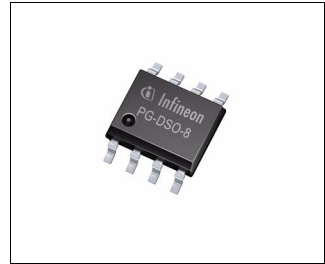
HITFET® BTS3408G



Datasheet Rev. 1.5

### Features

- Logic level input
- Compatible to 3V micro controllers
- ESD protection
- Thermal shutdown with auto restart
- Overload protection
- Short circuit protection
- Over voltage protection
- Open load detection (during Off)
- Current limitation
- Direct parallel control of the inputs
- FREEZE functionality for multiplexing
- General fault flag
- Very low standby quiescent current
- Switching frequencies up to 50kHz
- Green Product (RoHS compliant)
- AEC Qualified



### Application

- All kinds of resistive, inductive and capacitive loads in switching applications
- $\mu\text{C}$  compatible power switch for 12 V, 24 V and 42 V applications
- Replaces electromechanical relays and discrete circuits
- Line, stepper motor, lamp and relay driver

### General Description

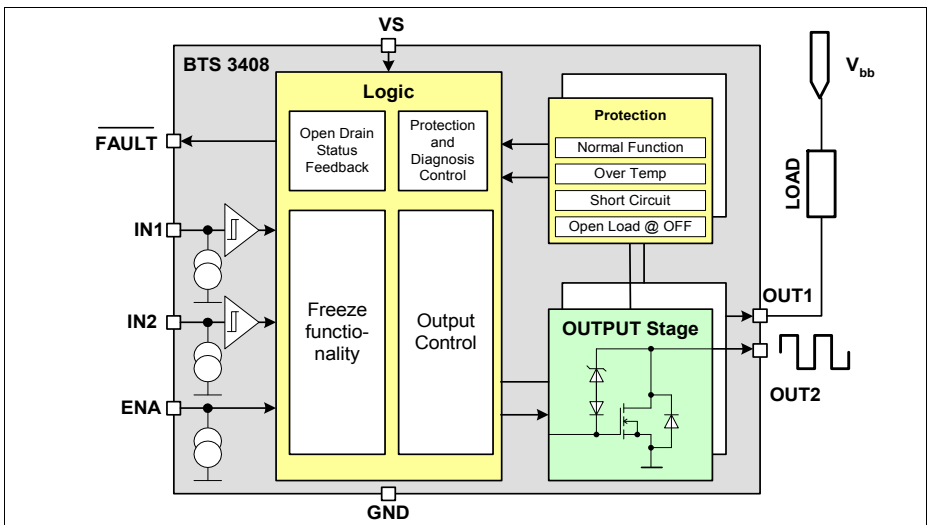
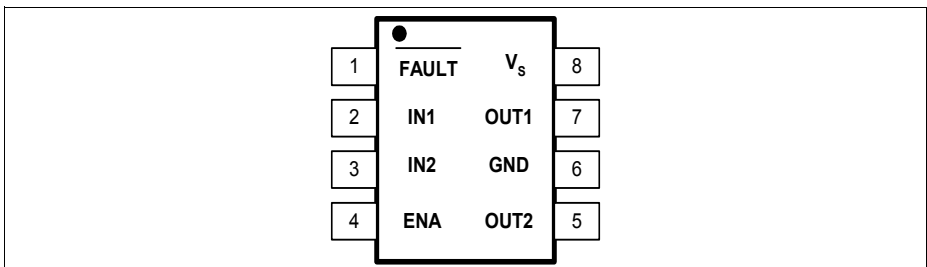
The BTS3408G is a dual channel Low-Side Switch with D-MOS output stages for driving resistive, capacitive and inductive loads. The design is based on Infineons Smart Power Technology (SPT) which allows bipolar, CMOS and power D-MOS devices on the same monolithic circuit.

The BTS3408G is protected by embedded protection functions and designed for automotive and industrial applications. It is especially suited for driving stepper motors and lines.

Type	Ordering Code	Package
HITFET® BTS3408G	on request	PG-DSO-8-36

**Product Summary**

Parameter	Symbol	Value	Unit
Supply voltage	$V_S$	4.5 - 60	V
Continuous drain source voltage	$V_{DS}$	60	V
On-state resistance	$R_{DS(ON)}$	550	mΩ
Current limitation	$I_{D(lim)}$	1	A
Nominal output current (individual channel)	$I_{D(Nom)}$	0.55	A
Clamping energy	$E_{AS}$	800	mJ


**Figure 1 Block Diagram**

**Figure 2 Pin Configuration**

**Pin Definitions and Functions**

<b>Pin</b>	<b>Symbol</b>	<b>Function</b>
1	$\overline{\text{FAULT}}$	<b>General Fault Flag</b> ; see Table 2 for operation mode.
2	IN1	<b>Input 1</b> ; input of channel 1; has an internal pull down; TTL/CMOS compatible input.
3	IN2	<b>Input 2</b> ; input of channel 2; has an internal pull down; TTL/CMOS compatible input.
4	ENA	<b>Enable/Freeze</b> ; has an internal pull down; device is enabled when voltage is higher then 1.2 volts; if the voltage is below 1.7 volts the output is freezed, input signals will be ignored; if the voltage is above 2 volts input signals will be output ; see Table 1 for detailed information.
5	OUT2	<b>Output 2</b> ; output of D-MOS stage 2.
6	GND	<b>Ground.</b>
7	OUT1	<b>Output 1</b> ; output of D-MOS stage 1.
8	$V_S$	<b>Power supply.</b>

## Circuit Description

### Logic Supply

The logic is supplied with 4.5 up to 60 volts by the  $V_S$  pin as specified in the absolute maximum ratings. The  $V_S$  functional range is specified from 4.5 up to 18 volts in the header of the electrical characteristics table. If  $V_S$  rises above 18 volts, all protections remain active, but functionalities and parameters can be deviated. If  $V_S$  falls below min. 4.5 volts, the logic is shut down and the output stages are switched off.

### Direct Inputs

#### ENA

The ENA/FREEZE input can be used to enable and/or to freeze the output control of the IC or to cut off the complete IC.

By pulling the ENA input to low, i.e. applying a voltage  $V_{ENAL}$ , the IC is in disable mode. The power stages are switched off and the current consumption is reduced to  $I_{S(stby)}$ .

By applying a voltage  $V_{ENAFZ}$ , the IC is in FREEZE mode. The output signals will remain in their former state. All input signals will be ignored.

By pulling the input to high, the IC is in Enable mode. All input signals are output.

The ENA - pin has an internal pull-down.

#### IN1 / IN2

Each output is independently controlled via the respective input pin. The input pins are high active. If the common enable pin is high, the individual input signals are output. The input pins have an internal pull-down.

**Table 1 Functional Table**

$V_{ENA}$	Mode	IN1	IN2	IN1(-1)	IN2(-1)	OUT1	OUT2	Comment
$\leq 0.8V$	Disable	X <sup>1)</sup>	X <sup>1)</sup>	X <sup>1)</sup>	X <sup>1)</sup>	L	L	all outputs OFF
1.2 .. 1.7V	Freeze	X <sup>1)</sup>	X <sup>1)</sup>	L	L	L	L	former output state
1.2 .. 1.7V	Freeze	X <sup>1)</sup>	X <sup>1)</sup>	L	H	L	H	former output state
1.2 .. 1.7V	Freeze	X <sup>1)</sup>	X <sup>1)</sup>	H	L	H	L	former output state
1.2 .. 1.7V	Freeze	X <sup>1)</sup>	X <sup>1)</sup>	H	H	H	H	former output state
$\geq 2.0V$	Enable	L	L	X <sup>1)</sup>	X <sup>1)</sup>	L	L	input is output
$\geq 2.0V$	Enable	L	H	X <sup>1)</sup>	X <sup>1)</sup>	L	H	input is output

**Table 1 Functional Table**

$V_{ENA}$	Mode	IN1	IN2	IN1(-1)	IN2(-1)	OUT1	OUT2	Comment
$\geq 2.0V$	Enable	H	L	X <sup>1)</sup>	X <sup>1)</sup>	H	L	input is output
$\geq 2.0V$	Enable	H	H	X <sup>1)</sup>	X <sup>1)</sup>	H	H	input is output

<sup>1)</sup> X = not relevant

### Power stages

Each output is protected by embedded protection functions. In the event of an overload or short to supply, the current is internally limited. The current limit is set to  $I_{D(lim)}$ . If this operation leads to an overtemperature condition, a second protection level (about 165 °C) will turn the effected output into a PWM-mode (selective thermal shutdown with restart) to prevent critical chip temperatures. The temperature hysteresis is typically 10K. Zener clamping is implemented to limit voltages at the power transistors when inductive loads are switched off.

### Diagnostic

The general  $\overline{FAULT}$  pin is an open drain output. The  $\overline{FAULT}$  pin is low active. It signals fault conditions of any of the two output stages. By doing so, single and/or dual fault conditions can be monitored. Single fault conditions can be assigned.

**Table 2 Diagnostic Table**

Operating Condition	ENA	IN <sub>x</sub>	OUT <sub>x</sub>	$\overline{FAULT}$
Standby	L	X <sup>1)</sup>	OFF	H
Normal function	H	H	ON	H
Over temperature	H	H	OFF <sup>2)</sup>	L
Open load / short to ground	H	L	OFF	L

<sup>1)</sup> X = not relevant

<sup>2)</sup> selective thermal shutdown for each channel at overtemperature

### Fault Distinction

Open load / short to ground is recognized during OFF-state. Overtemperature as a result of an overload or short to battery can only arise during ON-state. If there is only one fault at a time, it is possible to distinguish which channel is affected with which fault.

**Absolute Maximum Ratings** <sup>1)</sup>
 $T_j = -40^{\circ}\text{C}$  to  $150^{\circ}\text{C}$ , unless otherwise specified

Parameter	Symbol	Values	Unit	Remarks
Supply voltage	$V_S$	+4.5 .. +60	V	–
Drain source voltage (OUT1, OUT2)	$V_{DS}$	-0.3 .. +60	V	–
Input voltage (IN1, IN2, ENA)	$V_{IN}$	-0.3 ... +7	V	–
Continuous input current $V_{IN}>7\text{V}$	$I_{IN}$	1	mA	–
FAULT output voltage	$V_{Fault}$	-0.3 ... +7	V	–
Operating temperature range	$T_j$	-40 ... +150	$^{\circ}\text{C}$	–
Storage temperature range	$T_{stg}$	-55 ... +150	$^{\circ}\text{C}$	–
Power dissipation (DC) <sup>2)</sup>	$P_{tot}$	0.88	W	$T_a = 25^{\circ}\text{C}$
Nominal load current <sup>2)</sup> one channel active both channel active	$I_{D(Nom)}$	0.55 0.45	A	$V_{DS}\leq 0.5\text{V}$ , $T_j\leq 150^{\circ}\text{C}$ , $T_A=85^{\circ}\text{C}$ , $V_{IN}=5\text{V}$
Unclamped single pulse inductive energy one channel active	$E_{AS}$	800	mJ	$I_D=0.7\text{A}$ , $T_{j(start)}=25^{\circ}\text{C}$
Electrostatic discharge voltage (Human Body Model) according to ANSI/ESDA/JEDEC JS-001 (1.5 k $\Omega$ , 100 pF)	$V_{ESD}$	2000	V	–

**Thermal Resistance**

Junction soldering point	$R_{thJS}$	$\leq 10$	K/W	–
Junction - ambient @ min. footprint	$R_{thJA}$	$\leq 185$	K/W	–
Junction - ambient @ 6cm <sup>2</sup> cooling area <sup>2)</sup>		$\leq 142$		

<sup>1)</sup> Not subject to production test, specified by design. Stresses above those listed here may cause permanent damage to the device. Exposure to absolute maximum rating conditions for extended periods may affect device reliability.

<sup>2)</sup> Device on epoxy pcb 40 mm  $\times$  40 mm  $\times$  1.5 mm with 6 cm<sup>2</sup> copper area for pin 4 connection.

**Electrical Characteristics**
 $V_S = 4.5V$  to  $18V$ ;  $T_j = -40^\circ C$  to  $150^\circ C$ ; unless otherwise specified

Parameter	Symbol	Limit Values			Unit	Test Conditions
		min.	typ.	max.		
<b>Power supply</b>						
Supply voltage	$V_S$	4.5	–	60	V	–
Supply current in enable mode	$I_{S(ON)}$	–	1.5	4	mA	ENA=High, OUT1=OUT2=On
Supply current in standby mode <sup>1)</sup>	$I_{S(stby)}$	–	–	16	$\mu A$	ENA=Low

**Power outputs**

Drain source clamp voltage	$V_{DS(AZ)}$	60	–	75	V	$I_D = 1$ mA
Output leakage current <sup>2)</sup>	$I_{DSS}$	–	1	5	$\mu A$	ENA=Low, IN=Low, $V_{DS} = 60$ V
Output pull down current	$I_{PD(OL)}$	50	100	200	$\mu A$	ENA=High, IN=Low, $V_{DS} = 42$ V
On-state resistance $T_j = 25^\circ C$ $T_j = 150^\circ C$	$R_{DS(ON)}$	– –	480 800	550 1000	m $\Omega$	$I_D = 0.2$ A, $V_S = 5$ V
Inverse diode forward voltage	$-V_{DS1}$ , $-V_{DS2}$	–	0.8	1.1	V	$I_D = -0.2$ A, IN, ENA = 0V (low)
Current limit	$I_{D(lim)}$	1	1.5	2	A	–
Turn-on time IN=High to 90% $I_D$ :	$t_{on}$	–	2	8	$\mu s$	$R_L = 22\Omega$ , $V_{BB} = 12V$ , $V_S = 5V$
Turn-off time IN=Low to 10% $I_D$ :	$t_{off}$	–	2	8	$\mu s$	$R_L = 22\Omega$ , $V_{BB} = 12V$ , $V_S = 5V$

**Digital inputs (IN1, IN2, ENA)**

Input 'Low' voltage IN1, IN2: ENA:	$V_{INL}$ $V_{ENAL}$	-0.3 -0.3	– –	0.8 0.8	V	–
ENA voltage for 'FREEZE' functionality	$V_{ENAFZ}$	1.2	–	1.7	V	–

**Electrical Characteristics (cont'd)**
 $V_S = 4.5V$  to  $18V$ ;  $T_j = -40^\circ C$  to  $150^\circ C$ ; unless otherwise specified

Parameter	Sym- bol	Limit Values			Unit	Test Conditions
		min.	typ.	max.		
Input 'High' voltage IN1, IN2: ENA:	$V_{INH}$ $V_{ENAH}$	2.0 2.0	– –	– –	V	–
Input voltage hysteresis	$V_{INhys}$	–	300	–	mV	–
Input pull down current IN1, IN2: ENA:	$I_{INPD}$ $I_{ENAPD}$	20 20	50 50	100 100	$\mu A$	–

**Digital Output (FAULT)**

Output 'Low' voltage	$V_{FLTL}$	–	–	0.4	V	$I_{FLTL}=1.6mA$ ,
----------------------	------------	---	---	-----	---	--------------------

**Diagnostic Functions**

Open load / short to ground detection voltage	$V_{DS(OL)}$	$0.5 \cdot V_S$	$0.7 \cdot V_S$	$0.9 \cdot V_S$	V	–
Fault filter time for open load	$t_{filter(OL)}$	30	100	200	$\mu s$	$V_S=5V$

**Protection Functions <sup>3)</sup>**

Thermal overload trip temperature	$T_{jt}$	150	165	180	$^\circ C$	–
Thermal hysteresis	$\Delta T_{jt}$	–	10	–	K	–
Unclamped single pulse inductive energy one channel active, $T_{j(start)}=25^\circ C$ both channel active, $T_{j(start)}=25^\circ C$ one channel active, $T_{j(start)}=150^\circ C$ both channel active, $T_{j(start)}=150^\circ C$	$E_{AS}$			800 550 240 240	mJ	$I_D=0.7 A$

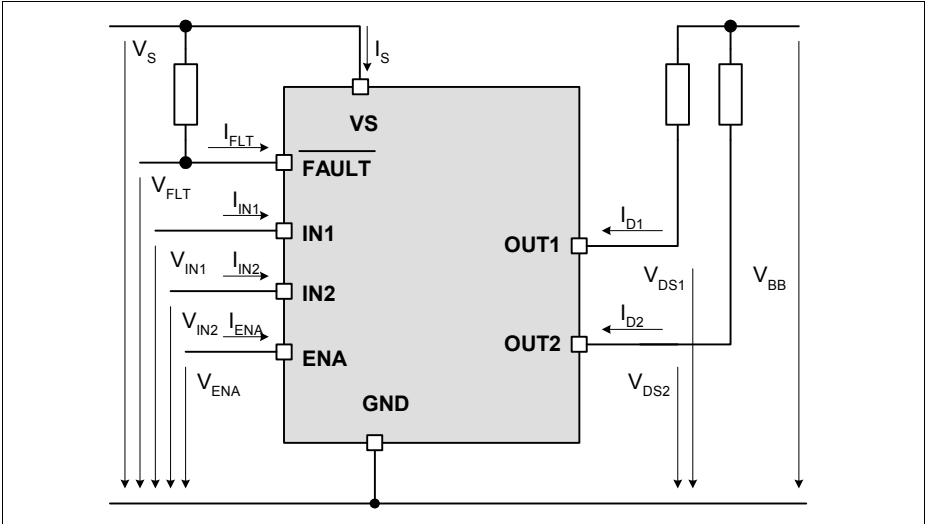
<sup>1)</sup> See also diagram 4 on [page 11](#).

<sup>2)</sup> See also diagram 5 on [page 11](#).

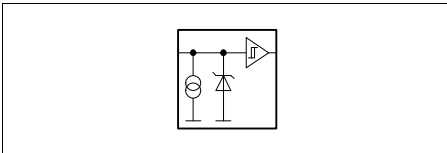
<sup>3)</sup> Integrated protection functions are designed to prevent IC destruction under fault conditions described in the data sheet. Fault conditions are considered as "outside" normal operating range. Protection functions are not designed for continuous repetitive operation. Not subject to production test, specified by design.



Terms

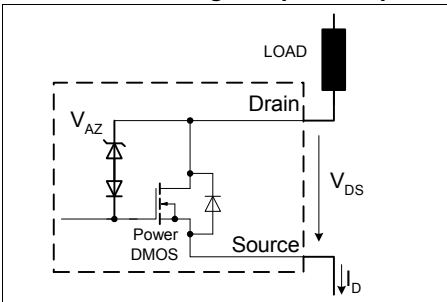


**Figure 3** Input circuit (ESD protection)

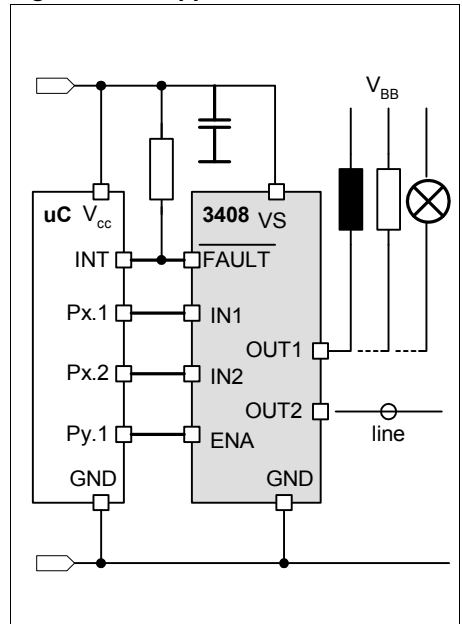


ESD zener diodes are not designed for DC current.

**Figure 4** Inductive and over voltage output clamp

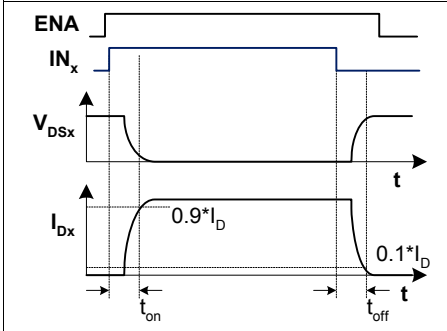


**Figure 5** Application Circuit

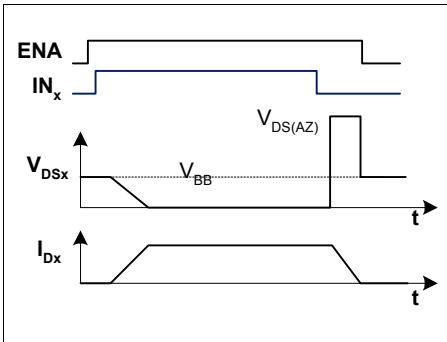


## Timing diagrams

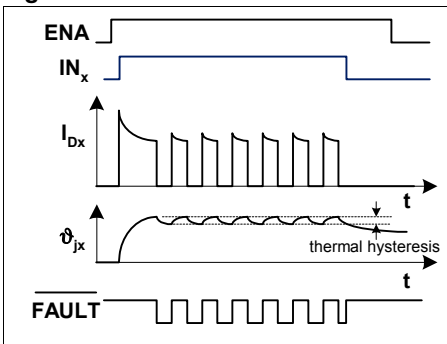
**Figure 6 Switching a resistive load**



**Figure 7 Switching an inductive load**

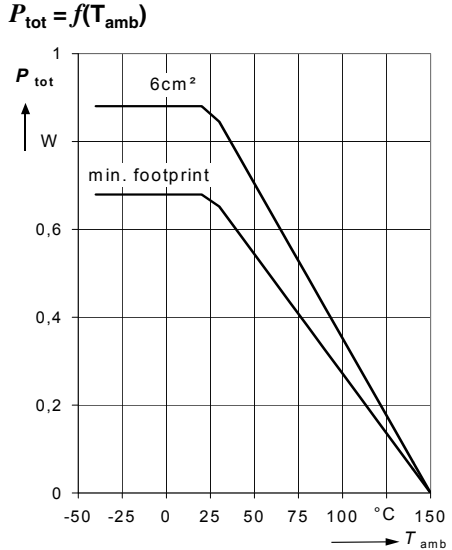


**Figure 8 Short circuit**

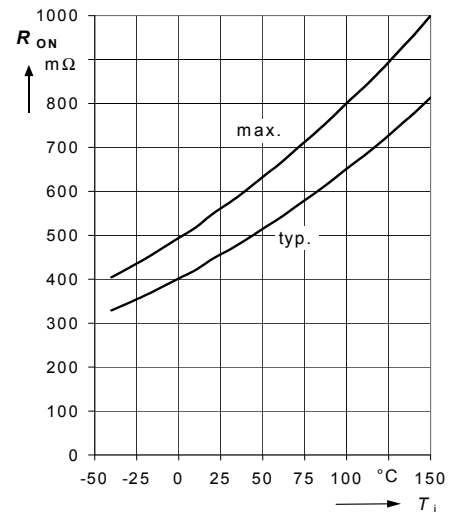


## Characteristics

### 1. Max. allowable Power Dissipation $P_{tot} = f(T_{amb})$

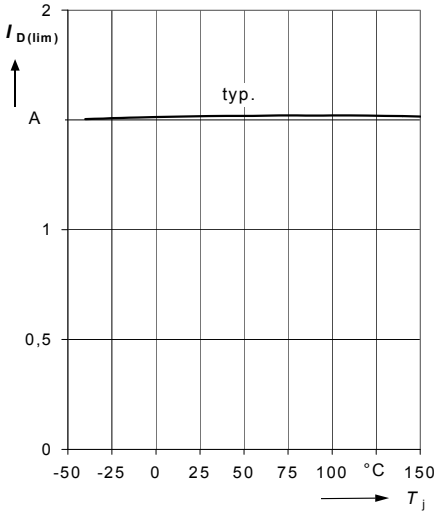


### 2. On-state Resistance $R_{DS(ON)} = f(T_j)$ ; $I_D = 0.2 \text{ A}$ ; $V_S = 5 \text{ V}$

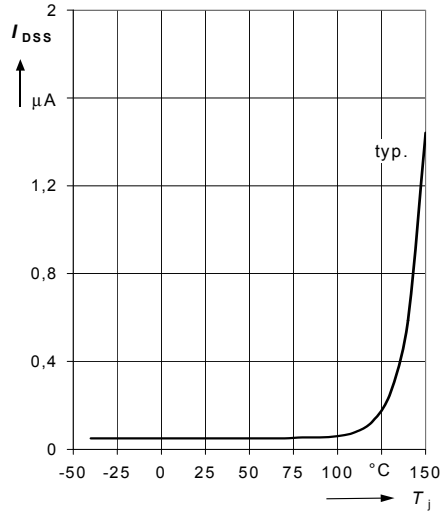


**3. Typ. Short Circuit Current**

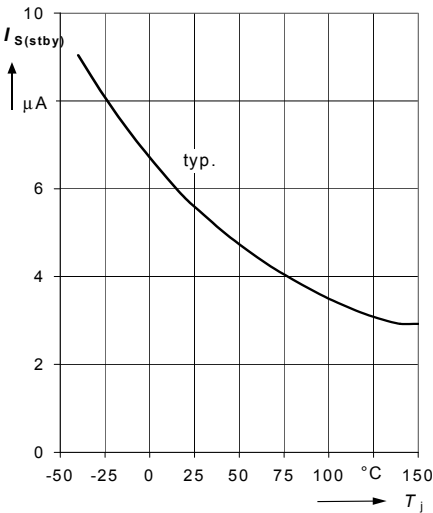
$$I_{D(lim)} = f(T_j)$$


**5. Typ. Output leakage current**

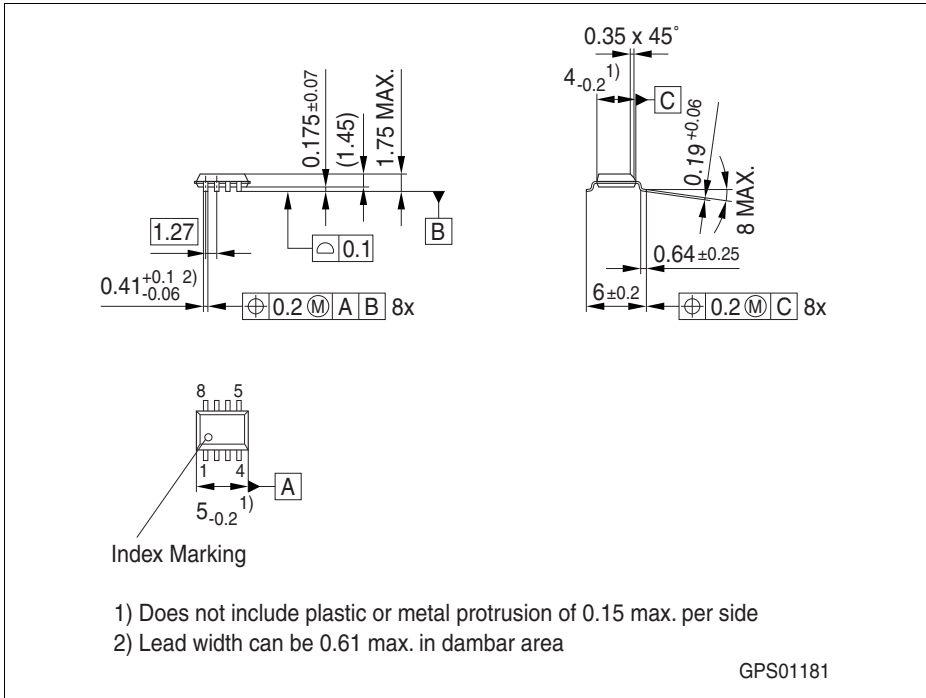
$$I_{DSS} = f(T_j); V_S = 18 \text{ V}; V_{DS} = 60 \text{ V}$$


**4. Typ. Supply current in Standby mode**

$$I_{S(stby)} = f(T_j); V_S = 5 \text{ V}$$



## Package Outline



**Figure 9 PG-DSO-8-36 (Plastic Green Dual Small Outline Package)**

### Green Product (RoHS compliant)

To meet the world-wide customer requirements for environmentally friendly products and to be compliant with government regulations the device is available as a green product. Green products are RoHS-Compliant (i.e Pb-free finish on leads and suitable for Pb-free soldering according to IPC/JEDEC J-STD-020).

## Revision History

Version	Date	Changes
Rev. 1.5	2017-11-20	Updates in wording/spelling in the Logic Supply description
Rev. 1.4	2013-02-12	Minor updates in wording/spelling; updated table foot note of Maximum Ratings and Protection Functions - added: "not subject to production test." updated reference of ESD standard; removed chapter "EMC characteristics"; updated test condition for parameter $t_{on}$ and $t_{off}$ ; added parameter "Inverse diode forward voltage";
Rev. 1.3	2008-01-09	Changed package outline drawing, updated package name
Rev. 1.2	2007-06-15	Released automotive green version Package parameter (humidity and climatic) removed in Maximum ratings AEC icon added RoHS icon added Green product (RoHS-compliant) added to the feature list AEC Stress Test Qualification added to the feature list Package information updated to green Green explanation added removed order number
Rev. 1.1	2005-10-10	Released production version

**Edition 2017-11-20**

**Published by  
Infineon Technologies AG  
81726 Munich, Germany**

**© 2017 Infineon Technologies AG  
All Rights Reserved.**

#### **Legal Disclaimer**

The information given in this document shall in no event be regarded as a guarantee of conditions or characteristics. With respect to any examples or hints given herein, any typical values stated herein and/or any information regarding the application of the device, Infineon Technologies hereby disclaims any and all warranties and liabilities of any kind, including without limitation, warranties of non-infringement of intellectual property rights of any third party.

#### **Information**

For further information on technology, delivery terms and conditions and prices, please contact the nearest Infineon Technologies Office ([www.infineon.com](http://www.infineon.com)).

#### **Warnings**

Due to technical requirements, components may contain dangerous substances. For information on the types in question, please contact the nearest Infineon Technologies Office.

Infineon Technologies components may be used in life-support devices or systems only with the express written approval of Infineon Technologies, if a failure of such components can reasonably be expected to cause the failure of that life-support device or system or to affect the safety or effectiveness of that device or system. Life support devices or systems are intended to be implanted in the human body or to support and/or maintain and sustain and/or protect human life. If they fail, it is reasonable to assume that the health of the user or other persons may be endangered.



Компания «ЭлектроПласт» предлагает заключение долгосрочных отношений при поставках импортных электронных компонентов на взаимовыгодных условиях!

Наши преимущества:

- Оперативные поставки широкого спектра электронных компонентов отечественного и импортного производства напрямую от производителей и с крупнейших мировых складов;
- Поставка более 17-ти миллионов наименований электронных компонентов;
- Поставка сложных, дефицитных, либо снятых с производства позиций;
- Оперативные сроки поставки под заказ (от 5 рабочих дней);
- Экспресс доставка в любую точку России;
- Техническая поддержка проекта, помощь в подборе аналогов, поставка прототипов;
- Система менеджмента качества сертифицирована по Международному стандарту ISO 9001;
- Лицензия ФСБ на осуществление работ с использованием сведений, составляющих государственную тайну;
- Поставка специализированных компонентов (Xilinx, Altera, Analog Devices, Intersil, Interpoint, Microsemi, Aeroflex, Peregrine, Syfer, Eurofarad, Texas Instrument, Miteq, Cobham, E2V, MA-COM, Hittite, Mini-Circuits, General Dynamics и др.);

Помимо этого, одним из направлений компании «ЭлектроПласт» является направление «Источники питания». Мы предлагаем Вам помощь Конструкторского отдела:

- Подбор оптимального решения, техническое обоснование при выборе компонента;
- Подбор аналогов;
- Консультации по применению компонента;
- Поставка образцов и прототипов;
- Техническая поддержка проекта;
- Защита от снятия компонента с производства.



#### Как с нами связаться

**Телефон:** 8 (812) 309 58 32 (многоканальный)

**Факс:** 8 (812) 320-02-42

**Электронная почта:** [org@eplast1.ru](mailto:org@eplast1.ru)

**Адрес:** 198099, г. Санкт-Петербург, ул. Калинина, дом 2, корпус 4, литера А.