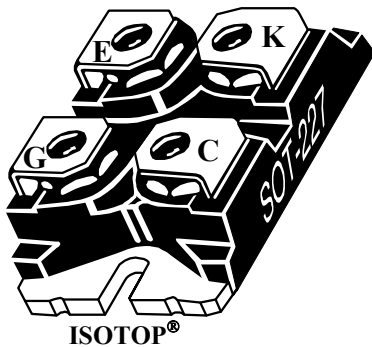
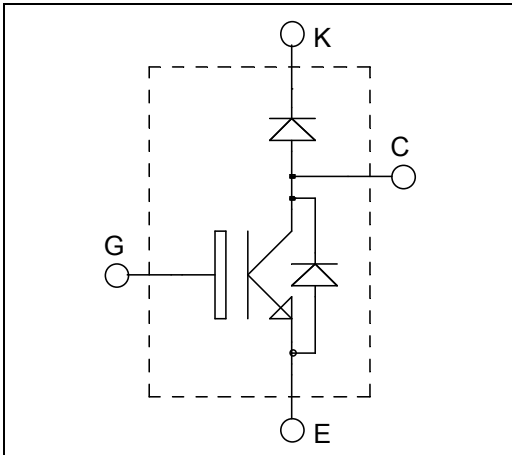


**ISOTOP® Boost chopper  
High speed Trench + Field Stop IGBT4  
Power Module**

**$V_{CES} = 650V$   
 $I_C = 100A^* @ T_c = 80^\circ C$**



### Application

- AC and DC motor control
- Switched Mode Power Supplies
- Power Factor Correction
- Brake switch

### Features

- **High speed Trench + Field Stop IGBT 4**
  - Low voltage drop
  - Low leakage current
  - Low switching losses
- ISOTOP® Package (SOT-227)
- Very low stray inductance

### Benefits

- Low conduction losses
- Stable temperature behavior
- Direct mounting to heatsink (isolated package)
- Low junction to case thermal resistance
- Easy paralleling due to positive  $T_C$  of  $V_{CEsat}$
- RoHS Compliant

**All ratings @  $T_j = 25^\circ C$  unless otherwise specified**

### Absolute maximum ratings

Symbol	Parameter	Max ratings	Unit
$V_{CES}$	Collector - Emitter Voltage	650	V
$I_C$	Continuous Collector Current	$T_C = 25^\circ C$	165*
		$T_C = 80^\circ C$	100*
$I_{CM}$	Pulsed Collector Current	$T_C = 25^\circ C$	270
$V_{GE}$	Gate - Emitter Voltage	$\pm 20$	V
$P_D$	Power Dissipation	430	W

\* Specification of IGBT device but output current must be limited due to size of output pins.

 **CAUTION:** These Devices are sensitive to Electrostatic Discharge. Proper Handling Procedures Should Be Followed.

## Electrical Characteristics

Symbol	Characteristic	Test Conditions	Min	Typ	Max	Unit
I <sub>CEs</sub>	Zero Gate Voltage Collector Current	V <sub>GE</sub> = 0V, V <sub>CE</sub> = 650V			50	μA
V <sub>CE(sat)</sub>	Collector Emitter Saturation Voltage	V <sub>GE</sub> = 15V I <sub>C</sub> = 100A	1.4	T <sub>j</sub> = 25°C 1.85	2.3	V
		T <sub>j</sub> = 150°C		2.2		
V <sub>GE(th)</sub>	Gate Threshold Voltage	V <sub>GE</sub> = V <sub>CE</sub> , I <sub>C</sub> = 1.6 mA	4.2	5.1	5.6	V
I <sub>GES</sub>	Gate – Emitter Leakage Current	V <sub>GE</sub> = 20V, V <sub>CE</sub> = 0V			150	nA

## Dynamic Characteristics

Symbol	Characteristic	Test Conditions	Min	Typ	Max	Unit
C <sub>ies</sub>	Input Capacitance	V <sub>GE</sub> = 0V V <sub>CE</sub> = 25V f = 1MHz		6100		pF
C <sub>oes</sub>	Output Capacitance			232		
C <sub>res</sub>	Reverse Transfer Capacitance			180		
Q <sub>G</sub>	Gate charge	V <sub>GE</sub> = 15V, I <sub>C</sub> = 100A V <sub>CE</sub> = 480V		630		nC
T <sub>d(on)</sub>	Turn-on Delay Time	Inductive Switching (25°C) V <sub>GE</sub> = ±15V V <sub>Bus</sub> = 400V I <sub>C</sub> = 100A R <sub>G</sub> = 3.6Ω		19		ns
T <sub>r</sub>	Rise Time			33		
T <sub>d(off)</sub>	Turn-off Delay Time			197		
T <sub>f</sub>	Fall Time			21		
T <sub>d(on)</sub>	Turn-on Delay Time	Inductive Switching (150°C) V <sub>GE</sub> = ±15V V <sub>Bus</sub> = 400V I <sub>C</sub> = 100A R <sub>G</sub> = 3.6Ω		19		ns
T <sub>r</sub>	Rise Time			29		
T <sub>d(off)</sub>	Turn-off Delay Time			227		
T <sub>f</sub>	Fall Time			22		
E <sub>on</sub>	Turn on Energy	V <sub>GE</sub> = ±15V V <sub>Bus</sub> = 400V I <sub>C</sub> = 100A		2.4		mJ
E <sub>off</sub>	Turn off Energy	R <sub>G</sub> = 3.6Ω		2		
R <sub>G</sub>	Integrated gate resistor			2		Ω
I <sub>sc</sub>	Short Circuit data	V <sub>GE</sub> ≤ 15V ; V <sub>Bus</sub> = 400V t <sub>p</sub> ≤ 5μs ; T <sub>j</sub> = 150°C		700		A
R <sub>thJC</sub>	Junction to Case Thermal Resistance				0.35	°C/W

## Chopper diode ratings and characteristics

Symbol	Characteristic	Test Conditions	Min	Typ	Max	Unit	
V <sub>RRM</sub>	Peak Repetitive Reverse Voltage				650	V	
I <sub>RM</sub>	Reverse Leakage Current	V <sub>R</sub> = 650V			50	μA	
I <sub>F</sub>	DC Forward Current	T <sub>c</sub> = 60°C		50		A	
V <sub>F</sub>	Diode Forward Voltage	I <sub>F</sub> = 50A V <sub>GE</sub> = 0V		T <sub>j</sub> = 25°C 1.6	2	V	
				T <sub>j</sub> = 150°C 1.5			
t <sub>rr</sub>	Reverse Recovery Time	I <sub>F</sub> = 50A V <sub>R</sub> = 300V di/dt = 1800A/μs		T <sub>j</sub> = 25°C 100		ns	
					T <sub>j</sub> = 150°C 150		
Q <sub>rr</sub>	Reverse Recovery Charge				T <sub>j</sub> = 25°C 2.6		μC
					T <sub>j</sub> = 150°C 5.4		
E <sub>rr</sub>	Reverse Recovery Energy			T <sub>j</sub> = 25°C 0.6		mJ	
				T <sub>j</sub> = 150°C 1.2			
R <sub>thJC</sub>	Junction to Case Thermal Resistance				1.14	°C/W	

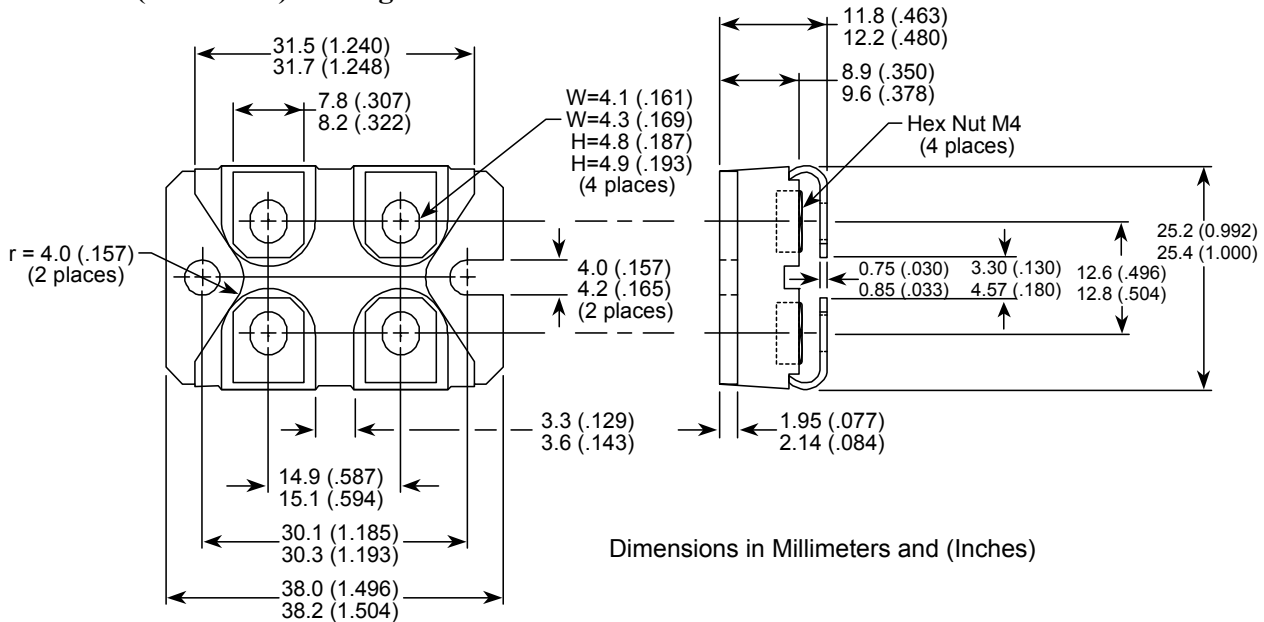
## IGBT parallel diode ratings and characteristics

Symbol	Characteristic	Test Conditions	Min	Typ	Max	Unit
V <sub>RRM</sub>	Peak Repetitive Reverse Voltage				650	V
I <sub>RM</sub>	Reverse Leakage Current	V <sub>R</sub> = 650V			50	μA
I <sub>F</sub>	DC Forward Current	T <sub>c</sub> = 60°C		20		A
V <sub>F</sub>	Diode Forward Voltage	I <sub>F</sub> = 20A V <sub>GE</sub> = 0V	T <sub>j</sub> = 25°C	1.6	2	V
			T <sub>j</sub> = 150°C	1.5		
t <sub>rr</sub>	Reverse Recovery Time	I <sub>F</sub> = 20A V <sub>R</sub> = 300V di/dt = 1600A/μs	T <sub>j</sub> = 25°C	100		ns
			T <sub>j</sub> = 150°C	150		
Q <sub>rr</sub>	Reverse Recovery Charge	I <sub>F</sub> = 20A V <sub>R</sub> = 300V di/dt = 1600A/μs	T <sub>j</sub> = 25°C	1.1		μC
			T <sub>j</sub> = 150°C	2.3		
E <sub>rr</sub>	Reverse Recovery Energy	I <sub>F</sub> = 20A V <sub>R</sub> = 300V di/dt = 1600A/μs	T <sub>j</sub> = 25°C	0.23		mJ
			T <sub>j</sub> = 150°C	0.50		
R <sub>thJC</sub>	Junction to Case Thermal Resistance				2.6	°C/W

## Thermal and package characteristics

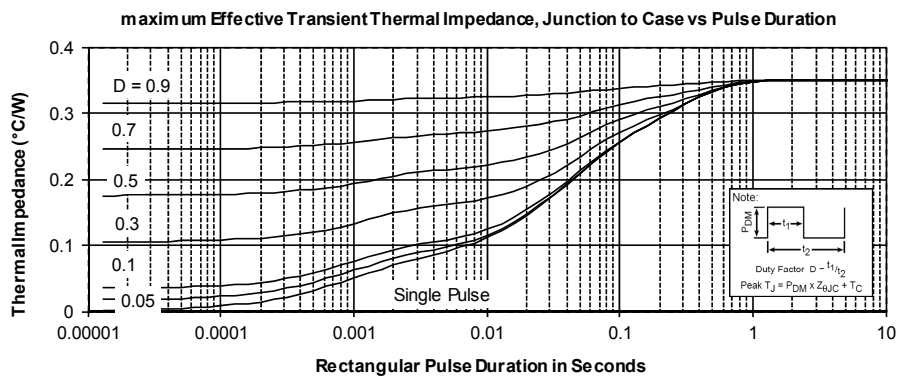
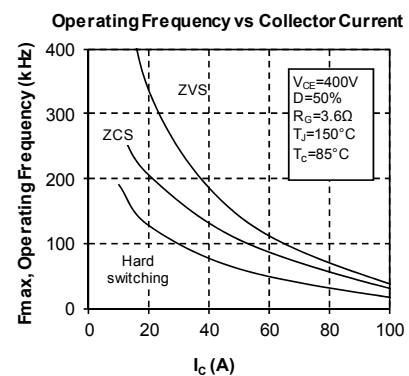
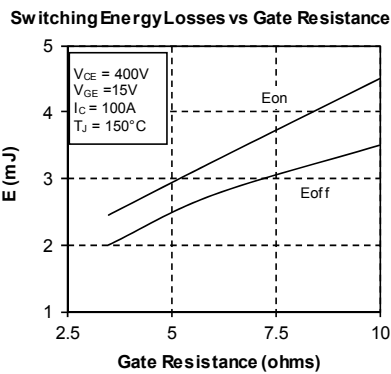
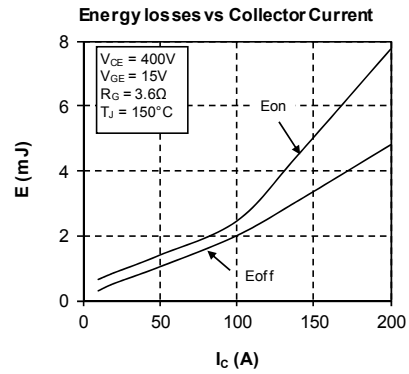
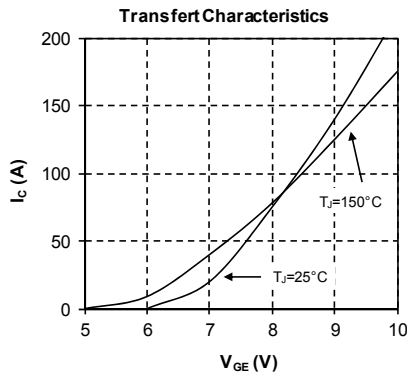
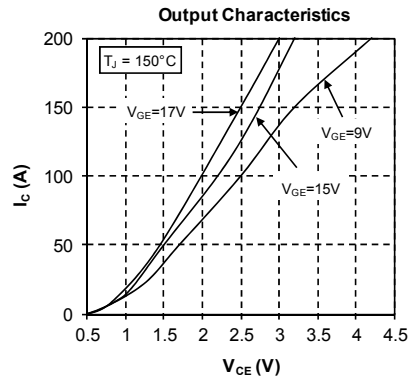
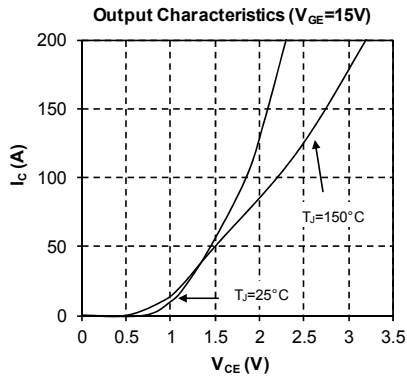
Symbol	Characteristic	Min	Typ	Max	Unit
V <sub>ISOL</sub>	RMS Isolation Voltage, any terminal to case t = 1 min, 50/60Hz	2500			V
T <sub>J</sub> , T <sub>STG</sub>	Storage Temperature Range	-55		175	°C
T <sub>JOP</sub>	Recommended junction temperature under switching conditions	-55		T <sub>j</sub> max -25	
T <sub>L</sub>	Max Lead Temp for Soldering: 0.063" from case for 10 sec			300	
Torque	Mounting torque (Mounting = 8-32 or 4mm Machine and terminals = 4mm Machine)			1.5	N.m
Wt	Package Weight		29.2		g

## SOT-227 (ISOTOP®) Package Outline

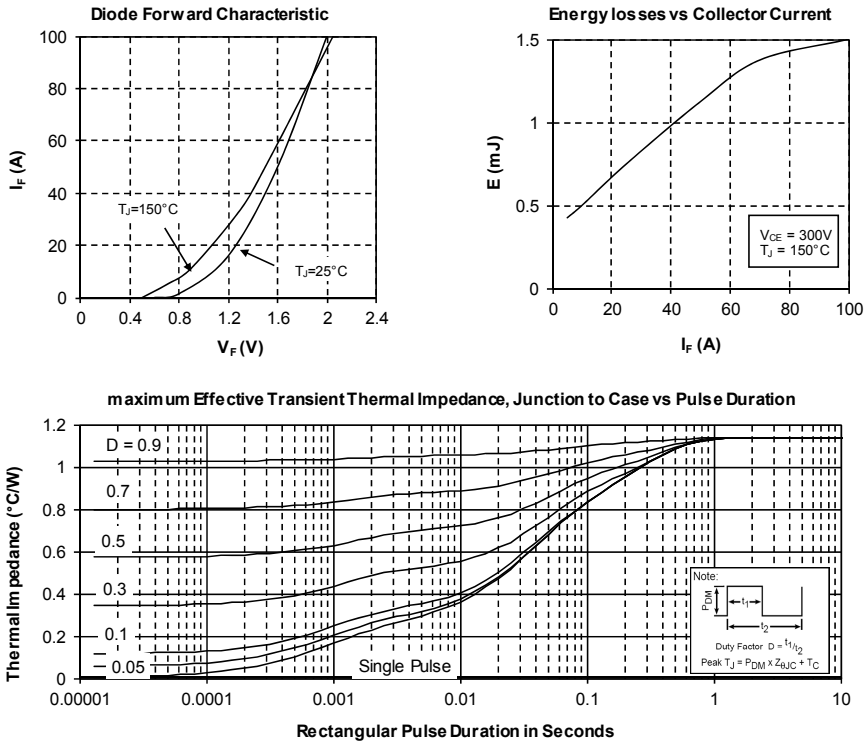


ISOTOP® is a registered trademark of ST Microelectronics NV

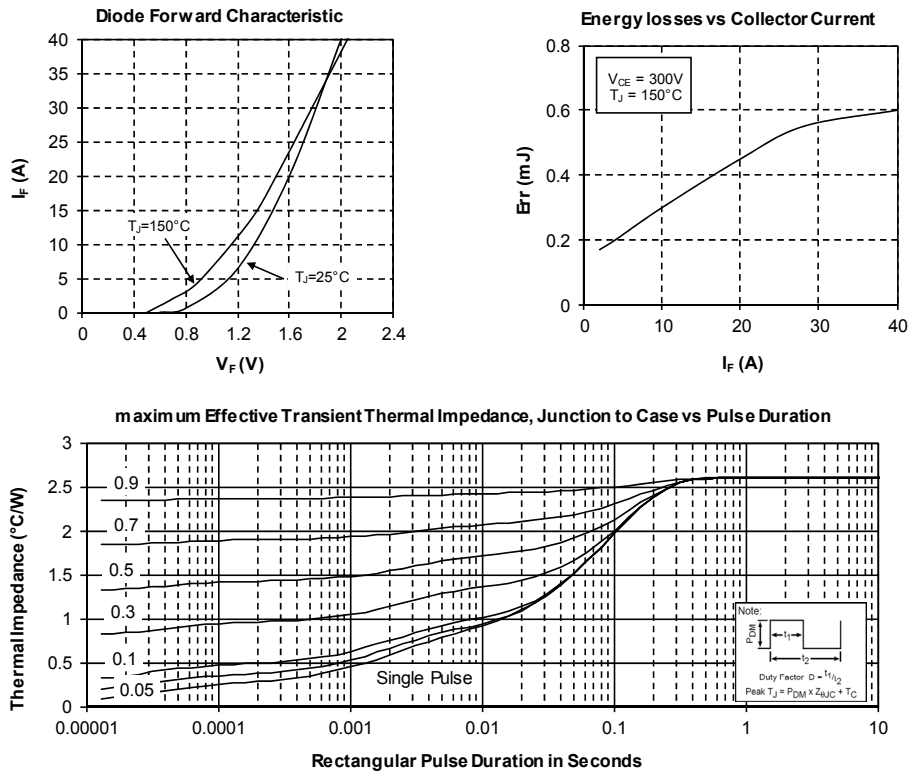
## IGBT Typical Performance Curves



## Chopper diode Typical Performance Curves



## IGBT parallel diode Typical Performance Curves



---

DISCLAIMER

The information contained in the document (unless it is publicly available on the Web without access restrictions) is PROPRIETARY AND CONFIDENTIAL information of Microsemi and cannot be copied, published, uploaded, posted, transmitted, distributed or disclosed or used without the express duly signed written consent of Microsemi. If the recipient of this document has entered into a disclosure agreement with Microsemi, then the terms of such Agreement will also apply. This document and the information contained herein may not be modified, by any person other than authorized personnel of Microsemi. No license under any patent, copyright, trade secret or other intellectual property right is granted to or conferred upon you by disclosure or delivery of the information, either expressly, by implication, inducement, estoppels or otherwise. Any license under such intellectual property rights must be approved by Microsemi in writing signed by an officer of Microsemi.

Microsemi reserves the right to change the configuration, functionality and performance of its products at anytime without any notice. This product has been subject to limited testing and should not be used in conjunction with life-support or other mission-critical equipment or applications. Microsemi assumes no liability whatsoever, and Microsemi disclaims any express or implied warranty, relating to sale and/or use of Microsemi products including liability or warranties relating to fitness for a particular purpose, merchantability, or infringement of any patent, copyright or other intellectual property right. Any performance specifications believed to be reliable but are not verified and customer or user must conduct and complete all performance and other testing of this product as well as any user or customers final application. User or customer shall not rely on any data and performance specifications or parameters provided by Microsemi. It is the customer's and user's responsibility to independently determine suitability of any Microsemi product and to test and verify the same. The information contained herein is provided "AS IS, WHERE IS" and with all faults, and the entire risk associated with such information is entirely with the User. Microsemi specifically disclaims any liability of any kind including for consequential, incidental and punitive damages as well as lost profit. The product is subject to other terms and conditions which can be located on the web at <http://www.microsemi.com/legal/tnc.asp>

Life Support Application

Seller's Products are not designed, intended, or authorized for use as components in systems intended for space, aviation, surgical implant into the body, in other applications intended to support or sustain life, or for any other application in which the failure of the Seller's Product could create a situation where personal injury, death or property damage or loss may occur (collectively "Life Support Applications").

Buyer agrees not to use Products in any Life Support Applications and to the extent it does it shall conduct extensive testing of the Product in such applications and further agrees to indemnify and hold Seller, and its officers, employees, subsidiaries, affiliates, agents, sales representatives and distributors harmless against all claims, costs, damages and expenses, and attorneys' fees and costs arising, directly or indirectly, out of any claims of personal injury, death, damage or otherwise associated with the use of the goods in Life Support Applications, even if such claim includes allegations that Seller was negligent regarding the design or manufacture of the goods.

Buyer must notify Seller in writing before using Seller's Products in Life Support Applications. Seller will study with Buyer alternative solutions to meet Buyer application specification based on Sellers sales conditions applicable for the new proposed specific part.

# Mouser Electronics

Authorized Distributor

Click to View Pricing, Inventory, Delivery & Lifecycle Information:

[Microchip:](#)

[APT100GLQ65JU2](#)



Компания «ЭлектроПласт» предлагает заключение долгосрочных отношений при поставках импортных электронных компонентов на взаимовыгодных условиях!

Наши преимущества:

- Оперативные поставки широкого спектра электронных компонентов отечественного и импортного производства напрямую от производителей и с крупнейших мировых складов;
- Поставка более 17-ти миллионов наименований электронных компонентов;
- Поставка сложных, дефицитных, либо снятых с производства позиций;
- Оперативные сроки поставки под заказ (от 5 рабочих дней);
- Экспресс доставка в любую точку России;
- Техническая поддержка проекта, помощь в подборе аналогов, поставка прототипов;
- Система менеджмента качества сертифицирована по Международному стандарту ISO 9001;
- Лицензия ФСБ на осуществление работ с использованием сведений, составляющих государственную тайну;
- Поставка специализированных компонентов (Xilinx, Altera, Analog Devices, Intersil, Interpoint, Microsemi, Aeroflex, Peregrine, Syfer, Eurofarad, Texas Instrument, Miteq, Cobham, E2V, MA-COM, Hittite, Mini-Circuits, General Dynamics и др.);

Помимо этого, одним из направлений компании «ЭлектроПласт» является направление «Источники питания». Мы предлагаем Вам помощь Конструкторского отдела:

- Подбор оптимального решения, техническое обоснование при выборе компонента;
- Подбор аналогов;
- Консультации по применению компонента;
- Поставка образцов и прототипов;
- Техническая поддержка проекта;
- Защита от снятия компонента с производства.



#### Как с нами связаться

**Телефон:** 8 (812) 309 58 32 (многоканальный)

**Факс:** 8 (812) 320-02-42

**Электронная почта:** [org@eplast1.ru](mailto:org@eplast1.ru)

**Адрес:** 198099, г. Санкт-Петербург, ул. Калинина, дом 2, корпус 4, литера А.