

---

## 16-Bit Microcontrollers and Digital Signal Controllers with High-Speed PWM, Op Amps and Advanced Analog

---

### Operating Conditions

- 3.0V to 3.6V, -40°C to +85°C, DC to 70 MIPS
- 3.0V to 3.6V, -40°C to +125°C, DC to 60 MIPS

### Core: 16-Bit dsPIC33E/PIC24E CPU

- Code Efficient (C and Assembly) Architecture
- Two 40-Bit Wide Accumulators
- Single-Cycle (MAC/MPY) with Dual Data Fetch
- Single-Cycle Mixed-Sign MUL plus Hardware Divide
- 32-bit multiply support

### Clock Management

- 1.0% Internal Oscillator
- Programmable PLLs and Oscillator Clock Sources
- Fail-Safe Clock Monitor (FSCM)
- Independent Watchdog Timer (WDT)
- Fast Wake-up and Start-up

### Power Management

- Low-Power Management modes (Sleep, Idle, Doze)
- Integrated Power-on Reset and Brown-out Reset
- 0.6 mA/MHz Dynamic Current (typical)
- 30  $\mu$ A IPD Current (typical)

### High-Speed PWM

- Up to Three PWM Pairs with Independent Timing
- Dead Time for Rising and Falling Edges
- 7.14 ns PWM Resolution
- PWM Support for:
  - DC/DC, AC/DC, Inverters, PFC, Lighting
  - BLDC, PMSM, ACIM, SRM
- Programmable Fault Inputs
- Flexible Trigger Configurations for ADC Conversions

### Advanced Analog Features

- ADC module:
  - Configurable as 10-bit, 1.1 Msps with four S&H or 12-bit, 500 ksps with one S&H
  - Six analog inputs on 28-pin devices and up to 16 analog inputs on 64-pin devices
- Flexible and Independent ADC Trigger Sources
- Up to Three Op Amp/Comparators with Direct Connection to the ADC module:
  - Additional dedicated comparator
  - Programmable references with 32 voltage points
- Charge Time Measurement Unit (CTMU):
  - Supports mTouch™ capacitive touch sensing
  - Provides high-resolution time measurement (1 ns)
  - On-chip temperature measurement

### Timers/Output Compare/Input Capture

- 12 General Purpose Timers:
  - Five 16-bit and up to two 32-bit timers/counters
  - Four OC modules, configurable as timers/counters
  - PTG module with two configurable timers/counters
  - 32-bit Quadrature Encoder Interface (QEI) module, configurable as a timer/counter
- Four IC modules
- Peripheral Pin Select (PPS) to allow Function Remap
- Peripheral Trigger Generator (PTG) for Scheduling Complex Sequences

### Communication Interfaces

- Two UART modules (17.5 Mbps)
  - With support for LIN/J2602 protocols and IrDA®
- Two 4-Wire SPI modules (15 Mbps)
- ECAN™ module (1 Mbaud) CAN 2.0B Support
- Two I<sup>2</sup>C™ modules (up to 1 Mbaud) with SMBus Support
- PPS to allow Function Remap
- Programmable Cyclic Redundancy Check (CRC)

### Direct Memory Access (DMA)

- 4-Channel DMA with User-Selectable Priority Arbitration
- UART, SPI, ADC, ECAN, IC, OC and Timers

### Input/Output

- Sink/Source 12 mA or 6 mA, Pin-Specific for Standard VOH/VOL, up to 22 or 14 mA, respectively for Non-Standard VOH1
- 5V Tolerant Pins
- Selectable Open-Drain, Pull-ups and Pull-Downs
- Up to 5 mA Overvoltage Clamp Current
- External Interrupts on All I/O Pins

### Qualification and Class B Support

- AEC-Q100 REVG (Grade 1, -40°C to +125°C) Planned
- AEC-Q100 REVG (Grade 0, -40°C to +150°C) Planned
- Class B Safety Library, IEC 60730

### Debugger Development Support

- In-Circuit and In-Application Programming
- Two Program and Two Complex Data Breakpoints
- IEEE 1149.2 Compatible (JTAG) Boundary Scan
- Trace and Run-Time Watch

**dsPIC33EPXXXGP50X,  
dsPIC33EPXXXMC20X/50X AND  
PIC24EPXXXGP/MC20X PRODUCT  
FAMILIES**

The device names, pin counts, memory sizes and peripheral availability of each device are listed in [Table 1](#) (General Purpose Families) and [Table 2](#) (Motor Control Families). Their pinout diagrams appear on the following pages.

**TABLE 1: dsPIC33EPXXXGP50X and PIC24EPXXXGP20X GENERAL PURPOSE FAMILIES**

| Device            | Page Erase Size (Instructions) | Program Flash Memory (Kbytes) | RAM (Kbyte) | Remappable Peripherals |               |                |      |                    |                  |                                    | I <sup>2</sup> C™ | CRC Generator | 10-Bit/12-Bit ADC (Channels) | Op Amps/Comparators | CTMU | PTG | I/O Pins | Pins | Packages                                 |
|-------------------|--------------------------------|-------------------------------|-------------|------------------------|---------------|----------------|------|--------------------|------------------|------------------------------------|-------------------|---------------|------------------------------|---------------------|------|-----|----------|------|--|
|                   |                                |                               |             | 16-Bit/32-Bit Timers   | Input Capture | Output Compare | UART | SPI <sup>(2)</sup> | ECAN™ Technology | External Interrupts <sup>(3)</sup> |                   |               |                              |                     |      |     |          |      |  |
| PIC24EP32GP202    | 512                            | 32                            | 4           | 5                      | 4             | 4              | 2    | 2                  | —                | 3                                  | 2                 | 1             | 6                            | 2/3 <sup>(1)</sup>  | Yes  | Yes | 21       | 28   | SPDIP, SOIC, SSOP <sup>(4)</sup> , QFN-S |
| PIC24EP64GP202    | 1024                           | 64                            | 8           |                        |               |                |      |                    |                  |                                    |                   |               |                              |                     |      |     |          |      |  |
| PIC24EP128GP202   | 1024                           | 128                           | 16          |                        |               |                |      |                    |                  |                                    |                   |               |                              |                     |      |     |          |      |  |
| PIC24EP256GP202   | 1024                           | 256                           | 32          |                        |               |                |      |                    |                  |                                    |                   |               |                              |                     |      |     |          |      |  |
| PIC24EP512GP202   | 1024                           | 512                           | 48          | 5                      | 4             | 4              | 2    | 2                  | —                | 3                                  | 2                 | 1             | 8                            | 3/4                 | Yes  | Yes | 25       | 36   | VTLA                                     |
| PIC24EP32GP203    | 512                            | 32                            | 4           |                        |               |                |      |                    |                  |                                    |                   |               |                              |                     |      |     |          |      |  |
| PIC24EP64GP203    | 1024                           | 64                            | 8           |                        |               |                |      |                    |                  |                                    |                   |               |                              |                     |      |     |          |      |  |
| PIC24EP32GP204    | 512                            | 32                            | 4           |                        |               |                |      |                    |                  |                                    |                   |               |                              |                     |      |     |          |      |  |
| PIC24EP64GP204    | 1024                           | 64                            | 8           | 5                      | 4             | 4              | 2    | 2                  | —                | 3                                  | 2                 | 1             | 9                            | 3/4                 | Yes  | Yes | 35       | 44   | VTLA <sup>(4)</sup> , TQFP, QFN          |
| PIC24EP128GP204   | 1024                           | 128                           | 16          |                        |               |                |      |                    |                  |                                    |                   |               |                              |                     |      |     |          |      |  |
| PIC24EP256GP204   | 1024                           | 256                           | 32          |                        |               |                |      |                    |                  |                                    |                   |               |                              |                     |      |     |          |      |  |
| PIC24EP512GP204   | 1024                           | 512                           | 48          |                        |               |                |      |                    |                  |                                    |                   |               |                              |                     |      |     |          |      |  |
| PIC24EP64GP206    | 1024                           | 64                            | 8           | 5                      | 4             | 4              | 2    | 2                  | —                | 3                                  | 2                 | 1             | 16                           | 3/4                 | Yes  | Yes | 53       | 64   | TQFP, QFN                                |
| PIC24EP128GP206   | 1024                           | 128                           | 16          |                        |               |                |      |                    |                  |                                    |                   |               |                              |                     |      |     |          |      |  |
| PIC24EP256GP206   | 1024                           | 256                           | 32          |                        |               |                |      |                    |                  |                                    |                   |               |                              |                     |      |     |          |      |  |
| PIC24EP512GP206   | 1024                           | 512                           | 48          |                        |               |                |      |                    |                  |                                    |                   |               |                              |                     |      |     |          |      |  |
| dsPIC33EP32GP502  | 512                            | 32                            | 4           | 5                      | 4             | 4              | 2    | 2                  | 1                | 3                                  | 2                 | 1             | 6                            | 2/3 <sup>(1)</sup>  | Yes  | Yes | 21       | 28   | SPDIP, SOIC, SSOP <sup>(4)</sup> , QFN-S |
| dsPIC33EP64GP502  | 1024                           | 64                            | 8           |                        |               |                |      |                    |                  |                                    |                   |               |                              |                     |      |     |          |      |  |
| dsPIC33EP128GP502 | 1024                           | 128                           | 16          |                        |               |                |      |                    |                  |                                    |                   |               |                              |                     |      |     |          |      |  |
| dsPIC33EP256GP502 | 1024                           | 256                           | 32          |                        |               |                |      |                    |                  |                                    |                   |               |                              |                     |      |     |          |      |  |
| dsPIC33EP512GP502 | 1024                           | 512                           | 48          | 5                      | 4             | 4              | 2    | 2                  | 1                | 3                                  | 2                 | 1             | 8                            | 3/4                 | Yes  | Yes | 25       | 36   | VTLA                                     |
| dsPIC33EP32GP503  | 512                            | 32                            | 4           |                        |               |                |      |                    |                  |                                    |                   |               |                              |                     |      |     |          |      |  |
| dsPIC33EP64GP503  | 1024                           | 64                            | 8           |                        |               |                |      |                    |                  |                                    |                   |               |                              |                     |      |     |          |      |  |
| dsPIC33EP32GP504  | 512                            | 32                            | 4           |                        |               |                |      |                    |                  |                                    |                   |               |                              |                     |      |     |          |      |  |
| dsPIC33EP64GP504  | 1024                           | 64                            | 8           | 5                      | 4             | 4              | 2    | 2                  | 1                | 3                                  | 2                 | 1             | 9                            | 3/4                 | Yes  | Yes | 35       | 44   | VTLA <sup>(4)</sup> , TQFP, QFN          |
| dsPIC33EP128GP504 | 1024                           | 128                           | 16          |                        |               |                |      |                    |                  |                                    |                   |               |                              |                     |      |     |          |      |  |
| dsPIC33EP256GP504 | 1024                           | 256                           | 32          |                        |               |                |      |                    |                  |                                    |                   |               |                              |                     |      |     |          |      |  |
| dsPIC33EP512GP504 | 1024                           | 512                           | 48          |                        |               |                |      |                    |                  |                                    |                   |               |                              |                     |      |     |          |      |  |
| dsPIC33EP64GP506  | 1024                           | 64                            | 8           | 5                      | 4             | 4              | 2    | 2                  | 1                | 3                                  | 2                 | 1             | 16                           | 3/4                 | Yes  | Yes | 53       | 64   | TQFP, QFN                                |
| dsPIC33EP128GP506 | 1024                           | 128                           | 16          |                        |               |                |      |                    |                  |                                    |                   |               |                              |                     |      |     |          |      |  |
| dsPIC33EP256GP506 | 1024                           | 256                           | 32          |                        |               |                |      |                    |                  |                                    |                   |               |                              |                     |      |     |          |      |  |
| dsPIC33EP512GP506 | 1024                           | 512                           | 48          |                        |               |                |      |                    |                  |                                    |                   |               |                              |                     |      |     |          |      |  |

**Note 1:** On 28-pin devices, Comparator 4 does not have external connections. Refer to [Section 25.0 “Op Amp/Comparator Module”](#) for details.  
**2:** Only SPI2 is remappable.  
**3:** INT0 is not remappable.  
**4:** The SSOP and VTLA packages are not available for devices with 512 Kbytes of memory.

**TABLE 2: dsPIC33EPXXXMC20X/50X and PIC24EPXXXMC20X MOTOR CONTROL FAMILIES**

| Device            | Page Erase Size (Instructions) | Program Flash Memory (Kbytes) | RAM (Kbytes) | Remappable Peripherals |               |                |   |                              |      |                    |                  | i <sup>2</sup> C™ | CRC Generator | 10-Bit/12-Bit ADC (Channels) | Op Amps/Comparators | CTMU               | PTG | I/O Pins | Pins | Packages |  |
|-------------------|--------------------------------|-------------------------------|--------------|------------------------|---------------|----------------|---|------------------------------|------|--------------------|------------------|-------------------|---------------|------------------------------|---------------------|--------------------|-----|----------|------|----------|--|
|                   |                                |                               |              | 16-Bit/32-Bit Timers   | Input Capture | Output Compare | Motor Control PWM <sup>(4)</sup> (Channels) | Quadrature Encoder Interface | UART | SPI <sup>(2)</sup> | ECAN™ Technology |                   |               |                              |                     |                    |     |          |      |          | External Interrupts <sup>(3)</sup>       |
| PIC24EP32MC202    | 512                            | 32                            | 4            | 5                      | 4             | 4              | 6   | 1                            | 2    | 2                  | —                | 3                 | 2             | 1                            | 6                   | 2/3 <sup>(1)</sup> | Yes | Yes      | 21   | 28       | SPDIP, SOIC, SSOP <sup>(5)</sup> , QFN-S |
| PIC24EP64MC202    | 1024                           | 64                            | 8            |                        |               |                |   |                              |      |                    |                  |                   |               |                              |                     |                    |     |          |      |          |  |
| PIC24EP128MC202   | 1024                           | 128                           | 16           |                        |               |                |   |                              |      |                    |                  |                   |               |                              |                     |                    |     |          |      |          |  |
| PIC24EP256MC202   | 1024                           | 256                           | 32           |                        |               |                |   |                              |      |                    |                  |                   |               |                              |                     |                    |     |          |      |          |  |
| PIC24EP512MC202   | 1024                           | 512                           | 48           | 5                      | 4             | 4              | 6   | 1                            | 2    | 2                  | —                | 3                 | 2             | 1                            | 8                   | 3/4                | Yes | Yes      | 25   | 36       | VTLA                                     |
| PIC24EP32MC203    | 512                            | 32                            | 4            |                        |               |                |   |                              |      |                    |                  |                   |               |                              |                     |                    |     |          |      |          |  |
| PIC24EP64MC203    | 1024                           | 64                            | 8            |                        |               |                |   |                              |      |                    |                  |                   |               |                              |                     |                    |     |          |      |          |  |
| PIC24EP32MC204    | 512                            | 32                            | 4            |                        |               |                |   |                              |      |                    |                  |                   |               |                              |                     |                    |     |          |      |          |  |
| PIC24EP64MC204    | 1024                           | 64                            | 8            | 5                      | 4             | 4              | 6   | 1                            | 2    | 2                  | —                | 3                 | 2             | 1                            | 9                   | 3/4                | Yes | Yes      | 35   | 44       | VTLA <sup>(5)</sup> , TQFP, QFN          |
| PIC24EP128MC204   | 1024                           | 128                           | 16           |                        |               |                |   |                              |      |                    |                  |                   |               |                              |                     |                    |     |          |      |          |  |
| PIC24EP256MC204   | 1024                           | 256                           | 32           |                        |               |                |   |                              |      |                    |                  |                   |               |                              |                     |                    |     |          |      |          |  |
| PIC24EP512MC204   | 1024                           | 512                           | 48           |                        |               |                |   |                              |      |                    |                  |                   |               |                              |                     |                    |     |          |      |          |  |
| PIC24EP64MC206    | 1024                           | 64                            | 8            | 5                      | 4             | 4              | 6   | 1                            | 2    | 2                  | —                | 3                 | 2             | 1                            | 16                  | 3/4                | Yes | Yes      | 53   | 64       | TQFP, QFN                                |
| PIC24EP128MC206   | 1024                           | 128                           | 16           |                        |               |                |   |                              |      |                    |                  |                   |               |                              |                     |                    |     |          |      |          |  |
| PIC24EP256MC206   | 1024                           | 256                           | 32           |                        |               |                |   |                              |      |                    |                  |                   |               |                              |                     |                    |     |          |      |          |  |
| PIC24EP512MC206   | 1024                           | 512                           | 48           |                        |               |                |   |                              |      |                    |                  |                   |               |                              |                     |                    |     |          |      |          |  |
| dsPIC33EP32MC202  | 512                            | 32                            | 4            | 5                      | 4             | 4              | 6   | 1                            | 2    | 2                  | —                | 3                 | 2             | 1                            | 6                   | 2/3 <sup>(1)</sup> | Yes | Yes      | 21   | 28       | SPDIP, SOIC, SSOP <sup>(5)</sup> , QFN-S |
| dsPIC33EP64MC202  | 1024                           | 64                            | 8            |                        |               |                |   |                              |      |                    |                  |                   |               |                              |                     |                    |     |          |      |          |  |
| dsPIC33EP128MC202 | 1024                           | 128                           | 16           |                        |               |                |   |                              |      |                    |                  |                   |               |                              |                     |                    |     |          |      |          |  |
| dsPIC33EP256MC202 | 1024                           | 256                           | 32           |                        |               |                |   |                              |      |                    |                  |                   |               |                              |                     |                    |     |          |      |          |  |
| dsPIC33EP512MC202 | 1024                           | 512                           | 48           | 5                      | 4             | 4              | 6   | 1                            | 2    | 2                  | —                | 3                 | 2             | 1                            | 8                   | 3/4                | Yes | Yes      | 25   | 36       | VTLA                                     |
| dsPIC33EP32MC203  | 512                            | 32                            | 4            |                        |               |                |   |                              |      |                    |                  |                   |               |                              |                     |                    |     |          |      |          |  |
| dsPIC33EP64MC203  | 1024                           | 64                            | 8            |                        |               |                |   |                              |      |                    |                  |                   |               |                              |                     |                    |     |          |      |          |  |
| dsPIC33EP32MC204  | 512                            | 32                            | 4            |                        |               |                |   |                              |      |                    |                  |                   |               |                              |                     |                    |     |          |      |          |  |
| dsPIC33EP64MC204  | 1024                           | 64                            | 8            | 5                      | 4             | 4              | 6   | 1                            | 2    | 2                  | —                | 3                 | 2             | 1                            | 9                   | 3/4                | Yes | Yes      | 35   | 44       | VTLA <sup>(5)</sup> , TQFP, QFN          |
| dsPIC33EP128MC204 | 1024                           | 128                           | 16           |                        |               |                |   |                              |      |                    |                  |                   |               |                              |                     |                    |     |          |      |          |  |
| dsPIC33EP256MC204 | 1024                           | 256                           | 32           |                        |               |                |   |                              |      |                    |                  |                   |               |                              |                     |                    |     |          |      |          |  |
| dsPIC33EP512MC204 | 1024                           | 512                           | 48           |                        |               |                |   |                              |      |                    |                  |                   |               |                              |                     |                    |     |          |      |          |  |
| dsPIC33EP64MC206  | 1024                           | 64                            | 8            | 5                      | 4             | 4              | 6   | 1                            | 2    | 2                  | —                | 3                 | 2             | 1                            | 16                  | 3/4                | Yes | Yes      | 53   | 64       | TQFP, QFN                                |
| dsPIC33EP128MC206 | 1024                           | 128                           | 16           |                        |               |                |   |                              |      |                    |                  |                   |               |                              |                     |                    |     |          |      |          |  |
| dsPIC33EP256MC206 | 1024                           | 256                           | 32           |                        |               |                |   |                              |      |                    |                  |                   |               |                              |                     |                    |     |          |      |          |  |
| dsPIC33EP512MC206 | 1024                           | 512                           | 48           |                        |               |                |   |                              |      |                    |                  |                   |               |                              |                     |                    |     |          |      |          |  |
| dsPIC33EP32MC502  | 512                            | 32                            | 4            | 5                      | 4             | 4              | 6   | 1                            | 2    | 2                  | 1                | 3                 | 2             | 1                            | 6                   | 2/3 <sup>(1)</sup> | Yes | Yes      | 21   | 28       | SPDIP, SOIC, SSOP <sup>(5)</sup> , QFN-S |
| dsPIC33EP64MC502  | 1024                           | 64                            | 8            |                        |               |                |   |                              |      |                    |                  |                   |               |                              |                     |                    |     |          |      |          |  |
| dsPIC33EP128MC502 | 1024                           | 128                           | 16           |                        |               |                |   |                              |      |                    |                  |                   |               |                              |                     |                    |     |          |      |          |  |
| dsPIC33EP256MC502 | 1024                           | 256                           | 32           |                        |               |                |   |                              |      |                    |                  |                   |               |                              |                     |                    |     |          |      |          |  |
| dsPIC33EP512MC502 | 1024                           | 512                           | 48           | 5                      | 4             | 4              | 6   | 1                            | 2    | 2                  | 1                | 3                 | 2             | 1                            | 8                   | 3/4                | Yes | Yes      | 25   | 36       | VTLA                                     |
| dsPIC33EP32MC503  | 512                            | 32                            | 4            |                        |               |                |   |                              |      |                    |                  |                   |               |                              |                     |                    |     |          |      |          |  |
| dsPIC33EP64MC503  | 1024                           | 64                            | 8            |                        |               |                |   |                              |      |                    |                  |                   |               |                              |                     |                    |     |          |      |          |  |

- Note 1:** On 28-pin devices, Comparator 4 does not have external connections. Refer to [Section 25.0 "Op Amp/Comparator Module"](#) for details.  
**2:** Only SPI2 is remappable.  
**3:** INTO is not remappable.  
**4:** Only the PWM Faults are remappable.  
**5:** The SSOP and VTLA packages are not available for devices with 512 Kbytes of memory.

**TABLE 2: dsPIC33EPXXXMC20X/50X and PIC24EPXXXMC20X MOTOR CONTROL FAMILIES (CONTINUED)**

| Device            | Page Erase Size (Instructions) | Program Flash Memory (Kbytes) | RAM (Kbytes) | Remappable Peripherals |               |                |   |                              |      |                    |                  |                                    |                   | CRC Generator | 10-Bit/12-Bit ADC (Channels) | Op Amps/Comparators | CTMU | PTG | I/O Pins | Pins | Packages |                                       |  |  |
|-------------------|--------------------------------|-------------------------------|--------------|------------------------|---------------|----------------|---|------------------------------|------|--------------------|------------------|------------------------------------|-------------------|---------------|------------------------------|---------------------|------|-----|----------|------|----------|---------------------------------------|--|--|
|                   |                                |                               |              | 16-Bit/32-Bit Timers   | Input Capture | Output Compare | Motor Control PWM <sup>(4)</sup> (Channels) | Quadrature Encoder Interface | UART | SPI <sup>(2)</sup> | ECAN™ Technology | External Interrupts <sup>(3)</sup> | I <sup>2</sup> C™ |               |                              |                     |      |     |          |      |          |                                       |  |  |
| dsPIC33EP32MC504  | 512                            | 32                            | 4            |                        |               |                |   |                              |      |                    |                  |                                    |                   |               |                              |                     |      |     |          |      |          |                                       |  |  |
| dsPIC33EP64MC504  | 1024                           | 64                            | 8            |                        |               |                |   |                              |      |                    |                  |                                    |                   |               |                              |                     |      |     |          |      |          |                                       |  |  |
| dsPIC33EP128MC504 | 1024                           | 128                           | 16           | 5                      | 4             | 4              | 6   | 1                            | 2    | 2                  | 1                | 3                                  | 2                 | 1             | 9                            | 3/4                 | Yes  | Yes | 35       | 44   |          | VTLA <sup>(5)</sup> ,<br>TQFP,<br>QFN |  |  |
| dsPIC33EP256MC504 | 1024                           | 256                           | 32           |                        |               |                |   |                              |      |                    |                  |                                    |                   |               |                              |                     |      |     |          |      |          |                                       |  |  |
| dsPIC33EP512MC504 | 1024                           | 512                           | 48           |                        |               |                |   |                              |      |                    |                  |                                    |                   |               |                              |                     |      |     |          |      |          |                                       |  |  |
| dsPIC33EP64MC506  | 1024                           | 64                            | 8            |                        |               |                |   |                              |      |                    |                  |                                    |                   |               |                              |                     |      |     |          |      |          |                                       |  |  |
| dsPIC33EP128MC506 | 1024                           | 128                           | 16           | 5                      | 4             | 4              | 6   | 1                            | 2    | 2                  | 1                | 3                                  | 2                 | 1             | 16                           | 3/4                 | Yes  | Yes | 53       | 64   |          | TQFP,<br>QFN                          |  |  |
| dsPIC33EP256MC506 | 1024                           | 256                           | 32           |                        |               |                |   |                              |      |                    |                  |                                    |                   |               |                              |                     |      |     |          |      |          |                                       |  |  |
| dsPIC33EP512MC506 | 1024                           | 512                           | 48           |                        |               |                |   |                              |      |                    |                  |                                    |                   |               |                              |                     |      |     |          |      |          |                                       |  |  |

- Note 1:** On 28-pin devices, Comparator 4 does not have external connections. Refer to [Section 25.0 "Op Amp/Comparator Module"](#) for details.  
**2:** Only SPI2 is remappable.  
**3:** INT0 is not remappable.  
**4:** Only the PWM Faults are remappable.  
**5:** The SSOP and VTLA packages are not available for devices with 512 Kbytes of memory.

Pin Diagrams

28-Pin SPDIP/SOIC/SSOP<sup>(1,2)</sup>

■ = Pins are up to 5V tolerant



- Note 1:** The RPN/RPIn pins can be used by any remappable peripheral with some limitation. See **Section 11.4 "Peripheral Pin Select"** for available peripherals and for information on limitations.
- Note 2:** Every I/O port pin (RAX-RGX) can be used as change notification (CNAX-CNGX). See **Section 11.0 "I/O Ports"** for more information.

Pin Diagrams (Continued)

28-Pin QFN-S(1,2,3)

■ = Pins are up to 5V tolerant



- Note 1:** The RPN/RPIn pins can be used by any remappable peripheral with some limitation. See **Section 11.4 “Peripheral Pin Select”** for available peripherals and for information on limitations.
- Note 2:** Every I/O port pin (RAX-RGx) can be used as change notification (CNAX-CNGx). See **Section 11.0 “I/O Ports”** for more information.
- Note 3:** The metal pad at the bottom of the device is not connected to any pins and is recommended to be connected to Vss externally.

Pin Diagrams (Continued)

28-Pin QFN-S<sup>(1,2,3)</sup>

■ = Pins are up to 5V tolerant



- Note 1:** The RPN/RPI pins can be used by any remappable peripheral with some limitation. See **Section 11.4 “Peripheral Pin Select”** for available peripherals and for information on limitations.
- Note 2:** Every I/O port pin (RAX-RGx) can be used as change notification (CNAX-CNGx). See **Section 11.0 “I/O Ports”** for more information.
- Note 3:** The metal pad at the bottom of the device is not connected to any pins and is recommended to be connected to VSS externally.

Pin Diagrams (Continued)

36-Pin VTLA<sup>(1,2,3)</sup>

■ = Pins are up to 5V tolerant



- Note 1:** The RPN/RPIn pins can be used by any remappable peripheral with some limitation. See Section 11.4 “Peripheral Pin Select” for available peripherals and for information on limitations.
- Note 2:** Every I/O port pin (RAX-RGx) can be used as change notification (CNAX-CNGx). See Section 11.0 “I/O Ports” for more information.
- Note 3:** The metal pad at the bottom of the device is not connected to any pins and is recommended to be connected to VSS externally.



Pin Diagrams (Continued)



Pin Diagrams (Continued)

44-Pin TQFP<sup>(1,2)</sup>

■ = Pins are up to 5V tolerant



- Note 1:** The RPN/RPIn pins can be used by any remappable peripheral with some limitation. See **Section 11.4 “Peripheral Pin Select”** for available peripherals and for information on limitations.
- Note 2:** Every I/O port pin (RAX-RGx) can be used as change notification (CNAX-CNGx). See **Section 11.0 “I/O Ports”** for more information.

Pin Diagrams (Continued)



- Note 1:** The RPN/RPI pins can be used by any remappable peripheral with some limitation. See **Section 11.4 “Peripheral Pin Select”** for available peripherals and for information on limitations.
- Note 2:** Every I/O port pin (RAX-RGX) can be used as change notification (CNAX-CNGX). See **Section 11.0 “I/O Ports”** for more information.

Pin Diagrams (Continued)

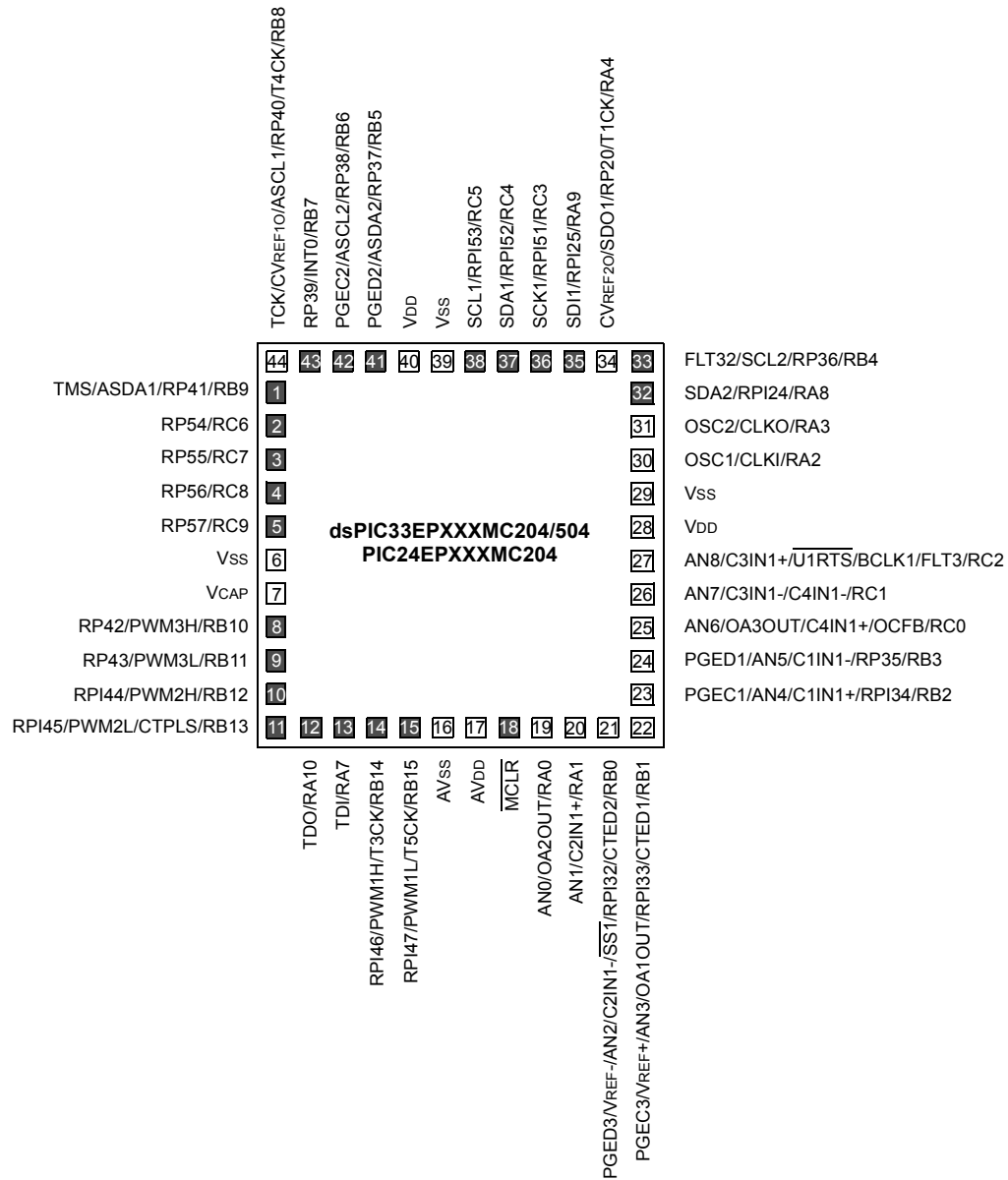


- Note 1:** The RPN/RPIn pins can be used by any remappable peripheral with some limitation. See **Section 11.4 “Peripheral Pin Select”** for available peripherals and for information on limitations.
- Note 2:** Every I/O port pin (RAX-RGx) can be used as change notification (CNAX-CNGx). See **Section 11.0 “I/O Ports”** for more information.
- Note 3:** The metal pad at the bottom of the device is not connected to any pins and is recommended to be connected to Vss externally.

Pin Diagrams (Continued)

44-Pin VTLA<sup>(1,2,3)</sup>

■ = Pins are up to 5V tolerant



- Note 1:** The RPN/RPIN pins can be used by any remappable peripheral with some limitation. See **Section 11.4 “Peripheral Pin Select”** for available peripherals and for information on limitations.
- Note 2:** Every I/O port pin (RAX-RGX) can be used as change notification (CNAX-CNGX). See **Section 11.0 “I/O Ports”** for more information.
- Note 3:** The metal pad at the bottom of the device is not connected to any pins and is recommended to be connected to Vss externally.

Pin Diagrams (Continued)

44-Pin QFN<sup>(1,2,3)</sup>

■ = Pins are up to 5V tolerant



- Note 1:** The RPN/RPIN pins can be used by any remappable peripheral with some limitation. See **Section 11.4 “Peripheral Pin Select”** for available peripherals and for information on limitations.
- Note 2:** Every I/O port pin (RAX-RGX) can be used as change notification (CNAX-CNGX). See **Section 11.0 “I/O Ports”** for more information.
- Note 3:** The metal pad at the bottom of the device is not connected to any pins and is recommended to be connected to Vss externally.

Pin Diagrams (Continued)



Pin Diagrams (Continued)



- Note**
- 1: The RPN/RPI pins can be used by any remappable peripheral with some limitation. See **Section 11.4 “Peripheral Pin Select”** for available peripherals and for information on limitations.
  - 2: Every I/O port pin (RAX-RGX) can be used as change notification (CNAX-CNGX). See **Section 11.0 “I/O Ports”** for more information.
  - 3: The metal pad at the bottom of the device is not connected to any pins and is recommended to be connected to Vss externally.



Pin Diagrams (Continued)



Pin Diagrams (Continued)



Pin Diagrams (Continued)



- Note 1:** The RPN/RPIN pins can be used by any remappable peripheral with some limitation. See **Section 11.4 “Peripheral Pin Select”** for available peripherals and for information on limitations.
- Note 2:** Every I/O port pin (RAX-RGX) can be used as change notification (CNAX-CNGX). See **Section 11.0 “I/O Ports”** for more information.
- Note 3:** This pin is not available as an input when OPMODE (CMxCON<10>) = 1.
- Note 4:** The metal pad at the bottom of the device is not connected to any pins and is recommended to be connected to VSS externally.

**Table of Contents**

|  |  |     |
|--|--|-----|
| 1.0  | Device Overview .....  | 23  |
| 2.0  | Guidelines for Getting Started with 16-bit Digital Signal Controllers and Microcontrollers .....         | 27  |
| 3.0  | CPU .....  | 33  |
| 4.0  | Memory Organization .....  | 43  |
| 5.0  | Flash Program Memory .....   | 117 |
| 6.0  | Resets .....   | 121 |
| 7.0  | Interrupt Controller .....   | 125 |
| 8.0  | Direct Memory Access (DMA) .....   | 137 |
| 9.0  | Oscillator Configuration .....   | 151 |
| 10.0                                       | Power-Saving Features .....  | 161 |
| 11.0                                       | I/O Ports .....  | 171 |
| 12.0                                       | Timer1 .....   | 201 |
| 13.0                                       | Timer2/3 and Timer4/5 .....  | 205 |
| 14.0                                       | Input Capture .....  | 211 |
| 15.0                                       | Output Compare .....   | 217 |
| 16.0                                       | High-Speed PWM Module (dsPIC33EPXXXMC20X/50X and PIC24EPXXXMC20X Devices Only) .....                     | 223 |
| 17.0                                       | Quadrature Encoder Interface (QEI) Module (dsPIC33EPXXXMC20X/50X and PIC24EPXXXMC20X Devices Only) ..... | 247 |
| 18.0                                       | Serial Peripheral Interface (SPI) .....  | 263 |
| 19.0                                       | Inter-Integrated Circuit™ (I <sup>2</sup> C™) .....  | 271 |
| 20.0                                       | Universal Asynchronous Receiver Transmitter (UART) .....   | 279 |
| 21.0                                       | Enhanced CAN (ECAN™) Module (dsPIC33EPXXXGP/MC50X Devices Only) .....                                    | 285 |
| 22.0                                       | Charge Time Measurement Unit (CTMU) .....  | 313 |
| 23.0                                       | 10-Bit/12-Bit Analog-to-Digital Converter (ADC) .....  | 319 |
| 24.0                                       | Peripheral Trigger Generator (PTG) Module .....  | 335 |
| 25.0                                       | Op Amp/Comparator Module .....   | 353 |
| 26.0                                       | Programmable Cyclic Redundancy Check (CRC) Generator .....   | 371 |
| 27.0                                       | Special Features .....   | 377 |
| 28.0                                       | Instruction Set Summary .....  | 385 |
| 29.0                                       | Development Support .....  | 395 |
| 30.0                                       | Electrical Characteristics .....   | 399 |
| 31.0                                       | High-Temperature Electrical Characteristics .....  | 465 |
| 32.0                                       | DC and AC Device Characteristics Graphs .....  | 473 |
| 33.0                                       | Packaging Information .....  | 477 |
| Appendix A: Revision History .....         |  | 503 |
| Index .....                                |  | 513 |
| The Microchip Web Site .....               |  | 521 |
| Customer Change Notification Service ..... |  | 521 |
| Customer Support .....                     |  | 521 |
| Reader Response .....                      |  | 522 |
| Product Identification System .....        |  | 523 |

## **TO OUR VALUED CUSTOMERS**

It is our intention to provide our valued customers with the best documentation possible to ensure successful use of your Microchip products. To this end, we will continue to improve our publications to better suit your needs. Our publications will be refined and enhanced as new volumes and updates are introduced.

If you have any questions or comments regarding this publication, please contact the Marketing Communications Department via E-mail at [docerrors@microchip.com](mailto:docerrors@microchip.com) or fax the **Reader Response Form** in the back of this data sheet to (480) 792-4150. We welcome your feedback.

### **Most Current Data Sheet**

To obtain the most up-to-date version of this data sheet, please register at our Worldwide Web site at:

<http://www.microchip.com>

You can determine the version of a data sheet by examining its literature number found on the bottom outside corner of any page. The last character of the literature number is the version number, (e.g., DS30000A is version A of document DS30000).

### **Errata**

An errata sheet, describing minor operational differences from the data sheet and recommended workarounds, may exist for current devices. As device/documentation issues become known to us, we will publish an errata sheet. The errata will specify the revision of silicon and revision of document to which it applies.

To determine if an errata sheet exists for a particular device, please check with one of the following:

- Microchip's Worldwide Web site; <http://www.microchip.com>
- Your local Microchip sales office (see last page)

When contacting a sales office, please specify which device, revision of silicon and data sheet (include literature number) you are using.

### **Customer Notification System**

Register on our web site at [www.microchip.com](http://www.microchip.com) to receive the most current information on all of our products.

## Referenced Sources

This device data sheet is based on the following individual chapters of the “*dsPIC33E/PIC24E Family Reference Manual*”. These documents should be considered as the general reference for the operation of a particular module or device feature.

**Note 1:** To access the documents listed below, browse to the documentation section of the [dsPIC33EP64MC506](#) product page of the Microchip web site ([www.microchip.com](http://www.microchip.com)) or select a family reference manual section from the following list.

In addition to parameters, features, and other documentation, the resulting page provides links to the related family reference manual sections.

- **Section 1. “Introduction”** (DS70573)
- **Section 2. “CPU”** (DS70359)
- **Section 3. “Data Memory”** (DS70595)
- **Section 4. “Program Memory”** (DS70613)
- **Section 5. “Flash Programming”** (DS70609)
- **Section 6. “Interrupts”** (DS70600)
- **Section 7. “Oscillator”** (DS70580)
- **Section 8. “Reset”** (DS70602)
- **Section 9. “Watchdog Timer and Power-Saving Modes”** (DS70615)
- **Section 10. “I/O Ports”** (DS70598)
- **Section 11. “Timers”** (DS70362)
- **Section 12. “Input Capture”** (DS70352)
- **Section 13. “Output Compare”** (DS70358)
- **Section 14. “High-Speed PWM”** (DS70645)
- **Section 15. “Quadrature Encoder Interface (QEI)”** (DS70601)
- **Section 16. “Analog-to-Digital Converter (ADC)”** (DS70621)
- **Section 17. “UART”** (DS70582)
- **Section 18. “Serial Peripheral Interface (SPI)”** (DS70569)
- **Section 19. “Inter-Integrated Circuit (I<sup>2</sup>C™)”** (DS70330)
- **Section 21. “Enhanced Controller Area Network (ECAN™)”** (DS70353)
- **Section 22. “Direct Memory Access (DMA)”** (DS70348)
- **Section 23. “CodeGuard™ Security”** (DS70634)
- **Section 24. “Programming and Diagnostics”** (DS70608)
- **Section 26. “Op Amp/Comparator”** (DS70357)
- **Section 27. “Programmable Cyclic Redundancy Check (CRC)”** (DS70346)
- **Section 30. “Device Configuration”** (DS70618)
- **Section 32. “Peripheral Trigger Generator (PTG)”** (DS70669)
- **Section 33. “Charge Time Measurement Unit (CTMU)”** (DS70661)

## 1.0 DEVICE OVERVIEW

**Note 1:** This data sheet summarizes the features of the dsPIC33EPXXXGP50X, dsPIC33EPXXXMC20X/50X and PIC24EPXXXGP/MC20X families of devices. It is not intended to be a comprehensive resource. To complement the information in this data sheet, refer to the related section of the “dsPIC33E/PIC24E Family Reference Manual”, which is available from the Microchip web site ([www.microchip.com](http://www.microchip.com))

**2:** Some registers and associated bits described in this section may not be available on all devices. Refer to **Section 4.0 “Memory Organization”** in this data sheet for device-specific register and bit information.

This document contains device-specific information for the dsPIC33EPXXXGP50X, dsPIC33EPXXXMC20X/50X and PIC24EPXXXGP/MC20X Digital Signal Controller (DSC) and Microcontroller (MCU) devices.

dsPIC33EPXXXMC20X/50X and dsPIC33EPXXXGP50X devices contain extensive Digital Signal Processor (DSP) functionality with a high-performance 16-bit MCU architecture.

Figure 1-1 shows a general block diagram of the core and peripheral modules. Table 1-1 lists the functions of the various pins shown in the pinout diagrams.

**FIGURE 1-1: dsPIC33EPXXXGP50X, dsPIC33EPXXXMC20X/50X AND PIC24EPXXXGP/MC20X BLOCK DIAGRAM**



**TABLE 1-1: PINOUT I/O DESCRIPTIONS**

| Pin Name <sup>(4)</sup> | Pin Type | Buffer Type | PPS | Description   |
|-------------------------|----------|-------------|-----|---|
| AN0-AN15                | I        | Analog      | No  | Analog input channels.  |
| CLKI                    | I        | ST/<br>CMOS | No  | External clock source input. Always associated with OSC1 pin function. Oscillator crystal output. Connects to crystal or resonator in Crystal Oscillator mode. Optionally functions as CLKO in RC and EC modes. |
| CLKO                    | O        | —           | No  | Always associated with OSC2 pin function.   |
| OSC1                    | I        | ST/<br>CMOS | No  | Oscillator crystal input. ST buffer when configured in RC mode; CMOS otherwise.   |
| OSC2                    | I/O      | —           | No  | Oscillator crystal output. Connects to crystal or resonator in Crystal Oscillator mode. Optionally functions as CLKO in RC and EC modes.  |
| REFCLKO                 | O        | —           | Yes | Reference clock output.   |
| IC1-IC4                 | I        | ST          | Yes | Capture Inputs 1 through 4.   |
| OCFA                    | I        | ST          | Yes | Compare Fault A input (for Compare channels).   |
| OCFB                    | I        | ST          | No  | Compare Fault B input (for Compare channels).   |
| OC1-OC4                 | O        | —           | Yes | Compare Outputs 1 through 4.  |
| INT0                    | I        | ST          | No  | External Interrupt 0.   |
| INT1                    | I        | ST          | Yes | External Interrupt 1.   |
| INT2                    | I        | ST          | Yes | External Interrupt 2.   |
| RA0-RA4, RA7-RA12       | I/O      | ST          | No  | PORTA is a bidirectional I/O port.  |
| RB0-RB15                | I/O      | ST          | No  | PORTB is a bidirectional I/O port.  |
| RC0-RC13, RC15          | I/O      | ST          | No  | PORTC is a bidirectional I/O port.  |
| RD5, RD6, RD8           | I/O      | ST          | No  | PORTD is a bidirectional I/O port.  |
| RE12-RE15               | I/O      | ST          | No  | PORTE is a bidirectional I/O port.  |
| RF0, RF1                | I/O      | ST          | No  | PORTF is a bidirectional I/O port.  |
| RG6-RG9                 | I/O      | ST          | No  | PORTG is a bidirectional I/O port.  |
| T1CK                    | I        | ST          | No  | Timer1 external clock input.  |
| T2CK                    | I        | ST          | Yes | Timer2 external clock input.  |
| T3CK                    | I        | ST          | No  | Timer3 external clock input.  |
| T4CK                    | I        | ST          | No  | Timer4 external clock input.  |
| T5CK                    | I        | ST          | No  | Timer5 external clock input.  |
| CTPLS                   | O        | ST          | No  | CTMU pulse output.  |
| CTED1                   | I        | ST          | No  | CTMU External Edge Input 1.   |
| CTED2                   | I        | ST          | No  | CTMU External Edge Input 2.   |
| U1CTS                   | I        | ST          | No  | UART1 Clear-to-Send.  |
| U1RTS                   | O        | —           | No  | UART1 Ready-to-Send.  |
| U1RX                    | I        | ST          | Yes | UART1 receive.  |
| U1TX                    | O        | —           | Yes | UART1 transmit.   |
| BCLK1                   | O        | ST          | No  | UART1 IrDA <sup>®</sup> baud clock output.  |

**Legend:** CMOS = CMOS compatible input or output      Analog = Analog input      P = Power  
 ST = Schmitt Trigger input with CMOS levels      O = Output      I = Input  
 PPS = Peripheral Pin Select      TTL = TTL input buffer

- Note 1:** This pin is available on dsPIC33EPXXXMC20X/50X and PIC24EPXXXMC20X devices only.  
**Note 2:** This pin is available on dsPIC33EPXXXGP/MC50X devices only.  
**Note 3:** This is the default Fault on Reset for dsPIC33EPXXXMC20X/50X and PIC24EPXXXMC20X devices. See **Section 16.0 “High-Speed PWM Module (dsPIC33EPXXXMC20X/50X and PIC24EPXXXMC20X Devices Only)”** for more information.  
**Note 4:** Not all pins are available in all packages variants. See the **“Pin Diagrams”** section for pin availability.



TABLE 1-1: PINOUT I/O DESCRIPTIONS (CONTINUED)

| Pin Name <sup>(4)</sup>                   | Pin Type | Buffer Type | PPS | Description   |
|---|----------|-------------|-----|---|
| U2CTS                                     | I        | ST          | No  | UART2 Clear-to-Send.  |
| U2RTS                                     | O        | —           | No  | UART2 Ready-to-Send.  |
| U2RX                                      | I        | ST          | Yes | UART2 receive.  |
| U2TX                                      | O        | —           | Yes | UART2 transmit.   |
| BCLK2                                     | O        | ST          | No  | UART2 IrDA baud clock output.   |
| SCK1                                      | I/O      | ST          | No  | Synchronous serial clock input/output for SPI1.   |
| SDI1                                      | I        | ST          | No  | SPI1 data in.   |
| SDO1                                      | O        | —           | No  | SPI1 data out.  |
| SS1                                       | I/O      | ST          | No  | SPI1 slave synchronization or frame pulse I/O.  |
| SCK2                                      | I/O      | ST          | Yes | Synchronous serial clock input/output for SPI2.   |
| SDI2                                      | I        | ST          | Yes | SPI2 data in.   |
| SDO2                                      | O        | —           | Yes | SPI2 data out.  |
| SS2                                       | I/O      | ST          | Yes | SPI2 slave synchronization or frame pulse I/O.  |
| SCL1                                      | I/O      | ST          | No  | Synchronous serial clock input/output for I2C1.   |
| SDA1                                      | I/O      | ST          | No  | Synchronous serial data input/output for I2C1.  |
| ASCL1                                     | I/O      | ST          | No  | Alternate synchronous serial clock input/output for I2C1.   |
| ASDA1                                     | I/O      | ST          | No  | Alternate synchronous serial data input/output for I2C1.  |
| SCL2                                      | I/O      | ST          | No  | Synchronous serial clock input/output for I2C2.   |
| SDA2                                      | I/O      | ST          | No  | Synchronous serial data input/output for I2C2.  |
| ASCL2                                     | I/O      | ST          | No  | Alternate synchronous serial clock input/output for I2C2.   |
| ASDA2                                     | I/O      | ST          | No  | Alternate synchronous serial data input/output for I2C2.  |
| TMS                                       | I        | ST          | No  | JTAG Test mode select pin.  |
| TCK                                       | I        | ST          | No  | JTAG test clock input pin.  |
| TDI                                       | I        | ST          | No  | JTAG test data input pin.   |
| TDO                                       | O        | —           | No  | JTAG test data output pin.  |
| C1RX <sup>(2)</sup>                       | I        | ST          | Yes | ECAN1 bus receive pin.  |
| C1TX <sup>(2)</sup>                       | O        | —           | Yes | ECAN1 bus transmit pin.   |
| FLT1 <sup>(1)</sup> , FLT2 <sup>(1)</sup> | I        | ST          | Yes | PWM Fault Input 1 and 2.  |
| FLT3 <sup>(1)</sup> , FLT4 <sup>(1)</sup> | I        | ST          | No  | PWM Fault Input 3 and 4.  |
| FLT32 <sup>(1,3)</sup>                    | I        | ST          | No  | PWM Fault Input 32 (Class B Fault).   |
| DTCMP1-DTCMP3 <sup>(1)</sup>              | I        | ST          | Yes | PWM Dead-Time Compensation Input 1 through 3.   |
| PWM1L-PWM3L <sup>(1)</sup>                | O        | —           | No  | PWM Low Output 1 through 3.   |
| PWM1H-PWM3H <sup>(1)</sup>                | O        | —           | No  | PWM High Output 1 through 3.  |
| SYNCI1 <sup>(1)</sup>                     | I        | ST          | Yes | PWM Synchronization Input 1.  |
| SYNCO1 <sup>(1)</sup>                     | O        | —           | Yes | PWM Synchronization Output 1.   |
| INDX1 <sup>(1)</sup>                      | I        | ST          | Yes | Quadrature Encoder Index1 pulse input.  |
| HOME1 <sup>(1)</sup>                      | I        | ST          | Yes | Quadrature Encoder Home1 pulse input.   |
| QEA1 <sup>(1)</sup>                       | I        | ST          | Yes | Quadrature Encoder Phase A input in QE11 mode. Auxiliary timer external clock/gate input in Timer mode. |
| QEB1 <sup>(1)</sup>                       | I        | ST          | Yes | Quadrature Encoder Phase B input in QE11 mode. Auxiliary timer external clock/gate input in Timer mode. |
| CNTCMP1 <sup>(1)</sup>                    | O        | —           | Yes | Quadrature Encoder Compare Output 1.  |

**Legend:** CMOS = CMOS compatible input or output      Analog = Analog input      P = Power  
 ST = Schmitt Trigger input with CMOS levels      O = Output      I = Input  
 PPS = Peripheral Pin Select      TTL = TTL input buffer

- Note 1:** This pin is available on dsPIC33EPXXXMC20X/50X and PIC24EPXXXMC20X devices only.  
**2:** This pin is available on dsPIC33EPXXXGP/MC50X devices only.  
**3:** This is the default Fault on Reset for dsPIC33EPXXXMC20X/50X and PIC24EPXXXMC20X devices. See **Section 16.0 “High-Speed PWM Module (dsPIC33EPXXXMC20X/50X and PIC24EPXXXMC20X Devices Only)”** for more information.  
**4:** Not all pins are available in all packages variants. See the **“Pin Diagrams”** section for pin availability.

**TABLE 1-1: PINOUT I/O DESCRIPTIONS (CONTINUED)**

| Pin Name <sup>(4)</sup>                            | Pin Type                         | Buffer Type                               | PPS                              | Description   |
|--|----------------------------------|---|----------------------------------|---|
| C1IN1-<br>C1IN2-<br>C1IN1+<br>OA1OUT<br>C1OUT      | I<br>I<br>I<br>O<br>O            | Analog<br>Analog<br>Analog<br>Analog<br>— | No<br>No<br>No<br>No<br>Yes      | Op Amp/Comparator 1 Negative Input 1.<br>Comparator 1 Negative Input 2.<br>Op Amp/Comparator 1 Positive Input 1.<br>Op Amp 1 Output.<br>Comparator 1 Output.  |
| C2IN1-<br>C2IN2-<br>C2IN1+<br>OA2OUT<br>C2OUT      | I<br>I<br>I<br>O<br>O            | Analog<br>Analog<br>Analog<br>Analog<br>— | No<br>No<br>No<br>No<br>Yes      | Op Amp/Comparator 2 Negative Input 1.<br>Comparator 2 Negative Input 2.<br>Op Amp/Comparator 2 Positive Input 1.<br>Op Amp 2 Output.<br>Comparator 2 Output.  |
| C3IN1-<br>C3IN2-<br>C3IN1+<br>OA3OUT<br>C3OUT      | I<br>I<br>I<br>O<br>O            | Analog<br>Analog<br>Analog<br>Analog<br>— | No<br>No<br>No<br>No<br>Yes      | Op Amp/Comparator 3 Negative Input 1.<br>Comparator 3 Negative Input 2.<br>Op Amp/Comparator 3 Positive Input 1.<br>Op Amp 3 Output.<br>Comparator 3 Output.  |
| C4IN1-<br>C4IN1+<br>C4OUT                          | I<br>I<br>O                      | Analog<br>Analog<br>—                     | No<br>No<br>Yes                  | Comparator 4 Negative Input 1.<br>Comparator 4 Positive Input 1.<br>Comparator 4 Output.  |
| CVREF1O<br>CVREF2O                                 | O<br>O                           | Analog<br>Analog                          | No<br>No                         | Op amp/comparator voltage reference output.<br>Op amp/comparator voltage reference divided by 2 output.   |
| PGED1<br>PGEC1<br>PGED2<br>PGEC2<br>PGED3<br>PGEC3 | I/O<br>I<br>I/O<br>I<br>I/O<br>I | ST<br>ST<br>ST<br>ST<br>ST<br>ST          | No<br>No<br>No<br>No<br>No<br>No | Data I/O pin for Programming/debugging Communication Channel 1.<br>Clock input pin for Programming/debugging Communication Channel 1.<br>Data I/O pin for Programming/debugging Communication Channel 2.<br>Clock input pin for Programming/debugging Communication Channel 2.<br>Data I/O pin for Programming/debugging Communication Channel 3.<br>Clock input pin for Programming/debugging Communication Channel 3. |
| MCLR   | I/P                              | ST  | No                               | Master Clear (Reset) input. This pin is an active-low Reset to the device.  |
| AVDD   | P                                | P   | No                               | Positive supply for analog modules. This pin must be connected at all times.  |
| AVSS   | P                                | P   | No                               | Ground reference for analog modules. This pin must be connected at all times.   |
| VDD  | P                                | —   | No                               | Positive supply for peripheral logic and I/O pins.  |
| VCAP   | P                                | —   | No                               | CPU logic filter capacitor connection.  |
| VSS  | P                                | —   | No                               | Ground reference for logic and I/O pins.  |
| VREF+  | I                                | Analog                                    | No                               | Analog voltage reference (high) input.  |
| VREF-  | I                                | Analog                                    | No                               | Analog voltage reference (low) input.   |

**Legend:** CMOS = CMOS compatible input or output      Analog = Analog input      P = Power  
 ST = Schmitt Trigger input with CMOS levels      O = Output      I = Input  
 PPS = Peripheral Pin Select      TTL = TTL input buffer

- Note 1:** This pin is available on dsPIC33EPXXXMC20X/50X and PIC24EPXXXMC20X devices only.  
**Note 2:** This pin is available on dsPIC33EPXXXGP/MC50X devices only.  
**Note 3:** This is the default Fault on Reset for dsPIC33EPXXXMC20X/50X and PIC24EPXXXMC20X devices. See **Section 16.0 “High-Speed PWM Module (dsPIC33EPXXXMC20X/50X and PIC24EPXXXMC20X Devices Only)”** for more information.  
**Note 4:** Not all pins are available in all packages variants. See the **“Pin Diagrams”** section for pin availability.

## 2.0 GUIDELINES FOR GETTING STARTED WITH 16-BIT DIGITAL SIGNAL CONTROLLERS AND MICROCONTROLLERS

- Note 1:** This data sheet summarizes the features of the dsPIC33EPXXXGP50X, dsPIC33EPXXXMC20X/50X and PIC24EPXXXGP/MC20X families of devices. It is not intended to be a comprehensive reference source. To complement the information in this data sheet, refer to the related section of the “dsPIC33E/PIC24E Family Reference Manual”, which is available from the Microchip web site ([www.microchip.com](http://www.microchip.com))
- 2:** Some registers and associated bits described in this section may not be available on all devices. Refer to **Section 4.0 “Memory Organization”** in this data sheet for device-specific register and bit information.

### 2.1 Basic Connection Requirements

Getting started with the dsPIC33EPXXXGP50X, dsPIC33EPXXXMC20X/50X and PIC24EPXXXGP/MC20X families requires attention to a minimal set of device pin connections before proceeding with development. The following is a list of pin names, which must always be connected:

- All VDD and VSS pins (see **Section 2.2 “Decoupling Capacitors”**)
- All AVDD and AVSS pins (regardless if ADC module is not used) (see **Section 2.2 “Decoupling Capacitors”**)
- VCAP (see **Section 2.3 “CPU Logic Filter Capacitor Connection (VCAP)”**)
- MCLR pin (see **Section 2.4 “Master Clear (MCLR) Pin”**)
- PGECx/PGEDx pins used for In-Circuit Serial Programming™ (ICSP™) and debugging purposes (see **Section 2.5 “ICSP Pins”**)
- OSC1 and OSC2 pins when external oscillator source is used (see **Section 2.6 “External Oscillator Pins”**)

Additionally, the following pins may be required:

- VREF+/VREF- pins are used when external voltage reference for ADC module is implemented

**Note:** The AVDD and AVSS pins must be connected independent of the ADC voltage reference source.

### 2.2 Decoupling Capacitors

The use of decoupling capacitors on every pair of power supply pins, such as VDD, VSS, AVDD and AVSS is required.

Consider the following criteria when using decoupling capacitors:

- **Value and type of capacitor:** Recommendation of 0.1  $\mu\text{F}$  (100 nF), 10-20V. This capacitor should be a low-ESR and have resonance frequency in the range of 20 MHz and higher. It is recommended to use ceramic capacitors.
- **Placement on the printed circuit board:** The decoupling capacitors should be placed as close to the pins as possible. It is recommended to place the capacitors on the same side of the board as the device. If space is constricted, the capacitor can be placed on another layer on the PCB using a via; however, ensure that the trace length from the pin to the capacitor is within one-quarter inch (6 mm) in length.
- **Handling high-frequency noise:** If the board is experiencing high-frequency noise, above tens of MHz, add a second ceramic-type capacitor in parallel to the above described decoupling capacitor. The value of the second capacitor can be in the range of 0.01  $\mu\text{F}$  to 0.001  $\mu\text{F}$ . Place this second capacitor next to the primary decoupling capacitor. In high-speed circuit designs, consider implementing a decade pair of capacitances as close to the power and ground pins as possible. For example, 0.1  $\mu\text{F}$  in parallel with 0.001  $\mu\text{F}$ .
- **Maximizing performance:** On the board layout from the power supply circuit, run the power and return traces to the decoupling capacitors first, and then to the device pins. This ensures that the decoupling capacitors are first in the power chain. Equally important is to keep the trace length between the capacitor and the power pins to a minimum, thereby reducing PCB track inductance.

**FIGURE 2-1: RECOMMENDED MINIMUM CONNECTION**



**2.2.1 TANK CAPACITORS**

On boards with power traces running longer than six inches in length, it is suggested to use a tank capacitor for integrated circuits including DSCs to supply a local power source. The value of the tank capacitor should be determined based on the trace resistance that connects the power supply source to the device and the maximum current drawn by the device in the application. In other words, select the tank capacitor so that it meets the acceptable voltage sag at the device. Typical values range from 4.7 µF to 47 µF.

**2.3 CPU Logic Filter Capacitor Connection (VCAP)**

A low-ESR (< 1 Ohms) capacitor is required on the VCAP pin, which is used to stabilize the voltage regulator output voltage. The VCAP pin must not be connected to VDD and must have a capacitor greater than 4.7 µF (10 µF is recommended), 16V connected to ground. The type can be ceramic or tantalum. See [Section 30.0 “Electrical Characteristics”](#) for additional information.

The placement of this capacitor should be close to the VCAP pin. It is recommended that the trace length not exceeds one-quarter inch (6 mm). See [Section 27.3 “On-Chip Voltage Regulator”](#) for details.

**2.4 Master Clear (MCLR) Pin**

The MCLR pin provides two specific device functions:

- Device Reset
- Device Programming and Debugging.

During device programming and debugging, the resistance and capacitance that can be added to the pin must be considered. Device programmers and debuggers drive the MCLR pin. Consequently, specific voltage levels (VIH and VIL) and fast signal transitions must not be adversely affected. Therefore, specific values of R and C will need to be adjusted based on the application and PCB requirements.

For example, as shown in [Figure 2-2](#), it is recommended that the capacitor C, be isolated from the MCLR pin during programming and debugging operations.

Place the components as shown in [Figure 2-2](#) within one-quarter inch (6 mm) from the MCLR pin.

**FIGURE 2-2: EXAMPLE OF MCLR PIN CONNECTIONS**



## 2.5 ICSP Pins

The PGECx and PGEDx pins are used for ICSP and debugging purposes. It is recommended to keep the trace length between the ICSP connector and the ICSP pins on the device as short as possible. If the ICSP connector is expected to experience an ESD event, a series resistor is recommended, with the value in the range of a few tens of Ohms, not to exceed 100 Ohms.

Pull-up resistors, series diodes and capacitors on the PGECx and PGEDx pins are not recommended as they will interfere with the programmer/debugger communications to the device. If such discrete components are an application requirement, they should be removed from the circuit during programming and debugging. Alternatively, refer to the AC/DC characteristics and timing requirements information in the respective device Flash programming specification for information on capacitive loading limits and pin Voltage Input High (VIH) and Voltage Input Low (VIL) requirements.

Ensure that the “Communication Channel Select” (i.e., PGECx/PGEDx pins) programmed into the device matches the physical connections for the ICSP to MPLAB® PICKit™ 3, MPLAB ICD 3, or MPLAB REAL ICE™.

For more information on ICD 2, ICD 3 and REAL ICE connection requirements, refer to the following documents that are available on the Microchip web site.

- “Using MPLAB® ICD 3” (poster) DS51765
- “MPLAB® ICD 3 Design Advisory” DS51764
- “MPLAB® REAL ICE™ In-Circuit Emulator User’s Guide” DS51616
- “Using MPLAB® REAL ICE™ In-Circuit Emulator” (poster) DS51749

## 2.6 External Oscillator Pins

Many DSCs have options for at least two oscillators: a high-frequency primary oscillator and a low-frequency secondary oscillator. For details, see [Section 9.0 “Oscillator Configuration”](#) for details.

The oscillator circuit should be placed on the same side of the board as the device. Also, place the oscillator circuit close to the respective oscillator pins, not exceeding one-half inch (12 mm) distance between them. The load capacitors should be placed next to the oscillator itself, on the same side of the board. Use a grounded copper pour around the oscillator circuit to isolate them from surrounding circuits. The grounded copper pour should be routed directly to the MCU ground. Do not run any signal traces or power traces inside the ground pour. Also, if using a two-sided board, avoid any traces on the other side of the board where the crystal is placed. A suggested layout is shown in [Figure 2-3](#).

**FIGURE 2-3: SUGGESTED PLACEMENT OF THE OSCILLATOR CIRCUIT**



**2.7 Oscillator Value Conditions on Device Start-up**

If the PLL of the target device is enabled and configured for the device start-up oscillator, the maximum oscillator source frequency must be limited to  $3\text{ MHz} < F_{IN} < 5.5\text{ MHz}$  to comply with device PLL start-up conditions. This means that if the external oscillator frequency is outside this range, the application must start-up in the FRC mode first. The default PLL settings after a POR with an oscillator frequency outside this range will violate the device operating speed.

Once the device powers up, the application firmware can initialize the PLL SFRs, CLKDIV and PLLDBF to a suitable value, and then perform a clock switch to the Oscillator + PLL clock source. Note that clock switching must be enabled in the device Configuration Word.

**2.8 Unused I/Os**

Unused I/O pins should be configured as outputs and driven to a logic-low state.

Alternatively, connect a 1k to 10k resistor between Vss and unused pins and drive the output to logic low.

**2.9 Application Examples**

- Induction heating
- Uninterruptable Power Supplies (UPS)
- DC/AC inverters
- Compressor motor control
- Washing machine 3-phase motor control
- BLDC motor control
- Automotive HVAC, cooling fans, fuel pumps
- Stepper motor control
- Audio and fluid sensor monitoring
- Camera lens focus and stability control
- Speech (playback, hands-free kits, answering machines, VoIP)
- Consumer audio
- Industrial and building control (security systems and access control)
- Barcode reading
- Networking: LAN switches, gateways
- Data storage device management
- Smart cards and smart card readers

Examples of typical application connections are shown in [Figure 2-4](#) through [Figure 2-8](#).

**FIGURE 2-4: BOOST CONVERTER IMPLEMENTATION**



FIGURE 2-5: SINGLE-PHASE SYNCHRONOUS BUCK CONVERTER



FIGURE 2-6: MULTI-PHASE SYNCHRONOUS BUCK CONVERTER



FIGURE 2-7: INTERLEAVED PFC



FIGURE 2-8: BEMF VOLTAGE MEASURED USING THE ADC MODULE





### 3.0 CPU

**Note 1:** This data sheet summarizes the features of the dsPIC33EPXXXGP50X, dsPIC33EPXXXMC20X/50X and PIC24EPXXXGP/MC20X families of devices. It is not intended to be a comprehensive reference source. To complement the information in this data sheet, refer to **Section 2. “CPU”** (DS70359) in the “*dsPIC33E/PIC24E Family Reference Manual*”, which is available from the Microchip web site ([www.microchip.com](http://www.microchip.com)).

**2:** Some registers and associated bits described in this section may not be available on all devices. Refer to **Section 4.0 “Memory Organization”** in this data sheet for device-specific register and bit information.

The dsPIC33EPXXXGP50X, dsPIC33EPXXXMC20X/50X, and PIC24EPXXXGP/MC20X CPU have a 16-bit (data) modified Harvard architecture with an enhanced instruction set, including significant support for digital signal processing. The CPU has a 24-bit instruction word, with a variable length opcode field. The Program Counter (PC) is 23 bits wide and addresses up to 4M x 24 bits of user program memory space.

An instruction prefetch mechanism helps maintain throughput and provides predictable execution. Most instructions execute in a single-cycle effective execution rate, with the exception of instructions that change the program flow, the double-word move (MOV.D) instruction, PSV accesses and the table instructions. Overhead-free program loop constructs are supported using the DO and REPEAT instructions, both of which are interruptible at any point.

#### 3.1 Registers

The dsPIC33EPXXXGP50X, dsPIC33EPXXXMC20X/50X, and PIC24EPXXXGP/MC20X devices have sixteen, 16-bit working registers in the programmer’s model. Each of the working registers can act as a data, address or address offset register. The 16th working register (W15) operates as a Software Stack Pointer for interrupts and calls.

#### 3.2 Instruction Set

The instruction set for dsPIC33EPXXXGP50X and dsPIC33EPXXXMC20X/50X devices has two classes of instructions: the MCU class of instructions and the DSP class of instructions. The instruction set for PIC24EPXXXGP/MC20X devices has the MCU class of instructions only and does not support DSP instructions. These two instruction classes are seamlessly integrated into the architecture and execute from a single execution unit. The instruction set includes many addressing modes and was designed for optimum C compiler efficiency.

### 3.3 Data Space Addressing

The base Data Space can be addressed as 64 Kbytes (32K words).

The Data Space includes two ranges of memory, referred to as X and Y data memory. Each memory range is accessible through its own independent Address Generation Unit (AGU). The MCU class of instructions operates solely through the X memory AGU, which accesses the entire memory map as one linear Data Space. On dsPIC33EPXXXMC20X/50X and dsPIC33EPXXXGP50X devices, certain DSP instructions operate through the X and Y AGUs to support dual operand reads, which splits the data address space into two parts. The X and Y Data Spaces have memory locations that are device-specific, and are described further in the data memory maps in **Section 4.2 “Data Address Space”**.

The upper 32 Kbytes of the Data Space memory map can optionally be mapped into Program Space (PS) at any 32-Kbyte aligned program word boundary. The program-to-Data Space mapping feature, known as Program Space Visibility (PSV), lets any instruction access Program Space as if it were Data Space. Moreover, the Base Data Space address is used in conjunction with a Read or Write Page register (DSRPAG or DSWPAG) to form an Extended Data Space (EDS) address. The EDS can be addressed as 8M words or 16 Mbytes. Refer to **Section 3. “Data Memory”** (DS70595) and **Section 4. “Program Memory”** (DS70613) in the “*dsPIC33E/PIC24E Family Reference Manual*” for more details on EDS, PSV and table accesses.

On the dsPIC33EPXXXMC20X/50X and dsPIC33EPXXXGP50X devices, overhead-free circular buffers (Modulo Addressing) are supported in both X and Y address spaces. The Modulo Addressing removes the software boundary checking overhead for DSP algorithms. The X AGU Circular Addressing can be used with any of the MCU class of instructions. The X AGU also supports Bit-Reversed Addressing to greatly simplify input or output data re-ordering for radix-2 FFT algorithms. PIC24EPXXXGP/MC20X devices do not support Modulo and Bit-Reversed Addressing.

#### 3.4 Addressing Modes

The CPU supports these addressing modes:

- Inherent (no operand)
- Relative
- Literal
- Memory Direct
- Register Direct
- Register Indirect

Each instruction is associated with a predefined addressing mode group, depending upon its functional requirements. As many as six addressing modes are supported for each instruction.

FIGURE 3-1: dsPIC33EPXXXGP50X, dsPIC33EPXXXMC20X/50X, AND PIC24EPXXXGP/MC20X CPU BLOCK DIAGRAM



### 3.5 Programmer's Model

The programmer's model for the dsPIC33EPXXXGP50X, dsPIC33EPXXXMC20X/50X, and PIC24EPXXXGP/MC20X is shown in [Figure 3-2](#). All registers in the programmer's model are memory mapped and can be manipulated directly by instructions. [Table 3-1](#) lists a description of each register.

In addition to the registers contained in the programmer's model, the dsPIC33EPXXXGP50X, dsPIC33EPXXXMC20X/50X, and PIC24EPXXXGP/

MC20X devices contain control registers for Modulo Addressing (dsPIC33EPXXXMC20X/50X and dsPIC33EPXXXGP50X devices only), Bit-Reversed Addressing (dsPIC33EPXXXMC20X/50X and dsPIC33EPXXXGP50X devices only) and interrupts. These registers are described in subsequent sections of this document.

All registers associated with the programmer's model are memory mapped, as shown in [Table 4-1](#).

**TABLE 3-1: PROGRAMMER'S MODEL REGISTER DESCRIPTIONS**

| Register(s) Name                                      | Description   |
|---|---|
| W0 through W15  | Working Register Array                                    |
| ACCA, ACCB  | 40-Bit DSP Accumulators                                   |
| PC  | 23-Bit Program Counter                                    |
| SR  | ALU and DSP Engine STATUS Register                        |
| SPLIM   | Stack Pointer Limit Value Register                        |
| TBLPAG  | Table Memory Page Address Register                        |
| DSRPAG  | Extended Data Space (EDS) Read Page Register              |
| DSWPAG  | Extended Data Space (EDS) Write Page Register             |
| RCOUNT  | REPEAT Loop Count Register                                |
| DCOUNT <sup>(1)</sup>                                 | DO Loop Count Register                                    |
| DOSTARTH <sup>(1,2)</sup> , DOSTARTL <sup>(1,2)</sup> | DO Loop Start Address Register (High and Low)             |
| DOENDH <sup>(1)</sup> , DOENDL <sup>(1)</sup>         | DO Loop End Address Register (High and Low)               |
| CORCON  | Contains DSP Engine, DO Loop Control and Trap Status bits |

**Note 1:** This register is available on dsPIC33EPXXXMC20X/50X and dsPIC33EPXXXGP50X devices only.

**2:** The DOSTARTH and DOSTARTL registers are read-only.

FIGURE 3-2: PROGRAMMER'S MODEL



### **3.6 CPU Resources**

Many useful resources are provided on the main product page of the Microchip web site for the devices listed in this data sheet. This product page, which can be accessed using this [link](#), contains the latest updates and additional information.

**Note:** In the event you are not able to access the product page using the link above, enter this URL in your browser:  
<http://www.microchip.com/wwwproducts/Devices.aspx?dDocName=en555464>

#### 3.6.1 KEY RESOURCES

- **Section 2. “CPU”** (DS70359)
- Code Samples
- Application Notes
- Software Libraries
- Webinars
- All related “*dsPIC33E/PIC24E Family Reference Manual*” Sections
- Development Tools

**3.7 CPU Control Registers**

**REGISTER 3-1: SR: CPU STATUS REGISTER**

|                   |                   |                     |                     |                    |                    |                   |       |
|-------------------|-------------------|---------------------|---------------------|--------------------|--------------------|-------------------|-------|
| R/W-0             | R/W-0             | R/W-0               | R/W-0               | R/C-0              | R/C-0              | R-0               | R/W-0 |
| OA <sup>(1)</sup> | OB <sup>(1)</sup> | SA <sup>(1,4)</sup> | SB <sup>(1,4)</sup> | OAB <sup>(1)</sup> | SAB <sup>(1)</sup> | DA <sup>(1)</sup> | DC    |
| bit 15            |                   |                     |                     |                    |                    |                   | bit 8 |

|                        |                        |                        |     |       |       |       |       |
|------------------------|------------------------|------------------------|-----|-------|-------|-------|-------|
| R/W-0 <sup>(2,3)</sup> | R/W-0 <sup>(2,3)</sup> | R/W-0 <sup>(2,3)</sup> | R-0 | R/W-0 | R/W-0 | R/W-0 | R/W-0 |
| IPL<2:0>               |                        |                        | RA  | N     | OV    | Z     | C     |
| bit 7                  |                        |                        |     |       |       |       | bit 0 |

|                   |                                    |
|-------------------|------------------------------------|
| <b>Legend:</b>    | C = Clearable bit                  |
| R = Readable bit  | W = Writable bit                   |
| -n = Value at POR | '1' = Bit is set                   |
|                   | U = Unimplemented bit, read as '0' |
|                   | '0' = Bit is cleared               |
|                   | x = Bit is unknown                 |

- bit 15      **OA:** Accumulator A Overflow Status bit<sup>(1)</sup>  
 1 = Accumulator A has overflowed  
 0 = Accumulator A has not overflowed
- bit 14      **OB:** Accumulator B Overflow Status bit<sup>(1)</sup>  
 1 = Accumulator B has overflowed  
 0 = Accumulator B has not overflowed
- bit 13      **SA:** Accumulator A Saturation 'Sticky' Status bit<sup>(1,4)</sup>  
 1 = Accumulator A is saturated or has been saturated at some time  
 0 = Accumulator A is not saturated
- bit 12      **SB:** Accumulator B Saturation 'Sticky' Status bit<sup>(1,4)</sup>  
 1 = Accumulator B is saturated or has been saturated at some time  
 0 = Accumulator B is not saturated
- bit 11      **OAB:** OA || OB Combined Accumulator Overflow Status bit<sup>(1)</sup>  
 1 = Accumulators A or B have overflowed  
 0 = Neither Accumulators A or B have overflowed
- bit 10      **SAB:** SA || SB Combined Accumulator 'Sticky' Status bit<sup>(1)</sup>  
 1 = Accumulators A or B are saturated or have been saturated at some time  
 0 = Neither Accumulator A or B are saturated
- bit 9        **DA:** DO Loop Active bit<sup>(1)</sup>  
 1 = DO loop in progress  
 0 = DO loop not in progress
- bit 8        **DC:** MCU ALU Half Carry/Borrow bit  
 1 = A carry-out from the 4th low-order bit (for byte-sized data) or 8th low-order bit (for word-sized data) of the result occurred  
 0 = No carry-out from the 4th low-order bit (for byte-sized data) or 8th low-order bit (for word-sized data) of the result occurred

- Note 1:** This bit is available on dsPIC33EPXXXMC20X/50X and dsPIC33EPXXXGP50X devices only.
- Note 2:** The IPL<2:0> bits are concatenated with the IPL<3> bit (CORCON<3>) to form the CPU Interrupt Priority Level. The value in parentheses indicates the IPL, if IPL<3> = 1. User interrupts are disabled when IPL<3> = 1.
- Note 3:** The IPL<2:0> Status bits are read-only when the NSTDIS bit (INTCON1<15>) = 1.
- Note 4:** A data write to the SR register can modify the SA and SB bits by either a data write to SA and SB or by clearing the SAB bit. To avoid a possible SA or SB bit write race condition, the SA and SB bits should not be modified using bit operations.

**REGISTER 3-1: SR: CPU STATUS REGISTER (CONTINUED)**

- bit 7-5 **IPL<2:0>**: CPU Interrupt Priority Level Status bits<sup>(2,3)</sup>  
111 = CPU Interrupt Priority Level is 7 (15); user interrupts are disabled  
110 = CPU Interrupt Priority Level is 6 (14)  
101 = CPU Interrupt Priority Level is 5 (13)  
100 = CPU Interrupt Priority Level is 4 (12)  
011 = CPU Interrupt Priority Level is 3 (11)  
010 = CPU Interrupt Priority Level is 2 (10)  
001 = CPU Interrupt Priority Level is 1 (9)  
000 = CPU Interrupt Priority Level is 0 (8)
- bit 4 **RA**: REPEAT Loop Active bit  
1 = REPEAT loop in progress  
0 = REPEAT loop not in progress
- bit 3 **N**: MCU ALU Negative bit  
1 = Result was negative  
0 = Result was non-negative (zero or positive)
- bit 2 **OV**: MCU ALU Overflow bit  
This bit is used for signed arithmetic (2's complement). It indicates an overflow of the magnitude that causes the sign bit to change state.  
1 = Overflow occurred for signed arithmetic (in this arithmetic operation)  
0 = No overflow occurred
- bit 1 **Z**: MCU ALU Zero bit  
1 = An operation that affects the Z bit has set it at some time in the past  
0 = The most recent operation that affects the Z bit has cleared it (i.e., a non-zero result)
- bit 0 **C**: MCU ALU Carry/Borrow bit  
1 = A carry-out from the Most Significant bit of the result occurred  
0 = No carry-out from the Most Significant bit of the result occurred

- Note 1:** This bit is available on dsPIC33EPXXXMC20X/50X and dsPIC33EPXXXGP50X devices only.
- 2:** The IPL<2:0> bits are concatenated with the IPL<3> bit (CORCON<3>) to form the CPU Interrupt Priority Level. The value in parentheses indicates the IPL, if IPL<3> = 1. User interrupts are disabled when IPL<3> = 1.
- 3:** The IPL<2:0> Status bits are read-only when the NSTDIS bit (INTCON1<15>) = 1.
- 4:** A data write to the SR register can modify the SA and SB bits by either a data write to SA and SB or by clearing the SAB bit. To avoid a possible SA or SB bit write race condition, the SA and SB bits should not be modified using bit operations.

**REGISTER 3-2: CORCON: CORE CONTROL REGISTER**

|        |     |                        |       |                      |                        |     |       |
|--------|-----|------------------------|-------|----------------------|------------------------|-----|-------|
| R/W-0  | U-0 | R/W-0                  | R/W-0 | R/W-0                | R-0                    | R-0 | R-0   |
| VAR    | —   | US<1:0> <sup>(1)</sup> |       | EDT <sup>(1,2)</sup> | DL<2:0> <sup>(1)</sup> |     |       |
| bit 15 |     |                        |       |                      |                        |     | bit 8 |

|                     |                     |                      |                       |                     |     |                    |                   |
|---------------------|---------------------|----------------------|-----------------------|---------------------|-----|--------------------|-------------------|
| R/W-0               | R/W-0               | R/W-1                | R/W-0                 | R/C-0               | R-0 | R/W-0              | R/W-0             |
| SATA <sup>(1)</sup> | SATB <sup>(1)</sup> | SATDW <sup>(1)</sup> | ACCSAT <sup>(1)</sup> | IPL3 <sup>(3)</sup> | SFA | RND <sup>(1)</sup> | IF <sup>(1)</sup> |
| bit 7               |                     |                      |                       |                     |     |                    | bit 0             |

|                   |                                    |
|-------------------|------------------------------------|
| <b>Legend:</b>    | C = Clearable bit                  |
| R = Readable bit  | W = Writable bit                   |
| -n = Value at POR | '1' = Bit is set                   |
|                   | U = Unimplemented bit, read as '0' |
|                   | '0' = Bit is cleared               |
|                   | x = Bit is unknown                 |

- bit 15      **VAR:** Variable Exception Processing Latency Control bit  
 1 = Variable exception processing is enabled  
 0 = Fixed exception processing is enabled
- bit 14      **Unimplemented:** Read as '0'
- bit 13-12   **US<1:0>:** DSP Multiply Unsigned/Signed Control bits<sup>(1)</sup>  
 11 = Reserved  
 10 = DSP engine multiplies are mixed-sign  
 01 = DSP engine multiplies are unsigned  
 00 = DSP engine multiplies are signed
- bit 11      **EDT:** Early DO Loop Termination Control bit<sup>(1,2)</sup>  
 1 = Terminates executing DO loop at end of current loop iteration  
 0 = No effect
- bit 10-8    **DL<2:0>:** DO Loop Nesting Level Status bits<sup>(1)</sup>  
 111 = 7 DO loops are active  
 •  
 •  
 •  
 001 = 1 DO loop is active  
 000 = 0 DO loops are active
- bit 7        **SATA:** ACCA Saturation Enable bit<sup>(1)</sup>  
 1 = Accumulator A saturation is enabled  
 0 = Accumulator A saturation is disabled
- bit 6        **SATB:** ACCB Saturation Enable bit<sup>(1)</sup>  
 1 = Accumulator B saturation is enabled  
 0 = Accumulator B saturation is disabled
- bit 5        **SATDW:** Data Space Write from DSP Engine Saturation Enable bit<sup>(1)</sup>  
 1 = Data space write saturation is enabled  
 0 = Data space write saturation is disabled
- bit 4        **ACCSAT:** Accumulator Saturation Mode Select bit<sup>(1)</sup>  
 1 = 9.31 saturation (super saturation)  
 0 = 1.31 saturation (normal saturation)

**Note 1:** This bit is available on dsPIC33EPXXXMC20X/50X and dsPIC33EPXXXGP50X devices only.  
**Note 2:** This bit is always read as '0'.  
**Note 3:** The IPL3 bit is concatenated with the IPL<2:0> bits (SR<7:5>) to form the CPU Interrupt Priority Level.



**REGISTER 3-2: CORCON: CORE CONTROL REGISTER (CONTINUED)**

- bit 3      **IPL3:** CPU Interrupt Priority Level Status bit 3<sup>(3)</sup>  
1 = CPU Interrupt Priority Level is greater than 7  
0 = CPU Interrupt Priority Level is 7 or less
- bit 2      **SFA:** Stack Frame Active Status bit  
1 = Stack frame is active. W14 and W15 address 0x0000 to 0xFFFF, regardless of DSRPAG and DSWPAG values  
0 = Stack frame is not active. W14 and W15 address of EDS or Base Data Space
- bit 1      **RND:** Rounding Mode Select bit<sup>(1)</sup>  
1 = Biased (conventional) rounding is enabled  
0 = Unbiased (convergent) rounding is enabled
- bit 0      **IF:** Integer or Fractional Multiplier Mode Select bit<sup>(1)</sup>  
1 = Integer mode is enabled for DSP multiply  
0 = Fractional mode is enabled for DSP multiply

- Note 1:** This bit is available on dsPIC33EPXXXMC20X/50X and dsPIC33EPXXXGP50X devices only.  
**2:** This bit is always read as '0'.  
**3:** The IPL3 bit is concatenated with the IPL<2:0> bits (SR<7:5>) to form the CPU Interrupt Priority Level.

**3.8 Arithmetic Logic Unit (ALU)**

The dsPIC33EPXXXGP50X, dsPIC33EPXXXMC20X/50X and PIC24EPXXXGP/MC20X ALU is 16 bits wide and is capable of addition, subtraction, bit shifts and logic operations. Unless otherwise mentioned, arithmetic operations are two’s complement in nature. Depending on the operation, the ALU can affect the values of the Carry (C), Zero (Z), Negative (N), Overflow (OV) and Digit Carry (DC) Status bits in the SR register. The C and DC Status bits operate as Borrow and Digit Borrow bits, respectively, for subtraction operations.

The ALU can perform 8-bit or 16-bit operations, depending on the mode of the instruction that is used. Data for the ALU operation can come from the W register array or data memory, depending on the addressing mode of the instruction. Likewise, output data from the ALU can be written to the W register array or a data memory location.

Refer to the “16-bit MCU and DSC Programmer’s Reference Manual” (DS70157) for information on the SR bits affected by each instruction.

The core CPU incorporates hardware support for both multiplication and division. This includes a dedicated hardware multiplier and support hardware for 16-bit divisor division.

**3.8.1 MULTIPLIER**

Using the high-speed 17-bit x 17-bit multiplier, the ALU supports unsigned, signed, or mixed-sign operation in several MCU multiplication modes:

- 16-bit x 16-bit signed
- 16-bit x 16-bit unsigned
- 16-bit signed x 5-bit (literal) unsigned
- 16-bit signed x 16-bit unsigned
- 16-bit unsigned x 5-bit (literal) unsigned
- 16-bit unsigned x 16-bit signed
- 8-bit unsigned x 8-bit unsigned

**3.8.2 DIVIDER**

The divide block supports 32-bit/16-bit and 16-bit/16-bit signed and unsigned integer divide operations with the following data sizes:

- 32-bit signed/16-bit signed divide
- 32-bit unsigned/16-bit unsigned divide
- 16-bit signed/16-bit signed divide
- 16-bit unsigned/16-bit unsigned divide

The quotient for all divide instructions ends up in W0 and the remainder in W1. 16-bit signed and unsigned DIV instructions can specify any W register for both the 16-bit divisor (Wn) and any W register (aligned) pair (W(m + 1):Wm) for the 32-bit dividend. The divide algorithm takes one cycle per bit of divisor, so both 32-bit/16-bit and 16-bit/16-bit instructions take the same number of cycles to execute.

**3.9 DSP Engine  
(dsPIC33EPXXXMC20X/50X and dsPIC33EPXXXGP50X Devices Only)**

The DSP engine consists of a high-speed 17-bit x 17-bit multiplier, a 40-bit barrel shifter and a 40-bit adder/subtractor (with two target accumulators, round and saturation logic).

The DSP engine can also perform inherent accumulator-to-accumulator operations that require no additional data. These instructions are ADD, SUB and NEG.

The DSP engine has options selected through bits in the CPU Core Control register (CORCON), as listed below:

- Fractional or integer DSP multiply (IF)
- Signed, unsigned or mixed-sign DSP multiply (US)
- Conventional or convergent rounding (RND)
- Automatic saturation on/off for ACCA (SATA)
- Automatic saturation on/off for ACCB (SATB)
- Automatic saturation on/off for writes to data memory (SATDW)
- Accumulator Saturation mode selection (ACCSAT)

**TABLE 3-2: DSP INSTRUCTIONS SUMMARY**

| Instruction | Algebraic Operation   | ACC Write Back |
|-------------|-----------------------|----------------|
| CLR         | $A = 0$               | Yes            |
| ED          | $A = (x - y)^2$       | No             |
| EDAC        | $A = A + (x - y)^2$   | No             |
| MAC         | $A = A + (x \cdot y)$ | Yes            |
| MAC         | $A = A + x^2$         | No             |
| MOVSAC      | No change in A        | Yes            |
| MPY         | $A = x \cdot y$       | No             |
| MPY         | $A = x^2$             | No             |
| MPY.N       | $A = -x \cdot y$      | No             |
| MSC         | $A = A - x \cdot y$   | Yes            |

## 4.0 MEMORY ORGANIZATION

**Note:** This data sheet summarizes the features of the dsPIC33EPXXXGP50X, dsPIC33EPXXXMC20X/50X and PIC24EPXXXGP/MC20X families of devices. It is not intended to be a comprehensive reference source. To complement the information in this data sheet, refer to **Section 4. “Program Memory”** (DS70613) of the “*dsPIC33E/PIC24E Family Reference Manual*”, which is available from the Microchip web site ([www.microchip.com](http://www.microchip.com)).

The dsPIC33EPXXXGP50X, dsPIC33EPXXXMC20X/50X and PIC24EPXXXGP/MC20X architecture features separate program and data memory spaces, and buses. This architecture also allows the direct access of program memory from the Data Space (DS) during code execution.

## 4.1 Program Address Space

The program address memory space of the dsPIC33EPXXXGP50X, dsPIC33EPXXXMC20X/50X and PIC24EPXXXGP/MC20X devices is 4M instructions. The space is addressable by a 24-bit value derived either from the 23-bit PC during program execution, or from table operation or Data Space remapping as described in **Section 4.8 “Interfacing Program and Data Memory Spaces”**.

User application access to the program memory space is restricted to the lower half of the address range (0x000000 to 0x7FFFFFFF). The exception is the use of TBLRD operations, which use TBLPAG<7> to read Device ID sections of the configuration memory space.

The program memory maps, which are presented by device family and memory size, are shown in **Figure 4-1 through Figure 4-5**.

**FIGURE 4-1: PROGRAM MEMORY MAP FOR dsPIC33EP32GP50X, dsPIC33EP32MC20X/50X AND PIC24EP32GP/MC20X DEVICES**



FIGURE 4-2: PROGRAM MEMORY MAP FOR dsPIC33EP64GP50X, dsPIC33EP64MC20X/50X AND PIC24EP64GP/MC20X DEVICES



FIGURE 4-3: PROGRAM MEMORY MAP FOR dsPIC33EP128GP50X, dsPIC33EP128MC20X/50X AND PIC24EP128GP/MC20X DEVICES



FIGURE 4-4: PROGRAM MEMORY MAP FOR dsPIC33EP256GP50X, dsPIC33EP256MC20X/50X AND PIC24EP256GP/MC20X DEVICES



FIGURE 4-5: PROGRAM MEMORY MAP FOR dsPIC33EP512GP50X, dsPIC33EP512MC20X/50X AND PIC24EP512GP/MC20X DEVICES



**4.1.1 PROGRAM MEMORY ORGANIZATION**

The program memory space is organized in word-addressable blocks. Although it is treated as 24 bits wide, it is more appropriate to think of each address of the program memory as a lower and upper word, with the upper byte of the upper word being unimplemented. The lower word always has an even address, while the upper word has an odd address (Figure 4-6).

Program memory addresses are always word-aligned on the lower word, and addresses are incremented, or decremented by two, during code execution. This arrangement provides compatibility with data memory space addressing and makes data in the program memory space accessible.

**4.1.2 INTERRUPT AND TRAP VECTORS**

All dsPIC33EPXXXGP50X, dsPIC33EPXXXMC20X/50X and PIC24EPXXXGP/MC20X devices reserve the addresses between 0x000000 and 0x000200 for hard-coded program execution vectors. A hardware Reset vector is provided to redirect code execution from the default value of the PC on device Reset to the actual start of code. A GOTO instruction is programmed by the user application at address 0x000000 of Flash memory, with the actual address for the start of code at address 0x000002 of Flash memory.

A more detailed discussion of the Interrupt Vector Tables (IVTs) is provided in Section 7.1 “Interrupt Vector Table”.

**FIGURE 4-6: PROGRAM MEMORY ORGANIZATION**





## 4.2 Data Address Space

The dsPIC33EPXXXGP50X, dsPIC33EPXXXMC20X/50X and PIC24EPXXXGP/MC20X CPU has a separate 16-bit-wide data memory space. The Data Space is accessed using separate Address Generation Units (AGUs) for read and write operations. The data memory maps, which are presented by device family and memory size, are shown in [Figure 4-7](#) through [Figure 4-16](#).

All Effective Addresses (EAs) in the data memory space are 16 bits wide and point to bytes within the Data Space. This arrangement gives a base Data Space address range of 64 Kbytes (32K words).

The base Data Space address is used in conjunction with a Read or Write Page register (DSRPAG or DSWPAG) to form an Extended Data Space, which has a total address range of 16 Mbytes.

dsPIC33EPXXXGP50X, dsPIC33EPXXXMC20X/50X and PIC24EPXXXGP/MC20X devices implement up to 52 Kbytes of data memory (4 Kbytes of data memory for Special Function Registers and up to 48K of data memory for RAM). If an EA points to a location outside of this area, an all-zero word or byte is returned.

### 4.2.1 DATA SPACE WIDTH

The data memory space is organized in byte-addressable, 16-bit wide blocks. Data is aligned in data memory and registers as 16-bit words, but all Data Space EAs resolve to bytes. The Least Significant Bytes (LSBs) of each word have even addresses, while the Most Significant Bytes (MSBs) have odd addresses.

### 4.2.2 DATA MEMORY ORGANIZATION AND ALIGNMENT

To maintain backward compatibility with PIC® MCU devices and improve Data Space memory usage efficiency, the dsPIC33EPXXXGP50X, dsPIC33EPXXXMC20X/50X and PIC24EPXXXGP/MC20X instruction set supports both word and byte operations. As a consequence of byte accessibility, all Effective Address calculations are internally scaled to step through word-aligned memory. For example, the core recognizes that Post-Modified Register Indirect Addressing mode [Ws++] results in a value of Ws + 1 for byte operations and Ws + 2 for word operations.

A data byte read, reads the complete word that contains the byte, using the LSB of any EA to determine which byte to select. The selected byte is placed onto the LSB of the data path. That is, data memory and registers are organized as two parallel, byte-wide entities with shared (word) address decode but separate write lines. Data byte writes only write to the corresponding side of the array or register that matches the byte address.

All word accesses must be aligned to an even address. Misaligned word data fetches are not supported, so care must be taken when mixing byte and word operations, or translating from 8-bit MCU code. If a misaligned read or write is attempted, an address error trap is generated. If the error occurred on a read, the instruction underway is completed. If the error occurred on a write, the instruction is executed but the write does not occur. In either case, a trap is then executed, allowing the system and/or user application to examine the machine state prior to execution of the address Fault.

All byte loads into any W register are loaded into the LSB. The MSB is not modified.

A Sign-Extend (SE) instruction is provided to allow user applications to translate 8-bit signed data to 16-bit signed values. Alternatively, for 16-bit unsigned data, user applications can clear the MSB of any W register by executing a Zero-Extend (ZE) instruction on the appropriate address.

### 4.2.3 SFR SPACE

The first 4 Kbytes of the Near Data Space, from 0x0000 to 0x0FFF, is primarily occupied by Special Function Registers (SFRs). These are used by the dsPIC33EPXXXGP50X, dsPIC33EPXXXMC20X/50X and PIC24EPXXXGP/MC20X core and peripheral modules for controlling the operation of the device.

SFRs are distributed among the modules that they control, and are generally grouped together by module. Much of the SFR space contains unused addresses; these are read as '0'.

|   |
|---|
| <b>Note:</b> The actual set of peripheral features and interrupts varies by the device. Refer to the corresponding device tables and pinout diagrams for device-specific information. |
|---|

### 4.2.4 NEAR DATA SPACE

The 8-Kbyte area, between 0x0000 and 0x1FFF, is referred to as the Near Data Space. Locations in this space are directly addressable through a 13-bit absolute address field within all memory direct instructions. Additionally, the whole Data Space is addressable using MOV instructions, which support Memory Direct Addressing mode with a 16-bit address field, or by using Indirect Addressing mode using a working register as an Address Pointer.

**FIGURE 4-7: DATA MEMORY MAP FOR dsPIC33EP32MC20X/50X AND dsPIC33EP32GP50X DEVICES**



**FIGURE 4-8: DATA MEMORY MAP FOR dsPIC33EP64MC20X/50X AND dsPIC33EP64GP50X DEVICES**



**FIGURE 4-9: DATA MEMORY MAP FOR dsPIC33EP128MC20X/50X AND dsPIC33EP128GP50X DEVICES**



**FIGURE 4-10: DATA MEMORY MAP FOR dsPIC33EP256MC20X/50X AND dsPIC33EP256GP50X DEVICES**



FIGURE 4-11: DATA MEMORY MAP FOR dsPIC33EP512MC20X/50X AND dsPIC33EP512GP50X DEVICES



FIGURE 4-12: DATA MEMORY MAP FOR PIC24EP32GP/MC20X/50X DEVICES



FIGURE 4-13: DATA MEMORY MAP FOR PIC24EP64GP/MC20X/50X DEVICES





FIGURE 4-14: DATA MEMORY MAP FOR PIC24EP128GP/MC20X/50X DEVICES



FIGURE 4-15: DATA MEMORY MAP FOR PIC24EP256GP/MC20X/50X DEVICES



FIGURE 4-16: DATA MEMORY MAP FOR PIC24EP512GP/MC20X/50X DEVICES



## 4.2.5 X AND Y DATA SPACES

The dsPIC33EPXXXMC20X/50X and dsPIC33EPXXXGP50X core has two data spaces, X and Y. These data spaces can be considered either separate (for some DSP instructions) or as one unified linear address range (for MCU instructions). The data spaces are accessed using two Address Generation Units (AGUs) and separate data paths. This feature allows certain instructions to concurrently fetch two words from RAM, thereby enabling efficient execution of DSP algorithms, such as Finite Impulse Response (FIR) filtering and Fast Fourier Transform (FFT).

The X Data Space is used by all instructions and supports all addressing modes. X Data Space has separate read and write data buses. The X read data bus is the read data path for all instructions that view Data Space as combined X and Y address space. It is also the X data prefetch path for the dual operand DSP instructions (MAC class).

The Y Data Space is used in concert with the X Data Space by the MAC class of instructions (CLR, ED, EDAC, MAC, MOVSAC, MPY, MPY.N and MSC) to provide two concurrent data read paths.

Both the X and Y data spaces support Modulo Addressing mode for all instructions, subject to addressing mode restrictions. Bit-Reversed Addressing mode is only supported for writes to X Data Space. Modulo Addressing and Bit-Reversed Addressing are not present in PIC24EPXXXGP/MC20X devices.

All data memory writes, including in DSP instructions, view Data Space as combined X and Y address space. The boundary between the X and Y data spaces is device-dependent and is not user-programmable.

## 4.3 Memory Resources

Many useful resources are provided on the main product page of the Microchip web site for the devices listed in this data sheet. This product page, which can be accessed using this [link](#), contains the latest updates and additional information.

|  |
|--|
| <b>Note:</b> In the event you are not able to access the product page using the link above, enter this URL in your browser:<br><a href="http://www.microchip.com/wwwproducts/Devices.aspx?dDocName=en555464">http://www.microchip.com/wwwproducts/Devices.aspx?dDocName=en555464</a> |
|--|

### 4.3.1 KEY RESOURCES

- **Section 4. “Program Memory”** (DS70613)
- Code Samples
- Application Notes
- Software Libraries
- Webinars
- All Related “*dsPIC33E/PIC24E Family Reference Manual*” Sections
- Development Tools

## 4.4 Special Function Register Maps

**TABLE 4-1: CPU CORE REGISTER MAP FOR dsPIC33EPXXMC20X/50X AND dsPIC33EPXXGP50X DEVICES ONLY**

| File Name | Addr. | Bit 15                     | Bit 14 | Bit 13 | Bit 12 | Bit 11 | Bit 10 | Bit 9       | Bit 8 | Bit 7 | Bit 6         | Bit 5 | Bit 4 | Bit 3 | Bit 2 | Bit 1 | Bit 0 | All Resets |      |
|-----------|-------|----------------------------|--------|--------|--------|--------|--------|-------------|-------|-------|---------------|-------|-------|-------|-------|-------|-------|------------|------|
| W0        | 0000  | W0 (WREG)                  |        |        |        |        |        |             |       |       |               |       |       |       |       |       |       | xxxx       |      |
| W1        | 0002  | W1                         |        |        |        |        |        |             |       |       |               |       |       |       |       |       |       | xxxx       |      |
| W2        | 0004  | W2                         |        |        |        |        |        |             |       |       |               |       |       |       |       |       |       | xxxx       |      |
| W3        | 0006  | W3                         |        |        |        |        |        |             |       |       |               |       |       |       |       |       |       | xxxx       |      |
| W4        | 0008  | W4                         |        |        |        |        |        |             |       |       |               |       |       |       |       |       |       | xxxx       |      |
| W5        | 000A  | W5                         |        |        |        |        |        |             |       |       |               |       |       |       |       |       |       | xxxx       |      |
| W6        | 000C  | W6                         |        |        |        |        |        |             |       |       |               |       |       |       |       |       |       | xxxx       |      |
| W7        | 000E  | W7                         |        |        |        |        |        |             |       |       |               |       |       |       |       |       |       | xxxx       |      |
| W8        | 0010  | W8                         |        |        |        |        |        |             |       |       |               |       |       |       |       |       |       | xxxx       |      |
| W9        | 0012  | W9                         |        |        |        |        |        |             |       |       |               |       |       |       |       |       |       | xxxx       |      |
| W10       | 0014  | W10                        |        |        |        |        |        |             |       |       |               |       |       |       |       |       |       | xxxx       |      |
| W11       | 0016  | W11                        |        |        |        |        |        |             |       |       |               |       |       |       |       |       |       | xxxx       |      |
| W12       | 0018  | W12                        |        |        |        |        |        |             |       |       |               |       |       |       |       |       |       | xxxx       |      |
| W13       | 001A  | W13                        |        |        |        |        |        |             |       |       |               |       |       |       |       |       |       | xxxx       |      |
| W14       | 001C  | W14                        |        |        |        |        |        |             |       |       |               |       |       |       |       |       |       | xxxx       |      |
| W15       | 001E  | W15                        |        |        |        |        |        |             |       |       |               |       |       |       |       |       |       | xxxx       |      |
| SPLIM     | 0020  | SPLIM                      |        |        |        |        |        |             |       |       |               |       |       |       |       |       |       | 0000       |      |
| ACCAL     | 0022  | ACCAL                      |        |        |        |        |        |             |       |       |               |       |       |       |       |       |       | 0000       |      |
| ACCAH     | 0024  | ACCAH                      |        |        |        |        |        |             |       |       |               |       |       |       |       |       |       | 0000       |      |
| ACCAU     | 0026  | Sign Extension of ACCA<39> |        |        |        |        |        |             |       | ACCAU |               |       |       |       |       |       |       | 0000       |      |
| ACCBL     | 0028  | ACCBL                      |        |        |        |        |        |             |       |       |               |       |       |       |       |       |       | 0000       |      |
| ACCBH     | 002A  | ACCBH                      |        |        |        |        |        |             |       |       |               |       |       |       |       |       |       | 0000       |      |
| ACCBU     | 002C  | Sign Extension of ACCB<39> |        |        |        |        |        |             |       | ACCBU |               |       |       |       |       |       |       | 0000       |      |
| PCL       | 002E  | PCL<15:0>                  |        |        |        |        |        |             |       |       |               |       |       |       |       |       |       | —          | 0000 |
| PCH       | 0030  | —                          | —      | —      | —      | —      | —      | —           | —     | —     | PCH<6:0>      |       |       |       |       |       |       | 0000       |      |
| DSRPAG    | 0032  | —                          | —      | —      | —      | —      | —      | DSRPAG<9:0> |       |       |               |       |       |       |       | 0001  |       |            |      |
| DSWPAG    | 0034  | —                          | —      | —      | —      | —      | —      | DSWPAG<8:0> |       |       |               |       |       |       |       | 0001  |       |            |      |
| RCOUNT    | 0036  | RCOUNT<15:0>               |        |        |        |        |        |             |       |       |               |       |       |       |       |       |       | 0000       |      |
| DCOUNT    | 0038  | DCOUNT<15:0>               |        |        |        |        |        |             |       |       |               |       |       |       |       |       |       | 0000       |      |
| DOSTARTL  | 003A  | DOSTARTL<15:1>             |        |        |        |        |        |             |       |       |               |       |       |       |       |       |       | —          | 0000 |
| DOSTARTH  | 003C  | —                          | —      | —      | —      | —      | —      | —           | —     | —     | DOSTARTH<5:0> |       |       |       |       |       | 0000  |            |      |
| DOENDL    | 003E  | DOENDL<15:1>               |        |        |        |        |        |             |       |       |               |       |       |       |       |       |       | —          | 0000 |
| DOENDH    | 0040  | —                          | —      | —      | —      | —      | —      | —           | —     | —     | DOENDH<5:0>   |       |       |       |       |       | 0000  |            |      |

**Legend:** x = unknown value on Reset, — = unimplemented, read as '0'. Reset values are shown in hexadecimal.

**TABLE 4-1: CPU CORE REGISTER MAP FOR dsPIC33EPXXXMC20X/50X AND dsPIC33EPXXXGP50X DEVICES ONLY (CONTINUED)**

| File Name | Addr. | Bit 15        | Bit 14      | Bit 13       | Bit 12 | Bit 11   | Bit 10  | Bit 9 | Bit 8 | Bit 7       | Bit 6 | Bit 5 | Bit 4    | Bit 3 | Bit 2 | Bit 1 | Bit 0 | All Resets |      |
|-----------|-------|---------------|-------------|--------------|--------|----------|---------|-------|-------|-------------|-------|-------|----------|-------|-------|-------|-------|------------|------|
| SR        | 0042  | OA            | OB          | SA           | SB     | OAB      | SAB     | DA    | DC    | IPL2        | IPL1  | IPL0  | RA       | N     | OV    | Z     | C     | 0000       |      |
| CORCON    | 0044  | VAR           | —           | US<1:0>      |        | EDT      | DL<2:0> |       |       | SATA        | SATB  | SATDW | ACCSAT   | IPL3  | SFA   | RND   | IF    | 0020       |      |
| MODCON    | 0046  | XMODEN        | YMODEN      | —            | —      | BWM<3:0> |         |       |       | YWM<3:0>    |       |       | XWM<3:0> |       |       |       | 0000  |            |      |
| XMODSRT   | 0048  | XMODSRT<15:0> |             |              |        |          |         |       |       |             |       |       |          |       |       |       |       | —          | 0000 |
| XMODEND   | 004A  | XMODEND<15:0> |             |              |        |          |         |       |       |             |       |       |          |       |       |       |       | —          | 0001 |
| YMODSRT   | 004C  | YMODSRT<15:0> |             |              |        |          |         |       |       |             |       |       |          |       |       |       |       | —          | 0000 |
| YMODEND   | 004E  | YMODEND<15:0> |             |              |        |          |         |       |       |             |       |       |          |       |       |       |       | —          | 0001 |
| XBREV     | 0050  | BREN          | XBREV<14:0> |              |        |          |         |       |       |             |       |       |          |       |       |       |       | 0000       |      |
| DISCNT    | 0052  | —             | —           | DISCNT<13:0> |        |          |         |       |       |             |       |       |          |       |       |       |       | 0000       |      |
| TBLPAG    | 0054  | —             | —           | —            | —      | —        | —       | —     | —     | TBLPAG<7:0> |       |       |          |       |       |       |       |            | 0000 |
| MSTRPR    | 0058  | MSTRPR<15:0>  |             |              |        |          |         |       |       |             |       |       |          |       |       |       |       | 0000       |      |

**Legend:** x = unknown value on Reset, — = unimplemented, read as '0'. Reset values are shown in hexadecimal.

**TABLE 4-2: CPU CORE REGISTER MAP FOR PIC24EPXXXGP/MC20X DEVICES ONLY**

| File Name | Addr. | Bit 15       | Bit 14 | Bit 13       | Bit 12 | Bit 11 | Bit 10 | Bit 9       | Bit 8       | Bit 7       | Bit 6    | Bit 5 | Bit 4 | Bit 3 | Bit 2 | Bit 1 | Bit 0 | All Resets |      |
|-----------|-------|--------------|--------|--------------|--------|--------|--------|-------------|-------------|-------------|----------|-------|-------|-------|-------|-------|-------|------------|------|
| W0        | 0000  | W0 (WREG)    |        |              |        |        |        |             |             |             |          |       |       |       |       |       |       | xxxx       |      |
| W1        | 0002  | W1           |        |              |        |        |        |             |             |             |          |       |       |       |       |       |       | xxxx       |      |
| W2        | 0004  | W2           |        |              |        |        |        |             |             |             |          |       |       |       |       |       |       | xxxx       |      |
| W3        | 0006  | W3           |        |              |        |        |        |             |             |             |          |       |       |       |       |       |       | xxxx       |      |
| W4        | 0008  | W4           |        |              |        |        |        |             |             |             |          |       |       |       |       |       |       | xxxx       |      |
| W5        | 000A  | W5           |        |              |        |        |        |             |             |             |          |       |       |       |       |       |       | xxxx       |      |
| W6        | 000C  | W6           |        |              |        |        |        |             |             |             |          |       |       |       |       |       |       | xxxx       |      |
| W7        | 000E  | W7           |        |              |        |        |        |             |             |             |          |       |       |       |       |       |       | xxxx       |      |
| W8        | 0010  | W8           |        |              |        |        |        |             |             |             |          |       |       |       |       |       |       | xxxx       |      |
| W9        | 0012  | W9           |        |              |        |        |        |             |             |             |          |       |       |       |       |       |       | xxxx       |      |
| W10       | 0014  | W10          |        |              |        |        |        |             |             |             |          |       |       |       |       |       |       | xxxx       |      |
| W11       | 0016  | W11          |        |              |        |        |        |             |             |             |          |       |       |       |       |       |       | xxxx       |      |
| W12       | 0018  | W12          |        |              |        |        |        |             |             |             |          |       |       |       |       |       |       | xxxx       |      |
| W13       | 001A  | W13          |        |              |        |        |        |             |             |             |          |       |       |       |       |       |       | xxxx       |      |
| W14       | 001C  | W14          |        |              |        |        |        |             |             |             |          |       |       |       |       |       |       | xxxx       |      |
| W15       | 001E  | W15          |        |              |        |        |        |             |             |             |          |       |       |       |       |       |       | xxxx       |      |
| SPLIM     | 0020  | SPLIM<15:0>  |        |              |        |        |        |             |             |             |          |       |       |       |       |       |       | 0000       |      |
| PCL       | 002E  | PCL<15:1>    |        |              |        |        |        |             |             |             |          |       |       |       |       |       |       | —          | 0000 |
| PCH       | 0030  | —            | —      | —            | —      | —      | —      | —           | —           | —           | PCH<6:0> |       |       |       |       |       |       | 0000       |      |
| DSRPAG    | 0032  | —            | —      | —            | —      | —      | —      | DSRPAG<9:0> |             |             |          |       |       |       |       |       |       | 0001       |      |
| DSWPAG    | 0034  | —            | —      | —            | —      | —      | —      | —           | DSWPAG<8:0> |             |          |       |       |       |       |       |       |            | 0001 |
| RCOUNT    | 0036  | RCOUNT<15:0> |        |              |        |        |        |             |             |             |          |       |       |       |       |       |       | 0000       |      |
| SR        | 0042  | —            | —      | —            | —      | —      | —      | —           | DC          | IPL2        | IPL1     | IPL0  | RA    | N     | OV    | Z     | C     | 0000       |      |
| CORCON    | 0044  | VAR          | —      | —            | —      | —      | —      | —           | —           | —           | —        | —     | —     | IPL3  | SFA   | —     | —     | 0020       |      |
| DISCNT    | 0052  | —            | —      | DISCNT<13:0> |        |        |        |             |             |             |          |       |       |       |       |       |       | 0000       |      |
| TBLPAG    | 0054  | —            | —      | —            | —      | —      | —      | —           | —           | TBLPAG<7:0> |          |       |       |       |       |       |       | 0000       |      |
| MSTRPR    | 0058  | MSTRPR<15:0> |        |              |        |        |        |             |             |             |          |       |       |       |       |       |       | 0000       |      |

**Legend:** x = unknown value on Reset, — = unimplemented, read as '0'. Reset values are shown in hexadecimal.

**TABLE 4-3: INTERRUPT CONTROLLER REGISTER MAP FOR PIC24EPXXXGP20X DEVICES ONLY**

| File Name | Addr. | Bit 15 | Bit 14      | Bit 13 | Bit 12 | Bit 11   | Bit 10        | Bit 9   | Bit 8  | Bit 7       | Bit 6          | Bit 5   | Bit 4   | Bit 3   | Bit 2        | Bit 1     | Bit 0   | All Resets |
|-----------|-------|--------|-------------|--------|--------|----------|---------------|---------|--------|-------------|----------------|---------|---------|---------|--------------|-----------|---------|------------|
| IFS0      | 0800  | —      | DMA11F      | AD11F  | U1TX1F | U1RX1F   | SPI11F        | SPI1EIF | T31F   | T21F        | OC21F          | IC21F   | DMA01F  | T11F    | OC11F        | IC11F     | INT01F  | 0000       |
| IFS1      | 0802  | U2TX1F | U2RX1F      | INT21F | T51F   | T41F     | OC41F         | OC31F   | DMA21F | —           | —              | —       | INT11F  | CN1F    | CM1F         | M12C11F   | SI2C11F | 0000       |
| IFS2      | 0804  | —      | —           | —      | —      | —        | —             | —       | —      | —           | IC41F          | IC31F   | DMA31F  | —       | —            | SPI21F    | SPI2EIF | 0000       |
| IFS3      | 0806  | —      | —           | —      | —      | —        | —             | —       | —      | —           | —              | —       | —       | —       | M12C21F      | SI2C21F   | —       | 0000       |
| IFS4      | 0808  | —      | —           | CTMUIF | —      | —        | —             | —       | —      | —           | —              | —       | —       | CRC1F   | U2EIF        | U1EIF     | —       | 0000       |
| IFS8      | 0810  | JTAG1F | ICD1F       | —      | —      | —        | —             | —       | —      | —           | —              | —       | —       | —       | —            | —         | —       | 0000       |
| IFS9      | 0812  | —      | —           | —      | —      | —        | —             | —       | —      | —           | PTG31F         | PTG21F  | PTG11F  | PTG01F  | PTGWDT1F     | PTGSTPE1F | —       | 0000       |
| IEC0      | 0820  | —      | DMA11E      | AD11E  | U1TX1E | U1RX1E   | SPI11E        | SPI1E1E | T31E   | T21E        | OC21E          | IC21E   | DMA01E  | T11E    | OC11E        | IC11E     | INT01E  | 0000       |
| IEC1      | 0822  | U2TX1E | U2RX1E      | INT21E | T51E   | T41E     | OC41E         | OC31E   | DMA21E | —           | —              | —       | INT11E  | CN1E    | CM1E         | M12C11E   | SI2C11E | 0000       |
| IEC2      | 0824  | —      | —           | —      | —      | —        | —             | —       | —      | —           | IC41E          | IC31E   | DMA31E  | —       | —            | SPI21E    | SPI2E1E | 0000       |
| IEC3      | 0826  | —      | —           | —      | —      | —        | —             | —       | —      | —           | —              | —       | —       | —       | M12C21E      | SI2C21E   | —       | 0000       |
| IEC4      | 0828  | —      | —           | CTMUIE | —      | —        | —             | —       | —      | —           | —              | —       | —       | CRC1E   | U2E1E        | U1E1E     | —       | 0000       |
| IEC8      | 0830  | JTAG1E | ICD1E       | —      | —      | —        | —             | —       | —      | —           | —              | —       | —       | —       | —            | —         | —       | 0000       |
| IEC9      | 0832  | —      | —           | —      | —      | —        | —             | —       | —      | —           | PTG31E         | PTG21E  | PTG11E  | PTG01E  | PTGWDT1E     | PTGSTPE1E | —       | 0000       |
| IPC0      | 0840  | —      | T11P<2:0>   |        |        | —        | OC11P<2:0>    |         |        | —           | IC11P<2:0>     |         |         | —       | INT01P<2:0>  |           |         | 4444       |
| IPC1      | 0842  | —      | T21P<2:0>   |        |        | —        | OC21P<2:0>    |         |        | —           | IC21P<2:0>     |         |         | —       | DMA01P<2:0>  |           |         | 4444       |
| IPC2      | 0844  | —      | U1RX1P<2:0> |        |        | —        | SPI11P<2:0>   |         |        | —           | SPI1E1P<2:0>   |         |         | —       | T31P<2:0>    |           |         | 4444       |
| IPC3      | 0846  | —      | —           | —      | —      | —        | DMA11P<2:0>   |         |        | —           | AD11P<2:0>     |         |         | —       | U1TX1P<2:0>  |           |         | 0444       |
| IPC4      | 0848  | —      | CN1P<2:0>   |        |        | —        | CM1P<2:0>     |         |        | —           | M12C11P<2:0>   |         |         | —       | SI2C11P<2:0> |           |         | 4444       |
| IPC5      | 084A  | —      | —           | —      | —      | —        | —             | —       | —      | —           | —              | —       | —       | —       | INT11P<2:0>  |           |         | 0004       |
| IPC6      | 084C  | —      | T41P<2:0>   |        |        | —        | OC41P<2:0>    |         |        | —           | OC31P<2:0>     |         |         | —       | DMA21P<2:0>  |           |         | 4444       |
| IPC7      | 084E  | —      | U2TX1P<2:0> |        |        | —        | U2RX1P<2:0>   |         |        | —           | INT21P<2:0>    |         |         | —       | T51P<2:0>    |           |         | 4444       |
| IPC8      | 0850  | —      | —           | —      | —      | —        | —             | —       | —      | —           | SPI21P<2:0>    |         |         | —       | SPI2E1P<2:0> |           |         | 0044       |
| IPC9      | 0852  | —      | —           | —      | —      | —        | IC41P<2:0>    |         |        | —           | IC31P<2:0>     |         |         | —       | DMA31P<2:0>  |           |         | 0444       |
| IPC12     | 0858  | —      | —           | —      | —      | —        | M12C21P<2:0>  |         |        | —           | SI2C21P<2:0>   |         |         | —       | —            | —         | —       | 0440       |
| IPC16     | 0860  | —      | CRC1P<2:0>  |        |        | —        | U2E1P<2:0>    |         |        | —           | U1E1P<2:0>     |         |         | —       | —            | —         | —       | 4440       |
| IPC19     | 0866  | —      | —           | —      | —      | —        | —             | —       | —      | —           | CTMUIP<2:0>    |         |         | —       | —            | —         | —       | 0040       |
| IPC35     | 0886  | —      | JTAG1P<2:0> |        |        | —        | ICD1P<2:0>    |         |        | —           | —              | —       | —       | —       | —            | —         | —       | 4400       |
| IPC36     | 0888  | —      | PTG01P<2:0> |        |        | —        | PTGWDT1P<2:0> |         |        | —           | PTGSTPE1P<2:0> |         |         | —       | —            | —         | —       | 4440       |
| IPC37     | 088A  | —      | —           | —      | —      | —        | PTG31P<2:0>   |         |        | —           | PTG21P<2:0>    |         |         | —       | PTG11P<2:0>  |           |         | 0444       |
| INTCON1   | 08C0  | NSTDIS | OVAERR      | OVBERR | —      | —        | —             | —       | —      | —           | DIV0ERR        | DMACERR | MATHERR | ADDRERR | STKERR       | OSCFAIL   | —       | 0000       |
| INTCON2   | 08C2  | GIE    | DISI        | SWTRAP | —      | —        | —             | —       | —      | —           | —              | —       | —       | —       | INT2EP       | INT1EP    | INT0EP  | 8000       |
| INTCON3   | 08C4  | —      | —           | —      | —      | —        | —             | —       | —      | —           | —              | DAE     | DOOVR   | —       | —            | —         | —       | 0000       |
| INTCON4   | 08C6  | —      | —           | —      | —      | —        | —             | —       | —      | —           | —              | —       | —       | —       | —            | —         | SGHT    | 0000       |
| INTTREG   | 08C8  | —      | —           | —      | —      | ILR<3:0> |               |         |        | VECNUM<7:0> |                |         |         |         |              |           | 0000    |            |

**Legend:** — = unimplemented, read as '0'. Reset values are shown in hexadecimal.



**TABLE 4-4: INTERRUPT CONTROLLER REGISTER MAP FOR PIC24EPXXXMC20X DEVICES ONLY**

| File Name | Addr. | Bit 15 | Bit 14      | Bit 13 | Bit 12 | Bit 11 | Bit 10       | Bit 9   | Bit 8  | Bit 7 | Bit 6        | Bit 5  | Bit 4  | Bit 3  | Bit 2        | Bit 1     | Bit 0   | All Resets |
|-----------|-------|--------|-------------|--------|--------|--------|--------------|---------|--------|-------|--------------|--------|--------|--------|--------------|-----------|---------|------------|
| IFS0      | 0800  | —      | DMA1IF      | AD1IF  | U1TXIF | U1RXIF | SPI1IF       | SPI1EIF | T3IF   | T2IF  | OC2IF        | IC2IF  | DMA0IF | T1IF   | OC1IF        | IC1IF     | INT0IF  | 0000       |
| IFS1      | 0802  | U2TXIF | U2RXIF      | INT2IF | T5IF   | T4IF   | OC4IF        | OC3IF   | DMA2IF | —     | —            | —      | INT1IF | CNIF   | CMIF         | MI2C1IF   | SI2C1IF | 0000       |
| IFS2      | 0804  | —      | —           | —      | —      | —      | —            | —       | —      | —     | IC4IF        | IC3IF  | DMA3IF | —      | —            | SPI2IF    | SPI2EIF | 0000       |
| IFS3      | 0806  | —      | —           | —      | —      | —      | QE11IF       | PSEMIF  | —      | —     | —            | —      | —      | —      | MI2C2IF      | SI2C2IF   | —       | 0000       |
| IFS4      | 0808  | —      | —           | CTMUIF | —      | —      | —            | —       | —      | —     | —            | —      | —      | CRCIF  | U2EIF        | U1EIF     | —       | 0000       |
| IFS5      | 080A  | PWM2IF | PWM1IF      | —      | —      | —      | —            | —       | —      | —     | —            | —      | —      | —      | —            | —         | —       | 0000       |
| IFS6      | 080C  | —      | —           | —      | —      | —      | —            | —       | —      | —     | —            | —      | —      | —      | —            | —         | PWM3IF  | 0000       |
| IFS8      | 0810  | JTAGIF | ICDIF       | —      | —      | —      | —            | —       | —      | —     | —            | —      | —      | —      | —            | —         | —       | 0000       |
| IFS9      | 0812  | —      | —           | —      | —      | —      | —            | —       | —      | —     | PTG3IF       | PTG2IF | PTG1IF | PTG0IF | PTGWDTIF     | PTGSTEIF  | —       | 0000       |
| IEC0      | 0820  | —      | DMA1IE      | AD1IE  | U1TXIE | U1RXIE | SPI1IE       | SPI1EIE | T3IE   | T2IE  | OC2IE        | IC2IE  | DMA0IE | T1IE   | OC1IE        | IC1IE     | INT0IE  | 0000       |
| IEC1      | 0822  | U2TXIE | U2RXIE      | INT2IE | T5IE   | T4IE   | OC4IE        | OC3IE   | DMA2IE | —     | —            | —      | INT1IE | CNIE   | CMIE         | MI2C1IE   | SI2C1IE | 0000       |
| IEC2      | 0824  | —      | —           | —      | —      | —      | —            | —       | —      | —     | IC4IE        | IC3IE  | DMA3IE | —      | —            | SPI2IE    | SPI2EIE | 0000       |
| IEC3      | 0826  | —      | —           | —      | —      | —      | QE11IE       | PSEMIE  | —      | —     | —            | —      | —      | —      | MI2C2IE      | SI2C2IE   | —       | 0000       |
| IEC4      | 0828  | —      | —           | CTMUIE | —      | —      | —            | —       | —      | —     | —            | —      | —      | CRCIE  | U2EIE        | U1EIE     | —       | 0000       |
| IEC5      | 082A  | PWM2IE | PWM1IE      | —      | —      | —      | —            | —       | —      | —     | —            | —      | —      | —      | —            | —         | —       | 0000       |
| IEC6      | 082C  | —      | —           | —      | —      | —      | —            | —       | —      | —     | —            | —      | —      | —      | —            | —         | PWM3IE  | 0000       |
| IEC8      | 0830  | JTAGIE | ICDIE       | —      | —      | —      | —            | —       | —      | —     | —            | —      | —      | —      | —            | —         | —       | 0000       |
| IEC9      | 0832  | —      | —           | —      | —      | —      | —            | —       | —      | —     | PTG3IE       | PTG2IE | PTG1IE | PTG0IE | PTGWDTIE     | PTGSTIEIE | —       | 0000       |
| IPC0      | 0840  | —      | T1IP<2:0>   |        |        | —      | OC1IP<2:0>   |         |        | —     | IC1IP<2:0>   |        |        | —      | INT0IP<2:0>  |           |         | 4444       |
| IPC1      | 0842  | —      | T2IP<2:0>   |        |        | —      | OC2IP<2:0>   |         |        | —     | IC2IP<2:0>   |        |        | —      | DMA0IP<2:0>  |           |         | 4444       |
| IPC2      | 0844  | —      | U1RXIP<2:0> |        |        | —      | SPI1IP<2:0>  |         |        | —     | SPI1EIP<2:0> |        |        | —      | T3IP<2:0>    |           |         | 4444       |
| IPC3      | 0846  | —      | —           | —      | —      | —      | DMA1IP<2:0>  |         |        | —     | AD1IP<2:0>   |        |        | —      | U1TXIP<2:0>  |           |         | 0444       |
| IPC4      | 0848  | —      | CNIP<2:0>   |        |        | —      | CMIP<2:0>    |         |        | —     | MI2C1IP<2:0> |        |        | —      | SI2C1IP<2:0> |           |         | 4444       |
| IPC5      | 084A  | —      | —           | —      | —      | —      | —            | —       | —      | —     | —            | —      | —      | —      | INT1IP<2:0>  |           |         | 0004       |
| IPC6      | 084C  | —      | T4IP<2:0>   |        |        | —      | OC4IP<2:0>   |         |        | —     | OC3IP<2:0>   |        |        | —      | DMA2IP<2:0>  |           |         | 4444       |
| IPC7      | 084E  | —      | U2TXIP<2:0> |        |        | —      | U2RXIP<2:0>  |         |        | —     | INT2IP<2:0>  |        |        | —      | T5IP<2:0>    |           |         | 4444       |
| IPC8      | 0850  | —      | —           | —      | —      | —      | —            | —       | —      | —     | SPI2IP<2:0>  |        |        | —      | SPI2EIP<2:0> |           |         | 0044       |
| IPC9      | 0852  | —      | —           | —      | —      | —      | IC4IP<2:0>   |         |        | —     | IC3IP<2:0>   |        |        | —      | DMA3IP<2:0>  |           |         | 0444       |
| IPC12     | 0858  | —      | —           | —      | —      | —      | MI2C2IP<2:0> |         |        | —     | SI2C2IP<2:0> |        |        | —      | —            | —         | —       | 0440       |
| IPC14     | 085C  | —      | —           | —      | —      | —      | QE11IP<2:0>  |         |        | —     | PSEMIP<2:0>  |        |        | —      | —            | —         | —       | 0440       |
| IPC16     | 0860  | —      | CRCIP<2:0>  |        |        | —      | U2EIP<2:0>   |         |        | —     | U1EIP<2:0>   |        |        | —      | —            | —         | —       | 4440       |
| IPC19     | 0866  | —      | —           | —      | —      | —      | —            | —       | —      | —     | CTMUIP<2:0>  |        |        | —      | —            | —         | —       | 0040       |
| IPC23     | 086E  | —      | PWM2IP<2:0> |        |        | —      | PWM1IP<2:0>  |         |        | —     | —            | —      | —      | —      | —            | —         | —       | 4400       |
| IPC24     | 0870  | —      | —           | —      | —      | —      | —            | —       | —      | —     | —            | —      | —      | —      | PWM3IP<2:0>  |           |         | 4004       |

**Legend:** — = unimplemented, read as '0'. Reset values are shown in hexadecimal.

**TABLE 4-4: INTERRUPT CONTROLLER REGISTER MAP FOR PIC24EPXXXMC20X DEVICES ONLY (CONTINUED)**

| File Name | Addr. | Bit 15 | Bit 14      | Bit 13 | Bit 12 | Bit 11   | Bit 10        | Bit 9 | Bit 8       | Bit 7 | Bit 6         | Bit 5   | Bit 4   | Bit 3   | Bit 2       | Bit 1   | Bit 0  | All Resets |      |
|-----------|-------|--------|-------------|--------|--------|----------|---------------|-------|-------------|-------|---------------|---------|---------|---------|-------------|---------|--------|------------|------|
| IPC35     | 0886  | —      | JTAGIP<2:0> |        |        | —        | ICDIP<2:0>    |       |             | —     | —             | —       | —       | —       | —           | —       | —      | —          | 4400 |
| IPC36     | 0888  | —      | PTG0IP<2:0> |        |        | —        | PTGWDTIP<2:0> |       |             | —     | PTGSTPIP<2:0> |         |         | —       | —           | —       | —      | —          | 4440 |
| IPC37     | 088A  | —      | —           | —      | —      | —        | PTG3IP<2:0>   |       |             | —     | PTG2IP<2:0>   |         |         | —       | PTG1IP<2:0> |         |        | 0444       |      |
| INTCON1   | 08C0  | NSTDIS | OVAERR      | OVBERR | —      | —        | —             | —     | —           | —     | DIV0ERR       | DMACERR | MATHERR | ADDRERR | STKERR      | OSCFAIL | —      | 0000       |      |
| INTCON2   | 08C2  | GIE    | DISI        | SWTRAP | —      | —        | —             | —     | —           | —     | —             | —       | —       | —       | INT2EP      | INT1EP  | INT0EP | 8000       |      |
| INTCON3   | 08C4  | —      | —           | —      | —      | —        | —             | —     | —           | —     | —             | DAE     | DOOVR   | —       | —           | —       | —      | 0000       |      |
| INTCON4   | 08C6  | —      | —           | —      | —      | —        | —             | —     | —           | —     | —             | —       | —       | —       | —           | —       | SGHT   | 0000       |      |
| INTTREG   | 08C8  | —      | —           | —      | —      | ILR<3:0> |               |       | VECNUM<7:0> |       |               |         |         |         |             |         |        | 0000       |      |

**Legend:** — = unimplemented, read as '0'. Reset values are shown in hexadecimal.

**TABLE 4-5: INTERRUPT CONTROLLER REGISTER MAP FOR dsPIC33EPXXXGP50X DEVICES ONLY**

| File Name | Addr. | Bit 15 | Bit 14      | Bit 13 | Bit 12 | Bit 11 | Bit 10        | Bit 9   | Bit 8  | Bit 7 | Bit 6          | Bit 5  | Bit 4  | Bit 3  | Bit 2        | Bit 1     | Bit 0   | All Resets |
|-----------|-------|--------|-------------|--------|--------|--------|---------------|---------|--------|-------|----------------|--------|--------|--------|--------------|-----------|---------|------------|
| IFS0      | 0800  | —      | DMA1IF      | AD1IF  | U1TXIF | U1RXIF | SPI1IF        | SPI1EIF | T3IF   | T2IF  | OC2IF          | IC2IF  | DMA0IF | T1IF   | OC1IF        | IC1IF     | INT0IF  | 0000       |
| IFS1      | 0802  | U2TXIF | U2RXIF      | INT2IF | T5IF   | T4IF   | OC4IF         | OC3IF   | DMA2IF | —     | —              | —      | INT1IF | CNIF   | CMIF         | MI2C1IF   | SI2C1IF | 0000       |
| IFS2      | 0804  | —      | —           | —      | —      | —      | —             | —       | —      | —     | IC4IF          | IC3IF  | DMA3IF | C1IF   | C1RXIF       | SPI2IF    | SPI2EIF | 0000       |
| IFS3      | 0806  | —      | —           | —      | —      | —      | —             | —       | —      | —     | —              | —      | —      | —      | MI2C2IF      | SI2C2IF   | —       | 0000       |
| IFS4      | 0808  | —      | —           | CTMUIF | —      | —      | —             | —       | —      | —     | C1TXIF         | —      | —      | CRCIF  | U2EIF        | U1EIF     | —       | 0000       |
| IFS6      | 080C  | —      | —           | —      | —      | —      | —             | —       | —      | —     | —              | —      | —      | —      | —            | —         | PWM3IF  | 0000       |
| IFS8      | 0810  | JTAGIF | ICDIF       | —      | —      | —      | —             | —       | —      | —     | —              | —      | —      | —      | —            | —         | —       | 0000       |
| IFS9      | 0812  | —      | —           | —      | —      | —      | —             | —       | —      | —     | PTG3IF         | PTG2IF | PTG1IF | PTG0IF | PTGWDTIF     | PTGSTIEIF | —       | 0000       |
| IEC0      | 0820  | —      | DMA1IE      | AD1IE  | U1TXIE | U1RXIE | SPI1IE        | SPI1EIE | T3IE   | T2IE  | OC2IE          | IC2IE  | DMA0IE | T1IE   | OC1IE        | IC1IE     | INT0IE  | 0000       |
| IEC1      | 0822  | U2TXIE | U2RXIE      | INT2IE | T5IE   | T4IE   | OC4IE         | OC3IE   | DMA2IE | —     | —              | —      | INT1IE | CNIE   | CMIE         | MI2C1IE   | SI2C1IE | 0000       |
| IEC2      | 0824  | —      | —           | —      | —      | —      | —             | —       | —      | —     | IC4IE          | IC3IE  | DMA3IE | C1IE   | C1RXIE       | SPI2IE    | SPI2EIE | 0000       |
| IEC3      | 0826  | —      | —           | —      | —      | —      | —             | —       | —      | —     | —              | —      | —      | —      | MI2C2IE      | SI2C2IE   | —       | 0000       |
| IEC4      | 0828  | —      | —           | CTMUIE | —      | —      | —             | —       | —      | —     | C1TXIE         | —      | —      | CRCIE  | U2EIE        | U1EIE     | —       | 0000       |
| IEC8      | 0830  | JTAGIE | ICDIE       | —      | —      | —      | —             | —       | —      | —     | —              | —      | —      | —      | —            | —         | —       | 0000       |
| IEC9      | 0832  | —      | —           | —      | —      | —      | —             | —       | —      | —     | PTG3IE         | PTG2IE | PTG1IE | PTG0IE | PTGWDTIE     | PTGSTIEIE | —       | 0000       |
| IPC0      | 0840  | —      | T1IP<2:0>   |        |        | —      | OC1IP<2:0>    |         |        | —     | IC1IP<2:0>     |        |        | —      | INT0IP<2:0>  |           |         | 4444       |
| IPC1      | 0842  | —      | T2IP<2:0>   |        |        | —      | OC2IP<2:0>    |         |        | —     | IC2IP<2:0>     |        |        | —      | DMA0IP<2:0>  |           |         | 4444       |
| IPC2      | 0844  | —      | U1RXIP<2:0> |        |        | —      | SPI1IP<2:0>   |         |        | —     | SPI1EIP<2:0>   |        |        | —      | T3IP<2:0>    |           |         | 4444       |
| IPC3      | 0846  | —      | —           | —      | —      | —      | DMA1IP<2:0>   |         |        | —     | AD1IP<2:0>     |        |        | —      | U1TXIP<2:0>  |           |         | 0444       |
| IPC4      | 0848  | —      | CNIP<2:0>   |        |        | —      | CMIP<2:0>     |         |        | —     | MI2C1IP<2:0>   |        |        | —      | SI2C1IP<2:0> |           |         | 4444       |
| IPC5      | 084A  | —      | —           | —      | —      | —      | —             | —       | —      | —     | —              | —      | —      | —      | INT1IP<2:0>  |           |         | 0004       |
| IPC6      | 084C  | —      | T4IP<2:0>   |        |        | —      | OC4IP<2:0>    |         |        | —     | OC3IP<2:0>     |        |        | —      | DMA2IP<2:0>  |           |         | 4444       |
| IPC7      | 084E  | —      | U2TXIP<2:0> |        |        | —      | U2RXIP<2:0>   |         |        | —     | INT2IP<2:0>    |        |        | —      | T5IP<2:0>    |           |         | 4444       |
| IPC8      | 0850  | —      | C1IP<2:0>   |        |        | —      | C1RXIP<2:0>   |         |        | —     | SPI2IP<2:0>    |        |        | —      | SPI2EIP<2:0> |           |         | 4444       |
| IPC9      | 0852  | —      | —           | —      | —      | —      | IC4IP<2:0>    |         |        | —     | IC3IP<2:0>     |        |        | —      | DMA3IP<2:0>  |           |         | 0444       |
| IPC11     | 0856  | —      | —           | —      | —      | —      | —             | —       | —      | —     | —              | —      | —      | —      | —            | —         | —       | 0000       |
| IPC12     | 0858  | —      | —           | —      | —      | —      | MI2C2IP<2:0>  |         |        | —     | SI2C2IP<2:0>   |        |        | —      | —            | —         | —       | 0440       |
| IPC16     | 0860  | —      | CRCIP<2:0>  |        |        | —      | U2EIP<2:0>    |         |        | —     | U1EIP<2:0>     |        |        | —      | —            | —         | —       | 4440       |
| IPC17     | 0862  | —      | —           | —      | —      | —      | C1TXIP<2:0>   |         |        | —     | —              | —      | —      | —      | —            | —         | —       | 0400       |
| IPC19     | 0866  | —      | —           | —      | —      | —      | —             | —       | —      | —     | CTMUIP<2:0>    |        |        | —      | —            | —         | —       | 0040       |
| IPC35     | 0886  | —      | JTAGIP<2:0> |        |        | —      | ICDIP<2:0>    |         |        | —     | —              | —      | —      | —      | —            | —         | —       | 4400       |
| IPC36     | 0888  | —      | PTG0IP<2:0> |        |        | —      | PTGWDTIP<2:0> |         |        | —     | PTGSTIEIP<2:0> |        |        | —      | —            | —         | —       | 4440       |
| IPC37     | 088A  | —      | —           | —      | —      | —      | PTG3IP<2:0>   |         |        | —     | PTG2IP<2:0>    |        |        | —      | PTG1IP<2:0>  |           |         | 0444       |

**Legend:** — = unimplemented, read as '0'. Reset values are shown in hexadecimal.

**TABLE 4-5: INTERRUPT CONTROLLER REGISTER MAP FOR dsPIC33EPXXXGP50X DEVICES ONLY (CONTINUED)**

| File Name | Addr. | Bit 15 | Bit 14 | Bit 13 | Bit 12  | Bit 11   | Bit 10 | Bit 9 | Bit 8 | Bit 7      | Bit 6   | Bit 5   | Bit 4   | Bit 3   | Bit 2  | Bit 1   | Bit 0  | All Resets |
|-----------|-------|--------|--------|--------|---------|----------|--------|-------|-------|------------|---------|---------|---------|---------|--------|---------|--------|------------|
| INTCON1   | 08C0  | NSTDIS | OVAERR | OVBERR | COVAERR | COVBERR  | OVATE  | OVBTE | COVTE | SFTACERR   | DIV0ERR | DMACERR | MATHERR | ADDRERR | STKERR | OSCFAIL | —      | 0000       |
| INTCON2   | 08C2  | GIE    | DISI   | SWTRAP | —       | —        | —      | —     | —     | —          | —       | —       | —       | —       | INT2EP | INT1EP  | INT0EP | 8000       |
| INTCON3   | 08C4  | —      | —      | —      | —       | —        | —      | —     | —     | —          | —       | DAE     | DOOVR   | —       | —      | —       | —      | 0000       |
| INTCON4   | 08C6  | —      | —      | —      | —       | —        | —      | —     | —     | —          | —       | —       | —       | —       | —      | —       | SGHT   | 0000       |
| INTTREG   | 08C8  | —      | —      | —      | —       | ILR<3:0> |        |       |       | VECNM<7:0> |         |         |         |         |        |         | 0000   |            |

**Legend:** — = unimplemented, read as '0'. Reset values are shown in hexadecimal.

**TABLE 4-6: INTERRUPT CONTROLLER REGISTER MAP FOR dsPIC33EPXXXMC20X DEVICES ONLY**

| File Name | Addr. | Bit 15 | Bit 14 | Bit 13      | Bit 12 | Bit 11 | Bit 10 | Bit 9        | Bit 8  | Bit 7 | Bit 6  | Bit 5        | Bit 4  | Bit 3  | Bit 2       | Bit 1        | Bit 0   | All Resets |
|-----------|-------|--------|--------|-------------|--------|--------|--------|--------------|--------|-------|--------|--------------|--------|--------|-------------|--------------|---------|------------|
| IFS0      | 0800  | —      | DMA1IF | AD1IF       | U1TXIF | U1RXIF | SPI1IF | SPI1EIF      | T3IF   | T2IF  | OC2IF  | IC2IF        | DMA0IF | T1IF   | OC1IF       | IC1IF        | INT0IF  | 0000       |
| IFS1      | 0802  | U2TXIF | U2RXIF | INT2IF      | T5IF   | T4IF   | OC4IF  | OC3IF        | DMA2IF | —     | —      | —            | INT1IF | CNIF   | CMIF        | MI2C1IF      | SI2C1IF | 0000       |
| IFS2      | 0804  | —      | —      | —           | —      | —      | —      | —            | —      | —     | IC4IF  | IC3IF        | DMA3IF | —      | —           | SPI2IF       | SPI2EIF | 0000       |
| IFS3      | 0806  | —      | —      | —           | —      | —      | —      | QE11IF       | PSEMIF | —     | —      | —            | —      | —      | MI2C2IF     | SI2C2IF      | —       | 0000       |
| IFS4      | 0808  | —      | —      | CTMUIF      | —      | —      | —      | —            | —      | —     | —      | —            | —      | CRCIF  | U2EIF       | U1EIF        | —       | 0000       |
| IFS5      | 080A  | PWM2IF | PWM1IF | —           | —      | —      | —      | —            | —      | —     | —      | —            | —      | —      | —           | —            | —       | 0000       |
| IFS6      | 080C  | —      | —      | —           | —      | —      | —      | —            | —      | —     | —      | —            | —      | —      | —           | —            | PWM3IF  | 0000       |
| IFS8      | 0810  | JTAGIF | ICDIF  | —           | —      | —      | —      | —            | —      | —     | —      | —            | —      | —      | —           | —            | —       | 0000       |
| IFS9      | 0812  | —      | —      | —           | —      | —      | —      | —            | —      | —     | PTG3IF | PTG2IF       | PTG1IF | PTG0IF | PTGWDTIF    | PTGSTEIF     | —       | 0000       |
| IEC0      | 0820  | —      | DMA1IE | AD1IE       | U1TXIE | U1RXIE | SPI1IE | SPI1EIE      | T3IE   | T2IE  | OC2IE  | IC2IE        | DMA0IE | T1IE   | OC1IE       | IC1IE        | INT0IE  | 0000       |
| IEC1      | 0822  | U2TXIE | U2RXIE | INT2IE      | T5IE   | T4IE   | OC4IE  | OC3IE        | DMA2IE | —     | —      | —            | INT1IE | CNIE   | CMIE        | MI2C1IE      | SI2C1IE | 0000       |
| IEC2      | 0824  | —      | —      | —           | —      | —      | —      | —            | —      | —     | IC4IE  | IC3IE        | DMA3IE | —      | —           | SPI2IE       | SPI2EIE | 0000       |
| IEC3      | 0826  | —      | —      | —           | —      | —      | —      | QE11IE       | PSEMIE | —     | —      | —            | —      | —      | MI2C2IE     | SI2C2IE      | —       | 0000       |
| IEC4      | 0828  | —      | —      | CTMUIE      | —      | —      | —      | —            | —      | —     | —      | —            | —      | CRCIE  | U2EIE       | U1EIE        | —       | 0000       |
| IEC5      | 082A  | PWM2IE | PWM1IE | —           | —      | —      | —      | —            | —      | —     | —      | —            | —      | —      | —           | —            | —       | 0000       |
| IEC6      | 082C  | —      | —      | —           | —      | —      | —      | —            | —      | —     | —      | —            | —      | —      | —           | —            | PWM3IE  | 0000       |
| IEC8      | 0830  | JTAGIE | ICDIE  | —           | —      | —      | —      | —            | —      | —     | —      | —            | —      | —      | —           | —            | —       | 0000       |
| IEC9      | 0832  | —      | —      | —           | —      | —      | —      | —            | —      | —     | PTG3IE | PTG2IE       | PTG1IE | PTG0IE | PTGWDTIE    | PTGSTIE      | —       | 0000       |
| IPC0      | 0840  | —      | —      | T1IP<2:0>   |        | —      | —      | OC1IP<2:0>   |        | —     | —      | IC1IP<2:0>   |        | —      | —           | INT0IP<2:0>  |         | 4444       |
| IPC1      | 0842  | —      | —      | T2IP<2:0>   |        | —      | —      | OC2IP<2:0>   |        | —     | —      | IC2IP<2:0>   |        | —      | —           | DMA0IP<2:0>  |         | 4444       |
| IPC2      | 0844  | —      | —      | U1RXIP<2:0> |        | —      | —      | SPI1IP<2:0>  |        | —     | —      | SPI1EIP<2:0> |        | —      | —           | T3IP<2:0>    |         | 4444       |
| IPC3      | 0846  | —      | —      | —           | —      | —      | —      | DMA1IP<2:0>  |        | —     | —      | AD1IP<2:0>   |        | —      | —           | U1TXIP<2:0>  |         | 0444       |
| IPC4      | 0848  | —      | —      | CNIP<2:0>   |        | —      | —      | CMIP<2:0>    |        | —     | —      | MI2C1IP<2:0> |        | —      | —           | SI2C1IP<2:0> |         | 4444       |
| IPC5      | 084A  | —      | —      | —           | —      | —      | —      | —            | —      | —     | —      | —            | —      | —      | —           | INT1IP<2:0>  |         | 0004       |
| IPC6      | 084C  | —      | —      | T4IP<2:0>   |        | —      | —      | OC4IP<2:0>   |        | —     | —      | OC3IP<2:0>   |        | —      | —           | DMA2IP<2:0>  |         | 4444       |
| IPC7      | 084E  | —      | —      | U2TXIP<2:0> |        | —      | —      | U2RXIP<2:0>  |        | —     | —      | INT2IP<2:0>  |        | —      | —           | T5IP<2:0>    |         | 4444       |
| IPC8      | 0850  | —      | —      | —           | —      | —      | —      | C1RXIP<2:0>  |        | —     | —      | SPI2IP<2:0>  |        | —      | —           | SPI2EIP<2:0> |         | 0444       |
| IPC9      | 0852  | —      | —      | —           | —      | —      | —      | IC4IP<2:0>   |        | —     | —      | IC3IP<2:0>   |        | —      | —           | DMA3IP<2:0>  |         | 0444       |
| IPC12     | 0858  | —      | —      | —           | —      | —      | —      | MI2C2IP<2:0> |        | —     | —      | SI2C2IP<2:0> |        | —      | —           | —            | —       | 0440       |
| IPC14     | 085C  | —      | —      | —           | —      | —      | —      | QE11IP<2:0>  |        | —     | —      | PSEMIP<2:0>  |        | —      | —           | —            | —       | 0440       |
| IPC16     | 0860  | —      | —      | CRCIP<2:0>  |        | —      | —      | U2EIP<2:0>   |        | —     | —      | U1EIP<2:0>   |        | —      | —           | —            | —       | 4440       |
| IPC19     | 0866  | —      | —      | —           | —      | —      | —      | —            | —      | —     | —      | CTMUIP<2:0>  |        | —      | —           | —            | —       | 0040       |
| IPC23     | 086E  | —      | —      | PWM2IP<2:0> |        | —      | —      | PWM1IP<2:0>  |        | —     | —      | —            | —      | —      | —           | —            | —       | 4400       |
| IPC24     | 0870  | —      | —      | —           | —      | —      | —      | —            | —      | —     | —      | —            | —      | —      | PWM3IP<2:0> |              | —       | 0004       |

Legend: — = unimplemented, read as '0'. Reset values are shown in hexadecimal.

**TABLE 4-6: INTERRUPT CONTROLLER REGISTER MAP FOR dsPIC33EPXXXMC20X DEVICES ONLY (CONTINUED)**

| File Name | Addr. | Bit 15 | Bit 14      | Bit 13 | Bit 12  | Bit 11   | Bit 10        | Bit 9 | Bit 8       | Bit 7    | Bit 6        | Bit 5   | Bit 4   | Bit 3   | Bit 2       | Bit 1   | Bit 0  | All Resets |      |
|-----------|-------|--------|-------------|--------|---------|----------|---------------|-------|-------------|----------|--------------|---------|---------|---------|-------------|---------|--------|------------|------|
| IPC35     | 0886  | —      | JTAGIP<2:0> |        |         | —        | ICDIP<2:0>    |       |             | —        | —            | —       | —       | —       | —           | —       | —      | —          | 4400 |
| IPC36     | 0888  | —      | PTG0IP<2:0> |        |         | —        | PTGWDTIP<2:0> |       |             | —        | PTGSTEP<2:0> |         |         | —       | —           | —       | —      | —          | 4440 |
| IPC37     | 088A  | —      | —           | —      | —       | —        | PTG3IP<2:0>   |       |             | —        | PTG2IP<2:0>  |         |         | —       | PTG1IP<2:0> |         |        | 0444       |      |
| INTCON1   | 08C0  | NSTDIS | OVAERR      | OVBERR | COVAERR | COVBERR  | OVATE         | OVBTE | COVTE       | SFTACERR | DIV0ERR      | DMACERR | MATHERR | ADDRERR | STKERR      | OSCFAIL | —      | 0000       |      |
| INTCON2   | 08C2  | GIE    | DISI        | SWTRAP | —       | —        | —             | —     | —           | —        | —            | —       | —       | —       | INT2EP      | INT1EP  | INT0EP | 8000       |      |
| INTCON3   | 08C4  | —      | —           | —      | —       | —        | —             | —     | —           | —        | —            | DAE     | DOOVR   | —       | —           | —       | —      | 0000       |      |
| INTCON4   | 08C6  | —      | —           | —      | —       | —        | —             | —     | —           | —        | —            | —       | —       | —       | —           | —       | SGHT   | 0000       |      |
| INTTREG   | 08C8  | —      | —           | —      | —       | ILR<3:0> |               |       | VECNUM<7:0> |          |              |         |         |         |             |         |        | 0000       |      |

**Legend:** — = unimplemented, read as '0'. Reset values are shown in hexadecimal.

**TABLE 4-7: INTERRUPT CONTROLLER REGISTER MAP FOR dsPIC33EPXXXMC50X DEVICES ONLY**

| File Name | Addr. | Bit 15 | Bit 14      | Bit 13 | Bit 12 | Bit 11 | Bit 10      | Bit 9   | Bit 8  | Bit 7 | Bit 6        | Bit 5  | Bit 4  | Bit 3  | Bit 2        | Bit 1     | Bit 0   | All Resets |
|-----------|-------|--------|-------------|--------|--------|--------|-------------|---------|--------|-------|--------------|--------|--------|--------|--------------|-----------|---------|------------|
| IFS0      | 0800  | —      | DMA1IF      | AD1IF  | U1TXIF | U1RXIF | SPI1IF      | SPI1EIF | T3IF   | T2IF  | OC2IF        | IC2IF  | DMA0IF | T1IF   | OC1IF        | IC1IF     | INT0IF  | 0000       |
| IFS1      | 0802  | U2TXIF | U2RXIF      | INT2IF | T5IF   | T4IF   | OC4IF       | OC3IF   | DMA2IF | —     | —            | —      | INT1IF | CNIF   | CMIF         | M1C2IF    | SI2C1IF | 0000       |
| IFS2      | 0804  | —      | —           | —      | —      | —      | —           | —       | —      | —     | IC4IF        | IC3IF  | DMA3IF | C1IF   | C1RXIF       | SPI2IF    | SPI2EIF | 0000       |
| IFS3      | 0806  | —      | —           | —      | —      | —      | —           | QE11IF  | PSEMIF | —     | —            | —      | —      | —      | M1C2IF       | SI2C2IF   | —       | 0000       |
| IFS4      | 0808  | —      | —           | CTMUIF | —      | —      | —           | —       | —      | —     | C1TXIF       | —      | —      | CRCIF  | U2EIF        | U1EIF     | —       | 0000       |
| IFS5      | 080A  | PWM2IF | PWM1IF      | —      | —      | —      | —           | —       | —      | —     | —            | —      | —      | —      | —            | —         | —       | 0000       |
| IFS6      | 080C  | —      | —           | —      | —      | —      | —           | —       | —      | —     | —            | —      | —      | —      | —            | —         | PWM3IF  | 0000       |
| IFS8      | 0810  | JTAGIF | ICDIF       | —      | —      | —      | —           | —       | —      | —     | —            | —      | —      | —      | —            | —         | —       | 0000       |
| IFS9      | 0812  | —      | —           | —      | —      | —      | —           | —       | —      | —     | PTG3IF       | PTG2IF | PTG1IF | PTG0IF | PTGWDTIF     | PTGSTEIF  | —       | 0000       |
| IEC0      | 0820  | —      | DMA1IE      | AD1IE  | U1TXIE | U1RXIE | SPI1IE      | SPI1EIE | T3IE   | T2IE  | OC2IE        | IC2IE  | DMA0IE | T1IE   | OC1IE        | IC1IE     | INT0IE  | 0000       |
| IEC1      | 0822  | U2TXIE | U2RXIE      | INT2IE | T5IE   | T4IE   | OC4IE       | OC3IE   | DMA2IE | —     | —            | —      | INT1IE | CNIE   | CMIE         | M1C2IE    | SI2C1IE | 0000       |
| IEC2      | 0824  | —      | —           | —      | —      | —      | —           | —       | —      | —     | IC4IE        | IC3IE  | DMA3IE | C1IE   | C1RXIE       | SPI2IE    | SPI2EIE | 0000       |
| IEC3      | 0826  | —      | —           | —      | —      | —      | —           | QE11IE  | PSEMIE | —     | —            | —      | —      | —      | M1C2IE       | SI2C2IE   | —       | 0000       |
| IEC4      | 0828  | —      | —           | CTMUIE | —      | —      | —           | —       | —      | —     | C1TXIE       | —      | —      | CRCIE  | U2EIE        | U1EIE     | —       | 0000       |
| IEC5      | 082A  | PWM2IE | PWM1IE      | —      | —      | —      | —           | —       | —      | —     | —            | —      | —      | —      | —            | —         | —       | 0000       |
| IEC6      | 082C  | —      | —           | —      | —      | —      | —           | —       | —      | —     | —            | —      | —      | —      | —            | —         | PWM3IE  | 0000       |
| IEC7      | 082E  | —      | —           | —      | —      | —      | —           | —       | —      | —     | —            | —      | —      | —      | —            | —         | —       | 0000       |
| IEC8      | 0830  | JTAGIE | ICDIE       | —      | —      | —      | —           | —       | —      | —     | —            | —      | —      | —      | —            | —         | —       | 0000       |
| IEC9      | 0832  | —      | —           | —      | —      | —      | —           | —       | —      | —     | PTG3IE       | PTG2IE | PTG1IE | PTG0IE | PTGWDTIE     | PTGSTIEIE | —       | 0000       |
| IPC0      | 0840  | —      | T1IP<2:0>   |        |        | —      | OC1IP<2:0>  |         |        | —     | IC1IP<2:0>   |        |        | —      | INT0IP<2:0>  |           |         | 4444       |
| IPC1      | 0842  | —      | T2IP<2:0>   |        |        | —      | OC2IP<2:0>  |         |        | —     | IC2IP<2:0>   |        |        | —      | DMA0IP<2:0>  |           |         | 4444       |
| IPC2      | 0844  | —      | U1RXIP<2:0> |        |        | —      | SPI1IP<2:0> |         |        | —     | SPI1EIP<2:0> |        |        | —      | T3IP<2:0>    |           |         | 4444       |
| IPC3      | 0846  | —      | —           | —      | —      | —      | DMA1IP<2:0> |         |        | —     | AD1IP<2:0>   |        |        | —      | U1TXIP<2:0>  |           |         | 0444       |
| IPC4      | 0848  | —      | CNIP<2:0>   |        |        | —      | CMIP<2:0>   |         |        | —     | M1C2IP<2:0>  |        |        | —      | SI2C1IP<2:0> |           |         | 4444       |
| IPC5      | 084A  | —      | —           | —      | —      | —      | —           | —       | —      | —     | —            | —      | —      | —      | INT1IP<2:0>  |           |         | 0004       |
| IPC6      | 084C  | —      | T4IP<2:0>   |        |        | —      | OC4IP<2:0>  |         |        | —     | OC3IP<2:0>   |        |        | —      | DMA2IP<2:0>  |           |         | 4444       |
| IPC7      | 084E  | —      | U2TXIP<2:0> |        |        | —      | U2RXIP<2:0> |         |        | —     | INT2IP<2:0>  |        |        | —      | T5IP<2:0>    |           |         | 4444       |
| IPC8      | 0850  | —      | C1IP<2:0>   |        |        | —      | C1RXIP<2:0> |         |        | —     | SPI2IP<2:0>  |        |        | —      | SPI2EIP<2:0> |           |         | 4444       |
| IPC9      | 0852  | —      | —           | —      | —      | —      | IC4IP<2:0>  |         |        | —     | IC3IP<2:0>   |        |        | —      | DMA3IP<2:0>  |           |         | 0444       |
| IPC12     | 0858  | —      | —           | —      | —      | —      | M1C2IP<2:0> |         |        | —     | SI2C2IP<2:0> |        |        | —      | —            | —         | —       | 0440       |
| IPC14     | 085C  | —      | —           | —      | —      | —      | QE11IP<2:0> |         |        | —     | PSEMIP<2:0>  |        |        | —      | —            | —         | —       | 0440       |
| IPC16     | 0860  | —      | CRCIP<2:0>  |        |        | —      | U2EIP<2:0>  |         |        | —     | U1EIP<2:0>   |        |        | —      | —            | —         | —       | 4440       |
| IPC17     | 0862  | —      | —           | —      | —      | —      | C1TXIP<2:0> |         |        | —     | —            | —      | —      | —      | —            | —         | —       | 0400       |
| IPC19     | 0866  | —      | —           | —      | —      | —      | —           | —       | —      | —     | CTMUIP<2:0>  |        |        | —      | —            | —         | —       | 0040       |

**Legend:** — = unimplemented, read as '0'. Reset values are shown in hexadecimal.

**TABLE 4-7: INTERRUPT CONTROLLER REGISTER MAP FOR dsPIC33EPXXXMC50X DEVICES ONLY (CONTINUED)**

| File Name | Addr. | Bit 15 | Bit 14      | Bit 13 | Bit 12  | Bit 11   | Bit 10        | Bit 9 | Bit 8 | Bit 7       | Bit 6          | Bit 5   | Bit 4   | Bit 3   | Bit 2       | Bit 1   | Bit 0  | All Resets |      |
|-----------|-------|--------|-------------|--------|---------|----------|---------------|-------|-------|-------------|----------------|---------|---------|---------|-------------|---------|--------|------------|------|
| IPC23     | 086E  | —      | PWM2IP<2:0> |        |         | —        | PWM1IP<2:0>   |       |       | —           | —              | —       | —       | —       | —           | —       | —      | —          | 4400 |
| IPC24     | 0870  | —      | —           | —      | —       | —        | —             | —     | —     | —           | —              | —       | —       | —       | PWM3IP<2:0> |         |        | 0004       |      |
| IPC35     | 0886  | —      | JTAGIP<2:0> |        |         | —        | ICDIP<2:0>    |       |       | —           | —              | —       | —       | —       | —           | —       | —      | —          | 4400 |
| IPC36     | 0888  | —      | PTG0IP<2:0> |        |         | —        | PTGWDTIP<2:0> |       |       | —           | PTGSTEPIP<2:0> |         |         | —       | —           | —       | —      | —          | 4440 |
| IPC37     | 088A  | —      | —           | —      | —       | —        | PTG3IP<2:0>   |       |       | —           | PTG2IP<2:0>    |         |         | —       | PTG1IP<2:0> |         |        | 0444       |      |
| INTCON1   | 08C0  | NSTDIS | OVAERR      | OVBERR | COVAERR | COVBERR  | OVATE         | OVATE | OVATE | SFTACERR    | DIV0ERR        | DMACERR | MATHERR | ADDRERR | STKERR      | OSCFAIL | —      | 0000       |      |
| INTCON2   | 08C2  | GIE    | DISI        | SWTRAP | —       | —        | —             | —     | —     | —           | —              | —       | —       | —       | INT2EP      | INT1EP  | INT0EP | 8000       |      |
| INTCON3   | 08C4  | —      | —           | —      | —       | —        | —             | —     | —     | —           | —              | DAE     | DOOVR   | —       | —           | —       | —      | 0000       |      |
| INTCON4   | 08C6  | —      | —           | —      | —       | —        | —             | —     | —     | —           | —              | —       | —       | —       | —           | —       | SGHT   | 0000       |      |
| INTTREG   | 08C8  | —      | —           | —      | —       | ILR<3:0> |               |       |       | VECNUM<7:0> |                |         |         |         |             |         | 0000   |            |      |

**Legend:** — = unimplemented, read as '0'. Reset values are shown in hexadecimal.



**TABLE 4-8: TIMER1 THROUGH TIMER5 REGISTER MAP**

| SFR Name | Addr. | Bit 15   | Bit 14 | Bit 13 | Bit 12 | Bit 11 | Bit 10 | Bit 9 | Bit 8 | Bit 7 | Bit 6 | Bit 5      | Bit 4 | Bit 3 | Bit 2 | Bit 1 | Bit 0 | All Resets |
|----------|-------|--|--------|--------|--------|--------|--------|-------|-------|-------|-------|------------|-------|-------|-------|-------|-------|------------|
| TMR1     | 0100  | Timer1 Register  |        |        |        |        |        |       |       |       |       |            |       |       |       |       |       | xxxx       |
| PR1      | 0102  | Period Register 1  |        |        |        |        |        |       |       |       |       |            |       |       |       |       |       | FFFF       |
| T1CON    | 0104  | TON  | —      | TSIDL  | —      | —      | —      | —     | —     | —     | TGATE | TCKPS<1:0> | —     | TSYNC | TCS   | —     | —     | 0000       |
| TMR2     | 0106  | Timer2 Register  |        |        |        |        |        |       |       |       |       |            |       |       |       |       |       | xxxx       |
| TMR3HLD  | 0108  | Timer3 Holding Register (for 32-bit timer operations only) |        |        |        |        |        |       |       |       |       |            |       |       |       |       |       | xxxx       |
| TMR3     | 010A  | Timer3 Register  |        |        |        |        |        |       |       |       |       |            |       |       |       |       |       | xxxx       |
| PR2      | 010C  | Period Register 2  |        |        |        |        |        |       |       |       |       |            |       |       |       |       |       | FFFF       |
| PR3      | 010E  | Period Register 3  |        |        |        |        |        |       |       |       |       |            |       |       |       |       |       | FFFF       |
| T2CON    | 0110  | TON  | —      | TSIDL  | —      | —      | —      | —     | —     | —     | TGATE | TCKPS<1:0> | T32   | —     | TCS   | —     | —     | 0000       |
| T3CON    | 0112  | TON  | —      | TSIDL  | —      | —      | —      | —     | —     | —     | TGATE | TCKPS<1:0> | —     | —     | TCS   | —     | —     | 0000       |
| TMR4     | 0114  | Timer4 Register  |        |        |        |        |        |       |       |       |       |            |       |       |       |       |       | xxxx       |
| TMR5HLD  | 0116  | Timer5 Holding Register (for 32-bit operations only)       |        |        |        |        |        |       |       |       |       |            |       |       |       |       |       | xxxx       |
| TMR5     | 0118  | Timer5 Register  |        |        |        |        |        |       |       |       |       |            |       |       |       |       |       | xxxx       |
| PR4      | 011A  | Period Register 4  |        |        |        |        |        |       |       |       |       |            |       |       |       |       |       | FFFF       |
| PR5      | 011C  | Period Register 5  |        |        |        |        |        |       |       |       |       |            |       |       |       |       |       | FFFF       |
| T4CON    | 011E  | TON  | —      | TSIDL  | —      | —      | —      | —     | —     | —     | TGATE | TCKPS<1:0> | T32   | —     | TCS   | —     | —     | 0000       |
| T5CON    | 0120  | TON  | —      | TSIDL  | —      | —      | —      | —     | —     | —     | TGATE | TCKPS<1:0> | —     | —     | TCS   | —     | —     | 0000       |

**Legend:** x = unknown value on Reset, — = unimplemented, read as '0'. Reset values are shown in hexadecimal.

TABLE 4-9: INPUT CAPTURE 1 THROUGH INPUT CAPTURE 4 REGISTER MAP

| File Name | Addr. | Bit 15                          | Bit 14 | Bit 13 | Bit 12      | Bit 11 | Bit 10 | Bit 9 | Bit 8 | Bit 7  | Bit 6    | Bit 5 | Bit 4        | Bit 3 | Bit 2    | Bit 1 | Bit 0 | All Resets |
|-----------|-------|---------------------------------|--------|--------|-------------|--------|--------|-------|-------|--------|----------|-------|--------------|-------|----------|-------|-------|------------|
| IC1CON1   | 0140  | —                               | —      | ICSIDL | ICTSEL<2:0> |        |        | —     | —     | —      | ICI<1:0> |       | ICOV         | ICBNE | ICM<2:0> |       |       | 0000       |
| IC1CON2   | 0142  | —                               | —      | —      | —           | —      | —      | —     | IC32  | ICTRIG | TRIGSTAT | —     | SYNCSEL<4:0> |       |          |       |       | 000D       |
| IC1BUF    | 0144  | Input Capture 1 Buffer Register |        |        |             |        |        |       |       |        |          |       |              |       |          |       |       | xxxx       |
| IC1TMR    | 0146  | Input Capture 1 Timer           |        |        |             |        |        |       |       |        |          |       |              |       |          |       |       | 0000       |
| IC2CON1   | 0148  | —                               | —      | ICSIDL | ICTSEL<2:0> |        |        | —     | —     | —      | ICI<1:0> |       | ICOV         | ICBNE | ICM<2:0> |       |       | 0000       |
| IC2CON2   | 014A  | —                               | —      | —      | —           | —      | —      | —     | IC32  | ICTRIG | TRIGSTAT | —     | SYNCSEL<4:0> |       |          |       |       | 000D       |
| IC2BUF    | 014C  | Input Capture 2 Buffer Register |        |        |             |        |        |       |       |        |          |       |              |       |          |       |       | xxxx       |
| IC2TMR    | 014E  | Input Capture 2 Timer           |        |        |             |        |        |       |       |        |          |       |              |       |          |       |       | 0000       |
| IC3CON1   | 0150  | —                               | —      | ICSIDL | ICTSEL<2:0> |        |        | —     | —     | —      | ICI<1:0> |       | ICOV         | ICBNE | ICM<2:0> |       |       | 0000       |
| IC3CON2   | 0152  | —                               | —      | —      | —           | —      | —      | —     | IC32  | ICTRIG | TRIGSTAT | —     | SYNCSEL<4:0> |       |          |       |       | 000D       |
| IC3BUF    | 0154  | Input Capture 3 Buffer Register |        |        |             |        |        |       |       |        |          |       |              |       |          |       |       | xxxx       |
| IC3TMR    | 0156  | Input Capture 3 Timer           |        |        |             |        |        |       |       |        |          |       |              |       |          |       |       | 0000       |
| IC4CON1   | 0158  | —                               | —      | ICSIDL | ICTSEL<2:0> |        |        | —     | —     | —      | ICI<1:0> |       | ICOV         | ICBNE | ICM<2:0> |       |       | 0000       |
| IC4CON2   | 015A  | —                               | —      | —      | —           | —      | —      | —     | IC32  | ICTRIG | TRIGSTAT | —     | SYNCSEL<4:0> |       |          |       |       | 000D       |
| IC4BUF    | 015C  | Input Capture 4 Buffer Register |        |        |             |        |        |       |       |        |          |       |              |       |          |       |       | xxxx       |
| IC4TMR    | 015E  | Input Capture 4 Timer           |        |        |             |        |        |       |       |        |          |       |              |       |          |       |       | 0000       |

**Legend:** x = unknown value on Reset, — = unimplemented, read as '0'. Reset values are shown in hexadecimal.

**TABLE 4-10: OUTPUT COMPARE 1 THROUGH OUTPUT COMPARE 4 REGISTER MAP**

| File Name | Addr. | Bit 15                              | Bit 14 | Bit 13   | Bit 12      | Bit 11 | Bit 10 | Bit 9  | Bit 8  | Bit 7  | Bit 6    | Bit 5  | Bit 4        | Bit 3    | Bit 2    | Bit 1 | Bit 0 | All Resets |
|-----------|-------|-------------------------------------|--------|----------|-------------|--------|--------|--------|--------|--------|----------|--------|--------------|----------|----------|-------|-------|------------|
| OC1CON1   | 0900  | —                                   | —      | OCSIDL   | OCTSEL<2:0> |        |        | —      | ENFLTB | ENFLTA | —        | OCFLTB | OCFLTA       | TRIGMODE | OCM<2:0> |       |       | 0000       |
| OC1CON2   | 0902  | FLTMD                               | FLTOUT | FLTTRIEN | OCINV       | —      | —      | —      | OC32   | OCTRIG | TRIGSTAT | OCTRIS | SYNCSEL<4:0> |          |          |       | 000C  |            |
| OC1RS     | 0904  | Output Compare 1 Secondary Register |        |          |             |        |        |        |        |        |          |        |              |          |          |       |       | xxxx       |
| OC1R      | 0906  | Output Compare 1 Register           |        |          |             |        |        |        |        |        |          |        |              |          |          |       |       | xxxx       |
| OC1TMR    | 0908  | Timer Value 1 Register              |        |          |             |        |        |        |        |        |          |        |              |          |          |       |       | xxxx       |
| OC2CON1   | 090A  | —                                   | —      | OCSIDL   | OCTSEL<2:0> |        |        | —      | ENFLTB | ENFLTA | —        | OCFLTB | OCFLTA       | TRIGMODE | OCM<2:0> |       |       | 0000       |
| OC2CON2   | 090C  | FLTMD                               | FLTOUT | FLTTRIEN | OCINV       | —      | —      | —      | OC32   | OCTRIG | TRIGSTAT | OCTRIS | SYNCSEL<4:0> |          |          |       | 000C  |            |
| OC2RS     | 090E  | Output Compare 2 Secondary Register |        |          |             |        |        |        |        |        |          |        |              |          |          |       |       | xxxx       |
| OC2R      | 0910  | Output Compare 2 Register           |        |          |             |        |        |        |        |        |          |        |              |          |          |       |       | xxxx       |
| OC2TMR    | 0912  | Timer Value 2 Register              |        |          |             |        |        |        |        |        |          |        |              |          |          |       |       | xxxx       |
| OC3CON1   | 0914  | —                                   | —      | OCSIDL   | OCTSEL<2:0> |        |        | —      | ENFLTB | ENFLTA | —        | OCFLTB | OCFLTA       | TRIGMODE | OCM<2:0> |       |       | 0000       |
| OC3CON2   | 0916  | FLTMD                               | FLTOUT | FLTTRIEN | OCINV       | —      | —      | —      | OC32   | OCTRIG | TRIGSTAT | OCTRIS | SYNCSEL<4:0> |          |          |       | 000C  |            |
| OC3RS     | 0918  | Output Compare 3 Secondary Register |        |          |             |        |        |        |        |        |          |        |              |          |          |       |       | xxxx       |
| OC3R      | 091A  | Output Compare 3 Register           |        |          |             |        |        |        |        |        |          |        |              |          |          |       |       | xxxx       |
| OC3TMR    | 091C  | Timer Value 3 Register              |        |          |             |        |        |        |        |        |          |        |              |          |          |       |       | xxxx       |
| OC4CON1   | 091E  | —                                   | —      | OCSIDL   | OCTSEL<2:0> |        |        | ENFLTC | ENFLTB | ENFLTA | OCFLTC   | OCFLTB | OCFLTA       | TRIGMODE | OCM<2:0> |       |       | 0000       |
| OC4CON2   | 0920  | FLTMD                               | FLTOUT | FLTTRIEN | OCINV       | —      | —      | —      | OC32   | OCTRIG | TRIGSTAT | OCTRIS | SYNCSEL<4:0> |          |          |       | 000C  |            |
| OC4RS     | 0922  | Output Compare 4 Secondary Register |        |          |             |        |        |        |        |        |          |        |              |          |          |       |       | xxxx       |
| OC4R      | 0924  | Output Compare 4 Register           |        |          |             |        |        |        |        |        |          |        |              |          |          |       |       | xxxx       |
| OC4TMR    | 0926  | Timer Value 4 Register              |        |          |             |        |        |        |        |        |          |        |              |          |          |       |       | xxxx       |

**Legend:** x = unknown value on Reset, — = unimplemented, read as '0'. Reset values are shown in hexadecimal.

TABLE 4-11: PTG REGISTER MAP

| File Name | Addr. | Bit 15         | Bit 14 | Bit 13  | Bit 12      | Bit 11 | Bit 10 | Bit 9   | Bit 8       | Bit 7   | Bit 6  | Bit 5 | Bit 4 | Bit 3        | Bit 2  | Bit 1  | Bit 0       | All Resets |      |
|-----------|-------|----------------|--------|---------|-------------|--------|--------|---------|-------------|---------|--------|-------|-------|--------------|--------|--------|-------------|------------|------|
| PTGCST    | 0AC0  | PTGEN          | —      | PTGSIDL | PTGTOGL     | —      | PTGSWT | PTGSSEN | PTGIVIS     | PTGSTRT | PTGWTO | —     | —     | —            | —      | —      | PTGITM<1:0> | 0000       |      |
| PTGCON    | 0AC2  | PTGCLK<2:0>    |        |         | PTGDIV<4:0> |        |        |         | PTGPWD<3:0> |         |        |       | —     | PTGWDT<2:0>  |        |        | 0000        |            |      |
| PTGBTE    | 0AC4  | ADCTS<4:1>     |        |         |             | IC4TSS | IC3TSS | IC2TSS  | IC1TSS      | OC4CS   | OC3CS  | OC2CS | OC1CS | OC4TSS       | OC3TSS | OC2TSS | OC1TSS      | 0000       |      |
| PTGHOLD   | 0AC6  | PTGHOLD<15:0>  |        |         |             |        |        |         |             |         |        |       |       |              |        |        |             |            | 0000 |
| PTGT0LIM  | 0AC8  | PTGT0LIM<15:0> |        |         |             |        |        |         |             |         |        |       |       |              |        |        |             |            | 0000 |
| PTGT1LIM  | 0ACA  | PTGT1LIM<15:0> |        |         |             |        |        |         |             |         |        |       |       |              |        |        |             |            | 0000 |
| PTGSDLIM  | 0ACC  | PTGSDLIM<15:0> |        |         |             |        |        |         |             |         |        |       |       |              |        |        |             |            | 0000 |
| PTGC0LIM  | 0ACE  | PTGC0LIM<15:0> |        |         |             |        |        |         |             |         |        |       |       |              |        |        |             |            | 0000 |
| PTGC1LIM  | 0AD0  | PTGC1LIM<15:0> |        |         |             |        |        |         |             |         |        |       |       |              |        |        |             |            | 0000 |
| PTGADJ    | 0AD2  | PTGADJ<15:0>   |        |         |             |        |        |         |             |         |        |       |       |              |        |        |             |            | 0000 |
| PTGL0     | 0AD4  | PTGL0<15:0>    |        |         |             |        |        |         |             |         |        |       |       |              |        |        |             |            | 0000 |
| PTGQPTR   | 0AD6  | —              | —      | —       | —           | —      | —      | —       | —           | —       | —      | —     | —     | PTGQPTR<4:0> |        |        |             | 0000       |      |
| PTGQUE0   | 0AD8  | STEP1<7:0>     |        |         |             |        |        |         | STEP0<7:0>  |         |        |       |       |              |        | 0000   |             |            |      |
| PTGQUE1   | 0ADA  | STEP3<7:0>     |        |         |             |        |        |         | STEP2<7:0>  |         |        |       |       |              |        | 0000   |             |            |      |
| PTGQUE2   | 0ADC  | STEP5<7:0>     |        |         |             |        |        |         | STEP4<7:0>  |         |        |       |       |              |        | 0000   |             |            |      |
| PTGQUE3   | 0ADE  | STEP7<7:0>     |        |         |             |        |        |         | STEP6<7:0>  |         |        |       |       |              |        | 0000   |             |            |      |
| PTGQUE4   | 0AE0  | STEP9<7:0>     |        |         |             |        |        |         | STEP8<7:0>  |         |        |       |       |              |        | 0000   |             |            |      |
| PTGQUE5   | 0AE2  | STEP11<7:0>    |        |         |             |        |        |         | STEP10<7:0> |         |        |       |       |              |        | 0000   |             |            |      |
| PTGQUE6   | 0AE4  | STEP13<7:0>    |        |         |             |        |        |         | STEP12<7:0> |         |        |       |       |              |        | 0000   |             |            |      |
| PTGQUE7   | 0AE6  | STEP15<7:0>    |        |         |             |        |        |         | STEP14<7:0> |         |        |       |       |              |        | 0000   |             |            |      |

**Legend:** — = unimplemented, read as '0'. Reset values are shown in hexadecimal.

**TABLE 4-12: PWM REGISTER MAP FOR dsPIC33EPXXXMC20X/50X AND PIC24EPXXXMC20X DEVICES ONLY**

| File Name | Addr. | Bit 15        | Bit 14 | Bit 13 | Bit 12 | Bit 11 | Bit 10 | Bit 9        | Bit 8   | Bit 7  | Bit 6        | Bit 5 | Bit 4 | Bit 3       | Bit 2        | Bit 1 | Bit 0 | All Resets |
|-----------|-------|---------------|--------|--------|--------|--------|--------|--------------|---------|--------|--------------|-------|-------|-------------|--------------|-------|-------|------------|
| PTCON     | 0C00  | PTEN          | —      | PTSIDL | SESTAT | SEIEN  | EIPU   | SYNCPOL      | SYNCOEN | SYNCEN | SYNCSRC<2:0> |       |       | SEVTPS<3:0> |              |       | 0000  |            |
| PTCON2    | 0C02  | —             | —      | —      | —      | —      | —      | —            | —       | —      | —            | —     | —     | —           | PCLKDIV<2:0> |       |       | 0000       |
| PTPER     | 0C04  | PTPER<15:0>   |        |        |        |        |        |              |         |        |              |       |       |             |              |       |       | 00F8       |
| SEVTCMP   | 0C06  | SEVTCMP<15:0> |        |        |        |        |        |              |         |        |              |       |       |             |              |       |       | 0000       |
| MDC       | 0C0A  | MDC<15:0>     |        |        |        |        |        |              |         |        |              |       |       |             |              |       |       | 0000       |
| CHOP      | 0C1A  | CHPCLKEN      | —      | —      | —      | —      | —      | CHOPCLK<9:0> |         |        |              |       |       |             |              |       |       | 0000       |
| PWMKEY    | 0C1E  | PWMKEY<15:0>  |        |        |        |        |        |              |         |        |              |       |       |             |              |       |       | 0000       |

**Legend:** — = unimplemented, read as '0'. Reset values are shown in hexadecimal.

**TABLE 4-13: PWM GENERATOR 1 REGISTER MAP FOR dsPIC33EPXXXMC20X/50X AND PIC24EPXXXMC20X DEVICES ONLY**

| File Name | Addr. | Bit 15       | Bit 14     | Bit 13        | Bit 12 | Bit 11        | Bit 10  | Bit 9  | Bit 8  | Bit 7       | Bit 6 | Bit 5        | Bit 4 | Bit 3      | Bit 2       | Bit 1   | Bit 0   | All Resets |      |
|-----------|-------|--------------|------------|---------------|--------|---------------|---------|--------|--------|-------------|-------|--------------|-------|------------|-------------|---------|---------|------------|------|
| PWMCON1   | 0C20  | FLTSTAT      | CLSTAT     | TRGSTAT       | FLTIEN | CLLIEN        | TRGIEN  | ITB    | MDCS   | DTC<1:0>    |       | DTCP         | —     | MTBS       | CAM         | XPRES   | IUE     | 0000       |      |
| IOCON1    | 0C22  | PENH         | PENL       | POLH          | POLL   | PMOD<1:0>     |         | OVRENH | OVRENL | OVRDAT<1:0> |       | FLTDAT<1:0>  |       | CLDAT<1:0> |             | SWAP    | OSYNC   | C000       |      |
| FCLCON1   | 0C24  | —            | CLSRC<4:0> |               |        |               |         | CLPOL  | CLMOD  | FLTSRC<4:0> |       |              |       | FLTPOL     | FLTMOD<1:0> |         |         | 0000       |      |
| PDC1      | 0C26  | PDC1<15:0>   |            |               |        |               |         |        |        |             |       |              |       |            |             |         |         | FFF8       |      |
| PHASE1    | 0C28  | PHASE1<15:0> |            |               |        |               |         |        |        |             |       |              |       |            |             |         |         | 0000       |      |
| DTR1      | 0C2A  | —            | —          | DTR1<13:0>    |        |               |         |        |        |             |       |              |       |            |             |         | 0000    |            |      |
| ALTDTR1   | 0C2C  | —            | —          | ALTDTR1<13:0> |        |               |         |        |        |             |       |              |       |            |             |         | 0000    |            |      |
| TRIG1     | 0C32  | TRGCMP<15:0> |            |               |        |               |         |        |        |             |       |              |       |            |             |         |         | 0000       |      |
| TRGCON1   | 0C34  | TRGDIV<3:0>  |            |               |        | —             | —       | —      | —      | —           | —     | TRGSTRT<5:0> |       |            |             |         |         |            | 0000 |
| LEBCON1   | 0C3A  | PHR          | PHF        | PLR           | PLF    | FLTLEBEN      | CLLEBEN | —      | —      | —           | —     | BCH          | BCL   | BPHH       | BPHL        | BPLH    | BPLL    | 0000       |      |
| LEBDLY1   | 0C3C  | —            | —          | —             | —      | LEB<11:0>     |         |        |        |             |       |              |       |            |             |         | 0000    |            |      |
| AUXCON1   | 0C3E  | —            | —          | —             | —      | BLANKSEL<3:0> |         |        |        | —           | —     | CHOPCLK<3:0> |       |            |             | CHOPHEN | CHOPLEN | 0000       |      |

**Legend:** — = unimplemented, read as '0'. Reset values are shown in hexadecimal.

**TABLE 4-14: PWM GENERATOR 2 REGISTER MAP FOR dsPIC33EPXXXMC20X/50X AND PIC24EPXXXMC20X DEVICES ONLY**

| File Name | Addr. | Bit 15       | Bit 14     | Bit 13        | Bit 12   | Bit 11        | Bit 10   | Bit 9  | Bit 8  | Bit 7       | Bit 6        | Bit 5        | Bit 4      | Bit 3  | Bit 2       | Bit 1   | Bit 0  | All Resets |      |
|-----------|-------|--------------|------------|---------------|----------|---------------|----------|--------|--------|-------------|--------------|--------------|------------|--------|-------------|---------|--------|------------|------|
| PWMCON2   | 0C40  | FLTSTAT      | CLSTAT     | TRGSTAT       | FLTIEIEN | CLIEIEN       | TRGIEIEN | ITB    | MDCS   | DTC<1:0>    |              | DTCP         | —          | MTBS   | CAM         | XPRES   | IUE    | 0000       |      |
| IOCON2    | 0C42  | PENH         | PENL       | POLH          | POLL     | PMOD<1:0>     |          | OVRENH | OVRENL | OVRDAT<1:0> | FLTDAT<1:0>  |              | CLDAT<1:0> |        | SWAP        | OSYNC   | C000   |            |      |
| FCLCON2   | 0C44  | —            | CLSRC<4:0> |               |          |               |          | CLPOL  | CLMOD  | FLTSRC<4:0> |              |              |            | FLTPOL | FLTMOD<1:0> |         | 00F8   |            |      |
| PDC2      | 0C46  | PDC2<15:0>   |            |               |          |               |          |        |        |             |              |              |            |        |             |         |        |            | 0000 |
| PHASE2    | 0C48  | PHASE2<15:0> |            |               |          |               |          |        |        |             |              |              |            |        |             |         |        |            | 0000 |
| DTR2      | 0C4A  | —            | —          | DTR2<13:0>    |          |               |          |        |        |             |              |              |            |        |             |         |        | 0000       |      |
| ALTDTR2   | 0C4C  | —            | —          | ALTDTR2<13:0> |          |               |          |        |        |             |              |              |            |        |             |         |        | 0000       |      |
| TRIG2     | 0C52  | TRGCMP<15:0> |            |               |          |               |          |        |        |             |              |              |            |        |             |         |        |            | 0000 |
| TRGCON2   | 0C54  | TRGDIV<3:0>  |            |               |          | —             | —        | —      | —      | —           | TRGSTRT<5:0> |              |            |        |             |         |        |            | 0000 |
| LEBCON2   | 0C5A  | PHR          | PHF        | PLR           | PLF      | FLTLEBEN      | CLLEBEN  | —      | —      | —           | —            | BCH          | BCL        | BPHH   | BPHL        | BPLH    | BPLL   | 0000       |      |
| LEBDLY2   | 0C5C  | —            | —          | —             | —        | LEB<11:0>     |          |        |        |             |              |              |            |        |             |         |        | 0000       |      |
| AUXCON2   | 0C5E  | —            | —          | —             | —        | BLANKSEL<3:0> |          |        |        | —           | —            | CHOPSEL<3:0> |            |        |             | CHOPHEN | CHOPLN | 0000       |      |

**Legend:** — = unimplemented, read as '0'. Reset values are shown in hexadecimal.

**TABLE 4-15: PWM GENERATOR 3 REGISTER MAP FOR dsPIC33EPXXXMC20X/50X AND PIC24EPXXXMC20X DEVICES ONLY**

| File Name | Addr. | Bit 15       | Bit 14     | Bit 13        | Bit 12   | Bit 11        | Bit 10   | Bit 9  | Bit 8  | Bit 7       | Bit 6       | Bit 5        | Bit 4      | Bit 3  | Bit 2       | Bit 1   | Bit 0  | All Resets |      |      |
|-----------|-------|--------------|------------|---------------|----------|---------------|----------|--------|--------|-------------|-------------|--------------|------------|--------|-------------|---------|--------|------------|------|------|
| PWMCON3   | 0C60  | FLTSTAT      | CLSTAT     | TRGSTAT       | FLTIEIEN | CLIEIEN       | TRGIEIEN | ITB    | MDCS   | DTC<1:0>    |             | DTCP         | —          | MTBS   | CAM         | XPRES   | IUE    | 0000       |      |      |
| IOCON3    | 0C62  | PENH         | PENL       | POLH          | POLL     | PMOD<1:0>     |          | OVRENH | OVRENL | OVRDAT<1:0> | FLTDAT<1:0> |              | CLDAT<1:0> |        | SWAP        | OSYNC   | C000   |            |      |      |
| FCLCON3   | 0C64  | —            | CLSRC<4:0> |               |          |               |          | CLPOL  | CLMOD  | FLTSRC<4:0> |             |              |            | FLTPOL | FLTMOD<1:0> |         | 00F8   |            |      |      |
| PDC3      | 0C66  | PDC3<15:0>   |            |               |          |               |          |        |        |             |             |              |            |        |             |         |        |            | 0000 |      |
| PHASE3    | 0C68  | PHASE3<15:0> |            |               |          |               |          |        |        |             |             |              |            |        |             |         |        |            | 0000 |      |
| DTR3      | 0C6A  | —            | —          | DTR3<13:0>    |          |               |          |        |        |             |             |              |            |        |             |         |        | 0000       |      |      |
| ALTDTR3   | 0C6C  | —            | —          | ALTDTR3<13:0> |          |               |          |        |        |             |             |              |            |        |             |         |        | 0000       |      |      |
| TRIG3     | 0C72  | TRGCMP<15:0> |            |               |          |               |          |        |        |             |             |              |            |        |             |         |        |            | 0000 |      |
| TRGCON3   | 0C74  | TRGDIV<3:0>  |            |               |          | —             | —        | —      | —      | —           | —           | TRGSTRT<5:0> |            |        |             |         |        |            |      | 0000 |
| LEBCON3   | 0C7A  | PHR          | PHF        | PLR           | PLF      | FLTLEBEN      | CLLEBEN  | —      | —      | —           | —           | BCH          | BCL        | BPHH   | BPHL        | BPLH    | BPLL   | 0000       |      |      |
| LEBDLY3   | 0C7C  | —            | —          | —             | —        | LEB<11:0>     |          |        |        |             |             |              |            |        |             |         |        | 0000       |      |      |
| AUXCON3   | 0C7E  | —            | —          | —             | —        | BLANKSEL<3:0> |          |        |        | —           | —           | CHOPSEL<3:0> |            |        |             | CHOPHEN | CHOPLN | 0000       |      |      |

**Legend:** — = unimplemented, read as '0'. Reset values are shown in hexadecimal.

**TABLE 4-16: QE1 REGISTER MAP FOR dsPIC33EPXXXMC20X/50X AND PIC24EPXXXMC20X DEVICES ONLY**

| File Name | Addr. | Bit 15         | Bit 14 | Bit 13     | Bit 12     | Bit 11   | Bit 10      | Bit 9    | Bit 8    | Bit 7  | Bit 6       | Bit 5    | Bit 4    | Bit 3  | Bit 2  | Bit 1    | Bit 0  | All Resets |
|-----------|-------|----------------|--------|------------|------------|----------|-------------|----------|----------|--------|-------------|----------|----------|--------|--------|----------|--------|------------|
| QE1CON    | 01C0  | QEIEN          | —      | QEISIDL    | PIMOD<2:0> |          |             | IMV<1:0> |          | —      | INTDIV<2:0> |          |          | CNTPOL | GATEN  | CCM<1:0> |        | 0000       |
| QE1IOC    | 01C2  | QCAPEN         | FLTREN | QFDIV<2:0> |            |          | OUTFNC<1:0> |          | SWPAB    | HOMPOL | IDXPOL      | QEBPOL   | QEAPOL   | HOME   | INDEX  | QEB      | QEA    | 000x       |
| QE1STAT   | 01C4  | —              | —      | PCHEQIRQ   | PCHEQIEN   | PCLEQIRQ | PCLEQIEN    | POSOVIRQ | POSOVIEN | PCIIRQ | PCIEN       | VELOVIRQ | VELOVIEN | HOMIRQ | HOMIEN | IDXIRQ   | IDXIEN | 0000       |
| POS1CNTL  | 01C6  | POSCNT<15:0>   |        |            |            |          |             |          |          |        |             |          |          |        |        |          |        | 0000       |
| POS1CNTH  | 01C8  | POSCNT<31:16>  |        |            |            |          |             |          |          |        |             |          |          |        |        |          |        | 0000       |
| POS1HLD   | 01CA  | POSHLD<15:0>   |        |            |            |          |             |          |          |        |             |          |          |        |        |          |        | 0000       |
| VEL1CNT   | 01CC  | VELCNT<15:0>   |        |            |            |          |             |          |          |        |             |          |          |        |        |          |        | 0000       |
| INT1TMRL  | 01CE  | INTTMR<15:0>   |        |            |            |          |             |          |          |        |             |          |          |        |        |          |        | 0000       |
| INT1TMRH  | 01D0  | INTTMR<31:16>  |        |            |            |          |             |          |          |        |             |          |          |        |        |          |        | 0000       |
| INT1HLDL  | 01D2  | INTHLD<15:0>   |        |            |            |          |             |          |          |        |             |          |          |        |        |          |        | 0000       |
| INT1HLDH  | 01D4  | INTHLD<31:16>  |        |            |            |          |             |          |          |        |             |          |          |        |        |          |        | 0000       |
| INDX1CNTL | 01D6  | INDXCNT<15:0>  |        |            |            |          |             |          |          |        |             |          |          |        |        |          |        | 0000       |
| INDX1CNTH | 01D8  | INDXCNT<31:16> |        |            |            |          |             |          |          |        |             |          |          |        |        |          |        | 0000       |
| INDX1HLD  | 01DA  | INDXHLD<15:0>  |        |            |            |          |             |          |          |        |             |          |          |        |        |          |        | 0000       |
| QE1GECL   | 01DC  | QEIGEC<15:0>   |        |            |            |          |             |          |          |        |             |          |          |        |        |          |        | 0000       |
| QE1ICL    | 01DC  | QEIIC<15:0>    |        |            |            |          |             |          |          |        |             |          |          |        |        |          |        | 0000       |
| QE1GECH   | 01DE  | QEIGEC<31:16>  |        |            |            |          |             |          |          |        |             |          |          |        |        |          |        | 0000       |
| QE1ICH    | 01DE  | QEIIC<31:16>   |        |            |            |          |             |          |          |        |             |          |          |        |        |          |        | 0000       |
| QE1LECL   | 01E0  | QEILEC<15:0>   |        |            |            |          |             |          |          |        |             |          |          |        |        |          |        | 0000       |
| QE1LECH   | 01E2  | QEILEC<31:16>  |        |            |            |          |             |          |          |        |             |          |          |        |        |          |        | 0000       |

**Legend:** x = unknown value on Reset, — = unimplemented, read as '0'. Reset values are shown in hexadecimal.

TABLE 4-17: I2C1 AND I2C2 REGISTER MAP

| File Name | Addr. | Bit 15  | Bit 14 | Bit 13  | Bit 12 | Bit 11 | Bit 10 | Bit 9  | Bit 8 | Bit 7                  | Bit 6 | Bit 5 | Bit 4 | Bit 3 | Bit 2 | Bit 1 | Bit 0 | All Resets |      |
|-----------|-------|---------|--------|---------|--------|--------|--------|--------|-------|------------------------|-------|-------|-------|-------|-------|-------|-------|------------|------|
| I2C1RCV   | 0200  | —       | —      | —       | —      | —      | —      | —      | —     | I2C1 Receive Register  |       |       |       |       |       |       |       |            | 0000 |
| I2C1TRN   | 0202  | —       | —      | —       | —      | —      | —      | —      | —     | I2C1 Transmit Register |       |       |       |       |       |       |       |            | 00FF |
| I2C1BRG   | 0204  | —       | —      | —       | —      | —      | —      | —      | —     | Baud Rate Generator    |       |       |       |       |       |       |       |            | 0000 |
| I2C1CON   | 0206  | I2CEN   | —      | I2CSIDL | SCLREL | IPMIEN | A10M   | DISSLW | SMEN  | GCEN                   | STREN | ACKDT | ACKEN | RCEN  | PEN   | RSEN  | SEN   | 1000       |      |
| I2C1STAT  | 0208  | ACKSTAT | TRSTAT | —       | —      | —      | BCL    | GCSTAT | ADD10 | IWCOL                  | I2COV | D_A   | P     | S     | R_W   | RBF   | TBF   | 0000       |      |
| I2C1ADD   | 020A  | —       | —      | —       | —      | —      | —      | —      | —     | I2C1 Address Register  |       |       |       |       |       |       |       |            | 0000 |
| I2C1MSK   | 020C  | —       | —      | —       | —      | —      | —      | —      | —     | I2C1 Address Mask      |       |       |       |       |       |       |       |            | 0000 |
| I2C2RCV   | 0210  | —       | —      | —       | —      | —      | —      | —      | —     | I2C2 Receive Register  |       |       |       |       |       |       |       |            | 0000 |
| I2C2TRN   | 0212  | —       | —      | —       | —      | —      | —      | —      | —     | I2C2 Transmit Register |       |       |       |       |       |       |       |            | 00FF |
| I2C2BRG   | 0214  | —       | —      | —       | —      | —      | —      | —      | —     | Baud Rate Generator    |       |       |       |       |       |       |       |            | 0000 |
| I2C2CON   | 0216  | I2CEN   | —      | I2CSIDL | SCLREL | IPMIEN | A10M   | DISSLW | SMEN  | GCEN                   | STREN | ACKDT | ACKEN | RCEN  | PEN   | RSEN  | SEN   | 1000       |      |
| I2C2STAT  | 0218  | ACKSTAT | TRSTAT | —       | —      | —      | BCL    | GCSTAT | ADD10 | IWCOL                  | I2COV | D_A   | P     | S     | R_W   | RBF   | TBF   | 0000       |      |
| I2C2ADD   | 021A  | —       | —      | —       | —      | —      | —      | —      | —     | I2C2 Address Register  |       |       |       |       |       |       |       |            | 0000 |
| I2C2MSK   | 021C  | —       | —      | —       | —      | —      | —      | —      | —     | I2C2 Address Mask      |       |       |       |       |       |       |       |            | 0000 |

Legend: — = unimplemented, read as '0'. Reset values are shown in hexadecimal.

TABLE 4-18: UART1 AND UART2 REGISTER MAP

| SFR Name | Addr. | Bit 15                        | Bit 14 | Bit 13   | Bit 12 | Bit 11 | Bit 10 | Bit 9    | Bit 8                   | Bit 7        | Bit 6 | Bit 5  | Bit 4 | Bit 3      | Bit 2 | Bit 1 | Bit 0 | All Resets |
|----------|-------|-------------------------------|--------|----------|--------|--------|--------|----------|-------------------------|--------------|-------|--------|-------|------------|-------|-------|-------|------------|
| U1MODE   | 0220  | UARTEN                        | —      | USIDL    | IREN   | RTSMO  | —      | UEN<1:0> | WAKE                    | LPBACK       | ABAUD | URXINV | BRGH  | PDSEL<1:0> |       |       | STSEL | 0000       |
| U1STA    | 0222  | UTXISEL1                      | UTXINV | UTXISEL0 | —      | UTXBRK | UTXEN  | UTXBF    | TRMT                    | URXISEL<1:0> |       | ADDEN  | RIDLE | PERR       | FERR  | OERR  | URXDA | 0110       |
| U1TXREG  | 0224  | —                             | —      | —        | —      | —      | —      | —        | UART1 Transmit Register |              |       |        |       |            |       |       |       | xxxx       |
| U1RXREG  | 0226  | —                             | —      | —        | —      | —      | —      | —        | UART1 Receive Register  |              |       |        |       |            |       |       |       | 0000       |
| U1BRG    | 0228  | Baud Rate Generator Prescaler |        |          |        |        |        |          |                         |              |       |        |       |            |       |       |       | 0000       |
| U2MODE   | 0230  | UARTEN                        | —      | USIDL    | IREN   | RTSMO  | —      | UEN<1:0> | WAKE                    | LPBACK       | ABAUD | URXINV | BRGH  | PDSEL<1:0> |       |       | STSEL | 0000       |
| U2STA    | 0232  | UTXISEL1                      | UTXINV | UTXISEL0 | —      | UTXBRK | UTXEN  | UTXBF    | TRMT                    | URXISEL<1:0> |       | ADDEN  | RIDLE | PERR       | FERR  | OERR  | URXDA | 0110       |
| U2TXREG  | 0234  | —                             | —      | —        | —      | —      | —      | —        | UART2 Transmit Register |              |       |        |       |            |       |       |       | xxxx       |
| U2RXREG  | 0236  | —                             | —      | —        | —      | —      | —      | —        | UART2 Receive Register  |              |       |        |       |            |       |       |       | 0000       |
| U2BRG    | 0238  | Baud Rate Generator Prescaler |        |          |        |        |        |          |                         |              |       |        |       |            |       |       |       | 0000       |

Legend: x = unknown value on Reset, — = unimplemented, read as '0'. Reset values are shown in hexadecimal.



**TABLE 4-19: SPI1 AND SPI2 REGISTER MAP**

| SFR Name | Addr. | Bit 15                                    | Bit 14 | Bit 13  | Bit 12 | Bit 11 | Bit 10      | Bit 9 | Bit 8 | Bit 7 | Bit 6  | Bit 5  | Bit 4      | Bit 3 | Bit 2 | Bit 1     | Bit 0  | All Resets |
|----------|-------|---|--------|---------|--------|--------|-------------|-------|-------|-------|--------|--------|------------|-------|-------|-----------|--------|------------|
| SPI1STAT | 0240  | SPIEN                                     | —      | SPISIDL | —      | —      | SPIBEC<2:0> |       |       | SRMPT | SPIROV | SRXMPT | SISEL<2:0> |       |       | SPITBF    | SPIRBF | 0000       |
| SPI1CON1 | 0242  | —   | —      | —       | DISSCK | DISSDO | MODE16      | SMP   | CKE   | SSEN  | CKP    | MSTEN  | SPRE<2:0>  |       |       | PPRE<1:0> |        | 0000       |
| SPI1CON2 | 0244  | FRMEN                                     | SPIFSD | FRMPOL  | —      | —      | —           | —     | —     | —     | —      | —      | —          | —     | —     | FRMDLY    | SPIBEN | 0000       |
| SPI1BUF  | 0248  | SPI1 Transmit and Receive Buffer Register |        |         |        |        |             |       |       |       |        |        |            |       |       |           |        | 0000       |
| SPI2STAT | 0260  | SPIEN                                     | —      | SPISIDL | —      | —      | SPIBEC<2:0> |       |       | SRMPT | SPIROV | SRXMPT | SISEL<2:0> |       |       | SPITBF    | SPIRBF | 0000       |
| SPI2CON1 | 0262  | —   | —      | —       | DISSCK | DISSDO | MODE16      | SMP   | CKE   | SSEN  | CKP    | MSTEN  | SPRE<2:0>  |       |       | PPRE<1:0> |        | 0000       |
| SPI2CON2 | 0264  | FRMEN                                     | SPIFSD | FRMPOL  | —      | —      | —           | —     | —     | —     | —      | —      | —          | —     | —     | FRMDLY    | SPIBEN | 0000       |
| SPI2BUF  | 0268  | SPI2 Transmit and Receive Buffer Register |        |         |        |        |             |       |       |       |        |        |            |       |       |           |        | 0000       |

**Legend:** — = unimplemented, read as '0'. Reset values are shown in hexadecimal.

**TABLE 4-20: ADC1 REGISTER MAP**

| File Name | Addr. | Bit 15              | Bit 14 | Bit 13 | Bit 12     | Bit 11 | Bit 10       | Bit 9     | Bit 8     | Bit 7     | Bit 6 | Bit 5      | Bit 4  | Bit 3 | Bit 2        | Bit 1   | Bit 0 | All Resets |
|-----------|-------|---------------------|--------|--------|------------|--------|--------------|-----------|-----------|-----------|-------|------------|--------|-------|--------------|---------|-------|------------|
| ADC1BUF0  | 0300  | ADC1 Data Buffer 0  |        |        |            |        |              |           |           |           |       |            |        |       |              |         |       | xxxx       |
| ADC1BUF1  | 0302  | ADC1 Data Buffer 1  |        |        |            |        |              |           |           |           |       |            |        |       |              |         |       | xxxx       |
| ADC1BUF2  | 0304  | ADC1 Data Buffer 2  |        |        |            |        |              |           |           |           |       |            |        |       |              |         |       | xxxx       |
| ADC1BUF3  | 0306  | ADC1 Data Buffer 3  |        |        |            |        |              |           |           |           |       |            |        |       |              |         |       | xxxx       |
| ADC1BUF4  | 0308  | ADC1 Data Buffer 4  |        |        |            |        |              |           |           |           |       |            |        |       |              |         |       | xxxx       |
| ADC1BUF5  | 030A  | ADC1 Data Buffer 5  |        |        |            |        |              |           |           |           |       |            |        |       |              |         |       | xxxx       |
| ADC1BUF6  | 030C  | ADC1 Data Buffer 6  |        |        |            |        |              |           |           |           |       |            |        |       |              |         |       | xxxx       |
| ADC1BUF7  | 030E  | ADC1 Data Buffer 7  |        |        |            |        |              |           |           |           |       |            |        |       |              |         |       | xxxx       |
| ADC1BUF8  | 0310  | ADC1 Data Buffer 8  |        |        |            |        |              |           |           |           |       |            |        |       |              |         |       | xxxx       |
| ADC1BUF9  | 0312  | ADC1 Data Buffer 9  |        |        |            |        |              |           |           |           |       |            |        |       |              |         |       | xxxx       |
| ADC1BUFA  | 0314  | ADC1 Data Buffer 10 |        |        |            |        |              |           |           |           |       |            |        |       |              |         |       | xxxx       |
| ADC1BUFB  | 0316  | ADC1 Data Buffer 11 |        |        |            |        |              |           |           |           |       |            |        |       |              |         |       | xxxx       |
| ADC1BUFC  | 0318  | ADC1 Data Buffer 12 |        |        |            |        |              |           |           |           |       |            |        |       |              |         |       | xxxx       |
| ADC1BUFD  | 031A  | ADC1 Data Buffer 13 |        |        |            |        |              |           |           |           |       |            |        |       |              |         |       | xxxx       |
| ADC1BUFE  | 031C  | ADC1 Data Buffer 14 |        |        |            |        |              |           |           |           |       |            |        |       |              |         |       | xxxx       |
| ADC1BUFF  | 031E  | ADC1 Data Buffer 15 |        |        |            |        |              |           |           |           |       |            |        |       |              |         |       | xxxx       |
| AD1CON1   | 0320  | ADON                | —      | ADSIDL | ADDMABM    | —      | AD12B        | FORM<1:0> | SSRC<2:0> |           |       | SSRCG      | SIMSAM | ASAM  | SAMP         | DONE    | 0000  |            |
| AD1CON2   | 0322  | VCFG<2:0>           |        |        | —          | —      | CSCNA        | CHPS<1:0> | BUFS      | SMPI<4:0> |       |            |        | BUFM  | ALTS         | 0000    |       |            |
| AD1CON3   | 0324  | ADRC                | —      | —      | SAMC<4:0>  |        |              |           | ADCS<7:0> |           |       |            |        |       |              | 0000    |       |            |
| AD1CHS123 | 0326  | —                   | —      | —      | —          | —      | CH123NB<1:0> | CH123SB   | —         | —         | —     | —          | —      | —     | CH123NA<1:0> | CH123SA | 0000  |            |
| AD1CHS0   | 0328  | CH0NB               | —      | —      | CH0SB<4:0> |        |              |           | CH0NA     | —         | —     | CH0SA<4:0> |        |       |              |         | 0000  |            |
| AD1CSSH   | 032E  | CSS31               | CSS30  | —      | —          | —      | CSS26        | CSS25     | CSS24     | —         | —     | —          | —      | —     | —            | —       | 0000  |            |
| AD1CSSL   | 0330  | CSS15               | CSS14  | CSS13  | CSS12      | CSS11  | CSS10        | CSS9      | CSS8      | CSS7      | CSS6  | CSS5       | CSS4   | CSS3  | CSS2         | CSS1    | CSS0  | 0000       |
| AD1CON4   | 0332  | —                   | —      | —      | —          | —      | —            | —         | ADDMAEN   | —         | —     | —          | —      | —     | DMABL<2:0>   |         | 0000  |            |

**Legend:** x = unknown value on Reset, — = unimplemented, read as '0'. Reset values are shown in hexadecimal.

**TABLE 4-21: ECAN1 REGISTER MAP WHEN WIN (C1CTRL<0>) = 0 OR 1 FOR dsPIC33EPXXXMC/GP50X DEVICES ONLY**

| File Name  | Addr. | Bit 15       | Bit 14  | Bit 13      | Bit 12      | Bit 11      | Bit 10       | Bit 9       | Bit 8  | Bit 7       | Bit 6      | Bit 5       | Bit 4      | Bit 3      | Bit 2      | Bit 1      | Bit 0  | All Resets |
|------------|-------|--------------|---------|-------------|-------------|-------------|--------------|-------------|--------|-------------|------------|-------------|------------|------------|------------|------------|--------|------------|
| C1CTRL1    | 0400  | —            | —       | CSIDL       | ABAT        | CANCKS      | REQOP<2:0>   |             |        | OPMODE<2:0> |            |             | —          | CANCAP     | —          | —          | WIN    | 0480       |
| C1CTRL2    | 0402  | —            | —       | —           | —           | —           | —            | —           | —      | —           | —          | —           | DNCNT<4:0> |            |            |            |        | 0000       |
| C1VEC      | 0404  | —            | —       | —           | FILHIT<4:0> |             |              |             |        | —           | ICODE<6:0> |             |            |            |            | 0040       |        |            |
| C1FCTRL    | 0406  | DMABS<2:0>   |         |             | —           | —           | —            | —           | —      | —           | —          | —           | FSA<4:0>   |            |            |            |        | 0000       |
| C1FIFO     | 0408  | —            | —       | FBP<5:0>    |             |             |              |             | —      | —           | FNRB<5:0>  |             |            |            |            | 0000       |        |            |
| C1INTF     | 040A  | —            | —       | TXBO        | TXBP        | RXBP        | TXWAR        | RXWAR       | EWARN  | IVRIF       | WAKIF      | ERRIF       | —          | FIFOIF     | RBOVIF     | RBIF       | TBIF   | 0000       |
| C1INTE     | 040C  | —            | —       | —           | —           | —           | —            | —           | —      | IVRIE       | WAKIE      | ERRIE       | —          | FIFOIE     | RBOVIE     | RBIE       | TBIE   | 0000       |
| C1EC       | 040E  | TERRCNT<7:0> |         |             |             |             | RERRCNT<7:0> |             |        |             |            |             |            |            |            |            | 0000   |            |
| C1CFG1     | 0410  | —            | —       | —           | —           | —           | —            | —           | —      | SJW<1:0>    |            | BRP<5:0>    |            |            |            |            | 0000   |            |
| C1CFG2     | 0412  | —            | WAKFIL  | —           | —           | —           | SEG2PH<2:0>  |             |        | SEG2PHTS    | SAM        | SEG1PH<2:0> |            |            | PRSEG<2:0> |            | 0000   |            |
| C1FEN1     | 0414  | FLTEN15      | FLTEN14 | FLTEN13     | FLTEN12     | FLTEN11     | FLTEN10      | FLTEN9      | FLTEN8 | FLTEN7      | FLTEN6     | FLTEN5      | FLTEN4     | FLTEN3     | FLTEN2     | FLTEN1     | FLTEN0 | FFFF       |
| C1FMSKSEL1 | 0418  | F7MSK<1:0>   |         | F6MSK<1:0>  |             | F5MSK<1:0>  |              | F4MSK<1:0>  |        | F3MSK<1:0>  |            | F2MSK<1:0>  |            | F1MSK<1:0> |            | F0MSK<1:0> |        | 0000       |
| C1FMSKSEL2 | 041A  | F15MSK<1:0>  |         | F14MSK<1:0> |             | F13MSK<1:0> |              | F12MSK<1:0> |        | F11MSK<1:0> |            | F10MSK<1:0> |            | F9MSK<1:0> |            | F8MSK<1:0> |        | 0000       |

Legend: — = unimplemented, read as '0'. Reset values are shown in hexadecimal.

**TABLE 4-22: ECAN1 REGISTER MAP WHEN WIN (C1CTRL<0>) = 0 FOR dsPIC33EPXXXMC/GP50X DEVICES ONLY**

| File Name | Addr      | Bit 15                      | Bit 14  | Bit 13  | Bit 12  | Bit 11  | Bit 10  | Bit 9       | Bit 8   | Bit 7   | Bit 6   | Bit 5   | Bit 4   | Bit 3   | Bit 2   | Bit 1       | Bit 0   | All Resets |
|-----------|-----------|-----------------------------|---------|---------|---------|---------|---------|-------------|---------|---------|---------|---------|---------|---------|---------|-------------|---------|------------|
|           | 0400-041E | See definition when WIN = x |         |         |         |         |         |             |         |         |         |         |         |         |         |             |         |            |
| C1RXFUL1  | 0420      | RXFUL15                     | RXFUL14 | RXFUL13 | RXFUL12 | RXFUL11 | RXFUL10 | RXFUL9      | RXFUL8  | RXFUL7  | RXFUL6  | RXFUL5  | RXFUL4  | RXFUL3  | RXFUL2  | RXFUL1      | RXFUL0  | 0000       |
| C1RXFUL2  | 0422      | RXFUL31                     | RXFUL30 | RXFUL29 | RXFUL28 | RXFUL27 | RXFUL26 | RXFUL25     | RXFUL24 | RXFUL23 | RXFUL22 | RXFUL21 | RXFUL20 | RXFUL19 | RXFUL18 | RXFUL17     | RXFUL16 | 0000       |
| C1RXOVF1  | 0428      | RXOVF15                     | RXOVF14 | RXOVF13 | RXOVF12 | RXOVF11 | RXOVF10 | RXOVF9      | RXOVF8  | RXOVF7  | RXOVF6  | RXOVF5  | RXOVF4  | RXOVF3  | RXOVF2  | RXOVF1      | RXOVF0  | 0000       |
| C1RXOVF2  | 042A      | RXOVF31                     | RXOVF30 | RXOVF29 | RXOVF28 | RXOVF27 | RXOVF26 | RXOVF25     | RXOVF24 | RXOVF23 | RXOVF22 | RXOVF21 | RXOVF20 | RXOVF19 | RXOVF18 | RXOVF17     | RXOVF16 | 0000       |
| C1TR01CON | 0430      | TXEN1                       | TXABT1  | TXLARB1 | TXERR1  | TXREQ1  | RTREN1  | TX1PRI<1:0> |         | TXEN0   | TXABAT0 | TXLARB0 | TXERR0  | TXREQ0  | RTREN0  | TX0PRI<1:0> |         | 0000       |
| C1TR23CON | 0432      | TXEN3                       | TXABT3  | TXLARB3 | TXERR3  | TXREQ3  | RTREN3  | TX3PRI<1:0> |         | TXEN2   | TXABAT2 | TXLARB2 | TXERR2  | TXREQ2  | RTREN2  | TX2PRI<1:0> |         | 0000       |
| C1TR45CON | 0434      | TXEN5                       | TXABT5  | TXLARB5 | TXERR5  | TXREQ5  | RTREN5  | TX5PRI<1:0> |         | TXEN4   | TXABAT4 | TXLARB4 | TXERR4  | TXREQ4  | RTREN4  | TX4PRI<1:0> |         | 0000       |
| C1TR67CON | 0436      | TXEN7                       | TXABT7  | TXLARB7 | TXERR7  | TXREQ7  | RTREN7  | TX7PRI<1:0> |         | TXEN6   | TXABAT6 | TXLARB6 | TXERR6  | TXREQ6  | RTREN6  | TX6PRI<1:0> |         | xxxx       |
| C1RXD     | 0440      | ECAN1 Receive Data Word     |         |         |         |         |         |             |         |         |         |         |         |         |         |             |         | xxxx       |
| C1TXD     | 0442      | ECAN1 Transmit Data Word    |         |         |         |         |         |             |         |         |         |         |         |         |         |             |         | xxxx       |

Legend: x = unknown value on Reset, — = unimplemented, read as '0'. Reset values are shown in hexadecimal.

TABLE 4-23: ECAN1 REGISTER MAP WHEN WIN (C1CTRL&lt;0&gt;) = 1 FOR dsPIC33EPXXMC/GP50X DEVICES ONLY

| File Name  | Addr      | Bit 15                      | Bit 14 | Bit 13 | Bit 12     | Bit 11 | Bit 10 | Bit 9      | Bit 8 | Bit 7 | Bit 6      | Bit 5 | Bit 4 | Bit 3 | Bit 2      | Bit 1 | Bit 0 | All Resets |
|------------|-----------|-----------------------------|--------|--------|------------|--------|--------|------------|-------|-------|------------|-------|-------|-------|------------|-------|-------|------------|
|            | 0400-041E | See definition when WIN = x |        |        |            |        |        |            |       |       |            |       |       |       |            |       |       |            |
| C1BUFNT1   | 0420      | F3BP<3:0>                   |        |        | F2BP<3:0>  |        |        | F1BP<3:0>  |       |       | F0BP<3:0>  |       |       |       |            |       | 0000  |            |
| C1BUFNT2   | 0422      | F7BP<3:0>                   |        |        | F6BP<3:0>  |        |        | F5BP<3:0>  |       |       | F4BP<3:0>  |       |       |       |            |       | 0000  |            |
| C1BUFNT3   | 0424      | F11BP<3:0>                  |        |        | F10BP<3:0> |        |        | F9BP<3:0>  |       |       | F8BP<3:0>  |       |       |       |            |       | 0000  |            |
| C1BUFNT4   | 0426      | F15BP<3:0>                  |        |        | F14BP<3:0> |        |        | F13BP<3:0> |       |       | F12BP<3:0> |       |       |       |            |       | 0000  |            |
| C1RXM0SID  | 0430      | SID<10:3>                   |        |        | SID<2:0>   |        |        | —          |       |       | MIDE       | —     |       |       | EID<17:16> | xxxx  |       |            |
| C1RXM0EID  | 0432      | EID<15:8>                   |        |        | EID<7:0>   |        |        |            |       |       |            |       |       |       |            |       | xxxx  |            |
| C1RXM1SID  | 0434      | SID<10:3>                   |        |        | SID<2:0>   |        |        | —          |       |       | MIDE       | —     |       |       | EID<17:16> | xxxx  |       |            |
| C1RXM1EID  | 0436      | EID<15:8>                   |        |        | EID<7:0>   |        |        |            |       |       |            |       |       |       |            |       | xxxx  |            |
| C1RXM2SID  | 0438      | SID<10:3>                   |        |        | SID<2:0>   |        |        | —          |       |       | MIDE       | —     |       |       | EID<17:16> | xxxx  |       |            |
| C1RXM2EID  | 043A      | EID<15:8>                   |        |        | EID<7:0>   |        |        |            |       |       |            |       |       |       |            |       | xxxx  |            |
| C1RXF0SID  | 0440      | SID<10:3>                   |        |        | SID<2:0>   |        |        | —          |       |       | EXIDE      | —     |       |       | EID<17:16> | xxxx  |       |            |
| C1RXF0EID  | 0442      | EID<15:8>                   |        |        | EID<7:0>   |        |        |            |       |       |            |       |       |       |            |       | xxxx  |            |
| C1RXF1SID  | 0444      | SID<10:3>                   |        |        | SID<2:0>   |        |        | —          |       |       | EXIDE      | —     |       |       | EID<17:16> | xxxx  |       |            |
| C1RXF1EID  | 0446      | EID<15:8>                   |        |        | EID<7:0>   |        |        |            |       |       |            |       |       |       |            |       | xxxx  |            |
| C1RXF2SID  | 0448      | SID<10:3>                   |        |        | SID<2:0>   |        |        | —          |       |       | EXIDE      | —     |       |       | EID<17:16> | xxxx  |       |            |
| C1RXF2EID  | 044A      | EID<15:8>                   |        |        | EID<7:0>   |        |        |            |       |       |            |       |       |       |            |       | xxxx  |            |
| C1RXF3SID  | 044C      | SID<10:3>                   |        |        | SID<2:0>   |        |        | —          |       |       | EXIDE      | —     |       |       | EID<17:16> | xxxx  |       |            |
| C1RXF3EID  | 044E      | EID<15:8>                   |        |        | EID<7:0>   |        |        |            |       |       |            |       |       |       |            |       | xxxx  |            |
| C1RXF4SID  | 0450      | SID<10:3>                   |        |        | SID<2:0>   |        |        | —          |       |       | EXIDE      | —     |       |       | EID<17:16> | xxxx  |       |            |
| C1RXF4EID  | 0452      | EID<15:8>                   |        |        | EID<7:0>   |        |        |            |       |       |            |       |       |       |            |       | xxxx  |            |
| C1RXF5SID  | 0454      | SID<10:3>                   |        |        | SID<2:0>   |        |        | —          |       |       | EXIDE      | —     |       |       | EID<17:16> | xxxx  |       |            |
| C1RXF5EID  | 0456      | EID<15:8>                   |        |        | EID<7:0>   |        |        |            |       |       |            |       |       |       |            |       | xxxx  |            |
| C1RXF6SID  | 0458      | SID<10:3>                   |        |        | SID<2:0>   |        |        | —          |       |       | EXIDE      | —     |       |       | EID<17:16> | xxxx  |       |            |
| C1RXF6EID  | 045A      | EID<15:8>                   |        |        | EID<7:0>   |        |        |            |       |       |            |       |       |       |            |       | xxxx  |            |
| C1RXF7SID  | 045C      | SID<10:3>                   |        |        | SID<2:0>   |        |        | —          |       |       | EXIDE      | —     |       |       | EID<17:16> | xxxx  |       |            |
| C1RXF7EID  | 045E      | EID<15:8>                   |        |        | EID<7:0>   |        |        |            |       |       |            |       |       |       |            |       | xxxx  |            |
| C1RXF8SID  | 0460      | SID<10:3>                   |        |        | SID<2:0>   |        |        | —          |       |       | EXIDE      | —     |       |       | EID<17:16> | xxxx  |       |            |
| C1RXF8EID  | 0462      | EID<15:8>                   |        |        | EID<7:0>   |        |        |            |       |       |            |       |       |       |            |       | xxxx  |            |
| C1RXF9SID  | 0464      | SID<10:3>                   |        |        | SID<2:0>   |        |        | —          |       |       | EXIDE      | —     |       |       | EID<17:16> | xxxx  |       |            |
| C1RXF9EID  | 0466      | EID<15:8>                   |        |        | EID<7:0>   |        |        |            |       |       |            |       |       |       |            |       | xxxx  |            |
| C1RXF10SID | 0468      | SID<10:3>                   |        |        | SID<2:0>   |        |        | —          |       |       | EXIDE      | —     |       |       | EID<17:16> | xxxx  |       |            |
| C1RXF10EID | 046A      | EID<15:8>                   |        |        | EID<7:0>   |        |        |            |       |       |            |       |       |       |            |       | xxxx  |            |
| C1RXF11SID | 046C      | SID<10:3>                   |        |        | SID<2:0>   |        |        | —          |       |       | EXIDE      | —     |       |       | EID<17:16> | xxxx  |       |            |

Legend: x = unknown value on Reset, — = unimplemented, read as '0'. Reset values are shown in hexadecimal.

**TABLE 4-23: ECAN1 REGISTER MAP WHEN WIN (C1CTRL<0>) = 1 FOR dsPIC33EPXXMC/GP50X DEVICES ONLY (CONTINUED)**

| File Name  | Addr | Bit 15    | Bit 14 | Bit 13 | Bit 12 | Bit 11 | Bit 10 | Bit 9 | Bit 8 | Bit 7    | Bit 6 | Bit 5 | Bit 4 | Bit 3 | Bit 2      | Bit 1 | Bit 0 | All Resets |
|------------|------|-----------|--------|--------|--------|--------|--------|-------|-------|----------|-------|-------|-------|-------|------------|-------|-------|------------|
| C1RXF11EID | 046E | EID<15:8> |        |        |        |        |        |       |       | EID<7:0> |       |       |       |       |            |       |       | xxxx       |
| C1RXF12SID | 0470 | SID<10:3> |        |        |        |        |        |       |       | SID<2:0> |       | —     | EXIDE | —     | EID<17:16> |       |       | xxxx       |
| C1RXF12EID | 0472 | EID<15:8> |        |        |        |        |        |       |       | EID<7:0> |       |       |       |       |            |       |       | xxxx       |
| C1RXF13SID | 0474 | SID<10:3> |        |        |        |        |        |       |       | SID<2:0> |       | —     | EXIDE | —     | EID<17:16> |       |       | xxxx       |
| C1RXF13EID | 0476 | EID<15:8> |        |        |        |        |        |       |       | EID<7:0> |       |       |       |       |            |       |       | xxxx       |
| C1RXF14SID | 0478 | SID<10:3> |        |        |        |        |        |       |       | SID<2:0> |       | —     | EXIDE | —     | EID<17:16> |       |       | xxxx       |
| C1RXF14EID | 047A | EID<15:8> |        |        |        |        |        |       |       | EID<7:0> |       |       |       |       |            |       |       | xxxx       |
| C1RXF15SID | 047C | SID<10:3> |        |        |        |        |        |       |       | SID<2:0> |       | —     | EXIDE | —     | EID<17:16> |       |       | xxxx       |
| C1RXF15EID | 047E | EID<15:8> |        |        |        |        |        |       |       | EID<7:0> |       |       |       |       |            |       |       | xxxx       |

**Legend:** x = unknown value on Reset, — = unimplemented, read as '0'. Reset values are shown in hexadecimal.

**TABLE 4-24: CRC REGISTER MAP**

| File Name | Addr. | Bit 15                   | Bit 14 | Bit 13 | Bit 12      | Bit 11 | Bit 10 | Bit 9 | Bit 8 | Bit 7 | Bit 6  | Bit 5  | Bit 4   | Bit 3     | Bit 2   | Bit 1 | Bit 0 | All Resets |      |
|-----------|-------|--------------------------|--------|--------|-------------|--------|--------|-------|-------|-------|--------|--------|---------|-----------|---------|-------|-------|------------|------|
| CRCCON1   | 0640  | CRCEN                    | —      | CSIDL  | VWORD<4:0>  |        |        |       |       |       | CRCFUL | CRCMPT | CRCISEL | CRCGO     | LENDIAN | —     | —     | —          | 0000 |
| CRCCON2   | 0642  | —                        | —      | —      | DWIDTH<4:0> |        |        |       |       |       | —      | —      | —       | PLEN<4:0> |         |       |       | 0000       |      |
| CRCXORL   | 0644  | X<15:1>                  |        |        |             |        |        |       |       |       |        |        |         |           |         |       | —     | 0000       |      |
| CRCXORH   | 0646  | X<31:16>                 |        |        |             |        |        |       |       |       |        |        |         |           |         |       |       |            | 0000 |
| CRCDATL   | 0648  | CRC Data Input Low Word  |        |        |             |        |        |       |       |       |        |        |         |           |         |       |       |            | 0000 |
| CRCDATH   | 064A  | CRC Data Input High Word |        |        |             |        |        |       |       |       |        |        |         |           |         |       |       |            | 0000 |
| CRCWDATL  | 064C  | CRC Result Low Word      |        |        |             |        |        |       |       |       |        |        |         |           |         |       |       |            | 0000 |
| CRCWDATH  | 064E  | CRC Result High Word     |        |        |             |        |        |       |       |       |        |        |         |           |         |       |       |            | 0000 |

**Legend:** — = unimplemented, read as '0'. Shaded bits are not used in the operation of the programmable CRC module.

**TABLE 4-25: PERIPHERAL PIN SELECT OUTPUT REGISTER MAP FOR dsPIC33EPXXXGP/MC202/502 AND PIC24EPXXXGP/MC202 DEVICES ONLY**

| File Name | Addr. | Bit 15 | Bit 14 | Bit 13     | Bit 12 | Bit 11 | Bit 10 | Bit 9 | Bit 8 | Bit 7 | Bit 6 | Bit 5      | Bit 4 | Bit 3 | Bit 2 | Bit 1 | Bit 0 | All Resets |
|-----------|-------|--------|--------|------------|--------|--------|--------|-------|-------|-------|-------|------------|-------|-------|-------|-------|-------|------------|
| RPOR0     | 0680  | —      | —      | RP35R<5:0> |        |        |        |       |       | —     | —     | RP20R<5:0> |       |       |       |       |       | 0000       |
| RPOR1     | 0682  | —      | —      | RP37R<5:0> |        |        |        |       |       | —     | —     | RP36R<5:0> |       |       |       |       |       | 0000       |
| RPOR2     | 0684  | —      | —      | RP39R<5:0> |        |        |        |       |       | —     | —     | RP38R<5:0> |       |       |       |       |       | 0000       |
| RPOR3     | 0686  | —      | —      | RP41R<5:0> |        |        |        |       |       | —     | —     | RP40R<5:0> |       |       |       |       |       | 0000       |
| RPOR4     | 0688  | —      | —      | RP43R<5:0> |        |        |        |       |       | —     | —     | RP42R<5:0> |       |       |       |       |       | 0000       |

**Legend:** — = unimplemented, read as '0'. Reset values are shown in hexadecimal.

**TABLE 4-26: PERIPHERAL PIN SELECT OUTPUT REGISTER MAP FOR dsPIC33EPXXXGP/MC203/503 AND PIC24EPXXXGP/MC203 DEVICES ONLY**

| File Name | Addr. | Bit 15 | Bit 14 | Bit 13     | Bit 12 | Bit 11 | Bit 10 | Bit 9 | Bit 8 | Bit 7 | Bit 6 | Bit 5      | Bit 4 | Bit 3 | Bit 2 | Bit 1 | Bit 0 | All Resets |
|-----------|-------|--------|--------|------------|--------|--------|--------|-------|-------|-------|-------|------------|-------|-------|-------|-------|-------|------------|
| RPOR0     | 0680  | —      | —      | RP35R<5:0> |        |        |        |       |       | —     | —     | RP20R<5:0> |       |       |       |       |       | 0000       |
| RPOR1     | 0682  | —      | —      | RP37R<5:0> |        |        |        |       |       | —     | —     | RP36R<5:0> |       |       |       |       |       | 0000       |
| RPOR2     | 0684  | —      | —      | RP39R<5:0> |        |        |        |       |       | —     | —     | RP38R<5:0> |       |       |       |       |       | 0000       |
| RPOR3     | 0686  | —      | —      | RP41R<5:0> |        |        |        |       |       | —     | —     | RP40R<5:0> |       |       |       |       |       | 0000       |
| RPOR4     | 0688  | —      | —      | RP43R<5:0> |        |        |        |       |       | —     | —     | RP42R<5:0> |       |       |       |       |       | 0000       |
| RPOR5     | 068A  | —      | —      | —          | —      | —      | —      | —     | —     | —     | —     | —          | —     | —     | —     | —     | —     | 0000       |
| RPOR6     | 068C  | —      | —      | —          | —      | —      | —      | —     | —     | —     | —     | RP56R<5:0> |       |       |       |       |       | 0000       |

**Legend:** — = unimplemented, read as '0'. Reset values are shown in hexadecimal.

**TABLE 4-27: PERIPHERAL PIN SELECT OUTPUT REGISTER MAP FOR dsPIC33EPXXXGP/MC204/504 AND PIC24EPXXXGP/MC204 DEVICES ONLY**

| File Name | Addr. | Bit 15 | Bit 14 | Bit 13     | Bit 12 | Bit 11 | Bit 10 | Bit 9 | Bit 8 | Bit 7 | Bit 6 | Bit 5      | Bit 4 | Bit 3 | Bit 2 | Bit 1 | Bit 0 | All Resets |
|-----------|-------|--------|--------|------------|--------|--------|--------|-------|-------|-------|-------|------------|-------|-------|-------|-------|-------|------------|
| RPOR0     | 0680  | —      | —      | RP35R<5:0> |        |        |        |       |       | —     | —     | RP20R<5:0> |       |       |       |       |       | 0000       |
| RPOR1     | 0682  | —      | —      | RP37R<5:0> |        |        |        |       |       | —     | —     | RP36R<5:0> |       |       |       |       |       | 0000       |
| RPOR2     | 0684  | —      | —      | RP39R<5:0> |        |        |        |       |       | —     | —     | RP38R<5:0> |       |       |       |       |       | 0000       |
| RPOR3     | 0686  | —      | —      | RP41R<5:0> |        |        |        |       |       | —     | —     | RP40R<5:0> |       |       |       |       |       | 0000       |
| RPOR4     | 0688  | —      | —      | RP43R<5:0> |        |        |        |       |       | —     | —     | RP42R<5:0> |       |       |       |       |       | 0000       |
| RPOR5     | 068A  | —      | —      | RP55R<5:0> |        |        |        |       |       | —     | —     | RP54R<5:0> |       |       |       |       |       | 0000       |
| RPOR6     | 068C  | —      | —      | RP57R<5:0> |        |        |        |       |       | —     | —     | RP56R<5:0> |       |       |       |       |       | 0000       |

**Legend:** x = unknown value on Reset, — = unimplemented, read as '0'. Reset values are shown in hexadecimal.

**TABLE 4-28: PERIPHERAL PIN SELECT OUTPUT REGISTER MAP FOR dsPIC33EPXXXGP/MC206/506 AND PIC24EPXXXGP/MC206 DEVICES ONLY**

| File Name | Addr. | Bit 15 | Bit 14 | Bit 13      | Bit 12 | Bit 11 | Bit 10 | Bit 9 | Bit 8 | Bit 7 | Bit 6 | Bit 5       | Bit 4 | Bit 3 | Bit 2 | Bit 1 | Bit 0 | All Resets |      |
|-----------|-------|--------|--------|-------------|--------|--------|--------|-------|-------|-------|-------|-------------|-------|-------|-------|-------|-------|------------|------|
| RPOR0     | 0680  | —      | —      | RP35R<5:0>  |        |        |        |       |       | —     | —     | RP20R<5:0>  |       |       |       |       |       | 0000       |      |
| RPOR1     | 0682  | —      | —      | RP37R<5:0>  |        |        |        |       |       | —     | —     | RP36R<5:0>  |       |       |       |       |       | 0000       |      |
| RPOR2     | 0684  | —      | —      | RP39R<5:0>  |        |        |        |       |       | —     | —     | RP38R<5:0>  |       |       |       |       |       | 0000       |      |
| RPOR3     | 0686  | —      | —      | RP41R<5:0>  |        |        |        |       |       | —     | —     | RP40R<5:0>  |       |       |       |       |       | 0000       |      |
| RPOR4     | 0688  | —      | —      | RP43R<5:0>  |        |        |        |       |       | —     | —     | RP42R<5:0>  |       |       |       |       |       | 0000       |      |
| RPOR5     | 068A  | —      | —      | RP55R<5:0>  |        |        |        |       |       | —     | —     | RP54R<5:0>  |       |       |       |       |       | 0000       |      |
| RPOR6     | 068C  | —      | —      | RP57R<5:0>  |        |        |        |       |       | —     | —     | RP56R<5:0>  |       |       |       |       |       | 0000       |      |
| RPOR7     | 068E  | —      | —      | RP97R<5:0>  |        |        |        |       |       | —     | —     | —           | —     | —     | —     | —     | —     | —          | 0000 |
| RPOR8     | 0690  | —      | —      | RP118R<5:0> |        |        |        |       |       | —     | —     | —           | —     | —     | —     | —     | —     | —          | 0000 |
| RPOR9     | 0692  | —      | —      | —           | —      | —      | —      | —     | —     | —     | —     | RP120R<5:0> |       |       |       |       |       | 0000       |      |

**Legend:** — = unimplemented, read as '0'. Reset values are shown in hexadecimal.

**TABLE 4-29: PERIPHERAL PIN SELECT INPUT REGISTER MAP FOR PIC24EPXXXMC20X DEVICES ONLY**

| File Name | Addr. | Bit 15 | Bit 14       | Bit 13 | Bit 12 | Bit 11 | Bit 10 | Bit 9 | Bit 8 | Bit 7 | Bit 6      | Bit 5        | Bit 4 | Bit 3 | Bit 2 | Bit 1 | Bit 0 | All Resets |      |      |
|-----------|-------|--------|--------------|--------|--------|--------|--------|-------|-------|-------|------------|--------------|-------|-------|-------|-------|-------|------------|------|------|
| RPINR0    | 06A0  | —      | INT1R<6:0>   |        |        |        |        |       |       |       | —          | —            | —     | —     | —     | —     | —     | —          | 0000 |      |
| RPINR1    | 06A2  | —      | —            | —      | —      | —      | —      | —     | —     | —     | INT2R<6:0> |              |       |       |       |       |       |            | 0000 |      |
| RPINR3    | 06A6  | —      | —            | —      | —      | —      | —      | —     | —     | —     | T2CKR<6:0> |              |       |       |       |       |       |            | 0000 |      |
| RPINR7    | 06AE  | —      | IC2R<6:0>    |        |        |        |        |       |       |       | —          | IC1R<6:0>    |       |       |       |       |       |            |      | 0000 |
| RPINR8    | 06B0  | —      | IC4R<6:0>    |        |        |        |        |       |       |       | —          | IC3R<6:0>    |       |       |       |       |       |            |      | 0000 |
| RPINR11   | 06B6  | —      | —            | —      | —      | —      | —      | —     | —     | —     | OCFAR<6:0> |              |       |       |       |       |       |            | 0000 |      |
| RPINR12   | 06B8  | —      | FLT2R<6:0>   |        |        |        |        |       |       |       | —          | FLT1R<6:0>   |       |       |       |       |       |            |      | 0000 |
| RPINR14   | 06BC  | —      | QEB1R<6:0>   |        |        |        |        |       |       |       | —          | QEA1R<6:0>   |       |       |       |       |       |            |      | 0000 |
| RPINR15   | 06BE  | —      | HOME1R<6:0>  |        |        |        |        |       |       |       | —          | INDX1R<6:0>  |       |       |       |       |       |            |      | 0000 |
| RPINR18   | 06C4  | —      | —            | —      | —      | —      | —      | —     | —     | —     | U1RXR<6:0> |              |       |       |       |       |       |            | 0000 |      |
| RPINR19   | 06C6  | —      | —            | —      | —      | —      | —      | —     | —     | —     | U2RXR<6:0> |              |       |       |       |       |       |            | 0000 |      |
| RPINR22   | 06CC  | —      | SCK2INR<6:0> |        |        |        |        |       |       |       | —          | SDI2R<6:0>   |       |       |       |       |       |            |      | 0000 |
| RPINR23   | 06CE  | —      | —            | —      | —      | —      | —      | —     | —     | —     | SS2R<6:0>  |              |       |       |       |       |       |            | 0000 |      |
| RPINR26   | 06D4  | —      | —            | —      | —      | —      | —      | —     | —     | —     | —          | —            | —     | —     | —     | —     | —     | 0000       |      |      |
| RPINR37   | 06EA  | —      | SYNC1R<6:0>  |        |        |        |        |       |       |       | —          | —            | —     | —     | —     | —     | —     | —          | 0000 |      |
| RPINR38   | 06EC  | —      | DTCMP1R<6:0> |        |        |        |        |       |       |       | —          | —            | —     | —     | —     | —     | —     | —          | 0000 |      |
| RPINR39   | 06EE  | —      | DTCMP3R<6:0> |        |        |        |        |       |       |       | —          | DTCMP2R<6:0> |       |       |       |       |       |            |      | 0000 |

**Legend:** — = unimplemented, read as '0'. Reset values are shown in hexadecimal.

**TABLE 4-30: PERIPHERAL PIN SELECT INPUT REGISTER MAP FOR PIC24EPXXXGP20X DEVICES ONLY**

| File Name | Addr. | Bit 15 | Bit 14       | Bit 13 | Bit 12 | Bit 11 | Bit 10 | Bit 9 | Bit 8 | Bit 7 | Bit 6      | Bit 5      | Bit 4 | Bit 3 | Bit 2 | Bit 1 | Bit 0 | All Resets |      |      |
|-----------|-------|--------|--------------|--------|--------|--------|--------|-------|-------|-------|------------|------------|-------|-------|-------|-------|-------|------------|------|------|
| RPINR0    | 06A0  | —      | INT1R<6:0>   |        |        |        |        |       |       |       | —          | —          | —     | —     | —     | —     | —     | —          | 0000 |      |
| RPINR1    | 06A2  | —      | —            | —      | —      | —      | —      | —     | —     | —     | INT2R<6:0> |            |       |       |       |       |       |            | 0000 |      |
| RPINR3    | 06A6  | —      | —            | —      | —      | —      | —      | —     | —     | —     | T2CKR<6:0> |            |       |       |       |       |       |            | 0000 |      |
| RPINR7    | 06AE  | —      | IC2R<6:0>    |        |        |        |        |       |       |       | —          | IC1R<6:0>  |       |       |       |       |       |            |      | 0000 |
| RPINR8    | 06B0  | —      | IC4R<6:0>    |        |        |        |        |       |       |       | —          | IC3R<6:0>  |       |       |       |       |       |            |      | 0000 |
| RPINR11   | 06B6  | —      | —            | —      | —      | —      | —      | —     | —     | —     | OCFAR<6:0> |            |       |       |       |       |       |            | 0000 |      |
| RPINR18   | 06C4  | —      | —            | —      | —      | —      | —      | —     | —     | —     | U1RXR<6:0> |            |       |       |       |       |       |            | 0000 |      |
| RPINR19   | 06C6  | —      | —            | —      | —      | —      | —      | —     | —     | —     | U2RXR<6:0> |            |       |       |       |       |       |            | 0000 |      |
| RPINR22   | 06CC  | —      | SCK2INR<6:0> |        |        |        |        |       |       |       | —          | SDI2R<6:0> |       |       |       |       |       |            |      | 0000 |
| RPINR23   | 06CE  | —      | —            | —      | —      | —      | —      | —     | —     | —     | SS2R<6:0>  |            |       |       |       |       |       |            | 0000 |      |

**Legend:** — = unimplemented, read as '0'. Reset values are shown in hexadecimal.



**TABLE 4-31: PERIPHERAL PIN SELECT INPUT REGISTER MAP FOR dsPIC33EPXXXGP50X DEVICES ONLY**

| File Name | Addr. | Bit 15 | Bit 14       | Bit 13 | Bit 12 | Bit 11 | Bit 10 | Bit 9 | Bit 8 | Bit 7 | Bit 6      | Bit 5      | Bit 4 | Bit 3 | Bit 2 | Bit 1 | Bit 0 | All Resets |      |      |
|-----------|-------|--------|--------------|--------|--------|--------|--------|-------|-------|-------|------------|------------|-------|-------|-------|-------|-------|------------|------|------|
| RPINR0    | 06A0  | —      | INT1R<6:0>   |        |        |        |        |       |       |       | —          | —          | —     | —     | —     | —     | —     | —          | 0000 |      |
| RPINR1    | 06A2  | —      | —            | —      | —      | —      | —      | —     | —     | —     | INT2R<6:0> |            |       |       |       |       |       |            | 0000 |      |
| RPINR3    | 06A6  | —      | —            | —      | —      | —      | —      | —     | —     | —     | T2CKR<6:0> |            |       |       |       |       |       |            | 0000 |      |
| RPINR7    | 06AE  | —      | IC2R<6:0>    |        |        |        |        |       |       |       | —          | IC1R<6:0>  |       |       |       |       |       |            |      | 0000 |
| RPINR8    | 06B0  | —      | IC4R<6:0>    |        |        |        |        |       |       |       | —          | IC3R<6:0>  |       |       |       |       |       |            |      | 0000 |
| RPINR11   | 06B6  | —      | —            | —      | —      | —      | —      | —     | —     | —     | OCFAR<6:0> |            |       |       |       |       |       |            | 0000 |      |
| RPINR18   | 06C4  | —      | —            | —      | —      | —      | —      | —     | —     | —     | U1RXR<6:0> |            |       |       |       |       |       |            | 0000 |      |
| RPINR19   | 06C6  | —      | —            | —      | —      | —      | —      | —     | —     | —     | U2RXR<6:0> |            |       |       |       |       |       |            | 0000 |      |
| RPINR22   | 06CC  | —      | SCK2INR<6:0> |        |        |        |        |       |       |       | —          | SDI2R<6:0> |       |       |       |       |       |            |      | 0000 |
| RPINR23   | 06CE  | —      | —            | —      | —      | —      | —      | —     | —     | —     | SS2R<6:0>  |            |       |       |       |       |       |            | 0000 |      |
| RPINR26   | 06D4  | —      | —            | —      | —      | —      | —      | —     | —     | —     | C1RXR<6:0> |            |       |       |       |       |       |            | 0000 |      |

**Legend:** — = unimplemented, read as '0'. Reset values are shown in hexadecimal.

**TABLE 4-32: PERIPHERAL PIN SELECT INPUT REGISTER MAP FOR dsPIC33EPXXXMC50X DEVICES ONLY**

| File Name | Addr. | Bit 15 | Bit 14       | Bit 13 | Bit 12 | Bit 11 | Bit 10 | Bit 9 | Bit 8 | Bit 7 | Bit 6      | Bit 5        | Bit 4 | Bit 3 | Bit 2 | Bit 1 | Bit 0 | All Resets |      |      |
|-----------|-------|--------|--------------|--------|--------|--------|--------|-------|-------|-------|------------|--------------|-------|-------|-------|-------|-------|------------|------|------|
| RPINR0    | 06A0  | —      | INT1R<6:0>   |        |        |        |        |       |       |       | —          | —            | —     | —     | —     | —     | —     | —          | 0000 |      |
| RPINR1    | 06A2  | —      | —            | —      | —      | —      | —      | —     | —     | —     | INT2R<6:0> |              |       |       |       |       |       |            | 0000 |      |
| RPINR3    | 06A6  | —      | —            | —      | —      | —      | —      | —     | —     | —     | T2CKR<6:0> |              |       |       |       |       |       |            | 0000 |      |
| RPINR7    | 06AE  | —      | IC2R<6:0>    |        |        |        |        |       |       |       | —          | IC1R<6:0>    |       |       |       |       |       |            |      | 0000 |
| RPINR8    | 06B0  | —      | IC4R<6:0>    |        |        |        |        |       |       |       | —          | IC3R<6:0>    |       |       |       |       |       |            |      | 0000 |
| RPINR11   | 06B6  | —      | —            | —      | —      | —      | —      | —     | —     | —     | OCFAR<6:0> |              |       |       |       |       |       |            | 0000 |      |
| RPINR12   | 06B8  | —      | FLT2R<6:0>   |        |        |        |        |       |       |       | —          | FLT1R<6:0>   |       |       |       |       |       |            |      | 0000 |
| RPINR14   | 06BC  | —      | QEB1R<6:0>   |        |        |        |        |       |       |       | —          | QEA1R<6:0>   |       |       |       |       |       |            |      | 0000 |
| RPINR15   | 06BE  | —      | HOME1R<6:0>  |        |        |        |        |       |       |       | —          | INDX1R<6:0>  |       |       |       |       |       |            |      | 0000 |
| RPINR18   | 06C4  | —      | —            | —      | —      | —      | —      | —     | —     | —     | U1RXR<6:0> |              |       |       |       |       |       |            | 0000 |      |
| RPINR19   | 06C6  | —      | —            | —      | —      | —      | —      | —     | —     | —     | U2RXR<6:0> |              |       |       |       |       |       |            | 0000 |      |
| RPINR22   | 06CC  | —      | SCK2INR<6:0> |        |        |        |        |       |       |       | —          | SDI2R<6:0>   |       |       |       |       |       |            |      | 0000 |
| RPINR23   | 06CE  | —      | —            | —      | —      | —      | —      | —     | —     | —     | SS2R<6:0>  |              |       |       |       |       |       |            | 0000 |      |
| RPINR26   | 06D4  | —      | —            | —      | —      | —      | —      | —     | —     | —     | C1RXR<6:0> |              |       |       |       |       |       |            | 0000 |      |
| RPINR37   | 06EA  | —      | SYNCI1R<6:0> |        |        |        |        |       |       |       | —          | —            | —     | —     | —     | —     | —     | —          | 0000 |      |
| RPINR38   | 06EC  | —      | DTCMP1R<6:0> |        |        |        |        |       |       |       | —          | —            | —     | —     | —     | —     | —     | —          | 0000 |      |
| RPINR39   | 06EE  | —      | DTCMP3R<6:0> |        |        |        |        |       |       |       | —          | DTCMP2R<6:0> |       |       |       |       |       |            |      | 0000 |

**Legend:** — = unimplemented, read as '0'. Reset values are shown in hexadecimal.

**TABLE 4-33: PERIPHERAL PIN SELECT INPUT REGISTER MAP FOR dsPIC33EPXXXMC20X DEVICES ONLY**

| File Name | Addr. | Bit 15 | Bit 14       | Bit 13 | Bit 12 | Bit 11 | Bit 10 | Bit 9 | Bit 8 | Bit 7 | Bit 6      | Bit 5        | Bit 4 | Bit 3 | Bit 2 | Bit 1 | Bit 0 | All Resets |      |      |
|-----------|-------|--------|--------------|--------|--------|--------|--------|-------|-------|-------|------------|--------------|-------|-------|-------|-------|-------|------------|------|------|
| RPINR0    | 06A0  | —      | INT1R<6:0>   |        |        |        |        |       |       |       | —          | —            | —     | —     | —     | —     | —     | —          | 0000 |      |
| RPINR1    | 06A2  | —      | —            | —      | —      | —      | —      | —     | —     | —     | INT2R<6:0> |              |       |       |       |       |       |            | 0000 |      |
| RPINR3    | 06A6  | —      | —            | —      | —      | —      | —      | —     | —     | —     | T2CKR<6:0> |              |       |       |       |       |       |            | 0000 |      |
| RPINR7    | 06AE  | —      | IC2R<6:0>    |        |        |        |        |       |       |       | —          | IC1R<6:0>    |       |       |       |       |       |            |      | 0000 |
| RPINR8    | 06B0  | —      | IC4R<6:0>    |        |        |        |        |       |       |       | —          | IC3R<6:0>    |       |       |       |       |       |            |      | 0000 |
| RPINR11   | 06B6  | —      | —            | —      | —      | —      | —      | —     | —     | —     | OCFAR<6:0> |              |       |       |       |       |       |            | 0000 |      |
| RPINR12   | 06B8  | —      | FLT2R<6:0>   |        |        |        |        |       |       |       | —          | FLT1R<6:0>   |       |       |       |       |       |            |      | 0000 |
| RPINR14   | 06BC  | —      | QEB1R<6:0>   |        |        |        |        |       |       |       | —          | QEA1R<6:0>   |       |       |       |       |       |            |      | 0000 |
| RPINR15   | 06BE  | —      | HOME1R<6:0>  |        |        |        |        |       |       |       | —          | INDX1R<6:0>  |       |       |       |       |       |            |      | 0000 |
| RPINR18   | 06C4  | —      | —            | —      | —      | —      | —      | —     | —     | —     | U1RXR<6:0> |              |       |       |       |       |       |            | 0000 |      |
| RPINR19   | 06C6  | —      | —            | —      | —      | —      | —      | —     | —     | —     | U2RXR<6:0> |              |       |       |       |       |       |            | 0000 |      |
| RPINR22   | 06CC  | —      | SCK2INR<6:0> |        |        |        |        |       |       |       | —          | SDI2R<6:0>   |       |       |       |       |       |            |      | 0000 |
| RPINR23   | 06CE  | —      | —            | —      | —      | —      | —      | —     | —     | —     | SS2R<6:0>  |              |       |       |       |       |       |            | 0000 |      |
| RPINR37   | 06EA  | —      | SYNCl1R<6:0> |        |        |        |        |       |       |       | —          | —            | —     | —     | —     | —     | —     | —          | 0000 |      |
| RPINR38   | 06EC  | —      | DTCMP1R<6:0> |        |        |        |        |       |       |       | —          | —            | —     | —     | —     | —     | —     | —          | 0000 |      |
| RPINR39   | 06EE  | —      | DTCMP3R<6:0> |        |        |        |        |       |       |       | —          | DTCMP2R<6:0> |       |       |       |       |       |            |      | 0000 |

**Legend:** — = unimplemented, read as '0'. Reset values are shown in hexadecimal.

**TABLE 4-34: NVM REGISTER MAP**

| File Name | Addr. | Bit 15       | Bit 14 | Bit 13 | Bit 12  | Bit 11 | Bit 10 | Bit 9 | Bit 8 | Bit 7         | Bit 6 | Bit 5 | Bit 4 | Bit 3      | Bit 2 | Bit 1 | Bit 0 | All Resets |
|-----------|-------|--------------|--------|--------|---------|--------|--------|-------|-------|---------------|-------|-------|-------|------------|-------|-------|-------|------------|
| NVMCON    | 0728  | WR           | WREN   | WRERR  | NVMSIDL | —      | —      | —     | —     | —             | —     | —     | —     | NVMOP<3:0> |       |       |       | 0000       |
| NVMADR    | 072A  | NVMADR<15:0> |        |        |         |        |        |       |       |               |       |       |       |            |       |       |       | 0000       |
| NVMADRU   | 072C  | —            | —      | —      | —       | —      | —      | —     | —     | NVMADR<23:16> |       |       |       |            |       |       |       | 0000       |
| NVMKEY    | 072E  | —            | —      | —      | —       | —      | —      | —     | —     | NVMKEY<7:0>   |       |       |       |            |       |       |       | 0000       |

**Legend:** — = unimplemented, read as '0'. Reset values are shown in hexadecimal.

**TABLE 4-35: SYSTEM CONTROL REGISTER MAP**

| File Name | Addr. | Bit 15 | Bit 14    | Bit 13 | Bit 12 | Bit 11 | Bit 10      | Bit 9 | Bit 8       | Bit 7        | Bit 6  | Bit 5    | Bit 4       | Bit 3 | Bit 2 | Bit 1 | Bit 0 | All Resets |
|-----------|-------|--------|-----------|--------|--------|--------|-------------|-------|-------------|--------------|--------|----------|-------------|-------|-------|-------|-------|------------|
| RCON      | 0740  | TRAPR  | IOPUWR    | —      | —      | VREGSF | —           | CM    | VREGS       | EXTR         | SWR    | SWDTEN   | WDTO        | SLEEP | IDLE  | BOR   | POR   | Note 1     |
| OSCCON    | 0742  | —      | COSC<2:0> |        |        | —      | NOSC<2:0>   |       |             | CLKLOCK      | IOLOCK | LOCK     | —           | CF    | —     | —     | OSWEN | Note 2     |
| CLKDIV    | 0744  | ROI    | DOZE<2:0> |        |        | DOZEN  | FRCDIV<2:0> |       |             | PLLPOST<1:0> |        | —        | PLLPRE<4:0> |       |       |       | 0030  |            |
| PLLFBD    | 0746  | —      | —         | —      | —      | —      | —           | —     | PLLDIV<8:0> |              |        |          |             |       |       |       | 0030  |            |
| OSCTUN    | 0748  | —      | —         | —      | —      | —      | —           | —     | —           | —            | —      | TUN<5:0> |             |       |       |       | 0000  |            |

**Legend:** — = unimplemented, read as '0'. Reset values are shown in hexadecimal.

**Note 1:** RCON register Reset values are dependent on the type of Reset.

**2:** OSCCON register Reset values are dependent on the Configuration Fuses.

**TABLE 4-36: REFERENCE CLOCK REGISTER MAP**

| File Name | Addr. | Bit 15 | Bit 14 | Bit 13 | Bit 12 | Bit 11     | Bit 10 | Bit 9 | Bit 8 | Bit 7 | Bit 6 | Bit 5 | Bit 4 | Bit 3 | Bit 2 | Bit 1 | Bit 0 | All Resets |
|-----------|-------|--------|--------|--------|--------|------------|--------|-------|-------|-------|-------|-------|-------|-------|-------|-------|-------|------------|
| REFOCON   | 074E  | ROON   | —      | ROSSLP | ROSEL  | RODIV<3:0> |        |       |       | —     | —     | —     | —     | —     | —     | —     | —     | 0000       |

**Legend:** — = unimplemented, read as '0'. Reset values are shown in hexadecimal.

**TABLE 4-37: PMD REGISTER MAP FOR PIC24EPXXXGP20X DEVICES ONLY**

| File Name | Addr. | Bit 15 | Bit 14 | Bit 13 | Bit 12 | Bit 11 | Bit 10 | Bit 9 | Bit 8 | Bit 7  | Bit 6 | Bit 5 | Bit 4  | Bit 3  | Bit 2  | Bit 1  | Bit 0 | All Resets |
|-----------|-------|--------|--------|--------|--------|--------|--------|-------|-------|--------|-------|-------|--------|--------|--------|--------|-------|------------|
| PMD1      | 0760  | T5MD   | T4MD   | T3MD   | T2MD   | T1MD   | —      | —     | —     | I2C1MD | U2MD  | U1MD  | SPI2MD | SPI1MD | —      | —      | AD1MD | 0000       |
| PMD2      | 0762  | —      | —      | —      | —      | IC4MD  | IC3MD  | IC2MD | IC1MD | —      | —     | —     | —      | OC4MD  | OC3MD  | OC2MD  | OC1MD | 0000       |
| PMD3      | 0764  | —      | —      | —      | —      | —      | CMPMD  | —     | —     | CRCMD  | —     | —     | —      | —      | —      | I2C2MD | —     | 0000       |
| PMD4      | 0766  | —      | —      | —      | —      | —      | —      | —     | —     | —      | —     | —     | —      | REFOMD | CTMUMD | —      | —     | 0000       |
| PMD6      | 076A  | —      | —      | —      | —      | —      | —      | —     | —     | —      | —     | —     | —      | —      | —      | —      | —     | 0000       |
| PMD7      | 076C  | —      | —      | —      | —      | —      | —      | —     | —     | —      | —     | —     | DMA0MD | PTGMD  | —      | —      | —     | 0000       |
|           |       |        |        |        |        |        |        |       |       |        |       |       | DMA1MD |        |        |        |       |            |
|           |       |        |        |        |        |        |        |       |       |        |       |       | DMA2MD |        |        |        |       |            |
|           |       |        |        |        |        |        |        |       |       |        |       |       | DMA3MD |        |        |        |       |            |

**Legend:** — = unimplemented, read as '0'. Reset values are shown in hexadecimal.

**TABLE 4-38: PMD REGISTER MAP FOR PIC24EPXXXMC20X DEVICES ONLY**

| File Name | Addr. | Bit 15 | Bit 14 | Bit 13 | Bit 12 | Bit 11 | Bit 10 | Bit 9  | Bit 8  | Bit 7  | Bit 6 | Bit 5 | Bit 4  | Bit 3  | Bit 2  | Bit 1  | Bit 0 | All Resets |
|-----------|-------|--------|--------|--------|--------|--------|--------|--------|--------|--------|-------|-------|--------|--------|--------|--------|-------|------------|
| PMD1      | 0760  | T5MD   | T4MD   | T3MD   | T2MD   | T1MD   | QE11MD | PWMMD  | —      | I2C1MD | U2MD  | U1MD  | SPI2MD | SPI1MD | —      | —      | AD1MD | 0000       |
| PMD2      | 0762  | —      | —      | —      | —      | IC4MD  | IC3MD  | IC2MD  | IC1MD  | —      | —     | —     | —      | OC4MD  | OC3MD  | OC2MD  | OC1MD | 0000       |
| PMD3      | 0764  | —      | —      | —      | —      | —      | CMPMD  | —      | —      | CRCMD  | —     | —     | —      | —      | —      | I2C2MD | —     | 0000       |
| PMD4      | 0766  | —      | —      | —      | —      | —      | —      | —      | —      | —      | —     | —     | —      | REFOMD | CTMUMD | —      | —     | 0000       |
| PMD6      | 076A  | —      | —      | —      | —      | —      | PWM3MD | PWM2MD | PWM1MD | —      | —     | —     | —      | —      | —      | —      | —     | 0000       |
| PMD7      | 076C  | —      | —      | —      | —      | —      | —      | —      | —      | —      | —     | —     | DMA0MD | PTGMD  | —      | —      | —     | 0000       |
|           |       |        |        |        |        |        |        |        |        |        |       |       | DMA1MD |        |        |        |       |            |
|           |       |        |        |        |        |        |        |        |        |        |       |       | DMA2MD |        |        |        |       |            |
|           |       |        |        |        |        |        |        |        |        |        |       |       | DMA3MD |        |        |        |       |            |

**Legend:** — = unimplemented, read as '0'. Reset values are shown in hexadecimal.

**TABLE 4-39: PMD REGISTER MAP FOR dsPIC33EPXXXGP50X DEVICES ONLY**

| File Name | Addr. | Bit 15 | Bit 14 | Bit 13 | Bit 12 | Bit 11 | Bit 10 | Bit 9 | Bit 8 | Bit 7  | Bit 6 | Bit 5 | Bit 4  | Bit 3  | Bit 2  | Bit 1  | Bit 0 | All Resets |
|-----------|-------|--------|--------|--------|--------|--------|--------|-------|-------|--------|-------|-------|--------|--------|--------|--------|-------|------------|
| PMD1      | 0760  | T5MD   | T4MD   | T3MD   | T2MD   | T1MD   | —      | —     | —     | I2C1MD | U2MD  | U1MD  | SPI2MD | SPI1MD | —      | C1MD   | AD1MD | 0000       |
| PMD2      | 0762  | —      | —      | —      | —      | IC4MD  | IC3MD  | IC2MD | IC1MD | —      | —     | —     | —      | OC4MD  | OC3MD  | OC2MD  | OC1MD | 0000       |
| PMD3      | 0764  | —      | —      | —      | —      | —      | CMPMD  | —     | —     | CRCMD  | —     | —     | —      | —      | —      | I2C2MD | —     | 0000       |
| PMD4      | 0766  | —      | —      | —      | —      | —      | —      | —     | —     | —      | —     | —     | —      | REFOMD | CTMUMD | —      | —     | 0000       |
| PMD6      | 076A  | —      | —      | —      | —      | —      | —      | —     | —     | —      | —     | —     | —      | —      | —      | —      | —     | 0000       |
| PMD7      | 076C  | —      | —      | —      | —      | —      | —      | —     | —     | —      | —     | —     | DMA0MD | PTGMD  | —      | —      | —     | 0000       |
|           |       |        |        |        |        |        |        |       |       |        |       |       | DMA1MD |        |        |        |       |            |
|           |       |        |        |        |        |        |        |       |       |        |       |       | DMA2MD |        |        |        |       |            |
|           |       |        |        |        |        |        |        |       |       |        |       |       | DMA3MD |        |        |        |       |            |

**Legend:** — = unimplemented, read as '0'. Reset values are shown in hexadecimal.

**TABLE 4-40: PMD REGISTER MAP FOR dsPIC33EPXXXMC50X DEVICES ONLY**

| File Name | Addr. | Bit 15 | Bit 14 | Bit 13 | Bit 12 | Bit 11 | Bit 10 | Bit 9  | Bit 8  | Bit 7  | Bit 6 | Bit 5 | Bit 4  | Bit 3  | Bit 2  | Bit 1  | Bit 0 | All Resets |
|-----------|-------|--------|--------|--------|--------|--------|--------|--------|--------|--------|-------|-------|--------|--------|--------|--------|-------|------------|
| PMD1      | 0760  | T5MD   | T4MD   | T3MD   | T2MD   | T1MD   | QE1MD  | PWMMMD | —      | I2C1MD | U2MD  | U1MD  | SPI2MD | SPI1MD | —      | C1MD   | AD1MD | 0000       |
| PMD2      | 0762  | —      | —      | —      | —      | IC4MD  | IC3MD  | IC2MD  | IC1MD  | —      | —     | —     | —      | OC4MD  | OC3MD  | OC2MD  | OC1MD | 0000       |
| PMD3      | 0764  | —      | —      | —      | —      | —      | CMPMD  | —      | —      | CRCMD  | —     | —     | —      | —      | —      | I2C2MD | —     | 0000       |
| PMD4      | 0766  | —      | —      | —      | —      | —      | —      | —      | —      | —      | —     | —     | —      | REFOMD | CTMUMD | —      | —     | 0000       |
| PMD6      | 076A  | —      | —      | —      | —      | —      | PWM3MD | PWM2MD | PWM1MD | —      | —     | —     | —      | —      | —      | —      | —     | 0000       |
| PMD7      | 076C  | —      | —      | —      | —      | —      | —      | —      | —      | —      | —     | —     | DMA0MD | PTGMD  | —      | —      | —     | 0000       |
|           |       |        |        |        |        |        |        |        |        |        |       |       | DMA1MD |        |        |        |       |            |
|           |       |        |        |        |        |        |        |        |        |        |       |       | DMA2MD |        |        |        |       |            |
|           |       |        |        |        |        |        |        |        |        |        |       |       | DMA3MD |        |        |        |       |            |

**Legend:** — = unimplemented, read as '0'. Reset values are shown in hexadecimal.

**TABLE 4-41: PMD REGISTER MAP FOR dsPIC33EPXXXMC20X DEVICES ONLY**

| File Name | Addr. | Bit 15 | Bit 14 | Bit 13 | Bit 12 | Bit 11 | Bit 10 | Bit 9  | Bit 8  | Bit 7  | Bit 6 | Bit 5 | Bit 4  | Bit 3  | Bit 2  | Bit 1  | Bit 0 | All Resets |
|-----------|-------|--------|--------|--------|--------|--------|--------|--------|--------|--------|-------|-------|--------|--------|--------|--------|-------|------------|
| PMD1      | 0760  | T5MD   | T4MD   | T3MD   | T2MD   | T1MD   | QE1MD  | PWMMD  | —      | I2C1MD | U2MD  | U1MD  | SPI2MD | SPI1MD | —      | —      | AD1MD | 0000       |
| PMD2      | 0762  | —      | —      | —      | —      | IC4MD  | IC3MD  | IC2MD  | IC1MD  | —      | —     | —     | —      | OC4MD  | OC3MD  | OC2MD  | OC1MD | 0000       |
| PMD3      | 0764  | —      | —      | —      | —      | —      | CMPMD  | —      | —      | CRCMD  | —     | —     | —      | —      | —      | I2C2MD | —     | 0000       |
| PMD4      | 0766  | —      | —      | —      | —      | —      | —      | —      | —      | —      | —     | —     | —      | REFOMD | CTMUMD | —      | —     | 0000       |
| PMD6      | 076A  | —      | —      | —      | —      | —      | PWM3MD | PWM2MD | PWM1MD | —      | —     | —     | —      | —      | —      | —      | —     | 0000       |
| PMD7      | 076C  | —      | —      | —      | —      | —      | —      | —      | —      | —      | —     | —     | DMA0MD | PTGMD  | —      | —      | —     | 0000       |
|           |       |        |        |        |        |        |        |        |        |        |       |       | DMA1MD |        |        |        |       |            |
|           |       |        |        |        |        |        |        |        |        |        |       |       | DMA2MD |        |        |        |       |            |
|           |       |        |        |        |        |        |        |        |        |        |       |       | DMA3MD |        |        |        |       |            |

**Legend:** — = unimplemented, read as '0'. Reset values are shown in hexadecimal.

**TABLE 4-42: OP AMP/COMPARATOR REGISTER MAP**

| File Name                | Addr. | Bit 15 | Bit 14 | Bit 13 | Bit 12 | Bit 11       | Bit 10  | Bit 9 | Bit 8 | Bit 7        | Bit 6  | Bit 5 | Bit 4 | Bit 3        | Bit 2      | Bit 1    | Bit 0 | All Resets |
|--------------------------|-------|--------|--------|--------|--------|--------------|---------|-------|-------|--------------|--------|-------|-------|--------------|------------|----------|-------|------------|
| CMSTAT                   | 0A80  | PSIDL  | —      | —      | —      | C4EVT        | C3EVT   | C2EVT | C1EVT | —            | —      | —     | —     | C4OUT        | C3OUT      | C2OUT    | C1OUT | 0000       |
| CVRCON                   | 0A82  | —      | CVR2OE | —      | —      | —            | VREFSEL | —     | —     | CVREN        | CVR1OE | CVRR  | CVRSS | CVR<3:0>     |            |          |       | 0000       |
| CM1CON                   | 0A84  | CON    | COE    | CPOL   | —      | —            | OPMODE  | CEVT  | COUT  | EVPOL<1:0>   |        | —     | CREF  | —            | —          | CCH<1:0> |       | 0000       |
| CM1MSKSR                 | 0A86  | —      | —      | —      | —      | SELSRCC<3:0> |         |       |       | SELSRCB<3:0> |        |       |       | SELSRCA<3:0> |            |          |       | 0000       |
| CM1MSKCON                | 0A88  | HLMS   | —      | OCEN   | OCNEN  | OBEN         | OBNEN   | OAEN  | OANEN | NAGS         | PAGS   | ACEN  | ACNEN | ABEN         | ABNEN      | AAEN     | AANEN | 0000       |
| CM1FLTR                  | 0A8A  | —      | —      | —      | —      | —            | —       | —     | —     | CFSEL<2:0>   |        |       |       | CFLTREN      | CFDIV<2:0> |          |       | 0000       |
| CM2CON                   | 0A8C  | CON    | COE    | CPOL   | —      | —            | OPMODE  | CEVT  | COUT  | EVPOL<1:0>   |        | —     | CREF  | —            | —          | CCH<1:0> |       | 0000       |
| CM2MSKSR                 | 0A8E  | —      | —      | —      | —      | SELSRCC<3:0> |         |       |       | SELSRCB<3:0> |        |       |       | SELSRCA<3:0> |            |          |       | 0000       |
| CM2MSKCON                | 0A90  | HLMS   | —      | OCEN   | OCNEN  | OBEN         | OBNEN   | OAEN  | OANEN | NAGS         | PAGS   | ACEN  | ACNEN | ABEN         | ABNEN      | AAEN     | AANEN | 0000       |
| CM2FLTR                  | 0A92  | —      | —      | —      | —      | —            | —       | —     | —     | CFSEL<2:0>   |        |       |       | CFLTREN      | CFDIV<2:0> |          |       | 0000       |
| CM3CON <sup>(1)</sup>    | 0A94  | CON    | COE    | CPOL   | —      | —            | OPMODE  | CEVT  | COUT  | EVPOL<1:0>   |        | —     | CREF  | —            | —          | CCH<1:0> |       | 0000       |
| CM3MSKSR <sup>(1)</sup>  | 0A96  | —      | —      | —      | —      | SELSRCC<3:0> |         |       |       | SELSRCB<3:0> |        |       |       | SELSRCA<3:0> |            |          |       | 0000       |
| CM3MSKCON <sup>(1)</sup> | 0A98  | HLMS   | —      | OCEN   | OCNEN  | OBEN         | OBNEN   | OAEN  | OANEN | NAGS         | PAGS   | ACEN  | ACNEN | ABEN         | ABNEN      | AAEN     | AANEN | 0000       |
| CM3FLTR <sup>(1)</sup>   | 0A9A  | —      | —      | —      | —      | —            | —       | —     | —     | CFSEL<2:0>   |        |       |       | CFLTREN      | CFDIV<2:0> |          |       | 0000       |
| CM4CON                   | 0A9C  | CON    | COE    | CPOL   | —      | —            | —       | CEVT  | COUT  | EVPOL<1:0>   |        | —     | CREF  | —            | —          | CCH<1:0> |       | 0000       |
| CM4MSKSR                 | 0A9E  | —      | —      | —      | —      | SELSRCC<3:0> |         |       |       | SELSRCB<3:0> |        |       |       | SELSRCA<3:0> |            |          |       | 0000       |
| CM4MSKCON                | 0AA0  | HLMS   | —      | OCEN   | OCNEN  | OBEN         | OBNEN   | OAEN  | OANEN | NAGS         | PAGS   | ACEN  | ACNEN | ABEN         | ABNEN      | AAEN     | AANEN | 0000       |
| CM4FLTR                  | 0AA2  | —      | —      | —      | —      | —            | —       | —     | —     | CFSEL<2:0>   |        |       |       | CFLTREN      | CFDIV<2:0> |          |       | 0000       |

**Legend:** — = unimplemented, read as '0'. Reset values are shown in hexadecimal.

**Note 1:** These registers are unavailable on dsPIC33EPXXGP502/MC502/MC202 and PIC24EP256GP/MC202 (28-pin) devices.

**TABLE 4-43: CTMU REGISTER MAP**

| File Name | Addr. | Bit 15     | Bit 14  | Bit 13       | Bit 12 | Bit 11 | Bit 10   | Bit 9     | Bit 8    | Bit 7   | Bit 6   | Bit 5        | Bit 4 | Bit 3 | Bit 2 | Bit 1 | Bit 0 | All Resets |      |
|-----------|-------|------------|---------|--------------|--------|--------|----------|-----------|----------|---------|---------|--------------|-------|-------|-------|-------|-------|------------|------|
| CTMUCON1  | 033A  | CTMUEN     | —       | CTMUSIDL     | TGEN   | EDGEN  | EDGSEQEN | IDISSEN   | CTTRIG   | —       | —       | —            | —     | —     | —     | —     | —     | 0000       |      |
| CTMUCON2  | 033C  | EDG1MOD    | EDG1POL | EDG1SEL<3:0> |        |        |          | EDG2STAT  | EDG1STAT | EDG2MOD | EDG2POL | EDG2SEL<3:0> |       |       |       | —     | —     | 0000       |      |
| CTMUICON  | 033E  | ITRIM<5:0> |         |              |        |        |          | IRNG<1:0> |          | —       | —       | —            | —     | —     | —     | —     | —     | —          | 0000 |

**Legend:** — = unimplemented, read as '0'. Reset values are shown in hexadecimal.

**TABLE 4-44: JTAG INTERFACE REGISTER MAP**

| File Name | Addr | Bit 15       | Bit 14 | Bit 13 | Bit 12 | Bit 11        | Bit 10 | Bit 9 | Bit 8 | Bit 7 | Bit 6 | Bit 5 | Bit 4 | Bit 3 | Bit 2 | Bit 1 | Bit 0 | All Resets |
|-----------|------|--------------|--------|--------|--------|---------------|--------|-------|-------|-------|-------|-------|-------|-------|-------|-------|-------|------------|
| JDATAH    | 0FF0 | —            | —      | —      | —      | JDATAH<27:16> |        |       |       |       |       |       |       |       |       |       |       | xxxx       |
| JDATAH    | 0FF2 | JDATAH<15:0> |        |        |        |               |        |       |       |       |       |       |       |       |       |       |       | 0000       |

**Legend:** x = unknown value on Reset, — = unimplemented, read as '0'. Reset values are shown in hexadecimal.

**TABLE 4-45: DMAC REGISTER MAP**

| File Name | Addr. | Bit 15      | Bit 14 | Bit 13    | Bit 12 | Bit 11 | Bit 10 | Bit 9 | Bit 8 | Bit 7        | Bit 6 | Bit 5      | Bit 4 | Bit 3      | Bit 2  | Bit 1     | Bit 0  | All Resets |      |
|-----------|-------|-------------|--------|-----------|--------|--------|--------|-------|-------|--------------|-------|------------|-------|------------|--------|-----------|--------|------------|------|
| DMA0CON   | 0B00  | CHEN        | SIZE   | DIR       | HALF   | NULLW  | —      | —     | —     | —            | —     | AMODE<1:0> |       | —          | —      | MODE<1:0> |        | 0000       |      |
| DMA0REQ   | 0B02  | FORCE       | —      | —         | —      | —      | —      | —     | —     | IRQSEL<7:0>  |       |            |       |            |        |           |        |            | 00FF |
| DMA0STAL  | 0B04  | STA<15:0>   |        |           |        |        |        |       |       |              |       |            |       |            |        |           |        |            | 0000 |
| DMA0STAH  | 0B06  | —           | —      | —         | —      | —      | —      | —     | —     | STA<23:16>   |       |            |       |            |        |           |        |            | 0000 |
| DMA0STBL  | 0B08  | STB<15:0>   |        |           |        |        |        |       |       |              |       |            |       |            |        |           |        |            | 0000 |
| DMA0STBH  | 0B0A  | —           | —      | —         | —      | —      | —      | —     | —     | STB<23:16>   |       |            |       |            |        |           |        |            | 0000 |
| DMA0PAD   | 0B0C  | PAD<15:0>   |        |           |        |        |        |       |       |              |       |            |       |            |        |           |        |            | 0000 |
| DMA0CNT   | 0B0E  | —           | —      | CNT<13:0> |        |        |        |       |       |              |       |            |       |            |        |           |        | 0000       |      |
| DMA1CON   | 0B10  | CHEN        | SIZE   | DIR       | HALF   | NULLW  | —      | —     | —     | —            | —     | AMODE<1:0> |       | —          | —      | MODE<1:0> |        | 0000       |      |
| DMA1REQ   | 0B12  | FORCE       | —      | —         | —      | —      | —      | —     | —     | IRQSEL<7:0>  |       |            |       |            |        |           |        |            | 00FF |
| DMA1STAL  | 0B14  | STA<15:0>   |        |           |        |        |        |       |       |              |       |            |       |            |        |           |        |            | 0000 |
| DMA1STAH  | 0B16  | —           | —      | —         | —      | —      | —      | —     | —     | STA<23:16>   |       |            |       |            |        |           |        |            | 0000 |
| DMA1STBL  | 0B18  | STB<15:0>   |        |           |        |        |        |       |       |              |       |            |       |            |        |           |        |            | 0000 |
| DMA1STBH  | 0B1A  | —           | —      | —         | —      | —      | —      | —     | —     | STB<23:16>   |       |            |       |            |        |           |        |            | 0000 |
| DMA1PAD   | 0B1C  | PAD<15:0>   |        |           |        |        |        |       |       |              |       |            |       |            |        |           |        |            | 0000 |
| DMA1CNT   | 0B1E  | —           | —      | CNT<13:0> |        |        |        |       |       |              |       |            |       |            |        |           |        | 0000       |      |
| DMA2CON   | 0B20  | CHEN        | SIZE   | DIR       | HALF   | NULLW  | —      | —     | —     | —            | —     | AMODE<1:0> |       | —          | —      | MODE<1:0> |        | 0000       |      |
| DMA2REQ   | 0B22  | FORCE       | —      | —         | —      | —      | —      | —     | —     | IRQSEL<7:0>  |       |            |       |            |        |           |        |            | 00FF |
| DMA2STAL  | 0B24  | STA<15:0>   |        |           |        |        |        |       |       |              |       |            |       |            |        |           |        |            | 0000 |
| DMA2STAH  | 0B26  | —           | —      | —         | —      | —      | —      | —     | —     | STA<23:16>   |       |            |       |            |        |           |        |            | 0000 |
| DMA2STBL  | 0B28  | STB<15:0>   |        |           |        |        |        |       |       |              |       |            |       |            |        |           |        |            | 0000 |
| DMA2STBH  | 0B2A  | —           | —      | —         | —      | —      | —      | —     | —     | STB<23:16>   |       |            |       |            |        |           |        |            | 0000 |
| DMA2PAD   | 0B2C  | PAD<15:0>   |        |           |        |        |        |       |       |              |       |            |       |            |        |           |        |            | 0000 |
| DMA2CNT   | 0B2E  | —           | —      | CNT<13:0> |        |        |        |       |       |              |       |            |       |            |        |           |        | 0000       |      |
| DMA3CON   | 0B30  | CHEN        | SIZE   | DIR       | HALF   | NULLW  | —      | —     | —     | —            | —     | AMODE<1:0> |       | —          | —      | MODE<1:0> |        | 0000       |      |
| DMA3REQ   | 0B32  | FORCE       | —      | —         | —      | —      | —      | —     | —     | IRQSEL<7:0>  |       |            |       |            |        |           |        |            | 00FF |
| DMA3STAL  | 0B34  | STA<15:0>   |        |           |        |        |        |       |       |              |       |            |       |            |        |           |        |            | 0000 |
| DMA3STAH  | 0B36  | —           | —      | —         | —      | —      | —      | —     | —     | STA<23:16>   |       |            |       |            |        |           |        |            | 0000 |
| DMA3STBL  | 0B38  | STB<15:0>   |        |           |        |        |        |       |       |              |       |            |       |            |        |           |        |            | 0000 |
| DMA3STBH  | 0B3A  | —           | —      | —         | —      | —      | —      | —     | —     | STB<23:16>   |       |            |       |            |        |           |        |            | 0000 |
| DMA3PAD   | 0B3C  | PAD<15:0>   |        |           |        |        |        |       |       |              |       |            |       |            |        |           |        |            | 0000 |
| DMA3CNT   | 0B3E  | —           | —      | CNT<13:0> |        |        |        |       |       |              |       |            |       |            |        |           |        | 0000       |      |
| DMAPWC    | 0BF0  | —           | —      | —         | —      | —      | —      | —     | —     | —            | —     | —          | —     | PWCOL3     | PWCOL2 | PWCOL1    | PWCOL0 | 0000       |      |
| DMARQC    | 0BF2  | —           | —      | —         | —      | —      | —      | —     | —     | —            | —     | —          | —     | RQCOL3     | RQCOL2 | RQCOL1    | RQCOL0 | 0000       |      |
| DMAPPS    | 0BF4  | —           | —      | —         | —      | —      | —      | —     | —     | —            | —     | —          | —     | PPST3      | PPST2  | PPST1     | PPST0  | 0000       |      |
| DMALCA    | 0BF6  | —           | —      | —         | —      | —      | —      | —     | —     | —            | —     | —          | —     | LSTCH<3:0> |        |           |        | 000F       |      |
| DSADRL    | 0BF8  | DSADR<15:0> |        |           |        |        |        |       |       |              |       |            |       |            |        |           |        |            | 0000 |
| DSADRH    | 0BFA  | —           | —      | —         | —      | —      | —      | —     | —     | DSADR<23:16> |       |            |       |            |        |           |        |            | 0000 |

**Legend:** — = unimplemented, read as '0'. Reset values are shown in hexadecimal.



**TABLE 4-46: PORTA REGISTER MAP FOR PIC24EPXXXGP/MC206 AND dsPIC33EPXXXGP/MC206/506 DEVICES ONLY**

| File Name | Addr. | Bit 15 | Bit 14 | Bit 13 | Bit 12  | Bit 11  | Bit 10  | Bit 9  | Bit 8  | Bit 7  | Bit 6 | Bit 5 | Bit 4  | Bit 3 | Bit 2 | Bit 1  | Bit 0  | All Resets |
|-----------|-------|--------|--------|--------|---------|---------|---------|--------|--------|--------|-------|-------|--------|-------|-------|--------|--------|------------|
| TRISA     | 0E00  | —      | —      | —      | TRISA12 | TRISA11 | TRISA10 | TRISA9 | TRISA8 | TRISA7 | —     | —     | TRISA4 | —     | —     | TRISA1 | TRISA0 | 1F93       |
| PORTA     | 0E02  | —      | —      | —      | RA12    | RA11    | RA10    | RA9    | RA8    | RA7    | —     | —     | RA4    | —     | —     | RA1    | RA0    | 0000       |
| LATA      | 0E04  | —      | —      | —      | LATA12  | LATA11  | LATA10  | LATA9  | LATA8  | LATA7  | —     | —     | LATA4  | —     | —     | LA1TA1 | LA0TA0 | 0000       |
| ODCA      | 0E06  | —      | —      | —      | ODCA12  | ODCA11  | ODCA10  | ODCA9  | ODCA8  | ODCA7  | —     | —     | ODCA4  | —     | —     | ODCA1  | ODCA0  | 0000       |
| CNENA     | 0E08  | —      | —      | —      | CNIEA12 | CNIEA11 | CNIEA10 | CNIEA9 | CNIEA8 | CNIEA7 | —     | —     | CNIEA4 | —     | —     | CNIEA1 | CNIEA0 | 0000       |
| CNPUA     | 0E0A  | —      | —      | —      | CNPUA12 | CNPUA11 | CNPUA10 | CNPUA9 | CNPUA8 | CNPUA7 | —     | —     | CNPUA4 | —     | —     | CNPUA1 | CNPUA0 | 0000       |
| CNPDA     | 0E0C  | —      | —      | —      | CNPDA12 | CNPDA11 | CNPDA10 | CNPDA9 | CNPDA8 | CNPDA7 | —     | —     | CNPDA4 | —     | —     | CNPDA1 | CNPDA0 | 0000       |
| ANSELA    | 0E0E  | —      | —      | —      | ANSA12  | ANSA11  | —       | —      | —      | —      | —     | —     | ANSA4  | —     | —     | ANSA1  | ANSA0  | 1813       |

**Legend:** — = unimplemented, read as '0'. Reset values are shown in hexadecimal.

**TABLE 4-47: PORTB REGISTER MAP FOR PIC24EPXXXGP/MC206 AND dsPIC33EPXXXGP/MC206/506 DEVICES ONLY**

| File Name | Addr. | Bit 15  | Bit 14  | Bit 13  | Bit 12  | Bit 11  | Bit 10  | Bit 9  | Bit 8  | Bit 7  | Bit 6  | Bit 5  | Bit 4  | Bit 3  | Bit 2  | Bit 1  | Bit 0  | All Resets |
|-----------|-------|---------|---------|---------|---------|---------|---------|--------|--------|--------|--------|--------|--------|--------|--------|--------|--------|------------|
| TRISB     | 0E10  | TRISB15 | TRISB14 | TRISB13 | TRISB12 | TRISB11 | TRISB10 | TRISB9 | TRISB8 | TRISB7 | TRISB6 | TRISB5 | TRISB4 | TRISB3 | TRISB2 | TRISB1 | TRISB0 | FFFF       |
| PORTB     | 0E12  | RB15    | RB14    | RB13    | RB12    | RB11    | RB10    | RB9    | RB8    | RB7    | RB6    | RB5    | RB4    | RB3    | RB2    | RB1    | RB0    | xxxx       |
| LATB      | 0E14  | LATB15  | LATB14  | LATB13  | LATB12  | LATB11  | LATB10  | LATB9  | LATB8  | LATB7  | LATB6  | LATB5  | LATB4  | LATB3  | LATB2  | LATB1  | LATB0  | xxxx       |
| ODCB      | 0E16  | ODCB15  | ODCB14  | ODCB13  | ODCB12  | ODCB11  | ODCB10  | ODCB9  | ODCB8  | ODCB7  | ODCB6  | ODCB5  | ODCB4  | ODCB3  | ODCB2  | ODCB1  | ODCB0  | 0000       |
| CNENB     | 0E18  | CNIEB15 | CNIEB14 | CNIEB13 | CNIEB12 | CNIEB11 | CNIEB10 | CNIEB9 | CNIEB8 | CNIEB7 | CNIEB6 | CNIEB5 | CNIEB4 | CNIEB3 | CNIEB2 | CNIEB1 | CNIEB0 | 0000       |
| CNPUB     | 0E1A  | CNPUB15 | CNPUB14 | CNPUB13 | CNPUB12 | CNPUB11 | CNPUB10 | CNPUB9 | CNPUB8 | CNPUB7 | CNPUB6 | CNPUB5 | CNPUB4 | CNPUB3 | CNPUB2 | CNPUB1 | CNPUB0 | 0000       |
| CNPDB     | 0E1C  | CNPDB15 | CNPDB14 | CNPDB13 | CNPDB12 | CNPDB11 | CNPDB10 | CNPDB9 | CNPDB8 | CNPDB7 | CNPDB6 | CNPDB5 | CNPDB4 | CNPDB3 | CNPDB2 | CNPDB1 | CNPDB0 | 0000       |
| ANSELB    | 0E1E  | —       | —       | —       | —       | —       | —       | —      | ANSB8  | —      | —      | —      | —      | ANSB3  | ANSB2  | ANSB1  | ANSB0  | 010F       |

**Legend:** x = unknown value on Reset, — = unimplemented, read as '0'. Reset values are shown in hexadecimal.

**TABLE 4-48: PORTC REGISTER MAP FOR PIC24EPXXXGP/MC206 AND dsPIC33EPXXXGP/MC206/506 DEVICES ONLY**

| File Name | Addr. | Bit 15  | Bit 14 | Bit 13  | Bit 12  | Bit 11  | Bit 10  | Bit 9  | Bit 8  | Bit 7  | Bit 6  | Bit 5  | Bit 4  | Bit 3  | Bit 2  | Bit 1  | Bit 0  | All Resets |
|-----------|-------|---------|--------|---------|---------|---------|---------|--------|--------|--------|--------|--------|--------|--------|--------|--------|--------|------------|
| TRISC     | 0E20  | TRISC15 | —      | TRISC13 | TRISC12 | TRISC11 | TRISC10 | TRISC9 | TRISC8 | TRISC7 | TRISC6 | TRISC5 | TRISC4 | TRISC3 | TRISC2 | TRISC1 | TRISC0 | FFFF       |
| PORTC     | 0E22  | RC15    | —      | RC13    | RC12    | RC11    | RC10    | RC9    | RC8    | RC7    | RC6    | RC5    | RC4    | RC3    | RC2    | RC1    | RC0    | xxxx       |
| LATC      | 0E24  | LATC15  | —      | LATC13  | LATC12  | LATC11  | LATC10  | LATC9  | LATC8  | LATC7  | LATC6  | LATC5  | LATC4  | LATC3  | LATC2  | LATC1  | LATC0  | xxxx       |
| ODCC      | 0E26  | ODCC15  | —      | ODCC13  | ODCC12  | ODCC11  | ODCC10  | ODCC9  | ODCC8  | ODCC7  | ODCC6  | ODCC5  | ODCC4  | ODCC3  | ODCC2  | ODCC1  | ODCC0  | 0000       |
| CNENC     | 0E28  | CNIEC15 | —      | CNIEC13 | CNIEC12 | CNIEC11 | CNIEC10 | CNIEC9 | CNIEC8 | CNIEC7 | CNIEC6 | CNIEC5 | CNIEC4 | CNIEC3 | CNIEC2 | CNIEC1 | CNIEC0 | 0000       |
| CNPUC     | 0E2A  | CNPUC15 | —      | CNPUC13 | CNPUC12 | CNPUC11 | CNPUC10 | CNPUC9 | CNPUC8 | CNPUC7 | CNPUC6 | CNPUC5 | CNPUC4 | CNPUC3 | CNPUC2 | CNPUC1 | CNPUC0 | 0000       |
| CNPDC     | 0E2C  | CNPDC15 | —      | CNPDC13 | CNPDC12 | CNPDC11 | CNPDC10 | CNPDC9 | CNPDC8 | CNPDC7 | CNPDC6 | CNPDC5 | CNPDC4 | CNPDC3 | CNPDC2 | CNPDC1 | CNPDC0 | 0000       |
| ANSELC    | 0E2E  | —       | —      | —       | —       | ANSC11  | —       | —      | —      | —      | —      | —      | —      | —      | ANSC2  | ANSC1  | ANSC0  | 0807       |

**Legend:** x = unknown value on Reset, — = unimplemented, read as '0'. Reset values are shown in hexadecimal.

**TABLE 4-49: PORTD REGISTER MAP FOR PIC24EPXXXGP/MC206 AND dsPIC33EPXXXGP/MC206/506 DEVICES ONLY**

| File Name | Addr. | Bit 15 | Bit 14 | Bit 13 | Bit 12 | Bit 11 | Bit 10 | Bit 9 | Bit 8  | Bit 7 | Bit 6  | Bit 5  | Bit 4 | Bit 3 | Bit 2 | Bit 1 | Bit 0 | All Resets |
|-----------|-------|--------|--------|--------|--------|--------|--------|-------|--------|-------|--------|--------|-------|-------|-------|-------|-------|------------|
| TRISD     | 0E30  | —      | —      | —      | —      | —      | —      | —     | TRISD8 | —     | TRISD6 | TRISD5 | —     | —     | —     | —     | —     | 0160       |
| PORTD     | 0E32  | —      | —      | —      | —      | —      | —      | —     | RD8    | —     | RD6    | RD5    | —     | —     | —     | —     | —     | xxxx       |
| LATD      | 0E34  | —      | —      | —      | —      | —      | —      | —     | LATD8  | —     | LATD6  | LATD5  | —     | —     | —     | —     | —     | xxxx       |
| ODCD      | 0E36  | —      | —      | —      | —      | —      | —      | —     | ODCD8  | —     | ODCD6  | ODCD5  | —     | —     | —     | —     | —     | 0000       |
| CNEND     | 0E38  | —      | —      | —      | —      | —      | —      | —     | CNIED8 | —     | CNIED6 | CNIED5 | —     | —     | —     | —     | —     | 0000       |
| CNPUD     | 0E3A  | —      | —      | —      | —      | —      | —      | —     | CNPUD8 | —     | CNPUD6 | CNPUD5 | —     | —     | —     | —     | —     | 0000       |
| CNPDD     | 0E3C  | —      | —      | —      | —      | —      | —      | —     | CNPDD8 | —     | CNPDD6 | CNPDD5 | —     | —     | —     | —     | —     | 0000       |

**Legend:** x = unknown value on Reset, — = unimplemented, read as '0'. Reset values are shown in hexadecimal.

**TABLE 4-50: PORTE REGISTER MAP FOR PIC24EPXXXGP/MC206 AND dsPIC33EPXXXGP/MC206/506 DEVICES ONLY**

| File Name | Addr. | Bit 15  | Bit 14  | Bit 13  | Bit 12  | Bit 11 | Bit 10 | Bit 9 | Bit 8 | Bit 7 | Bit 6 | Bit 5 | Bit 4 | Bit 3 | Bit 2 | Bit 1 | Bit 0 | All Resets |
|-----------|-------|---------|---------|---------|---------|--------|--------|-------|-------|-------|-------|-------|-------|-------|-------|-------|-------|------------|
| TRISE     | 0E40  | TRISE15 | TRISE14 | TRISE13 | TRISE12 | —      | —      | —     | —     | —     | —     | —     | —     | —     | —     | —     | —     | F000       |
| PORTE     | 0E42  | RE15    | RE14    | RE13    | RE12    | —      | —      | —     | —     | —     | —     | —     | —     | —     | —     | —     | —     | xxxx       |
| LATE      | 0E44  | LATE15  | LATE14  | LATE13  | LATE12  | —      | —      | —     | —     | —     | —     | —     | —     | —     | —     | —     | —     | xxxx       |
| ODCE      | 0E46  | ODCE15  | ODCE14  | ODCE13  | ODCE12  | —      | —      | —     | —     | —     | —     | —     | —     | —     | —     | —     | —     | 0000       |
| CNENE     | 0E48  | CNIEE15 | CNIEE14 | CNIEE13 | CNIEE12 | —      | —      | —     | —     | —     | —     | —     | —     | —     | —     | —     | —     | 0000       |
| CNPUE     | 0E4A  | CNPUE15 | CNPUE14 | CNPUE13 | CNPUE12 | —      | —      | —     | —     | —     | —     | —     | —     | —     | —     | —     | —     | 0000       |
| CNPDE     | 0E4C  | CNPDE15 | CNPDE14 | CNPDE13 | CNPDE12 | —      | —      | —     | —     | —     | —     | —     | —     | —     | —     | —     | —     | 0000       |
| ANSELE    | 0E4E  | ANSE15  | ANSE14  | ANSE13  | ANSE12  | —      | —      | —     | —     | —     | —     | —     | —     | —     | —     | —     | —     | 0000       |

**Legend:** x = unknown value on Reset, — = unimplemented, read as '0'. Reset values are shown in hexadecimal.

**TABLE 4-51: PORTF REGISTER MAP FOR PIC24EPXXXGP/MC206 AND dsPIC33EPXXXGP/MC206/506 DEVICES ONLY**

| File Name | Addr. | Bit 15 | Bit 14 | Bit 13 | Bit 12 | Bit 11 | Bit 10 | Bit 9 | Bit 8 | Bit 7 | Bit 6 | Bit 5 | Bit 4 | Bit 3 | Bit 2 | Bit 1  | Bit 0  | All Resets |
|-----------|-------|--------|--------|--------|--------|--------|--------|-------|-------|-------|-------|-------|-------|-------|-------|--------|--------|------------|
| TRISF     | 0E50  | —      | —      | —      | —      | —      | —      | —     | —     | —     | —     | —     | —     | —     | —     | TRISF1 | TRISF0 | 0173       |
| PORTF     | 0E52  | —      | —      | —      | —      | —      | —      | —     | —     | —     | —     | —     | —     | —     | —     | RF1    | RF0    | xxxx       |
| LATF      | 0E54  | —      | —      | —      | —      | —      | —      | —     | —     | —     | —     | —     | —     | —     | —     | LATF1  | LATF0  | xxxx       |
| ODCF      | 0E56  | —      | —      | —      | —      | —      | —      | —     | —     | —     | —     | —     | —     | —     | —     | ODCF1  | ODCF0  | 0000       |
| CNENF     | 0E58  | —      | —      | —      | —      | —      | —      | —     | —     | —     | —     | —     | —     | —     | —     | CNIEF1 | CNIEF0 | 0000       |
| CNPUF     | 0E5A  | —      | —      | —      | —      | —      | —      | —     | —     | —     | —     | —     | —     | —     | —     | CNPUF1 | CNPUF0 | 0000       |
| CNPDF     | 0E5C  | —      | —      | —      | —      | —      | —      | —     | —     | —     | —     | —     | —     | —     | —     | CNPDF1 | CNPDF0 | 0000       |

**Legend:** x = unknown value on Reset, — = unimplemented, read as '0'. Reset values are shown in hexadecimal.

**TABLE 4-52: PORTG REGISTER MAP FOR PIC24EPXXXGP/MC206 AND dsPIC33EPXXXGP/MC206/506 DEVICES ONLY**

| File Name | Addr. | Bit 15 | Bit 14 | Bit 13 | Bit 12 | Bit 11 | Bit 10 | Bit 9  | Bit 8  | Bit 7  | Bit 6  | Bit 5 | Bit 4 | Bit 3 | Bit 2 | Bit 1 | Bit 0 | All Resets |
|-----------|-------|--------|--------|--------|--------|--------|--------|--------|--------|--------|--------|-------|-------|-------|-------|-------|-------|------------|
| TRISG     | 0E60  | —      | —      | —      | —      | —      | —      | TRISG9 | TRISG8 | TRISG7 | TRISG6 | —     | —     | —     | —     | —     | —     | 03C0       |
| PORTG     | 0E62  | —      | —      | —      | —      | —      | —      | RG9    | RG8    | RG7    | RG6    | —     | —     | —     | —     | —     | —     | xxxx       |
| LATG      | 0E64  | —      | —      | —      | —      | —      | —      | LATG9  | LATG8  | LATG7  | LATG6  | —     | —     | —     | —     | —     | —     | xxxx       |
| ODCG      | 0E66  | —      | —      | —      | —      | —      | —      | ODCG9  | ODCG8  | ODCG7  | ODCG6  | —     | —     | —     | —     | —     | —     | 0000       |
| CNENG     | 0E68  | —      | —      | —      | —      | —      | —      | CNIEG9 | CNIEG8 | CNIEG7 | CNIEG6 | —     | —     | —     | —     | —     | —     | 0000       |
| CNPUG     | 0E6A  | —      | —      | —      | —      | —      | —      | CNPUG9 | CNPUG8 | CNPUG7 | CNPUG6 | —     | —     | —     | —     | —     | —     | 0000       |
| CNPDG     | 0E6C  | —      | —      | —      | —      | —      | —      | CNPDG9 | CNPDG8 | CNPDG7 | CNPDG6 | —     | —     | —     | —     | —     | —     | 0000       |

**Legend:** x = unknown value on Reset, — = unimplemented, read as '0'. Reset values are shown in hexadecimal.

**TABLE 4-53: PORTA REGISTER MAP FOR PIC24EPXXXGP/MC204 AND dsPIC33EPXXXGP/MC204/504 DEVICES ONLY**

| File Name | Addr. | Bit 15 | Bit 14 | Bit 13 | Bit 12 | Bit 11 | Bit 10  | Bit 9  | Bit 8  | Bit 7  | Bit 6 | Bit 5 | Bit 4  | Bit 3  | Bit 2  | Bit 1  | Bit 0  | All Resets |
|-----------|-------|--------|--------|--------|--------|--------|---------|--------|--------|--------|-------|-------|--------|--------|--------|--------|--------|------------|
| TRISA     | 0E00  | —      | —      | —      | —      | —      | TRISA10 | TRISA9 | TRISA8 | TRISA7 | —     | —     | TRISA4 | TRISA3 | TRISA2 | TRISA1 | TRISA0 | 079F       |
| PORTA     | 0E02  | —      | —      | —      | —      | —      | RA10    | RA9    | RA8    | RA7    | —     | —     | RA4    | RA3    | RA2    | RA1    | RA0    | 0000       |
| LATA      | 0E04  | —      | —      | —      | —      | —      | LATA10  | LATA9  | LATA8  | LATA7  | —     | —     | LATA4  | LATA3  | LATA2  | LA1TA1 | LA0TA0 | 0000       |
| ODCA      | 0E06  | —      | —      | —      | —      | —      | ODCA10  | ODCA9  | ODCA8  | ODCA7  | —     | —     | ODCA4  | ODCA3  | ODCA2  | ODCA1  | ODCA0  | 0000       |
| CNENA     | 0E08  | —      | —      | —      | —      | —      | CNIEA10 | CNIEA9 | CNIEA8 | CNIEA7 | —     | —     | CNIEA4 | CNIEA3 | CNIEA2 | CNIEA1 | CNIEA0 | 0000       |
| CNPUA     | 0E0A  | —      | —      | —      | —      | —      | CNPUA10 | CNPUA9 | CNPUA8 | CNPUA7 | —     | —     | CNPUA4 | CNPUA3 | CNPUA2 | CNPUA1 | CNPUA0 | 0000       |
| CNPDA     | 0E0C  | —      | —      | —      | —      | —      | CNPDA10 | CNPDA9 | CNPDA8 | CNPDA7 | —     | —     | CNPDA4 | CNPDA3 | CNPDA2 | CNPDA1 | CNPDA0 | 0000       |
| ANSELA    | 0E0E  | —      | —      | —      | —      | —      | —       | —      | —      | —      | —     | —     | ANSA4  | —      | —      | ANSA1  | ANSA0  | 0013       |

**Legend:** — = unimplemented, read as '0'. Reset values are shown in hexadecimal.

**TABLE 4-54: PORTB REGISTER MAP FOR PIC24EPXXXGP/MC204 AND dsPIC33EPXXXGP/MC204/504 DEVICES ONLY**

| File Name | Addr. | Bit 15  | Bit 14  | Bit 13  | Bit 12  | Bit 11  | Bit 10  | Bit 9  | Bit 8  | Bit 7  | Bit 6  | Bit 5  | Bit 4  | Bit 3  | Bit 2  | Bit 1  | Bit 0  | All Resets |
|-----------|-------|---------|---------|---------|---------|---------|---------|--------|--------|--------|--------|--------|--------|--------|--------|--------|--------|------------|
| TRISB     | 0E10  | TRISB15 | TRISB14 | TRISB13 | TRISB12 | TRISB11 | TRISB10 | TRISB9 | TRISB8 | TRISB7 | TRISB6 | TRISB5 | TRISB4 | TRISB3 | TRISB2 | TRISB1 | TRISB0 | FFFF       |
| PORTB     | 0E12  | RB15    | RB14    | RB13    | RB12    | RB11    | RB10    | RB9    | RB8    | RB7    | RB6    | RB5    | RB4    | RB3    | RB2    | RB1    | RB0    | xxxx       |
| LATB      | 0E14  | LATB15  | LATB14  | LATB13  | LATB12  | LATB11  | LATB10  | LATB9  | LATB8  | LATB7  | LATB6  | LATB5  | LATB4  | LATB3  | LATB2  | LATB1  | LATB0  | xxxx       |
| ODCB      | 0E16  | ODCB15  | ODCB14  | ODCB13  | ODCB12  | ODCB11  | ODCB10  | ODCB9  | ODCB8  | ODCB7  | ODCB6  | ODCB5  | ODCB4  | ODCB3  | ODCB2  | ODCB1  | ODCB0  | 0000       |
| CNENB     | 0E18  | CNIEB15 | CNIEB14 | CNIEB13 | CNIEB12 | CNIEB11 | CNIEB10 | CNIEB9 | CNIEB8 | CNIEB7 | CNIEB6 | CNIEB5 | CNIEB4 | CNIEB3 | CNIEB2 | CNIEB1 | CNIEB0 | 0000       |
| CNPUB     | 0E1A  | CNPUB15 | CNPUB14 | CNPUB13 | CNPUB12 | CNPUB11 | CNPUB10 | CNPUB9 | CNPUB8 | CNPUB7 | CNPUB6 | CNPUB5 | CNPUB4 | CNPUB3 | CNPUB2 | CNPUB1 | CNPUB0 | 0000       |
| CNPDB     | 0E1C  | CNPDB15 | CNPDB14 | CNPDB13 | CNPDB12 | CNPDB11 | CNPDB10 | CNPDB9 | CNPDB8 | CNPDB7 | CNPDB6 | CNPDB5 | CNPDB4 | CNPDB3 | CNPDB2 | CNPDB1 | CNPDB0 | 0000       |
| ANSELB    | 0E1E  | —       | —       | —       | —       | —       | —       | —      | ANSB8  | —      | —      | —      | —      | ANSB3  | ANSB2  | ANSB1  | ANSB0  | 010F       |

**Legend:** x = unknown value on Reset, — = unimplemented, read as '0'. Reset values are shown in hexadecimal.

**TABLE 4-55: PORTC REGISTER MAP FOR PIC24EPXXXGP/MC204 AND dsPIC33EPXXXGP/MC204/504 DEVICES ONLY**

| File Name | Addr. | Bit 15 | Bit 14 | Bit 13 | Bit 12 | Bit 11 | Bit 10 | Bit 9  | Bit 8  | Bit 7  | Bit 6  | Bit 5  | Bit 4  | Bit 3  | Bit 2  | Bit 1  | Bit 0  | All Resets |
|-----------|-------|--------|--------|--------|--------|--------|--------|--------|--------|--------|--------|--------|--------|--------|--------|--------|--------|------------|
| TRISC     | 0E20  | —      | —      | —      | —      | —      | —      | TRISC9 | TRISC8 | TRISC7 | TRISC6 | TRISC5 | TRISC4 | TRISC3 | TRISC2 | TRISC1 | TRISC0 | 03FF       |
| PORTC     | 0E22  | —      | —      | —      | —      | —      | —      | RC9    | RC8    | RC7    | RC6    | RC5    | RC4    | RC3    | RC2    | RC1    | RC0    | xxxx       |
| LATC      | 0E24  | —      | —      | —      | —      | —      | —      | LATC9  | LATC8  | LATC7  | LATC6  | LATC5  | LATC4  | LATC3  | LATC2  | LATC1  | LATC0  | xxxx       |
| ODCC      | 0E26  | —      | —      | —      | —      | —      | —      | ODCC9  | ODCC8  | ODCC7  | ODCC6  | ODCC5  | ODCC4  | ODCC3  | ODCC2  | ODCC1  | ODCC0  | 0000       |
| CNENC     | 0E28  | —      | —      | —      | —      | —      | —      | CNIEC9 | CNIEC8 | CNIEC7 | CNIEC6 | CNIEC5 | CNIEC4 | CNIEC3 | CNIEC2 | CNIEC1 | CNIEC0 | 0000       |
| CNPUC     | 0E2A  | —      | —      | —      | —      | —      | —      | CNPUC9 | CNPUC8 | CNPUC7 | CNPUC6 | CNPUC5 | CNPUC4 | CNPUC3 | CNPUC2 | CNPUC1 | CNPUC0 | 0000       |
| CNPDC     | 0E2C  | —      | —      | —      | —      | —      | —      | CNPDC9 | CNPDC8 | CNPDC7 | CNPDC6 | CNPDC5 | CNPDC4 | CNPDC3 | CNPDC2 | CNPDC1 | CNPDC0 | 0000       |
| ANSELC    | 0E2E  | —      | —      | —      | —      | —      | —      | —      | —      | —      | —      | —      | —      | —      | ANSC2  | ANSC1  | ANSC0  | 0007       |

**Legend:** x = unknown value on Reset, — = unimplemented, read as '0'. Reset values are shown in hexadecimal.

**TABLE 4-56: PORTA REGISTER MAP FOR PIC24EPXXXGP/MC203 AND dsPIC33EPXXXGP/MC203/503 DEVICES ONLY**

| File Name | Addr. | Bit 15 | Bit 14 | Bit 13 | Bit 12 | Bit 11 | Bit 10 | Bit 9 | Bit 8  | Bit 7 | Bit 6 | Bit 5 | Bit 4  | Bit 3  | Bit 2  | Bit 1  | Bit 0  | All Resets |
|-----------|-------|--------|--------|--------|--------|--------|--------|-------|--------|-------|-------|-------|--------|--------|--------|--------|--------|------------|
| TRISA     | 0E00  | —      | —      | —      | —      | —      | —      | —     | TRISA8 | —     | —     | —     | TRISA4 | TRISA3 | TRISA2 | TRISA1 | TRISA0 | 011F       |
| PORTA     | 0E02  | —      | —      | —      | —      | —      | —      | —     | RA8    | —     | —     | —     | RA4    | RA3    | RA2    | RA1    | RA0    | 0000       |
| LATA      | 0E04  | —      | —      | —      | —      | —      | —      | —     | LATA8  | —     | —     | —     | LATA4  | LATA3  | LATA2  | LA1TA1 | LA0TA0 | 0000       |
| ODCA      | 0E06  | —      | —      | —      | —      | —      | —      | —     | ODCA8  | —     | —     | —     | ODCA4  | ODCA3  | ODCA2  | ODCA1  | ODCA0  | 0000       |
| CNENA     | 0E08  | —      | —      | —      | —      | —      | —      | —     | CNIEA8 | —     | —     | —     | CNIEA4 | CNIEA3 | CNIEA2 | CNIEA1 | CNIEA0 | 0000       |
| CNPUA     | 0E0A  | —      | —      | —      | —      | —      | —      | —     | CNPUA8 | —     | —     | —     | CNPUA4 | CNPUA3 | CNPUA2 | CNPUA1 | CNPUA0 | 0000       |
| CNPDA     | 0E0C  | —      | —      | —      | —      | —      | —      | —     | CNPDA8 | —     | —     | —     | CNPDA4 | CNPDA3 | CNPDA2 | CNPDA1 | CNPDA0 | 0000       |
| ANSELA    | 0E0E  | —      | —      | —      | —      | —      | —      | —     | —      | —     | —     | —     | ANSA4  | —      | —      | ANSA1  | ANSA0  | 0013       |

**Legend:** — = unimplemented, read as '0'. Reset values are shown in hexadecimal.

**TABLE 4-57: PORTB REGISTER MAP FOR PIC24EPXXXGP/MC203 AND dsPIC33EPXXXGP/MC203/503 DEVICES ONLY**

| File Name | Addr. | Bit 15  | Bit 14  | Bit 13  | Bit 12  | Bit 11  | Bit 10  | Bit 9  | Bit 8  | Bit 7  | Bit 6  | Bit 5  | Bit 4  | Bit 3  | Bit 2  | Bit 1  | Bit 0  | All Resets |
|-----------|-------|---------|---------|---------|---------|---------|---------|--------|--------|--------|--------|--------|--------|--------|--------|--------|--------|------------|
| TRISB     | 0E10  | TRISB15 | TRISB14 | TRISB13 | TRISB12 | TRISB11 | TRISB10 | TRISB9 | TRISB8 | TRISB7 | TRISB6 | TRISB5 | TRISB4 | TRISB3 | TRISB2 | TRISB1 | TRISB0 | FFFF       |
| PORTB     | 0E12  | RB15    | RB14    | RB13    | RB12    | RB11    | RB10    | RB9    | RB8    | RB7    | RB6    | RB5    | RB4    | RB3    | RB2    | RB1    | RB0    | xxxx       |
| LATB      | 0E14  | LATB15  | LATB14  | LATB13  | LATB12  | LATB11  | LATB10  | LATB9  | LATB8  | LATB7  | LATB6  | LATB5  | LATB4  | LATB3  | LATB2  | LATB1  | LATB0  | xxxx       |
| ODCB      | 0E16  | ODCB15  | ODCB14  | ODCB13  | ODCB12  | ODCB11  | ODCB10  | ODCB9  | ODCB8  | ODCB7  | ODCB6  | ODCB5  | ODCB4  | ODCB3  | ODCB2  | ODCB1  | ODCB0  | 0000       |
| CNENB     | 0E18  | CNIEB15 | CNIEB14 | CNIEB13 | CNIEB12 | CNIEB11 | CNIEB10 | CNIEB9 | CNIEB8 | CNIEB7 | CNIEB6 | CNIEB5 | CNIEB4 | CNIEB3 | CNIEB2 | CNIEB1 | CNIEB0 | 0000       |
| CNPUB     | 0E1A  | CNPUB15 | CNPUB14 | CNPUB13 | CNPUB12 | CNPUB11 | CNPUB10 | CNPUB9 | CNPUB8 | CNPUB7 | CNPUB6 | CNPUB5 | CNPUB4 | CNPUB3 | CNPUB2 | CNPUB1 | CNPUB0 | 0000       |
| CNPDB     | 0E1C  | CNPDB15 | CNPDB14 | CNPDB13 | CNPDB12 | CNPDB11 | CNPDB10 | CNPDB9 | CNPDB8 | CNPDB7 | CNPDB6 | CNPDB5 | CNPDB4 | CNPDB3 | CNPDB2 | CNPDB1 | CNPDB0 | 0000       |
| ANSELB    | 0E1E  | —       | —       | —       | —       | —       | —       | —      | ANSB8  | —      | —      | —      | —      | ANSB3  | ANSB2  | ANSB1  | ANSB0  | 010F       |

**Legend:** x = unknown value on Reset, — = unimplemented, read as '0'. Reset values are shown in hexadecimal.

**TABLE 4-58: PORTC REGISTER MAP FOR PIC24EPXXXGP/MC203 AND dsPIC33EPXXXGP/MC203/503 DEVICES ONLY**

| File Name | Addr. | Bit 15 | Bit 14 | Bit 13 | Bit 12 | Bit 11 | Bit 10 | Bit 9 | Bit 8  | Bit 7 | Bit 6 | Bit 5 | Bit 4 | Bit 3 | Bit 2 | Bit 1  | Bit 0  | All Resets |
|-----------|-------|--------|--------|--------|--------|--------|--------|-------|--------|-------|-------|-------|-------|-------|-------|--------|--------|------------|
| TRISC     | 0E20  | —      | —      | —      | —      | —      | —      | —     | TRISC8 | —     | —     | —     | —     | —     | —     | TRISC1 | TRISC0 | 0107       |
| PORTC     | 0E22  | —      | —      | —      | —      | —      | —      | —     | RC8    | —     | —     | —     | —     | —     | —     | RC1    | RC0    | xxxx       |
| LATC      | 0E24  | —      | —      | —      | —      | —      | —      | —     | LATC8  | —     | —     | —     | —     | —     | —     | LATC1  | LATC0  | xxxx       |
| ODCC      | 0E26  | —      | —      | —      | —      | —      | —      | —     | ODCC8  | —     | —     | —     | —     | —     | —     | ODCC1  | ODCC0  | 0000       |
| CNENC     | 0E28  | —      | —      | —      | —      | —      | —      | —     | CNIEC8 | —     | —     | —     | —     | —     | —     | CNIEC1 | CNIEC0 | 0000       |
| CNPUC     | 0E2A  | —      | —      | —      | —      | —      | —      | —     | CNPUC8 | —     | —     | —     | —     | —     | —     | CNPUC1 | CNPUC0 | 0000       |
| CNPDC     | 0E2C  | —      | —      | —      | —      | —      | —      | —     | CNPDC8 | —     | —     | —     | —     | —     | —     | CNPDC1 | CNPDC0 | 0000       |
| ANSELC    | 0E2E  | —      | —      | —      | —      | —      | —      | —     | —      | —     | —     | —     | —     | —     | —     | ANSC1  | ANSC0  | 0007       |

**Legend:** x = unknown value on Reset, — = unimplemented, read as '0'. Reset values are shown in hexadecimal.

**TABLE 4-59: PORTA REGISTER MAP FOR PIC24EPXXXGP/MC202 AND dsPIC33EPXXXGP/MC202/502 DEVICES ONLY**

| File Name | Addr. | Bit 15 | Bit 14 | Bit 13 | Bit 12 | Bit 11 | Bit 10 | Bit 9 | Bit 8 | Bit 7 | Bit 6 | Bit 5 | Bit 4  | Bit 3  | Bit 2  | Bit 1  | Bit 0  | All Resets |
|-----------|-------|--------|--------|--------|--------|--------|--------|-------|-------|-------|-------|-------|--------|--------|--------|--------|--------|------------|
| TRISA     | 0E00  | —      | —      | —      | —      | —      | —      | —     | —     | —     | —     | —     | TRISA4 | TRISA3 | TRISA2 | TRISA1 | TRISA0 | 001C       |
| PORTA     | 0E02  | —      | —      | —      | —      | —      | —      | —     | —     | —     | —     | —     | RA4    | RA3    | RA2    | RA1    | RA0    | 0000       |
| LATA      | 0E04  | —      | —      | —      | —      | —      | —      | —     | —     | —     | —     | —     | LATA4  | LATA3  | LATA2  | LA1TA1 | LA0TA0 | 0000       |
| ODCA      | 0E06  | —      | —      | —      | —      | —      | —      | —     | —     | —     | —     | —     | ODCA4  | ODCA3  | ODCA2  | ODCA1  | ODCA0  | 0000       |
| CNENA     | 0E08  | —      | —      | —      | —      | —      | —      | —     | —     | —     | —     | —     | CNIEA4 | CNIEA3 | CNIEA2 | CNIEA1 | CNIEA0 | 0000       |
| CNPUA     | 0E0A  | —      | —      | —      | —      | —      | —      | —     | —     | —     | —     | —     | CNPUA4 | CNPUA3 | CNPUA2 | CNPUA1 | CNPUA0 | 0000       |
| CNPDA     | 0E0C  | —      | —      | —      | —      | —      | —      | —     | —     | —     | —     | —     | CNPDA4 | CNPDA3 | CNPDA2 | CNPDA1 | CNPDA0 | 0000       |
| ANSELA    | 0E0E  | —      | —      | —      | —      | —      | —      | —     | —     | —     | —     | —     | ANSA4  | —      | —      | ANSA1  | ANSA0  | 0013       |

**Legend:** — = unimplemented, read as '0'. Reset values are shown in hexadecimal.

**TABLE 4-60: PORTB REGISTER MAP FOR PIC24EPXXXGP/MC202 AND dsPIC33EPXXXGP/MC202/502 DEVICES ONLY**

| File Name | Addr. | Bit 15  | Bit 14  | Bit 13  | Bit 12  | Bit 11  | Bit 10  | Bit 9  | Bit 8  | Bit 7  | Bit 6  | Bit 5  | Bit 4  | Bit 3  | Bit 2  | Bit 1  | Bit 0  | All Resets |
|-----------|-------|---------|---------|---------|---------|---------|---------|--------|--------|--------|--------|--------|--------|--------|--------|--------|--------|------------|
| TRISB     | 0E10  | TRISB15 | TRISB14 | TRISB13 | TRISB12 | TRISB11 | TRISB10 | TRISB9 | TRISB8 | TRISB7 | TRISB6 | TRISB5 | TRISB4 | TRISB3 | TRISB2 | TRISB1 | TRISB0 | FFFF       |
| PORTB     | 0E12  | RB15    | RB14    | RB13    | RB12    | RB11    | RB10    | RB9    | RB8    | RB7    | RB6    | RB5    | RB4    | RB3    | RB2    | RB1    | RB0    | xxxx       |
| LATB      | 0E14  | LATB15  | LATB14  | LATB13  | LATB12  | LATB11  | LATB10  | LATB9  | LATB8  | LATB7  | LATB6  | LATB5  | LATB4  | LATB3  | LATB2  | LATB1  | LATB0  | xxxx       |
| ODCB      | 0E16  | ODCB15  | ODCB14  | ODCB13  | ODCB12  | ODCB11  | ODCB10  | ODCB9  | ODCB8  | ODCB7  | ODCB6  | ODCB5  | ODCB4  | ODCB3  | ODCB2  | ODCB1  | ODCB0  | 0000       |
| CNENB     | 0E18  | CNIEB15 | CNIEB14 | CNIEB13 | CNIEB12 | CNIEB11 | CNIEB10 | CNIEB9 | CNIEB8 | CNIEB7 | CNIEB6 | CNIEB5 | CNIEB4 | CNIEB3 | CNIEB2 | CNIEB1 | CNIEB0 | 0000       |
| CNPUB     | 0E1A  | CNPUB15 | CNPUB14 | CNPUB13 | CNPUB12 | CNPUB11 | CNPUB10 | CNPUB9 | CNPUB8 | CNPUB7 | CNPUB6 | CNPUB5 | CNPUB4 | CNPUB3 | CNPUB2 | CNPUB1 | CNPUB0 | 0000       |
| CNPDB     | 0E1C  | CNPDB15 | CNPDB14 | CNPDB13 | CNPDB12 | CNPDB11 | CNPDB10 | CNPDB9 | CNPDB8 | CNPDB7 | CNPDB6 | CNPDB5 | CNPDB4 | CNPDB3 | CNPDB2 | CNPDB1 | CNPDB0 | 0000       |
| ANSELB    | 0E1E  | —       | —       | —       | —       | —       | —       | —      | ANSB8  | —      | —      | —      | —      | ANSB3  | ANSB2  | ANSB1  | ANSB0  | 010F       |

**Legend:** x = unknown value on Reset, — = unimplemented, read as '0'. Reset values are shown in hexadecimal.

**4.4.1 PAGED MEMORY SCHEME**

The dsPIC33EPXXXGP50X, dsPIC33EPXXXMC20X/50X, and PIC24EPXXXGP/MC20X architecture extends the available Data Space through a paging scheme, which allows the available Data Space to be accessed using MOV instructions in a linear fashion for pre- and post-modified Effective Addresses (EA). The upper half of the base Data Space address is used in conjunction with the Data Space Page registers, the 10-bit Read Page register (DSRPAG) or the 9-bit Write Page register (DSWPAG), to form an Extended Data Space (EDS)

address or Program Space Visibility (PSV) address. The Data Space Page registers are located in the SFR space.

Construction of the EDS address is shown in Figure 4-1. When DSRPAG<9> = 0 and the base address bit, EA<15> = 1, the DSRPAG<8:0> bits are concatenated onto EA<14:0> to form the 24-bit EDS read address. Similarly, when base address bit, EA<15> = 1, DSWPAG<8:0> are concatenated onto EA<14:0> to form the 24-bit EDS write address.

**EXAMPLE 4-1: EXTENDED DATA SPACE (EDS) READ ADDRESS GENERATION**



**EXAMPLE 4-2: EXTENDED DATA SPACE (EDS) WRITE ADDRESS GENERATION**



The paged memory scheme provides access to multiple 32-Kbyte windows in the EDS and PSV memory. The Data Space Page registers, DSxPAG, in combination with the upper half of Data Space address, can provide up to 16 Mbytes of additional address space in the EDS and 8 Mbytes (DSRPAG only) of PSV address space. The paged data memory space is shown in [Example 4-3](#).

The Program Space (PS) can be accessed with a DSRPAG of 0x200 or greater. Only reads from PS are supported using the DSRPAG. Writes to PS are not supported using the DSRPAG. Writes to PS are not supported, so DSWPAG is dedicated to DS, including EDS only. The Data Space and EDS can be read from, and written to, using DSRPAG and DSWPAG, respectively.



**EXAMPLE 4-3: PAGED DATA MEMORY SPACE**



Allocating different Page registers for read and write access allows the architecture to support data movement between different pages in data memory. This is accomplished by setting the DSRPAG register value to the page from which you want to read, and configuring the DSWPAG register to the page to which it needs to be written. Data can also be moved from different PSV to EDS pages, by configuring the DSRPAG and DSWPAG registers to address PSV and EDS space, respectively. The data can be moved between pages by a single instruction.

When an EDS or PSV page overflow or underflow occurs, EA<15> is cleared as a result of the register indirect EA calculation. An overflow or underflow of the EA in the EDS or PSV pages can occur at the page boundaries when:

- The initial address prior to modification addresses an EDS or PSV page
- The EA calculation uses Pre- or Post-Modified Register Indirect Addressing; however, this does not include Register Offset Addressing

In general, when an overflow is detected, the DSxPAG register is incremented and the EA<15> bit is set to keep the base address within the EDS or PSV window. When an underflow is detected, the DSxPAG register is decremented and the EA<15> bit is set to keep the base address within the EDS or PSV window. This creates a linear EDS and PSV address space, but only when using Register Indirect Addressing modes.

Exceptions to the operation described above arise when entering and exiting the boundaries of Page 0, EDS and PSV spaces. [Table 4-61](#) lists the effects of overflow and underflow scenarios at different boundaries.

In the following cases, when overflow or underflow occurs, the EA<15> bit is set and the DSxPAG is not modified; therefore, the EA will wrap to the beginning of the current page:

- Register Indirect with Register Offset Addressing
- Modulo Addressing
- Bit-Reversed Addressing

**TABLE 4-61: OVERFLOW AND UNDERFLOW SCENARIOS AT PAGE 0, EDS and PSV SPACE BOUNDARIES<sup>(2,3,4)</sup>**

| O/U, R/W | Operation              | Before         |           |                     | After          |           |                            |
|----------|------------------------|----------------|-----------|---------------------|----------------|-----------|----------------------------|
|          |                        | DSxPAG         | DS EA<15> | Page Description    | DSxPAG         | DS EA<15> | Page Description           |
| O, Read  | [++Wn]<br>or<br>[Wn++] | DSRPAG = 0x1FF | 1         | EDS: Last page      | DSRPAG = 0x1FF | 0         | See <a href="#">Note 1</a> |
| O, Read  |                        | DSRPAG = 0x2FF | 1         | PSV: Last lsw page  | DSRPAG = 0x300 | 1         | PSV: First MSB page        |
| O, Read  |                        | DSRPAG = 0x3FF | 1         | PSV: Last MSB page  | DSRPAG = 0x3FF | 0         | See <a href="#">Note 1</a> |
| O, Write |                        | DSWPAG = 0x1FF | 1         | EDS: Last page      | DSWPAG = 0x1FF | 0         | See <a href="#">Note 1</a> |
| U, Read  | [--Wn]<br>or<br>[Wn--] | DSRPAG = 0x001 | 1         | PSV page            | DSRPAG = 0x001 | 0         | See <a href="#">Note 1</a> |
| U, Read  |                        | DSRPAG = 0x200 | 1         | PSV: First lsw page | DSRPAG = 0x200 | 0         | See <a href="#">Note 1</a> |
| U, Read  |                        | DSRPAG = 0x300 | 1         | PSV: First MSB page | DSRPAG = 0x2FF | 1         | PSV: Last lsw page         |

**Legend:** O = Overflow, U = Underflow, R = Read, W = Write

- Note 1:** The Register Indirect Addressing now addresses a location in the base Data Space (0x0000-0x8000).
- 2:** An EDS access with DSxPAG = 0x000 will generate an address error trap.
- 3:** Only reads from PS are supported using DSRPAG. An attempt to write to PS using DSWPAG will generate an address error trap.
- 4:** Pseudo-Linear Addressing is not supported for large offsets.

4.4.2 EXTENDED X DATA SPACE

The lower portion of the base address space range, between 0x0000 and 0x2FFF, is always accessible regardless of the contents of the Data Space Page registers. It is indirectly addressable through the register indirect instructions. It can be regarded as being located in the default EDS Page 0 (i.e., EDS address range of 0x000000 to 0x002FFF with the base address bit, EA<15> = 0, for this address range). However, Page 0 cannot be accessed through the upper 32 Kbytes, 0x8000 to 0xFFFF, of base Data Space, in combination with DSRPAG = 0x00 or DSWPAG = 0x00. Consequently, DSRPAG and DSWPAG are initialized to 0x001 at Reset.

**Note 1:** DSxPAG should not be used to access Page 0. An EDS access with DSxPAG set to 0x000 will generate an address error trap.

**2:** Clearing the DSxPAG in software has no effect.

The remaining pages, including both EDS and PSV pages, are only accessible using the DSRPAG or DSWPAG registers in combination with the upper 32 Kbytes, 0x8000 to 0xFFFF, of the base address, where base address bit, EA<15> = 1.

For example, when DSRPAG = 0x01 or DSWPAG = 0x01, accesses to the upper 32 Kbytes, 0x8000 to 0xFFFF, of the Data Space will map to the EDS address range of 0x008000 to 0x00FFFF. When DSRPAG = 0x02 or DSWPAG = 0x02, accesses to the upper 32 Kbytes of the Data Space will map to the EDS address range of 0x010000 to 0x017FFF and so on, as shown in the EDS memory map in Figure 4-17.

For more information on the PSV page access using Data Space Page registers, refer to Section 4.5 “Program Space Visibility from Data Space” in Section 4. “Program Memory” (DS70613) of the “dsPIC33E/PIC24E Family Reference Manual”.

FIGURE 4-17: EDS MEMORY MAP



4.4.3 DATA MEMORY ARBITRATION AND BUS MASTER PRIORITY

EDS accesses from bus masters in the system are arbitrated.

The arbiter for data memory (including EDS) arbitrates between the CPU, the DMA and the ICD module. In the event of coincidental access to a bus by the bus masters, the arbiter determines which bus master access has the highest priority. The other bus masters are suspended and processed after the access of the bus by the bus master with the highest priority.

By default, the CPU is Bus Master 0 (M0) with the highest priority and the ICD is Bus Master 4 (M4) with the lowest priority. The remaining bus master (DMA controller) is allocated to M3 (M1 and M2 are reserved and cannot be used). The user application may raise or lower the priority of the DMA controller to be above that of the CPU by setting the appropriate bits in the EDS Bus Master Priority Control (MSTRPR) register. All bus masters with raised priorities will maintain the same priority relationship relative to each other (i.e., M1 being highest and M3 being lowest, with M2 in between). Also, all the bus masters with priorities below

that of the CPU maintain the same priority relationship relative to each other. The priority schemes for bus masters with different MSTRPR values are tabulated in Table 4-62.

This bus master priority control allows the user application to manipulate the real-time response of the system, either statically during initialization or dynamically in response to real-time events.

TABLE 4-62: DATA MEMORY BUS ARBITER PRIORITY

| Priority     | MSTRPR<15:0> Bit Setting <sup>(1)</sup> |          |
|--------------|---|----------|
|              | 0x0000                                  | 0x0020   |
| M0 (highest) | CPU                                     | DMA      |
| M1           | Reserved                                | CPU      |
| M2           | Reserved                                | Reserved |
| M3           | DMA                                     | Reserved |
| M4 (lowest)  | ICD                                     | ICD      |

Note 1: All other values of MSTRPR<15:0> are reserved.

FIGURE 4-18: ARBITER ARCHITECTURE



4.4.4 SOFTWARE STACK

The W15 register serves as a dedicated software Stack Pointer (SP) and is automatically modified by exception processing, subroutine calls and returns; however, W15 can be referenced by any instruction in the same manner as all other W registers. This simplifies reading, writing and manipulating of the Stack Pointer (for example, creating stack frames).

**Note:** To protect against misaligned stack accesses, W15<0> is fixed to '0' by the hardware.

W15 is initialized to 0x1000 during all Resets. This address ensures that the SP points to valid RAM in all dsPIC33EPXXXGP50X, dsPIC33EPXXXMC20X/50X, and PIC24EPXXXGP/MC20X devices, and permits stack availability for non-maskable trap exceptions. These can occur before the SP is initialized by the user software. You can reprogram the SP during initialization to any location within Data Space.

The Stack Pointer always points to the first available free word and fills the software stack working from lower toward higher addresses. Figure 4-19 illustrates how it pre-decrements for a stack pop (read) and post-increments for a stack push (writes).

When the PC is pushed onto the stack, PC<15:0> are pushed onto the first available stack word, then PC<22:16> are pushed into the second available stack location. For a PC push during any CALL instruction, the MSB of the PC is zero-extended before the push, as shown in Figure 4-19. During exception processing, the MSB of the PC is concatenated with the lower 8 bits of the CPU STATUS Register, SR. This allows the contents of SRL to be preserved automatically during interrupt processing.

**Note 1:** To maintain system Stack Pointer (W15) coherency, W15 is never subject to (EDS) paging, and is therefore restricted to an address range of 0x0000 to 0xFFFF. The same applies to the W14 when used as a Stack Frame Pointer (SFA = 1).

**2:** As the stack can be placed in, and can access X and Y spaces, care must be taken regarding its use, particularly with regard to local automatic variables in a C development environment

FIGURE 4-19: CALL STACK FRAME



## 4.5 Instruction Addressing Modes

The addressing modes shown in Table 4-63 form the basis of the addressing modes optimized to support the specific features of individual instructions. The addressing modes provided in the MAC class of instructions differ from those in the other instruction types.

### 4.5.1 FILE REGISTER INSTRUCTIONS

Most file register instructions use a 13-bit address field (f) to directly address data present in the first 8192 bytes of data memory (Near Data Space). Most file register instructions employ a working register, W0, which is denoted as WREG in these instructions. The destination is typically either the same file register or WREG (with the exception of the MUL instruction), which writes the result to a register or register pair. The MOV instruction allows additional flexibility and can access the entire Data Space.

### 4.5.2 MCU INSTRUCTIONS

The three-operand MCU instructions are of the form:

Operand 3 = Operand 1 <function> Operand 2

where Operand 1 is always a working register (that is, the addressing mode can only be Register Direct), which is referred to as Wb. Operand 2 can be a W register fetched from data memory or a 5-bit literal. The result location can either be a W register or a data memory location. The following addressing modes are supported by MCU instructions:

- Register Direct
- Register Indirect
- Register Indirect Post-Modified
- Register Indirect Pre-Modified
- 5-Bit or 10-Bit Literal

**Note:** Not all instructions support all the addressing modes given above. Individual instructions can support different subsets of these addressing modes.

**TABLE 4-63: FUNDAMENTAL ADDRESSING MODES SUPPORTED**

| Addressing Mode   | Description   |
|---|---|
| File Register Direct                                      | The address of the file register is specified explicitly.   |
| Register Direct   | The contents of a register are accessed directly.   |
| Register Indirect   | The contents of Wn form the Effective Address (EA).   |
| Register Indirect Post-Modified                           | The contents of Wn form the EA. Wn is post-modified (incremented or decremented) by a constant value. |
| Register Indirect Pre-Modified                            | Wn is pre-modified (incremented or decremented) by a signed constant value to form the EA.            |
| Register Indirect with Register Offset (Register Indexed) | The sum of Wn and Wb forms the EA.  |
| Register Indirect with Literal Offset                     | The sum of Wn and a literal forms the EA.   |

#### 4.5.3 MOVE AND ACCUMULATOR INSTRUCTIONS

Move instructions, which apply to dsPIC33EPXXXGP50X, dsPIC33EPXXXMC20X/50X and PIC24EPXXXGP/MC20X devices, and the DSP accumulator class of instructions, which apply to the dsPIC33EPXXXMC20X/50X and dsPIC33EPXXXGP50X devices, provide a greater degree of addressing flexibility than other instructions. In addition to the addressing modes supported by most MCU instructions, move and accumulator instructions also support Register Indirect with Register Offset Addressing mode, also referred to as Register Indexed mode.

**Note:** For the `MOV` instructions, the addressing mode specified in the instruction can differ for the source and destination EA. However, the 4-bit `Wb` (Register Offset) field is shared by both source and destination (but typically only used by one).

In summary, the following addressing modes are supported by move and accumulator instructions:

- Register Direct
- Register Indirect
- Register Indirect Post-modified
- Register Indirect Pre-modified
- Register Indirect with Register Offset (Indexed)
- Register Indirect with Literal Offset
- 8-Bit Literal
- 16-Bit Literal

**Note:** Not all instructions support all the addressing modes given above. Individual instructions may support different subsets of these addressing modes.

#### 4.5.4 MAC INSTRUCTIONS (dsPIC33EPXXXMC20X/50X and dsPIC33EPXXXGP50X DEVICES ONLY)

The dual source operand DSP instructions (`CLR`, `ED`, `EDAC`, `MAC`, `MPY`, `MPY.N`, `MOVSAC` and `MSC`), also referred to as `MAC` instructions, use a simplified set of addressing modes to allow the user application to effectively manipulate the Data Pointers through register indirect tables.

The two-source operand prefetch registers must be members of the set {`W8`, `W9`, `W10`, `W11`}. For data reads, `W8` and `W9` are always directed to the X RAGU, and `W10` and `W11` are always directed to the Y AGU. The Effective Addresses generated (before and after modification) must therefore, be valid addresses within X Data Space for `W8` and `W9`, and Y Data Space for `W10` and `W11`.

**Note:** Register Indirect with Register Offset Addressing mode is available only for `W9` (in X space) and `W11` (in Y space).

In summary, the following addressing modes are supported by the `MAC` class of instructions:

- Register Indirect
- Register Indirect Post-Modified by 2
- Register Indirect Post-Modified by 4
- Register Indirect Post-Modified by 6
- Register Indirect with Register Offset (Indexed)

#### 4.5.5 OTHER INSTRUCTIONS

Besides the addressing modes outlined previously, some instructions use literal constants of various sizes. For example, `BRA` (branch) instructions use 16-bit signed literals to specify the branch destination directly, whereas the `DISI` instruction uses a 14-bit unsigned literal field. In some instructions, such as `ULNK`, the source of an operand or result is implied by the opcode itself. Certain operations, such as a `NOE`, do not have any operands.

### 4.6 Modulo Addressing (dsPIC33EPXXXMC20X/50X and dsPIC33EPXXXGP50X Devices Only)

Modulo Addressing mode is a method of providing an automated means to support circular data buffers using hardware. The objective is to remove the need for software to perform data address boundary checks when executing tightly looped code, as is typical in many DSP algorithms.

Modulo Addressing can operate in either data or Program Space (since the Data Pointer mechanism is essentially the same for both). One circular buffer can be supported in each of the X (which also provides the pointers into Program Space) and Y data spaces. Modulo Addressing can operate on any W Register Pointer. However, it is not advisable to use W14 or W15 for Modulo Addressing since these two registers are used as the Stack Frame Pointer and Stack Pointer, respectively.

In general, any particular circular buffer can be configured to operate in only one direction, as there are certain restrictions on the buffer start address (for incrementing buffers) or end address (for decrementing buffers), based upon the direction of the buffer.

The only exception to the usage restrictions is for buffers that have a power-of-two length. As these buffers satisfy the start and end address criteria, they can operate in a bidirectional mode (that is, address boundary checks are performed on both the lower and upper address boundaries).

#### 4.6.1 START AND END ADDRESS

The Modulo Addressing scheme requires that a starting and ending address be specified, and loaded into the 16-bit Modulo Buffer Address registers: XMODSRT, XMODEND, YMODSRT and YMODEND (see Table 4-1).

**Note:** Y space Modulo Addressing EA calculations assume word-sized data (LSb of every EA is always clear).

The length of a circular buffer is not directly specified. It is determined by the difference between the corresponding start and end addresses. The maximum possible length of the circular buffer is 32K words (64 Kbytes).

#### 4.6.2 W ADDRESS REGISTER SELECTION

The Modulo and Bit-Reversed Addressing Control register, MODCON<15:0>, contains enable flags as well as a W register field to specify the W Address registers. The XWM and YWM fields select the registers that operate with Modulo Addressing:

- If XWM = 1111, X RAGU and X WAGU Modulo Addressing is disabled
- If YWM = 1111, Y AGU Modulo Addressing is disabled

The X Address Space Pointer W register (XWM), to which Modulo Addressing is to be applied, is stored in MODCON<3:0> (see Table 4-1). Modulo Addressing is enabled for X Data Space when XWM is set to any value other than '1111' and the XMODEN bit is set (MODCON<15>).

The Y Address Space Pointer W register (YWM) to which Modulo Addressing is to be applied is stored in MODCON<7:4>. Modulo Addressing is enabled for Y Data Space when YWM is set to any value other than '1111' and the YMODEN bit is set at MODCON<14>.

FIGURE 4-20: MODULO ADDRESSING OPERATION EXAMPLE





#### 4.6.3 MODULO ADDRESSING APPLICABILITY

Modulo Addressing can be applied to the Effective Address (EA) calculation associated with any W register. Address boundaries check for addresses equal to:

- The upper boundary addresses for incrementing buffers
- The lower boundary addresses for decrementing buffers

It is important to realize that the address boundaries check for addresses less than or greater than the upper (for incrementing buffers) and lower (for decrementing buffers) boundary addresses (not just equal to). Address changes can, therefore, jump beyond boundaries and still be adjusted correctly.

**Note:** The modulo corrected Effective Address is written back to the register only when Pre-Modify or Post-Modify Addressing mode is used to compute the Effective Address. When an address offset (such as [W7 + W2]) is used, Modulo Addressing correction is performed but the contents of the register remain unchanged.

#### 4.7 Bit-Reversed Addressing (dsPIC33EPXXXMC20X/50X and dsPIC33EPXXXGP50X Devices Only)

Bit-Reversed Addressing mode is intended to simplify data reordering for radix-2 FFT algorithms. It is supported by the X AGU for data writes only.

The modifier, which can be a constant value or register contents, is regarded as having its bit order reversed. The address source and destination are kept in normal order. Thus, the only operand requiring reversal is the modifier.

#### 4.7.1 BIT-REVERSED ADDRESSING IMPLEMENTATION

Bit-Reversed Addressing mode is enabled in any of these situations:

- BWMx bits (W register selection) in the MODCON register are any value other than '1111' (the stack cannot be accessed using Bit-Reversed Addressing)
- The BREN bit is set in the XBREV register
- The addressing mode used is Register Indirect with Pre-Increment or Post-Increment

If the length of a bit-reversed buffer is  $M = 2^N$  bytes, the last 'N' bits of the data buffer start address must be zeros.

XB<14:0> is the Bit-Reversed Addressing modifier, or 'pivot point', which is typically a constant. In the case of an FFT computation, its value is equal to half of the FFT data buffer size.

**Note:** All bit-reversed EA calculations assume word-sized data (LSb of every EA is always clear). The XB value is scaled accordingly to generate compatible (byte) addresses.

When enabled, Bit-Reversed Addressing is executed only for Register Indirect with Pre-Increment or Post-Increment Addressing and word-sized data writes. It does not function for any other addressing mode or for byte-sized data and normal addresses are generated instead. When Bit-Reversed Addressing is active, the W Address Pointer is always added to the address modifier (XB) and the offset associated with the Register Indirect Addressing mode is ignored. In addition, as word-sized data is a requirement, the LSb of the EA is ignored (and always clear).

**Note:** Modulo Addressing and Bit-Reversed Addressing can be enabled simultaneously using the same W register, but Bit-Reversed Addressing operation will always take precedence for data writes when enabled.

If Bit-Reversed Addressing has already been enabled by setting the BREN (XBREV<15>) bit, a write to the XBREV register should not be immediately followed by an indirect read operation using the W register that has been designated as the Bit-Reversed Pointer.

FIGURE 4-21: BIT-REVERSED ADDRESSING EXAMPLE



TABLE 4-64: BIT-REVERSED ADDRESSING SEQUENCE (16-ENTRY)

| Normal Address |    |    |    |         | Bit-Reversed Address |    |    |    |         |
|----------------|----|----|----|---------|----------------------|----|----|----|---------|
| A3             | A2 | A1 | A0 | Decimal | A3                   | A2 | A1 | A0 | Decimal |
| 0              | 0  | 0  | 0  | 0       | 0                    | 0  | 0  | 0  | 0       |
| 0              | 0  | 0  | 1  | 1       | 1                    | 0  | 0  | 0  | 8       |
| 0              | 0  | 1  | 0  | 2       | 0                    | 1  | 0  | 0  | 4       |
| 0              | 0  | 1  | 1  | 3       | 1                    | 1  | 0  | 0  | 12      |
| 0              | 1  | 0  | 0  | 4       | 0                    | 0  | 1  | 0  | 2       |
| 0              | 1  | 0  | 1  | 5       | 1                    | 0  | 1  | 0  | 10      |
| 0              | 1  | 1  | 0  | 6       | 0                    | 1  | 1  | 0  | 6       |
| 0              | 1  | 1  | 1  | 7       | 1                    | 1  | 1  | 0  | 14      |
| 1              | 0  | 0  | 0  | 8       | 0                    | 0  | 0  | 1  | 1       |
| 1              | 0  | 0  | 1  | 9       | 1                    | 0  | 0  | 1  | 9       |
| 1              | 0  | 1  | 0  | 10      | 0                    | 1  | 0  | 1  | 5       |
| 1              | 0  | 1  | 1  | 11      | 1                    | 1  | 0  | 1  | 13      |
| 1              | 1  | 0  | 0  | 12      | 0                    | 0  | 1  | 1  | 3       |
| 1              | 1  | 0  | 1  | 13      | 1                    | 0  | 1  | 1  | 11      |
| 1              | 1  | 1  | 0  | 14      | 0                    | 1  | 1  | 1  | 7       |
| 1              | 1  | 1  | 1  | 15      | 1                    | 1  | 1  | 1  | 15      |

### 4.8 Interfacing Program and Data Memory Spaces

The dsPIC33EPXXXGP50X, dsPIC33EPXXXMC20X/50X and PIC24EPXXXGP/MC20X architecture uses a 24-bit-wide Program Space (PS) and a 16-bit-wide Data Space (DS). The architecture is also a modified Harvard scheme, meaning that data can also be present in the Program Space. To use this data successfully, it must be accessed in a way that preserves the alignment of information in both spaces.

Aside from normal execution, the architecture of the dsPIC33EPXXXGP50X, dsPIC33EPXXXMC20X/50X and PIC24EPXXXGP/MC20X devices provides two methods by which Program Space can be accessed during operation:

- Using table instructions to access individual bytes or words anywhere in the Program Space
- Remapping a portion of the Program Space into the Data Space (Program Space Visibility)

Table instructions allow an application to read or write to small areas of the program memory. This capability makes the method ideal for accessing data tables that need to be updated periodically. It also allows access to all bytes of the program word. The remapping method allows an application to access a large block of data on a read-only basis, which is ideal for look-ups from a large table of static data. The application can only access the least significant word of the program word.

**TABLE 4-65: PROGRAM SPACE ADDRESS CONSTRUCTION**

| Access Type                         | Access Space  | Program Space Address |                         |                     |        |     |
|-------------------------------------|---------------|-----------------------|-------------------------|---------------------|--------|-----|
|                                     |               | <23>                  | <22:16>                 | <15>                | <14:1> | <0> |
| Instruction Access (Code Execution) | User          | 0                     | PC<22:1>                |                     |        | 0   |
|                                     |               |                       | 0xx xxxx xxxx xxxx xxx0 |                     |        |     |
| TBLRD/TBLWT (Byte/Word Read/Write)  | User          | TBLPAG<7:0>           |                         | Data EA<15:0>       |        |     |
|                                     |               | 0xxx xxxx             |                         | xxxx xxxx xxxx xxxx |        |     |
|                                     | Configuration | TBLPAG<7:0>           |                         | Data EA<15:0>       |        |     |
|                                     |               | 1xxx xxxx             |                         | xxxx xxxx xxxx xxxx |        |     |

**FIGURE 4-22: DATA ACCESS FROM PROGRAM SPACE ADDRESS GENERATION**



4.8.1 DATA ACCESS FROM PROGRAM MEMORY USING TABLE INSTRUCTIONS

The `TBLRDL` and `TBLWTL` instructions offer a direct method of reading or writing the lower word of any address within the Program Space without going through Data Space. The `TBLRDH` and `TBLWTH` instructions are the only method to read or write the upper 8 bits of a Program Space word as data.

The PC is incremented by two for each successive 24-bit program word. This allows program memory addresses to directly map to Data Space addresses. Program memory can thus be regarded as two 16-bit-wide word address spaces, residing side by side, each with the same address range. `TBLRDL` and `TBLWTL` access the space that contains the least significant data word. `TBLRDH` and `TBLWTH` access the space that contains the upper data byte.

Two table instructions are provided to move byte or word-sized (16-bit) data to and from Program Space. Both function as either byte or word operations.

- `TBLRDL` (Table Read Low):
  - In Word mode, this instruction maps the lower word of the Program Space location ( $P<15:0>$ ) to a data address ( $D<15:0>$ )

- In Byte mode, either the upper or lower byte of the lower program word is mapped to the lower byte of a data address. The upper byte is selected when Byte Select is '1'; the lower byte is selected when it is '0'.

- `TBLRDH` (Table Read High):
  - In Word mode, this instruction maps the entire upper word of a program address ( $P<23:16>$ ) to a data address. The 'phantom' byte ( $D<15:8>$ ) is always '0'.
  - In Byte mode, this instruction maps the upper or lower byte of the program word to  $D<7:0>$  of the data address in the `TBLRDL` instruction. The data is always '0' when the upper 'phantom' byte is selected (Byte Select = 1).

In a similar fashion, two table instructions, `TBLWTH` and `TBLWTL`, are used to write individual bytes or words to a Program Space address. The details of their operation are explained in [Section 5.0 "Flash Program Memory"](#).

For all table operations, the area of program memory space to be accessed is determined by the Table Page register (`TBLPAG`). `TBLPAG` covers the entire program memory space of the device, including user application and configuration spaces. When  $TBLPAG<7> = 0$ , the table page is located in the user memory space. When  $TBLPAG<7> = 1$ , the page is located in configuration space.

FIGURE 4-23: ACCESSING PROGRAM MEMORY WITH TABLE INSTRUCTIONS



## 5.0 FLASH PROGRAM MEMORY

**Note 1:** This data sheet summarizes the features of the dsPIC33EPXXXGP50X, dsPIC33EPXXXMC20X/50X and PIC24EPXXXGP/MC20X families of devices. It is not intended to be a comprehensive reference source. To complement the information in this data sheet, refer to **Section 5. “Flash Programming”** (DS70609) of the “dsPIC33E/PIC24E Family Reference Manual”, which is available from the Microchip web site ([www.microchip.com](http://www.microchip.com)).

**2:** Some registers and associated bits described in this section may not be available on all devices. Refer to **Section 4.0 “Memory Organization”** in this data sheet for device-specific register and bit information.

The dsPIC33EPXXXGP50X, dsPIC33EPXXXMC20X/50X and PIC24EPXXXGP/MC20X devices contain internal Flash program memory for storing and executing application code. The memory is readable, writable and erasable during normal operation over the entire VDD range.

Flash memory can be programmed in two ways:

- In-Circuit Serial Programming™ (ICSP™) programming capability
- Run-Time Self-Programming (RTSP)

ICSP allows for a dsPIC33EPXXXGP50X, dsPIC33EPXXXMC20X/50X and PIC24EPXXXGP/MC20X device to be serially programmed while in the end application circuit. This is done with two lines for

programming clock and programming data (one of the alternate programming pin pairs: PGECx/PGEDx), and three other lines for power (VDD), ground (VSS) and Master Clear (MCLR). This allows customers to manufacture boards with unprogrammed devices and then program the device just before shipping the product. This also allows the most recent firmware or a custom firmware to be programmed.

RTSP is accomplished using TBLRD (Table Read) and TBLWT (Table Write) instructions. With RTSP, the user application can write program memory data a single program memory word, and erase program memory in blocks or ‘pages’ of 1024 instructions (3072 bytes) at a time.

### 5.1 Table Instructions and Flash Programming

Regardless of the method used, all programming of Flash memory is done with the Table Read and Table Write instructions. These allow direct read and write access to the program memory space from the data memory while the device is in normal operating mode. The 24-bit target address in the program memory is formed using bits<7:0> of the TBLPAG register and the Effective Address (EA) from a W register, specified in the table instruction, as shown in [Figure 5-1](#).

The TBLRDL and the TBLWTL instructions are used to read or write to bits<15:0> of program memory. TBLRDL and TBLWTL can access program memory in both Word and Byte modes.

The TBLRDH and TBLWTH instructions are used to read or write to bits<23:16> of program memory. TBLRDH and TBLWTH can also access program memory in Word or Byte mode.

**FIGURE 5-1: ADDRESSING FOR TABLE REGISTERS**



## 5.2 RTSP Operation

RTSP allows the user application to erase a single page of memory and to program two instruction words at a time. See the General Purpose and Motor Control Family tables (Table 1 and Table 2, respectively) for the page sizes of each device.

For more information on erasing and programming Flash memory, refer to **Section 5. “Flash Programming”** (DS70609) in the “*dsPIC33E/PIC24E Family Reference Manual*”.

## 5.3 Programming Operations

A complete programming sequence is necessary for programming or erasing the internal Flash in RTSP mode. The processor stalls (waits) until the programming operation is finished.

For erase and program times, refer to Parameters [D137a](#) and [D137b](#) (Page Erase Time), and [D138a](#) and [D138b](#) (Word Write Cycle Time) in [Table 30-14](#) in [Section 30.0 “Electrical Characteristics”](#).

Setting the WR bit (NVMCON<15>) starts the operation and the WR bit is automatically cleared when the operation is finished.

### 5.3.1 PROGRAMMING ALGORITHM FOR FLASH PROGRAM MEMORY

Programmers can program two adjacent words (24 bits x 2) of program Flash memory at a time on every other word address boundary (0x000002, 0x000006, 0x00000A, etc.). To do this, it is necessary to erase the page that contains the desired address of the location the user wants to change.

For protection against accidental operations, the write initiate sequence for NVMKEY must be used to allow any erase or program operation to proceed. After the programming command has been executed, the user application must wait for the programming time until programming is complete. The two instructions following the start of the programming sequence should be NOPs.

Refer to **Section 5. “Flash Programming”** (DS70609) in the “*dsPIC33E/PIC24E Family Reference Manual*” for details and codes examples on programming using RTSP.

## 5.4 Flash Memory Resources

Many useful resources are provided on the main product page of the Microchip web site for the devices listed in this data sheet. This product page, which can be accessed using this [link](#), contains the latest updates and additional information.

**Note:** In the event you are not able to access the product page using the link above, enter this URL in your browser:  
<http://www.microchip.com/wwwproducts/Devices.aspx?dDocName=en555464>

### 5.4.1 KEY RESOURCES

- **Section 5. “Flash Programming”** (DS70609)
- Code Samples
- Application Notes
- Software Libraries
- Webinars
- All Related “*dsPIC33E/PIC24E Family Reference Manual*” Sections
- Development Tools

## 5.5 Control Registers

Four SFRs are used to read and write the program Flash memory: NVMCON, NVMKEY, NVMADRU and NVMADR.

The NVMCON register ([Register 5-1](#)) controls which blocks are to be erased, which memory type is to be programmed and the start of the programming cycle.

NVMKEY ([Register 5-4](#)) is a write-only register that is used for write protection. To start a programming or erase sequence, the user application must consecutively write 0x55 and 0xAA to the NVMKEY register.

There are two NVM Address registers: NVMADRU and NVMADR. These two registers, when concatenated, form the 24-bit Effective Address (EA) of the selected word for programming operations or the selected page for erase operations.

The NVMADRU register is used to hold the upper 8 bits of the EA, while the NVMADR register is used to hold the lower 16 bits of the EA.

**REGISTER 5-1: NVMCON: NONVOLATILE MEMORY (NVM) CONTROL REGISTER**

|                       |                      |                      |                        |                             |                      |                      |                      |       |
|-----------------------|----------------------|----------------------|------------------------|-----------------------------|----------------------|----------------------|----------------------|-------|
| R/SO-0 <sup>(1)</sup> | R/W-0 <sup>(1)</sup> | R/W-0 <sup>(1)</sup> | R/W-0                  | U-0                         | U-0                  | U-0                  | U-0                  |       |
| WR                    | WREN                 | WRERR                | NVMSIDL <sup>(2)</sup> | —                           | —                    | —                    | —                    |       |
| bit 15                |                      |                      |                        |                             |                      |                      |                      | bit 8 |
| U-0                   | U-0                  | U-0                  | U-0                    | R/W-0 <sup>(1)</sup>        | R/W-0 <sup>(1)</sup> | R/W-0 <sup>(1)</sup> | R/W-0 <sup>(1)</sup> |       |
| —                     | —                    | —                    | —                      | NVMOP<3:0> <sup>(3,4)</sup> |                      |                      |                      |       |
| bit 7                 |                      |                      |                        |                             |                      |                      |                      | bit 0 |

|                   |                                    |
|-------------------|------------------------------------|
| <b>Legend:</b>    | SO = Settable Only bit             |
| R = Readable bit  | W = Writable bit                   |
| -n = Value at POR | '1' = Bit is set                   |
|                   | U = Unimplemented bit, read as '0' |
|                   | '0' = Bit is cleared               |
|                   | x = Bit is unknown                 |

- bit 15      **WR:** Write Control bit<sup>(1)</sup>  
 1 = Initiates a Flash memory program or erase operation; the operation is self-timed and the bit is cleared by hardware once the operation is complete  
 0 = Program or erase operation is complete and inactive
- bit 14      **WREN:** Write Enable bit<sup>(1)</sup>  
 1 = Enables Flash program/erase operations  
 0 = Inhibits Flash program/erase operations
- bit 13      **WRERR:** Write Sequence Error Flag bit<sup>(1)</sup>  
 1 = An improper program or erase sequence attempt or termination has occurred (bit is set automatically on any set attempt of the WR bit)  
 0 = The program or erase operation completed normally
- bit 12      **NVMSIDL:** NVM Stop in Idle Control bit<sup>(2)</sup>  
 1 = Flash voltage regulator goes into Standby mode during Idle mode  
 0 = Flash voltage regulator is active during Idle mode
- bit 11-4    **Unimplemented:** Read as '0'
- bit 3-0     **NVMOP<3:0>:** NVM Operation Select bits<sup>(1,3,4)</sup>  
 1111 = Reserved  
 1110 = Reserved  
 1101 = Reserved  
 1100 = Reserved  
 1011 = Reserved  
 1010 = Reserved  
 0011 = Memory page erase operation  
 0010 = Reserved  
 0001 = Memory double-word program operation<sup>(5)</sup>  
 0000 = Reserved

- Note 1:** These bits can only be reset on a POR.
- 2:** If this bit is set, there will be minimal power savings (IDLE) and upon exiting Idle mode, there is a delay (TVREG) before Flash memory becomes operational.
  - 3:** All other combinations of NVMOP<3:0> are unimplemented.
  - 4:** Execution of the PWRSAV instruction is ignored while any of the NVM operations are in progress.
  - 5:** Two adjacent words on a 4-word boundary are programmed during execution of this operation.

**REGISTER 5-2: NVMADRU: NONVOLATILE MEMORY UPPER ADDRESS REGISTER**

|        |     |     |     |     |     |     |       |
|--------|-----|-----|-----|-----|-----|-----|-------|
| U-0    | U-0 | U-0 | U-0 | U-0 | U-0 | U-0 | U-0   |
| —      | —   | —   | —   | —   | —   | —   | —     |
| bit 15 |     |     |     |     |     |     | bit 8 |

|              |       |       |       |       |       |       |       |
|--------------|-------|-------|-------|-------|-------|-------|-------|
| R/W-x        | R/W-x | R/W-x | R/W-x | R/W-x | R/W-x | R/W-x | R/W-x |
| NVMADRU<7:0> |       |       |       |       |       |       |       |
| bit 7        |       |       |       |       |       |       | bit 0 |

**Legend:**

R = Readable bit                      W = Writable bit                      U = Unimplemented bit, read as '0'  
 -n = Value at POR                      '1' = Bit is set                      '0' = Bit is cleared                      x = Bit is unknown

bit 15-8                      **Unimplemented:** Read as '0'  
 bit 7-0                      **NVMADRU<7:0>:** Nonvolatile Memory Upper Write Address bits  
 Selects the upper 8 bits of the location to program or erase in program Flash memory. This register may be read or written by the user application.

**REGISTER 5-3: NVMADR: NONVOLATILE MEMORY LOWER ADDRESS REGISTER**

|              |       |       |       |       |       |       |       |
|--------------|-------|-------|-------|-------|-------|-------|-------|
| R/W-x        | R/W-x | R/W-x | R/W-x | R/W-x | R/W-x | R/W-x | R/W-x |
| NVMADR<15:8> |       |       |       |       |       |       |       |
| bit 15       |       |       |       |       |       |       | bit 8 |

|             |       |       |       |       |       |       |       |
|-------------|-------|-------|-------|-------|-------|-------|-------|
| R/W-x       | R/W-x | R/W-x | R/W-x | R/W-x | R/W-x | R/W-x | R/W-x |
| NVMADR<7:0> |       |       |       |       |       |       |       |
| bit 7       |       |       |       |       |       |       | bit 0 |

**Legend:**

R = Readable bit                      W = Writable bit                      U = Unimplemented bit, read as '0'  
 -n = Value at POR                      '1' = Bit is set                      '0' = Bit is cleared                      x = Bit is unknown

bit 15-0                      **NVMADR<15:0>:** Nonvolatile Memory Lower Write Address bits  
 Selects the lower 16 bits of the location to program or erase in program Flash memory. This register may be read or written by the user application.

**REGISTER 5-4: NVMKEY: NONVOLATILE MEMORY KEY REGISTER**

|        |     |     |     |     |     |     |       |
|--------|-----|-----|-----|-----|-----|-----|-------|
| U-0    | U-0 | U-0 | U-0 | U-0 | U-0 | U-0 | U-0   |
| —      | —   | —   | —   | —   | —   | —   | —     |
| bit 15 |     |     |     |     |     |     | bit 8 |

|             |     |     |     |     |     |     |       |
|-------------|-----|-----|-----|-----|-----|-----|-------|
| W-0         | W-0 | W-0 | W-0 | W-0 | W-0 | W-0 | W-0   |
| NVMKEY<7:0> |     |     |     |     |     |     |       |
| bit 7       |     |     |     |     |     |     | bit 0 |

**Legend:**

R = Readable bit                      W = Writable bit                      U = Unimplemented bit, read as '0'  
 -n = Value at POR                      '1' = Bit is set                      '0' = Bit is cleared                      x = Bit is unknown

bit 15-8                      **Unimplemented:** Read as '0'  
 bit 7-0                      **NVMKEY<7:0>:** Key Register (write-only) bits



## 6.0 RESETS

**Note 1:** This data sheet summarizes the features of the dsPIC33EPXXXGP50X, dsPIC33EPXXXMC20X/50X and PIC24EPXXXGP/MC20X families of devices. It is not intended to be a comprehensive reference source. To complement the information in this data sheet, refer to **Section 8. “Reset”** (DS70602) of the “dsPIC33E/PIC24E Family Reference Manual”, which is available from the Microchip web site ([www.microchip.com](http://www.microchip.com)).

**2:** Some registers and associated bits described in this section may not be available on all devices. Refer to **Section 4.0 “Memory Organization”** in this data sheet for device-specific register and bit information.

The Reset module combines all reset sources and controls the device Master Reset Signal,  $\overline{\text{SYSRST}}$ . The following is a list of device Reset sources:

- POR: Power-on Reset
- BOR: Brown-out Reset
- $\overline{\text{MCLR}}$ : Master Clear Pin Reset
- SWR: RESET Instruction
- WDTO: Watchdog Timer Time-out Reset
- CM: Configuration Mismatch Reset
- TRAPR: Trap Conflict Reset
- IOPUWR: Illegal Condition Device Reset
  - Illegal Opcode Reset
  - Uninitialized W Register Reset
  - Security Reset

A simplified block diagram of the Reset module is shown in [Figure 6-1](#).

Any active source of Reset will make the  $\overline{\text{SYSRST}}$  signal active. On system Reset, some of the registers associated with the CPU and peripherals are forced to a known Reset state and some are unaffected.

**Note:** Refer to the specific peripheral section or **Section 4.0 “Memory Organization”** of this manual for register Reset states.

All types of device Reset set a corresponding status bit in the RCON register to indicate the type of Reset (see [Register 6-1](#)).

A POR clears all the bits, except for the POR and BOR bits (RCON<1:0>), that are set. The user application can set or clear any bit at any time during code execution. The RCON bits only serve as status bits. Setting a particular Reset status bit in software does not cause a device Reset to occur.

The RCON register also has other bits associated with the Watchdog Timer and device power-saving states. The function of these bits is discussed in other sections of this manual.

**Note:** The status bits in the RCON register should be cleared after they are read so that the next RCON register value after a device Reset is meaningful.

For all Resets, the default clock source is determined by the FNOSC<2:0> bits in the FOSCSEL Configuration register. The value of the FNOSC<2:0> bits is loaded into NOSC<2:0> (OSCCON<10:8>) on Reset, which in turn, initializes the system clock.

**FIGURE 6-1: RESET SYSTEM BLOCK DIAGRAM**



## 6.1 Reset Resources

Many useful resources are provided on the main product page of the Microchip web site for the devices listed in this data sheet. This product page, which can be accessed using this [link](#), contains the latest updates and additional information.

**Note:** In the event you are not able to access the product page using the link above, enter this URL in your browser:  
<http://www.microchip.com/wwwproducts/Devices.aspx?dDocName=en555464>

### 6.1.1 KEY RESOURCES

- **Section 8. “Reset”** (DS70602)
- Code Samples
- Application Notes
- Software Libraries
- Webinars
- All Related “*dsPIC33E/PIC24E Family Reference Manual*” Sections
- Development Tools

**REGISTER 6-1: RCON: RESET CONTROL REGISTER<sup>(1)</sup>**

|        |        |     |     |        |     |       |       |
|--------|--------|-----|-----|--------|-----|-------|-------|
| R/W-0  | R/W-0  | U-0 | U-0 | R/W-0  | U-0 | R/W-0 | R/W-0 |
| TRAPR  | IOPUWR | —   | —   | VREGSF | —   | CM    | VREGS |
| bit 15 |        |     |     |        |     |       | bit 8 |

|       |       |                       |       |       |       |       |       |
|-------|-------|-----------------------|-------|-------|-------|-------|-------|
| R/W-0 | R/W-0 | R/W-0                 | R/W-0 | R/W-0 | R/W-0 | R/W-1 | R/W-1 |
| EXTR  | SWR   | SWDTEN <sup>(2)</sup> | WDTO  | SLEEP | IDLE  | BOR   | POR   |
| bit 7 |       |                       |       |       |       |       | bit 0 |

|                   |                  |                                    |                    |
|-------------------|------------------|------------------------------------|--------------------|
| <b>Legend:</b>    |                  |                                    |                    |
| R = Readable bit  | W = Writable bit | U = Unimplemented bit, read as '0' |                    |
| -n = Value at POR | '1' = Bit is set | '0' = Bit is cleared               | x = Bit is unknown |

- bit 15      **TRAPR:** Trap Reset Flag bit  
 1 = A Trap Conflict Reset has occurred  
 0 = A Trap Conflict Reset has not occurred
- bit 14      **IOPUWR:** Illegal Opcode or Uninitialized W Access Reset Flag bit  
 1 = An illegal opcode detection, an illegal address mode or Uninitialized W register used as an Address Pointer caused a Reset  
 0 = An illegal opcode or Uninitialized W register Reset has not occurred
- bit 13-12   **Unimplemented:** Read as '0'
- bit 11      **VREGSF:** Flash Voltage Regulator Standby During Sleep bit  
 1 = Flash voltage regulator is active during Sleep  
 0 = Flash voltage regulator goes into Standby mode during Sleep
- bit 10      **Unimplemented:** Read as '0'
- bit 9        **CM:** Configuration Mismatch Flag bit  
 1 = A Configuration Mismatch Reset has occurred.  
 0 = A Configuration Mismatch Reset has not occurred
- bit 8        **VREGS:** Voltage Regulator Standby During Sleep bit  
 1 = Voltage regulator is active during Sleep  
 0 = Voltage regulator goes into Standby mode during Sleep
- bit 7        **EXTR:** External Reset ( $\overline{\text{MCLR}}$ ) Pin bit  
 1 = A Master Clear (pin) Reset has occurred  
 0 = A Master Clear (pin) Reset has not occurred
- bit 6        **SWR:** Software RESET (Instruction) Flag bit  
 1 = A RESET instruction has been executed  
 0 = A RESET instruction has not been executed
- bit 5        **SWDTEN:** Software Enable/Disable of WDT bit<sup>(2)</sup>  
 1 = WDT is enabled  
 0 = WDT is disabled
- bit 4        **WDTO:** Watchdog Timer Time-out Flag bit  
 1 = WDT time-out has occurred  
 0 = WDT time-out has not occurred

**Note 1:** All of the Reset status bits can be set or cleared in software. Setting one of these bits in software does not cause a device Reset.

**Note 2:** If the FWDTEN Configuration bit is '1' (unprogrammed), the WDT is always enabled, regardless of the SWDTEN bit setting.

**REGISTER 6-1: RCON: RESET CONTROL REGISTER<sup>(1)</sup> (CONTINUED)**

- bit 3      **SLEEP:** Wake-up from Sleep Flag bit  
            1 = Device has been in Sleep mode  
            0 = Device has not been in Sleep mode
- bit 2      **IDLE:** Wake-up from Idle Flag bit  
            1 = Device was in Idle mode  
            0 = Device was not in Idle mode
- bit 1      **BOR:** Brown-out Reset Flag bit  
            1 = A Brown-out Reset has occurred  
            0 = A Brown-out Reset has not occurred
- bit 0      **POR:** Power-on Reset Flag bit  
            1 = A Power-on Reset has occurred  
            0 = A Power-on Reset has not occurred

- Note 1:** All of the Reset status bits can be set or cleared in software. Setting one of these bits in software does not cause a device Reset.
- 2:** If the FWDTEN Configuration bit is '1' (unprogrammed), the WDT is always enabled, regardless of the SWDTEN bit setting.

## 7.0 INTERRUPT CONTROLLER

**Note 1:** This data sheet summarizes the features of the dsPIC33EPXXXGP50X, dsPIC33EPXXXMC20X/50X and PIC24EPXXXGP/MC20X families of devices. It is not intended to be a comprehensive reference source. To complement the information in this data sheet, refer to **Section 6. “Interrupts”** (DS70600) of the “*dsPIC33E/PIC24E Family Reference Manual*”, which is available from the Microchip web site ([www.microchip.com](http://www.microchip.com)).

**2:** Some registers and associated bits described in this section may not be available on all devices. Refer to **Section 4.0 “Memory Organization”** in this data sheet for device-specific register and bit information.

The dsPIC33EPXXXGP50X, dsPIC33EPXXXMC20X/50X and PIC24EPXXXGP/MC20X interrupt controller reduces the numerous peripheral interrupt request signals to a single interrupt request signal to the dsPIC33EPXXXGP50X, dsPIC33EPXXXMC20X/50X and PIC24EPXXXGP/MC20X CPU.

The interrupt controller has the following features:

- Up to eight processor exceptions and software traps
- Eight user-selectable priority levels
- Interrupt Vector Table (IVT) with a unique vector for each interrupt or exception source
- Fixed priority within a specified user priority level
- Fixed interrupt entry and return latencies

## 7.1 Interrupt Vector Table

The dsPIC33EPXXXGP50X, dsPIC33EPXXXMC20X/50X and PIC24EPXXXGP/MC20X Interrupt Vector Table (IVT), shown in [Figure 7-1](#), resides in program memory starting at location, 000004h. The IVT contains seven non-maskable trap vectors and up to 246 sources of interrupt. In general, each interrupt source has its own vector. Each interrupt vector contains a 24-bit-wide address. The value programmed into each interrupt vector location is the starting address of the associated Interrupt Service Routine (ISR).

Interrupt vectors are prioritized in terms of their natural priority. This priority is linked to their position in the vector table. Lower addresses generally have a higher natural priority. For example, the interrupt associated with Vector 0 takes priority over interrupts at any other vector address.

## 7.2 Reset Sequence

A device Reset is not a true exception because the interrupt controller is not involved in the Reset process. The dsPIC33EPXXXGP50X, dsPIC33EPXXXMC20X/50X and PIC24EPXXXGP/MC20X devices clear their registers in response to a Reset, which forces the PC to zero. The device then begins program execution at location, 0x000000. A `GOTO` instruction at the Reset address can redirect program execution to the appropriate start-up routine.

**Note:** Any unimplemented or unused vector locations in the IVT should be programmed with the address of a default interrupt handler routine that contains a `RESET` instruction.

FIGURE 7-1: dsPIC33EPXXXGP50X, dsPIC33EPXXXMC20X/50X AND PIC24EPXXXGP/MC20X INTERRUPT VECTOR TABLE

The diagram shows the Interrupt Vector Table (IVT) with a vertical axis on the left labeled 'Decreasing Natural Order Priority' and 'IVT'. The table lists various interrupt vectors and their corresponding addresses. A callout points to the interrupt vectors section, stating 'See Table 7-1 for Interrupt Vector Details'.

|                             |          |
|-----------------------------|----------|
| Reset – GOTO Instruction    | 0x000000 |
| Reset – GOTO Address        | 0x000002 |
| Oscillator Fail Trap Vector | 0x000004 |
| Address Error Trap Vector   | 0x000006 |
| Generic Hard Trap Vector    | 0x000008 |
| Stack Error Trap Vector     | 0x00000A |
| Math Error Trap Vector      | 0x00000C |
| DMAC Error Trap Vector      | 0x00000E |
| Generic Soft Trap Vector    | 0x000010 |
| Reserved                    | 0x000012 |
| Interrupt Vector 0          | 0x000014 |
| Interrupt Vector 1          | 0x000016 |
| :                           | :        |
| :                           | :        |
| :                           | :        |
| Interrupt Vector 52         | 0x00007C |
| Interrupt Vector 53         | 0x00007E |
| Interrupt Vector 54         | 0x000080 |
| :                           | :        |
| :                           | :        |
| :                           | :        |
| Interrupt Vector 116        | 0x0000FC |
| Interrupt Vector 117        | 0x0000FE |
| Interrupt Vector 118        | 0x000100 |
| Interrupt Vector 119        | 0x000102 |
| Interrupt Vector 120        | 0x000104 |
| :                           | :        |
| :                           | :        |
| :                           | :        |
| Interrupt Vector 244        | 0x0001FC |
| Interrupt Vector 245        | 0x0001FE |
| START OF CODE               | 0x000200 |

TABLE 7-1: INTERRUPT VECTOR DETAILS

| Interrupt Source                              | Vector # | IRQ # | IVT Address       | Interrupt Bit Location |          |             |
|---|----------|-------|-------------------|------------------------|----------|-------------|
|   |          |       |                   | Flag                   | Enable   | Priority    |
| Highest Natural Order Priority                |          |       |                   |                        |          |             |
| INT0 – External Interrupt 0                   | 8        | 0     | 0x000014          | IFS0<0>                | IEC0<0>  | IPC0<2:0>   |
| IC1 – Input Capture 1                         | 9        | 1     | 0x000016          | IFS0<1>                | IEC0<1>  | IPC0<6:4>   |
| OC1 – Output Compare 1                        | 10       | 2     | 0x000018          | IFS0<2>                | IEC0<2>  | IPC0<10:8>  |
| T1 – Timer1                                   | 11       | 3     | 0x00001A          | IFS0<3>                | IEC0<3>  | IPC0<14:12> |
| DMA0 – DMA Channel 0                          | 12       | 4     | 0x00001C          | IFS0<4>                | IEC0<4>  | IPC1<2:0>   |
| IC2 – Input Capture 2                         | 13       | 5     | 0x00001E          | IFS0<5>                | IEC0<5>  | IPC1<6:4>   |
| OC2 – Output Compare 2                        | 14       | 6     | 0x000020          | IFS0<6>                | IEC0<6>  | IPC1<10:8>  |
| T2 – Timer2                                   | 15       | 7     | 0x000022          | IFS0<7>                | IEC0<7>  | IPC1<14:12> |
| T3 – Timer3                                   | 16       | 8     | 0x000024          | IFS0<8>                | IEC0<8>  | IPC2<2:0>   |
| SPI1E – SPI1 Error                            | 17       | 9     | 0x000026          | IFS0<9>                | IEC0<9>  | IPC2<6:4>   |
| SPI1 – SPI1 Transfer Done                     | 18       | 10    | 0x000028          | IFS0<10>               | IEC0<10> | IPC2<10:8>  |
| U1RX – UART1 Receiver                         | 19       | 11    | 0x00002A          | IFS0<11>               | IEC0<11> | IPC2<14:12> |
| U1TX – UART1 Transmitter                      | 20       | 12    | 0x00002C          | IFS0<12>               | IEC0<12> | IPC3<2:0>   |
| AD1 – ADC1 Convert Done                       | 21       | 13    | 0x00002E          | IFS0<13>               | IEC0<13> | IPC3<6:4>   |
| DMA1 – DMA Channel 1                          | 22       | 14    | 0x000030          | IFS0<14>               | IEC0<14> | IPC3<10:8>  |
| Reserved                                      | 23       | 15    | 0x000032          | —                      | —        | —           |
| SI2C1 – I2C1 Slave Event                      | 24       | 16    | 0x000034          | IFS1<0>                | IEC1<0>  | IPC4<2:0>   |
| MI2C1 – I2C1 Master Event                     | 25       | 17    | 0x000036          | IFS1<1>                | IEC1<1>  | IPC4<6:4>   |
| CM – Comparator Combined Event                | 26       | 18    | 0x000038          | IFS1<2>                | IEC1<2>  | IPC4<10:8>  |
| CN – Input Change Interrupt                   | 27       | 19    | 0x00003A          | IFS1<3>                | IEC1<3>  | IPC4<14:12> |
| INT1 – External Interrupt 1                   | 28       | 20    | 0x00003C          | IFS1<4>                | IEC1<4>  | IPC5<2:0>   |
| Reserved                                      | 29-31    | 21-23 | 0x00003E-0x000042 | —                      | —        | —           |
| DMA2 – DMA Channel 2                          | 32       | 24    | 0x000044          | IFS1<8>                | IEC1<8>  | IPC6<2:0>   |
| OC3 – Output Compare 3                        | 33       | 25    | 0x000046          | IFS1<9>                | IEC1<9>  | IPC6<6:4>   |
| OC4 – Output Compare 4                        | 34       | 26    | 0x000048          | IFS1<10>               | IEC1<10> | IPC6<10:8>  |
| T4 – Timer4                                   | 35       | 27    | 0x00004A          | IFS1<11>               | IEC1<11> | IPC6<14:12> |
| T5 – Timer5                                   | 36       | 28    | 0x00004C          | IFS1<12>               | IEC1<12> | IPC7<2:0>   |
| INT2 – External Interrupt 2                   | 37       | 29    | 0x00004E          | IFS1<13>               | IEC1<13> | IPC7<6:4>   |
| U2RX – UART2 Receiver                         | 38       | 30    | 0x000050          | IFS1<14>               | IEC1<14> | IPC7<10:8>  |
| U2TX – UART2 Transmitter                      | 39       | 31    | 0x000052          | IFS1<15>               | IEC1<15> | IPC7<14:12> |
| SPI2E – SPI2 Error                            | 40       | 32    | 0x000054          | IFS2<0>                | IEC2<0>  | IPC8<2:0>   |
| SPI2 – SPI2 Transfer Done                     | 41       | 33    | 0x000056          | IFS2<1>                | IEC2<1>  | IPC8<6:4>   |
| C1RX – CAN1 RX Data Ready <sup>(1)</sup>      | 42       | 34    | 0x000058          | IFS2<2>                | IEC2<2>  | IPC8<10:8>  |
| C1 – CAN1 Event <sup>(1)</sup>                | 43       | 35    | 0x00005A          | IFS2<3>                | IEC2<3>  | IPC8<14:12> |
| DMA3 – DMA Channel 3                          | 44       | 36    | 0x00005C          | IFS2<4>                | IEC2<4>  | IPC9<2:0>   |
| IC3 – Input Capture 3                         | 45       | 37    | 0x00005E          | IFS2<5>                | IEC2<5>  | IPC9<6:4>   |
| IC4 – Input Capture 4                         | 46       | 38    | 0x000060          | IFS2<6>                | IEC2<6>  | IPC9<10:8>  |
| Reserved                                      | 47-56    | 39-48 | 0x000062-0x000074 | —                      | —        | —           |
| SI2C2 – I2C2 Slave Event                      | 57       | 49    | 0x000076          | IFS3<1>                | IEC3<1>  | IPC12<6:4>  |
| MI2C2 – I2C2 Master Event                     | 58       | 50    | 0x000078          | IFS3<2>                | IEC3<2>  | IPC12<10:8> |
| Reserved                                      | 59-64    | 51-56 | 0x00007A-0x000084 | —                      | —        | —           |
| PSEM – PWM Special Event Match <sup>(2)</sup> | 65       | 57    | 0x000086          | IFS3<9>                | IEC3<9>  | IPC14<6:4>  |

**Note 1:** This interrupt source is available on dsPIC33EPXXXGP50X and dsPIC33EPXXXMC50X devices only.

**Note 2:** This interrupt source is available on dsPIC33EPXXXMC20X/50X and PIC24EPXXXMC20X devices only.

TABLE 7-1: INTERRUPT VECTOR DETAILS (CONTINUED)

| Interrupt Source                                    | Vector # | IRQ #   | IVT Address       | Interrupt Bit Location |          |              |
|---|----------|---------|-------------------|------------------------|----------|--------------|
|   |          |         |                   | Flag                   | Enable   | Priority     |
| QE11 – QE11 Position Counter Compare <sup>(2)</sup> | 66       | 58      | 0x000088          | IFS3<10>               | IEC3<10> | IPC14<10:8>  |
| Reserved  | 67-72    | 59-64   | 0x00008A-0x000094 | —                      | —        | —            |
| U1E – UART1 Error Interrupt                         | 73       | 65      | 0x000096          | IFS4<1>                | IEC4<1>  | IPC16<6:4>   |
| U2E – UART2 Error Interrupt                         | 74       | 66      | 0x000098          | IFS4<2>                | IEC4<2>  | IPC16<10:8>  |
| CRC – CRC Generator Interrupt                       | 75       | 67      | 0x00009A          | IFS4<3>                | IEC4<3>  | IPC16<14:12> |
| Reserved  | 76-77    | 68-69   | 0x00009C-0x00009E | —                      | —        | —            |
| C1TX – CAN1 TX Data Request <sup>(1)</sup>          | 78       | 70      | 0x000A0           | IFS4<6>                | IEC4<6>  | IPC17<10:8>  |
| Reserved  | 79-84    | 71-76   | 0x0000A2-0x0000AC | —                      | —        | —            |
| CTMU – CTMU Interrupt                               | 85       | 77      | 0x0000AE          | IFS4<13>               | IEC4<13> | IPC19<6:4>   |
| Reserved  | 86-101   | 78-93   | 0x0000B0-0x0000CE | —                      | —        | —            |
| PWM1 – PWM Generator 1 <sup>(2)</sup>               | 102      | 94      | 0x0000D0          | IFS5<14>               | IEC5<14> | IPC23<10:8>  |
| PWM2 – PWM Generator 2 <sup>(2)</sup>               | 103      | 95      | 0x0000D2          | IFS5<15>               | IEC5<15> | IPC23<14:12> |
| PWM3 – PWM Generator 3 <sup>(2)</sup>               | 104      | 96      | 0x0000D4          | IFS6<0>                | IEC6<0>  | IPC24<2:0>   |
| Reserved  | 105-149  | 97-141  | 0x0001D6-0x00012E | —                      | —        | —            |
| ICD – ICD Application                               | 150      | 142     | 0x000142          | IFS8<14>               | IEC8<14> | IPC35<10:8>  |
| JTAG – JTAG Programming                             | 151      | 143     | 0x000130          | IFS8<15>               | IEC8<15> | IPC35<14:12> |
| Reserved  | 152      | 144     | 0x000134          | —                      | —        | —            |
| PTGSTEP – PTG Step                                  | 153      | 145     | 0x000136          | IFS9<1>                | IEC9<1>  | IPC36<6:4>   |
| PTGWDT – PTG Watchdog Time-out                      | 154      | 146     | 0x000138          | IFS9<2>                | IEC9<2>  | IPC36<10:8>  |
| PTG0 – PTG Interrupt 0                              | 155      | 147     | 0x00013A          | IFS9<3>                | IEC9<3>  | IPC36<14:12> |
| PTG1 – PTG Interrupt 1                              | 156      | 148     | 0x00013C          | IFS9<4>                | IEC9<4>  | IPC37<2:0>   |
| PTG2 – PTG Interrupt 2                              | 157      | 149     | 0x00013E          | IFS9<5>                | IEC9<5>  | IPC37<6:4>   |
| PTG3 – PTG Interrupt 3                              | 158      | 150     | 0x000140          | IFS9<6>                | IEC9<6>  | IPC37<10:8>  |
| Reserved  | 159-245  | 151-245 | 0x000142-0x0001FE | —                      | —        | —            |
| Lowest Natural Order Priority                       |          |         |                   |                        |          |              |

**Note 1:** This interrupt source is available on dsPIC33EPXXXGP50X and dsPIC33EPXXXMC50X devices only.

**Note 2:** This interrupt source is available on dsPIC33EPXXXMC20X/50X and PIC24EPXXXMC20X devices only.



### 7.3 Interrupt Resources

Many useful resources are provided on the main product page of the Microchip web site for the devices listed in this data sheet. This product page, which can be accessed using this [link](#), contains the latest updates and additional information.

|  |
|--|
| <p><b>Note:</b> In the event you are not able to access the product page using the link above, enter this URL in your browser:<br/><a href="http://www.microchip.com/wwwproducts/Devices.aspx?dDocName=en555464">http://www.microchip.com/wwwproducts/Devices.aspx?dDocName=en555464</a></p> |
|--|

#### 7.3.1 KEY RESOURCES

- **Section 6. “Interrupts”** (DS70600)
- Code Samples
- Application Notes
- Software Libraries
- Webinars
- All Related “*dsPIC33E/PIC24E Family Reference Manual*” Sections
- Development Tools

### 7.4 Interrupt Control and Status Registers

dsPIC33EPXXXGP50X, dsPIC33EPXXXMC20X/50X and PIC24EPXXXGP/MC20X devices implement the following registers for the interrupt controller:

- INTCON1
- INTCON2
- INTCON3
- INTCON4
- INTTREG

#### 7.4.1 INTCON1 THROUGH INTCON4

Global interrupt control functions are controlled from INTCON1, INTCON2, INTCON3 and INTCON4.

INTCON1 contains the Interrupt Nesting Disable bit, (NSTDIS) as well as the control and status flags for the processor trap sources.

The INTCON2 register controls external interrupt request signal behavior and also contains the Global Interrupt Enable bit (GIE).

INTCON3 contains the status flags for the DMA and DO stack overflow status trap sources.

The INTCON4 register contains the software generated hard trap status bit (SGHT).

#### 7.4.2 IFSx

The IFSx registers maintain all of the interrupt request flags. Each source of interrupt has a status bit, which is set by the respective peripherals or external signal and is cleared via software.

#### 7.4.3 IECx

The IECx registers maintain all of the interrupt enable bits. These control bits are used to individually enable interrupts from the peripherals or external signals.

#### 7.4.4 IPCx

The IPCx registers are used to set the Interrupt Priority Level (IPL) for each source of interrupt. Each user interrupt source can be assigned to one of eight priority levels.

#### 7.4.5 INTTREG

The INTTREG register contains the associated interrupt vector number and the new CPU Interrupt Priority Level, which are latched into vector number (VECNUM<7:0>) and Interrupt level bit (ILR<3:0>) fields in the INTTREG register. The new Interrupt Priority Level is the priority of the pending interrupt.

The interrupt sources are assigned to the IFSx, IECx and IPCx registers in the same sequence as they are listed in [Table 7-1](#). For example, the INT0 (External Interrupt 0) is shown as having Vector Number 8 and a natural order priority of 0. Thus, the INTOIF bit is found in IFS0<0>, the INTOIE bit in IEC0<0> and the INTOIP bits in the first position of IPC0 (IPC0<2:0>).

#### 7.4.6 STATUS/CONTROL REGISTERS

Although these registers are not specifically part of the interrupt control hardware, two of the CPU Control registers contain bits that control interrupt functionality. For more information on these registers refer to **Section 2. “CPU”** (DS70359) in the “*dsPIC33E/PIC24E Family Reference Manual*”.

- The CPU STATUS Register, SR, contains the IPL<2:0> bits (SR<7:5>). These bits indicate the current CPU Interrupt Priority Level. The user software can change the current CPU Interrupt Priority Level by writing to the IPLx bits.
- The CORCON register contains the IPL3 bit which, together with IPL<2:0>, also indicates the current CPU priority level. IPL3 is a read-only bit so that trap events cannot be masked by the user software.

All Interrupt registers are described in [Register 7-3](#) through [Register 7-7](#) in the following pages.

**REGISTER 7-1: SR: CPU STATUS REGISTER<sup>(1)</sup>**

|        |       |       |       |       |       |     |       |
|--------|-------|-------|-------|-------|-------|-----|-------|
| R/W-0  | R/W-0 | R/W-0 | R/W-0 | R/C-0 | R/C-0 | R-0 | R/W-0 |
| OA     | OB    | SA    | SB    | OAB   | SAB   | DA  | DC    |
| bit 15 |       |       |       |       |       |     | bit 8 |

|                         |                      |                      |     |       |       |       |       |
|-------------------------|----------------------|----------------------|-----|-------|-------|-------|-------|
| R/W-0 <sup>(3)</sup>    | R/W-0 <sup>(3)</sup> | R/W-0 <sup>(3)</sup> | R-0 | R/W-0 | R/W-0 | R/W-0 | R/W-0 |
| IPL<2:0> <sup>(2)</sup> |                      |                      | RA  | N     | OV    | Z     | C     |
| bit 7                   |                      |                      |     |       |       |       | bit 0 |

|                   |                                    |
|-------------------|------------------------------------|
| <b>Legend:</b>    | C = Clearable bit                  |
| R = Readable bit  | W = Writable bit                   |
| -n = Value at POR | '1' = Bit is set                   |
|                   | U = Unimplemented bit, read as '0' |
|                   | '0' = Bit is cleared               |
|                   | x = Bit is unknown                 |

- bit 7-5 IPL<2:0>: CPU Interrupt Priority Level Status bits<sup>(2,3)</sup>
- 111 = CPU Interrupt Priority Level is 7 (15); user interrupts are disabled
  - 110 = CPU Interrupt Priority Level is 6 (14)
  - 101 = CPU Interrupt Priority Level is 5 (13)
  - 100 = CPU Interrupt Priority Level is 4 (12)
  - 011 = CPU Interrupt Priority Level is 3 (11)
  - 010 = CPU Interrupt Priority Level is 2 (10)
  - 001 = CPU Interrupt Priority Level is 1 (9)
  - 000 = CPU Interrupt Priority Level is 0 (8)

- Note 1:** For complete register details, see [Register 3-1](#).
- 2:** The IPL<2:0> bits are concatenated with the IPL<3> bit (CORCON<3>) to form the CPU Interrupt Priority Level. The value in parentheses indicates the IPL, if IPL<3> = 1. User interrupts are disabled when IPL<3> = 1.
- 3:** The IPL<2:0> Status bits are read-only when the NSTDIS bit (INTCON1<15>) = 1.

**REGISTER 7-2: CORCON: CORE CONTROL REGISTER<sup>(1)</sup>**

|            |     |         |       |       |         |     |       |
|------------|-----|---------|-------|-------|---------|-----|-------|
| R/W-0      | U-0 | R/W-0   | R/W-0 | R/W-0 | R-0     | R-0 | R-0   |
| <b>VAR</b> | —   | US<1:0> |       | EDT   | DL<2:0> |     |       |
| bit 15     |     |         |       |       |         |     | bit 8 |

|       |       |       |        |                           |     |       |       |
|-------|-------|-------|--------|---------------------------|-----|-------|-------|
| R/W-0 | R/W-0 | R/W-1 | R/W-0  | R/C-0                     | R-0 | R/W-0 | R/W-0 |
| SATA  | SATB  | SATDW | ACCSAT | <b>IPL3<sup>(2)</sup></b> | SFA | RND   | IF    |
| bit 7 |       |       |        |                           |     |       | bit 0 |

|                   |                                    |
|-------------------|------------------------------------|
| <b>Legend:</b>    | C = Clearable bit                  |
| R = Readable bit  | W = Writable bit                   |
| -n = Value at POR | '1' = Bit is set                   |
|                   | '0' = Bit is cleared               |
|                   | x = Bit is unknown                 |
|                   | U = Unimplemented bit, read as '0' |

bit 15      **VAR:** Variable Exception Processing Latency Control bit

1 = Variable exception processing is enabled

0 = Fixed exception processing is enabled

bit 3      **IPL3:** CPU Interrupt Priority Level Status bit 3<sup>(2)</sup>

1 = CPU Interrupt Priority Level is greater than 7

0 = CPU Interrupt Priority Level is 7 or less

**Note 1:** For complete register details, see [Register 3-2](#).

**Note 2:** The IPL3 bit is concatenated with the IPL<2:0> bits (SR<7:5>) to form the CPU Interrupt Priority Level.

**REGISTER 7-3: INTCON1: INTERRUPT CONTROL REGISTER 1**

|        |                       |                       |                        |                        |                      |                      |                      |
|--------|-----------------------|-----------------------|------------------------|------------------------|----------------------|----------------------|----------------------|
| R/W-0  | R/W-0                 | R/W-0                 | R/W-0                  | R/W-0                  | R/W-0                | R/W-0                | R/W-0                |
| NSTDIS | OVAERR <sup>(1)</sup> | OVBERR <sup>(1)</sup> | COVAERR <sup>(1)</sup> | COVBERR <sup>(1)</sup> | OVATE <sup>(1)</sup> | OVBTE <sup>(1)</sup> | COVTE <sup>(1)</sup> |
| bit 15 |                       |                       |                        |                        |                      |                      | bit 8                |

|                         |         |         |         |         |        |         |       |
|-------------------------|---------|---------|---------|---------|--------|---------|-------|
| R/W-0                   | R/W-0   | R/W-0   | R/W-0   | R/W-0   | R/W-0  | R/W-0   | U-0   |
| SFTACERR <sup>(1)</sup> | DIV0ERR | DMACERR | MATHERR | ADDRERR | STKERR | OSCFAIL | —     |
| bit 7                   |         |         |         |         |        |         | bit 0 |

**Legend:**

R = Readable bit                      W = Writable bit                      U = Unimplemented bit, read as '0'  
 -n = Value at POR                      '1' = Bit is set                      '0' = Bit is cleared                      x = Bit is unknown

- bit 15            **NSTDIS:** Interrupt Nesting Disable bit  
                   1 = Interrupt nesting is disabled  
                   0 = Interrupt nesting is enabled
- bit 14            **OVAERR:** Accumulator A Overflow Trap Flag bit<sup>(1)</sup>  
                   1 = Trap was caused by overflow of Accumulator A  
                   0 = Trap was not caused by overflow of Accumulator A
- bit 13            **OVBERR:** Accumulator B Overflow Trap Flag bit<sup>(1)</sup>  
                   1 = Trap was caused by overflow of Accumulator B  
                   0 = Trap was not caused by overflow of Accumulator B
- bit 12            **COVAERR:** Accumulator A Catastrophic Overflow Trap Flag bit<sup>(1)</sup>  
                   1 = Trap was caused by catastrophic overflow of Accumulator A  
                   0 = Trap was not caused by catastrophic overflow of Accumulator A
- bit 11            **COVBERR:** Accumulator B Catastrophic Overflow Trap Flag bit<sup>(1)</sup>  
                   1 = Trap was caused by catastrophic overflow of Accumulator B  
                   0 = Trap was not caused by catastrophic overflow of Accumulator B
- bit 10            **OVATE:** Accumulator A Overflow Trap Enable bit<sup>(1)</sup>  
                   1 = Trap overflow of Accumulator A  
                   0 = Trap is disabled
- bit 9             **OVBTE:** Accumulator B Overflow Trap Enable bit<sup>(1)</sup>  
                   1 = Trap overflow of Accumulator B  
                   0 = Trap is disabled
- bit 8             **COVTE:** Catastrophic Overflow Trap Enable bit<sup>(1)</sup>  
                   1 = Trap on catastrophic overflow of Accumulator A or B enabled  
                   0 = Trap is disabled
- bit 7             **SFTACERR:** Shift Accumulator Error Status bit<sup>(1)</sup>  
                   1 = Math error trap was caused by an invalid accumulator shift  
                   0 = Math error trap was not caused by an invalid accumulator shift
- bit 6             **DIV0ERR:** Divide-by-Zero Error Status bit  
                   1 = Math error trap was caused by a divide-by-zero  
                   0 = Math error trap was not caused by a divide-by-zero
- bit 5             **DMACERR:** DMAC Trap Flag bit  
                   1 = DMAC trap has occurred  
                   0 = DMAC trap has not occurred

**Note 1:** These bits are available on dsPIC33EPXXXMC20X/50X and dsPIC33EPXXXGP50X devices only.

**REGISTER 7-3: INTCON1: INTERRUPT CONTROL REGISTER 1 (CONTINUED)**

- bit 4        **MATHERR:** Math Error Status bit  
              1 = Math error trap has occurred  
              0 = Math error trap has not occurred
- bit 3        **ADDRERR:** Address Error Trap Status bit  
              1 = Address error trap has occurred  
              0 = Address error trap has not occurred
- bit 2        **STKERR:** Stack Error Trap Status bit  
              1 = Stack error trap has occurred  
              0 = Stack error trap has not occurred
- bit 1        **OSCFAIL:** Oscillator Failure Trap Status bit  
              1 = Oscillator failure trap has occurred  
              0 = Oscillator failure trap has not occurred
- bit 0        **Unimplemented:** Read as '0'

**Note 1:** These bits are available on dsPIC33EPXXXMC20X/50X and dsPIC33EPXXXGP50X devices only.

**REGISTER 7-4: INTCON2: INTERRUPT CONTROL REGISTER 2**

|        |       |        |     |     |     |     |       |
|--------|-------|--------|-----|-----|-----|-----|-------|
| R/W-1  | R/W-0 | R/W-0  | U-0 | U-0 | U-0 | U-0 | U-0   |
| GIE    | DISI  | SWTRAP | —   | —   | —   | —   | —     |
| bit 15 |       |        |     |     |     |     | bit 8 |

|       |     |     |     |     |        |        |        |
|-------|-----|-----|-----|-----|--------|--------|--------|
| U-0   | U-0 | U-0 | U-0 | U-0 | R/W-0  | R/W-0  | R/W-0  |
| —     | —   | —   | —   | —   | INT2EP | INT1EP | INT0EP |
| bit 7 |     |     |     |     |        | bit 0  |        |

**Legend:**

R = Readable bit                      W = Writable bit                      U = Unimplemented bit, read as '0'  
 -n = Value at POR                      '1' = Bit is set                      '0' = Bit is cleared                      x = Bit is unknown

- bit 15            **GIE:** Global Interrupt Enable bit  
                   1 = Interrupts and associated IE bits are enabled  
                   0 = Interrupts are disabled, but traps are still enabled
- bit 14            **DISI:** DISI Instruction Status bit  
                   1 = DISI instruction is active  
                   0 = DISI instruction is not active
- bit 13            **SWTRAP:** Software Trap Status bit  
                   1 = Software trap is enabled  
                   0 = Software trap is disabled
- bit 12-3        **Unimplemented:** Read as '0'
- bit 2            **INT2EP:** External Interrupt 2 Edge Detect Polarity Select bit  
                   1 = Interrupt on negative edge  
                   0 = Interrupt on positive edge
- bit 1            **INT1EP:** External Interrupt 1 Edge Detect Polarity Select bit  
                   1 = Interrupt on negative edge  
                   0 = Interrupt on positive edge
- bit 0            **INT0EP:** External Interrupt 0 Edge Detect Polarity Select bit  
                   1 = Interrupt on negative edge  
                   0 = Interrupt on positive edge

**REGISTER 7-5: INTCON3: INTERRUPT CONTROL REGISTER 3**

|        |     |     |     |     |     |     |       |
|--------|-----|-----|-----|-----|-----|-----|-------|
| U-0    | U-0 | U-0 | U-0 | U-0 | U-0 | U-0 | U-0   |
| —      | —   | —   | —   | —   | —   | —   | —     |
| bit 15 |     |     |     |     |     |     | bit 8 |

|       |     |       |       |     |     |     |       |
|-------|-----|-------|-------|-----|-----|-----|-------|
| U-0   | U-0 | R/W-0 | R/W-0 | U-0 | U-0 | U-0 | U-0   |
| —     | —   | DAE   | DOOVR | —   | —   | —   | —     |
| bit 7 |     |       |       |     |     |     | bit 0 |

|                   |                  |                                    |                    |
|-------------------|------------------|------------------------------------|--------------------|
| <b>Legend:</b>    |                  |                                    |                    |
| R = Readable bit  | W = Writable bit | U = Unimplemented bit, read as '0' |                    |
| -n = Value at POR | '1' = Bit is set | '0' = Bit is cleared               | x = Bit is unknown |

- bit 15-6      **Unimplemented:** Read as '0'
- bit 5        **DAE:** DMA Address Error Soft Trap Status bit  
                  1 = DMA address error soft trap has occurred  
                  0 = DMA address error soft trap has not occurred
- bit 4        **DOOVR:** DO Stack Overflow Soft Trap Status bit  
                  1 = DO stack overflow soft trap has occurred  
                  0 = DO stack overflow soft trap has not occurred
- bit 3-0      **Unimplemented:** Read as '0'

**REGISTER 7-6: INTCON4: INTERRUPT CONTROL REGISTER 4**

|        |     |     |     |     |     |     |       |
|--------|-----|-----|-----|-----|-----|-----|-------|
| U-0    | U-0 | U-0 | U-0 | U-0 | U-0 | U-0 | U-0   |
| —      | —   | —   | —   | —   | —   | —   | —     |
| bit 15 |     |     |     |     |     |     | bit 8 |

|       |     |     |     |     |     |     |       |
|-------|-----|-----|-----|-----|-----|-----|-------|
| U-0   | U-0 | U-0 | U-0 | U-0 | U-0 | U-0 | R/W-0 |
| —     | —   | —   | —   | —   | —   | —   | SGHT  |
| bit 7 |     |     |     |     |     |     | bit 0 |

|                   |                  |                                    |                    |
|-------------------|------------------|------------------------------------|--------------------|
| <b>Legend:</b>    |                  |                                    |                    |
| R = Readable bit  | W = Writable bit | U = Unimplemented bit, read as '0' |                    |
| -n = Value at POR | '1' = Bit is set | '0' = Bit is cleared               | x = Bit is unknown |

- bit 15-1     **Unimplemented:** Read as '0'
- bit 0        **SGHT:** Software Generated Hard Trap Status bit  
                  1 = Software generated hard trap has occurred  
                  0 = Software generated hard trap has not occurred

**REGISTER 7-7: INTTREG: INTERRUPT CONTROL AND STATUS REGISTER**

|        |     |     |     |          |     |     |     |
|--------|-----|-----|-----|----------|-----|-----|-----|
| U-0    | U-0 | U-0 | U-0 | R-0      | R-0 | R-0 | R-0 |
| —      | —   | —   | —   | ILR<3:0> |     |     |     |
| bit 15 |     |     |     | bit 8    |     |     |     |

|             |     |     |     |     |     |     |       |
|-------------|-----|-----|-----|-----|-----|-----|-------|
| U-0         | R-0 | R-0 | R-0 | R-0 | R-0 | R-0 | R-0   |
| VECNUM<7:0> |     |     |     |     |     |     |       |
| bit 7       |     |     |     |     |     |     | bit 0 |

**Legend:**

|                   |                  |  |
|-------------------|------------------|--|
| R = Readable bit  | W = Writable bit | U = Unimplemented bit, read as '0'           |
| -n = Value at POR | '1' = Bit is set | '0' = Bit is cleared      x = Bit is unknown |

- bit 15-12      **Unimplemented:** Read as '0'
- bit 11-8      **ILR<3:0>:** New CPU Interrupt Priority Level bits
  - 1111 = CPU Interrupt Priority Level is 15
  - 
  - 
  - 
  - 0001 = CPU Interrupt Priority Level is 1
  - 0000 = CPU Interrupt Priority Level is 0
- bit 7-0      **VECNUM<7:0>:** Vector Number of Pending Interrupt bits
  - 11111111 = 255, Reserved; do not use
  - 
  - 
  - 
  - 00001001 = 9, IC1 – Input Capture 1
  - 00001000 = 8, INT0 – External Interrupt 0
  - 00000111 = 7, Reserved; do not use
  - 00000110 = 6, Generic soft error trap
  - 00000101 = 5, DMAC error trap
  - 00000100 = 4, Math error trap
  - 00000011 = 3, Stack error trap
  - 00000010 = 2, Generic hard trap
  - 00000001 = 1, Address error trap
  - 00000000 = 0, Oscillator fail trap



## 8.0 DIRECT MEMORY ACCESS (DMA)

**Note 1:** This data sheet summarizes the features of the dsPIC33EPXXXGP50X, dsPIC33EPXXXMC20X/50X and PIC24EPXXXGP/MC20X families of devices. It is not intended to be a comprehensive reference source. To complement the information in this data sheet, refer to **Section 22. “Direct Memory Access (DMA)”** (DS70348) of the “dsPIC33E/PIC24E Family Reference Manual”, which is available from the Microchip web site ([www.microchip.com](http://www.microchip.com)).

**2:** Some registers and associated bits described in this section may not be available on all devices. Refer to **Section 4.0 “Memory Organization”** in this data sheet for device-specific register and bit information.

The DMA controller transfers data between Peripheral Data registers and Data Space SRAM

In addition, DMA can access the entire data memory space. The Data Memory Bus Arbiter is utilized when either the CPU or DMA attempts to access SRAM, resulting in potential DMA or CPU stalls.

The DMA controller supports 4 independent channels. Each channel can be configured for transfers to or from selected peripherals. Some of the peripherals supported by the DMA controller include:

- ECAN™
- Analog-to-Digital Converter (ADC)
- Serial Peripheral Interface (SPI)
- UART
- Input Capture
- Output Compare

Refer to [Table 8-1](#) for a complete list of supported peripherals.

**FIGURE 8-1: DMA CONTROLLER**



In addition, DMA transfers can be triggered by timers as well as external interrupts. Each DMA channel is unidirectional. Two DMA channels must be allocated to read and write to a peripheral. If more than one channel receives a request to transfer data, a simple fixed priority scheme based on channel number, dictates which channel completes the transfer and which channel, or channels, are left pending. Each DMA channel moves a block of data, after which, it generates an interrupt to the CPU to indicate that the block is available for processing.

The DMA controller provides these functional capabilities:

- Four DMA channels
- Register Indirect with Post-Increment Addressing mode
- Register Indirect without Post-Increment Addressing mode

- Peripheral Indirect Addressing mode (peripheral generates destination address)
- CPU interrupt after half or full block transfer complete
- Byte or word transfers
- Fixed priority channel arbitration
- Manual (software) or automatic (peripheral DMA requests) transfer initiation
- One-Shot or Auto-Repeat Block Transfer modes
- Ping-Pong mode (automatic switch between two SRAM start addresses after each block transfer is complete)
- DMA request for each channel can be selected from any supported interrupt source
- Debug support features

The peripherals that can utilize DMA are listed in [Table 8-1](#).

**TABLE 8-1: DMA CHANNEL TO PERIPHERAL ASSOCIATIONS**

| Peripheral to DMA Association | DMAxREQ Register IRQSEL<7:0> Bits | DMAxPAD Register (Values to Read from Peripheral) | DMAxPAD Register (Values to Write to Peripheral) |
|-------------------------------|-----------------------------------|---|--|
| INT0 – External Interrupt 0   | 00000000                          | —   | —  |
| IC1 – Input Capture 1         | 00000001                          | 0x0144 (IC1BUF)                                   | —  |
| IC2 – Input Capture 2         | 00000101                          | 0x014C (IC2BUF)                                   | —  |
| IC3 – Input Capture 3         | 00100101                          | 0x0154 (IC3BUF)                                   | —  |
| IC4 – Input Capture 4         | 00100110                          | 0x015C (IC4BUF)                                   | —  |
| OC1 – Output Compare 1        | 00000010                          | —   | 0x0906 (OC1R)<br>0x0904 (OC1RS)                  |
| OC2 – Output Compare 2        | 00000110                          | —   | 0x0910 (OC2R)<br>0x090E (OC2RS)                  |
| OC3 – Output Compare 3        | 00011001                          | —   | 0x091A (OC3R)<br>0x0918 (OC3RS)                  |
| OC4 – Output Compare 4        | 00011010                          | —   | 0x0924 (OC4R)<br>0x0922 (OC4RS)                  |
| TMR2 – Timer2                 | 00000111                          | —   | —  |
| TMR3 – Timer3                 | 00001000                          | —   | —  |
| TMR4 – Timer4                 | 00011011                          | —   | —  |
| TMR5 – Timer5                 | 00011100                          | —   | —  |
| SPI1 Transfer Done            | 00001010                          | 0x0248 (SPI1BUF)                                  | 0x0248 (SPI1BUF)                                 |
| SPI2 Transfer Done            | 00100001                          | 0x0268 (SPI2BUF)                                  | 0x0268 (SPI2BUF)                                 |
| UART1RX – UART1 Receiver      | 00001011                          | 0x0226 (U1RXREG)                                  | —  |
| UART1TX – UART1 Transmitter   | 00001100                          | —   | 0x0224 (U1TXREG)                                 |
| UART2RX – UART2 Receiver      | 00011110                          | 0x0236 (U2RXREG)                                  | —  |
| UART2TX – UART2 Transmitter   | 00011111                          | —   | 0x0234 (U2TXREG)                                 |
| ECAN1 – RX Data Ready         | 00100010                          | 0x0440 (C1RXD)                                    | —  |
| ECAN1 – TX Data Request       | 01000110                          | —   | 0x0442 (C1TXD)                                   |
| ADC1 – ADC1 Convert Done      | 00001101                          | 0x0300 (ADC1BUF0)                                 | —  |

FIGURE 8-2: DMA CONTROLLER BLOCK DIAGRAM



## 8.1 DMA Resources

Many useful resources are provided on the main product page of the Microchip web site for the devices listed in this data sheet. This product page, which can be accessed using this [link](#), contains the latest updates and additional information.

**Note:** In the event you are not able to access the product page using the link above, enter this URL in your browser:  
<http://www.microchip.com/wwwproducts/Devices.aspx?dDocName=en555464>

### 8.1.1 KEY RESOURCES

- **Section 22. “Direct Memory Access (DMA)”** (DS70348)
- Code Samples
- Application Notes
- Software Libraries
- Webinars
- All Related “dsPIC33E/PIC24E Family Reference Manual” Sections
- Development Tools

## 8.2 DMAC Registers

Each DMAC Channel  $x$  (where  $x = 0$  through  $3$ ) contains the following registers:

- 16-Bit DMA Channel Control register (DMAxCON)
- 16-Bit DMA Channel IRQ Select register (DMAxREQ)
- 32-Bit DMA RAM Primary Start Address register (DMAxSTA)
- 32-Bit DMA RAM Secondary Start Address register (DMAxSTB)
- 16-Bit DMA Peripheral Address register (DMAxPAD)
- 14-Bit DMA Transfer Count register (DMAxCNT)

Additional status registers (DMAPWC, DMARQC, DMAPPS, DMALCA and DSADR) are common to all DMAC channels. These status registers provide information on write and request collisions, as well as on last address and channel access information.

The interrupt flags (DMAxIF) are located in an IFSx register in the interrupt controller. The corresponding interrupt enable control bits (DMAxIE) are located in an IECx register in the interrupt controller, and the corresponding interrupt priority control bits (DMAxIP) are located in an IPCx register in the interrupt controller.

**REGISTER 8-1: DMAxCON: DMA CHANNEL x CONTROL REGISTER**

|        |       |       |       |       |     |     |       |
|--------|-------|-------|-------|-------|-----|-----|-------|
| R/W-0  | R/W-0 | R/W-0 | R/W-0 | R/W-0 | U-0 | U-0 | U-0   |
| CHEN   | SIZE  | DIR   | HALF  | NULLW | —   | —   | —     |
| bit 15 |       |       |       |       |     |     | bit 8 |

|       |     |            |       |       |     |           |       |
|-------|-----|------------|-------|-------|-----|-----------|-------|
| U-0   | U-0 | R/W-0      | R/W-0 | U-0   | U-0 | R/W-0     | R/W-0 |
| —     | —   | AMODE<1:0> |       | —     | —   | MODE<1:0> |       |
| bit 7 |     |            |       | bit 0 |     |           |       |

**Legend:**

R = Readable bit                      W = Writable bit                      U = Unimplemented bit, read as '0'  
 -n = Value at POR                      '1' = Bit is set                      '0' = Bit is cleared                      x = Bit is unknown

- bit 15            **CHEN:** DMA Channel Enable bit  
                   1 = Channel is enabled  
                   0 = Channel is disabled
- bit 14            **SIZE:** DMA Data Transfer Size bit  
                   1 = Byte  
                   0 = Word
- bit 13            **DIR:** DMA Transfer Direction bit (source/destination bus select)  
                   1 = Reads from RAM address, writes to peripheral address  
                   0 = Reads from peripheral address, writes to RAM address
- bit 12            **HALF:** DMA Block Transfer Interrupt Select bit  
                   1 = Initiates interrupt when half of the data has been moved  
                   0 = Initiates interrupt when all of the data has been moved
- bit 11            **NULLW:** Null Data Peripheral Write Mode Select bit  
                   1 = Null data write to peripheral in addition to RAM write (DIR bit must also be clear)  
                   0 = Normal operation
- bit 10-6        **Unimplemented:** Read as '0'
- bit 5-4         **AMODE<1:0>:** DMA Channel Addressing Mode Select bits  
                   11 = Reserved  
                   10 = Peripheral Indirect Addressing mode  
                   01 = Register Indirect without Post-Increment mode  
                   00 = Register Indirect with Post-Increment mode
- bit 3-2         **Unimplemented:** Read as '0'
- bit 1-0         **MODE<1:0>:** DMA Channel Operating Mode Select bits  
                   11 = One-Shot, Ping-Pong modes are enabled (one block transfer from/to each DMA buffer)  
                   10 = Continuous, Ping-Pong modes are enabled  
                   01 = One-Shot, Ping-Pong modes are disabled  
                   00 = Continuous, Ping-Pong modes are disabled

**REGISTER 8-2: DMAxREQ: DMA CHANNEL x IRQ SELECT REGISTER**

|                      |     |     |     |     |     |     |       |
|----------------------|-----|-----|-----|-----|-----|-----|-------|
| R/S-0                | U-0 | U-0 | U-0 | U-0 | U-0 | U-0 | U-0   |
| FORCE <sup>(1)</sup> | —   | —   | —   | —   | —   | —   | —     |
| bit 15               |     |     |     |     |     |     | bit 8 |

|             |       |       |       |       |       |       |       |
|-------------|-------|-------|-------|-------|-------|-------|-------|
| R/W-0       | R/W-0 | R/W-0 | R/W-0 | R/W-0 | R/W-0 | R/W-0 | R/W-0 |
| IRQSEL<7:0> |       |       |       |       |       |       |       |
| bit 7       |       |       |       |       |       |       | bit 0 |

|                   |                  |                                    |
|-------------------|------------------|------------------------------------|
| <b>Legend:</b>    | S = Settable bit | U = Unimplemented bit, read as '0' |
| R = Readable bit  | W = Writable bit | '0' = Bit is cleared               |
| -n = Value at POR | '1' = Bit is set | x = Bit is unknown                 |

- bit 15      **FORCE:** Force DMA Transfer bit<sup>(1)</sup>  
 1 = Forces a single DMA transfer (Manual mode)  
 0 = Automatic DMA transfer initiation by DMA request
- bit 14-8    **Unimplemented:** Read as '0'
- bit 7-0     **IRQSEL<7:0>:** DMA Peripheral IRQ Number Select bits  
 01000110 = ECAN1 – TX Data Request<sup>(2)</sup>  
 00100110 = IC4 – Input Capture 4  
 00100101 = IC3 – Input Capture 3  
 00100010 = ECAN1 – RX Data Ready<sup>(2)</sup>  
 00100001 = SPI2 Transfer Done  
 00011111 = UART2TX – UART2 Transmitter  
 00011110 = UART2RX – UART2 Receiver  
 00011100 = TMR5 – Timer5  
 00011011 = TMR4 – Timer4  
 00011010 = OC4 – Output Compare 4  
 00011001 = OC3 – Output Compare 3  
 00001101 = ADC1 – ADC1 Convert done  
 00001100 = UART1TX – UART1 Transmitter  
 00001011 = UART1RX – UART1 Receiver  
 00001010 = SPI1 – Transfer Done  
 00001000 = TMR3 – Timer3  
 00000111 = TMR2 – Timer2  
 00000110 = OC2 – Output Compare 2  
 00000101 = IC2 – Input Capture 2  
 00000010 = OC1 – Output Compare 1  
 00000001 = IC1 – Input Capture 1  
 00000000 = INT0 – External Interrupt 0

- Note 1:** The FORCE bit cannot be cleared by user software. The FORCE bit is cleared by hardware when the forced DMA transfer is complete or the channel is disabled (CHEN = 0).
- 2:** This selection is available in dsPIC33EPXXXGP/MC50X devices only.

**REGISTER 8-3: DMAxSTAH: DMA CHANNEL x START ADDRESS REGISTER A (HIGH)**

|        |     |     |     |     |     |     |       |
|--------|-----|-----|-----|-----|-----|-----|-------|
| U-0    | U-0 | U-0 | U-0 | U-0 | U-0 | U-0 | U-0   |
| —      | —   | —   | —   | —   | —   | —   | —     |
| bit 15 |     |     |     |     |     |     | bit 8 |

|            |       |       |       |       |       |       |       |
|------------|-------|-------|-------|-------|-------|-------|-------|
| R/W-0      | R/W-0 | R/W-0 | R/W-0 | R/W-0 | R/W-0 | R/W-0 | R/W-0 |
| STA<23:16> |       |       |       |       |       |       |       |
| bit 7      |       |       |       |       |       |       | bit 0 |

**Legend:**  
 R = Readable bit                      W = Writable bit                      U = Unimplemented bit, read as '0'  
 -n = Value at POR                      '1' = Bit is set                      '0' = Bit is cleared                      x = Bit is unknown

bit 15-8                      **Unimplemented:** Read as '0'  
 bit 7-0                      **STA<23:16>:** Primary Start Address bits (source or destination)

**REGISTER 8-4: DMAxSTAL: DMA CHANNEL x START ADDRESS REGISTER A (LOW)**

|           |       |       |       |       |       |       |       |
|-----------|-------|-------|-------|-------|-------|-------|-------|
| R/W-0     | R/W-0 | R/W-0 | R/W-0 | R/W-0 | R/W-0 | R/W-0 | R/W-0 |
| STA<15:8> |       |       |       |       |       |       |       |
| bit 15    |       |       |       |       |       |       | bit 8 |

|          |       |       |       |       |       |       |       |
|----------|-------|-------|-------|-------|-------|-------|-------|
| R/W-0    | R/W-0 | R/W-0 | R/W-0 | R/W-0 | R/W-0 | R/W-0 | R/W-0 |
| STA<7:0> |       |       |       |       |       |       |       |
| bit 7    |       |       |       |       |       |       | bit 0 |

**Legend:**  
 R = Readable bit                      W = Writable bit                      U = Unimplemented bit, read as '0'  
 -n = Value at POR                      '1' = Bit is set                      '0' = Bit is cleared                      x = Bit is unknown

bit 15-0                      **STA<15:0>:** Primary Start Address bits (source or destination)

**REGISTER 8-5: DMAxSTBH: DMA CHANNEL x START ADDRESS REGISTER B (HIGH)**

|        |     |     |     |     |     |     |       |
|--------|-----|-----|-----|-----|-----|-----|-------|
| U-0    | U-0 | U-0 | U-0 | U-0 | U-0 | U-0 | U-0   |
| —      | —   | —   | —   | —   | —   | —   | —     |
| bit 15 |     |     |     |     |     |     | bit 8 |

|            |       |       |       |       |       |       |       |
|------------|-------|-------|-------|-------|-------|-------|-------|
| R/W-0      | R/W-0 | R/W-0 | R/W-0 | R/W-0 | R/W-0 | R/W-0 | R/W-0 |
| STB<23:16> |       |       |       |       |       |       |       |
| bit 7      |       |       |       |       |       |       | bit 0 |

**Legend:**  
R = Readable bit                      W = Writable bit                      U = Unimplemented bit, read as '0'  
-n = Value at POR                      '1' = Bit is set                      '0' = Bit is cleared                      x = Bit is unknown

bit 15-8                      **Unimplemented:** Read as '0'  
bit 7-0                      **STB<23:16>:** Secondary Start Address bits (source or destination)

**REGISTER 8-6: DMAxSTBL: DMA CHANNEL x START ADDRESS REGISTER B (LOW)**

|           |       |       |       |       |       |       |       |
|-----------|-------|-------|-------|-------|-------|-------|-------|
| R/W-0     | R/W-0 | R/W-0 | R/W-0 | R/W-0 | R/W-0 | R/W-0 | R/W-0 |
| STB<15:8> |       |       |       |       |       |       |       |
| bit 15    |       |       |       |       |       |       | bit 8 |

|          |       |       |       |       |       |       |       |
|----------|-------|-------|-------|-------|-------|-------|-------|
| R/W-0    | R/W-0 | R/W-0 | R/W-0 | R/W-0 | R/W-0 | R/W-0 | R/W-0 |
| STB<7:0> |       |       |       |       |       |       |       |
| bit 7    |       |       |       |       |       |       | bit 0 |

**Legend:**  
R = Readable bit                      W = Writable bit                      U = Unimplemented bit, read as '0'  
-n = Value at POR                      '1' = Bit is set                      '0' = Bit is cleared                      x = Bit is unknown

bit 15-0                      **STB<15:0>:** Secondary Start Address bits (source or destination)

**REGISTER 8-7: DMAxPAD: DMA CHANNEL x PERIPHERAL ADDRESS REGISTER<sup>(1)</sup>**

|           |       |       |       |       |       |       |       |
|-----------|-------|-------|-------|-------|-------|-------|-------|
| R/W-0     | R/W-0 | R/W-0 | R/W-0 | R/W-0 | R/W-0 | R/W-0 | R/W-0 |
| PAD<15:8> |       |       |       |       |       |       |       |
| bit 15    |       |       |       |       |       |       | bit 8 |

|          |       |       |       |       |       |       |       |
|----------|-------|-------|-------|-------|-------|-------|-------|
| R/W-0    | R/W-0 | R/W-0 | R/W-0 | R/W-0 | R/W-0 | R/W-0 | R/W-0 |
| PAD<7:0> |       |       |       |       |       |       |       |
| bit 7    |       |       |       |       |       |       | bit 0 |

**Legend:**

R = Readable bit                      W = Writable bit                      U = Unimplemented bit, read as '0'  
 -n = Value at POR                      '1' = Bit is set                      '0' = Bit is cleared                      x = Bit is unknown

bit 15-0                      **PAD<15:0>**: Peripheral Address Register bits

**Note 1:** If the channel is enabled (i.e., active), writes to this register may result in unpredictable behavior of the DMA channel and should be avoided.

**REGISTER 8-8: DMAxCNT: DMA CHANNEL x TRANSFER COUNT REGISTER<sup>(1)</sup>**

|        |     |                          |       |       |       |       |       |
|--------|-----|--------------------------|-------|-------|-------|-------|-------|
| U-0    | U-0 | R/W-0                    | R/W-0 | R/W-0 | R/W-0 | R/W-0 | R/W-0 |
| —      | —   | CNT<13:8> <sup>(2)</sup> |       |       |       |       |       |
| bit 15 |     |                          |       |       |       |       | bit 8 |

|                         |       |       |       |       |       |       |       |
|-------------------------|-------|-------|-------|-------|-------|-------|-------|
| R/W-0                   | R/W-0 | R/W-0 | R/W-0 | R/W-0 | R/W-0 | R/W-0 | R/W-0 |
| CNT<7:0> <sup>(2)</sup> |       |       |       |       |       |       |       |
| bit 7                   |       |       |       |       |       |       | bit 0 |

**Legend:**

R = Readable bit                      W = Writable bit                      U = Unimplemented bit, read as '0'  
 -n = Value at POR                      '1' = Bit is set                      '0' = Bit is cleared                      x = Bit is unknown

bit 15-14                      **Unimplemented:** Read as '0'

bit 13-0                      **CNT<13:0>**: DMA Transfer Count Register bits<sup>(2)</sup>

**Note 1:** If the channel is enabled (i.e., active), writes to this register may result in unpredictable behavior of the DMA channel and should be avoided.

**2:** The number of DMA transfers = CNT<13:0> + 1.



**REGISTER 8-9: DSADRH: DMA MOST RECENT RAM HIGH ADDRESS REGISTER**

|        |     |     |     |     |     |     |       |
|--------|-----|-----|-----|-----|-----|-----|-------|
| U-0    | U-0 | U-0 | U-0 | U-0 | U-0 | U-0 | U-0   |
| —      | —   | —   | —   | —   | —   | —   | —     |
| bit 15 |     |     |     |     |     |     | bit 8 |

|              |     |     |     |     |     |     |       |
|--------------|-----|-----|-----|-----|-----|-----|-------|
| R-0          | R-0 | R-0 | R-0 | R-0 | R-0 | R-0 | R-0   |
| DSADR<23:16> |     |     |     |     |     |     |       |
| bit 7        |     |     |     |     |     |     | bit 0 |

**Legend:**  
R = Readable bit                      W = Writable bit                      U = Unimplemented bit, read as '0'  
-n = Value at POR                      '1' = Bit is set                      '0' = Bit is cleared                      x = Bit is unknown

bit 15-8                      **Unimplemented:** Read as '0'  
bit 7-0                      **DSADR<23:16>:** Most Recent DMA Address Accessed by DMA bits

**REGISTER 8-10: DSADRL: DMA MOST RECENT RAM LOW ADDRESS REGISTER**

|             |     |     |     |     |     |     |       |
|-------------|-----|-----|-----|-----|-----|-----|-------|
| R-0         | R-0 | R-0 | R-0 | R-0 | R-0 | R-0 | R-0   |
| DSADR<15:8> |     |     |     |     |     |     |       |
| bit 15      |     |     |     |     |     |     | bit 8 |

|            |     |     |     |     |     |     |       |
|------------|-----|-----|-----|-----|-----|-----|-------|
| R-0        | R-0 | R-0 | R-0 | R-0 | R-0 | R-0 | R-0   |
| DSADR<7:0> |     |     |     |     |     |     |       |
| bit 7      |     |     |     |     |     |     | bit 0 |

**Legend:**  
R = Readable bit                      W = Writable bit                      U = Unimplemented bit, read as '0'  
-n = Value at POR                      '1' = Bit is set                      '0' = Bit is cleared                      x = Bit is unknown

bit 15-0                      **DSADR<15:0>:** Most Recent DMA Address Accessed by DMA bits

**REGISTER 8-11: DMAPWC: DMA PERIPHERAL WRITE COLLISION STATUS REGISTER**

|        |     |     |     |     |     |     |       |
|--------|-----|-----|-----|-----|-----|-----|-------|
| U-0    | U-0 | U-0 | U-0 | U-0 | U-0 | U-0 | U-0   |
| —      | —   | —   | —   | —   | —   | —   | —     |
| bit 15 |     |     |     |     |     |     | bit 8 |

|       |     |     |     |        |        |        |        |
|-------|-----|-----|-----|--------|--------|--------|--------|
| U-0   | U-0 | U-0 | U-0 | R-0    | R-0    | R-0    | R-0    |
| —     | —   | —   | —   | PWCOL3 | PWCOL2 | PWCOL1 | PWCOL0 |
| bit 7 |     |     |     |        |        |        | bit 0  |

**Legend:**

|                   |                  |                                    |
|-------------------|------------------|------------------------------------|
| R = Readable bit  | W = Writable bit | U = Unimplemented bit, read as '0' |
| -n = Value at POR | '1' = Bit is set | '0' = Bit is cleared               |
|                   |                  | x = Bit is unknown                 |

- bit 15-4      **Unimplemented:** Read as '0'
- bit 3        **PWCOL3:** DMA Channel 3 Peripheral Write Collision Flag bit
  - 1 = Write collision detected
  - 0 = No write collision detected
- bit 2        **PWCOL2:** DMA Channel 2 Peripheral Write Collision Flag bit
  - 1 = Write collision detected
  - 0 = No write collision detected
- bit 1        **PWCOL1:** DMA Channel 1 Peripheral Write Collision Flag bit
  - 1 = Write collision detected
  - 0 = No write collision detected
- bit 0        **PWCOL0:** DMA Channel 0 Peripheral Write Collision Flag bit
  - 1 = Write collision detected
  - 0 = No write collision detected

**REGISTER 8-12: DMARQC: DMA REQUEST COLLISION STATUS REGISTER**

|        |     |     |     |     |     |     |       |
|--------|-----|-----|-----|-----|-----|-----|-------|
| U-0    | U-0 | U-0 | U-0 | U-0 | U-0 | U-0 | U-0   |
| —      | —   | —   | —   | —   | —   | —   | —     |
| bit 15 |     |     |     |     |     |     | bit 8 |

|       |     |     |     |        |        |        |        |
|-------|-----|-----|-----|--------|--------|--------|--------|
| U-0   | U-0 | U-0 | U-0 | R-0    | R-0    | R-0    | R-0    |
| —     | —   | —   | —   | RQCOL3 | RQCOL2 | RQCOL1 | RQCOL0 |
| bit 7 |     |     |     | bit 0  |        |        |        |

|                   |                  |                                    |                    |
|-------------------|------------------|------------------------------------|--------------------|
| <b>Legend:</b>    |                  |                                    |                    |
| R = Readable bit  | W = Writable bit | U = Unimplemented bit, read as '0' |                    |
| -n = Value at POR | '1' = Bit is set | '0' = Bit is cleared               | x = Bit is unknown |

- bit 15-4      **Unimplemented:** Read as '0'
- bit 3        **RQCOL3:** DMA Channel 3 Transfer Request Collision Flag bit
  - 1 = User force and interrupt-based request collision detected
  - 0 = No request collision detected
- bit 2        **RQCOL2:** DMA Channel 2 Transfer Request Collision Flag bit
  - 1 = User force and interrupt-based request collision detected
  - 0 = No request collision detected
- bit 1        **RQCOL1:** DMA Channel 1 Transfer Request Collision Flag bit
  - 1 = User force and interrupt-based request collision detected
  - 0 = No request collision detected
- bit 0        **RQCOL0:** DMA Channel 0 Transfer Request Collision Flag bit
  - 1 = User force and interrupt-based request collision detected
  - 0 = No request collision detected

**REGISTER 8-13: DMALCA: DMA LAST CHANNEL ACTIVE STATUS REGISTER**

|        |     |     |     |     |     |       |     |
|--------|-----|-----|-----|-----|-----|-------|-----|
| U-0    | U-0 | U-0 | U-0 | U-0 | U-0 | U-0   | U-0 |
| —      | —   | —   | —   | —   | —   | —     | —   |
| bit 15 |     |     |     |     |     | bit 8 |     |

|       |     |     |     |            |     |     |     |
|-------|-----|-----|-----|------------|-----|-----|-----|
| U-0   | U-0 | U-0 | U-0 | R-1        | R-1 | R-1 | R-1 |
| —     | —   | —   | —   | LSTCH<3:0> |     |     |     |
| bit 7 |     |     |     | bit 0      |     |     |     |

**Legend:**

R = Readable bit                      W = Writable bit                      U = Unimplemented bit, read as '0'  
 -n = Value at POR                      '1' = Bit is set                      '0' = Bit is cleared                      x = Bit is unknown

- bit 15-4            **Unimplemented:** Read as '0'
- bit 3-0            **LSTCH<3:0>:** Last DMAC Channel Active Status bits
  - 1111 = No DMA transfer has occurred since system Reset
  - 1110 = Reserved
  - 
  - 
  - 
  - 0100 = Reserved
  - 0011 = Last data transfer was handled by Channel 3
  - 0010 = Last data transfer was handled by Channel 2
  - 0001 = Last data transfer was handled by Channel 1
  - 0000 = Last data transfer was handled by Channel 0

**REGISTER 8-14: DMAPPS: DMA PING-PONG STATUS REGISTER**

|        |     |     |     |     |     |     |       |
|--------|-----|-----|-----|-----|-----|-----|-------|
| U-0    | U-0 | U-0 | U-0 | U-0 | U-0 | U-0 | U-0   |
| —      | —   | —   | —   | —   | —   | —   | —     |
| bit 15 |     |     |     |     |     |     | bit 8 |

|       |     |     |     |       |       |       |       |
|-------|-----|-----|-----|-------|-------|-------|-------|
| U-0   | U-0 | U-0 | U-0 | R-0   | R-0   | R-0   | R-0   |
| —     | —   | —   | —   | PPST3 | PPST2 | PPST1 | PPST0 |
| bit 7 |     |     |     | bit 0 |       |       |       |

|                   |                  |                                    |                    |
|-------------------|------------------|------------------------------------|--------------------|
| <b>Legend:</b>    |                  |                                    |                    |
| R = Readable bit  | W = Writable bit | U = Unimplemented bit, read as '0' |                    |
| -n = Value at POR | '1' = Bit is set | '0' = Bit is cleared               | x = Bit is unknown |

- bit 15-4      **Unimplemented:** Read as '0'
- bit 3        **PPST3:** DMA Channel 3 Ping-Pong Mode Status Flag bit
  - 1 = DMASTB3 register selected
  - 0 = DMASTA3 register selected
- bit 2        **PPST2:** DMA Channel 2 Ping-Pong Mode Status Flag bit
  - 1 = DMASTB2 register selected
  - 0 = DMASTA2 register selected
- bit 1        **PPST1:** DMA Channel 1 Ping-Pong Mode Status Flag bit
  - 1 = DMASTB1 register selected
  - 0 = DMASTA1 register selected
- bit 0        **PPST0:** DMA Channel 0 Ping-Pong Mode Status Flag bit
  - 1 = DMASTB0 register selected
  - 0 = DMASTA0 register selected

**NOTES:**

## 9.0 OSCILLATOR CONFIGURATION

**Note 1:** This data sheet summarizes the features of the dsPIC33EPXXXGP50X, dsPIC33EPXXXMC20X/50X and PIC24EPXXXGP/MC20X families of devices. It is not intended to be a comprehensive reference source. To complement the information in this data sheet, refer to **Section 7. “Oscillator”** (DS70580) of the “dsPIC33E/PIC24E Family Reference Manual”, which is available from the Microchip web site ([www.microchip.com](http://www.microchip.com)).

**2:** Some registers and associated bits described in this section may not be available on all devices. Refer to **Section 4.0 “Memory Organization”** in this data sheet for device-specific register and bit information.

The dsPIC33EPXXXGP50X, dsPIC33EPXXXMC20X/50X and PIC24EPXXXGP/MC20X oscillator system provides:

- On-chip Phase-Locked Loop (PLL) to boost internal operating frequency on select internal and external oscillator sources
- On-the-fly clock switching between various clock sources
- Doze mode for system power savings
- Fail-Safe Clock Monitor (FSCM) that detects clock failure and permits safe application recovery or shutdown
- Configuration bits for clock source selection

A simplified diagram of the oscillator system is shown in [Figure 9-1](#).

**FIGURE 9-1: OSCILLATOR SYSTEM DIAGRAM**



**Note 1:** See [Figure 9-2](#) for PLL and Fvco details.

**2:** If the oscillator is used with XT or HS modes, an external parallel resistor with the value of 1 MΩ must be connected.

**3:** The term, FP, refers to the clock source for all peripherals, while Fcy refers to the clock source for the CPU. Throughout this document, Fcy and FP are used interchangeably, except in the case of Doze mode. FP and Fcy will be different when Doze mode is used with a doze ratio of 1:2 or lower.

**9.1 CPU Clocking System**

The dsPIC33EPXXXGP50X, dsPIC33EPXXXMC20X/50X and PIC24EPXXXGP/MC20X family of devices provides six system clock options:

- Fast RC (FRC) Oscillator
- FRC Oscillator with Phase Locked Loop (PLL)
- FRC Oscillator with Postscaler
- Primary (XT, HS or EC) Oscillator
- Primary Oscillator with PLL
- Low-Power RC (LPRC) Oscillator

Instruction execution speed or device operating frequency,  $F_{CY}$ , is given by [Equation 9-1](#).

**EQUATION 9-1: DEVICE OPERATING FREQUENCY**

$$F_{CY} = F_{osc}/2$$

[Figure 9-2](#) is a block diagram of the PLL module.

[Equation 9-2](#) provides the relationship between input frequency ( $F_{IN}$ ) and output frequency ( $F_{OSC}$ ).

[Equation 9-3](#) provides the relationship between input frequency ( $F_{IN}$ ) and VCO frequency ( $F_{SYS}$ ).

**FIGURE 9-2: PLL BLOCK DIAGRAM**



**EQUATION 9-2: Fosc CALCULATION**

$$F_{OSC} = F_{IN} \times \left( \frac{M}{N1 \times N2} \right) = F_{IN} \times \left( \frac{(PLLDIV + 2)}{(PLLPRE + 2) \times 2(PLLPOST + 1)} \right)$$

Where:  
 $N1 = PLLPRE + 2$   
 $N2 = 2 \times (PLLPOST + 1)$   
 $M = PLLDIV + 2$

**EQUATION 9-3: Fvco CALCULATION**

$$F_{SYS} = F_{IN} \times \left( \frac{M}{N1} \right) = F_{IN} \times \left( \frac{(PLLDIV + 2)}{(PLLPRE + 2)} \right)$$



TABLE 9-1: CONFIGURATION BIT VALUES FOR CLOCK SELECTION

| Oscillator Mode  | Oscillator Source | POSCMD<1:0> | FNOSC<2:0> | See Notes |
|--|-------------------|-------------|------------|-----------|
| Fast RC Oscillator with Divide-by-N (FRCDIVN)              | Internal          | xx          | 111        | 1, 2      |
| Low-Power RC Oscillator (LPRC)                             | Internal          | xx          | 101        | 1         |
| Primary Oscillator (HS) with PLL (HSPLL)                   | Primary           | 10          | 011        |           |
| Primary Oscillator (XT) with PLL (XTPLL)                   | Primary           | 01          | 011        |           |
| Primary Oscillator (EC) with PLL (ECPLL)                   | Primary           | 00          | 011        | 1         |
| Primary Oscillator (HS)                                    | Primary           | 10          | 010        |           |
| Primary Oscillator (XT)                                    | Primary           | 01          | 010        |           |
| Primary Oscillator (EC)                                    | Primary           | 00          | 010        | 1         |
| Fast RC Oscillator (FRC) with Divide-by-N and PLL (FRCPLL) | Internal          | xx          | 001        | 1         |
| Fast RC Oscillator (FRC)                                   | Internal          | xx          | 000        | 1         |

**Note 1:** OSC2 pin function is determined by the OSCIOFNC Configuration bit.

**2:** This is the default oscillator mode for an unprogrammed (erased) device.

## 9.2 Oscillator Resources

Many useful resources are provided on the main product page of the Microchip web site for the devices listed in this data sheet. This product page, which can be accessed using this [link](#), contains the latest updates and additional information.

**Note:** In the event you are not able to access the product page using the link above, enter this URL in your browser:  
<http://www.microchip.com/wwwproducts/Devices.aspx?dDocName=en555464>

### 9.2.1 KEY RESOURCES

- **Section 7. “Oscillator”** (DS70580)
- Code Samples
- Application Notes
- Software Libraries
- Webinars
- All Related “dsPIC33E/PIC24E Family Reference Manual” Sections
- Development Tools

**9.3 Oscillator Control Registers**

**REGISTER 9-1: OSCCON: OSCILLATOR CONTROL REGISTER<sup>(1)</sup>**

|        |           |     |     |       |                          |       |       |
|--------|-----------|-----|-----|-------|--------------------------|-------|-------|
| U-0    | R-0       | R-0 | R-0 | U-0   | R/W-y                    | R/W-y | R/W-y |
| —      | COSC<2:0> |     |     | —     | NOSC<2:0> <sup>(2)</sup> |       |       |
| bit 15 |           |     |     | bit 8 |                          |       |       |

|         |        |      |     |                   |     |     |       |
|---------|--------|------|-----|-------------------|-----|-----|-------|
| R/W-0   | R/W-0  | R-0  | U-0 | R/W-0             | U-0 | U-0 | R/W-0 |
| CLKLOCK | IOLOCK | LOCK | —   | CF <sup>(3)</sup> | —   | —   | OSWEN |
| bit 7   |        |      |     |                   |     |     | bit 0 |

|                   |  |                                    |                    |
|-------------------|--|------------------------------------|--------------------|
| <b>Legend:</b>    | y = Value set from Configuration bits on POR |                                    |                    |
| R = Readable bit  | W = Writable bit                             | U = Unimplemented bit, read as '0' |                    |
| -n = Value at POR | '1' = Bit is set                             | '0' = Bit is cleared               | x = Bit is unknown |

- bit 15           **Unimplemented:** Read as '0'
- bit 14-12       **COSC<2:0>:** Current Oscillator Selection bits (read-only)
  - 111 = Fast RC Oscillator (FRC) with Divide-by-n
  - 110 = Fast RC Oscillator (FRC) with Divide-by-16
  - 101 = Low-Power RC Oscillator (LPRC)
  - 100 = Reserved
  - 011 = Primary Oscillator (XT, HS, EC) with PLL
  - 010 = Primary Oscillator (XT, HS, EC)
  - 001 = Fast RC Oscillator (FRC) with Divide-by-N and PLL (FRCPLL)
  - 000 = Fast RC Oscillator (FRC)
- bit 11           **Unimplemented:** Read as '0'
- bit 10-8       **NOSC<2:0>:** New Oscillator Selection bits<sup>(2)</sup>
  - 111 = Fast RC Oscillator (FRC) with Divide-by-n
  - 110 = Fast RC Oscillator (FRC) with Divide-by-16
  - 101 = Low-Power RC Oscillator (LPRC)
  - 100 = Reserved
  - 011 = Primary Oscillator (XT, HS, EC) with PLL
  - 010 = Primary Oscillator (XT, HS, EC)
  - 001 = Fast RC Oscillator (FRC) with Divide-by-N and PLL (FRCPLL)
  - 000 = Fast RC Oscillator (FRC)
- bit 7           **CLKLOCK:** Clock Lock Enable bit
  - 1 = If (FCKSM0 = 1), then clock and PLL configurations are locked; if (FCKSM0 = 0), then clock and PLL configurations may be modified
  - 0 = Clock and PLL selections are not locked, configurations may be modified
- bit 6           **IOLOCK:** I/O Lock Enable bit
  - 1 = I/O lock is active
  - 0 = I/O lock is not active
- bit 5           **LOCK:** PLL Lock Status bit (read-only)
  - 1 = Indicates that PLL is in lock or PLL start-up timer is satisfied
  - 0 = Indicates that PLL is out of lock, start-up timer is in progress or PLL is disabled

- Note 1:** Writes to this register require an unlock sequence. Refer to **Section 7. "Oscillator"** (DS70580) in the *"dsPIC33E/PIC24E Family Reference Manual"* (available from the Microchip web site) for details.
- 2:** Direct clock switches between any primary oscillator mode with PLL and FRCPLL mode are not permitted. This applies to clock switches in either direction. In these instances, the application must switch to FRC mode as a transitional clock source between the two PLL modes.
- 3:** This bit should only be cleared in software. Setting the bit in software (= 1) will have the same effect as an actual oscillator failure and trigger an oscillator failure trap.

**REGISTER 9-1: OSCCON: OSCILLATOR CONTROL REGISTER<sup>(1)</sup> (CONTINUED)**

|         |  |
|---------|--|
| bit 4   | <b>Unimplemented:</b> Read as '0'  |
| bit 3   | <b>CF:</b> Clock Fail Detect bit <sup>(3)</sup><br>1 = FSCM has detected clock failure<br>0 = FSCM has not detected clock failure                              |
| bit 2-1 | <b>Unimplemented:</b> Read as '0'  |
| bit 0   | <b>OSWEN:</b> Oscillator Switch Enable bit<br>1 = Requests oscillator switch to selection specified by the NOSC<2:0> bits<br>0 = Oscillator switch is complete |

- Note 1:** Writes to this register require an unlock sequence. Refer to **Section 7. "Oscillator"** (DS70580) in the *"dsPIC33E/PIC24E Family Reference Manual"* (available from the Microchip web site) for details.
- 2:** Direct clock switches between any primary oscillator mode with PLL and FRCPLL mode are not permitted. This applies to clock switches in either direction. In these instances, the application must switch to FRC mode as a transitional clock source between the two PLL modes.
- 3:** This bit should only be cleared in software. Setting the bit in software (= 1) will have the same effect as an actual oscillator failure and trigger an oscillator failure trap.

**REGISTER 9-2: CLKDIV: CLOCK DIVISOR REGISTER**

|        |                          |       |       |                        |             |       |       |
|--------|--------------------------|-------|-------|------------------------|-------------|-------|-------|
| R/W-0  | R/W-0                    | R/W-1 | R/W-1 | R/W-0                  | R/W-0       | R/W-0 | R/W-0 |
| ROI    | DOZE<2:0> <sup>(1)</sup> |       |       | DOZEN <sup>(2,3)</sup> | FRCDIV<2:0> |       |       |
| bit 15 |                          |       |       |                        |             |       | bit 8 |

|              |       |     |             |       |       |       |       |
|--------------|-------|-----|-------------|-------|-------|-------|-------|
| R/W-0        | R/W-1 | U-0 | R/W-0       | R/W-0 | R/W-0 | R/W-0 | R/W-0 |
| PLLPOST<1:0> |       | —   | PLLPRE<4:0> |       |       |       |       |
| bit 7        |       |     |             |       |       |       | bit 0 |

**Legend:**

|                   |                  |                                    |
|-------------------|------------------|------------------------------------|
| R = Readable bit  | W = Writable bit | U = Unimplemented bit, read as '0' |
| -n = Value at POR | '1' = Bit is set | '0' = Bit is cleared               |
|                   |                  | x = Bit is unknown                 |

- bit 15      **ROI:** Recover on Interrupt bit
  - 1 = Interrupts will clear the DOZEN bit and the processor clock, and the peripheral clock ratio is set to 1:1
  - 0 = Interrupts have no effect on the DOZEN bit
- bit 14-12    **DOZE<2:0>:** Processor Clock Reduction Select bits<sup>(1)</sup>
  - 111 = Fcy divided by 128
  - 110 = Fcy divided by 64
  - 101 = Fcy divided by 32
  - 100 = Fcy divided by 16
  - 011 = Fcy divided by 8 (default)
  - 010 = Fcy divided by 4
  - 001 = Fcy divided by 2
  - 000 = Fcy divided by 1
- bit 11      **DOZEN:** Doze Mode Enable bit<sup>(2,3)</sup>
  - 1 = DOZE<2:0> field specifies the ratio between the peripheral clocks and the processor clocks
  - 0 = Processor clock and peripheral clock ratio is forced to 1:1
- bit 10-8    **FRCDIV<2:0>:** Internal Fast RC Oscillator Postscaler bits
  - 111 = FRC divided by 256
  - 110 = FRC divided by 64
  - 101 = FRC divided by 32
  - 100 = FRC divided by 16
  - 011 = FRC divided by 8
  - 010 = FRC divided by 4
  - 001 = FRC divided by 2
  - 000 = FRC divided by 1 (default)
- bit 7-6     **PLLPOST<1:0>:** PLL VCO Output Divider Select bits (also denoted as 'N2', PLL postscaler)
  - 11 = Output divided by 8
  - 10 = Reserved
  - 01 = Output divided by 4 (default)
  - 00 = Output divided by 2
- bit 5       **Unimplemented:** Read as '0'

- Note 1:** The DOZE<2:0> bits can only be written to when the DOZEN bit is clear. If DOZEN = 1, any writes to DOZE<2:0> are ignored.
- Note 2:** This bit is cleared when the ROI bit is set and an interrupt occurs.
- Note 3:** The DOZEN bit cannot be set if DOZE<2:0> = 000. If DOZE<2:0> = 000, any attempt by user software to set the DOZEN bit is ignored.

**REGISTER 9-2: CLKDIV: CLOCK DIVISOR REGISTER (CONTINUED)**

bit 4-0      **PLLPRE<4:0>**: PLL Phase Detector Input Divider Select bits (also denoted as 'N1', PLL prescaler)

- 11111 = Input divided by 33
- 
- 
- 
- 00001 = Input divided by 3
- 00000 = Input divided by 2 (default)

- Note 1:** The DOZE<2:0> bits can only be written to when the DOZEN bit is clear. If DOZEN = 1, any writes to DOZE<2:0> are ignored.
- 2:** This bit is cleared when the ROI bit is set and an interrupt occurs.
- 3:** The DOZEN bit cannot be set if DOZE<2:0> = 000. If DOZE<2:0> = 000, any attempt by user software to set the DOZEN bit is ignored.

**REGISTER 9-3: PLLFBD: PLL FEEDBACK DIVISOR REGISTER**

|        |     |     |     |     |     |     |           |
|--------|-----|-----|-----|-----|-----|-----|-----------|
| U-0    | U-0 | U-0 | U-0 | U-0 | U-0 | U-0 | R/W-0     |
| —      | —   | —   | —   | —   | —   | —   | PLLDIV<8> |
| bit 15 |     |     |     |     |     |     | bit 8     |

|             |       |       |       |       |       |       |       |
|-------------|-------|-------|-------|-------|-------|-------|-------|
| R/W-0       | R/W-0 | R/W-1 | R/W-1 | R/W-0 | R/W-0 | R/W-0 | R/W-0 |
| PLLDIV<7:0> |       |       |       |       |       |       |       |
| bit 7       |       |       |       |       |       |       | bit 0 |

**Legend:**

R = Readable bit                      W = Writable bit                      U = Unimplemented bit, read as '0'  
 -n = Value at POR                      '1' = Bit is set                      '0' = Bit is cleared                      x = Bit is unknown

bit 15-9                      **Unimplemented:** Read as '0'

bit 8-0                      **PLLDIV<8:0>:** PLL Feedback Divisor bits (also denoted as 'M', PLL multiplier)

111111111 = 513

- 
- 
- 

000110000 = 50 (default)

- 
- 
- 

000000010 = 4

000000001 = 3

000000000 = 2

**REGISTER 9-4: OSCTUN: FRC OSCILLATOR TUNING REGISTER**

|        |     |     |     |     |     |       |     |
|--------|-----|-----|-----|-----|-----|-------|-----|
| U-0    | U-0 | U-0 | U-0 | U-0 | U-0 | U-0   | U-0 |
| —      | —   | —   | —   | —   | —   | —     | —   |
| bit 15 |     |     |     |     |     | bit 8 |     |

|       |     |          |       |       |       |       |       |       |
|-------|-----|----------|-------|-------|-------|-------|-------|-------|
| U-0   | U-0 | R/W-0    | R/W-0 | R/W-0 | R/W-0 | R/W-0 | R/W-0 |       |
| —     | —   | TUN<5:0> |       |       |       |       |       |       |
| bit 7 |     |          |       |       |       |       |       | bit 0 |

|                   |                  |                                    |                    |
|-------------------|------------------|------------------------------------|--------------------|
| <b>Legend:</b>    |                  |                                    |                    |
| R = Readable bit  | W = Writable bit | U = Unimplemented bit, read as '0' |                    |
| -n = Value at POR | '1' = Bit is set | '0' = Bit is cleared               | x = Bit is unknown |

- bit 15-6      **Unimplemented:** Read as '0'
- bit 5-0      **TUN<5:0>:** FRC Oscillator Tuning bits
  - 011111 = Maximum frequency deviation of 1.453% (7.477 MHz)
  - 011110 = Center frequency + 1.406% (7.474 MHz)
  - 
  - 000001 = Center frequency + 0.047% (7.373 MHz)
  - 000000 = Center frequency (7.37 MHz nominal)
  - 111111 = Center frequency – 0.047% (7.367 MHz)
  - 
  - 100001 = Center frequency – 1.453% (7.263 MHz)
  - 100000 = Minimum frequency deviation of -1.5% (7.259 MHz)

**REGISTER 9-5: REFOCON: REFERENCE OSCILLATOR CONTROL REGISTER**

|        |     |        |       |                           |       |       |       |
|--------|-----|--------|-------|---------------------------|-------|-------|-------|
| R/W-0  | U-0 | R/W-0  | R/W-0 | R/W-0                     | R/W-0 | R/W-0 | R/W-0 |
| ROON   | —   | ROSSLP | ROSEL | RODIV<3:0> <sup>(1)</sup> |       |       |       |
| bit 15 |     |        |       |                           |       |       | bit 8 |

|       |     |     |     |     |     |     |       |
|-------|-----|-----|-----|-----|-----|-----|-------|
| U-0   | U-0 | U-0 | U-0 | U-0 | U-0 | U-0 | U-0   |
| —     | —   | —   | —   | —   | —   | —   | —     |
| bit 7 |     |     |     |     |     |     | bit 0 |

**Legend:**

R = Readable bit                      W = Writable bit                      U = Unimplemented bit, read as '0'  
 -n = Value at POR                      '1' = Bit is set                      '0' = Bit is cleared                      x = Bit is unknown

- bit 15            **ROON:** Reference Oscillator Output Enable bit  
                   1 = Reference oscillator output is enabled on REFCLK pin<sup>(2)</sup>  
                   0 = Reference oscillator output is disabled
- bit 14            **Unimplemented:** Read as '0'
- bit 13            **ROSSLP:** Reference Oscillator Run in Sleep bit  
                   1 = Reference oscillator output continues to run in Sleep  
                   0 = Reference oscillator output is disabled in Sleep
- bit 12            **ROSEL:** Reference Oscillator Source Select bit  
                   1 = Oscillator crystal used as the reference clock  
                   0 = System clock used as the reference clock
- bit 11-8        **RODIV<3:0>:** Reference Oscillator Divider bits<sup>(1)</sup>  
                   1111 = Reference clock divided by 32,768  
                   1110 = Reference clock divided by 16,384  
                   1101 = Reference clock divided by 8,192  
                   1100 = Reference clock divided by 4,096  
                   1011 = Reference clock divided by 2,048  
                   1010 = Reference clock divided by 1,024  
                   1001 = Reference clock divided by 512  
                   1000 = Reference clock divided by 256  
                   0111 = Reference clock divided by 128  
                   0110 = Reference clock divided by 64  
                   0101 = Reference clock divided by 32  
                   0100 = Reference clock divided by 16  
                   0011 = Reference clock divided by 8  
                   0010 = Reference clock divided by 4  
                   0001 = Reference clock divided by 2  
                   0000 = Reference clock
- bit 7-0        **Unimplemented:** Read as '0'

**Note 1:** The reference oscillator output must be disabled (ROON = 0) before writing to these bits.  
**Note 2:** This pin is remappable. See [Section 11.4 “Peripheral Pin Select \(PPS\)”](#) for more information.



## 10.0 POWER-SAVING FEATURES

**Note 1:** This data sheet summarizes the features of the dsPIC33EPXXXGP50X, dsPIC33EPXXXMC20X/50X and PIC24EPXXXGP/MC20X families of devices. It is not intended to be a comprehensive reference source. To complement the information in this data sheet, refer to **Section 9. “Watchdog Timer and Power-Saving Modes”** (DS70615) of the “*dsPIC33E/PIC24E Family Reference Manual*”, which is available from the Microchip web site ([www.microchip.com](http://www.microchip.com)).

**2:** Some registers and associated bits described in this section may not be available on all devices. Refer to **Section 4.0 “Memory Organization”** in this data sheet for device-specific register and bit information.

The dsPIC33EPXXXGP50X, dsPIC33EPXXXMC20X/50X and PIC24EPXXXGP/MC20X devices provide the ability to manage power consumption by selectively managing clocking to the CPU and the peripherals. In general, a lower clock frequency and a reduction in the number of peripherals being clocked constitutes lower consumed power.

dsPIC33EPXXXGP50X, dsPIC33EPXXXMC20X/50X and PIC24EPXXXGP/MC20X devices can manage power consumption in four ways:

- Clock frequency
- Instruction-based Sleep and Idle modes
- Software-controlled Doze mode
- Selective peripheral control in software

Combinations of these methods can be used to selectively tailor an application’s power consumption while still maintaining critical application features, such as timing-sensitive communications.

### EXAMPLE 10-1: PWRSAV INSTRUCTION SYNTAX

```
PWRSAV #SLEEP_MODE    ; Put the device into Sleep mode
PWRSAV #IDLE_MODE     ; Put the device into Idle mode
```

## 10.1 Clock Frequency and Clock Switching

The dsPIC33EPXXXGP50X, dsPIC33EPXXXMC20X/50X and PIC24EPXXXGP/MC20X devices allow a wide range of clock frequencies to be selected under application control. If the system clock configuration is not locked, users can choose low-power or high-precision oscillators by simply changing the NOSCx bits (OSCCON<10:8>). The process of changing a system clock during operation, as well as limitations to the process, are discussed in more detail in **Section 9.0 “Oscillator Configuration”**.

## 10.2 Instruction-Based Power-Saving Modes

The dsPIC33EPXXXGP50X, dsPIC33EPXXXMC20X/50X and PIC24EPXXXGP/MC20X devices have two special power-saving modes that are entered through the execution of a special PWRSAV instruction. Sleep mode stops clock operation and halts all code execution. Idle mode halts the CPU and code execution, but allows peripheral modules to continue operation. The assembler syntax of the PWRSAV instruction is shown in **Example 10-1**.

**Note:** SLEEP\_MODE and IDLE\_MODE are constants defined in the assembler include file for the selected device.

Sleep and Idle modes can be exited as a result of an enabled interrupt, WDT time-out or a device Reset. When the device exits these modes, it is said to “wake-up”.

## 10.2.1 SLEEP MODE

The following occurs in Sleep mode:

- The system clock source is shut down. If an on-chip oscillator is used, it is turned off.
- The device current consumption is reduced to a minimum, provided that no I/O pin is sourcing current.
- The Fail-Safe Clock Monitor does not operate, since the system clock source is disabled.
- The LPRC clock continues to run in Sleep mode if the WDT is enabled.
- The WDT, if enabled, is automatically cleared prior to entering Sleep mode.
- Some device features or peripherals can continue to operate. This includes items such as the Input Change Notification (ICN) on the I/O ports or peripherals that use an external clock input.
- Any peripheral that requires the system clock source for its operation is disabled.

The device wakes up from Sleep mode on any of these events:

- Any interrupt source that is individually enabled
- Any form of device Reset
- A WDT time-out

On wake-up from Sleep mode, the processor restarts with the same clock source that was active when Sleep mode was entered.

For optimal power savings, the internal regulator and the Flash regulator can be configured to go into Standby when Sleep mode is entered by clearing the VREGS (RCON<8>) and VREGSF (RCON<11>) bits (default configuration).

If the application requires a faster wake-up time, and can accept higher current requirements, the VREGS (RCON<8>) and VREGSF (RCON<11>) bits can be set to keep the internal regulator and the Flash regulator active during Sleep mode.

## 10.2.2 IDLE MODE

The following occurs in Idle mode:

- The CPU stops executing instructions.
- The WDT is automatically cleared.
- The system clock source remains active. By default, all peripheral modules continue to operate normally from the system clock source, but can also be selectively disabled (see [Section 10.4 “Peripheral Module Disable”](#)).
- If the WDT or FSCM is enabled, the LPRC also remains active.

The device wakes from Idle mode on any of these events:

- Any interrupt that is individually enabled
- Any device Reset
- A WDT time-out

On wake-up from Idle mode, the clock is reapplied to the CPU and instruction execution will begin (2-4 clock cycles later), starting with the instruction following the `PWRSVAV` instruction or the first instruction in the Interrupt Service Routine (ISR).

All peripherals also have the option to discontinue operation when Idle mode is entered to allow for increased power savings. This option is selectable in the control register of each peripheral; for example, the TSIDL bit in the Timer1 Control register (T1CON<13>).

## 10.2.3 INTERRUPTS COINCIDENT WITH POWER SAVE INSTRUCTIONS

Any interrupt that coincides with the execution of a `PWRSVAV` instruction is held off until entry into Sleep or Idle mode has completed. The device then wakes up from Sleep or Idle mode.

### 10.3 Doze Mode

The preferred strategies for reducing power consumption are changing clock speed and invoking one of the power-saving modes. In some circumstances, this cannot be practical. For example, it may be necessary for an application to maintain uninterrupted synchronous communication, even while it is doing nothing else. Reducing system clock speed can introduce communication errors, while using a power-saving mode can stop communications completely.

Doze mode is a simple and effective alternative method to reduce power consumption while the device is still executing code. In this mode, the system clock continues to operate from the same source and at the same speed. Peripheral modules continue to be clocked at the same speed, while the CPU clock speed is reduced. Synchronization between the two clock domains is maintained, allowing the peripherals to access the SFRs while the CPU executes code at a slower rate.

Doze mode is enabled by setting the DOZEN bit (CLKDIV<11>). The ratio between peripheral and core clock speed is determined by the DOZE<2:0> bits (CLKDIV<14:12>). There are eight possible configurations, from 1:1 to 1:128, with 1:1 being the default setting.

Programs can use Doze mode to selectively reduce power consumption in event-driven applications. This allows clock-sensitive functions, such as synchronous communications, to continue without interruption while the CPU Idles, waiting for something to invoke an interrupt routine. An automatic return to full-speed CPU operation on interrupts can be enabled by setting the ROI bit (CLKDIV<15>). By default, interrupt events have no effect on Doze mode operation.

For example, suppose the device is operating at 20 MIPS and the ECAN™ module has been configured for 500 kbps, based on this device operating speed. If the device is placed in Doze mode with a clock frequency ratio of 1:4, the ECAN module continues to communicate at the required bit rate of 500 kbps, but the CPU now starts executing instructions at a frequency of 5 MIPS.

### 10.4 Peripheral Module Disable

The Peripheral Module Disable (PMD) registers provide a method to disable a peripheral module by stopping all clock sources supplied to that module. When a peripheral is disabled using the appropriate PMD control bit, the peripheral is in a minimum power consumption state. The control and status registers associated with the peripheral are also disabled, so writes to those registers do not have effect and read values are invalid.

A peripheral module is enabled only if both the associated bit in the PMD register is cleared and the peripheral is supported by the specific dsPIC® DSC variant. If the peripheral is present in the device, it is enabled in the PMD register by default.

**Note:** If a PMD bit is set, the corresponding module is disabled after a delay of one instruction cycle. Similarly, if a PMD bit is cleared, the corresponding module is enabled after a delay of one instruction cycle (assuming the module control registers are already configured to enable module operation).

### 10.5 Power-Saving Resources

Many useful resources are provided on the main product page of the Microchip web site for the devices listed in this data sheet. This product page, which can be accessed using this [link](#), contains the latest updates and additional information.

**Note:** In the event you are not able to access the product page using the link above, enter this URL in your browser:  
<http://www.microchip.com/wwwproducts/Devices.aspx?dDocName=en555464>

#### 10.5.1 KEY RESOURCES

- **Section 9. “Watchdog Timer and Power-Saving Modes”** (DS70615)
- Code Samples
- Application Notes
- Software Libraries
- Webinars
- All Related “*dsPIC33E/PIC24E Family Reference Manual*” Sections
- Development Tools

**REGISTER 10-1: PMD1: PERIPHERAL MODULE DISABLE CONTROL REGISTER 1**

|        |       |       |       |       |                       |                      |       |
|--------|-------|-------|-------|-------|-----------------------|----------------------|-------|
| R/W-0  | R/W-0 | R/W-0 | R/W-0 | R/W-0 | R/W-0                 | R/W-0                | U-0   |
| T5MD   | T4MD  | T3MD  | T2MD  | T1MD  | QE11MD <sup>(1)</sup> | PWMMD <sup>(1)</sup> | —     |
| bit 15 |       |       |       |       |                       |                      | bit 8 |

|        |       |       |        |        |     |                     |       |
|--------|-------|-------|--------|--------|-----|---------------------|-------|
| R/W-0  | R/W-0 | R/W-0 | R/W-0  | R/W-0  | U-0 | R/W-0               | R/W-0 |
| I2C1MD | U2MD  | U1MD  | SPI2MD | SPI1MD | —   | C1MD <sup>(2)</sup> | AD1MD |
| bit 7  |       |       |        |        |     |                     | bit 0 |

**Legend:**

R = Readable bit                      W = Writable bit                      U = Unimplemented bit, read as '0'  
 -n = Value at POR                      '1' = Bit is set                      '0' = Bit is cleared                      x = Bit is unknown

- bit 15        **T5MD:** Timer5 Module Disable bit  
               1 = Timer5 module is disabled  
               0 = Timer5 module is enabled
- bit 14        **T4MD:** Timer4 Module Disable bit  
               1 = Timer4 module is disabled  
               0 = Timer4 module is enabled
- bit 13        **T3MD:** Timer3 Module Disable bit  
               1 = Timer3 module is disabled  
               0 = Timer3 module is enabled
- bit 12        **T2MD:** Timer2 Module Disable bit  
               1 = Timer2 module is disabled  
               0 = Timer2 module is enabled
- bit 11        **T1MD:** Timer1 Module Disable bit  
               1 = Timer1 module is disabled  
               0 = Timer1 module is enabled
- bit 10        **QE11MD:** QE11 Module Disable bit<sup>(1)</sup>  
               1 = QE11 module is disabled  
               0 = QE11 module is enabled
- bit 9         **PWMMD:** PWM Module Disable bit<sup>(1)</sup>  
               1 = PWM module is disabled  
               0 = PWM module is enabled
- bit 8         **Unimplemented:** Read as '0'
- bit 7         **I2C1MD:** I2C1 Module Disable bit  
               1 = I2C1 module is disabled  
               0 = I2C1 module is enabled
- bit 6         **U2MD:** UART2 Module Disable bit  
               1 = UART2 module is disabled  
               0 = UART2 module is enabled
- bit 5         **U1MD:** UART1 Module Disable bit  
               1 = UART1 module is disabled  
               0 = UART1 module is enabled
- bit 4         **SPI2MD:** SPI2 Module Disable bit  
               1 = SPI2 module is disabled  
               0 = SPI2 module is enabled

**Note 1:** This bit is available on dsPIC33EPXXXMC20X/50X and PIC24EPXXXMC20X devices only.  
**Note 2:** This bit is available on dsPIC33EPXXXGP50X and dsPIC33EPXXXMC50X devices only.

**REGISTER 10-1: PMD1: PERIPHERAL MODULE DISABLE CONTROL REGISTER 1 (CONTINUED)**

|       |   |
|-------|---|
| bit 3 | <b>SPI1MD:</b> SPI1 Module Disable bit<br>1 = SPI1 module is disabled<br>0 = SPI1 module is enabled                 |
| bit 2 | <b>Unimplemented:</b> Read as '0'   |
| bit 1 | <b>C1MD:</b> ECAN1 Module Disable bit <sup>(2)</sup><br>1 = ECAN1 module is disabled<br>0 = ECAN1 module is enabled |
| bit 0 | <b>AD1MD:</b> ADC1 Module Disable bit<br>1 = ADC1 module is disabled<br>0 = ADC1 module is enabled                  |

**Note 1:** This bit is available on dsPIC33EPXXXMC20X/50X and PIC24EPXXXMC20X devices only.

**2:** This bit is available on dsPIC33EPXXXGP50X and dsPIC33EPXXXMC50X devices only.

**REGISTER 10-2: PMD2: PERIPHERAL MODULE DISABLE CONTROL REGISTER 2**

|        |     |     |     |       |       |       |       |
|--------|-----|-----|-----|-------|-------|-------|-------|
| U-0    | U-0 | U-0 | U-0 | R/W-0 | R/W-0 | R/W-0 | R/W-0 |
| —      | —   | —   | —   | IC4MD | IC3MD | IC2MD | IC1MD |
| bit 15 |     |     |     | bit 8 |       |       |       |

|       |     |     |     |       |       |       |       |
|-------|-----|-----|-----|-------|-------|-------|-------|
| U-0   | U-0 | U-0 | U-0 | R/W-0 | R/W-0 | R/W-0 | R/W-0 |
| —     | —   | —   | —   | OC4MD | OC3MD | OC2MD | OC1MD |
| bit 7 |     |     |     | bit 0 |       |       |       |

**Legend:**

|                   |                  |                                    |
|-------------------|------------------|------------------------------------|
| R = Readable bit  | W = Writable bit | U = Unimplemented bit, read as '0' |
| -n = Value at POR | '1' = Bit is set | '0' = Bit is cleared               |
|                   |                  | x = Bit is unknown                 |

- bit 15-12     **Unimplemented:** Read as '0'
- bit 11       **IC4MD:** Input Capture 4 Module Disable bit  
               1 = Input Capture 4 module is disabled  
               0 = Input Capture 4 module is enabled
- bit 10       **IC3MD:** Input Capture 3 Module Disable bit  
               1 = Input Capture 3 module is disabled  
               0 = Input Capture 3 module is enabled
- bit 9         **IC2MD:** Input Capture 2 Module Disable bit  
               1 = Input Capture 2 module is disabled  
               0 = Input Capture 2 module is enabled
- bit 8         **IC1MD:** Input Capture 1 Module Disable bit  
               1 = Input Capture 1 module is disabled  
               0 = Input Capture 1 module is enabled
- bit 7-4      **Unimplemented:** Read as '0'
- bit 3         **OC4MD:** Output Compare 4 Module Disable bit  
               1 = Output Compare 4 module is disabled  
               0 = Output Compare 4 module is enabled
- bit 2         **OC3MD:** Output Compare 3 Module Disable bit  
               1 = Output Compare 3 module is disabled  
               0 = Output Compare 3 module is enabled
- bit 1         **OC2MD:** Output Compare 2 Module Disable bit  
               1 = Output Compare 2 module is disabled  
               0 = Output Compare 2 module is enabled
- bit 0         **OC1MD:** Output Compare 1 Module Disable bit  
               1 = Output Compare 1 module is disabled  
               0 = Output Compare 1 module is enabled

**REGISTER 10-3: PMD3: PERIPHERAL MODULE DISABLE CONTROL REGISTER 3**

|        |     |     |     |     |       |        |     |
|--------|-----|-----|-----|-----|-------|--------|-----|
| U-0    | U-0 | U-0 | U-0 | U-0 | R/W-0 | U-0    | U-0 |
| —      | —   | —   | —   | —   | CMPMD | —      | —   |
| bit 15 |     |     |     |     |       | bit 8  |     |
| R/W-0  | U-0 | U-0 | U-0 | U-0 | U-0   | R/W-0  | U-0 |
| CRCMD  | —   | —   | —   | —   | —     | I2C2MD | —   |
| bit 7  |     |     |     |     |       | bit 0  |     |

**Legend:**

R = Readable bit                      W = Writable bit                      U = Unimplemented bit, read as '0'  
 -n = Value at POR                      '1' = Bit is set                      '0' = Bit is cleared                      x = Bit is unknown

- bit 15-11     **Unimplemented:** Read as '0'
- bit 10        **CMPMD:** Comparator Module Disable bit  
                  1 = Comparator module is disabled  
                  0 = Comparator module is enabled
- bit 9-8       **Unimplemented:** Read as '0'
- bit 7          **CRCMD:** CRC Module Disable bit  
                  1 = CRC module is disabled  
                  0 = CRC module is enabled
- bit 6-2       **Unimplemented:** Read as '0'
- bit 1          **I2C2MD:** I2C2 Module Disable bit  
                  1 = I2C2 module is disabled  
                  0 = I2C2 module is enabled
- bit 0          **Unimplemented:** Read as '0'

**REGISTER 10-4: PMD4: PERIPHERAL MODULE DISABLE CONTROL REGISTER 4**

|        |     |     |     |        |        |       |     |
|--------|-----|-----|-----|--------|--------|-------|-----|
| U-0    | U-0 | U-0 | U-0 | U-0    | U-0    | U-0   | U-0 |
| —      | —   | —   | —   | —      | —      | —     | —   |
| bit 15 |     |     |     |        |        | bit 8 |     |
| U-0    | U-0 | U-0 | U-0 | R/W-0  | R/W-0  | U-0   | U-0 |
| —      | —   | —   | —   | REFOMD | CTMUMD | —     | —   |
| bit 7  |     |     |     |        |        | bit 0 |     |

**Legend:**

R = Readable bit                      W = Writable bit                      U = Unimplemented bit, read as '0'  
 -n = Value at POR                      '1' = Bit is set                      '0' = Bit is cleared                      x = Bit is unknown

- bit 15-4     **Unimplemented:** Read as '0'
- bit 3        **REFOMD:** Reference Clock Module Disable bit  
                  1 = Reference clock module is disabled  
                  0 = Reference clock module is enabled
- bit 2        **CTMUMD:** CTMU Module Disable bit  
                  1 = CTMU module is disabled  
                  0 = CTMU module is enabled
- bit 1-0     **Unimplemented:** Read as '0'

**REGISTER 10-5: PMD6: PERIPHERAL MODULE DISABLE CONTROL REGISTER 6**

|        |     |     |     |     |                       |                       |                       |
|--------|-----|-----|-----|-----|-----------------------|-----------------------|-----------------------|
| U-0    | U-0 | U-0 | U-0 | U-0 | R/W-0                 | R/W-0                 | R/W-0                 |
| —      | —   | —   | —   | —   | PWM3MD <sup>(1)</sup> | PWM2MD <sup>(1)</sup> | PWM1MD <sup>(1)</sup> |
| bit 15 |     |     |     |     |                       | bit 8                 |                       |

|       |     |     |     |     |     |       |     |
|-------|-----|-----|-----|-----|-----|-------|-----|
| U-0   | U-0 | U-0 | U-0 | U-0 | U-0 | U-0   | U-0 |
| —     | —   | —   | —   | —   | —   | —     | —   |
| bit 7 |     |     |     |     |     | bit 0 |     |

**Legend:**

R = Readable bit                      W = Writable bit                      U = Unimplemented bit, read as '0'  
 -n = Value at POR                      '1' = Bit is set                      '0' = Bit is cleared                      x = Bit is unknown

- bit 15-11      **Unimplemented:** Read as '0'
- bit 10      **PWM3MD:** PWM3 Module Disable bit<sup>(1)</sup>  
             1 = PWM3 module is disabled  
             0 = PWM3 module is enabled
- bit 9      **PWM2MD:** PWM2 Module Disable bit<sup>(1)</sup>  
             1 = PWM2 module is disabled  
             0 = PWM2 module is enabled
- bit 8      **PWM1MD:** PWM1 Module Disable bit<sup>(1)</sup>  
             1 = PWM1 module is disabled  
             0 = PWM1 module is enabled
- bit 7-0      **Unimplemented:** Read as '0'

**Note 1:** This bit is available on dsPIC33EPXXXMC50X/20X and PIC24EPXXXMC20X devices only.



**REGISTER 10-6: PMD7: PERIPHERAL MODULE DISABLE CONTROL REGISTER 7**

|        |     |     |                       |       |     |     |       |
|--------|-----|-----|-----------------------|-------|-----|-----|-------|
| U-0    | U-0 | U-0 | U-0                   | U-0   | U-0 | U-0 | U-0   |
| —      | —   | —   | —                     | —     | —   | —   | —     |
| bit 15 |     |     |                       |       |     |     | bit 8 |
| U-0    | U-0 | U-0 | R/W-0                 | R/W-0 | U-0 | U-0 | U-0   |
| —      | —   | —   | DMA0MD <sup>(1)</sup> | PTGMD | —   | —   | —     |
|        |     |     | DMA1MD <sup>(1)</sup> |       |     |     |       |
|        |     |     | DMA2MD <sup>(1)</sup> |       |     |     |       |
|        |     |     | DMA3MD <sup>(1)</sup> |       |     |     |       |
| bit 7  |     |     |                       |       |     |     | bit 0 |

**Legend:**

R = Readable bit                      W = Writable bit                      U = Unimplemented bit, read as '0'  
 -n = Value at POR                      '1' = Bit is set                      '0' = Bit is cleared                      x = Bit is unknown

- bit 15-5     **Unimplemented:** Read as '0'
- bit 4        **DMA0MD:** DMA0 Module Disable bit<sup>(1)</sup>  
               1 = DMA0 module is disabled  
               0 = DMA0 module is enabled
- DMA1MD:** DMA1 Module Disable bit<sup>(1)</sup>  
               1 = DMA1 module is disabled  
               0 = DMA1 module is enabled
- DMA2MD:** DMA2 Module Disable bit<sup>(1)</sup>  
               1 = DMA2 module is disabled  
               0 = DMA2 module is enabled
- DMA3MD:** DMA3 Module Disable bit<sup>(1)</sup>  
               1 = DMA3 module is disabled  
               0 = DMA3 module is enabled
- bit 3        **PTGMD:** PTG Module Disable bit  
               1 = PTG module is disabled  
               0 = PTG module is enabled
- bit 2-0     **Unimplemented:** Read as '0'

**Note 1:** This single bit enables and disables all four DMA channels.

**NOTES:**

## 11.0 I/O PORTS

**Note 1:** This data sheet summarizes the features of the dsPIC33EPXXXGP50X, dsPIC33EPXXXMC20X/50X and PIC24EPXXXGP/MC20X families of devices. It is not intended to be a comprehensive reference source. To complement the information in this data sheet, refer to **Section 10. “I/O Ports”** (DS70598) of the “dsPIC33E/PIC24E Family Reference Manual”, which is available from the Microchip web site ([www.microchip.com](http://www.microchip.com)).

**2:** Some registers and associated bits described in this section may not be available on all devices. Refer to **Section 4.0 “Memory Organization”** in this data sheet for device-specific register and bit information.

Many of the device pins are shared among the peripherals and the parallel I/O ports. All I/O input ports feature Schmitt Trigger inputs for improved noise immunity.

### 11.1 Parallel I/O (PIO) Ports

Generally, a parallel I/O port that shares a pin with a peripheral is subservient to the peripheral. The peripheral’s output buffer data and control signals are provided to a pair of multiplexers. The multiplexers select whether the peripheral or the associated port

has ownership of the output data and control signals of the I/O pin. The logic also prevents “loop through,” in which a port’s digital output can drive the input of a peripheral that shares the same pin. **Figure 11-1** illustrates how ports are shared with other peripherals and the associated I/O pin to which they are connected.

When a peripheral is enabled and the peripheral is actively driving an associated pin, the use of the pin as a general purpose output pin is disabled. The I/O pin can be read, but the output driver for the parallel port bit is disabled. If a peripheral is enabled, but the peripheral is not actively driving a pin, that pin can be driven by a port.

All port pins have eight registers directly associated with their operation as digital I/O. The data direction register (TRISx) determines whether the pin is an input or an output. If the data direction bit is a ‘1’, then the pin is an input. All port pins are defined as inputs after a Reset. Reads from the latch (LATx) read the latch. Writes to the latch write the latch. Reads from the port (PORTx) read the port pins, while writes to the port pins write the latch.

Any bit and its associated data and control registers that are not valid for a particular device is disabled. This means the corresponding LATx and TRISx registers and the port pin are read as zeros.

When a pin is shared with another peripheral or function that is defined as an input only, it is nevertheless regarded as a dedicated port because there is no other competing source of outputs.

**FIGURE 11-1: BLOCK DIAGRAM OF A TYPICAL SHARED PORT STRUCTURE**



### 11.1.1 OPEN-DRAIN CONFIGURATION

In addition to the PORT, LAT and TRIS registers for data control, port pins can also be individually configured for either digital or open-drain output. This is controlled by the Open-Drain Control register, ODCx, associated with each port. Setting any of the bits configures the corresponding pin to act as an open-drain output.

The open-drain feature allows the generation of outputs other than VDD by using external pull-up resistors. The maximum open-drain voltage allowed on any pin is the same as the maximum V<sub>IH</sub> specification for that particular pin.

See the “[Pin Diagrams](#)” section for the available 5V tolerant pins and [Table 30-11](#) for the maximum V<sub>IH</sub> specification for each pin.

## 11.2 Configuring Analog and Digital Port Pins

The ANSELx register controls the operation of the analog port pins. The port pins that are to function as analog inputs or outputs must have their corresponding ANSEL and TRIS bits set. In order to use port pins for I/O functionality with digital modules, such as Timers, UARTs, etc., the corresponding ANSELx bit must be cleared.

The ANSELx register has a default value of 0xFFFF; therefore, all pins that share analog functions are analog (not digital) by default.

Pins with analog functions affected by the ANSELx registers are listed with a buffer type of analog in the Pinout I/O Descriptions (see [Table 1-1](#)).

If the TRIS bit is cleared (output) while the ANSELx bit is set, the digital output level (V<sub>OH</sub> or V<sub>OL</sub>) is converted by an analog peripheral, such as the ADC module or comparator module.

When the PORT register is read, all pins configured as analog input channels are read as cleared (a low level).

Pins configured as digital inputs do not convert an analog input. Analog levels on any pin defined as a digital input (including the ANx pins) can cause the input buffer to consume current that exceeds the device specifications.

### 11.2.1 I/O PORT WRITE/READ TIMING

One instruction cycle is required between a port direction change or port write operation and a read operation of the same port. Typically this instruction would be a NOP, as shown in [Example 11-1](#).

## 11.3 Input Change Notification (ICN)

The Input Change Notification function of the I/O ports allows devices to generate interrupt requests to the processor in response to a Change-of-State (COS) on selected input pins. This feature can detect input Change-of-States even in Sleep mode, when the clocks are disabled. Every I/O port pin can be selected (enabled) for generating an interrupt request on a Change-of-State.

Three control registers are associated with the CN functionality of each I/O port. The CNENx registers contain the CN interrupt enable control bits for each of the input pins. Setting any of these bits enables a CN interrupt for the corresponding pins.

Each I/O pin also has a weak pull-up and a weak pull-down connected to it. The pull-ups and pull-downs act as a current source or sink source connected to the pin and eliminate the need for external resistors when push-button, or keypad devices are connected. The pull-ups and pull-downs are enabled separately, using the CNPUx and the CNPDx registers, which contain the control bits for each of the pins. Setting any of the control bits enables the weak pull-ups and/or pull-downs for the corresponding pins.

**Note:** Pull-ups and pull-downs on change notification pins should always be disabled when the port pin is configured as a digital output.

### EXAMPLE 11-1: PORT WRITE/READ EXAMPLE

```
MOV    0xFF00, W0    ; Configure PORTB<15:8>
                        ; as inputs
MOV    W0, TRISB     ; and PORTB<7:0>
                        ; as outputs
NOP                                ; Delay 1 cycle
BTSS   PORTB, #13    ; Next Instruction
```

## 11.4 Peripheral Pin Select (PPS)

A major challenge in general purpose devices is providing the largest possible set of peripheral features while minimizing the conflict of features on I/O pins. The challenge is even greater on low pin count devices. In an application where more than one peripheral needs to be assigned to a single pin, inconvenient work-arounds in application code, or a complete redesign, may be the only option.

Peripheral Pin Select configuration provides an alternative to these choices by enabling peripheral set selection and their placement on a wide range of I/O pins. By increasing the pinout options available on a particular device, users can better tailor the device to their entire application, rather than trimming the application to fit the device.

The Peripheral Pin Select configuration feature operates over a fixed subset of digital I/O pins. Users may independently map the input and/or output of most digital peripherals to any one of these I/O pins. Hardware safeguards are included that prevent accidental or spurious changes to the peripheral mapping once it has been established.

### 11.4.1 AVAILABLE PINS

The number of available pins is dependent on the particular device and its pin count. Pins that support the Peripheral Pin Select feature include the label, “RPn” or “RPI n”, in their full pin designation, where “n” is the remappable pin number. “RP” is used to designate pins that support both remappable input and output functions, while “RPI” indicates pins that support remappable input functions only.

### 11.4.2 AVAILABLE PERIPHERALS

The peripherals managed by the Peripheral Pin Select are all digital-only peripherals. These include general serial communications (UART and SPI), general purpose timer clock inputs, timer-related peripherals (input capture and output compare) and interrupt-on-change inputs.

In comparison, some digital-only peripheral modules are never included in the Peripheral Pin Select feature. This is because the peripheral’s function requires special I/O circuitry on a specific port and cannot be easily connected to multiple pins. These modules include I<sup>2</sup>C™ and the PWM. A similar requirement excludes all modules with analog inputs, such as the ADC Converter.

A key difference between remappable and non-remappable peripherals is that remappable peripherals are not associated with a default I/O pin. The peripheral must always be assigned to a specific I/O pin before it can be used. In contrast, non-remappable peripherals are always available on a default pin, assuming that the peripheral is active and not conflicting with another peripheral.

When a remappable peripheral is active on a given I/O pin, it takes priority over all other digital I/O and digital communication peripherals associated with the pin. Priority is given regardless of the type of peripheral that is mapped. Remappable peripherals never take priority over any analog functions associated with the pin.

### 11.4.3 CONTROLLING PERIPHERAL PIN SELECT

Peripheral Pin Select features are controlled through two sets of SFRs: one to map peripheral inputs and one to map outputs. Because they are separately controlled, a particular peripheral’s input and output (if the peripheral has both) can be placed on any selectable function pin without constraint.

The association of a peripheral to a peripheral-selectable pin is handled in two different ways, depending on whether an input or output is being mapped.

11.4.4 INPUT MAPPING

The inputs of the Peripheral Pin Select options are mapped on the basis of the peripheral. That is, a control register associated with a peripheral dictates the pin it will be mapped to. The RPINRx registers are used to configure peripheral input mapping (see Register 11-1 through Register 11-17). Each register contains sets of 7-bit fields, with each set associated with one of the remappable peripherals. Programming a given peripheral's bit field with an appropriate 7-bit value maps the RPn pin with the corresponding value to that peripheral. For any given device, the valid range of values for any bit field corresponds to the maximum number of Peripheral Pin Selections supported by the device.

For example, Figure 11-2 illustrates remappable pin selection for the U1RX input.

**FIGURE 11-2: REMAPPABLE INPUT FOR U1RX**



11.4.4.1 Virtual Connections

dsPIC33EPXXXGP50X, dsPIC33EPXXXMC20X/50X and PIC24EPXXXGP/MC20X devices support virtual (internal) connections to the output of the op amp/comparator module (see Figure 25-1 in Section 25.0 “Op Amp/Comparator Module”), and the PTG module (see Section 24.0 “Peripheral Trigger Generator (PTG) Module”).

In addition, dsPIC33EPXXXMC20X/50X and PIC24EPXXXMC20X devices support virtual connections to the filtered QE1 module inputs: FINDX1, FHOME1, FINDX2 and FHOME2 (see Figure 17-1 in Section 17.0 “Quadrature Encoder Interface (QE1) Module (dsPIC33EPXXXMC20X/50X and PIC24EPXXXMC20X Devices Only)”).

Virtual connections provide a simple way of inter-peripheral connection without utilizing a physical pin. For example, by setting the FLT1R<6:0> bits of the RPINR12 register to the value of `\b0000001`, the output of the analog comparator, C1OUT, will be connected to the PWM Fault 1 input, which allows the analog comparator to trigger PWM Faults without the use of an actual physical pin on the device.

Virtual connection to the QE1 module allows peripherals to be connected to the QE1 digital filter input. To utilize this filter, the QE1 module must be enabled and its inputs must be connected to a physical RPn pin. Example 11-2 illustrates how the input capture module can be connected to the QE1 digital filter.

**EXAMPLE 11-2: CONNECTING IC1 TO THE HOME1 QE1 DIGITAL FILTER INPUT ON PIN 43 OF THE dsPIC33EPXXXMC206 DEVICE**

```
RPINR15 = 0x2500;    /* Connect the QE1 HOME1 input to RP37 (pin 43) */
RPINR7  = 0x009;    /* Connect the IC1 input to the digital filter on the FHOME1 input */

QE1IOC  = 0x4000;    /* Enable the QE1 digital filter */
QE1CON  = 0x8000;    /* Enable the QE1 module */
```

**TABLE 11-1: SELECTABLE INPUT SOURCES (MAPS INPUT TO FUNCTION)**

| Input Name <sup>(1)</sup>                   | Function Name | Register | Configuration Bits |
|---|---------------|----------|--------------------|
| External Interrupt 1                        | INT1          | RPINR0   | INT1R<6:0>         |
| External Interrupt 2                        | INT2          | RPINR1   | INT2R<6:0>         |
| Timer2 External Clock                       | T2CK          | RPINR3   | T2CKR<6:0>         |
| Input Capture 1                             | IC1           | RPINR7   | IC1R<6:0>          |
| Input Capture 2                             | IC2           | RPINR7   | IC2R<6:0>          |
| Input Capture 3                             | IC3           | RPINR8   | IC3R<6:0>          |
| Input Capture 4                             | IC4           | RPINR8   | IC4R<6:0>          |
| Output Compare Fault A                      | OCFA          | RPINR11  | OCFAR<6:0>         |
| PWM Fault 1 <sup>(3)</sup>                  | FLT1          | RPINR12  | FLT1R<6:0>         |
| PWM Fault 2 <sup>(3)</sup>                  | FLT2          | RPINR12  | FLT2R<6:0>         |
| QE11 Phase A <sup>(3)</sup>                 | QEA1          | RPINR14  | QEA1R<6:0>         |
| QE11 Phase B <sup>(3)</sup>                 | QEB1          | RPINR14  | QEB1R<6:0>         |
| QE11 Index <sup>(3)</sup>                   | INDX1         | RPINR15  | INDX1R<6:0>        |
| QE11 Home <sup>(3)</sup>                    | HOME1         | RPINR15  | HOM1R<6:0>         |
| UART1 Receive                               | U1RX          | RPINR18  | U1RXR<6:0>         |
| UART2 Receive                               | U2RX          | RPINR19  | U2RXR<6:0>         |
| SPI2 Data Input                             | SDI2          | RPINR22  | SDI2R<6:0>         |
| SPI2 Clock Input                            | SCK2          | RPINR22  | SCK2R<6:0>         |
| SPI2 Slave Select                           | SS2           | RPINR23  | SS2R<6:0>          |
| CAN1 Receive <sup>(2)</sup>                 | C1RX          | RPINR26  | C1RXR<6:0>         |
| PWM Synch Input 1 <sup>(3)</sup>            | SYNC11        | RPINR37  | SYNC11R<6:0>       |
| PWM Dead-Time Compensation 1 <sup>(3)</sup> | DTCMP1        | RPINR38  | DTCMP1R<6:0>       |
| PWM Dead-Time Compensation 2 <sup>(3)</sup> | DTCMP2        | RPINR39  | DTCMP2R<6:0>       |
| PWM Dead-Time Compensation 3 <sup>(3)</sup> | DTCMP3        | RPINR39  | DTCMP3R<6:0>       |

**Note 1:** Unless otherwise noted, all inputs use the Schmitt Trigger input buffers.

**2:** This input source is available on dsPIC33EPXXXGP/MC50X devices only.

**3:** This input source is available on dsPIC33EPXXXMC20X/50X and PIC24EPXXXMC20X devices only.

TABLE 11-2: INPUT PIN SELECTION FOR SELECTABLE INPUT SOURCES

| Peripheral Pin Select Input Register Value | Input/Output | Pin Assignment          | Peripheral Pin Select Input Register Value | Input/Output | Pin Assignment |
|--|--------------|-------------------------|--|--------------|----------------|
| 000 0000                                   | I            | Vss                     | 010 1101                                   | I            | RPI45          |
| 000 0001                                   | I            | C1OUT <sup>(1)</sup>    | 010 1110                                   | I            | RPI46          |
| 000 0010                                   | I            | C2OUT <sup>(1)</sup>    | 010 1111                                   | I            | RPI47          |
| 000 0011                                   | I            | C3OUT <sup>(1)</sup>    | 011 0000                                   | —            | —              |
| 000 0100                                   | I            | C4OUT <sup>(1)</sup>    | 011 0001                                   | —            | —              |
| 000 0101                                   | —            | —                       | 011 0010                                   | —            | —              |
| 000 0110                                   | I            | PTGO30 <sup>(1)</sup>   | 011 0011                                   | I            | RPI51          |
| 000 0111                                   | I            | PTGO31 <sup>(1)</sup>   | 011 0100                                   | I            | RPI52          |
| 000 1000                                   | I            | FINDX1 <sup>(1,2)</sup> | 011 0101                                   | I            | RPI53          |
| 000 1001                                   | I            | FHOME1 <sup>(1,2)</sup> | 011 0110                                   | I/O          | RP54           |
| 000 1010                                   | —            | —                       | 011 0111                                   | I/O          | RP55           |
| 000 1011                                   | —            | —                       | 011 1000                                   | I/O          | RP56           |
| 000 1100                                   | —            | —                       | 011 1001                                   | I/O          | RP57           |
| 000 1101                                   | —            | —                       | 011 1010                                   | I            | RPI58          |
| 000 1110                                   | —            | —                       | 011 1011                                   | —            | —              |
| 000 1111                                   | —            | —                       | 011 1100                                   | —            | —              |
| 001 0000                                   | —            | —                       | 011 1101                                   | —            | —              |
| 001 0001                                   | —            | —                       | 011 1110                                   | —            | —              |
| 001 0010                                   | —            | —                       | 011 1111                                   | —            | —              |
| 001 0011                                   | —            | —                       | 100 0000                                   | —            | —              |
| 001 0100                                   | I/O          | RP20                    | 100 0001                                   | —            | —              |
| 001 0101                                   | —            | —                       | 100 0010                                   | —            | —              |
| 001 0110                                   | —            | —                       | 100 0011                                   | —            | —              |
| 001 0111                                   | —            | —                       | 100 0100                                   | —            | —              |
| 001 1000                                   | I            | RPI24                   | 100 0101                                   | —            | —              |
| 001 1001                                   | I            | RPI25                   | 100 0110                                   | —            | —              |
| 001 1010                                   | —            | —                       | 100 0111                                   | —            | —              |
| 001 1011                                   | I            | RPI27                   | 100 1000                                   | —            | —              |
| 001 1100                                   | I            | RPI28                   | 100 1001                                   | —            | —              |
| 001 1101                                   | —            | —                       | 100 1010                                   | —            | —              |
| 001 1110                                   | —            | —                       | 100 1011                                   | —            | —              |
| 001 1111                                   | —            | —                       | 100 1100                                   | —            | —              |
| 010 0000                                   | I            | RPI32                   | 100 1101                                   | —            | —              |
| 010 0001                                   | I            | RPI33                   | 100 1110                                   | —            | —              |
| 010 0010                                   | I            | RPI34                   | 100 1111                                   | —            | —              |
| 010 0011                                   | I/O          | RP35                    | 101 0000                                   | —            | —              |
| 010 0100                                   | I/O          | RP36                    | 101 0001                                   | —            | —              |
| 010 0101                                   | I/O          | RP37                    | 101 0010                                   | —            | —              |
| 010 0110                                   | I/O          | RP38                    | 101 0011                                   | —            | —              |
| 010 0111                                   | I/O          | RP39                    | 101 0100                                   | —            | —              |

**Legend:** Shaded rows indicate PPS Input register values that are unimplemented.

**Note 1:** See [Section 11.4.4.1 “Virtual Connections”](#) for more information on selecting this pin assignment.

**2:** These inputs are available on dsPIC33EPXXXGP/MC50X devices only.



TABLE 11-2: INPUT PIN SELECTION FOR SELECTABLE INPUT SOURCES (CONTINUED)

| Peripheral Pin Select Input Register Value | Input/Output | Pin Assignment | Peripheral Pin Select Input Register Value | Input/Output | Pin Assignment |
|--|--------------|----------------|--|--------------|----------------|
| 010 1000                                   | I/O          | RP40           | 101 0101                                   | —            | —              |
| 010 1001                                   | I/O          | RP41           | 101 0110                                   | —            | —              |
| 010 1010                                   | I/O          | RP42           | 101 0111                                   | —            | —              |
| 010 1011                                   | I/O          | RP43           | 101 1000                                   | —            | —              |
| 010 1100                                   | I            | RPI44          | 101 1001                                   | —            | —              |
| 101 1010                                   | —            | —              | 110 1101                                   | —            | —              |
| 101 1011                                   | —            | —              | 110 1110                                   | —            | —              |
| 101 1100                                   | —            | —              | 110 1111                                   | —            | —              |
| 101 1101                                   | —            | —              | 111 0000                                   | —            | —              |
| 101 1110                                   | I            | RPI94          | 111 0001                                   | —            | —              |
| 101 1111                                   | I            | RPI95          | 111 0010                                   | —            | —              |
| 110 0000                                   | I            | RPI96          | 111 0011                                   | —            | —              |
| 110 0001                                   | I/O          | RP97           | 111 0100                                   | —            | —              |
| 110 0010                                   | —            | —              | 111 0101                                   | —            | —              |
| 110 0011                                   | —            | —              | 111 0110                                   | I/O          | RP118          |
| 110 0100                                   | —            | —              | 111 0111                                   | I            | RPI119         |
| 110 0101                                   | —            | —              | 111 1000                                   | I/O          | RP120          |
| 110 0110                                   | —            | —              | 111 1001                                   | I            | RPI121         |
| 110 0111                                   | —            | —              | 111 1010                                   | —            | —              |
| 110 1000                                   | —            | —              | 111 1011                                   | —            | —              |
| 110 1001                                   | —            | —              | 111 1100                                   | —            | —              |
| 110 1010                                   | —            | —              | 111 1101                                   | —            | —              |
| 110 1011                                   | —            | —              | 111 1110                                   | —            | —              |
| 110 1100                                   | —            | —              | 111 1111                                   | —            | —              |

**Legend:** Shaded rows indicate PPS Input register values that are unimplemented.

**Note 1:** See [Section 11.4.4.1 “Virtual Connections”](#) for more information on selecting this pin assignment.

**2:** These inputs are available on dsPIC33EPXXXGP/MC50X devices only.

11.4.4.2 Output Mapping

In contrast to inputs, the outputs of the Peripheral Pin Select options are mapped on the basis of the pin. In this case, a control register associated with a particular pin dictates the peripheral output to be mapped. The RPORx registers are used to control output mapping. Like the RPINRx registers, each register contains sets of 6-bit fields, with each set associated with one RPn pin (see Register 11-18 through Register 11-27). The value of the bit field corresponds to one of the peripherals and that peripheral's output is mapped to the pin (see Table 11-3 and Figure 11-3).

A null output is associated with the output register Reset value of '0'. This is done to ensure that remappable outputs remain disconnected from all output pins by default.

FIGURE 11-3: MULTIPLEXING REMAPPABLE OUTPUT FOR RPn



11.4.4.3 Mapping Limitations

The control schema of the peripheral select pins is not limited to a small range of fixed peripheral configurations. There are no mutual or hardware-enforced lockouts between any of the peripheral mapping SFRs. Literally any combination of peripheral mappings across any or all of the RPn pins is possible. This includes both many-to-one and one-to-many mappings of peripheral inputs and outputs to pins. While such mappings may be technically possible from a configuration point of view, they may not be supportable from an electrical point of view.

TABLE 11-3: OUTPUT SELECTION FOR REMAPPABLE PINS (RPn)

| Function               | RPnR<5:0> | Output Name                                   |
|------------------------|-----------|---|
| Default PORT           | 000000    | RPn tied to Default Pin                       |
| U1TX                   | 000001    | RPn tied to UART1 Transmit                    |
| U2TX                   | 000011    | RPn tied to UART2 Transmit                    |
| SDO2                   | 001000    | RPn tied to SPI2 Data Output                  |
| SCK2                   | 001001    | RPn tied to SPI2 Clock Output                 |
| SS2                    | 001010    | RPn tied to SPI2 Slave Select                 |
| C1TX <sup>(2)</sup>    | 001110    | RPn tied to CAN1 Transmit                     |
| OC1                    | 010000    | RPn tied to Output Compare 1 Output           |
| OC2                    | 010001    | RPn tied to Output Compare 2 Output           |
| OC3                    | 010010    | RPn tied to Output Compare 3 Output           |
| OC4                    | 010011    | RPn tied to Output Compare 4 Output           |
| C1OUT                  | 011000    | RPn tied to Comparator Output 1               |
| C2OUT                  | 011001    | RPn tied to Comparator Output 2               |
| C3OUT                  | 011010    | RPn tied to Comparator Output 3               |
| SYNCO1 <sup>(1)</sup>  | 101101    | RPn tied to PWM Primary Time Base Sync Output |
| QE1CCMP <sup>(1)</sup> | 101111    | RPn tied to QE1 Counter Comparator Output     |
| REFCLKO                | 110001    | RPn tied to Reference Clock Output            |
| C4OUT                  | 110010    | RPn tied to Comparator Output 4               |

**Note 1:** This function is available in dsPIC33EPXXXMC20X/50X and PIC24EPXXXMC20X devices only.

**2:** This function is available in dsPIC33EPXXXGP/MC50X devices only.

## 11.5 I/O Helpful Tips

1. In some cases, certain pins, as defined in [Table 30-11](#), under “Injection Current”, have internal protection diodes to VDD and VSS. The term, “Injection Current”, is also referred to as “Clamp Current”. On designated pins, with sufficient external current-limiting precautions by the user, I/O pin input voltages are allowed to be greater or less than the data sheet absolute maximum ratings, with respect to the VSS and VDD supplies. Note that when the user application forward biases either of the high or low side internal input clamp diodes, that the resulting current being injected into the device, that is clamped internally by the VDD and VSS power rails, may affect the ADC accuracy by four to six counts.
2. I/O pins that are shared with any analog input pin (i.e., ANx) are always analog pins by default after any Reset. Consequently, configuring a pin as an analog input pin automatically disables the digital input pin buffer and any attempt to read the digital input level by reading PORTx or LATx will always return a ‘0’, regardless of the digital logic level on the pin. To use a pin as a digital I/O pin on a shared ANx pin, the user application needs to configure the Analog Pin Configuration registers in the I/O ports module (i.e., ANSELx) by setting the appropriate bit that corresponds to that I/O port pin to a ‘0’.

**Note:** Although it is not possible to use a digital input pin when its analog function is enabled, it is possible to use the digital I/O output function, TRISx = 0x0, while the analog function is also enabled. However, this is not recommended, particularly if the analog input is connected to an external analog voltage source, which would create signal contention between the analog signal and the output pin driver.

3. Most I/O pins have multiple functions. Referring to the device pin diagrams in this data sheet, the priorities of the functions allocated to any pins are indicated by reading the pin name from left-to-right. The left most function name takes precedence over any function to its right in the naming convention. For example: AN16/T2CK/T7CK/RC1. This indicates that AN16 is the highest priority in this example and will supersede all other functions to its right in the list. Those other functions to its right, even if enabled, would not work as long as any other function to its left was enabled. This rule applies to all of the functions listed for a given pin.
4. Each pin has an internal weak pull-up resistor and pull-down resistor that can be configured using the CNPUs and CNPDx registers, respectively. These resistors eliminate the need for external resistors in certain applications. The internal pull-up is up to  $\sim(V_{DD} - 0.8)$ , not VDD. This value is still above the minimum  $V_{IH}$  of CMOS and TTL devices.

5. When driving LEDs directly, the I/O pin can source or sink more current than what is specified in the  $V_{OH}/I_{OH}$  and  $V_{OL}/I_{OL}$  DC characteristic specification. The respective  $I_{OH}$  and  $I_{OL}$  current rating only applies to maintaining the corresponding output at or above the  $V_{OH}$ , and at or below the  $V_{OL}$  levels. However, for LEDs, unlike digital inputs of an externally connected device, they are not governed by the same minimum  $V_{IH}/V_{IL}$  levels. An I/O pin output can safely sink or source any current less than that listed in the absolute maximum rating section of this data sheet. For example:

$$V_{OH} = 2.4\text{V} @ I_{OH} = -8\text{mA and } V_{DD} = 3.3\text{V}$$

The maximum output current sourced by any 8 mA I/O pin = 12 mA.

LED source current < 12 mA is technically permitted. Refer to the  $V_{OH}/I_{OH}$  graphs in [Section 30.0 “Electrical Characteristics”](#) for additional information.

6. The Peripheral Pin Select (PPS) pin mapping rules are as follows:
  - a) Only one “output” function can be active on a given pin at any time, regardless if it is a dedicated or remappable function (one pin, one output).
  - b) It is possible to assign a “remappable output” function to multiple pins and externally short or tie them together for increased current drive.
  - c) If any “dedicated output” function is enabled on a pin, it will take precedence over any remappable “output” function.
  - d) If any “dedicated digital” (input or output) function is enabled on a pin, any number of “input” remappable functions can be mapped to the same pin.
  - e) If any “dedicated analog” function(s) are enabled on a given pin, “digital input(s)” of any kind will all be disabled, although a single “digital output”, at the user’s cautionary discretion, can be enabled and active as long as there is no signal contention with an external analog input signal. For example, it is possible for the ADC to convert the digital output logic level, or to toggle a digital output on a comparator or ADC input provided there is no external analog input, such as for a built-in self-test.
  - f) Any number of “input” remappable functions can be mapped to the same pin(s) at the same time, including to any pin with a single output from either a dedicated or remappable “output”.

- g) The TRIS registers control *only* the digital I/O output buffer. Any other dedicated or remappable active “output” will automatically override the TRIS setting. The TRIS register *does not* control the digital logic “input” buffer. Remappable digital “inputs” do not automatically override TRIS settings, which means that the TRIS bit must be set to input for pins with only remappable input function(s) assigned
- h) All analog pins are enabled by default after any Reset and the corresponding digital input buffer on the pin has been disabled. Only the Analog Pin Select registers control the digital input buffer, *not* the TRIS register. The user must disable the analog function on a pin using the Analog Pin Select registers in order to use any “digital input(s)” on a corresponding pin, no exceptions.

## 11.6 I/O Ports Resources

Many useful resources are provided on the main product page of the Microchip web site for the devices listed in this data sheet. This product page, which can be accessed using this [link](#), contains the latest updates and additional information.

**Note:** In the event you are not able to access the product page using the link above, enter this URL in your browser:  
<http://www.microchip.com/wwwproducts/Devices.aspx?dDocName=en555464>

### 11.6.1 KEY RESOURCES

- **Section 2. “I/O Ports”** (DS70598)
- Code Samples
- Application Notes
- Software Libraries
- Webinars
- All Related “*dsPIC33E/PIC24E Family Reference Manual*” Sections
- Development Tools

## 11.7 Peripheral Pin Select Registers

**REGISTER 11-1: RPINR0: PERIPHERAL PIN SELECT INPUT REGISTER 0**

|        |            |       |       |       |       |       |       |       |
|--------|------------|-------|-------|-------|-------|-------|-------|-------|
| U-0    | R/W-0      | R/W-0 | R/W-0 | R/W-0 | R/W-0 | R/W-0 | R/W-0 |       |
| —      | INT1R<6:0> |       |       |       |       |       |       |       |
| bit 15 |            |       |       |       |       |       |       | bit 8 |

|       |     |     |     |     |     |     |       |
|-------|-----|-----|-----|-----|-----|-----|-------|
| U-0   | U-0 | U-0 | U-0 | U-0 | U-0 | U-0 | U-0   |
| —     | —   | —   | —   | —   | —   | —   | —     |
| bit 7 |     |     |     |     |     |     | bit 0 |

**Legend:**

|                   |                  |                                    |
|-------------------|------------------|------------------------------------|
| R = Readable bit  | W = Writable bit | U = Unimplemented bit, read as '0' |
| -n = Value at POR | '1' = Bit is set | '0' = Bit is cleared               |
|                   |                  | x = Bit is unknown                 |

bit 15      **Unimplemented:** Read as '0'

bit 14-8    **INT1R<6:0>:** Assign External Interrupt 1 (INT1) to the Corresponding RPn Pin bits  
 (see [Table 11-2](#) for input pin selection numbers)

1111001 = Input tied to RPI121

.

.

.

0000001 = Input tied to CMP1

0000000 = Input tied to Vss

bit 7-0     **Unimplemented:** Read as '0'

**REGISTER 11-2: RPINR1: PERIPHERAL PIN SELECT INPUT REGISTER 1**

|        |     |     |     |     |     |     |       |
|--------|-----|-----|-----|-----|-----|-----|-------|
| U-0    | U-0 | U-0 | U-0 | U-0 | U-0 | U-0 | U-0   |
| —      | —   | —   | —   | —   | —   | —   | —     |
| bit 15 |     |     |     |     |     |     | bit 8 |

|       |            |       |       |       |       |       |       |
|-------|------------|-------|-------|-------|-------|-------|-------|
| U-0   | R/W-0      | R/W-0 | R/W-0 | R/W-0 | R/W-0 | R/W-0 | R/W-0 |
| —     | INT2R<6:0> |       |       |       |       |       | —     |
| bit 7 |            |       |       |       |       |       | bit 0 |

**Legend:**

R = Readable bit                      W = Writable bit                      U = Unimplemented bit, read as '0'  
 -n = Value at POR                      '1' = Bit is set                      '0' = Bit is cleared                      x = Bit is unknown

bit 15-7                      **Unimplemented:** Read as '0'  
 bit 6-0                      **INT2R<6:0>:** Assign External Interrupt 2 (INT2) to the Corresponding RPN Pin bits  
 (see [Table 11-2](#) for input pin selection numbers)  
 1111001 = Input tied to RPI121  
 .  
 .  
 .  
 0000001 = Input tied to CMP1  
 0000000 = Input tied to Vss

**REGISTER 11-3: RPINR3: PERIPHERAL PIN SELECT INPUT REGISTER 3**

|        |     |     |     |     |     |     |       |
|--------|-----|-----|-----|-----|-----|-----|-------|
| U-0    | U-0 | U-0 | U-0 | U-0 | U-0 | U-0 | U-0   |
| —      | —   | —   | —   | —   | —   | —   | —     |
| bit 15 |     |     |     |     |     |     | bit 8 |

|       |            |       |       |       |       |       |       |
|-------|------------|-------|-------|-------|-------|-------|-------|
| U-0   | R/W-0      | R/W-0 | R/W-0 | R/W-0 | R/W-0 | R/W-0 | R/W-0 |
| —     | T2CKR<6:0> |       |       |       |       |       | —     |
| bit 7 |            |       |       |       |       |       | bit 0 |

**Legend:**

R = Readable bit                      W = Writable bit                      U = Unimplemented bit, read as '0'  
 -n = Value at POR                      '1' = Bit is set                      '0' = Bit is cleared                      x = Bit is unknown

bit 15-7                      **Unimplemented:** Read as '0'  
 bit 6-0                      **T2CKR<6:0>:** Assign Timer2 External Clock (T2CK) to the Corresponding RPN pin bits  
 (see [Table 11-2](#) for input pin selection numbers)  
 1111001 = Input tied to RPI121  
 .  
 .  
 .  
 0000001 = Input tied to CMP1  
 0000000 = Input tied to Vss

**REGISTER 11-4: RPINR7: PERIPHERAL PIN SELECT INPUT REGISTER 7**

|        |           |       |       |       |       |       |       |       |
|--------|-----------|-------|-------|-------|-------|-------|-------|-------|
| U-0    | R/W-0     | R/W-0 | R/W-0 | R/W-0 | R/W-0 | R/W-0 | R/W-0 |       |
| —      | IC2R<6:0> |       |       |       |       |       |       |       |
| bit 15 |           |       |       |       |       |       |       | bit 8 |

|       |           |       |       |       |       |       |       |       |
|-------|-----------|-------|-------|-------|-------|-------|-------|-------|
| U-0   | R/W-0     | R/W-0 | R/W-0 | R/W-0 | R/W-0 | R/W-0 | R/W-0 |       |
| —     | IC1R<6:0> |       |       |       |       |       |       |       |
| bit 7 |           |       |       |       |       |       |       | bit 0 |

|                   |                  |                                    |                    |
|-------------------|------------------|------------------------------------|--------------------|
| <b>Legend:</b>    |                  |                                    |                    |
| R = Readable bit  | W = Writable bit | U = Unimplemented bit, read as '0' |                    |
| -n = Value at POR | '1' = Bit is set | '0' = Bit is cleared               | x = Bit is unknown |

- bit 15      **Unimplemented:** Read as '0'
- bit 14-8    **IC2R<6:0>:** Assign Input Capture 2 (IC2) to the Corresponding RPn Pin bits  
 (see [Table 11-2](#) for input pin selection numbers)  
 1111001 = Input tied to RPI121  
 .  
 .  
 .  
 0000001 = Input tied to CMP1  
 0000000 = Input tied to Vss
- bit 7      **Unimplemented:** Read as '0'
- bit 6-0    **IC1R<6:0>:** Assign Input Capture 1 (IC1) to the Corresponding RPn Pin bits  
 (see [Table 11-2](#) for input pin selection numbers)  
 1111001 = Input tied to RPI121  
 .  
 .  
 .  
 0000001 = Input tied to CMP1  
 0000000 = Input tied to Vss

**REGISTER 11-5: RPINR8: PERIPHERAL PIN SELECT INPUT REGISTER 8**

|        |           |       |       |       |       |       |       |
|--------|-----------|-------|-------|-------|-------|-------|-------|
| U-0    | R/W-0     | R/W-0 | R/W-0 | R/W-0 | R/W-0 | R/W-0 | R/W-0 |
| —      | IC4R<6:0> |       |       |       |       |       |       |
| bit 15 |           |       |       |       |       |       | bit 8 |

|       |           |       |       |       |       |       |       |
|-------|-----------|-------|-------|-------|-------|-------|-------|
| U-0   | R/W-0     | R/W-0 | R/W-0 | R/W-0 | R/W-0 | R/W-0 | R/W-0 |
| —     | IC3R<6:0> |       |       |       |       |       |       |
| bit 7 |           |       |       |       |       |       | bit 0 |

**Legend:**

|                   |                  |  |
|-------------------|------------------|--|
| R = Readable bit  | W = Writable bit | U = Unimplemented bit, read as '0'           |
| -n = Value at POR | '1' = Bit is set | '0' = Bit is cleared      x = Bit is unknown |

bit 15      **Unimplemented:** Read as '0'

bit 14-8    **IC4R<6:0>:** Assign Input Capture 4 (IC4) to the Corresponding RPn Pin bits  
(see [Table 11-2](#) for input pin selection numbers)

1111001 = Input tied to RPI121

.

.

.

0000001 = Input tied to CMP1

0000000 = Input tied to Vss

bit 7      **Unimplemented:** Read as '0'

bit 6-0    **IC3R<6:0>:** Assign Input Capture 3 (IC3) to the Corresponding RPn Pin bits  
(see [Table 11-2](#) for input pin selection numbers)

1111001 = Input tied to RPI121

.

.

.

0000001 = Input tied to CMP1

0000000 = Input tied to Vss



**REGISTER 11-6: RPINR11: PERIPHERAL PIN SELECT INPUT REGISTER 11**

|        |     |     |     |     |     |     |       |
|--------|-----|-----|-----|-----|-----|-----|-------|
| U-0    | U-0 | U-0 | U-0 | U-0 | U-0 | U-0 | U-0   |
| —      | —   | —   | —   | —   | —   | —   | —     |
| bit 15 |     |     |     |     |     |     | bit 8 |

|       |            |       |       |       |       |       |       |
|-------|------------|-------|-------|-------|-------|-------|-------|
| U-0   | R/W-0      | R/W-0 | R/W-0 | R/W-0 | R/W-0 | R/W-0 | R/W-0 |
| —     | OCFAR<6:0> |       |       |       |       |       |       |
| bit 7 |            |       |       |       |       |       | bit 0 |

|                   |                  |                                    |
|-------------------|------------------|------------------------------------|
| <b>Legend:</b>    |                  |                                    |
| R = Readable bit  | W = Writable bit | U = Unimplemented bit, read as '0' |
| -n = Value at POR | '1' = Bit is set | '0' = Bit is cleared               |
|                   |                  | x = Bit is unknown                 |

bit 15-7      **Unimplemented:** Read as '0'

bit 6-0      **OCFAR<6:0>:** Assign Output Compare Fault A (OCFA) to the Corresponding RPn Pin bits  
 (see [Table 11-2](#) for input pin selection numbers)

1111001 = Input tied to RPI121  
 .  
 .  
 .  
 0000001 = Input tied to CMP1  
 0000000 = Input tied to Vss

**REGISTER 11-7: RPINR12: PERIPHERAL PIN SELECT INPUT REGISTER 12  
(dsPIC33EPXXXMC20X/50X and PIC24EPXXXMC20X DEVICES ONLY)**

|        |            |       |       |       |       |       |       |
|--------|------------|-------|-------|-------|-------|-------|-------|
| U-0    | R/W-0      | R/W-0 | R/W-0 | R/W-0 | R/W-0 | R/W-0 | R/W-0 |
| —      | FLT2R<6:0> |       |       |       |       |       |       |
| bit 15 |            |       |       |       |       |       | bit 8 |

|       |            |       |       |       |       |       |       |
|-------|------------|-------|-------|-------|-------|-------|-------|
| U-0   | R/W-0      | R/W-0 | R/W-0 | R/W-0 | R/W-0 | R/W-0 | R/W-0 |
| —     | FLT1R<6:0> |       |       |       |       |       |       |
| bit 7 |            |       |       |       |       |       | bit 0 |

**Legend:**

|                   |                  |  |
|-------------------|------------------|--|
| R = Readable bit  | W = Writable bit | U = Unimplemented bit, read as '0'           |
| -n = Value at POR | '1' = Bit is set | '0' = Bit is cleared      x = Bit is unknown |

bit 15      **Unimplemented:** Read as '0'

bit 14-8    **FLT2R<6:0>:** Assign PWM Fault 2 (FLT2) to the Corresponding RPn Pin bits  
(see [Table 11-2](#) for input pin selection numbers)

          1111001 = Input tied to RPI121

          .

          .

          .

          0000001 = Input tied to CMP1

          0000000 = Input tied to Vss

bit 7      **Unimplemented:** Read as '0'

bit 6-0    **FLT1R<6:0>:** Assign PWM Fault 1 (FLT1) to the Corresponding RPn Pin bits  
(see [Table 11-2](#) for input pin selection numbers)

          1111001 = Input tied to RPI121

          .

          .

          .

          0000001 = Input tied to CMP1

          0000000 = Input tied to Vss

**REGISTER 11-8: RPINR14: PERIPHERAL PIN SELECT INPUT REGISTER 14**  
**(dsPIC33EPXXXMC20X/50X and PIC24EPXXXMC20X DEVICES ONLY)**

|        |            |       |       |       |       |       |       |       |
|--------|------------|-------|-------|-------|-------|-------|-------|-------|
| U-0    | R/W-0      | R/W-0 | R/W-0 | R/W-0 | R/W-0 | R/W-0 | R/W-0 |       |
| —      | QEB1R<6:0> |       |       |       |       |       |       |       |
| bit 15 |            |       |       |       |       |       |       | bit 8 |

|       |            |       |       |       |       |       |       |       |
|-------|------------|-------|-------|-------|-------|-------|-------|-------|
| U-0   | R/W-0      | R/W-0 | R/W-0 | R/W-0 | R/W-0 | R/W-0 | R/W-0 |       |
| —     | QEA1R<6:0> |       |       |       |       |       |       |       |
| bit 7 |            |       |       |       |       |       |       | bit 0 |

|                   |                  |                                    |                    |
|-------------------|------------------|------------------------------------|--------------------|
| <b>Legend:</b>    |                  |                                    |                    |
| R = Readable bit  | W = Writable bit | U = Unimplemented bit, read as '0' |                    |
| -n = Value at POR | '1' = Bit is set | '0' = Bit is cleared               | x = Bit is unknown |

- bit 15      **Unimplemented:** Read as '0'
- bit 14-8    **QEB1R<6:0>:** Assign B (QEB) to the Corresponding RPN Pin bits  
 (see [Table 11-2](#) for input pin selection numbers)  
 1111001 = Input tied to RPI121  
 .  
 .  
 .  
 0000001 = Input tied to CMP1  
 0000000 = Input tied to Vss
- bit 7      **Unimplemented:** Read as '0'
- bit 6-0    **QEA1R<6:0>:** Assign A (QEA) to the Corresponding RPN Pin bits  
 (see [Table 11-2](#) for input pin selection numbers)  
 1111001 = Input tied to RPI121  
 .  
 .  
 .  
 0000001 = Input tied to CMP1  
 0000000 = Input tied to Vss

**REGISTER 11-9: RPINR15: PERIPHERAL PIN SELECT INPUT REGISTER 15  
(dsPIC33EPXXXMC20X/50X and PIC24EPXXXMC20X DEVICES ONLY)**

|        |             |       |       |       |       |       |       |       |
|--------|-------------|-------|-------|-------|-------|-------|-------|-------|
| U-0    | R/W-0       | R/W-0 | R/W-0 | R/W-0 | R/W-0 | R/W-0 | R/W-0 |       |
| —      | HOME1R<6:0> |       |       |       |       |       |       |       |
| bit 15 |             |       |       |       |       |       |       | bit 8 |

|       |             |       |       |       |       |       |       |       |
|-------|-------------|-------|-------|-------|-------|-------|-------|-------|
| U-0   | R/W-0       | R/W-0 | R/W-0 | R/W-0 | R/W-0 | R/W-0 | R/W-0 |       |
| —     | INDX1R<6:0> |       |       |       |       |       |       |       |
| bit 7 |             |       |       |       |       |       |       | bit 0 |

**Legend:**

|                   |                  |  |
|-------------------|------------------|--|
| R = Readable bit  | W = Writable bit | U = Unimplemented bit, read as '0'           |
| -n = Value at POR | '1' = Bit is set | '0' = Bit is cleared      x = Bit is unknown |

bit 15      **Unimplemented:** Read as '0'

bit 14-8    **HOME1R<6:0>:** Assign QE11 HOME1 (HOME1) to the Corresponding RPn Pin bits  
(see [Table 11-2](#) for input pin selection numbers)

          1111001 = Input tied to RPI121

          .

          .

          .

          0000001 = Input tied to CMP1

          0000000 = Input tied to Vss

bit 7      **Unimplemented:** Read as '0'

bit 6-0    **IND1XR<6:0>:** Assign QE11 INDEX1 (INDX1) to the Corresponding RPn Pin bits  
(see [Table 11-2](#) for input pin selection numbers)

          1111001 = Input tied to RPI121

          .

          .

          .

          0000001 = Input tied to CMP1

          0000000 = Input tied to Vss

**REGISTER 11-10: RPINR18: PERIPHERAL PIN SELECT INPUT REGISTER 18**

|        |     |     |     |     |     |     |       |
|--------|-----|-----|-----|-----|-----|-----|-------|
| U-0    | U-0 | U-0 | U-0 | U-0 | U-0 | U-0 | U-0   |
| —      | —   | —   | —   | —   | —   | —   | —     |
| bit 15 |     |     |     |     |     |     | bit 8 |

|       |            |       |       |       |       |       |       |
|-------|------------|-------|-------|-------|-------|-------|-------|
| U-0   | R/W-0      | R/W-0 | R/W-0 | R/W-0 | R/W-0 | R/W-0 | R/W-0 |
| —     | U1RXR<6:0> |       |       |       |       |       | —     |
| bit 7 |            |       |       |       |       |       | bit 0 |

**Legend:**  
R = Readable bit                      W = Writable bit                      U = Unimplemented bit, read as '0'  
-n = Value at POR                      '1' = Bit is set                      '0' = Bit is cleared                      x = Bit is unknown

bit 15-7            **Unimplemented:** Read as '0'  
bit 6-0            **U1RXR<6:0>:** Assign UART1 Receive (U1RX) to the Corresponding RPn Pin bits  
(see [Table 11-2](#) for input pin selection numbers)  
1111001 = Input tied to RPI121  
.  
.  
.  
0000001 = Input tied to CMP1  
0000000 = Input tied to Vss

**REGISTER 11-11: RPINR19: PERIPHERAL PIN SELECT INPUT REGISTER 19**

|        |     |     |     |     |     |     |       |
|--------|-----|-----|-----|-----|-----|-----|-------|
| U-0    | U-0 | U-0 | U-0 | U-0 | U-0 | U-0 | U-0   |
| —      | —   | —   | —   | —   | —   | —   | —     |
| bit 15 |     |     |     |     |     |     | bit 8 |

|       |            |       |       |       |       |       |       |
|-------|------------|-------|-------|-------|-------|-------|-------|
| U-0   | R/W-0      | R/W-0 | R/W-0 | R/W-0 | R/W-0 | R/W-0 | R/W-0 |
| —     | U2RXR<6:0> |       |       |       |       |       | —     |
| bit 7 |            |       |       |       |       |       | bit 0 |

**Legend:**  
R = Readable bit                      W = Writable bit                      U = Unimplemented bit, read as '0'  
-n = Value at POR                      '1' = Bit is set                      '0' = Bit is cleared                      x = Bit is unknown

bit 15-7            **Unimplemented:** Read as '0'  
bit 6-0            **U2RXR<6:0>:** Assign UART2 Receive (U2RX) to the Corresponding RPn Pin bits  
(see [Table 11-2](#) for input pin selection numbers)  
1111001 = Input tied to RPI121  
.  
.  
.  
0000001 = Input tied to CMP1  
0000000 = Input tied to Vss

**REGISTER 11-12: RPINR22: PERIPHERAL PIN SELECT INPUT REGISTER 22**

|        |              |       |       |       |       |       |       |
|--------|--------------|-------|-------|-------|-------|-------|-------|
| U-0    | R/W-0        | R/W-0 | R/W-0 | R/W-0 | R/W-0 | R/W-0 | R/W-0 |
| —      | SCK2INR<6:0> |       |       |       |       |       |       |
| bit 15 | bit 8        |       |       |       |       |       |       |

|       |            |       |       |       |       |       |       |
|-------|------------|-------|-------|-------|-------|-------|-------|
| U-0   | R/W-0      | R/W-0 | R/W-0 | R/W-0 | R/W-0 | R/W-0 | R/W-0 |
| —     | SDI2R<6:0> |       |       |       |       |       |       |
| bit 7 | bit 0      |       |       |       |       |       |       |

**Legend:**

|                   |                  |  |
|-------------------|------------------|--|
| R = Readable bit  | W = Writable bit | U = Unimplemented bit, read as '0'           |
| -n = Value at POR | '1' = Bit is set | '0' = Bit is cleared      x = Bit is unknown |

bit 15      **Unimplemented:** Read as '0'

bit 14-8    **SCK2INR<6:0>:** Assign SPI2 Clock Input (SCK2) to the Corresponding RPn Pin bits  
(see [Table 11-2](#) for input pin selection numbers)

1111001 = Input tied to RPI121

.

.

.

0000001 = Input tied to CMP1

0000000 = Input tied to Vss

bit 7      **Unimplemented:** Read as '0'

bit 6-0    **SDI2R<6:0>:** Assign SPI2 Data Input (SDI2) to the Corresponding RPn Pin bits  
(see [Table 11-2](#) for input pin selection numbers)

1111001 = Input tied to RPI121

.

.

.

0000001 = Input tied to CMP1

0000000 = Input tied to Vss

**REGISTER 11-13: RPINR23: PERIPHERAL PIN SELECT INPUT REGISTER 23**

|        |     |     |     |     |     |     |       |
|--------|-----|-----|-----|-----|-----|-----|-------|
| U-0    | U-0 | U-0 | U-0 | U-0 | U-0 | U-0 | U-0   |
| —      | —   | —   | —   | —   | —   | —   | —     |
| bit 15 |     |     |     |     |     |     | bit 8 |

|       |           |       |       |       |       |       |       |
|-------|-----------|-------|-------|-------|-------|-------|-------|
| U-0   | R/W-0     | R/W-0 | R/W-0 | R/W-0 | R/W-0 | R/W-0 | R/W-0 |
| —     | SS2R<6:0> |       |       |       |       |       | —     |
| bit 7 |           |       |       |       |       |       | bit 0 |

**Legend:**

R = Readable bit                      W = Writable bit                      U = Unimplemented bit, read as '0'  
 -n = Value at POR                      '1' = Bit is set                      '0' = Bit is cleared                      x = Bit is unknown

bit 15                      **Unimplemented:** Read as '0'  
 bit 6-0                      **SS2R<6:0>:** Assign SPI2 Slave Select ( $\overline{SS2}$ ) to the Corresponding RPn Pin bits  
 (see [Table 11-2](#) for input pin selection numbers)  
 1111001 = Input tied to RPI121  
 .  
 .  
 .  
 0000001 = Input tied to CMP1  
 0000000 = Input tied to Vss

**REGISTER 11-14: RPINR26: PERIPHERAL PIN SELECT INPUT REGISTER 26  
 (dsPIC33EPXXXGP/MC50X DEVICES ONLY)**

|        |     |     |     |     |     |     |       |
|--------|-----|-----|-----|-----|-----|-----|-------|
| U-0    | U-0 | U-0 | U-0 | U-0 | U-0 | U-0 | U-0   |
| —      | —   | —   | —   | —   | —   | —   | —     |
| bit 15 |     |     |     |     |     |     | bit 8 |

|       |            |       |       |       |       |       |       |
|-------|------------|-------|-------|-------|-------|-------|-------|
| U-0   | R/W-0      | R/W-0 | R/W-0 | R/W-0 | R/W-0 | R/W-0 | R/W-0 |
| —     | C1RXR<6:0> |       |       |       |       |       | —     |
| bit 7 |            |       |       |       |       |       | bit 0 |

**Legend:**

R = Readable bit                      W = Writable bit                      U = Unimplemented bit, read as '0'  
 -n = Value at POR                      '1' = Bit is set                      '0' = Bit is cleared                      x = Bit is unknown

bit 15-7                      **Unimplemented:** Read as '0'  
 bit 6-0                      **C1RXR<6:0>:** Assign CAN1 RX Input (CRX1) to the Corresponding RPn Pin bits  
 (see [Table 11-2](#) for input pin selection numbers)  
 1111001 = Input tied to RPI121  
 .  
 .  
 .  
 0000001 = Input tied to CMP1  
 0000000 = Input tied to Vss

**REGISTER 11-15: RPINR37: PERIPHERAL PIN SELECT INPUT REGISTER 37  
(dsPIC33EPXXXMC20X/50X AND PIC24EPXXXMC20X DEVICES ONLY)**

|        |              |       |       |       |       |       |       |       |
|--------|--------------|-------|-------|-------|-------|-------|-------|-------|
| U-0    | R/W-0        | R/W-0 | R/W-0 | R/W-0 | R/W-0 | R/W-0 | R/W-0 |       |
| —      | SYNC11R<6:0> |       |       |       |       |       |       |       |
| bit 15 |              |       |       |       |       |       |       | bit 8 |

|       |     |     |     |     |     |     |       |
|-------|-----|-----|-----|-----|-----|-----|-------|
| U-0   | U-0 | U-0 | U-0 | U-0 | U-0 | U-0 | U-0   |
| —     | —   | —   | —   | —   | —   | —   | —     |
| bit 7 |     |     |     |     |     |     | bit 0 |

**Legend:**

R = Readable bit                      W = Writable bit                      U = Unimplemented bit, read as '0'  
 -n = Value at POR                      '1' = Bit is set                      '0' = Bit is cleared                      x = Bit is unknown

- bit 15                      **Unimplemented:** Read as '0'
- bit 14-8                      **SYNC11R<6:0>:** Assign PWM Synchronization Input 1 to the Corresponding RPn Pin bits  
 (see [Table 11-2](#) for input pin selection numbers)  
 1111001 = Input tied to RPI121  
 .  
 .  
 .  
 0000001 = Input tied to CMP1  
 0000000 = Input tied to Vss
- bit 7-0                      **Unimplemented:** Read as '0'



**REGISTER 11-16: RPINR38: PERIPHERAL PIN SELECT INPUT REGISTER 38  
(dsPIC33EPXXXMC02X AND PIC24EPXXXMC20X DEVICES ONLY)**

|        |              |       |       |       |       |       |       |
|--------|--------------|-------|-------|-------|-------|-------|-------|
| U-0    | R/W-0        | R/W-0 | R/W-0 | R/W-0 | R/W-0 | R/W-0 | R/W-0 |
| —      | DTCMP1R<6:0> |       |       |       |       |       |       |
| bit 15 |              |       |       |       |       |       | bit 8 |

|       |     |     |     |     |     |     |       |
|-------|-----|-----|-----|-----|-----|-----|-------|
| U-0   | U-0 | U-0 | U-0 | U-0 | U-0 | U-0 | U-0   |
| —     | —   | —   | —   | —   | —   | —   | —     |
| bit 7 |     |     |     |     |     |     | bit 0 |

**Legend:**

R = Readable bit                      W = Writable bit                      U = Unimplemented bit, read as '0'  
 -n = Value at POR                      '1' = Bit is set                      '0' = Bit is cleared                      x = Bit is unknown

bit 15                      **Unimplemented:** Read as '0'

bit 14-8                      **DTCMP1R<6:0>:** Assign PWM Dead-Time Compensation Input 1 to the Corresponding RPn Pin bits  
 (see [Table 11-2](#) for input pin selection numbers)  
 1111001 = Input tied to RPI121  
 .  
 .  
 .  
 0000001 = Input tied to CMP1  
 0000000 = Input tied to Vss

bit 7-0                      **Unimplemented:** Read as '0'

**REGISTER 11-17: RPINR39: PERIPHERAL PIN SELECT INPUT REGISTER 39  
(dsPIC33EPXXXMC20X/50X AND PIC24EPXXXMC20X DEVICES ONLY)**

|        |              |       |       |       |       |       |       |
|--------|--------------|-------|-------|-------|-------|-------|-------|
| U-0    | R/W-0        | R/W-0 | R/W-0 | R/W-0 | R/W-0 | R/W-0 | R/W-0 |
| —      | DTCMP3R<6:0> |       |       |       |       |       |       |
| bit 15 |              |       |       |       |       |       | bit 8 |

|       |              |       |       |       |       |       |       |
|-------|--------------|-------|-------|-------|-------|-------|-------|
| U-0   | R/W-0        | R/W-0 | R/W-0 | R/W-0 | R/W-0 | R/W-0 | R/W-0 |
| —     | DTCMP2R<6:0> |       |       |       |       |       |       |
| bit 7 |              |       |       |       |       |       | bit 0 |

**Legend:**

|                   |                  |  |
|-------------------|------------------|--|
| R = Readable bit  | W = Writable bit | U = Unimplemented bit, read as '0'           |
| -n = Value at POR | '1' = Bit is set | '0' = Bit is cleared      x = Bit is unknown |

bit 15      **Unimplemented:** Read as '0'

bit 14-8    **DTCMP3R<6:0>:** Assign PWM Dead-Time Compensation Input 3 to the Corresponding RPn Pin bits (see [Table 11-2](#) for input pin selection numbers)

            1111001 = Input tied to RPI121

            .

            .

            .

            0000001 = Input tied to CMP1

            0000000 = Input tied to Vss

bit 7      **Unimplemented:** Read as '0'

bit 6-0    **DTCMP2R<6:0>:** Assign PWM Dead-Time Compensation Input 2 to the Corresponding RPn Pin bits (see [Table 11-2](#) for input pin selection numbers)

            1111001 = Input tied to RPI121

            .

            .

            .

            0000001 = Input tied to CMP1

            0000000 = Input tied to Vss

**REGISTER 11-18: RPOR0: PERIPHERAL PIN SELECT OUTPUT REGISTER 0**

|        |     |            |       |       |       |       |       |
|--------|-----|------------|-------|-------|-------|-------|-------|
| U-0    | U-0 | R/W-0      | R/W-0 | R/W-0 | R/W-0 | R/W-0 | R/W-0 |
| —      | —   | RP35R<5:0> |       |       |       |       |       |
| bit 15 |     |            |       |       |       |       | bit 8 |

|       |     |            |       |       |       |       |       |
|-------|-----|------------|-------|-------|-------|-------|-------|
| U-0   | U-0 | R/W-0      | R/W-0 | R/W-0 | R/W-0 | R/W-0 | R/W-0 |
| —     | —   | RP20R<5:0> |       |       |       |       |       |
| bit 7 |     |            |       |       |       |       | bit 0 |

|                   |                  |                                    |                    |  |  |  |  |
|-------------------|------------------|------------------------------------|--------------------|--|--|--|--|
| <b>Legend:</b>    |                  |                                    |                    |  |  |  |  |
| R = Readable bit  | W = Writable bit | U = Unimplemented bit, read as '0' |                    |  |  |  |  |
| -n = Value at POR | '1' = Bit is set | '0' = Bit is cleared               | x = Bit is unknown |  |  |  |  |

- bit 15-14     **Unimplemented:** Read as '0'
- bit 13-8     **RP35R<5:0>:** Peripheral Output Function is Assigned to RP35 Output Pin bits  
(see [Table 11-3](#) for peripheral function numbers)
- bit 7-6       **Unimplemented:** Read as '0'
- bit 5-0       **RP20R<5:0>:** Peripheral Output Function is Assigned to RP20 Output Pin bits  
(see [Table 11-3](#) for peripheral function numbers)

**REGISTER 11-19: RPOR1: PERIPHERAL PIN SELECT OUTPUT REGISTER 1**

|        |     |            |       |       |       |       |       |
|--------|-----|------------|-------|-------|-------|-------|-------|
| U-0    | U-0 | R/W-0      | R/W-0 | R/W-0 | R/W-0 | R/W-0 | R/W-0 |
| —      | —   | RP37R<5:0> |       |       |       |       |       |
| bit 15 |     |            |       |       |       |       | bit 8 |

|       |     |            |       |       |       |       |       |
|-------|-----|------------|-------|-------|-------|-------|-------|
| U-0   | U-0 | R/W-0      | R/W-0 | R/W-0 | R/W-0 | R/W-0 | R/W-0 |
| —     | —   | RP36R<5:0> |       |       |       |       |       |
| bit 7 |     |            |       |       |       |       | bit 0 |

|                   |                  |                                    |                    |  |  |  |  |
|-------------------|------------------|------------------------------------|--------------------|--|--|--|--|
| <b>Legend:</b>    |                  |                                    |                    |  |  |  |  |
| R = Readable bit  | W = Writable bit | U = Unimplemented bit, read as '0' |                    |  |  |  |  |
| -n = Value at POR | '1' = Bit is set | '0' = Bit is cleared               | x = Bit is unknown |  |  |  |  |

- bit 15-14     **Unimplemented:** Read as '0'
- bit 13-8     **RP37R<5:0>:** Peripheral Output Function is Assigned to RP37 Output Pin bits  
(see [Table 11-3](#) for peripheral function numbers)
- bit 7-6       **Unimplemented:** Read as '0'
- bit 5-0       **RP36R<5:0>:** Peripheral Output Function is Assigned to RP36 Output Pin bits  
(see [Table 11-3](#) for peripheral function numbers)

**REGISTER 11-20: RPOR2: PERIPHERAL PIN SELECT OUTPUT REGISTER 2**

|        |     |            |       |       |       |       |       |
|--------|-----|------------|-------|-------|-------|-------|-------|
| U-0    | U-0 | R/W-0      | R/W-0 | R/W-0 | R/W-0 | R/W-0 | R/W-0 |
| —      | —   | RP39R<5:0> |       |       |       |       |       |
| bit 15 |     |            |       |       |       |       | bit 8 |

|       |     |            |       |       |       |       |       |
|-------|-----|------------|-------|-------|-------|-------|-------|
| U-0   | U-0 | R/W-0      | R/W-0 | R/W-0 | R/W-0 | R/W-0 | R/W-0 |
| —     | —   | RP38R<5:0> |       |       |       |       |       |
| bit 7 |     |            |       |       |       |       | bit 0 |

**Legend:**

R = Readable bit                      W = Writable bit                      U = Unimplemented bit, read as '0'  
 -n = Value at POR                      '1' = Bit is set                      '0' = Bit is cleared                      x = Bit is unknown

- bit 15-14      **Unimplemented:** Read as '0'
- bit 13-8      **RP39R<5:0>:** Peripheral Output Function is Assigned to RP39 Output Pin bits  
 (see [Table 11-3](#) for peripheral function numbers)
- bit 7-6        **Unimplemented:** Read as '0'
- bit 5-0        **RP38R<5:0>:** Peripheral Output Function is Assigned to RP38 Output Pin bits  
 (see [Table 11-3](#) for peripheral function numbers)

**REGISTER 11-21: RPOR3: PERIPHERAL PIN SELECT OUTPUT REGISTER 3**

|        |     |            |       |       |       |       |       |
|--------|-----|------------|-------|-------|-------|-------|-------|
| U-0    | U-0 | R/W-0      | R/W-0 | R/W-0 | R/W-0 | R/W-0 | R/W-0 |
| —      | —   | RP41R<5:0> |       |       |       |       |       |
| bit 15 |     |            |       |       |       |       | bit 8 |

|       |     |            |       |       |       |       |       |
|-------|-----|------------|-------|-------|-------|-------|-------|
| U-0   | U-0 | R/W-0      | R/W-0 | R/W-0 | R/W-0 | R/W-0 | R/W-0 |
| —     | —   | RP40R<5:0> |       |       |       |       |       |
| bit 7 |     |            |       |       |       |       | bit 0 |

**Legend:**

R = Readable bit                      W = Writable bit                      U = Unimplemented bit, read as '0'  
 -n = Value at POR                      '1' = Bit is set                      '0' = Bit is cleared                      x = Bit is unknown

- bit 15-14      **Unimplemented:** Read as '0'
- bit 13-8      **RP41R<5:0>:** Peripheral Output Function is Assigned to RP41 Output Pin bits  
 (see [Table 11-3](#) for peripheral function numbers)
- bit 7-6        **Unimplemented:** Read as '0'
- bit 5-0        **RP40R<5:0>:** Peripheral Output Function is Assigned to RP40 Output Pin bits  
 (see [Table 11-3](#) for peripheral function numbers)

**REGISTER 11-22: RPOR4: PERIPHERAL PIN SELECT OUTPUT REGISTER 4**

|        |     |            |       |       |       |       |       |
|--------|-----|------------|-------|-------|-------|-------|-------|
| U-0    | U-0 | R/W-0      | R/W-0 | R/W-0 | R/W-0 | R/W-0 | R/W-0 |
| —      | —   | RP43R<5:0> |       |       |       |       |       |
| bit 15 |     |            |       |       |       |       | bit 8 |

|       |     |            |       |       |       |       |       |
|-------|-----|------------|-------|-------|-------|-------|-------|
| U-0   | U-0 | R/W-0      | R/W-0 | R/W-0 | R/W-0 | R/W-0 | R/W-0 |
| —     | —   | RP42R<5:0> |       |       |       |       |       |
| bit 7 |     |            |       |       |       |       | bit 0 |

|                   |                  |                                    |                    |
|-------------------|------------------|------------------------------------|--------------------|
| <b>Legend:</b>    |                  |                                    |                    |
| R = Readable bit  | W = Writable bit | U = Unimplemented bit, read as '0' |                    |
| -n = Value at POR | '1' = Bit is set | '0' = Bit is cleared               | x = Bit is unknown |

- bit 15-14      **Unimplemented:** Read as '0'
- bit 13-8      **RP43R<5:0>:** Peripheral Output Function is Assigned to RP43 Output Pin bits  
(see [Table 11-3](#) for peripheral function numbers)
- bit 7-6        **Unimplemented:** Read as '0'
- bit 5-0        **RP42R<5:0>:** Peripheral Output Function is Assigned to RP42 Output Pin bits  
(see [Table 11-3](#) for peripheral function numbers)

**REGISTER 11-23: RPOR5: PERIPHERAL PIN SELECT OUTPUT REGISTER 5**

|        |     |            |       |       |       |       |       |
|--------|-----|------------|-------|-------|-------|-------|-------|
| U-0    | U-0 | R/W-0      | R/W-0 | R/W-0 | R/W-0 | R/W-0 | R/W-0 |
| —      | —   | RP55R<5:0> |       |       |       |       |       |
| bit 15 |     |            |       |       |       |       | bit 8 |

|       |     |            |       |       |       |       |       |
|-------|-----|------------|-------|-------|-------|-------|-------|
| U-0   | U-0 | R/W-0      | R/W-0 | R/W-0 | R/W-0 | R/W-0 | R/W-0 |
| —     | —   | RP54R<5:0> |       |       |       |       |       |
| bit 7 |     |            |       |       |       |       | bit 0 |

|                   |                  |                                    |                    |
|-------------------|------------------|------------------------------------|--------------------|
| <b>Legend:</b>    |                  |                                    |                    |
| R = Readable bit  | W = Writable bit | U = Unimplemented bit, read as '0' |                    |
| -n = Value at POR | '1' = Bit is set | '0' = Bit is cleared               | x = Bit is unknown |

- bit 15-14      **Unimplemented:** Read as '0'
- bit 13-8      **RP55R<5:0>:** Peripheral Output Function is Assigned to RP55 Output Pin bits  
(see [Table 11-3](#) for peripheral function numbers)
- bit 7-6        **Unimplemented:** Read as '0'
- bit 5-0        **RP54R<5:0>:** Peripheral Output Function is Assigned to RP54 Output Pin bits  
(see [Table 11-3](#) for peripheral function numbers)

**REGISTER 11-24: RPOR6: PERIPHERAL PIN SELECT OUTPUT REGISTER 6**

|        |     |            |       |       |       |       |       |
|--------|-----|------------|-------|-------|-------|-------|-------|
| U-0    | U-0 | R/W-0      | R/W-0 | R/W-0 | R/W-0 | R/W-0 | R/W-0 |
| —      | —   | RP57R<5:0> |       |       |       |       |       |
| bit 15 |     |            |       |       |       |       | bit 8 |

|       |     |            |       |       |       |       |       |
|-------|-----|------------|-------|-------|-------|-------|-------|
| U-0   | U-0 | R/W-0      | R/W-0 | R/W-0 | R/W-0 | R/W-0 | R/W-0 |
| —     | —   | RP56R<5:0> |       |       |       |       |       |
| bit 7 |     |            |       |       |       |       | bit 0 |

**Legend:**

R = Readable bit                      W = Writable bit                      U = Unimplemented bit, read as '0'  
 -n = Value at POR                      '1' = Bit is set                      '0' = Bit is cleared                      x = Bit is unknown

- bit 15-14      **Unimplemented:** Read as '0'
- bit 13-8      **RP57R<5:0>:** Peripheral Output Function is Assigned to RP57 Output Pin bits  
 (see [Table 11-3](#) for peripheral function numbers)
- bit 7-6        **Unimplemented:** Read as '0'
- bit 5-0        **RP56R<5:0>:** Peripheral Output Function is Assigned to RP56 Output Pin bits  
 (see [Table 11-3](#) for peripheral function numbers)

**REGISTER 11-25: RPOR7: PERIPHERAL PIN SELECT OUTPUT REGISTER 7**

|        |     |            |       |       |       |       |       |
|--------|-----|------------|-------|-------|-------|-------|-------|
| U-0    | U-0 | R/W-0      | R/W-0 | R/W-0 | R/W-0 | R/W-0 | R/W-0 |
| —      | —   | RP97R<5:0> |       |       |       |       |       |
| bit 15 |     |            |       |       |       |       | bit 8 |

|       |     |     |     |     |     |     |       |
|-------|-----|-----|-----|-----|-----|-----|-------|
| U-0   | U-0 | U-0 | U-0 | U-0 | U-0 | U-0 | U-0   |
| —     | —   | —   | —   | —   | —   | —   | —     |
| bit 7 |     |     |     |     |     |     | bit 0 |

**Legend:**

R = Readable bit                      W = Writable bit                      U = Unimplemented bit, read as '0'  
 -n = Value at POR                      '1' = Bit is set                      '0' = Bit is cleared                      x = Bit is unknown

- bit 15-14      **Unimplemented:** Read as '0'
- bit 13-8      **RP97R<5:0>:** Peripheral Output Function is Assigned to RP97 Output Pin bits  
 (see [Table 11-3](#) for peripheral function numbers)
- bit 7-0        **Unimplemented:** Read as '0'

**REGISTER 11-26: RPOR8: PERIPHERAL PIN SELECT OUTPUT REGISTER 8**

|        |     |             |       |       |       |       |       |
|--------|-----|-------------|-------|-------|-------|-------|-------|
| U-0    | U-0 | R/W-0       | R/W-0 | R/W-0 | R/W-0 | R/W-0 | R/W-0 |
| —      | —   | RP118R<5:0> |       |       |       |       |       |
| bit 15 |     |             |       |       |       |       | bit 8 |

|       |     |     |     |     |     |     |       |
|-------|-----|-----|-----|-----|-----|-----|-------|
| U-0   | U-0 | U-0 | U-0 | U-0 | U-0 | U-0 | U-0   |
| —     | —   | —   | —   | —   | —   | —   | —     |
| bit 7 |     |     |     |     |     |     | bit 0 |

|                   |                  |                                    |                    |
|-------------------|------------------|------------------------------------|--------------------|
| <b>Legend:</b>    |                  |                                    |                    |
| R = Readable bit  | W = Writable bit | U = Unimplemented bit, read as '0' |                    |
| -n = Value at POR | '1' = Bit is set | '0' = Bit is cleared               | x = Bit is unknown |

- bit 15-14      **Unimplemented:** Read as '0'
- bit 13-8      **RP118R<5:0>:** Peripheral Output Function is Assigned to RP118 Output Pin bits  
(see [Table 11-3](#) for peripheral function numbers)
- bit 7-0        **Unimplemented:** Read as '0'

**REGISTER 11-27: RPOR9: PERIPHERAL PIN SELECT OUTPUT REGISTER 9**

|        |     |     |     |     |     |     |       |
|--------|-----|-----|-----|-----|-----|-----|-------|
| U-0    | U-0 | U-0 | U-0 | U-0 | U-0 | U-0 | U-0   |
| —      | —   | —   | —   | —   | —   | —   | —     |
| bit 15 |     |     |     |     |     |     | bit 8 |

|       |     |             |       |       |       |       |       |
|-------|-----|-------------|-------|-------|-------|-------|-------|
| U-0   | U-0 | R/W-0       | R/W-0 | R/W-0 | R/W-0 | R/W-0 | R/W-0 |
| —     | —   | RP120R<5:0> |       |       |       |       |       |
| bit 7 |     |             |       |       |       |       | bit 0 |

|                   |                  |                                    |                    |
|-------------------|------------------|------------------------------------|--------------------|
| <b>Legend:</b>    |                  |                                    |                    |
| R = Readable bit  | W = Writable bit | U = Unimplemented bit, read as '0' |                    |
| -n = Value at POR | '1' = Bit is set | '0' = Bit is cleared               | x = Bit is unknown |

- bit 15-6      **Unimplemented:** Read as '0'
- bit 5-0        **RP120R<5:0>:** Peripheral Output Function is Assigned to RP120 Output Pin bits  
(see [Table 11-3](#) for peripheral function numbers)

**NOTES:**



## 12.0 TIMER1

**Note 1:** This data sheet summarizes the features of the dsPIC33EPXXXGP50X, dsPIC33EPXXXMC20X/50X and PIC24EPXXXGP/MC20X families of devices. It is not intended to be a comprehensive reference source. To complement the information in this data sheet, refer to **Section 11. “Timers”** (DS70362) of the “*dsPIC33E/PIC24E Family Reference Manual*”, which is available from the Microchip web site ([www.microchip.com](http://www.microchip.com)).

**2:** Some registers and associated bits described in this section may not be available on all devices. Refer to **Section 4.0 “Memory Organization”** in this data sheet for device-specific register and bit information.

The Timer1 module is a 16-bit timer that can operate as a free-running interval timer/counter.

The Timer1 module has the following unique features over other timers:

- Can be operated in Asynchronous Counter mode from an external clock source
- The external clock input (T1CK) can optionally be synchronized to the internal device clock and the clock synchronization is performed after the prescaler

A block diagram of Timer1 is shown in [Figure 12-1](#).

The Timer1 module can operate in one of the following modes:

- Timer mode
- Gated Timer mode
- Synchronous Counter mode
- Asynchronous Counter mode

In Timer and Gated Timer modes, the input clock is derived from the internal instruction cycle clock (Fcy). In Synchronous and Asynchronous Counter modes, the input clock is derived from the external clock input at the T1CK pin.

The Timer modes are determined by the following bits:

- Timer Clock Source Control bit (TCS): T1CON<1>
- Timer Synchronization Control bit (TSYNC): T1CON<2>
- Timer Gate Control bit (TGATE): T1CON<6>

Timer control bit setting for different operating modes are given in the [Table 12-1](#).

**TABLE 12-1: TIMER MODE SETTINGS**

| Mode                 | TCS | TGATE | TSYNC |
|----------------------|-----|-------|-------|
| Timer                | 0   | 0     | x     |
| Gated Timer          | 0   | 1     | x     |
| Synchronous Counter  | 1   | x     | 1     |
| Asynchronous Counter | 1   | x     | 0     |

**FIGURE 12-1: 16-BIT TIMER1 MODULE BLOCK DIAGRAM**



## 12.1 Timer1 Resources

Many useful resources are provided on the main product page of the Microchip web site for the devices listed in this data sheet. This product page, which can be accessed using this [link](#), contains the latest updates and additional information.

**Note:** In the event you are not able to access the product page using the link above, enter this URL in your browser:  
<http://www.microchip.com/wwwproducts/Devices.aspx?dDocName=en555464>

### 12.1.1 KEY RESOURCES

- **Section 11. “Timers”** (DS70362)
- Code Samples
- Application Notes
- Software Libraries
- Webinars
- All Related “*dsPIC33E/PIC24E Family Reference Manual*” Sections
- Development Tools

## 12.2 Timer1 Control Register

REGISTER 12-1: T1CON: TIMER1 CONTROL REGISTER

|                    |     |       |     |     |     |     |       |
|--------------------|-----|-------|-----|-----|-----|-----|-------|
| R/W-0              | U-0 | R/W-0 | U-0 | U-0 | U-0 | U-0 | U-0   |
| TON <sup>(1)</sup> | —   | TSIDL | —   | —   | —   | —   | —     |
| bit 15             |     |       |     |     |     |     | bit 8 |

|       |       |            |       |     |                      |                    |       |
|-------|-------|------------|-------|-----|----------------------|--------------------|-------|
| U-0   | R/W-0 | R/W-0      | R/W-0 | U-0 | R/W-0                | R/W-0              | U-0   |
| —     | TGATE | TCKPS<1:0> |       | —   | TSYNC <sup>(1)</sup> | TCS <sup>(1)</sup> | —     |
| bit 7 |       |            |       |     |                      |                    | bit 0 |

**Legend:**

|                   |                  |                                    |
|-------------------|------------------|------------------------------------|
| R = Readable bit  | W = Writable bit | U = Unimplemented bit, read as '0' |
| -n = Value at POR | '1' = Bit is set | '0' = Bit is cleared               |
|                   |                  | x = Bit is unknown                 |

- bit 15      **TON:** Timer1 On bit<sup>(1)</sup>  
1 = Starts 16-bit Timer1  
0 = Stops 16-bit Timer1
- bit 14      **Unimplemented:** Read as '0'
- bit 13      **TSIDL:** Timer1 Stop in Idle Mode bit  
1 = Discontinues module operation when device enters Idle mode  
0 = Continues module operation in Idle mode
- bit 12-7    **Unimplemented:** Read as '0'
- bit 6       **TGATE:** Timer1 Gated Time Accumulation Enable bit  
When TCS = 1:  
This bit is ignored.  
When TCS = 0:  
1 = Gated time accumulation is enabled  
0 = Gated time accumulation is disabled
- bit 5-4     **TCKPS<1:0>:** Timer1 Input Clock Prescale Select bits  
11 = 1:256  
10 = 1:64  
01 = 1:8  
00 = 1:1
- bit 3       **Unimplemented:** Read as '0'
- bit 2       **TSYNC:** Timer1 External Clock Input Synchronization Select bit<sup>(1)</sup>  
When TCS = 1:  
1 = Synchronizes external clock input  
0 = Does not synchronize external clock input  
When TCS = 0:  
This bit is ignored.
- bit 1       **TCS:** Timer1 Clock Source Select bit<sup>(1)</sup>  
1 = External clock is from pin, T1CK (on the rising edge)  
0 = Internal clock (FP)
- bit 0       **Unimplemented:** Read as '0'

**Note 1:** When Timer1 is enabled in External Synchronous Counter mode (TCS = 1, TSYNC = 1, TON = 1), any attempts by user software to write to the TMR1 register are ignored.

**NOTES:**

### 13.0 TIMER2/3 AND TIMER4/5

**Note 1:** This data sheet summarizes the features of the dsPIC33EPXXXGP50X, dsPIC33EPXXXMC20X/50X and PIC24EPXXXGP/MC20X family of devices. It is not intended to be a comprehensive reference source. To complement the information in this data sheet, refer to **Section 11. “Timers”** (DS70362) of the “*dsPIC33E/PIC24E Family Reference Manual*”, which is available from the Microchip web site ([www.microchip.com](http://www.microchip.com)).

**2:** Some registers and associated bits described in this section may not be available on all devices. Refer to **Section 4.0 “Memory Organization”** in this data sheet for device-specific register and bit information.

The Timer2/3 and Timer4/5 modules are 32-bit timers, which can also be configured as four independent 16-bit timers with selectable operating modes.

As 32-bit timers, Timer2/3 and Timer4/5 operate in three modes:

- Two Independent 16-Bit Timers (e.g., Timer2 and Timer3) with all 16-Bit Operating modes (except Asynchronous Counter mode)
- Single 32-Bit Timer
- Single 32-Bit Synchronous Counter

They also support these features:

- Timer Gate Operation
- Selectable Prescaler Settings
- Timer Operation during Idle and Sleep modes
- Interrupt on a 32-Bit Period Register Match
- Time Base for Input Capture and Output Compare Modules (Timer2 and Timer3 only)
- ADC1 Event Trigger (32-bit timer pairs, and Timer3 and Timer5 only)

Individually, all four of the 16-bit timers can function as synchronous timers or counters. They also offer the features listed previously, except for the event trigger; this is implemented only with Timer2/3. The operating modes and enabled features are determined by setting the appropriate bit(s) in the T2CON, T3CON, and T4CON, T5CON registers. T2CON and T4CON are shown in generic form in [Register 13-1](#). T3CON and T5CON are shown in [Register 13-2](#).

For 32-bit timer/counter operation, Timer2 and Timer4 are the least significant word (lsw); Timer3 and Timer5 are the most significant word (msw) of the 32-bit timers.

**Note:** For 32-bit operation, T3CON and T5CON control bits are ignored. Only T2CON and T4CON control bits are used for setup and control. Timer2 and Timer4 clock and gate inputs are utilized for the 32-bit timer modules, but an interrupt is generated with the Timer3 and Timer5 interrupt flags.

A block diagram for an example 32-bit timer pair (Timer2/3 and Timer4/5) is shown in [Figure 13-3](#).

**Note:** Only Timer2, 3, 4 and 5 can trigger a DMA data transfer.

FIGURE 13-1: TYPE B TIMER BLOCK DIAGRAM (x = 2 AND 4)



FIGURE 13-2: TYPE C TIMER BLOCK DIAGRAM (x = 3 AND 5)



FIGURE 13-3: TYPE B/TIME C TIMER PAIR BLOCK DIAGRAM (32-BIT TIMER)



### 13.1 Timerx Resources

Many useful resources are provided on the main product page of the Microchip web site for the devices listed in this data sheet. This product page, which can be accessed using this [link](#), contains the latest updates and additional information.

**Note:** In the event you are not able to access the product page using the link above, enter this URL in your browser:  
<http://www.microchip.com/wwwproducts/Devices.aspx?dDocName=en555464>

#### 13.1.1 KEY RESOURCES

- **Section 11. “Timers”** (DS70362)
- Code Samples
- Application Notes
- Software Libraries
- Webinars
- All Related “dsPIC33E/PIC24E Family Reference Manual” Sections
- Development Tools

**13.2 Timer Control Registers**

**REGISTER 13-1: TxCON: (TIMER2 AND TIMER4) CONTROL REGISTER**

|        |     |       |     |     |     |     |       |
|--------|-----|-------|-----|-----|-----|-----|-------|
| R/W-0  | U-0 | R/W-0 | U-0 | U-0 | U-0 | U-0 | U-0   |
| TON    | —   | TSIDL | —   | —   | —   | —   | —     |
| bit 15 |     |       |     |     |     |     | bit 8 |

|       |       |            |       |       |     |                    |       |
|-------|-------|------------|-------|-------|-----|--------------------|-------|
| U-0   | R/W-0 | R/W-0      | R/W-0 | R/W-0 | U-0 | R/W-0              | U-0   |
| —     | TGATE | TCKPS<1:0> |       | T32   | —   | TCS <sup>(1)</sup> | —     |
| bit 7 |       |            |       |       |     |                    | bit 0 |

**Legend:**

R = Readable bit                      W = Writable bit                      U = Unimplemented bit, read as '0'  
 -n = Value at POR                      '1' = Bit is set                      '0' = Bit is cleared                      x = Bit is unknown

- bit 15            **TON:** Timerx On bit  
                   When T32 = 1:  
                   1 = Starts 32-bit Timerx/y  
                   0 = Stops 32-bit Timerx/y  
                   When T32 = 0:  
                   1 = Starts 16-bit Timerx  
                   0 = Stops 16-bit Timerx
- bit 14            **Unimplemented:** Read as '0'
- bit 13            **TSIDL:** Timerx Stop in Idle Mode bit  
                   1 = Discontinues module operation when device enters Idle mode  
                   0 = Continues module operation in Idle mode
- bit 12-7        **Unimplemented:** Read as '0'
- bit 6            **TGATE:** Timerx Gated Time Accumulation Enable bit  
                   When TCS = 1:  
                   This bit is ignored.  
                   When TCS = 0:  
                   1 = Gated time accumulation is enabled  
                   0 = Gated time accumulation is disabled
- bit 5-4        **TCKPS<1:0>:** Timerx Input Clock Prescale Select bits  
                   11 = 1:256  
                   10 = 1:64  
                   01 = 1:8  
                   00 = 1:1
- bit 3            **T32:** 32-Bit Timer Mode Select bit  
                   1 = Timerx and Timery form a single 32-bit timer  
                   0 = Timerx and Timery act as two 16-bit timers
- bit 2            **Unimplemented:** Read as '0'
- bit 1            **TCS:** Timerx Clock Source Select bit<sup>(1)</sup>  
                   1 = External clock is from pin, TxCK (on the rising edge)  
                   0 = Internal clock (FP)
- bit 0            **Unimplemented:** Read as '0'

**Note 1:** The TxCK pin is not available on all timers. Refer to the “[Pin Diagrams](#)” section for the available pins.



**REGISTER 13-2: TyCON: (TIMER3 AND TIMER5) CONTROL REGISTER**

|                    |     |                      |     |     |     |     |       |
|--------------------|-----|----------------------|-----|-----|-----|-----|-------|
| R/W-0              | U-0 | R/W-0                | U-0 | U-0 | U-0 | U-0 | U-0   |
| TON <sup>(1)</sup> | —   | TSIDL <sup>(2)</sup> | —   | —   | —   | —   | —     |
| bit 15             |     |                      |     |     |     |     | bit 8 |

|       |                      |                           |       |     |     |                      |       |
|-------|----------------------|---------------------------|-------|-----|-----|----------------------|-------|
| U-0   | R/W-0                | R/W-0                     | R/W-0 | U-0 | U-0 | R/W-0                | U-0   |
| —     | TGATE <sup>(1)</sup> | TCKPS<1:0> <sup>(1)</sup> |       | —   | —   | TCS <sup>(1,3)</sup> | —     |
| bit 7 |                      |                           |       |     |     |                      | bit 0 |

|                   |                  |                                    |                    |
|-------------------|------------------|------------------------------------|--------------------|
| <b>Legend:</b>    |                  |                                    |                    |
| R = Readable bit  | W = Writable bit | U = Unimplemented bit, read as '0' |                    |
| -n = Value at POR | '1' = Bit is set | '0' = Bit is cleared               | x = Bit is unknown |

- bit 15      **TON:** Timery On bit<sup>(1)</sup>  
             1 = Starts 16-bit Timery  
             0 = Stops 16-bit Timery
- bit 14      **Unimplemented:** Read as '0'
- bit 13      **TSIDL:** Timery Stop in Idle Mode bit<sup>(2)</sup>  
             1 = Discontinues module operation when device enters Idle mode  
             0 = Continues module operation in Idle mode
- bit 12-7    **Unimplemented:** Read as '0'
- bit 6        **TGATE:** Timery Gated Time Accumulation Enable bit<sup>(1)</sup>  
             When TCS = 1:  
             This bit is ignored.  
             When TCS = 0:  
             1 = Gated time accumulation is enabled  
             0 = Gated time accumulation is disabled
- bit 5-4     **TCKPS<1:0>:** Timery Input Clock Prescale Select bits<sup>(1)</sup>  
             11 = 1:256  
             10 = 1:64  
             01 = 1:8  
             00 = 1:1
- bit 3-2     **Unimplemented:** Read as '0'
- bit 1        **TCS:** Timery Clock Source Select bit<sup>(1,3)</sup>  
             1 = External clock is from pin, TyCK (on the rising edge)  
             0 = Internal clock (FP)
- bit 0        **Unimplemented:** Read as '0'

- Note 1:** When 32-bit operation is enabled (T2CON<3> = 1), these bits have no effect on Timery operation; all timer functions are set through TxCON.
- 2:** When 32-bit timer operation is enabled (T32 = 1) in the Timerx Control register (TxCON<3>), the TSIDL bit must be cleared to operate the 32-bit timer in Idle mode.
- 3:** The TyCK pin is not available on all timers. See the “[Pin Diagrams](#)” section for the available pins.

**NOTES:**

## 14.0 INPUT CAPTURE

**Note 1:** This data sheet summarizes the features of the dsPIC33EPXXXGP50X, dsPIC33EPXXXMC20X/50X and PIC24EPXXXGP/MC20X families of devices. It is not intended to be a comprehensive reference source. To complement the information in this data sheet, refer to **Section 12. “Input Capture”** (DS70352) of the “dsPIC33E/PIC24E Family Reference Manual”, which is available from the Microchip web site ([www.microchip.com](http://www.microchip.com)).

**2:** Some registers and associated bits described in this section may not be available on all devices. Refer to **Section 4.0 “Memory Organization”** in this data sheet for device-specific register and bit information.

The input capture module is useful in applications requiring frequency (period) and pulse measurement. The dsPIC33EPXXXGP50X, dsPIC33EPXXXMC20X/50X and PIC24EPXXXGP/MC20X devices support up to four input capture channels.

Key features of the input capture module include:

- Hardware-configurable for 32-bit operation in all modes by cascading two adjacent modules
- Synchronous and Trigger modes of output compare operation, with up to 31 user-selectable Trigger/Sync sources available
- A 4-level FIFO buffer for capturing and holding timer values for several events
- Configurable interrupt generation
- Up to six clock sources available for each module, driving a separate internal 16-bit counter

**FIGURE 14-1: INPUT CAPTURE x MODULE BLOCK DIAGRAM**



## 14.1 Input Capture Resources

Many useful resources are provided on the main product page of the Microchip web site for the devices listed in this data sheet. This product page, which can be accessed using this [link](#), contains the latest updates and additional information.

**Note:** In the event you are not able to access the product page using the link above, enter this URL in your browser:  
<http://www.microchip.com/wwwproducts/Devices.aspx?dDocName=en555464>

### 14.1.1 KEY RESOURCES

- **Section 12. “Input Capture”** (DS70352)
- Code Samples
- Application Notes
- Software Libraries
- Webinars
- All Related “*dsPIC33E/PIC24E Family Reference Manual*” Sections
- Development Tools

## 14.2 Input Capture Registers

**REGISTER 14-1: IC<sub>x</sub>CON1: INPUT CAPTURE x CONTROL REGISTER 1**

|        |     |        |             |       |       |       |     |
|--------|-----|--------|-------------|-------|-------|-------|-----|
| U-0    | U-0 | R/W-0  | R/W-0       | R/W-0 | R/W-0 | U-0   | U-0 |
| —      | —   | ICSIDL | ICTSEL<2:0> |       |       | —     | —   |
| bit 15 |     |        |             |       |       | bit 8 |     |

|       |          |       |           |           |          |       |       |
|-------|----------|-------|-----------|-----------|----------|-------|-------|
| U-0   | R/W-0    | R/W-0 | R/HC/HS-0 | R/HC/HS-0 | R/W-0    | R/W-0 | R/W-0 |
| —     | ICI<1:0> |       | ICOV      | ICBNE     | ICM<2:0> |       |       |
| bit 7 |          |       |           |           |          |       | bit 0 |

|                   |                             |                                    |
|-------------------|-----------------------------|------------------------------------|
| <b>Legend:</b>    | HC = Hardware Clearable bit | HS = Hardware Settable bit         |
| R = Readable bit  | W = Writable bit            | U = Unimplemented bit, read as '0' |
| -n = Value at POR | '1' = Bit is set            | '0' = Bit is cleared               |
|                   |                             | x = Bit is unknown                 |

bit 15-14 **Unimplemented:** Read as '0'

bit 13 **ICSIDL:** Input Capture Stop in Idle Control bit  
 1 = Input capture will Halt in CPU Idle mode  
 0 = Input capture will continue to operate in CPU Idle mode

bit 12-10 **ICTSEL<12:10>:** Input Capture Timer Select bits  
 111 = Peripheral clock (FP) is the clock source of the IC<sub>x</sub>  
 110 = Reserved  
 101 = Reserved  
 100 = T1CLK is the clock source of the IC<sub>x</sub> (only the synchronous clock is supported)  
 011 = T5CLK is the clock source of the IC<sub>x</sub>  
 010 = T4CLK is the clock source of the IC<sub>x</sub>  
 001 = T2CLK is the clock source of the IC<sub>x</sub>  
 000 = T3CLK is the clock source of the IC<sub>x</sub>

bit 9-7 **Unimplemented:** Read as '0'

bit 6-5 **ICI<1:0>:** Number of Captures per Interrupt Select bits (this field is not used if ICM<2:0> = 001 or 111)  
 11 = Interrupt on every fourth capture event  
 10 = Interrupt on every third capture event  
 01 = Interrupt on every second capture event  
 00 = Interrupt on every capture event

bit 4 **ICOV:** Input Capture Overflow Status Flag bit (read-only)  
 1 = Input capture buffer overflow occurred  
 0 = No input capture buffer overflow occurred

bit 3 **ICBNE:** Input Capture Buffer Not Empty Status bit (read-only)  
 1 = Input capture buffer is not empty, at least one more capture value can be read  
 0 = Input capture buffer is empty

bit 2-0 **ICM<2:0>:** Input Capture Mode Select bits  
 111 = Input capture functions as interrupt pin only in CPU Sleep and Idle modes (rising edge detect only, all other control bits are not applicable)  
 110 = Unused (module is disabled)  
 101 = Capture mode, every 16th rising edge (Prescaler Capture mode)  
 100 = Capture mode, every 4th rising edge (Prescaler Capture mode)  
 011 = Capture mode, every rising edge (Simple Capture mode)  
 010 = Capture mode, every falling edge (Simple Capture mode)  
 001 = Capture mode, every edge rising and falling (Edge Detect mode (ICI<1:0>) is not used in this mode)  
 000 = Input capture module is turned off

**REGISTER 14-2: ICxCON2: INPUT CAPTURE x CONTROL REGISTER 2**

|        |     |     |     |     |     |     |       |
|--------|-----|-----|-----|-----|-----|-----|-------|
| U-0    | U-0 | U-0 | U-0 | U-0 | U-0 | U-0 | R/W-0 |
| —      | —   | —   | —   | —   | —   | —   | IC32  |
| bit 15 |     |     |     |     |     |     | bit 8 |

|                       |                         |     |                             |       |       |       |       |
|-----------------------|-------------------------|-----|-----------------------------|-------|-------|-------|-------|
| R/W-0                 | R/W/HS-0                | U-0 | R/W-0                       | R/W-1 | R/W-1 | R/W-0 | R/W-1 |
| ICTRIG <sup>(2)</sup> | TRIGSTAT <sup>(3)</sup> | —   | SYNCSEL<4:0> <sup>(4)</sup> |       |       |       |       |
| bit 7                 |                         |     |                             |       |       |       | bit 0 |

|                   |                                    |
|-------------------|------------------------------------|
| <b>Legend:</b>    | HS = Hardware Settable bit         |
| R = Readable bit  | W = Writable bit                   |
| -n = Value at POR | '1' = Bit is set                   |
|                   | '0' = Bit is cleared               |
|                   | x = Bit is unknown                 |
|                   | U = Unimplemented bit, read as '0' |

- bit 15-9     **Unimplemented:** Read as '0'
- bit 8       **IC32:** Input Capture 32-Bit Timer Mode Select bit (Cascade mode)
  - 1 = Odd IC and Even IC form a single 32-bit input capture module<sup>(1)</sup>
  - 0 = Cascade module operation is disabled
- bit 7       **ICTRIG:** Input Capture Trigger Operation Select bit<sup>(2)</sup>
  - 1 = Input source used to trigger the input capture timer (Trigger mode)
  - 0 = Input source used to synchronize the input capture timer to a timer of another module (Synchronization mode)
- bit 6       **TRIGSTAT:** Timer Trigger Status bit<sup>(3)</sup>
  - 1 = ICxTMR has been triggered and is running
  - 0 = ICxTMR has not been triggered and is being held clear
- bit 5       **Unimplemented:** Read as '0'

- Note 1:** The IC32 bit in both the Odd and Even IC must be set to enable Cascade mode.
- Note 2:** The input source is selected by the SYNCSEL<4:0> bits of the ICxCON2 register.
- Note 3:** This bit is set by the selected input source (selected by SYNCSEL<4:0> bits). It can be read, set and cleared in software.
- Note 4:** Do not use the ICx module as its own Sync or Trigger source.
- Note 5:** This option should only be selected as a trigger source and not as a synchronization source.
- Note 6:** Each Input Capture x (ICx) module has one PTG input source. See [Section 24.0 “Peripheral Trigger Generator \(PTG\) Module”](#) for more information.
- PTGO8 = IC1
  - PTGO9 = IC2
  - PTGO10 = IC3
  - PTGO11 = IC4

**REGISTER 14-2: ICxCON2: INPUT CAPTURE x CONTROL REGISTER 2 (CONTINUED)**

|         |   |
|---------|---|
| bit 4-0 | <b>SYNCSEL&lt;4:0&gt;</b> : Input Source Select for Synchronization and Trigger Operation bits <sup>(4)</sup> |
|         | 11111 = No Sync or Trigger source for ICx   |
|         | 11110 = Reserved  |
|         | 11101 = Reserved  |
|         | 11100 = CTMU module synchronizes or triggers ICx  |
|         | 11011 = ADC1 module synchronizes or triggers ICx <sup>(5)</sup>   |
|         | 11010 = CMP3 module synchronizes or triggers ICx <sup>(5)</sup>   |
|         | 11001 = CMP2 module synchronizes or triggers ICx <sup>(5)</sup>   |
|         | 11000 = CMP1 module synchronizes or triggers ICx <sup>(5)</sup>   |
|         | 10111 = Reserved  |
|         | 10110 = Reserved  |
|         | 10101 = Reserved  |
|         | 10100 = Reserved  |
|         | 10011 = IC4 module synchronizes or triggers ICx   |
|         | 10010 = IC3 module synchronizes or triggers ICx   |
|         | 10001 = IC2 module synchronizes or triggers ICx   |
|         | 10000 = IC1 module synchronizes or triggers ICx   |
|         | 01111 = Timer5 synchronizes or triggers ICx   |
|         | 01110 = Timer4 synchronizes or triggers ICx   |
|         | 01101 = Timer3 synchronizes or triggers ICx <b>(default)</b>  |
|         | 01100 = Timer2 synchronizes or triggers ICx   |
|         | 01011 = Timer1 synchronizes or triggers ICx   |
|         | 01010 = PTGOx module synchronizes or triggers ICx <sup>(6)</sup>  |
|         | 01001 = Reserved  |
|         | 01000 = Reserved  |
|         | 00111 = Reserved  |
|         | 00110 = Reserved  |
|         | 00101 = Reserved  |
|         | 00100 = OC4 module synchronizes or triggers ICx   |
|         | 00011 = OC3 module synchronizes or triggers ICx   |
|         | 00010 = OC2 module synchronizes or triggers ICx   |
|         | 00001 = OC1 module synchronizes or triggers ICx   |
|         | 00000 = No Sync or Trigger source for ICx   |

- Note 1:** The IC32 bit in both the Odd and Even IC must be set to enable Cascade mode.
- 2:** The input source is selected by the SYNCSEL<4:0> bits of the ICxCON2 register.
- 3:** This bit is set by the selected input source (selected by SYNCSEL<4:0> bits). It can be read, set and cleared in software.
- 4:** Do not use the ICx module as its own Sync or Trigger source.
- 5:** This option should only be selected as a trigger source and not as a synchronization source.
- 6:** Each Input Capture x (ICx) module has one PTG input source. See [Section 24.0 “Peripheral Trigger Generator \(PTG\) Module”](#) for more information.
- PTGO8 = IC1  
 PTGO9 = IC2  
 PTGO10 = IC3  
 PTGO11 = IC4

**NOTES:**



## 15.0 OUTPUT COMPARE

**Note 1:** This data sheet summarizes the features of the dsPIC33EPXXXGP50X, dsPIC33EPXXXMC20X/50X and PIC24EPXXXGP/MC20X families of devices. It is not intended to be a comprehensive reference source. To complement the information in this data sheet, refer to **Section 13. “Output Compare”** (DS70358) of the “dsPIC33E/PIC24E Family Reference Manual”, which is available from the Microchip web site ([www.microchip.com](http://www.microchip.com)).

**2:** Some registers and associated bits described in this section may not be available on all devices. Refer to **Section 4.0 “Memory Organization”** in this data sheet for device-specific register and bit information.

The Output Compare module can select one of eight available clock sources for its time base. The module compares the value of the timer with the value of one or two compare registers depending on the operating mode selected. The state of the output pin changes when the timer value matches the compare register value. The output compare module generates either a single output pulse or a sequence of output pulses, by changing the state of the output pin on the compare match events. The output compare module can also generate interrupts on compare match events and trigger DMA data transfers.

**Note:** See **Section 13. “Output Compare”** (DS70358) in the “dsPIC33E/PIC24E Family Reference Manual” for OCxR and OCxRS register restrictions.

**FIGURE 15-1: OUTPUT COMPARE x MODULE BLOCK DIAGRAM**



## 15.1 Output Compare Resources

Many useful resources are provided on the main product page of the Microchip web site for the devices listed in this data sheet. This product page, which can be accessed using this [link](#), contains the latest updates and additional information.

**Note:** In the event you are not able to access the product page using the link above, enter this URL in your browser:  
<http://www.microchip.com/wwwproducts/Devices.aspx?dDocName=en555464>

### 15.1.1 KEY RESOURCES

- **Section 13. “Output Compare”** (DS70358)
- Code Samples
- Application Notes
- Software Libraries
- Webinars
- All Related “*dsPIC33E/PIC24E Family Reference Manual*” Sections
- Development Tools

## 15.2 Output Compare Control Registers

**REGISTER 15-1: OCxCON1: OUTPUT COMPARE x CONTROL REGISTER 1**

|        |     |        |             |       |       |       |        |
|--------|-----|--------|-------------|-------|-------|-------|--------|
| U-0    | U-0 | R/W-0  | R/W-0       | R/W-0 | R/W-0 | U-0   | R/W-0  |
| —      | —   | OCSIDL | OCTSEL<2:0> |       |       | —     | ENFLTB |
| bit 15 |     |        |             |       |       | bit 8 |        |

|        |     |            |            |          |          |       |       |
|--------|-----|------------|------------|----------|----------|-------|-------|
| R/W-0  | U-0 | R/W-0, HSC | R/W-0, HSC | R/W-0    | R/W-0    | R/W-0 | R/W-0 |
| ENFLTA | —   | OCFLTB     | OCFLTA     | TRIGMODE | OCM<2:0> |       |       |
| bit 7  |     |            |            |          |          | bit 0 |       |

|                   |                                       |                                    |                    |
|-------------------|---------------------------------------|------------------------------------|--------------------|
| <b>Legend:</b>    | HSC = Hardware Settable/Clearable bit |                                    |                    |
| R = Readable bit  | W = Writable bit                      | U = Unimplemented bit, read as '0' |                    |
| -n = Value at POR | '1' = Bit is set                      | '0' = Bit is cleared               | x = Bit is unknown |

bit 15-14 **Unimplemented:** Read as '0'

bit 13 **OCSIDL:** Output Compare x Stop in Idle Mode Control bit  
 1 = Output Compare x Halts in CPU Idle mode  
 0 = Output Compare x continues to operate in CPU Idle mode

bit 12-10 **OCTSEL<2:0>:** Output Compare x Clock Select bits  
 111 = Peripheral clock (FP)  
 110 = Reserved  
 101 = PTGOx clock<sup>(2)</sup>  
 100 = T1CLK is the clock source of the OCx (only the synchronous clock is supported)  
 011 = T5CLK is the clock source of the OCx  
 010 = T4CLK is the clock source of the OCx  
 001 = T3CLK is the clock source of the OCx  
 000 = T2CLK is the clock source of the OCx

bit 9 **Unimplemented:** Read as '0'

bit 8 **ENFLTB:** Fault B Input Enable bit  
 1 = Output Compare Fault B input (OCFB) is enabled  
 0 = Output Compare Fault B input (OCFB) is disabled

bit 7 **ENFLTA:** Fault A Input Enable bit  
 1 = Output Compare Fault A input (OCFA) is enabled  
 0 = Output Compare Fault A input (OCFA) is disabled

bit 6 **Unimplemented:** Read as '0'

bit 5 **OCFLTB:** PWM Fault B Condition Status bit  
 1 = PWM Fault B condition on OCFB pin has occurred  
 0 = No PWM Fault B condition on OCFB pin has occurred

bit 4 **OCFLTA:** PWM Fault A Condition Status bit  
 1 = PWM Fault A condition on OCFA pin has occurred  
 0 = No PWM Fault A condition on OCFA pin has occurred

- Note 1:** OCxR and OCxRS are double-buffered in PWM mode only.
- Note 2:** Each Output Compare x module (OCx) has one PTG clock source. See [Section 24.0 "Peripheral Trigger Generator \(PTG\) Module"](#) for more information.  
 PTGO4 = OC1  
 PTGO5 = OC2  
 PTGO6 = OC3  
 PTGO7 = OC4

**REGISTER 15-1: OCxCON1: OUTPUT COMPARE x CONTROL REGISTER 1 (CONTINUED)**

- bit 3      **TRIGMODE:** Trigger Status Mode Select bit  
1 = TRIGSTAT (OCxCON2<6>) is cleared when OCxRS = OCxTMR or in software  
0 = TRIGSTAT is cleared only by software
- bit 2-0    **OCM<2:0>:** Output Compare x Mode Select bits  
111 = Center-Aligned PWM mode: Output set high when OCxTMR = OCxR and set low when OCxTMR = OCxRS<sup>(1)</sup>  
110 = Edge-Aligned PWM mode: Output set high when OCxTMR = 0 and set low when OCxTMR = OCxR<sup>(1)</sup>  
101 = Double Compare Continuous Pulse mode: Initializes OCx pin low, toggles OCx state continuously on alternate matches of OCxR and OCxRS  
100 = Double Compare Single-Shot mode: Initializes OCx pin low, toggles OCx state on matches of OCxR and OCxRS for one cycle  
011 = Single Compare mode: Compare event with OCxR, continuously toggles OCx pin  
010 = Single Compare Single-Shot mode: Initializes OCx pin high, compare event with OCxR, forces OCx pin low  
001 = Single Compare Single-Shot mode: Initializes OCx pin low, compare event with OCxR, forces OCx pin high  
000 = Output compare channel is disabled

**Note 1:** OCxR and OCxRS are double-buffered in PWM mode only.

**2:** Each Output Compare x module (OCx) has one PTG clock source. See [Section 24.0 “Peripheral Trigger Generator \(PTG\) Module”](#) for more information.

PTGO4 = OC1

PTGO5 = OC2

PTGO6 = OC3

PTGO7 = OC4

**REGISTER 15-2: OCxCON2: OUTPUT COMPARE x CONTROL REGISTER 2**

|        |        |          |       |     |     |     |       |
|--------|--------|----------|-------|-----|-----|-----|-------|
| R/W-0  | R/W-0  | R/W-0    | R/W-0 | U-0 | U-0 | U-0 | R/W-0 |
| FLTMD  | FLTOUT | FLTTRIEN | OCINV | —   | —   | —   | OC32  |
| bit 15 |        |          |       |     |     |     | bit 8 |

|        |           |        |              |       |       |       |       |
|--------|-----------|--------|--------------|-------|-------|-------|-------|
| R/W-0  | R/W-0, HS | R/W-0  | R/W-0        | R/W-1 | R/W-1 | R/W-0 | R/W-0 |
| OCTRIG | TRIGSTAT  | OCTRIS | SYNCSEL<4:0> |       |       |       |       |
| bit 7  |           |        |              |       |       |       | bit 0 |

|                   |                            |                                    |                    |
|-------------------|----------------------------|------------------------------------|--------------------|
| <b>Legend:</b>    | HS = Hardware Settable bit |                                    |                    |
| R = Readable bit  | W = Writable bit           | U = Unimplemented bit, read as '0' |                    |
| -n = Value at POR | '1' = Bit is set           | '0' = Bit is cleared               | x = Bit is unknown |

- bit 15      **FLTMD:** Fault Mode Select bit  
 1 = Fault mode is maintained until the Fault source is removed; the corresponding OCFLTx bit is cleared in software and a new PWM period starts  
 0 = Fault mode is maintained until the Fault source is removed and a new PWM period starts
- bit 14      **FLTOUT:** Fault Out bit  
 1 = PWM output is driven high on a Fault  
 0 = PWM output is driven low on a Fault
- bit 13      **FLTTRIEN:** Fault Output State Select bit  
 1 = OCx pin is tri-stated on a Fault condition  
 0 = OCx pin I/O state is defined by the FLTOUT bit on a Fault condition
- bit 12      **OCINV:** Output Compare x Invert bit  
 1 = OCx output is inverted  
 0 = OCx output is not inverted
- bit 11-9    **Unimplemented:** Read as '0'
- bit 8        **OC32:** Cascade Two OCx Modules Enable bit (32-bit operation)  
 1 = Cascade module operation is enabled  
 0 = Cascade module operation is disabled
- bit 7        **OCTRIG:** Output Compare x Trigger/Sync Select bit  
 1 = Triggers OCx from the source designated by the SYNCSELx bits  
 0 = Synchronizes OCx with the source designated by the SYNCSELx bits
- bit 6        **TRIGSTAT:** Timer Trigger Status bit  
 1 = Timer source has been triggered and is running  
 0 = Timer source has not been triggered and is being held clear
- bit 5        **OCTRIS:** Output Compare x Output Pin Direction Select bit  
 1 = OCx is tri-stated  
 0 = Output Compare x module drives the OCx pin

- Note 1:** Do not use the OCx module as its own Synchronization or Trigger source.
- 2:** When the OCy module is turned OFF, it sends a trigger out signal. If the OCx module uses the OCy module as a Trigger source, the OCy module must be unselected as a Trigger source prior to disabling it.
- 3:** Each Output Compare x module (OCx) has one PTG Trigger/Synchronization source. See [Section 24.0 "Peripheral Trigger Generator \(PTG\) Module"](#) for more information.
- PTGO0 = OC1
  - PTGO1 = OC2
  - PTGO2 = OC3
  - PTGO3 = OC4

**REGISTER 15-2: OCxCON2: OUTPUT COMPARE x CONTROL REGISTER 2 (CONTINUED)**

bit 4-0      **SYNCSEL<4:0>**: Trigger/Synchronization Source Selection bits

11111 = OCxRS compare event is used for synchronization  
11110 = INT2 pin synchronizes or triggers OCx  
11101 = INT1 pin synchronizes or triggers OCx  
11100 = CTMU module synchronizes or triggers OCx  
11011 = ADC1 module synchronizes or triggers OCx  
11010 = CMP3 module synchronizes or triggers OCx  
11001 = CMP2 module synchronizes or triggers OCx  
11000 = CMP1 module synchronizes or triggers OCx  
10111 = Reserved  
10110 = Reserved  
10101 = Reserved  
10100 = Reserved  
10011 = IC4 input capture event synchronizes or triggers OCx  
10010 = IC3 input capture event synchronizes or triggers OCx  
10001 = IC2 input capture event synchronizes or triggers OCx  
10000 = IC1 input capture event synchronizes or triggers OCx  
01111 = Timer5 synchronizes or triggers OCx  
01110 = Timer4 synchronizes or triggers OCx  
01101 = Timer3 synchronizes or triggers OCx  
01100 = Timer2 synchronizes or triggers OCx **(default)**  
01011 = Timer1 synchronizes or triggers OCx  
01010 = PTGOx synchronizes or triggers OCx<sup>(3)</sup>  
01001 = Reserved  
01000 = Reserved  
00111 = Reserved  
00110 = Reserved  
00101 = Reserved  
00100 = OC4 module synchronizes or triggers OCx<sup>(1,2)</sup>  
00011 = OC3 module synchronizes or triggers OCx<sup>(1,2)</sup>  
00010 = OC2 module synchronizes or triggers OCx<sup>(1,2)</sup>  
00001 = OC1 module synchronizes or triggers OCx<sup>(1,2)</sup>  
00000 = No Sync or Trigger source for OCx

- Note 1:** Do not use the OCx module as its own Synchronization or Trigger source.
- 2:** When the OCy module is turned OFF, it sends a trigger out signal. If the OCx module uses the OCy module as a Trigger source, the OCy module must be unselected as a Trigger source prior to disabling it.
- 3:** Each Output Compare x module (OCx) has one PTG Trigger/Synchronization source. See [Section 24.0 “Peripheral Trigger Generator \(PTG\) Module”](#) for more information.
- PTGO0 = OC1  
PTGO1 = OC2  
PTGO2 = OC3  
PTGO3 = OC4

## 16.0 HIGH-SPEED PWM MODULE (dsPIC33EPXXXMC20X/50X AND PIC24EPXXXMC20X DEVICES ONLY)

**Note 1:** This data sheet summarizes the features of the dsPIC33EPXXXGP50X, dsPIC33EPXXXMC20X/50X and PIC24EPXXXGP/MC20X families of devices. It is not intended to be a comprehensive reference source. To complement the information in this data sheet, refer to **Section 14. “High-Speed PWM”** (DS70645) of the “dsPIC33E/PIC24E Family Reference Manual”, which is available from the Microchip web site ([www.microchip.com](http://www.microchip.com)).

**2:** Some registers and associated bits described in this section may not be available on all devices. Refer to **Section 4.0 “Memory Organization”** in this data sheet for device-specific register and bit information.

The dsPIC33EPXXXMC20X/50X and PIC24EPXXXMC20X devices support a dedicated Pulse-Width Modulation (PWM) module with up to 6 outputs.

The high-speed PWMx module consists of the following major features:

- Three PWM generators
- Two PWM outputs per PWM generator
- Individual period and duty cycle for each PWM pair
- Duty cycle, dead time, phase shift and frequency resolution of 8.32 ns
- Independent Fault and current-limit inputs for six PWM outputs
- Redundant output
- Center-Aligned PWM mode
- Output override control
- Chop mode (also known as Gated mode)
- Special Event Trigger
- Prescaler for input clock
- PWMxL and PWMxH output pin swapping
- Independent PWM frequency, duty cycle and phase-shift changes for each PWM generator
- Dead-time compensation
- Enhanced Leading-Edge Blanking (LEB) functionality
- Frequency resolution enhancement
- PWM capture functionality

**Note:** In Edge-Aligned PWM mode, the duty cycle, dead time, phase shift and frequency resolution are 8.32 ns.

The high-speed PWMx module contains up to three PWM generators. Each PWM generator provides two PWM outputs: PWMxH and PWMxL. The master time base generator provides a synchronous signal as a common time base to synchronize the various PWM outputs. The individual PWM outputs are available on the output pins of the device. The input Fault signals and current-limit signals, when enabled, can monitor and protect the system by placing the PWM outputs into a known “safe” state.

Each PWMx can generate a trigger to the ADC module to sample the analog signal at a specific instance during the PWM period. In addition, the high-speed PWMx module also generates a Special Event Trigger to the ADC module based on either of the two master time bases.

The high-speed PWMx module can synchronize itself with an external signal or can act as a synchronizing source to any external device. The SYNC1 input pin that utilizes PPS, can synchronize the high-speed PWMx module with an external signal. The SYNC0 pin is an output pin that provides a synchronous signal to an external device.

Figure 16-1 illustrates an architectural overview of the high-speed PWMx module and its interconnection with the CPU and other peripherals.

### 16.1 PWM Faults

The PWMx module incorporates multiple external Fault inputs to include FLT1 and FLT2 which are remappable using the PPS feature, FLT3 and FLT4 which are available only on the larger 44-pin and 64-pin packages, and FLT32 which has been implemented with Class B safety features, and is available on a fixed pin on all dsPIC33EPXXXMC20X/50X and PIC24EPXXXMC20X devices.

These Faults provide a safe and reliable way to safely shut down the PWM outputs when the Fault input is asserted.

#### 16.1.1 PWM FAULTS AT RESET

During any Reset event, the PWMx module maintains ownership of the Class B Fault, FLT32. At Reset, this Fault is enabled in Latched mode to ensure the fail-safe power-up of the application. The application software must clear the PWM Fault before enabling the high-speed motor control PWMx module. To clear the Fault condition, the FLT32 pin must first be pulled low externally or the internal pull-down resistor in the CNPDx register can be enabled.

**Note:** The Fault mode may be changed using the FLTMOD<1:0> bits (FCLCON<1:0>), regardless of the state of FLT32.

## 16.1.2 WRITE-PROTECTED REGISTERS

On dsPIC33EPXXXMC20X/50X and PIC24EPXXXMC20X devices, write protection is implemented for the IOCONx and FCLCONx registers. The write protection feature prevents any inadvertent writes to these registers. This protection feature can be controlled by the PWMLOCK Configuration bit (FOSCSEL<6>). The default state of the write protection feature is enabled (PWMLOCK = 1). The write protection feature can be disabled by configuring, PWMLOCK = 0.

To gain write access to these locked registers, the user application must write two consecutive values of (0xABCD and 0x4321) to the PWMKEY register to perform the unlock operation. The write access to the IOCONx or FCLCONx registers must be the next SFR access following the unlock process. There can be no other SFR accesses during the unlock process and subsequent write access. To write to both the IOCONx and FCLCONx registers requires two unlock operations.

The correct unlocking sequence is described in [Example 16-1](#).

### EXAMPLE 16-1: PWMx WRITE-PROTECTED REGISTER UNLOCK SEQUENCE

```
; FLT32 pin must be pulled low externally in order to clear and disable the fault
; Writing to FCLCON1 register requires unlock sequence

mov #0xabcd,w10      ; Load first unlock key to w10 register
mov #0x4321,w11      ; Load second unlock key to w11 register
mov #0x0000,w0       ; Load desired value of FCLCON1 register in w0
mov w10, PWMKEY      ; Write first unlock key to PWMKEY register
mov w11, PWMKEY      ; Write second unlock key to PWMKEY register
mov w0, FCLCON1      ; Write desired value to FCLCON1 register

; Set PWM ownership and polarity using the IOCON1 register
; Writing to IOCON1 register requires unlock sequence

mov #0xabcd,w10      ; Load first unlock key to w10 register
mov #0x4321,w11      ; Load second unlock key to w11 register
mov #0xF000,w0       ; Load desired value of IOCON1 register in w0
mov w10, PWMKEY      ; Write first unlock key to PWMKEY register
mov w11, PWMKEY      ; Write second unlock key to PWMKEY register
mov w0, IOCON1       ; Write desired value to IOCON1 register
```



FIGURE 16-1: HIGH-SPEED PWMx MODULE ARCHITECTURAL OVERVIEW



FIGURE 16-2: HIGH-SPEED PWMx MODULE REGISTER INTERCONNECTION DIAGRAM



## 16.2 PWM Resources

Many useful resources are provided on the main product page of the Microchip web site for the devices listed in this data sheet. This product page, which can be accessed using this [link](#), contains the latest updates and additional information.

**Note:** In the event you are not able to access the product page using the link above, enter this URL in your browser:  
<http://www.microchip.com/wwwproducts/Devices.aspx?dDocName=en555464>

### 16.2.1 KEY RESOURCES

- **Section 14. “High-Speed PWM”** (DS70645)
- Code Samples
- Application Notes
- Software Libraries
- Webinars
- All Related “*dsPIC33E/PIC24E Family Reference Manual*” Sections
- Development Tools

### 16.3 PWMx Control Registers

**REGISTER 16-1: PTCON: PWMx TIME BASE CONTROL REGISTER**

|        |     |        |         |       |                     |                        |                        |
|--------|-----|--------|---------|-------|---------------------|------------------------|------------------------|
| R/W-0  | U-0 | R/W-0  | HS/HC-0 | R/W-0 | R/W-0               | R/W-0                  | R/W-0                  |
| PTEN   | —   | PTSIDL | SESTAT  | SEIEN | EIPU <sup>(1)</sup> | SYNCPOL <sup>(1)</sup> | SYNCOEN <sup>(1)</sup> |
| bit 15 |     |        |         |       |                     |                        | bit 8                  |

|                       |                             |       |       |                            |       |       |       |
|-----------------------|-----------------------------|-------|-------|----------------------------|-------|-------|-------|
| R/W-0                 | R/W-0                       | R/W-0 | R/W-0 | R/W-0                      | R/W-0 | R/W-0 | R/W-0 |
| SYNCEN <sup>(1)</sup> | SYNCSRC<2:0> <sup>(1)</sup> |       |       | SEVTPS<3:0> <sup>(1)</sup> |       |       |       |
| bit 7                 |                             |       |       |                            |       |       | bit 0 |

|                   |                             |  |
|-------------------|-----------------------------|--|
| <b>Legend:</b>    | HC = Hardware Clearable bit | HS = Hardware Settable bit                   |
| R = Readable bit  | W = Writable bit            | U = Unimplemented bit, read as '0'           |
| -n = Value at POR | '1' = Bit is set            | '0' = Bit is cleared      x = Bit is unknown |

- bit 15      **PTEN:** PWMx Module Enable bit  
 1 = PWMx module is enabled  
 0 = PWMx module is disabled
- bit 14      **Unimplemented:** Read as '0'
- bit 13      **PTSIDL:** PWMx Time Base Stop in Idle Mode bit  
 1 = PWMx time base halts in CPU Idle mode  
 0 = PWMx time base runs in CPU Idle mode
- bit 12      **SESTAT:** Special Event Interrupt Status bit  
 1 = Special event interrupt is pending  
 0 = Special event interrupt is not pending
- bit 11      **SEIEN:** Special Event Interrupt Enable bit  
 1 = Special event interrupt is enabled  
 0 = Special event interrupt is disabled
- bit 10      **EIPU:** Enable Immediate Period Updates bit<sup>(1)</sup>  
 1 = Active Period register is updated immediately  
 0 = Active Period register updates occur on PWMx cycle boundaries
- bit 9      **SYNCPOL:** Synchronize Input and Output Polarity bit<sup>(1)</sup>  
 1 = SYNCI1/SYNCO1 polarity is inverted (active-low)  
 0 = SYNCI1/SYNCO1 is active-high
- bit 8      **SYNCOEN:** Primary Time Base Sync Enable bit<sup>(1)</sup>  
 1 = SYNCO1 output is enabled  
 0 = SYNCO1 output is disabled
- bit 7      **SYNCEN:** External Time Base Synchronization Enable bit<sup>(1)</sup>  
 1 = External synchronization of primary time base is enabled  
 0 = External synchronization of primary time base is disabled

**Note 1:** These bits should be changed only when PTEN = 0. In addition, when using the SYNCI1 feature, the user application must program the period register with a value that is slightly larger than the expected period of the external synchronization input signal.

**2:** See [Section 24.0 “Peripheral Trigger Generator \(PTG\) Module”](#) for information on this selection.

**REGISTER 16-1: PTCON: PWMx TIME BASE CONTROL REGISTER (CONTINUED)**

|         |   |
|---------|---|
| bit 6-4 | <b>SYNCSRC&lt;2:0&gt;</b> : Synchronous Source Selection bits <sup>(1)</sup><br>111 = Reserved<br>•<br>•<br>•<br>100 = Reserved<br>011 = PTGO17 <sup>(2)</sup><br>010 = PTGO16 <sup>(2)</sup><br>001 = Reserved<br>000 = SYNC1 1 input from PPS   |
| bit 3-0 | <b>SEVTPS&lt;3:0&gt;</b> : PWMx Special Event Trigger Output Postscaler Select bits <sup>(1)</sup><br>1111 = 1:16 Postscaler generates Special Event Trigger on every sixteenth compare match event<br>•<br>•<br>•<br>0001 = 1:2 Postscaler generates Special Event Trigger on every second compare match event<br>0000 = 1:1 Postscaler generates Special Event Trigger on every compare match event |

**Note 1:** These bits should be changed only when PTEN = 0. In addition, when using the SYNC1 feature, the user application must program the period register with a value that is slightly larger than the expected period of the external synchronization input signal.

**2:** See [Section 24.0 “Peripheral Trigger Generator \(PTG\) Module”](#) for information on this selection.

**REGISTER 16-2: PTCON2: PWMx PRIMARY MASTER CLOCK DIVIDER SELECT REGISTER**

|        |     |     |     |     |     |     |       |
|--------|-----|-----|-----|-----|-----|-----|-------|
| U-0    | U-0 | U-0 | U-0 | U-0 | U-0 | U-0 | U-0   |
| —      | —   | —   | —   | —   | —   | —   | —     |
| bit 15 |     |     |     |     |     |     | bit 8 |

|       |     |     |     |     |                             |       |       |
|-------|-----|-----|-----|-----|-----------------------------|-------|-------|
| U-0   | U-0 | U-0 | U-0 | U-0 | R/W-0                       | R/W-0 | R/W-0 |
| —     | —   | —   | —   | —   | PCLKDIV<2:0> <sup>(1)</sup> |       |       |
| bit 7 |     |     |     |     | bit 0                       |       |       |

**Legend:**

R = Readable bit                      W = Writable bit                      U = Unimplemented bit, read as '0'  
 -n = Value at POR                      '1' = Bit is set                      '0' = Bit is cleared                      x = Bit is unknown

bit 15-3                      **Unimplemented:** Read as '0'

bit 2-0                      **PCLKDIV<2:0>:** PWMx Input Clock Prescaler (Divider) Select bits<sup>(1)</sup>

- 111 = Reserved
- 110 = Divide-by-64
- 101 = Divide-by-32
- 100 = Divide-by-16
- 011 = Divide-by-8
- 010 = Divide-by-4
- 001 = Divide-by-2
- 000 = Divide-by-1, maximum PWMx timing resolution (power-on default)

**Note 1:** These bits should be changed only when PTEN = 0. Changing the clock selection during operation will yield unpredictable results.

**REGISTER 16-3: PTPER: PWM<sub>x</sub> PRIMARY MASTER TIME BASE PERIOD REGISTER**

|             |       |       |       |       |       |       |       |
|-------------|-------|-------|-------|-------|-------|-------|-------|
| R/W-1       | R/W-1 | R/W-1 | R/W-1 | R/W-1 | R/W-1 | R/W-1 | R/W-1 |
| PTPER<15:8> |       |       |       |       |       |       |       |
| bit 15      |       |       |       | bit 8 |       |       |       |

|            |       |       |       |       |       |       |       |
|------------|-------|-------|-------|-------|-------|-------|-------|
| R/W-1      | R/W-1 | R/W-1 | R/W-1 | R/W-1 | R/W-0 | R/W-0 | R/W-0 |
| PTPER<7:0> |       |       |       |       |       |       |       |
| bit 7      |       |       |       | bit 0 |       |       |       |

|                   |                  |                                    |                    |  |  |  |  |
|-------------------|------------------|------------------------------------|--------------------|--|--|--|--|
| <b>Legend:</b>    |                  |                                    |                    |  |  |  |  |
| R = Readable bit  | W = Writable bit | U = Unimplemented bit, read as '0' |                    |  |  |  |  |
| -n = Value at POR | '1' = Bit is set | '0' = Bit is cleared               | x = Bit is unknown |  |  |  |  |

bit 15-0      **PTPER<15:0>**: Primary Master Time Base (PMTMR) Period Value bits

**REGISTER 16-4: SEVTCMP: PWM<sub>x</sub> PRIMARY SPECIAL EVENT COMPARE REGISTER**

|               |       |       |       |       |       |       |       |
|---------------|-------|-------|-------|-------|-------|-------|-------|
| R/W-0         | R/W-0 | R/W-0 | R/W-0 | R/W-0 | R/W-0 | R/W-0 | R/W-0 |
| SEVTCMP<15:8> |       |       |       |       |       |       |       |
| bit 15        |       |       |       | bit 8 |       |       |       |

|              |       |       |       |       |       |       |       |
|--------------|-------|-------|-------|-------|-------|-------|-------|
| R/W-0        | R/W-0 | R/W-0 | R/W-0 | R/W-0 | R/W-0 | R/W-0 | R/W-0 |
| SEVTCMP<7:0> |       |       |       |       |       |       |       |
| bit 7        |       |       |       | bit 0 |       |       |       |

|                   |                  |                                    |                    |  |  |  |  |
|-------------------|------------------|------------------------------------|--------------------|--|--|--|--|
| <b>Legend:</b>    |                  |                                    |                    |  |  |  |  |
| R = Readable bit  | W = Writable bit | U = Unimplemented bit, read as '0' |                    |  |  |  |  |
| -n = Value at POR | '1' = Bit is set | '0' = Bit is cleared               | x = Bit is unknown |  |  |  |  |

bit 15-0      **SEVTCMP<15:0>**: Special Event Compare Count Value bits

**REGISTER 16-5: CHOP: PWMx CHOP CLOCK GENERATOR REGISTER**

|          |     |     |     |     |     |           |       |
|----------|-----|-----|-----|-----|-----|-----------|-------|
| R/W-0    | U-0 | U-0 | U-0 | U-0 | U-0 | R/W-0     | R/W-0 |
| CHPCLKEN | —   | —   | —   | —   | —   | CHOP<9:8> |       |
| bit 15   |     |     |     |     |     | bit 8     |       |

|           |       |       |       |       |       |       |       |
|-----------|-------|-------|-------|-------|-------|-------|-------|
| R/W-0     | R/W-0 | R/W-0 | R/W-0 | R/W-0 | R/W-0 | R/W-0 | R/W-0 |
| CHOP<7:0> |       |       |       |       |       |       |       |
| bit 7     |       |       |       |       |       | bit 0 |       |

**Legend:**

R = Readable bit                      W = Writable bit                      U = Unimplemented bit, read as '0'  
 -n = Value at POR                      '1' = Bit is set                      '0' = Bit is cleared                      x = Bit is unknown

- bit 15                      **CHPCLKEN:** Enable Chop Clock Generator bit  
                                  1 = Chop clock generator is enabled  
                                  0 = Chop clock generator is disabled
- bit 14-10                      **Unimplemented:** Read as '0'
- bit 9-0                      **CHOP<9:0>:** Chop Clock Divider bits  
                                  The frequency of the chop clock signal is given by the following expression:  
                                  Chop Frequency = (FP/PCLKDIV<2:0>)/(CHOP<9:0> + 1)

**REGISTER 16-6: MDC: PWMx MASTER DUTY CYCLE REGISTER**

|           |       |       |       |       |       |       |       |
|-----------|-------|-------|-------|-------|-------|-------|-------|
| R/W-0     | R/W-0 | R/W-0 | R/W-0 | R/W-0 | R/W-0 | R/W-0 | R/W-0 |
| MDC<15:8> |       |       |       |       |       |       |       |
| bit 15    |       |       |       |       |       | bit 8 |       |

|          |       |       |       |       |       |       |       |
|----------|-------|-------|-------|-------|-------|-------|-------|
| R/W-0    | R/W-0 | R/W-0 | R/W-0 | R/W-0 | R/W-0 | R/W-0 | R/W-0 |
| MDC<7:0> |       |       |       |       |       |       |       |
| bit 7    |       |       |       |       |       | bit 0 |       |

**Legend:**

R = Readable bit                      W = Writable bit                      U = Unimplemented bit, read as '0'  
 -n = Value at POR                      '1' = Bit is set                      '0' = Bit is cleared                      x = Bit is unknown

- bit 15-0                      **MDC<15:0>:** PWMx Master Duty Cycle Value bits



**REGISTER 16-7: PWMCONx: PWMx CONTROL REGISTER**

|                        |                       |         |        |       |        |                    |                     |
|------------------------|-----------------------|---------|--------|-------|--------|--------------------|---------------------|
| HS/HC-0                | HS/HC-0               | HS/HC-0 | R/W-0  | R/W-0 | R/W-0  | R/W-0              | R/W-0               |
| FLTSTAT <sup>(1)</sup> | CLSTAT <sup>(1)</sup> | TRGSTAT | FLTIEN | CLIEN | TRGIEN | ITB <sup>(2)</sup> | MDCS <sup>(2)</sup> |
| bit 15                 |                       |         |        |       |        | bit 8              |                     |

|          |       |                     |     |       |                      |                      |                    |
|----------|-------|---------------------|-----|-------|----------------------|----------------------|--------------------|
| R/W-0    | R/W-0 | R/W-0               | U-0 | R/W-0 | R/W-0                | R/W-0                | R/W-0              |
| DTC<1:0> |       | DTCP <sup>(3)</sup> | —   | MTBS  | CAM <sup>(2,4)</sup> | XPRES <sup>(5)</sup> | IUE <sup>(2)</sup> |
| bit 7    |       |                     |     |       |                      | bit 0                |                    |

|                   |                             |                                    |
|-------------------|-----------------------------|------------------------------------|
| <b>Legend:</b>    | HC = Hardware Clearable bit | HS = Hardware Settable bit         |
| R = Readable bit  | W = Writable bit            | U = Unimplemented bit, read as '0' |
| -n = Value at POR | '1' = Bit is set            | '0' = Bit is cleared               |
|                   |                             | x = Bit is unknown                 |

- bit 15      **FLTSTAT:** Fault Interrupt Status bit<sup>(1)</sup>  
 1 = Fault interrupt is pending  
 0 = No Fault interrupt is pending  
 This bit is cleared by setting FLTIEN = 0.
- bit 14      **CLSTAT:** Current-Limit Interrupt Status bit<sup>(1)</sup>  
 1 = Current-limit interrupt is pending  
 0 = No current-limit interrupt is pending  
 This bit is cleared by setting CLIEN = 0.
- bit 13      **TRGSTAT:** Trigger Interrupt Status bit  
 1 = Trigger interrupt is pending  
 0 = No trigger interrupt is pending  
 This bit is cleared by setting TRGIEN = 0.
- bit 12      **FLTIEN:** Fault Interrupt Enable bit  
 1 = Fault interrupt is enabled  
 0 = Fault interrupt is disabled and the FLTSTAT bit is cleared
- bit 11      **CLIEN:** Current-Limit Interrupt Enable bit  
 1 = Current-limit interrupt is enabled  
 0 = Current-limit interrupt is disabled and the CLSTAT bit is cleared
- bit 10      **TRGIEN:** Trigger Interrupt Enable bit  
 1 = A trigger event generates an interrupt request  
 0 = Trigger event interrupts are disabled and the TRGSTAT bit is cleared
- bit 9        **ITB:** Independent Time Base Mode bit<sup>(2)</sup>  
 1 = PHASEx register provides time base period for this PWM generator  
 0 = PTPER register provides timing for this PWM generator
- bit 8        **MDCS:** Master Duty Cycle Register Select bit<sup>(2)</sup>  
 1 = MDC register provides duty cycle information for this PWM generator  
 0 = PDCx register provides duty cycle information for this PWM generator

- Note 1:** Software must clear the interrupt status here and in the corresponding IFSx bit in the interrupt controller.
- 2:** These bits should not be changed after the PWMx is enabled (PTEN = 1).
- 3:** DTC<1:0> = 11 for DTCP to be effective; otherwise, DTCP is ignored.
- 4:** The Independent Time Base (ITB = 1) mode must be enabled to use Center-Aligned mode. If ITB = 0, the CAM bit is ignored.
- 5:** To operate in External Period Reset mode, the ITB bit must be '1' and the CLMOD bit in the FCLCONx register must be '0'.

**REGISTER 16-7: PWMCONx: PWMx CONTROL REGISTER (CONTINUED)**

- bit 7-6      **DTC<1:0>**: Dead-Time Control bits  
11 = Dead-Time Compensation mode  
10 = Dead-time function is disabled  
01 = Negative dead time is actively applied for Complementary Output mode  
00 = Positive dead time is actively applied for all output modes
- bit 5      **DTCP**: Dead-Time Compensation Polarity bit<sup>(3)</sup>  
When Set to '1':  
If DTCMPx = 0, PWMxL is shortened and PWMxH is lengthened.  
If DTCMPx = 1, PWMxH is shortened and PWMxL is lengthened.  
When Set to '0':  
If DTCMPx = 0, PWMxH is shortened and PWMxL is lengthened.  
If DTCMPx = 1, PWMxL is shortened and PWMxH is lengthened.
- bit 4      **Unimplemented**: Read as '0'
- bit 3      **MTBS**: Master Time Base Select bit  
1 = PWM generator uses the secondary master time base for synchronization and as the clock source for the PWM generation logic (if secondary time base is available)  
0 = PWM generator uses the primary master time base for synchronization and as the clock source for the PWM generation logic
- bit 2      **CAM**: Center-Aligned Mode Enable bit<sup>(2,4)</sup>  
1 = Center-Aligned mode is enabled  
0 = Edge-Aligned mode is enabled
- bit 1      **XPRES**: External PWMx Reset Control bit<sup>(5)</sup>  
1 = Current-limit source resets the time base for this PWM generator if it is in Independent Time Base mode  
0 = External pins do not affect PWMx time base
- bit 0      **IUE**: Immediate Update Enable bit<sup>(2)</sup>  
1 = Updates to the active MDC/PDCx/DTx/ALTDTRx/PHASEx registers are immediate  
0 = Updates to the active MDC/PDCx/DTx/ALTDTRx/PHASEx registers are synchronized to the PWMx period boundary

- Note 1:** Software must clear the interrupt status here and in the corresponding IFSx bit in the interrupt controller.  
**2:** These bits should not be changed after the PWMx is enabled (PTEN = 1).  
**3:** DTC<1:0> = 11 for DTCP to be effective; otherwise, DTCP is ignored.  
**4:** The Independent Time Base (ITB = 1) mode must be enabled to use Center-Aligned mode. If ITB = 0, the CAM bit is ignored.  
**5:** To operate in External Period Reset mode, the ITB bit must be '1' and the CLMOD bit in the FCLCONx register must be '0'.

**REGISTER 16-8: PDCx: PWMx GENERATOR DUTY CYCLE REGISTER**

|            |       |       |       |       |       |       |       |
|------------|-------|-------|-------|-------|-------|-------|-------|
| R/W-0      | R/W-0 | R/W-0 | R/W-0 | R/W-0 | R/W-0 | R/W-0 | R/W-0 |
| PDCx<15:8> |       |       |       |       |       |       |       |
| bit 15     |       |       |       | bit 8 |       |       |       |

|           |       |       |       |       |       |       |       |
|-----------|-------|-------|-------|-------|-------|-------|-------|
| R/W-0     | R/W-0 | R/W-0 | R/W-0 | R/W-0 | R/W-0 | R/W-0 | R/W-0 |
| PDCx<7:0> |       |       |       |       |       |       |       |
| bit 7     |       |       |       | bit 0 |       |       |       |

**Legend:**  
 R = Readable bit                      W = Writable bit                      U = Unimplemented bit, read as '0'  
 -n = Value at POR                      '1' = Bit is set                      '0' = Bit is cleared                      x = Bit is unknown

bit 15-0                      **PDCx<15:0>**: PWMx Generator # Duty Cycle Value bits

**REGISTER 16-9: PHASEx: PWMx PRIMARY PHASE-SHIFT REGISTER**

|              |       |       |       |       |       |       |       |
|--------------|-------|-------|-------|-------|-------|-------|-------|
| R/W-0        | R/W-0 | R/W-0 | R/W-0 | R/W-0 | R/W-0 | R/W-0 | R/W-0 |
| PHASEx<15:8> |       |       |       |       |       |       |       |
| bit 15       |       |       |       | bit 8 |       |       |       |

|             |       |       |       |       |       |       |       |
|-------------|-------|-------|-------|-------|-------|-------|-------|
| R/W-0       | R/W-0 | R/W-0 | R/W-0 | R/W-0 | R/W-0 | R/W-0 | R/W-0 |
| PHASEx<7:0> |       |       |       |       |       |       |       |
| bit 7       |       |       |       | bit 0 |       |       |       |

**Legend:**  
 R = Readable bit                      W = Writable bit                      U = Unimplemented bit, read as '0'  
 -n = Value at POR                      '1' = Bit is set                      '0' = Bit is cleared                      x = Bit is unknown

bit 15-0                      **PHASEx<15:0>**: PWMx Phase-Shift Value or Independent Time Base Period for the PWM Generator bits

**Note 1:** If ITB (PWMCONx<9>) = 0, the following applies based on the mode of operation:  
 Complementary, Redundant and Push-Pull Output mode (PMOD<1:0> (IOCON<11:10>) = 00, 01 or 10),  
 PHASEx<15:0> = Phase-shift value for PWMxH and PWMxL outputs

**2:** If ITB (PWMCONx<9>) = 1, the following applies based on the mode of operation:  
 Complementary, Redundant and Push-Pull Output mode (PMOD<1:0> (IOCONx<11:10>) = 00, 01 or 10),  
 PHASEx<15:0> = Independent time base period value for PWMxH and PWMxL

**REGISTER 16-10: DTRx: PWMx DEAD-TIME REGISTER**

|        |     |            |       |       |       |       |       |
|--------|-----|------------|-------|-------|-------|-------|-------|
| U-0    | U-0 | R/W-0      | R/W-0 | R/W-0 | R/W-0 | R/W-0 | R/W-0 |
| —      | —   | DTRx<13:8> |       |       |       |       |       |
| bit 15 |     |            |       |       |       |       | bit 8 |

|           |       |       |       |       |       |       |       |
|-----------|-------|-------|-------|-------|-------|-------|-------|
| R/W-0     | R/W-0 | R/W-0 | R/W-0 | R/W-0 | R/W-0 | R/W-0 | R/W-0 |
| DTRx<7:0> |       |       |       |       |       |       |       |
| bit 7     |       |       |       |       |       |       | bit 0 |

**Legend:**

R = Readable bit                      W = Writable bit                      U = Unimplemented bit, read as '0'  
 -n = Value at POR                      '1' = Bit is set                      '0' = Bit is cleared                      x = Bit is unknown

bit 15-14            **Unimplemented:** Read as '0'  
 bit 13-0            **DTRx<13:0>:** Unsigned 14-Bit Dead-Time Value for PWMx Dead-Time Unit bits

**REGISTER 16-11: ALTDTRx: PWMx ALTERNATE DEAD-TIME REGISTER**

|        |     |               |       |       |       |       |       |
|--------|-----|---------------|-------|-------|-------|-------|-------|
| U-0    | U-0 | R/W-0         | R/W-0 | R/W-0 | R/W-0 | R/W-0 | R/W-0 |
| —      | —   | ALTDTRx<13:8> |       |       |       |       |       |
| bit 15 |     |               |       |       |       |       | bit 8 |

|              |       |       |       |       |       |       |       |
|--------------|-------|-------|-------|-------|-------|-------|-------|
| R/W-0        | R/W-0 | R/W-0 | R/W-0 | R/W-0 | R/W-0 | R/W-0 | R/W-0 |
| ALTDTRx<7:0> |       |       |       |       |       |       |       |
| bit 7        |       |       |       |       |       |       | bit 0 |

**Legend:**

R = Readable bit                      W = Writable bit                      U = Unimplemented bit, read as '0'  
 -n = Value at POR                      '1' = Bit is set                      '0' = Bit is cleared                      x = Bit is unknown

bit 15-14            **Unimplemented:** Read as '0'  
 bit 13-0            **ALTDTRx<13:0>:** Unsigned 14-Bit Dead-Time Value for PWMx Dead-Time Unit bits

**REGISTER 16-12: TRGCONx: PWMx TRIGGER CONTROL REGISTER**

|             |       |       |       |       |     |     |     |
|-------------|-------|-------|-------|-------|-----|-----|-----|
| R/W-0       | R/W-0 | R/W-0 | R/W-0 | U-0   | U-0 | U-0 | U-0 |
| TRGDIV<3:0> |       |       |       | —     | —   | —   | —   |
| bit 15      |       |       |       | bit 8 |     |     |     |

|       |     |                             |       |       |       |       |       |
|-------|-----|-----------------------------|-------|-------|-------|-------|-------|
| U-0   | U-0 | R/W-0                       | R/W-0 | R/W-0 | R/W-0 | R/W-0 | R/W-0 |
| —     | —   | TRGSTRT<5:0> <sup>(1)</sup> |       |       |       |       |       |
| bit 7 |     | bit 0                       |       |       |       |       |       |

|                   |                  |                                    |                    |
|-------------------|------------------|------------------------------------|--------------------|
| <b>Legend:</b>    |                  |                                    |                    |
| R = Readable bit  | W = Writable bit | U = Unimplemented bit, read as '0' |                    |
| -n = Value at POR | '1' = Bit is set | '0' = Bit is cleared               | x = Bit is unknown |

bit 15-12      **TRGDIV<3:0>**: Trigger # Output Divider bits  
 1111 = Trigger output for every 16th trigger event  
 1110 = Trigger output for every 15th trigger event  
 1101 = Trigger output for every 14th trigger event  
 1100 = Trigger output for every 13th trigger event  
 1011 = Trigger output for every 12th trigger event  
 1010 = Trigger output for every 11th trigger event  
 1001 = Trigger output for every 10th trigger event  
 1000 = Trigger output for every 9th trigger event  
 0111 = Trigger output for every 8th trigger event  
 0110 = Trigger output for every 7th trigger event  
 0101 = Trigger output for every 6th trigger event  
 0100 = Trigger output for every 5th trigger event  
 0011 = Trigger output for every 4th trigger event  
 0010 = Trigger output for every 3rd trigger event  
 0001 = Trigger output for every 2nd trigger event  
 0000 = Trigger output for every trigger event

bit 11-6      **Unimplemented**: Read as '0'

bit 5-0      **TRGSTRT<5:0>**: Trigger Postscaler Start Enable Select bits<sup>(1)</sup>  
 111111 = Waits 63 PWM cycles before generating the first trigger event after the module is enabled  
 •  
 •  
 •  
 000010 = Waits 2 PWM cycles before generating the first trigger event after the module is enabled  
 000001 = Waits 1 PWM cycle before generating the first trigger event after the module is enabled  
 000000 = Waits 0 PWM cycles before generating the first trigger event after the module is enabled

**Note 1:** The secondary PWM generator cannot generate PWMx trigger interrupts.

**REGISTER 16-13: IOCONx: PWMx I/O CONTROL REGISTER<sup>(2)</sup>**

|        |       |       |       |                          |       |        |        |
|--------|-------|-------|-------|--------------------------|-------|--------|--------|
| R/W-1  | R/W-1 | R/W-0 | R/W-0 | R/W-0                    | R/W-0 | R/W-0  | R/W-0  |
| PENH   | PENL  | POLH  | POLL  | PMOD<1:0> <sup>(1)</sup> |       | OVRENH | OVRENL |
| bit 15 |       |       |       |                          |       | bit 8  |        |

|             |       |             |       |            |       |       |       |
|-------------|-------|-------------|-------|------------|-------|-------|-------|
| R/W-0       | R/W-0 | R/W-0       | R/W-0 | R/W-0      | R/W-0 | R/W-0 | R/W-0 |
| OVRDAT<1:0> |       | FLTDAT<1:0> |       | CLDAT<1:0> |       | SWAP  | OSYNC |
| bit 7       |       |             |       |            |       | bit 0 |       |

**Legend:**

R = Readable bit                      W = Writable bit                      U = Unimplemented bit, read as '0'  
 -n = Value at POR                      '1' = Bit is set                      '0' = Bit is cleared                      x = Bit is unknown

- bit 15            **PENH:** PWMxH Output Pin Ownership bit  
 1 = PWMx module controls PWMxH pin  
 0 = GPIO module controls PWMxH pin
- bit 14            **PENL:** PWMxL Output Pin Ownership bit  
 1 = PWMx module controls PWMxL pin  
 0 = GPIO module controls PWMxL pin
- bit 13            **POLH:** PWMxH Output Pin Polarity bit  
 1 = PWMxH pin is active-low  
 0 = PWMxH pin is active-high
- bit 12            **POLL:** PWMxL Output Pin Polarity bit  
 1 = PWMxL pin is active-low  
 0 = PWMxL pin is active-high
- bit 11-10        **PMOD<1:0>:** PWMx # I/O Pin Mode bits<sup>(1)</sup>  
 11 = Reserved; do not use  
 10 = PWMx I/O pin pair is in the Push-Pull Output mode  
 01 = PWMx I/O pin pair is in the Redundant Output mode  
 00 = PWMx I/O pin pair is in the Complementary Output mode
- bit 9             **OVRENH:** Override Enable for PWMxH Pin bit  
 1 = OVRDAT<1> controls output on PWMxH pin  
 0 = PWMx generator controls PWMxH pin
- bit 8             **OVRENL:** Override Enable for PWMxL Pin bit  
 1 = OVRDAT<0> controls output on PWMxL pin  
 0 = PWMx generator controls PWMxL pin
- bit 7-6          **OVRDAT<1:0>:** Data for PWMxH, PWMxL Pins if Override is Enabled bits  
 If OVERENH = 1, PWMxH is driven to the state specified by OVRDAT<1>.  
 If OVERENL = 1, PWMxL is driven to the state specified by OVRDAT<0>.
- bit 5-4          **FLTDAT<1:0>:** Data for PWMxH and PWMxL Pins if FLTMOD is Enabled bits  
 If Fault is active, PWMxH is driven to the state specified by FLTDAT<1>.  
 If Fault is active, PWMxL is driven to the state specified by FLTDAT<0>.
- bit 3-2          **CLDAT<1:0>:** Data for PWMxH and PWMxL Pins if CLMOD is Enabled bits  
 If current-limit is active, PWMxH is driven to the state specified by CLDAT<1>.  
 If current-limit is active, PWMxL is driven to the state specified by CLDAT<0>.

**Note 1:** These bits should not be changed after the PWMx module is enabled (PTEN = 1).  
**Note 2:** If the PWMLOCK Configuration bit (FOSCSEL<6>) is a '1', the IOCONx register can only be written after the unlock sequence has been executed.

**REGISTER 16-13: IOCONx: PWMx I/O CONTROL REGISTER<sup>(2)</sup> (CONTINUED)**

- bit 1           **SWAP:** SWAP PWMxH and PWMxL Pins bit  
                  1 = PWMxH output signal is connected to PWMxL pins; PWMxL output signal is connected to PWMxH pins  
                  0 = PWMxH and PWMxL pins are mapped to their respective pins
- bit 0           **OSYNC:** Output Override Synchronization bit  
                  1 = Output overrides via the OVRDAT<1:0> bits are synchronized to the PWMx time base  
                  0 = Output overrides via the OVDDAT<1:0> bits occur on the next CPU clock boundary

**Note 1:** These bits should not be changed after the PWMx module is enabled (PTEN = 1).

**2:** If the PWMLOCK Configuration bit (FOSCSEL<6>) is a '1', the IOCONx register can only be written after the unlock sequence has been executed.

**REGISTER 16-14: TRIGx: PWMx PRIMARY TRIGGER COMPARE VALUE REGISTER**

|              |       |       |       |       |       |       |       |
|--------------|-------|-------|-------|-------|-------|-------|-------|
| R/W-0        | R/W-0 | R/W-0 | R/W-0 | R/W-0 | R/W-0 | R/W-0 | R/W-0 |
| TRGCMP<15:8> |       |       |       |       |       |       |       |
| bit 15       |       |       |       | bit 8 |       |       |       |

|             |       |       |       |       |       |       |       |
|-------------|-------|-------|-------|-------|-------|-------|-------|
| R/W-0       | R/W-0 | R/W-0 | R/W-0 | R/W-0 | R/W-0 | R/W-0 | R/W-0 |
| TRGCMP<7:0> |       |       |       |       |       |       |       |
| bit 7       |       |       |       | bit 0 |       |       |       |

**Legend:**

|                   |                  |  |
|-------------------|------------------|--|
| R = Readable bit  | W = Writable bit | U = Unimplemented bit, read as '0'           |
| -n = Value at POR | '1' = Bit is set | '0' = Bit is cleared      x = Bit is unknown |

bit 15-0      **TRGCMP<15:0>**: Trigger Control Value bits  
 When the primary PWMx functions in local time base, this register contains the compare values that can trigger the ADC module.



**REGISTER 16-15: FCLCONx: PWMx FAULT CURRENT-LIMIT CONTROL REGISTER<sup>(1)</sup>**

|        |            |       |       |       |       |                      |       |
|--------|------------|-------|-------|-------|-------|----------------------|-------|
| U-0    | R/W-0      | R/W-0 | R/W-0 | R/W-0 | R/W-0 | R/W-0                | R/W-0 |
| —      | CLSRC<4:0> |       |       |       |       | CLPOL <sup>(2)</sup> | CLMOD |
| bit 15 |            |       |       |       |       | bit 8                |       |

|             |       |       |       |       |                       |             |       |
|-------------|-------|-------|-------|-------|-----------------------|-------------|-------|
| R/W-1       | R/W-1 | R/W-1 | R/W-1 | R/W-1 | R/W-0                 | R/W-0       | R/W-0 |
| FLTSRC<4:0> |       |       |       |       | FLTPOL <sup>(2)</sup> | FLTMOD<1:0> |       |
| bit 7       |       |       |       |       |                       | bit 0       |       |

|                   |                  |                                    |                    |
|-------------------|------------------|------------------------------------|--------------------|
| <b>Legend:</b>    |                  |                                    |                    |
| R = Readable bit  | W = Writable bit | U = Unimplemented bit, read as '0' |                    |
| -n = Value at POR | '1' = Bit is set | '0' = Bit is cleared               | x = Bit is unknown |

- bit 15      **Unimplemented:** Read as '0'
- bit 14-10    **CLSRC<4:0>:** Current-Limit Control Signal Source Select for PWM Generator # bits
  - 11111 = Fault 32
  - 11110 = Reserved
  - .
  - .
  - .
  - 01100 = Reserved
  - 01011 = Comparator 4
  - 01010 = Op Amp/Comparator 3
  - 01001 = Op Amp/Comparator 2
  - 01000 = Op Amp/Comparator 1
  - 00111 = Reserved
  - 00110 = Reserved
  - 00101 = Reserved
  - 00100 = Reserved
  - 00011 = Fault 4
  - 00010 = Fault 3
  - 00001 = Fault 2
  - 00000 = Fault 1 (**default**)
- bit 9      **CLPOL:** Current-Limit Polarity for PWM Generator # bit<sup>(2)</sup>
  - 1 = The selected current-limit source is active-low
  - 0 = The selected current-limit source is active-high
- bit 8      **CLMOD:** Current-Limit Mode Enable for PWM Generator # bit
  - 1 = Current-Limit mode is enabled
  - 0 = Current-Limit mode is disabled

- Note 1:** If the PWMLOCK Configuration bit (FOSCSEL<6>) is a '1', the IOCONx register can only be written after the unlock sequence has been executed.
- 2:** These bits should be changed only when PTEN = 0. Changing the clock selection during operation will yield unpredictable results.

**REGISTER 16-15: FCLCONx: PWMx FAULT CURRENT-LIMIT CONTROL REGISTER<sup>(1)</sup>**

- bit 7-3      **FLTSRC<4:0>**: Fault Control Signal Source Select for PWM Generator # bits
- 11111 = Fault 32 (**default**)
  - 11110 = Reserved
  - .
  - .
  - .
  - 01100 = Reserved
  - 01011 = Comparator 4
  - 01010 = Op Amp/Comparator 3
  - 01001 = Op Amp/Comparator 2
  - 01000 = Op Amp/Comparator 1
  - 00111 = Reserved
  - 00110 = Reserved
  - 00101 = Reserved
  - 00100 = Reserved
  - 00011 = Fault 4
  - 00010 = Fault 3
  - 00001 = Fault 2
  - 00000 = Fault 1
- bit 2      **FLTPOL**: Fault Polarity for PWM Generator # bit<sup>(2)</sup>
- 1 = The selected Fault source is active-low
  - 0 = The selected Fault source is active-high
- bit 1-0      **FLTMOD<1:0>**: Fault Mode for PWM Generator # bits
- 11 = Fault input is disabled
  - 10 = Reserved
  - 01 = The selected Fault source forces PWMxH, PWMxL pins to FLTDAT values (cycle)
  - 00 = The selected Fault source forces PWMxH, PWMxL pins to FLTDAT values (latched condition)

**Note 1:** If the PWMLOCK Configuration bit (FOSCSEL<6>) is a '1', the IOCONx register can only be written after the unlock sequence has been executed.

**2:** These bits should be changed only when PTEN = 0. Changing the clock selection during operation will yield unpredictable results.

**REGISTER 16-16: LEBCONx: PWMx LEADING-EDGE BLANKING CONTROL REGISTER**

|        |       |       |       |          |         |       |     |
|--------|-------|-------|-------|----------|---------|-------|-----|
| R/W-0  | R/W-0 | R/W-0 | R/W-0 | R/W-0    | R/W-0   | U-0   | U-0 |
| PHR    | PHF   | PLR   | PLF   | FLTLEBEN | CLLEBEN | —     | —   |
| bit 15 |       |       |       |          |         | bit 8 |     |

|       |     |                    |                    |       |       |       |       |
|-------|-----|--------------------|--------------------|-------|-------|-------|-------|
| U-0   | U-0 | R/W-0              | R/W-0              | R/W-0 | R/W-0 | R/W-0 | R/W-0 |
| —     | —   | BCH <sup>(1)</sup> | BCL <sup>(1)</sup> | BPHH  | BPHL  | BPLH  | BPLL  |
| bit 7 |     |                    |                    |       |       | bit 0 |       |

**Legend:**

|                   |                  |                                    |
|-------------------|------------------|------------------------------------|
| R = Readable bit  | W = Writable bit | U = Unimplemented bit, read as '0' |
| -n = Value at POR | '1' = Bit is set | '0' = Bit is cleared               |
|                   |                  | x = Bit is unknown                 |

- bit 15      **PHR:** PWMxH Rising Edge Trigger Enable bit  
 1 = Rising edge of PWMxH will trigger Leading-Edge Blanking counter  
 0 = Leading-Edge Blanking ignores rising edge of PWMxH
- bit 14      **PHF:** PWMxH Falling Edge Trigger Enable bit  
 1 = Falling edge of PWMxH will trigger Leading-Edge Blanking counter  
 0 = Leading-Edge Blanking ignores falling edge of PWMxH
- bit 13      **PLR:** PWMxL Rising Edge Trigger Enable bit  
 1 = Rising edge of PWMxL will trigger Leading-Edge Blanking counter  
 0 = Leading-Edge Blanking ignores rising edge of PWMxL
- bit 12      **PLF:** PWMxL Falling Edge Trigger Enable bit  
 1 = Falling edge of PWMxL will trigger Leading-Edge Blanking counter  
 0 = Leading-Edge Blanking ignores falling edge of PWMxL
- bit 11      **FLTLEBEN:** Fault Input Leading-Edge Blanking Enable bit  
 1 = Leading-Edge Blanking is applied to selected Fault input  
 0 = Leading-Edge Blanking is not applied to selected Fault input
- bit 10      **CLLEBEN:** Current-Limit Leading-Edge Blanking Enable bit  
 1 = Leading-Edge Blanking is applied to selected current-limit input  
 0 = Leading-Edge Blanking is not applied to selected current-limit input
- bit 9-6      **Unimplemented:** Read as '0'
- bit 5      **BCH:** Blanking in Selected Blanking Signal High Enable bit<sup>(1)</sup>  
 1 = State blanking (of current-limit and/or Fault input signals) when selected blanking signal is high  
 0 = No blanking when selected blanking signal is high
- bit 4      **BCL:** Blanking in Selected Blanking Signal Low Enable bit<sup>(1)</sup>  
 1 = State blanking (of current-limit and/or Fault input signals) when selected blanking signal is low  
 0 = No blanking when selected blanking signal is low
- bit 3      **BPHH:** Blanking in PWMxH High Enable bit  
 1 = State blanking (of current-limit and/or Fault input signals) when PWMxH output is high  
 0 = No blanking when PWMxH output is high
- bit 2      **BPHL:** Blanking in PWMxH Low Enable bit  
 1 = State blanking (of current-limit and/or Fault input signals) when PWMxH output is low  
 0 = No blanking when PWMxH output is low
- bit 1      **BPLH:** Blanking in PWMxL High Enable bit  
 1 = State blanking (of current-limit and/or Fault input signals) when PWMxL output is high  
 0 = No blanking when PWMxL output is high
- bit 0      **BPLL:** Blanking in PWMxL Low Enable bit  
 1 = State blanking (of current-limit and/or Fault input signals) when PWMxL output is low  
 0 = No blanking when PWMxL output is low

**Note 1:** The blanking signal is selected via the BLANKSELx bits in the AUXCONx register.

**REGISTER 16-17: LEBDLYx: PWMx LEADING-EDGE BLANKING DELAY REGISTER**

|        |     |     |     |           |       |       |       |
|--------|-----|-----|-----|-----------|-------|-------|-------|
| U-0    | U-0 | U-0 | U-0 | R/W-0     | R/W-0 | R/W-0 | R/W-0 |
| —      | —   | —   | —   | LEB<11:8> |       |       |       |
| bit 15 |     |     |     | bit 8     |       |       |       |

|          |       |       |       |       |       |       |       |
|----------|-------|-------|-------|-------|-------|-------|-------|
| R/W-0    | R/W-0 | R/W-0 | R/W-0 | R/W-0 | R/W-0 | R/W-0 | R/W-0 |
| LEB<7:0> |       |       |       |       |       |       |       |
| bit 7    |       |       |       |       |       |       | bit 0 |

**Legend:**

|                   |                  |  |
|-------------------|------------------|--|
| R = Readable bit  | W = Writable bit | U = Unimplemented bit, read as '0'           |
| -n = Value at POR | '1' = Bit is set | '0' = Bit is cleared      x = Bit is unknown |

bit 15-12      **Unimplemented:** Read as '0'

bit 11-0      **LEB<11:0>:** Leading-Edge Blanking Delay for Current-Limit and Fault Inputs bits

**REGISTER 16-18: AUXCONx: PWMx AUXILIARY CONTROL REGISTER**

|        |     |     |     |               |       |       |       |
|--------|-----|-----|-----|---------------|-------|-------|-------|
| U-0    | U-0 | U-0 | U-0 | R/W-0         | R/W-0 | R/W-0 | R/W-0 |
| —      | —   | —   | —   | BLANKSEL<3:0> |       |       |       |
| bit 15 |     |     |     | bit 8         |       |       |       |

|       |     |              |       |       |       |         |         |
|-------|-----|--------------|-------|-------|-------|---------|---------|
| U-0   | U-0 | R/W-0        | R/W-0 | R/W-0 | R/W-0 | R/W-0   | R/W-0   |
| —     | —   | CHOPSEL<3:0> |       |       |       | CHOPHEN | CHOPLEN |
| bit 7 |     |              |       |       |       | bit 0   |         |

|                   |                  |                                    |                    |
|-------------------|------------------|------------------------------------|--------------------|
| <b>Legend:</b>    |                  |                                    |                    |
| R = Readable bit  | W = Writable bit | U = Unimplemented bit, read as '0' |                    |
| -n = Value at POR | '1' = Bit is set | '0' = Bit is cleared               | x = Bit is unknown |

bit 15-12      **Unimplemented:** Read as '0'

bit 11-8      **BLANKSEL<3:0>:** PWMx State Blank Source Select bits

The selected state blank signal will block the current-limit and/or Fault input signals (if enabled via the BCH and BCL bits in the LEBCONx register).

1001 = Reserved

- 
- 
- 

0100 = Reserved

0011 = PWM3H selected as state blank source

0010 = PWM2H selected as state blank source

0001 = PWM1H selected as state blank source

0000 = No state blanking

bit 7-6      **Unimplemented:** Read as '0'

bit 5-2      **CHOPSEL<3:0>:** PWMx Chop Clock Source Select bits

The selected signal will enable and disable (CHOP) the selected PWMx outputs.

1001 = Reserved

- 
- 
- 

0100 = Reserved

0011 = PWM3H selected as CHOP clock source

0010 = PWM2H selected as CHOP clock source

0001 = PWM1H selected as CHOP clock source

0000 = Chop clock generator selected as CHOP clock source

bit 1      **CHOPHEN:** PWMxH Output Chopping Enable bit

1 = PWMxH chopping function is enabled

0 = PWMxH chopping function is disabled

bit 0      **CHOPLEN:** PWMxL Output Chopping Enable bit

1 = PWMxL chopping function is enabled

0 = PWMxL chopping function is disabled

**NOTES:**

## 17.0 QUADRATURE ENCODER INTERFACE (QEI) MODULE (dsPIC33EPXXXMC20X/50X and PIC24EPXXXMC20X DEVICES ONLY)

**Note 1:** This data sheet summarizes the features of the dsPIC33EPXXXGP50X, dsPIC33EPXXXMC20X/50X and PIC24EPXXXGP/MC20X families of devices. It is not intended to be a comprehensive reference source. To complement the information in this data sheet, refer to **Section 15. “Quadrature Encoder Interface (QEI)”** (DS70601) of the “*dsPIC33E/PIC24E Family Reference Manual*”, which is available from the Microchip web site ([www.microchip.com](http://www.microchip.com)).

**2:** Some registers and associated bits described in this section may not be available on all devices. Refer to **Section 4.0 “Memory Organization”** in this data sheet for device-specific register and bit information.

This chapter describes the Quadrature Encoder Interface (QEI) module and associated operational modes. The QEI module provides the interface to incremental encoders for obtaining mechanical position data.

The operational features of the QEI module include:

- 32-Bit Position Counter
- 32-Bit Index Pulse Counter
- 32-Bit Interval Timer
- 16-Bit Velocity Counter
- 32-Bit Position Initialization/Capture/Compare High register
- 32-Bit Position Compare Low register
- x4 Quadrature Count mode
- External Up/Down Count mode
- External Gated Count mode
- External Gated Timer mode
- Internal Timer mode

[Figure 17-1](#) illustrates the QEI block diagram.

**FIGURE 17-1: QEI BLOCK DIAGRAM**





## 17.1 QEI Resources

Many useful resources are provided on the main product page of the Microchip web site for the devices listed in this data sheet. This product page, which can be accessed using this [link](#), contains the latest updates and additional information.

**Note:** In the event you are not able to access the product page using the link above, enter this URL in your browser:  
<http://www.microchip.com/wwwproducts/Devices.aspx?dDocName=en555464>

### 17.1.1 KEY RESOURCES

- **Section 15. “Quadrature Encoder Interface”** (DS70601)
- Code Samples
- Application Notes
- Software Libraries
- Webinars
- All Related “*dsPIC33E/PIC24E Family Reference Manual*” Sections
- Development Tools

## 17.2 QEI Control Registers

### REGISTER 17-1: QE1CON: QEI CONTROL REGISTER

|        |     |         |                           |       |       |                     |                     |
|--------|-----|---------|---------------------------|-------|-------|---------------------|---------------------|
| R/W-0  | U-0 | R/W-0   | R/W-0                     | R/W-0 | R/W-0 | R/W-0               | R/W-0               |
| QEIEN  | —   | QEISIDL | PIMOD<2:0> <sup>(1)</sup> |       |       | IMV1 <sup>(2)</sup> | IMV0 <sup>(2)</sup> |
| bit 15 |     |         |                           |       |       |                     | bit 8               |

|       |                            |       |       |        |       |          |       |
|-------|----------------------------|-------|-------|--------|-------|----------|-------|
| U-0   | R/W-0                      | R/W-0 | R/W-0 | R/W-0  | R/W-0 | R/W-0    | R/W-0 |
| —     | INTDIV<2:0> <sup>(3)</sup> |       |       | CNTPOL | GATEN | CCM<1:0> |       |
| bit 7 |                            |       |       |        |       |          | bit 0 |

**Legend:**

|                   |                  |                                    |
|-------------------|------------------|------------------------------------|
| R = Readable bit  | W = Writable bit | U = Unimplemented bit, read as '0' |
| -n = Value at POR | '1' = Bit is set | '0' = Bit is cleared               |
|                   |                  | x = Bit is unknown                 |

- bit 15      **QEIEN:** Quadrature Encoder Interface Module Counter Enable bit  
 1 = Module counters are enabled  
 0 = Module counters are disabled, but SFRs can be read or written to
- bit 14      **Unimplemented:** Read as '0'
- bit 13      **QEISIDL:** QEI Stop in Idle Mode bit  
 1 = Discontinues module operation when device enters Idle mode  
 0 = Continues module operation in Idle mode
- bit 12-10   **PIMOD<2:0>:** Position Counter Initialization Mode Select bits<sup>(1)</sup>  
 111 = Reserved  
 110 = Modulo Count mode for position counter  
 101 = Resets the position counter when the position counter equals QE1GEC register  
 100 = Second index event after home event initializes position counter with contents of QE1IC register  
 011 = First index event after home event initializes position counter with contents of QE1IC register  
 010 = Next index input event initializes the position counter with contents of QE1IC register  
 001 = Every index input event resets the position counter  
 000 = Index input event does not affect position counter
- bit 9        **IMV1:** Index Match Value for Phase B bit<sup>(2)</sup>  
 1 = Phase B match occurs when QEB = 1  
 0 = Phase B match occurs when QEB = 0
- bit 8        **IMV0:** Index Match Value for Phase A bit<sup>(2)</sup>  
 1 = Phase A match occurs when QEA = 1  
 0 = Phase A match occurs when QEA = 0
- bit 7        **Unimplemented:** Read as '0'

- Note 1:** When CCM<1:0> = 10 or 11, all of the QEI counters operate as timers and the PIMOD<2:0> bits are ignored.
- 2:** When CCM<1:0> = 00 and QEA and QEB values match Index Match Value (IMV), the POSCNTH and POSCNTL registers are reset. QEA/QEB signals used for index match have swap and polarity values applied, as determined by the SWPAB and QEAPOL/QEBPOL bits.
- 3:** The selected clock rate should be at least twice the expected maximum quadrature count rate.

**REGISTER 17-1: QE1CON: QEI CONTROL REGISTER (CONTINUED)**

- bit 6-4      **INTDIV<2:0>**: Timer Input Clock Prescale Select bits (interval timer, main timer (position counter), velocity counter and index counter internal clock divider select)<sup>(3)</sup>
- 111 = 1:128 prescale value
  - 110 = 1:64 prescale value
  - 101 = 1:32 prescale value
  - 100 = 1:16 prescale value
  - 011 = 1:8 prescale value
  - 010 = 1:4 prescale value
  - 001 = 1:2 prescale value
  - 000 = 1:1 prescale value
- bit 3      **CNTPOL**: Position and Index Counter/Timer Direction Select bit
- 1 = Counter direction is negative unless modified by external up/down signal
  - 0 = Counter direction is positive unless modified by external up/down signal
- bit 2      **GATEN**: External Count Gate Enable bit
- 1 = External gate signal controls position counter operation
  - 0 = External gate signal does not affect position counter/timer operation
- bit 1-0     **CCM<1:0>**: Counter Control Mode Selection bits
- 11 = Internal Timer mode with optional external count is selected
  - 10 = External clock count with optional external count is selected
  - 01 = External clock count with external up/down direction is selected
  - 00 = Quadrature Encoder Interface (x4 mode) Count mode is selected

- Note 1:** When CCM<1:0> = 10 or 11, all of the QEI counters operate as timers and the PIMOD<2:0> bits are ignored.
- 2:** When CCM<1:0> = 00 and QEA and QEB values match Index Match Value (IMV), the POSCNTH and POSCNTL registers are reset. QEA/QEB signals used for index match have swap and polarity values applied, as determined by the SWPAB and QEAPOL/QEBPOL bits.
- 3:** The selected clock rate should be at least twice the expected maximum quadrature count rate.

**REGISTER 17-2: QE1IOC: QE1 I/O CONTROL REGISTER**

|        |        |            |       |       |             |       |       |
|--------|--------|------------|-------|-------|-------------|-------|-------|
| R/W-0  | R/W-0  | R/W-0      | R/W-0 | R/W-0 | R/W-0       | R/W-0 | R/W-0 |
| QCAPEN | FLTREN | QFDIV<2:0> |       |       | OUTFNC<1:0> |       | SWPAB |
| bit 15 |        |            |       |       |             |       | bit 8 |

|        |        |        |        |      |       |     |       |
|--------|--------|--------|--------|------|-------|-----|-------|
| R/W-0  | R/W-0  | R/W-0  | R/W-0  | R-x  | R-x   | R-x | R-x   |
| HOMPOL | IDXPOL | QEBPOL | QEAPOL | HOME | INDEX | QEB | QEA   |
| bit 7  |        |        |        |      |       |     | bit 0 |

**Legend:**

|                   |                  |  |
|-------------------|------------------|--|
| R = Readable bit  | W = Writable bit | U = Unimplemented bit, read as '0'           |
| -n = Value at POR | '1' = Bit is set | '0' = Bit is cleared      x = Bit is unknown |

- bit 15      **QCAPEN:** Position Counter Input Capture Enable bit  
 1 = Positive edge detect of Home input triggers a position capture event  
 0 = Positive edge detect of Home input does not trigger a position capture event
- bit 14      **FLTREN:** QEAx/QEBx/INDXx/HOMEx Digital Filter Enable bit  
 1 = Input pin digital filter is enabled  
 0 = Input pin digital filter is disabled (bypassed)
- bit 13-11      **QFDIV<2:0>:** QEAx/QEBx/INDXx/HOMEx Digital Input Filter Clock Divide Select bits  
 111 = 1:128 clock divide  
 110 = 1:64 clock divide  
 101 = 1:32 clock divide  
 100 = 1:16 clock divide  
 011 = 1:8 clock divide  
 010 = 1:4 clock divide  
 001 = 1:2 clock divide  
 000 = 1:1 clock divide
- bit 10-9      **OUTFNC<1:0>:** QE1 Module Output Function Mode Select bits  
 11 = The CTNCMPx pin goes high when QE11LEC ≥ POSxCNT ≥ QE11GEC  
 10 = The CTNCMPx pin goes high when POSxCNT ≤ QE11LEC  
 01 = The CTNCMPx pin goes high when POSxCNT ≥ QE11GEC  
 00 = Output is disabled
- bit 8      **SWPAB:** Swap QEA and QEB Inputs bit  
 1 = QEAx and QEBx are swapped prior to quadrature decoder logic  
 0 = QEAx and QEBx are not swapped
- bit 7      **HOMPOL:** HOMEx Input Polarity Select bit  
 1 = Input is inverted  
 0 = Input is not inverted
- bit 6      **IDXPOL:** INDXx Input Polarity Select bit  
 1 = Input is inverted  
 0 = Input is not inverted
- bit 5      **QEBPOL:** QEBx Input Polarity Select bit  
 1 = Input is inverted  
 0 = Input is not inverted
- bit 4      **QEAPOL:** QEAx Input Polarity Select bit  
 1 = Input is inverted  
 0 = Input is not inverted
- bit 3      **HOME:** Status of HOMEx Input Pin After Polarity Control  
 1 = Pin is at logic '1'  
 0 = Pin is at logic '0'

**REGISTER 17-2: QE1IIOC: QE1 I/O CONTROL REGISTER (CONTINUED)**

- bit 2        **INDEX:** Status of INDXx Input Pin After Polarity Control  
              1 = Pin is at logic '1'  
              0 = Pin is at logic '0'
- bit 1        **QEB:** Status of QEBx Input Pin After Polarity Control And SWPAB Pin Swapping  
              1 = Pin is at logic '1'  
              0 = Pin is at logic '0'
- bit 0        **QEA:** Status of QEAx Input Pin After Polarity Control And SWPAB Pin Swapping  
              1 = Pin is at logic '1'  
              0 = Pin is at logic '0'

**REGISTER 17-3: QEI1STAT: QEI STATUS REGISTER**

|        |     |           |          |           |          |           |          |
|--------|-----|-----------|----------|-----------|----------|-----------|----------|
| U-0    | U-0 | HS, R/C-0 | R/W-0    | HS, R/C-0 | R/W-0    | HS, R/C-0 | R/W-0    |
| —      | —   | PCHEQIRQ  | PCHEQIEN | PCLEQIRQ  | PCLEQIEN | POSOVIRQ  | POSOVIEN |
| bit 15 |     |           |          |           |          | bit 8     |          |

|                       |       |           |          |           |        |           |        |
|-----------------------|-------|-----------|----------|-----------|--------|-----------|--------|
| HS, R/C-0             | R/W-0 | HS, R/C-0 | R/W-0    | HS, R/C-0 | R/W-0  | HS, R/C-0 | R/W-0  |
| PCIIRQ <sup>(1)</sup> | PCIEN | VELOVIRQ  | VELOVIEN | HOMIRQ    | HOMIEN | IDXIRQ    | IDXIEN |
| bit 7                 |       |           |          |           |        | bit 0     |        |

|                   |                            |  |
|-------------------|----------------------------|--|
| <b>Legend:</b>    | HS = Hardware Settable bit | C = Clearable bit                            |
| R = Readable bit  | W = Writable bit           | U = Unimplemented bit, read as '0'           |
| -n = Value at POR | '1' = Bit is set           | '0' = Bit is cleared      x = Bit is unknown |

- bit 15-14      **Unimplemented:** Read as '0'
- bit 13      **PCHEQIRQ:** Position Counter Greater Than or Equal Compare Status bit  
 1 = POSxCNT ≥ QEI1GEC  
 0 = POSxCNT < QEI1GEC
- bit 12      **PCHEQIEN:** Position Counter Greater Than or Equal Compare Interrupt Enable bit  
 1 = Interrupt is enabled  
 0 = Interrupt is disabled
- bit 11      **PCLEQIRQ:** Position Counter Less Than or Equal Compare Status bit  
 1 = POSxCNT ≤ QEI1LEC  
 0 = POSxCNT > QEI1LEC
- bit 10      **PCLEQIEN:** Position Counter Less Than or Equal Compare Interrupt Enable bit  
 1 = Interrupt is enabled  
 0 = Interrupt is disabled
- bit 9      **POSOVIRQ:** Position Counter Overflow Status bit  
 1 = Overflow has occurred  
 0 = No overflow has occurred
- bit 8      **POSOVIEN:** Position Counter Overflow Interrupt Enable bit  
 1 = Interrupt is enabled  
 0 = Interrupt is disabled
- bit 7      **PCIIRQ:** Position Counter (Homing) Initialization Process Complete Status bit<sup>(1)</sup>  
 1 = POSxCNT was reinitialized  
 0 = POSxCNT was not reinitialized
- bit 6      **PCIEN:** Position Counter (Homing) Initialization Process Complete interrupt Enable bit  
 1 = Interrupt is enabled  
 0 = Interrupt is disabled
- bit 5      **VELOVIRQ:** Velocity Counter Overflow Status bit  
 1 = Overflow has occurred  
 0 = No overflow has not occurred
- bit 4      **VELOVIEN:** Velocity Counter Overflow Interrupt Enable bit  
 1 = Interrupt is enabled  
 0 = Interrupt is disabled
- bit 3      **HOMIRQ:** Status Flag for Home Event Status bit  
 1 = Home event has occurred  
 0 = No Home event has occurred

**Note 1:** This status bit is only applicable to PIMOD<2:0> modes, '011' and '100'.

**REGISTER 17-3: QEI1STAT: QEI STATUS REGISTER (CONTINUED)**

- bit 2        **HOMIEN:** Home Input Event Interrupt Enable bit  
             1 = Interrupt is enabled  
             0 = Interrupt is disabled
- bit 1        **IDXIRQ:** Status Flag for Index Event Status bit  
             1 = Index event has occurred  
             0 = No Index event has occurred
- bit 0        **IDXIEN:** Index Input Event Interrupt Enable bit  
             1 = Interrupt is enabled  
             0 = Interrupt is disabled

**Note 1:** This status bit is only applicable to PIMOD<2:0> modes, '011' and '100'.

**REGISTER 17-4: POSxCNTH: POSITION COUNTER HIGH WORD REGISTER**

|               |       |       |       |       |       |       |       |
|---------------|-------|-------|-------|-------|-------|-------|-------|
| R/W-0         | R/W-0 | R/W-0 | R/W-0 | R/W-0 | R/W-0 | R/W-0 | R/W-0 |
| POSCNT<31:24> |       |       |       |       |       |       |       |
| bit 15        |       |       |       | bit 8 |       |       |       |

|               |       |       |       |       |       |       |       |
|---------------|-------|-------|-------|-------|-------|-------|-------|
| R/W-0         | R/W-0 | R/W-0 | R/W-0 | R/W-0 | R/W-0 | R/W-0 | R/W-0 |
| POSCNT<23:16> |       |       |       |       |       |       |       |
| bit 7         |       |       |       | bit 0 |       |       |       |

**Legend:**

R = Readable bit                      W = Writable bit                      U = Unimplemented bit, read as '0'  
 -n = Value at POR                      '1' = Bit is set                      '0' = Bit is cleared                      x = Bit is unknown

bit 15-0                      **POSCNT<31:16>**: High Word Used to Form 32-Bit Position Counter Register (POSxCNT) bits

**REGISTER 17-5: POSxCNTL: POSITION COUNTER LOW WORD REGISTER**

|              |       |       |       |       |       |       |       |
|--------------|-------|-------|-------|-------|-------|-------|-------|
| R/W-0        | R/W-0 | R/W-0 | R/W-0 | R/W-0 | R/W-0 | R/W-0 | R/W-0 |
| POSCNT<15:8> |       |       |       |       |       |       |       |
| bit 15       |       |       |       | bit 8 |       |       |       |

|             |       |       |       |       |       |       |       |
|-------------|-------|-------|-------|-------|-------|-------|-------|
| R/W-0       | R/W-0 | R/W-0 | R/W-0 | R/W-0 | R/W-0 | R/W-0 | R/W-0 |
| POSCNT<7:0> |       |       |       |       |       |       |       |
| bit 7       |       |       |       | bit 0 |       |       |       |

**Legend:**

R = Readable bit                      W = Writable bit                      U = Unimplemented bit, read as '0'  
 -n = Value at POR                      '1' = Bit is set                      '0' = Bit is cleared                      x = Bit is unknown

bit 15-0                      **POSCNT<15:0>**: Low Word Used to Form 32-Bit Position Counter Register (POSxCNT) bits

**REGISTER 17-6: POSxHLD: POSITION COUNTER HOLD REGISTER**

|              |       |       |       |       |       |       |       |
|--------------|-------|-------|-------|-------|-------|-------|-------|
| R/W-0        | R/W-0 | R/W-0 | R/W-0 | R/W-0 | R/W-0 | R/W-0 | R/W-0 |
| POSHLD<15:8> |       |       |       |       |       |       |       |
| bit 15       |       |       |       | bit 8 |       |       |       |

|             |       |       |       |       |       |       |       |
|-------------|-------|-------|-------|-------|-------|-------|-------|
| R/W-0       | R/W-0 | R/W-0 | R/W-0 | R/W-0 | R/W-0 | R/W-0 | R/W-0 |
| POSHLD<7:0> |       |       |       |       |       |       |       |
| bit 7       |       |       |       | bit 0 |       |       |       |

**Legend:**

R = Readable bit                      W = Writable bit                      U = Unimplemented bit, read as '0'  
 -n = Value at POR                      '1' = Bit is set                      '0' = Bit is cleared                      x = Bit is unknown

bit 15-0                      **POSHLD<15:0>**: Hold Register for Reading and Writing POSxCNTH bits



**REGISTER 17-7: VELxCNT: VELOCITY COUNTER REGISTER**

|              |       |       |       |       |       |       |       |
|--------------|-------|-------|-------|-------|-------|-------|-------|
| R/W-0        | R/W-0 | R/W-0 | R/W-0 | R/W-0 | R/W-0 | R/W-0 | R/W-0 |
| VELCNT<15:8> |       |       |       |       |       |       |       |
| bit 15       |       |       |       | bit 8 |       |       |       |

|             |       |       |       |       |       |       |       |
|-------------|-------|-------|-------|-------|-------|-------|-------|
| R/W-0       | R/W-0 | R/W-0 | R/W-0 | R/W-0 | R/W-0 | R/W-0 | R/W-0 |
| VELCNT<7:0> |       |       |       |       |       |       |       |
| bit 7       |       |       |       | bit 0 |       |       |       |

**Legend:**  
 R = Readable bit                      W = Writable bit                      U = Unimplemented bit, read as '0'  
 -n = Value at POR                      '1' = Bit is set                      '0' = Bit is cleared                      x = Bit is unknown

bit 15-0                      **VELCNT<15:0>**: Velocity Counter bits

**REGISTER 17-8: INDXCNTH: INDEX COUNTER HIGH WORD REGISTER**

|                |       |       |       |       |       |       |       |
|----------------|-------|-------|-------|-------|-------|-------|-------|
| R/W-0          | R/W-0 | R/W-0 | R/W-0 | R/W-0 | R/W-0 | R/W-0 | R/W-0 |
| INDXCNT<31:24> |       |       |       |       |       |       |       |
| bit 15         |       |       |       | bit 8 |       |       |       |

|                |       |       |       |       |       |       |       |
|----------------|-------|-------|-------|-------|-------|-------|-------|
| R/W-0          | R/W-0 | R/W-0 | R/W-0 | R/W-0 | R/W-0 | R/W-0 | R/W-0 |
| INDXCNT<23:16> |       |       |       |       |       |       |       |
| bit 7          |       |       |       | bit 0 |       |       |       |

**Legend:**  
 R = Readable bit                      W = Writable bit                      U = Unimplemented bit, read as '0'  
 -n = Value at POR                      '1' = Bit is set                      '0' = Bit is cleared                      x = Bit is unknown

bit 15-0                      **INDXCNT<31:16>**: High Word Used to Form 32-Bit Index Counter Register (INDXxCNT) bits

**REGISTER 17-9: INDXCNTL: INDEX COUNTER LOW WORD REGISTER**

|               |       |       |       |       |       |       |       |
|---------------|-------|-------|-------|-------|-------|-------|-------|
| R/W-0         | R/W-0 | R/W-0 | R/W-0 | R/W-0 | R/W-0 | R/W-0 | R/W-0 |
| INDXCNT<15:8> |       |       |       |       |       |       |       |
| bit 15        |       |       |       | bit 8 |       |       |       |

|              |       |       |       |       |       |       |       |
|--------------|-------|-------|-------|-------|-------|-------|-------|
| R/W-0        | R/W-0 | R/W-0 | R/W-0 | R/W-0 | R/W-0 | R/W-0 | R/W-0 |
| INDXCNT<7:0> |       |       |       |       |       |       |       |
| bit 7        |       |       |       | bit 0 |       |       |       |

**Legend:**  
 R = Readable bit                      W = Writable bit                      U = Unimplemented bit, read as '0'  
 -n = Value at POR                      '1' = Bit is set                      '0' = Bit is cleared                      x = Bit is unknown

bit 15-0                      **INDXCNT<15:0>**: Low Word Used to Form 32-Bit Index Counter Register (INDXxCNT) bits

**REGISTER 17-10: INDXxHLD: INDEX COUNTER HOLD REGISTER**

|               |       |       |       |       |       |       |       |
|---------------|-------|-------|-------|-------|-------|-------|-------|
| R/W-0         | R/W-0 | R/W-0 | R/W-0 | R/W-0 | R/W-0 | R/W-0 | R/W-0 |
| INDXHLD<15:8> |       |       |       |       |       |       |       |
| bit 15        |       |       |       | bit 8 |       |       |       |

|              |       |       |       |       |       |       |       |
|--------------|-------|-------|-------|-------|-------|-------|-------|
| R/W-0        | R/W-0 | R/W-0 | R/W-0 | R/W-0 | R/W-0 | R/W-0 | R/W-0 |
| INDXHLD<7:0> |       |       |       |       |       |       |       |
| bit 7        |       |       |       | bit 0 |       |       |       |

**Legend:**

R = Readable bit                      W = Writable bit                      U = Unimplemented bit, read as '0'  
 -n = Value at POR                      '1' = Bit is set                      '0' = Bit is cleared                      x = Bit is unknown

bit 15-0                      **INDXHLD<15:0>**: Hold Register for Reading and Writing INDXxCNTH bits

**REGISTER 17-11: QE11ICH: INITIALIZATION/CAPTURE HIGH WORD REGISTER**

|              |       |       |       |       |       |       |       |
|--------------|-------|-------|-------|-------|-------|-------|-------|
| R/W-0        | R/W-0 | R/W-0 | R/W-0 | R/W-0 | R/W-0 | R/W-0 | R/W-0 |
| QEIIC<31:24> |       |       |       |       |       |       |       |
| bit 15       |       |       |       | bit 8 |       |       |       |

|              |       |       |       |       |       |       |       |
|--------------|-------|-------|-------|-------|-------|-------|-------|
| R/W-0        | R/W-0 | R/W-0 | R/W-0 | R/W-0 | R/W-0 | R/W-0 | R/W-0 |
| QEIIC<23:16> |       |       |       |       |       |       |       |
| bit 7        |       |       |       | bit 0 |       |       |       |

**Legend:**

R = Readable bit                      W = Writable bit                      U = Unimplemented bit, read as '0'  
 -n = Value at POR                      '1' = Bit is set                      '0' = Bit is cleared                      x = Bit is unknown

bit 15-0                      **QEIIC<31:16>**: High Word Used to Form 32-Bit Initialization/Capture Register (QE11IC) bits

**REGISTER 17-12: QE11ICL: INITIALIZATION/CAPTURE LOW WORD REGISTER**

|             |       |       |       |       |       |       |       |
|-------------|-------|-------|-------|-------|-------|-------|-------|
| R/W-0       | R/W-0 | R/W-0 | R/W-0 | R/W-0 | R/W-0 | R/W-0 | R/W-0 |
| QEIIC<15:8> |       |       |       |       |       |       |       |
| bit 15      |       |       |       | bit 8 |       |       |       |

|            |       |       |       |       |       |       |       |
|------------|-------|-------|-------|-------|-------|-------|-------|
| R/W-0      | R/W-0 | R/W-0 | R/W-0 | R/W-0 | R/W-0 | R/W-0 | R/W-0 |
| QEIIC<7:0> |       |       |       |       |       |       |       |
| bit 7      |       |       |       | bit 0 |       |       |       |

**Legend:**

R = Readable bit                      W = Writable bit                      U = Unimplemented bit, read as '0'  
 -n = Value at POR                      '1' = Bit is set                      '0' = Bit is cleared                      x = Bit is unknown

bit 15-0                      **QEIIC<15:0>**: Low Word Used to Form 32-Bit Initialization/Capture Register (QE11IC) bits

**REGISTER 17-13: QE11LECH: LESS THAN OR EQUAL COMPARE HIGH WORD REGISTER**

|               |       |       |       |       |       |       |       |
|---------------|-------|-------|-------|-------|-------|-------|-------|
| R/W-0         | R/W-0 | R/W-0 | R/W-0 | R/W-0 | R/W-0 | R/W-0 | R/W-0 |
| QEILEC<31:24> |       |       |       |       |       |       |       |
| bit 15        |       |       |       |       |       |       | bit 8 |

|               |       |       |       |       |       |       |       |
|---------------|-------|-------|-------|-------|-------|-------|-------|
| R/W-0         | R/W-0 | R/W-0 | R/W-0 | R/W-0 | R/W-0 | R/W-0 | R/W-0 |
| QEILEC<23:16> |       |       |       |       |       |       |       |
| bit 7         |       |       |       |       |       |       | bit 0 |

**Legend:**  
 R = Readable bit                      W = Writable bit                      U = Unimplemented bit, read as '0'  
 -n = Value at POR                      '1' = Bit is set                      '0' = Bit is cleared                      x = Bit is unknown

bit 15-0                      **QEILEC<31:16>**: High Word Used to Form 32-Bit Less Than or Equal Compare Register (QE11LEC) bits

**REGISTER 17-14: QE11LECL: LESS THAN OR EQUAL COMPARE LOW WORD REGISTER**

|              |       |       |       |       |       |       |       |
|--------------|-------|-------|-------|-------|-------|-------|-------|
| R/W-0        | R/W-0 | R/W-0 | R/W-0 | R/W-0 | R/W-0 | R/W-0 | R/W-0 |
| QEILEC<15:8> |       |       |       |       |       |       |       |
| bit 15       |       |       |       |       |       |       | bit 8 |

|             |       |       |       |       |       |       |       |
|-------------|-------|-------|-------|-------|-------|-------|-------|
| R/W-0       | R/W-0 | R/W-0 | R/W-0 | R/W-0 | R/W-0 | R/W-0 | R/W-0 |
| QEILEC<7:0> |       |       |       |       |       |       |       |
| bit 7       |       |       |       |       |       |       | bit 0 |

**Legend:**  
 R = Readable bit                      W = Writable bit                      U = Unimplemented bit, read as '0'  
 -n = Value at POR                      '1' = Bit is set                      '0' = Bit is cleared                      x = Bit is unknown

bit 15-0                      **QEILEC<15:0>**: Low Word Used to Form 32-Bit Less Than or Equal Compare Register (QE11LEC) bits

**REGISTER 17-15: QE1GEC: GREATER THAN OR EQUAL COMPARE HIGH WORD REGISTER**

|               |       |       |       |       |       |       |       |
|---------------|-------|-------|-------|-------|-------|-------|-------|
| R/W-0         | R/W-0 | R/W-0 | R/W-0 | R/W-0 | R/W-0 | R/W-0 | R/W-0 |
| QEIGEC<31:24> |       |       |       |       |       |       |       |
| bit 15        |       |       |       |       |       |       | bit 8 |

|               |       |       |       |       |       |       |       |
|---------------|-------|-------|-------|-------|-------|-------|-------|
| R/W-0         | R/W-0 | R/W-0 | R/W-0 | R/W-0 | R/W-0 | R/W-0 | R/W-0 |
| QEIGEC<23:16> |       |       |       |       |       |       |       |
| bit 7         |       |       |       |       |       |       | bit 0 |

**Legend:**

R = Readable bit                      W = Writable bit                      U = Unimplemented bit, read as '0'  
 -n = Value at POR                      '1' = Bit is set                      '0' = Bit is cleared                      x = Bit is unknown

bit 15-0            **QEIGEC<31:16>**: High Word Used to Form 32-Bit Greater Than or Equal Compare Register (QE1GEC) bits

**REGISTER 17-16: QE1GECL: GREATER THAN OR EQUAL COMPARE LOW WORD REGISTER**

|              |       |       |       |       |       |       |       |
|--------------|-------|-------|-------|-------|-------|-------|-------|
| R/W-0        | R/W-0 | R/W-0 | R/W-0 | R/W-0 | R/W-0 | R/W-0 | R/W-0 |
| QEIGEC<15:8> |       |       |       |       |       |       |       |
| bit 15       |       |       |       |       |       |       | bit 8 |

|             |       |       |       |       |       |       |       |
|-------------|-------|-------|-------|-------|-------|-------|-------|
| R/W-0       | R/W-0 | R/W-0 | R/W-0 | R/W-0 | R/W-0 | R/W-0 | R/W-0 |
| QEIGEC<7:0> |       |       |       |       |       |       |       |
| bit 7       |       |       |       |       |       |       | bit 0 |

**Legend:**

R = Readable bit                      W = Writable bit                      U = Unimplemented bit, read as '0'  
 -n = Value at POR                      '1' = Bit is set                      '0' = Bit is cleared                      x = Bit is unknown

bit 15-0            **QEIGEC<15:0>**: Low Word Used to Form 32-Bit Greater Than or Equal Compare Register (QE1GEC) bits

**REGISTER 17-17: INTxTMRH: INTERVAL TIMER HIGH WORD REGISTER**

|               |       |       |       |       |       |       |       |
|---------------|-------|-------|-------|-------|-------|-------|-------|
| R/W-0         | R/W-0 | R/W-0 | R/W-0 | R/W-0 | R/W-0 | R/W-0 | R/W-0 |
| INTTMR<31:24> |       |       |       |       |       |       |       |
| bit 15        |       |       |       |       |       |       | bit 8 |

|               |       |       |       |       |       |       |       |
|---------------|-------|-------|-------|-------|-------|-------|-------|
| R/W-0         | R/W-0 | R/W-0 | R/W-0 | R/W-0 | R/W-0 | R/W-0 | R/W-0 |
| INTTMR<23:16> |       |       |       |       |       |       |       |
| bit 7         |       |       |       |       |       |       | bit 0 |

**Legend:**

R = Readable bit                      W = Writable bit                      U = Unimplemented bit, read as '0'  
 -n = Value at POR                      '1' = Bit is set                      '0' = Bit is cleared                      x = Bit is unknown

bit 15-0            **INTTMR<31:16>**: High Word Used to Form 32-Bit Interval Timer Register (INTxTMR) bits

**REGISTER 17-18: INTxTMRL: INTERVAL TIMER LOW WORD REGISTER**

|              |       |       |       |       |       |       |       |
|--------------|-------|-------|-------|-------|-------|-------|-------|
| R/W-0        | R/W-0 | R/W-0 | R/W-0 | R/W-0 | R/W-0 | R/W-0 | R/W-0 |
| INTTMR<15:8> |       |       |       |       |       |       |       |
| bit 15       |       |       |       | bit 8 |       |       |       |

|             |       |       |       |       |       |       |       |
|-------------|-------|-------|-------|-------|-------|-------|-------|
| R/W-0       | R/W-0 | R/W-0 | R/W-0 | R/W-0 | R/W-0 | R/W-0 | R/W-0 |
| INTTMR<7:0> |       |       |       |       |       |       |       |
| bit 7       |       |       |       | bit 0 |       |       |       |

**Legend:**  
 R = Readable bit                      W = Writable bit                      U = Unimplemented bit, read as '0'  
 -n = Value at POR                      '1' = Bit is set                      '0' = Bit is cleared                      x = Bit is unknown

bit 15-0                      **INTTMR<15:0>**: Low Word Used to Form 32-Bit Interval Timer Register (INTxTMR) bits

**REGISTER 17-19: INTxHLDH: INTERVAL TIMER HOLD HIGH WORD REGISTER**

|               |       |       |       |       |       |       |       |
|---------------|-------|-------|-------|-------|-------|-------|-------|
| R/W-0         | R/W-0 | R/W-0 | R/W-0 | R/W-0 | R/W-0 | R/W-0 | R/W-0 |
| INTHLD<31:24> |       |       |       |       |       |       |       |
| bit 15        |       |       |       | bit 8 |       |       |       |

|               |       |       |       |       |       |       |       |
|---------------|-------|-------|-------|-------|-------|-------|-------|
| R/W-0         | R/W-0 | R/W-0 | R/W-0 | R/W-0 | R/W-0 | R/W-0 | R/W-0 |
| INTHLD<23:16> |       |       |       |       |       |       |       |
| bit 7         |       |       |       | bit 0 |       |       |       |

**Legend:**  
 R = Readable bit                      W = Writable bit                      U = Unimplemented bit, read as '0'  
 -n = Value at POR                      '1' = Bit is set                      '0' = Bit is cleared                      x = Bit is unknown

bit 15-0                      **INTHLD<31:16>**: Hold Register for Reading and Writing INTxTMRH bits

**REGISTER 17-20: INTxHLDL: INTERVAL TIMER HOLD LOW WORD REGISTER**

|              |       |       |       |       |       |       |       |
|--------------|-------|-------|-------|-------|-------|-------|-------|
| R/W-0        | R/W-0 | R/W-0 | R/W-0 | R/W-0 | R/W-0 | R/W-0 | R/W-0 |
| INTHLD<15:8> |       |       |       |       |       |       |       |
| bit 15       |       |       |       | bit 8 |       |       |       |

|             |       |       |       |       |       |       |       |
|-------------|-------|-------|-------|-------|-------|-------|-------|
| R/W-0       | R/W-0 | R/W-0 | R/W-0 | R/W-0 | R/W-0 | R/W-0 | R/W-0 |
| INTHLD<7:0> |       |       |       |       |       |       |       |
| bit 7       |       |       |       | bit 0 |       |       |       |

**Legend:**  
 R = Readable bit                      W = Writable bit                      U = Unimplemented bit, read as '0'  
 -n = Value at POR                      '1' = Bit is set                      '0' = Bit is cleared                      x = Bit is unknown

bit 15-0                      **INTHLD<15:0>**: Hold Register for Reading and Writing INTxTMRL bits

**NOTES:**

## 18.0 SERIAL PERIPHERAL INTERFACE (SPI)

**Note 1:** This data sheet summarizes the features of the dsPIC33EPXXXGP50X, dsPIC33EPXXXMC20X/50X and PIC24EPXXXGP/MC20X families of devices. It is not intended to be a comprehensive reference source. To complement the information in this data sheet, refer to **Section 18. “Serial Peripheral Interface (SPI)”** (DS70569) of the “*dsPIC33E/PIC24E Family Reference Manual*”, which is available from the Microchip web site ([www.microchip.com](http://www.microchip.com)).

**2:** Some registers and associated bits described in this section may not be available on all devices. Refer to **Section 4.0 “Memory Organization”** in this data sheet for device-specific register and bit information.

The SPI module is a synchronous serial interface, useful for communicating with other peripheral or microcontroller devices. These peripheral devices can be serial EEPROMs, shift registers, display drivers, ADC Converters, etc. The SPI module is compatible with Motorola® SPI and SIOP interfaces.

The dsPIC33EPXXXGP50X, dsPIC33EPXXXMC20X/50X, and PIC24EPXXXGP/MC20X device family offers two SPI modules on a single device. These modules, which are designated as SPI1 and SPI2, are functionally identical. Each SPI module includes an eight-word FIFO buffer and allows DMA bus connections. When using the SPI module with DMA, FIFO operation can be disabled.

**Note:** In this section, the SPI modules are referred to together as SPIx, or separately as SPI1 and SPI2. Special Function Registers follow a similar notation. For example, SPIxCON refers to the control register for the SPI1 and SPI2 module.

The SPI1 module uses dedicated pins which allow for a higher speed when using SPI1. The SPI2 module takes advantage of the Peripheral Pin Select (PPS) feature to allow for greater flexibility in pin configuration of the SPI2 module, but results in a lower maximum speed for SPI2. See **Section 30.0 “Electrical Characteristics”** for more information.

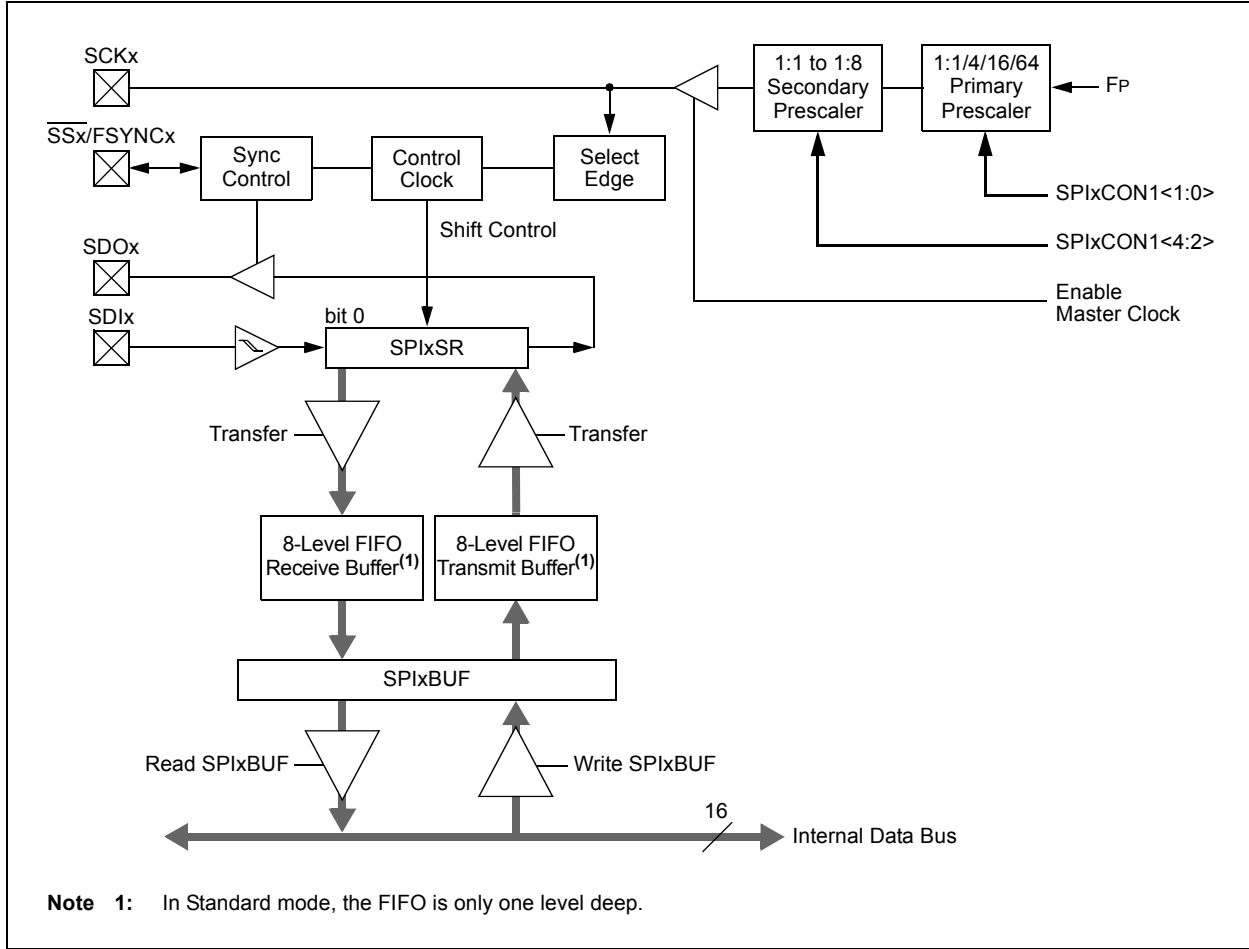
The SPIx serial interface consists of four pins, as follows:

- SDIx: Serial Data Input
- SDOx: Serial Data Output
- SCKx: Shift Clock Input or Output
- $\overline{SSx}$ /FSYNCx: Active-Low Slave Select or Frame Synchronization I/O Pulse

The SPIx module can be configured to operate with two, three or four pins. In 3-pin mode,  $\overline{SSx}$  is not used. In 2-pin mode, neither SDOx nor  $\overline{SSx}$  is used.

**Figure 18-1** illustrates the block diagram of the SPIx module in Standard and Enhanced modes.

FIGURE 18-1: SPIx MODULE BLOCK DIAGRAM





## 18.1 SPI Helpful Tips

1. In Frame mode, if there is a possibility that the master may not be initialized before the slave:
  - a) If FRMPOL (SPIxCON2<13>) = 1, use a pull-down resistor on SSx.
  - b) If FRMPOL = 0, use a pull-up resistor on SSx.

**Note:** This insures that the first frame transmission after initialization is not shifted or corrupted.

2. In Non-Framed 3-Wire mode, (i.e., not using SSx from a master):
  - a) If CKP (SPIxCON1<6>) = 1, always place a pull-up resistor on SSx.
  - b) If CKP = 0, always place a pull-down resistor on SSx.

**Note:** This will insure that during power-up and initialization the master/slave will not lose Sync due to an errant SCKx transition that would cause the slave to accumulate data shift errors for both transmit and receive appearing as corrupted data.

3. FRMEN (SPIxCON2<15>) = 1 and SSEN (SPIxCON1<7>) = 1 are exclusive and invalid. In Frame mode, SCKx is continuous and the Frame Sync pulse is active on the SSx pin, which indicates the start of a data frame.

**Note:** Not all third-party devices support Frame mode timing. Refer to the SPIx specifications in [Section 30.0 “Electrical Characteristics”](#) for details.

4. In Master mode only, set the SMP bit (SPIxCON1<9>) to a ‘1’ for the fastest SPIx data rate possible. The SMP bit can only be set at the same time or after the MSTEN bit (SPIxCON1<5>) is set.

To avoid invalid slave read data to the master, the user’s master software must ensure enough time for slave software to fill its write buffer before the user application initiates a master write/read cycle. It is always advisable to preload the SPIxBUF Transmit register in advance of the next master transaction cycle. SPIxBUF is transferred to the SPIx Shift register and is empty once the data transmission begins.

## 18.2 SPI Resources

Many useful resources are provided on the main product page of the Microchip web site for the devices listed in this data sheet. This product page, which can be accessed using this [link](#), contains the latest updates and additional information.

**Note:** In the event you are not able to access the product page using the link above, enter this URL in your browser:  
<http://www.microchip.com/wwwproducts/Devices.aspx?dDocName=en555464>

### 18.2.1 KEY RESOURCES

- **Section 18. “Serial Peripheral Interface (SPI)” (DS70569)**
- Code Samples
- Application Notes
- Software Libraries
- Webinars
- All Related “*dsPIC33E/PIC24E Family Reference Manual*” Sections
- Development Tools

**18.3 SPIx Control Registers**

**REGISTER 18-1: SPIxSTAT: SPIx STATUS AND CONTROL REGISTER**

|        |     |         |     |     |             |       |       |
|--------|-----|---------|-----|-----|-------------|-------|-------|
| R/W-0  | U-0 | R/W-0   | U-0 | U-0 | R/W-0       | R/W-0 | R/W-0 |
| SPIEN  | —   | SPISIDL | —   | —   | SPIBEC<2:0> |       |       |
| bit 15 |     |         |     |     |             | bit 8 |       |

|       |           |        |            |       |        |             |             |
|-------|-----------|--------|------------|-------|--------|-------------|-------------|
| R/W-0 | R/C-0, HS | R/W-0  | R/W-0      | R/W-0 | R/W-0  | R-0, HS, HC | R-0, HS, HC |
| SRMPT | SPIROV    | SRXMPT | SISEL<2:0> |       | SPITBF | SPIRBF      |             |
| bit 7 |           |        |            |       |        | bit 0       |             |

|                   |                   |                                    |                             |
|-------------------|-------------------|------------------------------------|-----------------------------|
| <b>Legend:</b>    | C = Clearable bit | HS = Hardware Settable bit         | HC = Hardware Clearable bit |
| R = Readable bit  | W = Writable bit  | U = Unimplemented bit, read as '0' |                             |
| -n = Value at POR | '1' = Bit is set  | '0' = Bit is cleared               | x = Bit is unknown          |

- bit 15      **SPIEN:** SPIx Enable bit  
 1 = Enables the module and configures SCKx, SDOx, SDIx and  $\overline{SSx}$  as serial port pins  
 0 = Disables the module
- bit 14      **Unimplemented:** Read as '0'
- bit 13      **SPISIDL:** SPIx Stop in Idle Mode bit  
 1 = Discontinues the module operation when device enters Idle mode  
 0 = Continues the module operation in Idle mode
- bit 12-11   **Unimplemented:** Read as '0'
- bit 10-8    **SPIBEC<2:0>:** SPIx Buffer Element Count bits (valid in Enhanced Buffer mode)  
Master mode:  
 Number of SPIx transfers that are pending.  
Slave mode:  
 Number of SPIx transfers that are unread.
- bit 7        **SRMPT:** SPIx Shift Register (SPIxSR) Empty bit (valid in Enhanced Buffer mode)  
 1 = SPIx Shift register is empty and ready to send or receive the data  
 0 = SPIx Shift register is not empty
- bit 6        **SPIROV:** SPIx Receive Overflow Flag bit  
 1 = A new byte/word is completely received and discarded; the user application has not read the previous data in the SPIxBUF register  
 0 = No overflow has occurred
- bit 5        **SRXMPT:** SPIx Receive FIFO Empty bit (valid in Enhanced Buffer mode)  
 1 = RX FIFO is empty  
 0 = RX FIFO is not empty
- bit 4-2     **SISEL<2:0>:** SPIx Buffer Interrupt Mode bits (valid in Enhanced Buffer mode)  
 111 = Interrupt when the SPIx transmit buffer is full (SPITBF bit is set)  
 110 = Interrupt when last bit is shifted into SPIxSR and as a result, the TX FIFO is empty  
 101 = Interrupt when the last bit is shifted out of SPIxSR and the transmit is complete  
 100 = Interrupt when one data is shifted into the SPIxSR and as a result, the TX FIFO has one open memory location  
 011 = Interrupt when the SPIx receive buffer is full (SPIRBF bit is set)  
 010 = Interrupt when the SPIx receive buffer is 3/4 or more full  
 001 = Interrupt when data is available in the receive buffer (SRMPT bit is set)  
 000 = Interrupt when the last data in the receive buffer is read and as a result, the buffer is empty (SRXMPT bit set)

**REGISTER 18-1: SPIxSTAT: SPIx STATUS AND CONTROL REGISTER (CONTINUED)**

bit 1        **SPITBF:** SPIx Transmit Buffer Full Status bit

1 = Transmit not yet started, SPIxTXB is full  
0 = Transmit started, SPIxTXB is empty

Standard Buffer mode:

Automatically set in hardware when core writes to the SPIxBUF location, loading SPIxTXB. Automatically cleared in hardware when SPIx module transfers data from SPIxTXB to SPIxSR.

Enhanced Buffer mode:

Automatically set in hardware when the CPU writes to the SPIxBUF location, loading the last available buffer location. Automatically cleared in hardware when a buffer location is available for a CPU write operation.

bit 0        **SPIRBF:** SPIx Receive Buffer Full Status bit

1 = Receive is complete, SPIxRXB is full  
0 = Receive is incomplete, SPIxRXB is empty

Standard Buffer mode:

Automatically set in hardware when SPIx transfers data from SPIxSR to SPIxRXB. Automatically cleared in hardware when the core reads the SPIxBUF location, reading SPIxRXB.

Enhanced Buffer mode:

Automatically set in hardware when SPIx transfers data from SPIxSR to the buffer, filling the last unread buffer location. Automatically cleared in hardware when a buffer location is available for a transfer from SPIxSR.

**REGISTER 18-2: SPIxCON1: SPIx CONTROL REGISTER 1**

|                     |       |       |                          |        |        |                          |                    |
|---------------------|-------|-------|--------------------------|--------|--------|--------------------------|--------------------|
| U-0                 | U-0   | U-0   | R/W-0                    | R/W-0  | R/W-0  | R/W-0                    | R/W-0              |
| —                   | —     | —     | DISSCK                   | DISSDO | MODE16 | SMP                      | CKE <sup>(1)</sup> |
| bit 15              |       |       |                          |        |        |                          | bit 8              |
| R/W-0               | R/W-0 | R/W-0 | R/W-0                    | R/W-0  | R/W-0  | R/W-0                    | R/W-0              |
| SSEN <sup>(2)</sup> | CKP   | MSTEN | SPRE<2:0> <sup>(3)</sup> |        |        | PPRE<1:0> <sup>(3)</sup> |                    |
| bit 7               |       |       |                          |        |        |                          | bit 0              |

**Legend:**

R = Readable bit                      W = Writable bit                      U = Unimplemented bit, read as '0'  
 -n = Value at POR                      '1' = Bit is set                      '0' = Bit is cleared                      x = Bit is unknown

- bit 15-13      **Unimplemented:** Read as '0'
- bit 12      **DISSCK:** Disable SCKx Pin bit (SPIx Master modes only)  
 1 = Internal SPIx clock is disabled, pin functions as I/O  
 0 = Internal SPIx clock is enabled
- bit 11      **DISSDO:** Disable SDOx Pin bit  
 1 = SDOx pin is not used by the module; pin functions as I/O  
 0 = SDOx pin is controlled by the module
- bit 10      **MODE16:** Word/Byte Communication Select bit  
 1 = Communication is word-wide (16 bits)  
 0 = Communication is byte-wide (8 bits)
- bit 9      **SMP:** SPIx Data Input Sample Phase bit  
Master mode:  
 1 = Input data is sampled at end of data output time  
 0 = Input data is sampled at middle of data output time  
Slave mode:  
 SMP must be cleared when SPIx is used in Slave mode.
- bit 8      **CKE:** SPIx Clock Edge Select bit<sup>(1)</sup>  
 1 = Serial output data changes on transition from active clock state to Idle clock state (refer to bit 6)  
 0 = Serial output data changes on transition from Idle clock state to active clock state (refer to bit 6)
- bit 7      **SSEN:** Slave Select Enable bit (Slave mode)<sup>(2)</sup>  
 1 = SSx pin is used for Slave mode  
 0 = SSx pin is not used by the module; pin is controlled by port function
- bit 6      **CKP:** Clock Polarity Select bit  
 1 = Idle state for clock is a high level; active state is a low level  
 0 = Idle state for clock is a low level; active state is a high level
- bit 5      **MSTEN:** Master Mode Enable bit  
 1 = Master mode  
 0 = Slave mode

- Note 1:** The CKE bit is not used in Framed SPI modes. Program this bit to '0' for Framed SPI modes (FRMEN = 1).  
**Note 2:** This bit must be cleared when FRMEN = 1.  
**Note 3:** Do not set both primary and secondary prescalers to the value of 1:1.

**REGISTER 18-2: SPIxCON1: SPIx CONTROL REGISTER 1 (CONTINUED)**

bit 4-2      **SPRE<2:0>**: Secondary Prescale bits (Master mode)<sup>(3)</sup>

111 = Secondary prescale 1:1

110 = Secondary prescale 2:1

•

•

•

000 = Secondary prescale 8:1

bit 1-0      **PPRE<1:0>**: Primary Prescale bits (Master mode)<sup>(3)</sup>

11 = Primary prescale 1:1

10 = Primary prescale 4:1

01 = Primary prescale 16:1

00 = Primary prescale 64:1

- Note 1:** The CKE bit is not used in Framed SPI modes. Program this bit to '0' for Framed SPI modes (FRMEN = 1).
- 2:** This bit must be cleared when FRMEN = 1.
- 3:** Do not set both primary and secondary prescalers to the value of 1:1.

**REGISTER 18-3: SPIxCON2: SPIx CONTROL REGISTER 2**

|        |        |        |     |     |     |     |       |
|--------|--------|--------|-----|-----|-----|-----|-------|
| R/W-0  | R/W-0  | R/W-0  | U-0 | U-0 | U-0 | U-0 | U-0   |
| FRMEN  | SPIFSD | FRMPOL | —   | —   | —   | —   | —     |
| bit 15 |        |        |     |     |     |     | bit 8 |

|       |     |     |     |     |     |        |        |
|-------|-----|-----|-----|-----|-----|--------|--------|
| U-0   | U-0 | U-0 | U-0 | U-0 | U-0 | R/W-0  | R/W-0  |
| —     | —   | —   | —   | —   | —   | FRMDLY | SPIBEN |
| bit 7 |     |     |     |     |     | bit 0  |        |

**Legend:**

R = Readable bit                      W = Writable bit                      U = Unimplemented bit, read as '0'  
 -n = Value at POR                      '1' = Bit is set                      '0' = Bit is cleared                      x = Bit is unknown

- bit 15            **FRMEN:** Framed SPIx Support bit  
 1 = Framed SPIx support is enabled ( $\overline{SSx}$  pin is used as Frame Sync pulse input/output)  
 0 = Framed SPIx support is disabled
- bit 14            **SPIFSD:** Frame Sync Pulse Direction Control bit  
 1 = Frame Sync pulse input (slave)  
 0 = Frame Sync pulse output (master)
- bit 13            **FRMPOL:** Frame Sync Pulse Polarity bit  
 1 = Frame Sync pulse is active-high  
 0 = Frame Sync pulse is active-low
- bit 12-2        **Unimplemented:** Read as '0'
- bit 1            **FRMDLY:** Frame Sync Pulse Edge Select bit  
 1 = Frame Sync pulse coincides with first bit clock  
 0 = Frame Sync pulse precedes first bit clock
- bit 0            **SPIBEN:** Enhanced Buffer Enable bit  
 1 = Enhanced buffer is enabled  
 0 = Enhanced buffer is disabled (Standard mode)

## 19.0 INTER-INTEGRATED CIRCUIT™ (I<sup>2</sup>C™)

**Note 1:** This data sheet summarizes the features of the dsPIC33EPXXXGP50X, dsPIC33EPXXXMC20X/50X and PIC24EPXXXGP/MC20X families of devices. It is not intended to be a comprehensive reference source. To complement the information in this data sheet, refer to **Section 19. “Inter-Integrated Circuit™ (I<sup>2</sup>C™)”** (DS70330) of the “dsPIC33E/PIC24E Family Reference Manual”, which is available from the Microchip web site ([www.microchip.com](http://www.microchip.com)).

**2:** Some registers and associated bits described in this section may not be available on all devices. Refer to **Section 4.0 “Memory Organization”** in this data sheet for device-specific register and bit information.

The dsPIC33EPXXXGP50X, dsPIC33EPXXXMC20X/50X and PIC24EPXXXGP/MC20X family of devices contains two Inter-Integrated Circuit (I<sup>2</sup>C) modules: I2C1 and I2C2.

The I<sup>2</sup>C module provides complete hardware support for both Slave and Multi-Master modes of the I<sup>2</sup>C serial communication standard, with a 16-bit interface.

The I<sup>2</sup>C module has a 2-pin interface:

- The SCLx pin is clock
- The SDAx pin is data

The I<sup>2</sup>C module offers the following key features:

- I<sup>2</sup>C interface supporting both Master and Slave modes of operation
- I<sup>2</sup>C Slave mode supports 7 and 10-bit addressing
- I<sup>2</sup>C Master mode supports 7 and 10-bit addressing
- I<sup>2</sup>C port allows bidirectional transfers between master and slaves
- Serial clock synchronization for I<sup>2</sup>C port can be used as a handshake mechanism to suspend and resume serial transfer (SCLREL control)
- I<sup>2</sup>C supports multi-master operation, detects bus collision and arbitrates accordingly
- Intelligent Platform Management Interface (IPMI) support
- System Management Bus (SMBus) support

FIGURE 19-1: I2Cx BLOCK DIAGRAM (x = 1 OR 2)





## 19.1 I<sup>2</sup>C Resources

Many useful resources are provided on the main product page of the Microchip web site for the devices listed in this data sheet. This product page, which can be accessed using this [link](#), contains the latest updates and additional information.

**Note:** In the event you are not able to access the product page using the link above, enter this URL in your browser:  
<http://www.microchip.com/wwwproducts/Devices.aspx?dDocName=en555464>

### 19.1.1 KEY RESOURCES

- **Section 19. “Inter-Integrated Circuit (I<sup>2</sup>C)”** (DS70330)
- Code Samples
- Application Notes
- Software Libraries
- Webinars
- All Related “*dsPIC33E/PIC24E Family Reference Manual*” Sections
- Development Tools

## 19.2 I<sup>2</sup>C Control Registers

**REGISTER 19-1: I2CxCON: I2Cx CONTROL REGISTER**

|        |     |         |           |                       |       |        |       |
|--------|-----|---------|-----------|-----------------------|-------|--------|-------|
| R/W-0  | U-0 | R/W-0   | R/W-1, HC | R/W-0                 | R/W-0 | R/W-0  | R/W-0 |
| I2CEN  | —   | I2CSIDL | SCLREL    | IPMIEN <sup>(1)</sup> | A10M  | DISSLW | SMEN  |
| bit 15 |     |         |           |                       |       |        | bit 8 |

|       |       |       |           |           |           |           |           |
|-------|-------|-------|-----------|-----------|-----------|-----------|-----------|
| R/W-0 | R/W-0 | R/W-0 | R/W-0, HC | R/W-0, HC | R/W-0, HC | R/W-0, HC | R/W-0, HC |
| GCEN  | STREN | ACKDT | ACKEN     | RCEN      | PEN       | RSEN      | SEN       |
| bit 7 |       |       |           |           |           |           | bit 0     |

|                   |                                    |
|-------------------|------------------------------------|
| <b>Legend:</b>    | HC = Hardware Clearable bit        |
| R = Readable bit  | W = Writable bit                   |
| -n = Value at POR | '1' = Bit is set                   |
|                   | U = Unimplemented bit, read as '0' |
|                   | '0' = Bit is cleared               |
|                   | x = Bit is unknown                 |

- bit 15      **I2CEN:** I2Cx Enable bit  
 1 = Enables the I2Cx module and configures the SDAx and SCLx pins as serial port pins  
 0 = Disables the I2Cx module; all I<sup>2</sup>C™ pins are controlled by port functions
- bit 14      **Unimplemented:** Read as '0'
- bit 13      **I2CSIDL:** I2Cx Stop in Idle Mode bit  
 1 = Discontinues module operation when device enters an Idle mode  
 0 = Continues module operation in Idle mode
- bit 12      **SCLREL:** SCLx Release Control bit (when operating as I<sup>2</sup>C slave)  
 1 = Releases SCLx clock  
 0 = Holds SCLx clock low (clock stretch)  
If STREN = 1:  
 Bit is R/W (i.e., software can write '0' to initiate stretch and write '1' to release clock). Hardware is clear at the beginning of every slave data byte transmission. Hardware is clear at the end of every slave address byte reception. Hardware is clear at the end of every slave data byte reception.  
If STREN = 0:  
 Bit is R/S (i.e., software can only write '1' to release clock). Hardware is clear at the beginning of every slave data byte transmission. Hardware is clear at the end of every slave address byte reception.
- bit 11      **IPMIEN:** Intelligent Peripheral Management Interface (IPMI) Enable bit<sup>(1)</sup>  
 1 = IPMI mode is enabled; all addresses are Acknowledged  
 0 = IPMI mode disabled
- bit 10      **A10M:** 10-Bit Slave Address bit  
 1 = I2CxADD is a 10-bit slave address  
 0 = I2CxADD is a 7-bit slave address
- bit 9        **DISSLW:** Disable Slew Rate Control bit  
 1 = Slew rate control is disabled  
 0 = Slew rate control is enabled
- bit 8        **SMEN:** SMBus Input Levels bit  
 1 = Enables I/O pin thresholds compliant with SMBus specification  
 0 = Disables SMBus input thresholds
- bit 7        **GCEN:** General Call Enable bit (when operating as I<sup>2</sup>C slave)  
 1 = Enables interrupt when a general call address is received in I2CxRSR (module is enabled for reception)  
 0 = General call address disabled

**Note 1:** When performing master operations, ensure that the IPMIEN bit is set to '0'.

**REGISTER 19-1: I2CxCON: I2Cx CONTROL REGISTER (CONTINUED)**

- bit 6        **STREN:** SCLx Clock Stretch Enable bit (when operating as I<sup>2</sup>C slave)  
Used in conjunction with the SCLREL bit.  
1 = Enables software or receives clock stretching  
0 = Disables software or receives clock stretching
- bit 5        **ACKDT:** Acknowledge Data bit (when operating as I<sup>2</sup>C master, applicable during master receive)  
Value that is transmitted when the software initiates an Acknowledge sequence.  
1 = Sends NACK during Acknowledge  
0 = Sends ACK during Acknowledge
- bit 4        **ACKEN:** Acknowledge Sequence Enable bit  
(when operating as I<sup>2</sup>C master, applicable during master receive)  
1 = Initiates Acknowledge sequence on SDAx and SCLx pins and transmits ACKDT data bit. Hardware is clear at the end of the master Acknowledge sequence.  
0 = Acknowledge sequence is not in progress
- bit 3        **RCEN:** Receive Enable bit (when operating as I<sup>2</sup>C master)  
1 = Enables Receive mode for I<sup>2</sup>C. Hardware is clear at the end of the eighth bit of the master receive data byte.  
0 = Receive sequence is not in progress
- bit 2        **PEN:** Stop Condition Enable bit (when operating as I<sup>2</sup>C master)  
1 = Initiates Stop condition on SDAx and SCLx pins. Hardware is clear at the end of the master Stop sequence.  
0 = Stop condition is not in progress
- bit 1        **RSEN:** Repeated Start Condition Enable bit (when operating as I<sup>2</sup>C master)  
1 = Initiates Repeated Start condition on SDAx and SCLx pins. Hardware is clear at the end of the master Repeated Start sequence.  
0 = Repeated Start condition is not in progress
- bit 0        **SEN:** Start Condition Enable bit (when operating as I<sup>2</sup>C master)  
1 = Initiates Start condition on SDAx and SCLx pins. Hardware is clear at the end of the master Start sequence.  
0 = Start condition is not in progress

**Note 1:** When performing master operations, ensure that the IPMIEN bit is set to '0'.

**REGISTER 19-2: I2CxSTAT: I2Cx STATUS REGISTER**

|          |          |     |     |     |           |          |          |
|----------|----------|-----|-----|-----|-----------|----------|----------|
| R-0, HSC | R-0, HSC | U-0 | U-0 | U-0 | R/C-0, HS | R-0, HSC | R-0, HSC |
| ACKSTAT  | TRSTAT   | —   | —   | —   | BCL       | GCSTAT   | ADD10    |
| bit 15   |          |     |     |     |           |          | bit 8    |

|           |           |          |            |            |          |          |          |
|-----------|-----------|----------|------------|------------|----------|----------|----------|
| R/C-0, HS | R/C-0, HS | R-0, HSC | R/C-0, HSC | R/C-0, HSC | R-0, HSC | R-0, HSC | R-0, HSC |
| IWCOL     | I2COV     | D_A      | P          | S          | R_W      | RBF      | TBF      |
| bit 7     |           |          |            |            |          |          | bit 0    |

|                   |                   |                                    |                                       |
|-------------------|-------------------|------------------------------------|---------------------------------------|
| <b>Legend:</b>    | C = Clearable bit | HS = Hardware Settable bit         | HSC = Hardware Settable/Clearable bit |
| R = Readable bit  | W = Writable bit  | U = Unimplemented bit, read as '0' |                                       |
| -n = Value at POR | '1' = Bit is set  | '0' = Bit is cleared               | x = Bit is unknown                    |

- bit 15     **ACKSTAT:** Acknowledge Status bit (when operating as I<sup>2</sup>C™ master, applicable to master transmit operation)
  - 1 = NACK received from slave
  - 0 = ACK received from slave
 Hardware is set or clear at the end of slave Acknowledge.
  
- bit 14     **TRSTAT:** Transmit Status bit (when operating as I<sup>2</sup>C master, applicable to master transmit operation)
  - 1 = Master transmit is in progress (8 bits + ACK)
  - 0 = Master transmit is not in progress
 Hardware is set at the beginning of master transmission. Hardware is clear at the end of slave Acknowledge.
  
- bit 13-11   **Unimplemented:** Read as '0'
- bit 10     **BCL:** Master Bus Collision Detect bit
  - 1 = A bus collision has been detected during a master operation
  - 0 = No bus collision detected
 Hardware is set at detection of a bus collision.
  
- bit 9     **GCSTAT:** General Call Status bit
  - 1 = General call address was received
  - 0 = General call address was not received
 Hardware is set when address matches general call address. Hardware is clear at Stop detection.
  
- bit 8     **ADD10:** 10-Bit Address Status bit
  - 1 = 10-bit address was matched
  - 0 = 10-bit address was not matched
 Hardware is set at the match of the 2nd byte of the matched 10-bit address. Hardware is clear at Stop detection.
  
- bit 7     **IWCOL:** I2Cx Write Collision Detect bit
  - 1 = An attempt to write to the I2CxTRN register failed because the I<sup>2</sup>C module is busy
  - 0 = No collision
 Hardware is set at the occurrence of a write to I2CxTRN while busy (cleared by software).
  
- bit 6     **I2COV:** I2Cx Receive Overflow Flag bit
  - 1 = A byte was received while the I2CxRCV register was still holding the previous byte
  - 0 = No overflow
 Hardware is set at an attempt to transfer I2CxRSR to I2CxRCV (cleared by software).
  
- bit 5     **D\_A:** Data/Address bit (when operating as I<sup>2</sup>C slave)
  - 1 = Indicates that the last byte received was data
  - 0 = Indicates that the last byte received was a device address
 Hardware is clear at a device address match. Hardware is set by reception of a slave byte.
  
- bit 4     **P:** Stop bit
  - 1 = Indicates that a Stop bit has been detected last
  - 0 = Stop bit was not detected last
 Hardware is set or clear when a Start, Repeated Start or Stop is detected.

**REGISTER 19-2: I2CxSTAT: I2Cx STATUS REGISTER (CONTINUED)**

- bit 3      **S:** Start bit  
1 = Indicates that a Start (or Repeated Start) bit has been detected last  
0 = Start bit was not detected last  
Hardware is set or clear when a Start, Repeated Start or Stop is detected.
- bit 2      **R\_W:** Read/Write Information bit (when operating as I<sup>2</sup>C slave)  
1 = Read – Indicates data transfer is output from the slave  
0 = Write – Indicates data transfer is input to the slave  
Hardware is set or clear after reception of an I<sup>2</sup>C device address byte.
- bit 1      **RBF:** Receive Buffer Full Status bit  
1 = Receive is complete, I2CxRCV is full  
0 = Receive is not complete, I2CxRCV is empty  
Hardware is set when I2CxRCV is written with a received byte. Hardware is clear when software reads I2CxRCV.
- bit 0      **TBF:** Transmit Buffer Full Status bit  
1 = Transmit in progress, I2CxTRN is full  
0 = Transmit is complete, I2CxTRN is empty  
Hardware is set when software writes to I2CxTRN. Hardware is clear at completion of a data transmission.

**REGISTER 19-3: I2CxMSK: I2Cx SLAVE MODE ADDRESS MASK REGISTER**

|        |     |     |     |     |     |       |       |
|--------|-----|-----|-----|-----|-----|-------|-------|
| U-0    | U-0 | U-0 | U-0 | U-0 | U-0 | R/W-0 | R/W-0 |
| —      | —   | —   | —   | —   | —   | AMSK9 | AMSK8 |
| bit 15 |     |     |     |     |     | bit 8 |       |

|       |       |       |       |       |       |       |       |
|-------|-------|-------|-------|-------|-------|-------|-------|
| R/W-0 | R/W-0 | R/W-0 | R/W-0 | R/W-0 | R/W-0 | R/W-0 | R/W-0 |
| AMSK7 | AMSK6 | AMSK5 | AMSK4 | AMSK3 | AMSK2 | AMSK1 | AMSK0 |
| bit 7 |       |       |       |       |       | bit 0 |       |

**Legend:**

R = Readable bit                      W = Writable bit                      U = Unimplemented bit, read as '0'  
 -n = Value at POR                      '1' = Bit is set                      '0' = Bit is cleared                      x = Bit is unknown

bit 15-10    **Unimplemented:** Read as '0'  
 bit 9-0      **AMSK<9:0>:** Address Mask Select bits

For 10-Bit Address:

- 1 = Enables masking for bit Ax of incoming message address; bit match is not required in this position
- 0 = Disables masking for bit Ax; bit match is required in this position

For 7-Bit Address (I2CxMSK<6:0> only):

- 1 = Enables masking for bit Ax + 1 of incoming message address; bit match is not required in this position
- 0 = Disables masking for bit Ax + 1; bit match is required in this position

## 20.0 UNIVERSAL ASYNCHRONOUS RECEIVER TRANSMITTER (UART)

**Note 1:** This data sheet summarizes the features of the dsPIC33EPXXXGP50X, dsPIC33EPXXXMC20X/50X and PIC24EPXXXGP/MC20X families of devices. It is not intended to be a comprehensive reference source. To complement the information in this data sheet, refer to **Section 17. “UART”** (DS70582) of the “dsPIC33E/PIC24E Family Reference Manual”, which is available from the Microchip web site ([www.microchip.com](http://www.microchip.com)).

**2:** Some registers and associated bits described in this section may not be available on all devices. Refer to **Section 4.0 “Memory Organization”** in this data sheet for device-specific register and bit information.

The dsPIC33EPXXXGP50X, dsPIC33EPXXXMC20X/50X and PIC24EPXXXGP/MC20X family of devices contains two UART modules.

The Universal Asynchronous Receiver Transmitter (UART) module is one of the serial I/O modules available in the dsPIC33EPXXXGP50X, dsPIC33EPXXXMC20X/50X and PIC24EPXXXGP/MC20X device family. The UART is a full-duplex asynchronous system that can communicate with peripheral devices, such as personal computers, LIN/J2602, RS-232 and RS-485 interfaces. The module also

supports a hardware flow control option with the  $\overline{UxCTS}$  and  $\overline{UxRTS}$  pins, and also includes an IrDA® encoder and decoder.

**Note:** Hardware flow control using  $\overline{UxRTS}$  and  $\overline{UxCTS}$  is not available on all pin count devices. See the “Pin Diagrams” section for availability.

The primary features of the UARTx module are:

- Full-Duplex, 8 or 9-Bit Data Transmission through the  $\overline{UxTX}$  and  $\overline{UxRX}$  Pins
- Even, Odd or No Parity Options (for 8-bit data)
- One or Two Stop bits
- Hardware Flow Control Option with  $\overline{UxCTS}$  and  $\overline{UxRTS}$  Pins
- Fully Integrated Baud Rate Generator with 16-Bit Prescaler
- Baud Rates Ranging from 4.375 Mbps to 67 bps at 16x mode at 70 MIPS
- Baud Rates Ranging from 17.5 Mbps to 267 bps at 4x mode at 70 MIPS
- 4-Deep First-In First-Out (FIFO) Transmit Data Buffer
- 4-Deep FIFO Receive Data Buffer
- Parity, Framing and Buffer Overrun Error Detection
- Support for 9-bit mode with Address Detect (9th bit = 1)
- Transmit and Receive Interrupts
- A Separate Interrupt for all UARTx Error Conditions
- Loopback mode for Diagnostic Support
- Support for Sync and Break Characters

**FIGURE 20-1: UARTx SIMPLIFIED BLOCK DIAGRAM**



## 20.1 UART Helpful Tips

1. In multi-node, direct-connect UART networks, UART receive inputs react to the complementary logic level defined by the URXINV bit (UxMODE<4>), which defines the Idle state, the default of which is logic high (i.e., URXINV = 0). Because remote devices do not initialize at the same time, it is likely that one of the devices, because the RX line is floating, will trigger a Start bit detection and will cause the first byte received, after the device has been initialized, to be invalid. To avoid this situation, the user should use a pull-up or pull-down resistor on the RX pin depending on the value of the URXINV bit.
  - a) If URXINV = 0, use a pull-up resistor on the RX pin.
  - b) If URXINV = 1, use a pull-down resistor on the RX pin.
2. The first character received on a wake-up from Sleep mode caused by activity on the UxRX pin of the UARTx module will be invalid. In Sleep mode, peripheral clocks are disabled. By the time the oscillator system has restarted and stabilized from Sleep mode, the baud rate bit sampling clock, relative to the incoming UxRX bit timing, is no longer synchronized, resulting in the first character being invalid; this is to be expected.

## 20.2 UART Resources

Many useful resources are provided on the main product page of the Microchip web site for the devices listed in this data sheet. This product page, which can be accessed using this [link](#), contains the latest updates and additional information.

|  |
|--|
| <p><b>Note:</b> In the event you are not able to access the product page using the link above, enter this URL in your browser:<br/><a href="http://www.microchip.com/wwwproducts/Devices.aspx?dDocName=en555464">http://www.microchip.com/wwwproducts/Devices.aspx?dDocName=en555464</a></p> |
|--|

### 20.2.1 KEY RESOURCES

- **Section 17. “UART” (DS70582)**
- Code Samples
- Application Notes
- Software Libraries
- Webinars
- All Related “*dsPIC33E/PIC24E Family Reference Manual*” Sections
- Development Tools



## 20.3 UARTx Control Registers

**REGISTER 20-1: UxMODE: UARTx MODE REGISTER**

|                       |     |       |                     |       |     |          |       |
|-----------------------|-----|-------|---------------------|-------|-----|----------|-------|
| R/W-0                 | U-0 | R/W-0 | R/W-0               | R/W-0 | U-0 | R/W-0    | R/W-0 |
| UARTEN <sup>(1)</sup> | —   | USIDL | IREN <sup>(2)</sup> | RTSMD | —   | UEN<1:0> |       |
| bit 15                |     |       |                     |       |     | bit 8    |       |

|           |        |           |        |       |            |       |       |
|-----------|--------|-----------|--------|-------|------------|-------|-------|
| R/W-0, HC | R/W-0  | R/W-0, HC | R/W-0  | R/W-0 | R/W-0      | R/W-0 | R/W-0 |
| WAKE      | LPBACK | ABAUD     | URXINV | BRGH  | PDSEL<1:0> |       | STSEL |
| bit 7     |        |           |        |       |            | bit 0 |       |

|                   |                                    |
|-------------------|------------------------------------|
| <b>Legend:</b>    | HC = Hardware Clearable bit        |
| R = Readable bit  | W = Writable bit                   |
| -n = Value at POR | '1' = Bit is set                   |
|                   | U = Unimplemented bit, read as '0' |
|                   | '0' = Bit is cleared               |
|                   | x = Bit is unknown                 |

- bit 15     **UARTEN:** UARTx Enable bit<sup>(1)</sup>  
 1 = UARTx is enabled; all UARTx pins are controlled by UARTx as defined by UEN<1:0>  
 0 = UARTx is disabled; all UARTx pins are controlled by PORT latches; UARTx power consumption is minimal
- bit 14     **Unimplemented:** Read as '0'
- bit 13     **USIDL:** UARTx Stop in Idle Mode bit  
 1 = Discontinues module operation when device enters Idle mode  
 0 = Continues module operation in Idle mode
- bit 12     **IREN:** IrDA<sup>®</sup> Encoder and Decoder Enable bit<sup>(2)</sup>  
 1 = IrDA encoder and decoder are enabled  
 0 = IrDA encoder and decoder are disabled
- bit 11     **RTSMD:** Mode Selection for  $\overline{\text{UxRTS}}$  Pin bit  
 1 =  $\overline{\text{UxRTS}}$  pin is in Simplex mode  
 0 =  $\overline{\text{UxRTS}}$  pin is in Flow Control mode
- bit 10     **Unimplemented:** Read as '0'
- bit 9-8    **UEN<1:0>:** UARTx Pin Enable bits  
 11 = UxTX, UxRX and BCLKx pins are enabled and used;  $\overline{\text{UxCTS}}$  pin is controlled by PORT latches<sup>(3)</sup>  
 10 = UxTX, UxRX,  $\overline{\text{UxCTS}}$  and  $\overline{\text{UxRTS}}$  pins are enabled and used<sup>(4)</sup>  
 01 = UxTX, UxRX and  $\overline{\text{UxRTS}}$  pins are enabled and used;  $\overline{\text{UxCTS}}$  pin is controlled by PORT latches<sup>(4)</sup>  
 00 = UxTX and UxRX pins are enabled and used;  $\overline{\text{UxCTS}}$  and  $\overline{\text{UxRTS}}$ /BCLKx pins are controlled by PORT latches
- bit 7     **WAKE:** Wake-up on Start bit Detect During Sleep Mode Enable bit  
 1 = UARTx continues to sample the UxRX pin; interrupt is generated on the falling edge; bit is cleared in hardware on the following rising edge  
 0 = No wake-up is enabled
- bit 6     **LPBACK:** UARTx Loopback Mode Select bit  
 1 = Enables Loopback mode  
 0 = Loopback mode is disabled

- Note 1:** Refer to **Section 17. "UART"** (DS70582) in the "*dsPIC33E/PIC24E Family Reference Manual*" for information on enabling the UARTx module for receive or transmit operation.
- 2:** This feature is only available for the 16x BRG mode (BRGH = 0).
- 3:** This feature is only available on 44-pin and 64-pin devices.
- 4:** This feature is only available on 64-pin devices.

**REGISTER 20-1: UxMODE: UARTx MODE REGISTER (CONTINUED)**

- bit 5      **ABAUD:** Auto-Baud Enable bit  
1 = Enables baud rate measurement on the next character – requires reception of a Sync field (55h) before other data; cleared in hardware upon completion  
0 = Baud rate measurement is disabled or completed
- bit 4      **URXINV:** UARTx Receive Polarity Inversion bit  
1 = UxRX Idle state is '0'  
0 = UxRX Idle state is '1'
- bit 3      **BRGH:** High Baud Rate Enable bit  
1 = BRG generates 4 clocks per bit period (4x baud clock, High-Speed mode)  
0 = BRG generates 16 clocks per bit period (16x baud clock, Standard mode)
- bit 2-1    **PDSEL<1:0>:** Parity and Data Selection bits  
11 = 9-bit data, no parity  
10 = 8-bit data, odd parity  
01 = 8-bit data, even parity  
00 = 8-bit data, no parity
- bit 0      **STSEL:** Stop Bit Selection bit  
1 = Two Stop bits  
0 = One Stop bit

- Note 1:** Refer to **Section 17. “UART”** (DS70582) in the “*dsPIC33E/PIC24E Family Reference Manual*” for information on enabling the UARTx module for receive or transmit operation.
- 2:** This feature is only available for the 16x BRG mode (BRGH = 0).
- 3:** This feature is only available on 44-pin and 64-pin devices.
- 4:** This feature is only available on 64-pin devices.

**REGISTER 20-2: UxSTA: UARTx STATUS AND CONTROL REGISTER**

|          |        |          |     |           |                      |       |      |
|----------|--------|----------|-----|-----------|----------------------|-------|------|
| R/W-0    | R/W-0  | R/W-0    | U-0 | R/W-0, HC | R/W-0                | R-0   | R-1  |
| UTXISEL1 | UTXINV | UTXISEL0 | —   | UTXBRK    | UTXEN <sup>(1)</sup> | UTXBF | TRMT |
| bit 15   |        |          |     |           |                      | bit 8 |      |

|              |       |       |      |      |      |       |       |
|--------------|-------|-------|------|------|------|-------|-------|
| R/W-0        | R/W-0 | R/W-0 | R-1  | R-0  | R-0  | R/C-0 | R-0   |
| URXISEL<1:0> |       | ADDEN | RIDL | PERR | FERR | OERR  | URXDA |
| bit 7        |       |       |      |      |      | bit 0 |       |

|                   |                             |                                    |
|-------------------|-----------------------------|------------------------------------|
| <b>Legend:</b>    | HC = Hardware Clearable bit | C = Clearable bit                  |
| R = Readable bit  | W = Writable bit            | U = Unimplemented bit, read as '0' |
| -n = Value at POR | '1' = Bit is set            | '0' = Bit is cleared               |
|                   |                             | x = Bit is unknown                 |

- bit 15,13 **UTXISEL<1:0>**: UARTx Transmission Interrupt Mode Selection bits
  - 11 = Reserved; do not use
  - 10 = Interrupt when a character is transferred to the Transmit Shift Register (TSR) and as a result, the transmit buffer becomes empty
  - 01 = Interrupt when the last character is shifted out of the Transmit Shift Register; all transmit operations are completed
  - 00 = Interrupt when a character is transferred to the Transmit Shift Register (this implies there is at least one character open in the transmit buffer)
- bit 14 **UTXINV**: UARTx Transmit Polarity Inversion bit
  - If IREN = 0:
    - 1 = UxTX Idle state is '0'
    - 0 = UxTX Idle state is '1'
  - If IREN = 1:
    - 1 = IrDA encoded, UxTX Idle state is '1'
    - 0 = IrDA encoded, UxTX Idle state is '0'
- bit 12 **Unimplemented**: Read as '0'
- bit 11 **UTXBRK**: UARTx Transmit Break bit
  - 1 = Sends Sync Break on next transmission – Start bit, followed by twelve '0' bits, followed by Stop bit; cleared by hardware upon completion
  - 0 = Sync Break transmission is disabled or completed
- bit 10 **UTXEN**: UARTx Transmit Enable bit<sup>(1)</sup>
  - 1 = Transmit is enabled, UxTX pin is controlled by UARTx
  - 0 = Transmit is disabled, any pending transmission is aborted and buffer is reset; UxTX pin is controlled by the PORT
- bit 9 **UTXBF**: UARTx Transmit Buffer Full Status bit (read-only)
  - 1 = Transmit buffer is full
  - 0 = Transmit buffer is not full, at least one more character can be written
- bit 8 **TRMT**: Transmit Shift Register Empty bit (read-only)
  - 1 = Transmit Shift Register is empty and transmit buffer is empty (the last transmission has completed)
  - 0 = Transmit Shift Register is not empty, a transmission is in progress or queued
- bit 7-6 **URXISEL<1:0>**: UARTx Receive Interrupt Mode Selection bits
  - 11 = Interrupt is set on UxRSR transfer, making the receive buffer full (i.e., has 4 data characters)
  - 10 = Interrupt is set on UxRSR transfer, making the receive buffer 3/4 full (i.e., has 3 data characters)
  - 0x = Interrupt is set when any character is received and transferred from the UxRSR to the receive buffer; receive buffer has one or more characters

**Note 1:** Refer to **Section 17. “UART”** (DS70582) in the “dsPIC33E/PIC24E Family Reference Manual” for information on enabling the UARTx module for transmit operation.

**REGISTER 20-2: UxSTA: UARTx STATUS AND CONTROL REGISTER (CONTINUED)**

- bit 5      **ADDEN:** Address Character Detect bit (bit 8 of received data = 1)  
1 = Address Detect mode is enabled; if 9-bit mode is not selected, this does not take effect  
0 = Address Detect mode is disabled
- bit 4      **RIDLE:** Receiver Idle bit (read-only)  
1 = Receiver is Idle  
0 = Receiver is active
- bit 3      **PERR:** Parity Error Status bit (read-only)  
1 = Parity error has been detected for the current character (character at the top of the receive FIFO)  
0 = Parity error has not been detected
- bit 2      **FERR:** Framing Error Status bit (read-only)  
1 = Framing error has been detected for the current character (character at the top of the receive FIFO)  
0 = Framing error has not been detected
- bit 1      **OERR:** Receive Buffer Overrun Error Status bit (clear/read-only)  
1 = Receive buffer has overflowed  
0 = Receive buffer has not overflowed; clearing a previously set OERR bit (1 → 0 transition) resets the receiver buffer and the UxRSR to the empty state
- bit 0      **URXDA:** UARTx Receive Buffer Data Available bit (read-only)  
1 = Receive buffer has data, at least one more character can be read  
0 = Receive buffer is empty

**Note 1:** Refer to **Section 17. “UART”** (DS70582) in the *“dsPIC33E/PIC24E Family Reference Manual”* for information on enabling the UARTx module for transmit operation.

## 21.0 ENHANCED CAN (ECAN™) MODULE (dsPIC33EPXXXGP/MC50X DEVICES ONLY)

**Note 1:** This data sheet summarizes the features of the dsPIC33EPXXXGP50X, dsPIC33EPXXXMC20X/50X and PIC24EPXXXGP/MC20X families of devices. It is not intended to be a comprehensive reference source. To complement the information in this data sheet, refer to **Section 21. “Enhanced Controller Area Network (ECAN™)”** (DS70353) of the “*dsPIC33E/PIC24E Family Reference Manual*”, which is available from the Microchip web site ([www.microchip.com](http://www.microchip.com)).

**2:** Some registers and associated bits described in this section may not be available on all devices. Refer to **Section 4.0 “Memory Organization”** in this data sheet for device-specific register and bit information.

### 21.1 Overview

The Enhanced Controller Area Network (ECAN) module is a serial interface, useful for communicating with other CAN modules or microcontroller devices. This interface/protocol was designed to allow communications within noisy environments. The dsPIC33EPXXXGP/MC50X devices contain one ECAN module.

The ECAN module is a communication controller implementing the CAN 2.0 A/B protocol, as defined in the BOSCH CAN specification. The module supports CAN 1.2, CAN 2.0A, CAN 2.0B Passive and CAN 2.0B Active versions of the protocol. The module implementation is a full CAN system. The CAN specification is not covered within this data sheet. The reader can refer to the BOSCH CAN specification for further details.

The ECAN module features are as follows:

- Implementation of the CAN protocol, CAN 1.2, CAN 2.0A and CAN 2.0B
- Standard and extended data frames
- 0-8 bytes data length
- Programmable bit rate up to 1 Mbit/sec
- Automatic response to remote transmission requests
- Up to eight transmit buffers with application specified prioritization and abort capability (each buffer can contain up to 8 bytes of data)
- Up to 32 receive buffers (each buffer can contain up to 8 bytes of data)
- Up to 16 full (Standard/Extended Identifier) acceptance filters
- Three full acceptance filter masks
- DeviceNet™ addressing support
- Programmable wake-up functionality with integrated low-pass filter
- Programmable Loopback mode supports self-test operation
- Signaling via interrupt capabilities for all CAN receiver and transmitter error states
- Programmable clock source
- Programmable link to Input Capture (IC2) module for time-stamping and network synchronization
- Low-power Sleep and Idle mode

The CAN bus module consists of a protocol engine and message buffering/control. The CAN protocol engine handles all functions for receiving and transmitting messages on the CAN bus. Messages are transmitted by first loading the appropriate data registers. Status and errors can be checked by reading the appropriate registers. Any message detected on the CAN bus is checked for errors and then matched against filters to see if it should be received and stored in one of the receive registers.

FIGURE 21-1: ECAN™ MODULE BLOCK DIAGRAM



## 21.2 Modes of Operation

The ECAN module can operate in one of several operation modes selected by the user. These modes include:

- Initialization mode
- Disable mode
- Normal Operation mode
- Listen Only mode
- Listen All Messages mode
- Loopback mode

Modes are requested by setting the REQOP<2:0> bits (CxCTRL1<10:8>). Entry into a mode is Acknowledged by monitoring the OPMODE<2:0> bits (CxCTRL1<7:5>). The module does not change the mode and the OPMODEx bits until a change in mode is acceptable, generally during bus Idle time, which is defined as at least 11 consecutive recessive bits.

## 21.3 ECAN Resources

Many useful resources are provided on the main product page of the Microchip web site for the devices listed in this data sheet. This product page, which can be accessed using this [link](#), contains the latest updates and additional information.

|  |
|--|
| <p><b>Note:</b> In the event you are not able to access the product page using the link above, enter this URL in your browser:<br/><a href="http://www.microchip.com/wwwproducts/Devices.aspx?dDocName=en555464">http://www.microchip.com/wwwproducts/Devices.aspx?dDocName=en555464</a></p> |
|--|

### 21.3.1 KEY RESOURCES

- **Section 21. “Enhanced Controller Area Network (ECAN™)” (DS70353)**
- Code Samples
- Application Notes
- Software Libraries
- Webinars
- All Related “*dsPIC33E/PIC24E Family Reference Manual*” Sections
- Development Tools

**21.4 ECAN Control Registers**

**REGISTER 21-1: CxCTRL1: ECANx CONTROL REGISTER 1**

|        |     |       |       |        |            |       |       |
|--------|-----|-------|-------|--------|------------|-------|-------|
| U-0    | U-0 | R/W-0 | R/W-0 | R/W-0  | R/W-1      | R/W-0 | R/W-0 |
| —      | —   | CSIDL | ABAT  | CANCKS | REQOP<2:0> |       |       |
| bit 15 |     |       |       |        | bit 8      |       |       |

|             |     |     |        |       |       |     |       |
|-------------|-----|-----|--------|-------|-------|-----|-------|
| R-1         | R-0 | R-0 | U-0    | R/W-0 | U-0   | U-0 | R/W-0 |
| OPMODE<2:0> |     | —   | CANCAP | —     | —     | WIN |       |
| bit 7       |     |     |        |       | bit 0 |     |       |

**Legend:**

R = Readable bit                      W = Writable bit                      U = Unimplemented bit, read as '0'  
 -n = Value at POR                      '1' = Bit is set                      '0' = Bit is cleared                      x = Bit is unknown

- bit 15-14      **Unimplemented:** Read as '0'
- bit 13        **CSIDL:** ECAN Stop in Idle Mode bit  
 1 = Discontinues module operation when device enters Idle mode  
 0 = Continues module operation in Idle mode
- bit 12        **ABAT:** Abort All Pending Transmissions bit  
 1 = Signals all transmit buffers to abort transmission  
 0 = Module will clear this bit when all transmissions are aborted
- bit 11        **CANCKS:** ECAN Module Clock (FCAN) Source Select bit  
 1 = FCAN is equal to 2 \* FP  
 0 = FCAN is equal to FP
- bit 10-8      **REQOP<2:0>:** Request Operation Mode bits  
 111 = Set Listen All Messages mode  
 110 = Reserved  
 101 = Reserved  
 100 = Set Configuration mode  
 011 = Set Listen Only mode  
 010 = Set Loopback mode  
 001 = Set Disable mode  
 000 = Set Normal Operation mode
- bit 7-5       **OPMODE<2:0>:** Operation Mode bits  
 111 = Module is in Listen All Messages mode  
 110 = Reserved  
 101 = Reserved  
 100 = Module is in Configuration mode  
 011 = Module is in Listen Only mode  
 010 = Module is in Loopback mode  
 001 = Module is in Disable mode  
 000 = Module is in Normal Operation mode
- bit 4         **Unimplemented:** Read as '0'
- bit 3         **CANCAP:** CAN Message Receive Timer Capture Event Enable bit  
 1 = Enables input capture based on CAN message receive  
 0 = Disables CAN capture
- bit 2-1       **Unimplemented:** Read as '0'
- bit 0         **WIN:** SFR Map Window Select bit  
 1 = Uses filter window  
 0 = Uses buffer window



**REGISTER 21-2: CxCTRL2: ECANx CONTROL REGISTER 2**

|        |     |     |     |     |     |       |     |
|--------|-----|-----|-----|-----|-----|-------|-----|
| U-0    | U-0 | U-0 | U-0 | U-0 | U-0 | U-0   | U-0 |
| —      | —   | —   | —   | —   | —   | —     | —   |
| bit 15 |     |     |     |     |     | bit 8 |     |

|       |     |     |            |     |     |     |     |
|-------|-----|-----|------------|-----|-----|-----|-----|
| U-0   | U-0 | U-0 | R-0        | R-0 | R-0 | R-0 | R-0 |
| —     | —   | —   | DNCNT<4:0> |     |     |     |     |
| bit 7 |     |     | bit 0      |     |     |     |     |

|                   |                  |                                    |                    |
|-------------------|------------------|------------------------------------|--------------------|
| <b>Legend:</b>    |                  |                                    |                    |
| R = Readable bit  | W = Writable bit | U = Unimplemented bit, read as '0' |                    |
| -n = Value at POR | '1' = Bit is set | '0' = Bit is cleared               | x = Bit is unknown |

- bit 15-5      **Unimplemented:** Read as '0'
- bit 4-0      **DNCNT<4:0>:** DeviceNet™ Filter Bit Number bits
  - 10010-11111 = Invalid selection
  - 10001 = Compares up to Data Byte 3, bit 6 with EID<17>
  - 
  - 
  - 
  - 00001 = Compares up to Data Byte 1, bit 7 with EID<0>
  - 00000 = Does not compare data bytes

**REGISTER 21-3: CxVEC: ECANx INTERRUPT CODE REGISTER**

|        |     |     |             |     |     |     |       |
|--------|-----|-----|-------------|-----|-----|-----|-------|
| U-0    | U-0 | U-0 | R-0         | R-0 | R-0 | R-0 | R-0   |
| —      | —   | —   | FILHIT<4:0> |     |     |     |       |
| bit 15 |     |     |             |     |     |     | bit 8 |

|       |            |     |     |     |     |     |       |
|-------|------------|-----|-----|-----|-----|-----|-------|
| U-0   | R-1        | R-0 | R-0 | R-0 | R-0 | R-0 | R-0   |
| —     | ICODE<6:0> |     |     |     |     |     |       |
| bit 7 |            |     |     |     |     |     | bit 0 |

**Legend:**

|                   |                  |                                    |
|-------------------|------------------|------------------------------------|
| R = Readable bit  | W = Writable bit | U = Unimplemented bit, read as '0' |
| -n = Value at POR | '1' = Bit is set | '0' = Bit is cleared               |
|                   |                  | x = Bit is unknown                 |

bit 15-13     **Unimplemented:** Read as '0'

bit 12-8     **FILHIT<4:0>:** Filter Hit Number bits

10000-11111 = Reserved  
01111 = Filter 15

- 
- 
- 

00001 = Filter 1  
00000 = Filter 0

bit 7         **Unimplemented:** Read as '0'

bit 6-0     **ICODE<6:0>:** Interrupt Flag Code bits

1000101-1111111 = Reserved  
1000100 = FIFO almost full interrupt  
1000011 = Receiver overflow interrupt  
1000010 = Wake-up interrupt  
1000001 = Error interrupt  
1000000 = No interrupt

- 
- 
- 

0010000-0111111 = Reserved  
0001111 = RB15 buffer interrupt

- 
- 
- 

0001001 = RB9 buffer interrupt  
0001000 = RB8 buffer interrupt  
0000111 = TRB7 buffer interrupt  
0000110 = TRB6 buffer interrupt  
0000101 = TRB5 buffer interrupt  
0000100 = TRB4 buffer interrupt  
0000011 = TRB3 buffer interrupt  
0000010 = TRB2 buffer interrupt  
0000001 = TRB1 buffer interrupt  
0000000 = TRB0 buffer interrupt

**REGISTER 21-4: CxFCTRL: ECANx FIFO CONTROL REGISTER**

|            |       |       |     |     |     |     |     |       |
|------------|-------|-------|-----|-----|-----|-----|-----|-------|
| R/W-0      | R/W-0 | R/W-0 | U-0 | U-0 | U-0 | U-0 | U-0 |       |
| DMABS<2:0> |       |       | —   | —   | —   | —   | —   |       |
| bit 15     |       |       |     |     |     |     |     | bit 8 |

|       |     |     |          |       |       |       |       |       |
|-------|-----|-----|----------|-------|-------|-------|-------|-------|
| U-0   | U-0 | U-0 | R/W-0    | R/W-0 | R/W-0 | R/W-0 | R/W-0 |       |
| —     | —   | —   | FSA<4:0> |       |       |       |       |       |
| bit 7 |     |     |          |       |       |       |       | bit 0 |

|                   |                  |                                    |                    |
|-------------------|------------------|------------------------------------|--------------------|
| <b>Legend:</b>    |                  |                                    |                    |
| R = Readable bit  | W = Writable bit | U = Unimplemented bit, read as '0' |                    |
| -n = Value at POR | '1' = Bit is set | '0' = Bit is cleared               | x = Bit is unknown |

bit 15-13 **DMABS<2:0>**: DMA Buffer Size bits

- 111 = Reserved
- 110 = 32 buffers in RAM
- 101 = 24 buffers in RAM
- 100 = 16 buffers in RAM
- 011 = 12 buffers in RAM
- 010 = 8 buffers in RAM
- 001 = 6 buffers in RAM
- 000 = 4 buffers in RAM

bit 12-5 **Unimplemented**: Read as '0'

bit 4-0 **FSA<4:0>**: FIFO Area Starts with Buffer bits

- 11111 = Read Buffer RB31
- 11110 = Read Buffer RB30
- 
- 
- 
- 00001 = TX/RX Buffer TRB1
- 00000 = TX/RX Buffer TRB0

**REGISTER 21-5: CxFIFO: ECANx FIFO STATUS REGISTER**

|        |     |          |     |     |     |     |       |
|--------|-----|----------|-----|-----|-----|-----|-------|
| U-0    | U-0 | R-0      | R-0 | R-0 | R-0 | R-0 | R-0   |
| —      | —   | FBP<5:0> |     |     |     |     |       |
| bit 15 |     |          |     |     |     |     | bit 8 |

|       |     |           |     |     |     |     |       |
|-------|-----|-----------|-----|-----|-----|-----|-------|
| U-0   | U-0 | R-0       | R-0 | R-0 | R-0 | R-0 | R-0   |
| —     | —   | FNRB<5:0> |     |     |     |     |       |
| bit 7 |     |           |     |     |     |     | bit 0 |

**Legend:**

|                   |                  |  |
|-------------------|------------------|--|
| R = Readable bit  | W = Writable bit | U = Unimplemented bit, read as '0'           |
| -n = Value at POR | '1' = Bit is set | '0' = Bit is cleared      x = Bit is unknown |

bit 15-14      **Unimplemented:** Read as '0'

bit 13-8      **FBP<5:0>:** FIFO Buffer Pointer bits

011111 = RB31 buffer

011110 = RB30 buffer

•  
•  
•

000001 = TRB1 buffer

000000 = TRB0 buffer

bit 7-6      **Unimplemented:** Read as '0'

bit 5-0      **FNRB<5:0>:** FIFO Next Read Buffer Pointer bits

011111 = RB31 buffer

011110 = RB30 buffer

•  
•  
•

000001 = TRB1 buffer

000000 = TRB0 buffer

**REGISTER 21-6: CxINTF: ECANx INTERRUPT FLAG REGISTER**

|        |     |      |      |      |       |       |       |
|--------|-----|------|------|------|-------|-------|-------|
| U-0    | U-0 | R-0  | R-0  | R-0  | R-0   | R-0   | R-0   |
| —      | —   | TXBO | TXBP | RXBP | TXWAR | RXWAR | EWARN |
| bit 15 |     |      |      |      |       |       | bit 8 |

|       |       |       |     |        |        |       |       |
|-------|-------|-------|-----|--------|--------|-------|-------|
| R/C-0 | R/C-0 | R/C-0 | U-0 | R/C-0  | R/C-0  | R/C-0 | R/C-0 |
| IVRIF | WAKIF | ERRIF | —   | FIFOIF | RBOVIF | RBIF  | TBIF  |
| bit 7 |       |       |     |        |        |       | bit 0 |

|                   |  |
|-------------------|--|
| <b>Legend:</b>    | C = Writable bit, but only '0' can be written to clear the bit |
| R = Readable bit  | W = Writable bit   |
| -n = Value at POR | '1' = Bit is set   |
|                   | '0' = Bit is cleared   |
|                   | x = Bit is unknown   |
|                   | U = Unimplemented bit, read as '0'                             |

- bit 15-14     **Unimplemented:** Read as '0'
- bit 13       **TXBO:** Transmitter in Error State Bus Off bit  
               1 = Transmitter is in Bus Off state  
               0 = Transmitter is not in Bus Off state
- bit 12       **TXBP:** Transmitter in Error State Bus Passive bit  
               1 = Transmitter is in Bus Passive state  
               0 = Transmitter is not in Bus Passive state
- bit 11       **RXBP:** Receiver in Error State Bus Passive bit  
               1 = Receiver is in Bus Passive state  
               0 = Receiver is not in Bus Passive state
- bit 10       **TXWAR:** Transmitter in Error State Warning bit  
               1 = Transmitter is in Error Warning state  
               0 = Transmitter is not in Error Warning state
- bit 9         **RXWAR:** Receiver in Error State Warning bit  
               1 = Receiver is in Error Warning state  
               0 = Receiver is not in Error Warning state
- bit 8         **EWARN:** Transmitter or Receiver in Error State Warning bit  
               1 = Transmitter or receiver is in Error Warning state  
               0 = Transmitter or receiver is not in Error Warning state
- bit 7         **IVRIF:** Invalid Message Interrupt Flag bit  
               1 = Interrupt request has occurred  
               0 = Interrupt request has not occurred
- bit 6         **WAKIF:** Bus Wake-up Activity Interrupt Flag bit  
               1 = Interrupt request has occurred  
               0 = Interrupt request has not occurred
- bit 5         **ERRIF:** Error Interrupt Flag bit (multiple sources in CxINTF<13:8>)  
               1 = Interrupt request has occurred  
               0 = Interrupt request has not occurred
- bit 4         **Unimplemented:** Read as '0'
- bit 3         **FIFOIF:** FIFO Almost Full Interrupt Flag bit  
               1 = Interrupt request has occurred  
               0 = Interrupt request has not occurred
- bit 2         **RBOVIF:** RX Buffer Overflow Interrupt Flag bit  
               1 = Interrupt request has occurred  
               0 = Interrupt request has not occurred

**REGISTER 21-6: CxINTF: ECANx INTERRUPT FLAG REGISTER (CONTINUED)**

- bit 1           **RBIF:** RX Buffer Interrupt Flag bit  
                  1 = Interrupt request has occurred  
                  0 = Interrupt request has not occurred
- bit 0           **TBIF:** TX Buffer Interrupt Flag bit  
                  1 = Interrupt request has occurred  
                  0 = Interrupt request has not occurred

**REGISTER 21-7: CxINTE: ECANx INTERRUPT ENABLE REGISTER**

|        |     |     |     |     |     |     |       |
|--------|-----|-----|-----|-----|-----|-----|-------|
| U-0    | U-0 | U-0 | U-0 | U-0 | U-0 | U-0 | U-0   |
| —      | —   | —   | —   | —   | —   | —   | —     |
| bit 15 |     |     |     |     |     |     | bit 8 |

|       |       |       |     |        |        |       |       |
|-------|-------|-------|-----|--------|--------|-------|-------|
| R/W-0 | R/W-0 | R/W-0 | U-0 | R/W-0  | R/W-0  | R/W-0 | R/W-0 |
| IVRIE | WAKIE | ERRIE | —   | FIFOIE | RBOVIE | RBIE  | TBIE  |
| bit 7 |       |       |     |        |        |       | bit 0 |

|                   |                  |                                    |                    |
|-------------------|------------------|------------------------------------|--------------------|
| <b>Legend:</b>    |                  |                                    |                    |
| R = Readable bit  | W = Writable bit | U = Unimplemented bit, read as '0' |                    |
| -n = Value at POR | '1' = Bit is set | '0' = Bit is cleared               | x = Bit is unknown |

- bit 15-8      **Unimplemented:** Read as '0'
- bit 7        **IVRIE:** Invalid Message Interrupt Enable bit  
               1 = Interrupt request is enabled  
               0 = Interrupt request is not enabled
- bit 6        **WAKIE:** Bus Wake-up Activity Interrupt Enable bit  
               1 = Interrupt request is enabled  
               0 = Interrupt request is not enabled
- bit 5        **ERRIE:** Error Interrupt Enable bit  
               1 = Interrupt request is enabled  
               0 = Interrupt request is not enabled
- bit 4        **Unimplemented:** Read as '0'
- bit 3        **FIFOIE:** FIFO Almost Full Interrupt Enable bit  
               1 = Interrupt request is enabled  
               0 = Interrupt request is not enabled
- bit 2        **RBOVIE:** RX Buffer Overflow Interrupt Enable bit  
               1 = Interrupt request is enabled  
               0 = Interrupt request is not enabled
- bit 1        **RBIE:** RX Buffer Interrupt Enable bit  
               1 = Interrupt request is enabled  
               0 = Interrupt request is not enabled
- bit 0        **TBIE:** TX Buffer Interrupt Enable bit  
               1 = Interrupt request is enabled  
               0 = Interrupt request is not enabled

**REGISTER 21-8: CxEC: ECANx TRANSMIT/RECEIVE ERROR COUNT REGISTER**

|              |     |     |     |     |     |     |       |
|--------------|-----|-----|-----|-----|-----|-----|-------|
| R-0          | R-0 | R-0 | R-0 | R-0 | R-0 | R-0 | R-0   |
| TERRCNT<7:0> |     |     |     |     |     |     |       |
| bit 15       |     |     |     |     |     |     | bit 8 |

|              |     |     |     |     |     |     |       |
|--------------|-----|-----|-----|-----|-----|-----|-------|
| R-0          | R-0 | R-0 | R-0 | R-0 | R-0 | R-0 | R-0   |
| RERRCNT<7:0> |     |     |     |     |     |     |       |
| bit 7        |     |     |     |     |     |     | bit 0 |

**Legend:**

R = Readable bit                      W = Writable bit                      U = Unimplemented bit, read as '0'  
 -n = Value at POR                      '1' = Bit is set                      '0' = Bit is cleared                      x = Bit is unknown

bit 15-8            **TERRCNT<7:0>**: Transmit Error Count bits  
 bit 7-0            **RERRCNT<7:0>**: Receive Error Count bits

**REGISTER 21-9: CxCFG1: ECANx BAUD RATE CONFIGURATION REGISTER 1**

|        |     |     |     |     |     |     |       |
|--------|-----|-----|-----|-----|-----|-----|-------|
| U-0    | U-0 | U-0 | U-0 | U-0 | U-0 | U-0 | U-0   |
| —      |     |     |     |     |     |     |       |
| bit 15 |     |     |     |     |     |     | bit 8 |

|          |       |          |       |       |       |       |       |
|----------|-------|----------|-------|-------|-------|-------|-------|
| R/W-0    | R/W-0 | R/W-0    | R/W-0 | R/W-0 | R/W-0 | R/W-0 | R/W-0 |
| SJW<1:0> |       | BRP<5:0> |       |       |       |       |       |
| bit 7    |       |          |       |       |       |       | bit 0 |

**Legend:**

R = Readable bit                      W = Writable bit                      U = Unimplemented bit, read as '0'  
 -n = Value at POR                      '1' = Bit is set                      '0' = Bit is cleared                      x = Bit is unknown

bit 15-8            **Unimplemented:** Read as '0'  
 bit 7-6            **SJW<1:0>**: Synchronization Jump Width bits  
                     11 = Length is 4 x TQ  
                     10 = Length is 3 x TQ  
                     01 = Length is 2 x TQ  
                     00 = Length is 1 x TQ  
 bit 5-0            **BRP<5:0>**: Baud Rate Prescaler bits  
                     11 1111 = TQ = 2 x 64 x 1/FCAN  
                     •  
                     •  
                     •  
                     00 0010 = TQ = 2 x 3 x 1/FCAN  
                     00 0001 = TQ = 2 x 2 x 1/FCAN  
                     00 0000 = TQ = 2 x 1 x 1/FCAN



**REGISTER 21-10: CxCFG2: ECANx BAUD RATE CONFIGURATION REGISTER 2**

|        |        |     |     |     |             |       |       |
|--------|--------|-----|-----|-----|-------------|-------|-------|
| U-0    | R/W-x  | U-0 | U-0 | U-0 | R/W-x       | R/W-x | R/W-x |
| —      | WAKFIL | —   | —   | —   | SEG2PH<2:0> |       |       |
| bit 15 |        |     |     |     |             | bit 8 |       |

|          |       |             |       |       |            |       |       |
|----------|-------|-------------|-------|-------|------------|-------|-------|
| R/W-x    | R/W-x | R/W-x       | R/W-x | R/W-x | R/W-x      | R/W-x | R/W-x |
| SEG2PHTS | SAM   | SEG1PH<2:0> |       |       | PRSEG<2:0> |       |       |
| bit 7    |       |             |       |       |            | bit 0 |       |

|                   |                  |                                    |                    |
|-------------------|------------------|------------------------------------|--------------------|
| <b>Legend:</b>    |                  |                                    |                    |
| R = Readable bit  | W = Writable bit | U = Unimplemented bit, read as '0' |                    |
| -n = Value at POR | '1' = Bit is set | '0' = Bit is cleared               | x = Bit is unknown |

- bit 15      **Unimplemented:** Read as '0'
- bit 14      **WAKFIL:** Select CAN Bus Line Filter for Wake-up bit  
 1 = Uses CAN bus line filter for wake-up  
 0 = CAN bus line filter is not used for wake-up
- bit 13-11   **Unimplemented:** Read as '0'
- bit 10-8    **SEG2PH<2:0>:** Phase Segment 2 bits  
 111 = Length is 8 x T<sub>Q</sub>  
 •  
 •  
 •  
 000 = Length is 1 x T<sub>Q</sub>
- bit 7        **SEG2PHTS:** Phase Segment 2 Time Select bit  
 1 = Freely programmable  
 0 = Maximum of SEG1PHx bits or Information Processing Time (IPT), whichever is greater
- bit 6        **SAM:** Sample of the CAN Bus Line bit  
 1 = Bus line is sampled three times at the sample point  
 0 = Bus line is sampled once at the sample point
- bit 5-3     **SEG1PH<2:0>:** Phase Segment 1 bits  
 111 = Length is 8 x T<sub>Q</sub>  
 •  
 •  
 •  
 000 = Length is 1 x T<sub>Q</sub>
- bit 2-0     **PRSEG<2:0>:** Propagation Time Segment bits  
 111 = Length is 8 x T<sub>Q</sub>  
 •  
 •  
 •  
 000 = Length is 1 x T<sub>Q</sub>

**REGISTER 21-11: CxFEN1: ECANx ACCEPTANCE FILTER ENABLE REGISTER 1**

|         |         |         |         |         |         |        |        |
|---------|---------|---------|---------|---------|---------|--------|--------|
| R/W-1   | R/W-1   | R/W-1   | R/W-1   | R/W-1   | R/W-1   | R/W-1  | R/W-1  |
| FLTEN15 | FLTEN14 | FLTEN13 | FLTEN12 | FLTEN11 | FLTEN10 | FLTEN9 | FLTEN8 |
| bit 15  |         |         |         |         |         |        | bit 8  |

|        |        |        |        |        |        |        |        |
|--------|--------|--------|--------|--------|--------|--------|--------|
| R/W-1  | R/W-1  | R/W-1  | R/W-1  | R/W-1  | R/W-1  | R/W-1  | R/W-1  |
| FLTEN7 | FLTEN6 | FLTEN5 | FLTEN4 | FLTEN3 | FLTEN2 | FLTEN1 | FLTEN0 |
| bit 7  |        |        |        |        |        |        | bit 0  |

**Legend:**

R = Readable bit                      W = Writable bit                      U = Unimplemented bit, read as '0'  
 -n = Value at POR                      '1' = Bit is set                      '0' = Bit is cleared                      x = Bit is unknown

bit 15-0            **FLTEN<15:0>**: Enable Filter n to Accept Messages bits  
                          1 = Enables Filter n  
                          0 = Disables Filter n

**REGISTER 21-12: CxBUFNT1: ECANx FILTER 0-3 BUFFER POINTER REGISTER 1**

|           |       |       |       |           |       |       |       |
|-----------|-------|-------|-------|-----------|-------|-------|-------|
| R/W-0     | R/W-0 | R/W-0 | R/W-0 | R/W-0     | R/W-0 | R/W-0 | R/W-0 |
| F3BP<3:0> |       |       |       | F2BP<3:0> |       |       |       |
| bit 15    |       |       |       |           |       |       | bit 8 |

|           |       |       |       |           |       |       |       |
|-----------|-------|-------|-------|-----------|-------|-------|-------|
| R/W-0     | R/W-0 | R/W-0 | R/W-0 | R/W-0     | R/W-0 | R/W-0 | R/W-0 |
| F1BP<3:0> |       |       |       | F0BP<3:0> |       |       |       |
| bit 7     |       |       |       |           |       |       | bit 0 |

**Legend:**

R = Readable bit                      W = Writable bit                      U = Unimplemented bit, read as '0'  
 -n = Value at POR                      '1' = Bit is set                      '0' = Bit is cleared                      x = Bit is unknown

bit 15-12            **F3BP<3:0>**: RX Buffer Mask for Filter 3 bits  
                          1111 = Filter hits received in RX FIFO buffer  
                          1110 = Filter hits received in RX Buffer 14  
                          .  
                          .  
                          .  
                          0001 = Filter hits received in RX Buffer 1  
                          0000 = Filter hits received in RX Buffer 0

bit 11-8            **F2BP<3:0>**: RX Buffer Mask for Filter 2 bits (same values as bits<15:12>)

bit 7-4             **F1BP<3:0>**: RX Buffer Mask for Filter 1 bits (same values as bits<15:12>)

bit 3-0             **F0BP<3:0>**: RX Buffer Mask for Filter 0 bits (same values as bits<15:12>)

**REGISTER 21-13: CxBUFNT2: ECANx FILTER 4-7 BUFFER POINTER REGISTER 2**

|           |       |       |       |           |       |       |       |
|-----------|-------|-------|-------|-----------|-------|-------|-------|
| R/W-0     | R/W-0 | R/W-0 | R/W-0 | R/W-0     | R/W-0 | R/W-0 | R/W-0 |
| F7BP<3:0> |       |       |       | F6BP<3:0> |       |       |       |
| bit 15    |       |       |       | bit 8     |       |       |       |
| R/W-0     | R/W-0 | R/W-0 | R/W-0 | R/W-0     | R/W-0 | R/W-0 | R/W-0 |
| F5BP<3:0> |       |       |       | F4BP<3:0> |       |       |       |
| bit 7     |       |       |       | bit 0     |       |       |       |

**Legend:**  
R = Readable bit                      W = Writable bit                      U = Unimplemented bit, read as '0'  
-n = Value at POR                      '1' = Bit is set                      '0' = Bit is cleared                      x = Bit is unknown

- bit 15-12      **F7BP<3:0>**: RX Buffer Mask for Filter 7 bits  
1111 = Filter hits received in RX FIFO buffer  
1110 = Filter hits received in RX Buffer 14  
•  
•  
•  
0001 = Filter hits received in RX Buffer 1  
0000 = Filter hits received in RX Buffer 0
- bit 11-8      **F6BP<3:0>**: RX Buffer Mask for Filter 6 bits (same values as bits<15:12>)
- bit 7-4      **F5BP<3:0>**: RX Buffer Mask for Filter 5 bits (same values as bits<15:12>)
- bit 3-0      **F4BP<3:0>**: RX Buffer Mask for Filter 4 bits (same values as bits<15:12>)

**REGISTER 21-14: CxBUFNT3: ECANx FILTER 8-11 BUFFER POINTER REGISTER 3**

|            |       |       |       |            |       |       |       |
|------------|-------|-------|-------|------------|-------|-------|-------|
| R/W-0      | R/W-0 | R/W-0 | R/W-0 | R/W-0      | R/W-0 | R/W-0 | R/W-0 |
| F11BP<3:0> |       |       |       | F10BP<3:0> |       |       |       |
| bit 15     |       |       |       | bit 8      |       |       |       |
| R/W-0      | R/W-0 | R/W-0 | R/W-0 | R/W-0      | R/W-0 | R/W-0 | R/W-0 |
| F9BP<3:0>  |       |       |       | F8BP<3:0>  |       |       |       |
| bit 7      |       |       |       | bit 0      |       |       |       |

**Legend:**  
R = Readable bit                      W = Writable bit                      U = Unimplemented bit, read as '0'  
-n = Value at POR                      '1' = Bit is set                      '0' = Bit is cleared                      x = Bit is unknown

- bit 15-12      **F11BP<3:0>**: RX Buffer Mask for Filter 11 bits  
1111 = Filter hits received in RX FIFO buffer  
1110 = Filter hits received in RX Buffer 14  
•  
•  
•  
0001 = Filter hits received in RX Buffer 1  
0000 = Filter hits received in RX Buffer 0
- bit 11-8      **F10BP<3:0>**: RX Buffer Mask for Filter 10 bits (same values as bits<15:12>)
- bit 7-4      **F9BP<3:0>**: RX Buffer Mask for Filter 9 bits (same values as bits<15:12>)
- bit 3-0      **F8BP<3:0>**: RX Buffer Mask for Filter 8 bits (same values as bits<15:12>)

**REGISTER 21-15: CxBUFPNT4: ECANx FILTER 12-15 BUFFER POINTER REGISTER 4**

|            |       |       |       |            |       |       |       |
|------------|-------|-------|-------|------------|-------|-------|-------|
| R/W-0      | R/W-0 | R/W-0 | R/W-0 | R/W-0      | R/W-0 | R/W-0 | R/W-0 |
| F15BP<3:0> |       |       |       | F14BP<3:0> |       |       |       |
| bit 15     |       |       |       | bit 8      |       |       |       |

|            |       |       |       |            |       |       |       |
|------------|-------|-------|-------|------------|-------|-------|-------|
| R/W-0      | R/W-0 | R/W-0 | R/W-0 | R/W-0      | R/W-0 | R/W-0 | R/W-0 |
| F13BP<3:0> |       |       |       | F12BP<3:0> |       |       |       |
| bit 7      |       |       |       | bit 0      |       |       |       |

**Legend:**

|                   |                  |  |
|-------------------|------------------|--|
| R = Readable bit  | W = Writable bit | U = Unimplemented bit, read as '0'           |
| -n = Value at POR | '1' = Bit is set | '0' = Bit is cleared      x = Bit is unknown |

- bit 15-12      **F15BP<3:0>**: RX Buffer Mask for Filter 15 bits
  - 1111 = Filter hits received in RX FIFO buffer
  - 1110 = Filter hits received in RX Buffer 14
  - 
  - 
  - 
  - 0001 = Filter hits received in RX Buffer 1
  - 0000 = Filter hits received in RX Buffer 0
- bit 11-8      **F14BP<3:0>**: RX Buffer Mask for Filter 14 bits (same values as bits<15:12>)
- bit 7-4        **F13BP<3:0>**: RX Buffer Mask for Filter 13 bits (same values as bits<15:12>)
- bit 3-0        **F12BP<3:0>**: RX Buffer Mask for Filter 12 bits (same values as bits<15:12>)

**REGISTER 21-16: CxRXFnSID: ECANx ACCEPTANCE FILTER n STANDARD IDENTIFIER REGISTER (n = 0-15)**

|        |       |       |       |       |       |       |       |
|--------|-------|-------|-------|-------|-------|-------|-------|
| R/W-x  | R/W-x | R/W-x | R/W-x | R/W-x | R/W-x | R/W-x | R/W-x |
| SID10  | SID9  | SID8  | SID7  | SID6  | SID5  | SID4  | SID3  |
| bit 15 |       |       |       |       |       |       | bit 8 |

|       |       |       |     |       |     |       |       |
|-------|-------|-------|-----|-------|-----|-------|-------|
| R/W-x | R/W-x | R/W-x | U-0 | R/W-x | U-0 | R/W-x | R/W-x |
| SID2  | SID1  | SID0  | —   | EXIDE | —   | EID17 | EID16 |
| bit 7 |       |       |     |       |     |       | bit 0 |

|                   |                  |                                    |                    |
|-------------------|------------------|------------------------------------|--------------------|
| <b>Legend:</b>    |                  |                                    |                    |
| R = Readable bit  | W = Writable bit | U = Unimplemented bit, read as '0' |                    |
| -n = Value at POR | '1' = Bit is set | '0' = Bit is cleared               | x = Bit is unknown |

- bit 15-5      **SID<10:0>**: Standard Identifier bits
  - 1 = Message address bit, SIDx, must be '1' to match filter
  - 0 = Message address bit, SIDx, must be '0' to match filter
- bit 4        **Unimplemented**: Read as '0'
- bit 3        **EXIDE**: Extended Identifier Enable bit
  - If MIDE = 1:
  - 1 = Matches only messages with Extended Identifier addresses
  - 0 = Matches only messages with Standard Identifier addresses
  - If MIDE = 0:
  - Ignores EXIDE bit.
- bit 2        **Unimplemented**: Read as '0'
- bit 1-0      **EID<17:16>**: Extended Identifier bits
  - 1 = Message address bit, EIDx, must be '1' to match filter
  - 0 = Message address bit, EIDx, must be '0' to match filter

**REGISTER 21-17: CxRXFnEID: ECANx ACCEPTANCE FILTER n EXTENDED IDENTIFIER REGISTER (n = 0-15)**

|        |       |       |       |       |       |       |       |
|--------|-------|-------|-------|-------|-------|-------|-------|
| R/W-x  | R/W-x | R/W-x | R/W-x | R/W-x | R/W-x | R/W-x | R/W-x |
| EID15  | EID14 | EID13 | EID12 | EID11 | EID10 | EID9  | EID8  |
| bit 15 |       |       |       |       |       |       | bit 8 |

|       |       |       |       |       |       |       |       |
|-------|-------|-------|-------|-------|-------|-------|-------|
| R/W-x | R/W-x | R/W-x | R/W-x | R/W-x | R/W-x | R/W-x | R/W-x |
| EID7  | EID6  | EID5  | EID4  | EID3  | EID2  | EID1  | EID0  |
| bit 7 |       |       |       |       |       |       | bit 0 |

**Legend:**

R = Readable bit                      W = Writable bit                      U = Unimplemented bit, read as '0'  
 -n = Value at POR                      '1' = Bit is set                      '0' = Bit is cleared                      x = Bit is unknown

bit 15-0            **EID<15:0>**: Extended Identifier bits  
 1 = Message address bit, EIDx, must be '1' to match filter  
 0 = Message address bit, EIDx, must be '0' to match filter

**REGISTER 21-18: CxFMSKSEL1: ECANx FILTER 7-0 MASK SELECTION REGISTER**

|            |       |            |       |            |       |            |       |
|------------|-------|------------|-------|------------|-------|------------|-------|
| R/W-0      | R/W-0 | R/W-0      | R/W-0 | R/W-0      | R/W-0 | R/W-0      | R/W-0 |
| F7MSK<1:0> |       | F6MSK<1:0> |       | F5MSK<1:0> |       | F4MSK<1:0> |       |
| bit 15     |       |            |       |            |       |            | bit 8 |

|            |       |            |       |            |       |            |       |
|------------|-------|------------|-------|------------|-------|------------|-------|
| R/W-0      | R/W-0 | R/W-0      | R/W-0 | R/W-0      | R/W-0 | R/W-0      | R/W-0 |
| F3MSK<1:0> |       | F2MSK<1:0> |       | F1MSK<1:0> |       | F0MSK<1:0> |       |
| bit 7      |       |            |       |            |       |            | bit 0 |

**Legend:**

R = Readable bit                      W = Writable bit                      U = Unimplemented bit, read as '0'  
 -n = Value at POR                      '1' = Bit is set                      '0' = Bit is cleared                      x = Bit is unknown

bit 15-14            **F7MSK<1:0>**: Mask Source for Filter 7 bits  
 11 = Reserved  
 10 = Acceptance Mask 2 registers contain mask  
 01 = Acceptance Mask 1 registers contain mask  
 00 = Acceptance Mask 0 registers contain mask

bit 13-12            **F6MSK<1:0>**: Mask Source for Filter 6 bits (same values as bits<15:14>)  
 bit 11-10            **F5MSK<1:0>**: Mask Source for Filter 5 bits (same values as bits<15:14>)  
 bit 9-8              **F4MSK<1:0>**: Mask Source for Filter 4 bits (same values as bits<15:14>)  
 bit 7-6              **F3MSK<1:0>**: Mask Source for Filter 3 bits (same values as bits<15:14>)  
 bit 5-4              **F2MSK<1:0>**: Mask Source for Filter 2 bits (same values as bits<15:14>)  
 bit 3-2              **F1MSK<1:0>**: Mask Source for Filter 1 bits (same values as bits<15:14>)  
 bit 1-0              **F0MSK<1:0>**: Mask Source for Filter 0 bits (same values as bits<15:14>)

**REGISTER 21-19: CxFMSKSEL2: ECANx FILTER 15-8 MASK SELECTION REGISTER**

|             |       |             |       |             |       |             |       |
|-------------|-------|-------------|-------|-------------|-------|-------------|-------|
| R/W-0       | R/W-0 | R/W-0       | R/W-0 | R/W-0       | R/W-0 | R/W-0       | R/W-0 |
| F15MSK<1:0> |       | F14MSK<1:0> |       | F13MSK<1:0> |       | F12MSK<1:0> |       |
| bit 15      |       |             |       |             |       |             | bit 8 |

|             |       |             |       |            |       |            |       |
|-------------|-------|-------------|-------|------------|-------|------------|-------|
| R/W-0       | R/W-0 | R/W-0       | R/W-0 | R/W-0      | R/W-0 | R/W-0      | R/W-0 |
| F11MSK<1:0> |       | F10MSK<1:0> |       | F9MSK<1:0> |       | F8MSK<1:0> |       |
| bit 7       |       |             |       |            |       |            | bit 0 |

|                   |                  |                                    |                    |
|-------------------|------------------|------------------------------------|--------------------|
| <b>Legend:</b>    |                  |                                    |                    |
| R = Readable bit  | W = Writable bit | U = Unimplemented bit, read as '0' |                    |
| -n = Value at POR | '1' = Bit is set | '0' = Bit is cleared               | x = Bit is unknown |

- bit 15-14     **F15MSK<1:0>**: Mask Source for Filter 15 bits  
                   11 = Reserved  
                   10 = Acceptance Mask 2 registers contain mask  
                   01 = Acceptance Mask 1 registers contain mask  
                   00 = Acceptance Mask 0 registers contain mask
- bit 13-12     **F14MSK<1:0>**: Mask Source for Filter 14 bits (same values as bits<15:14>)
- bit 11-10     **F13MSK<1:0>**: Mask Source for Filter 13 bits (same values as bits<15:14>)
- bit 9-8       **F12MSK<1:0>**: Mask Source for Filter 12 bits (same values as bits<15:14>)
- bit 7-6       **F11MSK<1:0>**: Mask Source for Filter 11 bits (same values as bits<15:14>)
- bit 5-4       **F10MSK<1:0>**: Mask Source for Filter 10 bits (same values as bits<15:14>)
- bit 3-2       **F9MSK<1:0>**: Mask Source for Filter 9 bits (same values as bits<15:14>)
- bit 1-0       **F8MSK<1:0>**: Mask Source for Filter 8 bits (same values as bits<15:14>)

**REGISTER 21-20: CxRXMnSID: ECANx ACCEPTANCE FILTER MASK n STANDARD IDENTIFIER REGISTER (n = 0-2)**

|        |       |       |       |       |       |       |       |
|--------|-------|-------|-------|-------|-------|-------|-------|
| R/W-x  | R/W-x | R/W-x | R/W-x | R/W-x | R/W-x | R/W-x | R/W-x |
| SID10  | SID9  | SID8  | SID7  | SID6  | SID5  | SID4  | SID3  |
| bit 15 |       |       |       |       |       | bit 8 |       |

|       |       |       |     |       |     |       |       |
|-------|-------|-------|-----|-------|-----|-------|-------|
| R/W-x | R/W-x | R/W-x | U-0 | R/W-x | U-0 | R/W-x | R/W-x |
| SID2  | SID1  | SID0  | —   | MIDE  | —   | EID17 | EID16 |
| bit 7 |       |       |     |       |     | bit 0 |       |

**Legend:**

R = Readable bit                      W = Writable bit                      U = Unimplemented bit, read as '0'  
 -n = Value at POR                      '1' = Bit is set                      '0' = Bit is cleared                      x = Bit is unknown

- bit 15-5            **SID<10:0>**: Standard Identifier bits
  - 1 = Includes bit, SIDx, in filter comparison
  - 0 = SIDx bit is a don't care in filter comparison
- bit 4              **Unimplemented**: Read as '0'
- bit 3              **MIDE**: Identifier Receive Mode bit
  - 1 = Matches only message types (standard or extended address) that correspond to EXIDE bit in the filter
  - 0 = Matches either standard or extended address message if filters match (i.e., if (Filter SID) = (Message SID) or if (Filter SID/EID) = (Message SID/EID))
- bit 2              **Unimplemented**: Read as '0'
- bit 1-0           **EID<17:16>**: Extended Identifier bits
  - 1 = Includes bit, EIDx, in filter comparison
  - 0 = EIDx bit is a don't care in filter comparison

**REGISTER 21-21: CxRXMnEID: ECANx ACCEPTANCE FILTER MASK n EXTENDED IDENTIFIER REGISTER (n = 0-2)**

|        |       |       |       |       |       |       |       |
|--------|-------|-------|-------|-------|-------|-------|-------|
| R/W-x  | R/W-x | R/W-x | R/W-x | R/W-x | R/W-x | R/W-x | R/W-x |
| EID15  | EID14 | EID13 | EID12 | EID11 | EID10 | EID9  | EID8  |
| bit 15 |       |       |       |       |       | bit 8 |       |

|       |       |       |       |       |       |       |       |
|-------|-------|-------|-------|-------|-------|-------|-------|
| R/W-x | R/W-x | R/W-x | R/W-x | R/W-x | R/W-x | R/W-x | R/W-x |
| EID7  | EID6  | EID5  | EID4  | EID3  | EID2  | EID1  | EID0  |
| bit 7 |       |       |       |       |       | bit 0 |       |

**Legend:**

R = Readable bit                      W = Writable bit                      U = Unimplemented bit, read as '0'  
 -n = Value at POR                      '1' = Bit is set                      '0' = Bit is cleared                      x = Bit is unknown

- bit 15-0           **EID<15:0>**: Extended Identifier bits
  - 1 = Includes bit, EIDx, in filter comparison
  - 0 = EIDx bit is a don't care in filter comparison



**REGISTER 21-22: CxRXFUL1: ECANx RECEIVE BUFFER FULL REGISTER 1**

|         |         |         |         |         |         |        |        |
|---------|---------|---------|---------|---------|---------|--------|--------|
| R/C-0   | R/C-0   | R/C-0   | R/C-0   | R/C-0   | R/C-0   | R/C-0  | R/C-0  |
| RXFUL15 | RXFUL14 | RXFUL13 | RXFUL12 | RXFUL11 | RXFUL10 | RXFUL9 | RXFUL8 |
| bit 15  |         |         |         |         |         |        | bit 8  |

|        |        |        |        |        |        |        |        |
|--------|--------|--------|--------|--------|--------|--------|--------|
| R/C-0  | R/C-0  | R/C-0  | R/C-0  | R/C-0  | R/C-0  | R/C-0  | R/C-0  |
| RXFUL7 | RXFUL6 | RXFUL5 | RXFUL4 | RXFUL3 | RXFUL2 | RXFUL1 | RXFUL0 |
| bit 7  |        |        |        |        |        |        | bit 0  |

|                   |  |
|-------------------|--|
| <b>Legend:</b>    | C = Writable bit, but only '0' can be written to clear the bit                                     |
| R = Readable bit  | W = Writable bit                      U = Unimplemented bit, read as '0'                           |
| -n = Value at POR | '1' = Bit is set                      '0' = Bit is cleared                      x = Bit is unknown |

bit 15-0            **RXFUL<15:0>**: Receive Buffer n Full bits  
                          1 = Buffer is full (set by module)  
                          0 = Buffer is empty (cleared by user software)

**REGISTER 21-23: CxRXFUL2: ECANx RECEIVE BUFFER FULL REGISTER 2**

|         |         |         |         |         |         |         |         |
|---------|---------|---------|---------|---------|---------|---------|---------|
| R/C-0   | R/C-0   | R/C-0   | R/C-0   | R/C-0   | R/C-0   | R/C-0   | R/C-0   |
| RXFUL31 | RXFUL30 | RXFUL29 | RXFUL28 | RXFUL27 | RXFUL26 | RXFUL25 | RXFUL24 |
| bit 15  |         |         |         |         |         |         | bit 8   |

|         |         |         |         |         |         |         |         |
|---------|---------|---------|---------|---------|---------|---------|---------|
| R/C-0   | R/C-0   | R/C-0   | R/C-0   | R/C-0   | R/C-0   | R/C-0   | R/C-0   |
| RXFUL23 | RXFUL22 | RXFUL21 | RXFUL20 | RXFUL19 | RXFUL18 | RXFUL17 | RXFUL16 |
| bit 7   |         |         |         |         |         |         | bit 0   |

|                   |  |
|-------------------|--|
| <b>Legend:</b>    | C = Writable bit, but only '0' can be written to clear the bit                                     |
| R = Readable bit  | W = Writable bit                      U = Unimplemented bit, read as '0'                           |
| -n = Value at POR | '1' = Bit is set                      '0' = Bit is cleared                      x = Bit is unknown |

bit 15-0            **RXFUL<31:16>**: Receive Buffer n Full bits  
                          1 = Buffer is full (set by module)  
                          0 = Buffer is empty (cleared by user software)

**REGISTER 21-24: CxRXOVF1: ECANx RECEIVE BUFFER OVERFLOW REGISTER 1**

|         |         |         |         |         |         |        |        |
|---------|---------|---------|---------|---------|---------|--------|--------|
| R/C-0   | R/C-0   | R/C-0   | R/C-0   | R/C-0   | R/C-0   | R/C-0  | R/C-0  |
| RXOVF15 | RXOVF14 | RXOVF13 | RXOVF12 | RXOVF11 | RXOVF10 | RXOVF9 | RXOVF8 |
| bit 15  |         |         |         |         |         |        | bit 8  |

|        |        |        |        |        |        |        |        |
|--------|--------|--------|--------|--------|--------|--------|--------|
| R/C-0  | R/C-0  | R/C-0  | R/C-0  | R/C-0  | R/C-0  | R/C-0  | R/C-0  |
| RXOVF7 | RXOVF6 | RXOVF5 | RXOVF4 | RXOVF3 | RXOVF2 | RXOVF1 | RXOVF0 |
| bit 7  |        |        |        |        |        |        | bit 0  |

|                   |  |
|-------------------|--|
| <b>Legend:</b>    | C = Writable bit, but only '0' can be written to clear the bit                                     |
| R = Readable bit  | W = Writable bit                      U = Unimplemented bit, read as '0'                           |
| -n = Value at POR | '1' = Bit is set                      '0' = Bit is cleared                      x = Bit is unknown |

bit 15-0      **RXOVF<15:0>**: Receive Buffer n Overflow bits  
 1 = Module attempted to write to a full buffer (set by module)  
 0 = No overflow condition (cleared by user software)

**REGISTER 21-25: CxRXOVF2: ECANx RECEIVE BUFFER OVERFLOW REGISTER 2**

|         |         |         |         |         |         |         |         |
|---------|---------|---------|---------|---------|---------|---------|---------|
| R/C-0   | R/C-0   | R/C-0   | R/C-0   | R/C-0   | R/C-0   | R/C-0   | R/C-0   |
| RXOVF31 | RXOVF30 | RXOVF29 | RXOVF28 | RXOVF27 | RXOVF26 | RXOVF25 | RXOVF24 |
| bit 15  |         |         |         |         |         |         | bit 8   |

|         |         |         |         |         |         |         |         |
|---------|---------|---------|---------|---------|---------|---------|---------|
| R/C-0   | R/C-0   | R/C-0   | R/C-0   | R/C-0   | R/C-0   | R/C-0   | R/C-0   |
| RXOVF23 | RXOVF22 | RXOVF21 | RXOVF20 | RXOVF19 | RXOVF18 | RXOVF17 | RXOVF16 |
| bit 7   |         |         |         |         |         |         | bit 0   |

|                   |  |
|-------------------|--|
| <b>Legend:</b>    | C = Writable bit, but only '0' can be written to clear the bit                                     |
| R = Readable bit  | W = Writable bit                      U = Unimplemented bit, read as '0'                           |
| -n = Value at POR | '1' = Bit is set                      '0' = Bit is cleared                      x = Bit is unknown |

bit 15-0      **RXOVF<31:16>**: Receive Buffer n Overflow bits  
 1 = Module attempted to write to a full buffer (set by module)  
 0 = No overflow condition (cleared by user software)

**REGISTER 21-26: CxTRmnCON: ECANx TX/RX BUFFER mn CONTROL REGISTER**  
**(m = 0,2,4,6; n = 1,3,5,7)**

|        |        |         |        |        |        |             |       |
|--------|--------|---------|--------|--------|--------|-------------|-------|
| R/W-0  | R-0    | R-0     | R-0    | R/W-0  | R/W-0  | R/W-0       | R/W-0 |
| TXENn  | TXABTn | TXLARBn | TXERRn | TXREQn | RTRENn | TXnPRI<1:0> |       |
| bit 15 |        |         |        |        |        |             | bit 8 |

|       |                       |                        |                       |        |        |             |       |
|-------|-----------------------|------------------------|-----------------------|--------|--------|-------------|-------|
| R/W-0 | R-0                   | R-0                    | R-0                   | R/W-0  | R/W-0  | R/W-0       | R/W-0 |
| TXENm | TXABTm <sup>(1)</sup> | TXLARBm <sup>(1)</sup> | TXERRm <sup>(1)</sup> | TXREQm | RTRENm | TXmPRI<1:0> |       |
| bit 7 |                       |                        |                       |        |        |             | bit 0 |

**Legend:**

|                   |                  |  |
|-------------------|------------------|--|
| R = Readable bit  | W = Writable bit | U = Unimplemented bit, read as '0'           |
| -n = Value at POR | '1' = Bit is set | '0' = Bit is cleared      x = Bit is unknown |

- bit 15-8      See Definition for bits<7:0>, Controls Buffer n
- bit 7      **TXENm:** TX/RX Buffer Selection bit  
 1 = Buffer TRBn is a transmit buffer  
 0 = Buffer TRBn is a receive buffer
- bit 6      **TXABTm:** Message Aborted bit<sup>(1)</sup>  
 1 = Message was aborted  
 0 = Message completed transmission successfully
- bit 5      **TXLARBm:** Message Lost Arbitration bit<sup>(1)</sup>  
 1 = Message lost arbitration while being sent  
 0 = Message did not lose arbitration while being sent
- bit 4      **TXERRm:** Error Detected During Transmission bit<sup>(1)</sup>  
 1 = A bus error occurred while the message was being sent  
 0 = A bus error did not occur while the message was being sent
- bit 3      **TXREQm:** Message Send Request bit  
 1 = Requests that a message be sent; the bit automatically clears when the message is successfully sent  
 0 = Clearing the bit to '0' while set requests a message abort
- bit 2      **RTRENm:** Auto-Remote Transmit Enable bit  
 1 = When a remote transmit is received, TXREQ will be set  
 0 = When a remote transmit is received, TXREQ will be unaffected
- bit 1-0      **TXmPRI<1:0>:** Message Transmission Priority bits  
 11 = Highest message priority  
 10 = High intermediate message priority  
 01 = Low intermediate message priority  
 00 = Lowest message priority

**Note 1:** This bit is cleared when TXREQ is set.

**Note:** The buffers, SID, EID, DLC, Data Field, and Receive Status registers are located in DMA RAM.

## 21.5 ECAN Message Buffers

ECAN Message Buffers are part of RAM memory. They are not ECAN Special Function Registers. The user application must directly write into the RAM area that is configured for ECAN Message Buffers. The location and size of the buffer area is defined by the user application.

### BUFFER 21-1: ECAN™ MESSAGE BUFFER WORD 0

|        |     |     |       |       |       |       |       |
|--------|-----|-----|-------|-------|-------|-------|-------|
| U-0    | U-0 | U-0 | R/W-x | R/W-x | R/W-x | R/W-x | R/W-x |
| —      | —   | —   | SID10 | SID9  | SID8  | SID7  | SID6  |
| bit 15 |     |     |       |       |       |       | bit 8 |

|       |       |       |       |       |       |       |       |
|-------|-------|-------|-------|-------|-------|-------|-------|
| R/W-x | R/W-x | R/W-x | R/W-x | R/W-x | R/W-x | R/W-x | R/W-x |
| SID5  | SID4  | SID3  | SID2  | SID1  | SID0  | SRR   | IDE   |
| bit 7 |       |       |       |       |       |       | bit 0 |

**Legend:**

|                   |                  |  |
|-------------------|------------------|--|
| R = Readable bit  | W = Writable bit | U = Unimplemented bit, read as '0'           |
| -n = Value at POR | '1' = Bit is set | '0' = Bit is cleared      x = Bit is unknown |

- bit 15-13      **Unimplemented:** Read as '0'
- bit 12-2      **SID<10:0>:** Standard Identifier bits
- bit 1          **SRR:** Substitute Remote Request bit  
                   When IDE = 0:  
                   1 = Message will request remote transmission  
                   0 = Normal message  
                   When IDE = 1:  
                   The SRR bit must be set to '1'.
- bit 0          **IDE:** Extended Identifier bit  
                   1 = Message will transmit Extended Identifier  
                   0 = Message will transmit Standard Identifier

### BUFFER 21-2: ECAN™ MESSAGE BUFFER WORD 1

|        |     |     |     |       |       |       |       |
|--------|-----|-----|-----|-------|-------|-------|-------|
| U-0    | U-0 | U-0 | U-0 | R/W-x | R/W-x | R/W-x | R/W-x |
| —      | —   | —   | —   | EID17 | EID16 | EID15 | EID14 |
| bit 15 |     |     |     |       |       |       | bit 8 |

|       |       |       |       |       |       |       |       |
|-------|-------|-------|-------|-------|-------|-------|-------|
| R/W-x | R/W-x | R/W-x | R/W-x | R/W-x | R/W-x | R/W-x | R/W-x |
| EID13 | EID12 | EID11 | EID10 | EID9  | EID8  | EID7  | EID6  |
| bit 7 |       |       |       |       |       |       | bit 0 |

**Legend:**

|                   |                  |  |
|-------------------|------------------|--|
| R = Readable bit  | W = Writable bit | U = Unimplemented bit, read as '0'           |
| -n = Value at POR | '1' = Bit is set | '0' = Bit is cleared      x = Bit is unknown |

- bit 15-12      **Unimplemented:** Read as '0'
- bit 11-0      **EID<17:6>:** Extended Identifier bits

**BUFFER 21-3: ECAN™ MESSAGE BUFFER WORD 2**

|        |       |       |       |       |       |       |       |
|--------|-------|-------|-------|-------|-------|-------|-------|
| R/W-x  | R/W-x | R/W-x | R/W-x | R/W-x | R/W-x | R/W-x | R/W-x |
| EID5   | EID4  | EID3  | EID2  | EID1  | EID0  | RTR   | RB1   |
| bit 15 |       |       |       |       |       |       | bit 8 |

|       |     |     |       |       |       |       |       |
|-------|-----|-----|-------|-------|-------|-------|-------|
| U-x   | U-x | U-x | R/W-x | R/W-x | R/W-x | R/W-x | R/W-x |
| —     | —   | —   | RB0   | DLC3  | DLC2  | DLC1  | DLC0  |
| bit 7 |     |     |       |       |       |       | bit 0 |

|                   |                  |                                    |                    |
|-------------------|------------------|------------------------------------|--------------------|
| <b>Legend:</b>    |                  |                                    |                    |
| R = Readable bit  | W = Writable bit | U = Unimplemented bit, read as '0' |                    |
| -n = Value at POR | '1' = Bit is set | '0' = Bit is cleared               | x = Bit is unknown |

- bit 15-10      **EID<5:0>**: Extended Identifier bits
- bit 9          **RTR**: Remote Transmission Request bit  
                 When IDE = 1:  
                 1 = Message will request remote transmission  
                 0 = Normal message  
                 When IDE = 0:  
                 The RTR bit is ignored.
- bit 8          **RB1**: Reserved Bit 1  
                 User must set this bit to '0' per CAN protocol.
- bit 7-5        **Unimplemented**: Read as '0'
- bit 4          **RB0**: Reserved Bit 0  
                 User must set this bit to '0' per CAN protocol.
- bit 3-0        **DLC<3:0>**: Data Length Code bits

**BUFFER 21-4: ECAN™ MESSAGE BUFFER WORD 3**

|        |       |       |       |       |       |       |       |
|--------|-------|-------|-------|-------|-------|-------|-------|
| R/W-x  | R/W-x | R/W-x | R/W-x | R/W-x | R/W-x | R/W-x | R/W-x |
| Byte 1 |       |       |       |       |       |       |       |
| bit 15 |       |       |       |       |       |       | bit 8 |

|        |       |       |       |       |       |       |       |
|--------|-------|-------|-------|-------|-------|-------|-------|
| R/W-x  | R/W-x | R/W-x | R/W-x | R/W-x | R/W-x | R/W-x | R/W-x |
| Byte 0 |       |       |       |       |       |       |       |
| bit 7  |       |       |       |       |       |       | bit 0 |

|                   |                  |                                    |                    |
|-------------------|------------------|------------------------------------|--------------------|
| <b>Legend:</b>    |                  |                                    |                    |
| R = Readable bit  | W = Writable bit | U = Unimplemented bit, read as '0' |                    |
| -n = Value at POR | '1' = Bit is set | '0' = Bit is cleared               | x = Bit is unknown |

- bit 15-8        **Byte 1<15:8>**: ECAN Message Byte 0 bits
- bit 7-0        **Byte 0<7:0>**: ECAN Message Byte 1 bits

**BUFFER 21-5: ECAN™ MESSAGE BUFFER WORD 4**

|        |       |       |       |       |       |       |       |
|--------|-------|-------|-------|-------|-------|-------|-------|
| R/W-x  | R/W-x | R/W-x | R/W-x | R/W-x | R/W-x | R/W-x | R/W-x |
| Byte 3 |       |       |       |       |       |       |       |
| bit 15 |       |       |       |       |       |       |       |
| bit 8  |       |       |       |       |       |       |       |

|        |       |       |       |       |       |       |       |
|--------|-------|-------|-------|-------|-------|-------|-------|
| R/W-x  | R/W-x | R/W-x | R/W-x | R/W-x | R/W-x | R/W-x | R/W-x |
| Byte 2 |       |       |       |       |       |       |       |
| bit 7  |       |       |       |       |       |       |       |
| bit 0  |       |       |       |       |       |       |       |

**Legend:**

R = Readable bit                      W = Writable bit                      U = Unimplemented bit, read as '0'  
 -n = Value at POR                      '1' = Bit is set                      '0' = Bit is cleared                      x = Bit is unknown

bit 15-8                      **Byte 3<15:8>**: ECAN Message Byte 3 bits  
 bit 7-0                      **Byte 2<7:0>**: ECAN Message Byte 2 bits

**BUFFER 21-6: ECAN™ MESSAGE BUFFER WORD 5**

|        |       |       |       |       |       |       |       |
|--------|-------|-------|-------|-------|-------|-------|-------|
| R/W-x  | R/W-x | R/W-x | R/W-x | R/W-x | R/W-x | R/W-x | R/W-x |
| Byte 5 |       |       |       |       |       |       |       |
| bit 15 |       |       |       |       |       |       |       |
| bit 8  |       |       |       |       |       |       |       |

|        |       |       |       |       |       |       |       |
|--------|-------|-------|-------|-------|-------|-------|-------|
| R/W-x  | R/W-x | R/W-x | R/W-x | R/W-x | R/W-x | R/W-x | R/W-x |
| Byte 4 |       |       |       |       |       |       |       |
| bit 7  |       |       |       |       |       |       |       |
| bit 0  |       |       |       |       |       |       |       |

**Legend:**

R = Readable bit                      W = Writable bit                      U = Unimplemented bit, read as '0'  
 -n = Value at POR                      '1' = Bit is set                      '0' = Bit is cleared                      x = Bit is unknown

bit 15-8                      **Byte 5<15:8>**: ECAN Message Byte 5 bits  
 bit 7-0                      **Byte 4<7:0>**: ECAN Message Byte 4 bits

**BUFFER 21-7: ECAN™ MESSAGE BUFFER WORD 6**

|        |       |       |       |       |       |       |       |
|--------|-------|-------|-------|-------|-------|-------|-------|
| R/W-x  | R/W-x | R/W-x | R/W-x | R/W-x | R/W-x | R/W-x | R/W-x |
| Byte 7 |       |       |       |       |       |       |       |
| bit 15 |       |       |       | bit 8 |       |       |       |

|        |       |       |       |       |       |       |       |
|--------|-------|-------|-------|-------|-------|-------|-------|
| R/W-x  | R/W-x | R/W-x | R/W-x | R/W-x | R/W-x | R/W-x | R/W-x |
| Byte 6 |       |       |       |       |       |       |       |
| bit 7  |       |       |       | bit 0 |       |       |       |

|                   |                  |                                    |                    |  |  |  |  |
|-------------------|------------------|------------------------------------|--------------------|--|--|--|--|
| <b>Legend:</b>    |                  |                                    |                    |  |  |  |  |
| R = Readable bit  | W = Writable bit | U = Unimplemented bit, read as '0' |                    |  |  |  |  |
| -n = Value at POR | '1' = Bit is set | '0' = Bit is cleared               | x = Bit is unknown |  |  |  |  |

bit 15-8      **Byte 7<15:8>**: ECAN Message Byte 7 bits  
 bit 7-0      **Byte 6<7:0>**: ECAN Message Byte 6 bits

**BUFFER 21-8: ECAN™ MESSAGE BUFFER WORD 7**

|        |     |     |                            |       |       |       |       |
|--------|-----|-----|----------------------------|-------|-------|-------|-------|
| U-0    | U-0 | U-0 | R/W-x                      | R/W-x | R/W-x | R/W-x | R/W-x |
| —      | —   | —   | FILHIT<4:0> <sup>(1)</sup> |       |       |       |       |
| bit 15 |     |     |                            | bit 8 |       |       |       |

|       |     |     |     |       |     |     |     |
|-------|-----|-----|-----|-------|-----|-----|-----|
| U-0   | U-0 | U-0 | U-0 | U-0   | U-0 | U-0 | U-0 |
| —     | —   | —   | —   | —     | —   | —   | —   |
| bit 7 |     |     |     | bit 0 |     |     |     |

|                   |                  |                                    |                    |  |  |  |  |
|-------------------|------------------|------------------------------------|--------------------|--|--|--|--|
| <b>Legend:</b>    |                  |                                    |                    |  |  |  |  |
| R = Readable bit  | W = Writable bit | U = Unimplemented bit, read as '0' |                    |  |  |  |  |
| -n = Value at POR | '1' = Bit is set | '0' = Bit is cleared               | x = Bit is unknown |  |  |  |  |

bit 15-13      **Unimplemented:** Read as '0'  
 bit 12-8      **FILHIT<4:0>**: Filter Hit Code bits<sup>(1)</sup>  
                  Encodes number of filter that resulted in writing this buffer.  
 bit 7-0      **Unimplemented:** Read as '0'

**Note 1:** Only written by module for receive buffers, unused for transmit buffers.

**NOTES:**



## 22.0 CHARGE TIME MEASUREMENT UNIT (CTMU)

**Note 1:** This data sheet summarizes the features of the dsPIC33EPXXXGP50X, dsPIC33EPXXXMC20X/50X and PIC24EPXXXGP/MC20X family of devices. It is not intended to be a comprehensive reference source. To complement the information in this data sheet, refer to **Section 33. “Charge Time Measurement Unit (CTMU)”** (DS70661) in the “*dsPIC33E/PIC24E Family Reference Manual*”, which is available on the Microchip web site ([www.microchip.com](http://www.microchip.com)).

**2:** Some registers and associated bits described in this section may not be available on all devices. Refer to **Section 4.0 “Memory Organization”** in this data sheet for device-specific register and bit information.

The Charge Time Measurement Unit is a flexible analog module that provides accurate differential time measurement between pulse sources, as well as asynchronous pulse generation. Its key features include:

- Four Edge Input Trigger Sources
- Polarity Control for Each Edge Source
- Control of Edge Sequence
- Control of Response to Edges
- Precise Time Measurement Resolution of 1 ns
- Accurate Current Source Suitable for Capacitive Measurement
- On-Chip Temperature Measurement using a Built-in Diode

Together with other on-chip analog modules, the CTMU can be used to precisely measure time, measure capacitance, measure relative changes in capacitance or generate output pulses that are independent of the system clock.

The CTMU module is ideal for interfacing with capacitive-based sensors. The CTMU is controlled through three registers: CTMUCON1, CTMUCON2 and CTMUICON. CTMUCON1 and CTMUCON2 enable the module and control edge source selection, edge source polarity selection and edge sequencing. The CTMUICON register controls the selection and trim of the current source.

FIGURE 22-1: CTMU BLOCK DIAGRAM



## 22.1 CTMU Resources

Many useful resources are provided on the main product page of the Microchip web site for the devices listed in this data sheet. This product page, which can be accessed using this [link](#), contains the latest updates and additional information.

**Note:** In the event you are not able to access the product page using the link above, enter this URL in your browser:  
<http://www.microchip.com/wwwproducts/Devices.aspx?dDocName=en555464>

### 22.1.1 KEY RESOURCES

- **Section 33. “Charge Time Measurement Unit (CTMU)” (DS70661)**
- Code Samples
- Application Notes
- Software Libraries
- Webinars
- All Related “*dsPIC33E/PIC24E Family Reference Manual*” Sections
- Development Tools

## 22.2 CTMU Control Registers

**REGISTER 22-1: CTMUCON1: CTMU CONTROL REGISTER 1**

|        |     |          |       |       |          |                        |        |
|--------|-----|----------|-------|-------|----------|------------------------|--------|
| R/W-0  | U-0 | R/W-0    | R/W-0 | R/W-0 | R/W-0    | R/W-0                  | R/W-0  |
| CTMUEN | —   | CTMUSIDL | TGEN  | EDGEN | EDGSEQEN | IDISSEN <sup>(1)</sup> | CTTRIG |
| bit 15 |     |          |       |       |          |                        | bit 8  |

|       |     |     |     |     |     |     |       |
|-------|-----|-----|-----|-----|-----|-----|-------|
| U-0   | U-0 | U-0 | U-0 | U-0 | U-0 | U-0 | U-0   |
| —     | —   | —   | —   | —   | —   | —   | —     |
| bit 7 |     |     |     |     |     |     | bit 0 |

**Legend:**

|                   |                  |                                    |
|-------------------|------------------|------------------------------------|
| R = Readable bit  | W = Writable bit | U = Unimplemented bit, read as '0' |
| -n = Value at POR | '1' = Bit is set | '0' = Bit is cleared               |
|                   |                  | x = Bit is unknown                 |

- bit 15     **CTMUEN:** CTMU Enable bit  
           1 = Module is enabled  
           0 = Module is disabled
- bit 14     **Unimplemented:** Read as '0'
- bit 13     **CTMUSIDL:** CTMU Stop in Idle Mode bit  
           1 = Discontinues module operation when device enters Idle mode  
           0 = Continues module operation in Idle mode
- bit 12     **TGEN:** Time Generation Enable bit  
           1 = Enables edge delay generation  
           0 = Disables edge delay generation
- bit 11     **EDGEN:** Edge Enable bit  
           1 = Hardware modules are used to trigger edges (TMRx, CTEDx, etc.)  
           0 = Software is used to trigger edges (manual set of EDGxSTAT)
- bit 10     **EDGSEQEN:** Edge Sequence Enable bit  
           1 = Edge 1 event must occur before Edge 2 event can occur  
           0 = No edge sequence is needed
- bit 9      **IDISSEN:** Analog Current Source Control bit<sup>(1)</sup>  
           1 = Analog current source output is grounded  
           0 = Analog current source output is not grounded
- bit 8      **CTTRIG:** ADC Trigger Control bit  
           1 = CTMU triggers ADC start of conversion  
           0 = CTMU does not trigger ADC start of conversion
- bit 7-0    **Unimplemented:** Read as '0'

**Note 1:** The ADC module Sample-and-Hold capacitor is not automatically discharged between sample/conversion cycles. Software using the ADC as part of a capacitance measurement must discharge the ADC capacitor before conducting the measurement. The IDISSEN bit, when set to '1', performs this function. The ADC must be sampling while the IDISSEN bit is active to connect the discharge sink to the capacitor array.

**REGISTER 22-2: CTMUCON2: CTMU CONTROL REGISTER 2**

|         |         |              |       |       |          |          |       |
|---------|---------|--------------|-------|-------|----------|----------|-------|
| R/W-0   | R/W-0   | R/W-0        | R/W-0 | R/W-0 | R/W-0    | R/W-0    | R/W-0 |
| EDG1MOD | EDG1POL | EDG1SEL<3:0> |       |       | EDG2STAT | EDG1STAT |       |
| bit 15  |         |              |       |       |          | bit 8    |       |

|         |         |              |       |       |       |       |     |
|---------|---------|--------------|-------|-------|-------|-------|-----|
| R/W-0   | R/W-0   | R/W-0        | R/W-0 | R/W-0 | R/W-0 | U-0   | U-0 |
| EDG2MOD | EDG2POL | EDG2SEL<3:0> |       |       | —     | —     |     |
| bit 7   |         |              |       |       |       | bit 0 |     |

**Legend:**

R = Readable bit                      W = Writable bit                      U = Unimplemented bit, read as '0'  
 -n = Value at POR                      '1' = Bit is set                      '0' = Bit is cleared                      x = Bit is unknown

- bit 15            **EDG1MOD:** Edge 1 Edge Sampling Mode Selection bit  
 1 = Edge 1 is edge-sensitive  
 0 = Edge 1 is level-sensitive
- bit 14            **EDG1POL:** Edge 1 Polarity Select bit  
 1 = Edge 1 is programmed for a positive edge response  
 0 = Edge 1 is programmed for a negative edge response
- bit 13-10       **EDG1SEL<3:0>:** Edge 1 Source Select bits  
 1xxx = Reserved  
 01xx = Reserved  
 0011 = CTED1 pin  
 0010 = CTED2 pin  
 0001 = OC1 module  
 0000 = Timer1 module
- bit 9            **EDG2STAT:** Edge 2 Status bit  
 Indicates the status of Edge 2 and can be written to control the edge source.  
 1 = Edge 2 has occurred  
 0 = Edge 2 has not occurred
- bit 8            **EDG1STAT:** Edge 1 Status bit  
 Indicates the status of Edge 1 and can be written to control the edge source.  
 1 = Edge 1 has occurred  
 0 = Edge 1 has not occurred
- bit 7            **EDG2MOD:** Edge 2 Edge Sampling Mode Selection bit  
 1 = Edge 2 is edge-sensitive  
 0 = Edge 2 is level-sensitive
- bit 6            **EDG2POL:** Edge 2 Polarity Select bit  
 1 = Edge 2 is programmed for a positive edge response  
 0 = Edge 2 is programmed for a negative edge response
- bit 5-2         **EDG2SEL<3:0>:** Edge 2 Source Select bits  
 1111 = Reserved  
 01xx = Reserved  
 0100 = CMP1 module  
 0011 = CTED2 pin  
 0010 = CTED1 pin  
 0001 = OC1 module  
 0000 = IC1 module
- bit 1-0         **Unimplemented:** Read as '0'

**REGISTER 22-3: CTMUICON: CTMU CURRENT CONTROL REGISTER**

|            |       |       |       |       |       |           |       |
|------------|-------|-------|-------|-------|-------|-----------|-------|
| R/W-0      | R/W-0 | R/W-0 | R/W-0 | R/W-0 | R/W-0 | R/W-0     | R/W-0 |
| ITRIM<5:0> |       |       |       |       |       | IRNG<1:0> |       |
| bit 15     |       |       |       |       |       | bit 8     |       |

|       |     |     |     |     |     |       |     |
|-------|-----|-----|-----|-----|-----|-------|-----|
| U-0   | U-0 | U-0 | U-0 | U-0 | U-0 | U-0   | U-0 |
| —     | —   | —   | —   | —   | —   | —     | —   |
| bit 7 |     |     |     |     |     | bit 0 |     |

|                   |                  |                                    |                    |
|-------------------|------------------|------------------------------------|--------------------|
| <b>Legend:</b>    |                  |                                    |                    |
| R = Readable bit  | W = Writable bit | U = Unimplemented bit, read as '0' |                    |
| -n = Value at POR | '1' = Bit is set | '0' = Bit is cleared               | x = Bit is unknown |

bit 15-10 **ITRIM<5:0>**: Current Source Trim bits

011111 = Maximum positive change from nominal current + 62%

011110 = Maximum positive change from nominal current + 60%

•

•

•

000010 = Minimum positive change from nominal current + 4%

000001 = Minimum positive change from nominal current + 2%

000000 = Nominal current output specified by IRNG<1:0>

111111 = Minimum negative change from nominal current – 2%

111110 = Minimum negative change from nominal current – 4%

•

•

•

100010 = Maximum negative change from nominal current – 60%

100001 = Maximum negative change from nominal current – 62%

bit 9-8 **IRNG<1:0>**: Current Source Range Select bits

11 = 100 × Base Current<sup>(2)</sup>

10 = 10 × Base Current<sup>(2)</sup>

01 = Base Current Level<sup>(2)</sup>

00 = 1000 × Base Current<sup>(1,2)</sup>

bit 7-0 **Unimplemented**: Read as '0'

- Note 1:** This current range is not available to be used with the internal temperature measurement diode.
- Note 2:** Refer to the CTMU Current Source Specifications (Table 30-56) in Section 30.0 “Electrical Characteristics” for the current range selection values.

**NOTES:**

## 23.0 10-BIT/12-BIT ANALOG-TO-DIGITAL CONVERTER (ADC)

**Note 1:** This data sheet summarizes the features of the dsPIC33EPXXXGP50X, dsPIC33EPXXXMC20X/50X and PIC24EPXXXGP/MC20X families of devices. It is not intended to be a comprehensive reference source. To complement the information in this data sheet, refer to **Section 16. “Analog-to-Digital Converter (ADC)”** (DS70621) of the “*dsPIC33E/PIC24E Family Reference Manual*”, which is available from the Microchip web site ([www.microchip.com](http://www.microchip.com)).

**2:** Some registers and associated bits described in this section may not be available on all devices. Refer to **Section 4.0 “Memory Organization”** in this data sheet for device-specific register and bit information.

The dsPIC33EPXXXGP50X, dsPIC33EPXXXMC20X/50X and PIC24EPXXXGP/MC20X devices have one ADC module. The ADC module supports up to 16 analog input channels.

On ADC1, the AD12B bit (AD1CON1<10>) allows the ADC module to be configured by the user as either a 10-bit, 4 Sample-and-Hold (S&H) ADC (default configuration) or a 12-bit, 1 S&H ADC.

**Note:** The ADC module needs to be disabled before modifying the AD12B bit.

## 23.1 Key Features

### 23.1.1 10-BIT ADC CONFIGURATION

The 10-bit ADC configuration has the following key features:

- Successive Approximation (SAR) conversion
- Conversion speeds of up to 1.1 Msps
- Up to 16 analog input pins
- Connections to three internal op amps
- Connections to the Charge Time Measurement Unit (CTMU) and temperature measurement diode
- Channel selection and triggering can be controlled by the Peripheral Trigger Generator (PTG)
- External voltage reference input pins
- Simultaneous sampling of:
  - Up to four analog input pins
  - Three op amp outputs
  - Combinations of analog inputs and op amp outputs
- Automatic Channel Scan mode
- Selectable conversion Trigger source
- Selectable Buffer Fill modes
- Four result alignment options (signed/unsigned, fractional/integer)
- Operation during CPU Sleep and Idle modes

### 23.1.2 12-BIT ADC CONFIGURATION

The 12-bit ADC configuration supports all the features listed above, with the exception of the following:

- In the 12-bit configuration, conversion speeds of up to 500 ksps are supported
- There is only one S&H amplifier in the 12-bit configuration; therefore, simultaneous sampling of multiple channels is not supported.

Depending on the particular device pinout, the ADC can have up to 16 analog input pins, designated AN0 through AN15. These analog inputs are shared with op amp inputs and outputs, comparator inputs, and external voltage references. When op amp/comparator functionality is enabled, or an external voltage reference is used, the analog input that shares that pin is no longer available. The actual number of analog input pins, op amps and external voltage reference input configuration depends on the specific device.

A block diagram of the ADC module is shown in [Figure 23-1](#). [Figure 23-2](#) provides a diagram of the ADC conversion clock period.

**FIGURE 23-1: ADC MODULE BLOCK DIAGRAM WITH CONNECTION OPTIONS FOR ANx PINS AND OP AMPS**

This diagram depicts all of the available ADC connection options to the four S&H amplifiers, which are designated: CH0, CH1, CH2 and CH3.

The ANx analog pins or op amp outputs are connected to the CH0-CH3 amplifiers through the multiplexers, controlled by the SFR control bits, CH0Sx, CH1Sx, CH2Sx and CH3Sx.



- Note**
- 1: VREF+, VREF- inputs can be multiplexed with other analog inputs.
  - 2: Channels 1, 2 and 3 are not applicable for the 12-bit mode of operation.
  - 3: These bits can be updated with Step commands from the PTG module. See Section 24.0 "Peripheral Trigger Generator (PTG) Module" for more information.
  - 4: When ADDMAEN (AD1CON4<8>) = 1, enabling DMA, only ADC1BUF0 is used.
  - 5: OA3 is not available for 28-pin devices.



FIGURE 23-2: ADC CONVERSION CLOCK PERIOD BLOCK DIAGRAM



## 23.2 ADC Helpful Tips

1. The SMP1x control bits in the AD1CON2 register:
  - a) Determine when the ADC interrupt flag is set and an interrupt is generated, if enabled.
  - b) When the CSCNA bit in the AD1CON2 registers is set to '1', this determines when the ADC analog scan channel list, defined in the AD1CSSL/AD1CSSH registers, starts over from the beginning.
  - c) When the DMA peripheral is not used (ADDMAEN = 0), this determines when the ADC Result Buffer Pointer to ADC1BUF0-ADC1BUFF gets reset back to the beginning at ADC1BUF0.
  - d) When the DMA peripheral is used (ADDMAEN = 1), this determines when the DMA Address Pointer is incremented after a sample/conversion operation. ADC1BUF0 is the only ADC buffer used in this mode. The ADC Result Buffer Pointer to ADC1BUF0-ADC1BUFF gets reset back to the beginning at ADC1BUF0. The DMA address is incremented after completion of every 32nd sample/conversion operation. Conversion results are stored in the ADC1BUF0 register for transfer to RAM using DMA.
2. When the DMA module is disabled (ADDMAEN = 0), the ADC has 16 result buffers. ADC conversion results are stored sequentially in ADC1BUF0-ADC1BUFF, regardless of which analog inputs are being used subject to the SMP1x bits and the condition described in 1c) above. There is no relationship between the ANx input being measured and which ADC buffer (ADC1BUF0-ADC1BUFF) that the conversion results will be placed in.
3. When the DMA module is enabled (ADDMAEN = 1), the ADC module has only 1 ADC result buffer (i.e., ADC1BUF0) per ADC peripheral and the ADC conversion result must be read, either by the CPU or DMA controller, before the next ADC conversion is complete to avoid overwriting the previous value.
4. The DONE bit (AD1CON1<0>) is only cleared at the start of each conversion and is set at the completion of the conversion, but remains set indefinitely, even through the next sample phase until the next conversion begins. If application code is monitoring the DONE bit in any kind of software loop, the user must consider this behavior because the CPU code execution is faster than the ADC. As a result, in Manual Sample mode, particularly where the user's code is setting the SAMP bit (AD1CON1<1>), the DONE bit should also be cleared by the user application just before setting the SAMP bit.

5. Enabling op amps, comparator inputs and external voltage references can limit the availability of analog inputs (ANx pins). For example, when Op Amp 2 is enabled, the pins for AN0, AN1 and AN2 are used by the op amp's inputs and output. This negates the usefulness of Alternate Input mode since the MUXA selections use AN0-AN2. Carefully study the ADC block diagram to determine the configuration that will best suit your application. Configuration examples are available in **Section 16. "Analog-to-Digital Converter (ADC)"** (DS70621) in the *"dsPIC33E/PIC24E Family Reference Manual"*.

## 23.3 ADC Resources

Many useful resources are provided on the main product page of the Microchip web site for the devices listed in this data sheet. This product page, which can be accessed using this [link](#), contains the latest updates and additional information.

**Note:** In the event you are not able to access the product page using the link above, enter this URL in your browser:  
<http://www.microchip.com/wwwproducts/Devices.aspx?dDocName=en555464>

### 23.3.1 KEY RESOURCES

- **Section 16. "Analog-to-Digital Converter (ADC)"** (DS70621)
- Code Samples
- Application Notes
- Software Libraries
- Webinars
- All Related *"dsPIC33E/PIC24E Family Reference Manual"* Sections
- Development Tools

## 23.4 ADC Control Registers

**REGISTER 23-1: AD1CON1: ADC1 CONTROL REGISTER 1**

|        |     |        |         |     |       |           |       |
|--------|-----|--------|---------|-----|-------|-----------|-------|
| R/W-0  | U-0 | R/W-0  | R/W-0   | U-0 | R/W-0 | R/W-0     | R/W-0 |
| ADON   | —   | ADSIDL | ADDMABM | —   | AD12B | FORM<1:0> |       |
| bit 15 |     |        |         |     |       | bit 8     |       |

|           |       |       |        |       |       |                     |               |
|-----------|-------|-------|--------|-------|-------|---------------------|---------------|
| R/W-0     | R/W-0 | R/W-0 | R/W-0  | R/W-0 | R/W-0 | R/W-0, HC, HS       | R/C-0, HC, HS |
| SSRC<2:0> |       | SSRCG | SIMSAM | ASAM  | SAMP  | DONE <sup>(3)</sup> |               |
| bit 7     |       |       |        |       |       | bit 0               |               |

|                   |                             |                                    |                    |
|-------------------|-----------------------------|------------------------------------|--------------------|
| <b>Legend:</b>    | HC = Hardware Clearable bit | HS = Hardware Settable bit         | C = Clearable bit  |
| R = Readable bit  | W = Writable bit            | U = Unimplemented bit, read as '0' |                    |
| -n = Value at POR | '1' = Bit is set            | '0' = Bit is cleared               | x = Bit is unknown |

bit 15 **ADON:** ADC Operating Mode bit

- 1 = ADC module is operating
- 0 = ADC is off

bit 14 **Unimplemented:** Read as '0'

bit 13 **ADSIDL:** ADC Stop in Idle Mode bit

- 1 = Discontinues module operation when device enters Idle mode
- 0 = Continues module operation in Idle mode

bit 12 **ADDMABM:** DMA Buffer Build Mode bit

- 1 = DMA buffers are written in the order of conversion; the module provides an address to the DMA channel that is the same as the address used for the non-DMA stand-alone buffer
- 0 = DMA buffers are written in Scatter/Gather mode; the module provides a Scatter/Gather address to the DMA channel, based on the index of the analog input and the size of the DMA buffer.

bit 11 **Unimplemented:** Read as '0'

bit 10 **AD12B:** ADC 10-Bit or 12-Bit Operation Mode bit

- 1 = 12-bit, 1-channel ADC operation
- 0 = 10-bit, 4-channel ADC operation

bit 9-8 **FORM<1:0>:** Data Output Format bits

For 10-Bit Operation:

- 11 = Signed fractional (DOUT = sddd dddd dd00 0000, where s = .NOT.d<9>)
- 10 = Fractional (DOUT = dddd dddd dd00 0000)
- 01 = Signed integer (DOUT = ssss sssd dddd dddd, where s = .NOT.d<9>)
- 00 = Integer (DOUT = 0000 00dd dddd dddd)

For 12-Bit Operation:

- 11 = Signed fractional (DOUT = sddd dddd dddd 0000, where s = .NOT.d<11>)
- 10 = Fractional (DOUT = dddd dddd dddd 0000)
- 01 = Signed integer (DOUT = ssss sddd dddd dddd, where s = .NOT.d<11>)
- 00 = Integer (DOUT = 0000 dddd dddd dddd)

**Note 1:** See [Section 24.0 “Peripheral Trigger Generator \(PTG\) Module”](#) for information on this selection.

**2:** This setting is available in dsPIC33EPXXXMC20X/50X and PIC24EPXXXMC20X devices only.

**3:** Do not clear the DONE bit in software if Auto-Sample is enabled (ASAM = 1).

**REGISTER 23-1: AD1CON1: ADC1 CONTROL REGISTER 1 (CONTINUED)**

- bit 7-5      **SSRC<2:0>**: Sample Trigger Source Select bits  
             If SSRCG = 1:  
             111 = Reserved  
             110 = PTGO15 primary trigger compare ends sampling and starts conversion<sup>(1)</sup>  
             101 = PTGO14 primary trigger compare ends sampling and starts conversion<sup>(1)</sup>  
             100 = PTGO13 primary trigger compare ends sampling and starts conversion<sup>(1)</sup>  
             011 = PTGO12 primary trigger compare ends sampling and starts conversion<sup>(1)</sup>  
             010 = PWM Generator 3 primary trigger compare ends sampling and starts conversion<sup>(2)</sup>  
             001 = PWM Generator 2 primary trigger compare ends sampling and starts conversion<sup>(2)</sup>  
             000 = PWM Generator 1 primary trigger compare ends sampling and starts conversion<sup>(2)</sup>  
             If SSRCG = 0:  
             111 = Internal counter ends sampling and starts conversion (auto-convert)  
             110 = CTMU ends sampling and starts conversion  
             101 = Reserved  
             100 = Timer5 compare ends sampling and starts conversion  
             011 = PWM primary Special Event Trigger ends sampling and starts conversion<sup>(2)</sup>  
             010 = Timer3 compare ends sampling and starts conversion  
             001 = Active transition on the INT0 pin ends sampling and starts conversion  
             000 = Clearing the Sample bit (SAMP) ends sampling and starts conversion (Manual mode)
- bit 4      **SSRCG**: Sample Trigger Source Group bit  
             See SSRC<2:0> for details.
- bit 3      **SIMSAM**: Simultaneous Sample Select bit (only applicable when CHPS<1:0> = 01 or 1x)  
             In 12-bit mode (AD21B = 1), SIMSAM is Unimplemented and is Read as '0':  
             1 = Samples CH0, CH1, CH2, CH3 simultaneously (when CHPS<1:0> = 1x); or samples CH0 and CH1  
                 simultaneously (when CHPS<1:0> = 01)  
             0 = Samples multiple channels individually in sequence
- bit 2      **ASAM**: ADC Sample Auto-Start bit  
             1 = Sampling begins immediately after the last conversion; SAMP bit is auto-set  
             0 = Sampling begins when the SAMP bit is set
- bit 1      **SAMP**: ADC Sample Enable bit  
             1 = ADC Sample-and-Hold amplifiers are sampling  
             0 = ADC Sample-and-Hold amplifiers are holding  
             If ASAM = 0, software can write '1' to begin sampling. Automatically set by hardware if ASAM = 1. If  
             SSRC<2:0> = 000, software can write '0' to end sampling and start conversion. If SSRC<2:0> ≠ 000,  
             automatically cleared by hardware to end sampling and start conversion.
- bit 0      **DONE**: ADC Conversion Status bit<sup>(3)</sup>  
             1 = ADC conversion cycle has completed  
             0 = ADC conversion has not started or is in progress  
             Automatically set by hardware when the A/D conversion is complete. Software can write '0' to clear the  
             DONE status bit (software is not allowed to write '1'). Clearing this bit does NOT affect any operation in  
             progress. Automatically cleared by hardware at the start of a new conversion.

- Note 1:** See [Section 24.0 "Peripheral Trigger Generator \(PTG\) Module"](#) for information on this selection.  
**Note 2:** This setting is available in dsPIC33EPXXXMC20X/50X and PIC24EPXXXMC20X devices only.  
**Note 3:** Do not clear the DONE bit in software if Auto-Sample is enabled (ASAM = 1).

**REGISTER 23-2: AD1CON2: ADC1 CONTROL REGISTER 2**

|           |       |       |     |     |       |           |       |       |
|-----------|-------|-------|-----|-----|-------|-----------|-------|-------|
| R/W-0     | R/W-0 | R/W-0 | U-0 | U-0 | R/W-0 | R/W-0     | R/W-0 |       |
| VCFG<2:0> |       |       | —   | —   | CSCNA | CHPS<1:0> |       |       |
| bit 15    |       |       |     |     |       |           |       | bit 8 |

|       |           |       |       |       |       |       |       |       |
|-------|-----------|-------|-------|-------|-------|-------|-------|-------|
| R-0   | R/W-0     | R/W-0 | R/W-0 | R/W-0 | R/W-0 | R/W-0 | R/W-0 |       |
| BUFS  | SMPI<4:0> |       |       |       | BUFM  | ALTS  |       |       |
| bit 7 |           |       |       |       |       |       |       | bit 0 |

|                   |                  |                                    |                    |
|-------------------|------------------|------------------------------------|--------------------|
| <b>Legend:</b>    |                  |                                    |                    |
| R = Readable bit  | W = Writable bit | U = Unimplemented bit, read as '0' |                    |
| -n = Value at POR | '1' = Bit is set | '0' = Bit is cleared               | x = Bit is unknown |

bit 15-13 **VCFG<2:0>**: Converter Voltage Reference Configuration bits

| Value | VREFH          | VREFL          |
|-------|----------------|----------------|
| 000   | AVDD           | Avss           |
| 001   | External VREF+ | Avss           |
| 010   | AVDD           | External VREF- |
| 011   | External VREF+ | External VREF- |
| 1xx   | AVDD           | AVSS           |

bit 12-11 **Unimplemented**: Read as '0'

bit 10 **CSCNA**: Input Scan Select bit  
 1 = Scans inputs for CH0+ during Sample MUXA  
 0 = Does not scan inputs

bit 9-8 **CHPS<1:0>**: Channel Select bits  
In 12-bit mode (AD21B = 1), the CHPS<1:0> bits are Unimplemented and are Read as '0':  
 1x = Converts CH0, CH1, CH2 and CH3  
 01 = Converts CH0 and CH1  
 00 = Converts CH0

bit 7 **BUFS**: Buffer Fill Status bit (only valid when BUFM = 1)  
 1 = ADC is currently filling the second half of the buffer; the user application should access data in the first half of the buffer  
 0 = ADC is currently filling the first half of the buffer; the user application should access data in the second half of the buffer

bit 6-2 **SMPI<4:0>**: Increment Rate bits  
When ADDMAEN = 0:  
 x1111 = Generates interrupt after completion of every 16th sample/conversion operation  
 x1110 = Generates interrupt after completion of every 15th sample/conversion operation  
 •  
 •  
 •  
 x0001 = Generates interrupt after completion of every 2nd sample/conversion operation  
 x0000 = Generates interrupt after completion of every sample/conversion operation  
When ADDMAEN = 1:  
 11111 = Increments the DMA address after completion of every 32nd sample/conversion operation  
 11110 = Increments the DMA address after completion of every 31st sample/conversion operation  
 •  
 •  
 •  
 00001 = Increments the DMA address after completion of every 2nd sample/conversion operation  
 00000 = Increments the DMA address after completion of every sample/conversion operation

**REGISTER 23-2: AD1CON2: ADC1 CONTROL REGISTER 2 (CONTINUED)**

- bit 1      **BUFM:** Buffer Fill Mode Select bit  
1 = Starts the buffer filling the first half of the buffer on the first interrupt and the second half of the buffer on next interrupt  
0 = Always starts filling the buffer from the start address.
- bit 0      **ALTS:** Alternate Input Sample Mode Select bit  
1 = Uses channel input selects for Sample MUXA on first sample and Sample MUXB on next sample  
0 = Always uses channel input selects for Sample MUXA

**REGISTER 23-3: AD1CON3: ADC1 CONTROL REGISTER 3**

|        |     |     |                          |       |       |       |       |
|--------|-----|-----|--------------------------|-------|-------|-------|-------|
| R/W-0  | U-0 | U-0 | R/W-0                    | R/W-0 | R/W-0 | R/W-0 | R/W-0 |
| ADRC   | —   | —   | SAMC<4:0> <sup>(1)</sup> |       |       |       |       |
| bit 15 |     |     |                          |       |       |       | bit 8 |

|                          |       |       |       |       |       |       |       |
|--------------------------|-------|-------|-------|-------|-------|-------|-------|
| R/W-0                    | R/W-0 | R/W-0 | R/W-0 | R/W-0 | R/W-0 | R/W-0 | R/W-0 |
| ADCS<7:0> <sup>(2)</sup> |       |       |       |       |       |       |       |
| bit 7                    |       |       |       |       |       |       | bit 0 |

|                   |                  |                                    |                    |
|-------------------|------------------|------------------------------------|--------------------|
| <b>Legend:</b>    |                  |                                    |                    |
| R = Readable bit  | W = Writable bit | U = Unimplemented bit, read as '0' |                    |
| -n = Value at POR | '1' = Bit is set | '0' = Bit is cleared               | x = Bit is unknown |

bit 15      **ADRC:** ADC Conversion Clock Source bit  
 1 = ADC internal RC clock  
 0 = Clock derived from system clock

bit 14-13    **Unimplemented:** Read as '0'

bit 12-8    **SAMC<4:0>:** Auto-Sample Time bits<sup>(1)</sup>  
 11111 = 31 TAD  
 •  
 •  
 •  
 00001 = 1 TAD  
 00000 = 0 TAD

bit 7-0     **ADCS<7:0>:** ADC Conversion Clock Select bits<sup>(2)</sup>  
 11111111 =  $TP \cdot (ADCS<7:0> + 1) = TP \cdot 256 = TAD$   
 •  
 •  
 •  
 00000010 =  $TP \cdot (ADCS<7:0> + 1) = TP \cdot 3 = TAD$   
 00000001 =  $TP \cdot (ADCS<7:0> + 1) = TP \cdot 2 = TAD$   
 00000000 =  $TP \cdot (ADCS<7:0> + 1) = TP \cdot 1 = TAD$

- Note 1:** This bit is only used if SSRC<2:0> (AD1CON1<7:5>) = 111 and SSRCG (AD1CON1<4>) = 0.  
**2:** This bit is not used if ADRC (AD1CON3<15>) = 1.

**REGISTER 23-4: AD1CON4: ADC1 CONTROL REGISTER 4**

|        |     |     |     |     |     |     |         |
|--------|-----|-----|-----|-----|-----|-----|---------|
| U-0    | U-0 | U-0 | U-0 | U-0 | U-0 | U-0 | R/W-0   |
| —      | —   | —   | —   | —   | —   | —   | ADDMAEN |
| bit 15 |     |     |     |     |     |     | bit 8   |

|       |     |     |     |     |            |       |       |
|-------|-----|-----|-----|-----|------------|-------|-------|
| U-0   | U-0 | U-0 | U-0 | U-0 | R/W-0      | R/W-0 | R/W-0 |
| —     | —   | —   | —   | —   | DMABL<2:0> |       |       |
| bit 7 |     |     |     |     |            | bit 0 |       |

**Legend:**

R = Readable bit                      W = Writable bit                      U = Unimplemented bit, read as '0'  
 -n = Value at POR                      '1' = Bit is set                      '0' = Bit is cleared                      x = Bit is unknown

- bit 15-9            **Unimplemented:** Read as '0'
- bit 8              **ADDMAEN:** ADC DMA Enable bit  
                     1 = Conversion results are stored in the ADC1BUF0 register for transfer to RAM using DMA  
                     0 = Conversion results are stored in ADC1BUF0 through ADC1BUFF registers; DMA will not be used
- bit 7-3            **Unimplemented:** Read as '0'
- bit 2-0            **DMABL<2:0>:** Selects Number of DMA Buffer Locations per Analog Input bits  
                     111 = Allocates 128 words of buffer to each analog input  
                     110 = Allocates 64 words of buffer to each analog input  
                     101 = Allocates 32 words of buffer to each analog input  
                     100 = Allocates 16 words of buffer to each analog input  
                     011 = Allocates 8 words of buffer to each analog input  
                     010 = Allocates 4 words of buffer to each analog input  
                     001 = Allocates 2 words of buffer to each analog input  
                     000 = Allocates 1 word of buffer to each analog input



**REGISTER 23-5: AD1CHS123: ADC1 INPUT CHANNEL 1, 2, 3 SELECT REGISTER**

|        |     |     |     |     |              |       |         |
|--------|-----|-----|-----|-----|--------------|-------|---------|
| U-0    | U-0 | U-0 | U-0 | U-0 | R/W-0        | R/W-0 | R/W-0   |
| —      | —   | —   | —   | —   | CH123NB<1:0> |       | CH123SB |
| bit 15 |     |     |     |     |              | bit 8 |         |

|       |     |     |     |     |              |       |         |
|-------|-----|-----|-----|-----|--------------|-------|---------|
| U-0   | U-0 | U-0 | U-0 | U-0 | R/W-0        | R/W-0 | R/W-0   |
| —     | —   | —   | —   | —   | CH123NA<1:0> |       | CH123SA |
| bit 7 |     |     |     |     |              | bit 0 |         |

|                   |                  |                                    |                    |
|-------------------|------------------|------------------------------------|--------------------|
| <b>Legend:</b>    |                  |                                    |                    |
| R = Readable bit  | W = Writable bit | U = Unimplemented bit, read as '0' |                    |
| -n = Value at POR | '1' = Bit is set | '0' = Bit is cleared               | x = Bit is unknown |

bit 15-11 **Unimplemented:** Read as '0'

bit 10-9 **CH123NB<1:0>:** Channel 1, 2, 3 Negative Input Select for Sample MUXB bits  
In 12-bit mode (AD21B = 1), CH123NB is Unimplemented and is Read as '0':

| Value               | ADC Channel |       |       |
|---------------------|-------------|-------|-------|
|                     | CH1         | CH2   | CH3   |
| 11                  | AN9         | AN10  | AN11  |
| 10 <sup>(1,2)</sup> | OA3/AN6     | AN7   | AN8   |
| 0x                  | VREFL       | VREFL | VREFL |

bit 8 **CH123SB:** Channel 1, 2, 3 Positive Input Select for Sample MUXB bit  
In 12-bit mode (AD21B = 1), CH123SB is Unimplemented and is Read as '0':

| Value              | ADC Channel |         |         |
|--------------------|-------------|---------|---------|
|                    | CH1         | CH2     | CH3     |
| 1 <sup>(2)</sup>   | OA1/AN3     | OA2/AN0 | OA3/AN6 |
| 0 <sup>(1,2)</sup> | OA2/AN0     | AN1     | AN2     |

bit 7-3 **Unimplemented:** Read as '0'

bit 2-1 **CH123NA<1:0>:** Channel 1, 2, 3 Negative Input Select for Sample MUXA bits  
In 12-bit mode (AD21B = 1), CH123NA is Unimplemented and is Read as '0':

| Value               | ADC Channel |       |       |
|---------------------|-------------|-------|-------|
|                     | CH1         | CH2   | CH3   |
| 11                  | AN9         | AN10  | AN11  |
| 10 <sup>(1,2)</sup> | OA3/AN6     | AN7   | AN8   |
| 0x                  | VREFL       | VREFL | VREFL |

- Note 1:** AN0 through AN7 are repurposed when comparator and op amp functionality is enabled. See [Figure 23-1](#) to determine how enabling a particular op amp or comparator affects selection choices for Channels 1, 2 and 3.
- 2:** The OAx input is used if the corresponding op amp is selected (OPMODE (CMxCON<10>) = 1); otherwise, the ANx input is used.

**REGISTER 23-5: AD1CHS123: ADC1 INPUT CHANNEL 1, 2, 3 SELECT REGISTER (CONTINUED)**

bit 0      **CH123SA:** Channel 1, 2, 3 Positive Input Select for Sample MUXA bit  
In 12-bit mode (AD21B = 1), CH123SA is Unimplemented and is Read as '0':

| Value              | ADC Channel |         |         |
|--------------------|-------------|---------|---------|
|                    | CH1         | CH2     | CH3     |
| 1 <sup>(2)</sup>   | OA1/AN3     | OA2/AN0 | OA3/AN6 |
| 0 <sup>(1,2)</sup> | OA2/AN0     | AN1     | AN2     |

- Note 1:** AN0 through AN7 are repurposed when comparator and op amp functionality is enabled. See [Figure 23-1](#) to determine how enabling a particular op amp or comparator affects selection choices for Channels 1, 2 and 3.
- 2:** The OAx input is used if the corresponding op amp is selected (OPMODE (CMxCON<10>) = 1); otherwise, the ANx input is used.

**REGISTER 23-6: AD1CHS0: ADC1 INPUT CHANNEL 0 SELECT REGISTER**

|        |     |     |                           |       |       |       |       |
|--------|-----|-----|---------------------------|-------|-------|-------|-------|
| R/W-0  | U-0 | U-0 | R/W-0                     | R/W-0 | R/W-0 | R/W-0 | R/W-0 |
| CH0NB  | —   | —   | CH0SB<4:0> <sup>(1)</sup> |       |       |       |       |
| bit 15 |     |     |                           |       |       |       | bit 8 |

|       |     |     |                           |       |       |       |       |
|-------|-----|-----|---------------------------|-------|-------|-------|-------|
| R/W-0 | U-0 | U-0 | R/W-0                     | R/W-0 | R/W-0 | R/W-0 | R/W-0 |
| CH0NA | —   | —   | CH0SA<4:0> <sup>(1)</sup> |       |       |       |       |
| bit 7 |     |     |                           |       |       |       | bit 0 |

|                   |                  |                                    |                    |
|-------------------|------------------|------------------------------------|--------------------|
| <b>Legend:</b>    |                  |                                    |                    |
| R = Readable bit  | W = Writable bit | U = Unimplemented bit, read as '0' |                    |
| -n = Value at POR | '1' = Bit is set | '0' = Bit is cleared               | x = Bit is unknown |

- bit 15      **CH0NB:** Channel 0 Negative Input Select for Sample MUXB bit  
 1 = Channel 0 negative input is AN1<sup>(1)</sup>  
 0 = Channel 0 negative input is VREFL
- bit 14-13    **Unimplemented:** Read as '0'
- bit 12-8    **CH0SB<4:0>:** Channel 0 Positive Input Select for Sample MUXB bits<sup>(1)</sup>  
 11111 = Open; use this selection with CTMU capacitive and time measurement  
 11110 = Channel 0 positive input is connected to the CTMU temperature measurement diode (CTMU TEMP)  
 11101 = Reserved  
 11100 = Reserved  
 11011 = Reserved  
 11010 = Channel 0 positive input is the output of OA3/AN6<sup>(2,3)</sup>  
 11001 = Channel 0 positive input is the output of OA2/AN0<sup>(2)</sup>  
 11000 = Channel 0 positive input is the output of OA1/AN3<sup>(2)</sup>  
 10111 = Reserved  
 •  
 •  
 •  
 10000 = Reserved  
 01111 = Channel 0 positive input is AN15<sup>(3)</sup>  
 01110 = Channel 0 positive input is AN14<sup>(3)</sup>  
 01101 = Channel 0 positive input is AN13<sup>(3)</sup>  
 •  
 •  
 •  
 00010 = Channel 0 positive input is AN2<sup>(3)</sup>  
 00001 = Channel 0 positive input is AN1<sup>(3)</sup>  
 00000 = Channel 0 positive input is AN0<sup>(3)</sup>
- bit 7        **CH0NA:** Channel 0 Negative Input Select for Sample MUXA bit  
 1 = Channel 0 negative input is AN1<sup>(1)</sup>  
 0 = Channel 0 negative input is VREFL
- bit 6-5      **Unimplemented:** Read as '0'

- Note 1:** AN0 through AN7 are repurposed when comparator and op amp functionality is enabled. See [Figure 23-1](#) to determine how enabling a particular op amp or comparator affects selection choices for Channels 1, 2 and 3.
- 2:** The OAx input is used if the corresponding op amp is selected (OPMODE (CMxCON<10>) = 1); otherwise, the ANx input is used.
- 3:** See the **“Pin Diagrams”** section for the available analog channels for each device.

**REGISTER 23-6: AD1CHS0: ADC1 INPUT CHANNEL 0 SELECT REGISTER (CONTINUED)**

bit 4-0      **CH0SA<4:0>**: Channel 0 Positive Input Select for Sample MUXA bits<sup>(1)</sup>

- 11111 = Open; use this selection with CTMU capacitive and time measurement
- 11110 = Channel 0 positive input is connected to the CTMU temperature measurement diode (CTMU TEMP)
- 11101 = Reserved
- 11100 = Reserved
- 11011 = Reserved
- 11010 = Channel 0 positive input is the output of OA3/AN6<sup>(2,3)</sup>
- 11001 = Channel 0 positive input is the output of OA2/AN0<sup>(2)</sup>
- 11000 = Channel 0 positive input is the output of OA1/AN3<sup>(2)</sup>
- 10110 = Reserved
- 
- 
- 
- 10000 = Reserved
- 01111 = Channel 0 positive input is AN15<sup>(1,3)</sup>
- 01110 = Channel 0 positive input is AN14<sup>(1,3)</sup>
- 01101 = Channel 0 positive input is AN13<sup>(1,3)</sup>
- 
- 
- 
- 00010 = Channel 0 positive input is AN2<sup>(1,3)</sup>
- 00001 = Channel 0 positive input is AN1<sup>(1,3)</sup>
- 00000 = Channel 0 positive input is AN0<sup>(1,3)</sup>

- Note 1:** AN0 through AN7 are repurposed when comparator and op amp functionality is enabled. See [Figure 23-1](#) to determine how enabling a particular op amp or comparator affects selection choices for Channels 1, 2 and 3.
- 2:** The OAx input is used if the corresponding op amp is selected (OPMODE (CMxCON<10>) = 1); otherwise, the ANx input is used.
- 3:** See the [“Pin Diagrams”](#) section for the available analog channels for each device.

**REGISTER 23-7: AD1CSSH: ADC1 INPUT SCAN SELECT REGISTER HIGH<sup>(1)</sup>**

|        |       |     |     |     |                      |                      |                      |
|--------|-------|-----|-----|-----|----------------------|----------------------|----------------------|
| R/W-0  | R/W-0 | U-0 | U-0 | U-0 | R/W-0                | R/W-0                | R/W-0                |
| CSS31  | CSS30 | —   | —   | —   | CSS26 <sup>(2)</sup> | CSS25 <sup>(2)</sup> | CSS24 <sup>(2)</sup> |
| bit 15 |       |     |     |     |                      |                      | bit 8                |

|       |     |     |     |     |     |     |       |
|-------|-----|-----|-----|-----|-----|-----|-------|
| U-0   | U-0 | U-0 | U-0 | U-0 | U-0 | U-0 | U-0   |
| —     | —   | —   | —   | —   | —   | —   | —     |
| bit 7 |     |     |     |     |     |     | bit 0 |

|                   |                  |                                    |                    |
|-------------------|------------------|------------------------------------|--------------------|
| <b>Legend:</b>    |                  |                                    |                    |
| R = Readable bit  | W = Writable bit | U = Unimplemented bit, read as '0' |                    |
| -n = Value at POR | '1' = Bit is set | '0' = Bit is cleared               | x = Bit is unknown |

- bit 15      **CSS31:** ADC Input Scan Selection bit  
 1 = Selects CTMU capacitive and time measurement for input scan (Open)  
 0 = Skips CTMU capacitive and time measurement for input scan (Open)
- bit 14      **CSS30:** ADC Input Scan Selection bit  
 1 = Selects CTMU on-chip temperature measurement for input scan (CTMU TEMP)  
 0 = Skips CTMU on-chip temperature measurement for input scan (CTMU TEMP)
- bit 13-11    **Unimplemented:** Read as '0'
- bit 10      **CSS26:** ADC Input Scan Selection bit<sup>(2)</sup>  
 1 = Selects OA3/AN6 for input scan  
 0 = Skips OA3/AN6 for input scan
- bit 9        **CSS25:** ADC Input Scan Selection bit<sup>(2)</sup>  
 1 = Selects OA2/AN0 for input scan  
 0 = Skips OA2/AN0 for input scan
- bit 8        **CSS24:** ADC Input Scan Selection bit<sup>(2)</sup>  
 1 = Selects OA1/AN3 for input scan  
 0 = Skips OA1/AN3 for input scan
- bit 7-0      **Unimplemented:** Read as '0'

- Note 1:** All AD1CSSH bits can be selected by user software. However, inputs selected for scan, without a corresponding input on the device, convert VREFL.
- 2:** The OAx input is used if the corresponding op amp is selected (OPMODE (CMxCON<10>) = 1); otherwise, the ANx input is used.

**REGISTER 23-8: AD1CSSL: ADC1 INPUT SCAN SELECT REGISTER LOW<sup>(1,2)</sup>**

|        |       |       |       |       |       |       |       |
|--------|-------|-------|-------|-------|-------|-------|-------|
| R/W-0  | R/W-0 | R/W-0 | R/W-0 | R/W-0 | R/W-0 | R/W-0 | R/W-0 |
| CSS15  | CSS14 | CSS13 | CSS12 | CSS11 | CSS10 | CSS9  | CSS8  |
| bit 15 |       |       |       |       |       |       | bit 8 |

|       |       |       |       |       |       |       |       |
|-------|-------|-------|-------|-------|-------|-------|-------|
| R/W-0 | R/W-0 | R/W-0 | R/W-0 | R/W-0 | R/W-0 | R/W-0 | R/W-0 |
| CSS7  | CSS6  | CSS5  | CSS4  | CSS3  | CSS2  | CSS1  | CSS0  |
| bit 7 |       |       |       |       |       |       | bit 0 |

**Legend:**

|                   |                  |                                    |
|-------------------|------------------|------------------------------------|
| R = Readable bit  | W = Writable bit | U = Unimplemented bit, read as '0' |
| -n = Value at POR | '1' = Bit is set | '0' = Bit is cleared               |
|                   |                  | x = Bit is unknown                 |

bit 15-0      **CSS<15:0>**: ADC Input Scan Selection bits

- 1 = Selects ANx for input scan
- 0 = Skips ANx for input scan

**Note 1:** On devices with less than 16 analog inputs, all AD1CSSL bits can be selected by the user. However, inputs selected for scan, without a corresponding input on the device, convert VREFL.

**2:** CSSx = ANx, where x = 0-15.

## 24.0 PERIPHERAL TRIGGER GENERATOR (PTG) MODULE

**Note 1:** This data sheet summarizes the features of the dsPIC33EPXXXGP50X, dsPIC33EPXXXMC20X/50X and PIC24EPXXXGP/MC20X families of devices. It is not intended to be a comprehensive reference source. To complement the information in this data sheet, refer to “**Section 32. Peripheral Trigger Generator (PTG)**” (DS70669) of the “*dsPIC33E/PIC24E Family Reference Manual*”, which is available from the Microchip web site ([www.microchip.com](http://www.microchip.com)).

**2:** Some registers and associated bits described in this section may not be available on all devices. Refer to **Section 4.0 “Memory Organization”** in this data sheet for device-specific register and bit information.

### 24.1 Module Introduction

The Peripheral Trigger Generator (PTG) provides a means to schedule complex high-speed peripheral operations that would be difficult to achieve using software. The PTG module uses 8-bit commands, called “Steps”, that the user writes to the PTG Queue registers (PTGQUE0-PTQUE7), which perform operations, such as wait for input signal, generate output trigger and wait for timer.

The PTG module has the following major features:

- Multiple clock sources
- Two 16-bit general purpose timers
- Two 16-bit general limit counters
- Configurable for rising or falling edge triggering
- Generates processor interrupts to include:
  - Four configurable processor interrupts
  - Interrupt on a Step event in Single-Step mode
  - Interrupt on a PTG Watchdog Timer time-out
- Able to receive trigger signals from these peripherals:
  - ADC
  - PWM
  - Output Compare
  - Input Capture
  - Op Amp/Comparator
  - INT2
- Able to trigger or synchronize to these peripherals:
  - Watchdog Timer
  - Output Compare
  - Input Capture
  - ADC
  - PWM
  - Op Amp/Comparator

FIGURE 24-1: PTG BLOCK DIAGRAM





## 24.2 PTG Resources

Many useful resources are provided on the main product page of the Microchip web site for the devices listed in this data sheet. This product page, which can be accessed using this [link](#), contains the latest updates and additional information.

**Note:** In the event you are not able to access the product page using the link above, enter this URL in your browser:  
<http://www.microchip.com/wwwproducts/Devices.aspx?dDocName=en555464>

### 24.2.1 KEY RESOURCES

- **Section 32. “Peripheral Trigger Generator”** (DS70669)
- Code Samples
- Application Notes
- Software Libraries
- Webinars
- All Related “*dsPIC33E/PIC24E Family Reference Manual*” Sections
- Development Tools

**24.3 PTG Control Registers**

**REGISTER 24-1: PTGCST: PTG CONTROL/STATUS REGISTER**

|        |     |         |         |     |                       |         |         |
|--------|-----|---------|---------|-----|-----------------------|---------|---------|
| R/W-0  | U-0 | R/W-0   | R/W-0   | U-0 | R/W-0                 | R/W-0   | R/W-0   |
| PTGEN  | —   | PTGSIDL | PTGTOGL | —   | PTGSWT <sup>(2)</sup> | PTGSSEN | PTGIVIS |
| bit 15 |     |         |         |     |                       |         | bit 8   |

|         |         |     |     |     |     |                            |
|---------|---------|-----|-----|-----|-----|----------------------------|
| R/W-0   | HS-0    | U-0 | U-0 | U-0 | U-0 | R/W-0                      |
| PTGSTRT | PTGWDTO | —   | —   | —   | —   | PTGITM<1:0> <sup>(1)</sup> |
| bit 7   |         |     |     |     |     | bit 0                      |

|                   |                                    |
|-------------------|------------------------------------|
| <b>Legend:</b>    | HS = Hardware Settable bit         |
| R = Readable bit  | W = Writable bit                   |
| -n = Value at POR | '1' = Bit is set                   |
|                   | U = Unimplemented bit, read as '0' |
|                   | '0' = Bit is cleared               |
|                   | x = Bit is unknown                 |

- bit 15      **PTGEN:** Module Enable bit  
 1 = PTG module is enabled  
 0 = PTG module is disabled
- bit 14      **Unimplemented:** Read as '0'
- bit 13      **PTGSIDL:** PTG Stop in Idle Mode bit  
 1 = Discontinues module operation when device enters Idle mode  
 0 = Continues module operation in Idle mode
- bit 12      **PTGTOGL:** PTG TRIG Output Toggle Mode bit  
 1 = Toggle state of the PTGOx for each execution of the PTGTRIG command  
 0 = Each execution of the PTGTRIG command will generate a single PTGOx pulse determined by the value in the PTGPWDx bits
- bit 11      **Unimplemented:** Read as '0'
- bit 10      **PTGSWT:** PTG Software Trigger bit<sup>(2)</sup>  
 1 = Triggers the PTG module  
 0 = No action (clearing this bit will have no effect)
- bit 9        **PTGSSEN:** PTG Enable Single-Step bit  
 1 = Enables Single-Step mode  
 0 = Disables Single-Step mode
- bit 8        **PTGIVIS:** PTG Counter/Timer Visibility Control bit  
 1 = Reads of the PTGSDLIM, PTGCxLIM or PTGTxLIM registers return the current values of their corresponding counter/timer registers (PTGSD, PTGCx, PTGTx)  
 0 = Reads of the PTGSDLIM, PTGCxLIM or PTGTxLIM registers return the value previously written to those limit registers
- bit 7        **PTGSTRT:** PTG Start Sequencer bit  
 1 = Starts to sequentially execute commands (Continuous mode)  
 0 = Stops executing commands
- bit 6        **PTGWDTO:** PTG Watchdog Timer Time-out Status bit  
 1 = PTG Watchdog Timer has timed out  
 0 = PTG Watchdog Timer has not timed out.
- bit 5-2      **Unimplemented:** Read as '0'

**Note 1:** These bits apply to the PTGWHI and PTGWLO commands only.  
**Note 2:** This bit is only used with the PTGCTRL Step command software trigger option.

**REGISTER 24-1: PTGCST: PTG CONTROL/STATUS REGISTER (CONTINUED)**

- bit 1-0      **PTGITM<1:0>**: PTG Input Trigger Command Operating Mode bits<sup>(1)</sup>
- 11 = Single level detect with Step delay not executed on exit of command (regardless of the PTGCTRL command)
  - 10 = Single level detect with Step delay executed on exit of command
  - 01 = Continuous edge detect with Step delay not executed on exit of command (regardless of the PTGCTRL command)
  - 00 = Continuous edge detect with Step delay executed on exit of command

- Note 1:** These bits apply to the PTGWHI and PTGWLO commands only.
- Note 2:** This bit is only used with the PTGCTRL Step command software trigger option.

**REGISTER 24-2: PTGCON: PTG CONTROL REGISTER**

|             |       |       |             |       |       |       |       |
|-------------|-------|-------|-------------|-------|-------|-------|-------|
| R/W-0       | R/W-0 | R/W-0 | R/W-0       | R/W-0 | R/W-0 | R/W-0 | R/W-0 |
| PTGCLK<2:0> |       |       | PTGDIV<4:0> |       |       |       |       |
| bit 15      |       |       | bit 8       |       |       |       |       |

|             |       |       |       |       |             |       |       |
|-------------|-------|-------|-------|-------|-------------|-------|-------|
| R/W-0       | R/W-0 | R/W-0 | R/W-0 | U-0   | R/W-0       | R/W-0 | R/W-0 |
| PTGPWD<3:0> |       |       |       | —     | PTGWDT<2:0> |       |       |
| bit 7       |       |       |       | bit 0 |             |       |       |

**Legend:**

R = Readable bit                      W = Writable bit                      U = Unimplemented bit, read as '0'  
 -n = Value at POR                      '1' = Bit is set                      '0' = Bit is cleared                      x = Bit is unknown

bit 15-13      **PTGCLK<2:0>**: Select PTG Module Clock Source bits

- 111 = Reserved
- 110 = Reserved
- 101 = PTG module clock source will be T3CLK
- 100 = PTG module clock source will be T2CLK
- 011 = PTG module clock source will be T1CLK
- 010 = PTG module clock source will be TAD
- 001 = PTG module clock source will be FOSC
- 000 = PTG module clock source will be FP

bit 12-8      **PTGDIV<4:0>**: PTG Module Clock Prescaler (divider) bits

- 11111 = Divide-by-32
- 11110 = Divide-by-31
- 
- 
- 
- 00001 = Divide-by-2
- 00000 = Divide-by-1

bit 7-4      **PTGPWD<3:0>**: PTG Trigger Output Pulse Width bits

- 1111 = All trigger outputs are 16 PTG clock cycles wide
- 1110 = All trigger outputs are 15 PTG clock cycles wide
- 
- 
- 
- 0001 = All trigger outputs are 2 PTG clock cycles wide
- 0000 = All trigger outputs are 1 PTG clock cycle wide

bit 3      **Unimplemented**: Read as '0'

bit 2-0      **PTGWDT<2:0>**: Select PTG Watchdog Timer Time-out Count Value bits

- 111 = Watchdog Timer will time-out after 512 PTG clocks
- 110 = Watchdog Timer will time-out after 256 PTG clocks
- 101 = Watchdog Timer will time-out after 128 PTG clocks
- 100 = Watchdog Timer will time-out after 64 PTG clocks
- 011 = Watchdog Timer will time-out after 32 PTG clocks
- 010 = Watchdog Timer will time-out after 16 PTG clocks
- 001 = Watchdog Timer will time-out after 8 PTG clocks
- 000 = Watchdog Timer is disabled

**REGISTER 24-3: PTGBTE: PTG BROADCAST TRIGGER ENABLE REGISTER<sup>(1,2)</sup>**

|        |        |        |        |        |        |        |        |
|--------|--------|--------|--------|--------|--------|--------|--------|
| R/W-0  | R/W-0  | R/W-0  | R/W-0  | R/W-0  | R/W-0  | R/W-0  | R/W-0  |
| ADCTS4 | ADCTS3 | ADCTS2 | ADCTS1 | IC4TSS | IC3TSS | IC2TSS | IC1TSS |
| bit 15 |        |        |        |        |        |        | bit 8  |

|       |       |       |       |        |        |        |        |
|-------|-------|-------|-------|--------|--------|--------|--------|
| R/W-0 | R/W-0 | R/W-0 | R/W-0 | R/W-0  | R/W-0  | R/W-0  | R/W-0  |
| OC4CS | OC3CS | OC2CS | OC1CS | OC4TSS | OC3TSS | OC2TSS | OC1TSS |
| bit 7 |       |       |       |        |        |        | bit 0  |

|                   |                  |                                    |                    |
|-------------------|------------------|------------------------------------|--------------------|
| <b>Legend:</b>    |                  |                                    |                    |
| R = Readable bit  | W = Writable bit | U = Unimplemented bit, read as '0' |                    |
| -n = Value at POR | '1' = Bit is set | '0' = Bit is cleared               | x = Bit is unknown |

- bit 15      **ADCTS4:** Sample Trigger PTGO15 for ADC bit  
 1 = Generates Trigger when the broadcast command is executed  
 0 = Does not generate Trigger when the broadcast command is executed
- bit 14      **ADCTS3:** Sample Trigger PTGO14 for ADC bit  
 1 = Generates Trigger when the broadcast command is executed  
 0 = Does not generate Trigger when the broadcast command is executed
- bit 13      **ADCTS2:** Sample Trigger PTGO13 for ADC bit  
 1 = Generates Trigger when the broadcast command is executed  
 0 = Does not generate Trigger when the broadcast command is executed
- bit 12      **ADCTS1:** Sample Trigger PTGO12 for ADC bit  
 1 = Generates Trigger when the broadcast command is executed  
 0 = Does not generate Trigger when the broadcast command is executed
- bit 11      **IC4TSS:** Trigger/Synchronization Source for IC4 bit  
 1 = Generates Trigger/Synchronization when the broadcast command is executed  
 0 = Does not generate Trigger/Synchronization when the broadcast command is executed
- bit 10      **IC3TSS:** Trigger/Synchronization Source for IC3 bit  
 1 = Generates Trigger/Synchronization when the broadcast command is executed  
 0 = Does not generate Trigger/Synchronization when the broadcast command is executed
- bit 9        **IC2TSS:** Trigger/Synchronization Source for IC2 bit  
 1 = Generates Trigger/Synchronization when the broadcast command is executed  
 0 = Does not generate Trigger/Synchronization when the broadcast command is executed
- bit 8        **IC1TSS:** Trigger/Synchronization Source for IC1 bit  
 1 = Generates Trigger/Synchronization when the broadcast command is executed  
 0 = Does not generate Trigger/Synchronization when the broadcast command is executed
- bit 7        **OC4CS:** Clock Source for OC4 bit  
 1 = Generates clock pulse when the broadcast command is executed  
 0 = Does not generate clock pulse when the broadcast command is executed
- bit 6        **OC3CS:** Clock Source for OC3 bit  
 1 = Generates clock pulse when the broadcast command is executed  
 0 = Does not generate clock pulse when the broadcast command is executed
- bit 5        **OC2CS:** Clock Source for OC2 bit  
 1 = Generates clock pulse when the broadcast command is executed  
 0 = Does not generate clock pulse when the broadcast command is executed

**Note 1:** This register is read-only when the PTG module is executing Step commands (PTGEN = 1 and PTGSTART = 1).

**2:** This register is only used with the PTGCTRL OPTION = 1111 Step command.

**REGISTER 24-3: PTGBTE: PTG BROADCAST TRIGGER ENABLE REGISTER<sup>(1,2)</sup> (CONTINUED)**

- bit 4      **OC1CS:** Clock Source for OC1 bit  
1 = Generates clock pulse when the broadcast command is executed  
0 = Does not generate clock pulse when the broadcast command is executed
- bit 3      **OC4TSS:** Trigger/Synchronization Source for OC4 bit  
1 = Generates Trigger/Synchronization when the broadcast command is executed  
0 = Does not generate Trigger/Synchronization when the broadcast command is executed
- bit 2      **OC3TSS:** Trigger/Synchronization Source for OC3 bit  
1 = Generates Trigger/Synchronization when the broadcast command is executed  
0 = Does not generate Trigger/Synchronization when the broadcast command is executed
- bit 1      **OC2TSS:** Trigger/Synchronization Source for OC2 bit  
1 = Generates Trigger/Synchronization when the broadcast command is executed  
0 = Does not generate Trigger/Synchronization when the broadcast command is executed
- bit 0      **OC1TSS:** Trigger/Synchronization Source for OC1 bit  
1 = Generates Trigger/Synchronization when the broadcast command is executed  
0 = Does not generate Trigger/Synchronization when the broadcast command is executed

**Note 1:** This register is read-only when the PTG module is executing Step commands (PTGEN = 1 and PTGSTRT = 1).

**2:** This register is only used with the PTGCTRL OPTION = 1111 Step command.

**REGISTER 24-4: PTGT0LIM: PTG TIMER0 LIMIT REGISTER<sup>(1)</sup>**

|                |       |       |       |       |       |       |       |
|----------------|-------|-------|-------|-------|-------|-------|-------|
| R/W-0          | R/W-0 | R/W-0 | R/W-0 | R/W-0 | R/W-0 | R/W-0 | R/W-0 |
| PTGT0LIM<15:8> |       |       |       |       |       |       |       |
| bit 15         |       |       |       | bit 8 |       |       |       |

|               |       |       |       |       |       |       |       |
|---------------|-------|-------|-------|-------|-------|-------|-------|
| R/W-0         | R/W-0 | R/W-0 | R/W-0 | R/W-0 | R/W-0 | R/W-0 | R/W-0 |
| PTGT0LIM<7:0> |       |       |       |       |       |       |       |
| bit 7         |       |       |       | bit 0 |       |       |       |

|                   |                  |                                    |                    |  |  |  |  |
|-------------------|------------------|------------------------------------|--------------------|--|--|--|--|
| <b>Legend:</b>    |                  |                                    |                    |  |  |  |  |
| R = Readable bit  | W = Writable bit | U = Unimplemented bit, read as '0' |                    |  |  |  |  |
| -n = Value at POR | '1' = Bit is set | '0' = Bit is cleared               | x = Bit is unknown |  |  |  |  |

bit 15-0 **PTGT0LIM<15:0>**: PTG Timer0 Limit Register bits  
 General Purpose Timer0 Limit register (effective only with a PTGT0 Step command).

**Note 1:** This register is read-only when the PTG module is executing Step commands (PTGEN = 1 and PTGSTRT = 1).

**REGISTER 24-5: PTGT1LIM: PTG TIMER1 LIMIT REGISTER<sup>(1)</sup>**

|                |       |       |       |       |       |       |       |
|----------------|-------|-------|-------|-------|-------|-------|-------|
| R/W-0          | R/W-0 | R/W-0 | R/W-0 | R/W-0 | R/W-0 | R/W-0 | R/W-0 |
| PTGT1LIM<15:8> |       |       |       |       |       |       |       |
| bit 15         |       |       |       | bit 8 |       |       |       |

|               |       |       |       |       |       |       |       |
|---------------|-------|-------|-------|-------|-------|-------|-------|
| R/W-0         | R/W-0 | R/W-0 | R/W-0 | R/W-0 | R/W-0 | R/W-0 | R/W-0 |
| PTGT1LIM<7:0> |       |       |       |       |       |       |       |
| bit 7         |       |       |       | bit 0 |       |       |       |

|                   |                  |                                    |                    |  |  |  |  |
|-------------------|------------------|------------------------------------|--------------------|--|--|--|--|
| <b>Legend:</b>    |                  |                                    |                    |  |  |  |  |
| R = Readable bit  | W = Writable bit | U = Unimplemented bit, read as '0' |                    |  |  |  |  |
| -n = Value at POR | '1' = Bit is set | '0' = Bit is cleared               | x = Bit is unknown |  |  |  |  |

bit 15-0 **PTGT1LIM<15:0>**: PTG Timer1 Limit Register bits  
 General Purpose Timer1 Limit register (effective only with a PTGT1 Step command).

**Note 1:** This register is read-only when the PTG module is executing Step commands (PTGEN = 1 and PTGSTRT = 1).

**REGISTER 24-6: PTGSDLIM: PTG STEP DELAY LIMIT REGISTER<sup>(1,2)</sup>**

|                |       |       |       |       |       |       |       |
|----------------|-------|-------|-------|-------|-------|-------|-------|
| R/W-0          | R/W-0 | R/W-0 | R/W-0 | R/W-0 | R/W-0 | R/W-0 | R/W-0 |
| PTGSDLIM<15:8> |       |       |       |       |       |       |       |
| bit 15         |       |       |       | bit 8 |       |       |       |

|               |       |       |       |       |       |       |       |
|---------------|-------|-------|-------|-------|-------|-------|-------|
| R/W-0         | R/W-0 | R/W-0 | R/W-0 | R/W-0 | R/W-0 | R/W-0 | R/W-0 |
| PTGSDLIM<7:0> |       |       |       |       |       |       |       |
| bit 7         |       |       |       | bit 0 |       |       |       |

**Legend:**

|                   |                  |  |
|-------------------|------------------|--|
| R = Readable bit  | W = Writable bit | U = Unimplemented bit, read as '0'           |
| -n = Value at POR | '1' = Bit is set | '0' = Bit is cleared      x = Bit is unknown |

bit 15-0      **PTGSDLIM<15:0>**: PTG Step Delay Limit Register bits  
 Holds a PTG Step delay value representing the number of additional PTG clocks between the start of a Step command and the completion of a Step command.

- Note 1:** A base Step delay of one PTG clock is added to any value written to the PTGSDLIM register (Step Delay = (PTGSDLIM) + 1).  
**Note 2:** This register is read-only when the PTG module is executing Step commands (PTGEN = 1 and PTGSTRT = 1).

**REGISTER 24-7: PTGC0LIM: PTG COUNTER 0 LIMIT REGISTER<sup>(1)</sup>**

|                |       |       |       |       |       |       |       |
|----------------|-------|-------|-------|-------|-------|-------|-------|
| R/W-0          | R/W-0 | R/W-0 | R/W-0 | R/W-0 | R/W-0 | R/W-0 | R/W-0 |
| PTGC0LIM<15:8> |       |       |       |       |       |       |       |
| bit 15         |       |       |       | bit 8 |       |       |       |

|               |       |       |       |       |       |       |       |
|---------------|-------|-------|-------|-------|-------|-------|-------|
| R/W-0         | R/W-0 | R/W-0 | R/W-0 | R/W-0 | R/W-0 | R/W-0 | R/W-0 |
| PTGC0LIM<7:0> |       |       |       |       |       |       |       |
| bit 7         |       |       |       | bit 0 |       |       |       |

**Legend:**

|                   |                  |  |
|-------------------|------------------|--|
| R = Readable bit  | W = Writable bit | U = Unimplemented bit, read as '0'           |
| -n = Value at POR | '1' = Bit is set | '0' = Bit is cleared      x = Bit is unknown |

bit 15-0      **PTGC0LIM<15:0>**: PTG Counter 0 Limit Register bits  
 May be used to specify the loop count for the PTGJMPC0 Step command or as a limit register for the General Purpose Counter 0.

- Note 1:** This register is read-only when the PTG module is executing Step commands (PTGEN = 1 and PTGSTRT = 1).



**REGISTER 24-8: PTGC1LIM: PTG COUNTER 1 LIMIT REGISTER<sup>(1)</sup>**

|                |       |       |       |       |       |       |       |
|----------------|-------|-------|-------|-------|-------|-------|-------|
| R/W-0          | R/W-0 | R/W-0 | R/W-0 | R/W-0 | R/W-0 | R/W-0 | R/W-0 |
| PTGC1LIM<15:8> |       |       |       |       |       |       |       |
| bit 15         |       |       |       | bit 8 |       |       |       |

|               |       |       |       |       |       |       |       |
|---------------|-------|-------|-------|-------|-------|-------|-------|
| R/W-0         | R/W-0 | R/W-0 | R/W-0 | R/W-0 | R/W-0 | R/W-0 | R/W-0 |
| PTGC1LIM<7:0> |       |       |       |       |       |       |       |
| bit 7         |       |       |       | bit 0 |       |       |       |

|                   |                  |                                    |                    |  |  |  |  |
|-------------------|------------------|------------------------------------|--------------------|--|--|--|--|
| <b>Legend:</b>    |                  |                                    |                    |  |  |  |  |
| R = Readable bit  | W = Writable bit | U = Unimplemented bit, read as '0' |                    |  |  |  |  |
| -n = Value at POR | '1' = Bit is set | '0' = Bit is cleared               | x = Bit is unknown |  |  |  |  |

bit 15-0 **PTGC1LIM<15:0>**: PTG Counter 1 Limit Register bits  
 May be used to specify the loop count for the `PTGJMPC1` Step command or as a limit register for the General Purpose Counter 1.

**Note 1:** This register is read-only when the PTG module is executing Step commands (PTGEN = 1 and PTGSTRT = 1).

**REGISTER 24-9: PTGHOLD: PTG HOLD REGISTER<sup>(1)</sup>**

|               |       |       |       |       |       |       |       |
|---------------|-------|-------|-------|-------|-------|-------|-------|
| R/W-0         | R/W-0 | R/W-0 | R/W-0 | R/W-0 | R/W-0 | R/W-0 | R/W-0 |
| PTGHOLD<15:8> |       |       |       |       |       |       |       |
| bit 15        |       |       |       | bit 8 |       |       |       |

|              |       |       |       |       |       |       |       |
|--------------|-------|-------|-------|-------|-------|-------|-------|
| R/W-0        | R/W-0 | R/W-0 | R/W-0 | R/W-0 | R/W-0 | R/W-0 | R/W-0 |
| PTGHOLD<7:0> |       |       |       |       |       |       |       |
| bit 7        |       |       |       | bit 0 |       |       |       |

|                   |                  |                                    |                    |  |  |  |  |
|-------------------|------------------|------------------------------------|--------------------|--|--|--|--|
| <b>Legend:</b>    |                  |                                    |                    |  |  |  |  |
| R = Readable bit  | W = Writable bit | U = Unimplemented bit, read as '0' |                    |  |  |  |  |
| -n = Value at POR | '1' = Bit is set | '0' = Bit is cleared               | x = Bit is unknown |  |  |  |  |

bit 15-0 **PTGHOLD<15:0>**: PTG General Purpose Hold Register bits  
 Holds user-supplied data to be copied to the `PTGTxLIM`, `PTGCxLIM`, `PTGSDLIM` or `PTGL0` registers with the `PTGCOPY` command.

**Note 1:** This register is read-only when the PTG module is executing Step commands (PTGEN = 1 and PTGSTRT = 1).

**REGISTER 24-10: PTGADJ: PTG ADJUST REGISTER<sup>(1)</sup>**

|              |       |       |       |       |       |       |       |       |
|--------------|-------|-------|-------|-------|-------|-------|-------|-------|
| R/W-0        | R/W-0 | R/W-0 | R/W-0 | R/W-0 | R/W-0 | R/W-0 | R/W-0 |       |
| PTGADJ<15:8> |       |       |       |       |       |       |       |       |
| bit 15       |       |       |       |       |       |       |       | bit 8 |

|             |       |       |       |       |       |       |       |       |
|-------------|-------|-------|-------|-------|-------|-------|-------|-------|
| R/W-0       | R/W-0 | R/W-0 | R/W-0 | R/W-0 | R/W-0 | R/W-0 | R/W-0 |       |
| PTGADJ<7:0> |       |       |       |       |       |       |       |       |
| bit 7       |       |       |       |       |       |       |       | bit 0 |

**Legend:**

|                   |                  |  |
|-------------------|------------------|--|
| R = Readable bit  | W = Writable bit | U = Unimplemented bit, read as '0'           |
| -n = Value at POR | '1' = Bit is set | '0' = Bit is cleared      x = Bit is unknown |

bit 15-0      **PTGADJ<15:0>**: PTG Adjust Register bits  
 This register holds user-supplied data to be added to the PTGTxLIM, PTGCxLIM, PTGSDLIM or PTGL0 registers with the PTGADD command.

**Note 1:** This register is read-only when the PTG module is executing Step commands (PTGEN = 1 and PTGSTRT = 1).

**REGISTER 24-11: PTGL0: PTG LITERAL 0 REGISTER<sup>(1)</sup>**

|             |       |       |       |       |       |       |       |       |
|-------------|-------|-------|-------|-------|-------|-------|-------|-------|
| R/W-0       | R/W-0 | R/W-0 | R/W-0 | R/W-0 | R/W-0 | R/W-0 | R/W-0 |       |
| PTGL0<15:8> |       |       |       |       |       |       |       |       |
| bit 15      |       |       |       |       |       |       |       | bit 8 |

|            |       |       |       |       |       |       |       |       |
|------------|-------|-------|-------|-------|-------|-------|-------|-------|
| R/W-0      | R/W-0 | R/W-0 | R/W-0 | R/W-0 | R/W-0 | R/W-0 | R/W-0 |       |
| PTGL0<7:0> |       |       |       |       |       |       |       |       |
| bit 7      |       |       |       |       |       |       |       | bit 0 |

**Legend:**

|                   |                  |  |
|-------------------|------------------|--|
| R = Readable bit  | W = Writable bit | U = Unimplemented bit, read as '0'           |
| -n = Value at POR | '1' = Bit is set | '0' = Bit is cleared      x = Bit is unknown |

bit 15-0      **PTGL0<15:0>**: PTG Literal 0 Register bits  
 This register holds the 16-bit value to be written to the AD1CHS0 register with the PTGCTRL Step command.

**Note 1:** This register is read-only when the PTG module is executing Step commands (PTGEN = 1 and PTGSTRT = 1).

**REGISTER 24-12: PTGQPTR: PTG STEP QUEUE POINTER REGISTER<sup>(1)</sup>**

|        |     |     |     |     |     |     |       |
|--------|-----|-----|-----|-----|-----|-----|-------|
| U-0    | U-0 | U-0 | U-0 | U-0 | U-0 | U-0 | U-0   |
| —      | —   | —   | —   | —   | —   | —   | —     |
| bit 15 |     |     |     |     |     |     | bit 8 |

|       |     |     |              |       |       |       |       |   |
|-------|-----|-----|--------------|-------|-------|-------|-------|---|
| U-0   | U-0 | U-0 | R/W-0        | R/W-0 | R/W-0 | R/W-0 | R/W-0 |   |
| —     | —   | —   | PTGQPTR<4:0> |       |       |       | —     | — |
| bit 7 |     |     |              |       |       |       | bit 0 |   |

|                   |                  |                                    |                    |
|-------------------|------------------|------------------------------------|--------------------|
| <b>Legend:</b>    |                  |                                    |                    |
| R = Readable bit  | W = Writable bit | U = Unimplemented bit, read as '0' |                    |
| -n = Value at POR | '1' = Bit is set | '0' = Bit is cleared               | x = Bit is unknown |

bit 15-0      **Unimplemented:** Read as '0'  
 bit 4-0      **PTGQPTR<4:0>:** PTG Step Queue Pointer Register bits  
 This register points to the currently active Step command in the Step queue.

**Note 1:** This register is read-only when the PTG module is executing Step commands (PTGEN = 1 and PTGSTRT = 1).

**REGISTER 24-13: PTGQUEx: PTG STEP QUEUE REGISTER x (x = 0-7)<sup>(1,3)</sup>**

|                                  |       |       |       |       |       |       |       |
|----------------------------------|-------|-------|-------|-------|-------|-------|-------|
| R/W-0                            | R/W-0 | R/W-0 | R/W-0 | R/W-0 | R/W-0 | R/W-0 | R/W-0 |
| STEP(2x + 1)<7:0> <sup>(2)</sup> |       |       |       |       |       |       |       |
| bit 15                           |       |       |       |       |       |       | bit 8 |

|                              |       |       |       |       |       |       |       |
|------------------------------|-------|-------|-------|-------|-------|-------|-------|
| R/W-0                        | R/W-0 | R/W-0 | R/W-0 | R/W-0 | R/W-0 | R/W-0 | R/W-0 |
| STEP(2x)<7:0> <sup>(2)</sup> |       |       |       |       |       |       |       |
| bit 7                        |       |       |       |       |       |       | bit 0 |

|                   |                  |                                    |                    |
|-------------------|------------------|------------------------------------|--------------------|
| <b>Legend:</b>    |                  |                                    |                    |
| R = Readable bit  | W = Writable bit | U = Unimplemented bit, read as '0' |                    |
| -n = Value at POR | '1' = Bit is set | '0' = Bit is cleared               | x = Bit is unknown |

bit 15-8      **STEP(2x + 1)<7:0>:** PTG Step Queue Pointer Register bits<sup>(2)</sup>  
 A queue location for storage of the STEP(2x + 1) command byte.  
 bit 7-0      **STEP(2x)<7:0>:** PTG Step Queue Pointer Register bits<sup>(2)</sup>  
 A queue location for storage of the STEP(2x) command byte.

**Note 1:** This register is read-only when the PTG module is executing Step commands (PTGEN = 1 and PTGSTRT = 1).  
**2:** Refer to [Table 24-1](#) for the Step command encoding.  
**3:** The Step registers maintain their values on any type of Reset.

24.4 Step Commands and Format

TABLE 24-1: PTG STEP COMMAND FORMAT

|                    |             |       |
|--------------------|-------------|-------|
| Step Command Byte: |             |       |
| STEPx<7:0>         |             |       |
| CMD<3:0>           | OPTION<3:0> |       |
| bit 7              | bit 4 bit 3 | bit 0 |

| bit 7-4 | CMD<3:0> | Step Command | Command Description  |
|---------|----------|--------------|--|
|         | 0000     | PTGCTRL      | Execute control command as described by OPTION<3:0>.   |
|         | 0001     | PTGADD       | Add contents of PTGADJ register to target register as described by OPTION<3:0>.  |
|         |          | PTGCOPY      | Copy contents of PTGHOLD register to target register as described by OPTION<3:0>.  |
|         | 001x     | PTGSTRB      | Copy the value contained in CMD<0>:OPTION<3:0> to the CH0SA<4:0> bits (AD1CHS0<4:0>).  |
|         | 0100     | PTGWHI       | Wait for a low-to-high edge input from the selected PTG trigger input as described by OPTION<3:0>.   |
|         | 0101     | PTGWLO       | Wait for a high-to-low edge input from the selected PTG trigger input as described by OPTION<3:0>.   |
|         | 0110     | Reserved     | Reserved.  |
|         | 0111     | PTGIRQ       | Generate individual interrupt request as described by OPTION3<:0>.   |
|         | 100x     | PTGTRIG      | Generate individual trigger output as described by <<CMD<0>:OPTION<3:0>>.  |
|         | 101x     | PTGJMP       | Copy the value indicated in <<CMD<0>:OPTION<3:0>> to the Queue Pointer (PTGQPTR) and jump to that Step queue.  |
|         | 110x     | PTGJMPC0     | PTGC0 = PTGC0LIM: Increment the Queue Pointer (PTGQPTR).<br>PTGC0 ≠ PTGC0LIM: Increment Counter 0 (PTGC0) and copy the value indicated in <<CMD<0>:OPTION<3:0>> to the Queue Pointer (PTGQPTR), and jump to that Step queue  |
|         | 111x     | PTGJMPC1     | PTGC1 = PTGC1LIM: Increment the Queue Pointer (PTGQPTR).<br>PTGC1 ≠ PTGC1LIM: Increment Counter 1 (PTGC1) and copy the value indicated in <<CMD<0>:OPTION<3:0>> to the Queue Pointer (PTGQPTR), and jump to that Step queue. |

- Note 1:** All reserved commands or options will execute but have no effect (i.e., execute as a NOP instruction).  
**Note 2:** Refer to [Table 24-2](#) for the trigger output descriptions.  
**Note 3:** This feature is only available on dsPIC33EPXXXMC20X/50X and PIC24EPXXXMC20X devices.

**TABLE 24-1: PTG STEP COMMAND FORMAT (CONTINUED)**

| bit 3-0 | Step Command           | OPTION<3:0>  | Option Description   |
|---------|------------------------|--|--|
|         | PTGCTRL <sup>(1)</sup> | 0000   | Reserved.  |
|         |                        | 0001   | Reserved.  |
|         |                        | 0010   | Disable Step Delay Timer (PTGSD).  |
|         |                        | 0011   | Reserved.  |
|         |                        | 0100   | Reserved.  |
|         |                        | 0101   | Reserved.  |
|         |                        | 0110   | Enable Step Delay Timer (PTGSD).   |
|         |                        | 0111   | Reserved.  |
|         |                        | 1000   | Start and wait for the PTG Timer0 to match the Timer0 Limit Register.                              |
|         |                        | 1001   | Start and wait for the PTG Timer1 to match the Timer1 Limit Register.                              |
|         |                        | 1010   | Reserved.  |
|         |                        | 1011   | Wait for the software trigger bit transition from low-to-high before continuing (PTGSWT = 0 to 1). |
|         |                        | 1100   | Copy contents of the Counter 0 register to the AD1CHS0 register.                                   |
|         |                        | 1101   | Copy contents of the Counter 1 register to the AD1CHS0 register.                                   |
|         |                        | 1110   | Copy contents of the Literal 0 register to the AD1CHS0 register.                                   |
|         | 1111                   | Generate triggers indicated in the Broadcast Trigger Enable register (PTGBTE). |  |
|         | PTGADD <sup>(1)</sup>  | 0000   | Add contents of the PTGADJ register to the Counter 0 Limit register (PTGC0LIM).                    |
|         |                        | 0001   | Add contents of the PTGADJ register to the Counter 1 Limit register (PTGC1LIM).                    |
|         |                        | 0010   | Add contents of the PTGADJ register to the Timer0 Limit register (PTGT0LIM).                       |
|         |                        | 0011   | Add contents of the PTGADJ register to the Timer1 Limit register (PTGT1LIM).                       |
|         |                        | 0100   | Add contents of the PTGADJ register to the Step Delay Limit register (PTGSDLIM).                   |
|         |                        | 0101   | Add contents of the PTGADJ register to the Literal 0 register (PTGL0).                             |
|         |                        | 0110   | Reserved.  |
|         |                        | 0111   | Reserved.  |
|         | PTGCOPY <sup>(1)</sup> | 1000   | Copy contents of the PTGHOLD register to the Counter 0 Limit register (PTGC0LIM).                  |
|         |                        | 1001   | Copy contents of the PTGHOLD register to the Counter 1 Limit register (PTGC1LIM).                  |
|         |                        | 1010   | Copy contents of the PTGHOLD register to the Timer0 Limit register (PTGT0LIM).                     |
|         |                        | 1011   | Copy contents of the PTGHOLD register to the Timer1 Limit register (PTGT1LIM).                     |
|         |                        | 1100   | Copy contents of the PTGHOLD register to the Step Delay Limit register (PTGSDLIM).                 |
|         |                        | 1101   | Copy contents of the PTGHOLD register to the Literal 0 register (PTGL0).                           |
|         |                        | 1110   | Reserved.  |
|         |                        | 1111   | Reserved.  |

- Note 1:** All reserved commands or options will execute but have no effect (i.e., execute as a NOP instruction).  
**Note 2:** Refer to [Table 24-2](#) for the trigger output descriptions.  
**Note 3:** This feature is only available on dsPIC33EPXXXMC20X/50X and PIC24EPXXXMC20X devices.

**TABLE 24-1: PTG STEP COMMAND FORMAT (CONTINUED)**

| bit 3-0 | Step Command   | OPTION<3:0>           | Option Description  |
|---------|--|-----------------------|---|
|         | PTGWHI <sup>(1)</sup><br>or<br>PTGWLO <sup>(1)</sup> | 0000                  | PWM Special Event Trigger. <sup>(3)</sup>                   |
|         |  | 0001                  | PWM master time base synchronization output. <sup>(3)</sup> |
|         |  | 0010                  | PWM1 interrupt. <sup>(3)</sup>                              |
|         |  | 0011                  | PWM2 interrupt. <sup>(3)</sup>                              |
|         |  | 0100                  | PWM3 interrupt. <sup>(3)</sup>                              |
|         |  | 0101                  | Reserved.   |
|         |  | 0110                  | Reserved.   |
|         |  | 0111                  | OC1 Trigger event.  |
|         |  | 1000                  | OC2 Trigger event.  |
|         |  | 1001                  | IC1 Trigger event.  |
|         |  | 1010                  | CMP1 Trigger event.   |
|         |  | 1011                  | CMP2 Trigger event.   |
|         |  | 1100                  | CMP3 Trigger event.   |
|         |  | 1101                  | CMP4 Trigger event.   |
|         |  | 1110                  | ADC conversion done interrupt.                              |
|         |  | 1111                  | INT2 external interrupt.                                    |
|         |  | PTGIRQ <sup>(1)</sup> | 0000  |
|         | 0001   |                       | Generate PTG Interrupt 1.                                   |
|         | 0010   |                       | Generate PTG Interrupt 2.                                   |
|         | 0011   |                       | Generate PTG Interrupt 3.                                   |
|         | 0100   |                       | Reserved.   |
|         | •  |                       | •   |
|         | •  |                       | •   |
|         | •  |                       | •   |
|         | 1111   | Reserved.             |   |
|         | PTGTRIG <sup>(2)</sup>                               | 00000                 | PTGO0.  |
|         |  | 00001                 | PTGO1.  |
|         |  | •                     | •   |
|         |  | •                     | •   |
|         |  | •                     | •   |
|         |  | 11110                 | PTGO30.   |
|         | 11111  | PTGO31.               |   |

**Note 1:** All reserved commands or options will execute but have no effect (i.e., execute as a NOP instruction).

**2:** Refer to [Table 24-2](#) for the trigger output descriptions.

**3:** This feature is only available on dsPIC33EPXXXMC20X/50X and PIC24EPXXXMC20X devices.

**TABLE 24-2: PTG OUTPUT DESCRIPTIONS**

| PTG Output Number | PTG Output Description                                  |
|-------------------|---|
| PTGO0             | Trigger/Synchronization Source for OC1                  |
| PTGO1             | Trigger/Synchronization Source for OC2                  |
| PTGO2             | Trigger/Synchronization Source for OC3                  |
| PTGO3             | Trigger/Synchronization Source for OC4                  |
| PTGO4             | Clock Source for OC1                                    |
| PTGO5             | Clock Source for OC2                                    |
| PTGO6             | Clock Source for OC3                                    |
| PTGO7             | Clock Source for OC4                                    |
| PTGO8             | Trigger/Synchronization Source for IC1                  |
| PTGO9             | Trigger/Synchronization Source for IC2                  |
| PTGO10            | Trigger/Synchronization Source for IC3                  |
| PTGO11            | Trigger/Synchronization Source for IC4                  |
| PTGO12            | Sample Trigger for ADC                                  |
| PTGO13            | Sample Trigger for ADC                                  |
| PTGO14            | Sample Trigger for ADC                                  |
| PTGO15            | Sample Trigger for ADC                                  |
| PTGO16            | PWM Time Base Synchronous Source for PWM <sup>(1)</sup> |
| PTGO17            | PWM Time Base Synchronous Source for PWM <sup>(1)</sup> |
| PTGO18            | Mask Input Select for Op Amp/Comparator                 |
| PTGO19            | Mask Input Select for Op Amp/Comparator                 |
| PTGO20            | Reserved  |
| PTGO21            | Reserved  |
| PTGO22            | Reserved  |
| PTGO23            | Reserved  |
| PTGO24            | Reserved  |
| PTGO25            | Reserved  |
| PTGO26            | Reserved  |
| PTGO27            | Reserved  |
| PTGO28            | Reserved  |
| PTGO29            | Reserved  |
| PTGO30            | PTG Output to PPS Input Selection                       |
| PTGO31            | PTG Output to PPS Input Selection                       |

**Note 1:** This feature is only available on dsPIC33EPXXXMC20X/50X and PIC24EPXXXMC20X devices.

**NOTES:**



## 25.0 OP AMP/COMPARATOR MODULE

**Note 1:** This data sheet summarizes the features of the dsPIC33EPXXXGP50X, dsPIC33EPXXXMC20X/50X and PIC24EPXXXGP/MC20X families of devices. It is not intended to be a comprehensive reference source. To complement the information in this data sheet, refer to **Section 26. “Op Amp/Comparator”** (DS70357) of the “dsPIC33E/PIC24E Family Reference Manual”, which is available from the Microchip web site ([www.microchip.com](http://www.microchip.com)).

**2:** Some registers and associated bits described in this section may not be available on all devices. Refer to **Section 4.0 “Memory Organization”** in this data sheet for device-specific register and bit information.

The dsPIC33EPXXXGP50X, dsPIC33EPXXXMC20X/50X and PIC24EPXXXGP/MC20X devices contain up to four comparators, which can be configured in various ways. Comparators, CMP1, CMP2 and CMP3, also have the option to be configured as op amps, with the output being brought to an external pin for gain/filtering connections. As shown in **Figure 25-1**, individual comparator options are specified by the comparator module’s Special Function Register (SFR) control bits.

**Note:** Op Amp/Comparator 3 is not available on the dsPIC33EPXXXGP502/MC502/MC202 and PIC24EP256GP/MC202 (28-pin) devices.

These options allow users to:

- Select the edge for trigger and interrupt generation
- Configure the comparator voltage reference
- Configure output blanking and masking
- Configure as a comparator or op amp (CMP1, CMP2 and CMP3 only)

**Note:** Not all op amp/comparator input/output connections are available on all devices. See the “**Pin Diagrams**” section for available connections.

**FIGURE 25-1: OP AMP/COMPARATOR x MODULE BLOCK DIAGRAM (MODULES 1, 2 AND 3)**



FIGURE 25-2: COMPARATOR MODULE BLOCK DIAGRAM (MODULE 4)



FIGURE 25-3: OP AMP/COMPARATOR VOLTAGE REFERENCE BLOCK DIAGRAM



FIGURE 25-4: USER-PROGRAMMABLE BLANKING FUNCTION BLOCK DIAGRAM



FIGURE 25-5: DIGITAL FILTER INTERCONNECT BLOCK DIAGRAM



**25.1 Op Amp Application Considerations**

There are two configurations to take into consideration when designing with the op amp modules that are available in the dsPIC33EPXXXGP50X, dsPIC33EPXXXMC20X/50X and PIC24EPXXXGP/MC20X devices. Configuration A (see Figure 25-6) takes advantage of the internal connection to the ADC module to route the output of the op amp directly to the ADC for measurement. Configuration B (see Figure 25-7) requires that the designer externally route the output of the op amp (OAxOUT) to a separate analog input pin (ANy) on the device. Table 30-55 in Section 30.0 “Electrical Characteristics” describes the performance characteristics for the op amps, distinguishing between the two configuration types where applicable.

**25.1.1 OP AMP CONFIGURATION A**

Figure 25-6 shows a typical inverting amplifier circuit taking advantage of the internal connections from the op amp output to the input of the ADC. The advantage of this configuration is that the user does not need to consume another analog input (ANy) on the device, and allows the user to simultaneously sample all three op amps with the ADC module, if needed. However, the presence of the internal resistance, RINT1, adds an error in the feedback path. Since RINT1 is an internal resistance, in relation to the op amp output (VOAxOUT) and ADC internal connection (VADC), RINT1 must be included in the numerator term of the transfer function. See Table 30-53 in Section 30.0 “Electrical Characteristics” for the typical value of RINT1. Table 30-60 and Table 30-61 in Section 30.0 “Electrical Characteristics” describe the minimum sample time (TSAMP) requirements for the ADC module in this configuration. Figure 25-6 also defines the equations that should be used when calculating the expected voltages at points, VADC and VOAxOUT.

**FIGURE 25-6: OP AMP CONFIGURATION A**



25.1.2 OP AMP CONFIGURATION B

Figure 25-7 shows a typical inverting amplifier circuit with the output of the op amp (OAxOUT) externally routed to a separate analog input pin (ANy) on the device. This op amp configuration is slightly different in terms of the op amp output and the ADC input connection, therefore, RINT1 is not included in the transfer function. However, this configuration requires the designer to externally route the op amp output (OAxOUT) to another analog input pin (ANy). See Table 30-53 in Section 30.0 “Electrical Characteristics” for the typical value of RINT1. Table 30-60 and Table 30-61 in Section 30.0 “Electrical Characteristics” describe the minimum sample time (TSAMP) requirements for the ADC module in this configuration.

Figure 25-7 also defines the equation to be used to calculate the expected voltage at point VOAxOUT. This is the typical inverting amplifier equation.

25.2 Op Amp/Comparator Resources

Many useful resources are provided on the main product page of the Microchip web site for the devices listed in this data sheet. This product page, which can be accessed using this link, contains the latest updates and additional information.

**Note:** In the event you are not able to access the product page using the link above, enter this URL in your browser:  
<http://www.microchip.com/wwwproducts/Devices.aspx?dDocName=en555464>

25.2.1 KEY RESOURCES

- Section 26. “Op Amp/Comparator” (DS70357)
- Code Samples
- Application Notes
- Software Libraries
- Webinars
- All Related “dsPIC33E/PIC24E Family Reference Manual” Sections
- Development Tools

FIGURE 25-7: OP AMP CONFIGURATION B



**25.3 Op Amp/Comparator Registers**

**REGISTER 25-1: CMSTAT: OP AMP/COMPARATOR STATUS REGISTER**

|        |     |     |     |                      |                      |                      |                      |
|--------|-----|-----|-----|----------------------|----------------------|----------------------|----------------------|
| R/W-0  | U-0 | U-0 | U-0 | R-0                  | R-0                  | R-0                  | R-0                  |
| PSIDL  | —   | —   | —   | C4EVT <sup>(1)</sup> | C3EVT <sup>(1)</sup> | C2EVT <sup>(1)</sup> | C1EVT <sup>(1)</sup> |
| bit 15 |     |     |     |                      |                      |                      | bit 8                |

|       |     |     |     |                      |                      |                      |                      |
|-------|-----|-----|-----|----------------------|----------------------|----------------------|----------------------|
| U-0   | U-0 | U-0 | U-0 | R-0                  | R-0                  | R-0                  | R-0                  |
| —     | —   | —   | —   | C4OUT <sup>(2)</sup> | C3OUT <sup>(2)</sup> | C2OUT <sup>(2)</sup> | C1OUT <sup>(2)</sup> |
| bit 7 |     |     |     |                      |                      |                      | bit 0                |

**Legend:**

R = Readable bit                      W = Writable bit                      U = Unimplemented bit, read as '0'  
 -n = Value at POR                      '1' = Bit is set                      '0' = Bit is cleared                      x = Bit is unknown

- bit 15            **PSIDL:** Comparator Stop in Idle Mode bit  
 1 = Discontinues operation of all comparators when device enters Idle mode  
 0 = Continues operation of all comparators in Idle mode
- bit 14-12       **Unimplemented:** Read as '0'
- bit 11           **C4EVT:** Op Amp/Comparator 4 Event Status bit<sup>(1)</sup>  
 1 = Op amp/comparator event occurred  
 0 = Op amp/comparator event did not occur
- bit 10           **C3EVT:** Comparator 3 Event Status bit<sup>(1)</sup>  
 1 = Comparator event occurred  
 0 = Comparator event did not occur
- bit 9            **C2EVT:** Comparator 2 Event Status bit<sup>(1)</sup>  
 1 = Comparator event occurred  
 0 = Comparator event did not occur
- bit 8            **C1EVT:** Comparator 1 Event Status bit<sup>(1)</sup>  
 1 = Comparator event occurred  
 0 = Comparator event did not occur
- bit 7-4         **Unimplemented:** Read as '0'
- bit 3            **C4OUT:** Comparator 4 Output Status bit<sup>(2)</sup>  
When CPOL = 0:  
 1 = VIN+ > VIN-  
 0 = VIN+ < VIN-  
When CPOL = 1:  
 1 = VIN+ < VIN-  
 0 = VIN+ > VIN-
- bit 2            **C3OUT:** Comparator 3 Output Status bit<sup>(2)</sup>  
When CPOL = 0:  
 1 = VIN+ > VIN-  
 0 = VIN+ < VIN-  
When CPOL = 1:  
 1 = VIN+ < VIN-  
 0 = VIN+ > VIN-

**Note 1:** Reflects the value of the of the CEVT bit in the respective Op Amp/Comparator Control register, CMxCON<9>.  
**2:** Reflects the value of the COUT bit in the respective Op Amp/Comparator Control register, CMxCON<8>.

**REGISTER 25-1: CMSTAT: OP AMP/COMPARATOR STATUS REGISTER (CONTINUED)**

bit 1           **C2OUT:** Comparator 2 Output Status bit<sup>(2)</sup>

When CPOL = 0:

1 =  $V_{IN+} > V_{IN-}$

0 =  $V_{IN+} < V_{IN-}$

When CPOL = 1:

1 =  $V_{IN+} < V_{IN-}$

0 =  $V_{IN+} > V_{IN-}$

bit 0           **C1OUT:** Comparator 1 Output Status bit<sup>(2)</sup>

When CPOL = 0:

1 =  $V_{IN+} > V_{IN-}$

0 =  $V_{IN+} < V_{IN-}$

When CPOL = 1:

1 =  $V_{IN+} < V_{IN-}$

0 =  $V_{IN+} > V_{IN-}$

**Note 1:** Reflects the value of the CEVT bit in the respective Op Amp/Comparator Control register, CMxCON<9>.

**2:** Reflects the value of the COUT bit in the respective Op Amp/Comparator Control register, CMxCON<8>.

**REGISTER 25-2: CMxCON: COMPARATOR x CONTROL REGISTER (x = 1, 2 OR 3)**

|        |       |       |     |     |        |       |       |
|--------|-------|-------|-----|-----|--------|-------|-------|
| R/W-0  | R/W-0 | R/W-0 | U-0 | U-0 | R/W-0  | R/W-0 | R/W-0 |
| CON    | COE   | CPOL  | —   | —   | OPMODE | CEVT  | COUT  |
| bit 15 |       |       |     |     |        |       | bit 8 |

|            |       |     |                     |     |     |                         |       |
|------------|-------|-----|---------------------|-----|-----|-------------------------|-------|
| R/W-0      | R/W-0 | U-0 | R/W-0               | U-0 | U-0 | R/W-0                   | R/W-0 |
| EVPOL<1:0> |       | —   | CREF <sup>(1)</sup> | —   | —   | CCH<1:0> <sup>(1)</sup> |       |
| bit 7      |       |     |                     |     |     |                         | bit 0 |

**Legend:**

|                   |                  |                                    |
|-------------------|------------------|------------------------------------|
| R = Readable bit  | W = Writable bit | U = Unimplemented bit, read as '0' |
| -n = Value at POR | '1' = Bit is set | '0' = Bit is cleared               |
|                   |                  | x = Bit is unknown                 |

- bit 15      **CON:** Op Amp/Comparator Enable bit  
 1 = Op amp/comparator is enabled  
 0 = Op amp/comparator is disabled
- bit 14      **COE:** Comparator Output Enable bit  
 1 = Comparator output is present on the CxOUT pin  
 0 = Comparator output is internal only
- bit 13      **CPOL:** Comparator Output Polarity Select bit  
 1 = Comparator output is inverted  
 0 = Comparator output is not inverted
- bit 12-11   **Unimplemented:** Read as '0'
- bit 10      **OPMODE:** Op Amp/Comparator Operation Mode Select bit  
 1 = Circuit operates as an op amp  
 0 = Circuit operates as a comparator
- bit 9        **CEVT:** Comparator Event bit  
 1 = Comparator event according to the EVPOL<1:0> settings occurred; disables future triggers and interrupts until the bit is cleared  
 0 = Comparator event did not occur
- bit 8        **COUT:** Comparator Output bit  
When CPOL = 0 (non-inverted polarity):  
 1 = VIN+ > VIN-  
 0 = VIN+ < VIN-  
When CPOL = 1 (inverted polarity):  
 1 = VIN+ < VIN-  
 0 = VIN+ > VIN-

- Note 1:** Inputs that are selected and not available will be tied to Vss. See the **“Pin Diagrams”** section for available inputs for each package.
- 2:** This input is not available when OPMODE (CMxCON<10>) = 1.



**REGISTER 25-2: CMxCON: COMPARATOR x CONTROL REGISTER (x = 1, 2 OR 3) (CONTINUED)**

- bit 7-6      **EVPOL<1:0>**: Trigger/Event/Interrupt Polarity Select bits  
             11 = Trigger/event/interrupt generated on any change of the comparator output (while CEVT = 0)  
             10 = Trigger/event/interrupt generated only on high-to-low transition of the polarity selected comparator output (while CEVT = 0)  
                 If CPOL = 1 (inverted polarity):  
                 Low-to-high transition of the comparator output.  
                 If CPOL = 0 (non-inverted polarity):  
                 High-to-low transition of the comparator output.  
             01 = Trigger/event/interrupt generated only on low-to-high transition of the polarity-selected comparator output (while CEVT = 0)  
                 If CPOL = 1 (inverted polarity):  
                 High-to-low transition of the comparator output.  
                 If CPOL = 0 (non-inverted polarity):  
                 Low-to-high transition of the comparator output  
             00 = Trigger/event/interrupt generation is disabled
- bit 5        **Unimplemented**: Read as '0'
- bit 4        **CREF**: Comparator Reference Select bit (VIN+ input)<sup>(1)</sup>  
             1 = VIN+ input connects to internal CVREFIN voltage<sup>(2)</sup>  
             0 = VIN+ input connects to CxIN1+ pin
- bit 3-2     **Unimplemented**: Read as '0'
- bit 1-0     **CCH<1:0>**: Op Amp/Comparator Channel Select bits<sup>(1)</sup>  
             11 = Unimplemented  
             10 = Unimplemented  
             01 = Inverting input of the comparator connects to the CxIN2- pin<sup>(2)</sup>  
             00 = Inverting input of the op amp/comparator connects to the CxIN1- pin

- Note 1:** Inputs that are selected and not available will be tied to Vss. See the “**Pin Diagrams**” section for available inputs for each package.
- 2:** This input is not available when OPMODE (CMxCON<10>) = 1.

**REGISTER 25-3: CM4CON: COMPARATOR 4 CONTROL REGISTER**

|        |       |       |     |     |     |       |       |
|--------|-------|-------|-----|-----|-----|-------|-------|
| R/W-0  | R/W-0 | R/W-0 | U-0 | U-0 | U-0 | R/W-0 | R/W-0 |
| CON    | COE   | CPOL  | —   | —   | —   | CEVT  | COUT  |
| bit 15 |       |       |     |     |     | bit 8 |       |

|            |       |     |                     |     |     |                         |       |
|------------|-------|-----|---------------------|-----|-----|-------------------------|-------|
| R/W-0      | R/W-0 | U-0 | R/W-0               | U-0 | U-0 | R/W-0                   | R/W-0 |
| EVPOL<1:0> |       | —   | CREF <sup>(1)</sup> | —   | —   | CCH<1:0> <sup>(1)</sup> |       |
| bit 7      |       |     |                     |     |     | bit 0                   |       |

**Legend:**

R = Readable bit                      W = Writable bit                      U = Unimplemented bit, read as '0'  
 -n = Value at POR                      '1' = Bit is set                      '0' = Bit is cleared                      x = Bit is unknown

- bit 15            **CON:** Comparator Enable bit  
                   1 = Comparator is enabled  
                   0 = Comparator is disabled
- bit 14            **COE:** Comparator Output Enable bit  
                   1 = Comparator output is present on the CxOUT pin  
                   0 = Comparator output is internal only
- bit 13            **CPOL:** Comparator Output Polarity Select bit  
                   1 = Comparator output is inverted  
                   0 = Comparator output is not inverted
- bit 12-10        **Unimplemented:** Read as '0'
- bit 9             **CEVT:** Comparator Event bit  
                   1 = Comparator event according to EVPOL<1:0> settings occurred; disables future triggers and interrupts until the bit is cleared  
                   0 = Comparator event did not occur
- bit 8             **COUT:** Comparator Output bit  
                   When CPOL = 0 (non-inverted polarity):  
                   1 = VIN+ > VIN-  
                   0 = VIN+ < VIN-  
                   When CPOL = 1 (inverted polarity):  
                   1 = VIN+ < VIN-  
                   0 = VIN+ > VIN-
- bit 7-6          **EVPOL<1:0>:** Trigger/Event/Interrupt Polarity Select bits  
                   11 = Trigger/event/interrupt generated on any change of the comparator output (while CEVT = 0)  
                   10 = Trigger/event/interrupt generated only on high-to-low transition of the polarity selected comparator output (while CEVT = 0)  
                           If CPOL = 1 (inverted polarity):  
                           Low-to-high transition of the comparator output.  
                           If CPOL = 0 (non-inverted polarity):  
                           High-to-low transition of the comparator output.  
                   01 = Trigger/event/interrupt generated only on low-to-high transition of the polarity selected comparator output (while CEVT = 0)  
                           If CPOL = 1 (inverted polarity):  
                           High-to-low transition of the comparator output.  
                           If CPOL = 0 (non-inverted polarity):  
                           Low-to-high transition of the comparator output.  
                   00 = Trigger/event/interrupt generation is disabled

**Note 1:** Inputs that are selected and not available will be tied to Vss. See the “Pin Diagrams” section for available inputs for each package.

**REGISTER 25-3: CM4CON: COMPARATOR 4 CONTROL REGISTER (CONTINUED)**

- bit 5           **Unimplemented:** Read as '0'
- bit 4           **CREF:** Comparator Reference Select bit (VIN+ input)<sup>(1)</sup>  
1 = VIN+ input connects to internal CVREFIN voltage  
0 = VIN+ input connects to C4IN1+ pin
- bit 3-2       **Unimplemented:** Read as '0'
- bit 1-0       **CCH<1:0>:** Comparator Channel Select bits<sup>(1)</sup>  
11 = VIN- input of comparator connects to OA3/AN6  
10 = VIN- input of comparator connects to OA2/AN0  
01 = VIN- input of comparator connects to OA1/AN3  
00 = VIN- input of comparator connects to C4IN1-

**Note 1:** Inputs that are selected and not available will be tied to Vss. See the **"Pin Diagrams"** section for available inputs for each package.

**REGISTER 25-4: CMxMSKSRG: COMPARATOR x MASK SOURCE SELECT CONTROL REGISTER**

|        |     |     |     |              |       |       |      |
|--------|-----|-----|-----|--------------|-------|-------|------|
| U-0    | U-0 | U-0 | U-0 | R/W-0        | R/W-0 | R/W-0 | RW-0 |
| —      | —   | —   | —   | SELSRCC<3:0> |       |       |      |
| bit 15 |     |     |     | bit 8        |       |       |      |

|              |       |       |       |              |       |       |       |
|--------------|-------|-------|-------|--------------|-------|-------|-------|
| R/W-0        | R/W-0 | R/W-0 | R/W-0 | R/W-0        | R/W-0 | R/W-0 | R/W-0 |
| SELSRCB<3:0> |       |       |       | SELSRCA<3:0> |       |       |       |
| bit 7        |       |       |       | bit 0        |       |       |       |

**Legend:**

R = Readable bit                      W = Writable bit                      U = Unimplemented bit, read as '0'  
 -n = Value at POR                      '1' = Bit is set                      '0' = Bit is cleared                      x = Bit is unknown

- bit 15-12        **Unimplemented:** Read as '0'
- bit 11-8        **SELSRCC<3:0>:** Mask C Input Select bits
  - 1111 = FLT4
  - 1110 = FLT2
  - 1101 = PTGO19
  - 1100 = PTGO18
  - 1011 = Reserved
  - 1010 = Reserved
  - 1001 = Reserved
  - 1000 = Reserved
  - 0111 = Reserved
  - 0110 = Reserved
  - 0101 = PWM3H
  - 0100 = PWM3L
  - 0011 = PWM2H
  - 0010 = PWM2L
  - 0001 = PWM1H
  - 0000 = PWM1L
- bit 7-4         **SELSRCB<3:0>:** Mask B Input Select bits
  - 1111 = FLT4
  - 1110 = FLT2
  - 1101 = PTGO19
  - 1100 = PTGO18
  - 1011 = Reserved
  - 1010 = Reserved
  - 1001 = Reserved
  - 1000 = Reserved
  - 0111 = Reserved
  - 0110 = Reserved
  - 0101 = PWM3H
  - 0100 = PWM3L
  - 0011 = PWM2H
  - 0010 = PWM2L
  - 0001 = PWM1H
  - 0000 = PWM1L

**REGISTER 25-4: CMxMSKSRG: COMPARATOR x MASK SOURCE SELECT CONTROL REGISTER (CONTINUED)**

bit 3-0      **SELSRCA<3:0>**: Mask A Input Select bits

- 1111 = FLT4
- 1110 = FLT2
- 1101 = PTGO19
- 1100 = PTGO18
- 1011 = Reserved
- 1010 = Reserved
- 1001 = Reserved
- 1000 = Reserved
- 0111 = Reserved
- 0110 = Reserved
- 0101 = PWM3H
- 0100 = PWM3L
- 0011 = PWM2H
- 0010 = PWM2L
- 0001 = PWM1H
- 0000 = PWM1L

**REGISTER 25-5: CMxMSKCON: COMPARATOR x MASK GATING CONTROL REGISTER**

|        |     |       |       |       |       |       |       |
|--------|-----|-------|-------|-------|-------|-------|-------|
| R/W-0  | U-0 | R/W-0 | R/W-0 | R/W-0 | R/W-0 | R/W-0 | R/W-0 |
| HLMS   | —   | OCEN  | OCNEN | OBEN  | OBNEN | OAEN  | OANEN |
| bit 15 |     |       |       |       |       |       | bit 8 |

|       |       |       |       |       |       |       |       |
|-------|-------|-------|-------|-------|-------|-------|-------|
| R/W-0 | R/W-0 | R/W-0 | R/W-0 | R/W-0 | R/W-0 | R/W-0 | R/W-0 |
| NAGS  | PAGS  | ACEN  | ACNEN | ABEN  | ABNEN | AAEN  | AANEN |
| bit 7 |       |       |       |       |       |       | bit 0 |

|                   |                  |                                    |                    |
|-------------------|------------------|------------------------------------|--------------------|
| <b>Legend:</b>    |                  |                                    |                    |
| R = Readable bit  | W = Writable bit | U = Unimplemented bit, read as '0' |                    |
| -n = Value at POR | '1' = Bit is set | '0' = Bit is cleared               | x = Bit is unknown |

- bit 15      **HLMS:** High or Low-Level Masking Select bits  
 1 = The masking (blanking) function will prevent any asserted ('0') comparator signal from propagating  
 0 = The masking (blanking) function will prevent any asserted ('1') comparator signal from propagating
- bit 14      **Unimplemented:** Read as '0'
- bit 13      **OCEN:** OR Gate C Input Enable bit  
 1 = MCI is connected to OR gate  
 0 = MCI is not connected to OR gate
- bit 12      **OCNEN:** OR Gate C Input Inverted Enable bit  
 1 = Inverted MCI is connected to OR gate  
 0 = Inverted MCI is not connected to OR gate
- bit 11      **OBEN:** OR Gate B Input Enable bit  
 1 = MBI is connected to OR gate  
 0 = MBI is not connected to OR gate
- bit 10      **OBNEN:** OR Gate B Input Inverted Enable bit  
 1 = Inverted MBI is connected to OR gate  
 0 = Inverted MBI is not connected to OR gate
- bit 9        **OAEN:** OR Gate A Input Enable bit  
 1 = MAI is connected to OR gate  
 0 = MAI is not connected to OR gate
- bit 8        **OANEN:** OR Gate A Input Inverted Enable bit  
 1 = Inverted MAI is connected to OR gate  
 0 = Inverted MAI is not connected to OR gate
- bit 7        **NAGS:** AND Gate Output Inverted Enable bit  
 1 = Inverted ANDI is connected to OR gate  
 0 = Inverted ANDI is not connected to OR gate
- bit 6        **PAGS:** AND Gate Output Enable bit  
 1 = ANDI is connected to OR gate  
 0 = ANDI is not connected to OR gate
- bit 5        **ACEN:** AND Gate C Input Enable bit  
 1 = MCI is connected to AND gate  
 0 = MCI is not connected to AND gate
- bit 4        **ACNEN:** AND Gate C Input Inverted Enable bit  
 1 = Inverted MCI is connected to AND gate  
 0 = Inverted MCI is not connected to AND gate

**REGISTER 25-5: CMxMSKCON: COMPARATOR x MASK GATING  
CONTROL REGISTER (CONTINUED)**

- bit 3      **ABEN:** AND Gate B Input Enable bit  
            1 = MBI is connected to AND gate  
            0 = MBI is not connected to AND gate
- bit 2      **ABNEN:** AND Gate B Input Inverted Enable bit  
            1 = Inverted MBI is connected to AND gate  
            0 = Inverted MBI is not connected to AND gate
- bit 1      **AAEN:** AND Gate A Input Enable bit  
            1 = MAI is connected to AND gate  
            0 = MAI is not connected to AND gate
- bit 0      **AANEN:** AND Gate A Input Inverted Enable bit  
            1 = Inverted MAI is connected to AND gate  
            0 = Inverted MAI is not connected to AND gate

**REGISTER 25-6: CM<sub>x</sub>FLTR: COMPARATOR x FILTER CONTROL REGISTER**

|        |     |     |     |     |     |     |       |
|--------|-----|-----|-----|-----|-----|-----|-------|
| U-0    | U-0 | U-0 | U-0 | U-0 | U-0 | U-0 | I-0   |
| —      | —   | —   | —   | —   | —   | —   | —     |
| bit 15 |     |     |     |     |     |     | bit 8 |

|       |            |       |       |         |            |       |       |
|-------|------------|-------|-------|---------|------------|-------|-------|
| U-0   | R/W-0      | R/W-0 | R/W-0 | R/W-0   | R/W-0      | R/W-0 | R/W-0 |
| —     | CFSEL<2:0> |       |       | CFLTREN | CFDIV<2:0> |       |       |
| bit 7 |            |       |       |         |            |       | bit 0 |

**Legend:**

R = Readable bit                      W = Writable bit                      U = Unimplemented bit, read as '0'  
 -n = Value at POR                      '1' = Bit is set                      '0' = Bit is cleared                      x = Bit is unknown

- bit 15-7            **Unimplemented:** Read as '0'
- bit 6-4            **CFSEL<2:0>:** Comparator Filter Input Clock Select bits
  - 111 = T5CLK<sup>(1)</sup>
  - 110 = T4CLK<sup>(2)</sup>
  - 101 = T3CLK<sup>(1)</sup>
  - 100 = T2CLK<sup>(2)</sup>
  - 011 = Reserved
  - 010 = SYNCO1<sup>(3)</sup>
  - 001 = Fosc<sup>(4)</sup>
  - 000 = Fp<sup>(4)</sup>
- bit 3              **CFLTREN:** Comparator Filter Enable bit
  - 1 = Digital filter is enabled
  - 0 = Digital filter is disabled
- bit 2-0            **CFDIV<2:0>:** Comparator Filter Clock Divide Select bits
  - 111 = Clock Divide 1:128
  - 110 = Clock Divide 1:64
  - 101 = Clock Divide 1:32
  - 100 = Clock Divide 1:16
  - 011 = Clock Divide 1:8
  - 010 = Clock Divide 1:4
  - 001 = Clock Divide 1:2
  - 000 = Clock Divide 1:1

- Note 1:** See the Type C Timer Block Diagram (Figure 13-2).  
**Note 2:** See the Type B Timer Block Diagram (Figure 13-1).  
**Note 3:** See the High-Speed PWMx Module Register Interconnection Diagram (Figure 16-2).  
**Note 4:** See the Oscillator System Diagram (Figure 9-1).



**REGISTER 25-7: CVRCON: COMPARATOR VOLTAGE REFERENCE CONTROL REGISTER**

|        |                       |     |     |     |         |       |     |
|--------|-----------------------|-----|-----|-----|---------|-------|-----|
| U-0    | R/W-0                 | U-0 | U-0 | U-0 | R/W-0   | U-0   | U-0 |
| —      | CVR2OE <sup>(1)</sup> | —   | —   | —   | VREFSEL | —     | —   |
| bit 15 |                       |     |     |     |         | bit 8 |     |

|       |                       |       |       |          |       |       |       |
|-------|-----------------------|-------|-------|----------|-------|-------|-------|
| R/W-0 | R/W-0                 | R/W-0 | R/W-0 | R/W-0    | R/W-0 | R/W-0 | R/W-0 |
| CVREN | CVR1OE <sup>(1)</sup> | CVRR  | CVRSS | CVR<3:0> |       |       |       |
| bit 7 |                       |       |       |          |       | bit 0 |       |

|                   |                  |                                    |                    |
|-------------------|------------------|------------------------------------|--------------------|
| <b>Legend:</b>    |                  |                                    |                    |
| R = Readable bit  | W = Writable bit | U = Unimplemented bit, read as '0' |                    |
| -n = Value at POR | '1' = Bit is set | '0' = Bit is cleared               | x = Bit is unknown |

- bit 15      **Unimplemented:** Read as '0'
- bit 14      **CVR2OE:** Comparator Voltage Reference 2 Output Enable bit<sup>(1)</sup>  
 1 = (AVDD – AVSS)/2 is connected to the CVREF2O pin  
 0 = (AVDD – AVSS)/2 is disconnected from the CVREF2O pin
- bit 13-11   **Unimplemented:** Read as '0'
- bit 10      **VREFSEL:** Comparator Voltage Reference Select bit  
 1 = CVREFIN = VREF+  
 0 = CVREFIN is generated by the resistor network
- bit 9-8     **Unimplemented:** Read as '0'
- bit 7        **CVREN:** Comparator Voltage Reference Enable bit  
 1 = Comparator voltage reference circuit is powered on  
 0 = Comparator voltage reference circuit is powered down
- bit 6        **CVR1OE:** Comparator Voltage Reference 1 Output Enable bit<sup>(1)</sup>  
 1 = Voltage level is output on the CVREF1O pin  
 0 = Voltage level is disconnected from then CVREF1O pin
- bit 5        **CVRR:** Comparator Voltage Reference Range Selection bit  
 1 = CVRSRC/24 step-size  
 0 = CVRSRC/32 step-size
- bit 4        **CVRSS:** Comparator Voltage Reference Source Selection bit  
 1 = Comparator voltage reference source, CVRSRC = (VREF+) – (AVSS)  
 0 = Comparator voltage reference source, CVRSRC = AVDD – AVSS
- bit 3-0     **CVR<3:0>** Comparator Voltage Reference Value Selection  $0 \leq \text{CVR<3:0>} \leq 15$  bits  
 When CVRR = 1:  
 $\text{CVREFIN} = (\text{CVR<3:0>}/24) \cdot (\text{CVRSRC})$   
 When CVRR = 0:  
 $\text{CVREFIN} = (\text{CVRSRC}/4) + (\text{CVR<3:0>}/32) \cdot (\text{CVRSRC})$

**Note 1:** CVRxOE overrides the TRISx and the ANSELx bit settings.

**NOTES:**

## 26.0 PROGRAMMABLE CYCLIC REDUNDANCY CHECK (CRC) GENERATOR

**Note 1:** This data sheet summarizes the features of the dsPIC33EPXXXGP50X, dsPIC33EPXXXMC20X/50X and PIC24EPXXXGP/MC20X families of devices. It is not intended to be a comprehensive reference source. To complement the information in this data sheet, refer to **Section 27. “Programmable Cyclic Redundancy Check (CRC)”** (DS70346) of the “dsPIC33E/PIC24E Family Reference Manual”, which is available from the Microchip web site ([www.microchip.com](http://www.microchip.com)).

**2:** Some registers and associated bits described in this section may not be available on all devices. Refer to **Section 4.0 “Memory Organization”** in this data sheet for device-specific register and bit information.

The programmable CRC generator offers the following features:

- User-programmable (up to 32nd order) polynomial CRC equation
- Interrupt output
- Data FIFO

The programmable CRC generator provides a hardware implemented method of quickly generating checksums for various networking and security applications. It offers the following features:

- User-programmable CRC polynomial equation, up to 32 bits
- Programmable shift direction (little or big-endian)
- Independent data and polynomial lengths
- Configurable interrupt output
- Data FIFO

A simplified block diagram of the CRC generator is shown in **Figure 26-1**. A simple version of the CRC shift engine is shown in **Figure 26-2**.

**FIGURE 26-1: CRC BLOCK DIAGRAM**



FIGURE 26-2: CRC SHIFT ENGINE DETAIL



### 26.1 Overview

The CRC module can be programmed for CRC polynomials of up to the 32nd order, using up to 32 bits. Polynomial length, which reflects the highest exponent in the equation, is selected by the PLEN<4:0> bits (CRCCON2<4:0>).

The CRCXORL and CRCXORH registers control which exponent terms are included in the equation. Setting a particular bit includes that exponent term in the equation; functionally, this includes an XOR operation on the corresponding bit in the CRC engine. Clearing the bit disables the XOR.

For example, consider two CRC polynomials, one a 16-bit equation and the other a 32-bit equation:

$$x^{16} + x^{12} + x^5 + 1$$

and

$$x^{32} + x^{26} + x^{23} + x^{22} + x^{16} + x^{12} + x^{11} + x^{10} + x^8 + x^7 + x^5 + x^4 + x^2 + x + 1$$

To program these polynomials into the CRC generator, set the register bits as shown in Table 26-1.

Note that the appropriate positions are set to '1' to indicate that they are used in the equation (for example, X26 and X23). The 0 bit required by the equation is always XORed; thus, X0 is a don't care. For a polynomial of length N, it is assumed that the Nth bit will always be used, regardless of the bit setting. Therefore, for a polynomial length of 32, there is no 32nd bit in the CRCxOR register.

TABLE 26-1: CRC SETUP EXAMPLES FOR 16 AND 32-BIT POLYNOMIAL

| CRC Control Bits | Bit Values             |                        |
|------------------|------------------------|------------------------|
|                  | 16-bit Polynomial      | 32-bit Polynomial      |
| PLEN<4:0>        | 01111                  | 11111                  |
| X<31:16>         | 0000 0000<br>0000 000x | 0000 0100<br>1100 0001 |
| X<15:0>          | 0001 0000<br>0010 000x | 0001 1101<br>1011 011x |

### 26.2 Programmable CRC Resources

Many useful resources are provided on the main product page of the Microchip web site for the devices listed in this data sheet. This product page, which can be accessed using this link, contains the latest updates and additional information.

**Note:** In the event you are not able to access the product page using the link above, enter this URL in your browser:  
<http://www.microchip.com/wwwproducts/Devices.aspx?dDocName=en555464>

#### 26.2.1 KEY RESOURCES

- Section 27. “Programmable Cyclic Redundancy Check (CRC)” (DS70346)
- Code Samples
- Application Notes
- Software Libraries
- Webinars
- All Related “dsPIC33E/PIC24E Family Reference Manual” Sections
- Development Tools

### 26.3 Programmable CRC Registers

**REGISTER 26-1: CRCCON1: CRC CONTROL REGISTER 1**

|        |     |       |            |     |     |     |       |
|--------|-----|-------|------------|-----|-----|-----|-------|
| R/W-0  | U-0 | R/W-0 | R-0        | R-0 | R-0 | R-0 | R-0   |
| CRCEN  | —   | CSIDL | VWORD<4:0> |     |     |     |       |
| bit 15 |     |       |            |     |     |     | bit 8 |

|        |        |         |       |         |     |     |       |
|--------|--------|---------|-------|---------|-----|-----|-------|
| R-0    | R-1    | R/W-0   | R/W-0 | R/W-0   | U-0 | U-0 | U-0   |
| CRCFUL | CRCMPT | CRCISEL | CRCGO | LENDIAN | —   | —   | —     |
| bit 7  |        |         |       |         |     |     | bit 0 |

**Legend:**

|                   |                  |                                    |
|-------------------|------------------|------------------------------------|
| R = Readable bit  | W = Writable bit | U = Unimplemented bit, read as '0' |
| -n = Value at POR | '1' = Bit is set | '0' = Bit is cleared               |
|                   |                  | x = Bit is unknown                 |

- bit 15      **CRCEN:** CRC Enable bit  
 1 = CRC module is enabled  
 0 = CRC module is disabled; all state machines, pointers and CRCWDAT/CRCDAT are reset, other SFRs are not reset
- bit 14      **Unimplemented:** Read as '0'
- bit 13      **CSIDL:** CRC Stop in Idle Mode bit  
 1 = Discontinues module operation when device enters Idle mode  
 0 = Continues module operation in Idle mode
- bit 12-8    **VWORD<4:0>:** Pointer Value bits  
 Indicates the number of valid words in the FIFO. Has a maximum value of 8 when PLEN<4:0> > 7 or 16 when PLEN<4:0> ≤ 7.
- bit 7        **CRCFUL:** FIFO Full bit  
 1 = FIFO is full  
 0 = FIFO is not full
- bit 6        **CRCMPT:** FIFO Empty Bit  
 1 = FIFO is empty  
 0 = FIFO is not empty
- bit 5        **CRCISEL:** CRC Interrupt Selection bit  
 1 = Interrupt on FIFO is empty; final word of data is still shifting through CRC  
 0 = Interrupt on shift is complete and CRCWDAT results are ready
- bit 4        **CRCGO:** Start CRC bit  
 1 = Starts CRC serial shifter  
 0 = CRC serial shifter is turned off
- bit 3        **LENDIAN:** Data Word Little-Endian Configuration bit  
 1 = Data word is shifted into the CRC starting with the LSb (little endian)  
 0 = Data word is shifted into the CRC starting with the MSb (big endian)
- bit 2-0     **Unimplemented:** Read as '0'

**REGISTER 26-2: CRCCON2: CRC CONTROL REGISTER 2**

|        |     |     |             |       |       |       |       |
|--------|-----|-----|-------------|-------|-------|-------|-------|
| U-0    | U-0 | U-0 | R/W-0       | R/W-0 | R/W-0 | R/W-0 | R/W-0 |
| —      | —   | —   | DWIDTH<4:0> |       |       |       |       |
| bit 15 |     |     |             |       |       |       | bit 8 |

|       |     |     |           |       |       |       |       |
|-------|-----|-----|-----------|-------|-------|-------|-------|
| U-0   | U-0 | U-0 | R/W-0     | R/W-0 | R/W-0 | R/W-0 | R/W-0 |
| —     | —   | —   | PLEN<4:0> |       |       |       |       |
| bit 7 |     |     |           |       |       |       | bit 0 |

**Legend:**

|                   |                  |  |
|-------------------|------------------|--|
| R = Readable bit  | W = Writable bit | U = Unimplemented bit, read as '0'           |
| -n = Value at POR | '1' = Bit is set | '0' = Bit is cleared      x = Bit is unknown |

- bit 15-13      **Unimplemented:** Read as '0'
- bit 12-8      **DWIDTH<4:0>:** Data Width Select bits  
These bits set the width of the data word (DWIDTH<4:0> + 1).
- bit 7-5        **Unimplemented:** Read as '0'
- bit 4-0        **PLEN<4:0>:** Polynomial Length Select bits  
These bits set the length of the polynomial (Polynomial Length = PLEN<4:0> + 1).

**REGISTER 26-3: CRCXORH: CRC XOR POLYNOMIAL HIGH REGISTER**

|          |       |       |       |       |       |       |       |
|----------|-------|-------|-------|-------|-------|-------|-------|
| R/W-0    | R/W-0 | R/W-0 | R/W-0 | R/W-0 | R/W-0 | R/W-0 | R/W-0 |
| X<31:24> |       |       |       |       |       |       |       |
| bit 15   |       |       |       | bit 8 |       |       |       |

|          |       |       |       |       |       |       |       |
|----------|-------|-------|-------|-------|-------|-------|-------|
| R/W-0    | R/W-0 | R/W-0 | R/W-0 | R/W-0 | R/W-0 | R/W-0 | R/W-0 |
| X<23:16> |       |       |       |       |       |       |       |
| bit 7    |       |       |       | bit 0 |       |       |       |

|                   |                  |                                    |                    |  |  |  |  |
|-------------------|------------------|------------------------------------|--------------------|--|--|--|--|
| <b>Legend:</b>    |                  |                                    |                    |  |  |  |  |
| R = Readable bit  | W = Writable bit | U = Unimplemented bit, read as '0' |                    |  |  |  |  |
| -n = Value at POR | '1' = Bit is set | '0' = Bit is cleared               | x = Bit is unknown |  |  |  |  |

bit 15-0      **X<31:16>**: XOR of Polynomial Term  $X^n$  Enable bits

**REGISTER 26-4: CRCXORL: CRC XOR POLYNOMIAL LOW REGISTER**

|         |       |       |       |       |       |       |       |
|---------|-------|-------|-------|-------|-------|-------|-------|
| R/W-0   | R/W-0 | R/W-0 | R/W-0 | R/W-0 | R/W-0 | R/W-0 | R/W-0 |
| X<15:8> |       |       |       |       |       |       |       |
| bit 15  |       |       |       | bit 8 |       |       |       |

|        |       |       |       |       |       |       |     |
|--------|-------|-------|-------|-------|-------|-------|-----|
| R/W-0  | R/W-0 | R/W-0 | R/W-0 | R/W-0 | R/W-0 | R/W-0 | U-0 |
| X<7:1> |       |       |       |       |       |       | —   |
| bit 7  |       |       |       | bit 0 |       |       |     |

|                   |                  |                                    |                    |  |  |  |  |
|-------------------|------------------|------------------------------------|--------------------|--|--|--|--|
| <b>Legend:</b>    |                  |                                    |                    |  |  |  |  |
| R = Readable bit  | W = Writable bit | U = Unimplemented bit, read as '0' |                    |  |  |  |  |
| -n = Value at POR | '1' = Bit is set | '0' = Bit is cleared               | x = Bit is unknown |  |  |  |  |

bit 15-1      **X<15:1>**: XOR of Polynomial Term  $X^n$  Enable bits

bit 0      **Unimplemented:** Read as '0'

**NOTES:**



## 27.0 SPECIAL FEATURES

**Note:** This data sheet summarizes the features of the dsPIC33EPXXXGP50X, dsPIC33EPXXXMC20X/50X and PIC24EPXXXGP/MC20X families of devices. It is not intended to be a comprehensive reference source. To complement the information in this data sheet, refer to the related section of the “dsPIC33E/PIC24E Family Reference Manual”, which is available from the Microchip web site ([www.microchip.com](http://www.microchip.com)).

dsPIC33EPXXXGP50X, dsPIC33EPXXXMC20X/50X and PIC24EPXXXGP/MC20X devices include several features intended to maximize application flexibility and reliability, and minimize cost through elimination of external components. These are:

- Flexible configuration
- Watchdog Timer (WDT)
- Code Protection and CodeGuard™ Security
- JTAG Boundary Scan Interface
- In-Circuit Serial Programming™ (ICSP™)
- In-Circuit Emulation

## 27.1 Configuration Bits

In dsPIC33EPXXXGP50X, dsPIC33EPXXXMC20X/50X and PIC24EPXXXGP/MC20X devices, the Configuration bytes are implemented as volatile memory. This means that configuration data must be programmed each time the device is powered up. Configuration data is stored in at the top of the on-chip program memory space, known as the Flash Configuration bytes. Their specific locations are shown in [Table 27-1](#). The configuration data is automatically loaded from the Flash Configuration bytes to the proper Configuration Shadow registers during device Resets.

**Note:** Configuration data is reloaded on all types of device Resets.

When creating applications for these devices, users should always specifically allocate the location of the Flash Configuration bytes for configuration data in their code for the compiler. This is to make certain that program code is not stored in this address when the code is compiled.

The upper 2 bytes of all Flash Configuration Words in program memory should always be ‘1111 1111 1111 1111’. This makes them appear to be NOP instructions in the remote event that their locations are ever executed by accident. Since Configuration bits are not implemented in the corresponding locations, writing ‘1’s to these locations has no effect on device operation.

**Note:** Performing a page erase operation on the last page of program memory clears the Flash Configuration bytes, enabling code protection as a result. Therefore, users should avoid performing page erase operations on the last page of program memory.

The Configuration Flash bytes map is shown in [Table 27-1](#).

TABLE 27-1: CONFIGURATION BYTE REGISTER MAP

| File Name | Address | Device Memory Size (Kbytes) | Bits 23-8 | Bit 7                   | Bit 6                  | Bit 5   | Bit 4                   | Bit 3                   | Bit 2      | Bit 1       | Bit 0 |
|-----------|---------|-----------------------------|-----------|-------------------------|------------------------|---------|-------------------------|-------------------------|------------|-------------|-------|
| Reserved  | 0057EC  | 32                          | —         | —                       | —                      | —       | —                       | —                       | —          | —           | —     |
|           | 00AFEC  | 64                          |           |                         |                        |         |                         |                         |            |             |       |
|           | 0157EC  | 128                         |           |                         |                        |         |                         |                         |            |             |       |
|           | 02AFEC  | 256                         |           |                         |                        |         |                         |                         |            |             |       |
|           | 0557EC  | 512                         |           |                         |                        |         |                         |                         |            |             |       |
| Reserved  | 0057EE  | 32                          | —         | —                       | —                      | —       | —                       | —                       | —          | —           | —     |
|           | 00AFEE  | 64                          |           |                         |                        |         |                         |                         |            |             |       |
|           | 0157EE  | 128                         |           |                         |                        |         |                         |                         |            |             |       |
|           | 02AFEE  | 256                         |           |                         |                        |         |                         |                         |            |             |       |
|           | 0557EE  | 512                         |           |                         |                        |         |                         |                         |            |             |       |
| FICD      | 0057F0  | 32                          | —         | Reserved <sup>(3)</sup> | —                      | JTAGEN  | Reserved <sup>(2)</sup> | Reserved <sup>(3)</sup> | —          | ICS<1:0>    |       |
|           | 00AFF0  | 64                          |           |                         |                        |         |                         |                         |            |             |       |
|           | 0157F0  | 128                         |           |                         |                        |         |                         |                         |            |             |       |
|           | 02AFF0  | 256                         |           |                         |                        |         |                         |                         |            |             |       |
|           | 0557F0  | 512                         |           |                         |                        |         |                         |                         |            |             |       |
| FPOR      | 0057F2  | 32                          | —         | WDTWIN<1:0>             |                        | ALTI2C2 | ALTI2C1                 | Reserved <sup>(3)</sup> | —          | —           | —     |
|           | 00AFF2  | 64                          |           |                         |                        |         |                         |                         |            |             |       |
|           | 0157F2  | 128                         |           |                         |                        |         |                         |                         |            |             |       |
|           | 02AFF2  | 256                         |           |                         |                        |         |                         |                         |            |             |       |
|           | 0557F2  | 512                         |           |                         |                        |         |                         |                         |            |             |       |
| FWDT      | 0057F4  | 32                          | —         | FWDTEN                  | WINDIS                 | PLLKEN  | WDTPRE                  | WDTPOST<3:0>            |            |             |       |
|           | 00AFF4  | 64                          |           |                         |                        |         |                         |                         |            |             |       |
|           | 0157F4  | 128                         |           |                         |                        |         |                         |                         |            |             |       |
|           | 02AFF4  | 256                         |           |                         |                        |         |                         |                         |            |             |       |
|           | 0557F4  | 512                         |           |                         |                        |         |                         |                         |            |             |       |
| FOSC      | 0057F6  | 32                          | —         | FCKSM<1:0>              |                        | IOL1WAY | —                       | —                       | OSCIOFNC   | POSCMD<1:0> |       |
|           | 00AFF6  | 64                          |           |                         |                        |         |                         |                         |            |             |       |
|           | 0157F6  | 128                         |           |                         |                        |         |                         |                         |            |             |       |
|           | 02AFF6  | 256                         |           |                         |                        |         |                         |                         |            |             |       |
|           | 0557F6  | 512                         |           |                         |                        |         |                         |                         |            |             |       |
| FOSC-SEL  | 0057F8  | 32                          | —         | IESO                    | PWMLOCK <sup>(1)</sup> | —       | —                       | —                       | FNOSC<2:0> |             |       |
|           | 00AFF8  | 64                          |           |                         |                        |         |                         |                         |            |             |       |
|           | 0157F8  | 128                         |           |                         |                        |         |                         |                         |            |             |       |
|           | 02AFF8  | 256                         |           |                         |                        |         |                         |                         |            |             |       |
|           | 0557F8  | 512                         |           |                         |                        |         |                         |                         |            |             |       |
| FGS       | 0057FA  | 32                          | —         | —                       | —                      | —       | —                       | —                       | —          | GCP         | GWRP  |
|           | 00AFFA  | 64                          |           |                         |                        |         |                         |                         |            |             |       |
|           | 0157FA  | 128                         |           |                         |                        |         |                         |                         |            |             |       |
|           | 02AFFA  | 256                         |           |                         |                        |         |                         |                         |            |             |       |
|           | 0557FA  | 512                         |           |                         |                        |         |                         |                         |            |             |       |
| Reserved  | 0057FC  | 32                          | —         | —                       | —                      | —       | —                       | —                       | —          | —           | —     |
|           | 00AFFC  | 64                          |           |                         |                        |         |                         |                         |            |             |       |
|           | 0157FC  | 128                         |           |                         |                        |         |                         |                         |            |             |       |
|           | 02AFFC  | 256                         |           |                         |                        |         |                         |                         |            |             |       |
|           | 0557FC  | 512                         |           |                         |                        |         |                         |                         |            |             |       |
| Reserved  | 057FFE  | 32                          | —         | —                       | —                      | —       | —                       | —                       | —          | —           | —     |
|           | 00AFFE  | 64                          |           |                         |                        |         |                         |                         |            |             |       |
|           | 0157FE  | 128                         |           |                         |                        |         |                         |                         |            |             |       |
|           | 02AFFE  | 256                         |           |                         |                        |         |                         |                         |            |             |       |
|           | 0557FE  | 512                         |           |                         |                        |         |                         |                         |            |             |       |

Legend: — = unimplemented, read as '1'.

Note 1: This bit is only available on dsPIC33EPXXXMC20X/50X and PIC24EPXXXMC20X devices.

2: This bit is reserved and must be programmed as '0'.

3: These bits are reserved and must be programmed as '1'.

**TABLE 27-2: CONFIGURATION BITS DESCRIPTION**

| Bit Field              | Description  |
|------------------------|--|
| GCP                    | General Segment Code-Protect bit<br>1 = User program memory is not code-protected<br>0 = Code protection is enabled for the entire program memory space  |
| GWRP                   | General Segment Write-Protect bit<br>1 = User program memory is not write-protected<br>0 = User program memory is write-protected  |
| IESO                   | Two-Speed Oscillator Start-up Enable bit<br>1 = Start up device with FRC, then automatically switch to the user-selected oscillator source when ready<br>0 = Start up device with user-selected oscillator source  |
| PWMLOCK <sup>(1)</sup> | PWM Lock Enable bit<br>1 = Certain PWM registers may only be written after a key sequence<br>0 = PWM registers may be written without a key sequence   |
| FNOSC<2:0>             | Oscillator Selection bits<br>111 = Fast RC Oscillator with Divide-by-N (FRCDIVN)<br>110 = Reserved; do not use<br>101 = Low-Power RC Oscillator (LPRC)<br>100 = Reserved; do not use<br>011 = Primary Oscillator with PLL module (XT + PLL, HS + PLL, EC + PLL)<br>010 = Primary Oscillator (XT, HS, EC)<br>001 = Fast RC Oscillator with Divide-by-N with PLL module (FRCPLL)<br>000 = Fast RC Oscillator (FRC) |
| FCKSM<1:0>             | Clock Switching Mode bits<br>1x = Clock switching is disabled, Fail-Safe Clock Monitor is disabled<br>01 = Clock switching is enabled, Fail-Safe Clock Monitor is disabled<br>00 = Clock switching is enabled, Fail-Safe Clock Monitor is enabled  |
| IOL1WAY                | Peripheral Pin Select Configuration bit<br>1 = Allow only one reconfiguration<br>0 = Allow multiple reconfigurations   |
| OSCIOFNC               | OSC2 Pin Function bit (except in XT and HS modes)<br>1 = OSC2 is the clock output<br>0 = OSC2 is a general purpose digital I/O pin   |
| POSCMD<1:0>            | Primary Oscillator Mode Select bits<br>11 = Primary Oscillator is disabled<br>10 = HS Crystal Oscillator mode<br>01 = XT Crystal Oscillator mode<br>00 = EC (External Clock) mode  |
| FWDTEN                 | Watchdog Timer Enable bit<br>1 = Watchdog Timer is always enabled (LPRC oscillator cannot be disabled. Clearing the SWDTEN bit in the RCON register will have no effect.)<br>0 = Watchdog Timer is enabled/disabled by user software (LPRC can be disabled by clearing the SWDTEN bit in the RCON register)  |
| WINDIS                 | Watchdog Timer Window Enable bit<br>1 = Watchdog Timer in Non-Window mode<br>0 = Watchdog Timer in Window mode   |
| PLLKEN                 | PLL Lock Enable bit<br>1 = PLL lock is enabled<br>0 = PLL lock is disabled   |
| WDTPRE                 | Watchdog Timer Prescaler bit<br>1 = 1:128<br>0 = 1:32  |

**Note 1:** This bit is only available on dsPIC33EPXXXMC20X/50X and PIC24EPXXXMC20X devices.

**TABLE 27-2: CONFIGURATION BITS DESCRIPTION (CONTINUED)**

| Bit Field    | Description   |
|--------------|---|
| WDTPOST<3:0> | Watchdog Timer Postscaler bits<br>1111 = 1:32,768<br>1110 = 1:16,384<br>•<br>•<br>•<br>0001 = 1:2<br>0000 = 1:1   |
| WDTWIN<1:0>  | Watchdog Window Select bits<br>11 = WDT window is 25% of WDT period<br>10 = WDT window is 37.5% of WDT period<br>01 = WDT window is 50% of WDT period<br>00 = WDT window is 75% of WDT period |
| ALTI2C1      | Alternate I2C1 pin<br>1 = I2C1 is mapped to the SDA1/SCL1 pins<br>0 = I2C1 is mapped to the ASDA1/ASCL1 pins  |
| ALTI2C2      | Alternate I2C2 pin<br>1 = I2C2 is mapped to the SDA2/SCL2 pins<br>0 = I2C2 is mapped to the ASDA2/ASCL2 pins  |
| JTAGEN       | JTAG Enable bit<br>1 = JTAG is enabled<br>0 = JTAG is disabled  |
| ICS<1:0>     | ICD Communication Channel Select bits<br>11 = Communicate on PGEC1 and PGED1<br>10 = Communicate on PGEC2 and PGED2<br>01 = Communicate on PGEC3 and PGED3<br>00 = Reserved, do not use       |

**Note 1:** This bit is only available on dsPIC33EPXXXMC20X/50X and PIC24EPXXXMC20X devices.



## 27.2 User ID Words

dsPIC33EPXXXGP50X, dsPIC33EPXXXMC20X/50X and PIC24EPXXXGP/MC20X devices contain four User ID Words, located at addresses, 0x800FF8 through 0x800FFE. The User ID Words can be used for storing product information such as serial numbers, system manufacturing dates, manufacturing lot numbers and other application-specific information.

The User ID Words register map is shown in [Table 27-3](#).

**TABLE 27-3: USER ID WORDS REGISTER MAP**

| File Name | Address  | Bits 23-16 | Bits 15-0 |
|-----------|----------|------------|-----------|
| FUID0     | 0x800FF8 | —          | UID0      |
| FUID1     | 0x800FFA | —          | UID1      |
| FUID2     | 0x800FFC | —          | UID2      |
| FUID3     | 0x800FFE | —          | UID3      |

**Legend:** — = unimplemented, read as '1'.

## 27.3 On-Chip Voltage Regulator

All the dsPIC33EPXXXGP50X, dsPIC33EPXXXMC20X/50X and PIC24EPXXXGP/MC20X devices power their core digital logic at a nominal 1.8V. This can create a conflict for designs that are required to operate at a higher typical voltage, such as 3.3V. To simplify system design, all devices in the dsPIC33EPXXXGP50X, dsPIC33EPXXXMC20X/50X and PIC24EPXXXGP/MC20X family incorporate an on-chip regulator that allows the device to run its core logic from VDD.

The regulator provides power to the core from the other VDD pins. A low-ESR (less than 1 Ohm) capacitor (such as tantalum or ceramic) must be connected to the VCAP pin ([Figure 27-1](#)). This helps to maintain the stability of the regulator. The recommended value for the filter capacitor is provided in [Table 30-5](#) located in [Section 30.0 “Electrical Characteristics”](#).

**Note:** It is important for the low-ESR capacitor to be placed as close as possible to the VCAP pin.

**FIGURE 27-1: CONNECTIONS FOR THE ON-CHIP VOLTAGE REGULATOR<sup>(1,2,3)</sup>**



## 27.4 Brown-out Reset (BOR)

The Brown-out Reset (BOR) module is based on an internal voltage reference circuit that monitors the regulated supply voltage, VCAP. The main purpose of the BOR module is to generate a device Reset when a brown-out condition occurs. Brown-out conditions are generally caused by glitches on the AC mains (for example, missing portions of the AC cycle waveform due to bad power transmission lines or voltage sags due to excessive current draw when a large inductive load is turned on).

A BOR generates a Reset pulse, which resets the device. The BOR selects the clock source, based on the device Configuration bit values (FNOSC<2:0> and POSCMD<1:0>).

If an oscillator mode is selected, the BOR activates the Oscillator Start-up Timer (OST). The system clock is held until OST expires. If the PLL is used, the clock is held until the LOCK bit (OSCCON<5>) is '1'.

Concurrently, the PWRT Time-out (TPWRT) is applied before the internal Reset is released. If TPWRT = 0 and a crystal oscillator is being used, then a nominal delay of TFSCM is applied. The total delay in this case is TFSCM. Refer to Parameter SY35 in [Table 30-22](#) of [Section 30.0 “Electrical Characteristics”](#) for specific TFSCM values.

The BOR status bit (RCON<1>) is set to indicate that a BOR has occurred. The BOR circuit continues to operate while in Sleep or Idle modes and resets the device should VDD fall below the BOR threshold voltage.

## 27.5 Watchdog Timer (WDT)

For dsPIC33EPXXXGP50X, dsPIC33EPXXXMC20X/50X and PIC24EPXXXGP/MC20X devices, the WDT is driven by the LPRC oscillator. When the WDT is enabled, the clock source is also enabled.

### 27.5.1 PRESCALER/POSTSCALER

The nominal WDT clock source from LPRC is 32 kHz. This feeds a prescaler that can be configured for either 5-bit (divide-by-32) or 7-bit (divide-by-128) operation. The prescaler is set by the WDTPRE Configuration bit. With a 32 kHz input, the prescaler yields a WDT Time-out period (TWDT), as shown in Parameter SY12 in Table 30-22.

A variable postscaler divides down the WDT prescaler output and allows for a wide range of time-out periods. The postscaler is controlled by the WDTPOST<3:0> Configuration bits (FWDT<3:0>), which allow the selection of 16 settings, from 1:1 to 1:32,768. Using the prescaler and postscaler, time-out periods ranging from 1 ms to 131 seconds can be achieved.

The WDT, prescaler and postscaler are reset:

- On any device Reset
- On the completion of a clock switch, whether invoked by software (i.e., setting the OSWEN bit after changing the NOSCx bits) or by hardware (i.e., Fail-Safe Clock Monitor)
- When a PWRSAV instruction is executed (i.e., Sleep or Idle mode is entered)
- When the device exits Sleep or Idle mode to resume normal operation
- By a CLRWDT instruction during normal execution

**Note:** The CLRWDT and PWRSAV instructions clear the prescaler and postscaler counts when executed.

### 27.5.2 SLEEP AND IDLE MODES

If the WDT is enabled, it continues to run during Sleep or Idle modes. When the WDT time-out occurs, the device wakes the device and code execution continues from where the PWRSAV instruction was executed. The corresponding SLEEP or IDLE bit (RCON<3,2>) needs to be cleared in software after the device wakes up.

### 27.5.3 ENABLING WDT

The WDT is enabled or disabled by the FWDTEN Configuration bit in the FWDT Configuration register. When the FWDTEN Configuration bit is set, the WDT is always enabled.

The WDT can be optionally controlled in software when the FWDTEN Configuration bit has been programmed to '0'. The WDT is enabled in software by setting the SWDTEN control bit (RCON<5>). The SWDTEN control bit is cleared on any device Reset. The software WDT option allows the user application to enable the WDT for critical code segments and disable the WDT during non-critical segments for maximum power savings.

The WDT flag bit, WDTO (RCON<4>), is not automatically cleared following a WDT time-out. To detect subsequent WDT events, the flag must be cleared in software.

### 27.5.4 WDT WINDOW

The Watchdog Timer has an optional Windowed mode, enabled by programming the WINDIS bit in the WDT Configuration register (FWDT<6>). In the Windowed mode (WINDIS = 0), the WDT should be cleared based on the settings in the programmable Watchdog Timer Window select bits (WDTWIN<1:0>).

FIGURE 27-2: WDT BLOCK DIAGRAM



## 27.6 JTAG Interface

dsPIC33EPXXXGP50X, dsPIC33EPXXXMC20X/50X and PIC24EPXXXGP/MC20X devices implement a JTAG interface, which supports boundary scan device testing. Detailed information on this interface is provided in future revisions of the document.

**Note:** Refer to **Section 24. “Programming and Diagnostics”** (DS70608) of the *“dsPIC33E/PIC24E Family Reference Manual”* for further information on usage, configuration and operation of the JTAG interface.

## 27.7 In-Circuit Serial Programming

The dsPIC33EPXXXGP50X, dsPIC33EPXXXMC20X/50X and PIC24EPXXXGP/MC20X devices can be serially programmed while in the end application circuit. This is done with two lines for clock and data, and three other lines for power, ground and the programming sequence. Serial programming allows customers to manufacture boards with unprogrammed devices and then program the device just before shipping the product. Serial programming also allows the most recent firmware or a custom firmware to be programmed. Refer to the *“dsPIC33E/PIC24E Flash Programming Specification for Devices with Volatile Configuration Bits”* (DS70663) for details about In-Circuit Serial Programming (ICSP).

Any of the three pairs of programming clock/data pins can be used:

- PGEC1 and PGED1
- PGEC2 and PGED2
- PGEC3 and PGED3

## 27.8 In-Circuit Debugger

When MPLAB® ICD 3 or REAL ICE™ is selected as a debugger, the in-circuit debugging functionality is enabled. This function allows simple debugging functions when used with MPLAB IDE. Debugging functionality is controlled through the PGECx (Emulation/Debug Clock) and PGEDx (Emulation/Debug Data) pin functions.

Any of the three pairs of debugging clock/data pins can be used:

- PGEC1 and PGED1
- PGEC2 and PGED2
- PGEC3 and PGED3

To use the in-circuit debugger function of the device, the design must implement ICSP connections to MCLR, VDD, VSS and the PGECx/PGEDx pin pair. In addition, when the feature is enabled, some of the resources are not available for general use. These resources include the first 80 bytes of data RAM and two I/O pins (PGECx and PGEDx).

## 27.9 Code Protection and CodeGuard™ Security

The dsPIC33EPXXXGP50X, dsPIC33EPXXXMC20X/50X, and PIC24EPXXXGP/MC20X devices offer basic implementation of CodeGuard Security that supports only General Segment (GS) security. This feature helps protect individual Intellectual Property.

**Note:** Refer to **Section 23. “CodeGuard™ Security”** (DS70634) of the *“dsPIC33E/PIC24E Family Reference Manual”* for further information on usage, configuration and operation of CodeGuard Security.



## 28.0 INSTRUCTION SET SUMMARY

**Note:** This data sheet summarizes the features of the dsPIC33EPXXXGP50X, dsPIC33EPXXXMC20X/50X and PIC24EPXXXGP/MC20X families of devices. It is not intended to be a comprehensive reference source. To complement the information in this data sheet, refer to the related section of the “dsPIC33E/PIC24E Family Reference Manual”, which is available from the Microchip web site ([www.microchip.com](http://www.microchip.com)).

The dsPIC33EP instruction set is almost identical to that of the dsPIC30F and dsPIC33F. The PIC24EP instruction set is almost identical to that of the PIC24F and PIC24H.

Most instructions are a single program memory word (24 bits). Only three instructions require two program memory locations.

Each single-word instruction is a 24-bit word, divided into an 8-bit opcode, which specifies the instruction type and one or more operands, which further specify the operation of the instruction.

The instruction set is highly orthogonal and is grouped into five basic categories:

- Word or byte-oriented operations
- Bit-oriented operations
- Literal operations
- DSP operations
- Control operations

Table 28-1 lists the general symbols used in describing the instructions.

The dsPIC33E instruction set summary in Table 28-2 lists all the instructions, along with the status flags affected by each instruction.

Most word or byte-oriented W register instructions (including barrel shift instructions) have three operands:

- The first source operand, which is typically a register ‘Wb’ without any address modifier
- The second source operand, which is typically a register ‘Ws’ with or without an address modifier
- The destination of the result, which is typically a register ‘Wd’ with or without an address modifier

However, word or byte-oriented file register instructions have two operands:

- The file register specified by the value ‘f’
- The destination, which could be either the file register ‘f’ or the W0 register, which is denoted as ‘WREG’

Most bit-oriented instructions (including simple rotate/shift instructions) have two operands:

- The W register (with or without an address modifier) or file register (specified by the value of ‘Ws’ or ‘f’)
- The bit in the W register or file register (specified by a literal value or indirectly by the contents of register ‘Wb’)

The literal instructions that involve data movement can use some of the following operands:

- A literal value to be loaded into a W register or file register (specified by ‘k’)
- The W register or file register where the literal value is to be loaded (specified by ‘Wb’ or ‘f’)

However, literal instructions that involve arithmetic or logical operations use some of the following operands:

- The first source operand, which is a register ‘Wb’ without any address modifier
- The second source operand, which is a literal value
- The destination of the result (only if not the same as the first source operand), which is typically a register ‘Wd’ with or without an address modifier

The MAC class of DSP instructions can use some of the following operands:

- The accumulator (A or B) to be used (required operand)
- The W registers to be used as the two operands
- The X and Y address space prefetch operations
- The X and Y address space prefetch destinations
- The accumulator write back destination

The other DSP instructions do not involve any multiplication and can include:

- The accumulator to be used (required)
- The source or destination operand (designated as Wso or Wdo, respectively) with or without an address modifier
- The amount of shift specified by a W register ‘Wn’ or a literal value

The control instructions can use some of the following operands:

- A program memory address
- The mode of the table read and table write instructions

Most instructions are a single word. Certain double-word instructions are designed to provide all the required information in these 48 bits. In the second word, the 8 MSBs are '0's. If this second word is executed as an instruction (by itself), it executes as a NOP.

The double-word instructions execute in two instruction cycles.

Most single-word instructions are executed in a single instruction cycle, unless a conditional test is true, or the Program Counter is changed as a result of the instruction, or a PSV or table read is performed, or an SFR register is read. In these cases, the execution takes multiple instruction cycles with the additional instruction cycle(s) executed as a NOP. Certain instructions that involve skipping over the subsequent instruction require either

two or three cycles if the skip is performed, depending on whether the instruction being skipped is a single-word or two-word instruction. Moreover, double-word moves require two cycles.

**Note:** For more details on the instruction set, refer to the “16-bit MCU and DSC Programmer’s Reference Manual” (DS70157).

For more information on instructions that take more than one instruction cycle to execute, refer to **Section 2. “CPU”** of the “dsPIC33E/PIC24E Family Reference Manual” (DS70359), particularly **Section 2.8, “Instruction Flow Types”**.

**TABLE 28-1: SYMBOLS USED IN OPCODE DESCRIPTIONS**

| Field           | Description   |
|-----------------|---|
| #text           | Means literal defined by “text”   |
| (text)          | Means “content of text”   |
| [text]          | Means “the location addressed by text”  |
| { }             | Optional field or operation   |
| a ∈ {b, c, d}   | a is selected from the set of values b, c, d  |
| <n:m>           | Register bit field  |
| .b              | Byte mode selection   |
| .d              | Double-Word mode selection  |
| .S              | Shadow register select  |
| .w              | Word mode selection (default)   |
| Acc             | One of two accumulators {A, B}  |
| AWB             | Accumulator write back destination address register ∈ {W13, [W13]+ = 2}               |
| bit4            | 4-bit bit selection field (used in word addressed instructions) ∈ {0..15}             |
| C, DC, N, OV, Z | MCU Status bits: Carry, Digit Carry, Negative, Overflow, Sticky Zero                  |
| Expr            | Absolute address, label or expression (resolved by the linker)                        |
| f               | File register address ∈ {0x0000...0x1FFF}   |
| lit1            | 1-bit unsigned literal ∈ {0,1}  |
| lit4            | 4-bit unsigned literal ∈ {0..15}  |
| lit5            | 5-bit unsigned literal ∈ {0..31}  |
| lit8            | 8-bit unsigned literal ∈ {0..255}   |
| lit10           | 10-bit unsigned literal ∈ {0..255} for Byte mode, {0:1023} for Word mode              |
| lit14           | 14-bit unsigned literal ∈ {0..16384}  |
| lit16           | 16-bit unsigned literal ∈ {0..65535}  |
| lit23           | 23-bit unsigned literal ∈ {0..8388608}; LSb must be '0'                               |
| None            | Field does not require an entry, can be blank   |
| OA, OB, SA, SB  | DSP Status bits: ACCA Overflow, ACCB Overflow, ACCA Saturate, ACCB Saturate           |
| PC              | Program Counter   |
| Slit10          | 10-bit signed literal ∈ {-512...511}  |
| Slit16          | 16-bit signed literal ∈ {-32768...32767}  |
| Slit6           | 6-bit signed literal ∈ {-16...16}   |
| Wb              | Base W register ∈ {W0...W15}  |
| Wd              | Destination W register ∈ { Wd, [Wd], [Wd++], [Wd--], [++Wd], [--Wd] }                 |
| Wdo             | Destination W register ∈ { Wnd, [Wnd], [Wnd++], [Wnd--], [++Wnd], [--Wnd], [Wnd+Wb] } |

TABLE 28-1: SYMBOLS USED IN OPCODE DESCRIPTIONS (CONTINUED)

| Field | Description   |
|-------|---|
| Wm,Wn | Dividend, Divisor working register pair (direct addressing)   |
| Wm*Wm | Multiplicand and Multiplier working register pair for Square instructions $\in \{W4 * W4, W5 * W5, W6 * W6, W7 * W7\}$  |
| Wm*Wn | Multiplicand and Multiplier working register pair for DSP instructions $\in \{W4 * W5, W4 * W6, W4 * W7, W5 * W6, W5 * W7, W6 * W7\}$   |
| Wn    | One of 16 working registers $\in \{W0...W15\}$  |
| Wnd   | One of 16 destination working registers $\in \{W0...W15\}$  |
| Wns   | One of 16 source working registers $\in \{W0...W15\}$   |
| WREG  | W0 (working register used in file register instructions)  |
| Ws    | Source W register $\in \{Ws, [Ws], [Ws++] , [Ws--], [++Ws], [--Ws] \}$  |
| Wso   | Source W register $\in \{Wns, [Wns], [Wns++] , [Wns--], [++Wns], [--Wns], [Wns+Wb] \}$  |
| Wx    | X Data Space Prefetch Address register for DSP instructions<br>$\in \{[W8] + = 6, [W8] + = 4, [W8] + = 2, [W8], [W8] - = 6, [W8] - = 4, [W8] - = 2, [W9] + = 6, [W9] + = 4, [W9] + = 2, [W9], [W9] - = 6, [W9] - = 4, [W9] - = 2, [W9 + W12], \text{none}\}$                |
| Wxd   | X Data Space Prefetch Destination register for DSP instructions $\in \{W4...W7\}$   |
| Wy    | Y Data Space Prefetch Address register for DSP instructions<br>$\in \{[W10] + = 6, [W10] + = 4, [W10] + = 2, [W10], [W10] - = 6, [W10] - = 4, [W10] - = 2, [W11] + = 6, [W11] + = 4, [W11] + = 2, [W11], [W11] - = 6, [W11] - = 4, [W11] - = 2, [W11 + W12], \text{none}\}$ |
| Wyd   | Y Data Space Prefetch Destination register for DSP instructions $\in \{W4...W7\}$   |

TABLE 28-2: INSTRUCTION SET OVERVIEW

| Base Instr #       | Assembly Mnemonic | Assembly Syntax                    | Description  | # of Words | # of Cycles | Status Flags Affected |
|--------------------|-------------------|------------------------------------|--|------------|-------------|-----------------------|
| 1                  | ADD               | ADD <i>Acc</i> <sup>(1)</sup>      | Add Accumulators   | 1          | 1           | OA,OB,SA,SB           |
|                    |                   | ADD <i>f</i>                       | $f = f + WREG$   | 1          | 1           | C,DC,N,OV,Z           |
|                    |                   | ADD <i>f, WREG</i>                 | $WREG = f + WREG$  | 1          | 1           | C,DC,N,OV,Z           |
|                    |                   | ADD <i>#lit10, Wn</i>              | $Wd = lit10 + Wd$  | 1          | 1           | C,DC,N,OV,Z           |
|                    |                   | ADD <i>Wb, Ws, Wd</i>              | $Wd = Wb + Ws$   | 1          | 1           | C,DC,N,OV,Z           |
|                    |                   | ADD <i>Wb, #lit5, Wd</i>           | $Wd = Wb + lit5$   | 1          | 1           | C,DC,N,OV,Z           |
| 2                  | ADDC              | ADDC <i>f</i>                      | $f = f + WREG + (C)$                                       | 1          | 1           | C,DC,N,OV,Z           |
|                    |                   | ADDC <i>f, WREG</i>                | $WREG = f + WREG + (C)$                                    | 1          | 1           | C,DC,N,OV,Z           |
|                    |                   | ADDC <i>#lit10, Wn</i>             | $Wd = lit10 + Wd + (C)$                                    | 1          | 1           | C,DC,N,OV,Z           |
|                    |                   | ADDC <i>Wb, Ws, Wd</i>             | $Wd = Wb + Ws + (C)$                                       | 1          | 1           | C,DC,N,OV,Z           |
|                    |                   | ADDC <i>Wb, #lit5, Wd</i>          | $Wd = Wb + lit5 + (C)$                                     | 1          | 1           | C,DC,N,OV,Z           |
| 3                  | AND               | AND <i>f</i>                       | $f = f .AND. WREG$   | 1          | 1           | N,Z                   |
|                    |                   | AND <i>f, WREG</i>                 | $WREG = f .AND. WREG$                                      | 1          | 1           | N,Z                   |
|                    |                   | AND <i>#lit10, Wn</i>              | $Wd = lit10 .AND. Wd$                                      | 1          | 1           | N,Z                   |
|                    |                   | AND <i>Wb, Ws, Wd</i>              | $Wd = Wb .AND. Ws$   | 1          | 1           | N,Z                   |
|                    |                   | AND <i>Wb, #lit5, Wd</i>           | $Wd = Wb .AND. lit5$                                       | 1          | 1           | N,Z                   |
| 4                  | ASR               | ASR <i>f</i>                       | $f = \text{Arithmetic Right Shift } f$                     | 1          | 1           | C,N,OV,Z              |
|                    |                   | ASR <i>f, WREG</i>                 | $WREG = \text{Arithmetic Right Shift } f$                  | 1          | 1           | C,N,OV,Z              |
|                    |                   | ASR <i>Ws, Wd</i>                  | $Wd = \text{Arithmetic Right Shift } Ws$                   | 1          | 1           | C,N,OV,Z              |
|                    |                   | ASR <i>Wb, Wns, Wnd</i>            | $Wnd = \text{Arithmetic Right Shift } Wb \text{ by } Wns$  | 1          | 1           | N,Z                   |
|                    |                   | ASR <i>Wb, #lit5, Wnd</i>          | $Wnd = \text{Arithmetic Right Shift } Wb \text{ by } lit5$ | 1          | 1           | N,Z                   |
| 5                  | BCLR              | BCLR <i>f, #bit4</i>               | Bit Clear <i>f</i>   | 1          | 1           | None                  |
|                    |                   | BCLR <i>Ws, #bit4</i>              | Bit Clear <i>Ws</i>  | 1          | 1           | None                  |
| 6                  | BRA               | BRA <i>C, Expr</i>                 | Branch if Carry  | 1          | 1 (4)       | None                  |
|                    |                   | BRA <i>GE, Expr</i>                | Branch if greater than or equal                            | 1          | 1 (4)       | None                  |
|                    |                   | BRA <i>GEU, Expr</i>               | Branch if unsigned greater than or equal                   | 1          | 1 (4)       | None                  |
|                    |                   | BRA <i>GT, Expr</i>                | Branch if greater than                                     | 1          | 1 (4)       | None                  |
|                    |                   | BRA <i>GTU, Expr</i>               | Branch if unsigned greater than                            | 1          | 1 (4)       | None                  |
|                    |                   | BRA <i>LE, Expr</i>                | Branch if less than or equal                               | 1          | 1 (4)       | None                  |
|                    |                   | BRA <i>LEU, Expr</i>               | Branch if unsigned less than or equal                      | 1          | 1 (4)       | None                  |
|                    |                   | BRA <i>LT, Expr</i>                | Branch if less than  | 1          | 1 (4)       | None                  |
|                    |                   | BRA <i>LTU, Expr</i>               | Branch if unsigned less than                               | 1          | 1 (4)       | None                  |
|                    |                   | BRA <i>N, Expr</i>                 | Branch if Negative   | 1          | 1 (4)       | None                  |
|                    |                   | BRA <i>NC, Expr</i>                | Branch if Not Carry  | 1          | 1 (4)       | None                  |
|                    |                   | BRA <i>NN, Expr</i>                | Branch if Not Negative                                     | 1          | 1 (4)       | None                  |
|                    |                   | BRA <i>NOV, Expr</i>               | Branch if Not Overflow                                     | 1          | 1 (4)       | None                  |
|                    |                   | BRA <i>NZ, Expr</i>                | Branch if Not Zero   | 1          | 1 (4)       | None                  |
|                    |                   | BRA <i>OA, Expr</i> <sup>(1)</sup> | Branch if Accumulator A overflow                           | 1          | 1 (4)       | None                  |
|                    |                   | BRA <i>OB, Expr</i> <sup>(1)</sup> | Branch if Accumulator B overflow                           | 1          | 1 (4)       | None                  |
|                    |                   | BRA <i>OV, Expr</i> <sup>(1)</sup> | Branch if Overflow   | 1          | 1 (4)       | None                  |
|                    |                   | BRA <i>SA, Expr</i> <sup>(1)</sup> | Branch if Accumulator A saturated                          | 1          | 1 (4)       | None                  |
|                    |                   | BRA <i>SB, Expr</i> <sup>(1)</sup> | Branch if Accumulator B saturated                          | 1          | 1 (4)       | None                  |
|                    |                   | BRA <i>Expr</i>                    | Branch Unconditionally                                     | 1          | 4           | None                  |
| BRA <i>Z, Expr</i> | Branch if Zero    | 1                                  | 1 (4)  | None       |             |                       |
| BRA <i>Wn</i>      | Computed Branch   | 1                                  | 4  | None       |             |                       |
| 7                  | BSET              | BSET <i>f, #bit4</i>               | Bit Set <i>f</i>   | 1          | 1           | None                  |
|                    |                   | BSET <i>Ws, #bit4</i>              | Bit Set <i>Ws</i>  | 1          | 1           | None                  |
| 8                  | BSW               | BSW.C <i>Ws, Wb</i>                | Write C bit to $Ws < Wb >$                                 | 1          | 1           | None                  |
|                    |                   | BSW.Z <i>Ws, Wb</i>                | Write Z bit to $Ws < Wb >$                                 | 1          | 1           | None                  |

Note 1: These instructions are available in dsPIC33EPXXXMC20X/50X and PIC24EPXXXMC20X devices only.

TABLE 28-2: INSTRUCTION SET OVERVIEW (CONTINUED)

| Base Instr # | Assembly Mnemonic | Assembly Syntax                               | Description                                   | # of Words | # of Cycles   | Status Flags Affected |
|--------------|-------------------|---|---|------------|---------------|-----------------------|
| 9            | BTG               | BTG f, #bit4                                  | Bit Toggle f                                  | 1          | 1             | None                  |
|              |                   | BTG Ws, #bit4                                 | Bit Toggle Ws                                 | 1          | 1             | None                  |
| 10           | BTSC              | BTSC f, #bit4                                 | Bit Test f, Skip if Clear                     | 1          | 1<br>(2 or 3) | None                  |
|              |                   | BTSC Ws, #bit4                                | Bit Test Ws, Skip if Clear                    | 1          | 1<br>(2 or 3) | None                  |
| 11           | BTSS              | BTSS f, #bit4                                 | Bit Test f, Skip if Set                       | 1          | 1<br>(2 or 3) | None                  |
|              |                   | BTSS Ws, #bit4                                | Bit Test Ws, Skip if Set                      | 1          | 1<br>(2 or 3) | None                  |
| 12           | BTST              | BTST f, #bit4                                 | Bit Test f                                    | 1          | 1             | Z                     |
|              |                   | BTST.C Ws, #bit4                              | Bit Test Ws to C                              | 1          | 1             | C                     |
|              |                   | BTST.Z Ws, #bit4                              | Bit Test Ws to Z                              | 1          | 1             | Z                     |
|              |                   | BTST.C Ws, Wb                                 | Bit Test Ws<Wb> to C                          | 1          | 1             | C                     |
|              |                   | BTST.Z Ws, Wb                                 | Bit Test Ws<Wb> to Z                          | 1          | 1             | Z                     |
| 13           | BTSTS             | BTSTS f, #bit4                                | Bit Test then Set f                           | 1          | 1             | Z                     |
|              |                   | BTSTS.C Ws, #bit4                             | Bit Test Ws to C, then Set                    | 1          | 1             | C                     |
|              |                   | BTSTS.Z Ws, #bit4                             | Bit Test Ws to Z, then Set                    | 1          | 1             | Z                     |
| 14           | CALL              | CALL lit23                                    | Call subroutine                               | 2          | 4             | SFA                   |
|              |                   | CALL Wn                                       | Call indirect subroutine                      | 1          | 4             | SFA                   |
|              |                   | CALL.L Wn                                     | Call indirect subroutine (long address)       | 1          | 4             | SFA                   |
| 15           | CLR               | CLR f   | f = 0x0000                                    | 1          | 1             | None                  |
|              |                   | CLR WREG                                      | WREG = 0x0000                                 | 1          | 1             | None                  |
|              |                   | CLR Ws  | Ws = 0x0000                                   | 1          | 1             | None                  |
|              |                   | CLR Acc, Wx, Wxd, Wy, Wyd, AWB <sup>(1)</sup> | Clear Accumulator                             | 1          | 1             | OA,OB,SA,SB           |
| 16           | CLRWDT            | CLRWDT  | Clear Watchdog Timer                          | 1          | 1             | WDTO, Sleep           |
| 17           | COM               | COM f   | f = $\bar{f}$                                 | 1          | 1             | N, Z                  |
|              |                   | COM f, WREG                                   | WREG = $\bar{f}$                              | 1          | 1             | N, Z                  |
|              |                   | COM Ws, Wd                                    | Wd = $\overline{Ws}$                          | 1          | 1             | N, Z                  |
| 18           | CP                | CP f  | Compare f with WREG                           | 1          | 1             | C, DC, N, OV, Z       |
|              |                   | CP Wb, #lit8                                  | Compare Wb with lit8                          | 1          | 1             | C, DC, N, OV, Z       |
|              |                   | CP Wb, Ws                                     | Compare Wb with Ws (Wb – Ws)                  | 1          | 1             | C, DC, N, OV, Z       |
| 19           | CP0               | CP0 f   | Compare f with 0x0000                         | 1          | 1             | C, DC, N, OV, Z       |
|              |                   | CP0 Ws  | Compare Ws with 0x0000                        | 1          | 1             | C, DC, N, OV, Z       |
| 20           | CPB               | CPB f   | Compare f with WREG, with Borrow              | 1          | 1             | C, DC, N, OV, Z       |
|              |                   | CPB Wb, #lit8                                 | Compare Wb with lit8, with Borrow             | 1          | 1             | C, DC, N, OV, Z       |
|              |                   | CPB Wb, Ws                                    | Compare Wb with Ws, with Borrow (Wb – Ws – C) | 1          | 1             | C, DC, N, OV, Z       |
| 21           | CPSEQ             | CPSEQ Wb, Wn                                  | Compare Wb with Wn, skip if =                 | 1          | 1<br>(2 or 3) | None                  |
|              | CPBEQ             | CPBEQ Wb, Wn, Expr                            | Compare Wb with Wn, branch if =               | 1          | 1 (5)         | None                  |
| 22           | CPSGT             | CPSGT Wb, Wn                                  | Compare Wb with Wn, skip if >                 | 1          | 1<br>(2 or 3) | None                  |
|              | CPBGT             | CPBGT Wb, Wn, Expr                            | Compare Wb with Wn, branch if >               | 1          | 1 (5)         | None                  |
| 23           | CPSLT             | CPSLT Wb, Wn                                  | Compare Wb with Wn, skip if <                 | 1          | 1<br>(2 or 3) | None                  |
|              | CPBLT             | CPBLT Wb, Wn, Expr                            | Compare Wb with Wn, branch if <               | 1          | 1 (5)         | None                  |
| 24           | CPSNE             | CPSNE Wb, Wn                                  | Compare Wb with Wn, skip if ≠                 | 1          | 1<br>(2 or 3) | None                  |
|              | CPBNE             | CPBNE Wb, Wn, Expr                            | Compare Wb with Wn, branch if ≠               | 1          | 1 (5)         | None                  |

Note 1: These instructions are available in dsPIC33EPXXXMC20X/50X and PIC24EPXXXMC20X devices only.

TABLE 28-2: INSTRUCTION SET OVERVIEW (CONTINUED)

| Base Instr # | Assembly Mnemonic | Assembly Syntax                                      | Description   | # of Words | # of Cycles | Status Flags Affected |
|--------------|-------------------|--|---|------------|-------------|-----------------------|
| 25           | DAW               | DAW Wn   | Wn = decimal adjust Wn                                  | 1          | 1           | C                     |
| 26           | DEC               | DEC f  | $f = f - 1$   | 1          | 1           | C,DC,N,OV,Z           |
|              |                   | DEC f, WREG  | WREG = $f - 1$  | 1          | 1           | C,DC,N,OV,Z           |
|              |                   | DEC Ws, Wd   | $Wd = Ws - 1$   | 1          | 1           | C,DC,N,OV,Z           |
| 27           | DEC2              | DEC2 f   | $f = f - 2$   | 1          | 1           | C,DC,N,OV,Z           |
|              |                   | DEC2 f, WREG   | WREG = $f - 2$  | 1          | 1           | C,DC,N,OV,Z           |
|              |                   | DEC2 Ws, Wd  | $Wd = Ws - 2$   | 1          | 1           | C,DC,N,OV,Z           |
| 28           | DISI              | DISI #lit14  | Disable Interrupts for k instruction cycles             | 1          | 1           | None                  |
| 29           | DIV               | DIV.S Wm, Wn   | Signed 16/16-bit Integer Divide                         | 1          | 18          | N,Z,C,OV              |
|              |                   | DIV.SD Wm, Wn  | Signed 32/16-bit Integer Divide                         | 1          | 18          | N,Z,C,OV              |
|              |                   | DIV.U Wm, Wn   | Unsigned 16/16-bit Integer Divide                       | 1          | 18          | N,Z,C,OV              |
|              |                   | DIV.UD Wm, Wn  | Unsigned 32/16-bit Integer Divide                       | 1          | 18          | N,Z,C,OV              |
| 30           | DIVF              | DIVF Wm, Wn <sup>(1)</sup>                           | Signed 16/16-bit Fractional Divide                      | 1          | 18          | N,Z,C,OV              |
| 31           | DO                | DO #lit15, Expr <sup>(1)</sup>                       | Do code to PC + Expr, lit15 + 1 times                   | 2          | 2           | None                  |
|              |                   | DO Wn, Expr <sup>(1)</sup>                           | Do code to PC + Expr, (Wn) + 1 times                    | 2          | 2           | None                  |
| 32           | ED                | ED Wm*Wm, Acc, Wx, Wy, Wxd <sup>(1)</sup>            | Euclidean Distance (no accumulate)                      | 1          | 1           | OA,OB,OAB,SA,SB,SAB   |
| 33           | EDAC              | EDAC Wm*Wm, Acc, Wx, Wy, Wxd <sup>(1)</sup>          | Euclidean Distance                                      | 1          | 1           | OA,OB,OAB,SA,SB,SAB   |
| 34           | EXCH              | EXCH Wns, Wnd  | Swap Wns with Wnd                                       | 1          | 1           | None                  |
| 35           | FBCL              | FBCL Ws, Wnd   | Find Bit Change from Left (MSb) Side                    | 1          | 1           | C                     |
| 36           | FF1L              | FF1L Ws, Wnd   | Find First One from Left (MSb) Side                     | 1          | 1           | C                     |
| 37           | FF1R              | FF1R Ws, Wnd   | Find First One from Right (LSb) Side                    | 1          | 1           | C                     |
| 38           | GOTO              | GOTO Expr  | Go to address   | 2          | 4           | None                  |
|              |                   | GOTO Wn  | Go to indirect  | 1          | 4           | None                  |
|              |                   | GOTO.L Wn  | Go to indirect (long address)                           | 1          | 4           | None                  |
| 39           | INC               | INC f  | $f = f + 1$   | 1          | 1           | C,DC,N,OV,Z           |
|              |                   | INC f, WREG  | WREG = $f + 1$  | 1          | 1           | C,DC,N,OV,Z           |
|              |                   | INC Ws, Wd   | $Wd = Ws + 1$   | 1          | 1           | C,DC,N,OV,Z           |
| 40           | INC2              | INC2 f   | $f = f + 2$   | 1          | 1           | C,DC,N,OV,Z           |
|              |                   | INC2 f, WREG   | WREG = $f + 2$  | 1          | 1           | C,DC,N,OV,Z           |
|              |                   | INC2 Ws, Wd  | $Wd = Ws + 2$   | 1          | 1           | C,DC,N,OV,Z           |
| 41           | IOR               | IOR f  | $f = f .IOR. WREG$                                      | 1          | 1           | N,Z                   |
|              |                   | IOR f, WREG  | WREG = $f .IOR. WREG$                                   | 1          | 1           | N,Z                   |
|              |                   | IOR #lit10, Wn                                       | $Wd = lit10 .IOR. Wd$                                   | 1          | 1           | N,Z                   |
|              |                   | IOR Wb, Ws, Wd                                       | $Wd = Wb .IOR. Ws$                                      | 1          | 1           | N,Z                   |
|              |                   | IOR Wb, #lit5, Wd                                    | $Wd = Wb .IOR. lit5$                                    | 1          | 1           | N,Z                   |
| 42           | LAC               | LAC Wso, #Slit4, Acc                                 | Load Accumulator  | 1          | 1           | OA,OB,OAB,SA,SB,SAB   |
| 43           | LNK               | LNK #lit14   | Link Frame Pointer                                      | 1          | 1           | SFA                   |
| 44           | LSR               | LSR f  | $f = \text{Logical Right Shift } f$                     | 1          | 1           | C,N,OV,Z              |
|              |                   | LSR f, WREG  | WREG = Logical Right Shift f                            | 1          | 1           | C,N,OV,Z              |
|              |                   | LSR Ws, Wd   | $Wd = \text{Logical Right Shift } Ws$                   | 1          | 1           | C,N,OV,Z              |
|              |                   | LSR Wb, Wns, Wnd                                     | $Wnd = \text{Logical Right Shift } Wb \text{ by } Wns$  | 1          | 1           | N,Z                   |
|              |                   | LSR Wb, #lit5, Wnd                                   | $Wnd = \text{Logical Right Shift } Wb \text{ by } lit5$ | 1          | 1           | N,Z                   |
| 45           | MAC               | MAC Wm*Wn, Acc, Wx, Wxd, Wy, Wyd, AWB <sup>(1)</sup> | Multiply and Accumulate                                 | 1          | 1           | OA,OB,OAB,SA,SB,SAB   |
|              |                   | MAC Wm*Wm, Acc, Wx, Wxd, Wy, Wyd <sup>(1)</sup>      | Square and Accumulate                                   | 1          | 1           | OA,OB,OAB,SA,SB,SAB   |

Note 1: These instructions are available in dsPIC33EPXXXMC20X/50X and PIC24EPXXXMC20X devices only.

TABLE 28-2: INSTRUCTION SET OVERVIEW (CONTINUED)

| Base Instr # | Assembly Mnemonic | Assembly Syntax                                      | Description                                    | # of Words | # of Cycles | Status Flags Affected |
|--------------|-------------------|--|--|------------|-------------|-----------------------|
| 46           | MOV               | MOV f, Wn  | Move f to Wn                                   | 1          | 1           | None                  |
|              |                   | MOV f  | Move f to f                                    | 1          | 1           | None                  |
|              |                   | MOV f, WREG  | Move f to WREG                                 | 1          | 1           | None                  |
|              |                   | MOV #lit16, Wn                                       | Move 16-bit literal to Wn                      | 1          | 1           | None                  |
|              |                   | MOV.b #lit8, Wn                                      | Move 8-bit literal to Wn                       | 1          | 1           | None                  |
|              |                   | MOV Wn, f  | Move Wn to f                                   | 1          | 1           | None                  |
|              |                   | MOV Wso, Wdo   | Move Ws to Wd                                  | 1          | 1           | None                  |
|              |                   | MOV WREG, f  | Move WREG to f                                 | 1          | 1           | None                  |
|              |                   | MOV.D Wns, Wd  | Move Double from W(ns):W(ns + 1) to Wd         | 1          | 2           | None                  |
|              |                   | MOV.D Ws, Wnd  | Move Double from Ws to W(nd + 1):W(nd)         | 1          | 2           | None                  |
| 47           | MOVPAG            | MOVPAG #lit10, DSRPAG                                | Move 10-bit literal to DSRPAG                  | 1          | 1           | None                  |
|              |                   | MOVPAG #lit9, DSWPAG                                 | Move 9-bit literal to DSWPAG                   | 1          | 1           | None                  |
|              |                   | MOVPAG #lit8, TBLPAG                                 | Move 8-bit literal to TBLPAG                   | 1          | 1           | None                  |
|              |                   | MOVPAG Ws, DSRPAG                                    | Move Ws<9:0> to DSRPAG                         | 1          | 1           | None                  |
|              |                   | MOVPAG Ws, DSWPAG                                    | Move Ws<8:0> to DSWPAG                         | 1          | 1           | None                  |
|              |                   | MOVPAG Ws, TBLPAG                                    | Move Ws<7:0> to TBLPAG                         | 1          | 1           | None                  |
| 48           | MOVSAC            | MOVSAC Acc, Wx, Wxd, Wy, Wyd, AWB <sup>(1)</sup>     | Prefetch and store accumulator                 | 1          | 1           | None                  |
| 49           | MPY               | MPY Wm*Wn, Acc, Wx, Wxd, Wy, Wyd <sup>(1)</sup>      | Multiply Wm by Wn to Accumulator               | 1          | 1           | OA,OB,OAB,SA,SB,SAB   |
|              |                   | MPY Wm*Wm, Acc, Wx, Wxd, Wy, Wyd <sup>(1)</sup>      | Square Wm to Accumulator                       | 1          | 1           | OA,OB,OAB,SA,SB,SAB   |
| 50           | MPY.N             | MPY.N Wm*Wn, Acc, Wx, Wxd, Wy, Wyd <sup>(1)</sup>    | -(Multiply Wm by Wn) to Accumulator            | 1          | 1           | None                  |
| 51           | MSC               | MSC Wm*Wm, Acc, Wx, Wxd, Wy, Wyd, AWB <sup>(1)</sup> | Multiply and Subtract from Accumulator         | 1          | 1           | OA,OB,OAB,SA,SB,SAB   |
| 52           | MUL               | MUL.SS Wb, Ws, Wnd                                   | {Wnd + 1, Wnd} = signed(Wb) * signed(Ws)       | 1          | 1           | None                  |
|              |                   | MUL.SS Wb, Ws, Acc <sup>(1)</sup>                    | Accumulator = signed(Wb) * signed(Ws)          | 1          | 1           | None                  |
|              |                   | MUL.SU Wb, Ws, Wnd                                   | {Wnd + 1, Wnd} = signed(Wb) * unsigned(Ws)     | 1          | 1           | None                  |
|              |                   | MUL.SU Wb, Ws, Acc <sup>(1)</sup>                    | Accumulator = signed(Wb) * unsigned(Ws)        | 1          | 1           | None                  |
|              |                   | MUL.SU Wb, #lit5, Acc <sup>(1)</sup>                 | Accumulator = signed(Wb) * unsigned(lit5)      | 1          | 1           | None                  |
|              |                   | MUL.US Wb, Ws, Wnd                                   | {Wnd + 1, Wnd} = unsigned(Wb) * signed(Ws)     | 1          | 1           | None                  |
|              |                   | MUL.US Wb, Ws, Acc <sup>(1)</sup>                    | Accumulator = unsigned(Wb) * signed(Ws)        | 1          | 1           | None                  |
|              |                   | MUL.UU Wb, Ws, Wnd                                   | {Wnd + 1, Wnd} = unsigned(Wb) * unsigned(Ws)   | 1          | 1           | None                  |
|              |                   | MUL.UU Wb, #lit5, Acc <sup>(1)</sup>                 | Accumulator = unsigned(Wb) * unsigned(lit5)    | 1          | 1           | None                  |
|              |                   | MUL.UU Wb, Ws, Acc <sup>(1)</sup>                    | Accumulator = unsigned(Wb) * unsigned(Ws)      | 1          | 1           | None                  |
|              |                   | MULW.SS Wb, Ws, Wnd                                  | Wnd = signed(Wb) * signed(Ws)                  | 1          | 1           | None                  |
|              |                   | MULW.SU Wb, Ws, Wnd                                  | Wnd = signed(Wb) * unsigned(Ws)                | 1          | 1           | None                  |
|              |                   | MULW.US Wb, Ws, Wnd                                  | Wnd = unsigned(Wb) * signed(Ws)                | 1          | 1           | None                  |
|              |                   | MULW.UU Wb, Ws, Wnd                                  | Wnd = unsigned(Wb) * unsigned(Ws)              | 1          | 1           | None                  |
|              |                   | MUL.SU Wb, #lit5, Wnd                                | {Wnd + 1, Wnd} = signed(Wb) * unsigned(lit5)   | 1          | 1           | None                  |
|              |                   | MUL.SU Wb, #lit5, Wnd                                | Wnd = signed(Wb) * unsigned(lit5)              | 1          | 1           | None                  |
|              |                   | MUL.UU Wb, #lit5, Wnd                                | {Wnd + 1, Wnd} = unsigned(Wb) * unsigned(lit5) | 1          | 1           | None                  |
|              |                   | MUL.UU Wb, #lit5, Wnd                                | Wnd = unsigned(Wb) * unsigned(lit5)            | 1          | 1           | None                  |
|              |                   | MUL f  | W3:W2 = f * WREG                               | 1          | 1           | None                  |

Note 1: These instructions are available in dsPIC33EPXXXMC20X/50X and PIC24EPXXXMC20X devices only.

TABLE 28-2: INSTRUCTION SET OVERVIEW (CONTINUED)

| Base Instr # | Assembly Mnemonic | Assembly Syntax                 | Description                                      | # of Words | # of Cycles | Status Flags Affected |
|--------------|-------------------|---------------------------------|--|------------|-------------|-----------------------|
| 53           | NEG               | NEG $Acc^{(1)}$                 | Negate Accumulator                               | 1          | 1           | OA,OB,OAB,SA,SB,SAB   |
|              |                   | NEG $f$                         | $f = \bar{f} + 1$                                | 1          | 1           | C,DC,N,OV,Z           |
|              |                   | NEG $f, WREG$                   | $WREG = \bar{f} + 1$                             | 1          | 1           | C,DC,N,OV,Z           |
|              |                   | NEG $Ws, Wd$                    | $Wd = \bar{Ws} + 1$                              | 1          | 1           | C,DC,N,OV,Z           |
| 54           | NOP               | NOP                             | No Operation                                     | 1          | 1           | None                  |
|              |                   | NOPR                            | No Operation                                     | 1          | 1           | None                  |
| 55           | POP               | POP $f$                         | Pop $f$ from Top-of-Stack (TOS)                  | 1          | 1           | None                  |
|              |                   | POP $Wdo$                       | Pop from Top-of-Stack (TOS) to $Wdo$             | 1          | 1           | None                  |
|              |                   | POP.D $Wnd$                     | Pop from Top-of-Stack (TOS) to $W(nd):W(nd + 1)$ | 1          | 2           | None                  |
|              |                   | POP.S                           | Pop Shadow Registers                             | 1          | 1           | All                   |
| 56           | PUSH              | PUSH $f$                        | Push $f$ to Top-of-Stack (TOS)                   | 1          | 1           | None                  |
|              |                   | PUSH $Wso$                      | Push $Wso$ to Top-of-Stack (TOS)                 | 1          | 1           | None                  |
|              |                   | PUSH.D $Wns$                    | Push $W(ns):W(ns + 1)$ to Top-of-Stack (TOS)     | 1          | 2           | None                  |
|              |                   | PUSH.S                          | Push Shadow Registers                            | 1          | 1           | None                  |
| 57           | PWRSVAV           | PWRSVAV $\#lit1$                | Go into Sleep or Idle mode                       | 1          | 1           | WDTO,Sleep            |
| 58           | RCALL             | RCALL $Expr$                    | Relative Call                                    | 1          | 4           | SFA                   |
|              |                   | RCALL $Wn$                      | Computed Call                                    | 1          | 4           | SFA                   |
| 59           | REPEAT            | REPEAT $\#lit15$                | Repeat Next Instruction $lit15 + 1$ times        | 1          | 1           | None                  |
|              |                   | REPEAT $Wn$                     | Repeat Next Instruction $(Wn) + 1$ times         | 1          | 1           | None                  |
| 60           | RESET             | RESET                           | Software device Reset                            | 1          | 1           | None                  |
| 61           | RETFIE            | RETFIE                          | Return from interrupt                            | 1          | 6 (5)       | SFA                   |
| 62           | RETLW             | RETLW $\#lit10, Wn$             | Return with literal in $Wn$                      | 1          | 6 (5)       | SFA                   |
| 63           | RETURN            | RETURN                          | Return from Subroutine                           | 1          | 6 (5)       | SFA                   |
| 64           | RLC               | RLC $f$                         | $f = \text{Rotate Left through Carry } f$        | 1          | 1           | C,N,Z                 |
|              |                   | RLC $f, WREG$                   | $WREG = \text{Rotate Left through Carry } f$     | 1          | 1           | C,N,Z                 |
|              |                   | RLC $Ws, Wd$                    | $Wd = \text{Rotate Left through Carry } Ws$      | 1          | 1           | C,N,Z                 |
| 65           | RLNC              | RLNC $f$                        | $f = \text{Rotate Left (No Carry) } f$           | 1          | 1           | N,Z                   |
|              |                   | RLNC $f, WREG$                  | $WREG = \text{Rotate Left (No Carry) } f$        | 1          | 1           | N,Z                   |
|              |                   | RLNC $Ws, Wd$                   | $Wd = \text{Rotate Left (No Carry) } Ws$         | 1          | 1           | N,Z                   |
| 66           | RRC               | RRC $f$                         | $f = \text{Rotate Right through Carry } f$       | 1          | 1           | C,N,Z                 |
|              |                   | RRC $f, WREG$                   | $WREG = \text{Rotate Right through Carry } f$    | 1          | 1           | C,N,Z                 |
|              |                   | RRC $Ws, Wd$                    | $Wd = \text{Rotate Right through Carry } Ws$     | 1          | 1           | C,N,Z                 |
| 67           | RRNC              | RRNC $f$                        | $f = \text{Rotate Right (No Carry) } f$          | 1          | 1           | N,Z                   |
|              |                   | RRNC $f, WREG$                  | $WREG = \text{Rotate Right (No Carry) } f$       | 1          | 1           | N,Z                   |
|              |                   | RRNC $Ws, Wd$                   | $Wd = \text{Rotate Right (No Carry) } Ws$        | 1          | 1           | N,Z                   |
| 68           | SAC               | SAC $Acc, \#Slit4, Wdo^{(1)}$   | Store Accumulator                                | 1          | 1           | None                  |
|              |                   | SAC.R $Acc, \#Slit4, Wdo^{(1)}$ | Store Rounded Accumulator                        | 1          | 1           | None                  |
| 69           | SE                | SE $Ws, Wnd$                    | $Wnd = \text{sign-extended } Ws$                 | 1          | 1           | C,N,Z                 |
| 70           | SETM              | SETM $f$                        | $f = 0xFFFF$                                     | 1          | 1           | None                  |
|              |                   | SETM $WREG$                     | $WREG = 0xFFFF$                                  | 1          | 1           | None                  |
|              |                   | SETM $Ws$                       | $Ws = 0xFFFF$                                    | 1          | 1           | None                  |
| 71           | SFTAC             | SFTAC $Acc, Wn^{(1)}$           | Arithmetic Shift Accumulator by $(Wn)$           | 1          | 1           | OA,OB,OAB,SA,SB,SAB   |
|              |                   | SFTAC $Acc, \#Slit6^{(1)}$      | Arithmetic Shift Accumulator by $Slit6$          | 1          | 1           | OA,OB,OAB,SA,SB,SAB   |

Note 1: These instructions are available in dsPIC33EPXXXMC20X/50X and PIC24EPXXXMC20X devices only.



TABLE 28-2: INSTRUCTION SET OVERVIEW (CONTINUED)

| Base Instr # | Assembly Mnemonic | Assembly Syntax        | Description                     | # of Words | # of Cycles | Status Flags Affected |
|--------------|-------------------|------------------------|---------------------------------|------------|-------------|-----------------------|
| 72           | SL                | SL f                   | f = Left Shift f                | 1          | 1           | C,N,OV,Z              |
|              |                   | SL f, WREG             | WREG = Left Shift f             | 1          | 1           | C,N,OV,Z              |
|              |                   | SL Ws, Wd              | Wd = Left Shift Ws              | 1          | 1           | C,N,OV,Z              |
|              |                   | SL Wb, Wns, Wnd        | Wnd = Left Shift Wb by Wns      | 1          | 1           | N,Z                   |
|              |                   | SL Wb, #lit5, Wnd      | Wnd = Left Shift Wb by lit5     | 1          | 1           | N,Z                   |
| 73           | SUB               | SUB Acc <sup>(1)</sup> | Subtract Accumulators           | 1          | 1           | OA,OB,OAB,SA,SB,SAB   |
|              |                   | SUB f                  | f = f - WREG                    | 1          | 1           | C,DC,N,OV,Z           |
|              |                   | SUB f, WREG            | WREG = f - WREG                 | 1          | 1           | C,DC,N,OV,Z           |
|              |                   | SUB #lit10, Wn         | Wn = Wn - lit10                 | 1          | 1           | C,DC,N,OV,Z           |
|              |                   | SUB Wb, Ws, Wd         | Wd = Wb - Ws                    | 1          | 1           | C,DC,N,OV,Z           |
|              |                   | SUB Wb, #lit5, Wd      | Wd = Wb - lit5                  | 1          | 1           | C,DC,N,OV,Z           |
| 74           | SUBB              | SUBB f                 | f = f - WREG - ( $\bar{C}$ )    | 1          | 1           | C,DC,N,OV,Z           |
|              |                   | SUBB f, WREG           | WREG = f - WREG - ( $\bar{C}$ ) | 1          | 1           | C,DC,N,OV,Z           |
|              |                   | SUBB #lit10, Wn        | Wn = Wn - lit10 - ( $\bar{C}$ ) | 1          | 1           | C,DC,N,OV,Z           |
|              |                   | SUBB Wb, Ws, Wd        | Wd = Wb - Ws - ( $\bar{C}$ )    | 1          | 1           | C,DC,N,OV,Z           |
|              |                   | SUBB Wb, #lit5, Wd     | Wd = Wb - lit5 - ( $\bar{C}$ )  | 1          | 1           | C,DC,N,OV,Z           |
| 75           | SUBR              | SUBR f                 | f = WREG - f                    | 1          | 1           | C,DC,N,OV,Z           |
|              |                   | SUBR f, WREG           | WREG = WREG - f                 | 1          | 1           | C,DC,N,OV,Z           |
|              |                   | SUBR Wb, Ws, Wd        | Wd = Ws - Wb                    | 1          | 1           | C,DC,N,OV,Z           |
|              |                   | SUBR Wb, #lit5, Wd     | Wd = lit5 - Wb                  | 1          | 1           | C,DC,N,OV,Z           |
| 76           | SUBBR             | SUBBR f                | f = WREG - f - ( $\bar{C}$ )    | 1          | 1           | C,DC,N,OV,Z           |
|              |                   | SUBBR f, WREG          | WREG = WREG - f - ( $\bar{C}$ ) | 1          | 1           | C,DC,N,OV,Z           |
|              |                   | SUBBR Wb, Ws, Wd       | Wd = Ws - Wb - ( $\bar{C}$ )    | 1          | 1           | C,DC,N,OV,Z           |
|              |                   | SUBBR Wb, #lit5, Wd    | Wd = lit5 - Wb - ( $\bar{C}$ )  | 1          | 1           | C,DC,N,OV,Z           |
| 77           | SWAP              | SWAP.b Wn              | Wn = nibble swap Wn             | 1          | 1           | None                  |
|              |                   | SWAP Wn                | Wn = byte swap Wn               | 1          | 1           | None                  |
| 78           | TBLRDH            | TBLRDH Ws, Wd          | Read Prog<23:16> to Wd<7:0>     | 1          | 5           | None                  |
| 79           | TBLRDL            | TBLRDL Ws, Wd          | Read Prog<15:0> to Wd           | 1          | 5           | None                  |
| 80           | TBLWTH            | TBLWTH Ws, Wd          | Write Ws<7:0> to Prog<23:16>    | 1          | 2           | None                  |
| 81           | TBLWTL            | TBLWTL Ws, Wd          | Write Ws to Prog<15:0>          | 1          | 2           | None                  |
| 82           | ULNK              | ULNK                   | Unlink Frame Pointer            | 1          | 1           | SFA                   |
| 83           | XOR               | XOR f                  | f = f .XOR. WREG                | 1          | 1           | N,Z                   |
|              |                   | XOR f, WREG            | WREG = f .XOR. WREG             | 1          | 1           | N,Z                   |
|              |                   | XOR #lit10, Wn         | Wd = lit10 .XOR. Wd             | 1          | 1           | N,Z                   |
|              |                   | XOR Wb, Ws, Wd         | Wd = Wb .XOR. Ws                | 1          | 1           | N,Z                   |
|              |                   | XOR Wb, #lit5, Wd      | Wd = Wb .XOR. lit5              | 1          | 1           | N,Z                   |
| 84           | ZE                | ZE Ws, Wnd             | Wnd = Zero-extend Ws            | 1          | 1           | C,Z,N                 |

Note 1: These instructions are available in dsPIC33EPXXXMC20X/50X and PIC24EPXXXMC20X devices only.

**NOTES:**

## 29.0 DEVELOPMENT SUPPORT

The PIC® microcontrollers and dsPIC® digital signal controllers are supported with a full range of software and hardware development tools:

- Integrated Development Environment
  - MPLAB® IDE Software
- Compilers/Assemblers/Linkers
  - MPLAB C Compiler for Various Device Families
  - HI-TECH C® for Various Device Families
  - MPASM™ Assembler
  - MPLINK™ Object Linker/  
MPLIB™ Object Librarian
  - MPLAB Assembler/Linker/Librarian for Various Device Families
- Simulators
  - MPLAB SIM Software Simulator
- Emulators
  - MPLAB REAL ICE™ In-Circuit Emulator
- In-Circuit Debuggers
  - MPLAB ICD 3
  - PICKit™ 3 Debug Express
- Device Programmers
  - PICKit™ 2 Programmer
  - MPLAB PM3 Device Programmer
- Low-Cost Demonstration/Development Boards, Evaluation Kits, and Starter Kits

## 29.1 MPLAB Integrated Development Environment Software

The MPLAB IDE software brings an ease of software development previously unseen in the 8/16/32-bit microcontroller market. The MPLAB IDE is a Windows® operating system-based application that contains:

- A single graphical interface to all debugging tools
  - Simulator
  - Programmer (sold separately)
  - In-Circuit Emulator (sold separately)
  - In-Circuit Debugger (sold separately)
- A full-featured editor with color-coded context
- A multiple project manager
- Customizable data windows with direct edit of contents
- High-level source code debugging
- Mouse over variable inspection
- Drag and drop variables from source to watch windows
- Extensive on-line help
- Integration of select third party tools, such as IAR C Compilers

The MPLAB IDE allows you to:

- Edit your source files (either C or assembly)
- One-touch compile or assemble, and download to emulator and simulator tools (automatically updates all project information)
- Debug using:
  - Source files (C or assembly)
  - Mixed C and assembly
  - Machine code

MPLAB IDE supports multiple debugging tools in a single development paradigm, from the cost-effective simulators, through low-cost in-circuit debuggers, to full-featured emulators. This eliminates the learning curve when upgrading to tools with increased flexibility and power.

## **29.2 MPLAB C Compilers for Various Device Families**

The MPLAB C Compiler code development systems are complete ANSI C compilers for Microchip's PIC18, PIC24 and PIC32 families of microcontrollers and the dsPIC30 and dsPIC33 families of digital signal controllers. These compilers provide powerful integration capabilities, superior code optimization and ease of use.

For easy source level debugging, the compilers provide symbol information that is optimized to the MPLAB IDE debugger.

## **29.3 HI-TECH C for Various Device Families**

The HI-TECH C Compiler code development systems are complete ANSI C compilers for Microchip's PIC family of microcontrollers and the dsPIC family of digital signal controllers. These compilers provide powerful integration capabilities, omniscient code generation and ease of use.

For easy source level debugging, the compilers provide symbol information that is optimized to the MPLAB IDE debugger.

The compilers include a macro assembler, linker, pre-processor, and one-step driver, and can run on multiple platforms.

## **29.4 MPASM Assembler**

The MPASM Assembler is a full-featured, universal macro assembler for PIC10/12/16/18 MCUs.

The MPASM Assembler generates relocatable object files for the MPLINK Object Linker, Intel® standard HEX files, MAP files to detail memory usage and symbol reference, absolute LST files that contain source lines and generated machine code and COFF files for debugging.

The MPASM Assembler features include:

- Integration into MPLAB IDE projects
- User-defined macros to streamline assembly code
- Conditional assembly for multi-purpose source files
- Directives that allow complete control over the assembly process

## **29.5 MPLINK Object Linker/ MPLIB Object Librarian**

The MPLINK Object Linker combines relocatable objects created by the MPASM Assembler and the MPLAB C18 C Compiler. It can link relocatable objects from precompiled libraries, using directives from a linker script.

The MPLIB Object Librarian manages the creation and modification of library files of precompiled code. When a routine from a library is called from a source file, only the modules that contain that routine will be linked in with the application. This allows large libraries to be used efficiently in many different applications.

The object linker/library features include:

- Efficient linking of single libraries instead of many smaller files
- Enhanced code maintainability by grouping related modules together
- Flexible creation of libraries with easy module listing, replacement, deletion and extraction

## **29.6 MPLAB Assembler, Linker and Librarian for Various Device Families**

MPLAB Assembler produces relocatable machine code from symbolic assembly language for PIC24, PIC32 and dsPIC devices. MPLAB C Compiler uses the assembler to produce its object file. The assembler generates relocatable object files that can then be archived or linked with other relocatable object files and archives to create an executable file. Notable features of the assembler include:

- Support for the entire device instruction set
- Support for fixed-point and floating-point data
- Command line interface
- Rich directive set
- Flexible macro language
- MPLAB IDE compatibility

## **29.7 MPLAB SIM Software Simulator**

The MPLAB SIM Software Simulator allows code development in a PC-hosted environment by simulating the PIC MCUs and dsPIC® DSCs on an instruction level. On any given instruction, the data areas can be examined or modified and stimuli can be applied from a comprehensive stimulus controller. Registers can be logged to files for further run-time analysis. The trace buffer and logic analyzer display extend the power of the simulator to record and track program execution, actions on I/O, most peripherals and internal registers.

The MPLAB SIM Software Simulator fully supports symbolic debugging using the MPLAB C Compilers, and the MPASM and MPLAB Assemblers. The software simulator offers the flexibility to develop and debug code outside of the hardware laboratory environment, making it an excellent, economical software development tool.

## **29.8 MPLAB REAL ICE In-Circuit Emulator System**

MPLAB REAL ICE In-Circuit Emulator System is Microchip's next generation high-speed emulator for Microchip Flash DSC and MCU devices. It debugs and programs PIC® Flash MCUs and dsPIC® Flash DSCs with the easy-to-use, powerful graphical user interface of the MPLAB Integrated Development Environment (IDE), included with each kit.

The emulator is connected to the design engineer's PC using a high-speed USB 2.0 interface and is connected to the target with either a connector compatible with in-circuit debugger systems (RJ11) or with the new high-speed, noise tolerant, Low-Voltage Differential Signal (LVDS) interconnection (CAT5).

The emulator is field upgradable through future firmware downloads in MPLAB IDE. In upcoming releases of MPLAB IDE, new devices will be supported, and new features will be added. MPLAB REAL ICE offers significant advantages over competitive emulators including low-cost, full-speed emulation, run-time variable watches, trace analysis, complex breakpoints, a ruggedized probe interface and long (up to three meters) interconnection cables.

## **29.9 MPLAB ICD 3 In-Circuit Debugger System**

MPLAB ICD 3 In-Circuit Debugger System is Microchip's most cost effective high-speed hardware debugger/programmer for Microchip Flash Digital Signal Controller (DSC) and microcontroller (MCU) devices. It debugs and programs PIC® Flash microcontrollers and dsPIC® DSCs with the powerful, yet easy-to-use graphical user interface of MPLAB Integrated Development Environment (IDE).

The MPLAB ICD 3 In-Circuit Debugger probe is connected to the design engineer's PC using a high-speed USB 2.0 interface and is connected to the target with a connector compatible with the MPLAB ICD 2 or MPLAB REAL ICE systems (RJ-11). MPLAB ICD 3 supports all MPLAB ICD 2 headers.

## **29.10 PICkit 3 In-Circuit Debugger/Programmer and PICkit 3 Debug Express**

The MPLAB PICkit 3 allows debugging and programming of PIC® and dsPIC® Flash microcontrollers at a most affordable price point using the powerful graphical user interface of the MPLAB Integrated Development Environment (IDE). The MPLAB PICkit 3 is connected to the design engineer's PC using a full speed USB interface and can be connected to the target via an Microchip debug (RJ-11) connector (compatible with MPLAB ICD 3 and MPLAB REAL ICE). The connector uses two device I/O pins and the reset line to implement in-circuit debugging and In-Circuit Serial Programming™.

The PICkit 3 Debug Express include the PICkit 3, demo board and microcontroller, hookup cables and CDROM with user's guide, lessons, tutorial, compiler and MPLAB IDE software.

### **29.11 PICkit 2 Development Programmer/Debugger and PICkit 2 Debug Express**

The PICkit™ 2 Development Programmer/Debugger is a low-cost development tool with an easy to use interface for programming and debugging Microchip's Flash families of microcontrollers. The full featured Windows® programming interface supports baseline (PIC10F, PIC12F5xx, PIC16F5xx), midrange (PIC12F6xx, PIC16F), PIC18F, PIC24, dsPIC30, dsPIC33, and PIC32 families of 8-bit, 16-bit, and 32-bit microcontrollers, and many Microchip Serial EEPROM products. With Microchip's powerful MPLAB Integrated Development Environment (IDE) the PICkit™ 2 enables in-circuit debugging on most PIC® microcontrollers. In-Circuit-Debugging runs, halts and single steps the program while the PIC microcontroller is embedded in the application. When halted at a breakpoint, the file registers can be examined and modified.

The PICkit 2 Debug Express include the PICkit 2, demo board and microcontroller, hookup cables and CDRom with user's guide, lessons, tutorial, compiler and MPLAB IDE software.

### **29.12 MPLAB PM3 Device Programmer**

The MPLAB PM3 Device Programmer is a universal, CE compliant device programmer with programmable voltage verification at VDDMIN and VDDMAX for maximum reliability. It features a large LCD display (128 x 64) for menus and error messages and a modular, detachable socket assembly to support various package types. The ICSP™ cable assembly is included as a standard item. In Stand-Alone mode, the MPLAB PM3 Device Programmer can read, verify and program PIC devices without a PC connection. It can also set code protection in this mode. The MPLAB PM3 connects to the host PC via an RS-232 or USB cable. The MPLAB PM3 has high-speed communications and optimized algorithms for quick programming of large memory devices and incorporates an MMC card for file storage and data applications.

### **29.13 Demonstration/Development Boards, Evaluation Kits, and Starter Kits**

A wide variety of demonstration, development and evaluation boards for various PIC MCUs and dsPIC DSCs allows quick application development on fully functional systems. Most boards include prototyping areas for adding custom circuitry and provide application firmware and source code for examination and modification.

The boards support a variety of features, including LEDs, temperature sensors, switches, speakers, RS-232 interfaces, LCD displays, potentiometers and additional EEPROM memory.

The demonstration and development boards can be used in teaching environments, for prototyping custom circuits and for learning about various microcontroller applications.

In addition to the PICDEM™ and dsPICDEM™ demonstration/development board series of circuits, Microchip has a line of evaluation kits and demonstration software for analog filter design, KEELOQ® security ICs, CAN, IrDA®, PowerSmart battery management, SEEVAL® evaluation system, Sigma-Delta ADC, flow rate sensing, plus many more.

Also available are starter kits that contain everything needed to experience the specified device. This usually includes a single application and debug capability, all on one board.

Check the Microchip web page ([www.microchip.com](http://www.microchip.com)) for the complete list of demonstration, development and evaluation kits.

### 30.0 ELECTRICAL CHARACTERISTICS

This section provides an overview of dsPIC33EPXXXGP50X, dsPIC33EPXXXMC20X/50X and PIC24EPXXXGP/MC20X electrical characteristics. Additional information will be provided in future revisions of this document as it becomes available.

Absolute maximum ratings for the dsPIC33EPXXXGP50X, dsPIC33EPXXXMC20X/50X and PIC24EPXXXGP/MC20X family are listed below. Exposure to these maximum rating conditions for extended periods may affect device reliability. Functional operation of the device at these or any other conditions above the parameters indicated in the operation listings of this specification is not implied.

#### Absolute Maximum Ratings<sup>(1)</sup>

|   |                       |
|---|-----------------------|
| Ambient temperature under bias .....  | -40°C to +125°C       |
| Storage temperature .....   | -65°C to +150°C       |
| Voltage on VDD with respect to VSS .....  | -0.3V to +4.0V        |
| Voltage on any pin that is not 5V tolerant, with respect to VSS <sup>(3)</sup> .....    | -0.3V to (VDD + 0.3V) |
| Voltage on any 5V tolerant pin with respect to VSS when VDD ≥ 3.0V <sup>(3)</sup> ..... | -0.3V to +5.5V        |
| Voltage on any 5V tolerant pin with respect to VSS when VDD < 3.0V <sup>(3)</sup> ..... | -0.3V to +3.6V        |
| Maximum current out of VSS pin .....  | 300 mA                |
| Maximum current into VDD pin <sup>(2)</sup> .....                                       | 300 mA                |
| Maximum current sunk/sourced by any 4x I/O pin .....                                    | 15 mA                 |
| Maximum current sunk/sourced by any 8x I/O pin .....                                    | 25 mA                 |
| Maximum current sunk by all ports <sup>(2,4)</sup> .....                                | 200 mA                |

**Note 1:** Stresses above those listed under “Absolute Maximum Ratings” may cause permanent damage to the device. This is a stress rating only, and functional operation of the device at those or any other conditions above those indicated in the operation listings of this specification is not implied. Exposure to maximum rating conditions for extended periods may affect device reliability.

**2:** Maximum allowable current is a function of device maximum power dissipation (see [Table 30-2](#)).

**3:** See the “[Pin Diagrams](#)” section for the 5V tolerant pins.

**4:** Exceptions are: dsPIC33EPXXXGP502, dsPIC33EPXXXMC202/502 and PIC24EPXXXGP/MC202 devices, which have a maximum sink/source capability of 130 mA.

**30.1 DC Characteristics**

**TABLE 30-1: OPERATING MIPS VS. VOLTAGE**

| Characteristic | VDD Range<br>(in Volts)     | Temp Range<br>(in °C) | Maximum MIPS  |
|----------------|-----------------------------|-----------------------|---|
|                |                             |                       | dsPIC33EPXXXGP50X,<br>dsPIC33EPXXXMC20X/50X and<br>PIC24EPXXXGP/MC20X |
| —              | 3.0V to 3.6V <sup>(1)</sup> | -40°C to +85°C        | 70  |
| —              | 3.0V to 3.6V <sup>(1)</sup> | -40°C to +125°C       | 60  |

**Note 1:** Device is functional at  $V_{BORMIN} < V_{DD} < V_{DDMIN}$ . Analog modules (ADC, op amp/comparator and comparator voltage reference) may have degraded performance. Device functionality is tested but not characterized. Refer to Parameter **BO10** in [Table 30-13](#) for the minimum and maximum BOR values.

**TABLE 30-2: THERMAL OPERATING CONDITIONS**

| Rating   | Symbol | Min.                        | Typ. | Max. | Unit |
|--|--------|-----------------------------|------|------|------|
| Industrial Temperature Devices   |        |                             |      |      |      |
| Operating Junction Temperature Range   | TJ     | -40                         | —    | +125 | °C   |
| Operating Ambient Temperature Range  | TA     | -40                         | —    | +85  | °C   |
| Extended Temperature Devices   |        |                             |      |      |      |
| Operating Junction Temperature Range   | TJ     | -40                         | —    | +140 | °C   |
| Operating Ambient Temperature Range  | TA     | -40                         | —    | +125 | °C   |
| Power Dissipation:<br>Internal chip power dissipation:<br>$P_{INT} = V_{DD} \times (I_{DD} - \sum I_{OH})$<br>I/O Pin Power Dissipation:<br>$I/O = \sum (\{V_{DD} - V_{OH}\} \times I_{OH}) + \sum (V_{OL} \times I_{OL})$ | PD     | PINT + PI/O                 |      |      | W    |
| Maximum Allowed Power Dissipation  | PDMAX  | $(T_J - T_A) / \theta_{JA}$ |      |      | W    |

**TABLE 30-3: THERMAL PACKAGING CHARACTERISTICS**

| Characteristic                                   | Symbol        | Typ. | Max. | Unit | Notes    |
|--|---------------|------|------|------|----------|
| Package Thermal Resistance, 64-Pin QFN           | $\theta_{JA}$ | 28.0 | —    | °C/W | <b>1</b> |
| Package Thermal Resistance, 64-Pin TQFP 10x10 mm | $\theta_{JA}$ | 48.3 | —    | °C/W | <b>1</b> |
| Package Thermal Resistance, 44-Pin QFN           | $\theta_{JA}$ | 29.0 | —    | °C/W | <b>1</b> |
| Package Thermal Resistance, 44-Pin TQFP 10x10 mm | $\theta_{JA}$ | 49.8 | —    | °C/W | <b>1</b> |
| Package Thermal Resistance, 44-Pin VTLA 6x6 mm   | $\theta_{JA}$ | 25.2 | —    | °C/W | <b>1</b> |
| Package Thermal Resistance, 36-Pin VTLA 5x5 mm   | $\theta_{JA}$ | 28.5 | —    | °C/W | <b>1</b> |
| Package Thermal Resistance, 28-Pin QFN-S         | $\theta_{JA}$ | 30.0 | —    | °C/W | <b>1</b> |
| Package Thermal Resistance, 28-Pin SSOP          | $\theta_{JA}$ | 71.0 | —    | °C/W | <b>1</b> |
| Package Thermal Resistance, 28-Pin SOIC          | $\theta_{JA}$ | 69.7 | —    | °C/W | <b>1</b> |
| Package Thermal Resistance, 28-Pin SPDIP         | $\theta_{JA}$ | 60.0 | —    | °C/W | <b>1</b> |

**Note 1:** Junction to ambient thermal resistance, Theta-JA ( $\theta_{JA}$ ) numbers are achieved by package simulations.



**TABLE 30-4: DC TEMPERATURE AND VOLTAGE SPECIFICATIONS**

| DC CHARACTERISTICS       |        |   | Standard Operating Conditions (see Note 1): 3.0V to 3.6V<br>(unless otherwise stated)<br>Operating temperature -40°C ≤ TA ≤ +85°C for Industrial<br>-40°C ≤ TA ≤ +125°C for Extended |      |      |       |                 |
|--------------------------|--------|---|--|------|------|-------|-----------------|
| Param No.                | Symbol | Characteristic  | Min.   | Typ. | Max. | Units | Conditions      |
| <b>Operating Voltage</b> |        |   |  |      |      |       |                 |
| DC10                     | VDD    | <b>Supply Voltage</b>   | 3.0  | —    | 3.6  | V     |                 |
| DC16                     | VPOR   | <b>VDD Start Voltage</b><br>to Ensure Internal<br>Power-on Reset Signal | —  | —    | VSS  | V     |                 |
| DC17                     | SVDD   | <b>VDD Rise Rate</b><br>to Ensure Internal<br>Power-on Reset Signal     | 0.03   | —    | —    | V/ms  | 0V-1V in 100 ms |

**Note 1:** Device is functional at VBORMIN < VDD < VDDMIN. Analog modules (ADC, op amp/comparator and comparator voltage reference) may have degraded performance. Device functionality is tested but not characterized. Refer to parameter BO10 in Table 30-13 for the minimum and maximum BOR values.

**TABLE 30-5: FILTER CAPACITOR (CEFC) SPECIFICATIONS**

| Standard Operating Conditions (unless otherwise stated):<br>Operating temperature -40°C ≤ TA ≤ +85°C for Industrial<br>-40°C ≤ TA ≤ +125°C for Extended |        |   |      |      |      |       |   |
|---|--------|---|------|------|------|-------|---|
| Param No.   | Symbol | Characteristics                                   | Min. | Typ. | Max. | Units | Comments  |
|   | CEFC   | External Filter Capacitor<br>Value <sup>(1)</sup> | 4.7  | 10   | —    | μF    | Capacitor must have a low series resistance (< 1 ohm) |

**Note 1:** Typical VCAP voltage = 1.8 volts when VDD ≥ VDDMIN.

TABLE 30-6: DC CHARACTERISTICS: OPERATING CURRENT (IDD)

| DC CHARACTERISTICS                           |      |      | Standard Operating Conditions: 3.0V to 3.6V<br>(unless otherwise stated)<br>Operating temperature $-40^{\circ}\text{C} \leq T_A \leq +85^{\circ}\text{C}$ for Industrial<br>$-40^{\circ}\text{C} \leq T_A \leq +125^{\circ}\text{C}$ for Extended |            |      |         |
|--|------|------|---|------------|------|---------|
| Parameter No.                                | Typ. | Max. | Units   | Conditions |      |         |
| <b>Operating Current (IDD)<sup>(1)</sup></b> |      |      |   |            |      |         |
| DC20d  | 9    | 15   | mA  | -40°C      | 3.3V | 10 MIPS |
| DC20a  | 9    | 15   | mA  | +25°C      |      |         |
| DC20b  | 9    | 15   | mA  | +85°C      |      |         |
| DC20c  | 9    | 15   | mA  | +125°C     |      |         |
| DC22d  | 16   | 25   | mA  | -40°C      | 3.3V | 20 MIPS |
| DC22a  | 16   | 25   | mA  | +25°C      |      |         |
| DC22b  | 16   | 25   | mA  | +85°C      |      |         |
| DC22c  | 16   | 25   | mA  | +125°C     |      |         |
| DC24d  | 27   | 35   | mA  | -40°C      | 3.3V | 40 MIPS |
| DC24a  | 27   | 35   | mA  | +25°C      |      |         |
| DC24b  | 27   | 35   | mA  | +85°C      |      |         |
| DC24c  | 27   | 35   | mA  | +125°C     |      |         |
| DC25d  | 36   | 55   | mA  | -40°C      | 3.3V | 60 MIPS |
| DC25a  | 36   | 55   | mA  | +25°C      |      |         |
| DC25b  | 36   | 55   | mA  | +85°C      |      |         |
| DC25c  | 36   | 55   | mA  | +125°C     |      |         |
| DC26d  | 41   | 60   | mA  | -40°C      | 3.3V | 70 MIPS |
| DC26a  | 41   | 60   | mA  | +25°C      |      |         |
| DC26b  | 41   | 60   | mA  | +85°C      |      |         |

**Note 1:** IDD is primarily a function of the operating voltage and frequency. Other factors, such as I/O pin loading and switching rate, oscillator type, internal code execution pattern and temperature, also have an impact on the current consumption. The test conditions for all IDD measurements are as follows:

- Oscillator is configured in EC mode with PLL, OSC1 is driven with external square wave from rail-to-rail (EC clock overshoot/undershoot < 250 mV required)
- CLKO is configured as an I/O input pin in the Configuration Word
- All I/O pins are configured as inputs and pulled to Vss
- MCLR = VDD, WDT and FSCM are disabled
- CPU, SRAM, program memory and data memory are operational
- No peripheral modules are operating; however, every peripheral is being clocked (all PMDx bits are zeroed)
- CPU is executing `while(1)` statement
- JTAG is disabled

**TABLE 30-7: DC CHARACTERISTICS: IDLE CURRENT (IDLE)**

| DC CHARACTERISTICS                       |      |      | Standard Operating Conditions: 3.0V to 3.6V<br>(unless otherwise stated)<br>Operating temperature -40°C ≤ TA ≤ +85°C for Industrial<br>-40°C ≤ TA ≤ +125°C for Extended |            |                 |
|--|------|------|---|------------|-----------------|
| Parameter No.                            | Typ. | Max. | Units   | Conditions |                 |
| <b>Idle Current (IDLE)<sup>(1)</sup></b> |      |      |   |            |                 |
| DC40d                                    | 3    | 8    | mA  | -40°C      | 3.3V<br>10 MIPS |
| DC40a                                    | 3    | 8    | mA  | +25°C      |                 |
| DC40b                                    | 3    | 8    | mA  | +85°C      |                 |
| DC40c                                    | 3    | 8    | mA  | +125°C     |                 |
| DC42d                                    | 6    | 12   | mA  | -40°C      | 3.3V<br>20 MIPS |
| DC42a                                    | 6    | 12   | mA  | +25°C      |                 |
| DC42b                                    | 6    | 12   | mA  | +85°C      |                 |
| DC42c                                    | 6    | 12   | mA  | +125°C     |                 |
| DC44d                                    | 11   | 18   | mA  | -40°C      | 3.3V<br>40 MIPS |
| DC44a                                    | 11   | 18   | mA  | +25°C      |                 |
| DC44b                                    | 11   | 18   | mA  | +85°C      |                 |
| DC44c                                    | 11   | 18   | mA  | +125°C     |                 |
| DC45d                                    | 17   | 27   | mA  | -40°C      | 3.3V<br>60 MIPS |
| DC45a                                    | 17   | 27   | mA  | +25°C      |                 |
| DC45b                                    | 17   | 27   | mA  | +85°C      |                 |
| DC45c                                    | 17   | 27   | mA  | +125°C     |                 |
| DC46d                                    | 20   | 35   | mA  | -40°C      | 3.3V<br>70 MIPS |
| DC46a                                    | 20   | 35   | mA  | +25°C      |                 |
| DC46b                                    | 20   | 35   | mA  | +85°C      |                 |

**Note 1:** Base Idle current (IDLE) is measured as follows:

- CPU core is off, oscillator is configured in EC mode and external clock is active; OSC1 is driven with external square wave from rail-to-rail (EC clock overshoot/undershoot < 250 mV required)
- CLKO is configured as an I/O input pin in the Configuration Word
- All I/O pins are configured as inputs and pulled to Vss
- $\overline{\text{MCLR}} = \text{VDD}$ , WDT and FSCM are disabled
- No peripheral modules are operating; however, every peripheral is being clocked (all PMDx bits are zeroed)
- The NVMSIDL bit (NVMCON<12>) = 1 (i.e., Flash regulator is set to standby while the device is in Idle mode)
- The VREGSF bit (RCON<11>) = 0 (i.e., Flash regulator is set to standby while the device is in Sleep mode)
- JTAG is disabled

**TABLE 30-8: DC CHARACTERISTICS: POWER-DOWN CURRENT (IPD)**

| DC CHARACTERISTICS  |      |      | Standard Operating Conditions: 3.0V to 3.6V<br>(unless otherwise stated)<br>Operating temperature -40°C ≤ TA ≤ +85°C for Industrial<br>-40°C ≤ TA ≤ +125°C for Extended |            |
|---|------|------|---|------------|
| Parameter No.   | Typ. | Max. | Units   | Conditions |
| <b>Power-Down Current (IPD)<sup>(1)</sup> – dsPIC33EP32GP50X, dsPIC33EP32MC20X/50X and PIC24EP32GP/MC20X</b>    |      |      |   |            |
| DC60d   | 30   | 100  | μA  | -40°C      |
| DC60a   | 35   | 100  | μA  | +25°C      |
| DC60b   | 150  | 200  | μA  | +85°C      |
| DC60c   | 250  | 500  | μA  | +125°C     |
| <b>Power-Down Current (IPD)<sup>(1)</sup> – dsPIC33EP64GP50X, dsPIC33EP64MC20X/50X and PIC24EP64GP/MC20X</b>    |      |      |   |            |
| DC60d   | 25   | 100  | μA  | -40°C      |
| DC60a   | 30   | 100  | μA  | +25°C      |
| DC60b   | 150  | 350  | μA  | +85°C      |
| DC60c   | 350  | 800  | μA  | +125°C     |
| <b>Power-Down Current (IPD)<sup>(1)</sup> – dsPIC33EP128GP50X, dsPIC33EP128MC20X/50X and PIC24EP128GP/MC20X</b> |      |      |   |            |
| DC60d   | 30   | 100  | μA  | -40°C      |
| DC60a   | 35   | 100  | μA  | +25°C      |
| DC60b   | 150  | 350  | μA  | +85°C      |
| DC60c   | 550  | 1000 | μA  | +125°C     |
| <b>Power-Down Current (IPD)<sup>(1)</sup> – dsPIC33EP256GP50X, dsPIC33EP256MC20X/50X and PIC24EP256GP/MC20X</b> |      |      |   |            |
| DC60d   | 35   | 100  | μA  | -40°C      |
| DC60a   | 40   | 100  | μA  | +25°C      |
| DC60b   | 250  | 450  | μA  | +85°C      |
| DC60c   | 1000 | 1200 | μA  | +125°C     |
| <b>Power-Down Current (IPD)<sup>(1)</sup> – dsPIC33EP512GP50X, dsPIC33EP512MC20X/50X and PIC24EP512GP/MC20X</b> |      |      |   |            |
| DC60d   | 40   | —    | μA  | -40°C      |
| DC60a   | 45   | —    | μA  | +25°C      |
| DC60b   | 350  | —    | μA  | +85°C      |
| DC60c   | 1500 | —    | μA  | +125°C     |

**Note 1:** IPD (Sleep) current is measured as follows:

- CPU core is off, oscillator is configured in EC mode and external clock is active; OSC1 is driven with external square wave from rail-to-rail (EC clock overshoot/undershoot < 250 mV required)
- CLKO is configured as an I/O input pin in the Configuration Word
- All I/O pins are configured as inputs and pulled to Vss
- MCLR = VDD, WDT and FSCM are disabled
- All peripheral modules are disabled (PMDx bits are all set)
- The VREGS bit (RCON<8>) = 0 (i.e., core regulator is set to standby while the device is in Sleep mode)
- The VREGSF bit (RCON<11>) = 0 (i.e., Flash regulator is set to standby while the device is in Sleep mode)
- JTAG is disabled

**TABLE 30-9: DC CHARACTERISTICS: WATCHDOG TIMER DELTA CURRENT ( $\Delta I_{WDT}$ )<sup>(1)</sup>**

| DC CHARACTERISTICS |      |      | Standard Operating Conditions: 3.0V to 3.6V<br>(unless otherwise stated)<br>Operating temperature -40°C ≤ TA ≤ +85°C for Industrial<br>-40°C ≤ TA ≤ +125°C for Extended |            |      |
|--------------------|------|------|---|------------|------|
| Parameter No.      | Typ. | Max. | Units   | Conditions |      |
| DC61d              | 8    | —    | μA  | -40°C      | 3.3V |
| DC61a              | 10   | —    | μA  | +25°C      |      |
| DC61b              | 12   | —    | μA  | +85°C      |      |
| DC61c              | 13   | —    | μA  | +125°C     |      |

**Note 1:** The  $\Delta I_{WDT}$  current is the additional current consumed when the module is enabled. This current should be added to the base IPD current. All parameters are characterized but not tested during manufacturing.

**TABLE 30-10: DC CHARACTERISTICS: DOZE CURRENT (IDOZE)**

| DC CHARACTERISTICS                        |      |      | Standard Operating Conditions: 3.0V to 3.6V<br>(unless otherwise stated)<br>Operating temperature -40°C ≤ TA ≤ +85°C for Industrial<br>-40°C ≤ TA ≤ +125°C for Extended |       |                            |
|---|------|------|---|-------|----------------------------|
| Parameter No.                             | Typ. | Max. | Doze Ratio  | Units | Conditions                 |
| <b>Doze Current (IDOZE)<sup>(1)</sup></b> |      |      |   |       |                            |
| DC73a <sup>(2)</sup>                      | 35   | —    | 1:2   | mA    | -40°C 3.3V Fosc = 140 MHz  |
| DC73g                                     | 20   | 30   | 1:128   | mA    |                            |
| DC70a <sup>(2)</sup>                      | 35   | —    | 1:2   | mA    | +25°C 3.3V Fosc = 140 MHz  |
| DC70g                                     | 20   | 30   | 1:128   | mA    |                            |
| DC71a <sup>(2)</sup>                      | 35   | —    | 1:2   | mA    | +85°C 3.3V Fosc = 140 MHz  |
| DC71g                                     | 20   | 30   | 1:128   | mA    |                            |
| DC72a <sup>(2)</sup>                      | 28   | —    | 1:2   | mA    | +125°C 3.3V Fosc = 120 MHz |
| DC72g                                     | 15   | 30   | 1:128   | mA    |                            |

**Note 1:** IDOZE is primarily a function of the operating voltage and frequency. Other factors, such as I/O pin loading and switching rate, oscillator type, internal code execution pattern and temperature, also have an impact on the current consumption. The test conditions for all IDOZE measurements are as follows:

- Oscillator is configured in EC mode and external clock is active, OSC1 is driven with external square wave from rail-to-rail (EC clock overshoot/undershoot < 250 mV required)
- CLKO is configured as an I/O input pin in the Configuration Word
- All I/O pins are configured as inputs and pulled to Vss
- $\overline{MCLR}$  = VDD, WDT and FSCM are disabled
- CPU, SRAM, program memory and data memory are operational
- No peripheral modules are operating; however, every peripheral is being clocked (all PMDx bits are zeroed)
- CPU is executing `while(1)` statement
- JTAG is disabled

**2:** Parameter is characterized but not tested in manufacturing.

TABLE 30-11: DC CHARACTERISTICS: I/O PIN INPUT SPECIFICATIONS

| DC CHARACTERISTICS   |                 |  | Standard Operating Conditions: 3.0V to 3.6V<br>(unless otherwise stated)<br>Operating temperature $-40^{\circ}\text{C} \leq T_A \leq +85^{\circ}\text{C}$ for Industrial<br>$-40^{\circ}\text{C} \leq T_A \leq +125^{\circ}\text{C}$ for Extended |      |                     |       |  |
|----------------------|-----------------|--|---|------|---------------------|-------|--|
| Param No.            | Symbol          | Characteristic   | Min.  | Typ. | Max.                | Units | Conditions   |
| DI10<br>DI18<br>DI19 | V <sub>IL</sub> | <b>Input Low Voltage</b>                                   |   |      |                     |       |  |
|                      |                 | Any I/O Pin and $\overline{\text{MCLR}}$                   | V <sub>SS</sub>   | —    | 0.2 V <sub>DD</sub> | V     |  |
|                      |                 | I/O Pins with SDA <sub>x</sub> , SCL <sub>x</sub>          | V <sub>SS</sub>   | —    | 0.3 V <sub>DD</sub> | V     | SMBus disabled   |
|                      |                 | I/O Pins with SDA <sub>x</sub> , SCL <sub>x</sub>          | V <sub>SS</sub>   | —    | 0.8                 | V     | SMBus enabled  |
| DI20                 | V <sub>IH</sub> | <b>Input High Voltage</b>                                  |   |      |                     |       |  |
|                      |                 | I/O Pins Not 5V Tolerant                                   | 0.8 V <sub>DD</sub>   | —    | V <sub>DD</sub>     | V     | (Note 3)   |
|                      |                 | I/O Pins 5V Tolerant and $\overline{\text{MCLR}}$          | 0.8 V <sub>DD</sub>   | —    | 5.5                 | V     | (Note 3)   |
|                      |                 | I/O Pins with SDA <sub>x</sub> , SCL <sub>x</sub>          | 0.8 V <sub>DD</sub>   | —    | 5.5                 | V     | SMBus disabled   |
|                      |                 | I/O Pins with SDA <sub>x</sub> , SCL <sub>x</sub>          | 2.1   | —    | 5.5                 | V     | SMBus enabled  |
| DI30                 | ICNPU           | <b>Change Notification Pull-up Current</b>                 | 150   | 250  | 550                 | μA    | V <sub>DD</sub> = 3.3V, V <sub>PIN</sub> = V <sub>SS</sub> |
| DI31                 | ICNPD           | <b>Change Notification Pull-Down Current<sup>(4)</sup></b> | 20  | 50   | 100                 | μA    | V <sub>DD</sub> = 3.3V, V <sub>PIN</sub> = V <sub>DD</sub> |

- Note 1:** The leakage current on the  $\overline{\text{MCLR}}$  pin is strongly dependent on the applied voltage level. The specified levels represent normal operating conditions. Higher leakage current can be measured at different input voltages.
- 2:** Negative current is defined as current sourced by the pin.
- 3:** See the “Pin Diagrams” section for the 5V tolerant I/O pins.
- 4:** V<sub>IL</sub> source < (V<sub>SS</sub> – 0.3). Characterized but not tested.
- 5:** Non-5V tolerant pins V<sub>IH</sub> source > (V<sub>DD</sub> + 0.3), 5V tolerant pins V<sub>IH</sub> source > 5.5V. Characterized but not tested.
- 6:** Digital 5V tolerant pins cannot tolerate any “positive” input injection current from input sources > 5.5V.
- 7:** Injection currents > | 0 | can affect the ADC results by approximately 4-6 counts.
- 8:** Any number and/or combination of I/O pins not excluded under I<sub>ICL</sub> or I<sub>ICH</sub> conditions are permitted provided the mathematical “absolute instantaneous” sum of the input injection currents from all pins do not exceed the specified limit. Characterized but not tested.

TABLE 30-11: DC CHARACTERISTICS: I/O PIN INPUT SPECIFICATIONS (CONTINUED)

| DC CHARACTERISTICS |        |   | Standard Operating Conditions: 3.0V to 3.6V<br>(unless otherwise stated)<br>Operating temperature -40°C ≤ TA ≤ +85°C for Industrial<br>-40°C ≤ TA ≤ +125°C for Extended |      |      |       |  |
|--------------------|--------|---|---|------|------|-------|--|
| Param No.          | Symbol | Characteristic  | Min.  | Typ. | Max. | Units | Conditions   |
| DI50               | IIL    | <b>Input Leakage Current<sup>(1,2)</sup></b><br>I/O Pins 5V Tolerant <sup>(3)</sup> | -1  | —    | +1   | μA    | VSS ≤ VPIN ≤ VDD,<br>Pin at high-impedance                                 |
| DI51               |        | I/O Pins Not 5V Tolerant <sup>(3)</sup>   | -1  | —    | +1   | μA    | VSS ≤ VPIN ≤ VDD,<br>Pin at high-impedance,<br>-40°C ≤ TA ≤ +85°C          |
| DI51a              |        | I/O Pins Not 5V Tolerant <sup>(3)</sup>   | -1  | —    | +1   | μA    | Analog pins shared with<br>external reference pins,<br>-40°C ≤ TA ≤ +85°C  |
| DI51b              |        | I/O Pins Not 5V Tolerant <sup>(3)</sup>   | -1  | —    | +1   | μA    | VSS ≤ VPIN ≤ VDD,<br>Pin at high-impedance,<br>-40°C ≤ TA ≤ +125°C         |
| DI51c              |        | I/O Pins Not 5V Tolerant <sup>(3)</sup>   | -1  | —    | +1   | μA    | Analog pins shared with<br>external reference pins,<br>-40°C ≤ TA ≤ +125°C |
| DI55               |        | MCLR  | -5  | —    | +5   | μA    | VSS ≤ VPIN ≤ VDD   |
| DI56               |        | OSC1  | -5  | —    | +5   | μA    | VSS ≤ VPIN ≤ VDD,<br>XT and HS modes                                       |

- Note 1:** The leakage current on the MCLR pin is strongly dependent on the applied voltage level. The specified levels represent normal operating conditions. Higher leakage current can be measured at different input voltages.
- 2:** Negative current is defined as current sourced by the pin.
- 3:** See the “[Pin Diagrams](#)” section for the 5V tolerant I/O pins.
- 4:** VIL source < (VSS – 0.3). Characterized but not tested.
- 5:** Non-5V tolerant pins VIH source > (VDD + 0.3), 5V tolerant pins VIH source > 5.5V. Characterized but not tested.
- 6:** Digital 5V tolerant pins cannot tolerate any “positive” input injection current from input sources > 5.5V.
- 7:** Injection currents > | 0 | can affect the ADC results by approximately 4-6 counts.
- 8:** Any number and/or combination of I/O pins not excluded under IICL or IICH conditions are permitted provided the mathematical “absolute instantaneous” sum of the input injection currents from all pins do not exceed the specified limit. Characterized but not tested.

TABLE 30-11: DC CHARACTERISTICS: I/O PIN INPUT SPECIFICATIONS (CONTINUED)

| DC CHARACTERISTICS |                   |  | Standard Operating Conditions: 3.0V to 3.6V<br>(unless otherwise stated)<br>Operating temperature -40°C ≤ TA ≤ +85°C for Industrial<br>-40°C ≤ TA ≤ +125°C for Extended |      |                       |       |  |
|--------------------|-------------------|--|---|------|-----------------------|-------|--|
| Param No.          | Symbol            | Characteristic   | Min.  | Typ. | Max.                  | Units | Conditions   |
| DI60a              | I <sub>ICL</sub>  | Input Low Injection Current  | 0   | —    | -5 <sup>(4,7)</sup>   | mA    | All pins except V <sub>DD</sub> , V <sub>SS</sub> , AV <sub>DD</sub> , AV <sub>SS</sub> , MCLR, V <sub>CAP</sub> and RB7                                       |
| DI60b              | I <sub>ICH</sub>  | Input High Injection Current                                       | 0   | —    | +5 <sup>(5,6,7)</sup> | mA    | All pins except V <sub>DD</sub> , V <sub>SS</sub> , AV <sub>DD</sub> , AV <sub>SS</sub> , MCLR, V <sub>CAP</sub> , RB7 and all 5V tolerant pins <sup>(6)</sup> |
| DI60c              | ∑I <sub>ICT</sub> | Total Input Injection Current<br>(sum of all I/O and control pins) | -20 <sup>(8)</sup>  | —    | +20 <sup>(8)</sup>    | mA    | Absolute instantaneous sum of all ± input injection currents from all I/O pins<br>(   I <sub>ICL</sub>   +   I <sub>ICH</sub>   ) ≤ ∑I <sub>ICT</sub>          |

- Note 1:** The leakage current on the MCLR pin is strongly dependent on the applied voltage level. The specified levels represent normal operating conditions. Higher leakage current can be measured at different input voltages.
- 2:** Negative current is defined as current sourced by the pin.
- 3:** See the “[Pin Diagrams](#)” section for the 5V tolerant I/O pins.
- 4:** V<sub>IL</sub> source < (V<sub>SS</sub> – 0.3). Characterized but not tested.
- 5:** Non-5V tolerant pins V<sub>IH</sub> source > (V<sub>DD</sub> + 0.3), 5V tolerant pins V<sub>IH</sub> source > 5.5V. Characterized but not tested.
- 6:** Digital 5V tolerant pins cannot tolerate any “positive” input injection current from input sources > 5.5V.
- 7:** Injection currents > | 0 | can affect the ADC results by approximately 4-6 counts.
- 8:** Any number and/or combination of I/O pins not excluded under I<sub>ICL</sub> or I<sub>ICH</sub> conditions are permitted provided the mathematical “absolute instantaneous” sum of the input injection currents from all pins do not exceed the specified limit. Characterized but not tested.



**TABLE 30-12: DC CHARACTERISTICS: I/O PIN OUTPUT SPECIFICATIONS**

| DC CHARACTERISTICS |   |   | Standard Operating Conditions: 3.0V to 3.6V<br>(unless otherwise stated)<br>Operating temperature -40°C ≤ TA ≤ +85°C for Industrial<br>-40°C ≤ TA ≤ +125°C for Extended |      |      |                          |   |
|--------------------|---|---|---|------|------|--------------------------|---|
| Param.             | Symbol  | Characteristic  | Min.  | Typ. | Max. | Units                    | Conditions  |
| DO10               | VOL   | Output Low Voltage<br>4x Sink Driver Pins <sup>(2)</sup>    | —   | —    | 0.4  | V                        | VDD = 3.3V,<br>IOL ≤ 6 mA, -40°C ≤ TA ≤ +85°C<br>IOL ≤ 5 mA, +85°C < TA ≤ +125°C  |
|                    |   | Output Low Voltage<br>8x Sink Driver Pins <sup>(3)</sup>    | —   | —    | 0.4  | V                        | VDD = 3.3V,<br>IOL ≤ 12 mA, -40°C ≤ TA ≤ +85°C<br>IOL ≤ 8 mA, +85°C < TA ≤ +125°C |
| DO20               | VOH   | Output High Voltage<br>4x Source Driver Pins <sup>(2)</sup> | 2.4   | —    | —    | V                        | IOH ≥ -10 mA, VDD = 3.3V  |
|                    |   | Output High Voltage<br>8x Source Driver Pins <sup>(3)</sup> | 2.4   | —    | —    | V                        | IOH ≥ -15 mA, VDD = 3.3V  |
| DO20A              | VOH1  | Output High Voltage<br>4x Source Driver Pins <sup>(2)</sup> | 1.5 <sup>(1)</sup>  | —    | —    | V                        | IOH ≥ -14 mA, VDD = 3.3V  |
|                    |   |   | 2.0 <sup>(1)</sup>  | —    | —    |                          | IOH ≥ -12 mA, VDD = 3.3V  |
|                    |   |   | 3.0 <sup>(1)</sup>  | —    | —    |                          | IOH ≥ -7 mA, VDD = 3.3V   |
|                    | Output High Voltage<br>8x Source Driver Pins <sup>(3)</sup> | 1.5 <sup>(1)</sup>  | —   | —    | V    | IOH ≥ -22 mA, VDD = 3.3V |   |
|                    |   | 2.0 <sup>(1)</sup>  | —   | —    |      | IOH ≥ -18 mA, VDD = 3.3V |   |
|                    |   | 3.0 <sup>(1)</sup>  | —   | —    |      | IOH ≥ -10 mA, VDD = 3.3V |   |

- Note 1:** Parameters are characterized but not tested.  
**Note 2:** Includes all I/O pins that are not 8x Sink Driver pins (see below).  
**Note 3:** Includes the following pins:  
**For devices with less than 64 pins:** RA3, RA4, RA9, RB<7:15> and RC3  
**For 64-pin devices:** RA4, RA9, RB<7:15>, RC3 and RC15

**TABLE 30-13: ELECTRICAL CHARACTERISTICS: BOR**

| DC CHARACTERISTICS |        |  | Standard Operating Conditions: 3.0V to 3.6V<br>(unless otherwise stated) <sup>(1)</sup><br>Operating temperature -40°C ≤ TA ≤ +85°C for Industrial<br>-40°C ≤ TA ≤ +125°C for Extended |      |      |       |                        |
|--------------------|--------|--|--|------|------|-------|------------------------|
| Param No.          | Symbol | Characteristic                             | Min. <sup>(2)</sup>  | Typ. | Max. | Units | Conditions             |
| BO10               | VBOR   | BOR Event on VDD Transition<br>High-to-Low | 2.65   | —    | 2.95 | V     | VDD<br>(Notes 2 and 3) |

- Note 1:** Device is functional at VBORMIN < VDD < VDDMIN, but will have degraded performance. Device functionality is tested, but not characterized. Analog modules (ADC, op amp/comparator and comparator voltage reference) may have degraded performance.  
**Note 2:** Parameters are for design guidance only and are not tested in manufacturing.  
**Note 3:** The VBOR specification is relative to VDD.

TABLE 30-14: DC CHARACTERISTICS: PROGRAM MEMORY

| DC CHARACTERISTICS          |        |  | Standard Operating Conditions: 3.0V to 3.6V<br>(unless otherwise stated)<br>Operating temperature -40°C ≤ TA ≤ +85°C for Industrial<br>-40°C ≤ TA ≤ +125°C for Extended |                     |      |       |  |
|-----------------------------|--------|--|---|---------------------|------|-------|--|
| Param No.                   | Symbol | Characteristic                                   | Min.  | Typ. <sup>(1)</sup> | Max. | Units | Conditions   |
| <b>Program Flash Memory</b> |        |  |   |                     |      |       |  |
| D130                        | EP     | Cell Endurance                                   | 10,000  | —                   | —    | E/W   | -40°C to +125°C  |
| D131                        | VPR    | VDD for Read                                     | 3.0   | —                   | 3.6  | V     |  |
| D132b                       | VPEW   | VDD for Self-Timed Write                         | 3.0   | —                   | 3.6  | V     |  |
| D134                        | TRETD  | Characteristic Retention                         | 20  | —                   | —    | Year  | Provided no other specifications are violated, -40°C to +125°C |
| D135                        | IDDP   | Supply Current during Programming <sup>(2)</sup> | —   | 10                  | —    | mA    |  |
| D136                        | IPEAK  | Instantaneous Peak Current During Start-up       | —   | —                   | 150  | mA    |  |
| D137a                       | TPE    | Page Erase Time                                  | 17.7  | —                   | 22.9 | ms    | TPE = 146893 FRC cycles, TA = +85°C (See <b>Note 3</b> )       |
| D137b                       | TPE    | Page Erase Time                                  | 17.5  | —                   | 23.1 | ms    | TPE = 146893 FRC cycles, TA = +125°C (See <b>Note 3</b> )      |
| D138a                       | TWW    | Word Write Cycle Time                            | 41.7  | —                   | 53.8 | μs    | TWW = 346 FRC cycles, TA = +85°C (See <b>Note 3</b> )          |
| D138b                       | TWW    | Word Write Cycle Time                            | 41.2  | —                   | 54.4 | μs    | TWW = 346 FRC cycles, TA = +125°C (See <b>Note 3</b> )         |

- Note 1:** Data in “Typical” column is at 3.3V, +25°C unless otherwise stated.
- Note 2:** Parameter characterized but not tested in manufacturing.
- Note 3:** Other conditions: FRC = 7.37 MHz, TUN<5:0> = 011111 (for Minimum), TUN<5:0> = 100000 (for Maximum). This parameter depends on the FRC accuracy (see [Table 30-19](#)) and the value of the FRC Oscillator Tuning register (see [Register 9-4](#)). For complete details on calculating the Minimum and Maximum time, see [Section 5.3 “Programming Operations”](#).

### 30.2 AC Characteristics and Timing Parameters

This section defines dsPIC33EPXXXGP50X, dsPIC33EPXXXMC20X/50X and PIC24EPXXXGP/MC20X AC characteristics and timing parameters.

**TABLE 30-15: TEMPERATURE AND VOLTAGE SPECIFICATIONS – AC**

|                           |   |
|---------------------------|---|
| <b>AC CHARACTERISTICS</b> | <b>Standard Operating Conditions: 3.0V to 3.6V (unless otherwise stated)</b>  |
|                           | Operating temperature $-40^{\circ}\text{C} \leq T_A \leq +85^{\circ}\text{C}$ for Industrial<br>$-40^{\circ}\text{C} \leq T_A \leq +125^{\circ}\text{C}$ for Extended<br>Operating voltage $V_{DD}$ range as described in <a href="#">Section 30.1 “DC Characteristics”</a> . |

**FIGURE 30-1: LOAD CONDITIONS FOR DEVICE TIMING SPECIFICATIONS**



**TABLE 30-16: CAPACITIVE LOADING REQUIREMENTS ON OUTPUT PINS**

| Param No. | Symbol | Characteristic        | Min. | Typ. | Max. | Units | Conditions  |
|-----------|--------|-----------------------|------|------|------|-------|---|
| DO50      | Cosco  | OSC2 Pin              | —    | —    | 15   | pF    | In XT and HS modes, when external clock is used to drive OSC1 |
| DO56      | Cio    | All I/O Pins and OSC2 | —    | —    | 50   | pF    | EC mode   |
| DO58      | Cb     | SCLx, SDAx            | —    | —    | 400  | pF    | In I <sup>2</sup> C™ mode                                     |

FIGURE 30-2: EXTERNAL CLOCK TIMING



TABLE 30-17: EXTERNAL CLOCK TIMING REQUIREMENTS

| AC CHARACTERISTICS |               |   | Standard Operating Conditions: 3.0V to 3.6V<br>(unless otherwise stated)<br>Operating temperature -40°C ≤ TA ≤ +85°C for Industrial<br>-40°C ≤ TA ≤ +125°C for Extended |                     |             |            |                               |
|--------------------|---------------|---|---|---------------------|-------------|------------|-------------------------------|
| Param No.          | Symb          | Characteristic  | Min.  | Typ. <sup>(1)</sup> | Max.        | Units      | Conditions                    |
| OS10               | FIN           | External CLKI Frequency<br>(External clocks allowed only in EC and ECPLL modes) | DC  | —                   | 60          | MHz        | EC                            |
|                    |               | Oscillator Crystal Frequency  | 3.5<br>10   | —<br>—              | 10<br>25    | MHz<br>MHz | XT<br>HS                      |
| OS20               | Tosc          | Tosc = 1/Fosc   | 8.33  | —                   | DC          | ns         | +125°C                        |
|                    |               | Tosc = 1/Fosc   | 7.14  | —                   | DC          | ns         | +85°C                         |
| OS25               | Tcy           | Instruction Cycle Time <sup>(2)</sup>   | 16.67   | —                   | DC          | ns         | +125°C                        |
|                    |               | Instruction Cycle Time <sup>(2)</sup>   | 14.28   | —                   | DC          | ns         | +85°C                         |
| OS30               | TosL,<br>TosH | External Clock in (OSC1)<br>High or Low Time                                    | 0.45 x Tosc   | —                   | 0.55 x Tosc | ns         | EC                            |
| OS31               | TosR,<br>TosF | External Clock in (OSC1)<br>Rise or Fall Time                                   | —   | —                   | 20          | ns         | EC                            |
| OS40               | TckR          | CLKO Rise Time <sup>(3,4)</sup>   | —   | 5.2                 | —           | ns         |                               |
| OS41               | TckF          | CLKO Fall Time <sup>(3,4)</sup>   | —   | 5.2                 | —           | ns         |                               |
| OS42               | GM            | External Oscillator<br>Transconductance <sup>(4)</sup>                          | —   | 12                  | —           | mA/V       | HS, VDD = 3.3V,<br>TA = +25°C |
|                    |               |   | —   | 6                   | —           | mA/V       | XT, VDD = 3.3V,<br>TA = +25°C |

- Note 1:** Data in “Typical” column is at 3.3V, +25°C unless otherwise stated.
- 2:** Instruction cycle period (Tcy) equals two times the input oscillator time base period. All specified values are based on characterization data for that particular oscillator type under standard operating conditions with the device executing code. Exceeding these specified limits may result in an unstable oscillator operation and/or higher than expected current consumption. All devices are tested to operate at “Minimum” values with an external clock applied to the OSC1 pin. When an external clock input is used, the “Maximum” cycle time limit is “DC” (no clock) for all devices.
- 3:** Measurements are taken in EC mode. The CLKO signal is measured on the OSC2 pin.
- 4:** This parameter is characterized, but not tested in manufacturing.

**TABLE 30-18: PLL CLOCK TIMING SPECIFICATIONS**

| AC CHARACTERISTICS |        |   | Standard Operating Conditions: 3.0V to 3.6V (unless otherwise stated)<br>Operating temperature -40°C ≤ TA ≤ +85°C for Industrial<br>-40°C ≤ TA ≤ +125°C for Extended |                     |      |       |                    |
|--------------------|--------|---|--|---------------------|------|-------|--------------------|
| Param No.          | Symbol | Characteristic  | Min.   | Typ. <sup>(1)</sup> | Max. | Units | Conditions         |
| OS50               | FPLLI  | PLL Voltage Controlled Oscillator (VCO) Input Frequency Range | 0.8  | —                   | 8.0  | MHz   | ECPLL, XTPLL modes |
| OS51               | FSYS   | On-Chip VCO System Frequency                                  | 120  | —                   | 340  | MHz   |                    |
| OS52               | TLOCK  | PLL Start-up Time (Lock Time)                                 | 0.9  | 1.5                 | 3.1  | ms    |                    |
| OS53               | DCLK   | CLKO Stability (Jitter) <sup>(2)</sup>                        | -3   | 0.5                 | 3    | %     |                    |

- Note 1:** Data in “Typical” column is at 3.3V, +25°C unless otherwise stated. Parameters are for design guidance only and are not tested.
- 2:** This jitter specification is based on clock cycle-by-clock cycle measurements. To get the effective jitter for individual time bases, or communication clocks used by the application, use the following formula:

$$Effective\ Jitter = \frac{DCLK}{\sqrt{\frac{FOSC}{Time\ Base\ or\ Communication\ Clock}}}$$

For example, if Fosc = 120 MHz and the SPIx bit rate = 10 MHz, the effective jitter is as follows:

$$Effective\ Jitter = \frac{DCLK}{\sqrt{\frac{120}{10}}} = \frac{DCLK}{\sqrt{12}} = \frac{DCLK}{3.464}$$

**TABLE 30-19: INTERNAL FRC ACCURACY**

| AC CHARACTERISTICS  |                | Standard Operating Conditions: 3.0V to 3.6V (unless otherwise stated)<br>Operating temperature -40°C ≤ TA ≤ +85°C for Industrial<br>-40°C ≤ TA ≤ +125°C for Extended |      |      |       |                     |                |
|---|----------------|--|------|------|-------|---------------------|----------------|
| Param No.   | Characteristic | Min.   | Typ. | Max. | Units | Conditions          |                |
| <b>Internal FRC Accuracy @ FRC Frequency = 7.37 MHz<sup>(1)</sup></b> |                |  |      |      |       |                     |                |
| F20a  | FRC            | -1.5   | 0.5  | +1.5 | %     | -40°C ≤ TA ≤ -10°C  | VDD = 3.0-3.6V |
|   |                | -1   | 0.5  | +1   | %     | -10°C ≤ TA ≤ +85°C  | VDD = 3.0-3.6V |
| F20b  | FRC            | -2   | 1    | +2   | %     | +85°C ≤ TA ≤ +125°C | VDD = 3.0-3.6V |

- Note 1:** Frequency is calibrated at +25°C and 3.3V. TUNx bits can be used to compensate for temperature drift.

**TABLE 30-20: INTERNAL LPRC ACCURACY**

| AC CHARACTERISTICS                     |                | Standard Operating Conditions: 3.0V to 3.6V (unless otherwise stated)<br>Operating temperature -40°C ≤ TA ≤ +85°C for Industrial<br>-40°C ≤ TA ≤ +125°C for Extended |      |      |       |                     |                |
|--|----------------|--|------|------|-------|---------------------|----------------|
| Param No.                              | Characteristic | Min.   | Typ. | Max. | Units | Conditions          |                |
| <b>LPRC @ 32.768 kHz<sup>(1)</sup></b> |                |  |      |      |       |                     |                |
| F21a                                   | LPRC           | -30  | —    | +30  | %     | -40°C ≤ TA ≤ -10°C  | VDD = 3.0-3.6V |
|  |                | -20  | —    | +20  | %     | -10°C ≤ TA ≤ +85°C  | VDD = 3.0-3.6V |
| F21b                                   | LPRC           | -30  | —    | +30  | %     | +85°C ≤ TA ≤ +125°C | VDD = 3.0-3.6V |

- Note 1:** The change of LPRC frequency as VDD changes.

FIGURE 30-3: I/O TIMING CHARACTERISTICS



TABLE 30-21: I/O TIMING REQUIREMENTS

| AC CHARACTERISTICS |        |                                   | Standard Operating Conditions: 3.0V to 3.6V<br>(unless otherwise stated)<br>Operating temperature $-40^{\circ}\text{C} \leq T_A \leq +85^{\circ}\text{C}$ for Industrial<br>$-40^{\circ}\text{C} \leq T_A \leq +125^{\circ}\text{C}$ for Extended |                     |      |                 |            |
|--------------------|--------|-----------------------------------|---|---------------------|------|-----------------|------------|
| Param No.          | Symbol | Characteristic                    | Min.  | Typ. <sup>(1)</sup> | Max. | Units           | Conditions |
| DO31               | TioR   | Port Output Rise Time             | —   | 5                   | 10   | ns              |            |
| DO32               | TioF   | Port Output Fall Time             | —   | 5                   | 10   | ns              |            |
| DI35               | TINP   | INTx Pin High or Low Time (input) | 20  | —                   | —    | ns              |            |
| DI40               | TRBP   | CNx High or Low Time (input)      | 2   | —                   | —    | T <sub>CY</sub> |            |

**Note 1:** Data in “Typical” column is at 3.3V, +25°C unless otherwise stated.

FIGURE 30-4: BOR AND MASTER CLEAR RESET TIMING CHARACTERISTICS



**TABLE 30-22: RESET, WATCHDOG TIMER, OSCILLATOR START-UP TIMER, POWER-UP TIMER TIMING REQUIREMENTS**

| AC CHARACTERISTICS |           |  | Standard Operating Conditions: 3.0V to 3.6V<br>(unless otherwise stated)<br>Operating temperature $-40^{\circ}\text{C} \leq T_A \leq +85^{\circ}\text{C}$ for Industrial<br>$-40^{\circ}\text{C} \leq T_A \leq +125^{\circ}\text{C}$ for Extended |                       |      |               |   |
|--------------------|-----------|--|---|-----------------------|------|---------------|---|
| Param No.          | Symbol    | Characteristic <sup>(1)</sup>                            | Min.  | Typ. <sup>(2)</sup>   | Max. | Units         | Conditions  |
| SY00               | TPU       | Power-up Period  | —   | 400                   | 600  | $\mu\text{s}$ |   |
| SY10               | TOST      | Oscillator Start-up Time                                 | —   | 1024 T <sub>OSC</sub> | —    | —             | T <sub>OSC</sub> = OSC1 period  |
| SY12               | TWDT      | Watchdog Timer Time-out Period                           | 0.85  | —                     | 1.15 | ms            | WDTPRE = 0, WDTPOST = 0000, using LPRC tolerances indicated in F21 (see Table 30-20) at +85°C |
|                    |           |  | 3.4   | —                     | 4.6  | ms            | WDTPRE = 1, WDTPOST = 0000, using LPRC tolerances indicated in F21 (see Table 30-20) at +85°C |
| SY13               | TIOZ      | I/O High-Impedance from MCLR Low or Watchdog Timer Reset | 0.68  | 0.72                  | 1.2  | $\mu\text{s}$ |   |
| SY20               | TMCLR     | MCLR Pulse Width (low)                                   | 2   | —                     | —    | $\mu\text{s}$ |   |
| SY30               | TBOR      | BOR Pulse Width (low)                                    | 1   | —                     | —    | $\mu\text{s}$ |   |
| SY35               | TFSCM     | Fail-Safe Clock Monitor Delay                            | —   | 500                   | 900  | $\mu\text{s}$ | -40°C to +85°C  |
| SY36               | TVREG     | Voltage Regulator Standby-to-Active mode Transition Time | —   | —                     | 30   | $\mu\text{s}$ |   |
| SY37               | TOSCDFRC  | FRC Oscillator Start-up Delay                            | 46  | 48                    | 54   | $\mu\text{s}$ |   |
| SY38               | TOSCDLPRC | LPRC Oscillator Start-up Delay                           | —   | —                     | 70   | $\mu\text{s}$ |   |

**Note 1:** These parameters are characterized but not tested in manufacturing.

**2:** Data in “Typical” column is at 3.3V, +25°C unless otherwise stated.

FIGURE 30-5: TIMER1-TIMER5 EXTERNAL CLOCK TIMING CHARACTERISTICS



TABLE 30-23: TIMER1 EXTERNAL CLOCK TIMING REQUIREMENTS<sup>(1)</sup>

| AC CHARACTERISTICS |           |   | Standard Operating Conditions: 3.0V to 3.6V<br>(unless otherwise stated)<br>Operating temperature -40°C ≤ TA ≤ +85°C for Industrial<br>-40°C ≤ TA ≤ +125°C for Extended |      |               |       |   |
|--------------------|-----------|---|---|------|---------------|-------|---|
| Param No.          | Symbol    | Characteristic <sup>(2)</sup>   | Min.  | Typ. | Max.          | Units | Conditions  |
| TA10               | TtxH      | T1CK High Time  | Greater of:<br>20 or<br>(Tcy + 20)/N  | —    | —             | ns    | Must also meet<br>Parameter TA15,<br>N = prescaler value<br>(1, 8, 64, 256) |
|                    |           | Asynchronous  | 35  | —    | —             | ns    |   |
| TA11               | TtxL      | T1CK Low Time   | Greater of:<br>20 or<br>(Tcy + 20)/N  | —    | —             | ns    | Must also meet<br>Parameter TA15,<br>N = prescaler value<br>(1, 8, 64, 256) |
|                    |           | Asynchronous  | 10  | —    | —             | ns    |   |
| TA15               | TtxP      | T1CK Input Period   | Greater of:<br>40 or<br>(2 Tcy + 40)/N  | —    | —             | ns    | N = prescale value<br>(1, 8, 64, 256)                                       |
| OS60               | Ft1       | T1CK Oscillator Input Frequency Range (oscillator enabled by setting bit, TCS (T1CON<1>)) | DC  | —    | 50            | kHz   |   |
| TA20               | TCKEXTMRL | Delay from External T1CK Clock Edge to Timer Increment                                    | 0.75 Tcy + 40   | —    | 1.75 Tcy + 40 | ns    |   |

Note 1: Timer1 is a Type A.

Note 2: These parameters are characterized, but are not tested in manufacturing.



**TABLE 30-24: TIMER2 AND TIMER4 (TYPE B TIMER) EXTERNAL CLOCK TIMING REQUIREMENTS**

| AC CHARACTERISTICS |           |  |                  | Standard Operating Conditions: 3.0V to 3.6V<br>(unless otherwise stated)<br>Operating temperature -40°C ≤ TA ≤ +85°C for Industrial<br>-40°C ≤ TA ≤ +125°C for Extended |      |               |       |   |
|--------------------|-----------|--|------------------|---|------|---------------|-------|---|
| Param No.          | Symbol    | Characteristic <sup>(1)</sup>                          |                  | Min.  | Typ. | Max.          | Units | Conditions  |
| TB10               | TtxH      | TxCK High Time   | Synchronous mode | Greater of:<br>20 or<br>(TCY + 20)/N  | —    | —             | ns    | Must also meet Parameter TB15, N = prescale value (1, 8, 64, 256) |
| TB11               | TtxL      | TxCK Low Time  | Synchronous mode | Greater of:<br>20 or<br>(TCY + 20)/N  | —    | —             | ns    | Must also meet Parameter TB15, N = prescale value (1, 8, 64, 256) |
| TB15               | TtxP      | TxCK Input Period                                      | Synchronous mode | Greater of:<br>40 or<br>(2 TCY + 40)/N  | —    | —             | ns    | N = prescale value (1, 8, 64, 256)                                |
| TB20               | TCKEXTMRL | Delay from External TxCK Clock Edge to Timer Increment |                  | 0.75 TCY + 40   | —    | 1.75 TCY + 40 | ns    |   |

**Note 1:** These parameters are characterized, but are not tested in manufacturing.

**TABLE 30-25: TIMER3 AND TIMER5 (TYPE C TIMER) EXTERNAL CLOCK TIMING REQUIREMENTS**

| AC CHARACTERISTICS |           |  |                             | Standard Operating Conditions: 3.0V to 3.6V<br>(unless otherwise stated)<br>Operating temperature -40°C ≤ TA ≤ +85°C for Industrial<br>-40°C ≤ TA ≤ +125°C for Extended |      |               |       |                                    |
|--------------------|-----------|--|-----------------------------|---|------|---------------|-------|------------------------------------|
| Param No.          | Symbol    | Characteristic <sup>(1)</sup>                          |                             | Min.  | Typ. | Max.          | Units | Conditions                         |
| TC10               | TtxH      | TxCK High Time   | Synchronous                 | TCY + 20  | —    | —             | ns    | Must also meet Parameter TC15      |
| TC11               | TtxL      | TxCK Low Time  | Synchronous                 | TCY + 20  | —    | —             | ns    | Must also meet Parameter TC15      |
| TC15               | TtxP      | TxCK Input Period                                      | Synchronous, with prescaler | 2 TCY + 40  | —    | —             | ns    | N = prescale value (1, 8, 64, 256) |
| TC20               | TCKEXTMRL | Delay from External TxCK Clock Edge to Timer Increment |                             | 0.75 TCY + 40   | —    | 1.75 TCY + 40 | ns    |                                    |

**Note 1:** These parameters are characterized, but are not tested in manufacturing.

FIGURE 30-6: INPUT CAPTURE x (ICx) TIMING CHARACTERISTICS



TABLE 30-26: INPUT CAPTURE x MODULE TIMING REQUIREMENTS

| AC CHARACTERISTICS |        |                                | Standard Operating Conditions: 3.0V to 3.6V<br>(unless otherwise stated)<br>Operating temperature $-40^{\circ}\text{C} \leq T_A \leq +85^{\circ}\text{C}$ for Industrial<br>$-40^{\circ}\text{C} \leq T_A \leq +125^{\circ}\text{C}$ for Extended |      |       |                                  |
|--------------------|--------|--------------------------------|---|------|-------|----------------------------------|
| Param. No.         | Symbol | Characteristics <sup>(1)</sup> | Min.  | Max. | Units | Conditions                       |
| IC10               | TccL   | ICx Input Low Time             | Greater of<br>$12.5 + 25$ or<br>$(0.5 T_{CY}/N) + 25$   | —    | ns    | Must also meet<br>Parameter IC15 |
| IC11               | TccH   | ICx Input High Time            | Greater of<br>$12.5 + 25$ or<br>$(0.5 T_{CY}/N) + 25$   | —    | ns    | Must also meet<br>Parameter IC15 |
| IC15               | TccP   | ICx Input Period               | Greater of<br>$25 + 50$<br>or<br>$(1 T_{CY}/N) + 50$  | —    | ns    |                                  |

N = prescale value (1, 4, 16)

**Note 1:** These parameters are characterized, but not tested in manufacturing.

**FIGURE 30-7: OUTPUT COMPARE x MODULE (OCx) TIMING CHARACTERISTICS**



**TABLE 30-27: OUTPUT COMPARE x MODULE TIMING REQUIREMENTS**

| AC CHARACTERISTICS |        |                               | Standard Operating Conditions: 3.0V to 3.6V<br>(unless otherwise stated)<br>Operating temperature $-40^{\circ}\text{C} \leq T_A \leq +85^{\circ}\text{C}$ for Industrial<br>$-40^{\circ}\text{C} \leq T_A \leq +125^{\circ}\text{C}$ for Extended |      |      |       |                                    |
|--------------------|--------|-------------------------------|---|------|------|-------|------------------------------------|
| Param No.          | Symbol | Characteristic <sup>(1)</sup> | Min.  | Typ. | Max. | Units | Conditions                         |
| OC10               | TccF   | OCx Output Fall Time          | —   | —    | —    | ns    | See Parameter <a href="#">DO32</a> |
| OC11               | TccR   | OCx Output Rise Time          | —   | —    | —    | ns    | See Parameter <a href="#">DO31</a> |

**Note 1:** These parameters are characterized but not tested in manufacturing.

**FIGURE 30-8: OCx/PWMx MODULE TIMING CHARACTERISTICS**



**TABLE 30-28: OCx/PWMx MODE TIMING REQUIREMENTS**

| AC CHARACTERISTICS |        |                                | Standard Operating Conditions: 3.0V to 3.6V<br>(unless otherwise stated)<br>Operating temperature $-40^{\circ}\text{C} \leq T_A \leq +85^{\circ}\text{C}$ for Industrial<br>$-40^{\circ}\text{C} \leq T_A \leq +125^{\circ}\text{C}$ for Extended |      |               |       |            |
|--------------------|--------|--------------------------------|---|------|---------------|-------|------------|
| Param No.          | Symbol | Characteristic <sup>(1)</sup>  | Min.  | Typ. | Max.          | Units | Conditions |
| OC15               | TFD    | Fault Input to PWMx I/O Change | —   | —    | $T_{CY} + 20$ | ns    |            |
| OC20               | TFLT   | Fault Input Pulse Width        | $T_{CY} + 20$   | —    | —             | ns    |            |

**Note 1:** These parameters are characterized but not tested in manufacturing.

**FIGURE 30-9: HIGH-SPEED PWMx MODULE FAULT TIMING CHARACTERISTICS (dsPIC33EPXXXMC20X/50X and PIC24EPXXXMC20X DEVICES ONLY)**



**FIGURE 30-10: HIGH-SPEED PWMx MODULE TIMING CHARACTERISTICS (dsPIC33EPXXXMC20X/50X and PIC24EPXXXMC20X DEVICES ONLY)**



**TABLE 30-29: HIGH-SPEED PWMx MODULE TIMING REQUIREMENTS (dsPIC33EPXXXMC20X/50X and PIC24EPXXXMC20X DEVICES ONLY)**

| AC CHARACTERISTICS |        |   | Standard Operating Conditions: 3.0V to 3.6V (unless otherwise stated)<br>Operating temperature $-40^{\circ}\text{C} \leq T_A \leq +85^{\circ}\text{C}$ for Industrial<br>$-40^{\circ}\text{C} \leq T_A \leq +125^{\circ}\text{C}$ for Extended |      |      |       |                                    |
|--------------------|--------|---|--|------|------|-------|------------------------------------|
| Param No.          | Symbol | Characteristic <sup>(1)</sup>               | Min.   | Typ. | Max. | Units | Conditions                         |
| MP10               | TFPWM  | PWMx Output Fall Time                       | —  | —    | —    | ns    | See Parameter <a href="#">DO32</a> |
| MP11               | TRPWM  | PWMx Output Rise Time                       | —  | —    | —    | ns    | See Parameter <a href="#">DO31</a> |
| MP20               | TFD    | Fault Input $\downarrow$ to PWMx I/O Change | —  | —    | 15   | ns    |                                    |
| MP30               | TFH    | Fault Input Pulse Width                     | 15   | —    | —    | ns    |                                    |

**Note 1:** These parameters are characterized but not tested in manufacturing.

**FIGURE 30-11: TIMERQ (QEI MODULE) EXTERNAL CLOCK TIMING CHARACTERISTICS (dsPIC33EPXXXMC20X/50X AND PIC24EPXXXMC20X DEVICES ONLY)**



**TABLE 30-30: QEI MODULE EXTERNAL CLOCK TIMING REQUIREMENTS (dsPIC33EPXXXMC20X/50X AND PIC24EPXXXMC20X DEVICES ONLY)**

| AC CHARACTERISTICS |           |  |                             | Standard Operating Conditions: 3.0V to 3.6V<br>(unless otherwise stated)<br>Operating temperature -40°C ≤ TA ≤ +85°C for Industrial<br>-40°C ≤ TA ≤ +125°C for Extended |      |      |       |                               |
|--------------------|-----------|--|-----------------------------|---|------|------|-------|-------------------------------|
| Param No.          | Symbol    | Characteristic <sup>(1)</sup>                          |                             | Min.  | Typ. | Max. | Units | Conditions                    |
| TQ10               | TtQH      | TQCK High Time   | Synchronous, with prescaler | Greater of 12.5 + 25<br>or<br>(0.5 Tcy/N) + 25  | —    | —    | ns    | Must also meet Parameter TQ15 |
| TQ11               | TtQL      | TQCK Low Time  | Synchronous, with prescaler | Greater of 12.5 + 25<br>or<br>(0.5 Tcy/N) + 25  | —    | —    | ns    | Must also meet Parameter TQ15 |
| TQ15               | TtQP      | TQCP Input Period                                      | Synchronous, with prescaler | Greater of 25 + 50<br>or<br>(1 Tcy/N) + 50  | —    | —    | ns    |                               |
| TQ20               | TCKEXTMRL | Delay from External TQCK Clock Edge to Timer Increment |                             | —   | 1    | Tcy  | —     |                               |

**Note 1:** These parameters are characterized but not tested in manufacturing.

**FIGURE 30-12: QEA/QEB INPUT CHARACTERISTICS**  
(dsPIC33EPXXXMC20X/50X and PIC24EPXXXMC20X DEVICES ONLY)



**TABLE 30-31: QUADRATURE DECODER TIMING REQUIREMENTS**  
(dsPIC33EPXXXMC20X/50X and PIC24EPXXXMC20X DEVICES ONLY)

| AC CHARACTERISTICS |        |  | Standard Operating Conditions: 3.0V to 3.6V<br>(unless otherwise stated)<br>Operating temperature $-40^{\circ}\text{C} \leq T_A \leq +85^{\circ}\text{C}$ for Industrial<br>$-40^{\circ}\text{C} \leq T_A \leq +125^{\circ}\text{C}$ for Extended |      |       |  |
|--------------------|--------|--|---|------|-------|--|
| Param No.          | Symbol | Characteristic <sup>(1)</sup>                      | Typ. <sup>(2)</sup>   | Max. | Units | Conditions   |
| TQ30               | TQuL   | Quadrature Input Low Time                          | 6 TcY   | —    | ns    |  |
| TQ31               | TQuH   | Quadrature Input High Time                         | 6 TcY   | —    | ns    |  |
| TQ35               | TQuIN  | Quadrature Input Period                            | 12 TcY  | —    | ns    |  |
| TQ36               | TQuP   | Quadrature Phase Period                            | 3 TcY   | —    | ns    |  |
| TQ40               | TQuFL  | Filter Time to Recognize Low, with Digital Filter  | $3 * N * TcY$   | —    | ns    | N = 1, 2, 4, 16, 32, 64, 128 and 256 ( <b>Note 3</b> ) |
| TQ41               | TQuFH  | Filter Time to Recognize High, with Digital Filter | $3 * N * TcY$   | —    | ns    | N = 1, 2, 4, 16, 32, 64, 128 and 256 ( <b>Note 3</b> ) |

- Note 1:** These parameters are characterized but not tested in manufacturing.
- Note 2:** Data in “Typical” column is at 3.3V, +25°C unless otherwise stated. Parameters are for design guidance only and are not tested.
- Note 3:** N = Index Channel Digital Filter Clock Divide Select bits. Refer to **Section 15. “Quadrature Encoder Interface (QEI)”** (DS70601) in the “dsPIC33E/PIC24E Family Reference Manual”. Please see the Microchip web site for the latest family reference manual sections.

**FIGURE 30-13: QEI MODULE INDEX PULSE TIMING CHARACTERISTICS**  
(dsPIC33EPXXXMC20X/50X and PIC24EPXXXMC20X DEVICES ONLY)



**TABLE 30-32: QEI INDEX PULSE TIMING REQUIREMENTS**  
(dsPIC33EPXXXMC20X/50X and PIC24EPXXXMC20X DEVICES ONLY)

| AC CHARACTERISTICS |        |  | Standard Operating Conditions: 3.0V to 3.6V<br>(unless otherwise stated)<br>Operating temperature $-40^{\circ}\text{C} \leq T_A \leq +85^{\circ}\text{C}$ for Industrial<br>$-40^{\circ}\text{C} \leq T_A \leq +125^{\circ}\text{C}$ for Extended |      |       |  |
|--------------------|--------|--|---|------|-------|--|
| Param No.          | Symbol | Characteristic <sup>(1)</sup>                                    | Min.  | Max. | Units | Conditions   |
| TQ50               | TqiL   | Filter Time to Recognize Low, with Digital Filter                | $3 * N * T_{CY}$  | —    | ns    | N = 1, 2, 4, 16, 32, 64, 128 and 256 ( <b>Note 2</b> ) |
| TQ51               | TqiH   | Filter Time to Recognize High, with Digital Filter               | $3 * N * T_{CY}$  | —    | ns    | N = 1, 2, 4, 16, 32, 64, 128 and 256 ( <b>Note 2</b> ) |
| TQ55               | Tqidxr | Index Pulse Recognized to Position Counter Reset (ungated index) | $3 T_{CY}$  | —    | ns    |  |

**Note 1:** These parameters are characterized but not tested in manufacturing.

**Note 2:** Alignment of index pulses to QEA and QEB is shown for position counter Reset timing only. Shown for forward direction only (QEA leads QEB). Same timing applies for reverse direction (QEA lags QEB) but index pulse recognition occurs on the falling edge.

TABLE 30-33: SPI2 MAXIMUM DATA/CLOCK RATE SUMMARY

| AC CHARACTERISTICS |                                    |                                       | Standard Operating Conditions: 3.0V to 3.6V<br>(unless otherwise stated)<br>Operating temperature -40°C ≤ TA ≤ +85°C for Industrial<br>-40°C ≤ TA ≤ +125°C for Extended |     |     |     |
|--------------------|------------------------------------|---------------------------------------|---|-----|-----|-----|
| Maximum Data Rate  | Master Transmit Only (Half-Duplex) | Master Transmit/Receive (Full-Duplex) | Slave Transmit/Receive (Full-Duplex)  | CKE | CKP | SMP |
| 15 MHz             | Table 30-33                        | —                                     | —   | 0,1 | 0,1 | 0,1 |
| 9 MHz              | —                                  | Table 30-34                           | —   | 1   | 0,1 | 1   |
| 9 MHz              | —                                  | Table 30-35                           | —   | 0   | 0,1 | 1   |
| 15 MHz             | —                                  | —                                     | Table 30-36   | 1   | 0   | 0   |
| 11 MHz             | —                                  | —                                     | Table 30-37   | 1   | 1   | 0   |
| 15 MHz             | —                                  | —                                     | Table 30-38   | 0   | 1   | 0   |
| 11 MHz             | —                                  | —                                     | Table 30-39   | 0   | 0   | 0   |

FIGURE 30-14: SPI2 MASTER MODE (HALF-DUPLEX, TRANSMIT ONLY, CKE = 0) TIMING CHARACTERISTICS





**FIGURE 30-15: SPI2 MASTER MODE (HALF-DUPLEX, TRANSMIT ONLY, CKE = 1) TIMING CHARACTERISTICS**



**TABLE 30-34: SPI2 MASTER MODE (HALF-DUPLEX, TRANSMIT ONLY) TIMING REQUIREMENTS**

| AC CHARACTERISTICS |                       |  | Standard Operating Conditions: 3.0V to 3.6V<br>(unless otherwise stated)<br>Operating temperature -40°C ≤ TA ≤ +85°C for Industrial<br>-40°C ≤ TA ≤ +125°C for Extended |                     |      |       |                                |
|--------------------|-----------------------|--|---|---------------------|------|-------|--------------------------------|
| Param.             | Symbol                | Characteristic <sup>(1)</sup>                | Min.  | Typ. <sup>(2)</sup> | Max. | Units | Conditions                     |
| SP10               | FscP                  | Maximum SCK2 Frequency                       | —   | —                   | 15   | MHz   | (Note 3)                       |
| SP20               | TscF                  | SCK2 Output Fall Time                        | —   | —                   | —    | ns    | See Parameter DO32<br>(Note 4) |
| SP21               | TscR                  | SCK2 Output Rise Time                        | —   | —                   | —    | ns    | See Parameter DO31<br>(Note 4) |
| SP30               | TdoF                  | SDO2 Data Output Fall Time                   | —   | —                   | —    | ns    | See Parameter DO32<br>(Note 4) |
| SP31               | TdoR                  | SDO2 Data Output Rise Time                   | —   | —                   | —    | ns    | See Parameter DO31<br>(Note 4) |
| SP35               | Tsch2doV,<br>TscL2doV | SDO2 Data Output Valid after<br>SCK2 Edge    | —   | 6                   | 20   | ns    |                                |
| SP36               | TdiV2scH,<br>TdiV2scL | SDO2 Data Output Setup to<br>First SCK2 Edge | 30  | —                   | —    | ns    |                                |

- Note 1:** These parameters are characterized, but are not tested in manufacturing.  
**Note 2:** Data in “Typical” column is at 3.3V, +25°C unless otherwise stated.  
**Note 3:** The minimum clock period for SCK2 is 66.7 ns. Therefore, the clock generated in Master mode must not violate this specification.  
**Note 4:** Assumes 50 pF load on all SPI2 pins.

**FIGURE 30-16: SPI2 MASTER MODE (FULL-DUPLEX, CKE = 1, CKP = x, SMP = 1) TIMING CHARACTERISTICS**



**TABLE 30-35: SPI2 MASTER MODE (FULL-DUPLEX, CKE = 1, CKP = x, SMP = 1) TIMING REQUIREMENTS**

| AC CHARACTERISTICS |                       |  | Standard Operating Conditions: 3.0V to 3.6V<br>(unless otherwise stated)<br>Operating temperature -40°C ≤ TA ≤ +85°C for Industrial<br>-40°C ≤ TA ≤ +125°C for Extended |                     |      |       |                                |
|--------------------|-----------------------|--|---|---------------------|------|-------|--------------------------------|
| Param.             | Symbol                | Characteristic <sup>(1)</sup>              | Min.  | Typ. <sup>(2)</sup> | Max. | Units | Conditions                     |
| SP10               | FscP                  | Maximum SCK2 Frequency                     | —   | —                   | 9    | MHz   | (Note 3)                       |
| SP20               | TscF                  | SCK2 Output Fall Time                      | —   | —                   | —    | ns    | See Parameter DO32<br>(Note 4) |
| SP21               | TscR                  | SCK2 Output Rise Time                      | —   | —                   | —    | ns    | See Parameter DO31<br>(Note 4) |
| SP30               | TdoF                  | SDO2 Data Output Fall Time                 | —   | —                   | —    | ns    | See Parameter DO32<br>(Note 4) |
| SP31               | TdoR                  | SDO2 Data Output Rise Time                 | —   | —                   | —    | ns    | See Parameter DO31<br>(Note 4) |
| SP35               | Tsch2doV,<br>TscL2doV | SDO2 Data Output Valid after SCK2 Edge     | —   | 6                   | 20   | ns    |                                |
| SP36               | TdoV2sc,<br>TdoV2scL  | SDO2 Data Output Setup to First SCK2 Edge  | 30  | —                   | —    | ns    |                                |
| SP40               | TdiV2sch,<br>TdiV2scL | Setup Time of SDI2 Data Input to SCK2 Edge | 30  | —                   | —    | ns    |                                |
| SP41               | Tsch2diL,<br>TscL2diL | Hold Time of SDI2 Data Input to SCK2 Edge  | 30  | —                   | —    | ns    |                                |

- Note 1:** These parameters are characterized, but are not tested in manufacturing.  
**Note 2:** Data in “Typical” column is at 3.3V, +25°C unless otherwise stated.  
**Note 3:** The minimum clock period for SCK2 is 111 ns. The clock generated in Master mode must not violate this specification.  
**Note 4:** Assumes 50 pF load on all SPI2 pins.

**FIGURE 30-17: SPI2 MASTER MODE (FULL-DUPLEX, CKE = 0, CKP = x, SMP = 1)  
TIMING CHARACTERISTICS**



**TABLE 30-36: SPI2 MASTER MODE (FULL-DUPLEX, CKE = 0, CKP = x, SMP = 1)  
TIMING REQUIREMENTS**

| AC CHARACTERISTICS |                       |  | Standard Operating Conditions: 3.0V to 3.6V<br>(unless otherwise stated)<br>Operating temperature -40°C ≤ TA ≤ +85°C for Industrial<br>-40°C ≤ TA ≤ +125°C for Extended |                     |      |       |                                       |
|--------------------|-----------------------|--|---|---------------------|------|-------|---------------------------------------|
| Param.             | Symbol                | Characteristic <sup>(1)</sup>              | Min.  | Typ. <sup>(2)</sup> | Max. | Units | Conditions                            |
| SP10               | FscP                  | Maximum SCK2 Frequency                     | —   | —                   | 9    | MHz   | -40°C to +125°C<br><b>(Note 3)</b>    |
| SP20               | TscF                  | SCK2 Output Fall Time                      | —   | —                   | —    | ns    | See Parameter DO32<br><b>(Note 4)</b> |
| SP21               | TscR                  | SCK2 Output Rise Time                      | —   | —                   | —    | ns    | See Parameter DO31<br><b>(Note 4)</b> |
| SP30               | TdoF                  | SDO2 Data Output Fall Time                 | —   | —                   | —    | ns    | See Parameter DO32<br><b>(Note 4)</b> |
| SP31               | TdoR                  | SDO2 Data Output Rise Time                 | —   | —                   | —    | ns    | See Parameter DO31<br><b>(Note 4)</b> |
| SP35               | Tsch2doV,<br>TscL2doV | SDO2 Data Output Valid after SCK2 Edge     | —   | 6                   | 20   | ns    |                                       |
| SP36               | TdoV2sch,<br>TdoV2scL | SDO2 Data Output Setup to First SCK2 Edge  | 30  | —                   | —    | ns    |                                       |
| SP40               | TdiV2sch,<br>TdiV2scL | Setup Time of SDI2 Data Input to SCK2 Edge | 30  | —                   | —    | ns    |                                       |
| SP41               | Tsch2diL,<br>TscL2diL | Hold Time of SDI2 Data Input to SCK2 Edge  | 30  | —                   | —    | ns    |                                       |

**Note 1:** These parameters are characterized, but are not tested in manufacturing.

**2:** Data in “Typical” column is at 3.3V, +25°C unless otherwise stated.

**3:** The minimum clock period for SCK2 is 111 ns. The clock generated in Master mode must not violate this specification.

**4:** Assumes 50 pF load on all SPI2 pins.

**FIGURE 30-18: SPI2 SLAVE MODE (FULL-DUPLEX, CKE = 1, CKP = 0, SMP = 0) TIMING CHARACTERISTICS**



**TABLE 30-37: SPI2 SLAVE MODE (FULL-DUPLEX, CKE = 1, CKP = 0, SMP = 0)  
TIMING REQUIREMENTS**

| AC CHARACTERISTICS |                       |  | Standard Operating Conditions: 3.0V to 3.6V<br>(unless otherwise stated)<br>Operating temperature -40°C ≤ TA ≤ +85°C for Industrial<br>-40°C ≤ TA ≤ +125°C for Extended |                     |                    |       |                             |
|--------------------|-----------------------|--|---|---------------------|--------------------|-------|-----------------------------|
| Param.             | Symbol                | Characteristic <sup>(1)</sup>                      | Min.  | Typ. <sup>(2)</sup> | Max.               | Units | Conditions                  |
| SP70               | FscP                  | Maximum SCK2 Input Frequency                       | —   | —                   | Lesser of Fp or 15 | MHz   | (Note 3)                    |
| SP72               | TscF                  | SCK2 Input Fall Time                               | —   | —                   | —                  | ns    | See Parameter DO32 (Note 4) |
| SP73               | TscR                  | SCK2 Input Rise Time                               | —   | —                   | —                  | ns    | See Parameter DO31 (Note 4) |
| SP30               | TdoF                  | SDO2 Data Output Fall Time                         | —   | —                   | —                  | ns    | See Parameter DO32 (Note 4) |
| SP31               | TdoR                  | SDO2 Data Output Rise Time                         | —   | —                   | —                  | ns    | See Parameter DO31 (Note 4) |
| SP35               | Tsch2doV,<br>TscL2doV | SDO2 Data Output Valid after SCK2 Edge             | —   | 6                   | 20                 | ns    |                             |
| SP36               | TdoV2scH,<br>TdoV2scL | SDO2 Data Output Setup to First SCK2 Edge          | 30  | —                   | —                  | ns    |                             |
| SP40               | TdiV2scH,<br>TdiV2scL | Setup Time of SDI2 Data Input to SCK2 Edge         | 30  | —                   | —                  | ns    |                             |
| SP41               | Tsch2diL,<br>TscL2diL | Hold Time of SDI2 Data Input to SCK2 Edge          | 30  | —                   | —                  | ns    |                             |
| SP50               | TssL2scH,<br>TssL2scL | $\overline{SS2}$ ↓ to SCK2 ↑ or SCK2 ↓ Input       | 120   | —                   | —                  | ns    |                             |
| SP51               | TssH2doZ              | $\overline{SS2}$ ↑ to SDO2 Output High-Impedance   | 10  | —                   | 50                 | ns    | (Note 4)                    |
| SP52               | Tsch2ssH<br>TscL2ssH  | $\overline{SS2}$ ↑ after SCK2 Edge                 | 1.5 Tcy + 40  | —                   | —                  | ns    | (Note 4)                    |
| SP60               | TssL2doV              | SDO2 Data Output Valid after $\overline{SS2}$ Edge | —   | —                   | 50                 | ns    |                             |

- Note 1:** These parameters are characterized, but are not tested in manufacturing.  
**Note 2:** Data in “Typical” column is at 3.3V, +25°C unless otherwise stated.  
**Note 3:** The minimum clock period for SCK2 is 66.7 ns. Therefore, the SCK2 clock generated by the master must not violate this specification.  
**Note 4:** Assumes 50 pF load on all SPI2 pins.

**FIGURE 30-19: SPI2 SLAVE MODE (FULL-DUPLEX, CKE = 1, CKP = 1, SMP = 0)  
TIMING CHARACTERISTICS**



**TABLE 30-38: SPI2 SLAVE MODE (FULL-DUPLEX, CKE = 1, CKP = 1, SMP = 0)  
TIMING REQUIREMENTS**

| AC CHARACTERISTICS |                       |  | Standard Operating Conditions: 3.0V to 3.6V<br>(unless otherwise stated)<br>Operating temperature -40°C ≤ TA ≤ +85°C for Industrial<br>-40°C ≤ TA ≤ +125°C for Extended |                     |                    |       |                             |
|--------------------|-----------------------|--|---|---------------------|--------------------|-------|-----------------------------|
| Param.             | Symbol                | Characteristic <sup>(1)</sup>                      | Min.  | Typ. <sup>(2)</sup> | Max.               | Units | Conditions                  |
| SP70               | FscP                  | Maximum SCK2 Input Frequency                       | —   | —                   | Lesser of Fp or 11 | MHz   | (Note 3)                    |
| SP72               | TscF                  | SCK2 Input Fall Time                               | —   | —                   | —                  | ns    | See Parameter DO32 (Note 4) |
| SP73               | TscR                  | SCK2 Input Rise Time                               | —   | —                   | —                  | ns    | See Parameter DO31 (Note 4) |
| SP30               | TdoF                  | SDO2 Data Output Fall Time                         | —   | —                   | —                  | ns    | See Parameter DO32 (Note 4) |
| SP31               | TdoR                  | SDO2 Data Output Rise Time                         | —   | —                   | —                  | ns    | See Parameter DO31 (Note 4) |
| SP35               | Tsch2doV,<br>TscL2doV | SDO2 Data Output Valid after SCK2 Edge             | —   | 6                   | 20                 | ns    |                             |
| SP36               | TdoV2scH,<br>TdoV2scL | SDO2 Data Output Setup to First SCK2 Edge          | 30  | —                   | —                  | ns    |                             |
| SP40               | TdiV2scH,<br>TdiV2scL | Setup Time of SDI2 Data Input to SCK2 Edge         | 30  | —                   | —                  | ns    |                             |
| SP41               | Tsch2diL,<br>TscL2diL | Hold Time of SDI2 Data Input to SCK2 Edge          | 30  | —                   | —                  | ns    |                             |
| SP50               | TssL2scH,<br>TssL2scL | $\overline{SS2}$ ↓ to SCK2 ↑ or SCK2 ↓ Input       | 120   | —                   | —                  | ns    |                             |
| SP51               | TssH2doZ              | $\overline{SS2}$ ↑ to SDO2 Output High-Impedance   | 10  | —                   | 50                 | ns    | (Note 4)                    |
| SP52               | Tsch2ssH<br>TscL2ssH  | $\overline{SS2}$ ↑ after SCK2 Edge                 | 1.5 T <sub>CY</sub> + 40  | —                   | —                  | ns    | (Note 4)                    |
| SP60               | TssL2doV              | SDO2 Data Output Valid after $\overline{SS2}$ Edge | —   | —                   | 50                 | ns    |                             |

- Note 1:** These parameters are characterized, but are not tested in manufacturing.  
**Note 2:** Data in “Typical” column is at 3.3V, +25°C unless otherwise stated.  
**Note 3:** The minimum clock period for SCK2 is 91 ns. Therefore, the SCK2 clock generated by the master must not violate this specification.  
**Note 4:** Assumes 50 pF load on all SPI2 pins.

**FIGURE 30-20: SPI2 SLAVE MODE (FULL-DUPLEX, CKE = 0, CKP = 1, SMP = 0) TIMING CHARACTERISTICS**





**TABLE 30-39: SPI2 SLAVE MODE (FULL-DUPLEX, CKE = 0, CKP = 1, SMP = 0)  
TIMING REQUIREMENTS**

| AC CHARACTERISTICS |                       |   | Standard Operating Conditions: 3.0V to 3.6V<br>(unless otherwise stated)<br>Operating temperature -40°C ≤ TA ≤ +85°C for Industrial<br>-40°C ≤ TA ≤ +125°C for Extended |                     |      |       |                                |
|--------------------|-----------------------|---|---|---------------------|------|-------|--------------------------------|
| Param.             | Symbol                | Characteristic <sup>(1)</sup>                       | Min.  | Typ. <sup>(2)</sup> | Max. | Units | Conditions                     |
| SP70               | FscP                  | Maximum SCK2 Input Frequency                        | —   | —                   | 15   | MHz   | (Note 3)                       |
| SP72               | TscF                  | SCK2 Input Fall Time                                | —   | —                   | —    | ns    | See Parameter DO32<br>(Note 4) |
| SP73               | TscR                  | SCK2 Input Rise Time                                | —   | —                   | —    | ns    | See Parameter DO31<br>(Note 4) |
| SP30               | TdoF                  | SDO2 Data Output Fall Time                          | —   | —                   | —    | ns    | See Parameter DO32<br>(Note 4) |
| SP31               | TdoR                  | SDO2 Data Output Rise Time                          | —   | —                   | —    | ns    | See Parameter DO31<br>(Note 4) |
| SP35               | Tsch2doV,<br>TscL2doV | SDO2 Data Output Valid after<br>SCK2 Edge           | —   | 6                   | 20   | ns    |                                |
| SP36               | TdoV2scH,<br>TdoV2scL | SDO2 Data Output Setup to<br>First SCK2 Edge        | 30  | —                   | —    | ns    |                                |
| SP40               | TdiV2scH,<br>TdiV2scL | Setup Time of SDI2 Data Input<br>to SCK2 Edge       | 30  | —                   | —    | ns    |                                |
| SP41               | Tsch2diL,<br>TscL2diL | Hold Time of SDI2 Data Input<br>to SCK2 Edge        | 30  | —                   | —    | ns    |                                |
| SP50               | TssL2scH,<br>TssL2scL | $\overline{SS2}$ ↓ to SCK2 ↑ or SCK2 ↓<br>Input     | 120   | —                   | —    | ns    |                                |
| SP51               | TssH2doZ              | $\overline{SS2}$ ↑ to SDO2 Output<br>High-Impedance | 10  | —                   | 50   | ns    | (Note 4)                       |
| SP52               | Tsch2ssH<br>TscL2ssH  | $\overline{SS2}$ ↑ after SCK2 Edge                  | 1.5 Tcy + 40  | —                   | —    | ns    | (Note 4)                       |

- Note 1:** These parameters are characterized, but are not tested in manufacturing.
- Note 2:** Data in “Typical” column is at 3.3V, +25°C unless otherwise stated.
- Note 3:** The minimum clock period for SCK2 is 66.7 ns. Therefore, the SCK2 clock generated by the master must not violate this specification.
- Note 4:** Assumes 50 pF load on all SPI2 pins.

**FIGURE 30-21: SPI2 SLAVE MODE (FULL-DUPLEX, CKE = 0, CKP = 0, SMP = 0) TIMING CHARACTERISTICS**



**TABLE 30-40: SPI2 SLAVE MODE (FULL-DUPLEX, CKE = 0, CKP = 0, SMP = 0)  
TIMING REQUIREMENTS**

| AC CHARACTERISTICS |                       |   | Standard Operating Conditions: 3.0V to 3.6V<br>(unless otherwise stated)<br>Operating temperature -40°C ≤ TA ≤ +85°C for Industrial<br>-40°C ≤ TA ≤ +125°C for Extended |                     |      |       |                                |
|--------------------|-----------------------|---|---|---------------------|------|-------|--------------------------------|
| Param.             | Symbol                | Characteristic <sup>(1)</sup>                       | Min.  | Typ. <sup>(2)</sup> | Max. | Units | Conditions                     |
| SP70               | FscP                  | Maximum SCK2 Input Frequency                        | —   | —                   | 11   | MHz   | (Note 3)                       |
| SP72               | TscF                  | SCK2 Input Fall Time                                | —   | —                   | —    | ns    | See Parameter DO32<br>(Note 4) |
| SP73               | TscR                  | SCK2 Input Rise Time                                | —   | —                   | —    | ns    | See Parameter DO31<br>(Note 4) |
| SP30               | TdoF                  | SDO2 Data Output Fall Time                          | —   | —                   | —    | ns    | See Parameter DO31<br>(Note 4) |
| SP31               | TdoR                  | SDO2 Data Output Rise Time                          | —   | —                   | —    | ns    | See Parameter DO31<br>(Note 4) |
| SP35               | Tsch2doV,<br>TscL2doV | SDO2 Data Output Valid after<br>SCK2 Edge           | —   | 6                   | 20   | ns    |                                |
| SP36               | TdoV2scH,<br>TdoV2scL | SDO2 Data Output Setup to<br>First SCK2 Edge        | 30  | —                   | —    | ns    |                                |
| SP40               | TdiV2scH,<br>TdiV2scL | Setup Time of SDI2 Data Input<br>to SCK2 Edge       | 30  | —                   | —    | ns    |                                |
| SP41               | Tsch2diL,<br>TscL2diL | Hold Time of SDI2 Data Input<br>to SCK2 Edge        | 30  | —                   | —    | ns    |                                |
| SP50               | TssL2scH,<br>TssL2scL | $\overline{SS2}$ ↓ to SCK2 ↑ or SCK2 ↓<br>Input     | 120   | —                   | —    | ns    |                                |
| SP51               | TssH2doZ              | $\overline{SS2}$ ↑ to SDO2 Output<br>High-Impedance | 10  | —                   | 50   | ns    | (Note 4)                       |
| SP52               | Tsch2ssH<br>TscL2ssH  | $\overline{SS2}$ ↑ after SCK2 Edge                  | 1.5 Tcy + 40  | —                   | —    | ns    | (Note 4)                       |

- Note 1:** These parameters are characterized, but are not tested in manufacturing.  
**Note 2:** Data in “Typical” column is at 3.3V, +25°C unless otherwise stated.  
**Note 3:** The minimum clock period for SCK2 is 91 ns. Therefore, the SCK2 clock generated by the master must not violate this specification.  
**Note 4:** Assumes 50 pF load on all SPI2 pins.

TABLE 30-41: SPI1 MAXIMUM DATA/CLOCK RATE SUMMARY

| AC CHARACTERISTICS |                                    |                                       | Standard Operating Conditions: 3.0V to 3.6V<br>(unless otherwise stated)<br>Operating temperature -40°C ≤ TA ≤ +85°C for Industrial<br>-40°C ≤ TA ≤ +125°C for Extended |     |     |     |
|--------------------|------------------------------------|---------------------------------------|---|-----|-----|-----|
| Maximum Data Rate  | Master Transmit Only (Half-Duplex) | Master Transmit/Receive (Full-Duplex) | Slave Transmit/Receive (Full-Duplex)  | CKE | CKP | SMP |
| 15 MHz             | Table 30-42                        | —                                     | —   | 0,1 | 0,1 | 0,1 |
| 10 MHz             | —                                  | Table 30-43                           | —   | 1   | 0,1 | 1   |
| 10 MHz             | —                                  | Table 30-44                           | —   | 0   | 0,1 | 1   |
| 15 MHz             | —                                  | —                                     | Table 30-45   | 1   | 0   | 0   |
| 11 MHz             | —                                  | —                                     | Table 30-46   | 1   | 1   | 0   |
| 15 MHz             | —                                  | —                                     | Table 30-47   | 0   | 1   | 0   |
| 11 MHz             | —                                  | —                                     | Table 30-48   | 0   | 0   | 0   |

FIGURE 30-22: SPI1 MASTER MODE (HALF-DUPLEX, TRANSMIT ONLY, CKE = 0) TIMING CHARACTERISTICS



**FIGURE 30-23: SPI1 MASTER MODE (HALF-DUPLEX, TRANSMIT ONLY, CKE = 1) TIMING CHARACTERISTICS**



**TABLE 30-42: SPI1 MASTER MODE (HALF-DUPLEX, TRANSMIT ONLY) TIMING REQUIREMENTS**

| AC CHARACTERISTICS |                       |  | Standard Operating Conditions: 3.0V to 3.6V<br>(unless otherwise stated)<br>Operating temperature -40°C ≤ TA ≤ +85°C for Industrial<br>-40°C ≤ TA ≤ +125°C for Extended |                     |      |       |                                |
|--------------------|-----------------------|--|---|---------------------|------|-------|--------------------------------|
| Param.             | Symbol                | Characteristic <sup>(1)</sup>                | Min.  | Typ. <sup>(2)</sup> | Max. | Units | Conditions                     |
| SP10               | FscP                  | Maximum SCK1 Frequency                       | —   | —                   | 15   | MHz   | (Note 3)                       |
| SP20               | TscF                  | SCK1 Output Fall Time                        | —   | —                   | —    | ns    | See Parameter DO32<br>(Note 4) |
| SP21               | TscR                  | SCK1 Output Rise Time                        | —   | —                   | —    | ns    | See Parameter DO31<br>(Note 4) |
| SP30               | TdoF                  | SDO1 Data Output Fall Time                   | —   | —                   | —    | ns    | See Parameter DO32<br>(Note 4) |
| SP31               | TdoR                  | SDO1 Data Output Rise Time                   | —   | —                   | —    | ns    | See Parameter DO31<br>(Note 4) |
| SP35               | Tsch2doV,<br>TscL2doV | SDO1 Data Output Valid after<br>SCK1 Edge    | —   | 6                   | 20   | ns    |                                |
| SP36               | TdiV2sch,<br>TdiV2scL | SDO1 Data Output Setup to<br>First SCK1 Edge | 30  | —                   | —    | ns    |                                |

**Note 1:** These parameters are characterized, but are not tested in manufacturing.

**2:** Data in “Typical” column is at 3.3V, +25°C unless otherwise stated.

**3:** The minimum clock period for SCK1 is 66.7 ns. Therefore, the clock generated in Master mode must not violate this specification.

**4:** Assumes 50 pF load on all SPI1 pins.

**FIGURE 30-24: SPI1 MASTER MODE (FULL-DUPLEX, CKE = 1, CKP = x, SMP = 1) TIMING CHARACTERISTICS**



**TABLE 30-43: SPI1 MASTER MODE (FULL-DUPLEX, CKE = 1, CKP = x, SMP = 1) TIMING REQUIREMENTS**

| AC CHARACTERISTICS |                       |  | Standard Operating Conditions: 3.0V to 3.6V<br>(unless otherwise stated)<br>Operating temperature -40°C ≤ TA ≤ +85°C for Industrial<br>-40°C ≤ TA ≤ +125°C for Extended |                     |      |       |                             |
|--------------------|-----------------------|--|---|---------------------|------|-------|-----------------------------|
| Param.             | Symbol                | Characteristic <sup>(1)</sup>              | Min.  | Typ. <sup>(2)</sup> | Max. | Units | Conditions                  |
| SP10               | FscP                  | Maximum SCK1 Frequency                     | —   | —                   | 10   | MHz   | (Note 3)                    |
| SP20               | TscF                  | SCK1 Output Fall Time                      | —   | —                   | —    | ns    | See Parameter DO32 (Note 4) |
| SP21               | TscR                  | SCK1 Output Rise Time                      | —   | —                   | —    | ns    | See Parameter DO31 (Note 4) |
| SP30               | TdoF                  | SDO1 Data Output Fall Time                 | —   | —                   | —    | ns    | See Parameter DO32 (Note 4) |
| SP31               | TdoR                  | SDO1 Data Output Rise Time                 | —   | —                   | —    | ns    | See Parameter DO31 (Note 4) |
| SP35               | Tsch2doV,<br>TscL2doV | SDO1 Data Output Valid after SCK1 Edge     | —   | 6                   | 20   | ns    |                             |
| SP36               | TdoV2sc,<br>TdoV2scL  | SDO1 Data Output Setup to First SCK1 Edge  | 30  | —                   | —    | ns    |                             |
| SP40               | TdiV2sch,<br>TdiV2scL | Setup Time of SDI1 Data Input to SCK1 Edge | 30  | —                   | —    | ns    |                             |
| SP41               | Tsch2diL,<br>TscL2diL | Hold Time of SDI1 Data Input to SCK1 Edge  | 30  | —                   | —    | ns    |                             |

- Note 1:** These parameters are characterized, but are not tested in manufacturing.  
**Note 2:** Data in “Typical” column is at 3.3V, +25°C unless otherwise stated.  
**Note 3:** The minimum clock period for SCK1 is 100 ns. The clock generated in Master mode must not violate this specification.  
**Note 4:** Assumes 50 pF load on all SPI1 pins.

**FIGURE 30-25: SPI1 MASTER MODE (FULL-DUPLEX, CKE = 0, CKP = x, SMP = 1)  
TIMING CHARACTERISTICS**



**TABLE 30-44: SPI1 MASTER MODE (FULL-DUPLEX, CKE = 0, CKP = x, SMP = 1)  
TIMING REQUIREMENTS**

| AC CHARACTERISTICS |                       |   | Standard Operating Conditions: 3.0V to 3.6V<br>(unless otherwise stated)<br>Operating temperature $-40^{\circ}\text{C} \leq T_A \leq +85^{\circ}\text{C}$ for Industrial<br>$-40^{\circ}\text{C} \leq T_A \leq +125^{\circ}\text{C}$ for Extended |                     |      |       |   |
|--------------------|-----------------------|---|---|---------------------|------|-------|---|
| Param.             | Symbol                | Characteristic <sup>(1)</sup>                 | Min.  | Typ. <sup>(2)</sup> | Max. | Units | Conditions  |
| SP10               | FscP                  | Maximum SCK1 Frequency                        | —   | —                   | 10   | MHz   | $-40^{\circ}\text{C}$ to $+125^{\circ}\text{C}$<br>(Note 3) |
| SP20               | TscF                  | SCK1 Output Fall Time                         | —   | —                   | —    | ns    | See Parameter DO32<br>(Note 4)                              |
| SP21               | TscR                  | SCK1 Output Rise Time                         | —   | —                   | —    | ns    | See Parameter DO31<br>(Note 4)                              |
| SP30               | TdoF                  | SDO1 Data Output Fall Time                    | —   | —                   | —    | ns    | See Parameter DO32<br>(Note 4)                              |
| SP31               | TdoR                  | SDO1 Data Output Rise Time                    | —   | —                   | —    | ns    | See Parameter DO31<br>(Note 4)                              |
| SP35               | Tsch2doV,<br>TscL2doV | SDO1 Data Output Valid after<br>SCK1 Edge     | —   | 6                   | 20   | ns    |   |
| SP36               | TdoV2scH,<br>TdoV2scL | SDO1 Data Output Setup to<br>First SCK1 Edge  | 30  | —                   | —    | ns    |   |
| SP40               | TdiV2scH,<br>TdiV2scL | Setup Time of SDI1 Data<br>Input to SCK1 Edge | 30  | —                   | —    | ns    |   |
| SP41               | Tsch2diL,<br>TscL2diL | Hold Time of SDI1 Data Input<br>to SCK1 Edge  | 30  | —                   | —    | ns    |   |

**Note 1:** These parameters are characterized, but are not tested in manufacturing.

**2:** Data in “Typical” column is at 3.3V,  $+25^{\circ}\text{C}$  unless otherwise stated.

**3:** The minimum clock period for SCK1 is 100 ns. The clock generated in Master mode must not violate this specification.

**4:** Assumes 50 pF load on all SPI1 pins.

**FIGURE 30-26: SPI1 SLAVE MODE (FULL-DUPLEX, CKE = 1, CKP = 0, SMP = 0) TIMING CHARACTERISTICS**





**TABLE 30-45: SPI1 SLAVE MODE (FULL-DUPLEX, CKE = 1, CKP = 0, SMP = 0)  
TIMING REQUIREMENTS**

| AC CHARACTERISTICS |                       |   | Standard Operating Conditions: 3.0V to 3.6V<br>(unless otherwise stated)<br>Operating temperature -40°C ≤ TA ≤ +85°C for Industrial<br>-40°C ≤ TA ≤ +125°C for Extended |                     |                    |       |                             |
|--------------------|-----------------------|---|---|---------------------|--------------------|-------|-----------------------------|
| Param.             | Symbol                | Characteristic <sup>(1)</sup>   | Min.  | Typ. <sup>(2)</sup> | Max.               | Units | Conditions                  |
| SP70               | FscP                  | Maximum SCK1 Input Frequency  | —   | —                   | Lesser of FP or 15 | MHz   | (Note 3)                    |
| SP72               | TscF                  | SCK1 Input Fall Time  | —   | —                   | —                  | ns    | See Parameter DO32 (Note 4) |
| SP73               | TscR                  | SCK1 Input Rise Time  | —   | —                   | —                  | ns    | See Parameter DO31 (Note 4) |
| SP30               | TdoF                  | SDO1 Data Output Fall Time  | —   | —                   | —                  | ns    | See Parameter DO32 (Note 4) |
| SP31               | TdoR                  | SDO1 Data Output Rise Time  | —   | —                   | —                  | ns    | See Parameter DO31 (Note 4) |
| SP35               | Tsch2doV,<br>TscL2doV | SDO1 Data Output Valid after SCK1 Edge                                    | —   | 6                   | 20                 | ns    |                             |
| SP36               | TdoV2scH,<br>TdoV2scL | SDO1 Data Output Setup to First SCK1 Edge                                 | 30  | —                   | —                  | ns    |                             |
| SP40               | TdiV2scH,<br>TdiV2scL | Setup Time of SDI1 Data Input to SCK1 Edge                                | 30  | —                   | —                  | ns    |                             |
| SP41               | Tsch2diL,<br>TscL2diL | Hold Time of SDI1 Data Input to SCK1 Edge                                 | 30  | —                   | —                  | ns    |                             |
| SP50               | TssL2scH,<br>TssL2scL | $\overline{SS1} \downarrow$ to SCK1 $\uparrow$ or SCK1 $\downarrow$ Input | 120   | —                   | —                  | ns    |                             |
| SP51               | TssH2doZ              | $\overline{SS1} \uparrow$ to SDO1 Output High-Impedance                   | 10  | —                   | 50                 | ns    | (Note 4)                    |
| SP52               | Tsch2ssH<br>TscL2ssH  | $\overline{SS1} \uparrow$ after SCK1 Edge                                 | 1.5 Tcy + 40  | —                   | —                  | ns    | (Note 4)                    |
| SP60               | TssL2doV              | SDO1 Data Output Valid after $\overline{SS1}$ Edge                        | —   | —                   | 50                 | ns    |                             |

- Note 1:** These parameters are characterized, but are not tested in manufacturing.  
**Note 2:** Data in “Typical” column is at 3.3V, +25°C unless otherwise stated.  
**Note 3:** The minimum clock period for SCK1 is 66.7 ns. Therefore, the SCK1 clock generated by the master must not violate this specification.  
**Note 4:** Assumes 50 pF load on all SPI1 pins.

**FIGURE 30-27: SPI1 SLAVE MODE (FULL-DUPLEX, CKE = 1, CKP = 1, SMP = 0) TIMING CHARACTERISTICS**



**TABLE 30-46: SPI1 SLAVE MODE (FULL-DUPLEX, CKE = 1, CKP = 1, SMP = 0)  
TIMING REQUIREMENTS**

| AC CHARACTERISTICS |                       |   | Standard Operating Conditions: 3.0V to 3.6V<br>(unless otherwise stated)<br>Operating temperature -40°C ≤ TA ≤ +85°C for Industrial<br>-40°C ≤ TA ≤ +125°C for Extended |                     |                       |       |                                |
|--------------------|-----------------------|---|---|---------------------|-----------------------|-------|--------------------------------|
| Param.             | Symbol                | Characteristic <sup>(1)</sup>                         | Min.  | Typ. <sup>(2)</sup> | Max.                  | Units | Conditions                     |
| SP70               | FscP                  | Maximum SCK1 Input Frequency                          | —   | —                   | Lesser of<br>Fp or 11 | MHz   | (Note 3)                       |
| SP72               | TscF                  | SCK1 Input Fall Time                                  | —   | —                   | —                     | ns    | See Parameter DO32<br>(Note 4) |
| SP73               | TscR                  | SCK1 Input Rise Time                                  | —   | —                   | —                     | ns    | See Parameter DO31<br>(Note 4) |
| SP30               | TdoF                  | SDO1 Data Output Fall Time                            | —   | —                   | —                     | ns    | See Parameter DO32<br>(Note 4) |
| SP31               | TdoR                  | SDO1 Data Output Rise Time                            | —   | —                   | —                     | ns    | See Parameter DO31<br>(Note 4) |
| SP35               | Tsch2doV,<br>TscL2doV | SDO1 Data Output Valid after<br>SCK1 Edge             | —   | 6                   | 20                    | ns    |                                |
| SP36               | TdoV2scH,<br>TdoV2scL | SDO1 Data Output Setup to<br>First SCK1 Edge          | 30  | —                   | —                     | ns    |                                |
| SP40               | TdiV2scH,<br>TdiV2scL | Setup Time of SDI1 Data Input<br>to SCK1 Edge         | 30  | —                   | —                     | ns    |                                |
| SP41               | Tsch2diL,<br>TscL2diL | Hold Time of SDI1 Data Input<br>to SCK1 Edge          | 30  | —                   | —                     | ns    |                                |
| SP50               | TssL2scH,<br>TssL2scL | $\overline{SS1}$ ↓ to SCK1 ↑ or SCK1 ↓<br>Input       | 120   | —                   | —                     | ns    |                                |
| SP51               | TssH2doZ              | $\overline{SS1}$ ↑ to SDO1 Output<br>High-Impedance   | 10  | —                   | 50                    | ns    | (Note 4)                       |
| SP52               | Tsch2ssH,<br>TscL2ssH | $\overline{SS1}$ ↑ after SCK1 Edge                    | 1.5 Tcy + 40  | —                   | —                     | ns    | (Note 4)                       |
| SP60               | TssL2doV              | SDO1 Data Output Valid after<br>$\overline{SS1}$ Edge | —   | —                   | 50                    | ns    |                                |

- Note 1:** These parameters are characterized, but are not tested in manufacturing.  
**Note 2:** Data in “Typical” column is at 3.3V, +25°C unless otherwise stated.  
**Note 3:** The minimum clock period for SCK1 is 91 ns. Therefore, the SCK1 clock generated by the master must not violate this specification.  
**Note 4:** Assumes 50 pF load on all SPI1 pins.

**FIGURE 30-28: SPI1 SLAVE MODE (FULL-DUPLEX, CKE = 0, CKP = 1, SMP = 0) TIMING CHARACTERISTICS**



**TABLE 30-47: SPI1 SLAVE MODE (FULL-DUPLEX, CKE = 0, CKP = 1, SMP = 0)  
TIMING REQUIREMENTS**

| AC CHARACTERISTICS |                       |  | Standard Operating Conditions: 3.0V to 3.6V<br>(unless otherwise stated)<br>Operating temperature -40°C ≤ TA ≤ +85°C for Industrial<br>-40°C ≤ TA ≤ +125°C for Extended |                     |      |       |                                |
|--------------------|-----------------------|--|---|---------------------|------|-------|--------------------------------|
| Param.             | Symbol                | Characteristic <sup>(1)</sup>  | Min.  | Typ. <sup>(2)</sup> | Max. | Units | Conditions                     |
| SP70               | FscP                  | Maximum SCK1 Input Frequency   | —   | —                   | 15   | MHz   | (Note 3)                       |
| SP72               | TscF                  | SCK1 Input Fall Time   | —   | —                   | —    | ns    | See Parameter DO32<br>(Note 4) |
| SP73               | TscR                  | SCK1 Input Rise Time   | —   | —                   | —    | ns    | See Parameter DO31<br>(Note 4) |
| SP30               | TdoF                  | SDO1 Data Output Fall Time   | —   | —                   | —    | ns    | See Parameter DO32<br>(Note 4) |
| SP31               | TdoR                  | SDO1 Data Output Rise Time   | —   | —                   | —    | ns    | See Parameter DO31<br>(Note 4) |
| SP35               | Tsch2doV,<br>TscL2doV | SDO1 Data Output Valid after<br>SCK1 Edge                                    | —   | 6                   | 20   | ns    |                                |
| SP36               | TdoV2scH,<br>TdoV2scL | SDO1 Data Output Setup to<br>First SCK1 Edge                                 | 30  | —                   | —    | ns    |                                |
| SP40               | TdiV2scH,<br>TdiV2scL | Setup Time of SDI1 Data Input<br>to SCK1 Edge                                | 30  | —                   | —    | ns    |                                |
| SP41               | Tsch2diL,<br>TscL2diL | Hold Time of SDI1 Data Input<br>to SCK1 Edge                                 | 30  | —                   | —    | ns    |                                |
| SP50               | TssL2scH,<br>TssL2scL | $\overline{SS1} \downarrow$ to SCK1 $\uparrow$ or SCK1 $\downarrow$<br>Input | 120   | —                   | —    | ns    |                                |
| SP51               | TssH2doZ              | $\overline{SS1} \uparrow$ to SDO1 Output<br>High-Impedance                   | 10  | —                   | 50   | ns    | (Note 4)                       |
| SP52               | Tsch2ssH,<br>TscL2ssH | $\overline{SS1} \uparrow$ after SCK1 Edge                                    | 1.5 T <sub>CY</sub> + 40  | —                   | —    | ns    | (Note 4)                       |

- Note 1:** These parameters are characterized, but are not tested in manufacturing.  
**Note 2:** Data in “Typical” column is at 3.3V, +25°C unless otherwise stated.  
**Note 3:** The minimum clock period for SCK1 is 66.7 ns. Therefore, the SCK1 clock generated by the master must not violate this specification.  
**Note 4:** Assumes 50 pF load on all SPI1 pins.

**FIGURE 30-29: SPI1 SLAVE MODE (FULL-DUPLEX, CKE = 0, CKP = 0, SMP = 0) TIMING CHARACTERISTICS**

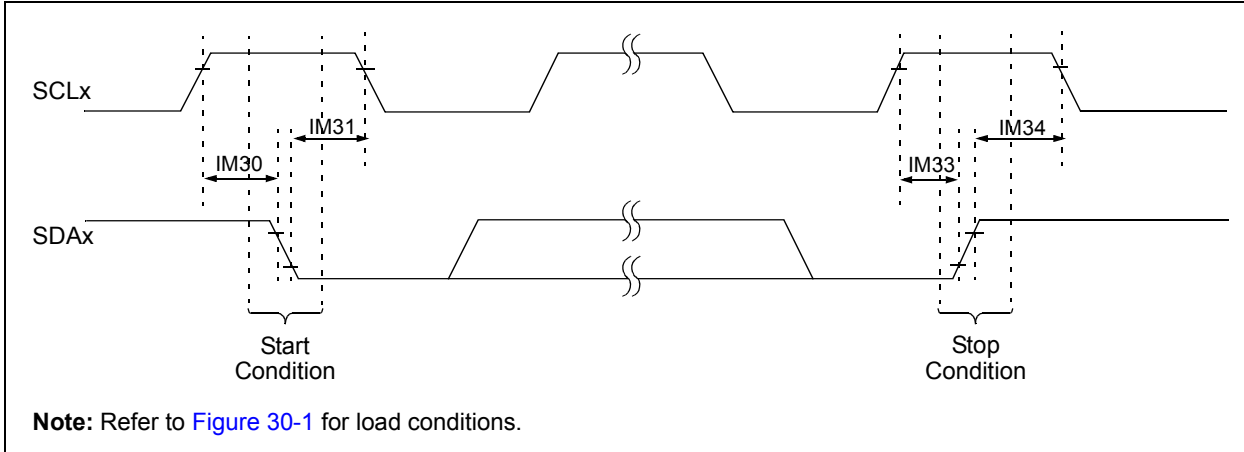


**TABLE 30-48: SPI1 SLAVE MODE (FULL-DUPLEX, CKE = 0, CKP = 0, SMP = 0)  
TIMING REQUIREMENTS**

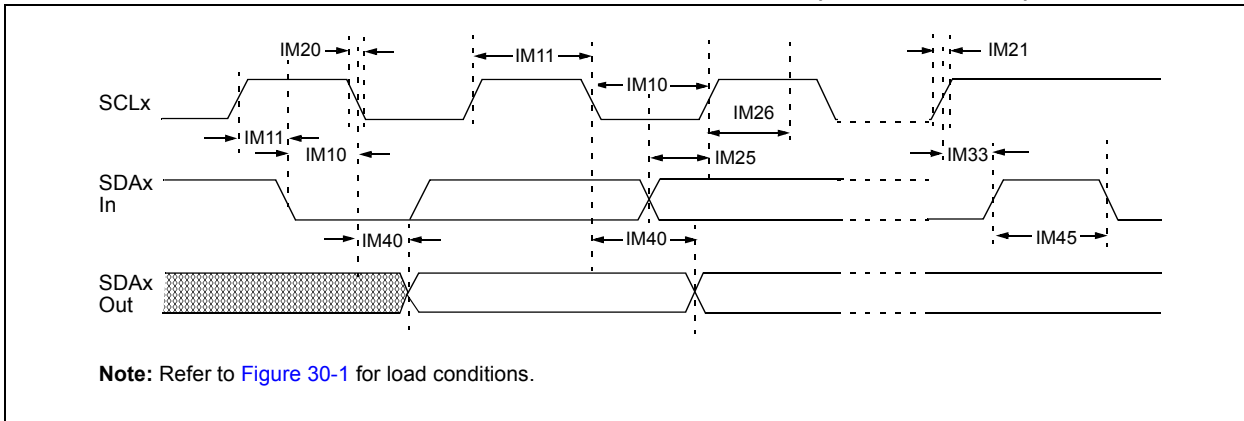
| AC CHARACTERISTICS |                       |  | Standard Operating Conditions: 3.0V to 3.6V<br>(unless otherwise stated)<br>Operating temperature -40°C ≤ TA ≤ +85°C for Industrial<br>-40°C ≤ TA ≤ +125°C for Extended |                     |      |       |                                |
|--------------------|-----------------------|--|---|---------------------|------|-------|--------------------------------|
| Param.             | Symbol                | Characteristic <sup>(1)</sup>  | Min.  | Typ. <sup>(2)</sup> | Max. | Units | Conditions                     |
| SP70               | FscP                  | Maximum SCK1 Input Frequency   | —   | —                   | 11   | MHz   | (Note 3)                       |
| SP72               | TscF                  | SCK1 Input Fall Time   | —   | —                   | —    | ns    | See Parameter DO32<br>(Note 4) |
| SP73               | TscR                  | SCK1 Input Rise Time   | —   | —                   | —    | ns    | See Parameter DO31<br>(Note 4) |
| SP30               | TdoF                  | SDO1 Data Output Fall Time   | —   | —                   | —    | ns    | See Parameter DO32<br>(Note 4) |
| SP31               | TdoR                  | SDO1 Data Output Rise Time   | —   | —                   | —    | ns    | See Parameter DO31<br>(Note 4) |
| SP35               | Tsch2doV,<br>TscL2doV | SDO1 Data Output Valid after<br>SCK1 Edge                                    | —   | 6                   | 20   | ns    |                                |
| SP36               | TdoV2scH,<br>TdoV2scL | SDO1 Data Output Setup to<br>First SCK1 Edge                                 | 30  | —                   | —    | ns    |                                |
| SP40               | TdiV2scH,<br>TdiV2scL | Setup Time of SDI1 Data Input<br>to SCK1 Edge                                | 30  | —                   | —    | ns    |                                |
| SP41               | Tsch2diL,<br>TscL2diL | Hold Time of SDI1 Data Input<br>to SCK1 Edge                                 | 30  | —                   | —    | ns    |                                |
| SP50               | TssL2scH,<br>TssL2scL | $\overline{SS1} \downarrow$ to SCK1 $\uparrow$ or SCK1 $\downarrow$<br>Input | 120   | —                   | —    | ns    |                                |
| SP51               | TssH2doZ              | $\overline{SS1} \uparrow$ to SDO1 Output<br>High-Impedance                   | 10  | —                   | 50   | ns    | (Note 4)                       |
| SP52               | Tsch2ssH,<br>TscL2ssH | $\overline{SS1} \uparrow$ after SCK1 Edge                                    | 1.5 T <sub>CY</sub> + 40  | —                   | —    | ns    | (Note 4)                       |

- Note 1:** These parameters are characterized, but are not tested in manufacturing.  
**Note 2:** Data in “Typical” column is at 3.3V, +25°C unless otherwise stated.  
**Note 3:** The minimum clock period for SCK1 is 91 ns. Therefore, the SCK1 clock generated by the master must not violate this specification.  
**Note 4:** Assumes 50 pF load on all SPI1 pins.

**FIGURE 30-30: I2Cx BUS START/STOP BITS TIMING CHARACTERISTICS (MASTER MODE)**



**FIGURE 30-31: I2Cx BUS DATA TIMING CHARACTERISTICS (MASTER MODE)**





**TABLE 30-49: I2Cx BUS DATA TIMING REQUIREMENTS (MASTER MODE)**

| AC CHARACTERISTICS |         |                               |                           | Standard Operating Conditions: 3.0V to 3.6V<br>(unless otherwise stated)<br>Operating temperature $-40^{\circ}\text{C} \leq T_A \leq +85^{\circ}\text{C}$ for Industrial<br>$-40^{\circ}\text{C} \leq T_A \leq +125^{\circ}\text{C}$ for Extended |      |               |   |
|--------------------|---------|-------------------------------|---------------------------|---|------|---------------|---|
| Param No.          | Symbol  | Characteristic <sup>(4)</sup> |                           | Min. <sup>(1)</sup>   | Max. | Units         | Conditions  |
| IM10               | TLO:SCL | Clock Low Time                | 100 kHz mode              | $T_{CY}/2$ (BRG + 2)  | —    | $\mu\text{s}$ |   |
|                    |         |                               | 400 kHz mode              | $T_{CY}/2$ (BRG + 2)  | —    | $\mu\text{s}$ |   |
|                    |         |                               | 1 MHz mode <sup>(2)</sup> | $T_{CY}/2$ (BRG + 2)  | —    | $\mu\text{s}$ |   |
| IM11               | THI:SCL | Clock High Time               | 100 kHz mode              | $T_{CY}/2$ (BRG + 2)  | —    | $\mu\text{s}$ |   |
|                    |         |                               | 400 kHz mode              | $T_{CY}/2$ (BRG + 2)  | —    | $\mu\text{s}$ |   |
|                    |         |                               | 1 MHz mode <sup>(2)</sup> | $T_{CY}/2$ (BRG + 2)  | —    | $\mu\text{s}$ |   |
| IM20               | TF:SCL  | SDAx and SCLx Fall Time       | 100 kHz mode              | —   | 300  | ns            | Cb is specified to be from 10 to 400 pF                       |
|                    |         |                               | 400 kHz mode              | $20 + 0.1 C_B$  | 300  | ns            |   |
|                    |         |                               | 1 MHz mode <sup>(2)</sup> | —   | 100  | ns            |   |
| IM21               | TR:SCL  | SDAx and SCLx Rise Time       | 100 kHz mode              | —   | 1000 | ns            | Cb is specified to be from 10 to 400 pF                       |
|                    |         |                               | 400 kHz mode              | $20 + 0.1 C_B$  | 300  | ns            |   |
|                    |         |                               | 1 MHz mode <sup>(2)</sup> | —   | 300  | ns            |   |
| IM25               | TSU:DAT | Data Input Setup Time         | 100 kHz mode              | 250   | —    | ns            |   |
|                    |         |                               | 400 kHz mode              | 100   | —    | ns            |   |
|                    |         |                               | 1 MHz mode <sup>(2)</sup> | 40  | —    | ns            |   |
| IM26               | THD:DAT | Data Input Hold Time          | 100 kHz mode              | 0   | —    | $\mu\text{s}$ |   |
|                    |         |                               | 400 kHz mode              | 0   | 0.9  | $\mu\text{s}$ |   |
|                    |         |                               | 1 MHz mode <sup>(2)</sup> | 0.2   | —    | $\mu\text{s}$ |   |
| IM30               | TSU:STA | Start Condition Setup Time    | 100 kHz mode              | $T_{CY}/2$ (BRG + 2)  | —    | $\mu\text{s}$ | Only relevant for Repeated Start condition                    |
|                    |         |                               | 400 kHz mode              | $T_{CY}/2$ (BRG + 2)  | —    | $\mu\text{s}$ |   |
|                    |         |                               | 1 MHz mode <sup>(2)</sup> | $T_{CY}/2$ (BRG + 2)  | —    | $\mu\text{s}$ |   |
| IM31               | THD:STA | Start Condition Hold Time     | 100 kHz mode              | $T_{CY}/2$ (BRG + 2)  | —    | $\mu\text{s}$ | After this period, the first clock pulse is generated         |
|                    |         |                               | 400 kHz mode              | $T_{CY}/2$ (BRG + 2)  | —    | $\mu\text{s}$ |   |
|                    |         |                               | 1 MHz mode <sup>(2)</sup> | $T_{CY}/2$ (BRG + 2)  | —    | $\mu\text{s}$ |   |
| IM33               | TSU:STO | Stop Condition Setup Time     | 100 kHz mode              | $T_{CY}/2$ (BRG + 2)  | —    | $\mu\text{s}$ |   |
|                    |         |                               | 400 kHz mode              | $T_{CY}/2$ (BRG + 2)  | —    | $\mu\text{s}$ |   |
|                    |         |                               | 1 MHz mode <sup>(2)</sup> | $T_{CY}/2$ (BRG + 2)  | —    | $\mu\text{s}$ |   |
| IM34               | THD:STO | Stop Condition Hold Time      | 100 kHz mode              | $T_{CY}/2$ (BRG + 2)  | —    | $\mu\text{s}$ |   |
|                    |         |                               | 400 kHz mode              | $T_{CY}/2$ (BRG + 2)  | —    | $\mu\text{s}$ |   |
|                    |         |                               | 1 MHz mode <sup>(2)</sup> | $T_{CY}/2$ (BRG + 2)  | —    | $\mu\text{s}$ |   |
| IM40               | TAA:SCL | Output Valid From Clock       | 100 kHz mode              | —   | 3500 | ns            |   |
|                    |         |                               | 400 kHz mode              | —   | 1000 | ns            |   |
|                    |         |                               | 1 MHz mode <sup>(2)</sup> | —   | 400  | ns            |   |
| IM45               | TBF:SDA | Bus Free Time                 | 100 kHz mode              | 4.7   | —    | $\mu\text{s}$ | Time the bus must be free before a new transmission can start |
|                    |         |                               | 400 kHz mode              | 1.3   | —    | $\mu\text{s}$ |   |
|                    |         |                               | 1 MHz mode <sup>(2)</sup> | 0.5   | —    | $\mu\text{s}$ |   |
| IM50               | CB      | Bus Capacitive Loading        | —                         | 400   | pF   |               |   |
| IM51               | TPGD    | Pulse Gobbler Delay           | 65                        | 390   | ns   | (Note 3)      |   |

**Note 1:** BRG is the value of the I<sup>2</sup>C™ Baud Rate Generator. Refer to **Section 19. “Inter-Integrated Circuit (I<sup>2</sup>C™)”** (DS70330) in the “dsPIC33E/PIC24E Family Reference Manual”. Please see the Microchip web site for the latest family reference manual sections.

**2:** Maximum pin capacitance = 10 pF for all I2Cx pins (for 1 MHz mode only).

**3:** Typical value for this parameter is 130 ns.

**4:** These parameters are characterized, but not tested in manufacturing.

FIGURE 30-32: I2Cx BUS START/STOP BITS TIMING CHARACTERISTICS (SLAVE MODE)



FIGURE 30-33: I2Cx BUS DATA TIMING CHARACTERISTICS (SLAVE MODE)



**TABLE 30-50: I2Cx BUS DATA TIMING REQUIREMENTS (SLAVE MODE)**

| AC CHARACTERISTICS |         |                               |                           | Standard Operating Conditions: 3.0V to 3.6V<br>(unless otherwise stated)<br>Operating temperature -40°C ≤ TA ≤ +85°C for Industrial<br>-40°C ≤ TA ≤ +125°C for Extended |      |       |   |
|--------------------|---------|-------------------------------|---------------------------|---|------|-------|---|
| Param. No.         | Symbol  | Characteristic <sup>(3)</sup> |                           | Min.  | Max. | Units | Conditions  |
| IS10               | TLO:SCL | Clock Low Time                | 100 kHz mode              | 4.7   | —    | μs    |   |
|                    |         |                               | 400 kHz mode              | 1.3   | —    | μs    |   |
|                    |         |                               | 1 MHz mode <sup>(1)</sup> | 0.5   | —    | μs    |   |
| IS11               | THI:SCL | Clock High Time               | 100 kHz mode              | 4.0   | —    | μs    | Device must operate at a minimum of 1.5 MHz                   |
|                    |         |                               | 400 kHz mode              | 0.6   | —    | μs    | Device must operate at a minimum of 10 MHz                    |
|                    |         |                               | 1 MHz mode <sup>(1)</sup> | 0.5   | —    | μs    |   |
| IS20               | TF:SCL  | SDAx and SCLx Fall Time       | 100 kHz mode              | —   | 300  | ns    | Cb is specified to be from 10 to 400 pF                       |
|                    |         |                               | 400 kHz mode              | 20 + 0.1 Cb   | 300  | ns    |   |
|                    |         |                               | 1 MHz mode <sup>(1)</sup> | —   | 100  | ns    |   |
| IS21               | TR:SCL  | SDAx and SCLx Rise Time       | 100 kHz mode              | —   | 1000 | ns    | Cb is specified to be from 10 to 400 pF                       |
|                    |         |                               | 400 kHz mode              | 20 + 0.1 Cb   | 300  | ns    |   |
|                    |         |                               | 1 MHz mode <sup>(1)</sup> | —   | 300  | ns    |   |
| IS25               | TSU:DAT | Data Input Setup Time         | 100 kHz mode              | 250   | —    | ns    |   |
|                    |         |                               | 400 kHz mode              | 100   | —    | ns    |   |
|                    |         |                               | 1 MHz mode <sup>(1)</sup> | 100   | —    | ns    |   |
| IS26               | THD:DAT | Data Input Hold Time          | 100 kHz mode              | 0   | —    | μs    |   |
|                    |         |                               | 400 kHz mode              | 0   | 0.9  | μs    |   |
|                    |         |                               | 1 MHz mode <sup>(1)</sup> | 0   | 0.3  | μs    |   |
| IS30               | TSU:STA | Start Condition Setup Time    | 100 kHz mode              | 4.7   | —    | μs    | Only relevant for Repeated Start condition                    |
|                    |         |                               | 400 kHz mode              | 0.6   | —    | μs    |   |
|                    |         |                               | 1 MHz mode <sup>(1)</sup> | 0.25  | —    | μs    |   |
| IS31               | THD:STA | Start Condition Hold Time     | 100 kHz mode              | 4.0   | —    | μs    | After this period, the first clock pulse is generated         |
|                    |         |                               | 400 kHz mode              | 0.6   | —    | μs    |   |
|                    |         |                               | 1 MHz mode <sup>(1)</sup> | 0.25  | —    | μs    |   |
| IS33               | TSU:STO | Stop Condition Setup Time     | 100 kHz mode              | 4.7   | —    | μs    |   |
|                    |         |                               | 400 kHz mode              | 0.6   | —    | μs    |   |
|                    |         |                               | 1 MHz mode <sup>(1)</sup> | 0.6   | —    | μs    |   |
| IS34               | THD:STO | Stop Condition Hold Time      | 100 kHz mode              | 4   | —    | μs    |   |
|                    |         |                               | 400 kHz mode              | 0.6   | —    | μs    |   |
|                    |         |                               | 1 MHz mode <sup>(1)</sup> | 0.25  | —    | μs    |   |
| IS40               | TAA:SCL | Output Valid From Clock       | 100 kHz mode              | 0   | 3500 | ns    |   |
|                    |         |                               | 400 kHz mode              | 0   | 1000 | ns    |   |
|                    |         |                               | 1 MHz mode <sup>(1)</sup> | 0   | 350  | ns    |   |
| IS45               | TBF:SDA | Bus Free Time                 | 100 kHz mode              | 4.7   | —    | μs    | Time the bus must be free before a new transmission can start |
|                    |         |                               | 400 kHz mode              | 1.3   | —    | μs    |   |
|                    |         |                               | 1 MHz mode <sup>(1)</sup> | 0.5   | —    | μs    |   |
| IS50               | Cb      | Bus Capacitive Loading        |                           | —   | 400  | pF    |   |
| IS51               | TPGD    | Pulse Gobbler Delay           |                           | 65  | 390  | ns    | <b>(Note 2)</b>   |

**Note 1:** Maximum pin capacitance = 10 pF for all I2Cx pins (for 1 MHz mode only).

**2:** Typical value for this parameter is 130 ns.

**3:** These parameters are characterized, but not tested in manufacturing.

FIGURE 30-34: ECANx MODULE I/O TIMING CHARACTERISTICS



TABLE 30-51: ECANx MODULE I/O TIMING REQUIREMENTS

| AC CHARACTERISTICS |        |   | Standard Operating Conditions: 3.0V to 3.6V<br>(unless otherwise stated)<br>Operating temperature $-40^{\circ}\text{C} \leq T_A \leq +85^{\circ}\text{C}$ for Industrial<br>$-40^{\circ}\text{C} \leq T_A \leq +125^{\circ}\text{C}$ for Extended |                     |      |       |                    |
|--------------------|--------|---|---|---------------------|------|-------|--------------------|
| Param No.          | Symbol | Characteristic <sup>(1)</sup>             | Min.  | Typ. <sup>(2)</sup> | Max. | Units | Conditions         |
| CA10               | TioF   | Port Output Fall Time                     | —   | —                   | —    | ns    | See Parameter DO32 |
| CA11               | TioR   | Port Output Rise Time                     | —   | —                   | —    | ns    | See Parameter DO31 |
| CA20               | TcWF   | Pulse Width to Trigger CAN Wake-up Filter | 120   | —                   | —    | ns    |                    |

- Note 1:** These parameters are characterized but not tested in manufacturing.  
**Note 2:** Data in “Typical” column is at 3.3V, +25°C unless otherwise stated. Parameters are for design guidance only and are not tested.

FIGURE 30-35: UARTx MODULE I/O TIMING CHARACTERISTICS



TABLE 30-52: UARTx MODULE I/O TIMING REQUIREMENTS

| AC CHARACTERISTICS |         |  | Standard Operating Conditions: 3.0V to 3.6V<br>(unless otherwise stated)<br>Operating temperature $-40^{\circ}\text{C} \leq T_A \leq +125^{\circ}\text{C}$ |                     |      |       |            |
|--------------------|---------|--|--|---------------------|------|-------|------------|
| Param No.          | Symbol  | Characteristic <sup>(1)</sup>                  | Min.   | Typ. <sup>(2)</sup> | Max. | Units | Conditions |
| UA10               | TUABAUD | UARTx Baud Time                                | 66.67  | —                   | —    | ns    |            |
| UA11               | FBAUD   | UARTx Baud Frequency                           | —  | —                   | 15   | Mbps  |            |
| UA20               | TcWF    | Start Bit Pulse Width to Trigger UARTx Wake-up | 500  | —                   | —    | ns    |            |

- Note 1:** These parameters are characterized but not tested in manufacturing.  
**Note 2:** Data in “Typical” column is at 3.3V, +25°C unless otherwise stated. Parameters are for design guidance only and are not tested.

TABLE 30-53: OP AMP/COMPARATOR SPECIFICATIONS

| DC CHARACTERISTICS                   |                 |   | Standard Operating Conditions: 3.0V to 3.6V<br>(unless otherwise stated) <sup>(1)</sup><br>Operating temperature -40°C ≤ TA ≤ +85°C for Industrial<br>-40°C ≤ TA ≤ +125°C for Extended |                     |      |        |   |
|--------------------------------------|-----------------|---|--|---------------------|------|--------|---|
| Param No.                            | Symbol          | Characteristic                                      | Min.   | Typ. <sup>(2)</sup> | Max. | Units  | Conditions                                      |
| <b>Comparator AC Characteristics</b> |                 |   |  |                     |      |        |   |
| CM10                                 | TRESP           | Response Time <sup>(3)</sup>                        | —  | 19                  | —    | ns     | V+ input step of 100 mV, V- input held at VDD/2 |
| CM11                                 | TMC2OV          | Comparator Mode Change to Output Valid              | —  | —                   | 10   | µs     |   |
| <b>Comparator DC Characteristics</b> |                 |   |  |                     |      |        |   |
| CM30                                 | VOFFSET         | Comparator Offset Voltage                           | —  | ±10                 | 40   | mV     |   |
| CM31                                 | VHYST           | Input Hysteresis Voltage <sup>(3)</sup>             | —  | 30                  | —    | mV     |   |
| CM32                                 | TRISE/<br>TFALL | Comparator Output Rise/<br>Fall Time <sup>(3)</sup> | —  | 20                  | —    | ns     | 1 pF load capacitance on input                  |
| CM33                                 | VGAIN           | Open-Loop Voltage Gain <sup>(3)</sup>               | —  | 90                  | —    | db     |   |
| CM34                                 | VICM            | Input Common-Mode Voltage                           | AVSS   | —                   | AVDD | V      |   |
| <b>Op Amp AC Characteristics</b>     |                 |   |  |                     |      |        |   |
| CM20                                 | SR              | Slew Rate <sup>(3)</sup>                            | —  | 9                   | —    | V/µs   | 10 pF load                                      |
| CM21a                                | PM              | Phase Margin (Configuration A) <sup>(3,4)</sup>     | —  | 55                  | —    | Degree | G = 100V/V; 10 pF load                          |
| CM21b                                | PM              | Phase Margin (Configuration B) <sup>(3,5)</sup>     | —  | 40                  | —    | Degree | G = 100V/V; 10 pF load                          |
| CM22                                 | GM              | Gain Margin <sup>(3)</sup>                          | —  | 20                  | —    | db     | G = 100V/V; 10 pF load                          |
| CM23a                                | GBW             | Gain Bandwidth (Configuration A) <sup>(3,4)</sup>   | —  | 10                  | —    | MHz    | 10 pF load                                      |
| CM23b                                | GBW             | Gain Bandwidth (Configuration B) <sup>(3,5)</sup>   | —  | 6                   | —    | MHz    | 10 pF load                                      |

**Note 1:** Device is functional at VBORMIN < VDD < VDDMIN, but will have degraded performance. Device functionality is tested, but not characterized. Analog modules (ADC, op amp/comparator and comparator voltage reference) may have degraded performance. Refer to Parameter BO10 in Table 30-13 for the minimum and maximum BOR values.

- 2: Data in “Typ” column is at 3.3V, +25°C unless otherwise stated.
- 3: Parameter is characterized but not tested in manufacturing.
- 4: See Figure 25-6 for configuration information.
- 5: See Figure 25-7 for configuration information.
- 6: Resistances can vary by ±10% between op amps.

TABLE 30-53: OP AMP/COMPARATOR SPECIFICATIONS (CONTINUED)

| DC CHARACTERISTICS               |                                  |   | Standard Operating Conditions: 3.0V to 3.6V<br>(unless otherwise stated) <sup>(1)</sup><br>Operating temperature -40°C ≤ TA ≤ +85°C for Industrial<br>-40°C ≤ TA ≤ +125°C for Extended |                     |  |             |   |
|----------------------------------|----------------------------------|---|--|---------------------|--|-------------|---|
| Param No.                        | Symbol                           | Characteristic  | Min.   | Typ. <sup>(2)</sup> | Max.   | Units       | Conditions  |
| <b>Op Amp DC Characteristics</b> |                                  |   |  |                     |  |             |   |
| CM40                             | V <sub>CMR</sub>                 | Common-Mode Input Voltage Range                                       | AV <sub>SS</sub>   | —                   | AV <sub>DD</sub>   | V           |   |
| CM41                             | CMRR                             | Common-Mode Rejection Ratio <sup>(3)</sup>                            | —  | 40                  | —  | db          | V <sub>CM</sub> = AV <sub>DD</sub> /2   |
| CM42                             | V <sub>OFFSET</sub>              | Op Amp Offset Voltage <sup>(3)</sup>                                  | —  | ±5                  | —  | mV          |   |
| CM43                             | V <sub>GAIN</sub>                | Open-Loop Voltage Gain <sup>(3)</sup>                                 | —  | 90                  | —  | db          |   |
| CM44                             | I <sub>OS</sub>                  | Input Offset Current  | —  | —                   | —  | —           | See pad leakage currents in <a href="#">Table 30-11</a>                             |
| CM45                             | I <sub>B</sub>                   | Input Bias Current  | —  | —                   | —  | —           | See pad leakage currents in <a href="#">Table 30-11</a>                             |
| CM46                             | I <sub>OUT</sub>                 | Output Current  | —  | —                   | 420  | μA          | With minimum value of R <sub>FEEDBACK</sub> (CM48)                                  |
| CM48                             | R <sub>FEEDBACK</sub>            | Feedback Resistance Value   | 8  | —                   | —  | kΩ          |   |
| CM49a                            | V <sub>OADC</sub>                | Output Voltage Measured at O <sub>Ax</sub> Using ADC <sup>(3,4)</sup> | AV <sub>SS</sub> + 0.077<br>AV <sub>SS</sub> + 0.037<br>AV <sub>SS</sub> + 0.018   | —<br>—<br>—         | AV <sub>DD</sub> - 0.077<br>AV <sub>DD</sub> - 0.037<br>AV <sub>DD</sub> - 0.018 | V<br>V<br>V | I <sub>OUT</sub> = 420 μA<br>I <sub>OUT</sub> = 200 μA<br>I <sub>OUT</sub> = 100 μA |
| CM49b                            | V <sub>OUT</sub>                 | Output Voltage Measured at O <sub>AxOUT</sub> Pin <sup>(3,4,5)</sup>  | AV <sub>SS</sub> + 0.210<br>AV <sub>SS</sub> + 0.100<br>AV <sub>SS</sub> + 0.050   | —<br>—<br>—         | AV <sub>DD</sub> - 0.210<br>AV <sub>DD</sub> - 0.100<br>AV <sub>DD</sub> - 0.050 | V<br>V<br>V | I <sub>OUT</sub> = 420 μA<br>I <sub>OUT</sub> = 200 μA<br>I <sub>OUT</sub> = 100 μA |
| CM51                             | R <sub>INT1</sub> <sup>(6)</sup> | Internal Resistance 1 (Configuration A and B) <sup>(3,4,5)</sup>      | 198  | 264                 | 317  | Ω           | Min = -40°C<br>Typ = +25°C<br>Max = +125°C  |

**Note 1:** Device is functional at V<sub>BORMIN</sub> < V<sub>DD</sub> < V<sub>DDMIN</sub>, but will have degraded performance. Device functionality is tested, but not characterized. Analog modules (ADC, op amp/comparator and comparator voltage reference) may have degraded performance. Refer to Parameter **BO10** in [Table 30-13](#) for the minimum and maximum BOR values.

- 2:** Data in “Typ” column is at 3.3V, +25°C unless otherwise stated.
- 3:** Parameter is characterized but not tested in manufacturing.
- 4:** See [Figure 25-6](#) for configuration information.
- 5:** See [Figure 25-7](#) for configuration information.
- 6:** Resistances can vary by ±10% between op amps.

**TABLE 30-54: OP AMP/COMPARATOR VOLTAGE REFERENCE SETTling TIME SPECIFICATIONS**

| AC CHARACTERISTICS |        |                | Standard Operating Conditions (see Note 2): 3.0V to 3.6V (unless otherwise stated)<br>Operating temperature -40°C ≤ TA ≤ +85°C for Industrial<br>-40°C ≤ TA ≤ +125°C for Extended |      |      |       |            |
|--------------------|--------|----------------|---|------|------|-------|------------|
| Param.             | Symbol | Characteristic | Min.  | Typ. | Max. | Units | Conditions |
| VR310              | TSET   | Settling Time  | —   | 1    | 10   | μs    | (Note 1)   |

- Note 1:** Settling time is measured while CVRR = 1 and CVR<3:0> bits transition from '0000' to '1111'.
- 2:** Device is functional at VBORMIN < VDD < VDDMIN, but will have degraded performance. Device functionality is tested, but not characterized. Analog modules (ADC, op amp/comparator and comparator voltage reference) may have degraded performance. Refer to Parameter BO10 in Table 30-13 for the minimum and maximum BOR values.

**TABLE 30-55: OP AMP/COMPARATOR VOLTAGE REFERENCE SPECIFICATIONS**

| DC CHARACTERISTICS |        |   | Standard Operating Conditions (see Note 1): 3.0V to 3.6V (unless otherwise stated)<br>Operating temperature -40°C ≤ TA ≤ +85°C for Industrial<br>-40°C ≤ TA ≤ +125°C for Extended |      |            |       |               |
|--------------------|--------|---|---|------|------------|-------|---------------|
| Param No.          | Symbol | Characteristics                         | Min.  | Typ. | Max.       | Units | Conditions    |
| VRD310             | CVRES  | Resolution                              | CVRSRC/24   | —    | CVRSRC/32  | LSb   |               |
| VRD311             | CVRAA  | Absolute Accuracy <sup>(2)</sup>        | —   | ±25  | —          | mV    | CVRSRC = 3.3V |
| VRD313             | CVRSRC | Input Reference Voltage                 | 0   | —    | AVDD + 0.3 | V     |               |
| VRD314             | CVR0UT | Buffer Output Resistance <sup>(2)</sup> | —   | 1.5k | —          | Ω     |               |

- Note 1:** Device is functional at VBORMIN < VDD < VDDMIN, but will have degraded performance. Device functionality is tested, but not characterized. Analog modules (ADC, op amp/comparator and comparator voltage reference) may have degraded performance. Refer to Parameter BO10 in Table 30-13 for the minimum and maximum BOR values.
- 2:** Parameter is characterized but not tested in manufacturing.

TABLE 30-56: CTMU CURRENT SOURCE SPECIFICATIONS

| DC CHARACTERISTICS         |        |   | Standard Operating Conditions:3.0V to 3.6V<br>(unless otherwise stated)<br>Operating temperature -40°C ≤ TA ≤ +85°C for Industrial<br>-40°C ≤ TA ≤ +125°C for Extended |       |      |       |                                   |
|----------------------------|--------|---|--|-------|------|-------|-----------------------------------|
| Param No.                  | Symbol | Characteristic                                      | Min.   | Typ.  | Max. | Units | Conditions                        |
| <b>CTMU Current Source</b> |        |   |  |       |      |       |                                   |
| CTMUI1                     | IOUT1  | Base Range <sup>(1)</sup>                           | 0.29   | —     | 0.77 | μA    | CTMUICON<9:8> = 01                |
| CTMUI2                     | IOUT2  | 10x Range <sup>(1)</sup>                            | 3.85   | —     | 7.7  | μA    | CTMUICON<9:8> = 10                |
| CTMUI3                     | IOUT3  | 100x Range <sup>(1)</sup>                           | 38.5   | —     | 77   | μA    | CTMUICON<9:8> = 11                |
| CTMUI4                     | IOUT4  | 1000x Range <sup>(1)</sup>                          | 385  | —     | 770  | μA    | CTMUICON<9:8> = 00                |
| CTMUFV1                    | VF     | Temperature Diode Forward Voltage <sup>(1,2)</sup>  | —  | 0.598 | —    | V     | TA = +25°C,<br>CTMUICON<9:8> = 01 |
|                            |        |   | —  | 0.658 | —    | V     | TA = +25°C,<br>CTMUICON<9:8> = 10 |
|                            |        |   | —  | 0.721 | —    | V     | TA = +25°C,<br>CTMUICON<9:8> = 11 |
| CTMUFV2                    | VFVR   | Temperature Diode Rate of Change <sup>(1,2,3)</sup> | —  | -1.92 | —    | mV/°C | CTMUICON<9:8> = 01                |
|                            |        |   | —  | -1.74 | —    | mV/°C | CTMUICON<9:8> = 10                |
|                            |        |   | —  | -1.56 | —    | mV/°C | CTMUICON<9:8> = 11                |

**Note 1:** Nominal value at center point of current trim range (CTMUICON<15:10> = 000000).

**2:** Parameters are characterized but not tested in manufacturing.

**3:** Measurements taken with the following conditions:

- VREF+ = AVDD = 3.3V
- ADC configured for 10-bit mode
- ADC module configured for conversion speed of 500 ksps
- All PMDx bits are cleared (PMDx = 0)
- Executing a `while(1)` statement
- Device operating from the FRC with no PLL



TABLE 30-57: ADC MODULE SPECIFICATIONS

| AC CHARACTERISTICS      |        |  | Standard Operating Conditions: 3.0V to 3.6V<br>(unless otherwise stated) <sup>(1)</sup><br>Operating temperature -40°C ≤ TA ≤ +85°C for Industrial<br>-40°C ≤ TA ≤ +125°C for Extended |      |                            |          |  |
|-------------------------|--------|--|--|------|----------------------------|----------|--|
| Param No.               | Symbol | Characteristic                                 | Min.   | Typ. | Max.                       | Units    | Conditions   |
| <b>Device Supply</b>    |        |  |  |      |                            |          |  |
| AD01                    | AVDD   | Module VDD Supply                              | Greater of VDD - 0.3 or 3.0  | —    | Lesser of VDD + 0.3 or 3.6 | V        |  |
| AD02                    | AVSS   | Module VSS Supply                              | VSS - 0.3  | —    | VSS + 0.3                  | V        |  |
| <b>Reference Inputs</b> |        |  |  |      |                            |          |  |
| AD05                    | VREFH  | Reference Voltage High                         | AVSS + 2.5   | —    | AVDD                       | V        | VREFH = VREF+<br>VREFL = VREF- ( <b>Note 1</b> )                                       |
| AD05a                   |        |  | 3.0  | —    | 3.6                        | V        | VREFH = AVDD<br>VREFL = AVSS = 0   |
| AD06                    | VREFL  | Reference Voltage Low                          | AVSS   | —    | AVDD - 2.5                 | V        | <b>(Note 1)</b>  |
| AD06a                   |        |  | 0  | —    | 0                          | V        | VREFH = AVDD<br>VREFL = AVSS = 0   |
| AD07                    | VREF   | Absolute Reference Voltage                     | 2.5  | —    | 3.6                        | V        | VREF = VREFH - VREFL   |
| AD08                    | IREF   | Current Drain                                  | —  | —    | 10<br>600                  | μA<br>μA | ADC off<br>ADC on  |
| AD09                    | IAD    | Operating Current <sup>(2)</sup>               | —  | 5    | —                          | mA       | ADC operating in 10-bit mode<br><b>(Note 1)</b>  |
|                         |        |  | —  | 2    | —                          | mA       | ADC operating in 12-bit mode<br><b>(Note 1)</b>  |
| <b>Analog Input</b>     |        |  |  |      |                            |          |  |
| AD12                    | VINH   | Input Voltage Range V <sub>INH</sub>           | V <sub>INL</sub>   | —    | VREFH                      | V        | This voltage reflects Sample-and-Hold Channels 0, 1, 2 and 3 (CH0-CH3), positive input |
| AD13                    | VINL   | Input Voltage Range V <sub>INL</sub>           | VREFL  | —    | AVSS + 1V                  | V        | This voltage reflects Sample-and-Hold Channels 0, 1, 2 and 3 (CH0-CH3), negative input |
| AD17                    | RIN    | Recommended Impedance of Analog Voltage Source | —  | —    | 200                        | Ω        | Impedance to achieve maximum performance of ADC  |

**Note 1:** Device is functional at VBORMIN < VDD < VDDMIN, but will have degraded performance. Device functionality is tested, but not characterized. Analog modules (ADC, op amp/comparator and comparator voltage reference) may have degraded performance. Refer to Parameter BO10 in Table 30-13 for the minimum and maximum BOR values.

**2:** Parameter is characterized but not tested in manufacturing.

TABLE 30-58: ADC MODULE SPECIFICATIONS (12-BIT MODE)

| AC CHARACTERISTICS                       |        |   | Standard Operating Conditions: 3.0V to 3.6V<br>(unless otherwise stated) <sup>(1)</sup><br>Operating temperature -40°C ≤ TA ≤ +85°C for Industrial<br>-40°C ≤ TA ≤ +125°C for Extended |      |      |       |                              |
|--|--------|---|--|------|------|-------|------------------------------|
| Param No.                                | Symbol | Characteristic                                | Min.   | Typ. | Max. | Units | Conditions                   |
| <b>ADC Accuracy (12-Bit Mode)</b>        |        |   |  |      |      |       |                              |
| AD20a                                    | Nr     | Resolution                                    | 12 Data Bits   |      |      | bits  |                              |
| AD21a                                    | INL    | Integral Nonlinearity                         | -2.5   | —    | 2.5  | LSb   | -40°C ≤ TA ≤ +85°C (Note 2)  |
|  |        |   | -5.5   | —    | 5.5  | LSb   | +85°C < TA ≤ +125°C (Note 2) |
| AD22a                                    | DNL    | Differential Nonlinearity                     | -1   | —    | 1    | LSb   | -40°C ≤ TA ≤ +85°C (Note 2)  |
|  |        |   | -1   | —    | 1    | LSb   | +85°C < TA ≤ +125°C (Note 2) |
| AD23a                                    | GERR   | Gain Error <sup>(3)</sup>                     | -10  | —    | 10   | LSb   | -40°C ≤ TA ≤ +85°C (Note 2)  |
|  |        |   | -10  | —    | 10   | LSb   | +85°C < TA ≤ +125°C (Note 2) |
| AD24a                                    | EOFF   | Offset Error                                  | -5   | —    | 5    | LSb   | -40°C ≤ TA ≤ +85°C (Note 2)  |
|  |        |   | -5   | —    | 5    | LSb   | +85°C < TA ≤ +125°C (Note 2) |
| AD25a                                    | —      | Monotonicity                                  | —  | —    | —    | —     | Guaranteed                   |
| <b>Dynamic Performance (12-Bit Mode)</b> |        |   |  |      |      |       |                              |
| AD30a                                    | THD    | Total Harmonic Distortion <sup>(3)</sup>      | —  | 75   | —    | dB    |                              |
| AD31a                                    | SINAD  | Signal to Noise and Distortion <sup>(3)</sup> | —  | 68   | —    | dB    |                              |
| AD32a                                    | SFDR   | Spurious Free Dynamic Range <sup>(3)</sup>    | —  | 80   | —    | dB    |                              |
| AD33a                                    | FNYQ   | Input Signal Bandwidth <sup>(3)</sup>         | —  | 250  | —    | kHz   |                              |
| AD34a                                    | ENOB   | Effective Number of Bits <sup>(3)</sup>       | 11.09  | 11.3 | —    | bits  |                              |

**Note 1:** Device is functional at VBORMIN < VDD < VDDMIN, but will have degraded performance. Device functionality is tested, but not characterized. Analog modules (ADC, op amp/comparator and comparator voltage reference) may have degraded performance. Refer to Parameter BO10 in Table 30-13 for the minimum and maximum BOR values.

**2:** For all accuracy specifications, VINL = AVSS = VREFL = 0V and AVDD = VREFH = 3.6V.

**3:** Parameters are characterized but not tested in manufacturing.

TABLE 30-59: ADC MODULE SPECIFICATIONS (10-BIT MODE)

| AC CHARACTERISTICS                       |        |   | Standard Operating Conditions: 3.0V to 3.6V<br>(unless otherwise stated) <sup>(1)</sup><br>Operating temperature -40°C ≤ TA ≤ +85°C for Industrial<br>-40°C ≤ TA ≤ +125°C for Extended |      |       |       |                              |
|--|--------|---|--|------|-------|-------|------------------------------|
| Param No.                                | Symbol | Characteristic                                | Min.   | Typ. | Max.  | Units | Conditions                   |
| <b>ADC Accuracy (10-Bit Mode)</b>        |        |   |  |      |       |       |                              |
| AD20b                                    | Nr     | Resolution                                    | 10 Data Bits   |      |       | bits  |                              |
| AD21b                                    | INL    | Integral Nonlinearity                         | -0.625   | —    | 0.625 | LSb   | -40°C ≤ TA ≤ +85°C (Note 2)  |
|  |        |   | -1.5   | —    | 1.5   | LSb   | +85°C < TA ≤ +125°C (Note 2) |
| AD22b                                    | DNL    | Differential Nonlinearity                     | -0.25  | —    | 0.25  | LSb   | -40°C ≤ TA ≤ +85°C (Note 2)  |
|  |        |   | -0.25  | —    | 0.25  | LSb   | +85°C < TA ≤ +125°C (Note 2) |
| AD23b                                    | GERR   | Gain Error                                    | -2.5   | —    | 2.5   | LSb   | -40°C ≤ TA ≤ +85°C (Note 2)  |
|  |        |   | -2.5   | —    | 2.5   | LSb   | +85°C < TA ≤ +125°C (Note 2) |
| AD24b                                    | EOFF   | Offset Error                                  | -1.25  | —    | 1.25  | LSb   | -40°C ≤ TA ≤ +85°C (Note 2)  |
|  |        |   | -1.25  | —    | 1.25  | LSb   | +85°C < TA ≤ +125°C (Note 2) |
| AD25b                                    | —      | Monotonicity                                  | —  | —    | —     | —     | Guaranteed                   |
| <b>Dynamic Performance (10-Bit Mode)</b> |        |   |  |      |       |       |                              |
| AD30b                                    | THD    | Total Harmonic Distortion <sup>(3)</sup>      | —  | 64   | —     | dB    |                              |
| AD31b                                    | SINAD  | Signal to Noise and Distortion <sup>(3)</sup> | —  | 57   | —     | dB    |                              |
| AD32b                                    | SFDR   | Spurious Free Dynamic Range <sup>(3)</sup>    | —  | 72   | —     | dB    |                              |
| AD33b                                    | FNYQ   | Input Signal Bandwidth <sup>(3)</sup>         | —  | 550  | —     | kHz   |                              |
| AD34b                                    | ENOB   | Effective Number of Bits <sup>(3)</sup>       | —  | 9.4  | —     | bits  |                              |

**Note 1:** Device is functional at VBORMIN < VDD < VDDMIN, but will have degraded performance. Device functionality is tested, but not characterized. Analog modules (ADC, op amp/comparator and comparator voltage reference) may have degraded performance. Refer to Parameter BO10 in Table 30-13 for the minimum and maximum BOR values.

**2:** For all accuracy specifications, VINL = AVSS = VREFL = 0V and AVDD = VREFH = 3.6V.

**3:** Parameters are characterized but not tested in manufacturing.

**FIGURE 30-36: ADC CONVERSION (12-BIT MODE) TIMING CHARACTERISTICS**  
 (ASAM = 0, SSRC<2:0> = 000, SSRCG = 0)



TABLE 30-60: ADC CONVERSION (12-BIT MODE) TIMING REQUIREMENTS

| AC CHARACTERISTICS       |        |   | Standard Operating Conditions: 3.0V to 3.6V<br>(unless otherwise stated) <sup>(1)</sup><br>Operating temperature -40°C ≤ TA ≤ +85°C for Industrial<br>-40°C ≤ TA ≤ +125°C for Extended |         |       |       |                                      |
|--------------------------|--------|---|--|---------|-------|-------|--------------------------------------|
| Param No.                | Symbol | Characteristic  | Min.   | Typ.    | Max.  | Units | Conditions                           |
| <b>Clock Parameters</b>  |        |   |  |         |       |       |                                      |
| AD50                     | TAD    | ADC Clock Period  | 117.6  | —       | —     | ns    |                                      |
| AD51                     | tRC    | ADC Internal RC Oscillator Period <sup>(2)</sup>  | —  | 250     | —     | ns    |                                      |
| <b>Conversion Rate</b>   |        |   |  |         |       |       |                                      |
| AD55                     | tCONV  | Conversion Time   | —  | 14 TAD  | —     | ns    |                                      |
| AD56                     | FCNV   | Throughput Rate   | —  | —       | 500   | ksps  |                                      |
| AD57a                    | TSAMP  | Sample Time when Sampling any ANx Input   | 3 TAD  | —       | —     | —     |                                      |
| AD57b                    | TSAMP  | Sample Time when Sampling the Op Amp Outputs (Configuration A and Configuration B) <sup>(4,5)</sup> | 3 TAD  | —       | —     | —     |                                      |
| <b>Timing Parameters</b> |        |   |  |         |       |       |                                      |
| AD60                     | tPCS   | Conversion Start from Sample Trigger <sup>(2,3)</sup>   | 2 TAD  | —       | 3 TAD | —     | Auto-convert trigger is not selected |
| AD61                     | tPSS   | Sample Start from Setting Sample (SAMP) bit <sup>(2,3)</sup>  | 2 TAD  | —       | 3 TAD | —     |                                      |
| AD62                     | tCSS   | Conversion Completion to Sample Start (ASAM = 1) <sup>(2,3)</sup>                                   | —  | 0.5 TAD | —     | —     |                                      |
| AD63                     | tDPU   | Time to Stabilize Analog Stage from ADC Off to ADC On <sup>(2,3)</sup>                              | —  | —       | 20    | μs    | <b>(Note 6)</b>                      |

**Note 1:** Device is functional at VBORMIN < VDD < VDDMIN, but will have degraded performance. Device functionality is tested, but not characterized. Analog modules (ADC, op amp/comparator and comparator voltage reference) may have degraded performance. Refer to Parameter BO10 in Table 30-13 for the minimum and maximum BOR values.

**2:** Parameters are characterized but not tested in manufacturing.

**3:** Because the sample caps will eventually lose charge, clock rates below 10 kHz may affect linearity performance, especially at elevated temperatures.

**4:** See Figure 25-6 for configuration information.

**5:** See Figure 25-7 for configuration information.

**6:** The parameter, tDPU, is the time required for the ADC module to stabilize at the appropriate level when the module is turned on (ADON (AD1CON1<15>) = 1). During this time, the ADC result is indeterminate.

**FIGURE 30-37: ADC CONVERSION (10-BIT MODE) TIMING CHARACTERISTICS**  
 (CHPS<1:0> = 01, SIMSAM = 0, ASAM = 0, SSRC<2:0> = 000, SSRG = 0)



**FIGURE 30-38: ADC CONVERSION (10-BIT MODE) TIMING CHARACTERISTICS** (CHPS<1:0> = 01, SIMSAM = 0, ASAM = 1, SSRC<2:0> = 111, SSRG = 0, SAMC<4:0> = 00010)



**TABLE 30-61: ADC CONVERSION (10-BIT MODE) TIMING REQUIREMENTS**

| AC CHARACTERISTICS       |        |   | Standard Operating Conditions: 3.0V to 3.6V<br>(unless otherwise stated) <sup>(1)</sup><br>Operating temperature -40°C ≤ TA ≤ +85°C for Industrial<br>-40°C ≤ TA ≤ +125°C for Extended |         |       |       |                                      |
|--------------------------|--------|---|--|---------|-------|-------|--------------------------------------|
| Param No.                | Symbol | Characteristic  | Min.   | Typ.    | Max.  | Units | Conditions                           |
| <b>Clock Parameters</b>  |        |   |  |         |       |       |                                      |
| AD50                     | TAD    | ADC Clock Period  | 76   | —       | —     | ns    |                                      |
| AD51                     | tRC    | ADC Internal RC Oscillator Period <sup>(2)</sup>  | —  | 250     | —     | ns    |                                      |
| <b>Conversion Rate</b>   |        |   |  |         |       |       |                                      |
| AD55                     | tCONV  | Conversion Time   | —  | 12 TAD  | —     | —     |                                      |
| AD56                     | FCNV   | Throughput Rate   | —  | —       | 1.1   | Msp/s | Using simultaneous sampling          |
| AD57a                    | TSAMP  | Sample Time when Sampling any ANx Input   | 2 TAD  | —       | —     | —     |                                      |
| AD57b                    | TSAMP  | Sample Time when Sampling the Op Amp Outputs (Configuration A and Configuration B) <sup>(4,5)</sup> | 4 TAD  | —       | —     | —     |                                      |
| <b>Timing Parameters</b> |        |   |  |         |       |       |                                      |
| AD60                     | tPCS   | Conversion Start from Sample Trigger <sup>(2,3)</sup>   | 2 TAD  | —       | 3 TAD | —     | Auto-convert trigger is not selected |
| AD61                     | tPSS   | Sample Start from Setting Sample (SAMP) bit <sup>(2,3)</sup>  | 2 TAD  | —       | 3 TAD | —     |                                      |
| AD62                     | tCSS   | Conversion Completion to Sample Start (ASAM = 1) <sup>(2,3)</sup>                                   | —  | 0.5 TAD | —     | —     |                                      |
| AD63                     | tDPU   | Time to Stabilize Analog Stage from ADC Off to ADC On <sup>(2,3)</sup>                              | —  | —       | 20    | μs    | <b>(Note 6)</b>                      |

- Note 1:** Device is functional at VBORMIN < VDD < VDDMIN, but will have degraded performance. Device functionality is tested, but not characterized. Analog modules (ADC, op amp/comparator and comparator voltage reference) may have degraded performance. Refer to Parameter BO10 in Table 30-13 for the minimum and maximum BOR values.
- 2:** Parameters are characterized but not tested in manufacturing.
- 3:** Because the sample caps will eventually lose charge, clock rates below 10 kHz may affect linearity performance, especially at elevated temperatures.
- 4:** See Figure 25-6 for configuration information.
- 5:** See Figure 25-7 for configuration information.
- 6:** The parameter, tDPU, is the time required for the ADC module to stabilize at the appropriate level when the module is turned on (ADON (AD1CON1<15>) = 1). During this time, the ADC result is indeterminate.

**TABLE 30-62: DMA MODULE TIMING REQUIREMENTS**

| AC CHARACTERISTICS |                                | Standard Operating Conditions: 3.0V to 3.6V<br>(unless otherwise stated)<br>Operating temperature -40°C ≤ TA ≤ +85°C for Industrial<br>-40°C ≤ TA ≤ +125°C for Extended |                     |      |       |            |
|--------------------|--------------------------------|---|---------------------|------|-------|------------|
| Param No.          | Characteristic                 | Min.  | Typ. <sup>(1)</sup> | Max. | Units | Conditions |
| DM1                | DMA Byte/Word Transfer Latency | 1 Tcy <sup>(2)</sup>  | —                   | —    | ns    |            |

- Note 1:** These parameters are characterized, but not tested in manufacturing.
- 2:** Because DMA transfers use the CPU data bus, this time is dependent on other functions on the bus.

**NOTES:**



### 31.0 HIGH-TEMPERATURE ELECTRICAL CHARACTERISTICS

This section provides an overview of dsPIC33EPXXXGP50X, dsPIC33EPXXXMC20X/50X and PIC24EPXXXGP/MC20X electrical characteristics for devices operating in an ambient temperature range of -40°C to +150°C.

The specifications between -40°C to +150°C are identical to those shown in [Section 30.0 “Electrical Characteristics”](#) for operation between -40°C to +125°C, with the exception of the parameters listed in this section.

Parameters in this section begin with an H, which denotes High temperature. For example, Parameter DC10 in [Section 30.0 “Electrical Characteristics”](#) is the Industrial and Extended temperature equivalent of HDC10.

Absolute maximum ratings for the dsPIC33EPXXXGP50X, dsPIC33EPXXXMC20X/50X and PIC24EPXXXGP/MC20X high-temperature devices are listed below. Exposure to these maximum rating conditions for extended periods can affect device reliability. Functional operation of the device at these or any other conditions above the parameters indicated in the operation listings of this specification is not implied.

#### Absolute Maximum Ratings<sup>(1)</sup>

|   |                       |
|---|-----------------------|
| Ambient temperature under bias <sup>(2)</sup> .....                                     | -40°C to +150°C       |
| Storage temperature .....   | -65°C to +160°C       |
| Voltage on VDD with respect to VSS .....  | -0.3V to +4.0V        |
| Voltage on any pin that is not 5V tolerant with respect to VSS <sup>(3)</sup> .....     | -0.3V to (VDD + 0.3V) |
| Voltage on any 5V tolerant pin with respect to VSS when VDD < 3.0V <sup>(3)</sup> ..... | -0.3V to 3.6V         |
| Voltage on any 5V tolerant pin with respect to VSS when VDD ≥ 3.0V <sup>(3)</sup> ..... | -0.3V to 5.5V         |
| Maximum current out of VSS pin .....  | 60 mA                 |
| Maximum current into VDD pin <sup>(4)</sup> .....                                       | 60 mA                 |
| Maximum junction temperature .....  | +155°C                |
| Maximum current sourced/sunk by any 4x I/O pin .....                                    | 10 mA                 |
| Maximum current sourced/sunk by any 8x I/O pin .....                                    | 15 mA                 |
| Maximum current sunk by all ports combined .....  | 70 mA                 |
| Maximum current sourced by all ports combined <sup>(4)</sup> .....                      | 70 mA                 |

**Note 1:** Stresses above those listed under “Absolute Maximum Ratings” can cause permanent damage to the device. This is a stress rating only, and functional operation of the device at those or any other conditions above those indicated in the operation listings of this specification is not implied. Exposure to maximum rating conditions for extended periods can affect device reliability.

**2:** AEC-Q100 reliability testing for devices intended to operate at +150°C is 1,000 hours. Any design in which the total operating time from +125°C to +150°C will be greater than 1,000 hours is not warranted without prior written approval from Microchip Technology Inc.

**3:** Refer to the “[Pin Diagrams](#)” section for 5V tolerant pins.

**4:** Maximum allowable current is a function of device maximum power dissipation (see [Table 31-2](#)).

### 31.1 High-Temperature DC Characteristics

**TABLE 31-1: OPERATING MIPS VS. VOLTAGE**

| Characteristic | VDD Range<br>(in Volts)    | Temperature Range<br>(in °C) | Max MIPS  |
|----------------|----------------------------|------------------------------|---|
|                |                            |                              | dsPIC33EPXXXGP50X,<br>dsPIC33EPXXXMC20X/50X and<br>PIC24EPXXXGP/MC20X |
| HDC5           | 3.0 to 3.6V <sup>(1)</sup> | -40°C to +150°C              | 40  |

**Note 1:** Device is functional at  $V_{BORMIN} < V_{DD} < V_{DDMIN}$ . Analog modules, such as the ADC, may have degraded performance. Device functionality is tested but not characterized.

**TABLE 31-2: THERMAL OPERATING CONDITIONS**

| Rating   | Symbol | Min                       | Typ | Max  | Unit |
|--|--------|---------------------------|-----|------|------|
| High-Temperature Devices   |        |                           |     |      |      |
| Operating Junction Temperature Range   | TJ     | -40                       | —   | +155 | °C   |
| Operating Ambient Temperature Range  | TA     | -40                       | —   | +150 | °C   |
| Power Dissipation:<br>Internal Chip Power Dissipation:<br>$P_{INT} = V_{DD} \times (I_{DD} - \sum I_{OH})$<br>I/O Pin Power Dissipation:<br>$I/O = \sum (\{V_{DD} - V_{OH}\} \times I_{OH}) + \sum (V_{OL} \times I_{OL})$ | PD     | PINT + PI/O               |     |      | W    |
| Maximum Allowed Power Dissipation  | PDMAX  | $(T_J - T_A)/\theta_{JA}$ |     |      | W    |

**TABLE 31-3: DC TEMPERATURE AND VOLTAGE SPECIFICATIONS**

| DC CHARACTERISTICS       |                       |                | Standard Operating Conditions: 3.0V to 3.6V<br>(unless otherwise stated)<br>Operating temperature $-40^\circ\text{C} \leq T_A \leq +150^\circ\text{C}$ |     |     |       |                 |
|--------------------------|-----------------------|----------------|--|-----|-----|-------|-----------------|
| Parameter No.            | Symbol                | Characteristic | Min  | Typ | Max | Units | Conditions      |
| <b>Operating Voltage</b> |                       |                |  |     |     |       |                 |
| HDC10                    | <b>Supply Voltage</b> |                |  |     |     |       |                 |
|                          | VDD                   | —              | 3.0  | 3.3 | 3.6 | V     | -40°C to +150°C |

**TABLE 31-4: DC CHARACTERISTICS: POWER-DOWN CURRENT (IPD)**

| DC CHARACTERISTICS              |         |      | Standard Operating Conditions: 3.0V to 3.6V<br>(unless otherwise stated)<br>Operating temperature $-40^{\circ}\text{C} \leq T_A \leq +150^{\circ}\text{C}$ |            |      |   |
|---------------------------------|---------|------|--|------------|------|---|
| Parameter No.                   | Typical | Max  | Units  | Conditions |      |   |
| <b>Power-Down Current (IPD)</b> |         |      |  |            |      |   |
| HDC60e                          | 750     | 2500 | $\mu\text{A}$  | +150°C     | 3.3V | Base Power-Down Current<br>(Notes 1, 3)                     |
| HDC61c                          | 15      | —    | $\mu\text{A}$  | +150°C     | 3.3V | Watchdog Timer Current: $\Delta\text{IWDT}$<br>(Notes 2, 4) |

- Note 1:** Base IPD is measured with all peripherals and clocks shut down. All I/Os are configured as inputs and pulled to Vss. WDT, etc., are all switched off and VREGS (RCON<8>) = 1.
- Note 2:** The  $\Delta$  current is the additional current consumed when the module is enabled. This current should be added to the base IPD current.
- Note 3:** These currents are measured on the device containing the most memory in this family.
- Note 4:** These parameters are characterized, but are not tested in manufacturing.

**TABLE 31-5: DC CHARACTERISTICS: OPERATING CURRENT (IDD)**

| DC CHARACTERISTICS |         |     | Standard Operating Conditions: 3.0V to 3.6V<br>(unless otherwise stated)<br>Operating temperature $-40^{\circ}\text{C} \leq T_A \leq +150^{\circ}\text{C}$ |            |      |         |
|--------------------|---------|-----|--|------------|------|---------|
| Parameter No.      | Typical | Max | Units  | Conditions |      |         |
| HDC20              | 9       | 15  | mA   | +150°C     | 3.3V | 10 MIPS |
| HDC22              | 16      | 25  | mA   | +150°C     | 3.3V | 20 MIPS |
| HDC23              | 30      | 50  | mA   | +150°C     | 3.3V | 40 MIPS |

**TABLE 31-6: DC CHARACTERISTICS: DOZE CURRENT (IDOZE)**

| DC CHARACTERISTICS    |         |     | Standard Operating Conditions: 3.0V to 3.6V<br>(unless otherwise stated)<br>Operating temperature $-40^{\circ}\text{C} \leq T_A \leq +150^{\circ}\text{C}$ |       |            |      |
|-----------------------|---------|-----|--|-------|------------|------|
| Parameter No.         | Typical | Max | Doze Ratio   | Units | Conditions |      |
| HDC72a                | 24      | 35  | 1:2  | mA    | +150°C     | 3.3V |
| HDC72f <sup>(1)</sup> | 14      | —   | 1:64   | mA    |            |      |
| HDC72g <sup>(1)</sup> | 12      | —   | 1:128  | mA    |            |      |

- Note 1:** Parameters with Doze ratios of 1:64 and 1:128 are characterized, but are not tested in manufacturing.

TABLE 31-7: DC CHARACTERISTICS: I/O PIN OUTPUT SPECIFICATIONS

| DC CHARACTERISTICS |        |   | Standard Operating Conditions: 3.0V to 3.6V<br>(unless otherwise stated)<br>Operating temperature $-40^{\circ}\text{C} \leq T_A \leq +150^{\circ}\text{C}$ |      |      |       |   |
|--------------------|--------|---|--|------|------|-------|---|
| Param.             | Symbol | Characteristic  | Min.   | Typ. | Max. | Units | Conditions  |
| HDO10              | VOL    | Output Low Voltage<br>4x Sink Driver Pins <sup>(2)</sup>    | —  | —    | 0.4  | V     | $I_{OL} \leq 5 \text{ mA}$ , $V_{DD} = 3.3\text{V}$<br><b>(Note 1)</b>    |
|                    |        | Output Low Voltage<br>8x Sink Driver Pins <sup>(3)</sup>    | —  | —    | 0.4  | V     | $I_{OL} \leq 8 \text{ mA}$ , $V_{DD} = 3.3\text{V}$<br><b>(Note 1)</b>    |
| HDO20              | VOH    | Output High Voltage<br>4x Source Driver Pins <sup>(2)</sup> | 2.4  | —    | —    | V     | $I_{OH} \geq -10 \text{ mA}$ , $V_{DD} = 3.3\text{V}$<br><b>(Note 1)</b>  |
|                    |        | Output High Voltage<br>8x Source Driver Pins <sup>(3)</sup> | 2.4  | —    | —    | V     | $I_{OH} \geq 15 \text{ mA}$ , $V_{DD} = 3.3\text{V}$<br><b>(Note 1)</b>   |
| HDO20A             | VOH1   | Output High Voltage<br>4x Source Driver Pins <sup>(2)</sup> | 1.5  | —    | —    | V     | $I_{OH} \geq -3.9 \text{ mA}$ , $V_{DD} = 3.3\text{V}$<br><b>(Note 1)</b> |
|                    |        |   | 2.0  | —    | —    |       | $I_{OH} \geq -3.7 \text{ mA}$ , $V_{DD} = 3.3\text{V}$<br><b>(Note 1)</b> |
|                    |        |   | 3.0  | —    | —    |       | $I_{OH} \geq -2 \text{ mA}$ , $V_{DD} = 3.3\text{V}$<br><b>(Note 1)</b>   |
|                    |        | Output High Voltage<br>8x Source Driver Pins <sup>(3)</sup> | 1.5  | —    | —    | V     | $I_{OH} \geq -7.5 \text{ mA}$ , $V_{DD} = 3.3\text{V}$<br><b>(Note 1)</b> |
|                    |        |   | 2.0  | —    | —    |       | $I_{OH} \geq -6.8 \text{ mA}$ , $V_{DD} = 3.3\text{V}$<br><b>(Note 1)</b> |
|                    |        |   | 3.0  | —    | —    |       | $I_{OH} \geq -3 \text{ mA}$ , $V_{DD} = 3.3\text{V}$<br><b>(Note 1)</b>   |

**Note 1:** Parameters are characterized, but not tested.

**2:** Includes all I/O pins that are not 8x Sink Driver pins (see below).

**3:** Includes the following pins:

**For devices with less than 64 pins:** RA3, RA4, RA9, RB<7:15> and RC3

**For 64-pin devices:** RA4, RA9, RB<7:15>, RC3 and RC15

### 31.2 AC Characteristics and Timing Parameters

The information contained in this section defines dsPIC33EPXXXGP50X, dsPIC33EPXXXMC20X/50X and PIC24EPXXXGP/MC20X AC characteristics and timing parameters for high-temperature devices. However, all AC timing specifications in this section are the same as those in Section 30.2 “AC Characteristics and Timing Parameters”, with the exception of the parameters listed in this section.

Parameters in this section begin with an H, which denotes High temperature. For example, Parameter OS53 in Section 30.2 “AC Characteristics and Timing Parameters” is the Industrial and Extended temperature equivalent of HOS53.

**TABLE 31-8: TEMPERATURE AND VOLTAGE SPECIFICATIONS – AC**

|                           |   |
|---------------------------|---|
| <b>AC CHARACTERISTICS</b> | <b>Standard Operating Conditions: 3.0V to 3.6V (unless otherwise stated)</b><br>Operating temperature $-40^{\circ}\text{C} \leq T_A \leq +150^{\circ}\text{C}$<br>Operating voltage VDD range as described in Table 31-1. |
|---------------------------|---|

**FIGURE 31-1: LOAD CONDITIONS FOR DEVICE TIMING SPECIFICATIONS**



**TABLE 31-9: PLL CLOCK TIMING SPECIFICATIONS**

| <b>AC CHARACTERISTICS</b> |        |  | <b>Standard Operating Conditions: 3.0V to 3.6V (unless otherwise stated)</b><br>Operating temperature $-40^{\circ}\text{C} \leq T_A \leq +150^{\circ}\text{C}$ |     |     |       |                             |
|---------------------------|--------|--|--|-----|-----|-------|-----------------------------|
| Param No.                 | Symbol | Characteristic                         | Min  | Typ | Max | Units | Conditions                  |
| HOS53                     | DCLK   | CLKO Stability (Jitter) <sup>(1)</sup> | -5   | 0.5 | 5   | %     | Measured over 100 ms period |

**Note 1:** These parameters are characterized by similarity, but are not tested in manufacturing. This specification is based on clock cycle by clock cycle measurements. To calculate the effective jitter for individual time bases or communication clocks use this formula:

$$\text{Peripheral Clock Jitter} = \frac{DCLK}{\sqrt{\left(\frac{FOSC}{\text{Peripheral Bit Rate Clock}}\right)}}$$

For example: FOSC = 32 MHz, DCLK = 5%, SPIx bit rate clock (i.e., SCKx) is 2 MHz.

$$\text{SPI SCK Jitter} = \left[ \frac{DCLK}{\sqrt{\left(\frac{32 \text{ MHz}}{2 \text{ MHz}}\right)}} \right] = \left[ \frac{5\%}{\sqrt{16}} \right] = \left[ \frac{5\%}{4} \right] = 1.25\%$$

TABLE 31-10: INTERNAL RC ACCURACY

| AC CHARACTERISTICS |                                    | Standard Operating Conditions: 3.0V to 3.6V (unless otherwise stated)<br>Operating temperature $-40^{\circ}\text{C} \leq T_A \leq +150^{\circ}\text{C}$ |     |     |       |  |                |
|--------------------|------------------------------------|---|-----|-----|-------|--|----------------|
| Param No.          | Characteristic                     | Min   | Typ | Max | Units | Conditions   |                |
| HF21               | LPRC @ 32.768 kHz <sup>(1,2)</sup> |   |     |     |       |  |                |
|                    | LPRC                               | -30   | —   | +30 | %     | $-40^{\circ}\text{C} \leq T_A \leq +150^{\circ}\text{C}$ | VDD = 3.0-3.6V |

**Note 1:** Change of LPRC frequency as VDD changes.

**Note 2:** LPRC accuracy impacts the Watchdog Timer Time-out Period (TWDT1). See [Section 27.5 “Watchdog Timer \(WDT\)”](#) for more information.

**TABLE 31-11: ADC MODULE SPECIFICATIONS (12-BIT MODE)**

| AC CHARACTERISTICS                                     |                  |                           | Standard Operating Conditions: 3.0V to 3.6V<br>(unless otherwise stated)<br>Operating temperature $-40^{\circ}\text{C} \leq T_A \leq +150^{\circ}\text{C}$ |     |     |       |  |
|--|------------------|---------------------------|--|-----|-----|-------|--|
| Param No.  | Symbol           | Characteristic            | Min  | Typ | Max | Units | Conditions   |
| <b>ADC Accuracy (12-Bit Mode)<sup>(1)</sup></b>        |                  |                           |  |     |     |       |  |
| HAD20a   | Nr               | Resolution <sup>(3)</sup> | 12 Data Bits   |     |     | bits  |  |
| HAD21a   | INL              | Integral Nonlinearity     | -5.5   | —   | 5.5 | LSb   | V <sub>INL</sub> = AV <sub>SS</sub> = V <sub>REFL</sub> = 0V,<br>AV <sub>DD</sub> = V <sub>REFH</sub> = 3.6V |
| HAD22a   | DNL              | Differential Nonlinearity | -1   | —   | 1   | LSb   | V <sub>INL</sub> = AV <sub>SS</sub> = V <sub>REFL</sub> = 0V,<br>AV <sub>DD</sub> = V <sub>REFH</sub> = 3.6V |
| HAD23a   | GERR             | Gain Error                | -10  | —   | 10  | LSb   | V <sub>INL</sub> = AV <sub>SS</sub> = V <sub>REFL</sub> = 0V,<br>AV <sub>DD</sub> = V <sub>REFH</sub> = 3.6V |
| HAD24a   | E <sub>OFF</sub> | Offset Error              | -5   | —   | 5   | LSb   | V <sub>INL</sub> = AV <sub>SS</sub> = V <sub>REFL</sub> = 0V,<br>AV <sub>DD</sub> = V <sub>REFH</sub> = 3.6V |
| <b>Dynamic Performance (12-Bit Mode)<sup>(2)</sup></b> |                  |                           |  |     |     |       |  |
| HAD33a   | F <sub>NYQ</sub> | Input Signal Bandwidth    | —  | —   | 200 | kHz   |  |

**Note 1:** These parameters are characterized, but are tested at 20 ksp/s only.

**2:** These parameters are characterized by similarity, but are not tested in manufacturing.

**3:** Injection currents  $> |0|$  can affect the ADC results by approximately 4-6 counts.

**TABLE 31-12: ADC MODULE SPECIFICATIONS (10-BIT MODE)**

| AC CHARACTERISTICS                                     |                  |                           | Standard Operating Conditions: 3.0V to 3.6V<br>(unless otherwise stated)<br>Operating temperature $-40^{\circ}\text{C} \leq T_A \leq +150^{\circ}\text{C}$ |     |      |       |  |
|--|------------------|---------------------------|--|-----|------|-------|--|
| Param No.  | Symbol           | Characteristic            | Min  | Typ | Max  | Units | Conditions   |
| <b>ADC Accuracy (10-Bit Mode)<sup>(1)</sup></b>        |                  |                           |  |     |      |       |  |
| HAD20b   | Nr               | Resolution <sup>(3)</sup> | 10 Data Bits   |     |      | bits  |  |
| HAD21b   | INL              | Integral Nonlinearity     | -1.5   | —   | 1.5  | LSb   | V <sub>INL</sub> = AV <sub>SS</sub> = V <sub>REFL</sub> = 0V,<br>AV <sub>DD</sub> = V <sub>REFH</sub> = 3.6V |
| HAD22b   | DNL              | Differential Nonlinearity | -0.25  | —   | 0.25 | LSb   | V <sub>INL</sub> = AV <sub>SS</sub> = V <sub>REFL</sub> = 0V,<br>AV <sub>DD</sub> = V <sub>REFH</sub> = 3.6V |
| HAD23b   | GERR             | Gain Error                | -2.5   | —   | 2.5  | LSb   | V <sub>INL</sub> = AV <sub>SS</sub> = V <sub>REFL</sub> = 0V,<br>AV <sub>DD</sub> = V <sub>REFH</sub> = 3.6V |
| HAD24b   | E <sub>OFF</sub> | Offset Error              | -1.25  | —   | 1.25 | LSb   | V <sub>INL</sub> = AV <sub>SS</sub> = V <sub>REFL</sub> = 0V,<br>AV <sub>DD</sub> = V <sub>REFH</sub> = 3.6V |
| <b>Dynamic Performance (10-Bit Mode)<sup>(2)</sup></b> |                  |                           |  |     |      |       |  |
| HAD33b   | F <sub>NYQ</sub> | Input Signal Bandwidth    | —  | —   | 400  | kHz   |  |

**Note 1:** These parameters are characterized, but are tested at 20 ksp/s only.

**2:** These parameters are characterized by similarity, but are not tested in manufacturing.

**3:** Injection currents  $> |0|$  can affect the ADC results by approximately 4-6 counts.

**NOTES:**



## 32.0 DC AND AC DEVICE CHARACTERISTICS GRAPHS

**Note:** The graphs provided following this note are a statistical summary based on a limited number of samples and are provided for design guidance purposes only. The performance characteristics listed herein are not tested or guaranteed. In some graphs, the data presented may be outside the specified operating range (e.g., outside specified power supply range) and therefore, outside the warranted range.

**FIGURE 32-1:  $V_{OH}$  – 4x DRIVER PINS**



**FIGURE 32-3:  $V_{OL}$  – 4x DRIVER PINS**



**FIGURE 32-2:  $V_{OH}$  – 8x DRIVER PINS**



**FIGURE 32-4:  $V_{OL}$  – 8x DRIVER PINS**



**FIGURE 32-5: TYPICAL I<sub>PD</sub> CURRENT @ V<sub>DD</sub> = 3.3V**



**FIGURE 32-7: TYPICAL I<sub>DOZE</sub> CURRENT @ V<sub>DD</sub> = 3.3V**



**FIGURE 32-6: TYPICAL I<sub>DD</sub> CURRENT @ V<sub>DD</sub> = 3.3V**



**FIGURE 32-8: TYPICAL I<sub>IDLE</sub> CURRENT @ V<sub>DD</sub> = 3.3V**



**FIGURE 32-9: TYPICAL FRC FREQUENCY @ VDD = 3.3V**



**FIGURE 32-10: TYPICAL LPRC FREQUENCY @ VDD = 3.3V**



**FIGURE 32-11: TYPICAL CTMU TEMPERATURE DIODE FORWARD VOLTAGE**



**NOTES:**

### 33.0 PACKAGING INFORMATION

#### 33.1 Package Marking Information

28-Lead SPDIP



Example



28-Lead SOIC (.300")



Example



28-Lead SSOP



Example



28-Lead QFN-S (6x6x0.9 mm)



Example



|                |        |  |
|----------------|--------|--|
| <b>Legend:</b> | XX...X | Customer-specific information  |
|                | Y      | Year code (last digit of calendar year)  |
|                | YY     | Year code (last 2 digits of calendar year)   |
|                | WW     | Week code (week of January 1 is week '01')   |
|                | NNN    | Alphanumeric traceability code   |
|                | (e3)   | Pb-free JEDEC designator for Matte Tin (Sn)  |
|                | *      | This package is Pb-free. The Pb-free JEDEC designator (e3) can be found on the outer packaging for this package. |

**Note:** In the event the full Microchip part number cannot be marked on one line, it will be carried over to the next line, thus limiting the number of available characters for customer-specific information.

33.1 Package Marking Information (Continued)

36-Lead VTLA (TLA)



Example



44-Lead VTLA (TLA)



Example



44-Lead TQFP



Example



44-Lead QFN (8x8x0.9 mm)



Example



### 33.1 Package Marking Information (Continued)

64-Lead QFN (9x9x0.9 mm)



Example



64-Lead TQFP (10x10x1 mm)



Example



33.2 Package Details

28-Lead Skinny Plastic Dual In-Line (SP) – 300 mil Body [SPDIP]

**Note:** For the most current package drawings, please see the Microchip Packaging Specification located at <http://www.microchip.com/packaging>



| Dimension Limits           | Units | INCHES   |       |       |
|----------------------------|-------|----------|-------|-------|
|                            |       | MIN      | NOM   | MAX   |
| Number of Pins             | N     | 28       |       |       |
| Pitch                      | e     | .100 BSC |       |       |
| Top to Seating Plane       | A     | –        | –     | .200  |
| Molded Package Thickness   | A2    | .120     | .135  | .150  |
| Base to Seating Plane      | A1    | .015     | –     | –     |
| Shoulder to Shoulder Width | E     | .290     | .310  | .335  |
| Molded Package Width       | E1    | .240     | .285  | .295  |
| Overall Length             | D     | 1.345    | 1.365 | 1.400 |
| Tip to Seating Plane       | L     | .110     | .130  | .150  |
| Lead Thickness             | c     | .008     | .010  | .015  |
| Upper Lead Width           | b1    | .040     | .050  | .070  |
| Lower Lead Width           | b     | .014     | .018  | .022  |
| Overall Row Spacing §      | eB    | –        | –     | .430  |

**Notes:**

1. Pin 1 visual index feature may vary, but must be located within the hatched area.
2. § Significant Characteristic.
3. Dimensions D and E1 do not include mold flash or protrusions. Mold flash or protrusions shall not exceed .010" per side.
4. Dimensioning and tolerancing per ASME Y14.5M.  
BSC: Basic Dimension. Theoretically exact value shown without tolerances.

Microchip Technology Drawing C04-070B



28-Lead Plastic Small Outline (SO) - Wide, 7.50 mm Body [SOIC]

**Note:** For the most current package drawings, please see the Microchip Packaging Specification located at <http://www.microchip.com/packaging>



28-Lead Plastic Small Outline (SO) - Wide, 7.50 mm Body [SOIC]

**Note:** For the most current package drawings, please see the Microchip Packaging Specification located at <http://www.microchip.com/packaging>



| Dimension Limits         | Units | MILLIMETERS |     |      |
|--------------------------|-------|-------------|-----|------|
|                          |       | MIN         | NOM | MAX  |
| Number of Pins           | N     | 28          |     |      |
| Pitch                    | e     | 1.27 BSC    |     |      |
| Overall Height           | A     | -           | -   | 2.65 |
| Molded Package Thickness | A2    | 2.05        | -   | -    |
| Standoff §               | A1    | 0.10        | -   | 0.30 |
| Overall Width            | E     | 10.30 BSC   |     |      |
| Molded Package Width     | E1    | 7.50 BSC    |     |      |
| Overall Length           | D     | 17.90 BSC   |     |      |
| Chamfer (Optional)       | h     | 0.25        | -   | 0.75 |
| Foot Length              | L     | 0.40        | -   | 1.27 |
| Footprint                | L1    | 1.40 REF    |     |      |
| Lead Angle               | θ     | 0°          | -   | -    |
| Foot Angle               | φ     | 0°          | -   | 8°   |
| Lead Thickness           | c     | 0.18        | -   | 0.33 |
| Lead Width               | b     | 0.31        | -   | 0.51 |
| Mold Draft Angle Top     | α     | 5°          | -   | 15°  |
| Mold Draft Angle Bottom  | β     | 5°          | -   | 15°  |

**Notes:**

- Pin 1 visual index feature may vary, but must be located within the hatched area.
- § Significant Characteristic
- Dimension D does not include mold flash, protrusions or gate burrs, which shall not exceed 0.15 mm per end. Dimension E1 does not include interlead flash or protrusion, which shall not exceed 0.25 mm per side.
- Dimensioning and tolerancing per ASME Y14.5M  
 BSC: Basic Dimension. Theoretically exact value shown without tolerances.  
 REF: Reference Dimension, usually without tolerance, for information purposes only.
- Datums A & B to be determined at Datum H.

Microchip Technology Drawing C04-052C Sheet 2 of 2

28-Lead Plastic Small Outline (SO) - Wide, 7.50 mm Body [SOIC]

**Note:** For the most current package drawings, please see the Microchip Packaging Specification located at <http://www.microchip.com/packaging>



**RECOMMENDED LAND PATTERN**

| Dimension Limits         | Units | MILLIMETERS |      |      |
|--------------------------|-------|-------------|------|------|
|                          |       | MIN         | NOM  | MAX  |
| Contact Pitch            | E     | 1.27 BSC    |      |      |
| Contact Pad Spacing      | C     |             | 9.40 |      |
| Contact Pad Width (X28)  | X     |             |      | 0.60 |
| Contact Pad Length (X28) | Y     |             |      | 2.00 |
| Distance Between Pads    | Gx    | 0.67        |      |      |
| Distance Between Pads    | G     | 7.40        |      |      |

**Notes:**

1. Dimensioning and tolerancing per ASME Y14.5M

BSC: Basic Dimension. Theoretically exact value shown without tolerances.

Microchip Technology Drawing No. C04-2052A

28-Lead Plastic Shrink Small Outline (SS) – 5.30 mm Body [SSOP]

**Note:** For the most current package drawings, please see the Microchip Packaging Specification located at <http://www.microchip.com/packaging>



| Dimension Limits         | Units | MILLIMETERS |       |       |
|--------------------------|-------|-------------|-------|-------|
|                          |       | MIN         | NOM   | MAX   |
| Number of Pins           | N     | 28          |       |       |
| Pitch                    | e     | 0.65 BSC    |       |       |
| Overall Height           | A     | –           | –     | 2.00  |
| Molded Package Thickness | A2    | 1.65        | 1.75  | 1.85  |
| Standoff                 | A1    | 0.05        | –     | –     |
| Overall Width            | E     | 7.40        | 7.80  | 8.20  |
| Molded Package Width     | E1    | 5.00        | 5.30  | 5.60  |
| Overall Length           | D     | 9.90        | 10.20 | 10.50 |
| Foot Length              | L     | 0.55        | 0.75  | 0.95  |
| Footprint                | L1    | 1.25 REF    |       |       |
| Lead Thickness           | c     | 0.09        | –     | 0.25  |
| Foot Angle               | φ     | 0°          | 4°    | 8°    |
| Lead Width               | b     | 0.22        | –     | 0.38  |

**Notes:**

- Pin 1 visual index feature may vary, but must be located within the hatched area.
- Dimensions D and E1 do not include mold flash or protrusions. Mold flash or protrusions shall not exceed 0.20 mm per side.
- Dimensioning and tolerancing per ASME Y14.5M.

BSC: Basic Dimension. Theoretically exact value shown without tolerances.

REF: Reference Dimension, usually without tolerance, for information purposes only.

Microchip Technology Drawing C04-073B

28-Lead Plastic Shrink Small Outline (SS) - 5.30 mm Body [SSOP]

**Note:** For the most current package drawings, please see the Microchip Packaging Specification located at <http://www.microchip.com/packaging>



RECOMMENDED LAND PATTERN

| Dimension Limits         | Units | MILLIMETERS |     |      |
|--------------------------|-------|-------------|-----|------|
|                          |       | MIN         | NOM | MAX  |
| Contact Pitch            | E     | 0.65 BSC    |     |      |
| Contact Pad Spacing      | C     | 7.20        |     |      |
| Contact Pad Width (X28)  | X1    |             |     | 0.45 |
| Contact Pad Length (X28) | Y1    |             |     | 1.75 |
| Distance Between Pads    | G     | 0.20        |     |      |

Notes:

1. Dimensioning and tolerancing per ASME Y14.5M

BSC: Basic Dimension. Theoretically exact value shown without tolerances.

Microchip Technology Drawing No. C04-2073A

**28-Lead Plastic Quad Flat, No Lead Package (MM) - 6x6x0.9mm Body [QFN-S]  
With 0.40 mm Terminal Length**

**Note:** For the most current package drawings, please see the Microchip Packaging Specification located at <http://www.microchip.com/packaging>



Microchip Technology Drawing C04-124C Sheet 1 of 2

**28-Lead Plastic Quad Flat, No Lead Package (MM) - 6x6x0.9mm Body [QFN-S]  
With 0.40 mm Terminal Length**

**Note:** For the most current package drawings, please see the Microchip Packaging Specification located at <http://www.microchip.com/packaging>



| Dimension Limits        | Units | MILLIMETERS |      |      |
|-------------------------|-------|-------------|------|------|
|                         |       | MIN         | NOM  | MAX  |
| Number of Pins          | N     | 28          |      |      |
| Pitch                   | e     | 0.65 BSC    |      |      |
| Overall Height          | A     | 0.80        | 0.90 | 1.00 |
| Standoff                | A1    | 0.00        | 0.02 | 0.05 |
| Terminal Thickness      | A3    | 0.20 REF    |      |      |
| Overall Width           | E     | 6.00 BSC    |      |      |
| Exposed Pad Width       | E2    | 3.65        | 3.70 | 4.70 |
| Overall Length          | D     | 6.00 BSC    |      |      |
| Exposed Pad Length      | D2    | 3.65        | 3.70 | 4.70 |
| Terminal Width          | b     | 0.23        | 0.30 | 0.35 |
| Terminal Length         | L     | 0.30        | 0.40 | 0.50 |
| Terminal-to-Exposed Pad | K     | 0.20        | -    | -    |

**Notes:**

1. Pin 1 visual index feature may vary, but must be located within the hatched area.
2. Package is saw singulated
3. Dimensioning and tolerancing per ASME Y14.5M

BSC: Basic Dimension. Theoretically exact value shown without tolerances.

REF: Reference Dimension, usually without tolerance, for information purposes only.

Microchip Technology Drawing C04-124C Sheet 2 of 2

**28-Lead Plastic Quad Flat, No Lead Package (MM) – 6x6x0.9 mm Body [QFN-S] with 0.40 mm Contact Length**

**Note:** For the most current package drawings, please see the Microchip Packaging Specification located at <http://www.microchip.com/packaging>



RECOMMENDED LAND PATTERN

| Dimension Limits           | Units | MILLIMETERS |      |      |
|----------------------------|-------|-------------|------|------|
|                            |       | MIN         | NOM  | MAX  |
| Contact Pitch              | E     | 0.65 BSC    |      |      |
| Optional Center Pad Width  | W2    |             |      | 4.70 |
| Optional Center Pad Length | T2    |             |      | 4.70 |
| Contact Pad Spacing        | C1    |             | 6.00 |      |
| Contact Pad Spacing        | C2    |             | 6.00 |      |
| Contact Pad Width (X28)    | X1    |             |      | 0.40 |
| Contact Pad Length (X28)   | Y1    |             |      | 0.85 |
| Distance Between Pads      | G     | 0.25        |      |      |

Notes:

1. Dimensioning and tolerancing per ASME Y14.5M

BSC: Basic Dimension. Theoretically exact value shown without tolerances.

Microchip Technology Drawing No. C04-2124A



**36-Terminal Very Thin Thermal Leadless Array Package (TL) – 5x5x0.9 mm Body with Exposed Pad [VTLA]**

**Note:** For the most current package drawings, please see the Microchip Packaging Specification located at <http://www.microchip.com/packaging>



Microchip Technology Drawing C04-187C Sheet 1 of 2

**36-Terminal Very Thin Thermal Leadless Array Package (TL) – 5x5x0.9 mm Body with Exposed Pad [VTLA]**

**Note:** For the most current package drawings, please see the Microchip Packaging Specification located at <http://www.microchip.com/packaging>



| Dimension               | Units | MILLIMETERS |      |       |
|-------------------------|-------|-------------|------|-------|
|                         |       | Limits      | MIN  | NOM   |
| Number of Pins          | N     | 36          |      |       |
| Number of Pins per Side | ND    | 10          |      |       |
| Number of Pins per Side | NE    | 8           |      |       |
| Pitch                   | e     | 0.50 BSC    |      |       |
| Overall Height          | A     | 0.80        | 0.90 | 1.00  |
| Standoff                | A1    | 0.025       | -    | 0.075 |
| Overall Width           | E     | 5.00 BSC    |      |       |
| Exposed Pad Width       | E2    | 3.60        | 3.75 | 3.90  |
| Overall Length          | D     | 5.00 BSC    |      |       |
| Exposed Pad Length      | D2    | 3.60        | 3.75 | 3.90  |
| Contact Width           | b     | 0.20        | 0.25 | 0.30  |
| Contact Length          | L     | 0.20        | 0.25 | 0.30  |
| Contact-to-Exposed Pad  | K     | 0.20        | -    | -     |

**Notes:**

- Pin 1 visual index feature may vary, but must be located within the hatched area.
- Package is saw singulated.
- Dimensioning and tolerancing per ASME Y14.5M.  
 BSC: Basic Dimension. Theoretically exact value shown without tolerances.  
 REF: Reference Dimension, usually without tolerance, for information purposes only.

Microchip Technology Drawing C04-187C Sheet 2 of 2

**44-Terminal Very Thin Leadless Array Package (TL) – 6x6x0.9 mm Body With Exposed Pad [VTLA]**

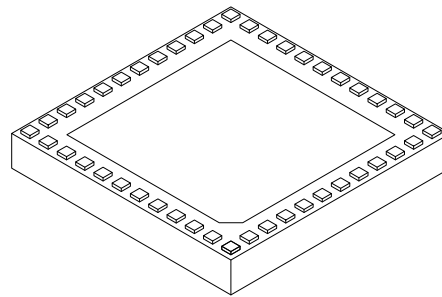
**Note:** For the most current package drawings, please see the Microchip Packaging Specification located at <http://www.microchip.com/packaging>



Microchip Technology Drawing C04-157C Sheet 1 of 2

**44-Terminal Very Thin Leadless Array Package (TL) – 6x6x0.9 mm Body With Exposed Pad [VTLA]**

**Note:** For the most current package drawings, please see the Microchip Packaging Specification located at <http://www.microchip.com/packaging>



DETAIL A

| Dimension               | Units  | MILLIMETERS |      |       |
|-------------------------|--------|-------------|------|-------|
|                         | Limits | MIN         | NOM  | MAX   |
| Number of Pins          | N      | 44          |      |       |
| Number of Pins per Side | ND     | 12          |      |       |
| Number of Pins per Side | NE     | 10          |      |       |
| Pitch                   | e      | 0.50 BSC    |      |       |
| Overall Height          | A      | 0.80        | 0.90 | 1.00  |
| Standoff                | A1     | 0.025       | -    | 0.075 |
| Overall Width           | E      | 6.00 BSC    |      |       |
| Exposed Pad Width       | E2     | 4.40        | 4.55 | 4.70  |
| Overall Length          | D      | 6.00 BSC    |      |       |
| Exposed Pad Length      | D2     | 4.40        | 4.55 | 4.70  |
| Contact Width           | b      | 0.20        | 0.25 | 0.30  |
| Contact Length          | L      | 0.20        | 0.25 | 0.30  |
| Contact-to-Exposed Pad  | K      | 0.20        | -    | -     |

**Notes:**

1. Pin 1 visual index feature may vary, but must be located within the hatched area.
2. Package is saw singulated.
3. Dimensioning and tolerancing per ASME Y14.5M.

BSC: Basic Dimension. Theoretically exact value shown without tolerances.

REF: Reference Dimension, usually without tolerance, for information purposes only.

Microchip Technology Drawing C04-157C Sheet 2 of 2

44-Lead Plastic Thin Quad Flatpack (PT) – 10x10x1 mm Body, 2.00 mm [TQFP]

**Note:** For the most current package drawings, please see the Microchip Packaging Specification located at <http://www.microchip.com/packaging>



| Dimension Limits         | Units | MILLIMETERS |      |      |
|--------------------------|-------|-------------|------|------|
|                          |       | MIN         | NOM  | MAX  |
| Number of Leads          | N     | 44          |      |      |
| Lead Pitch               | e     | 0.80 BSC    |      |      |
| Overall Height           | A     | –           | –    | 1.20 |
| Molded Package Thickness | A2    | 0.95        | 1.00 | 1.05 |
| Standoff                 | A1    | 0.05        | –    | 0.15 |
| Foot Length              | L     | 0.45        | 0.60 | 0.75 |
| Footprint                | L1    | 1.00 REF    |      |      |
| Foot Angle               | φ     | 0°          | 3.5° | 7°   |
| Overall Width            | E     | 12.00 BSC   |      |      |
| Overall Length           | D     | 12.00 BSC   |      |      |
| Molded Package Width     | E1    | 10.00 BSC   |      |      |
| Molded Package Length    | D1    | 10.00 BSC   |      |      |
| Lead Thickness           | c     | 0.09        | –    | 0.20 |
| Lead Width               | b     | 0.30        | 0.37 | 0.45 |
| Mold Draft Angle Top     | α     | 11°         | 12°  | 13°  |
| Mold Draft Angle Bottom  | β     | 11°         | 12°  | 13°  |

**Notes:**

1. Pin 1 visual index feature may vary, but must be located within the hatched area.
2. Chamfers at corners are optional; size may vary.
3. Dimensions D1 and E1 do not include mold flash or protrusions. Mold flash or protrusions shall not exceed 0.25 mm per side.
4. Dimensioning and tolerancing per ASME Y14.5M.

BSC: Basic Dimension. Theoretically exact value shown without tolerances.

REF: Reference Dimension, usually without tolerance, for information purposes only.

Microchip Technology Drawing C04-076B

44-Lead Plastic Thin Quad Flatpack (PT) 10X10X1 mm Body, 2.00 mm Footprint [TQFP]

**Note:** For the most current package drawings, please see the Microchip Packaging Specification located at <http://www.microchip.com/packaging>



RECOMMENDED LAND PATTERN

| Dimension Limits         | Units | MILLIMETERS |       |      |
|--------------------------|-------|-------------|-------|------|
|                          |       | MIN         | NOM   | MAX  |
| Contact Pitch            | E     | 0.80 BSC    |       |      |
| Contact Pad Spacing      | C1    |             | 11.40 |      |
| Contact Pad Spacing      | C2    |             | 11.40 |      |
| Contact Pad Width (X44)  | X1    |             |       | 0.55 |
| Contact Pad Length (X44) | Y1    |             |       | 1.50 |
| Distance Between Pads    | G     | 0.25        |       |      |

Notes:

1. Dimensioning and tolerancing per ASME Y14.5M

BSC: Basic Dimension. Theoretically exact value shown without tolerances.

Microchip Technology Drawing No. C04-2076B

44-Lead Plastic Quad Flat, No Lead Package (ML) - 8x8 mm Body [QFN]

**Note:** For the most current package drawings, please see the Microchip Packaging Specification located at <http://www.microchip.com/packaging>



Microchip Technology Drawing C04-103C Sheet 1 of 2

**44-Lead Plastic Quad Flat, No Lead Package (ML) - 8x8 mm Body [QFN]**

**Note:** For the most current package drawings, please see the Microchip Packaging Specification located at <http://www.microchip.com/packaging>



| Units                   |    | MILLIMETERS |      |      |
|-------------------------|----|-------------|------|------|
| Dimension Limits        |    | MIN         | NOM  | MAX  |
| Number of Pins          | N  | 44          |      |      |
| Pitch                   | e  | 0.65 BSC    |      |      |
| Overall Height          | A  | 0.80        | 0.90 | 1.00 |
| Standoff                | A1 | 0.00        | 0.02 | 0.05 |
| Terminal Thickness      | A3 | 0.20 REF    |      |      |
| Overall Width           | E  | 8.00 BSC    |      |      |
| Exposed Pad Width       | E2 | 6.25        | 6.45 | 6.60 |
| Overall Length          | D  | 8.00 BSC    |      |      |
| Exposed Pad Length      | D2 | 6.25        | 6.45 | 6.60 |
| Terminal Width          | b  | 0.20        | 0.30 | 0.35 |
| Terminal Length         | L  | 0.30        | 0.40 | 0.50 |
| Terminal-to-Exposed-Pad | K  | 0.20        | -    | -    |

**Notes:**

1. Pin 1 visual index feature may vary, but must be located within the hatched area.
2. Package is saw singulated
3. Dimensioning and tolerancing per ASME Y14.5M

BSC: Basic Dimension. Theoretically exact value shown without tolerances.

REF: Reference Dimension. usually without tolerance. for information purposes only.

Microchip Technology Drawing C04-103C Sheet 2 of 2



44-Lead Plastic Quad Flat, No Lead Package (ML) - 8x8 mm Body [QFN]

**Note:** For the most current package drawings, please see the Microchip Packaging Specification located at <http://www.microchip.com/packaging>



**RECOMMENDED LAND PATTERN**

| Dimension Limits           | Units | MILLIMETERS |      |      |
|----------------------------|-------|-------------|------|------|
|                            |       | MIN         | NOM  | MAX  |
| Contact Pitch              | E     | 0.65 BSC    |      |      |
| Optional Center Pad Width  | W2    |             |      | 6.60 |
| Optional Center Pad Length | T2    |             |      | 6.60 |
| Contact Pad Spacing        | C1    |             | 8.00 |      |
| Contact Pad Spacing        | C2    |             | 8.00 |      |
| Contact Pad Width (X44)    | X1    |             |      | 0.35 |
| Contact Pad Length (X44)   | Y1    |             |      | 0.85 |
| Distance Between Pads      | G     | 0.25        |      |      |

**Notes:**

1. Dimensioning and tolerancing per ASME Y14.5M

BSC: Basic Dimension. Theoretically exact value shown without tolerances.

Microchip Technology Drawing No. C04-2103B

64-Lead Plastic Quad Flat, No Lead Package (MR) – 9x9x0.9 mm Body with 5.40 x 5.40 Exposed Pad [QFN]

**Note:** For the most current package drawings, please see the Microchip Packaging Specification located at <http://www.microchip.com/packaging>



Microchip Technology Drawing C04-154A Sheet 1 of 2

**64-Lead Plastic Quad Flat, No Lead Package (MR) – 9x9x0.9 mm Body with 5.40 x 5.40 Exposed Pad [QFN]**

**Note:** For the most current package drawings, please see the Microchip Packaging Specification located at <http://www.microchip.com/packaging>



| Dimension Limits       | Units | MILLIMETERS |      |      |
|------------------------|-------|-------------|------|------|
|                        |       | MIN         | NOM  | MAX  |
| Number of Pins         | N     | 64          |      |      |
| Pitch                  | e     | 0.50 BSC    |      |      |
| Overall Height         | A     | 0.80        | 0.90 | 1.00 |
| Standoff               | A1    | 0.00        | 0.02 | 0.05 |
| Contact Thickness      | A3    | 0.20 REF    |      |      |
| Overall Width          | E     | 9.00 BSC    |      |      |
| Exposed Pad Width      | E2    | 5.30        | 5.40 | 5.50 |
| Overall Length         | D     | 9.00 BSC    |      |      |
| Exposed Pad Length     | D2    | 5.30        | 5.40 | 5.50 |
| Contact Width          | b     | 0.20        | 0.25 | 0.30 |
| Contact Length         | L     | 0.30        | 0.40 | 0.50 |
| Contact-to-Exposed Pad | K     | 0.20        | -    | -    |

**Notes:**

- Pin 1 visual index feature may vary, but must be located within the hatched area.
- Package is saw singulated.
- Dimensioning and tolerancing per ASME Y14.5M.  
 BSC: Basic Dimension. Theoretically exact value shown without tolerances.  
 REF: Reference Dimension, usually without tolerance, for information purposes only.

Microchip Technology Drawing C04-154A Sheet 2 of 2

64-Lead Plastic Thin Quad Flatpack (PT) – 10x10x1 mm Body, 2.00 mm Footprint [TQFP]

**Note:** For the most current package drawings, please see the Microchip Packaging Specification located at <http://www.microchip.com/packaging>



| Dimension Limits         | Units | MILLIMETERS |      |      |
|--------------------------|-------|-------------|------|------|
|                          |       | MIN         | NOM  | MAX  |
| Number of Leads          | N     | 64          |      |      |
| Lead Pitch               | e     | 0.50 BSC    |      |      |
| Overall Height           | A     | –           | –    | 1.20 |
| Molded Package Thickness | A2    | 0.95        | 1.00 | 1.05 |
| Standoff                 | A1    | 0.05        | –    | 0.15 |
| Foot Length              | L     | 0.45        | 0.60 | 0.75 |
| Footprint                | L1    | 1.00 REF    |      |      |
| Foot Angle               | φ     | 0°          | 3.5° | 7°   |
| Overall Width            | E     | 12.00 BSC   |      |      |
| Overall Length           | D     | 12.00 BSC   |      |      |
| Molded Package Width     | E1    | 10.00 BSC   |      |      |
| Molded Package Length    | D1    | 10.00 BSC   |      |      |
| Lead Thickness           | c     | 0.09        | –    | 0.20 |
| Lead Width               | b     | 0.17        | 0.22 | 0.27 |
| Mold Draft Angle Top     | α     | 11°         | 12°  | 13°  |
| Mold Draft Angle Bottom  | β     | 11°         | 12°  | 13°  |

**Notes:**

- Pin 1 visual index feature may vary, but must be located within the hatched area.
- Chamfers at corners are optional; size may vary.
- Dimensions D1 and E1 do not include mold flash or protrusions. Mold flash or protrusions shall not exceed 0.25 mm per side.
- Dimensioning and tolerancing per ASME Y14.5M.

BSC: Basic Dimension. Theoretically exact value shown without tolerances.

REF: Reference Dimension, usually without tolerance, for information purposes only.

Microchip Technology Drawing C04-085B

64-Lead Plastic Thin Quad Flatpack (PT) 10x10x1 mm Body, 2.00 mm Footprint [TQFP]

**Note:** For the most current package drawings, please see the Microchip Packaging Specification located at <http://www.microchip.com/packaging>



RECOMMENDED LAND PATTERN

|                          |    | Units            | MILLIMETERS |       |      |
|--------------------------|----|------------------|-------------|-------|------|
|                          |    | Dimension Limits | MIN         | NOM   | MAX  |
| Contact Pitch            | E  |                  | 0.50 BSC    |       |      |
| Contact Pad Spacing      | C1 |                  |             | 11.40 |      |
| Contact Pad Spacing      | C2 |                  |             | 11.40 |      |
| Contact Pad Width (X64)  | X1 |                  |             |       | 0.30 |
| Contact Pad Length (X64) | Y1 |                  |             |       | 1.50 |
| Distance Between Pads    | G  | 0.20             |             |       |      |

Notes:

1. Dimensioning and tolerancing per ASME Y14.5M

BSC: Basic Dimension. Theoretically exact value shown without tolerances.

Microchip Technology Drawing No. C04-2085B

**NOTES:**

**APPENDIX A: REVISION HISTORY****Revision A (April 2011)**

This is the initial released version of the document.

**Revision B (July 2011)**

This revision includes minor typographical and formatting changes throughout the data sheet text.

All other major changes are referenced by their respective section in [Table A-1](#).

**TABLE A-1: MAJOR SECTION UPDATES**

| Section Name  | Update Description   |
|---|--|
| <b>“High-Performance, 16-bit Digital Signal Controllers and Microcontrollers”</b> | Changed all pin diagrams references of VLAP to TLA.  |
| <b>Section 4.0 “Memory Organization”</b>  | Updated the All Resets values for CLKDIV and PLLFBD in the System Control Register Map (see Table 4-35).   |
| <b>Section 5.0 “Flash Program Memory”</b>   | Updated “one word” to “two words” in the first paragraph of <b>Section 5.2 “RTSP Operation”</b> .  |
| <b>Section 9.0 “Oscillator Configuration”</b>                                     | Updated the PLL Block Diagram (see Figure 9-2).<br>Updated the Oscillator Mode, Fast RC Oscillator (FRC) with divide-by-N and PLL (FRCPLL), by changing (FRCDIVN + PLL) to (FRCPLL).<br>Changed (FRCDIVN + PLL) to (FRCPLL) for COSC<2:0> = 001 and NOSC<2:0> = 001 in the Oscillator Control Register (see Register 9-1).<br>Changed the POR value from 0 to 1 for the DOZE<1:0> bits, from 1 to 0 for the FRCDIV<0> bit, and from 0 to 1 for the PLLPOST<0> bit; Updated the default definitions for the DOZE<2:0> and FRCDIV<2:0> bits and updated all bit definitions for the PLLPOST<1:0> bits in the Clock Divisor Register (see Register 9-2).<br>Changed the POR value from 0 to 1 for the PLLDIV<5:4> bits and updated the default definitions for all PLLDIV<8:0> bits in the PLL Feedback Division Register (see Register 9-2). |
| <b>Section 22.0 “Charge Time Measurement Unit (CTMU)”</b>                         | Updated the bit definitions for the IRNG<1:0> bits in the CTMU Current Control Register (see Register 22-3).   |
| <b>Section 25.0 “Op amp/ Comparator Module”</b>                                   | Updated the voltage reference block diagrams (see Figure 25-1 and Figure 25-2).  |

**TABLE A-1: MAJOR SECTION UPDATES (CONTINUED)**

| Section Name                                     | Update Description  |
|--|---|
| <b>Section 30.0 “Electrical Characteristics”</b> | <p>Removed Voltage on VCAP with respect to Vss and added Note 5 in Absolute Maximum Ratings<sup>(1)</sup>.</p> <p>Removed parameter DC18 (V<sub>CORE</sub>) and Note 3 from the DC Temperature and Voltage Specifications (see Table 30-4).</p> <p>Updated Note 1 in the DC Characteristics: Operating Current (I<sub>DD</sub>) (see Table 30-6).</p> <p>Updated Note 1 in the DC Characteristics: Idle Current (I<sub>IDLE</sub>) (see Table 30-7).</p> <p>Changed the Typical values for parameters DC60a-DC60d and updated Note 1 in the DC Characteristics: Power-down Current (I<sub>PD</sub>) (see Table 30-8).</p> <p>Updated Note 1 in the DC Characteristics: Doze Current (I<sub>DOZE</sub>) (see Table 30-9).</p> <p>Updated Note 2 in the Electrical Characteristics: BOR (see Table 30-12).</p> <p>Updated parameters CM20 and CM31, and added parameters CM44 and CM45 in the AC/DC Characteristics: Op amp/Comparator (see Table 30-14).</p> <p>Added the Op amp/Comparator Reference Voltage Settling Time Specifications (see Table 30-15).</p> <p>Added Op amp/Comparator Voltage Reference DC Specifications (see Table 30-16).</p> <p>Updated Internal FRC Accuracy parameter F20a (see Table 30-21).</p> <p>Updated the Typical value and Units for parameter CTMUI1, and added parameters CTMUI4, CTMUFV1, and CTMUFV2 to the CTMU Current Source Specifications (see Table 30-55).</p> |
| <b>Section 31.0 “Packaging Information”</b>      | <p>Updated packages by replacing references of VLAP with TLA.</p>   |
| <b>“Product Identification System”</b>           | <p>Changed VLAP to TLA.</p>   |



**Revision C (December 2011)**

This revision includes typographical and formatting changes throughout the data sheet text.

In addition, where applicable, new sections were added to each peripheral chapter that provide information and links to related resources, as well as helpful tips. For examples, see **Section 20.1 “UART Helpful Tips”** and **Section 3.6 “CPU Resources”**.

All occurrences of TLA were updated to VTLA throughout the document, with the exception of the pin diagrams (updated diagrams were not available at time of publication).

A new chapter, **Section 31.0 “DC and AC Device Characteristics Graphs”**, was added.

All other major changes are referenced by their respective section in [Table A-2](#).

**TABLE A-2: MAJOR SECTION UPDATES**

| Section Name  | Update Description  |
|---|---|
| <b>“16-bit Microcontrollers and Digital Signal Controllers (up to 256 KB Flash and 32 KB SRAM) with High-Speed PWM, Op amps, and Advanced Analog”</b> | The content on the first page of this section was extensively reworked to provide the reader with the key features and functionality of this device family in an “at-a-glance” format.  |
| <b>Section 1.0 “Device Overview”</b>  | Updated the dsPIC33EPXXXGP50X, dsPIC33EPXXXMC20X/50X, and PIC24EPXXXGP/MC20X Block Diagram (see Figure 1-1), which now contains a CPU block and a reference to the CPU diagram.<br>Updated the description and Note references in the Pinout I/O Descriptions for these pins: C1IN2-, C2IN2-, C3IN2-, OA1OUT, OA2OUT, and OA3OUT (see Table 1-1).   |
| <b>Section 2.0 “Guidelines for Getting Started with 16-bit Digital Signal Controllers and Microcontrollers”</b>                                       | Updated the Recommended Minimum Connection diagram (see Figure 2-1).  |
| <b>Section 3.0 “CPU”</b>  | Updated the dsPIC33EPXXXGP50X, dsPIC33EPXXXMC20X/50X, and PIC24EPXXXGP/MC20X CPU Block Diagram (see Figure 3-1).<br>Updated the Status register definition in the Programmer’s Model (see Figure 3-2).  |
| <b>Section 4.0 “Memory Organization”</b>  | Updated the Data Memory Maps (see Figure 4-6 and Figure 4-11).<br>Removed the DCB<1:0> bits from the OC1CON2, OC2CON2, OC3CON2, and OC4CON2 registers in the Output Compare 1 Through Output Compare 4 Register Map (see Table 4-10).<br>Added the TRIG1 and TRGCON1 registers to the PWM1 Generator 1 Register Map (see Table 4-13).<br>Added the TRIG2 and TRGCON2 registers to the PWM1 Generator 1 Register Map (see Table 4-14).<br>Added the TRIG3 and TRGCON3 registers to the PWM1 Generator 1 Register Map (see Table 4-15).<br>Updated the second note in <b>Section 4.7.1 “Bit-Reversed Addressing Implementation”</b> . |
| <b>Section 8.0 “Direct Memory Access (DMA)”</b>   | Updated the DMA Controller diagram (see Figure 8-1).  |
| <b>Section 14.0 “Input Capture”</b>   | Updated the bit values for the ICx clock source of the ICTSEL<12:10> bits in the ICxCON1 register (see Register 14-1).  |
| <b>Section 15.0 “Output Compare”</b>  | Updated the bit values for the OCx clock source of the OCTSEL<2:0> bits in the OCxCON1 register (see Register 15-1).<br>Removed the DCB<1:0> bits from the Output Compare x Control Register 2 (see Register 15-2).   |

**TABLE A-2: MAJOR SECTION UPDATES (CONTINUED)**

| Section Name   | Update Description   |
|--|--|
| <b>Section 16.0 “High-Speed PWM Module (dsPIC33EPXXXMC20X/50X and PIC24EPXXXMC20X Devices Only)”</b> | Updated the High-Speed PWM Module Register Interconnection Diagram (see Figure 16-2).<br>Added the TRGCONx and TRIGx registers (see Register 16-12 and Register 16-14, respectively).  |
| <b>Section 21.0 “Enhanced CAN (ECAN™) Module (dsPIC33EPXXXGP/MC50X Devices Only)”</b>                | Updated the CANCKS bit value definitions in CiCTRL1: ECAN Control Register 1 (see Register 21-1).  |
| <b>Section 22.0 “Charge Time Measurement Unit (CTMU)”</b>  | Updated the IRNG<1:0> bit value definitions and added Note 2 in the CTMU Current Control Register (see Register 22-3).   |
| <b>Section 25.0 “Op amp/Comparator Module”</b>   | Updated the Op amp/Comparator I/O Operating Modes Diagram (see Figure 25-1).<br>Updated the User-programmable Blanking Function Block Diagram (see Figure 25-3).<br>Updated the Digital Filter Interconnect Block Diagram (see Figure 25-4).<br>Added <b>Section 25.1 “Op amp Application Considerations”</b> .<br>Added Note 2 to the Comparator Control Register (see Register 25-2).<br>Updated the bit definitions in the Comparator Mask Gating Control Register (see Register 25-5).   |
| <b>Section 27.0 “Special Features”</b>   | Updated the FICD Configuration Register, updated Note 1, and added Note 3 in the Configuration Byte Register Map (see Table 27-1).<br>Added <b>Section 27.2 “User ID Words”</b> .  |
| <b>Section 30.0 “Electrical Characteristics”</b>   | Updated the following Absolute Maximum Ratings: <ul style="list-style-type: none"> <li>• Maximum current out of VSS pin</li> <li>• Maximum current into VDD pin</li> </ul> Added Note 1 to the Operating MIPS vs. Voltage (see Table 30-1).<br>Updated all Idle Current (IDLE) Typical and Maximum DC Characteristics values (see Table 30-7).<br>Updated all Doze Current (IDOZE) Typical and Maximum DC Characteristics values (see Table 30-9).<br>Added Note 2, removed parameter CM24, updated the Typical values parameters CM10, CM20, CM21, CM32, CM41, CM44, and CM45, and updated the Minimum values for CM40 and CM41, and the Maximum value for CM40 in the AC/DC Characteristics: Op amp/Comparator (see Table 30-14).<br>Updated Note 2 and the Typical value for parameter VR310 in the Op amp/Comparator Reference Voltage Settling Time Specifications (see Table 30-15).<br>Added Note 1, removed parameter VRD312, and added parameter VRD314 to the Op amp/Comparator Voltage Reference DC Specifications (see Table 30-16).<br>Updated the Minimum, Typical, and Maximum values for Internal LPRC Accuracy (see Table 30-22).<br>Updated the Minimum, Typical, and Maximum values for parameter SY37 in the Reset, Watchdog Timer, Oscillator Start-up Timer, Power-up Timer Timing Requirements (see Table 30-24).<br>The Maximum Data Rate values were updated for the SPI2 Maximum Data/Clock Rate Summary (see Table 30-35) |

**TABLE A-2: MAJOR SECTION UPDATES (CONTINUED)**

| Section Name  | Update Description   |
|---|--|
| <p><b>Section 30.0 “Electrical Characteristics” (Continued)</b></p> | <p>These SPI2 Timing Requirements were updated:</p> <ul style="list-style-type: none"> <li>• Maximum value for parameter SP10 and the minimum clock period value for SCKx in Note 3 (see Table 30-36, Table 30-37, and Table 30-38)</li> <li>• Maximum value for parameter SP70 and the minimum clock period value for SCKx in Note 3 (see Table 30-40 and Table 30-42)</li> <li>• The Maximum Data Rate values were updated for the SPI2 Maximum Data/Clock Rate Summary (see Table 30-43)</li> </ul> <p>These SPI1 Timing Requirements were updated:</p> <ul style="list-style-type: none"> <li>• Maximum value for parameters SP10 and the minimum clock period value for SCKx in Note 3 (see Table 30-44, Table 30-45, and Table 30-46)</li> <li>• Maximum value for parameters SP70 and the minimum clock period value for SCKx in Note 3 (see Table 30-47 through Table 30-50)</li> <li>• Minimum value for parameters SP40 and SP41 see Table 30-44 through Table 30-50)</li> </ul> <p>Updated all Typical values for the CTMU Current Source Specifications (see Table 30-55).</p> <p>Updated Note1, the Maximum value for parameter AD06, the Minimum value for AD07, and the Typical values for AD09 in the ADC Module Specifications (see Table 30-56).</p> <p>Added Note 1 to the ADC Module Specifications (12-bit Mode) (see Table 30-57).</p> <p>Added Note 1 to the ADC Module Specifications (10-bit Mode) (see Table 30-58).</p> <p>Updated the Minimum and Maximum values for parameter AD21b in the 10-bit Mode ADC Module Specifications (see Table 30-58).</p> <p>Updated Note 2 in the ADC Conversion (12-bit Mode) Timing Requirements (see Table 30-59).</p> <p>Updated Note 1 in the ADC Conversion (10-bit Mode) Timing Requirements (see Table 30-60).</p> |

**Revision D (December 2011)**

This revision includes typographical and formatting changes throughout the data sheet text.

All other major changes are referenced by their respective section in [Table A-3](#).

**TABLE A-3: MAJOR SECTION UPDATES**

| Section Name  | Update Description  |
|---|---|
| <b>“16-bit Microcontrollers and Digital Signal Controllers (up to 512 KB Flash and 48 KB SRAM) with High-Speed PWM, Op amps, and Advanced Analog”</b> | Removed the Analog Comparators column and updated the Op amps/Comparators column in Table 1 and Table 2.  |
| <b>Section 21.0 “Enhanced CAN (ECAN™) Module (dsPIC33EPXXXGP/MC50X Devices Only)”</b>   | Updated the CANCKS bit value definitions in CiCTRL1: ECAN Control Register 1 (see Register 21-1).   |
| <b>Section 30.0 “Electrical Characteristics”</b>  | Updated the VBOR specifications and/or its related note in the following electrical characteristics tables: <ul style="list-style-type: none"><li>• Table 30-1</li><li>• Table 30-4</li><li>• Table 30-12</li><li>• Table 30-14</li><li>• Table 30-15</li><li>• Table 30-16</li><li>• Table 30-56</li><li>• Table 30-57</li><li>• Table 30-58</li><li>• Table 30-59</li><li>• Table 30-60</li></ul> |

**Revision E (April 2012)**

This revision includes typographical and formatting changes throughout the data sheet text.

All other major changes are referenced by their respective section in [Table A-3](#).

**TABLE A-4: MAJOR SECTION UPDATES**

| Section Name   | Update Description   |
|--|--|
| <p><b>“16-bit Microcontrollers and Digital Signal Controllers (up to 512 KB Flash and 48 KB SRAM) with High-Speed PWM, Op amps, and Advanced Analog”</b></p> | <p>The following 512 KB devices were added to the General Purpose Families table (see Table 1):</p> <ul style="list-style-type: none"> <li>• PIC24EP512GP202</li> <li>• PIC24EP512GP204</li> <li>• PIC24EP512GP206</li> <li>• dsPIC33EP512GP502</li> <li>• dsPIC33EP512GP504</li> <li>• dsPIC33EP512GP506</li> </ul> <p>The following 512 KB devices were added to the Motor Control Families table (see Table 2):</p> <ul style="list-style-type: none"> <li>• PIC24EP512MC202</li> <li>• PIC24EP512MC204</li> <li>• PIC24EP512MC206</li> <li>• dsPIC33EP512MC202</li> <li>• dsPIC33EP512MC204</li> <li>• dsPIC33EP512MC206</li> <li>• dsPIC33EP512MC502</li> <li>• dsPIC33EP512MC504</li> <li>• dsPIC33EP512MC506</li> </ul> <p>Certain Pin Diagrams were updated to include the new 512 KB devices.</p> |
| <p><b>Section 4.0 “Memory Organization”</b></p>  | <p>Added a Program Memory Map for the new 512 KB devices (see Figure 4-4).<br/>                     Added a Data Memory Map for the new dsPIC 512 KB devices (see Figure 4-11).<br/>                     Added a Data Memory Map for the new PIC24 512 KB devices (see Figure 4-16).</p>   |
| <p><b>Section 7.0 “Interrupt Controller”</b></p>   | <p>Updated the VECNUM bits in the INTTREG register (see Register 7-7).</p>   |
| <p><b>Section 11.0 “I/O Ports”</b></p>   | <p>Added tip 6 to <b>Section 11.5 “I/O Helpful Tips”</b>.</p>  |
| <p><b>Section 27.0 “Special Features”</b></p>  | <p>The following modifications were made to the Configuration Byte Register Map (see Table 27-1):</p> <ul style="list-style-type: none"> <li>• Added the column Device Memory Size (KB)</li> <li>• Removed Notes 1 through 4</li> <li>• Added addresses for the new 512 KB devices</li> </ul>  |
| <p><b>Section 30.0 “Electrical Characteristics”</b></p>  | <p>Updated the Minimum value for parameter DC10 (see Table 30-4).<br/>                     Added Power-Down Current (I<sub>pd</sub>) parameters for the new 512 KB devices (see Table 30-8).<br/>                     Updated the Minimum value for parameter CM34 (see <a href="#">Table 30-53</a>).<br/>                     Updated the Minimum and Maximum values and the Conditions for parameter SY12 (see Table 30-22).</p>   |

**Revision F (November 2012)**

Removed “Preliminary” from data sheet footer.

**Revision G (March 2013)**

This revision includes the following global changes:

- changes “ $\overline{\text{FLT}}_x$ ” pin function to “FLT<sub>x</sub>” on all occurrences
- adds [Section 31.0 “High-Temperature Electrical Characteristics”](#) for high-temperature (+150°C) data

This revision also includes minor typographical and formatting changes throughout the text.

Other major changes are referenced by their respective section in [Table A-5](#).

**TABLE A-5: MAJOR SECTION UPDATES**

| Section Name   | Update Description  |
|--|---|
| <a href="#">Cover Section</a>  | <ul style="list-style-type: none"> <li>• Changes internal oscillator specification to 1.0%</li> <li>• Changes I/O sink/source values to 12 mA or 6 mA</li> <li>• Corrects 44-pin VTLA pin diagram (pin 32 now shows as 5V tolerant)</li> </ul>  |
| <a href="#">Section 4.0 “Memory Organization”</a>                              | <ul style="list-style-type: none"> <li>• Deletes references to Configuration shadow registers</li> <li>• Corrects the spelling of the JTAGIP and PTGWDTIP bits throughout</li> <li>• Corrects the Reset value of all IOCON registers as C000h</li> <li>• Adds footnote to <a href="#">Table 4-42</a> to indicate the absence of Comparator 3 in 28-pin devices</li> </ul>   |
| <a href="#">Section 6.0 “Resets”</a>   | <ul style="list-style-type: none"> <li>• Removes references to cold and warm Resets, and clarifies the initial configuration of the device clock source on all Resets</li> </ul>  |
| <a href="#">Section 7.0 “Interrupt Controller”</a>                             | <ul style="list-style-type: none"> <li>• Corrects the definition of GIE as “Global Interrupt Enable” (not “General”)</li> </ul>   |
| <a href="#">Section 9.0 “Oscillator Configuration”</a>                         | <ul style="list-style-type: none"> <li>• Clarifies the behavior of the CF bit when cleared in software</li> <li>• Removes POR behavior footnotes from all control registers</li> <li>• Corrects the tuning range of the TUN&lt;5:0&gt; bits in Register 9-4 to an overall range ±1.5%</li> </ul>  |
| <a href="#">Section 13.0 “Timer2/3 and Timer4/5”</a>                           | <ul style="list-style-type: none"> <li>• Clarifies the presence of the ADC Trigger in 16-bit Timer3 and Timer5, as well as the 32-bit timers</li> </ul>   |
| <a href="#">Section 15.0 “Output Compare”</a>                                  | <ul style="list-style-type: none"> <li>• Corrects the first trigger source for SYNCSEL&lt;4:0&gt; (OCxCON2&lt;4:0&gt;) as OCxRS match</li> </ul>  |
| <a href="#">Section 16.0 “High-Speed PWM Module”</a>                           | <ul style="list-style-type: none"> <li>• Clarifies the source of the PWM interrupts in Figure 16-1</li> <li>• Corrects the Reset states of IOCONx&lt;15:14&gt; in Register 16-13 as ‘11’</li> </ul>   |
| <a href="#">Section 17.0 “Quadrature Encoder Interface (QEI) Module”</a>       | <ul style="list-style-type: none"> <li>• Clarifies the operation of the IMV&lt;1:0&gt; bits (QEICON&lt;9:8&gt;) with updated text and additional notes</li> <li>• Corrects the first prescaler value for QFVDIV&lt;2:0&gt; (QEI1OC&lt;13:11&gt;), now 1:128</li> </ul>  |
| <a href="#">Section 23.0 “10-Bit/12-Bit Analog-to-Digital Converter (ADC)”</a> | <ul style="list-style-type: none"> <li>• Adds note to <a href="#">Figure 23-1</a> that Op Amp 3 is not available in 28-pin devices</li> <li>• Changes “sample clock” to “sample trigger” in AD1CON1 (<a href="#">Register 23-1</a>)</li> <li>• Clarifies footnotes on op amp usage in <a href="#">Registers 23-5</a> and <a href="#">23-6</a></li> </ul>  |
| <a href="#">Section 25.0 “Op Amp/Comparator Module”</a>                        | <ul style="list-style-type: none"> <li>• Adds Note text to indicate that Comparator 3 is unavailable in 28-pin devices</li> <li>• Splits <a href="#">Figure 25-1</a> into two figures for clearer presentation (<a href="#">Figure 25-1</a> for Op amp/Comparators 1 through 3, <a href="#">Figure 25-2</a> for Comparator 4). Subsequent figures are renumbered accordingly.</li> <li>• Corrects reference description in xxxxx (now (AVDD+AVSS)/2)</li> <li>• Changes CMSTAT&lt;15&gt; in <a href="#">Register 25-1</a> to “PSIDL”</li> </ul> |
| <a href="#">Section 27.0 “Special Features”</a>                                | <ul style="list-style-type: none"> <li>• Corrects the addresses of all Configuration bytes for 512 Kbyte devices</li> </ul>   |

**TABLE A-5: MAJOR SECTION UPDATES (CONTINUED)**

| Section Name   | Update Description  |
|--|---|
| <p><b>Section 30.0 “Electrical Characteristics”</b></p>              | <ul style="list-style-type: none"> <li>• Throughout: qualifies all footnotes relating to the operation of analog modules below VDDMIN (replaces “will have” with “may have”)</li> <li>• Throughout: changes all references of SPI timing parameter symbol “TscP” to “FscP”</li> <li>• <a href="#">Table 30-1</a>: changes VDD range to 3.0V to 3.6V</li> <li>• <a href="#">Table 30-4</a>: removes parameter DC12 (Ram Retention Voltage)</li> <li>• <a href="#">Table 30-7</a>: updates Maximum values at 10 and 20 MIPS</li> <li>• <a href="#">Table 30-8</a>: adds Maximum IPD values, and removes all ΔIWDT entries</li> <li>• Adds new <a href="#">Table 30-9</a> (Watchdog Timer Delta Current) with consolidated values removed from <a href="#">Table 30-8</a>. All subsequent tabs are renumbered accordingly.</li> <li>• <a href="#">Table 30-10</a>: adds footnote for all parameters for 1:2 Doze ratio</li> <li>• <a href="#">Table 30-11</a>: <ul style="list-style-type: none"> <li>- changes Minimum and Maximum values for D120 and D130</li> <li>- adds Minimum and Maximum values for D131</li> <li>- adds Minimum and Maximum values for D150 through D156, and removes Typical values</li> </ul> </li> <li>• <a href="#">Table 30-12</a>: <ul style="list-style-type: none"> <li>- reformats table for readability</li> <li>- changes IOL conditions for DO10</li> </ul> </li> <li>• <a href="#">Table 30-14</a>: adds footnote to D135</li> <li>• <a href="#">Table 30-17</a>: changes Minimum and Maximum values for OS30</li> <li>• <a href="#">Table 30-19</a>: <ul style="list-style-type: none"> <li>- splits temperature range and adds new values for F20a</li> <li>- reduces temperature range for F20b to extended temperatures only</li> </ul> </li> <li>• <a href="#">Table 30-20</a>: <ul style="list-style-type: none"> <li>- splits temperature range and adds new values for F21a</li> <li>- reduces temperature range for F20b to extended temperatures only</li> </ul> </li> <li>• <a href="#">Table 30-53</a>: <ul style="list-style-type: none"> <li>- adds Maximum value to CM30</li> <li>- adds footnote (“Parameter characterized...”) to multiple parameters</li> </ul> </li> <li>• <a href="#">Table 30-55</a>: adds Minimum and Maximum values for all CTMUJ specifications, and removes Typical values</li> <li>• <a href="#">Table 30-57</a>: adds new footnote to AD09</li> <li>• <a href="#">Table 30-58</a>: <ul style="list-style-type: none"> <li>- removes all specifications for accuracy with external voltage references</li> <li>- removes Typical values for AD23a and AD24a</li> <li>- replaces Minimum and Maximum values for AD21a, AD22a, AD23a and AD24a with new values, split by Industrial and Extended temperatures</li> <li>- removes Maximum value of AD30</li> <li>- removes Minimum values from AD31a and AD32a</li> <li>- adds or changes Typical values for AD30, AD31a, AD32a and AD33a</li> </ul> </li> <li>• <a href="#">Table 30-59</a>: <ul style="list-style-type: none"> <li>- removes all specifications for accuracy with external voltage references</li> <li>- removes Maximum value of AD30</li> <li>- removes Typical values for AD23b and AD24b</li> <li>- replaces Minimum and Maximum values for AD21b, AD22b, AD23b and AD24b with new values, split by Industrial and Extended temperatures</li> <li>- removes Minimum and Maximum values from AD31b, AD32b, AD33b and AD34b</li> <li>- adds or changes Typical values for AD30, AD31a, AD32a and AD33a</li> </ul> </li> <li>• <a href="#">Table 30-61</a>: Adds footnote to AD51</li> </ul> |
| <p><b>Section 32.0 “DC and AC Device Characteristics Graphs”</b></p> | <ul style="list-style-type: none"> <li>• Updates <a href="#">Figure 32-8</a> (Typical IDD @ 3.3V) with individual current vs. processor speed curves for the different program memory sizes</li> </ul>  |
| <p><b>Section 33.0 “Packaging Information”</b></p>                   | <ul style="list-style-type: none"> <li>• Replaces drawing C04-149C (64-pin QFN, 7.15 x 7.15 exposed pad) with C04-154A (64-pin QFN, 5.4 x 5.4 exposed pad)</li> </ul>   |

**NOTES:**



**INDEX**

**A**

Absolute Maximum Ratings ..... 399  
 AC Characteristics ..... 411, 469  
     ADC Module ..... 457  
     ADC Module (10-Bit Mode) ..... 459, 471  
     ADC Module (12-Bit Mode) ..... 458, 471  
     Capacitive Loading Requirements on  
         Output Pins ..... 411  
     Internal FRC Accuracy ..... 413  
     Internal LPRC Accuracy ..... 413  
     Load Conditions ..... 411, 469  
     Op Amp/Comparator Voltage Reference  
         Settling Time Specifications ..... 455  
     SPI1 Maximum Data/Clock Rate Summary ..... 436  
     SPI2 Maximum Data Clock Rate Summary ..... 424

**ADC**

Control Registers ..... 323  
 Helpful Tips ..... 322  
 Key Features ..... 319  
 Resources ..... 322

Arithmetic Logic Unit (ALU) ..... 42

**Assembler**

MPASM Assembler ..... 396

**B**

Bit-Reversed Addressing ..... 113  
     Example ..... 114  
     Implementation ..... 113  
     Sequence Table (16-Entry) ..... 114

**Block Diagrams**

16-Bit Timer1 Module ..... 201  
 ADC Conversion Clock Period ..... 321  
 ADC with Connection Options for ANx Pins  
     and Op Amps ..... 320  
 Arbiter Architecture ..... 108  
 Comparator (Module 4) ..... 354  
 Connections for On-Chip Voltage Regulator ..... 382  
 CPU Core ..... 34  
 CRC Module ..... 371  
 CRC Shift Engine ..... 372  
 CTMU Module ..... 314  
 Digital Filter Interconnect ..... 355  
 DMA Controller ..... 139  
 DMA Module ..... 137  
 dsPIC33EPXXXGP50X, dsPIC33EPXXXMC20X/50X  
     and PIC24EPXXXGP/MC20X ..... 23  
 ECAN Module ..... 286  
 High-Speed PWMx Architectural Overview ..... 225  
 High-Speed PWMx Register Interconnection ..... 226  
 I2Cx Module ..... 272  
 Input Capture x ..... 211  
 Multiplexing Remappable Output for RPN ..... 178  
 Op Amp Configuration A ..... 356  
 Op Amp Configuration B ..... 357  
 Op Amp/Comparator (Modules 1, 2, 3) ..... 353  
 Op Amp/Comparator Voltage Reference Module ..... 354  
 Oscillator System ..... 151  
 Output Compare x Module ..... 217  
 PLL ..... 152  
 PTG Module ..... 336  
 Quadrature Encoder Interface ..... 248  
 Remappable Input for U1RX ..... 174  
 Reset System ..... 121

Shared Port Structure ..... 171  
 SP1x Module ..... 264  
 Type B Timer (Timer2 and Timer4) ..... 206  
 Type B/Type C Timer Pair (32-Bit Timer) ..... 207  
 Type C Timer (Timer3 and Timer5) ..... 206  
 UARTx Module ..... 279  
 User-Programmable Blanking Function ..... 355  
 Watchdog Timer (WDT) ..... 383  
 Brown-out Reset (BOR) ..... 382

**C**

**C Compilers**

MPLAB C18 ..... 396

Charge Time Measurement Unit. See CTMU.

**Code Examples**

IC1 Connection to QE11 Input on Pin 43  
     of dsPIC33EPXXXMC206 ..... 174  
 Port Write/Read ..... 172  
 PWMx Write-Protected Register  
     Unlock Sequence ..... 224  
 PWRSAV Instruction Syntax ..... 161  
 Code Protection ..... 377, 384  
 CodeGuard Security ..... 377, 384  
 Configuration Bits ..... 377  
     Description ..... 379  
 Configuration Byte Register Map ..... 378  
 Configuring Analog and Digital Port Pins ..... 172

**CPU**

Clocking System Options ..... 152  
     Fast RC (FRC) Oscillator ..... 152  
     FRC Oscillator with PLL ..... 152  
     FRC Oscillator with Postscaler ..... 152  
     Low-Power RC (LPRC) Oscillator ..... 152  
     Primary (XT, HS, EC) Oscillator ..... 152  
     Primary Oscillator with PLL ..... 152  
 Control Register ..... 38  
 Control Registers ..... 38  
 Resources ..... 37

**CTMU**

Control Registers ..... 315  
 Resources ..... 314  
 Customer Change Notification Service ..... 520  
 Customer Notification Service ..... 520  
 Customer Support ..... 520

**D**

Data Address Space ..... 49  
     Memory Map for dsPIC33EP128MC20X/50X,  
         dsPIC33EP128GP50X Devices ..... 52  
     Memory Map for dsPIC33EP256MC20X/50X,  
         dsPIC33EP256GP50X Devices ..... 53  
     Memory Map for dsPIC33EP32MC20X/50X,  
         dsPIC33EP32GP50X Devices ..... 50  
     Memory Map for dsPIC33EP512MC20X/50X,  
         dsPIC33EP512GP50X Devices ..... 54  
     Memory Map for dsPIC33EP64MC20X/50X,  
         dsPIC33EP64GP50X Devices ..... 51  
     Memory Map for PIC24EP128GP/MC20X/50X  
         Devices ..... 57  
     Memory Map for PIC24EP256GP/MC20X/50X  
         Devices ..... 58  
     Memory Map for PIC24EP32GP/MC20X/50X  
         Devices ..... 55

|   |          |
|---|----------|
| Memory Map for PIC24EP512GP/MC20X/50X             |          |
| Devices .....                                     | 59       |
| Memory Map for PIC24EP64GP/MC20X/50X              |          |
| Devices .....                                     | 56       |
| Near Data Space .....                             | 49       |
| Organization, Alignment .....                     | 49       |
| SFR Space .....                                   | 49       |
| Width .....                                       | 49       |
| Data Memory                                       |          |
| Arbitration and Bus Master Priority .....         | 108      |
| Data Space  |          |
| Extended X .....                                  | 107      |
| Paged Memory Scheme .....                         | 103      |
| DC and AC Characteristics                         |          |
| Graphs and Tables .....                           | 473      |
| DC Characteristics                                |          |
| BOR .....   | 409      |
| Doze Current (IDOZE) .....                        | 405, 467 |
| High Temperature .....                            | 466      |
| I/O Pin Input Specifications .....                | 406      |
| I/O Pin Output Specifications .....               | 409, 468 |
| Idle Current (IDLE) .....                         | 403      |
| Operating Current (IDD) .....                     | 402, 467 |
| Operating MIPS vs. Voltage .....                  | 400, 466 |
| Power-Down Current (IPD) .....                    | 404, 467 |
| Program Memory .....                              | 410      |
| Temperature and Voltage .....                     | 466      |
| Temperature and Voltage Specifications .....      | 401      |
| Thermal Operating Conditions .....                | 466      |
| Watchdog Timer Delta Current .....                | 405      |
| Development Support .....                         | 395      |
| DMA Controller                                    |          |
| Channel to Peripheral Associations .....          | 138      |
| Control Registers .....                           | 139      |
| DMAxCNT .....                                     | 139      |
| DMAxCON .....                                     | 139      |
| DMAxPAD .....                                     | 139      |
| DMAxREQ .....                                     | 139      |
| DMAxSTA .....                                     | 139      |
| DMAxSTB .....                                     | 139      |
| Resources .....                                   | 139      |
| Supported Peripherals .....                       | 137      |
| Doze Mode .....                                   | 163      |
| DSP Engine .....                                  | 42       |
| <b>E</b>  |          |
| ECAN Message Buffers                              |          |
| Word 0 .....                                      | 308      |
| Word 1 .....                                      | 308      |
| Word 2 .....                                      | 309      |
| Word 3 .....                                      | 309      |
| Word 4 .....                                      | 310      |
| Word 5 .....                                      | 310      |
| Word 6 .....                                      | 311      |
| Word 7 .....                                      | 311      |
| ECAN Module                                       |          |
| Control Registers .....                           | 288      |
| Modes of Operation .....                          | 287      |
| Overview .....                                    | 285      |
| Resources .....                                   | 287      |
| Electrical Characteristics .....                  | 399      |
| AC .....  | 411, 469 |
| Enhanced CAN Module .....                         | 285      |
| Equations   |          |
| Device Operating Frequency .....                  | 152      |
| FOSC Calculation .....                            | 152      |
| FVCO Calculation .....                            | 152      |
| Errata .....                                      | 20       |
| <b>F</b>  |          |
| Filter Capacitor (CEFC) Specifications .....      | 401      |
| Flash Program Memory .....                        | 117      |
| Control Registers .....                           | 118      |
| Operations .....                                  | 118      |
| Programming Algorithm .....                       | 120      |
| Resources .....                                   | 118      |
| RTSP Operation .....                              | 118      |
| Table Instructions .....                          | 117      |
| Flexible Configuration .....                      | 377      |
| <b>H</b>  |          |
| High-Speed PWM .....                              | 223      |
| Control Registers .....                           | 228      |
| Faults .....                                      | 223      |
| Resources .....                                   | 227      |
| High-Temperature Electrical Characteristics ..... | 465      |
| Absolute Maximum Ratings .....                    | 465      |
| <b>I</b>  |          |
| I/O Ports .....                                   | 171      |
| Helpful Tips .....                                | 179      |
| Parallel I/O (PIO) .....                          | 171      |
| Resources .....                                   | 180      |
| Write/Read Timing .....                           | 172      |
| In-Circuit Debugger .....                         | 384      |
| In-Circuit Emulation .....                        | 377      |
| In-Circuit Serial Programming (ICSP) .....        | 377, 384 |
| Input Capture .....                               | 211      |
| Control Registers .....                           | 213      |
| Resources .....                                   | 212      |
| Input Change Notification (ICN) .....             | 172      |
| Instruction Addressing Modes .....                | 110      |
| File Register Instructions .....                  | 110      |
| Fundamental Modes Supported .....                 | 110      |
| MAC Instructions .....                            | 111      |
| MCU Instructions .....                            | 110      |
| Move and Accumulator Instructions .....           | 111      |
| Other Instructions .....                          | 111      |
| Instruction Set                                   |          |
| Summary   |          |
| Overview .....                                    | 388      |
| Instruction Set Summary .....                     | 385      |
| Symbols Used in Opcode Descriptions .....         | 386      |
| Inter-Integrated Circuit (I <sup>2</sup> C) ..... | 271      |
| Control Registers .....                           | 274      |
| Resources .....                                   | 273      |
| Internal RC Oscillator                            |          |
| Use with WDT .....                                | 383      |
| Internet Address .....                            | 520      |

|   |          |  |     |
|---|----------|--|-----|
| Interrupt Controller                              |          | Power-Saving Features .....                | 161 |
| Control and Status Registers .....                | 129      | Clock Frequency .....                      | 161 |
| INTCON1 .....                                     | 129      | Clock Switching .....                      | 161 |
| INTCON2 .....                                     | 129      | Instruction-Based Modes .....              | 161 |
| INTCON3 .....                                     | 129      | Idle .....                                 | 162 |
| INTCON4 .....                                     | 129      | Interrupts Coincident with Power Save      |     |
| INTTREG .....                                     | 129      | Instructions .....                         | 162 |
| Interrupt Vector Details .....                    | 127      | Sleep .....                                | 162 |
| Interrupt Vector Table (IVT) .....                | 125      | Resources .....                            | 163 |
| Reset Sequence .....                              | 125      | Program Address Space .....                | 43  |
| Resources .....                                   | 129      | Construction .....                         | 115 |
| <b>J</b>  |          | Data Access from Program Memory Using      |     |
| JTAG Boundary Scan Interface .....                | 377      | Table Instructions .....                   | 116 |
| JTAG Interface .....                              | 384      | Data Access from, Address Generation ..... | 115 |
| <b>M</b>  |          | Memory Map (dsPIC33EP128GP50X,             |     |
| Memory Maps                                       |          | dsPIC33EP128MC20X/50X,                     |     |
| Extended Data Space .....                         | 107      | PIC24EP128GP/MC20X Devices).....           | 45  |
| Memory Organization .....                         | 43       | Memory Map (dsPIC33EP256GP50X,             |     |
| Resources .....                                   | 60       | dsPIC33EP256MC20X/50X,                     |     |
| Microchip Internet Web Site .....                 | 520      | PIC24EP256GP/MC20X Devices).....           | 46  |
| Modulo Addressing .....                           | 112      | Memory Map (dsPIC33EP32GP50X,              |     |
| Applicability .....                               | 113      | dsPIC33EP32MC20X/50X,                      |     |
| Operation Example .....                           | 112      | PIC24EP32GP/MC20X Devices).....            | 43  |
| Start and End Address .....                       | 112      | Memory Map (dsPIC33EP512GP50X,             |     |
| W Address Register Selection .....                | 112      | dsPIC33EP512MC20X/50X,                     |     |
| MPLAB ASM30 Assembler, Linker, Librarian .....    | 396      | PIC24EP512GP/MC20X Devices).....           | 47  |
| MPLAB Integrated Development                      |          | Memory Map (dsPIC33EP64GP50X,              |     |
| Environment Software .....                        | 395      | dsPIC33EP64MC20X/50X,                      |     |
| MPLAB PM3 Device Programmer .....                 | 398      | PIC24EP64GP/MC20X Devices).....            | 44  |
| MPLAB REAL ICE In-Circuit Emulator System .....   | 397      | Table Read High Instructions               |     |
| MPLINK Object Linker/MPLIB Object Librarian ..... | 396      | TBLRDH .....                               | 116 |
| <b>O</b>  |          | Table Read Low Instructions (TBLRDL).....  | 116 |
| Op Amp  |          | Program Memory                             |     |
| Application Considerations .....                  | 356      | Organization .....                         | 48  |
| Configuration A .....                             | 356      | Reset Vector .....                         | 48  |
| Configuration B .....                             | 357      | Programmable CRC Generator .....           | 371 |
| Op Amp/Comparator .....                           | 353      | Control Registers .....                    | 373 |
| Control Registers .....                           | 358      | Overview .....                             | 372 |
| Resources .....                                   | 357      | Resources .....                            | 372 |
| Open-Drain Configuration .....                    | 172      | Programmer's Model .....                   | 35  |
| Oscillator  |          | Register Description .....                 | 35  |
| Control Registers .....                           | 154      | <b>PTG</b>                                 |     |
| Resources .....                                   | 153      | Control Registers .....                    | 338 |
| Output Compare .....                              | 217      | Introduction .....                         | 335 |
| Control Registers .....                           | 219      | Output Descriptions .....                  | 351 |
| Resources .....                                   | 218      | Resources .....                            | 337 |
| <b>P</b>  |          | Step Commands and Format .....             | 348 |
| Packaging .....                                   | 477      | <b>Q</b>                                   |     |
| Details .....                                     | 500      | QE1  |     |
| Marking .....                                     | 477, 479 | Control Registers .....                    | 250 |
| Peripheral Module Disable (PMD) .....             | 163      | Resources .....                            | 249 |
| Peripheral Pin Select (PPS) .....                 | 173      | Quadrature Encoder Interface (QE1).....    | 247 |
| Available Peripherals .....                       | 173      | <b>R</b>                                   |     |
| Available Pins .....                              | 173      | Reader Response .....                      | 521 |
| Control .....                                     | 173      | Register Maps                              |     |
| Control Registers .....                           | 181      | ADC1 .....                                 | 82  |
| Input Mapping .....                               | 174      | CPU Core (dsPIC33EPXXXMC20X/50X,           |     |
| Output Selection for Remappable Pins .....        | 178      | dsPIC33EPXXXGP50X Devices) .....           | 61  |
| Pin Selection for Selectable Input Sources .....  | 176      | CPU Core (PIC24EPXXXGP/MC20X Devices)..... | 63  |
| Selectable Input Sources .....                    | 175      | CRC .....                                  | 86  |
| Peripheral Trigger Generator (PTG) Module .....   | 335      | CTMU .....                                 | 95  |
| Pinout I/O Descriptions (table) .....             | 24       | DMAC .....                                 | 96  |

# dsPIC33EPXXXGP50X, dsPIC33EPXXXMC20X/50X AND PIC24EPXXXGP/MC20X

|   |     |   |         |
|---|-----|---|---------|
| ECAN1 (When WIN (C1CTRL) = 0 or 1)<br>for dsPIC33EPXXXGP/MC20X/50X Devices                | 83  | PORTC (PIC23EPXXXGP/MC203,<br>dsPIC33EPXXXGP/MC203/503 Devices)     | 101     |
| ECAN1 (When WIN (C1CTRL) = 0)<br>for dsPIC33EPXXXMC/50X Devices                           | 83  | PORTC (PIC24EPXXXGP/MC204,<br>dsPIC33EPXXXGP/MC204/504 Devices)     | 100     |
| ECAN1 (WIN (C1CTRL) = 1) for<br>dsPIC33EPXXXMC/50X Devices                                | 84  | PORTC (PIC24EPXXXGP/MC206,<br>dsPIC33EPXXXGP/MC206/506 Devices)     | 97      |
| I2C1 and I2C2   | 80  | PORTD (PIC24EPXXXGP/MC206,<br>dsPIC33EPXXXGP/MC206/506 Devices)     | 98      |
| Input Capture 1 through Input Capture 4   | 74  | PORTE (PIC24EPXXXGP/MC206,<br>dsPIC33EPXXXGP/MC206/506 Devices)     | 98      |
| Interrupt Controller<br>(dsPIC33EPXXXGP50X Devices)                                       | 67  | PORTF (PIC24EPXXXGP/MC206,<br>dsPIC33EPXXXGP/MC206/506 Devices)     | 98      |
| Interrupt Controller<br>(dsPIC33EPXXXMC20X Devices)                                       | 69  | PORTG (PIC24EPXXXGP/MC206 and<br>dsPIC33EPXXXGP/MC206/506 Devices)  | 99      |
| Interrupt Controller<br>(dsPIC33EPXXXMC50X Devices)                                       | 71  | PTG   | 76      |
| Interrupt Controller<br>(PIC24EPXXXGP20X Devices)   | 64  | PWM (dsPIC33EPXXXMC20X/50X,<br>PIC24EPXXXMC20X Devices)             | 77      |
| Interrupt Controller<br>(PIC24EPXXXMC20X Devices)   | 65  | PWM Generator 1 (dsPIC33EPXXXMC20X/50X,<br>PIC24EPXXXMC20X Devices) | 77      |
| JTAG Interface  | 95  | PWM Generator 2 (dsPIC33EPXXXMC20X/50X,<br>PIC24EPXXXMC20X Devices) | 78      |
| NVM   | 91  | PWM Generator 3 (dsPIC33EPXXXMC20X/50X,<br>PIC24EPXXXMC20X Devices) | 78      |
| Op Amp/Comparator   | 95  | QE11 (dsPIC33EPXXXMC20X/50X,<br>PIC24EPXXXMC20X Devices)            | 79      |
| Output Compare 1 through Output Compare 4   | 75  | Reference Clock   | 91      |
| Peripheral Pin Select Input<br>(dsPIC33EPXXXGP50X Devices)                                | 89  | SPI1 and SPI2   | 81      |
| Peripheral Pin Select Input<br>(dsPIC33EPXXXMC20X Devices)                                | 90  | System Control  | 91      |
| Peripheral Pin Select Input<br>(dsPIC33EPXXXMC50X Devices)                                | 89  | Timer1 through Timer5   | 73      |
| Peripheral Pin Select Input<br>(PIC24EPXXXGP20X Devices)                                  | 88  | UART1 and UART2   | 80      |
| Peripheral Pin Select Input<br>(PIC24EPXXXMC20X Devices)                                  | 88  | Registers   |         |
| Peripheral Pin Select Output<br>(dsPIC33EPXXXGP/MC202/502,<br>PIC24EPXXXGP/MC202 Devices) | 86  | AD1CHS0 (ADC1 Input Channel 0 Select)                               | 331     |
| Peripheral Pin Select Output<br>(dsPIC33EPXXXGP/MC203/503,<br>PIC24EPXXXGP/MC203 Devices) | 86  | AD1CHS123 (ADC1 Input Channel 1, 2, 3 Select)                       | 329     |
| Peripheral Pin Select Output<br>(dsPIC33EPXXXGP/MC206/506,<br>PIC24EPXXXGP/MC206 Devices) | 87  | AD1CON1 (ADC1 Control 1)  | 323     |
| PMD (dsPIC33EPXXXGP50X Devices)   | 93  | AD1CON2 (ADC1 Control 2)  | 325     |
| PMD (dsPIC33EPXXXMC20X Devices)   | 94  | AD1CON3 (ADC1 Control 3)  | 327     |
| PMD (dsPIC33EPXXXMC50X Devices)   | 93  | AD1CON4 (ADC1 Control 4)  | 328     |
| PMD (PIC24EPXXXGP20X Devices)   | 92  | AD1CSSH (ADC1 Input Scan Select High)                               | 333     |
| PMD (PIC24EPXXXMC20X Devices)   | 92  | AD1CSSL (ADC1 Input Scan Select Low)                                | 334     |
| PORTA (PIC24EPXXXGP/MC202,<br>dsPIC33EPXXXGP/MC202/502 Devices)                           | 102 | ALTDTRx (PWMx Alternate Dead-Time)                                  | 236     |
| PORTA (PIC24EPXXXGP/MC203,<br>dsPIC33EPXXXGP/MC203/503 Devices)                           | 101 | AUXCONx (PWMx Auxiliary Control)                                    | 245     |
| PORTA (PIC24EPXXXGP/MC204,<br>dsPIC33EPXXXGP/MC204/504 Devices)                           | 100 | CHOP (PWMx Chop Clock Generator)                                    | 232     |
| PORTA (PIC24EPXXXGP/MC206,<br>dsPIC33EPXXXGP/MC206/506 Devices)                           | 97  | CLKDIV (Clock Divisor)  | 156     |
| PORTB (PIC24EPXXXGP/MC202,<br>dsPIC33EPXXXGP/MC202/502 Devices)                           | 102 | CM4CON (Comparator 4 Control)                                       | 362     |
| PORTB (PIC24EPXXXGP/MC203,<br>dsPIC33EPXXXGP/MC203/503 Devices)                           | 101 | CMSTAT (Op Amp/Comparator Status)                                   | 358     |
| PORTB (PIC24EPXXXGP/MC204,<br>dsPIC33EPXXXGP/MC204/504 Devices)                           | 100 | CMxCON (Comparator x Control, x = 1,2,3)                            | 360     |
| PORTB (PIC24EPXXXGP/MC206,<br>dsPIC33EPXXXGP/MC206/506 Devices)                           | 97  | CMxFLTR (Comparator x Filter Control)                               | 368     |
|   |     | CMxMSKCON (Comparator x Mask<br>Gating Control)                     | 366     |
|   |     | CMxMSKSRC (Comparator x Mask<br>Source Select Control)              | 364     |
|   |     | CORCON (Core Control)   | 40, 131 |
|   |     | CRCCON1 (CRC Control 1)   | 373     |
|   |     | CRCCON2 (CRC Control 2)   | 374     |
|   |     | CRCXORH (CRC XOR Polynomial High)                                   | 375     |
|   |     | CRCXORL (CRC XOR Polynomial Low)                                    | 375     |
|   |     | CTMUCON1 (CTMU Control 1)   | 315     |
|   |     | CTMUCON2 (CTMU Control 2)   | 316     |
|   |     | CTMUICON (CTMU Current Control)                                     | 317     |
|   |     | CVRCON (Comparator Voltage<br>Reference Control)                    | 369     |
|   |     | CxBUFNT1 (ECANx Filter 0-3 Buffer Pointer 1)                        | 298     |
|   |     | CxBUFNT2 (ECANx Filter 4-7 Buffer Pointer 2)                        | 299     |
|   |     | CxBUFNT3 (ECANx Filter 8-11 Buffer Pointer 3)                       | 299     |

|   |     |   |     |
|---|-----|---|-----|
| CxBUFPNT4 (ECANx Filter 12-15<br>Buffer Pointer 4).....                 | 300 | INTCON4 (Interrupt Control 4) .....                         | 135 |
| CxCFG1 (ECANx Baud Rate Configuration 1) .....                          | 296 | INTREG Interrupt Control and Status Register .....          | 136 |
| CxCFG2 (ECANx Baud Rate Configuration 2) .....                          | 297 | INTxHLDH (Interval Timer Hold High Word) .....              | 261 |
| CxCTRL1 (ECANx Control 1) .....   | 288 | INTxHLDL (Interval Timer Hold Low Word) .....               | 261 |
| CxCTRL2 (ECANx Control 2) .....   | 289 | INTxTMRH (Interval Timer High Word) .....                   | 260 |
| CxEC (ECANx Transmit/Receive Error Count).....                          | 296 | INTxTMRL (Interval Timer Low Word).....                     | 261 |
| CxFCTRL (ECANx FIFO Control).....                                       | 291 | IOCONx (PWMx I/O Control).....                              | 238 |
| CxFEN1 (ECANx Acceptance Filter Enable 1).....                          | 298 | LEBCONx (PWMx Leading-Edge<br>Blanking Control).....        | 243 |
| CxFIFO (ECANx FIFO Status).....   | 292 | LEBDLYx (PWMx Leading-Edge Blanking Delay)....              | 244 |
| CxFMSKSEL1 (ECANx Filter 7-0<br>Mask Selection) .....                   | 302 | MDC (PWMx Master Duty Cycle).....                           | 232 |
| CxFMSKSEL2 (ECANx Filter 15-8<br>Mask Selection) .....                  | 303 | NVMADR (Nonvolatile Memory Lower Address).....              | 120 |
| CxINTE (ECANx Interrupt Enable).....                                    | 295 | NVMADRU (Nonvolatile Memory Upper Address) ...              | 120 |
| CxINTF (ECANx Interrupt Flag).....                                      | 293 | NVMCON (Nonvolatile Memory (NVM) Control) .....             | 119 |
| CxRXFnEID (ECANx Acceptance Filter n<br>Extended Identifier).....       | 302 | NVMKEY (Nonvolatile Memory Key).....                        | 120 |
| CxRXFnSID (ECANx Acceptance Filter n<br>Standard Identifier) .....      | 301 | OCxCON1 (Output Compare x Control 1).....                   | 219 |
| CxRXFUL1 (ECANx Receive Buffer Full 1) .....                            | 305 | OCxCON2 (Output Compare x Control 2).....                   | 221 |
| CxRXFUL2 (ECANx Receive Buffer Full 2) .....                            | 305 | OSCCON (Oscillator Control).....                            | 154 |
| CxRXMnEID (ECANx Acceptance Filter Mask n<br>Extended Identifier).....  | 304 | OSCTUN (FRC Oscillator Tuning).....                         | 159 |
| CxRXMnSID (ECANx Acceptance Filter Mask n<br>Standard Identifier) ..... | 304 | PDCx (PWMx Generator Duty Cycle).....                       | 235 |
| CxRXOVF1 (ECANx Receive Buffer Overflow 1) .....                        | 306 | PHASEx (PWMx Primary Phase-Shift).....                      | 235 |
| CxRXOVF2 (ECANx Receive Buffer Overflow 2) .....                        | 306 | PLLFBF (PLL Feedback Divisor) .....                         | 158 |
| CxTRMnCON (ECANx TX/RX Buffer mn Control)....                           | 307 | PMD1 (Peripheral Module Disable Control 1) .....            | 164 |
| CxVEC (ECANx Interrupt Code).....                                       | 290 | PMD2 (Peripheral Module Disable Control 2) .....            | 166 |
| DEVID (Device ID).....  | 381 | PMD3 (Peripheral Module Disable Control 3) .....            | 167 |
| DEVREV (Device Revision).....   | 381 | PMD4 (Peripheral Module Disable Control 4) .....            | 167 |
| DMALCA (DMA Last Channel Active Status) .....                           | 148 | PMD6 (Peripheral Module Disable Control 6) .....            | 168 |
| DMA PPS (DMA Ping-Pong Status) .....                                    | 149 | PMD7 (Peripheral Module Disable Control 7) .....            | 169 |
| DMA PWC (DMA Peripheral Write<br>Collision Status).....                 | 146 | POSxCNTH (Position Counter High Word) .....                 | 256 |
| DMA RQC (DMA Request Collision Status) .....                            | 147 | POSxCNTL (Position Counter Low Word).....                   | 256 |
| DMAxCNT (DMA Channel x Transfer Count) .....                            | 144 | POSxHLD (Position Counter Hold).....                        | 256 |
| DMAxCON (DMA Channel x Control).....                                    | 140 | PTCON (PWMx Time Base Control) .....                        | 228 |
| DMAxPAD (DMA Channel x Peripheral Address)....                          | 144 | PTCON2 (PWMx Primary Master Clock<br>Divider Select) .....  | 230 |
| DMAxREQ (DMA Channel x IRQ Select) .....                                | 141 | PTGADJ (PTG Adjust).....                                    | 346 |
| DMAxSTAH (DMA Channel x<br>Start Address A, High) .....                 | 142 | PTGBTE (PTG Broadcast Trigger Enable).....                  | 341 |
| DMAxSTAL (DMA Channel x<br>Start Address A, Low).....                   | 142 | PTGC0LIM (PTG Counter 0 Limit) .....                        | 344 |
| DMAxSTBH (DMA Channel x<br>Start Address B, High) .....                 | 143 | PTGC1LIM (PTG Counter 1 Limit) .....                        | 345 |
| DMAxSTBL (DMA Channel x Start<br>Address B, Low) .....                  | 143 | PTGCON (PTG Control).....                                   | 340 |
| DSADRH (DMA Most Recent RAM<br>High Address).....                       | 145 | PTGCST (PTG Control/Status) .....                           | 338 |
| DSADRL (DMA Most Recent RAM Low Address)....                            | 145 | PTGHOLD (PTG Hold).....                                     | 345 |
| DTRx (PWMx Dead-Time).....  | 236 | PTGL0 (PTG Literal 0).....                                  | 346 |
| FCLCONx (PWMx Fault Current-Limit Control).....                         | 241 | PTGQPTR (PTG Step Queue Pointer).....                       | 347 |
| I2CxCON (I2Cx Control) .....  | 274 | PTGQUEx (PTG Step Queue x).....                             | 347 |
| I2CxMSK (I2Cx Slave Mode Address Mask) .....                            | 278 | PTGSDLIM (PTG Step Delay Limit) .....                       | 344 |
| I2CxSTAT (I2Cx Status) .....  | 276 | PTGT0LIM (PTG Timer0 Limit) .....                           | 343 |
| ICxCON1 (Input Capture x Control 1).....                                | 213 | PTGT1LIM (PTG Timer1 Limit) .....                           | 343 |
| ICxCON2 (Input Capture x Control 2).....                                | 214 | PTPER (PWMx Primary Master Time Base<br>Period).....        | 231 |
| INDXxCNTH (Index Counter High Word).....                                | 257 | PWMCONx (PWMx Control) .....                                | 233 |
| INDXxCNTL (Index Counter Low Word).....                                 | 257 | QE11CON (QE1 Control).....                                  | 250 |
| INDXxHLD (Index Counter Hold).....                                      | 258 | QE11GECH (Greater Than or Equal Compare<br>High Word) ..... | 260 |
| INTCON1 (Interrupt Control 1).....                                      | 132 | QE11GECL (Greater Than or Equal Compare<br>Low Word) .....  | 260 |
| INTCON2 (Interrupt Control 2).....                                      | 134 | QE11ICH (Initialization/Capture High Word) .....            | 258 |
| INTCON2 (Interrupt Control 3).....                                      | 135 | QE11ICL (Initialization/Capture Low Word).....              | 258 |
|   |     | QE11IOC (QE1 I/O Control) .....                             | 252 |
|   |     | QE11LECH (Less Than or Equal Compare<br>High Word) .....    | 259 |
|   |     | QE11LECL (Less Than or Equal Compare<br>Low Word) .....     | 259 |
|   |     | QE11STAT (QE1 Status) .....                                 | 254 |
|   |     | RCON (Reset Control).....                                   | 123 |
|   |     | REFOCON (Reference Oscillator Control).....                 | 160 |

|  |         |
|--|---------|
| RPINR0 (Peripheral Pin Select Input 0).....                    | 181     |
| RPINR1 (Peripheral Pin Select Input 1).....                    | 182     |
| RPINR11 (Peripheral Pin Select Input 11).....                  | 185     |
| RPINR12 (Peripheral Pin Select Input 12).....                  | 186     |
| RPINR14 (Peripheral Pin Select Input 14).....                  | 187     |
| RPINR15 (Peripheral Pin Select Input 15).....                  | 188     |
| RPINR18 (Peripheral Pin Select Input 18).....                  | 189     |
| RPINR19 (Peripheral Pin Select Input 19).....                  | 189     |
| RPINR22 (Peripheral Pin Select Input 22).....                  | 190     |
| RPINR23 (Peripheral Pin Select Input 23).....                  | 191     |
| RPINR26 (Peripheral Pin Select Input 26).....                  | 191     |
| RPINR3 (Peripheral Pin Select Input 3).....                    | 182     |
| RPINR37 (Peripheral Pin Select Input 37).....                  | 192     |
| RPINR38 (Peripheral Pin Select Input 38).....                  | 193     |
| RPINR39 (Peripheral Pin Select Input 39).....                  | 194     |
| RPINR7 (Peripheral Pin Select Input 7).....                    | 183     |
| RPINR8 (Peripheral Pin Select Input 8).....                    | 184     |
| RPOR0 (Peripheral Pin Select Output 0).....                    | 195     |
| RPOR1 (Peripheral Pin Select Output 1).....                    | 195     |
| RPOR2 (Peripheral Pin Select Output 2).....                    | 196     |
| RPOR3 (Peripheral Pin Select Output 3).....                    | 196     |
| RPOR4 (Peripheral Pin Select Output 4).....                    | 197     |
| RPOR5 (Peripheral Pin Select Output 5).....                    | 197     |
| RPOR6 (Peripheral Pin Select Output 6).....                    | 198     |
| RPOR7 (Peripheral Pin Select Output 7).....                    | 198     |
| RPOR8 (Peripheral Pin Select Output 8).....                    | 199     |
| RPOR9 (Peripheral Pin Select Output 9).....                    | 199     |
| SEVTCMP (PWMx Primary Special Event<br>Compare).....           | 231     |
| SPIxCON1 (SPIx Control 1).....                                 | 268     |
| SPIxCON2 (SPIx Control 2).....                                 | 270     |
| SPIxSTAT (SPIx Status and Control).....                        | 266     |
| SR (CPU STATUS).....   | 38, 130 |
| T1CON (Timer1 Control).....                                    | 203     |
| TRGCONx (PWMx Trigger Control).....                            | 237     |
| TRIGx (PWMx Primary Trigger Compare Value).....                | 240     |
| TxCON (Timer2 and Timer4 Control).....                         | 208     |
| TyCON (Timer3 and Timer5 Control).....                         | 209     |
| UxMODE (UARTx Mode).....                                       | 281     |
| UxSTA (UARTx Status and Control).....                          | 283     |
| VELxCNT (Velocity Counter).....                                | 257     |
| Resets.....  | 121     |
| Brown-out Reset (BOR).....                                     | 121     |
| Configuration Mismatch Reset (CM).....                         | 121     |
| Illegal Condition Reset (IOPUWR).....                          | 121     |
| Illegal Opcode.....  | 121     |
| Security.....  | 121     |
| Uninitialized W Register.....                                  | 121     |
| Master Clear (MCLR) Pin Reset.....                             | 121     |
| Power-on Reset (POR).....                                      | 121     |
| RESET Instruction (SWR).....                                   | 121     |
| Resources.....   | 122     |
| Trap Conflict Reset (TRAPR).....                               | 121     |
| Watchdog Timer Time-out Reset (WDTO).....                      | 121     |
| Resources Required for Digital PFC.....                        | 30, 32  |
| Revision History.....  | 503     |
| <b>S</b>   |         |
| Serial Peripheral Interface (SPI).....                         | 263     |
| Software Simulator (MPLAB SIM).....                            | 397     |
| Software Stack Pointer, Frame Pointer<br>CALL Stack Frame..... | 109     |
| Special Features of the CPU.....                               | 377     |

|  |          |
|--|----------|
| SPI  |          |
| Control Registers.....   | 266      |
| Helpful Tips.....  | 265      |
| Resources.....   | 265      |
| <b>T</b>   |          |
| Temperature and Voltage Specifications   |          |
| AC.....  | 411, 469 |
| Thermal Operating Conditions.....  | 400      |
| Thermal Packaging Characteristics.....   | 400      |
| Timer1.....  | 201      |
| Control Register.....  | 203      |
| Resources.....   | 202      |
| Timer2/3 and Timer4/5.....   | 205      |
| Control Registers.....   | 208      |
| Resources.....   | 207      |
| Timing Diagrams  |          |
| 10-Bit ADC Conversion (CHPS<1:0> = 01, SIMSAM = 0,<br>ASAM = 0, SSRCS<2:0> = 000, SSRCSG = 0)....                        | 462      |
| 10-Bit ADC Conversion (CHPS<1:0> = 01, SIMSAM = 0,<br>ASAM = 1, SSRCS<2:0> = 111, SSRCSG = 0,<br>SAMC<4:0> = 00010)..... | 462      |
| 12-Bit ADC Conversion (ASAM = 0,<br>SSRC<2:0> = 000, SSRCSG = 0).....  | 460      |
| BOR and Master Clear Reset.....  | 414      |
| ECAN I/O.....  | 452      |
| External Clock.....  | 412      |
| High-Speed PWMx Fault.....   | 420      |
| High-Speed PWMx Module.....  | 420      |
| I/O Characteristics.....   | 414      |
| I2Cx Bus Data (Master Mode).....   | 448      |
| I2Cx Bus Data (Slave Mode).....  | 450      |
| I2Cx Bus Start/Stop Bits (Master Mode).....  | 448      |
| I2Cx Bus Start/Stop Bits (Slave Mode).....   | 450      |
| Input Capture x (ICx).....   | 418      |
| OCx/PWMx.....  | 419      |
| Output Compare x (OCx).....  | 419      |
| QEA/QEB Input.....   | 422      |
| QE1 Module Index Pulse.....  | 423      |
| SPI1 Master Mode (Full-Duplex, CKE = 0,<br>CKP = x, SMP = 1).....  | 439      |
| SPI1 Master Mode (Full-Duplex, CKE = 1,<br>CKP = x, SMP = 1).....  | 438      |
| SPI1 Master Mode (Half-Duplex, Transmit Only,<br>CKE = 0).....   | 436      |
| SPI1 Master Mode (Half-Duplex, Transmit Only,<br>CKE = 1).....   | 437      |
| SPI1 Slave Mode (Full-Duplex, CKE = 0,<br>CKP = 0, SMP = 0).....   | 446      |
| SPI1 Slave Mode (Full-Duplex, CKE = 0,<br>CKP = 1, SMP = 0).....   | 444      |
| SPI1 Slave Mode (Full-Duplex, CKE = 1,<br>CKP = 0, SMP = 0).....   | 440      |
| SPI1 Slave Mode (Full-Duplex, CKE = 1,<br>CKP = 1, SMP = 0).....   | 442      |
| SPI2 Master Mode (Full-Duplex, CKE = 0,<br>CKP = x, SMP = 1).....  | 427      |
| SPI2 Master Mode (Full-Duplex, CKE = 1,<br>CKP = x, SMP = 1).....  | 426      |
| SPI2 Master Mode (Half-Duplex, Transmit Only,<br>CKE = 0).....   | 424      |
| SPI2 Master Mode (Half-Duplex, Transmit Only,<br>CKE = 1).....   | 425      |

|   |          |   |          |
|---|----------|---|----------|
| SPI2 Slave Mode (Full-Duplex, CKE = 0, CKP = 0, SMP = 0) .....                      | 434      | SPI1 Slave Mode (Full-Duplex, CKE = 0, CKP = 0, SMP = 0) Requirements.....  | 447      |
| SPI2 Slave Mode (Full-Duplex, CKE = 0, CKP = 1, SMP = 0) .....                      | 432      | SPI1 Slave Mode (Full-Duplex, CKE = 0, CKP = 1, SMP = 0) Requirements.....  | 445      |
| SPI2 Slave Mode (Full-Duplex, CKE = 1, CKP = 0, SMP = 0) .....                      | 428      | SPI1 Slave Mode (Full-Duplex, CKE = 1, CKP = 0, SMP = 0) Requirements.....  | 441      |
| SPI2 Slave Mode (Full-Duplex, CKE = 1, CKP = 1, SMP = 0) .....                      | 430      | SPI1 Slave Mode (Full-Duplex, CKE = 1, CKP = 1, SMP = 0) Requirements.....  | 443      |
| Timer1-Timer5 External Clock .....  | 416      | SPI2 Master Mode (Full-Duplex, CKE = 0, CKP = x, SMP = 1) Requirements..... | 427      |
| TimerQ (QEI Module) External Clock .....  | 421      | SPI2 Master Mode (Full-Duplex, CKE = 1, CKP = x, SMP = 1) Requirements..... | 426      |
| UARTx I/O.....  | 452      | SPI2 Master Mode (Half-Duplex, Transmit Only) Requirements .....            | 425      |
| Timing Requirements   |          | SPI2 Slave Mode (Full-Duplex, CKE = 0, CKP = 0, SMP = 0) Requirements.....  | 435      |
| DMA Module .....  | 463      | SPI2 Slave Mode (Full-Duplex, CKE = 0, CKP = 1, SMP = 0) Requirements.....  | 433      |
| External Clock.....   | 412      | SPI2 Slave Mode (Full-Duplex, CKE = 1, CKP = 0, SMP = 0) Requirements.....  | 429      |
| I/O .....   | 414      | SPI2 Slave Mode (Full-Duplex, CKE = 1, CKP = 1, SMP = 0) Requirements.....  | 431      |
| Timing Specifications   |          | Timer1 External Clock Requirements .....                                    | 416      |
| 10-Bit ADC Conversion Requirements .....  | 463      | Timer2/Timer4 External Clock Requirements.....                              | 417      |
| 12-Bit ADC Conversion Requirements .....  | 461      | Timer3/Timer5 External Clock Requirements.....                              | 417      |
| CTMU Current Source Requirements.....   | 456      | UARTx I/O Requirements.....   | 452      |
| ECANx I/O Requirements .....  | 452      |   |          |
| High-Speed PWMx Requirements .....  | 420      | <b>U</b>  |          |
| I2Cx Bus Data Requirements (Master Mode).....                                       | 449      | Universal Asynchronous Receiver Transmitter (UART) ...                      | 279      |
| I2Cx Bus Data Requirements (Slave Mode).....  | 451      | Control Registers.....  | 281      |
| Input Capture x Requirements .....  | 418      | Helpful Tips.....   | 279      |
| OCx/PWMx Mode Requirements .....  | 419      | Resources .....   | 280      |
| Op Amp/Comparator Requirements .....  | 453      | User ID Words .....   | 382      |
| Op Amp/Comparator Voltage Reference Requirements .....                              | 455      | <b>V</b>  |          |
| Output Compare x Requirements .....   | 419      | Voltage Regulator (On-Chip) .....   | 382      |
| PLL Clock.....  | 413, 469 | <b>W</b>  |          |
| QEI External Clock Requirements .....   | 421      | Watchdog Timer (WDT).....   | 377, 383 |
| QEI Index Pulse Requirements.....   | 423      | Programming Considerations .....  | 383      |
| Quadrature Decoder Requirements.....  | 422      | WWW Address .....   | 520      |
| Reset, Watchdog Timer, Oscillator Start-up Timer, Power-up Timer Requirements ..... | 415      | WWW, On-Line Support .....  | 20       |
| SPI1 Master Mode (Full-Duplex, CKE = 0, CKP = x, SMP = 1) Requirements .....        | 439      |   |          |
| SPI1 Master Mode (Full-Duplex, CKE = 1, CKP = x, SMP = 1) Requirements .....        | 438      |   |          |
| SPI1 Master Mode (Half-Duplex, Transmit Only) Requirements .....                    | 437      |   |          |

**NOTES:**



## **THE MICROCHIP WEB SITE**

Microchip provides online support via our WWW site at [www.microchip.com](http://www.microchip.com). This web site is used as a means to make files and information easily available to customers. Accessible by using your favorite Internet browser, the web site contains the following information:

- **Product Support** – Data sheets and errata, application notes and sample programs, design resources, user's guides and hardware support documents, latest software releases and archived software
- **General Technical Support** – Frequently Asked Questions (FAQs), technical support requests, online discussion groups, Microchip consultant program member listing
- **Business of Microchip** – Product selector and ordering guides, latest Microchip press releases, listing of seminars and events, listings of Microchip sales offices, distributors and factory representatives

## **CUSTOMER CHANGE NOTIFICATION SERVICE**

Microchip's customer notification service helps keep customers current on Microchip products. Subscribers will receive e-mail notification whenever there are changes, updates, revisions or errata related to a specified product family or development tool of interest.

To register, access the Microchip web site at [www.microchip.com](http://www.microchip.com). Under "Support", click on "Customer Change Notification" and follow the registration instructions.

## **CUSTOMER SUPPORT**

Users of Microchip products can receive assistance through several channels:

- Distributor or Representative
- Local Sales Office
- Field Application Engineer (FAE)
- Technical Support

Customers should contact their distributor, representative or field application engineer (FAE) for support. Local sales offices are also available to help customers. A listing of sales offices and locations is included in the back of this document.

**Technical support is available through the web site at: <http://microchip.com/support>**

**READER RESPONSE**

It is our intention to provide you with the best documentation possible to ensure successful use of your Microchip product. If you wish to provide your comments on organization, clarity, subject matter, and ways in which our documentation can better serve you, please FAX your comments to the Technical Publications Manager at (480) 792-4150.

Please list the following information, and use this outline to provide us with your comments about this document.

TO: Technical Publications Manager Total Pages Sent \_\_\_\_\_

RE: Reader Response

From: Name \_\_\_\_\_

Company \_\_\_\_\_

Address \_\_\_\_\_

City / State / ZIP / Country \_\_\_\_\_

Telephone: (\_\_\_\_\_) \_\_\_\_\_ - \_\_\_\_\_ FAX: (\_\_\_\_\_) \_\_\_\_\_ - \_\_\_\_\_

Application (optional):

Would you like a reply?  Y  N

Device: dsPIC33EPXXXGP50X, dsPIC33EPXXXMC20X/50X and Literature Number: DS70657G  
PIC24EPXXXGP/MC20X

Questions:

1. What are the best features of this document?

\_\_\_\_\_  
\_\_\_\_\_

2. How does this document meet your hardware and software development needs?

\_\_\_\_\_  
\_\_\_\_\_

3. Do you find the organization of this document easy to follow? If not, why?

\_\_\_\_\_  
\_\_\_\_\_

4. What additions to the document do you think would enhance the structure and subject?

\_\_\_\_\_  
\_\_\_\_\_

5. What deletions from the document could be made without affecting the overall usefulness?

\_\_\_\_\_  
\_\_\_\_\_

6. Is there any incorrect or misleading information (what and where)?

\_\_\_\_\_  
\_\_\_\_\_

7. How would you improve this document?

\_\_\_\_\_  
\_\_\_\_\_

## PRODUCT IDENTIFICATION SYSTEM

To order or obtain information, e.g., on pricing or delivery, refer to the factory or the listed sales office.

| dsPIC 33 EP 64 MC5 04 T I / PT - XXX      |       |
|---|-------|
| <b>Microchip Trademark</b>                | _____ |
| <b>Architecture</b>                       | _____ |
| <b>Flash Memory Family</b>                | _____ |
| <b>Program Memory Size (Kbyte)</b>        | _____ |
| <b>Product Group</b>                      | _____ |
| <b>Pin Count</b>                          | _____ |
| <b>Tape and Reel Flag (if applicable)</b> | _____ |
| <b>Temperature Range</b>                  | _____ |
| <b>Package</b>                            | _____ |
| <b>Pattern</b>                            | _____ |

|                             |   |
|-----------------------------|---|
| <b>Architecture:</b>        | 33 = 16-bit Digital Signal Controller<br>24 = 16-bit Microcontroller  |
| <b>Flash Memory Family:</b> | EP = Enhanced Performance   |
| <b>Product Group:</b>       | GP = General Purpose family<br>MC = Motor Control family  |
| <b>Pin Count:</b>           | 02 = 28-pin<br>03 = 36-pin<br>04 = 44-pin<br>06 = 64-pin  |
| <b>Temperature Range:</b>   | I = -40°C to +85°C (Industrial)<br>E = -40°C to +125°C (Extended)   |
| <b>Package:</b>             | ML = Plastic Quad, No Lead Package - (44-pin) 8x8 mm body (QFN)<br>MM = Plastic Quad, No Lead Package - (28-pin) 6x6 mm body (QFN-S)<br>MR = Plastic Quad, No Lead Package - (64-pin) 9x9 mm body (QFN)<br>PT = Plastic Thin Quad Flatpack - (44-pin) 10x10 mm body (TQFP)<br>PT = Plastic Thin Quad Flatpack - (64-pin) 10x10 mm body (TQFP)<br>SO = Plastic Small Outline, Wide - (28-pin) 7.50 mil body (SOIC)<br>SP = Skinny Plastic Dual In-Line - (28-pin) 300 mil body (SPDIP)<br>SS = Plastic Shrink Small Outline - (28-pin) 5.30 mm body (SSOP)<br>TL = Very Thin Leadless Array - (36-pin) 5x5 mm body (VTLA)<br>TL = Very Thin Leadless Array - (44-pin) 6x6 mm body (VTLA) |

**Examples:**

dsPIC33EP64MC504-I/PT:  
dsPIC33, Enhanced Performance,  
64-Kbyte program memory,  
Motor Control, 44-pin,  
Industrial temperature,  
TQFP package.

**NOTES:**

---

**Note the following details of the code protection feature on Microchip devices:**

- Microchip products meet the specification contained in their particular Microchip Data Sheet.
- Microchip believes that its family of products is one of the most secure families of its kind on the market today, when used in the intended manner and under normal conditions.
- There are dishonest and possibly illegal methods used to breach the code protection feature. All of these methods, to our knowledge, require using the Microchip products in a manner outside the operating specifications contained in Microchip's Data Sheets. Most likely, the person doing so is engaged in theft of intellectual property.
- Microchip is willing to work with the customer who is concerned about the integrity of their code.
- Neither Microchip nor any other semiconductor manufacturer can guarantee the security of their code. Code protection does not mean that we are guaranteeing the product as “unbreakable.”

Code protection is constantly evolving. We at Microchip are committed to continuously improving the code protection features of our products. Attempts to break Microchip's code protection feature may be a violation of the Digital Millennium Copyright Act. If such acts allow unauthorized access to your software or other copyrighted work, you may have a right to sue for relief under that Act.

---

Information contained in this publication regarding device applications and the like is provided only for your convenience and may be superseded by updates. It is your responsibility to ensure that your application meets with your specifications. MICROCHIP MAKES NO REPRESENTATIONS OR WARRANTIES OF ANY KIND WHETHER EXPRESS OR IMPLIED, WRITTEN OR ORAL, STATUTORY OR OTHERWISE, RELATED TO THE INFORMATION, INCLUDING BUT NOT LIMITED TO ITS CONDITION, QUALITY, PERFORMANCE, MERCHANTABILITY OR FITNESS FOR PURPOSE. Microchip disclaims all liability arising from this information and its use. Use of Microchip devices in life support and/or safety applications is entirely at the buyer's risk, and the buyer agrees to defend, indemnify and hold harmless Microchip from any and all damages, claims, suits, or expenses resulting from such use. No licenses are conveyed, implicitly or otherwise, under any Microchip intellectual property rights.

#### **Trademarks**

The Microchip name and logo, the Microchip logo, dsPIC, FlashFlex, KEELOQ, KEELOQ logo, MPLAB, PIC, PICmicro, PICSTART, PIC<sup>32</sup> logo, rPIC, SST, SST Logo, SuperFlash and UNI/O are registered trademarks of Microchip Technology Incorporated in the U.S.A. and other countries.

FilterLab, Hampshire, HI-TECH C, Linear Active Thermistor, MTP, SEEVAL and The Embedded Control Solutions Company are registered trademarks of Microchip Technology Incorporated in the U.S.A.

Silicon Storage Technology is a registered trademark of Microchip Technology Inc. in other countries.

Analog-for-the-Digital Age, Application Maestro, BodyCom, chipKIT, chipKIT logo, CodeGuard, dsPICDEM, dsPICDEM.net, dsPICworks, dsSPEAK, ECAN, ECONOMONITOR, FanSense, HI-TIDE, In-Circuit Serial Programming, ICSP, Mindi, MiWi, MPASM, MPF, MPLAB Certified logo, MPLIB, MPLINK, mTouch, Omniscient Code Generation, PICC, PICC-18, PICDEM, PICDEM.net, PICkit, PICtail, REAL ICE, rLAB, Select Mode, SQI, Serial Quad I/O, Total Endurance, TSHARC, UniWinDriver, WiperLock, ZENA and Z-Scale are trademarks of Microchip Technology Incorporated in the U.S.A. and other countries.

SQTP is a service mark of Microchip Technology Incorporated in the U.S.A.

GestIC and ULPP are registered trademarks of Microchip Technology Germany II GmbH & Co. & KG, a subsidiary of Microchip Technology Inc., in other countries.

All other trademarks mentioned herein are property of their respective companies.

© 2011-2013, Microchip Technology Incorporated, Printed in the U.S.A., All Rights Reserved.

 Printed on recycled paper.

ISBN: 978-1-62077-050-4

**QUALITY MANAGEMENT SYSTEM**  
**CERTIFIED BY DNV**  
**== ISO/TS 16949 ==**

*Microchip received ISO/TS-16949:2009 certification for its worldwide headquarters, design and wafer fabrication facilities in Chandler and Tempe, Arizona; Gresham, Oregon and design centers in California and India. The Company's quality system processes and procedures are for its PIC<sup>®</sup> MCUs and dsPIC<sup>®</sup> DSCs, KEELOQ<sup>®</sup> code hopping devices, Serial EEPROMs, microperipherals, nonvolatile memory and analog products. In addition, Microchip's quality system for the design and manufacture of development systems is ISO 9001:2000 certified.*



# MICROCHIP

## Worldwide Sales and Service

### AMERICAS

**Corporate Office**  
2355 West Chandler Blvd.  
Chandler, AZ 85224-6199  
Tel: 480-792-7200  
Fax: 480-792-7277  
Technical Support:  
<http://www.microchip.com/support>  
Web Address:  
[www.microchip.com](http://www.microchip.com)

**Atlanta**  
Duluth, GA  
Tel: 678-957-9614  
Fax: 678-957-1455

**Boston**  
Westborough, MA  
Tel: 774-760-0087  
Fax: 774-760-0088

**Chicago**  
Itasca, IL  
Tel: 630-285-0071  
Fax: 630-285-0075

**Cleveland**  
Independence, OH  
Tel: 216-447-0464  
Fax: 216-447-0643

**Dallas**  
Addison, TX  
Tel: 972-818-7423  
Fax: 972-818-2924

**Detroit**  
Farmington Hills, MI  
Tel: 248-538-2250  
Fax: 248-538-2260

**Indianapolis**  
Noblesville, IN  
Tel: 317-773-8323  
Fax: 317-773-5453

**Los Angeles**  
Mission Viejo, CA  
Tel: 949-462-9523  
Fax: 949-462-9608

**Santa Clara**  
Santa Clara, CA  
Tel: 408-961-6444  
Fax: 408-961-6445

**Toronto**  
Mississauga, Ontario,  
Canada  
Tel: 905-673-0699  
Fax: 905-673-6509

### ASIA/PACIFIC

**Asia Pacific Office**  
Suites 3707-14, 37th Floor  
Tower 6, The Gateway  
Harbour City, Kowloon  
Hong Kong  
Tel: 852-2401-1200  
Fax: 852-2401-3431

**Australia - Sydney**  
Tel: 61-2-9868-6733  
Fax: 61-2-9868-6755

**China - Beijing**  
Tel: 86-10-8569-7000  
Fax: 86-10-8528-2104

**China - Chengdu**  
Tel: 86-28-8665-5511  
Fax: 86-28-8665-7889

**China - Chongqing**  
Tel: 86-23-8980-9588  
Fax: 86-23-8980-9500

**China - Hangzhou**  
Tel: 86-571-2819-3187  
Fax: 86-571-2819-3189

**China - Hong Kong SAR**  
Tel: 852-2943-5100  
Fax: 852-2401-3431

**China - Nanjing**  
Tel: 86-25-8473-2460  
Fax: 86-25-8473-2470

**China - Qingdao**  
Tel: 86-532-8502-7355  
Fax: 86-532-8502-7205

**China - Shanghai**  
Tel: 86-21-5407-5533  
Fax: 86-21-5407-5066

**China - Shenyang**  
Tel: 86-24-2334-2829  
Fax: 86-24-2334-2393

**China - Shenzhen**  
Tel: 86-755-8864-2200  
Fax: 86-755-8203-1760

**China - Wuhan**  
Tel: 86-27-5980-5300  
Fax: 86-27-5980-5118

**China - Xian**  
Tel: 86-29-8833-7252  
Fax: 86-29-8833-7256

**China - Xiamen**  
Tel: 86-592-2388138  
Fax: 86-592-2388130

**China - Zhuhai**  
Tel: 86-756-3210040  
Fax: 86-756-3210049

### ASIA/PACIFIC

**India - Bangalore**  
Tel: 91-80-3090-4444  
Fax: 91-80-3090-4123

**India - New Delhi**  
Tel: 91-11-4160-8631  
Fax: 91-11-4160-8632

**India - Pune**  
Tel: 91-20-2566-1512  
Fax: 91-20-2566-1513

**Japan - Osaka**  
Tel: 81-6-6152-7160  
Fax: 81-6-6152-9310

**Japan - Tokyo**  
Tel: 81-3-6880-3770  
Fax: 81-3-6880-3771

**Korea - Daegu**  
Tel: 82-53-744-4301  
Fax: 82-53-744-4302

**Korea - Seoul**  
Tel: 82-2-554-7200  
Fax: 82-2-558-5932 or  
82-2-558-5934

**Malaysia - Kuala Lumpur**  
Tel: 60-3-6201-9857  
Fax: 60-3-6201-9859

**Malaysia - Penang**  
Tel: 60-4-227-8870  
Fax: 60-4-227-4068

**Philippines - Manila**  
Tel: 63-2-634-9065  
Fax: 63-2-634-9069

**Singapore**  
Tel: 65-6334-8870  
Fax: 65-6334-8850

**Taiwan - Hsin Chu**  
Tel: 886-3-5778-366  
Fax: 886-3-5770-955

**Taiwan - Kaohsiung**  
Tel: 886-7-213-7828  
Fax: 886-7-330-9305

**Taiwan - Taipei**  
Tel: 886-2-2508-8600  
Fax: 886-2-2508-0102

**Thailand - Bangkok**  
Tel: 66-2-694-1351  
Fax: 66-2-694-1350

### EUROPE

**Austria - Wels**  
Tel: 43-7242-2244-39  
Fax: 43-7242-2244-393

**Denmark - Copenhagen**  
Tel: 45-4450-2828  
Fax: 45-4485-2829

**France - Paris**  
Tel: 33-1-69-53-63-20  
Fax: 33-1-69-30-90-79

**Germany - Munich**  
Tel: 49-89-627-144-0  
Fax: 49-89-627-144-44

**Italy - Milan**  
Tel: 39-0331-742611  
Fax: 39-0331-466781

**Netherlands - Drunen**  
Tel: 31-416-690399  
Fax: 31-416-690340

**Spain - Madrid**  
Tel: 34-91-708-08-90  
Fax: 34-91-708-08-91

**UK - Wokingham**  
Tel: 44-118-921-5869  
Fax: 44-118-921-5820

11/29/12



Компания «ЭлектроПласт» предлагает заключение долгосрочных отношений при поставках импортных электронных компонентов на взаимовыгодных условиях!

Наши преимущества:

- Оперативные поставки широкого спектра электронных компонентов отечественного и импортного производства напрямую от производителей и с крупнейших мировых складов;
- Поставка более 17-ти миллионов наименований электронных компонентов;
- Поставка сложных, дефицитных, либо снятых с производства позиций;
- Оперативные сроки поставки под заказ (от 5 рабочих дней);
- Экспресс доставка в любую точку России;
- Техническая поддержка проекта, помощь в подборе аналогов, поставка прототипов;
- Система менеджмента качества сертифицирована по Международному стандарту ISO 9001;
- Лицензия ФСБ на осуществление работ с использованием сведений, составляющих государственную тайну;
- Поставка специализированных компонентов (Xilinx, Altera, Analog Devices, Intersil, Interpoint, Microsemi, Aeroflex, Peregrine, Syfer, Eurofarad, Texas Instrument, Miteq, Cobham, E2V, MA-COM, Hittite, Mini-Circuits, General Dynamics и др.);

Помимо этого, одним из направлений компании «ЭлектроПласт» является направление «Источники питания». Мы предлагаем Вам помощь Конструкторского отдела:

- Подбор оптимального решения, техническое обоснование при выборе компонента;
- Подбор аналогов;
- Консультации по применению компонента;
- Поставка образцов и прототипов;
- Техническая поддержка проекта;
- Защита от снятия компонента с производства.



#### Как с нами связаться

**Телефон:** 8 (812) 309 58 32 (многоканальный)

**Факс:** 8 (812) 320-02-42

**Электронная почта:** [org@eplast1.ru](mailto:org@eplast1.ru)

**Адрес:** 198099, г. Санкт-Петербург, ул. Калинина, дом 2, корпус 4, литера А.