

General Specifications

Toggles

Rockers

Pushbuttons

Illuminated PB

Programmable

Keylocks

Rotaries

Slides

Tactiles

Tilt

Touch

Indicators

Accessories

Supplement

B	CWSA	Electrical Capacity		
		Power Level:	For Resistive Load 6A @ 250V AC	
		Other Ratings		
		Contact Resistance:	20 milliohms maximum	
		Insulation Resistance:	500 megohms minimum @ 500V DC	
		Dielectric Strength:	1,500V AC minimum between contacts for 1 minute minimum	
			3,000V AC minimum between contacts & case for 1 minute minimum	
		Mechanical Life:	30,000 operations minimum	
		Electrical Life:	10,000 operations minimum with Resistive Load & 6,000 operations with Inductive Load	
		Nominal Operating Force:	2.50N	
	Angle of Throw:	30°	Operating Temperature Range:	-10°C ~ +70°C (+14°F ~ +158°F)
	Materials & Finishes			
	Rocker:	Polycarbonate	Stationary Contacts:	Silver alloy
	Housing:	Polyamide	Base:	Laminated thermosetting sheets
	Movable Contactor:	Brass w/silver alloy plating	Contact Terminals:	Copper with silver plating
	Movable Contacts:	Silver	Common Terminals:	Brass with silver plating

CWSB	Electrical Capacity			
		Power Level:	For Resistive Load 6A @ 250V AC	
		Other Ratings		
		Contact Resistance:	20 milliohms maximum	
		Insulation Resistance:	500 megohms minimum @ 500V DC	
		Dielectric Strength:	1,500V AC minimum between contacts for 1 minute minimum	
			3,000V AC minimum between contacts & case for 1 minute minimum	
		Mechanical Life:	30,000 operations minimum	
		Electrical Life:	10,000 operations minimum with Resistive Load & 6,000 operations with Inductive Load	
		Nominal Operating Force:	6.50N for single pole models; 10.0N for double pole models	
	Angle of Throw:	30°	Operating Temperature Range:	-10°C ~ +70°C (+14°F ~ +158°F)
	Materials & Finishes			
	Rocker:	Polycarbonate	Stationary Contacts:	Silver alloy
	Housing:	Polyamide	Base:	Laminated thermosetting sheets
	Movable Contactor:	Beryllium copper w/silver alloy plating	Terminals:	Brass with silver plating
	Movable Contacts:	Silver		

CWT	Electrical Capacity			
		Power Level:	For Resistive Load 6A @ 125V AC; 3A @ 250V AC; 4A @ 30V DC	
		Other Ratings		
		Contact Resistance:	20 milliohms maximum	
		Insulation Resistance:	1,000 megohms minimum @ 500V DC	
		Dielectric Strength:	1,000V AC minimum between contacts for 1 minute minimum	
			1,500V AC minimum between contacts & case for 1 minute minimum	
		Mechanical Life:	50,000 operations minimum	
		Electrical Life:	25,000 operations minimum	
		Nominal Operating Force:	2.0N	
	Angle of Throw:	30°	Operating Temperature Range:	-25°C ~ +70°C (-13°F ~ +158°F)
	Materials & Finishes			
	Rocker:	Glass fiber reinforced polyamide	Base:	LCP (Liquid Crystal Polymer)
	Housing:	Polyamide	Contact Terminals:	Brass + silver with silver plating
	Movable Contactor:	Phosphor bronze w/silver plating	Common Terminals:	Brass with silver plating
	Movable Contacts:	Silver alloy		

Distinctive Characteristics

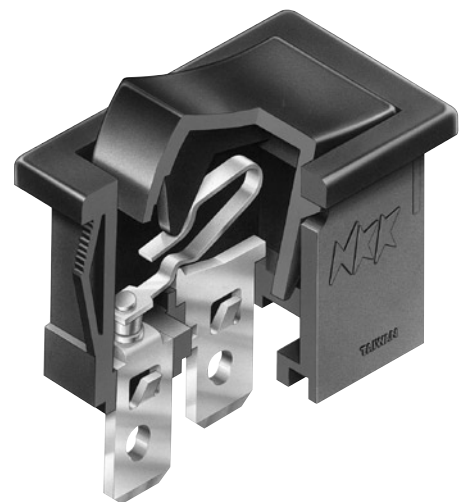
CWSA

- Low cost molded rocker.
- See-saw contact mechanism
- Stable stationary contact construction for high reliability.
- Easily installed with snap-in mounting.
- Large terminal hole dimensioned .067" x .098" (1.7mm x 2.5mm) simplifies wiring and soldering.
- Wave Soldering (PC version): See Profile A in Supplement section.
- Manual Soldering: See Profile A in Supplement section.



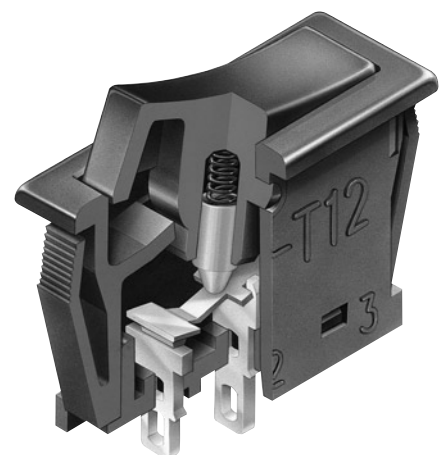
CWSB

- Low cost molded rocker.
- Snap-acting contact mechanism gives smooth actuation and audible feedback.
- Stable stationary contact construction for high reliability.
- Front panel, snap-in mounting for labor-saving installation.
- Solder lug/quick connect terminals can be used with connectors.
- Manual Soldering: See Profile B in Supplement section.



CWT

- Low cost molded rocker in compact, slim design.
- See-saw contact mechanism
- Outstanding insulation resistance and dielectric strength.
- Dust proof construction protects contact area.
- Stable stationary contact construction for high reliability.
- Front panel, snap-in mounting for labor-saving installation.
- Terminals are molded in and epoxy sealed to lock out flux, dust, and other contaminants.
- Manual Soldering: See Profile A in Supplement section.



- Toggles
- B** Rockers
- Pushbuttons
- Illuminated PB
- Programmable
- Keylocks
- Rotaries
- Slides
- Tactiles
- Tilt
- Touch
- Indicators
- Accessories
- Supplement

STANDARDS & CERTIFICATIONS

CWSA



Specific CWSA models listed below are qualified for Underwriters Laboratories Inc. recognition and Canadian Standards Association certification. cULus marking on case is standard as noted in following table.

<u>Model</u>	<u>Ratings @ AC</u>	<u>cULus File No.</u>	<u>Marking on Case</u>
CWSA11	6A @ 250V	E44145	Standard
CWSA12	6A @ 250V	E44145	Standard

CWSB



Specific CWSB models listed below are qualified for Underwriters Laboratories Inc. recognition and Canadian Standards Association certification. cULus marking on case is standard as noted in following table.

<u>Model</u>	<u>Ratings @ AC</u>	<u>cULus File No.</u>	<u>Marking on Case</u>
CWSB11	6A @ 250V	E44145	Standard
CWSB21	6A @ 250V	E44145	Standard

CWT



Specific CWT model listed below is qualified for Underwriters Laboratories Inc. recognition and Canadian Standards Association certification. cULus marking on case is standard as noted in following table.

<u>Model</u>	<u>Ratings @ AC</u>	<u>cULus File No.</u>	<u>Marking on Case</u>
CWT12	6A @ 125V 3A @ 250V	E44145	Standard

Toggles

Rockers **B**

Pushbuttons

Illuminated PB

Programmable

Keylocks

Rotaries

Slides

Tactiles

Tilt

Touch

Indicators

Accessories

Supplement

TYPICAL SWITCH ORDERING EXAMPLES

CWSA **1** **1** **A** **A** **N** **S**

Pole	
1	SPST & SPDT

Circuits			
1	ON	NONE	OFF
2	ON	NONE	ON


Cap Color	
A	Black

Housing	
A	Black

Inscription	
For SPST & SPDT	
No Code	None
For SPST	
1	Horizontal
2	Vertical
3	Dot Marking

Terminals	
S	Solder Lug*
H	Right Angle PC

TYPICAL ORDERING EXAMPLE
CWSA11AANS



* Wire harness & cable assemblies offered only in Americas

CWSB **2** **1** **A** **A** **2** **F**

Poles	
1	SPST
2	DPST

Circuit			
1	ON	NONE	OFF


Cap Color	
A	Black

Housing	
A	Black

Inscription	
No Code	None (SPST only)
1	Horizontal
2	Vertical
3	Dot Marking (SPST only)

Terminals	
F	Quick Connect*
H	Right Angle PC

TYPICAL ORDERING EXAMPLE
CWSB21AA2F



* Wire harness & cable assemblies offered only in Americas

CWT **1** **2** **A** **A** **S1**

Pole	
1	SPDT


Circuit			
2	ON	NONE	ON

Cap Color	
A	Black

Housing	
A	Black

Terminals	
S1	Solder Lug*

TYPICAL ORDERING EXAMPLE
CWT12AAS1



* Wire harness & cable assemblies offered only in Americas

INSCRIPTIONS

No Code

None

Not available in double pole.

1

Horizontal Orientation

Only On-None-Off models are available with the horizontal inscription.

2

Vertical Orientation

Only On-None-Off models are available with the vertical inscription.

3

Dot Marking

Only Single Pole On-None-Off models are available with the dot inscription.

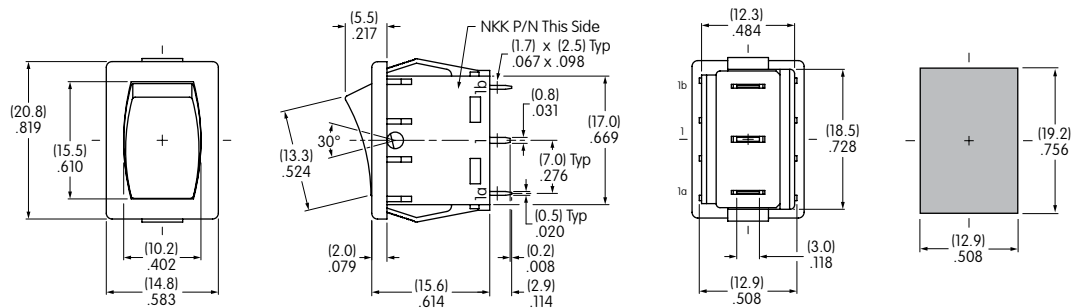


The IEC symbols for On-Off are supplied with Single Throw models only. Orientation of inscription must be selected. Inscription color is white ink on black.

TYPICAL SWITCH DIMENSIONS FOR CWSA

Solder Lug

Single Pole • No Inscription



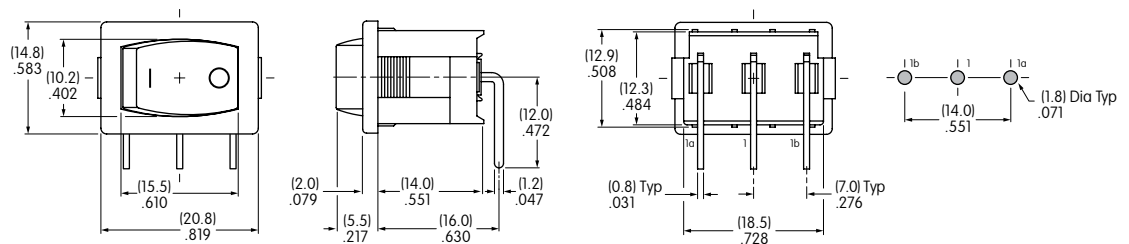
Terminal numbers are on side of switch body

Panel Thickness .030" ~ .079" (0.75mm ~ 2.0mm)

CWSA12AANS

Right Angle

Single Pole • Horizontal On-Off Inscription



Single throw model does not have terminal 1b

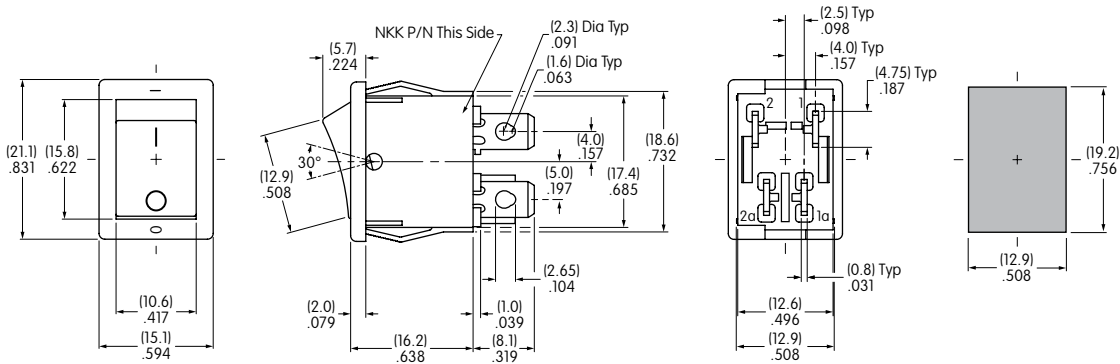
Terminal numbers are on side of switch body

CWSA11AAN1H

TYPICAL SWITCH DIMENSIONS FOR CWSB

Double Pole • Vertical On-Off Inscription

Quick Connect



Terminal numbers are on bottom of switch

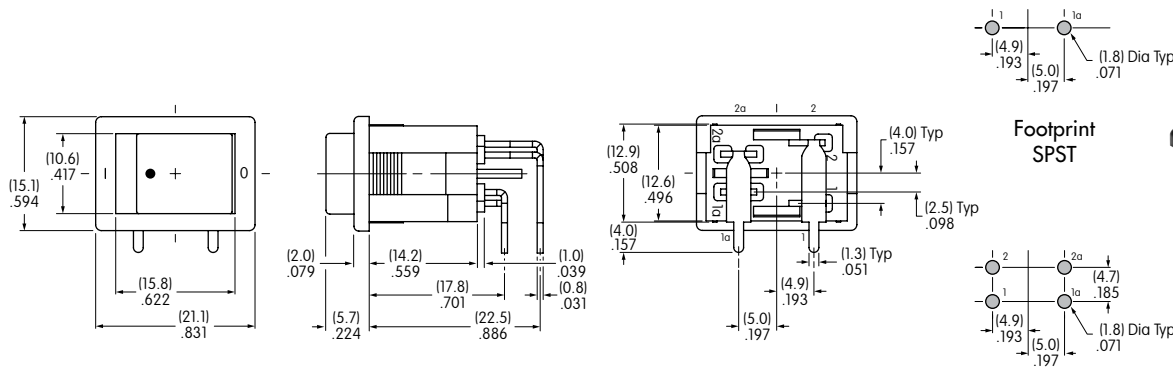
Panel Thickness
.030" ~ .079"
(0.75mm ~ 2.0mm)

CWSB21AA2F



Single Pole • Dot Inscription

Right Angle



Terminal numbers are on bottom of switch

Footprint
SPST

Footprint
DPST

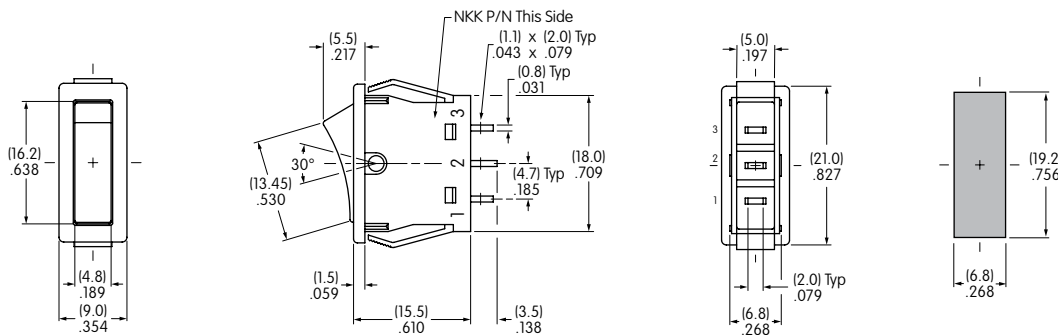
CWSB11AA3H



TYPICAL SWITCH DIMENSIONS FOR CWT

Single Pole • No Inscription

Solder Lug



Terminal numbers are on side of switch body

Panel Thickness
.030" ~ .079"
(0.75mm ~ 2.0mm)

CWT12AAS1





Компания «ЭлектроПласт» предлагает заключение долгосрочных отношений при поставках импортных электронных компонентов на взаимовыгодных условиях!

Наши преимущества:

- Оперативные поставки широкого спектра электронных компонентов отечественного и импортного производства напрямую от производителей и с крупнейших мировых складов;
- Поставка более 17-ти миллионов наименований электронных компонентов;
- Поставка сложных, дефицитных, либо снятых с производства позиций;
- Оперативные сроки поставки под заказ (от 5 рабочих дней);
- Экспресс доставка в любую точку России;
- Техническая поддержка проекта, помощь в подборе аналогов, поставка прототипов;
- Система менеджмента качества сертифицирована по Международному стандарту ISO 9001;
- Лицензия ФСБ на осуществление работ с использованием сведений, составляющих государственную тайну;
- Поставка специализированных компонентов (Xilinx, Altera, Analog Devices, Intersil, Interpoint, Microsemi, Aeroflex, Peregrine, Syfer, Eurofarad, Texas Instrument, Miteq, Cobham, E2V, MA-COM, Hittite, Mini-Circuits, General Dynamics и др.);

Помимо этого, одним из направлений компании «ЭлектроПласт» является направление «Источники питания». Мы предлагаем Вам помощь Конструкторского отдела:

- Подбор оптимального решения, техническое обоснование при выборе компонента;
- Подбор аналогов;
- Консультации по применению компонента;
- Поставка образцов и прототипов;
- Техническая поддержка проекта;
- Защита от снятия компонента с производства.



Как с нами связаться

Телефон: 8 (812) 309 58 32 (многоканальный)

Факс: 8 (812) 320-02-42

Электронная почта: org@eplast1.ru

Адрес: 198099, г. Санкт-Петербург, ул. Калинина, дом 2, корпус 4, литера А.