

## General Specifications

Toggles

Rockers

Pushbuttons

Illuminated PB

Programmable

Keylocks

Rotaries

Slides

Tactiles

Tilt

Touch

Indicators

Accessories

Supplement

<b>B</b>	<b>CWSA</b>	<b>Electrical Capacity</b>	
		<b>Power Level:</b>	For Resistive Load 6A @ 250V AC
		<b>Other Ratings</b>	
		<b>Contact Resistance:</b>	20 milliohms maximum
		<b>Insulation Resistance:</b>	500 megohms minimum @ 500V DC
		<b>Dielectric Strength:</b>	1,500V AC minimum between contacts for 1 minute minimum 3,000V AC minimum between contacts & case for 1 minute minimum
		<b>Mechanical Life:</b>	30,000 operations minimum
		<b>Electrical Life:</b>	10,000 operations minimum with Resistive Load & 6,000 operations with Inductive Load
		<b>Nominal Operating Force:</b>	2.50N
		<b>Angle of Throw:</b>	30°
		<b>Operating Temperature Range:</b>	-10°C ~ +70°C (+14°F ~ +158°F)
	<b>Materials &amp; Finishes</b>		
	<b>Rocker:</b>	Polycarbonate	<b>Stationary Contacts:</b> Silver alloy
	<b>Housing:</b>	Polyamide	<b>Base:</b> Laminated thermosetting sheets
	<b>Movable Contactor:</b>	Brass w/silver alloy plating	<b>Contact Terminals:</b> Copper with silver plating
	<b>Movable Contacts:</b>	Silver	<b>Common Terminals:</b> Brass with silver plating

	<b>CWSB</b>	<b>Electrical Capacity</b>	
		<b>Power Level:</b>	For Resistive Load 6A @ 250V AC
		<b>Other Ratings</b>	
		<b>Contact Resistance:</b>	20 milliohms maximum
		<b>Insulation Resistance:</b>	500 megohms minimum @ 500V DC
		<b>Dielectric Strength:</b>	1,500V AC minimum between contacts for 1 minute minimum 3,000V AC minimum between contacts & case for 1 minute minimum
		<b>Mechanical Life:</b>	30,000 operations minimum
		<b>Electrical Life:</b>	10,000 operations minimum with Resistive Load & 6,000 operations with Inductive Load
		<b>Nominal Operating Force:</b>	6.50N for single pole models; 10.0N for double pole models
		<b>Angle of Throw:</b>	30°
		<b>Operating Temperature Range:</b>	-10°C ~ +70°C (+14°F ~ +158°F)
	<b>Materials &amp; Finishes</b>		
	<b>Rocker:</b>	Polycarbonate	<b>Stationary Contacts:</b> Silver alloy
	<b>Housing:</b>	Polyamide	<b>Base:</b> Laminated thermosetting sheets
	<b>Movable Contactor:</b>	Beryllium copper w/silver alloy plating	<b>Terminals:</b> Brass with silver plating
	<b>Movable Contacts:</b>	Silver	

	<b>CWT</b>	<b>Electrical Capacity</b>	
		<b>Power Level:</b>	For Resistive Load 6A @ 125V AC; 3A @ 250V AC; 4A @ 30V DC
		<b>Other Ratings</b>	
		<b>Contact Resistance:</b>	20 milliohms maximum
		<b>Insulation Resistance:</b>	1,000 megohms minimum @ 500V DC
		<b>Dielectric Strength:</b>	1,000V AC minimum between contacts for 1 minute minimum 1,500V AC minimum between contacts & case for 1 minute minimum
		<b>Mechanical Life:</b>	50,000 operations minimum
		<b>Electrical Life:</b>	25,000 operations minimum
		<b>Nominal Operating Force:</b>	2.0N
		<b>Angle of Throw:</b>	30°
		<b>Operating Temperature Range:</b>	-25°C ~ +70°C (-13°F ~ +158°F)
	<b>Materials &amp; Finishes</b>		
	<b>Rocker:</b>	Glass fiber reinforced polyamide	<b>Base:</b> LCP (Liquid Crystal Polymer)
	<b>Housing:</b>	Polyamide	<b>Contact Terminals:</b> Brass + silver with silver plating
	<b>Movable Contactor:</b>	Phosphor bronze w/silver plating	<b>Common Terminals:</b> Brass with silver plating
	<b>Movable Contacts:</b>	Silver alloy	

# Distinctive Characteristics

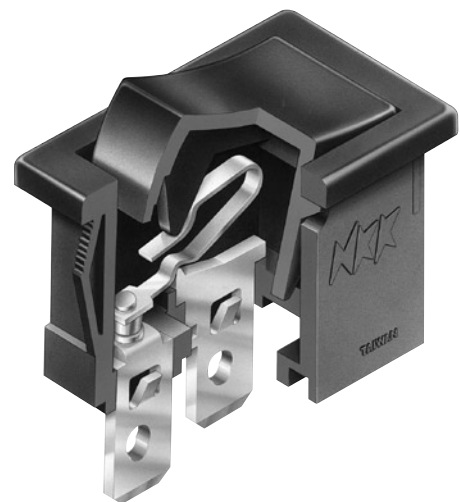
## CWSA

- Low cost molded rocker.
- See-saw contact mechanism
- Stable stationary contact construction for high reliability.
- Easily installed with snap-in mounting.
- Large terminal hole dimensioned .067" x .098" (1.7mm x 2.5mm) simplifies wiring and soldering.
- Wave Soldering (PC version): See Profile A in Supplement section.
- Manual Soldering: See Profile A in Supplement section.



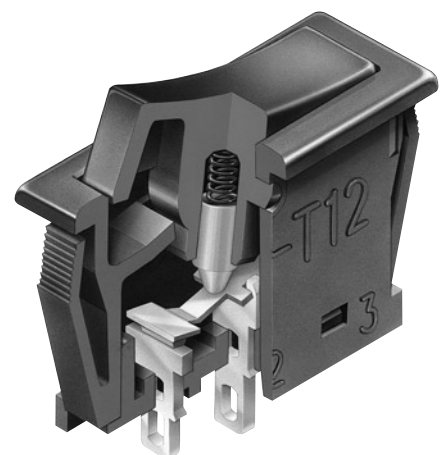
## CWSB

- Low cost molded rocker.
- Snap-acting contact mechanism gives smooth actuation and audible feedback.
- Stable stationary contact construction for high reliability.
- Front panel, snap-in mounting for labor-saving installation.
- Solder lug/quick connect terminals can be used with connectors.
- Manual Soldering: See Profile B in Supplement section.



## CWT

- Low cost molded rocker in compact, slim design.
- See-saw contact mechanism
- Outstanding insulation resistance and dielectric strength.
- Dust proof construction protects contact area.
- Stable stationary contact construction for high reliability.
- Front panel, snap-in mounting for labor-saving installation.
- Terminals are molded in and epoxy sealed to lock out flux, dust, and other contaminants.
- Manual Soldering: See Profile A in Supplement section.



- Toggles
- B** Rockers
- Pushbuttons
- Illuminated PB
- Programmable
- Keylocks
- Rotaries
- Slides
- Tactiles
- Tilt
- Touch
- Indicators
- Accessories
- Supplement

## STANDARDS & CERTIFICATIONS

### CWSA



Specific CWSA models listed below are qualified for Underwriters Laboratories Inc. recognition and Canadian Standards Association certification. cULus marking on case is standard as noted in following table.

<u>Model</u>	<u>Ratings @ AC</u>	<u>cULus File No.</u>	<u>Marking on Case</u>
CWSA11	6A @ 250V	E44145	Standard
CWSA12	6A @ 250V	E44145	Standard

### CWSB



Specific CWSB models listed below are qualified for Underwriters Laboratories Inc. recognition and Canadian Standards Association certification. cULus marking on case is standard as noted in following table.

<u>Model</u>	<u>Ratings @ AC</u>	<u>cULus File No.</u>	<u>Marking on Case</u>
CWSB11	6A @ 250V	E44145	Standard
CWSB21	6A @ 250V	E44145	Standard

### CWT



Specific CWT model listed below is qualified for Underwriters Laboratories Inc. recognition and Canadian Standards Association certification. cULus marking on case is standard as noted in following table.

<u>Model</u>	<u>Ratings @ AC</u>	<u>cULus File No.</u>	<u>Marking on Case</u>
CWT12	6A @ 125V 3A @ 250V	E44145	Standard

Toggles

Rockers **B**

Pushbuttons

Illuminated PB

Programmable

Keylocks

Rotaries

Slides

Tactiles

Tilt

Touch

Indicators

Accessories

Supplement

TYPICAL SWITCH ORDERING EXAMPLES

**CWSA** **1** **1** **A** **A** **N** **S**

Pole	
1	SPST & SPDT

Circuits			
1	ON	NONE	OFF
2	ON	NONE	ON


Cap Color	
A	Black

Housing	
A	Black

Inscription	
For SPST & SPDT	
No Code	None
For SPST	
1	Horizontal
2	Vertical
3	Dot Marking

Terminals	
S	Solder Lug*
H	Right Angle PC

**TYPICAL ORDERING EXAMPLE**  
**CWSA11AANS**



\* Wire harness & cable assemblies offered only in Americas

**CWSB** **2** **1** **A** **A** **2** **F**

Poles	
1	SPST
2	DPST

Circuit			
1	ON	NONE	OFF


Cap Color	
A	Black

Housing	
A	Black

Inscription	
No Code	None (SPST only)
1	Horizontal
2	Vertical
3	Dot Marking (SPST only)

Terminals	
F	Quick Connect*
H	Right Angle PC

**TYPICAL ORDERING EXAMPLE**  
**CWSB21AA2F**



\* Wire harness & cable assemblies offered only in Americas

**CWT** **1** **2** **A** **A** **S1**

Pole	
1	SPDT


Circuit			
2	ON	NONE	ON

Cap Color	
A	Black

Housing	
A	Black

Terminals	
S1	Solder Lug*

**TYPICAL ORDERING EXAMPLE**  
**CWT12AAS1**



\* Wire harness & cable assemblies offered only in Americas

## INSCRIPTIONS

**No Code**

**None**

Not available in double pole.

**1**

**Horizontal Orientation**

Only On-None-Off models are available with the horizontal inscription.

**2**

**Vertical Orientation**

Only On-None-Off models are available with the vertical inscription.

**3**

**Dot Marking**

Only Single Pole On-None-Off models are available with the dot inscription.

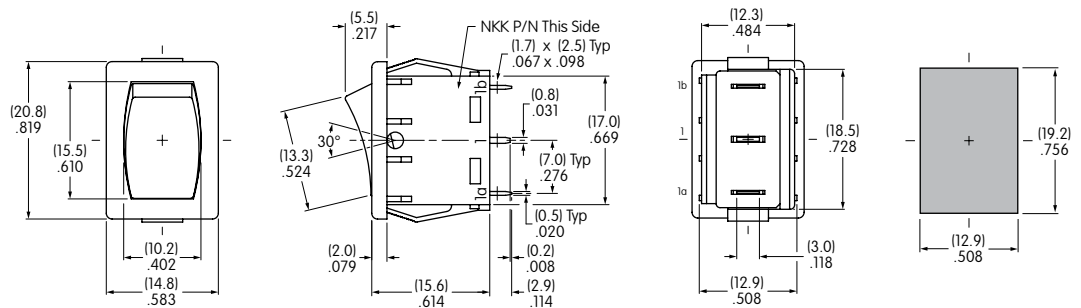


The IEC symbols for On-Off are supplied with Single Throw models only. Orientation of inscription must be selected. Inscription color is white ink on black.

## TYPICAL SWITCH DIMENSIONS FOR CWSA

**Solder Lug**

**Single Pole • No Inscription**



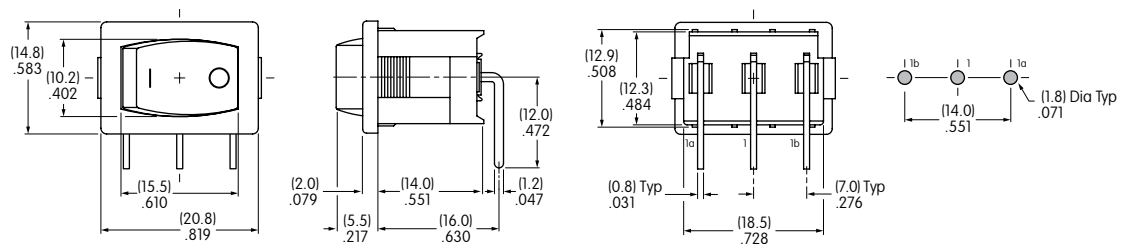
Terminal numbers are on side of switch body

Panel Thickness .030" ~ .079" (0.75mm ~ 2.0mm)

**CWSA12AANS**

**Right Angle**

**Single Pole • Horizontal On-Off Inscription**



Single throw model does not have terminal 1b

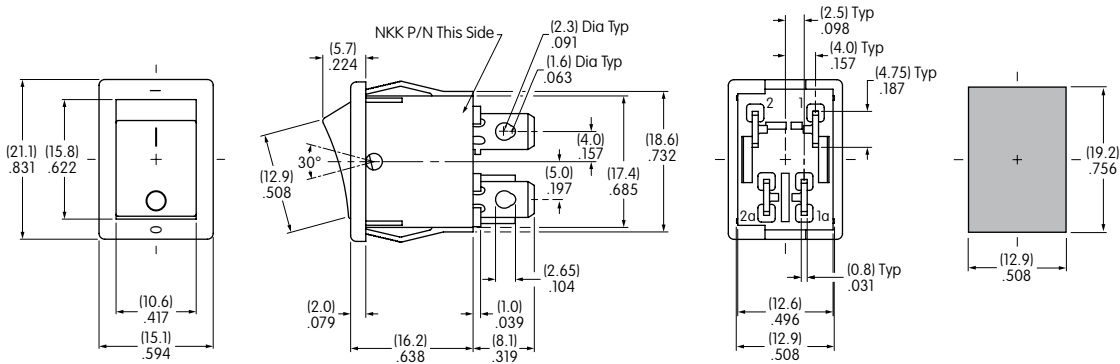
Terminal numbers are on side of switch body

**CWSA11AAN1H**

TYPICAL SWITCH DIMENSIONS FOR CWSB

Double Pole • Vertical On-Off Inscription

Quick Connect



Terminal numbers are on bottom of switch

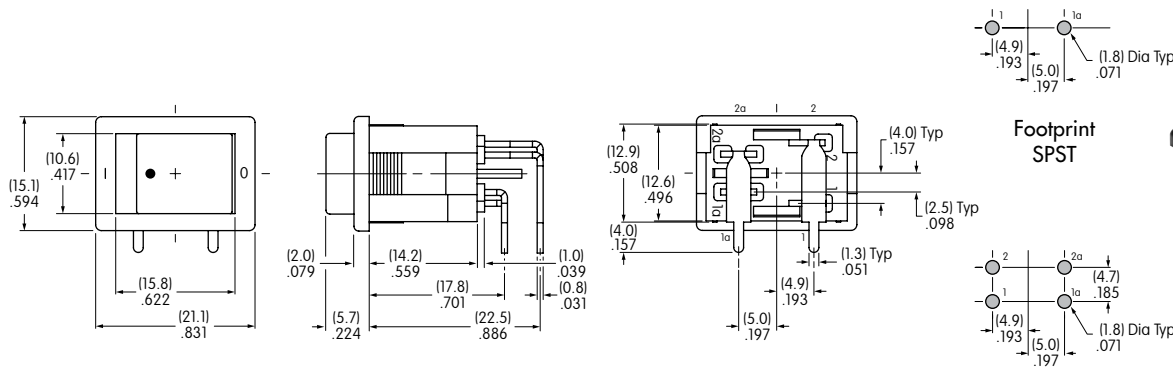
Panel Thickness  
.030" ~ .079"  
(0.75mm ~ 2.0mm)

CWSB21AA2F



Single Pole • Dot Inscription

Right Angle



Terminal numbers are on bottom of switch

Footprint  
DPST

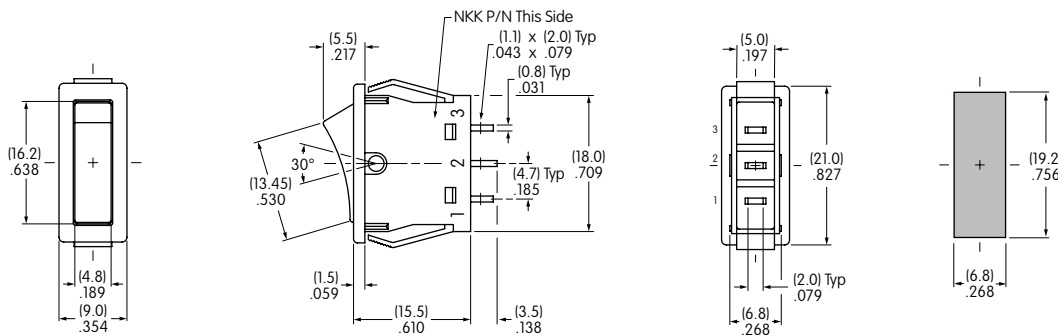
CWSB11AA3H



TYPICAL SWITCH DIMENSIONS FOR CWT

Single Pole • No Inscription

Solder Lug



Terminal numbers are on side of switch body

Panel Thickness  
.030" ~ .079"  
(0.75mm ~ 2.0mm)

CWT12AAS1



Toggles  
Rockers  
Pushbuttons  
Illuminated PB  
Programmable  
Keylocks  
Rotaries  
Slides  
Tactiles  
Tilt  
Touch  
Indicators  
Accessories  
Supplement



Компания «ЭлектроПласт» предлагает заключение долгосрочных отношений при поставках импортных электронных компонентов на взаимовыгодных условиях!

Наши преимущества:

- Оперативные поставки широкого спектра электронных компонентов отечественного и импортного производства напрямую от производителей и с крупнейших мировых складов;
- Поставка более 17-ти миллионов наименований электронных компонентов;
- Поставка сложных, дефицитных, либо снятых с производства позиций;
- Оперативные сроки поставки под заказ (от 5 рабочих дней);
- Экспресс доставка в любую точку России;
- Техническая поддержка проекта, помощь в подборе аналогов, поставка прототипов;
- Система менеджмента качества сертифицирована по Международному стандарту ISO 9001;
- Лицензия ФСБ на осуществление работ с использованием сведений, составляющих государственную тайну;
- Поставка специализированных компонентов (Xilinx, Altera, Analog Devices, Intersil, Interpoint, Microsemi, Aeroflex, Peregrine, Syfer, Eurofarad, Texas Instrument, Miteq, Cobham, E2V, MA-COM, Hittite, Mini-Circuits, General Dynamics и др.);

Помимо этого, одним из направлений компании «ЭлектроПласт» является направление «Источники питания». Мы предлагаем Вам помощь Конструкторского отдела:

- Подбор оптимального решения, техническое обоснование при выборе компонента;
- Подбор аналогов;
- Консультации по применению компонента;
- Поставка образцов и прототипов;
- Техническая поддержка проекта;
- Защита от снятия компонента с производства.



#### Как с нами связаться

**Телефон:** 8 (812) 309 58 32 (многоканальный)

**Факс:** 8 (812) 320-02-42

**Электронная почта:** [org@eplast1.ru](mailto:org@eplast1.ru)

**Адрес:** 198099, г. Санкт-Петербург, ул. Калинина, дом 2, корпус 4, литера А.