

NCL30085FLYGEVB, NCL30088FLYGEVB



ON Semiconductor®

www.onsemi.com

10 W High Power Factor Isolated LED Driver Evaluation Board User's Manual

EVAL BOARD USER'S MANUAL

Overview

This manual covers the specification, theory of operation, testing and construction of the NCL30085/88FLYGEVB evaluation board. The NCL30085/88 board demonstrates a 10 W high PF isolated flyback LED driver in a typical A19 outline. The 2 evaluation boards are nearly identical in construction except for the controller and Vcc bulk capacitor. The NCL30088 controller is a non-dimming version while the NCL30085 supports 3 levels of step dimming.

Key Features

As illustrated, the key features of this evaluation board include:

- Wide Mains
- Low THD across Line and Load
- High Power Factor across Wide Line and Load
- Integrated Auto Recovery Fault Protection (can be latched by Choice A Version)
 - ◆ Programmable Over Temperature Thermal Foldback (NTC mounted on PCB)
 - ◆ Cycle by Cycle Current Limiting
 - ◆ Open LED and Shorted Output Protection

Table 1. SPECIFICATIONS

| Parameter | Value | Comment |
|--|---------------|-----------|
| Input voltage (Class 2 Input, no ground) | 90 – 265 V ac | |
| Line Frequency | 50 Hz / 60 Hz | |
| Power Factor (100% Load) | 0.9 | Min |
| THD (100% Load) | 20% | Max |
| Class 2 Output Mains Isolated | | |
| Output Voltage Range | 14 – 28 V dc | |
| Output Current | 350 mA dc | ±2% |
| Efficiency | 85% | Typical |
| Start Up Time | < 500 msec | Typical |
| EMI (conducted) | Class B | FCC/CISPR |

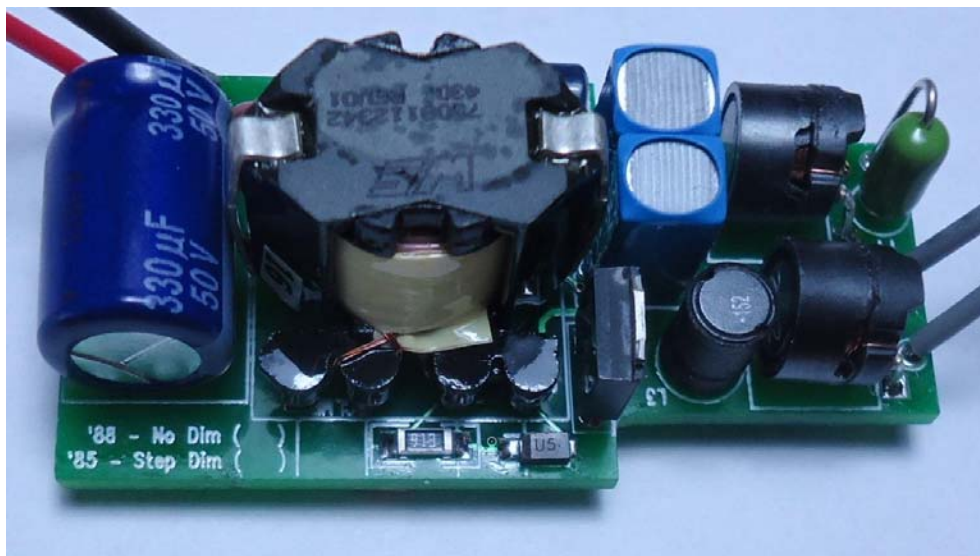


Figure 1. Evaluation Board Picture (Top View)

THEORY OF OPERATION

Power Stage

The power stage for the evaluation boards is an isolated flyback. The controller has a built in control algorithm that is specific to the flyback transfer function. Specifically:

$$\frac{V_{out}}{V_{in}} = \frac{Duty}{(1 - Duty)}$$

This is applicable to flyback, buck boost, and SEPIC converters. The control is very similar to the control of the NCL30080–83 with the addition of a power factor correction control loop. The controller has a built in hardware algorithm that relates the output current to a reference on the primary side.

$$I_{out} = \frac{V_{ref} \times N_{ps}}{2 \times R_{sense}}$$

$$N_{ps} = \frac{N_{pri}}{N_{sec}}$$

Where N_{pri} = Primary Turns and N_{sec} = Secondary Turns
 We can now find R_{sense} for a given output current.

$$R_{sense} = \frac{V_{ref} \times N_{ps}}{2 \times I_{out}}$$

Line Feedforward

R3 sets the line feedforward which compensates for power stage delay times by reducing the current threshold as the line voltage increases. R3 is also used by the shorted pin detection. At start up the controller generates a current from the CS pin to check for a short to ground. If R3 is zero, the current sense resistor is too low a value and the controller will not start because it will detect a shorted pin. So R3 is required to make the controller operate properly.

Voltage Sense

The voltage sense pin has several functions:

1. Basis for the reference of the PFC control loop
2. Line Range detection

The reference scaling is automatically controller inside the controller. While the voltage on V_s is not critical for the PFC loop control it is important for range detection. Generally the voltage on V_s should be 3.5 V peak at the highest input voltage of interest. The voltage on V_s determines which valley the power stage will operate at in full load. At low line and maximum load, the power stage operates in the first valley (standard CrM operation). At the higher line range, the power stage moves to the second valley to lower the switching frequency while retaining the advantage of CrM soft switching.

Auxiliary Winding

The auxiliary winding has 3 functions:

1. CrM timing
2. Vcc Power
3. Output voltage sense

CrM Timing

In the off time, the voltage on the transformer/inductor forward biases D9 and D9. When the current in the magnetic has reached zero, the voltage collapses to zero. This voltage collapse triggers a comparator on the ZCD pin to start a new switching cycle. The ZCD pin also counts rings on the auxiliary winding for higher order valley operation. A failure of the ZCD pin to reach a certain threshold also indicates a shorted output condition fault.

Vcc Power

The forward biases D9 to provide power for the controller. This arrangement is called a “bootstrap”. Initially the C_{vcc} is charged through R4 and R5. When the voltage on C_{vcc} reaches the startup threshold, the controller starts switching and providing power to the output circuit and the C_{vcc} . C_{vcc} discharges as the controller draws current. As the output voltage rises, the auxiliary winding starts to provide all the power to the controller. Ideally, this happens before C_{vcc} discharges to the undervoltage threshold where the controller stops operating to allow C_{vcc} to recharge once again. The size of the output capacitor will have a large effect on the rise of the output voltage. Since the LED driver is a current source, the rise of output voltage is directly dependent on the size of the output capacitor.

There are tradeoffs in the selection of C_{out} and C_{vcc} . A low output ripple will require a large C_{out} value. This requires that C_{vcc} be large enough to support Vcc power to the controller while C_{out} is charging up. A large value of C_{vcc} requires that R4 and R5 be lower in value to allow a fast enough startup time. Smaller values of R4 and R5 have higher static power dissipation which lowers efficiency of the driver.

Output Voltage Sense

The auxiliary winding voltage is proportional to the output voltage by the turns ratio of the output winding and the auxiliary winding. The controller has an overvoltage limit on the Vcc pin at about 26 V minimum. Above that threshold, the controller will stop operation and enter a fault mode for overvoltage. This is the open load protection.

In cases where the output has a lot of ripple current and the LED has high dynamic resistance, the peak output voltage can be much higher than the average output voltage. The auxiliary winding will charge the C_{vcc} to the peak of the output voltage which may trigger the OVP sooner than expected.

NCL30088FLYGEVB

SD Pin

The SD pin is a multifunction protection input.

1. Thermal Foldback Protection
2. Programmable OVP

Thermal Foldback

The OCV of the SD pin is 1.35 V. There is an internal current source connected to the SD pin even though the voltage is soft clamped to 1.35 V. Output current is reduced when the voltage on the SD pin drops below 1 V. Placing an NTC on the SD pin will allow the designer to choose the level of protection from over temperature. Below 0.5 volts on SD, the controller stops. Series or parallel resistors on the NTC can shape the foldback curve. An online EXCEL[®] based design tool is available at onsemi.com which provides support to select the appropriate value.

Programmable OVP

While the SD pin has a current source for the OTP, it can be overcome raising the voltage on the SD pin. At about 2.75 V, the SD pin detects an OVP and shuts down the controller. Typically, a zener to Vcc is used for this. In this way, the designer can set the OVP to a lower value than the OVP threshold built into the Vcc pin.

Step Dimming

Step dimming is only available on the NCL30085FLYGEVB. Cbulk is added to keep Vcc active for brief AC power interruptions. There are 3 dimming current levels for the NCL30085FLYGEVB after the driver is powered on.

| | |
|----|------|
| ON | 100% |
| 1. | 70% |
| 2. | 25% |
| 3. | 4% |

AC power interruption is detected on Vs when the voltage on Vs is below 1 V for 30 ms. Internally, the controller steps the internal Vref down to the next dimming level. After the lowest level, Vref cycles back to 100%. Issues with step dimming can be traced to Vcc dropping below the undervoltage cutoff before the input has been detected as off for 35 ms minimum.. This is caused by one of the following:

1. Operating Vcc too low (related to Vled)
2. Cbulk too small
3. Cout too large and discharges too much during the AC interruption. This is particularly seen at the lowest dim levels where the output current cannot recharge Cout fast enough.

For a more detailed discussion of step dimming, refer to DN05065/D.

Circuit Modifications

Output Current

The output current is set by the value of Rsense as shown above. It's possible to adjust easily change the output current within $\pm 10\%$ of the set value by changing R7. Further adjustments may require changes to the transformer depending on the LED V_F and current.

NCL30088FLYGEVB

SCHEMATIC

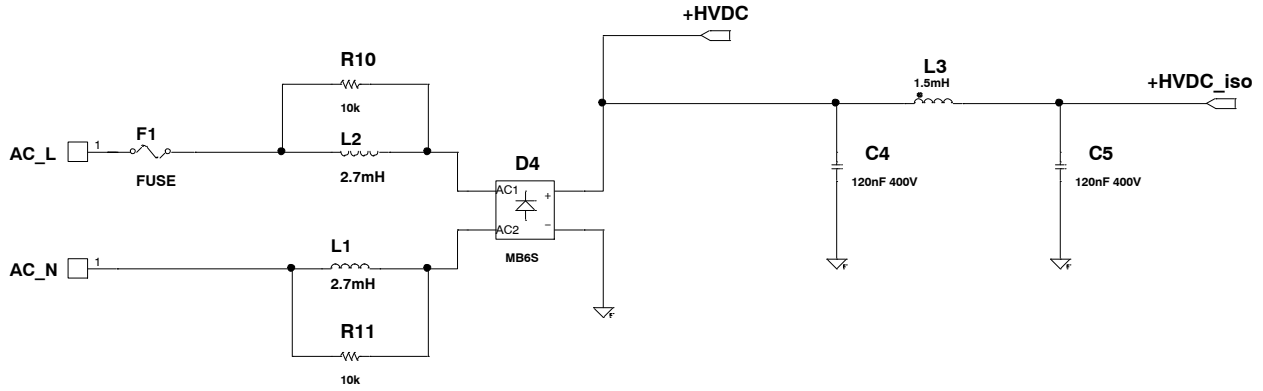


Figure 2. Input Circuit

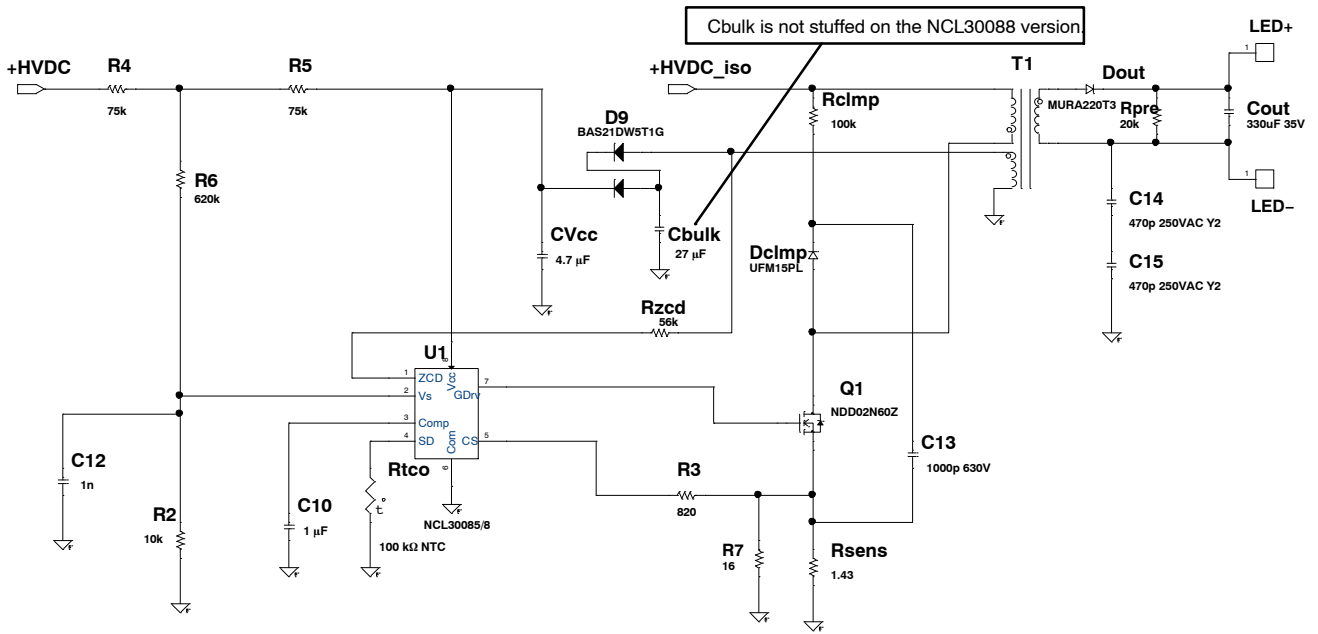


Figure 3. Main Schematic

NCL30088FLYGEVB

BILL OF MATERIAL

Table 2. BILL OF MATERIAL*

| Qty | Reference | Part | Manufacturer | Mfr_PN | PCB Footprint | Substitution Allowed |
|-----|-----------|--------------------|------------------|--------------------|------------------------|----------------------|
| 1 | Cvcc | 4.7 μ F | AVX | TAJB475M035RNJ | 1210 | Yes |
| 1 | Cbulk | 27 μ F | Panasonic | EEU-FC1E270 | CAP-ALEL-4X11-HOR | Yes |
| 1 | Cout | 330 μ F 35 V | Nichicon | UHE1V331MPD | CAP-ALEL-10X16-HOR | Yes |
| 2 | C4, C5 | 120 nF 400 V | Epcos | B32559C6124+*** | CAP-BOX-LS5-5M0X7M2 | Yes |
| 1 | C10 | 1 μ F | Taiyo Yuden | GMK107AB7105KAHT | 603 | Yes |
| 1 | C12 | 1 n | Kemet | C0402C102K3GACTU | 402 | Yes |
| 1 | C13 | 1000 p 630 V | Kemet | C0805C102KBRCTU | 805 | Yes |
| 2 | C14, C15 | 470 p 250 VAC Y2 | Murata | GA342QR7GF471KW01L | 1808 | Yes |
| 1 | Dclmp | UFM15PL | MCC | UFM15PL | SOD123FL | Yes |
| 1 | Dout | MURA220T3 | ON Semiconductor | MURA220T3 | SMA | No |
| 1 | D4 | MB6S | MCC | MB6S | MB6S | Yes |
| 1 | D9 | BAS21DW5T1G | ON Semiconductor | BAS21DW5T1G | SC-88A | No |
| 1 | F1 | FUSE | Littelfuse | 0263.500WRT1L | FUSE-HAIRPIN-LS250 | Yes |
| 2 | L1, L2 | 2.7 mH | Bourns | RL875S-272K | Drum_Core_Hor_LS5_875S | Yes |
| 1 | L3 | 1.5 mH | Würth | 7447462152 | IND-UPRIGHT-LS25 | Yes |
| 1 | Q1 | NDD02N60Z | ON Semiconductor | NDD02N60Z | IPAK | No |
| 1 | Rclmp | 100 k | Yaego | RC1206FR-07100KL | 1206 | Yes |
| 1 | Rpre | 20 k | Yaego | RC0603FR-0720KL | 603 | Yes |
| 1 | Rsens | 1.43 | Yaego | RC1206FR-071R43L | 1206 | Yes |
| 1 | Rtco | 100 k Ω NTC | Epcos | B57331V2104J60 | 603 | Yes |
| 1 | Rzcd | 56k | Yaego | RC0805FR-0756KL | 805 | Yes |
| 1 | R2 | 10k | Yaego | RC0402FR-0710KL | 402 | Yes |
| 1 | R3 | 820 | Yaego | RC0402FR-07820RL | 402 | Yes |
| 2 | R4, R5 | 75 k | Yaego | RC1206FR-0775KL | 1206 | Yes |
| 1 | R6 | 620 k | Yaego | RC1206FR-07620KL | 1206 | Yes |
| 1 | R7 | 16 | Yaego | RT0402FRE0716RL | 603 | Yes |
| 2 | R10, R11 | 10 k | Yaego | RC0805JR-0710KL | 805 | Yes |
| 1 | T1 | XFRM_LINEAR | Würth | 7508112342 | RM6-4P-TH-FLYLEADS | Yes |
| 1 | U1 | NCL30085B | ON Semiconductor | NCL30085B | SO8 | No |
| | | NCL30088B | | NCL30088B | | |
| 6" | W1 | Wire, Red, 24AWG | McMaster Carr | 7587K922 | UL1569 | Yes |
| 6" | W2 | Wire, Blk, 24AWG | McMaster Carr | 7587K921 | UL1569 | Yes |
| 12" | W3, W4 | Wire, Wht, 24AWG | McMaster Carr | 7587K924 | UL1569 | Yes |

*All Components to comply with RoHS 2002/95/EC

NCL30088FLYGEVB

GERBER VIEWS

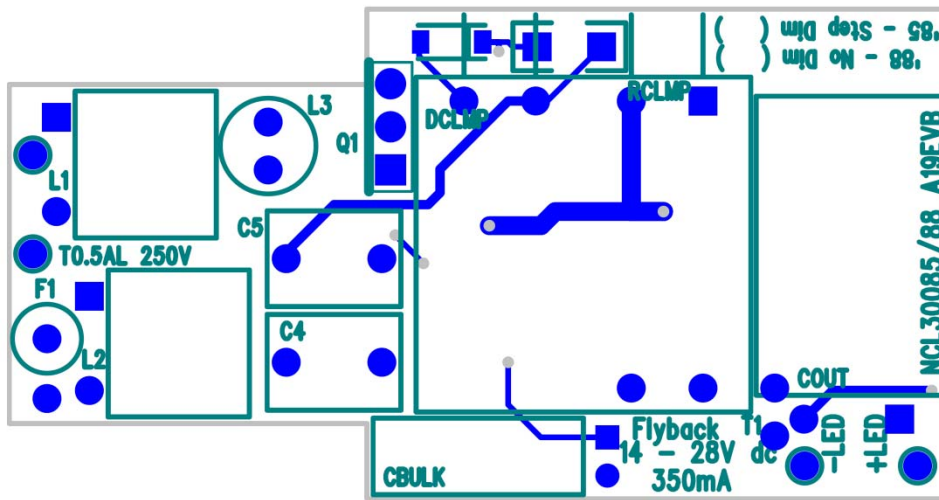


Figure 4. Top Side PCB

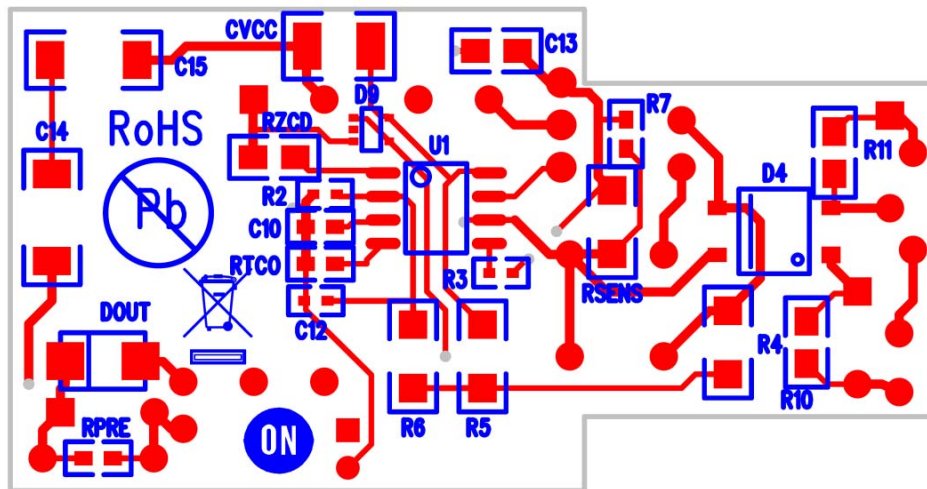


Figure 5. Bottom Side PCB

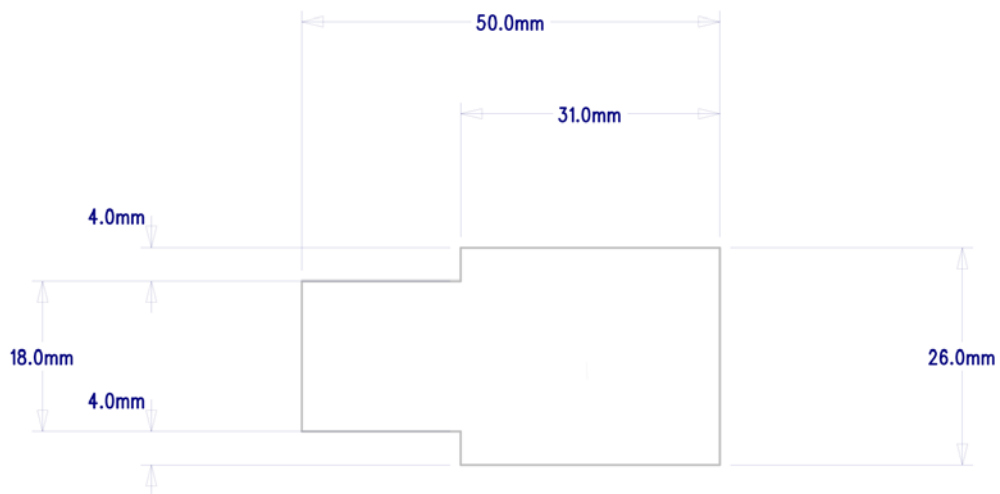
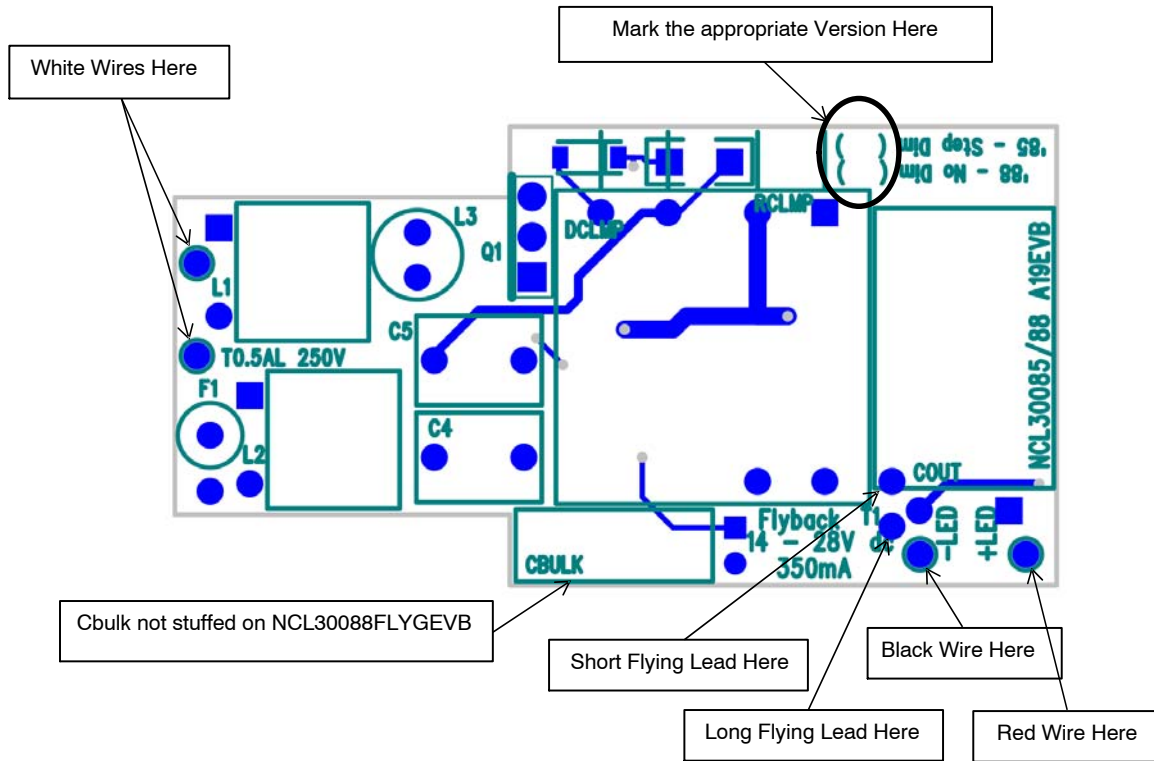


Figure 6. PCB Outline

NCL30088FLYGEVB



1. Trim Transformer flying leads for minimum length.
2. Strip and tin lead wires to 6" ± 0.5" 4 Places.


Figure 7. Assembly Notes

CIRCUIT BOARD FABRICATION NOTES

1. Fabricate per IPC-6011 and IPC6012. Inspect to IPA-A-600 Class 2 or updated standard.
2. Printed Circuit Board is defined by files listed in fileset.
3. Modification to copper within the PCB outline is not allowed without permission, except where noted otherwise. The manufacturer may make adjustments to compensate for manufacturing process, but the final PCB is required to reflect the associated gerber file design ± 0.001 in. for etched features within the PCB outline.
4. Material in accordance with IPC-4101/21, FR4, Tg 125°C min.
5. Layer to layer registration shall not exceed ± 0.004 in.
6. External finished copper conductor thickness shall be 0.0026 in. min. (ie 2oz)
7. Copper plating thickness for through holes shall be 0.0013 in. min. (ie 1oz)
8. All holes sizes are finished hole size.
9. Finished PCB thickness 0.031 in.
10. All un-dimensioned holes to be drilled using the NC drill data.
11. Size tolerance of plated holes: ± 0.003 in. : non-plated holes ± 0.002 in.
12. All holes shall be ± 0.003 in. of their true position U.D.S.
13. Construction to be SMOBC, using liquid photo image (LPI) solder mask in accordance with IPC-SM-B40C, Type B, Class 2, and be green in color.
14. Solder mask mis-registration ± 0.004 in. max.
15. Silkscreen shall be permanent non-conductive white ink.
16. The fabrication process shall be UL approved and the PCB shall have a flammability rating of UL94V0 to be marked on the solder side in silkscreen with date, manufactures approved logo, and type designation.
17. Warp and twist of the PCB shall not exceed 0.0075 in. per in.
18. 100% electrical verification required.
19. Surface finish: electroless nickel immersion gold (ENIG)
20. RoHS 2002/95/EC compliance required.

NCL30088FLYGEVB

FLYBACK TRANSFORMER SPECIFICATION

| | | | | |
|--------------------------|-------------|----------------------|--|---|
| CUSTOMER TERMINAL | RoHS | LEAD(Pb)-FREE | | more than you expect |
| Sn 96%, Ag 4% | Yes | Yes | |  |

PART MUST INSERT FULLY TO SURFACE A IN RECOMMENDED GRID
 .020 SQ(8)
 [.50]

TERM. NO.'s FOR REF. ONLY

Views need to include flying leads. Short lead indicates lead A. JLV 8/27/14

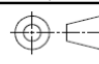
ELECTRICAL SPECIFICATIONS @ 25° C unless otherwise noted:

| PARAMETER | TEST CONDITIONS | VALUE |
|--------------------|---------------------------------|-------------------|
| D.C. RESISTANCE | 4-3 @20°C | 0.680 ohms ±10% |
| D.C. RESISTANCE | A-B @20°C | 0.065 ohms ±15% |
| D.C. RESISTANCE | 1-2 @20°C | 0.360 ohms ±10% |
| INDUCTANCE | 4-3 10KHz, 100mV, Ls | 640.0µH ±10% |
| SATURATION CURRENT | 4-3 20% rolloff from initial | 1.0A |
| LEAKAGE INDUCTANCE | 4-3 tie(A+B), 100KHz, 100mV, Ls | 15.0µH max. |
| LEAKAGE INDUCTANCE | 1-2 tie(A+B), 100KHz, 100mV, Ls | 1.5µH max. |
| DIELECTRIC | 4-A tie(2+3), 4000VAC, 1 second | 4000VAC, 1 minute |
| DIELECTRIC | 4-1 625VAC, 1 second | |
| TURNS RATIO | (4-3):(1-2) | 4.31:1 ±1% |
| TURNS RATIO | (4-3):(A-B) | 4:1, ±1% |

RECOMMENDED P.C. PATTERN, COMPONENT SIDE

PRI 120-375Vdc 75-100kHz
 SEC 28V - 750mA
 AUX 26V - 10mA

GENERAL SPECIFICATIONS:
 OPERATING TEMPERATURE RANGE: -40°C to +125°C including temp rise.
 Designed to comply with the following requirements as defined by IEC61347-2-13:
 - Reinforced insulation for a primary circuit at a working voltage of 375VDC.

| | | | | | | | | |
|---|-----------|--------------------------|---|------------------|------------------------|--------------------|----------------------------|-------------------|
| Wire insulation & RoHS status not affected by wire color. Wire insulation color may vary depending on availability. | | | Tolerances unless otherwise specified: | | DRAWING TITLE | | PART NO. | |
| DFM | SP | Packaging Specifications |  | Angles: ±1° | Decimals: ±.005 [.13] | TRANSFORMER | | 7508112342 |
| DATE | 8/27/2014 | Method: Tray | | Fractions: ±1/64 | Footprint: ±.001 [.03] | | | |
| ENG | JLV | PKG-0155 | This drawing is dual dimensioned. Dimensions in brackets are in millimeters. | | | | SPECIFICATION SHEET 1 OF 1 | |
| REV. | 02 | | | | | | | |
| DATE | 9/2/2014 | www.we-online.com/midcom | | | | | | |

NCL30088FLYGEVB

ECA PICTURES

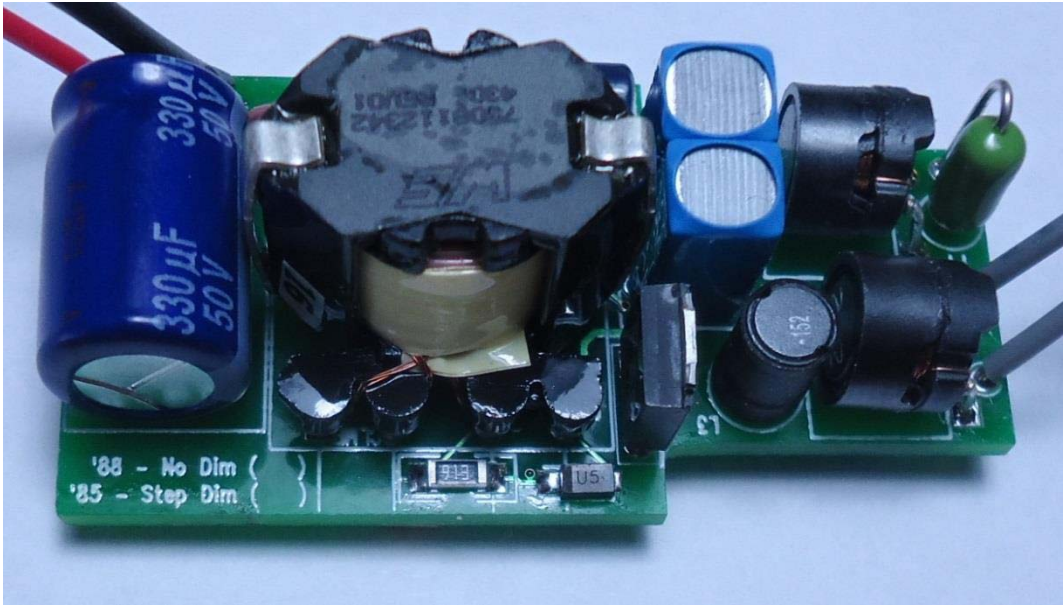


Figure 8. Top View

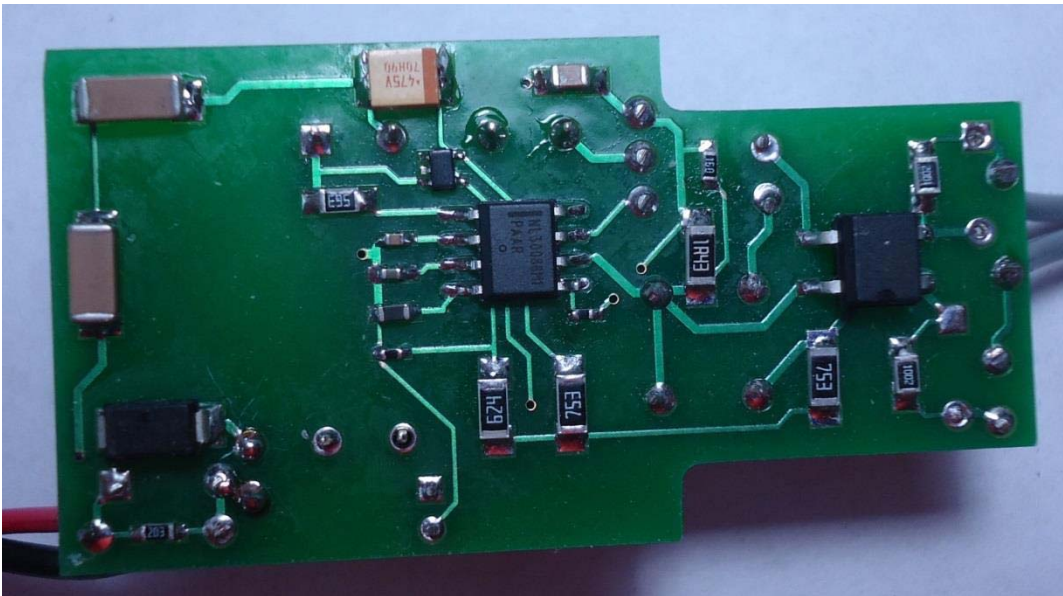


Figure 9. Bottom View

NCL30088FLYGEVB

TEST PROCEDURE

Equipment Needed

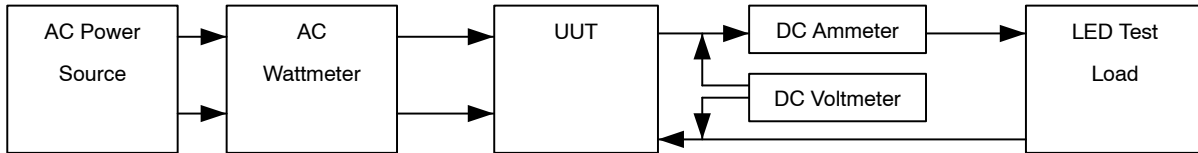
- AC Source – 90 to 305 V ac 50/60 Hz Minimum 500 W capability
- AC Wattmeter – 300 W Minimum, True RMS Input Voltage, Current, Power Factor, and THD 0.2% accuracy or better
- DC Voltmeter – 300 V dc minimum 0.1% accuracy or better
- DC Ammeter – 1 A dc minimum 0.1% accuracy or better
- LED Load – 10 V – 30 V @ 1 A

Test Connections

1. Connect the LED Load to the red (+) and black (-) leads through the ammeter shown in Figure 10.

CAUTION: Observe the correct polarity or the load may be damaged.

2. Connect the AC power to the input of the AC wattmeter shown in Figure 10. Connect the white leads to the output of the AC wattmeter
3. Connect the DC voltmeter as shown in Figure 10.



NOTE: Unless otherwise specified, all voltage measurements are taken at the terminals of the UUT.

Figure 10. Test Set Up

Functional Test Procedure

1. Set the LED Load for 26 V output.
2. Set the input power to 120 V 60 Hz.

CAUTION: Do not touch the ECA once it is energized because there are hazardous voltages present.

LINE AND LOAD REGULATION

Table 3. 120 V / MAX LOAD

| | Output Current 350 mA ± 14 mA | Output Power | Power Factor | THD < 20% |
|------|----------------------------------|--------------|--------------|-----------|
| 14 V | | | | |
| 21 V | | | | |
| 28 V | | | | |

Table 4. 230 V / MAX LOAD

| | Output Current 350 mA ± 14 mA | Output Power | Power Factor | THD < 30% |
|------|----------------------------------|--------------|--------------|-----------|
| 14 V | | | | |
| 21 V | | | | |
| 28 V | | | | |

$$\text{Efficiency} = \frac{V_{\text{out}} \times I_{\text{out}}}{P_{\text{in}}} \times 100\%$$

NCL30088FLYGEVB

TEST DATA

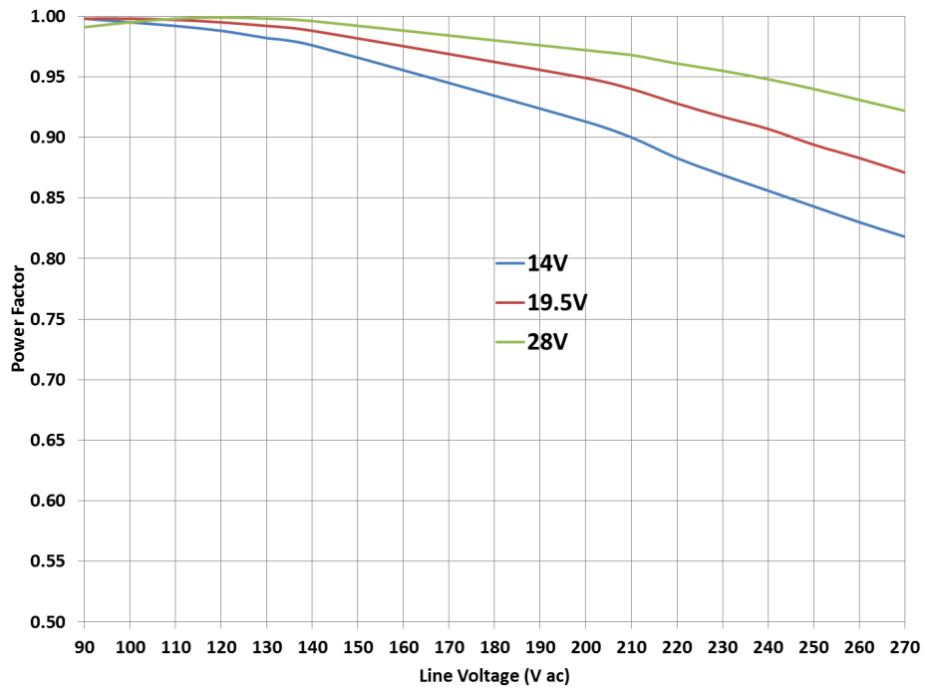


Figure 11. Power Factor over Line and Load

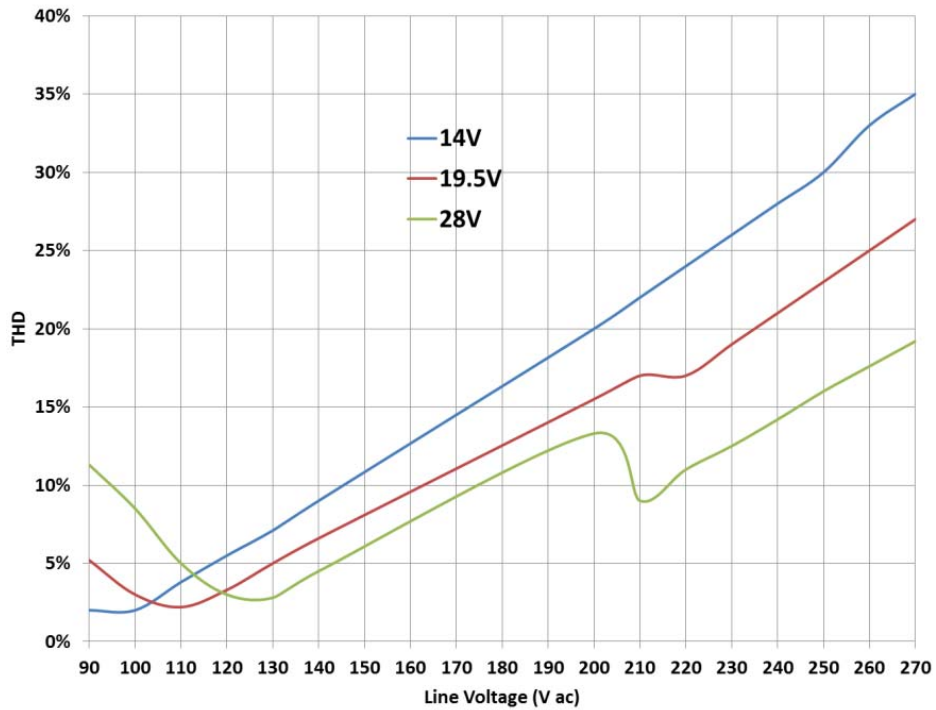


Figure 12. THD over Line and Load

NCL30088FLYGEVB

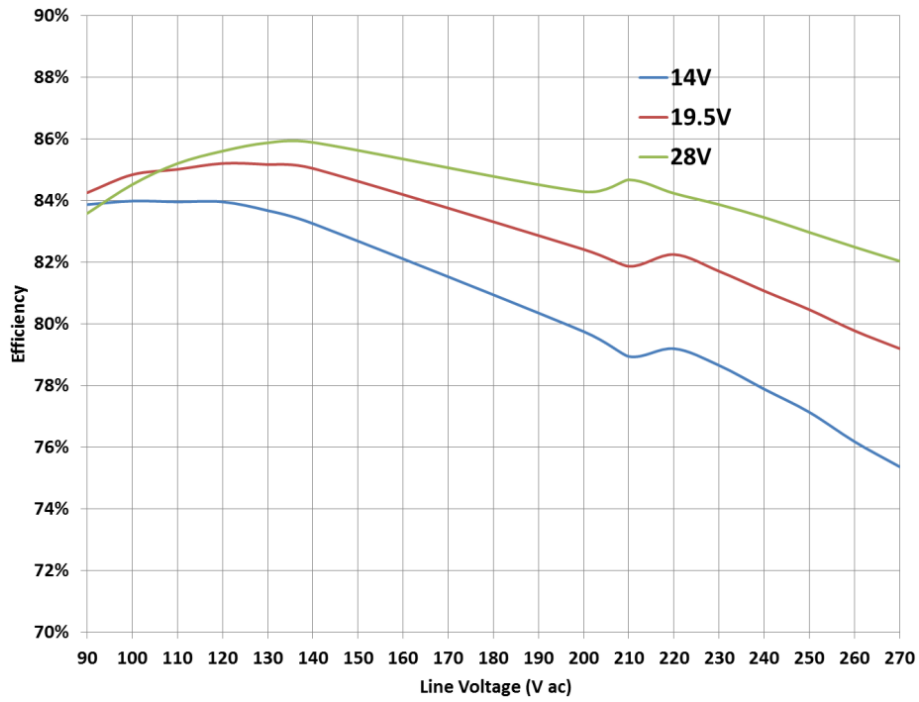


Figure 13. Efficiency over Line and Load at Maximum Output Current

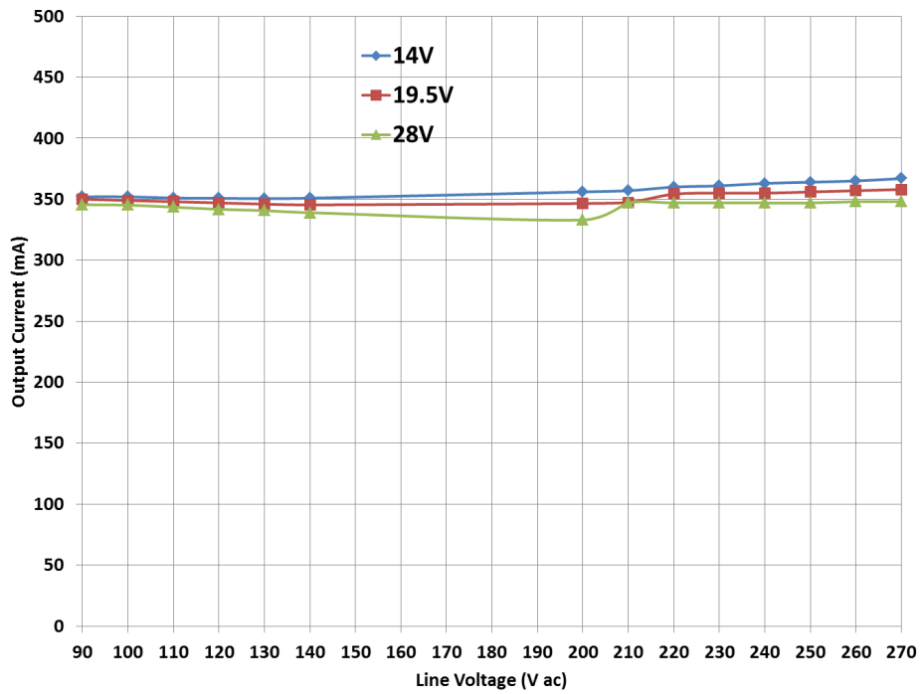


Figure 14. Maximum Current Load Regulation over Line

NCL30088FLYGEVB

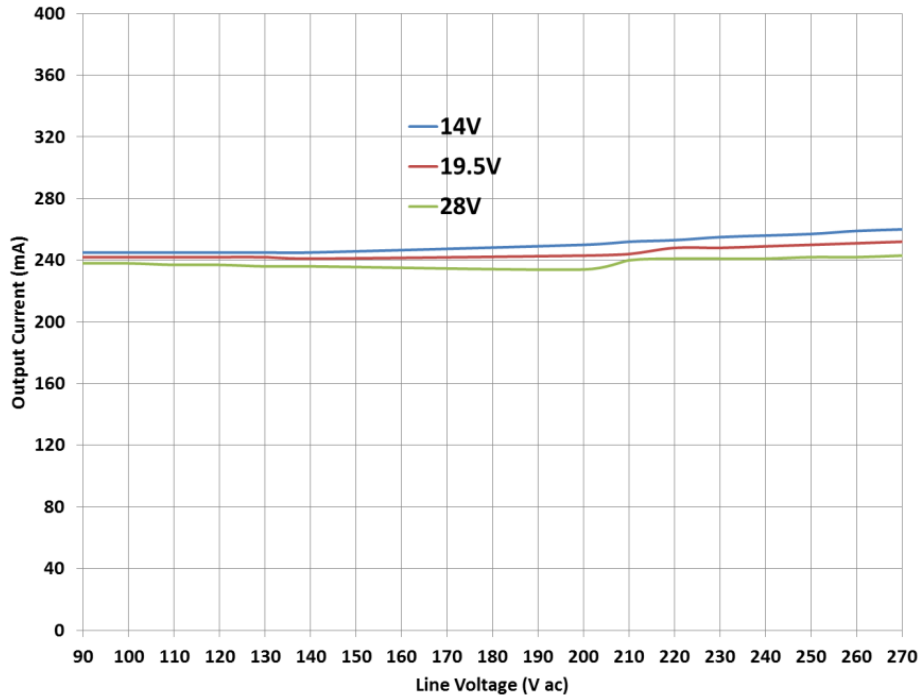


Figure 15. 70% Load Regulation over Line (NCL30085FLYG only)

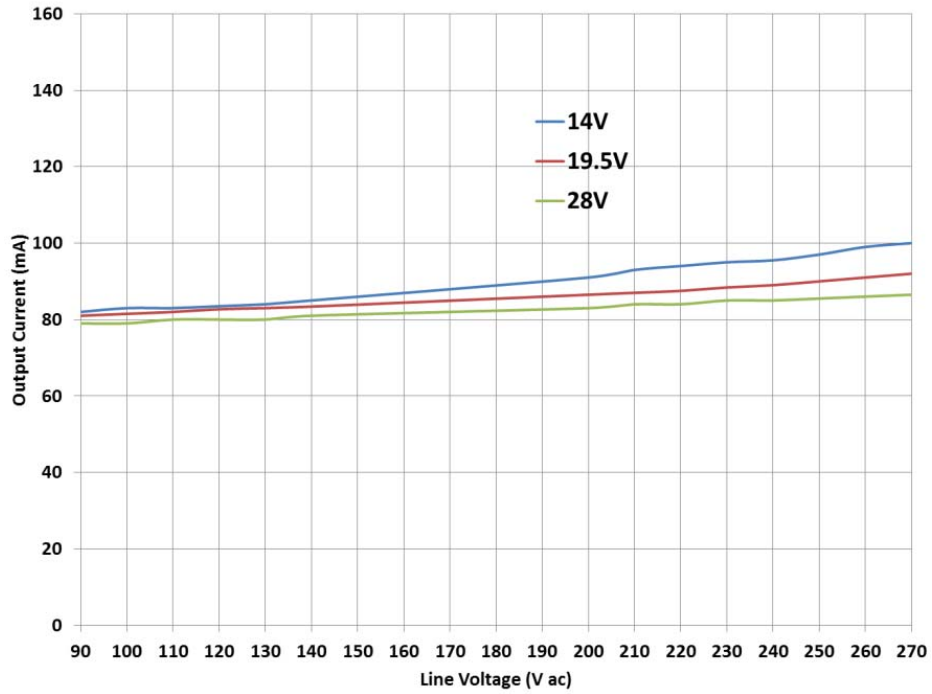


Figure 16. 25% Load Regulation over Line (NCL30085FLYG only)

NCL30088FLYGEVB

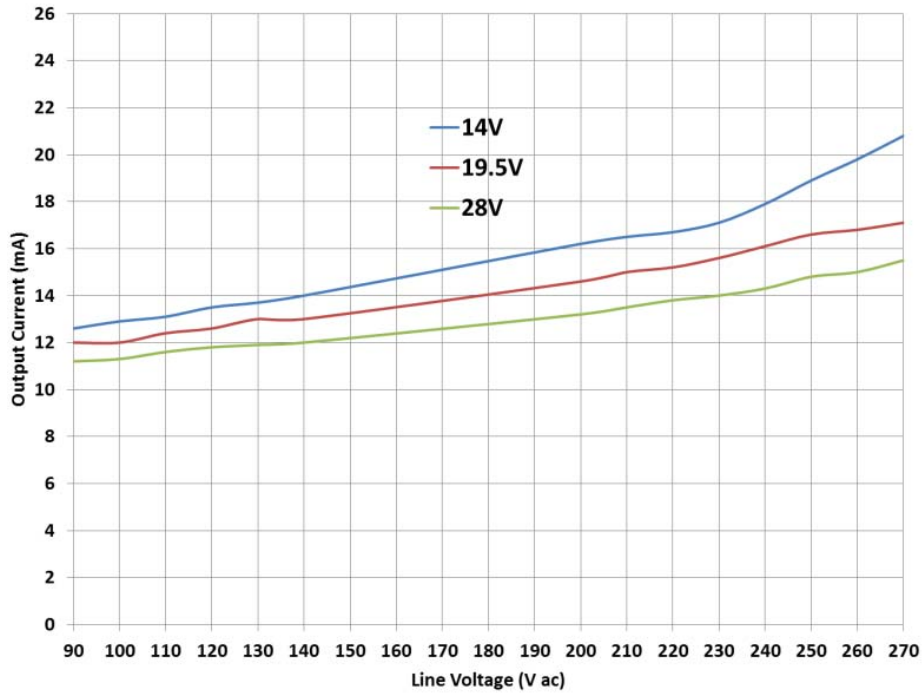


Figure 17. Minimum Load Regulation over Line (NCL30085FLYG only)

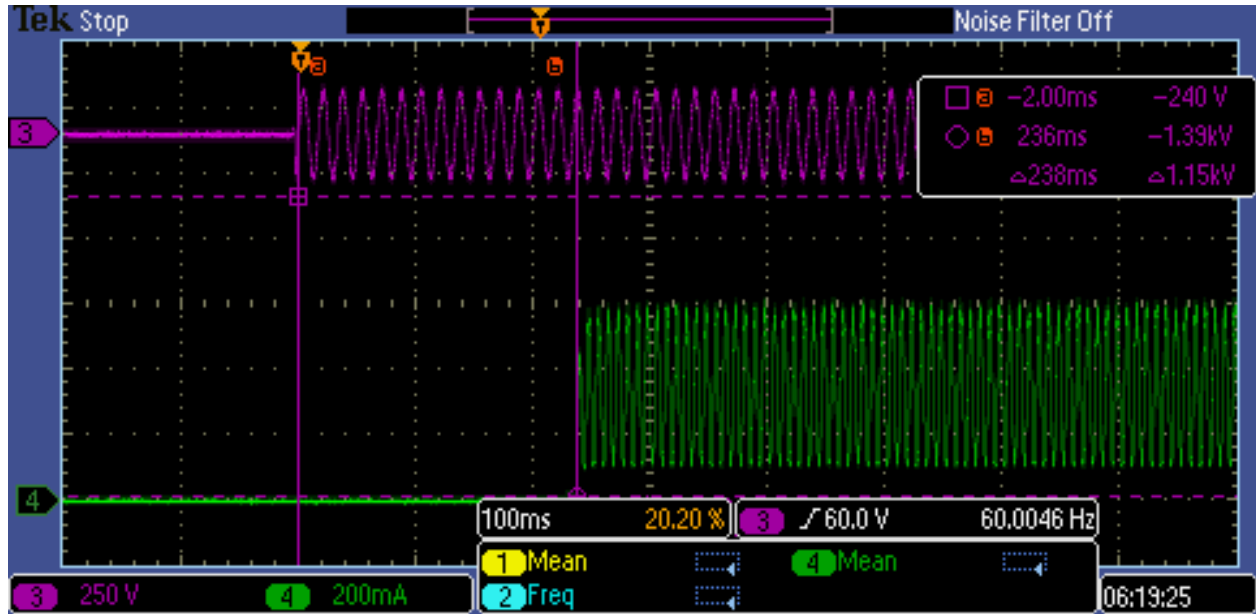


Figure 18. Start Up with AC Applied 120 V Maximum Load

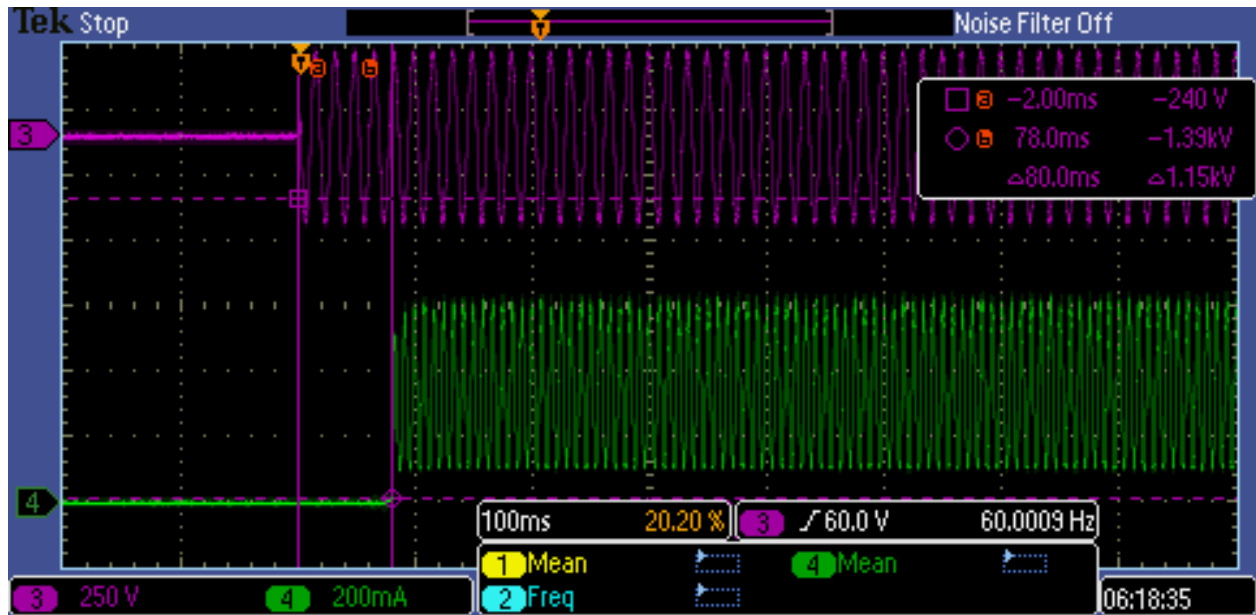


Figure 19. Start Up with AC Applied 230 V Maximum Load

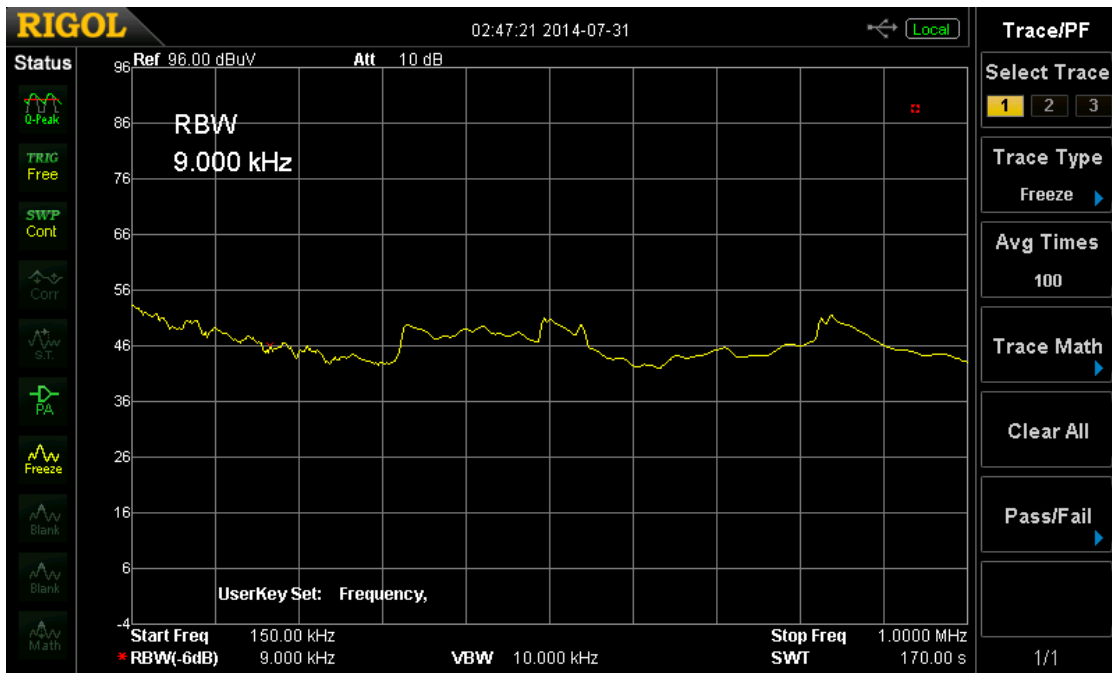


Figure 20. Conducted EMI Pre-compliance QP Data 150 kHz – 1 MHz

NCL30088FLYGEVB

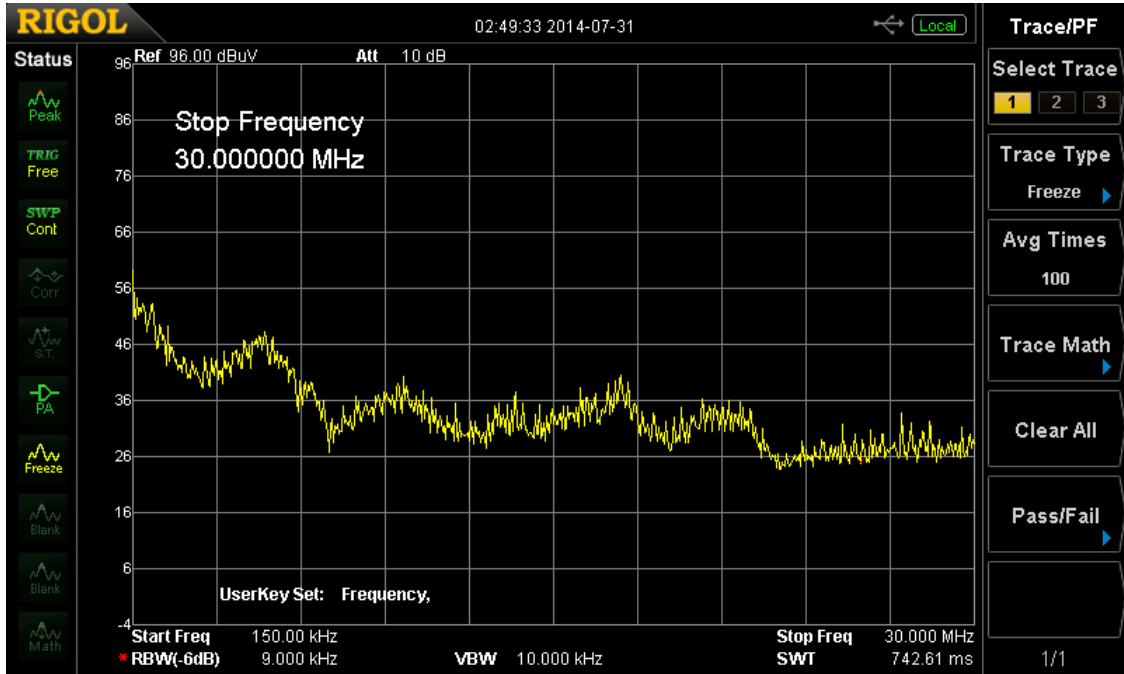



Figure 21. Conducted EMI Pre-compliance Peak Data 150 kHz – 30 MHz

Excel is a registered trademark of Microsoft Corporation.

ON Semiconductor and the  are registered trademarks of Semiconductor Components Industries, LLC (SCILLC) or its subsidiaries in the United States and/or other countries. SCILLC owns the rights to a number of patents, trademarks, copyrights, trade secrets, and other intellectual property. A listing of SCILLC's product/patent coverage may be accessed at www.onsemi.com/site/pdf/Patent-Marking.pdf. SCILLC reserves the right to make changes without further notice to any products herein. SCILLC makes no warranty, representation or guarantee regarding the suitability of its products for any particular purpose, nor does SCILLC assume any liability arising out of the application or use of any product or circuit, and specifically disclaims any and all liability, including without limitation special, consequential or incidental damages. "Typical" parameters which may be provided in SCILLC data sheets and/or specifications can and do vary in different applications and actual performance may vary over time. All operating parameters, including "Typicals" must be validated for each customer application by customer's technical experts. SCILLC does not convey any license under its patent rights nor the rights of others. SCILLC products are not designed, intended, or authorized for use as components in systems intended for surgical implant into the body, or other applications intended to support or sustain life, or for any other application in which the failure of the SCILLC product could create a situation where personal injury or death may occur. Should Buyer purchase or use SCILLC products for any such unintended or unauthorized application, Buyer shall indemnify and hold SCILLC and its officers, employees, subsidiaries, affiliates, and distributors harmless against all claims, costs, damages, and expenses, and reasonable attorney fees arising out of, directly or indirectly, any claim of personal injury or death associated with such unintended or unauthorized use, even if such claim alleges that SCILLC was negligent regarding the design or manufacture of the part. SCILLC is an Equal Opportunity/Affirmative Action Employer. This literature is subject to all applicable copyright laws and is not for resale in any manner.

PUBLICATION ORDERING INFORMATION

LITERATURE FULFILLMENT:
Literature Distribution Center for ON Semiconductor
P.O. Box 5163, Denver, Colorado 80217 USA
Phone: 303-675-2175 or 800-344-3860 Toll Free USA/Canada
Fax: 303-675-2176 or 800-344-3867 Toll Free USA/Canada
Email: orderlit@onsemi.com

N. American Technical Support: 800-282-9855 Toll Free
USA/Canada
Europe, Middle East and Africa Technical Support:
Phone: 421 33 790 2910
Japan Customer Focus Center
Phone: 81-3-5817-1050

ON Semiconductor Website: www.onsemi.com
Order Literature: <http://www.onsemi.com/orderlit>
For additional information, please contact your local
Sales Representative



Компания «ЭлектроПласт» предлагает заключение долгосрочных отношений при поставках импортных электронных компонентов на взаимовыгодных условиях!

Наши преимущества:

- Оперативные поставки широкого спектра электронных компонентов отечественного и импортного производства напрямую от производителей и с крупнейших мировых складов;
- Поставка более 17-ти миллионов наименований электронных компонентов;
- Поставка сложных, дефицитных, либо снятых с производства позиций;
- Оперативные сроки поставки под заказ (от 5 рабочих дней);
- Экспресс доставка в любую точку России;
- Техническая поддержка проекта, помощь в подборе аналогов, поставка прототипов;
- Система менеджмента качества сертифицирована по Международному стандарту ISO 9001;
- Лицензия ФСБ на осуществление работ с использованием сведений, составляющих государственную тайну;
- Поставка специализированных компонентов (Xilinx, Altera, Analog Devices, Intersil, Interpoint, Microsemi, Aeroflex, Peregrine, Syfer, Eurofarad, Texas Instrument, Miteq, Cobham, E2V, MA-COM, Hittite, Mini-Circuits, General Dynamics и др.);

Помимо этого, одним из направлений компании «ЭлектроПласт» является направление «Источники питания». Мы предлагаем Вам помощь Конструкторского отдела:

- Подбор оптимального решения, техническое обоснование при выборе компонента;
- Подбор аналогов;
- Консультации по применению компонента;
- Поставка образцов и прототипов;
- Техническая поддержка проекта;
- Защита от снятия компонента с производства.



Как с нами связаться

Телефон: 8 (812) 309 58 32 (многоканальный)

Факс: 8 (812) 320-02-42

Электронная почта: org@eplast1.ru

Адрес: 198099, г. Санкт-Петербург, ул. Калинина, дом 2, корпус 4, литера А.