

### GENERAL DESCRIPTION

The XR16L2750<sup>1</sup> (2750) is a low voltage dual universal asynchronous receiver and transmitter (UART) with 5 Volt tolerant inputs. The device operates from 2.25 to 5.5 Volt supply range and is pin-to-pin compatible to Exar's ST16C2550 and XR16C2850 except the 48-TQFP package. The 2750 register set is compatible to the ST16C2550 and the XR16C2850 enhanced features. It supports the Exar's enhanced features of 64 bytes of TX and RX FIFOs, programmable FIFO trigger level and FIFO level counters, automatic hardware (RTS/CTS) and software flow control, automatic RS-485 half duplex direction control output and a complete modem interface. Onboard registers provide the user with operational status and data error flags. An internal loopback capability allows system diagnostics. Independent programmable baud rate generators are provided in each channel to select data rates up to 6.25 Mbps at 5 Volt and 8X sampling clock. The 2750 is available in 48-pin TQFP and 44-pin PLCC packages.

**NOTE:** 1 Covered by U.S. Patent #5,649,122 and #5,949,787

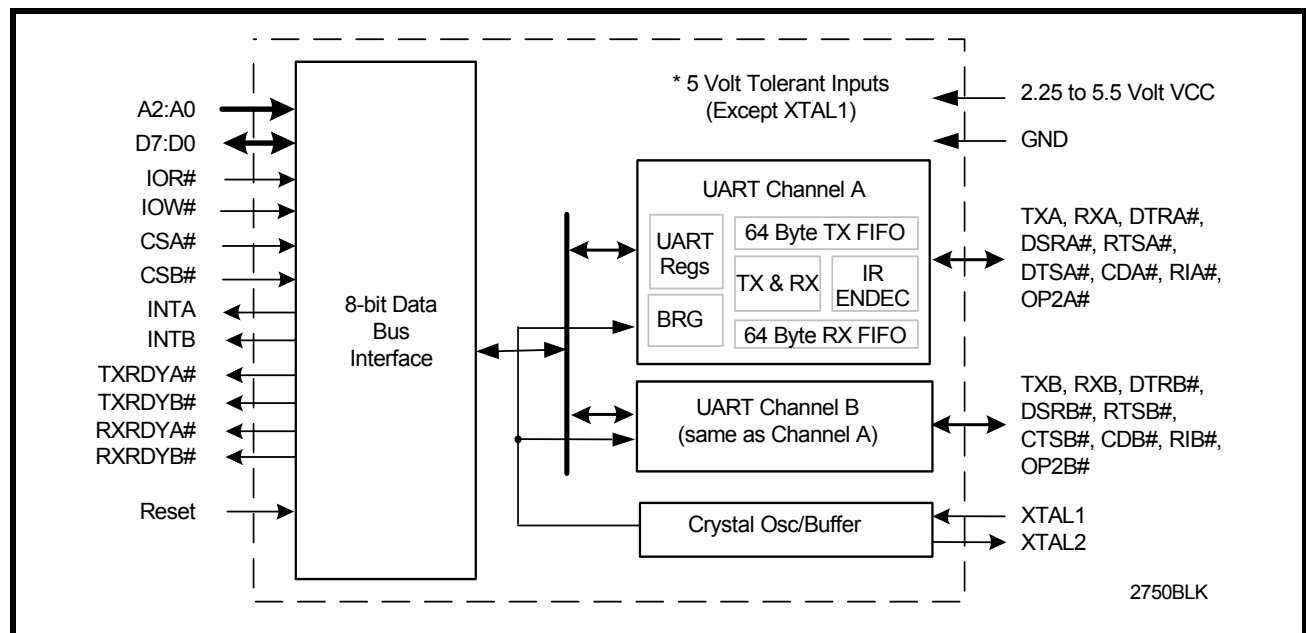
### APPLICATIONS

- Portable Appliances
- Telecommunication Network Routers
- Ethernet Network Routers
- Cellular Data Devices
- Factory Automation and Process Controls

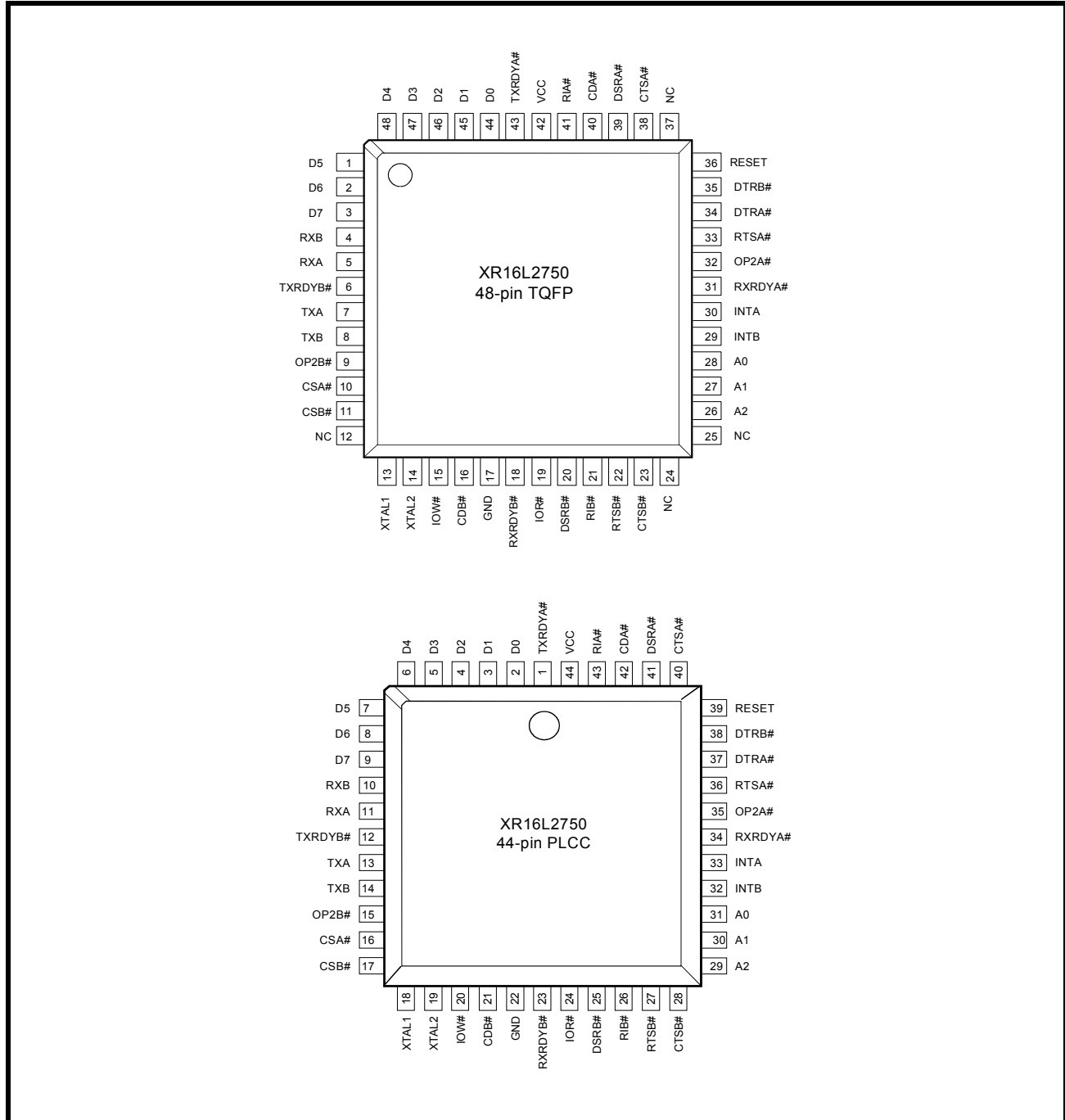
### FEATURES

- **2.25 to 5.5 Volt Operation**
- **5 Volt Tolerant Inputs**
- Pin-to-pin compatible to Exar's ST16C2550 and TI's TL16C752B on the 48-TQFP package
- Pin alike XR16C2850 48-TQFP package but without CLK8/16, CLKSEL and HDCNTL inputs
- Two independent UART channels
  - Reg set compatible to 16C2550 and 16C2850
  - Up to 6.25 Mbps at 5 Volt, 4 Mbps at 3.3 Volt, and 3 Mbps at 2.5 Volt with 8X sampling rate
  - Transmit and Receive FIFOs of 64 bytes
  - Programmable TX and RX FIFO Trigger Levels
  - Transmit and Receive FIFO Level Counters
  - Automatic Hardware (RTS/CTS) Flow Control
  - Selectable Auto RTS Flow Control Hysteresis
  - Automatic Software (Xon/Xoff) Flow Control
  - Automatic RS-485 Half-duplex Direction Control Output via RTS#
  - Wireless Infrared (IrDA 1.0) Encoder/Decoder
  - Automatic sleep mode
  - Full modem interface
- Device Identification and Revision
- Crystal oscillator or external clock input
- Industrial and commercial temperature ranges
- 48-TQFP and 44-PLCC packages

FIGURE 1. XR16L2750 BLOCK DIAGRAM



**FIGURE 2. PIN OUT ASSIGNMENT**



**ORDERING INFORMATION**

| PART NUMBER | PACKAGE      | OPERATING TEMPERATURE RANGE | DEVICE STATUS |
|-------------|--------------|-----------------------------|---------------|
| XR16L2750CJ | 44-Lead PLCC | 0°C to +70°C                | Active        |
| XR16L2750IJ | 44-Lead PLCC | -40°C to +85°C              | Active        |
| XR16L2750CM | 48-Lead TQFP | 0°C to +70°C                | Active        |
| XR16L2750IM | 48-Lead TQFP | -40°C to +85°C              | Active        |

## PIN DESCRIPTIONS

### Pin Description

| NAME                      | 44-PLCC<br>PIN # | 48-TQFP<br>PIN # | TYPE | DESCRIPTION  |
|---------------------------|------------------|------------------|------|--|
| <b>DATA BUS INTERFACE</b> |                  |                  |      |  |
| A2                        | 29               | 26               | I    | Address data lines [2:0]. These 3 address lines select one of the internal registers in UART channel A/B during a data bus transaction.  |
| A1                        | 30               | 27               |      |  |
| A0                        | 31               | 28               |      |  |
| D7                        | 9                | 3                | I/O  | Data bus lines [7:0] (bidirectional).  |
| D6                        | 8                | 2                |      |  |
| D5                        | 7                | 1                |      |  |
| D4                        | 6                | 48               |      |  |
| D3                        | 5                | 47               |      |  |
| D2                        | 4                | 46               |      |  |
| D1                        | 3                | 45               |      |  |
| D0                        | 2                | 44               |      |  |
| IOR#                      | 24               | 19               | I    | Input/Output Read Strobe (active low). The falling edge instigates an internal read cycle and retrieves the data byte from an internal register pointed to by the address lines [A2:A0]. The data byte is placed on the data bus to allow the host processor to read it on the rising edge.                            |
| IOW#                      | 20               | 15               | I    | Input/Output Write Strobe (active low). The falling edge instigates an internal write cycle and the rising edge transfers the data byte on the data bus to an internal register pointed by the address lines.  |
| CSA#                      | 16               | 10               | I    | UART channel A select (active low) to enable UART channel A in the device for data bus operation.  |
| CSB#                      | 17               | 11               | I    | UART channel B select (active low) to enable UART channel B in the device for data bus operation.  |
| INTA                      | 33               | 30               | O    | UART channel A Interrupt output. The output state is defined by the user through the software setting of MCR[3]. INTA is set to the active mode and OP2A# output LOW when MCR[3] is set to a logic 1. INTA is set to the three state mode and OP2A# output HIGH when MCR[3] is set to a logic 0 (default). See MCR[3]. |
| INTB                      | 32               | 29               | O    | UART channel B Interrupt output. The output state is defined by the user through the software setting of MCR[3]. INTB is set to the active mode and OP2B# output LOW when MCR[3] is set to a logic 1. INTB is set to the three state mode and OP2B# output HIGH when MCR[3] is set to a logic 0 (default). See MCR[3]. |
| TXRDYA#                   | 1                | 43               | O    | UART channel A Transmitter Ready (active low). The output provides the TX FIFO/THR status for transmit channel A. See <a href="#">Table 2</a> . If it is not used, leave it unconnected.   |
| RXRDYA#                   | 34               | 31               | O    | UART channel A Receiver Ready (active low). This output provides the RX FIFO/RHR status for receive channel A. See <a href="#">Table 2</a> . If it is not used, leave it unconnected.  |
| TXRDYB#                   | 12               | 6                | O    | UART channel B Transmitter Ready (active low). The output provides the TX FIFO/THR status for transmit channel B. See <a href="#">Table 3</a> . If it is not used, leave it unconnected.   |

**Pin Description**

| NAME                                 | 44-PLCC<br>PIN # | 48-TQFP<br>PIN # | TYPE | DESCRIPTION   |
|--------------------------------------|------------------|------------------|------|---|
| RXRDYB#                              | 23               | 18               | O    | UART channel B Receiver Ready (active low). This output provides the RX FIFO/RHR status for receive channel B. See <a href="#">Table 2</a> . If it is not used, leave it unconnected.   |
| <b>MODEM OR SERIAL I/O INTERFACE</b> |                  |                  |      |   |
| TXA                                  | 13               | 7                | O    | UART channel A Transmit Data or infrared encoder data. Standard transmit and receive interface is enabled when MCR[6] = 0. In this mode, the TX signal will be HIGH during reset or idle (no data). Infrared IrDA transmit and receive interface is enabled when MCR[6] = 1. In the Infrared mode, the inactive state (no data) for the Infrared encoder/decoder interface is LOW. If it is not used, leave it unconnected. |
| RXA                                  | 11               | 5                | I    | UART channel A Receive Data or infrared receive data. Normal receive data input must idle HIGH. The infrared receiver pulses typically idles at LOW but can be inverted by software control prior going in to the decoder, see MCR[6] and FCTR[2]. If this pin is not used, tie it to VCC or pull it high via a 100k ohm resistor.  |
| RTSA#                                | 36               | 33               | O    | UART channel A Request-to-Send (active low) or general purpose output. This output must be asserted prior to using auto RTS flow control, see EFR[6], MCR[1], FCTR[1:0], EMSR[5:4] and IER[6]. For auto RS485 half-duplex direction control, see FCTR[3] and EMSR[3].   |
| CTSA#                                | 40               | 38               | I    | UART channel A Clear-to-Send (active low) or general purpose input. It can be used for auto CTS flow control, see EFR[7], and IER[7]. This input should be connected to VCC when not used.  |
| DTRA#                                | 37               | 34               | O    | UART channel A Data-Terminal-Ready (active low) or general purpose output. If it is not used, leave it unconnected.   |
| DSRA#                                | 41               | 39               | I    | UART channel A Data-Set-Ready (active low) or general purpose input. This input should be connected to VCC when not used. This input has no effect on the UART.   |
| CDA#                                 | 42               | 40               | I    | UART channel A Carrier-Detect (active low) or general purpose input. This input should be connected to VCC when not used. This input has no effect on the UART.   |
| RIA#                                 | 43               | 41               | I    | UART channel A Ring-Indicator (active low) or general purpose input. This input should be connected to VCC when not used. This input has no effect on the UART.   |
| OP2A#                                | 35               | 32               | O    | Output Port 2 Channel A - The output state is defined by the user and through the software setting of MCR[3]. INTA is set to the active mode and OP2A# output LOW when MCR[3] is set to a logic 1. INTA is set to the three state mode and OP2A# output HIGH when MCR[3] is set to a logic 0. See MCR[3]. This output should not be used as a general output else it will disturb the INTA output functionality.            |
| TXB                                  | 14               | 8                | O    | UART channel B Transmit Data or infrared encoder data. Standard transmit and receive interface is enabled when MCR[6] = 0. In this mode, the TX signal will be HIGH during reset or idle (no data). Infrared IrDA transmit and receive interface is enabled when MCR[6] = 1. In the Infrared mode, the inactive state (no data) for the Infrared encoder/decoder interface is LOW. If it is not used, leave it unconnected. |

**Pin Description**

| NAME                     | 44-PLCC<br>PIN # | 48-TQFP<br>PIN #  | TYPE | DESCRIPTION  |
|--------------------------|------------------|-------------------|------|--|
| RXB                      | 10               | 4                 | I    | UART channel B Receive Data or infrared receive data. Normal receive data input must idle HIGH. The infrared receiver pulses typically idles at logic 0 but can be inverted by software control prior going in to the decoder, see MCR[6] and FCTR[2]. If this pin is not used, tie it to VCC or pull it high via a 100k ohm resistor.   |
| RTSB#                    | 27               | 22                | O    | UART channel B Request-to-Send (active low) or general purpose output. This port must be asserted prior to using auto RTS flow control, see EFR[6], MCR[1], FCTR[1:0], EMSR[5:4] and IER[6]. For auto RS485 half-duplex direction control, see FCTR[3] and EMSR[3].  |
| CTSB#                    | 28               | 23                | I    | UART channel B Clear-to-Send (active low) or general purpose input. It can be used for auto CTS flow control, see EFR[7], and IER[7]. This input should be connected to VCC when not used.   |
| DTRB#                    | 38               | 35                | O    | UART channel B Data-Terminal-Ready (active low) or general purpose output. If it is not used, leave it unconnected.  |
| DSRB#                    | 25               | 20                | I    | UART channel B Data-Set-Ready (active low) or general purpose input. This input should be connected to VCC when not used. This input has no effect on the UART.  |
| CDB#                     | 21               | 16                | I    | UART channel B Carrier-Detect (active low) or general purpose input. This input should be connected to VCC when not used. This input has no effect on the UART.  |
| RIB#                     | 26               | 21                | I    | UART channel B Ring-Indicator (active low) or general purpose input. This input should be connected to VCC when not used. This input has no effect on the UART.  |
| OP2B#                    | 15               | 9                 | O    | Output Port 2 Channel B - The output state is defined by the user and through the software setting of MCR[3]. INTB is set to the active mode and OP2B# output LOW when MCR[3] is set to a logic 1. INTB is set to the three state mode and OP2B# output HIGH when MCR[3] is set to a logic 0. See MCR[3]. This output should not be used as a general output else it will disturb the INTB output functionality. |
| <b>ANCILLARY SIGNALS</b> |                  |                   |      |  |
| XTAL1                    | 18               | 13                | I    | Crystal or external clock input. Caution: this input is not 5V tolerant.   |
| XTAL2                    | 19               | 14                | O    | Crystal or buffered clock output.  |
| RESET                    | 39               | 36                | I    | Reset (active high) - A longer than 40 ns HIGH pulse on this pin will reset the internal registers and all outputs. The UART transmitter output will be held HIGH, the receiver input will be ignored and outputs are reset during reset period (see External Reset Conditions).   |
| VCC                      | 44               | 42                | Pwr  | 2.25V to 5.5V power supply. All input pins, except XTAL1, are 5V tolerant.   |
| GND                      | 22               | 17                | Pwr  | Power supply common, ground.   |
| N.C.                     | none             | 12, 24, 25,<br>37 |      | No Connection.   |

Pin type: I=Input, O=Output, I/O= Input/output, OD=Output Open Drain.

## **1.0 PRODUCT DESCRIPTION**

The XR16L2750 (2750) integrates the functions of 2 enhanced 16C550 Universal Asynchronous Receiver and Transmitter (UART). Each UART is independently controlled having its own set of device configuration registers. The configuration registers set is 16550 UART compatible for control, status and data transfer. Additionally, each UART channel has 64-bytes of transmit and receive FIFOs, automatic RTS/CTS hardware flow control with hysteresis control, automatic Xon/Xoff and special character software flow control, programmable transmit and receive FIFO trigger levels, FIFO level counters, infrared encoder and decoder (IrDA ver 1.0), programmable baud rate generator with a prescaler of divide by 1 or 4, and data rate up to 6.25 Mbps with 8X sampling clock rate or 3.125 Mbps in the 16X rate. The XR16L2750 is a 2.25 to 5.5V device with 5 volt tolerant inputs. The 2750 is fabricated with an advanced CMOS process.

### **Enhanced Features**

The 2750 DUART provides a solution that supports 64 bytes of transmit and receive FIFO memory, instead of 128 bytes provided in the XR16C2850 and 16 bytes in the ST16C2550, or one byte in the ST16C2450. The 2750 is designed to work with low supply voltage and high performance data communication systems, that require fast data processing time. Increased performance is realized in the 2750 by the larger transmit and receive FIFOs, FIFO trigger level control, FIFO level counters and automatic flow control mechanism. This allows the external processor to handle more networking tasks within a given time. For example, the ST16C2550 with a 16 byte FIFO, unloads 16 bytes of receive data in 1.53 ms (This example uses a character length of 11 bits, including start/stop bits at 115.2 Kbps). This means the external CPU will have to service the receive FIFO at 1.53 ms intervals. However with the 64 byte FIFO in the 2750, the data buffer will not require unloading/loading for 6.1 ms. This increases the service interval giving the external CPU additional time for other applications and reducing the overall UART interrupt servicing time. In addition, the programmable FIFO level trigger interrupt and automatic hardware/software flow control is uniquely provided for maximum data throughput performance especially when operating in a multi-channel system. The combination of the above greatly reduces the CPU's bandwidth requirement, increases performance, and reduces power consumption.

The 2750 supports a half-duplex output direction control signaling pin, RTS# A/B, to enable and disable the external RS-485 transceiver operation. It automatically switches the logic state of the output pin to the receive state after the last stop-bit of the last character has been shifted out of the transmitter. After receiving, the logic state of the output pin switches back to the transmit state when a data byte is loaded in the transmitter. The auto RS-485 direction control pin is not activated after reset. To activate the direction control function, user has to set FCTR Bit-3 to "1". This pin is normally high for receive state, low for transmit state.

### **Data Rate**

The 2750 is capable of operation up to 3.125 Mbps at 5V with 16X internal sampling clock rate, and 6.25 Mbps at 5V with 8X sampling clock rate. The device can operate with an external 24 MHz crystal on pins XTAL1 and XTAL2, or external clock source of up to 50 MHz on XTAL1 pin. With a typical crystal of 14.7456 MHz and through a software option, the user can set the prescaler bit for data rates of up to 1.84 Mbps.

The rich feature set of the 2750 is available through the internal registers. Automatic hardware/software flow control, selectable transmit and receive FIFO trigger levels, selectable TX and RX baud rates, infrared encoder/decoder interface, modem interface controls, and a sleep mode are all standard features.

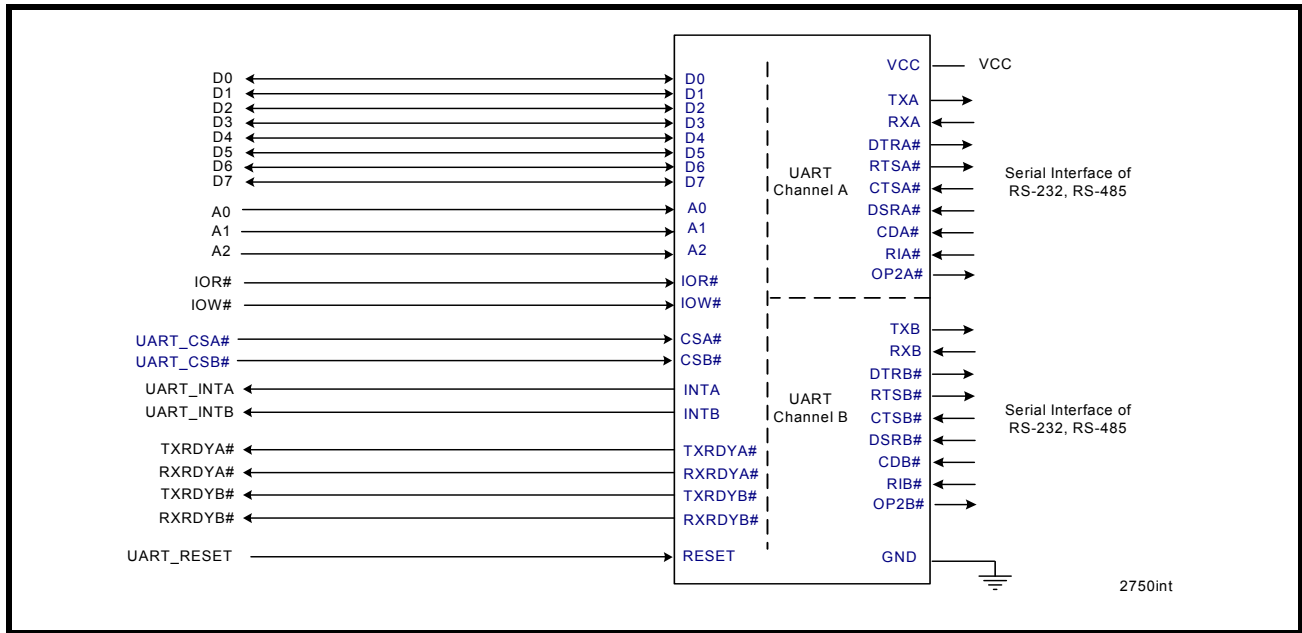
Following a power on reset or an external reset, the 2750 is software compatible with previous generation of UARTs, 16C450, 16C550 and 16C650A as well as the 16C850.

**2.0 FUNCTIONAL DESCRIPTIONS**

**2.1 CPU Interface**

The CPU interface is 8 data bits wide with 3 address lines and control signals to execute data bus read and write transactions. The 2750 data interface supports the Intel compatible types of CPUs and it is compatible to the industry standard 16C550 UART. No clock (oscillator nor external clock) is required to operate a data bus transaction. Each bus cycle is asynchronous using CS#, IOR# and IOW# signals. Both UART channels share the same data bus for host operations. The data bus interconnections are shown in [Figure 3](#).

**FIGURE 3. XR16L2750 DATA BUS INTERCONNECTIONS**



**2.2 5-Volt Tolerant Inputs**

The 2750 can accept up to 5V inputs even when operating at 3.3V or 2.5V. But note that if the 2750 is operating at 2.5V, its V<sub>OH</sub> may not be high enough to meet the requirements of the V<sub>IH</sub> of a CPU or a serial transceiver that is operating at 5V. Caution: XTAL1 is not 5 volt tolerant.

**2.3 Device Reset**

The RESET input resets the internal registers and the serial interface outputs in both channels to their default state (see [Table 16](#)). An active high pulse of longer than 40 ns duration will be required to activate the reset function in the device.

**2.4 Device Identification and Revision**

The XR16L2750 provides a Device Identification code and a Device Revision code to distinguish the part from other devices and revisions. To read the identification code from the part, it is required to set the baud rate generator registers DLL and DLM both to 0x00. Now reading the content of the DLM will provide 0x0A for the XR16L2750 and reading the content of DLL will provide the revision of the part; for example, a reading of 0x01 means revision A.

**2.5 Channel A and B Selection**

The UART provides the user with the capability to bi-directionally transfer information between an external CPU and an external serial communication device. A logic 0 on chip select pins, CSA# or CSB#, allows the user to select UART channel A or B to configure, send transmit data and/or unload receive data to/from the UART. Selecting both UARTs can be useful during power up initialization to write to the same internal registers, but do not attempt to read from both uarts simultaneously. Individual channel select functions are shown in [Table 1](#).

**TABLE 1: CHANNEL A AND B SELECT**

| CSA# | CSB# | FUNCTION                 |
|------|------|--------------------------|
| 1    | 1    | UART de-selected         |
| 0    | 1    | Channel A selected       |
| 1    | 0    | Channel B selected       |
| 0    | 0    | Channel A and B selected |

**2.6 Channel A and B Internal Registers**

Each UART channel in the 2750 has a set of enhanced registers for control, monitoring and data loading and unloading. The configuration register set is compatible to those already available in the standard single 16C550 and dual ST16C2550. These registers function as data holding registers (THR/RHR), interrupt status and control registers (ISR/IER), a FIFO control register (FCR), receive line status and control registers (LSR/LCR), modem status and control registers (MSR/MCR), programmable data rate (clock) divisor registers (DLL/DLM), and a user accessible Scratchpad Register (SPR).

Beyond the general 16C2550 features and capabilities, the 2750 offers enhanced feature registers (EMSR, FLVL, EFR, Xon/Xoff 1, Xon/Xoff 2, FCTR, TRG, FC) that provide automatic RTS and CTS hardware flow control, Xon/Xoff software flow control, automatic RS-485 half-duplex direction output enable/disable, FIFO trigger level control, and FIFO level counters. All the register functions are discussed in full detail later in [“Section 3.0, UART INTERNAL REGISTERS” on page 20.](#)

**2.7 DMA Mode**

The device does not support direct memory access. The DMA Mode (a legacy term) in this document doesn't mean “direct memory access” but refers to data block transfer operation. The DMA mode affects the state of the RXRDY# A/B and TXRDY# A/B output pins. The transmit and receive FIFO trigger levels provide additional flexibility to the user for block mode operation. The LSR bits 5-6 provide an indication when the transmitter is empty or has an empty location(s) for more data. The user can optionally operate the transmit and receive FIFO in the DMA mode (FCR bit-3=1). When the transmit and receive FIFO are enabled and the DMA mode is disabled (FCR bit-3 = 0), the 2750 is placed in single-character mode for data transmit or receive operation. When DMA mode is enabled (FCR bit-3 = 1), the user takes advantage of block mode operation by loading or unloading the FIFO in a block sequence determined by the programmed trigger level. In this mode, the 2750 sets the TXRDY# pin when the transmit FIFO becomes full, and sets the RXRDY# pin when the receive FIFO becomes empty. The following table shows their behavior. Also see [Figures 18 through 23.](#)

**TABLE 2: TXRDY# AND RXRDY# OUTPUTS IN FIFO AND DMA MODE**

| PINS       | FCR BIT-0=0<br>(FIFO DISABLED)          | FCR BIT-0=1 (FIFO ENABLED)                           |  |
|------------|---|--|--|
|            |   | FCR Bit-3 = 0<br>(DMA Mode Disabled)                 | FCR Bit-3 = 1<br>(DMA Mode Enabled)  |
| RXRDY# A/B | LOW = 1 byte.<br>HIGH = no data.        | LOW = at least 1 byte in FIFO.<br>HIGH = FIFO empty. | HIGH to LOW transition when FIFO reaches the trigger level, or time-out occurs.<br>LOW to HIGH transition when FIFO empties. |
| TXRDY# A/B | LOW = THR empty.<br>HIGH = byte in THR. | LOW = FIFO empty.<br>HIGH = at least 1 byte in FIFO. | LOW = FIFO has at least 1 empty location.<br>HIGH = FIFO is full.  |



**2.8 INTA and INTB Outputs**

The INTA and INTB interrupt output changes according to the operating mode and enhanced features setup. Table 3 and 4 summarize the operating behavior for the transmitter and receiver. Also see Figures 18 through 23.

**TABLE 3: INTA AND INTB PINS OPERATION FOR TRANSMITTER**

|            | <b>AUTO RS485 MODE</b> | <b>FCR BIT-0 = 0 (FIFO DISABLED)</b>            | <b>FCR BIT-0 = 1 (FIFO ENABLED)</b>  |
|------------|------------------------|---|--|
| INTA/B Pin | NO                     | LOW = a byte in THR<br>HIGH = THR empty         | LOW = FIFO above trigger level<br>HIGH = FIFO below trigger level or FIFO empty        |
| INTA/B Pin | YES                    | LOW = a byte in THR<br>HIGH = transmitter empty | LOW = FIFO above trigger level<br>HIGH = FIFO below trigger level or transmitter empty |

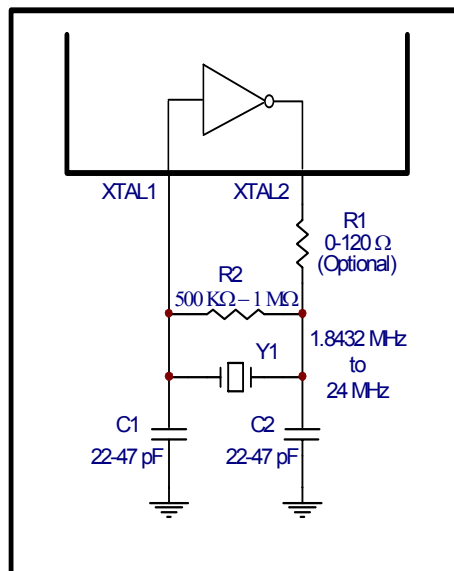
**TABLE 4: INTA AND INTB PIN OPERATION FOR RECEIVER**

|            | <b>FCR BIT-0 = 0 (FIFO DISABLED)</b> | <b>FCR BIT-0 = 1 (FIFO ENABLED)</b>                               |
|------------|--------------------------------------|---|
| INTA/B Pin | LOW = no data<br>HIGH = 1 byte       | LOW = FIFO below trigger level<br>HIGH = FIFO above trigger level |

**2.9 Crystal Oscillator or External Clock Input**

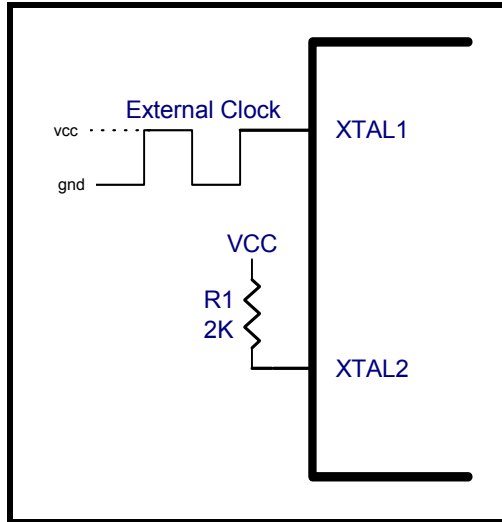
The 2750 includes an on-chip oscillator (XTAL1 and XTAL2) to produce a clock for both UART sections in the device. The CPU data bus does not require this clock for bus operation. The crystal oscillator provides a system clock to the Baud Rate Generators (BRG) section found in each of the UART. XTAL1 is the input to the oscillator or external clock buffer input with XTAL2 pin being the output. Please note that the input XTAL1 is not 5V tolerant and so the maximum at the pin should be VCC. For programming details, see “Programmable Baud Rate Generator.”

**FIGURE 4. TYPICAL OSCILLATOR CONNECTIONS**



The on-chip oscillator is designed to use an industry standard microprocessor crystal (parallel resonant, fundamental frequency with 10-22 pF capacitance load, ESR of 20-120 ohms and 100 ppm frequency tolerance) connected externally between the XTAL1 and XTAL2 pins (see Figure 4). The programmable Baud Rate Generator is capable of operating with a crystal oscillator frequency of up to 24 MHz. However, with an external clock input on XTAL1 pin and a 2K ohms pull-up resistor on XTAL2 pin (as shown in Figure 5) it can extend its operation up to 50 MHz (6.25 Mbps serial data rate) at 5V with an 8X sampling rate.

**FIGURE 5. EXTERNAL CLOCK CONNECTION FOR EXTENDED DATA RATE**

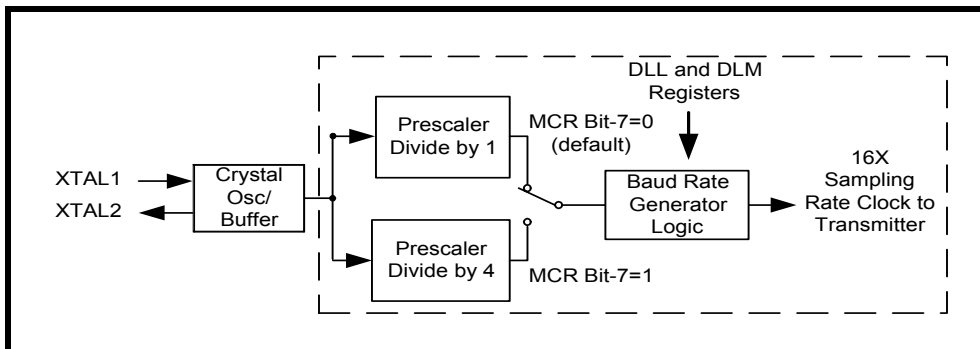


For further reading on the oscillator circuit please see the Application Note DAN108 on the EXAR web site at <http://www.exar.com>.

**2.10 Programmable Baud Rate Generator**

Each UART has its own Baud Rate Generator (BRG) with a prescaler. The prescaler is controlled by a software bit in the MCR register. The MCR register bit-7 sets the prescaler to divide the input crystal or external clock by 1 or 4. The clock output of the prescaler goes to the BRG. The BRG further divides this clock by a programmable divisor between 1 and  $(2^{16} - 1)$  to obtain a 16X sampling rate clock of the serial data rate. The sampling rate clock is used by the transmitter for data bit shifting and receiver for data sampling. The BRG divisor defaults to the maximum baud rate (DLL = 0x01 and DLM = 0x00) upon power up.

**FIGURE 6. BAUD RATE GENERATOR AND PRESCALER**



Programming the Baud Rate Generator Registers DLM and DLL provides the capability of selecting the operating data rate. Table 5 shows the standard data rates available with a 14.7456 MHz crystal or external clock at 16X sampling rate clock rate. A 16X sampling clock is typically used. However, user can select the 8X

sampling clock rate mode (EMSR bit-7=0) to double the operating data rate. When using a non-standard data rate crystal or external clock, the divisor value can be calculated for DLL/DLM with the following equation.

$$\text{divisor (decimal)} = (\text{XTAL1 clock frequency} / \text{prescaler}) / (\text{serial data rate} \times 16), \text{ with } 16\text{XMode [EMSR bit-7]} = 1$$

$$\text{divisor (decimal)} = (\text{XTAL1 clock frequency} / \text{prescaler}) / (\text{serial data rate} \times 8), \text{ with } 16\text{XMode [EMSR bit-7]} = 0$$

**TABLE 5: TYPICAL DATA RATES WITH A 14.7456 MHZ CRYSTAL OR EXTERNAL CLOCK**

| OUTPUT Data Rate<br>MCR Bit-7=1 | OUTPUT Data Rate<br>MCR Bit-7=0<br>(DEFAULT) | DIVISOR FOR 16x<br>Clock (Decimal) | DIVISOR FOR 16x<br>Clock (HEX) | DLM<br>PROGRAM<br>VALUE (HEX) | DLL<br>PROGRAM<br>VALUE (HEX) | DATA RATE<br>ERROR (%) |
|---------------------------------|--|------------------------------------|--------------------------------|-------------------------------|-------------------------------|------------------------|
| 100                             | 400  | 2304                               | 900                            | 09                            | 00                            | 0                      |
| 600                             | 2400   | 384                                | 180                            | 01                            | 80                            | 0                      |
| 1200                            | 4800   | 192                                | C0                             | 00                            | C0                            | 0                      |
| 2400                            | 9600   | 96                                 | 60                             | 00                            | 60                            | 0                      |
| 4800                            | 19.2k  | 48                                 | 30                             | 00                            | 30                            | 0                      |
| 9600                            | 38.4k  | 24                                 | 18                             | 00                            | 18                            | 0                      |
| 19.2k                           | 76.8k  | 12                                 | 0C                             | 00                            | 0C                            | 0                      |
| 38.4k                           | 153.6k                                       | 6                                  | 06                             | 00                            | 06                            | 0                      |
| 57.6k                           | 230.4k                                       | 4                                  | 04                             | 00                            | 04                            | 0                      |
| 115.2k                          | 460.8k                                       | 2                                  | 02                             | 00                            | 02                            | 0                      |
| 230.4k                          | 921.6k                                       | 1                                  | 01                             | 00                            | 01                            | 0                      |

**2.11 Transmitter**

The transmitter section comprises of an 8-bit Transmit Shift Register (TSR) and 64 bytes of FIFO which includes a byte-wide Transmit Holding Register (THR). TSR shifts out every data bit with the 16X/8X internal clock. A bit time is 16 (8) clock periods (see EMSR bit-7). The transmitter sends the start-bit followed by the number of data bits, inserts the proper parity-bit if enabled, and adds the stop-bit(s). The status of the FIFO and TSR are reported in the Line Status Register (LSR bit-5 and bit-6).

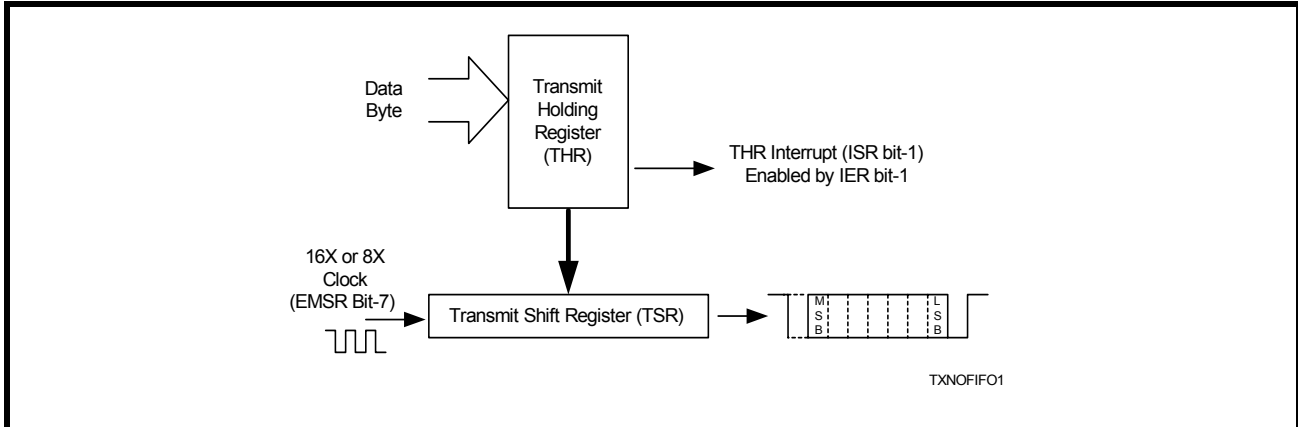
**2.11.1 Transmit Holding Register (THR) - Write Only**

The transmit holding register is an 8-bit register providing a data interface to the host processor. The host writes transmit data byte to the THR to be converted into a serial data stream including start-bit, data bits, parity-bit and stop-bit(s). The least-significant-bit (Bit-0) becomes first data bit to go out. The THR is the input register to the transmit FIFO of 64 bytes when FIFO operation is enabled by FCR bit-0. Every time a write operation is made to the THR, the FIFO data pointer is automatically bumped to the next sequential data location.

**2.11.2 Transmitter Operation in non-FIFO Mode**

The host loads transmit data to THR one character at a time. The THR empty flag (LSR bit-5) is set when the data byte is transferred to TSR. THR flag can generate a transmit empty interrupt (ISR bit-1) when it is enabled by IER bit-1. The TSR flag (LSR bit-6) is set when TSR becomes completely empty.

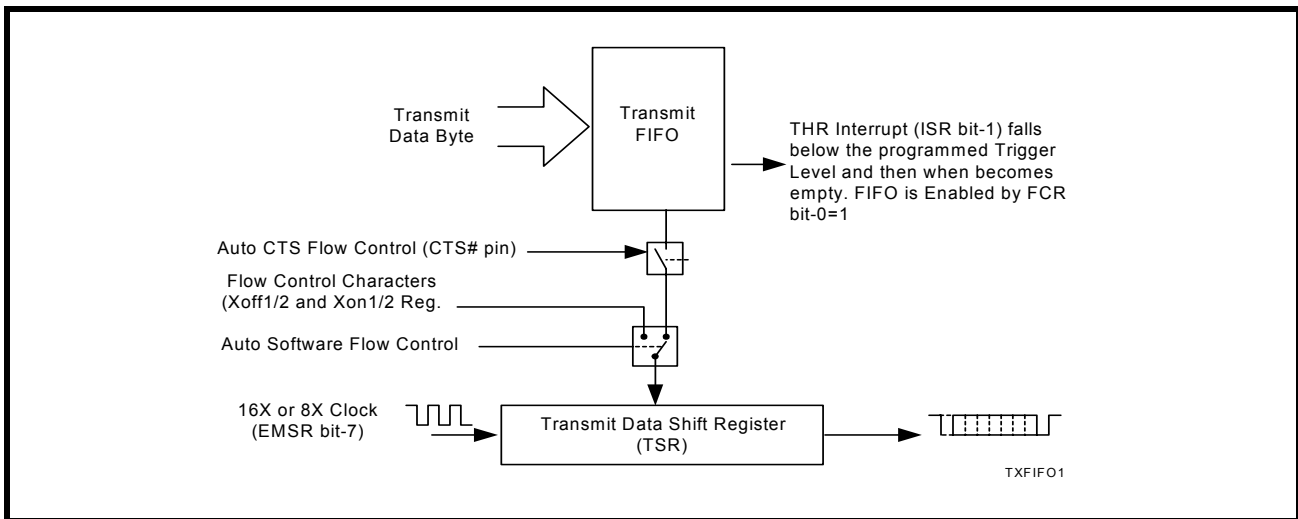
FIGURE 7. TRANSMITTER OPERATION IN NON-FIFO MODE



### 2.11.3 Transmitter Operation in FIFO Mode

The host may fill the transmit FIFO with up to 64 bytes of transmit data. The THR empty flag (LSR bit-5) is set whenever the FIFO is empty. The THR empty flag can generate a transmit empty interrupt (ISR bit-1) when the amount of data in the FIFO falls below its programmed trigger level. The transmit empty interrupt is enabled by IER bit-1. The TSR flag (LSR bit-6) is set when TSR/FIFO becomes empty.

FIGURE 8. TRANSMITTER OPERATION IN FIFO AND FLOW CONTROL MODE



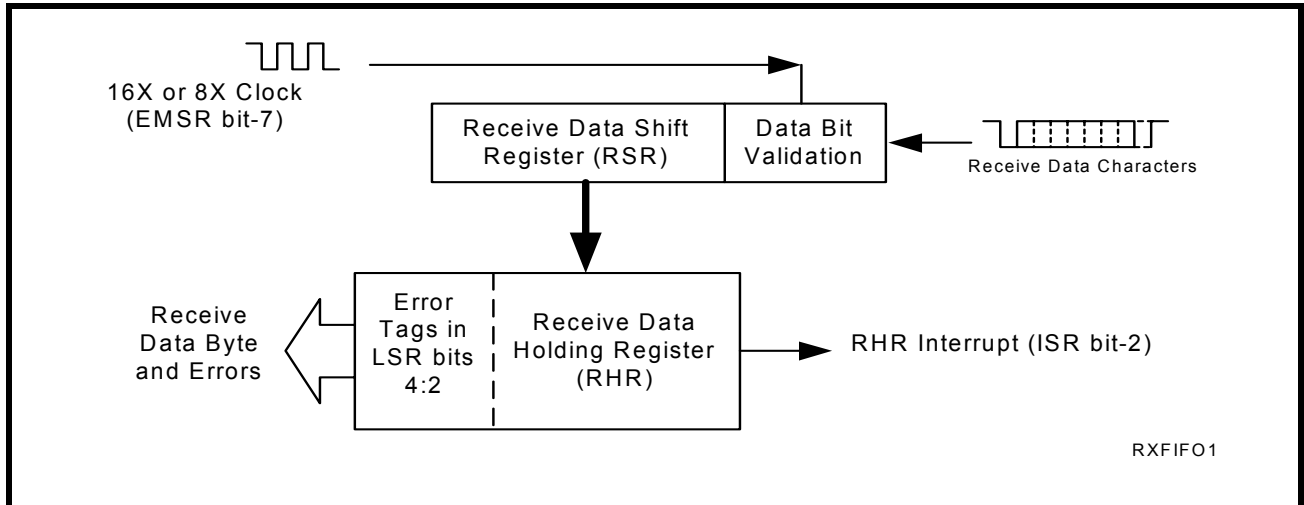
### 2.12 Receiver

The receiver section contains an 8-bit Receive Shift Register (RSR) and 64 bytes of FIFO which includes a byte-wide Receive Holding Register (RHR). The RSR uses the 16X/8X clock (EMSR bit-7) for timing. It verifies and validates every bit on the incoming character in the middle of each data bit. On the falling edge of a start or false start bit, an internal receiver counter starts counting at the 16X/8X clock rate. After 8 clocks (or 4 if 8X) the start bit period should be at the center of the start bit. At this time the start bit is sampled and if it is still a logic 0 it is validated. Evaluating the start bit in this manner prevents the receiver from assembling a false character. The rest of the data bits and stop bits are sampled and validated in this same manner to prevent false framing. If there were any error(s), they are reported in the LSR register bits 2-4. Upon unloading the receive data byte from RHR, the receive FIFO pointer is bumped and the error tags are immediately updated to reflect the status of the data byte in RHR register. RHR can generate a receive data ready interrupt upon receiving a character or delay until it reaches the FIFO trigger level. Furthermore, data delivery to the host is guaranteed by a receive data ready time-out interrupt when data is not received for 4 word lengths as defined by LCR[1,0] plus 12 bits time. This is equivalent to 3.7-4.6 character times. The RHR interrupt is enabled by IER bit-0.

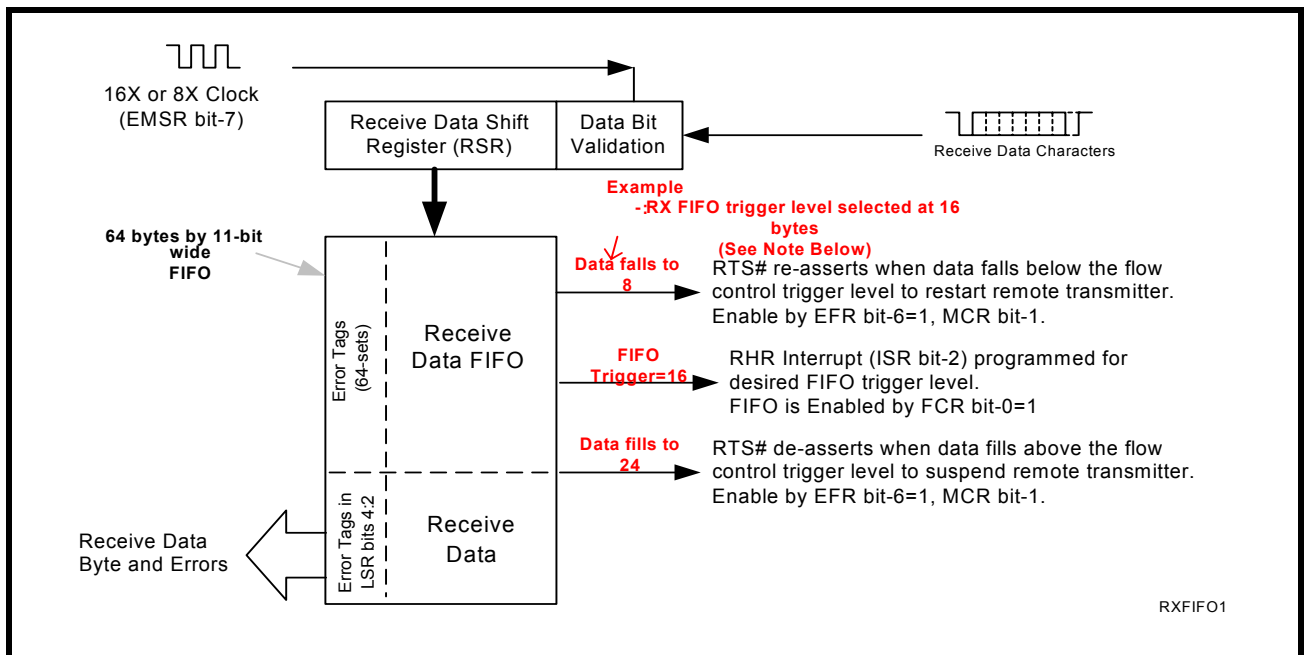
**2.12.1 Receive Holding Register (RHR) - Read-Only**

The Receive Holding Register is an 8-bit register that holds a receive data byte from the Receive Shift Register. It provides the receive data interface to the host processor. The RHR register is part of the receive FIFO of 64 bytes by 11-bits wide, the 3 extra bits are for the 3 error tags to be reported in LSR register. When the FIFO is enabled by FCR bit-0, the RHR contains the first data character received by the FIFO. After the RHR is read, the next character byte is loaded into the RHR and the errors associated with the current data byte are immediately updated in the LSR bits 2-4.

**FIGURE 9. RECEIVER OPERATION IN NON-FIFO MODE**



**FIGURE 10. RECEIVER OPERATION IN FIFO AND AUTO RTS FLOW CONTROL MODE**



**NOTE:** Table-B selected as Trigger Table for *Figure 10 (Table 10)*.

### 2.13 Auto RTS (Hardware) Flow Control

Automatic RTS hardware flow control is used to prevent data overrun to the local receiver FIFO. The RTS# output is used to request remote unit to suspend/resume data transmission. The auto RTS flow control features is enabled to fit specific application requirement (see [Figure 11](#)):

- Enable auto RTS flow control using EFR bit-6.
- The auto RTS function must be started by asserting RTS# output pin (MCR bit-1 to logic 1 after it is enabled).

If using the Auto RTS interrupt:

- Enable RTS interrupt through IER bit-6 (after setting EFR bit-4). The UART issues an interrupt when the RTS# pin makes a transition from low to high: ISR bit-5 will be set to logic 1.

### 2.14 Auto RTS Hysteresis

The 2750 has a new feature that provides flow control trigger hysteresis while maintaining compatibility with the XR16C850, ST16C650A and ST16C550 family of UARTs. With the Auto RTS function enabled, an interrupt is generated when the receive FIFO reaches the programmed RX trigger level. The RTS# pin will not be forced HIGH (RTS off) until the receive FIFO reaches the upper limit of the hysteresis level. The RTS# pin will return LOW after the RX FIFO is unloaded to the lower limit of the hysteresis level. Under the above described conditions, the 2750 will continue to accept data until the receive FIFO gets full. The Auto RTS function is initiated when the RTS# output pin is asserted LOW (RTS On). [Table 13](#) shows the complete details for the Auto RTS# Hysteresis levels. Please note that this table is for programmable trigger levels only (Table D). The hysteresis values for Tables A-C are the next higher and next lower trigger levels in the corresponding table.

### 2.15 Auto CTS Flow Control

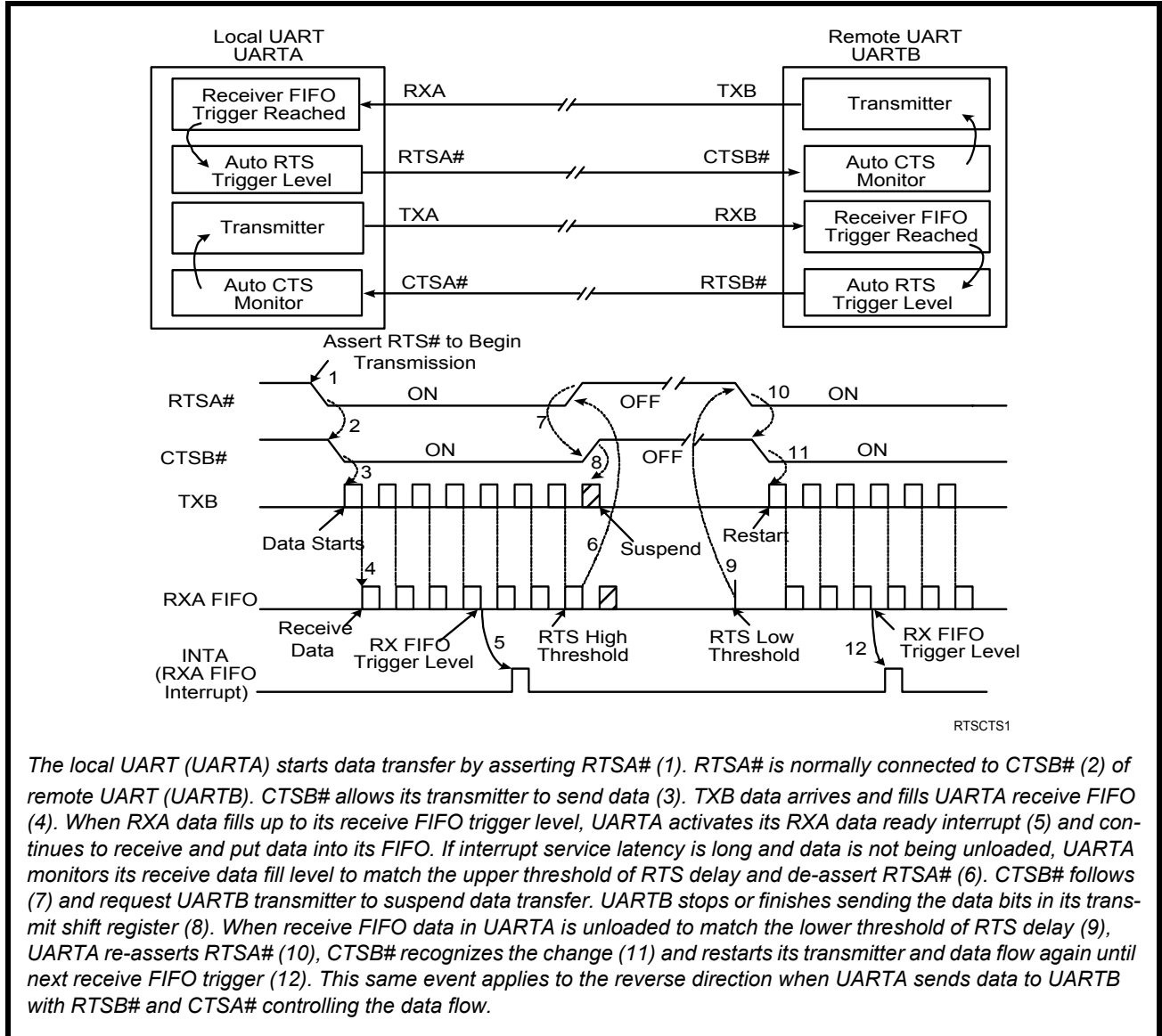
Automatic CTS flow control is used to prevent data overrun to the remote receiver FIFO. The CTS# input is monitored to suspend/restart the local transmitter. The auto CTS flow control feature is selected to fit specific application requirement (see [Figure 11](#)):

- Enable auto CTS flow control using EFR bit-7.

If using the Auto CTS interrupt:

- Enable CTS interrupt through IER bit-7 (after setting EFR bit-4). The UART issues an interrupt when the CTS# pin is de-asserted (HIGH): ISR bit-5 will be set to 1, and UART will suspend transmission as soon as the stop bit of the character in process is shifted out. Transmission is resumed after the CTS# input is re-asserted (LOW), indicating more data may be sent.

**FIGURE 11. AUTO RTS AND CTS FLOW CONTROL OPERATION**



### 2.16 Auto Xon/Xoff (Software) Flow Control

When software flow control is enabled (See Table 15), the 2750 compares one or two sequential receive data characters with the programmed Xon or Xoff-1,2 character value(s). If receive character(s) (RX) match the programmed values, the 2750 will halt transmission (TX) as soon as the current character has completed transmission. When a match occurs, the Xoff (if enabled via IER bit-5) flag will be set and the interrupt output pin will be activated. Following a suspension due to a match of the Xoff character, the 2750 will monitor the receive data stream for a match to the Xon-1,2 character. If a match is found, the 2750 will resume operation and clear the flags (ISR bit-4).

Reset initially sets the contents of the Xon/Xoff 8-bit flow control registers to a logic 0. Following reset the user can write any Xon/Xoff value desired for software flow control. Different conditions can be set to detect Xon/Xoff characters (See Table 15) and suspend/resume transmissions. When double 8-bit Xon/Xoff characters are selected, the 2750 compares two consecutive receive characters with two software flow control 8-bit values (Xon1, Xon2, Xoff1, Xoff2) and controls TX transmissions accordingly. Under the above described flow control mechanisms, flow control characters are not placed (stacked) in the user accessible RX data buffer or FIFO.

In the event that the receive buffer is overflowing and flow control needs to be executed, the 2750 automatically sends an Xoff message (when enabled) via the serial TX output to the remote modem. The 2750 sends the Xoff-1,2 characters two-character-times (= time taken to send two characters at the programmed baud rate) after the receive FIFO crosses the programmed trigger level (for all trigger tables A-D). To clear this condition, the 2750 will transmit the programmed Xon-1,2 characters as soon as receive FIFO is less than one trigger level below the programmed trigger level (for Trigger Tables A, B, and C) or when receive FIFO is less than the trigger level minus the hysteresis value (for Trigger Table D). This hysteresis value is the same as the Auto RTS Hysteresis value in Table 14. Table 6 below explains this when Trigger Table-B (See Table 10) is selected.

**TABLE 6: AUTO XON/XOFF (SOFTWARE) FLOW CONTROL**

| RX TRIGGER LEVEL | INT PIN ACTIVATION | XOFF CHARACTER(S) SENT<br>(CHARACTERS IN RX FIFO) | XON CHARACTER(S) SENT<br>(CHARACTERS IN RX FIFO) |
|------------------|--------------------|---|--|
| 8                | 8                  | 8*  | 0  |
| 16               | 16                 | 16*   | 8  |
| 24               | 24                 | 24*   | 16   |
| 28               | 28                 | 28*   | 24   |

\* After the trigger level is reached, an xoff character is sent after a short span of time (= time required to send 2 characters); for example, after 2.083ms has elapsed for 9600 baud and 10-bit word length setting.

### 2.17 Special Character Detect

A special character detect feature is provided to detect an 8-bit character when bit-5 is set in the Enhanced Feature Register (EFR). When this character (Xoff2) is detected, it will be placed in the FIFO along with normal incoming RX data.

The 2750 compares each incoming receive character with Xoff-2 data. If a match exists, the received data will be transferred to FIFO and ISR bit-4 will be set to indicate detection of special character. Although the Internal Register Table shows Xon, Xoff Registers with eight bits of character information, the actual number of bits is dependent on the programmed word length. Line Control Register (LCR) bits 0-1 defines the number of character bits, i.e., either 5 bits, 6 bits, 7 bits, or 8 bits. The word length selected by LCR bits 0-1 also determines the number of bits that will be used for the special character comparison. Bit-0 in the Xon, Xoff Registers corresponds with the LSB bit for the receive character.

### 2.18 Auto RS485 Half-duplex Control

The auto RS485 half-duplex direction control changes the behavior of the transmitter when enabled by FCTR bit-3. By default, it de-asserts RTS# (HIGH) output following the last stop bit of the last character that has been transmitted. This helps in turning around the transceiver to receive the remote station's response. When the host is ready to transmit next polling data packet again, it only has to load data bytes to the transmit FIFO. The



transmitter automatically re-asserts RTS# (LOW) output prior to sending the data. The RS485 half-duplex direction control output can be inverted by enabling EMSR bit-3.

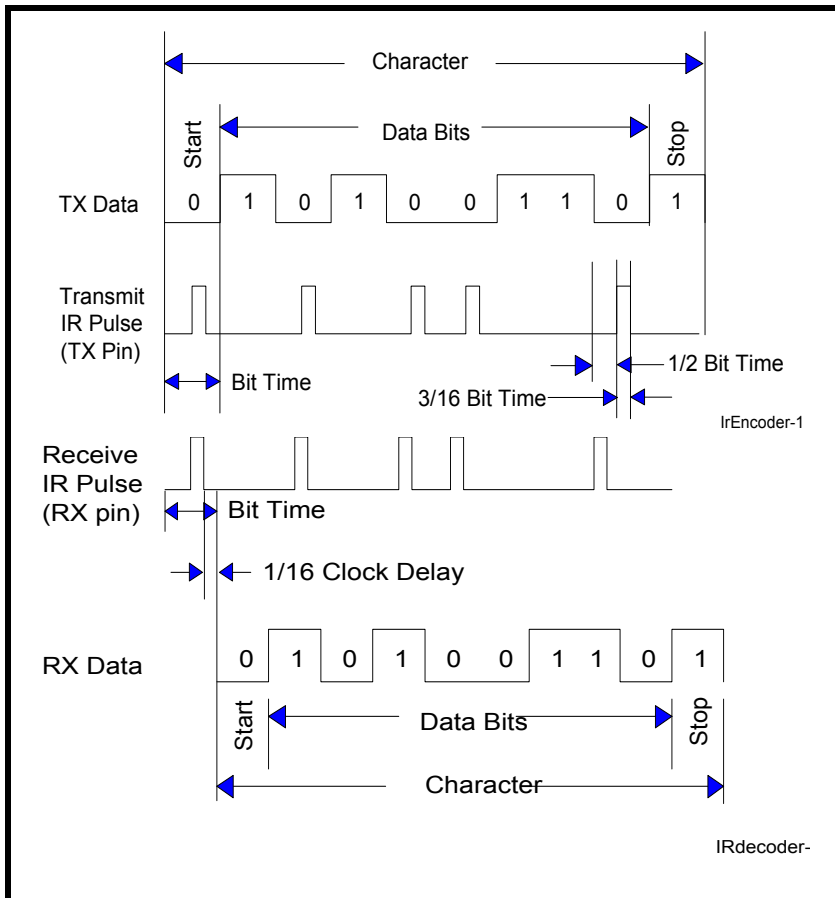
**2.19 Infrared Mode**

The 2750 UART includes the infrared encoder and decoder compatible to the IrDA (Infrared Data Association) version 1.0. The IrDA 1.0 standard that stipulates the infrared encoder sends out a 3/16 of a bit wide HIGH-pulse for each “0” bit in the transmit data stream. This signal encoding reduces the on-time of the infrared LED, hence reduces the power consumption. See Figure 12 below.

The infrared encoder and decoder are enabled by setting MCR register bit-6 to a ‘1’. When the infrared feature is enabled, the transmit data output, TX, idles at logic zero level. Likewise, the RX input assumes an idle level of logic zero from a reset and power up, see Figure 12.

Typically, the wireless infrared decoder receives the input pulse from the infrared sensing diode on the RX pin. Each time it senses a light pulse, it returns a logic 1 to the data bit stream. However, this is not true with some infrared modules on the market which indicate a logic 0 by a light pulse. So the 2750 has a provision to invert the input polarity to accommodate this. In this case user can enable FCTR bit-2 to invert the input signal.

**FIGURE 12. INFRARED TRANSMIT DATA ENCODING AND RECEIVE DATA DECODING**



## **2.20 Sleep Mode with Auto Wake-Up**

The 2750 supports low voltage system designs, hence, a sleep mode is included to reduce its power consumption when the chip is not actively used.

All of these conditions must be satisfied for the 2750 to enter sleep mode:

- no interrupts pending for both channels of the 2750 (ISR bit-0 = 1)
- sleep mode of both channels are enabled (IER bit-4 = 1)
- modem inputs are not toggling (MSR bits 0-3 = 0)
- RX input pins are idling HIGH

The 2750 stops its crystal oscillator to conserve power in the sleep mode. User can check the XTAL2 pin for no clock output as an indication that the device has entered the sleep mode.

The 2750 resumes normal operation by any of the following:

- a receive data start bit transition (HIGH to LOW)
- a data byte is loaded to the transmitter, THR or FIFO
- a change of logic state on any of the modem or general purpose serial inputs: CTS#, DSR#, CD#, RI#

If the 2750 is awakened by any one of the above conditions, it will return to the sleep mode automatically after all interrupting conditions have been serviced and cleared. If the 2750 is awakened by the modem inputs, a read to the MSR is required to reset the modem inputs. In any case, the sleep mode will not be entered while an interrupt is pending from channel A or B. The 2750 will stay in the sleep mode of operation until it is disabled by setting IER bit-4 to a logic 0.

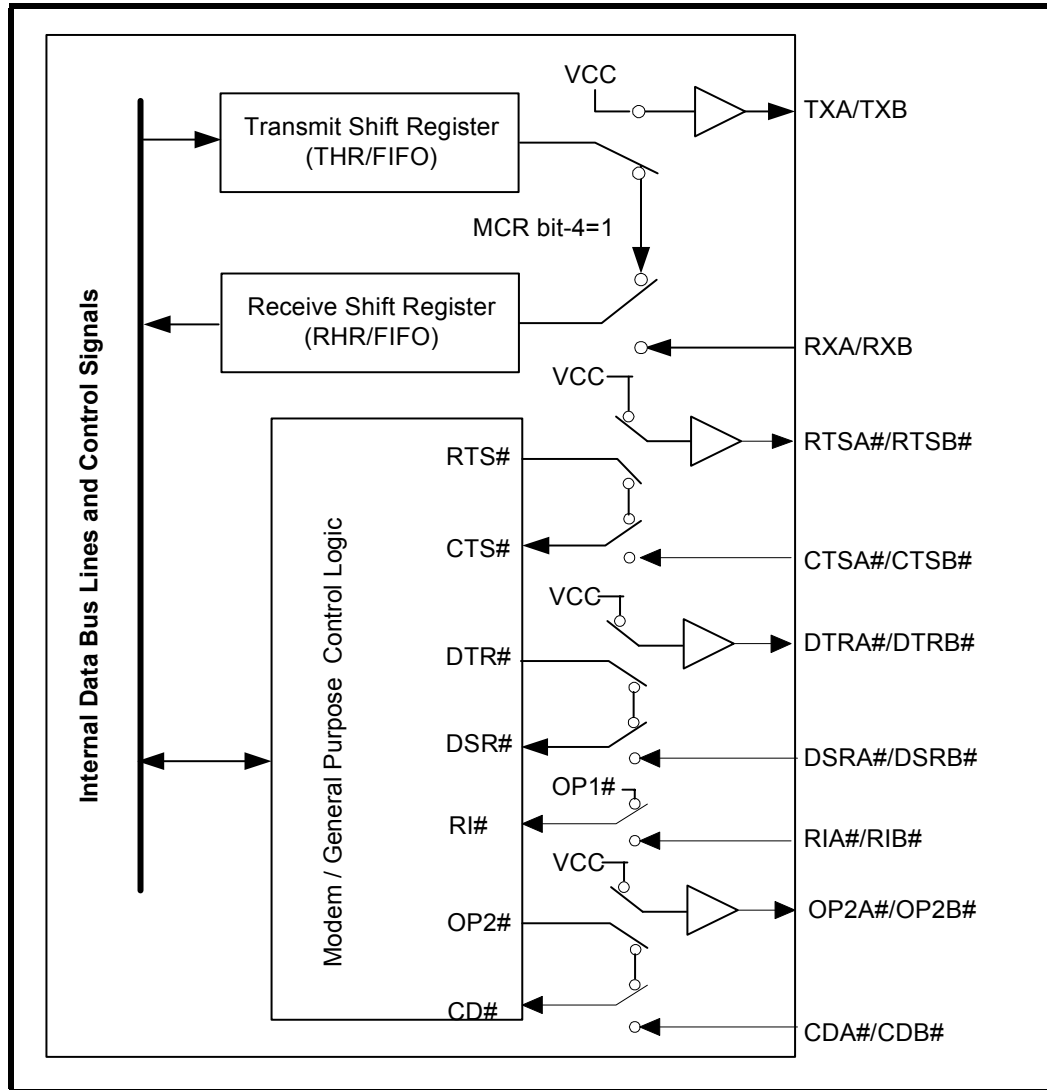
If the address lines, data bus lines, IOW#, IOR#, CSA#, CSB#, and modem input lines remain steady when the 2750 is in sleep mode, the maximum current will be in the microamp range as specified in the DC Electrical Characteristics on [page 37](#). If the input lines are floating or are toggling while the 2750 is in sleep mode, the current can be up to 100 times more. If any of those signals are toggling or floating, then an external buffer would be required to keep the address, data and control lines steady to achieve the low current. As an alternative, please refer to the XR16L2751 which is pin-to-pin and software compatible with the 2750 but with (some additional pins and) the PowerSave feature that eliminates any unnecessary external buffer.

A word of caution: owing to the starting up delay of the crystal oscillator after waking up from sleep mode, the first few receive characters may be lost. The number of characters lost during the restart also depends on your operating data rate. More characters are lost when operating at higher data rate. Also, it is important to keep RX A/B inputs idling HIGH or “marking” condition during sleep mode to avoid receiving a “break” condition upon the restart. This may occur when the external interface transceivers (RS-232, RS-485 or another type) are also put to sleep mode and cannot maintain the “marking” condition. To avoid this, the designer can use a 47k-100k ohm pull-up resistor on the RXA and RXB pins.

**2.21 Internal Loopback**

The 2750 UART provides an internal loopback capability for system diagnostic purposes. The internal loopback mode is enabled by setting MCR register bit-4 to logic 1. All regular UART functions operate normally. Figure 13 shows how the modem port signals are re-configured. Transmit data from the transmit shift register output is internally routed to the receive shift register input allowing the system to receive the same data that it was sending. The TX, RTS# and DTR# pins are held while the CTS#, DSR# CD# and RI# inputs are ignored. Caution: the RX input pin must be held HIGH during loopback test else upon exiting the loopback test the UART may detect and report a false “break” signal. Also, Auto RTS/CTS flow control is not supported during internal loopback.

**FIGURE 13. INTERNAL LOOP BACK IN CHANNEL A AND B**



### 3.0 UART INTERNAL REGISTERS

Each of the UART channel in the 2750 has its own set of configuration registers selected by address lines A0, A1 and A2 with CSA# or CSB# selecting the channel. The complete register set is shown on [Table 7](#) and [Table 8](#).

**TABLE 7: UART CHANNEL A AND B UART INTERNAL REGISTERS**

| <u>ADDRESSES</u><br><u>A2 A1 A0</u> | <u>REGISTER</u>   | <u>READ/WRITE</u>       | <u>COMMENTS</u>                            |
|-------------------------------------|---|-------------------------|--|
| <b>16C550 COMPATIBLE REGISTERS</b>  |   |                         |  |
| 0 0 0                               | RHR - Receive Holding Register<br>THR - Transmit Holding Register                 | Read-only<br>Write-only | LCR[7] = 0                                 |
| 0 0 0                               | DLL - Div Latch Low Byte  | Read/Write              | LCR[7] = 1, LCR ≠ 0xBF                     |
| 0 0 1                               | DLM - Div Latch High Byte   | Read/Write              |  |
| 0 0 0                               | DREV - Device Revision Code   | Read-only               | DLL, DLM = 0x00,<br>LCR[7] = 1, LCR ≠ 0xBF |
| 0 0 1                               | DVID - Device Identification Code   | Read-only               |  |
| 0 0 1                               | IER - Interrupt Enable Register   | Read/Write              | LCR[7] = 0                                 |
| 0 1 0                               | ISR - Interrupt Status Register<br>FCR - FIFO Control Register                    | Read-only<br>Write-only | LCR ≠ 0xBF                                 |
| 0 1 1                               | LCR - Line Control Register   | Read/Write              |  |
| 1 0 0                               | MCR - Modem Control Register  | Read/Write              | LCR ≠ 0xBF                                 |
| 1 0 1                               | LSR - Line Status Register<br>Reserved  | Read-only<br>Write-only |  |
| 1 1 0                               | MSR - Modem Status Register<br>Reserved   | Read-only<br>Write-only |  |
| 1 1 1                               | SPR - Scratch Pad Register  | Read/Write              | LCR ≠ 0xBF, FCTR[6] = 0                    |
| 1 1 1                               | FLVL - RX/TX FIFO Level Counter Register  | Read-only               | LCR ≠ 0xBF, FCTR[6] = 1                    |
| 1 1 1                               | EMSR - Enhanced Mode Select Register  | Write-only              |  |
| <b>ENHANCED REGISTERS</b>           |   |                         |  |
| 0 0 0                               | TRG - RX/TX FIFO Trigger Level Register<br>FC - RX/TX FIFO Level Counter Register | Write-only<br>Read-only | LCR = 0xBF                                 |
| 0 0 1                               | FCTR - Feature Control Register   | Read/Write              |  |
| 0 1 0                               | EFR - Enhanced Function Register  | Read/Write              |  |
| 1 0 0                               | Xon-1 - Xon Character 1   | Read/Write              |  |
| 1 0 1                               | Xon-2 - Xon Character 2   | Read/Write              |  |
| 1 1 0                               | Xoff-1 - Xoff Character 1   | Read/Write              |  |
| 1 1 1                               | Xoff-2 - Xoff Character 2   | Read/Write              |  |

**TABLE 8: INTERNAL REGISTERS DESCRIPTION. SHADED BITS ARE ENABLED WHEN EFR BIT-4=1**

| ADDRESS<br>A2-A0                   | REG<br>NAME | READ/<br>WRITE | BIT-7                                | BIT-6                                       | BIT-5                         | BIT-4                         | BIT-3                                | BIT-2                             | BIT-1                        | BIT-0                        | COMMENT                 |
|------------------------------------|-------------|----------------|--------------------------------------|---|-------------------------------|-------------------------------|--------------------------------------|-----------------------------------|------------------------------|------------------------------|-------------------------|
| <b>16C550 Compatible Registers</b> |             |                |                                      |   |                               |                               |                                      |                                   |                              |                              |                         |
| 0 0 0                              | RHR         | RD             | Bit-7                                | Bit-6                                       | Bit-5                         | Bit-4                         | Bit-3                                | Bit-2                             | Bit-1                        | Bit-0                        | LCR[7]=0                |
| 0 0 0                              | THR         | WR             | Bit-7                                | Bit-6                                       | Bit-5                         | Bit-4                         | Bit-3                                | Bit-2                             | Bit-1                        | Bit-0                        |                         |
| 0 0 1                              | IER         | RD/WR          | 0/<br>CTS Int.<br>Enable             | 0/<br>RTS Int.<br>Enable                    | 0/<br>Xoff Int.<br>Enable     | 0/<br>Sleep<br>Mode<br>Enable | Modem<br>Stat. Int.<br>Enable        | RXLine<br>Stat.<br>Int.<br>Enable | TX<br>Empty<br>Int<br>Enable | RX<br>Data<br>Int.<br>Enable |                         |
| 0 1 0                              | ISR         | RD             | FIFOs<br>Enabled                     | FIFOs<br>Enabled                            | 0/<br>INT<br>Source<br>Bit-5  | 0/<br>INT<br>Source<br>Bit-4  | INT<br>Source<br>Bit-3               | INT<br>Source<br>Bit-2            | INT<br>Source<br>Bit-1       | INT<br>Source<br>Bit-0       | LCR ≠ 0xBF              |
| 0 1 0                              | FCR         | WR             | RXFIFO<br>Trigger                    | RXFIFO<br>Trigger                           | 0/<br>TXFIFO<br>Trigger       | 0/<br>TXFIFO<br>Trigger       | DMA<br>Mode<br>Enable                | TX<br>FIFO<br>Reset               | RX<br>FIFO<br>Reset          | FIFOs<br>Enable              |                         |
| 0 1 1                              | LCR         | RD/WR          | Divisor<br>Enable                    | Set TX<br>Break                             | Set Par-<br>ity               | Even<br>Parity                | Parity<br>Enable                     | Stop<br>Bits                      | Word<br>Length<br>Bit-1      | Word<br>Length<br>Bit-0      |                         |
| 1 0 0                              | MCR         | RD/WR          | 0/<br>BRG<br>Pres-<br>caler          | 0/<br>IR Mode<br>ENable                     | 0/<br>XonAny                  | Internal<br>Lopback<br>Enable | OP2#/INT<br>Output<br>Enable         | Rsrvd<br>(OP1#)                   | RTS#<br>Output<br>Control    | DTR#<br>Output<br>Control    | LCR ≠ 0xBF              |
| 1 0 1                              | LSR         | RD             | RX FIFO<br>Global<br>Error           | THR &<br>TSR<br>Empty                       | THR<br>Empty                  | RX<br>Break                   | RX Fram-<br>ing Error                | RX<br>Parity<br>Error             | RX<br>Over-<br>run<br>Error  | RX<br>Data<br>Ready          |                         |
| 1 1 0                              | MSR         | RD             | CD#<br>Input                         | RI#<br>Input                                | DSR#<br>Input                 | CTS#<br>Input                 | Delta<br>CD#                         | Delta<br>RI#                      | Delta<br>DSR#                | Delta<br>CTS#                |                         |
| 1 1 1                              | SPR         | RD/WR          | Bit-7                                | Bit-6                                       | Bit-5                         | Bit-4                         | Bit-3                                | Bit-2                             | Bit-1                        | Bit-0                        | LCR ≠ 0xBF<br>FCTR[6]=0 |
| 1 1 1                              | EMSR        | WR             | 16X<br>Sam-<br>pling<br>Rate<br>Mode | LSR<br>Error<br>Inter-<br>rupt.<br>Imd/Dly# | Auto<br>RTS<br>Hyst.<br>bit-3 | Auto<br>RTS<br>Hyst.<br>bit-2 | Auto<br>RS485<br>Output<br>Inversion | Rsrvd                             | Rx/Tx<br>FIFO<br>Count       | Rx/Tx<br>FIFO<br>Count       | LCR ≠ 0xBF<br>FCTR[6]=1 |
| 1 1 1                              | FLVL        | RD             | Bit-7                                | Bit-6                                       | Bit-5                         | Bit-4                         | Bit-3                                | Bit-2                             | Bit-1                        | Bit-0                        |                         |

**TABLE 8: INTERNAL REGISTERS DESCRIPTION. SHADED BITS ARE ENABLED WHEN EFR BIT-4=1**

| ADDRESS<br>A2-A0                   | REG<br>NAME | READ/<br>WRITE | BIT-7                 | BIT-6                 | BIT-5                     | BIT-4   | BIT-3                                  | BIT-2                                  | BIT-1                                  | BIT-0                                  | COMMENT  |
|------------------------------------|-------------|----------------|-----------------------|-----------------------|---------------------------|---|--|--|--|--|--|
| <b>Baud Rate Generator Divisor</b> |             |                |                       |                       |                           |   |  |  |  |  |  |
| 0 0 0                              | DLL         | RD/WR          | Bit-7                 | Bit-6                 | Bit-5                     | Bit-4   | Bit-3                                  | Bit-2                                  | Bit-1                                  | Bit-0                                  | LCR[7]=1<br>LCR ≠ 0xBF                         |
| 0 0 1                              | DLM         | RD/WR          | Bit-7                 | Bit-6                 | Bit-5                     | Bit-4   | Bit-3                                  | Bit-2                                  | Bit-1                                  | Bit-0                                  |  |
| 0 0 0                              | DREV        | RD             | Bit-7                 | Bit-6                 | Bit-5                     | Bit-4   | Bit-3                                  | Bit-2                                  | Bit-1                                  | Bit-0                                  | LCR[7]=1<br>LCR ≠ 0xBF<br>DLL=0x00<br>DLM=0x00 |
| 0 0 1                              | DVID        | RD             | 0                     | 0                     | 0                         | 0   | 1                                      | 0                                      | 1                                      | 0                                      |  |
| <b>Enhanced Registers</b>          |             |                |                       |                       |                           |   |  |  |  |  |  |
| 0 0 0                              | TRG         | WR             | Bit-7                 | Bit-6                 | Bit-5                     | Bit-4   | Bit-3                                  | Bit-2                                  | Bit-1                                  | Bit-0                                  | LCR=0xBF                                       |
| 0 0 0                              | FC          | RD             | Bit-7                 | Bit-6                 | Bit-5                     | Bit-4   | Bit-3                                  | Bit-2                                  | Bit-1                                  | Bit-0                                  |  |
| 0 0 1                              | FCTR        | RD/WR          | RX/TX<br>Mode         | SCPAD<br>Swap         | Trig<br>Table<br>Bit-1    | Trig<br>Table<br>Bit-0                                      | Auto<br>RS485<br>Direction<br>Control  | RX IR<br>Input<br>Inv.                 | Auto<br>RTS<br>Hyst<br>Bit-1           | Auto<br>RTS<br>Hyst<br>Bit-0           |  |
| 0 1 0                              | EFR         | RD/WR          | Auto<br>CTS<br>Enable | Auto<br>RTS<br>Enable | Special<br>Char<br>Select | Enable<br>IER [7:4],<br>ISR [5:4],<br>FCR[5:4],<br>MCR[7:5] | Soft-<br>ware<br>Flow<br>Cntl<br>Bit-3 | Soft-<br>ware<br>Flow<br>Cntl<br>Bit-2 | Soft-<br>ware<br>Flow<br>Cntl<br>Bit-1 | Soft-<br>ware<br>Flow<br>Cntl<br>Bit-0 |  |
| 1 0 0                              | XON1        | RD/WR          | Bit-7                 | Bit-6                 | Bit-5                     | Bit-4   | Bit-3                                  | Bit-2                                  | Bit-1                                  | Bit-0                                  |  |
| 1 0 1                              | XON2        | RD/WR          | Bit-7                 | Bit-6                 | Bit-5                     | Bit-4   | Bit-3                                  | Bit-2                                  | Bit-1                                  | Bit-0                                  |  |
| 1 1 0                              | XOFF1       | RD/WR          | Bit-7                 | Bit-6                 | Bit-5                     | Bit-4   | Bit-3                                  | Bit-2                                  | Bit-1                                  | Bit-0                                  |  |
| 1 1 1                              | XOFF2       | RD/WR          | Bit-7                 | Bit-6                 | Bit-5                     | Bit-4   | Bit-3                                  | Bit-2                                  | Bit-1                                  | Bit-0                                  |  |

**4.0 INTERNAL REGISTER DESCRIPTIONS**

**4.1 Receive Holding Register (RHR) - Read- Only**

See “Receiver” on page 12.

**4.2 Transmit Holding Register (THR) - Write-Only**

See “Transmitter” on page 11.

**4.3 Interrupt Enable Register (IER) - Read/Write**

The Interrupt Enable Register (IER) masks the interrupts from receive data ready, transmit empty, line status and modem status registers. These interrupts are reported in the Interrupt Status Register (ISR).

#### 4.3.1 IER versus Receive FIFO Interrupt Mode Operation

When the receive FIFO (FCR BIT-0 = 1) and receive interrupts (IER BIT-0 = 1) are enabled, the RHR interrupts (see ISR bits 2 and 3) status will reflect the following:

- A. The receive data available interrupts are issued to the host when the FIFO has reached the programmed trigger level. It will be cleared when the FIFO drops below the programmed trigger level.
- B. FIFO level will be reflected in the ISR register when the FIFO trigger level is reached. Both the ISR register status bit and the interrupt will be cleared when the FIFO drops below the trigger level.
- C. The receive data ready bit (LSR BIT-0) is set as soon as a character is transferred from the shift register to the receive FIFO. It is reset when the FIFO is empty.

#### 4.3.2 IER versus Receive/Transmit FIFO Polled Mode Operation

When FCR BIT-0 equals a logic 1 for FIFO enable; resetting IER bits 0-3 enables the XR16L2750 in the FIFO polled mode of operation. Since the receiver and transmitter have separate bits in the LSR either or both can be used in the polled mode by selecting respective transmit or receive control bit(s).

- A. LSR BIT-0 indicates there is data in RHR or RX FIFO.
- B. LSR BIT-1 indicates an overrun error has occurred and that data in the FIFO may not be valid.
- C. LSR BIT 2-4 provides the type of receive data errors encountered for the data byte in RHR, if any.
- D. LSR BIT-5 indicates THR is empty.
- E. LSR BIT-6 indicates when both the transmit FIFO and TSR are empty.
- F. LSR BIT-7 indicates a data error in at least one character in the RX FIFO.

#### IER[0]: RHR Interrupt Enable

The receive data ready interrupt will be issued when RHR has a data character in the non-FIFO mode or when the receive FIFO has reached the programmed trigger level in the FIFO mode.

- Logic 0 = Disable the receive data ready interrupt (default).
- Logic 1 = Enable the receiver data ready interrupt.

#### IER[1]: THR Interrupt Enable

This bit enables the Transmit Ready interrupt which is issued whenever the THR becomes empty in the non-FIFO mode or when data in the FIFO falls below the programmed trigger level in the FIFO mode. If the THR is empty when this bit is enabled, an interrupt will be generated.

- Logic 0 = Disable Transmit Ready interrupt (default).
- Logic 1 = Enable Transmit Ready interrupt.

#### IER[2]: Receive Line Status Interrupt Enable

If any of the LSR register bits 1, 2, 3 or 4 is a logic 1, it will generate an interrupt to inform the host controller about the error status of the current data byte in FIFO. LSR bit-1 generates an interrupt immediately when the character has been received. LSR bits 2-4 generate an interrupt when the character with errors is read out of the FIFO (default). Instead, LSR bits 2-4 can be programmed to generate an interrupt immediately, by setting EMSR bit-6 to a logic 1.

- Logic 0 = Disable the receiver line status interrupt (default).
- Logic 1 = Enable the receiver line status interrupt.

#### IER[3]: Modem Status Interrupt Enable

- Logic 0 = Disable the modem status register interrupt (default).
- Logic 1 = Enable the modem status register interrupt.

#### IER[4]: Sleep Mode Enable (requires EFR bit-4 = 1)

- Logic 0 = Disable Sleep Mode (default).
- Logic 1 = Enable Sleep Mode. See Sleep Mode section for further details.

**IER[5]: Xoff Interrupt Enable (requires EFR bit-4=1)**

- Logic 0 = Disable the software flow control, receive Xoff interrupt. (default)
- Logic 1 = Enable the software flow control, receive Xoff interrupt. See Software Flow Control section for details.

**IER[6]: RTS# Output Interrupt Enable (requires EFR bit-4=1)**

- Logic 0 = Disable the RTS# interrupt (default).
- Logic 1 = Enable the RTS# interrupt. The UART issues an interrupt when the RTS# pin makes a transition from low to high.

**IER[7]: CTS# Input Interrupt Enable (requires EFR bit-4=1)**

- Logic 0 = Disable the CTS# interrupt (default).
- Logic 1 = Enable the CTS# interrupt. The UART issues an interrupt when CTS# pin makes a transition from low to high.

**4.4 Interrupt Status Register (ISR) - Read-Only**

The UART provides multiple levels of prioritized interrupts to minimize external software interaction. The Interrupt Status Register (ISR) provides the user with six interrupt status bits. Performing a read cycle on the ISR will give the user the current highest pending interrupt level to be serviced, others are queued up to be serviced next. No other interrupts are acknowledged until the pending interrupt is serviced. The Interrupt Source Table, [Table 9](#), shows the data values (bit 0-5) for the interrupt priority levels and the interrupt sources associated with each of these interrupt levels.

**4.4.1 Interrupt Generation:**

- LSR is by any of the LSR bits 1, 2, 3 and 4.
- RXRDY is by RX trigger level.
- RXRDY Time-out is by a 4-char plus 12 bits delay timer.
- TXRDY is by TX trigger level or TX FIFO empty (or transmitter empty in auto RS-485 control).
- MSR is by any of the MSR bits 0, 1, 2 and 3.
- Receive Xoff/Special character is by detection of a Xoff or Special character.
- CTS# is when its transmitter toggles the input pin (from LOW to HIGH) during auto CTS flow control.
- RTS# is when its receiver toggles the output pin (from LOW to HIGH) during auto RTS flow control.

**4.4.2 Interrupt Clearing:**

- LSR interrupt is cleared by a read to the LSR register.
- RXRDY interrupt is cleared by reading data until FIFO falls below the trigger level.
- RXRDY Time-out interrupt is cleared by reading RHR.
- TXRDY interrupt is cleared by a read to the ISR register or writing to THR.
- MSR interrupt is cleared by a read to the MSR register.
- Xoff interrupt is cleared by a read to ISR or when Xon character(s) is received.
- Special character interrupt is cleared by a read to ISR or after the next character is received.
- RTS# and CTS# flow control interrupts are cleared by a read to the MSR register.



**TABLE 9: INTERRUPT SOURCE AND PRIORITY LEVEL**

| PRIORITY<br>LEVEL | ISR REGISTER STATUS BITS |       |       |       |       |       | SOURCE OF INTERRUPT                        |
|-------------------|--------------------------|-------|-------|-------|-------|-------|--|
|                   | BIT-5                    | BIT-4 | BIT-3 | BIT-2 | BIT-1 | BIT-0 |  |
| 1                 | 0                        | 0     | 0     | 1     | 1     | 0     | LSR (Receiver Line Status Register)        |
| 2                 | 0                        | 0     | 1     | 1     | 0     | 0     | RXRDY (Receive Data Time-out)              |
| 3                 | 0                        | 0     | 0     | 1     | 0     | 0     | RXRDY (Received Data Ready)                |
| 4                 | 0                        | 0     | 0     | 0     | 1     | 0     | TXRDY (Transmit Ready)                     |
| 5                 | 0                        | 0     | 0     | 0     | 0     | 0     | MSR (Modem Status Register)                |
| 6                 | 0                        | 1     | 0     | 0     | 0     | 0     | RXRDY (Received Xoff or Special character) |
| 7                 | 1                        | 0     | 0     | 0     | 0     | 0     | CTS#, RTS# change of state                 |
| -                 | 0                        | 0     | 0     | 0     | 0     | 1     | None (default)                             |

**ISR[0]: Interrupt Status**

- Logic 0 = An interrupt is pending and the ISR contents may be used as a pointer to the appropriate interrupt service routine.
- Logic 1 = No interrupt pending (default condition).

**ISR[3:1]: Interrupt Status**

These bits indicate the source for a pending interrupt at interrupt priority levels (See Interrupt Source [Table 9](#)).

**ISR[5:4]: Interrupt Status**

These bits are enabled when EFR bit-4 is set to a logic 1. ISR bit-4 indicates that the receiver detected a data match of the Xoff character(s). Note that once set to a logic 1, the ISR bit-4 will stay a logic 1 until a Xon character is received. ISR bit-5 indicates that CTS# or RTS# has changed state.

**ISR[7:6]: FIFO Enable Status**

These bits are set to a logic 0 when the FIFOs are disabled. They are set to a logic 1 when the FIFOs are enabled.

**4.5 FIFO Control Register (FCR) - Write-Only**

This register is used to enable the FIFOs, clear the FIFOs, set the transmit/receive FIFO trigger levels, and select the DMA mode. The DMA, and FIFO modes are defined as follows:

**FCR[0]: TX and RX FIFO Enable**

- Logic 0 = Disable the transmit and receive FIFO (default).
- Logic 1 = Enable the transmit and receive FIFOs. This bit must be set to logic 1 when other FCR bits are written or they will not be programmed.

**FCR[1]: RX FIFO Reset**

This bit is only active when FCR bit-0 is a '1'.

- Logic 0 = No receive FIFO reset (default)
- Logic 1 = Reset the receive FIFO pointers and FIFO level counter logic (the receive shift register is not cleared or altered). This bit will return to a logic 0 after resetting the FIFO.

**FCR[2]: TX FIFO Reset**

This bit is only active when FCR bit-0 is a '1'.

- Logic 0 = No transmit FIFO reset (default).
- Logic 1 = Reset the transmit FIFO pointers and FIFO level counter logic (the transmit shift register is not cleared or altered). This bit will return to a logic 0 after resetting the FIFO.

**FCR[3]: DMA Mode Select**

Controls the behavior of the TXRDY# and RXRDY# pins. See DMA operation section for details.

- Logic 0 = Normal Operation (default).
- Logic 1 = DMA Mode.

**FCR[5:4]: Transmit FIFO Trigger Select**

(logic 0 = default, TX trigger level = 1)

These 2 bits set the trigger level for the transmit FIFO. The UART will issue a transmit interrupt when the number of characters in the FIFO falls below the selected trigger level, or when it gets empty in case that the FIFO did not get filled over the trigger level on last re-load. Table 10 below shows the selections. EFR bit-4 must be set to '1' before these bits can be accessed. Note that the receiver and the transmitter cannot use different trigger tables. Whichever selection is made last applies to both the RX and TX side.

**FCR[7:6]: Receive FIFO Trigger Select**

(logic 0 = default, RX trigger level =1)

The FCTR Bits 5-4 are associated with these 2 bits. These 2 bits are used to set the trigger level for the receive FIFO. The UART will issue a receive interrupt when the number of the characters in the FIFO crosses the trigger level. Table 10 shows the complete selections. Note that the receiver and the transmitter cannot use different trigger tables. Whichever selection is made last applies to both the RX and TX side.

**TABLE 10: TRANSMIT AND RECEIVE FIFO TRIGGER TABLE AND LEVEL SELECTION**

| TRIGGER TABLE | FCTR BIT-5 | FCTR BIT-4 | FCR BIT-7 | FCR BIT-6 | FCR BIT-5 | FCR BIT-4 | RECEIVE TRIGGER LEVEL | TRANSMIT TRIGGER LEVEL | COMPATIBILITY                            |
|---------------|------------|------------|-----------|-----------|-----------|-----------|-----------------------|------------------------|--|
| Table-A       | 0          | 0          | 0         | 0         | 0         | 0         | 1 (default)           | 1 (default)            | 16C550, 16C2550, 16C2552, 16C554, 16C580 |
|               |            |            | 0         | 1         |           |           | 4                     |                        |  |
|               |            |            | 1         | 0         |           |           | 8                     |                        |  |
|               |            |            | 1         | 1         |           |           | 14                    |                        |  |
| Table-B       | 0          | 1          |           |           | 0         | 0         |                       | 16                     | 16C650A                                  |
|               |            |            |           |           | 0         | 1         | 8                     |                        |  |
|               |            |            |           |           | 1         | 0         | 24                    |                        |  |
|               |            |            |           |           | 1         | 1         | 30                    |                        |  |
|               |            |            | 0         | 0         |           | 8         |                       |                        |  |
|               |            |            | 0         | 1         |           | 16        |                       |                        |  |
|               |            |            | 1         | 0         |           | 24        |                       |                        |  |
|               |            |            | 1         | 1         |           | 28        |                       |                        |  |

**TABLE 10: TRANSMIT AND RECEIVE FIFO TRIGGER TABLE AND LEVEL SELECTION**

| TRIGGER TABLE | FCTR BIT-5 | FCTR BIT-4 | FCR BIT-7 | FCR BIT-6 | FCR BIT-5 | FCR BIT-4 | RECEIVE TRIGGER LEVEL                       | TRANSMIT TRIGGER LEVEL                      | COMPATIBILITY                                     |
|---------------|------------|------------|-----------|-----------|-----------|-----------|---|---|---|
| Table-C       | 1          | 0          |           |           | 0         | 0         |   | 8   | 16C654  |
|               |            |            |           |           | 0         | 1         | 16  |   |   |
|               |            |            |           |           | 1         | 0         | 32  |   |   |
|               |            |            |           |           | 1         | 1         | 56  |   |   |
|               |            | 0          | 0         |           |           | 8         |   |   |   |
|               |            | 0          | 1         |           |           | 16        |   |   |   |
|               |            | 1          | 0         |           |           | 56        |   |   |   |
|               |            | 1          | 1         |           |           | 60        |   |   |   |
| Table-D       | 1          | 1          | X         | X         | X         | X         | Programmable via TRG register. FCTR[7] = 0. | Programmable via TRG register. FCTR[7] = 1. | 16L2752, 16C2850, 16C2852, 16C850, 16C854, 16C864 |

**4.6 Line Control Register (LCR) - Read/Write**

The Line Control Register is used to specify the asynchronous data communication format. The word or character length, the number of stop bits, and the parity are selected by writing the appropriate bits in this register.

**LCR[1:0]: TX and RX Word Length Select**

These two bits specify the word length to be transmitted or received.

| BIT-1 | BIT-0 | WORD LENGTH |
|-------|-------|-------------|
| 0     | 0     | 5 (default) |
| 0     | 1     | 6           |
| 1     | 0     | 7           |
| 1     | 1     | 8           |

**LCR[2]: TX and RX Stop-bit Length Select**

The length of stop bit is specified by this bit in conjunction with the programmed word length.

| BIT-2 | WORD LENGTH | STOP BIT LENGTH (BIT TIME(S)) |
|-------|-------------|-------------------------------|
| 0     | 5,6,7,8     | 1 (default)                   |
| 1     | 5           | 1-1/2                         |
| 1     | 6,7,8       | 2                             |

**LCR[3]: TX and RX Parity Select**

Parity or no parity can be selected via this bit. The parity bit is a simple way used in communications for data integrity check. See [Table 11](#) for parity selection summary below.

- Logic 0 = No parity.
- Logic 1 = A parity bit is generated during the transmission while the receiver checks for parity error of the data character received.

**LCR[4]: TX and RX Parity Select**

If the parity bit is enabled with LCR bit-3 set to a logic 1, LCR BIT-4 selects the even or odd parity format.

- Logic 0 = ODD Parity is generated by forcing an odd number of logic 1's in the transmitted character. The receiver must be programmed to check the same format (default).
- Logic 1 = EVEN Parity is generated by forcing an even number of logic 1's in the transmitted character. The receiver must be programmed to check the same format.

**LCR[5]: TX and RX Parity Select**

If the parity bit is enabled, LCR BIT-5 selects the forced parity format.

- LCR BIT-5 = logic 0, parity is not forced (default).
- LCR BIT-5 = logic 1 and LCR BIT-4 = logic 0, parity bit is forced to a logical 1 for the transmit and receive data.
- LCR BIT-5 = logic 1 and LCR BIT-4 = logic 1, parity bit is forced to a logical 0 for the transmit and receive data.

**TABLE 11: PARITY SELECTION**

| LCR BIT-5 | LCR BIT-4 | LCR BIT-3 | PARITY SELECTION            |
|-----------|-----------|-----------|-----------------------------|
| X         | X         | 0         | No parity                   |
| 0         | 0         | 1         | Odd parity                  |
| 0         | 1         | 1         | Even parity                 |
| 1         | 0         | 1         | Force parity to mark, "1"   |
| 1         | 1         | 1         | Forced parity to space, "0" |

**LCR[6]: Transmit Break Enable**

When enabled, the Break control bit causes a break condition to be transmitted (the TX output is forced to a "space", LOW state). This condition remains, until disabled by setting LCR bit-6 to a logic 0.

- Logic 0 = No TX break condition. (default)
- Logic 1 = Forces the transmitter output (TX) to a "space", LOW, for alerting the remote receiver of a line break condition.

**LCR[7]: Baud Rate Divisors Enable**

Baud rate generator divisor (DLL/DLM) enable.

- Logic 0 = Data registers are selected. (default)
- Logic 1 = Divisor latch registers are selected.

**4.7 Modem Control Register (MCR) or General Purpose Outputs Control - Read/Write**

The MCR register is used for controlling the serial/modem interface signals or general purpose inputs/outputs.

**MCR[0]: DTR# Output**

The DTR# pin is a modem control output. If the modem interface is not used, this output may be used as a general purpose output.

- Logic 0 = Force DTR# output HIGH (default).
- Logic 1 = Force DTR# output LOW.

**MCR[1]: RTS# Output**

The RTS# pin is a modem control output and may be used for automatic hardware flow control by enabled by EFR bit-6. If the modem interface is not used, this output may be used as a general purpose output.

- Logic 0 = Force RTS# HIGH (default).
- Logic 1 = Force RTS# LOW.

**MCR[2]: Reserved**

OP1# is not available as an output pin on the 2750. But it is available for use during Internal Loopback Mode. In the Loopback Mode, this bit is used to write the state of the modem RI# interface signal.

**MCR[3]: OP2# Output / INT Output Enable**

This bit enables or disables the operation of INT, interrupt output. If INT output is not used, OP2# can be used as a general purpose output.

- Logic 0 = INT (A-B) outputs disabled (three state mode) and OP2# output set HIGH(default).
- Logic 1 = INT (A-B) outputs enabled (active mode) and OP2# output set LOW.

**MCR[4]: Internal Loopback Enable**

- Logic 0 = Disable loopback mode (default).
- Logic 1 = Enable local loopback mode, see loopback section and [Figure 13](#).

**MCR[5]: Xon-Any Enable**

- Logic 0 = Disable Xon-Any function (for 16C550 compatibility, default).
- Logic 1 = Enable Xon-Any function. In this mode, any RX character received will resume transmit operation. The RX character will be loaded into the RX FIFO, unless the RX character is an Xon or Xoff character and the 2750 is programmed to use the Xon/Xoff flow control.

**MCR[6]: Infrared Encoder/Decoder Enable**

- Logic 0 = Enable the standard modem receive and transmit input/output interface. (Default)
- Logic 1 = Enable infrared IrDA receive and transmit inputs/outputs. The TX/RX output/input are routed to the infrared encoder/decoder. The data input and output levels conform to the IrDA infrared interface requirement. While in this mode, the infrared TX output will be a logic 0 during idle data conditions.

**MCR[7]: Clock Prescaler Select**

- Logic 0 = Divide by one. The input clock from the crystal or external clock is fed directly to the Programmable Baud Rate Generator without further modification, i.e., divide by one (default).
- Logic 1 = Divide by four. The prescaler divides the input clock from the crystal or external clock by four and feeds it to the Programmable Baud Rate Generator, hence, data rates become one fourth.

#### 4.8 Line Status Register (LSR) - Read Only

This register provides the status of data transfers between the UART and the host.

**LSR[0]: Receive Data Ready Indicator**

- Logic 0 = No data in receive holding register or FIFO (default).
- Logic 1 = Data has been received and is saved in the receive holding register or FIFO.

**LSR[1]: Receiver Overrun Error Flag**

- Logic 0 = No overrun error (default).
- Logic 1 = Overrun error. A data overrun error condition occurred in the receive shift register. This happens when additional data arrives while the FIFO is full. In this case the previous data in the receive shift register is overwritten. Note that under this condition the data byte in the receive shift register is not transferred into the FIFO, therefore the data in the FIFO is not corrupted by the error.

**LSR[2]: Receive Data Parity Error Tag**

- Logic 0 = No parity error (default).
- Logic 1 = Parity error. The receive character in RHR does not have correct parity information and is suspect. This error is associated with the character available for reading in RHR.

**LSR[3]: Receive Data Framing Error Tag**

- Logic 0 = No framing error (default).
- Logic 1 = Framing error. The receive character did not have a valid stop bit(s). This error is associated with the character available for reading in RHR.

**LSR[4]: Receive Break Error Tag**

- Logic 0 = No break condition (default).
- Logic 1 = The receiver received a break signal (RX was a logic 0 for at least one character frame time). In the FIFO mode, only one break character is loaded into the FIFO.

**LSR[5]: Transmit Holding Register Empty Flag**

This bit is the Transmit Holding Register Empty indicator. The THR bit is set to a logic 1 when the last data byte is transferred from the transmit holding register to the transmit shift register. The bit is reset to logic 0 concurrently with the data loading to the transmit holding register by the host. In the FIFO mode this bit is set when the transmit FIFO is empty, it is cleared when the transmit FIFO contains at least 1 byte.

**LSR[6]: THR and TSR Empty Flag**

This bit is set to a logic 1 whenever the transmitter goes idle. It is set to logic 0 whenever either the THR or TSR contains a data character. In the FIFO mode this bit is set to a logic 1 whenever the transmit FIFO and transmit shift register are both empty.

**LSR[7]: Receive FIFO Data Error Flag**

- Logic 0 = No FIFO error (default).
- Logic 1 = A global indicator for the sum of all error bits in the RX FIFO. At least one parity error, framing error or break indication is in the FIFO data. This bit clears when there is no more error(s) in any of the bytes in the RX FIFO.

**4.9 Modem Status Register (MSR) - Read Only**

This register provides the current state of the modem interface input signals. Lower four bits of this register are used to indicate the changed information. These bits are set to a logic 1 whenever a signal from the modem changes state. These bits may be used for general purpose inputs when they are not used with modem signals.

**MSR[0]: Delta CTS# Input Flag**

- Logic 0 = No change on CTS# input (default).
- Logic 1 = The CTS# input has changed state since the last time it was monitored. A modem status interrupt will be generated if MSR interrupt is enabled (IER bit-3).

**MSR[1]: Delta DSR# Input Flag**

- Logic 0 = No change on DSR# input (default).
- Logic 1 = The DSR# input has changed state since the last time it was monitored. A modem status interrupt will be generated if MSR interrupt is enabled (IER bit-3).

**MSR[2]: Delta RI# Input Flag**

- Logic 0 = No change on RI# input (default).
- Logic 1 = The RI# input has changed from a LOW to HIGH, ending of the ringing signal. A modem status interrupt will be generated if MSR interrupt is enabled (IER bit-3).

**MSR[3]: Delta CD# Input Flag**

- Logic 0 = No change on CD# input (default).
- Logic 1 = Indicates that the CD# input has changed state since the last time it was monitored. A modem status interrupt will be generated if MSR interrupt is enabled (IER bit-3).

**MSR[4]: CTS Input Status**

CTS# pin may function as automatic hardware flow control signal input if it is enabled and selected by Auto CTS (EFR bit-7). Auto CTS flow control allows starting and stopping of local data transmissions based on the modem CTS# signal. A HIGH on the CTS# pin will stop UART transmitter as soon as the current character has finished transmission, and a LOW will resume data transmission. Normally MSR bit-4 bit is the compliment of the CTS# input. However in the loopback mode, this bit is equivalent to the RTS# bit in the MCR register. The CTS# input may be used as a general purpose input when the modem interface is not used.

**MSR[5]: DSR Input Status**

Normally this bit is the complement of the DSR# input. In the loopback mode, this bit is equivalent to the DTR# bit in the MCR register. The DSR# input may be used as a general purpose input when the modem interface is not used.

**MSR[6]: RI Input Status**

Normally this bit is the complement of the RI# input. In the loopback mode this bit is equivalent to bit-2 in the MCR register. The RI# input may be used as a general purpose input when the modem interface is not used.

**MSR[7]: CD Input Status**

Normally this bit is the complement of the CD# input. In the loopback mode this bit is equivalent to bit-3 in the MCR register. The CD# input may be used as a general purpose input when the modem interface is not used.

**4.10 Scratch Pad Register (SPR) - Read/Write**

This is a 8-bit general purpose register for the user to store temporary data. The content of this register is preserved during sleep mode but becomes 0xFF (default) after a reset or a power off-on cycle.

**4.11 Enhanced Mode Select Register (EMSR)**

This register replaces SPR (during a Write) and is accessible only when FCTR[6] = 1.

**EMSR[1:0]: Receive/Transmit FIFO Level Count (Write-Only)**

When Scratchpad Swap (FCTR[6]) is asserted, EMSR bits 1-0 controls what mode the FIFO Level Counter is operating in.

**TABLE 12: SCRATCHPAD SWAP SELECTION**

| FCTR[6] | EMSR[1] | EMSR[0] | SCRATCHPAD IS                     |
|---------|---------|---------|-----------------------------------|
| 0       | X       | X       | Scratchpad                        |
| 1       | X       | 0       | RX FIFO Level Counter Mode        |
| 1       | 0       | 1       | TX FIFO Level Counter Mode        |
| 1       | 1       | 1       | Alternate RX/TX FIFO Counter Mode |

During Alternate RX/TX FIFO Level Counter Mode, the first value read after EMSR bits 1-0 have been asserted will always be the RX FIFO Level Counter. The second value read will correspond with the TX FIFO Level Counter. The next value will be the RX FIFO Level Counter again, then the TX FIFO Level Counter and so on and so forth.

**EMSR[2]: Reserved**

**EMSR[3]: Automatic RS485 Half-Duplex Control Output Inversion**

- Logic 0 = RTS# output is LOW during TX and HIGH during RX (default, compatible with 16C2850).
- Logic 1 = RTS# output is HIGH during TX and LOW during RX.

**EMSR[5:4]: Extended RTS Hysteresis**

**TABLE 13: AUTO RTS HYSTERESIS**

| EMSR<br>BIT-5 | EMSR<br>BIT-4 | FCTR<br>BIT-1 | FCTR<br>BIT-0 | RTS#<br>HYSTERESIS<br>(CHARACTERS) |
|---------------|---------------|---------------|---------------|------------------------------------|
| 0             | 0             | 0             | 0             | 0                                  |
| 0             | 0             | 0             | 1             | ±4                                 |
| 0             | 0             | 1             | 0             | ±6                                 |
| 0             | 0             | 1             | 1             | ±8                                 |
| 0             | 1             | 0             | 0             | ±8                                 |
| 0             | 1             | 0             | 1             | ±16                                |
| 0             | 1             | 1             | 0             | ±24                                |
| 0             | 1             | 1             | 1             | ±32                                |
| 1             | 0             | 0             | 0             | ±40                                |
| 1             | 0             | 0             | 1             | ±44                                |
| 1             | 0             | 1             | 0             | ±48                                |
| 1             | 0             | 1             | 1             | ±52                                |
| 1             | 1             | 0             | 0             | ±12                                |
| 1             | 1             | 0             | 1             | ±20                                |
| 1             | 1             | 1             | 0             | ±28                                |
| 1             | 1             | 1             | 1             | ±36                                |

**EMSR[6]: LSR Interrupt Mode**

- Logic 0 = LSR Interrupt Delayed (for 16C2550 compatibility, default). LSR bits 2, 3, and 4 will generate an interrupt when the character with the error is in the RHR.
- Logic 1 = LSR Interrupt Immediate. LSR bits 2, 3, and 4 will generate an interrupt as soon as the character is received into the FIFO.

**EMSR[7]: 16X Sampling Rate Mode**

Logic 0 = 8X Sampling Rate.

Logic 1 = 16X Sampling Rate (for 16C550 compatibility, default).

**4.12 FIFO Level Register (FLVL) - Read-Only**

The FIFO Level Register replaces the Scratchpad Register (during a Read) when FCTR[6] = 1. Note that this is not identical to the FIFO Data Count Register which can be accessed when LCR = 0xBF.

**FLVL[7:0]: FIFO Level Register**

This register provides the FIFO counter level for the RX FIFO or the TX FIFO or both depending on EMSR[1:0]. See Table 12 for details.

**4.13 Baud Rate Generator Registers (DLL and DLM) - Read/Write**

The concatenation of the contents of DLM and DLL gives the 16-bit divisor value which is used to calculate the baud rate:

- Baud Rate = (Clock Frequency / 16) / Divisor

See MCR bit-7 and the baud rate table also.

**4.14 Device Identification Register (DVID) - Read Only**

This register contains the device ID (0x0A for XR16L2750). Prior to reading this register, DLL and DLM should be set to 0x00.



**4.15 Device Revision Register (DREV) - Read Only**

This register contains the device revision information. For example, 0x01 means revision A. Prior to reading this register, DLL and DLM should be set to 0x00.

**4.16 Trigger Level Register (TRG) - Write-Only**

User Programmable Transmit/Receive Trigger Level Register.

**TRG[7:0]: Trigger Level Register**

These bits are used to program desired trigger levels when trigger Table-D is selected. FCTR bit-7 selects between programming the RX Trigger Level (a logic 0) and the TX Trigger Level (a logic 1).

**4.17 RX/TX FIFO Level Count Register (FC) - Read-Only**

This register is accessible when LCR = 0xBF. Note that this register is not identical to the FIFO Level Count Register which is located in the general register set when FCTR bit-6 = 1 (Scratchpad Register Swap). It is suggested to read the FIFO Level Count Register at the Scratchpad Register location when FCTR bit-6 = 1. See [Table 12](#).

**FC[7:0]: RX/TX FIFO Level Count**

Receive/Transmit FIFO Level Count. Number of characters in Receiver FIFO (FCTR[7] = 0) or Transmitter FIFO (FCTR[7] = 1) can be read via this register.

**4.18 Feature Control Register (FCTR) - Read/Write**

This register controls the XR16L2750 new functions that are not available in ST16C2450 or ST16C2550.

**FCTR[1:0]: RTS Hysteresis**

User selectable RTS# hysteresis levels for hardware flow control application. After reset, these bits are set to "0" to select the next trigger level for hardware flow control. See [Table 13](#) for more details.

**FCTR[2]: IrDa RX Inversion**

- Logic 0 = Select RX input as encoded IrDa data (Idle state will be LOW).
- Logic 1 = Select RX input as inverted encoded IrDa data (Idle state will be HIGH).

**FCTR[3]: Auto RS-485 Direction Control**

- Logic 0 = Standard ST16C550 mode. Transmitter generates an interrupt when transmit holding register becomes empty and transmit shift register is shifting data out.
- Logic 1 = Enable Auto RS485 Direction Control function. The direction control signal, RTS# pin, changes its output logic state from LOW to HIGH one bit time after the last stop bit of the last character is shifted out. Also, the Transmit interrupt generation is delayed until the transmitter shift register becomes empty. The RTS# output pin will automatically return to a LOW when a data byte is loaded into the TX FIFO. However, RTS# behavior can be inverted by setting EMSR[3] = 1.

**FCTR[5:4]: Transmit/Receive Trigger Table Select**

See [Table 10](#) for more details.

**TABLE 14: TRIGGER TABLE SELECT**

| FCTR BIT-5 | FCTR BIT-4 | TABLE           |
|------------|------------|-----------------|
| 0          | 0          | Table-A (TX/RX) |
| 0          | 1          | Table-B (TX/RX) |
| 1          | 0          | Table-C (TX/RX) |
| 1          | 1          | Table-D (TX/RX) |

**FCTR[6]: Scratchpad Swap**

- Logic 0 = Scratch Pad register is selected as general read and write register. ST16C550 compatible mode.
- Logic 1 = FIFO Count register (Read-Only), Enhanced Mode Select Register (Write-Only). Number of characters in transmit or receive FIFO can be read via scratch pad register when this bit is set. Enhanced Mode Select Register is selected when it is written into.

**FCTR[7]: Programmable Trigger Register Select**

- Logic 0 = Registers TRG and FC selected for RX.
- Logic 1 = Registers TRG and FC selected for TX.

**4.19 Enhanced Feature Register (EFR)**

Enhanced features are enabled or disabled using this register. Bit 0-3 provide single or dual consecutive character software flow control selection (see [Table 15](#)). When the Xon1 and Xon2 and Xoff1 and Xoff2 modes are selected, the double 8-bit words are concatenated into two sequential characters. Caution: note that whenever changing the TX or RX flow control bits, always reset all bits back to logic 0 (disable) before programming a new setting.

**EFR[3:0]: Software Flow Control Select**

Single character and dual sequential characters software flow control is supported. Combinations of software flow control can be selected by programming these bits.

**TABLE 15: SOFTWARE FLOW CONTROL FUNCTIONS**

| EFR BIT-3<br>CONT-3 | EFR BIT-2<br>CONT-2 | EFR BIT-1<br>CONT-1 | EFR BIT-0<br>CONT-0 | TRANSMIT AND RECEIVE SOFTWARE FLOW CONTROL   |
|---------------------|---------------------|---------------------|---------------------|--|
| 0                   | 0                   | 0                   | 0                   | No TX and RX flow control (default and reset)  |
| 0                   | 0                   | X                   | X                   | No transmit flow control   |
| 1                   | 0                   | X                   | X                   | Transmit Xon1, Xoff1   |
| 0                   | 1                   | X                   | X                   | Transmit Xon2, Xoff2   |
| 1                   | 1                   | X                   | X                   | Transmit Xon1 and Xon2, Xoff1 and Xoff2  |
| X                   | X                   | 0                   | 0                   | No receive flow control  |
| X                   | X                   | 1                   | 0                   | Receiver compares Xon1, Xoff1  |
| X                   | X                   | 0                   | 1                   | Receiver compares Xon2, Xoff2  |
| 1                   | 0                   | 1                   | 1                   | Transmit Xon1, Xoff1<br>Receiver compares Xon1 or Xon2, Xoff1 or Xoff2                       |
| 0                   | 1                   | 1                   | 1                   | Transmit Xon2, Xoff2<br>Receiver compares Xon1 or Xon2, Xoff1 or Xoff2                       |
| 1                   | 1                   | 1                   | 1                   | Transmit Xon1 and Xon2, Xoff1 and Xoff2,<br>Receiver compares Xon1 and Xon2, Xoff1 and Xoff2 |
| 0                   | 0                   | 1                   | 1                   | No transmit flow control,<br>Receiver compares Xon1 and Xon2, Xoff1 and Xoff2                |

**EFR[4]: Enhanced Function Bits Enable**

Enhanced function control bit. This bit enables IER bits 4-7, ISR bits 4-5, FCR bits 4-5, and MCR bits 5-7 to be modified. After modifying any enhanced bits, EFR bit-4 can be set to a logic 0 to latch the new values. This feature prevents legacy software from altering or overwriting the enhanced functions once set. Normally, it is recommended to leave it enabled, logic 1.

- Logic 0 = modification disable/latch enhanced features. IER bits 4-7, ISR bits 4-5, FCR bits 4-5, and MCR bits 5-7 are saved to retain the user settings. After a reset, the IER bits 4-7, ISR bits 4-5, FCR bits 4-5, and MCR bits 5-7 are set to a logic 0 to be compatible with ST16C550 mode (default).
- Logic 1 = Enables the above-mentioned register bits to be modified by the user.

**EFR[5]: Special Character Detect Enable**

- Logic 0 = Special Character Detect Disabled (default).
- Logic 1 = Special Character Detect Enabled. The UART compares each incoming receive character with data in Xoff-2 register. If a match exists, the receive data will be transferred to FIFO and ISR bit-4 will be set to indicate detection of the special character. Bit-0 corresponds with the LSB bit of the receive character. If flow control is set for comparing Xon1, Xoff1 (EFR [1:0]= '10') then flow control and special character work normally. However, if flow control is set for comparing Xon2, Xoff2 (EFR[1:0]= '01') then flow control works normally, but Xoff2 will not go to the FIFO, and will generate an Xoff interrupt and a special character interrupt, if enabled via IER bit-5.

**EFR[6]: Auto RTS Flow Control Enable**

RTS# output may be used for hardware flow control by setting EFR bit-6 to logic 1. When Auto RTS is selected, an interrupt will be generated when the receive FIFO is filled to the programmed trigger level and RTS de-asserts HIGH at the next upper trigger level or hysteresis level. RTS# will return LOW when FIFO data falls below the next lower trigger level. The RTS# output must be asserted (LOW) before the auto RTS can take effect. RTS# pin will function as a general purpose output when hardware flow control is disabled.

- Logic 0 = Automatic RTS flow control is disabled (default).
- Logic 1 = Enable Automatic RTS flow control.

**EFR[7]: Auto CTS Flow Control Enable**

Automatic CTS Flow Control.

- Logic 0 = Automatic CTS flow control is disabled (default).
- Logic 1 = Enable Automatic CTS flow control. Data transmission stops when CTS# input de-asserts HIGH. Data transmission resumes when CTS# returns LOW.

**4.19.1 Software Flow Control Registers (XOFF1, XOFF2, XON1, XON2) - Read/Write**

These registers are used as the programmable software flow control characters xoff1, xoff2, xon1, and xon2. For more details, see [Table 6](#).

**TABLE 16: UART RESET CONDITIONS FOR CHANNEL A AND B**

| REGISTERS   | RESET STATE   |
|-------------|---|
| DLM and DLL | DLM = 0x00 and DLL = 0x01. Only resets to these values during a power up. They do not reset when the Reset Pin is asserted. |
| RHR         | Bits 7-0 = 0xFF   |
| THR         | Bits 7-0 = 0xFF   |
| IER         | Bits 7-0 = 0x00   |
| FCR         | Bits 7-0 = 0x00   |
| ISR         | Bits 7-0 = 0x01   |
| LCR         | Bits 7-0 = 0x00   |
| MCR         | Bits 7-0 = 0x00   |
| LSR         | Bits 7-0 = 0x60   |
| MSR         | Bits 3-0 = Logic 0<br>Bits 7-4 = Logic levels of the inputs inverted  |
| SPR         | Bits 7-0 = 0xFF   |
| EMSR        | Bits 7-0 = 0x80   |
| FLVL        | Bits 7-0 = 0x00   |
| EFR         | Bits 7-0 = 0x00   |
| XON1        | Bits 7-0 = 0x00   |
| XON2        | Bits 7-0 = 0x00   |
| XOFF1       | Bits 7-0 = 0x00   |
| XOFF2       | Bits 7-0 = 0x00   |
| FC          | Bits 7-0 = 0x00   |
| I/O SIGNALS | RESET STATE   |
| TX          | HIGH  |
| OP2#        | HIGH  |
| RTS#        | HIGH  |
| DTR#        | HIGH  |
| RXRDY#      | HIGH  |
| TXRDY#      | LOW   |
| INT         | Three-State Condition   |

## ABSOLUTE MAXIMUM RATINGS

|                       |                |
|-----------------------|----------------|
| Power Supply Range    | 7 Volts        |
| Voltage at Any Pin    | GND-0.3V to 7V |
| Operating Temperature | -40° to +85°C  |
| Storage Temperature   | -65° to +150°C |
| Package Dissipation   | 500 mW         |

## TYPICAL PACKAGE THERMAL RESISTANCE DATA (MARGIN OF ERROR: ± 15%)

|                              |                                      |
|------------------------------|--------------------------------------|
| Thermal Resistance (48-TQFP) | theta-ja = 59°C/W, theta-jc = 16°C/W |
| Thermal Resistance (44-PLCC) | theta-ja = 50°C/W, theta-jc = 21°C/W |

## ELECTRICAL CHARACTERISTICS

### DC ELECTRICAL CHARACTERISTICS

TA=0° to 70°C (-40° to +85°C FOR INDUSTRIAL GRADE PACKAGE), VCC IS 2.25V TO 5.5V

| SYMBOL             | PARAMETER                  | LIMITS<br>2.5V |     | LIMITS<br>3.3V |     | LIMITS<br>5.0V |     | UNITS | CONDITIONS  |
|--------------------|----------------------------|----------------|-----|----------------|-----|----------------|-----|-------|---|
|                    |                            | MIN            | MAX | MIN            | MAX | MIN            | MAX |       |   |
| V <sub>ILCK</sub>  | Clock Input Low Level      | -0.3           | 0.2 | -0.3           | 0.6 | -0.5           | 0.6 | V     |   |
| V <sub>IHCK</sub>  | Clock Input High Level     | 2.0            | VCC | 2.4            | VCC | 3.0            | VCC | V     |   |
| V <sub>IL</sub>    | Input Low Voltage          | -0.3           | 0.6 | -0.3           | 0.8 | -0.5           | 0.8 | V     |   |
| V <sub>IH</sub>    | Input High Voltage         | 2.0            | 5.5 | 2.0            | 5.5 | 2.2            | 5.5 | V     |   |
| V <sub>OL</sub>    | Output Low Voltage         |                | 0.4 |                | 0.4 |                | 0.4 | V     | I <sub>OL</sub> = 6 mA<br>V<br>I <sub>OL</sub> = 4 mA<br>V<br>I <sub>OL</sub> = 2 mA      |
| V <sub>OH</sub>    | Output High Voltage        | 1.8            |     | 2.0            |     | 2.4            |     | V     | I <sub>OH</sub> = -6 mA<br>V<br>I <sub>OH</sub> = -1 mA<br>V<br>I <sub>OH</sub> = -400 uA |
| I <sub>IL</sub>    | Input Low Leakage Current  |                | ±10 |                | ±10 |                | ±10 | uA    |   |
| I <sub>IH</sub>    | Input High Leakage Current |                | ±10 |                | ±10 |                | ±10 | uA    |   |
| C <sub>IN</sub>    | Input Pin Capacitance      |                | 5   |                | 5   |                | 5   | pF    |   |
| I <sub>CC</sub>    | Power Supply Current       |                | 1.2 |                | 2   |                | 5   | mA    |   |
| I <sub>SLEEP</sub> | Sleep Current              |                | 6   |                | 15  |                | 30  | uA    | See Test 1  |

Test 1: The following inputs must remain steady at VCC or GND state to minimize Sleep current: A0-A2, D0-D7, IOR#, IOW#, CSA#, CSB# and all modem inputs. Also, RXA and RXB inputs must idle at logic 1 state while asleep. Floating inputs will result in sleep currents in the mA range. For PowerSave feature that isolates address, data and control signals, please see the XR16L2751 datasheet.

**AC ELECTRICAL CHARACTERISTICS**

UNLESS OTHERWISE NOTED: TA=0° TO 70°C (-40° TO +85°C FOR INDUSTRIAL GRADE PACKAGE), VCC=2.25 - 5.5V, 70 PF LOAD WHERE APPLICABLE

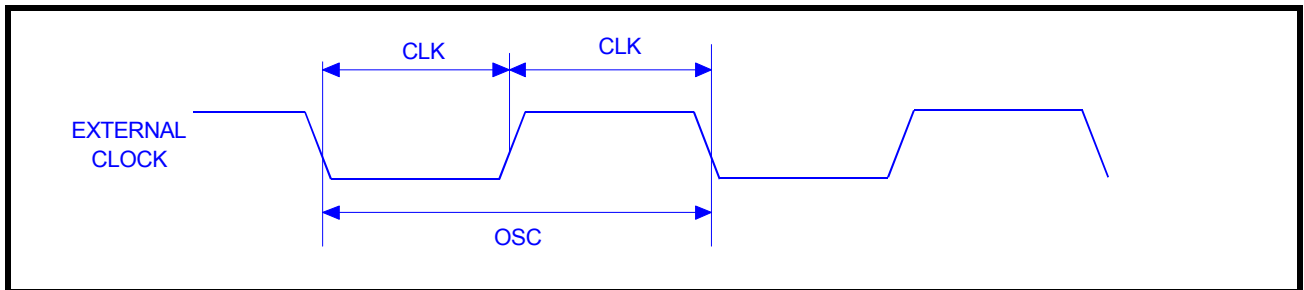
| SYMBOL           | PARAMETER                                      | LIMITS<br>2.5 |     | LIMITS<br>3.3 |     | LIMITS<br>5.0 |     | UNIT |
|------------------|--|---------------|-----|---------------|-----|---------------|-----|------|
|                  |  | MIN           | MAX | MIN           | MAX | MIN           | MAX |      |
| -                | Crystal Frequency                              |               | 16  |               | 20  |               | 24  | MHz  |
| CLK              | External Clock Low/High Time                   | 20            |     | 15            |     | 10            |     | ns   |
| OSC              | External Clock Frequency                       |               | 24  |               | 33  |               | 50  | MHz  |
| T <sub>AS</sub>  | Address Setup Time                             | 10            |     | 10            |     | 10            |     | ns   |
| T <sub>AH</sub>  | Address Hold Time                              | 10            |     | 10            |     | 10            |     | ns   |
| T <sub>CS</sub>  | Chip Select Width                              | 150           |     | 75            |     | 50            |     | ns   |
| T <sub>RD</sub>  | IOR# Strobe Width                              | 150           |     | 75            |     | 50            |     | ns   |
| T <sub>DY</sub>  | Read Cycle Delay                               | 150           |     | 75            |     | 50            |     | ns   |
| T <sub>RDV</sub> | Data Access Time                               |               | 135 |               | 70  |               | 45  | ns   |
| T <sub>DD</sub>  | Data Disable Time                              | 0             | 45  | 0             | 30  | 0             | 30  | ns   |
| T <sub>WR</sub>  | IOW# Strobe Width                              | 150           |     | 75            |     | 50            |     | ns   |
| T <sub>DY</sub>  | Write Cycle Delay                              | 150           |     | 75            |     | 50            |     | ns   |
| T <sub>DS</sub>  | Data Setup Time                                | 25            |     | 20            |     | 15            |     | ns   |
| T <sub>DH</sub>  | Data Hold Time                                 | 15            |     | 10            |     | 10            |     | ns   |
| T <sub>WDO</sub> | Delay From IOW# To Output                      |               | 150 |               | 75  |               | 50  | ns   |
| T <sub>MOD</sub> | Delay To Set Interrupt From MODEM Input        |               | 150 |               | 75  |               | 50  | ns   |
| T <sub>RSI</sub> | Delay To Reset Interrupt From IOR#             |               | 150 |               | 75  |               | 50  | ns   |
| T <sub>SSI</sub> | Delay From Stop To Set Interrupt               |               | 1   |               | 1   |               | 1   | Bclk |
| T <sub>RRI</sub> | Delay From IOR# To Reset Interrupt             |               | 150 |               | 75  |               | 50  | ns   |
| T <sub>SI</sub>  | Delay From Stop To Interrupt                   |               | 150 |               | 75  |               | 50  | ns   |
| T <sub>INT</sub> | Delay From Initial INT Reset To Transmit Start | 8             | 24  | 8             | 24  | 8             | 24  | Bclk |
| T <sub>WRI</sub> | Delay From IOW# To Reset Interrupt             |               | 150 |               | 75  |               | 50  | ns   |
| T <sub>SSR</sub> | Delay From Stop To Set RXRDY#                  |               | 1   |               | 1   |               | 1   | Bclk |
| T <sub>RR</sub>  | Delay From IOR# To Reset RXRDY#                |               | 150 |               | 75  |               | 50  | ns   |
| T <sub>WT</sub>  | Delay From IOW# To Set TXRDY#                  |               | 150 |               | 75  |               | 50  | ns   |
| T <sub>SRT</sub> | Delay From Center of Start To Reset TXRDY#     |               | 8   |               | 8   |               | 8   | Bclk |

**AC ELECTRICAL CHARACTERISTICS**

UNLESS OTHERWISE NOTED:  $T_A=0^{\circ}$  TO  $70^{\circ}\text{C}$  ( $-40^{\circ}$  TO  $+85^{\circ}\text{C}$  FOR INDUSTRIAL GRADE PACKAGE),  $V_{CC}=2.25 - 5.5\text{V}$ , 70 PF LOAD WHERE APPLICABLE

| SYMBOL    | PARAMETER         | LIMITS<br>2.5          |            | LIMITS<br>3.3 |            | LIMITS<br>5.0 |            | UNIT |
|-----------|-------------------|------------------------|------------|---------------|------------|---------------|------------|------|
|           |                   | MIN                    | MAX        | MIN           | MAX        | MIN           | MAX        |      |
| $T_{RST}$ | Reset Pulse Width | 40                     |            | 40            |            | 40            |            | ns   |
| N         | Baud Rate Divisor | 1                      | $2^{16}-1$ | 1             | $2^{16}-1$ | 1             | $2^{16}-1$ | -    |
| Bclk      | Baud Clock        | 16X or 8X of data rate |            |               |            |               |            | Hz   |

**FIGURE 14. CLOCK TIMING**



**FIGURE 15. MODEM INPUT/OUTPUT TIMING FOR CHANNELS A & B**

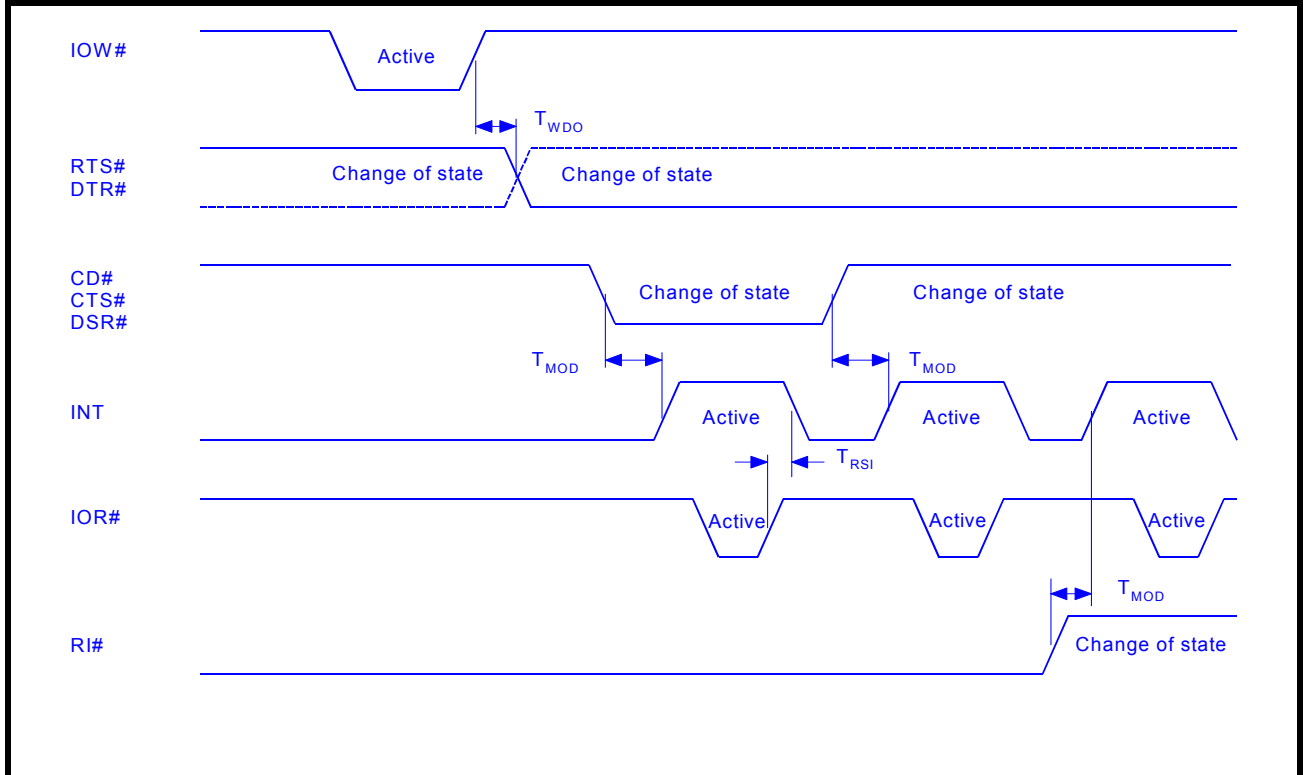


FIGURE 16. DATA BUS READ TIMING

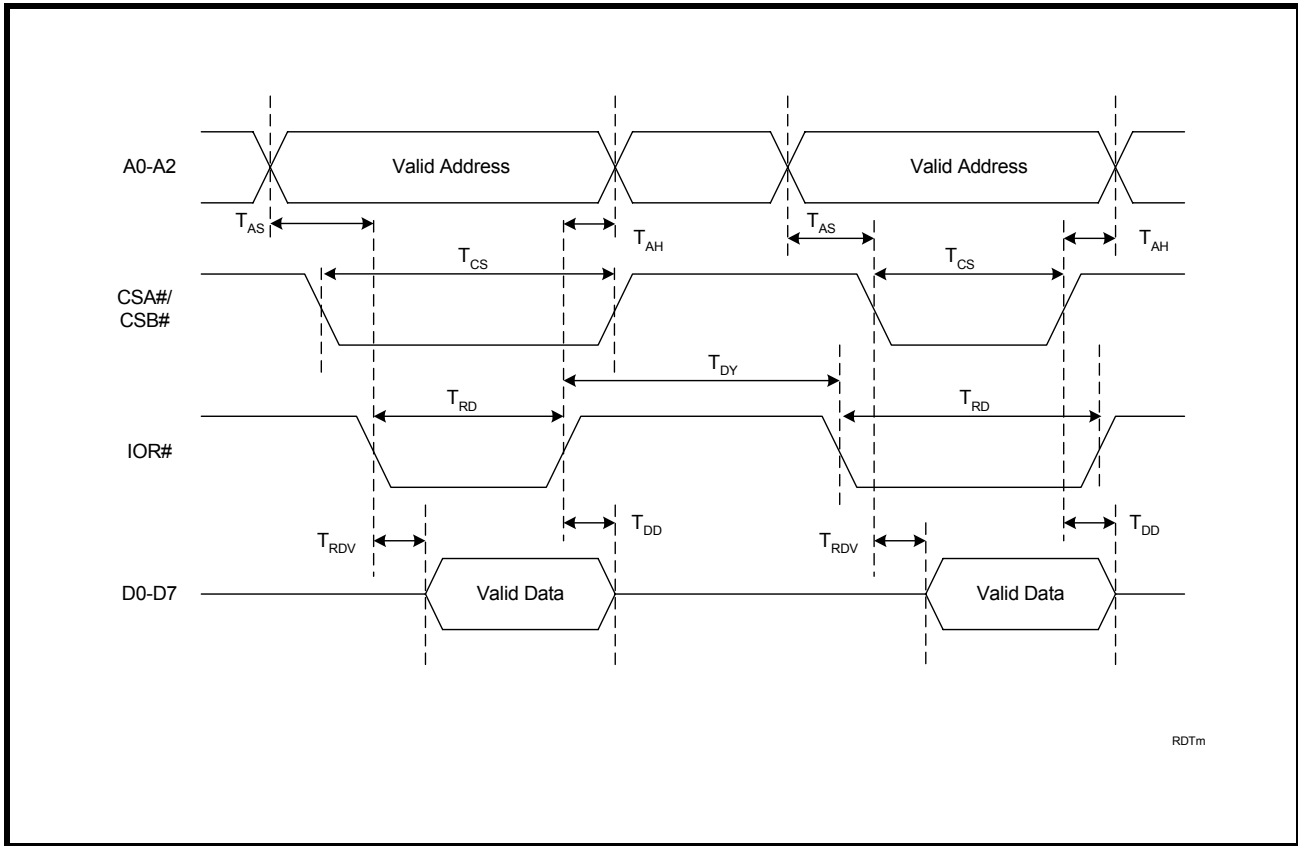
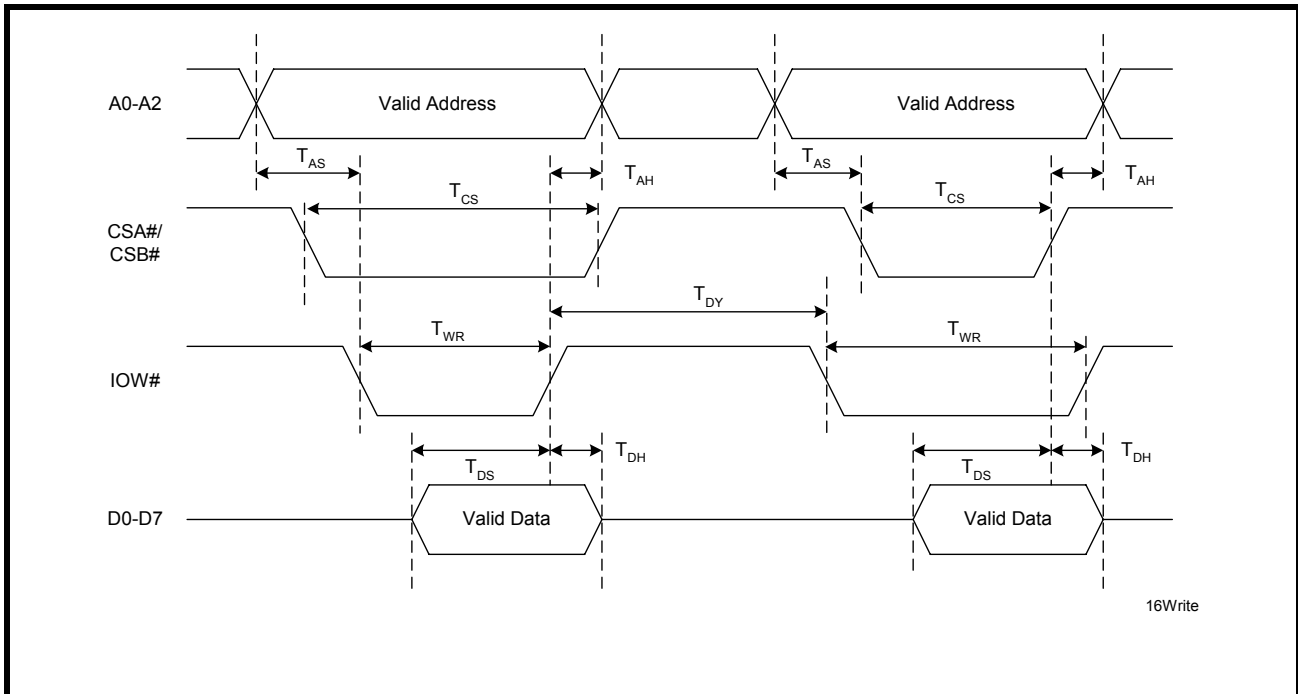
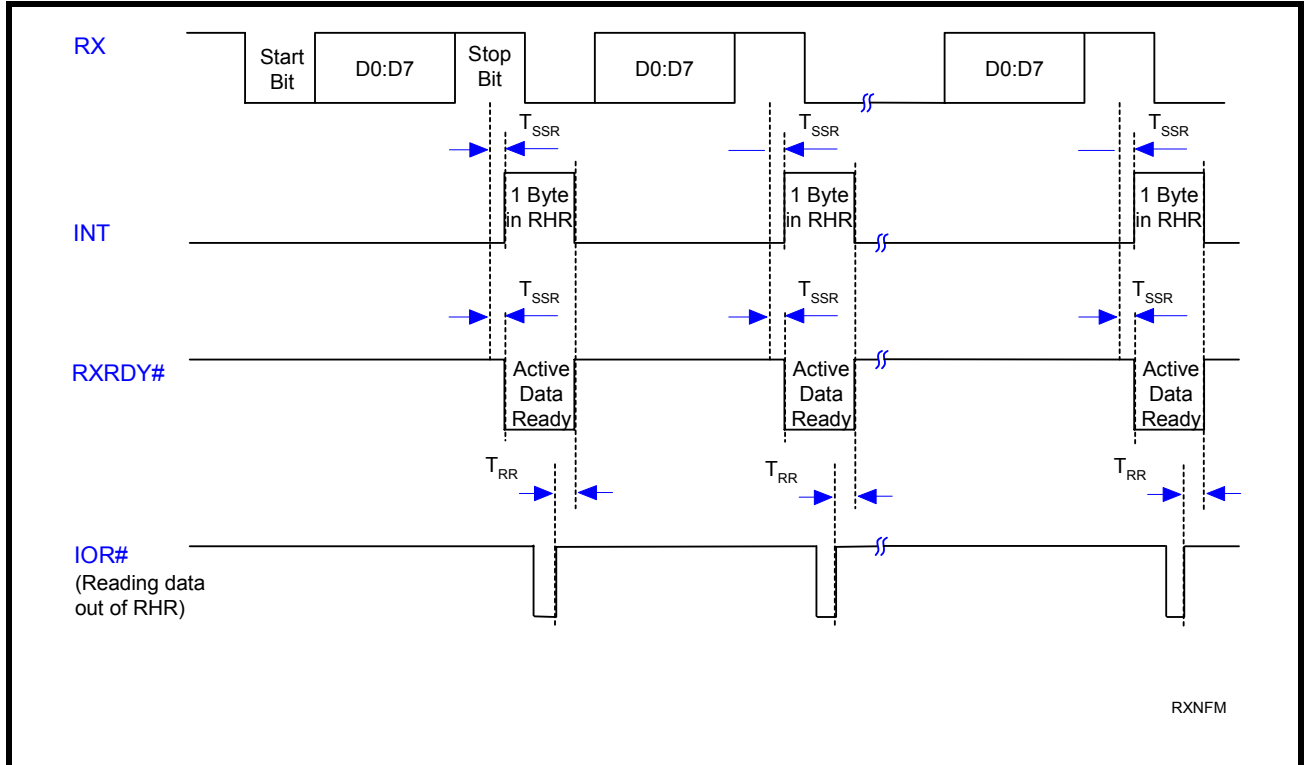


FIGURE 17. DATA BUS WRITE TIMING





**FIGURE 18. RECEIVE READY & INTERRUPT TIMING [NON-FIFO MODE] FOR CHANNELS A & B**



**FIGURE 19. TRANSMIT READY & INTERRUPT TIMING [NON-FIFO MODE] FOR CHANNELS A & B**

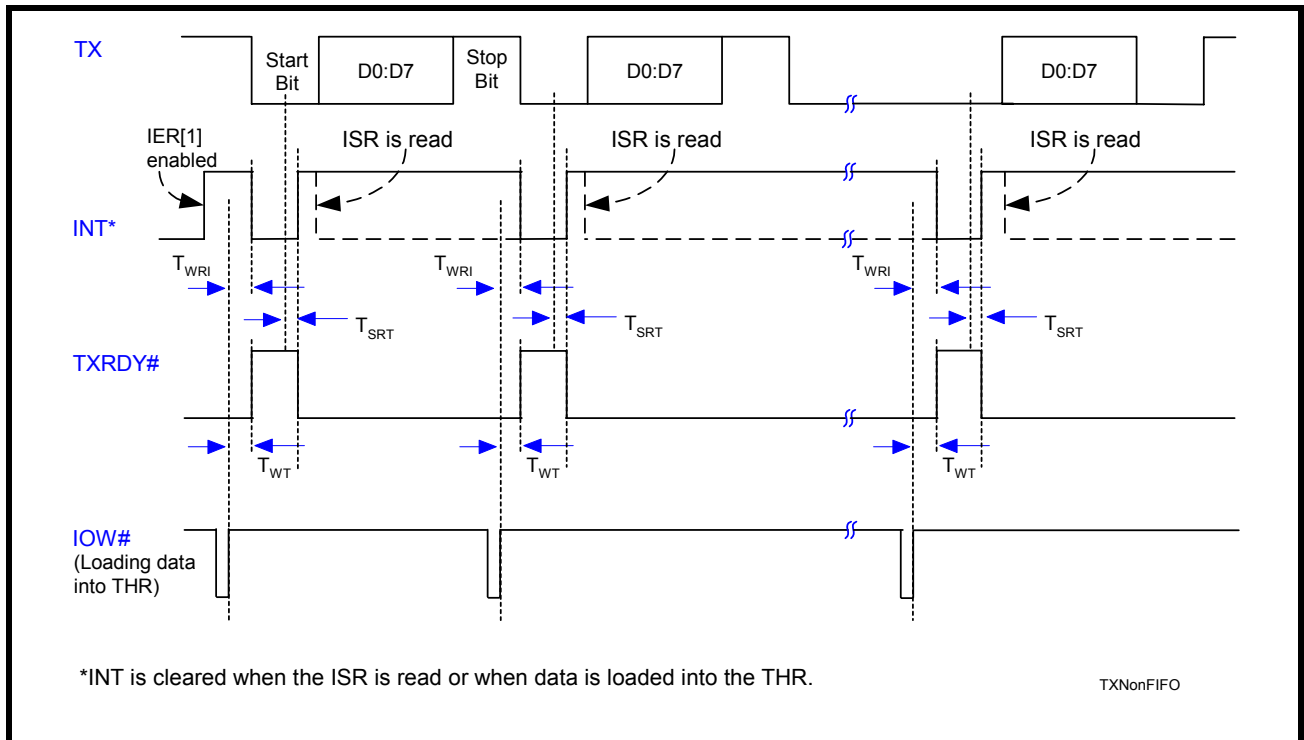


FIGURE 20. RECEIVE READY & INTERRUPT TIMING [FIFO MODE, DMA DISABLED] FOR CHANNELS A & B

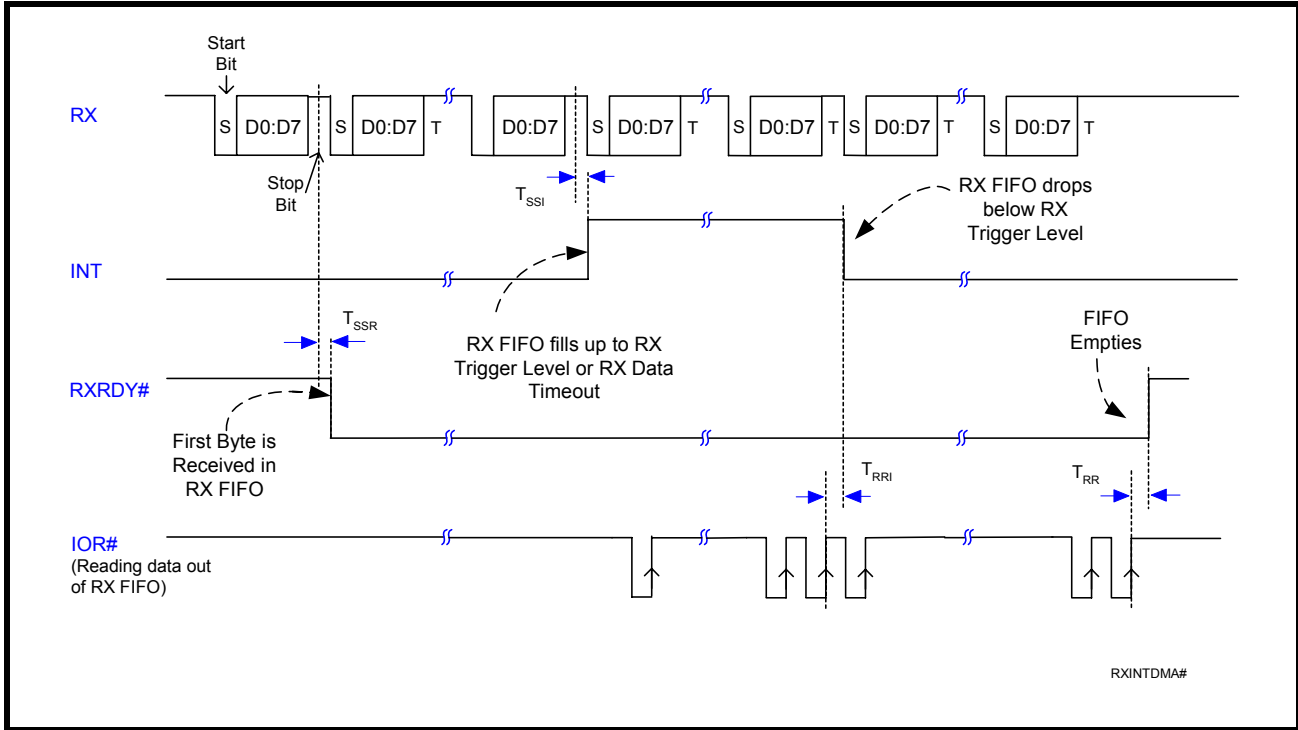
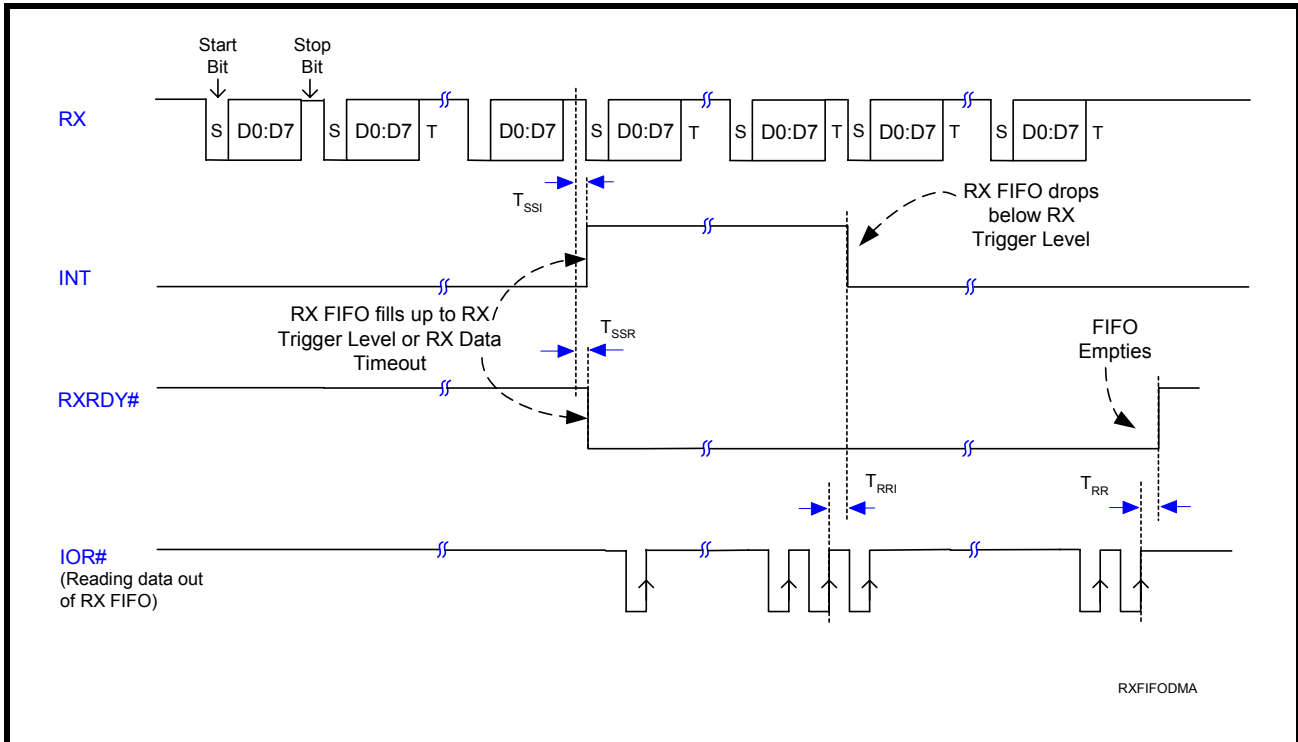
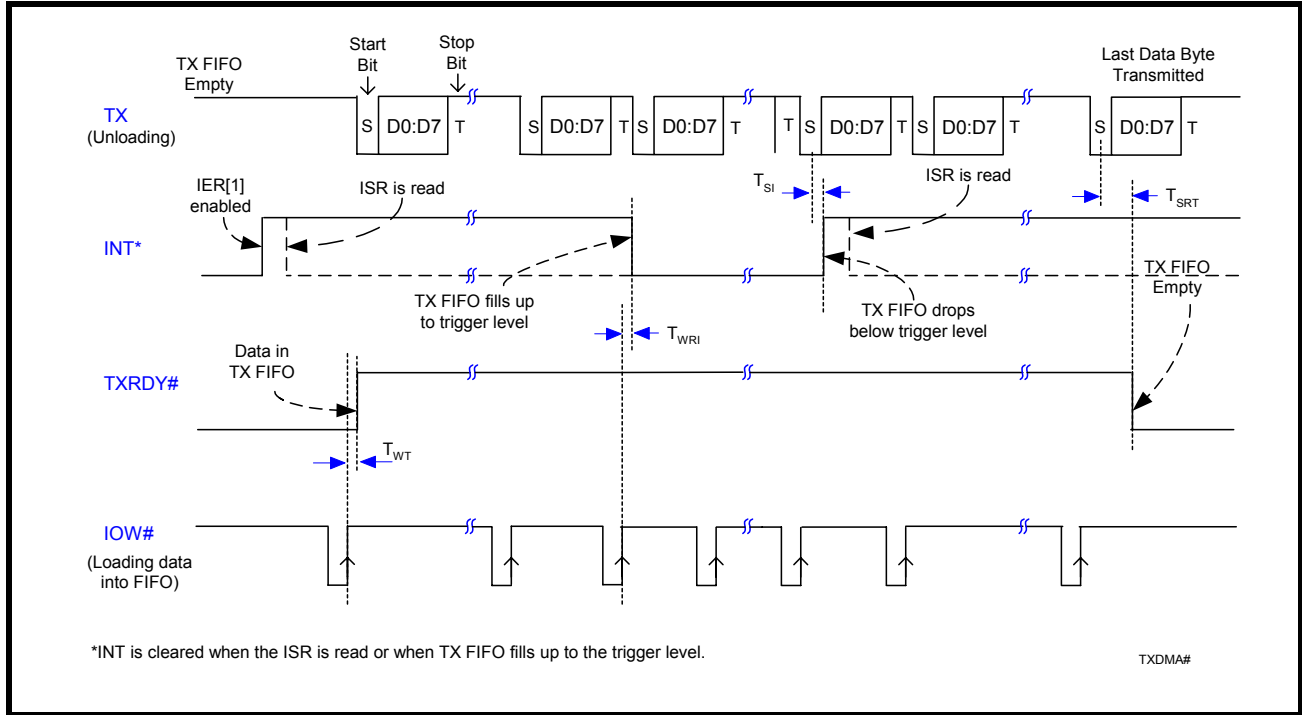


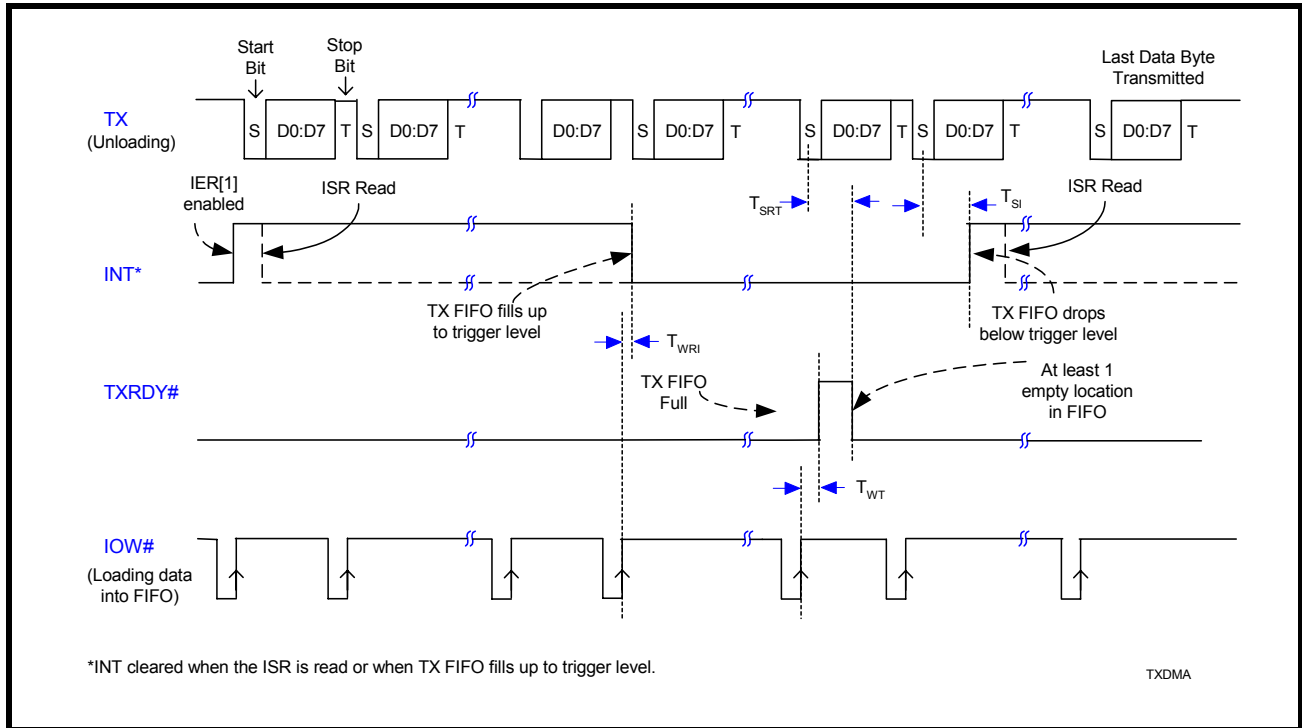
FIGURE 21. RECEIVE READY & INTERRUPT TIMING [FIFO MODE, DMA ENABLED] FOR CHANNELS A & B



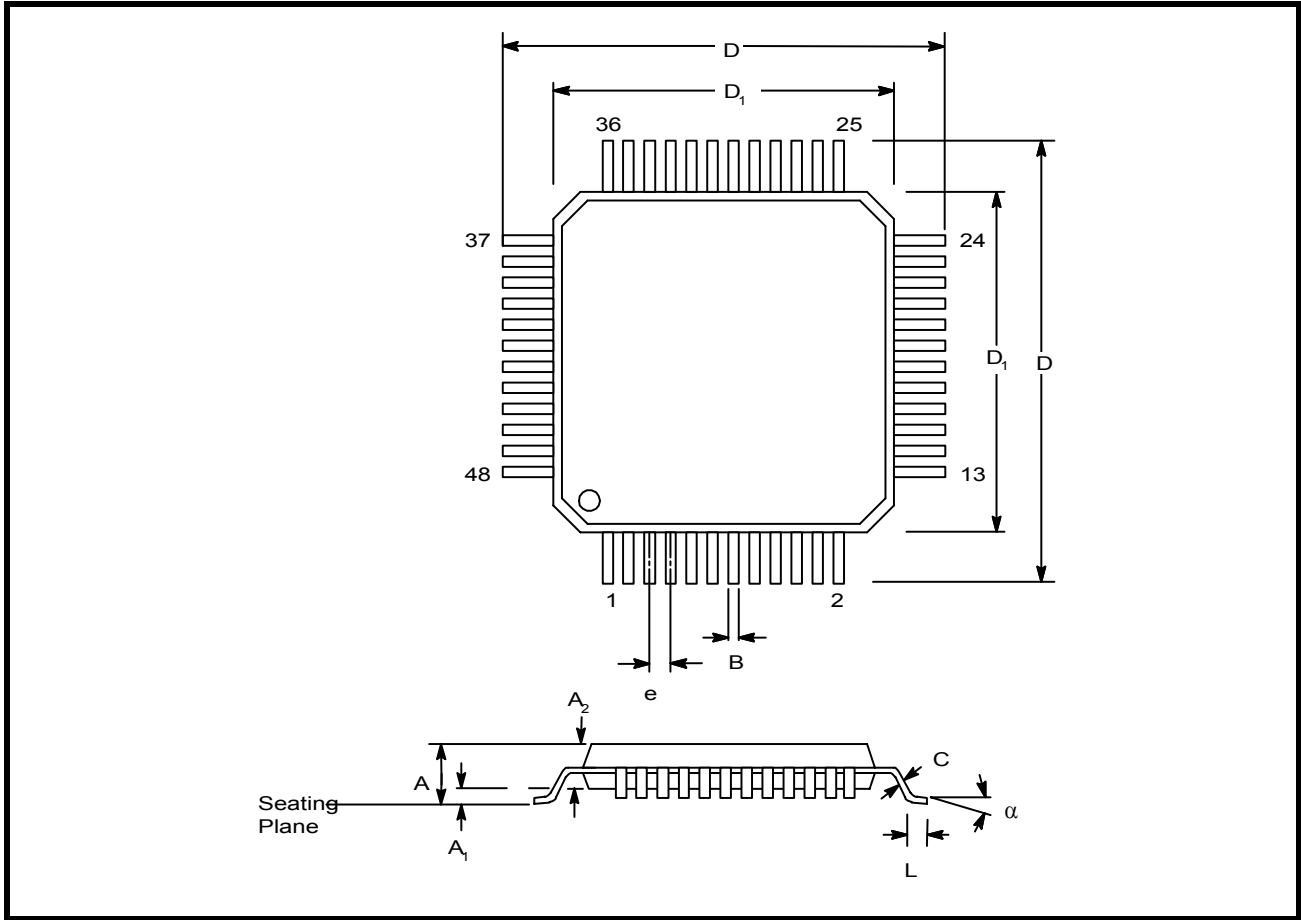
**FIGURE 22. TRANSMIT READY & INTERRUPT TIMING [FIFO MODE, DMA MODE DISABLED] FOR CHANNELS A & B**



**FIGURE 23. TRANSMIT READY & INTERRUPT TIMING [FIFO MODE, DMA MODE ENABLED] FOR CHANNELS A & B**



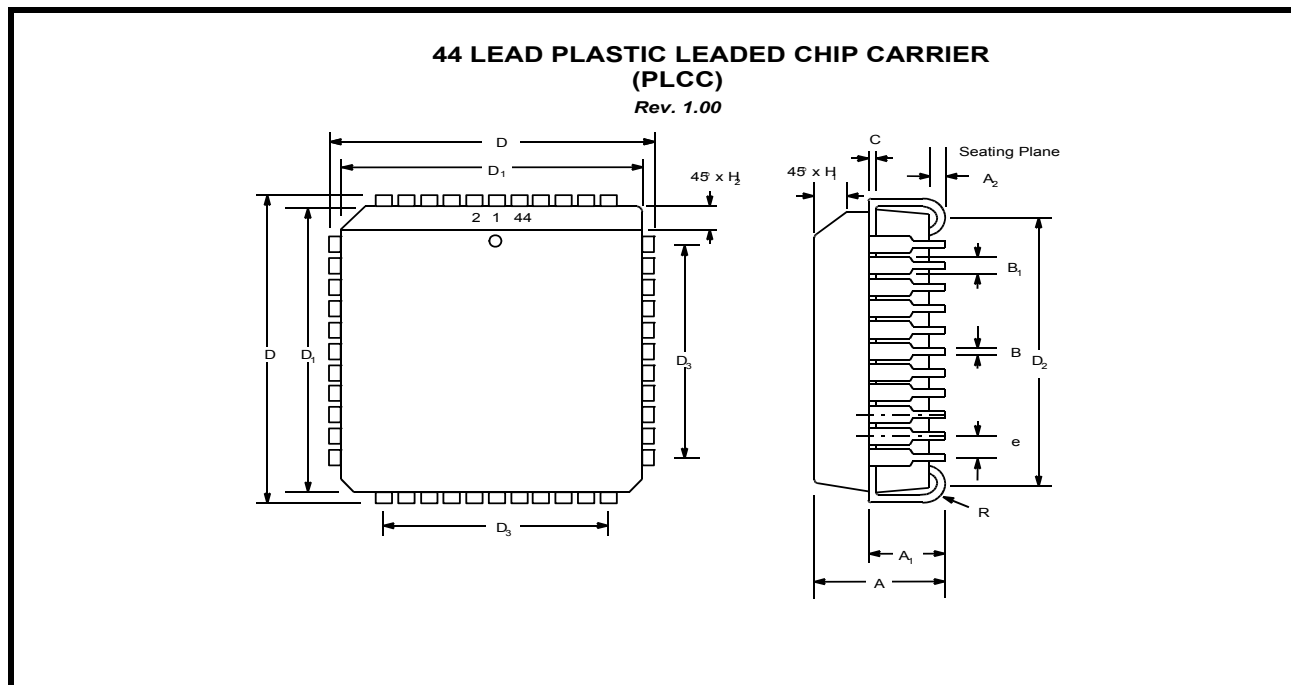
**PACKAGE DIMENSIONS (48 PIN TQFP - 7 X 7 X 1 mm)**



Note: The control dimension is the millimeter column

| SYMBOL         | INCHES    |       | MILLIMETERS |      |
|----------------|-----------|-------|-------------|------|
|                | MIN       | MAX   | MIN         | MAX  |
| A              | 0.039     | 0.047 | 1.00        | 1.20 |
| A <sub>1</sub> | 0.002     | 0.006 | 0.05        | 0.15 |
| A <sub>2</sub> | 0.037     | 0.041 | 0.95        | 1.05 |
| B              | 0.007     | 0.011 | 0.17        | 0.27 |
| C              | 0.004     | 0.008 | 0.09        | 0.20 |
| D              | 0.346     | 0.362 | 8.80        | 9.20 |
| D <sub>1</sub> | 0.272     | 0.280 | 6.90        | 7.10 |
| e              | 0.020 BSC |       | 0.50 BSC    |      |
| L              | 0.018     | 0.030 | 0.45        | 0.75 |
| α              | 0°        | 7°    | 0°          | 7°   |

**PACKAGE DIMENSIONS (44 PIN PLCC)**



*Note: The control dimension is the millimeter column*

| SYMBOL         | INCHES     |       | MILLIMETERS |       |
|----------------|------------|-------|-------------|-------|
|                | MIN        | MAX   | MIN         | MAX   |
| A              | 0.165      | 0.180 | 4.19        | 4.57  |
| A <sub>1</sub> | 0.090      | 0.120 | 2.29        | 3.05  |
| A <sub>2</sub> | 0.020      | ---   | 0.51        | ---   |
| B              | 0.013      | 0.021 | 0.33        | 0.53  |
| B <sub>1</sub> | 0.026      | 0.032 | 0.66        | 0.81  |
| C              | 0.008      | 0.013 | 0.19        | 0.32  |
| D              | 0.685      | 0.695 | 17.40       | 17.65 |
| D <sub>1</sub> | 0.650      | 0.656 | 16.51       | 16.66 |
| D <sub>2</sub> | 0.590      | 0.630 | 14.99       | 16.00 |
| D <sub>3</sub> | 0.500 typ. |       | 12.70 typ.  |       |
| e              | 0.050 BSC  |       | 1.27 BSC    |       |
| H <sub>1</sub> | 0.042      | 0.056 | 1.07        | 1.42  |
| H <sub>2</sub> | 0.042      | 0.048 | 1.07        | 1.22  |
| R              | 0.025      | 0.045 | 0.64        | 1.14  |

**REVISION HISTORY**

| DATE           | REVISION   | DESCRIPTION  |
|----------------|------------|--|
| November 2001  | Rev P1.0.0 | Preliminary data sheet.  |
| March 2002     | Rev P1.1.0 | Corrected INTA/B pin descriptions and reset state. Clarified MCR bit-3 pin description. Renamed Sclk to Bclk.  |
| September 2002 | Rev 1.0.0  | Release into production. Clarified RTS# pin descriptions, XTAL1 pin description, external clock description, auto RS485 half-duplex control description, EMSR bit-3 description and updated 2.5 V, I <sub>CC</sub> and I <sub>SLEEP</sub> DC Electrical Characteristics. |
| March 2003     | Rev 1.1.0  | Updated AC Electrical Characteristics.   |
| August 2004    | Rev 1.2.0  | Added Device Status to Ordering Information. Clarified pin descriptions- changed from using logic 1 and logic 0 to HIGH (VCC) and LOW (GND) for input and output pin descriptions.   |
| April 2005     | Rev 1.2.1  | Updated the Data Access Times (T <sub>RDV</sub> ) in AC Electrical Characteristics.  |

**NOTICE**

EXAR Corporation reserves the right to make changes to the products contained in this publication in order to improve design, performance or reliability. EXAR Corporation assumes no responsibility for the use of any circuits described herein, conveys no license under any patent or other right, and makes no representation that the circuits are free of patent infringement. Charts and schedules contained here in are only for illustration purposes and may vary depending upon a user's specific application. While the information in this publication has been carefully checked; no responsibility, however, is assumed for inaccuracies.

EXAR Corporation does not recommend the use of any of its products in life support applications where the failure or malfunction of the product can reasonably be expected to cause failure of the life support system or to significantly affect its safety or effectiveness. Products are not authorized for use in such applications unless EXAR Corporation receives, in writing, assurances to its satisfaction that: (a) the risk of injury or damage has been minimized; (b) the user assumes all such risks; (c) potential liability of EXAR Corporation is adequately protected under the circumstances.

Copyright 2005 EXAR Corporation

Datasheet April 2005.

Send your UART technical inquiry with technical details to hotline: [uarttechsupport@exar.com](mailto:uarttechsupport@exar.com).

Reproduction, in part or whole, without the prior written consent of EXAR Corporation is prohibited.

## TABLE OF CONTENTS

|  |           |
|--|-----------|
| <b>GENERAL DESCRIPTION</b> .....   | <b>1</b>  |
| <i>APPLICATIONS</i> .....  | 1         |
| <i>FEATURES</i> .....  | 1         |
| <i>FIGURE 1. XR16L2750 BLOCK DIAGRAM</i> .....   | 1         |
| <i>FIGURE 2. PIN OUT ASSIGNMENT</i> .....  | 2         |
| <i>ORDERING INFORMATION</i> .....  | 2         |
| <b>PIN DESCRIPTIONS</b> .....  | <b>3</b>  |
| <b>1.0 PRODUCT DESCRIPTION</b> .....   | <b>6</b>  |
| <b>2.0 FUNCTIONAL DESCRIPTIONS</b> .....   | <b>7</b>  |
| <b>2.1 CPU INTERFACE</b> .....   | <b>7</b>  |
| <i>FIGURE 3. XR16L2750 DATA BUS INTERCONNECTIONS</i> .....                                     | 7         |
| <b>2.2 5-VOLT TOLERANT INPUTS</b> .....  | <b>7</b>  |
| <b>2.3 DEVICE RESET</b> .....  | <b>7</b>  |
| <b>2.4 DEVICE IDENTIFICATION AND REVISION</b> .....  | <b>7</b>  |
| <b>2.5 CHANNEL A AND B SELECTION</b> .....   | <b>7</b>  |
| <i>TABLE 1: CHANNEL A AND B SELECT</i> .....   | 8         |
| <b>2.6 CHANNEL A AND B INTERNAL REGISTERS</b> .....  | <b>8</b>  |
| <b>2.7 DMA MODE</b> .....  | <b>8</b>  |
| <i>TABLE 2: TXRDY# AND RXRDY# OUTPUTS IN FIFO AND DMA MODE</i> .....                           | 8         |
| <b>2.8 INTA AND INTB OUTPUTS</b> .....   | <b>9</b>  |
| <i>TABLE 3: INTA AND INTB PINS OPERATION FOR TRANSMITTER</i> .....                             | 9         |
| <i>TABLE 4: INTA AND INTB PIN OPERATION FOR RECEIVER</i> .....                                 | 9         |
| <b>2.9 CRYSTAL OSCILLATOR OR EXTERNAL CLOCK INPUT</b> .....                                    | <b>9</b>  |
| <i>FIGURE 4. TYPICAL OSCILLATOR CONNECTIONS</i> .....  | 9         |
| <i>FIGURE 5. EXTERNAL CLOCK CONNECTION FOR EXTENDED DATA RATE</i> .....                        | 10        |
| <b>2.10 PROGRAMMABLE BAUD RATE GENERATOR</b> .....   | <b>10</b> |
| <i>FIGURE 6. BAUD RATE GENERATOR AND PRESCALER</i> .....                                       | 10        |
| <i>TABLE 5: TYPICAL DATA RATES WITH A 14.7456 MHz CRYSTAL OR EXTERNAL CLOCK</i> .....          | 11        |
| <b>2.11 TRANSMITTER</b> .....  | <b>11</b> |
| <b>2.11.1 TRANSMIT HOLDING REGISTER (THR) - WRITE ONLY</b> .....                               | <b>11</b> |
| <b>2.11.2 TRANSMITTER OPERATION IN NON-FIFO MODE</b> .....                                     | <b>11</b> |
| <i>FIGURE 7. TRANSMITTER OPERATION IN NON-FIFO MODE</i> .....                                  | 12        |
| <b>2.11.3 TRANSMITTER OPERATION IN FIFO MODE</b> .....   | <b>12</b> |
| <i>FIGURE 8. TRANSMITTER OPERATION IN FIFO AND FLOW CONTROL MODE</i> .....                     | 12        |
| <b>2.12 RECEIVER</b> .....   | <b>12</b> |
| <b>2.12.1 RECEIVE HOLDING REGISTER (RHR) - READ-ONLY</b> .....                                 | <b>13</b> |
| <i>FIGURE 9. RECEIVER OPERATION IN NON-FIFO MODE</i> .....                                     | 13        |
| <i>FIGURE 10. RECEIVER OPERATION IN FIFO AND AUTO RTS FLOW CONTROL MODE</i> .....              | 13        |
| <b>2.13 AUTO RTS (HARDWARE) FLOW CONTROL</b> .....   | <b>14</b> |
| <b>2.14 AUTO RTS HYSTERESIS</b> .....  | <b>14</b> |
| <b>2.15 AUTO CTS FLOW CONTROL</b> .....  | <b>14</b> |
| <i>FIGURE 11. AUTO RTS AND CTS FLOW CONTROL OPERATION</i> .....                                | 15        |
| <b>2.16 AUTO XON/XOFF (SOFTWARE) FLOW CONTROL</b> .....  | <b>16</b> |
| <i>TABLE 6: AUTO XON/XOFF (SOFTWARE) FLOW CONTROL</i> .....                                    | 16        |
| <b>2.17 SPECIAL CHARACTER DETECT</b> .....   | <b>16</b> |
| <b>2.18 AUTO RS485 HALF-DUPLEX CONTROL</b> .....   | <b>16</b> |
| <b>2.19 INFRARED MODE</b> .....  | <b>17</b> |
| <i>FIGURE 12. INFRARED TRANSMIT DATA ENCODING AND RECEIVE DATA DECODING</i> .....              | 17        |
| <b>2.20 SLEEP MODE WITH AUTO WAKE-UP</b> .....   | <b>18</b> |
| <b>2.21 INTERNAL LOOPBACK</b> .....  | <b>19</b> |
| <i>FIGURE 13. INTERNAL LOOP BACK IN CHANNEL A AND B</i> .....                                  | 19        |
| <b>3.0 UART INTERNAL REGISTERS</b> .....   | <b>20</b> |
| <i>TABLE 7: UART CHANNEL A AND B UART INTERNAL REGISTERS</i> .....                             | 20        |
| <i>TABLE 8: INTERNAL REGISTERS DESCRIPTION. SHADED BITS ARE ENABLED WHEN EFR BIT-4=1</i> ..... | 21        |
| <b>4.0 INTERNAL REGISTER DESCRIPTIONS</b> .....  | <b>22</b> |
| <b>4.1 RECEIVE HOLDING REGISTER (RHR) - READ- ONLY</b> .....                                   | <b>22</b> |
| <b>4.2 TRANSMIT HOLDING REGISTER (THR) - WRITE-ONLY</b> .....                                  | <b>22</b> |
| <b>4.3 INTERRUPT ENABLE REGISTER (IER) - READ/WRITE</b> .....                                  | <b>22</b> |
| <b>4.3.1 IER VERSUS RECEIVE FIFO INTERRUPT MODE OPERATION</b> .....                            | <b>23</b> |

|   |           |
|---|-----------|
| 4.3.2 IER VERSUS RECEIVE/TRANSMIT FIFO POLLED MODE OPERATION.....   | 23        |
| <b>4.4 INTERRUPT STATUS REGISTER (ISR) - READ-ONLY .....</b>  | <b>24</b> |
| 4.4.1 INTERRUPT GENERATION: .....   | 24        |
| 4.4.2 INTERRUPT CLEARING: .....   | 24        |
| TABLE 9: INTERRUPT SOURCE AND PRIORITY LEVEL .....  | 25        |
| <b>4.5 FIFO CONTROL REGISTER (FCR) - WRITE-ONLY .....</b>   | <b>25</b> |
| TABLE 10: TRANSMIT AND RECEIVE FIFO TRIGGER TABLE AND LEVEL SELECTION .....   | 26        |
| <b>4.6 LINE CONTROL REGISTER (LCR) - READ/WRITE .....</b>   | <b>27</b> |
| TABLE 11: PARITY SELECTION .....  | 28        |
| <b>4.7 MODEM CONTROL REGISTER (MCR) OR GENERAL PURPOSE OUTPUTS CONTROL - READ/WRITE</b>   | <b>28</b> |
| <b>4.8 LINE STATUS REGISTER (LSR) - READ ONLY .....</b>   | <b>29</b> |
| <b>4.9 MODEM STATUS REGISTER (MSR) - READ ONLY .....</b>  | <b>30</b> |
| <b>4.10 SCRATCH PAD REGISTER (SPR) - READ/WRITE .....</b>   | <b>31</b> |
| <b>4.11 ENHANCED MODE SELECT REGISTER (EMSR) .....</b>  | <b>31</b> |
| TABLE 12: SCRATCHPAD SWAP SELECTION .....   | 31        |
| TABLE 13: AUTO RTS HYSTERESIS .....   | 32        |
| <b>4.12 FIFO LEVEL REGISTER (FLVL) - READ-ONLY .....</b>  | <b>32</b> |
| <b>4.13 BAUD RATE GENERATOR REGISTERS (DLL AND DLM) - READ/WRITE .....</b>  | <b>32</b> |
| <b>4.14 DEVICE IDENTIFICATION REGISTER (DVID) - READ ONLY .....</b>   | <b>32</b> |
| <b>4.15 DEVICE REVISION REGISTER (DREV) - READ ONLY .....</b>   | <b>33</b> |
| <b>4.16 TRIGGER LEVEL REGISTER (TRG) - WRITE-ONLY .....</b>   | <b>33</b> |
| <b>4.17 RX/TX FIFO LEVEL COUNT REGISTER (FC) - READ-ONLY .....</b>  | <b>33</b> |
| <b>4.18 FEATURE CONTROL REGISTER (FCTR) - READ/WRITE .....</b>  | <b>33</b> |
| TABLE 14: TRIGGER TABLE SELECT.....   | 33        |
| <b>4.19 ENHANCED FEATURE REGISTER (EFR) .....</b>   | <b>34</b> |
| TABLE 15: SOFTWARE FLOW CONTROL FUNCTIONS .....   | 34        |
| 4.19.1 SOFTWARE FLOW CONTROL REGISTERS (XOFF1, XOFF2, XON1, XON2) - READ/WRITE .....  | 35        |
| TABLE 16: UART RESET CONDITIONS FOR CHANNEL A AND B.....  | 36        |
| <b>ABSOLUTE MAXIMUM RATINGS.....</b>  | <b>37</b> |
| <b>TYPICAL PACKAGE THERMAL RESISTANCE DATA (MARGIN OF ERROR: ± 15%)</b>   | <b>37</b> |
| <b>ELECTRICAL CHARACTERISTICS .....</b>   | <b>37</b> |
| DC ELECTRICAL CHARACTERISTICS.....  | 37        |
| TA=0o to 70oC (-40o to +85oC for industrial grade package), Vcc is 2.25V to 5.5V .....  | 37        |
| AC ELECTRICAL CHARACTERISTICS .....   | 38        |
| Unless otherwise noted: TA=0o to 70oC (-40o to +85oC for industrial grade package), Vcc=2.25 - 5.5V, 70 pF load where applicable..... | 38        |
| FIGURE 14. CLOCK TIMING.....  | 39        |
| FIGURE 15. MODEM INPUT/OUTPUT TIMING FOR CHANNELS A & B.....  | 39        |
| FIGURE 17. DATA BUS WRITE TIMING.....   | 40        |
| FIGURE 16. DATA BUS READ TIMING.....  | 40        |
| FIGURE 18. RECEIVE READY & INTERRUPT TIMING [NON-FIFO MODE] FOR CHANNELS A & B .....  | 41        |
| FIGURE 19. TRANSMIT READY & INTERRUPT TIMING [NON-FIFO MODE] FOR CHANNELS A & B .....   | 41        |
| FIGURE 20. RECEIVE READY & INTERRUPT TIMING [FIFO MODE, DMA DISABLED] FOR CHANNELS A & B.....   | 42        |
| FIGURE 21. RECEIVE READY & INTERRUPT TIMING [FIFO MODE, DMA ENABLED] FOR CHANNELS A & B.....  | 42        |
| FIGURE 22. TRANSMIT READY & INTERRUPT TIMING [FIFO MODE, DMA MODE DISABLED] FOR CHANNELS A & B.....                                   | 43        |
| FIGURE 23. TRANSMIT READY & INTERRUPT TIMING [FIFO MODE, DMA MODE ENABLED] FOR CHANNELS A & B .....                                   | 43        |
| PACKAGE DIMENSIONS (48 PIN TQFP - 7 X 7 X 1 MM) .....   | 44        |
| PACKAGE DIMENSIONS (44 PIN PLCC) .....  | 45        |
| REVISION HISTORY.....   | 46        |





Компания «ЭлектроПласт» предлагает заключение долгосрочных отношений при поставках импортных электронных компонентов на взаимовыгодных условиях!

Наши преимущества:

- Оперативные поставки широкого спектра электронных компонентов отечественного и импортного производства напрямую от производителей и с крупнейших мировых складов;
- Поставка более 17-ти миллионов наименований электронных компонентов;
- Поставка сложных, дефицитных, либо снятых с производства позиций;
- Оперативные сроки поставки под заказ (от 5 рабочих дней);
- Экспресс доставка в любую точку России;
- Техническая поддержка проекта, помощь в подборе аналогов, поставка прототипов;
- Система менеджмента качества сертифицирована по Международному стандарту ISO 9001;
- Лицензия ФСБ на осуществление работ с использованием сведений, составляющих государственную тайну;
- Поставка специализированных компонентов (Xilinx, Altera, Analog Devices, Intersil, Interpoint, Microsemi, Aeroflex, Peregrine, Syfer, Eurofarad, Texas Instrument, Miteq, Cobham, E2V, MA-COM, Hittite, Mini-Circuits, General Dynamics и др.);

Помимо этого, одним из направлений компании «ЭлектроПласт» является направление «Источники питания». Мы предлагаем Вам помощь Конструкторского отдела:

- Подбор оптимального решения, техническое обоснование при выборе компонента;
- Подбор аналогов;
- Консультации по применению компонента;
- Поставка образцов и прототипов;
- Техническая поддержка проекта;
- Защита от снятия компонента с производства.



#### Как с нами связаться

**Телефон:** 8 (812) 309 58 32 (многоканальный)

**Факс:** 8 (812) 320-02-42

**Электронная почта:** [org@eplast1.ru](mailto:org@eplast1.ru)

**Адрес:** 198099, г. Санкт-Петербург, ул. Калинина, дом 2, корпус 4, литера А.