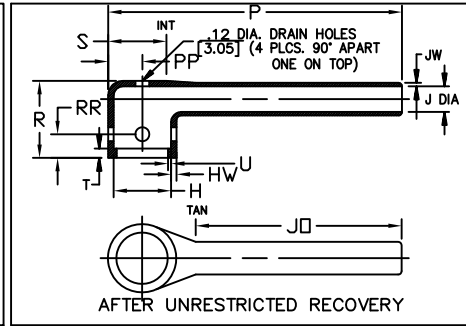
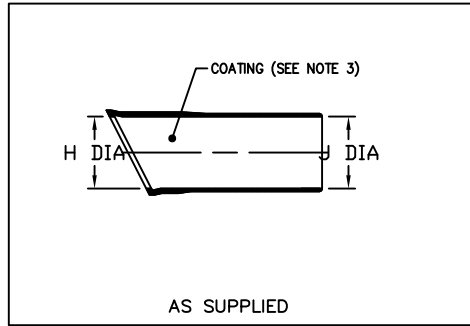


NOTES

- All dimensions are in $\frac{\text{inches}}{[\text{millimeters}]}$
- Dimensions appearing in table are as follows:
a - As Supplied
b - After Unrestricted Recovery
- Coating is optional. As supplied dimensions appearing in table are for uncoated parts. When coating is added, entry diameters will be reduced by .06 max.



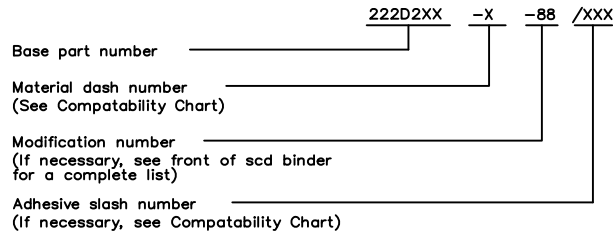
DIMENSIONING AND TOLERANCING PER ASME Y14.5M (ISO STANDARDS)

REVISIONS		
LTR	DESCRIPTION	DATE
B	REVISED PER ECO-12-007619	04/20/2012

TABLE OF DIMENSIONS

PART NUMBER	H		J			P	R	S	T	U	JO	PP	RR	HW	JW	
	Min	Max	Min	Min	Max											
	a	b	a	a	b											
222D211-X-88	.88 [22,4]	.45 [11,4]	.88 [22,4]	-3,-4, -25	.55 [14,0]	.25 [6,4]	4.14 [105,2]	.73 [18,5]	.47 [11,9]	.12 [3,05]	.04 [1,02]	3.45 [87,6]	.27 [6,9]	.47 [11,9]	.06 [1,52]	.045 [1,14]
222D221-X-88	1.01 [25,7]	.59 [15,0]	1.01 [25,7]	-3,-4, -25	.63 [16,0]	.29 [7,4]	4.88 [124,0]	.78 [19,8]	.60 [15,2]	.12 [3,05]	.04 [1,02]	3.90 [99,1]	.35 [8,4]	.47 [11,9]	.06 [1,52]	.045 [1,14]
222D232-X-88	1.16 [29,5]	.74 [18,8]	1.16 [29,5]	-3,-4, -25	.72 [18,3]	.33 [8,4]	5.76 [146,3]	.82 [20,8]	.75 [19,1]	.12 [3,05]	.04 [1,02]	4.50 [114,3]	.41 [10,4]	.47 [11,9]	.07 [1,78]	.045 [1,14]
222D242-X-88	1.34 [34,0]	.90 [22,9]	1.34 [34,0]	-3,-4, -25	.84 [21,3]	.38 [9,7]	6.78 [172,2]	.86 [21,8]	.90 [22,9]	.12 [3,05]	.04 [1,02]	5.22 [132,6]	.48 [12,2]	.47 [11,9]	.07 [1,78]	.045 [1,14]
222D253-X-88	1.47 [37,3]	1.16 [29,5]	1.47 [37,3]	-3,-4, -25	.91 [23,1]	.41 [10,4]	7.29 [185,2]	.96 [24,4]	1.15 [29,2]	.12 [3,05]	.065 [1,65]	5.66 [143,8]	.61 [15,5]	.47 [11,9]	.08 [2,03]	.045 [1,14]
222D263-X-88	1.72 [43,7]	1.34 [34,0]	1.72 [43,7]	-3,-4, -25	1.07 [27,2]	.48 [12,2]	8.41 [213,6]	1.08 [27,4]	1.32 [33,5]	.12 [3,05]	.065 [1,65]	6.66 [169,2]	.72 [18,3]	.47 [11,9]	.08 [2,03]	.045 [1,14]
222D274-X-88	1.97 [50,0]	1.62 [41,1]	1.97 [50,0]	-3,-4, -25	1.24 [31,5]	.56 [14,2]	8.84 [224,5]	1.16 [29,5]	1.59 [40,4]	.12 [3,05]	.065 [1,65]	6.82 [173,2]	.83 [21,1]	.47 [11,9]	.09 [2,29]	.055 [1,40]
222D285-X-88	2.47 [62,7]	1.85 [47,0]	2.47 [62,7]	-3,-4, -25	1.54 [39,1]	.69 [17,5]	8.95 [227,3]	1.31 [33,3]	1.81 [46,0]	.12 [3,05]	.08 [2,03]	6.62 [168,1]	.95 [24,1]	.63 [16,0]	.10 [2,54]	.055 [1,40]
222D296-X-88	2.73 [69,3]	2.35 [59,7]	2.73 [69,3]	-3,-4, -25	1.70 [43,2]	.77 [19,6]	9.19 [233,4]	1.38 [35,1]	2.28 [57,9]	.12 [3,05]	.08 [2,03]	6.19 [157,2]	1.18 [30,0]	.63 [16,0]	.10 [2,54]	.055 [1,40]
222D299-X-88	3.22 [81,8]	2.64 [67,1]	3.22 [81,8]	-3,-4, -25	2.01 [51,1]	.90 [22,9]	9.33 [237,0]	1.75 [44,5]	2.55 [64,8]	.12 [3,05]	.08 [2,03]	5.95 [151,1]	1.31 [33,3]	.63 [16,0]	.10 [2,54]	.055 [1,40]

ORDERING INFORMATION



If this document is printed it becomes uncontrolled. Check for the latest revision

COMPATIBILITY CHART

MATERIAL DASH NO.	MATERIAL DESCRIPTION	RT SPEC	COATING SLASH NO.	COATING S NO.	COATING DESCRIPTION
-3	Polyolefin, Semi-rigid	RT-301	/42;/86;/180	S-1017;S-1048;S-1030	Adhesive
-4	Polyolefin, Flexible	RT-1304	/42;/86;/180	S-1017;S-1048;S-1030	Adhesive
-5	Elastomer, Flexible	RT-501	N/A		
-6	Silicone	RT-602	N/A		
-8	Polyolefin, Space	RT-1308	N/A		
-12	*VITON, Flexible	RT-1312	N/A		
-25	Elastomer, Fluid Resistant	RT-1325	/42;/86	S-1017;S-1048	Adhesive
-100	Polyolefin, Semi-flexible ZEROHAL	RT-1323	/184	S-1030	Adhesive

*VITON is a Registered Trademark of Dupont

Raychem Molded Parts
CUSTOMER DRAWING

THIS DRAWING AND THE INFORMATION SET FORTH HEREON ARE THE PROPERTY OF TYCO ELECTRONICS CORPORATION, AND ARE TO BE HELD IN TRUST AND CONFIDENCE. PUBLICATION, DUPLICATION, DISCLOSURE OR USE FOR ANY PURPOSE NOT EXPRESSLY AUTHORIZED IN WRITING BY TYCO ELECTRONICS CORPORATION IS PROHIBITED.

UNLESS OTHERWISE SPECIFIED DIMENSIONS ARE METRIC AND INCHES ARE IN BRACKETS. DECIMAL TOLERANCES XXX ± 0.13 (.005) XX ± 0.25 (.01) X ± 0.50 (.10) ANGLE TOLERANCE .X ± 1 DEG.	DRAWN M Mazariegos 4/10/12	APPROVED D.Hurrell 4/17/11	 TE Connectivity
	RPN	TITLE BOOT, 90°, WITH LIPS	
CAD FILE: 222D2XX-X-88_CD	THIRD ANGLE PROJECTION	SIZE B	CODE IDENT. NO. 06090
TYCO ELECTRONICS RESERVES THE RIGHT TO AMEND THIS DRAWING AT ANY TIME. USERS SHOULD EVALUATE THE SUITABILITY OF THE PRODUCT FOR THEIR APPLICATION. © 2012 Tyco Electronics Corporation. All rights reserved.	DWG. NO. 222D2XX-X-88	DO NOT SCALE THIS DRAWING SHEET 1 OF 1	



Компания «ЭлектроПласт» предлагает заключение долгосрочных отношений при поставках импортных электронных компонентов на взаимовыгодных условиях!

Наши преимущества:

- Оперативные поставки широкого спектра электронных компонентов отечественного и импортного производства напрямую от производителей и с крупнейших мировых складов;
- Поставка более 17-ти миллионов наименований электронных компонентов;
- Поставка сложных, дефицитных, либо снятых с производства позиций;
- Оперативные сроки поставки под заказ (от 5 рабочих дней);
- Экспресс доставка в любую точку России;
- Техническая поддержка проекта, помощь в подборе аналогов, поставка прототипов;
- Система менеджмента качества сертифицирована по Международному стандарту ISO 9001;
- Лицензия ФСБ на осуществление работ с использованием сведений, составляющих государственную тайну;
- Поставка специализированных компонентов (Xilinx, Altera, Analog Devices, Intersil, Interpoint, Microsemi, Aeroflex, Peregrine, Syfer, Eurofarad, Texas Instrument, Miteq, Cobham, E2V, MA-COM, Hittite, Mini-Circuits, General Dynamics и др.);

Помимо этого, одним из направлений компании «ЭлектроПласт» является направление «Источники питания». Мы предлагаем Вам помощь Конструкторского отдела:

- Подбор оптимального решения, техническое обоснование при выборе компонента;
- Подбор аналогов;
- Консультации по применению компонента;
- Поставка образцов и прототипов;
- Техническая поддержка проекта;
- Защита от снятия компонента с производства.



Как с нами связаться

Телефон: 8 (812) 309 58 32 (многоканальный)

Факс: 8 (812) 320-02-42

Электронная почта: org@eplast1.ru

Адрес: 198099, г. Санкт-Петербург, ул. Калинина, дом 2, корпус 4, литера А.