

IS31FL3193

3-CHANNEL FUN LED DRIVER

December 2014

GENERAL DESCRIPTION

IS31FL3193 is a 3-channel fun LED driver which features two-dimensional auto breathing mode. It has One Shot Programming mode and PWM Control mode for RGB lighting effects. The maximum output current can be adjusted in 5 levels (5mA~42mA).

In PWM Control mode, the PWM duty cycle of each output can be independently programmed and controlled in 256 steps to simplify color mixing. In One Shot Programming mode, the timing characteristics for output current - current rising, holding, falling and off time, can be adjusted individually so that each output can independently maintain a pre-established pattern achieving mixing color breathing or a single color breathing without requiring any additional interface activity, thus saving valuable system resources.

IS31FL3193 is available in DFN-10 (3mm × 3mm). It operates from 2.7V to 5.5V over the temperature range of -40°C to +85°C.

FEATURES

- One group RGB, single color LED breathing system-free pre-established pattern
- 3 independently controlled automatic and semiautomatic breathing system-free pre-established pattern
- I2C interface, automatic address increment function
- 3 independently controlled outputs of 256 PWM steps
- 2.7V to 5.5V supply voltage
- 5 levels programmable output current
- Over-temperature protection
- Operating temperature $T_A = -40^\circ\text{C} \sim +85^\circ\text{C}$
- DFN-10 (3mm × 3mm) package

APPLICATIONS

- Mobile phones and other hand-held devices for LED display
- LED in home appliances

TYPICAL APPLICATION CIRCUIT

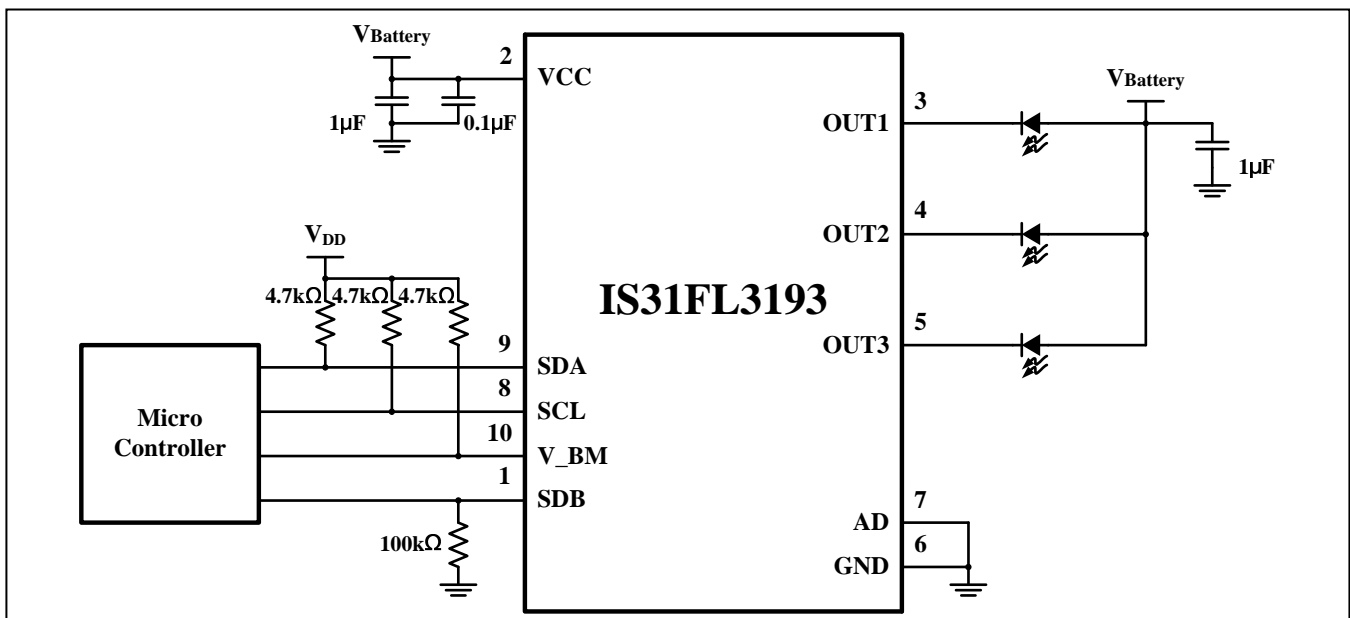
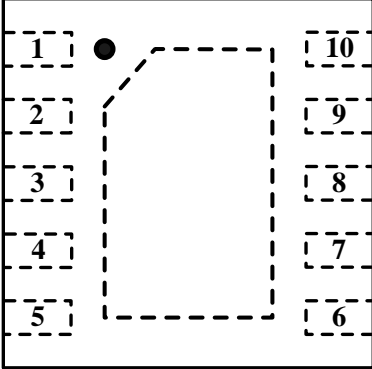


Figure 1 Typical Application Circuit

Note: The IC should be placed far away from the mobile antenna in order to prevent the EMI.

IS31FL3193

PIN CONFIGURATION

Package	Pin Configuration (Top View)
DFN-10	

PIN DESCRIPTION

No.	Pin	Description
1	SDB	Shutdown the chip when pulled to low.
2	VCC	Power supply.
3~5	OUT1~OUT3	Current source outputs.
6	GND	Ground.
7	AD	I2C address setting.
8	SCL	I2C serial clock.
9	SDA	I2C serial data.
10	V_BM	Breathing mark signal output.
	Thermal Pad	Connect to GND.



IS31FL3193

ORDERING INFORMATION

Industrial Range: -40°C to +85°C

Order Part No.	Package	QTY/Reel
IS31FL3193-DLS2-TR	DFN-10, Lead-free	2500

Copyright © 2014 Integrated Silicon Solution, Inc. All rights reserved. ISSI reserves the right to make changes to this specification and its products at any time without notice. ISSI assumes no liability arising out of the application or use of any information, products or services described herein. Customers are advised to obtain the latest version of this device specification before relying on any published information and before placing orders for products. Integrated Silicon Solution, Inc. does not recommend the use of any of its products in life support applications where the failure or malfunction of the product can reasonably be expected to cause failure of the life support system or to significantly affect its safety or effectiveness. Products are not authorized for use in such applications unless Integrated Silicon Solution, Inc. receives written assurance to its satisfaction, that:

- a.) the risk of injury or damage has been minimized;
- b.) the user assume all such risks; and
- c.) potential liability of Integrated Silicon Solution, Inc is adequately protected under the circumstances



IS31FL3193

ABSOLUTE MAXIMUM RATINGS

Supply voltage, V_{CC}	-0.3V ~ +6.0V
Voltage at any input pin	-0.3V ~ $V_{CC}+0.3V$
Maximum junction temperature, T_{JMAX}	150°C
Operating temperature range, T_A	-40°C ~ +85°C
Storage temperature range, T_{STG}	-65°C ~ +150°C
ESD (HBM)	7kV
ESD (CDM)	1kV

Note:

Stresses beyond those listed under "Absolute Maximum Ratings" may cause permanent damage to the device. These are stress ratings only and functional operation of the device at these or any other condition beyond those indicated in the operational sections of the specifications is not implied. Exposure to absolute maximum rating conditions for extended periods may affect device reliability.

ELECTRICAL CHARACTERISTICS

$T_A = -40^\circ\text{C} \sim +85^\circ\text{C}$, $V_{CC} = 5V$, unless otherwise noted. Typical value are $T_A = 25^\circ\text{C}$.

Symbol	Parameter	Condition	Min.	Typ.	Max.	Unit
V_{CC}	Supply voltage		2.7		5.5	V
I_{CC}	Quiescent power supply current	$V_{SDB} = V_{CC}$		0.8		mA
I_{SD}	Shutdown current	$V_{SDB} = 0V$			2.5	μA
		$V_{SDB} = V_{CC}$, software shutdown			3.5	
I_{OUT}	Output current	PWM Control mode, $V_{DS} = 0.5V$ PWM Register(04h~06h) = 0xFF Current Register(03h) = 0x00		42 (Note 1)		mA
V_{HR}	Current sink headroom voltage	$I_{OUT} = 42\text{mA}$		500		mV

Logic Electrical Characteristics (SDA, SCL, SDB, AD)

V_{IL}	Logic "0" input voltage	$V_{CC} = 2.7V$			0.4	V
V_{IH}	Logic "1" input voltage	$V_{CC} = 5.5V$	1.4			V
I_{IL}	Logic "0" input current			5 (Note 2)		nA
I_{IH}	Logic "1" input current			5 (Note 2)		nA

IS31FL3193

DIGITAL INPUT SWITCHING CHARACTERISTICS (Note 3)

Symbol	Parameter	Condition	Min.	Typ.	Max.	Unit
f_{SCL}	Serial-Clock frequency				400	kHz
t_{BUF}	Bus free time between a STOP and a START condition		1.3			μ s
$t_{HD, STA}$	Hold time (repeated) START condition		0.6			μ s
$t_{SU, STA}$	Repeated START condition setup time		0.6			μ s
$t_{SU, STO}$	STOP condition setup time		0.6			μ s
$t_{HD, DAT}$	Data hold time				0.9	μ s
$t_{SU, DAT}$	Data setup time		100			ns
t_{LOW}	SCL clock low period		1.3			μ s
t_{HIGH}	SCL clock high period		0.7			μ s
t_R	Rise time of both SDA and SCL signals, receiving	(Note 4)		$20+0.1C_b$	300	ns
t_F	Fall time of both SDA and SCL signals, receiving	(Note 4)		$20+0.1C_b$	300	ns

Note 1: I_{OUT} represents the average output current of each individual output. See PWM Register, Table 7.

Note 2: All LEDs are on.

Note 3: Guaranteed by design.

Note 4: C_b = total capacitance of one bus line in pF. $I_{SINK} \leq 6mA$. t_R and t_F measured between $0.3 \times V_{CC}$ and $0.7 \times V_{CC}$.

IS31FL3193

DETAILED DESCRIPTION

I2C INTERFACE

The IS31FL3193 uses a serial bus, which conforms to the I2C protocol, to control the chip's functions with two wires: SCL and SDA. The IS31FL3193 has a 7-bit slave address (A7:A1), followed by the R/W bit, A0. Since IS31FL3193 only supports write operations, A0 must always be "0". The value of bits A1 and A2 are decided by the connection of the AD pin.

The complete slave address is:

Table 1 Slave Address (Write only):

Bit	A7:A3	A2:A1	A0
Value	11010	AD	0

AD connected to GND, AD = 00;
 AD connected to VCC, AD = 11;
 AD connected to SCL, AD = 01;
 AD connected to SDA, AD = 10;

The SCL line is uni-directional. The SDA line is bi-directional (open-collector) with a pull-up resistor (typically 4.7kΩ). The maximum clock frequency specified by the I2C standard is 400kHz. In this discussion, the master is the microcontroller and the slave is the IS31FL3193.

The timing diagram for the I2C is shown in Figure 2. The SDA is latched in on the stable high level of the SCL. When there is no interface activity, the SDA line should be held high.

The "START" signal is generated by lowering the SDA signal while the SCL signal is high. The start signal will alert all devices attached to the I2C bus to check the incoming address against their own chip address.

The 8-bit chip address is sent next, most significant bit first. Each address bit must be stable while the SCL level is high.

After the last bit of the chip address is sent, the master checks for the IS31FL3193's acknowledge. The master releases the SDA line high (through a pull-up resistor). Then the master sends an SCL pulse. If the IS31FL3193 has received the address correctly, then it holds the SDA line low during the SCL pulse. If the SDA line is not low, then the master should send a "STOP" signal (discussed later) and abort the transfer.

Following acknowledge of IS31FL3193, the register address byte is sent, most significant bit first. IS31FL3193 must generate another acknowledge indicating that the register address has been received.

Then 8-bit of data byte are sent next, most significant bit first. Each data bit should be valid while the SCL level is stable high. After the data byte is sent, the IS31FL3193 must generate another acknowledge to indicate that the data was received.

The "STOP" signal ends the transfer. To signal "STOP", the SDA signal goes high while the SCL signal is high.

ADDRESS AUTO INCREMENT

To write multiple bytes of data into IS31FL3193, load the address of the data register that the first data byte is intended for. During the IS31FL3193 acknowledge of receiving the data byte, the internal address pointer will increment by one. The next data byte sent to IS31FL3193 will be placed in the new address, and so on (Figure 5).

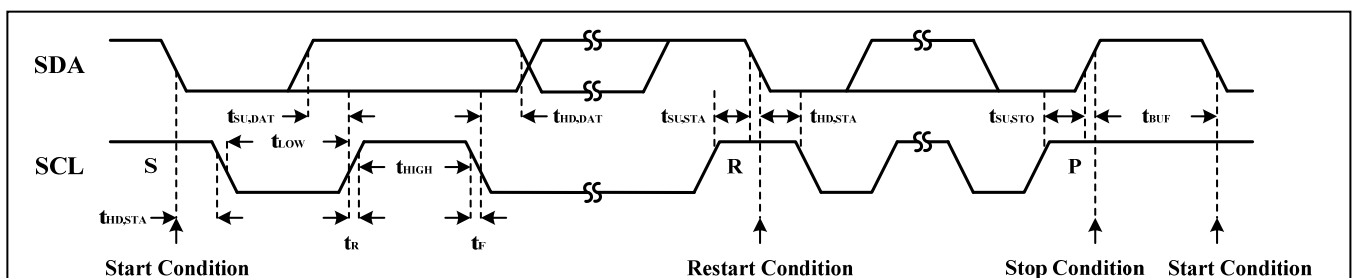


Figure 2 Interface Timing

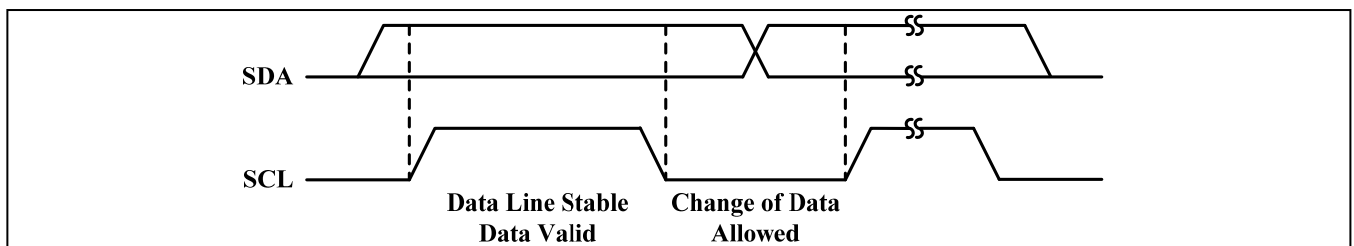


Figure 3 Bit Transfer

IS31FL3193

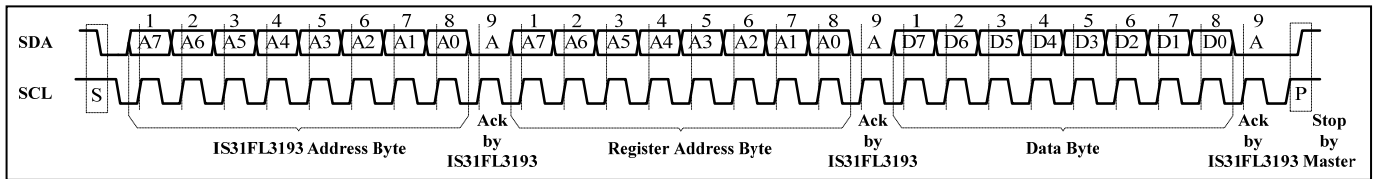


Figure 4 Writing to IS31FL3193 (Typical)

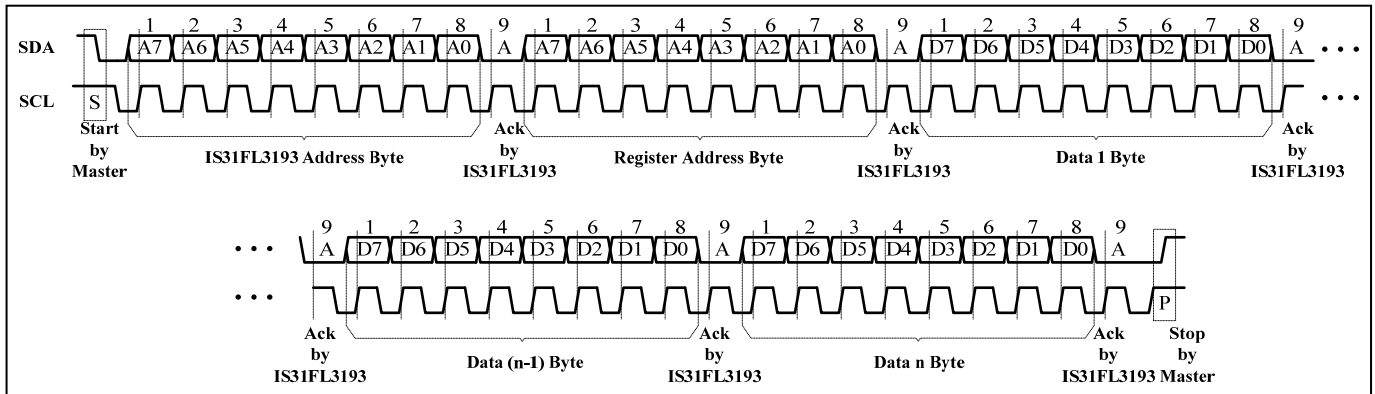


Figure 5 Writing to IS31FL3193 (Automatic Address Increment)

REGISTERS DEFINITIONS

Table 2 Register Function

Address	Name	Function	Table	Default
00h	Shutdown Register	Set software shutdown mode	3	0000 0001
01h	Breathing Control Register	Set the breathing function	4	0000 0000
02h	LED Mode Register	Set operation mode	5	
03h	Current Setting Register	Set output current	6	
04h~06h	PWM Register	3 channels PWM duty cycle data registers	7	
07h	Data Update Register	Load PWM Registers and LED Control Register' data	-	xxxx xxxx
0Ah ~ 0Ch	T0 Register	Set the T0 time	8	0000 0000
10h ~ 12h	T1&T2 Register	Set the T1&T2 time	9	
16h ~18h	T3&T4 Register	Set the T3&T4 time	10	
1Ch	Time Update Register	Load time registers' data	-	xxxx xxxx
1Dh	LED Control Register	OUT1~ OUT3 enable bit	11	0000 0111
2Fh	Reset Register	Reset all registers to default value	-	xxxx xxxx

Table 3 00h Shutdown Register

Bit	D7:D6	D5	D4:D1	D0
Name	-	EN	-	SSD
Default	00	0	0000	1

The Shutdown Register sets software shutdown mode of IS31FL3193.

- EN** Channel Control
- 0 All channel disable
 - 1 All channel enable
- SSD** Software Shutdown Enable
- 0 Normal operation
 - 1 Software shutdown mode

IS31FL3193

Table 4 01h Breathing Control Register

Bit	D7:D6	D5	D4	D3	D2	D1:D0
Name	-	RM	HT	-	BME	CSS
Default	00	0	0	0	0	00

The Breathing Control Register sets the breathing function.

RM Ramping Mode Enable
 0 Disable
 1 Enable

HT Hold Time Selection
 0 Hold on T2
 1 Hold on T4

BME Breathing Mark Enable
 0 Disable
 1 Enable

CSS Channel Selection
 00 OUT1
 01 OUT2
 10 OUT3
 Others Unavailable

Table 5 02h LED Mode Register

Bit	D7:D6	D5	D4:D0
Name	-	RGB	-
Default	00	0	00000

The LED Mode Register sets operation mode of IS31FL3193.

RGB RGB Mode Selection
 0 PWM Control Mode
 1 One Shot Programming Mode

Table 6 03h Current Setting Register

Bit	D7:D5	D4:D2	D1:D0
Name	-	CS	-
Default	000	000	00

The Current Setting Register stores the maximum current setting, I_{MAX} , for all of the LED output channels.

CS Current Setting
 000 42mA
 001 10mA
 010 5mA
 011 30mA
 1xx 17.5mA

Table 7 04h~06h PWM Register(OUT1~OUT3)

Bit	D7:D0
Name	PWM
Default	0000 0000

The value in the PWM Registers modulate the RGB LEDs in 256 steps.

The value of the PWM Registers decide the average output current of OUT1~OUT3. The average output current may be computed using the Formula (1):

$$I_{OUT} = \frac{I_{MAX}}{256} \cdot \sum_{n=0}^7 D[n] * 2^n \quad (1)$$

Where D[n] stands for the individual bit value, 1 or 0, in location n.

For example: if D7:D0 = 10110101,

$$I_{OUT} = I_{MAX} (2^0 + 2^2 + 2^4 + 2^5 + 2^7) / 256$$

I_{MAX} is set by Current Setting Register.

07h PWM Update Register

The data sent to the PWM Registers and the LED Control Registers will be stored in temporary registers. A write operation of "0000 0000" to the Update Register is required to update the registers (04h~06h, 1Dh).

Table 8 0Ah~0Ch T0 Register (OUT1~OUT3)

Bit	D7:D4	D3:D0
Name	T0	-
Default	0000	0000

The T0 Registers set the T0 time in One Shot Programming mode.

T0 T0 Setting
 0000 0s
 0001 0.13s
 0010 0.26s
 0011 0.52s
 0100 1.04s
 0101 2.08s
 0110 4.16s
 0111 8.32s
 1000 16.64s
 1001 33.28s
 1010 66.56s
 Others Unavailable

IS31FL3193

Table 9 10h~12h T1&T2 Register (OUT1~OUT3)

Bit	D7:D5	D4:D1	D0
Name	T1	T2	-
Default	000	0000	0

The T1&T2 Registers set the T1&T2 time in One Shot Programming mode.

T1 T1 Setting

000	0.13s
001	0.26s
010	0.52s
011	1.04s
100	2.08s
101	4.16s
110	8.32s
111	16.64s

T2 T2 Setting

0000	0s
0001	0.13s
0010	0.26s
0011	0.52s
0100	1.04s
0101	2.08s
0110	4.16s
0111	8.32s
1000	16.64s
Others	Unavailable

Table 10 16h~18h T3&T4 Register (OUT1~OUT3)

Bit	D7:D5	D4:D1	D0
Name	T3	T4	-
Default	000	0000	0

The T3&T4 Registers set the T3&T4 time in One Shot Programming mode.

T3 T3 Setting

000	0.13s
001	0.26s
010	0.52s
011	1.04s
100	2.08s
101	4.16s
110	8.32s
111	16.64s

T4 T4 Setting

0000	0s
0001	0.13s
0010	0.26s
0011	0.52s
0100	1.04s
0101	2.08s
0110	4.16s
0111	8.32s
1000	16.64s
1001	33.28s
1010	66.56s
Others	Unavailable

1Ch Time Update Register

The data sent to the PWM Registers and the LED Control Register will be stored in temporary registers. A write operation of "0000 0000" to the Update Register is required to update the registers (0Ah~0Ch, 10h~12h, 16h~18h).

Table 11 1Dh LED Control Register (OUT1~OUT3)

Bit	D7:D3	D2:D0
Name	-	OUT3:OUT1
Default	00000	111

The LED Control Registers store the on or off state of each channel LED.

OUTx LED State

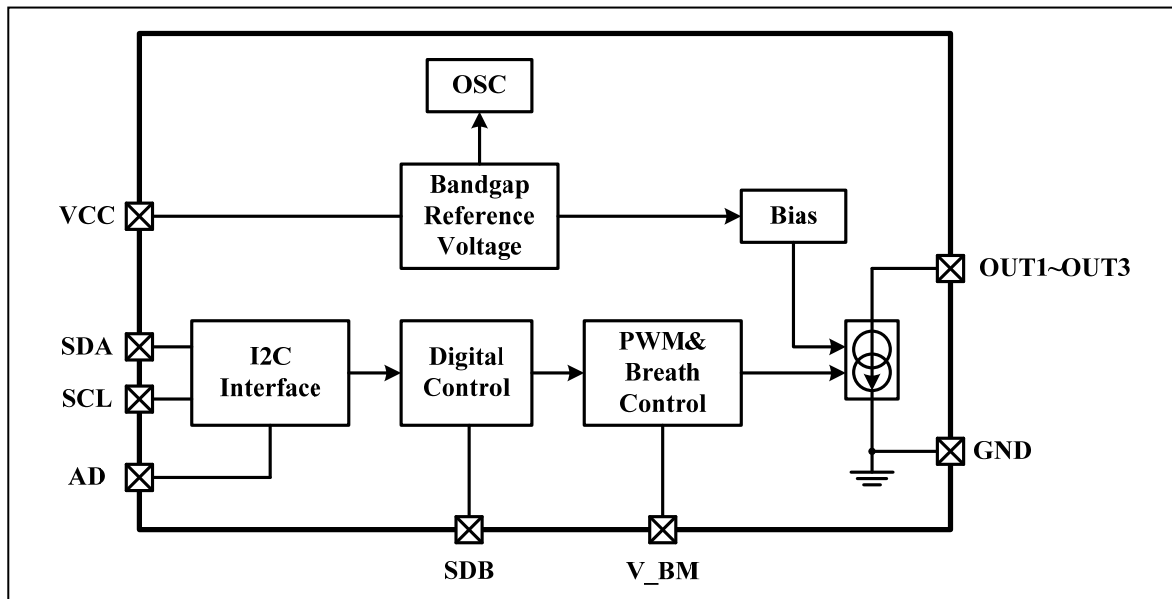
0	LED off
1	LED on

2Fh Reset Register

Once user writes "0000 0000" to the Reset Register, IS31FL3193 will reset all registers to their default value. On initial power-up, the IS31FL3193 registers are reset to their default values for a blank display.

IS31FL3193

FUNCTIONAL BLOCK DIAGRAM



IS31FL3193

TYPICAL APPLICATION

GENERAL DESCRIPTION

IS31FL3193 is a 3-channel LED driver with two-dimensional auto breathing and PWM Control mode. It can drive three individual LEDs or one group of RGB.

PWM CONTROL

By setting the RGB bit of the LED Mode Register (02h) to "0", the IS31FL3193 will operate in PWM Control mode. The PWM Registers (04h~06h) can modulate LED brightness of 3 channels with 256 steps. For example, if the data in PWM Register is "0000 0100", then the PWM is the fourth step, with a duty cycle of 4/256.

In PWM control mode, a new value must be written to the PWM registers to change the output PWM duty cycle. Writing new data continuously to the registers can modulate the brightness of the LEDs to achieve a breathing effect, blinking, or any other effects that the user defines.

RGB BREATHING CONTROL WITH AUTO COLOR CHANGING

By setting the RGB bit of the LED Mode Register (02h) to "1", the IS31FL3193 will operate in One Shot Programming mode. In this mode, the RGB intensity is automatically modulated in a breathing cycle, independently controlled by T0~T4. T0 is an offset time period which runs only once at the start of the cycle. The full cycle is T1 to T4 (Figure 6). Setting different T0~T4 can achieve RGB breathing with auto color changing. The maximum intensity of each RGB is adjusted independently by the PWM Registers (04h~06h).

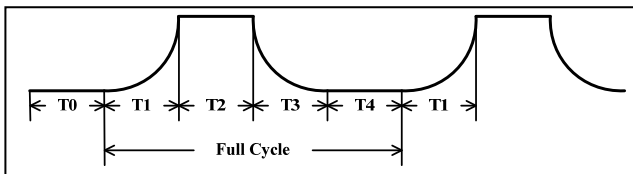


Figure 6 Breathing Timing

RGB AUTO BREATHING CONTROL WITH COLOR SETTING

IS31FL3193 can pre-establish pattern achieving mixing color breathing. There is one group RGB. The RGB consists of three channels. Every channel has an 8-bit PWM data register. The color can be set by the PWM data register. By adjusting the individual intensity of the red, green and blue LED, different colors are perceived. For example, the three PWM data: 20h, 80h, C8h, will determine one particular color.

After setting the color, T0~T4 time register will be set to control the LED breathing panel. And T0~T4 time

should be same for each of the RGB LEDs, otherwise the pre-established color will change.

SEMI-AUTOMATIC BREATHING

By setting the RGB bit of the LED Mode Register (02h) to "1" and the RM bit of the Breathing Control Register (01h) to "1", the ramping function is enabled. HT is the time select bit. When HT bit is set to "0", T2 will be held forever, and the LED will remain at the programmed maximum intensity. When HT bit is set to "1", T3 will continue and T4 will be held, causing the LED to complete one breathing cycle and then remain off.

BREATHING MARK FUNCTION

By setting the BME bit of the Breathing Control Register (01h) to "1", the breathing mark function is enabled. V_BM is an output pin. The breathing mark function is useful as a signal to notify the MCU when to update the color data. At the end of time period T1, V_BM will induce a falling edge and hold logic low, so the new data can be sent by MCU at this time. At the end of T3, V_BM will induce a rising edge and the MCU can send an update command to update all data simultaneously (Figure 7). The marking channel (OUT1~OUT3) is selected by the CSS bits of the Breathing Control Register (01h).

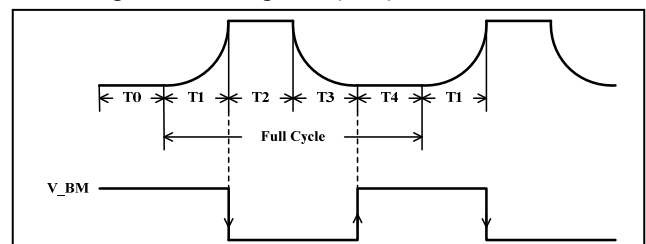


Figure 7 V_BM Signal

SHUTDOWN MODE

Shutdown mode can either be used as a means of reducing power consumption or generating a flashing display (repeatedly entering and leaving shutdown mode). During shutdown mode all registers retain their data.

SOFTWARE SHUTDOWN

By setting SSD bit of the Shutdown Register (00h) to "1", the IS31FL3193 will operate in software shutdown mode, wherein they consume only 2µA (typ.) current. When the IS31FL3193 is in software shutdown mode, all current sources are switched off.

HARDWARE SHUTDOWN

The chip enters hardware shutdown mode when the SDB pin is pulled low.

IS31FL3193

CLASSIFICATION REFLOW PROFILES

Profile Feature	Pb-Free Assembly
Preheat & Soak Temperature min (T _{smin}) Temperature max (T _{smax}) Time (T _{smin} to T _{smax}) (t _s)	150°C 200°C 60-120 seconds
Average ramp-up rate (T _{smax} to T _p)	3°C/second max.
Liquidous temperature (T _L) Time at liquidous (t _L)	217°C 60-150 seconds
Peak package body temperature (T _p)*	Max 260°C
Time (t _p)** within 5°C of the specified classification temperature (T _c)	Max 30 seconds
Average ramp-down rate (T _p to T _{smax})	6°C/second max.
Time 25°C to peak temperature	8 minutes max.

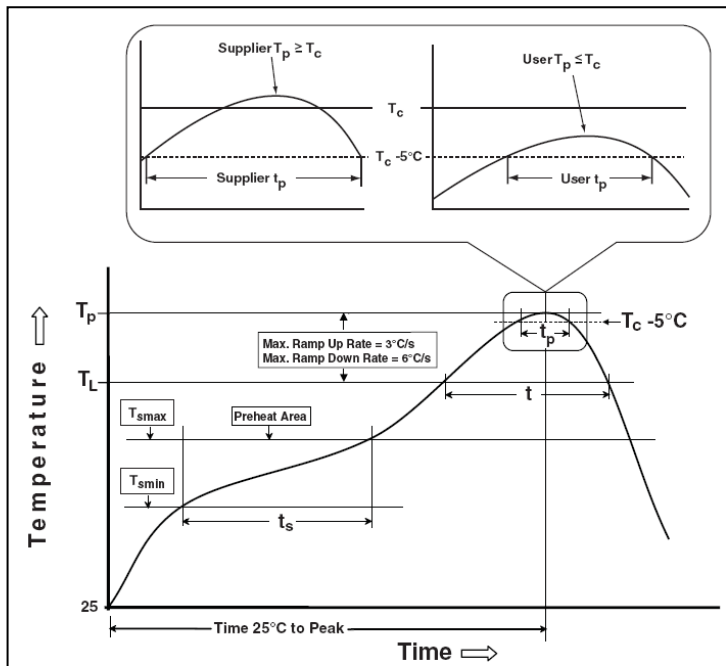
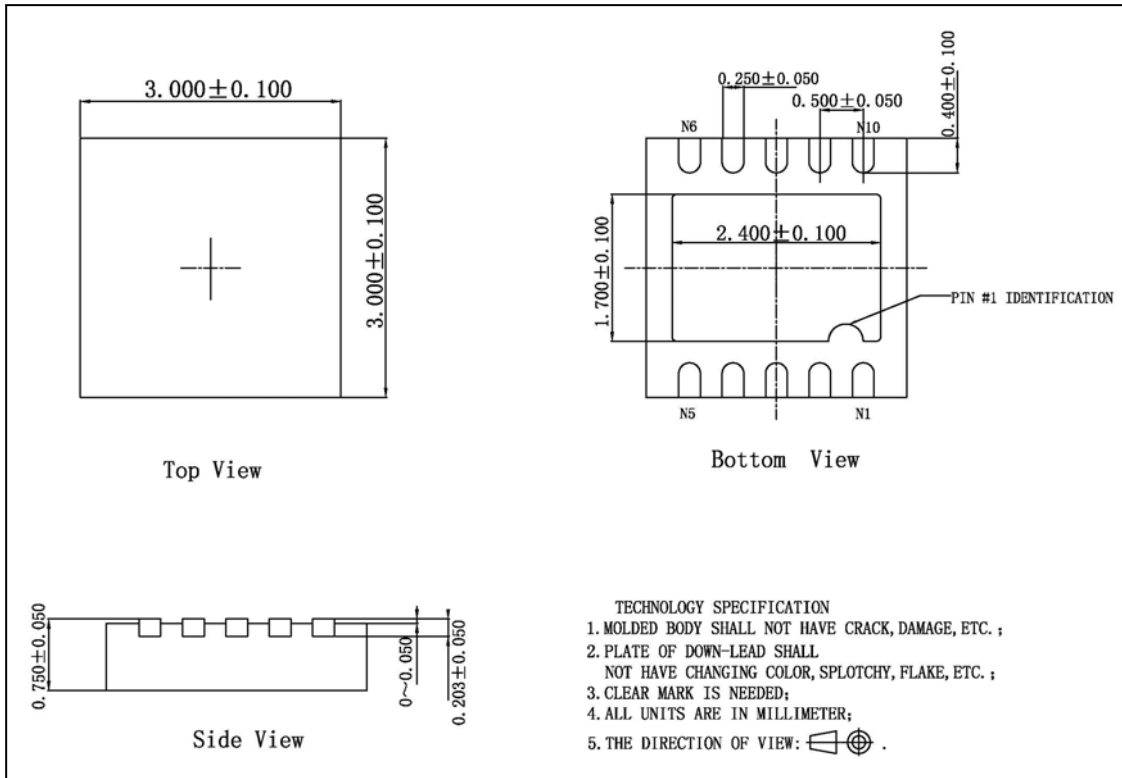


Figure 8 Classification Profile

IS31FL3193

PACKAGE INFORMATION

DFN-10



Note: All dimensions in millimeters unless otherwise stated.



Компания «ЭлектроПласт» предлагает заключение долгосрочных отношений при поставках импортных электронных компонентов на взаимовыгодных условиях!

Наши преимущества:

- Оперативные поставки широкого спектра электронных компонентов отечественного и импортного производства напрямую от производителей и с крупнейших мировых складов;
- Поставка более 17-ти миллионов наименований электронных компонентов;
- Поставка сложных, дефицитных, либо снятых с производства позиций;
- Оперативные сроки поставки под заказ (от 5 рабочих дней);
- Экспресс доставка в любую точку России;
- Техническая поддержка проекта, помощь в подборе аналогов, поставка прототипов;
- Система менеджмента качества сертифицирована по Международному стандарту ISO 9001;
- Лицензия ФСБ на осуществление работ с использованием сведений, составляющих государственную тайну;
- Поставка специализированных компонентов (Xilinx, Altera, Analog Devices, Intersil, Interpoint, Microsemi, Aeroflex, Peregrine, Syfer, Eurofarad, Texas Instrument, Miteq, Cobham, E2V, MA-COM, Hittite, Mini-Circuits, General Dynamics и др.);

Помимо этого, одним из направлений компании «ЭлектроПласт» является направление «Источники питания». Мы предлагаем Вам помощь Конструкторского отдела:

- Подбор оптимального решения, техническое обоснование при выборе компонента;
- Подбор аналогов;
- Консультации по применению компонента;
- Поставка образцов и прототипов;
- Техническая поддержка проекта;
- Защита от снятия компонента с производства.



Как с нами связаться

Телефон: 8 (812) 309 58 32 (многоканальный)

Факс: 8 (812) 320-02-42

Электронная почта: org@eplast1.ru

Адрес: 198099, г. Санкт-Петербург, ул. Калинина, дом 2, корпус 4, литера А.