

# 74CBTLV3245-Q100

8-bit bus switch with output enable

Rev. 4 — 7 May 2020

Product data sheet

## 1. General description

The 74CBTLV3245-Q100 is an 8-pole, single-throw bus switch. The device features a single output enable input ( $\overline{OE}$ ) that controls eight switch channels. The switches are disabled when  $\overline{OE}$  is HIGH. Schmitt-trigger action at control inputs makes the circuit tolerant of slower input rise and fall times. This device is fully specified for partial power-down applications using  $I_{OFF}$ . The  $I_{OFF}$  circuitry disables the output, preventing the damaging backflow current through the device when it is powered down.

This product has been qualified to the Automotive Electronics Council (AEC) standard Q100 (Grade 1) and is suitable for use in automotive applications.

## 2. Features and benefits

- Automotive product qualification in accordance with AEC-Q100 (Grade 1)
  - Specified from -40 °C to +85 °C and from -40 °C to +125 °C
- Supply voltage range from 2.3 V to 3.6 V
- High noise immunity
- Complies with JEDEC standard:
  - JESD8-5 (2.3 V to 2.7 V)
  - JESD8-B/JESD36 (2.7 V to 3.6 V)
- ESD protection:
  - MIL-STD-883, method 3015 exceeds 2000 V
  - HBM JESD22-A114F exceeds 2000 V
  - MM JESD22-A115-A exceeds 200 V (C = 200 pF, R = 0  $\Omega$ )
- 5  $\Omega$  switch connection between two ports
- Rail to rail switching on data I/O ports
- CMOS low power consumption
- Latch-up performance exceeds 250 mA per JESD78B Class I level A
- $I_{OFF}$  circuitry provides partial Power-down mode operation
- DHVQFN package with Side-Wettable Flanks enabling Automatic Optical Inspection (AOI) of solder joints

## 3. Ordering information

Table 1. Ordering information

Type number	Package			Version
	Temperature range	Name	Description	
74CBTLV3245PW-Q100	-40 °C to +125 °C	TSSOP20	plastic thin shrink small outline package; 20 leads; body width 4.4 mm	SOT360-1
74CBTLV3245BQ-Q100	-40 °C to +125 °C	DHVQFN20	plastic dual in-line compatible thermal enhanced very thin quad flat package; no leads; 20 terminals; body 2.5 × 4.5 × 0.85 mm	SOT764-1

### 4. Functional diagram

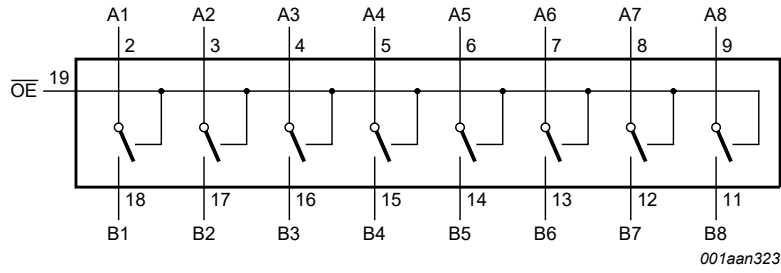


Fig. 1. Logic symbol

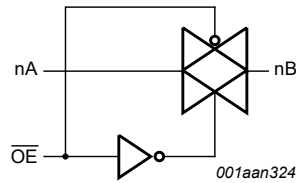


Fig. 2. Logic diagram (one switch)

### 5. Pinning information

#### 5.1. Pinning

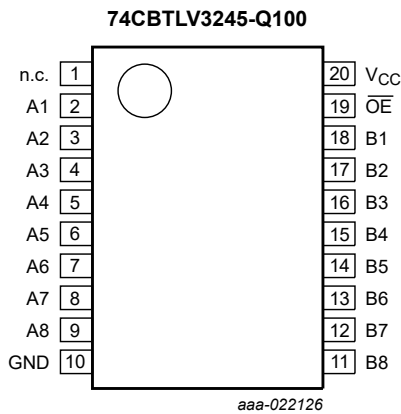
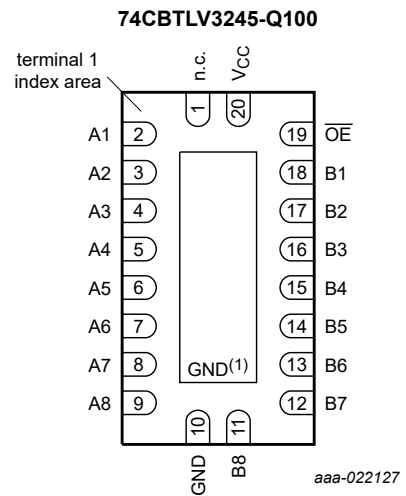


Fig. 3. Pin configuration SOT360-1 (TSSOP20)



Transparent top view  
 (1) This is not a ground pin. There is no electrical or mechanical requirement to solder the pad. In case soldered, the solder land should remain floating or connected to GND.

Fig. 4. Pin configuration SOT764-1 (DHVQFN20)

## 5.2. Pin description

Table 2. Pin description

Symbol	Pin	Description
nc	1	not connected
A1 to A8	2, 3, 4, 5, 6, 7, 8, 9	data input/output (A port)
GND	10	ground (0 V)
B1 to B8	18, 17, 16, 15, 14, 13, 12, 11	data input/output (B port)
OE	19	output enable input (active LOW)
V <sub>CC</sub>	20	positive supply voltage

## 6. Functional description

Table 3. Function selection

H = HIGH voltage level; L = LOW voltage level; Z = high-impedance OFF-state.

Input	Input/output
OE	An, Bn
L	An = Bn
H	Z

## 7. Limiting values

Table 4. Limiting values

In accordance with the Absolute Maximum Rating System (IEC 60134). Voltages are referenced to GND (ground = 0 V).

Symbol	Parameter	Conditions	Min	Max	Unit
V <sub>CC</sub>	supply voltage		-0.5	+4.6	V
V <sub>I</sub>	input voltage	[1]	-0.5	+4.6	V
V <sub>SW</sub>	switch voltage	enable and disable mode [1]	-0.5	V <sub>CC</sub> + 0.5	V
I <sub>IK</sub>	input clamping current	V <sub>I</sub> < -0.5 V	-50	-	mA
I <sub>SK</sub>	switch clamping current	V <sub>I</sub> < -0.5 V	-50	-	mA
I <sub>SW</sub>	switch current	V <sub>SW</sub> = 0 V to V <sub>CC</sub>	-	±128	mA
I <sub>CC</sub>	supply current		-	+100	mA
I <sub>GND</sub>	ground current		-100	-	mA
T <sub>stg</sub>	storage temperature		-65	+150	°C
P <sub>tot</sub>	total power dissipation	T <sub>amb</sub> = -40 °C to +125 °C [2]	-	500	mW

[1] The minimum input and output voltage ratings may be exceeded if the input and output current ratings are observed.

[2] For SOT360-1 (TSSOP20) package: P<sub>tot</sub> derates linearly with 10.0 mW/K above 100 °C.  
For SOT764-1 (DHVQFN20) package: P<sub>tot</sub> derates linearly with 12.9 mW/K above 111 °C.

## 8. Recommended operating conditions

Table 5. Recommended operating conditions

Symbol	Parameter	Conditions	Min	Max	Unit
$V_{CC}$	supply voltage		2.3	3.6	V
$V_I$	input voltage		0	3.6	V
$V_{SW}$	switch voltage	enable and disable mode	0	$V_{CC}$	V
$T_{amb}$	ambient temperature		-40	+125	°C
$\Delta t/\Delta V$	input transition rise and fall rate	$V_{CC} = 2.3\text{ V to }3.6\text{ V}$ [1]	-	200	ns/V

[1] Applies to control signal levels.

## 9. Static characteristics

Table 6. Static characteristics

At recommended operating conditions voltages are referenced to GND (ground = 0 V).

Symbol	Parameter	Conditions	$T_{amb} = -40\text{ °C to }+85\text{ °C}$			$T_{amb} = -40\text{ °C to }+125\text{ °C}$		Unit
			Min	Typ [1]	Max	Min	Max	
$V_{IH}$	HIGH-level input voltage	$V_{CC} = 2.3\text{ V to }2.7\text{ V}$	1.7	-	-	1.7	-	V
		$V_{CC} = 3.0\text{ V to }3.6\text{ V}$	2.0	-	-	2.0	-	V
$V_{IL}$	LOW-level input voltage	$V_{CC} = 2.3\text{ V to }2.7\text{ V}$	-	-	0.7	-	0.7	V
		$V_{CC} = 3.0\text{ V to }3.6\text{ V}$	-	-	0.9	-	0.9	V
$I_I$	input leakage current	pin $\overline{OE}$ ; $V_I = \text{GND to }V_{CC}$ ; $V_{CC} = 3.6\text{ V}$	-	-	$\pm 1$	-	$\pm 20$	$\mu\text{A}$
$I_{S(OFF)}$	OFF-state leakage current	$V_{CC} = 3.6\text{ V}$ ; see Fig. 5	-	-	$\pm 1$	-	$\pm 20$	$\mu\text{A}$
$I_{S(ON)}$	ON-state leakage current	$V_{CC} = 3.6\text{ V}$ ; see Fig. 6	-	-	$\pm 1$	-	$\pm 20$	$\mu\text{A}$
$I_{OFF}$	power-off leakage current	$V_I$ or $V_O = 0\text{ V to }3.6\text{ V}$ ; $V_{CC} = 0\text{ V}$	-	-	$\pm 10$	-	$\pm 50$	$\mu\text{A}$
$I_{CC}$	supply current	$V_I = \text{GND or }V_{CC}$ ; $I_O = 0\text{ A}$ ; $V_{SW} = \text{GND or }V_{CC}$ ; $V_{CC} = 3.6\text{ V}$	-	-	10	-	50	$\mu\text{A}$
$\Delta I_{CC}$	additional supply current	pin $\overline{OE}$ ; $V_I = V_{CC} - 0.6\text{ V}$ ; $V_{SW} = \text{GND or }V_{CC}$ ; $V_{CC} = 3.6\text{ V}$ [2]	-	-	300	-	2000	$\mu\text{A}$
$C_I$	input capacitance	pin $\overline{OE}$ ; $V_{CC} = 3.3\text{ V}$ ; $V_I = 0\text{ V to }3.3\text{ V}$	-	0.9	-	-	-	pF
$C_{S(OFF)}$	OFF-state capacitance	$V_{CC} = 3.3\text{ V}$ ; $V_I = 0\text{ V to }3.3\text{ V}$	-	5.2	-	-	-	pF
$C_{S(ON)}$	ON-state capacitance	$V_{CC} = 3.3\text{ V}$ ; $V_I = 0\text{ V to }3.3\text{ V}$	-	14.3	-	-	-	pF

[1] All typical values are measured at  $T_{amb} = 25\text{ °C}$ .

[2] One input at 3 V, other inputs at  $V_{CC}$  or GND.

9.1. Test circuits

$V_I = V_{CC}$  or GND and  $V_O =$  GND or  $V_{CC}$ .

**Fig. 5. Test circuit for measuring OFF-state leakage current (one switch)**

$V_I = V_{CC}$  or GND and  $V_O =$  open circuit.

**Fig. 6. Test circuit for measuring ON-state leakage current (one switch)**

9.2. ON resistance

Table 7. Resistance  $R_{ON}$

At recommended operating conditions; voltages are referenced to GND (ground = 0 V); for test circuit see Fig. 7.

Symbol	Parameter	Conditions	$T_{amb} = -40\text{ °C to }+85\text{ °C}$			$T_{amb} = -40\text{ °C to }+125\text{ °C}$		Unit
			Min	Typ [1]	Max	Min	Max	
$R_{ON}$	ON resistance	$V_{CC} = 2.3\text{ V to }2.7\text{ V};$ see Fig. 8 to Fig. 10 [2]						
		$I_{SW} = 64\text{ mA}; V_I = 0\text{ V}$	-	4.2	8.0	-	15.0	$\Omega$
		$I_{SW} = 24\text{ mA}; V_I = 0\text{ V}$	-	4.2	8.0	-	15.0	$\Omega$
		$I_{SW} = 15\text{ mA}; V_I = 1.7\text{ V}$	-	8.4	40	-	60.0	$\Omega$
		$V_{CC} = 3.0\text{ V to }3.6\text{ V};$ see Fig. 11 to Fig. 13						
		$I_{SW} = 64\text{ mA}; V_I = 0\text{ V}$	-	4.0	7.0	-	11.0	$\Omega$
		$I_{SW} = 24\text{ mA}; V_I = 0\text{ V}$	-	4.0	7.0	-	11.0	$\Omega$
$I_{SW} = 15\text{ mA}; V_I = 2.4\text{ V}$	-	6.2	15	-	25.5	$\Omega$		

[1] Typical values are measured at  $T_{amb} = 25\text{ °C}$  and nominal  $V_{CC}$ .  
 [2] Measured by the voltage drop between the A and B terminals at the indicated current through the switch. ON-state resistance is determined by the lower of the voltages of the two (A or B) terminals.

9.3. ON resistance test circuit and graphs

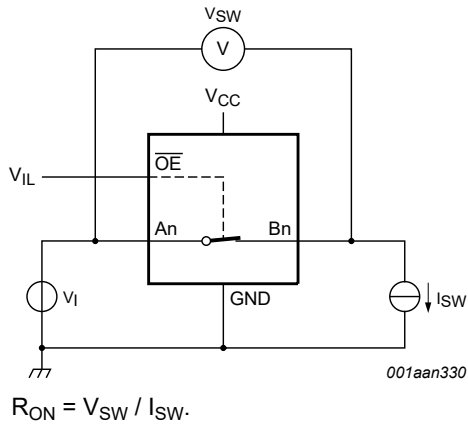
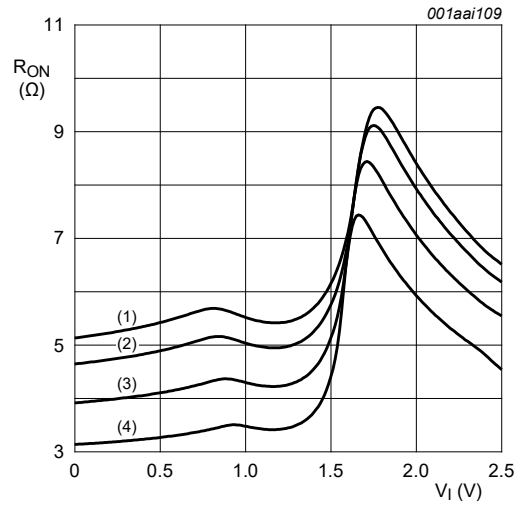
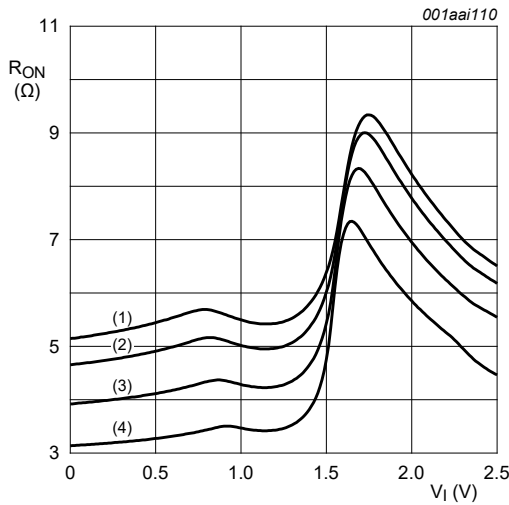


Fig. 7. Test circuit for measuring ON resistance (one switch)



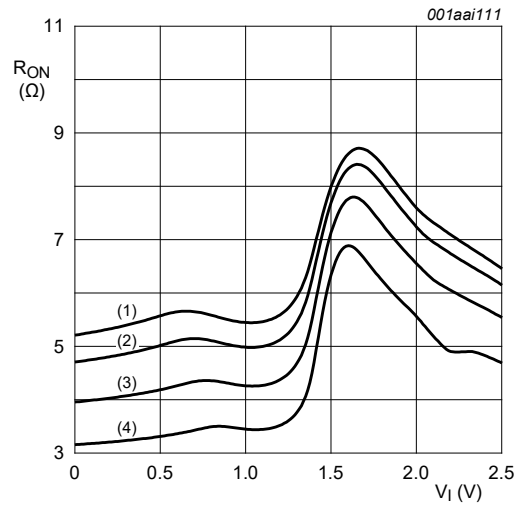
- (1)  $T_{amb} = 125\text{ }^{\circ}\text{C}$ .
- (2)  $T_{amb} = 85\text{ }^{\circ}\text{C}$ .
- (3)  $T_{amb} = 25\text{ }^{\circ}\text{C}$ .
- (4)  $T_{amb} = -40\text{ }^{\circ}\text{C}$ .

Fig. 8. ON resistance as a function of input voltage;  $V_{CC} = 2.5\text{ V}$ ;  $I_{SW} = 15\text{ mA}$



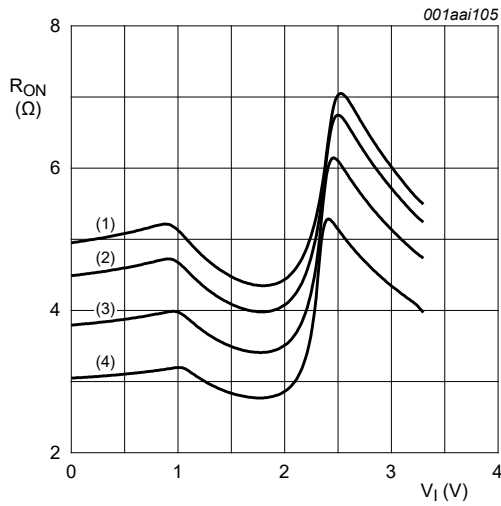
- (1)  $T_{amb} = 125\text{ }^{\circ}\text{C}$ .
- (2)  $T_{amb} = 85\text{ }^{\circ}\text{C}$ .
- (3)  $T_{amb} = 25\text{ }^{\circ}\text{C}$ .
- (4)  $T_{amb} = -40\text{ }^{\circ}\text{C}$ .

Fig. 9. ON resistance as a function of input voltage;  $V_{CC} = 2.5\text{ V}$ ;  $I_{SW} = 24\text{ mA}$



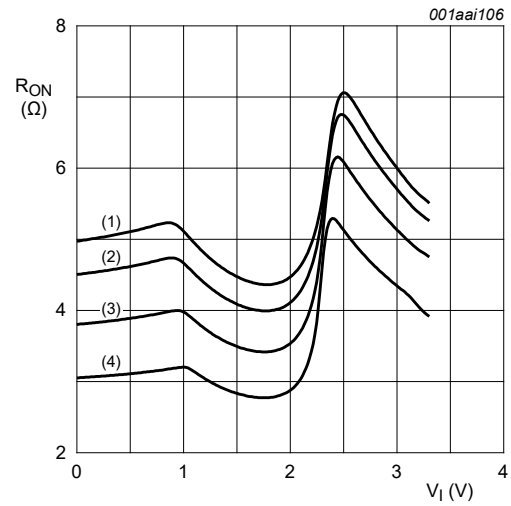
- (1)  $T_{amb} = 125\text{ }^{\circ}\text{C}$ .
- (2)  $T_{amb} = 85\text{ }^{\circ}\text{C}$ .
- (3)  $T_{amb} = 25\text{ }^{\circ}\text{C}$ .
- (4)  $T_{amb} = -40\text{ }^{\circ}\text{C}$ .

Fig. 10. ON resistance as a function of input voltage;  $V_{CC} = 2.5\text{ V}$ ;  $I_{SW} = 64\text{ mA}$



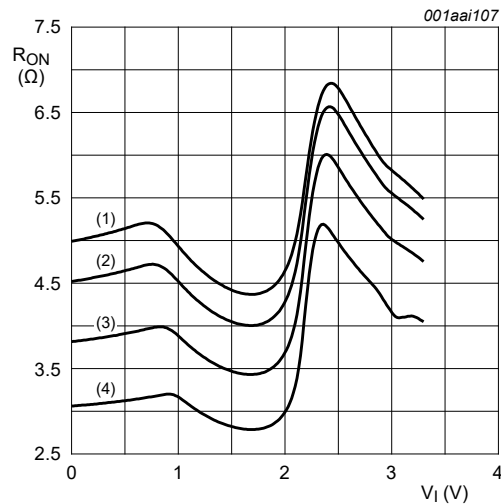
- (1)  $T_{amb} = 125\text{ }^{\circ}\text{C}$ .
- (2)  $T_{amb} = 85\text{ }^{\circ}\text{C}$ .
- (3)  $T_{amb} = 25\text{ }^{\circ}\text{C}$ .
- (4)  $T_{amb} = -40\text{ }^{\circ}\text{C}$ .

**Fig. 11.** ON resistance as a function of input voltage;  $V_{CC} = 3.3\text{ V}$ ;  $I_{SW} = 15\text{ mA}$



- (1)  $T_{amb} = 125\text{ }^{\circ}\text{C}$ .
- (2)  $T_{amb} = 85\text{ }^{\circ}\text{C}$ .
- (3)  $T_{amb} = 25\text{ }^{\circ}\text{C}$ .
- (4)  $T_{amb} = -40\text{ }^{\circ}\text{C}$ .

**Fig. 12.** ON resistance as a function of input voltage;  $V_{CC} = 3.3\text{ V}$ ;  $I_{SW} = 24\text{ mA}$



- (1)  $T_{amb} = 125\text{ }^{\circ}\text{C}$ .
- (2)  $T_{amb} = 85\text{ }^{\circ}\text{C}$ .
- (3)  $T_{amb} = 25\text{ }^{\circ}\text{C}$ .
- (4)  $T_{amb} = -40\text{ }^{\circ}\text{C}$ .

**Fig. 13.** ON resistance as a function of input voltage;  $V_{CC} = 3.3\text{ V}$ ;  $I_{SW} = 64\text{ mA}$

## 10. Dynamic characteristics

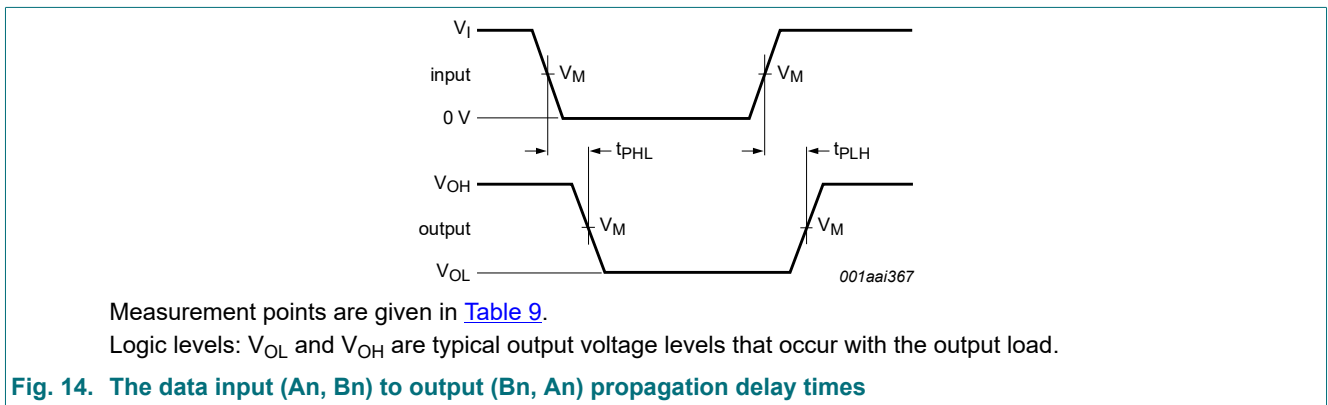
**Table 8. Dynamic characteristics**

$GND = 0\text{ V}$ ; for test circuit see [Fig. 16](#)

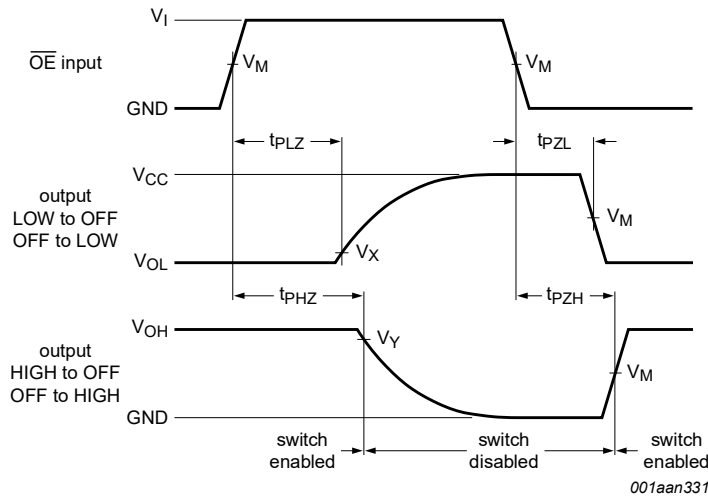
Symbol	Parameter	Conditions	$T_{amb} = -40\text{ °C to }+85\text{ °C}$			$T_{amb} = -40\text{ °C to }+125\text{ °C}$		Unit
			Min	Typ [1]	Max	Min	Max	
$t_{pd}$	propagation delay	An to Bn or Bn to An; see <a href="#">Fig. 14</a> [2][3]						
		$V_{CC} = 2.3\text{ V to }2.7\text{ V}$	-	-	0.13	-	0.20	ns
		$V_{CC} = 3.0\text{ V to }3.6\text{ V}$	-	-	0.20	-	0.31	ns
$t_{en}$	enable time	$\overline{OE}$ to An or Bn; see <a href="#">Fig. 15</a> [4]						
		$V_{CC} = 2.3\text{ V to }2.7\text{ V}$	1.0	3.4	5.5	1.0	8.0	ns
		$V_{CC} = 3.0\text{ V to }3.6\text{ V}$	1.0	3.0	4.9	1.0	7.0	ns
$t_{dis}$	disable time	$\overline{OE}$ to An or Bn; see <a href="#">Fig. 15</a> [5]						
		$V_{CC} = 2.3\text{ V to }2.7\text{ V}$	1.0	3.0	5.5	1.0	8.0	ns
		$V_{CC} = 3.0\text{ V to }3.6\text{ V}$	1.0	3.4	5.8	1.0	8.5	ns

- [1] All typical values are measured at  $T_{amb} = 25\text{ °C}$  and at nominal  $V_{CC}$ .
- [2] The propagation delay is the calculated RC time constant of the typical on-state resistance of the switch and the load capacitance, when driven by an ideal voltage source (zero output impedance).
- [3]  $t_{pd}$  is the same as  $t_{PLH}$  and  $t_{PHL}$ .
- [4]  $t_{en}$  is the same as  $t_{PZH}$  and  $t_{PZL}$ .
- [5]  $t_{dis}$  is the same as  $t_{PHZ}$  and  $t_{PLZ}$ .

### 10.1. Waveforms and test circuit







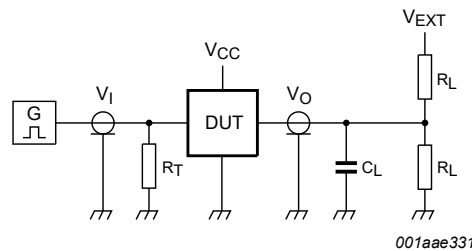
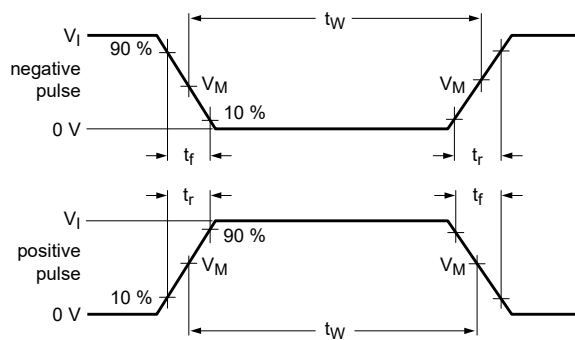
Measurement points are given in [Table 9](#).

Logic levels:  $V_{OL}$  and  $V_{OH}$  are typical output voltage levels that occur with the output load.

**Fig. 15. Enable and disable times**

**Table 9. Measurement points**

Supply voltage	Input			Output		
$V_{CC}$	$V_M$	$V_I$	$t_r = t_f$	$V_M$	$V_X$	$V_Y$
2.3 V to 2.7 V	$0.5V_{CC}$	$V_{CC}$	$\leq 2.0$ ns	$0.5V_{CC}$	$V_{OL} + 0.15$ V	$V_{OH} - 0.15$ V
3.0 V to 3.6 V	$0.5V_{CC}$	$V_{CC}$	$\leq 2.0$ ns	$0.5V_{CC}$	$V_{OL} + 0.3$ V	$V_{OH} - 0.3$ V



Test data is given in [Table 10](#).

Definitions for test circuit:

$R_L$  = Load resistance.

$C_L$  = Load capacitance including jig and probe capacitance.

$R_T$  = Termination resistance should be equal to the output impedance  $Z_o$  of the pulse generator.

$V_{EXT}$  = External voltage for measuring switching times.

**Fig. 16. Test circuit for measuring switching times**

Table 10. Test data

Supply voltage	Load		V <sub>EXT</sub>		
V <sub>CC</sub>	C <sub>L</sub>	R <sub>L</sub>	t <sub>PLH</sub> , t <sub>PHL</sub>	t <sub>PZH</sub> , t <sub>PHZ</sub>	t <sub>PZL</sub> , t <sub>PLZ</sub>
2.3 V to 2.7 V	30 pF	500 Ω	open	GND	2V <sub>CC</sub>
3.0 V to 3.6 V	50 pF	500 Ω	open	GND	2V <sub>CC</sub>

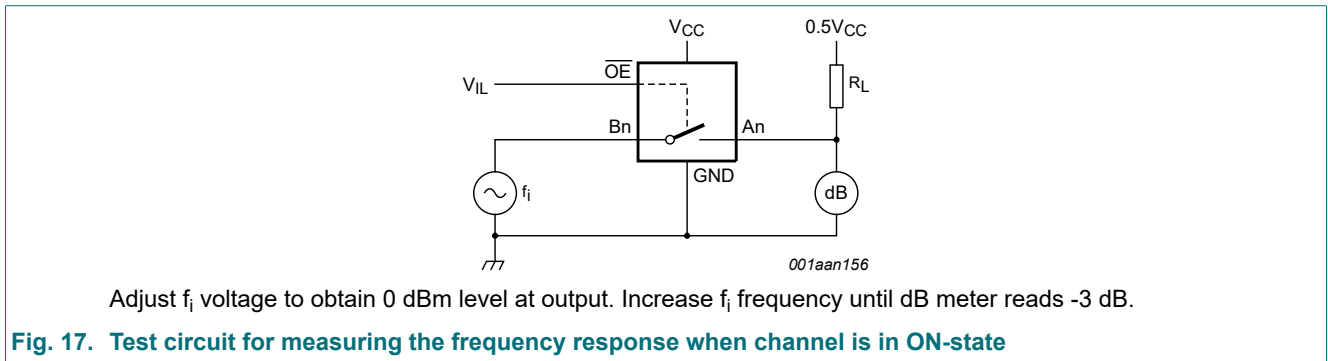
### 10.2. Additional dynamic characteristics

Table 11. Additional dynamic characteristics

GND = 0 V.

Symbol	Parameter	Conditions	T <sub>amb</sub> = 25 °C			Unit
			Min	Typ	Max	
f <sub>i(-3dB)</sub>	-3 dB frequency response	V <sub>CC</sub> = 3.3 V; R <sub>L</sub> = 50 Ω; see Fig. 17 [1]	-	406	-	MHz

[1] f<sub>i</sub> is biased at 0.5V<sub>CC</sub>.



### 11. Package outline

TSSOP20: plastic thin shrink small outline package; 20 leads; body width 4.4 mm

SOT360-1

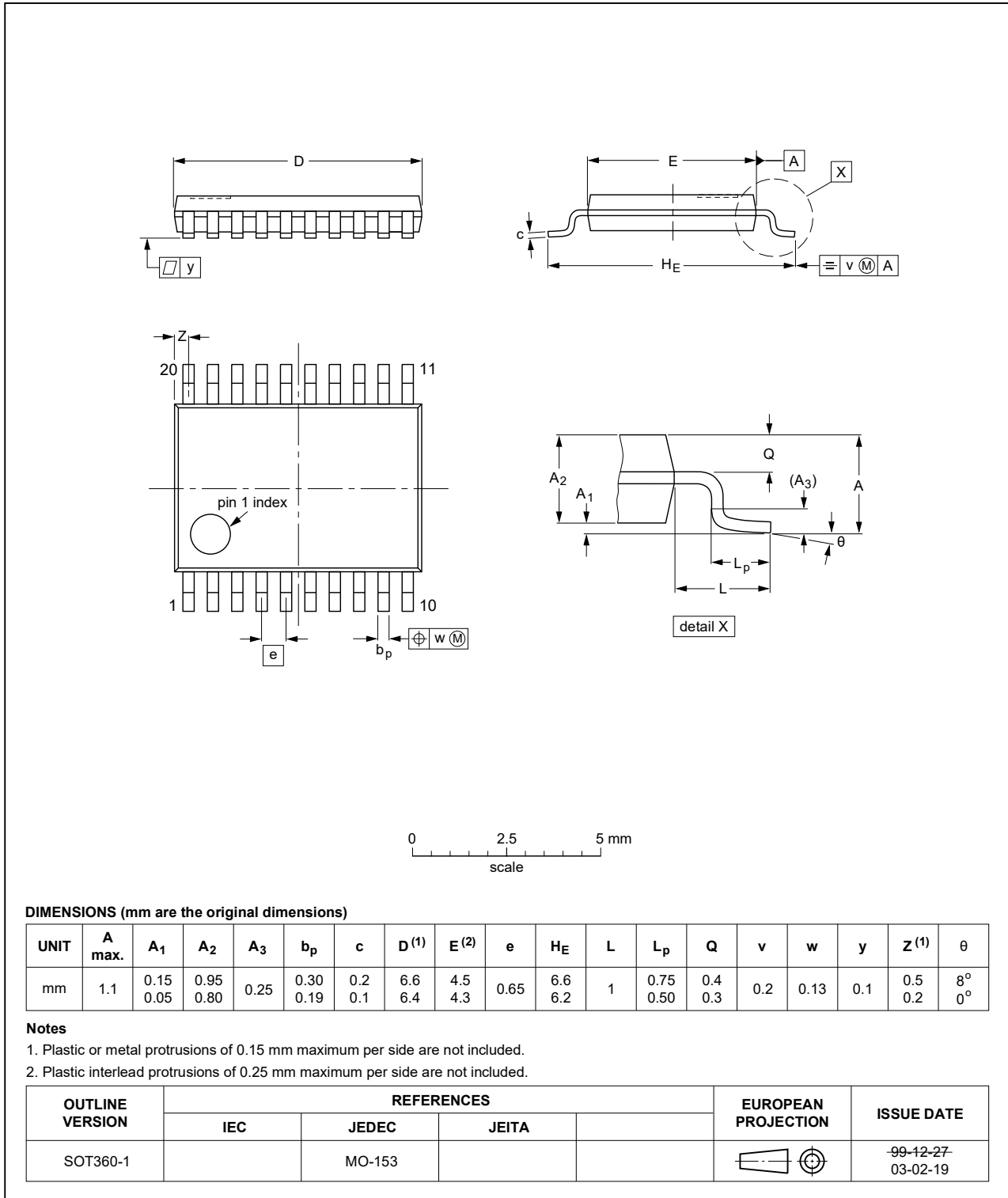


Fig. 18. Package outline SOT360-1 (TSSOP20)

DHVQFN20: plastic dual in-line compatible thermal enhanced very thin quad flat package; no leads;  
20 terminals; body 2.5 x 4.5 x 0.85 mm

SOT764-1



Fig. 19. Package outline SOT764-1 (DHVQFN20)

## 12. Abbreviations

Table 12. Abbreviations

Acronym	Description
CMOS	Complementary Metal-Oxide Semiconductor
DUT	Device Under Test
ESD	ElectroStatic Discharge
HBM	Human Body Model
MIL	Military
MM	Machine Model

## 13. Revision history

Table 13. Revision history

Document ID	Release date	Data sheet status	Change notice	Supersedes
74CBTLV3245_Q100 v.4	20200507	Product data sheet	-	74CBTLV3245_Q100 v.3
Modifications:	<ul style="list-style-type: none"> <li>• <a href="#">Section 2</a> updated.</li> <li>• <a href="#">Table 4</a>: Derating values for <math>P_{tot}</math> total power dissipation updated.</li> </ul>			
74CBTLV3245_Q100 v.3	20190412	Product data sheet	-	74CBTLV3245_Q100 v.2
Modifications:	<ul style="list-style-type: none"> <li>• The format of this data sheet has been redesigned to comply with the identity guidelines of Nexperia.</li> <li>• Legal texts have been adapted to the new company name where appropriate.</li> </ul>			
74CBTLV3245_Q100 v.2	20161110	Product data sheet	-	74CBTLV3245_Q100 v.1
Modifications:	<ul style="list-style-type: none"> <li>• <a href="#">Additional dynamic characteristics</a> added.</li> </ul>			
74CBTLV3245_Q100 v.1	20160414	Product data sheet	-	-

## 14. Legal information

### Data sheet status

Document status [1][2]	Product status [3]	Definition
Objective [short] data sheet	Development	This document contains data from the objective specification for product development.
Preliminary [short] data sheet	Qualification	This document contains data from the preliminary specification.
Product [short] data sheet	Production	This document contains the product specification.

- [1] Please consult the most recently issued document before initiating or completing a design.
- [2] The term 'short data sheet' is explained in section "Definitions".
- [3] The product status of device(s) described in this document may have changed since this document was published and may differ in case of multiple devices. The latest product status information is available on the internet at <https://www.nexperia.com>.

### Definitions

**Draft** — The document is a draft version only. The content is still under internal review and subject to formal approval, which may result in modifications or additions. Nexperia does not give any representations or warranties as to the accuracy or completeness of information included herein and shall have no liability for the consequences of use of such information.

**Short data sheet** — A short data sheet is an extract from a full data sheet with the same product type number(s) and title. A short data sheet is intended for quick reference only and should not be relied upon to contain detailed and full information. For detailed and full information see the relevant full data sheet, which is available on request via the local Nexperia sales office. In case of any inconsistency or conflict with the short data sheet, the full data sheet shall prevail.

**Product specification** — The information and data provided in a Product data sheet shall define the specification of the product as agreed between Nexperia and its customer, unless Nexperia and customer have explicitly agreed otherwise in writing. In no event however, shall an agreement be valid in which the Nexperia product is deemed to offer functions and qualities beyond those described in the Product data sheet.

### Disclaimers

**Limited warranty and liability** — Information in this document is believed to be accurate and reliable. However, Nexperia does not give any representations or warranties, expressed or implied, as to the accuracy or completeness of such information and shall have no liability for the consequences of use of such information. Nexperia takes no responsibility for the content in this document if provided by an information source outside of Nexperia.

In no event shall Nexperia be liable for any indirect, incidental, punitive, special or consequential damages (including - without limitation - lost profits, lost savings, business interruption, costs related to the removal or replacement of any products or rework charges) whether or not such damages are based on tort (including negligence), warranty, breach of contract or any other legal theory.

Notwithstanding any damages that customer might incur for any reason whatsoever, Nexperia's aggregate and cumulative liability towards customer for the products described herein shall be limited in accordance with the Terms and conditions of commercial sale of Nexperia.

**Right to make changes** — Nexperia reserves the right to make changes to information published in this document, including without limitation specifications and product descriptions, at any time and without notice. This document supersedes and replaces all information supplied prior to the publication hereof.

**Suitability for use in automotive applications** — This Nexperia product has been qualified for use in automotive applications. Unless otherwise agreed in writing, the product is not designed, authorized or warranted to be suitable for use in life support, life-critical or safety-critical systems or

equipment, nor in applications where failure or malfunction of an Nexperia product can reasonably be expected to result in personal injury, death or severe property or environmental damage. Nexperia and its suppliers accept no liability for inclusion and/or use of Nexperia products in such equipment or applications and therefore such inclusion and/or use is at the customer's own risk.

**Quick reference data** — The Quick reference data is an extract of the product data given in the Limiting values and Characteristics sections of this document, and as such is not complete, exhaustive or legally binding.

**Applications** — Applications that are described herein for any of these products are for illustrative purposes only. Nexperia makes no representation or warranty that such applications will be suitable for the specified use without further testing or modification.

Customers are responsible for the design and operation of their applications and products using Nexperia products, and Nexperia accepts no liability for any assistance with applications or customer product design. It is customer's sole responsibility to determine whether the Nexperia product is suitable and fit for the customer's applications and products planned, as well as for the planned application and use of customer's third party customer(s). Customers should provide appropriate design and operating safeguards to minimize the risks associated with their applications and products.

Nexperia does not accept any liability related to any default, damage, costs or problem which is based on any weakness or default in the customer's applications or products, or the application or use by customer's third party customer(s). Customer is responsible for doing all necessary testing for the customer's applications and products using Nexperia products in order to avoid a default of the applications and the products or of the application or use by customer's third party customer(s). Nexperia does not accept any liability in this respect.

**Limiting values** — Stress above one or more limiting values (as defined in the Absolute Maximum Ratings System of IEC 60134) will cause permanent damage to the device. Limiting values are stress ratings only and (proper) operation of the device at these or any other conditions above those given in the Recommended operating conditions section (if present) or the Characteristics sections of this document is not warranted. Constant or repeated exposure to limiting values will permanently and irreversibly affect the quality and reliability of the device.

**Terms and conditions of commercial sale** — Nexperia products are sold subject to the general terms and conditions of commercial sale, as published at <http://www.nexperia.com/profile/terms>, unless otherwise agreed in a valid written individual agreement. In case an individual agreement is concluded only the terms and conditions of the respective agreement shall apply. Nexperia hereby expressly objects to applying the customer's general terms and conditions with regard to the purchase of Nexperia products by customer.

**No offer to sell or license** — Nothing in this document may be interpreted or construed as an offer to sell products that is open for acceptance or the grant, conveyance or implication of any license under any copyrights, patents or other industrial or intellectual property rights.

**Export control** — This document as well as the item(s) described herein may be subject to export control regulations. Export might require a prior authorization from competent authorities.

**Translations** — A non-English (translated) version of a document is for reference only. The English version shall prevail in case of any discrepancy between the translated and English versions.

### Trademarks

Notice: All referenced brands, product names, service names and trademarks are the property of their respective owners.

## Contents

---

<b>1. General description</b> .....	<b>1</b>
<b>2. Features and benefits</b> .....	<b>1</b>
<b>3. Ordering information</b> .....	<b>1</b>
<b>4. Functional diagram</b> .....	<b>2</b>
<b>5. Pinning information</b> .....	<b>2</b>
5.1. Pinning.....	2
5.2. Pin description.....	3
<b>6. Functional description</b> .....	<b>3</b>
<b>7. Limiting values</b> .....	<b>3</b>
<b>8. Recommended operating conditions</b> .....	<b>4</b>
<b>9. Static characteristics</b> .....	<b>4</b>
9.1. Test circuits.....	5
9.2. ON resistance.....	5
9.3. ON resistance test circuit and graphs.....	6
<b>10. Dynamic characteristics</b> .....	<b>8</b>
10.1. Waveforms and test circuit.....	8
10.2. Additional dynamic characteristics.....	10
<b>11. Package outline</b> .....	<b>11</b>
<b>12. Abbreviations</b> .....	<b>13</b>
<b>13. Revision history</b> .....	<b>13</b>
<b>14. Legal information</b> .....	<b>14</b>

---

© Nexperia B.V. 2020. All rights reserved

For more information, please visit: <http://www.nexperia.com>

For sales office addresses, please send an email to: [salesaddresses@nexperia.com](mailto:salesaddresses@nexperia.com)

Date of release: 7 May 2020

---



Компания «ЭлектроПласт» предлагает заключение долгосрочных отношений при поставках импортных электронных компонентов на взаимовыгодных условиях!

Наши преимущества:

- Оперативные поставки широкого спектра электронных компонентов отечественного и импортного производства напрямую от производителей и с крупнейших мировых складов;
- Поставка более 17-ти миллионов наименований электронных компонентов;
- Поставка сложных, дефицитных, либо снятых с производства позиций;
- Оперативные сроки поставки под заказ (от 5 рабочих дней);
- Экспресс доставка в любую точку России;
- Техническая поддержка проекта, помощь в подборе аналогов, поставка прототипов;
- Система менеджмента качества сертифицирована по Международному стандарту ISO 9001;
- Лицензия ФСБ на осуществление работ с использованием сведений, составляющих государственную тайну;
- Поставка специализированных компонентов (Xilinx, Altera, Analog Devices, Intersil, Interpoint, Microsemi, Aeroflex, Peregrine, Syfer, Eurofarad, Texas Instrument, Miteq, Cobham, E2V, MA-COM, Hittite, Mini-Circuits, General Dynamics и др.);

Помимо этого, одним из направлений компании «ЭлектроПласт» является направление «Источники питания». Мы предлагаем Вам помощь Конструкторского отдела:

- Подбор оптимального решения, техническое обоснование при выборе компонента;
- Подбор аналогов;
- Консультации по применению компонента;
- Поставка образцов и прототипов;
- Техническая поддержка проекта;
- Защита от снятия компонента с производства.



#### Как с нами связаться

**Телефон:** 8 (812) 309 58 32 (многоканальный)

**Факс:** 8 (812) 320-02-42

**Электронная почта:** [org@eplast1.ru](mailto:org@eplast1.ru)

**Адрес:** 198099, г. Санкт-Петербург, ул. Калинина, дом 2, корпус 4, литера А.