

Description

The AS431H is a three-terminal adjustable shunt regulator with guaranteed thermal stability over a full operation range. It features sharp turn-on characteristics, low temperature coefficient and low output impedance, which make it ideal substitute for Zener diode in applications such as switching power supply, charger and other adjustable regulators.

The output voltage of AS431H can be set to any value between V_{REF} (2.495V) and the corresponding maximum cathode voltage (36V).

The AS431H precision reference is offered in two voltage tolerance: 0.5% and 1.0%.

This IC is available in 2 packages: TO92 (Ammo Packing) and SOT23.

Features

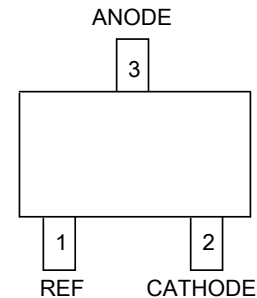
- Programmable Precise Output Voltage from 2.495V to 36V
- High Stability under Capacitive Load
- Low Temperature Deviation: 5mV Typical
- Low Equivalent Full-range Temperature Coefficient with 20PPM/°C Typical
- Sink Current Capacity from 0.5mA to 100mA
- Low Output Noise
- Wide Operating Range of -40 to +125°C
- Lead-Free Packages, Available in "Green" Molding Compound: SOT23, TO92 (Ammo Packing)
- **Totally Lead-Free & Fully RoHS Compliant (Notes 1 & 2)**
- **Halogen and Antimony Free. "Green" Device (Note 3)**

Applications

- Charger
- Voltage Adapter
- Switching Power Supply
- Graphic Card
- Precision Voltage Reference

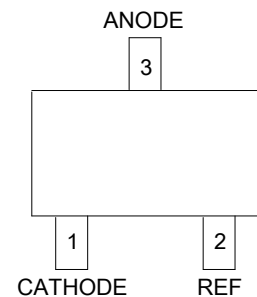
Pin Assignments

(Top View)



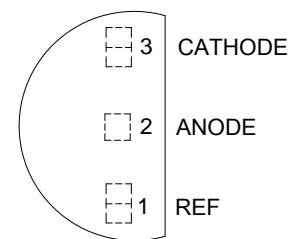
SOT23
(Normal Pin-out)

(Top View)



SOT23
(Mirror Pin-out)

(Top View)

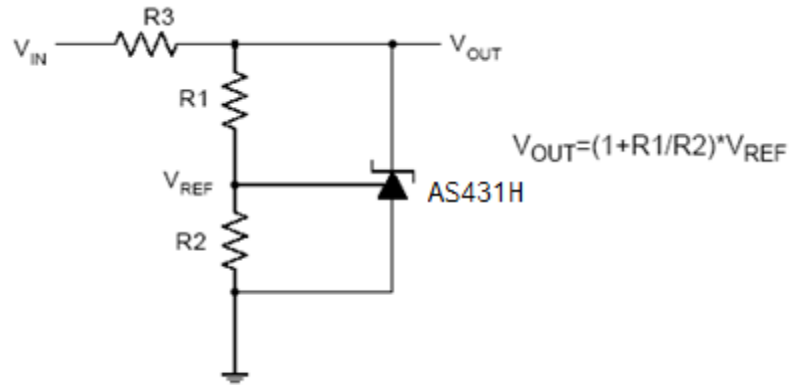


TO92 (Ammo Packing)

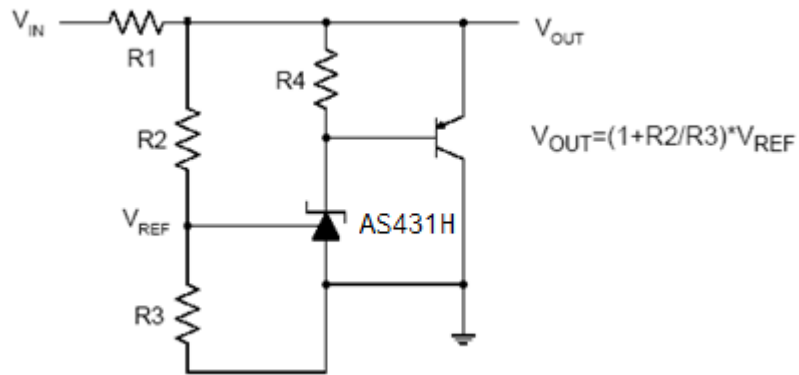
- Notes:
1. No purposely added lead. Fully EU Directive 2002/95/EC (RoHS) & 2011/65/EU (RoHS 2) compliant.
 2. See http://www.diodes.com/quality/lead_free.html for more information about Diodes Incorporated's definitions of Halogen- and Antimony-free, "Green" and Lead-free.
 3. Halogen- and Antimony-free "Green" products are defined as those which contain <900ppm bromine, <900ppm chlorine (<1500ppm total Br + Cl) and <1000ppm antimony compounds.

Typical Applications Circuit

NEW PRODUCT



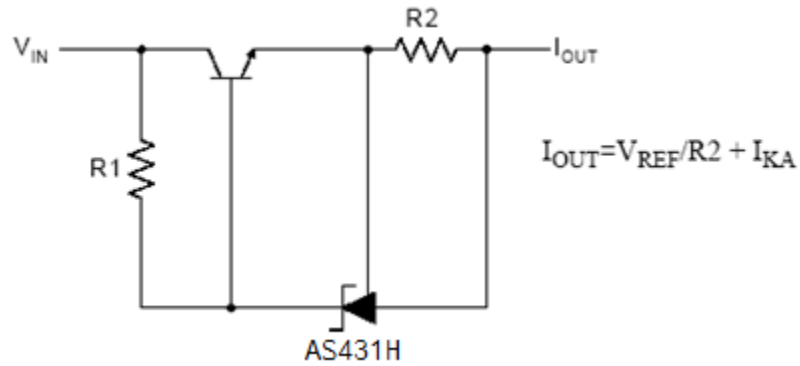
Shunt Regulator



High Current Shunt Regulator

Typical Applications Circuit (Cont.)

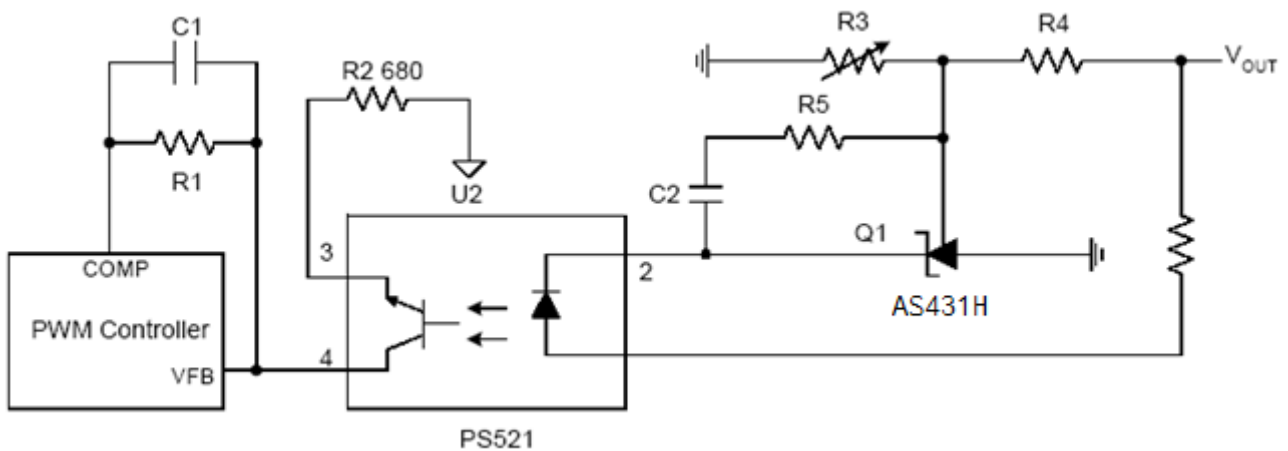
NEW PRODUCT



Current Source or Current Limit



Precision 5V 1A Regulator



PWM Converter with Reference

Functional Block Diagram



Absolute Maximum Ratings (Note 4)

Symbol	Parameter	Rating		Unit
V_{KA}	Cathode Voltage	40		V
I_{KA}	Cathode Current Range (Continuous)	-100 to 150		mA
I_{REF}	Reference Input Current Range	10		mA
θ_{JA}	Thermal Resistance	SOT23	380	°C/W
		TO92 (Ammo Packing)	165	
T_J	Junction Temperature	+150		°C
T_{STG}	Storage Temperature Range	-65 to +150		°C
ESD	ESD (Human Body Model)	2000		V

Note 4: Stresses greater than those listed under "Absolute Maximum Ratings" may cause permanent damage to the device. These are stress ratings only, and functional operation of the device at these or any other conditions beyond those indicated under "Recommended Operating Conditions" is not implied. Exposure to "Absolute Maximum Ratings" for extended periods may affect device reliability.

Recommended Operating Conditions

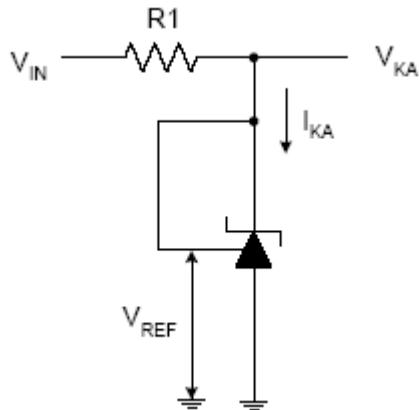
Symbol	Parameter	Min	Max	Unit
V_{KA}	Cathode Voltage	V_{REF}	36	V
I_{KA}	Cathode Current	0.5	100	mA
T_A	Operating Ambient Temperature Range	-40	+125	°C

Electrical Characteristics (Operating Conditions: $T_A = +25^\circ\text{C}$, unless otherwise specified.)

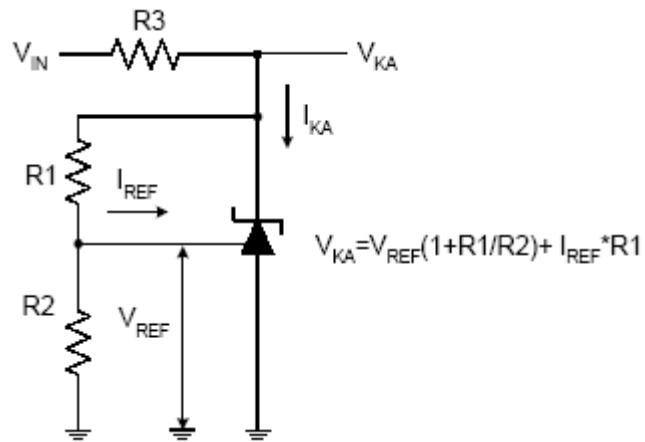
Symbol	Parameter	Test Circuit	Conditions	Min	Typ	Max	Unit	
V_{REF}	Reference Voltage	4	$V_{KA} = V_{REF}, I_{KA} = 10\text{mA}$	2.483	2.495	2.507	V	
				2.470	2.495	2.520		
ΔV_{REF}	Deviation of Reference Voltage Over Full Temperature Range	4	$V_{KA} = V_{REF}, I_{KA} = 10\text{mA}$	0 to $+70^\circ\text{C}$	—	5	8	mV
				-40 to $+85^\circ\text{C}$	—	5	14	
				-40 to $+125^\circ\text{C}$	—	5	16	
$\frac{\Delta V_{REF}}{\Delta V_{KA}}$	Ratio of Change in Reference Voltage to the Change in Cathode Voltage	5	$I_{KA} = 10\text{mA}$	$\Delta V_{KA} = 10\text{V to } V_{REF}$	—	-1.0	-2.7	mV/V
				$\Delta V_{KA} = 36\text{V to } 10\text{V}$	—	-0.5	-2.0	
I_{REF}	Reference Current	5	$I_{KA} = 10\text{mA}, R1 = 10\text{k}\Omega, R2 = \infty$	—	0.7	4	μA	
ΔI_{REF}	Deviation of Reference Current Over Full Temperature Range	5	$I_{KA} = 10\text{mA}, R1 = 10\text{k}\Omega, R2 = \infty, T_A = -40$ to $+125^\circ\text{C}$	—	0.4	1.2	μA	
I_{KA} (Min)	Minimum Cathode Current for Regulation	4	$V_{KA} = V_{REF}$	—	0.35	0.5	mA	
I_{KA} (Off)	Off-state Cathode Current	6	$V_{KA} = 36\text{V}, V_{REF} = 0$	—	0.002	0.5	μA	
Z_{KA}	Dynamic Impedance	4	$V_{KA} = V_{REF}, I_{KA} = 0.5$ to $100\text{mA}, f \leq 1.0\text{KHz}$	—	0.15	0.5	Ω	
θ_{JC}	Thermal Resistance	—	SOT23	—	136	—	$^\circ\text{C/W}$	
			TO92 (Ammo Packing)	—	80	—		

Electrical Characteristics (Cont.)

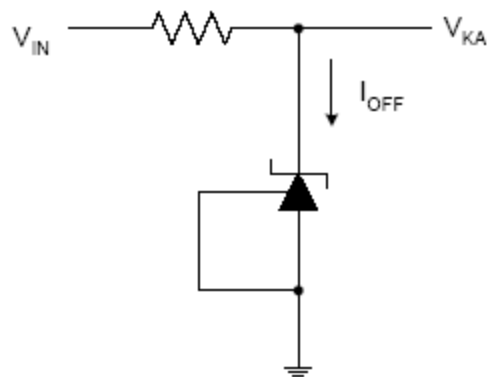
NEW PRODUCT



Test Circuit 4 for $V_{KA} = V_{REF}$



Test Circuit 5 for $V_{KA} > V_{REF}$



Test Circuit 6 for I_{OFF}

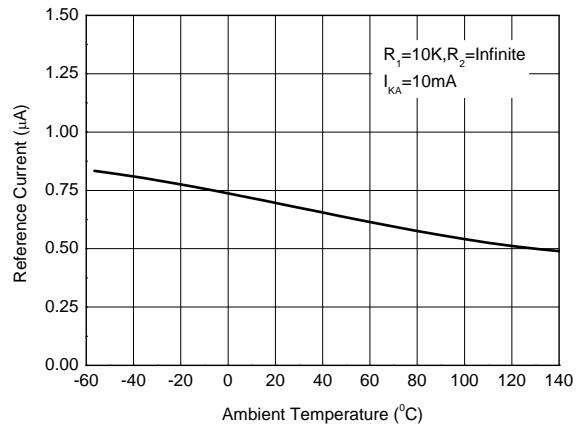
Performance Characteristics

NEW PRODUCT

Reference Voltage vs. Ambient Temperature



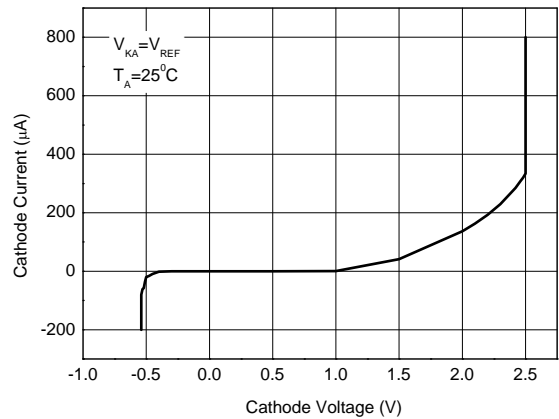
Reference Current vs. Ambient Temperature



Cathode Current vs. Cathode Voltage



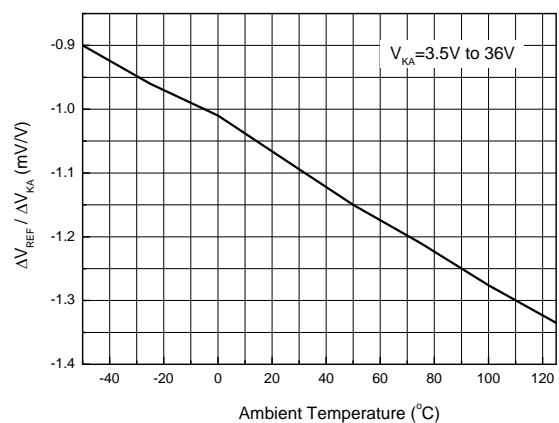
Cathode Current vs. Cathode Voltage



Off-State Cathode Current vs. Ambient Temperature

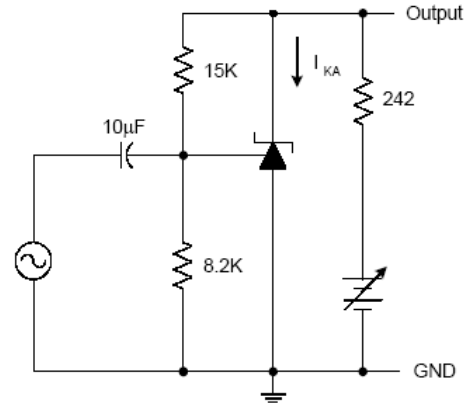
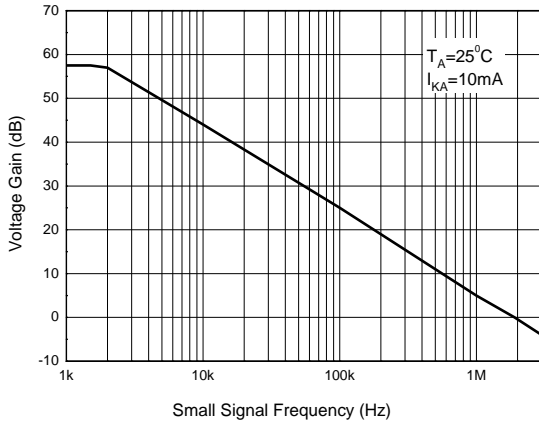


Ratio of Delta Reference Voltage to the Ratio of Delta Cathode Voltage

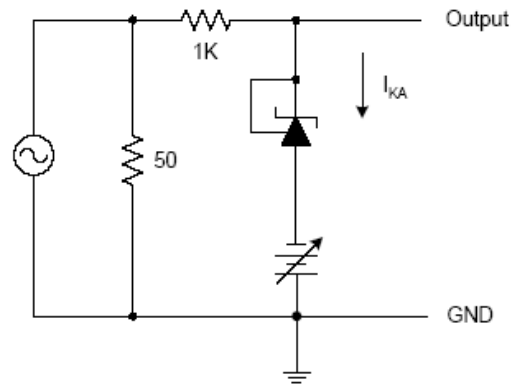


Performance Characteristics (Cont.)

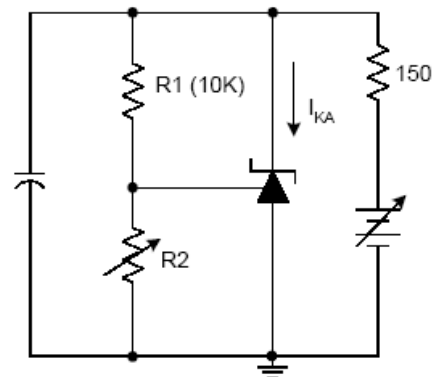
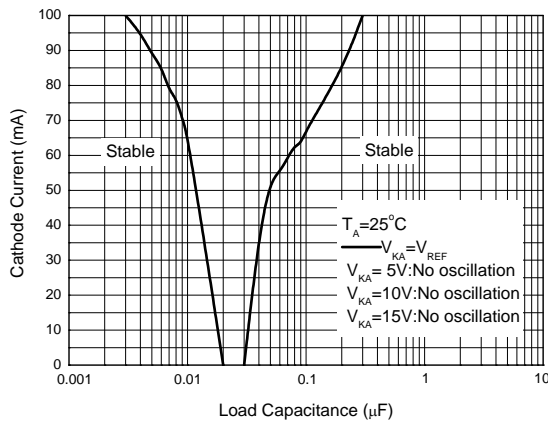
Small Signal Voltage Gain vs. Frequency



Reference Impedance vs. Frequency



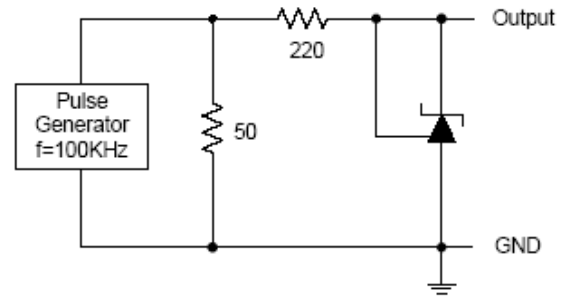
Stability Boundary Conditions vs. Load Capacitance



NEW PRODUCT

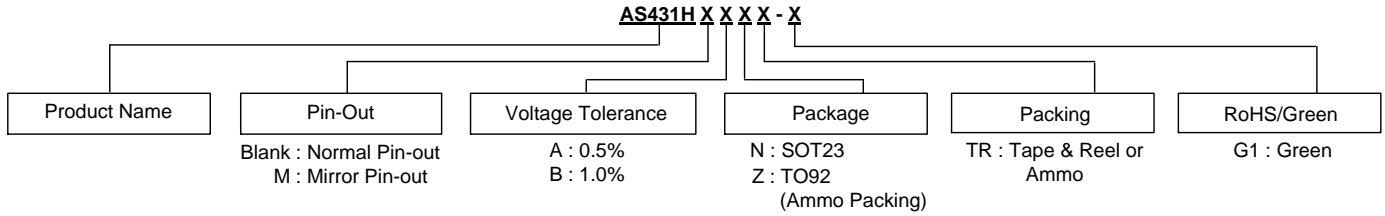
Performance Characteristics (Cont.)

Pulse Response of Input and Output Voltage



NEW PRODUCT

Ordering Information



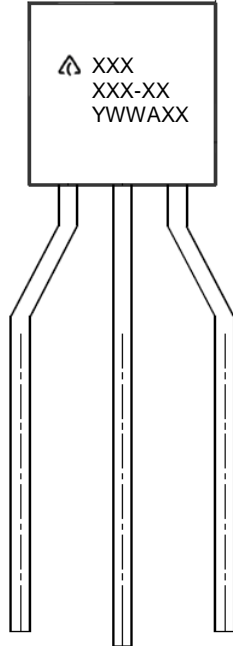
Package	Temperature Range	Pin-Out	Voltage Tolerance	Part Number	Marking ID	Packing
SOT23	-40 to +125°C	Normal Pin-out	0.5%	AS431HANTR-G1	GJA	3000/Tape & Reel
			1.0%	AS431HBNTR-G1	GJB	3000/Tape & Reel
SOT23	-40 to +125°C	Mirror Pin-out	0.5%	AS431HMANTR-G1	GM5	3000/Tape & Reel
			1.0%	AS431HMBNTR-G1	GM6	3000/Tape & Reel
TO92 (Ammo Packing)	-40 to +125°C	Normal Pin-out	0.5%	AS431HAZTR-G1	431HAZ-G1	2000/Ammo
			1.0%	AS431HBZTR-G1	431HBZ-G1	2000/Ammo

NEW PRODUCT

Marking Information

(1) TO92 (Ammo Packing)

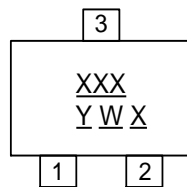
(Top View)



First and Second Line: Logo and Marking ID
(See Ordering Information)
Third Line: Date Code
Y: Year
WW: Work Week of Molding
A: Assembly House Code
XX: Internal Code.

(2) SOT23

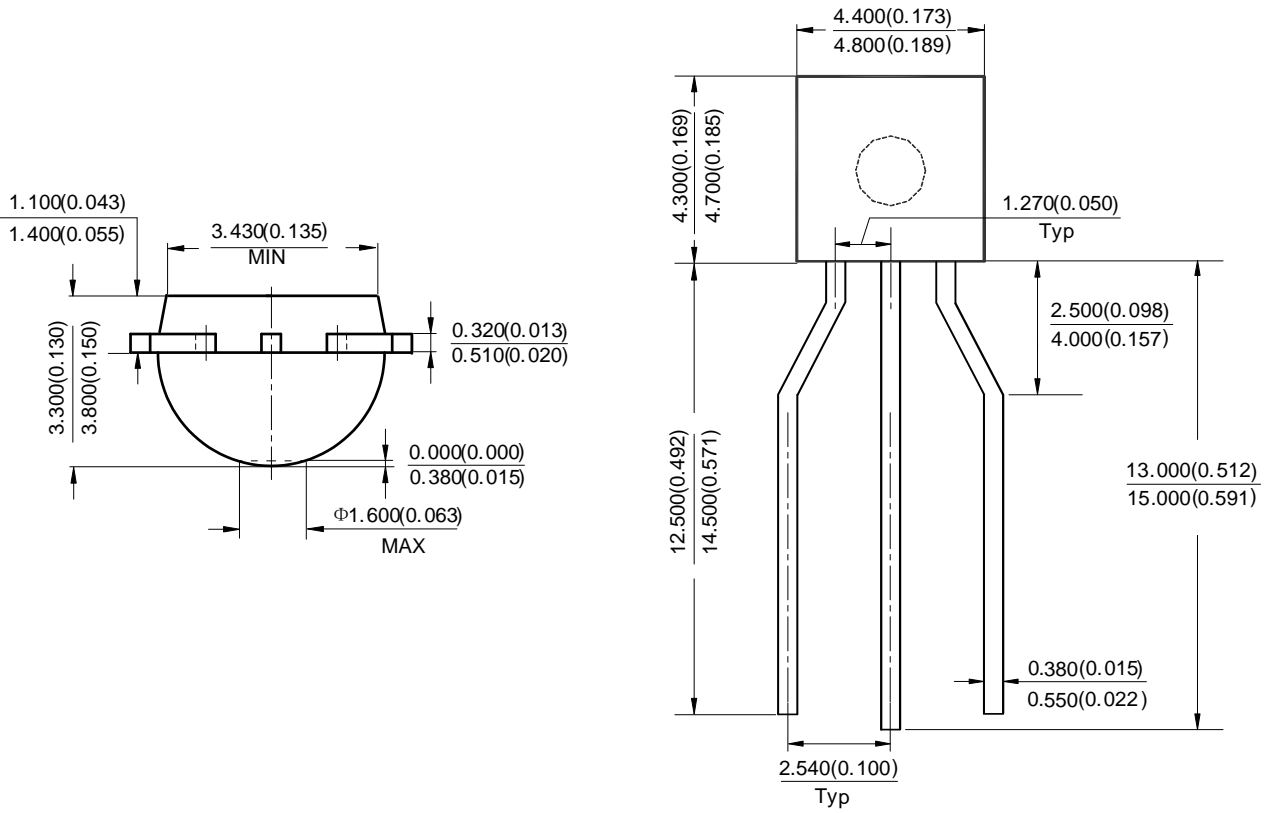
(Top View)



XXX : Identification Code
Y : Year 0 to 9
W : Week : A to Z : 1 to 26 week;
a to z : 27 to 52 week; z represents
52 and 53 week
X : Internal Code

Package Outline Dimensions (All dimensions in mm.)

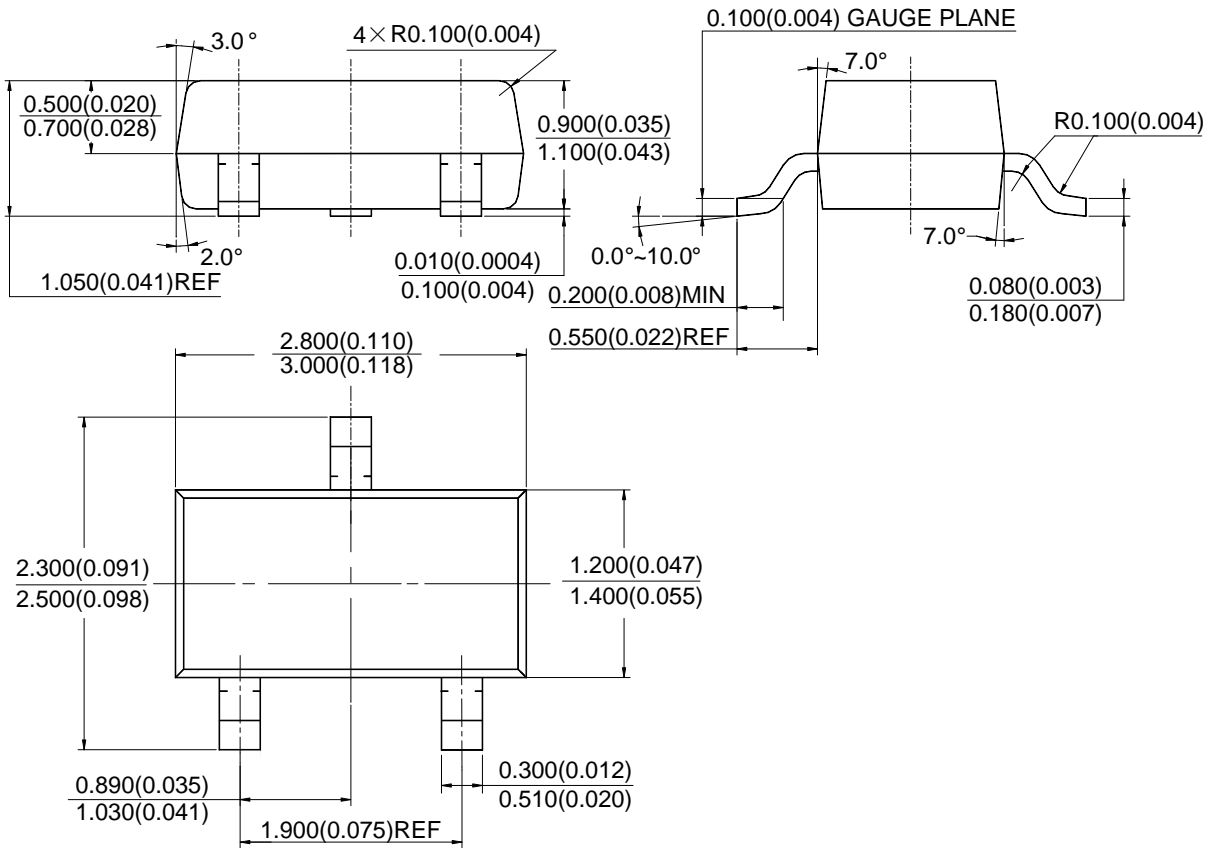
(1) TO92 (Ammo Packing)



NEW PRODUCT

Package Outline Dimensions (Cont. All dimensions in mm.)

(2) SOT23



NEW PRODUCT

Suggested Pad Layout

(1) SOT23



Dimensions	Z (mm)/(inch)	G (mm)/(inch)	X (mm)/(inch)	Y (mm)/(inch)	E (mm)/(inch)
Value	2.900/0.114	1.100/0.043	0.800/0.031	0.900/0.035	0.950/0.037

NEW PRODUCT

IMPORTANT NOTICE

DIODES INCORPORATED MAKES NO WARRANTY OF ANY KIND, EXPRESS OR IMPLIED, WITH REGARDS TO THIS DOCUMENT, INCLUDING, BUT NOT LIMITED TO, THE IMPLIED WARRANTIES OF MERCHANTABILITY AND FITNESS FOR A PARTICULAR PURPOSE (AND THEIR EQUIVALENTS UNDER THE LAWS OF ANY JURISDICTION).

Diodes Incorporated and its subsidiaries reserve the right to make modifications, enhancements, improvements, corrections or other changes without further notice to this document and any product described herein. Diodes Incorporated does not assume any liability arising out of the application or use of this document or any product described herein; neither does Diodes Incorporated convey any license under its patent or trademark rights, nor the rights of others. Any Customer or user of this document or products described herein in such applications shall assume all risks of such use and will agree to hold Diodes Incorporated and all the companies whose products are represented on Diodes Incorporated website, harmless against all damages.

Diodes Incorporated does not warrant or accept any liability whatsoever in respect of any products purchased through unauthorized sales channel. Should Customers purchase or use Diodes Incorporated products for any unintended or unauthorized application, Customers shall indemnify and hold Diodes Incorporated and its representatives harmless against all claims, damages, expenses, and attorney fees arising out of, directly or indirectly, any claim of personal injury or death associated with such unintended or unauthorized application.

Products described herein may be covered by one or more United States, international or foreign patents pending. Product names and markings noted herein may also be covered by one or more United States, international or foreign trademarks.

This document is written in English but may be translated into multiple languages for reference. Only the English version of this document is the final and determinative format released by Diodes Incorporated.

LIFE SUPPORT

Diodes Incorporated products are specifically not authorized for use as critical components in life support devices or systems without the express written approval of the Chief Executive Officer of Diodes Incorporated. As used herein:

A. Life support devices or systems are devices or systems which:

1. are intended to implant into the body, or
2. support or sustain life and whose failure to perform when properly used in accordance with instructions for use provided in the labeling can be reasonably expected to result in significant injury to the user.

B. A critical component is any component in a life support device or system whose failure to perform can be reasonably expected to cause the failure of the life support device or to affect its safety or effectiveness.

Customers represent that they have all necessary expertise in the safety and regulatory ramifications of their life support devices or systems, and acknowledge and agree that they are solely responsible for all legal, regulatory and safety-related requirements concerning their products and any use of Diodes Incorporated products in such safety-critical, life support devices or systems, notwithstanding any devices- or systems-related information or support that may be provided by Diodes Incorporated. Further, Customers must fully indemnify Diodes Incorporated and its representatives against any damages arising out of the use of Diodes Incorporated products in such safety-critical, life support devices or systems.

Copyright © 2017, Diodes Incorporated

www.diodes.com



Компания «ЭлектроПласт» предлагает заключение долгосрочных отношений при поставках импортных электронных компонентов на взаимовыгодных условиях!

Наши преимущества:

- Оперативные поставки широкого спектра электронных компонентов отечественного и импортного производства напрямую от производителей и с крупнейших мировых складов;
- Поставка более 17-ти миллионов наименований электронных компонентов;
- Поставка сложных, дефицитных, либо снятых с производства позиций;
- Оперативные сроки поставки под заказ (от 5 рабочих дней);
- Экспресс доставка в любую точку России;
- Техническая поддержка проекта, помощь в подборе аналогов, поставка прототипов;
- Система менеджмента качества сертифицирована по Международному стандарту ISO 9001;
- Лицензия ФСБ на осуществление работ с использованием сведений, составляющих государственную тайну;
- Поставка специализированных компонентов (Xilinx, Altera, Analog Devices, Intersil, Interpoint, Microsemi, Aeroflex, Peregrine, Syfer, Eurofarad, Texas Instrument, Miteq, Cobham, E2V, MA-COM, Hittite, Mini-Circuits, General Dynamics и др.);

Помимо этого, одним из направлений компании «ЭлектроПласт» является направление «Источники питания». Мы предлагаем Вам помощь Конструкторского отдела:

- Подбор оптимального решения, техническое обоснование при выборе компонента;
- Подбор аналогов;
- Консультации по применению компонента;
- Поставка образцов и прототипов;
- Техническая поддержка проекта;
- Защита от снятия компонента с производства.



Как с нами связаться

Телефон: 8 (812) 309 58 32 (многоканальный)

Факс: 8 (812) 320-02-42

Электронная почта: org@eplast1.ru

Адрес: 198099, г. Санкт-Петербург, ул. Калинина, дом 2, корпус 4, литера А.