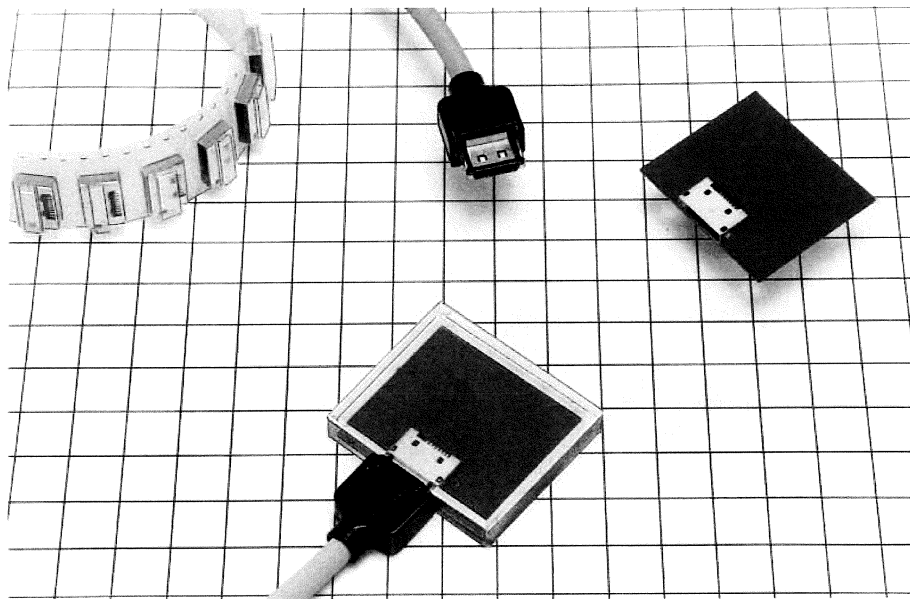


3200 SERIES SMT CONNECTORS FOR MICROMINIATURE INTERFACES

General

The 3200 Series connectors are to be used for EMI-proof microminiature interfaces compatible with SMT. Contact pitch of 0.8mm and a packaging height of 2.9 mm are designed to meet demands for smaller and thinner electronic equipment.



Features

1. Receptacle connector height : 2.9mm above the packaging surface of printed circuit boards (PCBs).
2. Minimum contact pitch : 0.8mm, minimizing mounting area.
3. Easy to mount on PCBs due to one-row SMT system.
4. Receptacle connectors are also available in embossed packaging.
5. Plugs are ESD protected by a metal shell.
6. Fitted with latch-locks on both sides for easy mating. This lock system requires minimum space.
7. Reinforcing fixtures are available in 0.5, 1, and 1.5mm lengths depending on PCB thickness.
8. Plug connectors can be terminated by soldering so that they are compatible with various types of wires.
9. 8 and 10-contact models available.

Application

Portable personal computers, electronic notebooks, various OA equipment, and portable mobile communication equipment.

The product information in this catalog is for reference only. Please request the Engineering Drawing for the most current and accurate design information.
 All non-RoHS products have been discontinued, or will be discontinued soon. Please check the products status on the Hirose website RoHS search at www.hirose-connectors.com, or contact your Hirose sales representative.

Main Specifications

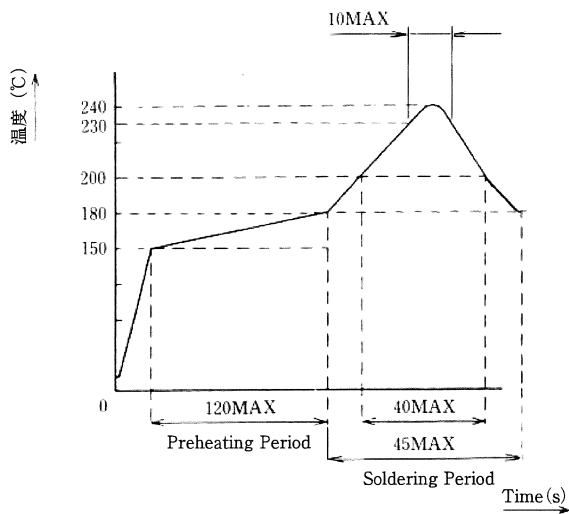
| Main specifications | |
|----------------------|---------------------------|
| Rated current | 500 mA |
| Rated voltage | AC 125V |
| Insulation voltage | 250 MΩ or moer at DC 100V |
| Withstanding voltage | At AC 300V r.m.s 1minute |

Material/Finish

| Main materials used | | | |
|----------------------|------------|-----------------|-----------------------|
| Receptacle connector | Insulation | Synthetic resin | Black※ |
| | Contact | Copper alloy | Selective gold-plated |
| | Shell | Stainless steel | Selective gold-plated |
| Plug connector | Insulation | Synthetic resin | Black※ |
| | Contact | Copper alloy | Selective gold-plated |
| | Shell | Copper alloy | Nickel-plated |
| | Cover | Synthetic resin | Black※ |

※UL94V-0

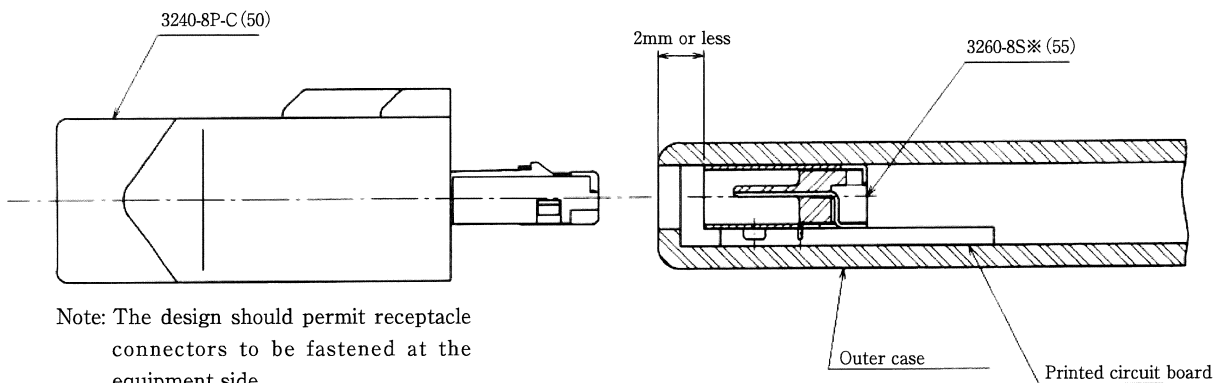
Mounting Temperature Profile (Board Surface Temperature)



Board
 Dimensions: 50 x 50 x 1 (mm)
 Material : Glass epoxy
 Cream Solder
 SN 96.5 / AG 3.0 / Cu 0.5

Note: This mounting temperature profile was performed by Hirose Electric under the aforementioned conditions. The profile can change depending on the mounting machine, board, cream solder, and other factors.

Connector Packaging Reference Drawing



Note: The design should permit receptacle connectors to be fastened at the equipment side.

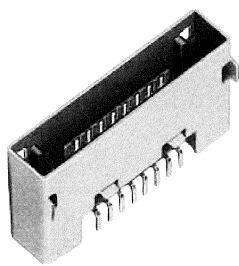
Applicable Cable

Contacts of the plug side connectors are to be soldered. Due to limited covered inside space, use cables of approx. the following sizes.

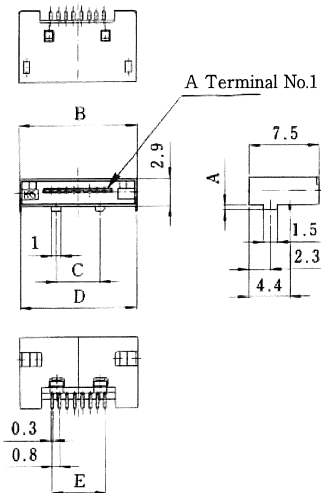
Sheath outside dia: ϕ 5.2mm or less (8 contacts) ϕ 5.4mm or less (10 contacts)
 Core: AWG28 or less
 Insulation outside dia: ϕ 0.7mm or less

The product information in this catalog is for reference only. Please request the Engineering Drawing for the most current and accurate design information.
 All non-RoHS products have been discontinued, or will be discontinued soon. Please check the products status on the Hirose website RoHS search at www.hirose-connectors.com, or contact your Hirose sales representative.

Receptacle Connector



3260-8S1 (55)

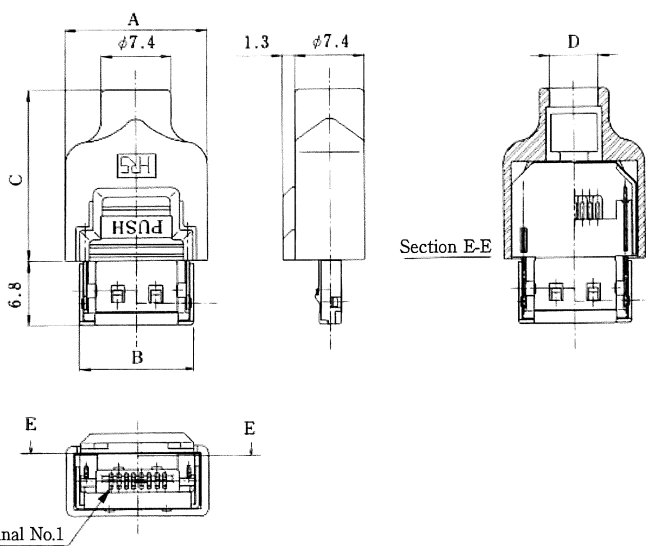
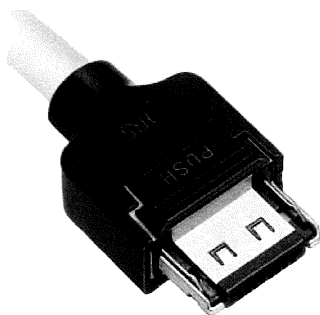


Unit: mm

| HRS No. | No of pin | Parts No. | A | B | C | D | E | RoHS |
|-------------------|-----------|----------------|-----|------|-----|------|-----|------|
| CL232-0002-7-55 | 8 | 3260-8S1 (55) | 0.5 | 12.6 | 4.6 | 12.4 | 5.6 | YES |
| * CL232-0002-7-56 | 8 | 3260-8S1 (56) | 0.5 | | | | | |
| CL232-0009-6-55 | 8 | 3260-8S2 (55) | 1.0 | | | | | |
| * CL232-0009-6-56 | 8 | 3260-8S2 (56) | 1.0 | | | | | |
| CL232-0010-5-55 | 8 | 3260-8S3 (55) | 1.5 | | | | | |
| * CL232-0010-5-56 | 8 | 3260-8S3 (56) | 1.5 | 14.2 | 6.2 | 14 | 7.2 | |
| CL232-0047-5-55 | 10 | 3260-10S3 (55) | 1.5 | | | | | |

* Specification (56) connectors are packaged with embossed (1000 connectors per reel) tape.

Plug Connector

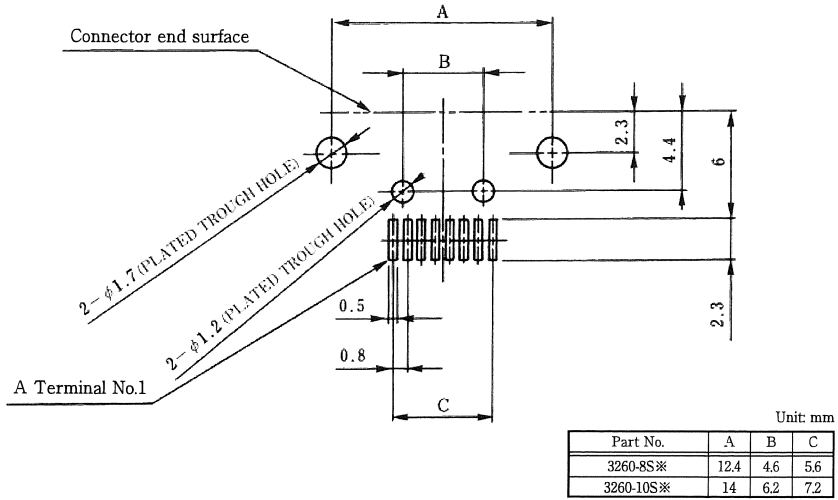


Unit: mm

| HRS No. | No of pin | Parts No. | A | B | C | D | RoHS |
|-----------------|-----------|-----------------|------|------|----|------------|------|
| CL232-0001-4-50 | 8 | 3240-8P-C (50) | 15.1 | 12.1 | 18 | $\phi 5.2$ | YES |
| CL232-0048-8-50 | 10 | 3240-10P-C (50) | 16.7 | 13.7 | 21 | $\phi 5.4$ | |

PCB Layout

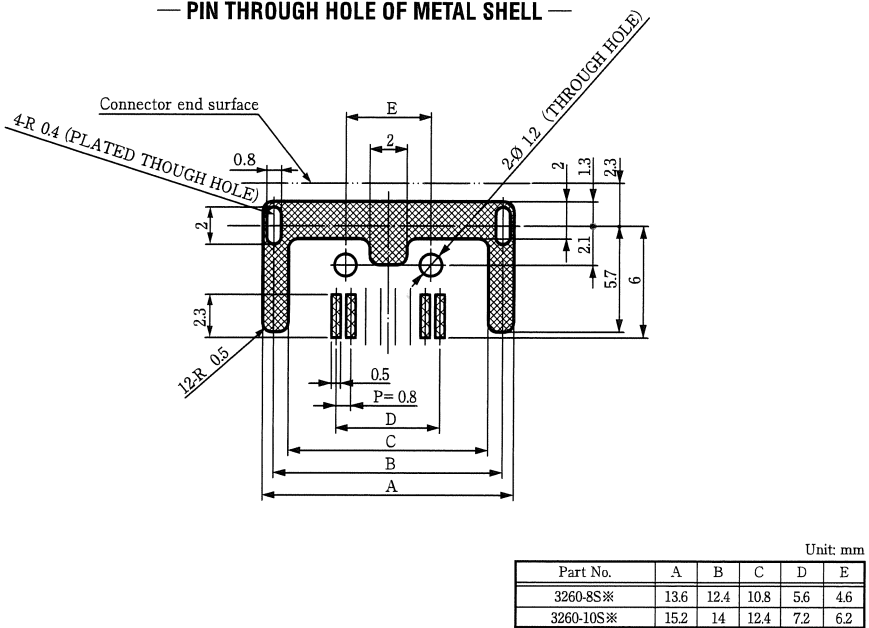
— PIN THROUGH HOLE OF METAL SHELL —



Harness Tools

| Connector | Process | Tools | |
|-----------------|--------------|---|-----------------------------|
| 3240-8P-C (50) | Cable clamps | Hi-Flex Connecting press (CL550-0082-2) | 3240-8CV (clamping jig) |
| 3240-10P-C (50) | | | 3240-10CV (clamping jig) |

— PIN THROUGH HOLE OF METAL SHELL —





Компания «ЭлектроПласт» предлагает заключение долгосрочных отношений при поставках импортных электронных компонентов на взаимовыгодных условиях!

Наши преимущества:

- Оперативные поставки широкого спектра электронных компонентов отечественного и импортного производства напрямую от производителей и с крупнейших мировых складов;
- Поставка более 17-ти миллионов наименований электронных компонентов;
- Поставка сложных, дефицитных, либо снятых с производства позиций;
- Оперативные сроки поставки под заказ (от 5 рабочих дней);
- Экспресс доставка в любую точку России;
- Техническая поддержка проекта, помощь в подборе аналогов, поставка прототипов;
- Система менеджмента качества сертифицирована по Международному стандарту ISO 9001;
- Лицензия ФСБ на осуществление работ с использованием сведений, составляющих государственную тайну;
- Поставка специализированных компонентов (Xilinx, Altera, Analog Devices, Intersil, Interpoint, Microsemi, Aeroflex, Peregrine, Syfer, Eurofarad, Texas Instrument, Miteq, Cobham, E2V, MA-COM, Hittite, Mini-Circuits, General Dynamics и др.);

Помимо этого, одним из направлений компании «ЭлектроПласт» является направление «Источники питания». Мы предлагаем Вам помощь Конструкторского отдела:

- Подбор оптимального решения, техническое обоснование при выборе компонента;
- Подбор аналогов;
- Консультации по применению компонента;
- Поставка образцов и прототипов;
- Техническая поддержка проекта;
- Защита от снятия компонента с производства.



Как с нами связаться

Телефон: 8 (812) 309 58 32 (многоканальный)

Факс: 8 (812) 320-02-42

Электронная почта: org@eplast1.ru

Адрес: 198099, г. Санкт-Петербург, ул. Калинина, дом 2, корпус 4, литера А.