

AN-REF-15W_CE1K5 ADAPTER

15W 5V Adapter Reference Board with ICE2QS03G, IPS65R1K5CE, BSC067N06LS3 G & BAS21-03W

Application Note

About this document

Scope and purpose

This document is a 15W 5.0V high efficiency USB adapter reference design using Infineon Quasi-Resonant PWM IC ICE2QS03G with CoolMOS™ IPS65R1K5CE (IPAK) and secondary side synchronous rectification IC with OptiMOS™ BSC067N06LS3 G (ThinPAK 5x6) in a small form factor, high efficiency and various mode of protections for a high reliable system.

Intended audience

This document is intended for users who wish to design high efficiency, very small form factor universal 15W 5V AC-DC adapter with Infineon CoolMOS™ CE series, OptiMOS™, Quasi-Resonant PWM IC ICE2QS03G and synchronous rectification.

Table of Contents

| | |
|--|-----------|
| About this document | 1 |
| Table of Contents..... | 2 |
| 1 Abstract | 4 |
| 2 Reference board | 4 |
| 3 Specifications | 5 |
| 4 Circuit description..... | 6 |
| 4.1 Mains input rectification and filtering..... | 6 |
| 4.2 PWM control and switching MOSFET | 6 |
| 4.3 Snubber network..... | 6 |
| 4.4 Output stage | 6 |
| 4.5 Feedback loop | 6 |
| 5 Circuit operation..... | 7 |
| 5.1 Startup operation..... | 7 |
| 5.2 Normal mode operation..... | 7 |
| 5.3 Primary side peak current control..... | 7 |
| 5.4 Digital frequency reduction | 7 |
| 5.5 Burst mode operation..... | 7 |
| 6 Protection features | 8 |
| 6.1 V_{CC} over voltage and under voltage protection | 8 |
| 6.2 Over load/Open loop protection | 8 |
| 6.3 Auto restart for over temperature protection..... | 8 |
| 6.4 Adjustable output overvoltage protection..... | 8 |
| 6.5 Short winding protection | 8 |
| 6.6 Foldback point protection | 9 |
| 7 Circuit diagram | 10 |
| 8 PCB layout | 11 |
| 8.1 Top side | 11 |
| 8.2 Bottom side..... | 11 |
| 9 Component list | 12 |
| 10 Transformer construction | 13 |
| 11 Test results | 14 |
| 11.1 Efficiency, regulations and output ripple | 14 |
| 11.2 Standby power | 15 |
| 11.3 Line regulation..... | 16 |
| 11.4 Load regulation | 16 |
| 11.5 Maximum power..... | 17 |
| 11.6 ESD immunity (EN61000-4-2)..... | 17 |
| 11.7 Surge immunity (EN61000-4-5)..... | 17 |
| 11.8 Conducted emissions (EN55022 class B) | 18 |
| 11.9 Thermal measurement..... | 20 |

Abstract

| | | |
|-----------|--|-----------|
| 12 | Waveforms and scope plots..... | 20 |
| 12.1 | Start up at low/high AC line input voltage with maximum load | 20 |
| 12.2 | Soft start..... | 21 |
| 12.3 | Drain voltage and current at maximum load | 21 |
| 12.4 | Zero crossing point during normal operation..... | 22 |
| 12.5 | Load transient response (Dynamic load from 10% to 100%) | 22 |
| 12.6 | Output ripple voltage at maximum load | 23 |
| 12.7 | Output ripple voltage during burst mode at 1 W load | 23 |
| 12.8 | Active Burst mode operation | 24 |
| 12.9 | Over load protection (Auto restart mode)..... | 24 |
| 12.10 | Output overvoltage protection (Latched off mode)..... | 25 |
| 12.11 | V _{CC} under voltage/Short optocoupler protection (Auto restart mode) | 25 |
| 13 | References | 26 |
| | Revision History..... | 26 |

Abstract

1 Abstract

This application note is an engineering report of a very small form factor reference design for universal input 15W 5V adapter. The adapter is using **ICE2QS03G**, a second generation current mode control Quasi-Resonant flyback topology controller, **IPS65R1K5CE**, a CE series of high voltage power CoolMOS™ and **BSC067N06LS3 G**, a third series of medium voltage power OptiMOS™, optimized for Synchronous Rectification. The distinguishing features of this reference design are very small form factor, Best-in-Class low standby power, very high efficiency, good EMI performance and various modes of protection for high reliable system.

2 Reference board

This document contains the list of features, the power supply specification, schematic, bill of material and the transformer construction documentation. Typical operating characteristics such as performance curve and scope waveforms are showed at the rear of the report.

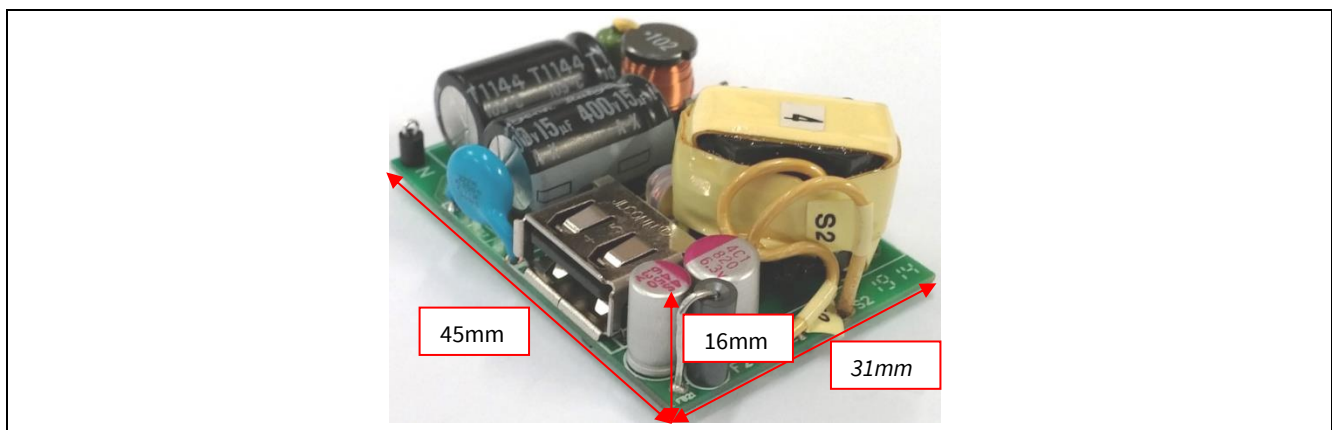


Figure 1 REF-15W_CE1K5 ADAPTER [Dimensions L x W x H: 45mm x 31mm x 16mm]

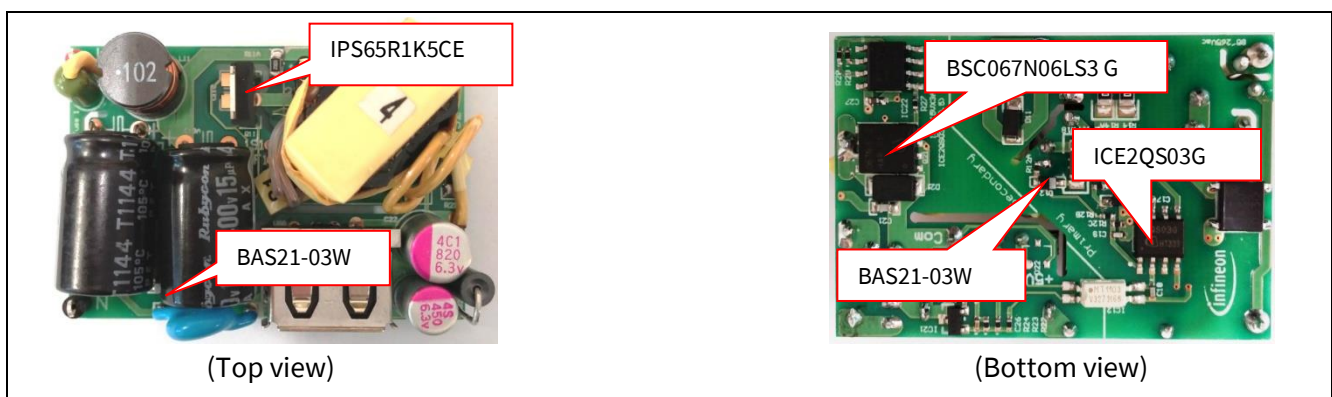


Figure 2 REF-15W_CE1K5 ADAPTER [Top & Bottom View]

Specifications

3 Specifications

Table 1 Specifications of REF-15W_CE1K5 ADAPTER

| | |
|--|---|
| Input voltage | 85Vac~265Vac |
| Input frequency | 50~60Hz |
| Output voltage | 5V |
| Output current | 3A |
| Output power | 15W |
| Minimum switching frequency at full load and minimum input voltage | 45kHz |
| Maximum input power for universal mains | < ±6% of input power |
| No-load power consumption (EU CoC Version 5, Tier 2 and EPS of DOE USA) | < 40mW |
| Active mode four point average efficiency (25%,50%,75% & 100%load) (EU CoC Version 5, Tier 2 and EPS of DOE USA) | >89% at 115Vac & >87% at 230Vac |
| Active mode at 10% load efficiency (EU CoC Version 5, Tier 2) | >87% at 115Vac & >85% at 230Vac |
| Steady state output ripple | +/-1% of nominal output voltage ($V_{ripple_p_p} < 100mV$) |
| Dynamic load response undershoot & overshoot | +/-3% of nominal output voltage ($V_{ripple_p_p} < 300mV$) |
| Conducted emissions (EN55022 class B) | Pass with 8 dB margin |
| ESD immunity (EN61000-4-2) | level 3 (±6kV) contact discharge |
| Surge immunity (EN61000-4-5) | Installation class 3 (2kV: common mode) |
| Form factor case size (L x W x H) | (45 x 31 x 16) mm ³ |

4 Circuit description

4.1 Mains input rectification and filtering

The AC line input side comprises the input fuse F1 as over-current protection. A rectified DC voltage (120V ~ 374V) is obtained through a bridge rectifier BR1 and a pi filter C13, FB21 and C22. The pi filter also attenuates the differential mode conducted EMI.

4.2 PWM control and switching MOSFET

The PWM pulse is generated by the Quasi Resonant PWM current-mode Controller **ICE2QS03G** and this PWM pulse drives the high voltage power CoolMOS™, **IPS65R1K5CE (CE)** which designed according to the revolutionary Superjunction (SJ) principle. The CoolMOS™ CE provides all benefits of a fast switching SJ MOSFET while not sacrificing ease of use. It achieves extremely low conduction and switching losses and can make switching applications more efficient, more compact, lighter and cooler. The PWM switch-on is determined by the zero-crossing input signal and the value of the up/down counter. The PWM switch-off is determined by the feedback signal V_{FB} and the current sensing signal V_{CS} . **ICE2QS03G** also performs all necessary protection functions in flyback converters. Details about the information mentioned above are illustrated in the product datasheet.

4.3 Snubber network

A snubber network R11, R11A, C15 and D11 dissipate the energy of the leakage inductance and suppress ringing on the SMPS transformer. Due to the resonant capacitor (MOSFET's drain source capacitance), the overshoot is relatively smaller than fixed frequency flyback converter. Thus the snubber resistor can be used with a larger one which will reduce the snubber loss.

4.4 Output stage

On the secondary side, 5V output, the PWM pulse is generated by synchronous rectification controller **UCC24610**. The synchronous rectification pulse drives the medium voltage power OptiMOS™, **BSC067N06LS3 -G** which is optimized for synchronous rectification such as the lowest $R_{DS(on)}$, the perfect switching behavior of fast switching, the smallest footprint and highest power density. The capacitors C22 provides energy buffering following with the LC filter FB21 and C24 to reduce the output ripple and prevent interference between SMPS switching frequency and line frequency considerably. Storage capacitor C22 is designed to have an internal resistance (ESR) as small as possible. This is to minimize the output voltage ripple caused by the triangular current.

4.5 Feedback loop

For feedback, the output is sensed by the voltage divider of R26 and R25 and compared to TL431 internal reference voltage. C25, C26 and R24 comprise the compensation network. The output voltage of TL431 is converted to the current signal via optocoupler IC12 and two resistors R22 and R23 for regulation control.

5 Circuit operation

5.1 Startup operation

Since there is a built-in startup cell in the **ICE2QS03G**, there is no need for external start up resistor, which can improve standby performance significantly. When V_{CC} reaches the turn on voltage threshold 18V, the IC begins with a soft start. The soft-start implemented in **ICE2QS03G** is a digital time-based function. The preset soft-start time is 12ms with 4 steps. If not limited by other functions, the peak voltage on CS pin will increase step by step from 0.32V to 1V finally. After IC turns on, the V_{CC} voltage is supplied by auxiliary windings of the transformer.

5.2 Normal mode operation

The secondary output voltage is built up after startup. The secondary regulation control is adopted with TL431 and optocoupler. The compensation network C25, C26 and R24 constitutes the external circuitry of the error amplifier of TL431. This circuitry allows the feedback to be precisely controlled with respect to dynamically varying load conditions, therefore providing stable control.

5.3 Primary side peak current control

The MOSFET drain source current is sensed via external resistor R14 and R14A. Since **ICE2QS03G** is a current mode controller, it would have a cycle-by-cycle primary current and feedback voltage control which can make sure the maximum power of the converter is controlled in every switching cycle.

5.4 Digital frequency reduction

During normal operation, the switching frequency for **ICE2QS03G** is digitally reduced with decreasing load. At light load, the CoolMOS™ **IPS65R1K5CE** will be turned on not at the first minimum drain-source voltage time, but on the n^{th} . The counter is in range of 1 to 7, which depends on feedback voltage in a time-base. The feedback voltage decreases when the output power requirement decreases, and vice versa. Therefore, the counter is set by monitoring voltage V_{FB} . The counter will be increased with low V_{FB} and decreased with high V_{FB} . The thresholds are preset inside the IC.

5.5 Burst mode operation

At light load condition, the SMPS enters into **Active Burst Mode**. At this stage, the controller is always active but the V_{CC} must be kept above the switch off threshold. During active burst mode, the efficiency increase significantly and at the same time it supports low ripple on V_{out} and fast response on load jump.

For determination of entering Active Burst Mode operation, three conditions apply:

1. The feedback voltage is lower than the threshold of $V_{FBEB}(1.25V)$. Accordingly, the peak current sense voltage across the shunt resistor is 0.1667;
2. The up/down counter is 7;
3. And a certain blanking time ($t_{BEB}=24ms$).

Once all of these conditions are fulfilled, the Active Burst Mode flip-flop is set and the controller enters Active Burst Mode operation. This multi-condition determination for entering Active Burst Mode operation prevents mis-triggering of entering Active Burst Mode operation, so that the controller enters Active Burst Mode operation only when the output power is really low during the preset blanking time.

Protection features

During active burst mode, the maximum current sense voltage is reduced from 1V to 0.34V so as to reduce the conduction loss and the audible noise. At the burst mode, the FB voltage is changing like a sawtooth between 3.0 and 3.6V.

The feedback voltage immediately increases if there is a high load jump. This is observed by one comparator. As the current limit is 34% during Active Burst Mode a certain load is needed so that feedback voltage can exceed VLB (4.5V). After leaving active burst mode, maximum current can now be provided to stabilize V_o . In addition, the up/down counter will be set to 1 immediately after leaving Active Burst Mode. This is helpful to decrease the output voltage undershoot.

6 Protection features

6.1 V_{CC} over voltage and under voltage protection

During normal operation, the V_{CC} voltage is continuously monitored. When the V_{CC} voltage increases up to $V_{CC,OVP}$ or V_{CC} voltage falls below the under voltage lock out level $V_{CC,off}$, the IC will enter into autorestart mode.

6.2 Over load/Open loop protection

In case of open control loop, feedback voltage is pulled up with internally block. After a fixed blanking time, the IC enters into auto restart mode. In case of secondary short-circuit or overload, regulation voltage V_{FB} will also be pulled up, same protection is applied and IC will auto restart.

6.3 Auto restart for over temperature protection

The IC has a built-in over temperature protection function. When the controller's temperature reaches 140°C, the IC will shut down switch and enters into auto restart. This can protect power MOSFET from overheated.

6.4 Adjustable output overvoltage protection

During off-time of the power switch, the voltage at the zero-crossing pin ZC is monitored for output overvoltage detection. If the voltage is higher than the preset threshold 3.7V for a preset period 100 μ s, the IC is latched off.

6.5 Short winding protection

The source current of the MOSFET is sensed via external resistor R14 and R14A. If the voltage at the current sensing pin is higher than the preset threshold V_{CSSW} of 1.68V during the on-time of the power switch, the IC is latched off. This constitutes a short winding protection. To avoid an accidental latch off, a spike blanking time of 190ns is integrated in the output of internal comparator.

6.6 Foldback point protection

For a quasi-resonant flyback converter, the maximum possible output power is increased when a constant current limit value is used for all the mains input voltage range. This is usually not desired as this will increase additional cost on transformer and output diode in case of output over power conditions. The internal foldback protection is implemented to adjust the VCS voltage limit according to the bus voltage. Here, the input line voltage is sensed using the current flowing out of ZC pin, during the MOSFET on-time. As the result, the maximum current limit will be lower at high input voltage and the maximum output power can be well limited versus the input voltage.

Circuit diagram

7 Circuit diagram

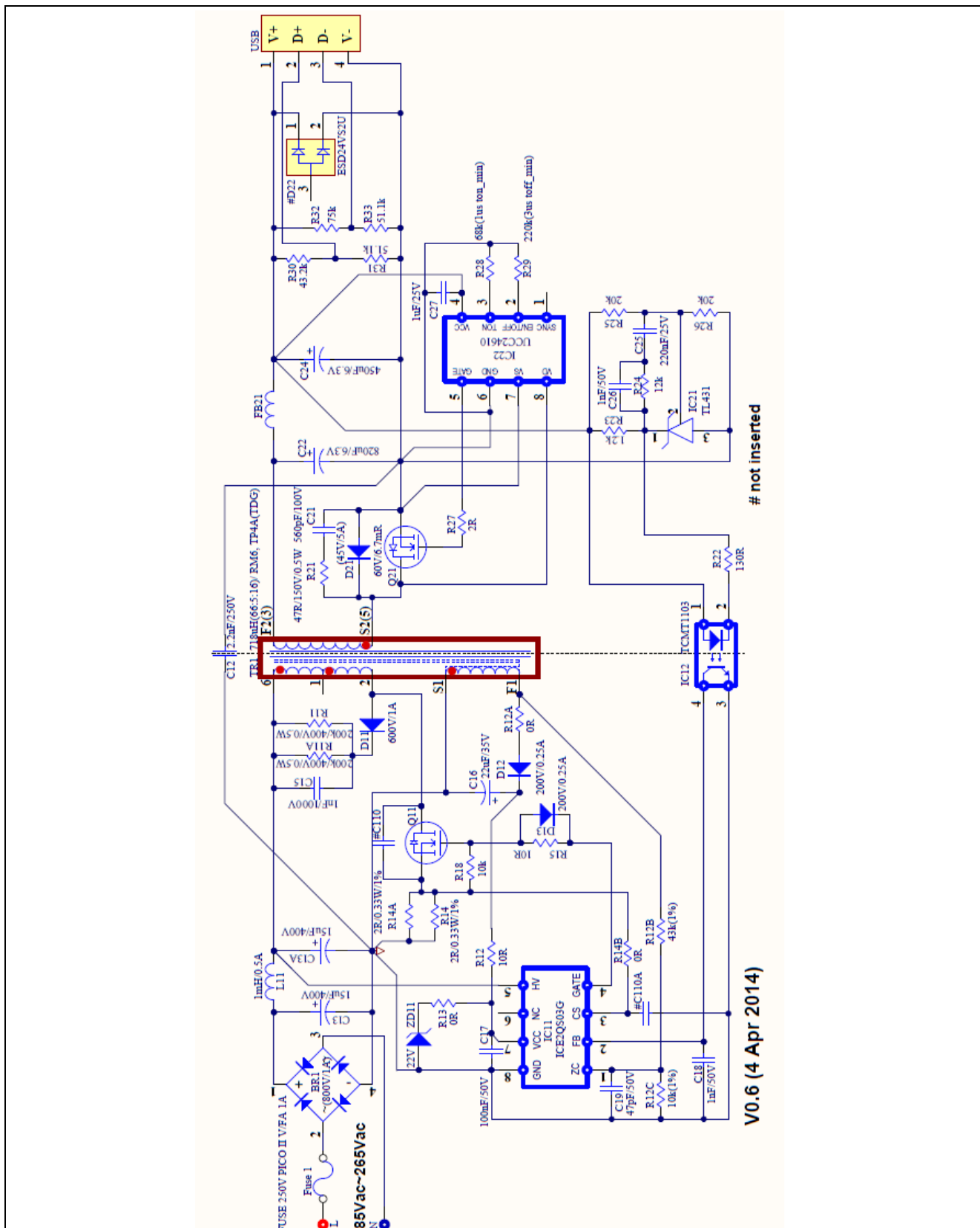


Figure 3 Schematic of REF-15W_CE1K5 ADAPTER

PCB layout

8 PCB layout

8.1 Top side

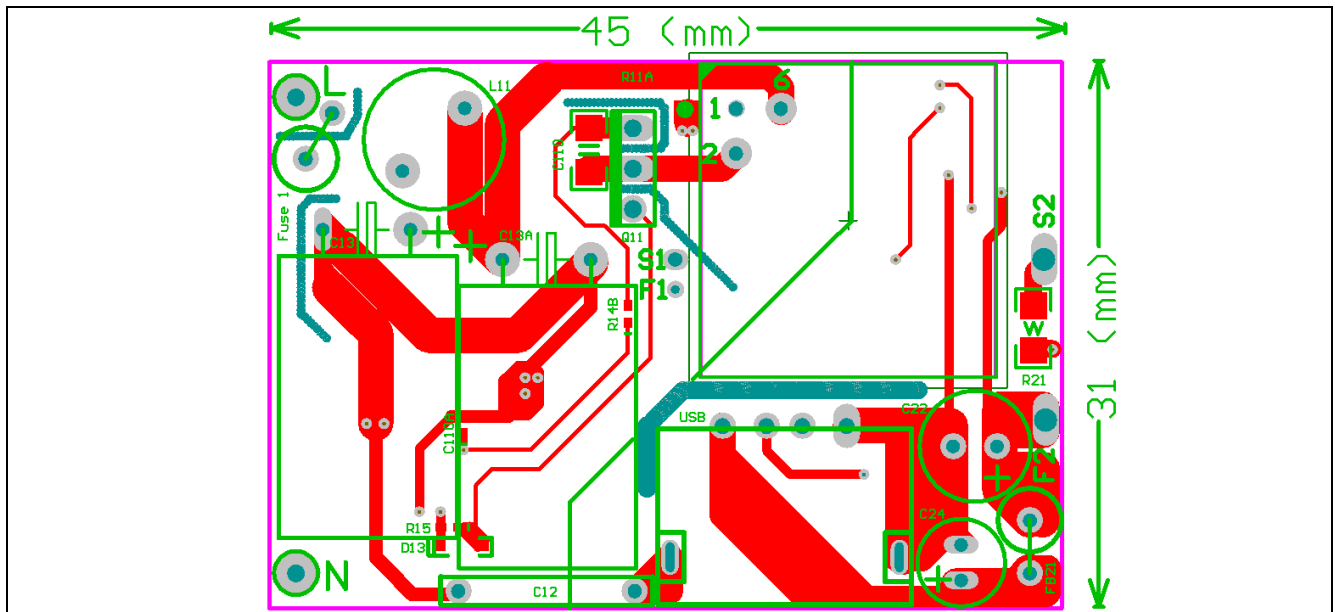


Figure 4 Top side copper and component legend

8.2 Bottom side

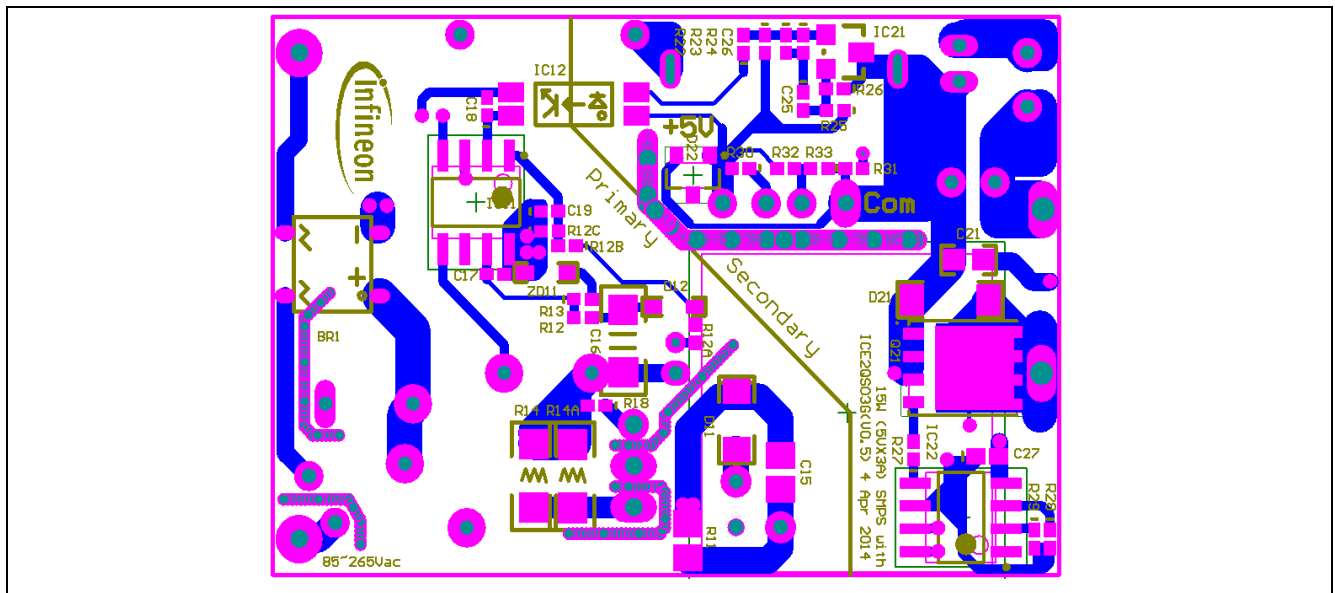


Figure 5 Bottom side copper and component legend

Component list

9 Component list

Table 2 Bill of materials

| No. | Designator | Description | Footprint | Part Number | Manufacturer | Quantity |
|-----|-----------------|-----------------------------|--|--------------------|-------------------|----------|
| 1 | BR1 | (800V/1A) | SOP-4 | D1UBA80 | SHINDENGEN | 1 |
| 2 | C12 | 2.2nF/250V | MKT2/13/10_0M8 | DE1E3KL222MC4BNA1S | MURATA | 1 |
| 3 | C13, C13A | 15uF/400V | RB10H(10x16) | 400AX15M10X16 | RUBYCON | 2 |
| 4 | C15 | 1nF/1000V | 0805 | C0805X102KDRACU | | 1 |
| 5 | C16 | 22uF/35V | 1206 | C3216X5R1V226M | | 1 |
| 6 | C17 | 100nF/50V | 0402 | GRM155R71H104KE14D | MURATA | 1 |
| 7 | C18, C26 | 1nF/50V | 0402 | GRM155R71H102KA01D | MURATA | 2 |
| 8 | C19 | 47pF/50V | 0402 | GRM1555C1H470JA01D | MURATA | 1 |
| 9 | C21 | 560pF/100V | 0603 | GRM1885C2A561JA01D | MURATA | 1 |
| 10 | C22 | 820uF/6.3V | RB6.3 | MP6RL820MC8 | | 1 |
| 11 | C24 | 450uF/6.3V | RB5 | MP6RL450MB8 | | 1 |
| 12 | C25 | 220nF/25V | 0402 | GRM155C81E224KE01D | MURATA | 1 |
| 13 | C27 | 1uF/25V | 0402 | GRM155R61E105KA12D | MURATA | 1 |
| 14 | D11 | 600V/1A | Sub SMA | ES1JL | | 1 |
| 15 | D12,D13 | 200V/0.25A | SOD323 | BAS21-03W | INFINEON | 2 |
| 16 | D21 | 45V/5A | DO-221AC (slimSMA) | VSSAF5L45 | | 1 |
| 17 | F1 | 250V/1A | AXIAL0.4_V 3mm | 0263001.HAT1L | | 1 |
| 18 | FB21 | FAIR RITE | AXIAL0.4_V 3mm | 2743002112 | | 1 |
| 19 | IC11 | ICE2QS03G | SO-8 | ICE2QS03G | INFINEON | 1 |
| 20 | IC12 | TCMT1103 | optocoupler half pitch mini flat package | TCMT1103 | | 1 |
| 21 | IC21 | TL431 | SOT-23 | TL431BFDT | | 1 |
| 22 | IC22 | UCC24610 | SO-8 | UCC24610 | | 1 |
| 23 | L | connector | Connector | 5000RED | | 1 |
| 24 | L11 | 1mH/0.5A | CH8 | 768772102 | WURTH ELECTRONICS | 1 |
| 25 | N | Connector N(2.5) | Connector(2.5) | 5001BLACK | | 1 |
| 26 | Q11 | 650V/1R | TO251(IPAK) | IPS65R1K5CE | INFINEON | 1 |
| 27 | Q21 | 60V/6.7mR | INF-PG-TDSON81 | BSC067N06LS3 G | INFINEON | 1 |
| 28 | R11,R11A | 200k/400V/0.5W | 0805 | ERJP06F2003V | | 2 |
| 29 | R12, R15 | 10R | 0402 | | | 2 |
| 30 | R12A, R13, R14B | 0R | 0402 | | | 3 |
| 31 | R12B | 43k/1% | 0402 | | | 1 |
| 32 | R12C | 10k/1% | 0402 | | | 1 |
| 33 | R14, R14A | 2R/0.33W/1% | 1206 | ERJ8BQF2R0V | | 2 |
| 34 | R18 | 10k | 0402 | | | 1 |
| 35 | R21 | 47R/0.5W | 0805 | ERJP6WF47R0V | | 1 |
| 36 | R22 | 130R | 0402 | | | 1 |
| 37 | R23 | 1.2k | 0402 | | | 1 |
| 38 | R24 | 12k | 0402 | | | 1 |
| 39 | R25, R26 | 20k | 0402 | | | 2 |
| 40 | R27 | 2R | 0402 | | | 1 |
| 41 | R28 | 68k | 0402 | | | 1 |
| 42 | R29 | 220k | 0402 | | | 1 |
| 43 | R30 | 43.2k | 0402 | | | 1 |
| 44 | R31, R33 | 51.1k | 0402 | | | 1 |
| 45 | R32 | 75k | 0402 | | | 1 |
| 46 | TR1 | 718uH(66:5:16) RM6(TP4A) | TR_RM6_THT6Pin | | | 1 |
| 47 | USB Port | USBPORT | USB2 Short(Horizontal) | JL-CAF-001 | | 1 |
| 48 | ZD11 | 22V Zener | SOD323 | UDZS22B | | 1 |

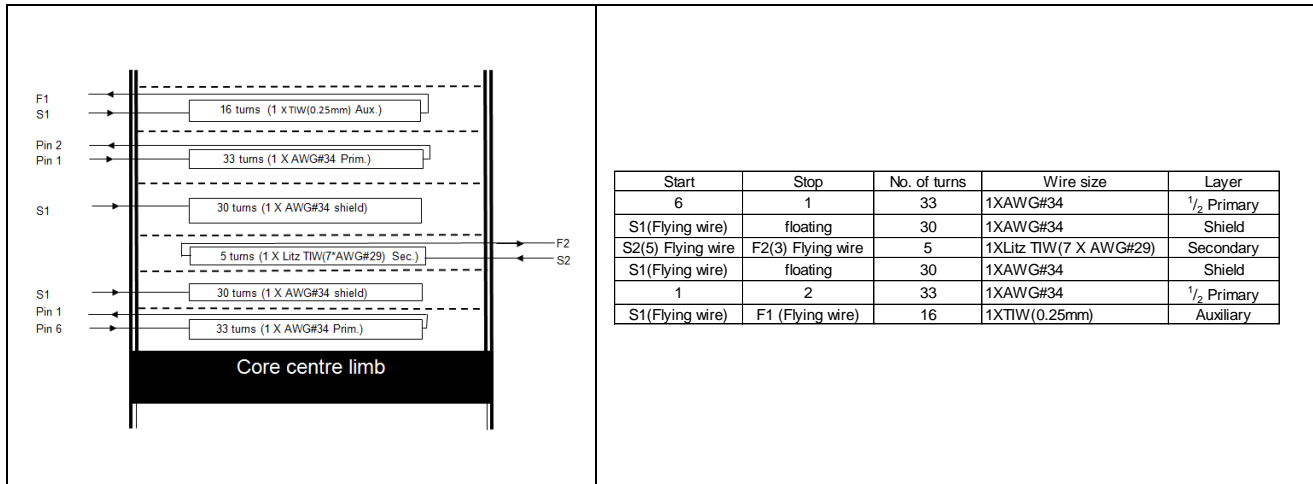
Transformer construction

10 Transformer construction

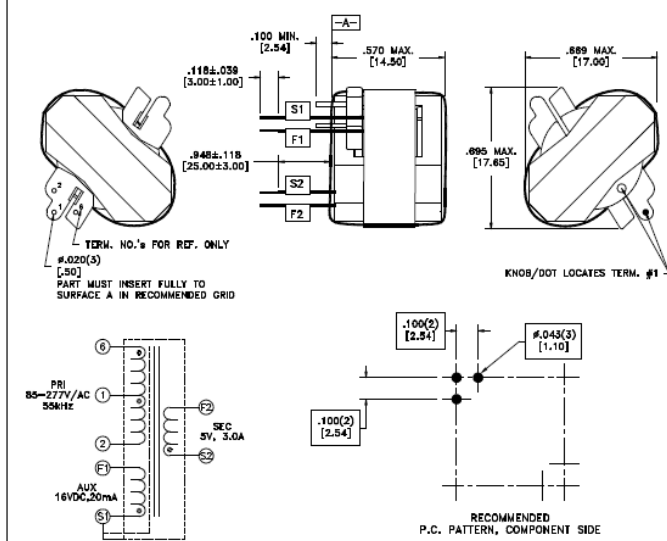
Core and material: RM6 TP4A

Bobbin: RM6 with 3 pin

Primary Inductance, $L_p=718 \mu\text{H}$ ($\pm 10\%$), measured between pin 2 and pin 6



| CUSTOMER TERMINAL | RoHS | LEAD(Pb)-FREE |
|-------------------|------|---------------|
| Sn96%, Ag4% | Yes | Yes |



ELECTRICAL SPECIFICATIONS @ 25°C unless otherwise noted:

| PARAMETER | TEST CONDITIONS | VALUE |
|--------------------|-----------------|--|
| D.C. RESISTANCE | 6-2 | @20°C 1.913 ohms Max |
| D.C. RESISTANCE | S1-F1 | @20°C 0.389 ohms Max |
| D.C. RESISTANCE | S2-F2 | @20°C 0.015 ohms Max |
| INDUCTANCE | 6-2 | 50kHz, 100mVAC, L_s 718 μH $\pm 10\%$ |
| LEAKAGE INDUCTANCE | 6-2 | tie(S1+F1+S2+P2), 100kHz, 100mVAC, L_s 35.0 μH max. |
| DIELECTRIC | 1-S2 | tie(2+S1), 6250VDC, 1 second 5000VDC, 1 min. |
| DIELECTRIC | S2-Core | 6250VDC, 1 second 6000VDC, 1 min. |
| TURNS RATIO | (6-2)/(S1-F1) | 4.12:1, $\pm 2\%$ |
| TURNS RATIO | (6-2)/(S2-F2) | 13.2:1, $\pm 2\%$ |

GENERAL SPECIFICATIONS:
OPERATING TEMPERATURE RANGE: -40°C to +125°C including temp rise.
Designed to comply with the following requirements as defined by IEC80950-1,
- Reinforced insulation for a primary circuit at a working voltage of 400VDC.

Wire insulation & RoHS status not affected by wire color.
Wire insulation color may vary depending on availability.

| REV. | DATE | Method: Tray PKG-D103 www.we-online.com/midcom | Tolerances unless otherwise specified: Angles: $\pm 1^\circ$ Fractions: $\pm 1/64$ | Decimals: $\pm .005$ [.13] Footprint: $\pm .001$ [.03] | DRAWING TITLE TRANSFORMER | PART NO. XXXXXXXXXX |
|------|-------|--|--|---|------------------------------|----------------------------|
| 00 | 02/14 | SEE REVISION SHEET FOR REVISION LEVEL | This drawing is dual dimensioned. Dimensions in brackets are in millimeters. | | e/Sos p/n: XXXXXXXX | SPECIFICATION SHEET 1 OF 1 |

Figure 6 Transformer structure

Test results

11 Test results

11.1 Efficiency, regulations and output ripple

Table 3 Efficiency, regulation & output ripple

| V _{in} (Vac) | P _{in} (W) | V _{out} (Vdc) | I _{out} (A) | V _{out_ripple_pk_pk} (mV) | P _{out} (W) | η (%) | Average η (%) | OLP P _{in} (W) | OLP I _{out} (A) |
|-----------------------|---------------------|------------------------|----------------------|------------------------------------|----------------------|-------|---------------|-------------------------|--------------------------|
| 85 | 0.0323 | 5.02 | 0.00 | 59.70 | / | / | 87.97 | 20.07 | 3.42 |
| | 1.7400 | 5.02 | 0.30 | 57.40 | 1.51 | 86.55 | | | |
| | 4.2600 | 5.02 | 0.75 | 22.60 | 3.77 | 88.38 | | | |
| | 8.5000 | 5.02 | 1.50 | 32.10 | 7.53 | 88.59 | | | |
| | 12.7900 | 5.02 | 2.25 | 35.20 | 11.30 | 88.31 | | | |
| | 17.3900 | 5.02 | 3.00 | 49.70 | 15.06 | 86.60 | | | |
| 115 | 0.0326 | 5.02 | 0.00 | 64.90 | / | / | 89.05 | 19.80 | 3.45 |
| | 1.7300 | 5.02 | 0.30 | 59.90 | 1.51 | 87.05 | | | |
| | 4.2500 | 5.02 | 0.75 | 20.10 | 3.77 | 88.59 | | | |
| | 8.4400 | 5.02 | 1.50 | 29.80 | 7.53 | 89.22 | | | |
| | 12.6300 | 5.02 | 2.25 | 35.00 | 11.30 | 89.43 | | | |
| | 16.9300 | 5.02 | 3.00 | 40.30 | 15.06 | 88.95 | | | |
| 230 | 0.0336 | 5.02 | 0.00 | 70.20 | / | / | 88.24 | 20.19 | 3.57 |
| | 1.7700 | 5.02 | 0.30 | 81.30 | 1.51 | 85.08 | | | |
| | 4.3800 | 5.02 | 0.75 | 22.40 | 3.77 | 85.96 | | | |
| | 8.4600 | 5.02 | 1.50 | 33.50 | 7.53 | 89.01 | | | |
| | 12.6100 | 5.02 | 2.25 | 35.30 | 11.30 | 89.57 | | | |
| | 17.0300 | 5.02 | 3.00 | 37.00 | 15.06 | 88.43 | | | |
| 265 | 0.0344 | 5.02 | 0.00 | 76.00 | / | / | 87.43 | 21.06 | 3.70 |
| | 1.7890 | 5.02 | 0.30 | 77.90 | 1.51 | 84.18 | | | |
| | 4.4500 | 5.02 | 0.75 | 22.90 | 3.77 | 84.61 | | | |
| | 8.5100 | 5.02 | 1.50 | 33.70 | 7.53 | 88.48 | | | |
| | 12.6800 | 5.02 | 2.25 | 36.60 | 11.30 | 89.08 | | | |
| | 17.2000 | 5.02 | 3.00 | 38.80 | 15.06 | 87.56 | | | |

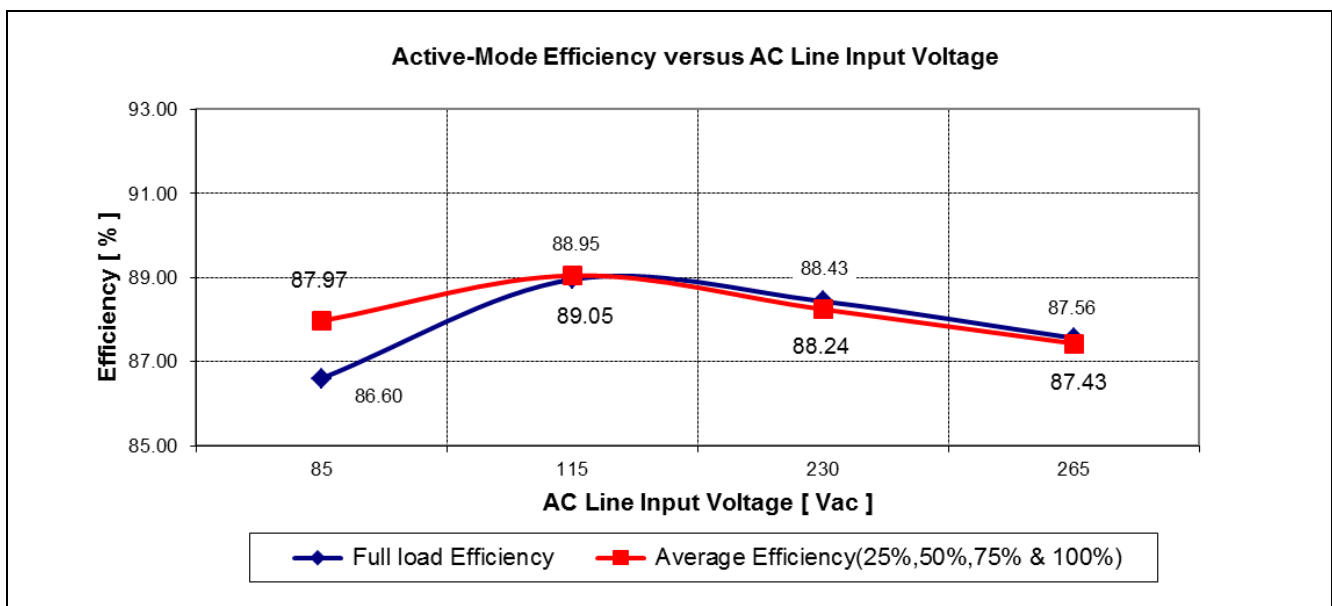


Figure 7 Efficiency vs AC line input voltage

Test results

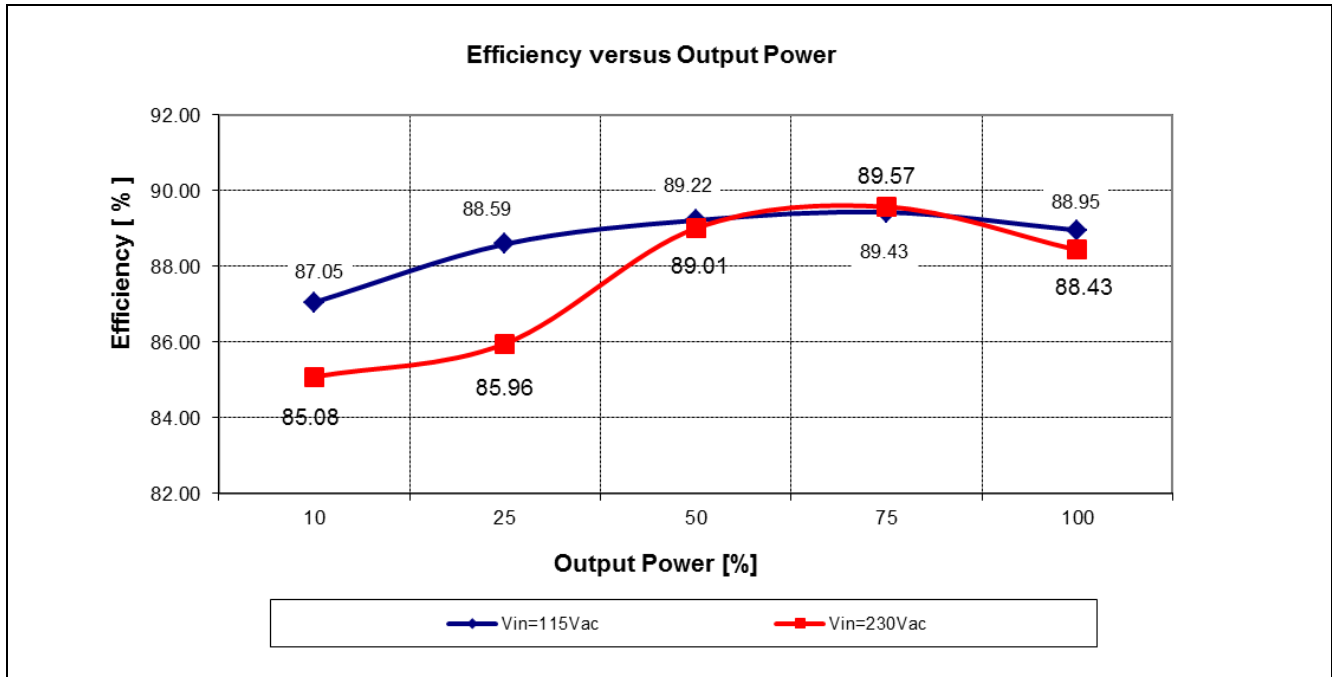


Figure 8 Efficiency vs output power @ 115Vac and 230V line

11.2 Standby power

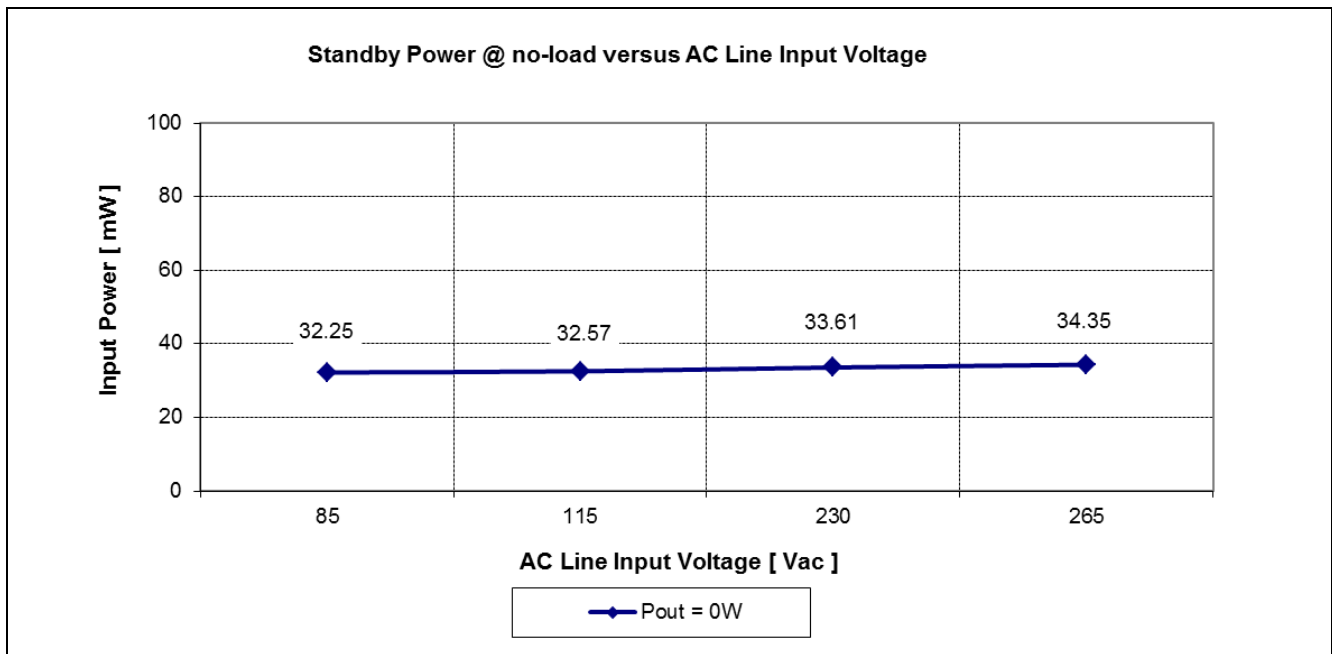


Figure 9 Standby power @ no load vs AC line input voltage (measured by Yokogawa WT210 power meter - integration mode)

Test results

11.3 Line regulation

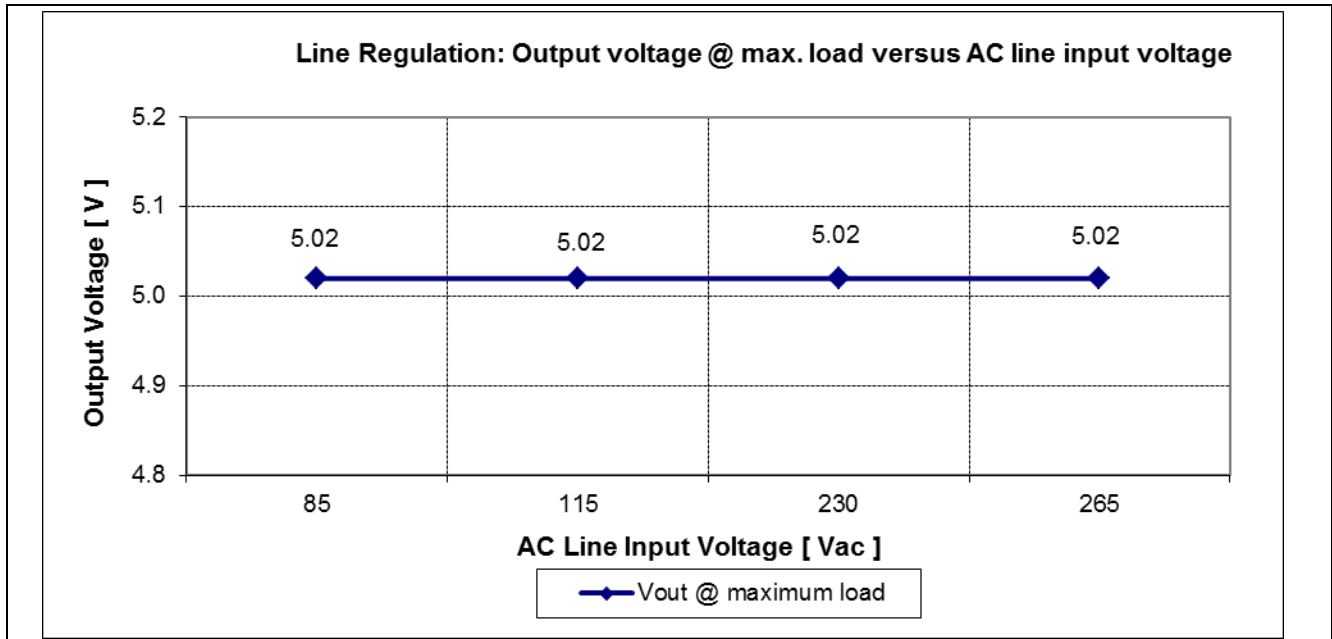


Figure 10 Line regulation V_{out} @ full load vs AC line input voltage

11.4 Load regulation

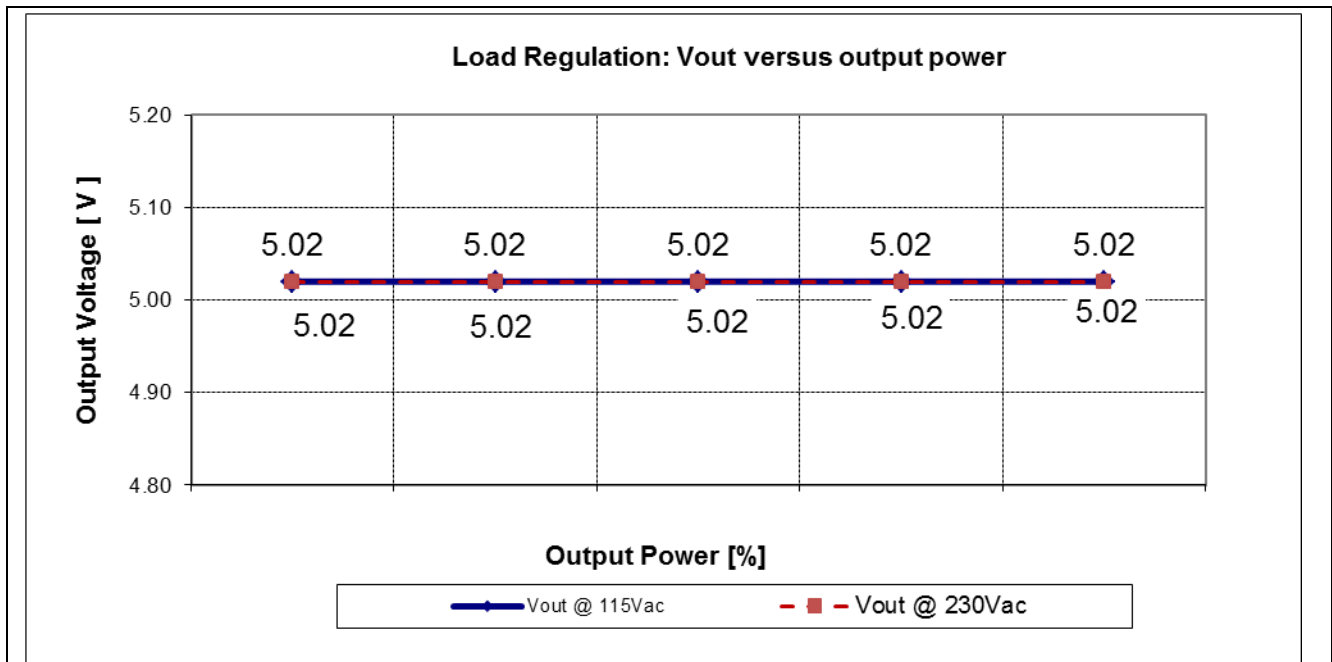


Figure 11 Load regulation V_{out} vs output power

Test results

11.5 Maximum power

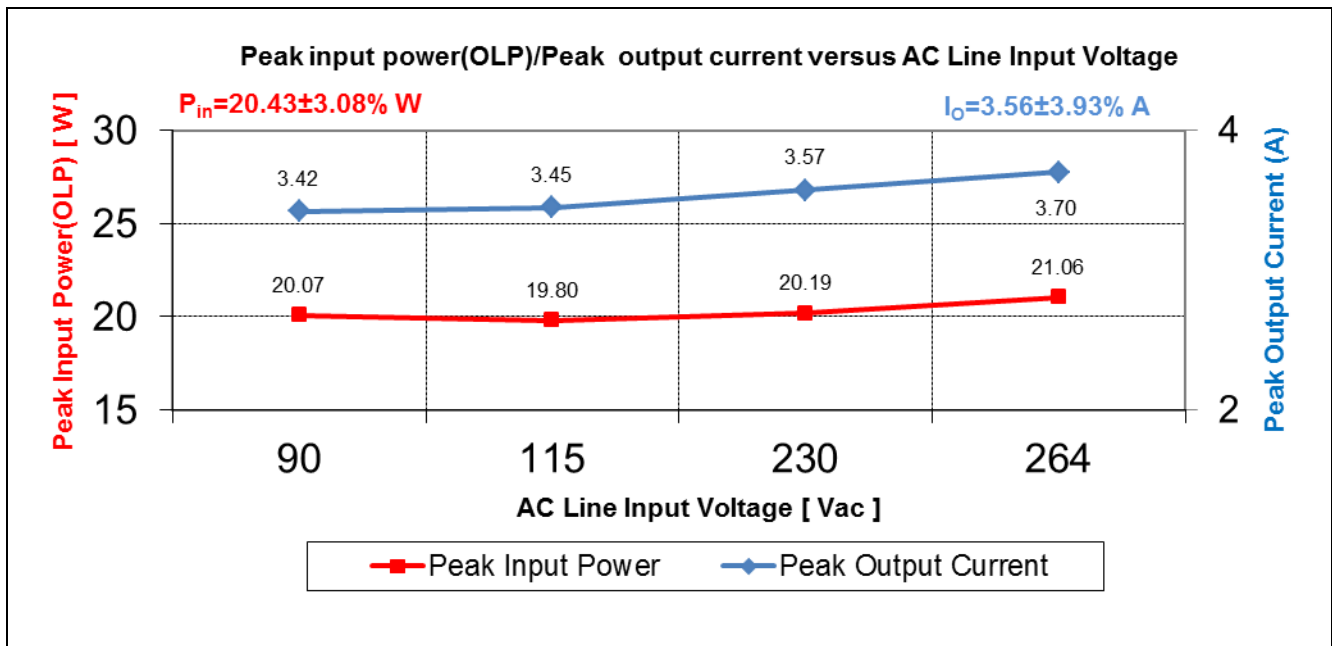


Figure 12 Maximum input power (before over-load protection) vs AC line input voltage

11.6 ESD immunity (EN61000-4-2)

Pass EN61000-4-2 level 3 ($\pm 6\text{kV}$) contact discharge.

11.7 Surge immunity (EN61000-4-5)

Pass EN61000-4-5 Installation class 3 (2kV: common mode).

Test results

11.8 Conducted emissions (EN55022 class B)

The conducted EMI was measured by Schaffner (SMR25503) and followed the test standard of EN55022 (CISPR 22) class B. The demo board was set up at maximum load (15W) with input voltage of 115Vac and 230Vac.

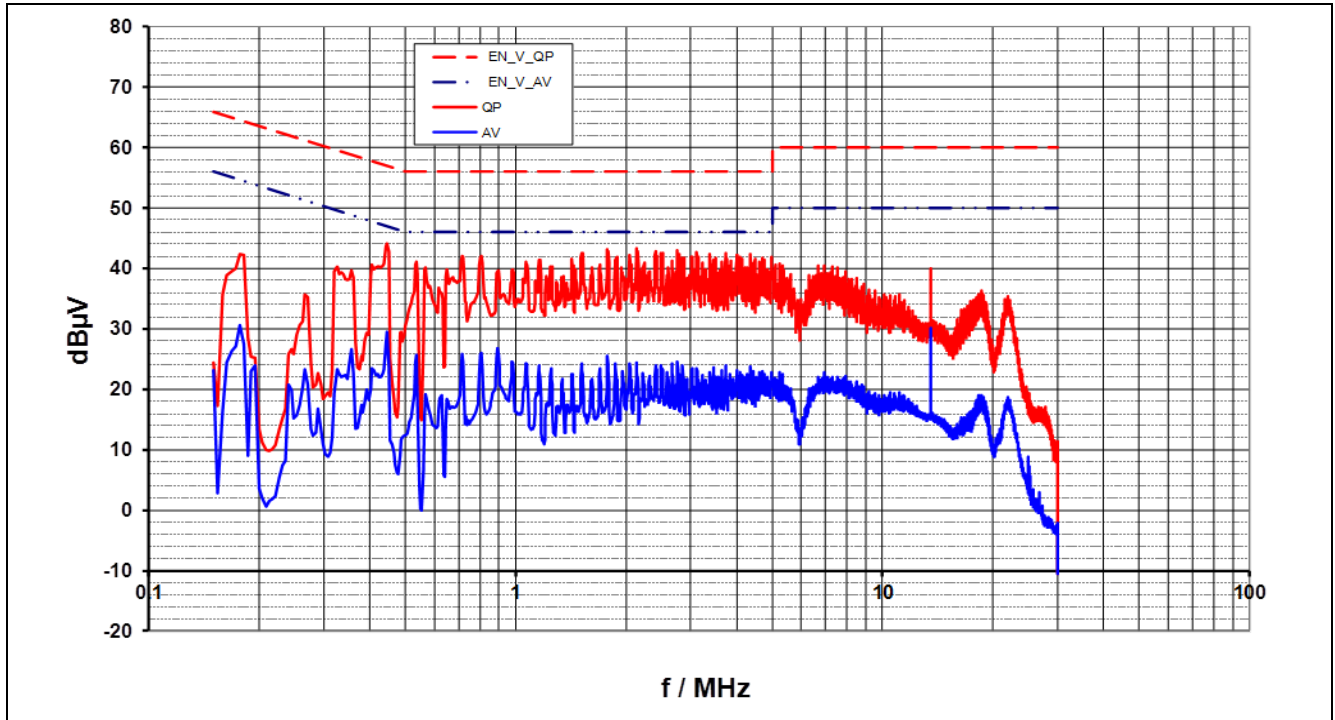


Figure 13 Conducted emissions(Line) at 115Vac and maximum Load

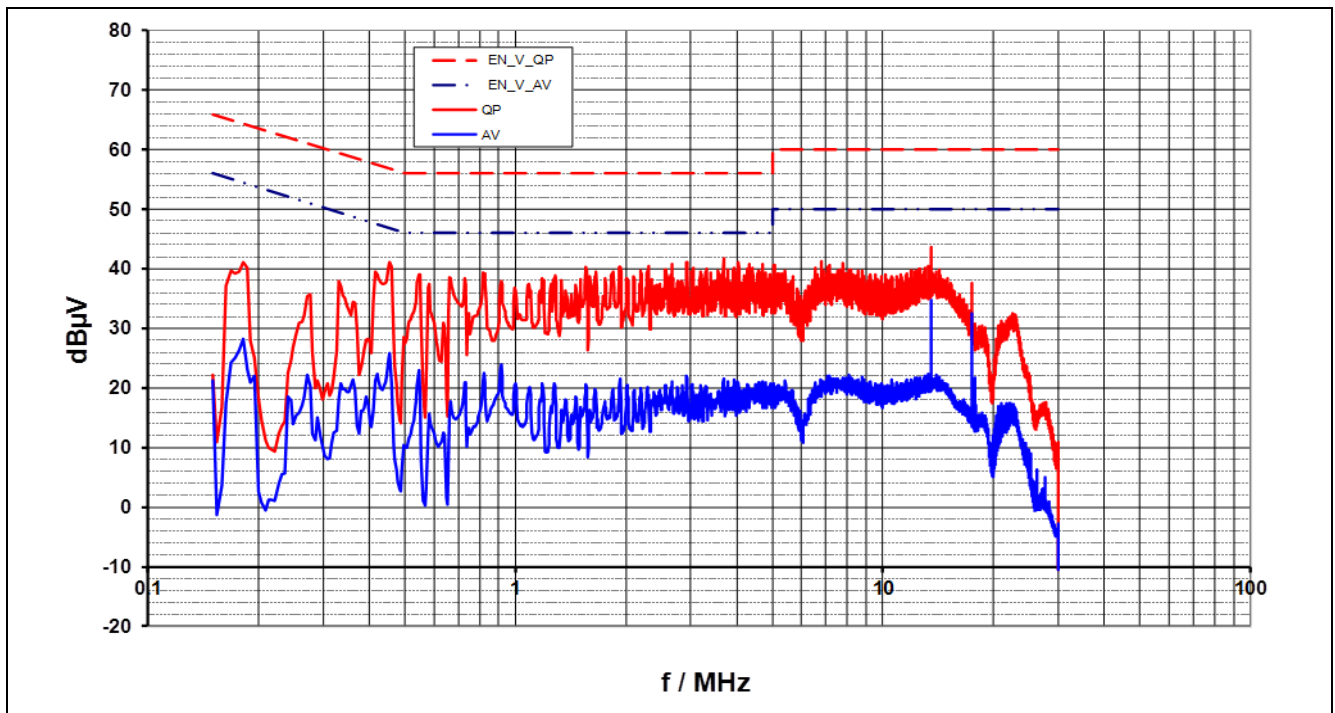


Figure 14 Conducted emissions(Neutral) at 115Vac and maximum Load

Test results

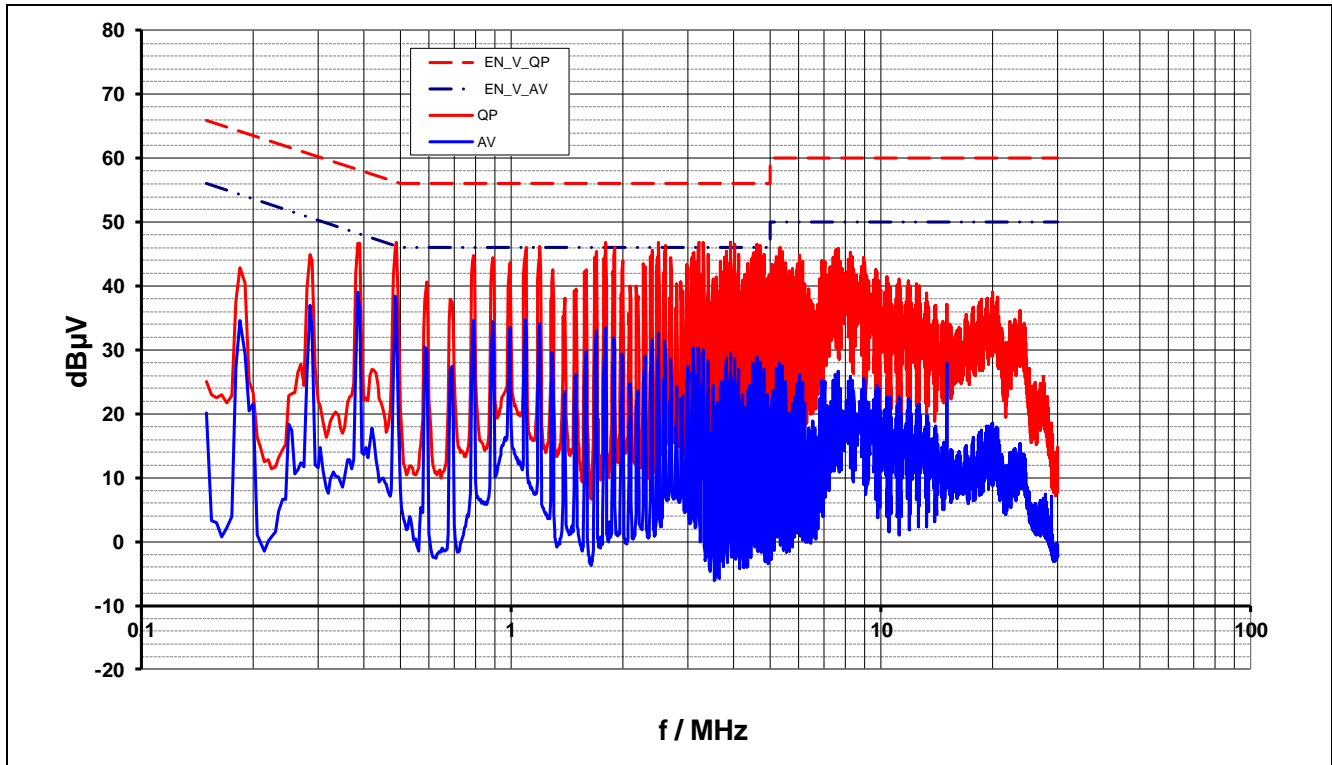


Figure 15 Conducted emissions(line) at 230Vac and maximum Load

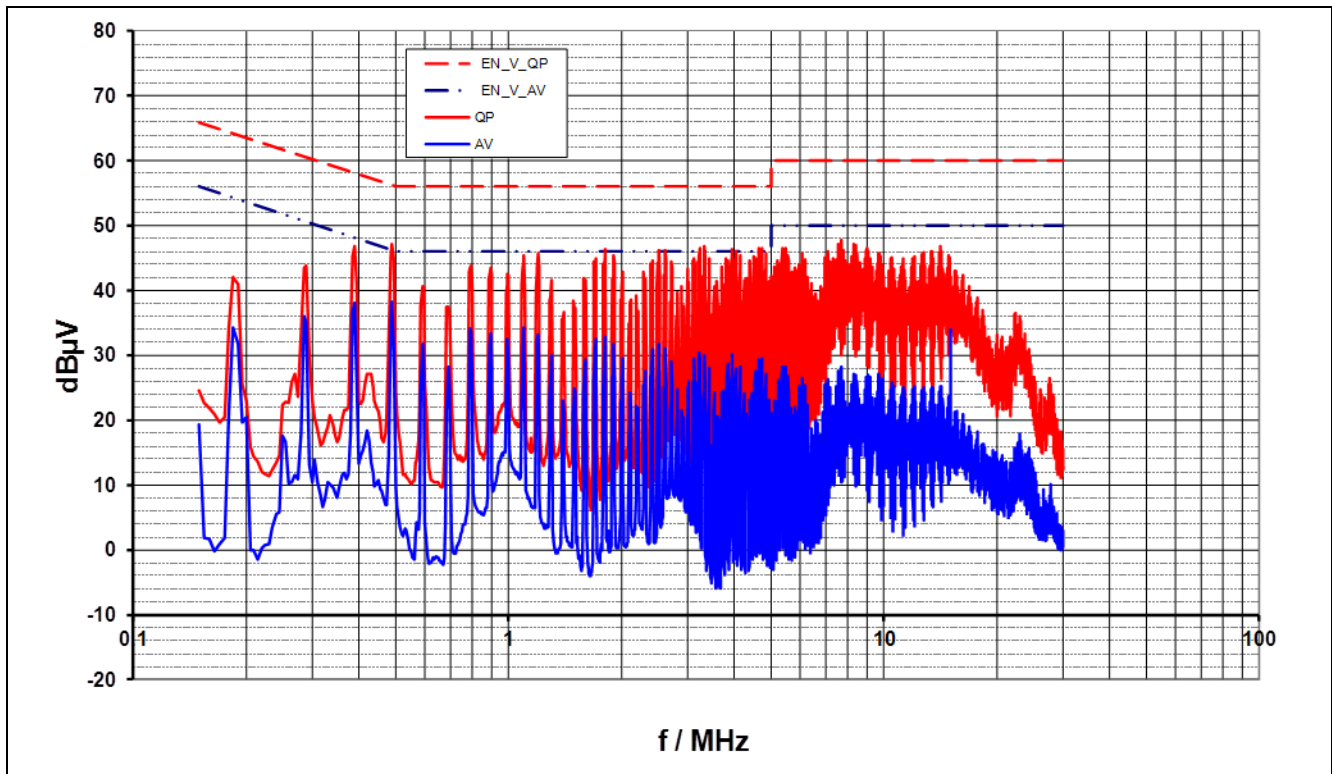


Figure 16 Conducted emissions(Neutral) at 230Vac and maximum Load

Pass conducted EMI EN55022 (CISPR 22) class B with > 8dB margin for QP.

Waveforms and scope plots

11.9 Thermal measurement

The reference adapter's open frame thermal test was done by thermal infrared camera (TVS-500EX) at the ambient temperature 25°C. The thermal measures were taken after two hours running with full load and the highest temperature of Q11 (CoolMOS™ CE) is 73.6°C for low line and 81.1°C for high line.

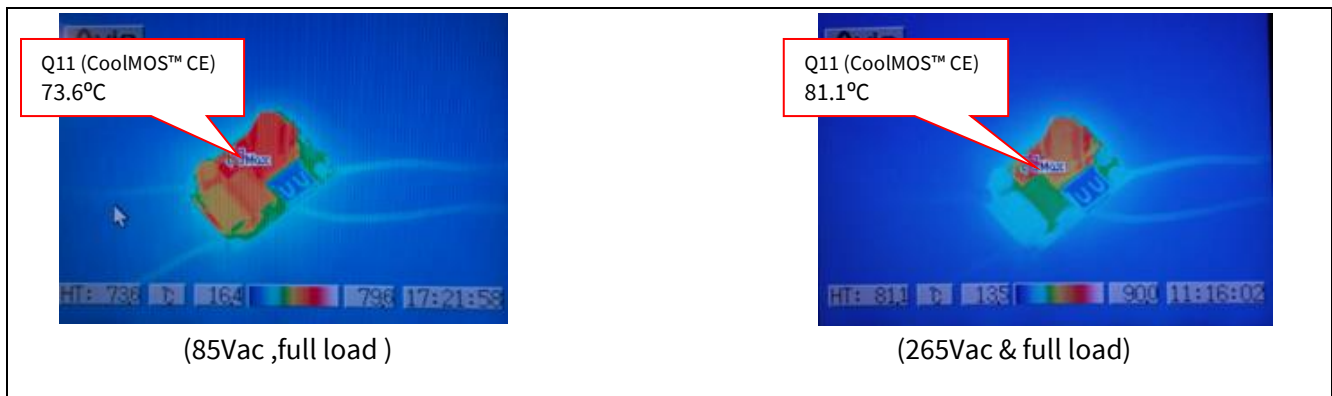
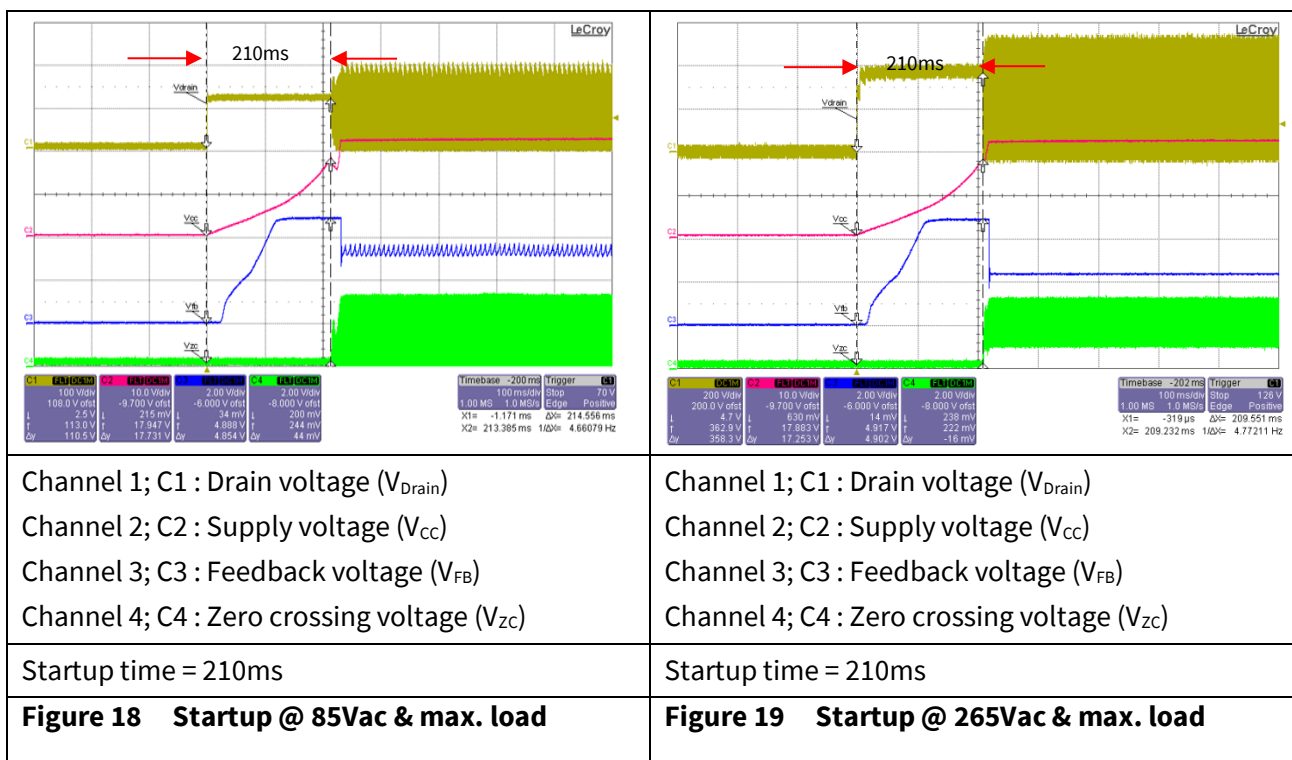


Figure 17 Infrared thermal image of REF-15W_CE1K5 ADAPTER

12 Waveforms and scope plots

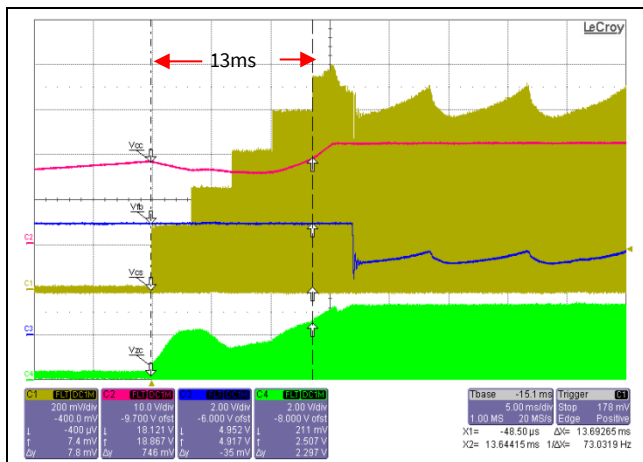
All waveforms and scope plots were recorded with a LeCroy 6050 oscilloscope

12.1 Start up at low/high AC line input voltage with maximum load



Waveforms and scope plots

12.2 Soft start

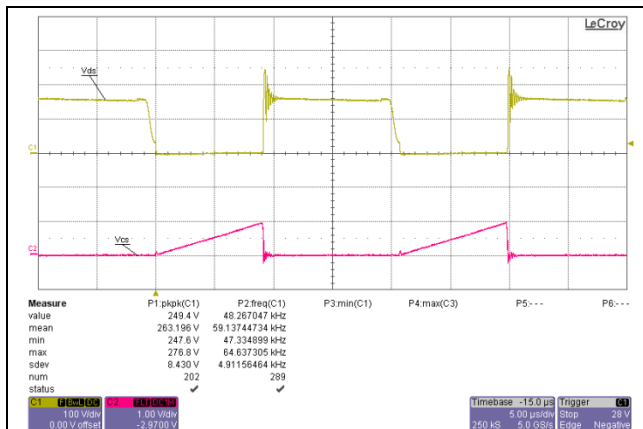


Channel 1; C1 : Drain voltage (V_{Drain})
 Channel 2; C2 : Supply voltage (V_{CC})
 Channel 3; C3 : Feedback voltage (V_{FB})
 Channel 4; C4 : Zero crossing voltage (V_{Zc})

Soft Star time = 13ms

Figure 20 Soft Start @ 85Vac & max. load

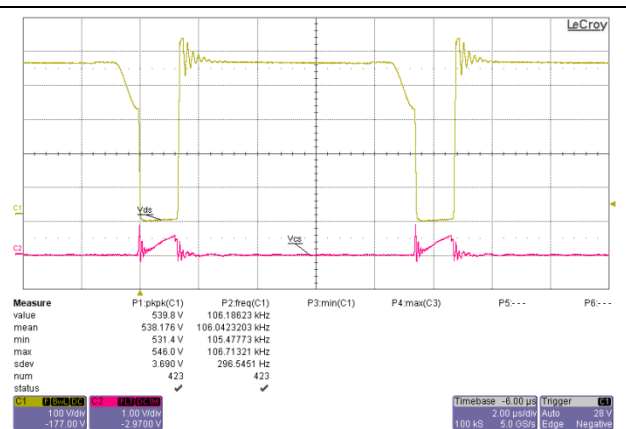
12.3 Drain voltage and current at maximum load



Channel 1; C1 : Drain-source voltage (V_{DS})
 Channel 2; C2 : Current sense voltage (V_{CS})

$V_{Drain_peak} = 276V$

Figure 21 Operation @ 85Vac and max. load



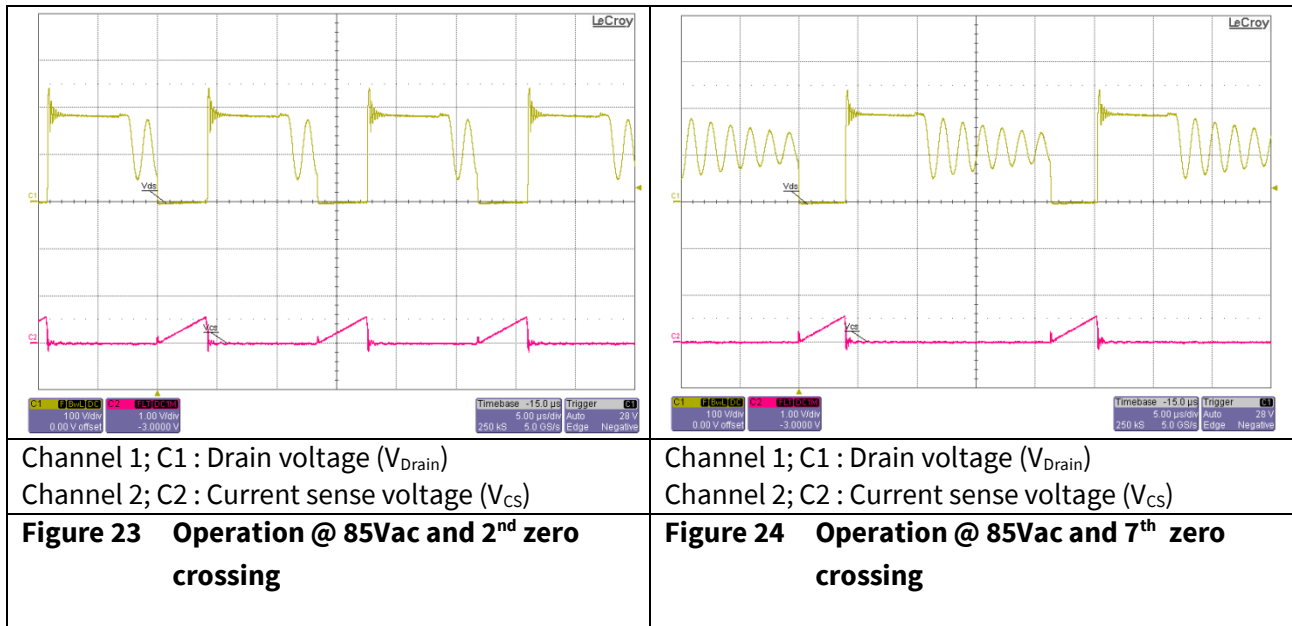
Channel 1; C1 : Drain-source voltage (V_{DS})
 Channel 2; C2 : Current sense voltage (V_{CS})

$V_{Drain_peak} = 546V$

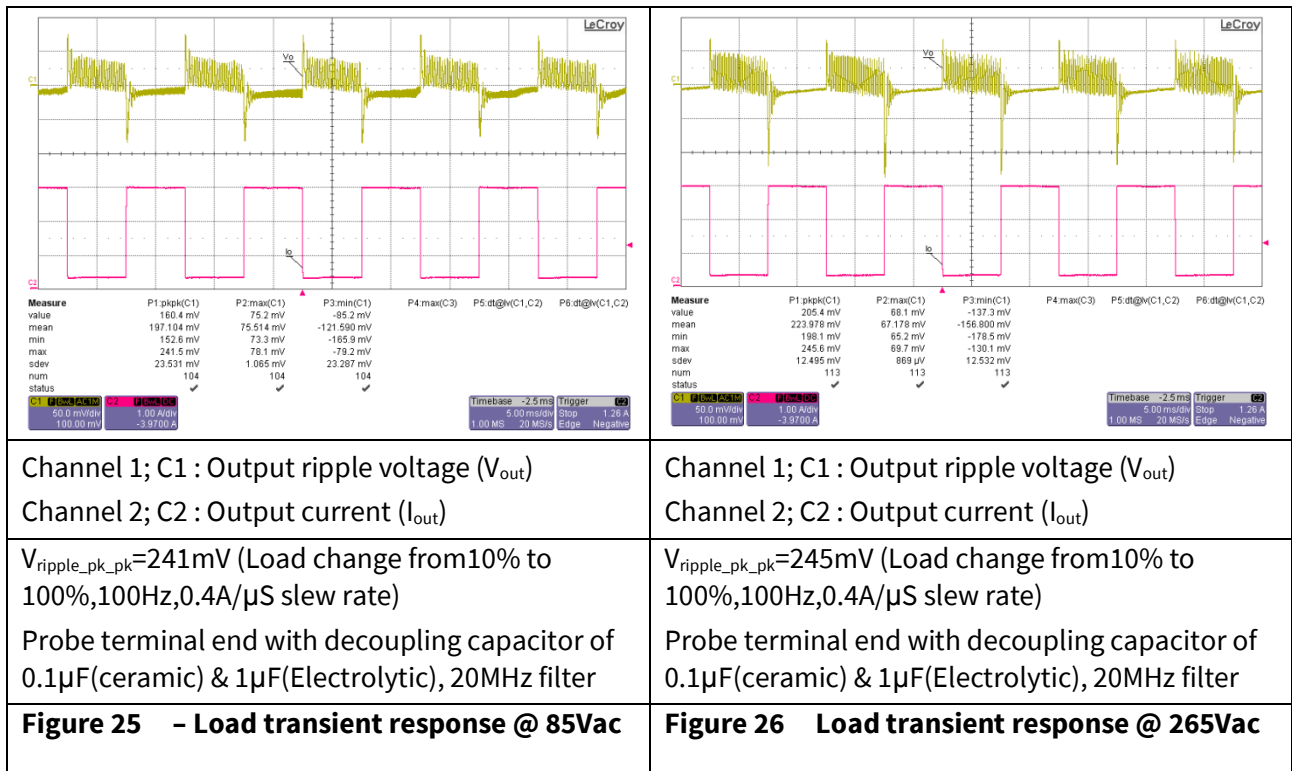
Figure 22 Operation @ 265Vac and max. load

Waveforms and scope plots

12.4 Zero crossing point during normal operation

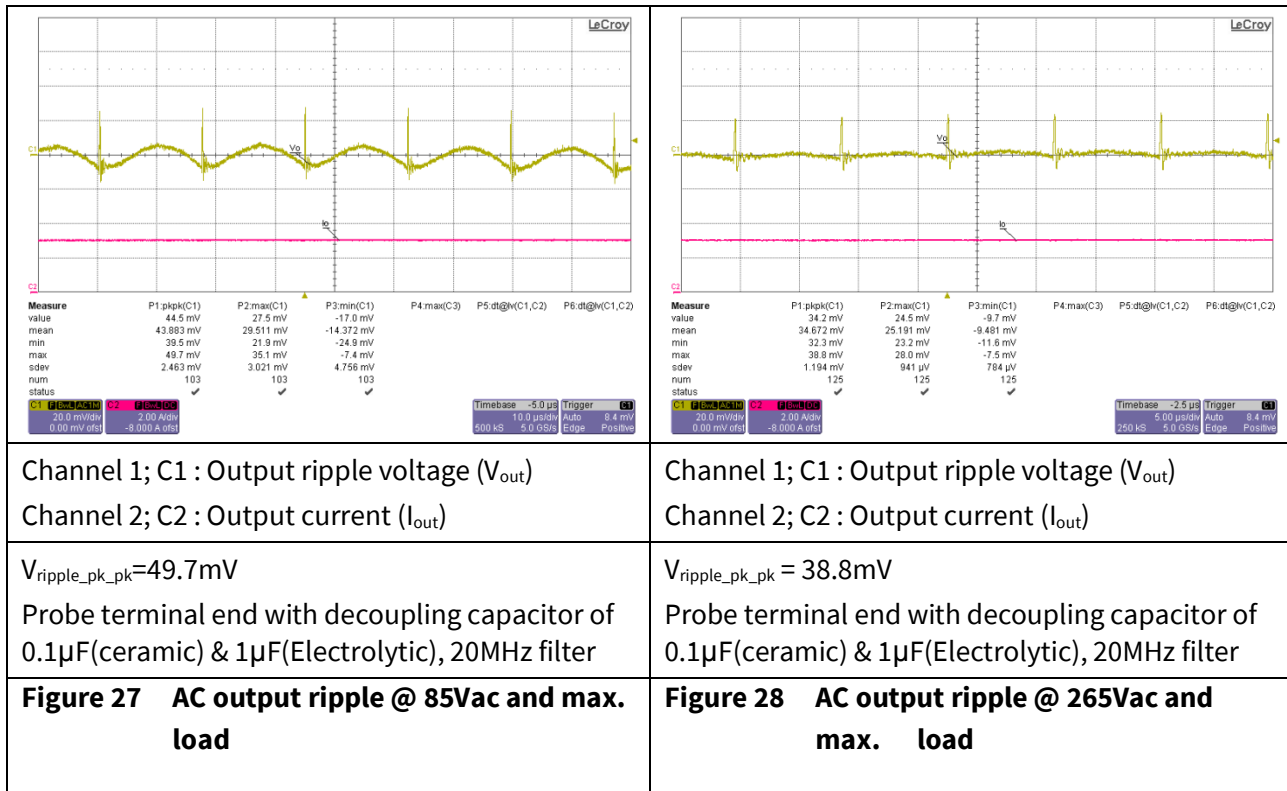


12.5 Load transient response (Dynamic load from 10% to 100%)

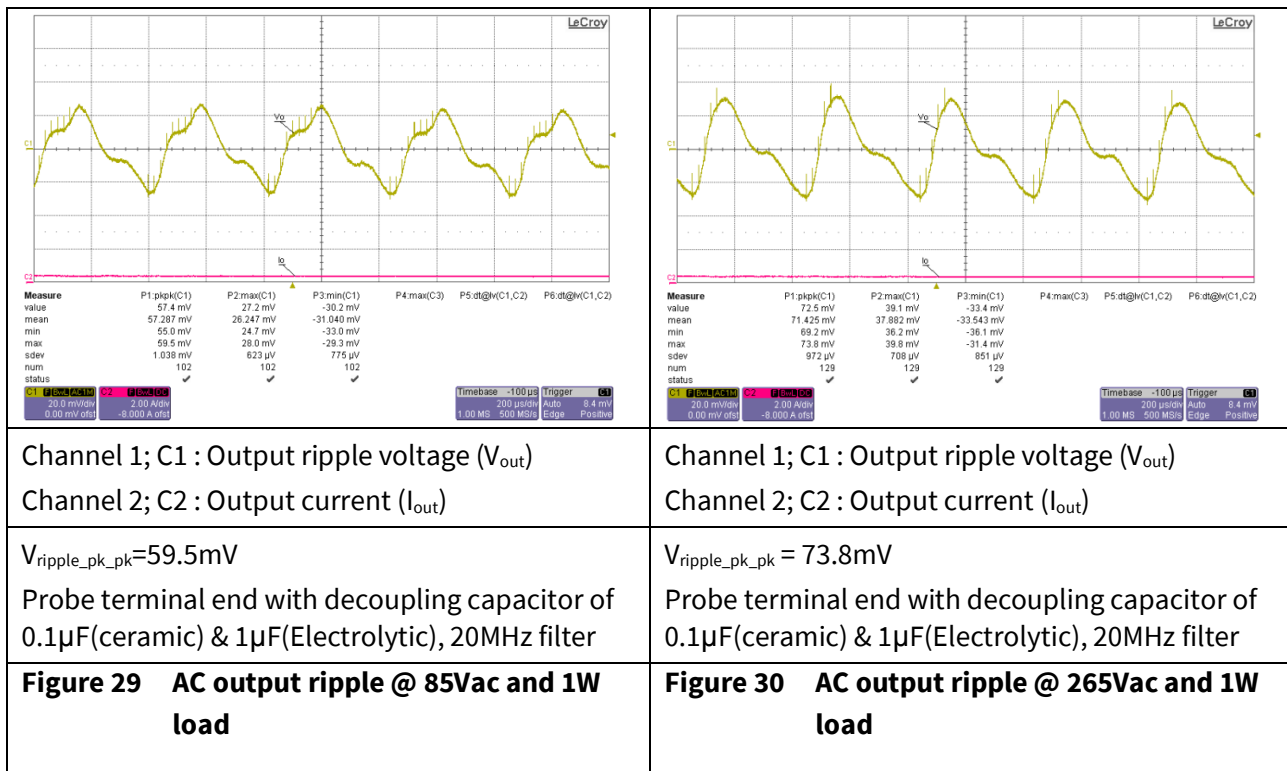


Waveforms and scope plots

12.6 Output ripple voltage at maximum load

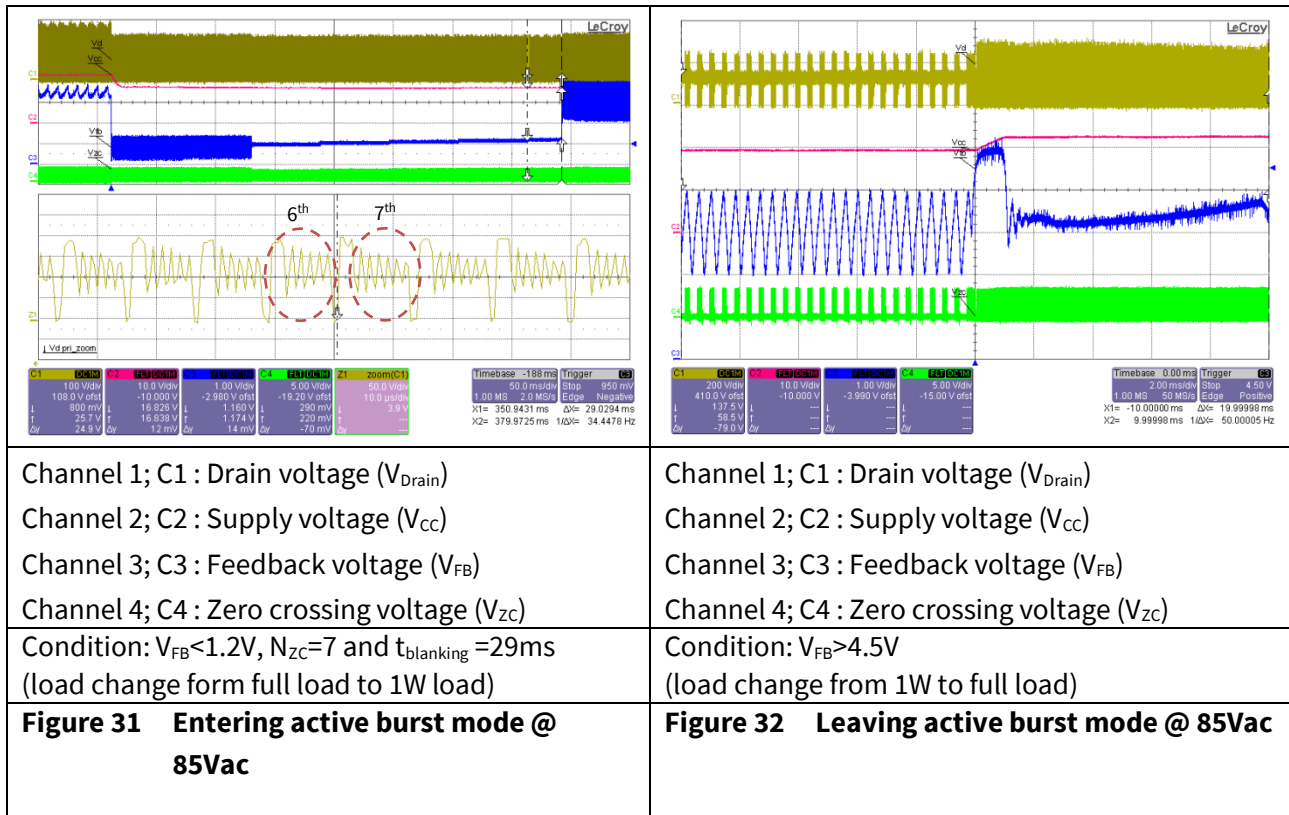


12.7 Output ripple voltage during burst mode at 1 W load

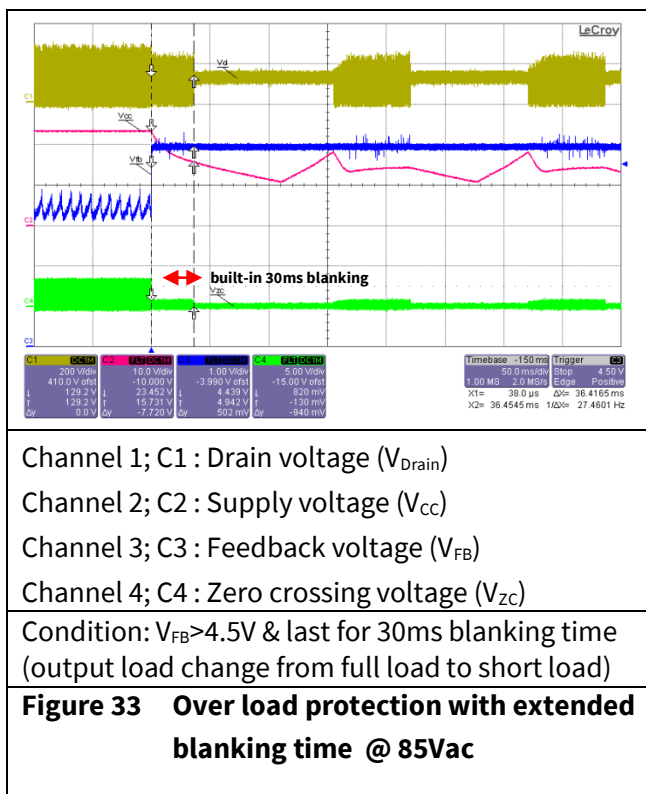


Waveforms and scope plots

12.8 Active Burst mode operation

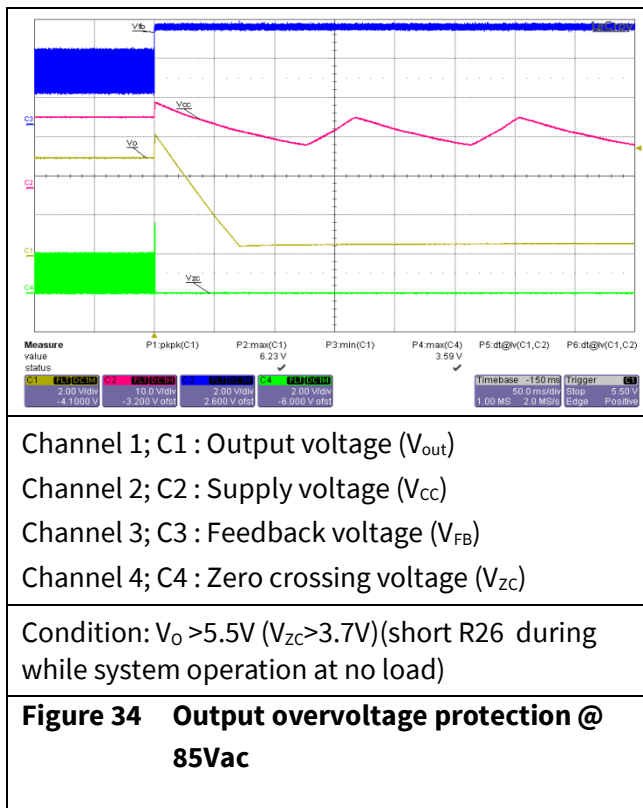


12.9 Over load protection (Auto restart mode)

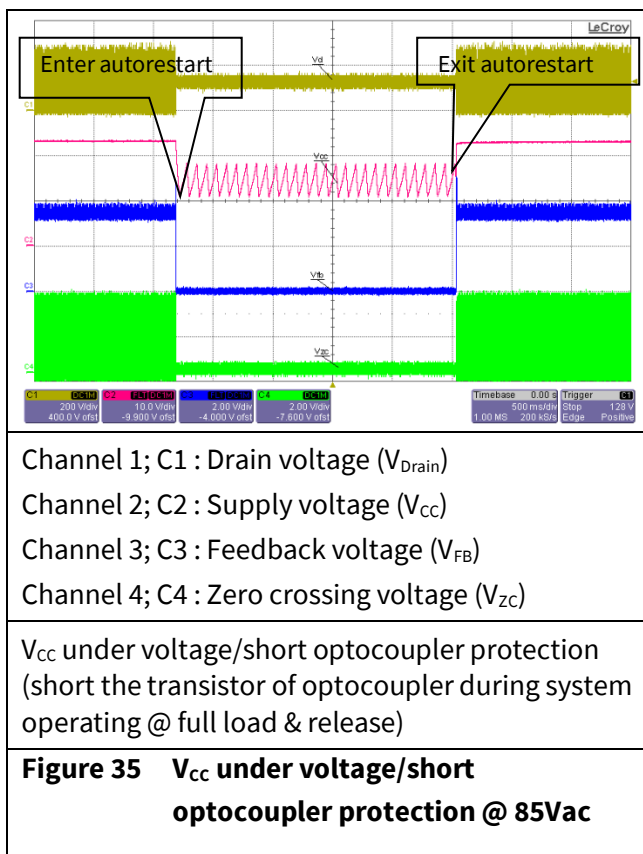


Waveforms and scope plots

12.10 Output overvoltage protection (Latched off mode)



12.11 V_{CC} under voltage/Short optocoupler protection (Auto restart mode)



References

13 References

- [1] ICE2QS03G data sheet, Infineon Technologies AG
- [2] IPS65R1K5CE data sheet, 650V CoolMOS™ CE Power Transistor, Infineon Technologies AG
- [3] BSC067N06LS3 G data sheet, 60V OptiMOS™ 3 Power Transistor, Infineon Technologies AG
- [4] BAS21-03W data sheet, Infineon Technologies AG
- [5] Converter Design Using the Quasi-Resonant PWM Controller ICE2QS01, Infineon Technologies AG, 2006. [ANPS0003]
- [6] Design tips for flyback converters using the Quasi-Resonant PWM controller ICE2QS01, Infineon Technologies, 2006. [ANPS0005]
- [7] Determine the switching frequency of Quasi-Resonant flyback converters designed with ICE2QS01, Infineon Technologies, 2006. [ANPS0004]
- [8] ICE2QS03G design guide. [ANPS0027]
- [9] 36W Evaluation Board with Quasi-Resonant PWM Controller ICE2QS03G, 2011. [AN-PS0040]

Revision History

Major changes since the last revision

| Page or Reference | Description of change |
|---|------------------------|
| 1,2,4,5,6,8,11,12,14,15,16,17,18,20,22, 23 & 25 | Make consistent symbol |
| | |
| | |

Trademarks of Infineon Technologies AG

AURIX™, C166™, CanPAK™, CIPOS™, CIPURSE™, CoolMOS™, CoolSET™, CORECONTROL™, CROSSAVE™, DAVE™, DI-POL™, EasyPIM™, EconoBRIDGE™, EconoDUAL™, EconoPIM™, EconoPACK™, EiceDRIVER™, eupec™, FCOS™, HITFET™, HybridPACK™, I²RF™, ISOFACE™, IsoPACK™, MIPAQ™, ModSTACK™, my-d™, NovalithIC™, OptiMOS™, ORIGA™, POWERCODE™, PRIMARION™, PrimePACK™, PrimeSTACK™, PRO-SIL™, PROFET™, RASIC™, ReverSave™, SatRIC™, SIEGET™, SINDRION™, SIPMOS™, SmartLEWIS™, SOLID FLASH™, TEMPFET™, thinQ!™, TRENCHSTOP™, TriCore™.

Other Trademarks

Advance Design System™ (ADS) of Agilent Technologies, AMBA™, ARM™, MULTI-ICE™, KEIL™, PRIMECELL™, REALVIEW™, THUMB™, μVision™ of ARM Limited, UK. AUTOSAR™ is licensed by AUTOSAR development partnership. Bluetooth™ of Bluetooth SIG Inc. CAT-1q™ of DECT Forum. COLOSSUS™, FirstGPS™ of Trimble Navigation Ltd. EMV™ of EMVCo, LLC (Visa Holdings Inc.). EPCOS™ of Epcos AG. FLEXGO™ of Microsoft Corporation. FlexRay™ is licensed by FlexRay Consortium. HYPERTERMINAL™ of Hilgraeve Incorporated. IEC™ of Commission Electrotechnique Internationale. IrDA™ of Infrared Data Association Corporation. ISO™ of INTERNATIONAL ORGANIZATION FOR STANDARDIZATION. MATLAB™ of MathWorks, Inc. MAXIM™ of Maxim Integrated Products, Inc. MICROTEC™, NUCLEUS™ of Mentor Graphics Corporation. MIPI™ of MIPI Alliance, Inc. MIPS™ of MIPS Technologies, Inc., USA. muRata™ of MURATA MANUFACTURING CO., MICROWAVE OFFICE™ (MWO) of Applied Wave Research Inc., OmniVision™ of OmniVision Technologies, Inc. Openwave™ Openwave Systems Inc. RED HAT™ Red Hat, Inc. RFMD™ RF Micro Devices, Inc. SIRIUS™ of Sirius Satellite Radio Inc. SOLARIS™ of Sun Microsystems, Inc. SPANSION™ of Spansion LLC Ltd. Symbian™ of Symbian Software Limited. TAIYO YUDEN™ of Taiyo Yuden Co. TEAKLITE™ of CEVA, Inc. TEKTRONIX™ of Tektronix Inc. TOKO™ of TOKO KABUSHIKI KAISHA TA. UNIX™ of X/Open Company Limited. VERILOG™, PALLADIUM™ of Cadence Design Systems, Inc. VLYNQ™ of Texas Instruments Incorporated. VXWORKS™, WIND RIVER™ of WIND RIVER SYSTEMS, INC. ZETEX™ of Diodes Zetex Limited.
Last Trademarks Update 2011-11-11

www.infineon.com

Edition 2014-11-27

Published by

Infineon Technologies AG

81726 Munich, Germany

© 2014 Infineon Technologies AG.

All Rights Reserved.

Do you have a question about any aspect of this document?

Email: erratum@infineon.com

Document reference

AN_201411_PL21_002

Legal Disclaimer

THE INFORMATION GIVEN IN THIS APPLICATION NOTE (INCLUDING BUT NOT LIMITED TO CONTENTS OF REFERENCED WEBSITES) IS GIVEN AS A HINT FOR THE IMPLEMENTATION OF THE INFINEON TECHNOLOGIES COMPONENT ONLY AND SHALL NOT BE REGARDED AS ANY DESCRIPTION OR WARRANTY OF A CERTAIN FUNCTIONALITY, CONDITION OR QUALITY OF THE INFINEON TECHNOLOGIES COMPONENT. THE RECIPIENT OF THIS APPLICATION NOTE MUST VERIFY ANY FUNCTION DESCRIBED HEREIN IN THE REAL APPLICATION. INFINEON TECHNOLOGIES HEREBY DISCLAIMS ANY AND ALL WARRANTIES AND LIABILITIES OF ANY KIND (INCLUDING WITHOUT LIMITATION WARRANTIES OF NON-INFRINGEMENT OF INTELLECTUAL PROPERTY RIGHTS OF ANY THIRD PARTY) WITH RESPECT TO ANY AND ALL INFORMATION GIVEN IN THIS APPLICATION NOTE.

Information

For further information on technology, delivery terms and conditions and prices, please contact the nearest Infineon Technologies Office (www.infineon.com).

Warnings

Due to technical requirements, components may contain dangerous substances. For information on the types in question, please contact the nearest Infineon Technologies Office. Infineon Technologies components may be used in life-support devices or systems only with the express written approval of Infineon Technologies, if a failure of such components can reasonably be expected to cause the failure of that life-support device or system or to affect the safety or effectiveness of that device or system. Life support devices or systems are intended to be implanted in the human body or to support and/or maintain and sustain and/or protect human life. If they fail, it is reasonable to assume that the health of the user or other persons may be endangered.



Компания «ЭлектроПласт» предлагает заключение долгосрочных отношений при поставках импортных электронных компонентов на взаимовыгодных условиях!

Наши преимущества:

- Оперативные поставки широкого спектра электронных компонентов отечественного и импортного производства напрямую от производителей и с крупнейших мировых складов;
- Поставка более 17-ти миллионов наименований электронных компонентов;
- Поставка сложных, дефицитных, либо снятых с производства позиций;
- Оперативные сроки поставки под заказ (от 5 рабочих дней);
- Экспресс доставка в любую точку России;
- Техническая поддержка проекта, помощь в подборе аналогов, поставка прототипов;
- Система менеджмента качества сертифицирована по Международному стандарту ISO 9001;
- Лицензия ФСБ на осуществление работ с использованием сведений, составляющих государственную тайну;
- Поставка специализированных компонентов (Xilinx, Altera, Analog Devices, Intersil, Interpoint, Microsemi, Aeroflex, Peregrine, Syfer, Eurofarad, Texas Instrument, Miteq, Cobham, E2V, MA-COM, Hittite, Mini-Circuits, General Dynamics и др.);

Помимо этого, одним из направлений компании «ЭлектроПласт» является направление «Источники питания». Мы предлагаем Вам помощь Конструкторского отдела:

- Подбор оптимального решения, техническое обоснование при выборе компонента;
- Подбор аналогов;
- Консультации по применению компонента;
- Поставка образцов и прототипов;
- Техническая поддержка проекта;
- Защита от снятия компонента с производства.



Как с нами связаться

Телефон: 8 (812) 309 58 32 (многоканальный)

Факс: 8 (812) 320-02-42

Электронная почта: org@eplast1.ru

Адрес: 198099, г. Санкт-Петербург, ул. Калинина, дом 2, корпус 4, литера А.