

nanoX-TCR

Extreme Rugged™ COM Express® Type 10 Mini-size
Computer-on-Module with Intel® Atom™ Processor E6xxT



Features

- Intel® Atom™ Processor E6xxT from 600 MHz up to 1.6 GHz
- COM Express® Mini form factor 84 x 55 mm
- 1-2 GB soldered industrial grade 800MHz DDR2 SDRAM
- 24-bit LVDS and SDVO support
- PCI Express x1 lanes
- Intel® Platform Controller Hub EG20T for USB, LAN, SDIO, Serial & CAN bus and SATA
- Optional Solid State Drive up to 16 GB
- COM Express® COM.0 R2.1 Type 10 Pinout
- Extended Temperature: -40°C to +85°C
- 50% Thicker PCB for high vibration environments

Choose Ampro by ADLINK™ nanoX-TCR for...

A modular and power efficient solution for extreme rugged and mobile environments.

Description

The Ampro by ADLINK™ nanoX-TCR is a COM Express® Nano Type 10 module with the Intel® Atom™ Processor E6xxT. The nanoX-TCR is designed Extreme Rugged for wide temperature range and high vibration environments.

Specifications

Core System

CPU	Intel® Atom™ E680T, 1.6 GHz, 3.9 W TDP Intel® Atom™ E660T, 1.3 GHz, 3.3W TDP Intel® Atom™ E620T, 600 MHz, 2.7W TDP All versions support -40°C to +85°C wide operating temperature range All processors support Intel® Hyper-Threading and Intel® Virtualization Technology
L2 cache	512 KB on all processors
Memory	Soldered 1GB DDR2 at 800MHz (Optional for 512MB or 2GB)
BIOS	License-free bootloader or AMI UEFI BIOS
Hardware Monitor	Supply voltages and CPU temperature
Debug Interface	XDP SFF-26 extension for ICE debug
Embedded Features	Instant on with Intel Bootloader support, Board Info & Statistics, ACPI 3.0, Smart Battery Management support, Watchdog with programmable timer ranges
Expansion Busses	2 PCI Express x1 available (0/1, port 2 used by GbE, port 3 used for EG20T PCH) LPC Bus, SMBus (system), I2C (user) 4 GPI and 4 GPO SPI (supports BIOS only)

Video

2D/3D Graphic Engine	Integrated in Intel® Atom™ Processor E6xx
Decoding	MPEG2, MPEG4, VC1, WMV9, H.264 and DivX
Encoding	MPEG4, H.264 (baseline at L3)
LVDS Interface	Single channel 18- or 24-bit pixel color depths with maximum resolution of up to 1280x768 @ 60 Hz. Pixel clock rate between 19.75 MHz (minimum) and 80 MHz (maximum).
SDVO	Serial digital video output supporting devices for DVI, TV-out, analog VGA. Maximum resolution of up to 1280x1024 @ 85Hz and pixel clock rate up to 160 MHz.

Audio

High Definition Audio Characteristics	Integrated in Intel® Atom™ Processor E6xx Multi-channel audio stream, 32-bit sample depth, sample rate up to 192 kHz
Audio Codec	On carrier (standard support for ALC888)

Multi I/O and Storage

Chipset	Integrated in Intel® PCH EG20T
USB	Six USB 1.1/2.0 host ports and one USB 1.1/2.0 client port
SATA	Two ports supporting SATA 1.5 Gb/s and 3 Gb/s
Solid State Drive (optional)	4GB, 8GB or 16GB capacity. Occupies 1 SATA port when populated
Serial and CAN	Two RS-232 (optional one RS-232 (RX/TX) and one CAN (AX/RX) port) Bosch CAN Protocol Version 2.0B Active 1 (standard and extended format)

LAN

Ethernet	Intel® 82574IT Gigabit Ethernet Controller
Speed	10/100/1000 Mbps

Power Specifications

Input Power	4.75 V – 21 V wide range, supports AT mode and ATX mode (with additional 5 Vsb)
Power States	Supports S0, S1, S3, S4, S5
Power Consumption	5W at 5V typical, 3W idle
Smart Battery Support	Yes

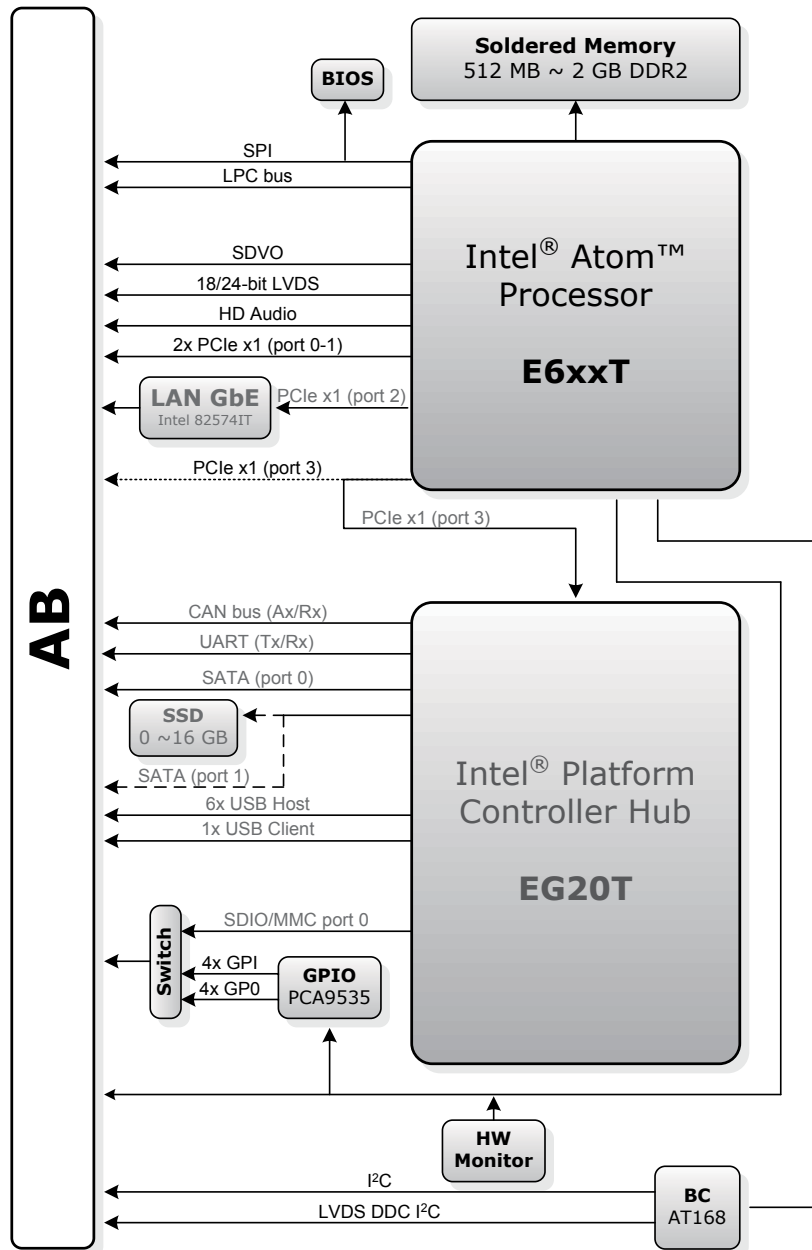
Mechanical and Environmental

Size	COM Express Mini, 84 mm x 55 mm (3.3" x 2.17")
Board Thickness	0.093" (2.3mm)
Operating Temp. Standard	-20°C to 70°C
Operating Temp. Extended	-40°C to 85°C
Storage Temp.	-55°C to 85°C
Humidity	90% at 60°C
Shock	50G peak-to-peak, 11ms duration, MIL-STD-202G Method 213B
Vibration	Operating: 11.96 Grms, 50-20,000 Hz, each axis, MIL-STD-202G Method 214A
Compatibility	PICMG COM Express COM.0 R2.1 Type 10
Certifications	CE, FCC, HALT

Operating Systems

Standard Support	Windows XP / Windows 7 Linux®
Extended Support (BSP)	Windows XP Embedded WinCE 6.0 VxWorks 6.x QNX AIDI Library

Functional Diagram



Ordering Information

Modules

Model Number	Description
nanoX-TCR-R-06	Extreme Rugged™ nanoX-TCR, Intel® Atom™ Processor E620T 0.6Ghz, 1GB DDR2 SDRAM
nanoX-TCR-R-13	Extreme Rugged™ nanoX-TCR, Intel® Atom™ Processor E660T 1.3Ghz, 1GB DDR2 SDRAM
nanoX-TCR-R-16	Extreme Rugged™ nanoX-TCR, Intel® Atom™ Processor E680T 1.6Ghz, 1GB DDR2 SDRAM, 4GB SSD
nanoX-TCR-L-06	QSK with R-06 module, THS-nXTCR-B passive heatsink, LCD panel, non-ETT, 250W power supply, cable kit, Software and reference manual
nanoX-TCR-L-13	QSK with R-13 module, THS-nXTCR-B passive heatsink, LCD panel, non-ETT, 250W power supply, cable kit, Software and reference manual
nanoX-TCR-L-16	QSK with R-16 module, THS-nXTCR-B passive heatsink, LCD panel, non-ETT, 250W power supply, cable kit, Software and reference manual

Accessories

Model Number	Description
Heat Spreaders	
HTS-nXTCR-B	Heatspreader for nanoX-TCR with threaded hole standoffs for bottom mounting
HTS-nXTCR-BTF	Heatspreader for nanoX-TCR with through hole standoffs for top mounting
Passive Heatsinks	
THS-nXTCR-B	Heatsink nanoX-TCR with threaded hole standoffs for bottom mounting



Компания «ЭлектроПласт» предлагает заключение долгосрочных отношений при поставках импортных электронных компонентов на взаимовыгодных условиях!

Наши преимущества:

- Оперативные поставки широкого спектра электронных компонентов отечественного и импортного производства напрямую от производителей и с крупнейших мировых складов;
- Поставка более 17-ти миллионов наименований электронных компонентов;
- Поставка сложных, дефицитных, либо снятых с производства позиций;
- Оперативные сроки поставки под заказ (от 5 рабочих дней);
- Экспресс доставка в любую точку России;
- Техническая поддержка проекта, помощь в подборе аналогов, поставка прототипов;
- Система менеджмента качества сертифицирована по Международному стандарту ISO 9001;
- Лицензия ФСБ на осуществление работ с использованием сведений, составляющих государственную тайну;
- Поставка специализированных компонентов (Xilinx, Altera, Analog Devices, Intersil, Interpoint, Microsemi, Aeroflex, Peregrine, Syfer, Eurofarad, Texas Instrument, Miteq, Cobham, E2V, MA-COM, Hittite, Mini-Circuits, General Dynamics и др.);

Помимо этого, одним из направлений компании «ЭлектроПласт» является направление «Источники питания». Мы предлагаем Вам помощь Конструкторского отдела:

- Подбор оптимального решения, техническое обоснование при выборе компонента;
- Подбор аналогов;
- Консультации по применению компонента;
- Поставка образцов и прототипов;
- Техническая поддержка проекта;
- Защита от снятия компонента с производства.



Как с нами связаться

Телефон: 8 (812) 309 58 32 (многоканальный)

Факс: 8 (812) 320-02-42

Электронная почта: org@eplast1.ru

Адрес: 198099, г. Санкт-Петербург, ул. Калинина, дом 2, корпус 4, литера А.