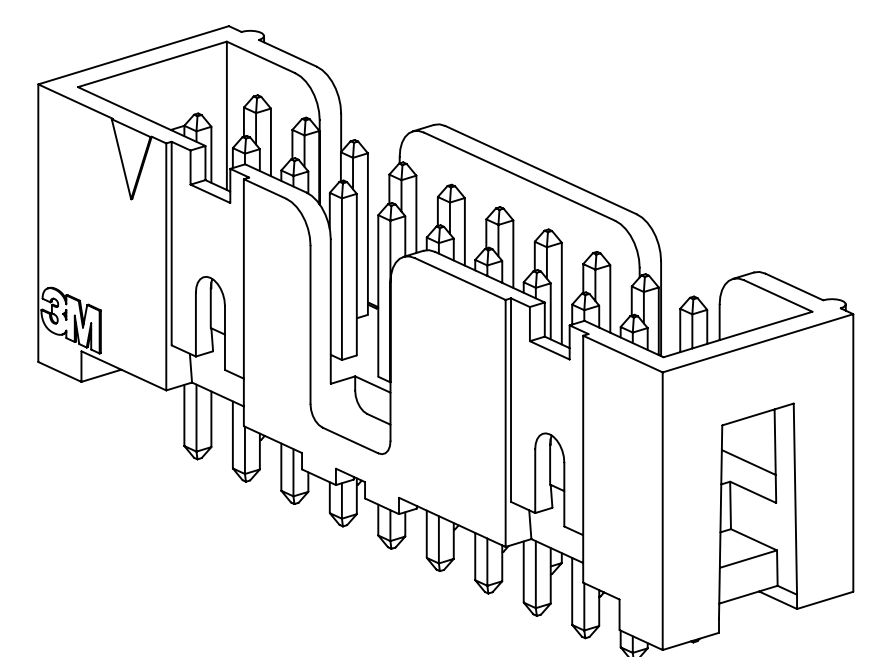


3M™ FOUR-WALL HEADER, 2500 SERIES

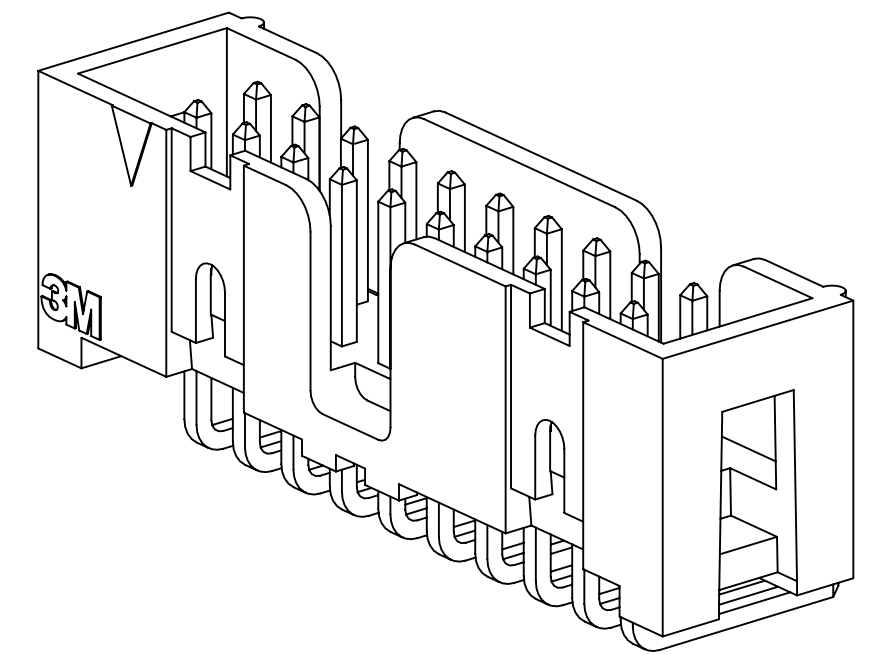
.100" X .100" LOW PROFILE, SURFACE MOUNT, STRAIGHT AND RIGHT ANGLE THROUGH-HOLE

- * LOW PROFILE, SPACE SAVING DESIGN.
- * CENTER SLOT POLARIZATION PREVENTS MIS-INSERTIONS AND REDUCES INSERTION TIME.
- * DUAL SLOT POLARIZATION MEANS BROADER COMPATIBILITY WITH COMPETITIVE POLARIZATION DESIGNS (NOT AVAILABLE ON 6, 8 OR 10 POSITIONS).
- * OPTIONAL RETAINER CLIP FOR LOCKING SOCKETS IN PLACE AND INCREASING CONNECTION RELIABILITY IN VIBRATION-PRONE ENVIRONMENTS.
- * HIGH TEMPERATURE INSULATOR SUITABLE FOR "NO LEAD" SOLDERING OPERATIONS.
- * THROUGH HOLE VERSION SUITABLE FOR REFLOW SOLDERING USING "PASTE IN HOLE" TECHNIQUES.
- * EXPOSED SOLDER TAILS (ON RIGHT ANGLE VERSION) PROVIDE EASE OF CLEANING AND REDUCED REPAIR COST.
- * STRAIGHT SURFACE MOUNT VERSION AVAILABLE.

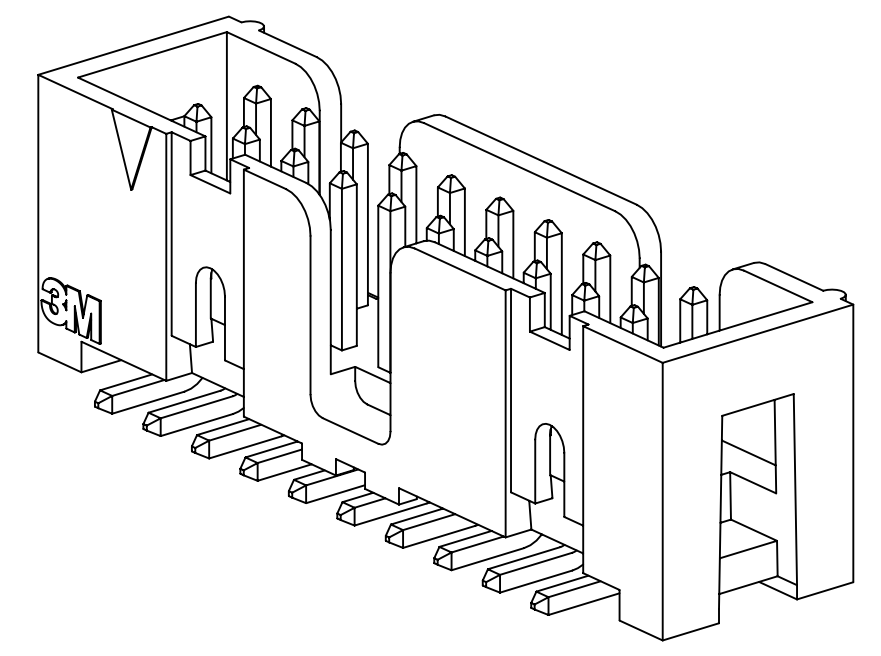
- NOTES**
- REGULATORY INFORMATION: ROHS COMPLIANT. SEE THE REGULATORY INFORMATION APPENDIX (RIA) IN THE "ROHS COMPLIANCE" SECTION OF WWW.3MCONNECTORS.COM FOR COMPLIANCE INFORMATION.
 - IN THE EVENT OF CONFLICT BETWEEN THIS DATA AND THAT CONTAINED IN THE PRODUCT SPECIFICATION, THE PRODUCT SPECIFICATION TAKES PRECEDENT.
 - NOTCHES A & C WILL ACCOMMODATE 3M POLARIZING KEY: N3518.
 - CONTACT TAILS .0245 (.622) WIRE WITH .0075 (.191) CORNER RADIUS AND .028 (.072) DIAGONAL.
 - SOLDER STANDOFFS FACILITATE .01 (.3) CLEARANCE ABOVE BOARD FOR REFLOW SOLDERING.



25XX-60XX
STRAIGHT VERSION



25XX-50XX
RIGHT ANGLE VERSION



25XX-6V0C
SURFACE MOUNT VERSION

2 PHYSICAL :

INSULATOR: MATERIAL: GLASS FILLED POLYESTER (PCT)
FLAMMABILITY: UL94V-0
COLOR: BLACK
CONTACT: MATERIAL: COPPER ALLOY
PLATING:
UNDER PLATING: 100μ" (2.54μm) NICKEL-OVERALL
WIPING AREA: AVG. GOLD (SEE ORDERING INFORMATION)
SOLDER TAILS: 200μ" (5.08μm) TIN LEAD OR MATTE TIN (SEE ORDERING INFORMATION)
MARKINGS: 3M LOGO, PART IDENTIFICATION NUMBER AND ORIENTATION TRIANGLE

2 ELECTRICAL :

CURRENT RATING: 5.00A, 1 CONTACT POWERED
3.00A, 6 CONTACTS POWERED
1.75A, ALL CONTACTS POWERED
RATING CONDITIONS: EIA-364-070 METHOD 2, 30°C MAXIMUM TEMPERATURE RISE, 20% DERATED. REFERENCE APPROPRIATE 3M PRODUCT SPECIFICATION FOR DETAILED CURRENT DERATING CURVES.
INSULATION RESISTANCE: >1 X 10⁹Ω AT 500 V_{DC}
WITHSTANDING VOLTAGE: 1,000V_{RMS} AT SEA LEVEL

2 ENVIRONMENTAL :

TEMPERATURE RATING: -55°C TO 105°C
PROCESS RATING: 260°C, PER J-STD-020C, SINGLE PASS
MOISTURE SENSITIVITY LEVEL: 1 (PER J-STD-020C)

3M ELECTRONIC MATERIALS SOLUTIONS DIVISION
INTERCONNECT SOLUTIONS
<http://www.3mconnectors.com>

3M IS A TRADEMARK OF 3M COMPANY.
FOR TECHNICAL, SALES OR ORDERING
INFORMATION CALL 800-225-5373

UL
UL FILE NO: E68080

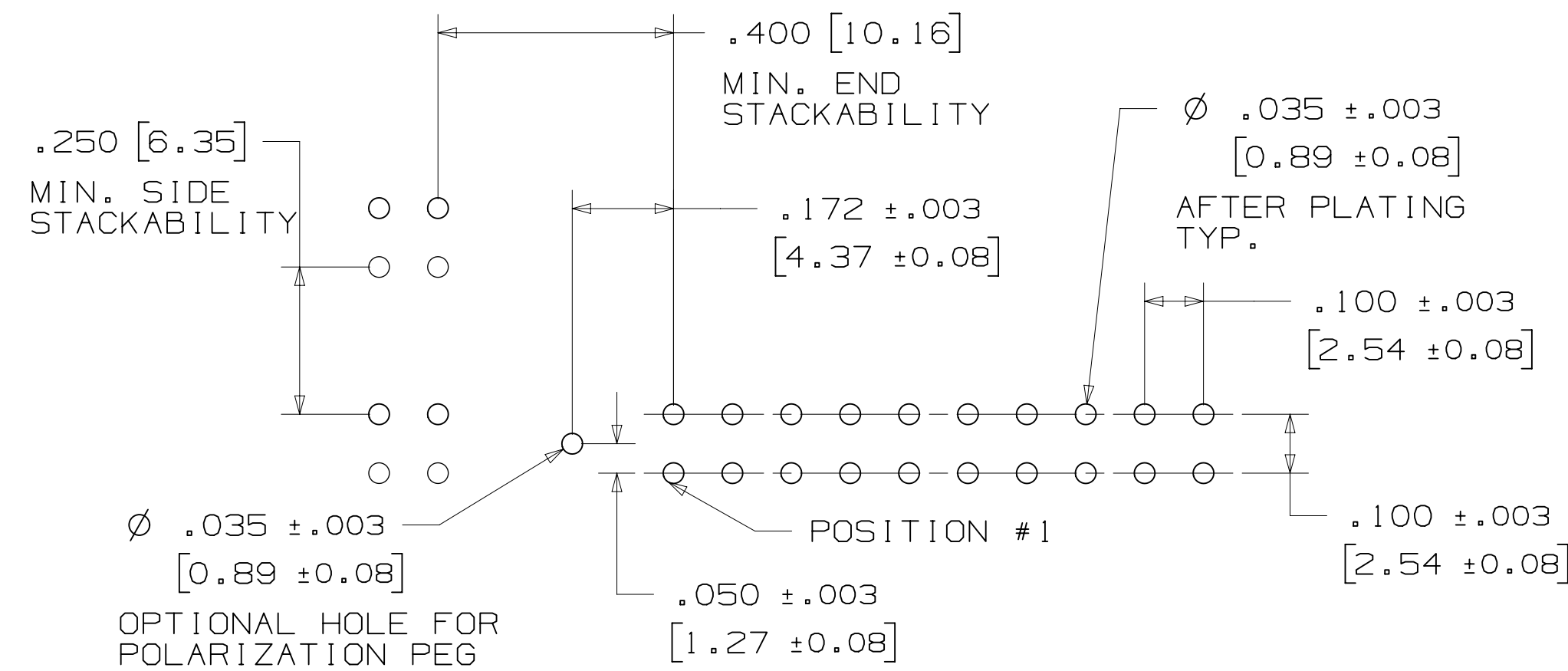
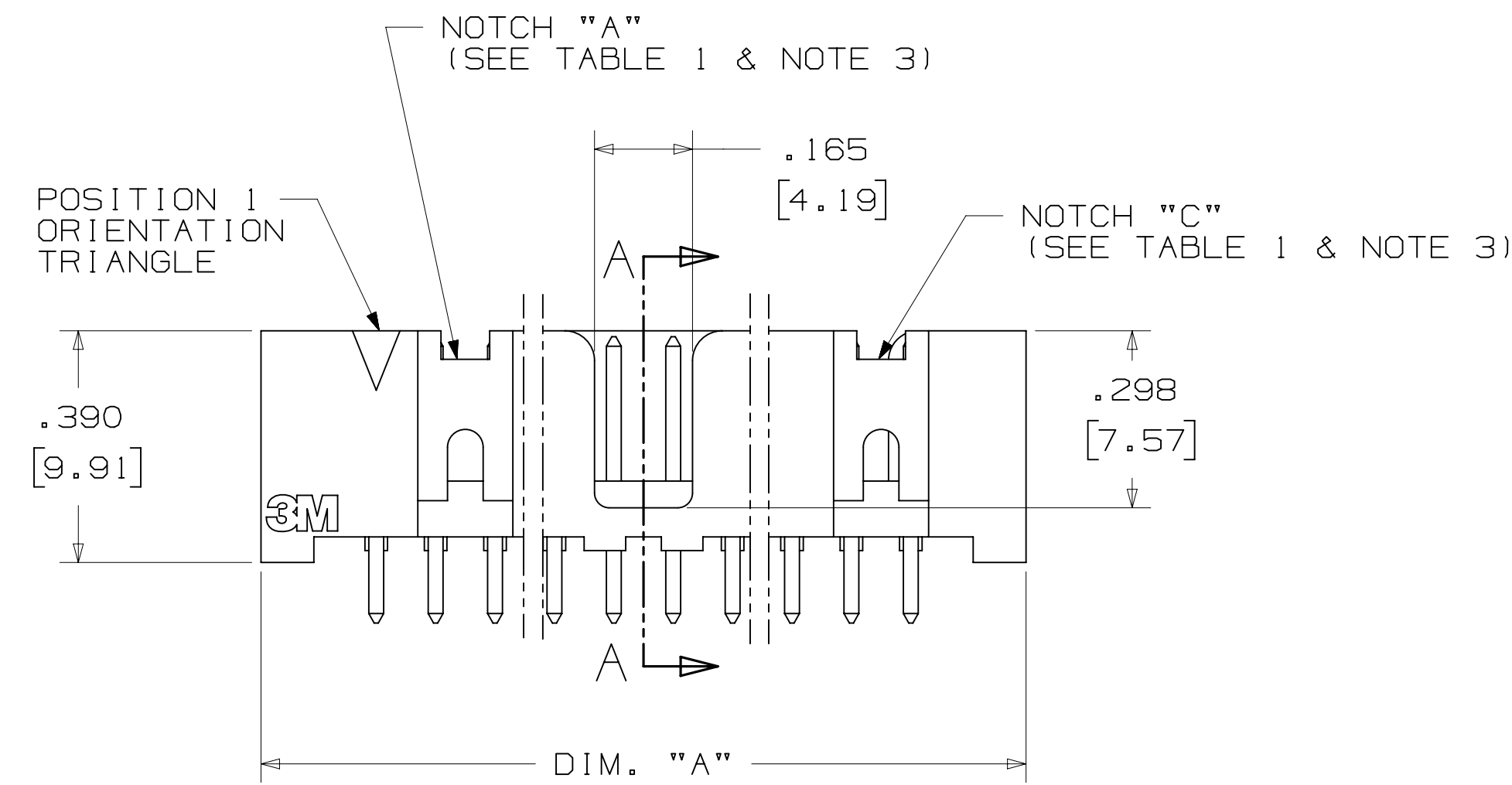
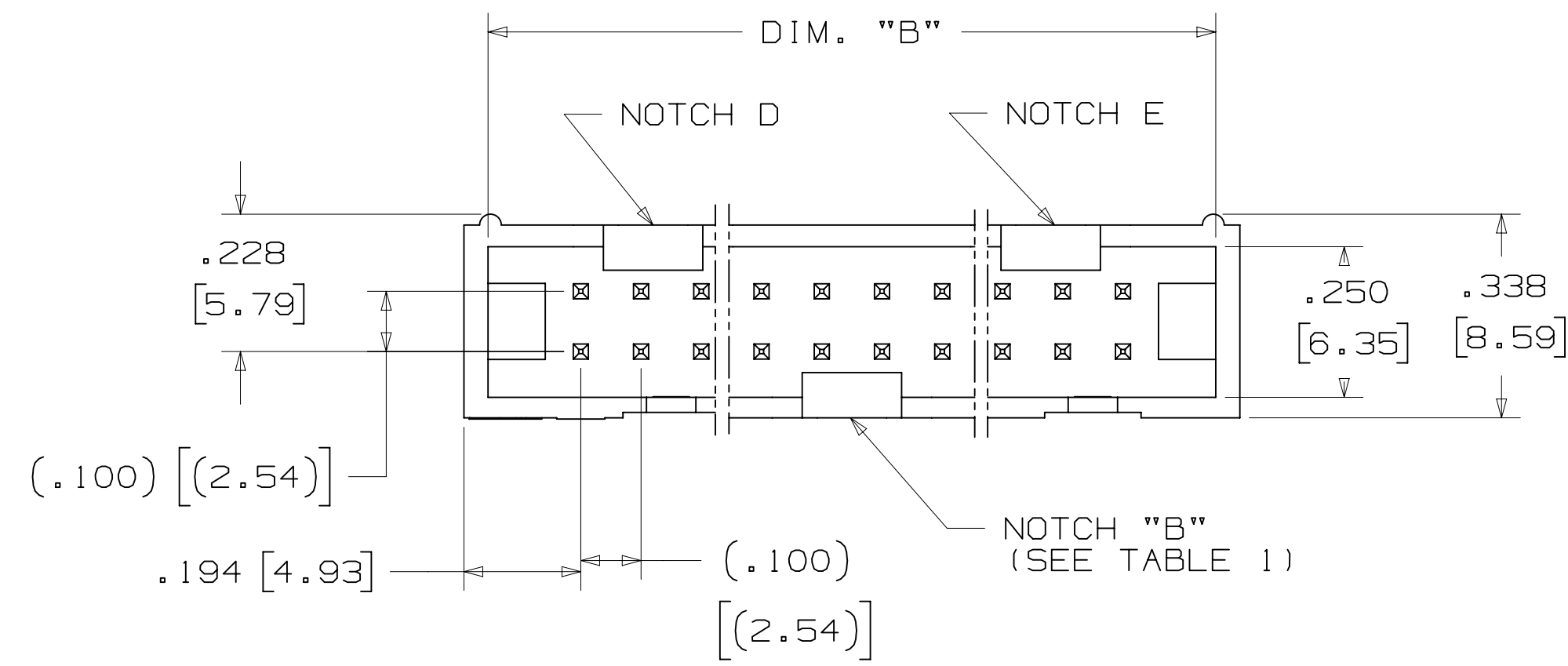
DIMENSIONS: INCHES [MM]
[MM] IS REF. ONLY

N	68908	AUG 02, 2016	JNC	SC
M	56068	AUG 11, 2014	JNC	RS
REV	ECO	ISSUE DATE AND DESCRIPTION	DRFT	CHKD
DRFT	CASTIGLIONE	AUG 11, 2014	MFG	DATE
CHKD		DATE	APPR	DATE
			R. SCHERER	SEP 05, 2014
DESIGN REFERENCE		NEXT ASSEMBLY		
DIVISION		DIVISION CODE		
Interconnect Solutions		EMSD		
DO NOT SCALE DRAWING	SCALE 4/1	TOLERANCES EXCEPT AS NOTED		
		INCHES		
		.00 ± .01		
		.000 ± .005		
		.0000 ±		
		THIRD ANGLE PROJECTION		
		INTERPRET PER ASME Y14.5 - 2009		
		MILLIMETERS		
		0 ±		
		.0 ± .3		
		.00 ± .13		
		.000 ±		
		MAX SURFACE ROUGHNESS		
		NON-SURFACES		
		MARKED ONLY		
		ANGLES		
3M		© 3M COPYRIGHT 2016		
		This document and the information it contains are 3M property and may not be reproduced or further distributed without 3M permission, or used or disclosed other than for 3M authorized purposes. All rights reserved.		
		3M Center St. Paul, MN 55144		
TITLE		HEADER, 4-WALL, LO-PRO, .100 X .100, SMT, STRAIGHT & RA		
CAGE NUMBER		DRAWING NO.		REV.
D78-5100-0770-7		N		
MODEL		2500 SERIES		REV. SHT 1 OF 5

3M™ FOUR-WALL HEADER, 2500 SERIES
 .100" X .100" LOW PROFILE, SURFACE MOUNT, STRAIGHT AND RIGHT ANGLE THROUGH-HOLE



TABLE 1				
PIN QTY.	DIM. "A"	DIM. "B"	POLARIZING NOTCHES	PIN QTY.
06	.588 [14.94]	.508 [12.90]	B	06
08	.688 [17.48]	.608 [15.44]	B	08
10	.788 [20.02]	.708 [17.98]	BC	10
14	.988 [25.10]	.908 [23.06]	BCDE	14
16	1.088 [27.64]	1.008 [25.60]	ABCDE	16
20	1.288 [32.72]	1.208 [30.68]	ABCDE	20
24	1.488 [37.80]	1.408 [35.76]	ABCDE	24
26	1.588 [40.34]	1.508 [38.30]	ABCDE	26
30	1.788 [45.42]	1.708 [43.38]	ABCDE	30
34	1.988 [50.50]	1.908 [48.46]	ABCDE	34
36	2.088 [53.04]	2.008 [51.00]	ABCDE	36
40	2.288 [58.12]	2.208 [56.08]	ABCDE	40
50	2.788 [70.82]	2.708 [68.78]	ABCDE	50
60	3.288 [83.52]	3.208 [81.48]	ABCDE	60
64	3.488 [88.60]	3.408 [86.56]	ABCDE	64



ORDERING INFORMATION
 STRAIGHT VERSION

X25XX - 60XX - XX

N = HIGH TEMP BLACK (PCT)
 (RB, UB OR UG PLATING REQ'D)
 BLANK = (UB OR UG PLATING)

PIN QUANTITY:
 (SEE TABLE 1)

SOLDER TAIL:
 02 = FOR .062 [1.57] THICK BOARD
 03 = FOR .094 TO .125 [2.39 TO 3.18]
 THICK BOARD

PLATING:
 RB = 30µ" [0.76µm] AVG. GOLD
 200µ" [5.08µm] MATTE TIN (RIA, E1 & C1 APPLY)
 UG = 15µ" [0.38µm] AVG. GOLD
 200µ" [5.08µm] 60:40 TIN-LEAD SOLDER TAILS
 (RIA E3 & C2 APPLY)
 UB = 30µ" [0.76µm] AVG. GOLD
 200µ" [5.08µm] 60:40 TIN LEAD SOLDER TAILS
 (RIA E3 & C2 APPLY)

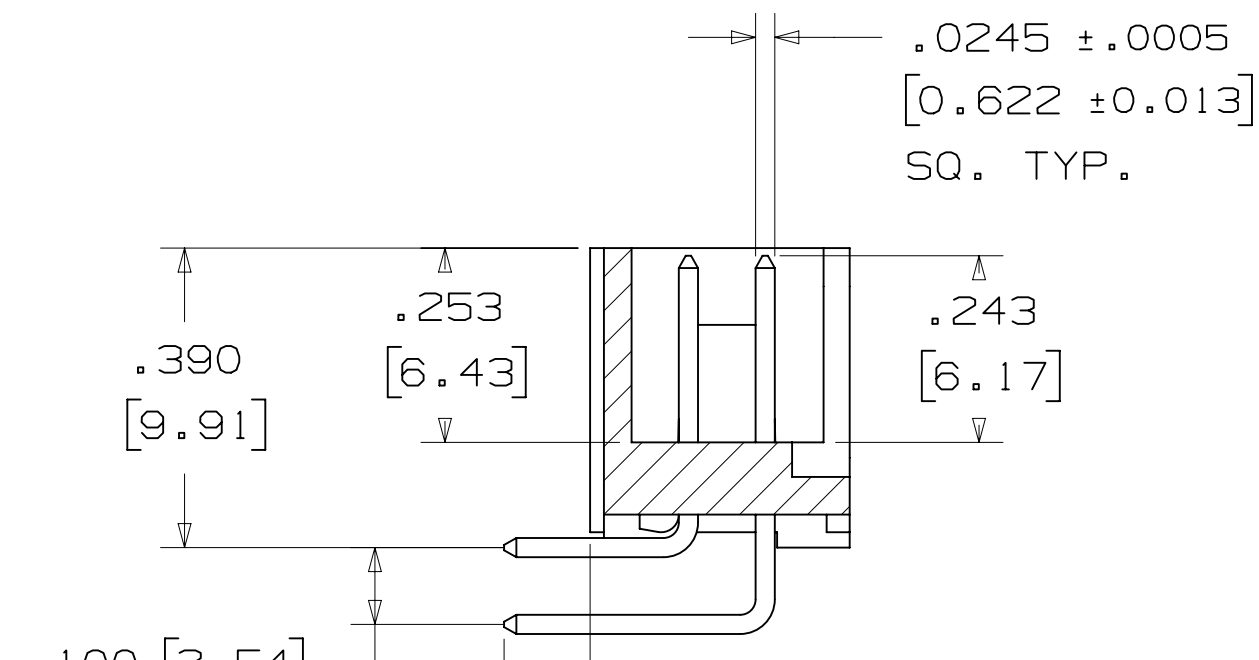
RECOMMENDED HOLE PATTERN
 SHOWN FROM COMPONENT SIDE

DESIGN REFERENCE	NEXT ASSEMBLY	REV	ECO	ISSUE DATE AND DESCRIPTION	DRFT	CHKD
DATE	DATE	DATE	DATE	DATE	DATE	DATE
DIVISION	DIVISION CODE	© 3M COPYRIGHT 2016 This document and the information it contains are 3M property and may not be reproduced or further distributed without 3M permission, or used or disclosed other than for 3M authorized purposes. All rights reserved.				
Interconnect Solutions	EMSD	3M Center St. Paul, MN 55144				
DO NOT SCALE DRAWING	SCALE 4/1	TOLERANCES EXCEPT AS NOTED INCHES .00 ± .01 .000 ± .005 .0000 ±				
THIRD ANGLE PROJECTION	INTERPRET PER ASME Y14.5 - 2009	MILLIMETERS 0 ± .00 ± .13 .000 ±				
MAX SURFACE ROUGHNESS	MARKED ONLY	TITLE HEADER, 4-WALL, LO-PRO, .100 X .100, SMT, STRAIGHT & RA				
		CAGE NUMBER	SIZE	DRAWING NO.	REV.	
		D		78-5100-0770-7	N	
		MODEL	2500 SERIES	DET	ISTS	YES X NO
						SHT 2 OF 5

78-5100-0770-7
 N
 DRAWING NUMBER
 REVISION
 11:10 AM UTC-05:00
 Imaged: N.1 B/5/2016

3M™ FOUR-WALL HEADER, 2500 SERIES

.100" X .100" LOW PROFILE, SURFACE MOUNT, STRAIGHT AND RIGHT ANGLE THROUGH-HOLE



SOLDER TAIL
 .112±.011 [2.84] FOR 02 VERSION
 .155±.011 [3.94] FOR 03 VERSION

SECTION B-B

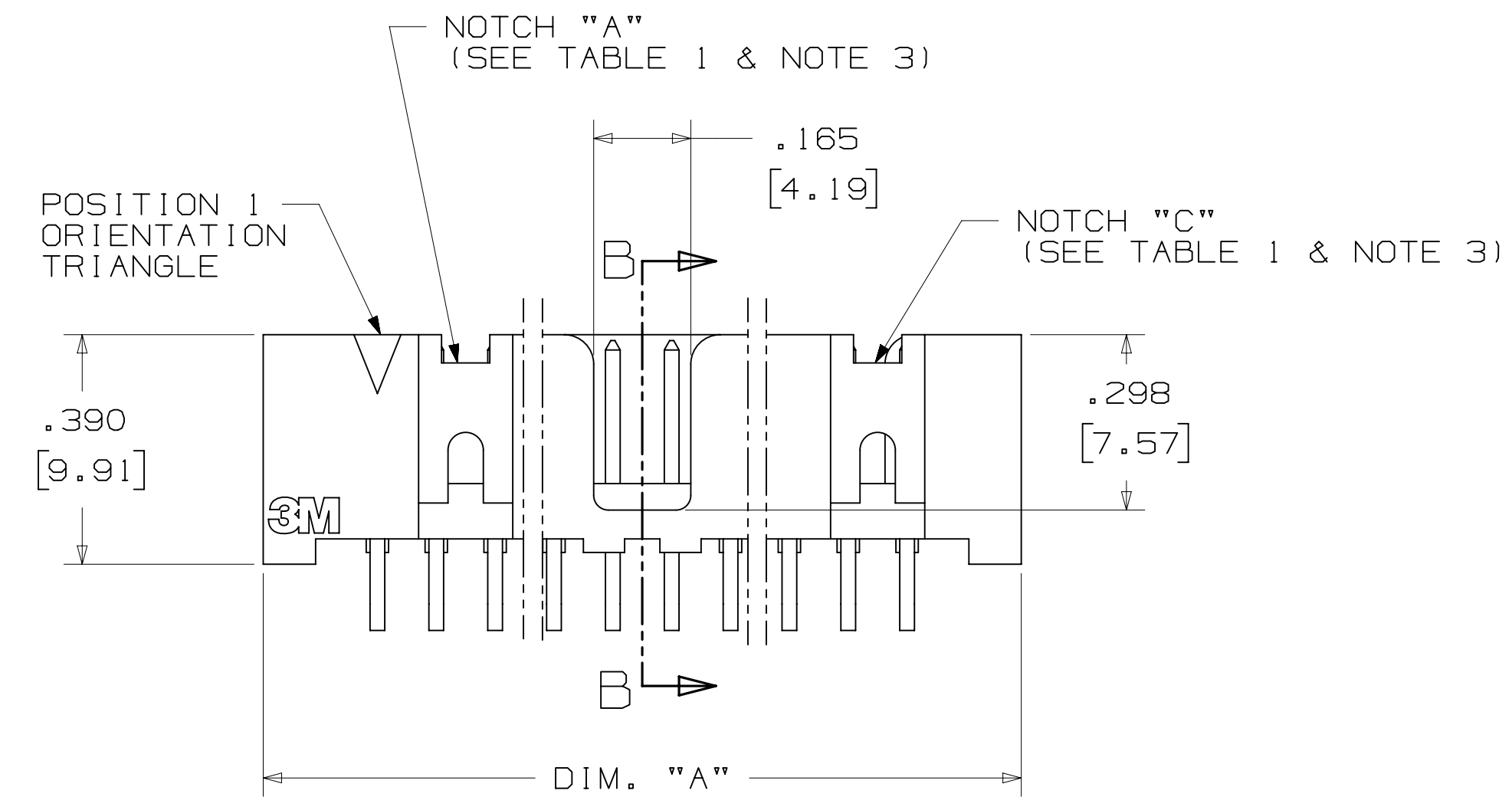
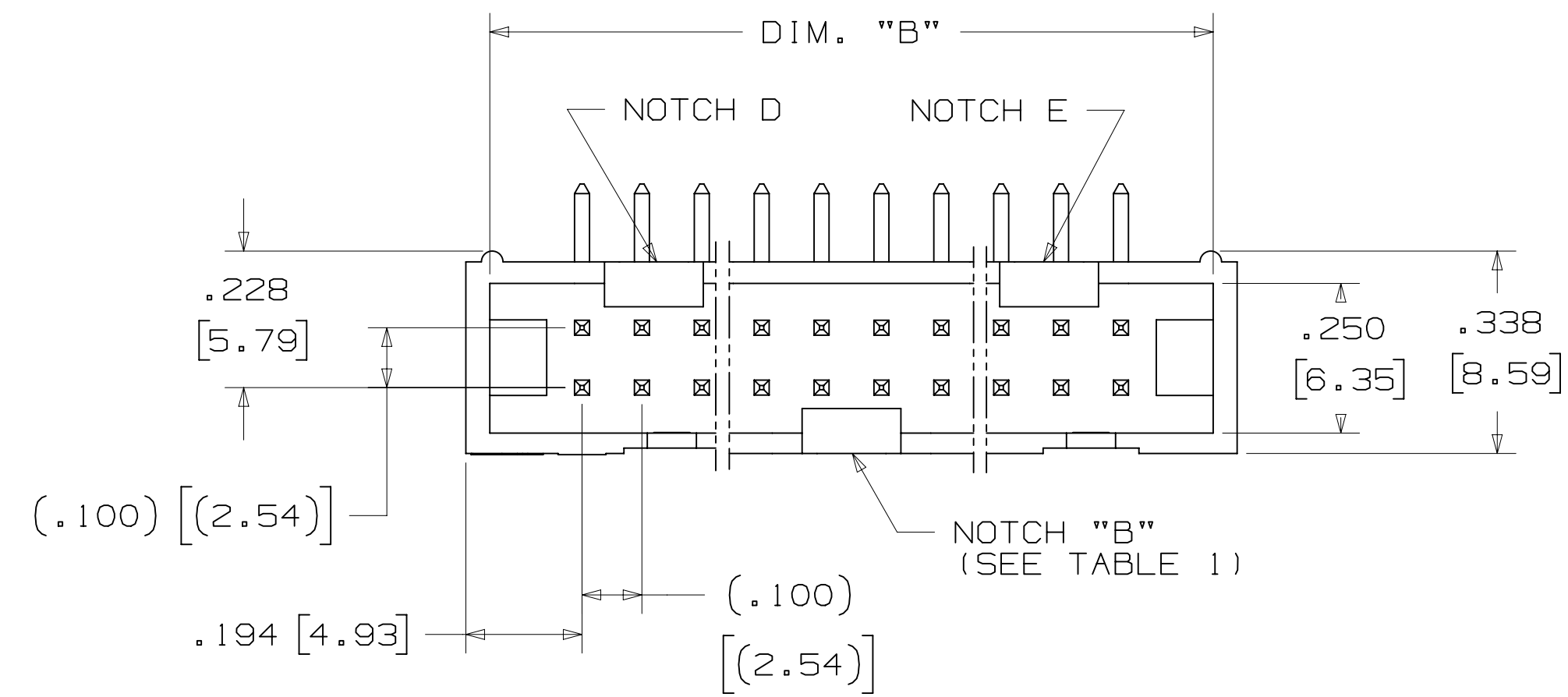
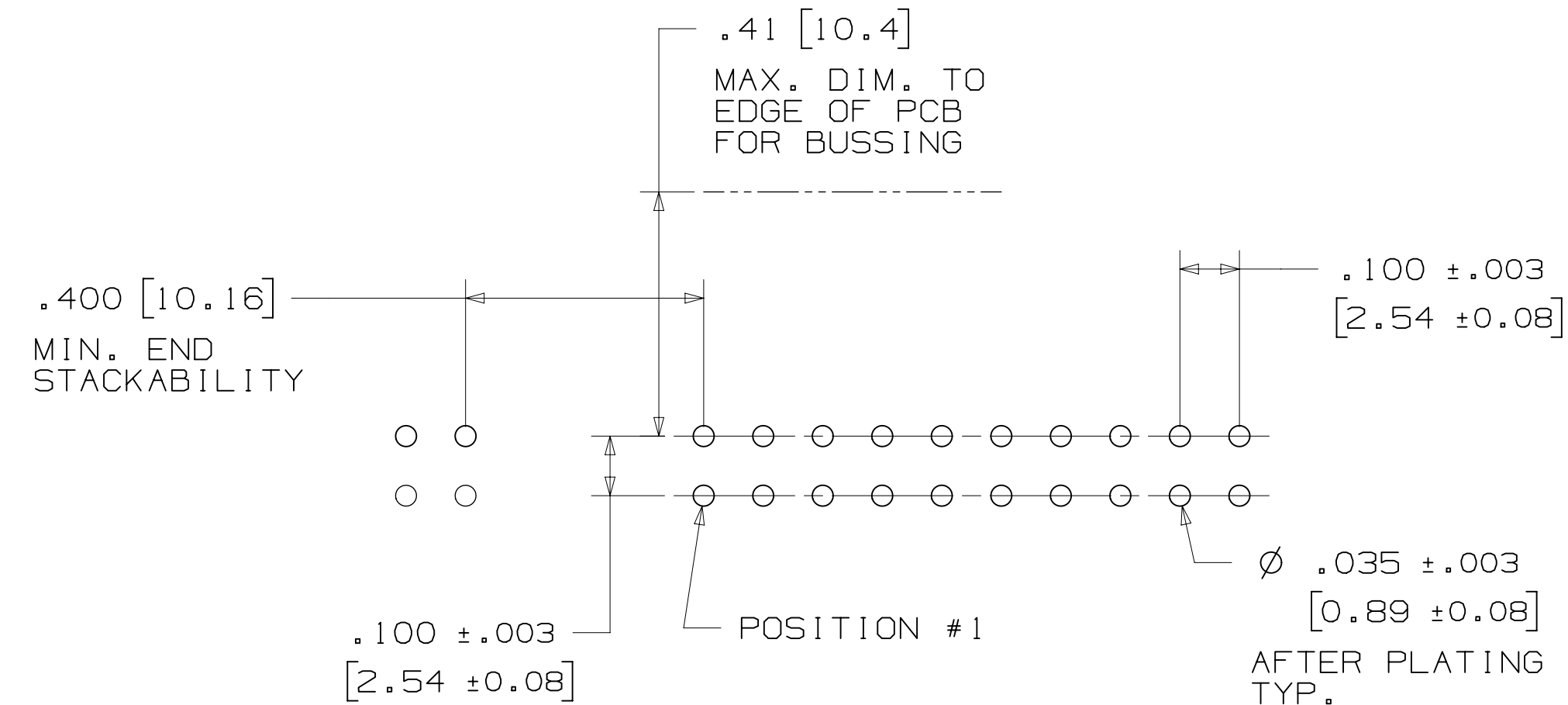


TABLE 1				
PIN QTY.	DIM. "A"	DIM. "B"	POLARIZING NOTCHES	PIN QTY.
06	.588 [14.94]	.508 [12.90]	B	06
08	.688 [17.48]	.608 [15.44]	B	08
10	.788 [20.02]	.708 [17.98]	BC	10
14	.988 [25.10]	.908 [23.06]	BCDE	14
16	1.088 [27.64]	1.008 [25.60]	ABCDE	16
20	1.288 [32.72]	1.208 [30.68]	ABCDE	20
24	1.488 [37.80]	1.408 [35.76]	ABCDE	24
26	1.588 [40.34]	1.508 [38.30]	ABCDE	26
30	1.788 [45.42]	1.708 [43.38]	ABCDE	30
34	1.988 [50.50]	1.908 [48.46]	ABCDE	34
36	2.088 [53.04]	2.008 [51.00]	ABCDE	36
40	2.288 [58.12]	2.208 [56.08]	ABCDE	40
50	2.788 [70.82]	2.708 [68.78]	ABCDE	50
60	3.288 [83.52]	3.208 [81.48]	ABCDE	60
64	3.488 [88.60]	3.408 [86.56]	ABCDE	64



ORDERING INFORMATION RIGHT ANGLE VERSION

X25XX - 50XX - XX

N= HIGH TEMP BLACK (PCT)
(RB, UB OR UG PLATING REQ'D)
BLANK= (UB OR UG PLATING)

PIN QUANTITY:
(SEE TABLE 1)

SOLDER TAIL:
02 = FOR .062 [1.57] THICK BOARD
03 = FOR .094 TO .125 [2.39 TO 3.18]
THICK BOARD

PLATING:

RB = 30μ" [0.76μm] AVG. GOLD
200μ" [5.08μm] MATTE TIN (RIA, E1 & C1 APPLY)
UG = 15μ" [0.38μm] AVG. GOLD
200μ" [5.08μm] 60:40 TIN-LEAD SOLDER TAILS
(RIA E3 & C2 APPLY)
UB = 30μ" [0.76μm] AVG. GOLD
200μ" [5.08μm] 60:40 TIN LEAD SOLDER TAILS
(RIA E3 & C2 APPLY)

RECOMMENDED HOLE PATTERN SHOWN FROM COMPONENT SIDE

DESIGN REFERENCE	NEXT ASSEMBLY
DO NOT SCALE DRAWING	SCALE 4/1
INTERPRET PER ASME Y14.5 - 2009	TOLERANCES EXCEPT AS NOTED
MAX SURFACE ROUGHNESS	INCHES: .00 ± .01, .000 ± .005, .0000 ±
MARKED ONLY	MILLIMETERS: 0 ±, .0 ± .3, .00 ± .13, .000 ±
	ANGLES

REV	ECO	ISSUE DATE AND DESCRIPTION	DRFT	CHKD	DATE
N	68908	AUG 02, 2016	JNC	SC	
M	56068	AUG 11, 2014	JNC	RS	
		REVISE DIM ON SHT2 & CLIP CHART ON SHT5			
		ISSUE AND REDRAWN			
		AUG 11, 2014			
		R. SCHERER			SEP 05, 2014
3M		© 3M COPYR[IGHT] 2016	This document and the information it contains are 3M property and may not be reproduced or further distributed without 3M permission, or used or disclosed other than for 3M authorized purposes. All rights reserved.		
TITILE		HEADER, 4-WALL, LO-PRO, .100 X .100, SMT, STRAIGHT & RA			
CAGE NUMBER	SIZE	DRAWING NO.	REV.		
D		78-5100-0770-7	N		
MODEL		2500 SERIES		SHT 3 OF 5	

3M™ FOUR-WALL HEADER, 2500 SERIES

.100" X .100" LOW PROFILE, SURFACE MOUNT, STRAIGHT AND RIGHT ANGLE THROUGH-HOLE



SECTION C - C

TABLE 1					
PIN QTY.	DIM. "A"	DIM. "B"	POLARIZING NOTCHES	TAPE AND REEL PKG CODE	PIN QTY.
06	.588 [14.94]	.508 [12.90]	B	WD (44 MM)	06
08	.688 [17.48]	.608 [15.44]	B	WD (44 MM)	08
10	.788 [20.02]	.708 [17.98]	BC	WD (44 MM)	10
14	.988 [25.10]	.908 [23.06]	BCDE	WD (44 MM)	14
16	1.088 [27.64]	1.008 [25.60]	ABCDE	WD (44 MM)	16
20	1.288 [32.72]	1.208 [30.68]	ABCDE	WE (56 MM)	20
24	1.488 [37.80]	1.408 [35.76]	ABCDE	WE (56 MM)	24
26	1.588 [40.34]	1.508 [38.30]	ABCDE	WE (56 MM)	26
30	1.788 [45.42]	1.708 [43.38]	ABCDE	WF (72 MM)	30
34	1.988 [50.50]	1.908 [48.46]	ABCDE	WF (72 MM)	34
36	2.088 [53.04]	2.008 [51.00]	ABCDE	WG (88 MM)	36
40	2.288 [58.12]	2.208 [56.08]	ABCDE	WG (88 MM)	40
50	2.788 [70.82]	2.708 [68.78]	ABCDE	WG (88 MM)	50
60	3.288 [83.52]	3.208 [81.48]	ABCDE	WH (120 MM)	60
64	3.488 [88.60]	3.408 [86.56]	ABCDE	WH (120 MM)	64



RECOMMENDED PAD LAYOUT

ORDERING INFORMATION SURFACE MOUNT VERSION

N25XX-6VOC-XX-XX

N = HIGH TEMP BLACK (PCT) (RB PLATING REQ'D)

PIN QUANTITY: (SEE TABLE 1)

PACKAGING OPTIONS: WX = TAPE & REEL PACKAGING (SEE TABLE 1)

PLATING: RB = 30µ" [0.76µm] AVG. GOLD 200µ" [5.08µm] MATTE TIN (RIA, E1 & C1 APPLY)

DESIGN REFERENCE	NEXT ASSEMBLY	REV	ECO	ISSUE DATE AND DESCRIPTION	DRFT	CHKD
3M Center St. Paul, MN 55144	EMSD	CASTIGLIONE	AUG 11, 2014	REVISED AND REDRAWN	JNC	RS
DIVISION: Interconnect Solutions SCALE: 4/1 DO NOT SCALE DRAWING THIRD ANGLE PROJECTION INTERPRET PER ASME Y14.5 - 2009 MAX SURFACE ROUGHNESS: 0.13 SURFACES: MARKED ONLY		DIVISION CODE: EMSD TOLERANCES EXCEPT AS NOTED: INCHES: .00 ± .01, .000 ± .005, .0000 ± .0000 MILLIMETERS: 0 ± .03, .00 ± .13, .000 ± .000		DATE: AUG 11, 2014 DATE: SEP 05, 2014 APPR: R. SCHERER		
TITLE: HEADER, 4-WALL, LO-PRO, .100 X .100, SMT, STRAIGHT & RA		CAGE NUMBER: D78-5100-0770-7 MODEL: 2500 SERIES		REV. N SHT 4 OF 5		

78-5100-0770-7
 N
 REV. N
 SHT 4 OF 5

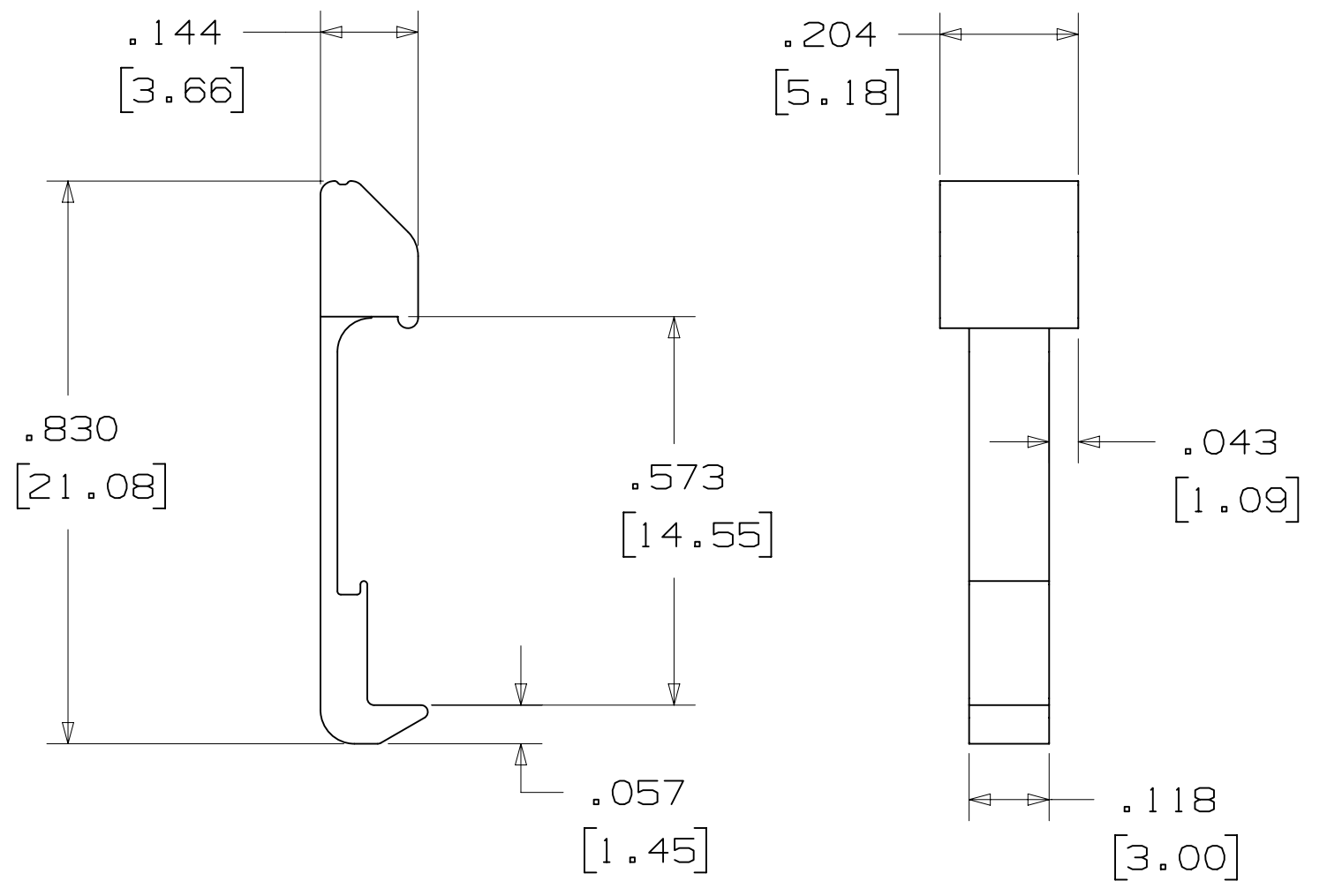
3M™ FOUR-WALL HEADER, 2500 SERIES
 .100" X .100" LOW PROFILE, SURFACE MOUNT, STRAIGHT AND RIGHT ANGLE THROUGH-HOLE

PART CUSTOMIZATION

THIS SPEC SHEET DETAILS OUR STANDARD OFFERING.
 3M HAS SEVERAL CAPABILITIES THAT CAN PROVIDE A PART TAILORED TO YOUR SPECIFIC NEEDS. ASK YOUR 3M SALES REPRESENTATIVE OR CUSTOMER SERVICE FOR MORE DETAILS.

- * SELECTIVE PIN REMOVAL (FOR BOARD ASSEMBLY POLARIZATION).
- * DIFFERENT PIN LENGTHS.

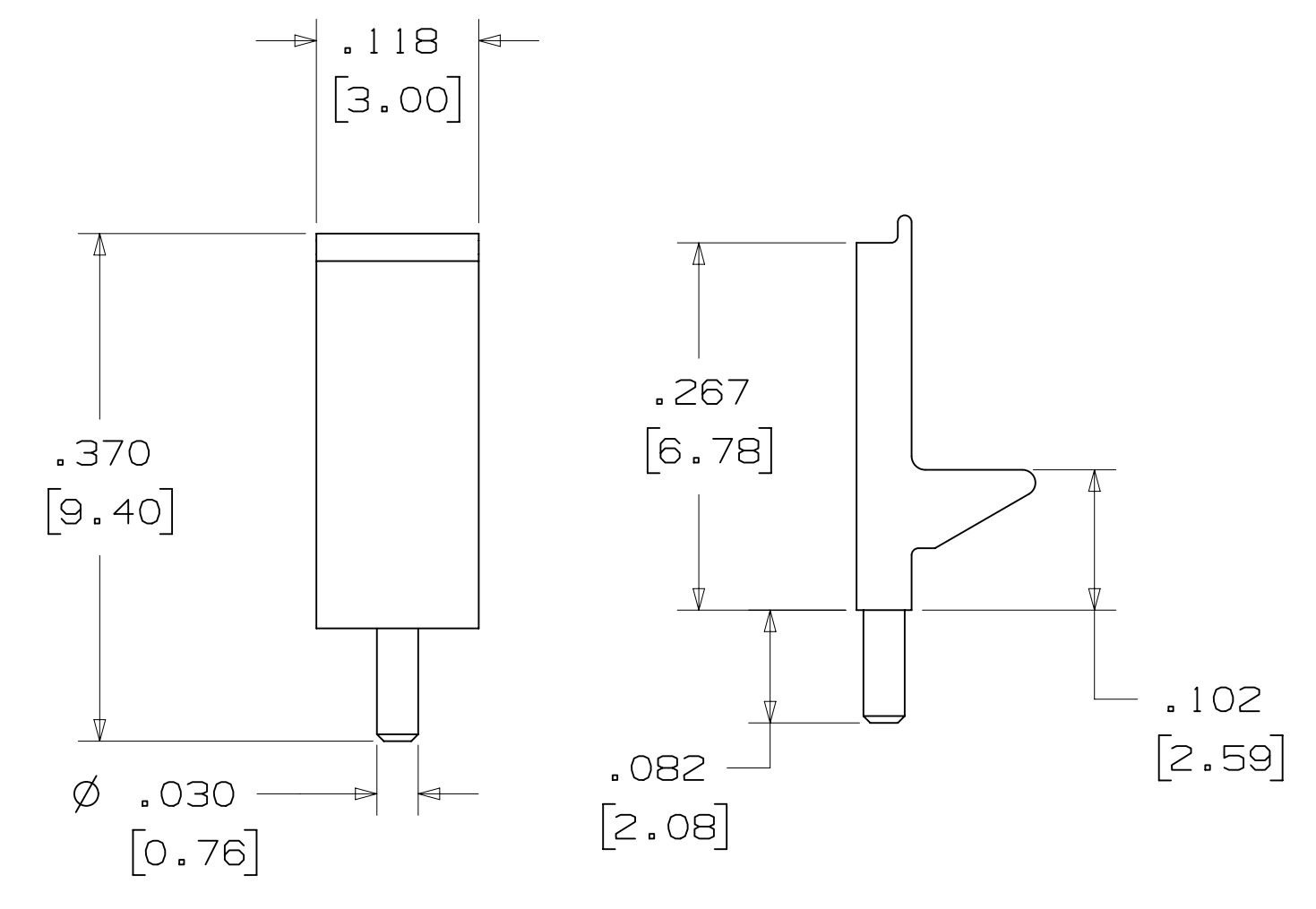
LOW PROFILE LATCH



PART NO.	MATERIAL	COLOR
3505-33B	NYLON	BLACK

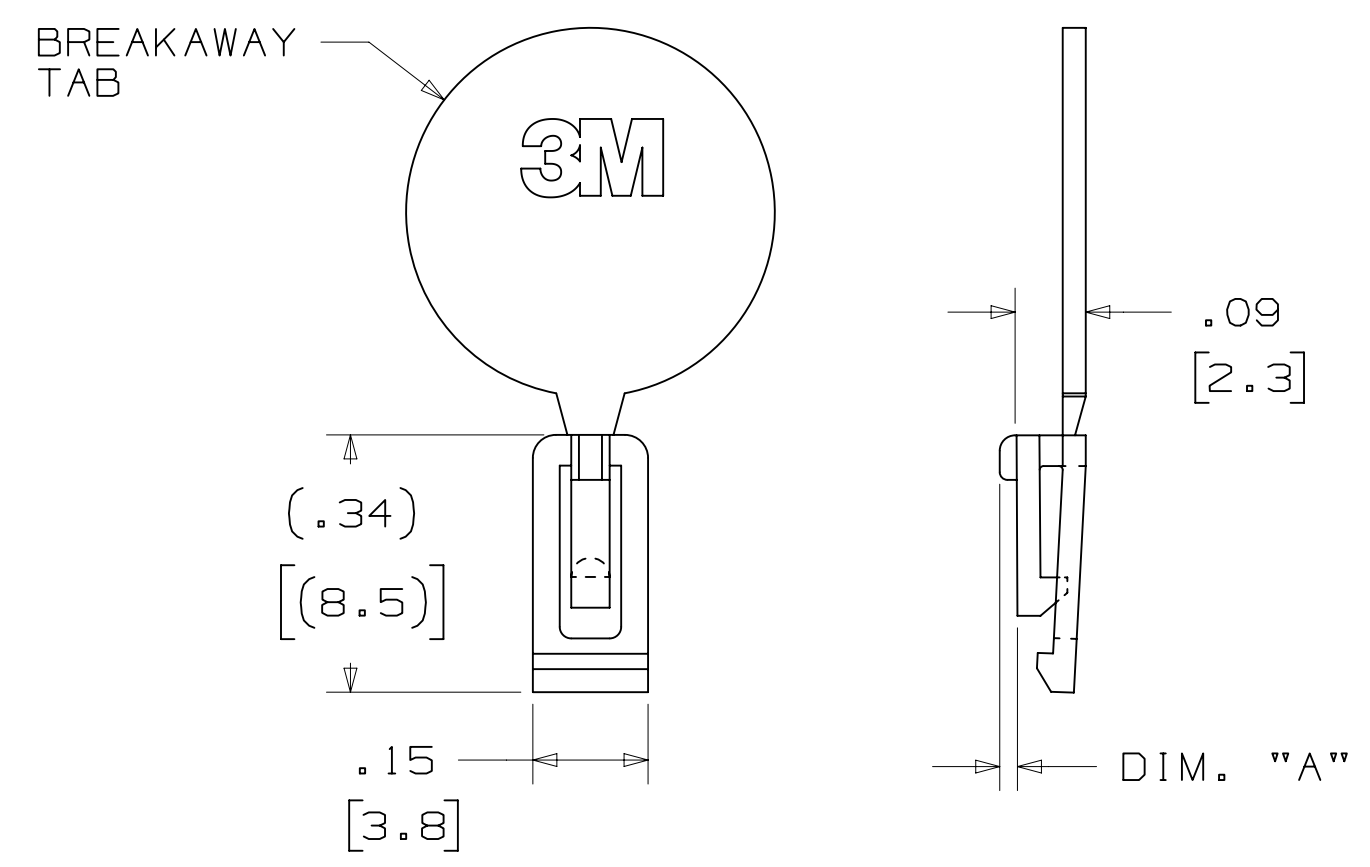
NOTE:
 LATCHES NOT COMPATIBLE WITH REFLOW SOLDERING.
 ATTACH LATCHES AFTER SOLDERING.

POLARIZING POST



PART NO.	MATERIAL	COLOR
3201-3	PCT	BLACK

POLARIZING KEY



3M PART NO.	MATERIAL	COLOR	DIM. "A"
N3518	LCP	BLACK	.02

NOTE:
 #2216 B/A SCOTCHWELD CAN BE USED TO ADHERE KEYS.

SHORT/LONG SOCKET RETAINER CLIP



PIN QTY.	DIM. "A"
06	N/A
08	N/A
10	.81 [20.6]
14	1.02 [25.9]
16	1.12 [28.4]
20	1.32 [33.5]
24	1.52 [38.7]
26	1.63 [41.4]
30	1.83 [46.4]
34	2.03 [51.6]
36	N/A
40	2.33 [59.2]
50	2.83 [71.9]
60	3.33 [84.6]
64	3.53 [89.7]

NOTE:
 STAINLESS STEEL WITH GRAY POLYURETHANE COATING.

3505-8XXX

CLIP HEIGHT CODE _____ PIN COUNT (SEE TABLE)
 0 = .31 [7.9] FOR SOCKETS WITHOUT STRAIN RELIEF
 1 = .53 [13.5] FOR SOCKETS WITH STRAIN RELIEF

NOTE:
 1) THE FOLLOWING RETAINER CLIPS HAVE BEEN DISCONTINUED:
 3505-8064
 3505-8124
 3505-8150

DESIGN REFERENCE	NEXT ASSEMBLY	REV	ECO	ISSUE DATE AND DESCRIPTION	DRFT	CHKD
				AUG 11, 2014		
DIVISION: Interconnect Solutions SCALE: 4/1 DRAWING: THIRD ANGLE PROJECTION		DIVISION CODE: EMSD TOLERANCES EXCEPT AS NOTED INCHES: .00 ± .01, .000 ± .005, .0000 ± MILLIMETERS: 0 ± .3, .00 ± .13		DATE: AUG 11, 2014 APPR: R. SCHERER DATE: SEP 05, 2014		
MAX SURFACE ROUGHNESS: SURFACES MARKED ONLY		TITLE: HEADER, 4-WALL, LO-PRO, .100 X .100, SMT, STRAIGHT & RA		CAGE NUMBER: D78-5100-0770-7 MODEL: 2500 SERIES		
				REV. 1: AUG 02, 2016, REVISE DIM ON SHT2 & CLIP CHART ON SHT5 REV. 2: AUG 11, 2014, REVISED AND REDRAWN		

78-5100-0770-7
 11:10 AM UTC-05:00
 N REVISION
 C
 B
 A



Компания «ЭлектроПласт» предлагает заключение долгосрочных отношений при поставках импортных электронных компонентов на взаимовыгодных условиях!

Наши преимущества:

- Оперативные поставки широкого спектра электронных компонентов отечественного и импортного производства напрямую от производителей и с крупнейших мировых складов;
- Поставка более 17-ти миллионов наименований электронных компонентов;
- Поставка сложных, дефицитных, либо снятых с производства позиций;
- Оперативные сроки поставки под заказ (от 5 рабочих дней);
- Экспресс доставка в любую точку России;
- Техническая поддержка проекта, помощь в подборе аналогов, поставка прототипов;
- Система менеджмента качества сертифицирована по Международному стандарту ISO 9001;
- Лицензия ФСБ на осуществление работ с использованием сведений, составляющих государственную тайну;
- Поставка специализированных компонентов (Xilinx, Altera, Analog Devices, Intersil, Interpoint, Microsemi, Aeroflex, Peregrine, Syfer, Eurofarad, Texas Instrument, Miteq, Cobham, E2V, MA-COM, Hittite, Mini-Circuits, General Dynamics и др.);

Помимо этого, одним из направлений компании «ЭлектроПласт» является направление «Источники питания». Мы предлагаем Вам помощь Конструкторского отдела:

- Подбор оптимального решения, техническое обоснование при выборе компонента;
- Подбор аналогов;
- Консультации по применению компонента;
- Поставка образцов и прототипов;
- Техническая поддержка проекта;
- Защита от снятия компонента с производства.



Как с нами связаться

Телефон: 8 (812) 309 58 32 (многоканальный)

Факс: 8 (812) 320-02-42

Электронная почта: org@eplast1.ru

Адрес: 198099, г. Санкт-Петербург, ул. Калинина, дом 2, корпус 4, литера А.