

3M™ FOUR-WALL HEADER, 2500 SERIES

.100" X .100" LOW PROFILE, SURFACE MOUNT, STRAIGHT AND RIGHT ANGLE THROUGH-HOLE



SECTION C - C

| TABLE 1 | | | | | |
|----------|---------------|---------------|--------------------|------------------------|----------|
| PIN QTY. | DIM. "A" | DIM. "B" | POLARIZING NOTCHES | TAPE AND REEL PKG CODE | PIN QTY. |
| 06 | .588 [14.94] | .508 [12.90] | B | WD (44 MM) | 06 |
| 08 | .688 [17.48] | .608 [15.44] | B | WD (44 MM) | 08 |
| 10 | .788 [20.02] | .708 [17.98] | BC | WD (44 MM) | 10 |
| 14 | .988 [25.10] | .908 [23.06] | BCDE | WD (44 MM) | 14 |
| 16 | 1.088 [27.64] | 1.008 [25.60] | ABCDE | WD (44 MM) | 16 |
| 20 | 1.288 [32.72] | 1.208 [30.68] | ABCDE | WE (56 MM) | 20 |
| 24 | 1.488 [37.80] | 1.408 [35.76] | ABCDE | WE (56 MM) | 24 |
| 26 | 1.588 [40.34] | 1.508 [38.30] | ABCDE | WE (56 MM) | 26 |
| 30 | 1.788 [45.42] | 1.708 [43.38] | ABCDE | WF (72 MM) | 30 |
| 34 | 1.988 [50.50] | 1.908 [48.46] | ABCDE | WF (72 MM) | 34 |
| 36 | 2.088 [53.04] | 2.008 [51.00] | ABCDE | WG (88 MM) | 36 |
| 40 | 2.288 [58.12] | 2.208 [56.08] | ABCDE | WG (88 MM) | 40 |
| 50 | 2.788 [70.82] | 2.708 [68.78] | ABCDE | WG (88 MM) | 50 |
| 60 | 3.288 [83.52] | 3.208 [81.48] | ABCDE | WH (120 MM) | 60 |
| 64 | 3.488 [88.60] | 3.408 [86.56] | ABCDE | WH (120 MM) | 64 |



RECOMMENDED PAD LAYOUT

ORDERING INFORMATION SURFACE MOUNT VERSION

N25XX-6VOC-XX-XX

N = HIGH TEMP BLACK (PCT) (RB PLATING REQ'D)

PIN QUANTITY: (SEE TABLE 1)

PACKAGING OPTIONS: WX = TAPE & REEL PACKAGING (SEE TABLE 1)

PLATING: RB = 30µ" [0.76µm] AVG. GOLD 200µ" [5.08µm] MATTE TIN (RIA, E1 & C1 APPLY)

| | | | | | | |
|----------------------------------|---------------|---|-----|--|------|------|
| DESIGN REFERENCE | NEXT ASSEMBLY | REV | ECO | ISSUE DATE AND DESCRIPTION | DRFT | CHKD |
| | | | | AUG 11, 2014 | | |
| DIVISION: Interconnect Solutions | | DIVISION CODE: EMSD | | DATE: AUG 11, 2014 | | |
| DO NOT SCALE DRAWING | | SCALE: 4/1 | | TOLERANCES EXCEPT AS NOTED | | |
| THIRD ANGLE PROJECTION | | INCHES: .00 ± .01, .000 ± .005, .0000 ± | | MILLIMETERS: 0 ±, .0 ± .3, .00 ± .13, .000 ± | | |
| MAX SURFACE ROUGHNESS: SURFACES | | MARKED ONLY | | CAGE NUMBER: D78-5100-0770-7 | | |
| | | | | MODEL: 2500 SERIES | | |
| | | | | REV. N | | |

| | | | | |
|---|-------|--------------|-----|----|
| N | 68908 | AUG 02, 2016 | JNC | SC |
| M | 56068 | AUG 11, 2014 | JNC | RS |

© 3M COPYRIGHT 2016
 This document and the information it contains are 3M property and may not be reproduced or further distributed without 3M permission, or used or disclosed other than for 3M authorized purposes. All rights reserved.

3M Center St. Paul, MN 55144

HEADER, 4-WALL, LO-PRO, .100 X .100, SMT, STRAIGHT & RA

REV. N

SHT 4 OF 5

DRAWING NUMBER: 78-5100-0770-7

REVISION: N

DATE: AUG 11, 2014

DRAWN: R. SCHERER

CHECKED: R. SCHERER

DATE: SEP 05, 2014

CAGE NUMBER: D78-5100-0770-7

MODEL: 2500 SERIES

REV. N

SHT 4 OF 5

3M™ FOUR-WALL HEADER, 2500 SERIES
 .100" X .100" LOW PROFILE, SURFACE MOUNT, STRAIGHT AND RIGHT ANGLE THROUGH-HOLE

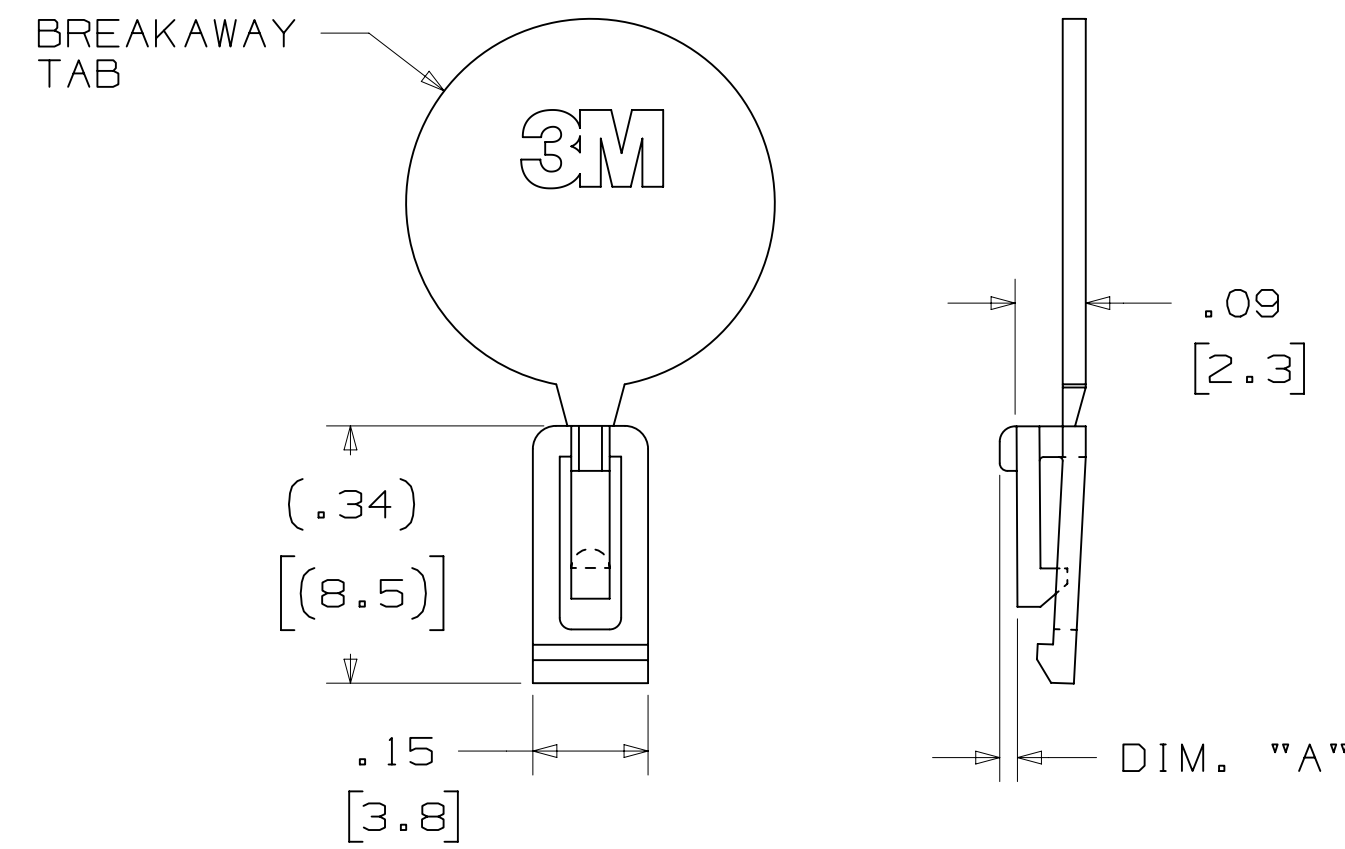
PART CUSTOMIZATION

THIS SPEC SHEET DETAILS OUR STANDARD OFFERING.

3M HAS SEVERAL CAPABILITIES THAT CAN PROVIDE A PART TAILORED TO YOUR SPECIFIC NEEDS. ASK YOUR 3M SALES REPRESENTATIVE OR CUSTOMER SERVICE FOR MORE DETAILS.

- * SELECTIVE PIN REMOVAL (FOR BOARD ASSEMBLY POLARIZATION).
- * DIFFERENT PIN LENGTHS.

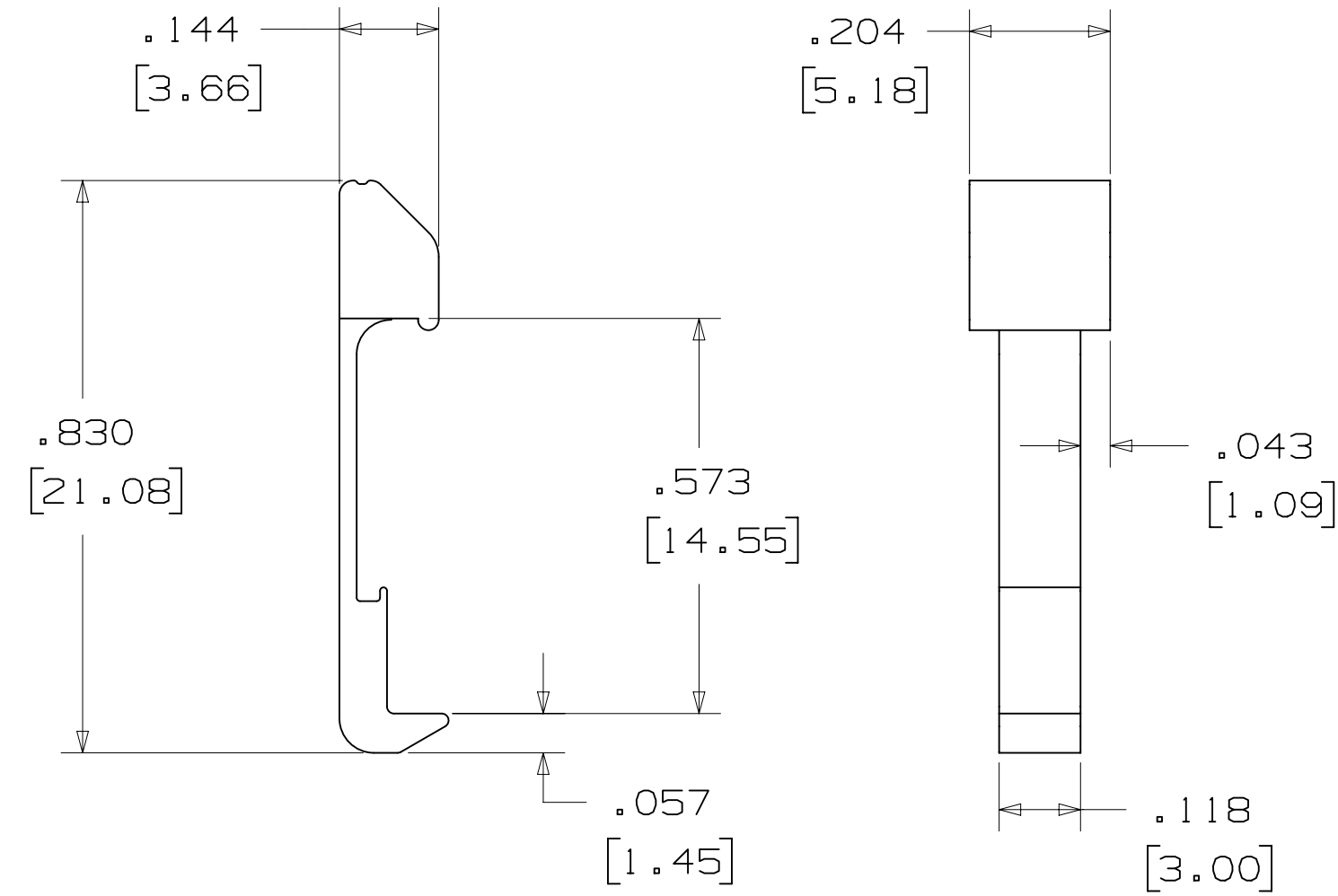
POLARIZING KEY



| 3M PART NO. | MATERIAL | COLOR | DIM. "A" |
|-------------|----------|-------|----------|
| N3518 | LCP | BLACK | .02 |

NOTE:
 #2216 B/A SCOTCHWELD CAN BE USED TO ADHERE KEYS.

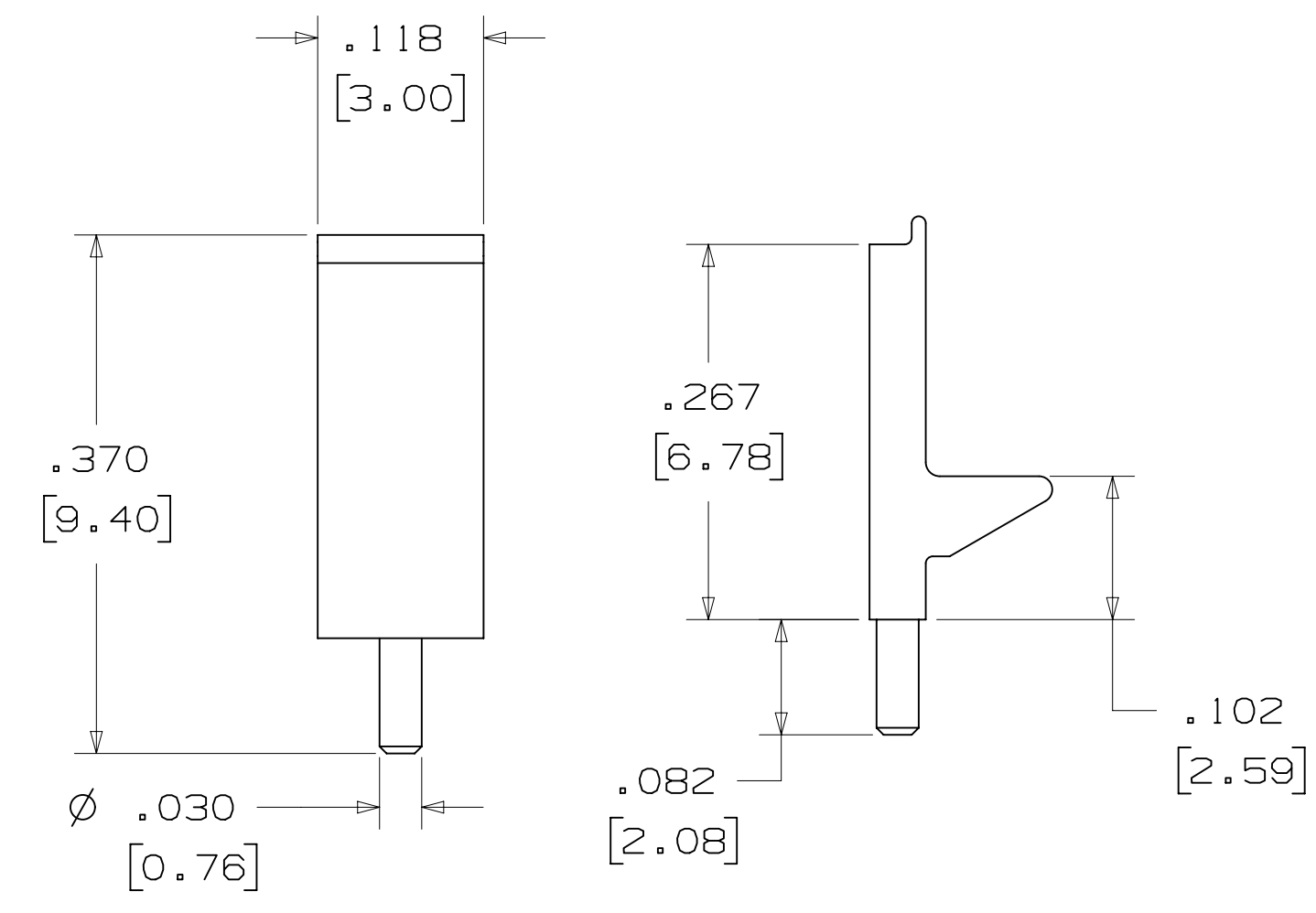
LOW PROFILE LATCH



| PART NO. | MATERIAL | COLOR |
|----------|----------|-------|
| 3505-33B | NYLON | BLACK |

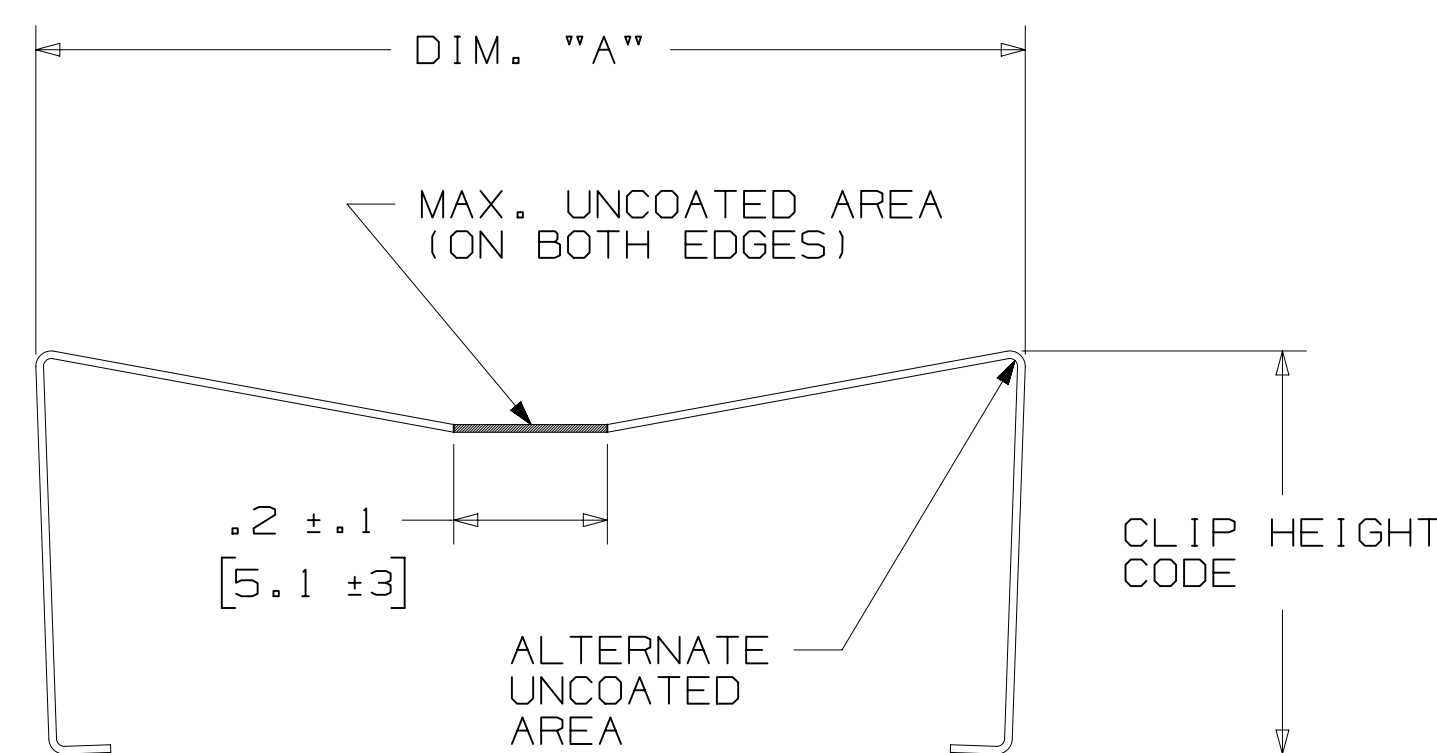
NOTE:
 LATCHES NOT COMPATIBLE WITH REFLOW SOLDERING.
 ATTACH LATCHES AFTER SOLDERING.

POLARIZING POST



| PART NO. | MATERIAL | COLOR |
|----------|----------|-------|
| 3201-3 | PCT | BLACK |

SHORT/LONG SOCKET RETAINER CLIP



| PIN QTY. | DIM. "A" |
|----------|-------------|
| 06 | N/A |
| 08 | N/A |
| 10 | .81 [20.6] |
| 14 | 1.02 [25.9] |
| 16 | 1.12 [28.4] |
| 20 | 1.32 [33.5] |
| 24 | 1.52 [38.7] |
| 26 | 1.63 [41.4] |
| 30 | 1.83 [46.4] |
| 34 | 2.03 [51.6] |
| 36 | N/A |
| 40 | 2.33 [59.2] |
| 50 | 2.83 [71.9] |
| 60 | 3.33 [84.6] |
| 64 | 3.53 [89.7] |

NOTE:
 STAINLESS STEEL WITH GRAY POLYURETHANE COATING.

3505-8XXX

CLIP HEIGHT CODE _____ PIN COUNT (SEE TABLE)
 0 = .31 [7.9] FOR SOCKETS WITHOUT STRAIN RELIEF
 1 = .53 [13.5] FOR SOCKETS WITH STRAIN RELIEF

NOTE:
 1) THE FOLLOWING RETAINER CLIPS HAVE BEEN DISCONTINUED:
 3505-8064
 3505-8124
 3505-8150

| | | | | | | |
|---|---------------|--|-----|--|------|------|
| DESIGN REFERENCE | NEXT ASSEMBLY | REV | ECO | ISSUE DATE AND DESCRIPTION | DRFT | CHKD |
| | | | | AUG 11, 2014 | | |
| DIVISION: Interconnect Solutions SCALE: 4/1 DRAWING: THIRD ANGLE PROJECTION | | DIVISION CODE: EMSD TOLERANCES EXCEPT AS NOTED INCHES: .00 ± .01, .000 ± .005, .0000 ± MILLIMETERS: 0 ± .3, .00 ± .13, .000 ± | | DATE: AUG 11, 2014 APPR: R. SCHERER DATE: SEP 05, 2014 | | |
| MAX SURFACE ROUGHNESS: SURFACES MARKED ONLY | | TITLE: HEADER, 4-WALL, LO-PRO, .100 X .100, SMT, STRAIGHT & RA | | CAGE NUMBER: D78-5100-0770-7 MODEL: 2500 SERIES REV. N | | |

78-5100-0770-7
 11:10 AM UTC-05:00
 N REVISION
 C
 B
 A



Компания «ЭлектроПласт» предлагает заключение долгосрочных отношений при поставках импортных электронных компонентов на взаимовыгодных условиях!

Наши преимущества:

- Оперативные поставки широкого спектра электронных компонентов отечественного и импортного производства напрямую от производителей и с крупнейших мировых складов;
- Поставка более 17-ти миллионов наименований электронных компонентов;
- Поставка сложных, дефицитных, либо снятых с производства позиций;
- Оперативные сроки поставки под заказ (от 5 рабочих дней);
- Экспресс доставка в любую точку России;
- Техническая поддержка проекта, помощь в подборе аналогов, поставка прототипов;
- Система менеджмента качества сертифицирована по Международному стандарту ISO 9001;
- Лицензия ФСБ на осуществление работ с использованием сведений, составляющих государственную тайну;
- Поставка специализированных компонентов (Xilinx, Altera, Analog Devices, Intersil, Interpoint, Microsemi, Aeroflex, Peregrine, Syfer, Eurofarad, Texas Instrument, Miteq, Cobham, E2V, MA-COM, Hittite, Mini-Circuits, General Dynamics и др.);

Помимо этого, одним из направлений компании «ЭлектроПласт» является направление «Источники питания». Мы предлагаем Вам помощь Конструкторского отдела:

- Подбор оптимального решения, техническое обоснование при выборе компонента;
- Подбор аналогов;
- Консультации по применению компонента;
- Поставка образцов и прототипов;
- Техническая поддержка проекта;
- Защита от снятия компонента с производства.



Как с нами связаться

Телефон: 8 (812) 309 58 32 (многоканальный)

Факс: 8 (812) 320-02-42

Электронная почта: org@eplast1.ru

Адрес: 198099, г. Санкт-Петербург, ул. Калинина, дом 2, корпус 4, литера А.