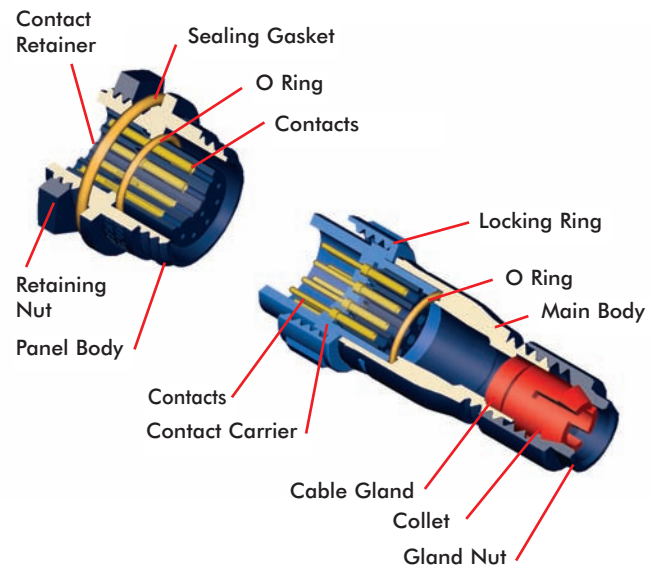


400 Series Buccaneer®

IP68

BUCCANEER POWER

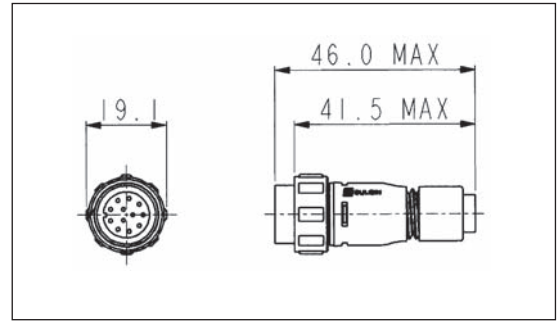
- Sealed to IP68 when mated
- IP68 rating tested at 1.054kg/sq cm (15lb/sq in) 10m depth for 2 weeks
- 2 and 3 pole - 8A, 250V rating
- 4, 6 and 8 pole - 5A, 125V rating
- 10 and 12 pole - 1A, 50V rating
- 2.5mm contact engagement for electrical integrity
- 'Scoop proof' contacts
- Contact inserts are part of body moulding
- Cable range from 3 to 7mm
- Overall length (flex + flex in-line) 80mm
- Gold plated contacts
- Diameter over coupling ring 19.1mm
- Pre-wired, overmoulded cable assemblies
- Flex, Flex In-Line, Front Panel, Rear Panel and PCB mounting body styles
- Plug and Socket versions in all body styles
- Flame Retardant moulding material - Polyamide UL94-V0
- Contacts supplied separately (except PCB versions)
- Sealing caps available to maintain IP68 rating
- Secure sealing system
- Crimp and solder contacts
- PCB mounting connector supplied with contacts pre-loaded
- Front and rear panel mounting panel connectors
- UL, CSA and VDE approvals

400 Series Buccaneer

FLEX CABLE CONNECTOR



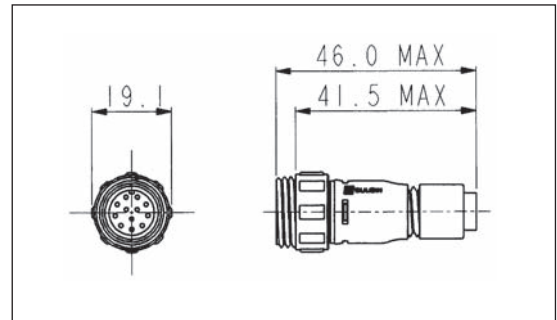
- Mates with Flex In-line or Panel mounting versions PX0401, PX0411, PX0412 & PX0413
- Pin or socket
- 2, 3, 4, 6, 8, 10 or 12 pole
- Screw locking ring
- Contacts supplied separately



IN-LINE FLEX CABLE CONNECTOR



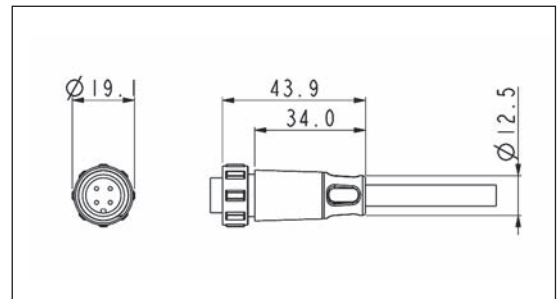
- Mates with Flex Cable connectors PX0400, PX0402 & PX0410
- Pin or socket
- 2, 3, 4, 6, 8, 10 or 12 pole
- For in-line cable connection
- Contacts supplied separately



PRE-WIRED FLEX CONNECTOR



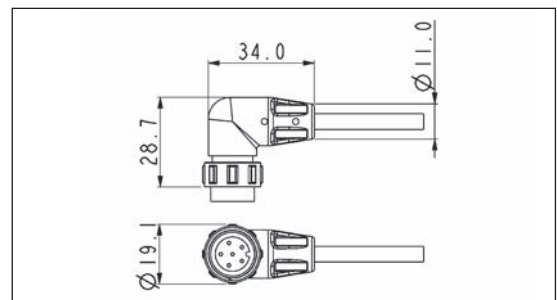
- Overmoulded Flex connector for pre-wired cable assemblies
- Pin or socket
- Cable range 2.5 - 9.0mm o/d
- 2, 3, 4, 6, 8, 10 or 12 pole
- Mates with PX0401 & PX0411 Flex In-Line connectors and PX0412 & PX0413 panel mounting connectors



PRE-WIRED FLEX CONNECTOR



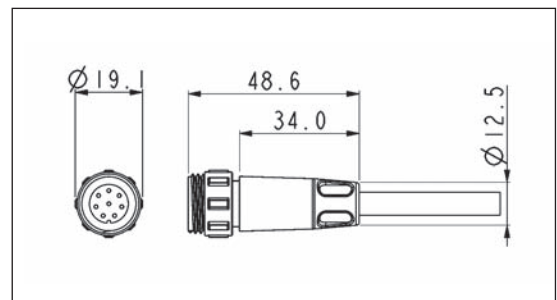
- Right-angled overmoulded Flex connector for pre-wired cable assemblies
- Pin or socket
- Cable range 2.5 - 9.0mm o/d
- 2, 3, 4, 6, 8, 10 or 12 pole
- Mates with PX0401 & PX0411 Flex In-Line connectors and PX0412 & PX0413 panel mounting connectors



PRE-WIRED IN-LINE FLEX CONNECTOR



- Overmoulded Flex connector for pre-wired cable assemblies
- Pin or socket
- Cable range 2.5 - 9.0mm o/d
- 2, 3, 4, 6, 8, 10 or 12 pole
- Mates with PX0400, PX0402 & PX0410 Flex connectors

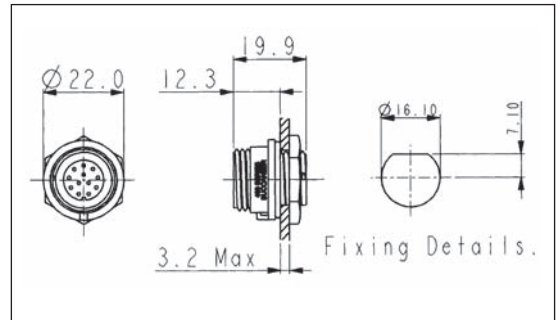


400 Series Buccaneer

FRONT PANEL MOUNTING CONNECTOR



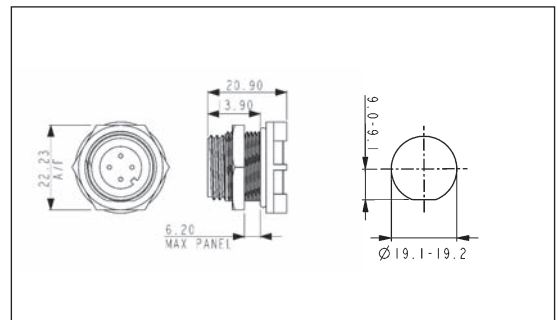
- Mates with Flex Cable connectors PX0410, PX0400 & PX0402
- Front Panel mounting
- Single hole fixing
- Contacts supplied separately
- 2, 3, 4, 6, 8, 10 or 12 pole



REAR PANEL MOUNTING CONNECTOR



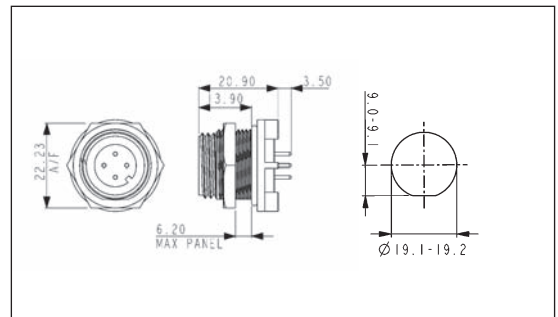
- Mates with Flex Cable connector PX0410, PX0400 & PX0402
- Rear Panel mounting
- Single hole fixing
- Contacts supplied separately
- 2, 3, 4, 6, 8, 10 or 12 pole



PCB MOUNTING CONNECTOR



- Mates with Flex Cable connector PX0410, PX0400 & PX0402
- PCB Rear Panel mounting
- Straight PC spills
- Supplied with pre-loaded gold plated contacts
- 2, 3, 4, 6, 8, 10 or 12 pole



SEALING CAPS AND ACCESSORIES



- Maintains IP68 Rating of Unmated Connectors
- PX0480: Fits PX0412 (panel mounting)
- PX0480/1: Fits PX0401 & PX0411 (flex in-line)
- PX0481: Fits PX0400, PX0402 & PX0410 (flex connector)
- PX0484: Fits PX0413 (PCB and rear panel mount)

GLAND PACKS

Part No	Description
PX0482	Pack of 4 pairs cable glands and collets to suit cables from 3.0 to 5.0mm diameter.
PX0483	Pack of 4 pairs cable glands and collets to suit cables from 5.0 to 7.0mm diameter.

400 Series Buccaneer

CRIMP CONTACTS

Pole	Current Rating	Pin	Socket	Pack Qty	Cable Acceptance (dia)
2, 3	8A	SA3350	SA3349	10	20 - 24 AWG
4, 6, 8	5A	SA3348	SA3347	10	22 - 26 AWG
10, 12	1A	SA3180	SA3179	10	24 - 28 AWG

SOLDER CONTACTS

Pole	Current Rating	Pin	Socket	Pack Qty	Cable Acceptance (dia)
2, 3	8A	SA3350/1	SA3349/1	10	20 - 24 AWG
4, 6, 8	5A	SA3348/1	SA3347/1	10	22 - 26 AWG
10, 12	1A	SA3180/1	SA3179/1	10	24 - 28 AWG

CONTACT INSERTION TOOLS

	Poles	Contact rating	Colour	Part No
Insertion/Extraction Tool	2,3	8A	Blue	13027/2
Insertion/Extraction Tool	4,6,8	5A	Red	13027/1
Insertion/Extraction Tool	10,12	1A	Green	13027

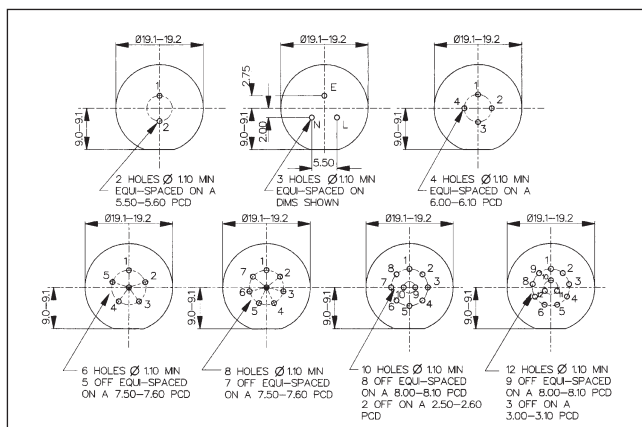
CRIMP TOOLS

	Pole	Contact rating	Colour	Part No
Positioner	2,3	8A	Blue	14025/8AMP
Positioner	4,6,8	5A	Red	14025/5AMP
Positioner	10,12	1A	Green	14025/1AMP
8 Indent Crimp Tool for use with positioners				14025

PCB CONTACT LAYOUT

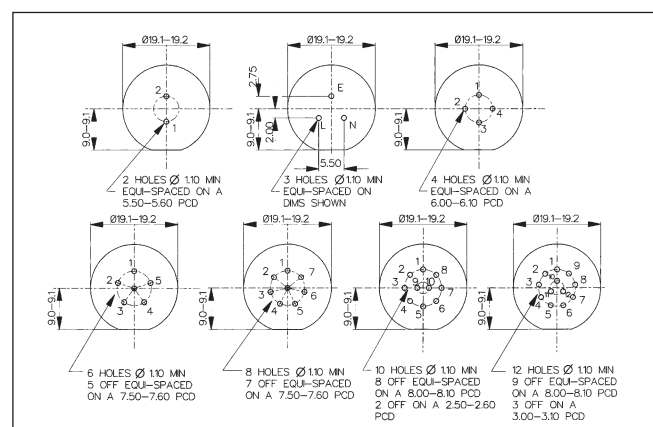
Sockets

Contact numbers viewed from rear of panel

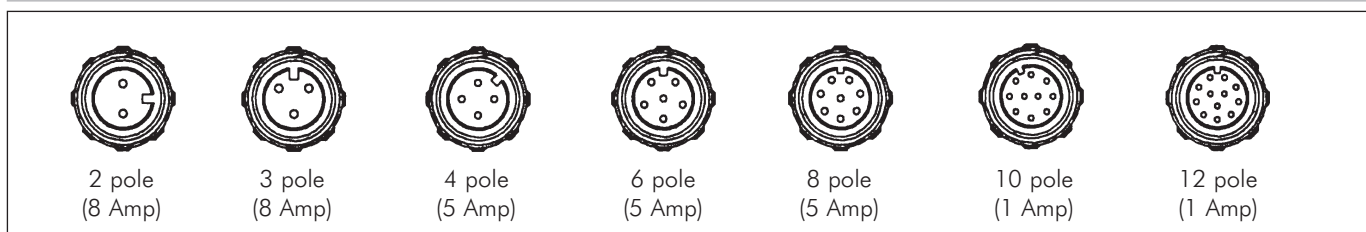


Plugs

Contact numbers viewed from rear of panel







CONTACT LAYOUT




SPECIFICATION

Electrical:

Poles:	2, 3	4, 6, 8	10, 12
Current Rating:	8A	5A	1A
Voltage Rating:	250Vac/dc	125Vac/dc	50Vac/dc
Contact Resistance:	<5mΩ		
Insulation Resistance:	>10 ⁶ MΩ (@ 500V d.c.)		
AC Breakdown Voltage:	2.5kV		
Operating Temperature:	-40°C to +80°C		
Flex and panel types	-20°C to +85°C		
Overmoulded			
Approvals:			
UL: 	E214972		
CSA: 	1273303		
VDE: 	40002226		
CCC: 	Pending		

Overmoulded cable assemblies approvals to customer requirements.

Material:

Flex and panel types:	
Body Mouldings:	Polyamide
Flammability Rating:	UL94V-0
UV Resistance:	To EN 50021:1999
Overmoulded types:	
Body Mouldings:	Polyurethane
Flammability Rating:	UL94V-HB
Contacts:	Copper alloy, Gold plated
O Rings:	Nitrile
Panel Sealing O Ring:	Nitrile
	Compliant

Mechanical:

Sealing:	IP68, EN 60529 tested @ 1.054kg/sq cm (15lb/sq in) 10m depth for 2 weeks						
Cable Acceptance:	3.0 - 7.0mm						
Contact Accommodation:	2, 3 pole, 20 - 24 AWG 4, 6, 8 pole, 22 - 26 AWG 10, 12 pole, 24 - 28 AWG						
Termination:	Crimp, solder and PCB						
Insertion/Withdrawal Force:							
No. poles:	2	3	4	6	8	10	12
Insertion Force (typ):	19N	25N	27N	27N	28N	55N	62N
Withdrawal Force (typ):	12N	17N	17N	21N	22N	25N	29N
Tightening Torques:							
Panel mount (PX0412)	1.0-1.1Nm (9lbf.in.)						
Rear fixing nut:	1.0-1.1Nm (9lbf.in.)						
Panel mount (PX0413)	1.0-1.1Nm (9lbf.in.)						
Front fixing nut:	1.0-1.1Nm (9lbf.in.)						
Cable Retention force:							
3mm dia	60N						
4.7mm dia	80N						
Rear panel thread PX0412:	M16x1.5						
Panel thread PX0413:	18.97x26TPI Whitworth form to BS84 med fit						

Dimensions:

Overall dimensions of connectors when mated together	
Flex + Flex In-Line	80mm
Dia. over coupling ring	19.1mm

400 Series Buccaneer

PART NO. SYSTEM

PX04xx / xx x / xxxx

Body Styles

- PX0410** = Flex body
- PX0411** = Flex in-line body
- PX0412** = Front panel mounting body
- PX0413** = Rear panel/PCB mounting body

Number Contacts

- 02** = 2 pole, **03** = 3 pole, **04** = 4 pole, **06** = 6 pole
- 08** = 8 pole, **10** = 10 pole, **12** = 12 pole

Contact Type

- P** = Pin, **S** = Socket

For PX0410 and PX0411 cable connectors - Cable Entry Size:

- | | |
|--|------------------------------------|
| 3035 = 3.0 - 3.5mm (Light Grey) | 5055 = 5.0 - 5.5mm (Yellow) |
| 3540 = 3.5 - 4.0mm (Grey) | 5560 = 5.5 - 6.0mm (Blue) |
| 4045 = 4.0 - 4.5mm (Green) | 6065 = 6.0 - 6.5mm (White) |
| 4550 = 4.5 - 5.0mm (Red) | 6570 = 6.5 - 7.0mm (Black) |

Cable gland and collet supplied in colour coded pairs.

For PX0413 PCB/Rear Panel Mount:

- PC** = Pre-loaded PC pins
- Blank** = no pins supplied

For PX0412 Front Panel Mount:

Suffix not required - leave blank

ORDERING INFORMATION

- Determine body style, i.e. PX0410 = flex body, PX0411 = flex in-line body.
- Determine number of contacts & type, i.e. 02 = 2 way, P = pin contacts.
- Determine cable range, i.e. 3035 = 3.0 to 3.5mm cable accommodation, not required for PX0412 or PX0413 (panel connectors).
- Choose appropriate contacts pack, i.e. SA3350 = pin contacts suitable for 2 & 3 way connectors, supplied in pack quantities of 10. Not needed for PX0413/PC as pre-loaded.
- Is a sealing cap required?
- Is an insertion tool required?
- Is a crimp tool required?

Examples:

- PX0410/10S/4045 = Flex cable connector, 10 socket contacts with gland and collet for cables between 4.0 and 4.5mm diameter (supplied less contacts).
- PX0412/08P = Front panel mounting connector, 8 pin contacts (supplied less contacts.)
- PX0413/06P = Rear panel mounting connector, for 6 pin contacts (supplied less contacts).
- PX0413/04P/PC = Rear panel/PCB connector, 4 pin contacts, PCB mounting (supplied with contacts loaded).



Компания «ЭлектроПласт» предлагает заключение долгосрочных отношений при поставках импортных электронных компонентов на взаимовыгодных условиях!

Наши преимущества:

- Оперативные поставки широкого спектра электронных компонентов отечественного и импортного производства напрямую от производителей и с крупнейших мировых складов;
- Поставка более 17-ти миллионов наименований электронных компонентов;
- Поставка сложных, дефицитных, либо снятых с производства позиций;
- Оперативные сроки поставки под заказ (от 5 рабочих дней);
- Экспресс доставка в любую точку России;
- Техническая поддержка проекта, помощь в подборе аналогов, поставка прототипов;
- Система менеджмента качества сертифицирована по Международному стандарту ISO 9001;
- Лицензия ФСБ на осуществление работ с использованием сведений, составляющих государственную тайну;
- Поставка специализированных компонентов (Xilinx, Altera, Analog Devices, Intersil, Interpoint, Microsemi, Aeroflex, Peregrine, Syfer, Eurofarad, Texas Instrument, Miteq, Cobham, E2V, MA-COM, Hittite, Mini-Circuits, General Dynamics и др.);

Помимо этого, одним из направлений компании «ЭлектроПласт» является направление «Источники питания». Мы предлагаем Вам помощь Конструкторского отдела:

- Подбор оптимального решения, техническое обоснование при выборе компонента;
- Подбор аналогов;
- Консультации по применению компонента;
- Поставка образцов и прототипов;
- Техническая поддержка проекта;
- Защита от снятия компонента с производства.



Как с нами связаться

Телефон: 8 (812) 309 58 32 (многоканальный)

Факс: 8 (812) 320-02-42

Электронная почта: org@eplast1.ru

Адрес: 198099, г. Санкт-Петербург, ул. Калинина, дом 2, корпус 4, литера А.