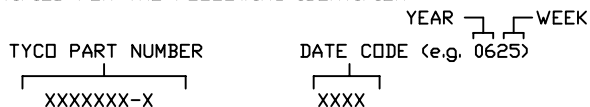


This drawing involves proprietary design rights of Tyco Electronics Corporation, and all design, manufacture, reproduction, use and sale rights regarding the same are expressly reserved. It is submitted for a specific purpose and the recipient by accepting this drawing, assumes custody and control and agrees to take reasonable precautions: (a) that this drawing will not be copied and reproduced in whole or in part, or its contents revealed in any manner, or to any person except to meet the purpose for which it was delivered and (b) that any special features peculiar to this design will not be incorporated in other projects without the expressed written permission of Tyco Electronics Corporation.

8. REFERENCE ELCON PART NUMBER 261-0006-01100.
7. SEE DRAWING C-1648167 FOR MATING SOCKET CONNECTOR.
6. ITEMS PROVIDED TO THIS SPECIFICATION TO BE PERMANENTLY IDENTIFIED PER THE FOLLOWING IDENTIFIER:



5. ALL DIMENSIONS SHOWN ACROSS A CENTERLINE (∅) SHALL BE CENTRALIZED WITHIN THE TOLERANCE INDICATED FOR THAT DIMENSION.
4. A REFERENCE DIMENSION (.XXX) IS WITHOUT TOLERANCE AND USED FOR INFORMATION PURPOSE ONLY.

3 RECOMMENDED MOUNTING HARDWARE TO BE ORDERED SEPARATELY.

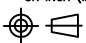
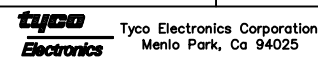

- FOR PANEL MOUNTING, USE
 - 1650402-1: SHOULDER SCREW, #8-32
 - 1650106-1: SHOULDER SCREW, #6-32
 - 1650589-1: SHOULDER SCREW, M4X0.7
- FOR PCB MOUNTING, USE COMMERCIALY AVAILABLE SCREW AND WASHER (IF REQUIRED).

2. MATERIALS:
- HOUSING: THERMOPLASTIC, GLASS REINFORCED, COLOR-BLACK
UL94V-0 FLAMMABILITY RATED.
- RETENTION CLIP: COPPER ALLOY OR STAINLESS STEEL

1. PART NUMBER CHANGES AND OR DESIGN CHANGES AFFECTING ITEM INTERCHANGEABILITY REQUIRE PRIOR TYCO APPROVAL AND AUTHORIZATION BY REVISION TO THIS DRAWING.

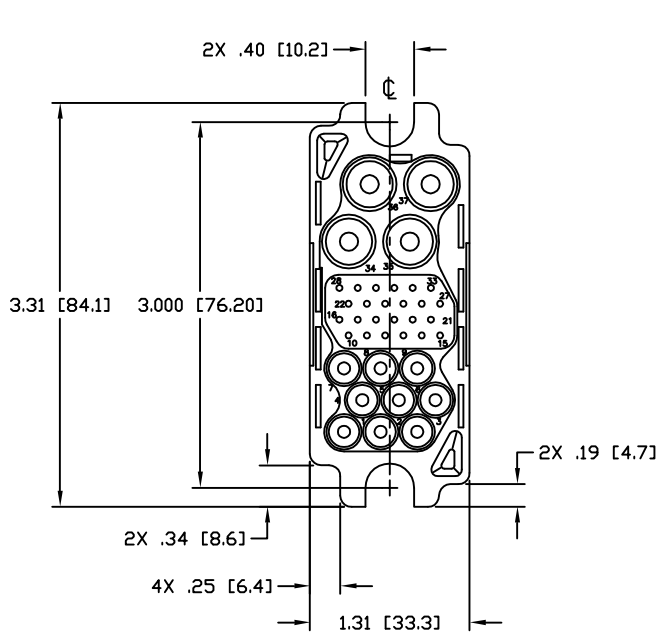
NOTES: UNLESS OTHERWISE SPECIFIED

REVISIONS			
EC	REV	DESCRIPTION	DATE
CPR	A	NEW RELEASE, PREVIOUSLY CUD 299-313	03/29/06

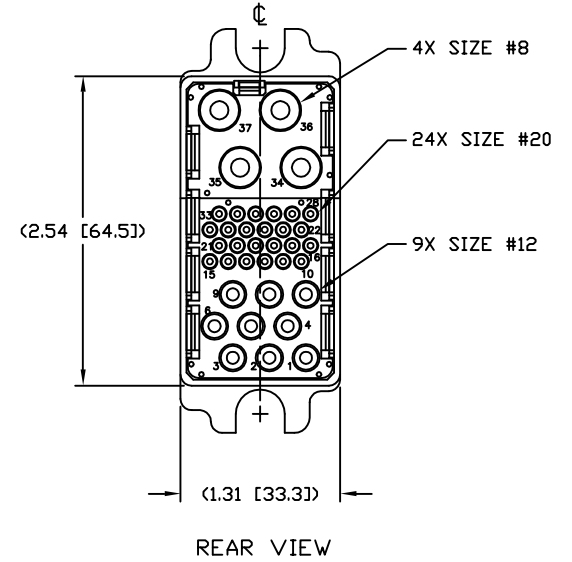
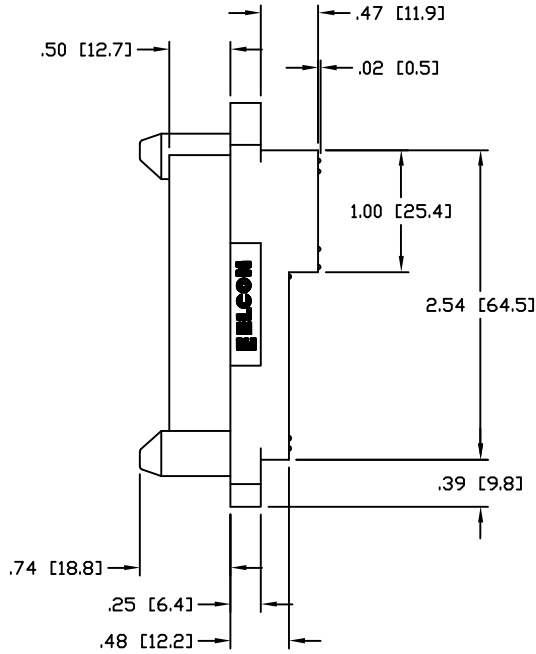
<small>INCH OR INCH (MM)</small> <small>MM</small>  <small>THIRD ANGLE PROJECTION</small> <small>UNLESS OTHERWISE SPECIFIED DIMENSIONS ARE IN INCHES (METRIC)</small> <small>TOLERANCES</small> <small>ANGLES ± .5°</small> <small>DECIMALS</small> <small>.XXX ± .010 (.25)</small> <small>.XX ± .02 (.3)</small>	<small>DRAWN</small> HA NGUYEN	<small>DATE</small> 03/29/06	 	
	<small>CHECKED</small>		<small>PART NUMBER</small> 1648162-1	<small>DESCRIPTION</small> AS SHOWN
	<small>APPROVED</small>		<small>TITLE</small> CONNECTOR, PIN HOUSING 4X#8, 24X#20, 9X#12, FLOAT MOUNT 75A MIDDLE DRAWER (CRIMP STYLE)	
	<small>APPROVED</small> STEVE FLICKINGER	03/29/06	<small>SIZE</small> B	<small>DWG NUMBER</small> C= 1648162
	<small>DCA APPROVED</small> HA NGUYEN	03/29/06		
	<small>ACAD FILE NUMBER</small> C1648162A.DWG		<small>DWG SCALE 1=1 SH 1 OF 3</small>	

This drawing involves proprietary design rights of Tyco Electronics Corporation, and all design, manufacture, reproduction, use and sale rights regarding the same are expressly reserved. It is submitted for a specific purpose and the recipient by accepting this drawing, assumes custody and control and agrees to take reasonable precautions: (a) that this drawing will not be copied and reproduced in whole or in part, or its contents revealed in any manner, or to any person except to meet the purpose for which it was delivered and (b) that any special features peculiar to this design will not be incorporated in other projects without the expressed written permission of Tyco Electronics Corporation.

REVISIONS			
EC	REV	DESCRIPTION	DATE
		SEE SHEET 1	



FRONT VIEW

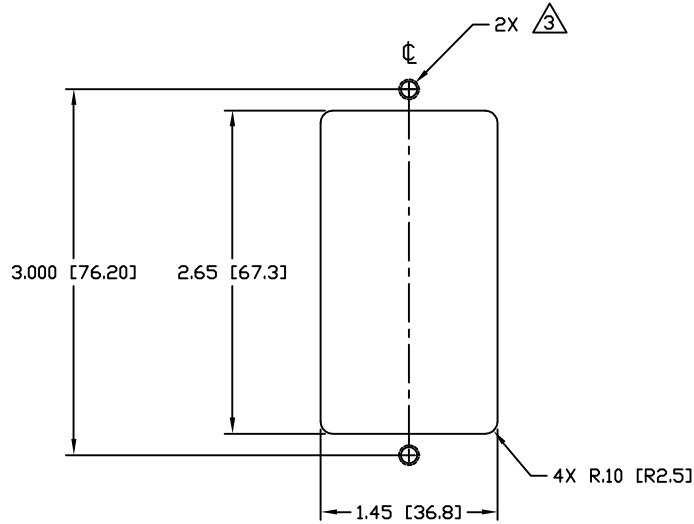


REAR VIEW

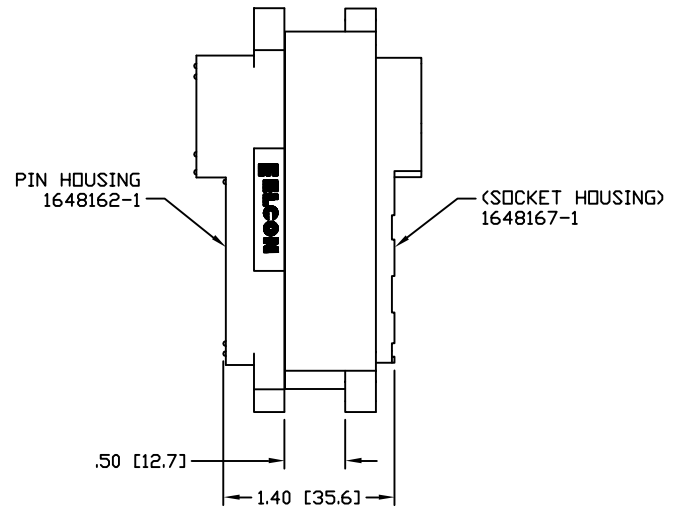
INCH OR INCH (MM) THIRD ANGLE PROJECTION UNLESS OTHERWISE SPECIFIED DIMENSIONS ARE IN INCHES (METRIC) TOLERANCES ANGLES ± .5' DECIMALS .XXX ± .010 (.25) .XX ± .02 (.3)	DRAWN	DATE	Tyco Electronics Corporation Menlo Park, Ca 94025 	TITLE CONNECTOR, PIN HOUSING 4X#8, 24X#20, 9X#12, FLOAT MOUNT 75A MIDDLE DRAWER (CRIMP STYLE)	SIZE DWG NUMBER B C= 1648162	REV. A
	HA NGUYEN	03/29/06				
	CHECKED					
	APPROVED					
	APPROVED	DATE				
	STEVE FLICKINGER	03/29/06				
	DCA APPROVED					
	HA NGUYEN	03/29/06				
	ACAD FILE NUMBER	C1648162A.DWG		DWG SCALE	1=1	SH 2 OF 3

This drawing involves proprietary design rights of Tyco Electronics Corporation, and all design, manufacture, reproduction, use and sale rights regarding the same are expressly reserved. It is submitted for a specific purpose and the recipient by accepting this drawing, assumes custody and control and agrees to take reasonable precautions: (a) that this drawing will not be copied and reproduced in whole or in part, or its contents revealed in any manner, or to any person except to meet the purpose for which it was delivered and (b) that any special features peculiar to this design will not be incorporated in other projects without the expressed written permission of Tyco Electronics Corporation.

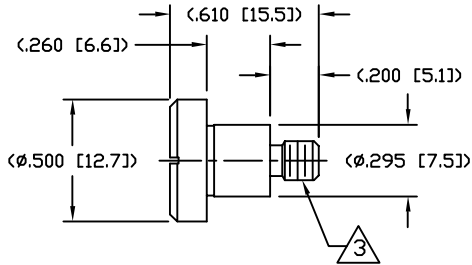
REVISIONS			
EC	REV	DESCRIPTION	DATE
		SEE SHEET 1	



RECOMMENDED PANEL CUTOUT
AS VIEWED FROM CONNECTOR MOUNTING SIDE
(FRONT VIEW)



MATED CONDITION



SHOULDER SCREW
SCALE 2:1
SHOWN FOR REFERENCE ONLY

INCH OR INCH (MM) THIRD ANGLE PROJECTION UNLESS OTHERWISE SPECIFIED DIMENSIONS ARE IN INCHES (METRIC) TOLERANCES ANGLES $\pm .5^\circ$ DECIMALS .XXX $\pm .010 (.25)$.XX $\pm .02 (.3)$	DRAWN HA NGUYEN	DATE 03/29/06	 Tyco Electronics Corporation Menlo Park, Ca 94025 	
	CHECKED			TITLE
	APPROVED		APPROVED	USER INFORMATION RECOMMENDED PANEL CUTOUT AND MATED CONDITION
	APPROVED STEVE FLICKINGER	03/29/06	APPROVED DCA APPROVED HA NGUYEN	
ACAD FILE NUMBER C1648162A.DWG	SIZE B		DWG NUMBER C = 1648162	REV. A
DWG SCALE 1=1			SH 3 OF 3	



Компания «ЭлектроПласт» предлагает заключение долгосрочных отношений при поставках импортных электронных компонентов на взаимовыгодных условиях!

Наши преимущества:

- Оперативные поставки широкого спектра электронных компонентов отечественного и импортного производства напрямую от производителей и с крупнейших мировых складов;
- Поставка более 17-ти миллионов наименований электронных компонентов;
- Поставка сложных, дефицитных, либо снятых с производства позиций;
- Оперативные сроки поставки под заказ (от 5 рабочих дней);
- Экспресс доставка в любую точку России;
- Техническая поддержка проекта, помощь в подборе аналогов, поставка прототипов;
- Система менеджмента качества сертифицирована по Международному стандарту ISO 9001;
- Лицензия ФСБ на осуществление работ с использованием сведений, составляющих государственную тайну;
- Поставка специализированных компонентов (Xilinx, Altera, Analog Devices, Intersil, Interpoint, Microsemi, Aeroflex, Peregrine, Syfer, Eurofarad, Texas Instrument, Miteq, Cobham, E2V, MA-COM, Hittite, Mini-Circuits, General Dynamics и др.);

Помимо этого, одним из направлений компании «ЭлектроПласт» является направление «Источники питания». Мы предлагаем Вам помощь Конструкторского отдела:

- Подбор оптимального решения, техническое обоснование при выборе компонента;
- Подбор аналогов;
- Консультации по применению компонента;
- Поставка образцов и прототипов;
- Техническая поддержка проекта;
- Защита от снятия компонента с производства.



Как с нами связаться

Телефон: 8 (812) 309 58 32 (многоканальный)

Факс: 8 (812) 320-02-42

Электронная почта: org@eplast1.ru

Адрес: 198099, г. Санкт-Петербург, ул. Калинина, дом 2, корпус 4, литера А.