

Amphenol® Cable Glands and Cord Grips

12-055-1



Amphenol



Table of Contents

| | Page Number |
|---|-------------|
| Introduction | 1 |
| Amphenol® Cable Glands | 2-3 |
| ATEX Approved Glands Featuring Elastometric Seals | |
| EX-20 | 4-5 |
| EX-25 | 6-7 |
| EE-30 | 8-9 |
| EX-35 | 10-11 |
| EX-40 | 12-13 |
| EX-45 | 14-15 |
| EE-RG | 16-17 |
| ATEX Approved Glands Featuring Elastometric Seals for Flat Cable | |
| EX-50 | 18-19 |
| EX-55 | 20-21 |
| ATEX Approved Barrier Glands | |
| EX-60 | 22-23 |
| EX-65 | 24-25 |
| EX-70 | 26-27 |
| EX-75 Stopper Box | 28-29 |
| Industrial Glands | |
| CGA | 30-31 |
| CGSS | 32-33 |
| CGDS | 34-35 |
| CGU | 36-37 |
| Accessories | |
| ARAdaptors & Reducers | 38-39 |
| Nylon Adaptors & Reducers | 40-41 |
| Insulated Adaptors | 42-43 |
| Mushroom Head Stopping Plugs | 44-45 |
| Nylon Mushroom Head Stopping Plugs | 46-47 |
| Type A & Type B Stopping Plugs | 48-49 |
| Breather Drain | 50-51 |
| Locknuts, Earth Tags, etc. | 52 |
| Entry Thread Reference Tables | 53 |
| Ingress Protection, Gland Weight Data | 54 |
| Amphenol®/Pyle® Cord Grips | 55 |
| Cord Grip Specifications | 56-57 |
| DB/DBM Group | 58-59 |
| DBZ Group | 60-61 |
| DBL/DBZL Group | 62-63 |
| DBA Group | 64-65 |
| DBF Group, Flared Nipples | 66-67 |
| DBZP Series | 68-69 |
| Grommets | 70-71 |
| Accessories | 72-73 |
| Additional Amphenol® Industrial Products | 74-75 |
| Amphenol Sales Offices and Distributors Listing | 76 |

For further information on your individual application requirements, contact:

Amphenol Corporation
 Amphenol Industrial Operations
 40-60 Delaware Avenue
 Sidney, New York 13838-1395

Phone: 607-563-5011 Fax: 607-563-5351

View and download or print Amphenol catalogs on-line at: www.amphenol-industrial.com

Amphenol operates quality systems that are certified to ISO 9001:2000 by third party registrars.

For product specific questions regarding RoHS compliance, consult Amphenol Industrial Operations, or call the RoHS Product Compliance and Technical Support line: 1-866-315-8559

Amphenol® Cable Glands and Cord Grips

Amphenol Industrial offers more choices, more solutions, and more options than any other interconnect manufacturer in the world. In addition to the broadest range of connector solutions in the market, we also offer an extensive line of Explosion Proof and General Duty Cable Glands. We also carry a complete line of liquid tight strain-relief products in our Cord Grip line of performance cable seals. Our combination of Glands and Cord Grips makes Amphenol Industrial the one stop supplier for all your connector and cable sealing solutions.

Cable Glands

Amphenol Industrial Operations, the worldwide leader of explosion proof and hazardous environment interconnects, introduces our broad range of explosion proof and industrial cable glands. The new Cable Gland product line is designed to perform in the most demanding environments. Amphenol's complete line of EX Zone 1 and 2 rated cable glands offers our customers great flexibility. In addition, we have a complete line of general duty industrial application cable glands suitable for armored and unarmored cable.

- SIRI/ATEX certified to Exd/Exe (Class I, Div. I)
- CSA Approved
- IP66/68; Deluge; NEMA rated products
- Temperature Ranges from -40°F to +180°F
- Brass and Stainless Steel available.



Amphenol Cable Glands are RoHS Compliant.



Cord Grips

Whether you need a straight, 45°, or 90° strain relief, Amphenol's family of cord Grips has you covered. Strong, lightweight aluminum components provide a long lasting, reliable liquid tight solution. Amphenol Industrial Cord Grips offer a complete line of strain relief options that include gland nuts, mechanical clamps and basketweave cable grips. UL and CSA listed, our Cord Grips have been put to the test for over 40 years.

- Tapered rubber grommets and seal
- Machined Components
- Male and female threads available
- Tapered conduit threads



Amphenol Cord Grips are available with RoHS Compliant options. Please contact Amphenol Industrial Operations for information.



Amphenol Explosion Proof and Industrial Cable Glands

This section will provide you with information on Amphenol's complete family of cable glands, and will assist you in determining which of our glands will satisfy your specific need. If you have further questions, please contact our factory or one of the Amphenol Industrial distributors listed in the back of this catalog.

Amphenol Industrial Operations, the recognized leader in explosion proof and hazardous environment interconnects, offers a complete line of Industrial and Explosion Proof Glands. Whether part of an integrated connector solution, or as part of a bulkhead feed through, Amphenol has the solution you are looking for. Our product range includes general duty industrial cable glands meant to seal on unarmored cable, right up to our ATEX approved EX glands capable of protecting the most rugged cable in your zone rated applications.

Our EX Approved Glands also provide a complete zone rated interconnect solution when used in conjunction with our ATEX approved Star-Line EX explosion proof connector series. For additional information on the Star-Line EX product, consult Amphenol catalog 12-054.

Features & Benefits

ATEX and CSA Certified: Approved to perform in the most hazardous environments.

Variety of Styles: Cable glands available to accommodate any cable type.

IP Ratings Included: Watertight seals allow for both indoor and outdoor applications.

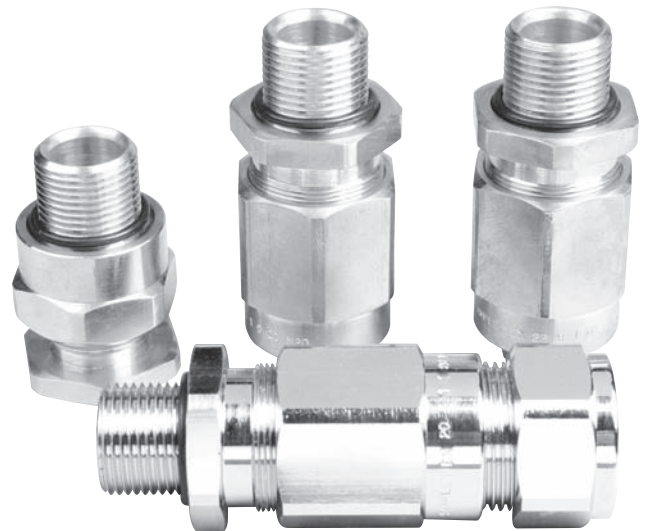
Machined Components made from brass and stainless steel.

Complete Line of Accessories: Including locknuts, washers, and earth tags.

Entry Thread Flexibility: Both metric and NPT threads available on most styles.

Applications

- Oil and Gas Exploration Equipment
- Machine and Heavy Electronics
- Pharmaceutical Manufacturing Facilities
- Production Platforms
- Chemical and Paint Manufacturing Facilities
- Robotics and Welding Equipment
- Process Control Equipment
- Motors and Generators



Cable Gland Selection Guide

This table is designed to be a quick reference to the cable glands found in this publication.

| Gland Type | Outer Seal | Inner Seal | Lead Option | Armor Clamp | Certification | IP Rating | Page Number |
|---|------------|------------|-------------|-------------|----------------------|--------------------------------|-------------|
| ATEX/CSA Approved Glands with Elastomeric Seals | | | | | | | |
| EX-20 | ✓ | ✓ | ✓ | ✓ | Exd/Exe | Deluge, IP66, 68 NEMA, 4X | 4 |
| EX-25 | ✓ | ✓ | ✓ | ✓ | Exd/Exe (Not CSA) | IP66, IP67 | 6 |
| EE-30 | ✓ | × | ✓ | × | Exe (Not CSA) | IP66 | 8 |
| EX-35 | ✓ | × | × | × | Exd/Exe | IP66 IP68 NEMA 4X | 10 |
| EX-40 | ✓ x2 | × | × | × | Exd/Exe | IP66 IP68 NEMA 4X | 12 |
| EX-45 | ✓ | × | × | × | Exd/Exe | IP66 IP68 NEMA 4X | 14 |
| EE-RG | ✓ | × | × | × | Exe | IP66 IP68 | 16 |
| ATEX/CSA Approved Glands with Elastomeric Seals for Flat Cable | | | | | | | |
| EX-50 | Flat Cable | Flat Cable | × | Braid | Exd/Exe | IP66 | 18 |
| EX-55 | Flat Cable | × | × | × | Exd/Exe | IP68 | 20 |
| ATEX Approved Compound Filled Barrier Glands | | | | | | | |
| EX-60 | ✓ | Compound | ✓ | ✓ | Exd | Deluge, IP66, IP68 NEMA, 4X | 22 |
| EX-65 | Compound | Compound | ✓ | × | Exd | Deluge, IP66, IP68 NEMA, 4X | 24 |
| EX-70 | ✓ | Compound | ✓ | × | Exd | Deluge, IP66, IP68 NEMA, 4X | 26 |
| EX-75 (stopper box) | × | Compound | × | × | Exd | Deluge, IP66, IP68 NEMA, 4X | 28 |
| Non Hazardous Industrial Glands | | | | | | | |
| CGA | × | × | × | ✓ | Industrial (BS6121) | IP30 | 30 |
| CGSB | ✓ | × | × | ✓ | Industrial | IP66 | 32 |
| CGDS | ✓ | ✓ | ✓ | ✓ | Industrial | IP67 | 34 |
| CGU | ✓ | × | ✓ | × | Industrial | IP66, IP66 | 36 |

EX-20

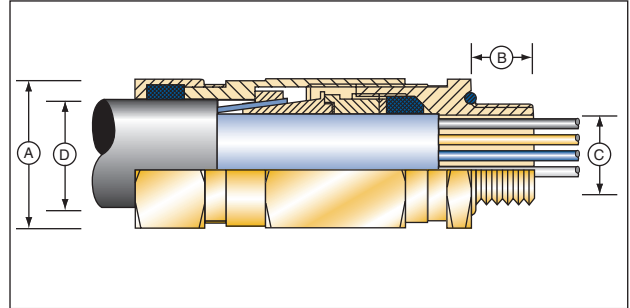
EX-20 type glands provide a seal on the inner sheath, a seal on the outer sheath, an entry thread seal and a universal armor clamp for armored cable. The armor clamp provides an electrical bond between the cable armor and the gland. EX-20 glands can also be used to terminate unarmored or lead sheathed cables. EX-20 type glands maintain Flameproof Exd and Increased Safety Exe methods of explosion protection; IP66, 68 to 25 meters and is deluge resistant. An integral 'O' ring entry thread seal is fitted to metric versions as standard.

EXAMPLE PART NUMBER

EX-20 [W] [X] [Y] [R] [YY] [ZZ]

- W** - Gland material (B = Brass / S = Stainless Steel)
X - Seal Material (1 = Neoprene / 3 = Silicone)
Y - Plating (0 = No Plating / 1 = Nickel / 2 = Tin / 3 = Zinc / 4 = Electroless Nickel)
R - Reduced bore option
YY - Gland size (Cable Range)
ZZ - Entry thread

Sample: EX-20-B-1-0-R-20-M20



DESIGN STANDARD

EN50014:1998, EN50018:2000, EN50019:2000 & EN 50281-1-1:1998

CERTIFICATION

ATEX II 2 GD, E Exd IIC / E Exe II
CSA Exd IIC/Exe II 4X, Class 1, Zone 1

CERTIFICATE

Sira 05ATEX1120X - Ex Notified Body No. 0518
Pending

GLAND MARKING

CENELEC and ATEX

Example:

Amphenol 13838 USA EX-20-B-1-0-R-20-M20 XX Sira 05ATEX1120X  II 2GD EExdIIC / EExe II (XX = Year Code)

APPLICATION

EExd Equipment

EX-20 type glands will only maintain Flameproof Exd integrity when used with cable that is substantially round and compact with extruded bedding. The cable shall be deemed to be effectively filled. Ref: IEC60079-14:2002 Section 10.4.2

| Gas Group | Internal Ignition Source | Enclosure Volume | Which Zone | Use Type EX-20 Gland |
|---------------|--------------------------|------------------|-------------|----------------------|
| IIC, IIB, IIA | NO | Any | Zone 1 or 2 | YES |
| IIB, IIA | YES | Any | Zone 2 | YES |
| IIB, IIA | YES | 2 liters or less | Zone 1 | YES |

EExe Equipment

Gas Group II, Zones 1 and 2

Other Equipment

Ignitable Dust, Zones 21 and 22

INGRESS PROTECTION

IP66 and IP68 @ 25 meters, Enclosure Type 4X
Meets the requirements of DTS01 1991

OPERATING TEMPERATURES

Standard Seals -20°C to +85°C
Extended Seals - 60°C to +180°C (Silicone seals)

MATERIALS

Brass CZ121 (EX-20-B)
316 Stainless Steel (EX-20-S)

Inner and outer sheath material: Standard (EX-20-W-1) Neoprene, black. Option (EX-20-W-3) Silicone, white.
Reduced bore outer sheath seal (R) Silicone, red (EX-20-W-X-Y-R)

Entry thread seal: Nitrile is supplied with neoprene seal version. Silicone is supplied with silicone seal version

| THREADS |
|---|
| ISO Metric; NPT; NPS; ISO Pipe Thread (BSP Taper, BSP Parallel) |

| SEALS |
|--|
| Extended operating temperature -60°C to +180°C, halogen free versions: Brass (EX-20-B-3); 316 Stainless Steel (EX-20-S-3) |

| PLATING |
|---|
| Nickel (1); Tin (2); Zinc (3); Electroless Nickel (4) |

| ACCESSORIES |
|---|
| Locknut - Brass (EX-BLN); 316 Stainless Steel (EX-SLN) Earth Tag - Brass (EX-BET), 316 Stainless Steel (EX-SET) IP Washer - Nylon (EX-NSW); Red Fibre (EX-FSW) Serrated Lock Washer - 316 Stainless Steel (EX-SSW), Galvanised Steel (EX-GSW) Shroud - PVC (EX-PVC) |
| Gland and accessory kits: K1- includes gland, locknut, earthtag, nylon IP washer and PVC shroud |

| Gland Size | Entry Threads | | Entry Thread Length [B] | Max Across Corners [A] | Max Protrusion Length | Gland Seal Range | | | | | | Armor Acceptance Range | Shroud Size |
|------------|---------------|-----------|----------------------------|---------------------------|-----------------------|------------------------|------|------------------------|-------|-------------|------|------------------------|-------------|
| | | | | | | Cable Inner Sheath [C] | | Cable Outer Sheath [D] | | | | | |
| | Metric | NPT/BSP | | | | Min | Max | Standard | | Reduced (R) | | | |
| 16 | M20 | N1 or N2 | 16 | 28.0 | 78.0 | 3.4 | 8.4 | 9.0 | 13.5 | 6.7 | 10.3 | 0.15 - 1.25 | L24 |
| 20s | M20 | N1 or N2 | 16 | 28.0 | 78.0 | 7.2 | 11.7 | 11.5 | 16.0 | 9.4 | 12.5 | 0.15 - 1.25 | L24 |
| 20 | M20 | N1 or N2 | 16 | 33.0 | 78.0 | 9.4 | 14.0 | 15.5 | 21.1 | 12.0 | 17.6 | 0.15 - 1.25 | EL30 |
| 25 | M25 | N2 or N3 | 16 | 41.4 | 90.0 | 13.5 | 20.0 | 20.3 | 27.4 | 16.8 | 23.9 | 0.15 - 1.60 | EL38 |
| 32 | M32 | N3 or N4 | 16 | 50.6 | 105.0 | 19.5 | 26.3 | 26.7 | 34.0 | 23.2 | 30.5 | 0.15 - 2.00 | EL46 |
| 40 | M40 | N4 or N5 | 16 | 60.5 | 113.0 | 23 | 32.2 | 33.0 | 40.6 | 28.6 | 36.2 | 0.20 - 2.00 | EL55 |
| 50s | M50 | N5 or N6 | 16 | 71.5 | 125.0 | 28.1 | 38.2 | 39.4 | 46.7 | 34.8 | 42.4 | 0.30 - 2.50 | EL65 |
| 50 | M50 | N6 | 16 | 71.5 | 125.0 | 33.1 | 44.1 | 45.7 | 53.2 | 41.1 | 48.5 | 0.30 - 2.50 | EL65 |
| 63s | M63 | N6 or N7 | 19 | 88.0 | 125.0 | 39.2 | 50.1 | 52.1 | 59.5 | 47.5 | 54.8 | 0.30 - 2.50 | EL80 |
| 63 | M63 | N7 | 19 | 88.0 | 125.0 | 46.7 | 56.0 | 58.4 | 65.8 | 53.8 | 61.2 | 0.30 - 2.50 | EL80 |
| 75s | M75 | N7 or N8 | 19 | 99.0 | 131.0 | 52.1 | 62.0 | 64.8 | 72.2 | 60.2 | 68.0 | 0.30 - 2.50 | EL90 |
| 75 | M75 | N8 | 19 | 99.0 | 131.0 | 58.0 | 68.0 | 71.1 | 78.0 | 66.5 | 73.4 | 0.30 - 2.50 | EL90 |
| 80 | M80 x 2 | N8 or N9 | 25 | 115.2 | 170.0 | 62.2 | 72.0 | 77.0 | 84.0 | - | - | 0.45 - 3.15 | L104 |
| 80H | M80 x 2 | N8 or N9 | 25 | 115.2 | 170.0 | 62.2 | 72.0 | 79.6 | 90.0 | - | - | 0.45 - 3.15 | L104 |
| 85 | M85 x 2 | N8 or N9 | 25 | 115.2 | 170.0 | 69.0 | 78.0 | 79.6 | 90.0 | 75.0 | 85.4 | 0.45 - 3.15 | L104 |
| 90 | M90 x 2 | N9 or N10 | 25 | 125.7 | 170.0 | 74.0 | 84.0 | 88.0 | 96.0 | - | - | 0.45 - 3.15 | L114 |
| 90H | M90 x 2 | N9 or N10 | 25 | 125.7 | 170.0 | 74.0 | 84.0 | 92.0 | 102.0 | - | - | 0.45 - 3.15 | L114 |
| 100 | M100 x 2 | N9 or N10 | 25 | 125.7 | 170.0 | 82.0 | 90.0 | 92.0 | 102.0 | 87.4 | 97.4 | 0.45 - 3.15 | L114 |

All Dimensions are in millimeters

NOTES:

- NPT entry thread reference details on page 53.
- Gland Size does not necessarily equate to the entry thread size.
- Integral entry thread seal option is not available for glands with tapered entry threads. IP washers can be supplied if required.
- Please note that dimensions (A) and (B) may differ for glands with non-Metric entry threads. Please refer to our thread data tables for specific dimensions.
- Unless otherwise stated ISO Metric entry threads have a 1.5mm pitch.
- For Flameproof Exd applications the female thread into which the gland is to be fitted must comply with clause 5.3 of EN 50018:2000 (clause 5.3 IEC 79-1) and an engagement of at least 5 full threads must be achieved for parallel threads and should be achieved for tapered threads.
- Where EX-20 type glands are fitted into non-metallic Increased Safety Exe enclosures they must be included within the earth circuit of the system.
- The user should seek expert advice if intending to combine flammable gases and combustible dusts in one environment/installation.
- Full assembly instructions are supplied with glands, the instructions must be read prior to installation and adhered to in full.
- When used to terminate unarmored cable, the gland is suitable only for fixed installations. The cable must be clamped near the gland to prevent pulling and twisting.

EX-25

EX-25 type glands provide a seal on the inner sheath, a seal on the outer sheath and an armor specific clamp for armored cable. The armor clamp provides an electrical bond between the cable armor and the gland. EX-25 type connectors can be used to terminate lead sheath cables. EX-25 type glands maintain Flameproof Exd and Increased Safety Exe methods of explosion protection and IP66, IP67.

EXAMPLE PART NUMBER

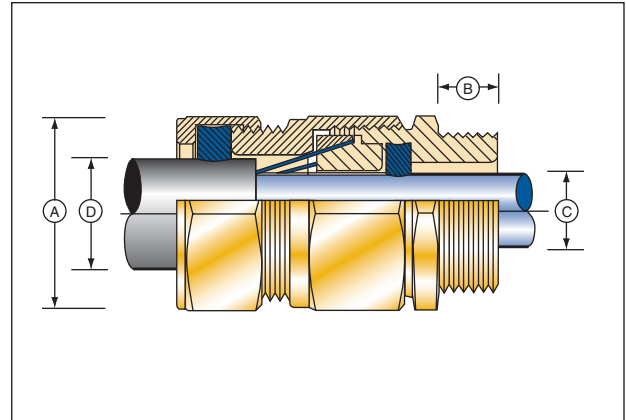
EX-25* [W] [X] [Y] [R] [YY] [ZZ]

- * - Armor Types (W = SWA / X = SWB / Z = STA)
- W** - Gland material (B = Brass / S = Stainless Steel)
- X** - Seal Material (1 = Neoprene / 3 = Silicone / 4 = No Seal)
- Y** - Plating (0 = No Plating / 1 = Nickel / 2 = Tin / 3 = Zinc / 4 = Electroless Nickel)
- R** - Reduced bore option
- YY** - Gland size (Cable Range)
- ZZ** - Entry Thread

Sample: EX-25-W-B-1-0-R-20-M20

DESIGN STANDARD

EN50014:1998, EN50018:2000, EN50019:2000 and EN 50281-1-1:1998



CERTIFICATION

ATEX II 2 GD, E Exd IIC / E Exe II

CERTIFICATE

SIRA 05ATEX1122X - Ex Notified Body No. 0518

GLAND MARKING

CENELEC and ATEX

Example:

Amphenol 13838 USA EX-25W-B-1-0-R-20-M20 XX SIRA 05ATEX1122X  II 2GD IP67 EExdIIC / EExe II (XX = Year Code)

APPLICATION

EExd Equipment

EX-25 type glands will only maintain Flameproof Exd integrity when used with cable that is substantially round and compact with extruded bedding. The cable shall be deemed to be effectively filled. Ref: IEC60079-14:2002 Section 10.4.2

| Gas Group | Internal Ignition Source | Enclosure Volume | Which Zone | Use Type EX-25 Gland |
|---------------|--------------------------|------------------|-------------|----------------------|
| IIC, IIB, IIA | NO | Any | Zone 1 or 2 | YES |
| IIB, IIA | YES | Any | Zone 2 | YES |
| IIB, IIA | YES | 2 litres or less | Zone 1 | YES |

EExe Equipment

Gas Group II, Zones 1 and 2

Other Equipment

Ignitable Dust, Zones 21 and 22

INGRESS PROTECTION

IP66 and IP67

OPERATING TEMPERATURES

Standard Seals -20°C to +80°C
Silicone Seals - 60°C to +180°C

VARIATIONS

Omission of outer seal:
Brass (EX-25*-B-4); 316 Stainless Steel (EX-25*-S-4)

MATERIALS

Brass CZ121 (EX-25*-B)
316 Stainless Steel (EX-25*-S)

SEALS

Extended operating temperature -60°C to +180°C, halogen free versions:
Brass (EX-25-B-3); 316 Stainless Steel (EX-25-S-3)

THREADS

ISO Metric; NPT; NPS; ISO Pipe Thread
(BSP Taper, BSP Parallel)

CLAMPS

SWA steel wire armor (EX-25-W)
SWB woven steel wire armor (EX-25-X)
STA steel tape armor (EX-25-Z)

PLATING

Nickel (1); Tin (2); Zinc (3); Electroless
Nickel (4)

ACCESSORIES

Locknut - Brass (EX-BLN); 316 Stainless Steel (EX-SLN)
Earth Tag - Brass (EX-BET), 316 Stainless Steel (EX-SET)
IP Washer - Nylon (EX-NSW); Red Fibre (EX-FSW)
Serrated Lock Washer - 316 Stainless Steel (EX-SSW), Galvanised Steel (EX-GSW)
Shroud - PVC (EX-PVC); PCP (EX-PCP); Low Smoke Zero Halogen (EX-LSH)

Gland and accessory kits:

K2 - includes gland, locknut, earthtag, fibre IP washer and PVC shroud

K3 - includes gland, locknut, earthtag, nylon IP washer and PCP shroud

K4 - includes brass gland, brass locknut, brass earthtag, IP washer and zero halogen shroud

| Gland Size | Entry Threads | | Entry Thread Length [B] | Max Across Corners [A] | Max Protrusion Length | Gland Seal Range | | | | | | Armour Acceptance Range | | Shroud Size |
|------------|---------------|-----------|-------------------------|------------------------|-----------------------|------------------------|------|------------------------|-------|------|------|-------------------------|-----------|-------------|
| | | | | | | Cable Inner Sheath [C] | | Cable Outer Sheath [D] | | | | | | |
| | | | | | | Standard | | Reduced (R) | | | | | | |
| | Min | Max | | | | Min | Max | Min | Max | W | XZ | | | |
| | Metric | NPT/BSP | | | | | | | | | | | | |
| 16 | M20 | N1 or N2 | 16 | 26.5 | 58.0 | 4.0 | 8.4 | 8.4 | 13.5 | 4.9 | 10.0 | 0.90 | 0.15-0.35 | L24 |
| 20s | M20 | N1 or N2 | 16 | 26.5 | 58.0 | 8.0 | 11.7 | 11.5 | 16.0 | 9.4 | 12.5 | 0.90-1.25 | 0.15-0.35 | L24 |
| 20 | M20 | N1 or N2 | 16 | 33.0 | 58.0 | 6.7 * | 14.0 | 15.5 | 21.1 | 12.0 | 17.6 | 0.90-1.25 | 0.15-0.50 | L30 |
| 25 | M25 | N2 or N3 | 16 | 41.4 | 58.0 | 13.0 | 20.0 | 20.3 | 27.4 | 16.8 | 23.9 | 1.25-1.60 | 0.15-0.50 | L38 |
| 32 | M32 | N3 or N4 | 16 | 50.6 | 65.0 | 19.0 | 26.3 | 26.7 | 34.0 | 23.2 | 30.5 | 1.60-2.00 | 0.15-0.55 | L46 |
| 40 | M40 | N4 or N5 | 16 | 60.5 | 72.0 | 25.0 | 32.2 | 33.0 | 40.6 | 28.6 | 36.2 | 1.60-2.00 | 0.20-0.60 | L55 |
| 50s | M50 | N5 or N6 | 16 | 71.5 | 73.0 | 31.5 | 38.2 | 39.4 | 46.7 | 34.8 | 42.4 | 2.00-2.50 | 0.20-0.60 | L65 |
| 50 | M50 | N6 | 16 | 71.5 | 73.0 | 36.5 | 44.1 | 45.7 | 53.2 | 41.1 | 48.5 | 2.00-2.50 | 0.30-0.80 | L65 |
| 63s | M63 | N6 or N7 | 19 | 88.0 | 76.0 | 42.5 | 50.1 | 52.1 | 59.5 | 47.5 | 54.8 | 2.50 | 0.30-0.80 | L80 |
| 63 | M63 | N7 | 19 | 88.0 | 76.0 | 49.5 | 56.0 | 58.4 | 65.8 | 53.8 | 61.2 | 2.50 | 0.30-0.80 | L80 |
| 75s | M75 | N7 or N8 | 19 | 99.0 | 82.0 | 54.5 | 62.0 | 64.8 | 72.2 | 60.2 | 68.0 | 2.50 | 0.30-1.00 | L90 |
| 75 | M75 | N8 | 19 | 99.0 | 82.0 | 60.5 | 68.0 | 71.1 | 78.0 | 66.5 | 73.4 | 2.50 | 0.30-1.00 | L90 |
| 80 | M80 x 2 | N8 or N9 | 25 | 115.2 | 110.0 | 62.2 | 72.0 | 77.0 | 84.0 | - | - | 3.15 | 0.45-1.00 | L104 |
| 80H | M80 x 2 | N8 or N9 | 25 | 115.2 | 110.0 | 62.2 | 72.0 | 79.6 | 90.0 | - | - | 3.15 | 0.45-1.00 | L104 |
| 85 | M85 x 2 | N8 or N9 | 25 | 115.2 | 110.0 | 69.0 | 78.0 | 79.6 | 90.0 | 75.0 | 85.4 | 3.15 | 0.45-1.00 | L104 |
| 90 | M90 x 2 | N9 or N10 | 25 | 125.7 | 110.0 | 74.0 | 84.0 | 88.0 | 96.0 | - | - | 3.15 | 0.45-1.00 | L114 |
| 90H | M90 x 2 | N9 or N10 | 25 | 125.7 | 110.0 | 74.0 | 84.0 | 92.0 | 102.0 | - | - | 3.15 | 0.45-1.00 | L114 |
| 100 | M100 x 2 | N9 or N10 | 25 | 125.7 | 110.0 | 82.0 | 90.0 | 92.0 | 102.0 | 87.4 | 97.4 | 3.15 | 0.45-1.00 | L114 |

All Dimensions are in Millimeters

NOTES:

* EX-25 gland size 20, the silicone inner seal only seals to a minimum of 11.0mm and NOT 6.7mm.

- NPT entry thread reference details on page 53.
- Gland Size does not necessarily equate to the entry thread size.
- "W" refers to the wire diameter in a steel wire armored cable.
- "XZ" refers to the wire diameter in a woven steel wire armored cable or the tape thickness in a steel tape armored cable.
- Please note that dimensions (A) and (B) may differ for glands with non-Metric entry threads. Please refer to our thread data tables for specific dimensions.
- Unless otherwise stated ISO Metric entry threads have a 1.5mm pitch.
- For Flameproof Exd applications the female thread into which the gland is to be fitted must comply with clause 5.3 of EN 50018:2000 (clause 5.3 IEC 79-1) and an engagement of at least 5 full threads must be achieved for parallel threads and should be achieved for tapered threads.
- Where EX-25 type glands are fitted into non-metallic Increased Safety Exe enclosures they must be included within the earth circuit of the system.
- The user should seek expert advice if intending to combine flammable gases and combustible dusts in one environment/installation.
- Full assembly instructions are supplied with glands, the instructions must be read prior to installation and adhered to in full.

EE-30

EE-30 type glands provide a seal on the outer sheath and an armor specific clamp for armored cable. The armor clamp provides an electrical bond between the cable armor and the gland. EE-30 type glands maintain Increased Safety Exe methods of explosion protection and IP66.

EXAMPLE PART NUMBER

EE-30* [W] [X] [Y] [R] [YY] [ZZ]

- * - Armor Type (W = SWA / X = SWB / Z = STA)
- W - Gland material (B = Brass / S = Stainless Steel)
- X - Seal Material (1 = Neoprene / 3 = Silicone)
- Y - Plating (0 = No Plating / 1 = Nickel / 2 = Tin / 3 = Zinc / 4 = Electroless Nickel)
- R - Reduced bore option
- YY - Gland size (Cable Range)
- ZZ - Entry thread

Sample: EE-30W-B-1-0-R-20-M20

DESIGN STANDARD

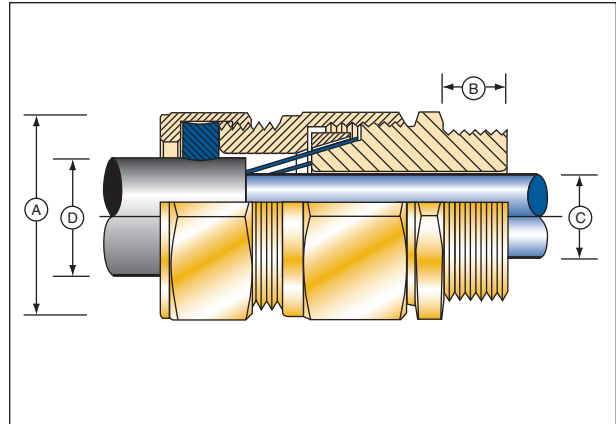
EN 50014:1998, EN 50019:2000 and EN 50281-1-1:1998

CERTIFICATION

ATEX II 2 GD, E Exe II

CERTIFICATE

SIRA 05ATEX1122X - Ex Notified Body No. 0518



GLAND MARKING

CENELEC and ATEX

Example:

Amphenol 13838 USA EE-30W-B-1-0-R-20-M20 XX SIRA 05ATEX1122X  II 2GD IP66 EExe II (XX = Year Code)

APPLICATION

EExe Equipment

Gas Group II, Zones 1 and 2

Other Equipment

Ignitable Dust, Zones 21 and 22

INGRESS PROTECTION

IP66

OPERATING TEMPERATURES

Standard Seals -20°C to +80°C
Silicone Seals - 60°C to +180°C

MATERIALS

Brass CZ121 (EE-30*-B)
316 Stainless Steel (EE-30*-S)

SEALS

Extended operating temperature -60°C to +180°C, halogen free versions:
Brass (EE-30*-B-3); 316 Stainless Steel (EE-30*-S-3)

THREADS

ISO Metric; NPT; NPS; ISO Pipe Thread
(BSP Taper, BSP Parallel)

CLAMPS

SWA steel wire armor (EE-30-W)
SWB woven steel wire armor (EE-30-X)
STA steel tape armor (EE-30-Z)

PLATING

Nickel (1); Tin (2); Zinc (3); Electroless Nickel (4)

ACCESSORIES

Locknut - Brass (EX-BLN); 316 Stainless Steel (EX-SLN)
 Earth Tag - Brass (EX-BET), 316 Stainless Steel (EX-SET)
 IP Washer - Nylon (EX-NSW); Red Fibre (EX-FSW)
 Serrated Lock Washer - 316 Stainless Steel (EX-SSW), Galvanised Steel (EX-GSW)
 Shroud - PVC (EX-PVC); PCP (EX-PCP); Low Smoke Zero Halogen (EX-LSH)

Gland and accessory kits:

K1 - includes gland, locknut, earthtag, nylon IP washer and PVC shroud

K4 - includes brass gland, brass locknut, brass earthtag, IP washer and zero halogen shroud

| Gland Size | Entry Threads | | Entry Thread Length [B] | Max Across Corners [A] | Max Protrusion Length | Cable Inner Sheath [C] | | Gland Seal Range | | | | Armour Acceptance Range | | Shroud Size |
|------------|---------------|-------------|-------------------------|------------------------|-----------------------|------------------------|------|------------------------|-------|------|------|-------------------------|-----------|-------------|
| | | | | | | Min | Max | Cable Outer Sheath [D] | | Min | Max | | | |
| | Standard | Reduced (R) | | | | | | W | XZ | | | | | |
| | Metric | NPT/BSP | | | | Min | Max | | | Min | Max | Min | Max | |
| 16 | M20 | N1 or N2 | 10 | 26.5 | 54.0 | - | 11.7 | 9.0 | 13.5 | 6.7 | 10.3 | 0.90-1.25 | 0.15-0.35 | L24 |
| 20s | M20 | N1 or N2 | 10 | 26.5 | 54.0 | - | 11.7 | 11.5 | 16.0 | 9.4 | 12.5 | 0.90-1.25 | 0.15-0.35 | L24 |
| 20 | M20 | N1 or N2 | 10 | 33.0 | 54.0 | - | 14.0 | 15.5 | 21.0 | 12.0 | 17.6 | 0.90-1.25 | 0.15-0.50 | L30 |
| 25 | M25 | N2 or N3 | 10 | 41.4 | 54.0 | - | 20.0 | 20.3 | 27.4 | 16.8 | 23.9 | 1.25-1.60 | 0.15-0.50 | L38 |
| 32 | M32 | N3 or N4 | 10 | 50.6 | 60.0 | - | 26.3 | 26.7 | 34.0 | 23.2 | 30.5 | 1.60-2.00 | 0.15-0.55 | L46 |
| 40 | M40 | N4 or N5 | 15 | 60.5 | 67.0 | - | 32.2 | 33.0 | 40.6 | 28.6 | 36.2 | 1.60-2.00 | 0.20-0.60 | L55 |
| 50s | M50 | N5 or N6 | 15 | 71.5 | 67.0 | - | 38.2 | 39.4 | 46.7 | 34.8 | 42.4 | 2.00-2.50 | 0.20-0.60 | L65 |
| 50 | M50 | N6 | 15 | 71.5 | 67.0 | - | 44.1 | 45.7 | 53.2 | 41.1 | 48.5 | 2.00-2.50 | 0.30-0.80 | L65 |
| 63s | M63 | N6 or N7 | 15 | 88.0 | 69.0 | - | 50.1 | 52.1 | 59.5 | 47.5 | 54.8 | 2.50 | 0.30-0.80 | L80 |
| 63 | M63 | N7 | 15 | 88.0 | 69.0 | - | 56.0 | 58.4 | 65.8 | 53.8 | 61.2 | 2.50 | 0.30-0.80 | L80 |
| 75s | M75 | N7 or N8 | 15 | 99.0 | 77.0 | - | 62.0 | 64.8 | 72.2 | 60.2 | 68.0 | 2.50 | 0.30-1.00 | L90 |
| 75 | M75 | N8 | 15 | 99.0 | 77.0 | - | 68.0 | 71.1 | 78.0 | 66.5 | 73.4 | 2.50 | 0.30-1.00 | L90 |
| 80 | M80 x 2 | N8 or N9 | 20 | 115.2 | 104.0 | - | 72.0 | 77.0 | 84.0 | - | - | 3.15 | 0.45-1.00 | L104 |
| 80H | M80 x 2 | N8 or N9 | 20 | 115.2 | 104.0 | - | 72.0 | 79.6 | 90.0 | - | - | 3.15 | 0.45-1.00 | L104 |
| 85 | M85 x 2 | N8 or N9 | 20 | 115.2 | 104.0 | - | 78.0 | 79.6 | 90.0 | 75.0 | 85.4 | 3.15 | 0.45-1.00 | L104 |
| 90 | M90 x 2 | N9 or N10 | 20 | 125.7 | 104.0 | - | 84.0 | 88.0 | 96.0 | - | - | 3.15 | 0.45-1.00 | L114 |
| 90H | M90 x 2 | N9 or N10 | 20 | 125.7 | 104.0 | - | 84.0 | 92.0 | 102.0 | - | - | 3.15 | 0.45-1.00 | L114 |
| 100 | M100 x 2 | N9 or N10 | 20 | 125.7 | 104.0 | - | 90.0 | 92.0 | 102.0 | 87.4 | 97.4 | 3.15 | 0.45-1.00 | L114 |

All Dimensions are in Millimeters

NOTES:

- NPT entry thread reference details on page 53.
- Gland Size does not necessarily equate to the entry thread size.
- "W" refers to the wire diameter in a steel wire armored cable.
- "XZ" refers to the wire diameter in a woven steel wire armored cable or the tape thickness in a steel tape armored cable.
- Please note that dimensions (A) and (B) may differ for glands with non-Metric entry threads. Please refer to our thread data tables for specific dimensions.
- Unless otherwise stated ISO Metric entry threads have a 1.5mm pitch.
- Where EX-30 type glands are fitted into non-metallic Increased Safety Exe enclosures they must be included within the earth circuit of the system.
- The user should seek expert advice if intending to combine flammable gases and combustible dusts in one environment/installation.
- Full assembly instructions are supplied with glands, the instructions must be read prior to installation and adhered to in full.

EX-35

EX-35 type glands provide a single pull resistant seal on the outer sheath of unarmoured cable. EX-35 type glands maintain Flameproof Exd and Increased Safety Exe methods of explosion protection and IP66, IP68 to 25 meters. Integral O-Ring entry thread seal, as illustrated, is provided as standard on metric versions.

EXAMPLE PART NUMBER

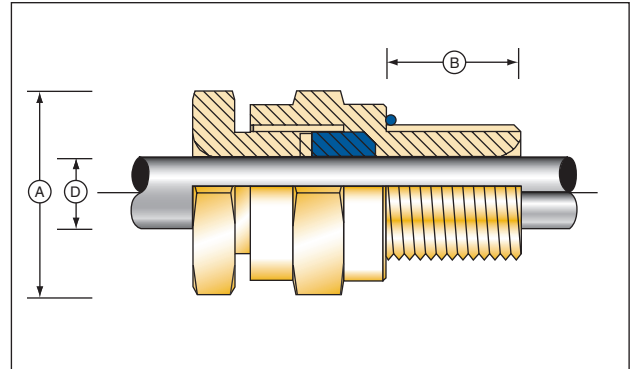
EX-35 [W] [X] [Y] [YY] [ZZ]

- W** - Gland material (B = Brass / S = Stainless Steel)
X - Seal Material (1 = Neoprene / 3 = Silicone)
Y - Plating (0 = No Plating / 1 = Nickel / 2 = Tin / 3 = Zinc / 4 = Electroless Nickel)
YY - Gland size (Cable Range)
ZZ - Entry thread

Sample: EX-35-B-1-0-20-M20

DESIGN STANDARD

EN50014:1998, EN50018:2000, EN50019:2000 and EN 50281-1-1:1998



CERTIFICATION.

ATEX II 2 GD, E Exd IIC / E Exe II
CSA Exd IIC/Exe II 4X, Class 1, Zone 1

CERTIFICATE

SIRA 05ATEX1123X - Ex Notified Body No. 0518
Pending

GLAND MARKING

CENELEC and ATEX

Example:

Amphenol 13838 USA EX-35-B-1-0-20-M20 XX SIRA 05ATEX1123X (Ex) II 2GD IP68 EExdIIC / EExe II (XX = Year Code)

APPLICATION

EExd Equipment

EX-35 type glands will only maintain Flameproof Exd integrity when used with cable that is substantially round and compact with extruded bedding. The cable shall be deemed to be effectively filled. Ref: IEC60079-14:2002 Section 10.4.2

| Gas Group | Internal Ignition Source | Enclosure Volume | Which Zone | Use EX-35 Gland |
|---------------|--------------------------|------------------|-------------|-----------------|
| IIC, IIB, IIA | NO | 2 liters or less | Zone 1 or 2 | YES |
| IIB, IIA | YES | Any | Zone 2 | YES |
| IIB, IIA | YES | 2 liters or less | Zone 1 | YES |

EExe Equipment

Gas Group II, Zones 1 and 2

Other Equipment

Ignitable Dust, Zones 21 and 22

INGRESS PROTECTION

IP66 and IP68 @ 25 meters, Enclosure Type 4X

OPERATING TEMPERATURES

Standard Seals -20°C to +80°C
Silicone Seals - 60°C to +180°C

MATERIALS

Brass CZ121 (EX-35-B)
316 Stainless Steel (EX-35-S)

Outer sheath seal material:

Standard (EX-35-W-1) Neoprene, black. Option (EX-35-W-3) Silicone, white.

Integral entry thread seal: Nitrile is supplied with neoprene outer seal version. Silicone is supplied with silicone outer seal version.

| THREADS |
|---|
| ISO Metric; NPT; NPS; ISO Pipe Thread (BSP Taper, BSP Parallel) |

| SEALS |
|--|
| Extended operating temperature -60°C to +180°C, halogen free versions: Brass (EX-35-B-3); 316 Stainless Steel (EX-35-S-3) |

| PLATING |
|---|
| Nickel (1); Tin (2); Zinc (3); Electroless Nickel (4) |

| ACCESSORIES |
|--|
| Locknut - Brass (EX-BLN); 316 Stainless Steel (EX-SLN) Earth Tag - Brass (EX-BET), 316 Stainless Steel (EX-SET) IP Washer - Nylon (EX-NSW); Red Fibre (EX-FSW) Serrated Lock Washer - 316 Stainless Steel (EX-SSW), Galvanised Steel (EX-GSW) Shroud - PVC (EX-SPVC); PCP (EX-SPCP); Low Smoke Zero Halogen (EX-LSH) |
| Gland and accessory kits: K2 - includes gland, locknut, fiber IP washer and PVC shroud K3- includes gland, locknut, nylon IP washer and PCP shroud |

| Gland Size | Entry Threads | | Entry Thread Length [B] | Max Across Corners [A] | Max Protrusion Length | Gland Seal Rance | | Shroud Size |
|------------|---------------|-----------|----------------------------|---------------------------|-----------------------|-------------------------|------|-------------|
| | Metric | NPT/BSP | | | | Cable Outer/Lead Sheath | | |
| | | | | | | Min | Max | |
| 16 | M20 | N1 or N2 | 16 | 28.0 | 33.0 | 4.0 | 8.4 | L24 |
| 20s | M20 | N1 or N2 | 16 | 28.0 | 33.0 | 7.2 | 11.7 | L24 |
| 20 | M20 | N1 or N2 | 16 | 33.0 | 33.0 | 9.6 | 14.0 | L30 |
| 25 | M25 | N2 or N3 | 16 | 41.4 | 33.0 | 13.5 | 20.0 | L38 |
| 32 | M32 | N3 or N4 | 16 | 50.6 | 33.0 | 19.5 | 26.3 | L46 |
| 40 | M40 | N4 or N5 | 16 | 60.5 | 37.0 | 23.0 | 32.2 | L55 |
| 50s | M50 | N5 or N6 | 16 | 71.5 | 37.0 | 28.2 | 38.2 | L65 |
| 50 | M50 | N6 | 16 | 71.5 | 37.0 | 33.2 | 44.1 | L65 |
| 63s | M63 | N6 or N7 | 19 | 88.0 | 37.0 | 39.3 | 50.1 | L80 |
| 63 | M63 | N7 | 19 | 88.0 | 37.0 | 46.7 | 56.0 | L80 |
| 75s | M75 | N7 or N8 | 19 | 99.0 | 37.0 | 52.3 | 62.0 | L90 |
| 75 | M75 | N8 | 19 | 99.0 | 37.0 | 58.1 | 68.0 | L90 |
| 80 | M80 x 2 | N8 or N9 | 25 | 115.2 | 50.0 | 62.3 | 72.0 | L104 |
| 85 | M85 x 2 | N8 or N9 | 25 | 115.2 | 50.0 | 69.1 | 78.0 | L104 |
| 90 | M90 x 2 | N9 or N10 | 25 | 125.7 | 50.0 | 74.1 | 84.0 | L114 |
| 100 | M100 x 2 | N9 or N10 | 25 | 125.7 | 50.0 | 82.1 | 90.0 | L114 |

All Dimensions are in Millimeters

NOTES:

- NPT entry thread reference details on page 53.
- Suitable only for fixed installations. The cable must be clamped near the gland to prevent pulling and twisting.
- Gland Size does not necessarily equate to the entry thread size.
- Integral entry thread seal option is not available for glands with tapered entry threads. IP washers can be supplied if required.
- Please note that dimensions (A) and (B) may differ for glands with non-Metric entry threads. Please refer to our thread data tables for specific dimensions.
- Unless otherwise stated ISO Metric entry threads have a 1.5mm pitch.
- For Flameproof Exd applications the female thread into which the gland is to be fitted must comply with clause 5.3 of EN 50018:2000 (clause 5.3 IEC 79-1) and an engagement of at least 5 full threads must be achieved for parallel threads and should be achieved for tapered threads.
- Where EX-35 type glands are fitted into non-metallic Increased Safety Exe enclosures they must be included within the earth circuit of the system.
- The user should seek expert advice if intending to combine flammable gases and combustible dusts in one environment/installation.
- Full assembly instructions are supplied with glands, the instructions must be read prior to installation and adhered to in full.

EX-40

EX-40 type glands provide two pull resistant seals on the outer sheath of any cable. EX-40 type glands maintain Flameproof Exd and Increased Safety Exe methods of explosion protection and IP66, IP68 to 25 meters. An integral O-Ring entry thread seal, as illustrated, is provided as standard on metric versions.

EXAMPLE PART NUMBER

EX-40 [W] [X] [Y] [YY] [ZZ]

- W** - Gland material (B = Brass / S = Stainless Steel)
- X** - Seal Material (1 = Neoprene / 3 = Silicone)
- Y** - Plating (0 = No Plating / 1 = Nickel / 2 = Tin / 3 = Zinc / 4 = Electroless Nickel)
- YY** - Gland size (Cable Range)
- ZZ** - Entry thread

Sample: EX-40-B-1-0-20-M20

DESIGN STANDARD

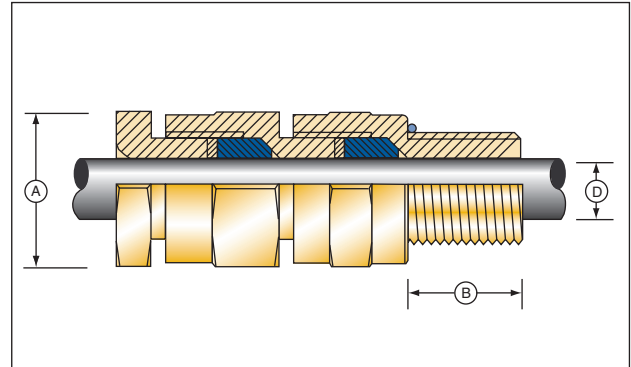
EN50014:1998, EN50018:2000, EN50019:2000 and EN 50281-1-1:1998

CERTIFICATION

ATEX II 2 GD, E Exd IIC / E Exe II
CSA Exd IIC/Exe II 4X, Class 1, Zone 1

CERTIFICATE

SIRA 05ATEX1123X - Ex Notified Body No. 0518
Pending



GLAND MARKING

CENELEC and ATEX

Example:

Amphenol 13838 USA EX-40-B-1-0-20-M20 XX SIRA 05ATEX1123X  II 2GD IP68 EExdIIC / EExe II (XX = Year Code)

APPLICATION

EExd Equipment

EX-40 type glands will only maintain Flameproof Exd integrity when used with cable that is substantially round and compact with extruded bedding. The cable shall be deemed to be effectively filled. Ref: IEC60079-14:2002 Section 10.4.2

| Gas Group | Internal Ignition Source | Enclosure Volume | Which Zone | Use EX-40 Gland |
|---------------|--------------------------|------------------|-------------|-----------------|
| IIC, IIB, IIA | NO | Any | Zone 1 or 2 | YES |
| IIB, IIA | YES | Any | Zone 2 | YES |
| IIB, IIA | YES | 2 litres or less | Zone 1 | YES |

EExe Equipment

Gas Group II, Zones 1 and 2

Other Equipment

Ignitable Dust, Zones 21 and 22

INGRESS PROTECTION

IP66 and IP68 @ 25 meters, Enclosure Type 4X

OPERATING TEMPERATURES

Standard Seals -20°C to +80°C
Silicone Seals - 60°C to +180°C

MATERIALS

Brass CZ121 (EX-40-B)
316 Stainless Steel (EX-40-S)

Outer sheath seal material: Standard (EX-40-W-1) Neoprene, black. Option (EX-40-W-3) Silicone, white
Integral entry thread seal: Nitrile is supplied with neoprene outer seal version. Silicone is supplied with silicone outer seal version.

| THREADS |
|---|
| ISO Metric; NPT; NPS; ISO Pipe Thread (BSP Taper, BSP Parallel) |

| SEALS |
|--|
| Extended operating temperature -60°C to +180°C, halogen free versions: Brass (EX-40-B-3); 316 Stainless Steel (EX-40-S-3) |

| PLATING |
|---|
| Nickel (1); Tin (2); Zinc (3); Electroless Nickel (4) |

| ACCESSORIES |
|--|
| Locknut - Brass (EX-BLN); 316 Stainless Steel (EX-SLN) Earth Tag - Brass (EX-BET), 316 Stainless Steel (EX-SET) IP Washer - Nylon (EX-NSW); Red Fibre (EX-FSW) Serrated Lock Washer - 316 Stainless Steel (EX-SSW), Galvanised Steel (EX-GSW) Shroud - PVC (EX-PVC); PCP (EX-PCP); Low Smoke Zero Halogen (EX-LSH) |

| Gland Size | Entry Threads | | Entry Thread Length [B] | Max Across Corners [A] | Max Protrusion Length | Gland Seal Range Cable Outer/Lead Sheath | | Shroud Size |
|------------|---------------|-----------|----------------------------|---------------------------|-----------------------|---|------|-------------|
| | Metric | NPT/BSP | | | | Min | Max | |
| | 16 | M20 | N1 or N2 | 16 | 28.0 | 66.0 | 4.0 | |
| 20s | M20 | N1 or N2 | 16 | 28.0 | 66.0 | 7.2 | 11.7 | L24 |
| 20 | M20 | N1 or N2 | 16 | 29.7 | 66.0 | 9.6 | 14.0 | L27 |
| 25 | M25 | N2 or N3 | 16 | 39.6 | 66.0 | 13.5 | 20.0 | L36 |
| 32 | M32 | N3 or N4 | 16 | 45.1 | 66.0 | 19.5 | 26.3 | L41 |
| 40 | M40 | N4 or N5 | 16 | 55.9 | 74.0 | 23.0 | 32.2 | L51 |
| 50s | M50 | N5 or N6 | 16 | 71.5 | 74.0 | 28.2 | 38.2 | L65 |
| 50 | M50 | N6 | 16 | 71.5 | 74.0 | 33.2 | 44.1 | L65 |
| 63s | M63 | N6 or N7 | 19 | 88.0 | 74.0 | 39.3 | 50.1 | L80 |
| 63 | M63 | N7 | 19 | 88.0 | 74.0 | 46.7 | 56.0 | L80 |
| 75s | M75 | N7 or N8 | 19 | 99.0 | 74.0 | 52.3 | 62.0 | L90 |
| 75 | M75 | N8 | 19 | 99.0 | 74.0 | 58.1 | 68.0 | L90 |
| 80 | M80 x 2 | N8 or N9 | 25 | 115.2 | 100.0 | 62.3 | 72.0 | L104 |
| 85 | M85 x 2 | N8 or N9 | 25 | 115.2 | 100.0 | 69.1 | 78.0 | L104 |
| 90 | M90 x 2 | N9 or N10 | 25 | 125.7 | 100.0 | 74.1 | 84.0 | L114 |
| 100 | M100 x 2 | N9 or N10 | 25 | 125.7 | 100.0 | 82.1 | 90.0 | L114 |

All Dimensions are in Millimeters

NOTES:

- NPT entry thread reference details on page 53.
- Suitable only for fixed installations. The cable must be clamped near the gland to prevent pulling and twisting.
- Gland Size does not necessarily equate to the entry thread size.
- Integral entry thread seal option is not available for glands with tapered entry threads. IP washers can be supplied if required.
- Please note that dimensions (A) and (B) may differ for glands with non-Metric entry threads. Please refer to our thread data tables for specific dimensions.
- Unless otherwise stated ISO Metric entry threads have a 1.5mm pitch.
- For Flameproof Exd applications the female thread into which the gland is to be fitted must comply with clause 5.3 of EN 50018:2000 (clause 5.3 IEC 79-1) and an engagement of at least 5 full threads must be achieved for parallel threads and should be achieved for tapered threads.
- Where EX-35 type glands are fitted into non-metallic Increased Safety Exe enclosures they must be included within the earth circuit of the system.
- The user should seek expert advice if intending to combine flammable gases and combustible dusts in one environment/installation.
- Full assembly instructions are supplied with glands, the instructions must be read prior to installation and adhered to in full.

EX-45

EX-45 type glands provide a seal on the outer sheath of unarmoured cable and a conduit connection thread. EX-40-M type glands provide a male thread for connection and EX-40-F type glands provide a female thread for connection. EX-45 type glands maintain Flameproof Exd and Increased Safety Exe methods of explosion protection and IP66, IP68 to 25 metres. An 'O' ring IP entry thread seal is fitted as standard.

EXAMPLE PART NUMBER

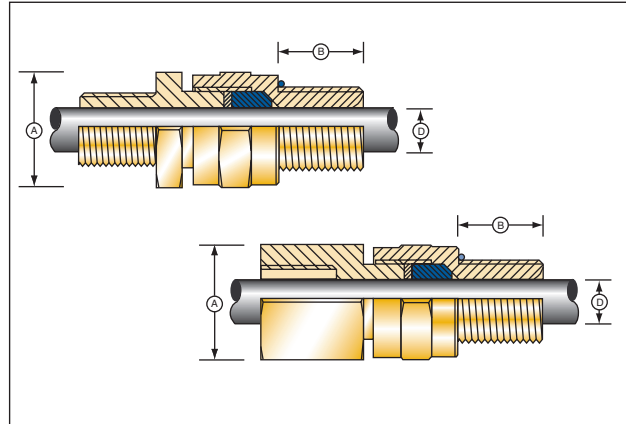
EX-45 [A] [W] [X] [Y] [YY] [ZZ]

- A** - M = Male Connector / F = Female Connector
- W** - Gland material (B = Brass / S = Stainless Steel)
- X** - Seal Material (1 = Neoprene / 3 = Silicone)
- Y** - Plating (0 = No Plating / 1 = Nickel / 2 = Tin / 3 = Zinc / 4 = Electroless Nickel)
- Z** - Connection Thread
- YY** - Gland size (Cable Range)
- ZZ** - Entry thread

Sample: EX-45-F-B-1-0-M20-20-M20

DESIGN STANDARD

EN50014:1998, EN50018:2000, EN50019:2000 and EN 50281-1-1:1998



CERTIFICATION

ATEX II 2 GD, E Exd IIC / E Exe II
CSA Exd IIC/Exe II 4X, Class 1, Zone 1

CERTIFICATE

SIRA 05ATEX1123X - Ex Notified Body No. 0518
Pending

GLAND MARKING

CENELEC and ATEX

Example:

Amphenol 13838 USA EX-45-F-B-1-0-M20-20-M20 XX SIRA 05ATEX1123X (Ex) II 2GD IP68 EExdIIC / EExe II (XX = Year Code)

APPLICATION

EExd Equipment

EX-45 type glands will only maintain Flameproof Exd integrity when used with cable that is substantially round and compact with extruded bedding. The cable shall be deemed to be effectively filled. Ref: IEC60079-14:2002 Section 10.4.2

| Gas Group | Internal Ignition Source | Enclosure Volume | Which Zone | Use EX-45 Gland |
|---------------|--------------------------|------------------|-------------|-----------------|
| IIC, IIB, IIA | NO | Any | Zone 1 or 2 | YES |
| IIB, IIA | YES | Any | Zone 2 | YES |
| IIB, IIA | YES | 2 litres or less | Zone 1 | YES |

EExe Equipment

Gas Group II, Zones 1 and 2

Other Equipment

Ignitable Dust, Zones 21 and 22

INGRESS PROTECTION

IP66 and IP68 @ 25 meters, Enclosure Type 4X

OPERATING TEMPERATURES

Standard Seals -20°C to +80°C
Silicone Seals - 60°C to +180°C

MATERIALS

Brass CZ121 (EX-45-A-B)
316 Stainless Steel (EX-45-A-S)

Outer sheath seal material: Standard (EX-45-A-W-1) Neoprene, black. Option (EX-45-A-W-3) Silicone, white
Integral entry thread seal: Nitrile is supplied with neoprene outer seal version. Silicone is supplied with silicone outer seal version.

| THREADS |
|---|
| ISO Metric; NPT; NPS; ISO Pipe Thread (BSP Taper, BSP Parallel); PG |

| SEALS |
|--|
| Extended operating temperature -60°C to +180°C, halogen free versions: Brass (EX-45-A-B-3); 316 Stainless Steel (EX-45-A-S-3) |

| PLATING |
|---|
| Nickel (1); Tin (2); Zinc (3); Electroless Nickel (4) |

| ACCESSORIES |
|--|
| Locknut - Brass (EX-BLN); 316 Stainless Steel (EX-SLN) Earth Tag - Brass (EX-BET), 316 Stainless Steel (EX-SET) IP Washer - Nylon (EX-NSW); Red Fibre (EX-FSW) Serrated Lock Washer - 316 Stainless Steel (EX-SSW), Galvanised Steel (EX-GSW) |

| Gland Size | Entry Threads | | Entry Thread Length [B] | Max Across Corners [A] | Gland Seal Range | | Conduit Connector | |
|------------|---------------|----------|----------------------------|---------------------------|------------------------|------|-------------------|-----|
| | Metric | NPT/BSP | | | Cable Outer Sheath [D] | | NPT | ISO |
| | | | | | Min | Max | | |
| 16 | M20 | N1 or N2 | 16 | 28.0 | 4.0 | 8.4 | N1 or N2 | M20 |
| 20s | M20 | N1 or N2 | 16 | 28.0 | 7.2 | 11.7 | N1 or N2 | M20 |
| 20 | M20 | N1 or N2 | 16 | 33.0 | 9.6 | 14.0 | N1 or N2 | M20 |
| 25 | M25 | N2 or N3 | 16 | 41.4 | 13.5 | 20.0 | N2 or N3 | M25 |
| 32 | M32 | N3 or N4 | 16 | 50.6 | 19.5 | 26.3 | N3 or N4 | M32 |
| 40 | M40 | N4 or N5 | 16 | 60.5 | 23.0 | 32.2 | N4 or N5 | M40 |
| 50s | M50 | N5 or N6 | 16 | 71.5 | 28.2 | 38.2 | N5 or N6 | M50 |
| 50 | M50 | N6 | 16 | 71.5 | 33.2 | 44.1 | N6 | M50 |
| 63s | M63 | N6 or N7 | 19 | 88.0 | 39.3 | 50.1 | N6 or N7 | M63 |
| 63 | M63 | N7 | 19 | 88.0 | 46.7 | 56.0 | N7 | M63 |
| 75s | M75 | N7 or N9 | 19 | 99.0 | 52.3 | 62.0 | N7 or N9 | M75 |
| 75 | M75 | N9 | 19 | 99.0 | 58.1 | 68.0 | N9 | M75 |

All Dimensions are in Millimeters

NOTES:

- Suitable only for fixed installations. The cable must be clamped near the gland to prevent pulling and twisting.
- Gland Size does not necessarily equate to the entry thread size.
- Integral entry thread seal option is not available for glands with tapered entry threads. IP washers can be supplied if required.
- Please note that dimensions (A) and (B) may differ for glands with non-Metric entry threads. Please refer to our thread data tables for specific dimensions.
- Unless otherwise stated ISO Metric entry threads have a 1.5mm pitch.
- For Flameproof Exd applications the female thread into which the gland is to be fitted must comply with clause 5.3 of EN 50018:2000 (clause 5.3 IEC 79-1) and an engagement of at least 5 full threads must be achieved for parallel threads and should be achieved for tapered threads.
- Where EX-35 type glands are fitted into non-metallic Increased Safety Exe enclosures they must be included within the earth circuit of the system.
- The user should seek expert advice if intending to combine flammable gases and combustible dusts in one environment/installation.
- Full assembly instructions are supplied with glands, the instructions must be read prior to installation and adhered to in full.
- Other conduit connection threads eg PG, BSP are available upon request.

EE-RG

EE-RG type glands provide a seal on the outer sheath of unarmoured cable. EE-RG type glands maintain Increased Safety Exe method of explosion protection and IP66, IP68.

EXAMPLE PART NUMBER

EE-RG[X]-[ZZ]

X - Material (1 = Black Polyamide 6 / 2 = Blue Polyamide 6 / 3 = Grey Polyamide 6)

ZZ - Entry Thread

EE-RG1-M20

DESIGN STANDARD

EN50014:1997 and EN50019:2000

CERTIFICATION

ATEX II 2 GD, E Exe II



CERTIFICATE

SIRA 00ATEX 1072 - Ex Notified Body No. 0518

GLAND MARKING

Example:

SIRA 00ATEX1072X EB (Cable Range) II2GD EExell

For industrial versions the hazardous area information is omitted

APPLICATION

Exe Equipment

Gas Group II, Zones 1 and 2

INGRESS PROTECTION

IP66 without a sealing washer

IP68 with a sealing washer

OPERATING TEMPERATURES

Sizes M25 and below: -20°C to +60°C

Sizes above M25: -10°C to +60°C

MATERIALS

Standard (EX-RG1) Black Polyamide 6

Option (EE-RG2) Blue Polyamide 6

Industrial, Non Ex Versions: Grey Polyamide 6 (EE-RG3)

Note: Polyamide 6 is self extinguishing, flame retardant and halogen free

Outer Seath seal material: Santoprene, black

THREADS

ISO Metric

ACCESSORIES

Locknut - Nylon (EX-NLN); Brass (EX-BLN)

IP Washer - Nylon (EX-NSW); Red Fibre (EX-FSW)

| Gland Size Metric | Entry Thread Length | Max Across Corners | Gland Seal Range Cable Outer Sheath | |
|--------------------------|---------------------|--------------------|-------------------------------------|------|
| | | | Min | Max |
| - | 9 | 16.5 | 3.5 | 6.0 |
| M16 | 9 | 20.9 | 5.0 | 8.0 |
| - | 9 | 24.2 | 6.0 | 10.0 |
| M20 | 10 | 26.4 | 8.0 | 13.5 |
| - | 10 | 28.6 | 10.0 | 15.0 |
| M25 | 11 | 35.2 | 13.0 | 19.0 |
| M32 | 12 | 45.1 | 18.0 | 25.0 |
| M40 | 14 | 57.2 | 24.0 | 32.0 |
| M50 | 16 | 64.9 | 29.0 | 38.0 |
| M63 | 16 | 71.5 | 36.0 | 44.0 |

All Dimensions are in Millimeters

NOTES:

- Suitable only for fixed installations. The cable must be clamped near the gland to prevent pulling and twisting
- Gland sizes M25 and above shall not be used for applications where there is a "high" risk of mechanical damage
- Full assembly instructions are supplied with glands, the instructions must be read prior to installation and adhered to in full

EX-50

EX-50 type glands provide pull resistant seals on the inner and outer sheath and a braid armor clamp. The armor clamp provides an electrical bond between the cable armor and the gland. EX-50 type glands maintain Flameproof Exd and Increased Safety Exe methods of explosion protection and IP66.

EXAMPLE PART NUMBER

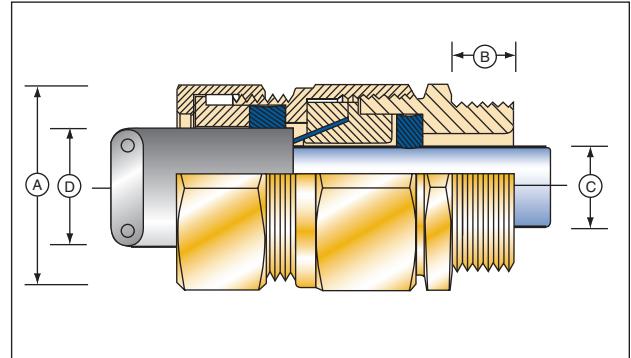
EX-50 [W] [Y] [YY] [ZZ]

- W** - Gland Material (B = Brass / S = Stainless Steel)
- Y** - Plating (0 = No Plating / 1 = Nickel / 2 = Tin / 3 = Zinc / 4 = Electroless Nickel)
- YY** - Gland Size (Cable Range)
- ZZ** - Entry Thread

Sample: EX-50-B-3-20S-M20

DESIGN STANDARD

EN 50014:1998, EN 50018:2000, EN 50019:2000 and EN 50281-1-1:1998



CERTIFICATION

ATEX II 2 GD, E Exd IIC / E Exe II

CERTIFICATE

SIRA 05ATEX1121X - Ex Notified Body No. 0518

GLAND MARKING

CENELEC and ATEX

Example:

Amphenol 13838 USA EX-50-B-3-20S-M20 XX SIRA 05ATEX1121X  II 2GD IP66 EExdIIC / EExe II (XX = Year Code)

APPLICATION

EExd Equipment

EX-50 type glands will only maintain Flameproof Exd integrity when used with cable that has a suitable profile and is compact with extruded bedding. The cable shall be deemed to be effectively filled. Ref: IEC60079-14:2002 Section 10.4.2

| Gas Group | Internal Ignition Source | Enclosure Volume | Which Zone | Use EX-50 Gland |
|---------------|--------------------------|------------------|-------------|-----------------|
| IIC, IIB, IIA | NO | 2 litres or less | Zone 1 or 2 | YES |
| IIB, IIA | YES | Any | Zone 2 | YES |
| IIB, IIA | YES | 2 litres or less | Zone 1 | YES |

EExe Equipment

Gas Group II, Zones 1 and 2

Other Equipment

Ignitable Dust, Zones 21 and 22

INGRESS PROTECTION

IP66

OPERATING TEMPERATURES

Standard Seals - 60°C to +180°C

MATERIALS

Brass CZ121 (EX-50-B)
316 Stainless Steel (EX-50-S)

THREADS

ISO Metric; NPT; NPS; ISO Pipe Thread (BSP Taper, BSP Parallel)

PLATING

Nickel (1); Tin (2); Zinc (3); Electroless Nickel (4)

ACCESSORIES

Locknut - Brass (EX-BLN); 316 Stainless Steel (EX-SLN)
 Earth Tag - Brass (EX-BET), 316 Stainless Steel (EX-SET)
 IP Washer - Nylon (EX-NSW); Red Fibre (EX-FSW)
 Serrated Lock Washer - 316 Stainless Steel (EX-SSW), Galvanised Steel (EX-GSW)

| Gland Size | Entry Threads | Entry Thread Length | Max Across Corners | Max Protrusion Length | Gland Seal | | | | Range | | | | Armor Acceptance Range [X] |
|------------|---------------|---------------------|--------------------|-----------------------|------------------------|-----------|-----|-------|------------------------|-----------|-----|-----|-------------------------------|
| | | | | | Cable Inner Sheath [C] | | | | Cable Outer Sheath [D] | | | | |
| | Metric | [B] | [A] | Width | | Thickness | | Width | | Thickness | | | |
| | | | | Min | Max | Min | Max | Min | Max | Min | Max | | |
| 20s | M20 | 16 | 26.5 | 58.0 | 6.3 | 11.7 | 4.0 | 7.0 | 7.9 | 11.7 | 4.5 | 7.0 | 0.1-0.3 |
| 20R | M20 | 16 | 33.0 | 58.0 | 8.1 | 13.5 | 5.8 | 6.2 | 7.5 | 16.1 | 3.0 | 8.3 | 0.1-0.45 |
| 20 | M20 | 16 | 33.0 | 58.0 | 10.3 | 13.5 | 5.6 | 9.0 | 11.0 | 13.5 | 4.5 | 9.0 | 0.1-0.3 |

All Dimensions are in Millimeters

NOTES:

- Gland Size does not necessarily equate to the entry thread size.
- "X" refers to the wire diameter in a braided cable.
- Please note that dimensions (A) and (B) may differ for glands with non-Metric entry threads. Please refer to our thread data tables for specific dimensions.
- Unless otherwise stated ISO Metric entry threads have a 1.5mm pitch.
- For Flameproof Exd applications the female thread into which the gland is to be fitted must comply with clause 5.3 of EN 50018:2000 (clause 5.3 IEC 79-1) and an engagement of at least 5 full threads must be achieved for parallel threads and should be achieved for tapered threads.
- Where EX-50 type glands are fitted into non-metallic Increased Safety Exe enclosures they must be included within the earth circuit of the system.
- The user should seek expert advice if intending to combine flammable gases and combustible dusts in one environment/installation.
- Full assembly instructions are supplied with glands, the instructions must be read prior to installation and adhered to in full.

EX-55

EX-55 type glands provide a single pull resistant seal on the outer sheath of unarmoured flat cable. EX-55 type glands maintain Flameproof Exd and Increased Safety Exe methods of explosion protection and IP68 to 25 meters.

EXAMPLE PART NUMBER

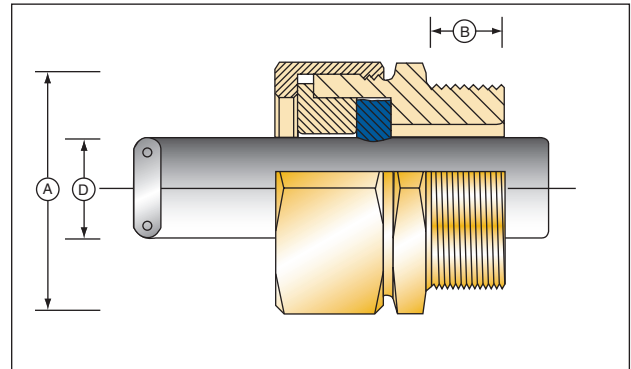
EX-55 [W] [Y] [YY] [ZZ]

- W** - Gland Material (B = Brass / S = Stainless Steel)
Y - Plating (0 = No Plating / 1 = Nickel / 2 = Tin / 3 = Zinc / 4 = Electroless Nickel)
YY - Gland Size (Cable Range)
ZZ - Entry Thread

EX-55-B-3-20S-M20

DESIGN STANDARD

EN50014:1998, EN50018:2000, EN50019:2000 and EN50281-1-1:1998



CERTIFICATION

ATEX II 2 GD, E Exd IIC / E Exe II

CERTIFICATE

SIRA 05ATEX1121X - Ex Notified Body No. 0518

GLAND MARKING

CENELEC and ATEX

Example:

Amphenol 13838 USA EX-55-B-3-20S-M20 XX SIRA 05ATEX1121X  II 2GD IP68 EExdIIC / EExe II (XX = Year Code)

APPLICATION

EExd Equipment

EX-55 type glands will only maintain Flameproof Exd integrity when used with cable that has a suitable profile and is compact with extruded bedding. The cable shall be deemed to be effectively filled. Ref: IEC60079-14:2002 Section 10.4.2

| Gas Group | Internal Ignition Source | Enclosure Volume | Which Zone | Use EX-55 Gland |
|---------------|--------------------------|------------------|-------------|-----------------|
| IIC, IIB, IIA | NO | Any | Zone 1 or 2 | YES |
| IIB, IIA | YES | Any | Zone 2 | YES |
| IIB, IIA | YES | 2 litres or less | Zone 1 | YES |

EExe Equipment

Gas Group II, Zones 1 and 2

Other Equipment

Ignitable Dust, Zones 21 and 22

INGRESS PROTECTION

IP68 @ 25 meters

OPERATING TEMPERATURES

Standard Seal - 60°C to +180°C (Silicone seal)

MATERIALS

Brass CZ121 (EX-55-B)
316 Stainless Steel (EX-55-S)

Outer sheath seal material: Silicone, red or white

THREADS

ISO Metric; NPT; NPS; ISO Pipe Thread (BSP Taper, BSP Parallel)

PLATING

Nickel (1); Tin (2); Zinc (3); Electroless Nickel (4)

ACCESSORIES

Locknut - Brass (EX-BLN); 316 Stainless Steel (EX-SLN)
 Earth Tag - Brass (EX-BET), 316 Stainless Steel (EX-SET)
 IP Washer - Nylon (EX-NSW); Red Fibre (EX-FSW)
 Serrated Lock Washer - 316 Stainless Steel (EX-SSW), Galvanised Steel (EX-GSW)

| Gland Size | Entry Threads | Entry Thread Length [B] | Max Across Corners [A] | Gland Seal Range Cable Outer Sheath [D] | | | |
|------------|---------------|----------------------------|---------------------------|--|------|-----------|-----|
| | | | | Width | | Thickness | |
| | Metric | | | Min | Max | Min | Max |
| 20s | M20 | 16 | 26.5 | 6.3 | 11.7 | 4.0 | 7.0 |
| 20R | M20 | 16 | 33.0 | 8.1 | 13.5 | 5.8 | 6.2 |
| 20 | M20 | 16 | 33.0 | 10.3 | 13.5 | 5.6 | 9.0 |

All Dimensions are in Millimeters

NOTES:

- Suitable only for fixed installations. The cable must be clamped near the gland to prevent pulling and twisting.
- Gland Size does not necessarily equate to the entry thread size.
- Integral entry thread seal option is not available for glands with tapered entry threads. IP washers can be supplied if required.
- Please note that dimensions (A) and (B) may differ for glands with non-Metric entry threads. Please refer to our thread data tables for specific dimensions.
- Unless otherwise stated ISO Metric entry threads have a 1.5mm pitch.
- For Flameproof Exd applications the female thread into which the gland is to be fitted must comply with clause 5.3 of EN 50018:2000 (clause 5.3 IEC 79-1) and an engagement of at least 5 full threads must be achieved for parallel threads and should be achieved for tapered threads.
- Where EX-55 type glands are fitted into non-metallic Increased Safety Exe enclosures they must be included within the earth circuit of the system.
- The user should seek expert advice if intending to combine flammable gases and combustible dusts in one environment/installation.
- Full assembly instructions are supplied with glands, the instructions must be read prior to installation and adhered to in full.

EX-60

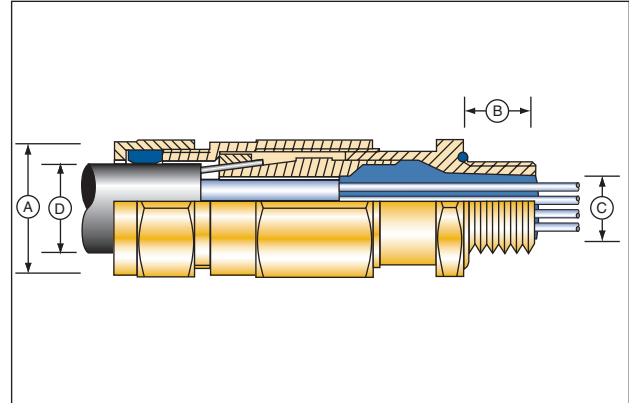
EX-60 type glands provide a Flameproof EExd compound filled barrier, a seal on the outer sheath, a universal armor clamp for armored, screened or braided cable and an entry thread seal. The armor clamp provides an electrical bond between the cable armor, screen or braid and the gland. EX-60 type glands maintain EExd Flameproof method of explosion protection; IP66, 68 to 100 meters and is deluge resistant.

EXAMPLE PART NUMBER

EX-60 [W] [Y] [R] [YY] [ZZ]

- W** - Gland Material (B = Brass / S = Stainless Steel)
- Y** - Plating (0 = No Plating / 1 = Nickel / 2 = Tin / 3 = Zinc / 4 = Electroless Nickel)
- R** - Reduced bore option
- YY** - Gland Size (Cable Range)
- ZZ** - Entry Thread

EX-60-B-1-R-20S-M20



DESIGN STANDARD

EN50014:1998, EN50018:2000, EN50019:2000 and EN50281-1-1:1998
IEC 60079-0 (2000-06), IEC 60079-1 (2001-02)

CERTIFICATION

ATEX II 2 GD, E Exd IIC / E Exe II
CSA Exd I & IIC 4X, Class 1, Zone 1

CERTIFICATE

SIRA 05SIRA1124X - Ex Notified Body No. 0518
Pending

GLAND MARKING

CENELEC and ATEX

Example:

Amphenol 13838 USA EX-60-B-1-R-20S-M20 XX SIRA 05ATEX1124X I M2 II 2GD EExd I & IIC IP68 (XX = Year Code)

APPLICATION

EExd Equipment

EX-60 type Glands will maintain Flameproof Exd integrity when used with any armored or unarmored cable types. Ref: IEC60079-14:2002 Section 10.4.2

| Gas Group | Internal Ignition Source | Enclosure Volume | Which Zone | Use EX-60 Gland |
|------------------|--------------------------|------------------|-------------|-----------------|
| I, IIC, IIB, IIA | YES | Any | Zone 1 or 2 | YES |

Other Equipment

Mining Equipment Group I, M2
Ignitable Dust, Zones 21 and 22

INGRESS PROTECTION

IP66 & IP68 @ 100 Meters
Meets the requirements of DTS01 1991

CURING TIME

@ 21°C
Conductor termination can be effected after 1 hour
The equipment can be energised after 4 hours
The compound chamber can be inspected after 4 hours

OPERATING TEMPERATURES

- 60°C to +85°C

| MATERIALS |
|---|
| Brass CZ121 (EX-60-B) 316 Stainless Steel (EX-60-S) |
| Inner LSOH compound Standard outer sheath seal is LSOH silicone, white (EX-60-W-Y) Reduced bore outer sheath seal is LSOH silicone, red (EX-60-W-Y-R) |
| Entry thread Seal: Red LSOH silicone |

| THREADS |
|---|
| ISO Metric; NPT; NPS; ISO Pipe Thread (BSP Taper, BSP Parallel) |

| PLATING |
|---|
| Nickel (1); Tin (2); Zinc (3); Electroless Nickel (4) |

| ACCESSORIES |
|---|
| Locknut - Brass (EX-BLN); 316 Stainless Steel (EX-SLN) Earth Tag - Brass (EX-BET), 316 Stainless Steel (EX-SET) IP Washer - Nylon (EX-NSW); Red Fibre (EX-FSW) Serrated Lock Washer - 316 Stainless Steel (EX-SSW), Galvanised Steel (EX-GSW) Shroud - PVC (EX-PVC) |
| Gland and accessory kits: K5- includes gland, locknut, earthtag, integral IP "O" ring & PVC shroud |

| Gland Size | Entry Threads | | Entry Thread Length [B] | Max Across Corners [A] | Max Protrusion Length | Gland Seal Range | | | | | | Armor Acceptance Range | Shroud Size | |
|------------|---------------|-----------|-------------------------|------------------------|-----------------------|--------------------------------|----------|-----------|------------------------|-------|-------------|------------------------|-------------|------|
| | | | | | | Cable Inner Sheath / Cores [C] | | | Cable Outer Sheath [D] | | | | | |
| | Metric | NPT/BSP | | | | Max No. of | Max Over | Max Inner | Standard | | Reduced (R) | | | |
| | | | | | | | | | Min | Max | Min | | | Max |
| 16 | M20 | N1 or N2 | 16 | 28.0 | 72.0 | 7 | 9.0 | 11.7 | 9.0 | 13.5 | 6.7 | 10.3 | 0.15 - 1.25 | L24 |
| 20s | M20 | N1 or N2 | 16 | 28.0 | 72.0 | 8 | 10.4 | 11.7 | 11.5 | 16.0 | 9.4 | 12.5 | 0.15 - 1.25 | L24 |
| 20 | M20 | N1 or N2 | 16 | 33.0 | 73.0 | 14 | 12.5 | 14.0 | 15.5 | 21.1 | 12.0 | 17.6 | 0.15 - 1.25 | EL30 |
| 25 | M25 | N2 or N3 | 16 | 41.4 | 83.0 | 25 | 17.8 | 20.0 | 20.3 | 27.4 | 16.8 | 23.9 | 0.15 - 1.60 | EL38 |
| 32 | M32 | N3 or N4 | 16 | 50.6 | 103.0 | 50 | 23.5 | 26.3 | 26.7 | 34.0 | 23.2 | 30.5 | 0.15 - 2.00 | EL46 |
| 40 | M40 | N4 or N5 | 16 | 60.5 | 105.0 | 80 | 28.8 | 32.2 | 33.0 | 40.6 | 28.6 | 36.2 | 0.20 - 2.00 | EL55 |
| 50s | M50 | N6 | 16 | 71.5 | 115.0 | 100 | 34.2 | 38.2 | 39.4 | 46.7 | 34.8 | 42.4 | 0.20 - 2.50 | EL65 |
| 50 | M50 | N6 | 16 | 71.5 | 115.0 | 100 | 39.4 | 44.1 | 45.7 | 53.2 | 41.1 | 48.5 | 0.20 - 2.50 | EL65 |
| 63s | M63 | N7 | 19 | 88.0 | 115.0 | 120 | 44.8 | 50.1 | 52.1 | 59.5 | 47.5 | 54.8 | 0.30 - 2.50 | EL80 |
| 63 | M63 | N7 | 19 | 88.0 | 115.0 | 120 | 50.0 | 56.0 | 58.4 | 65.8 | 53.8 | 61.2 | 0.30 - 2.50 | EL80 |
| 75s | M75 | N8 | 19 | 99.0 | 122.0 | 140 | 55.4 | 62.0 | 64.8 | 72.2 | 60.2 | 68.0 | 0.30 - 2.50 | EL90 |
| 75 | M75 | N8 | 19 | 99.0 | 122.0 | 140 | 60.8 | 68.0 | 71.1 | 78.0 | 66.5 | 73.4 | 0.30 - 2.50 | EL90 |
| 80 | M80x2 | N8 or N9 | 25 | 115.2 | 162.0 | 160 | 64.4 | 72.0 | 77.0 | 84.0 | - | - | 0.45 - 3.15 | L104 |
| 85 | M85x2 | N8 or N9 | 25 | 115.2 | 162.0 | 180 | 69.8 | 78.0 | 79.6 | 90.0 | 75.0 | 85.4 | 0.45 - 3.15 | L104 |
| 90 | M90x2 | N9 or N10 | 25 | 125.7 | 166.0 | 200 | 75.1 | 84.0 | 88.0 | 96.0 | - | - | 0.45 - 3.15 | L114 |
| 100 | M100x2 | N9 or N10 | 25 | 125.7 | 166.0 | 220 | 80.5 | 90.0 | 92.0 | 102.0 | 87.4 | 97.4 | 0.45 - 3.15 | L114 |

All Dimensions are in Millimeters

NOTES:

- NPT entry thread reference details on page 53.
- Gland Size does not necessarily equate to the entry thread size.
- Integral entry thread seal option is not available for glands with tapered entry threads. IP washers can be supplied if required.
- Please note that dimensions (A) and (B) may differ for glands with non-Metric entry threads. Please refer to our thread data tables for specific dimensions.
- Unless otherwise stated ISO Metric entry threads have a 1.5mm pitch.
- For Flameproof Exd applications the female thread into which the gland is to be fitted must comply with clause 5.3 of EN 50018:2000 (clause 5.3 IEC 79-1) and an engagement of at least 5 full threads must be achieved for parallel threads and should be achieved for tapered threads.
- If EX-60 type glands are fitted into non-metallic enclosures they must be included within the earth circuit of the system.
- The user should seek expert advice if intending to combine flammable gases and combustible dusts in one environment/installation.
- Full assembly instructions are supplied with glands, the instructions must be read prior to installation and adhered to in full.

EX-65

EX-65 type glands provide a Flameproof EExd compound filled barrier and an entry thread seal. EX-65 type glands maintain EExd Flameproof method of explosion protection; IP66, 68 to 100 meters and is deluge resistant.

EXAMPLE PART NUMBER

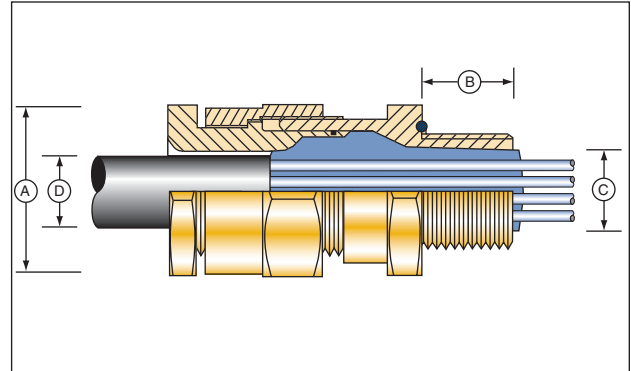
EX-65 [W] [Y] [YY] [ZZ]

- W** - Gland Material (B = Brass / S = Stainless Steel)
Y - Plating (0 = No Plating / 1 = Nickel / 2 = Tin / 3 = Zinc / 4 = Electroless Nickel)
YY - Gland Size (Cable Range)
ZZ - Entry Thread

EX-65-B-1-20S-M20

DESIGN STANDARD.

EN50014:1998, EN50018:2000, & EN50281-1-1:1998
IEC 60079-0 (2000-06), IEC 60079-1 (2001-02)



CERTIFICATION

ATEX II 2 GD, E Exd IIC / E Exe II
CSA Exd I & IIC/Exe II 4X, Class 1, Zone 1

CERTIFICATE

SIRA 05ATEX1124X - Ex Notified Body No. 0518
Pending

GLAND MARKING

CENELEC and ATEX

Example:

Amphenol 13838 USA EX-65-B-1-20S-M20 XX SIRA 05ATEX1124X I M2 II 2GD EExd I & IIC IP68 (XX = Year Code)

APPLICATION

EExd Equipment

EX-65 type Glands will maintain Flameproof Exd integrity when used with any armored or unarmored cable types. Ref: IEC60079-14:2002 Section 10.4.2

| Gas Group | Internal Ignition Source | Enclosure Volume | Which Zone | Use EX-65 Gland |
|------------------|--------------------------|------------------|-------------|-----------------|
| I, IIC, IIB, IIA | YES | Any | Zone 1 or 2 | YES |

Other Equipment

Mining Equipment Group I, M2
Ignitable Dust, Zones 21 and 22

INGRESS PROTECTION

IP66 & IP68 @ 100 Meters
Meets the requirements of DTS01 1991

CURING TIME

@ 21°C
Conductor termination can be effected after 1 hour
The equipment can be energised after 4 hours
The compound chamber can be inspected after 4 hours

OPERATING TEMPERATURES

-60°C to +85°C

| MATERIALS |
|--|
| Brass CZ121 (EX-65-B) 316 Stainless Steel (EX-65-S) |
| Inner LSOH compound |
| Entry thread Seal: Red LSOH silicone |

| THREADS |
|---|
| ISO Metric; NPT; NPS; ISO Pipe Thread (BSP Taper, BSP Parallel) |

| PLATING |
|---|
| Nickel (1); Tin (2); Zinc (3); Electroless Nickel (4) |

| ACCESSORIES |
|---|
| Locknut - Brass (EX-BLN); 316 Stainless Steel (EX-SLN) Earth Tag - Brass (EX-BET), 316 Stainless Steel (EX-SET) IP Washer - Nylon (EX-NSW); Red Fibre (EX-FSW) Serrated Lock Washer - 316 Stainless Steel (EX-SSW), Galvanised Steel (EX-GSW) Shroud - PVC (EX-PVC) |
| Gland and accessory kits: K5- includes gland, locknut, earthtag, integral IP "O" ring & PVC shroud |

| Gland Size | Entry Threads | | Entry Thread Length [B] | Max Across Corners [A] | Max Protrusion Length | Gland Seal Range Cable Sheath / Cores | | | Shroud Size |
|------------|---------------|-----------|----------------------------|---------------------------|-----------------------|--|--------------------|-------------------------|-------------|
| | Metric | NPT/BSP | | | | Max No. of Cores | Max Over Cores [C] | Max Sheath Diameter [D] | |
| 20s | M20 | N1 or N2 | 16 | 28.0 | 42.0 | 8 | 10.4 | 11.7 | L24 |
| 20 | M20 | N1 or N2 | 16 | 33.0 | 44.0 | 14 | 12.5 | 14.0 | L20 |
| 25 | M25 | N2 or N3 | 16 | 41.4 | 48.0 | 25 | 17.8 | 20.0 | L38 |
| 32 | M32 | N3 or N4 | 16 | 50.6 | 53.0 | 50 | 23.5 | 26.3 | L46 |
| 40 | M40 | N4 or N5 | 16 | 60.5 | 54.0 | 80 | 28.8 | 32.2 | L55 |
| 50 | M50 | N6 | 16 | 71.5 | 54.0 | 100 | 39.4 | 44.1 | L65 |
| 63 | M63 | N7 | 19 | 88.0 | 55.0 | 120 | 50.0 | 56.0 | L80 |
| 75 | M75 | N8 | 19 | 99.0 | 60.0 | 140 | 60.8 | 68.0 | L90 |
| 80 | M80x2 | N8 or N9 | 25 | 115.2 | 80.0 | 160 | 64.4 | 72.0 | L104 |
| 85 | M85x2 | N8 or N9 | 25 | 115.2 | 80.0 | 180 | 69.8 | 78.0 | L104 |
| 90 | M90x2 | N9 or N10 | 25 | 125.7 | 85.0 | 200 | 75.1 | 84.0 | L114 |
| 100 | M100x2 | N9 or N10 | 25 | 125.7 | 85.0 | 220 | 80.5 | 90.0 | L114 |

All Dimensions are in Millimeters

NOTES:

- NPT entry thread reference details on page 53.
- Gland Size does not necessarily equate to the entry thread size.
- Integral entry thread seal option is not available for glands with tapered entry threads. IP washers can be supplied if required.
- Please note that dimensions (A) and (B) may differ for glands with non-Metric entry threads. Please refer to our thread data tables for specific dimensions.
- Unless otherwise stated ISO Metric entry threads have a 1.5mm pitch.
- For Flameproof Exd applications the female thread into which the gland is to be fitted must comply with clause 5.3 of EN 50018:2000 (clause 5.3 IEC 79-1) and an engagement of at least 5 full threads must be achieved for parallel threads and should be achieved for tapered threads.
- If EX-65 type glands are fitted into non-metallic enclosures they must be included within the earth circuit of the system.
- The user should seek expert advice if intending to combine flammable gases and combustible dusts in one environment/installation.
- Full assembly instructions are supplied with glands, the instructions must be read prior to installation and adhered to in full.

EX-70

EX-70 type glands provide a Flameproof EExd compound filled barrier, a secondary weather seal on the outer sheath and an entry thread seal. EX-70 type glands maintain EExd Flameproof method of explosion protection; IP66, 68 to 100 meters and is deluge resistant.

EXAMPLE PART NUMBER

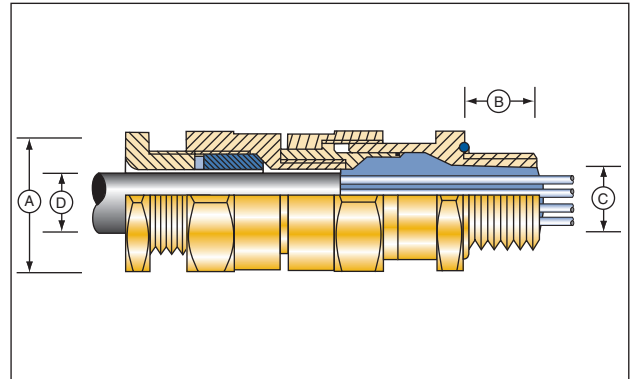
EX-70 [W] [Y] [YY] [ZZ]

- W** - Gland Material (B = Brass / S = Stainless Steel)
Y - Plating (0 = No Plating / 1 = Nickel / 2 = Tin / 3 = Zinc / 4 = Electroless Nickel)
YY - Gland Size (Cable Range)
ZZ - Entry Thread

EX-70-B-1-20S-M20

DESIGN STANDARD

EN50014:1998, EN50018:2000, & EN50281-1-1:1998
IEC 60079-0 (2000-06), IEC 60079-1 (2001-02)



CERTIFICATION

ATEX II 2 GD, E Exd IIC / E Exe II
CSA Exd I & IIC/Exe II 4X, Class 1, Zone 1

CERTIFICATE

SIRA 05ATEX1124X - Ex Notified Body No. 0518

GLAND MARKING

CENELEC and ATEX

Example:

Amphenol 13838 USA EX-70-1-20S-M20 XX SIRA 05ATEX1124X I M2 II 2GD EExd I & IIC IP68

APPLICATION

EExd Equipment

EX-70 type Glands will maintain Flameproof Exd integrity when used with any armored or unarmored cable types. Ref: IEC60079-14:2002 Section 10.4.2

| Gas Group | Internal Ignition Source | Enclosure Volume | Which Zone | Use EX-70 Gland |
|------------------|--------------------------|------------------|-------------|-----------------|
| I, IIC, IIB, IIA | YES | Any | Zone 1 or 2 | YES |

Other Equipment

Mining Equipment Group I, M2
Ignitable Dust, Zones 21 and 22

INGRESS PROTECTION

IP66 & IP68 @ 100 Meters
Meets the requirements of DTS01 1991

CURING TIME

@ 21°C
Conductor termination can be effected after 1 hour
The equipment can be energised after 4 hours
The compound chamber can be inspected after 4 hours

OPERATING TEMPERATURES

-60°C to +85°C

| MATERIALS |
|--|
| Brass CZ121 (Ex-70-B) 316 Stainless Steel (EX-70-S) |
| Inner LSOH compound |
| Entry thread Seal: Red LSOH silicone |

| THREADS | PLATING |
|---|---|
| ISO Metric; NPT; NPS; ISO Pipe Thread (BSP Taper, BSP Parallel) | Nickel (1); Tin (2); Zinc (3); Electroless Nickel (4) |

| ACCESSORIES |
|---|
| Locknut - Brass (EX-BLN); 316 Stainless Steel (EX-SLN) Earth Tag - Brass (EX-BET), 316 Stainless Steel (EX-SET) IP Washer - Nylon (EX-NSW); Red Fibre (EX-FSW) Serrated Lock Washer - 316 Stainless Steel (EX-SSW), Galvanised Steel (EX-GSW) Shroud - PVC (EX-PVC) |
| Gland and accessory kits: K5- includes gland, locknut, integral IP "O" ring & PVC shroud |

| Gland Size | Entry Threads | | Entry Thread Length [B] | Max Across Corners [A] | Max Protrusion Length | Gland Seal Range | | | | | Shroud Size |
|------------|---------------|-----------|----------------------------|---------------------------|-----------------------|--------------------------------|----------------|---------------------|------------------------|------|-------------|
| | | | | | | Cable Inner Sheath / Cores [C] | | | Cable Outer Sheath [D] | | |
| | Metric | NPT/BSP | | | | Max No. of Cores | Max Over Cores | Max Sheath Diameter | Min | Max | |
| 16 | M20 | N1 or N2 | 16 | 28.0 | 73.0 | 7 | 8.4 | 8.4 | 3.4 | 8.4 | L24 |
| 20s | M20 | N1 or N2 | 16 | 28.0 | 73.0 | 8 | 10.4 | 11.7 | 4.8 | 11.7 | L24 |
| 20 | M20 | N1 or N2 | 16 | 33.0 | 73.0 | 14 | 12.5 | 14.0 | 9.5 | 14.0 | EL30 |
| 25 | M25 | N2 or N3 | 16 | 41.4 | 74.0 | 25 | 17.8 | 20.0 | 11.7 | 20.0 | EL38 |
| 32 | M32 | N3 or N4 | 16 | 50.6 | 80.0 | 50 | 23.5 | 26.3 | 18.1 | 26.3 | EL46 |
| 40 | M40 | N4 or N5 | 16 | 60.5 | 87.0 | 80 | 28.8 | 32.2 | 22.6 | 32.2 | EL55 |
| 50s | M50 | N6 | 16 | 71.5 | 87.0 | 100 | 34.2 | 38.2 | 28.2 | 38.2 | EL65 |
| 50 | M50 | N6 | 16 | 71.5 | 87.0 | 100 | 39.4 | 44.1 | 33.1 | 44.1 | EL65 |
| 63s | M63 | N7 | 19 | 88.0 | 88.0 | 120 | 44.8 | 50.1 | 39.3 | 50.1 | EL80 |
| 63 | M63 | N7 | 19 | 88.0 | 88.0 | 120 | 50.0 | 56.0 | 46.7 | 56.0 | EL80 |
| 75s | M75 | N8 | 19 | 99.0 | 97.0 | 140 | 55.4 | 62.0 | 52.3 | 62.0 | EL90 |
| 75 | M75 | N8 | 19 | 99.0 | 97.0 | 140 | 60.8 | 68.0 | 58.0 | 68.0 | EL90 |
| 80 | M80x2 | N8 or N9 | 25 | 115.2 | 123.0 | 160 | 64.4 | 72.0 | 61.9 | 72.0 | L104 |
| 85 | M85x2 | N8 or N9 | 25 | 115.2 | 123.0 | 180 | 69.8 | 78.0 | 69.1 | 78.0 | L104 |
| 90 | M90x2 | N9 or N10 | 25 | 125.7 | 123.0 | 200 | 75.1 | 84.0 | 74.1 | 84.0 | L114 |
| 100 | M100x2 | N9 or N10 | 25 | 125.7 | 123.0 | 220 | 80.5 | 90.0 | 81.8 | 90.0 | L114 |

All Dimensions are in Millimeters

NOTES:

- NPT entry thread reference details on page 53.
- Gland Size does not necessarily equate to the entry thread size.
- Integral entry thread seal option is not available for glands with tapered entry threads. IP washers can be supplied if required.
- Please note that dimensions (A) and (B) may differ for glands with non-Metric entry threads. Please refer to our thread data tables for specific dimensions.
- Unless otherwise stated ISO Metric entry threads have a 1.5mm pitch.
- For Flameproof Exd applications the female thread into which the gland is to be fitted must comply with clause 5.3 of EN 50018:2000 (clause 5.3 IEC 79-1) and an engagement of at least 5 full threads must be achieved for parallel threads and should be achieved for tapered threads.
- If EX-70 type glands are fitted into non-metallic enclosures they must be included within the earth circuit of the system.
- The user should seek expert advice if intending to combine flammable gases and combustible dusts in one environment/installation.
- Full assembly instructions are supplied with glands, the instructions must be read prior to installation and adhered to in full.

EX-75

EX-75 type glands provide a Flameproof EExd compound filled barrier seal on the cables individual conductors within a conduit. It also provides an entry thread seal. EX-75 type glands maintain EExd Flameproof method of explosion protection; IP66, 68 to 100 meters and is deluge resistant.

EXAMPLE PART NUMBER

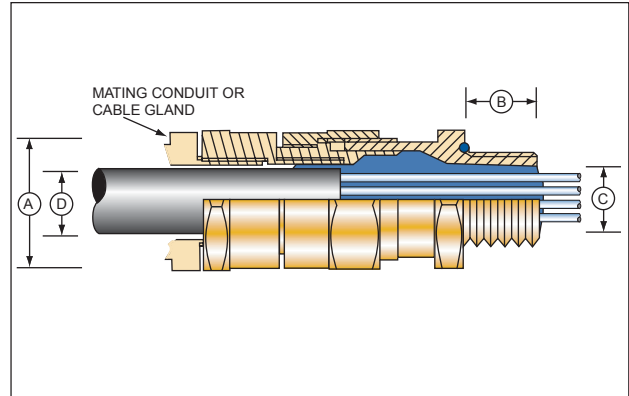
EX-75 [W] [Y] [YY] [ZZ1] [ZZ2]

- W** - Gland Material (B = Brass / S = Stainless Steel)
Y - Plating (0 = No Plating / 1 = Nickel / 2 = Tin / 3 = Zinc / 4 = Electroless Nickel)
YY - Gland Size (Cable Range)
ZZ1 - Male Thread
ZZ2 - Female Entry Thread

EX-75-B-1-20S-M20

DESIGN STANDARD

EN50014:1998, EN50018:2000, & EN50281-1-1:1998
 IEC 60079-0 (2000-06), IEC 60079-1 (2001-02)



CERTIFICATION

ATEX II 2 GD, E Exd IIC / E Exe II
 CSA Exd I & IIC/Exe II 4X, Class 1, Zone 1

CERTIFICATE

SIRA 03ATEX1479X - Ex Notified Body No. 0518

GLAND MARKING

CENELEC and ATEX

Example:

Amphenol 13838 USA EX-75-B-1-20S-M20 XX SIRA05ATEX1120X  M2 II 2GD EExd I & IIC IP68

APPLICATION

EExd Equipment

EX-75 type Glands will maintain Flameproof Exd integrity when used with any armored or unarmored cable types. Ref: IEC60079-14:2002 Section 10.4.2

| Gas Group | Internal Ignition Source | Enclosure Volume | Which Zone | Use EX-75 Gland |
|------------------|--------------------------|------------------|-------------|-----------------|
| I, IIC, IIB, IIA | YES | Any | Zone 1 or 2 | YES |

Other Equipment

Mining Equipment Group I, M2
 Ignitable Dust, Zones 21 and 22

INGRESS PROTECTION

IP66 & IP68 @ 100 Meters
 Meets the requirements of DTS01 1991

CURING TIME

@ 21°C
 Conductor termination can be effected after 1 hour
 The equipment can be energised after 4 hours
 The compound chamber can be inspected after 4 hours

OPERATING TEMPERATURES

-60°C to +85°C

| MATERIALS |
|--|
| Brass CZ121 (EX-75-B) 316 Stainless Steel (EX-75-S) |
| Inner LSOH compound |
| Entry thread Seal: Red LSOH silicone |

| THREADS | PLATING |
|---|---|
| ISO Metric; NPT; NPS; ISO Pipe Thread (BSP Taper, BSP Parallel) | Nickel (1); Tin (2); Zinc (3); Electroless Nickel (4) |

| ACCESSORIES |
|--|
| Locknut - Brass (EX-BLN); 316 Stainless Steel (EX-SLN) Earth Tag - Brass (EX-BET), 316 Stainless Steel (EX-SET) IP Washer - Nylon (EX-NSW); Red Fibre (EX-FSW) Serrated Lock Washer - 316 Stainless Steel (EX-SSW), Galvanised Steel (EX-GSW) |

| Fitting Size Ref | Male Entry | | Female Entry | | Entry Thread Length [B] | Max Across Corners [A] | Max Protrusion Length | Sealing Range Cable Conductors / Cores | | |
|------------------|------------|-----------|--------------|-----------|-------------------------|------------------------|-----------------------|--|--------------------|------------------------------|
| | Metric | NPT | Metric | NPT | | | | Max No. of Cores | Max Over Cores [C] | Max Cable Inside Fitting [D] |
| 20 | M20 | N1 or N2 | M20 | N1 or N2 | 16 | 33.0 | 57.0 | 14 | 12.5 | 14.0 |
| 25 | M25 | N2 or N3 | M25 | N2 or N3 | 16 | 41.4 | 63.0 | 25 | 17.8 | 20.0 |
| 32 | M32 | N3 or N4 | M32 | N3 or N4 | 16 | 50.6 | 67.0 | 50 | 23.5 | 26.3 |
| 40 | M40 | N4 or N5 | M40 | N4 or N5 | 16 | 60.5 | 68.0 | 80 | 28.8 | 32.2 |
| 50 | M50 | N6 | M50 | N6 | 16 | 71.5 | 68.0 | 100 | 39.4 | 44.1 |
| 63 | M63 | N7 | M63 | N7 | 19 | 88.0 | 72.0 | 120 | 50.0 | 56.0 |
| 75 | M75 | N8 | M75 | N8 | 19 | 99.0 | 78.0 | 140 | 60.8 | 68.0 |
| 80 | M80x2 | N8 or N9 | M80x2 | N8 or N9 | 25 | 115.2 | 103.0 | 160 | 64.4 | 72.0 |
| 85 | M85x2 | N8 or N9 | M85x2 | N8 or N9 | 25 | 115.2 | 103.0 | 180 | 69.8 | 78.0 |
| 90 | M90x2 | N9 or N10 | M90x2 | N9 or N10 | 25 | 125.7 | 104.0 | 200 | 75.1 | 84.0 |
| 100 | M100x2 | N9 or N10 | M100x2 | N9 or N10 | 25 | 125.7 | 104.0 | 220 | 80.5 | 90.0 |

All Dimensions are in Millimeters

NOTES:

- NPT thread reference details on page 53.
- Please note that dimensions (A) and (B) may differ for glands with non-Metric entry threads. Please refer to our thread data tables for specific dimensions.
- Integral entry thread seal option is not available for glands with tapered entry threads. IP washers can be supplied if required.
- Unless otherwise stated ISO Metric entry threads have a 1.5mm pitch.
- For Flameproof Exd applications the female thread into which the gland is to be fitted must comply with clause 5.3 of EN 50018:2000 (clause 5.3 IEC 79-1) and an engagement of at least 5 full threads must be achieved for parallel threads and should be achieved for tapered threads.
- If EX-75 type glands are fitted into non-metallic enclosures they must be included within the earth circuit of the system.
- The user should seek expert advice if intending to combine flammable gases and combustible dusts in one environment/installation.
- To maintain ingress protection a thread sealant should be applied to the conduit thread.
- Full assembly instructions are supplied with glands, the instructions must be read prior to installation and adhered to in full.

CGA

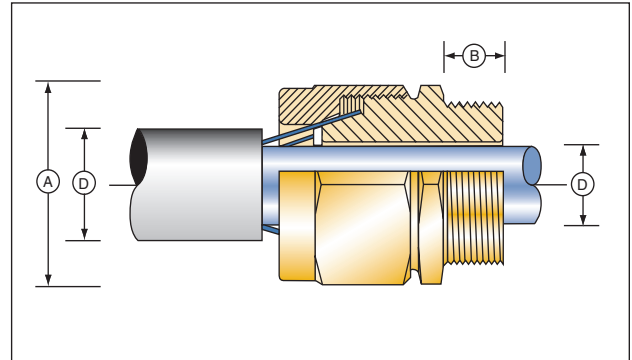
CGA type glands provide an integral armor clamp for armored cable. The integral armor clamp provides an electrical bond between the cable armor and the gland. CGA type glands maintain IP30.

EXAMPLE PART NUMBER

CG[X] [W] [Y] [YY] [ZZ]

- X** - Clamp Type (See Clamps)
- W** - Gland Material (B = Brass / S = Stainless Steel)
- Y** - Plating (0 = No Plating / 1 = Nickel / 2 = Tin / 3 = Zinc / 4 = Electroless Nickel)
- YY** - Gland Size (Cable Range)
- ZZ** - Entry Thread

Sample: **CGA-B-3-20S-M20**



DESIGN STANDARD

BS 6121:1989

GLAND MARKING

Example:
BS6121 Part 1 CGA-B-3-20S-M20 Amphenol

INGRESS PROTECTION

IP30

OPERATING TEMPERATURES

-100°C to +600°C

MATERIALS

Brass CZ121 (CGA-B)

VARIATIONS

All variants of the CGA type gland feature a separate armor clamping ring to allow for inspection of the clamped armor:
Brass (CGA-B)

THREADS

ISO Metric only

CLAMPS

SWA Clamping using gland body (CGA)
SWA steel wire armor - clamping ring (CGL)
SWB woven steel wire armor or STA steel tape armor - clamping ring (CGZ)

PLATING

Nickel (1); Tin (2); Zinc (3); Electroless Nickel (4)

ACCESSORIES

Locknut - Brass (EX-BLN); Steel (EX-MLN)
Earth Tag - Brass (EX-BET)
Shroud - PVC (EX-PVC)

Gland and accessory kits:
K6- includes gland, steel locknut, earthtag and PVC shroud

| Gland Size | Entry Threads | Entry Threads Length | Max Across Corners | Max Protrusion Length | Gland Seal Range | | | | Armor Acceptance Range | | Shroud Size |
|------------|---------------|----------------------|--------------------|-----------------------|------------------------|------|------------------------|-------|------------------------|----------------------------|-------------|
| | | | | | Cable Inner Sheath [C] | | Cable Outer Sheath [D] | | W | XZ Clamp Ring Version Only | |
| | Metric | [B] | [A] | Min | Max | Min | Max | | | | |
| 20s | M20 | 10 | 24.2 | 20.0 | - | 11.7 | - | 16.0 | 0.90-1.25 | 0.15-0.35 | S22 |
| 20 | M20 | 10 | 29.7 | 20.0 | - | 14.0 | - | 21.0 | 0.90-1.25 | 0.15-0.50 | S27 |
| 25 | M25 | 10 | 45.1 | 22.0 | - | 20.0 | - | 27.4 | 1.25-1.60 | 0.15-0.50 | S36 |
| 32 | M32 | 10 | 50.6 | 25.0 | - | 26.3 | - | 34.0 | 1.60-2.00 | 0.15-0.55 | S41 |
| 40 | M40 | 15 | 60.5 | 30.0 | - | 32.2 | - | 40.6 | 1.60-2.00 | 0.20-0.60 | L55 |
| 50 | M50 | 15 | 71.5 | 32.0 | - | 44.1 | - | 53.2 | 2.00-2.50 | 0.20-0.60 | L65 |
| 63 | M63 | 15 | 88.0 | 42.0 | - | 56.0 | - | 65.8 | 2.50 | 0.30-0.80 | L80 |
| 75 | M75 | 15 | 99.0 | 50.0 | - | 68.0 | - | 78.0 | 2.50 | 0.30-1.00 | L90 |
| 80 | M80 | 20 | 115.2 | 50.0 | - | 72.0 | - | 84.0 | 3.15 | 0.45-1.00 | S104 |
| 85 | M85 | 20 | 115.2 | 50.0 | - | 78.0 | - | 90.0 | 3.15 | 0.45-1.00 | S104 |
| 90 | M90 | 20 | 125.7 | 50.0 | - | 84.0 | - | 96.0 | 3.15 | 0.45-1.00 | S114 |
| 100 | M100 | 20 | 125.7 | 50.0 | - | 90.0 | - | 102.0 | 3.15 | 0.45-1.00 | S114 |

All Dimensions are in Millimeters

NOTES:

- Gland Size does not necessarily equate to the entry thread size
- "W" refers to the wire diameter in a steel wire armored cable
- Unless otherwise stated ISO Metric entry threads have a 1.5mm pitch
- Shroud sizes above are for CGA type only.
- Full assembly instructions are available upon request, the instructions should be read prior to installation and adhered to in full

CGSB or CGSS

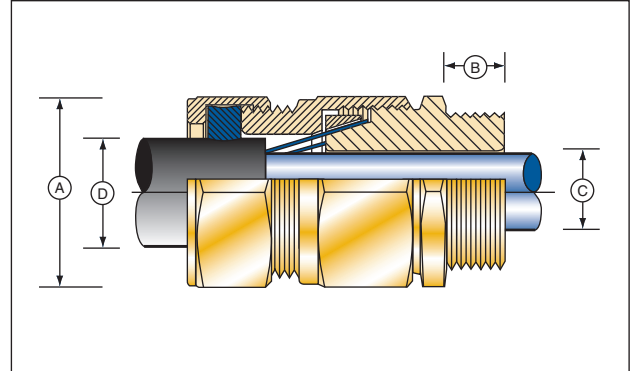
CGSB and CGSS type glands provide a seal on the outer sheath and an armor specific clamp for armored cable. The armor clamp provides an electrical bond between the cable armor and the gland; and maintain IP66 rating.

EXAMPLE PART NUMBER

CGSB* [W] [Y] [R] [YY] [ZZ]

- * - Armor Type (W = SWA / X = SWB / Z = STA)
- W - Seal Material (1 = Neoprene / 3 = Silicone)
- Y - Plating (0 = No Plating / 1 = Nickel / 2 = Tin / 3 = Zinc / 4 = Electroless Nickel)
- R - Reduced bore option
- YY - Gland Size (Cable Range)
- ZZ - Entry Thread

Sample: CGSB-W-1-3-R-20S-M20



DESIGN STANDARD

BS EN 50262: 1999

GLAND MARKING

Example:
CGSB-W-1-3-R-20S-M20 Amphenol

INGRESS PROTECTION

IP66

OPERATING TEMPERATURES

Standard Seals -20°C to +80°C
Silicone Seals - 60°C to +200°C

MATERIALS

Brass CZ121 (CGSB)
316 Stainless Steel (CGSS)

Outer sheath seal material: Standard Neoprene, black. Option Silicone, white
Reduced bore outer sheath seal (R) Silicone, red

THREADS

ISO Metric; NPT; NPS; ISO Pipe Thread (BSP Taper, BSP Parallel);

SEALS

Extended operating temperature -60°C to +200°C, halogen free versions:
Brass (CGSB-*-3); 316 Stainless Steel (CGSS-*-3)

CLAMPS

SWA steel wire armor (CGSB-W)
SWB woven steel wire armor or STA steel tape armor (CGSB-X)
SWA, SWB and STA armor clamps (CGSB-Z)

PLATING

Nickel (1); Tin (2); Zinc (3); Electroless Nickel (4)

ACCESSORIES

Locknut - Brass (EX-BLN); 316 Stainless Steel (EX-SLN)
Earth Tag - Brass (EX-BET), 316 Stainless Steel (EX-SET)
IP Washer - Nylon (EX-NSW); Red Fibre (EX-FSW)
Serrated Lock Washer - 316 Stainless Steel (EX-SSW), Galvanised Steel (EX-GSW)
Shroud - PVC (EX-PVC); PCP (EX-SPCP); Low Smoke Zero Halogen (EX-LSH)

Gland and accessory kits:

K7- includes gland, locknut, earthtag and PVC shroud

K8 - includes brass gland, brass locknut, brass earthtag and zero halogen shroud

| Gland Size | Entry Threads | | Entry Thread Length [B] | Max Across Corners [A] | Max Protrusion Length | Gland Seal Range | | | | | | Armour Acceptance Range | | Shroud Size |
|------------|---------------|-----------|-------------------------|------------------------|-----------------------|------------------------|------|------------------------|-------|------|------|-------------------------|-----------|-------------|
| | | | | | | Cable Inner Sheath [C] | | Cable Outer Sheath [D] | | | | | | |
| | | | | | | Standard | | Reduced (R) | | | | | | |
| | Min | Max | | | | Min | Max | Min | Max | W | XZ | | | |
| 16 | M20 | N1 or N2 | 10 | 26.5 | 54.0 | - | 11.7 | 9.0 | 13.5 | 6.7 | 10.3 | 0.90 | 0.15-0.35 | L24 |
| 20s | M20 | N1 or N2 | 10 | 26.5 | 54.0 | - | 11.7 | 11.5 | 16.0 | 9.4 | 12.5 | 0.90-1.25 | 0.15-0.35 | L24 |
| 20 | M20 | N1 or N2 | 10 | 33.0 | 54.0 | - | 14.0 | 15.5 | 21.0 | 12.0 | 17.6 | 0.90-1.25 | 0.15-0.50 | L30 |
| 25 | M25 | N2 or N3 | 10 | 41.4 | 54.0 | - | 20.0 | 20.3 | 27.4 | 16.8 | 23.9 | 1.25-1.60 | 0.15-0.50 | L38 |
| 32 | M32 | N3 or N4 | 10 | 50.6 | 60.0 | - | 26.3 | 26.7 | 34.0 | 23.2 | 30.5 | 1.60-2.00 | 0.15-0.55 | L46 |
| 40 | M40 | N4 or N5 | 15 | 60.5 | 67.0 | - | 32.2 | 33.0 | 40.6 | 28.6 | 36.2 | 1.60-2.00 | 0.20-0.60 | L55 |
| 50s | M50 | N5 or N6 | 15 | 71.5 | 67.0 | - | 38.2 | 39.4 | 46.7 | 34.8 | 42.4 | 2.00-2.50 | 0.20-0.60 | L65 |
| 50 | M50 | N6 | 15 | 71.5 | 67.0 | - | 44.1 | 45.7 | 53.2 | 41.1 | 48.5 | 2.00-2.50 | 0.30-0.60 | L65 |
| 63s | M63 | N6 or N7 | 15 | 88.0 | 69.0 | - | 50.1 | 52.1 | 59.4 | 47.5 | 54.8 | 2.50 | 0.30-0.80 | L80 |
| 63 | M63 | N7 | 15 | 88.0 | 69.0 | - | 56.0 | 58.4 | 65.8 | 53.8 | 61.2 | 2.50 | 0.30-0.80 | L80 |
| 75s | M75 | N7 or N8 | 15 | 99.0 | 77.0 | - | 62.0 | 64.8 | 72.2 | 60.2 | 68.0 | 2.50 | 0.30-1.00 | L90 |
| 75 | M75 | N8 | 15 | 99.0 | 77.0 | - | 68.0 | 71.1 | 78.0 | 66.5 | 73.4 | 2.50 | 0.30-1.00 | L90 |
| 80 | M80 x 2 | N8 or N9 | 20 | 115.2 | 104.0 | - | 72.0 | 77.0 | 84.0 | - | - | 3.15 | 0.45-1.00 | L104 |
| 80H | M80 x 2 | N8 or N9 | 20 | 115.2 | 104.0 | - | 72.0 | 79.6 | 90.0 | - | - | 3.15 | 0.45-1.00 | L104 |
| 85 | M85 x 2 | N8 or N9 | 20 | 115.2 | 104.0 | - | 78.0 | 79.6 | 90.0 | 75.0 | 85.4 | 3.15 | 0.45-1.00 | L104 |
| 90 | M90 x 2 | N9 or N10 | 20 | 125.7 | 104.0 | - | 84.0 | 88.0 | 96.0 | - | - | 3.15 | 0.45-1.00 | L114 |
| 90H | M90 x 2 | N9 or N10 | 20 | 125.7 | 104.0 | - | 84.0 | 92.0 | 102.0 | - | - | 3.15 | 0.45-1.00 | L114 |
| 100 | M100 x 2 | N9 or N10 | 20 | 125.7 | 104.0 | - | 90.0 | 92.0 | 102.0 | 87.4 | 97.4 | 3.15 | 0.45-1.00 | L114 |

All Dimensions are in Millimeters

NOTES:

- NPT entry thread reference details on page 53.
- Gland Size does not necessarily equate to the entry thread size.
- "W" refers to the wire diameter in a steel wire armored cable.
- "XZ" refers to the wire diameter in a woven steel wire armored cable or the tape thickness in a steel tape armored cable.
- Please note that dimensions (A) and (B) may differ for glands with non-Metric entry threads. Please refer to our thread data tables for specific dimensions.
- Unless otherwise stated ISO Metric entry threads have a 1.5mm pitch.
- Full assembly instructions are available upon request, the instructions should be read prior to installation and adhered to in full.

CGDS

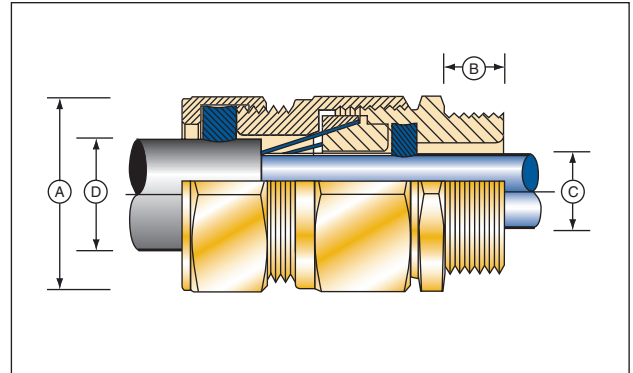
CDGS type glands provide a seal on the inner sheath, a seal on the outer sheath and an armor specific armor clamp for armored cable. The armor clamp provides an electrical bond between the cable armor and the gland. CGDS type glands maintain IP66, IP67.

EXAMPLE PART NUMBER

CGDS* [W] [Y] [R] [YY] [ZZ]

- * - Armor Type (W = SWA / X = SWB / Z = STA)
- W - Gland Material (B = Brass / S = Stainless Steel)
- X - Seal Type (0 = None / 1 = Neoprene / 3 = Silicone)
- Y - Plating (0 = No Plating / 1 = Nickel / 2 = Tin / 3 = Zinc / 4 = Electroless Nickel)
- R - Reduced bore option
- YY - Gland Size (Cable Range)
- ZZ - Entry Thread

Sample: CGDS-W-B-0-3-R-20S-M20-K1



DESIGN STANDARD

BS EN 50262: 1999

GLAND MARKING

Example:
CGDS-W-B-0-3-R-20S-M20 Amphenol

INGRESS PROTECTION

IP66 and IP67

OPERATING TEMPERATURES

Standard Seals -20°C to +80°C
Silicone Seals - 60°C to +200°C

MATERIALS

Brass CZ121 (CGDS-*-B)
316 Stainless Steel (CGDS-*-S)

Inner and outer sheath seal material: Standard Neoprene, black. Option Silicone, white
Reduced bore outer sheath seal (R) Silicone, red

VARIATIONS

Omission of outer seal:
Brass (CGDS-*-B-0); 316 Stainless Steel (CGDS-*-S-0)

THREADS

ISO Metric; NPT; NPS; ISO Pipe Thread (BSP Taper, BSP Parallel)

SEALS

Extended operating temperature -60°C to +200°C, halogen free versions:
Brass (CGDS-*-B-3); 316 Stainless Steel (CGDS-*-S-3)

CLAMPS

SWA steel wire armor (CGDS-W)
SWB woven steel wire armor (CGDS-X)
STA steel tape armor (CGDS-Z)

PLATING

Nickel (1); Tin (2); Zinc (3); Electroless Nickel (4)

ACCESSORIES

Locknut - Brass (EX-BLN); 316 Stainless Steel (EX-SLN)
 Earth Tag - Brass (EX-BET), 316 Stainless Steel (EX-SET)
 IP Washer - Nylon (EX-NSW); Red Fibre (EX-FSW)
 Serrated Lock Washer - 316 Stainless Steel (EX-SSW), Galvanised Steel (EX-GSW)
 Shroud - PVC (EX-PVC); PCP (EX-PCP); Low Smoke Zero Halogen (EX-LSH)

Gland and accessory kits:

K1 - includes gland, locknut, earthtag and PVC shroud

K8 - includes brass gland, brass locknut, brass earthtag and zero halogen shroud

| Gland Size | Entry Threads | | Entry Thread Length [B] | Max Across Corners [A] | Max Protrusion Length | Gland Seal Range | | | | | | Armour Acceptance Range | | Shroud Size |
|------------|---------------|-----------|-------------------------|------------------------|-----------------------|------------------------|------|------------------------|-------|-------------|------|-------------------------|-----------|-------------|
| | | | | | | Cable Inner Sheath [C] | | Cable Outer Sheath [D] | | | | | | |
| | Metric | NPT/BSP | | | | Min | Max | Standard | | Reduced (R) | | | | |
| | | | | | | | | Min | Max | Min | Max | W | XZ | |
| 16 | M20 | N1 or N2 | 16 | 26.5 | 58.0 | 4.0 | 8.4 | 8.4 | 13.5 | 4.9 | 10.0 | 0.90 | 0.15-0.35 | L24 |
| 20s | M20 | N1 or N2 | 16 | 26.5 | 58.0 | 8.0 | 11.7 | 11.5 | 16.0 | 9.4 | 12.5 | 0.90-1.25 | 0.15-0.35 | L24 |
| 20 | M20 | N1 or N2 | 16 | 33.0 | 58.0 | 6.7 * | 14.0 | 15.5 | 21.0 | 12.0 | 17.6 | 0.90-1.25 | 0.15-0.50 | L30 |
| 25 | M25 | N2 or N3 | 16 | 41.4 | 58.0 | 13.0 | 20.0 | 20.3 | 27.4 | 16.8 | 23.9 | 1.25-1.60 | 0.15-0.50 | L38 |
| 32 | M32 | N3 or N4 | 16 | 50.6 | 65.0 | 19.0 | 26.3 | 26.7 | 34.0 | 23.2 | 30.5 | 1.60-2.00 | 0.15-0.55 | L46 |
| 40 | M40 | N4 or N5 | 16 | 60.5 | 72.0 | 25.0 | 32.2 | 33.0 | 40.6 | 28.6 | 36.2 | 1.60-2.00 | 0.20-0.60 | L55 |
| 50s | M50 | N5 or N6 | 16 | 71.5 | 73.0 | 31.5 | 38.2 | 39.4 | 46.7 | 34.8 | 42.4 | 2.00-2.50 | 0.20-0.60 | L65 |
| 50 | M50 | N6 | 16 | 71.5 | 73.0 | 36.5 | 44.1 | 45.7 | 53.2 | 41.1 | 48.5 | 2.00-2.50 | 0.30-0.80 | L65 |
| 63s | M63 | N6 or N7 | 19 | 88.0 | 76.0 | 42.5 | 50.1 | 52.1 | 59.4 | 47.5 | 54.8 | 2.50 | 0.30-0.80 | L80 |
| 63 | M63 | N7 | 19 | 88.0 | 76.0 | 49.5 | 56.0 | 58.4 | 65.8 | 53.8 | 61.2 | 2.50 | 0.30-0.80 | L80 |
| 75s | M75 | N7 or N8 | 19 | 99.0 | 82.0 | 54.5 | 62.0 | 64.8 | 72.2 | 60.2 | 68.0 | 2.50 | 0.30-1.00 | L90 |
| 75 | M75 | N8 | 19 | 99.0 | 82.0 | 60.5 | 68.0 | 71.1 | 78.0 | 66.5 | 73.4 | 2.50 | 0.30-1.00 | L90 |
| 80 | M80 x 2 | N8 or N9 | 25 | 115.2 | 110.0 | 62.2 | 72.0 | 77.0 | 84.0 | - | - | 3.15 | 0.45-1.00 | L104 |
| 80H | M80 x 2 | N8 or N9 | 25 | 115.2 | 110.0 | 62.2 | 72.0 | 79.6 | 90.0 | - | - | 3.15 | 0.45-1.00 | L104 |
| 85 | M85 x 2 | N8 or N9 | 25 | 115.2 | 110.0 | 69.0 | 78.0 | 79.6 | 90.0 | 75.0 | 85.4 | 3.15 | 0.45-1.00 | L104 |
| 90 | M90 x 2 | N9 or N10 | 25 | 125.7 | 110.0 | 74.0 | 84.0 | 88.0 | 96.0 | - | - | 3.15 | 0.45-1.00 | L114 |
| 90H | M90 x 2 | N9 or N10 | 25 | 125.7 | 110.0 | 74.0 | 84.0 | 92.0 | 102.0 | - | - | 3.15 | 0.45-1.00 | L114 |
| 100 | M100 x 2 | N9 or N10 | 25 | 125.7 | 110.0 | 82.0 | 90.0 | 92.0 | 102.0 | 87.4 | 97.4 | 3.15 | 0.45-1.00 | L114 |

All Dimensions are in Millimeters

NOTES:

* CGDS gland size 20, the silicone inner seal only seals to a minimum of 11.0mm and NOT 6.7mm.

- NPT entry thread reference on page 53.
- Gland Size does not necessarily equate to the entry thread size.
- "W" refers to the wire diameter in a steel wire armored cable.
- "XZ" refers to the wire diameter in a woven steel wire armored cable or the tape thickness in a steel tape armored cable.
- Please note that dimensions (A) and (B) may differ for glands with non-Metric entry threads. Please refer to our thread data tables for specific dimensions.
- Unless otherwise stated ISO Metric entry threads have a 1.5mm pitch.
- Full assembly instructions are available upon requests, the instructions should be read prior to installation and adhered to in full.

CGU

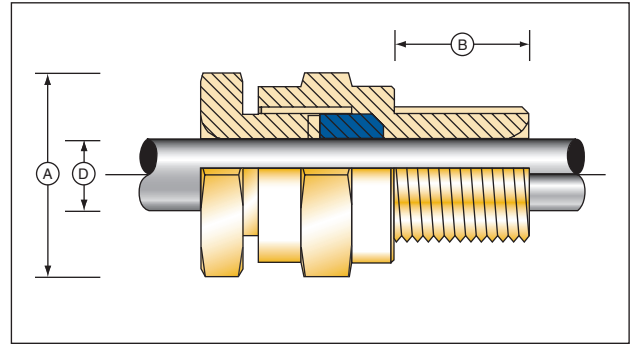
CGU type glands provide a single pull resistant seal on the outer sheath of unarmoured cable. CGU type glands maintain IP66, IP68 to 25 meters.

EXAMPLE PART NUMBER

CGU [W] [Y] [YY] [ZZ]

- W** - Gland Material (B = Brass / S = Stainless Steel)
- X** - Seal (1 = Neoprene / 3 = Silicone)
- Y** - Plating (0 = No Plating / 1 = Nickel / 2 = Tin / 3 = Zinc / 4 = Electroless Nickel)
- YY** - Gland Size (Cable Range)
- ZZ** - Entry Thread

Sample: CGU-B-1-3-20S-M20



DESIGN STANDARD

BS EN 50262: 1999

GLAND MARKING

Example:
CGU-B-1-3-20S-M20

INGRESS PROTECTION

IP66 and IP68 @ 25 metres

OPERATING TEMPERATURES

Standard Seals -20°C to +80°C
Silicone Seals - 60°C to +200°C

MATERIALS

Brass CZ121 (CGU-B)
316 Stainless Steel (CGU-S)

Outer sheath seal material:
Standard Neoprene, black. Option Silicone, white

THREADS

ISO Metric; NPT; NPS; ISO Pipe Thread (BSP Taper, BSP Parallel);

SEALS

Extended operating temperature -60°C to +200°C, halogen free versions:
Brass (CGU-B-3); 316 Stainless Steel (CGU-B-3);

PLATING

Nickel (1); Tin (2); Zinc (3); Electroless Nickel (4)

ACCESSORIES

Locknut - Brass (EX-BLN); 316 Stainless Steel (EX-SLN)
Earth Tag - Brass (EX-BET), 316 Stainless Steel (EX-SET)
IP Washer - Nylon (EX-NSW); Red Fibre (EX-FSW)
Serrated Lock Washer - 316 Stainless Steel (EX-SSW), Galvanised Steel (EX-GSW)
Shroud - PVC (EX-PVC); PCP (EX-PCP); Low Smoke Zero Halogen (EX-LSH)

Gland and accessory kits:
K9 - includes gland, locknut and PVC shroud

| Gland Size | EntryThreads | | Entry Thread Length [B] | Max Across Corners [A] | Max Protrusion Length | Gland Seal Range Cable Outer/Lead Sheath [D] | | Shroud Size |
|------------|--------------|-----------|----------------------------|---------------------------|-----------------------|--|------|-------------|
| | Metric | NPT/BSP | | | | Min | Max | |
| 16 | M20 | N1 or N2 | 16 | 28.0 | 33.0 | 4.0 | 8.4 | L24 |
| 20s | M20 | N1 or N2 | 16 | 28.0 | 33.0 | 7.2 | 11.7 | L24 |
| 20 | M20 | N1 or N2 | 16 | 33.0 | 33.0 | 9.6 | 14.0 | L30 |
| 25 | M25 | N2 or N3 | 16 | 41.4 | 33.0 | 13.5 | 20.0 | L38 |
| 32 | M32 | N3 or N4 | 16 | 50.6 | 33.0 | 19.5 | 26.3 | L46 |
| 40 | M40 | N4 or N5 | 16 | 60.5 | 37.0 | 23.0 | 32.2 | L55 |
| 50s | M50 | N5 or N6 | 16 | 71.5 | 37.0 | 28.2 | 38.2 | L65 |
| 50 | M50 | N6 | 16 | 71.5 | 37.0 | 33.2 | 44.1 | L65 |
| 63s | M63 | N6 or N7 | 19 | 88.0 | 37.0 | 39.3 | 50.1 | L80 |
| 63 | M63 | N7 | 19 | 88.0 | 37.0 | 46.7 | 56.0 | L80 |
| 75s | M75 | N7 or N8 | 19 | 99.0 | 37.0 | 52.3 | 62.0 | L90 |
| 75 | M75 | N8 | 19 | 99.0 | 37.0 | 58.1 | 68.0 | L90 |
| 80 | M80 x 2 | N8 or N9 | 25 | 115.2 | 50.0 | 62.3 | 72.0 | L104 |
| 85 | M85 x 2 | N8 or N9 | 25 | 115.2 | 50.0 | 69.1 | 78.0 | L104 |
| 90 | M90 x 2 | N9 or N10 | 25 | 125.7 | 50.0 | 74.1 | 84.0 | L114 |
| 100 | M100 x 2 | N9 or N10 | 25 | 125.7 | 50.0 | 82.1 | 90.0 | L114 |

All Dimensions are in Millimeters

NOTES:

- NPT entry thread reference details on page 53.
- Gland Size does not necessarily equate to the entry thread size.
- Please note that dimensions (A) and (B) may differ for glands with non-Metric entry threads. Please refer to our thread data tables for specific dimensions.
- Unless otherwise stated ISO Metric entry threads have a 1.5mm pitch.
- Full assembly instructions are available upon request, the instructions should be read prior to installation and adhered to in full.

EXR

EXR Series Dual Certified Adaptors and Reducers provide a method of matching electrical thread forms on Ex equipment while maintaining Flameproof Exd and Increased Safety Exe methods of explosion protection and IP66, 68 for IEC type applications. Class I, Division 1 and NEMA 4X, 6P for NEC/CEC type applications.

EXAMPLE PART NUMBER

EXR [W] [Y] [ZZ1] [ZZ2] Sample: EXR-B-0-M20-M20
W - Material (B = Brass / S = Stainless Steel)
Y - Plating (0 = No Plating / 1 = Nickel / 2 = Tin / 3 = Zinc / 4 = Electroless Nickel)
ZZ1 - Male Thread
ZZ2 - Female Entry Thread

CERTIFICATION

CENELEC
 SIR A 00ATEX 1094 (Metric Female)
 SIR A 99ATEX 1115U (Non-Metric Female)
 I M2 II 2DG E Ex de IandIIC

CSA / A Ex
 Class I, Zone 1, Ex de IandIIC
 Class I, Division 1and2 ABCD
 Class II EFG, Class III

GOST R-Exde IICU
 POCC GB 05.B00482



INGRESS PROTECTION

IP66 68, CSA Enclosure Type (NEMA) 4X 6P

IMPACT RESISTANCE

20Nm

OPERATING TEMPERATURES

-50°C to +85°C

MATERIALS

Brass CZ121 (EXR-B)
 316 Stainless Steel (EXR-S)

THREADS

ISO Metric; NPT; NPS; ISO Pipe Thread (BSP Taper, BSP Parallel);

SEALS

The standard 'O' Ring material is Nitrile.
 Tapered male thread options are not normally supplied c/w 'O' ring seal, thread sealant should be used to maintain the desired level of ingress protection

PLATING

Nickel (1); Tin (2); Zinc (3); Electroless Nickel (4)

| SIZES AVAILABLE AND DIMENSION REFERENCES | | | | | | | |
|--|------|-----|-------|----------|-------|--------|------|
| Metric | Bore | NPT | Bore | ISO Pipe | Bore | Et | Bore |
| M16 | 10.0 | | | | | | |
| M20 | 14.0 | N1 | 15.0 | 1/2" | 15.0 | 3/4" | 14.0 |
| M25 | 18.0 | N2 | 19.0 | 3/4" | 19.0 | 1" | 18.0 |
| M32 | 24.0 | N3 | 25.0 | 1" | 25.0 | N4 | 24.0 |
| M40 | 32.0 | N4 | 32.0 | N4 | 32.0 | 1 1/2" | 32.0 |
| M50 | 41.0 | N5 | 38.0 | 1 1/2" | 38.0 | 2" | 41.0 |
| M63 | 53.0 | N6 | 49.0 | 2" | 49.0 | N7 | 53.0 |
| M75 | 64.0 | N7 | 60.0 | N7 | 60.0 | 3" | 64.0 |
| M80 x 2.0 | 69.0 | N8 | 75.0 | 3" | 75.0 | | |
| M85 x 2.0 | 73.0 | N9 | 88.0 | 3 1/2" | 88.0 | | |
| M90 x 2.0 | 78.0 | N10 | 100.0 | 4" | 100.0 | | |
| M100 x 2.0 | 88.0 | | | | | | |

All Dimensions are in Millimeters

NOTES:

- Full installation instructions are supplied with adaptors and reducers, the instructions must be read prior to installation and adhered to in full
- Unless otherwise stated ISO Metric entry threads have a 1.5mm pitch
- For Flameproof Exd applications the female thread into which the adaptor or reducer is to be fitted must comply with clause 5.3 of EN 50018:2000 (clause 5.3 IEC 79-1) and an engagement of at least 5 full threads must be achieved for parallel threads and should be achieved for tapered threads
- For NEC/CEC Explosion Proof applications an engagement of at least 8 full threads must be achieved for parallel threads and 5 full threads must be achieved for tapered threads
- Where EXR adaptors and reducers are fitted into non-metallic Increased Safety Exe enclosures they must be included within the earth circuit of the system
- 316 Stainless Steel versions do not feature a marking band. This reduces the overall length of reducers by 5mm, it does not affect the overall length of Adaptor
- Adaptors are used where the thread size of the cable gland or connection device is larger than, or of an equivalent size to the entry thread of the enclosure
- Reducers are used to reduce the entry thread of an enclosure to accept a cable gland or connection device with a smaller thread

Accessories: Nylon Adaptors and Reducers



EXRN

EXRN Series Certified Adaptors and Reducers provide a method of matching electrical threadforms on Ex equipment while maintaining Increased Safety Exe methods of explosion protection and IP66, 68 for IEC type applications.

Adaptors are used where the thread size of the cable gland or connection device is larger than, or of equivalent size to the entry thread of the enclosure.

Reducers are used to reduce the entry thread of an enclosure to accept a cable gland or connection device with a smaller thread.

EXAMPLE PART NUMBER

EXRN [ZZ1] [ZZ2]

ZZ1 - Male Thread

ZZ2 - Female Entry Thread

Sample: EXRN-M20-M25



CERTIFICATION

CENELEC

SIRA 00ATEX 3091 (Metric Female)

SIRA 99ATEX 3116U (Non-Metric Female)

II 2DG E Ex e II

CSA / A Ex

Class I, Zone 1, Ex e II

Class I, Division 2 ABCD

Class II EFG, Class III

INGRESS PROTECTION

IP66 68, CSA Enclosure Type (NEMA) 4X 6P

OPERATING TEMPERATURES

-50°C to +85°C

IMPACT RESISTANCE

7Nm

MATERIALS

30% Glass Filled Nylon (EXRN)

THREADS

ISO Metric; NPT; NPS; ISO Pipe Thread (BSP Taper, BSP Parallel)

SEALS

The standard 'O' Ring material is Nitrile

| SIZES AVAILABLE AND DIMENSION REFERENCES | | | | | | | |
|--|------|-----|------|----------|------|----|------|
| Metric | Bore | NPT | Bore | ISO Pipe | Bore | ET | Bore |
| M16 | 9.3 | | | | | | |
| M20 | 11.0 | N1 | 12.0 | I1 | 12.0 | E2 | 11.0 |
| M25 | 16.0 | N2 | 13.0 | I2 | 13.0 | E3 | 16.0 |
| M32 | 21.0 | N3 | 18.0 | I3 | 18.0 | E4 | 21.0 |
| M40 | 31.0 | N4 | 33.0 | I4 | 33.0 | E5 | 31.0 |
| M50 | 40.0 | N5 | 38.0 | I5 | 38.0 | E6 | 40.0 |

All Dimensions are in Millimeters

NOTES:

- Full installation instructions are supplied with adaptors and reducers, the instructions must be read prior to installation and adhered to in full
- Unless otherwise stated ISO Metric entry threads have a 1.5mm pitch
- Adaptors are used where the thread size of the cable gland or connection device is larger than, or of an equivalent size to the entry thread of the enclosure
- Reducers are used to reduce the entry thread of an enclosure to accept a cable gland or connection device with a smaller thread

EXIA Insulating Adaptors

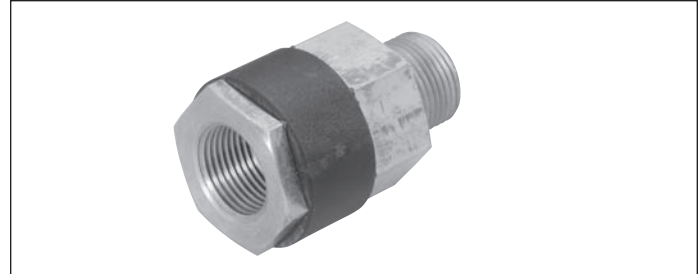
EXIA series Insulated Adaptors provide a method of insulating the cable gland or connection device from the equipment into which it has been installed. EXIA series Insulated Adaptors maintain Flameproof Exd method of explosion protection and IP66, 68 for IEC type applications. Class I, Division 1 and NEMA 4X, 6P for NEC/CEC type applications.

EXAMPLE PART NUMBER

EXIA [W] [X] [ZZ1] [ZZ2]

- W** - Material (B = Brass / S = Stainless Steel)
- Y** - Plating (0 = No Plating / 1 = Nickel / 2 = Tin / 3 = Zinc / 4 = Electroless Nickel)
- ZZ1** - Male Thread
- ZZ2** - Female Entry Thread (See NPT reference data on page 53)

Sample:EXIA-B-1-M20-N1



CERTIFICATION

CENELEC

SIRA 00ATEX 1098 (Metric Female)
SIRA 99ATEX 1117U (Non-Metric Female)
II 2DG E Ex d IIC

CSA / A Ex

Class I, Zone 1, Ex d IIC
Class I, Division 2 ABCD
Class II EFG, Class III

GOST R-Exde IICY

POCC GB 05.B00482

APPLICATION

To avoid relying on the contact between cable termination and equipment enclosure for grounding the cable armor, an insulated adaptor can be fitted to both ends of the cable with a grounding device (i.e. earth tag/lug) fitted between the adaptor and the termination. The armor current can then be taken from the grounding device to ground in a controlled, positive manner that can be inspected easily.

Single Point Grounding

- In many application it is sufficient to ground the cable armor at one end. For single point grounding the insulated adaptors would again be used at both ends of the cable but with the earth tag fitted only to the end where grounding is required.

Single Point Grounding can

- reduce the circulating currents that can cause heating of high capacity cables.
- reduce the risk of damage to electronic equipment within the enclosure in the even of a short circuit to ground through the enclosure.
- reduce the problems of electrical noise on the armor affecting the clean earth required for some sensitive instruments.

Electrical properties of insulating material

- Dielectric strength: 90KV/mm
- Volume resistivity: 8.6×10^{14} O/cm
- Minimum thickness of insulator: 5mm +/- 1mm
- 2KV 'Wet Withstand' Tested

INGRESS PROTECTION

IP54, CSA Enclosure Type (NEMA) 3
IP66 68 can be maintained with the use of either IP washers or a non-hardening thread sealant

OPERATING TEMPERATURES

-50°C to +85°C

| MATERIALS |
|--|
| Brass CZ121 (EXIA-B) 316 Stainless Steel (EXIA-S) |

| IMPACT RESISTANCE |
|-------------------|
| 7Nm |

| THREADS |
|---|
| ISO Metric; NPT; NPS; ISO Pipe Thread (BSP Taper, BSP Parallel) |

| PLATING |
|---|
| Nickel (1); Tin (2); Zinc (3); Electroless Nickel (4) |

| SIZES AVAILABLE AND DIMENSION REFERENCES | | | | | | |
|--|---------|---------|--------------|-------------|--------------|------|
| Metric | Hex A/F | Hex A/C | Total Length | Male Length | Female Depth | Bore |
| M20 | 30.5 | 35.5 | 54.0 | 16.0 | 17.0 | 13.5 |
| M25 | 37.6 | 43.2 | 54.0 | 16.0 | 17.0 | 19.0 |
| M32 | 47.2 | 54.3 | 54.0 | 16.0 | 17.0 | 25.0 |
| M40 | 55.9 | 64.1 | 54.0 | 16.0 | 17.0 | 30.0 |
| M50 | 70.1 | 80.8 | 54.0 | 16.0 | 17.0 | 40.5 |
| M63 | 80.0 | 92.0 | 54.0 | 16.0 | 17.0 | 53.0 |
| M75 | 95.3 | 109.5 | 54.0 | 16.0 | 17.0 | 65.0 |
| M80 x 2.0 | 100.0 | 114.0 | 63.0 | 20.0 | 22.0 | 70.0 |
| M85 x 2.0 | 106.4 | 114.0 | 63.0 | 20.0 | 22.0 | 75.0 |
| M90 x 2.0 | 106.4 | 114.0 | 63.0 | 20.0 | 22.0 | 80.0 |

All Dimensions are in Millimeters

NOTES:

- Full installation instructions are supplied with insulated adaptors, the instructions must be read prior to installation and adhered to in full
- Unless otherwise stated ISO Metric entry threads have a 1.5mm pitch
- For Flameproof Exd applications the female thread into which the adaptor is to be fitted must comply with clause 5.3 of EN 50018:2000 (clause 5.3 IEC 79-1) and an engagement of at least 5 full threads must be achieved for parallel threads and should be achieved for tapered threads

EXSPH Stopping Plugs

EXSPH Series Dual Certified Metallic Dome Head Stopping Plugs provide a method of filling unused entries in Ex equipment while maintaining Flameproof Exd and Increased Safety Exe methods of explosion protection and IP66, 68 for IEC type applications. Class I, Division 1 and NEMA 4X, 6P for NEC/CEC type applications.

EXAMPLE PART NUMBER

EXSPH [W] [Y] [ZZ]

- W** - Material (B = Brass / S = Stainless Steel)
- Y** - Plating (0 = No Plating / 1 = Nickel / 2 = Tin / 3 = Zinc / 4 = Electroless Nickel)
- ZZ** - Male Entry Thread

Sample: EXSPH-B-1-M20



CERTIFICATION

CENELEC

SIRA 00ATEX1094 I M2 II 2DG E Ex de IandIIC

CSA / A Ex

Class I, Zone 1, Ex de IandIIC
 Class I, Division 1 and 2 ABCD
 Class II EFG, Class III

GOST R-Exde IICy

POCC GB 05.B00482

INGRESS PROTECTION

IP66 68, CSA Enclosure Type (NEMA) 4X 6P

IMPACT RESISTANCE

20Nm

OPERATING TEMPERATURES

-50°C to +85°C

MATERIALS

Brass CZ121 (SPMH-B)
 316 Stainless Steel (SPMH-S)

THREADS

ISO Metric; NPT; NPS; ISO Pipe Thread (BSP Taper, BSP Parallel)

SEALS

The standard 'O' Ring material is Nitrile

PLATING

Nickel (1); Tin (2); Zinc (3); Electroless Nickel (4)

| SIZES AVAILABLE AND DIMENSION REFERENCES | | | | | | |
|--|---------|---|---------|----------|---------|------|
| Metric | Dim Ref | NPT | Dim Ref | ISO Pipe | Dim Ref | |
| M16 | A | | | | | |
| M20 | B | N1 | C | P1 | | C |
| M25 | B | N2 | C | P2 | | C |
| M32 | B | N3 | E | P3 | | C |
| M40 | B | N4 | E | P4 | | C |
| M50 | B | N5 | E | P5 | | C |
| M63 | B | N6 | E | P6 | | C |
| M75 | B | N7 | F | P7 | | C |
| M80 x 2.0 | D | N8 | F | P8 | | C |
| M85 x 2.0 | D | N9 | F | | | |
| M90 x 2.0 | D | N10 | F | | | |
| M100 x 2.0 | D | | | | | |
| DIMENSIONS | | | | | | |
| Dimension Reference | A | B | C | D | E | F |
| Head Diameter | | Minimum 6.0mm larger than the major thread diameter | | | | |
| Hex Socket A/F | 8.0 | 10.0 | 10.0 | 10.0 | 10.0 | 10.0 |
| Total Length | 21.5 | 21.5 | 24.5 | 25.5 | 29.0 | 39.0 |
| Thread Length | 16.0 | 16.0 | 19.0 | 22.0 | 23.5 | 33.5 |
| All Dimensions are in Millimeters | | | | | | |

NOTES:

- EXSPH type stopping plugs are designed for use within either clearance holes or parallel threaded entries, for taper threaded entries we would recommend the use of EXSP type stopping plugs on page 48.
- Full installation instructions are supplied with stopping plugs, the instructions must be read prior to installation and adhered to in full
- Unless otherwise stated ISO Metric entry threads have a 1.5mm pitch
- For Flameproof Exd applications the female thread into which the stopping plug is to be fitted must comply with clause 5.3 of EN 50018:2000 (clause 5.3 IEC 79-1) and an engagement of at least 5 full threads must be achieved for parallel threads and should be achieved for tapered threads
- For NEC/CEC Explosion Proof applications an engagement of at least 8 full threads must be achieved for parallel threads and 5 full threads must be achieved for tapered threads
- Where metallic stopping plugs are fitted into non-metallic Increased Safety Exe enclosures they must be included within the earth circuit of the system

EXSPHN Stopping Plug

EXSPHN Series Glass Filled Nylon Dome Head Stopping Plugs provide a method of filling unused entries in increased safety equipment, maintaining Increased Safety Exe methods of explosion protection and IP66, 68 for IEC type applications.

EXAMPLE PART NUMBER

EXSPHN [ZZ]

ZZ - Male Thread size

Sample: EXSPHN-M20

CERTIFICATION

CENELEC

SIRA 00ATEX3091 II 2DG E Ex eII

CSA / A Ex

Class I, Zone 1, Ex e II
Class I, Division 2 ABCD
Class II EFG, Class III



INGRESS PROTECTION

IP66 68, CSA Enclosure Type (NEMA) 4X 6P

IMPACT RESISTANCE

7Nm

OPERATING TEMPERATURES

-50°C to +85°C

MATERIALS

30% Glass Filled Nylon (SPMHN)

THREADS

ISO Metric; NPT; NPS; ISO Pipe Thread (BSP Taper, BSP Parallel); PG

SEALS

The standard 'O' Ring material is Nitrile

| SIZES AVAILABLE AND DIMENSION REFERENCES | | | |
|--|---------|-----|---------|
| Metric | Dim Ref | NPT | Dim Ref |
| M16 | B | | |
| M20 | C | N1 | D |
| M25 | C | N2 | D |
| M32 | C | N3 | F |
| M40 | C | N4 | F |
| M50 | C | N5 | F |
| M63 | C | N6 | F |
| M75 | C | N7 | G |

| DIMENSIONS | | | |
|---------------------|---|------|------|
| Dimension Reference | A | B | C |
| Head Diameter | Minimum 6.0mm larger than the major thread diameter | | |
| Hex Socket A/F | 6.0 | 8.0 | 10.0 |
| Total Length | 21.5 | 21.5 | 21.5 |
| Thread Length | 16.0 | 16.0 | 16.0 |

All Dimensions are in Millimeters

NOTES:

- EXSPHN type stopping plugs are designed for use within either clearance holes or parallel threaded entries, for taper threaded entries we would recommend the use of EXSP type stopping plugs on page 48.
- Full installation instructions are supplied with adaptors and reducers, the instructions must be read prior to installation and adhered to in full.
- Unless otherwise stated ISO Metric entry threads have a 1.5mm pitch.

EXSP Type Stopping Plug

EXSP Series Certified Metallic Stopping Plugs provide a method of filling unused entries in Ex equipment, maintaining Flameproof Exd method of explosion protection and IP54 for IEC type applications. Class I, Division 1 and NEMA 3 for NEC/CEC type applications.

EXSP-A Type - Externally accessible hexagon recess

EXSP-B Type - Internally accessible hexagon recess

EXAMPLE PART NUMBER

EXSP [T] [W] [Y] [ZZ]

- T** - Type (A = Type A / B = Type B)
- W** - Material (B = Brass / S = Stainless Steel)
- Y** - Plating (0 = No Plating / 1 = Nickel / 2 = Tin / 3 = Zinc / 4 = Electroless Nickel)
- ZZ** - Male Thread Size

Sample: EXSP-A-B-1-M20



CERTIFICATION

CENELEC

SIRA 99ATEX1113 II 2DG E Ex d IIC

CSA / A Ex

Class I, Zone 1, Ex d IIC
 Class I, Division 1 and 2 ABCD
 Class II EFG, Class III

INGRESS PROTECTION

IP54, CSA Enclosure Type (NEMA) 3

IMPACT RESISTANCE

7Nm

OPERATING TEMPERATURES

-50°C to +85°C

MATERIALS

Brass CZ121 (EXSP-T-B)
 316 Stainless Steel (EXSP-T-S)

THREADS

ISO Metric; NPT; NPS; ISO Pipe Thread (BSP Taper, BSP Parallel)

PLATING

Nickel (1); Tin (2); Zinc (3); Electroless Nickel (4)

| SIZES AVAILABLE AND DIMENSION REFERENCES | | | | | |
|--|---------|-----|---------|----------|---------|
| Metric | Dim Ref | NPT | Dim Ref | ISO Pipe | Dim Ref |
| M16 | A | | | | |
| M20 | B | N1 | C | P1 | E |
| M25 | B | N2 | C | P2 | E |
| M32 | B | N3 | D | P3 | G |
| M40 | B | N4 | D | P4 | G |
| M50 | B | N5 | D | P5 | G |
| M63 | B | N6 | D | P6 | G |
| M75 | B | N7 | F | P7 | G |
| M80 x 2.0 | F | N8 | F | P8 | G |
| M85 x 2.0 | F | N9 | F | | |
| M90 x 2.0 | F | N10 | F | | |
| M100 x 2.0 | F | | | | |

| DIMENSIONS | | | | | | | |
|---------------------|------|------|------|------|------|------|------|
| Dimension Reference | A | B | C | D | E | F | G |
| Hex Socket A/F | 8.0 | 10.0 | 10.0 | 10.0 | 10.0 | 10.0 | 10.0 |
| Length (min) | 17.0 | 17.0 | 14.0 | 16.0 | 18.0 | 22.0 | 25.0 |

All Dimensions are in Millimeters

NOTES:

- Full installation instructions are supplied with stopping plugs, the instructions must be read prior to installation and adhered to in full
- Unless otherwise stated ISO Metric entry threads have a 1.5mm pitch
- For Flameproof Exd applications the female thread into which the stopping plug is to be fitted must comply with clause 5.3 of EN 50018:2000 (clause 5.3 IEC 79-1) and an engagement of at least 5 full threads must be achieved for parallel threads and should be achieved for tapered threads
- For NEC/CEC Explosion Proof applications an engagement of at least 8 full threads must be achieved for parallel threads and 5 full threads must be achieved for tapered threads

EXBD

EXBD Series Breather Drain provides a method of effectively draining any moisture within an enclosure whilst allowing the air inside the enclosure to breathe with the surrounding atmosphere. EXBD series breather drains maintain Increased Safety Exe method of explosion protection and IP66 for IEC type applications.

EXAMPLE PART NUMBER

EXBD [W] [Y] [ZZ]

- W** - Material (B = Brass / S = Stainless Steel / N = 30% Glass Filled Nylon)
- Y** - Plating (0 = No Plating / 1 = Nickel / 2 = Tin / 3 = Zinc / 4 = Electroless Nickel)
- YY** - Male Thread
- ZZ** - 10 or 15

Sample: EXBD-B-0-M20-15

CERTIFICATION

CENELEC

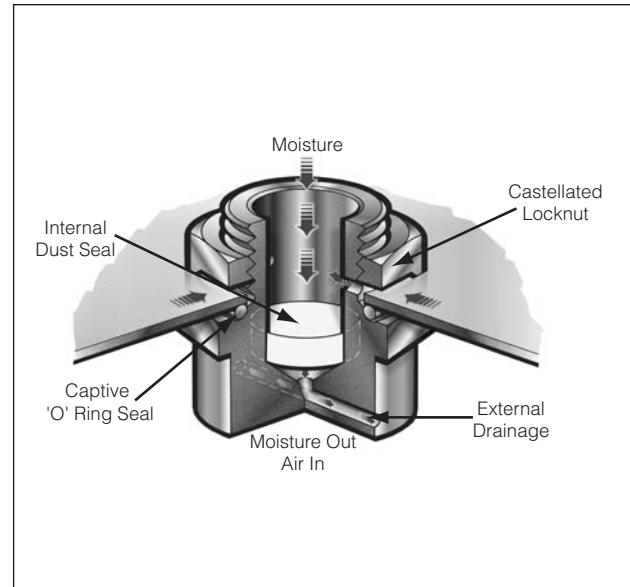
SIRA99ATEX3050U I M2 II 2DG EExe I/II; II 2DG E Exe (Glass Filled Nylon)

CSA / A Ex

Class I, Zone 1, Exe II; Class I Division 2, Groups ABCD

GOST R-Exde IICy

POCC GB 05.B00482



APPLICATION

Internal Dust Seal provides ingress protection to IP66 and 4x, with the largest possible pore size to aid draining, whilst retaining filtration capabilities that remove debris from the moisture and retains it on the surface where it can easily be removed with compressed air. Additionally the structural strength and chemical resistance characteristics of the material enable the filter to meet the requirements of hazardous area installations

Castellated Locknut allows moisture to pass between the locknut and the enclosure, draining via holes in the thread without any build up of moisture in the bottom of the enclosure

Captive 'O' Ring Seal is located within a recess on the face of the breather drain again optimising ingress protection, ensuring the 'o'ring is not displaced during installation and helping protect the 'O' ring from the environmental damage

External Drainage via two ports optimises ingress protection without compromising the draining capabilities

INGRESS PROTECTION

IP66, CSA Enclosure Type 4x, NEMA 4x

IMPACT RESISTANCE

20Nm. (7Nm GF Nylon)

OPERATING TEMPERATURES

-50°C to +85°C

MATERIALS

- Brass CZ121 (EXBD-B)
- 316 Stainless Steel (EXBD-S)
- 30% Glass Filled Nylon (EXBD-N)

VARIATIONS

Clearance Hole: 10mm length of thread, supplied complete with a castellated locknut and having 2 holes in the thread wall positioned directly opposite each other (EXBD-W-Y-YY-10)

Threaded Entry: 15mm length of thread, either supplied with castellated locknut (EXBD-W-Y-YY-15) or without castellated locknut (EXBD-W-Y-YY-15NL) and having 3 holes in the thread wall, offset to provide a 9mm range to accommodate differing wall thickness.

| THREADS |
|---|
| ISO Metric; NPT; NPS; ISO Pipe Thread (BSP Taper, BSP Parallel); PG |

| SEALS |
|---|
| The standard 'O' Ring material is Nitrile |

| PLATING |
|---|
| Nickel (1); Tin (2); Zinc (3); Electroless Nickel (4) |

| DIMENSIONAL DATA | | | | |
|------------------|---------|---------|----------------------------|-------------|
| Size | Hex A/F | Hex A/C | Thread Length | Head Length |
| M20 - N1 | 28.6mm | 32.9mm | 10 (2 Hole) or 15 (3 Hole) | 15mm |
| M25 - N2 | 34.9mm | 40.2mm | | |

All Dimensions are in Millimeters

NOTES:

- 30% glass filled nylon variations are only available with 15mm length of thread version and are supplied with or without a brass castellated nut
- Full installation instructions are supplied with the breather drain, the instructions must be read prior to installation and adhered to in full
- Unless otherwise stated ISO Metric entry threads have a 1.5mm pitch
- Where metallic breather drains are fitted into non-metallic Increased Safety Exe enclosures they must be included within the earth circuit of the system

Accessories: General

A full range of accessories including locknuts, earhtags, sealing washers, serrated washers and shrouds for use with all our cable glands

AVAILABILITY

| ACCESSORYTYPE | GLANDTYPES/SIZE | THREADTYPES | | | |
|--|---------------------|--|------------|------------|--------|
| | | METRIC | NPT | BSP | FRENCH |
| Locknuts provide a method of securing a threaded entry component into a piece of equipment | | | | | |
| Brass (EX-BLN) | All | M16 to M100 | 1/2" to 4" | 1/2" to 4" | F48 |
| 316 Stainless Steel (EX-SLN) | 316 Stainless Steel | M16 to M100 | 1/2" to 4" | 1/2" to 4" | F48 |
| Nylon (EX-NLN) | Nylon | M20 to M63 | - | - | - |
| Steel (EX-MLN) | Industrial | M20 to M50 | - | - | - |
| Earth Tags provide an earth bond connection for an entry component | | | | | |
| Brass (EX-BET) | All | M16 to M100 | 1/2" to 4" | 1/2" to 4" | F48 |
| IP Sealing Washers are fitted between an entry component and the equipment to maintain the IP rating of the equipment | | | | | |
| Nylon (EX-NSW) | All | M16 to M100 | 1/2" to 4" | 1/2" to 4" | F48 |
| Red Fibre (EX-SFW) | All | M20 to M75 | - | - | - |
| Serrated Star Washers can be used in conjunction with a locknut to provide additional fixing security and improve bonding | | | | | |
| 316 Stainless Steel (EX-SSW) | All | M16 to M100 | 1/2" to 4" | 1/2" to 4" | F48 |
| Galvanised Steel (EX-GSW) | All | M20 to M75 | - | - | - |
| Shrouds can be used to protect the gland from the surrounding environment | | | | | |
| PVC (EX-PVC) | 16 to 100 | | | | |
| PCP (EX-PCP) | 16 to 85 | Shrouds are not available for all glands, please see specific gland page for exact details | | | |
| LSOH (EX-LSH) | 16 to 85 | | | | |

NOTES:

- As standard ISO Metric threads are supplied with a 1.5mm pitch up to and including M75 and a 2.0mm pitch for sizes above M75

Entry Thread Reference Tables

| Thread Types | Thread Ref | Size | Major Ø | TPI | Pitch | Thread Length | Min Hex A/C |
|---|------------|-----------|---------|-------|-------|---------------|-------------|
| ISO METRIC IEC 60423 1993 | M16 | 16 x 1.5 | 15.97 | 16.93 | 1.50 | 16.0 | 26.5 |
| | M20 | 20 x 1.5 | 19.97 | 16.93 | 1.50 | 16.0 | 33.0 |
| | M25 | 25 x 1.5 | 24.97 | 16.93 | 1.50 | 16.0 | 41.4 |
| | M32 | 32 x 1.5 | 31.97 | 16.93 | 1.50 | 16.0 | 50.6 |
| | M40 | 40 x 1.5 | 39.97 | 16.93 | 1.50 | 16.0 | 60.4 |
| | M50 | 50 x 1.5 | 49.97 | 16.93 | 1.50 | 16.0 | 71.5 |
| | M63 | 63 x 1.5 | 62.97 | 16.93 | 1.50 | 19.0 | 88.0 |
| | M75 | 75 x 1.5 | 74.97 | 16.93 | 1.50 | 19.0 | 99.0 |
| | M80 | 80 x 2.0 | 19.97 | 12.70 | 2.00 | 25.0 | 115.2 |
| | M85 | 85 x 2.0 | 84.97 | 12.70 | 2.00 | 25.0 | 115.2 |
| | M90 | 90 x 2.0 | 89.97 | 12.70 | 2.00 | 25.0 | 125.7 |
| M100 | 100 x 2.0 | 99.97 | 12.70 | 2.00 | 25.0 | 125.7 | |
| NPT ANSI B1.20.1 1983 | N1 | 1/2" | 21.22 | 14.00 | 1.81 | 19.9 | 26.5 |
| | N2 | 3/4" | 26.57 | 14.00 | 1.81 | 20.1 | 33.0 |
| | N3 | 1" | 33.23 | 11.50 | 2.20 | 21.5 | 41.4 |
| | N4 | 1 1/4" | 41.99 | 11.50 | 2.20 | 25.6 | 50.6 |
| | N5 | 1 1/2" | 48.05 | 11.50 | 2.20 | 26.0 | 60.5 |
| | N6 | 2" | 60.09 | 11.50 | 2.20 | 26.9 | 71.5 |
| | N7 | 2 1/2" | 72.70 | 8.00 | 3.18 | 39.9 | 88.0 |
| | N8 | 3" | 88.61 | 8.00 | 3.18 | 41.5 | 99.0 |
| | N9 | 3 1/2" | 101.36 | 8.00 | 3.18 | 42.8 | 115.2 |
| | N10 | 4" | 113.97 | 8.00 | 3.18 | 44.0 | 125.7 |
| NPS ANSI B1.20.1 1983 | S1 | 1/2" | 20.90 | 14.00 | 1.81 | 19.9 | 26.5 |
| | S2 | 3/4" | 26.26 | 14.00 | 1.81 | 20.1 | 33.0 |
| | S3 | 1" | 32.84 | 11.50 | 2.20 | 21.5 | 41.4 |
| | S4 | 1 1/4" | 41.61 | 11.50 | 2.20 | 25.6 | 50.6 |
| | S5 | 1 1/2" | 47.67 | 11.50 | 2.20 | 26.0 | 60.5 |
| | S6 | 2" | 59.72 | 11.50 | 2.20 | 26.9 | 71.5 |
| | S7 | 2 1/2" | 72.16 | 8.00 | 3.18 | 39.9 | 88.0 |
| | S8 | 3" | 88.06 | 8.00 | 3.18 | 41.5 | 99.0 |
| | S9 | 3 1/2" | 100.78 | 8.00 | 3.18 | 42.8 | 115.2 |
| | S10 | 4" | 113.43 | 8.00 | 3.18 | 44.0 | 125.7 |
| ISO Pipe Parallel ISO R/7; BS2779 (BSPP, G, R, PF) | F48 | PG48 (FR) | 59.61 | 11.00 | 2.31 | 26.9 | 71.5 |
| | P1 | 1/2" | 20.96 | 14.0 | 1.81 | 19.9 | 26.5 |
| | P2 | 3/4" | 26.44 | 14.0 | 1.81 | 20.1 | 33.0 |
| | P3 | 1" | 33.25 | 11.0 | 2.31 | 25.0 | 41.4 |
| | P4 | 1 1/4" | 41.91 | 11.0 | 2.31 | 25.6 | 50.6 |
| | P5 | 1 1/2" | 47.80 | 11.0 | 2.31 | 26.0 | 60.5 |
| | P6 | 2" | 59.61 | 11.0 | 2.31 | 26.9 | 71.5 |
| ISO Pipe Taper to ISO R/7; BS21 (BSPT, GK) | P7 | 2 1/2" | 75.18 | 11.0 | 2.31 | 39.9 | 88.0 |
| | T1 | 1/2" | 20.96 | 14.0 | 1.81 | 19.9 | 26.5 |
| | T2 | 3/4" | 26.44 | 14.0 | 1.81 | 20.1 | 33.0 |
| | T3 | 1" | 33.25 | 11.0 | 2.31 | 25.0 | 41.4 |
| | T4 | 1 1/4" | 41.91 | 11.0 | 2.31 | 25.6 | 50.6 |
| | T5 | 1 1/2" | 47.80 | 11.0 | 2.31 | 26.0 | 60.5 |
| | T6 | 2" | 59.61 | 11.0 | 2.31 | 26.9 | 71.5 |
| T7 | 2 1/2" | 75.18 | 11.0 | 2.31 | 39.9 | 88.0 | |

Ingress Protection

It is essential when selecting cable glands and/or accessories to ensure that the products will maintain the IP rating of the equipment and the integrity of the installation.

IP Codes are based on the IEC Standard 529, degrees of protection provided by enclosures.

In most cases Peppers cable glands will maintain Ingress Protection of the equipment into which they are installed to:

IP 66

- Dust Tight. No ingress of dust possible.
- Protected against heavy seas or powerful jets of water

IP67

- Dust Tight. No ingress of dust possible
- Protected against harmful ingress of water when immersed between a depth of 150mm to 1m

IP68

- Dust Tight. No ingress of dust possible.
- Protected against submersion. Suitable for continuous immersion in water at stated depth.
- Depth stated for Amphenol cable glands is 25m

DTS 01 (Deluge)

- This test was originally constructed by shell and Esso in the UK to simulate the routine deluging of electrical equipment on offshore installations.

IP 54- Minimum requirement for Hazardous Location products

- Dust protected. Prevents ingress of dust sufficient to cause harm.
- Protected from splashing water from any direction

As a general guide to selecting the sealing method that is most likely to maintain the required IP rating for different entry types, we recommend:

- **Clearance Holes** - Integral 'O' ring seal or nylon IP washer
- **Parallel Threaded Entries** - Integral 'O' ring seal, IP washer or non-hardening thread sealant
- **Taper Threaded Entries** - Non-hardening thread sealant

Gland Weight Data

| Gland Size | Entry Thread | Cable Gland Type | | | | | | | | | | |
|------------|--------------|------------------|-------|-------|-------|-------|-------|-------|-------|-------|-------|------|
| | | EX-20 | EX-25 | EE-30 | EX-35 | EX-40 | EE-RG | EX-60 | EX-65 | EX-70 | EX-75 | CGA |
| 16 | M20 | 164 | 144 | 134 | 84 | 142 | 6 | 165 | - | - | - | - |
| 20s | M20 | 160 | 130 | 124 | 90 | 144 | - | 165 | 115 | 180 | - | 52 |
| 20 | M20 | 250 | 186 | 180 | 94 | 158 | 8 | 240 | 170 | 260 | 215 | 84 |
| 25 | M25 | 400 | 262 | 262 | 152 | 256 | 16 | 400 | 260 | 385 | 340 | 140 |
| 32 | M32 | 750 | 420 | 402 | 176 | 298 | 28 | 725 | 384 | 570 | 485 | 180 |
| 40 | M40 | 1095 | 672 | 680 | 332 | 556 | 35 | 1060 | 585 | 885 | 730 | 436 |
| 50s | M50 | 1415 | 980 | 1040 | 570 | 980 | - | 1435 | - | 1035 | - | - |
| 50 | M50 | 1295 | 758 | 764 | 458 | 796 | 65 | 1340 | 700 | 1160 | 875 | 480 |
| 63s | M63 | 2345 | 1410 | 1410 | 850 | 1410 | - | 2100 | - | 1555 | - | - |
| 63 | M63 | 2005 | 1140 | 1185 | 684 | 1170 | 74 | 2025 | 1040 | 1695 | 1355 | 910 |
| 75s | M75 | 1980 | 1745 | 1730 | 954 | 1565 | - | 2330 | - | 1750 | - | - |
| 75 | M75 | 2200 | 1375 | 1495 | 764 | 1310 | - | 2240 | 1150 | 1880 | 1475 | 1070 |
| 80 | M80 | 3970 | 3255 | 3130 | 1430 | 2130 | - | 4985 | 2730 | 3860 | 3415 | 1770 |
| 85 | M85 | 3300 | 2655 | 2500 | 1290 | 1980 | - | 4065 | 2255 | 3250 | 2830 | - |
| 90 | M90 | 4314 | 3559 | 3280 | 1510 | 2360 | - | 5215 | 2790 | 3985 | 3985 | - |
| 100 | M100 | 3537 | 2795 | 3054 | 1485 | 2285 | - | 4410 | 2450 | 3580 | 3580 | - |

All weights are approximate and shown in grams

NOTES:

- Weights shown are for Brass versions (except Nylon EE-RG)
- To estimate weights for 316 Stainless Steel versions apply a factor of 0.92
- Weights for glands with non-metric entry threads will vary
- Approximate weights for EX-45, EX-50, EX-55 are available on application
- Approximate weights for CGDS, CGSS and CGU industrial glands are the same as for EX versions

Amphenol®/Pyle® Industrial Cord Grips

Amphenol®/Pyle® Industrial Cord Grips make sure your cord or cable stays in and everything else stays out. This product is designed for liquid-tight strain relief of cord, cable, and flexible conduit. Available in straight, 45°, and 90° styles, Amphenol®/Pyle® cord grips are UL listed, and CSA certified.

This section will provide information on a large family of cable pass-thru and strain relief devices for use with industrial connectors by showing complete assemblies as well as component parts. Contact your Amphenol®/Pyle® distributor for assistance.

Features & Benefits

UL Listed and CSA certified. Used for sealing where moving parts or handling can abuse connections.

Tapered rubber grommet and seat. Secure cord the *entire length of grommet* making a liquid-tight seal.

Variety of styles: straight, 45°, 90°, and flexible. Assures ease of installation and permits custom cable routing

Various strain relief options: Standard compression nut, mechanical clamp nut or basket weave styles.

Tapered conduit threads. Provide strong water and oil-tight joint.

Machined components. Strong, lightweight, and have long service life.

Male and female threads. Provides versatility in panelboard or threaded hub applications

Applications

FOR POWER CONTROL:

- Switchboards
- Machine Tools
- Heating and Cooling
- Lighting and Ballasts
- Portable Equipment
- Motors and Generators
- Production Machinery
- Processing Equipment
- Robotics and Welding
- Standby Power
- Medical/Dental Equipment

FOR COMMUNICATION:

- Radio and Radar
- Television
- Transformers
- Data Processing
- Instruments

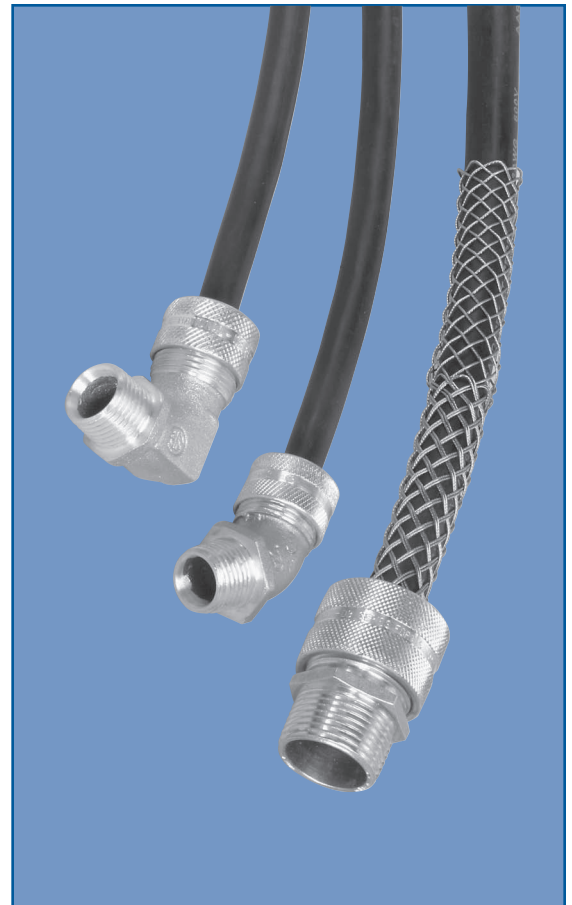
FOR TRANSPORTATION

- Shipyards
- Refrigerated Containers
- Railroad and Trucking

Materials and Finishes

Straight Bodies
45° & 90° Bodies
Grommets
Washers
Compression Nuts
Mechanical Nuts

Copper-free aluminum bar stock
Cadmium plated ferrous alloy
Oil-resistant synthetic rubber
Cadmium plated cold rolled steel
Copper-free aluminum bar stock
Cast Aluminum



Cord Grip Specifications

Allowable Ampacities of Insulated Conductors

as taken from 1987 Edition of National Electric Code.

Rated 0-2000 Volts, 60° to 90°

Not More Than Three Conductors in Raceway or Cable or Earth (Directly Buried), Based on Ambient Temperature of 30°C(86°F)

| Temperature Rating of Conductors (Copper) | | | | |
|---|-----------------|---|--------------|---|
| Size | 60°C (140°F) | 75°C (176°F) | 85°C (185°F) | 90°C (194°F) |
| AWG | †TW, †UF | †FEPW, †RH, †RHW, †THW, †THWN, †XHHW, †USE, †ZW | V | TA, TBS, SA, AVB, SIS, †FEP, †FEPB, †RHH, †THHN, †XHHW* |
| MCM | | | | |
| 18 | ... | ... | ... | 14 |
| 16 | ... | ... | 18 | 18 |
| 14 | 20 [†] | 20 [†] | 25 | 25 [†] |
| 12 | 25 [†] | 25 [†] | 30 | 30 [†] |
| 10 | 30 | 35 [†] | 40 | 40 [†] |
| 8 | 40 | 50 | 55 | 55 |
| 6 | 55 | 65 | 70 | 75 |
| 4 | 70 | 85 | 95 | 95 |
| 3 | 85 | 100 | 110 | 110 |
| 2 | 95 | 115 | 125 | 130 |
| 1 | 110 | 130 | 145 | 150 |
| 0 | 125 | 150 | 165 | 170 |

Ampacity Correction Factors

For ambient temperatures other than 30°C, multiply the ampacities shown above by the appropriate factor shown below.

| Ambient Temp. °C (°F) | 60°C (140°F) | 75°C (176°F) | 85°C (185°F) | 90°C (194°F) |
|-----------------------|--------------|--------------|--------------|--------------|
| 31-40 (87-104) | .82 | .88 | .90 | .91 |
| 41-45 (105-113) | .71 | .82 | .85 | .87 |
| 46-50 (114-122) | .58 | .75 | .80 | .82 |
| 51-60 (123-141) | ... | .58 | .67 | .71 |
| 61-70 (142-158) | ... | .35 | .52 | .58 |
| 71-80 (159-176) | ... | ... | .30 | .41 |

†The overcurrent protection for conductor types marked with an obelisk (†) shall not exceed 15 amperes for 14AWG and 30 amperes for 10 AWG copper.

*For dry locations only. See 75°C column for wet locations

Fraction Conversion Table

| Fraction | Decimal | Mm | Fraction | Decimal | Mm |
|----------|---------|--------|----------|---------|--------|
| 1/64 | 0.0156 | 0.379 | 33/64 | 0.5156 | 13.097 |
| 1/32 | 0.0312 | 0.794 | 17/32 | 0.5312 | 13.494 |
| 3/64 | 0.0469 | 1.191 | 35/64 | 0.5469 | 13.891 |
| 1/16 | 0.0625 | 1.588 | 9/16 | 0.5625 | 14.288 |
| 5/64 | 0.0781 | 1.984 | 37/64 | 0.5781 | 14.684 |
| 3/32 | 0.0938 | 2.381 | 19/32 | 0.5938 | 15.081 |
| 7/64 | 0.1094 | 2.778 | 39/64 | 0.6094 | 15.478 |
| 1/8 | 0.1250 | 3.175 | 5/8 | 0.6250 | 15.875 |
| 9/64 | 0.1406 | 3.572 | 41/64 | 0.6406 | 16.272 |
| 5/32 | 0.1562 | 3.969 | 21/32 | 0.6562 | 16.669 |
| 11/64 | 0.1719 | 4.366 | 43/64 | 0.6719 | 17.066 |
| 3/16 | 0.1875 | 4.762 | 11/16 | 0.6875 | 17.462 |
| 13/64 | 0.2031 | 5.159 | 45/64 | 0.7031 | 17.859 |
| 7/32 | 0.2188 | 5.556 | 23/32 | 0.7188 | 18.256 |
| 15/64 | 0.2344 | 5.953 | 47/64 | 0.7344 | 18.653 |
| 1/4 | 0.2500 | 6.350 | 3/4 | .7500 | 19.050 |
| 17/64 | 0.2656 | 6.747 | 49/64 | 0.7656 | 19.447 |
| 9/32 | 0.2812 | 7.144 | 26/32 | 0.7812 | 19.844 |
| 19/64 | 0.2969 | 7.541 | 51/64 | 0.7969 | 20.241 |
| 5/16 | 0.3125 | 7.938 | 13/16 | 0.8125 | 20.638 |
| 21/64 | 0.3281 | 8.334 | 53/64 | 0.8281 | 21.034 |
| 11/32 | 0.3438 | 8.731 | 27/32 | 0.8438 | 21.431 |
| 23/64 | 0.3594 | 9.128 | 55/64 | 0.8594 | 21.828 |
| 3/8 | 0.3750 | 9.525 | 7/8 | 0.8750 | 22.225 |
| 25/64 | 0.3906 | 9.922 | 57/64 | 0.8906 | 22.622 |
| 13/32 | 0.4062 | 10.319 | 29/32 | 0.9062 | 23.019 |
| 27/64 | 0.4219 | 10.716 | 59/64 | 0.9219 | 23.416 |
| 7/16 | 0.4375 | 11.112 | 15/16 | 0.9375 | 23.812 |
| 29/64 | 0.4531 | 11.509 | 61/64 | 0.9531 | 24.209 |
| 15/32 | 0.4688 | 11.906 | 31/32 | 0.9688 | 24.606 |
| 31/64 | 0.4844 | 12.303 | 63/64 | 0.9844 | 25.003 |
| 1/2 | 0.5000 | 12.700 | 1 | 1.0000 | 25.400 |

Cord Grip Specifications

Selected Cord and Cable Diameters

| Type of Cord | AWG Size of Conductors | Number of Conductors and Approximate O.D. in Inches | | |
|-----------------------|------------------------|---|------------|------------|
| | | 2 | 3 | 4 |
| SJ, SJO | 18 | .300 | .330 | .360 |
| | 16 | .330 | .360 | .390 |
| | 14 | .375 | .395 | .420 |
| S, SO, ST, STO | 18 | .385 | .400 | .430 |
| | 16 | .400 | .425 | .480 |
| | 14 | .530 | .560 | .605 |
| | 12 | .600 | .635 | .665 |
| | 10 | .640 | .690 | .745 |
| | 8 | .820-.930 | .885-1.010 | .975-1.100 |
| W | 6 | .700-.840 | .750-.910 | .820-.990 |
| | 4 | 1.080 | 1.170 | 1.270 |
| | 3 | 1.170 | 1.240 | 1.340 |
| | 2 | 1.270 | 1.340 | 1.480 |
| | 1 | 1.440 | 1.510 | 1.680 |
| | 1/0 | 1.520 | 1.650 | 1.790 |
| | 2/0 | 1.650 | 1.750 | 1.930 |
| | 3/0 | 1.770 | 1.890 | 2.070 |
| | 4/0 | 1.920 | 2.070 | 2.260 |
| | 250 | 2.160 | 2.390 | - |
| | 14 | - | - | .410 |
| 12 | - | - | .450 | |
| 10 | - | - | .530 | |
| Bus Drop Cable | 8 | - | - | .670 |

NOTE: Dimensions are approximate. When possible consult manufacturer's data.

Amperages of Electric Motors

| Motor Horse Power | Motor Full Load Current (Amps) | | | | | |
|-------------------|--------------------------------|-------|------|-------|--------------|-------|
| | Three Phase | | | | Single Phase | |
| | 200 V. | 230V. | 460V | 575V. | 115V. | 230V. |
| 1/20 | 0.39 | 0.34 | 0.17 | 0.14 | 1.30 | 0.65 |
| 1/12 | 0.55 | 0.48 | 0.24 | 0.19 | 1.90 | 0.95 |
| 1/8 | 0.74 | 0.64 | 0.32 | 0.26 | 2.60 | 1.30 |
| 1/6 | 0.90 | 0.78 | 0.39 | 0.31 | 3.24 | 1.62 |
| 1/4 | 1.22 | 1.06 | 0.53 | 0.42 | 4.40 | 2.20 |
| 1/3 | 1.52 | 1.32 | 0.66 | 0.53 | 5.47 | 2.74 |
| 1/2 | 2.07 | 1.80 | 0.90 | 0.72 | 7.45 | 3.73 |
| 3/4 | 2.88 | 2.50 | 1.25 | 1.00 | 10.1 | 5.07 |
| 1 | 3.68 | 3.20 | 1.60 | 1.28 | 126 | 6.31 |
| 1½ | 5.18 | 4.50 | 2.25 | 1.80 | 17.2 | 8.59 |
| 2 | 6.67 | 5.80 | 2.90 | 2.32 | 21.4 | 10.7 |
| 3 | 9.66 | 8.40 | 4.20 | 3.36 | 29.1 | 14.5 |
| 5 | 15.4 | 13.4 | 6.68 | 5.35 | 42.9 | 21.4 |
| 7½ | 22.6 | 19.6 | 9.82 | 7.86 | 58.4 | 29.2 |
| 10 | 29.7 | 25.8 | 12.9 | 10.3 | ... | 36.3 |
| 15 | 43.6 | 38.0 | 19.0 | 15.2 | ... | 49.4 |
| 20 | 57.4 | 49.9 | 24.9 | 20.0 | ... | ... |
| 25 | 70.9 | 61.7 | 30.8 | 24.7 | ... | ... |
| 30 | 84.3 | 73.3 | 36.7 | 29.3 | ... | ... |
| 40 | 111. | 96.4 | 48.2 | 38.5 | ... | ... |
| 50 | 137. | 119. | 59.6 | 47.6 | ... | ... |
| 60 | 163. | 142. | 70.8 | 56.6 | ... | ... |
| 75 | 201. | 175. | 87.6 | 70.0 | ... | ... |

NOTE: These are approximate currents to be used for selecting cord wire sizes.

DB/DBM GROUP

Strain-relief connectors for flexible cord and cable

small straight body, male thread

Aluminum body and compression nut with washer and single hole oil-resistant grommet



LISTED
File No. E53509



CERTIFIED
File No. LR-64107



This small body connector is ideal for internal uses, as well as conduit hub and panel-board mounting into threaded bodies or with locknuts. Complete units listed require no other parts except cable. Component parts allow expansion or updating of present equipment.

Suitable for use in hazardous locations per National Electric Code Class I, Div. 2; Class II, Div. 1 & 2; Class III, Div. 1&2.

Insulated throat option:

Add suffix "T" to all complete assembly part numbers on this page. E.g.: DB-9916T.

| CONDUIT HUB SIZE | PANEL HOLE SIZE | CORD DIAMETER RANGE IN (MM) | COMPLETE ASSEMBLY PART NUMBERS | | |
|------------------------|-----------------|-----------------------------|--------------------------------|---------------------|-----------------|
| | | | WITH COMPRESSION NUT | WITH MECHANICAL NUT | WITH WOVEN GRIP |
| 1/4" | 9/16" | .125-.187 (3.17-4.75) | DB-44316 | | |
| | | .187-.250 (4.75-6.35) | DB-4414 | | |
| | | .250-.312 (6.35-7.92) | DB-44516 | | |
| 3/8" | 11/16" | .125-.187 (3.17-4.75) | DB-4316 | | |
| | | .187-.250 (4.75-6.35) | DB-414 | | |
| | | .250-.312 (6.35-7.92) | DB-4516 | | |
| | | .312-.375 (7.92-9.52) | DB-438 | | |
| | | .375-.437 (9.52-11.1) | DB-4 | | |
| 1/2" | 7/8" | .125-.187 (3.17-4.75) | DB-3316 | | |
| | | .187-.250 (4.75-6.35) | DB-314 | | |
| | | .250-.312 (6.35-7.92) | DB-3516 | | |
| | | .312-.375 (7.92-9.52) | DB-338 | | |
| | | .375-.437 (9.52-11.1) | DB-3 | | |
| | | .125-.250 (3.17-6.35) | DB-7 | DBM-1204-M | |
| | | .187-.312 (4.75-7.92) | DB-9516 | DBM-1205-M | DBKM-1205 |
| | | .250-.375 (6.35-9.52) | DB-8 | DBM-1206-M | DBKM-1206 |
| | | .312-.437 (7.92-11.1) | DB-9716 | DBM-1207-M | DBKM-1207 |
| | | .375-.500 (9.52-12.7) | DB-9 | DBM-1208-M | DBKM-1208 |
| | | *.437-.562 (11.1-14.3) | DB-9916 | DBM-1209-M | DBKM-1209 |
| | | *.500-.625 (12.7-15.9) | DB-10 | DBM-1210-M | DBKM-1210 |
| | | *.625-.687 (15.9-17.4) | DB-91116 | DBM-1311-M | DBKM-1311 |
| *.687-.750 (17.4-19.1) | DB-934 | DBM-1312-M | DBKM-1312 | | |
| 3/4" | 1 1/8" | .125-.250 (3.17-6.35) | DB-614 | DBM-2204-M | |
| | | .187-.312 (4.75-7.92) | DB-6516 | DBM-2205 | DBKM-2205 |
| | | .250-.375 (6.35-9.52) | DB-638 | DBM-2206-M | DBKM-2206 |
| | | .312-.437 (7.92-11.1) | DB-6716 | DBM-2207-M | DBKM-2207 |
| | | .375-.500 (9.52-12.7) | DB-612 | DBM-2208-M | DBKM-2208 |
| | | .437-.562 (11.1-14.3) | DB-6919 | DBM-2209-M | DBKM-2209 |
| | | .500-.625 (12.7-15.9) | DB-6 | DBM-2210-M | DBKM-2210 |
| | | .625-.687 (15.9-17.4) | DB-111116 | DBM-2311-M | DBKM-2311 |
| | | .687-.750 (17.4-19.1) | DB-11 | DB-2312-M | DBKM-2312 |
| | | *.750-.875 (19.1-22.2) | DB-2514 | DBM-2514-M | DBKM-2514 |
| | | *.875-1.00 (22.2-25.4) | DB-2516 | DBM-2516-M | DBKM-2516 |
| 1" | 1 3/8" | .375-.437 (9.52-11.1) | DB-33716 | DBM-3307-M | DBKM-3307 |
| | | .437-.500 (11.1-12.7) | DB-3312 | DBM-3308-M | DBKM-3308 |
| | | .500-.562 (12.7-14.3) | DB-33916 | DBM-3309-M | DBKM-3309 |
| | | .562-.625 (14.3-15.9) | DB-3358 | DBM-3310-M | DBKM-3310 |
| | | .625-.687 (15.9-17.4) | DB-331116 | DBM-3311-M | DBKM-3311 |
| | | .687-.750 (17.4-19.1) | DB-33 | DBM-3312-M | DBKM-3312 |
| | | .687-.812 (17.4-20.6) | DB-1413 | DBM-3513-M | DBKM-3513 |
| | | .750-.875 (19.1-22.2) | DB-1478 | DBM-3514-M | DBKM-3514 |
| | | .812-.937 (20.6-23.8) | DB-141516 | DBM-3515-M | DBKM-2515 |
| | | *.875-1.00 (22.2-25.4) | DB-14 | DBM-3516-M | DBKM-3516 |

*Maximum cord size will not pass through body without removing outer jacket. Other grommets both single and multi-hole are available—see page 70.

See pages 60-61 for dimensional information.



| FORM SIZE | BODY BORE--IN (MM) | GROMMET | PLAIN WASHER | COMPRESSION NUT | MECHANICAL NUT | WOVEN GRIP | WOVEN GRIP WASHER | WOVEN GRIP NUT |
|-----------|------------------------|--|--------------|-----------------|----------------|---|--|----------------------|
| 1 | DB-4-G .35 (8.9) | DB-4-F DB-4-J DB-4-D | PX-4-CS | DB-4-B | | | | |
| 1 | DB-4-A .44 (11.2) | DB-4-F DB-4-J DB-4-D DB-4-E DB-4-C | PX-4-CS | DB-4-B | | | | |
| 1 | DB-3-A .44 (11.2) | DB-4-F DB-4-J DB-4-D DB-4-E DB-4-C | PX-4-CS | DB-4-B | | | | |
| 2 | DB-9-A .64 (16.3) | DB-9-F DB-9-V DB-9-E DB-9-J DB-9-D DB-9-U DB-9-C | PX-8-CS | DB-9-B | PX-10 | DBKG-5 DBKG-6 DBKG-8 DBKG-8 DBKG-10 DBKG-10 | Δ Δ Δ Δ Δ PX-8-CS | DBK-9-B |
| 3 | DB-934-A .62 (15.7) | DB-11-O DB-11-C | PX-11-CS | DB-11-B | PX-11 | DBKG12 DBKG-12 | PX-11-CS PX-11-CS | DBK-11-B DBK-11-B |
| 2 | DB-6-A .64 (16.3) | DB-9-F DB-9-V DB-9-E DB-9-J DB-9-D DB-9-V DB-9-C | PX-8-B | DB-9-B | PX-10 | DBKG-5 DBKG-6 DBKG-8 DBKG-8 DBKG-10 | Δ Δ Δ Δ Δ | DBK-9-B |
| 3 | DB-11-A .75 (19.1) | DB-11-O DB-11-C | PX-11-CS | DB-11-B | PX-11 | DBKG-12 DBKG-12 | PX-11-CS | DBK-11-B |
| 5 | DB-25-M .81 (20.6) | DB-14-H DB-14-C | PX-14-CS | DB-14-B | PX-14 | DBKG-14 DBKG-16 | Δ PX-14-CS | DBK-14-B |
| 3 | DB-33-A .75 (19.1) | DB-11-E DB-11-D DB-11-R DB-11-K DB-11-O DB-11-C | PX-11-CS | DB-11-B | PX-11 | DBKG-8 DBKG-8 DBKG-10 DBKG-10 DBKG-12 DBKG-12 | DBK-11-W DBK-11-W DBK-11-W DBK-11-W PX-11-CS PX-11-CS | DBK-11-B |
| 5 | DB-14-A 1.03 (26.2) | DB-14-K DB-14-H DB-14-L DB-14-C | PX-14-CS | DB-14-B | PX-14 | DBKG-14 DBKG-14 DBKG-16 DBKG-16 | Δ Δ PX-14-CS PX-14-CS | DBK-14-B |

Δ Not required

DBZM GROUP

Strain relief connectors for flexible cord and cable

Large straight body, male thread

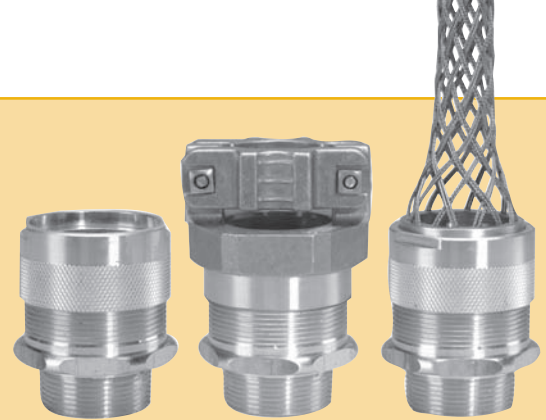
Aluminum body and compression nut with washer and single hole oil-resistant grommet



LISTED
File No. E3509



CERTIFIED
File No. LR-64107

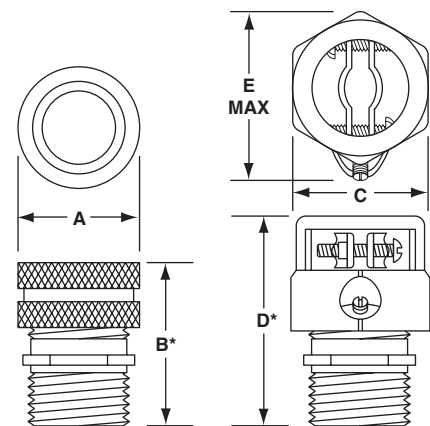


Large body DBZ connectors can be employed in retrofit or new installations. Versatility allows use in panelboards and in threaded hubs. Component parts are available separately.

Suitable for use in hazardous locations per National Electric Code Class I, Div. 2; Class II, Div. 1 & 2; Class III, Div. 1&2.

| CONDUIT HUB SIZE | PANEL HOLE SIZE | CORD DIAMETER RANGE IN (MM) | COMPLETE ASSEMBLY PART NUMBERS | | |
|--------------------------|-----------------|-----------------------------|--------------------------------|---------------------|-----------------|
| | | | WITH COMPRESSION NUT | WITH MECHANICAL NUT | WITH WOVEN GRIP |
| 1 1/4" | 1 3/4" | .750-.875 (19.1-22.2) | DBZM-4714 | DBZM-4714-M | DBZM-4714-K |
| | | .875-1.000 (22.2-25.4) | DBZM-4716 | DBZM-4716-M | DBZM-4716-K |
| | | 1.000-1.125 (25.4-28.6) | DBZM-4718 | DBZM-4718-M | DBZM-4718-K |
| | | 1.125-1.250 (28.6-31.8) | DBZM-4720 | DBZM-4720-M | DBZM-4720-K |
| | | *1.250-1.375 (31.8-34.9) | DBZM-4722 | DBZM-4722-M | DBZM-4722-K |
| 1 1/2" | 2" | .750-.875 (19.1-22.2) | DBZM-5714 | DBZM-5714-M | DBZM-5714-K |
| | | .875-1.000 (22.2-25.4) | DBZM-5716 | DBZM-5716-M | DBZM-5716-K |
| | | 1.000-1.125 (25.4-28.6) | DBZM-5718 | DBZM-5718-M | DBZM-5718-K |
| | | 1.125-1.250 (28.6-31.8) | DBZM-5720 | DBZM-5720-M | DBZM-5720-K |
| | | 1.250-1.375 (31.8-34.9) | DBZM-5722 | DBZM-5722-M | DBZM-5722-K |
| | | 1.375-1.500 (34.9-38.1) | DBZM-5824 | DBZM-5824-M | DBZM-5824-K |
| | | *1.500-1.625 (38.1-41.3) | DBZM-5826 | DBZM-5826-M | DBZM-5826-K |
| | | *1.625-1.750 (41.3-44.5) | DBZM-5828 | DBZM-5828-M | DBZM-5828-K |
| *1.750-1.875 (44.5-47.6) | DBZM-5830 | DBZM-5830-M | DBZM-5830-K | | |
| 2" | 2 1/2" | 1.250-1.375 (31.8-34.9) | DBZM-6822 | DBZM-6822-M | DBZM-6822-K |
| | | 1.375-1.500 (34.9-38.1) | DBZM-6824 | DBZM-6824-M | DBZM-6824-K |
| | | 1.500-1.625 (38.1-41.3) | DBZM-6826 | DBZM-6826-M | DBZM-6826-K |
| | | 1.625-1.750 (41.3-44.5) | DBZM-6828 | DBZM-6828-M | DBZM-6824-K |
| | | 1.750-1.875 (44.5-47.6) | DBZM-6830 | DBZM-6830-M | DBZM-6830-K |
| 2 1/2" | 3" | 1.875-2.000 (47.6-50.8) | DBZM-7932 | DBZM-7932-M | DBZM-7932-K |
| | | 2.000-2.125 (50.8-54.0) | DBZM-7934 | DBZM-7934-M | DBZM-7934-K |
| | | 2.125-2.250 (54.0-57.2) | DBZM-7936 | DBZM-7936-M | DBZM-7936-K |
| | | 2.250-2.375 (57.2-60.3) | DBZM-7938 | DBZM-7938-M | DBZM-7938-K |
| 3" | 3 5/8" | 1.875-2.000 (47.6-50.8) | DBZM-8932 | DBZM-8932-M | DBZM-8932-K |
| | | 2.000-2.125 (50.8-54.0) | DBZM-8934 | DBZM-8934-M | DBZM-8934-K |
| | | 2.125-2.250 (54.0-57.2) | DBZM-8936 | DBZM-8936-M | DBZM-8936-K |
| | | 2.250-2.375 (57.2-60.3) | DBZM-8938 | DBZM-8938-M | DBZM-8938-K |

*Maximum cord size will not pass through body without removing outer jacket.
Other grommets both single and multi-hole are available—see page 70.

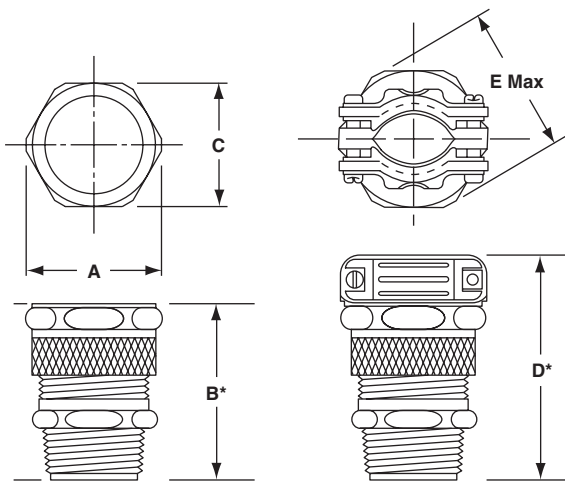


DB/DBM, FORMS 1, 2, 3, 5



| FORM SIZE | BODY BORE-IN (MM) | GROMMET | PLAIN WASHER | COMPRESSION NUT | MECHANICAL NUT | WOVEN GRIP | WOVEN GRIP WASHER | WOVEN GRIP NUT |
|-----------|-------------------------|---------|--------------|-----------------|----------------|------------|-------------------|----------------|
| 7-Z | DBZ-47-M 1.31 (33.2) | DBZ-714 | DBZ-716-W | DBZ-7-B | DBZ-7-B | DBKG-14 | LZW-9316-16A | DBZ-7-B |
| | | DBZ-716 | DBZ-716-W | | | DBKG-16 | LZW-9316-16A | |
| | | DBZ-718 | DBZ-720-W | | | DBKG-18 | LZW-9316-20A | |
| | | DBZ-720 | DBZ-720-W | | | DBKG-20 | LZW-9316-20A | |
| | | DBZ-722 | DBZ-723-W | | | DBKG-22 | Δ | |
| 7-Z | DBZ-57-M 1.44 (36.6) | DBZ-714 | DBZ-716-W | DBZ-7-B | DBZ-7-M | DBKG-14 | LZW-9316-16A | DBZ-7-B |
| | | DBZ-716 | DBZ-716-W | | | DBKG-16 | LZW-9316-16A | |
| | | DBZ-718 | DBZ-720-W | | | DBKG-18 | LZW-9316-20A | |
| | | DBZ-720 | DBZ-720-W | | | DBKG-20 | LZW-9316-20A | |
| | | DBZ-722 | DBZ-723-W | | | DBKG-22 | Δ | |
| 8-Z | DBZ-58-M 1.56 (39.7) | DBZ-824 | DBZ-824-W | DBZ-8-B | DBZ-8-M | DBKG-26 | Δ | DBZ-8-B |
| | | DBZ-826 | DBZ-826-W | | | DBKG-26 | Δ | |
| | | DBZ-828 | DBZ-828-W | | | DBKG-28 | Δ | |
| | | DBZ-830 | DBZ-831-W | | | DBKG-28 | Δ | |
| 8-Z | DBZ-68-M 1.94 (49.2) | DBZ-822 | DBZ-824-W | DBZ-8-B | DBZ-8-M | DBKG-22 | LZW-9320-22A | DBZ-8-B |
| | | DBZ-824 | DBZ-824-W | | | DBKG-26 | Δ | |
| | | DBZ-826 | DBZ-828-W | | | DBKG-26 | Δ | |
| | | DBZ-828 | DBZ-828-W | | | DBKG-28 | Δ | |
| 9-Z | DBZ-79-M 2.44 (62.0) | DBZ-932 | DBZ-932-W | DBZ-9-B | DBZ-9-M | DBKG-34 | Δ | DBZ-9-B |
| | | DBZ-934 | DBZ-936-W | | | DBKG-34 | Δ | |
| | | DBZ-936 | DBZ-936-W | | | DKGZ-38 | Δ | |
| | | DBZ-938 | DBZ-939-W | | | DBKG-38 | Δ | |
| 9-Z | DBZ-89-M 2.44 (62.0) | DBZ-932 | DBZ-932-W | DBZ-9-B | DBZ-9-M | DBKG-34 | Δ | DBZ-9-B |
| | | DBZ-934 | DBZ-936-W | | | DBKG-34 | Δ | |
| | | DBZ-936 | DBZ-936-W | | | DBKG-38 | Δ | |
| | | DBZ-938 | DBZ-939-W | | | DBKG-38 | Δ | |

Δ Not required



DBZ, FORMS 7-Z, 8-Z, 9-Z

| DIMENSIONS | FORM SIZE | | | | | | |
|----------------|-----------|------|------|-------|------|------|------|
| | 1 | 2 | 3 | 5 | 7-Z | 8-Z | 9-Z |
| A | .88 | 1.13 | 1.25 | 1.63 | 2.23 | 2.53 | 3.28 |
| B* | 1.53 | 1.84 | 2.06 | 2.69 | 3.22 | 3.22 | 3.91 |
| C ACROSS FLATS | - | 1.38 | 1.38 | 1.75 | 2.00 | 2.50 | 3.00 |
| D* | - | 2.49 | 2.69 | 3.50 | 4.02 | 4.43 | 4.88 |
| E MAX | - | 1.66 | 1.66 | 2.069 | 2.78 | 3.46 | 4.10 |

*With nut snug, grommet not compressed.

DBL/DBZL GROUP

Strain-relief connectors for flexible cord and cable

90° elbow body, male thread

Ferrous alloy body, aluminum compression nut with washer and single hole oil-resistant grommet

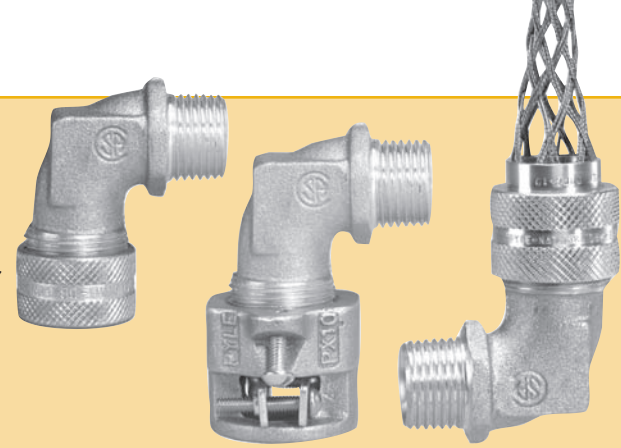


LISTED

File No. E53509

CERTIFIED

File No. LR-64107



These 90° connectors allow the installation of cord and cable even in tight quarters. Rugged ferrous alloy body and aluminum compression nut assure long life in abusive situations.

Suitable for use in hazardous locations per National Electric Code Class I, Div. 2; Class II, Div. 1 & 2; Class III, Div. 1&2.

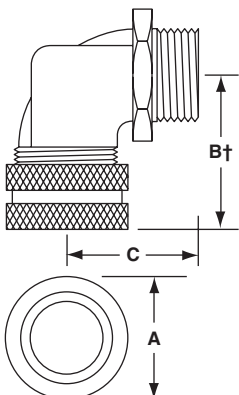
Insulated throat option:

Add suffix "T" to complete assembly part numbers for 1/2"-1" only.

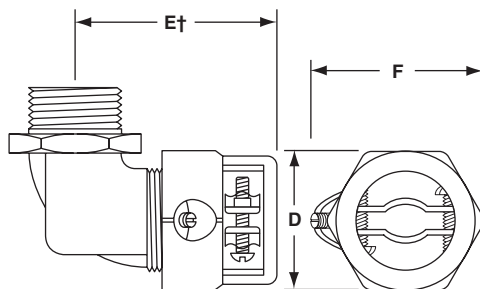
E.g.:DBL-3514-MT.

| CONDUIT HUB SIZE | PANEL HOLE SIZE | CORD DIAMETER RANGE IN (MM) | COMPLETE ASSEMBLY PART NUMBERS | | |
|------------------|-----------------|-----------------------------|--------------------------------|---------------------|-----------------|
| | | | WITH COMPRESSION NUT | WITH MECHANICAL NUT | WITH WOVEN GRIP |
| 1/2" | 7/8" | .125-.250 (3.17-6.35) | DB-790 | DBL-1204-M | |
| | | .187-.312 (4.75-7.92) | DB-9590 | DBL-1205-M | DBKL-1205 |
| | | .250-.375 (6.35-9.52) | DB-890 | DBL-1206-M | DBKL-1206 |
| | | .312-.437 (7.92-11.1) | DB-9790 | DBL-1207-M | DBKL-1207 |
| | | .375-.500 (9.52-12.7) | DB-990 | DBL-1208-M | DBKL-1208 |
| | | *.437-.562 (11.1-14.3) | DB-9990 | DBL-1209-M | DBKL-1209 |
| | | *.500-.625 (12.7-15.9) | DB-1090 | DBL-1210-M | DBKL-1210 |
| 3/4" | 1 1/8" | .312-.375 (7.92-9.52) | DB-113890 | DBL-2306-M | DBKL-2306 |
| | | .375-.437 (9.52-11.1) | DB-1171690 | DBL-2307-M | DBKL-2307 |
| | | .437-.500 (11.1-12.7) | DB-111290 | DBL-2308-M | DBKL-2308 |
| | | .500-.562 (12.7-14.3) | DB-1191690 | DBL-2309-M | DBKL-2309 |
| | | .562-.625 (14.3-15.9) | DB-115890 | DBL-2310-M | DBKL-2310 |
| | | .625-.687 (15.9-17.4) | DB-1111690 | DBL-2311-M | DBKL-2311 |
| | | *.687-.750 (17.4-19.1) | DB-1190 | DBL-2312-M | DBKL-2312 |
| 1" | 1 3/8" | .687-.812 (17.4-20.6) | DB-141390 | DBL-3513-M | DBKL-3513 |
| | | .750-.875 (19.1-22.2) | DB-147890 | DBL-3514-M | DBKL-3514 |
| | | .812-.937 (20.6-23.8) | DB-14151690 | DBL-3515-M | DBKL-3515 |
| | | *.875-1.000 (22.2-25.4) | DB-1490 | DBL-3516-M | DBKL-3516 |
| 1 1/4" | 1 3/4" | .750-.875 (19.1-22.2) | DBZL-4714 | DBZL-4714-M | DBZL-4714-K |
| | | .875-1.000 (22.2-25.4) | DBZL-4716 | DBZL-4716-M | DBZL-4716-K |
| | | 1.000-1.125 (25.4-28.6) | DBZL-4718 | DBZL-4718-M | DBZL-4718-K |
| | | 1.125-1.250 (28.6-31.8) | DBZL-4720 | DBZL-4720-M | DBZL-4720-K |
| | | *1.250-1.375 (31.8-34.9) | DBZL-4722 | DBZL-4722-M | DBZL-4722-K |
| 1 1/2" | 2" | *1.375-1.500 (34.9-38.1) | DBZL-5824 | DBZL-5824-M | DBZL-5824-K |
| | | *1.500-1.625 (38.1-41.3) | DBZL-5826 | DBZL-5826-M | DBZL-5826-K |
| | | *1.625-1.750 (41.3-44.5) | DBZL-5828 | DBZL-5828-M | DBZL-5828-K |
| | | *1.750-1.875 (44.5-47.6) | DBZL-5830 | DBZL-5830-M | DBZL-5830-K |
| 2" | 2 1/2" | *1.375-1.500 (34.9-38.1) | DBZL-6824 | DBZL-6824-M | DBZL-6824-K |
| | | *1.500-1.625 (38.1-41.3) | DBZL-6826 | DBZL-6826-M | DBZL-6826-K |
| | | *1.625-1.875 (44.5-47.6) | DBZL-6828 | DBZL-6828-M | DBZL-6828-K |
| | | *1.750-1.875 (44.5-47.6) | DBZL-6830 | DBZL-6830-M | DBZL-6830-K |

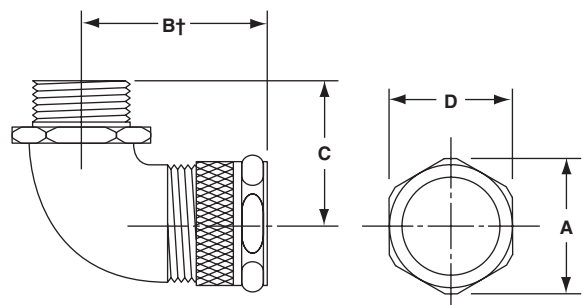
*Maximum cord size will not pass through body without removing outer jacket. Other grommets both single and multi-hole are available—see page 70.



DBL, FORMS 2, 3, 5



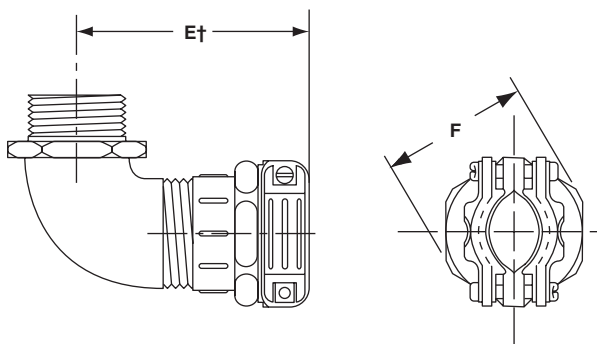
DBZL, FORMS 7-Z, 8-Z





| FORM SIZE | BODY BORE-IN (MM) | GROMMET | PLAIN WASHER | COMPRESSION NUT | MECHANICAL NUT | WOVEN GRIP | WOVEN GRIP WASHER | WOVEN GRIP NUT |
|-----------|--------------------------|---------|--------------|-----------------|----------------|------------|-------------------|----------------|
| 2 | DB-990-A .56 (14.3) | DB-9-F | | | | | | |
| | | DB-9-V | | | | DBKG-5 | Δ | |
| | | DB-9-E | | | | DBKG-6 | Δ | |
| | | DB-9-J | PX-8-CS | DB-9-B | PX-10 | DBKG-8 | Δ | DBK-9-B |
| | | DB-9-D | | | | DBKG-8 | Δ | |
| | | DB-9-U | | | | DBKG-10 | Δ | |
| 3 | DB-1190-A .75 (19.1) | DB-9-C | | | | DBKG-10 | PX-8-CS | |
| | | DB-11-V | | | | DBKG-6 | DBK-11-W | |
| | | DB-11-E | | | | DBKG-8 | DBK-11-W | |
| | | DB-11-D | | | | DBKG-8 | DBK-11-W | |
| | | DB-11-R | PX-11-CS | DB-11-B | PX-11 | DBKG-10 | DBK-11-W | DBK-11-B |
| | | DB-11-K | | | | DBKG-10 | DBK-11-W | |
| 5 | DB-1490-A 1.03 (26.2) | DB-11-O | | | | DBKG-12 | PX-11-C | |
| | | DB-11-C | | | | DBKG-12 | PX-11-C | |
| | | DB-14K | | | | DBKG-14 | Δ | |
| | | DB-14-H | PX-14-CS | DB-14-B | PX-14 | DBKG-14 | Δ | DBK-14-B |
| 7-Z | DBZ-47-L 1.25 (31.8) | DB-14-L | | | | DBKG-16 | PX-14-CS | |
| | | DB-14-C | | | | DBKG-16 | PX-14-CS | |
| | | DBZ-714 | DBZ-716-W | | | DBKG-14 | LZW-9316-16A | |
| | | DBZ-716 | DBZ-716-W | | | DBKG-16 | LZW-9316-16A | |
| | | DBZ-718 | DBZ-720-W | DBZ-7-B | DBZ-7-M | DBKG-18 | LZW-9316-20A | DBZ-7-B |
| 8-Z | DBZ-58-L 1.44 (36.6) | DBZ-720 | DBZ-720-W | | | DBKG-20 | LZW-9316-20A | |
| | | DBZ-722 | DBZ-723-W | | | DBKG-22 | Δ | |
| | | DBZ-824 | DBZ-824-W | | | DBKG-26 | Δ | |
| | | DBZ-826 | DBZ-828-W | DBZ-8-B | DBZ-8-M | DBKG-26 | Δ | DBZ-8-B |
| 8-Z | DBZ-68-L 1.88 (47.7) | DBZ-828 | DBZ-828-W | | | DBKG-28 | Δ | |
| | | DBZ-830 | DBZ-831-W | | | DBKG-28 | Δ | |
| | | DBZ-824 | DBZ-824-W | | | DBKG-26 | Δ | |
| | | DBZ-826 | DBZ-828-W | DBZ-8-B | DBZ-8-M | DBKG-26 | Δ | DBZ-8-B |
| 8-Z | DBZ-68-L 1.88 (47.7) | DBZ-828 | DBZ-828-W | | | DBKG-28 | Δ | |
| | | DBZ-830 | DBZ-831-W | | | DBKG-28 | Δ | |
| | | DBZ-824 | DBZ-824-W | | | DBKG-26 | Δ | |

Δ Not required



| DIMENSIONS | FORM SIZE | | | | |
|----------------|-----------|------|------|------|------|
| | 2 | 3 | 5 | 7-Z | 8-Z |
| A | 1.13 | 1.25 | 1.63 | 2.23 | 2.53 |
| B† | 1.88 | 1.86 | 2.94 | 3.28 | 3.78 |
| C | 1.44 | 1.56 | 2.00 | 2.38 | 2.88 |
| D ACROSS FLATS | 1.38 | 1.38 | 1.75 | 2.00 | 2.50 |
| E† | 2.53 | 2.51 | 3.75 | 4.12 | 4.69 |
| F MAX | 1.66 | 1.66 | 2.06 | 2.78 | 3.46 |

† With nut snug, grommet not compressed.

DBA GROUP

Strain relief connectors for flexible cord and cable

45° elbow body, male thread

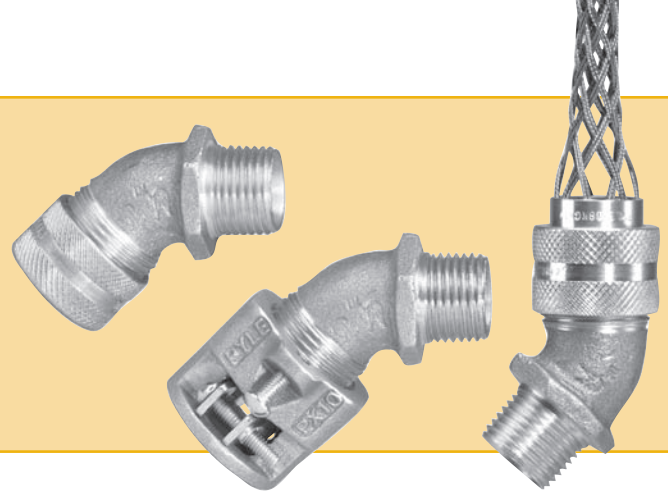
Ferrous alloy body, aluminum compression nut with washer and single hole oil-resistant grommet



LISTED
File No. E53509



CERTIFIED
File No. LR-64107



Customize your installation with our 45° DBA connectors. Like the DBL, the steel body and aluminum compression nut will provide many years of trouble free service.

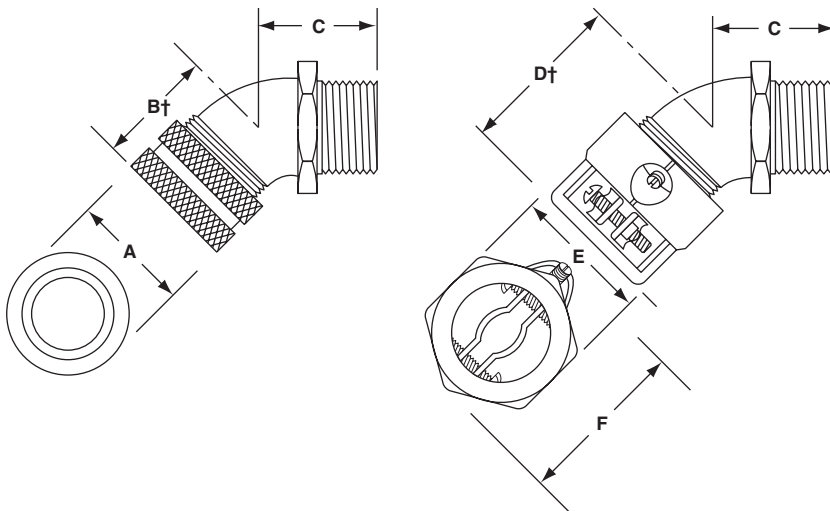
Insulated throat option:

Add suffix "T" to all complete assembly part numbers on this page.

E.g.:DBKA-3513-T.

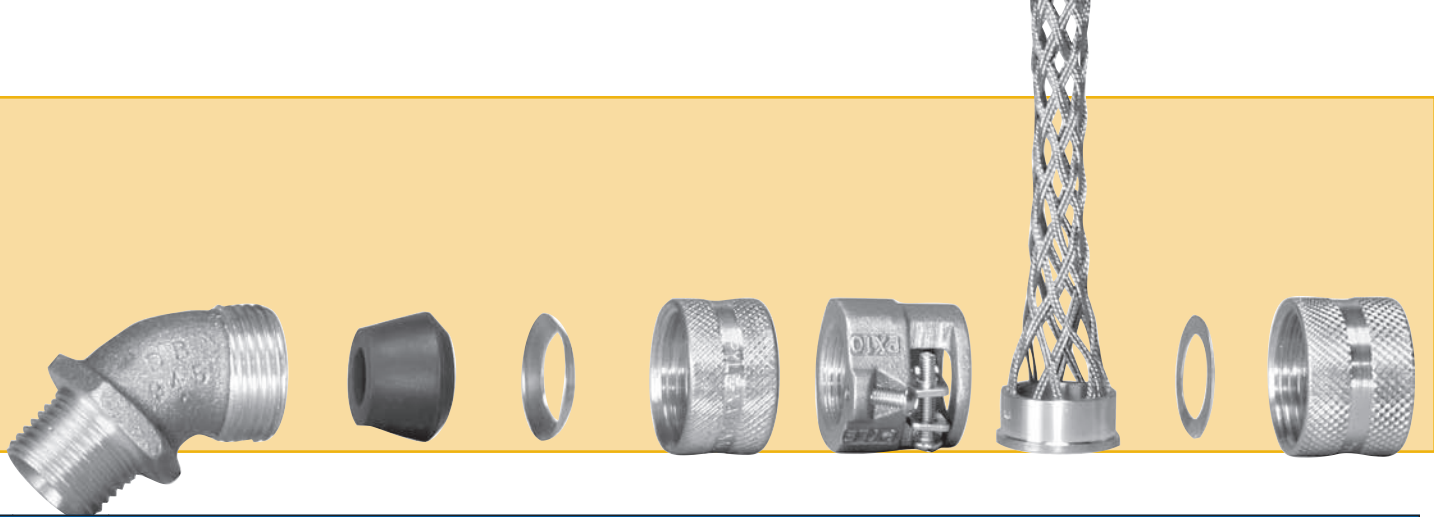
| CONDUIT HUB SIZE | PANEL HOLE SIZE | CORD DIAMETER RANGE IN (MM) | COMPLETE ASSEMBLY PART NUMBERS | | |
|------------------|-----------------|-----------------------------|--------------------------------|---------------------|-----------------|
| | | | WITH COMPRESSION NUT | WITH MECHANICAL NUT | WITH WOVEN GRIP |
| 1/2" | 7/8" | .125-.250 (3.17-6.35) | DB-745 | DBA-1204-M | |
| | | .187-.312 (4.75-7.92) | DB-9545 | DBA-1205-M | DBKA-1205 |
| | | .250-.375 (6.35-9.52) | DB-845 | DBA-1206-M | DBKA-1206 |
| | | .312-.437 (7.92-11.1) | DB-9745 | DBA-1207-M | DBKA-1207 |
| | | .375-.500 (9.52-12.7) | DB-945 | DBA-1208-M | DBKA-1208 |
| | | *.437-.562 (11.1-14.3) | DB-9945 | DBA-1209-M | DBKA-1209 |
| | | *.500-.625 (12.7-15.9) | DB-1045 | DBA-1210-M | DBKA-1210 |
| 3/4" | 1 1/8" | .312-.375 (7.92-9.52) | DB-113845 | DBA-2306-M | DBKA-2306 |
| | | .375-.437 (9.52-11.1) | DB-1171645 | DBA-2307 | DBKA-2307 |
| | | .437-.500 (11.1-12.7) | DB-111245 | DBA-2308-M | DBKA-2308 |
| | | .500-.562 (12.7-14.3) | DB-1191645 | DBA-2309-M | DBKA-2309 |
| | | .562-.625 (14.3-15.9) | DB-15845 | DBA-2310-M | DBKA-2310 |
| | | .625-.687 (15.9-17.4) | DB-1111645 | DBA-2311-M | DBKA-2311 |
| | | *.687-.750 (17.4-19.1) | DB-1145 | DBA-2312-M | DBKA-2312 |
| 1" | 1 3/8" | .687-.812 (17.4-14.2) | DB-141345 | DBA-3513-M | DBKA-3513 |
| | | .750-.875 (19.1-22.2) | DB-147845 | DBA-3514-M | DBKA-3514 |
| | | .812-.937 (14.2-23.8) | DB-14151645 | DBA-3515-M | DBKA-3515 |
| | | *.875-1.000 (22.2-25.4) | DB-1445 | DBA-3516-M | DBKA-3516 |

*Maximum cord size will not pass through body without removing outer jacket. Other grommets both single and multi-hole are available—see page 70.



| DIMENSIONS | FORM SIZE | | |
|----------------|-----------|------|------|
| | 2 | 3 | 5 |
| A | 1.13 | 1.25 | 1.63 |
| B† | 1.31 | 1.56 | 2.31 |
| C | 1.31 | 1.38 | 1.44 |
| D† | 1.96 | 2.21 | 3.12 |
| E ACROSS FLATS | 1.38 | 1.38 | 1.75 |
| F MAX | 1.66 | 1.66 | 2.06 |

†With nut snug, grommet not compressed



| FORM SIZE | BODY BORE-IN (MM) | GROMMET | PLAIN WASHER | COMPRESSION NUT | MECHANICAL NUT | WOVEN GRIP | WOVEN GRIP WASHER | WOVEN GRIP NUT |
|-----------|--------------------------|---------|--------------|-----------------|----------------|------------|-------------------|----------------|
| 2 | DB-945-A .56 (14.3) | DB-9-F | | | | | | |
| | | DB-9-V | | | | DBKG-5 | Δ | |
| | | DB-9-E | | | | DBKG-6 | Δ | |
| | | DB-9-J | PX-8-CS | DB-9-B | PX-10 | DBKG-8 | Δ | DBK-9-B |
| | | DB-9-D | | | | DBKG-8 | Δ | |
| | | DB-9-U | | | | DBKG-10 | Δ | |
| | | DB-9-C | | | | DBKG-10 | PX-8-C | |
| 3 | DB-1145-A .75 (19.1) | DB-11-V | | | | DBKG-6 | DBK-11-W | |
| | | DB-11-E | | | | DBKG-8 | DBK-11-W | |
| | | DB-11-D | | | | DBKG-8 | DBK-11-W | |
| | | DB-11-R | PX-11-CS | DB-11-B | PX-11 | DBKG-10 | DBK-11-W | DBK-11-B |
| | | DB-11-K | | | | DBKG-10 | DBK-11-W | |
| | | DB-11-O | | | | DBKG-12 | PX-11-CS | |
| | | DB-11-C | | | | DBKG-12 | PX-11-CS | |
| 5 | DB-1445-A 1.03 (26.2) | DB-14-K | | | | DBKG-14 | Δ | |
| | | DB-14-H | PX-14-CS | DB-14-B | PX-14 | DBKG-14 | Δ | DBK-14-B |
| | | DB-14-L | | | | DBKG-16 | PX-14-CS | |
| | | DB-14-C | | | | DBKG-16 | PX-14-CS | |

Δ Not required

DBF GROUP

Strain-relief connectors for flexible cord and cable

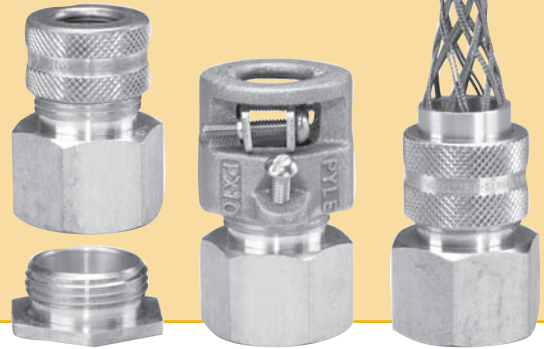
Straight body, female thread

Aluminum body and compression nut with single hole oil-resistant grommet



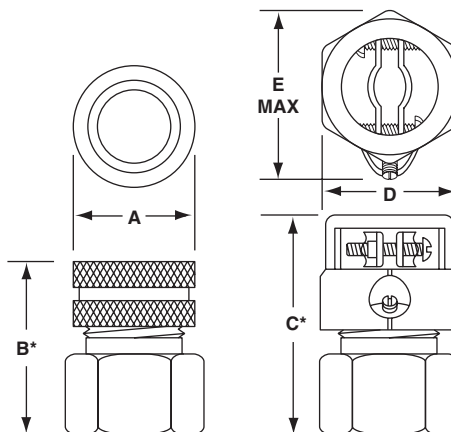
LISTED
File No. E53509

CERTIFIED
File No. LR-64107



For panelboard and bulkhead installations, as well as for drop cords and cables from overhead power sources. Also for mounting to existing threaded conduit and to conduit nipples.

| CONDUIT HUB SIZE | PANEL HOLE SIZE | CORD DIAMETER RANGE IN (MM) | COMPLETE ASSEMBLY PART NUMBERS | | |
|------------------|-----------------|-----------------------------|--------------------------------|---------------------|-----------------|
| | | | WITH COMPRESSION NUT | WITH MECHANICAL NUT | WITH WOVEN GRIP |
| 3/8" | 1 1/16" | .125-.187 (3.17-4.75) | DBF--4316 | | |
| | | .187-.250 (4.75-6.35) | DBF-414 | | |
| | | .250-.312 (6.35-7.92) | DBF-4516 | | |
| | | .312-.375 (7.92-7.52) | DBF-438 | | |
| | | .375-.437 (9.52-11.1) | DBF-4 | | |
| 1/2" | 7/8" | .125-.187 (3.17-4.75) | DBF-3316 | | |
| | | .187-.250 (4.75-6.35) | DBF-314 | | |
| | | .250-.312 (6.35-7.92) | DBF-3516 | Use Form 2 | Use Form 2 |
| | | .312-.375 (7.92-9.52) | DBF-338 | | |
| | | .375-.437 (9.52-11.1) | DBF-3 | | |
| | | .125-.250 (3.17-6.35) | DBF-7 | DBF-1204-M | |
| | | .187-.312 (4.75-7.92) | DBF-9516 | DBF-1205-M | DBKF-1205 |
| | | .250-.375 (6.35-9.52) | DBF-8 | DBF-1206-M | DBKF-1206 |
| | | .312-.437 (7.92-11.1) | DBF-9716 | DBF-1207-M | DBKF-1207 |
| | | .375-.500 (9.52-12.7) | DBF-9 | DBF-1208-M | DBKF-1208 |
| 3/4" | 1 1/8" | .437-.562 (11.1-14.3) | DBF-9916 | DBF-1209-M | DBKF-1209 |
| | | .500-.625 (12.7-15.9) | DBF-10 | DBF-1210-M | DBKF-1210 |
| | | .125-.250 (3.17-6.35) | DBF-614 | DBF-2204-M | |
| | | .187-.312 (4.75-7.92) | DBF-6516 | DBF-2205-M | DBKF-2205 |
| | | .250-.375 (6.35-9.52) | DBF-638 | DBF-2206-M | DBKF-2206 |
| | | .312-.437 (7.92-11.1) | DBF-6716 | DBF-2207-M | DBKF-2207 |
| | | .375-.500 (9.52-12.7) | DBF-612 | DBF-2208-M | DBKF-2208 |
| | | .437-.562 (11.1-14.3) | DBF-6916 | DBF-2209-M | DBKF-2209 |
| | | .500-.625 (12.7-25.4) | DBF-6 | DBF-2210-M | DBKF-2210 |
| | | .625-.687 (15.9-17.4) | DBF-111116 | DBF-2311-M | DBKF-2311 |
| 1" | 1 3/8" | .687-.750 (17.4-19.1) | DBF-11 | DBF-2312-M | DBKF-2312 |
| | | .687-.812 (17.4-20.6) | DBF-1413 | DBF-3513-M | DBKF-3513 |
| | | .750-.875 (19.1-22.2) | DBF-1478 | DBF-3514-M | DBKF-3514 |
| | | .812-.937 (20.6-23.8) | DBF-141516 | DBF-3515-M | DBKF-3515 |
| 1" | 1 3/8" | .875-.937 (22.2-25.4) | DBF-14 | DBF-3516-M | DBKF-3516 |



| DIMENSIONS | FORM SIZE | | | |
|------------|-----------|------|------|------|
| | 1 | 2 | 3 | 5 |
| A | .88 | 1.13 | 1.25 | 1.63 |
| B† | 1.53 | 1.84 | 2.05 | 2.59 |
| C† | - | 2.49 | 2.70 | 3.40 |
| D | - | 1.38 | 1.38 | 1.75 |
| E MAX | - | 1.66 | 1.66 | 2.06 |

†With nut snug, grommet not compressed.



| FORM SIZE | BODY BORE-IN (MM) | GROMMET | PLAIN WASHER | COMPRESSION NUT | MECHANICAL NUT | WOVEN GRIP | WOVEN GRIP WASHER | WOVEN GRIP NUT | FLARED NIPPLE* |
|-----------|--------------------------|--|--------------|-----------------|----------------|--|----------------------------------|----------------|----------------|
| 1 | DBF-4-A .440 (11.2) | DB-4-F DB-4-J DB-4-D DB-4-E DB-4-C | PX-4-CS | DB-4-B | | | | | DH-38 |
| 1 | DBF-3-A .440 (11.2) | DB-4-F DB-4-J DB-4-D DB-4-E DB-4-C | PX-4-CS | DB-4-B | | | | | DH-1 |
| 2 | DBF-9-A .620 (15.7) | DB-9-F DB-9-V DB-9-E DB-9-J DB-9-D DB-9-V DB-9-C | PS-8-CS | DB-9-B | PX-10 | DBKG-5 DBKG-6 DBKG-8 DBKG-8 DBKG-10 DBKG-10 | Δ Δ Δ Δ Δ PX-8-CS | DBK-9-B | DH-1 |
| 2 | DBF-6-A .620 (15.7) | DB-9-F DB-9-V DB-9-E DB-9-J DB-9-D DB-9-V DB-9-C | PX-8-CS | DB-9-B | PX-10 | DBKG-5 DBKG-6 DBKG-8 DBKG-8 DBKG-10 DBKG-10 | Δ Δ Δ Δ Δ PX-8-CS | DBK-9-B | DH-2 |
| 3 | DBA-11-A .750 (19.1) | DB-11-O DB-11-C | PX-11-CS | DB-11-B | PX-11 | DBKG-12 DBKG-12 | PX-11-CS PX-11-CS | DBK-11-B | DH-2 |
| 5 | DBF-14-A 1.030 (26.2) | DB-14-K DB-14-H DB-14-L DB-14-C | PX-14-CS | DB-14-B | PX-14 | DBKF-14 DBKG-14 DBKG-16 DBKFG-16 | Δ Δ PX-14-CS PX-14-CS | DBK-14-B | DH-3 |

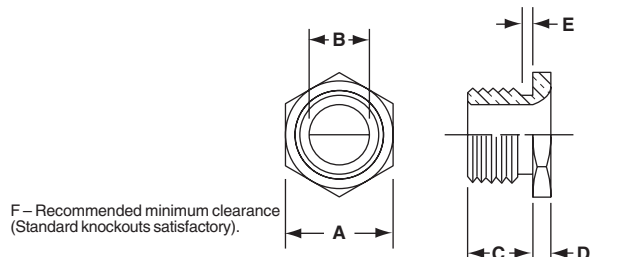
***FLARED NIPPLE**

Used for mounting type DBF connectors on sheet metal boxes and cabinets, and for drop cords/cables from overhead power distribution ducts.

Flared Nipple not included unless specially ordered. To include flared nipple with assembly change catalog numbers as follows:

- with compression nut, change DBF to DHF
- with mechanical nut, change DBF to DBH
- with weave grip, change DBKF to DBKH

| HUB SIZE | MAX. PANEL THICKNESS | PART NO. | DIMENSIONS | | | | | |
|----------|----------------------|----------|------------|------|-----|-----|-----|------|
| | | | A | B | C | D | E | F |
| 3/8" | 1/8" | DH-38 | .86 | .44 | .33 | .12 | .09 | .69 |
| 1/2" | 3/16" | DH-1 | 1.00 | .56 | .44 | .12 | .12 | .86 |
| 3/4" | 3/16" | DH-2 | 1.25 | .80 | .44 | .12 | .12 | 1.09 |
| 1" | 1/4" | DH-3 | 1.50 | 1.00 | .56 | .19 | .16 | 1.36 |

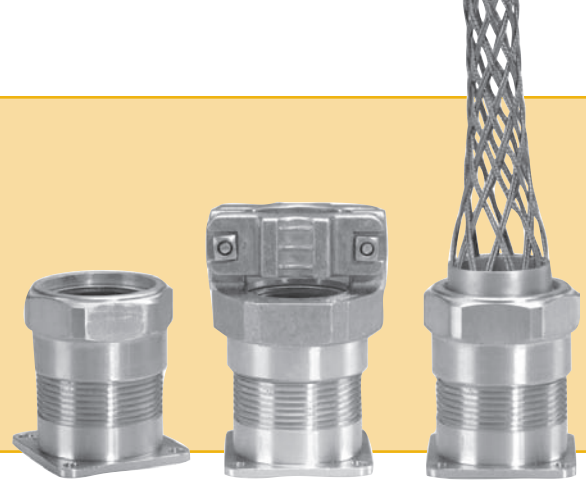


DBZP GROUP

Strain-relief panelboard and bulkhead connector

Straight body, male thread

aluminum body and compression nut with washer, gasket, and single hole oil-resistant grommet



These bulkhead mounting cord connectors have an oil-resistant rubber gasket furnished with each body which permits mounting from either the front or the back of panels and bulkheads.

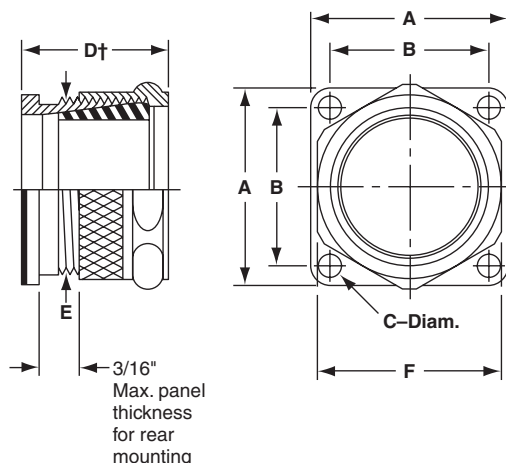
Where 45° angle mounting is required, choose adapters listed on page 72.

As with the other DB Series grips, the DBZP provides effective strain-relief and is liquid-tight through the assembled unit.

| CONDUIT HUB SIZE | CORD DIAMETER RANGE IN (MM) | COMPLETE ASSEMBLY PART NUMBERS | | |
|------------------|-----------------------------|--------------------------------|---------------------|-----------------|
| | | WITH COMPRESSION NUT | WITH MECHANICAL NUT | WITH WOVEN GRIP |
| 1 3/8** | .062-.125 (1.57-3.17) | DBZP-502 | | |
| | .125-.250 (3.17-6.35) | DBZP-504 | | |
| | .250-.375 (6.35-9.52) | DBZP-506 | DBZP-506-M | DBZP-506-K |
| | .375-.500 (9.52-12.7) | DBZP-508 | DBZP-508-M | DBZP-508-K |
| | .500-.625 (12.7-15.9) | DBZP-510 | DBZP-510-M | DBZP-510-K |
| | .625-.750 (15.9-19.1) | DBZP-512 | DBZP-512-M | DBZP-512-K |
| 1 7/8** | .750-.875 (19.1-22.2) | DBZP-514 | DBZP-514-M | DBZP-514-K |
| | .875-1.000 (22.2-25.4) | DBZP-714 | DBZP-714-M | DBZP-714-K |
| | 1.000-1.125 (25.4-28.6) | DBZP-716 | DBZP-716-M | DBZP-716-K |
| | 1.125-1.250 (28.6-31.8) | DBZP-718 | DBZP-718-M | DBZP-718-K |
| 2 3/8** | 1.250-1.375 (31.8-34.9) | DBZP-720 | DBZP-720-M | DBZP-720-K |
| | 1.375-1.500 (34.9-38.1) | DBZP-722 | DBZP-722-M | DBZP-722-K |
| | 1.500-1.625 (38.1-41.3) | DBZP-822 | DBZP-822-M | DBZP-822-K |
| | 1.625-1.750 (41.3-44.5) | DBZP-824 | DBZP-824-M | DBZP-824-K |
| | 1.750-1.875 (44.5-47.6) | DBZP-826 | DBZP-826-M | DBZP-826-K |
| 2 7/8** | 1.875-2.000 (47.6-50.8) | DBZP-828 | DBZP-828-M | DBZP-828-K |
| | 2.000-2.125 (50.8-54.0) | DBZP-830 | DBZP-830-M | DBZP-830-K |
| | 2.125-2.250 (54.0-57.2) | DBZP-930 | DBZP-930-M | DBZP-930-K |
| | 2.250-2.375 (57.2-60.3) | DBZP-032 | DBZP-932-M | DBZP-932-K |
| | 2.375-2.500 (60.3-63.5) | DBZP-934 | DBZP-934-M | DBZP-934-K |
| 3 3/8** | 2.500-2.625 (63.5-66.7) | DBZP-936 | DBZP-936-M | DBZP-936-K |
| | 2.625-2.750 (66.7-69.9) | DBZP-938 | DBZP-938-M | DBZP-938-K |
| | 2.750-2.875 (69.9-73.0) | DBZP-1038 | DBZP-1038-M | DBZP-1038-K |
| | | DBZP-1040 | DBZP-1040-M | DBZP-1040-K |
| | | DBZP-1042 | DBZP-1042-M | DBZP-1042-K |
| | DBZP-1044 | DBZP-1044-M | DBZP-1044-K | |
| | DBZP-1046 | DBZP-1046-M | DBZP-1046-K | |

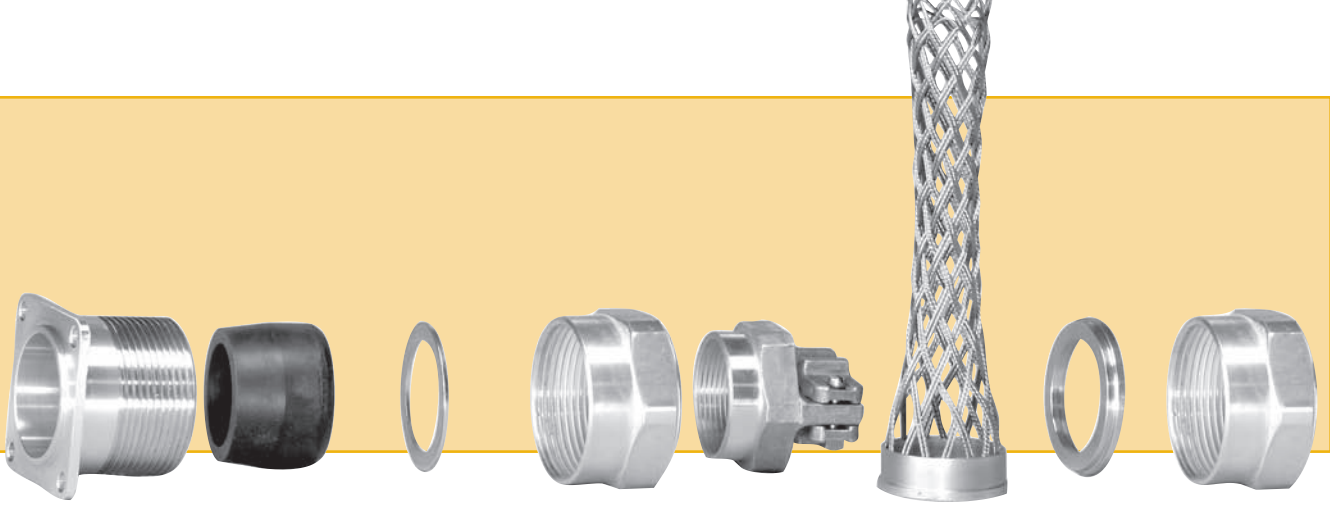
Note: See page 72 for information on Panelboard Adapters & Conduit Fitting Boxes

* Bore hole in panelboard 1/64" larger than dimension "E" for back mounting.



| | FORM SIZE | | | | |
|-------------------------|-----------|----------|----------|----------|----------|
| | 5-Z** | 7-Z | 8-Z | 9-Z | 10-Z |
| A | 1 8/8" | 2 1/8" | 2 5/8" | 3 1/8" | 3 3/4" |
| B MOUNTING HOLES | 1 1/4" | 1 11/16" | 2 3/32" | 2 17/32" | 3 1/32" |
| C | 3/16" | 7/32" | 9/32" | 11/32" | 11/32" |
| MAX MOUNTING SCREW SIZE | #8 | #10 | 1/4" | 5/16" | 5/16" |
| D† | 2 15/16" | 2 15/32" | 2 15/32" | 2 15/32" | 2 15/32" |
| E | 1 3/8" | 1 7/8" | 2 3/8" | 2 7/8" | 3 3/8" |
| F ACROSS FLATS | 1 21/32" | 2 1/32" | 2 17/32" | 3 1/32" | 3 19/32" |

† With nut snug, but grommet not compressed.
**No adapter available for from size 5-Z



| FORM SIZE | BODY BORE-IN (MM) | GROMMET | PLAIN WASHER | COMPRESSION NUT | MECHANICAL NUT | WOVEN GRIP | WOVEN GRIP WASHER | WOVEN GRIP NUT | |
|-----------|---------------------------|----------|--------------|-----------------|----------------|------------|-------------------|----------------|--|
| 5-Z | DBZ-5-P .937 (23.8) | DBZ-502 | DBZ-504-W | | | | | | |
| | | DBZ-504 | DBZ-504-W | | | | | | |
| | | DBZ-506 | DBZ-508-W | | | | DBKG-6 | LZW-9312-10A | |
| | | DBZ-508 | DBZ-508-W | DBZ-5-B | DBZ-5-M | DBKG-8 | LZW-9312-10A | DBZ-5-B | |
| | | DBZ-510 | DBZ-512-W | | | DBKG-10 | LZW-9312-12A | | |
| | | DBZ-512 | DBZ-512-W | | | DBKG-12 | LZW-9312-12A | | |
| 7-Z | DBZ-7-P 1.437 (36.5) | DBZ-514 | DBZ-515-W | | | DBKG-14-Z | Δ | | |
| | | DBZ-714 | DBZ-716-W | | | DBKG-14 | LZW-9316-16A | | |
| | | DBZ-716 | DBZ-716-W | | | DBKG-16 | LZW-9316-16A | | |
| | | DBZ-718 | DBZ-720-W | DBZ-7-M | DBZ-7-M | DBKG-18 | LZW-9316-20A | DBZ-7-B | |
| | | DBZ-720 | DBZ-720-W | | | DBKG-20 | LZW-9316-20A | | |
| | | DBZ-722 | DBZ-723-W | | | DBKG-22 | Δ | | |
| 8-Z | DBZ-8-P 1.937 (49.2) | DBZ-822 | DBZ-824-W | | | DBKG-22 | LZW-9320-22A | | |
| | | DBZ-824 | DBZ-824-W | | | DBKG-26 | Δ | | |
| | | DBZ-826 | DBZ-828-W | DBZ-8-B | DBZ-8-M | DBKG-26 | Δ | DBZ-8-B | |
| | | DBZ-828 | DBZ-828-W | | | DBKG-28 | Δ | | |
| | | DBZ-830 | DBZ-831-W | | | DBKG-28 | Δ | | |
| | | DBZ-930 | DBZ-932-W | | | DBKG-28 | LZW-9324-28A | | |
| 9-Z | DBZ-9-P 2.437 (61.9) | DBZ-932 | DBZ-932-W | | | DBKG-34 | Δ | | |
| | | DBZ-934 | DBZ-936-W | DBZ-9-B | DBZ-9-M | DBKG-34 | Δ | DBZ-9-B | |
| | | DBZ-936 | DBZ-936-W | | | DBKG-38 | Δ | | |
| | | DBZ-938 | DBZ-939-W | | | DBKG-38 | Δ | | |
| | | DBZ-1038 | DBZP-1040-W | | | DBKG-38 | LZW-9328-38A | | |
| | | DBZ-1040 | DBZP-1040-W | | | DBKG-40-Z | Δ | | |
| 10-Z | DBZP-10-P 2.875 (73.0) | DBZ-1042 | DBZP-1044-W | DBZ-10-B | DBZ-10-M | DBKG-46-Z | Δ | DBZ-10-B | |
| | | DBZ-1044 | DBZ-1044-W | | | DBKG-46-Z | Δ | | |
| | | DBZ-1046 | DBZ-1046-W | | | DBKG-46-Z | Δ | | |
| | | | | | | DBKG-46-Z | Δ | | |

Δ Not required

GROMMETS

for DB/DBZ series connectors



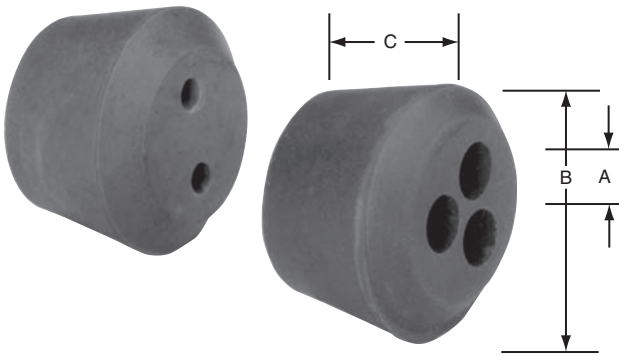
Molded oil-resistant synthetic rubber

These tapered grommets fit in the tapered bodies of all appropriate DB Series metallic connectors. They provide strain-relief by gripping the cord jacket inside the grommet, and efficiently seal out water and oil from internal connections.

Amphenol®/Pyle® rubber grommets are specially compounded and molded to resist age-hardening, adding many more years to the life of installations.

| CABLE RANGE (inches) | FORM1 | FORM2 | FORM3 | FORM5 | FORM5Z | FORM7Z | FORM8Z | FORM9Z | FORM10Z |
|----------------------|--------|--------|---------|---------|---------|---------|---------|---------|----------|
| BLANK | DB-4-Z | DB-9-Z | DB-11-Z | | | | | | |
| .062-.125 | | | | | DBZ-502 | | | | |
| .125-.187 | DB-4-F | | | | | | | | |
| .125-.250 | | DB-9-F | | | DBZ-504 | | | | |
| .187-.250 | DB-4-J | | | | | | | | |
| .187-.312 | | DB-9-V | | | | | | | |
| .250-.312 | DB-4-D | | DB-11-X | | | | | | |
| .250-.375 | | DB-9-E | | | DBZ-506 | DBZ-706 | | | |
| .312-.375 | DB-4-E | | DB-11-4 | | | | | | |
| .312-.437 | | DB-9-J | | DB-14-N | | | | | |
| .375-.437 | DB-4-C | | DB-11-E | | | | | | |
| .375-.500 | | DB-9-D | | | DBZ-508 | DBZ-708 | | | |
| .437-.500 | | | DB-11-D | | | | | | |
| .437-.562 | | DB-9-U | | DB-14-M | | | | | |
| .500-.562 | | | DB-11-R | | | | | | |
| .500-.625 | | DB-9-C | | | DBZ-510 | DBZ-710 | DBZ-810 | | |
| .562-.625 | | | DB-11-K | | | | | | |
| .562-.687 | | | | DB-14-E | | | | | |
| .625-.687 | | | DB-11-O | | | | | | |
| .625-.750 | | | | DB-14-J | DBZ-512 | DBZ-712 | DBZ-812 | | |
| .687-.750 | | | DB-11-C | | | | | | |
| .687-.812 | | | | DB-14-K | | | | | |
| .750-.875 | | | | DB-14-H | DBZ-514 | DBZ-714 | DBZ-814 | | |
| .812-.937 | | | | DB-14-L | | | | | |
| .875-.937 | | | | | DBZ-515 | | | | |
| .875-1.000 | | | | DB-14-C | | DBZ-716 | DBZ-816 | DBZ-916 | |
| 1.000-1.125 | | | | | | DBZ-718 | DBZ-818 | DBZ-918 | |
| 1.125-1.250 | | | | | | DBZ-720 | DBZ-820 | DBZ-920 | |
| 1.250-1.375 | | | | | | DBZ-722 | DBZ-822 | DBZ-922 | |
| 1.375-1.437 | | | | | | DBZ-723 | | | |
| 1.375-1.500 | | | | | | | DBZ-824 | DBZ-924 | |
| 1.500-1.625 | | | | | | | DBZ-826 | DBZ-926 | |
| 1.625-1.750 | | | | | | | DBZ-828 | DBZ-928 | |
| 1.750-1.875 | | | | | | | DBZ-830 | DBZ-930 | |
| 1.875-1.937 | | | | | | | DBZ-831 | | |
| 1.875-2.000 | | | | | | | | DBZ-932 | |
| 2.000-2.125 | | | | | | | | DBZ-934 | |
| 2.125-2.250 | | | | | | | | DBZ-936 | |
| 2.250-2.375 | | | | | | | | DBZ-938 | |
| 2.375-2.437 | | | | | | | | DBZ-939 | DBZ-1038 |
| 2.375-2.500 | | | | | | | | | DBZ-1040 |
| 2.500-2.625 | | | | | | | | | DBZ-1042 |
| 2.625-2.750 | | | | | | | | | DBZ-1044 |
| 2.750-2.875 | | | | | | | | | DBZ-1046 |

Multi-hole grommets



| | BODY AND COMPRESSION NUT USED | PART NO. | A NOMINAL SIZE CORD OR CABLE | B | C |
|-----------|-------------------------------|----------|------------------------------------|------------|------------|
| | Form 1 | DB-4-H | .170 | $2^{1/32}$ | $3/8$ |
| 2 Hole | Form 2 | DB-9-MA | .100 | $1^{5/16}$ | $5/8$ |
| | | DB-9-X | .125 | $1^{5/16}$ | $5/8$ |
| | | DB-9-XA | .156 | $1^{5/16}$ | $5/8$ |
| | | DB-9-H | .250 | $1^{5/16}$ | $5/8$ |
| | | DB-9-O | .281 | $1^{5/16}$ | $5/8$ |
| | Form 5 | DB-14-D | .437 | $1^{9/32}$ | $1^{1/32}$ |
| 3 | Form 2 | DB-9-L | .218 | $1^{5/16}$ | $5/8$ |
| Hole | Form 3 | DB-11-M | .281 | $1^{1/32}$ | $2^{3/32}$ |

Cord protecting sleeve/grommet



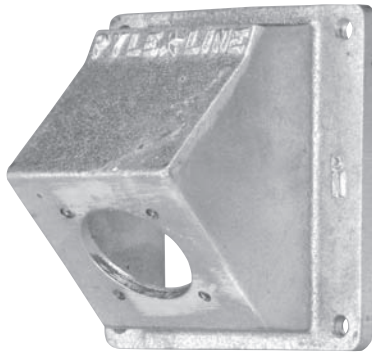
| BODY AND COMPRESSION NUT USED | PART NO. | A NOMINAL SIZE CORD OR CABLE | B O.D. | C OVERALL LENGTH |
|-------------------------------|----------|------------------------------------|------------|------------------------|
| Form 2 | DBY-9-J | .312 to .437 | $1^{5/16}$ | 3 |

ACCESSORIES

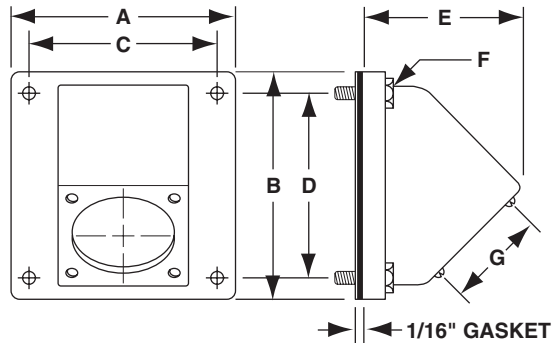
Panelboard adapters

Aluminum construction. Accepts DBZP panelboard connectors

All adapter covers come complete with screws and clips for mounting the connector, plus bolts, washers, and gasket for attaching cover to panel or conduit fitting box.



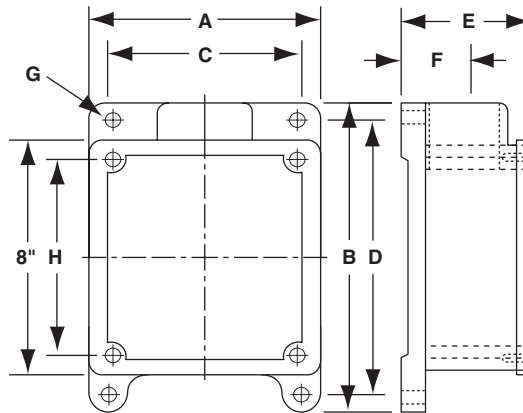
| FORM SIZE | PART NUMBER | DIMENSIONS | | | | | | |
|-----------|--------------|----------------------------------|----------------------------------|----------------------------------|----------------------------------|-----------------------------------|---------------|-----------------------------------|
| | | A | B | C | D | E | F | G |
| 7-Z | ZP-C-2516-12 | 4 ³ / ₁₆ " | 4 ³ / ₁₆ " | 3 ⁹ / ₁₆ " | 3 ³ / ₁₆ " | 2 ¹⁵ / ₁₆ " | 1/4-20 x 3/4" | 1 ¹¹ / ₁₆ " |
| 8-Z | ZP-C-2520-12 | 4 ¹ / ₂ " | 4 ¹ / ₂ " | 3 ⁷ / ₈ " | 3 ⁷ / ₈ " | 3 ³⁹ / ₆₄ " | 1/4-20 x 3/4" | 2 ³ / ₃₂ " |
| 9-Z | ZP-C-2524-12 | 8" | 8" | 7" | 7" | 3 ³³ / ₆₄ " | 1/2-13 x 3/4" | 2 ¹⁷ / ₃₂ " |
| 10-Z | ZP-C-2528-12 | 8" | 8" | 7" | 7" | 3 ⁵ / ₈ " | 1/2-13 x 3/4" | 3 ¹ / ₃₂ " |



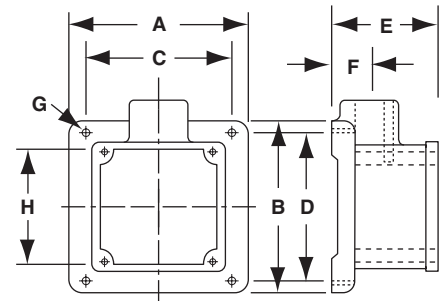
Conduit fitting boxes

Ferrous alloy construction

Conduit fitting box to fit adapters. Mounting hardware is not included. Thru-feed styles available upon request.



Form sizes 9-Z & 10-Z



Form sizes 7-Z & 8-Z

| FORM SIZE | CONDUIT HUB SIZE | PART NUMBER | DIMENSIONS | | | | | | | |
|-----------|---------------------------------|--------------|---------------------------------|----------------------------------|---------------------------------|---------------------------------|---------------------------------|---------------------------------|-------|----------------------------------|
| | | | A | B | C | D | E | F | G | H |
| 7-Z | 3/4" | P-202760-42 | 5 ¹ / ₄ " | 5 ¹ / ₄ " | 4 ⁵ / ₈ " | 4 ⁵ / ₈ " | 2 ³ / ₈ " | 13/16" | 9/32" | 3 ⁹ / ₁₆ " |
| | 1" | P-202760-43 | | | | | | 13/16" | | |
| | 1 ¹ / ₄ " | P-202760-64 | | | | | | 1" | | |
| | 1 ¹ / ₂ " | P-202760-65 | | | | | | 1" | | |
| 8-Z | 1 ¹ / ₄ " | JRZ-610064 | 6" | 6" | 5 ¹ / ₄ " | 5 ¹ / ₄ " | 3 ³ / ₄ " | 17/16" | 9/32" | 3 ⁷ / ₈ " |
| | 1 ¹ / ₂ " | JRZ-610065 | | | | | | DIA. | | |
| | 2" | JRZ-610066 | | | | | | DIA. | | |
| 9-Z | 2 ¹ / ₂ " | JR-720036-A | 8" | 10 ³ / ₄ " | 6 ³ / ₄ " | 9 ¹ / ₂ " | 3 ³ / ₄ " | 17/8" | 7/16" | 7" |
| | 3" | JRZ-820036-A | | | | | 4 ¹ / ₂ " | 2 ¹ / ₈ " | | |

Cord Grip handles

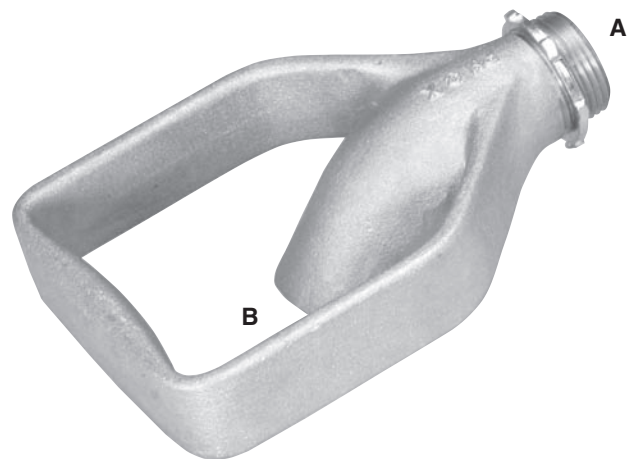
For use with Star-Line® and other electrical devices that are tapped for conduit and use flexible cord or cable.

These handles not only fit electrical connectors, but will also work well on heavy duty portable equipment.

Both D and T handles are made of cast aluminum and come complete with a locknut on male thread "A." Hub "B" accepts type DB cord grips with male thread (not included)

Serves also as a convenient means for hanging your plugs, receptacles or portable equipment.

TYPE PH D-HANDLE



| PART NUMBER | "A" MALE THREAD | "B" FEMALE THREAD |
|-------------|-----------------|-------------------|
| PH-2 | 3/4" | 3/4" |
| PH-3 | 1" | 1" |
| PH-5 | 1 1/2" | 1 1/2" |
| PHA-22 | 3/4" | 3/4" |
| PHA-33 | 1" | 1" |

TYPE PHA T-HANDLE



Additional Amphenol® / Pyle® Industrial Products

Amphenol is one of the largest manufacturers of interconnect solutions worldwide. Amphenol's broad offering of products are highly suitable for industrial applications where cable glands and cord grip products are used. Several of the Amphenol Heavy Duty Connectors are shown here and on the next page.

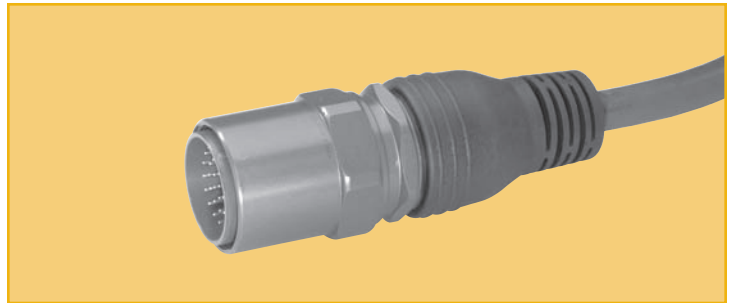
For more information, please see relevant literature or Amphenol's Website: www.amphenol-industrial.com

Star-Line® Heavy Duty Connectors

Amphenol/Pyle Star-Line connectors are heavy duty environmental solutions for high amperage and high density control and instrumentation applications. They are designed to perform up to amperages of 1135 amps at 1000/VAC or VDC rating. Other features include:

- Exceeds MIL-5015 E and R specifications
- UL listed and CSA listed
- Double lead Acme threads provide complete coupling in one turn of the coupling nut and do not clog under adverse weather conditions
- Large wiring space provided in cable housing and conduit fitting bodies.
- Operating temperatures from -67°F to +257°F
- IP67 rated for environmental sealing.
- Hard anodic coating provides dielectric strength with heat and corrosion resistance.
- 5 Shell styles with over 150 insert patterns available.
- Solder, crimp and pressure terminals available. Circuit breaking power and control types.
- Variety of backend accessories including basketweave cable grips, straight or angled adapters and receptacle mounted to junction boxes.

Typical markets include mass transportation, automotive tooling, power generation, and petrochemical. For more information ask for catalog 12-054.

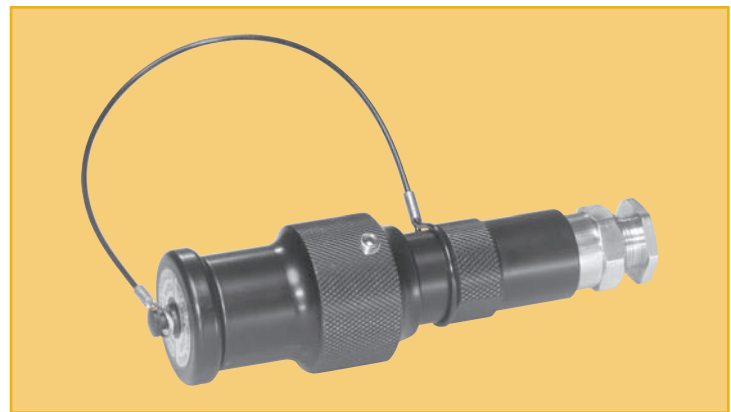


Star-Line EX® Connectors for Harsh/Explosive Environments

Amphenol/Pyle Star-Line EX connectors are a hybrid form of the Star-Line series with higher temperature ranges. This family shares features of the Star-Line with additional features that include:

- Ceneluc Certified for use in Zone 1-IIc locations.
- EX Certified to ATEX certification #03ATEX 1101X
- Can be terminated onto unarmored or armored and sheathed cables built to several popular standards.
- Custom cable assemblies are available

Typical markets include mass transportation, pharmaceutical, manufacturing, power generation, and petrochemical. For more information, ask for catalog 12-054.



Additional Amphenol® / Pyle® Industrial Products

Amphenol offers RADSOK® contact technology for several industrial connectors. The RADSOK contact is designed for high amperage applications.

Star-Line® and MIL-5015 Connectors with RADSOK®

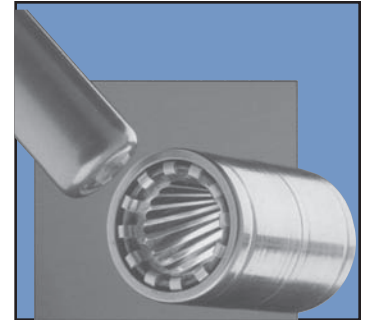
Connectors enhanced with RADSOK high amperage contacts can handle up to 150% higher amperages than connectors with standard contacts. These are called Amphe-Power™ Connectors and are currently offered in three popular industrial connector families:

- 5015 AC Series
- GT Reverse Bayonet
- Pyle P-Lok Series

Also, the Star-Line Series has inserts available with special RADSOK contacts, and the Neptune® Series is offered exclusively with RADSOK contacts.

The RADSOK patented contact has a hyperbolic, stamped grid configuration within the socket cylinder. As a male pin is inserted, axial members in the female socket deflect, enabling high current flow across the connection with minimal voltage loss.

Typical markets: power generation, petrochemical, and mass transportation. For more information on RADSOK high amperage contacts, ask for Brochure SL-391, Amphe-Power™ Connectors with RADSOK Technology.



Amphenol Neptune® Connectors with RADSOK®

The Neptune® Series is a new power connector family featuring the RADSOK contact system. Feature include:

- Machined aluminum components
- IP 68-8 rated through SIRA
- Operating temperature rated to -67°F to +225°F
- Three key design to limit cross mating.
- Anodic hardcoat plating.
- Double lead acme threads for easy coupling.
- Decreased weight and panel layout in comparison to the competition.
- Contacts are nickel silver alloy plated and they are designed for longer life/mating cycles.

The Neptune is offered exclusively with RADSOK contact technology. Currently inserts are available with 30 Amp through 400 Amp/480 volts.

Typical Markets include oil exploration equipment, convention center power distribution, geophysical trucks, portable power distribution equipment, and communication shelters. For more information on the Neptune Series of connectors ask for Product Data Sheet 192.





Компания «ЭлектроПласт» предлагает заключение долгосрочных отношений при поставках импортных электронных компонентов на взаимовыгодных условиях!

Наши преимущества:

- Оперативные поставки широкого спектра электронных компонентов отечественного и импортного производства напрямую от производителей и с крупнейших мировых складов;
- Поставка более 17-ти миллионов наименований электронных компонентов;
- Поставка сложных, дефицитных, либо снятых с производства позиций;
- Оперативные сроки поставки под заказ (от 5 рабочих дней);
- Экспресс доставка в любую точку России;
- Техническая поддержка проекта, помощь в подборе аналогов, поставка прототипов;
- Система менеджмента качества сертифицирована по Международному стандарту ISO 9001;
- Лицензия ФСБ на осуществление работ с использованием сведений, составляющих государственную тайну;
- Поставка специализированных компонентов (Xilinx, Altera, Analog Devices, Intersil, Interpoint, Microsemi, Aeroflex, Peregrine, Syfer, Eurofarad, Texas Instrument, Miteq, Cobham, E2V, MA-COM, Hittite, Mini-Circuits, General Dynamics и др.);

Помимо этого, одним из направлений компании «ЭлектроПласт» является направление «Источники питания». Мы предлагаем Вам помощь Конструкторского отдела:

- Подбор оптимального решения, техническое обоснование при выборе компонента;
- Подбор аналогов;
- Консультации по применению компонента;
- Поставка образцов и прототипов;
- Техническая поддержка проекта;
- Защита от снятия компонента с производства.



Как с нами связаться

Телефон: 8 (812) 309 58 32 (многоканальный)

Факс: 8 (812) 320-02-42

Электронная почта: org@eplast1.ru

Адрес: 198099, г. Санкт-Петербург, ул. Калинина, дом 2, корпус 4, литера А.