

# One Phase Power Distribution Block

- Quick mounting and wiring
- IP20 Finger Safe
- DIN Rail or Panel Mount
- Blocks fit with other DIN Rail mountable modular devices (height 95mm, depth 44.5mm)
- Accessories increase the number of outputs with only one input (applies **only** to 38041 and 38032)
- No caps to open / remove

• Material

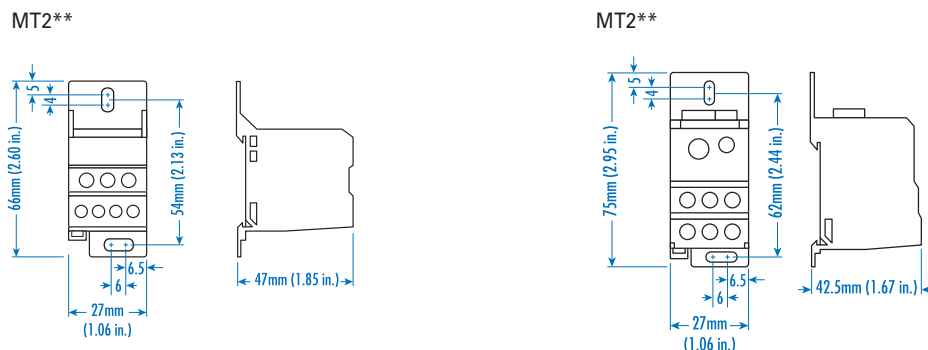
Housing: Polyamide  
Metal Body: Brass



| Part Number:   | DB16*           |                          | 38049          |                          | DB35*           |                       | 38041          |                       |
|----------------|-----------------|--------------------------|----------------|--------------------------|-----------------|-----------------------|----------------|-----------------------|
| Approvals      | UL File E220514 |                          | UL File E98082 |                          | UL File E220514 |                       | UL File E98082 |                       |
| Current Rating | 80A             | 80A                      | 80A            | 80A                      | 115A            | 125A                  | 115A           | 125A                  |
| Voltage Rating | 600V AC         | 690V AC                  | 600V AC        | 690V AC                  | 600V AC         | 690V AC               | 600V AC        | 690V AC               |
| SCCR           | 10kA            |                          | 100kA          |                          | 10kA            |                       | 100kA          |                       |
| No. of Inputs  | 1               | 1                        | 1              | 1                        | 1               | 1                     | 1              | 1                     |
| Wire Range     | 8-4 AWG         | 6-16mm <sup>2</sup>      | 8-4 AWG        | 6-16mm <sup>2</sup>      | 8-2 AWG         | 10-35mm <sup>2</sup>  | 8-2 AWG        | 10-35mm <sup>2</sup>  |
| Torque         | 13.5lb.-in.     | 1.5Nm                    | 13.5lb.-in.    | 1.5Nm                    | 31lb.-in.       | 3.5Nm                 | 13.5lb.-in.    | 3.5Nm                 |
| Screw Type     | Pozi Drive 2    |                          | Pozi Drive 2   |                          | Pozi Drive 2    |                       | Pozi Drive 2   |                       |
| No. of Outputs | 6               | 6                        | 6              | 6                        | 6               | 6                     | 6              | 6                     |
| Wire Range     | (2x)8-4 AWG     | (2x)6-16mm <sup>2</sup>  | (2x)8-4 AWG    | (2x)6-16mm <sup>2</sup>  | 14-6 AWG        | 2.5-16mm <sup>2</sup> | 14-6 AWG       | 2.5-16mm <sup>2</sup> |
| Torque         | 13.5lb.-in.     | 1.5Nm                    | 13.5lb.-in.    | 1.5Nm                    | 17.5lb.-in.     | 2Nm                   | 17.5lb.-in.    | 2Nm                   |
| Wire Range     | (4x)14-10 AWG   | (4x)2.5-6mm <sup>2</sup> | (4x)14-10 AWG  | (4x)2.5-6mm <sup>2</sup> |                 |                       |                |                       |
| Torque         | 7.2lb.-in.      | 0.8Nm                    | 7.2lb.-in.     | 0.8Nm                    |                 |                       |                |                       |
| Screw Type     | Pozi Drive 2    |                          | Pozi Drive 2   |                          | Pozi Drive 2    |                       | Pozi Drive 2   |                       |

Optional Marking Tag  
\*\* (for DB16 and DB35)

Dimensions:



\* Available in colors.

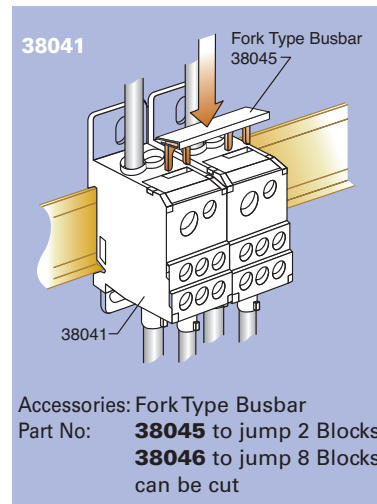
**COLOR BLOCKS**

(other than grey standard)

When ordering please add color suffix to Cat. No.

Example: CTS2.5U-N/R

| Color      | Ordering Suffix |
|------------|-----------------|
| Red        | R               |
| Blue       | BU              |
| Black      | BL              |
| Orange     | O               |
| Green      | G               |
| Yellow     | Y               |
| White      | W               |
| Beige      | BG              |
| Dark Brown | DB              |



**38076**

**38032**

**38074**



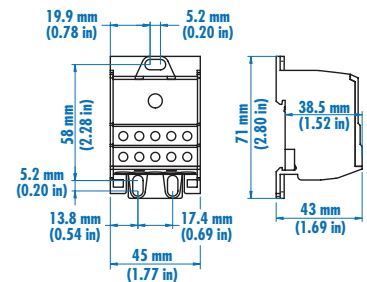
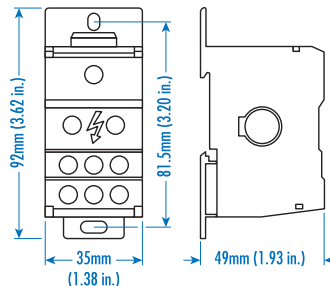
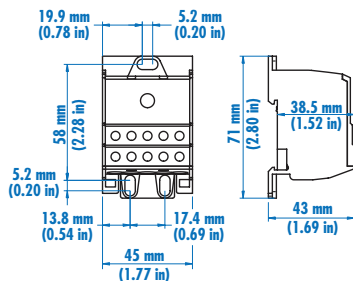
CE

CE

CE

|                |                |                       |                |                       |              |                       |
|----------------|----------------|-----------------------|----------------|-----------------------|--------------|-----------------------|
| Part Number:   | <b>38076</b>   |                       | <b>38032</b>   |                       | <b>38074</b> |                       |
| Approvals      | UL File E98082 |                       | UL File E98082 | C US                  |              | UL File E98082        |
| Current Rating | 115A           | 125A                  | 160A           | 160A                  | 175A         | 175A                  |
| Voltage Rating | 600V AC        | 690V AC               | 600V AC        | 690V AC               | 600V AC      | 690V AC               |
| SCCR           | 100kA          |                       | 100kA          |                       | 100kA        |                       |
| No. of Inputs  | 1              | 1                     | 1              | 1                     | 1            | 1                     |
| Wire Range     | 8-2 AWG        | 10-35mm <sup>2</sup>  | 8-2/0AWG       | 10-70mm <sup>2</sup>  | 6-2/0AWG     | 16-70mm <sup>2</sup>  |
| Torque         | 53lb.-in.      | 6Nm                   | 35.5lb.-in.    | 4Nm                   | 53lb.-in.    | 6Nm                   |
| Screw Type     | Hex 4          |                       | Hex 5          |                       | Hex 5        |                       |
| No. of Outputs | 10             | 10                    | 6              | 6                     | 10           | 10                    |
| Wire Range     | 14-4 AWG       | 2.5-16mm <sup>2</sup> | 14-6 AWG       | 2.5-16mm <sup>2</sup> | 14-4 AWG     | 2.5-16mm <sup>2</sup> |
| Torque         | 26.5lb.-in.    | 3Nm                   | 17.5lb.-in.    | 2Nm                   | 26.5lb.-in.  | 3Nm                   |
| Screw Type     | Hex 3          |                       | Hex 3          |                       | Hex 3        |                       |

Dimensions:



**38032**

Accessories: Copper Jumper Bar (6x15 mm)  
 Part No: **3803221** for 2 Blocks  
**3803231** for 3 Blocks  
**3803241** for 4 Blocks  
 can be cut

# One Phase Power Distribution Block

- Quick mounting and wiring
- IP20 Finger Safe
- DIN Rail or Panel Mount
- Blocks fit with other DIN Rail mountable modular devices (height 95mm, depth 44.5mm)
- Accessories increase the number of outputs with only one input.
- No caps to open or remove
- Material
  - Housing: Polyamide
  - Metal Body: Brass

## 38020

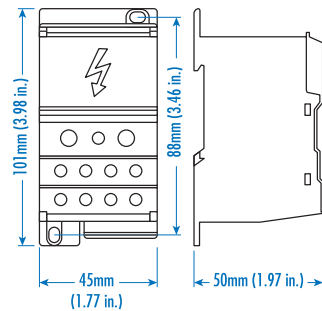
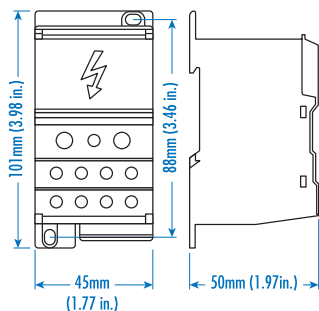


## 38019

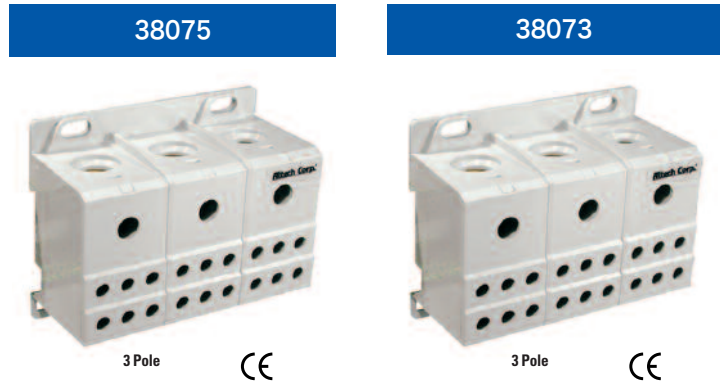






| Part Number:   | 38020                |                            | 38019                |                            |      |  |
|----------------|----------------------|----------------------------|----------------------|----------------------------|------|--|
| Approvals      | UL File E98082       | C US                       |                      | UL File E98082             | C US |  |
| Current Rating | 230A                 | 250A                       | 310A                 | 400A                       |      |  |
| Voltage Rating | 600V AC              | 690V AC                    | 600V AC              | 690V AC                    |      |  |
| SCCR           |                      | 100kA                      |                      | 100kA                      |      |  |
| No. of Inputs  | 1                    | 1                          | 1                    | 1                          |      |  |
| Wire Range     | 2-4/0AWG             | 35-120mm <sup>2</sup>      | 3/0-350mcm           | 95-185mm <sup>2</sup>      |      |  |
| Torque         | 170lb.-in.           | 19Nm                       | 230lb.-in.           | 25Nm                       |      |  |
| Screw Type     | Hex 6                |                            | Hex 8                |                            |      |  |
| No. of Outputs | 11                   | 11                         | 11                   | 11                         |      |  |
| Wire Range     | (2x) 14-2AWG         | (2x) 2.5-35mm <sup>2</sup> | (2x) 14-2AWG         | (2x) 2.5-35mm <sup>2</sup> |      |  |
| Torque         | 31lb.-in.            | 3.5Nm                      | 31lb.-in.            | 3.5Nm                      |      |  |
| Wire Range     | (5x) 14-6AWG         | (5x) 2.5-16mm <sup>2</sup> | (5x) 14-6AWG         | (5x) 2.5-16mm <sup>2</sup> |      |  |
| Torque         | 17.5lb.-in.          | 2Nm                        | 17.5lb.-in.          | 2Nm                        |      |  |
| Wire Range     | (4x) 14-8AWG         | (4x) 2.5-10mm <sup>2</sup> | (4x) 14-8AWG         | (4x) 2.5-10mm <sup>2</sup> |      |  |
| Torque         | 17.5lb.-in.          | 2Nm                        | 17.5lb.-in.          | 2Nm                        |      |  |
| Screw Type     | standard screwdriver |                            | standard screwdriver |                            |      |  |

Dimensions:

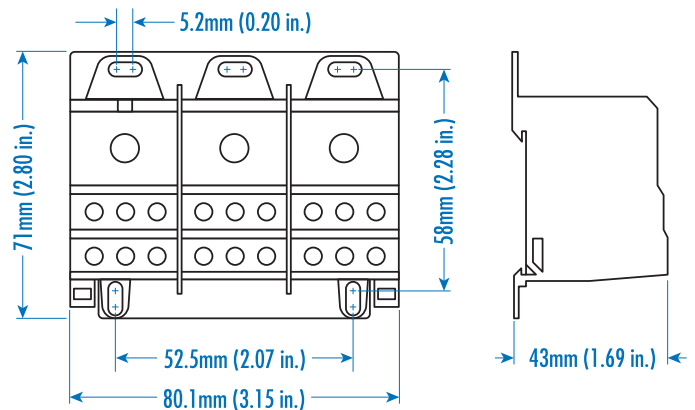


- Quick mounting and wiring
- IP20 Finger Safe
- DIN Rail or Panel Mount
- Blocks fit with other DIN Rail mountable modular devices
- Same compact size for both ratings
- No caps to open or remove
- Material
  - Housing: Polyamide
  - Metal Body: Brass



| Part Number:   | 38075   |   | 38073   |   |
|----------------|---|---|---|---|
| Approvals      | <br>UL File E98082 |  | <br>UL File E98082 |  |
| Current Rating | 115A  | 115A  | 175A  | 175A  |
| Voltage Rating | 600V AC   | 690V AC   | 600V AC   | 690V AC   |
| SCCR           | 100kA   |   | 100kA   |   |
| No. of Inputs  | 3x1   | 3x1   | 3x1   | 3x1   |
| Wire Range     | 8-2AWG  | 10-35mm <sup>2</sup>  | 8-2/0AWG  | 10-70mm <sup>2</sup>  |
| Torque         | 31lb.-in.   | 3.5Nm   | 35.5lb.-in.   | 4Nm   |
| Screw Type     | Hex 4   |   | Hex 5   |   |
| No. of Outputs | 3x6   | 3x6   | 3x6   | 3x6   |
| Wire Range     | 14-4AWG   | 2.5-16mm <sup>2</sup>   | 14-4AWG   | 2.5-16mm <sup>2</sup>   |
| Torque         | 17.5lb.-in.   | 2Nm   | 17.5 lb.-in.  | 2Nm   |
| Screw Type     | Hex 3   |   | Hex 3   |   |

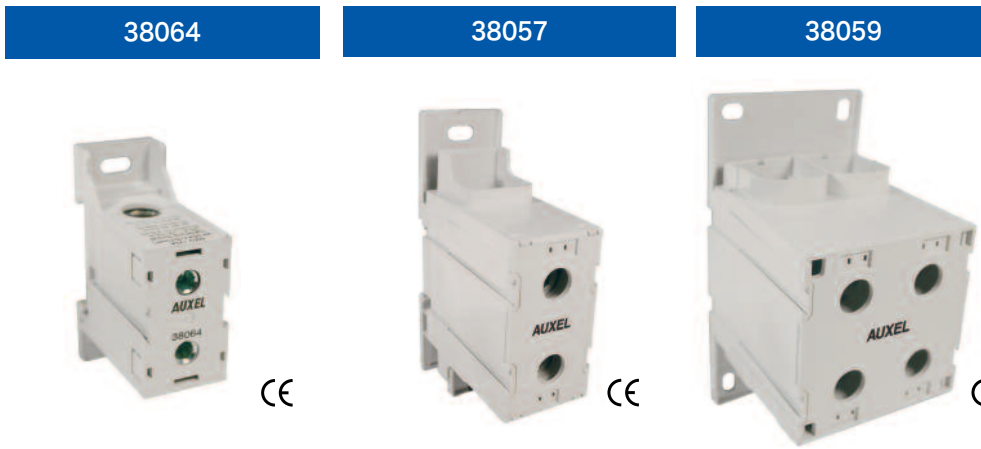
Dimensions:



# Splicer Blocks

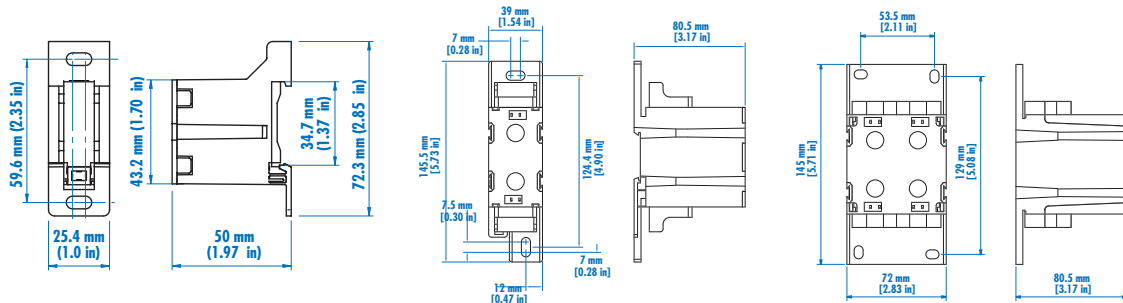
- Quick mounting and wiring
- IP20 Finger Safe
- DIN Rail or Panel Mount
- No caps to open or remove
- Material

Housing: Polyamide  
Metal Body: Aluminum



| Part Number:   | 38064          |                                       | 38057          |                                       | 38059          |                       |
|----------------|----------------|---------------------------------------|----------------|---------------------------------------|----------------|-----------------------|
| Approvals      | UL File E98082 |                                       | UL File E98082 |                                       | UL File E98082 |                       |
| Current Rating | 175A           | 175A                                  | 335A           | 400A                                  | 840A           | 800A                  |
| Voltage Rating | 600V AC        | 690V AC                               | 600V AC        | 690V AC                               | 600V AC        | 690V AC               |
| No. of Inputs  | 1              | 1                                     | 1              | 1                                     | 2              | 2                     |
| Wire Range     | 14-1AWG        | 2.5mm <sup>2</sup> -50mm <sup>2</sup> | 6AWG-400MCM    | 16mm <sup>2</sup> -185mm <sup>2</sup> | 3AWG-600MCM    | 25-300mm <sup>2</sup> |
| Torque         | 106.2lb.-in.   | 12Nm                                  | 221lb.-in.     | 25Nm                                  | 310lb.-in.     | 35Nm                  |
| Screw Type     | Hex 5          |                                       | Hex 10         |                                       | Hex 10         |                       |
| No. of Outputs | 1              | 1                                     | 1              | 1                                     | 2              | 2                     |
| Wire Range     | 14-1AWG        | 2.5mm <sup>2</sup> -50mm <sup>2</sup> | 6AWG-400MCM    | 16mm <sup>2</sup> -185mm <sup>2</sup> | 3AWG-600MCM    | 25-300mm <sup>2</sup> |
| Torque         | 106.2lb.-in.   | 12Nm                                  | 221lb.-in.     | 25Nm                                  | 310lb.-in.     | 35Nm                  |
| Screw Type     | Hex 5          |                                       | Hex 10         |                                       | Hex 10         |                       |

## Dimensions:





Компания «ЭлектроПласт» предлагает заключение долгосрочных отношений при поставках импортных электронных компонентов на взаимовыгодных условиях!

Наши преимущества:

- Оперативные поставки широкого спектра электронных компонентов отечественного и импортного производства напрямую от производителей и с крупнейших мировых складов;
- Поставка более 17-ти миллионов наименований электронных компонентов;
- Поставка сложных, дефицитных, либо снятых с производства позиций;
- Оперативные сроки поставки под заказ (от 5 рабочих дней);
- Экспресс доставка в любую точку России;
- Техническая поддержка проекта, помощь в подборе аналогов, поставка прототипов;
- Система менеджмента качества сертифицирована по Международному стандарту ISO 9001;
- Лицензия ФСБ на осуществление работ с использованием сведений, составляющих государственную тайну;
- Поставка специализированных компонентов (Xilinx, Altera, Analog Devices, Intersil, Interpoint, Microsemi, Aeroflex, Peregrine, Syfer, Eurofarad, Texas Instrument, Miteq, Cobham, E2V, MA-COM, Hittite, Mini-Circuits, General Dynamics и др.);

Помимо этого, одним из направлений компании «ЭлектроПласт» является направление «Источники питания». Мы предлагаем Вам помощь Конструкторского отдела:

- Подбор оптимального решения, техническое обоснование при выборе компонента;
- Подбор аналогов;
- Консультации по применению компонента;
- Поставка образцов и прототипов;
- Техническая поддержка проекта;
- Защита от снятия компонента с производства.



#### Как с нами связаться

**Телефон:** 8 (812) 309 58 32 (многоканальный)

**Факс:** 8 (812) 320-02-42

**Электронная почта:** [org@eplast1.ru](mailto:org@eplast1.ru)

**Адрес:** 198099, г. Санкт-Петербург, ул. Калинина, дом 2, корпус 4, литера А.