



# High-Speed 12-Bit A/D Converters With External Reference Input

MAX183/184/185

## General Description

The MAX183/184/185 are 12-bit, high-speed, BiCMOS, analog-to-digital converters (ADCs) that consume only 90mW of power while performing conversions in as little as 3µs. All three ADCs perform identically, except for conversion time: MAX183 - 3µs, MAX184 - 5µs, MAX185 - 10µs.

The MAX183/184/185 require an external -5V reference. A buffered reference input minimizes reference-current requirements and allows a single reference to drive several ADCs. External reference specs can be chosen to suit the accuracy of the application. The ADC clock can be driven from either a crystal or an external clock source, such as a microprocessor (µP) clock.

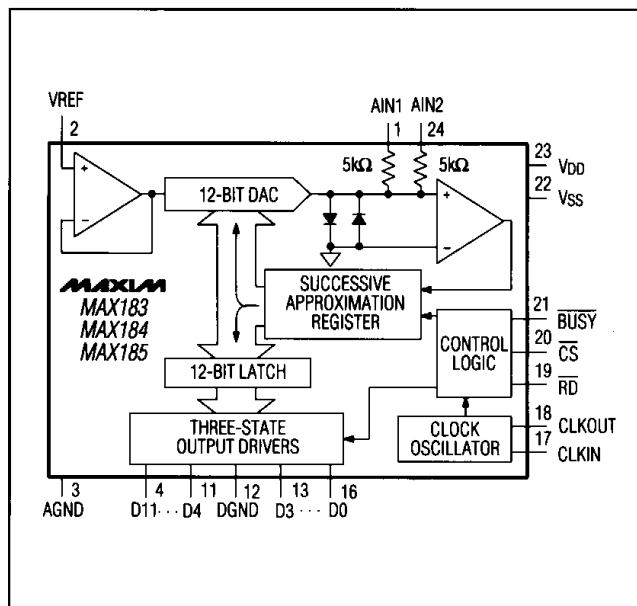
Analog input range is pin-selectable for 0 to +5V, 0 to +10V, or ±5V, making the ADCs ideal for data acquisition and analog input/output cards. A high-speed digital interface (100ns data access time) with three-state data outputs is compatible with most µPs.

The MAX183/184/185 are available in space-saving, 24-pin narrow plastic DIP, CERDIP, and wide SO packages.

## Applications

- Telecommunications
- Sonar and Radar Signal Processing
- High-Speed Data Acquisition Systems
- Personal Computer I/O Boards

## Functional Diagram



## Features

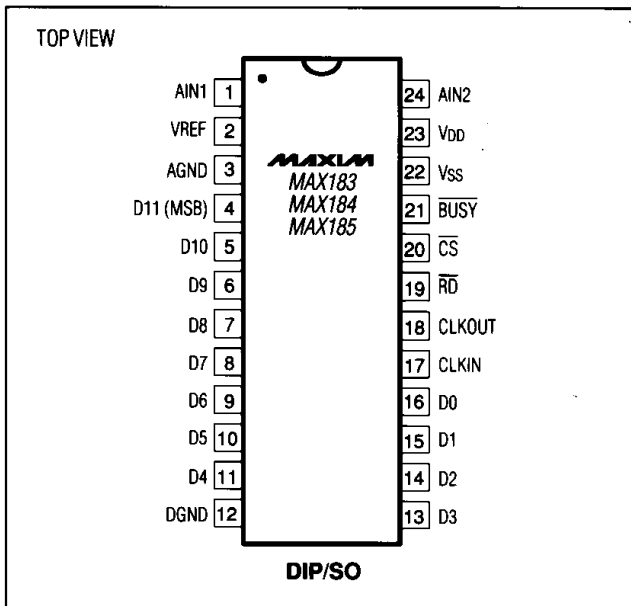
- ◆ 12-Bit Resolution and Accuracy
- ◆ Fast Conversion Times:  
 MAX183 - 3µs  
 MAX184 - 5µs  
 MAX185 - 10µs
- ◆ Low 90mW Power Consumption
- ◆ Choice of +5V, +10V or ±5V Input Ranges
- ◆ Buffered Reference Input
- ◆ Fast 100ns Bus Access Time
- ◆ Operate with +5V, and -12V to -15V Supplies
- ◆ Available in 0.3" DIP or Wide SO Packages

## Ordering Information

PART	TEMP. RANGE	PIN-PACKAGE	LINEARITY (LSBs)
<b>3µs Maximum Conversion Time</b>			
MAX183ACNG	0°C to +70°C	24 Plastic DIP	±1/2
MAX183BCNG	0°C to +70°C	24 Plastic DIP	±1
MAX183ACWG	0°C to +70°C	24 Wide SO	±1/2
MAX183BCWG	0°C to +70°C	24 Wide SO	±1
MAX183BC/D	0°C to +70°C	Dice*	±1

Ordering information continued on last page.  
 \*Consult factory for dice specifications.

## Pin Configuration



Call toll free 1-800-998-8800 for free samples or literature.

# High-Speed 12-Bit A/D Converters With External Reference Input

## ABSOLUTE MAXIMUM RATINGS

V <sub>DD</sub> to DGND	-0.3V to +7V
V <sub>SS</sub> to DGND	+0.3V to -17V
AGND to DGND	-0.3V to V <sub>DD</sub> +0.3V
A <sub>IN</sub> 1, A <sub>IN</sub> 2 to AGND	-15V to +15V
V <sub>REF</sub> to AGND	V <sub>SS</sub> -0.3V to V <sub>DD</sub> +0.3V
Digital Input Voltage to DGND (CLKIN, CS, RD)	-0.3V to V <sub>DD</sub> +0.3V
Digital Output Voltage to DGND (D11-D0, BUSY, CLKOUT)	-0.3V to V <sub>DD</sub> +0.3V

Power Dissipation to +75°C (any package)	1000mW
Derate above +75°C by	10mW/°C
Operating Temperature Ranges:	
MAX18_AC/BC	0°C to +70°C
MAX18_AE/BE	-40°C to +85°C
MAX18_AM/BM	-55°C to +125°C
Storage Temperature	-65°C to +150°C
Lead Temperature (Soldering, 10 sec.)	+300°C

Stresses beyond those listed under "Absolute Maximum Ratings" may cause permanent damage to the device. These are stress ratings only, and functional operation of the device at these or any other conditions beyond those indicated in the operational sections of the specifications is not implied. Exposure to absolute maximum rating conditions for extended periods may affect device reliability.

## ELECTRICAL CHARACTERISTICS

(V<sub>DD</sub> = +5V ±5%, V<sub>SS</sub> = -10.8V to -16.5V; V<sub>REF</sub> = -5V; Slow Memory Mode; f<sub>CLK</sub> = 4MHz for MAX183, f<sub>CLK</sub> = 2.5MHz for MAX184, f<sub>CLK</sub> = 1.25MHz for MAX185; T<sub>A</sub> = T<sub>MIN</sub> to T<sub>MAX</sub>, unless otherwise noted.) (Note 1)

PARAMETER	SYMBOL	CONDITIONS	MIN	TYP	MAX	UNITS
<b>ACCURACY (Note 2)</b>						
Resolution	N		12			Bits
Integral Nonlinearity	INL	Tested range ±5V	MAX18_AC/AE		±1/2	LSB
			MAX18_AM T <sub>A</sub> = +25°C		±1/2	
			MAX18_AM		±3/4	
			MAX18_B		±1	
Differential Nonlinearity	DNL	12-Bits, no missing codes over temp.			±0.9	LSB
Unipolar/Bipolar Offset Error			T <sub>A</sub> = +25°C		±3	LSB
			T <sub>A</sub> = T <sub>MIN</sub> to T <sub>MAX</sub>		±4	
					±2	ppm/°C
Unipolar/Bipolar Gain Error			T <sub>A</sub> = +25°C		±4	LSB
			T <sub>A</sub> = T <sub>MIN</sub> to T <sub>MAX</sub>		±6	
					±2	ppm/°C
Conversion Time	t <sub>CONV</sub>	Synchronous Clk (12.5 Clks)	MAX183		3.125	μs
			MAX184		5	
			MAX185		10	
		Asynchronous Clk (12 to 13 Clks)	MAX183	3.0	3.25	
			MAX184	4.8	5.2	
			MAX185	9.6	10.4	

## ANALOG AND REFERENCE INPUTS

Analog Input Current, A <sub>IN</sub> 1 or A <sub>IN</sub> 2		Unipolar input ranges 0V to +5V, 0V to +10V		3.5	mA
		Bipolar range ±5V		±1.75	
V <sub>REF</sub> Input Range (Note 3)			-5.1	-4.9	V
V <sub>REF</sub> Input Current				±3	μA

## LOGIC INPUTS

Input Low Voltage	V <sub>INL</sub>	$\overline{CS}$ , $\overline{RD}$ , CLKIN		0.8	V
Input High Voltage	V <sub>INH</sub>	$\overline{CS}$ , $\overline{RD}$ , CLKIN	2.4		V
Input Current	I <sub>IN</sub>	$\overline{CS}$ , $\overline{RD}$ ; V <sub>IN</sub> = 0 to V <sub>DD</sub>		±10	μA
		CLKIN; V <sub>IN</sub> = 0 to V <sub>DD</sub>		±20	
Input Capacitance (Note 3)	C <sub>IN</sub>			10	pF

# High-Speed 12-Bit A/D Converters With External Reference Input

MAX183/184/185

## ELECTRICAL CHARACTERISTICS (continued)

(V<sub>DD</sub> = +5V ±5%, V<sub>SS</sub> = -10.8V to -16.5V; V<sub>REF</sub> = -5V; Slow Memory Mode; f<sub>CLK</sub> = 4MHz for MAX183, f<sub>CLK</sub> = 2.5MHz for MAX184, f<sub>CLK</sub> = 1.25MHz for MAX185; T<sub>A</sub> = T<sub>MIN</sub> to T<sub>MAX</sub>, unless otherwise noted.) (Note 1)

PARAMETER	SYMBOL	CONDITIONS	MIN	TYP	MAX	UNITS	
<b>LOGIC OUTPUTS</b>							
Output Low Voltage	V <sub>OL</sub>	D11-D0, $\overline{\text{BUSY}}$ , CLK OUT; I <sub>SINK</sub> = 1.6mA			0.4	V	
Output High Voltage	V <sub>OH</sub>	D11-D0, $\overline{\text{BUSY}}$ , CLK OUT; I <sub>SOURCE</sub> = 200μA	4.0			V	
Floating State Leakage Current	I <sub>LKG</sub>	D11-D0; V <sub>OUT</sub> = 0V to V <sub>DD</sub>			±10	μA	
Floating State Output Capacitance (Note 3)	C <sub>OUT</sub>				15	pF	
<b>POWER REQUIREMENTS</b>							
Supply Voltage (Note 1)	V <sub>DD</sub>		4.75	5	5.25	V	
	V <sub>SS</sub>		-16.5	-12	-10.8		
Supply Current	I <sub>DD</sub>	$\overline{\text{CS}} = \overline{\text{RD}} = \text{V}_{\text{DD}}$ , AIN1 = AIN2 = 5V BUSY = HIGH				7	mA
	I <sub>SS</sub>					10	
Power Dissipation	PD	V <sub>DD</sub> = +5V, V <sub>SS</sub> = -12V		90	155	mW	
Power-Supply Rejection, V <sub>DD</sub> Only		FS Change, V <sub>SS</sub> = -12V, V <sub>DD</sub> = 4.75V to 5.25V		±1/4	±1	LSB	
Power-Supply Rejection, V <sub>SS</sub> Only		FS Change, V <sub>DD</sub> = +5V, V <sub>SS</sub> = -10.8V to -16.5V		±1/2	±1	LSB	

## TIMING CHARACTERISTICS

(V<sub>DD</sub> = +5V, V<sub>SS</sub> = -10.8V to -16.5V; 100% production tested, T<sub>A</sub> = T<sub>MIN</sub> to T<sub>MAX</sub>, unless otherwise indicated.) (Note 4, Figures 7, 9, 10)

PARAMETER	SYMBOL	CONDITIONS	T <sub>A</sub> = +25°C			MAX18_C/E			MAX18_M			UNITS
			MIN	TYP	MAX	MIN	TYP	MAX	MIN	TYP	MAX	
$\overline{\text{CS}}$ to $\overline{\text{RD}}$ Setup Time (Note 3)	t1		0			0			0			ns
$\overline{\text{RD}}$ to $\overline{\text{BUSY}}$ Delay	t2	CL = 50pF		70	120			150			180	ns
Data Access Time (Note 5)	t3	CL = 100pF		50	100			130			150	ns
$\overline{\text{RD}}$ Pulse Width (Note 3)	t4		t3			t3			t3			ns
$\overline{\text{CS}}$ to $\overline{\text{RD}}$ Hold Time (Note 3)	t5		0			0			0			ns
Data Setup Time After $\overline{\text{BUSY}}$ (Note 5)	t6	CL = 100pF		40	70			90			100	ns
Bus Relinquish Time (Note 6)	t7			30	60			75			90	ns
Delay Between Read Operations	t8		200			200			200			ns
CLKIN to $\overline{\text{BUSY}}$ Delay (Note 3)	t9				120			150			180	ns
$\overline{\text{RD}}$ to CLKIN Setup/Hold Time (Notes 3, 7)	t10		25		100	25		100	25		100	ns

**Note 1:** Performance guaranteed over supply range by testing end-point errors (power-supply rejection) at the supply extremes.

**Note 2:** V<sub>DD</sub> = +5V, V<sub>SS</sub> = -12V, V<sub>REF</sub> = -5V

**Note 3:** Guaranteed by design.

**Note 4:** All inputs are 0V to +5V swing with tr = tf = 5ns (10% to 90% of +5V) and timed from a voltage level of +1.6V.

**Note 5:** t3 and t6 are measured with the load circuits of Figure 1 and defined as the time required for an output to cross +0.8V or +2.4V.

**Note 6:** t7 is defined as the time required for the data lines to change 0.5V when loaded with the circuit of Figure 2.

**Note 7:** For predictable conversion times,  $\overline{\text{RD}}$  to CLKIN falling edge must be outside this window.

# High-Speed 12-Bit A/D Converters With External Reference Input

## Pin Description

PIN	NAME	FUNCTION
1	AIN1	Analog Input
2	VREF	Voltage-Reference Input
3	AGND	Analog Ground
4-11	D11-D4	Three-State Data Outputs. They are active when CS and RD are low. DB11 is the most significant bit.
12	DGND	Digital Ground
13-16	D3-D0	Three-State Data Outputs
17	CLKIN	Clock Input. Connect an external TTL-compatible clock to CLKIN. Alternatively, insert a crystal or ceramic resonator between CLKIN and CLKOUT.
18	CLKOUT	Clock Output. When using an external clock, an inverted CLKIN signal appears on CLKOUT. See CLKIN description.
19	$\overline{RD}$	READ Input. Along with $\overline{CS}$ , this active low signal enables the three-state drivers and starts a conversion.
20	$\overline{CS}$	CHIP SELECT. Along with $\overline{RD}$ , this active low signal enables the three-state drivers and starts a conversion.
21	$\overline{BUSY}$	$\overline{BUSY}$ . Low while a conversion is in progress. $\overline{BUSY}$ indicates converter status.
22	VSS	Negative Supply, -12V to -15V
23	VDD	Positive Supply, +5V
24	AIN2	Analog Input

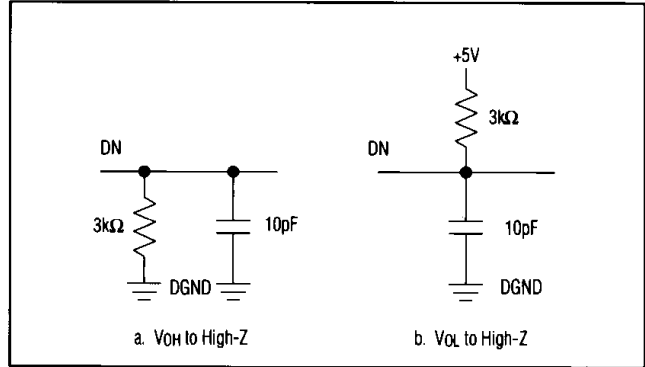


Figure 2. Load Circuits for Bus-Relinquish Time

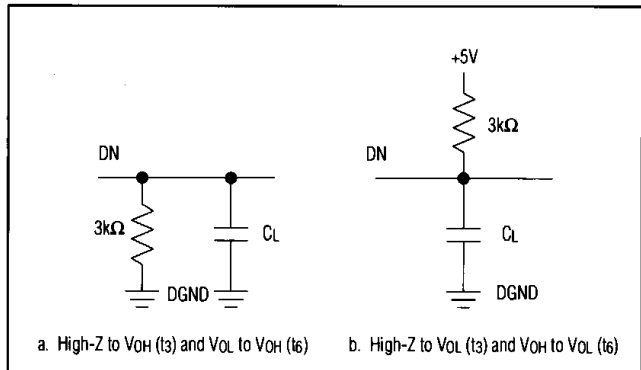


Figure 1. Load Circuits for Access Time

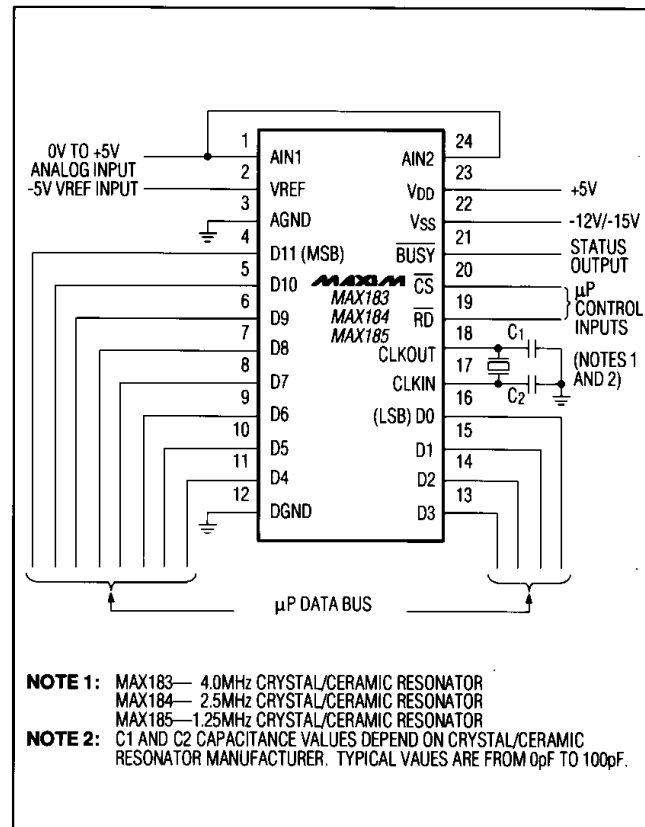


Figure 3. MAX183/184/185 Operational Diagram

# High-Speed 12-Bit A/D Converters With External Reference Input

MAX183/184/185

## Detailed Description Converter Operation

The MAX183/184/185 use a successive approximation technique to convert an analog input to a 12-bit digital output code. The control logic provides easy interface to most  $\mu$ Ps (Figure 3).

Figure 4 shows the MAX183/184/185 analog-equivalent circuit. The internal D/A converter (DAC) is controlled by a successive approximation register (SAR), has an output impedance of  $2.5k\Omega$ , and connects directly to the comparator input. The analog inputs AIN1 and AIN2 connect to the same comparator input through  $5k\Omega$  resistors.

A conversion starts at the falling edge of  $\overline{CS}$  and  $\overline{RD}$  and cannot be restarted after initiation. The  $\overline{BUSY}$  output goes low when the conversion starts and can be used to control an external sample-and-hold when measuring wide bandwidth input signals.

The SAR is set, asynchronously with the clock input, to half scale when  $\overline{CS}$  and  $\overline{RD}$  go low. At the second falling edge of CLKIN (or rising edge of CLKOUT) following a conversion start, the output of the comparator is latched into the SAR most significant bit (MSB/D11) (Figure 5). The MSB is kept if the analog input is greater than half scale, or dropped if it is smaller. The next bit (D10) is then set with the DAC output either at 1/4 scale (if the MSB was dropped) or 3/4 scale (if the MSB was kept). The conversion continues in this manner until the LSB is tried. At conversion end, following a falling CLKIN signal,  $\overline{BUSY}$  goes high and the SAR result is latched into three-state output buffers.

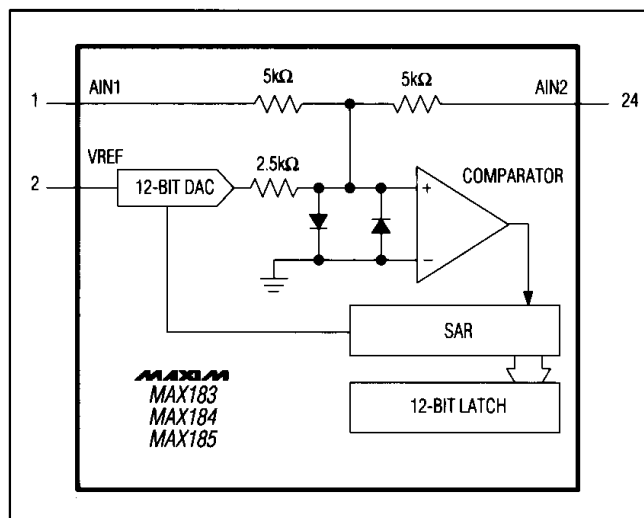


Figure 4. MAX183/184/185 AIN Inputs

## Clock Internal Clock Oscillator

Figure 6 shows the MAX183/184/185 clock circuitry. Minimize the capacitive load on the CLKOUT pin for low power dissipation and to avoid digital coupling of the CLKOUT buffer current to the comparator. CLKOUT should be left open if an external clock source is used to drive CLKIN. Connect a crystal/ceramic resonator between CLKOUT and CLKIN if the internal oscillator is used.

## Control Inputs Synchronization

When  $\overline{RD}$  is not synchronized with the ADC clock, the conversion time can vary from 12 to 13 clock cycles. The SAR changes state on the falling edge of the CLKIN input (or rising edge on the CLKOUT pin). Use the following guidelines to ensure a fixed conversion time:

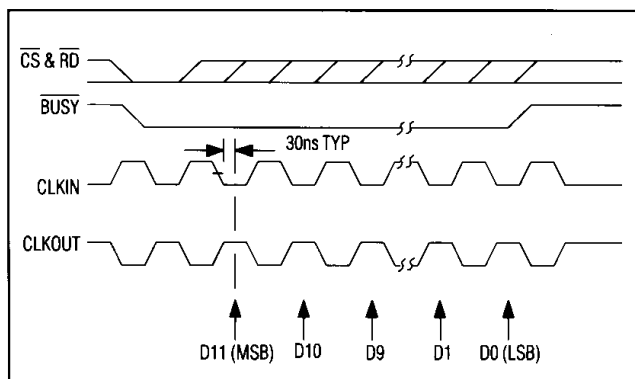


Figure 5. Operating Waveforms Using an External Clock Source for CLKIN

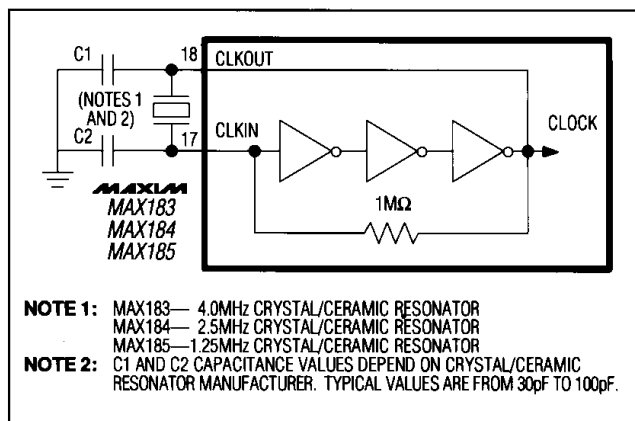


Figure 6. MAX183/184/185 Internal Clock Circuit

# High-Speed 12-Bit A/D Converters With External Reference Input

The MAX183/184/185  $\overline{RD}$  input should go low at the rising edge of CLKIN. In this case, the conversion lasts 12.5 clock cycles, and the conversion time is  $3.125\mu\text{s}$  when  $f_{\text{CLK}} = 4\text{MHz}$ ,  $5\mu\text{s}$  when  $f_{\text{CLK}} = 2.5\text{MHz}$ , and  $10\mu\text{s}$  when  $f_{\text{CLK}} = 1.25\text{MHz}$ . The delay from the falling edge of  $\overline{RD}$  to the falling edge of CLKIN must not be less than 100ns to ensure the 12.5 clock cycle conversion time (Figure 7). This gives the external sample-and-hold 1.5 clock cycles to settle from hold transients. An additional 1/2 clock cycle of settling can be allowed for the sample-and-hold by having  $\overline{RD}$  go low at the falling edge of CLKIN. This results in a 13 cycle conversion time ( $3.25\mu\text{s}$ ,  $5.2\mu\text{s}$  and  $10.4\mu\text{s}$ ).

## Digital Interface

### Timing and Control

$\overline{CS}$  and  $\overline{RD}$  control conversion start and data-read operations. Figure 8 shows the logic equivalent for the conversion and the data-output control circuitry. A logic low at both inputs starts a conversion. Once a conversion is in progress, it cannot be restarted. The BUSY output remains low during the entire conversion cycle.

Figures 9 and 10 outline the two interface modes (slow memory and ROM). Slow memory mode is for  $\mu\text{Ps}$  that can be forced into a wait state for periods as long as the MAX183/184/185 conversion time. ROM mode is for  $\mu\text{Ps}$  that cannot be forced into a wait state. In both interface modes, a processor read operation to the ADC address starts the conversion. In the ROM mode, a second read operation accesses the conversion result.

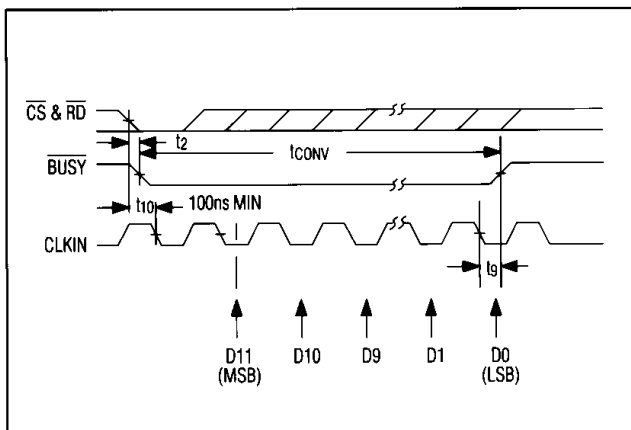


Figure 7. MAX183/184/185  $\overline{RD}$  and CLKIN for Synchronous Operation and Conversion Time of 12.5 Clock Cycles

## Slow Memory Mode

The timing diagram in Figure 9 illustrates slow memory mode, which is designed for  $\mu\text{Ps}$  with a wait state.  $\overline{CS}$  and  $\overline{RD}$  go low, triggering a conversion, and are kept low until the conversion is complete. BUSY responds by going low, and data from the previous conversion remains on the three-state data outputs. At conversion end,  $\overline{BUSY}$  returns high, and the output latches transfer the new conversion results to the three-state data outputs. The  $\mu\text{P}$  completes the read operation by taking  $\overline{CS}$  and  $\overline{RD}$  high.

## ROM Mode

The ROM mode avoids placing the  $\mu\text{P}$  into a wait state. A conversion begins with a read operation. While  $\overline{CS}$  and  $\overline{RD}$  are low, data from the last conversion is available on the data outputs. A second read operation reads the new data and begins the conversion process again. A delay at least as long as the MAX183/184/185 conversion times must be allowed between read operations. The data on the output bus is in a parallel format in either mode.

## Application Hints

### Digital Bus Noise

If the data bus connected to the ADC is active during a conversion, coupling from the data pins to the ADC comparator may cause LSBs of error. Using slow memory mode avoids this problem by placing the  $\mu\text{P}$  in a wait state during the conversion. In ROM mode, if the data bus is active during the conversion, use three-state drivers to isolate the bus from the ADC.

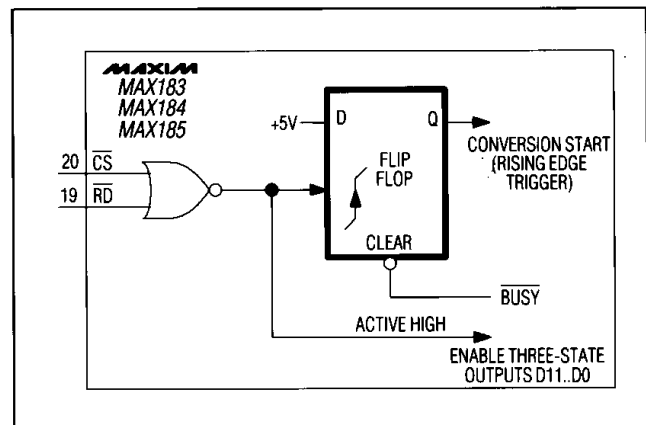


Figure 8. Logic for Control Inputs  $\overline{CS}$  and  $\overline{RD}$  Internal

# High-Speed 12-Bit A/D Converters With External Reference Input

MAX183/184/185

## ROM Mode

Digital noise is generated in the ADC when  $\overline{RD}$  or  $\overline{CS}$  go high, and the output data drivers are disabled after a conversion is started. This noise will feed into the ADC comparator and cause large errors if it coincides with the time the SAR is latching a bit decision. To avoid this problem,  $\overline{RD}$  and  $\overline{CS}$  should be active for less than 1 clock cycle. In other words, the  $\overline{RD}$  and  $\overline{CS}$  low pulse should be less than 250ns for the MAX183, 400ns for the MAX184, and 1 $\mu$ s for the MAX185. If this cannot be done, the  $\overline{RD}$  or  $\overline{CS}$  signal must go high at a rising edge of CLKIN since the comparator output is always latched at falling edges of CLKIN.

## Physical Layout

For best system performance, printed circuit boards should be used for the MAX183/184/185; wire-wrap boards are not recommended. Separate the digital- and analog-signal lines as much as possible in the board layout. Do not run analog and digital lines parallel to each other or digital lines underneath the MAX183/184/185 package.

## Grounding

Figure 11 shows the recommended system ground connections. Establish a single-point analog ground (star ground), separate from the logic ground, at AGND of the MAX183/184/185. Connect all other analog grounds and DGND of the MAX183/184/185 to this star ground (no other digital grounds should be connected to this point). For noise-free operation of the ADC, use a low-impedance ground return to the power supply from this star ground.

## Power-Supply Bypassing

The ADC's high-speed comparator is sensitive to high-frequency noise in the  $V_{DD}$  and  $V_{SS}$  power supplies. These supplies should be bypassed to the analog star ground with 0.1 $\mu$ F and 10 $\mu$ F bypass capacitors with minimum lead length for supply noise rejection. If the +5V power supply is very noisy, a small (10 $\Omega$ -20 $\Omega$ ) resistor can be connected (Figure 11) to filter external noise.

## Driving The Analog Input

The input signal leads to AIN and the input return leads to AGND should be as short as possible to minimize input noise coupling. Use shielded cables if the leads must be long.

The input impedance at each AIN is typically 5k $\Omega$ . The amplifier driving AIN must have low enough DC output impedance for low gain error. Furthermore, low AC output impedance is needed since the analog input current is modulated at the clock rate during a conversion (up to 4MHz for MAX183, 2.5MHz for MAX184, or 1.25MHz for the MAX185). The output impedance of the driving am-

plifier is equal to its open-loop output impedance divided by the loop gain at the frequency of interest.

**MAX184/185** – The MAX184/185 maximum clock rate of 2.5MHz makes it possible to drive AIN with amplifiers like the OP42, AD711 or a Maxim OP27. A MAX400 or a Maxim OP07 can also be used up to 1.25MHz clock rate.

**MAX183** – The MAX183, with a maximum 4MHz clock rate, might exhibit settling problems with the above amplifiers. An LF356, LF400 or LT1056 can be used to drive the input. Alternatively, an emitter follower buffer inside the feedback loop of a Maxim OP27, an OP42, or an AD711 improves high-frequency output impedance.

## Reference Input

VREF connects to an external -5V source. This may be either a precision negative reference, a positive reference (such as the MX584) connected as a two-terminal device to provide -5V (Figure 16), or an existing system reference. The allowed input range at REFIN is -5.1V to -4.9V. VREF (and AIN2 in bipolar input operation) should be bypassed to ground with a 10 $\mu$ F electrolytic capacitor in parallel with a 0.1 $\mu$ F ceramic capacitor.

If the external reference is biased from a power supply other than  $V_{SS}$ , then care must be taken to ensure that  $V_{SS}$  is applied to the ADC before VREF. If supply sequencing is in doubt, then connect a diode between  $V_{SS}$  and VREF, as shown in Figure 12. If the reference source is powered from the same supply as  $V_{SS}$ , then no diode is needed.

## MAX183/184/185 to Sample-and-Hold Interface

The analog input to the ADC must be stable to within 1/2LSB during the entire conversion for specified 12-bit accuracy. This limits the input-signal bandwidth to less than 6Hz for sinusoidal inputs, even when using the faster MAX183. A sample-and-hold should be used for higher bandwidth signals.

The  $\overline{BUSY}$  output from the MAX183/184/185 may be used to provide the TRACK/HOLD signal to the sample-and-hold amplifier. However, since the ADC's DAC is switched at approximately the same time as the  $\overline{BUSY}$  signal goes low, sample-and-hold transients caused by DAC switching may result in code-dependent errors due to sample-and-hold aperture delay. Adding a NAND (inverted AND) gate ensures that the sample-and-hold is switched to the hold mode BEFORE any disturbances (Figures 13 and 14). The NAND gate solution works only if the width of the  $\overline{RD}$  pulse is wider than the  $\overline{RD}$  to  $\overline{BUSY}$  delay in the MAX183/184/185. If this is not the case, use a flip-flop, which is set by the falling edge of  $\overline{RD}$  and reset by the rising edge of  $\overline{BUSY}$ .

# High-Speed 12-Bit A/D Converters With External Reference Input

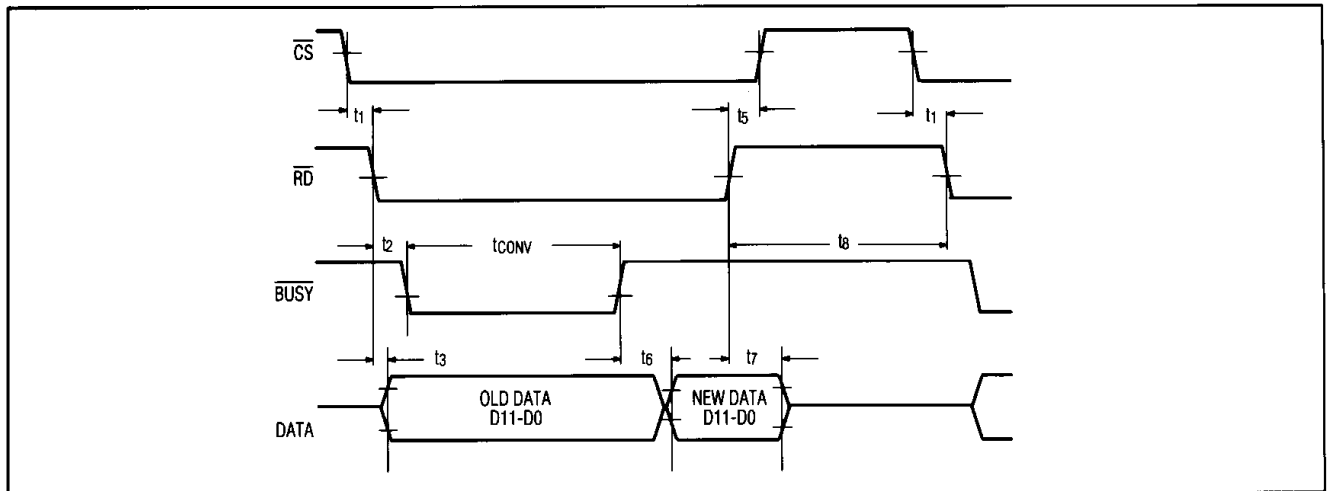


Figure 9. Slow Memory Mode Timing Diagram

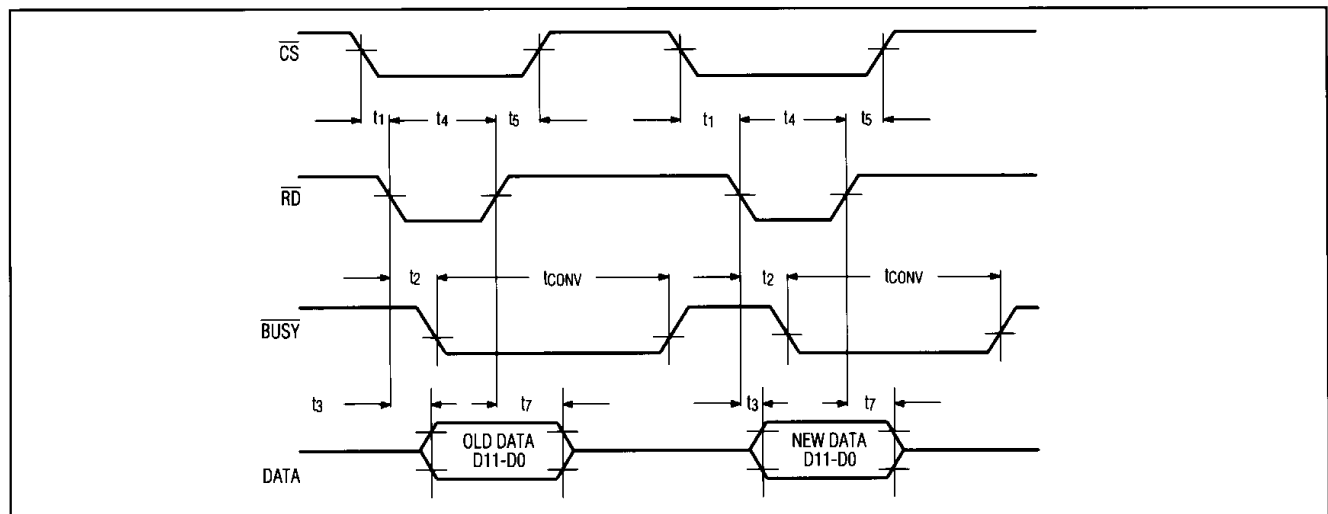


Figure 10. ROM Mode Timing Diagram

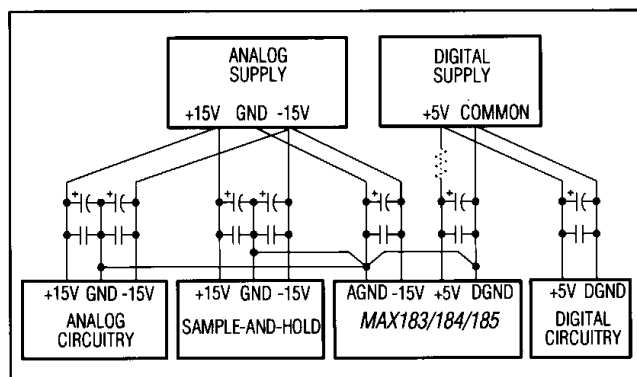


Figure 11. Power-Supply Grounding Practice

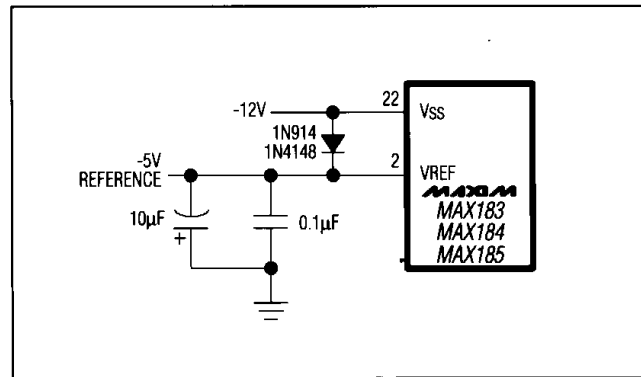


Figure 12. VREF/VSS Diode Clamp (See "Reference Input" Text).



# High-Speed 12-Bit A/D Converters With External Reference Input

MAX183/184/185

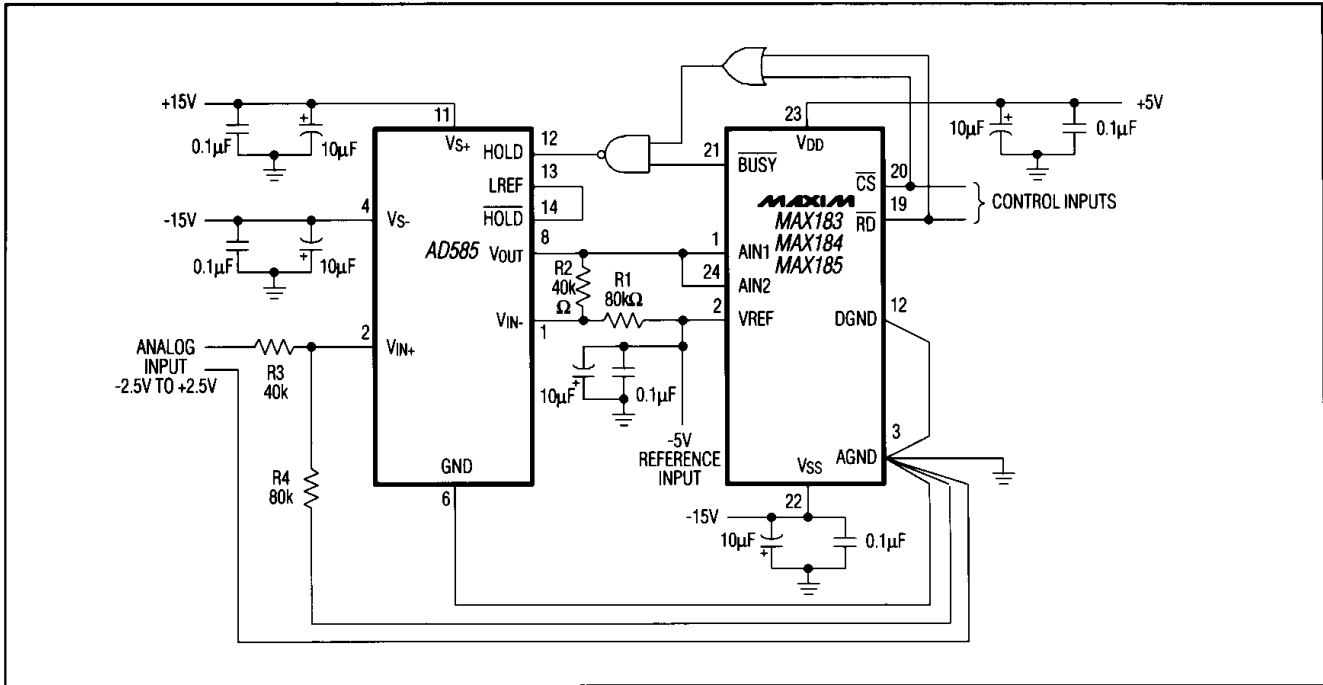


Figure 13. MAX183/184/185—AD585 Sample-and-Hold Interface

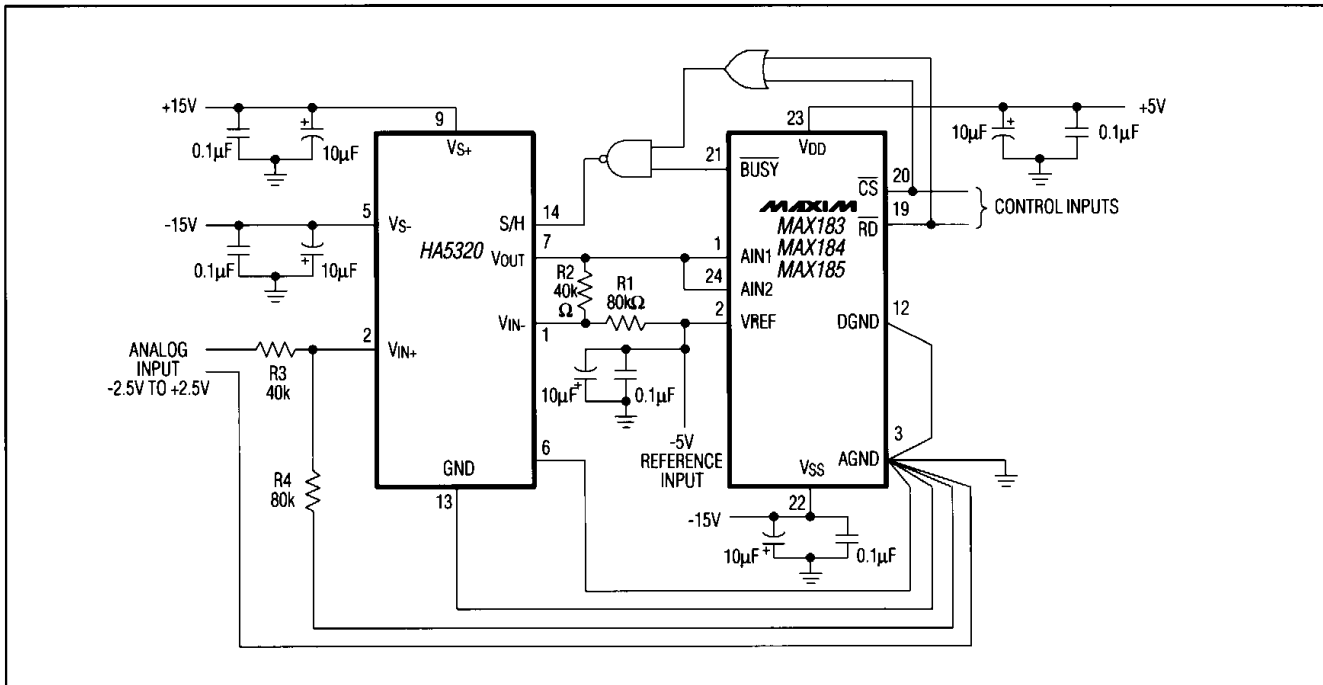


Figure 14. MAX183/184/185—HA5320 Sample-and-Hold Interface

# High-Speed 12-Bit A/D Converters With External Reference Input

For synchronous  $\overline{RD}$  and CLKIN, the hold settling time allowed for the sample-and-hold is 375ns (MAX183), 600ns (MAX184), and 1.5 $\mu$ s (MAX185).

The maximum sampling rate is 125kHz with a 2.5MHz clock and 64.5kHz with a 1MHz clock, allowing for a 3 $\mu$ s sample-and-hold acquisition time.

Although this circuit works well for the 1MHz clock rate, a faster sample-and-hold amplifier, such as the HA5320, is recommended at a 2.5MHz clock rate.

**MAX183** – Figure 14 is the MAX183 to HA5320 interface. The maximum sampling rate is 210kHz with a 4MHz clock, which allows a 1.5 $\mu$ s acquisition time. The HA5320 can also be replaced by a HA5330 for higher throughput.

### Analog Input Ranges

The MAX183/184/185 provides three selectable analog input ranges: 0V to +5V, 0V to +10V, and  $\pm$ 5V. Figure 15

shows the configuration for the two analog inputs (AIN1 and AIN2) for these ranges.

### Unipolar Operation

Figure 16 shows unipolar operation using a MX584 voltage reference configured for -5V.

Figure 17 shows the nominal input/output transfer function of the MAX183/184/185. Code transitions occur half way between successive integer LSB values. The output coding is binary with 1LSB = Full Scale (FS)/4096. FS is either +5V or +10V, based on the analog input configurations.

### Offset and Full-Scale Adjustment

In applications requiring offset and FS range adjustment, use the circuit in Figure 19. Note: The amplifier shown could also be a sample-and-hold. Offset should be adjusted first. Apply 1/2LSB (0.61mV) at the analog input (AIN1 or AIN2) and adjust the offset of the amplifier until

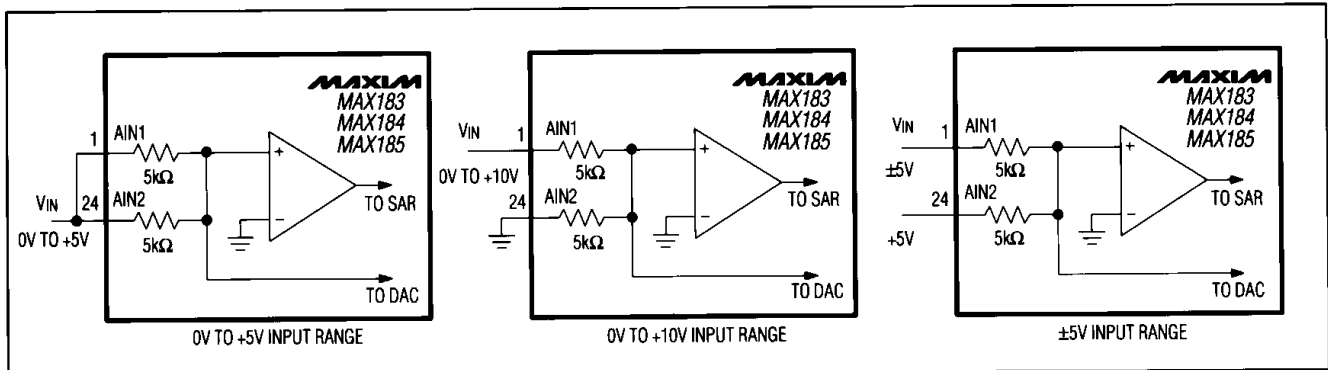


Figure 15. Analog Input Range Configurations

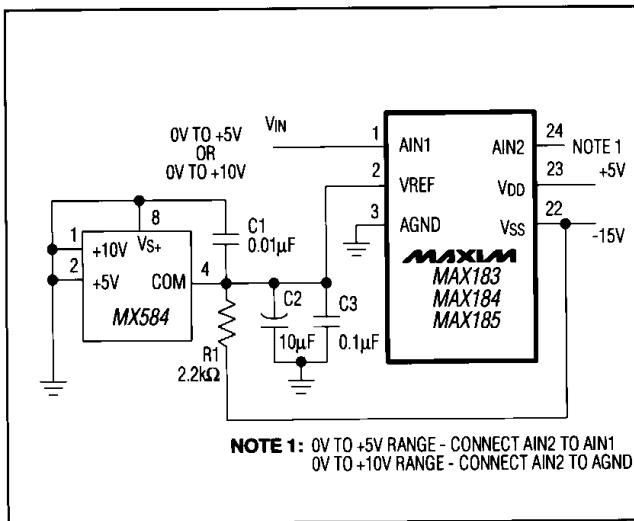


Figure 16. Unipolar Operation Using a MX584 Reference

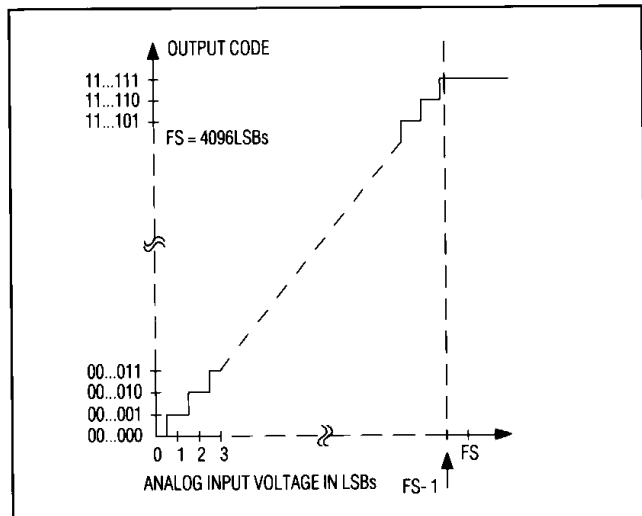


Figure 17. MAX183/184/185 Ideal Unipolar Transfer Function

# High-Speed 12-Bit A/D Converters With External Reference Input

MAX183/184/185

the digital output code changes between 0000 0000 0000 and 0000 0000 0001.

0V to +5V range:  $1/2\text{LSB} = 0.61\text{mV}$   
 0V to +10V range:  $1/2\text{LSB} = 1.22\text{mV}$

To adjust the full-scale range, apply FS-3/2LSB (last code transition) at the analog input and adjust R1 until the output code switches between 1111 1111 1110 and 1111 1111 1111.

0V to +5V range: FS-3/2LSB = 4.99817V  
 0V to +10V range: FS-3/2LSB = 9.99634V

## Bipolar Operation

The bipolar input range is  $\pm 5\text{V}$ .  $V_{\text{IN}}$  is applied to AIN1, +5V to AIN2, and -5V to VREF. This requires two reference voltages: -5V for the VREF input and +5V for the AIN2 input. Figure 19 shows these reference voltages are produced from a MAX675 reference and a MAX400 op amp configured as an inverting amplifier.

The ideal input/output transfer characteristic after offset and gain adjustment is shown in Figure 20. The LSB is 2.44mV (10V/4096).

The resistors used in bipolar applications should be of the same type and from the same manufacturer to obtain low temperature drifts. 0.1% resistors are recommended for applications where offset and full-scale adjustments must be made in bipolar circuits. If low tolerances are used, larger value potentiometers must be used, which results in poor trim resolution and higher temperature drift.

## Offset and Gain Adjustment

In bipolar operation, the offset is trimmed at negative full scale and should always be adjusted first. For offset,

apply  $-\text{FS}/2 + 1/2\text{LSB}$  ( $-4.99878\text{V}$ ) at  $V_{\text{IN}}$  and adjust the  $10\text{k}\Omega$  potentiometer (Figure 18) until the output code switches between 0000 0000 0000 and 0000 0000 0001.

Gain is adjusted at full scale or bipolar zero. For full scale adjustment, apply  $\text{FS}/2 - 3/2\text{LSBs}$  ( $4.99634\text{V}$ ) to  $V_{\text{IN}}$  and adjust the  $200\Omega$  potentiometer until the output code switches between 1111 1111 1110 and 1111 1111 1111.

Alternatively, to adjust gain at bipolar zero, apply  $-1.22\text{mV}$  at  $V_{\text{IN}}$  and adjust the  $200\Omega$  potentiometer until the output code switches between 0111 1111 1111 and 1000 0000 0000.

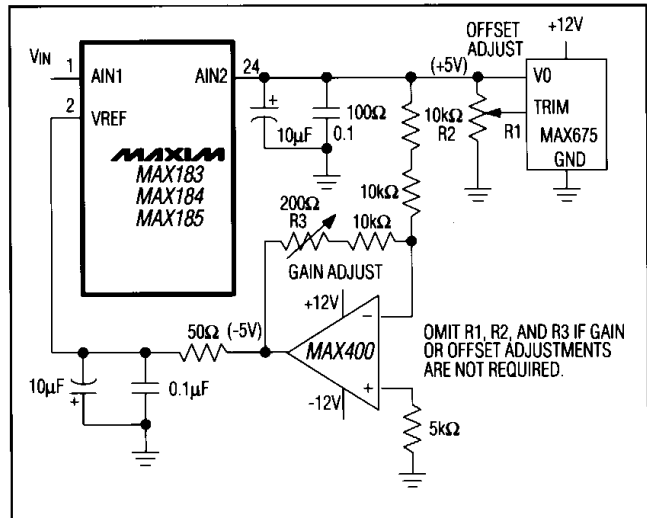


Figure 19. Bipolar Operation with Offset and Gain-Error Adjust

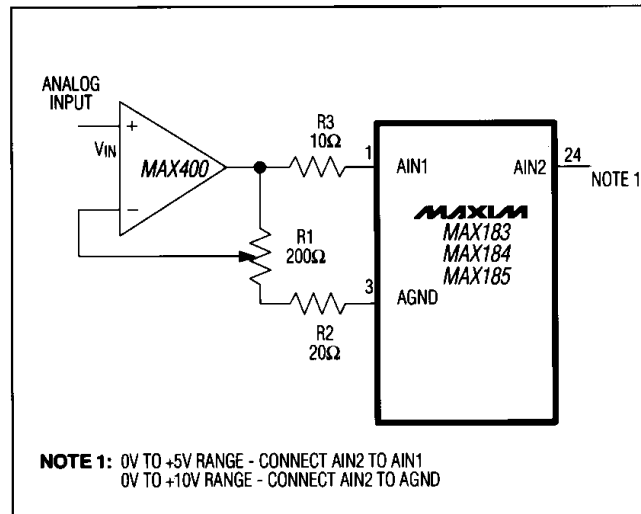


Figure 18. Unipolar Operation with Gain Adjust

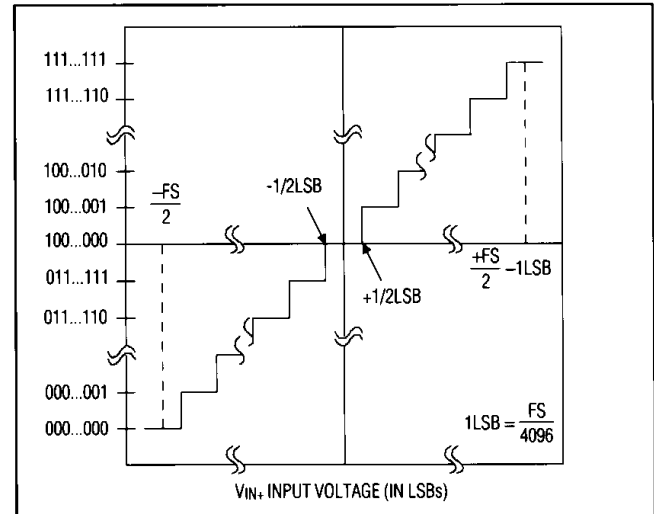


Figure 20. Ideal Input/Output Transfer Characteristic for Bipolar Operation

# High-Speed 12-Bit A/D Converters With External Reference Input

## Ordering Information (continued)

PART	TEMP. RANGE	PIN-PACKAGE	LINEARITY (LSBs)
MAX183AENG	-40°C to +85°C	24 Plastic DIP	±1/2
MAX183BENG	-40°C to +85°C	24 Plastic DIP	±1
MAX183AEWG	-40°C to +85°C	24 Wide SO	±1/2
MAX183BEWG	-40°C to +85°C	24 Wide SO	±1
<b>5µs Maximum Conversion Time</b>			
MAX184ACNG	0°C to +70°C	24 Plastic DIP	±1/2
MAX184BCNG	0°C to +70°C	24 Plastic DIP	±1
MAX184ACWG	0°C to +70°C	24 Wide SO	±1/2
MAX184BCWG	0°C to +70°C	24 Wide SO	±1
MAX184BC/D	0°C to +70°C	Dice*	±1
MAX184AENG	-40°C to +85°C	24 Plastic DIP	±1/2
MAX184BENG	-40°C to +85°C	24 Plastic DIP	±1
MAX184AEWG	-40°C to +85°C	24 Wide SO	±1/2
MAX184BEWG	-40°C to +85°C	24 Wide SO	±1
MAX184AMRG	-55°C to +125°C	24 CERDIP**	±3/4
MAX184BMRG	-55°C to +125°C	24 CERDIP**	±1
<b>10µs Maximum Conversion Time</b>			
MAX185ACNG	0°C to +70°C	24 Plastic DIP	±1/2
MAX185BCNG	0°C to +70°C	24 Plastic DIP	±1
MAX185ACWG	0°C to +70°C	24 Wide SO	±1/2
MAX185BCWG	0°C to +70°C	24 Wide SO	±1
MAX185BC/D	0°C to +70°C	Dice*	±1
MAX185AENG	-40°C to +85°C	24 Plastic DIP	±1/2
MAX185BENG	-40°C to +85°C	24 Plastic DIP	±1
MAX185AEWG	-40°C to +85°C	24 Wide SO	±1/2
MAX185BEWG	-40°C to +85°C	24 Wide SO	±1
MAX185AMRG	-55°C to +125°C	24 CERDIP**	±3/4
MAX185BMRG	-55°C to +125°C	24 CERDIP**	±1

\* Consult factory for dice specifications.

\*\* Contact factory for processing to MIL-STD-883.

Maxim cannot assume responsibility for use of any circuitry other than circuitry entirely embodied in a Maxim product. No circuit patent licenses are implied. Maxim reserves the right to change the circuitry and specifications without notice at any time.

12 Maxim Integrated Products, 120 San Gabriel Drive, Sunnyvale, CA 94086 (408) 737-7600

© 1990 Maxim Integrated Products

Printed USA

MAXIM is a registered trademark of Maxim Integrated Products.



Компания «ЭлектроПласт» предлагает заключение долгосрочных отношений при поставках импортных электронных компонентов на взаимовыгодных условиях!

Наши преимущества:

- Оперативные поставки широкого спектра электронных компонентов отечественного и импортного производства напрямую от производителей и с крупнейших мировых складов;
- Поставка более 17-ти миллионов наименований электронных компонентов;
- Поставка сложных, дефицитных, либо снятых с производства позиций;
- Оперативные сроки поставки под заказ (от 5 рабочих дней);
- Экспресс доставка в любую точку России;
- Техническая поддержка проекта, помощь в подборе аналогов, поставка прототипов;
- Система менеджмента качества сертифицирована по Международному стандарту ISO 9001;
- Лицензия ФСБ на осуществление работ с использованием сведений, составляющих государственную тайну;
- Поставка специализированных компонентов (Xilinx, Altera, Analog Devices, Intersil, Interpoint, Microsemi, Aeroflex, Peregrine, Syfer, Eurofarad, Texas Instrument, Miteq, Cobham, E2V, MA-COM, Hittite, Mini-Circuits, General Dynamics и др.);

Помимо этого, одним из направлений компании «ЭлектроПласт» является направление «Источники питания». Мы предлагаем Вам помощь Конструкторского отдела:

- Подбор оптимального решения, техническое обоснование при выборе компонента;
- Подбор аналогов;
- Консультации по применению компонента;
- Поставка образцов и прототипов;
- Техническая поддержка проекта;
- Защита от снятия компонента с производства.



#### Как с нами связаться

**Телефон:** 8 (812) 309 58 32 (многоканальный)

**Факс:** 8 (812) 320-02-42

**Электронная почта:** [org@eplast1.ru](mailto:org@eplast1.ru)

**Адрес:** 198099, г. Санкт-Петербург, ул. Калинина, дом 2, корпус 4, литера А.