

# FS SERIES



The heavy duty, medium size FS series foot switches are primarily used in industrial and medical applications. Due to the sturdy design of the die cast aluminum housing, the foot switch is an exceptional value for strict environments. This compact design offers a lot of versatility:

- Every combination of slow make-break and snap action switch inserts with momentary, maintained and two stage momentary contact types are possible. Different potentiometer values are also available.
- Additional safety features like a foot guard, Anti-Trip lever and especially two safety foot switch versions complete this line.
- The optional medical versions and explosion protected foot switches meet the requirements of either IEC 601-1 or EEX d ||C T6, and come with appropriate strain relief and 3 meter (10 ft.) cable.
- The foot switch can be customized with a wide range of options, including cables, connectors, colors, and foot rests.

The typical industrial applications include:

- ironing machines
- construction machinery
- sand blasting machines
- bending machines
- machine tools
- medical equipment

### **Warning**

Please see page 25 in reference to the warning that applies to every application.



## FS1

- Heavy duty medium size, one pedal foot switch

### Standard Features

- Housing: Die cast aluminum body and cover with Polyamide 6.6 pedal  
Colors: Gray body, red cover and black pedal  
Anti-Trip: Die cast aluminum pedal and lever in gray (available on some models)
- Protection Level: IP 65
- Switch Insert: Snap action or slow make-break  
Silver alloy contact material  
Electrical Rating: 10A/500V AC (If used with appropriate cable, see cable chart on page 29)  
Contact Types: Momentary, maintained, or two stage momentary  
Circuit: SPDT-DB; DPDT-DB; 10k Ohm, 2.0W  
Potentiometer with SPDT-SB microswitch
- Cable Entry: Threaded hole (M20)
- Temperature Range: -30°C up to +80°C (-22°F up to +176°F)



### Ordering Information

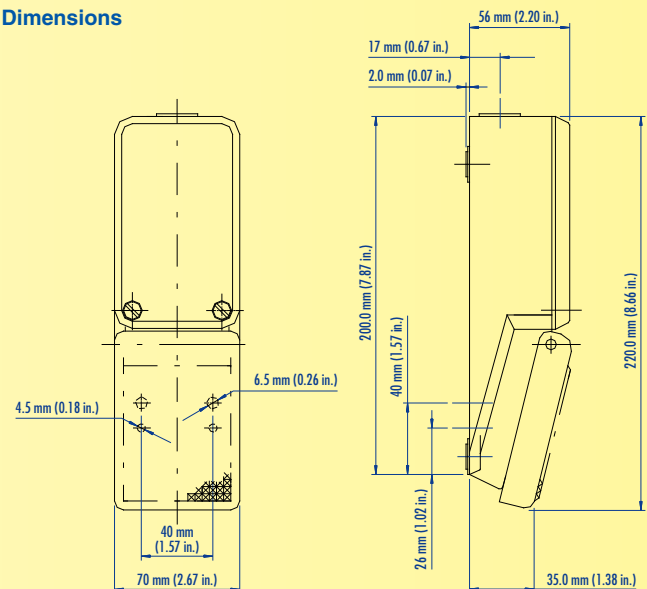
| Type         | Catalog No. | Circuit Function         | Electrical Ratings  | Switch/Contact Type | Anti-Trip                            | Cable Screw Terminals | Protection Level |
|--------------|-------------|--------------------------|---|---------------------|--------------------------------------|-----------------------|------------------|
| <b>FS1</b>   |             |                          |   |                     |                                      |                       |                  |
| FS1 U1       | 51.101      | <input type="checkbox"/> | SPDT-DB   | 10A/500V AC         | Slow make-break, Momentary           | X                     | IP 65            |
| FS1 U1R      | 51.102      | <input type="checkbox"/> | SPDT-DB   | 10A/500V AC         | Slow make-break, Maintained          | X                     | IP 65            |
| FS1 U1S      | 51.103      | <input type="checkbox"/> | SPDT-DB   | 10A/500V AC         | Slow make-break, Momentary           | X                     | IP 65            |
| FS1 U1RS     | 51.104      | <input type="checkbox"/> | SPDT-DB   | 10A/500V AC         | Slow make-break, Maintained          | X                     | IP 65            |
| FS1 SU1      | 51.105      | <input type="checkbox"/> | SPDT-DB   | 10A/500V AC         | Snap Action, Momentary               | X                     | IP 65            |
| FS1 SU1R     | 51.106      | <input type="checkbox"/> | SPDT-DB   | 10A/500V AC         | Snap Action, Maintained              | X                     | IP 65            |
| FS1 SU1S     | 51.107      | <input type="checkbox"/> | SPDT-DB   | 10A/500V AC         | Snap Action, Momentary               | X                     | IP 65            |
| FS1 SU1RS    | 51.108      | <input type="checkbox"/> | SPDT-DB   | 10A/500V AC         | Snap Action, Maintained              | X                     | IP 65            |
| FS1 U2       | 51.109      | <input type="checkbox"/> | DPDT-DB   | 10A/500V AC         | Slow make-break, Momentary*          | X                     | IP 65            |
| FS1 U1DU1    | 51.110      | <input type="checkbox"/> | 2x SPDT-DB  | 10A/500V AC         | Slow make-break, Two Stage Momentary | X                     | IP 65            |
| FS1 U2S      | 51.111      | <input type="checkbox"/> | DPDT-DB   | 10A/500V AC         | Slow make-break, Momentary*          | X                     | IP 65            |
| FS1 U1DU1S   | 51.112      | <input type="checkbox"/> | 2x SPDT-DB  | 10A/500V AC         | Slow make-break, Two Stage Momentary | X                     | IP 65            |
| FS1 SU2      | 51.113      | <input type="checkbox"/> | DPDT-DB   | 10A/500V AC         | Snap Action, Momentary*              | X                     | IP 65            |
| FS1 SU1DSU1  | 51.114      | <input type="checkbox"/> | 2x SPDT-DB  | 10A/500V AC         | Snap Action, Two Stage Momentary     | X                     | IP 65            |
| FS1 SU2S     | 51.115      | <input type="checkbox"/> | DPDT-DB   | 10A/500V AC         | Snap Action, Momentary*              | X                     | IP 65            |
| FS1 SU1DSU1S | 51.116      | <input type="checkbox"/> | 2x SPDT-DB  | 10A/500V AC         | Snap Action, Two Stage Momentary     | X                     | IP 65            |
| FS1 SU1P10 L | 51.117      | <input type="checkbox"/> | 10k Ohm, 2.0W Potentiometer with SPDT-SB Microswitch (5A/250V AC) |                     |                                      | Solder Tabs           | IP 65            |

Gray body, red cover and black (Anti-Trip: gray) pedal

### Options

- Protection Level: - Ex - Explosion protected
- Switch Insert: - Gold plated contacts for low current applications  
Electrical Rating: Max. Power Consumption: 12.5mW at max. 25mA or max. 25V DC
- Strain Relief: - Standard straight-through (IP 68)  
- Bend protection (IP 68)  
- Trumpet Pull/Bend protection (IP 68)
- Cable: - Multi conductor, PVC, SJT  
- Multi conductor, PVC, SJT, shielded  
- Per customer specifications
- Connectors: - Per customer specifications
- IEC 601-1 certified
- Other potentiometer values available upon request
- Custom colors available upon request
- Foot rest also available

### Dimensions



\* Maintained contacts available upon request

# FS1 ... U

- Heavy duty medium size, one pedal foot switch

## Standard Features

- **Housing:** Die cast aluminum body and Polyamide 6.6 pedal
- **Guard:** Die cast aluminum
  - Colors: Gray body, red guard and black pedal
  - Anti-Trip: Die cast aluminum pedal and lever in gray (available on some models)
- **Protection Level:** IP 65
- **Switch Insert:** Snap action or slow make-break
  - Silver alloy contact material
  - Electrical Rating: 10A/500V AC (If used with appropriate cable, see cable chart on page 29)
  - Contact Types: Momentary, maintained, or two stage momentary
  - Circuit: SPDT-DB; DBDT-DB; 10k Ohm, 2.0W Potentiometer with SPDT-SB microswitch
- **Cable Entry:** Threaded hole (M20)
- **Temperature Range:** -30°C up to +80°C (-22°F up to +176°F)



## Ordering Information

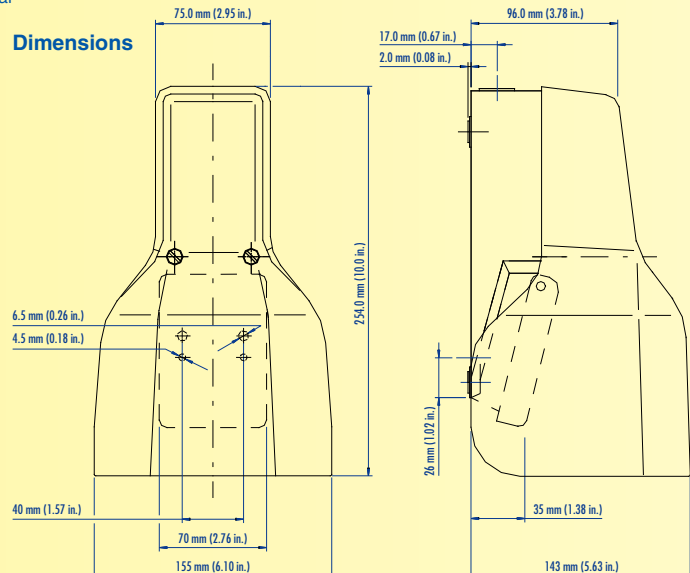
| Type   | Catalog No. | Circuit Function                                     | Electrical Ratings | Switch/Contact Type  | Anti-Trip | Cable Screw Terminals | Protection Level |
|--|-------------|--|--------------------|--|-----------|-----------------------|------------------|
| <b>FS1 ... U - with Foot Guard</b>                 |             |  |                    |  |           |                       |                  |
| FS1 U1 U   | 51.151      | SPDT-DB  | 10A/500V AC        | Slow make-break, Momentary   |           | X                     | IP 65            |
| FS1 U1R U  | 51.152      | SPDT-DB  | 10A/500V AC        | Slow make-break, Maintained  |           | X                     | IP 65            |
| FS1 U1S U  | 51.153      | SPDT-DB  | 10A/500V AC        | Slow make-break, Momentary   | X         | X                     | IP 65            |
| FS1 U1RS U   | 51.154      | SPDT-DB  | 10A/500V AC        | Slow make-break, Maintained  | X         | X                     | IP 65            |
| FS1 SU1 U  | 51.155      | SPDT-DB  | 10A/500V AC        | Snap Action, Momentary   |           | X                     | IP 65            |
| FS1 SU1R U   | 51.156      | SPDT-DB  | 10A/500V AC        | Snap Action, Maintained  |           | X                     | IP 65            |
| FS1 SU1S U   | 51.157      | SPDT-DB  | 10A/500V AC        | Snap Action, Momentary   | X         | X                     | IP 65            |
| FS1 SU1RS U  | 51.158      | SPDT-DB  | 10A/500V AC        | Snap Action, Maintained  | X         | X                     | IP 65            |
| FS1 U2 U   | 51.159      | DPDT-DB  | 10A/500V AC        | Slow make-break, Momentary*  |           | X                     | IP 65            |
| FS1 U1DU1 U  | 51.160      | 2x SPDT-DB   | 10A/500V AC        | Slow make-break, Two Stage Momentary                                   |           | X                     | IP 65            |
| FS1 U2S U  | 51.161      | DPDT-DB  | 10A/500V AC        | Slow make-break, Momentary*  | X         | X                     | IP 65            |
| FS1 U1DU1S U                                       | 51.162      | 2x SPDT-DB   | 10A/500V AC        | Slow make-break, Two Stage Momentary                                   | X         | X                     | IP 65            |
| FS1 SU2 U  | 51.163      | DPDT-DB  | 10A/500V AC        | Snap Action, Momentary*  |           | X                     | IP 65            |
| FS1 SU1DSU1 U                                      | 51.164      | 2x SPDT-DB   | 10A/500V AC        | Snap Action, Two Stage Momentary                                       |           | X                     | IP 65            |
| FS1 SU2S U   | 51.165      | DPDT-DB  | 10A/500V AC        | Snap Action, Momentary*  | X         | X                     | IP 65            |
| FS1 SU1DSU1S U                                     | 51.166      | 2x SPDT-DB   | 10A/500V AC        | Snap Action, Two Stage Momentary                                       | X         | X                     | IP 65            |
| FS1 SU1P10 L U                                     | 51.167      | 10k Ohm, 2.0W Potentiometer with SPDT-SB Microswitch | (5A/250V AC)       |  |           | Solder Tabs           | IP 65            |
| <b>FS1 ... V U - Safety Foot Switch with Guard</b> |             |  |                    |  |           |                       |                  |
| FS1 S1DO1 V U                                      | 51.197      | SPDT-DB  | 10A/500V AC        | Normal: Slow make-break, Momentary<br>Safety: Maintained, Manual reset |           | X                     | IP 65            |
| FS1 S2DO2 V U                                      | 51.198      | DPDT-DB  | 10A/500V AC        | Normal: Slow make-break, Momentary<br>Safety: Maintained, Manual reset |           | X                     | IP 65            |
| FS1 U1DU1 V U                                      | 51.199      | Two Stage<br>2x SPDT-DB                              | 10A/500V AC        | Normal: Slow make-break, Momentary<br>Safety: Maintained, Manual reset |           | X                     | IP 65            |

[R] Gray body, red cover and black (Anti-Trip: gray) pedal

## Options

- **Protection Level:** - Ex - Explosion protected
- **Switch Insert:** - Gold plated contacts for low current applications
  - Electrical Rating: Max. Power Consumption: 12.5mW at max. 25mA or max. 25V DC
- **Strain Relief:**
  - Standard straight-through (IP 68)
  - Bend protection (IP 68)
  - Trumpet Pull/Bend protection (IP 68)
- **Cable:**
  - Multi conductor, PVC, SJT
  - Multi conductor, PVC, SJT, shielded
  - Per customer specifications
- **Connectors:** - Per customer specifications
- IEC 601-1 certified
- Die cast aluminum pedal
- Other potentiometer values available upon request
- Custom colors available upon request
- Foot rest also available

\* Maintained contacts available upon request

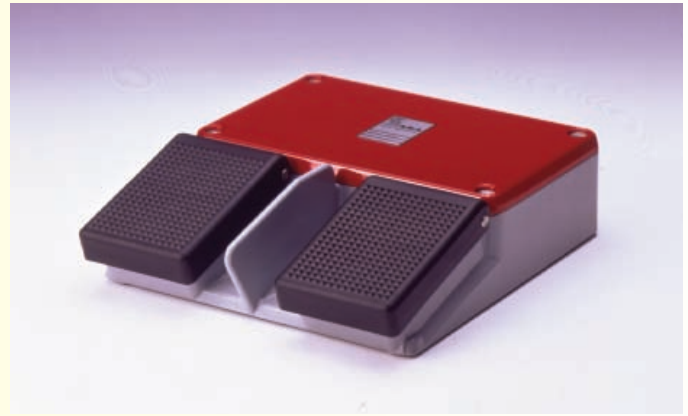


## FS2

- Heavy duty medium size, two pedal foot switch

### Standard Features

- Housing: Die cast aluminum body and cover with Polyamide 6.6 pedals
- Colors: Gray body, red cover and black pedals
- Anti-Trip: Die cast aluminum pedal and lever in gray (available on some models)
- Protection Level: IP 65
- Switch Insert: Snap action or slow make-break  
Silver alloy contact material
- Electrical Rating: 10A/500V AC (If used with appropriate cable, see cable chart on page 29)
- Contact Types: Momentary, maintained, or two stage momentary
- Circuit: SPDT-DB; DPDT-DB
- Cable Entry: Three threaded holes (M20)
- Temperature Range: -30°C up to +80°C (-22°F up to +176°F)



### Ordering Information

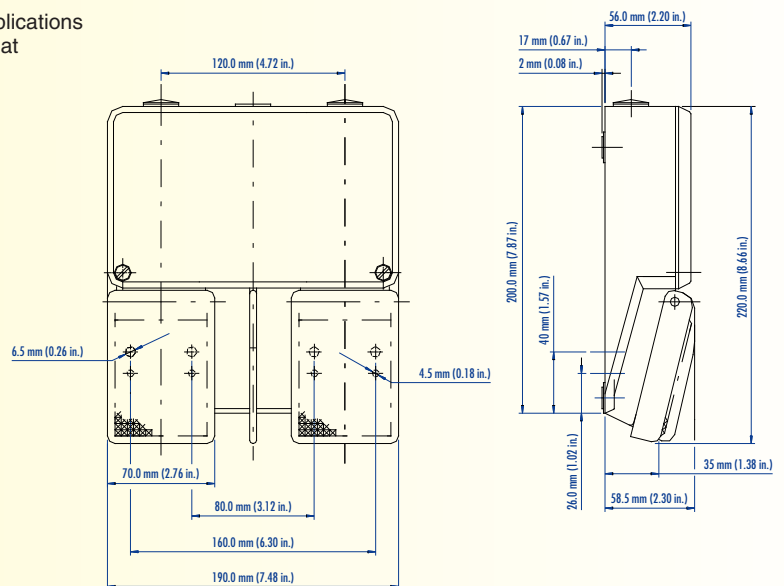
| Type              | Catalog No. | Circuit Function                    | Electrical Ratings | Switch/Contact Type                  | Anti-Trip | Cable Screw Terminals | Protection Level |
|-------------------|-------------|-------------------------------------|--------------------|--------------------------------------|-----------|-----------------------|------------------|
| <b>FS2</b>        |             |                                     |                    |                                      |           |                       |                  |
| FS2 U1 (2x)       | 51.201      | <input type="checkbox"/> SPDT-DB    | 10A/500V AC        | Slow make-break, Momentary           |           | X                     | IP 65            |
| FS2 U1R (2x)      | 51.202      | <input type="checkbox"/> SPDT-DB    | 10A/500V AC        | Slow make-break, Maintained          |           | X                     | IP 65            |
| FS2 U1S (2x)      | 51.203      | <input type="checkbox"/> SPDT-DB    | 10A/500V AC        | Slow make-break, Momentary           | X         | X                     | IP 65            |
| FS2 U1RS (2x)     | 51.204      | <input type="checkbox"/> SPDT-DB    | 10A/500V AC        | Slow make-break, Maintained          | X         | X                     | IP 65            |
| FS2 SU1 (2x)      | 51.205      | <input type="checkbox"/> SPDT-DB    | 10A/500V AC        | Snap Action, Momentary               |           | X                     | IP 65            |
| FS2 SU1R (2x)     | 51.206      | <input type="checkbox"/> SPDT-DB    | 10A/500V AC        | Snap Action, Maintained              |           | X                     | IP 65            |
| FS2 SU1S (2x)     | 51.207      | <input type="checkbox"/> SPDT-DB    | 10A/500V AC        | Snap Action, Momentary               | X         | X                     | IP 65            |
| FS2 SU1RS (2x)    | 51.208      | <input type="checkbox"/> SPDT-DB    | 10A/500V AC        | Snap Action, Maintained              | X         | X                     | IP 65            |
| FS2 U2 (2x)       | 51.209      | <input type="checkbox"/> DPDT-DB    | 10A/500V AC        | Slow make-break, Momentary*          |           | X                     | IP 65            |
| FS2 U1DU1 (2x)    | 51.210      | <input type="checkbox"/> 2x SPDT-DB | 10A/500V AC        | Slow make-break, Two Stage Momentary |           | X                     | IP 65            |
| FS2 U2S (2x)      | 51.211      | <input type="checkbox"/> DPDT-DB    | 10A/500V AC        | Slow make-break, Momentary*          | X         | X                     | IP 65            |
| FS2 U1DU1S (2x)   | 51.212      | <input type="checkbox"/> 2x SPDT-DB | 10A/500V AC        | Slow make-break, Two Stage Momentary | X         | X                     | IP 65            |
| FS2 SU2 (2x)      | 51.213      | <input type="checkbox"/> DPDT-DB    | 10A/500V AC        | Snap Action, Momentary*              |           | X                     | IP 65            |
| FS2 SU1DSU1(2x)   | 51.214      | <input type="checkbox"/> 2x SPDT-DB | 10A/500V AC        | Snap Action, Two Stage Momentary     |           | X                     | IP 65            |
| FS2 SU2S (2x)     | 51.215      | <input type="checkbox"/> DPDT-DB    | 10A/500V AC        | Snap Action, Momentary*              | X         | X                     | IP 65            |
| FS2 SU1DSU1S (2x) | 51.216      | <input type="checkbox"/> 2x SPDT-DB | 10A/500V AC        | Snap Action, Two Stage Momentary     | X         | X                     | IP 65            |

Gray body, red cover and black (Anti-Trip: gray) pedal

### Options

- Protection Level: - Ex - Explosion protected
- Switch Insert: - Gold plated contacts for low current applications  
Electrical Rating: Max. Power Consumption: 12.5mW at max. 25mA or max. 25V DC
- Strain Relief: - Standard straight-through (IP 68)  
- Bend protection (IP 68)  
- Trumpet Pull/Bend protection (IP 68)
- Cable: - Multi conductor, PVC, SJT  
- Multi conductor, PVC, SJT, shielded  
- Per customer specifications
- Connectors: - Per customer specifications
- IEC 601-1 certified
- Die cast aluminum pedal
- Potentiometer available upon request
- Custom colors available upon request
- Combination of different switch inserts

### Dimensions



\* Maintained contacts available upon request

## FS2 ... U

- Heavy duty medium size, two pedal foot switch with guard

### Standard Features

- Housing: Die cast aluminum body with Polyamide 6.6 pedals
- Guard: Die cast aluminum
  - Colors: Gray body, red guard and black pedals
  - Anti-Trip: Die cast aluminum pedal and lever in gray (available on some models)
- Protection Level: IP 65
- Switch Insert: Snap action or slow make-break
  - Silver alloy contact material
  - Electrical Rating: 10A/500V AC (If used with appropriate cable, see cable chart on page 29)
  - Contact Types: Momentary, maintained, or two stage momentary
  - Circuit: SPDT-DB; DPDT-DB
- Cable Entry: Three threaded holes (M20)
- Temperature Range: -30°C up to +80°C (-22°F up to +176°F)



### Ordering Information

| Type                               | Catalog No. | Circuit Function | Electrical Ratings | Switch/Contact Type                  | Anti-Trip | Cable Screw Terminals | Protection Level |
|------------------------------------|-------------|------------------|--------------------|--------------------------------------|-----------|-----------------------|------------------|
| <b>FS2 ... U - with Foot Guard</b> |             |                  |                    |                                      |           |                       |                  |
| FS2 U1 (2x) U                      | 51.251      | SPDT-DB          | 10A/500V AC        | Slow make-break, Momentary           |           | X                     | IP 65            |
| FS2 U1R (2x) U                     | 51.252      | SPDT-DB          | 10A/500V AC        | Slow make-break, Maintained          |           | X                     | IP 65            |
| FS2 U1S (2x) U                     | 51.253      | SPDT-DB          | 10A/500V AC        | Slow make-break, Momentary           | X         | X                     | IP 65            |
| FS2 U1RS (2x) U                    | 51.254      | SPDT-DB          | 10A/500V AC        | Slow make-break, Maintained          | X         | X                     | IP 65            |
| FS2 SU1 (2x) U                     | 51.255      | SPDT-DB          | 10A/500V AC        | Snap Action, Momentary               |           | X                     | IP 65            |
| FS2 SU1R (2x) U                    | 51.256      | SPDT-DB          | 10A/500V AC        | Snap Action, Maintained              |           | X                     | IP 65            |
| FS2 SU1S (2x) U                    | 51.257      | SPDT-DB          | 10A/500V AC        | Snap Action, Momentary               | X         | X                     | IP 65            |
| FS2 SU1RS (2x) U                   | 51.258      | SPDT-DB          | 10A/500V AC        | Snap Action, Maintained              | X         | X                     | IP 65            |
| FS2 U2 (2x) U                      | 51.259      | DPDT-DB          | 10A/500V AC        | Slow make-break, Momentary*          |           | X                     | IP 65            |
| FS2 U1DU1 (2x) U                   | 51.260      | 2x SPDT-DB       | 10A/500V AC        | Slow make-break, Two Stage Momentary |           | X                     | IP 65            |
| FS2 U2S (2x) U                     | 51.261      | DPDT-DB          | 10A/500V AC        | Slow make-break, Momentary*          | X         | X                     | IP 65            |
| FS2 U1DU1S (2x) U                  | 51.262      | 2x SPDT-DB       | 10A/500V AC        | Slow make-break, Two Stage Momentary | X         | X                     | IP 65            |
| FS2 SU2 (2x) U                     | 51.263      | DPDT-DB          | 10A/500V AC        | Snap Action, Momentary*              |           | X                     | IP 65            |
| FS2 SU1DSU1 (2x) U                 | 51.264      | 2x SPDT-DB       | 10A/500V AC        | Snap Action, Two Stage Momentary     |           | X                     | IP 65            |
| FS2 SU2S (2x) U                    | 51.265      | DPDT-DB          | 10A/500V AC        | Snap Action, Momentary*              | X         | X                     | IP 65            |
| FS2 SU1DSU1S (2x) U                | 51.266      | 2x SPDT-DB       | 10A/500V AC        | Snap Action, Two Stage Momentary     | X         | X                     | IP 65            |

### FS2 ... V U - Safety Foot Switch with Guard

|                   |        |                         |             |  |  |   |       |
|-------------------|--------|-------------------------|-------------|--|--|---|-------|
| FS2 S1DO1 V(2x) U | 51.297 | SPDT-DB                 | 10A/500V AC | Normal: Slow make-break, Momentary<br>Safety: Maintained, Manual reset |  | X | IP 65 |
| FS2 S2DO2 V(2x) U | 51.298 | DPDT-DB                 | 10A/500V AC | Normal: Slow make-break, Momentary<br>Safety: Maintained, Manual reset |  | X | IP 65 |
| FS2 U1DU1 V(2x) U | 51.299 | Two Stage<br>2x SPDT-DB | 10A/500V AC | Normal: Slow make-break, Momentary<br>Safety: Maintained, Manual reset |  | X | IP 65 |

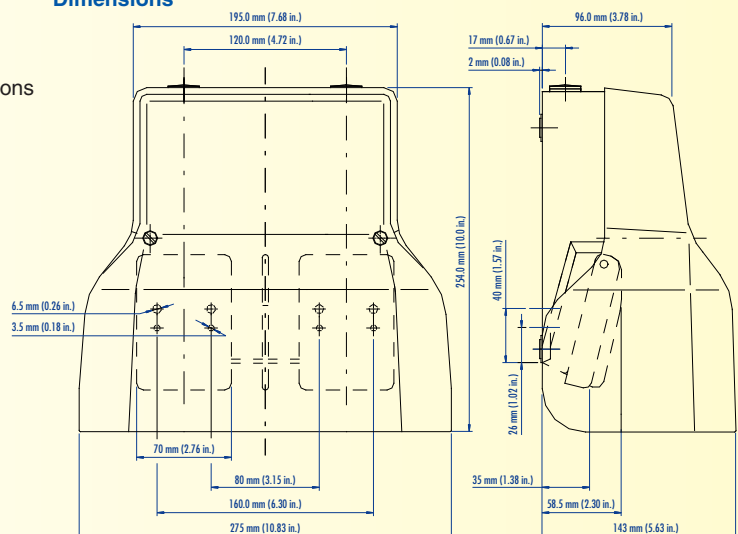
Gray body, red cover and black (Anti-Trip: gray) pedal

### Options

- Protection Level: - Ex - Explosion protected
- Switch Insert: - Gold plated contacts for low current applications
  - Electrical Rating: Max. Power Consumption: 12.5mW at max. 25mA or 25V DC
- Strain Relief: - Standard straight-through (IP 68)
  - Bend protection (IP 68)
  - Trumpet Pull/Bend protection (IP 68)
- Cable: - Multi conductor, PVC, SJT
  - Multi conductor, PVC, SJT, shielded
  - Per customer specifications
- Connectors: - Per customer specifications
- IEC 601-1 certified
- Die cast aluminum pedal
- Potentiometer available upon request
- Custom colors available upon request
- Combination of different switch inserts

\* Maintained contacts available upon request

### Dimensions



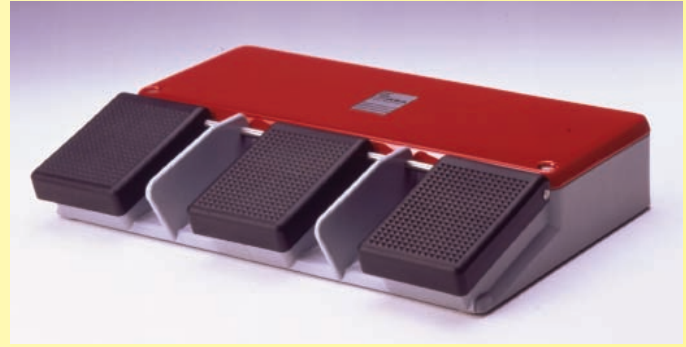
ALTECH CORP®, 35 ROYAL ROAD, FLEMINGTON, NJ 08822-6000 • 908.806.9400

## FS3

- Heavy duty medium size, three pedal foot switch

### Standard Features

- Housing: Die cast aluminum body and cover with Polyamide 6.6 pedals  
Colors: Gray body, red cover and black pedals  
Anti-Trip: Die cast aluminum pedal and lever in gray (available on some models)
- Protection Level: IP 65
- Switch Insert: Snap action or slow make-break  
Silver alloy contact material  
Electrical Rating: 10A/500V AC (If used with appropriate cable, see cable chart on page 29)  
Contact Types: Momentary, maintained, or two stage momentary  
Circuit: SPDT-DB; DPDT-DB
- Cable Entry: Three threaded holes (M20)
- Temperature Range: -30°C up to +80°C (-22°F up to +176°F)



### Ordering Information

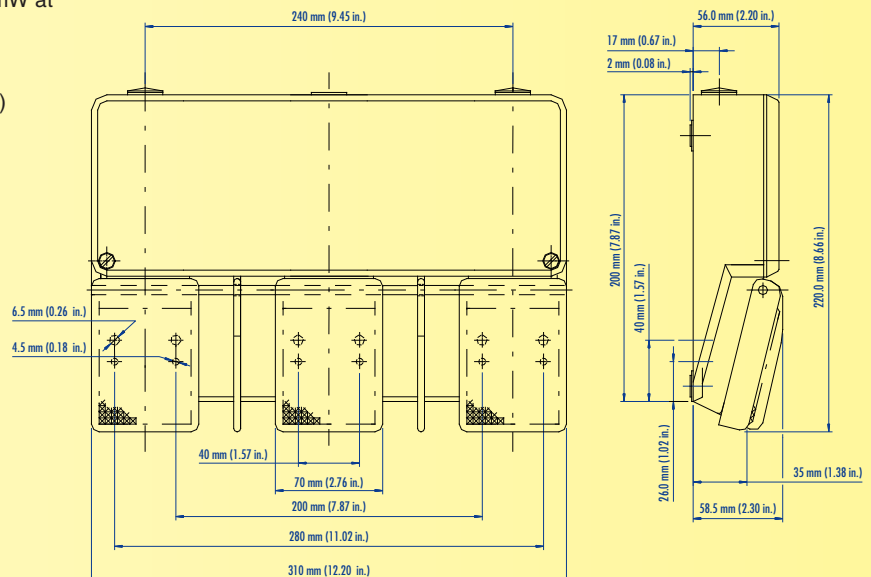
| Type              | Catalog No. | Circuit Function                    | Electrical Ratings | Switch/Contact Type                  | Anti-Trip | Cable Screw Terminals | Protection Level |
|-------------------|-------------|-------------------------------------|--------------------|--------------------------------------|-----------|-----------------------|------------------|
| <b>FS3</b>        |             |                                     |                    |                                      |           |                       |                  |
| FS3 U1 (3x)       | 51.301      | <input type="checkbox"/> SPDT-DB    | 10A/500V AC        | Slow make-break, Momentary           |           | X                     | IP 65            |
| FS3 U1R (3x)      | 51.302      | <input type="checkbox"/> SPDT-DB    | 10A/500V AC        | Slow make-break, Maintained          |           | X                     | IP 65            |
| FS3 U1S (3x)      | 51.303      | <input type="checkbox"/> SPDT-DB    | 10A/500V AC        | Slow make-break, Momentary           | X         | X                     | IP 65            |
| FS3 U1RS (3x)     | 51.304      | <input type="checkbox"/> SPDT-DB    | 10A/500V AC        | Slow make-break, Maintained          | X         | X                     | IP 65            |
| FS3 SU1 (3x)      | 51.305      | <input type="checkbox"/> SPDT-DB    | 10A/500V AC        | Snap Action, Momentary               |           | X                     | IP 65            |
| FS3 SU1R (3x)     | 51.306      | <input type="checkbox"/> SPDT-DB    | 10A/500V AC        | Snap Action, Maintained              |           | X                     | IP 65            |
| FS3 SU1S (3x)     | 51.307      | <input type="checkbox"/> SPDT-DB    | 10A/500V AC        | Snap Action, Momentary               | X         | X                     | IP 65            |
| FS3 SU1RS (3x)    | 51.308      | <input type="checkbox"/> SPDT-DB    | 10A/500V AC        | Snap Action, Maintained              | X         | X                     | IP 65            |
| FS3 U2 (3x)       | 51.309      | <input type="checkbox"/> DPDT-DB    | 10A/500V AC        | Slow make-break, Momentary*          |           | X                     | IP 65            |
| FS3 U1DU1 (3x)    | 51.310      | <input type="checkbox"/> 2x SPDT-DB | 10A/500V AC        | Slow make-break, Two Stage Momentary |           | X                     | IP 65            |
| FS3 U2S (3x)      | 51.311      | <input type="checkbox"/> DPDT-DB    | 10A/500V AC        | Slow make-break, Momentary*          | X         | X                     | IP 65            |
| FS3 U1DU1S (3x)   | 51.312      | <input type="checkbox"/> 2x SPDT-DB | 10A/500V AC        | Slow make-break, Two Stage Momentary | X         | X                     | IP 65            |
| FS3 SU2 (3x)      | 51.313      | <input type="checkbox"/> DPDT-DB    | 10A/500V AC        | Snap Action, Momentary*              |           | X                     | IP 65            |
| FS3 SU1DSU1 (3x)  | 51.314      | <input type="checkbox"/> 2x SPDT-DB | 10A/500V AC        | Snap Action, Two Stage Momentary     |           | X                     | IP 65            |
| FS3 SU2S (3x)     | 51.315      | <input type="checkbox"/> DPDT-DB    | 10A/500V AC        | Snap Action, Momentary*              | X         | X                     | IP 65            |
| FS3 SU1DSU1S (3x) | 51.316      | <input type="checkbox"/> 2x SPDT-DB | 10A/500V AC        | Snap Action, Two Stage Momentary     | X         | X                     | IP 65            |

Gray body, red cover and black (Anti-Trip: gray) pedal

### Options

- Protection Level: - Ex - Explosion protected
- Switch Insert: - Gold plated contacts for low current applications  
Electrical Rating: Max. Power Consumption: 12.5mW at max. 25mA or max. 25V DC
- Strain Relief: - Standard straight-through (IP 68)  
- Bend protection (IP 68)  
- Trumpet Pull/Bend protection (IP 68)
- Cable: - Multi conductor, PVC, SJT  
- Multi conductor, PVC, SJT, shielded  
- Per customer specifications
- Connectors: - Per customer specifications
- IEC 601-1 certified
- Die cast aluminum pedal
- Potentiometer available upon request
- Custom colors available upon request
- Combination of different switch inserts

### Dimensions



\* Maintained contacts available upon request

## FS3 ... U

- Heavy duty medium size, three pedal foot switch with guard

### Standard Features

- Housing: Die cast aluminum body and Polyamide 6.6 pedals
- Guard: Die cast aluminum
  - Colors: Gray body, red guard and black pedals
  - Anti-Trip: Die cast aluminum pedal and lever in gray (available on some models)
- Protection Level: IP 65
- Switch Insert: Snap action or slow make-break
  - Silver alloy contact material
- Electrical Rating: 10A/500V AC (If used with appropriate cable, see cable chart on page 29)
- Contact Types: Momentary, maintained, or two stage momentary
- Circuit: SPDT-DB; DPDT-DB
- Cable Entry: Three threaded holes (M20)
- Temperature Range: -30°C up to +80°C (-22°F up to +176°F)



### Ordering Information

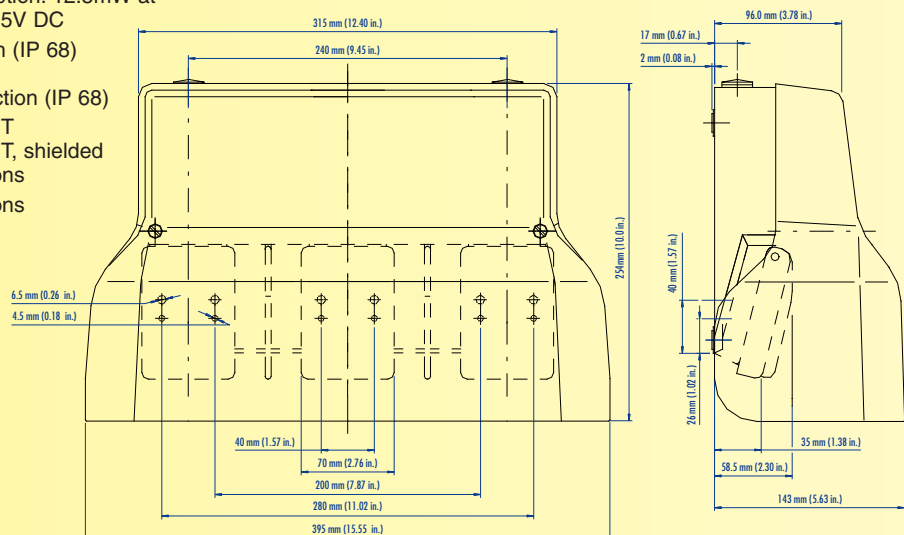
| Type                               | Catalog No. | Circuit Function | Electrical Ratings | Switch/Contact Type                  | Anti-Trip | Cable Screw Terminals | Protection Level |
|------------------------------------|-------------|------------------|--------------------|--------------------------------------|-----------|-----------------------|------------------|
| <b>FS3 ... U - with Foot Guard</b> |             |                  |                    |                                      |           |                       |                  |
| FS3 U1 (3x) U                      | 51.351      | SPDT-DB          | 10A/500V AC        | Slow make-break, Momentary           |           | X                     | IP 65            |
| FS3 U1R (3x) U                     | 51.352      | SPDT-DB          | 10A/500V AC        | Slow make-break, Maintained          |           | X                     | IP 65            |
| FS3 U1S (3xs) U                    | 51.353      | SPDT-DB          | 10A/500V AC        | Slow make-break                      | X         | X                     | IP 65            |
| FS3 U1RS (3x) U                    | 51.354      | SPDT-DB          | 10A/500V AC        | Slow make-break, Maintained          | X         | X                     | IP 65            |
| FS3 SU1 (3x) U                     | 51.355      | SPDT-DB          | 10A/500V AC        | Snap Action, Momentary               |           | X                     | IP 65            |
| FS3 SU1R (3x) U                    | 51.356      | SPDT-DB          | 10A/500V AC        | Snap Action, Maintained              |           | X                     | IP 65            |
| FS3 SU1S (3x) U                    | 51.357      | SPDT-DB          | 10A/500V AC        | Snap Action                          | X         | X                     | IP 65            |
| FS3 SU1RS (3x) U                   | 51.358      | SPDT-DB          | 10A/500V AC        | Snap Action, Maintained              | X         | X                     | IP 65            |
| FS3 U2 (3x) U                      | 51.359      | DPDT-DB          | 10A/500V AC        | Slow make-break, Momentary*          |           | X                     | IP 65            |
| FS3 U1DU1 (3x) U                   | 51.360      | 2x SPDT-DB       | 10A/500V AC        | Slow make-break, Two Stage Momentary |           | X                     | IP 65            |
| FS3 U2S (3x) U                     | 51.361      | DPDT-DB          | 10A/500V AC        | Slow make-break, Momentary*          | X         | X                     | IP 65            |
| FS3 U1DU1S (3x) U                  | 51.362      | 2x SPDT-DB       | 10A/500V AC        | Slow make-break, Two Stage Momentary | X         | X                     | IP 65            |
| FS3 SU2 (3x) U                     | 51.363      | DPDT-DB          | 10A/500V AC        | Snap Action, Momentary*              |           | X                     | IP 65            |
| FS3 SU1DSU1 (3x) U                 | 51.364      | 2x SPDT-DB       | 10A/500V AC        | Snap Action, Two Stage Momentary     |           | X                     | IP 65            |
| FS3 SU2S (3x) U                    | 51.365      | DPDT-DB          | 10A/500V AC        | Snap Action, Momentary*              | X         | X                     | IP 65            |
| FS3 SU1DSU1S (3x) U                | 51.366      | 2x SPDT-DB       | 10A/500V AC        | Snap Action, Two Stage Momentary     | X         | X                     | IP 65            |

Gray body, red cover and black (Anti-Trip: gray) pedal

### Options

- Protection Level: - Ex - Explosion protected
- Switch Insert: - Gold plated contacts for low current applications
  - Electrical Rating: Max. Power Consumption: 12.5mW at max. 25mA or max. 25V DC
- Strain Relief: - Standard straight-through (IP 68)
  - Bend protection (IP 68)
  - Trumpet Pull/Bend protection (IP 68)
- Cable: - Multi conductor, PVC, SJT
  - Multi conductor, PVC, SJT, shielded
  - Per customer specifications
- Connectors: - Per customer specifications
- IEC 601-1 certified
- Die cast aluminum pedal
- Potentiometer available upon request
- Custom colors available upon request
- Combination of different switch inserts

### Dimensions



\* Maintained contacts available upon request



Компания «ЭлектроПласт» предлагает заключение долгосрочных отношений при поставках импортных электронных компонентов на взаимовыгодных условиях!

Наши преимущества:

- Оперативные поставки широкого спектра электронных компонентов отечественного и импортного производства напрямую от производителей и с крупнейших мировых складов;
- Поставка более 17-ти миллионов наименований электронных компонентов;
- Поставка сложных, дефицитных, либо снятых с производства позиций;
- Оперативные сроки поставки под заказ (от 5 рабочих дней);
- Экспресс доставка в любую точку России;
- Техническая поддержка проекта, помощь в подборе аналогов, поставка прототипов;
- Система менеджмента качества сертифицирована по Международному стандарту ISO 9001;
- Лицензия ФСБ на осуществление работ с использованием сведений, составляющих государственную тайну;
- Поставка специализированных компонентов (Xilinx, Altera, Analog Devices, Intersil, Interpoint, Microsemi, Aeroflex, Peregrine, Syfer, Eurofarad, Texas Instrument, Miteq, Cobham, E2V, MA-COM, Hittite, Mini-Circuits, General Dynamics и др.);

Помимо этого, одним из направлений компании «ЭлектроПласт» является направление «Источники питания». Мы предлагаем Вам помощь Конструкторского отдела:

- Подбор оптимального решения, техническое обоснование при выборе компонента;
- Подбор аналогов;
- Консультации по применению компонента;
- Поставка образцов и прототипов;
- Техническая поддержка проекта;
- Защита от снятия компонента с производства.



#### Как с нами связаться

**Телефон:** 8 (812) 309 58 32 (многоканальный)

**Факс:** 8 (812) 320-02-42

**Электронная почта:** [org@eplast1.ru](mailto:org@eplast1.ru)

**Адрес:** 198099, г. Санкт-Петербург, ул. Калинина, дом 2, корпус 4, литера А.