

| REVISIONS | | | | |
|-----------|---------|---------------------------|----------|----------|
| REV. | ECN/E-R | DESCRIPTION | DATE | APPROVED |
| A | | PROPOSAL | MAR26/09 | |
| B | | UPDATED | JUL14/09 | |
| C | | B-B APPLICATION SPECIFIED | AUG14/09 | |

MATERIAL:

CAGE:
COPPER ALLOY

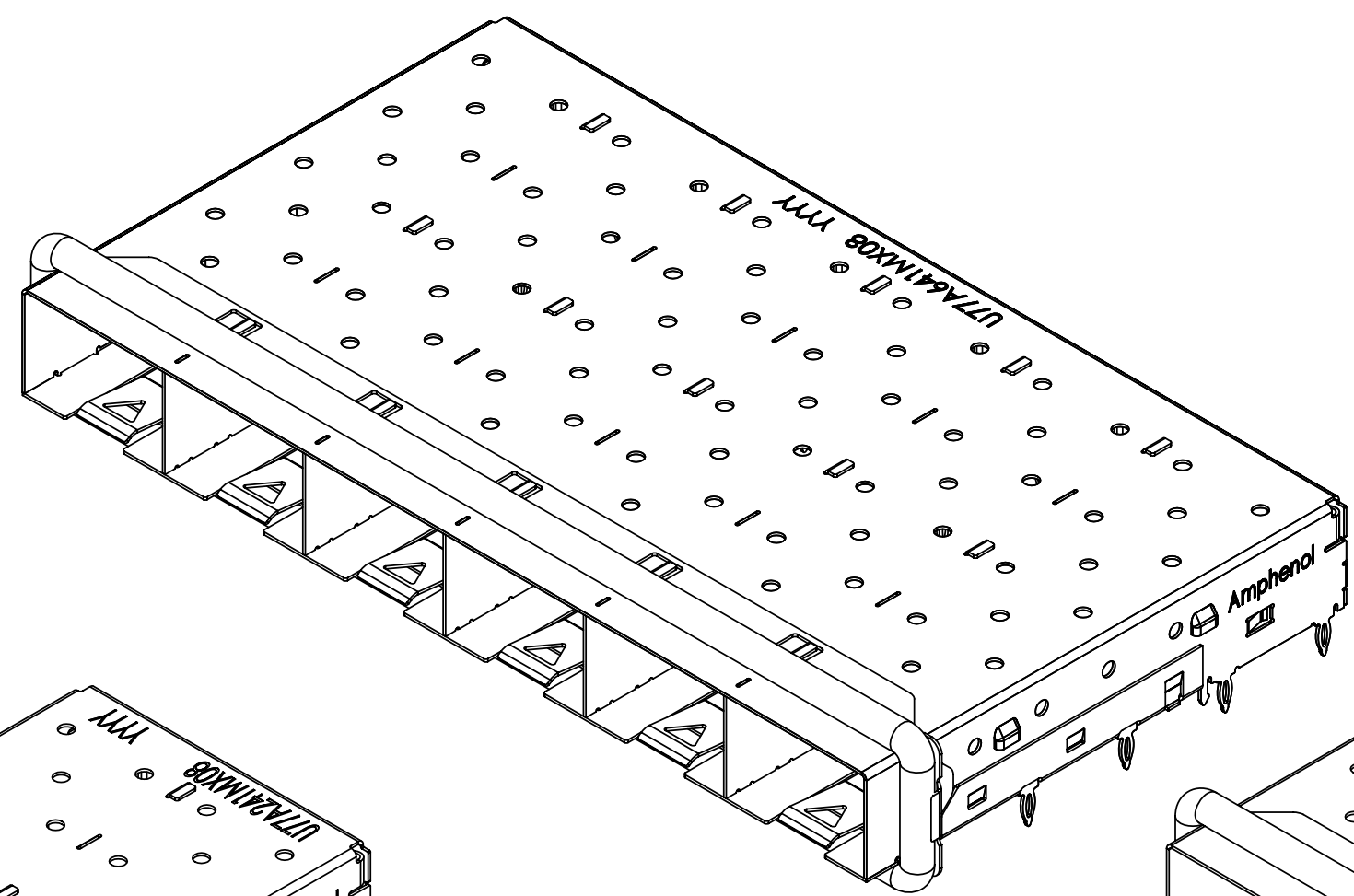
PLATING OPTION X=2:
2.54um MIN. NICKEL

PLATING OPTION X=3:
3.81um MIN. MATTE TIN
OVER 1.27um MIN. NICKEL.

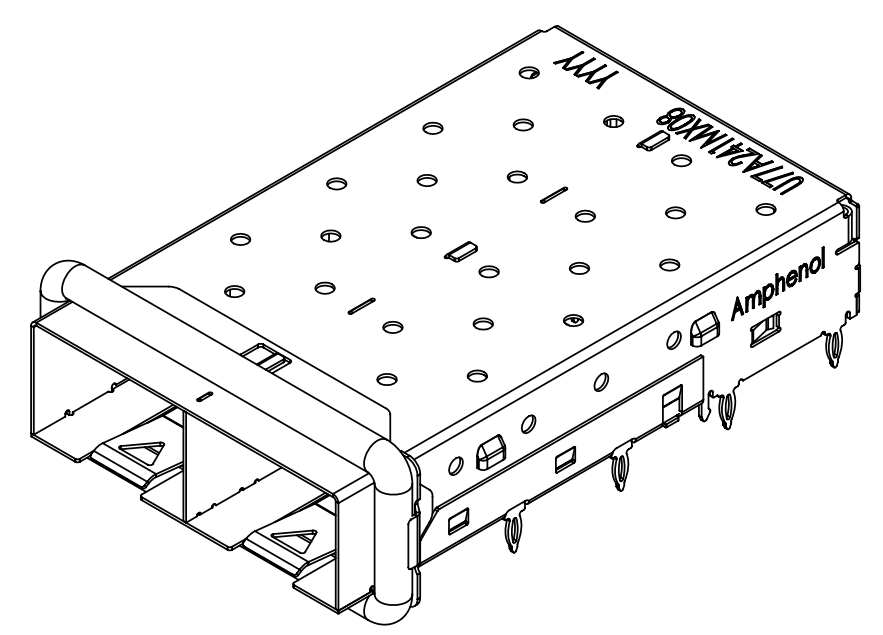
GASKET:
CONDUCTIVE ELASTOMER
FLAMMABILITY RATING
UL94-V0

PACKAGING:
TRAY PACKAGING

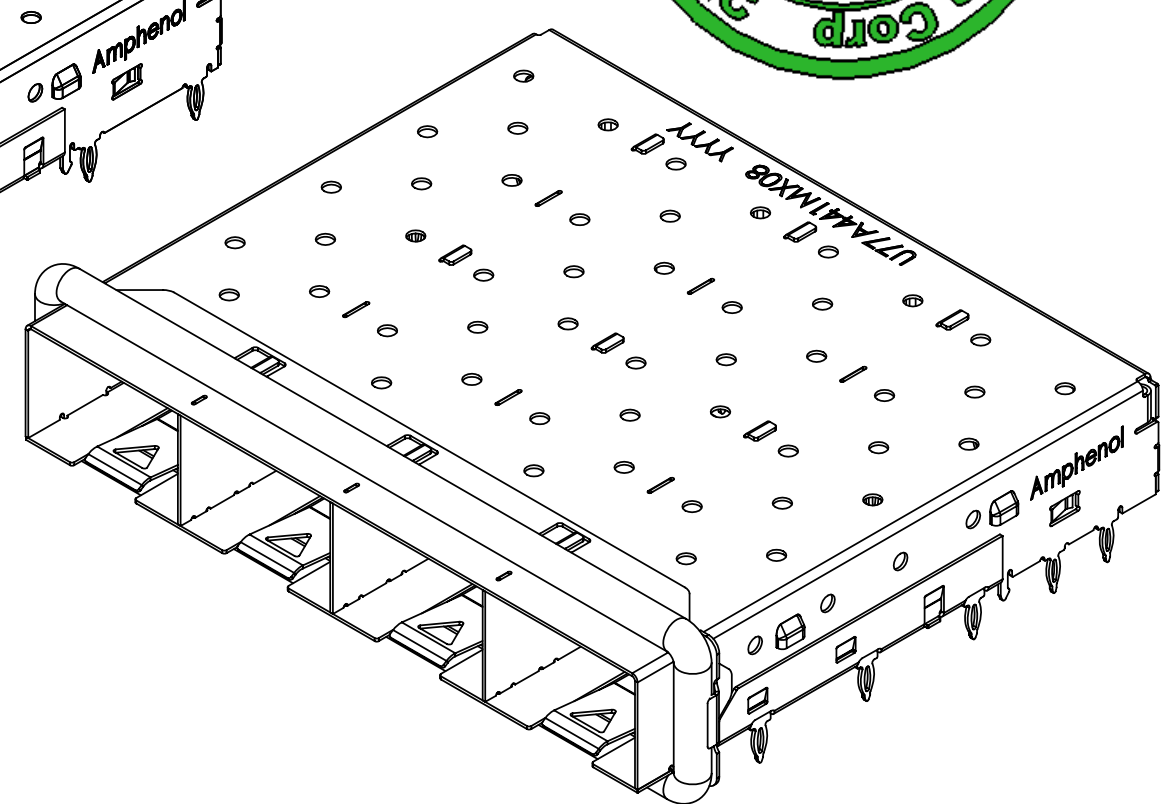
TEMPERATURE RANGE:
-40C TO +85C



P/N: U77-A641M-X081 SHOWN



P/N: U77-A241M-X081 SHOWN



P/N: U77-A441M-X081 SHOWN

AMPHENOL PART NUMBER CONFIGURATION

U77 - A X 4 1 M - X 0 8 1

- PACKAGING
1 = TRAY PACKAGING
- PLATING
2 = NICKEL PLATING
3 = MATTE TIN PLATING
- NUMBER OF PORTS
2 = 2 PORTS
4 = 4 PORTS
6 = 6 PORTS

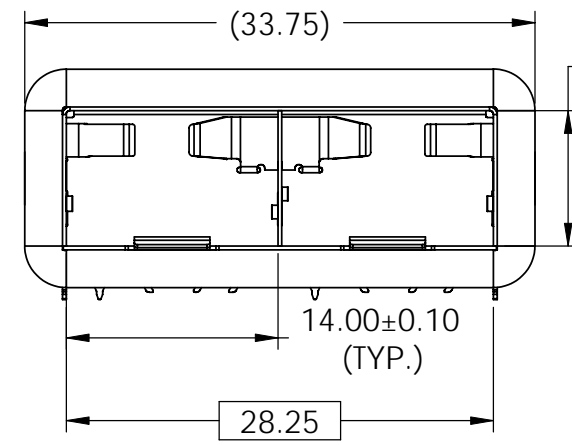
NOTE:
PRODUCT COMPLIES WITH SFF 8433 SPEC.

DO NOT SCALE DRAWING

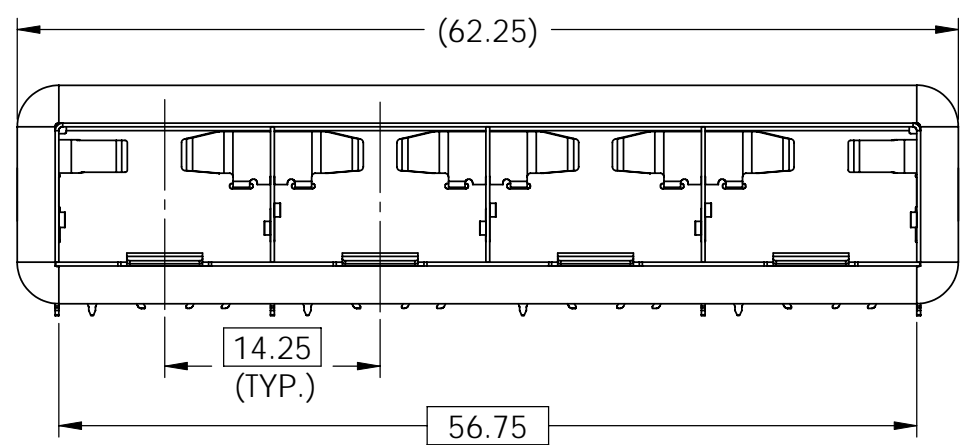
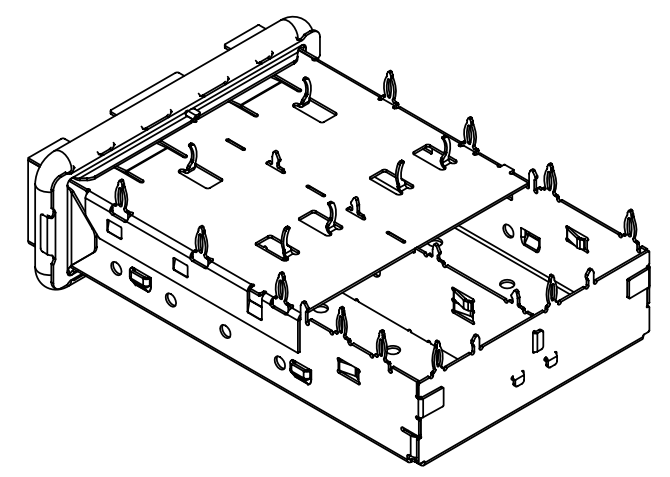
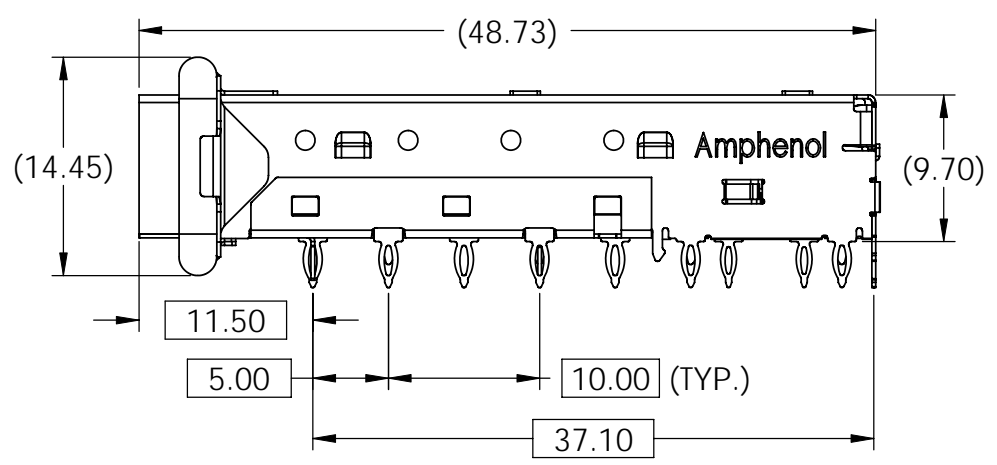
THIS DOCUMENT CONTAINS PROPRIETARY INFORMATION AND SUCH INFORMATION MAY NOT BE DISCLOSED TO OTHERS FOR ANY PURPOSE OR USED FOR MANUFACTURING PURPOSES WITHOUT PERMISSION FROM AMPHENOL CANADA CORP.

| | | | | | | |
|--|----------------|------------------|--------------|----------|--|-----------------------------|
| UNLESS OTHERWISE SPECIFIED DIMENSIONS ARE IN MILLIMETERS TOLERANCES ARE: | | APPROVALS | | DATE | Amphenol Canada Corp. | |
| DECIMALS X.X ± 0.38 X.XX ± 0.25 | ANGLES ± 1° | DRAWN ChigowX | DESIGNED | MAR04/09 | TITLE | |
| MATERIAL AND FINISH SEE NOTE 1 | | CHECKED J.SI | QA APPD | MAR26/09 | 1XN SFP+ CAGE ASSEMBLY WITH ELASTOMERIC GASKET | |
| REF. | IE APPD | DWG APPD A.G. | SCALE 2:1 | PROJECT | SIZE A3 | DWG. NO P-U77-AX41M-X081 |
| CODE IDENT. NO. 03554 | | | | | REV. C | SHEET 1 OF 10 |

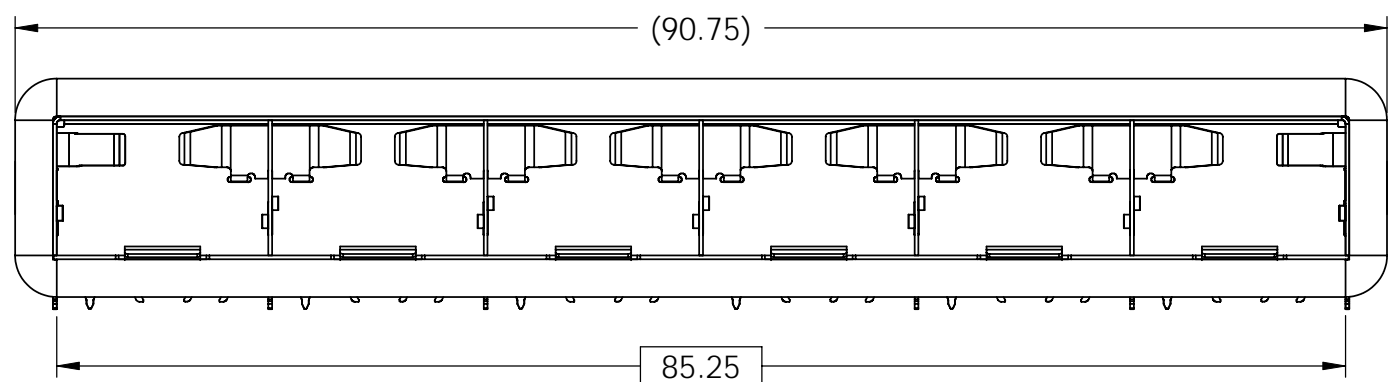
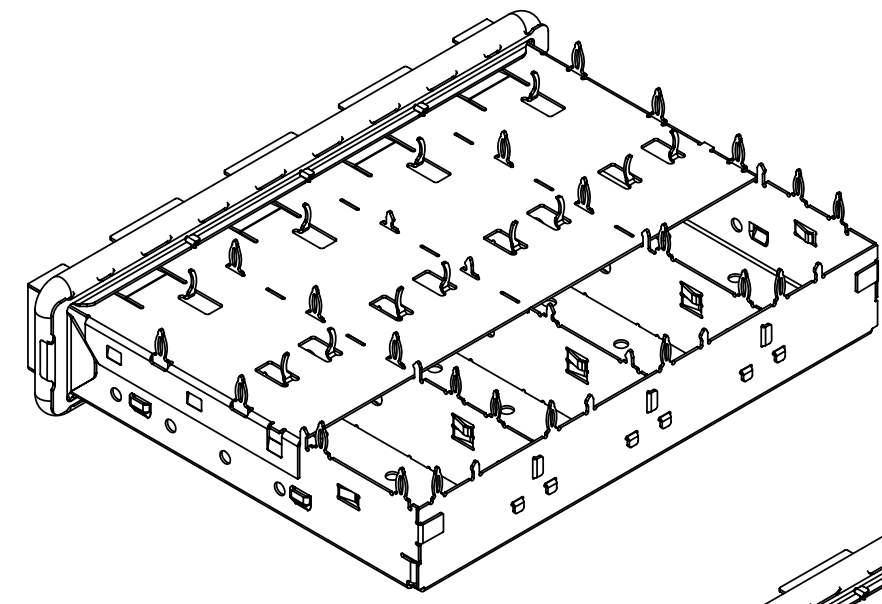
| REVISIONS | | | | |
|-----------|---------|---------------------------|----------|----------|
| REV. | ECN/E-R | DESCRIPTION | DATE | APPROVED |
| A | | PROPOSAL | MAR26/09 | |
| B | | UPDATED | JUL14/09 | |
| C | | B-B APPLICATION SPECIFIED | AUG14/09 | |



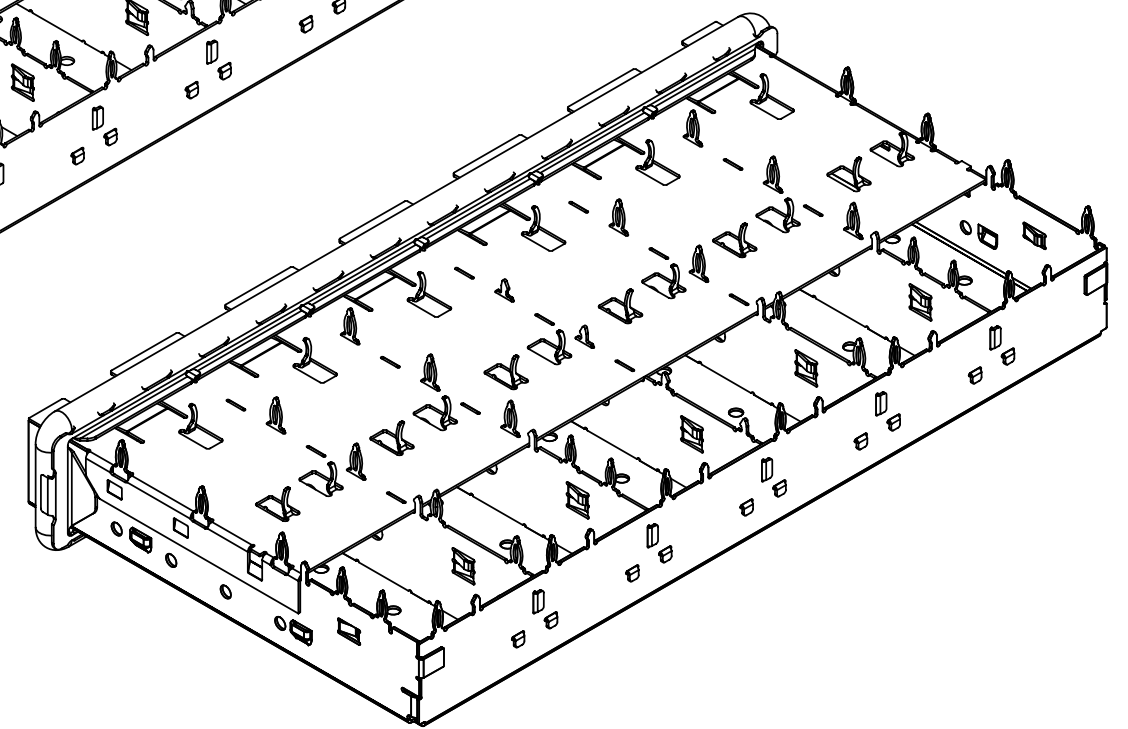
U77-A241M-X081



U77-A441M-X081



U77-A641M-X081



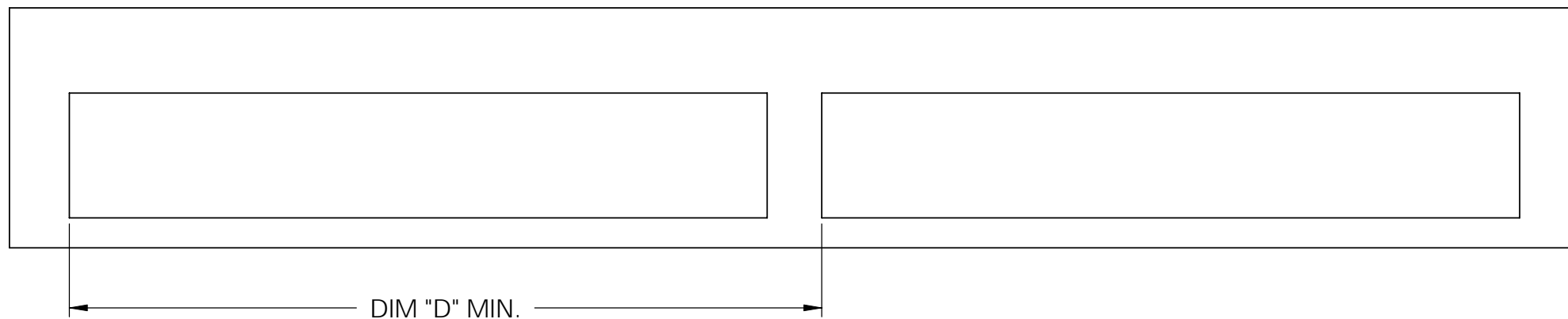
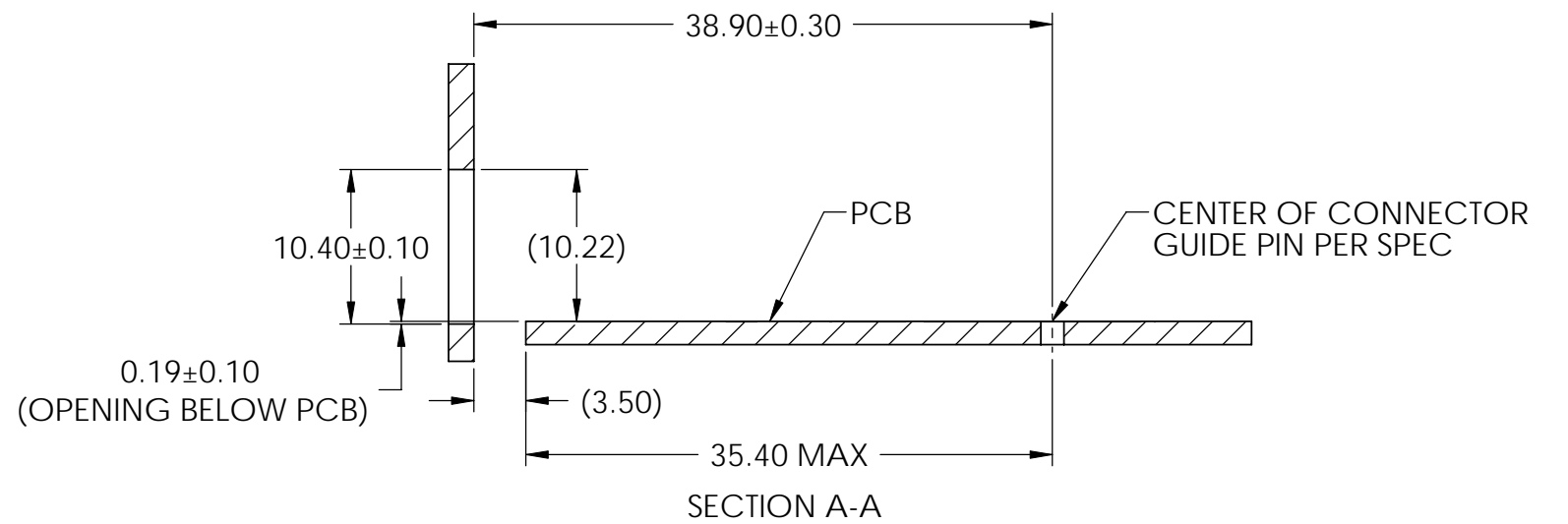
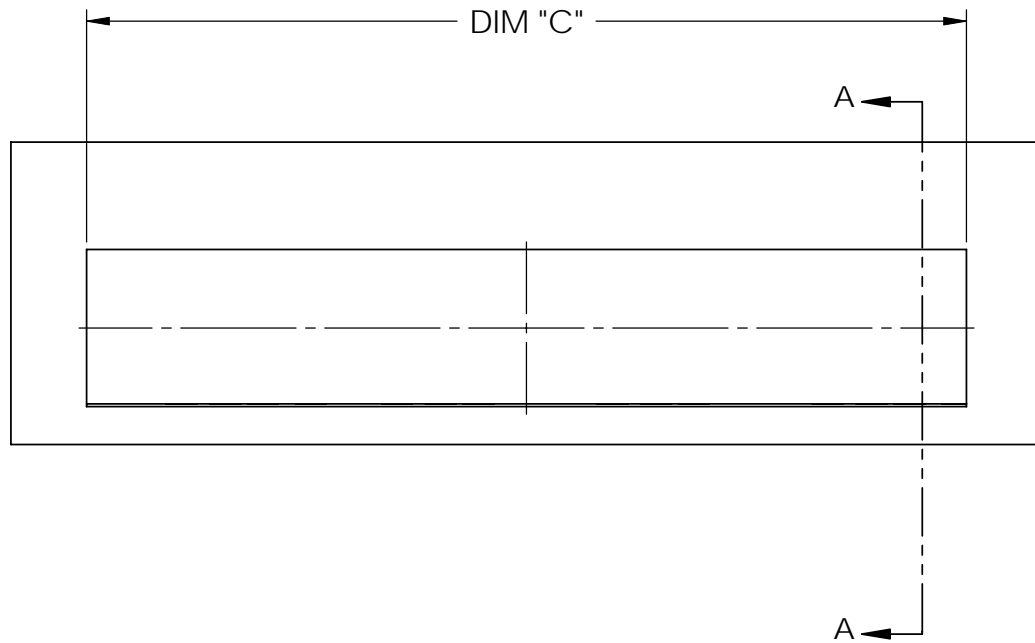
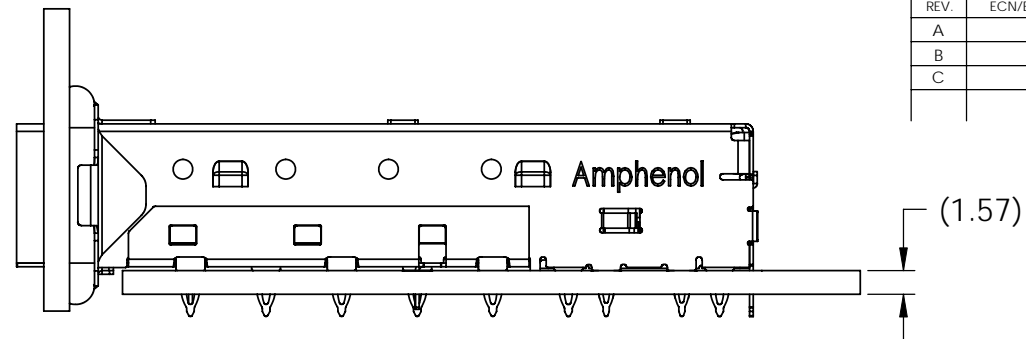
DO NOT SCALE DRAWING

THIS DOCUMENT CONTAINS PROPRIETARY INFORMATION AND SUCH INFORMATION MAY NOT BE DISCLOSED TO OTHERS FOR ANY PURPOSE OR USED FOR MANUFACTURING PURPOSES WITHOUT PERMISSION FROM AMPHENOL CANADA CORP.

| | | | | | | | | | | |
|--|----------------|------------------|----------|-------------|--------------|--|-----------------------------|------------------|--|--|
| UNLESS OTHERWISE SPECIFIED DIMENSIONS ARE IN MILLIMETERS TOLERANCES ARE: | | APPROVALS | | DATE | | Amphenol Canada Corp. | | | | |
| DECIMALS X.X ± 0.38 X.XX ± 0.25 | ANGLES ± 1° | DRAWN ChigowX | DESIGNED | MAR04/09 | | TITLE | | | | |
| MATERIAL AND FINISH SEE NOTE 1 | | CHECKED J.SI | QA APPD | MAR26/09 | | 1XN SFP+ CAGE ASSEMBLY WITH ELASTOMERIC GASKET | | | | |
| REF. | | IE APPD | | | | SIZE A3 | DWG. NO P-U77-AX41M-X081 | REV. C | | |
| CODE IDENT. NO 03554 | | DWG APPD A.G. | | MAR26/09 | SCALE 2:1 | PROJECT | | SHEET 2 OF 10 | | |

| PART NUMBER | DIM "C" | DIM "D" |
|----------------|---------|---------|
| U77-A241M-X091 | 29.70 | 34.25 |
| U77-A441M-X091 | 58.20 | 62.75 |
| U77-A641M-X091 | 86.70 | 91.25 |

| REVISIONS | | | | |
|-----------|---------|---------------------------|----------|----------|
| REV. | ECN/E-R | DESCRIPTION | DATE | APPROVED |
| A | | PROPOSAL | MAR26/09 | |
| B | | UPDATED | JUL14/09 | |
| C | | B-B APPLICATION SPECIFIED | AUG14/09 | |

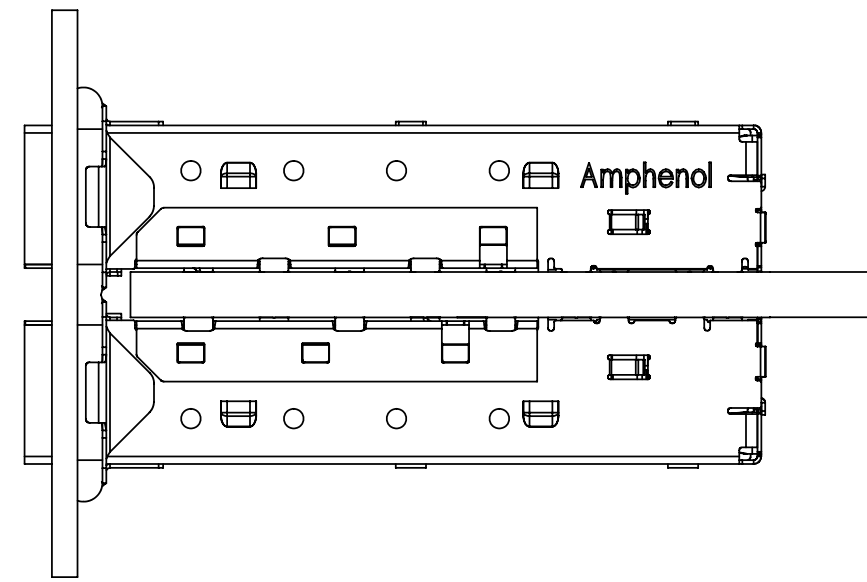


| | | | | | |
|---|------------------|-------------|------------------------------|---------------------------|---|
| UNLESS OTHERWISE SPECIFIED DIMENSIONS ARE IN MILLIMETERS TOLERANCES ARE: DECIMALS X.X ± 0.38 X.XX ± 0.25 MATERIAL AND FINISH SEE NOTE 1 REF. CODE IDENT. NO. 03554 | APPROVALS | DATE | Amphenol Canada Corp. | | |
| | DRAWN ChigowX | MAR04/09 | | | 1XN SFP+ CAGE ASSEMBLY WITH ELASTOMERIC GASKET |
| | DESIGNED | | SIZE A3 | DWG. NO. P-U77-AX41M-X081 | |
| | CHECKED J.SI | MAR26/09 | SCALE 2:1 | PROJECT | SHEET 3 OF 10 |

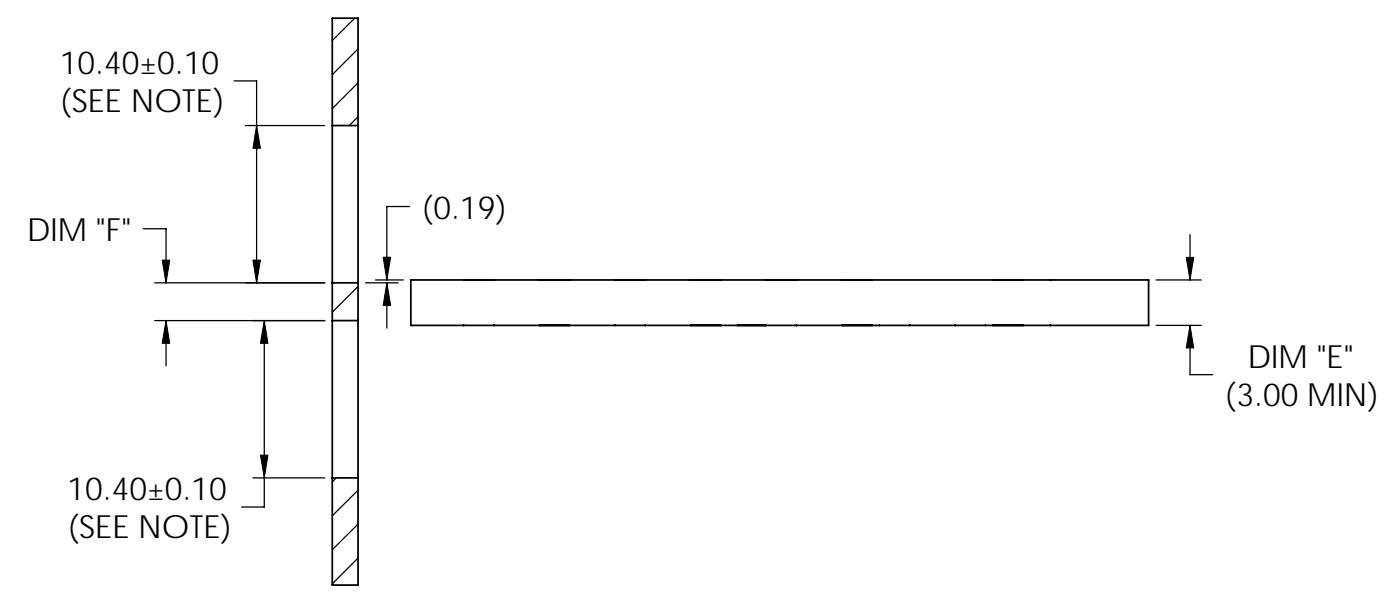
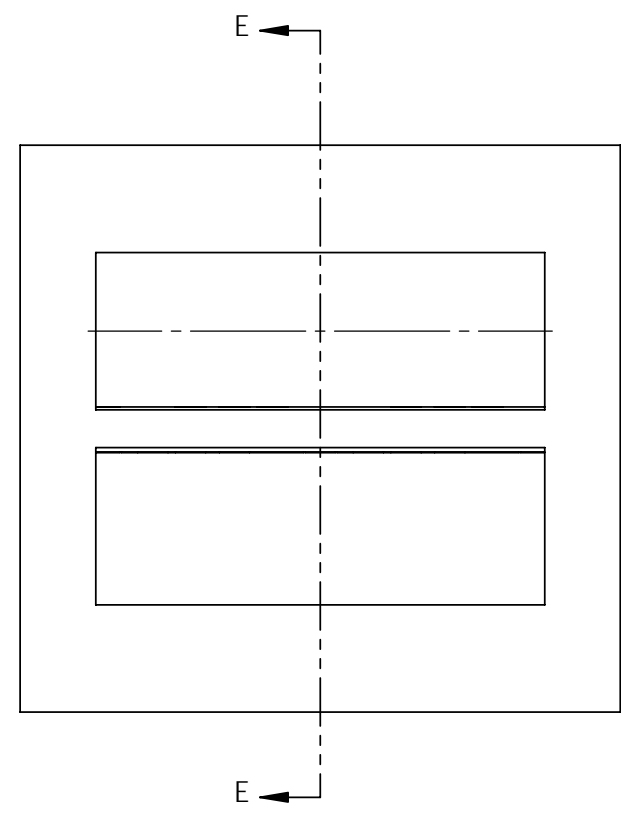
DO NOT SCALE DRAWING

THIS DOCUMENT CONTAINS PROPRIETARY INFORMATION AND SUCH INFORMATION MAY NOT BE DISCLOSED TO OTHERS FOR ANY PURPOSE OR USED FOR MANUFACTURING PURPOSES WITHOUT PERMISSION FROM AMPHENOL CANADA CORP.

| REVISIONS | | | | |
|-----------|---------|---------------------------|----------|----------|
| REV. | ECN/E-R | DESCRIPTION | DATE | APPROVED |
| A | | PROPOSAL | MAR26/09 | |
| B | | UPDATED | JUL14/09 | |
| C | | B-B APPLICATION SPECIFIED | AUG14/09 | |



NOTE:
 PANEL CUTOUT SIZES PER SFF 8433 SPEC. FOR BELLY TO BELLY MOUNTING, DIM "E" (PCB THICKNESS) IS 3.0 mm MIN. DIM "F" RELATED TO DIM "E". FOR DIM "F" = DIM "E" - 0.44 mm. THE PANEL CUTOUT 10.40 mm MIGHT BE INCREASED UP TO 10.80 mm IN ORDER TO ACCOMMODATE PCB TOLERANCE.



SECTION E-E

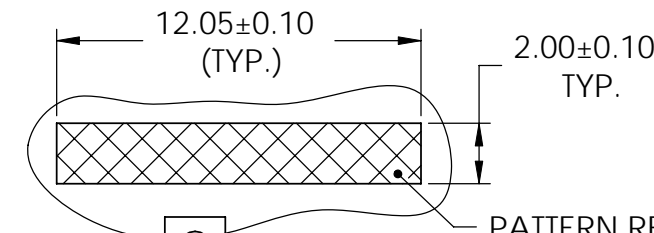
DO NOT SCALE DRAWING

THIS DOCUMENT CONTAINS PROPRIETARY INFORMATION AND SUCH INFORMATION MAY NOT BE DISCLOSED TO OTHERS FOR ANY PURPOSE OR USED FOR MANUFACTURING PURPOSES WITHOUT PERMISSION FROM AMPHENOL CANADA CORP.

| | | | | |
|---|--|--|--|--|
| UNLESS OTHERWISE SPECIFIED DIMENSIONS ARE IN MILLIMETERS TOLERANCES ARE: DECIMALS X.X ± 0.38 X.XX ± 0.25 MATERIAL AND FINISH SEE NOTE 1 REF. CODE IDENT. NO. 03554 | APPROVALS | DATE | Amphenol Canada Corp. TITLE 1XN SFP+ CAGE ASSEMBLY WITH ELASTOMERIC GASKET | |
| | DRAWN ChigowX DESIGNED CHECKED J.SI QA APPD IE APPD DWG APPD A.G. | MAR04/09 MAR26/09 MAR26/09 | | |
| | SIZE A3 | DWG. NO. P-U77-AX41M-X081 | REV. C | |
| | SCALE 2:1 | PROJECT | SHEET 4 OF 10 | |

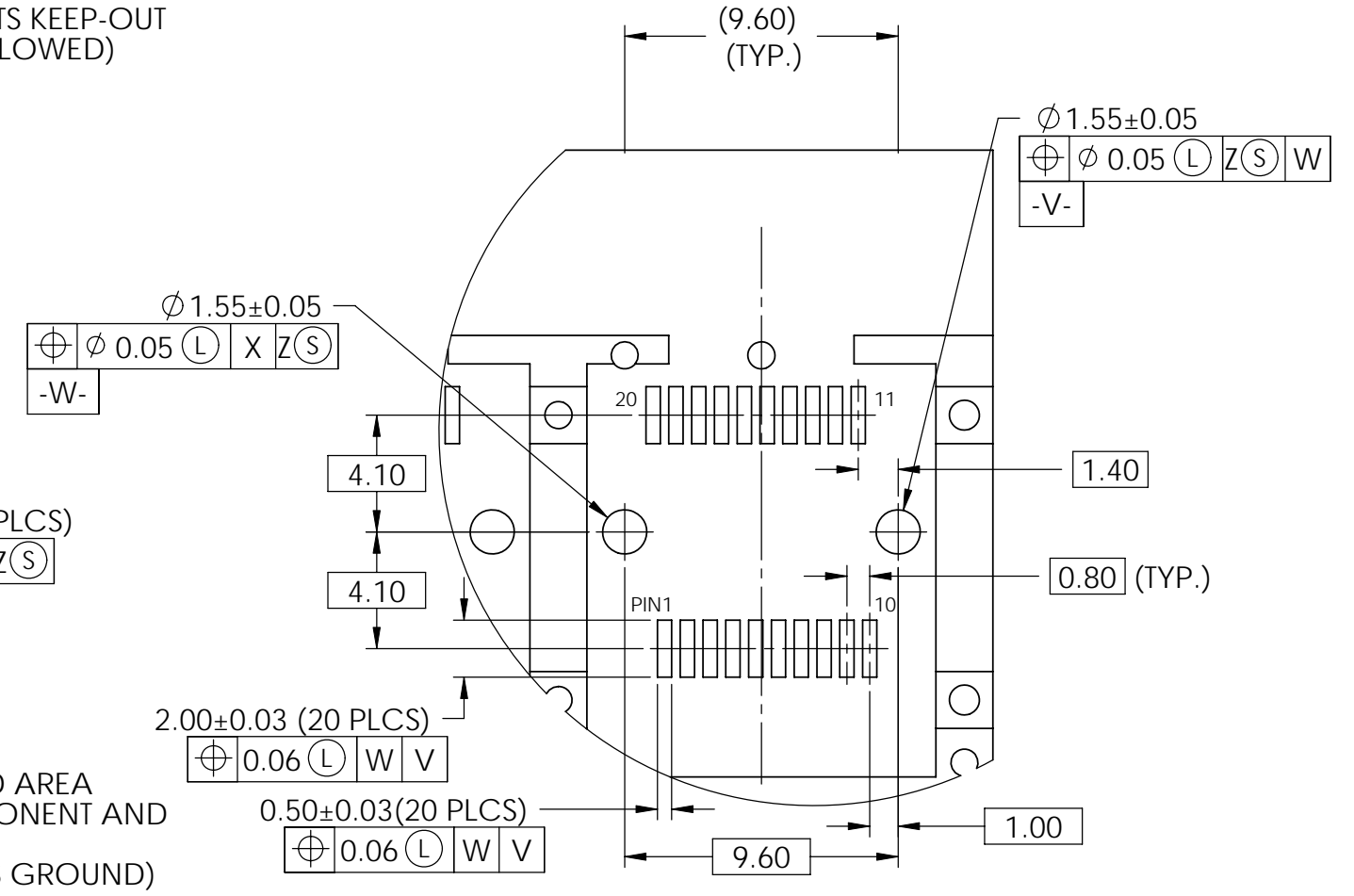
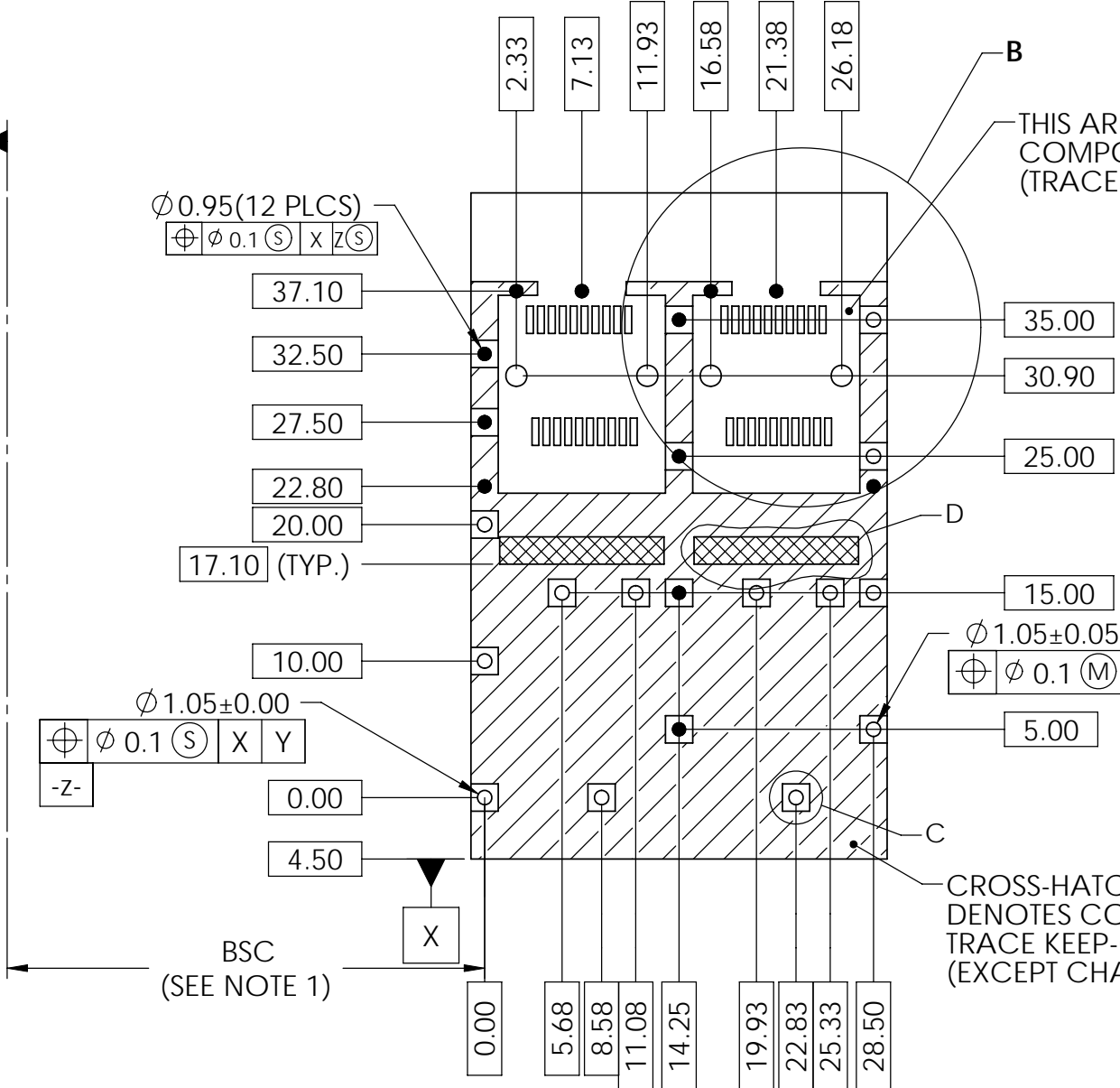
- NOTES:
 1. DATUM AND BASIC DIMENSIONS ESTABLISHED BY CUSTOMER.
 2. PADS AND VIAS ARE CHASSIS GROUND.
 3. THRU-HOLES, PLATING OPTIONAL.
 4. SEE DRAWINGS P-UX76-A20-X00XX FOR CONNECTOR LAYOUT.

| REVISIONS | | | | |
|-----------|---------|---------------------------|----------|----------|
| REV. | ECN/E-R | DESCRIPTION | DATE | APPROVED |
| A | | PROPOSAL | MAR26/09 | |
| B | | UPDATED | JUL14/09 | |
| C | | B-B APPLICATION SPECIFIED | AUG14/09 | |

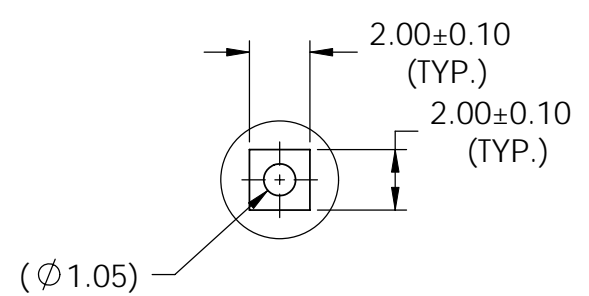


DETAIL D
SCALE 4 : 1

PATTERN REPEATS FOR EACH PORT.
 SPACING BETWEEN PORTS IS 14.25mm.
 APPLIES TO ALL GANGED LAYOUTS



DETAIL B
SCALE 4 : 1



DETAIL C
SCALE 4 : 1

**RECOMMENDED PCB DESIGN
 FOR SINGLE SIDE MOUNTING
 (P/N U77-A241M-X081)**

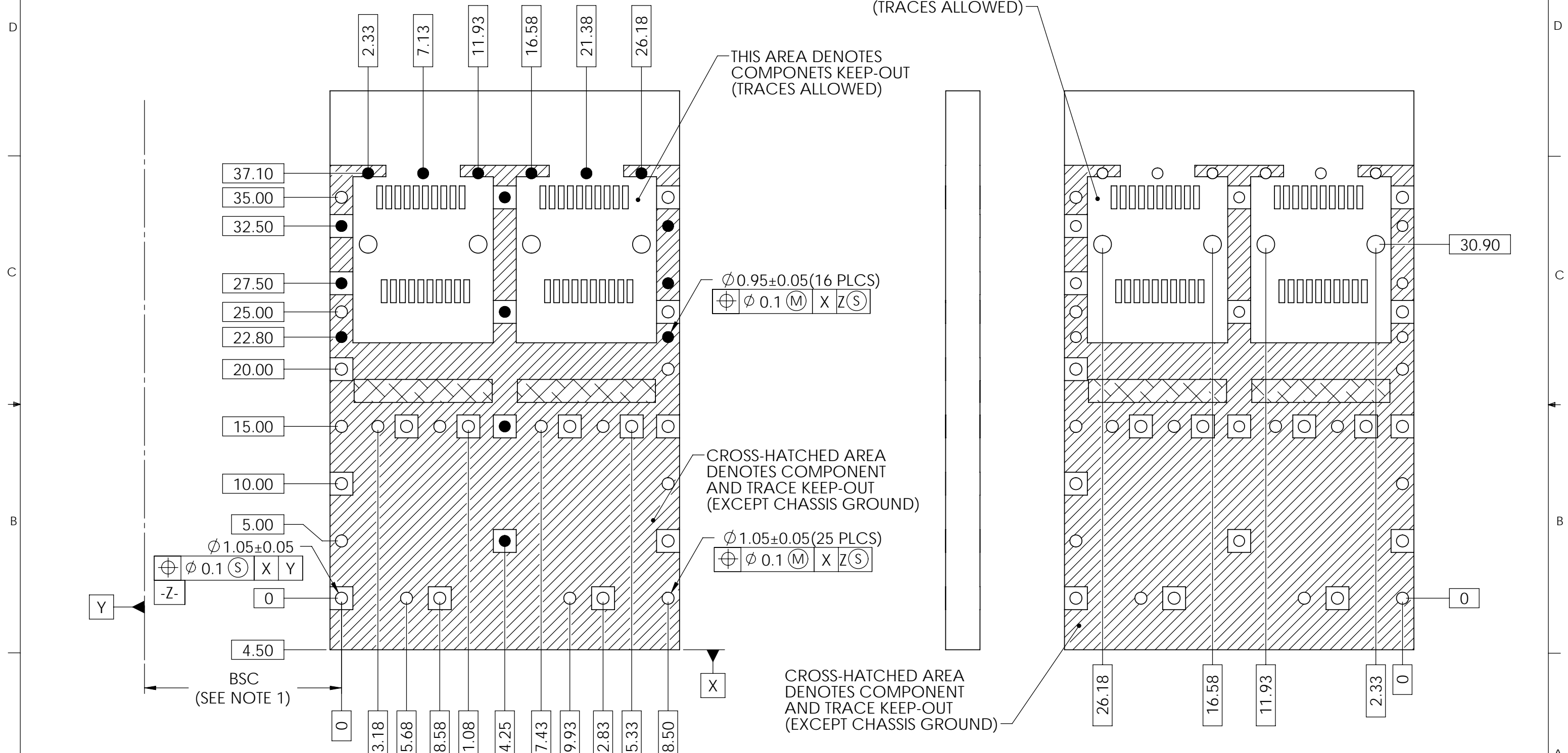
DO NOT SCALE DRAWING

THIS DOCUMENT CONTAINS PROPRIETARY INFORMATION AND SUCH INFORMATION MAY NOT BE DISCLOSED TO OTHERS FOR ANY PURPOSE OR USED FOR MANUFACTURING PURPOSES WITHOUT PERMISSION FROM AMPHENOL CANADA CORP.

| | | | | |
|---|--|--|-----------------------|--------------------------------------|
| UNLESS OTHERWISE SPECIFIED DIMENSIONS ARE IN MILLIMETERS TOLERANCES ARE: DECIMALS X.X ± 0.38 X.XX ± 0.25 MATERIAL AND FINISH SEE NOTE 1 REF. CODE IDENT. NO. 03554 | APPROVALS | DATE | Amphenol Canada Corp. | |
| | DRAWN ChigowX DESIGNED CHECKED J.SI QA APPD IE APPD DWG APPD A.G. | MAR04/09 MAR26/09 MAR26/09 | | |
| | | | SIZE A3 SCALE 2:1 | DWG. NO. P-U77-AX41M-X081 PROJECT |
| | | | | REV. C SHEET 5 OF 10 |

- NOTES:
 1. DATUM AND BASIC DIMENSIONS ESTABLISHED BY CUSTOMER.
 2. PADS AND VIAS ARE CHASSIS GROUND.
 3. THRU-HOLES, PLATING OPTIONAL.
 4. SEE DRAWINGS P-UX76-A20-X00XX FOR CONNECTOR LAYOUT.

| REVISIONS | | | | |
|-----------|---------|---------------------------|----------|----------|
| REV. | ECN/E-R | DESCRIPTION | DATE | APPROVED |
| A | | PROPOSAL | MAR26/09 | |
| B | | UPDATED | JUL14/09 | |
| C | | B-B APPLICATION SPECIFIED | AUG14/09 | |



**RECOMMENDED PCB DESIGN
 FOR BELLY TO BELLY MOUNTING
 (P/N U77-A241M-X081)**

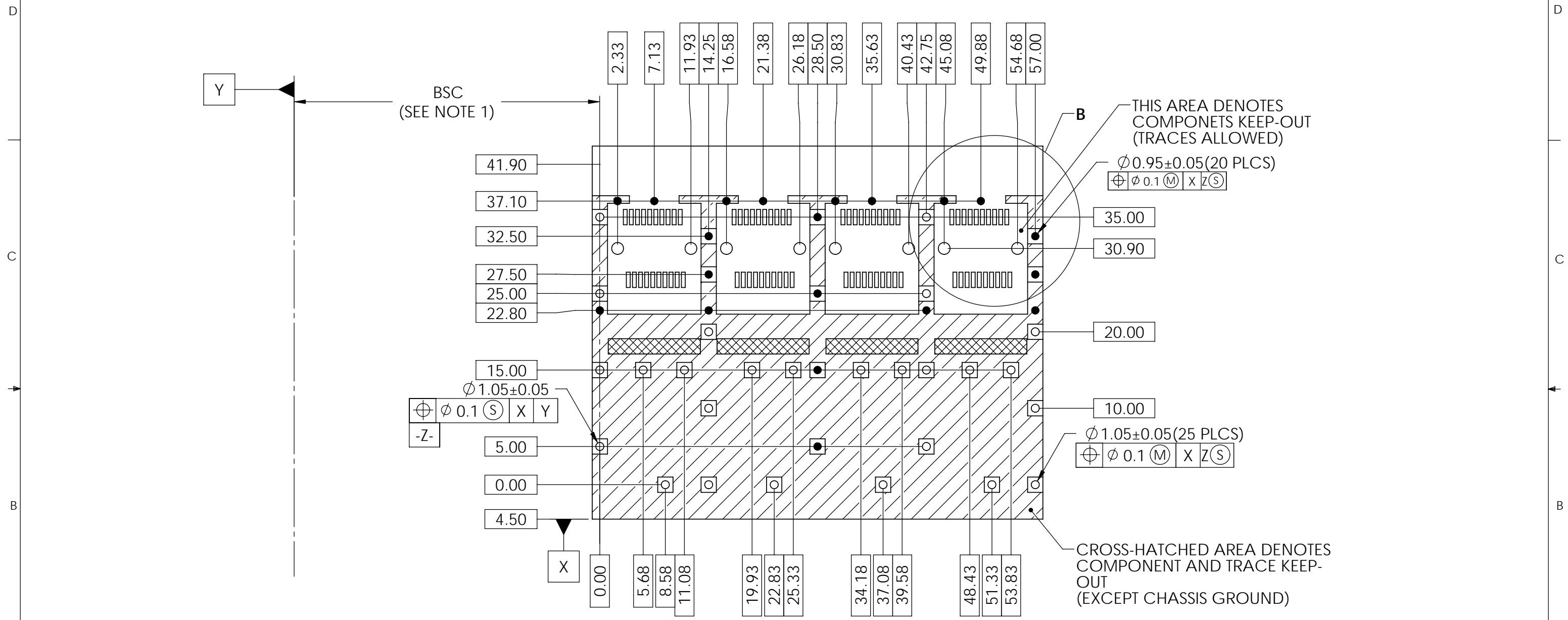
DO NOT SCALE DRAWING

THIS DOCUMENT CONTAINS PROPRIETARY INFORMATION AND SUCH INFORMATION MAY NOT BE DISCLOSED TO OTHERS FOR ANY PURPOSE OR USED FOR MANUFACTURING PURPOSES WITHOUT PERMISSION FROM AMPHENOL CANADA CORP.

| | | | | |
|---|------------------|-------------|---|---------------------------|
| UNLESS OTHERWISE SPECIFIED DIMENSIONS ARE IN MILLIMETERS TOLERANCES ARE: DECIMALS ANGLES X.X ± 0.38 ± 1° X.XX ± 0.25 | APPROVALS | DATE | Amphenol Canada Corp. | |
| | DRAWN: ChigowX | MAR04/09 | | |
| | CHECKED: J.SI | MAR26/09 | 1XN SFP+ CAGE ASSEMBLY WITH ELASTOMERIC GASKET | |
| | QA APPD | | | |
| MATERIAL AND FINISH SEE NOTE 1 | IE APPD | | SIZE: A3 | DWG. NO: P-U77-AX41M-X081 |
| REF. | DWG APPD: A.G. | MAR26/09 | SCALE: 3:1 | PROJECT |
| CODE IDENT. NO: 03554 | | | | SHEET: 6 OF 10 |

- NOTES:
 1. DATUM AND BASIC DIMENSIONS ESTABLISHED BY CUSTOMER.
 2. PADS AND VIAS ARE CHASSIS GROUND.
 3. THRU-HOLES, PLATING OPTIONAL.
 4. SEE DRAWINGS P-UX76-A20-X00XX FOR CONNECTOR LAYOUT.

| REVISIONS | | | | |
|-----------|---------|---------------------------|----------|----------|
| REV. | ECN/E-R | DESCRIPTION | DATE | APPROVED |
| A | | PROPOSAL | MAR26/09 | |
| B | | UPDATED | JUL14/09 | |
| C | | B-B APPLICATION SPECIFIED | AUG14/09 | |



**RECOMMENDED PCB DESIGN
 FOR SINGLE SIDE MOUNTING
 (P/N U77-A441M-X081)**

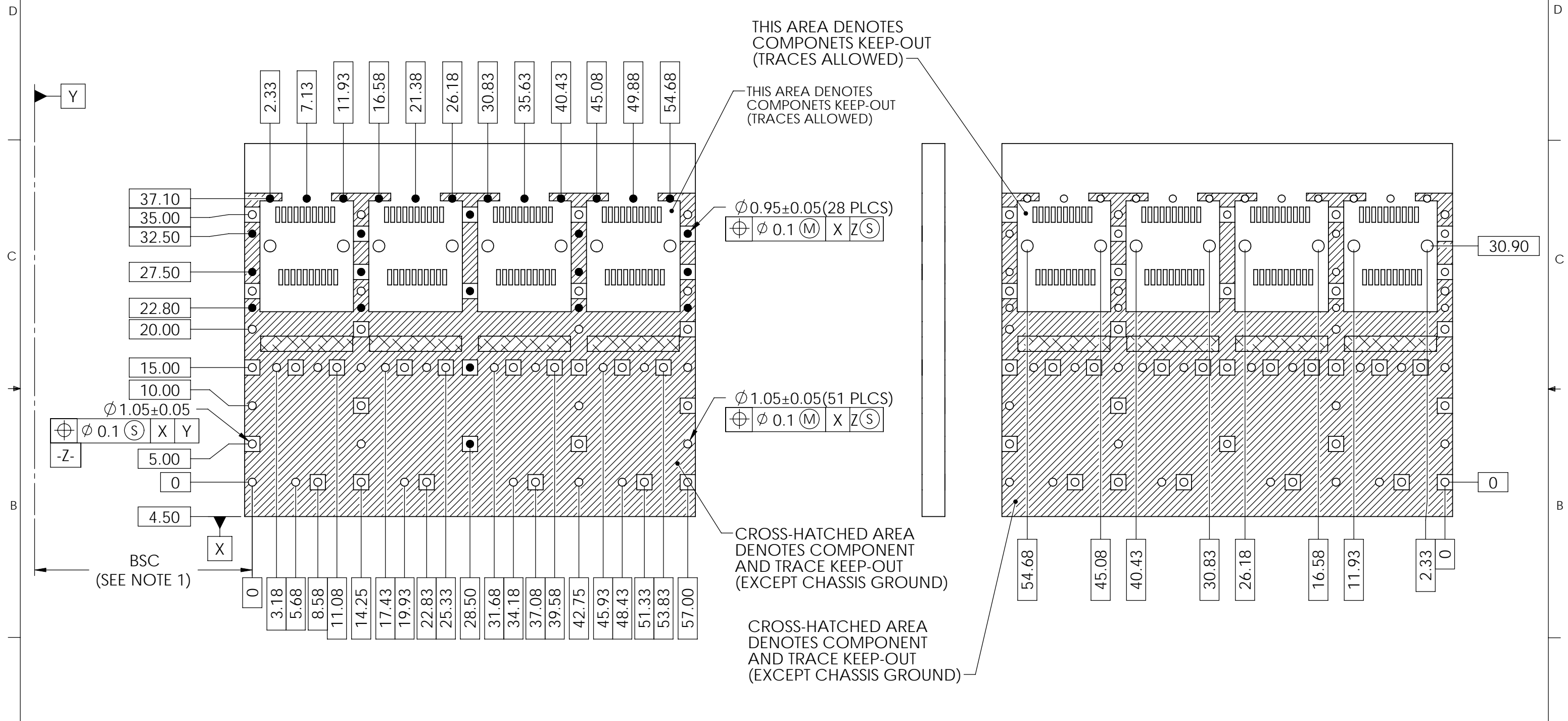
DO NOT SCALE DRAWING

THIS DOCUMENT CONTAINS PROPRIETARY INFORMATION AND SUCH INFORMATION MAY NOT BE DISCLOSED TO OTHERS FOR ANY PURPOSE OR USED FOR MANUFACTURING PURPOSES WITHOUT PERMISSION FROM AMPHENOL CANADA CORP.

| | | | |
|---|------------------|-------------|---|
| UNLESS OTHERWISE SPECIFIED DIMENSIONS ARE IN MILLIMETERS TOLERANCES ARE: DECIMALS ANGLES X.X ± 0.38 ± 1° X.XX ± 0.25 | APPROVALS | DATE | Amphenol Canada Corp. 1XN SFP+ CAGE ASSEMBLY WITH ELASTOMERIC GASKET |
| | DRAWN ChigowX | MAR04/09 | |
| | CHECKED J.SI | MAR26/09 | |
| | QA APPD | | |
| MATERIAL AND FINISH SEE NOTE 1 | IE APPD | | SIZE A3 |
| REF. | DWG APPD A.G. | MAR26/09 | DWG. NO P-U77-AX41M-X081 |
| CODE IDENT. NO. 03554 | | | SCALE 1:1 |
| | | | PROJECT |
| | | | SHEET 7 OF 10 |

- NOTES:
 1. DATUM AND BASIC DIMENSIONS ESTABLISHED BY CUSTOMER.
 2. PADS AND VIAS ARE CHASSIS GROUND.
 3. THRU-HOLES, PLATING OPTIONAL.
 4. SEE DRAWINGS P-UX76-A20-X00XX FOR CONNECTOR LAYOUT.

| REVISIONS | | | | |
|-----------|---------|---------------------------|----------|----------|
| REV. | ECN/E-R | DESCRIPTION | DATE | APPROVED |
| A | | PROPOSAL | MAR26/09 | |
| B | | UPDATED | JUL14/09 | |
| C | | B-B APPLICATION SPECIFIED | AUG14/09 | |



**RECOMMENDED PCB DESIGN
 FOR BELLY TO BELLY MOUNTING
 (P/N U77-A441M-X081)**

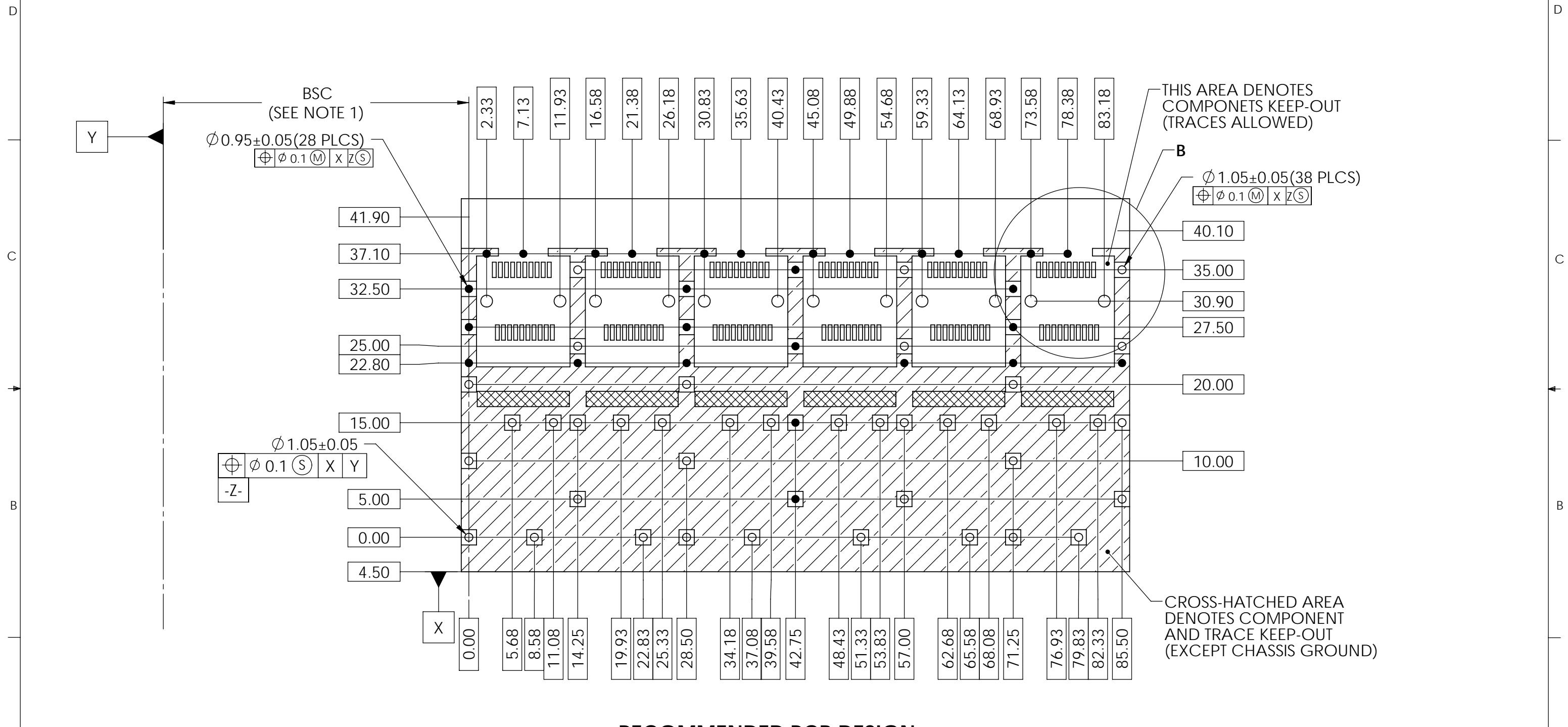
DO NOT SCALE DRAWING

THIS DOCUMENT CONTAINS PROPRIETARY INFORMATION AND SUCH INFORMATION MAY NOT BE DISCLOSED TO OTHERS FOR ANY PURPOSE OR USED FOR MANUFACTURING PURPOSES WITHOUT PERMISSION FROM AMPHENOL CANADA CORP.

| | | | |
|---|--|--|--|
| UNLESS OTHERWISE SPECIFIED DIMENSIONS ARE IN MILLIMETERS TOLERANCES ARE: DECIMALS: X.X ± 0.38 X.XX ± 0.25 MATERIAL AND FINISH: SEE NOTE 1 REF. CODE IDENT. NO. 03554 | APPROVALS | DATE | Amphenol Canada Corp. |
| | DRAWN: ChigowX DESIGNED: CHECKED: J.SI QA APPD: IE APPD: DWG APPD: A.G. | MAR04/09 MAR26/09 MAR26/09 | |
| | | SIZE: A3 SCALE: 2:1 | DWG. NO: P-U77-AX41M-X081 PROJECT: SHEET: 8 OF 10 |

- NOTES:
 1. DATUM AND BASIC DIMENSIONS ESTABLISHED BY CUSTOMER.
 2. PADS AND VIAS ARE CHASSIS GROUND.
 3. THRU-HOLES, PLATING OPTIONAL.
 4. SEE DRAWINGS P-UX76-A20-X00XX FOR CONNECTOR LAYOUT.

| REVISIONS | | | | |
|-----------|---------|---------------------------|----------|----------|
| REV. | ECN/E-R | DESCRIPTION | DATE | APPROVED |
| A | | PROPOSAL | MAR26/09 | |
| B | | UPDATED | JUL14/09 | |
| C | | B-B APPLICATION SPECIFIED | AUG14/09 | |



**RECOMMENDED PCB DESIGN
 FOR SINGLE SIDE MOUNTING
 (P/N U77-A641M-X081)**

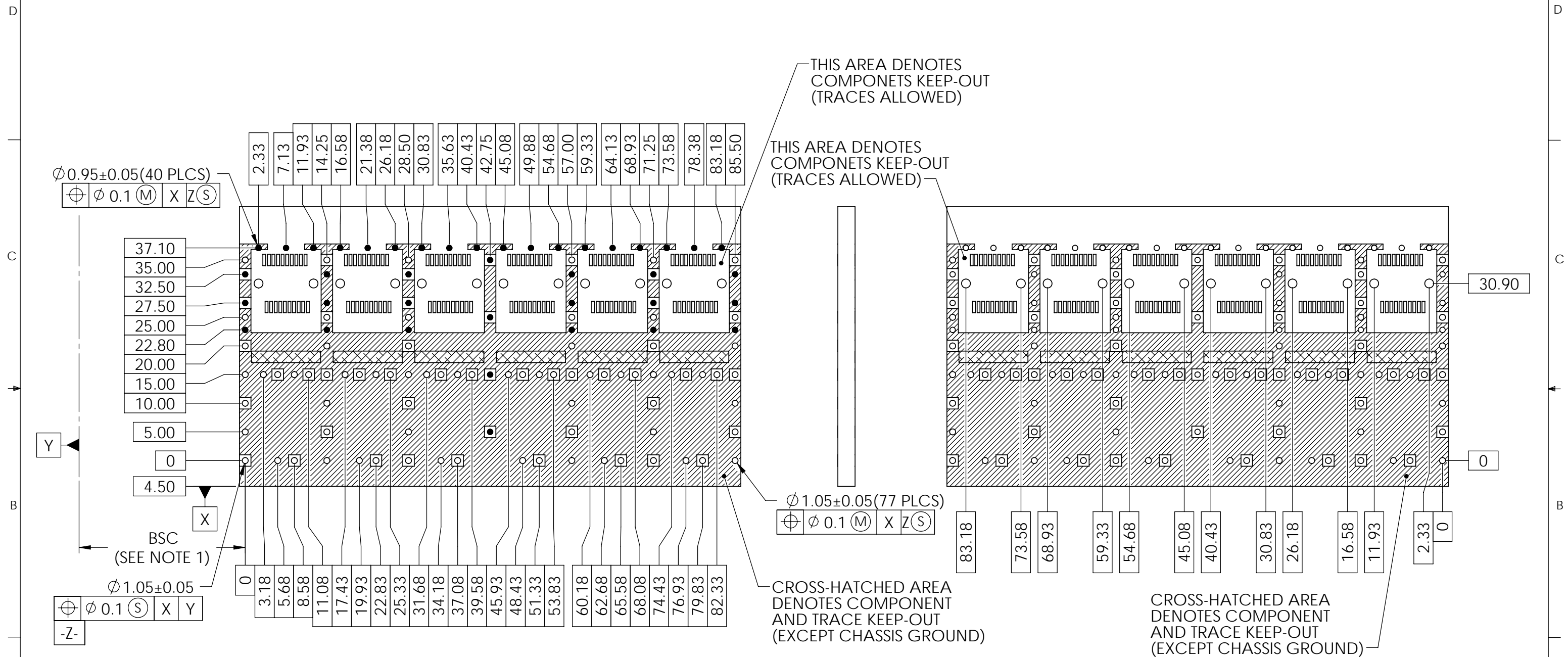
DO NOT SCALE DRAWING

THIS DOCUMENT CONTAINS PROPRIETARY INFORMATION AND SUCH INFORMATION MAY NOT BE DISCLOSED TO OTHERS FOR ANY PURPOSE OR USED FOR MANUFACTURING PURPOSES WITHOUT PERMISSION FROM AMPHENOL CANADA CORP.

| | | | |
|---|--|--|-------------------------|
| UNLESS OTHERWISE SPECIFIED DIMENSIONS ARE IN MILLIMETERS TOLERANCES ARE: DECIMALS X.X ± 0.38 X.XX ± 0.25 MATERIAL AND FINISH SEE NOTE 1 REF. CODE IDENT. NO. 03554 | APPROVALS | DATE | Amphenol Canada Corp. |
| | DRAWN ChigowX DESIGNED CHECKED J.SI QA APPD IE APPD DWG APPD A.G. | MAR04/09 MAR26/09 MAR26/09 | |
| | SIZE A3 SCALE 1:1 | DWG. NO. P-U77-AX41M-X081 PROJECT | REV. C SHEET 9 OF 10 |

- NOTES:
 1. DATUM AND BASIC DIMENSIONS ESTABLISHED BY CUSTOMER.
 2. PADS AND VIAS ARE CHASSIS GROUND.
 3. THRU-HOLES, PLATING OPTIONAL.
 4. SEE DRAWINGS P-UX76-A20-X00XX FOR CONNECTOR LAYOUT.

| REVISIONS | | | | |
|-----------|---------|---------------------------|----------|----------|
| REV. | ECN/E-R | DESCRIPTION | DATE | APPROVED |
| A | | PROPOSAL | MAR26/09 | |
| B | | UPDATED | JUL14/09 | |
| C | | B-B APPLICATION SPECIFIED | AUG14/09 | |



**RECOMMENDED PCB DESIGN
 FOR BELLY TO BELLY MOUNTING
 (P/N U77-A641M-X081)**

DO NOT SCALE DRAWING

THIS DOCUMENT CONTAINS PROPRIETARY INFORMATION AND SUCH INFORMATION MAY NOT BE DISCLOSED TO OTHERS FOR ANY PURPOSE OR USED FOR MANUFACTURING PURPOSES WITHOUT PERMISSION FROM AMPHENOL CANADA CORP.

| | | | | | |
|---|--|--|-----------------------|----------------|---|
| UNLESS OTHERWISE SPECIFIED DIMENSIONS ARE IN MILLIMETERS TOLERANCES ARE: DECIMALS X.X ± 0.38 X.XX ± 0.25 MATERIAL AND FINISH SEE NOTE 1 REF. CODE IDENT. NO. 03554 | APPROVALS | DATE | Amphenol Canada Corp. | | |
| | DRAWN ChigowX DESIGNED CHECKED J.SI QA APPD IE APPD DWG APPD A.G. | MAR04/09 MAR26/09 MAR26/09 | | | TITLE 1XN SFP+ CAGE ASSEMBLY WITH ELASTOMERIC GASKET |
| | SIZE A3 SCALE 3:2 | DWG. NO. P-U77-AX41M-X081 | REV. C | SHEET 10 OF 10 | |



Компания «ЭлектроПласт» предлагает заключение долгосрочных отношений при поставках импортных электронных компонентов на взаимовыгодных условиях!

Наши преимущества:

- Оперативные поставки широкого спектра электронных компонентов отечественного и импортного производства напрямую от производителей и с крупнейших мировых складов;
- Поставка более 17-ти миллионов наименований электронных компонентов;
- Поставка сложных, дефицитных, либо снятых с производства позиций;
- Оперативные сроки поставки под заказ (от 5 рабочих дней);
- Экспресс доставка в любую точку России;
- Техническая поддержка проекта, помощь в подборе аналогов, поставка прототипов;
- Система менеджмента качества сертифицирована по Международному стандарту ISO 9001;
- Лицензия ФСБ на осуществление работ с использованием сведений, составляющих государственную тайну;
- Поставка специализированных компонентов (Xilinx, Altera, Analog Devices, Intersil, Interpoint, Microsemi, Aeroflex, Peregrine, Syfer, Eurofarad, Texas Instrument, Miteq, Cobham, E2V, MA-COM, Hittite, Mini-Circuits, General Dynamics и др.);

Помимо этого, одним из направлений компании «ЭлектроПласт» является направление «Источники питания». Мы предлагаем Вам помощь Конструкторского отдела:

- Подбор оптимального решения, техническое обоснование при выборе компонента;
- Подбор аналогов;
- Консультации по применению компонента;
- Поставка образцов и прототипов;
- Техническая поддержка проекта;
- Защита от снятия компонента с производства.



Как с нами связаться

Телефон: 8 (812) 309 58 32 (многоканальный)

Факс: 8 (812) 320-02-42

Электронная почта: org@eplast1.ru

Адрес: 198099, г. Санкт-Петербург, ул. Калинина, дом 2, корпус 4, литера А.