

4

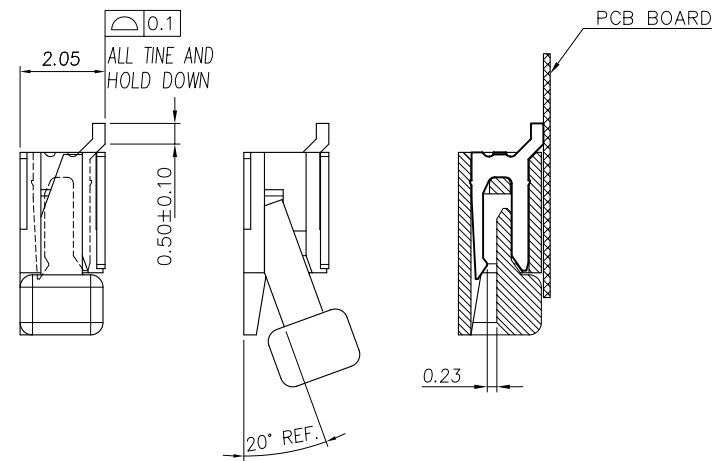
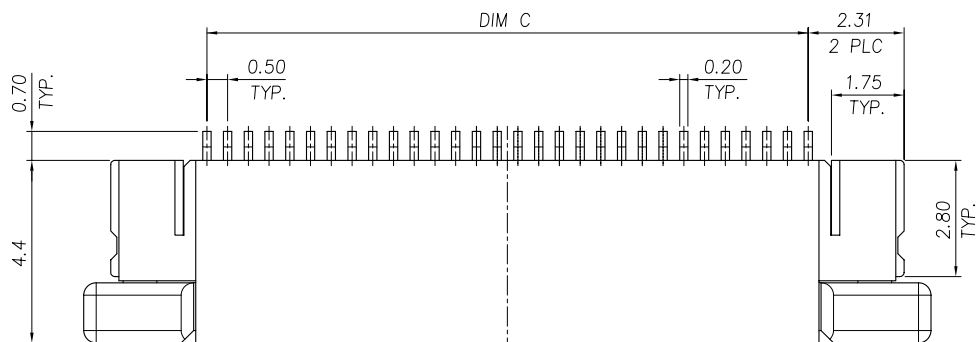
3

2

1

THIS DRAWING IS UNPUBLISHED. RELEASED FOR PUBLICATION AUG 2006  
COPYRIGHT BY TYCO ELECTRONICS CORPORATION. ALL RIGHTS RESERVED.

| LOC |     | DIST        |                         | REVISIONS |     |      |  |
|-----|-----|-------------|-------------------------|-----------|-----|------|--|
| P   | LTR | DESCRIPTION |                         | DATE      | DWN | APVD |  |
| DW  | -   | B           | REVISED (ECR-11-013018) | 08JUL11   | JL  | WK   |  |



NOTE:  
 1. MATERIAL:  
 HOUSING: HIGH TEMP. THERMOPLASTIC, UL 94V-0, COLOR: NATURE.  
 ACTUATOR: THERMOPLASTIC, UL 94 V-0, COLOR: IVORY.  
 HOLD DOWN: PHOSPHOR BRONZE.  
 CONTACT: PHOSPHOR BRONZE.  
 2. FINISH:  
 CONTACT: GOLD FLASH OVER ALL 50" MIN. NICKEL UNDERPLATED.  
 HOLD DOWN: 100u" MIN. TIN PLATING ON SOLDER AREA, 50u" MIN. NICKEL UNDERPLATED ALL OVER.  
 WITHOUT AMP LOGO FOR 12 POSITION UNDER.

| 24.50      | 25.60 | 30.43 | 50   | 5-1734839-0 |
|------------|-------|-------|------|-------------|
| 24.00      | 25.10 | 29.93 | 49   | 4-1734839-9 |
| 23.50      | 24.60 | 29.43 | 48   | 4-1734839-8 |
| 23.00      | 24.10 | 28.93 | 47   | 4-1734839-7 |
| 22.50      | 23.60 | 28.43 | 46   | 4-1734839-6 |
| 22.00      | 23.10 | 27.63 | 45   | 4-1734839-5 |
| 21.50      | 22.60 | 27.43 | 44   | 4-1734839-4 |
| 21.00      | 22.10 | 26.93 | 43   | 4-1734839-3 |
| 20.50      | 21.60 | 26.43 | 42   | 4-1734839-2 |
| 20.00      | 21.10 | 25.93 | 41   | 4-1734839-1 |
| 19.50      | 20.60 | 25.43 | 40   | 4-1734839-0 |
| 19.00      | 20.10 | 24.93 | 39   | 3-1734839-9 |
| 18.50      | 19.60 | 24.43 | 38   | 3-1734839-8 |
| 18.00      | 19.10 | 23.93 | 37   | 3-1734839-7 |
| 17.50      | 18.60 | 23.43 | 36   | 3-1734839-6 |
| 17.00      | 18.10 | 22.93 | 35   | 3-1734839-5 |
| 16.50      | 17.60 | 22.43 | 34   | 3-1734839-4 |
| 16.00      | 17.10 | 21.93 | 33   | 3-1734839-3 |
| 15.50      | 16.60 | 21.43 | 32   | 3-1734839-2 |
| 15.00      | 16.10 | 20.93 | 31   | 3-1734839-1 |
| 14.50      | 15.60 | 20.43 | 30   | 3-1734839-0 |
| 14.00      | 15.10 | 19.93 | 29   | 2-1734839-9 |
| 13.50      | 14.60 | 19.43 | 28   | 2-1734839-8 |
| 13.00      | 14.10 | 18.93 | 27   | 2-1734839-7 |
| 12.50      | 13.60 | 18.43 | 26   | 2-1734839-6 |
| 12.00      | 13.10 | 17.93 | 25   | 2-1734839-5 |
| 11.50      | 12.60 | 17.43 | 24   | 2-1734839-4 |
| 11.00      | 12.10 | 16.93 | 23   | 2-1734839-3 |
| 10.50      | 11.60 | 16.43 | 22   | 2-1734839-2 |
| 10.00      | 11.10 | 15.93 | 21   | 2-1734839-1 |
| 9.50       | 10.60 | 15.43 | 20   | 2-1734839-0 |
| 9.00       | 10.10 | 14.93 | 19   | 1-1734839-9 |
| 8.50       | 9.60  | 14.43 | 18   | 1-1734839-8 |
| 8.00       | 9.10  | 13.93 | 17   | 1-1734839-7 |
| 7.50       | 8.60  | 13.43 | 16   | 1-1734839-6 |
| 7.00       | 8.10  | 12.93 | 15   | 1-1734839-5 |
| 6.50       | 7.60  | 12.43 | 14   | 1-1734839-4 |
| 6.00       | 7.10  | 11.93 | 13   | 1-1734839-3 |
| 5.50       | 6.60  | 11.43 | 12   | 1-1734839-2 |
| 5.00       | 6.10  | 10.93 | 11   | 1-1734839-1 |
| 4.50       | 5.60  | 10.43 | 10   | 1-1734839-0 |
| 4.00       | 5.10  | 9.93  | 09   | 0-1734839-9 |
| 3.50       | 4.60  | 9.43  | 08   | 0-1734839-8 |
| 3.00       | 4.10  | 8.93  | 07   | 0-1734839-7 |
| 2.50       | 3.60  | 8.43  | 06   | 0-1734839-6 |
| 2.00       | 3.10  | 7.93  | 05   | 0-1734839-5 |
| C          | B     | A     | POS. | PART NUMBER |
| DIMENSIONS |       |       |      |             |

|  |  |  |   |                            |
|--|--|--|---|----------------------------|
| THIS DRAWING IS A CONTROLLED DOCUMENT.   |  | DWN<br>J. LAI<br>15APR2009             | <b>STE</b> TE Connectivity                            |                            |
|  |  | CHK<br>S. CHIEN<br>15APR2009           |   |                            |
| DIMENSIONS:<br>MM  |  | APVD<br>W. KODAMA<br>15APR2009         | NAME  |                            |
| TOLERANCES UNLESS OTHERWISE SPECIFIED:<br>0 PLC ± 0.1<br>1 PLC ± 0.1<br>2 PLC ± 0.1<br>3 PLC ± 0.1<br>4 PLC ± 0.1<br>ANGLES ± 1° |  | PRODUCT SPEC<br>108-57523              | FPC CONNECTOR, 0.5mm PITCH,<br>TOP CONTACT, SMT TYPE. |                            |
| MATERIAL<br>SEE NOTE   |  | QUALIFICATION TEST REPORT<br>501-57598 | SIZE<br>A3  | CAGE CODE<br>00779         |
|  |  | WEIGHT<br>- GRAMS                      | DRAWING NO<br>C=1734839                               | RESTRICTED TO<br>-         |
|  |  | CUSTOMER DRAWING                       |   | SCALE - SHEET 1 of 3 REV B |

| LOC | DIST | REVISIONS    |      |     |      |
|-----|------|--------------|------|-----|------|
| P   | LTR  | DESCRIPTION  | DATE | DWN | APVD |
| DW  |      | SEE SHEET 1. |      |     |      |



RECOMMENDED PCB DIMENSIONS DIAGRAM  
 TOLERANCE: ±0.05

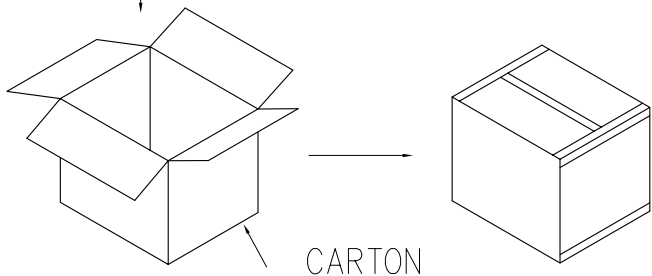
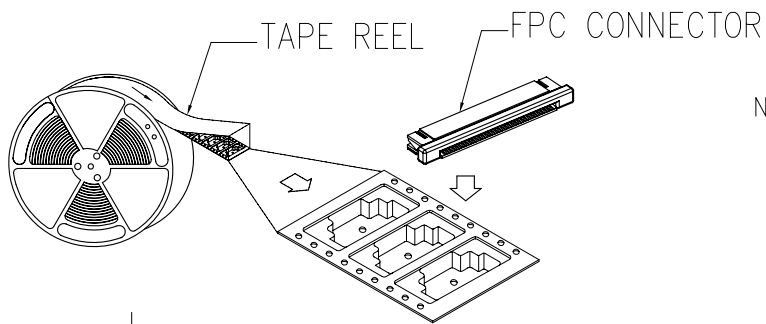
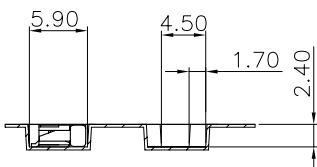
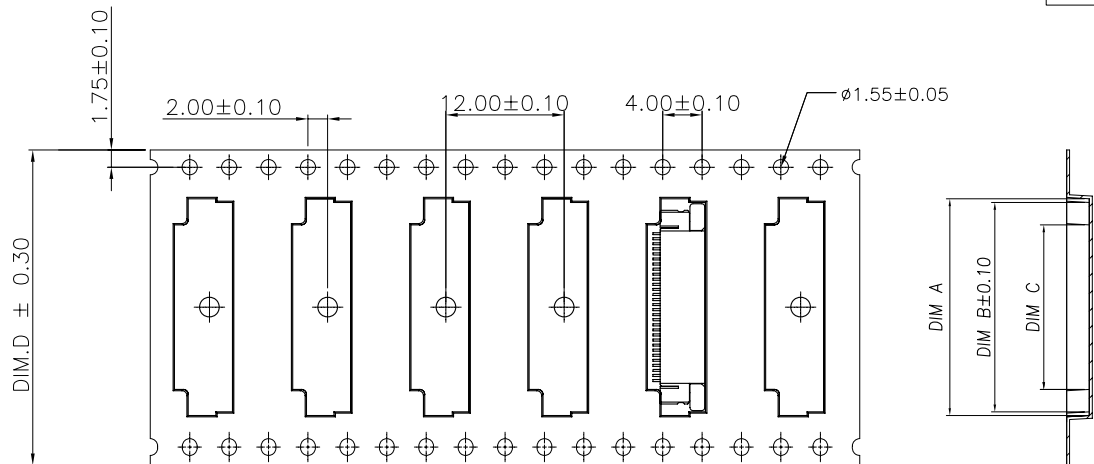


RECOMMENDED FPC DIMENSIONS DIAGRAM

|  |        |                  |  |           |
|--|--------|------------------|--|-----------|
| THIS DRAWING IS A CONTROLLED DOCUMENT. |        | DWN              | <b>STE</b> TE Connectivity                         |           |
| DIMENSIONS: MM                         |        | CHK              |  |           |
| TOLERANCES UNLESS OTHERWISE SPECIFIED: |        | APVD             | NAME   |           |
| 0 PLC                                  | ± -    | PRODUCT SPEC     | FPC CONNECTOR, 0.5mm PITCH, TOP CONTACT, SMT TYPE. |           |
| 1 PLC                                  | ± -    | APPLICATION SPEC | SIZE   | CAGE CODE |
| 2 PLC                                  | ± -    | WEIGHT           | A3   | 00779     |
| 3 PLC                                  | ± -    | CUSTOMER DRAWING | DRAWING NO   | G=1734839 |
| 4 PLC                                  | ± -    | SCALE            | RESTRICTED TO                                      |           |
| ANGLES                                 | ± -    | SHEET            | 2 of 3   |           |
| MATERIAL                               | FINISH | REV              | B  |           |

THIS DRAWING IS UNPUBLISHED. RELEASED FOR PUBLICATION AUG, 2006.  
 © COPYRIGHT BY TYCO ELECTRONICS CORPORATION. ALL RIGHTS RESERVED.

| LOC          |     | DIST        |      | REVISIONS |      |  |  |
|--------------|-----|-------------|------|-----------|------|--|--|
| P            | LTR | DESCRIPTION | DATE | DWN       | APVD |  |  |
| SEE SHEET 1. |     |             |      |           |      |  |  |



NOTE :

1. TAPE REEL:  
DIAMETER: 13", THICKNESS : 0.35±0.05mm.
2. CARTON:  
SIZE: 350mm(L)X 350mm(W)X 340mm(H).
3. WEIGHT:  
NET WEIGHT: 7.5kg  
GROSS WEIGHT: 13.4kg

| APQ (PCS/CARTON) | PPQ (PCS/REEL) | D     | C     | B  | A           | POS.        | PART NUMBER |
|------------------|----------------|-------|-------|----|-------------|-------------|-------------|
| 44.00            | 26.70          | 30.55 | 31.50 | 50 | 5           | 5-1734839-0 |             |
| 44.00            | 26.20          | 30.05 | 31.00 | 49 | 4-1734839-9 |             |             |
| 44.00            | 25.70          | 29.55 | 30.50 | 48 | 4-1734839-8 |             |             |
| 44.00            | 25.20          | 29.05 | 30.00 | 47 | 4-1734839-7 |             |             |
| 44.00            | 24.70          | 28.55 | 29.50 | 46 | 4-1734839-6 |             |             |
| 44.00            | 24.20          | 28.05 | 29.00 | 45 | 4-1734839-5 |             |             |
| 44.00            | 23.70          | 27.55 | 28.50 | 44 | 4-1734839-4 |             |             |
| 44.00            | 23.20          | 27.05 | 28.00 | 43 | 4-1734839-3 |             |             |
| 44.00            | 22.70          | 26.55 | 27.50 | 42 | 4-1734839-2 |             |             |
| 44.00            | 22.20          | 26.05 | 27.00 | 41 | 4-1734839-1 |             |             |
| 44.00            | 21.70          | 25.55 | 26.50 | 40 | 4-1734839-0 |             |             |
| 44.00            | 21.20          | 25.05 | 26.00 | 39 | 3-1734839-9 |             |             |
| 44.00            | 20.70          | 24.55 | 25.50 | 38 | 3-1734839-8 |             |             |
| 44.00            | 20.20          | 24.05 | 25.00 | 37 | 3-1734839-7 |             |             |
| 44.00            | 19.70          | 23.55 | 24.50 | 36 | 3-1734839-6 |             |             |
| 44.00            | 19.20          | 23.05 | 24.00 | 35 | 3-1734839-5 |             |             |
| 44.00            | 18.70          | 22.55 | 23.50 | 34 | 3-1734839-4 |             |             |
| 44.00            | 18.20          | 22.05 | 23.00 | 33 | 3-1734839-3 |             |             |
| 44.00            | 17.70          | 21.55 | 22.50 | 32 | 3-1734839-2 |             |             |
| 44.00            | 17.20          | 21.05 | 22.00 | 31 | 3-1734839-1 |             |             |
| 32.00            | 16.70          | 20.55 | 21.50 | 30 | 3-1734839-0 |             |             |
| 32.00            | 16.20          | 20.05 | 21.00 | 29 | 2-1734839-9 |             |             |
| 32.00            | 15.70          | 19.55 | 20.50 | 28 | 2-1734839-8 |             |             |
| 32.00            | 15.20          | 19.05 | 20.00 | 27 | 2-1734839-7 |             |             |
| 32.00            | 14.70          | 18.55 | 19.50 | 26 | 2-1734839-6 |             |             |
| 32.00            | 14.20          | 18.05 | 19.00 | 25 | 2-1734839-5 |             |             |
| 32.00            | 13.70          | 17.55 | 18.50 | 24 | 2-1734839-4 |             |             |
| 32.00            | 13.20          | 17.05 | 18.00 | 23 | 2-1734839-3 |             |             |
| 32.00            | 12.70          | 16.55 | 17.50 | 22 | 2-1734839-2 |             |             |
| 32.00            | 12.20          | 16.05 | 17.00 | 21 | 2-1734839-1 |             |             |
| 24.00            | 11.70          | 15.55 | 16.50 | 20 | 2-1734839-0 |             |             |
| 24.00            | 11.20          | 15.05 | 16.00 | 19 | 1-1734839-9 |             |             |
| 24.00            | 10.70          | 14.55 | 15.50 | 18 | 1-1734839-8 |             |             |
| 24.00            | 10.20          | 14.05 | 15.00 | 17 | 1-1734839-7 |             |             |
| 24.00            | 9.70           | 13.55 | 14.50 | 16 | 1-1734839-6 |             |             |
| 24.00            | 9.20           | 13.05 | 14.00 | 15 | 1-1734839-5 |             |             |
| 24.00            | 8.70           | 12.55 | 13.50 | 14 | 1-1734839-4 |             |             |
| 24.00            | 8.20           | 12.05 | 13.00 | 13 | 1-1734839-3 |             |             |
| 24.00            | 7.70           | 11.55 | 12.50 | 12 | 1-1734839-2 |             |             |
| 24.00            | 7.20           | 11.05 | 12.00 | 11 | 1-1734839-1 |             |             |
| 24.00            | 6.70           | 10.55 | 11.50 | 10 | 1-1734839-0 |             |             |
| 24.00            | 6.20           | 10.05 | 11.00 | 09 | 0-1734839-9 |             |             |
| 24.00            | 5.70           | 9.55  | 10.50 | 08 | 0-1734839-8 |             |             |
| 24.00            | 5.20           | 9.05  | 10.00 | 07 | 0-1734839-7 |             |             |
| 24.00            | 4.70           | 8.55  | 9.50  | 06 | 0-1734839-6 |             |             |
| 24.00            | 4.20           | 8.05  | 9.00  | 05 | 0-1734839-5 |             |             |

THIS DRAWING IS A CONTROLLED DOCUMENT.

|                |  |                  |       |              |  |
|----------------|--|------------------|-------|--------------|--|
| DIMENSIONS: MM | TOLERANCES UNLESS OTHERWISE SPECIFIED: | DWN              | CHK   | APVD         | NAME   |
| 0 PLC ± -      | 1 PLC ± -                              | PRODUCT SPEC     | APVD  | NAME         | FPC CONNECTOR, 0.5mm PITCH, TOP CONTACT, SMT TYPE. |
| 2 PLC ± -      | 3 PLC ± -                              | APPLICATION SPEC | APVD  | NAME         |  |
| 4 PLC ± -      | ANGLES ± -                             | WEIGHT           | APVD  | NAME         | SIZE CAGE CODE DRAWING NO RESTRICTED TO            |
| MATERIAL       | FINISH                                 | CUSTOMER DRAWING | SCALE | SHEET 3 OF 3 | REV B  |

STE TE Connectivity

A3 00779 C=1734839



Компания «ЭлектроПласт» предлагает заключение долгосрочных отношений при поставках импортных электронных компонентов на взаимовыгодных условиях!

Наши преимущества:

- Оперативные поставки широкого спектра электронных компонентов отечественного и импортного производства напрямую от производителей и с крупнейших мировых складов;
- Поставка более 17-ти миллионов наименований электронных компонентов;
- Поставка сложных, дефицитных, либо снятых с производства позиций;
- Оперативные сроки поставки под заказ (от 5 рабочих дней);
- Экспресс доставка в любую точку России;
- Техническая поддержка проекта, помощь в подборе аналогов, поставка прототипов;
- Система менеджмента качества сертифицирована по Международному стандарту ISO 9001;
- Лицензия ФСБ на осуществление работ с использованием сведений, составляющих государственную тайну;
- Поставка специализированных компонентов (Xilinx, Altera, Analog Devices, Intersil, Interpoint, Microsemi, Aeroflex, Peregrine, Syfer, Eurofarad, Texas Instrument, Miteq, Cobham, E2V, MA-COM, Hittite, Mini-Circuits, General Dynamics и др.);

Помимо этого, одним из направлений компании «ЭлектроПласт» является направление «Источники питания». Мы предлагаем Вам помощь Конструкторского отдела:

- Подбор оптимального решения, техническое обоснование при выборе компонента;
- Подбор аналогов;
- Консультации по применению компонента;
- Поставка образцов и прототипов;
- Техническая поддержка проекта;
- Защита от снятия компонента с производства.



#### Как с нами связаться

**Телефон:** 8 (812) 309 58 32 (многоканальный)

**Факс:** 8 (812) 320-02-42

**Электронная почта:** [org@eplast1.ru](mailto:org@eplast1.ru)

**Адрес:** 198099, г. Санкт-Петербург, ул. Калинина, дом 2, корпус 4, литера А.