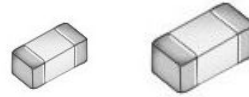


1. This specification shall be applied to the ESD Protection Device.

LXES15AAA1-133
LXES15AAA1-153
LXES03AAA1-154
LXES03AAA1-193



2. Part Number Configuration

LXES 15 A AA 1 - 133
① ② ③ ④ ⑤ ⑥

- ① Product ID (LXES = ESD Protection device)
- ② Dimension Code

Unit : mm

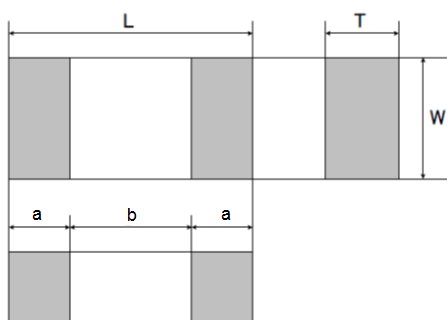
| Code | Dimension |
|------|-----------|
| 03 | 0.6 x 0.3 |
| 15 | 1.0 x 0.5 |

- ③ Type (A: Ceramic ESD)
- ④ Control Code
- ⑤ Number of channel
- ⑥ Serial Number

※RoHS Compliant
Halogen free
T/R only.
MSL 1

3. CONSTRUCTION, DIMENSIONS

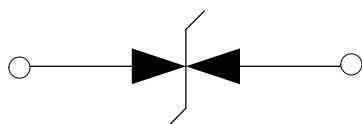
3 - 1 DIMENSIONS



Unit : mm

| Size | L | W | T | a | b |
|------|-----------|-----------|----------|-----------|----------|
| 0603 | 0.60±0.03 | 0.30±0.03 | 0.33 max | 0.15±0.05 | 0.20 min |
| 1005 | 1.00±0.05 | 0.50±0.05 | 0.33 max | 0.20±0.10 | 0.40 min |

3 - 2 Circuit Diagram



TERMINAL CONFIGURATION

This device is bi-directional.

3 - 3 Product Weight

| P/N | Weight [mg] |
|----------------------------------|-------------|
| LXES03AAA1-154 LXES03AAA1-193 | 0.2 |
| LXES15AAA1-133 LXES15AAA1-153 | 0.5 |

4. CHARACTERISTICS

4 - 1 - 1 Ratings (LXES15AAA1-133)

| Parameter | Symbol | Ratings | Units |
|-----------------------|-----------|--------------|-------|
| Rated Voltage | V_{DC} | 15 | V |
| | V_{AC} | 0 ± 40 ※ | V |
| Operating Temperature | T_{OP} | -40 to +85 | °C |
| Storage Temperature | T_{STO} | -40 to +85 | °C |

※Frequency : >1MHz

4 - 1 - 2 Ratings (LXES15AAA1-153/ LXES03AAA1-154)

| Parameter | Symbol | Ratings | Units |
|-----------------------|-----------|--------------|-------|
| Rated Voltage | V_{DC} | 4 | V |
| | V_{AC} | 0 ± 25 ※ | V |
| Operating Temperature | T_{OP} | -40 to +85 | °C |
| Storage Temperature | T_{STO} | -40 to +85 | °C |

※Frequency : >1MHz

4 - 1 - 3 Ratings (LXES03AAA1-193)

| Parameter | Symbol | Ratings | Units |
|-----------------------|-----------|--------------|-------|
| Rated Voltage | V_{DC} | 6.3 | V |
| | V_{AC} | 0 ± 80 ※ | V |
| Operating Temperature | T_{OP} | -40 to +85 | °C |
| Storage Temperature | T_{STO} | -40 to +85 | °C |

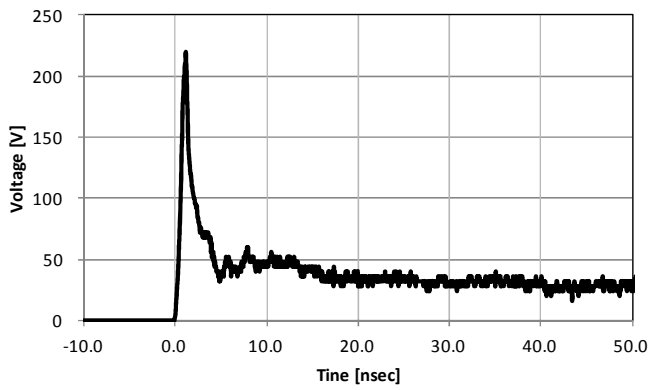
※Frequency : >1MHz, 1/8 duty

4 - 2 Electrical Characteristics (T=25 deg.C)

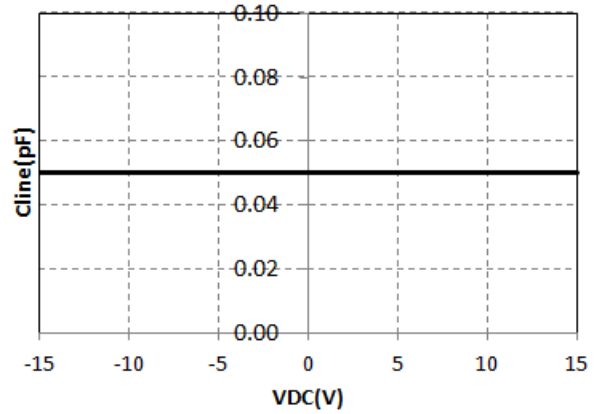
| Chip size [mm] | Part No. | Capacitance | ESD IEC 61000-4-2 (Air) | ESD IEC 61000-4-2 (Contact) |
|---------------------|----------------|------------------|-------------------------------|-----------------------------------|
| | Symbol | C | - | - |
| | Unit | [pF] | kV | kV |
| | Test condition | 1MHz Vbias=0V | | |
| 0603 | LXES03AAA1-154 | 0.05 typ | ±15 | ±15 |
| | LXES03AAA1-193 | 0.05typ | ±15 | ±15 |
| 1005 | LXES15AAA1-133 | 0.05 typ | ±15 | ±15 |
| | LXES15AAA1-153 | 0.05 typ | ±15 | ±15 |

4 - 3 Typical Characteristic

LXES03AAA1-154

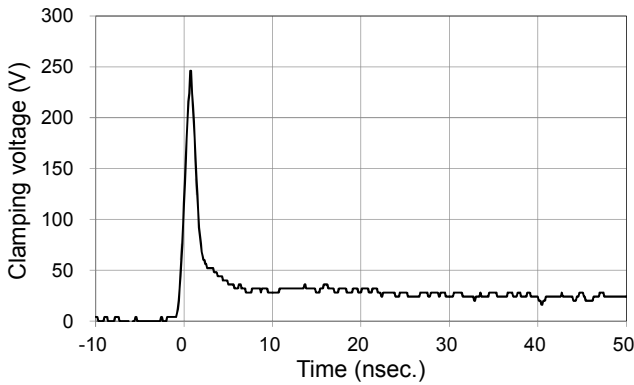


ESD Waveform (IEC61000-4-2:8kV Contact)

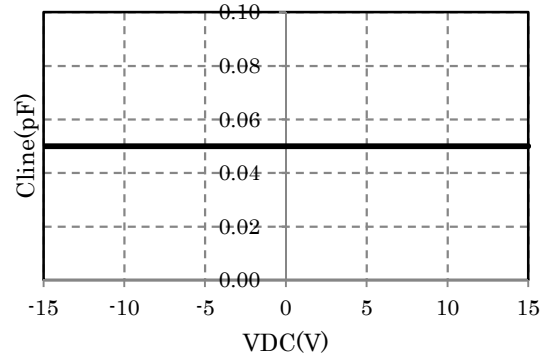


Voltage - Capacitance Characteristic

LXES03AAA1-193

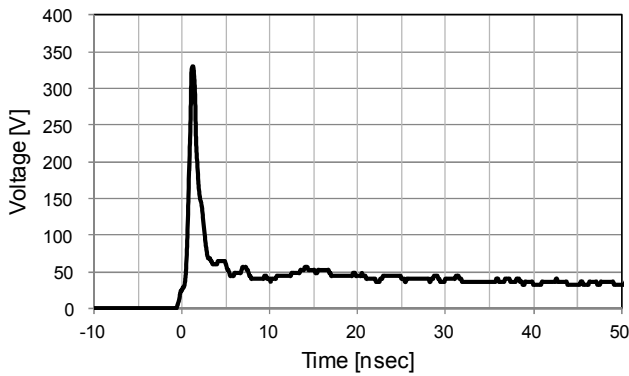


ESD Waveform (IEC61000-4-2:8kV Contact)

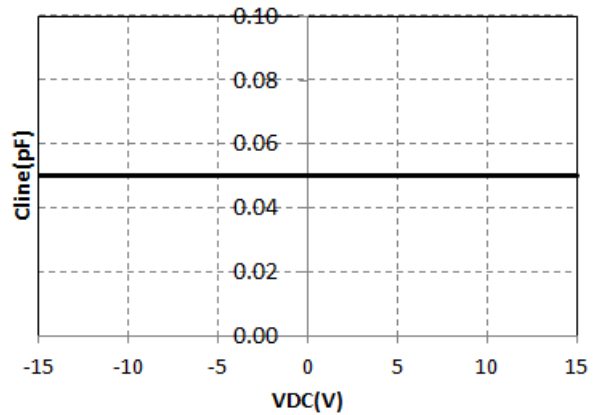


Voltage - Capacitance Characteristic

LXES15AAA1-133

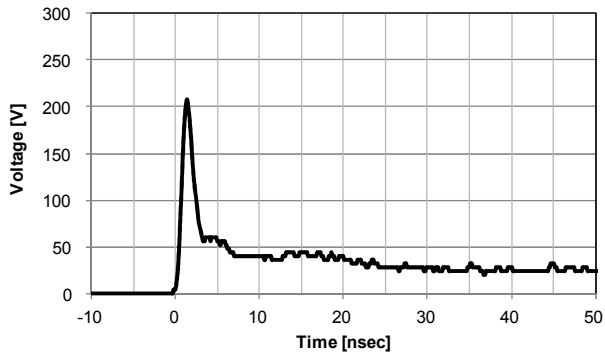


ESD Waveform (IEC61000-4-2:8kV Contact)

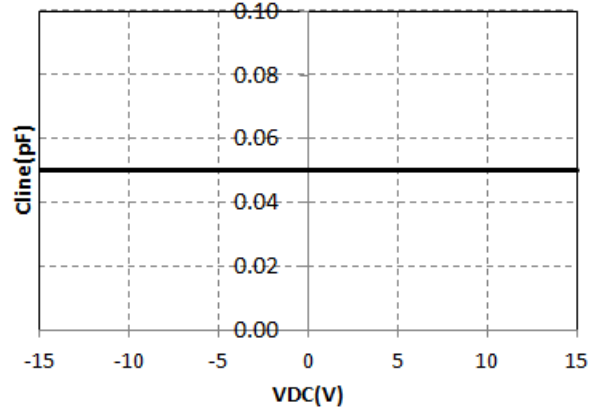


Voltage - Capacitance Characteristic

LXES15AAA1-153

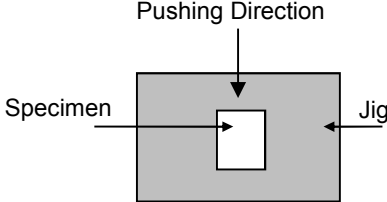


ESD Waveform (IEC61000-4-2:8kV Contact)



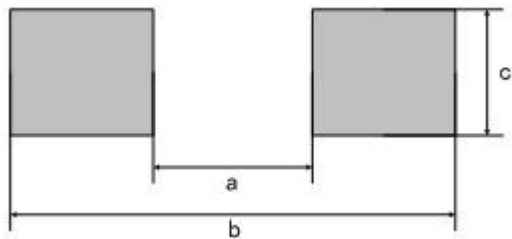
Voltage - Capacitance Characteristic

5. Reliability Test

| No. | Items | | Specifications | Test Methods | Number | Result (Fail) |
|-----|---------------------------------------|---|--|---|--------|---------------|
| 1 | Vibration Resistance | | No severe damages Satisfy dimension specifications | Solder specimens on the testing jig (glass fluorine boards) shown in appended Fig.1 by a Pb free solder. The soldering shall be done either by iron or reflow and be conducted with care so that the soldering is uniform and free of defect such as by heat shock. Frequency : 10~2000 Hz Acceleration : 196 m/s ² Direction : X,Y,Z 3 axis Period : 2 h on each direction Total 6 h. | 22 | G (0) |
| 2 | Shock | | | Solder specimens on the testing jig (glass fluorine boards) shown in appended Fig.1 by a Pb free solder. The soldering shall be done either by iron or reflow and be conducted with care so that the soldering is uniform and free of defect such as by heat shock Acceleration : 14,700 m/s ² Period : 0.3 ms. Cycle : 3 times | 22 | G (0) |
| 3 | Deflection | | | Solder specimens on the testing jig (glass epoxy boards) shown in appended Fig.2 by a Pb free solder. The soldering shall be done either by iron or reflow and be conducted with care so that the soldering is uniform and free of defect such as by heat shock. No damage with 1.6mm deflection | 22 | G (0) |
| 4 | Soldering strength (Push Strength) | | LXES03A series 2N Minimum LXES15A series 3N Minimum | Solder specimens onto test jig shown below. Apply pushing force at 0.5mm/s until electrode pads are peeled off or ceramics are broken. Pushing force is applied to longitudinal direction.  | 22 | G (0) |
| 5 | Solderability of Termination | | 95% of the terminations is to be soldered evenly and continuously. | Immerse specimens first an ethanol solution of rosin, then in a Pb free solder solution for 3±0.5 sec. at 245±5 °C. Preheat : 100-120 °C, 60 sec. Solder Paste : Sn-3.0Ag-0.5Cu Flux : Solution of ethanol and rosin (25 % rosin in weight proportion) | 22 | G (0) |
| 6 | Resistance to Soldering Heat (Reflow) | Appearance Electrical specifications | No severe damages Satisfy specifications listed in paragraph 4-2 over operational temperature range | Preheat Temperature : 150-200 °C Preheat Period : 120+/-60 s High Temperature : 217°C High Temp. Period : 105+/-45 s Peak Temperature : 260+0/-5 °C Specimens are soldered twice with the above condition, and then kept in room condition for 24 h before measurements. | 22 | G (0) |

| No. | Items | Specifications | Test Methods | Number | Result (Fail) | | | | | | | | | |
|------|------------------------------|---|---|---|---------------|-----------|---|------------------------------|------------|---|------------------------------|------------|--|--|
| 7 | High Temp. Exposure | Appearance | No severe damages | Temperature : $85 \pm 2 / -0$ °C Period : $1000 \pm 48 / -0$ h Room Condition : 2 ~ 24 h | 22 | G (0) | | | | | | | | |
| 8 | Temperature Cycle | Electrical Specifications | Satisfy specifications listed in paragraph 4-2 over operational temperature range | Set the specimens to the supporting jig in the same manner and under the same conditions as Fig.1 and conduct the 100 cycles according to the temperatures and time shown in the following table. Set it for 2 to 24 h at room temperature, then measure. | 22 | G (0) | | | | | | | | |
| | | <table border="1"> <thead> <tr> <th>Step</th> <th>Temp(°C)</th> <th>Time(min)</th> </tr> </thead> <tbody> <tr> <td>1</td> <td>Min. Operating Temp. $+0/-3$</td> <td>30 ± 3</td> </tr> <tr> <td>2</td> <td>Max. Operating Temp. $+3/-0$</td> <td>30 ± 3</td> </tr> </tbody> </table> | | Step | Temp(°C) | Time(min) | 1 | Min. Operating Temp. $+0/-3$ | 30 ± 3 | 2 | Max. Operating Temp. $+3/-0$ | 30 ± 3 | | |
| Step | Temp(°C) | Time(min) | | | | | | | | | | | | |
| 1 | Min. Operating Temp. $+0/-3$ | 30 ± 3 | | | | | | | | | | | | |
| 2 | Max. Operating Temp. $+3/-0$ | 30 ± 3 | | | | | | | | | | | | |
| 9 | Humidity (Steady State) | | Temperature: 85 ± 2 °C Humidity: 80~90 %RH Period: $1000 \pm 48 / -0$ h Room Condition: 2 ~ 24 h | 22 | G (0) | | | | | | | | | |
| 10 | Low Temp. Exposure | | Temperature: -40 ± 2 °C Period: $1000 \pm 48 / -0$ h Room Condition: 2 ~ 24 h | 22 | G (0) | | | | | | | | | |

Fig. 1
Reference Land Pattern

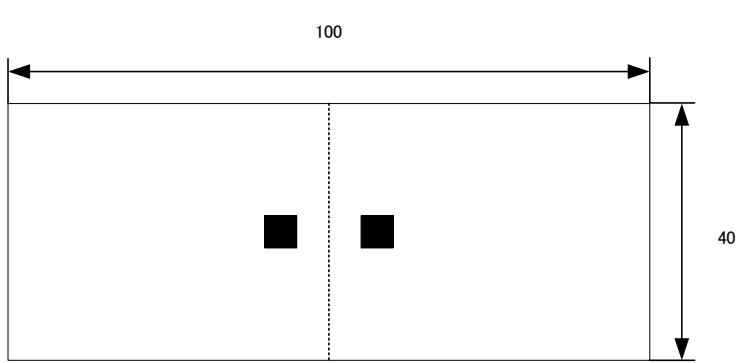


Unit : mm

| Size | a | b | c |
|------|------|-----|-----|
| 0603 | 0.25 | 0.8 | 0.3 |
| 1005 | 0.4 | 1.2 | 0.5 |

Notes : this land layout is for reference purpose only.

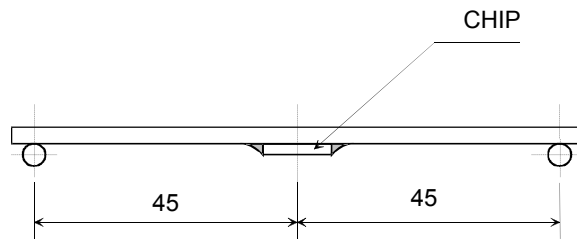
Fig. 2
Testing board



(Unit : mm)

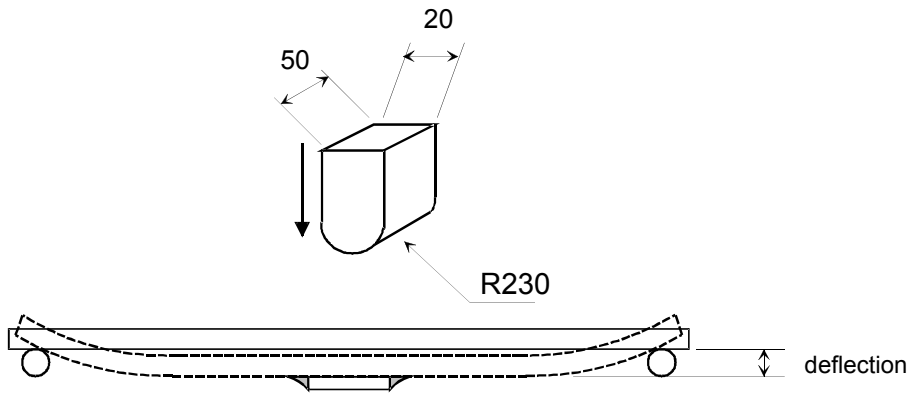
■ Land
Land pattern is same as figure1
Glass-fluorine board $t=1.6\text{mm}$
Copper thickness over $35\ \mu\text{m}$

Mounted situation



(Unit : mm)

Test method

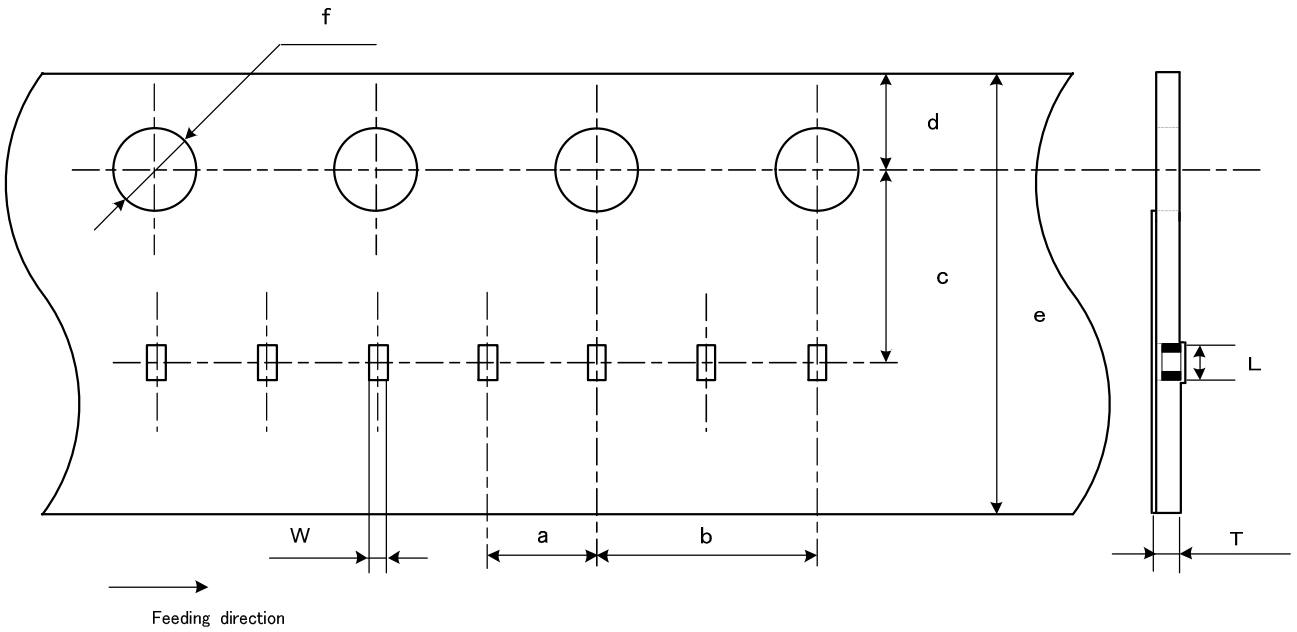


(Unit : mm)

6. Tape and Reel Packing

(1) LXES03A series

1) Dimensions of Tape

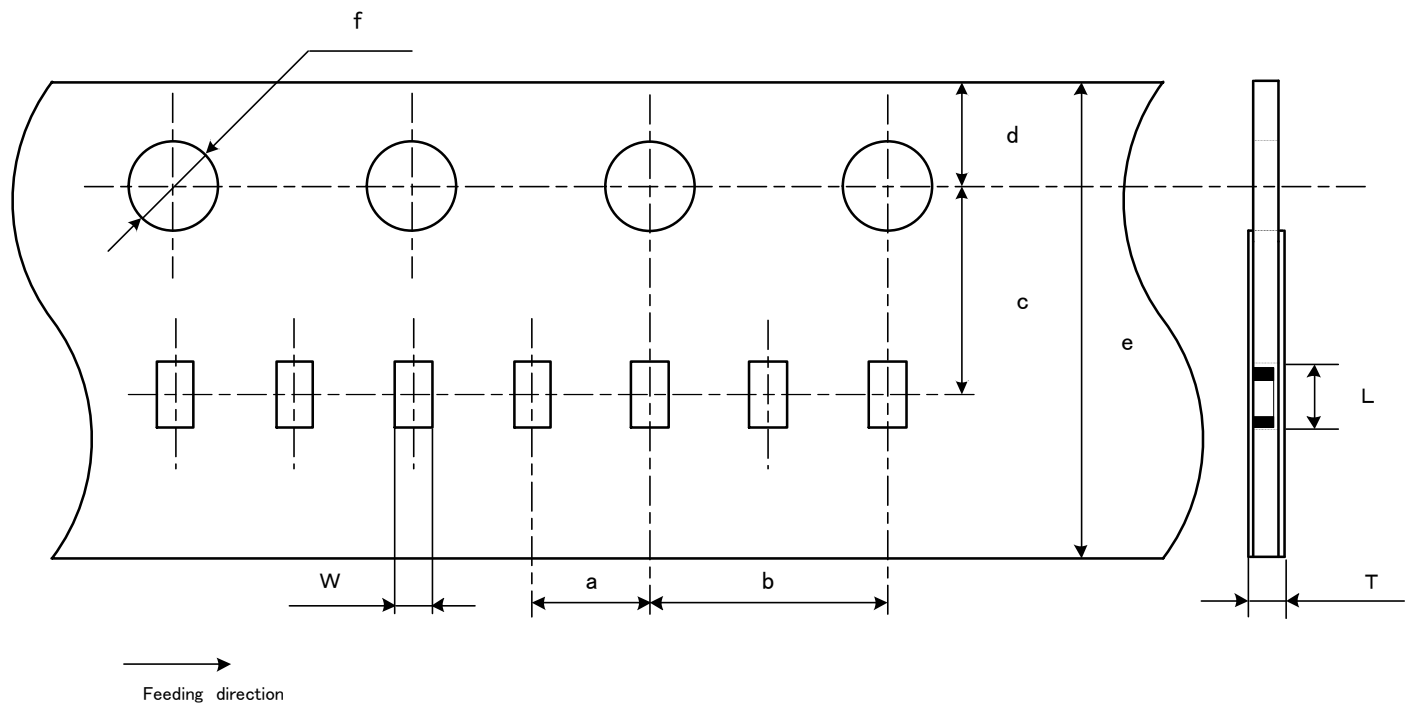


Unit : mm

| Symbol | L | W | T | a | b | c | d | e | f |
|--------|--------|--------|---------|-------------|-------------|-------------|------------|-------------|--------------|
| Size | (0.67) | (0.37) | 0.5 max | 2.00+/-0.05 | 4.00+/-0.10 | 3.50+/-0.05 | 1.75+/-0.1 | 8.00+/-0.30 | φ1.55+/-0.05 |

(2) LXES15A series

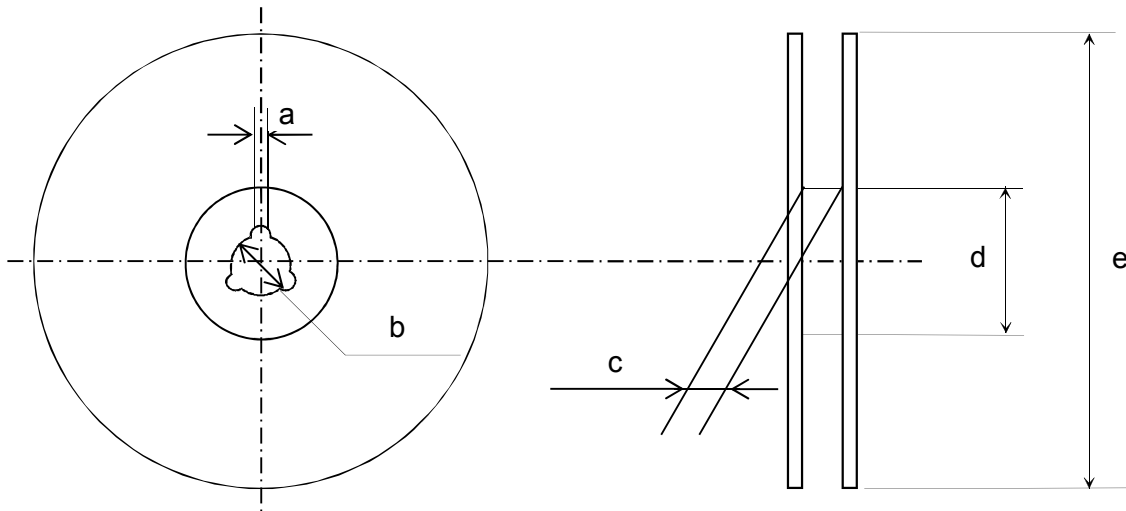
2) Dimensions of Reel



Unit : mm

| Symbol | L | W | T | a | b | c | d | e | f |
|--------|--------|--------|---------|-------------|-------------|-------------|------------|-------------|--------------|
| Size | (1.12) | (0.62) | 0.5 max | 2.00+/-0.05 | 4.00+/-0.10 | 3.50+/-0.05 | 1.75+/-0.1 | 8.00+/-0.30 | φ1.55+/-0.05 |

(3) Dimensions of Reel



Unit : mm

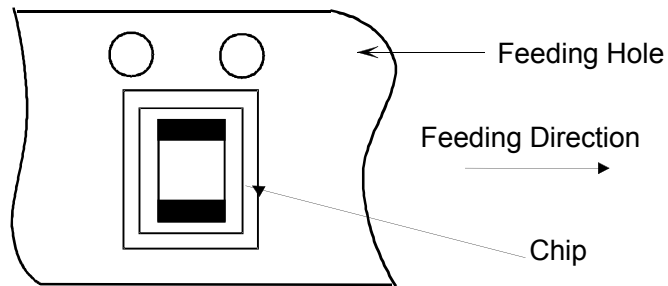
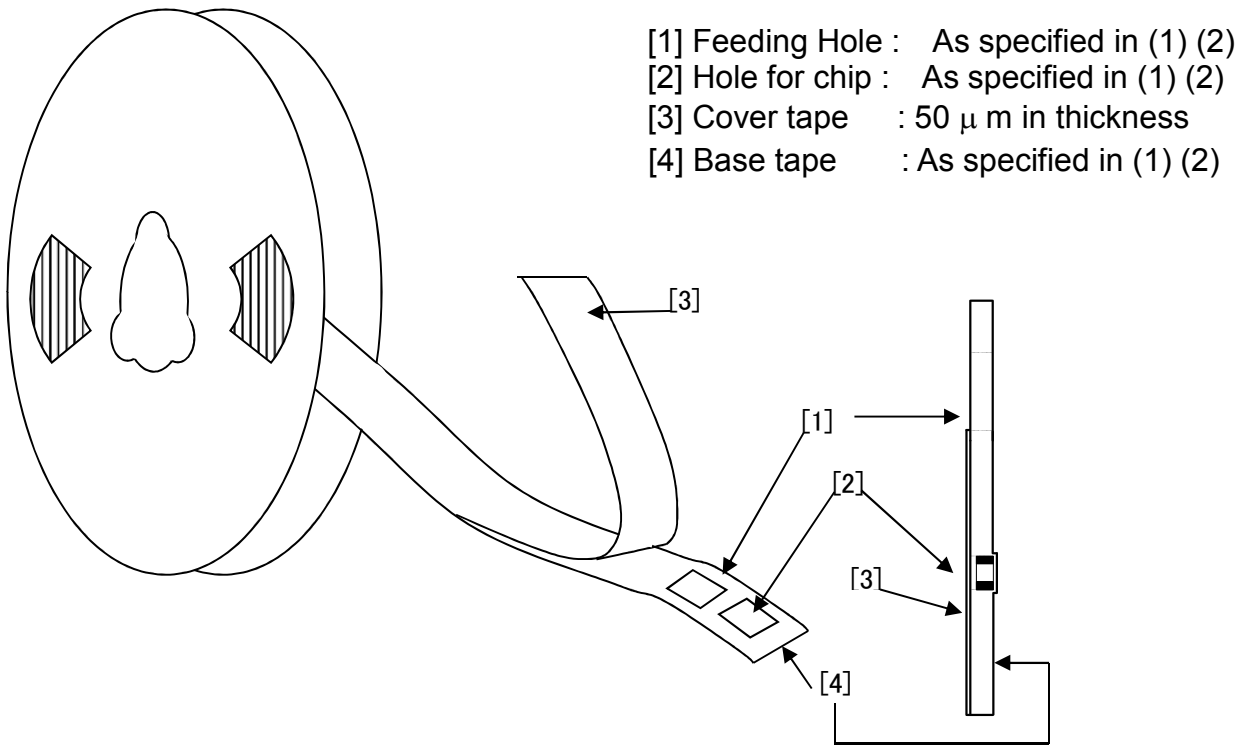
| Symbol | a | b | c | d | e |
|--------|-----------|-------------|------------|------------|-------------|
| Size | 2.0+/-0.5 | φ13.0+/-0.2 | 9.0+1.0/-0 | φ60+1.0/-0 | φ180+0/-1.5 |

(4) Packaging

| P/N | pcs / reel |
|----------------|------------|
| LXES03AAA1-154 | 15,000 |
| LXES03AAA1-193 | 15,000 |
| LXES15AAA1-133 | 10,000 |
| LXES15AAA1-153 | 10,000 |

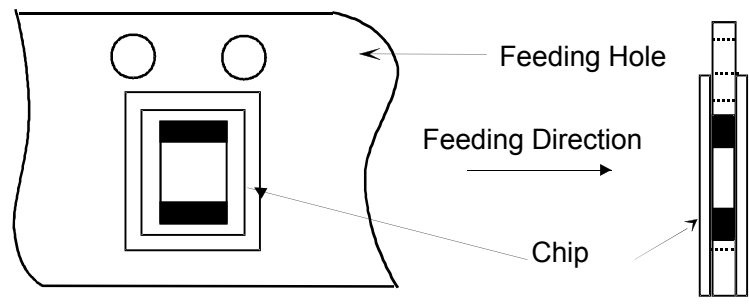
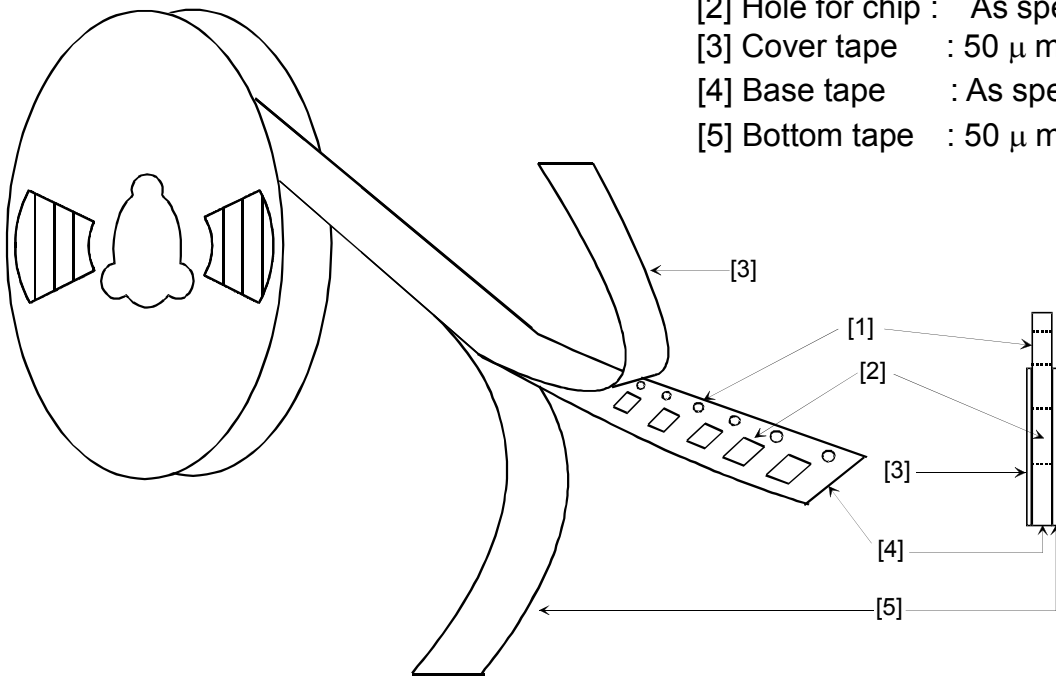
(5) Taping Diagrams

1) LXES03A series

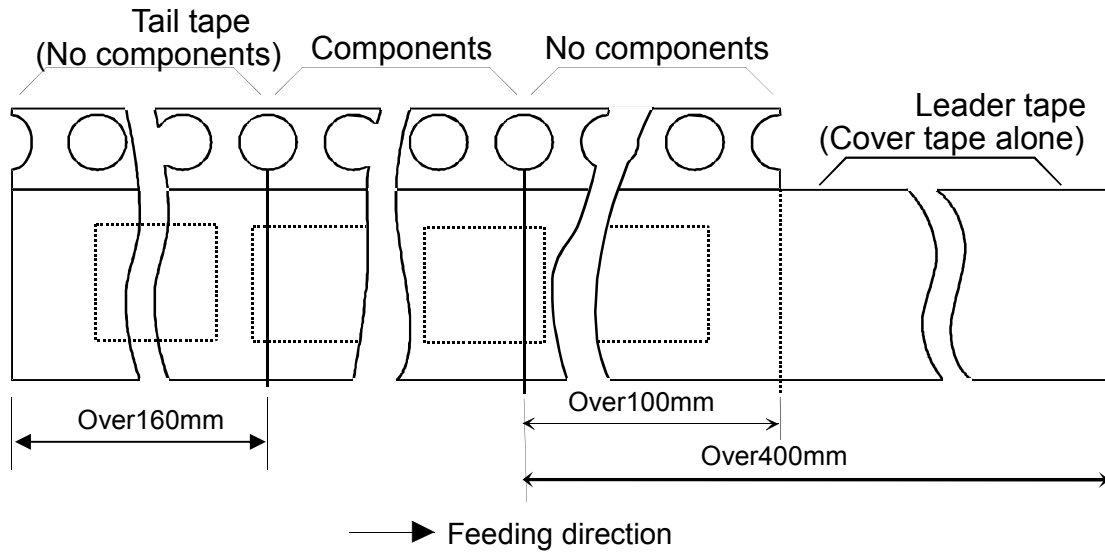


2) LXES15A series

- [1] Feeding Hole : As specified in (1)
- [2] Hole for chip : As specified in (1)
- [3] Cover tape : 50 μ m in thickness
- [4] Base tape : As specified in (1)
- [5] Bottom tape : 50 μ m in thickness



(6) Leader and Tail tape

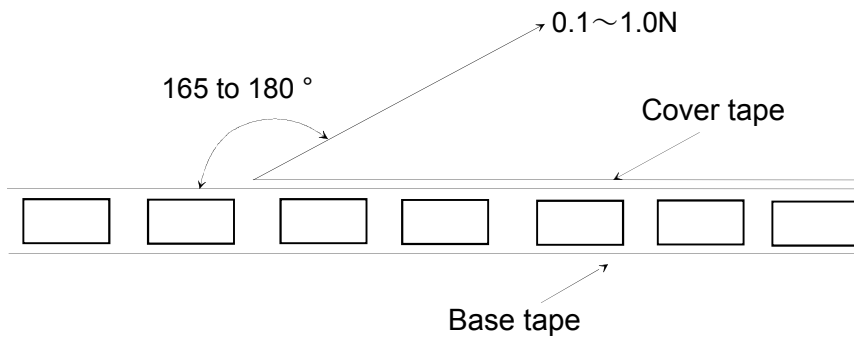


(7) The tape for chips are wound clockwise, the feeding holes to the right side as the tape is pulled toward the user.

(8) Material : Base tape Paper
 Reel Plastic

Base tape, Reel and Top tape have an anti-ESD function.

(9) Peeling of force : 0.1~1.0 N in the direction of peeling as shown below.



NOTICE

1. Storage Conditions:

To avoid damaging the solderability of the external electrodes, be sure to observe the following points.

- Store products where the ambient temperature is 15 to 35 °C and humidity 45 to 75% RH. (Packing materials, In particular, may be deformed at the temperature over 40 °C.).
- Store products in non corrosive gas (Cl₂, NH₃, SO₂, No_x, etc.).
- Stored products should be used within 6 months of receipt. Solderability should be verified if this period is exceeded.

This product is applicable to MSL1 (Based on IPC/JEDEC J-STD-020)

2. Handling Conditions:

Be careful in handling or transporting products because excessive stress or mechanical shock may break products due to the nature of ceramics structure.

Handle with care if products may have cracks or damages on their terminals, the characteristics of products may change. Do not touch products with bare hands that may result in poor solderability.

3. Standard PCB Design (Land Pattern and Dimensions):

All the ground terminals should be connected to the ground patterns. Furthermore, the ground pattern should be provided between IN and OUT terminals. Please refer to the specifications for the standard land dimensions.

The recommended land pattern and dimensions is as Murata's standard. The characteristics of products may vary depending on the pattern drawing method, grounding method, land dimensions, land forming method of the NC terminals and the PCB material and thickness. Therefore, be sure to verify the characteristics in the actual set. When using non-standard lands, contact Murata beforehand.

4. Notice for Chip Placer:

When placing products on the PCB, products may be stressed and broken by uneven forces from a worn-out chucking locating claw or a suction nozzle. To prevent products from damages, be sure to follow the specifications for the maintenance of the chip placer being used. For the positioning of products on the PCB, be aware that mechanical chucking may damage products.

5. Soldering Conditions:

Carefully perform preheating so that the temperature difference (ΔT) between the solder and products surface should be in the following range. When products are immersed in solvent after mounting, pay special attention to maintain the temperature difference within 100 °C. Soldering must be carried out by the above mentioned conditions to prevent products from damage. Contact Murata before use if concerning other soldering conditions.

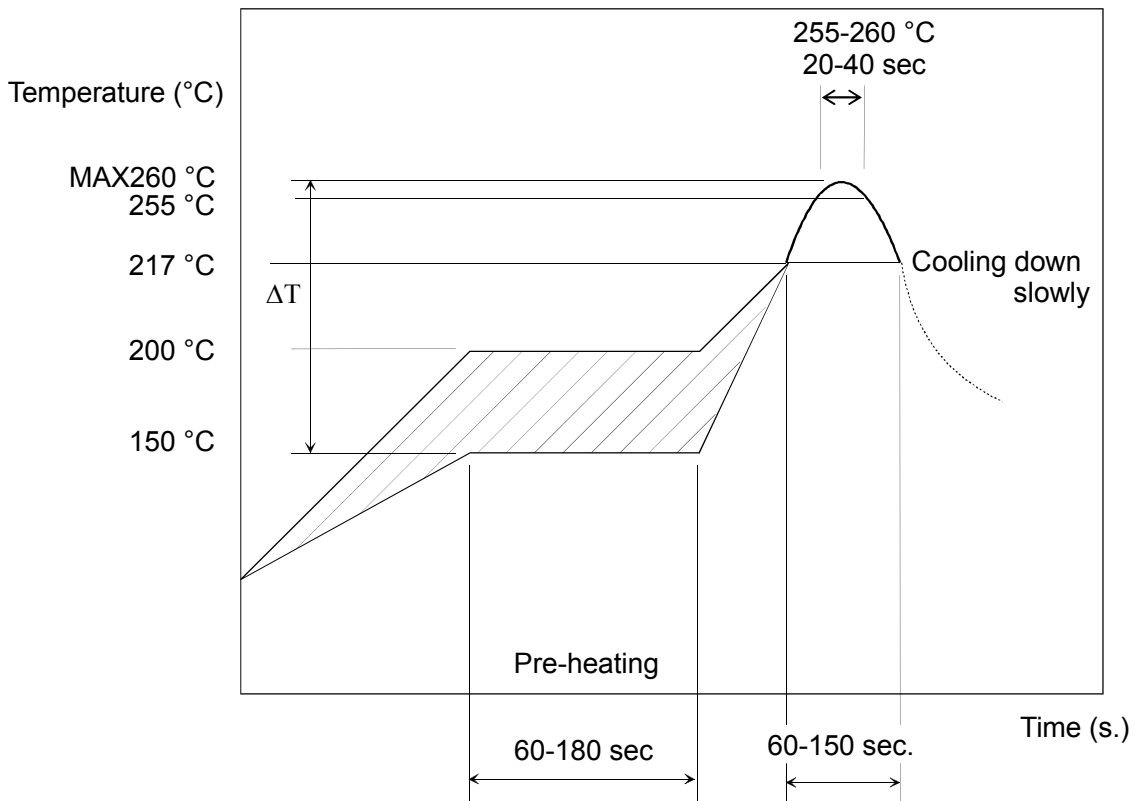
| Soldering method | Temperature |
|-----------------------|--|
| Soldering iron method | $\Delta T \leq 130 \text{ }^\circ\text{C}$ |
| Reflow method | |

- Soldering iron method conditions are indicated below.

| Kind of iron Item | Ceramics heater |
|-------------------------|-----------------------------------|
| Soldering iron wattage | $\leq 18 \text{ W}$ |
| Temperature of iron-tip | $\leq 350 \text{ }^\circ\text{C}$ |
| Iron contact time | within 3 sec |

- Diameter of iron-tip : $\phi 3.0 \text{ mm}$ max.
- Do not allow the iron-tip to directly touch the ceramic element.

Reflow soldering standard conditions (Example)

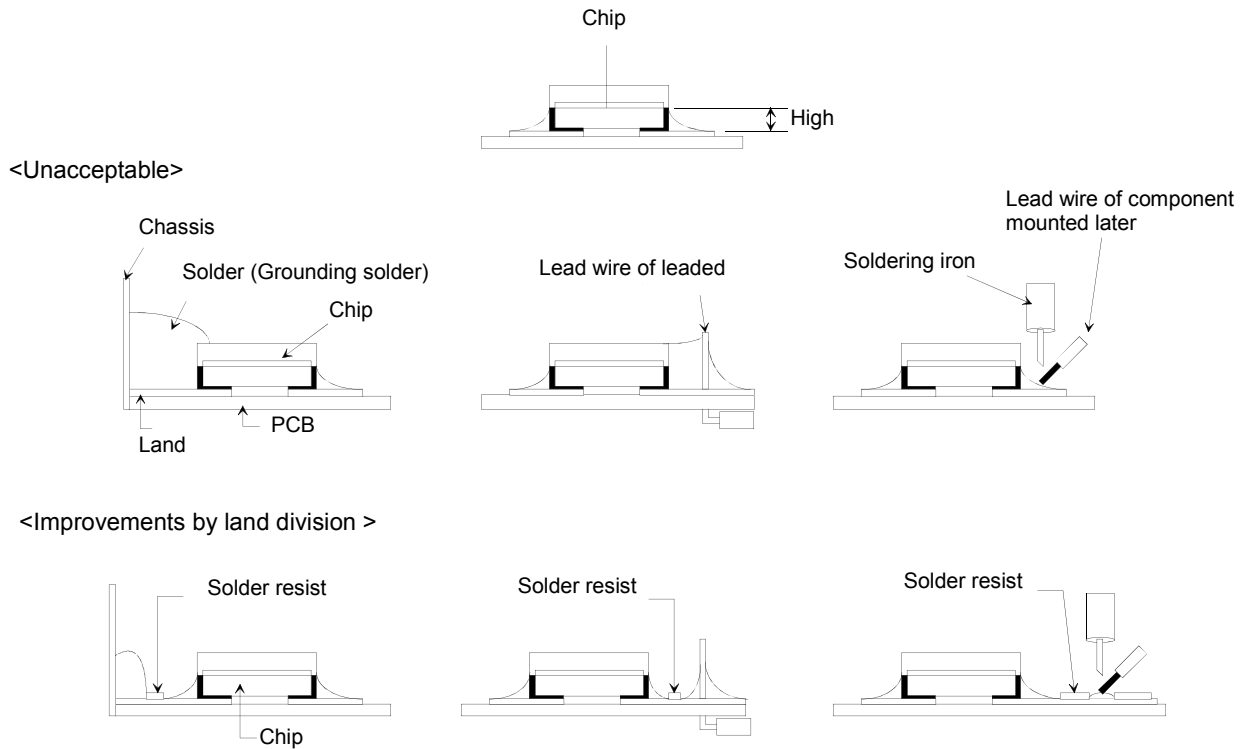


Use rosin type flux or weakly active flux with a chlorine content of 0.2 wt % or less.

Amount of Solder Paste:

- Ensure that solder is applied smoothly to a minimum height of 0.2 to 0.5 mm at the end surface of the external electrodes. If too much or little solder is applied, there is high possibility that the mechanical strength will be insufficient, creating the variation of characteristics.

Amount of solder paste



6. Cleaning Conditions:

Any cleaning is not permitted..

7. Operational Environment Conditions:

Products are designed to work for electronic products under normal environmental conditions (ambient temperature, humidity and pressure). Therefore, products have no problems to be used under the similar conditions to the above-mentioned. However, if products are used under the following circumstances, it may damage products and leakage of electricity and abnormal temperature may occur.

- In an atmosphere containing corrosive gas (Cl₂, NH₃, SO_x, NO_x etc.).
- In an atmosphere containing combustible and volatile gases.
- In a dusty environment.
- Direct sunlight
- Water splashing place.
- Humid place where water condenses.
- In a freezing environment.

If there are possibilities for products to be used under the preceding clause, consult with Murata before actual use.

If product malfunctions may result in serious damage, including that to human life, sufficient fail-safe measures must be taken, including the following:

- (1) Installation of protection circuits or other protective device to improve system safety
- (2) Installation of redundant circuits in the case of single-circuit failure

8. Limitation of Applications:

The products are designed and produced for application in ordinary electronic equipment (AV equipment, OA equipment, telecommunication, etc). If the products are to be used in devices requiring extremely high reliability following the application listed below, you should consult with the Murata staff in advance.

- Aircraft equipment.
- Aerospace equipment
- Undersea equipment.
- Power plant control equipment.
- Medical equipment.
- Transportation equipment (vehicles, trains, ships, etc.).
- Traffic signal equipment.
- Disaster prevention / crime prevention equipment.
- Data-procession equipment.
- Application which malfunction or operational error may endanger human life and property of assets.
- Application which related to occurrence the serious damage
- Application of similar complexity and/ or reliability requirements to the applications listed in the above.

9. Place of use

LXES15AAA1-153 / LXES03AAA1-154 are developed mainly for antenna line and signal line use.

We do not recommend that you use it in places where DC voltage is always applied, even if it is within rated voltage. LXES15AAA1-133 / LXES03AAA1-193 are withstand voltage products and can be used within the rated voltage in places where the constant DC voltage such as the power supply line is applied.



Note:

Please make sure that your product has been evaluated and confirmed against your specifications when our product is mounted to your product.

Product specifications are subject to change on our products in it may be discontinued without advance notice.

This catalog is for reference only and not an official product specification document, therefore, please review and approve our official product specification before ordering this product.

Note:

This catalog is for reference only and not an official product specification document, therefore, please review and approve our official product specification before ordering this product.

MURATA MFG. CO., LTD.



Компания «ЭлектроПласт» предлагает заключение долгосрочных отношений при поставках импортных электронных компонентов на взаимовыгодных условиях!

Наши преимущества:

- Оперативные поставки широкого спектра электронных компонентов отечественного и импортного производства напрямую от производителей и с крупнейших мировых складов;
- Поставка более 17-ти миллионов наименований электронных компонентов;
- Поставка сложных, дефицитных, либо снятых с производства позиций;
- Оперативные сроки поставки под заказ (от 5 рабочих дней);
- Экспресс доставка в любую точку России;
- Техническая поддержка проекта, помощь в подборе аналогов, поставка прототипов;
- Система менеджмента качества сертифицирована по Международному стандарту ISO 9001;
- Лицензия ФСБ на осуществление работ с использованием сведений, составляющих государственную тайну;
- Поставка специализированных компонентов (Xilinx, Altera, Analog Devices, Intersil, Interpoint, Microsemi, Aeroflex, Peregrine, Syfer, Eurofarad, Texas Instrument, Miteq, Cobham, E2V, MA-COM, Hittite, Mini-Circuits, General Dynamics и др.);

Помимо этого, одним из направлений компании «ЭлектроПласт» является направление «Источники питания». Мы предлагаем Вам помощь Конструкторского отдела:

- Подбор оптимального решения, техническое обоснование при выборе компонента;
- Подбор аналогов;
- Консультации по применению компонента;
- Поставка образцов и прототипов;
- Техническая поддержка проекта;
- Защита от снятия компонента с производства.



Как с нами связаться

Телефон: 8 (812) 309 58 32 (многоканальный)

Факс: 8 (812) 320-02-42

Электронная почта: org@eplast1.ru

Адрес: 198099, г. Санкт-Петербург, ул. Калинина, дом 2, корпус 4, литера А.