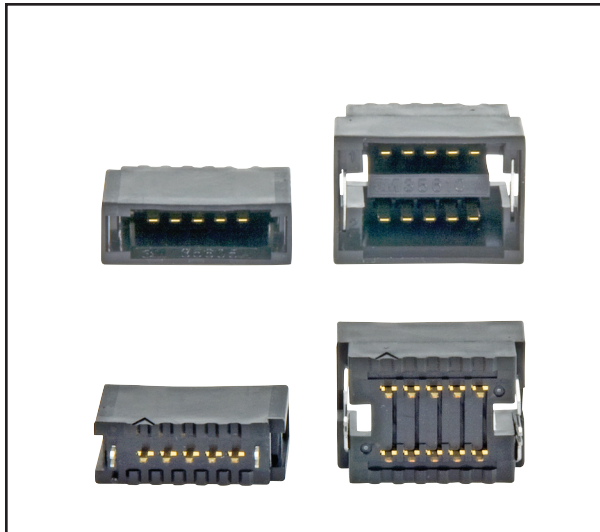


# 3M™ Power Clamp Header

3 mm, Straight, 1 and 2 Row, 5 and 10 Contacts

356 Series



- Accepts one or two Power Clamp Wiremount Sockets
- Accepts branch and terminator connectors
- Side to side stackable at 9 mm pitch on PCB
- Integrated press-fit board retention pins retain the connector to the board during wave soldering
- Polarization of retention pins on two-row header and polarization pin on one-row header prevent incorrect mounting.
- CC-Link Communication Interconnect Standard
- One touch latching mechanism maintains a reliable interconnection in demanding field applications
- Keyed to prevent reverse insertion of sockets
- Polarization options ensures proper interconnection of mated connectors
- RoHS Compliant. See paragraphs E1 and C1 of RoHS Compliant. See the Regulatory Information Appendix (RIA) in the "RoHS compliance" section of [www.3M.com/Interconnects](http://www.3M.com/Interconnects) for compliance information (RIA E1 & C1 apply).

Date Modified: December 20, 2009

TS-2274-C  
Sheet 1 of 3

## Physical

### Insulation:

Body Material: 1 Row - PBT, 2 Row - Nylon

Flammability: UL 94V-0

Body Color: Black

### Contact:

Material: Copper Alloy

### Plating:

Underplating: 2.5  $\mu\text{m}$  Ni minimum

Wiping Area: 0.5  $\mu\text{m}$  Au minimum

Solder Tails Au Flash

**Mating Compatibility:** 355, 357, 35T series products (with same polarization)

## Electrical

**Current Rating:** 18 AWG: 10A (1 contact/socket); 7A (2 - 5 contacts/socket)

20 AWG: 9A (1 contact/socket); 6A (2 - 5 contacts/socket)

Rating Conditions: 30° C maximum temperature rise

**Voltage Rating:** 250 V

**Insulation Resistance:** 10<sup>3</sup> M $\Omega$  min. at 600 V<sub>DC</sub>

**Withstanding Voltage:** 1,000 V<sub>RMS</sub> for 1 minute

## Environmental

**Process Rating:** 260°C maximum for wave solder process

390°C for 3 seconds maximum for soldering iron

**Temperature Rating:** -20°C to +75°C ambient

UL Rating: 65° C

UL File No: E68080

**3M**

Electronic Solutions Division

Interconnect Solutions

<http://www.3M.com/interconnects/>

3M is a trademark of 3M Company.

For technical, sales or ordering information call

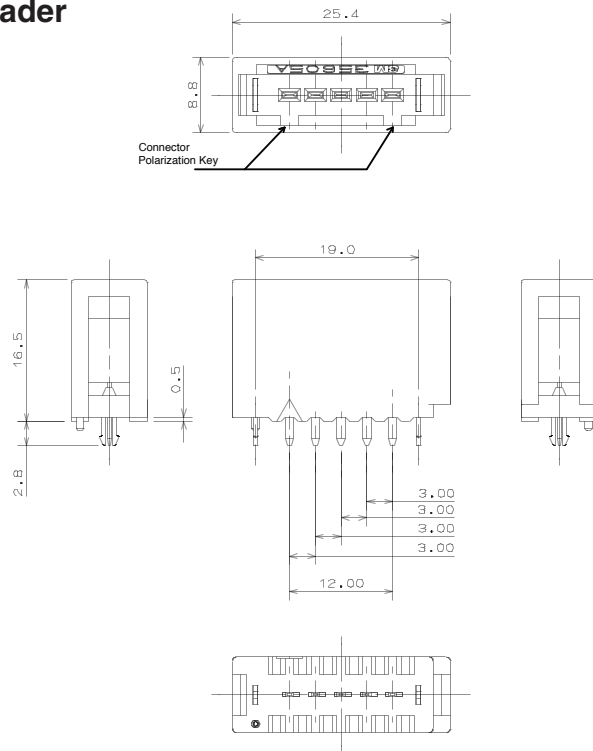
**800-225-5373**

# 3M™ Power Clamp Header

3 mm, Straight, 1 and 2 Row, 5 and 10 Contacts

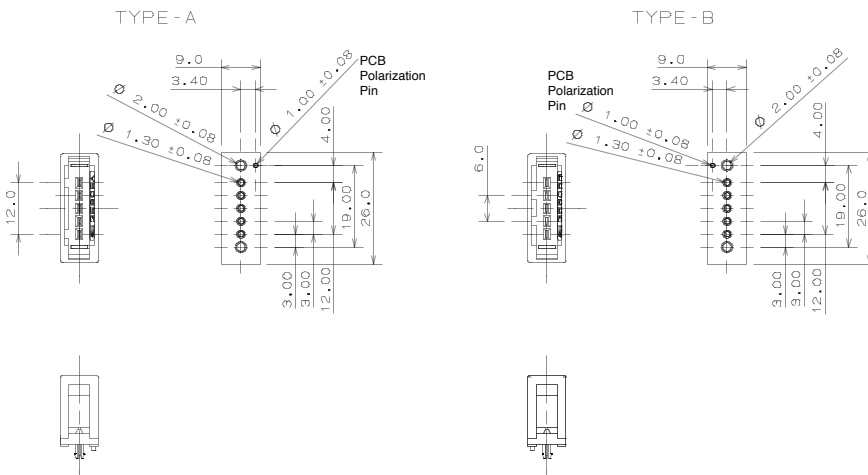
356 Series

## 1-Row Header



Available Part Numbers	
3M Part Number	Polarization
35605-6114-A00 PE	A
35605-6114-B00 PE	B

### RECOMMENDED HOLE PATTERN



mm  
[Inch]

Tolerance Unless Noted			
	.0	.00	.000
mm	±3	±.13	±.008

[ ] Dimensions for Reference Only

## Ordering Information

**35605 - 6114 - X00 PE** (RIA E1 and C1 Apply)

Polarization:

A: Type A (wide)

B: Type B (narrow)

TS-2274-C  
Sheet 2 of 3



Electronic Solutions Division  
Interconnect Solutions  
<http://www.3M.com/interconnects/>

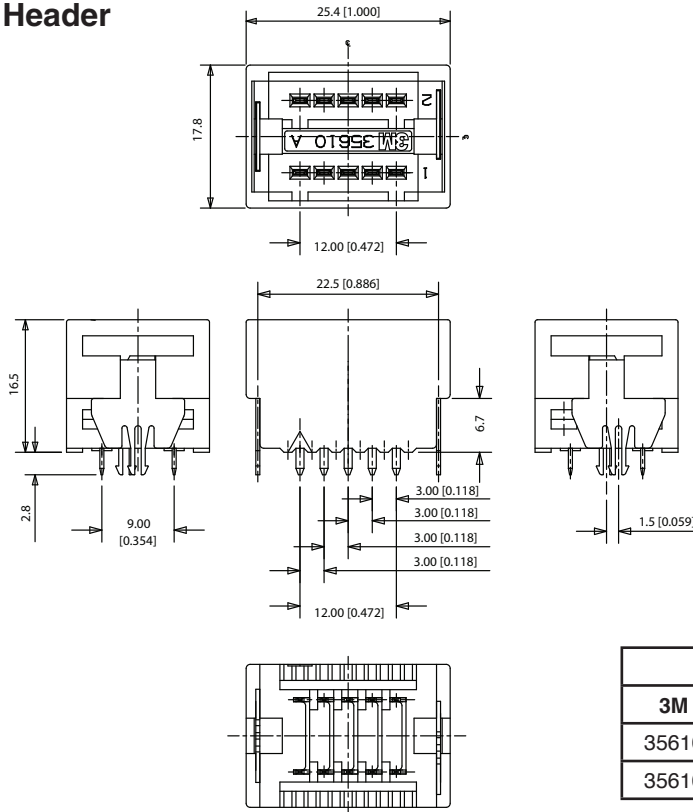
3M is a trademark of 3M Company.  
For technical, sales or ordering information call  
**800-225-5373**

# 3M™ Power Clamp Header

3 mm, Straight, 1 and 2 Row, 5 and 10 Contacts

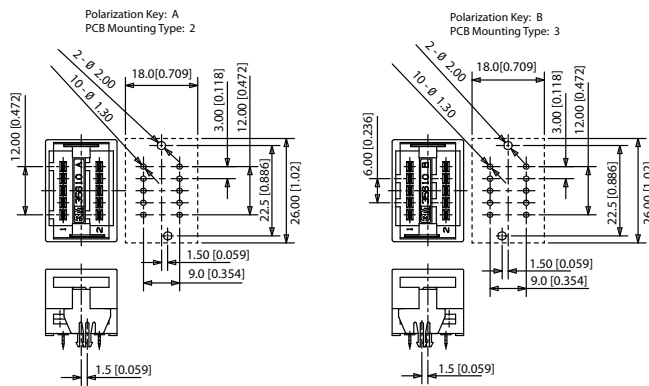
356 Series

## 2-Row Header



Available Part Numbers		
3M Part Number	Polarization	PCB Mounting
35610-6224-A00 PE	A	2
35610-6234-B00 PE	B	3

### RECOMMENDED HOLE PATTERN



mm  
[Inch]

Tolerance Unless Noted			
	.0	.00	.000
mm	±3	±.13	±.008

[ ] Dimensions for Reference Only

## Ordering Information

**35610 - 62X4 - X00 PE** (RIA E1 and C1 Apply)

PCB Mounting Type:  
2: Ø2.0 mm, +1.5 mm offset  
3: Ø2.0 mm, -1.5 mm offset

Polarization:  
A: Type A (wide)  
B: Type B (narrow)

TS-2274-C  
Sheet 3 of 3

**Important Notice**

All statements, technical information, and recommendations related to 3M's products are based on information believed to be reliable, but the accuracy or completeness is not guaranteed. Before using this product, you must evaluate it and determine if it is suitable for your intended application. You assume all risks and liability associated with such use. Any statements related to the product which are not contained in 3M's current publications, or any contrary statements contained on your purchase order shall have no force or effect unless expressly agreed upon, in writing, by an authorized officer of 3M.

**Warranty; Limited Remedy; Limited Liability.**

This product will be free from defects in material and manufacture for a period of one (1) year from the time of purchase. **3M MAKES NO OTHER WARRANTIES INCLUDING, BUT NOT LIMITED TO, ANY IMPLIED WARRANTY OF MERCHANTABILITY OR FITNESS FOR A PARTICULAR PURPOSE.** If this product is defective within the warranty period stated above, your exclusive remedy shall be, at 3M's option, to replace or repair the 3M product or refund the purchase price of the 3M product. **Except where prohibited by law, 3M will not be liable for any indirect, special, incidental or consequential loss or damage arising from this 3M product, regardless of the legal theory asserted.**

**3M Electronics Solutions Division**

6801 River Place Blvd.  
Austin, TX 78726-9000  
U.S.A.  
1-800-225-5373  
[www.3m.com/interconnects](http://www.3m.com/interconnects)

Please recycle. Printed in USA.  
© 3M 2008. All rights reserved.  
RIA-2217B-E

3M is a trademark of 3M Company.



Компания «ЭлектроПласт» предлагает заключение долгосрочных отношений при поставках импортных электронных компонентов на взаимовыгодных условиях!

Наши преимущества:

- Оперативные поставки широкого спектра электронных компонентов отечественного и импортного производства напрямую от производителей и с крупнейших мировых складов;
- Поставка более 17-ти миллионов наименований электронных компонентов;
- Поставка сложных, дефицитных, либо снятых с производства позиций;
- Оперативные сроки поставки под заказ (от 5 рабочих дней);
- Экспресс доставка в любую точку России;
- Техническая поддержка проекта, помощь в подборе аналогов, поставка прототипов;
- Система менеджмента качества сертифицирована по Международному стандарту ISO 9001;
- Лицензия ФСБ на осуществление работ с использованием сведений, составляющих государственную тайну;
- Поставка специализированных компонентов (Xilinx, Altera, Analog Devices, Intersil, Interpoint, Microsemi, Aeroflex, Peregrine, Syfer, Eurofarad, Texas Instrument, Miteq, Cobham, E2V, MA-COM, Hittite, Mini-Circuits, General Dynamics и др.);

Помимо этого, одним из направлений компании «ЭлектроПласт» является направление «Источники питания». Мы предлагаем Вам помощь Конструкторского отдела:

- Подбор оптимального решения, техническое обоснование при выборе компонента;
- Подбор аналогов;
- Консультации по применению компонента;
- Поставка образцов и прототипов;
- Техническая поддержка проекта;
- Защита от снятия компонента с производства.



#### Как с нами связаться

**Телефон:** 8 (812) 309 58 32 (многоканальный)

**Факс:** 8 (812) 320-02-42

**Электронная почта:** [org@eplast1.ru](mailto:org@eplast1.ru)

**Адрес:** 198099, г. Санкт-Петербург, ул. Калинина, дом 2, корпус 4, литера А.