

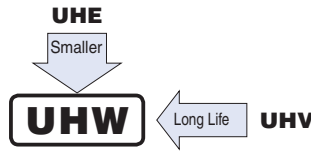
ALUMINUM ELECTROLYTIC CAPACITORS

UHW

Miniature Sized, High Ripple Current,
High Reliability



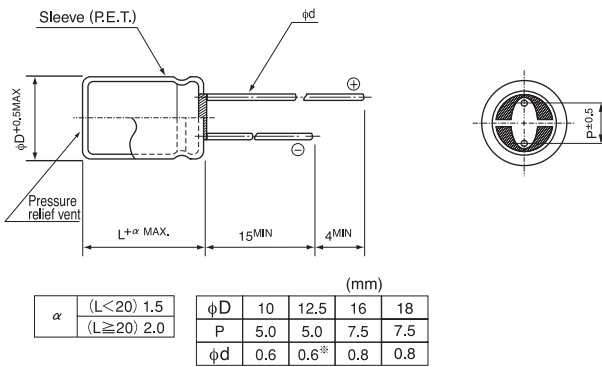
- Lower impedance at high frequency range.
- Smaller case size and high ripple current.
- Compliant to the RoHS directive (2011/65/EU).



Specifications

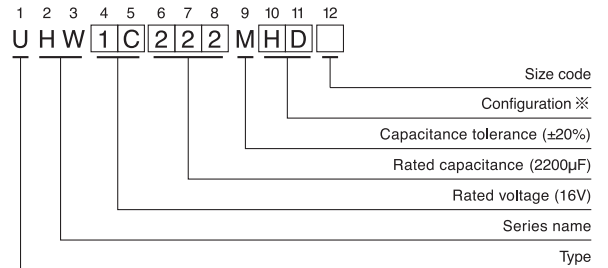
Item	Performance Characteristics																															
Category Temperature Range	-40 to +105°C																															
Rated Voltage Range	6.3 to 100V																															
Rated Capacitance Range	82 to 15000μF																															
Capacitance Tolerance	±20% at 120Hz, 20°C																															
Leakage Current	After 2 minute's application of rated voltage at 20°C, leakage current is more than 0.01CV(μA)																															
Tangent of loss angle (tan δ)	<table border="1"> <tr> <td>Rated voltage (V)</td> <td>6.3</td> <td>10</td> <td>16</td> <td>25</td> <td>35</td> <td>50</td> <td>63</td> <td>80</td> <td>100</td> <td rowspan="2">Measurement frequency : 120Hz, Temperature : 20°C</td> </tr> <tr> <td>tan δ (MAX.)</td> <td>0.21</td> <td>0.18</td> <td>0.15</td> <td>0.13</td> <td>0.11</td> <td>0.10</td> <td>0.09</td> <td>0.09</td> <td>0.08</td> </tr> </table> <p>For capacitance of more than 1000μF, add 0.02 for every increase of 1000μF.</p>	Rated voltage (V)	6.3	10	16	25	35	50	63	80	100	Measurement frequency : 120Hz, Temperature : 20°C	tan δ (MAX.)	0.21	0.18	0.15	0.13	0.11	0.10	0.09	0.09	0.08										
Rated voltage (V)	6.3	10	16	25	35	50	63	80	100	Measurement frequency : 120Hz, Temperature : 20°C																						
tan δ (MAX.)	0.21	0.18	0.15	0.13	0.11	0.10	0.09	0.09	0.08																							
Stability at Low Temperature	<table border="1"> <tr> <td>Rated voltage (V)</td> <td>6.3</td> <td>10</td> <td>16</td> <td>25</td> <td>35</td> <td>50</td> <td>63</td> <td>80</td> <td>100</td> <td rowspan="3">Measurement frequency : 120Hz</td> </tr> <tr> <td>Impedance ratio</td> <td>Z-25°C / Z+20°C</td> <td>2</td> <td>2</td> <td>2</td> <td>2</td> <td>2</td> <td>2</td> <td>2</td> <td>2</td> </tr> <tr> <td>ZT / Z20 (MAX.)</td> <td>Z-40°C / Z+20°C</td> <td>3</td> <td>3</td> <td>3</td> <td>3</td> <td>3</td> <td>3</td> <td>3</td> <td>3</td> </tr> </table>	Rated voltage (V)	6.3	10	16	25	35	50	63	80	100	Measurement frequency : 120Hz	Impedance ratio	Z-25°C / Z+20°C	2	2	2	2	2	2	2	2	ZT / Z20 (MAX.)	Z-40°C / Z+20°C	3	3	3	3	3	3	3	3
Rated voltage (V)	6.3	10	16	25	35	50	63	80	100	Measurement frequency : 120Hz																						
Impedance ratio	Z-25°C / Z+20°C	2	2	2	2	2	2	2	2																							
ZT / Z20 (MAX.)	Z-40°C / Z+20°C	3	3	3	3	3	3	3	3																							
Endurance	<p>The specifications listed at right shall be met when the capacitors are restored to 20°C after D.C. bias plus rated ripple current is applied for 10000 hours at 105°C, the peak voltage shall not exceed the rated voltage.</p> <table border="1"> <tr> <td>Capacitance Change</td> <td>Within ±25% of the initial capacitance value (6.3V 10V: ±30%)</td> </tr> <tr> <td>tan δ</td> <td>200% or less than the initial specified value</td> </tr> <tr> <td>Leakage current</td> <td>Less than or equal to the initial specified value</td> </tr> </table>	Capacitance Change	Within ±25% of the initial capacitance value (6.3V 10V: ±30%)	tan δ	200% or less than the initial specified value	Leakage current	Less than or equal to the initial specified value																									
Capacitance Change	Within ±25% of the initial capacitance value (6.3V 10V: ±30%)																															
tan δ	200% or less than the initial specified value																															
Leakage current	Less than or equal to the initial specified value																															
Marking	Printed with white color letter on black sleeve.																															

Radial Lead Type



※ In case L > 25 for the $\phi 12.5$ dia. unit, lead dia. $\phi d = 0.8 \text{ mm}$.

Type numbering system (Example : 16V 2200μF)



※ Configuration

ϕD	Pb-free lead finishing Pb-free PET sleeve
10	PD
12.5 to 18	HD

Frequency coefficient of rated ripple current

Cap. (μF)	Frequency	120Hz	1kHz	10kHz	10kHz or more
82 to 180		0.40	0.75	0.90	1.00
220 to 560		0.50	0.85	0.94	1.00
680 to 1800		0.60	0.87	0.95	1.00
2200 to 3900		0.75	0.90	0.95	1.00
4700 to 15000		0.85	0.95	0.98	1.00

● Dimension table in next page.

Design, Specifications are subject to change without notice.

ALUMINUM ELECTROLYTIC CAPACITORS

UHW

■ Dimensions

V (Code)		6.3 (0J)				10 (1A)			
Cap.(μF)	Item Code	Case size φD × L (mm)	Impedance (Ω) MAX.		Rated ripple (mArms) 105°C / 100kHz	Case size φD × L (mm)	Impedance (Ω) MAX.		Rated ripple (mArms) 105°C / 100kHz
			20°C / 100kHz	-10°C / 100kHz			20°C / 100kHz	-10°C / 100kHz	
1200	122					10 × 16	0.030	0.090	2000
1500	152					10 × 16	0.030	0.090	2000
1800	182	10 × 16	0.030	0.090	2000	10 × 20	0.020	0.060	2500
2200	222	10 × 20	0.020	0.060	2500	10 × 25	0.017	0.051	2900
2700	272	10 × 20	0.020	0.060	2500	12.5 × 20	0.017	0.051	2600
3300	332	10 × 25	0.017	0.051	2900	12.5 × 20	0.017	0.051	2600
3900	392	12.5 × 20	0.017	0.051	2600	12.5 × 25	0.015	0.045	3200
4700	472	12.5 × 25	0.015	0.045	3200	12.5 × 31.5	0.012	0.036	3795
						▲ 16 × 20	0.015	0.045	3575
5600	562	12.5 × 31.5	0.012	0.036	3795	12.5 × 35.5	0.011	0.033	4120
		▲ 12.5 × 25	0.015	0.045	3200	▲ 16 × 25	0.013	0.039	3810
6800	682	12.5 × 31.5	0.011	0.033	3795	16 × 25	0.013	0.039	3810
		▲ 16 × 20	0.015	0.045	3575				
8200	822	16 × 25	0.013	0.039	3810	16 × 31.5	0.011	0.033	4000
10000	103	16 × 25	0.013	0.039	3810	16 × 31.5	0.011	0.033	4000
12000	123	16 × 31.5	0.011	0.033	4000	16 × 35.5	0.010	0.030	4200
15000	153	16 × 35.5	0.010	0.030	4200				

V (Code)		16 (1C)				25 (1E)			
Cap.(μF)	Item Code	Case size φD × L (mm)	Impedance (Ω) MAX.		Rated ripple (mArms) 105°C / 100kHz	Case size φD × L (mm)	Impedance (Ω) MAX.		Rated ripple (mArms) 105°C / 100kHz
			20°C / 100kHz	-10°C / 100kHz			20°C / 100kHz	-10°C / 100kHz	
680	681					10 × 16	0.030	0.090	2000
820	821	10 × 16	0.030	0.090	2000	10 × 20	0.020	0.060	2500
						▲ 10 × 16	0.030	0.090	2000
1000	102	10 × 16	0.030	0.090	2000	10 × 20	0.020	0.060	2500
1200	122	10 × 20	0.020	0.060	2500	10 × 25	0.017	0.051	2900
		▲ 10 × 16	0.030	0.090	2000				
1500	152	10 × 20	0.020	0.060	2500	12.5 × 20	0.017	0.051	2600
1800	182	10 × 25	0.017	0.051	2900	12.5 × 25	0.015	0.045	3200
2200	222	12.5 × 20	0.017	0.051	2600	12.5 × 25	0.015	0.045	3200
						▲ 16 × 20	0.015	0.045	3575
2700	272	12.5 × 25	0.015	0.045	3200	12.5 × 31.5	0.012	0.036	3795
						▲ 16 × 20	0.015	0.045	3576
3300	332	12.5 × 25	0.015	0.045	3200	12.5 × 35.5	0.011	0.033	4120
		▲ 16 × 20	0.015	0.045	3575	▲ 16 × 25	0.013	0.039	3810
3900	392	12.5 × 31.5	0.012	0.036	3795	16 × 25	0.013	0.039	3810
		▲ 16 × 20	0.015	0.045	3575				
4700	472	12.5 × 35.5	0.011	0.033	4120	16 × 31.5	0.011	0.033	4000
		▲ 16 × 25	0.013	0.039	3810				
5600	562	16 × 25	0.013	0.039	3810	16 × 35.5	0.010	0.030	4200
6800	682	16 × 31.5	0.011	0.033	4000				
8200	822	16 × 35.5	0.010	0.030	4200				

▲ : In this case, [6] will be put at 12th digit of type numbering system.

ALUMINUM ELECTROLYTIC CAPACITORS

UHW

■ Dimensions

V (Code)		35 (1V)				50 (1H)				
Cap.(μF)	Code	Item	Case size φD × L (mm)	Impedance (Ω) MAX.		Rated ripple (mArms) 105°C /100kHz	Case size φD × L (mm)	Impedance (Ω) MAX.		Rated ripple (mArms) 105°C /100kHz
				20°C /100kHz	-10°C /100kHz			20°C /100kHz	-10°C /100kHz	
220	221						10 × 16	0.042	0.126	1650
270	271						10 × 20	0.030	0.090	2060
330	331						10 × 20	0.030	0.090	2060
390	391	10 × 16	0.030	0.090	2000	10 × 25	0.028	0.084	2420	
						▲10 × 20	0.030	0.090	2060	
470	471	10 × 16	0.030	0.090	2000	10 × 25	0.028	0.084	2420	
						▲12.5 × 20	0.027	0.081	2300	
560	561	10 × 20	0.020	0.060	2500	12.5 × 20	0.027	0.081	2300	
680	681	10 × 25	0.017	0.051	2900	12.5 × 25	0.023	0.069	2800	
		▲10 × 20	0.020	0.060	2500					
820	821	10 × 25	0.017	0.051	2900	12.5 × 25	0.023	0.069	2800	
		▲12.5 × 20	0.017	0.051	2600	▲16 × 20	0.023	0.069	3070	
1000	102	12.5 × 20	0.017	0.051	2600	12.5 × 31.5	0.020	0.060	3500	
						▲16 × 25	0.021	0.063	3270	
1200	122	12.5 × 25	0.015	0.045	3200	16 × 25	0.021	0.063	3270	
1500	152	16 × 20	0.015	0.045	3575	12.5 × 35.5	0.019	0.057	3810	
						▲16 × 25	0.021	0.063	3270	
1800	182	12.5 × 31.5	0.012	0.036	3795	16 × 31.5	0.019	0.057	3430	
		▲16 × 25	0.013	0.039	3810					
2200	222	12.5 × 35.5	0.011	0.033	4120	16 × 31.5	0.019	0.057	3430	
		▲16 × 25	0.013	0.039	3810					
2700	272					16 × 35.5	0.018	0.054	3600	
3300	332	16 × 31.5	0.011	0.033	4000					
3900	392	16 × 35.5	0.010	0.030	4200					

V (Code)		63 (1J)				80 (1K)				
Cap.(μF)	Code	Item	Case size φD × L (mm)	Impedance (Ω) MAX.		Rated ripple (mArms) 105°C /100kHz	Case size φD × L (mm)	Impedance (Ω) MAX.		Rated ripple (mArms) 105°C /100kHz
				20°C /100kHz	-10°C /100kHz			20°C /100kHz	-10°C /100kHz	
120	121						10 × 16	0.115	0.47	1040
180	181	10 × 16	0.115	0.47	1200	10 × 20	0.088	0.34	1430	
						▲12.5 × 15	0.115	0.47	1430	
220	221					10 × 25	0.072	0.28	1620	
270	271	10 × 20	0.088	0.34	1570	10 × 31.5	0.063	0.18	1750	
						▲12.5 × 20	0.065	0.18	1750	
330	331	10 × 25	0.072	0.28	1990					
390	391	10 × 31.5	0.063	0.18	2050	12.5 × 25	0.049	0.14	2210	
		▲12.5 × 20	0.065	0.18	1990					
470	471					12.5 × 31.5	0.044	0.13	2400	
						▲16 × 20	0.050	0.15	1950	
560	561	12.5 × 25	0.049	0.14	2460	12.5 × 35.5	0.038	0.11	2600	
						▲18 × 20	0.047	0.14	2270	
680	681	12.5 × 31.5	0.044	0.13	2760	12.5 × 40	0.033	0.095	2860	
		▲16 × 20	0.050	0.15	2380	▲16 × 25	0.040	0.12	2430	
820	821	12.5 × 35.5	0.038	0.11	3040	16 × 31.5	0.033	0.095	2640	
		▲18 × 20	0.047	0.14	2460	▲18 × 25	0.038	0.11	2500	
1000	102	12.5 × 40	0.033	0.095	3100	16 × 35.5	0.030	0.086	2860	
		▲16 × 25	0.040	0.12	2890					
1200	122	16 × 31.5	0.025	0.072	2930	16 × 40	0.028	0.081	3510	
		▲18 × 25	0.038	0.11	2930	▲18 × 31.5	0.031	0.090	2860	
1500	152	16 × 35.5	0.023	0.066	3100	18 × 35.5	0.028	0.081	3510	
		▲18 × 31.5	0.024	0.069	3100					
1800	182	16 × 40	0.021	0.060	3510	18 × 40	0.027	0.076	3860	
		▲18 × 35.5	0.022	0.063	3510					
2200	222	18 × 40	0.020	0.057	3860					

▲ : In this case, [6] will be put at 12th digit of type numbering system.

Design, Specifications are subject to change without notice.

ALUMINUM ELECTROLYTIC CAPACITORS

UHW

■Dimensions

Cap.(μ F)	V (Code)	Item	100 (2A)			
			Case size ϕ D \times L (mm)	Impedance (Ω) MAX.		Rated ripple (mA _{rms}) 105°C /100kHz
				20°C /100kHz	-10°C /100kHz	
82	82	10 \times 16	0.115	0.47	1040	
100	101	10 \times 20	0.088	0.34	1430	
		▲12.5 \times 15	0.115	0.47	1430	
120	121	10 \times 25	0.072	0.28	1620	
180	181	12.5 \times 20	0.065	0.18	1750	
220	221	12.5 \times 25	0.049	0.14	2210	
270	271	12.5 \times 31.5	0.044	0.13	2400	
		▲16 \times 20	0.050	0.15	1950	
390	391	12.5 \times 35.5	0.038	0.11	2600	
		▲16 \times 25	0.040	0.12	2430	
		※18 \times 20	0.047	0.14	2270	
470	471	12.5 \times 40	0.033	0.095	2860	
		▲18 \times 25	0.038	0.11	2500	
560	561	16 \times 31.5	0.033	0.095	2640	
680	681	16 \times 35.5	0.030	0.086	2860	
		▲18 \times 31.5	0.031	0.090	2860	
820	821	16 \times 40	0.028	0.081	3510	
		▲18 \times 35.5	0.028	0.081	3510	
1000	102	18 \times 40	0.027	0.076	3860	

▲: In this case, 6 will be put at 12th digit of type numbering system.

※: In this case, 3 will be put at 12th digit of type numbering system.

Design, Specifications are subject to change without notice.



Компания «ЭлектроПласт» предлагает заключение долгосрочных отношений при поставках импортных электронных компонентов на взаимовыгодных условиях!

Наши преимущества:

- Оперативные поставки широкого спектра электронных компонентов отечественного и импортного производства напрямую от производителей и с крупнейших мировых складов;
- Поставка более 17-ти миллионов наименований электронных компонентов;
- Поставка сложных, дефицитных, либо снятых с производства позиций;
- Оперативные сроки поставки под заказ (от 5 рабочих дней);
- Экспресс доставка в любую точку России;
- Техническая поддержка проекта, помощь в подборе аналогов, поставка прототипов;
- Система менеджмента качества сертифицирована по Международному стандарту ISO 9001;
- Лицензия ФСБ на осуществление работ с использованием сведений, составляющих государственную тайну;
- Поставка специализированных компонентов (Xilinx, Altera, Analog Devices, Intersil, Interpoint, Microsemi, Aeroflex, Peregrine, Syfer, Eurofarad, Texas Instrument, Miteq, Cobham, E2V, MA-COM, Hittite, Mini-Circuits, General Dynamics и др.);

Помимо этого, одним из направлений компании «ЭлектроПласт» является направление «Источники питания». Мы предлагаем Вам помощь Конструкторского отдела:

- Подбор оптимального решения, техническое обоснование при выборе компонента;
- Подбор аналогов;
- Консультации по применению компонента;
- Поставка образцов и прототипов;
- Техническая поддержка проекта;
- Защита от снятия компонента с производства.



Как с нами связаться

Телефон: 8 (812) 309 58 32 (многоканальный)

Факс: 8 (812) 320-02-42

Электронная почта: org@eplast1.ru

Адрес: 198099, г. Санкт-Петербург, ул. Калинина, дом 2, корпус 4, литера А.