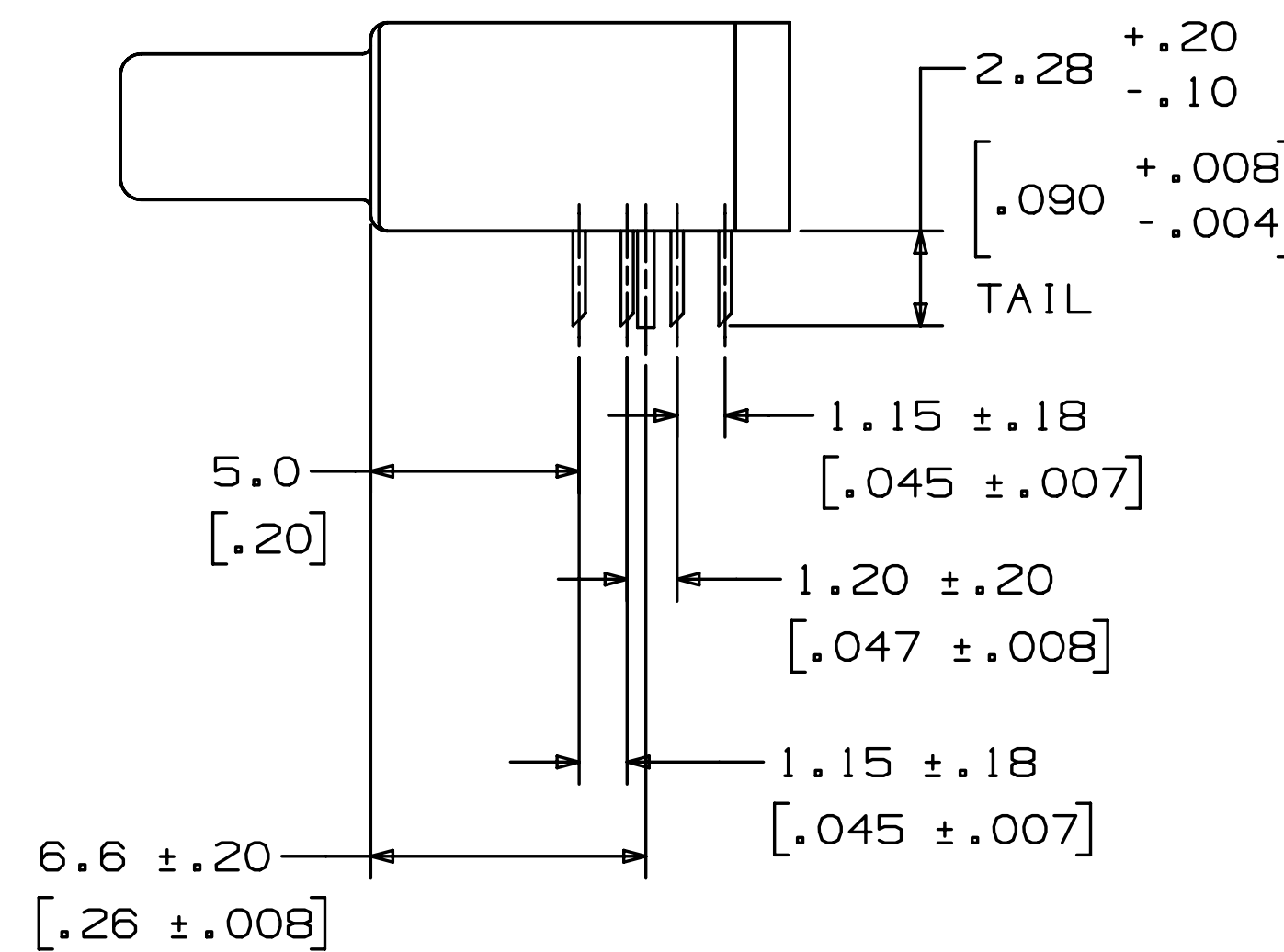
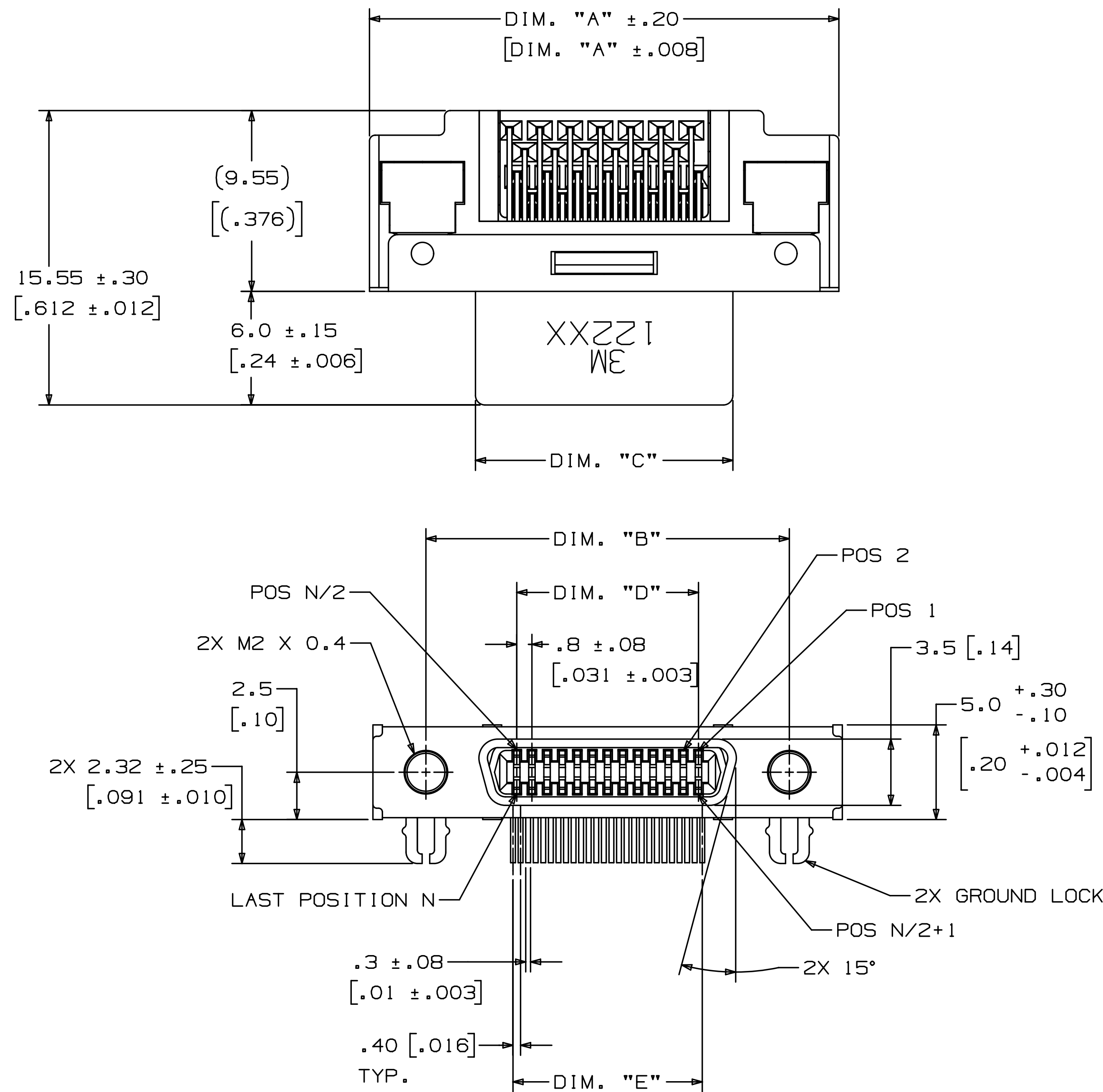


3M™ Shrunk Delta Ribbon (SDR) Connectors, 122 Series
 .80 mm Through-Hole, Right Angle Receptacle, Shielded



- NOTES
- MATERIAL:
 INSULATION: HIGH TEMPERATURE NYLON
 COLOR: BLACK, UL94V-0
 CONTACT: COPPER ALLOY
 PLATING:
 UNDERPLATE: 2µm [80µ"] NICKEL
 WIPING AREA: .76µm [30µ"] GOLD
 TERMINATION AREA: GOLD FLASH OVER NICKEL
 SHROUD & LATCH HOOK: STEEL
 PLATING: NICKEL
 GROUND LOCK: COPPER ALLOY
 PLATING: SEMI-BRIGHT TIN OVER NICKEL
 LOCK SCREW: STEEL
 PLATING: NICKEL
 ALIGNMENT PLATE: PPS
 COLOR: BLACK, UL94V-0
 - MARKING: 3M LOGO AND PART NUMBER.
 - ELECTRICAL:
 CURRENT RATING: 0.5 A
 INSULATION RESISTANCE: 500 MΩ MIN AT 250 V_{DC}
 WITHSTANDING VOLTAGE: 350 V_{AC} FOR 1 MINUTE
 - ENVIRONMENTAL:
 TEMPERATURE RATING:
 -40° C TO +70° C
 PROCESS RATING:
 REFLOW: PREHEAT 150° TO 180° C,
 90 TO 120 SECONDS
 SOLDERING: OVER 220° C,
 30 TO 60 SECONDS, PEAK TEMPERATURE
 IS 250° C MAX.
 SOLDER IRON: 380° C MAX, 3 SECONDS MAX.
 WAVE SOLDERING: 260° C, 10 SECONDS, 2 TIMES
 OR 263° C, 5 SECONDS, 2 TIMES.
 * PRE-HEAT CONDITION:
 TEMP OF COMPONENTS: 100° C MAX.
 DURATION: 60 SECONDS MAX.
 - IN THE EVENT OF CONFLICT BETWEEN THIS DATA AND THAT CONTAINED IN THE PRODUCT SPECIFICATION, THE PRODUCT SPECIFICATION TAKES PRECEDENT.
 - FOR VARIOUS PANEL THICKNESS JACKSOCKETS REFER TO TS-0142.
 - SEE REGULATORY INFORMATION APPENDIX (RIA) IN THE "ROHS COMPLIANCE" SECTION OF WWW.3MCONNECTOR.COM FOR COMPLIANCE INFORMATION.

| POSITION | DIM. "A" | DIM. "B" | DIM. "C" | DIM. "D" | DIM. "E" |
|----------|-------------|-------------|------------|------------|------------|
| 14 | 20.0 [.79] | 14.4 [.57] | 8.8 [.35] | 4.8 [.19] | 5.2 [.20] |
| 26 | 24.8 [.98] | 19.2 [.76] | 13.6 [.54] | 9.6 [.38] | 10.0 [.39] |
| 50 | 34.4 [1.35] | 28.8 [1.13] | 23.2 [.91] | 19.2 [.76] | 19.6 [.77] |

CONNECTOR DIMENSION TABLE
 TABLE 1

DIMENSIONS ARE IN MM.
 SECONDARY ARE IN [INCHES]
 AND ARE FOR REFERENCE ONLY

| | | | | | | |
|---------------------------------|---------------|--|------------------------------------|----------------------------|------|------|
| DESIGN REFERENCE | NEXT ASSEMBLY | REV | ECO | ISSUE DATE AND DESCRIPTION | DRFT | CHKD |
| | | | | JAN 05, 2011 | JNC | SC |
| DESIGNER | DATE | APP'D | DATE | | | |
| CASTIGLIONE | JAN 05, 2011 | DR | JAN 12, 2011 | | | |
| CHKD | DATE | APP'D | DATE | | | |
| | | B. CRONCH | | | | |
| DIVISION | DIVISION CODE | © 3M COPYRIGHT 2011 | | | | |
| Interconnect Solutions | ISD | This document and the information it contains are 3M property and may not be reproduced or further distributed without 3M permission, or used or disclosed other than for 3M authorized purposes. All rights reserved. | | | | |
| DO NOT SCALE DRAWING | SCALE 6/1 | TOLERANCES EXCEPT AS NOTED | 3M Center St. Paul, MN 55144 | | | |
| | | INCHES | TITLE | | | |
| | | .00 ±.006 | 3M SHRUNK DELTA RIBBON (SDR) CONN. | | | |
| | | .000 ±.006 | 122XX-51X0-00FR | | | |
| | | .0000 ±.005 | CAGE SIZE DRAWING NO. | | | |
| THIRD ANGLE PROJECTION | MILLIMETERS | 0 ± | NUMBER | | | |
| INTERPRET PER ASME Y14.5 - 1994 | 0 ± | .0 ±.15 | D 78-5100-2124-5 | | | |
| MAX SURFACE ROUGHNESS | .00 ±.15 | .000 ±.13 | REV. | | | |
| UNFINISHED SURFACES | .000 ±.13 | | E | | | |
| MARKED ONLY | ANGLES | | MODEL | | | |
| | | | 122XX-51X0-00 | | | |
| | | | SHT 1 OF 2 | | | |

cru
 UL FILE NO: E68080

3M™ Shrunk Delta Ribbon (SDR) Connectors, 122 Series
 .80 mm Through-Hole, Right Angle Receptacle, Shielded



NOTE: JACKSOCKET 12600-S-00 COMES FACTORY INSTALLED IN CONNECTOR 122XX-5150-00FR. IT IS FIXED WITH THREAD LOCKING ADHESIVE AND CANNOT BE REMOVED.

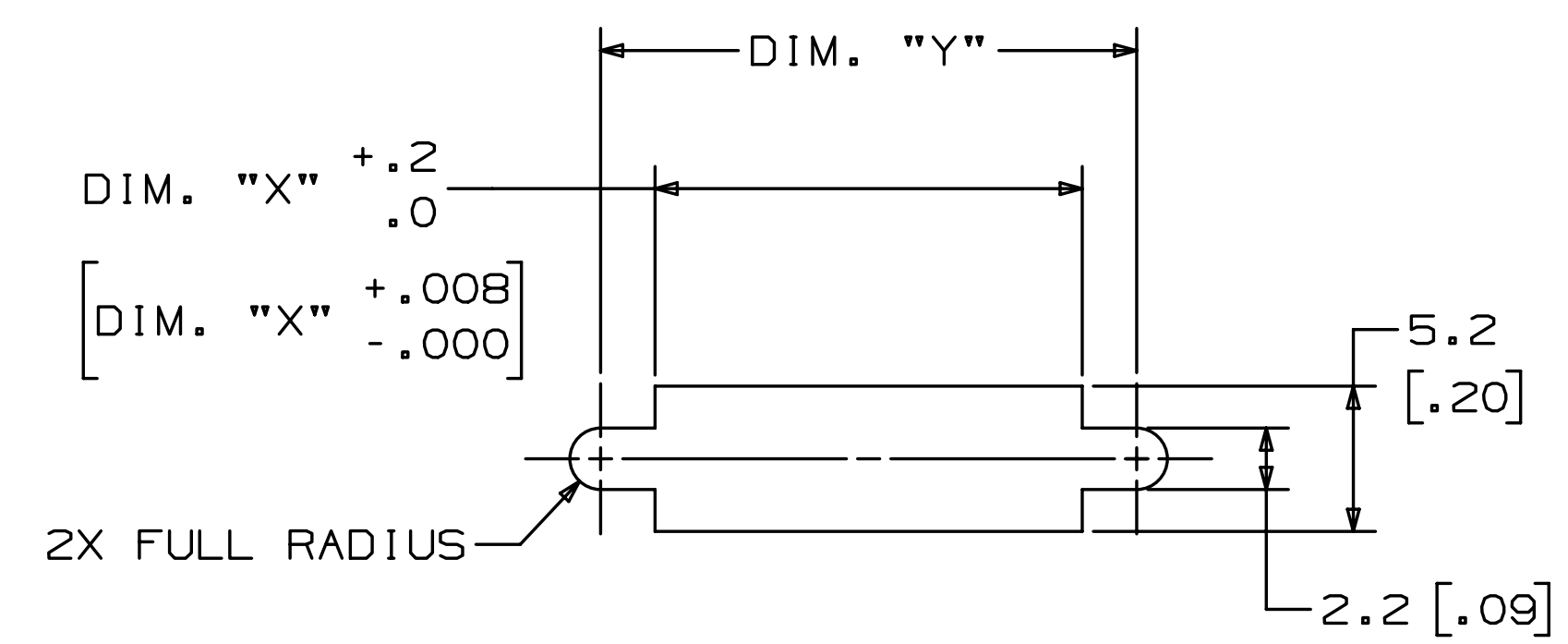
| PANEL THICKNESS | CONNECTOR | JACKSOCKET |
|-----------------|-----------------|-------------------------------|
| NO PANEL | 122XX-5150-00FR | FACTORY INSTALLED (SEE NOTE) |
| 0.8±0.1MM | 122XX-5100-00FR | 12600-S-08 (ORDER SEPARATELY) |
| 1.0±0.1MM | 122XX-5100-00FR | 12600-S-10 (ORDER SEPARATELY) |
| 1.2±0.1MM | 122XX-5100-00FR | 12600-S-12 (ORDER SEPARATELY) |

SELECTION TABLE FOR PANEL MOUNTING
 TABLE 3

ORDERING INFORMATION:
 122XX-51X0-00FR

CONTACT QUANTITY (SEE TABLE 1)

SCREW LOCK OPTION: (SEE TABLE 3)
 0=NONE (RIA E1 & C1 APPLY)
 5=WITH 12600-S-00 NON-REMOVABLE SCREW LOCK (RIA E5 & C3 APPLY)



RECOMMENDED PANEL CUT-OUT
 (MAXIMUM PANEL THICKNESS 1.2MM)

| POSITION | DIM. "X" | DIM. "Y" |
|----------|------------|-------------|
| 14 | 10.5 [.41] | 14.4 [.57] |
| 26 | 15.3 [.60] | 19.2 [.76] |
| 50 | 24.9 [.98] | 28.8 [1.13] |

RECOMMENDED PANEL CUT-OUT DIMENSION TABLE
 TABLE 2

| | | | | | | |
|---------------------------------|---------------|----------------------------|-------------|----------------------------|-----------|-------------|
| DESIGN REFERENCE | NEXT ASSEMBLY | REV | ECO | ISSUE DATE AND DESCRIPTION | DRFT | CHKD |
| | | | | JAN 05,2011 | JNC | SC |
| DISTRIBUTION CODES | | DRFT | CASTIGLIONE | DATE | DATE | DATE |
| | | CHKD | | JAN 05,2011 | APPV | DATE |
| | | | | | D. CRONCH | JAN 12,2011 |
| Division Interconnect Solutions | | DIVISION CODE | | | | |
| DO NOT SCALE DRAWING | | SCALE 4/1 | | | | |
| THIRD ANGLE PROJECTION | | TOLERANCES EXCEPT AS NOTED | | | | |
| INTERPRET PER ASME Y14.5 - 1994 | | INCHES | | | | |
| MAX SURFACE ROUGHNESS | | MILLIMETERS | | | | |
| MARKED ONLY | | 0 ± | | | | |
| | | .00 ±.006 | | | | |
| | | .000 ±.006 | | | | |
| | | .0000 ±.005 | | | | |
| | | 0 ± | | | | |
| | | .0 ±.15 | | | | |
| | | .00 ±.15 | | | | |
| | | .000 ±.13 | | | | |
| | | ANGL 15° ± | | | | |
| | | CAGE NUMBER | | | | |
| | | D 78-5100-2124-5 | | | | |
| | | MODEL | | | | |
| | | 122XX-51X0-00 | | | | |
| | | REV. E | | | | |
| | | SHT 2 OF 2 | | | | |

© 3M COPYRIGHT 2011
 This document and the information it contains are 3M property and may not be reproduced or further distributed without 3M permission, or used or disclosed other than for 3M authorized purposes. All rights reserved.

3M Center
 St. Paul,
 MN 55144

TITLE
 3M SHRUNK DELTA RIBBON (SDR) CONN.
 122XX-51X0-00FR



Компания «ЭлектроПласт» предлагает заключение долгосрочных отношений при поставках импортных электронных компонентов на взаимовыгодных условиях!

Наши преимущества:

- Оперативные поставки широкого спектра электронных компонентов отечественного и импортного производства напрямую от производителей и с крупнейших мировых складов;
- Поставка более 17-ти миллионов наименований электронных компонентов;
- Поставка сложных, дефицитных, либо снятых с производства позиций;
- Оперативные сроки поставки под заказ (от 5 рабочих дней);
- Экспресс доставка в любую точку России;
- Техническая поддержка проекта, помощь в подборе аналогов, поставка прототипов;
- Система менеджмента качества сертифицирована по Международному стандарту ISO 9001;
- Лицензия ФСБ на осуществление работ с использованием сведений, составляющих государственную тайну;
- Поставка специализированных компонентов (Xilinx, Altera, Analog Devices, Intersil, Interpoint, Microsemi, Aeroflex, Peregrine, Syfer, Eurofarad, Texas Instrument, Miteq, Cobham, E2V, MA-COM, Hittite, Mini-Circuits, General Dynamics и др.);

Помимо этого, одним из направлений компании «ЭлектроПласт» является направление «Источники питания». Мы предлагаем Вам помощь Конструкторского отдела:

- Подбор оптимального решения, техническое обоснование при выборе компонента;
- Подбор аналогов;
- Консультации по применению компонента;
- Поставка образцов и прототипов;
- Техническая поддержка проекта;
- Защита от снятия компонента с производства.



Как с нами связаться

Телефон: 8 (812) 309 58 32 (многоканальный)

Факс: 8 (812) 320-02-42

Электронная почта: org@eplast1.ru

Адрес: 198099, г. Санкт-Петербург, ул. Калинина, дом 2, корпус 4, литера А.