

To our customers,

Old Company Name in Catalogs and Other Documents

On April 1st, 2010, NEC Electronics Corporation merged with Renesas Technology Corporation, and Renesas Electronics Corporation took over all the business of both companies. Therefore, although the old company name remains in this document, it is a valid Renesas Electronics document. We appreciate your understanding.

Renesas Electronics website: <http://www.renesas.com>

April 1st, 2010
Renesas Electronics Corporation

Issued by: Renesas Electronics Corporation (<http://www.renesas.com>)

Send any inquiries to <http://www.renesas.com/inquiry>.

Notice

1. All information included in this document is current as of the date this document is issued. Such information, however, is subject to change without any prior notice. Before purchasing or using any Renesas Electronics products listed herein, please confirm the latest product information with a Renesas Electronics sales office. Also, please pay regular and careful attention to additional and different information to be disclosed by Renesas Electronics such as that disclosed through our website.
2. Renesas Electronics does not assume any liability for infringement of patents, copyrights, or other intellectual property rights of third parties by or arising from the use of Renesas Electronics products or technical information described in this document. No license, express, implied or otherwise, is granted hereby under any patents, copyrights or other intellectual property rights of Renesas Electronics or others.
3. You should not alter, modify, copy, or otherwise misappropriate any Renesas Electronics product, whether in whole or in part.
4. Descriptions of circuits, software and other related information in this document are provided only to illustrate the operation of semiconductor products and application examples. You are fully responsible for the incorporation of these circuits, software, and information in the design of your equipment. Renesas Electronics assumes no responsibility for any losses incurred by you or third parties arising from the use of these circuits, software, or information.
5. When exporting the products or technology described in this document, you should comply with the applicable export control laws and regulations and follow the procedures required by such laws and regulations. You should not use Renesas Electronics products or the technology described in this document for any purpose relating to military applications or use by the military, including but not limited to the development of weapons of mass destruction. Renesas Electronics products and technology may not be used for or incorporated into any products or systems whose manufacture, use, or sale is prohibited under any applicable domestic or foreign laws or regulations.
6. Renesas Electronics has used reasonable care in preparing the information included in this document, but Renesas Electronics does not warrant that such information is error free. Renesas Electronics assumes no liability whatsoever for any damages incurred by you resulting from errors in or omissions from the information included herein.
7. Renesas Electronics products are classified according to the following three quality grades: “Standard”, “High Quality”, and “Specific”. The recommended applications for each Renesas Electronics product depends on the product’s quality grade, as indicated below. You must check the quality grade of each Renesas Electronics product before using it in a particular application. You may not use any Renesas Electronics product for any application categorized as “Specific” without the prior written consent of Renesas Electronics. Further, you may not use any Renesas Electronics product for any application for which it is not intended without the prior written consent of Renesas Electronics. Renesas Electronics shall not be in any way liable for any damages or losses incurred by you or third parties arising from the use of any Renesas Electronics product for an application categorized as “Specific” or for which the product is not intended where you have failed to obtain the prior written consent of Renesas Electronics. The quality grade of each Renesas Electronics product is “Standard” unless otherwise expressly specified in a Renesas Electronics data sheets or data books, etc.
 - “Standard”: Computers; office equipment; communications equipment; test and measurement equipment; audio and visual equipment; home electronic appliances; machine tools; personal electronic equipment; and industrial robots.
 - “High Quality”: Transportation equipment (automobiles, trains, ships, etc.); traffic control systems; anti-disaster systems; anti-crime systems; safety equipment; and medical equipment not specifically designed for life support.
 - “Specific”: Aircraft; aerospace equipment; submersible repeaters; nuclear reactor control systems; medical equipment or systems for life support (e.g. artificial life support devices or systems), surgical implantations, or healthcare intervention (e.g. excision, etc.), and any other applications or purposes that pose a direct threat to human life.
8. You should use the Renesas Electronics products described in this document within the range specified by Renesas Electronics, especially with respect to the maximum rating, operating supply voltage range, movement power voltage range, heat radiation characteristics, installation and other product characteristics. Renesas Electronics shall have no liability for malfunctions or damages arising out of the use of Renesas Electronics products beyond such specified ranges.
9. Although Renesas Electronics endeavors to improve the quality and reliability of its products, semiconductor products have specific characteristics such as the occurrence of failure at a certain rate and malfunctions under certain use conditions. Further, Renesas Electronics products are not subject to radiation resistance design. Please be sure to implement safety measures to guard them against the possibility of physical injury, and injury or damage caused by fire in the event of the failure of a Renesas Electronics product, such as safety design for hardware and software including but not limited to redundancy, fire control and malfunction prevention, appropriate treatment for aging degradation or any other appropriate measures. Because the evaluation of microcomputer software alone is very difficult, please evaluate the safety of the final products or system manufactured by you.
10. Please contact a Renesas Electronics sales office for details as to environmental matters such as the environmental compatibility of each Renesas Electronics product. Please use Renesas Electronics products in compliance with all applicable laws and regulations that regulate the inclusion or use of controlled substances, including without limitation, the EU RoHS Directive. Renesas Electronics assumes no liability for damages or losses occurring as a result of your noncompliance with applicable laws and regulations.
11. This document may not be reproduced or duplicated, in any form, in whole or in part, without prior written consent of Renesas Electronics.
12. Please contact a Renesas Electronics sales office if you have any questions regarding the information contained in this document or Renesas Electronics products, or if you have any other inquiries.

(Note 1) “Renesas Electronics” as used in this document means Renesas Electronics Corporation and also includes its majority-owned subsidiaries.

(Note 2) “Renesas Electronics product(s)” means any product developed or manufactured by or for Renesas Electronics.

HA1630Q01/02/03 Series

Low Voltage Operation CMOS Quad Operational Amplifier

REJ03D0802-0100

Rev.1.00

Mar 10, 2006

Description

The HA1630Q01/02/03 are dual CMOS Operational Amplifiers realizing low voltage operation, low input offset voltage and low supply current. In addition to a low operating voltage from 1.8V, these device output can achieve full swing output voltage capability extending to either supply. Available in an ultra-small TSSOP-14 package that occupies only 1/2 the area of the SOP-14 package.

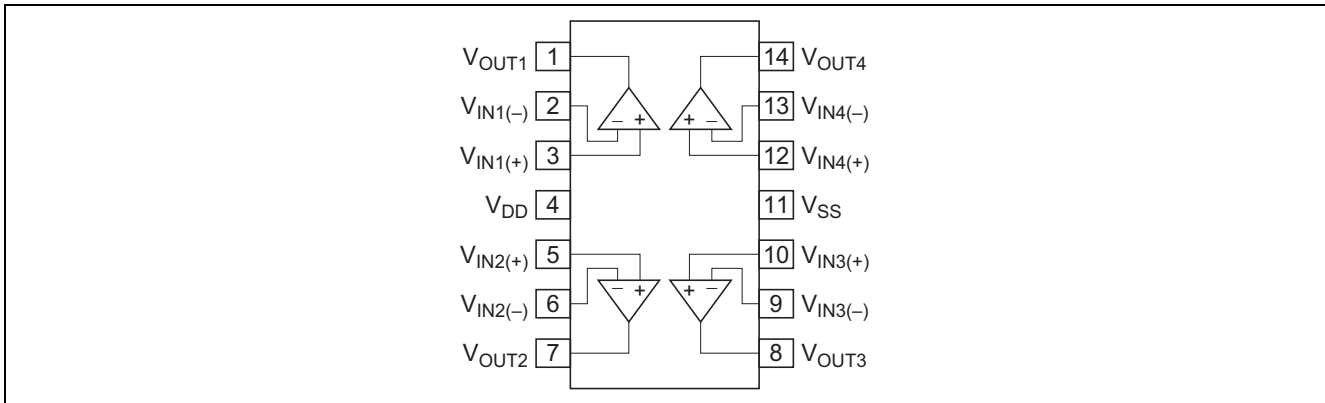
Features

- Low power and single supply operation $V_{DD} = 1.8 \text{ to } 5.5 \text{ V}$
- Low input offset voltage $V_{IO} = 4.0 \text{ mV Max}$
- Low supply current (per channel)
 - $I_{DD} = 15 \mu\text{A Typ (HA1630Q01)}$
 - $I_{DD} = 50 \mu\text{A Typ (HA1630Q02)}$
 - $I_{DD} = 100 \mu\text{A Typ (HA1630Q03)}$
- Maximum output voltage $V_{OH} = 2.9 \text{ V Min (at } V_{DD} = 3.0 \text{ V)}$
- Low input bias current $I_{IB} = 1 \text{ pA Typ}$

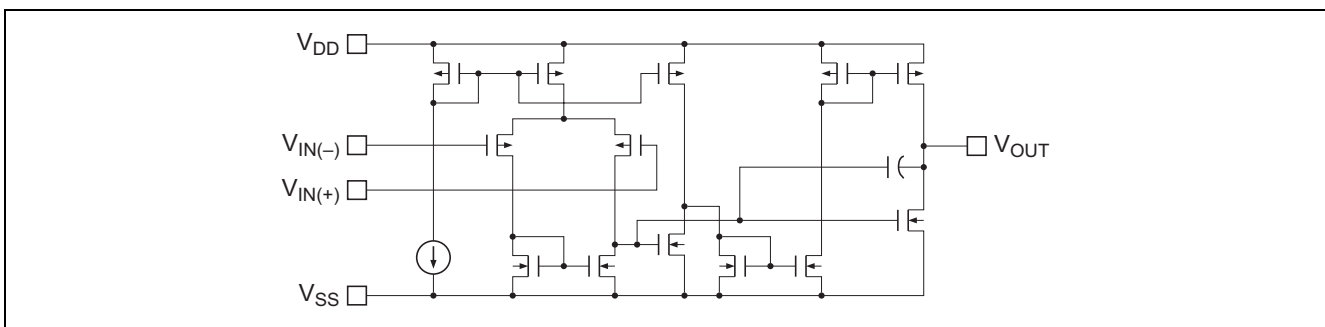
Ordering Information

| Type No. | Package Name | Package Code |
|------------|--------------|--------------|
| HA1630Q01T | TTP-14D | PTSP0014JA-B |
| HA1630Q02T | TTP-14D | PTSP0014JA-B |
| HA1630Q03T | TTP-14D | PTSP0014JA-B |

Pin Arrangement



Equivalent Circuit (per one channel)



Absolute Maximum Ratings

(Ta = 25°C)

| Items | Symbol | Ratings | Unit | Note |
|----------------------------|-----------------------|--------------------------------------|------|------|
| Supply voltage | V _{DD} | 7 | V | |
| Differential input voltage | V _{IN(diff)} | -V _{DD} to +V _{DD} | V | |
| Input voltage | V _{IN} | -0.3 to +V _{DD} | V | 1 |
| Power dissipation | P _T | 400 | mW | |
| Operating temp. Range | Topr | -40 to +85 | °C | |
| Storage temp. Range | Tstg | -55 to +125 | °C | |

Note: 1. Do not apply Input Voltage exceeding V_{DD} or 7 V.

Electrical Characteristics

(V_{DD} = 3.0 V, Ta = 25°C)

| Items | Symbol | Min | Typ | Max | Unit | Test Condition |
|---------------------------------|-----------------------|-------------|---------|-----|------|-------------------------------------|
| Input offset voltage | V _{IO} | — | — | 4.0 | mV | V _{in} = 1.5 V |
| Input offset current | I _{IO} | — | (1.0) | — | pA | V _{in} = 1.5 V |
| Input bias current | I _{IB} | — | (1.0) | — | pA | V _{in} = 1.5 V |
| Output high voltage | V _{OH} | 2.9 | — | — | V | R _L = 1 MΩ |
| Output source current | I _{O SOURCE} | 6 | 12 | — | μA | V _{OH} = 2.5 V (HA1630Q01) |
| | | 25 | 50 | — | | V _{OH} = 2.5 V (HA1630Q02) |
| | | 50 | 100 | — | | V _{OH} = 2.5 V (HA1630Q03) |
| Output low voltage | V _{OL} | — | — | 0.1 | V | R _L = 1 MΩ |
| Output sink current | I _{O SINK} | — | (0.8) | — | mA | V _{OL} = 0.5 V (HA1630Q01) |
| | | — | (1.0) | — | | V _{OL} = 0.5 V (HA1630Q02) |
| | | — | (1.2) | — | | V _{OL} = 0.5 V (HA1630Q03) |
| Common mode input voltage range | V _{CM} | -0.1 to 2.1 | — | — | V | |
| Slew rate | SR | — | (0.125) | — | V/μs | C _L = 20 pF (HA1630Q01) |
| | | — | (0.50) | — | | C _L = 20 pF (HA1630Q02) |
| | | — | (1.00) | — | | C _L = 20 pF (HA1630Q03) |
| Voltage gain | A _V | 60 | 80 | — | dB | |
| Gain bandwidth product | BW | — | (200) | — | kHz | C _L = 20 pF (HA1630Q01) |
| | | — | (680) | — | | C _L = 20 pF (HA1630Q02) |
| | | — | (1200) | — | | C _L = 20 pF (HA1630Q03) |
| Power supply rejection ratio | PSRR | 60 | 80 | — | dB | |
| Common mode rejection ratio | CMRR | 60 | 80 | — | dB | |
| Supply current | I _{DD} | — | 60 | 120 | μA | R _L = ∞ (HA1630Q01) |
| | | — | 200 | 400 | | R _L = ∞ (HA1630Q02) |
| | | — | 400 | 800 | | R _L = ∞ (HA1630Q03) |

Note: 1. () : Design specification

Table of Graphs

| Electrical Characteristics | | | HA1630Q01 Figure | HA1630Q02 Figure | HA1630Q03 Figure | Test Circuit |
|-----------------------------------|-----------------|---------------------------------|---------------------|---------------------|---------------------|-----------------|
| Supply current | I_{DD} | vs Supply voltage | 1-1 | 2-1 | 3-1 | 2 |
| | | vs Ambient temperature | 1-2 | 2-2 | 3-2 | |
| Output high voltage | V_{OH} | vs Output source current | 1-3 | 2-3 | 3-3 | 4 |
| | | vs Supply voltage | 1-4 | 2-4 | 3-4 | |
| Output source current | $I_{O\ SOURCE}$ | vs Ambient temperature | 1-5 | 2-5 | 3-5 | 6 |
| Output low voltage | V_{OL} | vs Output sink current | 1-6 | 2-6 | 3-6 | 5 |
| Output sink current | $I_{O\ SINK}$ | vs Ambient temperature | 1-7 | 2-7 | 3-7 | 6 |
| Input offset voltage | V_{IO} | Distribution | 1-8 | 2-8 | 3-8 | 1 |
| | | vs Supply voltage | 1-9 | 2-9 | 3-9 | |
| | | vs Ambient temperature | 1-10 | 2-10 | 3-10 | |
| Common mode input voltage range | V_{CM} | vs Ambient temperature | 1-11 | 2-11 | 3-11 | 7 |
| Power supply rejection ratio | PSRR | vs Frequency | 1-12 | 2-12 | 3-12 | 1 |
| Common mode rejection ratio | CMRR | vs Frequency | 1-13 | 2-13 | 3-13 | 7 |
| Voltage gain & phase angle | A_V | vs Frequency | 1-14 | 2-14 | 3-14 | 10 |
| Input bias current | I_{IB} | vs Ambient temperature | 1-15 | 2-15 | 3-15 | 3 |
| | | vs Input voltage | 1-16 | 2-16 | 3-16 | |
| Slew Rate (rising) | SRr | vs Ambient temperature | 1-17 | 2-17 | 3-17 | 9 |
| Slew Rate (falling) | SRf | vs Ambient temperature | 1-18 | 2-18 | 3-18 | |
| Slew rate | | Large signal transient response | 1-19 | 2-19 | 3-19 | |
| | | Small signal transient response | 1-20 | 2-20 | 3-20 | |
| Total harmonic distortion + noise | (0 dB) | vs. Output voltage p-p | — | 2-21 | 3-21 | 8 |
| | (40 dB) | vs. Output voltage p-p | — | 2-22 | 3-22 | |
| Maximum p-p output voltage | | vs Frequency | 1-21 | 2-23 | 3-23 | |
| Voltage noise density | | vs Frequency | 1-22 | 2-24 | 3-24 | |

Main Characteristics (HA1630Q01)

Figure 1-1. HA1630Q01
Supply Current vs. Supply Voltage

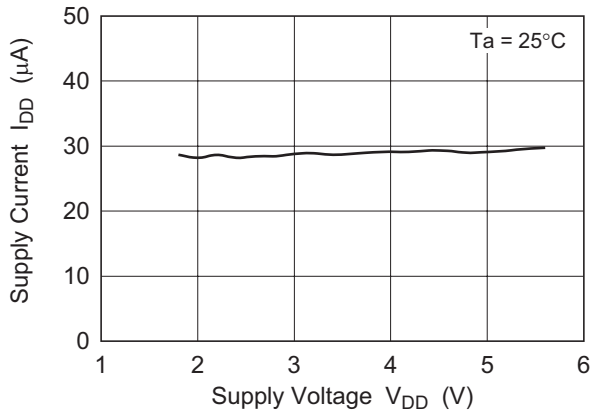


Figure 1-2. HA1630Q01
Supply Current vs. Ambient Temperature

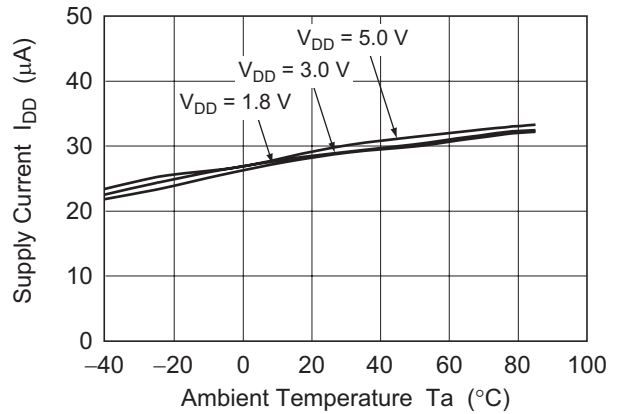


Figure 1-3. HA1630Q01
Output High Voltage vs. Output Source Current

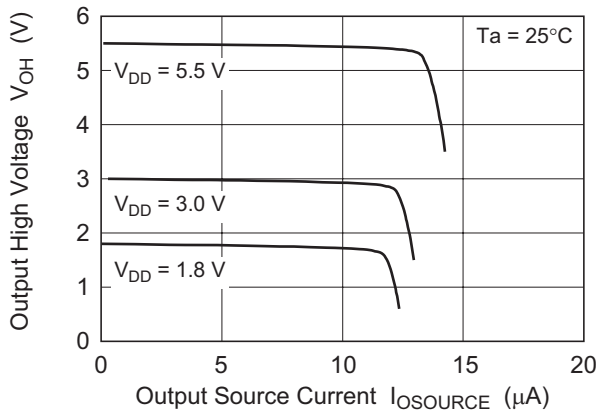


Figure 1-4. HA1630Q01
Output High Voltage vs. Supply Voltage

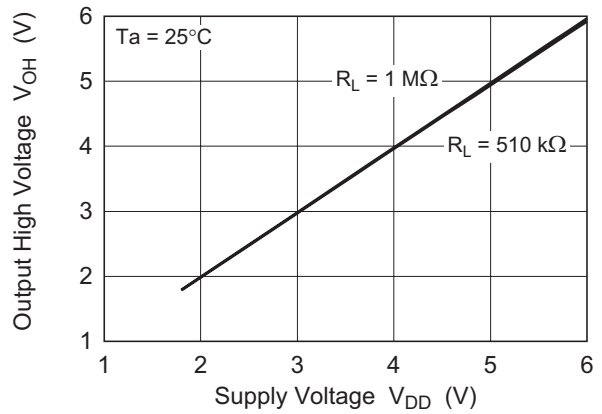
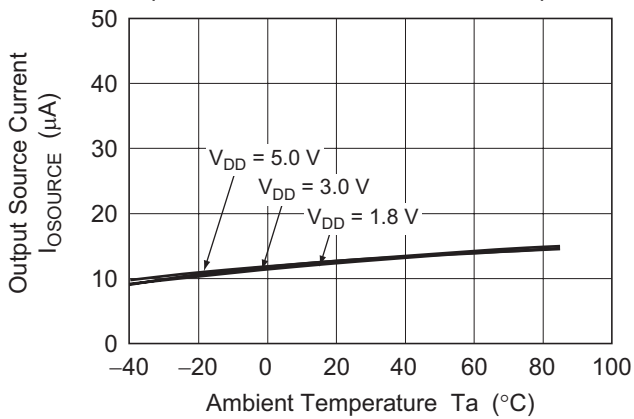


Figure 1-5. HA1630Q01
Output Source Current vs. Ambient Temperature



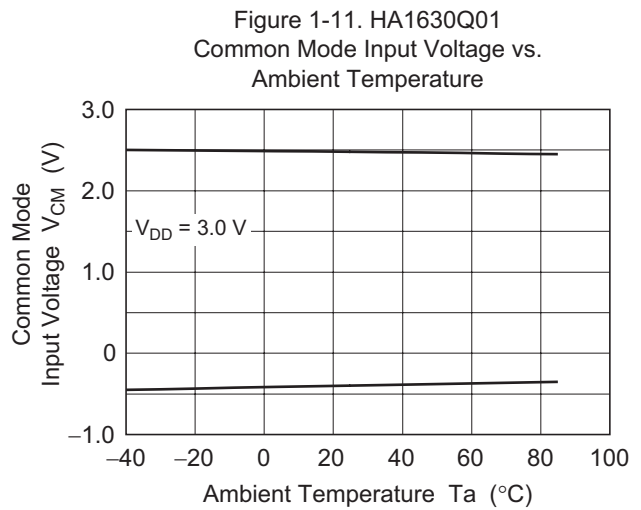
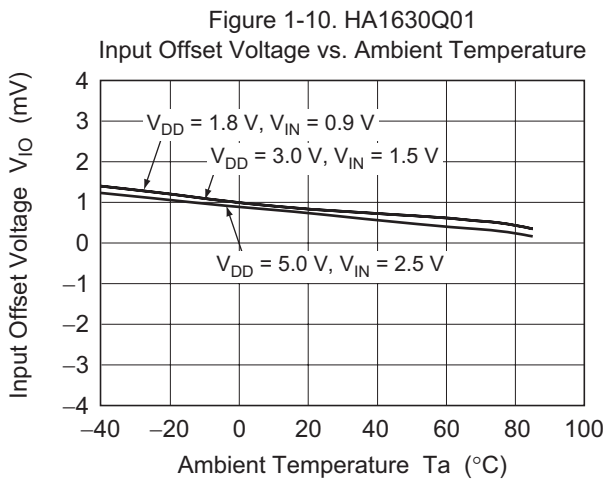
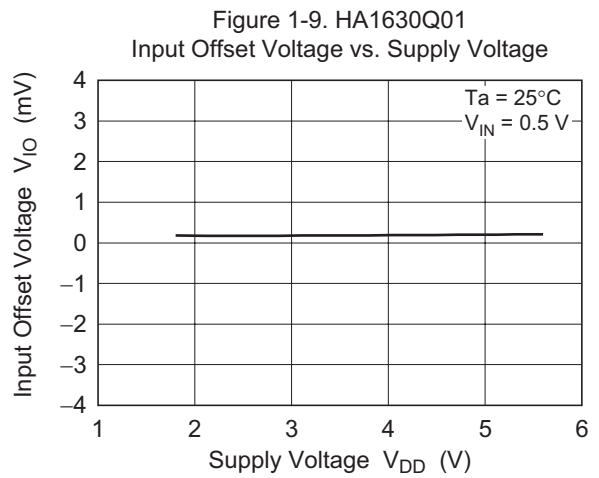
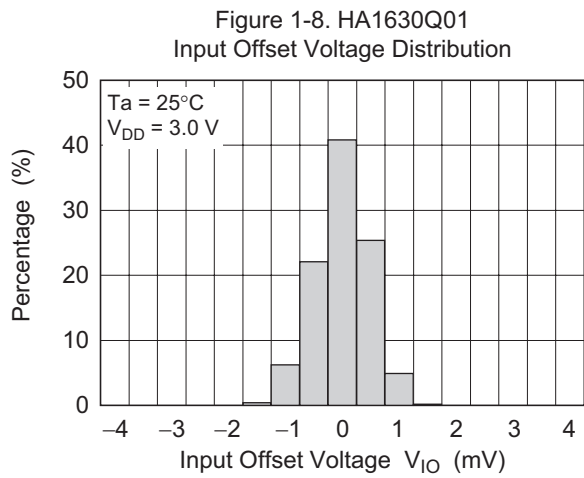
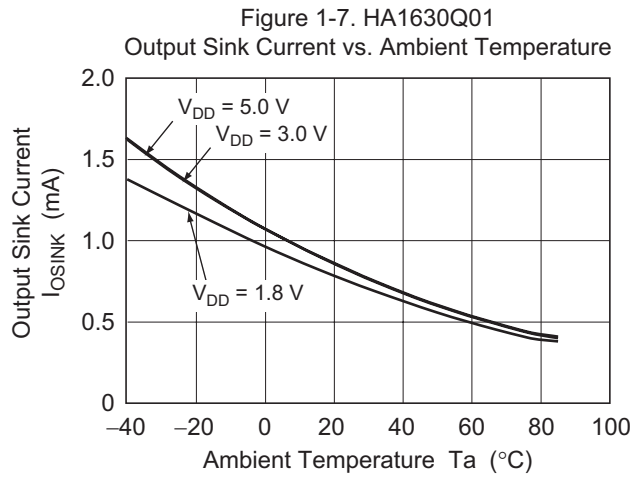
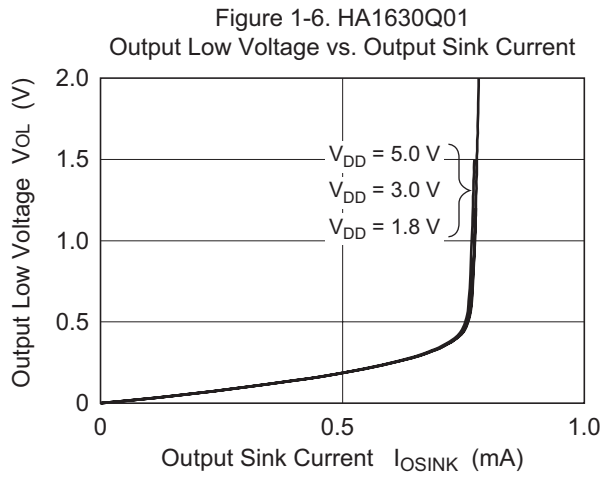


Figure 1-12. HA1630Q01
Power Supply Rejection Ratio vs. Frequency

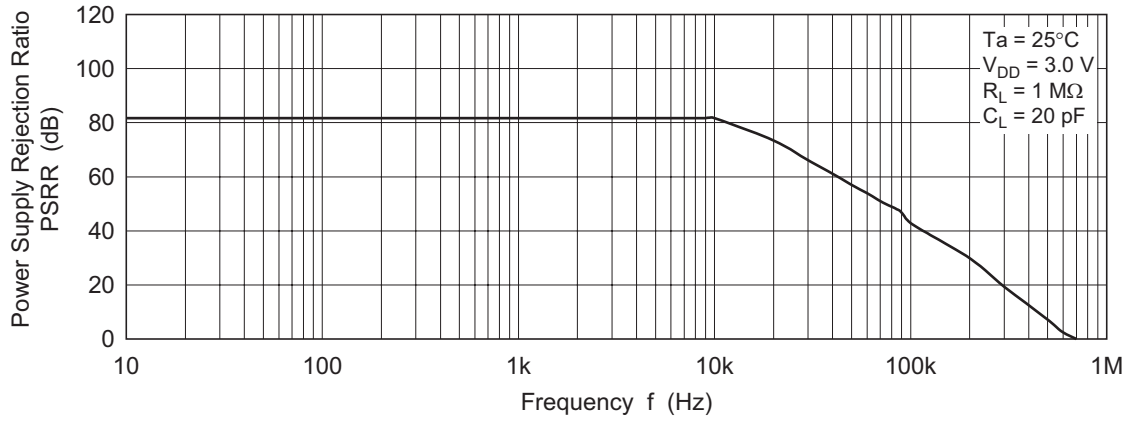


Figure 1-13. HA1630Q01
Common Mode Rejection Ratio vs. Frequency

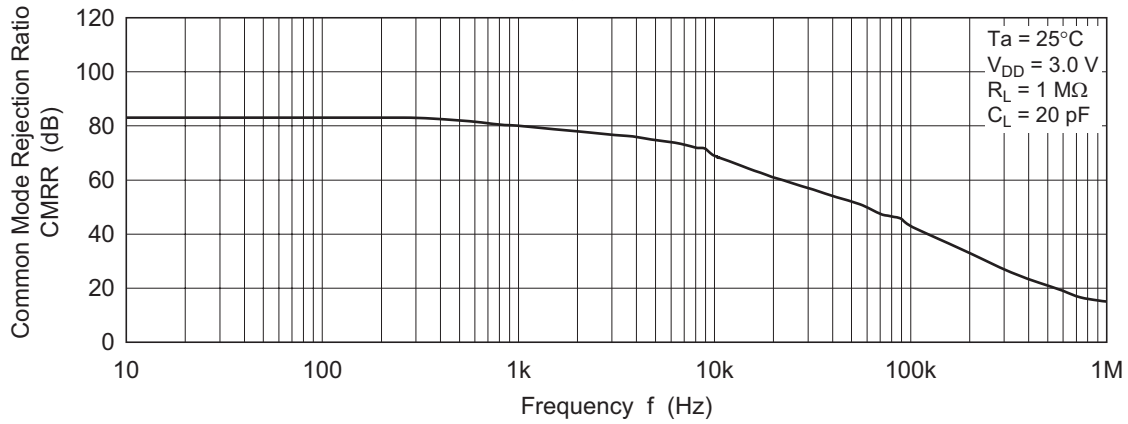
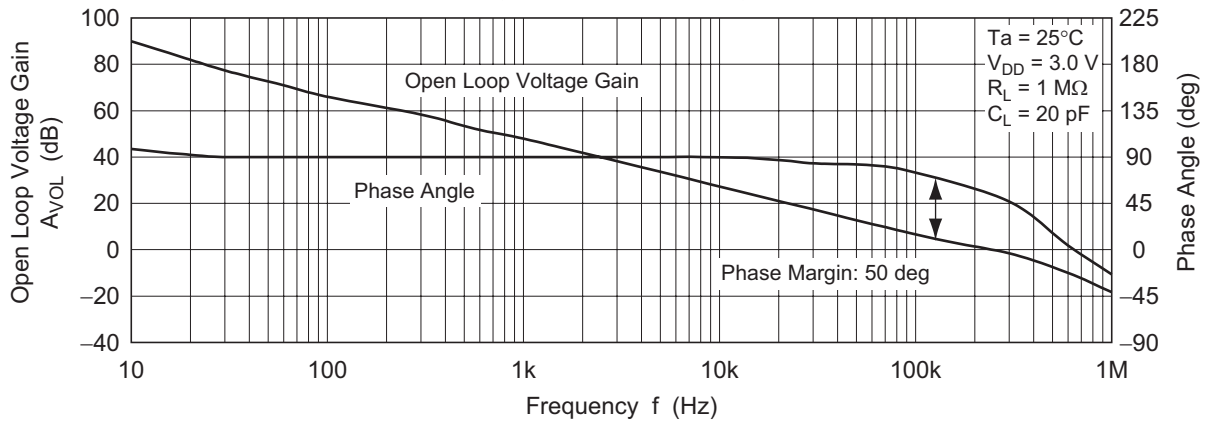


Figure 1-14. HA1630Q01
Open Loop Voltage Gain and Phase Angle vs. Frequency



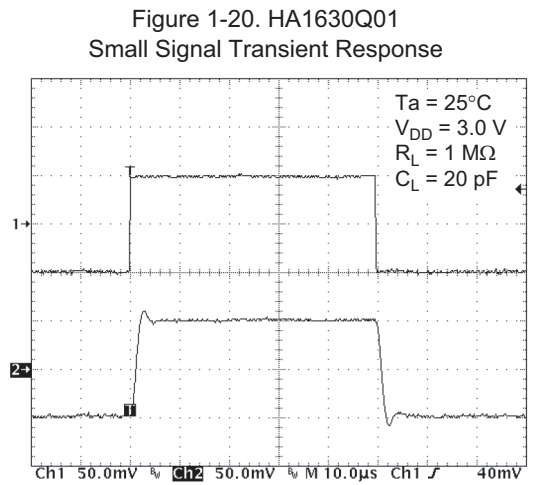
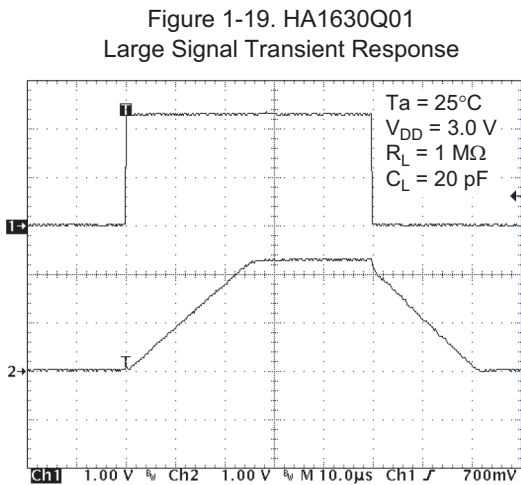
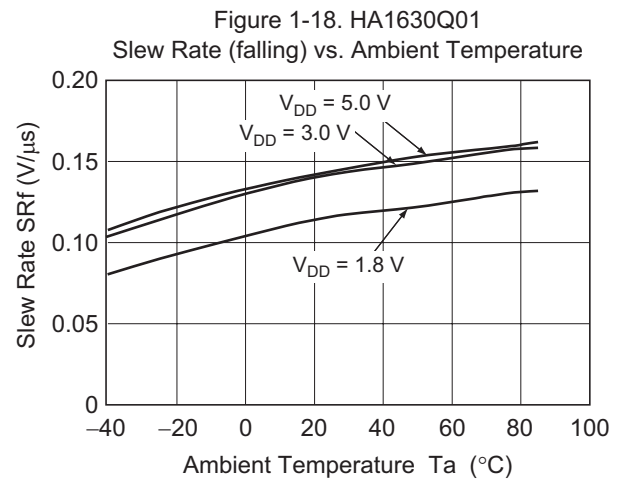
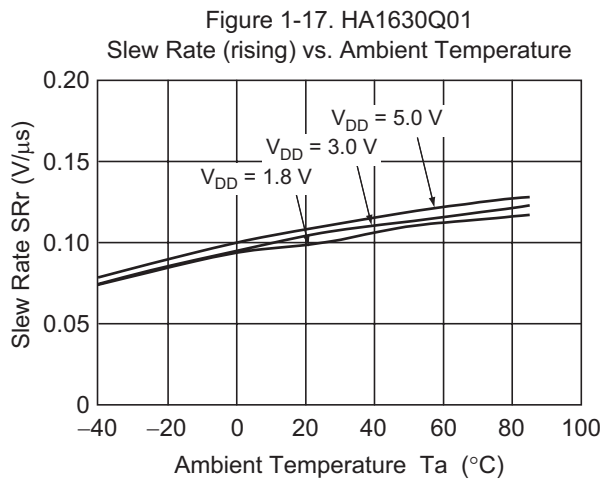
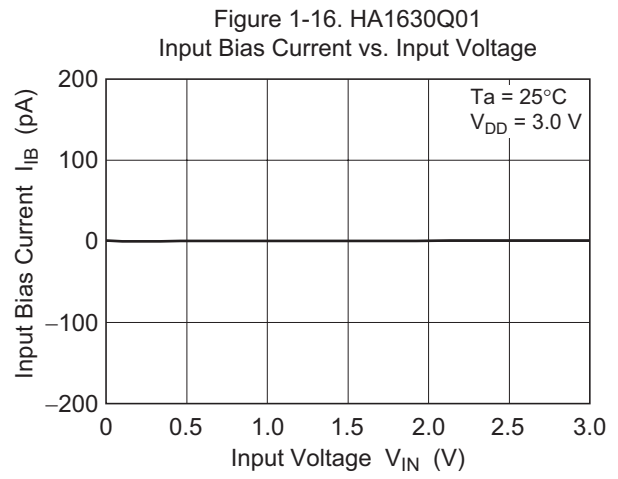
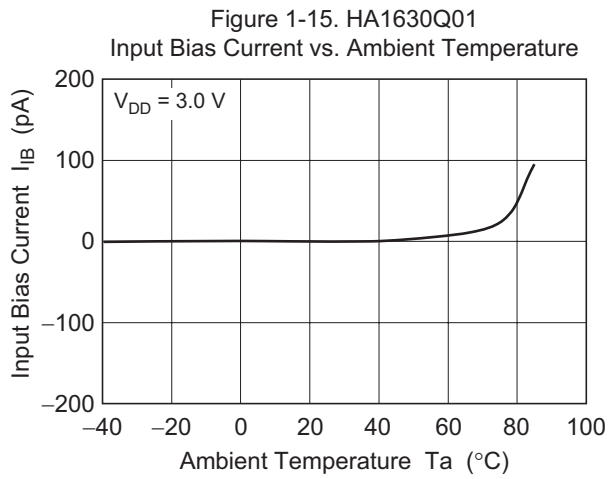


Figure 1-21. HA1630Q01
Voltage Output p-p vs. Frequency

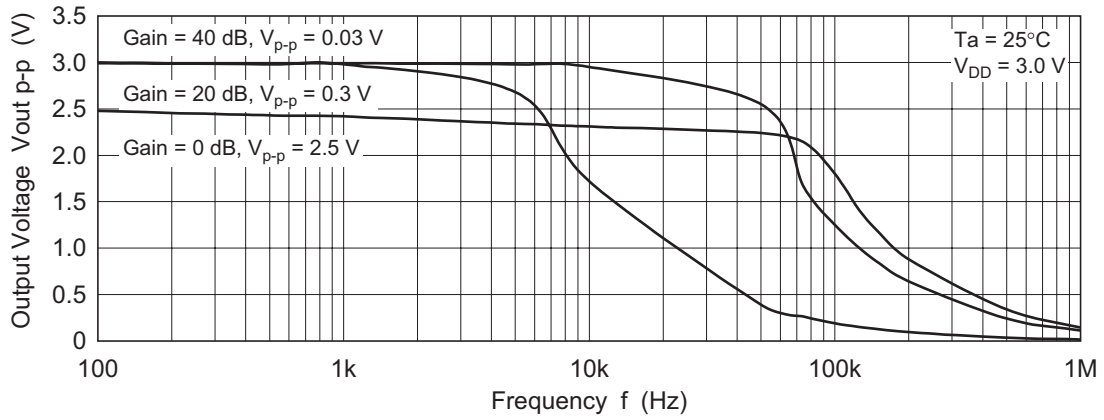
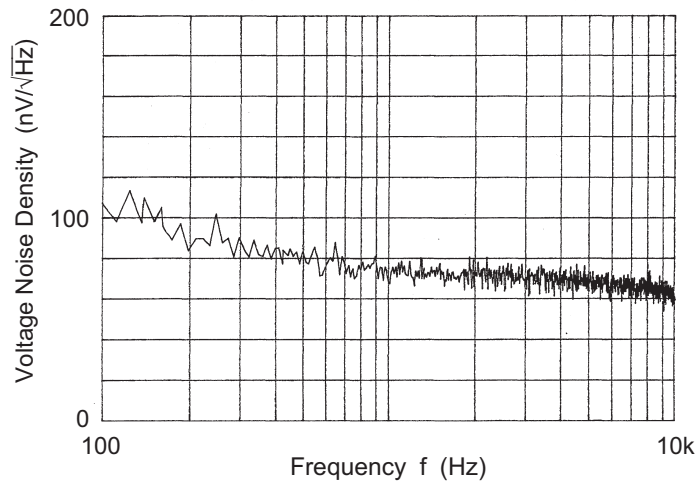


Figure 1-22. HA1630Q01
Voltage Noise Density vs. Frequency



Main Characteristics (HA1630Q02)

Figure 2-1. HA1630Q02
Supply Current vs. Supply Voltage

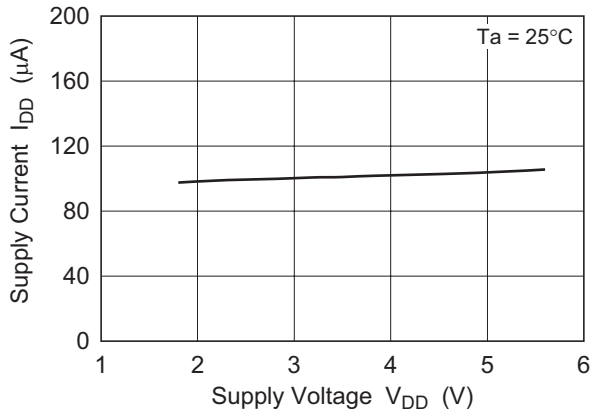


Figure 2-2. HA1630Q02
Supply Current vs. Ambient Temperature

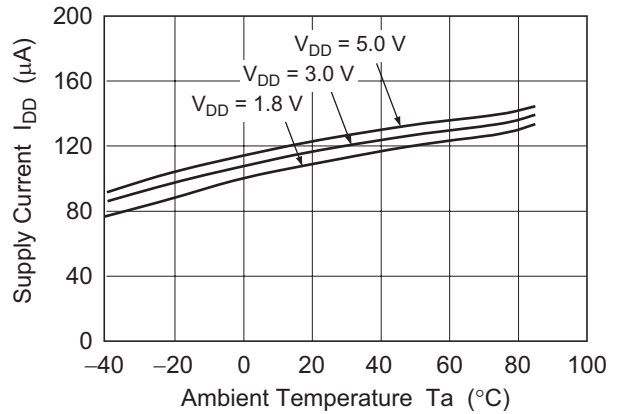


Figure 2-3. HA1630Q02
Output High Voltage vs. Output Source Current

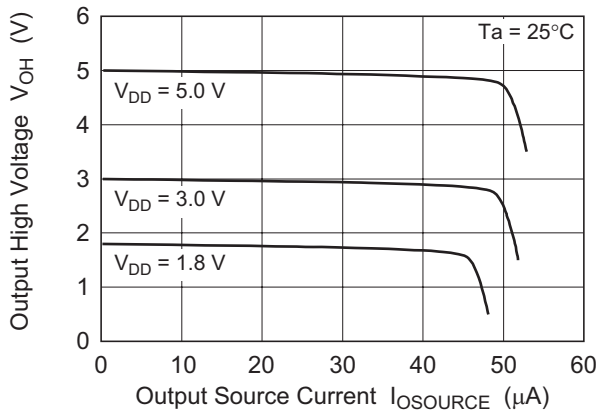


Figure 2-4. HA1630Q02
Output High Voltage vs. Supply Voltage

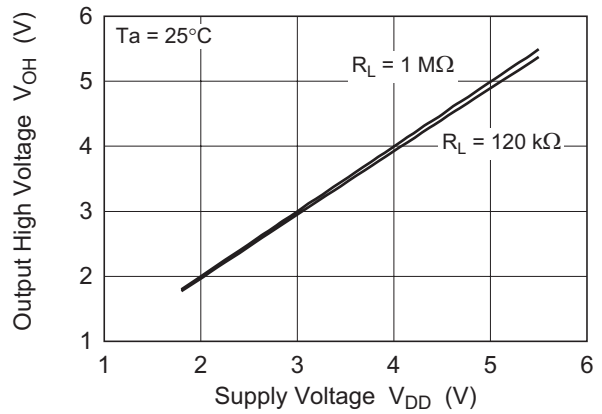
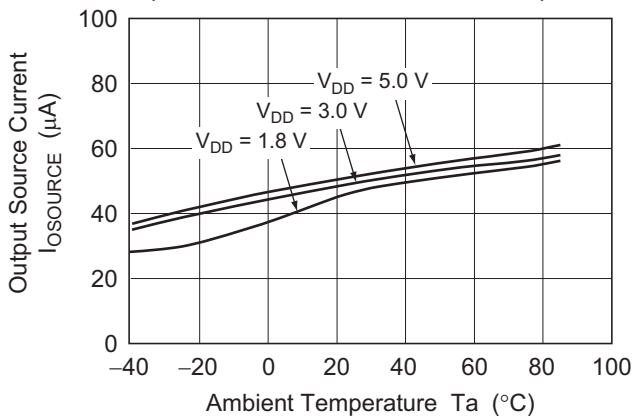


Figure 2-5. HA1630Q02
Output Source Current vs. Ambient Temperature



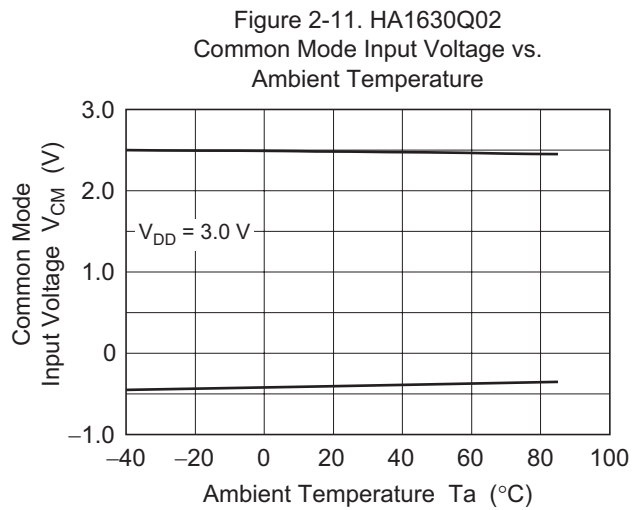
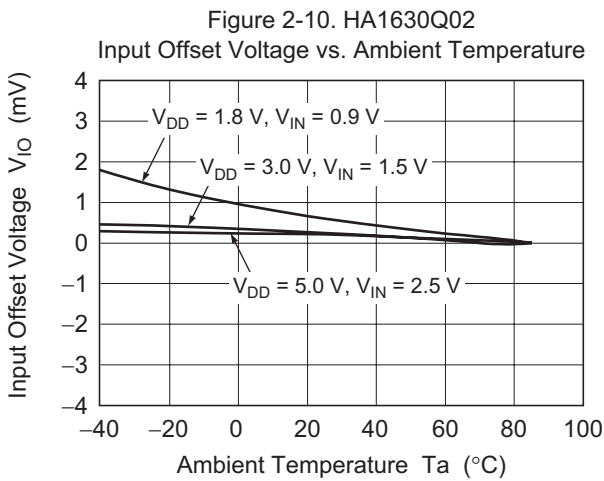
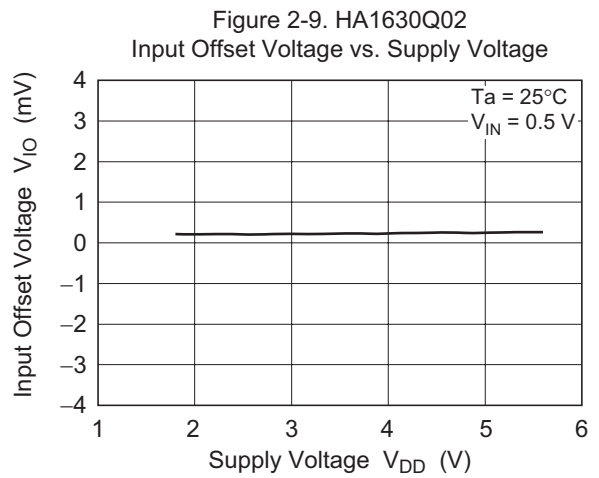
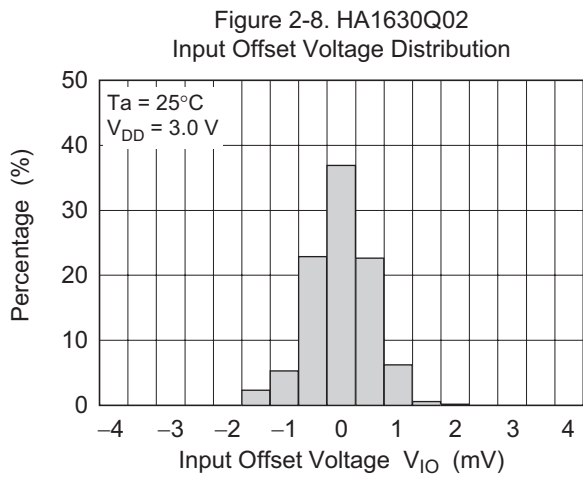
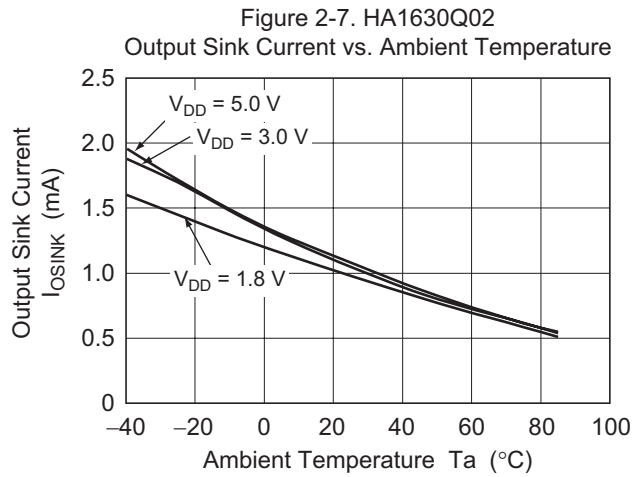
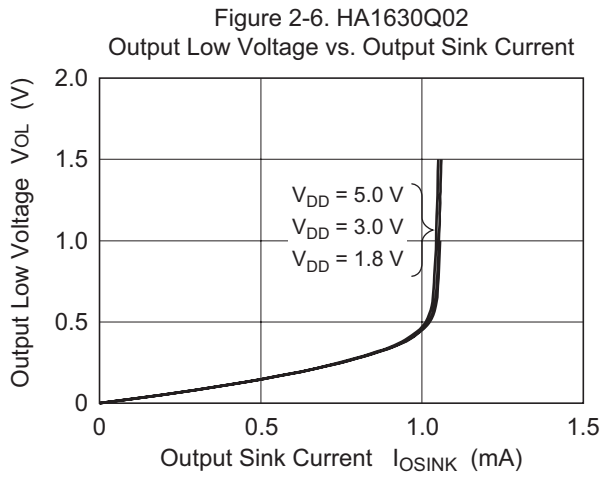


Figure 2-12. HA1630Q02
Power Supply Rejection Ratio vs. Frequency

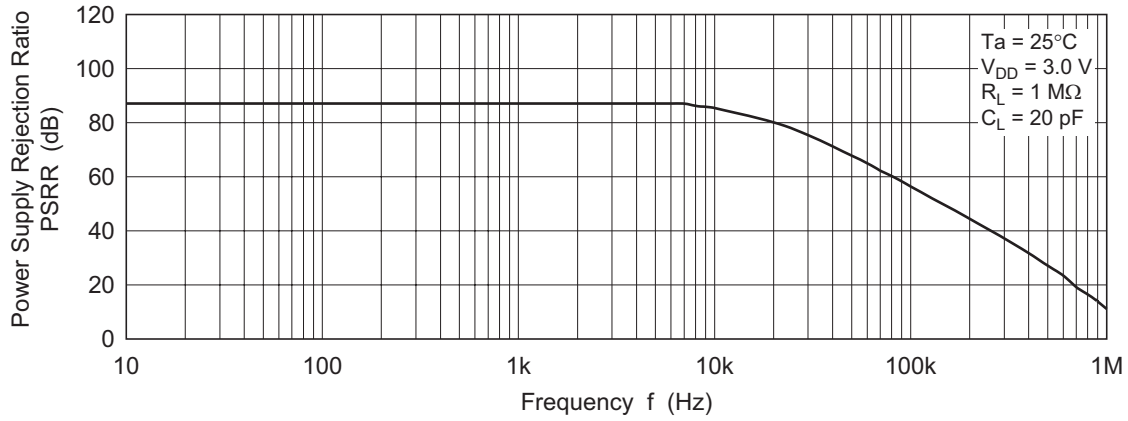


Figure 2-13. HA1630Q02
Common Mode Rejection Ratio vs. Frequency

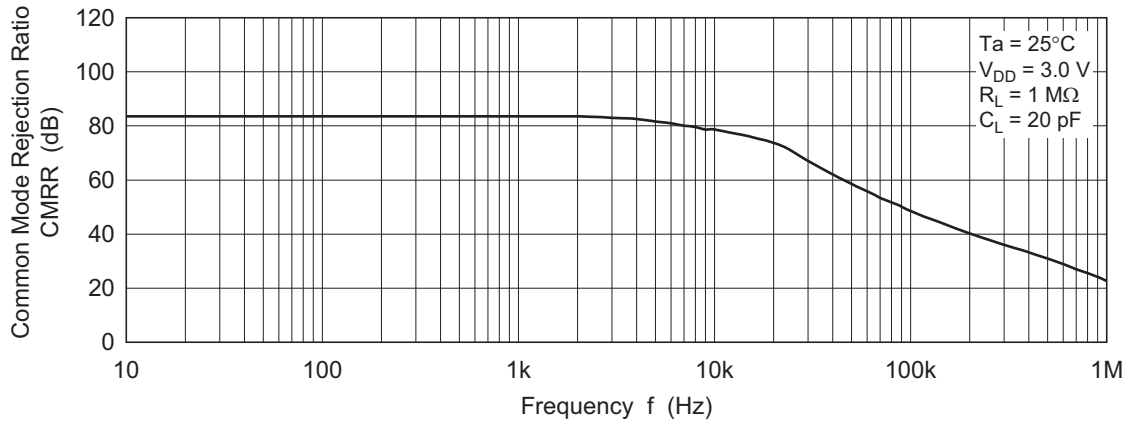
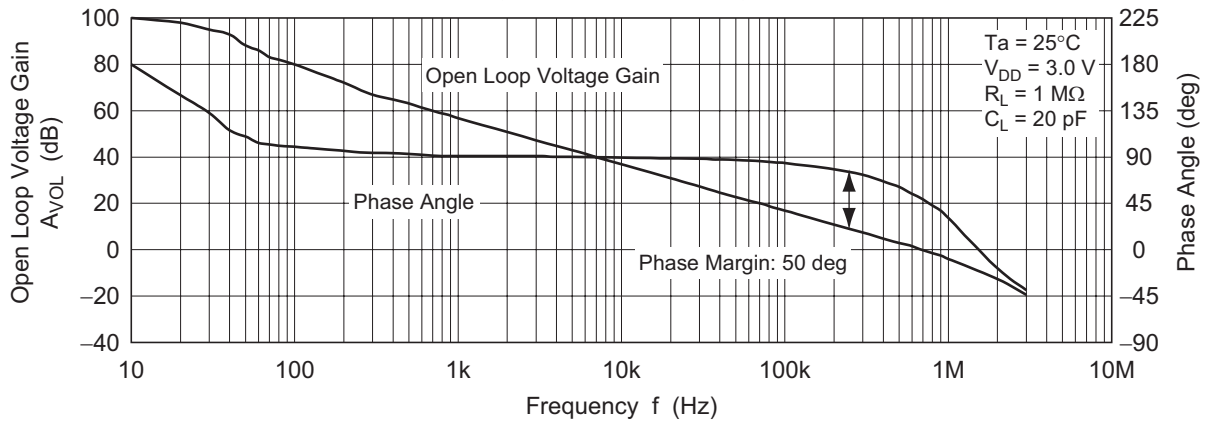


Figure 2-14. HA1630Q02
Open Loop Voltage Gain and Phase Angle vs. Frequency



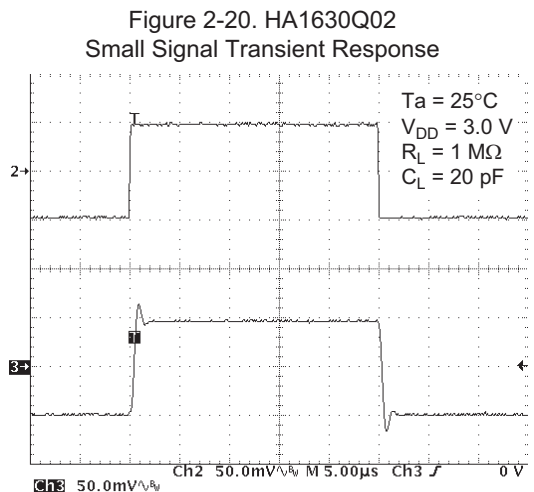
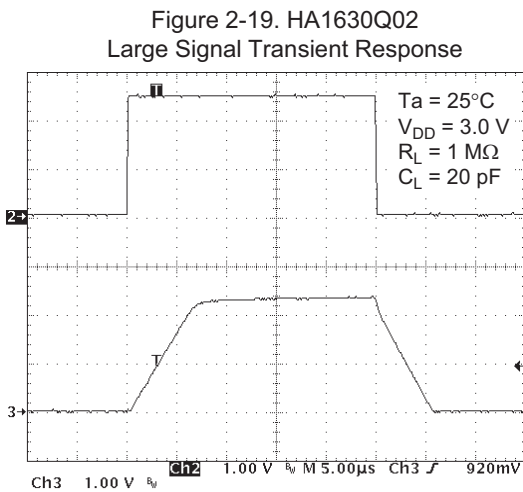
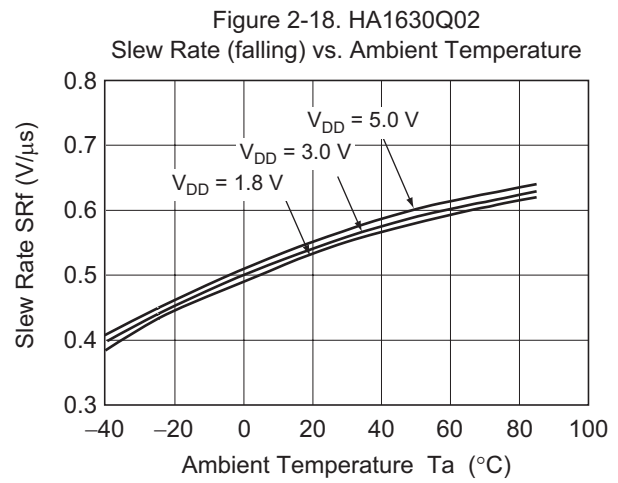
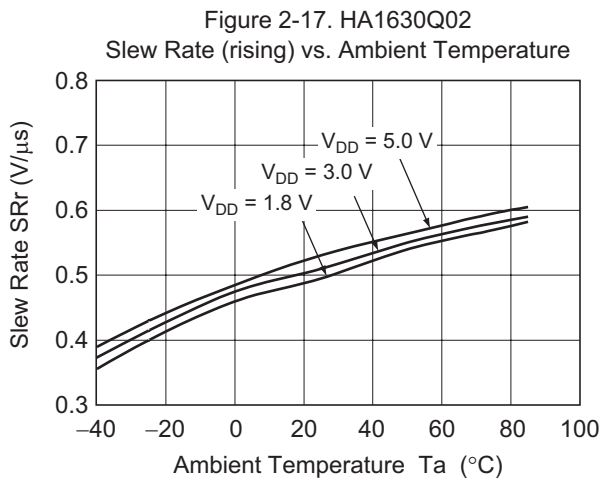
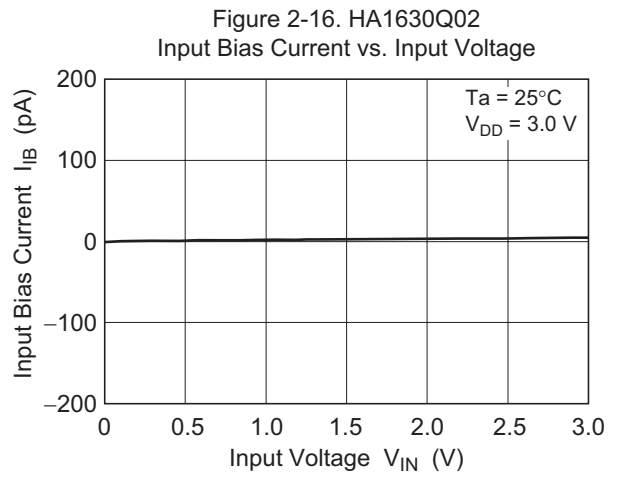
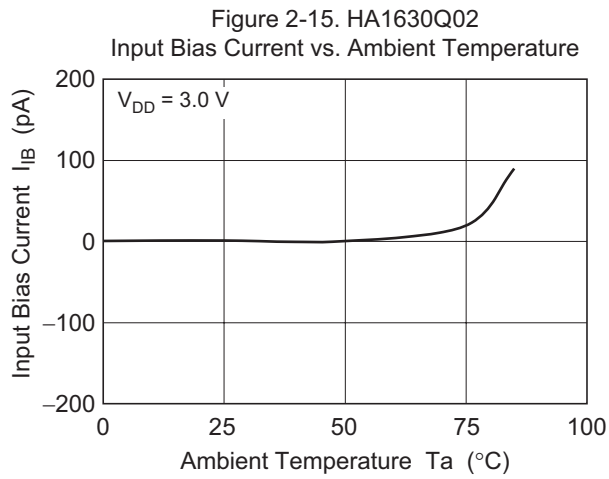


Figure 2-21. HA1630Q02
Total Harmonic Distortion + Noise vs.
Output Voltage p-p

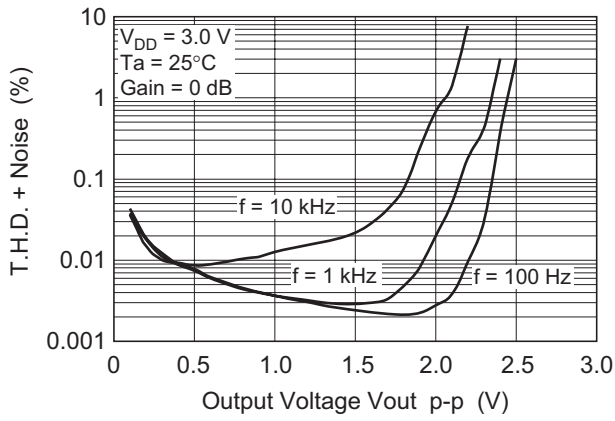


Figure 2-22. HA1630Q02
Total Harmonic Distortion + Noise vs.
Output Voltage p-p

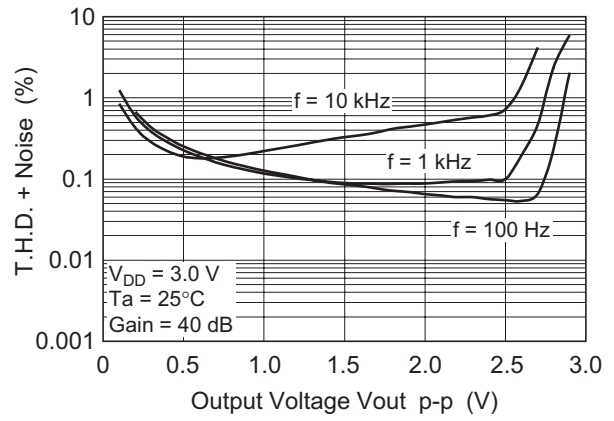


Figure 2-23. HA1630Q02
Voltage Output p-p vs. Frequency

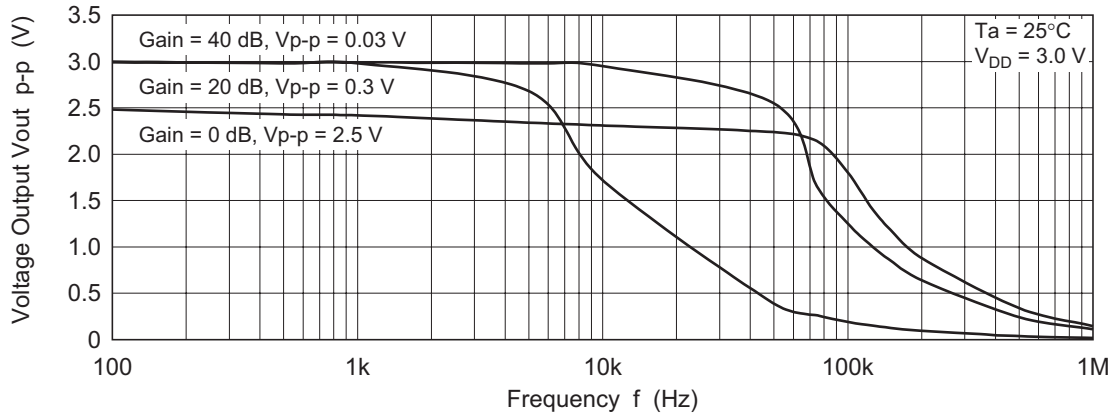
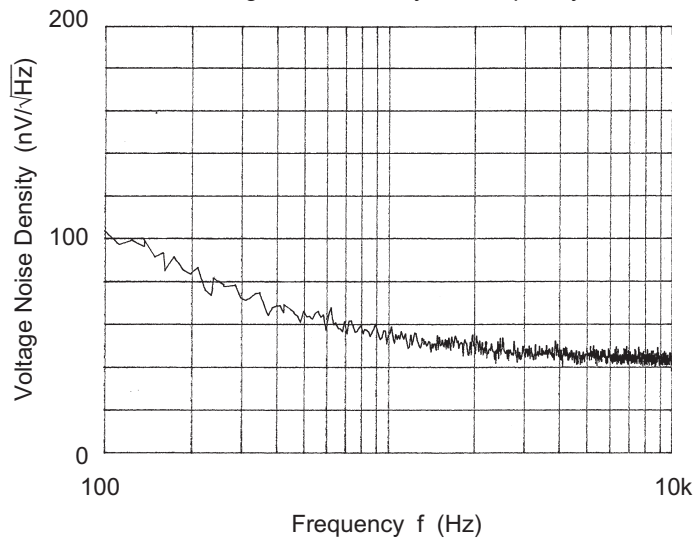
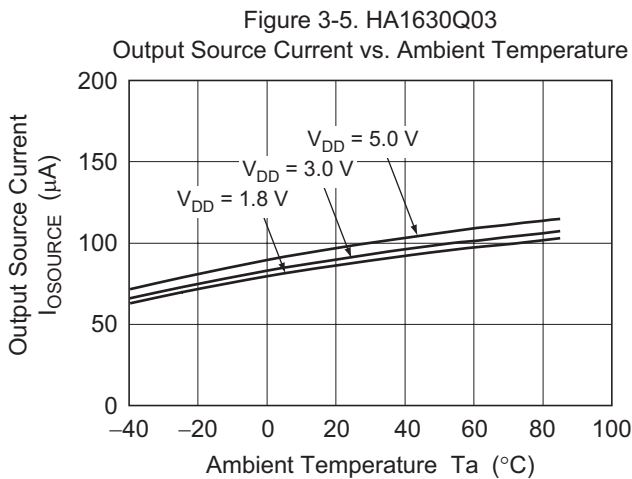
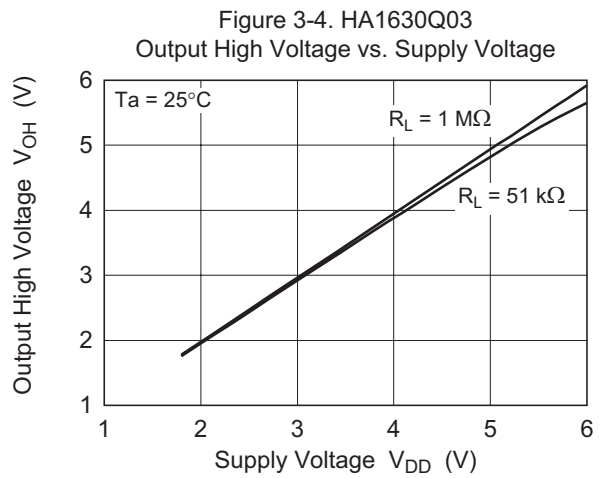
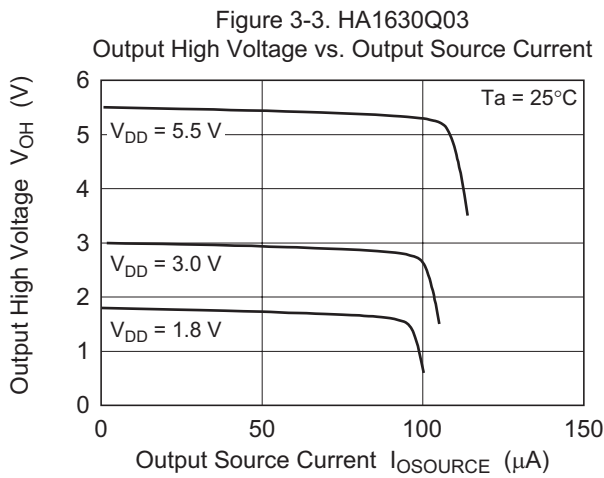
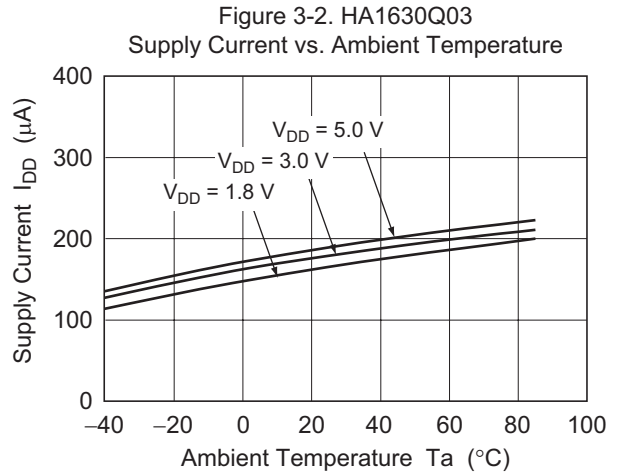
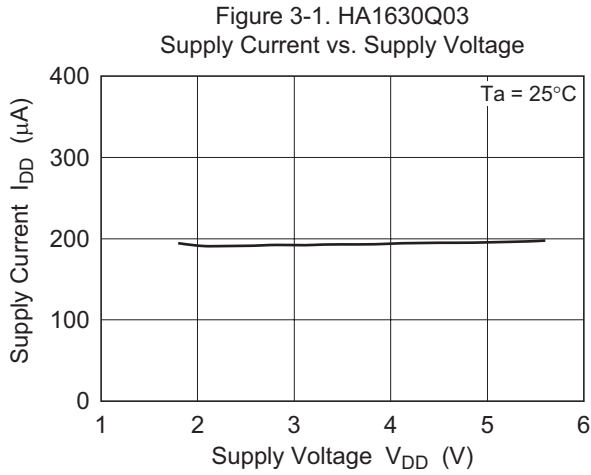


Figure 2-24. HA1630Q02
Voltage Noise Density vs. Frequency



Main Characteristics (HA1630Q03)



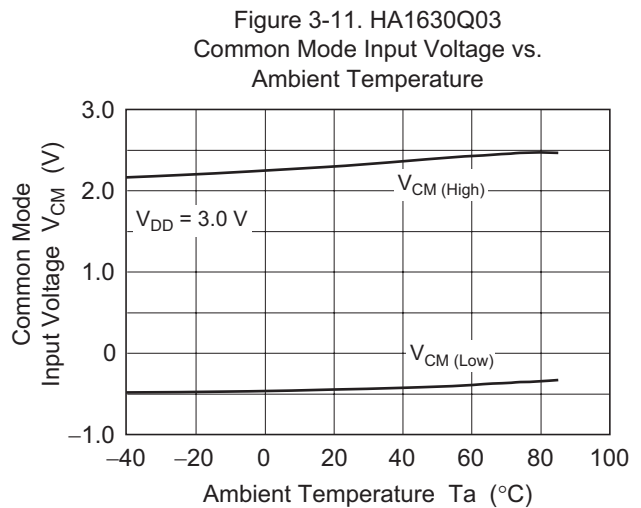
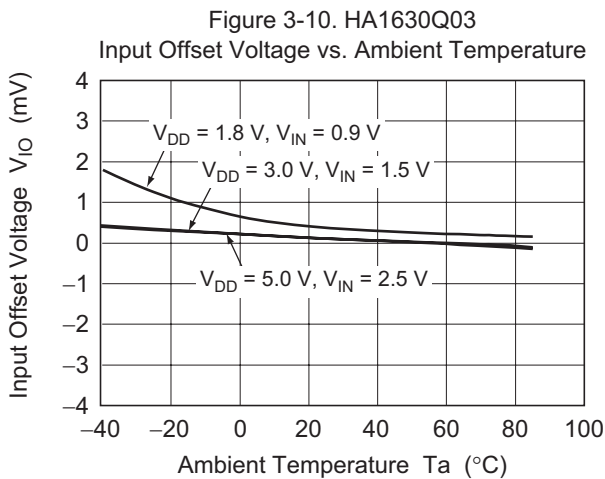
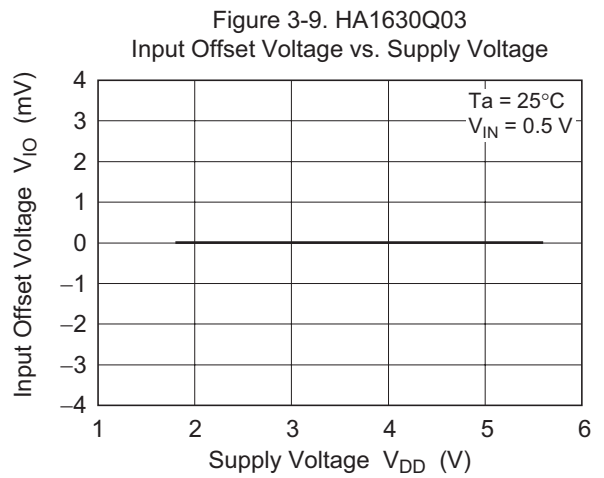
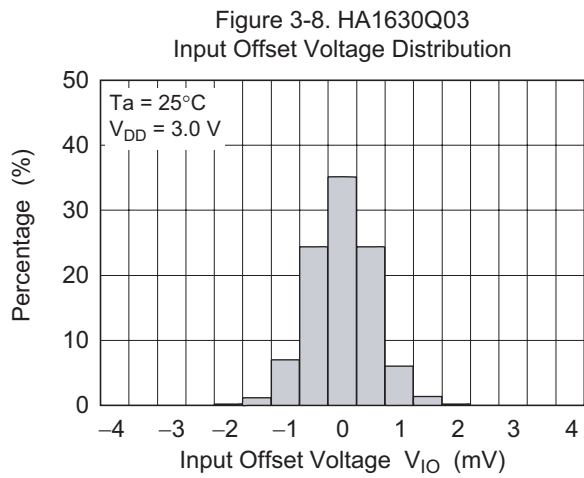
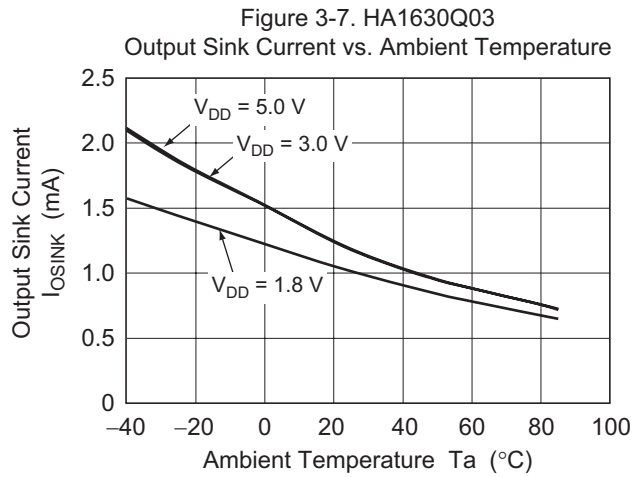
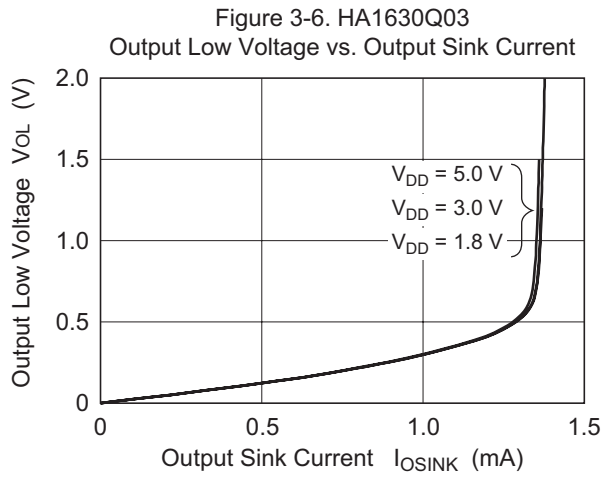


Figure 3-12. HA1630Q03
Power Supply Rejection Ratio vs. Frequency

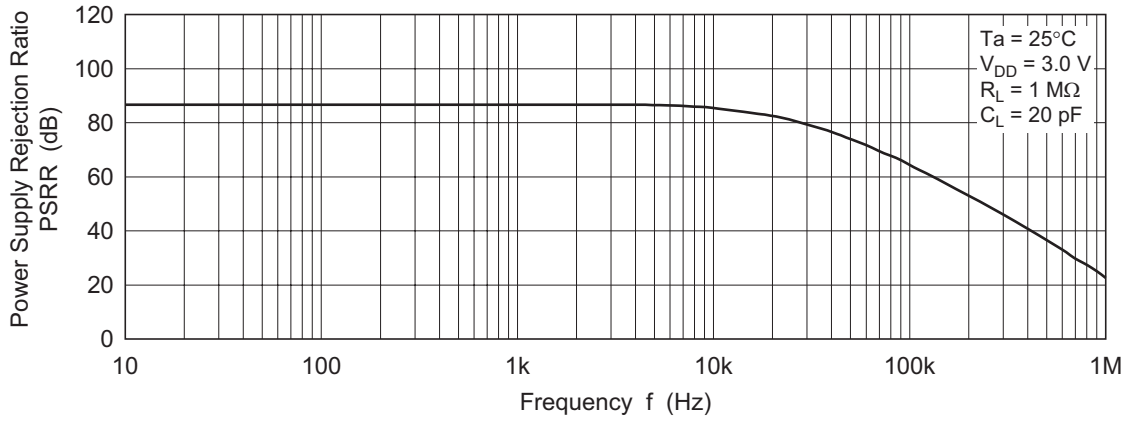


Figure 3-13. HA1630Q03
Common Mode Rejection Ratio vs. Frequency

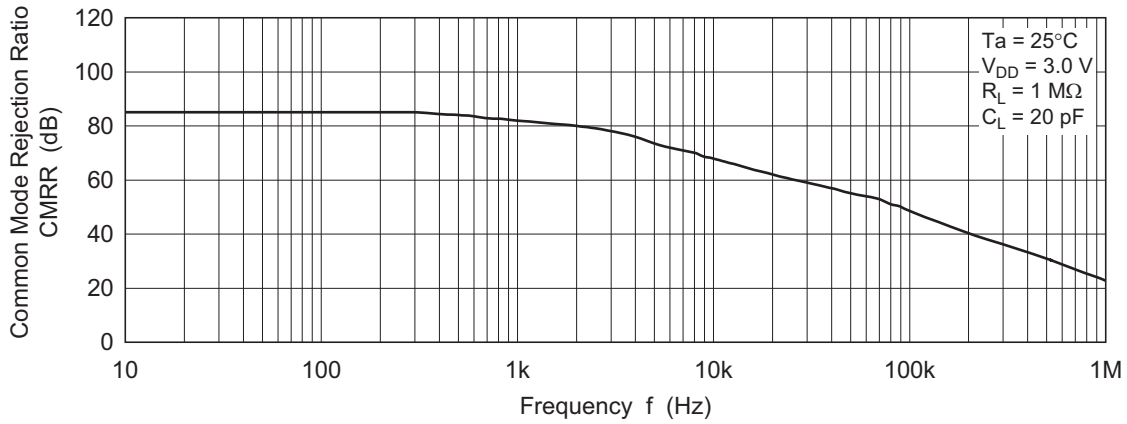
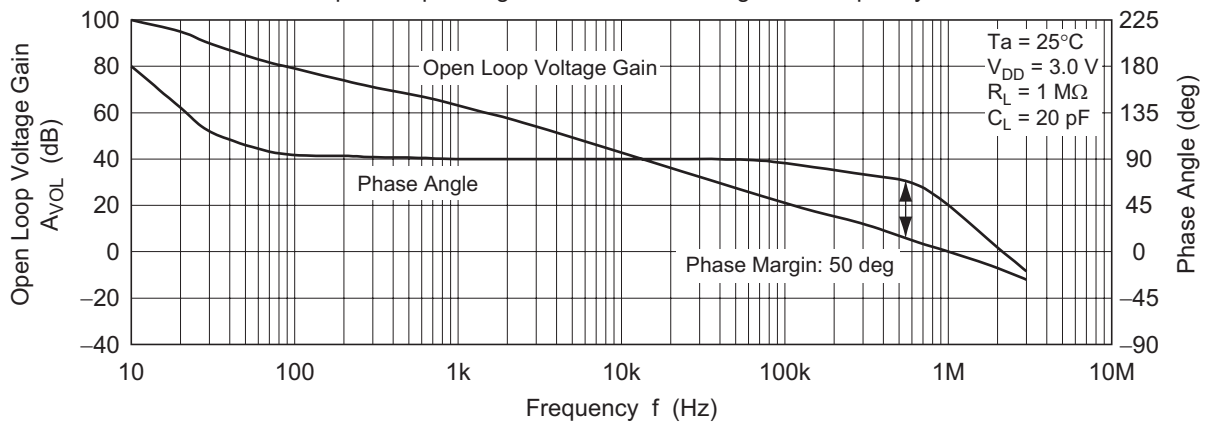


Figure 3-14. HA1630Q03
Open Loop Voltage Gain and Phase Angle vs. Frequency



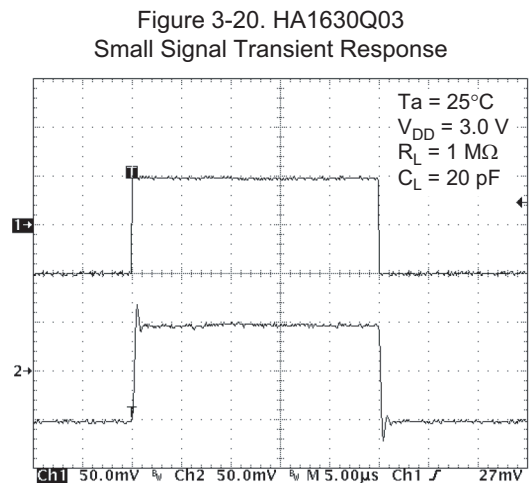
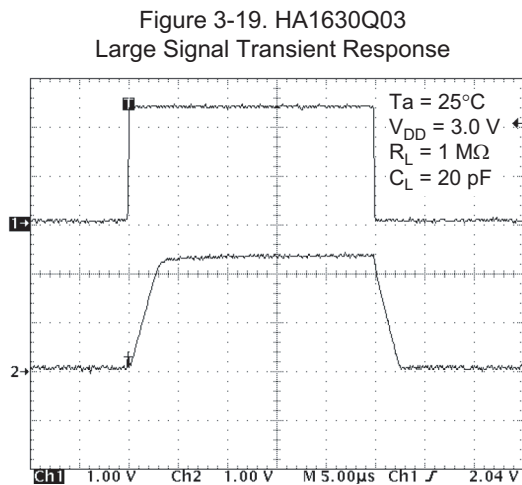
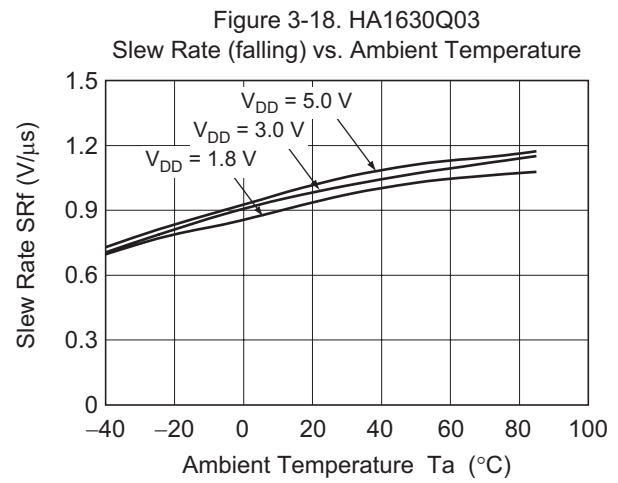
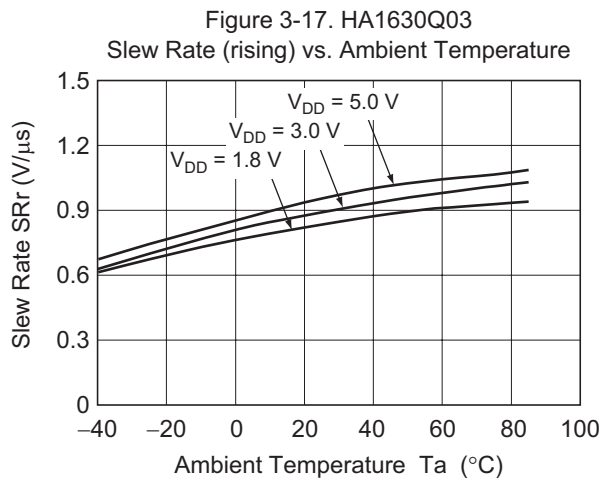
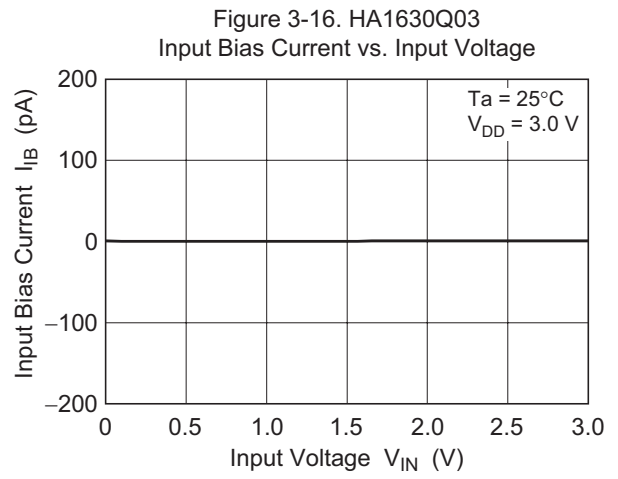
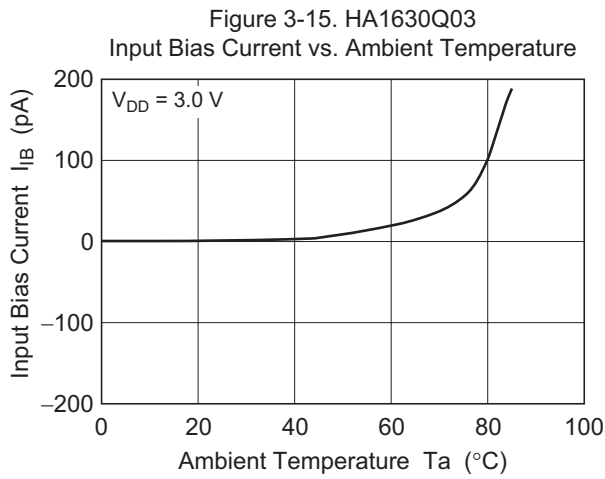


Figure 3-21. HA1630Q03
Total Harmonic Distortion + Noise vs.
Output Voltage p-p

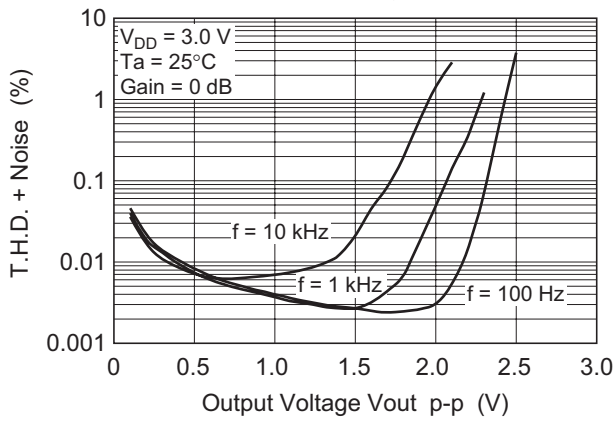


Figure 3-22. HA1630Q03
Total Harmonic Distortion + Noise vs.
Output Voltage p-p

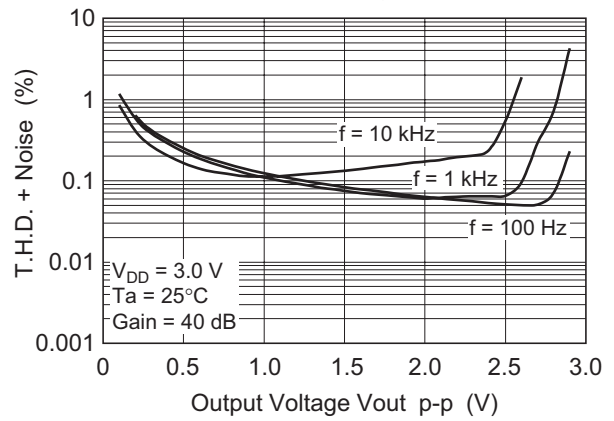


Figure 3-23. HA1630Q03
Voltage Output p-p vs. Frequency

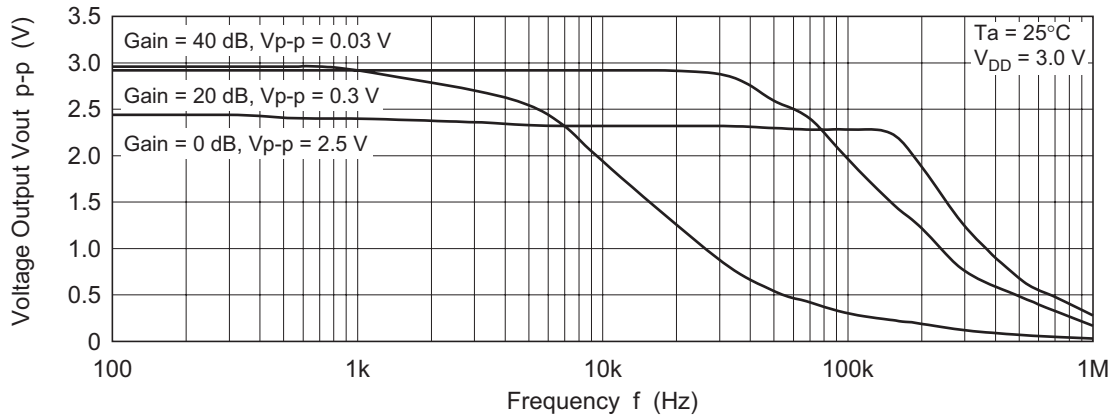
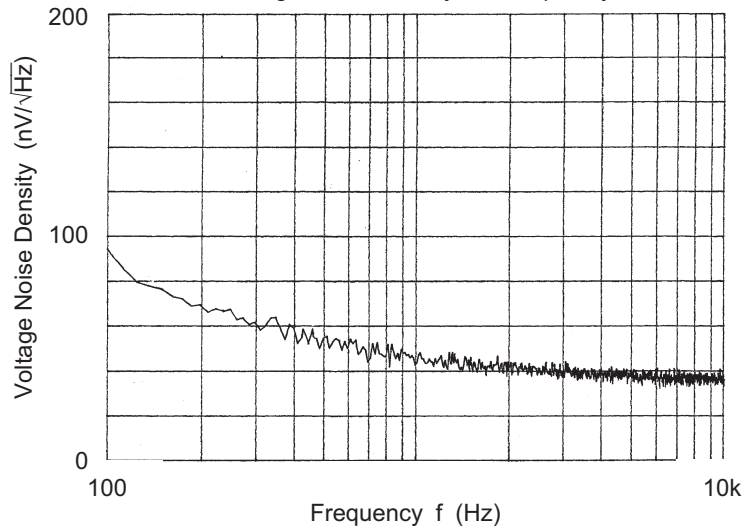
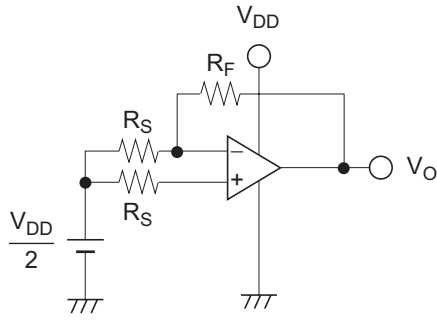


Figure 3-24. HA1630Q03
Voltage Noise Density vs. Frequency



Test Circuits

1. Power Supply Rejection Ratio, PSRR & Voltage Offset, V_{IO}



$$\frac{V_{IO}}$$

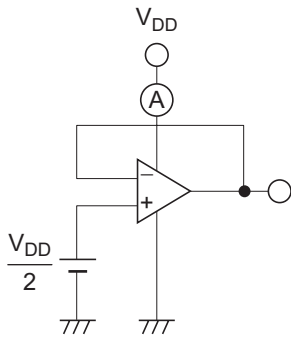
$$V_{IO} = \left(V_O - \frac{V_{DD}}{2} \right) \times \frac{R_S}{R_S + R_F}$$

$$\text{PSRR}$$

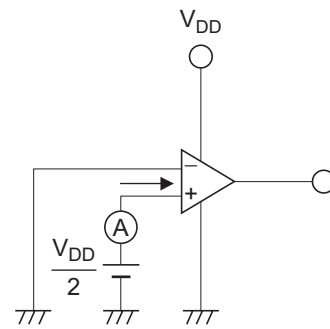
$$\text{PSRR} = -20 \log \left(\left| \frac{V_{O1} - V_{O2}}{V_{DD1} - V_{DD2}} \right| \times \frac{R_S}{R_S + R_F} \right)$$

Measure V_O corresponding to $V_{DD1} = 1.8 \text{ V}$ and $V_{DD2} = 5.5 \text{ V}$

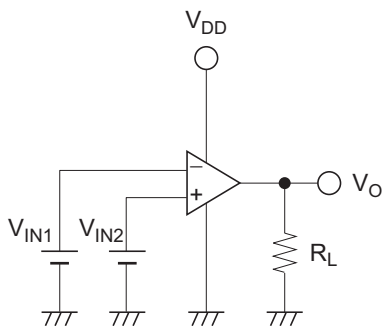
2. Supply Current, I_{DD}



3. Input Bias Current, I_B



4. Output High Voltage, V_{OH}



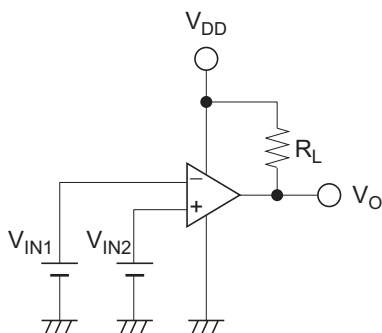
$$\frac{V_{OH}}$$

$$R_L = 1 \text{ M}\Omega$$

$$V_{IN1} = V_{DD} / 2 - 0.05 \text{ V}$$

$$V_{IN2} = V_{DD} / 2 + 0.05 \text{ V}$$

5. Output Low Voltage, V_{OL}



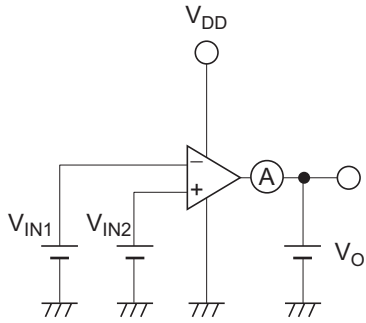
$$\frac{V_{OL}}$$

$$R_L = 1 \text{ M}\Omega$$

$$V_{IN1} = V_{DD} / 2 + 0.05 \text{ V}$$

$$V_{IN2} = V_{DD} / 2 - 0.05 \text{ V}$$

6. Output Source Current, $I_{OSOURCE}$ & Output Sink Current, I_{OSINK}



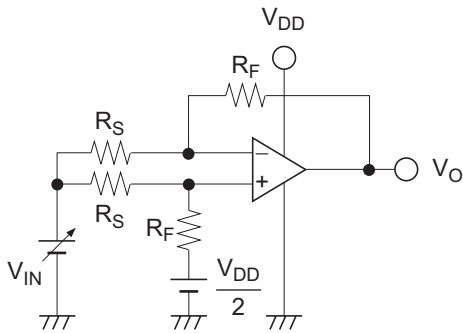
$I_{OSOURCE}$

$$\begin{aligned} V_O &= V_{DD} - 0.5 \text{ V} \\ V_{IN1} &= V_{DD} / 2 - 0.05 \text{ V} \\ V_{IN2} &= V_{DD} / 2 + 0.05 \text{ V} \end{aligned}$$

I_{OSINK}

$$\begin{aligned} V_O &= +0.5 \text{ V} \\ V_{IN1} &= V_{DD} / 2 + 0.05 \text{ V} \\ V_{IN2} &= V_{DD} / 2 - 0.05 \text{ V} \end{aligned}$$

7. Common Mode Input Voltage, V_{CM} & Common Mode Rejection Ratio, CMRR

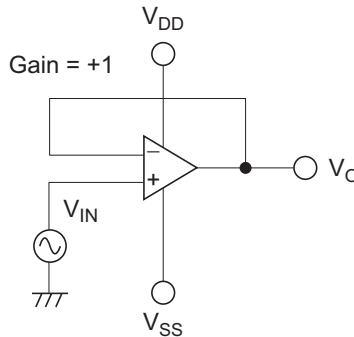
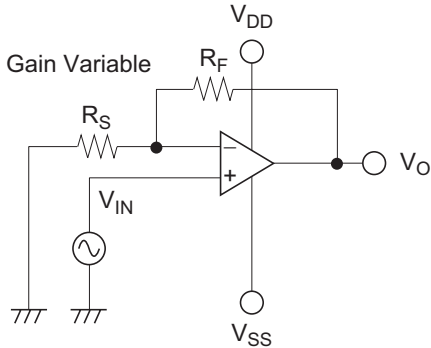


CMRR

$$CMRR = -20 \log \left(\left| \frac{V_{O1} - V_{O2}}{V_{IN1} - V_{IN2}} \right| \times \frac{R_S}{R_S + R_F} \right)$$

Measure V_O corresponding to $V_{IN1} = 0 \text{ V}$ and $V_{IN2} = 2.1 \text{ V}$

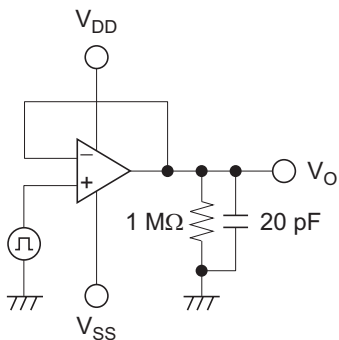
8. Total Harmonic Distortion, THD



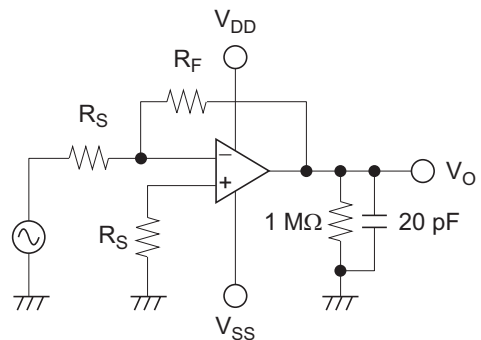
THD

Gain Variable
 $1 + R_F / R_S = 100$
 freq = 100 Hz, 1 kHz, 10 kHz

9. Slew Rate, SR

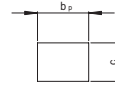
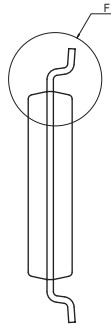
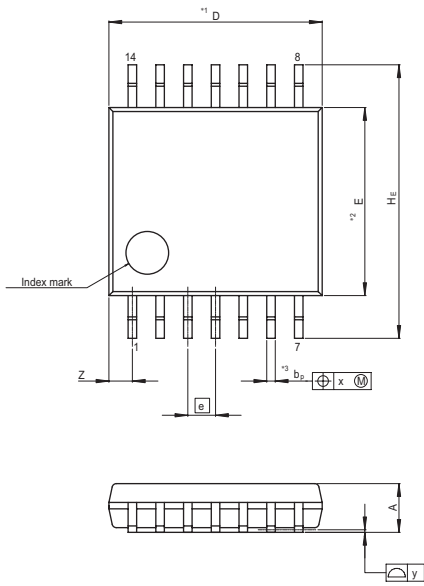


10. Gain, A_V & Phase, GBW

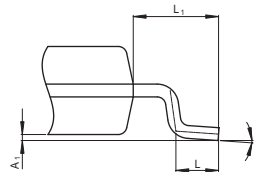


Package Dimensions

| | | | |
|----------------------|--------------|---------------|------------|
| JEITA Package Code | RENESAS Code | Previous Code | MASS[Typ.] |
| P-TSSOP14-4.4x5-0.65 | PTSP0014JA-B | TTP-14DV | 0.05g |



Terminal cross section
(Ni/Pd/Au plating)



Detail F

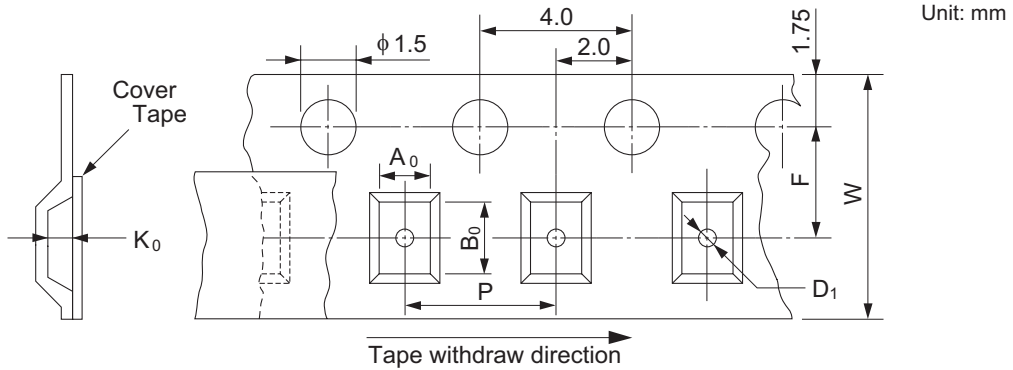
NOTE)
1. DIMENSIONS**1 (Nom)**AND**2"
DO NOT INCLUDE MOLD FLASH.
2. DIMENSION**3"DOES NOT
INCLUDE TRIM OFFSET.

| Reference Symbol | Dimension in Millimeters | | |
|------------------|--------------------------|------|------|
| | Min | Nom | Max |
| D | — | 5.00 | 5.30 |
| E | — | 4.40 | — |
| A ₂ | — | — | — |
| A ₁ | 0.03 | 0.07 | 0.10 |
| A | — | — | 1.10 |
| b _P | 0.15 | 0.20 | 0.25 |
| b ₁ | — | — | — |
| c | 0.10 | 0.15 | 0.20 |
| c ₁ | — | — | — |
| θ | 0° | — | 8° |
| H _E | 6.20 | 6.40 | 6.60 |
| Ⓜ | — | 0.65 | — |
| x | — | — | 0.13 |
| y | — | — | 0.10 |
| Z | — | — | 0.83 |
| L | 0.4 | 0.5 | 0.6 |
| L ₁ | — | 1.0 | — |

Taping & Reel Specification

[Taping]

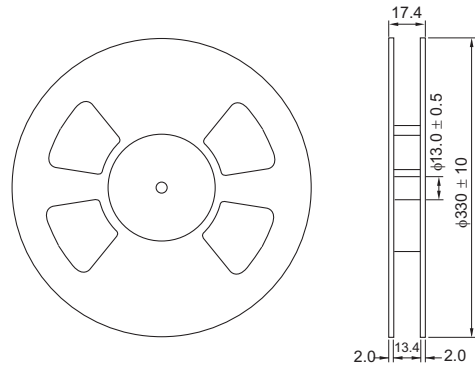
| Package Code | W | P | Ao | Bo | Ko | E | F | D1 | Maximum Storage No. |
|--------------|----|---|-----|-----|-----|---|-----|-----|---------------------|
| TSSOP-14 | 12 | 8 | 6.5 | 5.1 | 1.5 | — | 5.5 | 1.6 | 2,000 pcs/reel |



Unit: mm

[Reel]

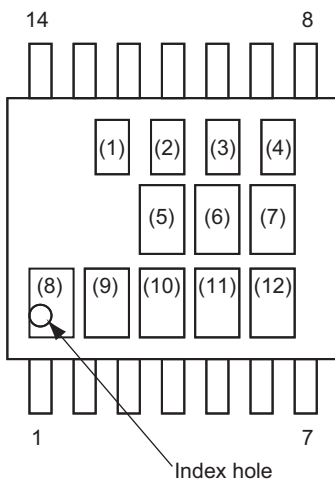
| Package | Tape width | W1 | W2 |
|----------|------------|------|------|
| TSSOP-14 | 12 | 17.4 | 13.4 |



[Ordering Information]

| |
|---------------|
| Ordering Unit |
| 2,000 pcs |

Mark Indication



| | | | |
|------------------------|--------------|------|-----------|
| (1) to (4) | Week code | | |
| (5),(8) to (10) | Space | | |
| (6), (7) (11), (12) | Product Name | 0Q01 | HA1630Q01 |
| | | 0Q02 | HA1630Q02 |
| | | 0Q03 | HA1630Q03 |

Keep safety first in your circuit designs!

1. Renesas Technology Corp. puts the maximum effort into making semiconductor products better and more reliable, but there is always the possibility that trouble may occur with them. Trouble with semiconductors may lead to personal injury, fire or property damage. Remember to give due consideration to safety when making your circuit designs, with appropriate measures such as (i) placement of substitutive, auxiliary circuits, (ii) use of nonflammable material or (iii) prevention against any malfunction or mishap.

Notes regarding these materials

1. These materials are intended as a reference to assist our customers in the selection of the Renesas Technology Corp. product best suited to the customer's application; they do not convey any license under any intellectual property rights, or any other rights, belonging to Renesas Technology Corp. or a third party.
2. Renesas Technology Corp. assumes no responsibility for any damage, or infringement of any third-party's rights, originating in the use of any product data, diagrams, charts, programs, algorithms, or circuit application examples contained in these materials.
3. All information contained in these materials, including product data, diagrams, charts, programs and algorithms represents information on products at the time of publication of these materials, and are subject to change by Renesas Technology Corp. without notice due to product improvements or other reasons. It is therefore recommended that customers contact Renesas Technology Corp. or an authorized Renesas Technology Corp. product distributor for the latest product information before purchasing a product listed herein.
The information described here may contain technical inaccuracies or typographical errors.
Renesas Technology Corp. assumes no responsibility for any damage, liability, or other loss rising from these inaccuracies or errors.
Please also pay attention to information published by Renesas Technology Corp. by various means, including the Renesas Technology Corp. Semiconductor home page (<http://www.renesas.com>).
4. When using any or all of the information contained in these materials, including product data, diagrams, charts, programs, and algorithms, please be sure to evaluate all information as a total system before making a final decision on the applicability of the information and products. Renesas Technology Corp. assumes no responsibility for any damage, liability or other loss resulting from the information contained herein.
5. Renesas Technology Corp. semiconductors are not designed or manufactured for use in a device or system that is used under circumstances in which human life is potentially at stake. Please contact Renesas Technology Corp. or an authorized Renesas Technology Corp. product distributor when considering the use of a product contained herein for any specific purposes, such as apparatus or systems for transportation, vehicular, medical, aerospace, nuclear, or undersea repeater use.
6. The prior written approval of Renesas Technology Corp. is necessary to reprint or reproduce in whole or in part these materials.
7. If these products or technologies are subject to the Japanese export control restrictions, they must be exported under a license from the Japanese government and cannot be imported into a country other than the approved destination.
Any diversion or reexport contrary to the export control laws and regulations of Japan and/or the country of destination is prohibited.
8. Please contact Renesas Technology Corp. for further details on these materials or the products contained therein.



RENESAS SALES OFFICES

<http://www.renesas.com>

Refer to "<http://www.renesas.com/en/network>" for the latest and detailed information.

Renesas Technology America, Inc.

450 Holger Way, San Jose, CA 95134-1368, U.S.A
Tel: <1> (408) 382-7500, Fax: <1> (408) 382-7501

Renesas Technology Europe Limited

Dukes Meadow, Millboard Road, Bourne End, Buckinghamshire, SL8 5FH, U.K.
Tel: <44> (1628) 585-100, Fax: <44> (1628) 585-900

Renesas Technology (Shanghai) Co., Ltd.

Unit 204, 205, AZIAcenter, No.1233 Lujiazui Ring Rd, Pudong District, Shanghai, China 200120
Tel: <86> (21) 5877-1818, Fax: <86> (21) 6887-7898

Renesas Technology Hong Kong Ltd.

7th Floor, North Tower, World Finance Centre, Harbour City, 1 Canton Road, Tsimshatsui, Kowloon, Hong Kong
Tel: <852> 2265-6688, Fax: <852> 2730-6071

Renesas Technology Taiwan Co., Ltd.

10th Floor, No.99, Fushing North Road, Taipei, Taiwan
Tel: <886> (2) 2715-2888, Fax: <886> (2) 2713-2999

Renesas Technology Singapore Pte. Ltd.

1 Harbour Front Avenue, #06-10, Keppel Bay Tower, Singapore 098632
Tel: <65> 6213-0200, Fax: <65> 6278-8001

Renesas Technology Korea Co., Ltd.

Kukje Center Bldg. 18th Fl., 191, 2-ka, Hangang-ro, Yongsan-ku, Seoul 140-702, Korea
Tel: <82> (2) 796-3115, Fax: <82> (2) 796-2145

Renesas Technology Malaysia Sdn. Bhd

Unit 906, Block B, Menara Amcorp, Amcorp Trade Centre, No.18, Jalan Persiaran Barat, 46050 Petaling Jaya, Selangor Darul Ehsan, Malaysia
Tel: <603> 7955-9390, Fax: <603> 7955-9510

Mouser Electronics

Authorized Distributor

Click to View Pricing, Inventory, Delivery & Lifecycle Information:

[Renesas Electronics:](#)

[HA1630Q03TELL-E](#) [HA1630Q01TELL-E](#) [HA1630Q02TELL-E](#)



Компания «ЭлектроПласт» предлагает заключение долгосрочных отношений при поставках импортных электронных компонентов на взаимовыгодных условиях!

Наши преимущества:

- Оперативные поставки широкого спектра электронных компонентов отечественного и импортного производства напрямую от производителей и с крупнейших мировых складов;
- Поставка более 17-ти миллионов наименований электронных компонентов;
- Поставка сложных, дефицитных, либо снятых с производства позиций;
- Оперативные сроки поставки под заказ (от 5 рабочих дней);
- Экспресс доставка в любую точку России;
- Техническая поддержка проекта, помощь в подборе аналогов, поставка прототипов;
- Система менеджмента качества сертифицирована по Международному стандарту ISO 9001;
- Лицензия ФСБ на осуществление работ с использованием сведений, составляющих государственную тайну;
- Поставка специализированных компонентов (Xilinx, Altera, Analog Devices, Intersil, Interpoint, Microsemi, Aeroflex, Peregrine, Syfer, Eurofarad, Texas Instrument, Miteq, Cobham, E2V, MA-COM, Hittite, Mini-Circuits, General Dynamics и др.);

Помимо этого, одним из направлений компании «ЭлектроПласт» является направление «Источники питания». Мы предлагаем Вам помощь Конструкторского отдела:

- Подбор оптимального решения, техническое обоснование при выборе компонента;
- Подбор аналогов;
- Консультации по применению компонента;
- Поставка образцов и прототипов;
- Техническая поддержка проекта;
- Защита от снятия компонента с производства.



Как с нами связаться

Телефон: 8 (812) 309 58 32 (многоканальный)

Факс: 8 (812) 320-02-42

Электронная почта: org@eplast1.ru

Адрес: 198099, г. Санкт-Петербург, ул. Калинина, дом 2, корпус 4, литера А.