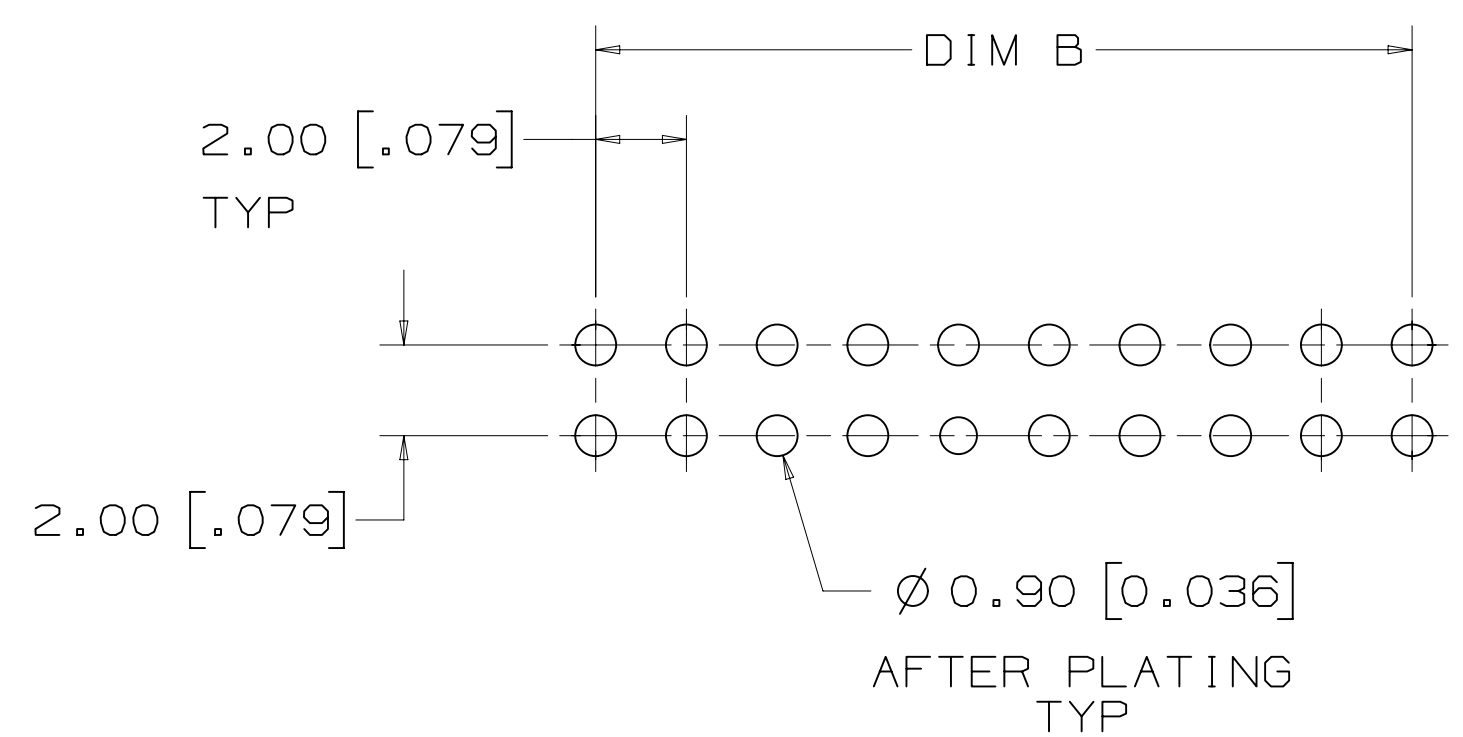
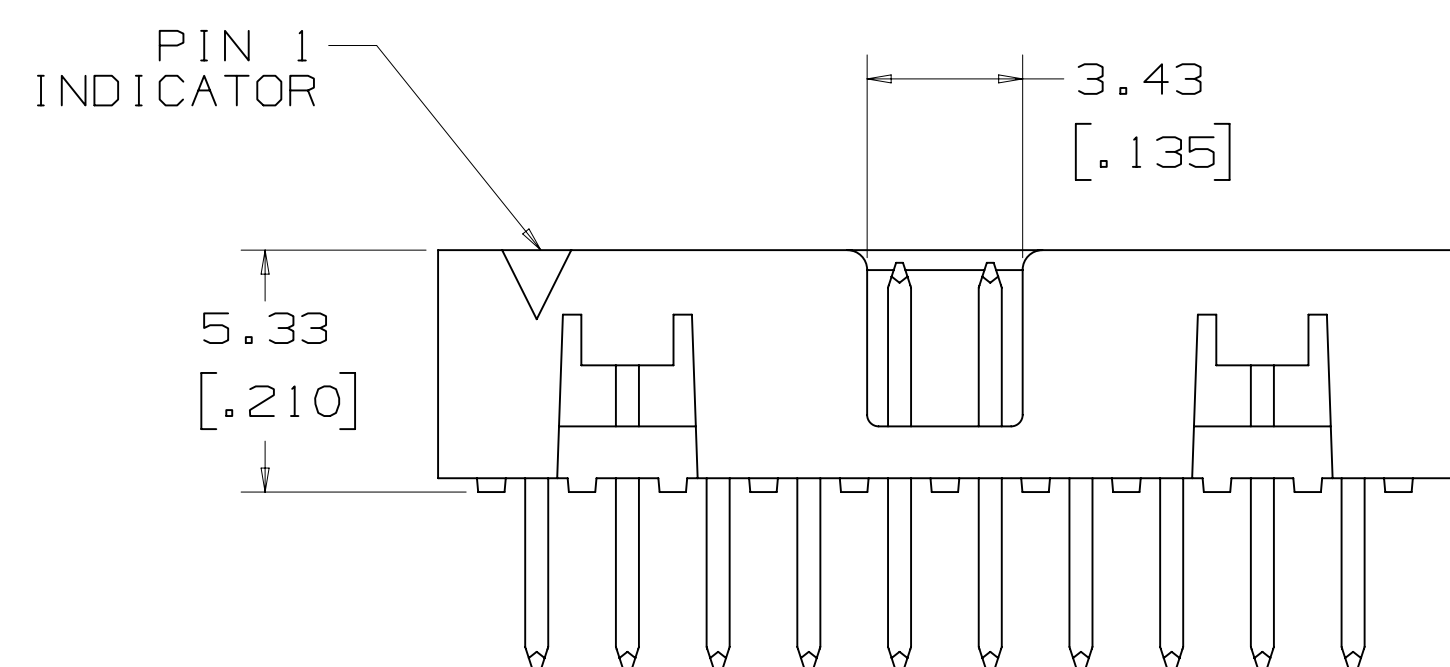
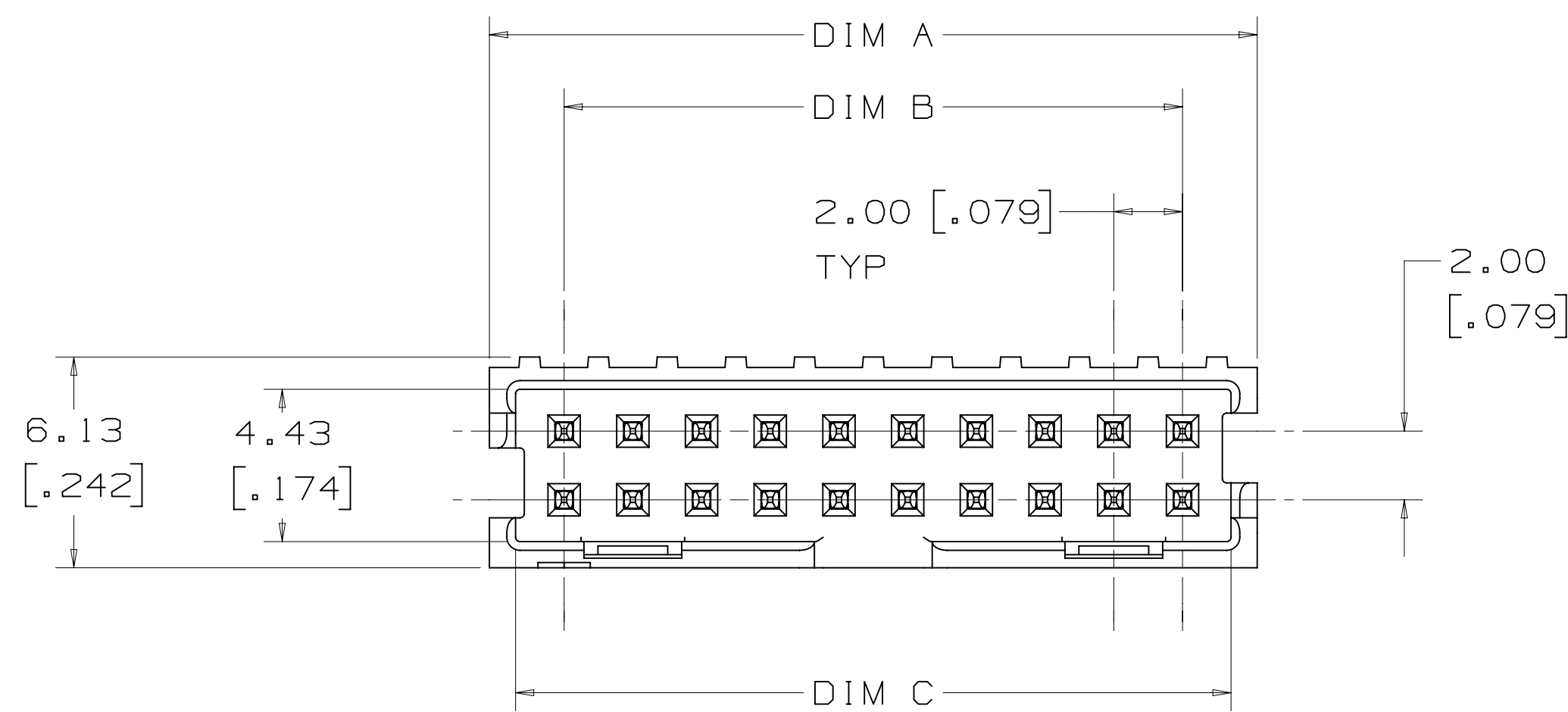
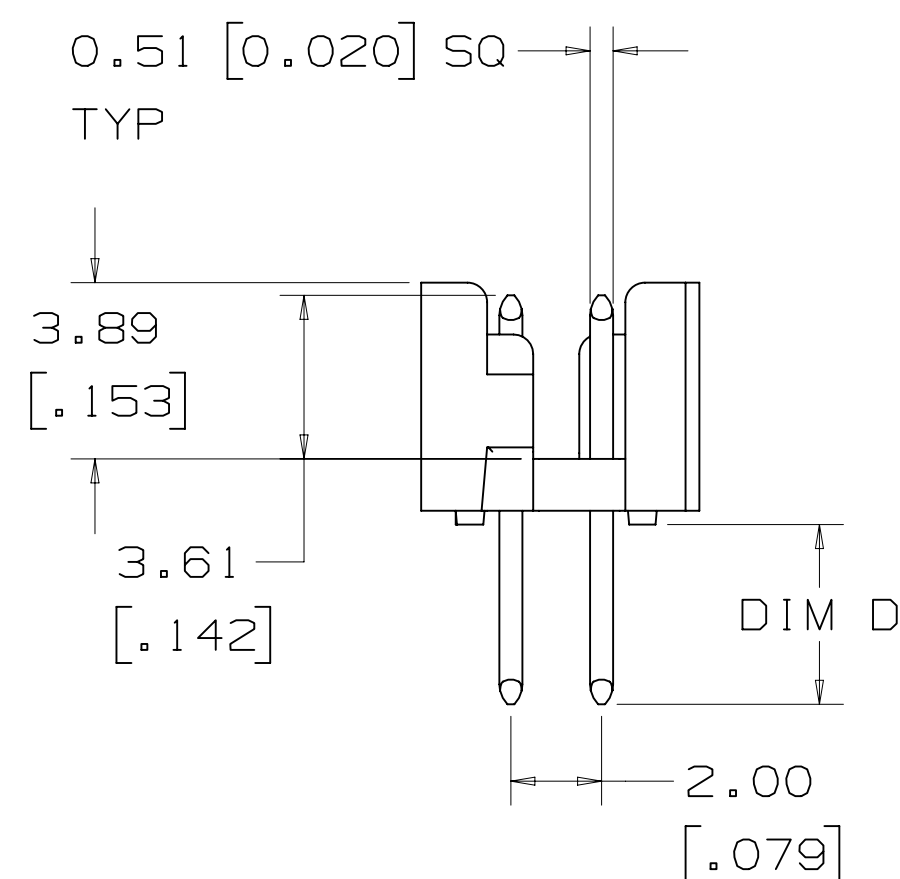
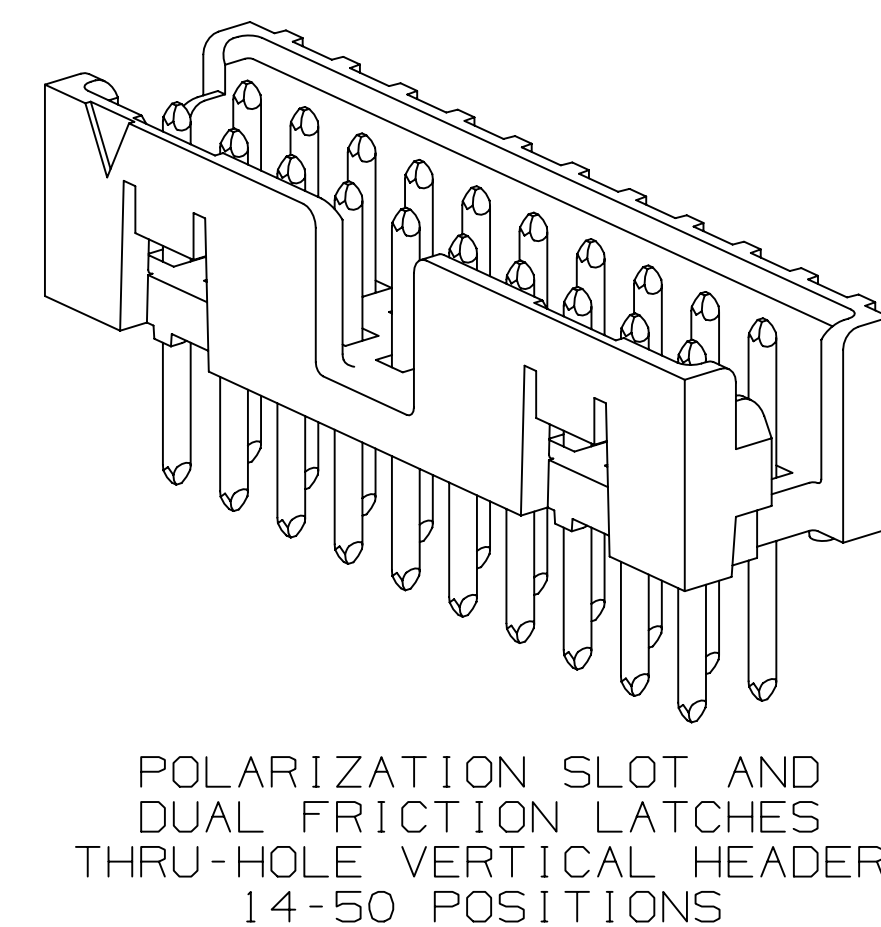
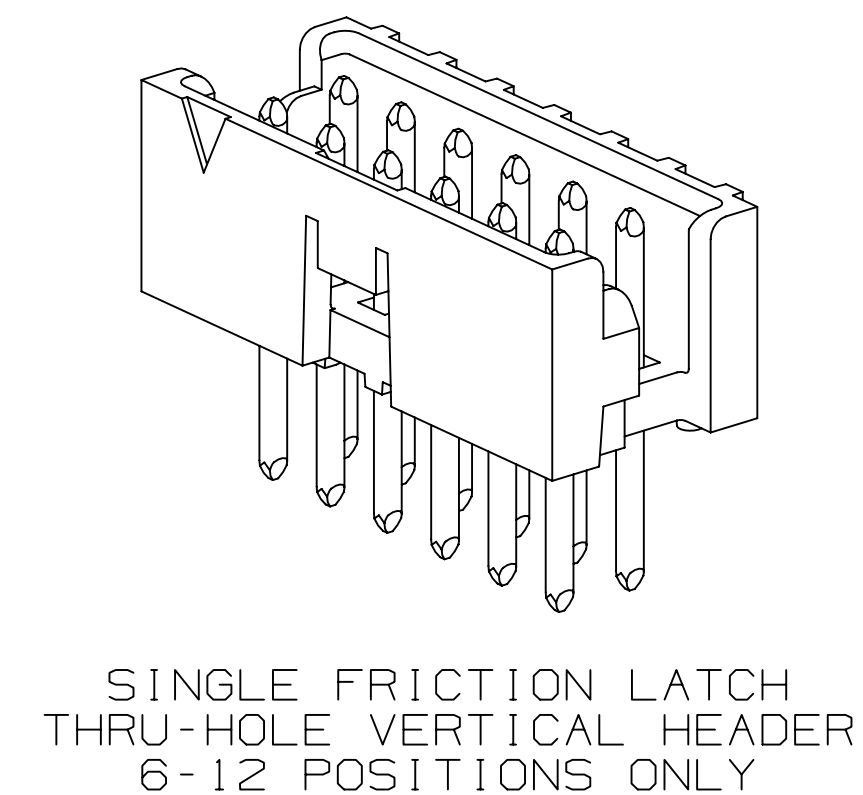
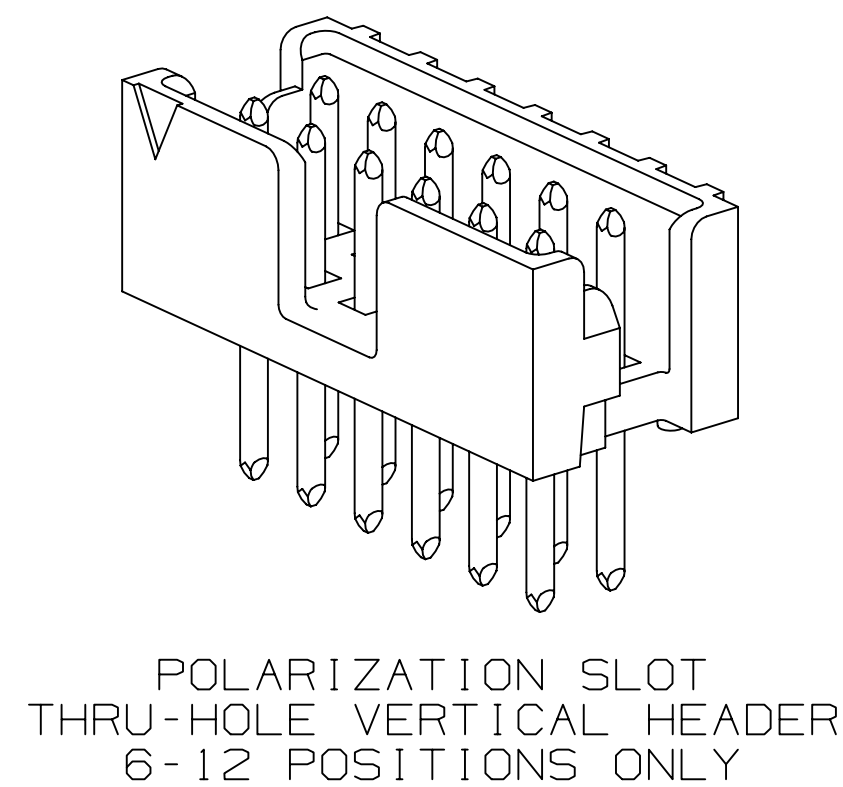


3M™ Shrouded Board Mount Header 2 mm X 2 mm Pitch 159 Series, Standard Length [3] and Extended Length [4]



RECOMMENDED PCB HOLE PATTERN
TOLERANCE = 0.05 [.002]



PERFORMANCE [5] [7]	
CURRENT:	1A, 6 LINES ENERGIZED
INSULATION RESISTANCE:	>1 X 10 ⁹ OHMS AT 500 VDC
WITHSTANDING VOLTAGE:	500 VACrms AT SEA LEVEL
TEMPERATURE RATING:	-55° C TO +105° C
SOLDER PROCESS TEMPERATURE:	260° C MAX PER IPC/JEDEC J-STD-020D

REFERENCE TABLE ON SHEET 4
FOR AVAILABLE TAIL POSITIONS AND
SOLDER TAIL LENGTHS

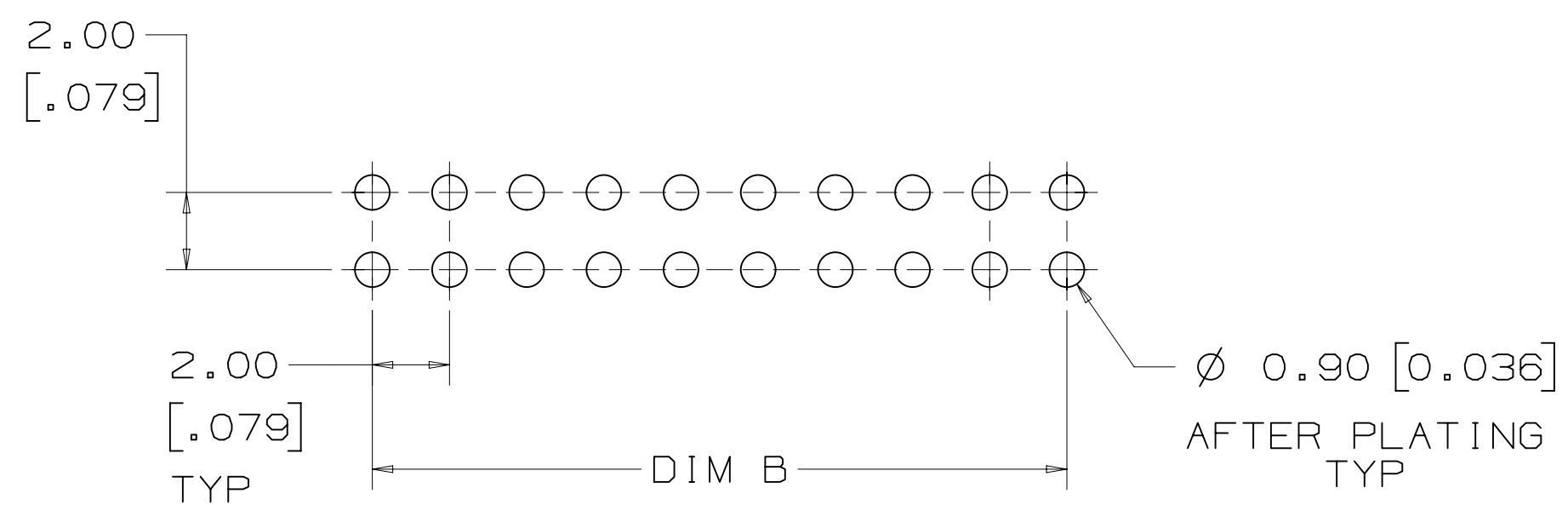
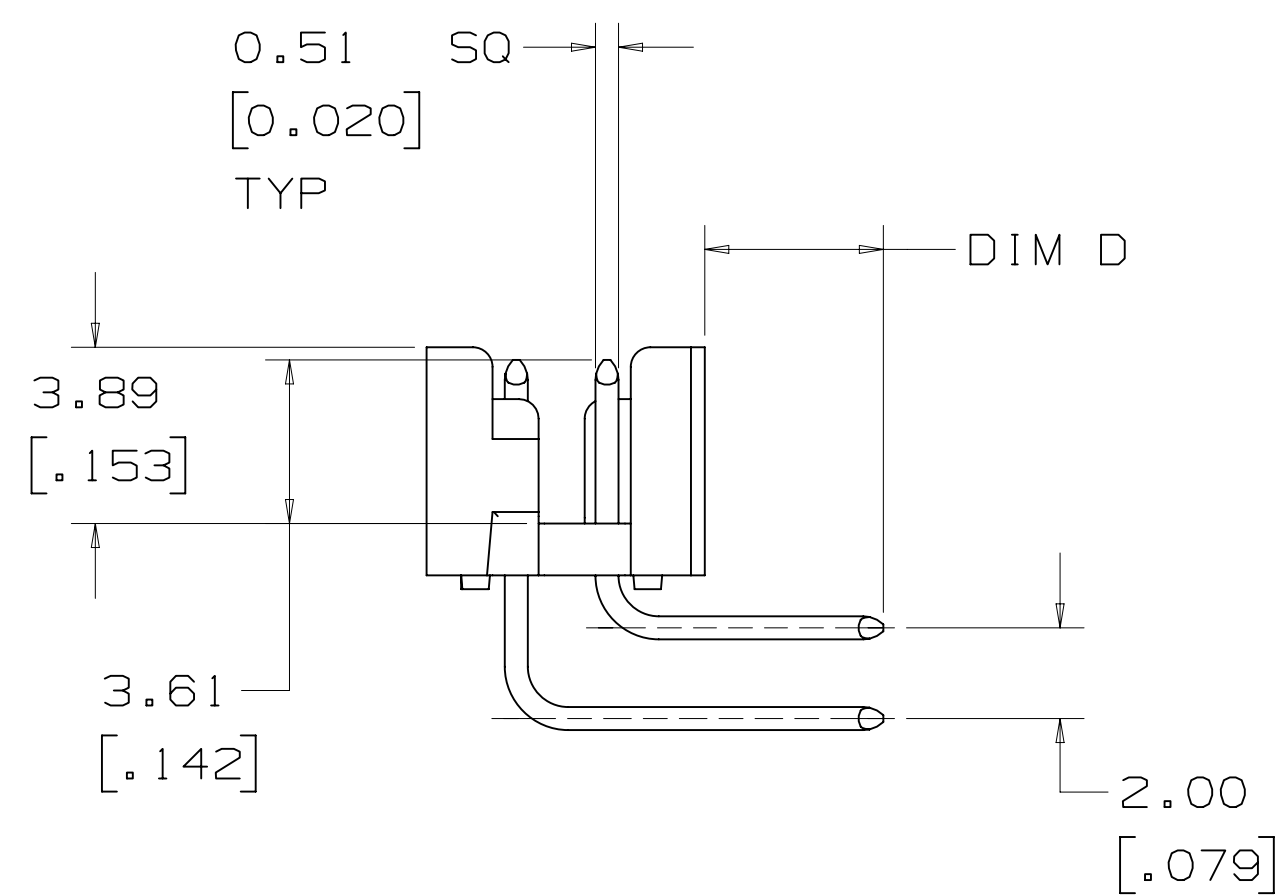
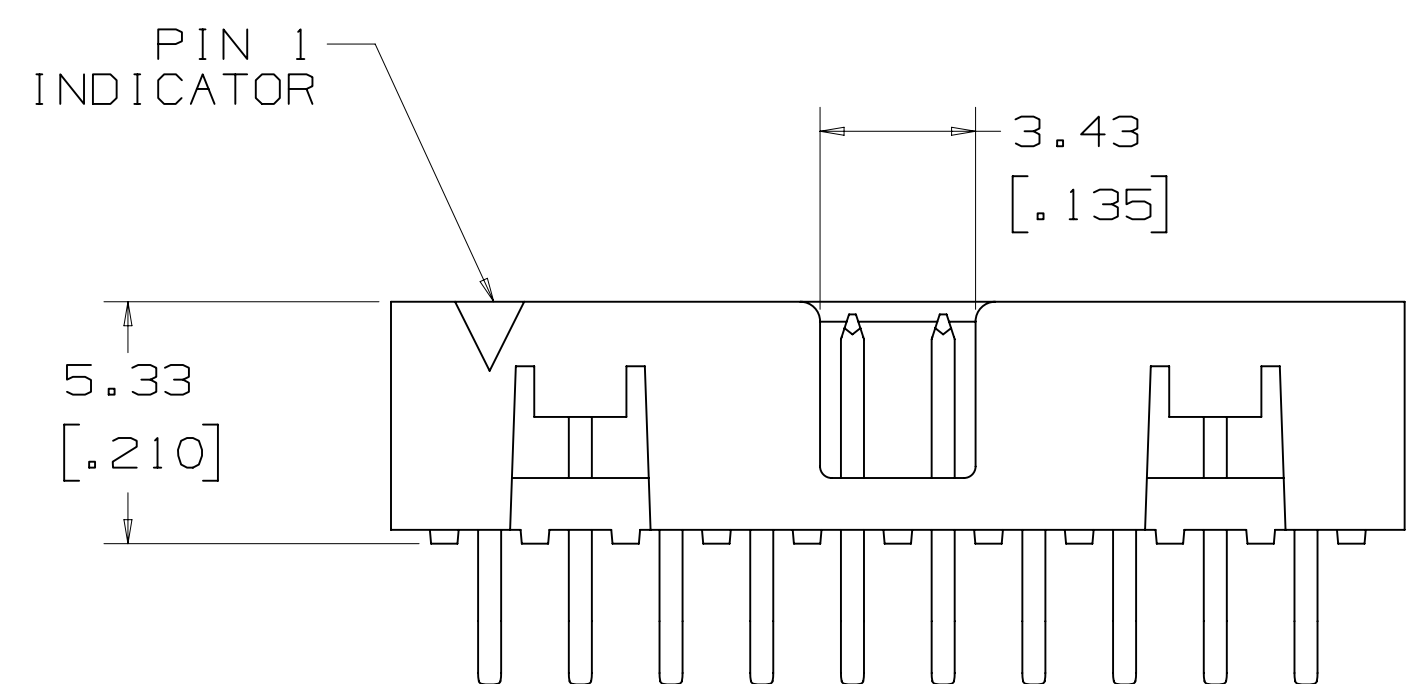
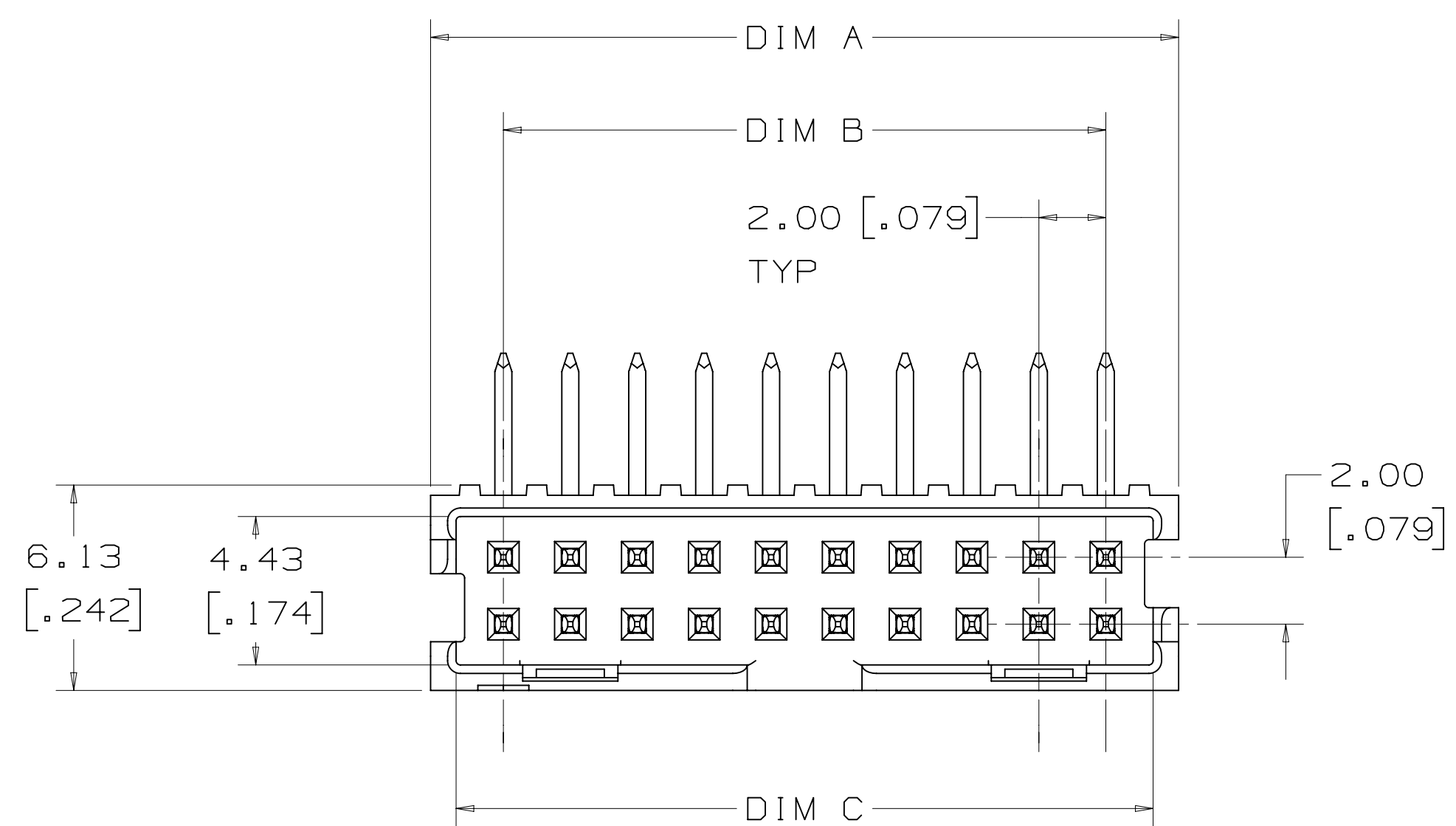
METRIC [ENGLISH]

NOTES

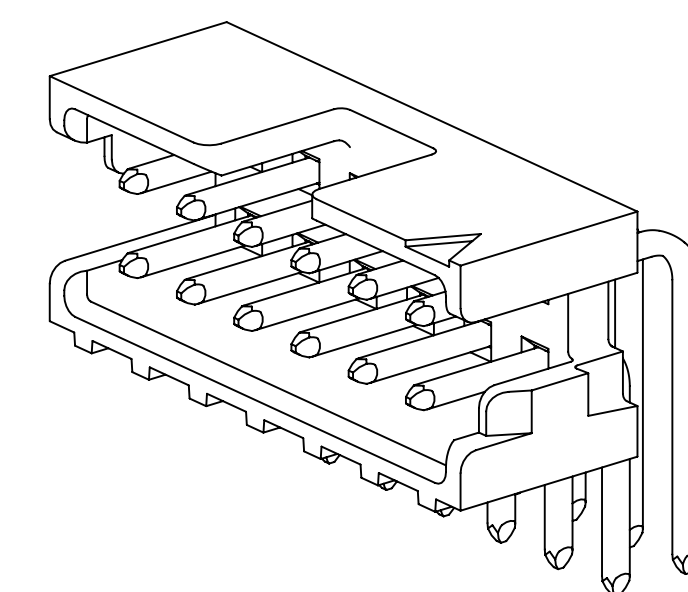
- MATERIAL:
BODY: HIGH TEMPERATURE GLASS FILLED LCP, BLACK UL94V-0
CONTACTS: COPPER ALLOY
- PLATING:
2.03-3.81 μm [80-150 μin] NICKEL UNDERPLATE.
0.38 μm [15 μin] OR 0.76 μm [30 μin] AVG GOLD ON WIPING AREA.
5.08 μm [200 μin] MIN MATTE TIN ON SOLDER TAILS.
- STANDARD LENGTH HEADERS MATE WITH 3M™ SOCKETS, 158 SERIES (REFERENCE 3M DRAWING 78-5100-2358-9).
- EXTENDED LENGTH HEADERS MATE WITH 3M™ SOCKETS, 870 SERIES.
- FOR PRODUCT SPECIFICATIONS AND WARRANTY INFORMATION SEE 3M 78-5102-0078-1.
- SEE THE REGULATORY INFORMATION APPENDIX (RIA) IN THE "ROHS COMPLIANCE" SECTION OF WWW.3MCONNECTOR.COM FOR COMPLIANCE INFORMATION (RIA E1 & C1 APPLY).
- IN THE EVENT OF CONFLICT BETWEEN THIS DATA AND THAT CONTAINED IN THE PRODUCT SPECIFICATION, THE PRODUCT SPECIFICATION TAKES PRECEDENT.

DESIGN REFERENCE	NEXT ASSEMBLY	REV	ECO	ISSUE DATE AND DESCRIPTION	DRFT	CHKD
DIVISION	DIVISION CODE	DATE	DATE	DATE	DATE	DATE
		JUL 29, 2010				
DO NOT SCALE DRAWING	SCALE 6/1	TOLERANCES EXCEPT AS NOTED				
THIRD ANGLE PROJECTION	INTERPRET PER ASME Y14.5 - 1994	MILLIMETERS	TITLE 3M SHROUDED BOARD MOUNT HEADER 2 MM X 2 MM PITCH 159 SERIES			
MAX SURFACE ROUGHNESS 125	ALL SURFACES	INCHES	CAGE NUMBER D 78-5100-2359-7			
	MARKED ONLY	ANGLES ±1°	MODEL SHT 1 OF 4			

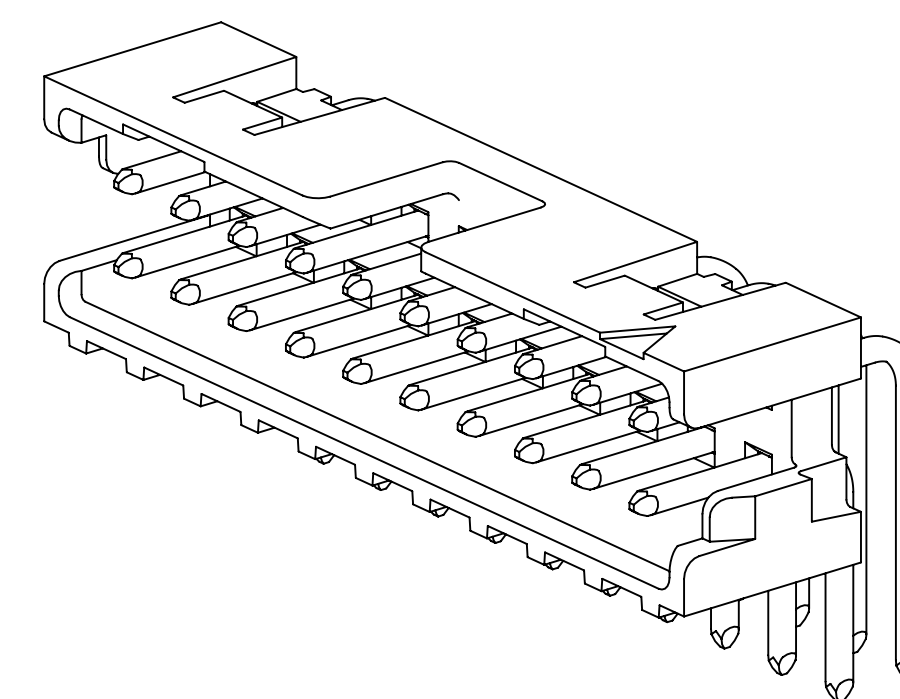
3M™ Shrouded Board Mount Header 2 mm X 2 mm Pitch 159 Series, Standard Length [3] and Extended Length [4]



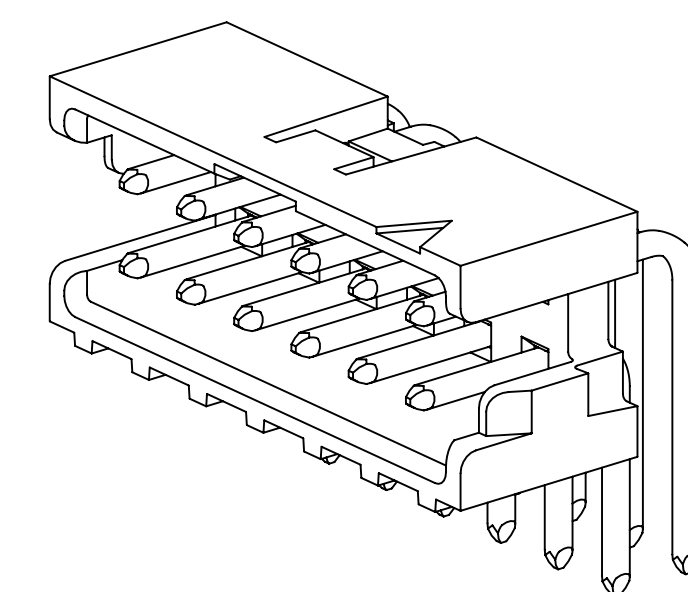
RECOMMENDED PCB HOLE PATTERN
TOLERANCE = ±0.05 [.002]



POLARIZATION SLOT
RIGHT ANGLE HEADER
6-12 POSITIONS ONLY



POLARIZATION SLOT AND
DUAL FRICTION LATCHES
RIGHT ANGLE HEADER
14-50 POSITIONS



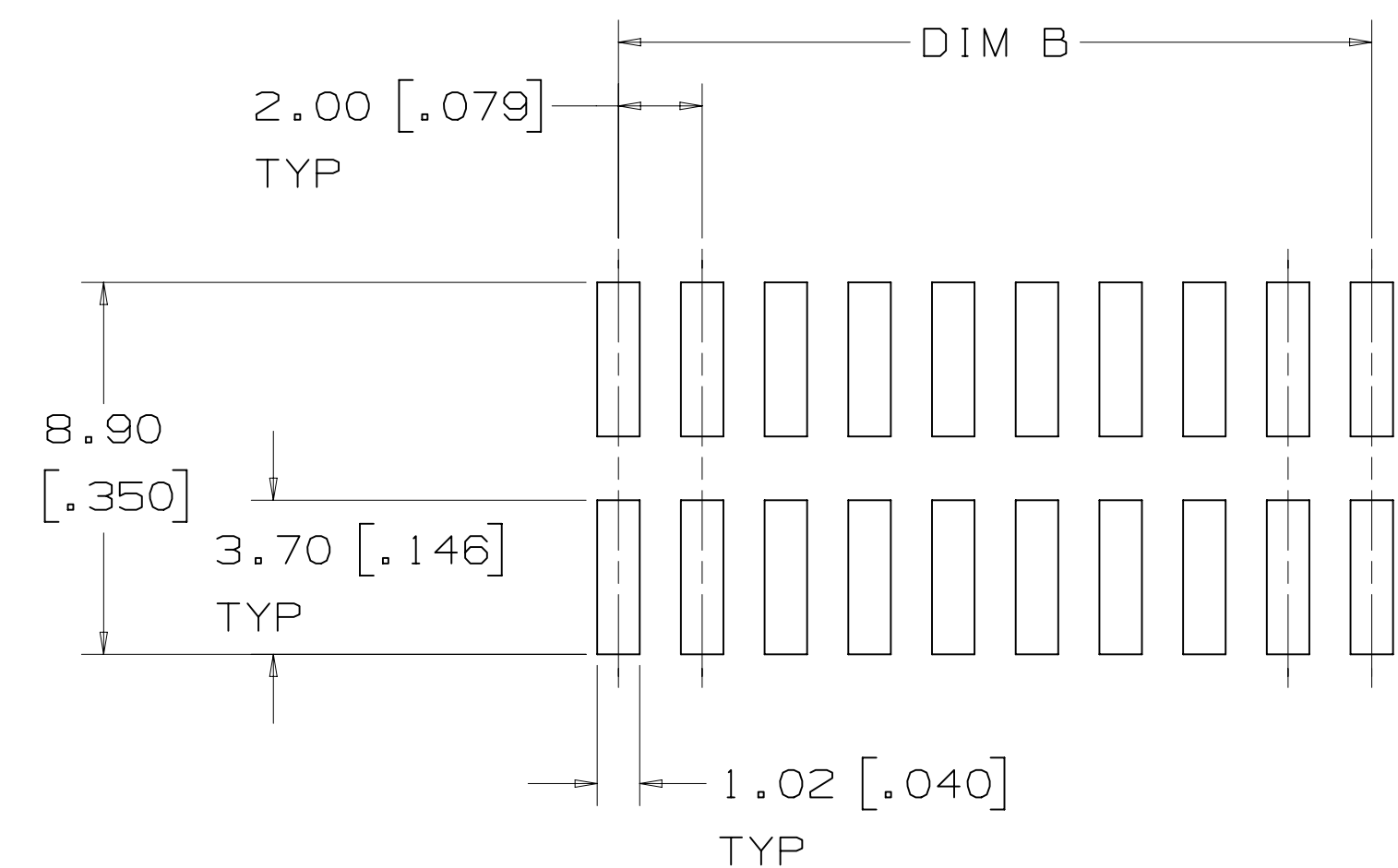
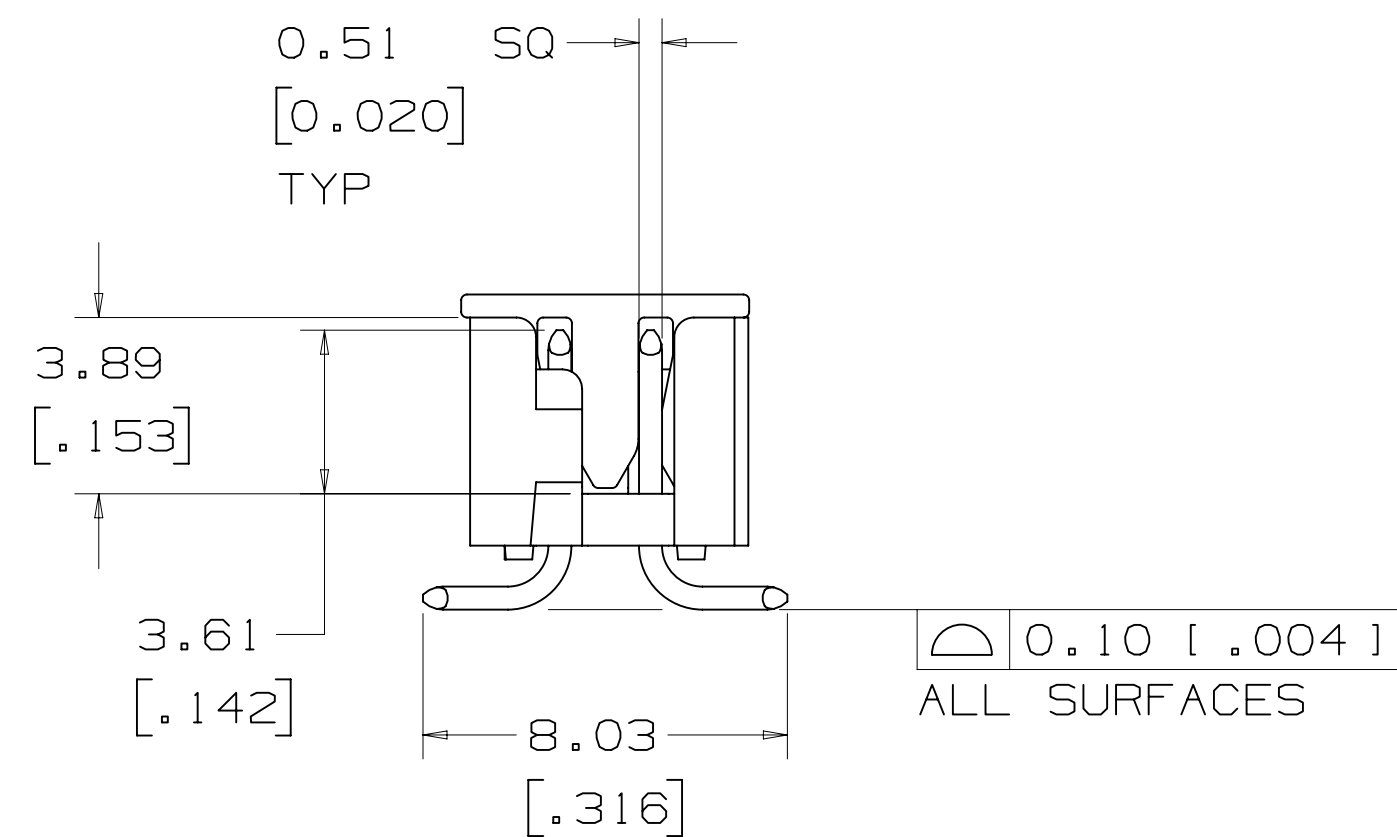
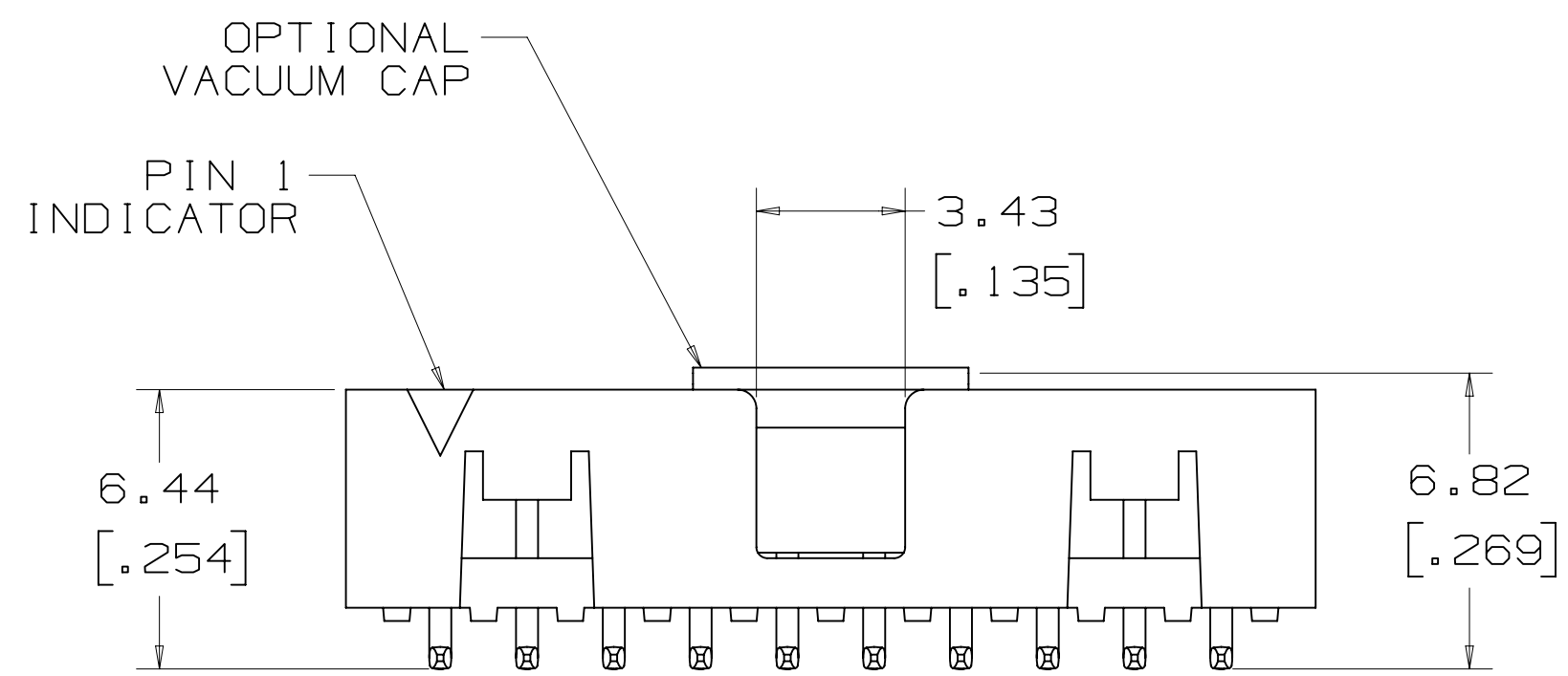
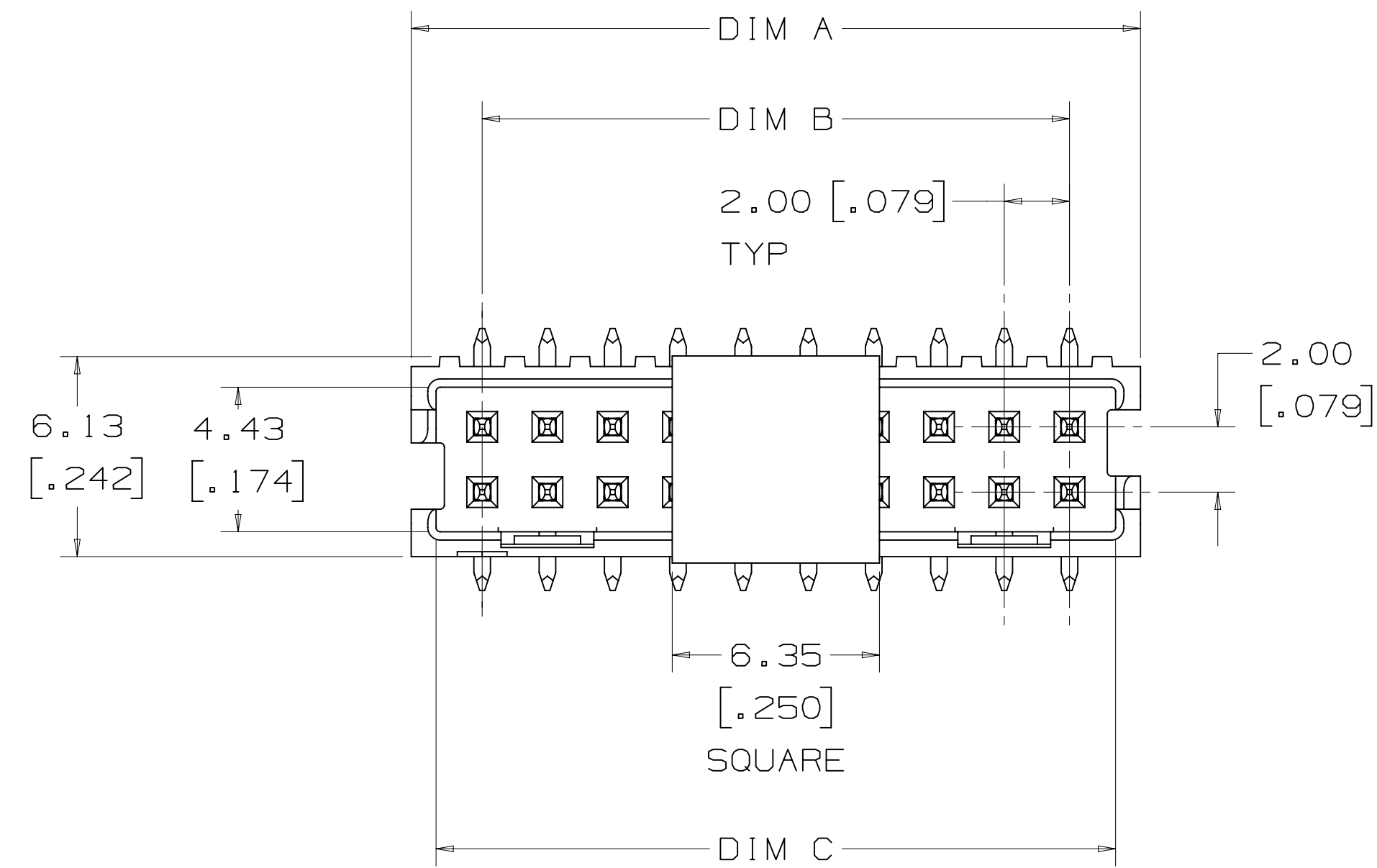
SINGLE FRICTION LATCH
RIGHT ANGLE HEADER
6-12 POSITIONS ONLY

REFERENCE TABLE ON SHEET 4
FOR AVAILABLE POSITIONS AND
SOLDER TAIL LENGTHS

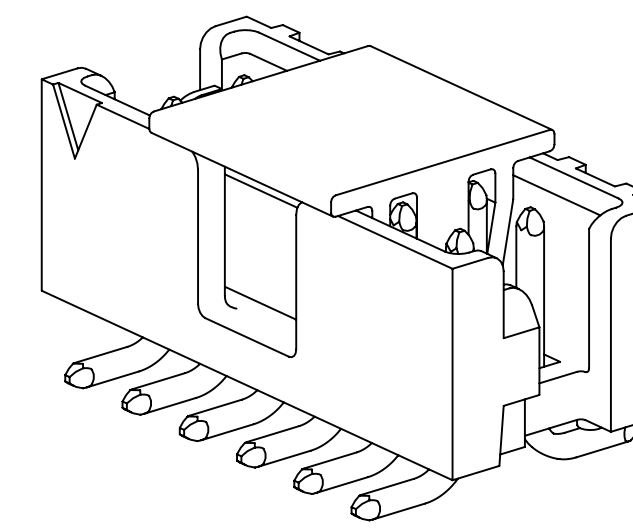
METRIC [ENGLISH]

DESIGN REFERENCE	NEXT ASSEMBLY	REV	ECO	ISSUE DATE AND DESCRIPTION	DRFT	CHKD
				OCT 28, 2010 INITIAL RELEASE	LDS	SF
DATE	DATE	DATE	DATE	DATE	DATE	DATE
				JUL 29, 2010		
DRFT	DATE	APPR	DATE	DATE	DATE	DATE
				AUG 09, 2010		
DIVISION	DIVISION CODE	© 3M COPYRIGHT 2010 This document and the information it contains are 3M property and may not be reproduced or further distributed without 3M permission, or used or disclosed other than for 3M authorized purposes. All rights reserved.				
DO NOT SCALE DRAWING	SCALE 4/1	TOLERANCES EXCEPT AS NOTED INCHES .00 ± .000 ± .0000 ±				
THIRD ANGLE PROJECTION	INTERPRET PER ASME Y14.5 - 1994	MILLIMETERS 0 ± .00 ± .00 ± 0.13 .000 ±				
MAX SURFACE ROUGHNESS 125	ALL SURFACES MARKED ONLY	ANGLES ±1°				
CAGE NUMBER	SIZE	DRAWING NO.	REV.	MODEL		
D78-5100-2359-7	D	78-5100-2359-7	A	SHEET 2 OF 4		

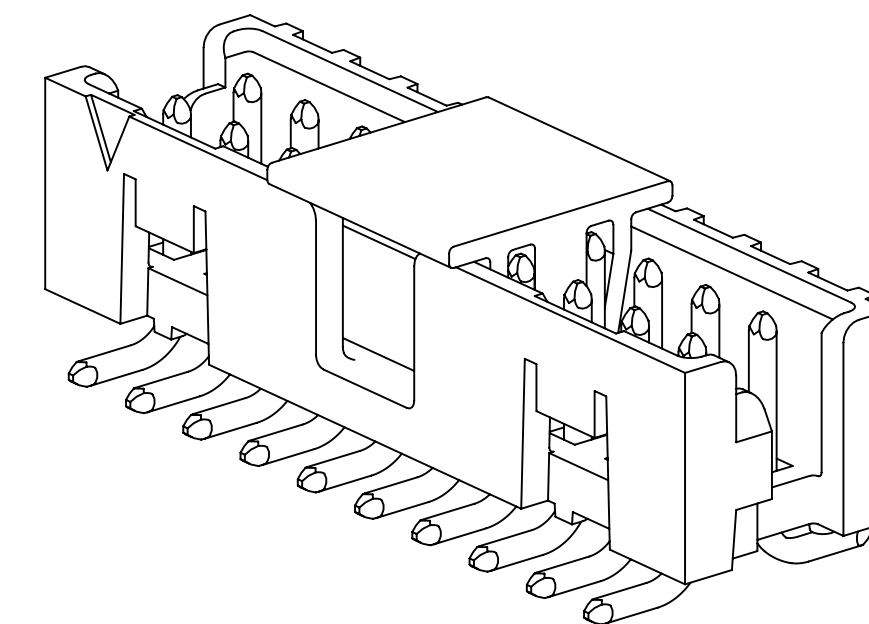
3M™ Shrouded Board Mount Header 2 mm X 2 mm Pitch 159 Series, Standard Length 3 and Extended Length 4



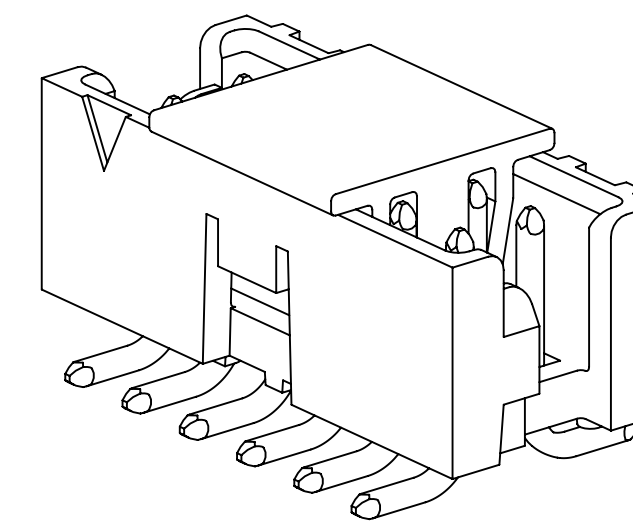
RECOMMENDED PCB PAD PATTERN
TOLERANCE = ±0.08 [.003]



POLARIZATION SLOT
SURFACE MOUNT HEADER
6-12 POSITIONS ONLY



POLARIZATION SLOT AND
DUAL FRICTION LATCHES
SURFACE MOUNT HEADER
14-50 POSITIONS

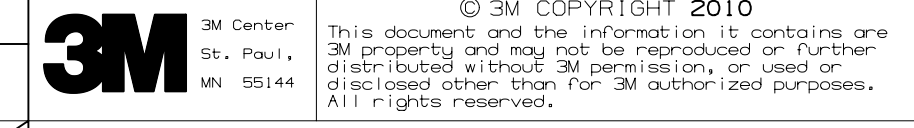


SINGLE FRICTION LATCH
SURFACE MOUNT HEADER
6-12 POSITIONS ONLY

REFERENCE TABLE ON SHEET 4
FOR AVAILABLE POSITIONS

METRIC (ENGLISH)

DESIGN REFERENCE	NEXT ASSEMBLY	REV	ECO	ISSUE DATE AND DESCRIPTION	DRFT	CHKD
DIVISION		DIVISION CODE		DATE		
DO NOT SCALE DRAWING		SCALE 4/1		TOLERANCES EXCEPT AS NOTED		
THIRD ANGLE PROJECTION		MILLIMETERS		INCHES		
INTERPRET PER ASME Y14.5 - 1994		0 ±		.00 ±		
MAX SURFACE ROUGHNESS 125		.00 ± 0.13		.000 ±		
ALL SURFACES MARKED ONLY		ANGLES ±1°		.0000 ±		
CAGE NUMBER		DRAWING NO.		REV.		
D78-5100-2359-7		A		A		
MODEL		SHT 3 OF 4		REV.		
				AUG 09, 2010		



3M SHROUDED BOARD MOUNT HEADER 2 MM X 2 MM PITCH 159 SERIES

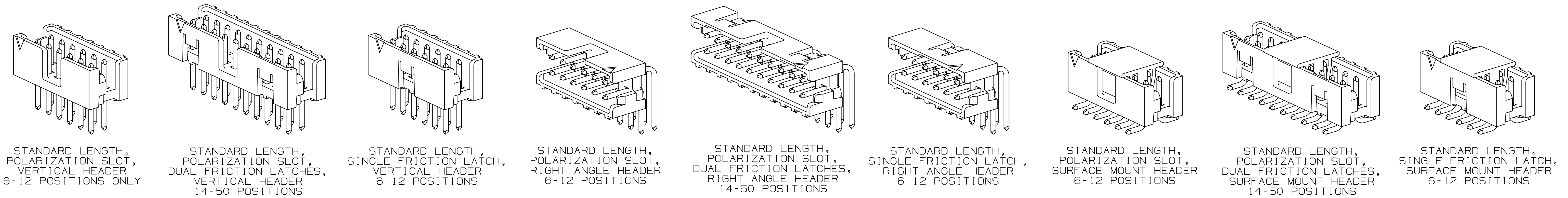
© 3M COPYRIGHT 2010
This document and the information it contains are 3M property and may not be reproduced or further distributed without 3M permission, or used or disclosed other than for 3M authorized purposes. All rights reserved.

78-5100-2359-7
DRAWING NUMBER

A

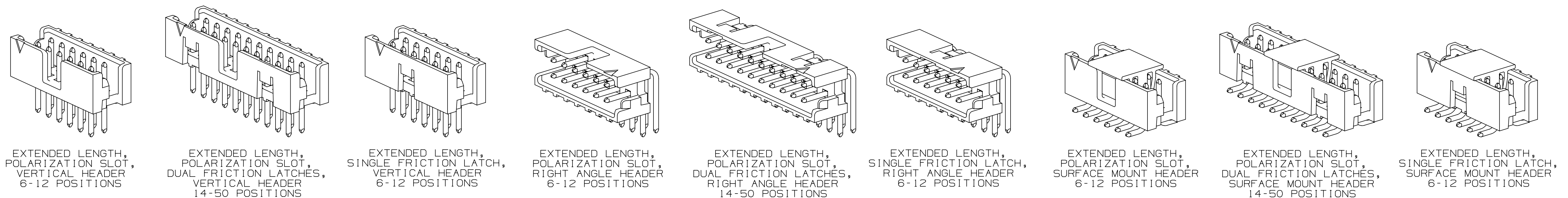
3M™ Shrouded Board Mount Header 2 mm X 2 mm Pitch 159 Series, Standard Length 3

STANDARD LENGTH HEADERS ARE AVAILABLE



3M™ Shrouded Board Mount Header 2 mm X 2 mm Pitch 159 Series, Extended Length 4

CALL 3M INTERCONNECT SOLUTIONS AT 800-225-5373 FOR AVAILABILITY OF EXTENDED LENGTH HEADERS



ORDERING INFORMATION

TIER 1 - BEST
 1591XX-XXXX

TIER 1 = BEST 0.76 μm [30 μin] GOLD

CONTACT TAIL LENGTH
 2 = 2.84 mm [.112]
 3 = 3.94 mm [.155]

POLARIZATION/LATCHING
 0 = POLARIZATION SLOT AND DUAL FRICTION LATCHES (14-50 POSITIONS ONLY)
 1 = POLARIZATION SLOT (6-12 POSITIONS ONLY)
 2 = SINGLE FRICTION LATCH (6-12 POSITIONS ONLY)

POSITION COUNT (SEE TABLE)

PART CONFIGURATION
 2 = VERTICAL SMT
 5 = RIGHT ANGLE THRU HOLE
 6 = VERTICAL THRU HOLE

BODY LENGTH
 0 = STANDARD LENGTH (MATES TO 158 SERIES)
 1 = EXTENDED LENGTH (MATES TO 870 SERIES)

TIER 2 - BETTER
 1592XX-XXXX

TIER 2 = BETTER 0.38 μm [15 μin] GOLD

CONTACT TAIL LENGTH
 2 = 2.84 mm [.112]
 3 = 3.94 mm [.155]

POLARIZATION/LATCHING
 0 = POLARIZATION SLOT AND DUAL FRICTION LATCHES (14-50 POSITIONS ONLY)
 1 = POLARIZATION SLOT (6-12 POSITIONS ONLY)
 2 = SINGLE FRICTION LATCH (6-12 POSITIONS ONLY)

POSITION COUNT (SEE TABLE)

PART CONFIGURATION
 2 = VERTICAL SMT
 5 = RIGHT ANGLE THRU HOLE
 6 = VERTICAL THRU HOLE

BODY LENGTH
 0 = STANDARD LENGTH (MATES TO 158 SERIES)
 1 = EXTENDED LENGTH (MATES TO 870 SERIES)

NUMBER OF POSITIONS	SHROUDED BOX HEADER						DIM D	
	DIM A		DIM B	DIM C				
	STANDARD	EXTENDED		STANDARD	EXTENDED			
6	8.35 [.329]	9.52 [.375]	4.00 [.157]	6.83 [.269]	7.99 [.315]	2.84 [.112]	3.94 [.155]	
8	10.35 [.407]	11.52 [.453]	6.00 [.236]	8.83 [.347]	9.99 [.393]	2.84 [.112]	3.94 [.155]	
10	12.35 [.486]	13.52 [.532]	8.00 [.315]	10.83 [.426]	11.99 [.472]	2.84 [.112]	3.94 [.155]	
12	14.35 [.565]	15.52 [.611]	10.00 [.394]	12.83 [.505]	13.99 [.551]	2.84 [.112]	3.94 [.155]	
14	16.35 [.644]	17.52 [.690]	12.00 [.472]	14.83 [.584]	15.99 [.630]	2.84 [.112]	3.94 [.155]	
16	18.35 [.722]	19.52 [.768]	14.00 [.551]	16.83 [.662]	17.99 [.708]	2.84 [.112]	3.94 [.155]	
20	22.35 [.880]	23.52 [.926]	18.00 [.709]	20.83 [.820]	21.99 [.866]	2.84 [.112]	3.94 [.155]	
22	24.35 [.959]	25.52 [1.005]	20.00 [.787]	22.83 [.899]	23.99 [.945]	2.84 [.112]	3.94 [.155]	
24	26.35 [1.037]	27.52 [1.083]	22.00 [.866]	24.83 [.977]	25.99 [1.023]	2.84 [.112]	3.94 [.155]	
26	28.35 [1.116]	29.52 [1.162]	24.00 [.945]	26.83 [1.056]	27.99 [1.102]	2.84 [.112]	3.94 [.155]	
30	32.35 [1.274]	33.52 [1.320]	28.00 [1.102]	30.83 [1.214]	31.99 [1.260]	2.84 [.112]	3.94 [.155]	
34	36.35 [1.431]	37.52 [1.477]	32.00 [1.260]	34.83 [1.371]	35.99 [1.417]	2.84 [.112]	3.94 [.155]	
40	42.35 [1.667]	43.52 [1.713]	38.00 [1.496]	40.83 [1.607]	41.99 [1.653]	2.84 [.112]	3.94 [.155]	
44	46.35 [1.825]	47.52 [1.871]	42.00 [1.654]	44.83 [1.765]	45.99 [1.811]	2.84 [.112]	3.94 [.155]	
50	52.35 [2.061]	53.52 [2.107]	48.00 [1.890]	50.83 [2.001]	51.99 [2.047]	2.84 [.112]	3.94 [.155]	

METRIC (ENGLISH)

DESIGN REFERENCE	NEXT ASSEMBLY	REV	ECO	ISSUE DATE AND DESCRIPTION	DRFT	CHKD
				INITIAL RELEASE	LDS	SF
DISTRICT CODES		DRP		DATE		
		L. SCHMIDT		JUL 29, 2010		
DIVISION	DIVISION CODE	CHKD		DATE		
		S FELDMAN		AUG 09, 2010		
DO NOT SCALE DRAWING	SCALE 4/1	TOLERANCES EXCEPT AS NOTED				
		INCHES				
		MILLIMETERS				
		.00 ±				
		.000 ±				
		.0000 ±				
THIRD ANGLE PROJECTION		INTERPRET PER ASME Y14.5 - 1994				
		MAX SURFACE ROUGHNESS				
125		.00 ± 0.13				
		ALL SURFACES				
		MARKED ONLY				
		ANGLES ±1°				
CAGE NUMBER		DRAWING NO.		REV.		
D 78-5100-2359-7		A		A		
MODEL		SHT		4 OF 4		
		YES		NO		

78-5100-2359-7 DRAWING NUMBER

A



Компания «ЭлектроПласт» предлагает заключение долгосрочных отношений при поставках импортных электронных компонентов на взаимовыгодных условиях!

Наши преимущества:

- Оперативные поставки широкого спектра электронных компонентов отечественного и импортного производства напрямую от производителей и с крупнейших мировых складов;
- Поставка более 17-ти миллионов наименований электронных компонентов;
- Поставка сложных, дефицитных, либо снятых с производства позиций;
- Оперативные сроки поставки под заказ (от 5 рабочих дней);
- Экспресс доставка в любую точку России;
- Техническая поддержка проекта, помощь в подборе аналогов, поставка прототипов;
- Система менеджмента качества сертифицирована по Международному стандарту ISO 9001;
- Лицензия ФСБ на осуществление работ с использованием сведений, составляющих государственную тайну;
- Поставка специализированных компонентов (Xilinx, Altera, Analog Devices, Intersil, Interpoint, Microsemi, Aeroflex, Peregrine, Syfer, Eurofarad, Texas Instrument, Miteq, Cobham, E2V, MA-COM, Hittite, Mini-Circuits, General Dynamics и др.);

Помимо этого, одним из направлений компании «ЭлектроПласт» является направление «Источники питания». Мы предлагаем Вам помощь Конструкторского отдела:

- Подбор оптимального решения, техническое обоснование при выборе компонента;
- Подбор аналогов;
- Консультации по применению компонента;
- Поставка образцов и прототипов;
- Техническая поддержка проекта;
- Защита от снятия компонента с производства.



Как с нами связаться

Телефон: 8 (812) 309 58 32 (многоканальный)

Факс: 8 (812) 320-02-42

Электронная почта: org@eplast1.ru

Адрес: 198099, г. Санкт-Петербург, ул. Калинина, дом 2, корпус 4, литера А.