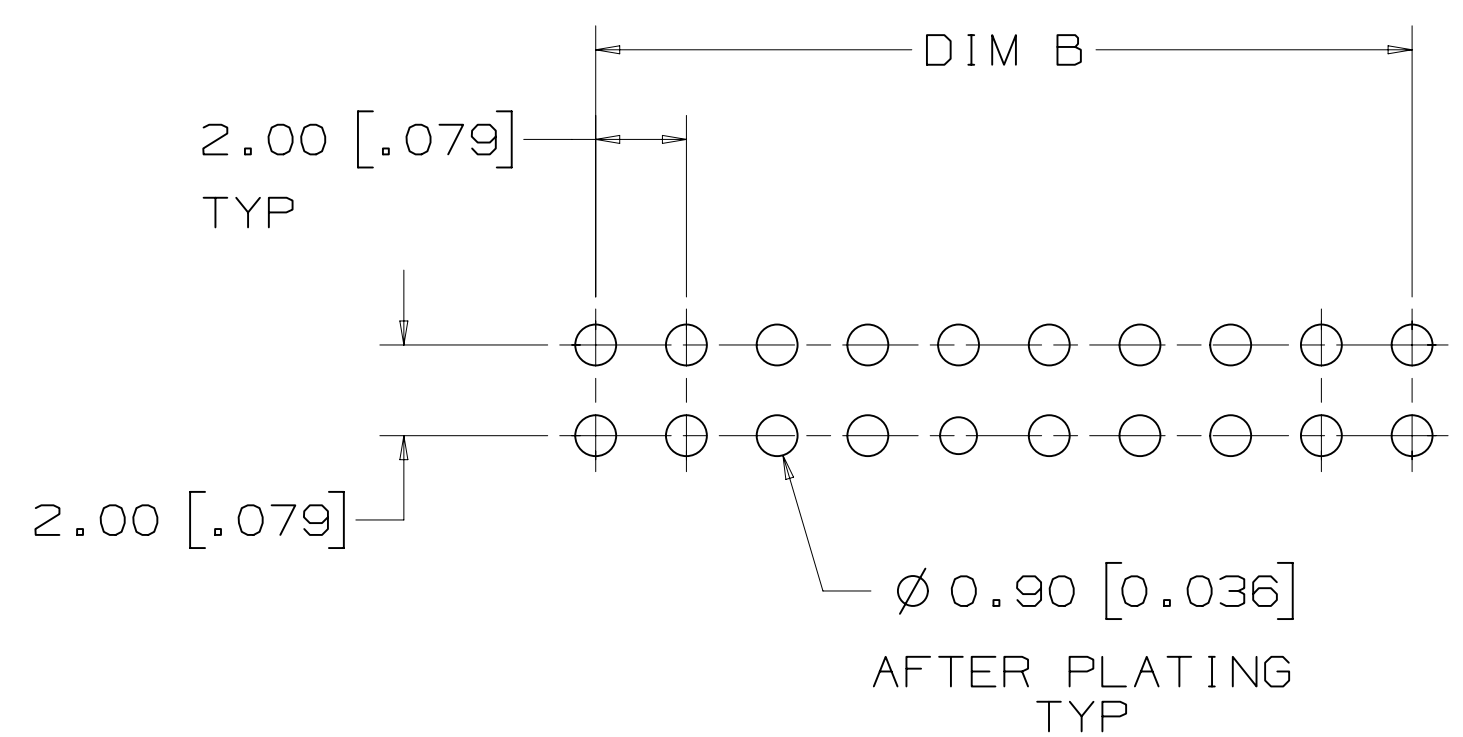
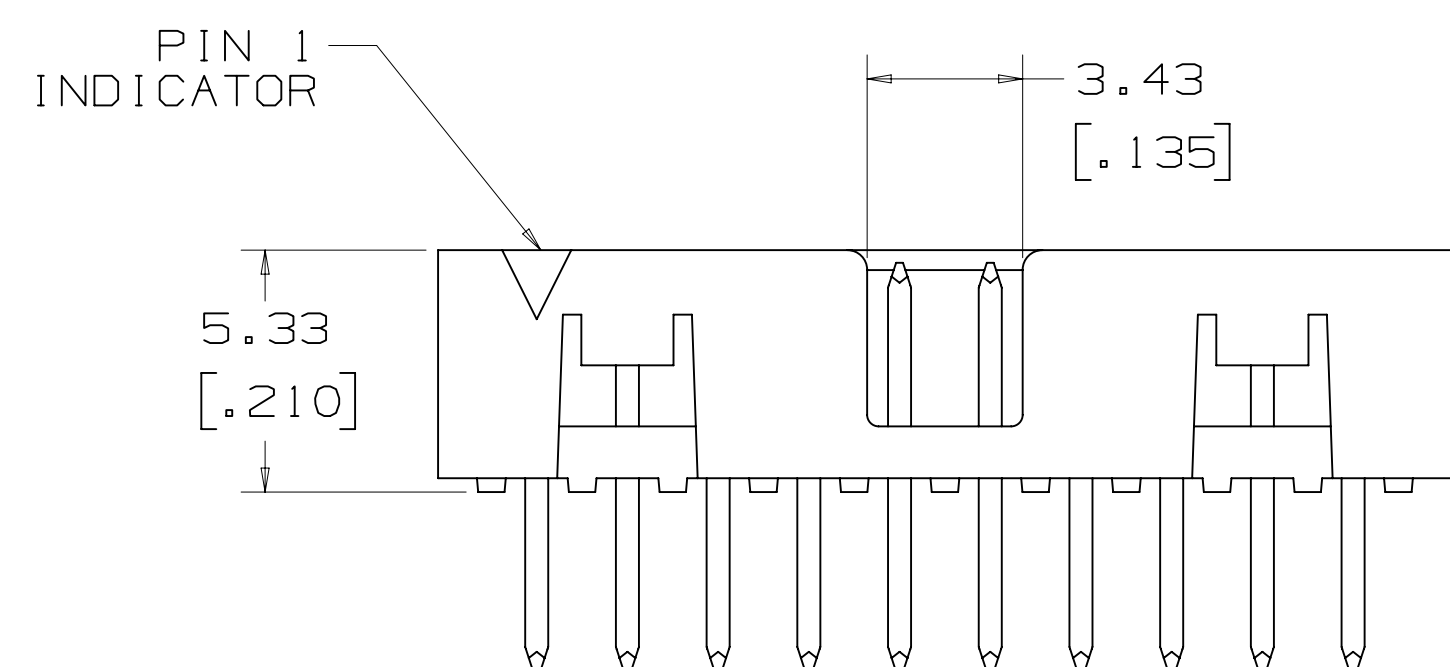
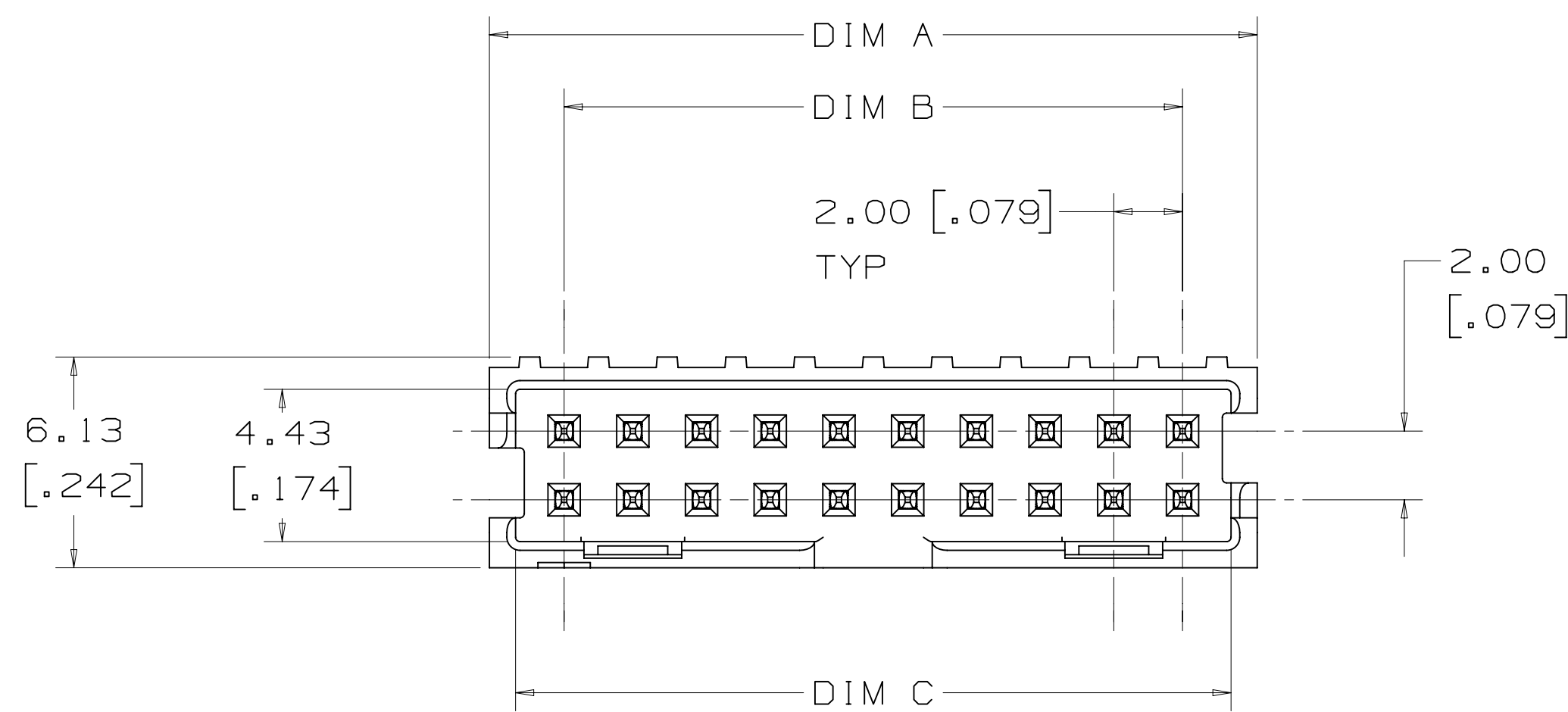
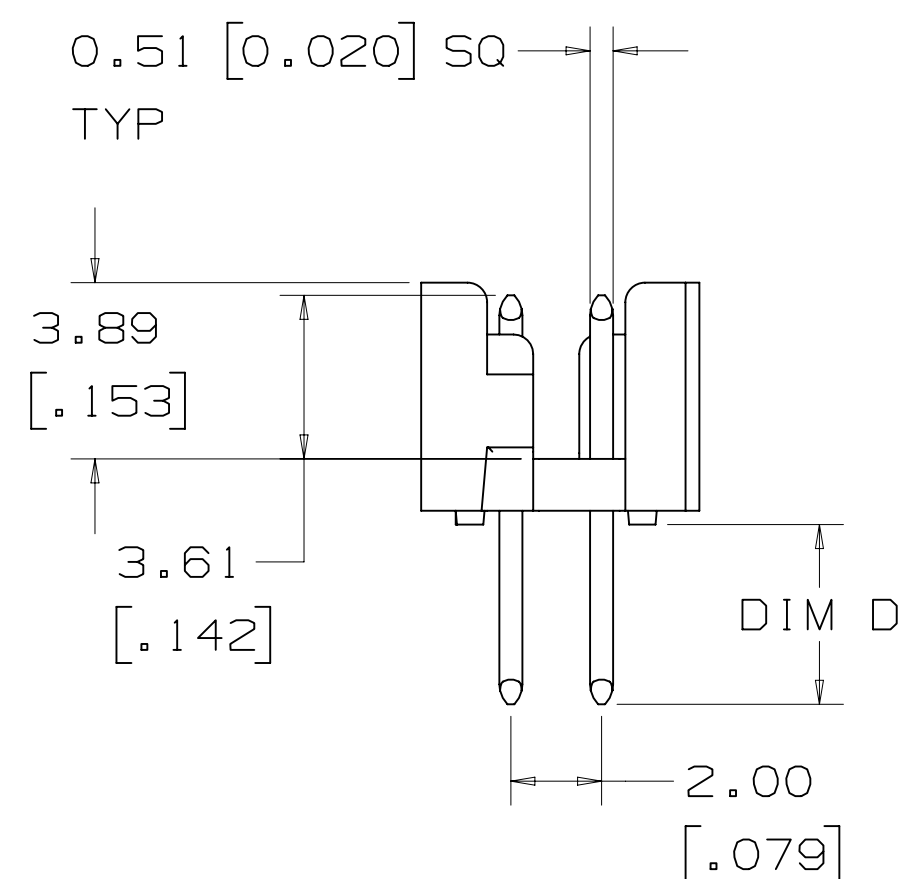
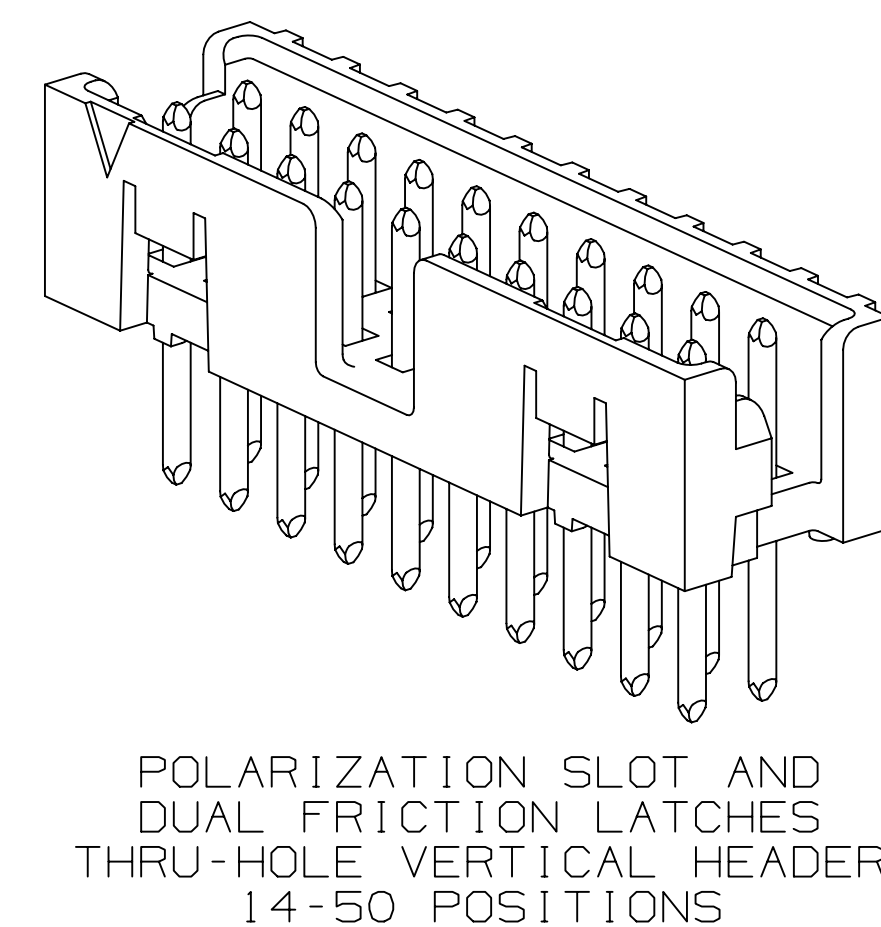
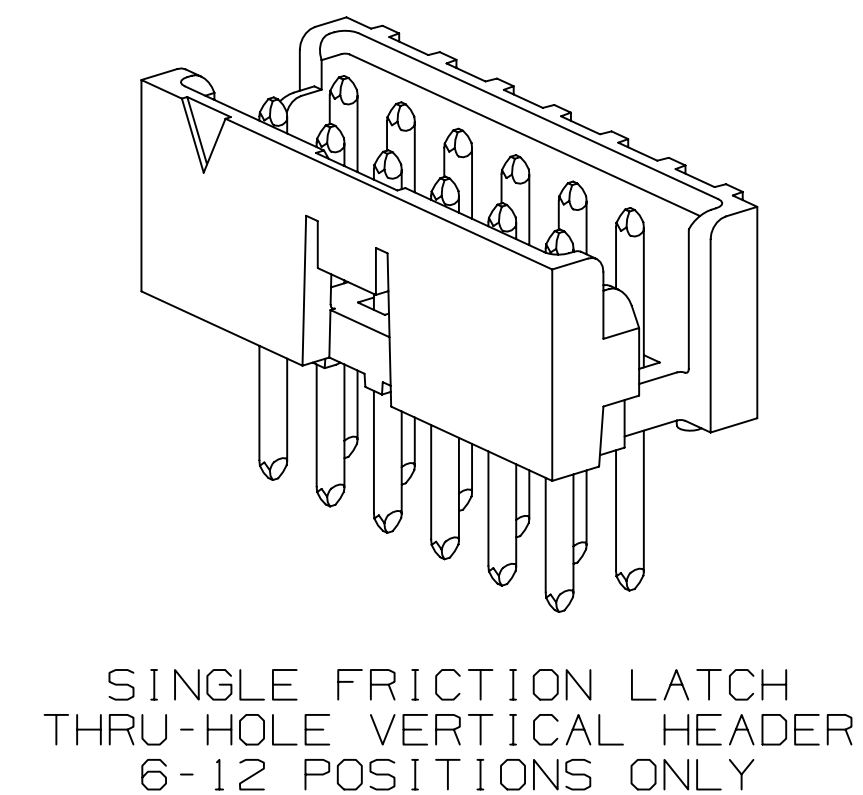
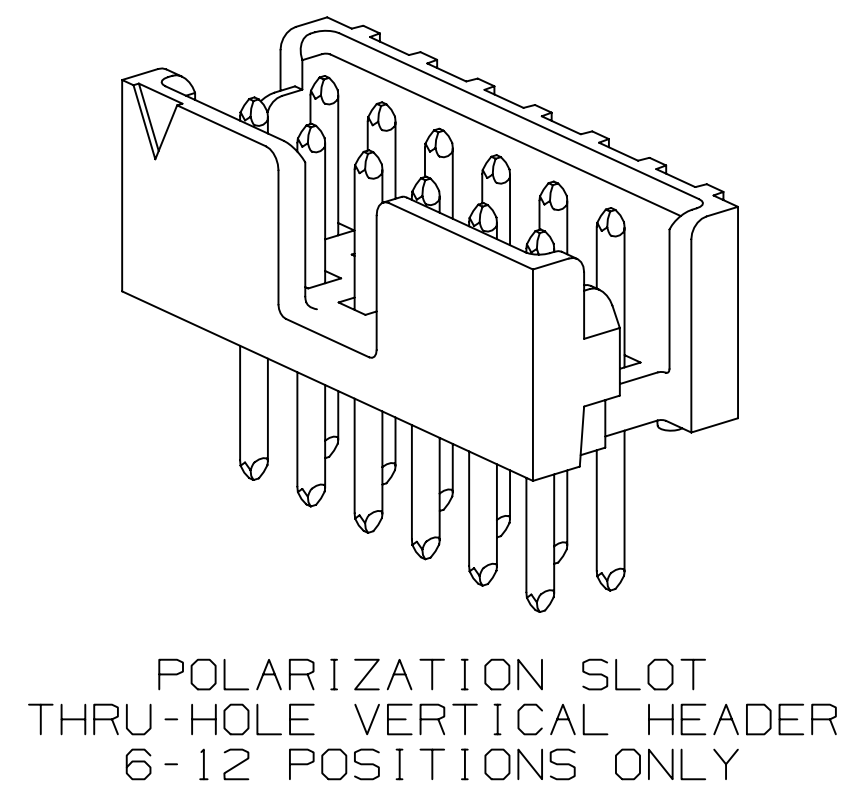


3M™ Shrouded Board Mount Header 2 mm X 2 mm Pitch 159 Series, Standard Length [3] and Extended Length [4]



RECOMMENDED PCB HOLE PATTERN  
TOLERANCE = 0.05 [ .002 ]



PERFORMANCE [5] [7]	
CURRENT:	1A, 6 LINES ENERGIZED
INSULATION RESISTANCE:	>1 X 10 <sup>9</sup> OHMS AT 500 VDC
WITHSTANDING VOLTAGE:	500 VACrms AT SEA LEVEL
TEMPERATURE RATING:	-55° C TO +105° C
SOLDER PROCESS TEMPERATURE:	260° C MAX PER IPC/JEDEC J-STD-020D

REFERENCE TABLE ON SHEET 4  
FOR AVAILABLE TAIL POSITIONS AND  
SOLDER TAIL LENGTHS

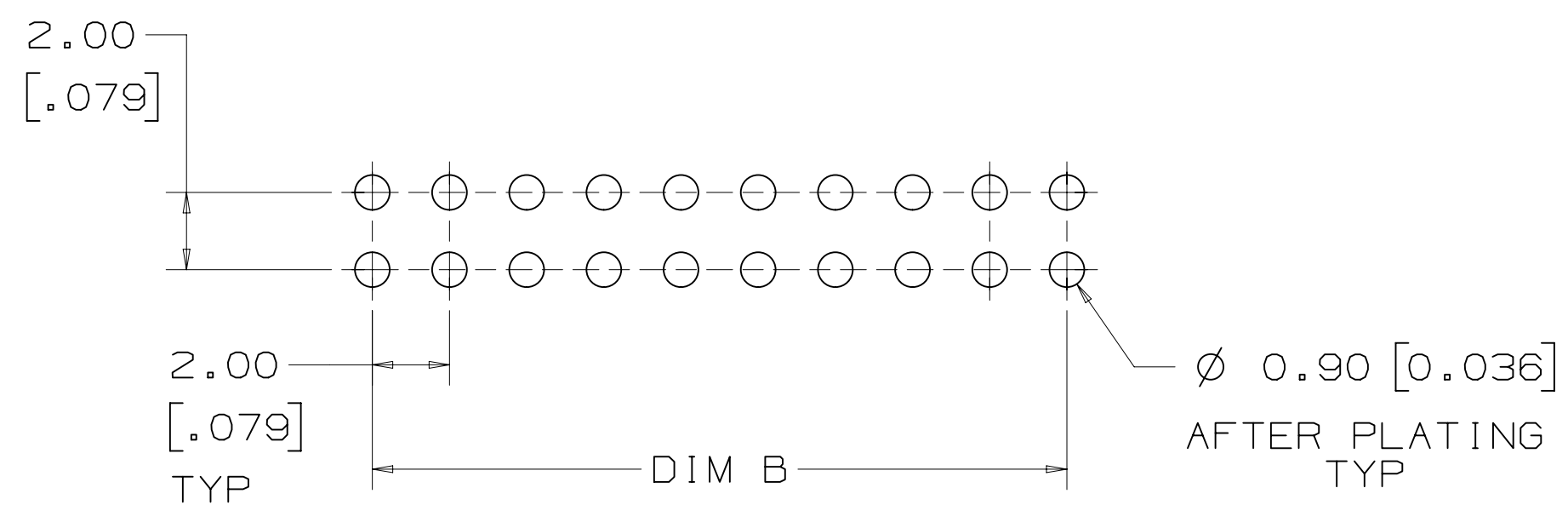
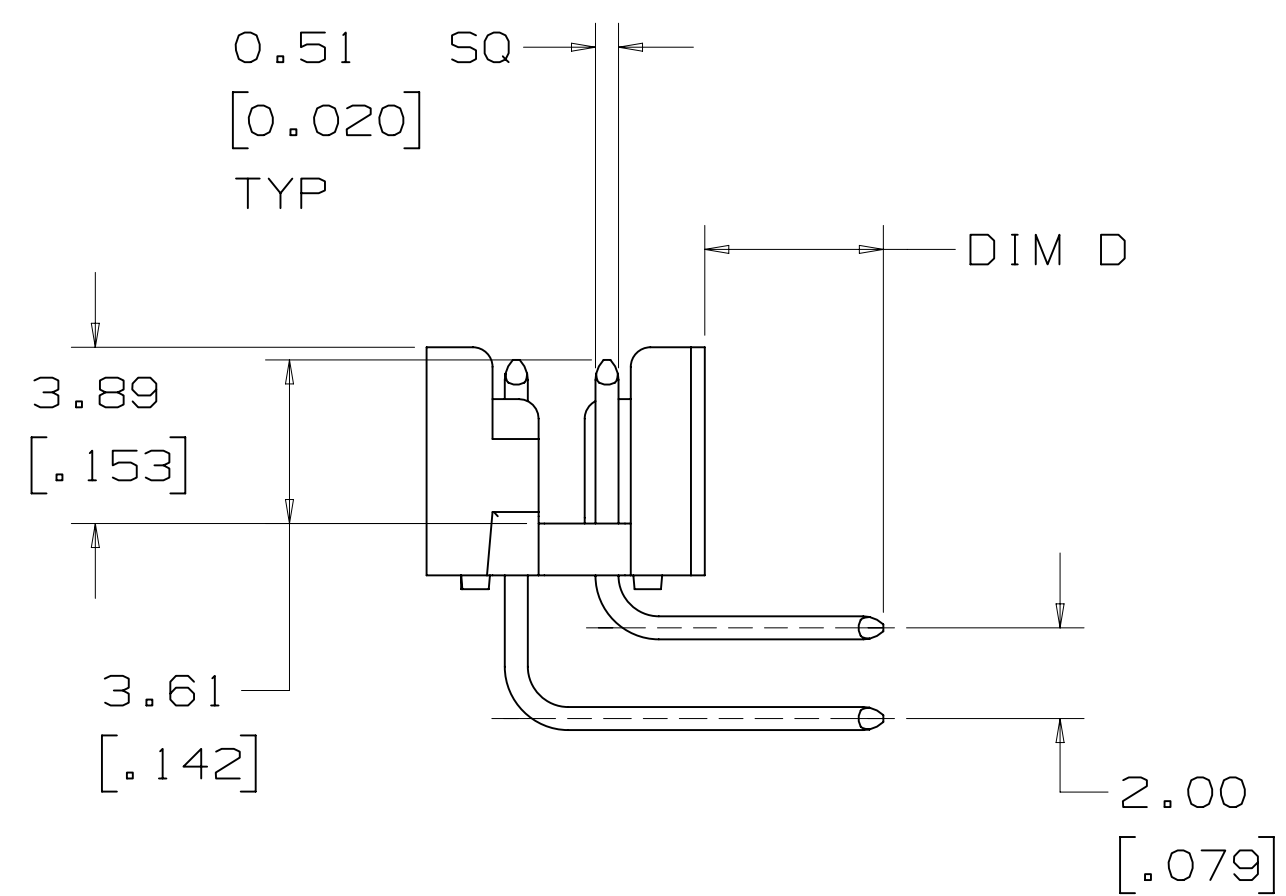
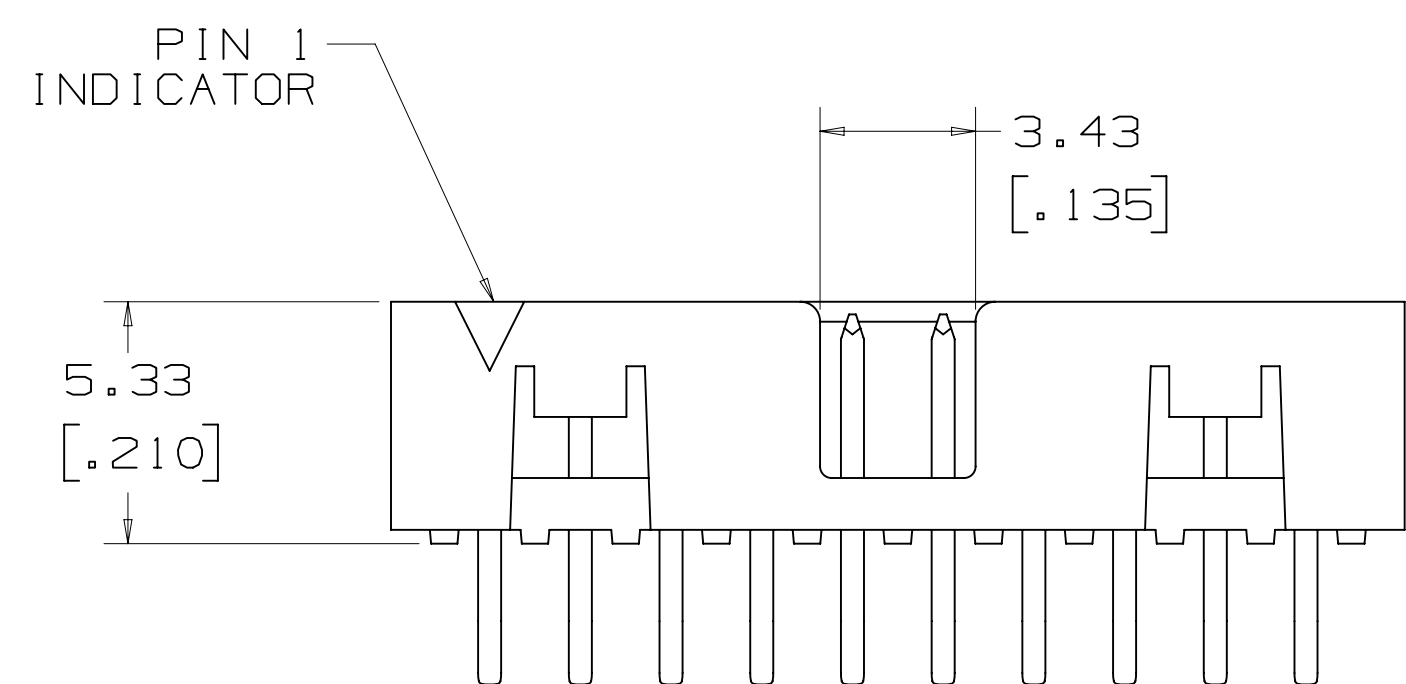
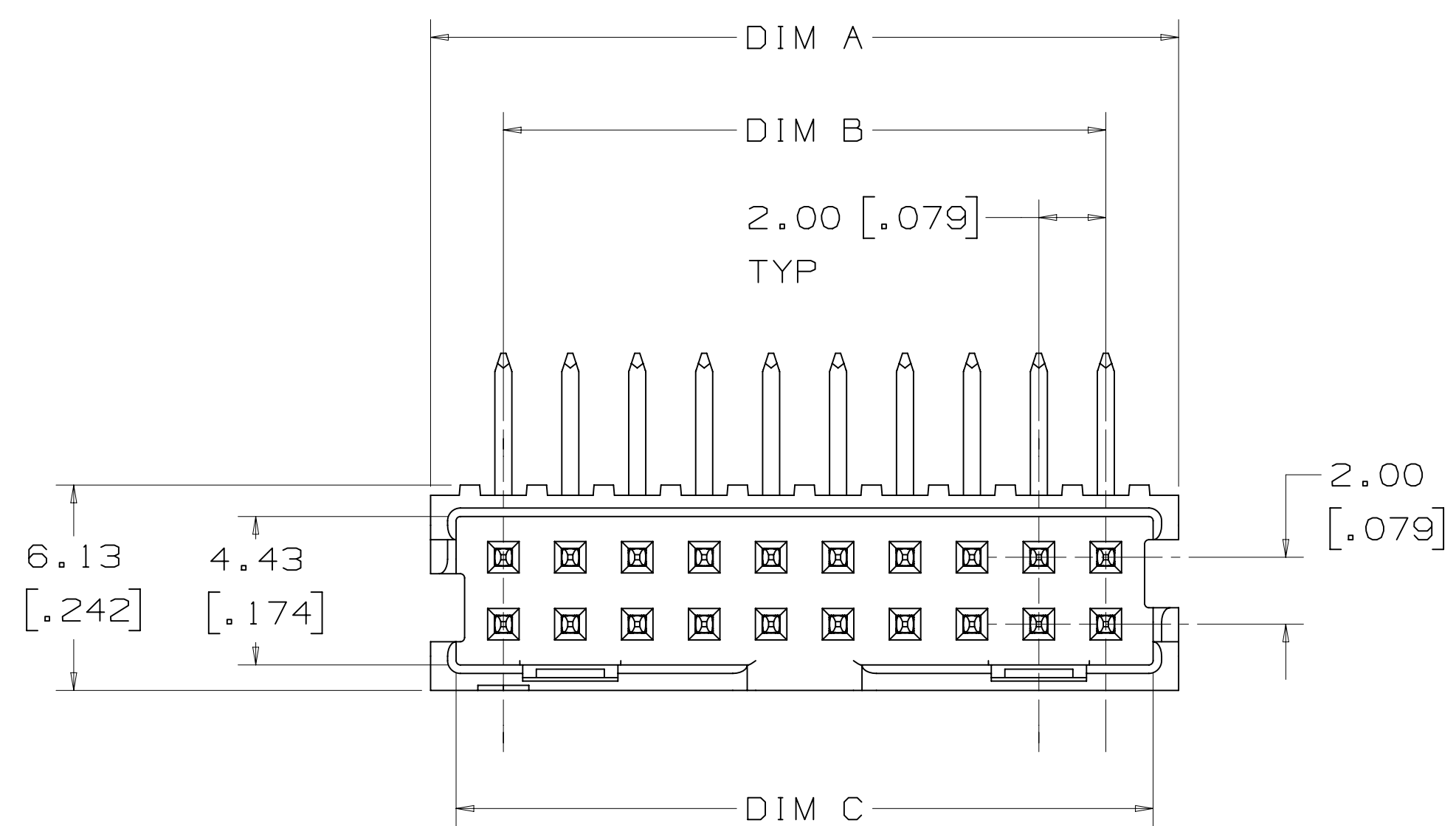
METRIC [ ENGLISH ]

NOTES

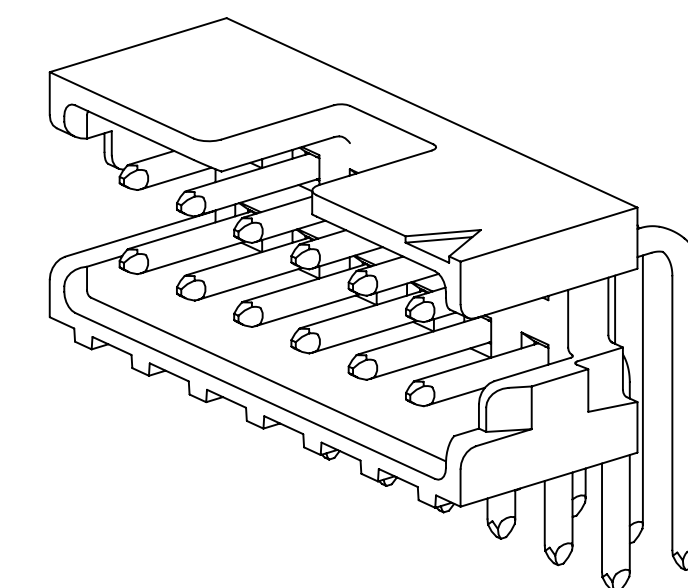
- MATERIAL:  
BODY: HIGH TEMPERATURE  
GLASS FILLED LCP, BLACK  
UL94V-0  
CONTACTS: COPPER ALLOY
- PLATING:  
2.03-3.81  $\mu\text{m}$  [80-150  $\mu\text{in}$ ]  
NICKEL UNDERPLATE.  
0.38  $\mu\text{m}$  [15  $\mu\text{in}$ ] OR  
0.76  $\mu\text{m}$  [30  $\mu\text{in}$ ] AVG GOLD  
ON WIPING AREA.  
5.08  $\mu\text{m}$  [200  $\mu\text{in}$ ] MIN  
MATTE TIN ON SOLDER TAILS.
- STANDARD LENGTH HEADERS  
MATE WITH 3M™ SOCKETS,  
158 SERIES (REFERENCE 3M  
DRAWING 78-5100-2358-9).
- EXTENDED LENGTH HEADERS  
MATE WITH 3M™ SOCKETS,  
870 SERIES.
- FOR PRODUCT  
SPECIFICATIONS AND  
WARRANTY INFORMATION SEE  
3M 78-5102-0078-1.
- SEE THE REGULATORY  
INFORMATION APPENDIX (RIA)  
IN THE "ROHS COMPLIANCE"  
SECTION OF  
WWW.3MCONNECTOR.COM FOR  
COMPLIANCE INFORMATION  
(RIA E1 & C1 APPLY).
- IN THE EVENT OF CONFLICT  
BETWEEN THIS DATA AND  
THAT CONTAINED IN THE  
PRODUCT SPECIFICATION,  
THE PRODUCT SPECIFICATION  
TAKES PRECEDENT.

DESIGN REFERENCE	NEXT ASSEMBLY	REV	ECO	ISSUE DATE AND DESCRIPTION	DRFT	CHKD														
DIVISION	DIVISION CODE	DATE	DATE	DATE	DATE	DATE														
		JUL 29, 2010																		
DO NOT SCALE DRAWING	SCALE 6/1	TOLERANCES EXCEPT AS NOTED																		
THIRD ANGLE PROJECTION	INTERPRET PER ASME Y14.5 - 1994	<table border="1"> <tr> <th>TOLERANCES</th> <th>INCHES</th> <th>MILLIMETERS</th> </tr> <tr> <td>0</td> <td>0</td> <td>0</td> </tr> <tr> <td>.00</td> <td>.00</td> <td>.00</td> </tr> <tr> <td>.000</td> <td>.000</td> <td>.000</td> </tr> <tr> <td>.0000</td> <td>.0000</td> <td>.0000</td> </tr> </table>	TOLERANCES	INCHES	MILLIMETERS	0	0	0	.00	.00	.00	.000	.000	.000	.0000	.0000	.0000	TITLE <b>3M SHROUDED BOARD MOUNT HEADER 2 MM X 2 MM PITCH 159 SERIES</b>		
TOLERANCES	INCHES	MILLIMETERS																		
0	0	0																		
.00	.00	.00																		
.000	.000	.000																		
.0000	.0000	.0000																		
MAX SURFACE ROUGHNESS 125	<input type="checkbox"/> ALL SURFACES <input checked="" type="checkbox"/> MARKED ONLY	CAGE NUMBER <b>D 78-5100-2359-7</b>	DRAWING NO. <b>78-5100-2359-7</b>	REV. <b>A</b>	MODEL SHT 1 OF 4															

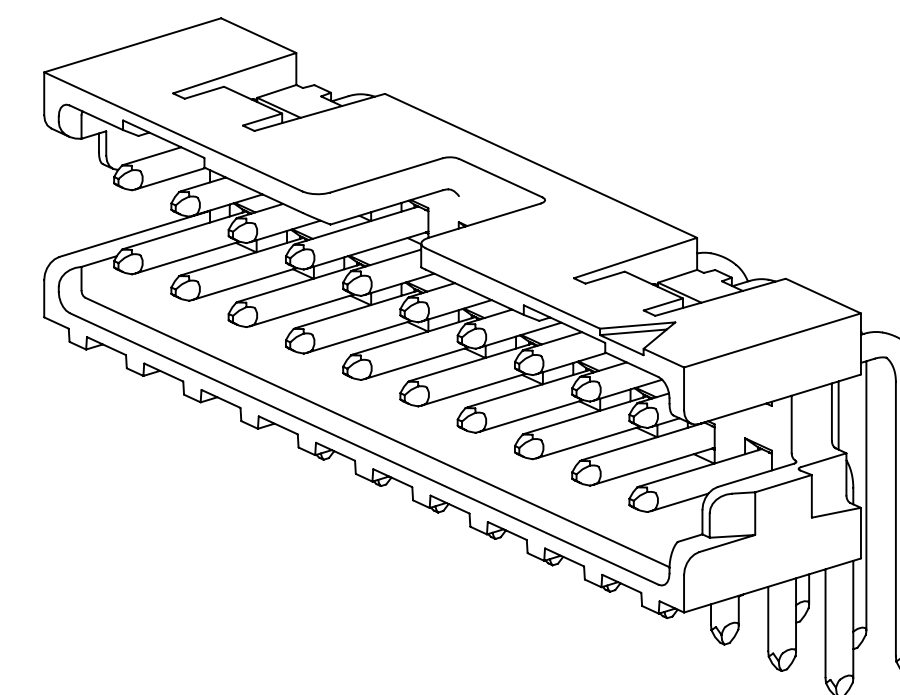
3M™ Shrouded Board Mount Header 2 mm X 2 mm Pitch 159 Series, Standard Length 3 and Extended Length 4



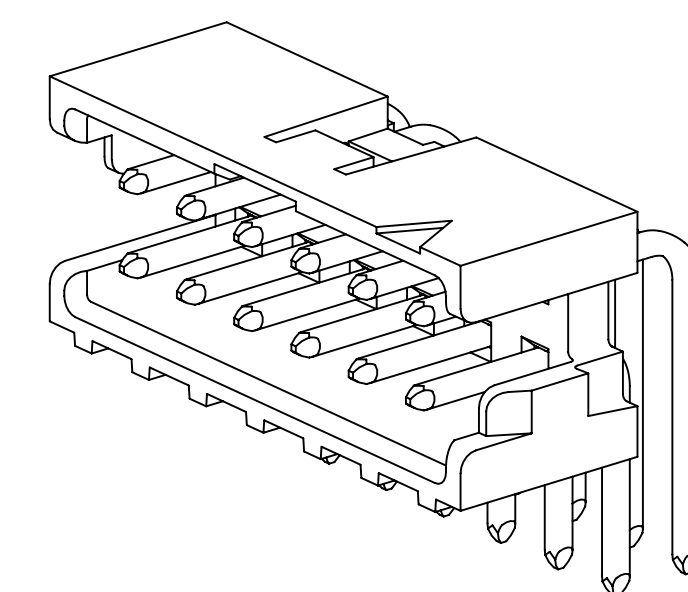
RECOMMENDED PCB HOLE PATTERN  
TOLERANCE = ±0.05 [ .002 ]



POLARIZATION SLOT  
RIGHT ANGLE HEADER  
6-12 POSITIONS ONLY



POLARIZATION SLOT AND  
DUAL FRICTION LATCHES  
RIGHT ANGLE HEADER  
14-50 POSITIONS



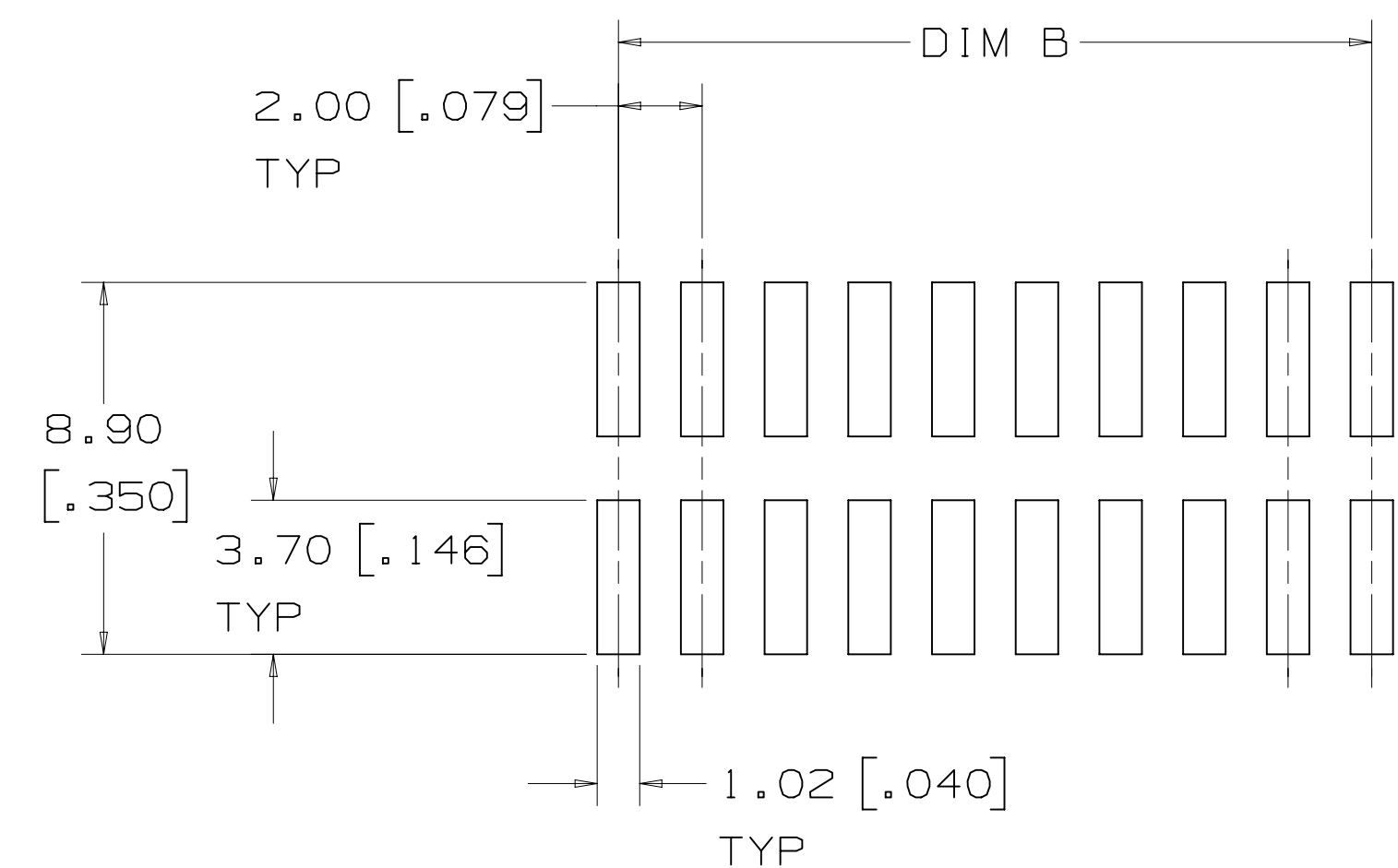
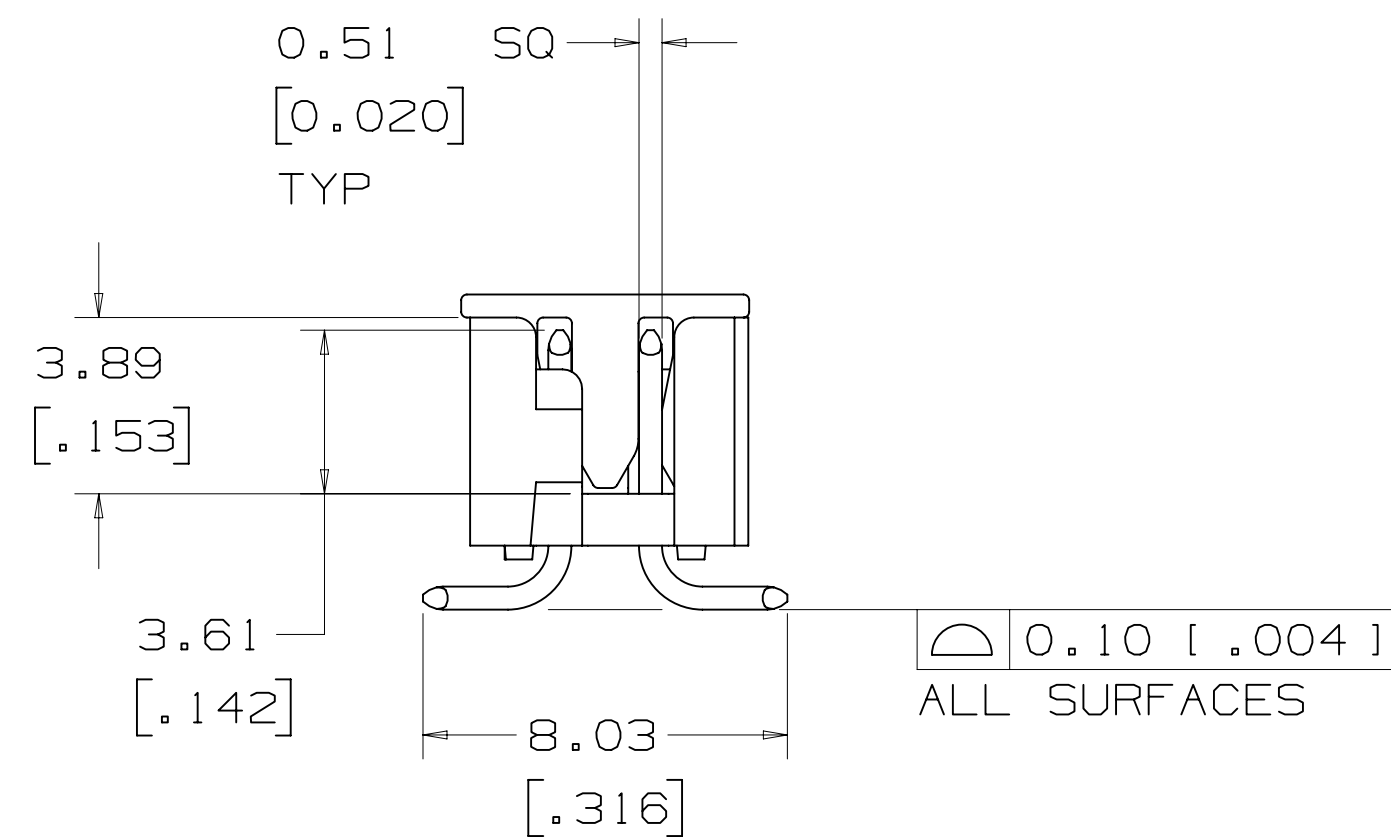
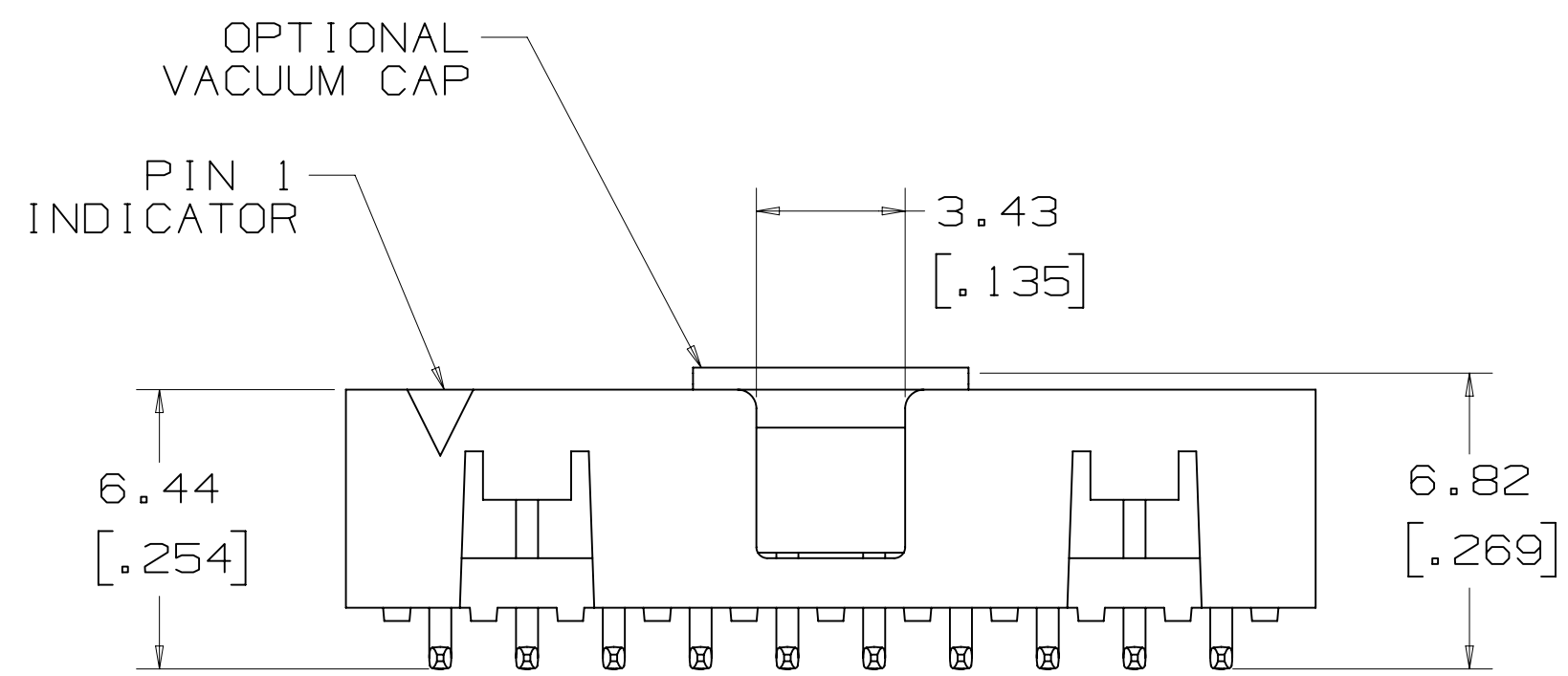
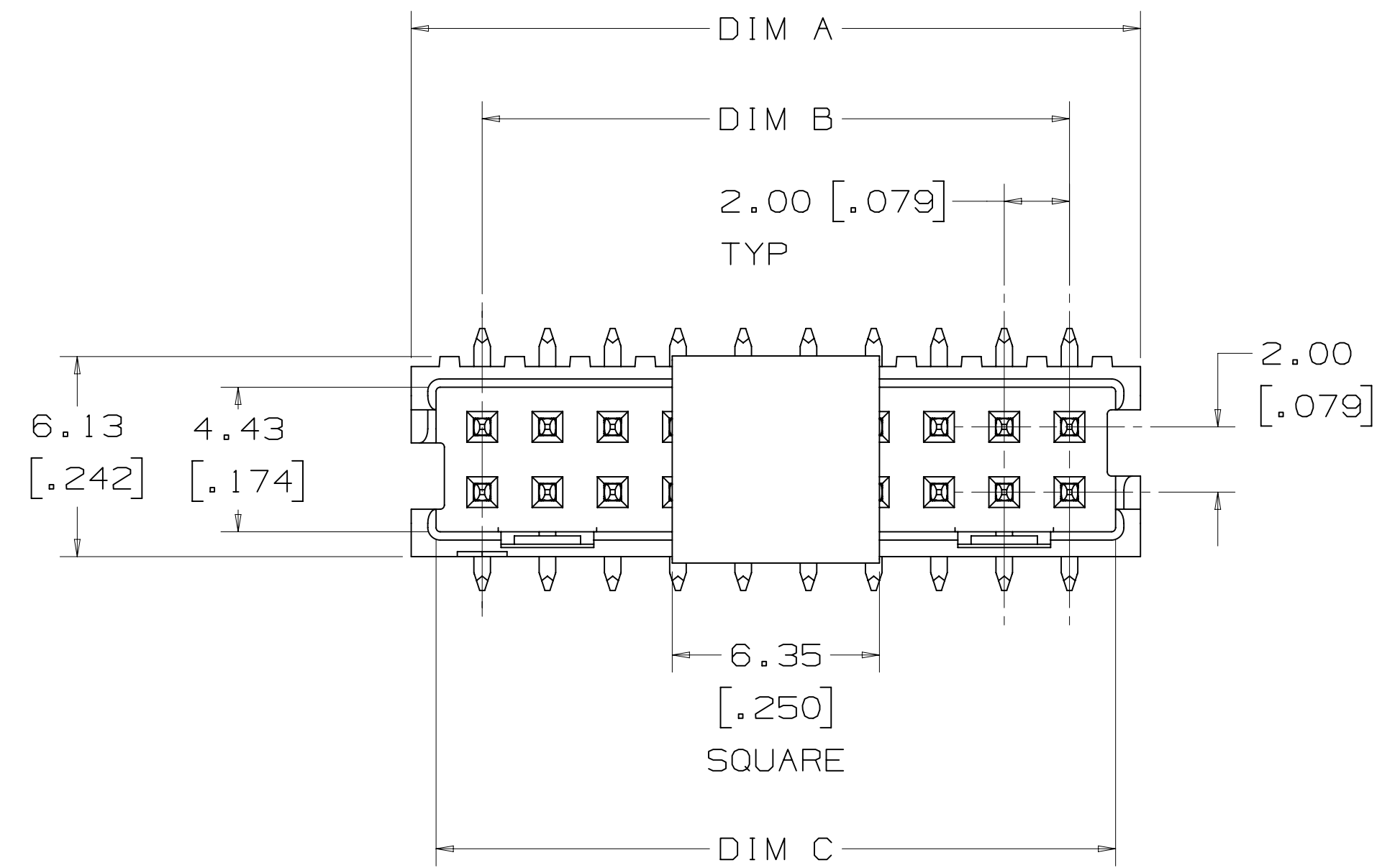
SINGLE FRICTION LATCH  
RIGHT ANGLE HEADER  
6-12 POSITIONS ONLY

REFERENCE TABLE ON SHEET 4  
FOR AVAILABLE POSITIONS AND  
SOLDER TAIL LENGTHS

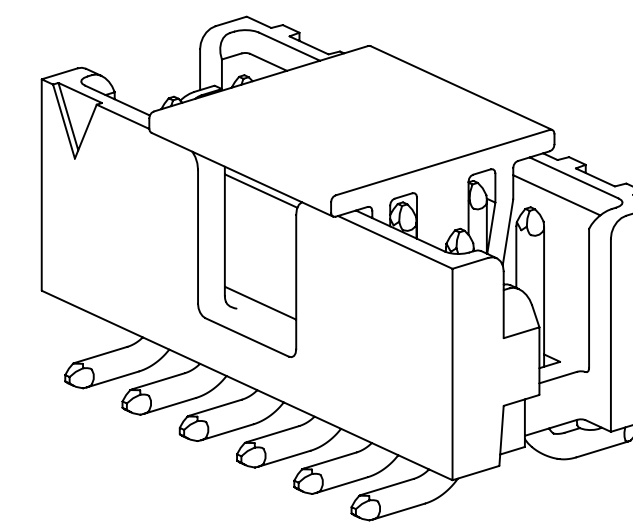
METRIC [ ENGLISH ]

DESIGN REFERENCE	NEXT ASSEMBLY	REV	ECO	ISSUE DATE AND DESCRIPTION	DRFT	CHKD
DIVISION		DIVISION CODE		DATE		
DO NOT SCALE DRAWING		SCALE 4/1		TOLERANCES EXCEPT AS NOTED		
THIRD ANGLE PROJECTION		INCHES		MILLIMETERS		
INTERPRET PER ASME Y14.5 - 1994		0 ±		.00 ±		
MAX SURFACE ROUGHNESS		.00 ± 0.13		.000 ±		
125 ALL SURFACES		.000 ±		ANGLES ±1°		
MARKED ONLY						
A 30741		OCT 28, 2010		LDS		SF
L. SCHMIDT		JUL 29, 2010		DATE		DATE
S FELDMAN		AUG 09, 2010		DATE		DATE
3M Center St. Paul, MN 55144		© 3M COPYRIGHT 2010		This document and the information it contains are 3M property and may not be reproduced or further distributed without 3M permission, or used or disclosed other than for 3M authorized purposes. All rights reserved.		
TITLE		3M SHROUDED BOARD MOUNT HEADER 2 MM X 2 MM PITCH 159 SERIES				
CAGE NUMBER	SIZE	DRAWING NO.	REV.			
D		78-5100-2359-7	A			
MODEL	DEF		YES		NO	
SHT 2 OF 4						

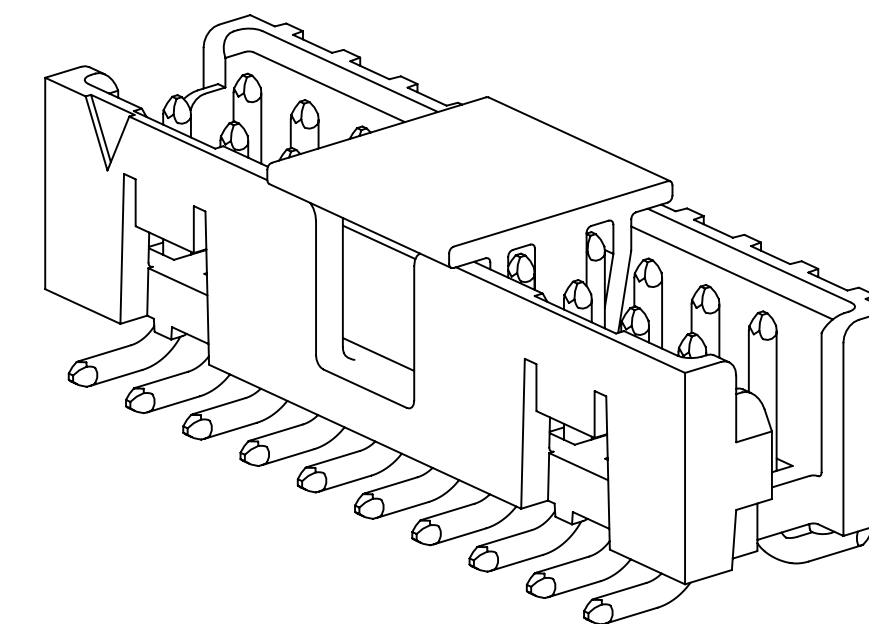
3M™ Shrouded Board Mount Header 2 mm X 2 mm Pitch 159 Series, Standard Length 3 and Extended Length 4



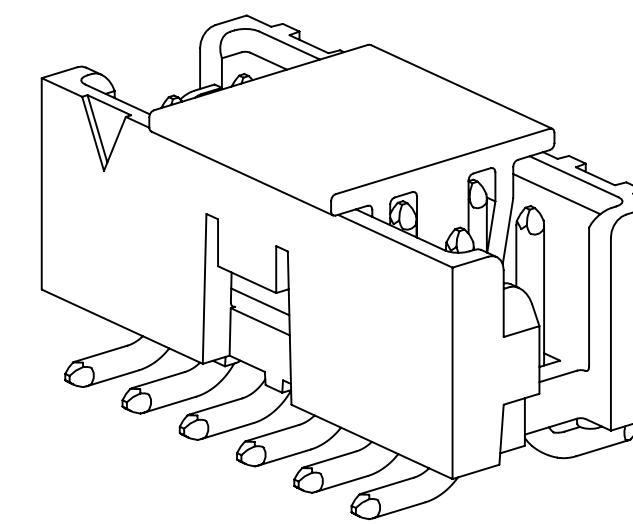
RECOMMENDED PCB PAD PATTERN  
TOLERANCE = ±0.08 [0.003]



POLARIZATION SLOT  
SURFACE MOUNT HEADER  
6-12 POSITIONS ONLY



POLARIZATION SLOT AND  
DUAL FRICTION LATCHES  
SURFACE MOUNT HEADER  
14-50 POSITIONS



SINGLE FRICTION LATCH  
SURFACE MOUNT HEADER  
6-12 POSITIONS ONLY

REFERENCE TABLE ON SHEET 4  
FOR AVAILABLE POSITIONS

METRIC ( ENGLISH )

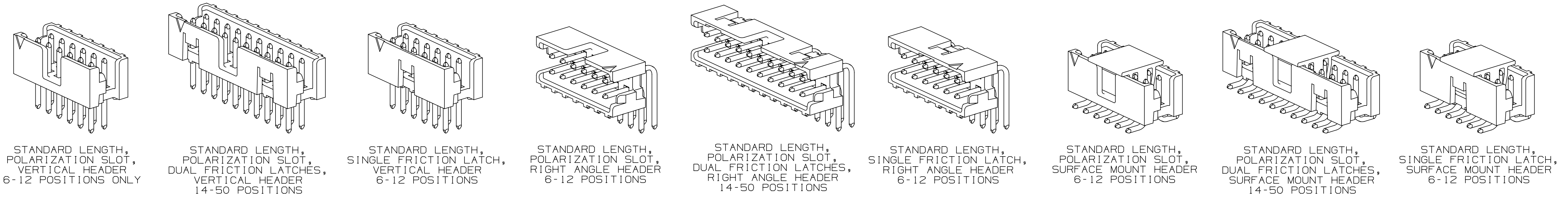
DESIGN REFERENCE	NEXT ASSEMBLY	REV	ECO	ISSUE DATE AND DESCRIPTION	DRFT	CHKD
DIVISION		DIVISION CODE		DATE		
DO NOT SCALE DRAWING		SCALE 4/1		TOLERANCES EXCEPT AS NOTED		
THIRD ANGLE PROJECTION		MILLIMETERS		INCHES		
INTERPRET PER ASME Y14.5 - 1994		0 ±		.00 ±		
MAX SURFACE ROUGHNESS 125		.00 ± 0.13		.000 ±		
ALL SURFACES MARKED ONLY		ANGLES ±1°		.0000 ±		
CAGE NUMBER		DRAWING NO.		REV.		
D78-5100-2359-7		A		A		
MODEL		SHT		3 OF 4		

DRAWING NUMBER 78-5100-2359-7

REVISION A

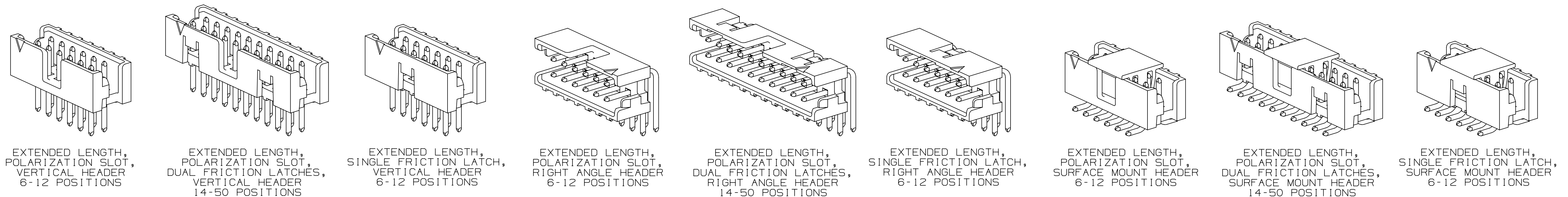
3M™ Shrouded Board Mount Header 2 mm X 2 mm Pitch 159 Series, Standard Length 3

STANDARD LENGTH HEADERS ARE AVAILABLE



3M™ Shrouded Board Mount Header 2 mm X 2 mm Pitch 159 Series, Extended Length 4

CALL 3M INTERCONNECT SOLUTIONS AT 800-225-5373 FOR AVAILABILITY OF EXTENDED LENGTH HEADERS



ORDERING INFORMATION

**TIER 1 - BEST**  
 1591XX-XXXX

TIER 1 = BEST 0.76  $\mu$ m [30  $\mu$ in] GOLD

CONTACT TAIL LENGTH  
 2 = 2.84 mm [.112]  
 3 = 3.94 mm [.155]

POLARIZATION/LATCHING  
 0 = POLARIZATION SLOT AND DUAL FRICTION LATCHES (14-50 POSITIONS ONLY)  
 1 = POLARIZATION SLOT (6-12 POSITIONS ONLY)  
 2 = SINGLE FRICTION LATCH (6-12 POSITIONS ONLY)

POSITION COUNT (SEE TABLE)

PART CONFIGURATION  
 2 = VERTICAL SMT  
 5 = RIGHT ANGLE THRU HOLE  
 6 = VERTICAL THRU HOLE

BODY LENGTH  
 0 = STANDARD LENGTH (MATES TO 158 SERIES)  
 1 = EXTENDED LENGTH (MATES TO 870 SERIES)

**TIER 2 - BETTER**  
 1592XX-XXXX

TIER 2 = BETTER 0.38  $\mu$ m [15  $\mu$ in] GOLD

CONTACT TAIL LENGTH  
 2 = 2.84 mm [.112]  
 3 = 3.94 mm [.155]

POLARIZATION/LATCHING  
 0 = POLARIZATION SLOT AND DUAL FRICTION LATCHES (14-50 POSITIONS ONLY)  
 1 = POLARIZATION SLOT (6-12 POSITIONS ONLY)  
 2 = SINGLE FRICTION LATCH (6-12 POSITIONS ONLY)

POSITION COUNT (SEE TABLE)

PART CONFIGURATION  
 2 = VERTICAL SMT  
 5 = RIGHT ANGLE THRU HOLE  
 6 = VERTICAL THRU HOLE

BODY LENGTH  
 0 = STANDARD LENGTH (MATES TO 158 SERIES)  
 1 = EXTENDED LENGTH (MATES TO 870 SERIES)

NUMBER OF POSITIONS	SHROUDED BOX HEADER						DIM D	
	DIM A		DIM B	DIM C				
	STANDARD	EXTENDED		STANDARD	EXTENDED			
6	8.35 [.329]	9.52 [.375]	4.00 [.157]	6.83 [.269]	7.99 [.315]	2.84 [.112]	3.94 [.155]	
8	10.35 [.407]	11.52 [.453]	6.00 [.236]	8.83 [.347]	9.99 [.393]	2.84 [.112]	3.94 [.155]	
10	12.35 [.486]	13.52 [.532]	8.00 [.315]	10.83 [.426]	11.99 [.472]	2.84 [.112]	3.94 [.155]	
12	14.35 [.565]	15.52 [.611]	10.00 [.394]	12.83 [.505]	13.99 [.551]	2.84 [.112]	3.94 [.155]	
14	16.36 [.644]	17.52 [.690]	12.00 [.472]	14.83 [.584]	15.99 [.630]	2.84 [.112]	3.94 [.155]	
16	18.35 [.722]	19.52 [.768]	14.00 [.551]	16.83 [.662]	17.99 [.708]	2.84 [.112]	3.94 [.155]	
20	22.35 [.880]	23.52 [.926]	18.00 [.709]	20.83 [.820]	21.99 [.866]	2.84 [.112]	3.94 [.155]	
22	24.35 [.959]	25.52 [1.005]	20.00 [.787]	22.83 [.899]	23.99 [.945]	2.84 [.112]	3.94 [.155]	
24	26.35 [1.037]	27.52 [1.083]	22.00 [.866]	24.83 [.977]	25.99 [1.023]	2.84 [.112]	3.94 [.155]	
26	28.35 [1.116]	29.52 [1.162]	24.00 [.945]	26.83 [1.056]	27.99 [1.102]	2.84 [.112]	3.94 [.155]	
30	32.35 [1.274]	33.52 [1.320]	28.00 [1.102]	30.83 [1.214]	31.99 [1.260]	2.84 [.112]	3.94 [.155]	
34	36.35 [1.431]	37.52 [1.477]	32.00 [1.260]	34.83 [1.371]	35.99 [1.417]	2.84 [.112]	3.94 [.155]	
40	42.35 [1.667]	43.52 [1.713]	38.00 [1.496]	40.83 [1.607]	41.99 [1.653]	2.84 [.112]	3.94 [.155]	
44	46.35 [1.825]	47.52 [1.871]	42.00 [1.654]	44.83 [1.765]	45.99 [1.811]	2.84 [.112]	3.94 [.155]	
50	52.35 [2.061]	53.52 [2.107]	48.00 [1.890]	50.83 [2.001]	51.99 [2.047]	2.84 [.112]	3.94 [.155]	

METRIC ( ENGLISH )

DESIGN REFERENCE	NEXT ASSEMBLY	REV	ECO	ISSUE DATE AND DESCRIPTION	DRFT	CHKD
				INITIAL RELEASE	LDS	SF
DISTRICT CODES		DRP	DATE	MFG	DATE	
		L. SCHMIDT	JUL 29, 2010			
DIVISION	DIVISION CODE	CHKD	DATE	APPV	DATE	
		S FELDMAN	AUG 09, 2010			
DO NOT SCALE DRAWING	SCALE 4/1	TOLERANCES EXCEPT AS NOTED				
THIRD ANGLE PROJECTION	INTERPRET PER ASME Y14.5 - 1994	INCHES .00 ± .000 ± .0000 ±		MILLIMETERS 0 ± .00 ±0.13 .000 ±		
MAX SURFACE ROUGHNESS 125	ALL SURFACES MARKED ONLY	ANGLER ±1°		TITLE 3M SHROUDED BOARD MOUNT HEADER 2 MM X 2 MM PITCH 159 SERIES		
		CAGE NUMBER	SIZE	DRAWING NO.	REV.	
		D		78-5100-2359-7	A	
		MODEL				

78-5100-2359-7 DRAWING NUMBER

A

SHT 4 OF 4



Компания «ЭлектроПласт» предлагает заключение долгосрочных отношений при поставках импортных электронных компонентов на взаимовыгодных условиях!

Наши преимущества:

- Оперативные поставки широкого спектра электронных компонентов отечественного и импортного производства напрямую от производителей и с крупнейших мировых складов;
- Поставка более 17-ти миллионов наименований электронных компонентов;
- Поставка сложных, дефицитных, либо снятых с производства позиций;
- Оперативные сроки поставки под заказ (от 5 рабочих дней);
- Экспресс доставка в любую точку России;
- Техническая поддержка проекта, помощь в подборе аналогов, поставка прототипов;
- Система менеджмента качества сертифицирована по Международному стандарту ISO 9001;
- Лицензия ФСБ на осуществление работ с использованием сведений, составляющих государственную тайну;
- Поставка специализированных компонентов (Xilinx, Altera, Analog Devices, Intersil, Interpoint, Microsemi, Aeroflex, Peregrine, Syfer, Eurofarad, Texas Instrument, Miteq, Cobham, E2V, MA-COM, Hittite, Mini-Circuits, General Dynamics и др.);

Помимо этого, одним из направлений компании «ЭлектроПласт» является направление «Источники питания». Мы предлагаем Вам помощь Конструкторского отдела:

- Подбор оптимального решения, техническое обоснование при выборе компонента;
- Подбор аналогов;
- Консультации по применению компонента;
- Поставка образцов и прототипов;
- Техническая поддержка проекта;
- Защита от снятия компонента с производства.



#### Как с нами связаться

**Телефон:** 8 (812) 309 58 32 (многоканальный)

**Факс:** 8 (812) 320-02-42

**Электронная почта:** [org@eplast1.ru](mailto:org@eplast1.ru)

**Адрес:** 198099, г. Санкт-Петербург, ул. Калинина, дом 2, корпус 4, литера А.