

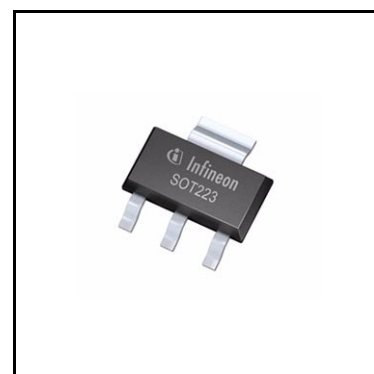
OPTIREG™ Linear TLE4266G

5 V/10 V low drop voltage regulator



Features

- Output voltage 5 V or 10 V
- Output voltage tolerance $\leq \pm 2\%$
- 120 mA current capability
- Very low current consumption
- Low-drop voltage
- Overtemperature protection
- Reverse polarity proof
- Wide temperature range
- Suitable for use in automotive electronics
- Inhibit
- Green Product (RoHS compliant)



Potential applications

General automotive applications.

Product validation

Qualified for automotive applications. Product validation according to AEC-Q100/101.

Description

The OPTIREG™ Linear TLE4266G is a low-drop voltage regulator for 5 V or 10 V supply in a PG-SOT223-4 SMD package. The IC regulates an input voltage V_I in the range of $5.5\text{ V}/10.5\text{ V} < V_I < 45\text{ V}$ to $V_{Q,nom} = 5\text{ V}/10\text{ V}$. The maximum output current is more than 120 mA. The IC can be switched off via the inhibit input, which causes the current consumption to drop below $10\ \mu\text{A}$. The IC is shortcircuit-proof and incorporates a temperature protection which turns off the IC at overtemperature.

Choosing external components

The input capacitor C_I is necessary for compensating line influences. Using a resistor of approx. $1\ \Omega$ in series with C_I , the oscillating of input line inductivity and input capacitance can be clamped. The output capacitor C_Q is necessary for the stability of the regulating circuit. Stability is guaranteed at values $C_Q \geq 10\ \mu\text{F}$ and an $\text{ESR} \leq 10\ \Omega$ within the whole operating temperature range.

Type	Package	Marking
TLE4266G	PG-SOT223-4	4266 G
TLE4266GSV10	PG-SOT223-4	66GV10

Table of contents

	Features	1
	Potential applications	1
	Product validation	1
	Description	1
	Table of contents	3
1	Block diagram	4
2	Pin configuration	5
2.1	Pin assignment	5
2.2	Pin definitions and functions	5
3	General product characteristics	6
3.1	Absolute maximum ratings	6
4	Functional description	7
4.1	Electrical characteristics	7
4.2	Circuit description	9
4.3	Typical performance characteristics	10
5	Package information	14
6	Revision history	15

Block diagram

1 Block diagram

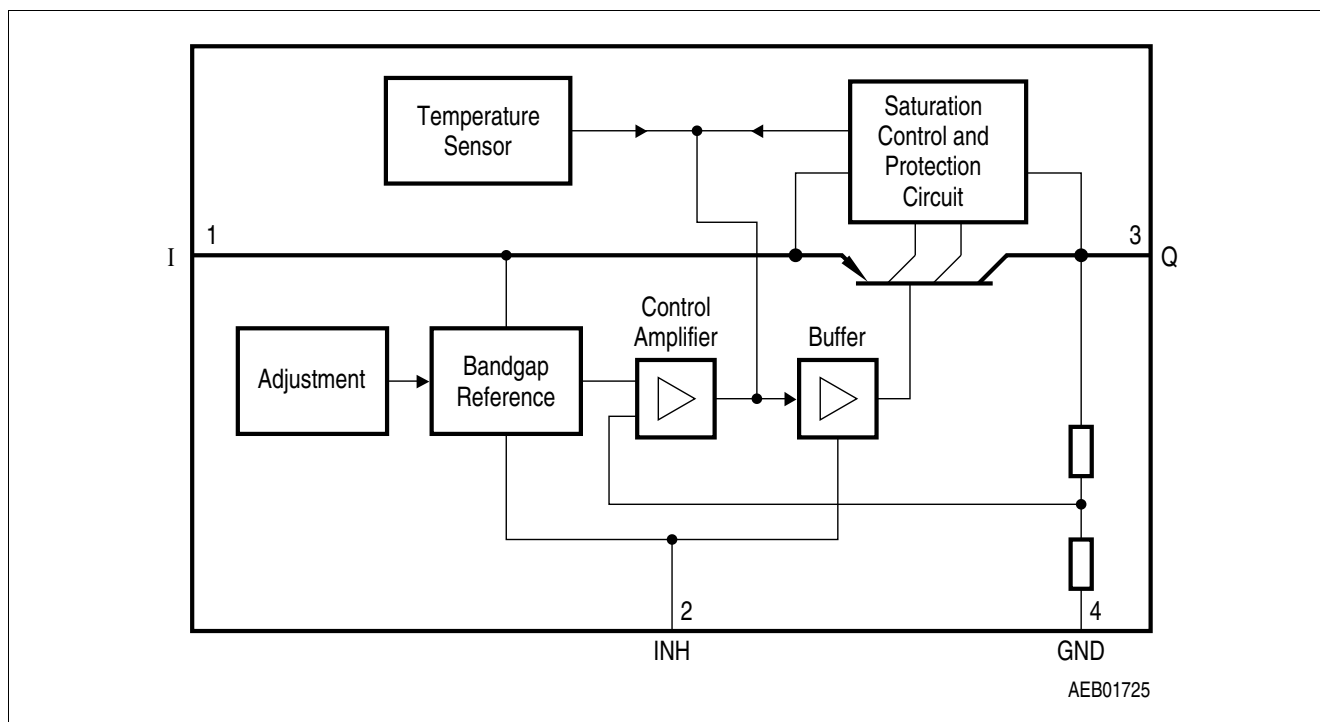


Figure 1 Block diagram

Pin configuration

2 Pin configuration

2.1 Pin assignment

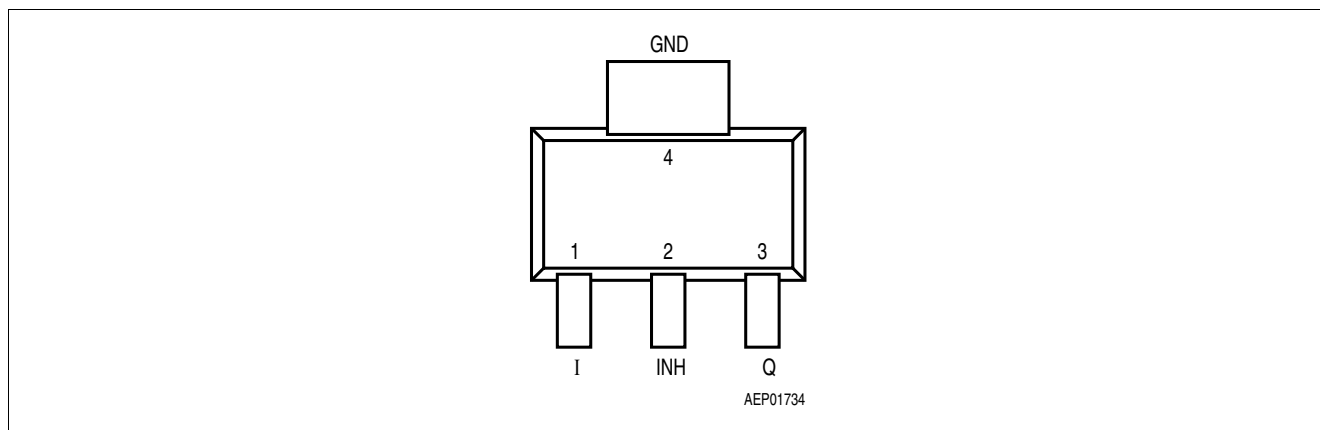


Figure 2 Pin configuration (top view)

2.2 Pin definitions and functions

Table 1 Pin definitions and functions

Pin	Symbol	Function
1	I	Input voltage Block to ground directly at the IC with a ceramic capacitor.
2	$\overline{\text{INH}}$	Inhibit input Low-active input.
3	Q	Output voltage Block to ground with a capacitor $C_Q \geq 10 \mu\text{F}$.
4	GND	Ground

General product characteristics

3 General product characteristics

3.1 Absolute maximum ratings

Table 2 Absolute maximum ratings (TLE4266G, TLE4266GSV10)

$-40^{\circ}\text{C} \leq T_j \leq 150^{\circ}\text{C}$

Parameter	Symbol	Values			Unit	Note or Test Condition
		Min.	Typ.	Max.		
Input I						
Voltage	V_I	-42	-	45	V	-
Current	I_I	-	-	-	-	Internally limited
Inhibit $\overline{\text{INH}}$						
Voltage	$V_{\overline{\text{INH}}}$	-42	-	45	V	-
Output Q						
Voltage	V_Q	-1	-	32	V	-
Current	I_Q	-	-	-	-	Internally limited
GND						
Current	I_{GND}	50	-	-	mA	-
Temperature						
Junction temperature	T_j	-	-	150	$^{\circ}\text{C}$	-
Storage temperature	T_S	-50	-	150	$^{\circ}\text{C}$	-
Operating range (TLE4266G)						
Input voltage	V_I	5.5	-	45	V	-
Junction temperature	T_j	-40	-	150	$^{\circ}\text{C}$	-
Operating range (TLE4266GSV10)						
Input voltage	V_I	10.5	-	45	V	-
Junction temperature	T_j	-40	-	150	$^{\circ}\text{C}$	-
Thermal resistance						
Junction ambient	$R_{\text{thj-a}}$	-	-	165	K/W	¹⁾
Junction case	$R_{\text{thj-pin}}$	-	-	17	K/W	Measured to pin 4

1) Package mounted on PCB $80 \times 80 \times 1.5 \text{ mm}^3$; 35 μm Cu; 5 μm Sn; Footprint only; zero airflow.

Functional description

4 Functional description

The device includes a precise reference voltage, which is very accurate due to resistor adjustment. A control amplifier compares the divided output voltage to this reference voltage and drives the base of the PNP series transistor through a buffer.

Saturation control as a function of the load current prevents any oversaturation of the power element. The IC also incorporates a number of protection circuitry for:

- Overload
- Overtemperature
- Reverse polarity

4.1 Electrical characteristics

Table 3 Electrical characteristics (TLE4266G)

$V_i = 13.5\text{ V}$; $-40^\circ\text{C} \leq T_j \leq 125^\circ\text{C}$ (unless otherwise specified)

Parameter	Symbol	Values			Unit	Note or Test Condition
		Min.	Typ.	Max.		
Output voltage	V_Q	4.9	5	5.1	V	$5\text{ mA} \leq I_Q \leq 100\text{ mA}$; $6\text{ V} \leq V_i \leq 28\text{ V}$
Output-current limitation	I_Q	120	150	–	mA	–
Current consumption $I_q = I_i - I_Q$	I_q	–	–	10	μA	$V_{\text{INH}} = 0\text{ V}$; $T_j \leq 100^\circ\text{C}$
Current consumption $I_q = I_i - I_Q$	I_q	–	–	400	μA	$I_Q = 1\text{ mA}$ Inhibit ON
Current consumption $I_q = I_i - I_Q$	I_q	–	10	15	mA	$I_Q = 100\text{ mA}$ Inhibit ON
Drop voltage	V_{Dr}	–	0.25	0.5	V	$I_Q = 100\text{ mA}^{1)}$
Load regulation	$\Delta V_{Q,\text{lo}}$	–	–	40	mV	$I_Q = 5\text{ to }100\text{ mA}$; $V_i = 6\text{ V}$
Line regulation	$\Delta V_{Q,\text{li}}$	–	15	30	mV	$V_i = 6\text{ V to }28\text{ V}$; $I_Q = 5\text{ mA}$
Power supply ripple rejection	$PSRR$	–	54	–	dB	$f_r = 100\text{ Hz}$; $V_r = 0.5\text{ Vpp}$

Inhibit

Inhibit on voltage	$V_{\text{INH, on}}$	3.5	–	–	V	–
Inhibit off voltage	$V_{\text{INH, off}}$	–	–	0.8	V	–
Inhibit current	I_{INH}	5	15	25	μA	$V_{\text{INH}} = 5\text{ V}$

1) Drop voltage $V_{\text{Dr}} = V_i - V_Q$ (measured when the output voltage V_Q has dropped 100 mV from the nominal value obtained at $V_i = 13.5\text{ V}$).

Functional description

Table 4 Electrical characteristics (TLE4266GSV10)

$V_I = 13.5\text{ V}; -40^\circ\text{C} \leq T_j \leq 125^\circ\text{C}$

Parameter	Symbol	Values			Unit	Note or Test Condition
		Min.	Typ.	Max.		
Output voltage	V_Q	9.8	10	10.2	V	$5\text{ mA} \leq I_Q \leq 100\text{ mA};$ $11\text{ V} \leq V_I \leq 21\text{ V}$
Output voltage	V_Q	9.8	10	10.2	V	$1\text{ mA} \leq I_Q \leq 50\text{ mA};$ $11\text{ V} \leq V_I \leq 28\text{ V}$
Output-current limitation	I_Q	120	150	200	mA	–
Current consumption $I_q = I_1 - I_Q$	$I_{q,\text{off}}$	–	–	10	μA	$V_{\text{INH}} = 0\text{ V};$ $T_j \leq 100^\circ\text{C}$
Current consumption $I_q = I_1 - I_Q$	I_q	–	350	500	μA	$I_Q < 1\text{ mA}$ Inhibit ON
Current consumption $I_q = I_1 - I_Q$	I_q	–	7	15	mA	$I_Q < 100\text{ mA}$ Inhibit ON
Drop voltage	V_{Dr}	–	0.28	0.5	V	$I_Q = 100\text{ mA}^{1)}$
Load regulation	$\Delta V_{Q,\text{Lo}}$	-80	–	80	mV	$I_Q = 5\text{ to }100\text{ mA};$ $V_I = 11\text{ V}$
Line regulation	$\Delta V_{Q,\text{Li}}$	-30	5	30	mV	$V_I = 11\text{ V to }28\text{ V};$ $I_Q = 5\text{ mA}$
Power supply ripple rejection	$PSRR$	–	54	–	dB	$f_r = 100\text{ Hz};$ $V_r = 0.5\text{ Vpp}$

Inhibit

Inhibit on voltage	$V_{\text{INH, on}}$	3.5	–	–	V	–
Inhibit off voltage	$V_{\text{INH, off}}$	–	–	0.8	V	–
Inhibit current	I_{INH}	5	12	25	μA	$V_{\text{INH}} = 5\text{ V}$

1) Drop voltage = $V_I - V_Q$ measured when the output voltage V_Q has dropped 100 mV from the nominal value.

Functional description

4.2 Circuit description

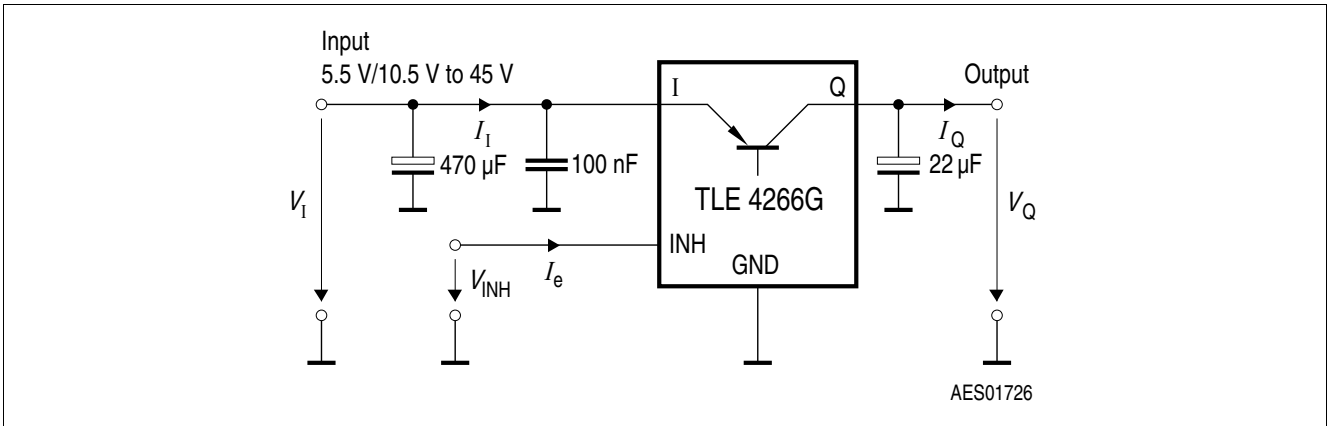


Figure 3 Measuring circuit (TLE4266G, TLE4266GSV10)

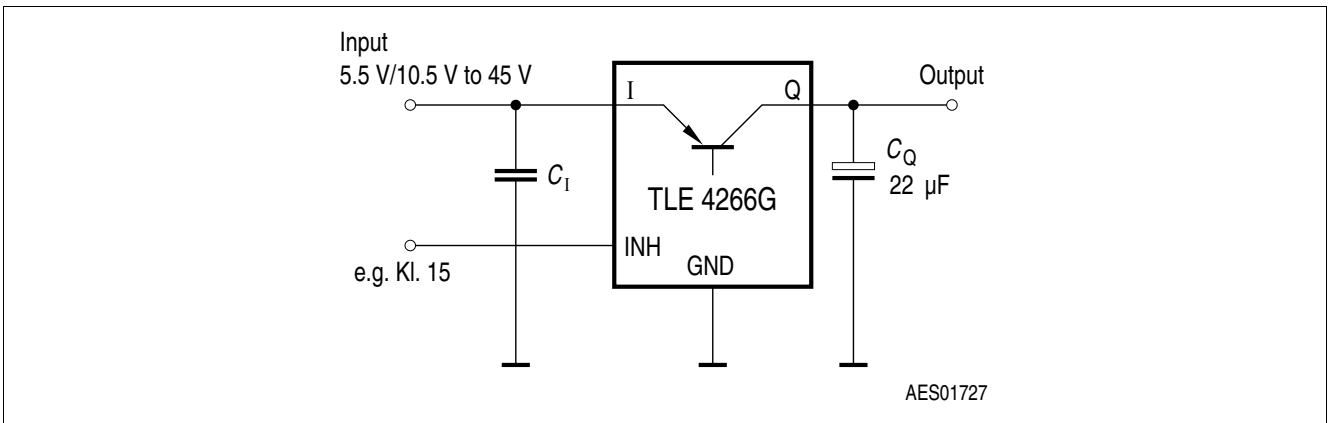
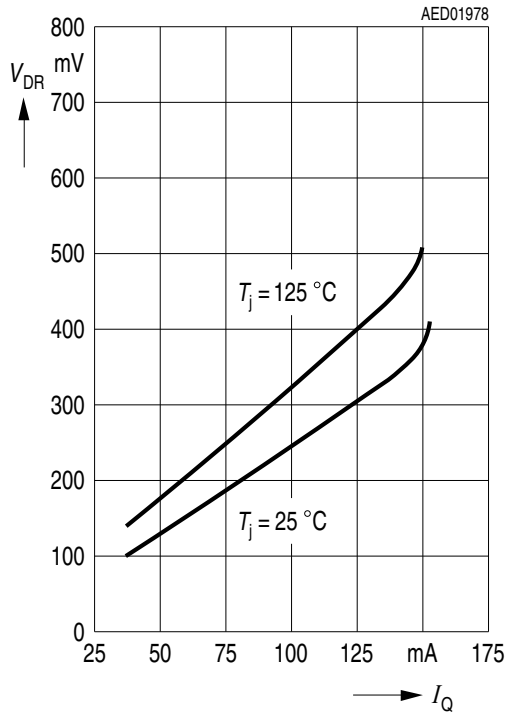


Figure 4 Application circuit (TLE4266G, TLE4266GSV10)

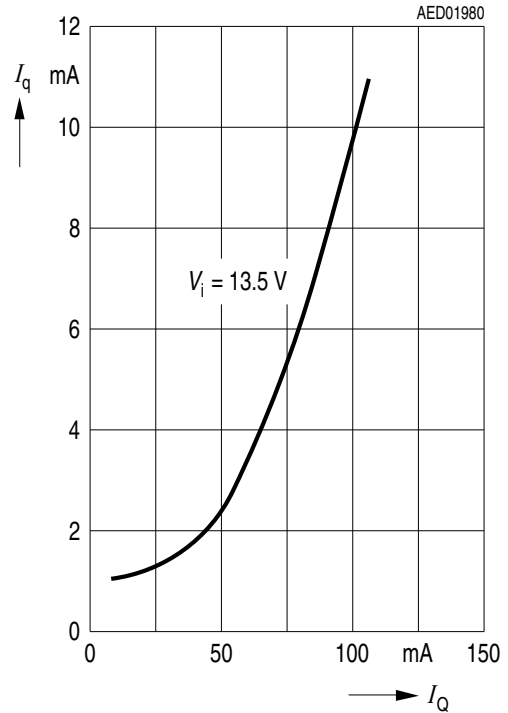
Functional description

4.3 Typical performance characteristics

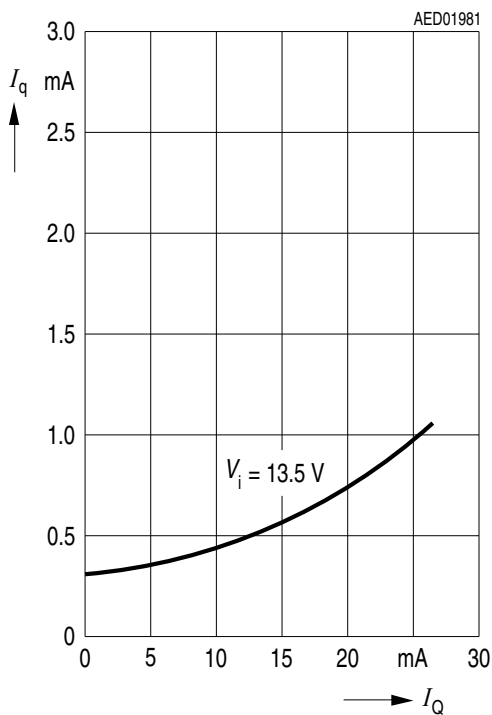
Drop voltage V_{Dr} versus output current I_Q (5 V, 10 V)



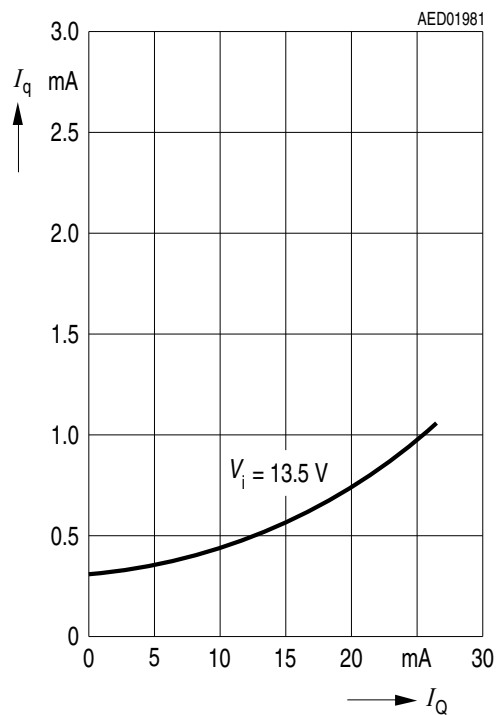
Current consumption I_q versus output current I_Q (5 V)



Current consumption I_q versus output current I_Q (5 V version)

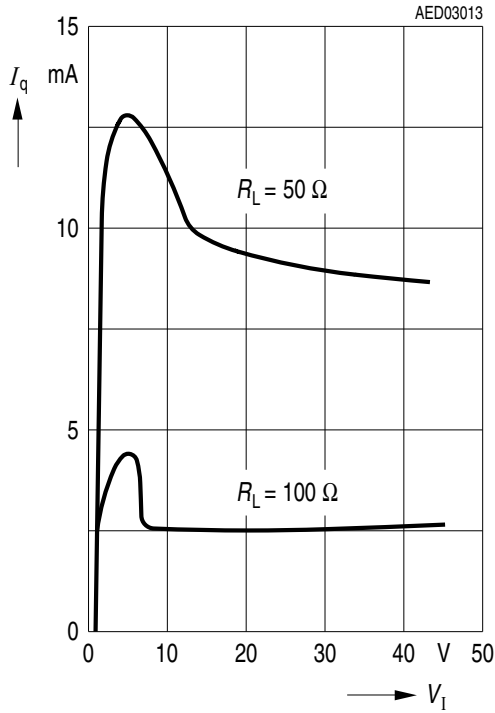


Current consumption I_q versus output current I_Q (10 V version)

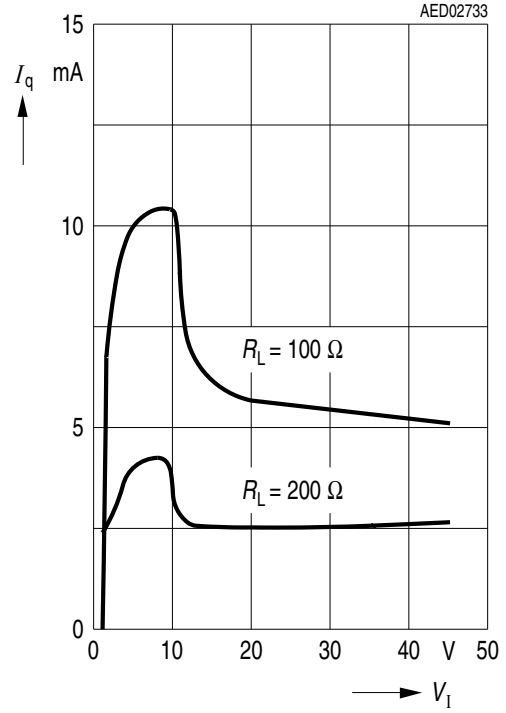


Functional description

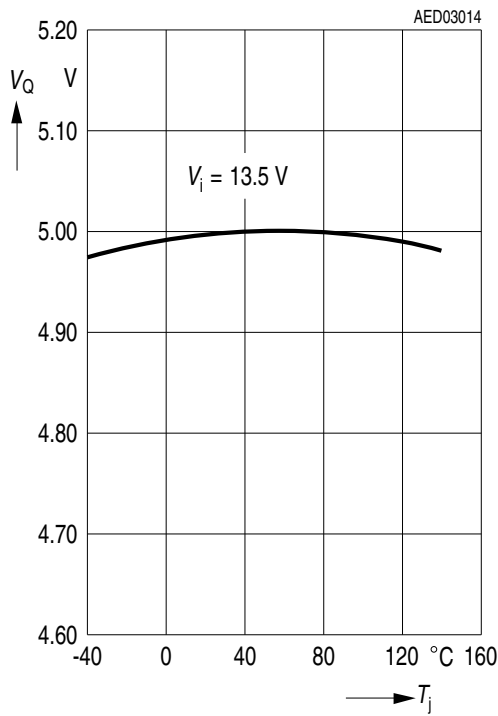
Current consumption I_q versus input voltage V_i (5 V version)



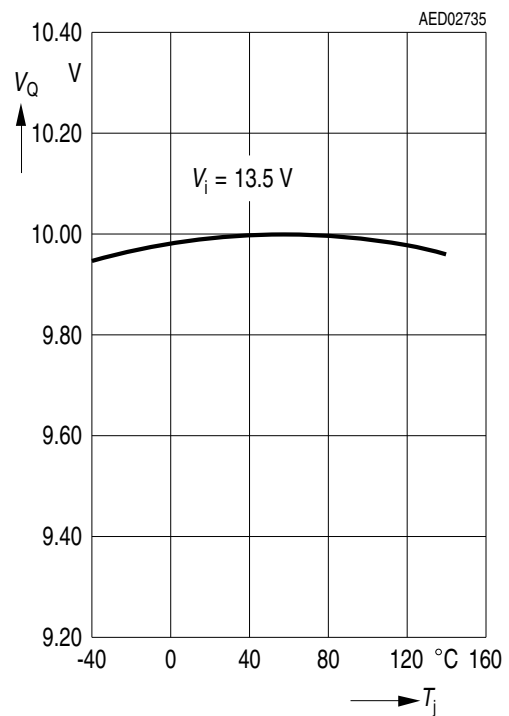
Current consumption I_q versus input voltage V_i (10 V version)



Output voltage V_Q versus temperature T_j (5 V version)

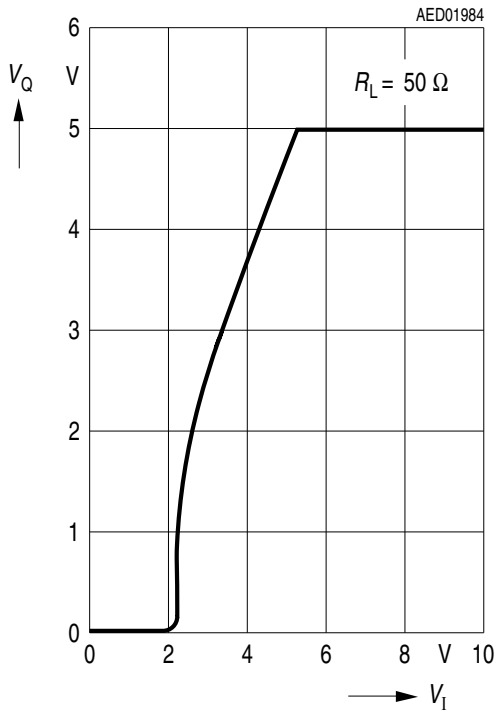


Output voltage V_Q versus temperature T_j (10 V version)

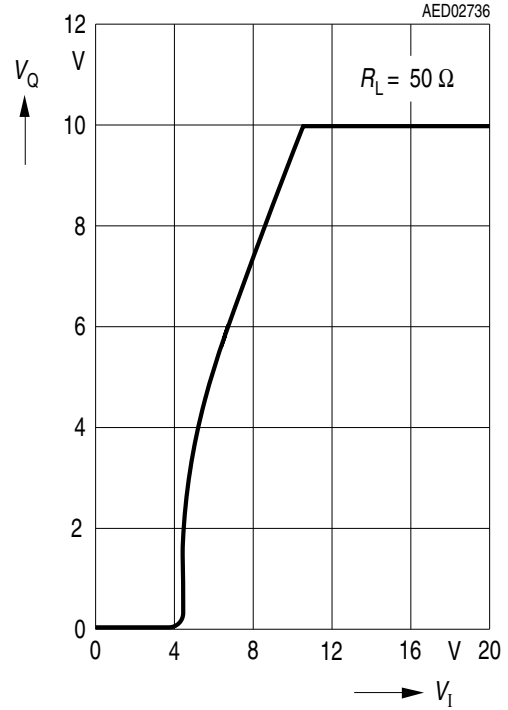


Functional description

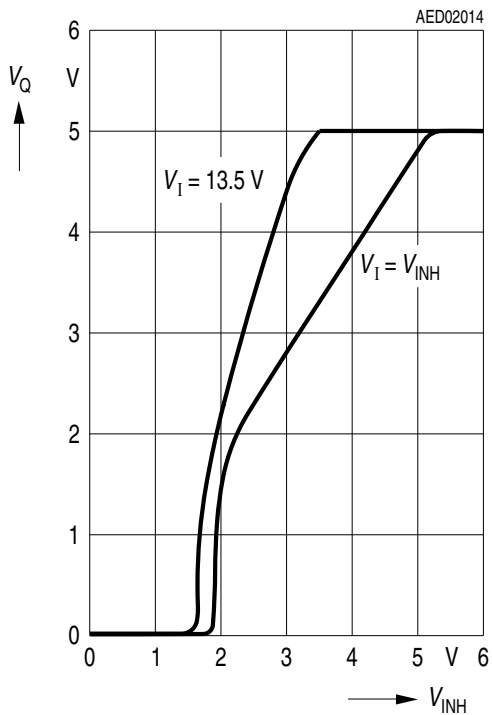
Output voltage V_Q versus input voltage V_I (5 V version)



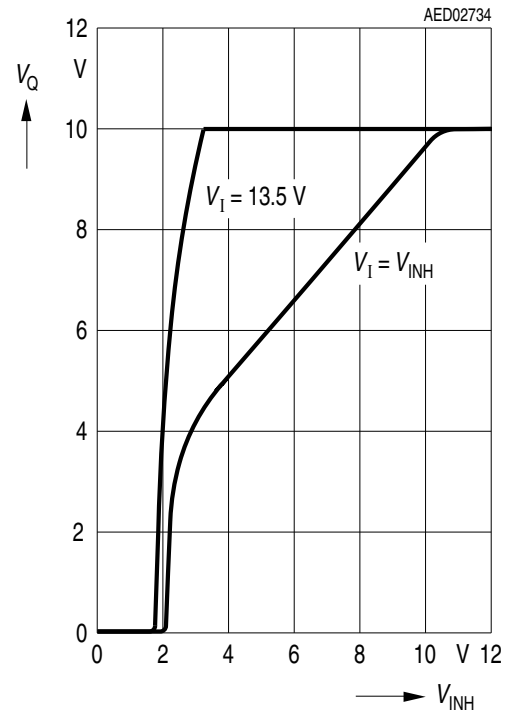
Output voltage V_Q versus input voltage V_I (10 V version)



Output voltage V_Q versus inhibit voltage V_{INH} (5 V version)

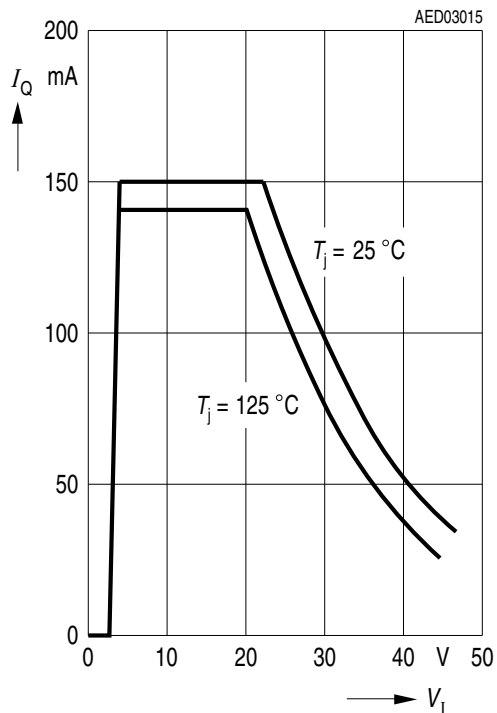


Output voltage V_Q versus inhibit voltage V_{INH} (10 V version)

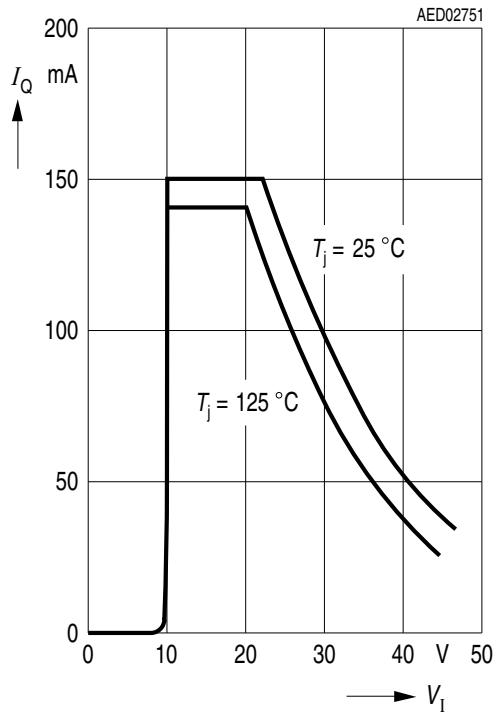


Functional description

Output current I_Q versus input voltage V_I (5 V version)



Output current I_Q versus input voltage V_I (10 V version)



Revision history

6 Revision history

Revision	Date	Changes
2.61	2019-06-03	Editorial change, added marking
2.6	2019-02-15	Updated layout and structure. Editorial changes.
2.5	2008-03-10	Simplified package name to PG-SOT223-4. No modification of released product.
2.4	2007-03-20	Initial version of RoHS-compliant derivate of TLE4266. AEC certified statement added. RoHS compliance statement and Green product feature added. Package changed to RoHS compliant version. Legal Disclaimer updated.

Trademarks

All referenced product or service names and trademarks are the property of their respective owners.

Edition 2019-06-03

Published by

Infineon Technologies AG

81726 Munich, Germany

© 2019 Infineon Technologies AG.

All Rights Reserved.

Do you have a question about any aspect of this document?

Email: erratum@infineon.com

Document reference

Z8F55276374

IMPORTANT NOTICE

The information given in this document shall in no event be regarded as a guarantee of conditions or characteristics ("Beschaffungsgarantie").

With respect to any examples, hints or any typical values stated herein and/or any information regarding the application of the product, Infineon Technologies hereby disclaims any and all warranties and liabilities of any kind, including without limitation warranties of non-infringement of intellectual property rights of any third party.

In addition, any information given in this document is subject to customer's compliance with its obligations stated in this document and any applicable legal requirements, norms and standards concerning customer's products and any use of the product of Infineon Technologies in customer's applications.

The data contained in this document is exclusively intended for technically trained staff. It is the responsibility of customer's technical departments to evaluate the suitability of the product for the intended application and the completeness of the product information given in this document with respect to such application.

For further information on technology, delivery terms and conditions and prices, please contact the nearest Infineon Technologies Office (www.infineon.com).

WARNINGS

Due to technical requirements products may contain dangerous substances. For information on the types in question please contact your nearest Infineon Technologies office.

Except as otherwise explicitly approved by Infineon Technologies in a written document signed by authorized representatives of Infineon Technologies, Infineon Technologies' products may not be used in any applications where a failure of the product or any consequences of the use thereof can reasonably be expected to result in personal injury.



Компания «ЭлектроПласт» предлагает заключение долгосрочных отношений при поставках импортных электронных компонентов на взаимовыгодных условиях!

Наши преимущества:

- Оперативные поставки широкого спектра электронных компонентов отечественного и импортного производства напрямую от производителей и с крупнейших мировых складов;
- Поставка более 17-ти миллионов наименований электронных компонентов;
- Поставка сложных, дефицитных, либо снятых с производства позиций;
- Оперативные сроки поставки под заказ (от 5 рабочих дней);
- Экспресс доставка в любую точку России;
- Техническая поддержка проекта, помощь в подборе аналогов, поставка прототипов;
- Система менеджмента качества сертифицирована по Международному стандарту ISO 9001;
- Лицензия ФСБ на осуществление работ с использованием сведений, составляющих государственную тайну;
- Поставка специализированных компонентов (Xilinx, Altera, Analog Devices, Intersil, Interpoint, Microsemi, Aeroflex, Peregrine, Syfer, Eurofarad, Texas Instrument, Miteq, Cobham, E2V, MA-COM, Hittite, Mini-Circuits, General Dynamics и др.);

Помимо этого, одним из направлений компании «ЭлектроПласт» является направление «Источники питания». Мы предлагаем Вам помощь Конструкторского отдела:

- Подбор оптимального решения, техническое обоснование при выборе компонента;
- Подбор аналогов;
- Консультации по применению компонента;
- Поставка образцов и прототипов;
- Техническая поддержка проекта;
- Защита от снятия компонента с производства.



Как с нами связаться

Телефон: 8 (812) 309 58 32 (многоканальный)

Факс: 8 (812) 320-02-42

Электронная почта: org@eplast1.ru

Адрес: 198099, г. Санкт-Петербург, ул. Калинина, дом 2, корпус 4, литера А.