

Technical Data Sheet

Photolink- Fiber Optic Receiver

PLR135/T5P

Features

1. High PD sensitivity optimized for red light
2. Data : NRZ signal
3. Low power consumption for extended battery life
4. Built-in threshold control for improved noise Margin
5. Good ESD protection: up to 8KV
6. Pb Free
7. Receiver sensitivity: up to -27dBm (Min. for 16Mbps)
up to -21dBm (Min. for 25Mbps)
8. The product itself will remain within RoHS compliant version.



Descriptions

The optical receiver is packaged with custom optic data link interface, integrated on a proprietary CMOS PDIC process.

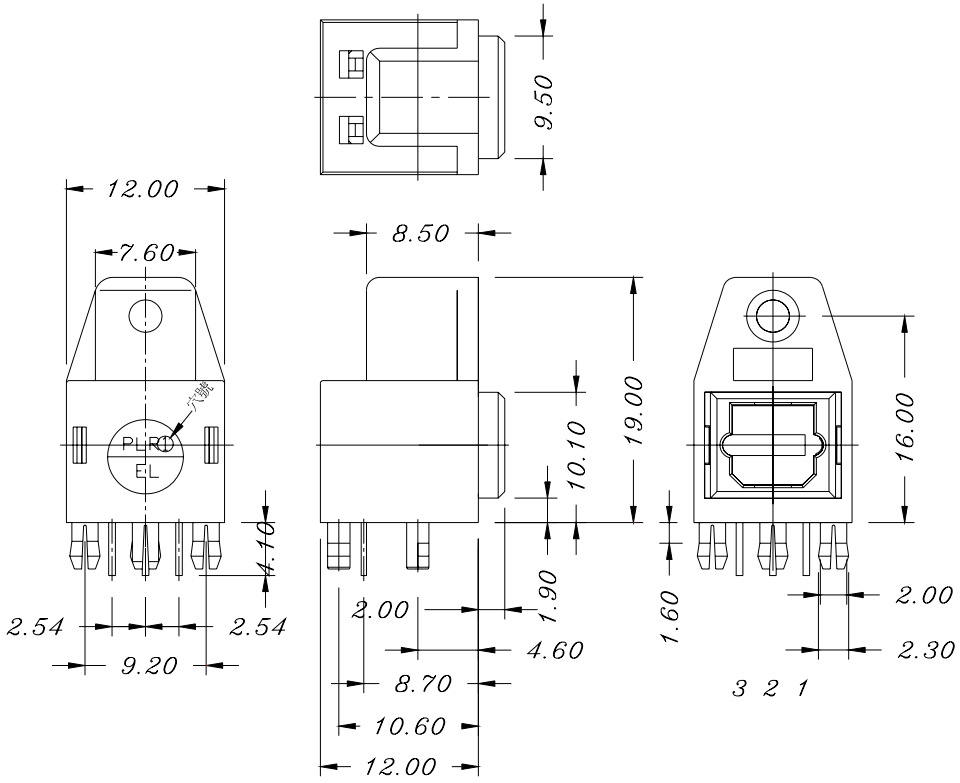
The unit functions by converting optical signals into electric ones.

The unit is operated at 2.4 ~ 5.5 V and the signal output interface is TTL compatible with high performance at low power consumption.

Applications

1. Digital Optical Data-Link
2. Dolby AC-3 Digital Audio Interface

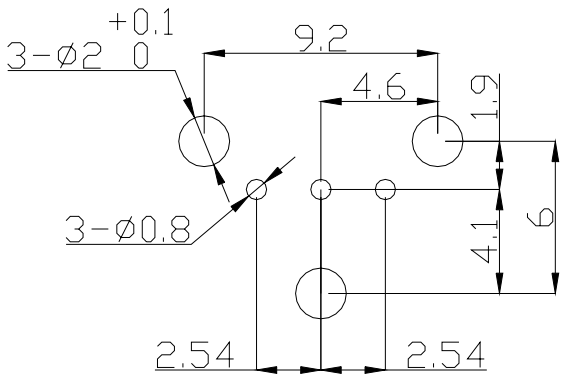
Package Dimensions



- Notes:**
1. All dimensions are in millimeters.
 2. General Tolerance: $\pm 0.3\text{mm}$

- Pin Function:**
1. Vout
 2. GND
 3. Vcc

PCB Layout for Electrical Circuit



- Notice:**
1. Unit:mm
 2. PCB tolerance:1.6mm

Absolute Maximum Ratings(Ta = 25 °C)

| Parameter | Symbol | Rating | Unit |
|-----------------------|--------|-------------|------|
| Supply Voltage | Vcc | -0.5 ~ +5.5 | V |
| Output Voltage | Vout | Vcc +0.3 | V |
| Storage Temperature | Tstg | -40 to 85 | °C |
| Operating Temperature | Topr | -20 to 70 | °C |
| Soldering Temperature | Tsol | 260* | °C |

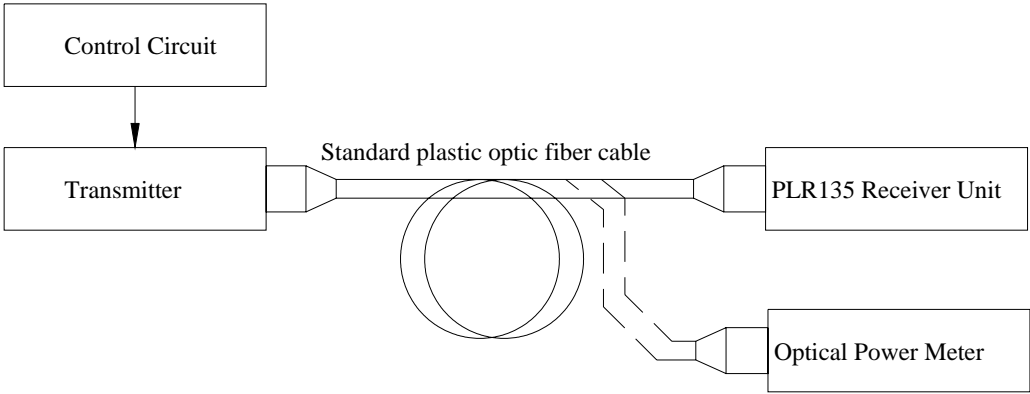
* Soldering time ≤ 10 s.

Electro-Optical Characteristics(Ta=-20~70°C, Vcc=3V)

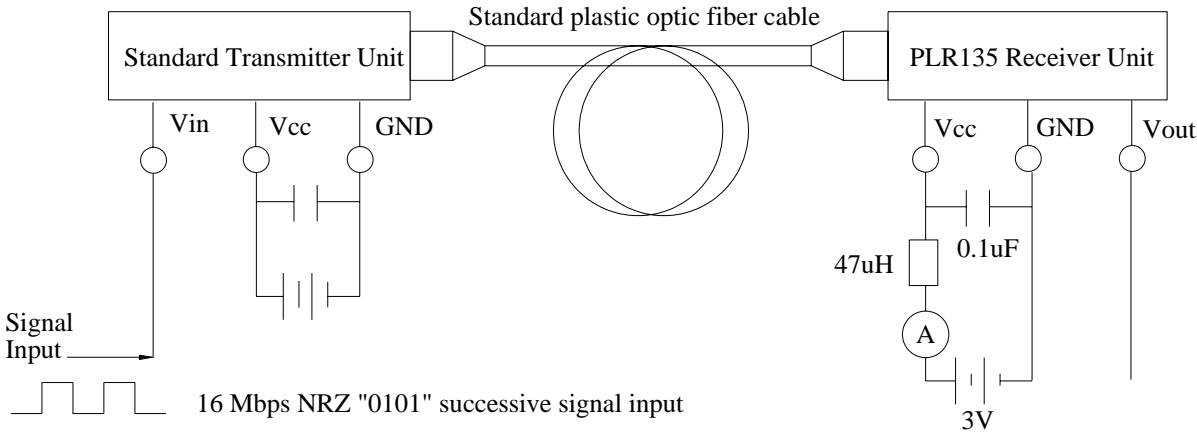
| Parameter | Symbol | Conditions | MIN. | TYP. | MAX. | Unit |
|-------------------------------|------------------|---------------------------|------|------|------|------|
| Power supply voltage | Vcc | - | 2.40 | 3.00 | 5.50 | V |
| Peak sensitivity wavelength | λ_p | - | - | 650 | - | nm |
| Maximum receiver power | Pc,max | Refer to Fig.1 | - | - | -14 | dBm |
| Minimum receiver power | Pc,min | Refer to Fig.1 | -27 | - | - | dBm |
| Dissipation current | Icc | Refer to Fig.2 | - | 4 | 12 | mA |
| High level output voltage | VOH | Refer to Fig.3 | 2.1 | 2.5 | - | V |
| Low level output voltage | VOL | Refer to Fig.3 | - | 0.2 | 0.4 | V |
| Rise time | tr | Refer to Fig.3 | | 10 | 20 | ns |
| Fall time | tf | Refer to Fig.3 | | 10 | 20 | ns |
| Propagation delay Low to High | t _{PLH} | Refer to Fig.3 | - | - | 120 | ns |
| Propagation delay High to Low | t _{PHL} | Refer to Fig.3 | - | - | 120 | ns |
| Pulse Width Distortion | Δtw | Refer to Fig.3 | -25 | - | +25 | ns |
| Jitter | Δt_j | Refer to Fig.3, Pc=-14dBm | - | 1 | 15 | ns |
| | | Refer to Fig.3, Pc=-27dBm | - | 5 | 20 | ns |
| Transfer rate | T | NRZ signal | 0.1 | - | 16 | Mb/s |

Measuring Method

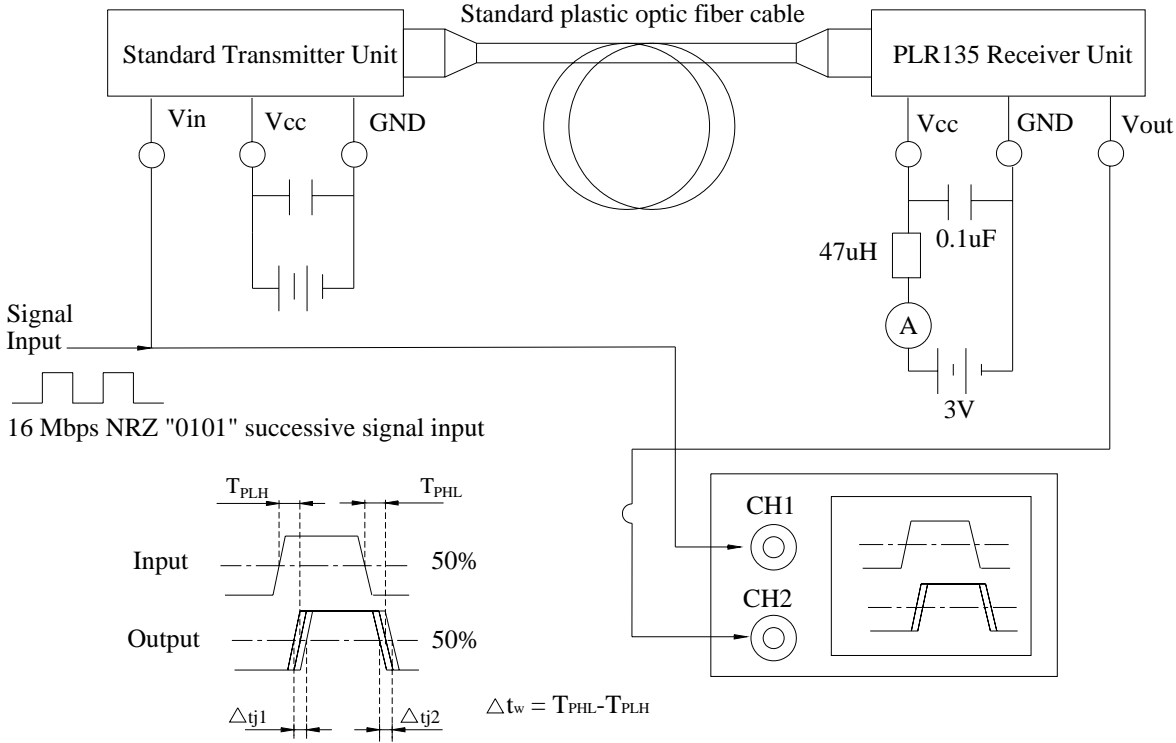
*Fig.1 Measuring Method of Maximum and Minimum Input Power that Receiver Unit Need



*Fig.2 Measuring Method of Dissipation Current

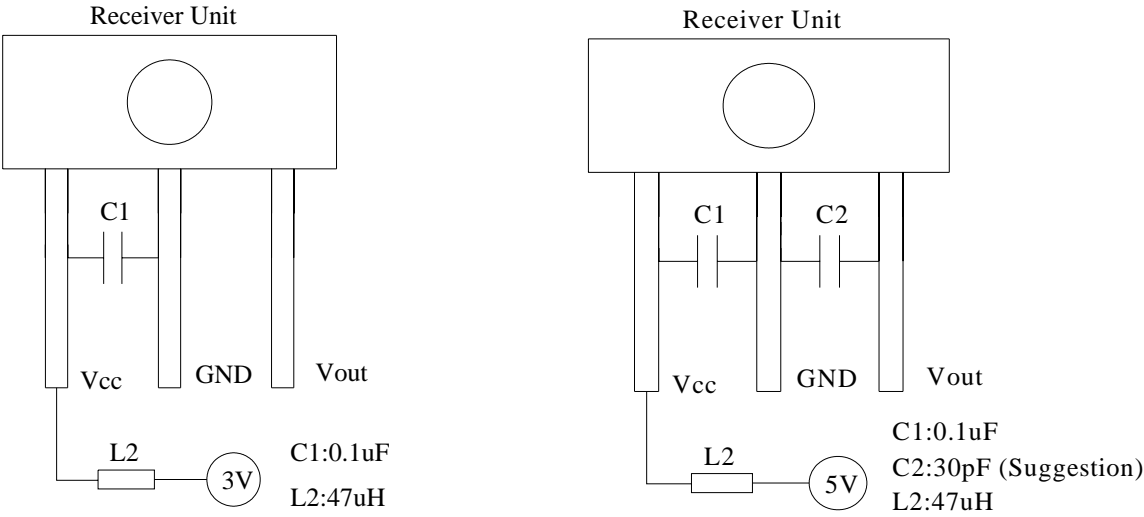


*Fig.3 Measuring Method of Output Voltage, Pulse and Jitter



Application Circuit

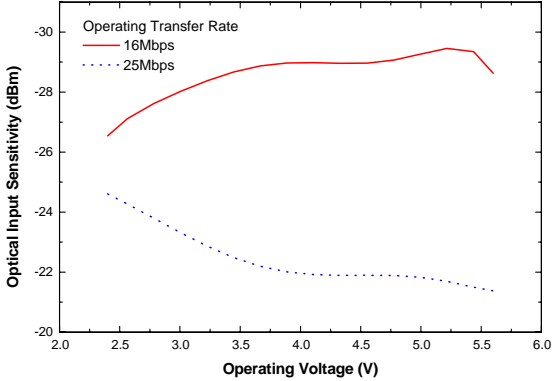
- (1) General application circuit for Vcc=3V (2) General application circuit for Vcc=5V



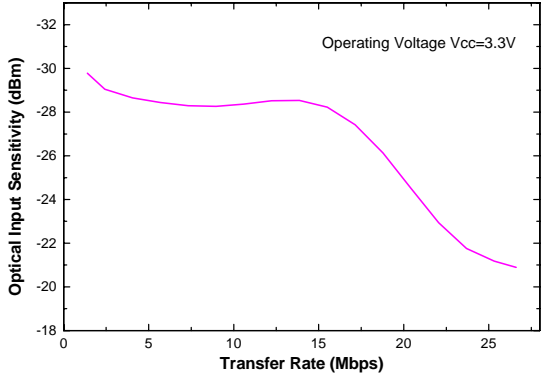
Note: For having good coupling, the C1,C2 capacitor must be placed within 7mm

Typical Electro-Optical Characteristics Curves

*Fig.4 Power supply voltage vs. Minimum receiver power



*Fig.5 Transfer rate vs. Minimum receiver power



Note: Before using the PLR135 device, please confirm the minimum sensitivity at different operating voltage and transmission rate.

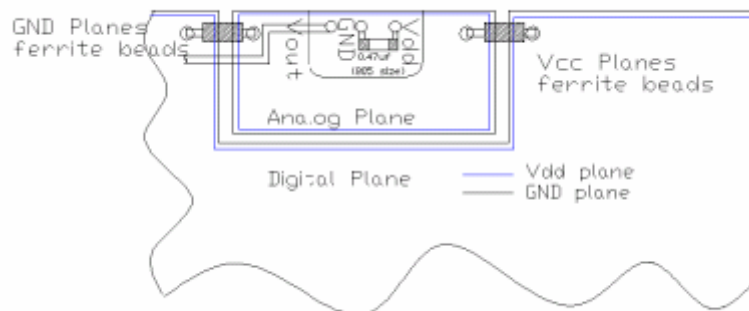
RELIABILITY TEST ITEMS

| No. | Item | Test Condition | Test Hour/Cycle | Sample Size (Piece) | Number (n) Failure (c) |
|-----|--------------------------|---|-----------------|---------------------|------------------------|
| 1 | Soldering Heat | 260°C±5°C | 10 seconds | 22 | n=22, c=0 |
| 2 | High Temp. Storage | Ta=100°C | 1000hrs | 22 | n=22, c=0 |
| 3 | Low Temp. Storage | Ta=-55°C | 1000hrs | 22 | n=22, c=0 |
| 4 | High Temp. & Humid. Test | Ta=85°C, RH=85% | 1000hrs | 22 | n=22, c=0 |
| 5 | Temperature Cycle | -55°C ~~~~ 85°C (30min) (5min) (30min) | 300cycle | 22 | n=22, c=0 |
| 6 | Thermal Shock | -10°C ~~~~ 100°C (5min) (10sec) (5min) | 300cycle | 22 | n=22, c=0 |
| 7 | DC Operating Life | Vcc=3V, Ta=25°C | 1000hrs | 22 | n=22, c=0 |

Application Notes: PLR135 Series PCB layout for motherboard integration

To achieve better jitter and low input optical power performances, several PCB layout guidelines must be followed. These guidelines ensure the most reliable PLR135 POF performance for the motherboard integration. Failed to implement these PCB guidelines may affect the PLR135 jitter and low input power performances.

1. Careful decoupling of the power supplies is very important. Place a 0.1uf surface mount (size 805 or smaller) capacitor as close as (less than 2cm) to the POF Vdd and Gnd leads. The 0.1uf act as a low impedance path to ground for any stray high frequency transient noises.
2. To reduce the digital noises form the digital IC on the motherboard, the planar capacitance formed by an isolated Vcc and Gnd planes is critical. The POF device must be mounted directly on these two planes to reduce the lead parasitic inductance.
3. The isolated Vdd and Gnd planes must be connected to the main Vcc and Gnd (digital) planes at a single point using ferrite beads. The beads are used to block the high frequency noises from the digital planes while still allowing the DC connections between the planes



EVERLIGHT ELECTRONICS CO., LTD.
 Office: No 25, Lane 76, Sec 3, Chung Yang Rd,
 Tucheng, Taipei 236, Taiwan, R.O.C

Tel: 886-2-2267-2000, 2267-9936
 Fax: 886-2267-6244, 2267-6189, 2267-6306
<http://www.everlight.com>



Компания «ЭлектроПласт» предлагает заключение долгосрочных отношений при поставках импортных электронных компонентов на взаимовыгодных условиях!

Наши преимущества:

- Оперативные поставки широкого спектра электронных компонентов отечественного и импортного производства напрямую от производителей и с крупнейших мировых складов;
- Поставка более 17-ти миллионов наименований электронных компонентов;
- Поставка сложных, дефицитных, либо снятых с производства позиций;
- Оперативные сроки поставки под заказ (от 5 рабочих дней);
- Экспресс доставка в любую точку России;
- Техническая поддержка проекта, помощь в подборе аналогов, поставка прототипов;
- Система менеджмента качества сертифицирована по Международному стандарту ISO 9001;
- Лицензия ФСБ на осуществление работ с использованием сведений, составляющих государственную тайну;
- Поставка специализированных компонентов (Xilinx, Altera, Analog Devices, Intersil, Interpoint, Microsemi, Aeroflex, Peregrine, Syfer, Eurofarad, Texas Instrument, Miteq, Cobham, E2V, MA-COM, Hittite, Mini-Circuits, General Dynamics и др.);

Помимо этого, одним из направлений компании «ЭлектроПласт» является направление «Источники питания». Мы предлагаем Вам помощь Конструкторского отдела:

- Подбор оптимального решения, техническое обоснование при выборе компонента;
- Подбор аналогов;
- Консультации по применению компонента;
- Поставка образцов и прототипов;
- Техническая поддержка проекта;
- Защита от снятия компонента с производства.



Как с нами связаться

Телефон: 8 (812) 309 58 32 (многоканальный)

Факс: 8 (812) 320-02-42

Электронная почта: org@eplast1.ru

Адрес: 198099, г. Санкт-Петербург, ул. Калинина, дом 2, корпус 4, литера А.