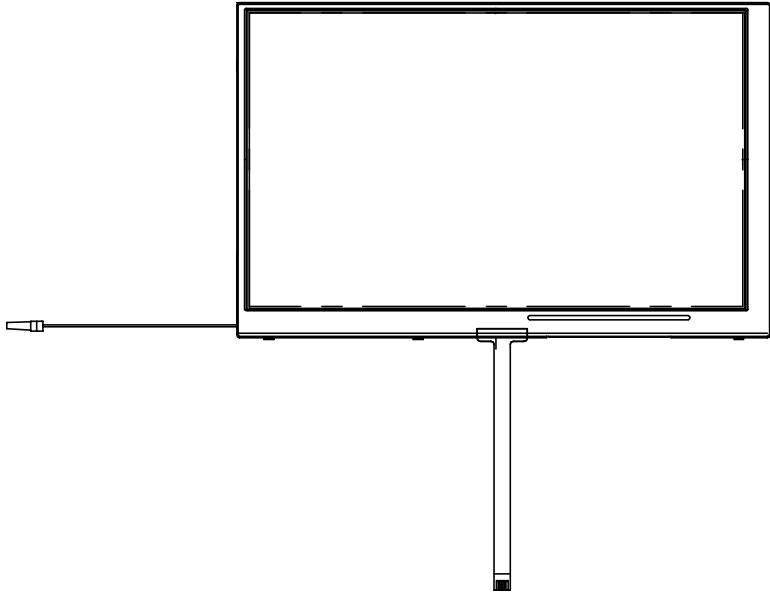




PRODUCT SPECIFICATION

# HDA700LT-2S

7", TFT WVGA (800X480) COLOR  
LCD DISPLAY MODULE



HANTRONIX, INC. 10080 BUBB RD. CUPERTINO, CA 95014	Q.A.:	REV.:	HDA700LT-2S	SHEET 1 OF 13
	Z.W.	1.0		DATE: 5/18/12

## 1. SUMMARY

This technical specification applies to 7" TFT-LCD module with a LED Backlight unit and 40-pin TTL interface. This module supports 800\*R.G.B x 480 WVGA mode and can displ 262,144 colors.

## 2. FEATURES

- Thin and Light Weight.
- WVGA(800x480 pixels) resolution.
- 3.3 V TTL interface

## 3. GENERAL SPECIFICATIONS

Parameter	Specifications	Unit	
Screen size	7"(Diagonal)	inch	
Display Format	800 RGB x 480	dot	
Active area	152.4x91.44	mm	
Pixel size	190.5 x 190.5	um	
Surface treatment	Anti-glare		
Color Saturation (NTSC)	45	%	
Pixel Configuration	RGB Vertical Stripe		
Outline dimension	165(W) x 104.44(H) x 6.6 (D)	mm	
Weight	TBD	g	
View Angle direction (Gray inversion)	6 o'clock		
Temperature Range	Operation	-20~70	°C
	Storage	-30~80	°C

## 4. ABSOLUTE MAXIMUM RATINGS (GND=0V)

Item	Symbol	Condition	Min.	Max.	Unit	Remark
Power Voltage	Vcc	GND=0	-0.3	6	V	-
Input logic voltage	Vi	GND=0	-0.3	Vcc+0.3	V	Note1

Note 1: DCLK, DE, R0~ R5, G0~ G5, B0~ B5

HANTRONIX, INC. 10080 BUBB RD. CUPERTINO, CA 95014	Q.A.:	REV.:	HDA700LT-2S	SHEET 2 OF 13
	Z.W.	1.0		DATE: 5/18/12

## 5. ELECTRICAL CHARACTERISTICS

### 5.1 Recommended Operation condition (GND=0, Ta=25)

Parameter		Symbol	Rating			Unit	Condition
			Min.	Typ.	Max.		
Power Supply Voltage		Vcc	3	3.3	3.6	V	
Input logic voltage	High Level	VIH	0.7Vcc	-	Vcc	V	Note 1
	Low Level	VIL	0	-	0.3Vcc	V	Note 1

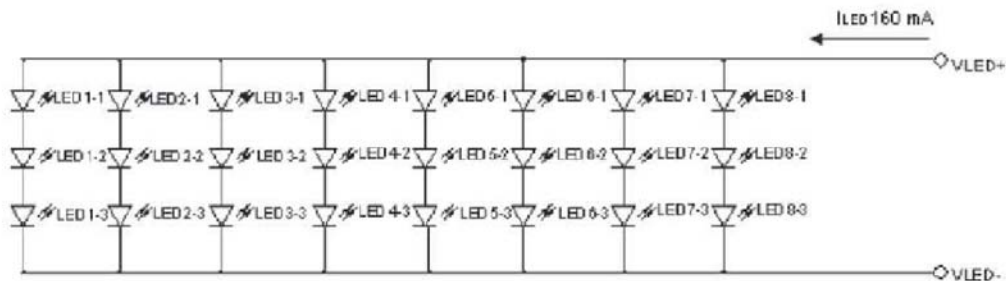
Note 1: DCLK, DE, R0~ R5, G0~ G5, B0~ B5.

### 5.2 LED Driving Conditions

Ta = 25

Parameter	Symbol	Min.	Typ.	Max.	Unit	Remark
LED current	I <sub>LED</sub>	-	160	-	mA	Note 1
LED voltage	V <sub>LED</sub>	-	9.9	-	V	
LED Life Time	-	10,000	20,000	-	Hr	Note 2

Note 1: There are 8Groups LED shown as below, Vled=9.9V, Iled=160mA



Note 2 : Brightness to be decreased to 50% of the initial value.

### 5.3 TFT-LCD current consumption

Parameter	Symbol	Rating			Unit	Condition
		Min.	Typ.	Max		
LCD power current	I <sub>CC</sub>	--	200	260	mA	black pattern
LED power current	I <sub>LED</sub>	--	160	200	mA	

HANTRONIX, INC.  
10080 BUBB RD.  
CUPERTINO, CA 95014

Q.A.:  
Z.W.

REV.:  
1.0

HDA700LT-2S

SHEET 3 OF 13

DATE:  
5/18/12

## 6. AC CHARACTERISTICS

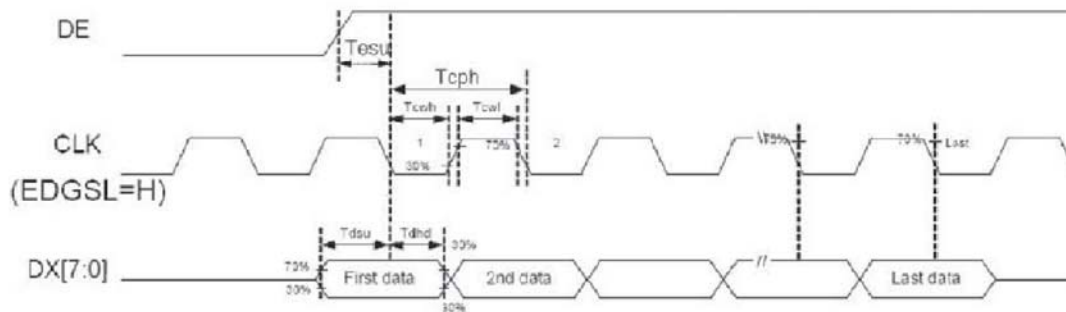
### 6.1 AC Electrical CHARACTERISTICS

Parameter	Symbol	Rating			Unit
		Min.	Typ.	Max	
Data setup time	T <sub>dsu</sub>	6	-	-	ns
Data hold time	T <sub>dhd</sub>	6	-	-	ns
DE setup time	T <sub>esu</sub>	6	-	-	ns
CLK frequency	F <sub>CPH</sub>	29.40	33.26	42.48	MHz
CLK period	T <sub>CPH</sub>	23.54	30.06	34.01	ns
CLK pulse duty	T <sub>CWH</sub>	40	50	60	%
CLK pulse duty	T <sub>CWL</sub>	40	50	60	%
DE period	T <sub>DEH+TDEL</sub>	1000	1056	1200	T <sub>CPH</sub>
DE pulse width	T <sub>DEH</sub>	-	800	-	T <sub>CPH</sub>
DE frame blanking	T <sub>DEB</sub>	10	45	110	T <sub>DEH+TDEL</sub>
DE frame width	T <sub>DE</sub>	-	480	-	T <sub>DEH+TDEL</sub>

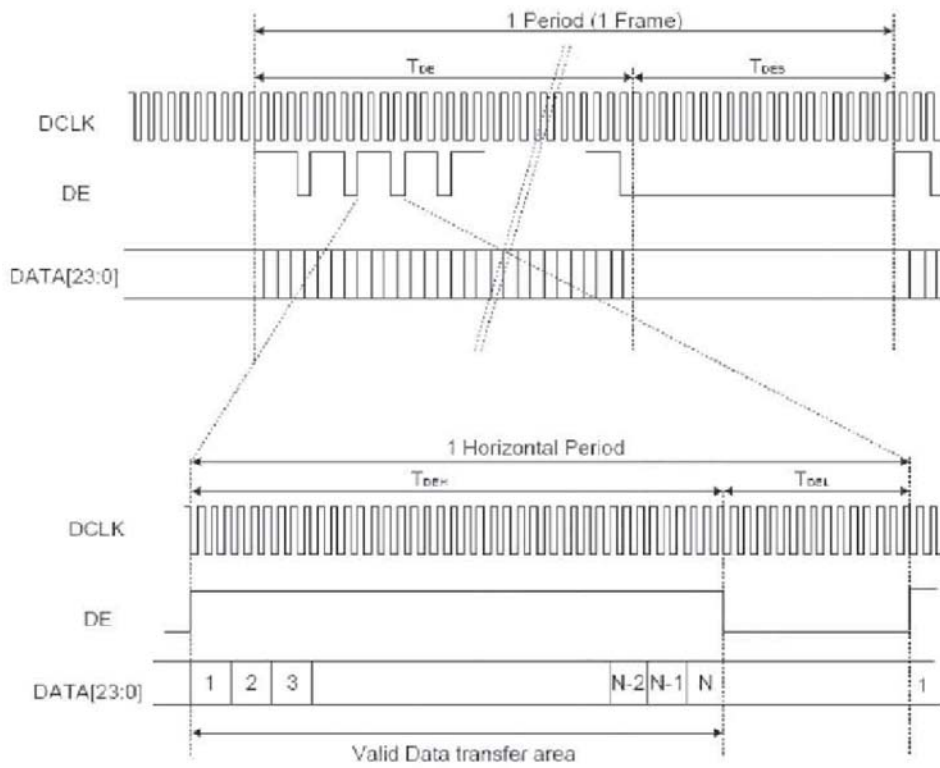
Note We suggest using the typical value, so it can have better performance.

### 6.2 Timing Controller Timing Chart

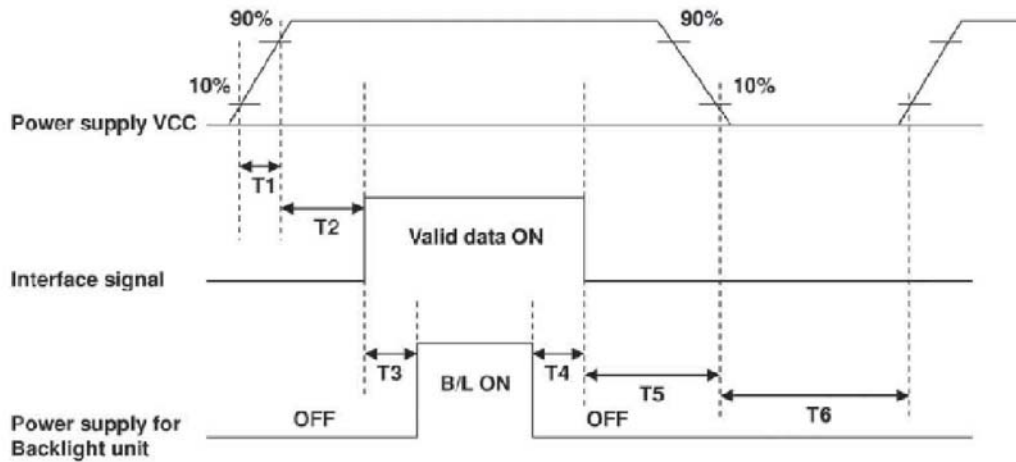
#### Clock and Data input waveforms



### 6.3 Data input format



## 6.4 Power ON/OFF sequence



Parameter	SPEC.			Unit
	Min.	Typ.	Max.	
T1	1		2	ms
T2	0	60		ms
T3	200			ms
T4	200			ms
T5	1			ms
T6	1000			ms

## 7. OPTICAL CHARACTERISTIC

Item	Symbol	Condition	Min.	Typ.	Max.	Unit	Remark
Brightness	-	Viewing normal angle $\theta = \phi = 0$	-	280	-	cd/m <sup>2</sup>	Center of display
Response time	Tr		-	5	10	ms	Note 3, 5
	Tf		-	11	16	ms	
Contrast ratio	CR			250	400	-	-
Color Chromaticity	White	Wx	0.249	0.299	0.349	-	Note 2, 6, 7
		Wy	0.278	0.328	0.378		
Viewing angle	Hor	$\theta R$	60	70	-	Deg.	Note 1
		$\theta L$	60	70	-		
	Ver	$\phi I$	50	60	-		
		$\phi B$	60	70	-		

HANTRONIX, INC.  
10080 BUBB RD.  
CUPERTINO, CA 95014

Q.A.:  
Z.W.

REV.:  
1.0

HDA700LT-2S

SHEET 6 OF 13

DATE:  
5/18/12

Note 1: Definition of viewing angle range

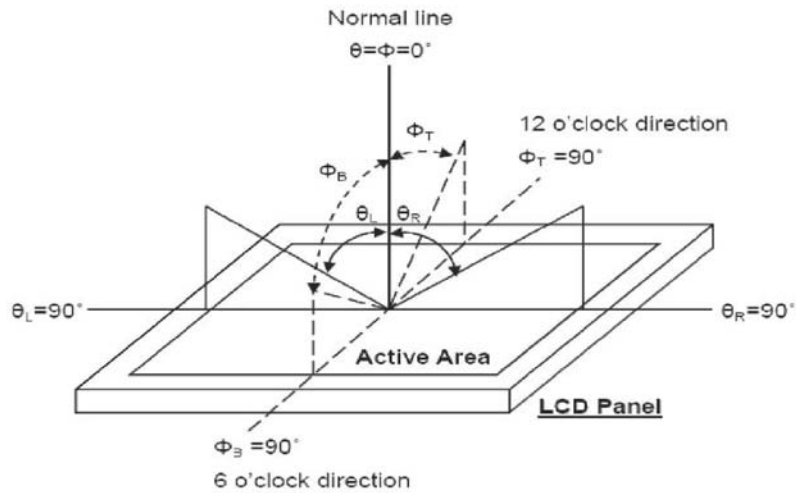


Fig. 7-1 Definition of viewing angle

Note 2: Test equipment setup:

After stabilizing and leaving the panel alone at a driven temperature for 10 minutes, the measurement should be executed. Measurement should be executed in a stable, windless, and dark room. Optical specifications are measured by Topcon BM-7 luminance meter 1.0° field of view at a distance of 50cm and normal direction.

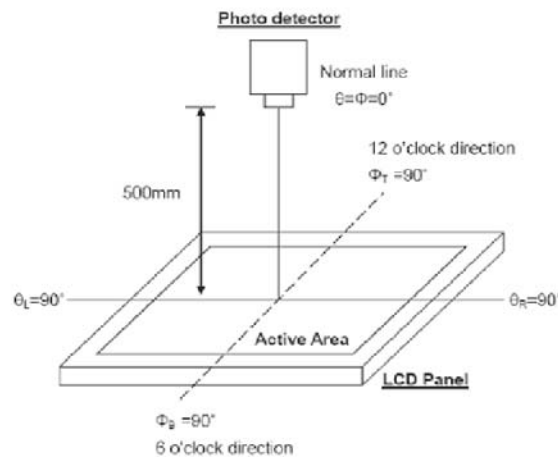


Fig.7-2 Optical measurement system setup

Note 3: Definition of Response time:

The response time is defined as the LCD optical switching time interval between "White state and "Black" state.

Rise time,  $T_r$ , is the time between photo detector output intensity changed from 90% to 10%. And fall time,  $T_f$ , is the

HANTRONIX, INC. 10080 BUBB RD. CUPERTINO, CA 95014	Q.A.:	REV.:	HDA700LT-2S	SHEET 7 OF 13
	Z.W.	1.0		DATE: 5/18/12

time between photo detector output Intensity changed from 10% to 90%

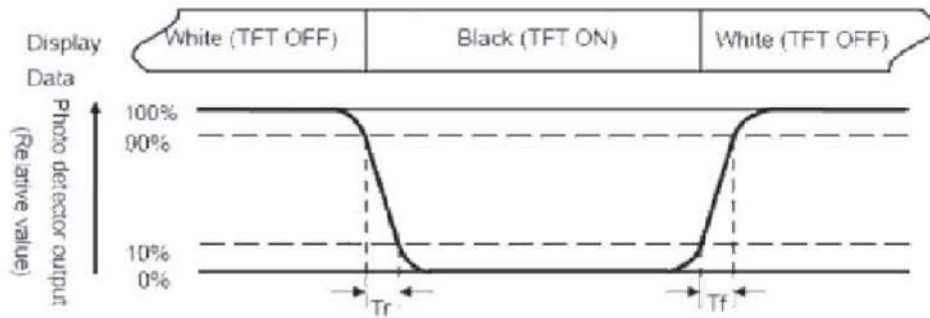


Fig. 7-3 Definition of response time

Note 4: Definition of contrast ratio:

The contrast ratio is defined as the following expression.

Contrast ratio (CR)=

$$\frac{\text{Luminance measured when LCD on the "White" state}}{\text{Luminance measured when LCD on the "Black" state}}$$

Note 5: White  $V_i = V_{i50} \pm 1.5V$

Black  $V_i = V_{i50} \pm 2.0V$

"±" means that the analog input signal swings in phase with VCOM signal.

"±" means that the analog input signal swings out of phase with VCOM signal.

The 100% transmission is defined as the transmission of LCD panel when all the input terminals of module are electrically opened.

Note 6: Definition of color chromaticity (CIE 1931)

Color coordinates measured at the center point of LCD

Note 7: Measured at the center area of the panel when all the input terminals of LCD panel are electrically opened.

Note 8 : Uniformity (U) =  $\frac{\text{Brightness (min)}}{\text{Brightness (max)}} \times 100\%$  Brightness (max)

HANTRONIX, INC. 10080 BUBB RD. CUPERTINO, CA 95014	Q.A.:	REV.:	HDA700LT-2S	SHEET 8 OF 13
	Z.W.	1.0		DATE: 5/18/12



## 8. INTERFACE

### 8.1 LCM PIN Definition

Pin No.	Symbol	Description	Remark
1	GND	Power Ground	
2	GND	Power Ground	
3	NC	Not Connect	
4	Vcc	Power Supply for Digital Circuit	
5	Vcc	Power Supply for Digital Circuit	
6	Vcc	Power Supply for Digital Circuit	
7	Vcc	Power Supply for Digital Circuit	
8	NC	Not Connect	
9	DE	Data Enable	
10	GND	Power Ground	
11	GND	Power Ground	
12	GND	Power Ground	
13	B5	Blue Data 5 (MSB)	
14	B4	Blue Data 4	
15	B3	Blue Data 3	
16	GND	Power Ground	
17	B2	Blue Data 2	
18	B1	Blue Data 1	
19	B0	Blue Data 0 (LSB)	
20	GND	Power Ground	
21	G5	Green Data 5 (MSB)	
22	G4	Green Data 4	
23	G3	Green Data 3	
24	GND	Power Ground	
25	G2	Green Data 2	
26	G1	Green Data 1	
27	G0	Green Data 0 (LSB)	
28	GND	Power Ground	
29	R5	Red Data 5 (MSB)	
30	R4	Red Data 4	
31	R3	Red Data 3	
32	GND	Power Ground	
33	R2	Red Data 2	
34	R1	Red Data 1	
35	R0	Red Data 0 (LSB)	
36	GND	Power Ground	
37	GND	Power Ground	
38	DCLK	Clock Signals ; Latch Data at the Falling Edge	
39	GND	Power Ground	
40	GND	Power Ground	

HANTRONIX, INC.  
10080 BUBB RD.  
CUPERTINO, CA 95014

Q.A.:  
Z.W.

REV.:  
1.0

**HDA700LT-2S**

SHEET 9 OF 13

DATE: 5/18/12

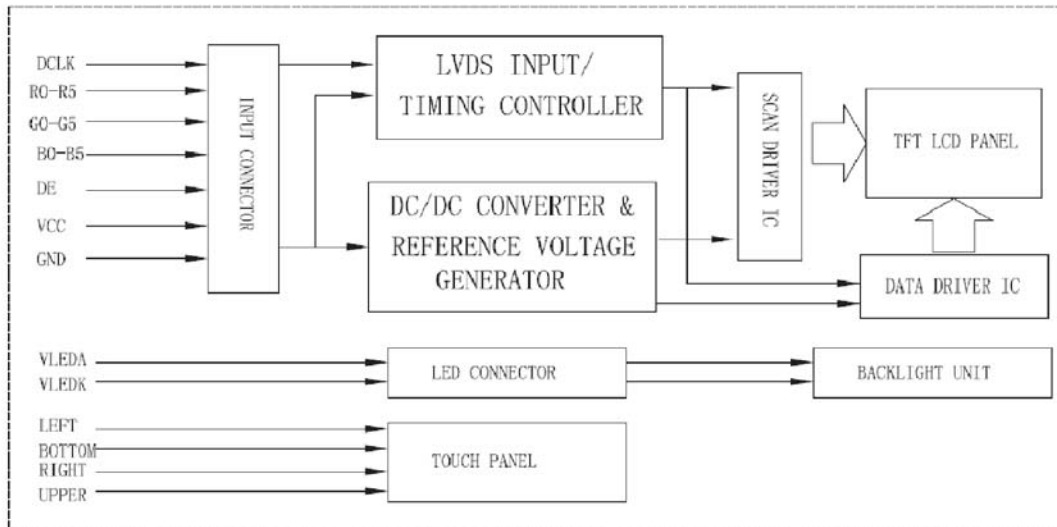
**T/P**

Pin No.	Symbol	Description	Remark
1	LEFT	The pin of the touch panel	
2	BOTTOM	The pin of the touch panel	
3	RIGHT	The pin of the touch panel	
4	UPPER	The pin of the touch panel	

**8.2 Backlight Driving Part**

Pin No.	Symbol	Description
1	VLEDA	Red, LED Anode
2	VLEDK	White, LED Cathode

**9. BLOCK DIAGRAM**



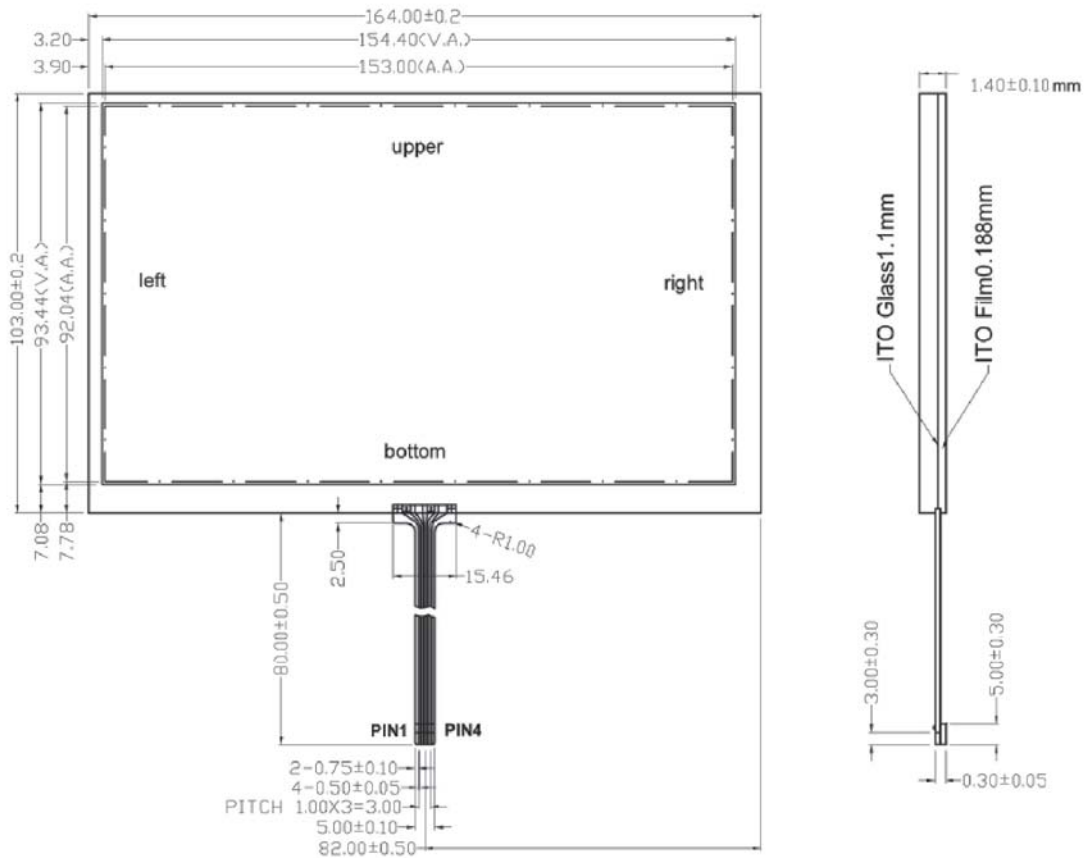
## 10. QUALITY ASSURANCE

No.	Test Items	Test Condition
1	High Temperature Storage Test	Ta=80°C Dry 240h
2	LOW Temperature Storage Test	Ta=-30°C Dry 240h
3	High Temperature Operation Test	Ta=70°C Dry 240h
4	LOW Temperature Operation Test	Ta=-20°C Dry 240h
5	High Temperature and High Humidity Operation Test	Ta=60°C 90%RH 240h
6	Electro Static Discharge Test	150pF,330Ω,±8KV(Contact)/±15KV(Air),5points/panel, 5 times/point
7	Shock Test(non-operating)	Half sine wave,180G,2ms one shock of each six faces I.e.run 180G 2ms for all six faces
8	Vibration Test(non-operating)	Sine wave,10~500~10Hz 1.5G,0.37oct/min 3axis,1hour/axis
9	Thermat Shock Test	-20°C(0.5h)~70°C(0.5h)/100 cycles(Dry)

\*\*\*\*Ta=Ambient Temperature

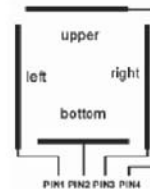
HANTRONIX, INC. 10080 BUBB RD. CUPERTINO, CA 95014	Q.A.:	REV.:	HDA700LT-2S	SHEET 11 OF 13
	Z.W.	1.0		DATE: 5/18/12

## 12. TOUCH PANEL RAWING



### NOTE:

1. Driving condition: DC5V;
2. Operation force: 60~100g;
3. Linearity  $\leq \pm 1.5\%$ ; Insulation resistance  $> 10M \Omega$ , 25V(DC);
4. Operating environment:  $-20^{\circ}\text{C} \sim +70^{\circ}\text{C}$ ,  $\leq 80\% \text{RH}$ ;
5. Storage environment:  $-30^{\circ}\text{C} \sim +80^{\circ}\text{C}$ ,  $< 80\% \text{RH}$ ;
6. Light transparency:  $> 75\%$ ;
7. Structure type: ITO Film/ITO Glass(F/G);
8. Connector type: FPC connect;
9. ITO Film type: Anti-glare hard coating and anti-newton ring ;
10. Tapping durability: 1,000,000 times;
11. Bound time:  $< 10\text{ms}$ ;
12. Compliant ROHS.



HANTRONIX, INC.  
10080 BUBB RD.  
CUPERTINO, CA 95014

Q.A.:  
Z.W.

REV.:  
1.0

HDA700LT-2S

SHEET 12 OF 13

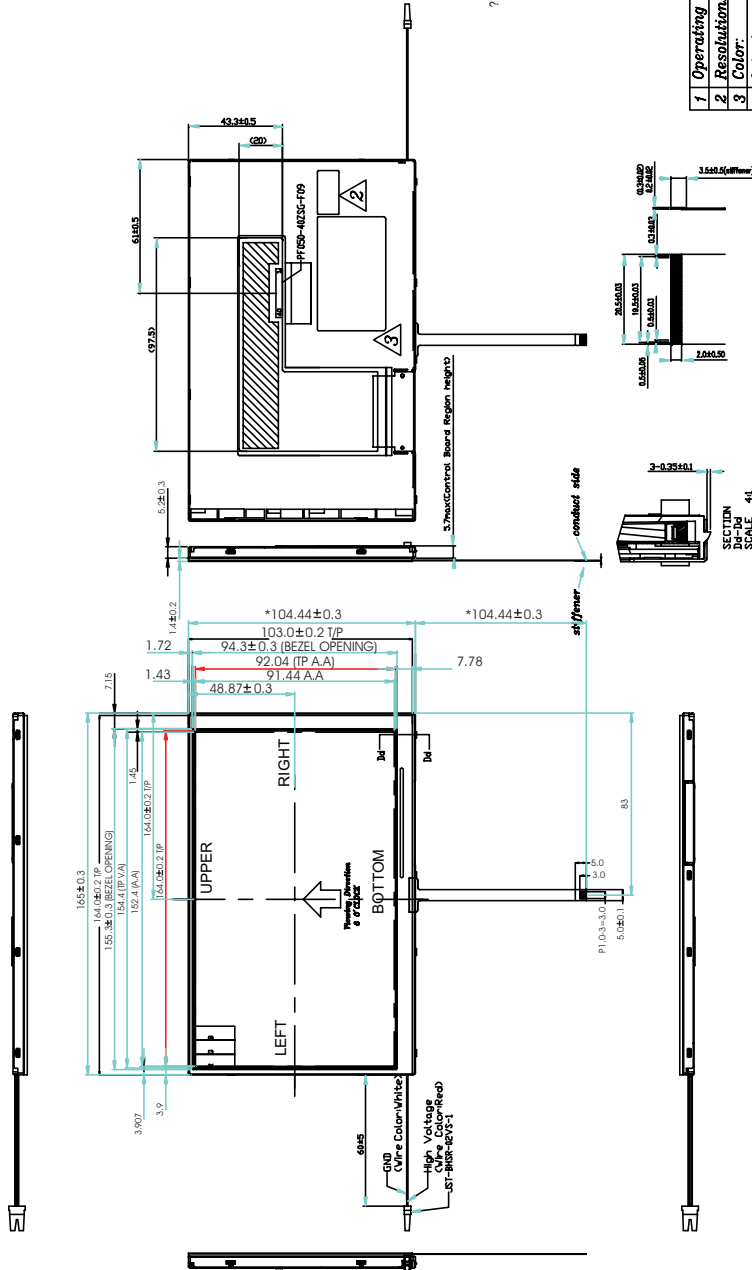
DATE:  
5/18/12

Pin	Symbol	Pin	Symbol
1	GND	21	G5
2	GND	22	G4
3	NC	23	G3
4	VCC	24	GND
5	VCC	25	G2
6	VCC	26	G1
7	VCC	27	G0
8	NC	28	GND
9	DE	29	R5
10	GND	30	R4
11	GND	31	R3
12	GND	32	GND
13	R5	33	R2
14	R4	34	R1
15	R3	35	R0
16	GND	36	GND
17	R2	37	GND
18	R1	38	DC1A
19	R0	39	GND
20	GND	40	GND

???	???	???	???
???	???	???	???
???	???	???	???

???	???
1	LEFT
2	BOTTOM
3	RIGHT
4	UPPER

1	Operating Voltage:	Vcc=3V typ.
2	Resolution:	800RGB*480
3	Color:	262K
4	Interface:	RGB
5	Display type:	Transmissive
6	Viewing Direction:	**12:00
7	Operating Temp.:	-20°C~70°C
8	Storage Temp.:	-30°C~80°C
9	Driver IC:	HX8262*2, HX8678*1
10	Unspecified tolerance:	±0.2



HANTRONIX, INC.  
10080 BUBB RD.  
CUPERTINO, CA 95014

Q.A.: Z.W.  
REV.: 1.0

HDA700LT-2S

SHEET 13 OF 13  
DATE: 5/18/12



Компания «ЭлектроПласт» предлагает заключение долгосрочных отношений при поставках импортных электронных компонентов на взаимовыгодных условиях!

Наши преимущества:

- Оперативные поставки широкого спектра электронных компонентов отечественного и импортного производства напрямую от производителей и с крупнейших мировых складов;
- Поставка более 17-ти миллионов наименований электронных компонентов;
- Поставка сложных, дефицитных, либо снятых с производства позиций;
- Оперативные сроки поставки под заказ (от 5 рабочих дней);
- Экспресс доставка в любую точку России;
- Техническая поддержка проекта, помощь в подборе аналогов, поставка прототипов;
- Система менеджмента качества сертифицирована по Международному стандарту ISO 9001;
- Лицензия ФСБ на осуществление работ с использованием сведений, составляющих государственную тайну;
- Поставка специализированных компонентов (Xilinx, Altera, Analog Devices, Intersil, Interpoint, Microsemi, Aeroflex, Peregrine, Syfer, Eurofarad, Texas Instrument, Miteq, Cobham, E2V, MA-COM, Hittite, Mini-Circuits, General Dynamics и др.);

Помимо этого, одним из направлений компании «ЭлектроПласт» является направление «Источники питания». Мы предлагаем Вам помощь Конструкторского отдела:

- Подбор оптимального решения, техническое обоснование при выборе компонента;
- Подбор аналогов;
- Консультации по применению компонента;
- Поставка образцов и прототипов;
- Техническая поддержка проекта;
- Защита от снятия компонента с производства.



#### Как с нами связаться

**Телефон:** 8 (812) 309 58 32 (многоканальный)

**Факс:** 8 (812) 320-02-42

**Электронная почта:** [org@eplast1.ru](mailto:org@eplast1.ru)

**Адрес:** 198099, г. Санкт-Петербург, ул. Калинина, дом 2, корпус 4, литера А.