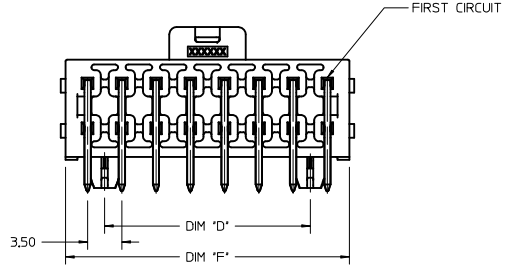
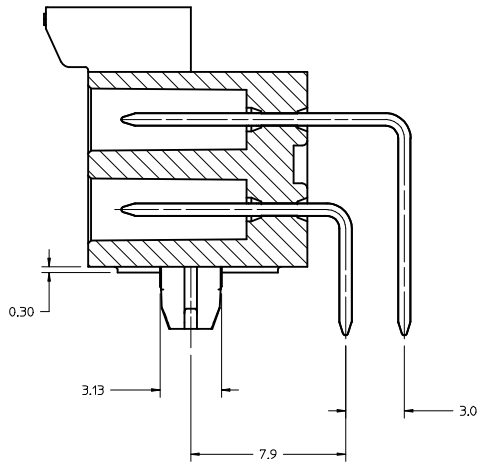
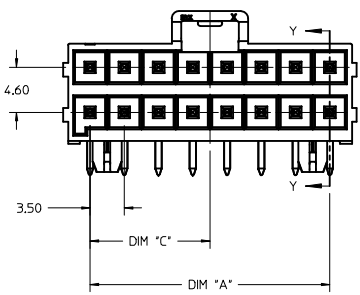
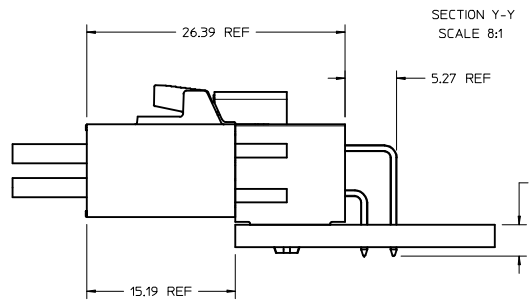


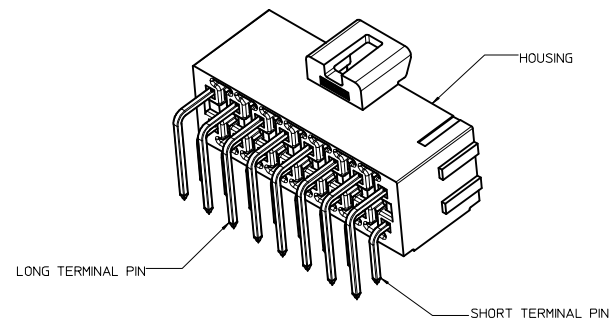
FIRST CIRCUIT MARK
(NOT SHOWING ON 4
AND 6 CIRCUITS SERIES)



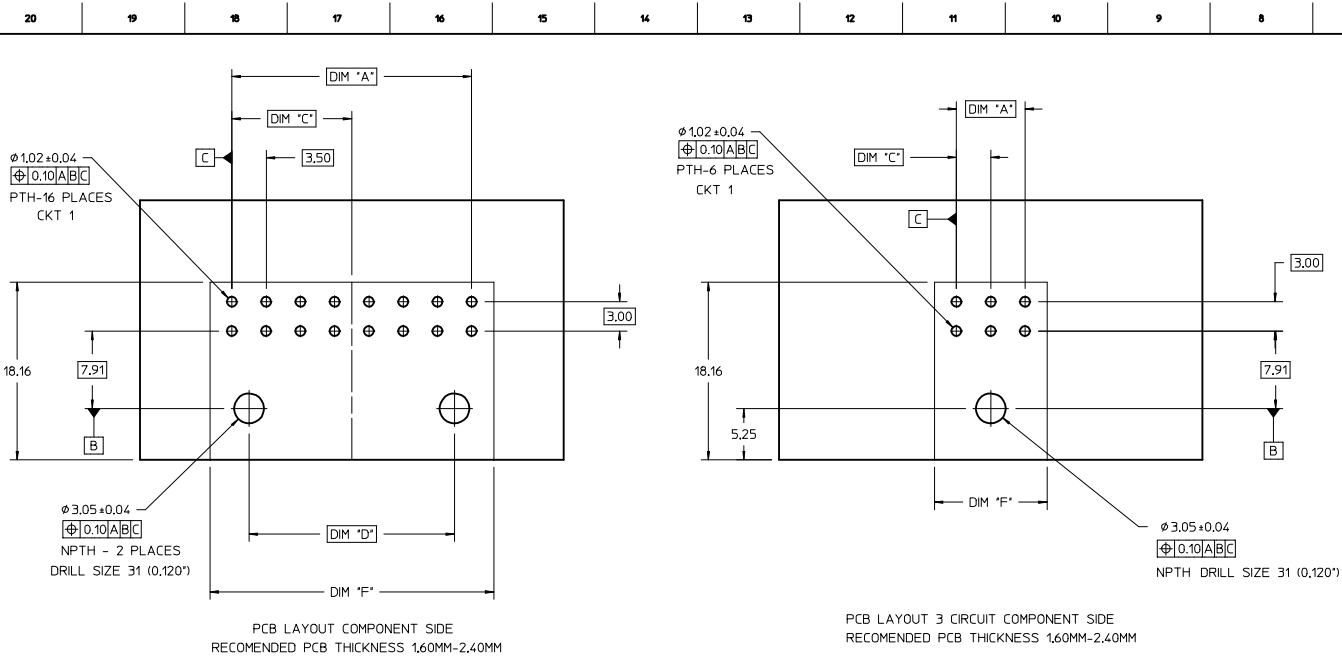
- NOTES:
- MATERIAL :
HOUSING
OPTION 1: LCP E130i BLACK
OPTION 2: LCP E130i NATURAL
TERMINAL: COPPER ALLOY
 - PLATING FINISH:
OPTION 1 - 1.5µm(60µin)-2.5µm(100µin) TIN OVER
1.25µm(50µin)-2.5µm(100µin) NICKEL OVERALL
OPTION 2 - 0.35µm(15µin) GOLD CONTACT AREA,
1.5µm(60µin)-2.5µm(100µin) TIN TAIL AREA OVER
1.25µm(50µin)-2.5µm(100µin) NICKEL OVERALL
OPTION 3 - 0.70µm(30µin) GOLD CONTACT AREA,
1.5µm(60µin)-2.5µm(100µin) TIN TAIL AREA OVER
1.25µm(50µin)-2.5µm(100µin) NICKEL OVERALL
 - PARTS TO BE PACKAGED PER PK-172316-9001
 - PRODUCT SPECIFICATION PS-172323-0001
 - PART MATES WITH MOLEX RECEPTACLE HOUSING
172258 AND 172262
 - PART CONFORMS TO CLASS 'C' REQUIREMENTS OF SPECIFICATION
PS-45499-002 WITH 0.13 MM MAXIMUM FLASH ALLOWED IN CORE
HOLES AND FRONT SURFACE.
 - DISCOLORATION IN THE BANDOLIER AREA OF THE PIN IS
INHERENT TO THE PLATING PROCESS AND IS DUE TO THE MASKING
EFFECT OF THE CARRIER. THIS DISCOLORATION IS IN A NON-FUNCTIONAL
AREA OF THE PIN AND WILL NOT AFFECT THE PERFORMANCE OF THE
HEADER ASSEMBLY.
 - ASSEMBLY SPECIFICATION: AS-172323-0001



SECTION Y-Y
SCALE 8:1

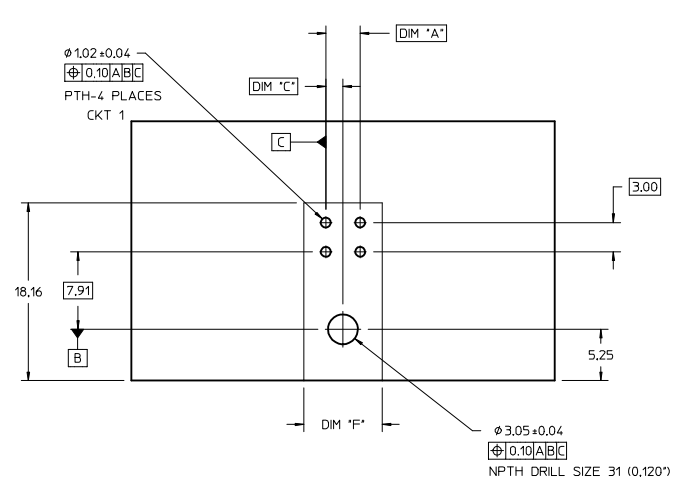


| | | | | | | |
|---|-----------------|--|---------------------|-------|---|------------------------|
| X RELEASE IEC NO: UCP2015-4103 DRAWN BY: DRWN:DRSCA CHKD: CHYD: APPR:RHODGE DATE: 2015/04/14 DATE: 2015/04/15 | QUALITY SYMBOLS | GENERAL TOLERANCES (UNLESS SPECIFIED) | DIMENSION STYLE | SCALE | DESIGN UNITS | THIRD ANGLE PROJECTION |
| | ▽=0 | 4 PLACES ± mm | MM ONLY | 4:1 | METRIC | ☉ |
| | ▽=0 | 3 PLACES ± 0.25 | | | | |
| | ▽=0 | 1 PLACE ± 0.5 | | | | |
| | | ANGULAR ±1/2° | DRAWN BY DATE | | TITLE | |
| | | DRAFT WHERE APPLICABLE MUST REMAIN WITHIN DIMENSIONS | DROSCA 2014/03/06 | | ULTRA-FIT R/A HEADER 4-16 CKTS DUAL ROW | |
| | | | CHECKED BY DATE | | molex | |
| | | | APPROVED BY DATE | | DOCUMENT NO. | |
| | | | JCOMERCI 2014/04/24 | | SD-172316-1000 | |
| | | | MATERIAL NO. | | SHEET NO. | |
| | | | SEE CHART | | 1 OF 3 | |
| | | | SIZE D | | THIS DRAWING CONTAINS INFORMATION THAT IS PROPRIETARY TO MOLEX INCORPORATED AND SHOULD NOT BE USED WITHOUT WRITTEN PERMISSION | |



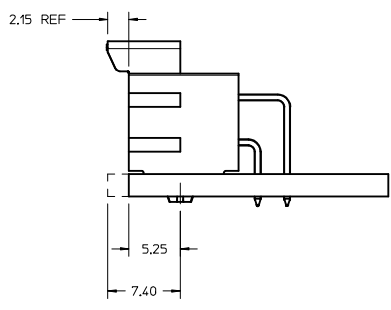
PCB LAYOUT COMPONENT SIDE
RECOMMENDED PCB THICKNESS 1.60MM-2.40MM

PCB LAYOUT 3 CIRCUIT COMPONENT SIDE
RECOMMENDED PCB THICKNESS 1.60MM-2.40MM



PCB LAYOUT 2 CIRCUIT COMPONENT SIDE
RECOMMENDED PCB THICKNESS 1.60MM-2.40MM

NOTE: DATUM -A- IS ON COMPONENT SIDE PCB



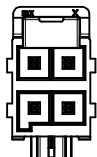
OPTION 1: LATCH FLUSH WITH PCB EDGE
OPTION 2: HOUSING BODY FLUSH WITH PCB EDGE

| TIN PLATING | | | | | | | |
|-------------|---------|--------------|------------|-------|-------|-------|-------|
| PART NO. | COLOR | CIRCUIT SIZE | KEY OPTION | DIM A | DIM F | DIM C | DIM D |
| 172316-1104 | BLACK | 4 | KEY A | 3.50 | 8.00 | 1.75 | 0.00 |
| 172316-1106 | BLACK | 6 | KEY A | 7.00 | 11.50 | 3.50 | 0.00 |
| 172316-1108 | BLACK | 8 | KEY A | 10.50 | 15.00 | 5.25 | 7.00 |
| 172316-1110 | BLACK | 10 | KEY A | 14.00 | 18.50 | 7.00 | 10.50 |
| 172316-1112 | BLACK | 12 | KEY A | 17.50 | 22.00 | 8.75 | 14.00 |
| 172316-1114 | BLACK | 14 | KEY A | 21.00 | 25.50 | 10.50 | 17.50 |
| 172316-1116 | BLACK | 16 | KEY A | 24.50 | 29.00 | 12.25 | 21.00 |
| 172316-2104 | NATURAL | 4 | KEY B | 3.50 | 8.00 | 1.75 | 0.00 |
| 172316-2106 | NATURAL | 6 | KEY B | 7.00 | 11.50 | 3.50 | 0.00 |
| 172316-2108 | NATURAL | 8 | KEY B | 10.50 | 15.00 | 5.25 | 7.00 |
| 172316-2110 | NATURAL | 10 | KEY B | 14.00 | 18.50 | 7.00 | 10.50 |
| 172316-2112 | NATURAL | 12 | KEY B | 17.50 | 22.00 | 8.75 | 14.00 |
| 172316-2114 | NATURAL | 14 | KEY B | 21.00 | 25.50 | 10.50 | 17.50 |
| 172316-2116 | NATURAL | 16 | KEY B | 24.50 | 29.00 | 12.25 | 21.00 |

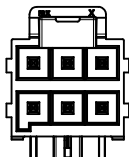
| 15 MICROINCH GOLD PLATING | | | | | | | |
|---------------------------|---------|--------------|------------|-------|-------|-------|-------|
| PART NO. | COLOR | CIRCUIT SIZE | KEY OPTION | DIM A | DIM F | DIM C | DIM D |
| 172316-1204 | BLACK | 4 | KEY A | 3.50 | 8.00 | 1.75 | 0.00 |
| 172316-1206 | BLACK | 6 | KEY A | 7.00 | 11.50 | 3.50 | 0.00 |
| 172316-1208 | BLACK | 8 | KEY A | 10.50 | 15.00 | 5.25 | 7.00 |
| 172316-1210 | BLACK | 10 | KEY A | 14.00 | 18.50 | 7.00 | 10.50 |
| 172316-1212 | BLACK | 12 | KEY A | 17.50 | 22.00 | 8.75 | 14.00 |
| 172316-1214 | BLACK | 14 | KEY A | 21.00 | 25.50 | 10.50 | 17.50 |
| 172316-1216 | BLACK | 16 | KEY A | 24.50 | 29.00 | 12.25 | 21.00 |
| 172316-2204 | NATURAL | 4 | KEY B | 3.50 | 8.00 | 1.75 | 0.00 |
| 172316-2206 | NATURAL | 6 | KEY B | 7.00 | 11.50 | 3.50 | 0.00 |
| 172316-2208 | NATURAL | 8 | KEY B | 10.50 | 15.00 | 5.25 | 7.00 |
| 172316-2210 | NATURAL | 10 | KEY B | 14.00 | 18.50 | 7.00 | 10.50 |
| 172316-2212 | NATURAL | 12 | KEY B | 17.50 | 22.00 | 8.75 | 14.00 |
| 172316-2214 | NATURAL | 14 | KEY B | 21.00 | 25.50 | 10.50 | 17.50 |
| 172316-2216 | NATURAL | 16 | KEY B | 24.50 | 29.00 | 12.25 | 21.00 |

| 30 MICROINCH GOLD PLATING | | | | | | | |
|---------------------------|---------|--------------|------------|-------|-------|-------|-------|
| PART NO. | COLOR | CIRCUIT SIZE | KEY OPTION | DIM A | DIM F | DIM C | DIM D |
| 172316-1304 | BLACK | 4 | KEY A | 3.50 | 8.00 | 1.75 | 0.00 |
| 172316-1306 | BLACK | 6 | KEY A | 7.00 | 11.50 | 3.50 | 0.00 |
| 172316-1308 | BLACK | 8 | KEY A | 10.50 | 15.00 | 5.25 | 7.00 |
| 172316-1310 | BLACK | 10 | KEY A | 14.00 | 18.50 | 7.00 | 10.50 |
| 172316-1312 | BLACK | 12 | KEY A | 17.50 | 22.00 | 8.75 | 14.00 |
| 172316-1314 | BLACK | 14 | KEY A | 21.00 | 25.50 | 10.50 | 17.50 |
| 172316-1316 | BLACK | 16 | KEY A | 24.50 | 29.00 | 12.25 | 21.00 |
| 172316-2304 | NATURAL | 4 | KEY B | 3.50 | 8.00 | 1.75 | 0.00 |
| 172316-2306 | NATURAL | 6 | KEY B | 7.00 | 11.50 | 3.50 | 0.00 |
| 172316-2308 | NATURAL | 8 | KEY B | 10.50 | 15.00 | 5.25 | 7.00 |
| 172316-2310 | NATURAL | 10 | KEY B | 14.00 | 18.50 | 7.00 | 10.50 |
| 172316-2312 | NATURAL | 12 | KEY B | 17.50 | 22.00 | 8.75 | 14.00 |
| 172316-2314 | NATURAL | 14 | KEY B | 21.00 | 25.50 | 10.50 | 17.50 |
| 172316-2316 | NATURAL | 16 | KEY B | 24.50 | 29.00 | 12.25 | 21.00 |

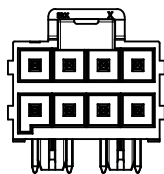
| SEE PAGE 1 IEC NO: UCP2015-4103 DRAWN BY: DROSCHA CHKD: APPR: RHODGE DATE: 2015/04/14 DATE: 2015/04/15 | QUALITY SYMBOLS ▽=0 ▽=0 ▽=0 | GENERAL TOLERANCES (UNLESS SPECIFIED) <table border="1"> <tr><th></th><th>mm</th><th>INCH</th></tr> <tr><td>4 PLACES</td><td>±---</td><td>±---</td></tr> <tr><td>3 PLACES</td><td>±---</td><td>±---</td></tr> <tr><td>2 PLACES</td><td>±0.25</td><td>±---</td></tr> <tr><td>1 PLACE</td><td>±0.5</td><td>±---</td></tr> <tr><td>0 PLACE</td><td>±---</td><td>±---</td></tr> </table> | | mm | INCH | 4 PLACES | ±--- | ±--- | 3 PLACES | ±--- | ±--- | 2 PLACES | ±0.25 | ±--- | 1 PLACE | ±0.5 | ±--- | 0 PLACE | ±--- | ±--- | DIMENSION STYLE MM ONLY | SCALE 4:1 | DESIGN UNITS METRIC | THIRD ANGLE PROJECTION |
|--|--|--|--|--|--|-----------------------------------|------|------|----------|------|------|----------|-------|------|---------|------|------|---------|------|------|--|----------------------------|--------------------------------------|-------------------------------|
| | | mm | INCH | | | | | | | | | | | | | | | | | | | | | |
| | 4 PLACES | ±--- | ±--- | | | | | | | | | | | | | | | | | | | | | |
| | 3 PLACES | ±--- | ±--- | | | | | | | | | | | | | | | | | | | | | |
| 2 PLACES | ±0.25 | ±--- | | | | | | | | | | | | | | | | | | | | | | |
| 1 PLACE | ±0.5 | ±--- | | | | | | | | | | | | | | | | | | | | | | |
| 0 PLACE | ±--- | ±--- | | | | | | | | | | | | | | | | | | | | | | |
| APPROVED BY JCOMERCI DATE: 2014/04/24 | DRAWN BY DROSCHA DATE: 2014/03/06 | CHECKED BY DATE: | TITLE ULTRA-FIT R/A HEADER 4-16 CKTS DUAL ROW | MATERIAL NO. SEE PAGE 1 | DOCUMENT NO. SD-172316-1000 | SHEET NO. 2 OF 3 | | | | | | | | | | | | | | | | | | |
| THIS DRAWING CONTAINS INFORMATION THAT IS PROPRIETARY TO MOLEX INCORPORATED AND SHOULD NOT BE USED WITHOUT WRITTEN PERMISSION | | | | | | | | | | | | | | | | | | | | | | | | |
| ANGULAR ±1/2° DRAFT WHERE APPLICABLE MUST REMAIN WITHIN DIMENSIONS | | | | | | | | | | | | | | | | | | | | | | | | |



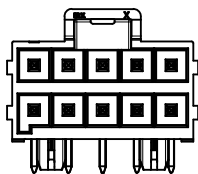
4 CKT



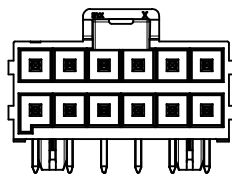
6 CKT



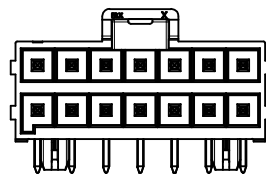
8 CKT



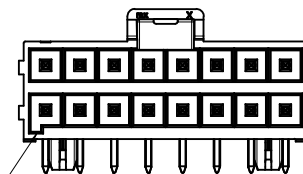
10 CKT



12 CKT

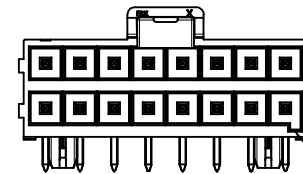


14 CKT



16 CKT

KEY A
(BLACK)



KEY B
(NATURAL)

| | | | | | | | |
|---|-----------------|---|---|---|---|------------------------|--|
| SEE PAGE 1 IEC NO: UCF2015-4103 DRAWN BY: DROSCA 2015/04/14 CHKD: CHYK APPR: RHODGE 2015/04/15 REV DESCRIPTION | QUALITY SYMBOLS | GENERAL TOLERANCES (UNLESS SPECIFIED) | DIMENSION STYLE | SCALE | DESIGN UNITS | THIRD ANGLE PROJECTION | |
| | ▽=0 | mm INCH | MM ONLY | 4:1 | METRIC | | |
| | ▽=0 | 4 PLACES ± --- ± --- 3 PLACES ± --- ± --- 2 PLACES ± 0.25 ± --- 1 PLACE ± 0.5 ± --- 0 PLACE ± --- ± --- | DRAWN BY DATE DROSCA 2014/03/06 | CHECKED BY DATE | TITLE ULTRA-FIT R/A HEADER 4-16 CKTS DUAL ROW | | |
| | ▽=0 | ANGULAR ±1/2° DRAFT WHERE APPLICABLE MUST REMAIN WITHIN DIMENSIONS | APPROVED BY DATE JCOMERCI 2014/04/24 | MATERIAL NO. | DOCUMENT NO. SD-172316-1000 | | |
| | | | SIZE D | THIS DRAWING CONTAINS INFORMATION THAT IS PROPRIETARY TO MOLEX INCORPORATED AND SHOULD NOT BE USED WITHOUT WRITTEN PERMISSION | | | |
| | | | | | | SHEET NO. 3 OF 3 | |



Компания «ЭлектроПласт» предлагает заключение долгосрочных отношений при поставках импортных электронных компонентов на взаимовыгодных условиях!

Наши преимущества:

- Оперативные поставки широкого спектра электронных компонентов отечественного и импортного производства напрямую от производителей и с крупнейших мировых складов;
- Поставка более 17-ти миллионов наименований электронных компонентов;
- Поставка сложных, дефицитных, либо снятых с производства позиций;
- Оперативные сроки поставки под заказ (от 5 рабочих дней);
- Экспресс доставка в любую точку России;
- Техническая поддержка проекта, помощь в подборе аналогов, поставка прототипов;
- Система менеджмента качества сертифицирована по Международному стандарту ISO 9001;
- Лицензия ФСБ на осуществление работ с использованием сведений, составляющих государственную тайну;
- Поставка специализированных компонентов (Xilinx, Altera, Analog Devices, Intersil, Interpoint, Microsemi, Aeroflex, Peregrine, Syfer, Eurofarad, Texas Instrument, Miteq, Cobham, E2V, MA-COM, Hittite, Mini-Circuits, General Dynamics и др.);

Помимо этого, одним из направлений компании «ЭлектроПласт» является направление «Источники питания». Мы предлагаем Вам помощь Конструкторского отдела:

- Подбор оптимального решения, техническое обоснование при выборе компонента;
- Подбор аналогов;
- Консультации по применению компонента;
- Поставка образцов и прототипов;
- Техническая поддержка проекта;
- Защита от снятия компонента с производства.



Как с нами связаться

Телефон: 8 (812) 309 58 32 (многоканальный)

Факс: 8 (812) 320-02-42

Электронная почта: org@eplast1.ru

Адрес: 198099, г. Санкт-Петербург, ул. Калинина, дом 2, корпус 4, литера А.