

# VSC8491

## WAN/LAN/Backplane RXAUI/XAUI to SFP+/KR 10 GbE SerDes PHY with VeriTime™ and MACsec

Microsemi's 10G/1G SerDes PHY provides MACsec, IEEE 1588v2, and hardware-based KR support for timing-critical applications, including all industry-standard protocol encapsulations.

The VSC8491 device offers a seamless integration between IEEE 1588v2 and the MACsec engine with no loss of precision. It also includes one serial port routed to one or both of the RXAUI/XAUI interfaces using the integrated crosspoint.

VeriTime™ is Microsemi's patent-pending timing technology that delivers the industry's most accurate IEEE 1588v2 timing implementation. IEEE 1588v2 timing integrated in the PHY is the quickest, lowest cost method of implementing the timing accuracy that is critical to maintaining existing timing-critical capabilities during the migration from TDM to packet-based architectures.

The VSC8491 device supports 1-step and 2-step PTP frames for ordinary clock, boundary clock, and transparent clock applications, along with complete Y.1731 OAM performance monitoring capabilities.

MACsec (IEEE 802.1AE) defines a set of protocols to meet the security requirements for protecting data traversing Ethernet LANs, such as input classification, frame encryption/decryption, and performance and latency monitoring.

The VSC8491 device meets the SFP+ SR/LR/ER/ZR/220MMF host requirements in accordance with the SFF-8431 specifications. It also compensates for optical impairments in SFP+ applications, along with degradations of the PCB. The VSC8491 device provides full KR support, including KR state machine, for autonegotiation and link optimization. The transmit path incorporates a multitap output driver to provide flexibility to meet the demanding 10GBASE-KR (IEEE 802.3ap) Tx output launch requirements.

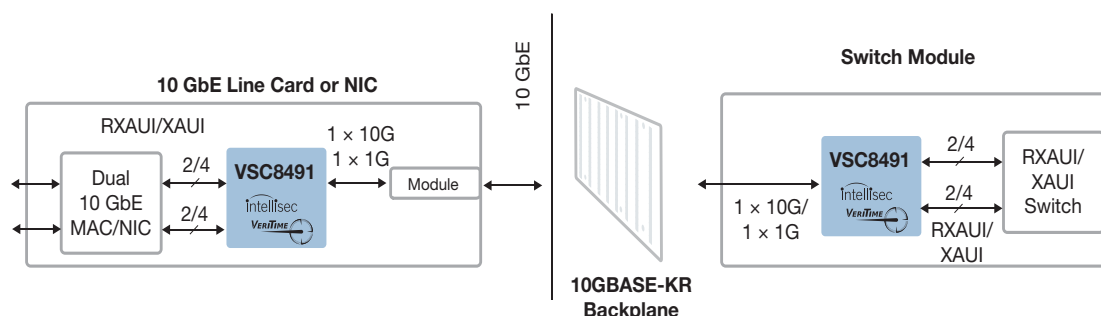
A complete suite of BIST functionality includes line and client loopbacks along with pattern generation and error detection. Highly flexible clocking options support LAN and WAN operation using single 156.25 MHz reference clock rate inputs for seamless Synchronous Ethernet support. The VSC8491 device includes a failover switching capability for protection routing, along with selectable lane ordering.

### Highlights

- IEEE 1588v2 compliant
- 128/256-bit MACsec support
- RXAUI/XAUI support
- SFP+ I/O with KR support
- 1 GbE support

### Applications

- Multiple-port RXAUI/XAUI to
- SFI/ SFP+ line cards or NICs
- 10GBASE-KR compliant backplane transceivers
- Carrier Ethernet networks requiring IEEE 1588v2 timing
- Secure data center-to-data center interconnects
- 10 GbE switch cards, router cards, and NICs



Microsemi makes no warranty, representation, or guarantee regarding the information contained herein or the suitability of its products and services for any particular purpose, nor does Microsemi assume any liability whatsoever arising out of the application or use of any product or circuit. The products sold hereunder and any other products sold by Microsemi have been subject to limited testing and should not be used in conjunction with mission-critical equipment or applications. Any performance specifications are believed to be reliable but are not verified, and Buyer must conduct and complete all performance and other testing of the products, alone and together with, or installed in, any end-products. Buyer shall not rely on any data and performance specifications or parameters provided by Microsemi. It is the Buyer's responsibility to independently determine suitability of any products and to test and verify the same. The information provided by Microsemi hereunder is provided "as is, where is" and with all faults, and the entire risk associated with such information is entirely with the Buyer. Microsemi does not grant, explicitly or implicitly, to any party any patent rights, licenses, or any other IP rights, whether with regard to such information itself or anything described by such information. Information provided in this document is proprietary to Microsemi, and Microsemi reserves the right to make any changes to the information in this document or to any products and services at any time without notice.

# VSC8491

## WAN/LAN/Backplane RXAUI/XAUI to SFP+/KR 10 GbE SerDes PHY with VeriTime™ and MACsec

### Range of Support

- IEEE 1588v2/Y.1731 OAM precision timing support to within 4 ns accuracy at 1.25 Gbps and 10.3 Gbps
- Compliant to IEEE 802.1AE specifications for 128/256-bit MACsec support
- Compliant to IEEE 802.3ae and SFF-8431 electrical (SFI) specifications
- 9.95 Gbps WAN and 10.3 Gbps LAN operation, as well as 1.25 Gbps Ethernet support
- Supports all standard SFP+ applications
- Support for 10GBASE-KR (IEEE 802.3ap) for 10G backplanes, including 1.25 Gbps and 10.3 Gbps auto-negotiation
- Adaptive equalization receiver and programmable, multitap transmitter pre-emphasis
- Synchronous Ethernet support
- MDIO/SPI and two-wire serial slave management interfaces

### Key Specifications

- 1.15 W typical for each bidirectional channel
- 1.2 V and 1.0 V core power supplies (2.5 V TTL supply)

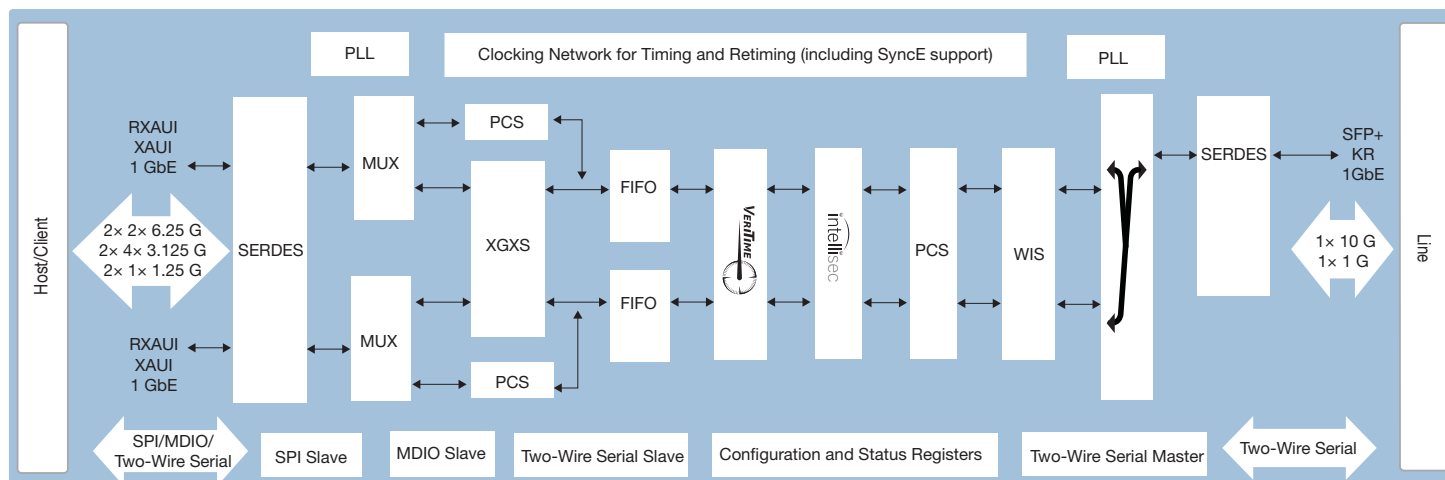
### Flexibility

- Failover switching and lane ordering
- VScope input signal monitoring integrated circuit
- Host-side and line-side loopbacks with BIST functions
- I/O programmability for lane swap, invert, amplitude, slew, pre-emphasis, and equalization
- Optional forward error correction (FEC)
- Flexible clocking options enable Layer 1 support for Synchronous Ethernet
- Passive copper cable support for minimum transmission cost

### Related Products

Visit [www.microsemi.com](http://www.microsemi.com) for information about these related products:

- VSC8487-15
- VSC8488-15
- VSC8489
- VSC8490
- VSC8572/VSC8574
- VSC8584



**Microsemi**

**Microsemi Corporate Headquarters**  
 One Enterprise, Aliso Viejo, CA 92656 USA  
 Within the USA: +1 (800) 713-4113  
 Outside the USA: +1 (949) 380-6100  
 Sales: +1 (949) 380-6136  
 Fax: +1 (949) 215-4996  
 email: [sales.support@microsemi.com](mailto:sales.support@microsemi.com)  
[www.microsemi.com](http://www.microsemi.com)

Microsemi Corporation (Nasdaq: MSCC) offers a comprehensive portfolio of semiconductor and system solutions for communications, defense and security, aerospace, and industrial markets. Products include high-performance and radiation-hardened analog mixed-signal integrated circuits, FPGAs, SoCs, and ASICs; power management products; timing and synchronization devices and precise time solutions; voice processing devices; RF solutions; discrete components; enterprise storage and communications solutions, security technologies, and scalable anti-tamper products; Ethernet solutions; Power-over-Ethernet ICs and midspans; custom design capabilities and services. Microsemi is headquartered in Aliso Viejo, California, and has approximately 4,800 employees worldwide. Learn more at [www.microsemi.com](http://www.microsemi.com).



Компания «ЭлектроПласт» предлагает заключение долгосрочных отношений при поставках импортных электронных компонентов на взаимовыгодных условиях!

Наши преимущества:

- Оперативные поставки широкого спектра электронных компонентов отечественного и импортного производства напрямую от производителей и с крупнейших мировых складов;
- Поставка более 17-ти миллионов наименований электронных компонентов;
- Поставка сложных, дефицитных, либо снятых с производства позиций;
- Оперативные сроки поставки под заказ (от 5 рабочих дней);
- Экспресс доставка в любую точку России;
- Техническая поддержка проекта, помощь в подборе аналогов, поставка прототипов;
- Система менеджмента качества сертифицирована по Международному стандарту ISO 9001;
- Лицензия ФСБ на осуществление работ с использованием сведений, составляющих государственную тайну;
- Поставка специализированных компонентов (Xilinx, Altera, Analog Devices, Intersil, Interpoint, Microsemi, Aeroflex, Peregrine, Syfer, Eurofarad, Texas Instrument, Miteq, Cobham, E2V, MA-COM, Hittite, Mini-Circuits, General Dynamics и др.);

Помимо этого, одним из направлений компании «ЭлектроПласт» является направление «Источники питания». Мы предлагаем Вам помощь Конструкторского отдела:

- Подбор оптимального решения, техническое обоснование при выборе компонента;
- Подбор аналогов;
- Консультации по применению компонента;
- Поставка образцов и прототипов;
- Техническая поддержка проекта;
- Защита от снятия компонента с производства.



#### Как с нами связаться

**Телефон:** 8 (812) 309 58 32 (многоканальный)

**Факс:** 8 (812) 320-02-42

**Электронная почта:** [org@eplast1.ru](mailto:org@eplast1.ru)

**Адрес:** 198099, г. Санкт-Петербург, ул. Калинина, дом 2, корпус 4, литера А.