

# MPC565 Reference Manual

**Additional Devices Supported:**  
MPC566

MPC565RM  
REV 2.2  
11/2005



## How to Reach Us:

### Home Page:

[www.freescale.com](http://www.freescale.com)

### E-mail:

[support@freescale.com](mailto:support@freescale.com)

### USA/Europe or Locations Not Listed:

Freescale Semiconductor  
Technical Information Center, CH370  
1300 N. Alma School Road  
Chandler, Arizona 85224  
+1-800-521-6274 or +1-480-768-2130  
[support@freescale.com](mailto:support@freescale.com)

### Europe, Middle East, and Africa:

Freescale Halbleiter Deutschland GmbH  
Technical Information Center  
Schatzbogen 7  
81829 Muenchen, Germany  
+44 1296 380 456 (English)  
+46 8 52200080 (English)  
+49 89 92103 559 (German)  
+33 1 69 35 48 48 (French)  
[support@freescale.com](mailto:support@freescale.com)

### Japan:

Freescale Semiconductor Japan Ltd.  
Headquarters  
ARCO Tower 15F  
1-8-1, Shimo-Meguro, Meguro-ku,  
Tokyo 153-0064, Japan  
0120 191014 or +81 3 5437 9125  
[support.japan@freescale.com](mailto:support.japan@freescale.com)

### Asia/Pacific:

Freescale Semiconductor Hong Kong Ltd.  
Technical Information Center  
2 Dai King Street  
Tai Po Industrial Estate  
Tai Po, N.T., Hong Kong  
+800 26668334  
[support.asia@freescale.com](mailto:support.asia@freescale.com)

### For Literature Requests Only:

Freescale Semiconductor Literature Distribution Center  
P.O. Box 5405  
Denver, Colorado 80217  
1-800-441-2447 or 303-675-2140  
Fax: 303-675-2150  
[LDCForFreescaleSemiconductor@hibbertgroup.com](mailto:LDCForFreescaleSemiconductor@hibbertgroup.com)

Information in this document is provided solely to enable system and software implementers to use Freescale Semiconductor products. There are no express or implied copyright licenses granted hereunder to design or fabricate any integrated circuits or integrated circuits based on the information in this document.

Freescale Semiconductor reserves the right to make changes without further notice to any products herein. Freescale Semiconductor makes no warranty, representation or guarantee regarding the suitability of its products for any particular purpose, nor does Freescale Semiconductor assume any liability arising out of the application or use of any product or circuit, and specifically disclaims any and all liability, including without limitation consequential or incidental damages. "Typical" parameters that may be provided in Freescale Semiconductor data sheets and/or specifications can and do vary in different applications and actual performance may vary over time. All operating parameters, including "Typicals", must be validated for each customer application by customer's technical experts. Freescale Semiconductor does not convey any license under its patent rights nor the rights of others. Freescale Semiconductor products are not designed, intended, or authorized for use as components in systems intended for surgical implant into the body, or other applications intended to support or sustain life, or for any other application in which the failure of the Freescale Semiconductor product could create a situation where personal injury or death may occur. Should Buyer purchase or use Freescale Semiconductor products for any such unintended or unauthorized application, Buyer shall indemnify and hold Freescale Semiconductor and its officers, employees, subsidiaries, affiliates, and distributors harmless against all claims, costs, damages, and expenses, and reasonable attorney fees arising out of, directly or indirectly, any claim of personal injury or death associated with such unintended or unauthorized use, even if such claim alleges that Freescale Semiconductor was negligent regarding the design or manufacture of the part.



Freescale™ and the Freescale logo are trademarks of Freescale Semiconductor, Inc. All other product or service names are the property of their respective owners. The described product is a PowerPC microprocessor. The PowerPC name is a trademark of IBM Corp. and used under license

© Freescale Semiconductor, Inc. 2004, 2005. All rights reserved.

MPC565RM  
REV 2.2  
11/2005

# Contents

| Paragraph Number              | Title   | Page Number |
|-------------------------------|---|-------------|
| <b>About This Book</b>        |   |             |
|                               | Audience .....  | xxxix       |
|                               | Organization.....   | xxxix       |
|                               | Suggested Reading.....  | xli         |
|                               | Conventions and Nomenclature.....                                       | xlii        |
|                               | Notational Conventions .....  | xliii       |
|                               | Acronyms and Abbreviations .....  | xliv        |
|                               | References.....   | xlv         |
| <b>Chapter 1<br/>Overview</b> |   |             |
| 1.1                           | Introduction .....  | 1-1         |
| 1.2                           | Block Diagram .....   | 1-2         |
| 1.3                           | Detailed Feature List .....   | 1-3         |
| 1.3.1                         | High Performance CPU System .....                                       | 1-3         |
| 1.3.2                         | RISC MCU Central Processing Unit (RCPU) .....                           | 1-3         |
| 1.3.3                         | MPC500 System Interface (USIU) .....                                    | 1-4         |
| 1.3.4                         | Burst Buffer Controller (BBC) Module .....                              | 1-4         |
| 1.3.5                         | Flexible Memory Protection Unit .....                                   | 1-4         |
| 1.3.6                         | Memory Controller .....   | 1-5         |
| 1.3.7                         | 1 Mbyte of CDR3 Flash EEPROM Memory (UC3F) .....                        | 1-5         |
| 1.3.8                         | 36-Kbyte Static RAM (CALRAM) .....                                      | 1-5         |
| 1.3.9                         | General Purpose I/O Support (GPIO) .....                                | 1-5         |
| 1.3.10                        | Debug Features .....  | 1-6         |
| 1.3.10.1                      | Nexus Debug Port (Class 3) .....  | 1-6         |
| 1.3.10.2                      | Data Link Controller (DLCMD2) Module .....                              | 1-6         |
| 1.3.11                        | Integrated I/O System .....   | 1-7         |
| 1.3.11.1                      | Time Processor Units (TPU3) .....                                       | 1-7         |
| 1.3.11.2                      | 22-Channel Modular I/O System (MIOS14) .....                            | 1-7         |
| 1.3.12                        | Two Enhanced Queued Analog-to-Digital Converter Modules (QADC64E) ..... | 1-7         |
| 1.3.13                        | Three CAN 2.0B Controller (TouCAN) Modules .....                        | 1-8         |
| 1.3.14                        | Queued Serial Multi-Channel Modules (QSMCM) .....                       | 1-8         |
| 1.4                           | MPC565 Optional Features .....  | 1-9         |
| 1.5                           | Differences between the MPC565 and the MPC555 .....                     | 1-9         |
| 1.6                           | Additional MPC565 Differences .....                                     | 1-10        |
| 1.7                           | SRAM Keep-Alive Power Behavior .....                                    | 1-11        |
| 1.8                           | MPC565 Memory Map .....   | 1-11        |
| 1.9                           | MPC565 Pinout Diagram .....   | 1-14        |

# Contents

| Paragraph Number           | Title   | Page Number |
|----------------------------|---|-------------|
| <b>Chapter 2</b>           |   |             |
| <b>Signal Descriptions</b> |   |             |
| 2.1                        | Signal Groupings .....  | 2-1         |
| 2.2                        | Signal Summary .....  | 2-3         |
| 2.2.1                      | MPC565 Signal Multiplexing .....  | 2-22        |
| 2.3                        | Pad Module Configuration Register (PDMCR) .....                             | 2-22        |
| 2.4                        | Pad Module Configuration Register (PDMCR2) .....                            | 2-24        |
| 2.4.1                      | JTAG / BDM .....  | 2-25        |
| 2.4.2                      | QSMCM and DLCMD2 (J1850) Modules .....                                      | 2-25        |
| 2.5                        | Reset State .....   | 2-26        |
| 2.5.1                      | Signal Functionality Configuration Out of Reset .....                       | 2-26        |
| 2.5.2                      | Signal State During Reset .....   | 2-26        |
| 2.5.3                      | Power-On Reset and Hard Reset .....   | 2-27        |
| 2.5.4                      | Pull-Up/Pull-Down .....   | 2-27        |
| 2.5.4.1                    | Pull-Up/Pull-Down Enable and Disable for 5-V Only and 2.6-V Only Signals .. | 2-27        |
| 2.5.4.2                    | Pull-Down Enable and Disable for 5-V/2.6-V Multiplexed Signals .....        | 2-27        |
| 2.5.4.3                    | Special Pull Resistor Disable Control Functionality (SPRDS) .....           | 2-27        |
| 2.5.4.4                    | Pull Device Select (PULL_SEL) .....   | 2-27        |
| 2.5.5                      | Signal Reset States .....   | 2-28        |

## Chapter 3 Central Processing Unit

|         |   |      |
|---------|---|------|
| 3.1     | RCPU Block Diagram .....                                    | 3-1  |
| 3.2     | RCPU Key Features .....                                     | 3-3  |
| 3.3     | Instruction Sequencer .....                                 | 3-3  |
| 3.4     | Independent Execution Units .....                           | 3-4  |
| 3.4.1   | Branch Processing Unit (BPU) .....                          | 3-5  |
| 3.4.2   | Integer Unit (IU) .....                                     | 3-5  |
| 3.4.3   | Load/Store Unit (LSU) .....                                 | 3-6  |
| 3.4.4   | Floating-Point Unit (FPU) .....                             | 3-6  |
| 3.5     | Levels of the PowerPC ISA Architecture .....                | 3-6  |
| 3.6     | RCPU Programming Model .....                                | 3-7  |
| 3.7     | User Instruction Set Architecture (UISA) Register Set ..... | 3-12 |
| 3.7.1   | General-Purpose Registers (GPRs) .....                      | 3-12 |
| 3.7.2   | Floating-Point Registers (FPRs) .....                       | 3-12 |
| 3.7.3   | Floating-Point Status and Control Register (FPSCR) .....    | 3-13 |
| 3.7.4   | Condition Register (CR) .....                               | 3-16 |
| 3.7.4.1 | Condition Register CR0 Field Definition .....               | 3-17 |
| 3.7.4.2 | Condition Register CR1 Field Definition .....               | 3-17 |

# Contents

| Paragraph<br>Number | Title  | Page<br>Number |
|---------------------|--|----------------|
| 3.7.4.3             | Condition Register CRn Field — Compare Instruction ..... | 3-17           |
| 3.7.5               | Integer Exception Register (XER) .....                   | 3-18           |
| 3.7.6               | Link Register (LR) .....                                 | 3-19           |
| 3.7.7               | Count Register (CTR) .....                               | 3-19           |
| 3.8                 | VEA Register Set — Time Base (TB) .....                  | 3-20           |
| 3.9                 | OEA Register Set .....                                   | 3-20           |
| 3.9.1               | Machine State Register (MSR) .....                       | 3-20           |
| 3.9.2               | DAE/Source Instruction Service Register (DSISR) .....    | 3-22           |
| 3.9.3               | Data Address Register (DAR) .....                        | 3-23           |
| 3.9.4               | Time Base Facility (TB) — OEA .....                      | 3-23           |
| 3.9.5               | Decrementer Register (DEC) .....                         | 3-23           |
| 3.9.6               | Machine Status Save/Restore Register 0 (SRR0) .....      | 3-23           |
| 3.9.7               | Machine Status Save/Restore Register 1 (SRR1) .....      | 3-23           |
| 3.9.8               | General SPRs (SPRG0–SPRG3) .....                         | 3-24           |
| 3.9.9               | Processor Version Register (PVR) .....                   | 3-25           |
| 3.9.10              | Implementation-Specific SPRs .....                       | 3-25           |
| 3.9.10.1            | EIE, EID, and NRI Special-Purpose Registers .....        | 3-25           |
| 3.9.10.2            | Floating-Point Exception Cause Register (FPECR) .....    | 3-26           |
| 3.9.10.3            | Additional Implementation-Specific Registers .....       | 3-26           |
| 3.10                | Instruction Set .....                                    | 3-27           |
| 3.10.1              | Instruction Set Summary .....                            | 3-28           |
| 3.10.2              | Recommended Simplified Mnemonics .....                   | 3-33           |
| 3.10.3              | Calculating Effective Addresses .....                    | 3-34           |
| 3.11                | Exception Model .....                                    | 3-34           |
| 3.11.1              | Exception Classes .....                                  | 3-35           |
| 3.11.2              | Ordered Exceptions .....                                 | 3-35           |
| 3.11.3              | Unordered Exceptions .....                               | 3-35           |
| 3.11.4              | Precise Exceptions .....                                 | 3-36           |
| 3.11.5              | Exception Vector Table .....                             | 3-36           |
| 3.12                | Instruction Timing .....                                 | 3-37           |
| 3.13                | User Instruction Set Architecture (UISA) .....           | 3-39           |
| 3.13.1              | Computation Modes .....                                  | 3-39           |
| 3.13.2              | Reserved Fields .....                                    | 3-39           |
| 3.13.3              | Classes of Instructions .....                            | 3-39           |
| 3.13.4              | Exceptions .....   | 3-40           |
| 3.13.5              | Branch Processor .....                                   | 3-40           |
| 3.13.6              | Instruction Fetching .....                               | 3-40           |
| 3.13.7              | Branch Instructions .....                                | 3-40           |
| 3.13.7.1            | Invalid Branch Instruction Forms .....                   | 3-40           |
| 3.13.7.2            | Branch Prediction .....                                  | 3-40           |
| 3.13.8              | Fixed-Point Processor .....                              | 3-40           |

# Contents

| Paragraph<br>Number | Title   | Page<br>Number |
|---------------------|---|----------------|
| 3.13.8.1            | Fixed-Point Instructions .....  | 3-40           |
| 3.13.9              | Floating-Point Processor .....  | 3-41           |
| 3.13.9.1            | General .....   | 3-41           |
| 3.13.9.2            | Optional Instructions .....   | 3-41           |
| 3.13.10             | Load/Store Processor .....  | 3-41           |
| 3.13.10.1           | Fixed-Point Load with Update and Store with Update Instructions ..... | 3-41           |
| 3.13.10.2           | Fixed-Point Load and Store Multiple Instructions .....                | 3-42           |
| 3.13.10.3           | Fixed-Point Load String Instructions .....                            | 3-42           |
| 3.13.10.4           | Storage Synchronization Instructions .....                            | 3-42           |
| 3.13.10.5           | Floating-Point Load and Store With Update Instructions .....          | 3-42           |
| 3.13.10.6           | Floating-Point Load Single Instructions .....                         | 3-42           |
| 3.13.10.7           | Floating-Point Store Single Instructions .....                        | 3-42           |
| 3.13.10.8           | Optional Instructions .....   | 3-43           |
| 3.14                | Virtual Environment Architecture (VEA) .....                          | 3-43           |
| 3.14.1              | Atomic Update Primitives .....  | 3-43           |
| 3.14.2              | Effect of Operand Placement on Performance .....                      | 3-43           |
| 3.14.3              | Storage Control Instructions .....                                    | 3-43           |
| 3.14.4              | Instruction Synchronize (isync) Instruction .....                     | 3-43           |
| 3.14.5              | Enforce In-Order Execution of I/O (eieio) Instruction .....           | 3-43           |
| 3.14.6              | Time Base .....   | 3-43           |
| 3.15                | Operating Environment Architecture (OEA) .....                        | 3-44           |
| 3.15.1              | Branch Processor Registers .....                                      | 3-44           |
| 3.15.1.1            | Machine State Register (MSR) .....                                    | 3-44           |
| 3.15.1.2            | Branch Processors Instructions .....                                  | 3-44           |
| 3.15.2              | Fixed-Point Processor .....   | 3-44           |
| 3.15.2.1            | Special Purpose Registers .....                                       | 3-44           |
| 3.15.3              | Storage Control Instructions .....                                    | 3-44           |
| 3.15.4              | Exceptions .....  | 3-44           |
| 3.15.4.1            | System Reset Exception and NMI (0x0100) .....                         | 3-45           |
| 3.15.4.2            | Machine Check Exception (0x0200) .....                                | 3-46           |
| 3.15.4.3            | Data Storage Exception (0x0300) .....                                 | 3-47           |
| 3.15.4.4            | Instruction Storage Exception (0x0400) .....                          | 3-48           |
| 3.15.4.5            | External Interrupt (0x0500) .....                                     | 3-48           |
| 3.15.4.6            | Alignment Exception (0x00600) .....                                   | 3-49           |
| 3.15.4.7            | Program Exception (0x0700) .....                                      | 3-50           |
| 3.15.4.8            | Floating-Point Unavailable Exception (0x0800) .....                   | 3-52           |
| 3.15.4.9            | Decrementer Exception (0x0900) .....                                  | 3-52           |
| 3.15.4.10           | System Call Exception (0x0C00) .....                                  | 3-53           |
| 3.15.4.11           | Trace Exception (0x0D00) .....  | 3-54           |
| 3.15.4.12           | Floating-Point Assist Exception (0x0E00) .....                        | 3-54           |
| 3.15.4.13           | Implementation-Dependent Software Emulation Exception (0x1000) .....  | 3-55           |

# Contents

| Paragraph Number | Title  | Page Number |
|------------------|--|-------------|
| 3.15.4.14        | Implementation-Dependent Instruction Protection Exception (0x1300) ..... | 3-56        |
| 3.15.4.15        | Implementation-Specific Data Protection Error Exception (0x1400) .....   | 3-57        |
| 3.15.4.16        | Implementation-Dependent Debug Exceptions .....                          | 3-58        |
| 3.15.5           | Partially Executed Instructions .....                                    | 3-59        |
| 3.15.6           | Timer Facilities .....   | 3-59        |
| 3.15.7           | Optional Facilities and Instructions .....                               | 3-59        |

## Chapter 4 Burst Buffer Controller 2 Module

|         |   |      |
|---------|---|------|
| 4.1     | Key Features .....                                  | 4-2  |
| 4.1.1   | BIU Key Features .....                              | 4-2  |
| 4.1.2   | IMPU Key Features .....                             | 4-3  |
| 4.1.3   | ICDU Key Features .....                             | 4-3  |
| 4.1.4   | DECRAM Key Features .....                           | 4-4  |
| 4.1.5   | Branch Target Buffer Key Features .....             | 4-4  |
| 4.2     | Operation Modes .....                               | 4-4  |
| 4.2.1   | Instruction Fetch .....                             | 4-4  |
| 4.2.1.1 | Decompression Off Mode .....                        | 4-4  |
| 4.2.1.2 | Decompression On Mode .....                         | 4-5  |
| 4.2.2   | Burst Operation of the BBC .....                    | 4-5  |
| 4.2.3   | Access Violation Detection .....                    | 4-5  |
| 4.2.4   | Slave Operation .....                               | 4-6  |
| 4.2.5   | Reset Behavior .....                                | 4-6  |
| 4.2.6   | Debug Operation Mode .....                          | 4-7  |
| 4.3     | Exception Table Relocation (ETR) .....              | 4-7  |
| 4.3.1   | ETR Operation .....                                 | 4-8  |
| 4.3.2   | Enhanced External Interrupt Relocation (EEIR) ..... | 4-10 |
| 4.4     | Decompressor RAM (DECRAM) Functionality .....       | 4-12 |
| 4.4.1   | General-Purpose Memory Operation .....              | 4-13 |
| 4.4.1.1 | Memory Protection Violations .....                  | 4-14 |
| 4.4.1.2 | DECRAM Standby Operation Mode .....                 | 4-14 |
| 4.5     | Branch Target Buffer .....                          | 4-14 |
| 4.5.1   | BTB Operation .....                                 | 4-15 |
| 4.5.1.1 | BTB Invalidation .....                              | 4-16 |
| 4.5.1.2 | BTB Enabling/Disabling .....                        | 4-16 |
| 4.5.1.3 | BTB Inhibit Regions .....                           | 4-16 |
| 4.6     | BBC Programming Model .....                         | 4-17 |
| 4.6.1   | Address Map .....                                   | 4-17 |
| 4.6.1.1 | BBC Special Purpose Registers (SPRs) .....          | 4-17 |
| 4.6.1.2 | DECRAM and DCCR Block .....                         | 4-18 |

# Contents

| Paragraph Number | Title  | Page Number |
|------------------|--|-------------|
| 4.6.2            | BBC Register Descriptions .....  | 4-19        |
| 4.6.2.1          | BBC Module Configuration Register (BBCMCR) .....                         | 4-19        |
| 4.6.2.2          | Region Base Address Registers (MI_RBA[0:3]) .....                        | 4-21        |
| 4.6.2.3          | Region Attribute Registers (MI_RA[0:3]) .....                            | 4-22        |
| 4.6.2.4          | Global Region Attribute Register (MI_GRA) .....                          | 4-23        |
| 4.6.2.5          | External Interrupt Relocation Table Base Address Register (EIBADR) ..... | 4-25        |
| 4.6.3            | Decompressor Class Configuration Registers .....                         | 4-25        |

## Chapter 5 Unified System Interface Unit (USIU) Overview

|       |                                      |     |
|-------|--------------------------------------|-----|
| 5.1   | Memory Map and Registers .....       | 5-2 |
| 5.1.1 | USIU Special-Purpose Registers ..... | 5-6 |

## Chapter 6 System Configuration and Protection

|           |  |      |
|-----------|--|------|
| 6.1       | System Configuration and Protection Features .....                           | 6-3  |
| 6.1.1     | System Configuration .....   | 6-3  |
| 6.1.1.1   | USIU Pin Multiplexing .....  | 6-4  |
| 6.1.1.2   | Arbitration Support .....  | 6-4  |
| 6.1.2     | External Master Modes .....  | 6-4  |
| 6.1.2.1   | Operation in External Master Modes .....                                     | 6-5  |
| 6.1.2.2   | Address Decoding for External Accesses .....                                 | 6-6  |
| 6.1.3     | USIU General-Purpose I/O .....   | 6-6  |
| 6.1.4     | Enhanced Interrupt Controller .....  | 6-8  |
| 6.1.4.1   | Key Features .....   | 6-8  |
| 6.1.4.2   | Interrupt Configuration .....  | 6-8  |
| 6.1.4.3   | Regular Interrupt Controller Operation (MPC555/MPC556-Compatible Mode) ..... | 6-10 |
| 6.1.4.4   | Enhanced Interrupt Controller Operation .....                                | 6-11 |
| 6.1.4.4.1 | Lower Priority Request Masking .....   | 6-14 |
| 6.1.4.4.2 | Backward Compatibility with MPC555/MPC556 .....                              | 6-14 |
| 6.1.4.5   | Interrupt Overhead Estimation for Enhanced Interrupt Controller Mode .....   | 6-16 |
| 6.1.5     | Hardware Bus Monitor .....   | 6-17 |
| 6.1.6     | Decrementer (DEC) .....  | 6-18 |
| 6.1.7     | Time Base (TB) .....   | 6-19 |
| 6.1.8     | Real-Time Clock (RTC) .....  | 6-19 |
| 6.1.9     | Periodic Interrupt Timer (PIT) .....   | 6-20 |
| 6.1.10    | Software Watchdog Timer (SWT) .....  | 6-21 |
| 6.1.11    | Freeze Operation .....   | 6-23 |



# Contents

| Paragraph<br>Number | Title  | Page<br>Number |
|---------------------|--|----------------|
| 6.1.12              | Low Power Stop Operation .....                               | 6-23           |
| 6.2                 | Memory Map and Register Definitions .....                    | 6-23           |
| 6.2.1               | Memory Map .....   | 6-23           |
| 6.2.2               | System Configuration and Protection Registers .....          | 6-24           |
| 6.2.2.1             | System Configuration Registers .....                         | 6-24           |
| 6.2.2.1.1           | SIU Module Configuration Register (SIUMCR) .....             | 6-25           |
| 6.2.2.1.2           | Internal Memory Map Register (IMMR) .....                    | 6-28           |
| 6.2.2.1.3           | External Master Control Register (EMCR) .....                | 6-29           |
| 6.2.2.2             | SIU Interrupt Controller Registers .....                     | 6-31           |
| 6.2.2.2.1           | SIU Interrupt Pending Register (SIPEND) .....                | 6-32           |
| 6.2.2.2.2           | SIU Interrupt Pending Register 2 (SIPEND2) .....             | 6-32           |
| 6.2.2.2.3           | SIU Interrupt Pending Register 3 (SIPEND3) .....             | 6-33           |
| 6.2.2.2.4           | SIU Interrupt Mask Register (SIMASK) .....                   | 6-33           |
| 6.2.2.2.5           | SIU Interrupt Mask Register 2 (SIMASK2) .....                | 6-34           |
| 6.2.2.2.6           | SIU Interrupt Mask Register 3 (SIMASK3) .....                | 6-35           |
| 6.2.2.2.7           | SIU Interrupt Edge Level Register (SIEL) .....               | 6-35           |
| 6.2.2.2.8           | SIU Interrupt Vector Register (SIVVEC) .....                 | 6-35           |
| 6.2.2.2.9           | Interrupt In-Service Registers (SISR2 and SISR3) .....       | 6-37           |
| 6.2.2.3             | System Protection Registers .....                            | 6-37           |
| 6.2.2.3.1           | System Protection Control Register (SYPCR) .....             | 6-37           |
| 6.2.2.3.2           | Software Service Register (SWSR) .....                       | 6-38           |
| 6.2.2.3.3           | Transfer Error Status Register (TESR) .....                  | 6-39           |
| 6.2.2.4             | System Timer Registers .....                                 | 6-40           |
| 6.2.2.4.1           | Decrementer Register (DEC) .....                             | 6-40           |
| 6.2.2.4.2           | Time Base SPRs (TB) .....                                    | 6-41           |
| 6.2.2.4.3           | Time Base Reference Registers (TBREF0 and TBREF1) .....      | 6-41           |
| 6.2.2.4.4           | Time Base Control and Status Register (TBSCR) .....          | 6-42           |
| 6.2.2.4.5           | Real-Time Clock Status and Control Register (RTCSC) .....    | 6-42           |
| 6.2.2.4.6           | Real-Time Clock Register (RTC) .....                         | 6-43           |
| 6.2.2.4.7           | Real-Time Clock Alarm Register (RTCAL) .....                 | 6-44           |
| 6.2.2.4.8           | Periodic Interrupt Status and Control Register (PISCR) ..... | 6-44           |
| 6.2.2.4.9           | Periodic Interrupt Timer Count Register (PITC) .....         | 6-45           |
| 6.2.2.4.10          | Periodic Interrupt Timer Register (PITR) .....               | 6-45           |
| 6.2.2.5             | General-Purpose I/O Registers .....                          | 6-46           |
| 6.2.2.5.1           | SGPIO Data Register 1 (SGPIODT1) .....                       | 6-46           |
| 6.2.2.5.2           | SGPIO Data Register 2 (SGPIODT2) .....                       | 6-47           |
| 6.2.2.5.3           | SGPIO Control Register (SGPIOCR) .....                       | 6-48           |

# Contents

| Paragraph Number | Title                                     | Page Number |
|------------------|---|-------------|
| <b>Chapter 7</b> |   |             |
| <b>Reset</b>     |   |             |
| 7.1              | Reset Operation .....                     | 7-1         |
| 7.1.1            | Power-On Reset .....                      | 7-1         |
| 7.1.2            | Hard Reset .....                          | 7-2         |
| 7.1.3            | Soft Reset .....                          | 7-2         |
| 7.1.4            | Loss of PLL Lock .....                    | 7-2         |
| 7.1.5            | On-Chip Clock Switch .....                | 7-3         |
| 7.1.6            | Software Watchdog Reset .....             | 7-3         |
| 7.1.7            | Checkstop Reset .....                     | 7-3         |
| 7.1.8            | Debug Port Hard Reset .....               | 7-3         |
| 7.1.9            | Debug Port Soft Reset .....               | 7-3         |
| 7.1.10           | JTAG Reset .....                          | 7-3         |
| 7.1.11           | ILBC Illegal Bit Change .....             | 7-3         |
| 7.2              | Reset Actions Summary .....               | 7-3         |
| 7.3              | Data Coherency During Reset .....         | 7-4         |
| 7.4              | Reset Status Register (RSR) .....         | 7-5         |
| 7.5              | Reset Configuration .....                 | 7-7         |
| 7.5.1            | Hard Reset Configuration .....            | 7-7         |
| 7.5.2            | Hard Reset Configuration Word (RCW) ..... | 7-11        |
| 7.5.3            | Soft Reset Configuration .....            | 7-13        |

## Chapter 8 Clocks and Power Control

|       |  |      |
|-------|--|------|
| 8.1   | System Clock Sources .....                 | 8-3  |
| 8.2   | System PLL .....                           | 8-3  |
| 8.2.1 | Frequency Multiplication .....             | 8-4  |
| 8.2.2 | Skew Elimination .....                     | 8-4  |
| 8.2.3 | Pre-Divider .....                          | 8-4  |
| 8.2.4 | PLL Block Diagram .....                    | 8-4  |
| 8.2.5 | PLL Pins .....                             | 8-5  |
| 8.3   | System Clock During PLL Loss of Lock ..... | 8-6  |
| 8.4   | Low-Power Divider .....                    | 8-6  |
| 8.5   | Internal Clock Signals .....               | 8-7  |
| 8.5.1 | General System Clocks .....                | 8-10 |
| 8.5.2 | Clock Out (CLKOUT) .....                   | 8-13 |
| 8.5.3 | Engineering Clock (ENGCLK) .....           | 8-14 |
| 8.6   | Clock Source Switching .....               | 8-14 |
| 8.7   | Low-Power Modes .....                      | 8-16 |

# Contents

| Paragraph Number | Title   | Page Number |
|------------------|---|-------------|
| 8.7.1            | Entering a Low-Power Mode .....                           | 8-16        |
| 8.7.2            | Power Mode Descriptions .....                             | 8-17        |
| 8.7.3            | Exiting from Low-Power Modes .....                        | 8-18        |
| 8.7.3.1          | Exiting from Normal-Low Mode .....                        | 8-18        |
| 8.7.3.2          | Exiting from Doze Mode .....                              | 8-19        |
| 8.7.3.3          | Exiting from Deep-Sleep Mode .....                        | 8-19        |
| 8.7.3.4          | Exiting from Power-Down Mode .....                        | 8-19        |
| 8.7.3.5          | Low-Power Modes Flow .....                                | 8-19        |
| 8.8              | Basic Power Structure .....                               | 8-21        |
| 8.8.1            | General Power Supply Definitions .....                    | 8-21        |
| 8.8.2            | Chip Power Structure .....                                | 8-22        |
| 8.8.2.1          | NVDDL .....   | 8-22        |
| 8.8.2.2          | QVDDL .....   | 8-22        |
| 8.8.2.3          | VDD .....   | 8-22        |
| 8.8.2.4          | VDDSYN, VSSSYN .....                                      | 8-22        |
| 8.8.2.5          | KAPWR .....   | 8-22        |
| 8.8.2.6          | VDDA, VSSA .....  | 8-23        |
| 8.8.2.7          | VFLASH .....  | 8-23        |
| 8.8.2.8          | VDDF, VSSF .....  | 8-23        |
| 8.8.2.9          | VDDH .....  | 8-23        |
| 8.8.2.10         | VDDSRAM1 .....  | 8-23        |
| 8.8.2.11         | VDDSRAM2 .....  | 8-23        |
| 8.8.2.12         | VDDSRAM3 .....  | 8-23        |
| 8.8.2.13         | VDDRTC .....  | 8-23        |
| 8.8.2.14         | VSS .....   | 8-23        |
| 8.8.3            | Keep-Alive Power .....                                    | 8-24        |
| 8.8.3.1          | Keep-Alive Power Configuration .....                      | 8-24        |
| 8.8.3.2          | Keep-Alive Power Registers Lock Mechanism .....           | 8-25        |
| 8.9              | VDDSRAM Supply Failure Detection .....                    | 8-27        |
| 8.10             | Power-Up/Down Sequencing .....                            | 8-28        |
| 8.11             | Clocks Unit Programming Model .....                       | 8-30        |
| 8.11.1           | System Clock Control Register (SCCR) .....                | 8-30        |
| 8.11.2           | PLL, Low-Power, and Reset-Control Register (PLPRCR) ..... | 8-34        |
| 8.11.3           | Change of Lock Interrupt Register (COLIR) .....           | 8-37        |
| 8.11.4           | VDDSRAM Control Register (VSRMCR) .....                   | 8-38        |

## Chapter 9 External Bus Interface

|     |                            |     |
|-----|----------------------------|-----|
| 9.1 | Features .....             | 9-1 |
| 9.2 | Bus Transfer Signals ..... | 9-1 |

# Contents

| Paragraph<br>Number | Title  | Page<br>Number |
|---------------------|--|----------------|
| 9.3                 | Bus Control Signals .....                    | 9-2            |
| 9.4                 | Bus Interface Signal Descriptions .....      | 9-3            |
| 9.5                 | Bus Operations .....                         | 9-8            |
| 9.5.1               | Basic Transfer Protocol .....                | 9-8            |
| 9.5.2               | Single Beat Transfer .....                   | 9-9            |
| 9.5.2.1             | Single Beat Read Flow .....                  | 9-9            |
| 9.5.2.2             | Single Beat Write Flow .....                 | 9-11           |
| 9.5.2.3             | Single Beat Flow with Small Port Size .....  | 9-14           |
| 9.5.3               | Data Bus Pre-Discharge Mode .....            | 9-15           |
| 9.5.3.1             | Operating Conditions .....                   | 9-16           |
| 9.5.3.2             | Initialization Sequence .....                | 9-16           |
| 9.5.4               | Burst Transfer .....                         | 9-17           |
| 9.5.5               | Burst Mechanism .....                        | 9-18           |
| 9.5.6               | Alignment and Packaging of Transfers .....   | 9-29           |
| 9.5.7               | Arbitration Phase .....                      | 9-32           |
| 9.5.7.1             | Bus Request .....                            | 9-33           |
| 9.5.7.2             | Bus Grant .....                              | 9-33           |
| 9.5.7.3             | Bus Busy .....                               | 9-34           |
| 9.5.7.4             | Internal Bus Arbiter .....                   | 9-35           |
| 9.5.8               | Address Transfer Phase Signals .....         | 9-37           |
| 9.5.8.1             | Transfer Start .....                         | 9-37           |
| 9.5.8.2             | Address Bus .....                            | 9-37           |
| 9.5.8.3             | Read/Write .....                             | 9-37           |
| 9.5.8.4             | Burst Indicator .....                        | 9-37           |
| 9.5.8.5             | Transfer Size .....                          | 9-38           |
| 9.5.8.6             | Address Types .....                          | 9-38           |
| 9.5.8.7             | Burst Data in Progress .....                 | 9-40           |
| 9.5.9               | Termination Signals .....                    | 9-40           |
| 9.5.9.1             | Transfer Acknowledge .....                   | 9-40           |
| 9.5.9.2             | Burst Inhibit .....                          | 9-40           |
| 9.5.9.3             | Transfer Error Acknowledge .....             | 9-40           |
| 9.5.9.4             | Termination Signals Protocol .....           | 9-40           |
| 9.5.10              | Storage Reservation .....                    | 9-42           |
| 9.5.11              | Bus Exception Control Cycles .....           | 9-45           |
| 9.5.11.1            | Retrying a Bus Cycle .....                   | 9-45           |
| 9.5.11.2            | Termination Signals Protocol Summary .....   | 9-49           |
| 9.5.12              | Bus Operation in External Master Modes ..... | 9-49           |
| 9.5.13              | Contention Resolution on External Bus .....  | 9-53           |
| 9.5.14              | Show Cycle Transactions .....                | 9-55           |

# Contents

| Paragraph Number         | Title   | Page Number |
|--------------------------|---|-------------|
| <b>Chapter 10</b>        |   |             |
| <b>Memory Controller</b> |   |             |
| 10.1                     | Overview .....  | 10-1        |
| 10.2                     | Memory Controller Architecture .....                  | 10-3        |
| 10.2.1                   | Associated Registers .....                            | 10-4        |
| 10.2.2                   | Port Size Configuration .....                         | 10-4        |
| 10.2.3                   | Write-Protect Configuration .....                     | 10-5        |
| 10.2.4                   | Address and Address Space Checking .....              | 10-5        |
| 10.2.5                   | Burst Support .....                                   | 10-5        |
| 10.3                     | Chip-Select Timing .....                              | 10-6        |
| 10.3.1                   | Memory Devices Interface Example .....                | 10-7        |
| 10.3.2                   | Peripheral Devices Interface Example .....            | 10-8        |
| 10.3.3                   | Relaxed Timing Examples .....                         | 10-9        |
| 10.3.4                   | Extended Hold Time on Read Accesses .....             | 10-13       |
| 10.3.5                   | Summary of GPCM Timing Options .....                  | 10-17       |
| 10.4                     | Write and Byte Enable Signals .....                   | 10-19       |
| 10.5                     | Dual Mapping of the Internal Flash EEPROM Array ..... | 10-19       |
| 10.6                     | Dual Mapping of an External Flash Region .....        | 10-21       |
| 10.7                     | Global (Boot) Chip-Select Operation .....             | 10-22       |
| 10.8                     | Memory Controller External Master Support .....       | 10-23       |
| 10.9                     | Reduced Data Setup Time .....                         | 10-26       |
| 10.9.1                   | Case 1: Normal Setup Time .....                       | 10-26       |
| 10.9.2                   | Case 2: Short Setup Time .....                        | 10-27       |
| 10.9.3                   | Summary of Short Setup Time .....                     | 10-27       |
| 10.10                    | Programming Model .....                               | 10-30       |
| 10.10.1                  | General Memory Controller Programming Notes .....     | 10-30       |
| 10.10.2                  | Memory Controller Status Registers (MSTAT) .....      | 10-31       |
| 10.10.3                  | Memory Controller Base Registers (BR0–BR3) .....      | 10-31       |
| 10.10.4                  | Memory Controller Option Registers (OR0–OR3) .....    | 10-33       |
| 10.10.5                  | Dual-Mapping Base Register (DMBR) .....               | 10-35       |
| 10.10.6                  | Dual-Mapping Option Register (DMOR) .....             | 10-36       |

## Chapter 11

### L-Bus to U-Bus Interface (L2U)

|        |  |      |
|--------|--|------|
| 11.1   | General Features .....                     | 11-1 |
| 11.2   | Data Memory Protection Unit Features ..... | 11-1 |
| 11.3   | L2U Block Diagram .....                    | 11-2 |
| 11.4   | Modes Of Operation .....                   | 11-3 |
| 11.4.1 | Normal Mode .....                          | 11-3 |

# Contents

| Paragraph Number | Title  | Page Number |
|------------------|--|-------------|
| 11.4.2           | Reset Operation .....                              | 11-4        |
| 11.4.3           | Peripheral Mode .....                              | 11-4        |
| 11.4.4           | Factory Test Mode .....                            | 11-4        |
| 11.5             | Data Memory Protection .....                       | 11-4        |
| 11.5.1           | Functional Description .....                       | 11-5        |
| 11.5.2           | Associated Registers .....                         | 11-6        |
| 11.5.3           | L-Bus Memory Access Violations .....               | 11-7        |
| 11.6             | Reservation Support .....                          | 11-7        |
| 11.6.1           | Reservation Protocol .....                         | 11-8        |
| 11.6.2           | L2U Reservation Support .....                      | 11-8        |
| 11.6.3           | Reserved Location (Bus) and Possible Actions ..... | 11-9        |
| 11.7             | L-Bus Show Cycle Support .....                     | 11-9        |
| 11.7.1           | Programming Show Cycles .....                      | 11-10       |
| 11.7.2           | Performance Impact .....                           | 11-10       |
| 11.7.3           | Show Cycle Protocol .....                          | 11-10       |
| 11.7.4           | L-Bus Write Show Cycle Flow .....                  | 11-10       |
| 11.7.5           | L-Bus Read Show Cycle Flow .....                   | 11-11       |
| 11.7.6           | Show Cycle Support Guidelines .....                | 11-11       |
| 11.8             | L2U Programming Model .....                        | 11-12       |
| 11.8.1           | U-Bus Access .....                                 | 11-13       |
| 11.8.2           | Transaction Size .....                             | 11-13       |
| 11.8.3           | L2U Module Configuration Register (L2U_MCR) .....  | 11-13       |
| 11.8.4           | Region Base Address Registers (L2U_RBAX) .....     | 11-14       |
| 11.8.5           | Region Attribute Registers (L2U_RAX) .....         | 11-15       |
| 11.8.6           | Global Region Attribute Register (L2U_GRA) .....   | 11-16       |

## Chapter 12 U-Bus to IMB3 Bus Interface (UIMB)

|        |   |      |
|--------|---|------|
| 12.1   | Features .....                                    | 12-1 |
| 12.2   | UIMB Block Diagram .....                          | 12-2 |
| 12.3   | Clock Module .....                                | 12-2 |
| 12.4   | Interrupt Operation .....                         | 12-3 |
| 12.4.1 | Interrupt Sources and Levels on IMB3 .....        | 12-3 |
| 12.4.2 | IMB3 Interrupt Multiplexing .....                 | 12-4 |
| 12.4.3 | ILBS Sequencing .....                             | 12-4 |
| 12.4.4 | Interrupt Synchronizer .....                      | 12-5 |
| 12.5   | Programming Model .....                           | 12-6 |
| 12.5.1 | UIMB Module Configuration Register (UMCR) .....   | 12-7 |
| 12.5.2 | Test Control Register (UTSTCREG) .....            | 12-8 |
| 12.5.3 | Pending Interrupt Request Register (UIPEND) ..... | 12-8 |

# Contents

| Paragraph<br>Number                                 | Title   | Page<br>Number |
|---|---|----------------|
| <b>Chapter 13</b>                                   |   |                |
| <b>Queued Analog-to-Digital Converter (QADC64E)</b> |   |                |
| 13.1  | Features, Overview and Quick Reference Diagrams ..... | 13-1           |
| 13.1.1  | Features of the QADC64E (Each Module) .....           | 13-1           |
| 13.1.2  | QADC64E Block Diagrams .....                          | 13-2           |
| 13.1.3  | Memory Map .....                                      | 13-3           |
| 13.1.4  | Using the Queue and Result Word Table .....           | 13-6           |
| 13.1.5  | External Multiplexing .....                           | 13-6           |
| 13.2  | Programming the QADC64E Registers .....               | 13-8           |
| 13.2.1  | QADC64E Module Configuration Register (QADMCR) .....  | 13-9           |
| 13.2.1.1  | Low Power Stop Mode .....                             | 13-9           |
| 13.2.1.2  | Freeze Mode .....                                     | 13-10          |
| 13.2.1.3  | Supervisor/Unrestricted Address Space .....           | 13-10          |
| 13.2.2  | QADC64E Interrupt Register (QADCINT) .....            | 13-12          |
| 13.2.3  | Port Data Register (PORTQA and PORTQB) .....          | 13-13          |
| 13.2.4  | Port Data Direction Register (DDRQA and DDRQB) .....  | 13-14          |
| 13.2.5  | Control Register 0 (QACR0) .....                      | 13-15          |
| 13.2.6  | Control Register 1 (QACR1) .....                      | 13-17          |
| 13.2.7  | Control Register 2 (QACR2) .....                      | 13-19          |
| 13.2.8  | Status Registers (QASR0 and QASR1) .....              | 13-22          |
| 13.2.9  | Conversion Command Word Table .....                   | 13-29          |
| 13.2.10   | Result Word Table .....                               | 13-35          |
| 13.3  | Analog Subsystem .....                                | 13-36          |
| 13.3.1  | Analog-to-Digital Converter Operation .....           | 13-36          |
| 13.3.1.1  | Conversion Cycle Times .....                          | 13-37          |
| 13.3.2  | Channel Decode and Multiplexer .....                  | 13-38          |
| 13.3.3  | Sample Buffer Amplifier .....                         | 13-38          |
| 13.3.4  | Digital to Analog Converter (DAC) Array .....         | 13-38          |
| 13.3.5  | Comparator .....                                      | 13-39          |
| 13.3.6  | Bias .....  | 13-39          |
| 13.3.7  | Successive Approximation Register (SAR) .....         | 13-39          |
| 13.3.8  | State Machine .....                                   | 13-39          |
| 13.4  | Digital Subsystem .....                               | 13-39          |
| 13.4.1  | Queue Priority .....                                  | 13-39          |
| 13.4.2  | Paused Sub-Queues .....                               | 13-40          |
| 13.4.3  | Boundary Conditions .....                             | 13-42          |
| 13.4.4  | Scan Modes .....                                      | 13-43          |
| 13.4.4.1  | Disabled Mode .....                                   | 13-43          |
| 13.4.4.2  | Reserved Mode .....                                   | 13-43          |
| 13.4.4.3  | Single-Scan Modes .....                               | 13-44          |

# Contents

| Paragraph Number | Title  | Page Number |
|------------------|--|-------------|
| 13.4.4.3.1       | Software Initiated Single-Scan Mode .....                | 13-44       |
| 13.4.4.3.2       | External Trigger Single-Scan Mode .....                  | 13-45       |
| 13.4.4.3.3       | External Gated Single-Scan Mode .....                    | 13-45       |
| 13.4.4.3.4       | Periodic/Interval Timer Single-Scan Mode .....           | 13-46       |
| 13.4.4.4         | Continuous-Scan Modes .....                              | 13-46       |
| 13.4.4.4.1       | Software Initiated Continuous-Scan Mode .....            | 13-47       |
| 13.4.4.4.2       | External Trigger Continuous-Scan Mode .....              | 13-48       |
| 13.4.4.4.3       | External Gated Continuous-Scan Mode .....                | 13-48       |
| 13.4.4.4.4       | Periodic/Interval Timer Continuous-Scan Mode .....       | 13-49       |
| 13.4.5           | QADC64E Clock (QCLK) Generation .....                    | 13-49       |
| 13.4.6           | Periodic / Interval Timer .....                          | 13-51       |
| 13.4.7           | Configuration and Control Using the IMB3 Interface ..... | 13-52       |
| 13.4.7.1         | QADC64E Bus Interface Unit .....                         | 13-52       |
| 13.4.7.2         | QADC64E Bus Accessing .....                              | 13-52       |
| 13.5             | Trigger and Queue Interaction Examples .....             | 13-54       |
| 13.5.1           | Queue Priority Schemes .....                             | 13-54       |
| 13.5.2           | Conversion Timing Schemes .....                          | 13-63       |
| 13.6             | QADC64E Integration Requirements .....                   | 13-66       |
| 13.6.1           | Port Digital Input/Output Signals .....                  | 13-66       |
| 13.6.2           | External Trigger Input Signals .....                     | 13-67       |
| 13.6.3           | Analog Power Signals .....                               | 13-67       |
| 13.6.3.1         | Analog Supply Filtering and Grounding .....              | 13-68       |
| 13.6.4           | Analog Reference Signals .....                           | 13-70       |
| 13.6.5           | Analog Input Signals .....                               | 13-70       |
| 13.6.5.1         | Analog Input Considerations .....                        | 13-72       |
| 13.6.5.2         | Settling Time for the External Circuit .....             | 13-74       |
| 13.6.5.3         | Error Resulting from Leakage .....                       | 13-74       |
| 13.6.5.4         | Accommodating Positive/Negative Stress Conditions .....  | 13-75       |

## Chapter 14 Queued Serial Multi-Channel Module (QSMCM)

|        |  |      |
|--------|--|------|
| 14.1   | Block Diagram .....                    | 14-1 |
| 14.1.1 | QSMCM and DLCMD2 (J1850) Modules ..... | 14-2 |
| 14.2   | Signal Descriptions .....              | 14-3 |
| 14.3   | Memory Maps .....                      | 14-4 |
| 14.4   | QSMCM Global Registers .....           | 14-6 |
| 14.4.1 | Low-Power Stop Operation .....         | 14-7 |
| 14.4.2 | Freeze Operation .....                 | 14-7 |
| 14.4.3 | Access Protection .....                | 14-7 |
| 14.4.4 | QSMCM Interrupts .....                 | 14-7 |



# Contents

| Paragraph<br>Number | Title   | Page<br>Number |
|---------------------|---|----------------|
| 14.4.5              | QSMCM Configuration Register (QSMCMMCR) .....             | 14-9           |
| 14.4.6              | QSMCM Test Register (QTEST) .....                         | 14-10          |
| 14.4.7              | QSMCM Interrupt Level Registers (QDSCI_IL, QSPI_IL) ..... | 14-10          |
| 14.5                | QSMCM Pin Control Registers .....                         | 14-11          |
| 14.5.1              | Port QS Data Register (PORTQS) .....                      | 14-12          |
| 14.5.2              | PORTQS Pin Assignment Register (PQSPAR) .....             | 14-13          |
| 14.5.3              | PORTQS Data Direction Register (DDRQS) .....              | 14-15          |
| 14.6                | Queued Serial Peripheral Interface .....                  | 14-16          |
| 14.6.1              | QSPI Registers .....                                      | 14-17          |
| 14.6.1.1            | QSPI Control Register 0 (SPCR0) .....                     | 14-18          |
| 14.6.1.2            | QSPI Control Register 1 (SPCR1) .....                     | 14-20          |
| 14.6.1.3            | QSPI Control Register 2 (SPCR2) .....                     | 14-21          |
| 14.6.1.4            | QSPI Control Register 3 (SPCR3) .....                     | 14-21          |
| 14.6.1.5            | QSPI Status Register (SPSR) .....                         | 14-22          |
| 14.6.2              | QSPI RAM .....  | 14-23          |
| 14.6.2.1            | Receive RAM .....   | 14-24          |
| 14.6.2.2            | Transmit RAM .....  | 14-24          |
| 14.6.2.3            | Command RAM .....   | 14-24          |
| 14.6.3              | QSPI Signals .....  | 14-25          |
| 14.6.4              | QSPI Operation .....                                      | 14-26          |
| 14.6.4.1            | Enabling, Disabling, and Halting the QSPI .....           | 14-27          |
| 14.6.4.2            | QSPI Interrupts .....                                     | 14-27          |
| 14.6.4.3            | QSPI Flow .....   | 14-28          |
| 14.6.5              | Master Mode Operation .....                               | 14-35          |
| 14.6.5.1            | Clock Phase and Polarity .....                            | 14-36          |
| 14.6.5.2            | Baud Rate Selection .....                                 | 14-36          |
| 14.6.5.3            | Delay Before Transfer .....                               | 14-37          |
| 14.6.5.4            | Delay After Transfer .....                                | 14-37          |
| 14.6.5.5            | Transfer Length .....                                     | 14-38          |
| 14.6.5.6            | Peripheral Chip Selects .....                             | 14-38          |
| 14.6.5.7            | Master Wraparound Mode .....                              | 14-38          |
| 14.6.6              | Slave Mode .....  | 14-39          |
| 14.6.6.1            | Description of Slave Operation .....                      | 14-40          |
| 14.6.7              | Slave Wraparound Mode .....                               | 14-41          |
| 14.6.8              | Mode Fault .....  | 14-42          |
| 14.7                | Serial Communication Interface .....                      | 14-42          |
| 14.7.1              | SCI Registers .....                                       | 14-45          |
| 14.7.2              | SCI Control Register 0 (SCCxR0) .....                     | 14-46          |
| 14.7.3              | SCI Control Register 1 (SCCxR1) .....                     | 14-46          |
| 14.7.4              | SCI Status Register (SCxSR) .....                         | 14-48          |
| 14.7.5              | SCI Data Register (SCxDR) .....                           | 14-50          |

# Contents

| Paragraph Number | Title   | Page Number |
|------------------|---|-------------|
| 14.7.6           | SCI Signals .....                                       | 14-51       |
| 14.7.7           | SCI Operation .....                                     | 14-51       |
| 14.7.7.1         | Definition of Terms .....                               | 14-51       |
| 14.7.7.2         | Serial Formats .....                                    | 14-52       |
| 14.7.7.3         | Baud Clock .....  | 14-52       |
| 14.7.7.4         | Parity Checking .....                                   | 14-53       |
| 14.7.7.5         | Transmitter Operation .....                             | 14-54       |
| 14.7.7.6         | Receiver Operation .....                                | 14-55       |
| 14.7.7.7         | Receiver Functional Operation .....                     | 14-57       |
| 14.7.7.8         | Idle-Line Detection .....                               | 14-58       |
| 14.7.7.9         | Receiver Wake-Up .....                                  | 14-58       |
| 14.7.7.10        | Internal Loop Mode .....                                | 14-59       |
| 14.8             | SCI Queue Operation .....                               | 14-59       |
| 14.8.1           | Queue Operation of SCI1 for Transmit and Receive .....  | 14-59       |
| 14.8.2           | Queued SCI1 Status and Control Registers .....          | 14-59       |
| 14.8.2.1         | QSCI1 Control Register (QSCI1CR) .....                  | 14-60       |
| 14.8.2.2         | QSCI1 Status Register (QSCI1SR) .....                   | 14-61       |
| 14.8.3           | QSCI1 Transmitter Block Diagram .....                   | 14-62       |
| 14.8.4           | QSCI1 Additional Transmit Operation Features .....      | 14-63       |
| 14.8.5           | Example QSCI1 Transmit for 17 Data Bytes .....          | 14-67       |
| 14.8.6           | Example SCI Transmit for 25 Data Bytes .....            | 14-68       |
| 14.8.7           | QSCI1 Receiver Block Diagram .....                      | 14-69       |
| 14.8.8           | QSCI1 Additional Receive Operation Features .....       | 14-69       |
| 14.8.9           | QSCI1 Receive Flow Chart Implementing The Queue .....   | 14-71       |
| 14.8.10          | QSCI1 Receive Queue Software Flow Chart .....           | 14-72       |
| 14.8.11          | Example QSCI1 Receive Operation of 17 Data Frames ..... | 14-73       |

## Chapter 15 Data Link Controller Module (DLCMD2)

|          |   |      |
|----------|---|------|
| 15.1     | Features .....  | 15-1 |
| 15.2     | Background .....  | 15-2 |
| 15.3     | Applicable Documents .....                                  | 15-2 |
| 15.4     | General Requirements .....                                  | 15-2 |
| 15.5     | Logic Description .....                                     | 15-2 |
| 15.5.1   | Block Diagram .....   | 15-2 |
| 15.5.2   | DLCMD2 Operation .....                                      | 15-3 |
| 15.5.2.1 | General .....   | 15-3 |
| 15.5.2.2 | Logic Section Description and Relation to Transceiver ..... | 15-4 |
| 15.5.2.3 | DLCMD2 Transmit/Receive Operation .....                     | 15-4 |
| 15.5.2.4 | Message Transmission .....                                  | 15-5 |

# Contents

| Paragraph<br>Number | Title                                       | Page<br>Number |
|---------------------|---|----------------|
| 15.5.2.5            | Message Reception .....                     | 15-6           |
| 15.5.2.6            | Sleep Mode .....                            | 15-7           |
| 15.5.2.7            | Debug Mode .....                            | 15-7           |
| 15.5.2.8            | 4X Speed Mode .....                         | 15-7           |
| 15.5.2.9            | Block Mode .....                            | 15-7           |
| 15.5.2.10           | Error Detection .....                       | 15-8           |
| 15.5.2.11           | Arbitration .....                           | 15-8           |
| 15.5.2.12           | Timebase Generation .....                   | 15-9           |
| 15.5.2.13           | Receive and Transmit Message Buffers .....  | 15-9           |
| 15.5.2.14           | Bus Waveforms Generation .....              | 15-10          |
| 15.5.2.15           | Huntzicker Encoding .....                   | 15-10          |
| 15.5.3              | TData Link Controller Module (DLCMD2) ..... | 15-12          |
| 15.6                | Signals Overview .....                      | 15-13          |
| 15.6.1              | J1850 Bus Waveforms .....                   | 15-13          |
| 15.6.1.1            | Start of Frame (SOF) .....                  | 15-13          |
| 15.6.1.2            | Data Bits .....                             | 15-14          |
| 15.6.1.3            | “0” bit .....                               | 15-14          |
| 15.6.1.4            | “1” bit .....                               | 15-14          |
| 15.6.1.5            | End of Data (EOD) .....                     | 15-14          |
| 15.6.1.6            | Normalization Bit .....                     | 15-14          |
| 15.6.1.7            | End of Frame (EOF) .....                    | 15-14          |
| 15.6.1.8            | Break .....                                 | 15-15          |
| 15.6.2              | General Symbol Transmission .....           | 15-15          |
| 15.6.3              | General Symbol Reception .....              | 15-15          |
| 15.6.4              | Support For External Transceiver .....      | 15-16          |
| 15.7                | Operating Modes .....                       | 15-16          |
| 15.7.1              | Power Off .....                             | 15-17          |
| 15.7.2              | Reset .....                                 | 15-17          |
| 15.7.3              | Run .....                                   | 15-18          |
| 15.7.4              | DLCMD2 STOP and LPSTOP .....                | 15-18          |
| 15.7.4.1            | DLCMD2 STOP mode .....                      | 15-18          |
| 15.7.4.2            | DLCMD2 LPSTOP mode .....                    | 15-18          |
| 15.7.5              | DLCMD2 DEBUG .....                          | 15-18          |
| 15.8                | CPU Interface .....                         | 15-21          |
| 15.8.1              | Parallel Interface Requirements .....       | 15-21          |
| 15.8.2              | Reset Operation .....                       | 15-22          |
| 15.9                | Operational Information .....               | 15-23          |
| 15.9.1              | Initialization .....                        | 15-23          |
| 15.9.2              | Transmitting a Message .....                | 15-23          |
| 15.9.3              | Receiving a Message .....                   | 15-24          |
| 15.9.4              | Receiving a Message in Block Mode .....     | 15-25          |

# Contents

| Paragraph<br>Number | Title  | Page<br>Number |
|---------------------|--|----------------|
| 15.9.5              | Transmitting a Message in Block Mode .....                 | 15-25          |
| 15.9.6              | Receiving a Message in 4X Mode .....                       | 15-25          |
| 15.9.7              | Transmitting a Message in 4x Mode .....                    | 15-25          |
| 15.10               | Programming Model .....                                    | 15-25          |
| 15.10.1             | Module Configuration Register (MCR) .....                  | 15-26          |
| 15.10.2             | Interrupt Pending Register (IPR) .....                     | 15-28          |
| 15.10.3             | Interrupt Level Register (ILR) .....                       | 15-29          |
| 15.10.4             | Interrupt Vector Register (IVR) .....                      | 15-30          |
| 15.10.5             | Symbol Timing Control and Pre-Scaler Register (SCTL) ..... | 15-31          |
| 15.10.6             | Symbol Timing Data Register (SDATA) .....                  | 15-33          |
| 15.10.7             | Transmit Command Register (CMD) .....                      | 15-35          |
| 15.10.8             | Transmit Data Register (TDATA) .....                       | 15-38          |
| 15.10.9             | TxFIFO Command Load Sequences .....                        | 15-38          |
| 15.10.10            | Transmit Data Register (TDATA) .....                       | 15-39          |
| 15.10.11            | Receive Status Register (STAT) .....                       | 15-40          |
| 15.10.12            | Receive Data Register (RDATA) .....                        | 15-43          |
| 15.10.13            | Completion Code .....                                      | 15-43          |
| 15.10.14            | Bus Errors .....   | 15-46          |
| 15.10.15            | Data Link Controller Module (DLCMD2) .....                 | 15-47          |
| 15.11               | Mask Programmable Bus Error (BERR) Functionality .....     | 15-48          |
| 15.11.1             | BERR_PLUG = 0 .....  | 15-49          |
| 15.11.2             | BERR_PLUG = 1 .....  | 15-49          |
| 15.12               | Interrupt .....  | 15-49          |
| 15.12.1             | DLCMD2 Interrupts .....                                    | 15-49          |
| 15.12.2             | Interrupt Structure .....                                  | 15-51          |
| 15.13               | In-Frame Response .....                                    | 15-53          |
| 15.13.1             | IFR Operation .....  | 15-53          |
| 15.13.2             | IFR Abort Conditions .....                                 | 15-54          |
| 15.13.3             | IFR Types .....  | 15-54          |
| 15.13.3.1           | Type 1 IFR .....   | 15-55          |
| 15.13.3.2           | Type 2 IFR .....   | 15-55          |
| 15.13.3.3           | Type 3 IFR .....   | 15-55          |
| 15.14               | System Overview .....                                      | 15-56          |
| 15.15               | Test Operation .....                                       | 15-56          |
| 15.15.1             | Test Configuration Register (TCR) .....                    | 15-56          |
| 15.16               | Module I/O Signals .....                                   | 15-56          |
| 15.16.1             | Signal Descriptions .....                                  | 15-56          |
| 15.16.2             | External Connections .....                                 | 15-57          |
| 15.16.3             | Signal Functions .....                                     | 15-57          |
| 15.16.3.1           | CL2Tx .....  | 15-57          |
| 15.16.3.2           | CL2Rx .....  | 15-57          |

# Contents

| Paragraph<br>Number                        | Title   | Page<br>Number |
|--|---|----------------|
| <b>Chapter 16</b>                          |   |                |
| <b>CAN 2.0B Controller Module (TOUCAN)</b> |   |                |
| 16.1                                       | Features .....  | 16-1           |
| 16.2                                       | External Signals .....                                      | 16-2           |
| 16.2.1                                     | TouCAN Signal Sharing .....                                 | 16-3           |
| 16.3                                       | TouCAN Architecture .....                                   | 16-3           |
| 16.3.1                                     | Tx/Rx Message Buffer Structure .....                        | 16-4           |
| 16.3.1.1                                   | Common Fields for Extended and Standard Format Frames ..... | 16-4           |
| 16.3.1.2                                   | Fields for Extended Format Frames .....                     | 16-6           |
| 16.3.1.3                                   | Fields for Standard Format Frames .....                     | 16-6           |
| 16.3.1.4                                   | Serial Message Buffers .....                                | 16-6           |
| 16.3.1.5                                   | Message Buffer Activation/Deactivation Mechanism .....      | 16-7           |
| 16.3.1.6                                   | Message Buffer Lock/Release/Busy Mechanism .....            | 16-7           |
| 16.3.2                                     | Receive Mask Registers .....                                | 16-7           |
| 16.3.3                                     | Bit Timing .....  | 16-8           |
| 16.3.3.1                                   | Configuring the TouCAN Bit Timing .....                     | 16-10          |
| 16.3.4                                     | Error Counters .....  | 16-10          |
| 16.3.5                                     | Time Stamp .....  | 16-12          |
| 16.4                                       | TouCAN Operation .....                                      | 16-12          |
| 16.4.1                                     | TouCAN Reset .....  | 16-12          |
| 16.4.2                                     | TouCAN Initialization .....                                 | 16-13          |
| 16.4.3                                     | Transmit Process .....                                      | 16-13          |
| 16.4.3.1                                   | Transmit Message Buffer Deactivation .....                  | 16-14          |
| 16.4.3.2                                   | Reception of Transmitted Frames .....                       | 16-14          |
| 16.4.4                                     | Receive Process .....                                       | 16-14          |
| 16.4.4.1                                   | Receive Message Buffer Deactivation .....                   | 16-16          |
| 16.4.4.2                                   | Locking and Releasing Message Buffers .....                 | 16-16          |
| 16.4.5                                     | Remote Frames .....   | 16-17          |
| 16.4.6                                     | Overload Frames .....                                       | 16-17          |
| 16.5                                       | Special Operating Modes .....                               | 16-17          |
| 16.5.1                                     | Debug Mode .....  | 16-17          |
| 16.5.2                                     | Low-Power Stop Mode .....                                   | 16-18          |
| 16.5.3                                     | Auto Power Save Mode .....                                  | 16-19          |
| 16.6                                       | Interrupts .....  | 16-20          |
| 16.7                                       | Programming Model .....                                     | 16-21          |
| 16.7.1                                     | TouCAN Module Configuration Register (CANMCR) .....         | 16-25          |
| 16.7.2                                     | TouCAN Test Configuration Register .....                    | 16-27          |
| 16.7.3                                     | TouCAN Interrupt Configuration Register (CANICR) .....      | 16-27          |
| 16.7.4                                     | Control Register 0 (CANCTRL0) .....                         | 16-27          |
| 16.7.5                                     | Control Register 1 (CANCTRL1) .....                         | 16-28          |

# Contents

| Paragraph Number | Title   | Page Number |
|------------------|---|-------------|
| 16.7.6           | Prescaler Divide Register (PRESDIV) .....                     | 16-29       |
| 16.7.7           | Control Register 2 (CANCTRL2) .....                           | 16-30       |
| 16.7.8           | Free Running Timer (TIMER) .....                              | 16-31       |
| 16.7.9           | Receive Global Mask Registers (RXGMSKHI, RXGMSKLO) .....      | 16-31       |
| 16.7.10          | Receive Buffer 14 Mask Registers (RX14MSKHI, RX14MSKLO) ..... | 16-32       |
| 16.7.11          | Receive Buffer 15 Mask Registers (RX15MSKHI, RX15MSKLO) ..... | 16-33       |
| 16.7.12          | Error and Status Register (ESTAT) .....                       | 16-33       |
| 16.7.13          | Interrupt Mask Register (IMASK) .....                         | 16-35       |
| 16.7.14          | Interrupt Flag Register (IFLAG) .....                         | 16-36       |
| 16.7.15          | Error Counters (RXECTR, TXECTR) .....                         | 16-36       |

## Chapter 17 Modular Input/Output Subsystem (MIOS14)

|          |   |       |
|----------|---|-------|
| 17.1     | Block Diagram .....   | 17-1  |
| 17.2     | MIOS14 Key Features .....                                   | 17-3  |
| 17.2.1   | Submodule Numbering, Naming, and Addressing .....           | 17-5  |
| 17.2.2   | Signal Naming Convention .....                              | 17-5  |
| 17.3     | MIOS14 Configuration .....                                  | 17-6  |
| 17.3.1   | MIOS14 Signals .....  | 17-9  |
| 17.3.2   | MIOS14 Bus System .....                                     | 17-10 |
| 17.3.3   | Read/Write and Control Bus .....                            | 17-10 |
| 17.3.4   | Request Bus .....   | 17-10 |
| 17.3.5   | Counter Bus Set .....                                       | 17-10 |
| 17.4     | MIOS14 Programming Model .....                              | 17-10 |
| 17.4.1   | Bus Error Support .....                                     | 17-11 |
| 17.4.2   | Wait States .....   | 17-11 |
| 17.5     | MIOS14 I/O Ports .....                                      | 17-13 |
| 17.6     | MIOS14 Bus Interface Submodule (MBISM) .....                | 17-13 |
| 17.6.1   | MIOS14 Bus Interface (MBISM) Registers .....                | 17-13 |
| 17.6.1.1 | MIOS14 Test and Signal Control Register (MIOS14TPCR) .....  | 17-13 |
| 17.6.1.2 | MIOS14 Vector Register (MIOS14VECT) .....                   | 17-14 |
| 17.6.1.3 | MIOS14 Module and Version Number Register (MIOS14VNR) ..... | 17-15 |
| 17.6.1.4 | MIOS14 Module Configuration Register (MIOS14MCR) .....      | 17-15 |
| 17.7     | MIOS14 Counter Prescaler Submodule (MCPSM) .....            | 17-16 |
| 17.7.1   | MCPSM Features .....  | 17-17 |
| 17.7.1.1 | MCPSM Signal Functions .....                                | 17-17 |
| 17.7.1.2 | Modular I/O Bus (MIOB) Interface .....                      | 17-17 |
| 17.7.2   | Effect of RESET on MCPSM .....                              | 17-17 |
| 17.7.3   | MCPSM Registers .....                                       | 17-18 |
| 17.7.3.1 | MCPSM Registers Organization .....                          | 17-18 |

# Contents

| Paragraph<br>Number | Title  | Page<br>Number |
|---------------------|--|----------------|
| 17.7.3.2            | MCPSM Status/Control Register (MCPSMSCR) .....               | 17-18          |
| 17.8                | MIOS14 Modulus Counter Submodule (MMCSM) .....               | 17-19          |
| 17.8.1              | MMCSM Features .....   | 17-20          |
| 17.8.1.1            | MMCSM Signal Functions .....                                 | 17-21          |
| 17.8.2              | MMCSM Prescaler .....  | 17-21          |
| 17.8.3              | Modular I/O Bus (MIOB) Interface .....                       | 17-21          |
| 17.8.4              | Effect of RESET on MMCSM .....                               | 17-22          |
| 17.8.5              | MMCSM Registers .....  | 17-22          |
| 17.8.5.1            | MMCSM Register Organization .....                            | 17-22          |
| 17.8.5.2            | MMCSM Up-Counter Register (MMCSMCNT) .....                   | 17-23          |
| 17.8.5.3            | MMCSM Modulus Latch Register (MMCSMML) .....                 | 17-24          |
| 17.8.5.4            | MMCSM Status/Control Register (MMCSMSCRD) (Duplicated) ..... | 17-24          |
| 17.8.5.5            | MMCSM Status/Control Register (MMCSMSCR) .....               | 17-24          |
| 17.9                | MIOS14 Double Action Submodule (MDASM) .....                 | 17-26          |
| 17.9.1              | MDASM Features .....   | 17-27          |
| 17.9.1.1            | MDASM Signal Functions .....                                 | 17-28          |
| 17.9.2              | MDASM Description .....                                      | 17-28          |
| 17.9.3              | MDASM Modes of Operation .....                               | 17-29          |
| 17.9.3.1            | Disable (DIS) Mode .....                                     | 17-29          |
| 17.9.3.2            | Input Pulse Width Measurement (IPWM) Mode .....              | 17-30          |
| 17.9.3.3            | Input Period Measurement (IPM) Mode .....                    | 17-31          |
| 17.9.3.4            | Input Capture (IC) Mode .....                                | 17-32          |
| 17.9.3.5            | Output Compare (OCB and OCAB) Modes .....                    | 17-33          |
| 17.9.3.5.1          | Single Shot Output Pulse Operation .....                     | 17-34          |
| 17.9.3.5.2          | Single Output Compare Operation .....                        | 17-35          |
| 17.9.3.5.3          | Output Port Bit Operation .....                              | 17-36          |
| 17.9.3.6            | Output Pulse Width Modulation (OPWM) Mode .....              | 17-36          |
| 17.9.4              | Modular I/O Bus (MIOB) Interface .....                       | 17-39          |
| 17.9.5              | Effect of RESET on MDASM .....                               | 17-39          |
| 17.9.6              | MDASM Registers .....  | 17-39          |
| 17.9.6.1            | MDASM Registers Organization .....                           | 17-39          |
| 17.9.6.2            | MDASM Data A (MDASMAR) Register .....                        | 17-41          |
| 17.9.6.3            | MDASM Data B (MDASMBR) Register .....                        | 17-42          |
| 17.9.6.4            | MDASM Status/Control Register (MDASMSCRD) (Duplicated) ..... | 17-43          |
| 17.9.6.5            | MDASM Status/Control Register (MDASMSCR) .....               | 17-43          |
| 17.10               | MIOS14 Pulse Width Modulation Submodule (MPWMSM) .....       | 17-46          |
| 17.10.1             | MPWMSM Terminology .....                                     | 17-47          |
| 17.10.2             | MPWMSM Features .....  | 17-47          |
| 17.10.3             | MPWMSM Description .....                                     | 17-48          |
| 17.10.3.1           | Clock Selection .....  | 17-49          |
| 17.10.3.2           | Counter .....  | 17-49          |

# Contents

| Paragraph Number | Title   | Page Number |
|------------------|---|-------------|
| 17.10.3.3        | Period Register .....                                     | 17-49       |
| 17.10.3.4        | Pulse Width Registers .....                               | 17-50       |
| 17.10.3.5        | Duty Cycles (0% and 100%) .....                           | 17-51       |
| 17.10.3.6        | Pulse/Frequency Range Table .....                         | 17-52       |
| 17.10.3.7        | MPWMSM Status and Control Register (SCR) .....            | 17-53       |
| 17.10.3.8        | MPWMSM Interrupt .....                                    | 17-53       |
| 17.10.3.9        | MPWMSM Port Functions .....                               | 17-54       |
| 17.10.3.10       | MPWMSM Data Coherency .....                               | 17-54       |
| 17.10.4          | Modular Input/Output Bus (MIOS14) Interface .....         | 17-54       |
| 17.10.5          | Effect of RESET on MPWMSM .....                           | 17-54       |
| 17.10.6          | MPWMSM Registers .....                                    | 17-55       |
| 17.10.6.1        | MPWMSM Registers Organization .....                       | 17-55       |
| 17.10.6.2        | MPWMSM Period Register (MPWMPERR) .....                   | 17-57       |
| 17.10.6.3        | MPWMSM Pulse Width Register (MPWMPULR) .....              | 17-57       |
| 17.10.6.4        | MPWMSM Counter Register (MPWMCNTR) .....                  | 17-58       |
| 17.10.6.5        | MPWMSM Status/Control Register (MPWMSCR) .....            | 17-58       |
| 17.11            | MIOS14 16-bit Parallel Port I/O Submodule (MPIO SM) ..... | 17-60       |
| 17.11.1          | MPIO SM Features .....                                    | 17-61       |
| 17.11.2          | MPIO SM Signal Functions .....                            | 17-61       |
| 17.11.3          | MPIO SM Description .....                                 | 17-61       |
| 17.11.3.1        | MPIO SM Port Function .....                               | 17-61       |
| 17.11.3.2        | Non-Bonded MPIO SM Pads .....                             | 17-61       |
| 17.11.4          | Modular I/O Bus (MIOB) Interface .....                    | 17-62       |
| 17.11.5          | Effect of RESET on MPIO SM .....                          | 17-62       |
| 17.11.6          | MPIO SM Testing .....                                     | 17-62       |
| 17.11.7          | MPIO SM Registers .....                                   | 17-62       |
| 17.11.8          | MPIO SM Register Organization .....                       | 17-62       |
| 17.11.8.1        | MPIO SM Data Register (MPIO SM DR) .....                  | 17-62       |
| 17.11.8.2        | MPIO SM Data Direction Register (MPIO SM DDR) .....       | 17-63       |
| 17.12            | MIOS14 Interrupts .....                                   | 17-63       |
| 17.12.1          | MIOS14 Interrupt Structure .....                          | 17-63       |
| 17.12.2          | MIOS14 Interrupt Request Submodule (MIRSM) .....          | 17-64       |
| 17.12.3          | MIRSM0 Interrupt Registers .....                          | 17-66       |
| 17.12.3.1        | Interrupt Status Register (MIOS14SR0) .....               | 17-66       |
| 17.12.3.2        | Interrupt Enable Register (MIOS14ER0) .....               | 17-66       |
| 17.12.3.3        | Interrupt Request Pending Register (MIOS14RPR0) .....     | 17-67       |
| 17.12.4          | MIRSM1 Interrupt Registers .....                          | 17-67       |
| 17.12.4.1        | Interrupt Status Register (MIOS14SR1) .....               | 17-67       |
| 17.12.4.2        | Interrupt Enable Register (MIOS14ER1) .....               | 17-68       |
| 17.12.4.3        | Interrupt Request Pending Register (MIOS14RPR1) .....     | 17-68       |
| 17.12.5          | Interrupt Control Section (ICS) .....                     | 17-69       |



# Contents

| Paragraph<br>Number | Title   | Page<br>Number |
|---------------------|---|----------------|
| 17.12.6             | MBISM Interrupt Registers .....   | 17-69          |
| 17.12.6.1           | MIOS14 Interrupt Level Register 0 (MIOS14LVL0) .....                    | 17-70          |
| 17.12.6.2           | MIOS14 Interrupt Level Register 1 (MIOS14LVL1) .....                    | 17-70          |
| 17.13               | MIOS14 Function Examples .....  | 17-70          |
| 17.13.1             | MIOS14 Input Double Edge Pulse Width Measurement .....                  | 17-71          |
| 17.13.2             | MIOS14 Input Double Edge Period Measurement .....                       | 17-72          |
| 17.13.3             | MIOS14 Double Edge Single Output Pulse Generation .....                 | 17-73          |
| 17.13.4             | MIOS14 Output Pulse Width Modulation with MDASM .....                   | 17-74          |
| 17.13.5             | MIOS14 Input Pulse Accumulation .....                                   | 17-75          |
| 17.14               | Real-Time Clock Submodule (MRTCSM) .....                                | 17-76          |
| 17.14.1             | MRTCSM Features .....   | 17-76          |
| 17.14.2             | MRTCSM Pad Functions .....  | 17-77          |
| 17.14.3             | MRTCSM Description .....  | 17-78          |
| 17.14.3.1           | Oscillator .....  | 17-78          |
| 17.14.3.2           | Standby Supply and Power Switch .....                                   | 17-78          |
| 17.14.3.3           | Counter Chain .....   | 17-79          |
| 17.14.3.4           | 15-Bit Prescaler .....  | 17-79          |
| 17.14.3.5           | 32-Bit Free-Running Counter .....                                       | 17-79          |
| 17.14.3.6           | 15-Bit Prescaler and 32-Bit Free-Running Counter Buffers .....          | 17-80          |
| 17.14.4             | Modes of Operation .....  | 17-80          |
| 17.14.4.1           | Enabling the MRTCSM .....   | 17-80          |
| 17.14.4.2           | 15-Bit Prescaler and 32-Bit Free-Running Counter Buffer Updates .....   | 17-80          |
| 17.14.4.3           | Read of 15-Bit Prescaler and 32-Bit Free-Running Counter Buffers .....  | 17-81          |
| 17.14.4.4           | Write to 15-Bit Prescaler and 32-Bit Free-Running Counter Buffers ..... | 17-82          |
| 17.14.5             | MRTCSM Interrupt .....  | 17-82          |
| 17.14.6             | Chip Wake-Up Feature .....  | 17-83          |
| 17.14.7             | Modular I/O Bus (MIOB) Interface .....                                  | 17-83          |
| 17.14.7.1           | Low Power Mode — Peripheral Bus Clock Running .....                     | 17-83          |
| 17.14.7.2           | Low Power Mode — Peripheral Bus Clock Stopped .....                     | 17-83          |
| 17.14.8             | Effect of Standby Mode on MRTCSM .....                                  | 17-83          |
| 17.14.9             | Effect of RESET on MRTCSM .....   | 17-84          |
| 17.14.10            | MRTCSM Registers .....  | 17-84          |
| 17.14.11            | MRTCSM Register Organization .....                                      | 17-84          |
| 17.14.11.1          | MRTCSM Free-Running Counter High Buffer (MRTCFRCH) Register .....       | 17-85          |
| 17.14.11.2          | MRTCSM Free-Running Counter Low Buffer (MRTCFRCL) Register .....        | 17-85          |
| 17.14.11.3          | MRTCSM Prescaler Counter Buffer (MRTCPBR) Register .....                | 17-86          |
| 17.14.11.4          | MRTCSM Status/Control Register (MRTCSMSCR) .....                        | 17-86          |

# Contents

| Paragraph<br>Number          | Title  | Page<br>Number |
|------------------------------|--|----------------|
| <b>Chapter 18</b>            |  |                |
| <b>Time Processor Unit 3</b> |  |                |
| 18.1                         | Overview .....                                       | 18-2           |
| 18.2                         | TPU3 Components .....                                | 18-2           |
| 18.2.1                       | Time Bases .....                                     | 18-2           |
| 18.2.2                       | Timer Channels .....                                 | 18-2           |
| 18.2.3                       | Scheduler .....                                      | 18-2           |
| 18.2.4                       | Microengine .....                                    | 18-3           |
| 18.2.5                       | Host Interface .....                                 | 18-3           |
| 18.2.6                       | Parameter RAM .....                                  | 18-3           |
| 18.3                         | TPU Operation .....                                  | 18-3           |
| 18.3.1                       | Event Timing .....                                   | 18-3           |
| 18.3.2                       | Channel Orthogonality .....                          | 18-4           |
| 18.3.3                       | Interchannel Communication .....                     | 18-4           |
| 18.3.4                       | Programmable Channel Service Priority .....          | 18-4           |
| 18.3.5                       | Coherency .....                                      | 18-4           |
| 18.3.6                       | Emulation Support .....                              | 18-4           |
| 18.3.7                       | TPU3 Interrupts .....                                | 18-5           |
| 18.3.8                       | Prescaler Control for TCR1 .....                     | 18-5           |
| 18.3.9                       | Prescaler Control for TCR2 .....                     | 18-7           |
| 18.4                         | Programming Model .....                              | 18-8           |
| 18.4.1                       | TPU Module Configuration Register (TPUMCR) .....     | 18-11          |
| 18.4.2                       | Development Support Control Register (DSCR) .....    | 18-13          |
| 18.4.3                       | Development Support Status Register (DSSR) .....     | 18-14          |
| 18.4.4                       | TPU3 Interrupt Configuration Register (TICR) .....   | 18-15          |
| 18.4.5                       | Channel Interrupt Enable Register (CIER) .....       | 18-16          |
| 18.4.6                       | Channel Function Select Registers (CFSRn) .....      | 18-16          |
| 18.4.7                       | Host Sequence Registers (HSQRn) .....                | 18-17          |
| 18.4.8                       | Host Service Request Registers (HSRRn) .....         | 18-18          |
| 18.4.9                       | Channel Priority Registers (CPRx) .....              | 18-19          |
| 18.4.10                      | Channel Interrupt Status Register (CISR) .....       | 18-20          |
| 18.4.11                      | TPU3 Module Configuration Register 2 (TPUMCR2) ..... | 18-20          |
| 18.4.12                      | TPU Module Configuration Register 3 (TPUMCR3) .....  | 18-22          |
| 18.4.13                      | SIU Test Register (SIUTST) .....                     | 18-23          |
| 18.4.14                      | Factory Test Registers .....                         | 18-23          |
| 18.4.15                      | TPU3 Parameter RAM .....                             | 18-24          |
| 18.5                         | Time Functions .....                                 | 18-25          |

# Contents

| Paragraph Number                   | Title  | Page Number |
|------------------------------------|--|-------------|
| <b>Chapter 19</b>                  |  |             |
| <b>Dual-Port TPU3 RAM (DPTRAM)</b> |  |             |
| 19.1                               | Features .....   | 19-1        |
| 19.2                               | DPTRAM Configuration Block Diagram .....               | 19-2        |
| 19.3                               | Programming Model .....                                | 19-2        |
| 19.3.1                             | DPTRAM Module Configuration Register (DPTMCR) .....    | 19-4        |
| 19.3.2                             | DPTRAM Test Register (DPTTCR) .....                    | 19-5        |
| 19.3.3                             | RAM Base Address Register (RAMBAR) .....               | 19-5        |
| 19.3.4                             | MISR High (MISRH) and MISR Low Registers (MISRL) ..... | 19-5        |
| 19.3.5                             | MISC Counter (MISCNT) .....                            | 19-6        |
| 19.4                               | DPTRAM Operation .....                                 | 19-6        |
| 19.4.1                             | Normal Operation .....                                 | 19-6        |
| 19.4.2                             | Standby Operation .....                                | 19-7        |
| 19.4.3                             | Reset Operation .....                                  | 19-7        |
| 19.4.4                             | Stop Operation .....                                   | 19-7        |
| 19.4.5                             | Freeze Operation .....                                 | 19-7        |
| 19.4.6                             | TPU3 Emulation Mode Operation .....                    | 19-8        |
| 19.5                               | Multiple Input Signature Calculator (MISC) .....       | 19-8        |

## Chapter 20

### CDR3 Flash (UC3F) EEPROM

|          |  |       |
|----------|--|-------|
| 20.1     | Introduction .....   | 20-1  |
| 20.2     | Features of the CDR3 Flash EEPROM (UC3F) .....               | 20-3  |
| 20.3     | UC3F Interface .....   | 20-4  |
| 20.3.1   | External Interface .....                                     | 20-4  |
| 20.4     | Programming Model .....                                      | 20-5  |
| 20.4.1   | UC3F EEPROM Control Registers .....                          | 20-5  |
| 20.4.1.1 | Register Addressing .....                                    | 20-5  |
| 20.4.1.2 | UC3F EEPROM Configuration Register (UC3FMCR) .....           | 20-6  |
| 20.4.1.3 | UC3F EEPROM Extended Configuration Register (UC3FMCRE) ..... | 20-9  |
| 20.4.1.4 | UC3F EEPROM High Voltage Control Register (UC3FCTL) .....    | 20-12 |
| 20.4.2   | UC3F EEPROM Array Addressing .....                           | 20-16 |
| 20.4.3   | UC3F EEPROM Shadow Row .....                                 | 20-16 |
| 20.4.3.1 | Reset Configuration Word (UC3FCFIG) .....                    | 20-17 |
| 20.4.4   | UC3F EEPROM 512-Kbyte Array Configuration .....              | 20-20 |
| 20.5     | UC3F Operation .....   | 20-21 |
| 20.5.1   | Reset .....  | 20-21 |
| 20.5.2   | Register Read and Write Operation .....                      | 20-21 |
| 20.5.3   | Array Read Operation .....                                   | 20-21 |

# Contents

| Paragraph Number | Title   | Page Number |
|------------------|---|-------------|
| 20.5.3.1         | Array On-Page Read Operation .....                  | 20-22       |
| 20.5.4           | Shadow Row Select Read Operation .....              | 20-22       |
| 20.5.5           | Array Program/Erase Interlock Write Operation ..... | 20-22       |
| 20.5.6           | High Voltage Operations .....                       | 20-22       |
| 20.5.6.1         | Overview of Program/Erase Operation .....           | 20-23       |
| 20.5.7           | Programming .....                                   | 20-23       |
| 20.5.7.1         | Program Sequence .....                              | 20-23       |
| 20.5.7.2         | Program Shadow Information .....                    | 20-26       |
| 20.5.7.3         | Program Suspend .....                               | 20-26       |
| 20.5.8           | Erasing .....                                       | 20-27       |
| 20.5.8.1         | Erase Sequence .....                                | 20-28       |
| 20.5.8.2         | Erasing Shadow Information Words .....              | 20-30       |
| 20.5.8.3         | Erase Suspend .....                                 | 20-30       |
| 20.5.9           | Stop Operation .....                                | 20-30       |
| 20.5.10          | Disabled .....                                      | 20-31       |
| 20.5.11          | Censored Accesses and Non-Censored Accesses .....   | 20-31       |
| 20.5.11.1        | Setting and Clearing Censor .....                   | 20-33       |
| 20.5.11.2        | Setting Censor .....                                | 20-34       |
| 20.5.11.3        | Clearing Censor .....                               | 20-34       |
| 20.5.11.4        | Switching The UC3F EEPROM Censorship .....          | 20-35       |
| 20.5.12          | Background Debug Mode or Freeze Operation .....     | 20-36       |

## Chapter 21 CALRAM Operation

|          |  |       |
|----------|--|-------|
| 21.1     | Features .....                                       | 21-1  |
| 21.2     | CALRAM Block Diagram .....                           | 21-1  |
| 21.3     | CALRAM Memory Map .....                              | 21-2  |
| 21.4     | Modes of Operation .....                             | 21-4  |
| 21.4.1   | Reset .....  | 21-5  |
| 21.4.2   | One-Cycle Mode .....                                 | 21-5  |
| 21.4.2.1 | CALRAM Access/Privilege Violations .....             | 21-5  |
| 21.4.3   | Two-Cycle Mode .....                                 | 21-6  |
| 21.4.4   | Standby Operation/Keep-Alive Power .....             | 21-6  |
| 21.4.5   | Stop Operation .....                                 | 21-6  |
| 21.4.6   | Overlay Mode Operation .....                         | 21-6  |
| 21.4.6.1 | Overlay Mode Configuration .....                     | 21-6  |
| 21.4.6.2 | Priority of Overlay Regions .....                    | 21-12 |
| 21.4.6.3 | Normal (Non-Overlay) Access to Overlay Regions ..... | 21-12 |
| 21.4.6.4 | Calibration Write Cycle Flow .....                   | 21-13 |
| 21.5     | Programming Model .....                              | 21-13 |

# Contents

| Paragraph Number | Title  | Page Number |
|------------------|--|-------------|
| 21.5.1           | CALRAM Module Configuration Register (CRAMMCR) .....     | 21-14       |
| 21.5.2           | CALRAM Region Base Address Registers (CRAM_RBAX) .....   | 21-17       |
| 21.5.3           | CALRAM Overlay Configuration Register (CRAM_OVLCR) ..... | 21-18       |
| 21.5.4           | CALRAM Ownership Trace Register (CRAM_OTR) .....         | 21-19       |

## Chapter 22 Development Support

|          |   |       |
|----------|---|-------|
| 22.1     | Program Flow Tracking .....                                     | 22-1  |
| 22.1.1   | Program Trace Cycle .....                                       | 22-2  |
| 22.1.1.1 | Instruction Queue Status Pins — VF [0:2] .....                  | 22-2  |
| 22.1.1.2 | History Buffer Flushes Status Pins— VFLS [0:1] .....            | 22-3  |
| 22.1.1.3 | Queue Flush Information Special Case .....                      | 22-4  |
| 22.1.2   | Program Trace when in Debug Mode .....                          | 22-4  |
| 22.1.3   | Sequential Instructions Marked as Indirect Branch .....         | 22-4  |
| 22.1.4   | External Hardware .....   | 22-4  |
| 22.1.4.1 | Synchronizing the Trace Window to the CPU Internal Events ..... | 22-5  |
| 22.1.4.2 | Detecting the Trace Window Start Address .....                  | 22-6  |
| 22.1.4.3 | Detecting the Assertion/Negation of VSYNC .....                 | 22-6  |
| 22.1.4.4 | Detecting the Trace Window End Address .....                    | 22-6  |
| 22.1.4.5 | Compress .....  | 22-7  |
| 22.1.5   | Instruction Fetch Show Cycle Control .....                      | 22-7  |
| 22.2     | Watchpoints and Breakpoints Support .....                       | 22-7  |
| 22.2.1   | Internal Watchpoints and Breakpoints .....                      | 22-9  |
| 22.2.1.1 | Restrictions .....  | 22-11 |
| 22.2.1.2 | Byte and Half-Word Working Modes .....                          | 22-11 |
| 22.2.1.3 | Examples .....  | 22-11 |
| 22.2.1.4 | Context Dependent Filter .....                                  | 22-13 |
| 22.2.1.5 | Ignore First Match .....  | 22-13 |
| 22.2.1.6 | Generating Six Compare Types .....                              | 22-14 |
| 22.2.2   | Instruction Support .....                                       | 22-14 |
| 22.2.2.1 | Load/Store Support .....  | 22-15 |
| 22.2.3   | Watchpoint Counters .....                                       | 22-18 |
| 22.2.3.1 | Trap Enable Programming .....                                   | 22-18 |
| 22.3     | Development System Interface .....                              | 22-18 |
| 22.3.1   | Debug Mode Support .....  | 22-20 |
| 22.3.1.1 | Debug Mode Enable vs. Debug Mode Disable .....                  | 22-22 |
| 22.3.1.2 | Entering Debug Mode .....                                       | 22-23 |
| 22.3.1.3 | Check Stop State and Debug Mode .....                           | 22-25 |
| 22.3.1.4 | Saving Machine State upon Entering Debug Mode .....             | 22-26 |
| 22.3.1.5 | Running in Debug Mode .....                                     | 22-26 |

# Contents

| Paragraph<br>Number | Title   | Page<br>Number |
|---------------------|---|----------------|
| 22.3.1.6            | Exiting Debug Mode .....  | 22-27          |
| 22.4                | Development Port .....  | 22-27          |
| 22.4.1              | Development Port Pins .....   | 22-27          |
| 22.4.2              | Development Serial Clock .....                                      | 22-27          |
| 22.4.3              | Development Serial Data In .....                                    | 22-28          |
| 22.4.4              | Development Serial Data Out .....                                   | 22-28          |
| 22.4.5              | Freeze Signal .....   | 22-28          |
| 22.4.5.1            | SGPIO6/FRZ/PTR Signal .....   | 22-28          |
| 22.4.5.2            | IWP[0:1]/VFLS[0:1] Signals .....                                    | 22-28          |
| 22.4.5.3            | VFLS[0:1]/MPIO32B[3:4] Signals .....                                | 22-29          |
| 22.4.6              | Development Port Registers .....                                    | 22-29          |
| 22.4.6.1            | Development Port Shift Register .....                               | 22-29          |
| 22.4.6.2            | Trap Enable Control Register .....                                  | 22-29          |
| 22.4.6.3            | Development Port Registers Decode .....                             | 22-29          |
| 22.4.6.4            | Development Port Serial Communications — Clock Mode Selection ..... | 22-30          |
| 22.4.6.5            | Development Port Serial Communications — Trap Enable Mode .....     | 22-32          |
| 22.4.6.6            | Serial Data into Development Port — Trap Enable Mode .....          | 22-32          |
| 22.4.6.7            | Serial Data Out of Development Port — Trap Enable Mode .....        | 22-33          |
| 22.4.6.8            | Development Port Serial Communications — Debug Mode .....           | 22-34          |
| 22.4.6.9            | Serial Data Into Development Port .....                             | 22-34          |
| 22.4.6.10           | Serial Data Out of Development Port .....                           | 22-35          |
| 22.4.6.11           | Fast Download Procedure .....                                       | 22-36          |
| 22.5                | Software Monitor Debugger Support .....                             | 22-37          |
| 22.5.1              | Freeze Indication .....   | 22-37          |
| 22.6                | Development Support Registers .....                                 | 22-38          |
| 22.6.1              | Register Protection .....   | 22-39          |
| 22.6.2              | Comparator A–D Value Registers (CMPA–CMPD) .....                    | 22-40          |
| 22.6.3              | Exception Cause Register (ECR) .....                                | 22-40          |
| 22.6.4              | Debug Enable Register (DER) .....                                   | 22-42          |
| 22.6.5              | Breakpoint Counter A Value and Control Register .....               | 22-44          |
| 22.6.6              | Breakpoint Counter B Value and Control Register .....               | 22-45          |
| 22.6.7              | Comparator E–F Value Registers (CMPE–CMPF) .....                    | 22-45          |
| 22.6.8              | Comparator G–H Value Registers (CMPG–CMPH) .....                    | 22-46          |
| 22.6.9              | L-Bus Support Control Register 1 .....                              | 22-46          |
| 22.6.10             | L-Bus Support Control Register 2 .....                              | 22-47          |
| 22.6.11             | I-Bus Support Control Register (ICTRL) .....                        | 22-50          |
| 22.6.12             | Breakpoint Address Register (BAR) .....                             | 22-52          |
| 22.6.13             | Development Port Data Register (DPDR) .....                         | 22-52          |

# Contents

| Paragraph Number    | Title  | Page Number |
|---------------------|--|-------------|
| <b>Chapter 23</b>   |  |             |
| <b>READI Module</b> |  |             |
| 23.1                | Features Summary .....   | 23-1        |
| 23.1.1              | Functional Block Diagram .....                                     | 23-2        |
| 23.2                | Modes of Operation .....   | 23-3        |
| 23.2.1              | Reset Configuration .....  | 23-3        |
| 23.2.2              | Security .....   | 23-4        |
| 23.2.3              | Normal .....   | 23-4        |
| 23.2.4              | Disabled .....   | 23-4        |
| 23.3                | Parametrics .....  | 23-4        |
| 23.4                | Messages .....   | 23-4        |
| 23.5                | Terms and Definitions .....  | 23-6        |
| 23.6                | Programming Model .....  | 23-8        |
| 23.6.1              | Register Map .....   | 23-8        |
| 23.6.1.1            | User-Mapped Register (OTR) .....                                   | 23-8        |
| 23.6.1.2            | Tool-Mapped Registers .....  | 23-9        |
| 23.6.1.3            | Device ID Register (DID) .....                                     | 23-9        |
| 23.6.1.4            | Development Control Register (DC) .....                            | 23-10       |
| 23.6.1.5            | Mode Control Register (MC) .....                                   | 23-12       |
| 23.6.1.6            | User Base Address Register (UBA) .....                             | 23-13       |
| 23.6.1.7            | Read/Write Access Register (RWA) .....                             | 23-13       |
| 23.6.1.8            | Upload/Download Information Register (UDI) .....                   | 23-15       |
| 23.6.1.9            | Data Trace Attributes 1 and 2 Registers (DTA1 and DTA2) .....      | 23-17       |
| 23.6.2              | Accessing Memory-Mapped Locations Via the Auxiliary Port .....     | 23-18       |
| 23.6.3              | Accessing READI Tool Mapped Registers Via the Auxiliary Port ..... | 23-19       |
| 23.6.4              | Partial Register Updates .....                                     | 23-19       |
| 23.6.5              | Programming Considerations .....                                   | 23-20       |
| 23.6.5.1            | Program Trace Guidelines .....                                     | 23-20       |
| 23.6.5.2            | Compressed Code Mode Guidelines .....                              | 23-20       |
| 23.7                | Signal Interface .....   | 23-20       |
| 23.7.1              | Functional Description .....                                       | 23-21       |
| 23.7.1.1            | Signals Implemented .....  | 23-21       |
| 23.7.2              | Functional Block Diagram .....                                     | 23-22       |
| 23.7.3              | Message Priority .....   | 23-22       |
| 23.7.4              | Signal Protocol .....  | 23-23       |
| 23.7.5              | Messages .....   | 23-24       |
| 23.7.5.1            | Message Formats .....  | 23-28       |
| 23.7.5.2            | Rules of Messages .....  | 23-31       |
| 23.7.5.3            | Branch Trace Message Examples .....                                | 23-32       |
| 23.7.5.3.1          | Example of Indirect Branch Message .....                           | 23-32       |

# Contents

| Paragraph<br>Number | Title  | Page<br>Number |
|---------------------|--|----------------|
| 23.7.5.3.2          | Example of Direct Branch Message .....                             | 23-33          |
| 23.7.5.4            | Non-Temporal Ordering of Transmitted Messages .....                | 23-33          |
| 23.7.6              | READI Reset Configuration .....                                    | 23-34          |
| 23.7.6.1            | Reset Configuration for Debug Mode .....                           | 23-36          |
| 23.7.6.2            | Reset Configuration for Non-Debug Mode .....                       | 23-36          |
| 23.7.6.3            | Secure Mode .....  | 23-36          |
| 23.7.6.4            | Disabled Mode .....  | 23-36          |
| 23.7.6.5            | Guidelines for Transmitting Input Messages .....                   | 23-37          |
| 23.8                | Program Trace .....  | 23-37          |
| 23.8.1              | Branch Trace Messaging .....                                       | 23-37          |
| 23.8.1.1            | RCPU Instructions that Cause BTM Messages .....                    | 23-37          |
| 23.8.2              | BTM Message Formats .....  | 23-37          |
| 23.8.2.1            | Direct Branch Messages .....                                       | 23-38          |
| 23.8.2.2            | Indirect Branch Messages .....                                     | 23-38          |
| 23.8.2.3            | Correction Messages .....  | 23-39          |
| 23.8.2.4            | Synchronization Messages .....                                     | 23-42          |
| 23.8.2.4.1          | Direct Branch Synchronization Message .....                        | 23-43          |
| 23.8.2.4.2          | Indirect Branch Synchronization Message .....                      | 23-43          |
| 23.8.2.4.3          | Direct Branch Synchronization Message With Compressed Code .....   | 23-44          |
| 23.8.2.4.4          | Indirect Branch Synchronization Message with Compressed Code ..... | 23-44          |
| 23.8.2.4.5          | Resource Full Message .....  | 23-45          |
| 23.8.2.5            | Error Messages .....   | 23-45          |
| 23.8.2.6            | Relative Addressing .....  | 23-46          |
| 23.8.3              | Queue Overflow Program Trace Error Message .....                   | 23-46          |
| 23.8.4              | Branch Trace Message Operation .....                               | 23-47          |
| 23.8.4.1            | BTM Capture and Encoding Algorithm .....                           | 23-47          |
| 23.8.4.2            | Instruction Fetch Snooping .....                                   | 23-47          |
| 23.8.4.3            | Instruction Execution Tracking .....                               | 23-47          |
| 23.8.4.4            | Instruction Flush Cases .....                                      | 23-47          |
| 23.8.5              | Branch Trace Message Queuing .....                                 | 23-48          |
| 23.8.6              | BTM Timing Diagrams .....  | 23-48          |
| 23.8.7              | Program Trace Guidelines .....                                     | 23-51          |
| 23.9                | Data Trace .....   | 23-51          |
| 23.9.1              | Data Trace for the Load/Store Bus (L-Bus) .....                    | 23-51          |
| 23.9.2              | Data Trace Message Formats .....                                   | 23-51          |
| 23.9.2.1            | Data Write Message .....   | 23-52          |
| 23.9.2.2            | Data Read Message .....  | 23-52          |
| 23.9.2.3            | Data Trace Synchronization Messages .....                          | 23-52          |
| 23.9.2.4            | Data Write Synchronization Message .....                           | 23-53          |
| 23.9.2.5            | Data Read Synchronization Messaging .....                          | 23-53          |
| 23.9.2.6            | Relative Addressing .....  | 23-53          |



# Contents

| Paragraph<br>Number | Title  | Page<br>Number |
|---------------------|--|----------------|
| 23.9.3              | Queue Overflow Data Trace Error Message .....                      | 23-54          |
| 23.9.4              | Data Trace Operation .....   | 23-54          |
| 23.9.5              | Data Trace Windowing .....   | 23-55          |
| 23.9.6              | Special L-Bus Cases .....  | 23-56          |
| 23.9.7              | Data Trace Queuing .....   | 23-56          |
| 23.9.8              | Throughput and Latency .....                                       | 23-57          |
| 23.9.8.1            | Assumptions for Throughput Analysis .....                          | 23-57          |
| 23.9.8.2            | Throughput Calculations .....                                      | 23-57          |
| 23.9.9              | Data Timing Diagrams .....   | 23-57          |
| 23.10               | Read/Write Access .....  | 23-59          |
| 23.10.1             | Functional Description .....                                       | 23-59          |
| 23.10.2             | Write Operation to Memory-Mapped Locations and SPR Registers ..... | 23-61          |
| 23.10.2.1           | Single Write Operation .....                                       | 23-61          |
| 23.10.2.2           | Block Write Operation .....  | 23-62          |
| 23.10.3             | Read Operation to Memory-Mapped Locations and SPR Registers .....  | 23-63          |
| 23.10.3.1           | Single Read Operation .....  | 23-63          |
| 23.10.3.2           | Block Read Operation .....   | 23-64          |
| 23.10.4             | Read/Write Access to Internal READI Registers .....                | 23-64          |
| 23.10.4.1           | Write Operation .....  | 23-64          |
| 23.10.4.2           | Read Operation .....   | 23-65          |
| 23.10.5             | Error Handling .....   | 23-65          |
| 23.10.5.1           | Access Alignment .....   | 23-65          |
| 23.10.5.2           | L-Bus Address Error .....  | 23-65          |
| 23.10.5.3           | L-Bus Data Error .....   | 23-65          |
| 23.10.6             | Exception Sequences .....  | 23-66          |
| 23.10.7             | Secure Mode .....  | 23-66          |
| 23.10.8             | Error Messages .....   | 23-66          |
| 23.10.8.1           | Read/Write Access Error .....                                      | 23-66          |
| 23.10.8.2           | Invalid Message .....  | 23-67          |
| 23.10.8.3           | Invalid Access Opcode .....  | 23-67          |
| 23.10.9             | Faster Read/Write Accesses with Default Attributes .....           | 23-67          |
| 23.10.10            | Throughput and Latency .....                                       | 23-68          |
| 23.10.10.1          | Assumptions for Throughput Analysis .....                          | 23-68          |
| 23.11               | Read/Write Timing Diagrams .....                                   | 23-69          |
| 23.12               | Watchpoint Support .....   | 23-72          |
| 23.12.1             | Watchpoint Messaging .....   | 23-72          |
| 23.12.1.1           | Watchpoint Source Field .....                                      | 23-73          |
| 23.12.2             | Watchpoint Overrun Error Message .....                             | 23-73          |
| 23.12.3             | Synchronization .....  | 23-74          |
| 23.12.4             | Watchpoint Timing Diagrams .....                                   | 23-74          |
| 23.13               | Ownership Trace .....  | 23-74          |

# Contents

| Paragraph Number | Title  | Page Number |
|------------------|--|-------------|
| 23.13.1          | Ownership Trace Messaging .....                              | 23-75       |
| 23.13.2          | Queue Overflow Ownership Trace Error Message .....           | 23-75       |
| 23.13.2.1        | OTM Flow .....   | 23-75       |
| 23.13.2.2        | OTM Queueing .....   | 23-76       |
| 23.13.3          | OTM Timing Diagrams .....                                    | 23-76       |
| 23.14            | RCPU Development Access .....                                | 23-76       |
| 23.14.1          | RCPU Development Access Messaging .....                      | 23-77       |
| 23.14.1.1        | DSDI Message .....   | 23-77       |
| 23.14.1.2        | DSDO Message .....   | 23-78       |
| 23.14.1.3        | BDM Status Message .....                                     | 23-78       |
| 23.14.1.4        | Error Message (Invalid Message) .....                        | 23-79       |
| 23.14.2          | RCPU Development Access Operation .....                      | 23-79       |
| 23.14.2.1        | Enabling RCPU Development Access Via READI Signals .....     | 23-80       |
| 23.14.2.2        | Enabling Background Debug Mode (BDM) Via READI Signals ..... | 23-80       |
| 23.14.2.3        | Entering Background Debug Mode (BDM) Via READI Signals ..... | 23-80       |
| 23.14.2.4        | Non-Debug Mode Access of RCPU Development Access .....       | 23-81       |
| 23.14.2.5        | RCPU Development Access Flow Diagram .....                   | 23-81       |
| 23.14.3          | Throughput .....   | 23-83       |
| 23.14.4          | Development Access Timing Diagrams .....                     | 23-83       |
| 23.15            | Power Management .....                                       | 23-87       |
| 23.15.1          | Functional Description .....                                 | 23-87       |
| 23.15.2          | Low Power Modes .....  | 23-87       |

## Chapter 24 IEEE 1149.1-Compliant Interface (JTAG)

|          |                                    |       |
|----------|------------------------------------|-------|
| 24.1     | IEEE 1149.1 Test Access Port ..... | 24-1  |
| 24.1.1   | Overview .....                     | 24-2  |
| 24.1.1.1 | TAP Controller .....               | 24-3  |
| 24.1.1.2 | Boundary Scan Register .....       | 24-4  |
| 24.1.2   | Instruction Register .....         | 24-23 |
| 24.1.2.1 | EXTEST .....                       | 24-23 |
| 24.1.2.2 | SAMPLE/PRELOAD .....               | 24-23 |
| 24.1.2.3 | BYPASS .....                       | 24-24 |
| 24.1.2.4 | CLAMP .....                        | 24-24 |
| 24.1.3   | HI-Z .....                         | 24-24 |
| 24.2     | MPC565 Restrictions .....          | 24-24 |
| 24.2.1   | Non-Scan Chain Operation .....     | 24-25 |
| 24.2.2   | BSDL Description .....             | 24-25 |

# Contents

| Paragraph Number                   | Title  | Page Number |
|------------------------------------|--|-------------|
| <b>Appendix A</b>                  |  |             |
| <b>MPC566 Compression Features</b> |  |             |
| A.1                                | ICDU Key Features .....  | A-1         |
| A.2                                | Class-Based Compression Model Main Principles.....               | A-1         |
| A.2.1                              | Compression Model Features .....                                 | A-1         |
| A.2.2                              | Model Limitations.....   | A-2         |
| A.2.3                              | Instruction Class-Based Compression Algorithm.....               | A-2         |
| A.2.4                              | Compressed Address Generation with Direct Branches.....          | A-4         |
| A.2.5                              | Compressed Address Generation—Indirect Branches .....            | A-6         |
| A.2.6                              | Compressed Address Generation—Exceptions .....                   | A-6         |
| A.2.7                              | Class Code Compression Algorithm Rules .....                     | A-7         |
| A.2.8                              | Bypass Field Compression Rules .....                             | A-7         |
| A.2.8.1                            | Branch Right Segment Compression #1 .....                        | A-7         |
| A.2.8.2                            | Branch Right Segment Compression #2.....                         | A-8         |
| A.2.8.3                            | Right Segment Zero Length Compression Bypass .....               | A-8         |
| A.2.9                              | Instruction Class Structures and Programming .....               | A-8         |
| A.2.9.1                            | Global Bypass.....   | A-8         |
| A.2.9.2                            | Single Segment Full Compression – CLASS_1 .....                  | A-9         |
| A.2.9.3                            | Twin Segment Full Compression – CLASS_2.....                     | A-9         |
| A.2.9.4                            | Left Segment Compression and Right Segment Bypass – CLASS_3..... | A-10        |
| A.2.9.5                            | Left Segment Bypass and Right Segment Compression—CLASS_4.....   | A-11        |
| A.2.10                             | Instruction Layout Programming Summary .....                     | A-11        |
| A.2.11                             | Compression Process .....  | A-11        |
| A.2.12                             | Decompression.....   | A-12        |
| A.2.13                             | Compression Environment Initialization .....                     | A-13        |
| A.2.14                             | Compression/Non-Compression Mode Switch .....                    | A-14        |
| A.2.14.1                           | Compression Definition for Exception Handlers .....              | A-14        |
| A.2.14.2                           | Running Mixed Code.....  | A-14        |
| A.3                                | Operation Modes.....   | A-14        |
| A.3.1                              | Instruction Fetch .....  | A-14        |
| A.3.1.1                            | Decompression Off Mode.....                                      | A-15        |
| A.3.1.2                            | Decompression On Mode .....                                      | A-15        |
| A.3.1.2.1                          | Show Cycles in Decompression On Mode .....                       | A-15        |
| A.3.2                              | Vocabulary Table Storage Operation .....                         | A-16        |
| A.3.3                              | READI Compression .....  | A-16        |
| A.3.3.1                            | I-Bus Support Control Register (ICTRL).....                      | A-16        |
| A.4                                | Decompressor Class Configuration Registers (DCCR0-15) .....      | A-19        |

# Contents

| Paragraph<br>Number               | Title  | Page<br>Number |
|-----------------------------------|--|----------------|
| <b>Appendix B</b>                 |  |                |
| <b>Internal Memory Map</b>        |  |                |
| <b>Appendix C</b>                 |  |                |
| <b>Clock and Board Guidelines</b> |  |                |
| C.1                               | MPC56x Device Power Distribution .....                                 | C-2            |
| C.2                               | Crystal Oscillator External Components .....                           | C-4            |
| C.2.1                             | KAPWR Filtering .....  | C-5            |
| C.2.2                             | PLL External Components.....   | C-5            |
| C.2.3                             | PLL Off-Chip Capacitor CXFC.....                                       | C-6            |
| C.3                               | PLL and Clock Oscillator External Components Layout Requirements ..... | C-7            |
| C.3.1                             | Traces and Placement .....   | C-7            |
| C.3.2                             | Grounding/Guarding.....  | C-7            |
| C.4                               | MIOS14 RTC Oscillator .....  | C-7            |

## Appendix D TPU3 ROM Functions

|        |  |      |
|--------|--|------|
| D.1    | Overview.....  | D-1  |
| D.2    | Programmable Time Accumulator (PTA) .....                | D-3  |
| D.3    | Queued Output Match TPU3 Function (QOM) .....            | D-5  |
| D.4    | Table Stepper Motor (TSM) .....                          | D-7  |
| D.5    | Frequency Measurement (FQM) .....                        | D-10 |
| D.6    | Universal Asynchronous Receiver/Transmitter (UART) ..... | D-12 |
| D.7    | New Input Capture/Transition Counter (NITC) .....        | D-15 |
| D.8    | Multiphase Motor Commutation (COMM) .....                | D-17 |
| D.9    | Hall Effect Decode (HALLD) .....                         | D-19 |
| D.10   | Multichannel Pulse-Width Modulation (MCPWM).....         | D-21 |
| D.11   | Multi TPU (MULTI).....                                   | D-28 |
| D.12   | Fast Quadrature Decode TPU3 Function (FQD) .....         | D-33 |
| D.13   | Period/Pulse-Width Accumulator (PPWA) .....              | D-36 |
| D.14   | ID TPU3 Function (ID).....                               | D-38 |
| D.15   | Output Compare (OC) .....                                | D-40 |
| D.16   | Pulse-Width Modulation (PWM).....                        | D-42 |
| D.17   | Discrete Input/Output (DIO).....                         | D-44 |
| D.18   | Synchronized Pulse-Width Modulation (SPWM) .....         | D-46 |
| D.19   | Read/Write Timers and Pin TPU3 Function (RWTPIN).....    | D-49 |
| D.20   | Serial Input/Output Port (SIOP) .....                    | D-51 |
| D.20.1 | Parameters.....  | D-51 |

# Contents

| Paragraph Number | Title  | Page Number |
|------------------|--|-------------|
| D.20.1.1         | CHAN_CONTROL .....                                 | D-53        |
| D.20.1.2         | BIT_D .....  | D-53        |
| D.20.1.3         | HALF_PERIOD .....                                  | D-53        |
| D.20.1.4         | BIT_COUNT .....                                    | D-53        |
| D.20.1.5         | XFER_SIZE.....                                     | D-53        |
| D.20.1.6         | SIOP_DATA.....                                     | D-53        |
| D.20.2           | Host RCPU Initialization of the SIOP Function..... | D-54        |
| D.20.3           | SIOP Function Performance .....                    | D-54        |
| D.20.3.1         | XFER_SIZE Greater Than 16 .....                    | D-55        |
| D.20.3.2         | Data Positioning.....                              | D-55        |
| D.20.3.3         | Data Timing .....                                  | D-55        |

## Appendix E Memory Access Timing

## Appendix F Electrical Characteristics

|        |  |      |
|--------|--|------|
| F.1    | Package .....                                      | F-2  |
| F.2    | EMI Characteristics .....                          | F-3  |
| F.2.1  | Reference Documents .....                          | F-3  |
| F.2.2  | Definitions and Acronyms .....                     | F-3  |
| F.2.3  | EMI Testing Specifications .....                   | F-3  |
| F.3    | Thermal Characteristics .....                      | F-3  |
| F.3.1  | Thermal References .....                           | F-5  |
| F.4    | ESD Protection .....                               | F-6  |
| F.5    | DC Electrical Characteristics.....                 | F-7  |
| F.6    | Oscillator and PLL Electrical Characteristics..... | F-11 |
| F.7    | Flash Electrical Characteristics.....              | F-12 |
| F.8    | Power-Up/Down Sequencing .....                     | F-13 |
| F.8.1  | Power-Up/Down Option A .....                       | F-13 |
| F.8.2  | Power-Up/Down Option B .....                       | F-15 |
| F.9    | Issues Regarding Power Sequence .....              | F-17 |
| F.9.1  | Application of PORESET or HRESET .....             | F-17 |
| F.9.2  | Keep-Alive RAM.....                                | F-18 |
| F.10   | AC Timing .....                                    | F-18 |
| F.10.1 | Debug Port Timing .....                            | F-43 |
| F.11   | READI Electrical Characteristics .....             | F-45 |
| F.12   | RESET Timing .....                                 | F-47 |
| F.13   | IEEE 1149.1 Electrical Characteristics.....        | F-50 |

# Contents

| Paragraph<br>Number | Title                                   | Page<br>Number |
|---------------------|---|----------------|
| F.14                | QADC64E Electrical Characteristics..... | F-54           |
| F.15                | QSMCM Electrical Characteristics .....  | F-56           |
| F.16                | GPIO Electrical Characteristics .....   | F-60           |
| F.17                | TPU3 Electrical Characteristics.....    | F-61           |
| F.18                | TouCAN Electrical Characteristics ..... | F-62           |
| F.19                | MIOS Timing Characteristics .....       | F-62           |
| F.19.1              | MPWMSM Timing Characteristics .....     | F-63           |
| F.19.2              | MMCSM Timing Characteristics .....      | F-66           |
| F.19.3              | MDASM Timing Characteristics.....       | F-68           |
| F.20                | MPIOSM Timing Characteristics .....     | F-70           |
| F.21                | Pin Summary.....                        | F-71           |
| F.21.1              | Package Diagrams.....                   | F-82           |
| F.21.2              | MPC565 Ball Diagram .....               | F-84           |
| F.21.3              | MPC565 Ball Maps .....                  | F-85           |

# About This Book

This manual describes the capabilities, operation, and function of the Freescale MPC565/MPC566 microcontrollers. The documentation follows the modular construction of the devices in the MPC500 family product line. Each microcontroller in the MPC500 family has a comprehensive reference manual that provides sufficient information for normal operation of the device. The reference manual is supplemented by module-specific reference manuals that provide detailed information about module operation and applications. Where information in this manual varies from information in other references, this manual takes precedence. Refer to [Suggested Reading](#) for further information.

Unless otherwise noted, references to the MPC565 also apply to its code compressed counterpart, the MPC566. Any functional differences between the MPC565 and MPC566 are noted. MPC566-specific information is located in [Appendix A, “MPC566 Compression Features.”](#)

## Audience

This manual is intended for system software and hardware developers and applications programmers who want to develop products for the MPC565. It is assumed that the reader understands operating systems and microprocessor and microcontroller system design.

## Organization

Following is a summary and brief description of the major sections of this manual:

- [Chapter 1, “Overview,”](#) provides an overview of the MPC565 microcontroller, including a block diagram showing the major modular components, a features list, and a summary of differences between the MPC565 and the MPC555.
- [Chapter 2, “Signal Descriptions,”](#) describes the MPC565 microcontroller’s external signals.
- [Chapter 3, “Central Processing Unit,”](#) describes the RISC processor (RCPU) used in the MPC500 family of microcontrollers.
- [Chapter 4, “Burst Buffer Controller 2 Module,”](#) describes the three main functional parts: the bus interface unit (BIU), the instruction memory protection unit (IMPU), and the instruction code decompressor unit (ICDU).
- [Chapter 5, “Unified System Interface Unit \(USIU\) Overview.”](#) The unified system interface unit (USIU) of the MPC565 consists of several functional modules that control system start-up, system initialization and operation, system protection, and the external system bus.
- [Chapter 6, “System Configuration and Protection.”](#) The MPC565 incorporates many system functions that normally must be provided in external circuits. In addition, it is designed to provide maximum system safeguards against hardware and software faults. This chapter provides a detailed explanation of this functionality.

- [Chapter 7, “Reset.”](#) This section describes the MPC565 reset sources, operation, control, and status.
- [Chapter 8, “Clocks and Power Control,”](#) describes the main timing and power control reference for the MPC565.
- [Chapter 9, “External Bus Interface,”](#) describes the functionality of the MPC565 external bus.
- [Chapter 10, “Memory Controller,”](#) generates interface signals to support a glueless interface to external memory and peripheral devices.
- [Chapter 11, “L-Bus to U-Bus Interface \(L2U\),”](#) describes the interface between the load/store bus (L-bus) and the unified bus (U-bus). The L2U module includes the Data Memory Protection Unit (DMPU), which provides protection for data memory accesses.
- [Chapter 12, “U-Bus to IMB3 Bus Interface \(UIMB\).”](#) The U-bus to IMB3 bus interface (UIMB) structure is used to connect the CPU internal unified bus (U-bus) to the intermodule bus 3 (IMB3). It controls bus communication between the U-bus and the IMB3.
- [Chapter 13, “Queued Analog-to-Digital Converter \(QADC64E\).”](#) The two queued analog-to-digital converter (QADC) modules on the MPC565 are 10-bit, unipolar, successive approximation converters with analog multiplexers. These modules are configured so each module can access all 40 of the part’s analog inputs.
- [Chapter 14, “Queued Serial Multi-Channel Module \(QSMCM\).”](#) The MPC565 contains two queued serial multi-channel modules (QSMCM A and QSMCM B) that provide three serial communication interfaces: the queued serial peripheral interface (QSPI) and two serial communications interfaces (SCI1 and SCI2). This chapter describes the functionality of each.
- [Chapter 16, “CAN 2.0B Controller Module \(TOUCAN\),”](#) describes the three CAN 2.0B controller modules (TouCAN) implemented on the MPC565. Each TouCAN is a communication controller that implements the Controller Area Network (CAN) protocol, an asynchronous communications protocol used in automotive and industrial control systems. It is a high speed (one Mbit/sec), short distance, priority based protocol that can run over a variety of mediums.
- [Chapter 17, “Modular Input/Output Subsystem \(MIOS14\).”](#) The modular I/O system (MIOS) consists of a library of flexible I/O and timer functions including I/O port, counters, input capture, output compare, pulse and period measurement, and PWM. Because the MIOS14 is composed of submodules, it is easily configurable for different kinds of applications.
- [Chapter 18, “Time Processor Unit 3,”](#) describes an enhanced version of the original TPU, an intelligent, semi-autonomous microcontroller designed for timing control.
- [Chapter 19, “Dual-Port TPU3 RAM \(DPTRAM\).”](#) The dual-port RAM (DPTRAM) module consists of a control register block and an 8-Kbyte array of static RAM that can be used either as microcode storage for the TPU3 or as general-purpose memory. The MPC565 has two DPTRAM modules, one 6K shared between 2 TPUs (TPU\_A and TPU\_B) and one 4K for the 3rd TPU (TPU\_C).
- [Chapter 20, “CDR3 Flash \(UC3F\) EEPROM.”](#) The MPC565 U-bus CDR3 (UC3F) EEPROM module is designed for use in embedded microcontroller applications targeted for high-speed read performance and high-density byte count requirements.
- [Chapter 21, “CALRAM Operation.”](#) This module provides the MPC565 with a general purpose memory that may be read from or written to as either bytes, half-words, or words. In addition to



this, a portion of the CALRAM, called the overlay region, can be used for calibration (i.e., overlaying portions of the U-bus Flash with a portion of the CALRAM array).

- [Chapter 22, “Development Support,”](#) covers program flow tracking support, breakpoint/watchpoint support, development system interface support (debug mode) and software monitor debugger support. These features allow efficiency in debugging systems based on the MPC565.
- [Chapter 23, “READI Module.”](#) The READI module provides development support capabilities for MCUs in single chip mode, without requiring address and data signals for internal visibility.
- [Chapter 24, “IEEE 1149.1-Compliant Interface \(JTAG\),”](#) describes MPC565 compatibility with the IEEE 1149.1 Standard Test Access Port and Boundary Scan Architecture as well as any potential incompatibility issues.
- [Appendix A, “MPC566 Compression Features,”](#) includes information about code compression features of the MPC566.
- [Appendix B, “Internal Memory Map,”](#) provides memory maps for the MPC565 modules.
- [Appendix C, “Clock and Board Guidelines.”](#) The MPC565 built-in PLL, oscillator, and other analog and sensitive circuits require that the board design follow special layout guidelines to ensure proper operation of the chip clocks. This appendix describes how the clock supplies and external components should be connected in a system.
- [Appendix D, “TPU3 ROM Functions,”](#) provides a brief description of the pre-programmed functions in the TPU3.
- [Appendix E, “Memory Access Timing,”](#) lists memory access timings for internal and external memory combinations.
- [Appendix F, “Electrical Characteristics,”](#) contains detailed information on power considerations, DC/AC electrical characteristics, and AC timing characteristics of the MPC565 at the default 40 MHz and optional 56 MHz operating frequencies.

This document also includes a register index and comprehensive index.

## Suggested Reading

This section lists additional reading that provides background for the information in this manual as well as general information about the PowerPC™ architecture. Also listed are documents that further complement this manual by providing in-depth functional descriptions of certain modules:

- *QSM (Queued Serial Module) Reference Manual (QSMRM/AD)*
- TPU (Time Processor Unit) documentation (TPULITPAK/D, including the TPURM/AD)
- *RCPURM (RISC Central Processor Unit) Reference Manual (RCPURM/AD)*
- Nexus Standard Specification Rev 1.0 (IEEE-ISTO 5001-1999) available at: <http://www.nexus5001.org/>
- JTAG IEEE 1149.1 Specification

The following general documentation, available through Morgan-Kaufmann Publishers, 340 Pine Street, Sixth Floor, San Francisco, CA, provides useful information about the PowerPC architecture:

- *The PowerPC Architecture: A Specification for a New Family of RISC Processors*, Second Edition, by International Business Machines, Inc.

Freescale documentation is available from the sources listed on the back cover of this manual. A brief summary of available documentation is listed below:

- *Programming Environments Manual for 32-Bit Implementations of the PowerPC Architecture (MPCFPE32B/AD)*—Describes resources defined by the PowerPC architecture.
- Reference manuals—These books provide details about individual implementations and are intended for use with the *Programming Environments Manual*.
- Addenda/errata to reference manuals—Because some processors have follow-on parts, an addendum is provided that describes the additional features and functionality changes and are intended for use with the corresponding reference manuals.
- Product Briefs—Each device has a product brief that provides an overview of its features. This document is roughly the equivalent to the overview chapter (Chapter 1) of an implementation’s reference manual.
- *The Programmer’s Reference Guide for the PowerPC Architecture (MPCPRG/D)*—This concise reference includes the register summary, exception vectors, and the PowerPC ISA instruction set.
- Application notes—These short documents address specific design issues useful to programmers and engineers working with Freescale processors.

Additional literature is published as new processors become available. For a current list of documentation, refer to <http://www.freescale.com/powerpc>.

## Conventions and Nomenclature

This document uses the following notational conventions:

|                                 |   |
|---------------------------------|---|
| cleared/set                     | When a bit takes the value zero, it is said to be cleared; when it takes a value of one, it is said to be set.  |
| ACTIVE_HIGH                     | Names for signals that are active high are shown in uppercase text. Signals that are active high are referred to as asserted when they are high and negated when they are low.  |
| $\overline{\text{ACTIVE\_LOW}}$ | Names for signals that are active low are shown in uppercase text with an overbar. Active-low signals are referred to as asserted (active) when they are low and negated when they are high.  |
| 0x0                             | Prefix to denote hexadecimal number   |
| 0b0                             | Prefix to denote binary number  |
| <i>italics</i>                  | Italics indicate variable command parameters.<br>Book titles in text are also set in italics.   |
| REG[FIELD]                      | Abbreviations for registers are shown in uppercase. Specific bits, fields, or ranges appear in brackets. For example, CRAMMCR[DIS] identifies the array disable bit (DIS) within the CALRAM module configuration register.<br>A range of bits or signals is referred to by mnemonic and the numbers that define |

|                        |  |
|------------------------|--|
|                        | the range. For example, DATA[24:31] form the least significant byte of the data bus.   |
| x                      | In some contexts, such as signal encodings, x indicates a don't care.  |
| n                      | Used to express an undefined numerical value   |
| ¬                      | NOT logical operator   |
| &                      | AND logical operator   |
|                        | OR logical operator  |
| Logic level one        | is the voltage that corresponds to Boolean true (1) state.   |
| Logic level zero       | is the voltage that corresponds to Boolean false (0) state.  |
| To set a bit or bits   | means to establish logic level one on the bit or bits.   |
| To clear a bit or bits | means to establish logic level zero on the bit or bits.  |
| LSB                    | means least significant bit or bits.   |
| MSB                    | means most significant bit or bits.  |
| Asserted               | means that a signal is in active logic state. An active low signal changes from logic level one to logic level zero when asserted, and an active high signal changes from logic level zero to logic level one.     |
| Negated                | means that an asserted signal changes logic state. An active low signal changes from logic level zero to logic level one when negated, and an active high signal changes from logic level one to logic level zero. |

## Notational Conventions

Table i contains notational conventions that are used in this document.

**Table i. Notational Conventions**

| Symbol | Function                                   |
|--------|--|
| +      | Addition                                   |
| -      | Subtraction (two's complement) or negation |
| *      | Multiplication                             |
| /      | Division                                   |
| >      | Greater                                    |
| <      | Less                                       |
| =      | Equal                                      |
| ≥      | Equal or greater                           |
| ≤      | Equal or less                              |
| ≠      | Not equal                                  |
| •      | AND  |
|        | Inclusive OR (OR)                          |
| ⊕      | Exclusive OR (EOR)                         |

**Table i. Notational Conventions (continued)**

| Symbol | Function                              |
|--------|---------------------------------------|
| NOT    | Complementation                       |
| :      | Concatenation                         |
| ?      | Transferred                           |
| ↔      | Exchanges                             |
| ±      | Sign bit; also used to show tolerance |
| «      | Sign extension                        |

## Acronyms and Abbreviations

Table ii contains acronyms and abbreviations that are used in this document.

**Table ii. Acronyms and Abbreviated Terms**

| Term  | Meaning  |
|-------|--|
| ALU   | Arithmetic logic unit                              |
| BIST  | Built-in self test                                 |
| BIU   | Bus interface unit                                 |
| BPU   | Branch processing unit                             |
| BSDL  | Boundary-scan description language                 |
| CMOS  | Complementary metal-oxide semiconductor            |
| EA    | Effective address                                  |
| EAR   | External access register                           |
| FIFO  | First-in-first-out                                 |
| FPR   | Floating-point register                            |
| FPSCR | Floating-point status and control register         |
| FPU   | Floating-point unit                                |
| GPR   | General-purpose register                           |
| IABR  | Instruction address breakpoint register            |
| IEEE  | Institute for Electrical and Electronics Engineers |
| IU    | Integer unit                                       |
| JTAG  | Joint Test Action Group                            |
| LIFO  | Last-in-first-out                                  |
| LR    | Link register                                      |
| LSB   | Least-significant bit                              |
| LSU   | Load/store unit                                    |
| MSB   | Most-significant bit                               |
| MSR   | Machine state register                             |
| NaN   | Not a number                                       |

**Table ii. Acronyms and Abbreviated Terms (continued)**

| Term  | Meaning  |
|-------|--|
| No-op | No operation   |
| OEA   | Operating environment architecture   |
| PLL   | Phase-locked loop  |
| POR   | Power-on reset   |
| PVR   | Processor version register   |
| RISC  | Reduced instruction set computing  |
| SPR   | Special-purpose register   |
| SRR0  | Machine status save/restore register 0   |
| SRR1  | Machine status save/restore register 1   |
| TB    | Time base facility   |
| TBL   | Time base lower register   |
| TBU   | Time base upper register   |
| TLB   | Translation lookaside buffer   |
| TTL   | Transistor-to-transistor logic   |
| UIMM  | Unsigned immediate value   |
| UISA  | User instruction set architecture  |
| VEA   | Virtual environment architecture   |
| XER   | Register used for indicating conditions such as carries and overflows for integer operations |

## References

The *Sematech Official Dictionary* and the *Reference Guide to Letter Symbols for Semiconductor Devices* by the JEDEC Council/Electronics Industries Association are recommended as references for terminology and symbology.



# Chapter 1

## Overview

This chapter provides an overview of the MPC565/MPC566 microcontrollers, including a block diagram showing the major modular components, sections that list the major features, and differences between the MPC565/MPC566 and the MPC555.

Unless otherwise noted, references to the MPC565 also apply to its code compressed counterpart, the MPC566. Any functional differences between the MPC565 and MPC566 are noted in [Appendix A, “MPC566 Compression Features.”](#)

### 1.1 Introduction

The major features of the MPC565, a member of the Freescale MPC500 RISC microcontroller family, are as follows:

- An MPC500 core with a floating point unit (FPU) and a burst buffer controller (BBC)
- Unified system integration unit (USIU), a flexible memory controller, and enhanced interrupt controller
- 1 Mbyte of Flash memory (UC3F)
  - Typical endurance of 100,000 write/erase cycles @ 25°C
  - Typical data retention of 100 years @ 25°C
- 36 Kbytes of static RAM (two CALRAM modules)
  - 8 Kbytes of normal access or overlay access (sixteen 512-byte regions)
  - 4 Kbytes in CALRAM A, 4 Kbytes in CALRAM B
- Three time processor units (TPU3)
  - TPU3 A and TPU3 B are connected to DPTRAM AB (6 Kbytes)
  - TPU3 C is connected to DPTRAM C (4 Kbytes)
- A 22-timer channel modular I/O system (MIOS14)
  - Same as MIOS1 plus a real-time clock sub-module (MRTCSM), 4 counter sub-modules (MCSM), and 4 PWM sub-modules (MPWMSM)
- Three TouCAN modules (TouCAN A, TouCAN B, TouCAN C)
- Two enhanced queued analog to digital converters (QADC64E A, QADC64E B) with analog multiplexers (AMUX) for 40 total analog channels. These modules are configured so each module can access all 40 of the analog inputs to the part.
- Two queued serial multi-channel modules (QSMCM A, QSMCM B), each of which contains a queued serial peripheral interface (QSPI) and two serial controller interfaces (SCI/UART)
- A J1850 (DLCMD2) communications module

## Overview

- Debug features:
  - A Nexus debug port (class 3) – IEEE-ISTO 5001-1999
  - JTAG and background debug mode (BDM)
  - Plastic ball grid array (PBGA) packaging
  - 388 ball PBGA
  - 27 mm x 27 mm body size
  - 1.0 mm ball pitch
- 40 MHz operation (56 MHz operation is optional)
- -40° – 125° C ambient temperature (-40° – 85° C for suffix C devices, -55°– 125° C for suffix A devices)
- Two power supplies
  - 5-V I/O ( $5.0 \pm 0.25$  V)
  - $2.6 \pm 0.1$ -V external bus with a 5-V tolerant I/O system
  - $2.6 \pm 0.1$ -V internal logic

## 1.2 Block Diagram

Figure 1-1 is a block diagram of the MPC565.



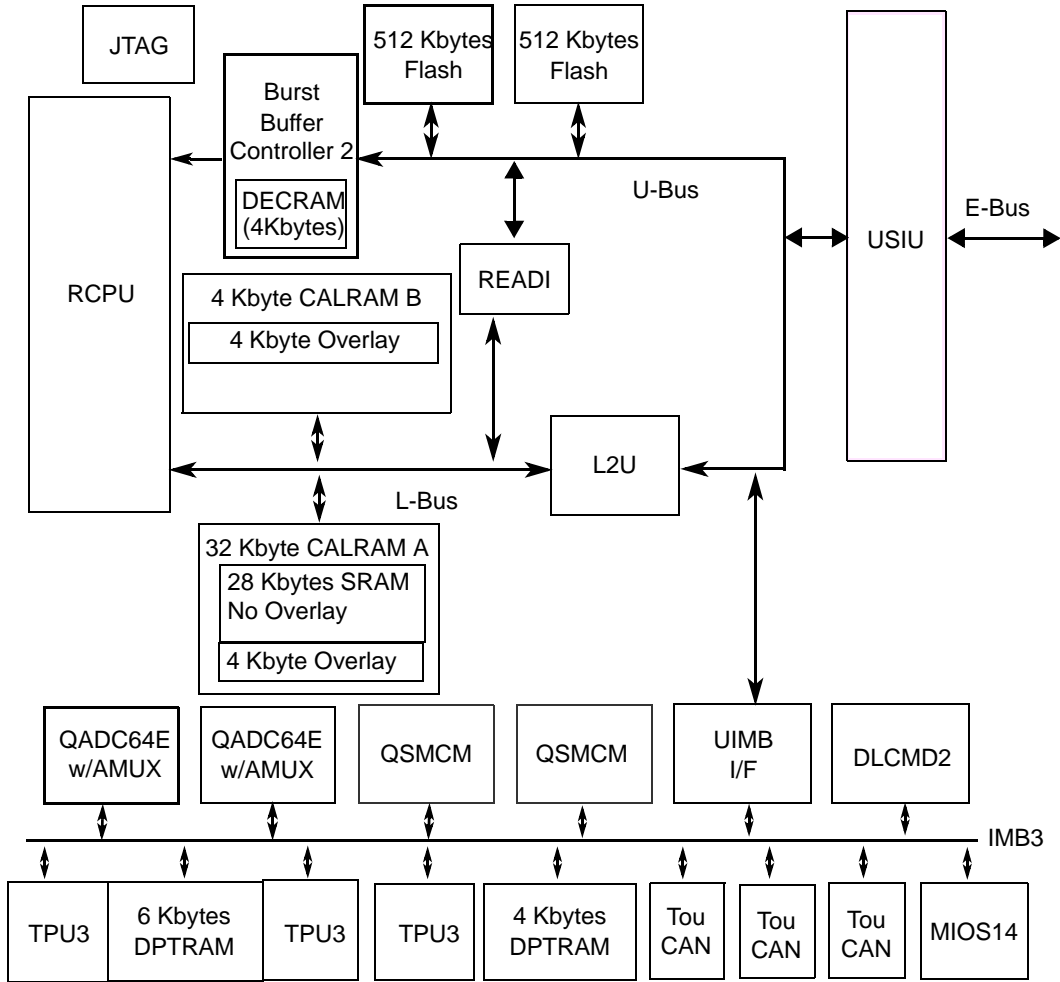


Figure 1-1. MPC565 Block Diagram

## 1.3 Detailed Feature List

The MPC565 key features are explained in the following sections.

### 1.3.1 High Performance CPU System

- Fully static design
- Four major power saving modes
  - Doze, sleep, deep-sleep and power-down

### 1.3.2 RISC MCU Central Processing Unit (RCPU)

- High-performance core
  - PowerPC single issue integer core
  - Precise exception model

- Floating point
- Code compression (MPC566 only)
  - Compression reduces usage of internal or external Flash memory
  - Compression optimized for automotive (non-cached) applications
  - New compression scheme decreases code size to 40% –50% of source

### 1.3.3 MPC500 System Interface (USIU)

- MPC500 system interface (USIU, BBC, L2U)
- Periodic interrupt timer, bus monitor, clocks, decremter and time base
- Clock synthesizer, power management, reset controller
- External bus tolerates 5-V inputs, provides 2.6-V outputs
- Enhanced interrupt controller supports a separate interrupt vector for up to eight external and 40 internal interrupts
- IEEE 1149.1 JTAG test access port
- Bus supports multiple master designs
- USIU supports dual-mapping of Flash to move part of one internal/external memory to another external memory
- External bus, supporting non-wraparound burst for instruction fetches, with up to 8 instructions per memory cycle

### 1.3.4 Burst Buffer Controller (BBC) Module

- Support for enhanced interrupt controller
- Branch target buffer
- Exception vector table relocation features allow exception table to be relocated to following locations:
  - 0x0000 0000 - 0x0000 1FFF (normal MPC500 exception table location)
  - 0x0001 0000 - 0x0001 1FFF (0 + 64 Kbytes; second page of internal Flash)
  - Second internal Flash module
  - Internal SRAM
  - 0x0FFF\_0100 (external memory space; normal MPC500 exception table location)

### 1.3.5 Flexible Memory Protection Unit

- Flexible memory protection units in BBC (IMPU) and L2U (DMPU)
- Default attributes available in one global entry
- Attribute support for speculative accesses
- Up to eight memory regions are supported, four for data and four for instructions

### 1.3.6 Memory Controller

- Flexible chip selects via memory controller
- 24-bit address and 32-bit data buses
- 4- to 16-Mbyte (data) or 4-Gbyte (instruction) region size support
- Four-beat transfer bursts, two-clock minimum bus transactions
- Use with SRAM, EPROM, Flash and other peripherals
- Byte selects or write enables
- 32-bit address decodes with bit masks
- Four instruction regions
- Four data regions

### 1.3.7 1 Mbyte of CDR3 Flash EEPROM Memory (UC3F)

- 1 Mbyte Flash
  - Two UC3F modules, 512 Kbytes each
- Page mode read
- Byte, half-word or word programmable
- Block (64-Kbyte) erasable
- External 4.75- to 5.25-V VPP program and erase power supply
- Typical endurance of 100,000 write/erase cycles @ 25°C
- Typical data retention of 100 years @ 25°C

### 1.3.8 36-Kbyte Static RAM (CALRAM)

- 36-Kbyte static calibration RAM
  - Composed of 4-Kbyte and 32-Kbyte CALRAM modules
- Fast access: one clock
- Keep-alive power
- Soft defect detection (SDD)
- 4 Kbyte calibration (overlay) RAM per module (8 Kbytes total)
- Eight 512-byte overlay regions per module (16 regions total)

### 1.3.9 General Purpose I/O Support (GPIO)

- General-purpose I/O support
- Address (24) and data (32) signals can be used as GPIO in single-chip mode
- 16 GPIO in MIOS14
- Many peripheral signals can be used as GPIO when not used as primary functions
- 5-V outputs with slew rate control

### 1.3.10 Debug Features

- Extensive system debug support
- On-chip watchpoints and breakpoints
- Program flow tracking
- Background debug mode (BDM)

#### 1.3.10.1 Nexus Debug Port (Class 3)

- Compliant with Class 3 of the IEEE-ISTO 5001-1999
- Program trace via branch trace messaging (BTM)
- Data trace via data write messaging (DWM) and data read messaging (DRM)
- Ownership trace via ownership trace messaging (OTM)
- Run-time access to on-chip memory map and MPC5xx special purpose registers (SPRs) via the READI read/write access protocol
- Watchpoint messaging via the auxiliary port
- 9 or 16 full-duplex auxiliary pin interface for medium and high visibility throughput
- All features configurable and controllable via the auxiliary port
- Security features for production environment
- Supports the RCPU debug mode via the auxiliary port
- READI module can be reset independent of system reset

#### 1.3.10.2 Data Link Controller (DLCMD2) Module

- SAE J1850 Class B data communications network interface compatible and ISO compatible for low-speed (<125 Kbps) serial data communications in automotive applications
- 10.4 Kbps variable pulse width (VPW) bit format
- Digital noise filter, collision detection
- Hardware cyclical redundancy check (CRC) generation and checking
- Block mode receive and transmit supported
- 4x receive mode supported (41.6 Kbps)
- Digital loopback mode
- In-frame response (IFR) types 0, 1, 2, and 3 supported
- Dedicated register for symbol timing adjustments
- Inter-module bus 3 (IMB3) slave interface
- Power-saving IMB3 stop mode with automatic wakeup on network activity
- Power-saving IMB3 CLOCKDIS mode
- Debug mode available through IMB3 FREEZE signal or user controllable SOFT\_FRZ bit
- Polling and IMB3 interrupt generation with vector lookup available

- Two signals muxed with QSMCMB signals. Muxing controlled by QSMCMB PCS3 pin assignment register

### 1.3.11 Integrated I/O System

- True 5-V I/O

#### 1.3.11.1 Time Processor Units (TPU3)

- Three time processing units (TPU3)
  - 16 channels each
- Each TPU3 is a microcoded timer subsystem
- One 6-Kbyte and one 4-Kbyte dual-port TPU RAM (DPTRAM), one (6-Kbyte) shared by two TPU3 modules for TPU microcode and the 4-Kbyte dedicated to the third TPU3 for microcode.

#### 1.3.11.2 22-Channel Modular I/O System (MIOS14)

- 22-channel MIOS timer (MIOS14)
- Six modulus counter submodules (MCSM)
  - Four additional MCSM submodules compared to MIOS1
- 10 double action submodules (DASM).
- 12 dedicated PWM submodules (PWMSM)
  - Four additional PWM submodules compared to MIOS1 (shared with MIOS GPIO signals)
- MIOS real-time clock submodule (MRTCSM) provides low power clock/counter
  - Requires external 32-KHz crystal
  - Uses four signals: two for 32-KHz crystal, two for power/ground.

### 1.3.12 Two Enhanced Queued Analog-to-Digital Converter Modules (QADC64E)

- Two enhanced queued analog to digital converters (QADC64E A, QADC64E B) with AMUXes for 40 total analog channels.
- 10 bit A/D converter with internal sample/hold
  - Typical conversion time is 7  $\mu$ s (typical QCLK frequency, 2 MHz)
  - Two conversion command queues of variable length
- Automated queue modes initiated by:
  - External edge trigger/level gate
  - Software command
  - Periodic/interval timer, assignable to both queue 1 and 2
- 64 result registers in each QADC64E module
  - Output data is right or left justified, signed or unsigned

- Synchronized clock mode allows both QADC64Es to see the same conversion clock. This allows the two modules to look like one large QADC with four queues.
- Conversions alternate reference (ALTREF) pin. This pin can be connected to a different reference voltage

### 1.3.13 Three CAN 2.0B Controller (TouCAN) Modules

- Three TouCAN modules (TouCAN A, TouCAN B, TouCAN C)
- 16 message buffers each, programmable I/O modes
- Maskable interrupts
- Programmable loopback for self-test operation
- Independent of the transmission medium (external transceiver is assumed)
- Open network architecture, multimaster concept
- High immunity to EMI
- Short latency time for high-priority messages
- Low power sleep mode, with programmable wake up on bus activity
- TOUCAN C signals shared with MIOS14 GPIO signals

### 1.3.14 Queued Serial Multi-Channel Modules (QSMCM)

- Two queued serial modules with one queued-SPI and two SCI each (QSMCM\_A, QSMCM\_B)
  - QSMCM A matches full MPC555 QSMCM functionality
  - QSMCM B has signals muxed with DLCMD2 module
    - Two signals are muxed with DLCMD2 (J1850) transmit and receive signals (B\_PCS3\_J1850\_TX and B\_RXD2\_J1850\_RX)
    - QSMCM B vs J1850 mux control provided by QPAPCS3 bit in QSMCM pin assignment register (PQSPAR)
- Queued-SPI
  - Provides full-duplex communication port for peripheral expansion or interprocessor communication
  - Up to 32 preprogrammed transfers, reducing overhead
  - Synchronous serial interface with baud rate of up to system clock / 4
  - Four programmable peripheral-select signals support up to 16 devices
  - Special wrap-around mode allows continuous sampling of a serial peripheral for efficient interfacing to serial analog-to-digital (A/D) converters
- SCI
  - UART mode provides NRZ format and half- or full-duplex interface
  - 16 register receive buffer and 16 register transmit buffer on one SCI
  - Advanced error detection, and optional parity generation and detection
  - Word length programmable as 8 or 9 bits

- Separate transmitter and receiver enable bits, and double buffering of data
- Wake-up functions allow the CPU to run uninterrupted until either a true idle line is detected, or a new address byte is received

## 1.4 MPC565 Optional Features

The following features of the MPC565 are optional features and may not appear in certain configurations:

- 56-MHz operation (40-MHz is default)
- MPC566 supports code compression
- Multiple temperature ranges

## 1.5 Differences between the MPC565 and the MPC555

In [Table 1-1](#), the MPC555 is used as a baseline to compare the high level differences from an early device offering in the MPC500 family to the MPC565.

**Table 1-1. Differences Between Modules of the MPC555 and the MPC565**

| Module         | MPC555   | MPC565  |
|----------------|--|---|
| CPU Core       | No Change  |   |
| BBC            | BBC  | BBC with improved code compression <sup>1</sup>   |
| L2U            | No Change  |   |
| SRAM           | 26-Kbytes  | 36-Kbyte CALRAM with overlay features   |
| Flash          | 448-Kbyte CMF  | 1-Mbyte UC3F<br>(new programming, etc.)   |
| USIU           | USIU   | USIU with enhanced interrupt controller   |
| JTAG           | No Change  |   |
| READI          | None   | New Module  |
| UIMB           | No Change  |   |
| QADC64         | 2 QADC64 (16 channels on each QADC for 32 total channels)                | 2 QADC64 modules, Enhanced with AMUXes<br>( 40 channels accessible from either QADC64E) |
| QSMCM          | (1) No Change (2)  |   |
| DLCMD2 (J1850) | None   | 1   |
| MIOS           | MIOS1  | MIOS14: MIOS1 with real-time clock (MRTCSM), 4 more PWMSMs and 4 more MCSMs             |
| TouCAN         | (2) No Change (3)  |   |
| TPU3           | (2) No Change (3)  |   |
| DPTRAM         | (6-Kbytes) No Change (6-Kbytes, 4-Kbytes)                                |   |
| Power Supplies |  |   |
| —              | 40 MHz with two power supplies:<br>nominal 3.3-V to 5.0-V power supplies | 56 MHz with two power supplies:<br>5.0-V I/O, 2.6-V internal logic                      |

<sup>1</sup> Available on some options.

## 1.6 Additional MPC565 Differences

The following are additional differences between the MPC555 and the MPC565.

- SPI (MISO, MOSI, and SCK) pin drive.
  - MPC565 provides 21-ns rise/fall with 200-pf load using CMOS (20%/70%) levels
- GPIO on MODCK1 pin outputs only 2.6 V
  - MODCK1 pin is in keep-alive power section with no 5-V rail available
  - 5.0-V compatibility modes
    - Input is 5-V friendly
    - 2.6-V output has less slew rate control
    - 2.6-V:  $V_{OH} = 2.3\text{ V}$
- Power supplies for external bus signals
  - $Q_{VDDL}$  is quiet supply to hold non-switching outputs quiet even when noisy supply ( $N_{VDDL}$ ) sags
  - $Q_{VDDL}$  supplies pre-drive and other pad logic
  - $N_{VDDL}$  only supplies final PMOS driver stage
  - $Q_{VDDL}$  and  $N_{VDDL}$  shorted on customer board after filtering
- Pull-up and pull-down changes during PORESET and HRESET
  - All 2.6-V/5-V pads (external bus: address/data/control) pull down at reset
  - All 5-V pads pull up at reset
  - Additional control granularity in the PDMCR register
- No pull-ups on QSMCM SCI receive pads
- A\_RXD1\_QGPI1, A\_RXD2\_QGPI2, B\_RXD1\_QGPI1 signals do not have weak pull-up during reset or any other time
- CLKOUT has 3 drive strength options
  - Better matches drive to requirements to reduce EMI
  - 25, 50, 100 pf instead of 45 and 90 pf
- Change reset value of ENGCLK to maximum divide (crystal/128)
  - For a 4-MHz crystal, this is 31.25 KHz
    - ENGCLK is selectable between 2.6 V and 5 V
- A daisy chain between UC3F modules allows either module to provide the reset configuration word (RCW)
- Censorship operation
  - A RCW bit controls whether or not the entire UC3F can be erased while censorship is violated
- BBC differences
  - SPRs (PPC regs) access in two clocks instead of one clock



- BBC includes a 4-Kbyte DECRAM that can be used if compression is not used or is not available.
- CALRAM differences
  - Internal protection block size is 8 Kbytes
    - Instead of 4 Kbytes on MPC555 LRAM
  - CALRAM causes machine check exception instead of data storage interrupt (DSI) exception in certain cases
    - For non-overlay CPU core accesses, a DSI exception is taken
    - For overlay accesses and any non-core access (slave mode), a machine check exception is taken
  - CALRAM causes DSI exception only if the data relocation (DR) bit in the core machine state register, MSR[DR], is set.
    - L2U on MPC555 already followed this protocol, but the LRAM did not. Now all L-bus peripherals follow this protocol.
    - The MSR[DR] bit is described in [Section 3.9.1, “Machine State Register \(MSR\),”](#) for more information.
- Four additional PRDS control bits were added to the USIU to allow more granularity of PRDS control on a part

## 1.7 SRAM Keep-Alive Power Behavior

The SRAM has three keep-alive power signals ( $V_{DDSRAM1}$ ,  $V_{DDSRAM2}$ , and  $V_{DDSRAM3}$ ). These signals provide keep-alive power to the SRAM arrays in the CALRAM modules and the DPTRAM modules.

The  $V_{DDSRAM1}$  pin powers the 32-Kbyte CALRAM A during keep-alive while power is off to the MPC565 (except for the keep-alive power supplies). CALRAM A keeps all of its 32 Kbytes powered during power down.

The  $V_{DDSRAM2}$  pin powers the 4-Kbyte CALRAM B module. The  $V_{DDSRAM3}$  pin powers the DPTRAM modules during keep-alive as well as during normal operation. The CALRAM modules only power their arrays from the VDDSRAM signals during keep-alive. During normal operation, they are powered by the normal internal VDD of the part.

The DPTRAM modules (6 Kbytes and 4 Kbytes) and the 4-Kbyte DECRAM in the BBC module power their arrays via the  $V_{DDSRAM3}$  pin during keep-alive and are supplied by  $V_{DD}$  during normal operation.

## 1.8 MPC565 Memory Map

The internal memory map is organized as a single 4-Mbyte block. This is shown in [Figure 1-3](#). This block can be moved to one of eight different locations. The internal memory space is divided into the following sections:

- Flash memory (1 Mbyte) — U-bus memory
- Static RAM memory (36 Kbytes CALRAM) — L-bus memory
- Control registers and IMB3 modules (64 Kbytes), partitioned as

## Overview

- USIU and Flash control registers
- UIMB interface and IMB3 modules
- CALRAM and READI control registers (L-bus control register space)

The internal memory block can reside in one of eight possible 4-Mbyte memory spaces. These eight locations are the first eight 4-Mbyte memory blocks starting with address 0x0000 0000, as shown in [Figure 1-2](#). There is a user programmable register in the USIU to configure the internal memory map to one of the eight possible locations. Programmability of internal memory map location allows multiple chip system.

The IMB3 address space block in [Figure 1-3](#) shows memory allocation for IMB3 modules. It does not show the actual memory space required for individual modules. All modules are mapped to the low address, numerically, of the memory allocated for that module in the IMB3 address space.

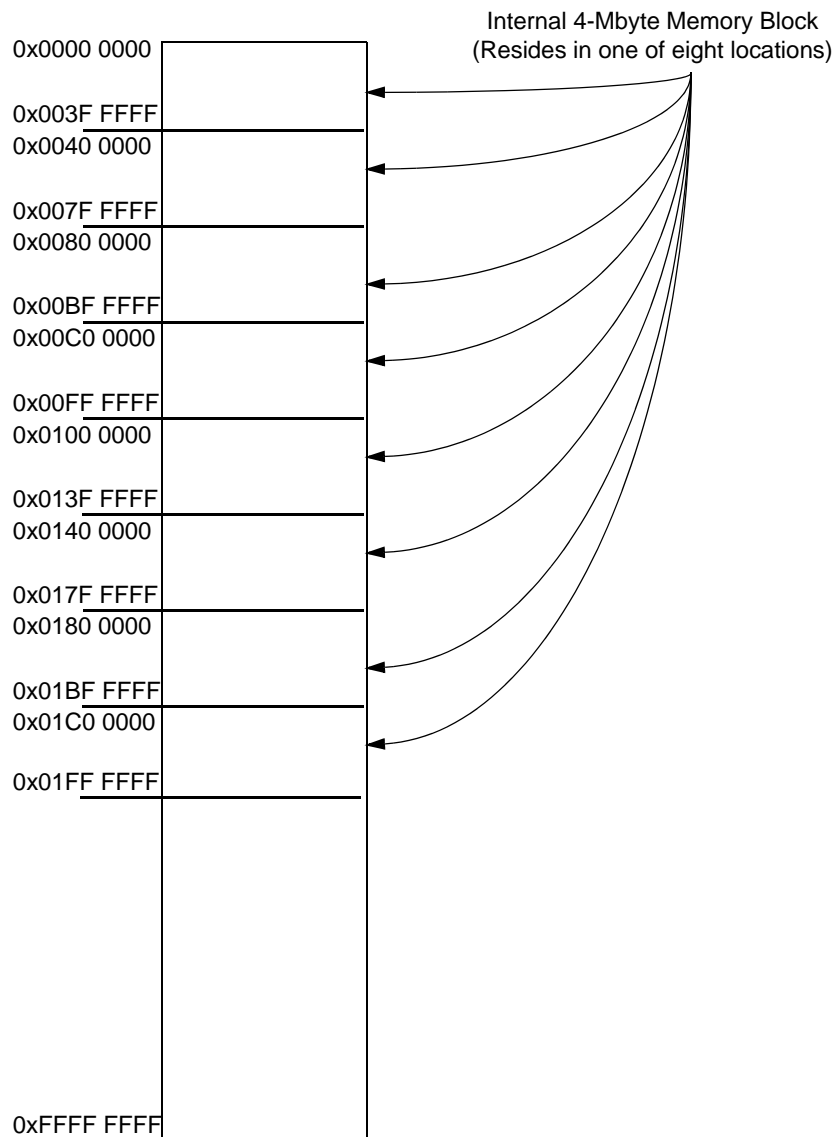


Figure 1-2. Memory Map

|           |  |                                       |                        |
|-----------|--|---------------------------------------|------------------------|
| 0x00 0000 | UC3F_A Flash<br>512 Kbytes             | USIU Control Registers                | 0x2F C000              |
| 0x07 FFFF |  | UC3F_A Control<br>(64 bytes)          | 0x2F C800              |
| 0x08 0000 | UC3F_B Flash<br>512 Kbytes             | UC3F_B Control<br>(64 bytes)          | 0x2F C840              |
| 0x0F FFFF |  | Reserved                              | 0x2F C84B              |
| 0x10 0000 | Reserved for Flash<br>(2,016 Kbytes)   |                                       |                        |
| 0x2F 7FFF |  | DPTRAM_AB<br>Registers (64 bytes)     | 0x30 0000              |
| 0x2F 8000 | DEGRAM<br>4 Kbytes                     | DPTRAM_C<br>Registers (64 bytes)      | 0x30 0040              |
| 0x2F 8FFF |  | DLCMD2 (16 bytes)                     | 0x30 0080              |
| 0x2F 9000 | Reserved                               | Reserved (3952 bytes)                 | 0x30 0090              |
| 0x2F 9FFF |  | DPTRAM_C (4 Kbytes)                   | 0x30 1000              |
| 0x2F A000 | BBC Control Registers<br>8 Kbytes      | DPTRAM_AB (6 Kbytes)                  | 0x30 2000              |
| 0x2F BFFF |  | Reserved (2 Kbytes)                   | 0x30 3800              |
| 0x2F C000 | USIU & Flash Control<br>16 Kbytes      | TPU3_A (1 Kbytes)                     | 0x30 4000              |
| 0x2F FFFF |  | TPU3_B (1 Kbytes)                     | 0x30 4400              |
| 0x30 0000 | UIMB I/F & IMB<br>Modules<br>32 Kbytes | QADC64_A (1 Kbytes)                   | 0x30 4800              |
|           |  | QADC64_B (1 Kbytes)                   | 0x30 4C00              |
| 0x30 7FFF |  | QSMCM_A (1 Kbytes)                    | 0x30 5000              |
| 0x30 8000 | Reserved for IMB<br>480 Kbytes         | QSMCM_B (1 Kbytes)                    | 0x30 5400              |
| 0x37 FFFF |  | Reserved (1 Kbytes)                   | 0x30 5800              |
| 0x38 0000 | CALRAM/<br>Readi Control<br>256 bytes  | TPU3_C (1 Kbytes)                     | 0x30 5C00              |
| 0x38 00FF |  | MIOS14 (4 Kbytes)                     | 0x30 6000              |
| 0x38 0100 | Reserved (L-bus Control)<br>~32 Kbytes | TOUCAN_A (1 Kbytes)                   | 0x30 7000              |
| 0x38 3FFF |  | TOUCAN_B (1 Kbytes)                   | 0x30 7400              |
| 0x38 4000 | Reserved (L-bus Mem)<br>444 Kbytes     | TOUCAN_C (1 Kbytes)                   | 0x30 7800              |
| 0x3F 6FFF |  | Reserved (896 bytes)                  | 0x30 7900              |
| 0x3F 7000 | All 4-Kbytes can be<br>Overlay Section | UIMB Control Registers<br>(128 bytes) | 0x30 7F80<br>0x30 7FFF |
| 0x3F 7FFF | CALRAM_B (4 Kbyte)                     |                                       |                        |
| 0x3F 8000 |  |                                       |                        |
|           | CALRAM_A (32 Kbyte)                    |                                       |                        |
|           | -----                                  |                                       |                        |
| 0x3F FFFF | 4-Kbyte Overlay Section                |                                       |                        |

Figure 1-3. Internal Memory Block

## 1.9 MPC565 Pinout Diagram

Figure 1-4 shows the pinout for the MPC565.

|    |          |             |             |             |             |             |             |             |             |             |             |             |             |          |          |          |          |          |          |          |          |          |          |          |          |       |
|----|----------|-------------|-------------|-------------|-------------|-------------|-------------|-------------|-------------|-------------|-------------|-------------|-------------|----------|----------|----------|----------|----------|----------|----------|----------|----------|----------|----------|----------|-------|
| 1  | 2        | 3           | 4           | 5           | 6           | 7           | 8           | 9           | 10          | 11          | 12          | 13          | 14          | 15       | 16       | 17       | 18       | 19       | 20       | 21       | 22       | 23       | 24       | 25       | 26       |       |
| A  | VDD      | AN64_B_POB8 | VREF        | VRH         | AN60_A_POB4 | AN60_A_POB4 | AN61_A_POB5 | VDDA        | VSSA        | AN71_B_POA7 | AN72_B_POA8 | AN67_B_POB1 | AN68_B_POB1 | CODE     | AN70A    | AN70A    | AN70A    | AN70A    | AN70A    | AN70A    | AN70A    | AN70A    | AN70A    | AN70A    | AN70A    | AN70A |
| B  | VSS      | AN64_A_POB8 | ALTREF      | AN61_A_POB5 | AN61_A_POB5 | AN62_A_POB6 | AN63_A_POB6 | AN64_A_POB7 | AN65_A_POB7 | AN71_B_POA7 | AN72_B_POA8 | AN67_B_POB1 | AN68_B_POB1 | CODE     | AN70B    | AN70B    | AN70B    | AN70B    | AN70B    | AN70B    | AN70B    | AN70B    | AN70B    | AN70B    | AN70B    |       |
| C  | VDDRTC   | VSS         | AN65_A_POB7 | AN65_A_POB7 | AN66_A_POB8 | AN67_A_POB8 | AN68_A_POB9 | AN69_A_POB9 | AN70_A_POA0 | AN71_B_POA7 | AN72_B_POA8 | AN67_B_POB1 | AN68_B_POB1 | CODE     | AN70C    | AN70C    | AN70C    | AN70C    | AN70C    | AN70C    | AN70C    | AN70C    | AN70C    | AN70C    | AN70C    |       |
| D  | EXTALZ   | VDDSRAM     | VSS         | VDD         | AN66_A_POB8 | AN67_A_POB8 | AN68_A_POB9 | AN69_A_POB9 | AN70_A_POA0 | AN71_B_POA7 | AN72_B_POA8 | AN67_B_POB1 | AN68_B_POB1 | CODE     | AN70D    | AN70D    | AN70D    | AN70D    | AN70D    | AN70D    | AN70D    | AN70D    | AN70D    | AN70D    | AN70D    |       |
| E  | XTALZ    | B_CINTX0    | VDDSRAM     | VSS         | VDD         | VDD         | VDD         | VDD         | VDD         | VDD         | VDD         | VDD         | VDD         | VDD      | VDD      | VDD      | VDD      | VDD      | VDD      | VDD      | VDD      | VDD      | VDD      | VDD      | VDD      |       |
| F  | VSSRTC   | C_TROU04    | C_TROU05    | VDD         | VDD         | VDD         | VDD         | VDD         | VDD         | VDD         | VDD         | VDD         | VDD         | VDD      | VDD      | VDD      | VDD      | VDD      | VDD      | VDD      | VDD      | VDD      | VDD      | VDD      | VDD      |       |
| G  | C_TROU08 | C_TROU09    | C_TROU10    | VDDSRAM     | C_TROU11    | C_TROU12    | C_TROU13    | C_TROU14    | C_TROU15    | C_TROU16    | C_TROU17    | C_TROU18    | C_TROU19    | C_TROU20 | C_TROU21 | C_TROU22 | C_TROU23 | C_TROU24 | C_TROU25 | C_TROU26 | C_TROU27 | C_TROU28 | C_TROU29 | C_TROU30 | C_TROU31 |       |
| H  | C_TROU06 | C_TROU07    | C_TROU08    | C_TROU09    | C_TROU10    | C_TROU11    | C_TROU12    | C_TROU13    | C_TROU14    | C_TROU15    | C_TROU16    | C_TROU17    | C_TROU18    | C_TROU19 | C_TROU20 | C_TROU21 | C_TROU22 | C_TROU23 | C_TROU24 | C_TROU25 | C_TROU26 | C_TROU27 | C_TROU28 | C_TROU29 | C_TROU30 |       |
| J  | C_TROU04 | C_TROU05    | C_TROU06    | C_TROU07    | C_TROU08    | C_TROU09    | C_TROU10    | C_TROU11    | C_TROU12    | C_TROU13    | C_TROU14    | C_TROU15    | C_TROU16    | C_TROU17 | C_TROU18 | C_TROU19 | C_TROU20 | C_TROU21 | C_TROU22 | C_TROU23 | C_TROU24 | C_TROU25 | C_TROU26 | C_TROU27 | C_TROU28 |       |
| K  | C_TROU02 | C_TROU03    | C_TROU04    | C_TROU05    | C_TROU06    | C_TROU07    | C_TROU08    | C_TROU09    | C_TROU10    | C_TROU11    | C_TROU12    | C_TROU13    | C_TROU14    | C_TROU15 | C_TROU16 | C_TROU17 | C_TROU18 | C_TROU19 | C_TROU20 | C_TROU21 | C_TROU22 | C_TROU23 | C_TROU24 | C_TROU25 | C_TROU26 |       |
| L  | MD0_0    | MD0_1       | MD0_2       | MD0_3       | MD0_4       | MD0_5       | MD0_6       | MD0_7       | MD0_8       | MD0_9       | MD0_10      | MD0_11      | MD0_12      | MD0_13   | MD0_14   | MD0_15   | MD0_16   | MD0_17   | MD0_18   | MD0_19   | MD0_20   | MD0_21   | MD0_22   | MD0_23   | MD0_24   |       |
| M  | MD0_0    | MD0_1       | MD0_2       | MD0_3       | MD0_4       | MD0_5       | MD0_6       | MD0_7       | MD0_8       | MD0_9       | MD0_10      | MD0_11      | MD0_12      | MD0_13   | MD0_14   | MD0_15   | MD0_16   | MD0_17   | MD0_18   | MD0_19   | MD0_20   | MD0_21   | MD0_22   | MD0_23   | MD0_24   |       |
| N  | MD0_0    | MD0_1       | MD0_2       | MD0_3       | MD0_4       | MD0_5       | MD0_6       | MD0_7       | MD0_8       | MD0_9       | MD0_10      | MD0_11      | MD0_12      | MD0_13   | MD0_14   | MD0_15   | MD0_16   | MD0_17   | MD0_18   | MD0_19   | MD0_20   | MD0_21   | MD0_22   | MD0_23   | MD0_24   |       |
| P  | MD0_0    | MD0_1       | MD0_2       | MD0_3       | MD0_4       | MD0_5       | MD0_6       | MD0_7       | MD0_8       | MD0_9       | MD0_10      | MD0_11      | MD0_12      | MD0_13   | MD0_14   | MD0_15   | MD0_16   | MD0_17   | MD0_18   | MD0_19   | MD0_20   | MD0_21   | MD0_22   | MD0_23   | MD0_24   |       |
| R  | MD0_0    | MD0_1       | MD0_2       | MD0_3       | MD0_4       | MD0_5       | MD0_6       | MD0_7       | MD0_8       | MD0_9       | MD0_10      | MD0_11      | MD0_12      | MD0_13   | MD0_14   | MD0_15   | MD0_16   | MD0_17   | MD0_18   | MD0_19   | MD0_20   | MD0_21   | MD0_22   | MD0_23   | MD0_24   |       |
| T  | MD0_0    | MD0_1       | MD0_2       | MD0_3       | MD0_4       | MD0_5       | MD0_6       | MD0_7       | MD0_8       | MD0_9       | MD0_10      | MD0_11      | MD0_12      | MD0_13   | MD0_14   | MD0_15   | MD0_16   | MD0_17   | MD0_18   | MD0_19   | MD0_20   | MD0_21   | MD0_22   | MD0_23   | MD0_24   |       |
| U  | MD0_0    | MD0_1       | MD0_2       | MD0_3       | MD0_4       | MD0_5       | MD0_6       | MD0_7       | MD0_8       | MD0_9       | MD0_10      | MD0_11      | MD0_12      | MD0_13   | MD0_14   | MD0_15   | MD0_16   | MD0_17   | MD0_18   | MD0_19   | MD0_20   | MD0_21   | MD0_22   | MD0_23   | MD0_24   |       |
| V  | MD0_0    | MD0_1       | MD0_2       | MD0_3       | MD0_4       | MD0_5       | MD0_6       | MD0_7       | MD0_8       | MD0_9       | MD0_10      | MD0_11      | MD0_12      | MD0_13   | MD0_14   | MD0_15   | MD0_16   | MD0_17   | MD0_18   | MD0_19   | MD0_20   | MD0_21   | MD0_22   | MD0_23   | MD0_24   |       |
| W  | MD0_0    | MD0_1       | MD0_2       | MD0_3       | MD0_4       | MD0_5       | MD0_6       | MD0_7       | MD0_8       | MD0_9       | MD0_10      | MD0_11      | MD0_12      | MD0_13   | MD0_14   | MD0_15   | MD0_16   | MD0_17   | MD0_18   | MD0_19   | MD0_20   | MD0_21   | MD0_22   | MD0_23   | MD0_24   |       |
| Y  | MD0_0    | MD0_1       | MD0_2       | MD0_3       | MD0_4       | MD0_5       | MD0_6       | MD0_7       | MD0_8       | MD0_9       | MD0_10      | MD0_11      | MD0_12      | MD0_13   | MD0_14   | MD0_15   | MD0_16   | MD0_17   | MD0_18   | MD0_19   | MD0_20   | MD0_21   | MD0_22   | MD0_23   | MD0_24   |       |
| AA | MD0_0    | MD0_1       | MD0_2       | MD0_3       | MD0_4       | MD0_5       | MD0_6       | MD0_7       | MD0_8       | MD0_9       | MD0_10      | MD0_11      | MD0_12      | MD0_13   | MD0_14   | MD0_15   | MD0_16   | MD0_17   | MD0_18   | MD0_19   | MD0_20   | MD0_21   | MD0_22   | MD0_23   | MD0_24   |       |
| AB | MD0_0    | MD0_1       | MD0_2       | MD0_3       | MD0_4       | MD0_5       | MD0_6       | MD0_7       | MD0_8       | MD0_9       | MD0_10      | MD0_11      | MD0_12      | MD0_13   | MD0_14   | MD0_15   | MD0_16   | MD0_17   | MD0_18   | MD0_19   | MD0_20   | MD0_21   | MD0_22   | MD0_23   | MD0_24   |       |
| AC | MD0_0    | MD0_1       | MD0_2       | MD0_3       | MD0_4       | MD0_5       | MD0_6       | MD0_7       | MD0_8       | MD0_9       | MD0_10      | MD0_11      | MD0_12      | MD0_13   | MD0_14   | MD0_15   | MD0_16   | MD0_17   | MD0_18   | MD0_19   | MD0_20   | MD0_21   | MD0_22   | MD0_23   | MD0_24   |       |
| AD | MD0_0    | MD0_1       | MD0_2       | MD0_3       | MD0_4       | MD0_5       | MD0_6       | MD0_7       | MD0_8       | MD0_9       | MD0_10      | MD0_11      | MD0_12      | MD0_13   | MD0_14   | MD0_15   | MD0_16   | MD0_17   | MD0_18   | MD0_19   | MD0_20   | MD0_21   | MD0_22   | MD0_23   | MD0_24   |       |
| AE | MD0_0    | MD0_1       | MD0_2       | MD0_3       | MD0_4       | MD0_5       | MD0_6       | MD0_7       | MD0_8       | MD0_9       | MD0_10      | MD0_11      | MD0_12      | MD0_13   | MD0_14   | MD0_15   | MD0_16   | MD0_17   | MD0_18   | MD0_19   | MD0_20   | MD0_21   | MD0_22   | MD0_23   | MD0_24   |       |
| AF | MD0_0    | MD0_1       | MD0_2       | MD0_3       | MD0_4       | MD0_5       | MD0_6       | MD0_7       | MD0_8       | MD0_9       | MD0_10      | MD0_11      | MD0_12      | MD0_13   | MD0_14   | MD0_15   | MD0_16   | MD0_17   | MD0_18   | MD0_19   | MD0_20   | MD0_21   | MD0_22   | MD0_23   | MD0_24   |       |

NOTE: This is a top down view of the balls.

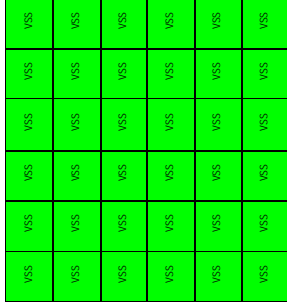


Figure 1-4. MPC565 Pinout Diagram



## Chapter 2

# Signal Descriptions

This chapter describes the MPC565 microcontroller's external signals. It contains a description of individual signals, shows their behavior, shows whether the signal is an input or an output, and indicates signal multiplexing.

### NOTE

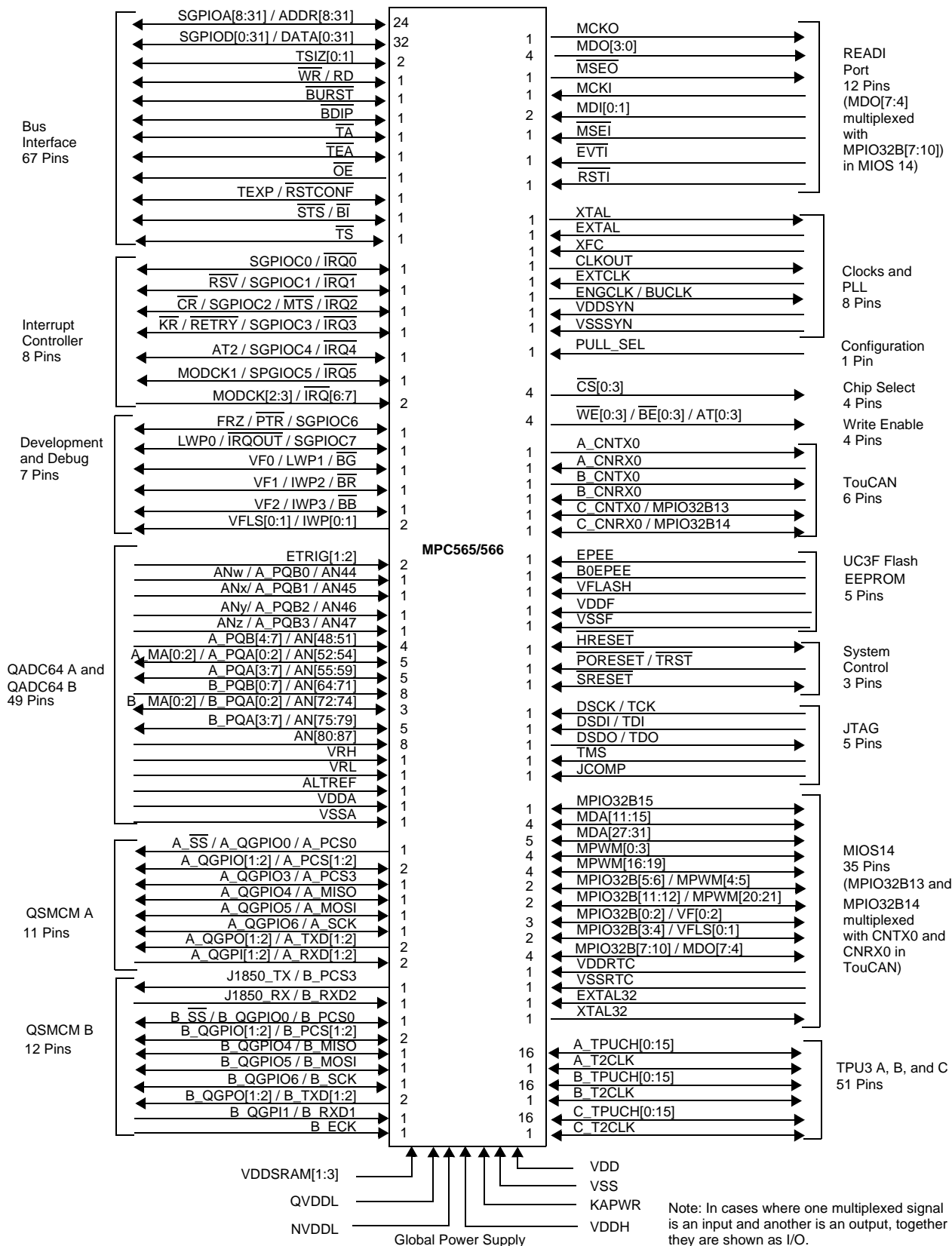
A bar over a signal name indicates that the signal is active-low—for example,  $\overline{TA}$  (transfer acknowledge). Active-low signals are referred to as asserted (active) when they are low and negated when they are high. Signals that are not active-low, such as ADDR[8:31] (address bus signals) and DATA[0:31] (data bus signals) are referred to as asserted when they are high and negated when they are low.

Refer to [Appendix F, “Electrical Characteristics,”](#) for detailed electrical information for each signal.

## 2.1 Signal Groupings

[Figure 2-1](#) illustrates the external signals of the MPC565 grouped by functional module.

### Signal Descriptions



**Figure 2-1. MPC565 Signal Groupings**



## 2.2 Signal Summary

Table 2-1 describes individual MPC565 signals, grouped by functional module.

**Table 2-1. MPC565 Signal Descriptions**

| Signal Name               | No. of Signals | Type | Function after Reset <sup>1</sup>                       | Description  |
|---------------------------|----------------|------|---|--|
| <b>Bus Interface</b>      |                |      |   |  |
| ADDR[8:31] / SGPIOA[8:31] | 24             | I/O  | Controlled by RCW[SC]. See <a href="#">Table 6-10</a> . | Address Bus [8:31] – Specifies the physical address of the bus transaction. The address is driven onto the bus and kept valid until a transfer acknowledge is received from the slave. ADDR8 is the MSB for this bus.  |
|                           |                | I/O  |   | Port SGPIOA [8:31] – Allows the signals to be used as general-purpose inputs/outputs.  |
| DATA[0:31] / SGPIOD[0:31] | 32             | I/O  | Controlled by RCW[SC]. See <a href="#">Table 6-10</a> . | Data Bus [0:31] – Provides the general-purpose data path between the MPC565 and all other devices. Although the data path is a maximum of 32 bits wide, it can be dynamically sized to support 8-, 16-, or 32-bit transfers. DATA0 is the MSB of the data bus.   |
|                           |                | I/O  |   | Port SGPIOD [0:31] – Allows the signals to be used as general-purpose inputs/outputs.  |
| TSIZ[0:1]                 | 2              | I/O  | TSIZ[0:1]   | Transfer Size [0:1] – Indicates the size of the requested data transfer in the current bus cycle.  |
| RD/ $\overline{WR}$       | 1              | I/O  | $\overline{RD/WR}$                                      | Read/Write – Indicates the direction of the data transfer for a transaction. A logic one indicates a read from a slave device; a logic zero indicates a write to a slave device.   |
| $\overline{BURST}$        | 1              | I/O  | $\overline{BURST}$                                      | Burst Indicator – Driven by the bus master to indicate that the currently initiated transaction is a burst.  |
| $\overline{BDIP}$         | 1              | I/O  | $\overline{BDIP}$                                       | Burst Data In Progress – Indicates to the slave that there is a data beat following the current data beat.   |
| $\overline{TS}$           | 1              | I/O  | $\overline{TS}$   | Transfer Start – Indicates the start of a bus cycle that transfers data to/from a slave device. This signal is driven by the master only when it has gained ownership of the bus. Every master should negate this signal before relinquishing the bus. This is an active-low signal and needs an external pull-up resistor to ensure proper operation and meet signal timing specifications. |

Table 2-1. MPC565 Signal Descriptions (continued)

| Signal Name                                    | No. of Signals | Type | Function after Reset <sup>1</sup>   | Description  |
|--|----------------|------|---|--|
| $\overline{\text{TA}}$                         | 1              | I/O  | $\overline{\text{TA}}$  | <p>Transfer Acknowledge – This line indicates that the slave device addressed in the current transaction has accepted the data transferred by the master (write) or has driven the data bus with valid data (read). The slave device negates the <math>\overline{\text{TA}}</math> signal after the end of the transaction. The slave device will then immediately three state the <math>\overline{\text{TA}}</math> signal to prevent contention on the line in case a new transfer that addresses another slave device(s) is initiated.</p> <p>This signal is an active-low signal and may need an external pull-up resistor to ensure proper operation and conform to signal timing specifications.</p> |
| $\overline{\text{TEA}}$                        | 1              | I/O  | $\overline{\text{TEA}}$   | <p>Transfer Error Acknowledge – This signal indicates that a bus error occurred in the current transaction. The MPC565 asserts this signal when the bus monitor does not detect a bus cycle termination within 2040 clock cycles. The assertion of <math>\overline{\text{TEA}}</math> causes the termination of the current bus cycle, regardless of the state of <math>\overline{\text{TEA}}</math>. An external pull-up device is required to negate <math>\overline{\text{TEA}}</math> quickly, before a second error is detected. That is, the signal must be pulled up within one clock cycle of the time it was three-stated by the MPC565.</p>  |
| $\overline{\text{OE}}$                         | 1              | O    | $\overline{\text{OE}}$  | <p>Output Enable – This output line is asserted when a read access is initiated by the MPC565 to an external slave controlled by the memory controller's GPCM.</p>   |
| $\overline{\text{RSTCONF}} / \text{TEXP}$      | 1              | I    | <p><math>\overline{\text{RSTCONF}}</math> until reset negates. Following reset, the function is defined by SIUMCR[RCTX]. See <a href="#">Table 6-8</a>.</p> | <p>Reset Configuration – Input. This input line is sampled by the MPC565 during the assertion of the <math>\overline{\text{HRESET}}</math> signal in order to sample the reset configuration. If the line is asserted, the configuration mode is sampled from the external data bus. When this line is negated, the configuration mode adopted by the MPC565 is the default.</p>   |
|  |                | O    |   | <p>Timer Expired – Output. This output line reflects the status of PLPRCR[TEXPS] in the USIU. This bit indicates an expired timer value.</p>   |
| $\overline{\text{BI}} / \overline{\text{STS}}$ | 1              | I/O  | <p>Controlled by RCW[DBGC]. See <a href="#">Table 6-8</a>.</p>  | <p>Burst Inhibit – This bidirectional, active-low, three-state signal indicates that the slave device addressed in the current burst transaction is not able to support burst transfers. When the MPC565 drives out the signal for a specific transaction, it asserts or negates <math>\overline{\text{BI}}</math> according to the value specified in the appropriate control registers. The signal is negated after the end of the transaction and then is immediately three-stated. This is an active-low signal and may need an external pull-up resistor to ensure proper operation and signal timing specifications.</p>   |
|  |                | O    |   | <p>Special Transfer Start – This output signal is driven by the MPC565 to indicate the start of a transaction on the external bus or signals the beginning of an internal transaction in showcycle mode.</p>   |

**Table 2-1. MPC565 Signal Descriptions (continued)**

| Signal Name  | No. of Signals | Type | Function after Reset <sup>1</sup> | Description  |
|--|----------------|------|-----------------------------------|--|
| <b>Interrupt Controller</b>  |                |      |                                   |  |
| $\overline{\text{IRQ0}} / \text{SGPIOC0}$  | 1              | I    | $\overline{\text{IRQ0}}$          | Interrupt Request 0 – One of the eight external signals that can request, by means of the internal interrupt controller, a service routine from the RCPU. $\overline{\text{IRQ0}}$ is a nonmaskable interrupt (NMI).                           |
|  |                | I/O  |                                   | Port SGPIOC0 – Allows the signal to be used as a general-purpose input/output.   |
| $\overline{\text{IRQ1}} / \overline{\text{RSV}} / \text{SGPIOC1}$                          | 1              | I    | $\overline{\text{IRQ1}}$          | Interrupt Request 1 – One of the eight external signals that can request, by means of the internal interrupt controller, a service routine from the RCPU.  |
|  |                | O    |                                   | Reservation – This signal is used, together with the address bus, to indicate that the internal core initiated a transfer as a result of a STWCX or a LWARX instruction.   |
|  |                | I/O  |                                   | Port SGPIOC1 – Allows the signal to be used as a general-purpose input/output.   |
| $\overline{\text{IRQ2}} / \overline{\text{CR}} / \text{SGPIOC2} / \text{MTS}$              | 1              | I    | $\overline{\text{IRQ2}}$          | Interrupt Request 2 – One of the eight external signals that can request, by means of the internal interrupt controller, a service routine from the RCPU.  |
|  |                | I    |                                   | Cancel Reservation – Instructs the MPC565 to clear its reservation because some other master has touched its reserved space. An external bus snooper asserts this signal.  |
|  |                | I/O  |                                   | Port SGPIOC2 – Allows the signal to be used as a general-purpose input/output.   |
|  |                | O    |                                   | Memory Transfer Start – This is the transfer start signal from the MPC565's memory controller that allows external memory access by an external bus master.  |
| $\overline{\text{IRQ3}} / \overline{\text{KR}} / \overline{\text{RETRY}} / \text{SGPIOC3}$ | 1              | I    | $\overline{\text{IRQ3}}$          | Interrupt Request 3 – One of the eight external signals that can request, by means of the internal interrupt controller, a service routine from the RCPU.  |
|  |                | I/O  |                                   | Kill Reservation – In case of a bus cycle initiated by a STWCX instruction issued by the CPU core to a non-local bus on which the storage reservation has been lost, this signal is used by the non-local bus interface to back-off the cycle. |
|  |                | I/O  |                                   | Retry – Indicates to a master that the cycle is terminated but should be repeated. As an input, it is driven by the external slave to retry a cycle.   |
|  |                | I/O  |                                   | Port SGPIOC3 – Allows the signal to be used as a general-purpose input/output.   |

**Table 2-1. MPC565 Signal Descriptions (continued)**

| Signal Name                                 | No. of Signals | Type | Function after Reset <sup>1</sup> | Description  |
|---|----------------|------|-----------------------------------|--|
| $\overline{\text{IRQ4}}$ / AT2 / SGPIOC4    | 1              | I    | $\overline{\text{IRQ4}}$          | Interrupt Request 4 – One of the eight external signals that can request, by means of the internal interrupt controller, a service routine from the RCPU.  |
|   |                | O    |                                   | Address Type 2 – A bit from the address type bus which indicates one of the 16 “address types” to which the address applies. The address type signals are valid at the rising edge of the clock in which the special transfer start (STS) is asserted.                         |
|   |                | I/O  |                                   | Port SGPIOC4 – Allows the signal to be used as a general-purpose input/output.   |
| $\overline{\text{IRQ5}}$ / SPGIOC5 / MODCK1 | 1              | I    | MODCK1 until reset negates        | Interrupt Request 5 – One of the eight external signals that can request, by means of the internal interrupt controller, a service routine from the RCPU.  |
|   |                | I/O  |                                   | Port SGPIOC5 – Allows the signal to be used as a general-purpose input/output.   |
|   |                | I    |                                   | Mode Clock 1 – Sampled at the negation of $\overline{\text{PORESET}}/\overline{\text{TRST}}$ in order to configure the phase-locked loop (PLL)/clock mode of operation.  |
| $\overline{\text{IRQ}}[6:7]$ / MODCK[2:3]   | 2              | I    | MODCK[2:3] until reset negates    | Interrupt Request [6:7] – One of the eight external signals that can request, by means of the internal interrupt controller, a service routine from the RCPU.  |
|   |                | I    |                                   | Mode Clock [2:3] – Sampled at the negation of $\overline{\text{PORESET}}/\overline{\text{TRST}}$ in order to configure the PLL/clock mode of operation.  |
| $\overline{\text{CS}}[0:3]$                 | 4              | O    | $\overline{\text{CS}}[0:3]$       | Chip Select [0:3] – These output signals enable peripheral or memory devices at programmed addresses if defined appropriately in the memory controller. $\overline{\text{CS0}}$ or $\overline{\text{CS3}}$ can be configured to be the global chip select for the boot device. |

Table 2-1. MPC565 Signal Descriptions (continued)

| Signal Name   | No. of Signals | Type | Function after Reset <sup>1</sup>         | Description  |
|---|----------------|------|---|--|
| $\overline{WE}[0:3] / \overline{BE}[0:3] / AT[0:3]$ | 4              | O    | Controlled by RCW[ATWC]<br>See Table 6-8. | <p>Write Enable[0:3]/Byte Enable[0:3] – This output signal is asserted when a write access to an external slave controlled by the memory controller is initiated by the MPC565. It can be optionally asserted on all read and write accesses. See WEBS bit definition in Table 10-8.</p> <p><math>\overline{WE}n/\overline{BE}n</math> are asserted when data lanes shown below contain valid data to be stored by the slave device.</p> <ul style="list-style-type: none"> <li>– <math>\overline{WE}0/\overline{BE}0</math> is asserted if the data lane DATA[0:7] contains valid data to be stored by the slave device.</li> <li>– <math>\overline{WE}1/\overline{BE}1</math> is asserted if the data lane DATA[8:15] contains valid data to be stored by the slave device.</li> <li>– <math>\overline{WE}2/\overline{BE}2</math> is asserted if the data lane DATA[16:23] contains valid data to be stored by the slave device.</li> <li>– <math>\overline{WE}3/\overline{BE}3</math> is asserted if the data lane DATA[24:31] contains valid data to be stored by the slave device.</li> </ul> |
|   |                | O    |   | Address Type [0:3] – Indicates one of the 16 address types to which the address applies. The address type signals are valid at the rising edge of the clock in which the special transfer start ( $\overline{STS}$ ) is asserted.  |
| <b>System Control</b>                               |                |      |   |  |
| $\overline{PORESET} / \overline{TRST}$              | 1              | I    | $\overline{PORESET} / \overline{TRST}$    | Power-On Reset – This signal should be activated as a result of a voltage failure on the keep-alive power signals. The signal has a glitch detector to ensure that low spikes of less than 20 ns are rejected. The internal $\overline{PORESET}$ signal is asserted only if $\overline{PORESET}$ is asserted for more than 100 ns. See Chapter 7, “Reset,” for more details on timing.   |
|   |                | I    |   | Test Reset – This input provides asynchronous reset to the test logic (JTAG).  |
| $\overline{HRESET}$                                 | 1              | I/O  | $\overline{HRESET}$                       | <p>Hard Reset – The MPC565 can detect an external assertion of <math>\overline{HRESET}</math> only if it occurs while the MPC565 is not asserting reset. After negation of <math>\overline{HRESET}</math> or <math>\overline{SRESET}</math> is detected, a 16-cycle period is taken before testing the presence of an external reset.</p> <p>The internal <math>\overline{HRESET}</math> signal is considered asserted only when assertion lasts for more than 100 ns. To meet external timing requirements, an external pull-up device is required to negate <math>\overline{HRESET}</math>. See Chapter 7, “Reset,” for more details on timing.</p>  |

**Table 2-1. MPC565 Signal Descriptions (continued)**

| Signal Name                                 | No. of Signals | Type | Function after Reset <sup>1</sup>                          | Description   |
|---|----------------|------|--|---|
| $\overline{\text{SRESET}}$                  | 1              | I/O  | $\overline{\text{SRESET}}$                                 | Soft Reset – The MPC565 can detect an external assertion of $\overline{\text{SRESET}}$ only if it occurs while the MPC565 is not asserting reset. After negation of $\overline{\text{HRESET}}$ or $\overline{\text{SRESET}}$ is detected, a 16-cycle period is taken before testing the presence of an external soft reset. To meet external timing requirements, an external pull-up device is required to negate $\overline{\text{SRESET}}$ . See <a href="#">Chapter 7, “Reset,”</a> for more details on timing. |
| <b>Development and Debug</b>                |                |      |  |   |
| SGPIO6 / FRZ / $\overline{\text{PTR}}$      | 1              | I/O  | $\overline{\text{PTR}}$                                    | Port SGPIOC [6] – Allows the signals to be used as general-purpose inputs/outputs.  |
|   |                | O    |  | Freeze – Indicates that the RCPU is in debug stopped mode. FRZ is asserted based on a logical OR of the bits in DER and ECR. See <a href="#">Figure 22-6</a> for more details.  |
|   |                | O    |  | Program Trace – Indicates an instruction fetch is taking place (for program flow tracking).   |
| SGPIOC7 / $\overline{\text{IRQOUT}}$ / LWP0 | 1              | I/O  | LWP0   | Port SGPIOC7 – Allows the signal to be used as general-purpose inputs/outputs.  |
|   |                | O    |  | Interrupt Out – Indicates that an interrupt has been requested to all external devices.   |
|   |                | O    |  | Load/Store Watchpoint 0 – This output signal reports the detection of a data watchpoint in the program flow executed by the RCPU. See <a href="#">Chapter 22, “Development Support,”</a> for more details.  |
| $\overline{\text{BG}}$ / VF0 / LWP1         | 1              | I/O  | Controlled by RCW[DBGC]<br>See <a href="#">Table 6-8</a> . | Bus Grant – Indicates external bus status. $\overline{\text{BG}}$ is asserted low when the external bus arbiter grants ownership of the external bus to a specific master. This is an active-low signal and needs an external pull-up resistor to ensure proper operation and meet signal timing specifications.  |
|   |                | O    |  | Visible Instruction Queue Flush Status 0 – This output signal together with VF1 and VF2 is output by the MPC565 when program instruction flow tracking is required. VFs report the number of instructions flushed from the instruction queue in the internal core. See <a href="#">Chapter 22, “Development Support,”</a> for more details.   |
|   |                | O    |  | Load/Store Watchpoint 1 – This output signal reports the detection of a data watchpoint in the program flow executed by the RCPU.   |

Table 2-1. MPC565 Signal Descriptions (continued)

| Signal Name                    | No. of Signals | Type | Function after Reset <sup>1</sup>                          | Description   |
|--------------------------------|----------------|------|--|---|
| $\overline{BR}$ / VF1 / IWP2 / | 1              | I/O  | Controlled by RCW[DBGC]<br>See <a href="#">Table 6-8</a> . | Bus Request – Indicates that the external bus has been requested for external cycle. This is an active-low signal and needs an external pull-up resistor to ensure proper operation and meet signal timing specifications.  |
|                                |                | O    |  | Visible Instruction Queue Flush Status 1 – This output signal together with VF0 and VF2 is output by the MPC565 when program instruction flow tracking is required. VFs report the number of instructions flushed from the instruction queue in the internal core. See <a href="#">Chapter 22, “Development Support,”</a> for more details. |
|                                |                | O    |  | Instruction Watchpoint 2 – This output signal reports the detection of an instruction watchpoint in the program flow executed by the RCPU.  |
| $\overline{BB}$ / VF2 / IWP3   | 1              | I/O  | Controlled by RCW[DBGC]<br>See <a href="#">Table 6-8</a>   | Bus Busy – Indicates that the master is using the external bus. $\overline{BB}$ is an active-low signal and may need an external pull-up resistor to ensure proper operation and signal timing specifications.  |
|                                |                | O    |  | Visible Instruction Queue Flush Status 2 – This output signal together with VF0 and VF1 is output by the MPC565 when a program instructions flow tracking is required. VFs report the number of instructions flushed from the instruction queue in the internal core.   |
|                                |                | O    |  | Instruction Watchpoint 3 – This output signal reports the detection of an instruction watchpoint in the program flow executed by the internal core.   |
| IWP[0:1] / VFSL[0:1]           | 2              | O    | Controlled by RCW[DBGC]<br>See <a href="#">Table 6-8</a> . | Instruction Watchpoint [0:1] – These output signals report the detection of an instruction watchpoint in the program flow executed by the RCPU.   |
|                                |                | O    |  | Visible History Buffer Flush Status [0:1] – These signals are output by the MPC565 to enable program instruction pull-tracking. They report the number of instructions flushed from the history buffer in the RCPU. See <a href="#">Chapter 22, “Development Support,”</a> for details.   |
| <b>BDM / JTAG</b>              |                |      |  |   |
| TMS                            | 1              | I    | TMS  | Test Mode Select – This input controls test mode operations for on-board test logic (JTAG).   |
| TDI / DSDI                     | 1              | I    | Controlled by RCW[DBPC]<br>See <a href="#">Table 6-9</a>   | Test Data In – This input is used for serial test instructions and test data for on-board test logic (JTAG).  |
|                                |                | I    |  | Development Serial Data Input – This input signal is the data in for the debug port interface. See <a href="#">Chapter 22, “Development Support,”</a> for details.  |

**Table 2-1. MPC565 Signal Descriptions (continued)**

| Signal Name               | No. of Signals | Type | Function after Reset <sup>1</sup>                     | Description  |
|---------------------------|----------------|------|---|--|
| TCK / DSCK                | 1              | I    | Controlled by RCW[DBPC] See <a href="#">Table 6-9</a> | Test Clock – This input provides a clock for on-board test logic (JTAG).   |
|                           |                | I    |   | Development Serial Clock – This input signal is the clock for the debug port interface. See <a href="#">Chapter 22</a> , “ <a href="#">Development Support</a> ,” for details.   |
| TDO / DSDO                | 1              | O    | Controlled by RCW[DBPC] See <a href="#">Table 6-9</a> | Test Data Out – This output is used for serial test instructions and test data for on-board test logic (JTAG).   |
|                           |                | O    |   | Development Serial Data Output – This output signal is the data-out line of the debug port interface. See <a href="#">Chapter 22</a> , “ <a href="#">Development Support</a> ,” for details.   |
| JCOMP                     | 1              | I    | JCOMP   | JTAG Compliancy – This signal enables the IEEE1149.1 JTAG circuitry in the MPC565. This signal was $\overline{\text{TRST}}$ on the K85H mask set of the MPC565.<br>0 = JTAG disabled<br>1 = JTAG enabled   |
| <b>READI (Nexus) Port</b> |                |      |   |  |
| MCKO                      | 1              | O    | MCKO  | MCK – Output. Message clock-out (MCKO) is a free-running output clock to development tools for timing of MDO and MSEO signal functions. MCKO is the same as the MPC565 system clock.   |
| MDO[3:0]                  | 4              | O    | MDO[3:0]  | Message Data Output [3:0] – Message data out (MDO[3:0]) are output signals used for uploading OTM, BTM, DTM, and read/write accesses. External latching of MDO occurs on the rising edge of MCKO. Eight signals are implemented; four (MDO[7:4]) are shared with MIOS14 GPIO (Please refer to Signal “MPIO32B[7:10] / MDO[7:4]”)       |
| $\overline{\text{MSEO}}$  | 1              | O    | $\overline{\text{MSEO}}$                              | $\overline{\text{MSEO}}$ – Message Start/End Out ( $\overline{\text{MSEO}}$ ) is an output signal that indicates when a message on the MDO signals has started, when a variable length packet has ended, and when the message has ended. External latching of $\overline{\text{MSEO}}$ occurs on the rising edge of MCKO.              |
| MCKI                      | 1              | I    | MCKI  | MCKI – Message Clock Input. MCKI is the NEXUS message clock input.   |
| MDI[0:1]                  | 2              | I    | MDI[0:1]  | Message Data Input [0:1] – MDI[0] or MDI[1] are NEXUS input signals used for downloading configuration information, writes to user resources, and so forth. Internal latching of MDI occurs on the rising edge of MCKI.  |
| $\overline{\text{MSEI}}$  | 1              | I    | $\overline{\text{MSEI}}$                              | $\overline{\text{MSEI}}$ – Message Start/End Input. The $\overline{\text{MSEI}}$ input is a NEXUS input signal that indicates when a message on the MDI signals has started, when a variable length packet has ended, and when the message has ended. Internal latching of $\overline{\text{MSEI}}$ occurs on the rising edge of MCKI. |



Table 2-1. MPC565 Signal Descriptions (continued)

| Signal Name              | No. of Signals | Type | Function after Reset <sup>1</sup> | Description   |
|--------------------------|----------------|------|-----------------------------------|---|
| $\overline{\text{EVTI}}$ | 1              | I    | $\overline{\text{EVTI}}$          | $\overline{\text{EVTI}}$ – Event in ( $\overline{\text{EVTI}}$ ) is level sensitive when configured for breakpoint generation, otherwise it is edge sensitive.  |
| $\overline{\text{RSTI}}$ | 1              | I    | $\overline{\text{RSTI}}$          | $\overline{\text{RSTI}}$ – Reset In. $\overline{\text{RSTI}}$ is the NEXUS port reset input.  |
| <b>Clocks and PLL</b>    |                |      |                                   |   |
| XTAL                     | 1              | O    | XTAL                              | XTAL – This output signal is one of the connections to an external crystal for the internal oscillator circuitry.   |
| EXTAL                    | 1              | I    | EXTAL                             | EXTAL – This signal is one of the connections to an external crystal for the internal oscillator circuitry. If EXTAL is unused, it must be grounded.  |
| XFC                      | 1              | I    | XFC                               | External Filter Capacitance – This input signal is the connection for an external capacitor filter for the PLL circuitry.   |
| CLKOUT                   | 1              | O    | CLKOUT                            | Clock Out – This output signal is the clock system frequency. The CLKOUT drive strength can be configured to full strength, half strength, quarter strength, or disabled. The drive strength is configured using the COM[0:1] bits and CQDS bits in the SCCR register in the USIU.                                      |
| EXTCLK                   | 1              | I    | EXTCLK                            | EXTCLK – Input. This is the external frequency source for the MPC565. If EXTCLK is unused, it must be grounded.   |
| ENGCLK / BUCLK           | 1              | O    | ENGCLK (2.6 V)                    | ENGCLK – This is the engineering clock output. Drive voltage can be configured to 2.6 V, 5 V (with slew-rate control), or disabled. The drive voltage is configured using the EECLK[0:1] bits in the SCCR register in the SIU.  |
|                          |                | O    |                                   | BUCLK – When the MPC565 is in limp mode, it is operating from a less precise on-chip ring oscillator to allow the system to continue minimum functionality until the system clock is fixed. This backup clock can be seen externally if selected by the values of the EECLK[0:1] bits in the SCCR register in the USIU. |
| VDDSYN                   | 1              | I    | VDDSYN                            | VDDSYN – This is the power supply of the PLL circuitry.   |
| VSSSYN                   | 1              | I    | VSSSYN                            | VSSSYN – This is the ground reference of the PLL circuitry.   |

**Table 2-1. MPC565 Signal Descriptions (continued)**

| Signal Name          | No. of Signals | Type | Function after Reset <sup>1</sup> | Description   |
|----------------------|----------------|------|-----------------------------------|---|
| <b>Configuration</b> |                |      |                                   |   |
| PULL_SEL             | 1              | I    | PULL_SEL                          | Pull Select – PULL_SEL determines whether the pull devices on the MIOS and TPU signals are pull-ups or pull-downs. When pull-ups are selected, the pull-ups are to 5.0 V except the following MIOS signals will be pulled to 2.6V: VF[0:2]/MPIO32B[0:2], VFLS[0:1]/MPIO32B[3:4], and MDO[7:4]/MPIO32B[7:10]. When this pin is low, pull-downs are selected. |
| <b>TouCAN</b>        |                |      |                                   |   |
| A_CNTX0              | 1              | O    | A_CNTX0                           | TouCAN A Transmit Data 0 – This signal is the serial data output.   |
| A_CNRX0              | 1              | I    | A_CNRX0                           | TouCAN A Receive Data – This signal is the serial data input.   |
| B_CNTX0              | 1              | O    | B_CNTX0                           | TouCAN B Transmit Data 0 – This signal is the serial data output.   |
| B_CNRX0              | 1              | I    | B_CNRX0                           | TouCAN B Receive Data – This signal is the serial data input.   |
| C_CNTX0 / MPIO32B13  | 1              | O    | MPIO32B13                         | TouCAN Transmit Data 0 – This signal is the serial data output for the TouCAN C module.   |
|                      |                | I/O  |                                   | Port MIOS GPIO 13 – Allows the signal to be used as a general-purpose input/output.   |
| C_CNRX0 / MPIO32B14  | 1              | I    | MPIO32B14                         | TouCAN Receive Data 0 – This signal is the serial data input for the TouCAN C module.   |
|                      |                | I/O  |                                   | Port MIOS GPIO 14 – Allows the signal to be used as a general-purpose input/output.   |
| <b>UC3F Flash</b>    |                |      |                                   |   |
| EPEE                 | 1              | I    | EPEE                              | EPEE – Input. This external program/erase enable control signal externally controls the program or erase operations. When held low, program or erase operations on both internal flash modules are disabled.  |
| BOEPEE               | 1              | I    | BOEPEE                            | BOEPEE – Input. This control signal externally controls the program or erase operations of block 0 of UC3F_512KA. When low, program or erase operations are disabled in block 0 of the UC3F_512KA module.   |
| VFLASH               | 1              | I    | VFLASH                            | VFLASH – Input. Flash supply voltage (5-V supply) used during all operations of the UC3F.   |
| VDDF                 | 1              | I    | VDDF                              | VDDF – Flash core voltage input (2.6-V supply).   |
| VSSF                 | 1              | I    | VSSF                              | VSSF – Flash core ground reference.   |

Table 2-1. MPC565 Signal Descriptions (continued)

| Signal Name           | No. of Signals | Type | Function after Reset <sup>1</sup> | Description   |
|-----------------------|----------------|------|-----------------------------------|---|
| <b>QADC64 A and B</b> |                |      |                                   |   |
| ETRIG[1:2]            | 2              | I    | ETRIG[1:2]                        | ETRIG [1:2] – These are the external trigger inputs to the QADC64E_A and QADC64E_B modules. ETRIG1 can be configured to be used by both QADC64E_A and QADC64E_B. Likewise, ETRIG2 can be used by both QADC64E_B and QADC64E_A. The trigger input signals are associated with the scan queues. |
| AN44 / ANw / A_PQB0   | 1              | I    | AN44                              | Analog Channel [44] – Internally multiplexed input-only analog channel. Passed on as a separate signal to the QADC64E.  |
|                       |                | I    |                                   | Multiplexed Analog Input (ANw) – Externally multiplexed analog input.   |
|                       |                | I/O  |                                   | Port A_PQB0 – When this signal is not needed for QADC converter functions, it can be used as a general-purpose input or output.   |
| AN45 / ANx/ A_PQB1    | 1              | I    | AN45                              | Analog Channel [45] – Internally multiplexed input-only analog channel. Passed on as a separate signal to the QADC64E.  |
|                       |                | I    |                                   | Multiplexed Analog Input (ANx) – Externally multiplexed analog input.   |
|                       |                | I/O  |                                   | Port A_PQB1 – When this signal is not needed for QADC converter functions, it can be used as a general-purpose input or output.   |
| AN46 / ANy/ A_PQB2    | 1              | I    | AN46                              | Analog Channel [46] – Internally multiplexed input-only analog channel. The input is passed on as a separate signal to the QADC64E.   |
|                       |                | I    |                                   | Multiplexed Analog Input (ANy) – Externally multiplexed analog input.   |
|                       |                | I/O  |                                   | Port A_PQB2 –When this signal is not needed for QADC converter functions, it can be used as a general-purpose input or output.  |
| AN47 / ANz / A_PQB3   | 1              | I    | AN47                              | Analog Input [47] – Internally multiplexed input-only analog channel. The input is passed on as a separate signal to the QADC64E.   |
|                       |                | I    |                                   | Multiplexed Analog Input (ANz) – Externally multiplexed analog input.   |
|                       |                | I/O  |                                   | Port A_PQB 3 – When this signal is not needed for QADC converter functions, it can be used as a general-purpose input or output.  |

**Table 2-1. MPC565 Signal Descriptions (continued)**

| Signal Name                        | No. of Signals | Type | Function after Reset <sup>1</sup> | Description  |
|------------------------------------|----------------|------|-----------------------------------|--|
| AN[48:51] / A_PQB[4:7]             | 4              | I    | AN[48:51]                         | Analog Input [48:51] – Analog input channel. The input is passed on as a separate signal to the QADC64E.   |
|                                    |                | I/O  |                                   | Port A_PQB [4:7] – When this signal is not needed for QADC converter functions, it can be used as a general-purpose input or output.   |
| AN[52:54] / A_MA[0:2] / A_PQA[0:2] | 3              | I    | AN[52:54]                         | Analog Input [52:54] – Input-only. These inputs are passed on as separate signals to the QADC64E.  |
|                                    |                | I    |                                   | Multiplexed Address [0:2] for QADC Module A– Output. Provides a three-bit multiplexed address output to the external multiplexer chip to allow selection of one of the eight inputs. |
|                                    |                | I/O  |                                   | Port A_PQA [0:2] – When these signals are not needed for QADC converter functions, they can be used as general-purpose inputs or outputs.  |
| AN[55:59] / A_PQA[3:7]             | 5              | I    | AN[55:59]                         | Analog Input [55:59] – Input-only. These inputs are passed on as separate signals to the QADC64E.  |
|                                    |                | I/O  |                                   | Port A_PQA [3:7] – When these signals are not needed for QADC converter functions, they can be used as general-purpose inputs or outputs.  |
| AN[64:71] / B_PQB[0:7]             | 8              | I    | AN[64:71]                         | Analog Input [55:59] – Input-only. These inputs are passed on as separate signals to the QADC64E.  |
|                                    |                | I/O  |                                   | Port B_PQB [3:7] – When these signals are not needed for QADC converter functions, they can be used as general-purpose inputs or outputs.  |
| AN[72:74] / B_MA[0:2] / B_PQA[0:2] | 3              | I    | AN[72:74]                         | Analog Input [72:74] – Input-only. These inputs are passed on as separate signals to the QADC64E.  |
|                                    |                | I    |                                   | Multiplexed Address [0:2] for QADC Module B– Output. Provides a three-bit multiplexed address output to the external multiplexer chip to allow selection of one of the eight inputs. |
|                                    |                | I/O  |                                   | Port B_PQA [0:2] – When these signals are not needed for QADC converter functions, they can be used as general-purpose inputs or outputs.  |
| AN[75:79] / B_PQA[3:7]             | 5              | I    | AN[75:79]                         | Analog Input [75:79] – Input-only. These inputs are passed on as separate signals to the QADC64E.  |
|                                    |                | I/O  |                                   | Port B_PQA [3:7] – When these signals are not needed for QADC converter functions, they can be used as general-purpose inputs or outputs.  |
| AN[80:87]                          | 8              | I    | AN[80:87]                         | Analog Input [80:87] – Input-only. These inputs are passed on as separate signals to the QADC64E by the AMUX.  |
| VRH                                | 1              | I    | VRH                               | VRH – Input signal for high reference voltage for the QADC64_A and QADC64_B modules.   |

**Table 2-1. MPC565 Signal Descriptions (continued)**

| Signal Name                            | No. of Signals | Type | Function after Reset <sup>1</sup> | Description   |
|--|----------------|------|-----------------------------------|---|
| VRL                                    | 1              | I    | VRL                               | VRL – Input signal for low reference voltage for the QADC64_A and QADC64_B modules.   |
| ALTREF                                 | 1              | I    | ALTREF                            | ALTREF – Input signal for alternate reference voltage for the QADC64_A and QADC64_B modules.  |
| VDDA                                   | 1              | I    | VDDA                              | VDDA – Power supply input to analog subsystems of the QADC64_A and QADC64_B modules.  |
| VSSA                                   | 1              | I    | VSSA                              | VSSA – Input. Ground level for analog subsystems of the QADC64_A and QADC64_B modules.  |
| <b>QSMCM A and B</b>                   |                |      |                                   |   |
| A_PCS0 / A_ $\overline{SS}$ / A_QGPIO0 | 1              | O    | A_QGPIO0                          | PCS0 – This signal provides QSPI peripheral chip select 0 for Module A.   |
|  |                | I/O  |                                   | $\overline{SS}$ – Assertion of this bidirectional signal places the QSPI in slave mode in Module A.   |
|  |                | I/O  |                                   | Port QGPIO0 for Module A – When this signal is not needed for a QSPI application it can be configured as a general-purpose input/output.            |
| B_PCS0 / B_ $\overline{SS}$ / B_QGPIOB | 1              | O    | B_QGPIO0                          | PCS0 – This signal provides QSPI peripheral chip select 0 for Module B.   |
|  |                | I/O  |                                   | $\overline{SS}$ – Assertion of this bidirectional signal places the QSPI in slave mode in Module B.   |
|  |                | I/O  |                                   | Port QGPIO0 for Module B – When this signal is not needed for a QSPI application it can be configured as a general-purpose input/output.            |
| A_PCS[1:2] / A_QGPIO[1:2]              | 2              | O    | A_QGPIO [1:2]                     | PCS [1:2] – These signals provide two QSPI peripheral chip selects for Module A.  |
|  |                | I/O  |                                   | Port QGPIO [1:2] for Module A – When these signals are not needed for QSPI applications they can be configured as general-purpose input/outputs.    |
| B_PCS[1:2] / B_QGPIO[1:2]              | 2              | O    | B_QGPIO [1:2]                     | PCSB [1:2] – These signals provide two QSPI peripheral chip selects for Module B.   |
|  |                | I/O  |                                   | Port QGPIO [1:2] for Module B – When these signals are not needed for QSPI applications they can be configured as general-purpose input/outputs.    |
| A_PCS3 / A_QGPIO3                      | 1              | O    | A_QGPIO3                          | PCS3 – This signal provides a QSPI peripheral chip select for Module A.   |
|  |                | I/O  |                                   | Port QGPIO3 for Module A – When the QSMCM A PCS3 signal is not needed for QSPI applications it can be configured as a general-purpose input/output. |

**Table 2-1. MPC565 Signal Descriptions (continued)**

| Signal Name       | No. of Signals | Type | Function after Reset <sup>1</sup> | Description   |
|-------------------|----------------|------|-----------------------------------|---|
| B_PCS3 / J1850_TX | 1              | O    | J1850_TX                          | PCS3 – This signal provides a QSPI peripheral chip select for Module B.   |
|                   |                | O    |                                   | J1850_TX – The PCS3 signal of the QSMCM B module can be configured as the J1850 transmit signal for the DLCMC2 module.  |
| A_MISO / A_QGPIO4 | 1              | I/O  | A_QGPIO4                          | Master-In Slave-Out (MISO) for Module A – This bidirectional signal is serial data input to the QSPI in master mode, and serial data output from the QSPI in slave mode.  |
|                   |                | I/O  |                                   | Port QGPIOA4 for Module A – When this signal is not needed for a QSPI application it can be configured as a general-purpose input/output.   |
| B_MISO / B_QGPIO4 | 1              | I/O  | B_QGPIO4                          | Master-In Slave-Out (MISO) for Module B– This bidirectional signal is serial data input to the QSPI in master mode, and serial data output from the QSPI in slave mode.   |
|                   |                | I/O  |                                   | Port QGPIOB4 for Module B – When this signal is not needed for a QSPI application it can be configured as a general-purpose input/output.   |
| A_MOSI / A_QGPIO5 | 1              | I/O  | A_QGPIO5                          | Master-Out Slave-In (MOSI) for Module A – This bidirectional signal is serial data output from the QSPI in master mode and serial data input to the QSPI in slave mode.   |
|                   |                | I/O  |                                   | Port QGPIOA5 for Module A – When this signal is not needed for a QSPI application it can be configured as a general-purpose input/output.   |
| B_MOSI / B_QGPIO5 | 1              | I/O  | B_QGPIO5                          | Master-Out Slave-In (MOSI) for Module B – This bidirectional signal is serial data output from the QSPI in master mode and serial data input to the QSPI in slave mode.   |
|                   |                | I/O  |                                   | Port QGPIOB5 for Module B– When this signal is not needed for a QSPI application it can be configured as a general-purpose input/output.  |
| A_SCK / A_QGPIO6  | 1              | I/O  | A_QGPIO6                          | SCK for Module A – This bidirectional signal is the clock <i>from</i> the QSPI in master mode or is the clock <i>to</i> the QSPI in slave mode.   |
|                   |                | I/O  |                                   | Port QGPIOA6 for Module A– When this signal is not needed for a QSPI application it can be configured as a general-purpose input/output. When the QSPI is enabled for serial transmitting, the signal <i>cannot</i> function as a GPIO. |

Table 2-1. MPC565 Signal Descriptions (continued)

| Signal Name              | No. of Signals | Type | Function after Reset <sup>1</sup> | Description  |
|--------------------------|----------------|------|-----------------------------------|--|
| B_SCK / B_QGPIO6         | 1              | I/O  | B_QGPIO6                          | SCK for Module B – This bidirectional signal is the clock from the QSPI in master mode or is the clock to the QSPI in slave mode.  |
|                          |                | I/O  |                                   | Port QGPIOB6 for Module B– When this signal is not needed for a QSPI application it can be configured as a general-purpose input/output. When the QSPI is enabled for serial transmitting, the signal <i>cannot</i> function as a GPIO.  |
| A_TXD[1:2] / A_QGPO[1:2] | 2              | O    | A_QGPO [1:2]                      | Transmit Data [1:2] – These are the serial data outputs from the SCI1 and SCI2 for QSMCM Module A.   |
|                          |                | O    |                                   | Port QGPOA [1:2] for Module A – When these signals are not needed for SCI applications, they can be configured as general-purpose outputs. When the transmit enable bit in the SCI control register is set to a logic 1, these signals cannot function as general-purpose outputs. |
| B_TXD[1:2] / B_QGPO[1:2] | 2              | O    | B_QGPO [1:2]                      | Transmit Data [1:2] – These are the serial data outputs from the SCI1 and SCI2 for QSMCM Module B.   |
|                          |                | O    |                                   | Port QGPOB [1:2] for Module B – When these signals are not needed for SCI applications, they can be configured as general-purpose outputs. When the transmit enable bit in the SCI control register is set to a logic 1, these signals cannot function as general-purpose outputs. |
| A_RXD[1:2] / A_QGPI[1:2] | 2              | I    | A_QGPI[1:2]                       | Receive Data [1:2] – These input signals furnish serial data inputs to the SCI1 and SCI2, Module A.  |
|                          |                | I    |                                   | Port QGPI [1:2] for Module A – When these signals are not needed for SCI1 applications, they can be configured as general-purpose inputs. When the receive enable bit in the SCI control register is set to a logic 1, these signals cannot function as general-purpose inputs.    |
| B_RXD1 / B_QGPI1         | 1              | I    | B_QGPI1                           | Receive Data 1 – This input signal furnishes serial data inputs to the SCI1, Module B.   |
|                          |                | I    |                                   | Port QGPI 1 for Module B – When this signal is not needed for SCI1 applications, it can be configured as general-purpose input. When the receive enable bit in the SCI control register is set to a logic 1, this signal cannot function as a general-purpose input.               |
| B_RXD2 / J1850_RX        | 1              | I    | J1850_RX                          | Receive Data 2 – This input signal furnishes serial data inputs to the SCI2, Module B.   |
|                          |                | I    |                                   | J1850_RX – The QSMCM B_RXD2 signal can be configured as the J1850 receive signal for the DLCMC2 module.  |
| ECK                      | 1              | I    | —                                 | This pin should be tied either high or low and has no function.  |

**Table 2-1. MPC565 Signal Descriptions (continued)**

| Signal Name         | No. of Signals | Type | Function after Reset <sup>1</sup> | Description  |
|---------------------|----------------|------|-----------------------------------|--|
| <b>MIOS14</b>       |                |      |                                   |  |
| MPIO32B15           | 1              | I/O  | MPIO32B15                         | Port MIOS GPIO15– Allows the signal to be used as a general-purpose input/output.  |
| MDA[11, 13, 27, 30] | 4              | I/O  | MDA[11, 13, 27, 30]               | <p>Double Action – These four signals provide paths for four 16-bit input captures or four 16-bit output compares.</p> <p>Clock Input – Each of these signals provide a clock input to the modulus counter submodule.</p> <ul style="list-style-type: none"> <li>• MDA11 can be used as the clock input to the MMCSM6 modulus counter.</li> <li>• MDA27 can be used as the clock input to the MMCSM23 modulus counter.</li> <li>• MDA13 can be used as the clock input to the MMCSM22 modulus counter.</li> <li>• MDA30 can be used as the clock input to the MMCSM7 modulus counter.</li> </ul> |
| MDA[12, 14, 28, 31] | 4              | I/O  | MDA[12, 14, 28, 31]               | <p>Double Action – These four signals provide paths for two 16-bit input captures and two 16-bit output compares.</p> <p>Load Input – Each of these signals provide a load input to the modulus counter submodule.</p> <ul style="list-style-type: none"> <li>• MDA12 can be used as the load input to the MMCSM6 modulus counter.</li> <li>• MDA28 can be used as the load input to the MMCSM23 modulus counter.</li> <li>• MDA14 can be used as the load input to the MMCSM22 modulus counter.</li> <li>• MDA31 can be used as the load input to the MMCSM7 modulus counter.</li> </ul>        |
| MDA[15, 27:31]      | 6              | I/O  | MDA[15, 27:31]                    | Double Action – These six signals provide paths for two 16-bit input captures or two 16-bit output compares.   |
| MPWM[0:3]           | 4              | I/O  | MPWM[0:3]                         | Pulse Width Modulation [0:3] – These signals provide variable pulse width outputs at a wide range of frequencies.  |
| MPWM[16, 18]        | 2              | I/O  | MPWM[16, 18]                      | <p>Pulse Width Modulation [16, 18] – These signals provide variable pulse width outputs at a wide range of frequencies.</p> <p>Clock Input – Each of these signals provide a clock input to the modulus counter submodule. MPWM16 can be used as the clock input to the MMCSM8 modulus counter. MPWM18 can be used as the clock input to the MMCSM24 modulus counter.</p>  |



Table 2-1. MPC565 Signal Descriptions (continued)

| Signal Name                  | No. of Signals | Type | Function after Reset <sup>1</sup>          | Description   |
|------------------------------|----------------|------|--|---|
| MPWM[17, 19]                 | 2              | I/O  | MPWM[17, 19]                               | <p>Pulse Width Modulation [17, 19] – These signals provide variable pulse width outputs at a wide range of frequencies.</p> <p>Load Input – Each of these signals provide a load input to the modulus counter submodule. MPWM17 can be used as the load input to the MMCSM8 modulus counter. MPWM19 can be used as the load input to the MMCSM24 modulus counter.</p>   |
| MPWM[4:5] / MPIO32B[5:6]     | 2              | O    | MPIO32B [5:6]                              | Pulse Width Modulation [4:5] – These signals provide variable pulse width outputs at a wide range of frequencies.   |
|                              |                | I/O  |  | Port MIOS GPIO [5:6] – Allows the signals to be used as general-purpose inputs/outputs.   |
| MPWM[20:21] / MPIO32B[11:12] | 2              | O    | MPIO32B [11:12]                            | Pulse Width Modulation [20:21] – These signals provide variable pulse width outputs at a wide range of frequencies.   |
|                              |                | I/O  |  | Port MIOS GPIO [11:12] – Allows the signals to be used as general-purpose inputs/outputs.   |
| VF[0:2] / MPIO32B[0:2]       | 3              | O    | MPIO32B [0:2]                              | <p>Visible Instruction Queue Flush Status [0:2] – These signals are output by the MPC565 when program instruction flow tracking is required. VF reports the number of instructions flushed from the instruction queue in the internal core. VF signals are also multiplexed with the development and debug signals VF0 / IWP1 / <math>\overline{BG}</math>, VF1 / IWP2 / <math>\overline{BR}</math>, and VF2 / IWP3 / <math>\overline{BB}</math>.</p> |
|                              |                | I/O  |  | Port MIOS GPIO [0:2] – Allows the signals to be used as general-purpose inputs/outputs.   |
| VFLS[0:1] / MPIO32B[3:4]     | 2              | I/O  | MPIO32B [3:4]                              | <p>Visible History Buffer Flush Status [0:1] – These signals are output by the MPC565 to allow program instruction flow tracking. They report the number of instructions flushed from the history buffer in the RCP. See <a href="#">Chapter 22, “Development Support,”</a> for details.</p>  |
|                              |                | I/O  |  | MIOS GPIO [3:4] – Allows the signals to be used as general-purpose inputs/outputs.  |
| MDO[4:7] / MPIO32B[7:10]     | 4              | O    | Controlled by READI enable (EVTI and MDIO) | MDO[4:7]– READI (NEXUS) Data Out – Allows the signals to be used by the READI modules as NEXUS data output signals.   |
|                              |                | I/O  |  | Port MIOS GPIO [7:10] – Allows the signals to be used as general-purpose inputs/outputs.  |
| VDDRTC                       | 1              | I    | VDDRTC                                     | VDDRTC – This is the power supply of the 32-KHz oscillator circuitry and the MRTCSM.  |
| VSSRTC                       | 1              | I    | VSSRTC                                     | VSSRTC – This is the power supply of the 32-KHz oscillator circuitry.   |

**Table 2-1. MPC565 Signal Descriptions (continued)**

| Signal Name | No. of Signals | Type | Function after Reset <sup>1</sup> | Description  |
|-------------|----------------|------|-----------------------------------|--|
| XTAL32      | 1              | O    | XTAL32                            | XTAL32 – This output signal is one of the connections to an external 32-KHz crystal for the MIOS14 real-time clock submodule (MRTCSM).   |
| EXTAL32     | 1              | I    | EXTAL32                           | EXTAL32 – This signal is one of the connections to an external 32-KHz crystal for the internal oscillator circuitry used by the MRTCSM. If this signal is unused, it must be grounded. |

**Table 2-1. MPC565 Signal Descriptions (continued)**

| Signal Name         | No. of Signals | Type | Function after Reset <sup>1</sup> | Description   |
|---------------------|----------------|------|-----------------------------------|---|
| <b>TPU</b>          |                |      |                                   |   |
| A_TPUCH             | 16             | I/O  | A_TPUCH                           | Provides TPU module A with 16 input/output programmable timed events.   |
| A_T2CLK             | 1              | I/O  | A_T2CLK                           | This signal is used to clock or gate the timer count register 2 (TCR2) within the TPU A module. This signal is an output-only in special test mode.   |
| B_TPUCH             | 16             | I/O  | B_TPUCH                           | Provides TPU module B with 16 input/output programmable timed events.   |
| B_T2CLK             | 1              | I/O  | B_T2CLK                           | This signal is used to clock or gate the timer count register 2 (TCR2) within the TPU B module. This signal is an output-only in special test mode.   |
| C_TPUCH             | 16             | I/O  | C_TPUCH                           | Provides TPU module C with 16 input/output programmable timed events.   |
| C_T2CLK             | 1              | I/O  | C_T2CLK                           | This signal is used to clock or gate the timer count register 2 (TCR2) within the TPU C module. This signal is an output-only in special test mode.   |
| <b>Global Power</b> |                |      |                                   |   |
| NVDDL               | 1              | I    | NVDDL                             | NVDDL – Noisy 2.6-V voltage supply input. This signal supplies the final output stage of the 2.6-V pad output drivers. The NVDDL and QVDDL supplies should be connected to the same power supply in a user's system.  |
| QVDDL               | 1              | I    | QVDDL                             | QVDDL – Quiet 2.6-V voltage supply input. This signal supplies all pad logic and pre-driver circuitry, except for the final output stage of the 2.6-V pad output drivers. The NVDDL and QVDDL supplies should be connected to the same power supply in a user's system. |
| VDDH                | 1              | I    | VDDH                              | VDDH – 5-V voltage supply input.  |
| VDD                 | 1              | I    | VDD                               | VDD – 2.6-V voltage supply input for internal logic.  |
| KAPWR               | 1              | I    | KAPWR                             | Keep-Alive Power – 2.6-V voltage supply input for the oscillator and keep-alive registers.  |
| VSS                 | 1              | I    | VSS                               | VSS – Ground level reference input.   |
| VDDSRAM1            | 1              | I    | VDDSRAM1                          | SRAM Keep-Alive Power – 2.6-V voltage supply input for the keep-alive section of the CALRAM A (32K) module. This signal supplies only keep-alive power to the CALRAM A (32K) module. Run current is supplied by normal VDD.   |

**Table 2-1. MPC565 Signal Descriptions (continued)**

| Signal Name | No. of Signals | Type | Function after Reset <sup>1</sup> | Description   |
|-------------|----------------|------|-----------------------------------|---|
| VDDSRAM2    | 1              | I    | VDDSRAM2                          | SRAM Keep-Alive Power – 2.6-V voltage supply input for the CALRAM B (4 Kbyte) module. This signal supplies only keep-alive power to the CALRAM B (4 Kbyte) module. Run current is supplied by normal VDD.   |
| VDDSRAM3    | 1              | I    | VDDSRAM3                          | SRAM Keep-Alive Power – 2.6-V voltage supply input for the arrays in the DPTRAM_AB (6 Kbytes), DPTRAM_C (4 Kbytes), and the BBC DECRAM (4 Kbytes) modules. This signal supplies only keep-alive power to both DPTRAM arrays and the DECRAM module. Run current is supplied by normal VDD. |

<sup>1</sup> This is the function after  $\overline{\text{PORESET}}$ /  $\overline{\text{TRST}}$ , and  $\overline{\text{HRESET}}$ .

## 2.2.1 MPC565 Signal Multiplexing

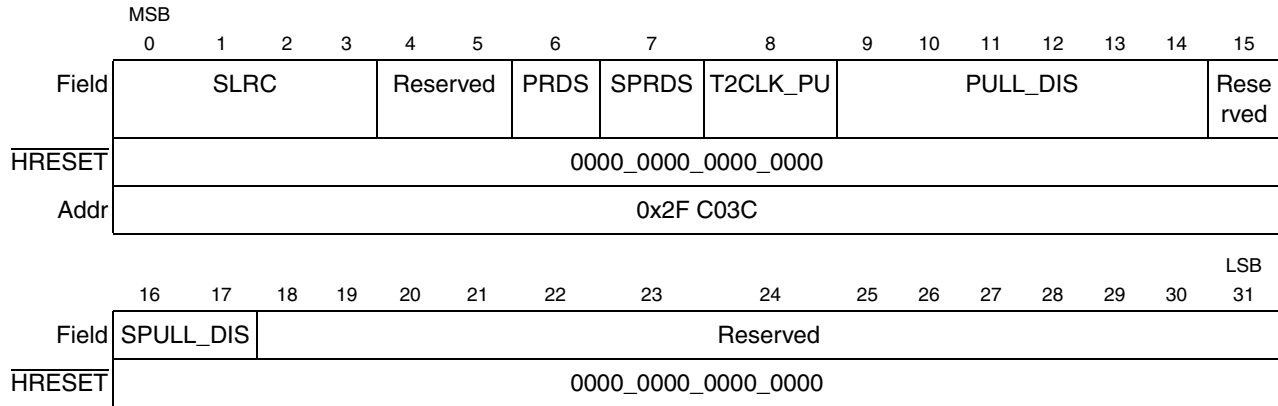
Table 2-2 describes the signal multiplexing that occurs between different modules of the MPC565.

**Table 2-2. MPC565 Signal Sharing**

| Pin Name  | Function   |
|---|--|
| c_cntx0_mpio32b13,<br>c_cnr0_mpio32b14                                      | TOUCAN_C shared with MIOS14 GPIO   |
| mdo_4_mpio32b10,<br>mdo_5_mpio32b9,<br>mdo_6_mpio32b8, mdo_7_mpio32b7       | READI shared with MIOS14 GPIO  |
| mpwm20_mpio32b11,<br>mpwm21_mpio32b12,<br>mpwm4_mpio32b5,<br>mpwm5_mpio32b6 | MIOS14 PWM submodule shared with MIOS14 GPIO   |
| vf0_mpio32b0,<br>vf1_mpio32b1,<br>vf2_mpio32b2,                             | VF pins shared with MIOS14 GPIO  |
| vfls0_mpio32b3, vfls1_mpio32b4  | VFLS shared with MIOS14 GPIO   |
| b_pcs3_j1850_tx,<br>b_rxd2_j1850_rx   | QSMCM_B pins are muxed with DLCMD2 (J1850). These pins are transmit and receive pins. See <a href="#">Section 2.4.2, “QSMCM and DLCMD2 (J1850) Modules.”</a> |

## 2.3 Pad Module Configuration Register (PDMCR)

Bits in the PDMCR (which resides in the SIU memory map) control the slew rate and weak pull-up/pull-down characteristics of some signals; refer to [Appendix F, “Electrical Characteristics.”](#) The  $\overline{\text{PORESET}}$ / $\overline{\text{TRST}}$  signal resets all the PDMCR bits asynchronously.



**Figure 2-2. Pads Module Configuration Register (PDMCR)**

Table 2-4 contains bit descriptions for the PDMCR.

**Table 2-4. PDMCR Field Descriptions**

| Bits | Name  | Description  |
|------|-------|--|
| 0    | SLRC0 | SLRC0 controls the slew rate of signals on the following modules: TPU3, QADC64, USIU_GPIO. For the slew rate refer to <a href="#">Appendix F, “Electrical Characteristics.”</a><br>0 = Slow slew rate for signals. (200 nsec).<br>1 = Normal slew rate for signals.  |
| 1    | SLRC1 | SLRC1 controls the slew rate of signals on the following modules: QSPI, TOUCAN A, TOUCAN B. For the slew rate refer to <a href="#">Appendix F, “Electrical Characteristics.”</a><br>0 = Slow slew rate for signals. (50 nsec).<br>1 = Normal slew rate for signals.  |
| 2    | SLRC2 | SLRC2 controls the slew rate of signals on the QSCI in QSMCM A and QSMCM B. For the slew rate refer to <a href="#">Appendix F, “Electrical Characteristics.”</a><br>0 = Slow slew rate for signals. (200 ns).<br>1 = Normal slew rate for signals.   |
| 3    | SLRC3 | SLRC3 controls the slew rate of signals on the following modules: MIOS14, TOUCAN C. For the slew rate refer to <a href="#">Appendix F, “Electrical Characteristics.”</a><br>0 = Slow slew rate for signals. (50 ns for TOUCAN C, 200 nsec for others).<br>1 = Normal slew rate for signals.  |
| 4:5  | —     | Reserved   |
| 6    | PRDS  | Disables weak pull-up/pull down devices enabled at the assertion of $\overline{PORESET}/\overline{TRST}$ or $\overline{HRESET}$ .<br>Signals affected by the PRDS bit include the following: <ul style="list-style-type: none"> <li>• all SGPIO signals</li> <li>• all TPU3 signals except for T2CLK</li> </ul> 0 Enable weak pull-up/pull down devices on pads controlled by this signal.<br>1 Disable weak pull-up/pull down devices on pads controlled by this signal.<br>Refer to <a href="#">Section Table 2-7., “MPC565/MPC566 Signal Reset State”</a> for more information on PRDS. |

**Table 2-4. PDMCR Field Descriptions (continued)**

| Bits  | Name      | Description  |
|-------|-----------|--|
| 7     | SPRDS     | Disables weak pull-up/pull down devices enabled at the assertion of $\overline{\text{PORESET}}/\overline{\text{TRST}}$ or $\overline{\text{HRESET}}$ .<br>Signals affected by the SPRDS bit include the following: $\overline{\text{BDIP}}$ , $\overline{\text{TA}}$ , $\overline{\text{TS}}$ , $\overline{\text{TEA}}$ , $\overline{\text{RD}}/\overline{\text{WR}}$ , $\overline{\text{BR}}$ , $\overline{\text{BG}}$ , $\overline{\text{BB}}$ , $\overline{\text{TSIZ}}$ , $\overline{\text{BI}}/\overline{\text{STS}}$ , $\overline{\text{BURST}}$ , TDI, TMS, JCOMP, TCK, HRESET, SRESET.<br>0 Enable weak pull-up/pull down devices on pads controlled by this signal.<br>1 Disable weak pull-up/pull down devices on pads controlled by this signal.<br>Refer to <a href="#">Section Table 2-7</a> , “MPC565/MPC566 Signal Reset State” for more information on SPRDS.  |
| 8     | T2CLK_PU  | Controls the pull-up on the TPU T2CLK signals.<br>0 Pull-ups are enabled if the T2CLK signals are defined as inputs<br>1 Pull-ups are disabled on the T2CLK signals  |
| 9:14  | PULL_DIS  | Disables weak pull up-or-down devices enabled at the assertion of $\overline{\text{PORESET}}/\overline{\text{TRST}}$ or $\overline{\text{HRESET}}$ .<br>Signals affected by these bits include the following: <ul style="list-style-type: none"> <li>PULL_DIS0 (bit 9): all MIOS input signals except C_CNTX0/MPIO32B[13], C_CNRX0/MPIO32B[14]<sup>1</sup>, EXTAL32, XTAL32, VDDRTC, and VSSRTC.</li> <li>PULL_DIS1 (bit 10): all QSMCM input signals<sup>2</sup>, except A_RXD[1:2]/QGPI[1:2]</li> <li>PULL_DIS2 (bit 11): all QADC input signals, except ETRIG1 and ETRIG2<sup>3</sup></li> <li>PULL_DIS3 (bit 12): all TouCAN input signals<sup>4</sup></li> <li>PULL_DIS4 (bit 13): READI module input signals</li> <li>PULL_DIS5 (bit 14): ETRIG1 and ETRIG2<sup>5</sup></li> </ul> 0 Enable weak pull-up/pull-down devices on pads controlled by this signal.<br>1 Disable weak pull-up/pull-down devices on pads controlled by this signal. |
| 15    | —         | Reserved   |
| 16:17 | SPULL_DIS | Disables weak pull up-or-down devices enabled at the assertion of $\overline{\text{PORESET}}/\overline{\text{TRST}}$ or $\overline{\text{HRESET}}$ .<br>Signals affected by these bits include the following: <ul style="list-style-type: none"> <li>SPULL_DIS0 (bit 16): <math>\overline{\text{IRQ5}}/\text{SGPIO5}/\text{MODCK1}</math></li> <li>SPULL_DIS1 (bit 17): JTAG/BDM signals (TMS, TDI/DSDI, JCOMP, TCK/DSCK)</li> </ul> 0 Enable weak pull-up/pull-down devices on pads controlled by this signal.<br>1 Disable weak pull-up/pull-down devices on pads controlled by this signal.   |
| 31:18 | —         | Reserved   |

<sup>1</sup> ETRIG1, ETRIG2 in mask set K85H.

<sup>2</sup> None in mask set K85H.

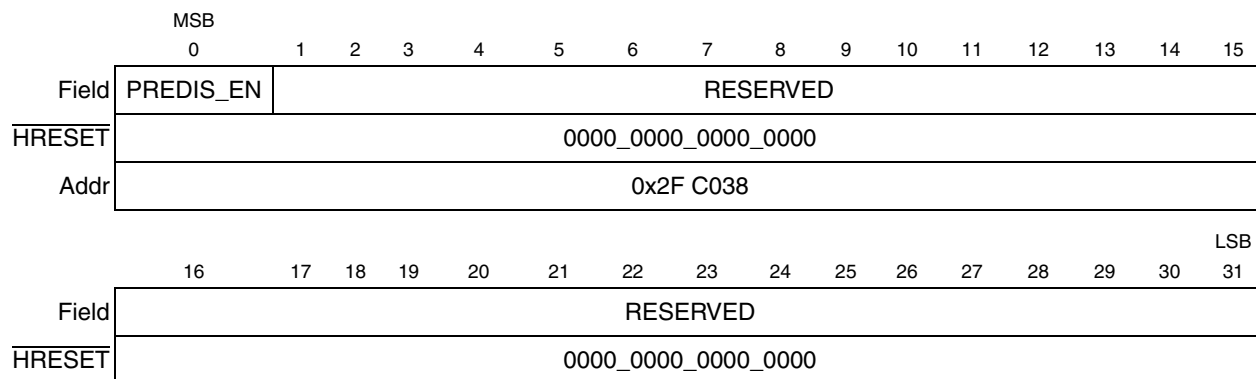
<sup>3</sup> TouCAN\_A, TouCAN\_B in mask set K85H.

<sup>4</sup> TouCAN\_C and MIOS MPIO32B13 and MPIO32B14 in mask set K85H.

<sup>5</sup> RESERVED in mask set K85H.

## 2.4 Pad Module Configuration Register (PDMCR2)

The PDMCR2 controls alternate functionality of signals shared between different modules, as well as the pre-discharge circuitry to allow 5V friendliness on the data bus.



**Figure 2-3. Pads Module Configuration Register 2 (PDMCR2)**

**Table 2-5. PDMCR2 Field Descriptions**

| Bits | Name      | Description  |
|------|-----------|--|
| 0    | PREDIS_EN | PREDIS_EN<br>0 Bus pre-discharge disabled<br>1 Bus pre-discharge enabled |
| 1:31 | —         | Reserved   |

### 2.4.1 JTAG / BDM

The MPC565 has five JTAG signals. The test data input (TDI) and test data output (TDO) scan ports are used to scan instructions as well as data into the various scan registers for JTAG operations. The scan operation is controlled by the test access port (TAP) controller which in turn is controlled by the test mode select (TMS) input sequence. The scan data is latched at the rising edge of the test clock (TCK). JCOMP enables JTAG functionality for the MPC565.

### 2.4.2 QSMCM and DLCMD2 (J1850) Modules

The MPC565 has two QSMCM modules: QSMCM A and QSMCM B. QSMCM A has identical function to the MPC555/MPC556's QSMCM A module. QSMCM B has its B\_RXD2 and B\_PCS3 signals muxed with the signals of the DLCMD2 (J1850) module. Signal muxing is controlled by PQSPAR[QPAPCS3] in the QSMCM B module, according to [Table 2-6](#). The muxed signals default to the DLCMD2 function at reset.

Because the normal function of the PCS signals within the QSMCM require that the QPAPCS3 bit be written before the PCS signals are used, the muxing appears transparent to both the QSMCM B and the DLCMD2 modules. However, only one of the modules, DLCMD2 or QSMCM B, can use the system signals at the same time. Because of this muxed function on QSMCM B, the general-purpose input and output functions are not available on the B\_PCS3 and B\_RXD2 signals of the QSMCM B module.

**Table 2-6. DLCMD2 / QSMCM B SCI2 Signals Mux Control**

| QPAPCS3 Bit Value | QSMCM B / DLCMD2 Signal Function   | Functioning Module |
|-------------------|--|--------------------|
| 0                 | B_PCS3 / J1850_TX signal assigned to J1850_TX.<br>B_RXD2 / J1850_RX signal assigned to J1850_RX.<br>Signals are assigned to DLCMD2 (J1850_TX and J1850_RX) | DLCMD2             |
| 1                 | B_PCS3 / J1850_TX signal assigned to B_PCS3.<br>B_RXD2 / J1850_RX signal assigned to B_RXD2.<br>Signals are assigned to QSMCM B SCI2 (B_PCS3 and B_RXD2)   | QSMCM B            |

## 2.5 Reset State

During reset, a 130- $\mu$ A (maximum) resistor “weakly pulls” all input signals, with the exception of the power-supply and clock-related signals, to a value based on conditions described in [Appendix F, “Electrical Characteristics.”](#) In reset state, all I/O signals become inputs, and all outputs (except for CLKOUT, HRESET, and SRESET) are pulled only by the pull-up/pull-down.

### 2.5.1 Signal Functionality Configuration Out of Reset

The reset configuration word (RCW) defines the post-reset functionality of some multiplexed signals. For details on these signals and how they are configured, refer to Section 7.5.2, “Hard Reset Configuration Word.”

The 2.6-V bus related signals have selectable output buffer drive strengths that are controlled by the COM0 bit in the USIU’s system clock and reset control register (SCCR). The control is as follows:

- 0 = 2.6-V bus signals full drive (50-pF load)
- 1 = 2.6-V bus signals reduced drive (25-pF load)

### 2.5.2 Signal State During Reset

While  $\overline{\text{HRESET}}$  is asserted, the reset-configuration value is latched from the data bus into various bits on the part. The function of many signals depends upon the value latched. If the value on the data bus changes, then the function of various signals may also change. This is especially true if the reset configuration word (RCW) comes from the Flash, because the Flash does not drive the RCW until 256 clocks after the start of  $\overline{\text{HRESET}}$ . However, the signals must not cause any spurious conditions or consume an excessive amount of power during reset. To prevent these conditions, the signals need to have a defined reset state. [Table 2-7](#) describes the reset state of the signals based on signal functionality.

All signals are initialized to a “reset state” during reset. This state remains active until reset is negated or until software disables the pull-up or pull-down device based on the signal functionality. Upon assertion of the corresponding bits in the signal control registers and negation of reset, the signal acquires the functionality that was programmed.



## 2.5.3 Power-On Reset and Hard Reset

Power-on reset and hard reset affect the functionality of the signals out of reset. (During soft reset, the functionality of the signals is unaltered.)

Upon assertion of the power-on reset signal ( $\overline{\text{PORESET}}/\overline{\text{TRST}}$ ) the functionality of the signal is not yet known to the RCPU. The weak pull-up or weak pull-down resistors are enabled. The reset configuration word configures the system, and towards the end of reset the signal functionality is known. Based upon the signal functionality, the pull-up or pull-down devices are either disabled immediately at the negation of reset or remain enabled, as shown in [Table 2-7](#).

Because hard reset can occur when a bus cycle is pending, the PDMCR bits that enable and disable the pull-up or pull-down resistors are set or reset synchronously to eliminate contention on the signals. ( $\overline{\text{PORESET}}/\overline{\text{TRST}}$  affects these bits asynchronously.)

## 2.5.4 Pull-Up/Pull-Down

### 2.5.4.1 Pull-Up/Pull-Down Enable and Disable for 5-V Only and 2.6-V Only Signals

The pull resistors are enabled and disabled by the corresponding bits in the PDMCR register in the USIU (see [Table 2-7](#)). When those bits are negated (logic 0), the pull resistors are enabled. When asserted (logic 1), the devices are disabled.

### 2.5.4.2 Pull-Down Enable and Disable for 5-V/2.6-V Multiplexed Signals

The 5-V/2.6-V multiplexed pad does not have a pull-up device. The pull-down will be controlled by the corresponding bits in the PDMCR register. When this bit is negated, the pull-down is enabled, when asserted the pull-down will be disabled.

#### NOTE

All pull-up/pull-down devices are disabled when all the signals are forced to three state in JTAG mode.

### 2.5.4.3 Special Pull Resistor Disable Control Functionality (SPRDS)

For the signals that support debug, opcode tracking, and bus control functionality, the pull resistors will be controlled by the SPRDS bit in the PDMCR register. During reset this signal will be synchronously used to enable the pull resistors in the pads. On negation of reset, based on which functionality is selected for the signals, this signal is set to disable the pull resistors, or is continued to be held in its reset state to indicate that the pulls are disabled only when the output driver is enabled.

### 2.5.4.4 Pull Device Select (PULL\_SEL)

The MIOS14 and the TPU signals have selectable pull-up or pull-down devices. The devices are controlled by the PULL\_SEL signal. A high on the PULL\_SEL signal enables pull-up devices on the MIOS14 and TPU signals. A low enables pull-down devices. Note that the pull devices can be disabled by the

PULL\_DIS0 (MIOS14) and PRDS (TPU) bits in the PDMCR register. See [Section 2.3, “Pad Module Configuration Register \(PDMCR\).”](#)

## 2.5.5 Signal Reset States

[Table 2-7](#) summarizes the reset states of all signals on the MPC565. Note that PD refers to a weak pull-down, PU2.6 refers to a weak pull-up to 2.6 V, and PU5 refers to a weak pull-up to 5 V. All control of the weak-pull devices is in the pad module configuration register, described in [Table 2-4](#).

### NOTE

2.6-V inputs are 5-V tolerant, but 2.6-V outputs are not. Do not connect 2.6-V outputs to a driver or pull-up greater than 3.1 V.

### NOTE

Depending on the application, pins may require a pull-down resistor to avoid getting any command due to noise.

Table 2-7. MPC565/MPC566 Signal Reset State

| Signal List <sup>1</sup>  | Pad Type | Voltage            | Slew Rate Controlled Option? | Drive Load (pF) <sup>2</sup> | Reset State   | Hysteresis Enabled? | Function After HRESET, PORESET/TRST   |
|---|----------|--------------------|------------------------------|------------------------------|---|---------------------|---|
| <b>USIU</b>   |          |                    |                              |                              |   |                     |   |
| ADDR[8:31]<br>SGPIOA[8:31] <sup>4</sup>   | 26v5vs   | 2.6 V              | No                           | 50 ; 25                      | PD until reset negates <sup>3</sup>                     | No                  | Controlled by SC bit in the reset config word. See <a href="#">Table 6-10</a> . |
|   |          | 5 V                | Yes                          | 50 ; 50 <sup>5</sup>         | PD until PRDS is set                                    | No                  |   |
| DATA[0:31] /<br>SGPIOD[0:31] <sup>4</sup>   | 26v5vs   | 2.6 V              | No                           | 50 ; 25                      | PD until reset negate <sup>3</sup> s                    | No                  | Controlled by SC bit in the reset config word. See <a href="#">Table 6-10</a> . |
|   |          | 5 V                | Yes                          | 50 ; 50 <sup>5</sup>         | PD until PRDS is set                                    | No                  |   |
| $\overline{\text{IRQ0}}$ /<br>SGPIOC0 <sup>6</sup> /  | 26v      | 2.6 V              | No                           | NA                           | Pin floats during reset, an external pullup is required | Yes                 | $\overline{\text{IRQ0}}$  |
|   |          | 2.6 V <sup>6</sup> | No                           | 50 ; 25                      | Pin floats during reset                                 | Yes                 |   |
| $\overline{\text{IRQ1}}$ /<br>$\overline{\text{RSV}}$ /<br>SGPIOC1 <sup>4</sup>                               | 26v5vs   | 2.6 V              | No                           | NA                           | PD until reset negates <sup>3,7</sup>                   | Yes                 | $\overline{\text{IRQ1}}$  |
|   |          | 2.6 V              | No                           | 50 ; 25                      | PD until reset negates <sup>3</sup>                     | Yes                 |   |
|   |          | 5 V                | Yes                          | 50 ; 50 <sup>5</sup>         | PD until PRDS is set                                    | Yes                 |   |
| $\overline{\text{IRQ2}}$ /<br>$\overline{\text{CR}}$ /<br>SGPIOC2 <sup>4</sup> /<br>$\overline{\text{MTS}}$   | 26v5vs   | 2.6 V              | No                           | NA                           | PD until reset negates <sup>3,7</sup>                   | Yes                 | $\overline{\text{IRQ2}}$  |
|   |          | 2.6 V              | No                           | NA                           | PD until reset negates <sup>3,7</sup>                   | No                  |   |
|   |          | 5 V                | Yes                          | 50 ; 50 <sup>5</sup>         | PD until PRDS is set                                    | No                  |   |
|   |          | 2.6 V              | No                           | 50 ; 25                      | PD until reset negates <sup>3</sup>                     | No                  |   |
| $\overline{\text{IRQ3}}$ /<br>$\overline{\text{KR}}$ /<br>$\overline{\text{RETRY}}$ /<br>SGPIOC3 <sup>4</sup> | 26v5vs   | 2.6 V              | No                           | NA                           | PD until reset negates <sup>3,7</sup>                   | Yes                 | $\overline{\text{IRQ3}}$  |
|   |          | 2.6 V              | No                           | 50 ; 25                      | PD when driver not enabled <sup>8</sup>                 | No                  |   |
|   |          | 2.6 V              | No                           | 50 ; 25                      | PD when driver not enabled <sup>8</sup>                 | No                  |   |
|   |          | 5 V                | Yes                          | 50 ; 50 <sup>5</sup>         | PD until PRDS is set                                    | No                  |   |

Table 2-7. MPC565/MPC566 Signal Reset State (continued)

| Signal List <sup>1</sup>   | Pad Type | Voltage | Slew Rate Controlled Option? | Drive Load (pF) <sup>2</sup>        | Reset State  | Hysteresis Enabled? | Function After HRESET, PORESET/TRST                               |
|--|----------|---------|------------------------------|-------------------------------------|--|---------------------|---|
| $\overline{\text{IRQ4}}$ /<br>AT2 /<br>SGPIOC4 <sup>4</sup>                                | 26v5vs   | 2.6 V   | No                           | NA                                  | PD until reset negates <sup>3, 7</sup>   | Yes                 | $\overline{\text{IRQ4}}$  |
| 2.6 V  |          | No      | 50 ; 25                      | PD until reset negates <sup>3</sup> | No   |                     |   |
| 5 V  |          | Yes     | 50 ; 50 <sup>5</sup>         | PD until PRDS is set                | No   |                     |   |
| $\overline{\text{IRQ5}}$ <sup>9</sup> /<br>SGPIOC5 <sup>10</sup> /<br>MODCK1 <sup>11</sup> | 26v      | 2.6 V   | No                           | NA                                  | PU 2.6 until reset negates   | Yes                 | MODCK1 until reset negates, then $\overline{\text{IRQ5}}$         |
| 2.6 V  |          | No      | 50 ; 25                      | PU 2.6 until SPULL_DIS0 is set      | No   |                     |   |
| 2.6 V  |          | No      | NA                           | PU 2.6 until reset negates          | No   |                     |   |
| $\overline{\text{IRQ}}[6:7]$ <sup>9</sup> /<br>MODCK[2:3] <sup>11</sup>                    | 26v      | 2.6 V   | No                           | NA                                  | PU 2.6 until PRDS is set <sup>9</sup>  | Yes                 | MODCK[2:3] until reset negates, then $\overline{\text{IRQ}}[6:7]$ |
| 2.6 V  |          | No      | NA                           | PU 2.6 until reset negates          | No   |                     |   |
| TSIZ[0:1] <sup>10</sup>  | 26v      | 2.6 V   | No                           | 50 ; 25                             | PD when driver not enabled or until SPRDS is set   | No                  | TSIZ[0:1]   |
| RD / WR <sup>10</sup>  | 26v      | 2.6 V   | No                           | 50 ; 25                             | PU 2.6 when driver not enabled or until SPRDS is set   | No                  | RD/ $\overline{\text{WR}}$  |
| $\overline{\text{BURST}}$ <sup>10</sup>  | 26v      | 2.6 V   | No                           | 50 ; 25                             | PU 2.6 when driver not enabled or until SPRDS is set   | No                  | $\overline{\text{BURST}}$   |
| $\overline{\text{BDIP}}$ <sup>10</sup>   | 26v      | 2.6 V   | No                           | 50 ; 25                             | PU 2.6 when driver not enabled or until SPRDS is set   | No                  | $\overline{\text{BDIP}}$  |
| $\overline{\text{TS}}$ <sup>10, 12</sup>   | 26v      | 2.6 V   | No                           | 50 ; 25                             | PU 2.6 when driver not enabled or until SPRDS is set. An external pull up is required to guarantee pin does not assert between bus cycles. | No                  | $\overline{\text{TS}}$  |
| $\overline{\text{TA}}$ <sup>10, 12</sup>   | 26v      | 2.6 V   | No                           | 50 ; 25                             | PU 2.6 when driver not enabled or until SPRDS is set   | No                  | $\overline{\text{TA}}$  |

Table 2-7. MPC565/MPC566 Signal Reset State (continued)

| Signal List <sup>1</sup>  | Pad Type | Voltage             | Slew Rate Controlled Option? | Drive Load (pF) <sup>2</sup> | Reset State  | Hysteresis Enabled? | Function After HRESET, PORESET/TRST  |
|---|----------|---------------------|------------------------------|------------------------------|--|---------------------|--|
| $\overline{\text{TEA}}^{10}$  | 26v      | 2.6 V               | No                           | 50 ; 25                      | PU 2.6 when driver not enabled or until SPRDS is set<br>An external pull-up is required to negate the signal in appropriate time.        | No                  | $\overline{\text{TEA}}$  |
| $\overline{\text{OE}}^{10}$   | 26v      | 2.6 V               | No                           | 50 ; 25                      | PU 2.6 until reset negates   | No                  | $\overline{\text{OE}}$   |
| $\overline{\text{RSTCONF}}$ /<br>$\text{TEXP}^{10, 11}$   | 26v      | 2.6 V               | No                           | NA                           | PU 2.6 when driver not enabled or until SPRDS is set   | No                  | $\overline{\text{RSTCONF}}$ until reset negates. Following reset, the function is defined by the RCTX bit in the SIUMCR. See <a href="#">Table 6-8</a> . |
|   |          | 2.6 V               | No                           | 50 ; 25                      |  | No                  |  |
| $\overline{\text{BI}}^{10}$ /<br>$\overline{\text{STS}}^{10}$                                     | 26v      | 2.6 V               | No                           | 50 ; 25                      | PU 2.6 when driver not enabled or until SPRDS is set.  | No                  | Controlled by DBGK in the reset configuration word. See <a href="#">Table 6-8</a> .  |
|   |          | 2.6 V               | No                           | 50 ; 25                      |  | No                  |  |
| $\overline{\text{CS}}[0:3]^{10}$  | 26v      | 2.6 V               | No                           | 50 ; 25                      | PU 2.6 until reset negates   | No                  | $\overline{\text{CS}}[0:3]$  |
| $\overline{\text{WE}}[0:3]^{10}$ /<br>$\overline{\text{BE}}[0:3]^{10}$ /<br>$\text{AT}[0:3]^{10}$ | 26v      | 2.6 V               | No                           | 50 ; 25                      | PU 2.6 when driver not enabled or until SPRDS is set   | No                  | Controlled by bit ATWC (bit 12) of the reset configuration word. See <a href="#">Table 6-8</a> .   |
|   |          | 2.6 V               | No                           | 50 ; 25                      |  | No                  |  |
|   |          | 2.6 V               | No                           | 50 ; 25                      |  | No                  |  |
| <b>System Control</b>   |          |                     |                              |                              |  |                     |  |
| $\overline{\text{PORESET}}$ /<br>$\overline{\text{TRST}}^{11, 13}$                                | 26v      | 2.6 V               | No                           | NA                           | External pull-up required  | Yes                 | $\overline{\text{PORESET}}$  |
|   |          | 2.6 V               | No                           | NA                           |  | Yes                 |  |
| $\overline{\text{HRESET}}^{11}$   | 26vc     | 2.6 V <sup>14</sup> | No                           | 50 ; 25                      | PU 2.6 when driver not enabled or until SPRDS is set. An external pull-up is required in order to negate the signal in appropriate time. | Yes                 | $\overline{\text{HRESET}}$   |

Table 2-7. MPC565/MPC566 Signal Reset State (continued)

| Signal List <sup>1</sup>   | Pad Type | Voltage             | Slew Rate Controlled Option? | Drive Load (pF) <sup>2</sup> | Reset State  | Hysteresis Enabled? | Function After HRESET, PORESET/TRST  |
|--|----------|---------------------|------------------------------|------------------------------|--|---------------------|--|
| $\overline{\text{SRESET}}^{11}$  | 26vc     | 2.6 V <sup>14</sup> | No                           | 50 ; 25                      | PU 2.6 when driver not enabled or until SPRDS is set. An external pull-up is required in order to negate the signal in appropriate time. | Yes                 | $\overline{\text{SRESET}}$   |
| <b>Development and Debug</b>   |          |                     |                              |                              |  |                     |  |
| SGPIOC6 <sup>4</sup> /<br>FRZ /<br>$\overline{\text{PTR}}$                 | 26v5vs   | 5 V                 | Yes                          | 50 ; 50 <sup>5</sup>         | PD until PRDS is set   | No                  | $\overline{\text{PTR}}$  |
|  |          | 2.6 V               | No                           | 50 ; 25                      | PD until reset negates <sup>3</sup>  | No                  |  |
|  |          | 2.6 V               | No                           | 50 ; 25                      | PD until reset negates <sup>3</sup>  | No                  |  |
| SGPIOC7 <sup>4</sup> /<br>$\overline{\text{IRQOUT}}$ /<br>LWP0             | 26v5vs   | 5 V                 | Yes                          | 50 ; 50 <sup>5</sup>         | PD until PRDS is set   | No                  | LWP0   |
|  |          | 2.6 V               | No                           | 50 ; 25                      |  | No                  |  |
|  |          | 2.6 V               | No                           | 50 ; 25                      |  | No                  |  |
| $\overline{\text{BG}}^{10}$ /<br>VF0 <sup>10</sup> /<br>LWP1 <sup>10</sup> | 26v      | 2.6 V               | No                           | 50 ; 25                      | PU 2.6 when driver not enabled or until SPRDS is set   | No                  | Controlled by DBGK in reset config word. See <a href="#">Table 6-8</a> .     |
|  |          | 2.6 V               | No                           | 50 ; 25                      |  | No                  |  |
|  |          | 2.6 V               | No                           | 50 ; 25                      |  | No                  |  |
| $\overline{\text{BR}}^{10}$ /<br>VF1 <sup>10</sup> /<br>IWP2 <sup>10</sup> | 26v      | 2.6 V               | No                           | 50 ; 25                      | PU 2.6 when driver not enabled or until SPRDS is set   | No                  | Controlled by DBGK in reset config word. See <a href="#">Table 6-8</a> .     |
|  |          | 2.6 V               | No                           | 50 ; 25                      |  | No                  |  |
|  |          | 2.6 V               | No                           | 50 ; 25                      |  | No                  |  |
| $\overline{\text{BB}}^{10}$ /<br>VF2 <sup>10</sup> /<br>IWP3 <sup>10</sup> | 26v      | 2.6 V               | No                           | 50 ; 25                      | PU 2.6 when driver not enabled or until SPRDS is set   | No                  | Controlled by DBGK in reset config word. See <a href="#">Table 6-8</a> .     |
|  |          | 2.6 V               | No                           | 50 ; 25                      |  | No                  |  |
|  |          | 2.6 V               | No                           | 50 ; 25                      |  | No                  |  |
| IWP[0:1] <sup>10</sup> /<br>VFLS[0:1] <sup>10</sup>                        | 26v      | 2.6 V               | No                           | 50 ; 25                      | Output only, no weak pull  | No                  | Controlled by DBGK in the reset config word. See <a href="#">Table 6-8</a> . |
|  |          | 2.6 V               | No                           | 50 ; 25                      |  | No                  |  |
| <b>JTAG/BDM</b>  |          |                     |                              |                              |  |                     |  |
| TDI /<br>DSDI  | 26v      | 2.6 V               | No                           | NA                           | PU 2.6 until SPULL_DIS1 is set   | No                  | Controlled by JCOMP  |
|  |          | 2.6 V               | No                           | NA                           |  | No                  |  |

Table 2-7. MPC565/MPC566 Signal Reset State (continued)

| Signal List <sup>1</sup>                  | Pad Type      | Voltage | Slew Rate Controlled Option? | Drive Load (pF) <sup>2</sup>  | Reset State  | Hysteresis Enabled? | Function After HRESET, PORESET/TRST |
|---|---------------|---------|------------------------------|-------------------------------|--|---------------------|-------------------------------------|
| TCK /<br>DSCK                             | 26v           | 2.6 V   | No                           | NA                            | PD until SPULL_DIS1 is set                         | No                  | Controlled by JCOMP                 |
|   |               | 2.6 V   | No                           | NA                            |  | No                  |                                     |
| TDO <sup>10</sup> /<br>DSDO <sup>10</sup> | 26v           | 2.6 V   | No                           | 50 ; 25                       | —  | No                  | Controlled by JCOMP                 |
|   |               | 2.6 V   | No                           | 50 ; 25                       |  | No                  |                                     |
| JCOMP <sup>15</sup>                       | 26v           | 2.6 V   | No                           | NA                            | PD   | Yes                 | Controlled by JCOMP                 |
| TMS                                       | 26v           | 2.6 V   | No                           | NA                            | PU 2.6 until SPULL_DIS1 is set                     | No                  | TMS                                 |
| <b>READI</b>                              |               |         |                              |                               |  |                     |                                     |
| $\overline{\text{MSEI}}$                  | 26v           | 2.6 V   | No                           | NA                            | PU 2.6 until PULL_DIS4 is set                      | Yes                 | MSEI                                |
| $\overline{\text{MSEO}}$ <sup>10</sup>    | 26v           | 2.6 V   | No                           | 50 ; 25                       | PU 2.6 while $\overline{\text{RSTI}}$ is asserted. | No                  | MSEO                                |
| MCKO <sup>10</sup>                        | 26v           | 2.6 V   | No                           | 50 ; 25                       | PU 2.6 while $\overline{\text{RSTI}}$ is asserted. | No                  | MCKO                                |
| MCKI                                      | 26v           | 2.6 V   | No                           | NA                            | PU 2.6 until PULL_DIS4 is set                      | Yes                 | MCKI                                |
| MDI[0:1]                                  | 26v           | 2.6 V   | No                           | NA                            | PU 2.6 until PULL_DIS4 is set                      | Yes                 | MDI[0:1]                            |
| MDO[0:3] <sup>10</sup>                    | 26v           | 2.6 V   | No                           | 50 ; 25                       | PU 2.6 while $\overline{\text{RSTI}}$ is asserted  | No                  | MDO[0:3]                            |
| $\overline{\text{RSTI}}$                  | 26v           | 2.6 V   | No                           | NA                            | PD until PULL_DIS4 is set                          | Yes                 | $\overline{\text{RSTI}}$            |
| $\overline{\text{EVTI}}$                  | 26v           | 2.6 V   | No                           | NA                            | PU 2.6 until PULL_DIS4 is set                      | Yes                 | $\overline{\text{EVTI}}$            |
| <b>Clocks and PLL</b>                     |               |         |                              |                               |  |                     |                                     |
| XTAL <sup>11</sup>                        | e_xtal_oscpll | 2.6 V   | NA                           | NA                            | —  | NA                  | XTAL                                |
| EXTAL <sup>11</sup>                       | e_xtal_oscpll | 2.6 V   | NA                           | NA                            | —  | NA                  | EXTAL                               |
| XFC                                       | xfc           | 2.6 V   | NA                           | NA                            | —  | NA                  | XFC                                 |
| CLKOUT <sup>10</sup>                      | 26vf          | 2.6 V   | No                           | 90 ; 50 ;<br>25 <sup>16</sup> | —  | No                  | CLKOUT                              |
| EXTCLK <sup>11</sup>                      | extclk        | 2.6 V   | NA                           | NA                            | —  | No                  | EXTCLK                              |

**Table 2-7. MPC565/MPC566 Signal Reset State (continued)**

| Signal List <sup>1</sup>       | Pad Type | Voltage        | Slew Rate Controlled Option? | Drive Load (pF) <sup>2</sup> | Reset State                   | Hysteresis Enabled? | Function After HRESET, PORESET/TRST |
|--------------------------------|----------|----------------|------------------------------|------------------------------|-------------------------------|---------------------|-------------------------------------|
| ENGCLK <sup>4</sup> /<br>BUCLK | 26vs5vr  | 2.6 V /<br>5 V | No                           | 50 ; 25                      | —                             | No                  | ENGCLK (2.6 V)                      |
|                                |          | 2.6 V          | No                           | 50 ; 25                      | —                             | No                  |                                     |
| PULL_SEL <sup>17</sup>         | 5vfa     | 5 V            | No                           | NA                           | PU5 until PRDS is set         | No                  | PULL_SEL                            |
| <b>QSMCM A</b>                 |          |                |                              |                              |                               |                     |                                     |
| A_PCS0 /<br>A_SS /<br>A_QGPIO0 | 5vfa     | 5 V            | Yes                          | 50 ; 50                      | PU5 until<br>PULL_DIS1 is set | No                  | A_QGPIO0                            |
|                                |          | 5 V            | Yes                          | 50 ; 50                      |                               | No                  |                                     |
|                                |          | 5 V            | Yes                          | 50 ; 50                      |                               | No                  |                                     |
| A_PCS[1:3] /<br>A_QGPIO[1:3]   | 5vfa     | 5 V            | Yes                          | 50 ; 50                      | PU5 until<br>PULL_DIS1 is set | No                  | A_QGPIO[1:3]                        |
|                                |          | 5 V            | Yes                          | 50 ; 50                      |                               | No                  |                                     |
| A_MISO /<br>A_QGPIO4           | 5vh      | 5 V            | Yes                          | 200 ; 50 <sup>5</sup>        | PU5 until<br>PULL_DIS1 is set | No                  | A_QGPIO4                            |
|                                |          | 5 V            | Yes                          | 200 ; 50 <sup>5</sup>        |                               | No                  |                                     |
| A_MOSI /<br>A_QGPIO5           | 5vh      | 5 V            | Yes                          | 200 ; 50 <sup>5</sup>        | PU5 until<br>PULL_DIS1 is set | No                  | A_QGPIO5                            |
|                                |          | 5 V            | Yes                          | 200 ; 50 <sup>5</sup>        |                               | No                  |                                     |
| A_SCK /<br>A_QGPIO6            | 5vh      | 5 V            | Yes                          | 200 ; 50 <sup>5</sup>        | PU5 until<br>PULL_DIS1 is set | No                  | A_QGPIO6                            |
|                                |          | 5 V            | Yes                          | 200 ; 50 <sup>5</sup>        |                               | No                  |                                     |
| A_TXD1 /<br>A_QGPO1            | 5vsa     | 5 V            | Yes                          | 50 ; 50 <sup>5</sup>         | PU5 until<br>PULL_DIS1 is set | No                  | A_QGPO1                             |
|                                |          | 5 V            | Yes                          | 50 ; 50 <sup>5</sup>         |                               | No                  |                                     |
| A_TXD2 /<br>A_QGPO2            | 5vfa     | 5 V            | Yes                          | 50 ; 50                      | PU5 until<br>PULL_DIS1 is set | No                  | A_QGPO2                             |
|                                |          | 5 V            | Yes                          | 50 ; 50                      |                               | No                  |                                     |
| A_RXD[1:2] /<br>A_QGPI[1:2]    | 5vido    | 5 V            | No                           | NA                           | —                             | No                  | A_QGPI[1:2]                         |
|                                |          | 5 V            | No                           | NA                           |                               | No                  |                                     |
| <b>QSMCM B</b>                 |          |                |                              |                              |                               |                     |                                     |
| B_PCS0 /<br>B_SS /<br>B_QGPIO0 | 5vfa     | 5 V            | Yes                          | 50 ; 50                      | PU5 until<br>PULL_DIS1 is set | No                  | B_QGPO0                             |
|                                |          | 5 V            | Yes                          | 50 ; 50                      |                               | No                  |                                     |
|                                |          | 5 V            | Yes                          | 50 ; 50                      |                               | No                  |                                     |
| B_PCS[1:3] /<br>B_QGPIO[1:3]   | 5vfa     | 5 V            | Yes                          | 50 ; 50                      | PU5 until<br>PULL_DIS1 is set | No                  | B_QGPIO[1:3]                        |
|                                |          | 5 V            | Yes                          | 50 ; 50                      |                               | No                  |                                     |
| B_MISO /<br>B_QGPIO4           | 5vh      | 5 V            | Yes                          | 200 ; 50 <sup>5</sup>        | PU5 until<br>PULL_DIS1 is set | No                  | B_QGPIO4                            |
|                                |          | 5 V            | Yes                          | 200 ; 50 <sup>5</sup>        |                               | No                  |                                     |



**Table 2-7. MPC565/MPC566 Signal Reset State (continued)**

| Signal List <sup>1</sup>                            | Pad Type | Voltage | Slew Rate Controlled Option? | Drive Load (pF) <sup>2</sup> | Reset State  | Hysteresis Enabled? | Function After HRESET, PORESET/TRST              |
|---|----------|---------|------------------------------|------------------------------|--|---------------------|--|
| B_MOSI /<br>B_QGPIO5                                | 5vh      | 5 V     | Yes                          | 200 ; 50 <sup>5</sup>        | PU5 until<br>PULL_DIS1 is set                                  | No                  | B_QGPIO5   |
|   |          | 5 V     | Yes                          | 200 ; 50 <sup>5</sup>        |  | No                  |  |
| B_SCK /<br>B_QGPIO6                                 | 5vh      | 5 V     | Yes                          | 200 ; 50 <sup>5</sup>        | PU5 until<br>PULL_DIS1 is set                                  | No                  | B_QGPIO6   |
|   |          | 5 V     | Yes                          | 200 ; 50 <sup>5</sup>        |  | No                  |  |
| B_TXD[1:2] /<br>B_QGPO[1:2]                         | 5vsa     | 5 V     | Yes                          | 50 ; 50 <sup>5</sup>         | PU5 until<br>PULL_DIS1 is set                                  | No                  | B_QGPO[1:2]                                      |
|   |          | 5 V     | Yes                          | 50 ; 50 <sup>5</sup>         |  | No                  |  |
| B_RXD1/<br>B_QGPI1                                  | 5vido    | 5 V     | No                           | NA                           | —  | No                  | B_QGPI1  |
|   |          | 5 V     | No                           | NA                           |  | No                  |  |
| J_1850_TX /<br>B_PCS3                               | 5vfa     | 5 V     | Yes                          | 50 ; 50                      | PU5 until<br>PULL_DIS1 is set                                  | No                  | J_1850_TX  |
|   |          | 5 V     | Yes                          | 50 ; 50                      |  | No                  |  |
| J_1850_RX /<br>B_RXD2                               | 5vsa     | 5 V     | No                           | NA                           | —  | No                  | J_1850_RX  |
|   |          | 5 V     | No                           | NA                           |  | No                  |  |
| B_ECK   | 5vfa     | 5 V     | No                           | NA                           | PU5 until<br>PULL_DIS1 is set                                  | No                  | ECK  |
| <b>MIOS14</b>                                       |          |         |                              |                              |  |                     |  |
| MDA[11:15], [27:31]                                 | 5vsa     | 5 V     | Yes                          | 50 ; 50                      | Pull device enabled<br>until PULL_DIS0 is<br>set <sup>18</sup> | Yes                 | MDA[11:15],<br>[27:31]                           |
| MPWM[0:3], [16:19]                                  | 5vsa     | 5 V     | Yes                          | 50 ; 50                      | Pull device enabled<br>until PULL_DIS0 is<br>set <sup>18</sup> | Yes                 | MPWM[0:3],<br>[16:19]                            |
| VF[0:2] <sup>/</sup><br>MPIO32B[0:2] <sup>4</sup>   | 26v5vs   | 2.6 V   | No                           | 50 ; 25                      | Pull down until<br>PULL_DIS0 is set                            | Yes                 | MPIO32B[0:2]                                     |
|   |          | 5 V     | Yes                          | 50 ; 50 <sup>5</sup>         |  | No                  |  |
| VFLS[0:1] <sup>/</sup><br>MPIO32B[3:4] <sup>4</sup> | 26v5vs   | 2.6 V   | No                           | 50 ; 25                      | Pull down until<br>PULL_DIS0 is set                            | Yes                 | MPIO32B[3:4]                                     |
|   |          | 5 V     | Yes                          | 50 ; 50 <sup>5</sup>         |  | No                  |  |
| MPWM[4:5] /<br>MPIO32B[5:6]                         | 5vsa     | 5 V     | Yes                          | 50 ; 50                      | Pull device enabled<br>until PULL_DIS0 is<br>set <sup>18</sup> | Yes                 | MPIO32B[5:6]                                     |
|   |          | 5 V     | Yes                          | 50 ; 50 <sup>5</sup>         |  | Yes                 |  |
| MDO[7:4] <sup>/</sup><br>MPIO32B[7:10] <sup>4</sup> | 26v5vs   | 2.6 V   | No                           | 50 ; 25                      | Pull down until<br>PULL_DIS0 is set                            | Yes                 | Controlled by<br>READI enable<br>(EVTI and MDIO) |
|   |          | 5 V     | Yes                          | 50 ; 50 <sup>5</sup>         |  | No                  |  |
| MPWM[20:21] /<br>MPIO32B[11:12]                     | 5vsa     | 5 V     | Yes                          | 50 ; 50                      | Pull device enabled<br>until PULL_DIS0 is<br>set <sup>18</sup> | Yes                 | MPIO32B[11:12]                                   |
|   |          | 5 V     | Yes                          | 50 ; 50 <sup>5</sup>         |  | Yes                 |  |

**Table 2-7. MPC565/MPC566 Signal Reset State (continued)**

| Signal List <sup>1</sup>     | Pad Type     | Voltage | Slew Rate Controlled Option? | Drive Load (pF) <sup>2</sup> | Reset State  | Hysteresis Enabled? | Function After HRESET, PORESET/TRST |
|------------------------------|--------------|---------|------------------------------|------------------------------|--|---------------------|-------------------------------------|
| MPIO32B15                    | 5vsa         | 5 V     | Yes                          | 50 ; 50 <sup>5</sup>         | Pull device enabled until PULL_DIS0 is set <sup>18</sup> | Yes                 | MPIO32B15                           |
| EXTAL32                      | e_xtal_osc32 | 2.6 V   | NA                           | NA                           | —  | NA                  | EXTAL32                             |
| XTAL32                       | e_xtal_osc32 | 2.6 V   | NA                           | NA                           | —  | NA                  | XTAL32                              |
| VDDRTC                       | xfc          | 2.6 V   | NA                           | NA                           | —  | —                   | VDDRTC                              |
| VSSRTC                       | vsssyn       | 0 V     | NA                           | NA                           | —  | —                   | VSSRTC                              |
| <b>TPU A / TPU B / TPU C</b> |              |         |                              |                              |  |                     |                                     |
| A_TPUCH[0:15]                | 5vsa         | 5 V     | Yes                          | 50 ; 50 <sup>5</sup>         | Pull device enabled until PRDS is set <sup>18</sup>      | Yes                 | A_TPUCH[0:15]                       |
| A_T2CLK                      | 5vsa         | 5 V     | Yes                          | 50 ; 50 <sup>5</sup>         | Pullup enabled until T2CLK_PU is set                     | No                  | A_T2CLK                             |
| B_TPUCH[0:15]                | 5vsa         | 5 V     | Yes                          | 50 ; 50 <sup>5</sup>         | Pull device enabled until PRDS is set <sup>18</sup>      | Yes                 | B_TPUCH[0:15]                       |
| B_T2CLK                      | 5vsa         | 5 V     | Yes                          | 50 ; 50 <sup>5</sup>         | Pullup enabled until T2CLK_PU is set                     | No                  | B_T2CLK                             |
| C_TPUCH[0:15]                | 5vsa         | 5 V     | Yes                          | 50 ; 50 <sup>5</sup>         | Pull device enabled until PRDS is set <sup>18</sup>      | Yes                 | C_TPUCH[0:15]                       |
| C_T2CLK                      | 5vsa         | 5 V     | Yes                          | 50 ; 50 <sup>5</sup>         | Pullup enabled until T2CLK_PU is set                     | No                  | C_T2CLK                             |
| <b>QADC64E A / QADC64E B</b> |              |         |                              |                              |  |                     |                                     |
| ETRIG[1:2]                   | 5vsa         | 5 V     | No                           | NA                           | PD until PULL_DIS5 is set                                | Yes                 | ETRIG[1:2]                          |
| A_AN44/<br>A_ANw/<br>A_PQB0  | 5vsa         | 5 V     | No                           | NA                           | PU5 when driver not enabled or until PULL_DIS2 is set    | No                  | A_AN44                              |
|                              |              | 5 V     | No                           | NA                           |  | No                  |                                     |
|                              |              | 5 V     | Yes                          | 50 ; 50 <sup>5</sup>         |  | Yes                 |                                     |
| A_AN45/<br>A_ANx/<br>A_PQB1  | 5vsa         | 5 V     | No                           | NA                           | PU5 when driver not enabled or until PULL_DIS2 is set    | No                  | A_AN45                              |
|                              |              | 5 V     | No                           | NA                           |  | No                  |                                     |
|                              |              | 5 V     | Yes                          | 50 ; 50 <sup>5</sup>         |  | Yes                 |                                     |
| A_AN46/<br>A_ANy/<br>A_PQB2  | 5vsa         | 5 V     | No                           | NA                           | PU5 when driver not enabled or until PULL_DIS2 is set    | No                  | A_AN46                              |
|                              |              | 5 V     | No                           | NA                           |  | No                  |                                     |
|                              |              | 5 V     | Yes                          | 50 ; 50 <sup>5</sup>         |  | Yes                 |                                     |

**Table 2-7. MPC565/MPC566 Signal Reset State (continued)**

| Signal List <sup>1</sup>                 | Pad Type | Voltage | Slew Rate Controlled Option? | Drive Load (pF) <sup>2</sup> | Reset State  | Hysteresis Enabled? | Function After HRESET, PORESET/TRST |
|--|----------|---------|------------------------------|------------------------------|--|---------------------|-------------------------------------|
| A_AN47/<br>A_ANz/<br>A_PQB3              | 5vsa     | 5 V     | No                           | NA                           | PU5 when driver not enabled or until PULL_DIS2 is set    | No                  | A_AN47                              |
| 5 V                                      |          | No      | NA                           | No                           |  |                     |                                     |
| 5 V                                      |          | Yes     | 50 ; 50 <sup>5</sup>         | Yes                          |  |                     |                                     |
| A_AN[48:51]/<br>A_PQB[4:7]               | 5vsa     | 5 V     | No                           | NA                           | PU5 when driver not enabled or until PULL_DIS2 is set    | No                  | A_AN[48:51]                         |
| 5 V                                      |          | Yes     | 50 ; 50 <sup>5</sup>         | Yes                          |  |                     |                                     |
| A_AN[52:54]/<br>A_MA[0:2]/<br>A_PQA[0:2] | 5vsa     | 5 V     | No                           | NA                           | PU5 when driver not enabled or until PULL_DIS2 is set    | No                  | A_AN[52:54]                         |
| 5 V                                      |          | No      | NA                           | Yes                          |  |                     |                                     |
| 5 V                                      |          | Yes     | 50 ; 50 <sup>5</sup>         | Yes                          |  |                     |                                     |
| A_AN[55:59]/<br>A_PQA[3:7]               | 5vsa     | 5 V     | No                           | NA                           | PU5 when driver not enabled or until PULL_DIS2 is set    | No                  | A_AN[55:59]                         |
| 5 V                                      |          | Yes     | 50 ; 50 <sup>5</sup>         | Yes                          |  |                     |                                     |
| A_AN[64:71]/<br>B_PQB[0:7]               | 5vsa     | 5 V     | No                           | NA                           | PU5 when driver not enabled or until PULL_DIS2 is set    | No                  | A_AN[64:71]                         |
| 5 V                                      |          | Yes     | 50 ; 50 <sup>5</sup>         | Yes                          |  |                     |                                     |
| A_AN[72:74]/<br>B_PQA[0:2]<br>B_MA[0:2]  | 5vsa     | 5 V     | No                           | NA                           | PU5 when driver not enabled or until PULL_DIS2 is set    | No                  | A_AN[72:74]                         |
| 5 V                                      |          | No      | NA                           | Yes                          |  |                     |                                     |
| 5 V                                      |          | Yes     | 50 ; 50 <sup>5</sup>         | Yes                          |  |                     |                                     |
| A_AN[75:79]/<br>B_PQA[3:7]               | 5vsa     | 5 V     | No                           | NA                           | PU5 when driver not enabled or until PULL_DIS2 is set    | No                  | A_AN[75:79]                         |
| 5 V                                      |          | Yes     | 50 ; 50 <sup>5</sup>         | Yes                          |  |                     |                                     |
| A_AN[80:87]                              |          | 5 V     | No                           | NA                           | —  | No                  | A_AN[80:87]                         |
| <b>TOUCAN A / TOUCAN B / TOUCAN C</b>    |          |         |                              |                              |  |                     |                                     |
| A_CNTX0                                  | 5vfa     | 5 V     | Yes                          | 50 ; 50 <sup>19</sup>        | PU5 until PULL_DIS3 is set                               | No                  | A_CNTX0                             |
| B_CNTX0                                  | 5vfa     | 5 V     | Yes                          | 50 ; 50 <sup>19</sup>        | PU5 until PULL_DIS3 is set                               | No                  | B_CNTX0                             |
| A_CNRX0                                  | 5vsa     | 5 V     | No                           | NA                           | PU5 until PULL_DIS3 is set                               | Yes                 | A_CNRX0                             |
| B_CNRX0                                  | 5vsa     | 5 V     | No                           | NA                           | PU5 until PULL_DIS3 is set                               | Yes                 | B_CNRX0                             |
| MPIO32B13/<br>C_CNTX0                    | 5vfa     | 5 V     | Yes                          | 50 ; 50 <sup>19</sup>        | Pull device enabled until PULL_DIS3 is set <sup>18</sup> | Yes                 | MPIO32B13                           |
| 5 V                                      |          | Yes     | 50 ; 50 <sup>19</sup>        | No                           |  |                     |                                     |
| MPIO32B14/<br>C_CNRX0                    | 5vsa     | 5 V     | Yes                          | 50 ; 50 <sup>5</sup>         | Pull device enabled until PULL_DIS3 is set <sup>18</sup> | Yes                 | MPIO32B14                           |
| 5 V                                      |          | No      | NA                           | Yes                          |  |                     |                                     |

**Table 2-7. MPC565/MPC566 Signal Reset State (continued)**

| Signal List <sup>1</sup>      | Pad Type  | Voltage | Slew Rate Controlled Option? | Drive Load (pF) <sup>2</sup> | Reset State | Hysteresis Enabled? | Function After HRESET, PORESET/TRST |
|-------------------------------|-----------|---------|------------------------------|------------------------------|-------------|---------------------|-------------------------------------|
| <b>UC3F Flash</b>             |           |         |                              |                              |             |                     |                                     |
| EPEE                          | 26v       | 2.6 V   | No                           | NA                           | PU2.6       | No                  | EPEE                                |
| B0EPEE                        | 26v       | 2.6 V   | No                           | NA                           | PU2.6       | No                  | B0EPEE                              |
| <b>UC3F Power Supplies</b>    |           |         |                              |                              |             |                     |                                     |
| VFLASH                        | vflashvrh | 5 V     | —                            | —                            | —           | —                   | VFLASH                              |
| VDDF                          | vddint    | 2.6 V   | —                            | —                            | —           | —                   | VDDF                                |
| VSSF                          | vssint    | 0 V     | —                            | —                            | —           | —                   | VSSF                                |
| <b>Global Power Supplies</b>  |           |         |                              |                              |             |                     |                                     |
| VDDSRAM[1:3]                  | vddint    | 2.6V    | —                            | —                            | —           | —                   | VDDSRAM                             |
| NVDDL                         | nvddl     | 2.6 V   | —                            | —                            | —           | —                   | NVDDL                               |
| VDDH                          | vddh      | 5 V     | —                            | —                            | —           | —                   | VDDH                                |
| VDD                           | vddint    | 2.6 V   | —                            | —                            | —           | —                   | VDDI                                |
| VSS                           | vss       | 0 V     | —                            | —                            | —           | —                   | VSS                                 |
| KAPWR <sup>11</sup>           | kapwr     | 2.6 V   | —                            | —                            | —           | —                   | KAPWR                               |
| QVDDL                         | qvddl     | 2.6 V   | —                            | —                            | —           | —                   | QVDDL                               |
| <b>USIU Power Supplies</b>    |           |         |                              |                              |             |                     |                                     |
| VDDSYN                        | vddint    | 2.6 V   | —                            | —                            | —           | —                   | VDDSYN                              |
| VSSSYN                        | vsssyn    | 2.6 V   | —                            | —                            | —           | —                   | VSSSYN                              |
| <b>QADC64E Power Supplies</b> |           |         |                              |                              |             |                     |                                     |
| VRH                           | vflashvrh | 5 V     | —                            | —                            | —           | —                   | VRH                                 |
| VRL                           | vssint    | 0 V     | —                            | —                            | —           | —                   | VRL                                 |
| ALTREF                        | vflashvrh | 5 V     | —                            | —                            | —           | —                   | ALTREF                              |
| VDDA                          | vdda      | 5 V     | —                            | —                            | —           | —                   | VDDA                                |
| VSSA                          | vssint    | 0 V     | —                            | —                            | —           | —                   | VSSA                                |

<sup>1</sup> This column contains only the list of signals and should not be confused with the actual pin name. For actual pin names, see [Appendix F, “Electrical Characteristics.”](#)

<sup>2</sup> For 5-V outputs, the left hand value represents slew rate control off, and the right hand value represents slew rate control on. For 2.6-V outputs, the left hand value represents loads that are full drive, and the right hand value represents loads that are half drive.

<sup>3</sup> During reset, the output enable to the pad driver is negated and the PD is active. After reset is negated, the PD is disabled.

- <sup>4</sup> Care should be taken that neither a pull-up to greater than 3.1 V or an external output that can drive greater than 3.1 V is connected to this pin while the 2.6-V driver is enabled.
- <sup>5</sup> For this 5-V output, a drive load of 200 pF is possible but with a rise/fall time of 300 ns.
- <sup>6</sup> SGPIO[0] was 5 V on mask set K85H.
- <sup>7</sup> This pin requires a pull-up to 2.6 V if interrupts are ever enabled for this IRQ input.
- <sup>8</sup> Pull-up/pull-down is active when pin is defined as an input and/or during reset; therefore, output enable is negated. This also means that external pull-up/pull-down is *not* required unless specified.
- <sup>9</sup> The MODCK[1:3] are shared functions with  $\overline{\text{IRQ}}[5:7]$ . If  $\overline{\text{IRQ}}[5:7]$  are used as interrupts, the interrupt source should be removed during  $\overline{\text{PORESET}}/\overline{\text{TRST}}$  to insure the MODCK pins are in the correct state on the rising edge of  $\overline{\text{PORESET}}/\overline{\text{TRST}}$ .
- <sup>10</sup> 2.6-V outputs cannot be connected to a pull-up or driver greater than 3.1 V.
- <sup>11</sup> These pins are powered by KAPWR (keep-alive power supply). Any pull-ups on these pins should pull up to KAPWR.
- <sup>12</sup> This pin is an active negate signal and requires an external pull-up resistor. On 26v5vs pads, hysteresis is always enabled on the 5-V input buffer, and hysteresis affects only the 2.6-V input buffers on which hysteresis is enabled.
- <sup>13</sup> This pin was  $\overline{\text{PORESET}}$  only on mask set K85H.
- <sup>14</sup> This pin is 5-V tolerant, even when in output mode.
- <sup>15</sup> This pin was  $\overline{\text{TRST}}$  in mask set K85H.
- <sup>16</sup> These values represent full drive, half drive, and quarter drive.
- <sup>17</sup> This pin was A\_ECK in mask set K85H.
- <sup>18</sup> Whether the Pull device is a pull-up or a pull-down is determined by the state of the PULL\_SEL pin.
- <sup>19</sup> For this 5-V output, a drive load of 200 pF is possible, but with a rise/fall time of 100ns.



## Chapter 3

# Central Processing Unit

The RISC processor (RCPU) used in the MPC500 family of microcontrollers integrates five independent execution units: an integer unit (IU), a load/store unit (LSU), a branch processing unit (BPU), a floating-point unit (FPU) and an integer multiplier divider (IMD). The RISC's use of simple instructions with rapid execution times yields high efficiency and throughput for PowerPC ISA-based systems.

Most integer instructions execute in one clock cycle. Instructions can complete out of order for increased performance; however, the processor makes execution appear sequential.

This section provides an overview of the RCPU. For a detailed description of this processor, refer to the *RCPU Reference Manual*. The following sections describe each block and sub-block.

### 3.1 RCPU Block Diagram

Figure 3-1 provides a block diagram of the RCPU.

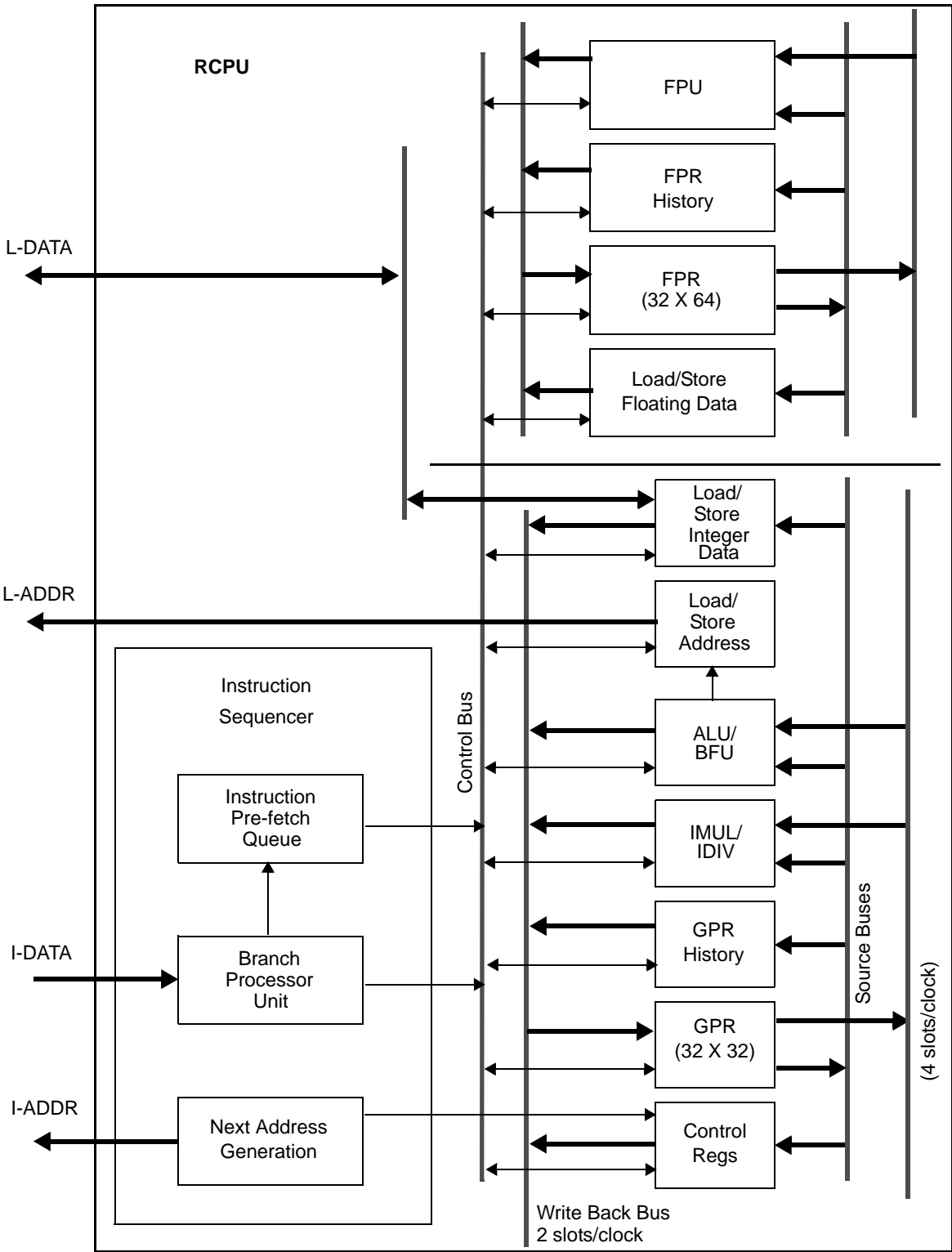


Figure 3-1. RCPU Block Diagram



## 3.2 RCPU Key Features

Major features of the RCPU include:

- High-performance microprocessor
  - Single clock-cycle execution for many instructions
- Five independent execution units and two register files
  - Independent LSU for load and store operations
  - BPU featuring static branch prediction
  - A 32-bit integer unit (IU)
  - Fully IEEE 754-compliant FPU for both single- and double-precision operations except as noted in [Section 3.4.4, “Floating-Point Unit \(FPU\),”](#) or refer to the *RCPU Reference Manual*.
  - 32 general-purpose registers (GPRs) for integer operands
  - 32 floating-point registers (FPRs) for single- or double-precision operands
- Facilities for enhanced system performance
  - Atomic memory references
- In-system testability and debugging features
- High instruction and data throughput
  - Condition register (CR) look-ahead operations performed by BPU
  - Branch-folding capability during execution (zero-cycle branch execution time)
  - Programmable static branch prediction on unresolved conditional branches
  - A pre-fetch queue that can hold up to four instructions, providing look-ahead capability
  - Interlocked pipelines with feed-forwarding that control data dependencies in hardware
- Class code compression model support
  - Efficient use of internal Flash (MPC564) and external Flash (MPC562/MPC564) by increasing code density up to 100%

## 3.3 Instruction Sequencer

The instruction sequencer provides centralized control over data flow between execution units and register files. It implements the basic instruction pipeline, fetches instructions from the memory system, issues them to available execution units, and maintains a state history that is used to back up the machine in the event of an exception.

The instruction sequencer fetches instructions from the burst buffer controller into the instruction pre-fetch queue. The BPU extracts branch instructions from the pre-fetch queue and, using branch prediction on unresolved conditional branches, allows the instruction sequencer to fetch instructions from a predicted target stream while a conditional branch is evaluated. The BPU folds out branch instructions for unconditional or conditional branches unaffected by instructions in the execution stage.

Instructions issued beyond a predicted branch do not complete execution until the branch is resolved, preserving the programming model of sequential execution. If branch prediction is incorrect, the instruction unit flushes all predicted path instructions, and instructions are issued from the correct path.

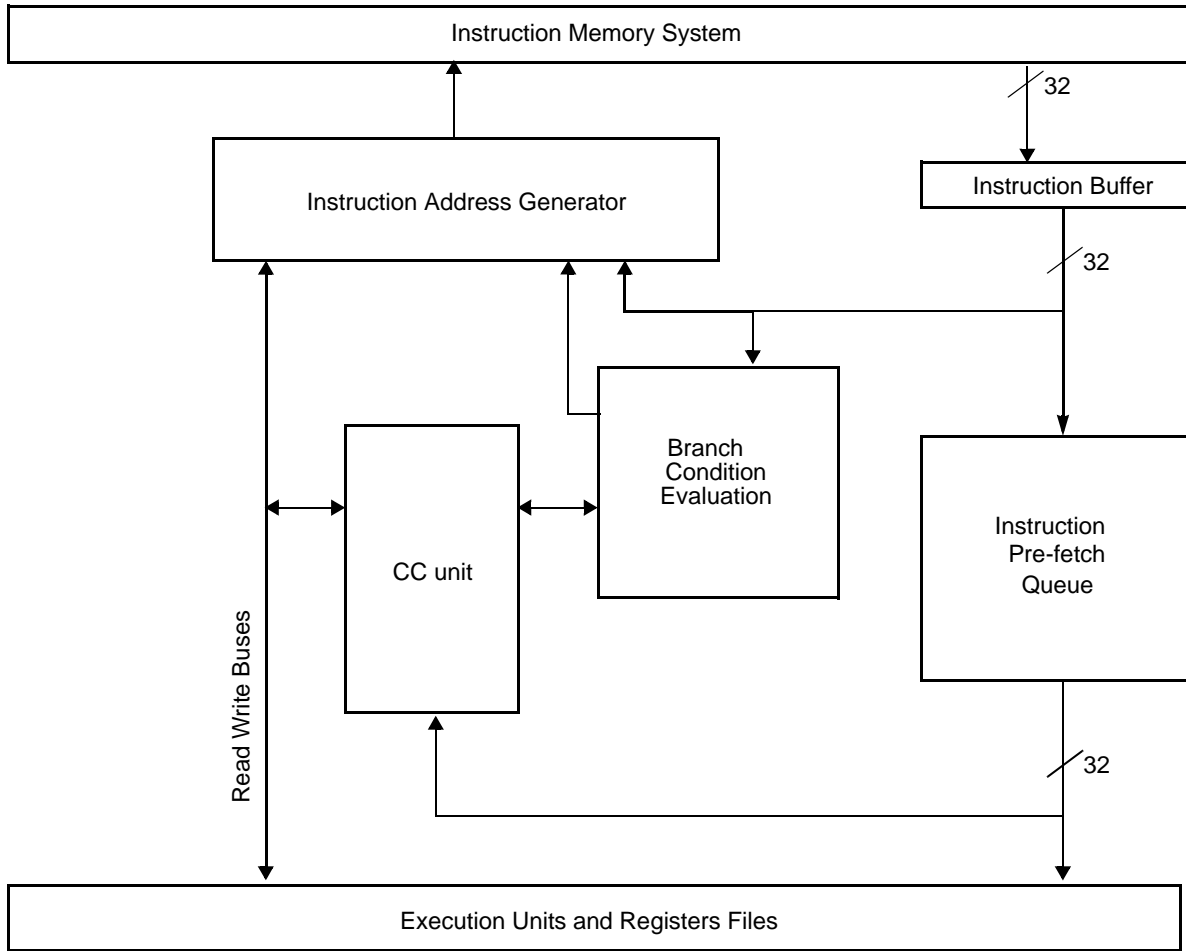


Figure 3-2. Sequencer Data Path

### 3.4 Independent Execution Units

The PowerPC ISA architecture provides independent floating-point, integer, load/store, and branch processing execution units, making it possible to implement advanced features such as look-ahead operations. For example, since branch instructions do not depend on GPRs, branches can often be resolved early, eliminating stalls caused by taken branches.

Table 3-1 summarizes the RCPU execution units.

Table 3-1. RCPU Execution Units

| Unit                         | Description   |
|------------------------------|---|
| Branch processing unit (BPU) | Includes the implementation of all branch instructions.   |
| Load/store unit (LSU)        | Includes implementation of all load and store instructions, whether defined as part of the integer processor or the floating-point processor. |

**Table 3-1. RCPU Execution Units (continued)**

| Unit                      | Description   |
|---------------------------|---|
| Integer unit (IU)         | Includes implementation of all integer instructions except load/store instructions. This module includes the GPRs (including GPR history and scoreboard) and the following subunits: the IMUL-IDIV, which includes the implementation of the integer multiply and divide instructions and the ALU-BFU, which includes implementation of all integer logic, add and subtract instructions, and bit field instructions. |
| Floating-point unit (FPU) | Includes the FPRs (including FPR history and scoreboard) and the implementation of all floating-point instructions except load/store floating-point instructions.   |

The following sections describe these execution units in greater detail.

### 3.4.1 Branch Processing Unit (BPU)

The BPU, located within the instruction sequencer, performs condition register look-ahead operations on conditional branches. The BPU looks through the instruction queue for a conditional branch instruction and attempts to resolve it early, achieving the effect of a zero-cycle branch in many cases.

The BPU uses a bit in the instruction encoding to predict the direction of the conditional branch. Therefore, when it encounters an unresolved conditional branch instruction, the processor pre-fetches instructions from the predicted target stream until the conditional branch is resolved.

The BPU uses a calculation feature to compute branch target addresses with three special-purpose, user-accessible registers: the link register (LR), the count register (CTR), and the condition register (CR). The BPU calculates the return pointer for a subroutine, then calls and saves it into the LR. The LR also contains the branch target address for the branch conditional to link register (bclrx) instruction. The CTR contains the branch target address for the branch conditional to count register (bcctrx) instruction. The contents of the LR and CTR can be copied to or from any GPR. Because the BPU uses dedicated registers rather than general-purpose or floating-point registers, execution of branch instructions is independent from execution of integer instructions. The CR bits indicate conditions that may result from the execution of relevant instructions.

### 3.4.2 Integer Unit (IU)

The IU executes all integer processor instructions (except the integer storage access instructions) implemented by the load/store unit. The IU contains the following subunits:

- The IMUL-IDIV unit, which implements the integer multiply and divide instructions
- The Arithmetic Logic Unit (ALU)-BFU unit, which implements all integer logic, add, subtract, and bit-field instructions

The IU also includes the integer exception register (XER) and the general-purpose register file.

IMUL-IDIV and ALU-BFU are implemented as separate execution units. The ALU-BFU unit can execute one instruction per clock cycle. IMUL-IDIV instructions require multiple clock cycles to execute. IMUL-IDIV is pipelined for multiply instructions, so that consecutive multiply instructions can be issued

on consecutive clock cycles. Divide instructions are not pipelined; an integer divide instruction preceded or followed by an integer divide or multiply instruction results in a processor-pipeline stall. However, since IMUL–IDIV and ALU–BFU are implemented as separate execution units, an integer divide instruction preceded or followed by an ALU–BFU instruction does not cause a delay in the pipeline.

### 3.4.3 Load/Store Unit (LSU)

The load/store unit handles all data transfer between the general-purpose register file and the internal load/store bus (L-bus). The load/store unit is implemented as an independent execution unit so that stalls in the memory pipeline do not stall the master instruction pipeline (unless there is a data dependency). The unit is fully pipelined so that memory instructions of any size may be issued on back-to-back cycles.

There is a 32-bit wide data path between the load/store unit and the general-purpose register file. Single-word accesses can be achieved with an internal on-chip data RAM, resulting in a two-clock latency. Double-word accesses require two clocks, resulting in a three-clock latency. Since the L-bus is 32 bits wide, double-word transfers require two bus accesses. The load/store unit performs zero-fill for byte and half-word transfers and sign extension for half-word transfers.

Addresses are formed by adding the source-one register operand specified by the instruction (or zero) to either a source-two register operand or to a 16-bit, immediate value embedded in the instruction.

### 3.4.4 Floating-Point Unit (FPU)

The FPU contains a double-precision multiply array, the floating-point status and control register (FPSCR), and the FPRs. The multiply-add array allows the RCPU to efficiently implement floating-point operations such as multiply, multiply-add, and divide.

The RCPU depends on a software envelope to fully implement the IEEE floating-point specification. Overflows, underflows, NaNs (not a number), and denormalized numbers cause floating-point assist exceptions that invoke a software routine to deliver (with hardware assistance) the correct IEEE result.

To accelerate time-critical operations and make them more deterministic, the RCPU provides a mode of operation that avoids invoking a software envelope and attempts to deliver results in hardware that are adequate for most applications, if not in strict compliance with IEEE standards. In this mode, denormalized numbers, NaNs, and IEEE invalid operations are legitimate, returning default results rather than causing floating-point assist exceptions.

## 3.5 Levels of the PowerPC ISA Architecture

The PowerPC ISA architecture consists of three levels:

- User instruction set architecture (UISA) — defines the base user-level instruction set, user-level registers, data types, floating-point exception model, memory models for a uniprocessor environment, and programming model for a uniprocessor environment.
- Virtual environment architecture (VEA) — describes the memory model for a multiprocessor environment, and describes other aspects of virtual environments. Implementations that conform to the VEA also adhere to the UISA, but may not necessarily adhere to the OEA.

- Operating environment architecture (OEA) — defines the memory-management model, supervisor-level registers, synchronization requirements, and the exception model. Implementations that conform to the OEA also adhere to the UISA and the VEA.

Adherence to the PowerPC ISA architecture can be measured in terms of which of the levels are implemented.

## 3.6 RCPU Programming Model

The PowerPC ISA architecture defines register-to-register operations for most computational instructions. Source operands for these instructions are accessed from the registers or are embedded in the instruction opcode. The three-register instruction format allows specification of a target register distinct from the two source operands. Load and store instructions transfer data between memory and on-chip registers.

PowerPC ISA-compliant processors have two levels of privilege: supervisor mode (typically used by the operating environment) and user mode (used by the application software). The programming model incorporates 32 GPRs, special-purpose registers (SPRs), and several miscellaneous registers.

Supervisor-level access is provided through the processor's exception mechanism. That is, when an exception is taken (whether automatically, because of an error or problem that needs to be serviced, or deliberately, as in the case of a trap instruction), the processor begins operating in supervisor mode. The access level is indicated by the privilege-level (PR) bit in the machine state register (MSR).

Figure 3-3 illustrates the user-level and supervisor-level RCPU programming models and the three levels of the PowerPC ISA architecture. Note that registers such as the general-purpose registers (GPRs) are accessed through operands that are part of the instructions. Registers can be accessed explicitly through specific instructions such as move to special-purpose register (mfspr) or move from special-purpose register (mftspr), or implicitly as part of an instruction's execution. Some registers are accessed both explicitly and implicitly.

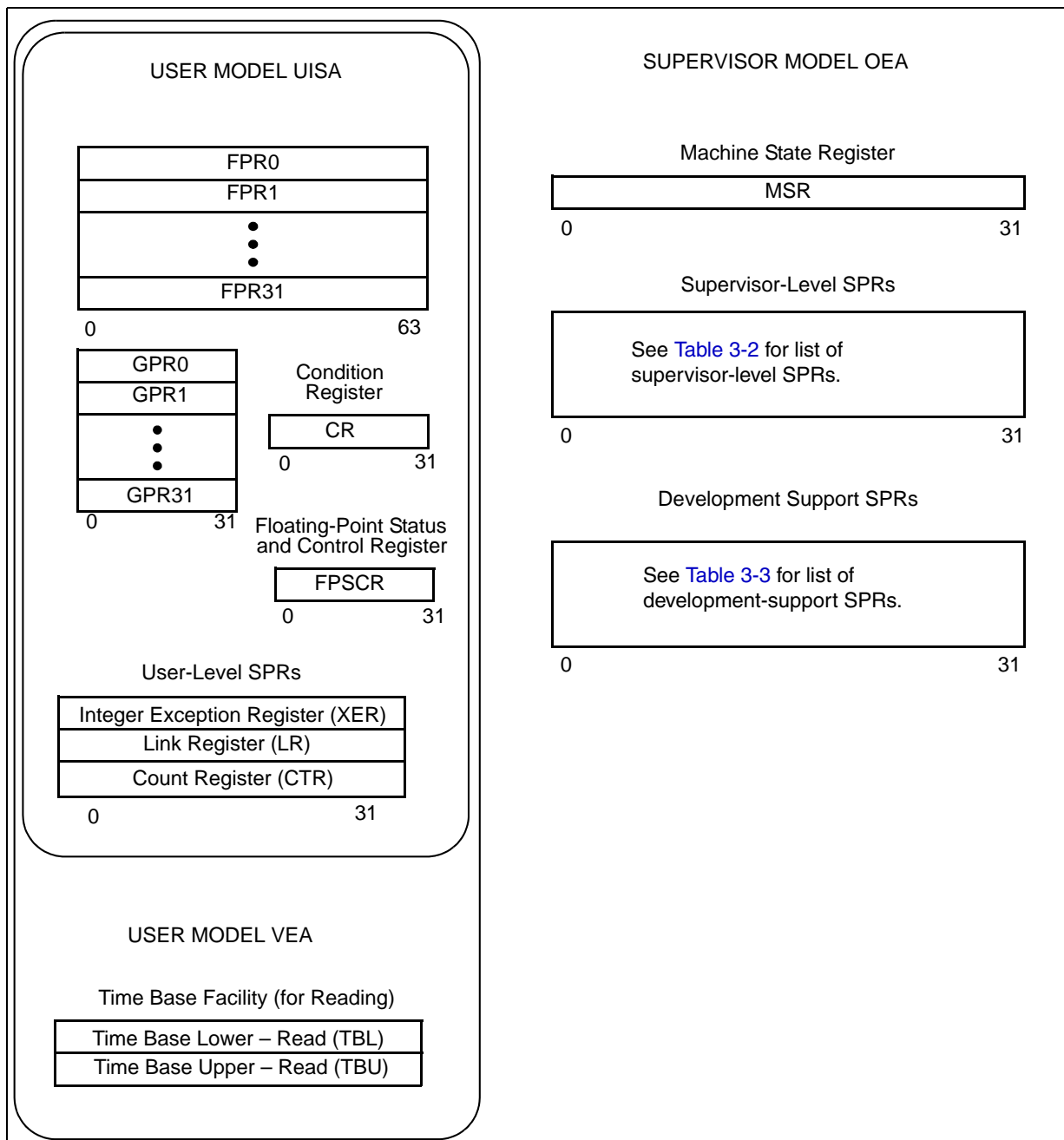


Figure 3-3. RCPU Programming Model

Table 3-2 lists the MPC565 supervisor-level registers; refer also to Chapter 6, “System Configuration and Protection,” Chapter 11, “L-Bus to U-Bus Interface (L2U),” and Chapter 4, “Burst Buffer Controller 2 Module,” for more information.

**Table 3-2. Supervisor-Level SPRs**

| SPR Number (Decimal) | Special-Purpose Register   |
|----------------------|--|
| 18                   | DAE/Source Instruction Service Register (DSISR)<br>See Section 3.9.2, “DAE/Source Instruction Service Register (DSISR),” for bit descriptions. |
| 19                   | Data Address Register (DAR)<br>See Section 3.9.3, “Data Address Register (DAR),” for bit descriptions.   |
| 22                   | Decrementer Register (DEC)<br>See Section 6.1.6, “Decrementer (DEC),” for bit descriptions.  |
| 26                   | Save and Restore Register 0 (SRR0)<br>See Section 3.9.6, “Machine Status Save/Restore Register 0 (SRR0),” for bit descriptions.                |
| 27                   | Save and Restore Register 1 (SRR1)<br>See Section 3.9.7, “Machine Status Save/Restore Register 1 (SRR1),” for bit descriptions.                |
| 80                   | External Interrupt Enable (EIE) <sup>1</sup><br>See Section 3.9.10.1, “EIE, EID, and NRI Special-Purpose Registers.”                           |
| 81                   | External Interrupt Disable (EID) <sup>1</sup><br>See Section 3.9.10.1, “EIE, EID, and NRI Special-Purpose Registers.”                          |
| 82                   | Non-Recoverable Interrupt (NRI) <sup>1</sup><br>See Section 3.9.10.1, “EIE, EID, and NRI Special-Purpose Registers.”                           |
| 272                  | SPR General 0 (SPRG0) <sup>1</sup><br>See Section 3.9.8, “General SPRs (SPRG0–SPRG3),” for bit descriptions.                                   |
| 273                  | SPR General 1 (SPRG1) <sup>1</sup><br>See Section 3.9.8, “General SPRs (SPRG0–SPRG3),” for bit descriptions.                                   |
| 274                  | SPR General 2 (SPRG2)<br>See Section 3.9.8, “General SPRs (SPRG0–SPRG3),” for bit descriptions.  |
| 275                  | SPR General 3 (SPRG3)<br>See Section 3.9.8, “General SPRs (SPRG0–SPRG3),” for bit descriptions.  |
| 284                  | Time Base Lower – Write (TBL)<br>See Section 6.1.7, “Time Base (TB).”  |
| 285                  | Time Base Upper – Write (TBU)<br>See Section 6.1.7, “Time Base (TB).”  |

**Table 3-2. Supervisor-Level SPRs (continued)**

| SPR Number (Decimal) | Special-Purpose Register   |
|----------------------|--|
| 287                  | Processor Version Register (PVR)<br>See <a href="#">Table 3-14</a> for bit descriptions.                           |
| 528                  | IMPU Global Region Attribute (MI_GRA) <sup>1</sup><br>See <a href="#">Table 4-8</a> for bit descriptions.          |
| 536                  | L2U Region Attribute (L2U_GRA)<br>See <a href="#">Table 11-10</a> for bit descriptions.                            |
| 560                  | BBC Module Configuration Register (BBC_MCR) <sup>1</sup><br>See <a href="#">Table 4-4</a> for bit descriptions.    |
| 568                  | L2U Module Configuration Register (L2U_MCR) <sup>1</sup><br>See <a href="#">Table 11-7</a> for bit descriptions.   |
| 784                  | L2U Region Base Address Register 0 (L2U_RBA0) <sup>1</sup><br>See <a href="#">Table 4-5</a> for bit descriptions.  |
| 785                  | IMPU Region Base Address Register 1 (MI_RBA1) <sup>1</sup><br>See <a href="#">Table 4-5</a> for bits descriptions. |
| 786                  | IMPU Region Base Address Register 2 (MI_RBA2) <sup>1</sup><br>See <a href="#">Table 4-5</a> for bits descriptions. |
| 787                  | IMPU Region Base Address Register 3 (MI_RBA3) <sup>1</sup><br>See <a href="#">Table 4-5</a> for bits descriptions. |
| 816                  | IMPU Region Attribute Register 0 (MI_RA0) <sup>1</sup> . See <a href="#">Table 4-6</a> for bits descriptions.      |
| 817                  | IMPU Region Attribute Register 1 (MI_RA1) <sup>1</sup> . See <a href="#">Table 4-6</a> for bits descriptions.      |
| 818                  | IMPU Region Attribute Register 2 (MI_RA2) <sup>1</sup> . See <a href="#">Table 4-6</a> for bits descriptions.      |
| 819                  | IMPU Region Attribute Register 3 (MI_RA3) <sup>1</sup> . See <a href="#">Table 4-6</a> for bits descriptions.      |
| 792                  | L2U Region Base Address Register 0 (L2U_RBA0) <sup>1</sup><br>See <a href="#">Table 11-8</a> for bit descriptions. |
| 793                  | L2U Region Base Address Register 1 (L2U_RBA1) <sup>1</sup><br>See <a href="#">Table 11-8</a> for bit descriptions. |
| 794                  | L2U Region Base Address Register 2 (L2U_RBA2) <sup>1</sup><br>See <a href="#">Table 11-8</a> for bit descriptions. |
| 795                  | L2U Region Base Address Register 3 (L2U_RBA3) <sup>1</sup><br>See <a href="#">Table 11-8</a> for bit descriptions. |
| 824                  | L2U Region Attribute Register 0 (L2U_RA0) <sup>1</sup><br>See <a href="#">Table 11-9</a> for bit descriptions.     |
| 825                  | L2U Region Attribute Register 1 (L2U_RA1) <sup>1</sup><br>See <a href="#">Table 11-9</a> for bit descriptions.     |
| 826                  | L2U Region Attribute Register 2 (L2U_RA2) <sup>1</sup><br>See <a href="#">Table 11-9</a> for bit descriptions.     |



**Table 3-2. Supervisor-Level SPRs (continued)**

| SPR Number (Decimal) | Special-Purpose Register   |
|----------------------|--|
| 827                  | L2U Region Attribute Register 3 (L2U_RA3) <sup>1</sup><br>See <a href="#">Table 11-9</a> for bit descriptions.   |
| 1022                 | Floating-Point Exception Cause Register (FPECR) <sup>1</sup><br>See <a href="#">Section 3.9.10.2, “Floating-Point Exception Cause Register (FPECR),”</a> for bit descriptions. |

<sup>1</sup> Implementation-specific SPR, not defined by the PowerPC ISA architecture.

[Table 3-3](#) lists the RCPU SPRs used for development support.

**Table 3-3. Development Support SPRs<sup>1</sup>**

| SPR Number (Decimal) | Special-Purpose Register   |
|----------------------|--|
| 144                  | Comparator A Value Register (CMPA)<br>See <a href="#">Table 22-17</a> for bit descriptions.              |
| 145                  | Comparator B Value Register (CMPB)<br>See <a href="#">Table 22-17</a> for bit descriptions.              |
| 146                  | Comparator C Value Register (CMPC)<br>See <a href="#">Table 22-17</a> for bit descriptions.              |
| 147                  | Comparator D Value Register (CMPD)<br>See <a href="#">Table 22-17</a> for bit descriptions.              |
| 148                  | Exception Cause Register (ECR)<br>See <a href="#">Table 22-18</a> for bit descriptions.                  |
| 149                  | Debug Enable Register (DER)<br>See <a href="#">Table 22-19</a> for bit descriptions.                     |
| 150                  | Breakpoint Counter A Value and Control (COUNTA)<br>See <a href="#">Table 22-20</a> for bit descriptions. |
| 151                  | Breakpoint Counter B Value and Control (COUNTB)<br>See <a href="#">Table 22-21</a> for bit descriptions. |
| 152                  | Comparator E Value Register (CMPE)<br>See <a href="#">Table 22-22</a> for bit descriptions.              |
| 153                  | Comparator F Value Register (CMPF)<br>See <a href="#">Table 22-22</a> for bit descriptions.              |
| 154                  | Comparator G Value Register (CMPG)<br>See <a href="#">Table 22-23</a> for bit descriptions.              |
| 155                  | Comparator H Value Register (CMPH)<br>See <a href="#">Table 22-23</a> for bit descriptions.              |
| 156                  | L-bus Support Comparators Control 1 (LCTRL1)<br>See <a href="#">Table 22-24</a> for bit descriptions.    |
| 157                  | L-bus Support Comparators Control 2 (LCTRL2)<br>See <a href="#">Table 22-25</a> for bit descriptions.    |

**Table 3-3. Development Support SPRs<sup>1</sup> (continued)**

| SPR Number (Decimal) | Special-Purpose Register  |
|----------------------|---|
| 158                  | I-bus Support Control Register (ICTRL)<br>See <a href="#">Table 22-26</a> for bit descriptions.   |
| 159                  | Breakpoint Address Register (BAR)<br>See <a href="#">Table 22-28</a> for bit descriptions.  |
| 630                  | Development Port Data Register (DPDR)<br>See <a href="#">Section 22.6.13, “Development Port Data Register (DPDR)”</a> for bit descriptions. |

<sup>1</sup> All development-support SPRs are implementation-specific.

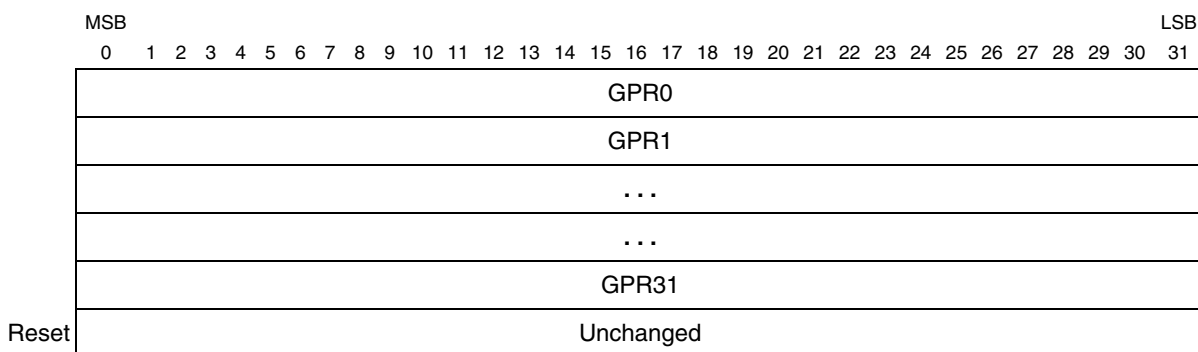
Unless otherwise noted, reserved fields should be written with a zero when written and return zero when read. An exception to this rule is XER[16:23]; see [Section 3.7.5, “Integer Exception Register \(XER\).”](#) These bits are set to the value written to them and return that value when read.

### 3.7 User Instruction Set Architecture (UISA) Register Set

The UISA registers can be accessed by either user- or supervisor-level instructions. The general-purpose registers are accessed through instruction operands.

#### 3.7.1 General-Purpose Registers (GPRs)

Integer data is manipulated in the integer unit’s thirty-two 32-bit GPRs, shown below. These registers are accessed as source and destination registers through operands in the instruction syntax.



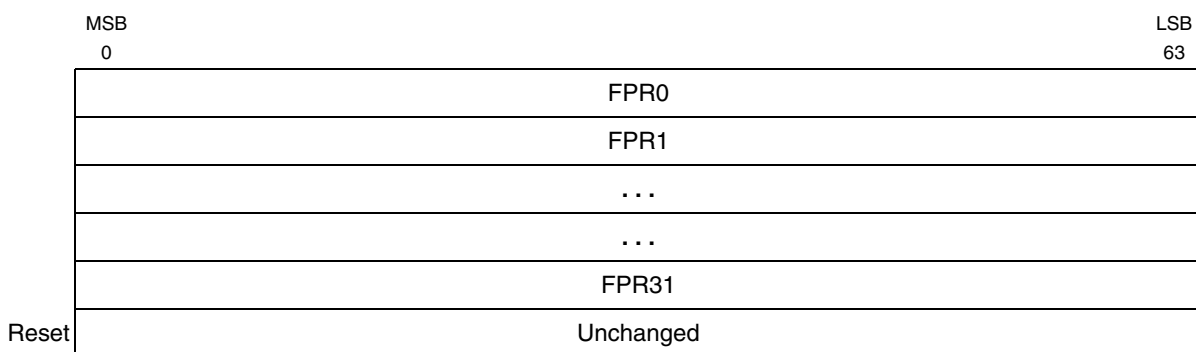
**Figure 3-4. General-Purpose Registers (GPRs)**

#### 3.7.2 Floating-Point Registers (FPRs)

The PowerPC ISA architecture provides 32 64-bit FPRs. These registers are accessed as source and destination registers through operands in floating-point instructions. Each FPR supports the double-precision, floating-point format. Every instruction that interprets the contents of an FPR as a

floating-point value does so using the double-precision floating-point format. Therefore, all floating-point numbers are stored in double-precision format.

All floating-point arithmetic instructions operate on data located in FPRs and, with the exception of the compare instructions (which update the CR), place the result into an FPR. Information about the status of floating-point operations is placed into the floating-point status and control register (FPSCR) and in some cases, after the completion of the operation’s writeback stage, into the CR. For information on how the CR is affected by floating-point operations, see [Section 3.7.4, “Condition Register \(CR\).”](#)



**Figure 3-5. Floating-Point Registers (FPRs)**

### 3.7.3 Floating-Point Status and Control Register (FPSCR)

The FPSCR controls the handling of floating-point exceptions and records status resulting from the floating-point operations. FPSCR[0:23] are status bits. FPSCR[24:31] are control bits.

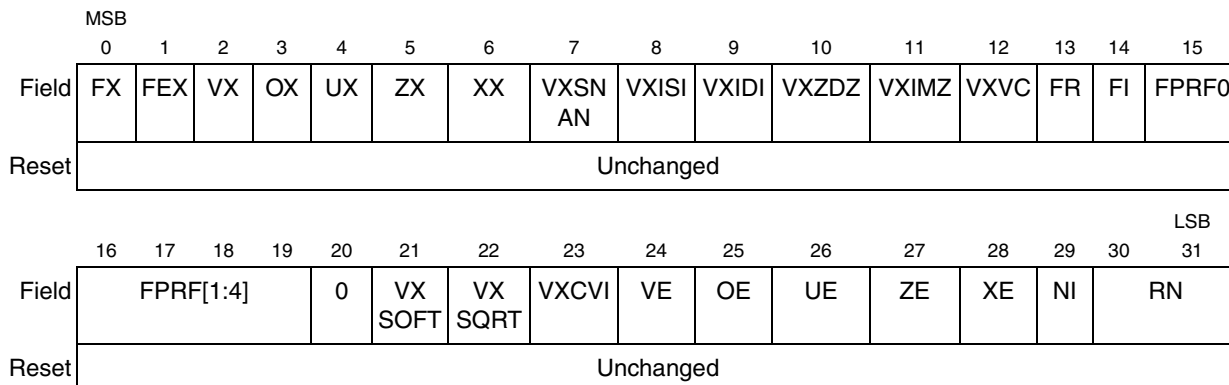
FPSCR[0:12] and FPSCR[21:23] are floating-point exception condition bits. These bits are sticky, except for the floating-point enabled exception summary (FEX) and floating-point invalid operation exception summary (VX). Once set, sticky bits remain set until they are cleared by an mcrfs, mtfsfi, mtfsf, or mtfsb0 instruction.

[Table 3-4](#) summarizes which bits in the FPSCR are sticky status bits, which are normal status bits, and which are control bits.

**Table 3-4. FPSCR Bit Categories**

| Bits                 | Type               |
|----------------------|--------------------|
| [0], [3:12], [21:23] | Status, sticky     |
| [1:2], [13:20]       | Status, not sticky |
| [24:31]              | Control            |

FEX and VX are the logical ORs of other FPSCR bits. Therefore these two bits are not listed among the FPSCR bits directly affected by the various instructions.



**Figure 3-6. Floating-Point Status and Control Register (FPSCR)**

A listing of FPSCR bit settings is shown in [Table 3-5](#).

**Table 3-5. FPSCR Bit Descriptions**

| Bits | Name   | Description  |            |
|------|--------|--|------------|
| 0    | FX     | Floating-point exception summary. Every floating-point instruction implicitly sets FPSCR[FX] if that instruction causes any of the floating-point exception bits in the FPSCR to change from 0 to 1. The mcrfs instruction implicitly clears FPSCR[FX] if the FPSCR field containing FPSCR[FX] has been copied. The mtfsf, mtfsfi, mtfsb0, and mtfsb1 instructions can set or clear FPSCR[FX] explicitly.                                    | Sticky bit |
| 1    | FEX    | Floating-point enabled exception summary. This bit signals the occurrence of any of the enabled exception conditions. It is the logical OR of all the floating-point exception bits masked with their respective enable bits. The mcrfs instruction implicitly clears FPSCR[FEX] if the result of the logical OR described above becomes zero. The mtfsf, mtfsfi, mtfsb0, and mtfsb1 instructions cannot set or clear FPSCR[FEX] explicitly. | Not sticky |
| 2    | VX     | Floating-point invalid operation exception summary. This bit signals the occurrence of any invalid operation exception. It is the logical OR of all of the invalid operation exceptions. The mcrfs instruction implicitly clears FPSCR[VX] if the result of the logical OR described above becomes zero. The mtfsf, mtfsfi, mtfsb0, and mtfsb1 instructions cannot set or clear FPSCR[VX] explicitly.  | Not sticky |
| 3    | OX     | Floating-point overflow exception.   | Sticky bit |
| 4    | UX     | Floating-point underflow exception.  | Sticky bit |
| 5    | ZX     | Floating-point zero divide exception.  | Sticky bit |
| 6    | XX     | Floating-point inexact exception.  | Sticky bit |
| 7    | VXSNAN | Floating-point invalid operation exception for SNaN.   | Sticky bit |
| 8    | VXISI  | Floating-point invalid operation exception for $\infty - \infty$ .   | Sticky bit |
| 9    | VXIDI  | Floating-point invalid operation exception for $\infty/\infty$ .   | Sticky bit |
| 10   | VXZDZ  | Floating-point invalid operation exception for 0/0.  | Sticky bit |
| 11   | VXIMZ  | Floating-point invalid operation exception for $\infty \times 0$ .   | Sticky bit |

**Table 3-5. FPSCR Bit Descriptions (continued)**

| Bits    | Name   | Description   |            |
|---------|--------|---|------------|
| 12      | VXVC   | Floating-point invalid operation exception for invalid compare.   | Sticky bit |
| 13      | FR     | Floating-point fraction rounded. The last floating-point instruction that potentially rounded the intermediate result incremented the fraction.   | Not sticky |
| 14      | FI     | Floating-point fraction inexact. The last floating-point instruction that potentially rounded the intermediate result produced an inexact fraction or a disabled exponent overflow.   | Not sticky |
| [15:19] | FPRF   | <p>Floating-point result flags. This field is based on the value placed into the target register even if that value is undefined. Refer to <a href="#">Table 3-6</a> for specific bit settings.</p> <p>15 Floating-point result class descriptor (C). Floating-point instructions other than the compare instructions may set this bit with the FPCC bits, to indicate the class of the result.</p> <p>16-19 Floating-point condition code (FPCC). Floating-point compare instructions always set one of the FPCC bits to one and the other three FPCC bits to zero. Other floating-point instructions may set the FPCC bits with the C bit, to indicate the class of the result. Note that in this case the high-order three bits of the FPCC retain their relational significance indicating that the value is less than, greater than, or equal to zero.</p> <p>16 Floating-point less than or negative (FL or &lt;)</p> <p>17 Floating-point greater than or positive (FG or &gt;)</p> <p>18 Floating-point equal or zero (FE or =)</p> <p>19 Floating-point unordered or NaN (FU or ?)</p> | Not sticky |
| 20      | —      | Reserved  | —          |
| 21      | VXSOF  | Floating-point invalid operation exception for software request. This bit can be altered only by the mcrfs, mtfspi, mtfsp, mtfsp0, or mtfsp1 instructions. The purpose of VXSOF is to allow software to cause an invalid operation condition for a condition that is not necessarily associated with the execution of a floating-point instruction. For example, it might be set by a program that computes a square root if the source operand is negative.  | Sticky bit |
| 22      | VXSQRT | Floating-point invalid operation exception for invalid square root. This guarantees that software can simulate fsqrt and frsqre, and can provide a consistent interface to handle exceptions caused by square root operations.  | Sticky bit |
| 23      | VXCVI  | Floating-point invalid operation exception for invalid integer convert.   | Sticky bit |
| 24      | VE     | Floating-point invalid operation exception enable.  | —          |
| 25      | OE     | Floating-point overflow exception enable.   | —          |
| 26      | UE     | Floating-point underflow exception enable. This bit should not be used to determine whether denormalization should be performed on floating-point stores.   | —          |
| 27      | ZE     | Floating-point zero divide exception enable.  | —          |
| 28      | XE     | Floating-point inexact exception enable.  | —          |

**Table 3-5. FPSCR Bit Descriptions (continued)**

| Bits  | Name | Description   |
|-------|------|---|
| 29    | NI   | Non-IEEE mode bit.  |
| 30–31 | RN   | Floating-point rounding control.<br>00 Round to nearest<br>01 Round toward zero<br>10 Round toward +infinity<br>11 Round toward -infinity |

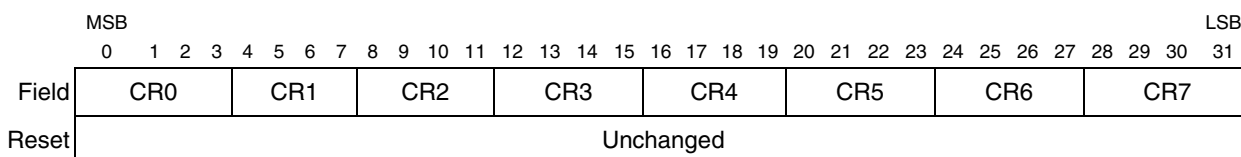
Table 3-6 illustrates the floating-point result flags that correspond to FPSCR[15:19].

**Table 3-6. Floating-Point Result Flags in FPSCR**

| Result Flags (Bits 15:19)<br>C<>=? | Result Value Class    |
|------------------------------------|-----------------------|
| 10001                              | Quiet NaN             |
| 01001                              | – Infinity            |
| 01000                              | – Normalized number   |
| 11000                              | – Denormalized number |
| 10010                              | – Zero                |
| 00010                              | + Zero                |
| 10100                              | + Denormalized number |
| 00100                              | + Normalized number   |
| 00101                              | + Infinity            |

### 3.7.4 Condition Register (CR)

The condition register (CR) is a 32-bit register that reflects the result of certain operations and provides a mechanism for testing and branching. The bits in the CR are grouped into eight 4-bit fields: CR0 to CR7.



**Figure 3-7. Condition Register (CR)**

The CR fields can be set in the following ways:

- Specified fields of the CR can be set by an instruction (mcrf) to move to the CR from a GPR.
- Specified fields of the CR can be moved from one CRx field to another with the mcrf instruction.
- A specified field of the CR can be set by an instruction (mcrxr) to move to the CR from the XER.
- Condition register logical instructions can be used to perform logical operations on specified bits in the condition register.
- CR0 can be the implicit result of an integer operation.

- A specified CR field can be the explicit result of an integer compare instruction.

Instructions are provided to test individual CR bits.

### 3.7.4.1 Condition Register CR0 Field Definition

In most integer instructions, when the CR is set to reflect the result of the operation (that is, when  $R_c = 1$ ), and for `addic.`, `andi.`, and `andis.`, the first three bits of CR0 are set by an algebraic comparison of the result to zero; the fourth bit of CR0 is copied from XER[SO]. For integer instructions, CR0[0:3] are set to reflect the result as a signed quantity. The EQ bit reflects the result as an unsigned quantity or bit string.

The CR0 bits are interpreted as shown in [Table 3-7](#). If any portion of the result (the 32-bit value placed into the destination register) is undefined, the value placed in the first three bits of CR0 is undefined.

**Table 3-7. Bit Settings for CR0 Field of CR**

| CR0 Bit | Description   |
|---------|---|
| 0       | Negative (LT). This bit is set when the result is negative.   |
| 1       | Positive (GT). This bit is set when the result is positive (and not zero).                                |
| 2       | Zero (EQ). This bit is set when the result is zero.   |
| 3       | Summary overflow (SO). This is a copy of the final state of XER[SO] at the completion of the instruction. |

### 3.7.4.2 Condition Register CR1 Field Definition

In all floating-point instructions when the CR is set to reflect the result of the operation (that is, when  $R_c = 1$ ), the CR1 field (bits 4 to 7 of the CR) is copied from FPSCR[0:3] to indicate the floating-point exception status. For more information about the FPSCR, see [Section 3.7.3, “Floating-Point Status and Control Register \(FPSCR\).”](#) The bit settings for the CR1 field are shown in [Table 3-8](#).

**Table 3-8. Bit Settings for CR1 Field of CR**

| CR1 Bit | Description   |
|---------|---|
| 0       | Floating-point exception (FX). This is a copy of the final state of FPSCR[FX] at the completion of the instruction.           |
| 1       | Floating-point enabled exception (FEX). This is a copy of the final state of FPSCR[FEX] at the completion of the instruction. |
| 2       | Floating-point invalid exception (VX). This is a copy of the final state of FPSCR[VX] at the completion of the instruction.   |
| 3       | Floating-point overflow exception (OX). This is a copy of the final state of FPSCR[OX] at the completion of the instruction.  |

### 3.7.4.3 Condition Register CR<sub>n</sub> Field — Compare Instruction

When a specified CR field is set by a compare instruction, the bits of the specified field are interpreted as shown in [Table 3-9](#). A condition register field can also be accessed by the `mfcrr`, `mcrf`, and `mctcrf` instructions.





**Table 3-10. Integer Exception Register Bit Descriptions**

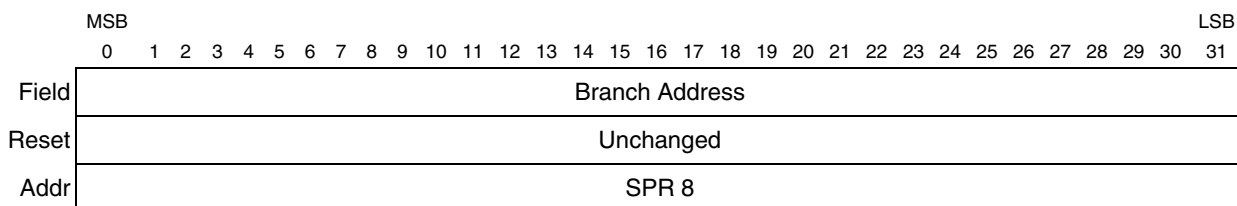
| Bits  | Name  | Description  |
|-------|-------|--|
| 2     | CA    | Carry (CA). In general, the carry bit is set to indicate that a carry out of bit 0 occurred during execution of an instruction. Add carrying, subtract from carrying, add extended, and subtract from extended instructions set CA if there is a carry out of bit 0, and clear it otherwise. The CA bit is not altered by compare instructions or other instructions that cannot carry, except that shift right algebraic instructions set the CA bit to indicate whether any '1' bits have been shifted out of a negative quantity. |
| 3:24  | —     | Reserved   |
| 25:31 | BYTES | This field specifies the number of bytes to be transferred by a Load String Word Indexed (lswx) or Store String Word Indexed (stswx) instruction.  |

### 3.7.6 Link Register (LR)

The link register (LR), SPR 8, supplies the branch target address for the branch conditional to link register (bclrx) instruction, and can be used to hold the logical address of the instruction that follows a branch and link instruction.

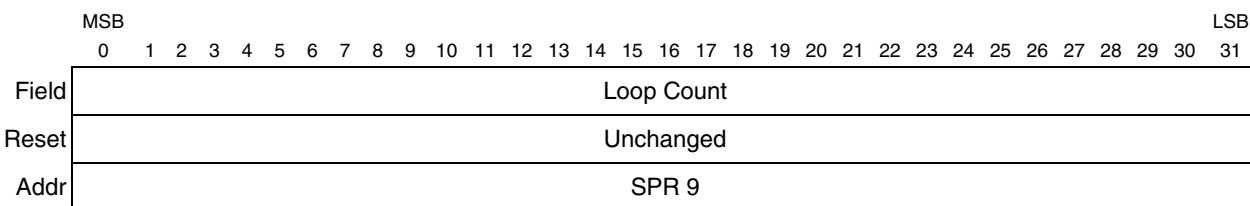
Note that although the two least-significant bits can accept any values written to them, they are ignored when the LR is used as an address.

Both conditional and unconditional branch instructions include the option of placing the effective address of the instruction after the branch instruction in the LR. This is done regardless of whether the branch is taken.


**Figure 3-9. Link Register (LR)**

### 3.7.7 Count Register (CTR)

The count register (CTR), SPR 9, is used to hold a loop count that can be decremented during execution of branch instructions with an appropriately coded BO field. If the value in CTR is 0 before being decremented, it is -1 afterward. The count register provides the branch target address for the branch conditional to count register (bcctrx) instructio


**Figure 3-10. Count Register (CTR)**

### 3.8 VEA Register Set — Time Base (TB)

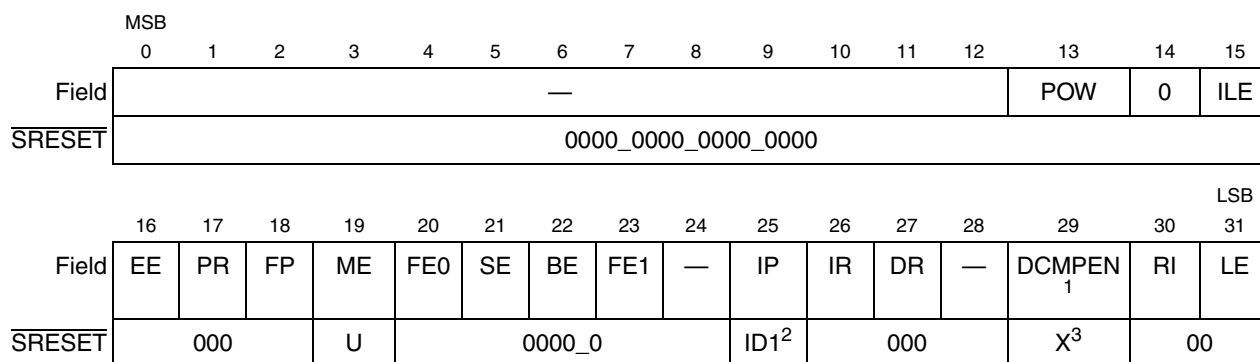
The virtual environment architecture (VEA) defines registers in addition to the UISA register set. The VEA register set can be accessed by all software with either user- or supervisor-level privileges. Refer to [Section 6.1.7, “Time Base \(TB\),”](#) for more information.

### 3.9 OEA Register Set

The operating environment architecture (OEA) includes a number of SPRs and other registers that are accessible only by supervisor-level instructions. Some SPRs are RCPU-specific; some RCPU SPRs may not be implemented in other PowerPC ISA processors, or may not be implemented in the same way.

#### 3.9.1 Machine State Register (MSR)

The machine state register is a 32-bit register that defines the state of the processor. When an exception occurs, the contents of the MSR are loaded into SRR1, and the MSR is updated to reflect the exception-processing machine state. The MSR can also be modified by the mtmsr, sc, and rfi instructions. It can be read by the mfmsr instruction.



**Figure 3-11. Machine State Register (MSR)**

- <sup>1</sup> This bit is available only on code compression-enabled options of the MPC565.
- <sup>2</sup> The reset value is a reset configuration word value extracted from the internal bus line. Refer to [Section 7.5.2, “Hard Reset Configuration Word \(RCW\),”](#)
- <sup>3</sup> The reset value is defined by the equation "BBCMCR[EN\_COMP] AND BBCMCR[EXC\_COMP]". At  $\overline{\text{HRESET}}$  the BBCMCR[EN\_COMP] and BBCMCR[EXC\_COMP] bits receive their values from RCW bits 21 and 22. The BBCMCR does not change at  $\overline{\text{SRESET}}$ . Thus the DCMPEN reset value may be different on  $\overline{\text{SRESET}}$  and  $\overline{\text{HRESET}}$ , if software changes these BBCMCR bits from their reset values.

Table 3-11 shows the bit definitions for the MSR.

**Table 3-11. Machine State Register Bit Descriptions**

| Bits | Name | Description  |
|------|------|--|
| 0:12 | —    | Reserved   |
| 13   | POW  | Power management enable.<br>0 Power management disabled (normal operation mode)<br>1 Power management enabled (reduced power mode) |

**Table 3-11. Machine State Register Bit Descriptions (continued)**

| Bits | Name | Description  |
|------|------|--|
| 14   | —    | Reserved   |
| 15   | ILE  | Exception little-endian mode. When an exception occurs, this bit is copied into MSR[LE] to select the endian mode for the context established by the exception. Little-endian mode is not supported on the . This bit should be cleared to 0 at all times.<br>0 The processor runs in big-endian mode during exception processing.<br>1 The processor runs in little-endian mode during exception processing.  |
| 16   | EE   | External interrupt enable. Interrupts should only be negated while the EE bit is disabled (0). Software should disable interrupts (EE = 0) before clearing or masking any interrupt source from the USIU or external pins. For external interrupts, it is recommended that the edge-triggered interrupt scheme be used. See <a href="#">Section 6.1.4, “Enhanced Interrupt Controller.”</a><br>0 The processor delays recognition of external interrupts and decremter exception conditions.<br>1 The processor is enabled to take an external interrupt or the decremter exception. |
| 17   | PR   | Privilege level.<br>0 The processor can execute both user- and supervisor-level instructions.<br>1 The processor can only execute user-level instructions.   |
| 18   | FP   | Floating-point available.<br>0 The processor prevents dispatch of floating-point instructions, including floating-point loads, stores and moves. Floating-point enabled program exceptions can still occur and the FPRs can still be accessed.<br>1 The processor can execute floating-point instructions, and can take floating-point enabled exception type program exceptions.  |
| 19   | ME   | Machine check enable.<br>0 Machine check exceptions are disabled.<br>1 Machine check exceptions are enabled.   |
| 20   | FE0  | Floating-point exception mode 0 (See <a href="#">Table 3-12.</a> )   |
| 21   | SE   | Single-step trace enable.<br>0 The processor executes instructions normally.<br>1 The processor generates a single-step trace exception when the next instruction executes successfully. When this bit is set, the processor dispatches instructions in strict program order. Successful execution means the instruction caused no other exception.  |
| 22   | BE   | Branch trace enable.<br>0 No trace exception occurs when a branch instruction is completed.<br>1 Trace exception occurs when a branch instruction is completed.  |
| 23   | FE1  | Floating-point exception mode 1 (See <a href="#">Table 3-12.</a> )   |
| 24   | —    | Reserved   |
| 25   | IP   | Exception prefix. The setting of this bit specifies the location of the exception vector table.<br>0 Exception vector table starts at the physical address 0x0000 0000.<br>1 Exception vector table starts at the physical address 0xFFFF0 0000.   |
| 26   | IR   | Instruction relocation.<br>0 Instruction address translation is off; the BBC IMPU does not check for address permission attributes.<br>1 Instruction address translation is on; the BBC IMPU checks for address permission attributes.   |

**Table 3-11. Machine State Register Bit Descriptions (continued)**

| Bits | Name   | Description   |
|------|--------|---|
| 27   | DR     | Data relocation.<br>0 Data address translation is off; the L2U DMPU does not check for address permission attributes.<br>1 Data address translation is on; the L2U DMPU checks for addressn permission attributes.  |
| 28   | —      | Reserved  |
| 29   | DCMPEN | Decompression On/Off. The reset value of this bit is (BBCMCR[EN_COMP] AND BBCMCR[EXC_COMP]).<br><b>Note:</b> This bit should not be set for the MPC565.<br>0 The RCPU runs in normal operation mode.<br>1 The RCPU runs in compressed mode.<br><b>Note:</b> MSR[DCMPEN] should not be changed by software by a direct MSR register write (MTMSR instruction). It can be changed only by the RFI instruction or by an exception. |
| 30   | RI     | Recoverable exception (for machine check and non-maskable breakpoint exceptions).<br>0 Machine state is not recoverable.<br>1 Machine state is recoverable.   |
| 31   | LE     | Little-endian mode. This mode is not supported on MPC565. This bit should be cleared to 0 at all times.<br>0 The processor operates in big-endian mode during normal processing.<br>1 The processor operates in little-endian mode during normal processing.  |

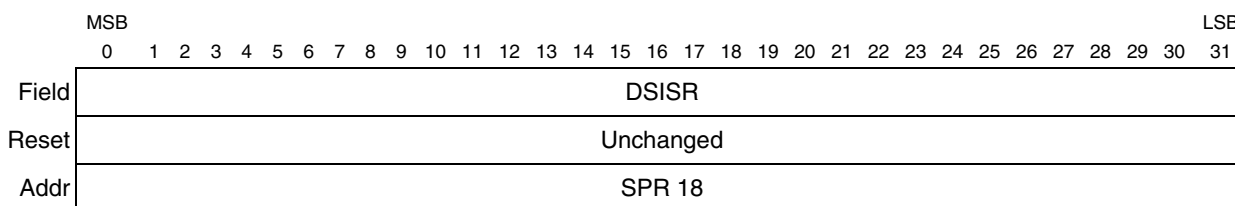
The floating-point exception mode bits are interpreted as shown in [Table 3-12](#).

**Table 3-12. Floating-Point Exception Mode Bits**

| FE[0:1]    | Mode   |
|------------|--|
| 00         | Ignore exceptions mode. Floating-point exceptions do not cause the floating-point assist error handler to be invoked.                                  |
| 01, 10, 11 | Floating-point precise mode. The system floating-point assist error handler is invoked precisely at the instruction that caused the enabled exception. |

### 3.9.2 DAE/Source Instruction Service Register (DSISR)

The DSISR, SPR 18, identifies the cause of data access and alignment exceptions.



**Figure 3-12. DAE/Source Instruction Service Register (DSISR)**

For more information about bit settings, see [Section 3.15.4.2, “Machine Check Exception \(0x0200\),”](#) [Section 3.15.4.6, “Alignment Exception \(0x00600\),”](#) and [Section 3.15.4.15, “Implementation-Specific Data Protection Error Exception \(0x1400\).”](#)

### 3.9.3 Data Address Register (DAR)

After an alignment exception, the DAR, SPR 19, is set to the effective address of a load or store element.

|       | MSB          | 0 | 1 | 2 | 3 | 4 | 5 | 6 | 7 | 8 | 9 | 10 | 11 | 12 | 13 | 14 | 15 | 16 | 17 | 18 | 19 | 20 | 21 | 22 | 23 | 24 | 25 | 26 | 27 | 28 | 29 | 30 | 31 | LSB |
|-------|--------------|---|---|---|---|---|---|---|---|---|---|----|----|----|----|----|----|----|----|----|----|----|----|----|----|----|----|----|----|----|----|----|----|-----|
| Field | Data Address |   |   |   |   |   |   |   |   |   |   |    |    |    |    |    |    |    |    |    |    |    |    |    |    |    |    |    |    |    |    |    |    |     |
| Reset | Unchanged    |   |   |   |   |   |   |   |   |   |   |    |    |    |    |    |    |    |    |    |    |    |    |    |    |    |    |    |    |    |    |    |    |     |
| Addr  | SPR 19       |   |   |   |   |   |   |   |   |   |   |    |    |    |    |    |    |    |    |    |    |    |    |    |    |    |    |    |    |    |    |    |    |     |

Figure 3-13. Data Address Register (DAR)

### 3.9.4 Time Base Facility (TB) — OEA

Refer to [Section 6.1.7, “Time Base \(TB\),”](#) for information.

### 3.9.5 Decrementer Register (DEC)

Refer to [Section 6.1.6, “Decrementer \(DEC\),”](#) for information.

### 3.9.6 Machine Status Save/Restore Register 0 (SRR0)

The machine status save/restore register 0 (SRR0), SPR 26, identifies where instruction execution should resume when an rfi instruction is executed following an exception. It also holds the effective address of the instruction that follows the system call (sc) instruction.

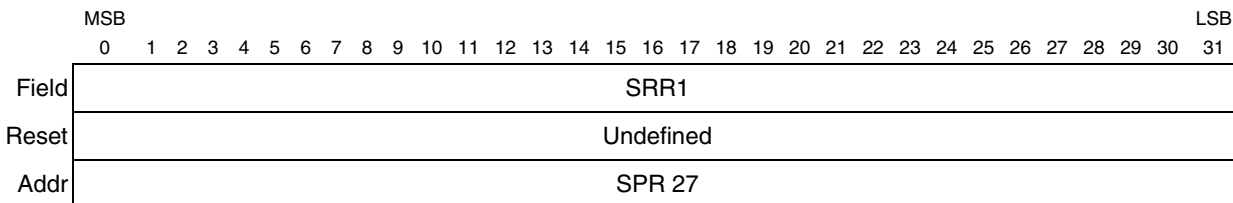
|       | MSB       | 0 | 1 | 2 | 3 | 4 | 5 | 6 | 7 | 8 | 9 | 10 | 11 | 12 | 13 | 14 | 15 | 16 | 17 | 18 | 19 | 20 | 21 | 22 | 23 | 24 | 25 | 26 | 27 | 28 | 29 | 30 | 31 | LSB |
|-------|-----------|---|---|---|---|---|---|---|---|---|---|----|----|----|----|----|----|----|----|----|----|----|----|----|----|----|----|----|----|----|----|----|----|-----|
| Field | SRR0      |   |   |   |   |   |   |   |   |   |   |    |    |    |    |    |    |    |    |    |    |    |    |    |    |    |    |    |    |    |    |    |    |     |
| Reset | Undefined |   |   |   |   |   |   |   |   |   |   |    |    |    |    |    |    |    |    |    |    |    |    |    |    |    |    |    |    |    |    |    |    |     |
| Addr  | SPR 26    |   |   |   |   |   |   |   |   |   |   |    |    |    |    |    |    |    |    |    |    |    |    |    |    |    |    |    |    |    |    |    |    |     |

Figure 3-14. Machine Status Save/Restore Register 0 (SRR0)

When an exception occurs, SRR0 is set to point to an instruction such that all prior instructions have completed execution and no subsequent instruction has begun execution. The instruction addressed by SRR0 may not have completed execution, depending on the exception type. SRR0 addresses either the instruction causing the exception or the instruction immediately following. The instruction addressed can be determined from the exception type and status bits.

### 3.9.7 Machine Status Save/Restore Register 1 (SRR1)

The machine status save/restore register 1 (SRR1), SPR 27, saves the machine status on exceptions and restores the machine status when an rfi instruction is executed.

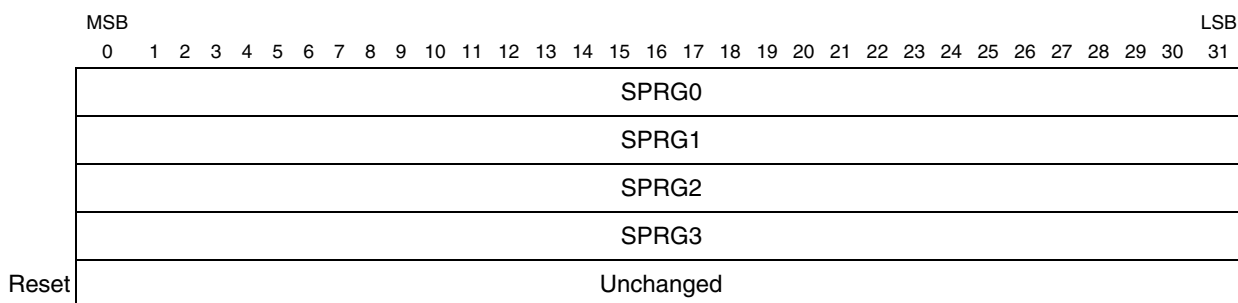


**Figure 3-15. Machine Status Save/Restore Register 1 (SRR1)**

In general, when an exception occurs, SRR1[0:15] are loaded with exception-specific information, and MSR[16:31] are placed into SRR1[16:31].

### 3.9.8 General SPRs (SPRG0–SPRG3)

SPRG0–SPRG3, SPRs 272–275, are provided for general operating system use, such as fast-state saves and multiprocessor-implementation support. SPRG0–SPRG3 are shown below.



**Figure 3-16. SPRG0–SPRG3 — General Special-Purpose Registers 0–3**

Uses for SPRG0–SPRG3 are shown in [Table 3-13](#).

**Table 3-13. Uses of SPRG0–SPRG3**

| Register | Description   |
|----------|---|
| SPRG0    | Software may load a unique physical address in this register to identify an area of memory reserved for use by the exception handler. This area must be unique for each processor in the system.        |
| SPRG1    | This register may be used as a scratch register by the exception handler to save the content of a GPR. That GPR then can be loaded from SPRG0 and used as a base register to save other GPRs to memory. |
| SPRG2    | This register may be used by the operating system as needed.  |
| SPRG3    | This register may be used by the operating system as needed.  |

### 3.9.9 Processor Version Register (PVR)

The PVR is a 32-bit, read-only register that identifies the version and revision level of the processor. The contents of the PVR can be copied to a GPR by the mfspr instruction. Read access to the PVR is available in supervisor mode only; write access is not provided.

|       | MSB                 | LSB                 |
|-------|---------------------|---------------------|
|       | 0                   | 31                  |
| Field | VERSION             | REVISION            |
| Reset | 0000_0000_0000_0010 | 0000_0000_0010_0000 |
| Addr  | SPR 287             |                     |

**Figure 3-17. Processor Version Register (PVR)**

**Table 3-14. Processor Version Register Bit Descriptions**

| Bits  | Name     | Description  |
|-------|----------|--|
| 0:15  | VERSION  | A 16-bit number that identifies the version of the PowerPC ISA processor. The MPC565RCPU value is 0x0002.            |
| 16:31 | REVISION | A 16-bit number that distinguishes between various releases of a particular version. The MPC565RCPU value is 0x0020. |

### 3.9.10 Implementation-Specific SPRs

The MPC565 includes several implementation-specific SPRs that are not defined by the PowerPC ISA architecture. These registers, listed in [Table 3-2](#) and [Table 3-3](#), can be accessed by supervisor-level instructions only.

#### 3.9.10.1 EIE, EID, and NRI Special-Purpose Registers

The RCPU includes three implementation-specific SPRs that facilitate the software manipulation of the MSR[RI] and MSR[EE] bits: External Interrupt Enable (EIE), External Interrupt Disable (EID), and Non-recoverable Interrupt (NRI). Issuing the mtspr instruction with one of these registers as an operand causes the RI and EE bits to be set or cleared as shown in [Table 3-15](#).

**Table 3-15. EIE, EID, AND NRI Registers**

| SPR Number (Decimal) | Mnemonic | MSR[EE] | MSR[RI] |
|----------------------|----------|---------|---------|
| 80                   | EIE      | 1       | 1       |
| 81                   | EID      | 0       | 1       |
| 82                   | NRI      | 0       | 0       |

A read (mfspr) of any of these locations is treated as an unimplemented instruction, resulting in a software emulation exception.

### 3.9.10.2 Floating-Point Exception Cause Register (FPECR)

The FPECR, SPR 1022, is a supervisor-level internal status and control register used by the user's floating-point assist software envelope. It contains four status bits that indicate whether the result of the operation is tiny and whether any of three source operands are denormalized. In addition, it contains one control bit to enable or disable SIE mode. This register must not be accessed by user code.

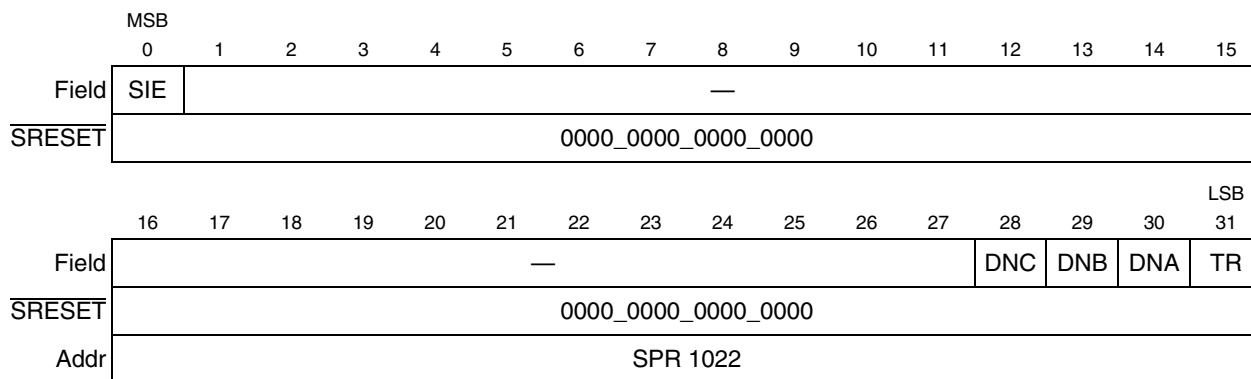


Figure 3-18. Floating-Point Exception Cause Register (FPECR)

A listing of FPECR bit settings is shown in [Table 3-16](#).

Table 3-16. FPECR Bit Descriptions

| Bits | Name | Description   |
|------|------|---|
| 0    | SIE  | Synchronized ignore exception mode control bit.<br>0 Disable SIE mode<br>1 Enable SIE mode                                |
| 1:27 | —    | Reserved  |
| 28   | DNC  | Source operand C denormalized status bit.<br>0 Source operand C is not denormalized<br>1 Source operand C is denormalized |
| 29   | DNB  | Source operand B denormalized status bit.<br>0 Source operand B is not denormalized<br>1 Source operand B is denormalized |
| 30   | DNA  | Source operand A denormalized status bit.<br>0 Source operand A is not denormalized<br>1 Source operand A is denormalized |
| 31   | TR   | Floating-point tiny result.<br>0 Floating-point result is not tiny<br>1 Floating-point result is tiny                     |

#### NOTE

Software must insert a sync instruction before reading the FPECR.

### 3.9.10.3 Additional Implementation-Specific Registers

Refer to the following sections for details on additional implementation-specific registers in the MPC565:



- Section 4.6, “BBC Programming Model”
- Section 6.2.2.1.2, “Internal Memory Map Register (IMMR)”
- Section 11.8, “L2U Programming Model”
- Chapter 22, “Development Support”

### 3.10 Instruction Set

All PowerPC ISA instructions are encoded as single words (32 bits) and are consistent among all instruction types. The fixed instruction length and consistent format simplify instruction pipelining and permit efficient decoding to occur in parallel with operand accesses.

The PowerPC ISA instructions are divided into the following categories:

- Integer instructions, which include computational and logical instructions
  - Integer arithmetic instructions
  - Integer compare instructions
  - Integer logical instructions
  - Integer rotate and shift instructions
- Floating-point instructions, which include floating-point computational instructions, as well as instructions that affect the floating-point status and control register (FPSCR)
  - Floating-point arithmetic instructions
  - Floating-point multiply/add instructions
  - Floating-point rounding and conversion instructions
  - Floating-point compare instructions
  - Floating-point status and control instructions
- Load/store instructions., which include integer and floating-point load and store instructions
  - Integer load and store instructions
  - Integer load and store multiple instructions
  - Floating-point load and store
  - Primitives used to construct atomic memory operations (lwarx and stwex. instructions)
- Flow control instructions, which include branching instructions, condition register logical instructions, trap instructions, and other instructions that affect the instruction flow
  - Branch and trap instructions
  - Condition register logical instructions
- Processor control instructions, which are used for synchronizing memory accesses.
  - Move to/from SPR instructions
  - Move to/from MSR
  - Synchronize
  - Instruction synchronize

**NOTE**

This grouping of the instructions does not indicate which execution unit executes a particular instruction or group of instructions.

Integer instructions operate on byte, half-word, and word operands. Floating-point instructions operate on single-precision (one word) and double-precision (one double word) floating-point operands. The PowerPC ISA architecture uses instructions that are four bytes long and word-aligned. It provides for byte, half-word, and word operand loads and stores between memory and a set of 32 GPRs.

Computational instructions do not modify memory. To use a memory operand in a computation and then modify the same or another memory location, the memory contents must be loaded into a register, modified, and then written back to the target location with distinct instructions.

PowerPC ISA-compliant processors follow the program flow when they are in the normal execution state. However, the flow of instructions can be interrupted directly by the execution of an instruction or by an asynchronous event. Either kind of exception may cause one of several components of the system software to be invoked.

### 3.10.1 Instruction Set Summary

Table 3-17 provides a summary of RCPU instructions. Refer to the *RCPU Reference Manual* for a detailed description of the instruction set.

**Table 3-17. Instruction Set Summary**

| Mnemonic                      | Operand Syntax    | Name                                 |
|-------------------------------|-------------------|--------------------------------------|
| add (add. addo addo.)         | rD,rA,rB          | Add                                  |
| addc (addc. addco addco.)     | rD,rA,rB          | Add Carrying                         |
| adde (adde. addeo addeo.)     | rD,rA,rB          | Add Extended                         |
| addi                          | rD,rA,SIMM        | Add Immediate                        |
| addic                         | rD,rA,SIMM        | Add Immediate Carrying               |
| addic.                        | rD,rA,SIMM        | Add Immediate Carrying and Record    |
| addis                         | rD,rA,SIMM        | Add Immediate Shifted                |
| addme (addme. addmeo addmeo.) | rD,rA             | Add to Minus One Extended            |
| addze (addze. addzeo addzeo.) | rD,rA             | Add to Zero Extended                 |
| and (and.)                    | rA,rS,rB          | AND                                  |
| andc (andc.)                  | rA,rS,rB          | AND with Complement                  |
| andi.                         | rA,rS,UIMM        | AND Immediate                        |
| andis.                        | rA,rS,UIMM        | AND Immediate Shifted                |
| b (ba bl bla)                 | target_addr       | Branch                               |
| bc (bca bcl bcla)             | BO,BI,target_addr | Branch Conditional                   |
| bcctr (bcctrl)                | BO,BI             | Branch Conditional to Count Register |

**Table 3-17. Instruction Set Summary (continued)**

| Mnemonic                    | Operand Syntax  | Name  |
|-----------------------------|-----------------|---|
| bclr (bclrl)                | BO,BI           | Branch Conditional to Link Register                     |
| cmp                         | crfD,L,rA,rB    | Compare   |
| cmpi                        | crfD,L,rA,SIMM  | Compare Immediate                                       |
| cmpl                        | crfD,L,rA,rB    | Compare Logical   |
| cmpli                       | crfD,L,rA,UIMM  | Compare Logical Immediate                               |
| cntlzw (cntlzw.)            | rA,rS           | Count Leading Zeros Word                                |
| crand                       | crbD,crbA,crbB  | Condition Register AND                                  |
| crandc                      | crbD,crbA, crbB | Condition Register AND with Complement                  |
| creqv                       | crbD,crbA, crbB | Condition Register Equivalent                           |
| crnand                      | crbD,crbA,crbB  | Condition Register NAND                                 |
| crnor                       | crbD,crbA,crbB  | Condition Register NOR                                  |
| cror                        | crbD,crbA,crbB  | Condition Register OR                                   |
| crorc                       | crbD,crbA, crbB | Condition Register OR with Complement                   |
| crxor                       | crbD,crbA,crbB  | Condition Register XOR                                  |
| divw (divw. divwo divwo.)   | rD,rA,rB        | Divide Word   |
| divwu divwu. divwuo divwuo. | rD,rA,rB        | Divide Word Unsigned                                    |
| eieio                       | —               | Enforce In-Order Execution of I/O                       |
| eqv (eqv.)                  | rA,rS,rB        | Equivalent  |
| extsb (extsb.)              | rA,rS           | Extend Sign Byte  |
| extsh (extsh.)              | rA,rS           | Extend Sign Half Word                                   |
| fabs (fabs.)                | frD,frB         | Floating Absolute Value                                 |
| fadd (fadd.)                | frD,frA,frB     | Floating Add (Double-Precision)                         |
| fadds (fadds.)              | frD,frA,frB     | Floating Add Single                                     |
| fcmpo                       | crfD,frA,frB    | Floating Compare Ordered                                |
| fcmpu                       | crfD,frA,frB    | Floating Compare Unordered                              |
| fctiw (fctiw.)              | frD,frB         | Floating Convert to Integer Word                        |
| fctiwz (fctiwz.)            | frD,frB         | Floating Convert to Integer Word with Round Toward Zero |
| fdiv (fdiv.)                | frD,frA,frB     | Floating Divide (Double-Precision)                      |
| fdivs (fdivs.)              | frD,frA,frB     | Floating Divide Single                                  |
| fmadd (fmadd.)              | frD,frA,frC,frB | Floating Multiply-Add (Double-Precision)                |
| fmadds (fmadds.)            | frD,frA,frC,frB | Floating Multiply-Add Single                            |
| fmr (fmr.)                  | frD,frB         | Floating Move Register                                  |

**Table 3-17. Instruction Set Summary (continued)**

| Mnemonic           | Operand Syntax  | Name   |
|--------------------|-----------------|--|
| fmsub (fmsub.)     | frD,frA,frC,frB | Floating Multiply-Subtract (Double-Precision)          |
| fmsubs (fmsubs.)   | frD,frA,frC,frB | Floating Multiply-Subtract Single                      |
| fmul (fmul.)       | frD,frA,frC     | Floating Multiply (Double-Precision)                   |
| fmuls (fmuls.)     | frD,frA,frC     | Floating Multiply Single                               |
| fnabs (fnabs.)     | frD,frB         | Floating Negative Absolute Value                       |
| fneg (fneg.)       | frD,frB         | Floating Negate  |
| fnmadd (fnmadd.)   | frD,frA,frC,frB | Floating Negative Multiply-Add (Double-Precision)      |
| fnmadds (fnmadds.) | frD,frA,frC,frB | Floating Negative Multiply-Add Single                  |
| fnmsub (fnmsub.)   | frD,frA,frC,frB | Floating Negative Multiply-Subtract (Double-Precision) |
| fnmsubs (fnmsubs.) | frD,frA,frC,frB | Floating Negative Multiply-Subtract Single             |
| frsp (frsp.)       | frD,frB         | Floating Round to Single                               |
| fsub (fsub.)       | frD,frA,frB     | Floating Subtract (Double-Precision)                   |
| fsubs (fsubs.)     | frD,frA,frB     | Floating Subtract Single                               |
| isync              | —               | Instruction Synchronize                                |
| lbz                | rD,d(rA)        | Load Byte and Zero                                     |
| lbzu               | rD,d(rA)        | Load Byte and Zero with Update                         |
| lbzux              | rD,rA,rB        | Load Byte and Zero with Update Indexed                 |
| lbzx               | rD,rA,rB        | Load Byte and Zero Indexed                             |
| lfd                | frD,d(rA)       | Load Floating-Point Double                             |
| lfdv               | frD,d(rA)       | Load Floating-Point Double with Update                 |
| lfdvux             | frD,rA,rB       | Load Floating-Point Double with Update Indexed         |
| lfdx               | frD,rA,rB       | Load Floating-Point Double Indexed                     |
| lfs                | frD,d(rA)       | Load Floating-Point Single                             |
| lfsv               | frD,d(rA)       | Load Floating-Point Single with Update                 |
| lfsvux             | frD,rA,rB       | Load Floating-Point Single with Update Indexed         |
| lfsx               | frD,rA,rB       | Load Floating-Point Single Indexed                     |
| lha                | rD,d(rA)        | Load Half-Word Algebraic                               |
| lhav               | rD,d(rA)        | Load Half-Word Algebraic with Update                   |
| lhavux             | rD,rA,rB        | Load Half-Word Algebraic with Update Indexed           |
| lhax               | rD,rA,rB        | Load Half-Word Algebraic Indexed                       |
| lhbrx              | rD,rA,rB        | Load Half-Word Byte-Reverse Indexed                    |

**Table 3-17. Instruction Set Summary (continued)**

| Mnemonic                      | Operand Syntax | Name  |
|-------------------------------|----------------|---|
| lhz                           | rD,d(rA)       | Load Half-Word and Zero                     |
| lhzu                          | rD,d(rA)       | Load Half-Word and Zero with Update         |
| lhzux                         | rD,rA,rB       | Load Half-Word and Zero with Update Indexed |
| lhzx                          | rD,rA,rB       | Load Half-Word and Zero Indexed             |
| lmw                           | rD,d(rA)       | Load Multiple Word                          |
| lswi                          | rD,rA,NB       | Load String Word Immediate                  |
| lswx                          | rD,rA,rB       | Load String Word Indexed                    |
| lwarx                         | rD,rA,rB       | Load Word and Reserve Indexed               |
| lwbrx                         | rD,rA,rB       | Load Word Byte-Reverse Indexed              |
| lwz                           | rD,d(rA)       | Load Word and Zero                          |
| lwzu                          | rD,d(rA)       | Load Word and Zero with Update              |
| lwzux                         | rD,rA,rB       | Load Word and Zero with Update Indexed      |
| lwzx                          | rD,rA,rB       | Load Word and Zero Indexed                  |
| mcrf                          | crfD,crfS      | Move Condition Register Field               |
| mcrfs                         | crfD,crfS      | Move to Condition Register from FPSCR       |
| mcrxr                         | crfD           | Move to Condition Register from XER         |
| mfcrr                         | rD             | Move from Condition Register                |
| mffs (mffs.)                  | frD            | Move from FPSCR                             |
| mfmsr                         | rD             | Move from Machine State Register            |
| mfspr                         | rD,SPR         | Move from Special Purpose Register          |
| mtfb                          | rD, TBR        | Move from Time Base                         |
| mtcrf                         | CRM,rS         | Move to Condition Register Fields           |
| mtfsb0 (mtfsb0.)              | crbD           | Move to FPSCR Bit 0                         |
| mtfsb1 (mtfsb1.)              | crbD           | Move to FPSCR Bit 1                         |
| mtfsf (mtfsf.)                | FM,frB         | Move to FPSCR Fields                        |
| mtfsfi (mtfsfi.)              | crfD,IMM       | Move to FPSCR Field Immediate               |
| mtmsr                         | rS             | Move to Machine State Register              |
| mtspr                         | SPR,rS         | Move to Special Purpose Register            |
| mulhw (mulhw.)                | rD,rA,rB       | Multiply High Word                          |
| mulhwu (mulhwu.)              | rD,rA,rB       | Multiply High Word Unsigned                 |
| mulli                         | rD,rA,SIMM     | Multiply Low Immediate                      |
| mullw (mullw. mullwo mullwo.) | rD,rA,rB       | Multiply Low                                |
| nand (nand.)                  | rA,rS,rB       | NAND  |

**Table 3-17. Instruction Set Summary (continued)**

| Mnemonic              | Operand Syntax | Name  |
|-----------------------|----------------|---|
| neg (neg. nego nego.) | rD,rA          | Negate  |
| nor (nor.)            | rA,rS,rB       | NOR   |
| or (or.)              | rA,rS,rB       | OR  |
| orc (orc.)            | rA,rS,rB       | OR with Complement                              |
| ori                   | rA,rS,UIMM     | OR Immediate                                    |
| oris                  | rA,rS,UIMM     | OR Immediate Shifted                            |
| rfi                   | —              | Return from Interrupt                           |
| rlwimi (rlwimi.)      | rA,rS,SH,MB,ME | Rotate Left Word Immediate then Mask Insert     |
| rlwinm (rlwinm.)      | rA,rS,SH,MB,ME | Rotate Left Word Immediate then AND with Mask   |
| rlwnm (rlwnm.)        | rA,rS,rB,MB,ME | Rotate Left Word then AND with Mask             |
| sc                    | —              | System Call                                     |
| slw (slw.)            | rA,rS,rB       | Shift Left Word                                 |
| sraw (sraw.)          | rA,rS,rB       | Shift Right Algebraic Word                      |
| srawi (srawi.)        | rA,rS,SH       | Shift Right Algebraic Word Immediate            |
| srw (srw.)            | rA,rS,rB       | Shift Right Word                                |
| stb                   | rS,d(rA)       | Store Byte                                      |
| stbu                  | rS,d(rA)       | Store Byte with Update                          |
| stbux                 | rS,rA,rB       | Store Byte with Update Indexed                  |
| stbx                  | rS,rA,rB       | Store Byte Indexed                              |
| stfd                  | frS,d(rA)      | Store Floating-Point Double                     |
| stfdu                 | frS,d(rA)      | Store Floating-Point Double with Update         |
| stfdux                | frS,rB         | Store Floating-Point Double with Update Indexed |
| stfdx                 | frS,rB         | Store Floating-Point Double Indexed             |
| stfiwx                | frS,rB         | Store Floating-Point as Integer Word Indexed    |
| stfs                  | frS,d(rA)      | Store Floating-Point Single                     |
| stfsu                 | frS,d(rA)      | Store Floating-Point Single with Update         |
| stfsux                | frS,rB         | Store Floating-Point Single with Update Indexed |
| stfsx                 | frS,r B        | Store Floating-Point Single Indexed             |
| sth                   | rS,d(rA)       | Store Half-Word                                 |
| sthbrx                | rS,rA,rB       | Store Half-Word Byte-Reverse Indexed            |
| sthu                  | rS,d(rA)       | Store Half-Word with Update                     |

**Table 3-17. Instruction Set Summary (continued)**

| Mnemonic                          | Operand Syntax | Name                                |
|-----------------------------------|----------------|-------------------------------------|
| sthux                             | rS,rA,rB       | Store Half-Word with Update Indexed |
| sthx                              | rS,rA,rB       | Store Half-Word Indexed             |
| stmw                              | rS,d(rA)       | Store Multiple Word                 |
| stswi                             | rS,rA,NB       | Store String Word Immediate         |
| stswx                             | rS,rA,rB       | Store String Word Indexed           |
| stw                               | rS,d(rA)       | Store Word                          |
| stwbrx                            | rS,rA,rB       | Store Word Byte-Reverse Indexed     |
| stwcx.                            | rS,rA,rB       | Store Word Conditional Indexed      |
| stwu                              | rS,d(rA)       | Store Word with Update              |
| stwux                             | rS,rA,rB       | Store Word with Update Indexed      |
| stwx                              | rS,rA,rB       | Store Word Indexed                  |
| subf (subf. subfo subfo.)         | rD,rA,rB       | Subtract From                       |
| subfc (subfc. subfco subfco.)     | rD,rA,rB       | Subtract from Carrying              |
| subfe (subfe. subfeo subfeo.)     | rD,rA,rB       | Subtract from Extended              |
| subfic                            | rD,rA,SIMM     | Subtract from Immediate Carrying    |
| subfme (subfme. subfmeo subfmeo.) | rD,rA          | Subtract from Minus One Extended    |
| subfze (subfze. subfzeo subfzeo.) | rD,rA          | Subtract from Zero Extended         |
| sync                              | —              | Synchronize                         |
| tw                                | TO,rA,rB       | Trap Word                           |
| twi                               | TO,rA,SIMM     | Trap Word Immediate                 |
| xor (xor.)                        | rA,rS,rB       | XOR                                 |
| xori                              | rA,rS,UIMM     | XOR Immediate                       |
| xoris                             | rA,rS,UIMM     | XOR Immediate Shifted               |

**Note:** The dot (.) suffix on a mnemonic indicates that the CR register update is enabled. The **o** suffix on a mnemonic indicates that the overflow bit update in the XER is enabled.

### 3.10.2 Recommended Simplified Mnemonics

To simplify assembly language coding, a set of alternative mnemonics is provided for some frequently used operations (such as no-op, load immediate, load address, move register, and complement register).

For a complete list of simplified mnemonics, see the *RCPU Reference Manual*. Programs written to be portable across the various assemblers for the PowerPC ISA architecture should not assume the existence of mnemonics not described in that manual.

### 3.10.3 Calculating Effective Addresses

The effective address (EA) is the 32-bit address computed by the processor when executing a memory access or branch instruction or when fetching the next sequential instruction.

The PowerPC ISA architecture supports two simple memory addressing modes:

- $EA = (rA|0) + 16\text{-bit offset (including offset = 0)}$  (register indirect with immediate index)
- $EA = (rA|0) + rB$  (register indirect with index)

These simple addressing modes allow efficient address generation for memory accesses. Calculation of the effective address for aligned transfers occurs in a single clock cycle.

For a memory access instruction, if the sum of the effective address and the operand length exceeds the maximum effective address, the storage operand is considered to wrap around from the maximum effective address to effective address 0.

Effective address computations for both data and instruction accesses use 32-bit unsigned binary arithmetic. A carry from bit 0 is ignored in 32-bit implementations.

## 3.11 Exception Model

The PowerPC ISA exception mechanism allows the processor to change to supervisor state as a result of external signals, errors, or unusual conditions that arise in the execution of instructions. When exceptions occur, information about the state of the processor is saved to certain registers, and the processor begins execution at an address (exception vector) predetermined for each exception. Processing of exceptions occurs in supervisor mode.

Although multiple exception conditions can map to a single exception vector, a more specific condition may be determined by examining a register associated with the exception — for example, the DAE/source instruction service register (DSISR). Additionally, some exception conditions can be explicitly enabled or disabled by software.

The PowerPC ISA architecture requires that exceptions be taken in program order; therefore, although a particular implementation may recognize exception conditions out of order, they are handled strictly in order with respect to the instruction stream. When an instruction-caused exception is recognized, any unexecuted instructions that appear earlier in the instruction stream, including any that have not yet entered the execute state, are required to complete before the exception is taken. For example, if a single instruction encounters multiple exception conditions, those exceptions are taken and handled sequentially. Likewise, exceptions that are asynchronous and precise are recognized when they occur, but are not handled until all instructions currently in the execute stage successfully complete execution and report their results.

Note that exceptions can occur while an exception handler routine is executing, and multiple exceptions can become nested. It is up to the exception handler to save the appropriate machine state if it is desired that control be returned to the excepting program.

In many cases, after the exception handler handles an exception, there is an attempt to execute the instruction that caused the exception. Instruction execution continues until the next exception condition is



encountered. This method of recognizing and handling exception conditions sequentially guarantees that the machine state is recoverable and processing can resume without losing instruction results.

To prevent the loss of state information, exception handlers must save the information stored in SRR0 and SRR1 soon after the exception is taken to prevent this information from being lost due to another exception being taken.

### 3.11.1 Exception Classes

The RCPU exception classes are shown in [Table 3-18](#).

**Table 3-18. RCPU Exception Classes**

| Class                          | Exception Type                    |
|--------------------------------|-----------------------------------|
| Asynchronous, unordered        | Machine check<br>System reset     |
| Asynchronous, ordered          | External interrupt<br>Decrementer |
| Synchronous (ordered, precise) | Instruction-caused exceptions     |

### 3.11.2 Ordered Exceptions

In the RCPU, all exceptions except for reset, debug port non-maskable interrupts, and machine check exceptions are ordered. Ordered exceptions satisfy the following criteria:

- Only one exception is reported at a time. If, for example, a single instruction encounters multiple exception conditions, those conditions are encountered sequentially. After the exception handler handles an exception, instruction execution continues until the next exception condition is encountered.
- When the exception is taken, no program state is lost.

### 3.11.3 Unordered Exceptions

Unordered exceptions may be reported at any time and are not guaranteed to preserve program state information. The processor can never recover from a reset exception. It can recover from other unordered exceptions in most cases. However, if a debug port non-maskable interrupt or machine check exception occurs during the servicing of a previous exception, the machine state information in SRR0 and SRR1 (and, in some cases, the DAR and DSISR) may not be recoverable; the processor may be in the process of saving or restoring these registers.

To determine whether the machine state is recoverable, the RI (recoverable exception) bit in SRR1 can be read. During exception processing, the RI bit in the MSR is copied to SRR1 and then cleared. The operating system should set the RI bit in the MSR at the end of each exception handler's prologue (after saving the program state) and clear the bit at the start of each exception handler's epilogue (before restoring the program state). Then, if an unordered exception occurs during the servicing of an exception handler, the RI bit in SRR1 will contain the correct value.

### 3.11.4 Precise Exceptions

In the RCPU, all synchronous (instruction-caused) exceptions are precise. When a precise exception occurs, the processor backs the machine up to the instruction causing the exception. This ensures that the machine is in its correct architecturally-defined state. The following conditions exist at the point a precise exception occurs:

1. Architecturally, no instruction following the faulting instruction in the code stream has begun execution.
2. All instructions preceding the faulting instruction appear to have completed with respect to the executing processor.
3. SRR0 addresses either the instruction causing the exception or the immediately following instruction. Which instruction is addressed can be determined from the exception type and the status bits.
4. Depending on the type of exception, the instruction causing the exception may not have begun execution, may have partially completed, or may have completed execution.

### 3.11.5 Exception Vector Table

The setting of the exception prefix (IP) bit in the MSR determines how exceptions are vectored. If the bit is cleared, the exception vector table begins at the physical address 0x0000 0000; if IP is set, the exception vector table begins at the physical address 0xFFFF0 0000. [Table 3-19](#) shows the exception vector offset of the first instruction of the exception handler routine for each exception type.

#### NOTE

In the MPC565, the exception table can additionally be relocated by the BBC module to internal memory and reduce the total size required by the exception table (see [Section 4.3, “Exception Table Relocation \(ETR\).”](#))

**Table 3-19. Exception Vector Offset Table**

| Vector Offset (hex) | Exception Type              | Section   |
|---------------------|-----------------------------|---|
| 00000               | Reserved                    | —   |
| 00100               | System reset, NMI interrupt | <a href="#">Section 3.15.4.1, “System Reset Exception and NMI (0x0100)”</a>       |
| 00200               | Machine Check               | <a href="#">Section 3.15.4.2, “Machine Check Exception (0x0200)”</a>              |
| 00300               | Data Storage                | <a href="#">Section 3.15.4.3, “Data Storage Exception (0x0300)”</a>               |
| 00400               | Reserved                    | Instruction Storage <sup>1</sup>  |
| 00500               | External Interrupt          | <a href="#">Section 3.15.4.5, “External Interrupt (0x0500)”</a>                   |
| 00600               | Alignment                   | <a href="#">Section 3.15.4.6, “Alignment Exception (0x00600)”</a>                 |
| 00700               | Program                     | <a href="#">Section 3.15.4.7, “Program Exception (0x0700)”</a>                    |
| 00800               | Floating-Point Unavailable  | <a href="#">Section 3.15.4.8, “Floating-Point Unavailable Exception (0x0800)”</a> |
| 00900               | Decrementer                 | <a href="#">Section 3.15.4.9, “Decrementer Exception (0x0900)”</a>                |

**Table 3-19. Exception Vector Offset Table (continued)**

| Vector Offset (hex) | Exception Type  | Section   |
|---------------------|---|---|
| 00A00               | Reserved  | —   |
| 00B00               | Reserved  | —   |
| 00C00               | System call   | <a href="#">Section 3.15.4.10, “System Call Exception (0x0C00)”</a>                                     |
| 00D00               | Trace.  | <a href="#">Section 3.15.4.11, “Trace Exception (0x0D00)”</a>   |
| 00E00               | Floating-Point Assist                                     | <a href="#">Section 3.15.4.12, “Floating-Point Assist Exception (0x0E00)”</a>                           |
| 01000               | Implementation-Dependent Software Emulation               | <a href="#">Section 3.15.4.13, “Implementation-Dependent Software Emulation Exception (0x1000)”</a>     |
| 01100               | Reserved  | —   |
| 01200               | Reserved  | —   |
| 01300               | Implementation-Dependent Instruction Protection Exception | <a href="#">Section 3.15.4.14, “Implementation-Dependent Instruction Protection Exception (0x1300)”</a> |
| 01400               | Implementation-Dependent Data Protection Error            | <a href="#">Section 3.15.4.15, “Implementation-Specific Data Protection Error Exception (0x1400)”</a>   |
| 01500–01BFF         | Reserved  | —   |
| 01C00               | Implementation-Dependent Data Breakpoint                  | <a href="#">Section 3.15.4.16, “Implementation-Dependent Debug Exceptions”</a>                          |
| 01D00               | Implementation-Dependent Instruction Breakpoint           | <a href="#">Section 3.15.4.16, “Implementation-Dependent Debug Exceptions”</a>                          |
| 01E00               | Implementation-Dependent Maskable External Breakpoint     | <a href="#">Section 3.15.4.16, “Implementation-Dependent Debug Exceptions”</a>                          |
| 01F00               | Implementation-Dependent Non-Maskable External Breakpoint | <a href="#">Section 3.15.4.16, “Implementation-Dependent Debug Exceptions”</a>                          |

<sup>1</sup> This exception will not be generated by hardware.

## 3.12 Instruction Timing

The RCPU processor is pipelined. Because the processing of an instruction is broken into a series of stages, an instruction does not require the processor’s full resources.

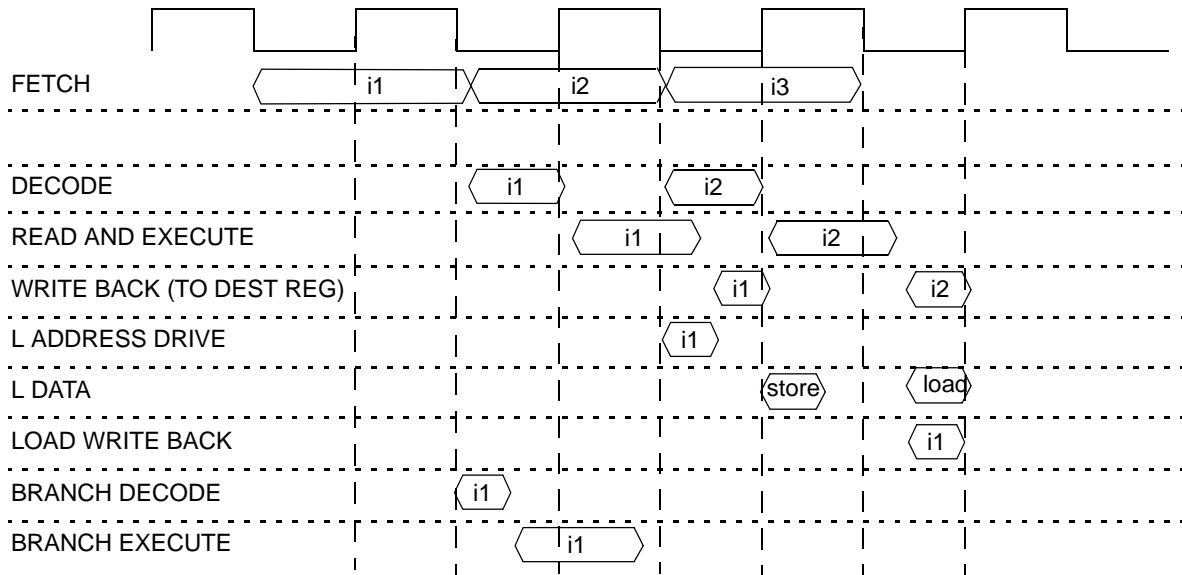
The instruction pipeline in the MPC565 has four stages:

1. The dispatch stage is implemented using a distributed mechanism. The central dispatch unit broadcasts the instruction to all units. In addition, scoreboard information (regarding data dependencies) is broadcast to each execution unit. Each execution unit decodes the instruction. If the instruction is not implemented, a program exception is taken. If the instruction is legal and no data dependency is found, the instruction is accepted by the appropriate execution unit, and the data found in the destination register is copied to the history buffer. If a data dependency exists, the machine is stalled until the dependency is resolved.

2. In the execute stage, each execution unit that has an executable instruction executes the instruction. (For some instructions, this occurs over multiple cycles.)
3. In the writeback stage, the execution unit writes the result to the destination register and reports to the history buffer that the instruction is completed.
4. In the retirement stage, the history buffer retires instructions in architectural order. An instruction retires from the machine if it completes execution with no exceptions and if all instructions preceding it in the instruction stream have finished execution with no exceptions. As many as six instructions can be retired in one clock.

The history buffer maintains the correct architectural machine state. An exception is taken only when the instruction is ready to be retired from the machine (i.e., after all previously-issued instructions have already been retired from the machine). When an exception is taken, all instructions following the excepting instruction are canceled, (i.e., the values of the affected destination registers are restored using the values saved in the history buffer during the dispatch stage).

Figure 3-19 shows basic instruction pipeline timing.



**Figure 3-19. Basic Instruction Pipeline**

Table 3-20 indicates the latency and blockage for each type of instruction. Latency refers to the interval from the time an instruction begins execution until it produces a result that is available for use by a subsequent instruction. Blockage refers to the interval from the time an instruction begins execution until its execution unit is available for a subsequent instruction.

**NOTE**

When the blockage equals the latency, it is not possible to issue another instruction to the same unit in the same cycle in which the first instruction is being written back.

**Table 3-20. Instruction Latency and Blockage**

| Instruction Type               | Precision | Latency               | Blockage              |
|--------------------------------|-----------|-----------------------|-----------------------|
| Floating-point multiply-add    | Double    | 7                     | 7                     |
|                                | Single    | 6                     | 6                     |
| Floating-point add or subtract | Double    | 4                     | 4                     |
|                                | Single    | 4                     | 4                     |
| Floating-point multiply        | Double    | 5                     | 5                     |
|                                | Single    | 4                     | 4                     |
| Floating-point divide          | Double    | 17                    | 17                    |
|                                | Single    | 10                    | 10                    |
| Integer multiply               | —         | 2                     | 1 or 2 <sup>1</sup>   |
| Integer divide                 | —         | 2 to 11 <sup>1</sup>  | 2 to 11 <sup>1</sup>  |
| Integer load/store             | —         | See note <sup>1</sup> | See note <sup>1</sup> |

<sup>1</sup> Refer to Section 7, “Instruction Timing,” in the *RCPU Reference Manual* (RCPURM/AD) for details.

## 3.13 User Instruction Set Architecture (UISA)

### 3.13.1 Computation Modes

The RCPU is a 32-bit implementation of the PowerPC ISA architecture. Any reference in the PowerPC ISA architecture books (UISA, VEA, OEA) regarding 64-bit implementations are not supported by the core. All registers except the floating-point registers are 32 bits wide.

### 3.13.2 Reserved Fields

Reserved fields in instructions are described under the specific instruction definition sections. Unless otherwise noted, reserved fields should be written with a zero when written and return a zero when read. Thus, this type of invalid form instructions yield results of the defined instructions with the appropriate field zero.

In most cases, the reserved fields in registers are ignored on write and return zeros for them on read on any control register implemented by the MPC565. Exception to this rule are bits [16:23] of the fixed-point exception cause register (XER) and the reserved bits of the machine state register (MSR), which are set by the source value on write and return the value last set for it on read.

### 3.13.3 Classes of Instructions

Non-optional instructions are implemented by the hardware. Optional instructions are executed by implementation-dependent code and any attempt to execute one of these commands causes the RCPU to take the implementation-dependent software emulation interrupt (offset 0x01000 of the vector table).

Illegal and reserved instruction class instructions are supported by implementation-dependent code and, thus, the RCPU hardware generates the implementation-dependent software emulation interrupt. Invalid

and preferred instruction forms treatment by the RCPU is described under the specific processor compliance sections.

### 3.13.4 Exceptions

Invocation of the system software for any instruction-caused exception in the MPC565 RCPU is precise, regardless of the type and setting.

### 3.13.5 Branch Processor

The MPC565 RCPU implements all the instructions defined for the branch processor in the UISA in the hardware.

### 3.13.6 Instruction Fetching

The core fetches a number of instructions into its internal buffer (the instruction pre-fetch queue) prior to execution. If a program modifies the instructions it intends to execute, it should call a system library program to ensure that the modifications have been made visible to the instruction fetching mechanism prior to execution of the modified instructions.

### 3.13.7 Branch Instructions

The core implements all the instructions defined for the branch processor by the UISA in the hardware. For performance of various instructions, refer to [Table 3-20](#) of this manual.

#### 3.13.7.1 Invalid Branch Instruction Forms

Bits marked with z in the BO encoding definition are discarded by the MPC565 decoding. Thus, these types of invalid form instructions yield results of the defined instructions with the z-bit zero. If the decrement and test CTR option is specified for the bcctr or bcctrl instructions, the target address of the branch is the new value of the CTR. Condition is evaluated correctly, including the value of the counter after decrement.

#### 3.13.7.2 Branch Prediction

The core uses the y bit to predict path for pre-fetch. Prediction is only done for not-ready branch conditions. No prediction is done for branches to the link or count register if the target address is not ready. Refer to the *RCPU Reference Manual* (conditional branch control) for more information.

### 3.13.8 Fixed-Point Processor

#### 3.13.8.1 Fixed-Point Instructions

The core implements the following instructions:

- Fixed-point arithmetic instructions

- Fixed-point compare instructions
- Fixed-point trap instructions
- Fixed-point logical instructions
- Fixed-point rotate and shift instructions
- Move to/from system register instructions

All instructions are defined for the fixed-point processor in the UISA in the hardware. For performance of the various instructions, refer to [Table 3-20](#).

- Move To/From System Register Instructions. Move to/from invalid special registers in which  $SPR0 = 1$  yields invocation of the privilege instruction error interrupt handler if the processor is in problem state. For a list of all implemented special registers, refer to [Table 3-2](#), and [Table 3-3](#).
- Fixed-Point Arithmetic Instructions. If an attempt is made to perform any of the divisions in the `divw[o][.]` instruction ( $0x80000000 \div -1$ ,  $\langle \text{anything} \rangle \div 0$ ), then the contents of `rD` are  $0x80000000$ ; if  $Rc = 1$ , the contents of bits in CR field 0 are  $LT = 1$ ,  $GT = 0$ ,  $EQ = 0$ , and  $SO$  is set to the correct value. If an attempt is made to perform any of the divisions in the `divw[o][.]` instruction,  $\langle \text{anything} \rangle \div 0$ . In `cmpi`, `cmp`, `cmpli`, and `cmpl` instructions, the L-bit is applicable for 64-bit implementations. In 32-bit implementations, if  $L = 1$  the instruction form is invalid. The core ignores this bit and therefore, the behavior when  $L = 1$  is identical to the valid form instruction with  $L = 0$ .

### 3.13.9 Floating-Point Processor

#### 3.13.9.1 General

The RCPU implements all floating-point features as defined in the UISA, including the non-IEEE working mode. Some features require software assistance. For more information refer to the *RCPU Reference Manual* (Floating-point Load Instructions).

#### 3.13.9.2 Optional Instructions

The only optional instruction implemented by RCPU hardware is store floating-point as integer word indexed (`stfiwx`). An attempt to execute any other optional instruction causes an implementation dependent software emulation exception.

### 3.13.10 Load/Store Processor

The load/store processor supports all of the 32-bit implementation fixed-point PowerPC ISA load/store instructions in the hardware.

#### 3.13.10.1 Fixed-Point Load with Update and Store with Update Instructions

For load with update and store with update instructions, when  $rA = 0$ , the EA is written into R0. For load with update instructions, when  $rA = rD$ ,  $rA$  is boundedly undefined.

### 3.13.10.2 Fixed-Point Load and Store Multiple Instructions

For these types of instructions, EA must be a multiple of four. If it is not, the system alignment error handler is invoked. For a *lmw* instruction (if rA is in the range of registers to be loaded), the instruction completes normally. rA is then loaded from the memory location as follows:

$$rA \leftarrow \text{MEM}(\text{EA} + (rA - rD) * 4, 4)$$

### 3.13.10.3 Fixed-Point Load String Instructions

Load string instructions behave the same as load multiple instructions, with respect to invalid format in which rA is in the range of registers to be loaded. When rA is in range, it is updated from memory.

### 3.13.10.4 Storage Synchronization Instructions

For these type of instructions, EA must be a multiple of four. If it is not, the system alignment error handler is invoked.

### 3.13.10.5 Floating-Point Load and Store With Update Instructions

For Load and Store with update instructions, if rD = 0 then the EA is written into R0.

### 3.13.10.6 Floating-Point Load Single Instructions

When the operand falls in the range of a single denormalized number, the floating-point assist interrupt handler is invoked.

Refer to the *RCPU Reference Manual* (Floating-point Assist For Denormalized Operands) for complete description of handling denormalized floating-point numbers.

### 3.13.10.7 Floating-Point Store Single Instructions

When the operand falls in the range of a single denormalized number, the floating-point assist interrupt handler is invoked.

When the operand is ZERO it is converted to the correct signed ZERO in single-precision format.

When the operand is between the range of single denormalized and double denormalized it is considered a programming error. The hardware will handle this case as if the operand was single denormalized.

When the operand falls in the range of double denormalized numbers it is considered a programming error. The hardware will handle this case as if the operand was ZERO.

The following check is done on the stored operand in order to determine whether it is a denormalized single-precision operand and invoke the floating-point assist interrupt handler:

$$(\text{frS}[1:11] \neq 0) \text{ AND } (\text{frS}[1:11] \leq 896) \tag{Eqn. 3-1}$$

Refer to the *RCPU Reference Manual* (Floating-Point Assist for Denormalized Operands) for complete description of handling denormalized floating-point numbers.



### 3.13.10.8 Optional Instructions

No optional instructions are supported.

## 3.14 Virtual Environment Architecture (VEA)

### 3.14.1 Atomic Update Primitives

Both the `lwarx` and `stwcx` instructions are implemented according to the PowerPC ISA architecture requirements. The MPC565 does not provide support for snooping an external bus activity outside the chip. The provision is made to cancel the reservation inside the MPC565 by using the `CR` and `KR` input signals. Internal buses are snooped for RCPU accesses, and the reservation mechanism can be used for multitask single master applications.

### 3.14.2 Effect of Operand Placement on Performance

The load/store unit hardware supports all of the PowerPC ISA load/store instructions. An optimal performance is obtained for naturally aligned operands. These accesses result in optimal performance (one bus cycle) for up to four bytes in size and good performance (two bus cycles) for double precision floating-point operands. Unaligned operands are supported in hardware and are broken into a series of aligned transfers. The effect of operand placement on performance is as stated in the VEA, except for the case of 8-byte operands. In that case, since the MPC565RCPU uses a 32-bit wide data bus, the performance is good rather than optimal.

### 3.14.3 Storage Control Instructions

The RCPU does not implement the following cache control instructions: `icbi`, `dcbt`, `dcbi`, `dcbf`, `dcbz`, `dcbst`, and `dcbstst`.

### 3.14.4 Instruction Synchronize (`isync`) Instruction

The `isync` instruction causes a reflect which waits for all prior instructions to complete and then executes the next sequential instruction. Any instruction after an `isync` will see all effects of prior instructions.

### 3.14.5 Enforce In-Order Execution of I/O (`eieio`) Instruction

When executing an `eieio` instruction, the load/store unit will wait until all previous accesses have terminated before issuing cycles associated with load/store instructions following the `eieio` instruction.

### 3.14.6 Time Base

A description of the time base register may be found in [Chapter 6, “System Configuration and Protection,”](#) and in [Chapter 8, “Clocks and Power Control.”](#)

## 3.15 Operating Environment Architecture (OEA)

The has an internal memory space that includes memory-mapped control registers and internal memory used by various modules on the chip. This memory is part of the main memory as seen by the RCPU and can be accessed by an external system master.

### 3.15.1 Branch Processor Registers

#### 3.15.1.1 Machine State Register (MSR)

The floating-point exception mode encoding in the RCPU is as shown in [Table 3-21](#).

**Table 3-21. Floating-Point Exception Mode Encoding**

| Mode              | FE0 | FE1 |
|-------------------|-----|-----|
| Ignore exceptions | 0   | 0   |
| Precise           | 0   | 1   |
| Precise           | 1   | 0   |
| Precise           | 1   | 1   |

The SF bit is reserved set to zero. The IP bit initial state after reset is set as programmed by the reset configuration as specified by the USIU characteristics.

#### 3.15.1.2 Branch Processors Instructions

The RCPU implements all the instructions defined for the branch processor in the UISA in the hardware.

### 3.15.2 Fixed-Point Processor

#### 3.15.2.1 Special Purpose Registers

- **Unsupported Registers** — The following registers are not supported by the MPC565: SDR, EAR, IBAT0U, IBAT0L, IBAT1U, IBAT1L, IBAT2U, IBAT2L, IBAT3U, IBAT3L, DBAT0U, DBAT0L, DBAT1U, DBAT1L, DBAT2L, DBAT3U, DBAT3L.
- **Added Registers** — For a list of added special purpose registers, refer to [Table 3-2](#), and [Table 3-3](#).

#### 3.15.3 Storage Control Instructions

Storage control instructions mtsr, mtsrin, mfsr, mfsrin, dcbi, tlbie, tlbia, and tlbsync are not implemented by the MPC565.

#### 3.15.4 Exceptions

The following paragraphs define the types of OEA exceptions. The exception table vector defines the offset value by exception type. Refer to [Table 3-19](#).

### 3.15.4.1 System Reset Exception and NMI (0x0100)

A system reset exception occurs when:

- Any reset signal is asserted:  $\overline{\text{PORESET}}$ ,  $\overline{\text{HRESET}}$ , or  $\overline{\text{SRESET}}$
- An internal reset is requested, such as from the software watchdog timer

Settings caused by reset as shown in [Table 3-22](#).

**Table 3-22. Settings Caused by Reset**

| Register      | Setting   |
|---------------|---|
| MSR           | IP depends on internal data bus configuration word; ME is unchanged. DCM PEN is set according to (BBCMCR[EN_COMP] AND BBCMCR[EXC_COMP]). All other bits are cleared |
| SRR0          | Undefined   |
| SRR1          | Undefined   |
| FPECR         | 0x0000 0000   |
| ICTRL         | 0x0000 0000   |
| LCTRL1        | 0x0000 0000   |
| LCTRL2        | 0x0000 0000   |
| COUNTA[16:31] | 0x0000 0000   |
| COUNTB[16:31] | 0x0000 0000   |

A non-maskable interrupt (NMI) occurs when the  $\overline{\text{IRQ0}}$  is asserted and the following registers are set.

**Table 3-23. Register Settings following an NMI**

| Register Name                               | Bits   | Description  |
|---|--------|--|
| Save/Restore Register 0 (SRR0) <sup>1</sup> | All    | Set to the effective address of the next instruction the processor executes if no interrupt conditions are present                               |
| Save/Restore Register 1 (SRR1)              | 1:4    | Cleared to 0   |
|   | 10:15  | Cleared to 0   |
|   | Other  | Loaded from bits [16:31] of MSR. In the current implementation, bit 30 of the SRR1 is never cleared, except by loading a zero value from MSR[RI] |
| Machine State Register (MSR)                | IP     | No change  |
|   | ME     | No change  |
|   | LE     | Bit is copied from ILE   |
|   | DCMPEN | This bit is set according to (BBCMCR[EN_COMP] AND BBCMCR[EXC_COMP])  |
|   | Other  | Cleared to 0   |

<sup>1</sup> If the RCPU is in decompression on mode, SRR0 will contain a compressed address.

Execution begins at physical address 0x0100 if the hard reset configuration word IP bit is cleared to 0. Execution begins at physical address 0xFFF0 0100 if the hard reset configuration word IP bit is set to 1.

### 3.15.4.2 Machine Check Exception (0x0200)

A machine-check exception is assumed to be caused by one of the following conditions:

- The accessed address does not exist.
- A data error was detected.
- A storage protection violation was detected by chip-select logic.

When a machine-check exception occurs, the processor does one of the following:

- Takes a machine check exception;
- Enters the checkstop state; or
- Enters debug mode.

Which action is taken depends on the value of the MSR[ME] bit, whether or not debug mode was enabled at reset, and (if debug mode is enabled) the values of the CHSTPE (checkstop enable) and MCIE (machine check enable) bits in the debug enable register (DER). [Table 3-24](#) summarizes the possibilities. When the processor is in the checkstop state, instruction processing is suspended and cannot be restarted without resetting the core.

**Table 3-24. Machine Check Exception Processor Actions**

| MSR[ME] | Debug Mode Enable | CHSTPE | MCIE | Action Performed when Exception Detected  |
|---------|-------------------|--------|------|---|
| 0       | 0                 | X      | X    | Enter checkstop state                     |
| 1       | 0                 | X      | X    | Branch to machine-check exception handler |
| 0       | 1                 | 0      | X    | Enter checkstop state                     |
| 0       | 1                 | 1      | X    | Enter debug mode                          |
| 1       | 1                 | X      | 0    | Branch to machine-check exception handler |
| 1       | 1                 | X      | 1    | Enter debug mode                          |

An indication is sent to the USIU which may generate an automatic reset in this condition. Refer to [Chapter 7, “Reset,”](#) for more details.

The register settings for machine check exceptions are shown in [Table 3-25](#).

**Table 3-25. Register Settings following a Machine Check Exception**

| Register Name                               | Bits | Description   |
|---|------|---|
| Save/Restore Register 0 (SRR0) <sup>1</sup> | All  | Set to the effective address of the instruction that caused the interrupt |

**Table 3-25. Register Settings following a Machine Check Exception (continued)**

| Register Name   | Bits               | Description  |
|---|--------------------|--|
| Save/Restore Register 1 (SRR1)                              | 0 <sup>2</sup>     | MSR0   |
|   | 1                  | Set to 1 for instruction fetch-related errors and 0 for load/store-related errors  |
|   | 2:4                | Cleared to 0   |
|   | 5:9 <sup>2</sup>   | MSR[5:9]   |
|   | 10:15              | Cleared to 0   |
|   | 16:31 <sup>2</sup> | Loaded from bits [16:31] of MSR. In the current implementation, bit 30 of the SRR1 is never cleared, except by loading a zero value from MSR[RI] |
| Machine State Register (MSR)                                | IP                 | No change  |
|   | ME                 | No change  |
|   | LE                 | Bit is copied from ILE   |
|   | DCMPEN             | This bit is set according to (BBCMCR[EN_COMP] AND BBCMCR[EXC_COMP])  |
|   | Other              | Cleared to 0   |
| Data/Storage Interrupt Status Register (DSISR) <sup>3</sup> | 0:14               | Cleared to 0   |
|   | 15:16              | Set to bits [29:30] of the instruction if X-form and to 0b00 if D-form   |
|   | 17                 | Set to bit 25 of the instruction if X-form and to Bit 5 if D-form  |
|   | 18:21              | Set to bits [21:24] of the instruction if X-form and to bits [1:4] if D-form   |
|   | 22:31              | Set to bits [6:15] of the instruction  |
| Data Address Register (DAR) <sup>3</sup>                    | All                | Set to the effective address of the data access that caused the interrupt  |

<sup>1</sup> If the exception occurs due to a data error caused by a Load/Store instruction and the processor in Decompression On mode, the SRR0 register will contain the address of the Load/Store instruction in compressed format. If the exception occurs due to an instruction fetch in Decompression On mode, the SRR0 register will contain an indeterminate value.

<sup>2</sup> This bit is loaded from the corresponding bit in the MSR when an interrupt is taken. The appropriate bit in MSR is loaded from this bit when an RFI is executed.

<sup>3</sup> DSISR and DAR registers are only updated when the machine check exception is caused by a data access violation.

when a machine check exception is taken, instruction execution resumes at offset 0x0200 from the base address indicated by MSR[IP].

### 3.15.4.3 Data Storage Exception (0x0300)

A data storage exception is never generated by the RCPU hardware. The software may branch to this location as a result of implementation-specific data storage protection error exception.

### 3.15.4.4 Instruction Storage Exception (0x0400)

An instruction storage interrupt is never generated by the RCPU hardware. The software may branch to this location as a result of an implementation-specific instruction storage protection error exception.

### 3.15.4.5 External Interrupt (0x0500)

The external interrupt exception is taken on assertion of the internal  $\overline{\text{IRQ}}$  line to the RCPU, that is driven by on-chip interrupt controller. The interrupt may be caused by the assertion of an external  $\overline{\text{IRQ}}$  signal, by a USIU timer, or by an internal chip peripheral. Refer to [Section 6.1.4, “Enhanced Interrupt Controller,”](#) for more information on the interrupt controller.

The interrupt may be delayed by other higher priority exceptions or if the MSR[EE] bit is cleared when the exception occurs. MSR[EE] is automatically cleared by hardware to disable external interrupts when any exception is taken.

Upon detecting an external interrupt, the processor assigns it to the instruction at the head of the history buffer (after retiring all instructions that are ready to retire).

The enhanced interrupt controller mode is available for interrupt-driven applications on MPC565. It allows the single external interrupt exception vector 0x500 to be split into up to 48 different vectors corresponding to 48 interrupt sources to speed up interrupt processing. It also supports a low priority source masking feature in hardware to handle nested interrupts more easily. See [Section 6.1.4, “Enhanced Interrupt Controller,”](#) and [Chapter 4, “Burst Buffer Controller 2 Module.”](#)

The register settings for the external interrupt exception are shown in [Table 3-26](#).

**Table 3-26. Register Settings following External Interrupt**

| Register                                    | Bits    | Setting Description  |
|---|---------|--|
| Save/Restore Register 0 (SRR0) <sup>1</sup> | All     | Set to the effective address of the instruction that the processor would have attempted to execute next if no interrupt conditions were present. |
| Save/Restore Register 1 (SRR1)              | [0:15]  | Cleared to 0   |
|   | [16:31] | Loaded from bits [16:31] of MSR. In the current implementation, bit 30 of the SRR1 is never cleared, except by loading a zero value from MSR[RI] |
| Machine State Register (MSR)                | IP      | No change  |
|   | ME      | No change  |
|   | LE      | Set to value of ILE bit prior to the exception   |
|   | DCMPEN  | This bit is set according to (BBCMCR[EN_COMP] AND BBCMCR[EXC_COMP])  |
|   | Other   | Cleared to 0   |

<sup>1</sup> If the exception occurs during an instruction fetch in Decompression On mode, the SRR0 register will contain an address in compressed format.

When an external interrupt is taken, instruction execution resumes at offset 0x00500 from the physical base address indicated by MSR[IP].

### 3.15.4.6 Alignment Exception (0x00600)

The following conditions cause an alignment exception:

- The operand of a floating-point load or store instruction is not word-aligned.
- The operand of a load or store multiple instruction is not word-aligned.
- The operand of `lwarx` or `stwx`. is not word-aligned.

Alignment exceptions use the `SRR0` and `SRR1` to save the machine state and the `DSISR` to determine the source of the exception.

The register settings for alignment exceptions are shown in [Table 3-27](#).

**Table 3-27. Register Settings for Alignment Exception**

| Register                                    | Bits    | Setting Description  |
|---|---------|--|
| Save/Restore Register 0 (SRR0) <sup>1</sup> |         | Set to the effective address of the instruction that caused the exception.   |
| Save/Restore Register 1 (SRR1)              | [0:15]  | Cleared to 0   |
|   | [16:31] | Loaded from bits [16:31] of MSR. In the current implementation, bit 30 of the SRR1 is never cleared, except by loading a zero value from MSR[RI] |
| Machine State Register (MSR)                | IP      | No change  |
|   | ME      | No change  |
|   | LE      | Set to value of ILE bit prior to the exception   |
|   | DCMPEN  | This bit is set according to (BBCMCR[EN_COMP] AND BBCMCR[EXC_COMP])  |
|   | Other   | Cleared to 0   |

**Table 3-27. Register Settings for Alignment Exception (continued)**

| Register                                       | Bits    | Setting Description   |
|--|---------|---|
| Data/Storage Interrupt Status Register (DSISR) | [0:11]  | Cleared to 0  |
|  | [12:13] | Cleared to 0  |
|  | 14      | Cleared to 0  |
|  | [15:16] | For instructions that use register indirect with index addressing, set to bits [29:30] of the instruction.<br>For instructions that use register indirect with immediate index addressing, cleared.   |
|  | 17      | For instructions that use register indirect with index addressing, set to bit 25 of the instruction.<br>For instructions that use register indirect with immediate index addressing, set to bit 5 of the instruction.                             |
|  | [18:21] | For instructions that use register indirect with index addressing, set to bits [21:24] of the instruction.<br>For instructions that use register indirect with immediate index addressing, set to bits [1:4] of the instruction.                  |
|  | [22:26] | Set to bits [6:10] (source or destination) of the instruction.  |
|  | [27:31] | Set to bits [11:15] of the instruction (rA). Set to either bits [11:15] of the instruction or to any register number not in the range of registers loaded by a valid form instruction, for lmw, lswi, and lswx instructions. Otherwise undefined. |

<sup>1</sup> If the exception occurs during an instruction fetch in decompression-on mode, the SRR0 register will contain a compressed address.

**NOTE**

For load or store instructions that use register indirect with index addressing, the DSISR can be set to the same value that would have resulted if the corresponding instruction uses register indirect with immediate index addressing had caused the exception. Similarly, for load or store instructions that use register indirect with immediate index addressing, DSISR can hold a value that would have resulted from an instruction that uses register indirect with index addressing. (If there is no corresponding instruction, no alternative value can be specified.)

When an alignment exception is taken, instruction execution resumes at offset 0x00600 from the physical base address indicated by MSR[IP].

**3.15.4.7 Program Exception (0x0700)**

A program exception occurs when no higher priority exception exists and one or more of the following exception conditions, which correspond to bit settings in SRR1, occur during execution of an instruction:

- System floating-point enabled exception — A system floating-point enabled exception is generated when the following condition is met as a result of a move to FPSCR instruction, move to MSR (mtmsr) instruction, or return from interrupt (rfi) instruction:



- (MSR[FE0] | MSR[FE1]) and- FPSCR[FEX] = 1.
- Notice that in the RCPU implementation of the PowerPC ISA architecture, a program interrupt is not generated by a floating-point arithmetic instruction that results in the condition shown above; a floating-point assist exception is generated instead.
- Privileged instruction — A privileged instruction type program exception is generated by any of the following conditions:
  - The execution of a privileged instruction (mfmsr, mtmsr, or rfi) is attempted and the processor is operating at the user privilege level (MSR[PR] = 1).
  - The execution of mtspr or mfspr where SPR0 = 1 in the instruction encoding (indicating a supervisor-access register) and MSR[PR] = 1 (indicating the processor is operating at the user privilege level), provided the SPR instruction field encoding represents either:
    - a valid internal-to-the-processor special-purpose register; or
    - an external-to-the-processor special-purpose register (either valid or invalid).
- Trap — A trap type program exception is generated when any of the conditions specified in a trap instruction is met.

The register settings for program exceptions are shown in [Table 3-28](#).

**Table 3-28. Register Settings following Program Exception**

| Register                                    | Bits    | Setting Description   |
|---|---------|---|
| Save/Restore Register 0 (SRR0) <sup>1</sup> | All     | Contains the effective address of the excepting instruction   |
| Save/Restore Register 1 (SRR1) <sup>2</sup> | [0:10]  | Cleared to 0  |
|   | 11      | Set for a floating-point enabled program exception; otherwise cleared.  |
|   | 12      | Cleared to 0.   |
|   | 13      | Set for a privileged instruction program exception; otherwise cleared.  |
|   | 14      | Set for a trap program exception; otherwise cleared.  |
|   | 15      | Cleared to 0 if SRR0 contains the address of the instruction causing the exception, and set if SRR0 contains the address of a subsequent instruction. |
|   | [16:31] | Loaded from bits [16:31] of MSR. In the current implementation, bit 30 of the SRR1 is never cleared, except by loading a zero value from MSR[RI].     |
| Machine State Register (MSR)                | IP      | No change   |
|   | ME      | No change   |
|   | LE      | Set to value of ILE bit prior to the exception  |
|   | DCMPEN  | This bit is set according to (BBCMCR[EN_COMP] AND BBCMCR[EXC_COMP])   |
|   | Other   | Cleared to 0  |

- <sup>1</sup> If the exception occurs during an instruction fetch in Decompression On mode, the SRR0 register will contain a compressed address.
- <sup>2</sup> Only one of bits 11, 13, and 14 can be set.

When a program exception is taken, instruction execution resumes at offset 0x0700 from the physical base address indicated by MSR[IP].

### 3.15.4.8 Floating-Point Unavailable Exception (0x0800)

A floating-point unavailable exception occurs when no higher priority exception exists, an attempt is made to execute a floating-point instruction (including floating-point load, store, and move instructions), and the floating-point available bit in the MSR is disabled, (MSR[FP] = 0).

**Table 3-29. Register Settings following a Floating-Point Unavailable Exception**

| Register                                    | Bits    | Setting Description  |
|---|---------|--|
| Save/Restore Register 0 (SRR0) <sup>1</sup> | All     | Set to the effective address of the instruction that caused the exception. |
| Save/Restore Register 1 (SRR1)              | [0:15]  | Cleared to 0   |
|   | [16:31] | Loaded from MSR[16:31]   |
| Machine State Register (MSR)                | IP      | No change  |
|   | ME      | No change  |
|   | LE      | Set to value of ILE bit prior to the exception                             |
|   | DCMPEN  | This bit is set according to (BBCMCR[EN_COMP] AND BBCMCR[EXC_COMP])        |
|   | Other   | Cleared to 0   |

<sup>1</sup> If the exception occurs during an instruction fetch in Decompression On mode, the SRR0 register will contain a compressed address.

### 3.15.4.9 Decrementer Exception (0x0900)

A decrementer exception occurs when no higher priority exception exists, the decrementer register has completed decrementing, and MSR[EE] = 1. The decrementer exception request is canceled when the exception is handled. The decrementer register counts down, causing an exception (unless masked) when passing through zero. The decrementer implementation meets the following requirements:

- Loading a GPR from the decrementer does not affect the decrementer.
- Storing a GPR value to the decrementer replaces the value in the decrementer with the value in the GPR.
- Whenever bit 0 of the decrementer changes from zero to one, an exception request is signaled. If multiple decrementer exception requests are received before the first can be reported, only one exception is reported. The occurrence of a decrementer exception cancels the request.
- If the decrementer is altered by software and if bit 0 is changed from zero to one, an interrupt request is signaled.

The register settings for the decremter exception are shown in [Table 3-30](#).

**Table 3-30. Register Settings Following a Decrementer Exception**

| Register                                    | Bits    | Setting Description  |
|---|---------|--|
| Save/Restore Register 0 (SRR0) <sup>1</sup> | All     | Set to the effective address of the instruction that the processor would have attempted to execute next if no exception conditions were present. |
| Save/Restore Register 1 (SRR1)              | [0:15]  | Cleared to 0   |
|   | [16:31] | Loaded from MSR[16:31]   |
| Machine State Register (MSR)                | IP      | No change  |
|   | ME      | No change  |
|   | LE      | Set to value of ILE bit prior to the exception   |
|   | DCMPEN  | This bit is set according to (BBCMCR[EN_COMP] AND BBCMCR[EXC_COMP])  |
|   | Other   | Cleared to 0   |

<sup>1</sup> If the exception occurs during an instruction fetch in Decompression On mode, the SRR0 register will contain a compressed address.

When a decremter exception is taken, instruction execution resumes at offset 0x0900 from the physical base address indicated by MSR[IP].

### 3.15.4.10 System Call Exception (0x0C00)

A system call exception occurs when a system call instruction is executed. The effective address of the instruction following the sc instruction is placed into SRR0. MSR[16:31] are placed into SRR1[16:31], and SRR1[0:15] are set to undefined values. Then a system call exception is generated.

The system call instruction is context synchronizing. That is, when a system call exception occurs, instruction dispatch is halted and the following synchronization is performed:

1. The exception mechanism waits for all instructions in execution to complete to a point where they report all exceptions they will cause.
2. The processor ensures that all instructions in execution complete in the context in which they began execution.
3. Instructions dispatched after the exception is processed are fetched and executed in the context established by the exception mechanism.

Register settings are shown in [Table 3-31](#).

**Table 3-31. Register Settings following a System Call Exception**

| Register                                    | Bits    | Setting Description   |
|---|---------|---|
| Save/Restore Register 0 (SRR0) <sup>1</sup> | All     | Set to the effective address of the instruction following the System Call instruction |
| Save/Restore Register 1 (SRR1)              | [0:15]  | Undefined   |
|   | [16:31] | Loaded from MSR[16:31]  |

**Table 3-31. Register Settings following a System Call Exception (continued)**

| Register                     |        | Setting Description   |
|------------------------------|--------|---|
| Machine State Register (MSR) | IP     | No change   |
|                              | ME     | No change   |
|                              | LE     | Set to value of ILE bit prior to the exception                      |
|                              | DCMPEN | This bit is set according to (BBCMCR[EN_COMP] AND BBCMCR[EXC_COMP]) |
|                              | Other  | Cleared to 0  |

<sup>1</sup> If the exception occurs during a data access in Decompression On mode, the SRR0 register will contain the address of the Load/Store instruction in compressed format. If the exception occurs during an instruction fetch in decompression on mode, the SRR0 register will contain an indeterminate value.

When a system call exception is taken, instruction execution resumes at offset 0x00C00 from the physical base address indicated by MSR[IP].

### 3.15.4.11 Trace Exception (0x0D00)

A trace interrupt occurs if MSR[SE] = 1 and any instruction except rfi is successfully completed or MSR[BE]= 1 and a branch is completed. Notice that the trace interrupt does not occur after an instruction that caused an interrupt (for instance, sc). Monitor/debugger software must change the vectors of other possible interrupt addresses to single-step such instructions. If this is unacceptable, other debug features can be used. Refer to [Chapter 22, “Development Support,”](#) for more information. See [Table 3-32](#) for Trace Exception register settings.

**Table 3-32. Register Settings following a Trace Exception**

| Register Name                               | Bits   | Description  |
|---|--------|--|
| Save/Restore Register 0 (SRR0) <sup>1</sup> | All    | Set to the effective address of the instruction following the executed instruction   |
| Save/Restore Register 1 (SRR1)              | 1:4    | Cleared to 0   |
|   | 10:15  | Cleared to 0   |
|   | Other  | Loaded from bits [16:31] of MSR. In the current implementation, bit 30 of the SRR1 is never cleared, except by loading a zero value from MSR[RI] |
| Machine State Register (MSR)                | IP     | No change  |
|   | ME     | No change  |
|   | LE     | Bit is copied from ILE   |
|   | DCMPEN | This bit is set according to (BBCMCR[EN_COMP] AND BBCMCR[EXC_COMP])  |
|   | Other  | Cleared to 0   |

<sup>1</sup> If the exception occurs during an instruction fetch in Decompression On mode, the SRR0 register will contain a compressed address.

Execution resumes at offset 0x0D00 from the base address indicated by MSR[IP].

### 3.15.4.12 Floating-Point Assist Exception (0x0E00)

A floating point assist exception occurs when the following conditions are true:

- A floating-point enabled exception condition is detected;
- The corresponding floating-point enable bit in the FPSCR (floating point status and control register) is set (exception enabled); and
- $MSR[FE0] \mid MSR[FE1] = 1$

These conditions are summarized in the following equation:

$$(MSR[FE0] \mid MSR[FE1]) \text{ AND } FPSCR[FEX] = 1$$

Note that when  $((MSR[FE0] \mid MSR[FE1]) \text{ AND } FPSCR[FEX])$  is set as a result of move to FPSCR, move to MSR or rfi, a program exception is generated, rather than a floating-point assist exception.

A floating point assist exception also occurs when a tiny result is detected and the floating point underflow exception is disabled ( $FPSCR[UE] = 0$ ).

The register settings for floating-point assist exceptions are shown in [Table 3-33](#).

**Table 3-33. Register Settings following Floating-Point Assist Exceptions**

| Register Name                               | Bits   | Description  |
|---|--------|--|
| Save/Restore Register 0 (SRR0) <sup>1</sup> | All    | Set to the effective address of the instruction that caused the interrupt  |
| Save/Restore Register 1 (SRR1)              | 1:4    | Cleared to 0   |
|   | 10:15  | Cleared to 0   |
|   | Other  | Loaded from bits [16:31] of MSR. In the current implementation, bit 30 of the SRR1 is never cleared, except by loading a zero value from MSR[RI] |
| Machine State Register (MSR)                | IP     | No change  |
|   | ME     | No change  |
|   | LE     | Bit is copied from ILE   |
|   | DCMPEN | This bit is set according to $(BBCMCR[EN\_COMP] \text{ AND } BBCMCR[EXC\_COMP])$   |
|   | Other  | Cleared to 0   |

<sup>1</sup> If the exception occurs during an instruction fetch in Decompression On mode, the SRR0 register will contain a compressed address.

When a floating-point exception is taken, instruction execution resumes at offset 0x0E00 from the base address indicated by MSR[IP].

### 3.15.4.13 Implementation-Dependent Software Emulation Exception (0x1000)

An implementation-dependent software emulation exception occurs in the following instances:

- When executing any non-implemented instruction. This includes all illegal and unimplemented optional instructions and all floating-point instructions.
- When executing a mtspr or mfspr instruction that specifies an un-implemented internal-to-the-processor SPR, regardless of the value of bit 0 of the SPR.
- When executing a mtspr or mfspr that specifies an un-implemented external-to-the-processor register and  $SPR0 = 0$  or  $MSR[PR] = 0$  (no program interrupt condition).

[Table 3-34](#) shows the register settings set when a software emulation exception occurs.

**Table 3-34. Register Settings following a Software Emulation Exception**

| Register Name                               | Bits   | Description   |
|---|--------|---|
| Save/Restore Register 0 (SRR0) <sup>1</sup> | All    | Set to the effective address of the instruction that caused the interrupt   |
| Save/Restore Register 1 (SRR1)              | 1:4    | Cleared to 0  |
|   | 10:15  | Cleared to 0  |
|   | Other  | Loaded from bits [16:31] of MSR. In the current implementation, bit 30 of the SRR1 is never cleared, except by loading a zero value from MSR[RI]. |
| Machine State Register (MSR)                | IP     | No change   |
|   | ME     | No change   |
|   | LE     | Bit is copied from ILE  |
|   | DCMPEN | This bit is set according to (BBCMCR[EN_COMP] AND BBCMCR[EXC_COMP])   |
|   | Other  | Cleared to 0  |

<sup>1</sup> If the exception occurs during an instruction fetch in Decompression On mode, the SRR0 register will contain a compressed address.

Execution resumes at offset 0x01000 from the base address indicated by MSR[IP].

### 3.15.4.14 Implementation-Dependent Instruction Protection Exception (0x1300)

The implementation-specific instruction storage protection error interrupt occurs in the following cases:

- The fetch access violates storage protection and MSR[IR] = 1.
- The fetch access is to guarded storage and MSR[IR] = 1.

The register settings for instruction protection exceptions are shown in [Table 3-35](#).

**Table 3-35. Register Settings following an Instruction Protection Exception**

| Register Name                               | Bits  | Description  |
|---|-------|--|
| Save/Restore Register 0 (SRR0) <sup>1</sup> | All   | Set to the effective address of the instruction that caused the exception  |
| Save/Restore Register 1 (SRR1)              | 0:2   | Cleared to 0   |
|   | 3     | Set to 1 if the fetch access was to a guarded storage when MSR[IR] = 1, otherwise clear to 0   |
|   | 4     | Set to 1 if the storage access is not permitted by the protection mechanism (IMPU in BBC) and MSR[IR] = 1; otherwise clear to 0                  |
|   | 5:15  | Cleared to 0   |
|   | 16:31 | Loaded from bits [16:31] of MSR. In the current implementation, bit 30 of the SRR1 is never cleared, except by loading a zero value from MSR[IR] |

**Table 3-35. Register Settings following an Instruction Protection Exception (continued)**

| Register Name                | Bits   | Description   |
|------------------------------|--------|---|
| Machine State Register (MSR) | IP     | No change   |
|                              | ME     | No change   |
|                              | LE     | Bit is copied from ILE  |
|                              | DCMPEN | This bit is set according to (BBCMCR[EN_COMP] AND BBCMCR[EXC_COMP]) |
|                              | Other  | Cleared to 0  |

<sup>1</sup> If the exception occurs during an instruction fetch in Decompression On mode, the SRR0 register will contain an indeterminate value.

Execution resumes at offset 0x1300 from the base address indicated by MSR[IP].

### 3.15.4.15 Implementation-Specific Data Protection Error Exception (0x1400)

The implementation-specific data protection error exception occurs in the following case:

- The data access violates the storage protection and MSR[DR]=1. See [Chapter 11, “L-Bus to U-Bus Interface \(L2U\).”](#)

See [Table 3-36](#) for data-protection-error exception register settings.

**Table 3-36. Register Settings Following a Data Protection Error Exception**

| Register Name                                  | Bits   | Description  |
|--|--------|--|
| Save/Restore Register 0 (SRR0) <sup>1</sup>    | All    | Set to the effective address of the instruction that caused the exception  |
| Save/Restore Register 1 (SRR1)                 | 0:15   | Cleared to 0   |
|  | Other  | Loaded from bits [16:31] of MSR. In the current implementation, bit 30 of the SRR1 is never cleared, except by loading a zero value from MSR[RI] |
| Machine State Register (MSR)                   | IP     | No change  |
|  | ME     | No change  |
|  | LE     | Bit is copied from ILE   |
|  | DCMPEN | This bit is set according to (BBCMCR[EN_COMP] AND BBCMCR[EXC_COMP])  |
|  | Other  | Cleared to 0   |
| Data/Storage Interrupt Status Register (DSISR) | 0:3    | Cleared to 0   |
|  | 4      | Set to 1 if the storage access is not permitted by the protection mechanism. Otherwise cleared to 0  |
|  | 5      | Cleared to 0   |
|  | 6      | Set to 1 for a store operation and cleared to 0 for a load operation   |
|  | 7:31   | Cleared to 0   |
| Data Address Register (DAR)                    | All    | Set to the effective address of the data access that caused the exception  |

<sup>1</sup> If the exception occurs during a data access in Decompression On mode, the SRR0 register will contain the address of the Load/Store instruction in compressed format.

When a data protection error exception is taken, instruction execution resumes at offset 0x1400 from the base address indicated by MSR[IP].

### 3.15.4.16 Implementation-Dependent Debug Exceptions

Implementation-dependent debug exceptions occur in the following cases:

- When there is an internal breakpoint match (for more details, refer to [Chapter 22, “Development Support.”](#))
- When a peripheral breakpoint request is asserted to the RCPU.
- When the development port request is asserted to the RCPU. Refer to [Chapter 22, “Development Support,”](#) for details on how to generate the development port-interrupt request.

See [Table 3-37](#) for debug-exception register settings.

**Table 3-37. Register Settings Following a Debug Exception**

| Register Name                               | Bits   | Description   |
|---|--------|---|
| Save/Restore Register 0 (SRR0) <sup>1</sup> | All    | For I-breakpoints, set to the effective address of the instruction that caused the interrupt. For L-breakpoint, set to the effective address of the instruction following the instruction that caused the interrupt. For development port maskable request or a peripheral breakpoint, set to the effective address of the instruction that the processor would have executed next if no interrupt conditions were present. If the development port request is asserted at reset, the value of SRR0 is undefined. |
| Save/Restore Register 1 (SRR1)              | 1:4    | Cleared to 0  |
|   | 10:15  | Cleared to 0  |
|   | Other  | Loaded from bits [16:31] of MSR. In the current implementation, bit 30 of the SRR1 is never cleared, except by loading a zero value from MSR[RI]. If the development port request is asserted at reset, the value of SRR1 is undefined.   |
| Machine State Register (MSR)                | IP     | No change   |
|   | ME     | No change   |
|   | LE     | Bit is copied from ILE  |
|   | DCMPEN | This bit is set according to (BBCMCR[EN_COMP] AND BBCMCR[EXC_COMP])   |
|   | Other  | Cleared to 0  |

<sup>1</sup> If the exception occurs during an instruction fetch in Decompression On mode, the SRR0 register will contain the instruction address in compressed format.

For data breakpoint exceptions, the register shown in [Table 3-38](#) is set.



**Table 3-38. Register Settings for Data Breakpoint Match**

| Register Name | Bits | Description  |
|---------------|------|--|
| BAR           |      | Set to the effective address of the data access as computed by the instruction that caused the interrupt |

Execution resumes at offset from the base address indicated by MSR[IP] as follows:

- 0x01C00 – For data breakpoint match
- 0x01D00 – For instruction breakpoint match
- 0x01E00 – For development port maskable request or a peripheral breakpoint
- 0x01F00 – For development port non-maskable request

### 3.15.5 Partially Executed Instructions

In general, the architecture permits instructions to be partially executed when an alignment or data storage interrupt occurs. In the core, instructions are not executed at all if an alignment interrupt condition is detected and data storage interrupt is never generated by the hardware. In the RCPU, the instruction can be partially executed only in the case of the load/store instructions that cause multiple accesses to the memory subsystem. These instructions are:

- Multiple/string instructions
- Unaligned load/store instructions

In the last case, the store instruction can be partially completed if one of the accesses (except the first one) causes the data storage protection error. The implementation-specific data storage protection interrupt is taken in this case. For the update forms, the update register (rA) is not altered.

### 3.15.6 Timer Facilities

Descriptions of the timebase and decremter registers can be found in [Chapter 6, “System Configuration and Protection,”](#) and in [Chapter 8, “Clocks and Power Control.”](#)

### 3.15.7 Optional Facilities and Instructions

Any other OEA optional facilities and instructions (except those that are discussed here) are not implemented by the MPC565RCPU hardware. Attempting to execute any of these instructions causes an implementation dependent software emulation interrupt to be taken.



## Chapter 4

# Burst Buffer Controller 2 Module

The burst buffer controller module (BBC) consists of four main functional parts: the bus interface unit (BIU), the instruction memory protection unit (IMPU), branch target buffer (BTB) and the instruction code decompressor unit (ICDU). See [Figure 4-1](#). Information about decompression features of the BBC is found in [Appendix A, “MPC566 Compression Features.”](#)

The BBC master BIU interfaces between the RCPU instruction port and the internal U-bus and can support burstable and non-burstable U-bus accesses.

The IMPU allows the instruction memory to be divided into four regions with different protection attributes. The IMPU compares the attributes of the RCPU memory access request with the attributes of the appropriate region. If the access is allowed, the proper signals are sent to the BIU. If access to the memory region is disallowed because the region is protected, an interrupt is sent to the RCPU and the master BIU cancels U-bus access.

The IMPU is able to relocate the RCPU exception vectors. The IMPU always maps the exception vectors into the internal memory space of the MPC565. This feature is important for a multi-MPC565 system, where, although the internal memories of some controllers are not shifted to the lower 4 Mbytes, they can still have their own internal exception vector tables with the same exception addresses issued by their RCPU cores.

The IMPU also supports an MPC565-enhanced interrupt controller by extending an exception vector's relocation mechanism to translate the RCPU external interrupt exception vector separately and splitting it into 48 different vectors, corresponding to the code generated by the interrupt controller. See also [Section 6.1.4.4, “Enhanced Interrupt Controller Operation.”](#)

The branch target buffer (BTB) improves the performance of the MPC565 by holding and supplying previously accessed or decompressed instructions to the RCPU core. The BTB can be enabled in either decompression on or off mode.

The ICDU provides decompressed instructions to RCPU in the decompression ON mode and contains a 4 Kbyte RAM (DECRAM) to hold decompression vocabularies. The DECRAM can serve as a general purpose RAM memory on the U-bus if code compression is not used.

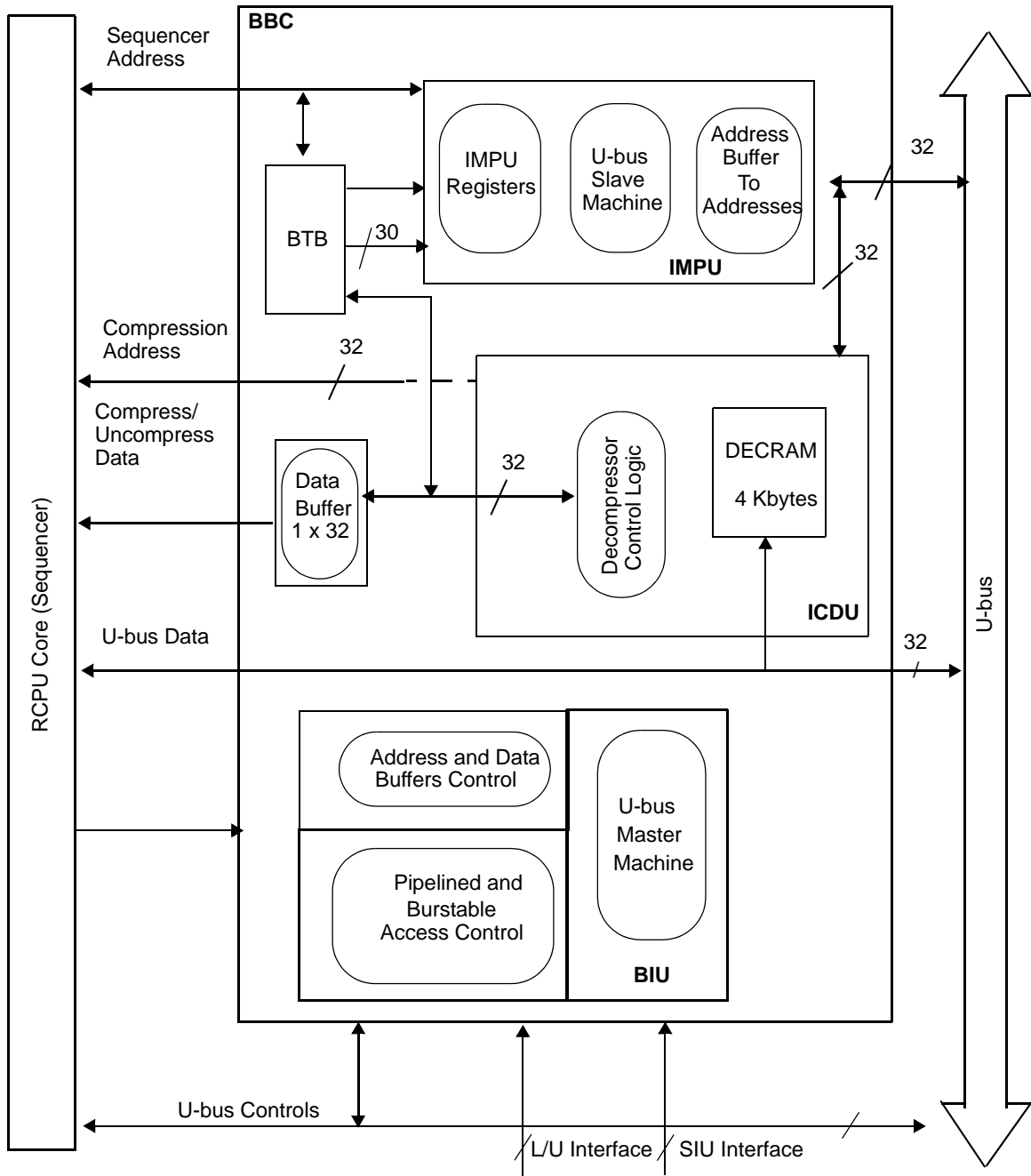


Figure 4-1. BBC Module Block Diagram

## 4.1 Key Features

### 4.1.1 BIU Key Features

- Supports pipelined and burstable and single accesses to internal and external memories
- Supports the decoupled interface with the RCPU instruction unit

- Implements a parked master on the U-bus, resulting in zero clock delays for RCPU fetch accesses to the U-bus
- Fully utilizes the U-bus pipeline for fetch accesses
- Avoids undesirable delays through a tight interface with the L2U module (fully utilizing U-bus bandwidth and back-to-back accesses)
- Supports program trace and show cycles
- Supports a special attribute for debug port fetch accesses.

### 4.1.2 IMPU Key Features

- There are four regions in which the base address and size can be programmed.
- Available region sizes include 2 Kbytes, 8 Kbytes, 16 Kbytes, 32 Kbytes, 64 Kbytes, 128 Kbytes, 256 Kbytes, 512 Kbytes, 1 Mbyte, 2 Mbytes, 4 Mbytes, 8 Mbytes, 16 Mbytes....4 Gbytes.
- Overlap between regions is allowed.
- Each of the four regions supports the following attributes:
  - User/supervisor
  - Guard attribute (causes an interrupt in case of speculative fetch attempt)
  - Compressed/non-compressed (MPC566 only)
  - Regions are enabled or disabled in software.
- Global region entry declares the default access attributes for all memory areas not covered by the four regions:
- The RCPU gets the instruction storage protection exception generated upon
  - An access violation of protection attributes
  - A fetch from a guarded region.
- The RCPU MSR[IR] bit controls IMPU protection.
- Programming is performed by using the RCPU mtspr/mfspr instructions to/from implementation specific special-purpose registers.
- The IMPU supplies relocation addresses of all the exceptions within the internal memory space.
- The IMPU implements external interrupt vector splitting to reduce the external interrupt latency.
- There is a special reset exception vector for decompression on mode (MPC566 only).

### 4.1.3 ICDU Key Features

The following are instruction code decompression unit key features of the MPC566 See [Appendix A, “MPC566 Compression Features”](#) for more information.

- Instruction code on-line decompression based on “instruction classes” algorithm.
- No need for address translation between compressed and non-compressed address spaces — ICDU provides “next instruction address” to the RCPU
- In most cases, instruction decompression takes one clock
- Code decompression is pipelined:

- No performance penalty during sequential program flow execution
- Minimal performance penalty due to change of program flow execution
- Two operation modes are available: decompression on and decompression off. Switch between compressed and non-compressed user application software parts is possible.
- Adaptive vocabularies scheme is supported; each user application can have its own optimum vocabularies.

#### 4.1.4 DECRAM Key Features

- Four Kbytes RAM for decompression vocabulary tables
- 2 clock read/write accesses when used as a U-bus general-purpose RAM
- 4 clock load/store accesses from the L-bus
- Byte, half-word (16-bit) or word (32-bit) read/write accesses and fetches
- Special access protection functions
- Low-power standby operation for data retention

#### 4.1.5 Branch Target Buffer Key Features

- Consists of eight “branch target entries” (BTE). Each entry contains:
  - A 32-bit register that stores the target of historical change of flow (COF) address
  - Four RAM entries, 38 bits each, which hold up to four valid instruction OPCODES (32 bits). The six extra bits are used by ICDU in decompression on mode.
  - A 32-bit register that stores the values used to calculate the address following the last valid instruction.
- FIFO removal policy management is implemented for the eight BTEs
- Software-controlled BTB enable/disable and invalidate
- User transparent (that is, no user management is required)

## 4.2 Operation Modes

### 4.2.1 Instruction Fetch

The BBC provides two instruction fetch modes: decompression off and decompression on. The operational modes are defined by RCPU MSR[DCMPEN] bit. If the bit is set, the mode is decompression on. Otherwise, it is in decompression off.

#### 4.2.1.1 Decompression Off Mode

In this mode, the MPC566 bus interface unit (BIU) module transfers fetch accesses from the RCPU to the U-bus. When a new access is issued by the RCPU, it is transferred in parallel to both the IMPU and the BIU. The IMPU compares the address of the access to its region programming. The BIU checks if the access can be immediately transferred to the U-bus, otherwise it requests the U-bus for the next clock.

The BIU may be programmed for burstable or non-burstable access. If the BIU is programmed for burstable access, the U-bus address phase transaction is accompanied by the burst request attribute. If burstable access is allowed by the U-bus slave, the BIU continues current access as burstable, otherwise current access is executed as a single access. If any protection violation is detected by the IMPU, the current U-bus access is aborted by the BIU and an exception is signaled to the RCPU.

Show cycle, program trace and debug port access attributes accompanying the RCPU access are forwarded by the BIU along with the U-bus access.

#### 4.2.1.2 Decompression On Mode

See [Appendix A, “MPC566 Compression Features”](#) for explanation of the decompression on mode.

### 4.2.2 Burst Operation of the BBC

The BBC may initiate and handle burst accesses on the U-bus. The BBCMCR[BE] bit determines whether the BBC operates burst cycles or not. Burst requests are enabled when the BE bit is set. The BBC handles non-wrap-around bursts with up to 4 data beats on the internal U-bus.

#### NOTE

The burst operation in the MPC565 is useful if a user system implements burstable memory devices on the external bus. Otherwise the mode will cause performance degradation when running code from external memory.

When the RCPU runs in serialized mode it is recommended that bursts be disabled by the BBC to speed up MPC565 operation.

Burst operation for decompression on and in debug mode is disabled regardless of BBCMCR[BE] bit setting.

The BBC burst should be turned off if the USIU burst feature is enabled.

### 4.2.3 Access Violation Detection

Instruction memory protection is assigned on a regional basis. Default operation of IMPU is done on a global region. The IMPU has control registers which contain the following information: region protection on/off, region base address, size and access permissions.

Protection logic is activated only if the RCPU MSR[IR] bit is set.

During each fetch request from the RCPU core to instruction memory, the address is compared to a value in the region base address of enabled regions. Any address matching the specific region within its appropriate size as defined in the region attribute register sets a match indication.

When more than one match indication occurs, the effective region is the region with the highest priority. Priority is determined by region number. The lowest region number has the highest priority and the global region has lowest priority.

When no match happens, the effective region is the global region.

The region attribute registers contain the region protection fields: PP, G, and CMPR. The protection fields are compared to address attributes issued by the RCPU. If the access is permitted, the address is passed to the BIU and further to the U-bus.

Whenever the IMPU detects access violation, the following actions are taken:

1. The request forwarded to the BIU is canceled
2. The RCPU is informed that the requested address caused an access violation by exception request.

However, if the required address contains a show cycle attribute, the BIU delivers the access onto the U-bus to obtain program tracking.

The exception vector (address) that the RCPU issues for this exception has a 0x1300 offset in the RCPU exception vector table. The access violation status is provided in the RCPU SRR1 special purpose register.

The encoding of the status bits is as follows:

- SRR1 [1] = 0
- SRR1 [3] = Guarded storage
- SRR1 [4] = Protected storage or compression violation
- SRR1 [10] = 0

Only one bit is set at a time.

#### 4.2.4 Slave Operation

The BBC is operating as a U-bus slave when the IMPU registers, decompressor RAM (DECRAM) or ICDU registers are accessed from the U-bus. The IMPU register programming is done using PowerPC ISA mtspr/mfspr instructions. The ICDU configuration registers (DCCRs) and DECRAM are mapped into the chip memory space and accessed by load/store instructions. DCCR and DECRAM accesses may be disabled by BBCMCR[DCAE]. Refer to [Section 4.6.2.1, “BBC Module Configuration Register \(BBCMCR\).”](#)

#### 4.2.5 Reset Behavior

Upon soft reset, the BBC switches to an idle state and all pending U-bus accesses are ignored, the ICDU internal queue is flushed and the IMPU switches to a disabled state where all memory space is accessible for both user and supervisor.

Hard reset sets some of the fields and bits in the BBC configuration registers to their default reset state. Some bits in the BBCMCR register get their values from the reset configuration word.

All the registers are reset using  $\overline{\text{HRESET}}$ ;  $\overline{\text{SRESET}}$  alone has no effect on them.



## NOTE

Because  $\overline{\text{HRESET}}$  resets the EN\_COMP bit and the EXC\_COMP bit but  $\overline{\text{SRESET}}$  does not, there may be different behavior between  $\overline{\text{HRESET}}$  and  $\overline{\text{SRESET}}$  when both EN\_COMP and EXC\_COMP are set. Special care must be taken to ensure operation in a known mode whenever reset occurs. The reset states of these bits are determined by reset configuration words. The location of the reset vector is dependent on the value of the MSR[IP] bit in the RCPU. If MSR[IP] is set, the exception table relocation feature can be used. See [Section 4.3.1, “ETR Operation.”](#)

### 4.2.6 Debug Operation Mode

When the MPC565 RCPU core is in debug mode, the BBC initiates non-burstable access to the debug port and ICDU is bypassed (i.e., instructions transmitted to the debug port must be non-compressed regardless of RCPU MSR[DCMPEN] bit state).

### 4.3 Exception Table Relocation (ETR)

The BBC is able to relocate the exception addresses of the RCPU. The relocation feature always maps the exception addresses into the internal memory space of the MPC565. See [Figure 4-2](#). This feature is important in multi-MPC565 systems, where, although the memory map in some was shifted to not be on the lower 4 Mbytes, their RCPU cores can still access their own exception handlers in their internal Flash in spite of several RCPUs issuing the same exception addresses.

The relocation also saves wasted space between the exception table entries in the case where each exception entry contained only a branch instruction to the exception routine, which is located elsewhere.

The exception vector table may be programmed to be located in four places in the MPC565 internal memory space.

The exception table relocation is supported in both decompression on and decompression off operation modes.

The RESET routine vector is relocated differently in decompression on and in decompression off modes. This feature may be used by a software code compression tool to guarantee that a vocabulary table initialization routine is always executed before application code is running.

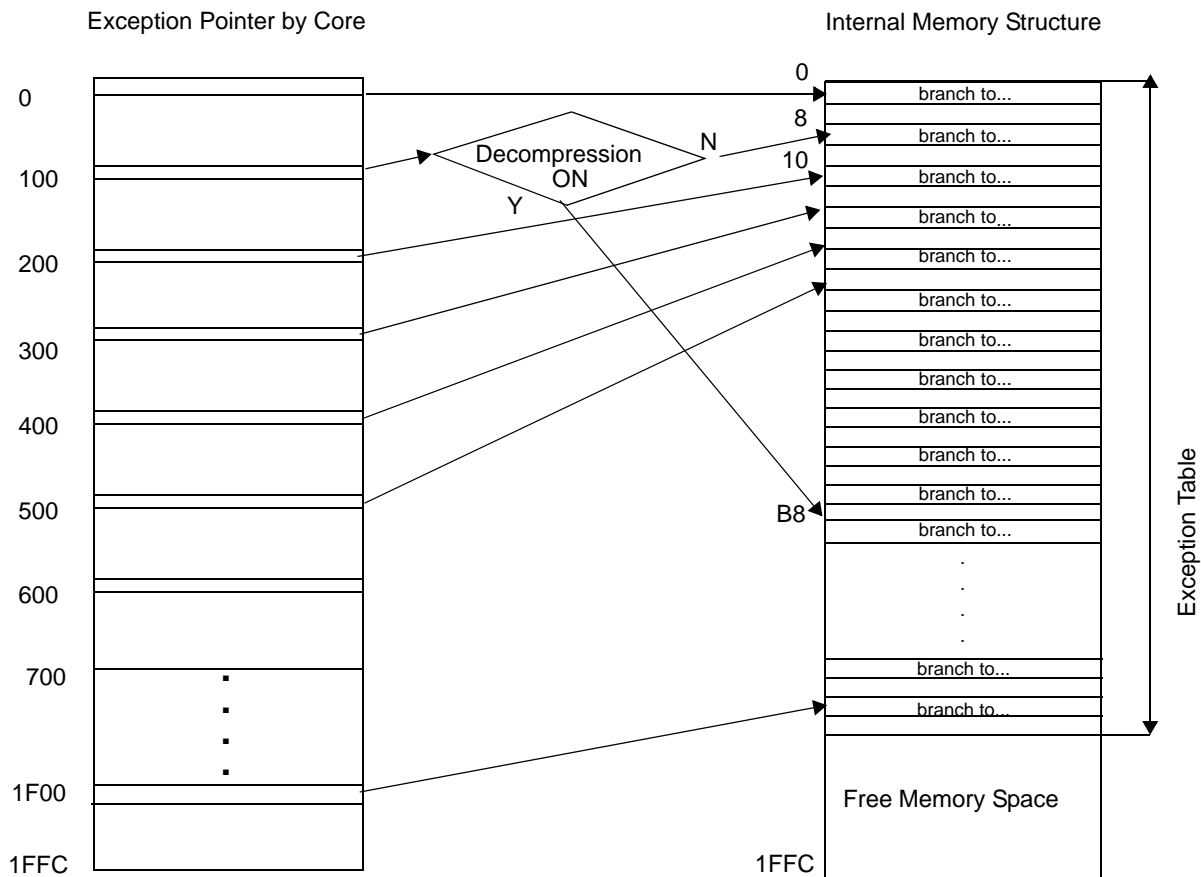


Figure 4-2. Exception Table Entries Mapping

### 4.3.1 ETR Operation

The exception vectors generated by the RCPU are 0x100 bytes apart from each other, starting at address 0x0000 0100 or 0xFFFF0 0100, depending on the value of MSR[IP] bit in the RCPU.

If the exception table relocation is disabled by the ETRE bit in the BBCMCR register, the BBC transfers the exception fetch address to the U-bus of the MPC565 with no interference. In this case, normal PowerPC ISA exception addressing is implemented.

If the exception table relocation is enabled, the BBC translates the exception vector into the exception relocation address as shown in Table 4-1. At that location, a branch instruction with absolute addressing (ba) must be placed. Each ba instruction branches to the required exception routine. These branch instructions should be successive in that region of memory. That way, a table of branch instructions is implemented. Executing the branch instruction causes the core to branch twice until it gets to the exception routine.

Each exception relocation table entry occupies two words to support decompression on mode, where a branch instruction can be more than 32 bits long. The branch table can be located in four locations in the internal memory, the location is defined by BBCMCR[OERC] as shown in Table 4-2.

## NOTE

The 8 Kbytes allocated for the original PowerPC ISA exception table can be almost fully utilized. This is possible if the MPC565 system memory is *not* mapped to the exception address space, (i.e., the addresses 0xFFFF0 0000 to 0xFFFF0 1FFF are not used).

In such case, these 8 Kbytes can be fully utilized by the compiler, except for the lower 64 words (256 bytes) which are dedicated for the branch instructions.

If the RCPU, while executing an exception, issues any address between two successive exception entries (e.g., 0xFFFF0 0104), then the operation of the MPC565 is not guaranteed if the ETR is enabled.

In order to activate the exception table relocation feature, the following steps are required:

1. Set the RCPU MSR[IP] bit
2. Set the BBCMCR[ETRE] bit. See [Section 4.6.2.1, “BBC Module Configuration Register \(BBCMCR\),”](#) for programming details.

The ETR feature can be activated from reset, by setting corresponding bits in the reset configuration word.

**Table 4-1. Exception Addresses Mapping**

| Name of Exception                           | Original Address Issues by Core | Mapped Address by Exception Table Relocation Logic |                                 |
|---|---------------------------------|--|---------------------------------|
| Reserved                                    | 0xFFFF0 0000                    | Page_Offset+0x000                                  |                                 |
| System Reset                                | 0xFFFF0 0100                    | Compression disabled                               | Compression enabled             |
|   |                                 | Page_Offset <sup>1</sup> +0x08                     | Page_Offset <sup>1</sup> +0x0B8 |
| Machine Check                               | 0xFFFF0 0200                    | Page_Offset+0x010                                  |                                 |
| Reserved                                    | 0xFFFF0 0300                    | Page_Offset+0x018                                  |                                 |
| Reserved                                    | 0xFFFF0 0400                    | Page_Offset+0x020                                  |                                 |
| External Interrupt <sup>2</sup>             | 0xFFFF0 0500                    | Page_Offset+0x028                                  |                                 |
| Alignment                                   | 0xFFFF0 0600                    | Page_Offset+0x030                                  |                                 |
| Program                                     | 0xFFFF0 0700                    | Page_Offset+0x038                                  |                                 |
| Floating Point unavailable                  | 0xFFFF0 0800                    | Page_Offset+0x040                                  |                                 |
| Decrementer                                 | 0xFFFF0 0900                    | Page_Offset+0x048                                  |                                 |
| Reserved                                    | 0xFFFF0 0A00                    | Page_Offset+0x050                                  |                                 |
| Reserved                                    | 0xFFFF0 0B00                    | Page_Offset+0x058                                  |                                 |
| System Call                                 | 0xFFFF0 0C00                    | Page_Offset+0x060                                  |                                 |
| Trace                                       | 0xFFFF0 0D00                    | Page_Offset+0x068                                  |                                 |
| Floating Point Assist                       | 0xFFFF0 0E00                    | Page_Offset+0x070                                  |                                 |
| Implementation Dependent Software Emulation | 0xFFFF0 1000                    | Page_Offset+0x080                                  |                                 |

**Table 4-1. Exception Addresses Mapping (continued)**

| Name of Exception   | Original Address Issues by Core | Mapped Address by Exception Table Relocation Logic |
|---|---------------------------------|--|
| Implementation Dependent Instruction Storage Protection Error | 0xFFFF0 1300                    | Page_Offset+0x098                                  |
| Implementation Dependent Data Storage Protection Error        | 0xFFFF0 1400                    | Page_Offset+0x0A0                                  |
| Implementation Dependent Data Breakpoint                      | 0xFFFF0 1C00                    | Page_Offset+0x0E0                                  |
| Implementation Dependent Instruction Breakpoint               | 0x0FFF 1D00                     | Page_Offset+0x0E8                                  |
| Implementation Dependent Maskable External Breakpoint         | 0xFFFF0 1E00                    | Page_Offset+0x0F0                                  |
| Non-Maskable External Breakpoint                              | 0xFFFF0 1F00                    | Page_Offset+0x0F8                                  |

<sup>1</sup> Refer to [Table 4-2](#).

<sup>2</sup> 0x500 is remapped if the EEIR feature is enabled. See [Section 4.3.2, “Enhanced External Interrupt Relocation \(EEIR\)”](#).

**Table 4-2. Exception Relocation Page Offset**

| BBCMCR(OERC[0:1]) |   | Page Offset                   | Comments               |
|-------------------|---|-------------------------------|------------------------|
| 0                 | 0 | 0x0 + ISB offset <sup>1</sup> | 0                      |
| 0                 | 1 | 0x1 0000 + ISB offset         | 64 Kbytes <sup>2</sup> |
| 1                 | 0 | 0x8 0000 + ISB offset         | 512 Kbytes             |
| 1                 | 1 | 0x3F E000 + ISB offset        | L-bus (CALRAM) Address |

<sup>1</sup> ISB offset is equal 4M \* ISB (0x400000 \* ISB), where ISB is value of bit field in USIU IMMR register.

<sup>2</sup> This offset is different from the MPC555.

### 4.3.2 Enhanced External Interrupt Relocation (EEIR)

The BBC also supports the enhanced external interrupt model of the MPC565 which allows the removal of the interrupt requesting a source detection stage from the interrupt routine. The interrupt controller provides the interrupt vector to the BBC together with an interrupt request to the RCPU. When the RCPU acknowledges an interrupt request, it issues an external interrupt vector to the BBC. The BBC logic detects this address and replaces it with another address corresponding to the interrupt controller vector, which is defined by the highest priority interrupt request from a peripheral module or external interrupt request pin. See [Figure 4-3](#).

The external interrupt relocation table should be placed at the physical address defined in the external interrupt relocation table base address register. See [Section 4.6.2.5, “External Interrupt Relocation Table](#)

**Base Address Register (EIBADR).**” This is the base address of a branch table. See [Table 6-4](#) and [Figure 4-3](#).

Each table entry must contain a branch absolute (ba) instruction to the first instruction of an interrupt service routine. Each table entry occupies two words (eight bytes) to support decompression on mode, where a branch instruction can be more than 32 bits long.

The memory space allocated for the external interrupt relocation table is up to 2 Kbytes. If part of the external interrupt relocation table entry is not used, it may be utilized for another purpose such as instruction code space or data space.

In order to activate the external interrupt relocation feature, the following steps are required:

1. Program the EIBADR register to the external interrupt branch table base address. See [Section 4.6.2.5, “External Interrupt Relocation Table Base Address Register \(EIBADR\).”](#)
2. Set the MSR[IP] bit.
3. Set the BBCMCR[EIR] bit. See [Section 4.6.2.1, “BBC Module Configuration Register \(BBCMCR\),”](#) for programming details.

#### NOTE

If both the enhanced external interrupt relocation and exception table relocation functions are activated simultaneously, the final external interrupt vector is defined by EEIR mechanism.

When the EEIR function is activated, any branch instruction execution with the 0xFFFF0 0500 target address may cause unpredictable program execution.

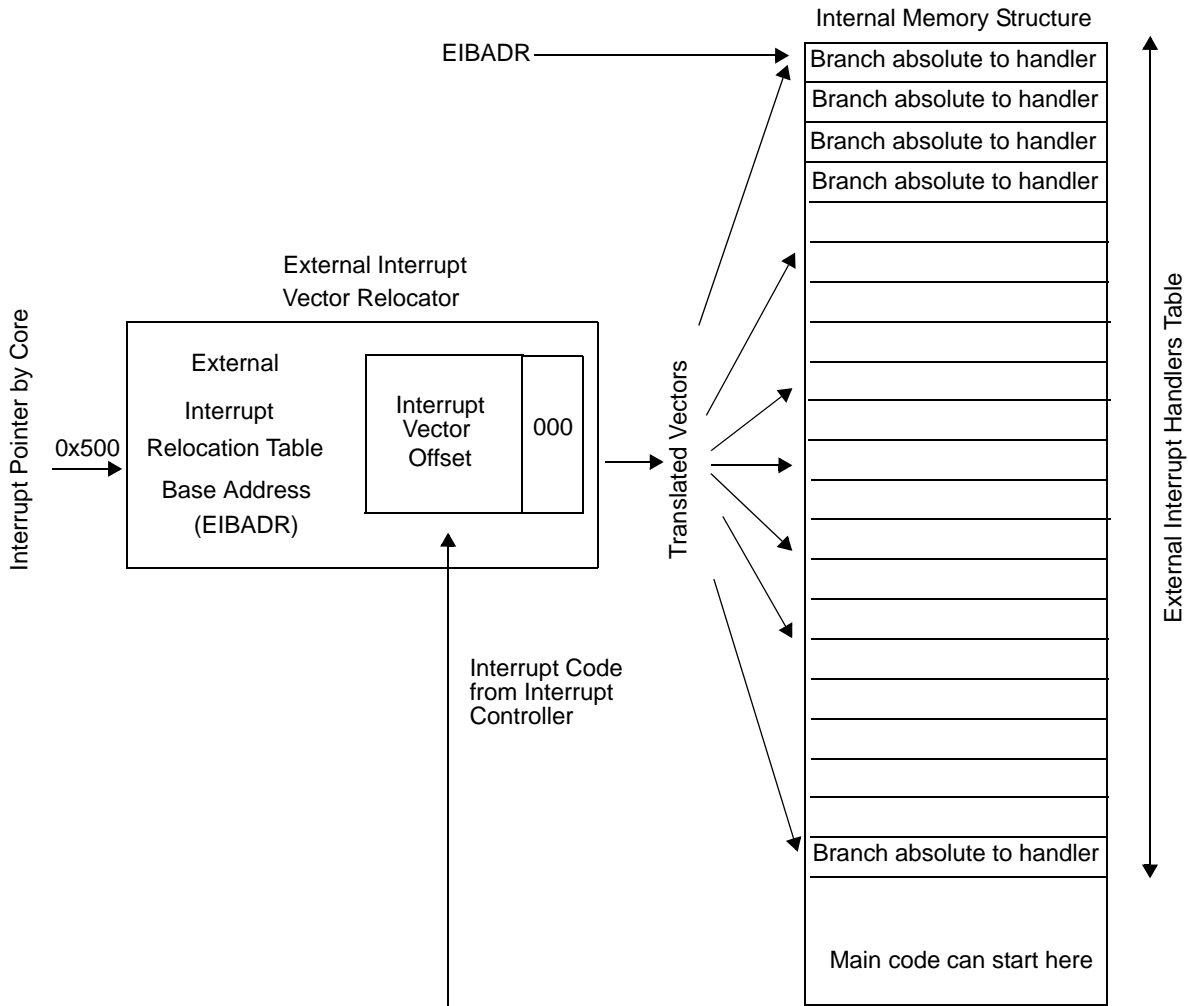


Figure 4-3. External Interrupt Vectors Splitting

## 4.4 Decompressor RAM (DECRAM) Functionality

Decompressor RAM (DECRAM) is a part of the ICPU. It occupies a 4-Kbyte physical RAM array block. It is mapped both in the ICPU internal address space and in the chip memory address space. It is a single port memory and may not be accessed simultaneously from the ICPU and U-bus.

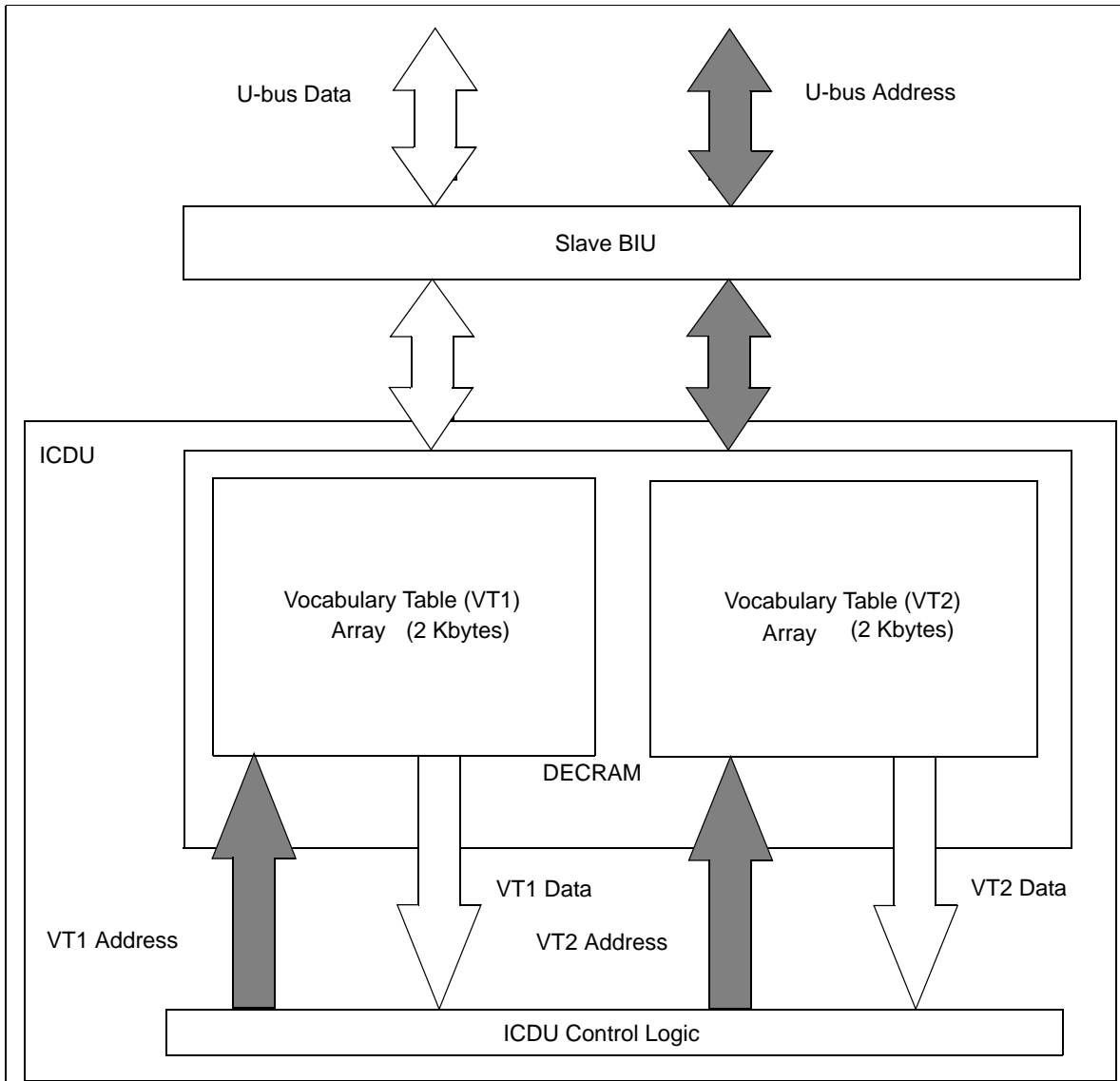


Figure 4-4. DECRAM Interfaces Block Diagram

#### 4.4.1 General-Purpose Memory Operation

In the case of decompression off mode, the DECRAM can serve as a two-clock access general-purpose RAM for U-bus instruction fetches or four-clock access for read/write data operations. The base address of the DECRAM is 0x2F 8000. See [Figure 4-6](#). The proper access rights to the DECRAM array may be defined by programming the R, D, and S bits of the BBCMCR register:

- Read/write or read only
- Instruction/data or data only
- Supervisor/user or supervisor only

U-bus access mode of the RAM is activated by the BBCMCR[DCAE] bit setting (see [Section 4.6.2.1, “BBC Module Configuration Register \(BBCMCR\)”](#)). In this mode the DECRAM can be accessed from the U-bus and cannot be accessed by the ICDU logic.

In this mode:

- The DECRAM supports word, half-word and byte operations.
- The DECRAM is emulated to be 32 bits wide. For example: a load access from offset 0 in the DECRAM will deliver the concatenation of the first word in each of the DECRAM banks when RAM 1 contains the 16 LSB of the word and RAM 2 contains the 16 MSB.
- Load accesses at any width are supplied with 32 bits of valid data.
- The DECRAM communicates with the U-bus pipeline but does not support pipelined accesses to itself. If a store operation is second in the U-bus pipe, the store is carried out immediately and the U-bus acknowledgment is performed when the previous transaction in the pipe completes.
- Burst access is not supported.

#### NOTE

Instructions running from the DECRAM should not also perform store operations to the DECRAM.

#### 4.4.1.1 Memory Protection Violations

The DECRAM module does not acknowledge U-bus accesses that violate the configuration defined in the BBCMCR. This causes the machine check exception for the internal RCPU or an error condition for the MPC565 external master.

#### 4.4.1.2 DECRAM Standby Operation Mode

The bus interface and DECRAM control logic are powered by  $V_{DD}$  supply. The memory array is supplied by a separate power pin (VDDSRAM3). If main power is shut off, VDDSRAM3 may subsequently be lowered for purposes of low voltage data retention.

When the DECRAM array is powered only by the VDDSRAM3 pin, access to the RAM array is blocked.

### 4.5 Branch Target Buffer

The burst buffer controller contains a branch target buffer (BTB) to reduce the impact of branches on processor performance. Following is a summary of the BTB features:

- Software controlled BTB enable/disable, inhibit, and invalidate
- User transparent — no user management required

The BTB consists of eight branch target entries (BTE). Refer to [Figure 4-5](#). All entries are managed as a fully associative cache. Each entry contains a tag and several data buffers related to this tag.



## 4.5.1 BTB Operation

When the RCPU generates a change of flow (COF) address for instruction fetch, the BTB control logic compares it to the tag values currently stored in the tag register file where the following events can happen:

- **BTE Miss** — The target address and instruction code data will be stored in one of the BTE entries defined by its control logic. Up to four instructions and their corresponding addresses subsequent to the COF target instruction may be saved in each BTE entry. The number of valid instructions currently stored in the BTE entry is written into the VDC field of the current BTE entry. The valid flag is set at the end of this process. The entry to be replaced upon miss is chosen based on FIFO replacement method. Thus the BTB can support up to eight different branch target addresses in a program loop.
- **BTE Hit** — When the target address of a branch matches one of the valid BTE entries, two activities take place in parallel:
  - The BTB supplies all the valid instructions in the matched entry to the RCPU.
  - The BIU starts to prefetch new instructions (and ICDU decompresses them in compressed mode) from the address following the last instruction that is stored in the matched BTB entry. The BBC will supply these new instructions to the RCPU after all the stored instructions in the matched BTB entry were delivered.

In case of a BTB hit, the impact of instruction decompression latency (in compressed mode) is eliminated as well as a latency of instruction storage memory device.

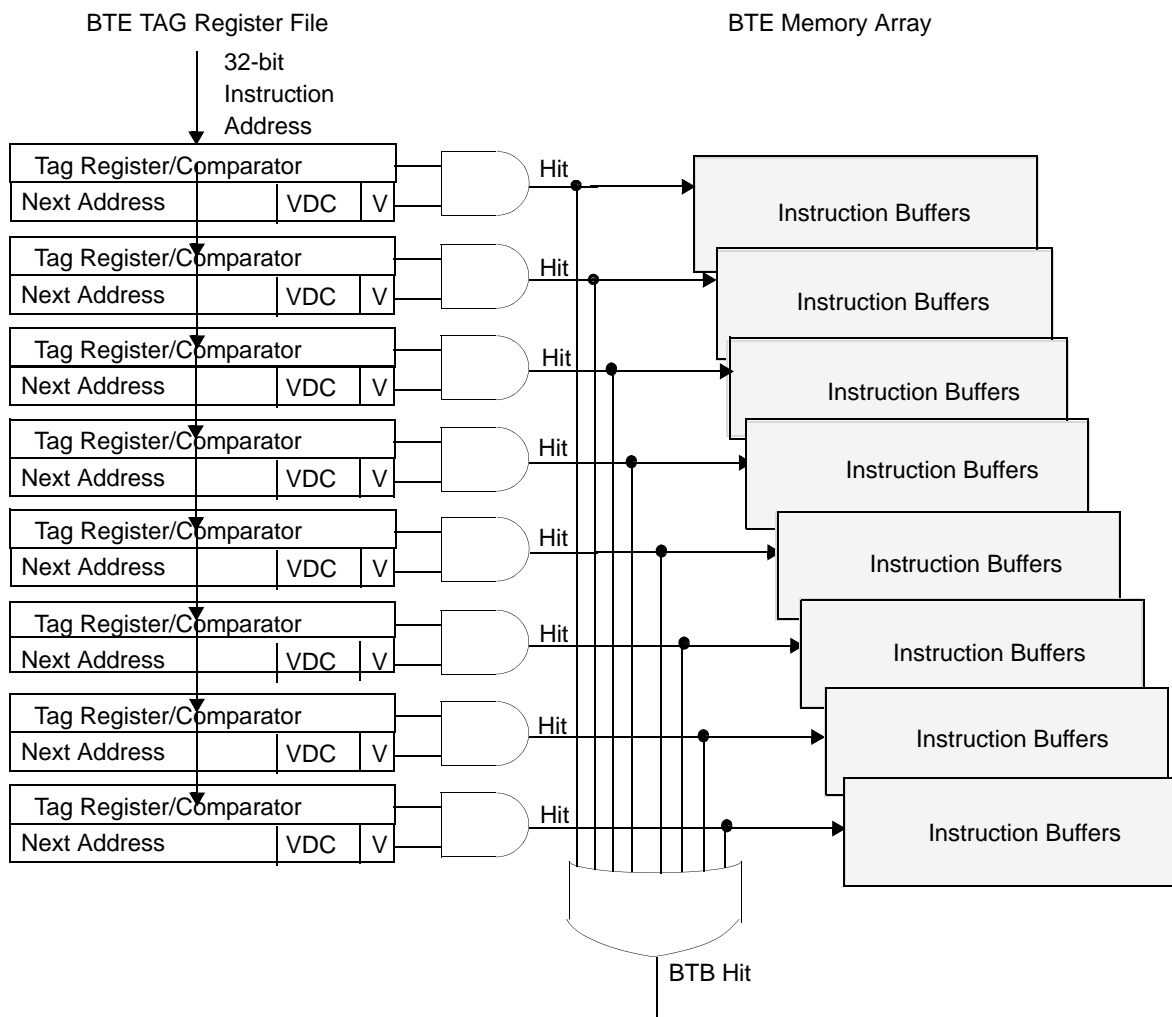


Figure 4-5. BTB Block Diagram

### 4.5.1.1 BTB Invalidation

Write access to any BBC special purpose register invalidates all BTB entries.

#### NOTE

To guarantee that the BTB does not contain instructions that may have been changed, the BTB contents should be invalidated any time instruction memory is modified.

### 4.5.1.2 BTB Enabling/Disabling

The BTB operation may be enabled or disabled by programming the BTEE bit in the BBCMCR register.

### 4.5.1.3 BTB Inhibit Regions

The BTB operation may be inhibited regarding some memory regions. The BTB caching is inhibited for a region if the BTBINH bit is set in the region attribute register (or global region attribute register). See

Section 4.6.2.3, “Region Attribute Registers (MI\_RA[0:3]),” and Section 4.6.2.4, “Global Region Attribute Register (MI\_GRA)” for details.

## 4.6 BBC Programming Model

### 4.6.1 Address Map

The BBC consists of three separately addressable sections within the internal chip address space:

1. BBC and IMPU control registers. These are mapped in the SPR registers area and may be programmed by using the RCPU mtspr/mfspr instructions.
2. Decompressor vocabulary RAM (DECRAM). The DECRAM array occupies the 4-Kbyte physical memory (8 Kbytes of the MPC565 address space is allocated for DECRAM).
3. Decompressor class configuration registers (DCCR) block. It consists of 15 decompression class configuration registers. These registers are available for word wide read/write accesses through U-bus. The registers occupy a 64-byte physical block (8-Kbyte chip address space is allocated for the register block).

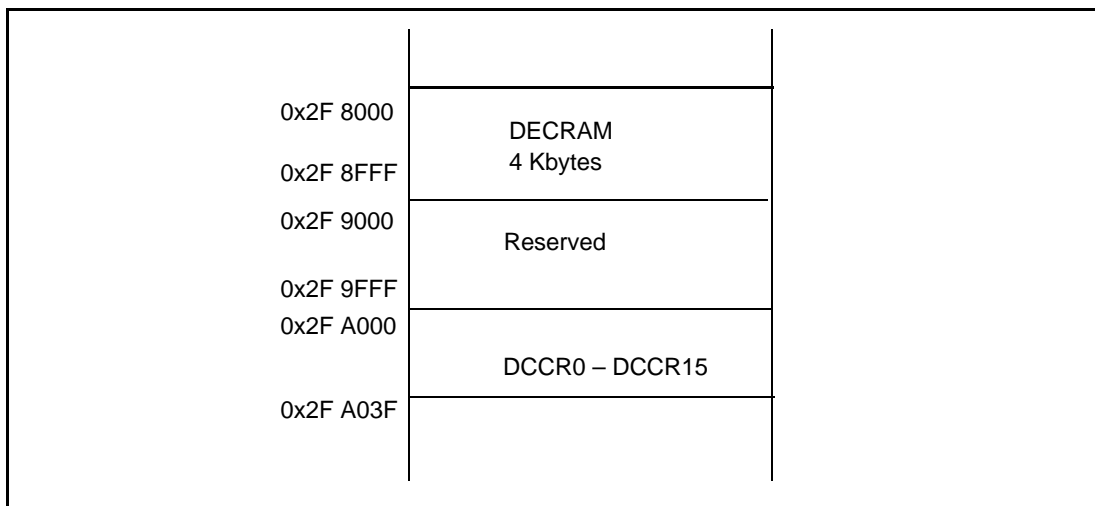


Figure 4-6. MPC565 Memory Map

#### 4.6.1.1 BBC Special Purpose Registers (SPRs)

Table 4-3. BBC SPRs

| SPR Number (Decimal) | Address for External Master Access (Hex) | Register Name  |
|----------------------|--|--|
| 528                  | 0x2100                                   | IMPU Global Region Attribute Register (MI_GRA). See <a href="#">Table 4-8</a> for bits descriptions.                     |
| 529                  | 0x2300                                   | External Interrupt Relocation Table Base Address Register (EIBADR). See <a href="#">Table 4-9</a> for bits descriptions. |

**Table 4-3. BBC SPRs (continued)**

| SPR Number (Decimal) | Address for External Master Access (Hex) | Register Name   |
|----------------------|--|---|
| 560                  | 0x2110                                   | BBC Module Configuration Register (BBCMCR). See <a href="#">Table 4-4</a> for bits descriptions     |
| 784                  | 0x2180                                   | IMPU Region Base Address Register 0 (MI_RBA0). See <a href="#">Table 4-5</a> for bits descriptions. |
| 785                  | 0x2380                                   | IMPU Region Base Address Register 1 (MI_RBA1). See <a href="#">Table 4-5</a> for bits descriptions. |
| 786                  | 0x2580                                   | IMPU Region Base Address Register 2 (MI_RBA2). See <a href="#">Table 4-5</a> for bits descriptions. |
| 787                  | 0x2780                                   | IMPU Region Base Address Register 3 (MI_RBA3). See <a href="#">Table 4-5</a> for bits descriptions. |
| 816                  | 0x2190                                   | IMPU Region Attribute Register 0 (MI_RA0). See <a href="#">Table 4-6</a> for bits descriptions.     |
| 817                  | 0x2390                                   | IMPU Region Attribute Register 1 (MI_RA1). See <a href="#">Table 4-6</a> for bits descriptions.     |
| 818                  | 0x2590                                   | IMPU Region Attribute Register 2 (MI_RA2). See <a href="#">Table 4-6</a> for bits descriptions.     |
| 819                  | 0x2790                                   | IMPU Region Attribute Register 3 (MI_RA3). See <a href="#">Table 4-6</a> for bits descriptions.     |

All the above registers may be accessed in the supervisor mode only. An exception is internally generated by the RCPU if there is an attempt to access them in user mode. An external master receives a transfer error acknowledge when attempting to access a register in user mode.

**NOTE**

If one of these registers is written within 4 instructions of a branch target, the user application may crash. To prevent this, ensure that any instruction writing to these registers is preceded by 4 instructions that are not the target of any branch, and is followed by an isync instruction.

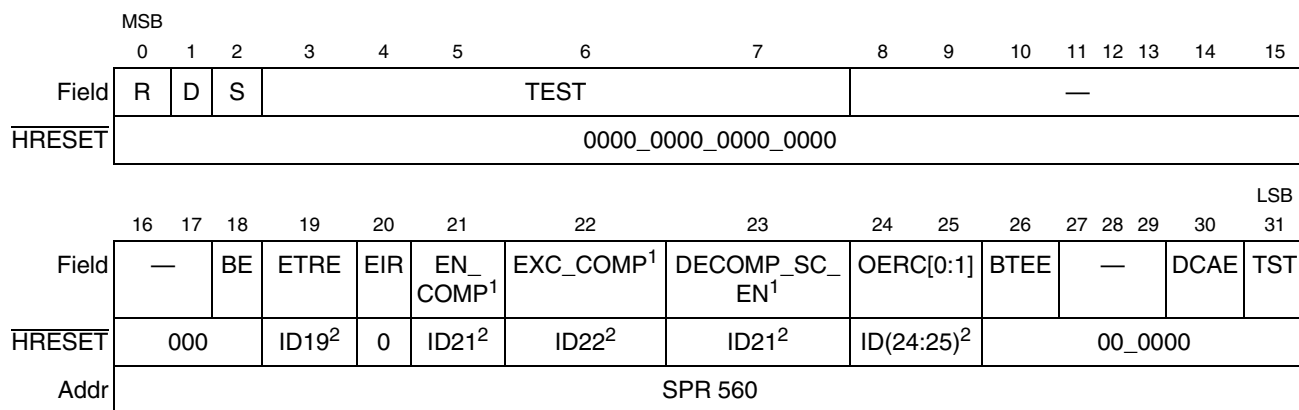
**4.6.1.2 DECRAM and DCCR Block**

The DECRAM occupies addresses from 0x2F 8000 to 0x2F 8FFF. The DCCR block occupies addresses from 0x2F A000 to 0x2F A03F.

The address for non-implemented memory blocks is not acknowledged, and causes an error condition.

## 4.6.2 BBC Register Descriptions

### 4.6.2.1 BBC Module Configuration Register (BBCMCR)



**Figure 4-7. BBC Module Configuration Register (BBCMCR)**

<sup>1</sup> MPC566 only.

<sup>2</sup> The reset value is a reset configuration word value extracted from the internal bus line. Refer to [Section 7.5.2, “Hard Reset Configuration Word \(RCW\).”](#)

**Table 4-4. BBCMCR Field Descriptions**

| Bits | Name            | Description   |
|------|-----------------|---|
| 0    | R               | Read Only. Any attempt to write to the DECRAM array while R is set is terminated with an error. This causes a machine check exception for RCPU.<br>0 DECRAM array is Readable and Writable.<br>1 DECRAM array is Read only.   |
| 1    | D               | Data Only. The DECRAM array may be used for Instructions and Data or for Data storage only. Any attempt to load instructions from the DECRAM array, while D is set, is terminated with an error This causes a machine check exception for the RCPU.<br>0 DECRAM array holds Data and/or Instruction.<br>1 DECRAM array holds Data only.   |
| 2    | S               | Supervisor Only.<br>When the bit is set (S = 1), only a Supervisor program may access the DECRAM. If a Supervisor program is accessing the array, normal read/write operation will occur. If a User program is attempting to access the array, the access will be terminated with an error This causes a machine check exception for the RCPU.<br>If S = 0, the RAM array is placed in Unrestricted Space and access by both Supervisor and User programs is allowed. |
| 3:7  | TEST            | These bits can be set in Factory test mode only. The User should treat these bits as reserved and always write as zeros.  |
| 8:17 | —               | Reserved  |
| 18   | BE <sup>1</sup> | Burst Enable<br>0 Burst access is disabled.<br>1 Burst access is enabled.   |

**Table 4-4. BBCMCR Field Descriptions (continued)**

| Bits  | Name                      | Description  |
|-------|---------------------------|--|
| 19    | ETRE                      | Exception Table Relocation Enable. This bit only has an effect if MSR[IP]=1. See details in <a href="#">Section 4.3.1, “ETR Operation.”</a><br>0 Exception Table Relocation is off: BBC does NOT map exception addresses.<br>1 Exception Table Relocation is on: BBC maps exception addresses to a table holding branch instructions two memory words apart from each other.<br>The reset value is taken from the reset configuration word bit 19.<br><b>Note:</b> On the MPC566, do not put compressed code at addresses 0xFFFF0 0000 to 0xFFFF FFFF if ETRE = 1. |
| 20    | EIR                       | Enhanced External Interrupt Relocation Enable— This bit activates the external interrupt relocation table mechanism. This bit is independent from the value of ETRE bit, but if EIR and ETRE are enabled, the mapping of external interrupt will be via EIR.<br>0 EIR function is disabled.<br>1 EIR function is active.   |
| 21    | EN_COMP <sup>2</sup>      | Enable Compression. This bit enables or disables decompression-on mode of the MPC566.<br><b>Note:</b> For Rev D and later versions of the MPC565, the default state is defined by bit 21 of the reset configuration word, and is writable. In earlier versions, the bit can only be set by the reset configuration word.<br>0 Decompression-on mode is disabled.<br>1 Decompression-on mode is enabled.  |
| 22    | EXC_COMP <sup>2</sup>     | Exception Compression. This bit determines the operation of the MPC566 with exceptions. If this bit is set, the MPC566 assumes that all exception routine codes are compressed; otherwise it is assumed that all exception routine codes are not compressed. The reset value is determined by reset configuration word bit 22.<br><b>Note:</b> This bit has effects only when the EN_COMP bit is set.<br>0 The device assumes that exception routines are noncompressed.<br>1 The device assumes that all exception routines are compressed.                       |
| 23    | DECOMP_SC_EN <sup>2</sup> | Decompression Show Cycle Enable. This bit determines the way the MPC566 executes instruction show cycles.<br>The reset value is determined by configuration word bit 21. For further details regarding show cycles execution in “Decompression ON” mode see <a href="#">Section 4.2.1.2, “Decompression On Mode.”</a><br>0 Decompression Show Cycles do not include the bit pointer.<br>1 Decompression Show Cycles include the bit pointer information on the data bus.   |
| 24:25 | OERC[0:1]                 | Other Exceptions Relocation Control. These bits have effect only if ETRE was enabled; See details in <a href="#">Section 4.3.1, “ETR Operation.”</a><br>00: offset 0<br>01 Offset 64 Kbytes<br>10 Offset 512 Kbytes<br>11 Offset to 0x003FE000<br>The reset value is determined by reset configuration word bits 24 and 25   |
| 26    | BTEE <sup>1</sup>         | Branch Target Entries Enable. This bit enables Branch Target Entries of BTB operation<br>0 BTE operation is disabled<br>1 BTE operation is enabled   |
| 27:29 | —                         | Reserved.<br><b>NOTE:</b> Bit 27 was BCMEE and should be written as 0.   |

**Table 4-4. BBCMCR Field Descriptions (continued)**

| Bits | Name | Description   |
|------|------|---|
| 30   | DCAE | Decompressor Configuration Access Enable. This bit enables DEGRAM and DCCR registers access from the U-bus master (i.e., RCPU, external master).<br>0 DEGRAM and DCCR registers are locked.<br>1 DEGRAM allows accesses from the U-bus only.<br>DCAE bit should be set before vocabulary tables are loaded via the U-bus. |
| 31   | TST  | Reserved for BBC Test Operations.   |

<sup>1</sup> BE and BTEE should not both be set at the same time, setting the BE bit disables the BTB.

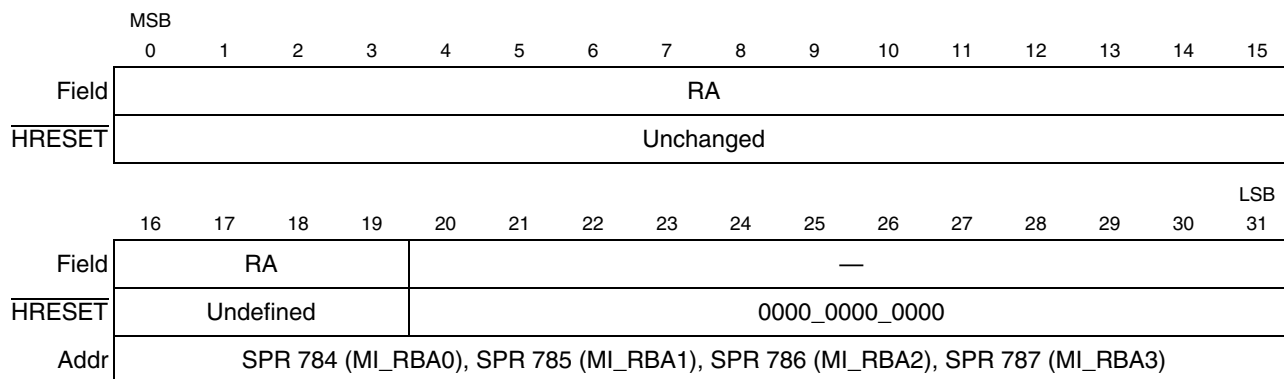
<sup>2</sup> This bit is available on the MPC566 only, software should write "0" to this bit for MPC565.

**NOTE**

When writing to the BBCMCR register, the following instruction after `mtspr BBCMCR, Rx` should be `ISYNC`, to make sure that the programmed value will come into effect before any further action.

**4.6.2.2 Region Base Address Registers (MI\_RBA[0:3])**

The following registers contain 32 bits and define the starting address of the protected regions. There is one register for each of four regions.



**Figure 4-8. Region Base Address Register (MI\_RBA[0:3])**

**Table 4-5. MI\_RBA[0:3] Registers Bit Descriptions**

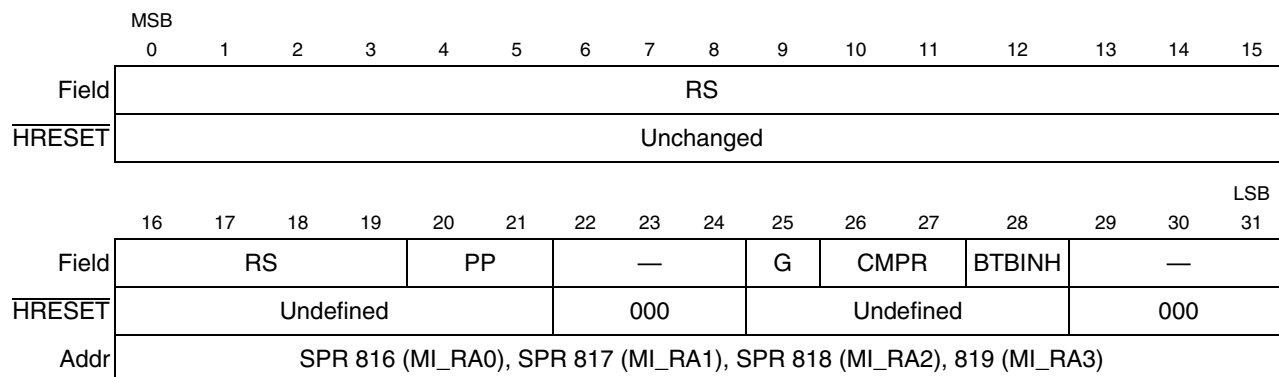
| Bits  | Name | Description   |
|-------|------|---|
| 0:19  | RA   | Region Base address. The RA field provides the base address of the region. The region base address should start on the memory block boundary for the corresponding region size, specified in the region attribute register MI_RA. |
| 20:31 | —    | Reserved  |

**NOTE**

When the MPC566 operates in decompression on mode, a minimum of four unused words **MUST** be left after the last instruction in any region.

### 4.6.2.3 Region Attribute Registers (MI\_RA[0:3])

The following registers define protection attributes and size for four memory regions.



**Figure 4-9. Region Attribute Register (MI\_RA0[0:3])**

**Table 4-6. MI\_RA[0:3] Registers Bit Descriptions**

| Bits  | Name              | Description  |
|-------|-------------------|--|
| 0:19  | RS                | Region size. For byte size by region, see <a href="#">Table 4-7</a> .  |
| 20:21 | PP <sup>1</sup>   | Protection bits:<br>00 Supervisor — No Access, User — No Access.<br>01 Supervisor — Fetch, User — No Access.<br>1x Supervisor — Fetch, User — Fetch.   |
| 22:24 | —                 | Reserved   |
| 25    | G <sup>1</sup>    | Guard attribute for region<br>0 Speculative fetch is not prohibited from region. Region is not guarded.<br>1 Speculative fetch is prohibited from guarded region. An exception will occur under such attempt.  |
| 26:27 | CMPR <sup>2</sup> | Compressed Region.<br>x0 The region is not restricted<br>01 Region is considered a non-compressed code region. Access to the region is allowed only in “Decompression Off” mode<br>11 Region is considered a compressed code region. Access to the region is allowed only in “Decompression On” mode |
| 28    | BTBINH            | BTB Inhibit region<br>0 BTB operation is not prohibited for current memory region<br>1 BTB operation is prohibited for current memory region.  |
| 29:31 | —                 | Reserved   |

<sup>1</sup> G and PP attributes perform similar protection activities on a region. The more protective attribute will be implied on the region if the attributes programming oppose each other.

<sup>2</sup> This field is available only on the MPC566.

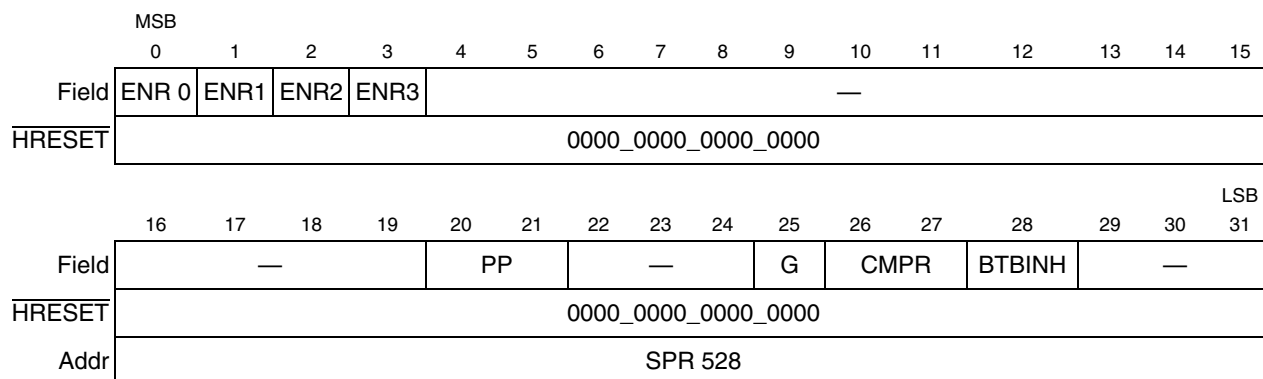


**Table 4-7. Region Size Programming Possible Values**

| RS Field Value (Binary)  | Size       |
|--------------------------|------------|
| 0000_0000_0000_0000_0000 | 4 Kbytes   |
| 0000_0000_0000_0000_0001 | 8 Kbytes   |
| 0000_0000_0000_0000_0011 | 16 Kbytes  |
| 0000_0000_0000_0000_0111 | 32 Kbytes  |
| 0000_0000_0000_0000_1111 | 64 Kbytes  |
| 0000_0000_0000_0001_1111 | 128 Kbytes |
| 0000_0000_0000_0011_1111 | 256 Kbytes |
| 0000_0000_0000_0111_1111 | 512 Kbytes |
| 0000_0000_0000_1111_1111 | 1 Mbyte    |
| 0000_0000_0001_1111_1111 | 2 Mbytes   |
| 0000_0000_0011_1111_1111 | 4 Mbytes   |
| 0000_0000_0111_1111_1111 | 8 Mbytes   |
| 0000_0000_1111_1111_1111 | 16 Mbytes  |
| 0000_0001_1111_1111_1111 | 32 Mbytes  |
| 0000_0011_1111_1111_1111 | 64 Mbytes  |
| 0000_0111_1111_1111_1111 | 128 Mbytes |
| 0000_1111_1111_1111_1111 | 256 Mbytes |
| 0001_1111_1111_1111_1111 | 512 Mbytes |
| 0011_1111_1111_1111_1111 | 1 Gbyte    |
| 0111_1111_1111_1111_1111 | 2 Gbytes   |
| 1111_1111_1111_1111_1111 | 4 Gbytes   |

#### 4.6.2.4 Global Region Attribute Register (MI\_GRA)

The MI\_GRA register defines protection attributes for memory region, not covered by MI\_RB[0:3]/MI\_RBA[0:3] registers. It also contains protection regions 0-3 enable bits.


**Figure 4-10. Global Region Attribute Register (MI\_GRA)**

**Table 4-8. MI\_GRA Field Descriptions**

| Bits  | Name              | Description   |
|-------|-------------------|---|
| 0     | ENR0              | Enable IMPU Region 0<br>0 Region 0 is off.<br>1 Region 0 is on.   |
| 1     | ENR1              | Enable IMPU Region 1<br>0 Region 1 is off.<br>1 Region 1 is on.   |
| 2     | ENR2              | Enable IMPU Region 2<br>0 Region 2 is off.<br>1 Region 2 is on.   |
| 3     | ENR3              | Enable IMPU Region 3<br>0 Region 3 is off.<br>1 Region 3 is on.   |
| 4:19  | —                 | Reserved  |
| 20:21 | PP                | Protection Bits<br>00 Supervisor – No Access, User – No Access.<br>01 Supervisor – Fetch, User – No Access.<br>1x Supervisor – Fetch, User – Fetch.   |
| 22:24 | —                 | Reserved  |
| 25    | G                 | Guard attribute for region<br>0 Fetch is not prohibited from region. Region is not guarded.<br>1 Fetch is prohibited from guarded region. An exception will occur under such attempt.   |
| 26:27 | CMPR <sup>1</sup> | Compressed Region.<br>x0 The region is not restricted<br>01 Region is considered a non-compressed code region Access to the region is allowed only in “Decompression Off” mode<br>11 Region is considered a compressed code region. Access to the region is allowed only in “Decompression On” mode |
| 28    | BTBINH            | BTB Inhibit region<br>0 BTB operation is not prohibited for current memory region<br>1 BTB operation is prohibited for current memory region.   |
| 29:31 | —                 | Reserved  |

<sup>1</sup> This field is available only on the MPC566.

**NOTE**

The MI\_GRA register should be programmed to enable fetch access (PP and G bits) before RCPUR MSR[IR] is set.

### 4.6.2.5 External Interrupt Relocation Table Base Address Register (EIBADR)

|                            |           |   |   |   |   |   |   |   |   |   |   |    |    |    |    |    |    |    |    |    |               |    |    |    |    |    |    |    |    |    |    |    |    |     |
|----------------------------|-----------|---|---|---|---|---|---|---|---|---|---|----|----|----|----|----|----|----|----|----|---------------|----|----|----|----|----|----|----|----|----|----|----|----|-----|
|                            | MSB       | 0 | 1 | 2 | 3 | 4 | 5 | 6 | 7 | 8 | 9 | 10 | 11 | 12 | 13 | 14 | 15 | 16 | 17 | 18 | 19            | 20 | 21 | 22 | 23 | 24 | 25 | 26 | 27 | 28 | 29 | 30 | 31 | LSB |
| Field                      | BA        |   |   |   |   |   |   |   |   |   |   |    |    |    |    |    |    |    |    |    | —             |    |    |    |    |    |    |    |    |    |    |    |    |     |
| $\overline{\text{HRESET}}$ | Unchanged |   |   |   |   |   |   |   |   |   |   |    |    |    |    |    |    |    |    |    | 000_0000_0000 |    |    |    |    |    |    |    |    |    |    |    |    |     |

Figure 4-11. External Interrupt Relocation Table Base Address Register (EIBADR)

Table 4-9. EIBADR External Interrupt Relocation Table Base Address Register Bit Descriptions

| Bits  | Name | Description  |
|-------|------|--|
| 0:20  | BA   | External Interrupt Relocation Table Base Address bits [0:20] |
| 21:31 | —    | Reserved. EIBADR must be set on a 4K page boundary.          |

### 4.6.3 Decompressor Class Configuration Registers

See [Section A.4, “Decompressor Class Configuration Registers \(DCCR0-15\)”](#) for the registers of the ICPU.



## Chapter 5

# Unified System Interface Unit (USIU) Overview

The unified system interface unit (USIU) of the MPC565 consists of several functional modules that control system start-up, system initialization and operation, system protection, and the external system bus. The MPC565 USIU functions include the following and are discussed in the designated chapters:

- System configuration and protection with GPIO capability and an enhanced interrupt controller. Refer to [Chapter 6, “System Configuration and Protection.”](#)
- System reset monitoring and generation, refer to [Chapter 7, “Reset.”](#)
- Clock synthesis, power management, and debug support. Refer to [Chapter 8, “Clocks and Power Control.”](#)
- External bus interface (EBI), refer to [Chapter 9, “External Bus Interface.”](#)
- Memory controller that supports four memory banks. Refer to [Chapter 10, “Memory Controller.”](#)

The USIU provides system configuration and protection features that control the overall system configuration and supply various monitors and timers including the bus monitor, software watchdog timer, periodic interrupt timer, decremter, time base, and real-time clock. Freeze support and low power stop is provided. The interrupt controller supports up to eight external interrupts, eight levels for all internal USIU interrupt sources and 32 levels for internal peripheral modules on the IMB bus. It has an enhanced mode of operation, which simplifies the MPC565 interrupt structure and speeds up interrupt processing.

Additionally, the USIU provides several pinout configurations that allow up to 64 general-purpose I/O, external 32-bit port that supports internal and external masters, and various debug functions.

Reset logic for the MPC565 provides soft and hard resets, checkstop and watchdog resets, and other types of reset. The reset status register (RSR) reflects the most recent source to cause a reset.

The clock synthesizer generates the clock signals used by the USIU as well as the other modules and external devices. This circuitry can generate a system clock from a range of crystals, typically in the 4 MHz or 20 MHz range.

The USIU supports various low-power modes. Each one supplies a different range of power consumption, functionality and wake-up time. Refer to [Chapter 8, “Clocks and Power Control,”](#) for details.

The EBI handles the transfer of information between the internal busses and the memory or peripherals in the external address space. The MPC565 is designed to allow external bus masters to request and obtain mastership of the system bus, and if required access the on-chip memory and registers. Refer to [Chapter 9, “External Bus Interface,”](#) for details.

The memory controller module provides glueless interface to many types of memory devices and peripherals. It supports up to four memory banks. Refer to [Chapter 10, “Memory Controller,”](#) for details.

The USIU supports the internal Flash censorship mechanism on the MPC565 to protect the Flash contents. Refer to [Chapter 20, “CDR3 Flash \(UC3F\) EEPROM.”](#) It is not possible to operate the MPC565 from the external world while the Flash is in censorship mode and in a censorship state. The internal Flash array will be either locked or accessible only after the entire array contents have been erased. The MPC565 is in censored mode if one of the following events occurs:

- booting from external memory
- operating in peripheral mode or if accessed from an external master
- operating in debug mode (BDM or Nexus)

Figure 5-1 shows the USIU block diagram.

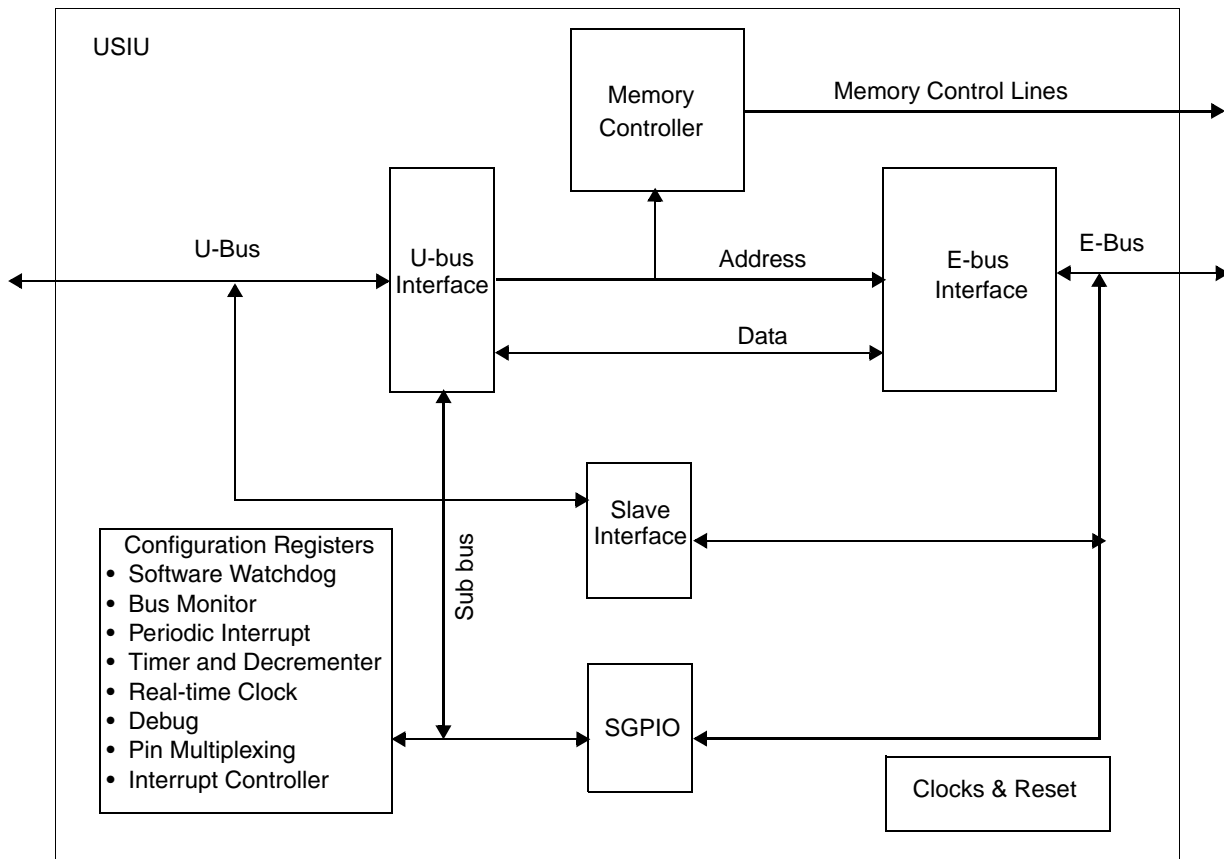


Figure 5-1. USIU Block Diagram

## 5.1 Memory Map and Registers

Table 5-1 is an address map of the USIU registers and, unless otherwise noted, registers are 32 bits wide. The address shown for each register is relative to the base address of the MPC565 internal memory map. The internal memory block can reside in one of eight possible 4 Mbyte memory spaces. See Figure 1-3 for details.

**Table 5-1. USIU Address Map**

| Address                | Register   |
|------------------------|--|
| 0x2F C000              | USIU Module Configuration Register (SIUMCR)<br>See <a href="#">Table 6-7</a> for bit descriptions.   |
| 0x2F C004              | System Protection Control Register (SYPCR)<br>See <a href="#">Table 6-15</a> for bit descriptions.   |
| 0x2F C008              | Reserved   |
| 0x2F C00E <sup>1</sup> | Software Service Register (SWSR)<br>See <a href="#">Table 6-16</a> for bit descriptions.   |
| 0x2F C010              | Interrupt Pending Register (SIPEND).   |
| 0x2F C014              | Interrupt Mask Register (SIMASK)<br>See <a href="#">Section 6.2.2.2.4</a> , “SIU Interrupt Mask Register (SIMASK),” for bit descriptions.          |
| 0x2F C018              | Interrupt Edge Level Mask (SIEL)<br>See <a href="#">Section 6.2.2.2.7</a> , “SIU Interrupt Edge Level Register (SIEL),” for bit descriptions.      |
| 0x2F C01C              | Interrupt Vector (SIVEC)<br>See <a href="#">Section 6.2.2.2.8</a> , “SIU Interrupt Vector Register (SIVEC),” for bit descriptions.                 |
| 0x2F C020              | Transfer Error Status Register (TESR)<br>See <a href="#">Table 6-17</a> for bit descriptions.  |
| 0x2F C024              | USIU General-Purpose I/O Data Register (SGPIODT1)<br>See <a href="#">Table 6-23</a> for bit descriptions.  |
| 0x2F C028              | USIU General-Purpose I/O Data Register 2 (SGPIODT2)<br>See <a href="#">Table 6-24</a> for bit descriptions.  |
| 0x2F C02C              | USIU General-Purpose I/O Control Register (SGPIOCR)<br>See <a href="#">Table 6-25</a> for bit descriptions.  |
| 0x2F C030              | External Master Mode Control Register (EMCR)<br>See <a href="#">Table 6-13</a> for bit descriptions.   |
| 0x2F C038              | Pads Module Configuration Register 2 (PDMCR2)<br>See <a href="#">Table 2-5</a> for bit descriptions.   |
| 0x2F C03C              | Pads Module Configuration Register (PDMCR)<br>See <a href="#">Table 2-4</a> for bit descriptions.  |
| 0x2F C040              | Interrupt Pend2 Register (SIPEND2)<br>See <a href="#">Section 6.2.2.2.2</a> , “SIU Interrupt Pending Register 2 (SIPEND2),” for bit descriptions.  |
| 0x2F C044              | Interrupt Pend3 Register (SIPEND3)<br>See <a href="#">Section 6.2.2.2.3</a> , “SIU Interrupt Pending Register 3 (SIPEND3),” for bit descriptions.  |
| 0x2F C048              | Interrupt Mask2 Register (SIMASK2)<br>See <a href="#">Section 6.2.2.2.5</a> , “SIU Interrupt Mask Register 2 (SIMASK2),” for details.              |
| 0x2F C04C              | Interrupt Mask3 Register (SIMASK3)<br>See <a href="#">Section 6.2.2.2.6</a> , “SIU Interrupt Mask Register 3 (SIMASK3),” for details.              |
| 0x2F C050              | Interrupt In-Service2 Register (SISR2)<br>See <a href="#">Section 6.2.2.2.9</a> , “Interrupt In-Service Registers (SISR2 and SISR3),” for details. |
| 0x2F C054              | Interrupt In-Service3 Register (SISR3)<br>See <a href="#">Section 6.2.2.2.9</a> , “Interrupt In-Service Registers (SISR2 and SISR3),” for details. |

**Table 5-1. USIU Address Map (continued)**

| Address                            | Register  |
|------------------------------------|---|
| 0x2F C0FC–0x2F C0FF                | Reserved  |
| <b>Memory Controller Registers</b> |   |
| 0x2F C100                          | Base Register 0 (BR0)<br>See <a href="#">Table 10-8</a> for bit descriptions.   |
| 0x2F C104                          | Option Register 0 (OR0)<br>See <a href="#">Table 10-10</a> for bit descriptions.  |
| 0x2F C108                          | Base Register 1 (BR1)<br>See <a href="#">Table 10-8</a> for bit descriptions.   |
| 0x2F C10C                          | Option Register 1 (OR1)<br>See <a href="#">Table 10-10</a> for bit descriptions.  |
| 0x2F C110                          | Base Register 2 (BR2)<br>See <a href="#">Table 10-8</a> for bit descriptions.   |
| 0x2F C114                          | Option Register 2 (OR2)<br>See <a href="#">Table 10-10</a> for bit descriptions.  |
| 0x2F C118                          | Base Register 3 (BR3)<br>See <a href="#">Table 10-8</a> for bit descriptions.   |
| 0x2F C11C                          | Option Register 3 (OR3)<br>See <a href="#">Table 10-10</a> for bit descriptions.  |
| 0x2F C120–0x2F C13C                | Reserved  |
| 0x2F C140                          | Dual-Mapping Base Register (DMBR)<br>See <a href="#">Table 10-11</a> for bit descriptions.  |
| 0x2F C144                          | Dual-Mapping Option Register (DMOR)<br>See <a href="#">Table 10-12</a> for bit descriptions.  |
| 0x2F C148–0x2F C174                | Reserved  |
| 0x2F C178 <sup>1</sup>             | Memory Status (MSTAT)<br>See <a href="#">Table 10-7</a> for bit descriptions.   |
| 0x2F C17A–0x2F C1FC                | Reserved  |
| <b>System Integration Timers</b>   |   |
| 0x2F C200                          | Time Base Status and Control (TBSCR)<br>See <a href="#">Table 6-18</a> for bit descriptions.  |
| 0x2F C204                          | Time Base Reference 0 (TBREF0)<br>See <a href="#">Section 6.2.2.4.3, “Time Base Reference Registers (TBREF0 and TBREF1),”</a> for bit descriptions. |
| 0x2F C208                          | Time Base Reference 1 (TBREF1)<br>See <a href="#">Section 6.2.2.4.3, “Time Base Reference Registers (TBREF0 and TBREF1),”</a> for bit descriptions. |
| 0x2F C20C–0x2F C21C                | Reserved  |



**Table 5-1. USIU Address Map (continued)**

| Address                              | Register  |
|--------------------------------------|---|
| 0x2F C220                            | Real-Time Clock Status and Control (RTCSC)<br>See <a href="#">Table 6-19</a> for bit descriptions.                                |
| 0x2F C224                            | Real-Time Clock (RTC)<br>See <a href="#">Section 6.2.2.4.6, "Real-Time Clock Register (RTC),"</a> for bit descriptions.           |
| 0x2F C228                            | Real-Time Alarm Seconds (RTSEC) — Reserved  |
| 0x2F C22C                            | Real-Time Alarm (RTCAL)<br>See <a href="#">Section 6.2.2.4.7, "Real-Time Clock Alarm Register (RTCAL),"</a> for bit descriptions. |
| 0x2F C230–0x2F C23C                  | Reserved  |
| 0x2F C240                            | PIT Status and Control (PISCR)<br>See <a href="#">Table 6-20</a> for bit descriptions.  |
| 0x2F C244                            | PIT Count (PITC)<br>See <a href="#">Table 6-21</a> for bit descriptions.  |
| 0x2F C248                            | PIT Register (PITR)<br>See <a href="#">Table 6-22</a> for bit descriptions.   |
| 0x2F C24C–0x2F C27C                  | Reserved  |
| <b>Clocks and Reset</b>              |   |
| 0x2F C280                            | System Clock Control Register (SCCR)<br>See <a href="#">Table 8-9</a> for bit descriptions.                                       |
| 0x2F C284                            | PLL Low-Power and Reset Control Register (PLPRCR)<br>See <a href="#">Table 8-11</a> for bit descriptions.                         |
| 0x2F C288 <sup>1</sup>               | Reset Status Register (RSR)<br>See <a href="#">Table 7-3</a> for bit descriptions.  |
| 0x2F C28C <sup>1</sup>               | Change of Lock Interrupt Register (COLIR)<br>See <a href="#">Table 8-12</a> for bit descriptions.                                 |
| 0x2F C290 <sup>1</sup>               | VDDSRAM Control Register (VSRCR)<br>See <a href="#">Table 8-13</a> for bit descriptions.  |
| 0x2F C294–0x2F C2FC                  | Reserved  |
| <b>System Integration Timer Keys</b> |   |
| 0x2F C300                            | Time Base Status and Control Key (TBSCRK)<br>See <a href="#">Table 8-8</a> for bit descriptions.                                  |
| 0x2F C304                            | Time Base Reference 0 Key (TBREF0K)<br>See <a href="#">Table 8-8</a> for bit descriptions.  |
| 0x2F C308                            | Time Base Reference 1 Key (TBREF1K)<br>See <a href="#">Table 8-8</a> for bit descriptions.  |
| 0x2F C30C                            | Time Base and Decrementor Key (TBK)<br>See <a href="#">Table 8-8</a> for bit descriptions.  |
| 0x2F C310–0x2F C31C                  | Reserved  |

**Table 5-1. USIU Address Map (continued)**

| Address                      | Register  |
|------------------------------|---|
| 0x2F C320                    | Real-Time Clock Status and Control Key (RTCSCK)<br>See <a href="#">Table 8-8</a> for bit descriptions.        |
| 0x2F C324                    | Real-Time Clock Key (RTCK)<br>See <a href="#">Table 8-8</a> for bit descriptions.                             |
| 0x2F C328                    | Real-Time Alarm Seconds Key (RTSECK)<br>See <a href="#">Table 8-8</a> for bit descriptions.                   |
| 0x2F C32C                    | Real-Time Alarm Key (RTCALK)<br>See <a href="#">Table 8-8</a> for bit descriptions.                           |
| 0x2F C330–0x2F C33C          | Reserved  |
| 0x2F C340                    | PIT Status and Control Key (PISCRIK)<br>See <a href="#">Table 8-8</a> for bit descriptions.                   |
| 0x2F C344                    | PIT Count Key (PITCK)<br>See <a href="#">Table 8-8</a> for bit descriptions.                                  |
| 0x2F C348–0x2F C37C          | Reserved  |
| <b>Clocks and Reset Keys</b> |   |
| 0x2F C380                    | System Clock Control Key (SCCRK)<br>See <a href="#">Table 8-8</a> for bit descriptions.                       |
| 0x2F C384                    | PLL Low-Power and Reset Control Register Key (PLPRCRK)<br>See <a href="#">Table 8-8</a> for bit descriptions. |
| 0x2F C388                    | Reset Status Register Key (RSRK)<br>See <a href="#">Table 8-8</a> for bit descriptions.                       |
| 0x2F C38C–0x2F C3FC          | Reserved  |

<sup>1</sup> 16-bit register.

### 5.1.1 USIU Special-Purpose Registers

[Table 5-2](#) lists the MPC565 special purpose registers (SPR) used by the USIU. These registers reside in an alternate internal memory space that can only be accessed with the `mtspr` and `mfspr` instructions, or from an external master (refer to [Section 6.1.2, “External Master Modes,”](#) for details). All registers are 32 bits wide.

#### NOTE

RCPU special purpose registers cannot be accessed by an external master. Only SPRs in the USIU can be accessed by an external master.

**Table 5-2. USIU Special-Purpose Registers**

| Internal Address[0:31] | Register   | Decimal Address spr[5:9]:spr[0:4] <sup>1</sup> |
|------------------------|--|--|
| 0x2C00                 | Decrementer (DEC).<br>See <a href="#">Section 3.9.5, “Decrementer Register (DEC)”</a> , for more information.          | 22   |
| 0x1880                 | Time Base Lower — Read (TBL).<br>See <a href="#">Section 6.2.2.4.2, “Time Base SPRs (TB)”</a> , for bit descriptions.  | 268  |
| 0x1A80                 | Time Base Upper — Read (TBU).<br>See <a href="#">Section 6.2.2.4.2, “Time Base SPRs (TB)”</a> , for bit descriptions.  | 269  |
| 0x3880                 | Time Base Lower — Write (TBL).<br>See <a href="#">Section 6.2.2.4.2, “Time Base SPRs (TB)”</a> , for bit descriptions. | 284  |
| 0x3A80                 | Time Base Upper — Write (TBU).<br>See <a href="#">Section 6.2.2.4.2, “Time Base SPRs (TB)”</a> , for bit descriptions. | 285  |
| 0x3D30                 | Internal Memory Mapping Register (IMMR).<br>See <a href="#">Table 6-12</a> for bit descriptions.                       | 638  |

<sup>1</sup> Bits [0:17] and [28:31] are all 0.

[Table 5-3](#) shows the MPC565 address format for special purpose register access. For an external master, accessing an MPC500 SPR, address bits [0:17] and [28:31] are compared to zeros to confirm that an SPR access is valid. See [Section 6.1.2.1, “Operation in External Master Modes,”](#) for more details.

**Table 5-3. Hex Address Format for SPR Cycles**

| A[0:17] | A[18:22] | A[23:27] | A[28:31] |
|---------|----------|----------|----------|
| 0       | spr5:9   | spr0:4   | 0        |



## Chapter 6

# System Configuration and Protection

The MPC565 incorporates many system functions that normally must be provided in external circuits. In addition, it is designed to provide maximum system safeguards against hardware and software faults. The system configuration and protection sub-module provides the following features:

- System Configuration (Section 6.1.1, “System Configuration”)—The USIU allows the configuration of the system according to the particular requirements. The functions include control of show cycle operation, pin multiplexing, and internal memory map location. System configuration also includes a register containing part and mask number constants to identify the part in software.
- External Master Modes Support (Section 6.1.2, “External Master Modes”)—External master modes are special modes of operation that allow an alternate master on the external bus to access the internal modules for debugging and backup purposes.
- General-Purpose I/O (Section 6.1.3, “USIU General-Purpose I/O”)—The USIU provides 64 pins for general-purpose I/O. The SGPIO pins are multiplexed with the address and data pins.
- Enhanced Interrupt Controller (Section 6.1.4, “Enhanced Interrupt Controller”)—The interrupt controller receives interrupt requests from a number of internal and external sources and directs them on a single interrupt-request line to the RCPU.
- Bus Monitor (Section 6.1.5, “Hardware Bus Monitor”)—The SIU provides a bus monitor to watch internal to external accesses. It monitors the transfer acknowledge ( $\overline{TA}$ ) response time for internal to external transfers. A transfer error acknowledge ( $\overline{TEA}$ ) is asserted if the  $\overline{TA}$  response limit is exceeded. This function can be disabled.
- Decrementer (Section 6.1.6, “Decrementer (DEC)”)—The DEC is a 32-bit decrementing counter defined by the architecture to provide a decrementer interrupt. This binary counter is clocked by the same frequency as the time base (also defined by the MPC565 architecture). The period for the DEC when driven by a 4-MHz oscillator can be up to 4295 seconds, which is approximately 71.6 minutes. Refer to Table 6-6.
- Time Base Counter (Section 6.1.7, “Time Base (TB)”)—The TB is a 64-bit counter defined by the MPC500 architecture to provide a time base reference for the operating system or application software. The TB has four independent reference registers that can generate a maskable interrupt when the time-base counter reaches the value programmed in one of the four reference registers. The associated bit in the TB status register will be set for the reference register which generated the interrupt.
- Real-Time Clock (Section 6.1.8, “Real-Time Clock (RTC)”)—The RTC is used to provide time-of-day information to the operating system or application software. It is composed of a 45-bit counter and an alarm register. A maskable interrupt is generated when the counter reaches the value programmed in the alarm register. The RTC is clocked by the same clock as the PIT.

- Periodic Interrupt Timer ([Section 6.1.9, “Periodic Interrupt Timer \(PIT\)”](#))—The SIU provides a timer to generate periodic interrupts for use with a real-time operating system or the application software. The PIT provides a period from 1  $\mu$ s to 4 seconds with a four-MHz crystal or 200 ns to 0.8 ms with a 20-MHz crystal. The PIT function can be disabled.
- Software Watchdog Timer ([Section 6.1.10, “Software Watchdog Timer \(SWT\)”](#))—The SWT asserts a reset or non-maskable interrupt, as selected by the system protection control register (SYPCR), if the software fails to service the SWT for a designated period of time (e.g., because the software is trapped in a loop or lost). After a system reset, this function is enabled with a maximum time-out period and asserts a system reset if the time-out is reached. The SWT can be disabled or its time-out period can be changed in the SYPCR. Once the SYPCR is written, it cannot be written again until a system reset.
- Freeze Support ([Section 6.1.11, “Freeze Operation”](#))—The SIU allows control of whether the SWT, PIT, TB, DEC, and RTC should continue to run during freeze mode.
- Low Power Stop ([Section 6.1.12, “Low Power Stop Operation”](#))—In low power modes, specific timers are frozen but others are not.

Figure 6-1 shows a block diagram of the system configuration and protection logic.

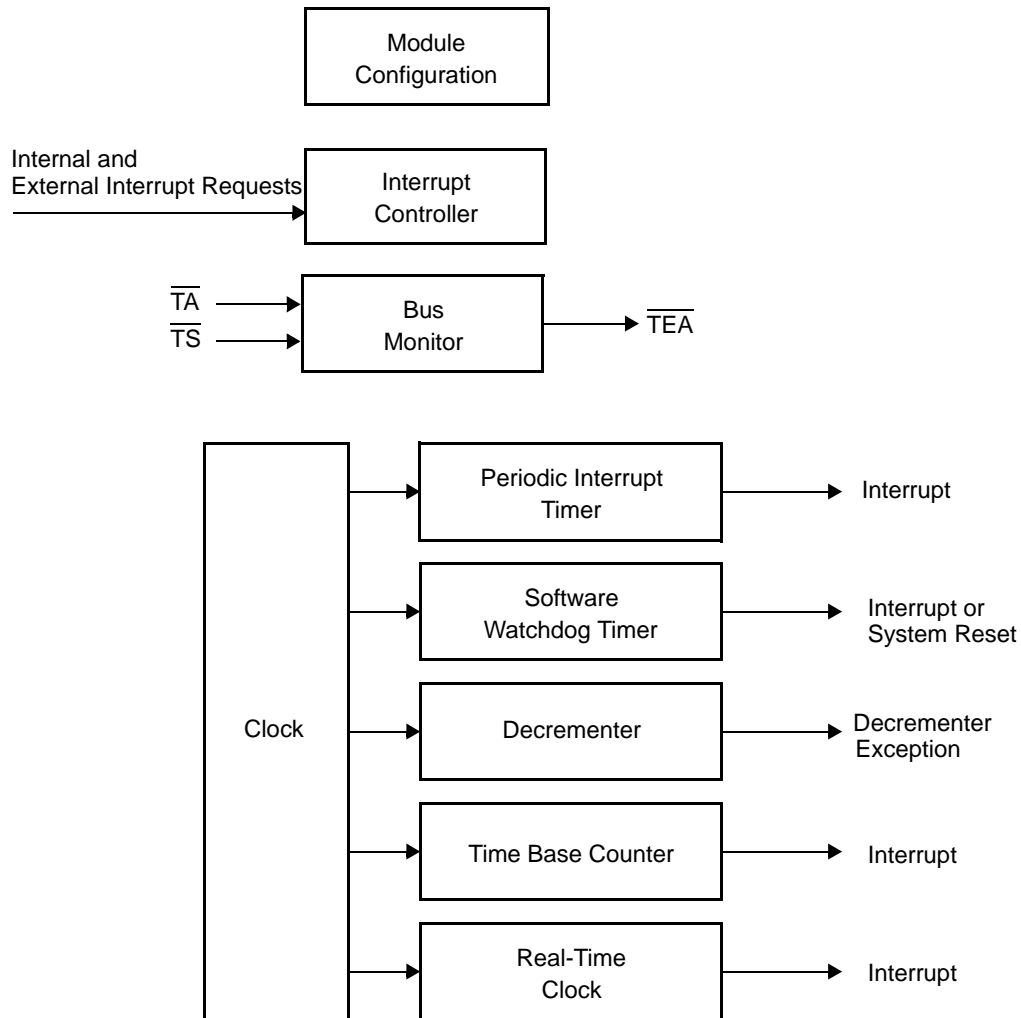


Figure 6-1. System Configuration and Protection Logic

## 6.1 System Configuration and Protection Features

The system configuration and protection sub-module provides features described in the following sections.

### 6.1.1 System Configuration

The SIU allows the configuration of the system according to the particular requirements. The functions include control of show cycle operation, pin multiplexing, and internal memory map location. System configuration also includes a register containing part and mask number constants to identify the part in software.

System configuration registers include the SIU module configuration register (SIUMCR), and the internal memory mapping register (IMMR). Refer to [Section 6.2.2, “System Configuration and Protection Registers,”](#) for register diagrams and bit descriptions.

### 6.1.1.1 USIU Pin Multiplexing

Some of the functions defined in the various sections of the USIU (external bus interface, memory controller, and general-purpose I/O) share pins. [Table 6-1](#) summarizes how the pin functions of these multiplexed pins are assigned.

**Table 6-1. USIU Pin Multiplexing Control**

| Pin Name  | Multiplexing Controlled by:  |
|---|--|
| $\overline{\text{IRQ}}_0$ / SGPIOC0<br>$\overline{\text{IRQ}}_1$ / $\overline{\text{RSV}}$ / SGPIOC1<br>$\overline{\text{IRQ}}_2$ / $\overline{\text{CR}}$ / SGPIOC2 / $\overline{\text{MTS}}$<br>$\overline{\text{IRQ}}_3$ / $\overline{\text{KR}}$ / $\overline{\text{RETRY}}$ / SGPIOC3<br>$\overline{\text{IRQ}}_4$ / AT2 / SGPIOC4<br>$\overline{\text{IRQ}}_5$ / SGPIOC5 / MODCK1<br>$\overline{\text{IRQ}}_6$ / MODCK2<br>$\overline{\text{IRQ}}_7$ / MODCK3 | At Power-On Reset: MODCK[1:3]<br>Otherwise: Programmed in SIUMCR<br><b>Note:</b> MDO4 is controlled by READI enable.   |
| SGPIOC6 / FRZ / $\overline{\text{PTR}}$<br>SGPIOC7 / $\overline{\text{IRQOUT}}$ / LWP0<br>$\overline{\text{BG}}$ / VF0 / LWP1<br>BR / VF1 / IWP2<br>$\overline{\text{BB}}$ / VF2 / IWP3<br>IWP[0:1] / VFLS[0:1]<br>$\overline{\text{BI}}$ / $\overline{\text{STS}}$<br>$\overline{\text{WE}}$ [0:3] / $\overline{\text{BE}}$ [0:3] / AT[0:3]<br>TDI/DSDI / MDIO<br>TCK / DSCK / MCKI<br>TDO / DSDO / MDO0   | Programmed in SIUMCR and Hard Reset Configuration<br><b>Note:</b> MDIO, MCKI, and MDO0 are controlled by READI enable. |
| DATA[0:31] / SGPIOD[0:31]<br>ADDR[8:31] / SGPIOA[8:31]  | Programmed in SIUMCR   |
| $\overline{\text{RSTCONF}}$ / TEXP  | At Power-On Reset: RSTCONF<br>Otherwise: Programmed in SIUMCR  |

### 6.1.1.2 Arbitration Support

Two bits in the SIUMCR control USIU bus arbitration. The external arbitration (EARB) bit determines whether arbitration is performed internally or externally. If EARB is cleared (internal arbitration), the external arbitration request priority (EARP) bit determines the priority of an external master's arbitration request. The operation of the internal arbiter is described in [Section 9.5.7.4, "Internal Bus Arbiter."](#)

### 6.1.2 External Master Modes

External master modes are special modes of operation that allow an alternative master on the external bus to access the internal modules for debugging and backup purposes. They provide access to the internal buses (U-bus and L-bus) and to the intermodule bus (IMB3).

There are two external master modes:

- Peripheral mode (enabled by setting PRPM in the external master control (EMCR) register) uses a special slave mechanism that shuts down the RCPUs and an alternative master on the external bus can perform accesses to any internal bus slave.



- Slave mode (enabled by setting EMCR[SLVM] and clearing EMCR[PRPM]) enables an external master to access any internal bus slave while the RCPU is fully operational.

Both modes can be enabled and disabled by software. In addition, peripheral mode can be selected from reset.

The internal bus is not capable of providing priority between internal RCPU accesses and external master accesses. If the bandwidth of external master accesses is large, it is recommended that the system force gaps between external master accesses in order to avoid suspension of internal RCPU activity.

The MPC565 does not support burst accesses from an external master; only single accesses of 8, 16, or 32 bits can be performed. The MPC565 asserts burst inhibit ( $\overline{\text{BI}}$ ) on any attempt to initiate a burst access to internal memory.

The MPC565 provides memory controller services for external master accesses (single and burst) to external memories. See [Chapter 10, “Memory Controller,”](#) for details.

### 6.1.2.1 Operation in External Master Modes

The external master modes are controlled by the EMCR register, which contains the internal bus attributes. The default attributes in the EMCR allow an external master to configure the EMCR with the required attributes and access internal registers. The external master must be granted external bus ownership in order to initiate the external master access. The SIU compares the address on the external bus to the allocated internal address space. If the address is within the internal space, the access is performed with the internal bus. The internal address space is determined according to IMMR[ISB] (see [Section 6.2.2.1.2, “Internal Memory Map Register \(IMMR\),”](#) for details). The external master access is terminated by the  $\overline{\text{TA}}$ ,  $\overline{\text{TEA}}$ , or  $\overline{\text{RETRY}}$  signal on the external bus.

A deadlock situation might occur if an internal-to-external access is attempted on the internal bus while an external master access is initiated on the external bus. In this case, the SIU will assert  $\overline{\text{RETRY}}$  on the external bus in order to relinquish and retry the external access until the internal access is completed. The internal bus will deny other internal accesses for the next eight clocks in order to complete the pending accesses and prevent additional internal accesses from being initiated on the internal bus. The SIU will also mask internal accesses to support consecutive external accesses if the delay between the external accesses is less than four clocks. The external master access and retry timings are described in [Section 9.5.12, “Bus Operation in External Master Modes.”](#)

The external master may access the internal MPC565 special registers that are located outside the RCPU. To access one of these special purpose registers (see [Section 5.1.1, “USIU Special-Purpose Registers”](#)), EMCR[CONT] must be set and EMCR[SUPU] must be cleared. The external master can then access the special register when it is provided the address according to the MPC565 address map. Only the first external master access that follows EMCR setting will be assigned to the special register map; any subsequent accesses will be directed to the normal address map. This is done in order to enable access to the EMCR again after the required MPC565 special register access.

Peripheral mode does not require external bus arbitration between the external master and the internal RCPU, since the internal RCPU is disabled. The  $\overline{\text{BR}}$  and  $\overline{\text{BB}}$  signals should be connected to ground, and the internal bus arbitration should be selected in order to prevent the “slave” MPC565 from occupying the

external bus. Internal bus arbitration is selected by clearing SIUMCR[EARB] (see [Section 6.2.2.1.1, “SIU Module Configuration Register \(SIUMCR\)”](#)).

### 6.1.2.2 Address Decoding for External Accesses

During an external master access, the USIU compares the external address with the internal address block to determine if MPC565 operation is required. Since only 24 of the 32 internal address bits are available on the external bus, the USIU assigns zeros to the most significant address bits (ADDR[0:7]).

The address compare sequence can be summarized as follows:

- Normal external access. If EMCR[CONT] is cleared, the address is compared to the internal address map. Refer to [Section 6.2.2.1.3, “External Master Control Register \(EMCR\)”](#).
  - MPC565 special register external access. If EMCR[CONT] is set by the previous external master access, the address is compared to the MPC565 special address range. See [Section 5.1.1, “USIU Special-Purpose Registers,”](#) for a list of the SPRs in the USIU.
  - Memory controller external access. If the first two comparisons do not match, the internal memory controller determines whether the address matches an address assigned to one of the regions. If it finds a match, the memory controller generates the appropriate chip select and attribute accordingly

When trying to fetch an MPC565 special register from an external master, the address might be aliased to one of the external devices on the external bus. If this device is selected by the MPC565 internal memory controller, this aliasing does not occur since the chip select is disabled. If the device has its own address decoding or is being selected by external logic, this case is resolved.

#### NOTE

This section does not address slave accesses to internal resources. For internal resources, the accesses compare against ADDR[8:9] = ISB[1:2]. ISB0 must be cleared.

### 6.1.3 USIU General-Purpose I/O

The USIU provides 64 general-purpose I/O (SGPIO) pins (See [Table 6-2](#)). The SGPIO pins are multiplexed with the address and data pins. In single-chip mode, where communicating with external devices is not required, all 64 SGPIO pins can be used. In multiple-chip mode, only eight SGPIO pins are available. Another configuration allows the use of the address bus for instruction show cycles while the data bus is dedicated to SGPIO functionality. The functionality of these pins is assigned by the single-chip (SC) bit in the SIUMCR. (See [Section 6.2.2.1.1, “SIU Module Configuration Register \(SIUMCR\)”](#).)

SGPIO pins are grouped as follows:

- Six groups of eight pins each, whose direction is set uniformly for the whole group
- 16 single pins whose direction is set separately for each pin

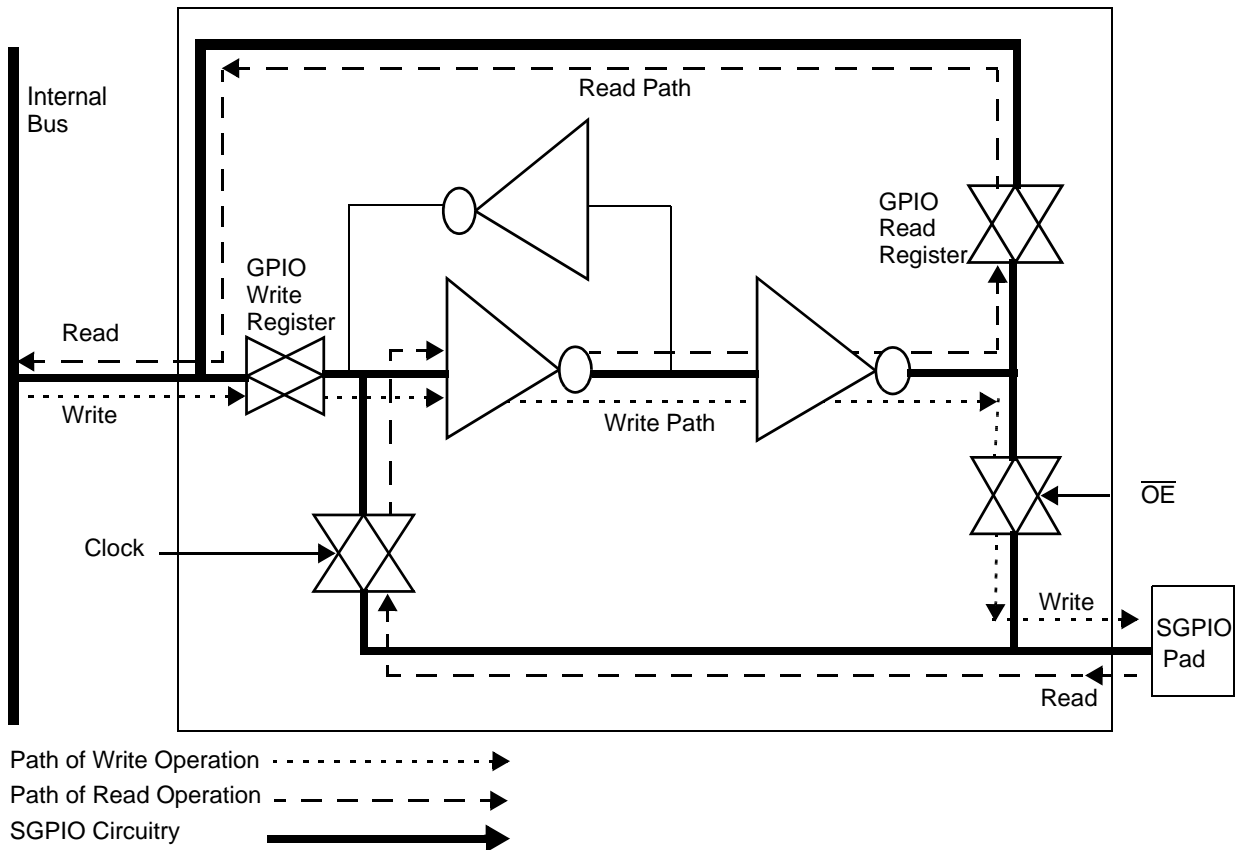
[Table 6-2](#) describes the SGPIO signals, and all available configurations. The SGPIO registers are described in [Section 6.2.2.5, “General-Purpose I/O Registers.”](#)

**Table 6-2. SGPIO Configuration**

| SGPIO Group Name         | Individual Pin Control | Direction Control | Available When SC = 00 (32-bit Port Size Mode) | Available When SC = 01 (16-bit Port Size Mode) | Available When SC = 10 (Single-Chip Mode with Trace) | Available When SC = 11 (Single-Chip Mode) |
|--------------------------|------------------------|-------------------|--|--|--|---|
| SGPIOD[0:7]              |                        | GDDR0             |  |  | X  | X   |
| SGPIOD[8:15]             |                        | GDDR1             |  |  | X  | X   |
| SGPIOD[16:23]            |                        | GDDR2             |  | X  | X  | X   |
| SGPIOD[24:31]            | X                      | SDDRD[23:31]      |  | X  | X  | X   |
| SGPIOC[0:7] <sup>1</sup> | X                      | SDDRC[0:7]        |  |  |  |   |
| SGPIOA[8:15]             |                        | GDDR3             |  |  |  | X   |
| SGPIOA[16:23]            |                        | GDDR4             |  |  |  | X   |
| SGPIOA[24:31]            |                        | GDDR5             |  |  |  | X   |

<sup>1</sup> SGPIOC[0:7] is selected according to GPC and MLRC fields in SIUMCR. See [Section 6.2.2.1.1, "SIU Module Configuration Register \(SIUMCR\)."](#)

Figure 6-2 illustrates the functionality of the SGPIO.


**Figure 6-2. Circuit Paths of Reading and Writing to SGPIO**

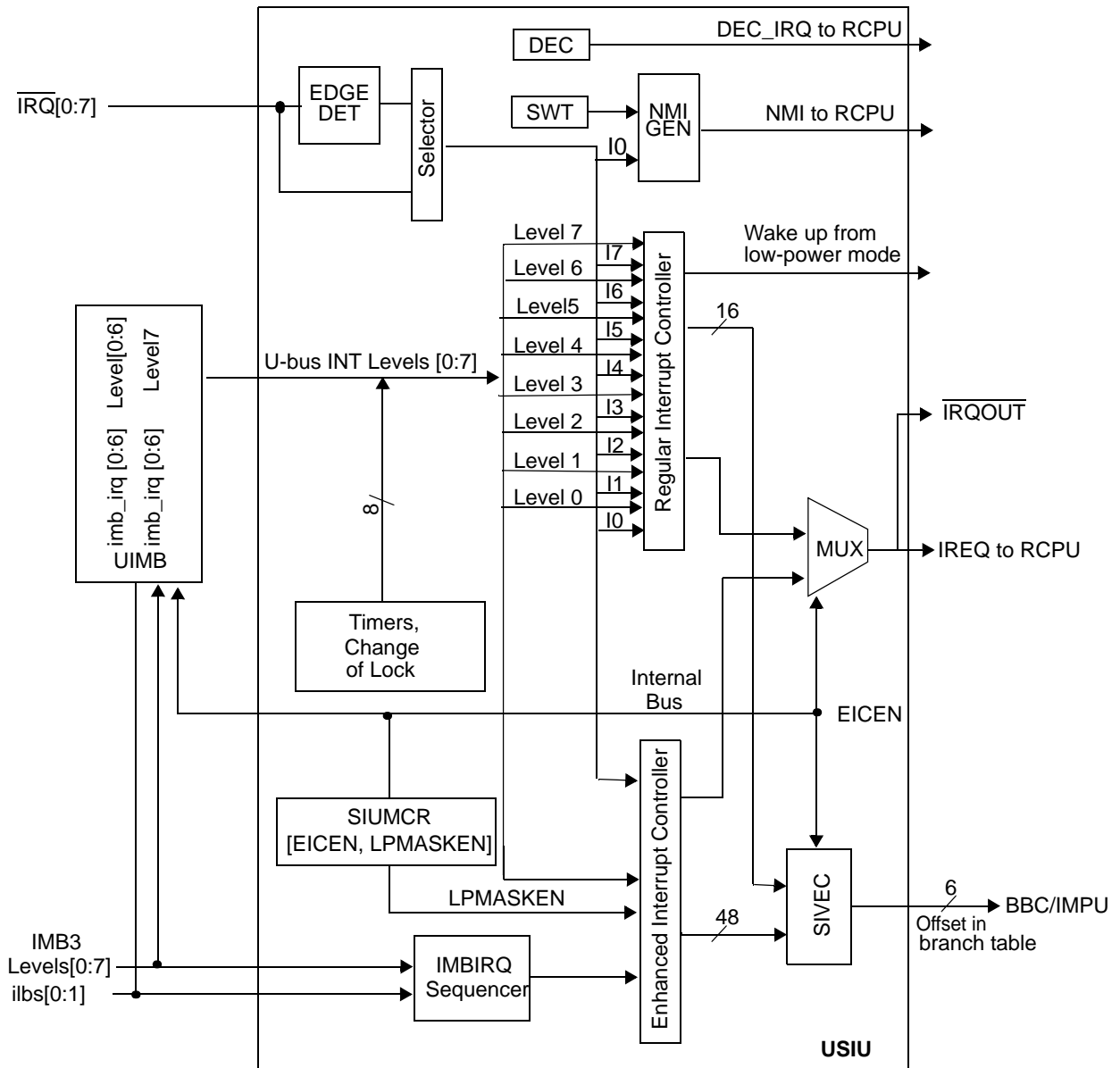
## 6.1.4 Enhanced Interrupt Controller

### 6.1.4.1 Key Features

- Significant interrupt latency reduction from that of the MPC555.
- Simplified interrupt structure
- Up to 48 different interrupt requests
- Splitting of single external interrupt vector into up to 48 vectors, one for each source
- Automatic lower priority requests masking
- Full backward compatibility with MPC555/MPC556 (enhanced mode is software programmable.)

### 6.1.4.2 Interrupt Configuration

An overview of the MPC565 interrupt structure is shown in [Figure 6-3](#). The interrupt controller receives interrupts from USIU internal sources, such as PIT, RTC, from the UIMB module (which has its own interrupt controller) or from the IMB3 bus (directly from IMB modules) and from external pins  $\overline{IRQ}[0:7]$ .



**Figure 6-3. MPC565 Interrupt Structure**

If programmed to generate an interrupt, the SWT and external pin  $\overline{\text{IRQ0}}$  always generate an NMI, non-maskable interrupt to the RCPU.

#### NOTE

The RCPU takes the system reset exception when an NMI is asserted, the external interrupt exception for any other asserted interrupt request, and the decremter exception when the decremter MSB changes from 0 to 1.

The decremter interrupt request is not a part of the interrupt controller. Each one of the external pins  $\overline{\text{IRQ}}[1:7]$  has its own dedicated assigned priority level.  $\overline{\text{IRQ}}0$  is also mapped, but it should be used only as a status bit indicating that  $\overline{\text{IRQ}}0$  was asserted and generated NMI interrupt. There are eight additional interrupt priority levels. Each one of the SIU internal interrupt sources, or any of the peripheral module interrupt sources can be assigned by software to any one of the eight interrupt priority levels. Thus, a very flexible interrupt scheme is implemented. The interrupt request signal generated by the interrupt controller is driven to the RCPu core and to the  $\overline{\text{IRQOUT}}$  pin (optionally). This pin may be used in peripheral mode, when the RCPu is disabled, and the internal modules are accessed externally. The IMB interrupts are controlled by the UIMB. The IMB provides 32 interrupt levels, and any interrupt source could be configured to any IMB interrupt level. The UIMB contains a 32-bit register that holds the IMB interrupt requests, and maps them to the USIU eight interrupt levels.

**NOTE**

If one interrupt level was configured to more than one interrupt source, the software should read the UIPEND register in the UIMB module, and the particular status bits in order to identify which interrupt was asserted.

The interrupt controller may be programmed to operate in two modes—a regular mode or an enhanced mode.

**6.1.4.3 Regular Interrupt Controller Operation (MPC555/MPC556-Compatible Mode)**

In regular operation mode (default setting) the interrupt controller receives interrupt requests from internal sources, such as timers, PLL lock detector, IMB modules and from external pins  $\overline{\text{IRQ}}[0:7]$ . All the internal interrupt sources may be programmed to drive one or more of eight U-bus interrupt level lines while the RCPu, upon receiving an interrupt request, has to read the USIU and UIMB status register in order to determine the interrupt source.

The SIVC register contains an 8-bit code representing the unmasked interrupt request which has the highest priority level. The priority between all interrupt sources for the regular interrupt controller operation is shown in [Table 6-3](#).

**Table 6-3. Priority of Interrupt Sources—Regular Operation**

| Number | Priority Level | Interrupt Source Description  | Offset in Branch Table (Hex) | SIVC Interrupt Code <sup>1</sup> |
|--------|----------------|-------------------------------|------------------------------|----------------------------------|
| 0      | Highest        | $\overline{\text{EXT\_IRQ}}0$ | 0x0000                       | 00000000                         |
| 1      | —              | Level 0                       | 0x0008                       | 00000100                         |
| 2      | —              | $\overline{\text{EXT\_IRQ}}1$ | 0x0010                       | 00001000                         |
| 3      | —              | Level 1                       | 0x0018                       | 00001100                         |
| 4      | —              | $\overline{\text{EXT\_IRQ}}2$ | 0x0020                       | 00010000                         |
| 5      | —              | Level 2                       | 0x0028                       | 00010100                         |
| 6      | —              | $\overline{\text{EXT\_IRQ}}3$ | 0x0030                       | 00011000                         |
| 7      | —              | Level 3                       | 0x0038                       | 00011100                         |

**Table 6-3. Priority of Interrupt Sources—Regular Operation**

| Number | Priority Level | Interrupt Source Description  | Offset in Branch Table (Hex) | SIVVEC Interrupt Code <sup>1</sup> |
|--------|----------------|-------------------------------|------------------------------|------------------------------------|
| 8      | —              | $\overline{\text{EXT\_IRQ4}}$ | 0x0040                       | 00100000                           |
| 9      | —              | Level 4                       | 0x0048                       | 00100100                           |
| 10     | —              | $\overline{\text{EXT\_IRQ5}}$ | 0x0050                       | 00101000                           |
| 11     | —              | Level 5                       | 0x0058                       | 00101100                           |
| 12     | —              | $\overline{\text{EXT\_IRQ6}}$ | 0x0060                       | 00110000                           |
| 13     | —              | Level 6                       | 0x0068                       | 00110100                           |
| 14     | —              | $\overline{\text{EXT\_IRQ7}}$ | 0x0070                       | 00111000                           |
| 15     | Lowest         | Level 7                       | 0x0078                       | 00111100                           |

<sup>1</sup> This is the value in the 8 most significant bits of the SIVVEC register (SIVVEC[25:31]).

Each interrupt request from external lines and from USIU internal interrupt sources in the case of its assertion will set a corresponding bit in SIPEND register. The individual SIPEND bits may be masked by clearing an appropriate bit in SIMASK register.

#### 6.1.4.4 Enhanced Interrupt Controller Operation

The enhanced interrupt controller operation may be turned on by setting the EICEN control bit in the SIUMCR register. In this mode the 32 IMB interrupt levels will be latched by USIU using eight IMB interrupt lines and two lines of ilbs via the time multiplexing scheme defined by the UIMB module. In addition to the IMB interrupt sources the external interrupts and timer interrupts are available in the same way as in the regular scheme. In this mode, the UIMB module does not drive U-bus interrupt level lines. Each interrupt request will set a corresponding bit in SIPEND2 or SIPEND3 registers. SIPEND2 and SIPEND3 may be masked by clearing an appropriate bit in SIMASK2 or SIMASK3 registers.

The priority logic is provided in order to determine the highest unmasked interrupt request, and interrupt code is generated in the SIVVEC register. See [Table 6-4](#).

#### NOTE

If the enhanced interrupt controller is enabled, a delay is required prior to re-enabling interrupts. Before clearing an interrupt related register, clear the MSR[EE] bit (EE = 0). Expect a vector offset of 0x0 if an interrupt is cleared or disabled while MSR[EE] = 1. This vector should be handled as if no interrupt has occurred, that is, perform an rfi instruction. After clearing an interrupt source, sufficient time must elapse before re-enabling the MSR[EE] bit (EE = 1). This time should take longer than the time needed for a load of the same register that was just cleared. To guarantee enough time, include this load instruction before the instruction that sets MSR[EE].

**Table 6-4. Priority of Interrupt Sources—Enhanced Operation**

| Number | Priority Level | Interrupt Source Description  | Offset in Branch Table (Hex) <sup>1,2</sup> | SIVVEC Interrupt Code <sup>3</sup> |
|--------|----------------|-------------------------------|---|------------------------------------|
| 0      | Highest        | (see note above) <sup>4</sup> | 0x0000                                      | 00000000                           |
| 1      | —              | Level 0                       | 0x0008                                      | 00000100                           |
| 2      | —              | IMB_IRQ 0                     | 0x0010                                      | 00001000                           |
| 3      | —              | IMB_IRQ 1                     | 0x0018                                      | 00001100                           |
| 4      | —              | IMB_IRQ 2                     | 0x0020                                      | 00010000                           |
| 5      | —              | IMB_IRQ 3                     | 0x0028                                      | 00010100                           |
| 6      | —              | $\overline{\text{EXT\_IRQ2}}$ | 0x0030                                      | 00011000                           |
| 7      | —              | Level 1                       | 0x0038                                      | 00011100                           |
| 8      | —              | IMB_IRQ 4                     | 0x0040                                      | 00100000                           |
| 9      | —              | IMB_IRQ 5                     | 0x0048                                      | 00100100                           |
| 10     | —              | IMB_IRQ 6                     | 0x0050                                      | 00101000                           |
| 11     | —              | IMB_IRQ 7                     | 0x0058                                      | 00101100                           |
| 12     | —              | $\overline{\text{EXT\_IRQ2}}$ | 0x0060                                      | 00110000                           |
| 13     | —              | Level 2                       | 0x0068                                      | 00110100                           |
| 14     | —              | IMB_IRQ 8                     | 0x0070                                      | 00111000                           |
| 15     | —              | IMB_IRQ 9                     | 0x0078                                      | 00111100                           |
| 16     | —              | IMB_IRQ 10                    | 0x0080                                      | 01000000                           |
| 17     | —              | IMB_IRQ 11                    | 0x0088                                      | 01000100                           |
| 18     | —              | $\overline{\text{EXT\_IRQ3}}$ | 0x0090                                      | 01001000                           |
| 19     | —              | Level 3                       | 0x0098                                      | 01001100                           |
| 20     | —              | IMB_IRQ 12                    | 0x00A0                                      | 01010000                           |
| 21     | —              | IMB_IRQ 13                    | 0x00A8                                      | 01010100                           |
| 22     | —              | IMB_IRQ 14                    | 0x00B0                                      | 01011000                           |
| 23     | —              | IMB_IRQ 15                    | 0x00B8                                      | 01011100                           |
| 24     | —              | $\overline{\text{EXT\_IRQ4}}$ | 0x00C0                                      | 01100000                           |
| 25     | —              | Level 4                       | 0x00C8                                      | 01100100                           |
| 26     | —              | IMB_IRQ 16                    | 0x00D0                                      | 01101000                           |
| 27     | —              | IMB_IRQ 17                    | 0x00D8                                      | 01101100                           |
| 28     | —              | IMB_IRQ 18                    | 0x00E0                                      | 01110000                           |
| 29     | —              | IMB_IRQ 19                    | 0x00E8                                      | 01110100                           |
| 30     | —              | $\overline{\text{EXT\_IRQ5}}$ | 0x00F0                                      | 01111000                           |
| 31     | —              | Level 5                       | 0x00F8                                      | 01111100                           |



**Table 6-4. Priority of Interrupt Sources—Enhanced Operation (continued)**

| Number | Priority Level | Interrupt Source Description | Offset in Branch Table (Hex) <sup>1,2</sup> | SIVVEC Interrupt Code <sup>3</sup> |
|--------|----------------|------------------------------|---|------------------------------------|
| 32     | —              | IMB_IRQ 20                   | 0x0100                                      | 10000000                           |
| 33     | —              | IMB_IRQ 21                   | 0x0108                                      | 10000100                           |
| 34     | —              | IMB_IRQ 22                   | 0x0110                                      | 10001000                           |
| 35     | —              | IMB_IRQ 23                   | 0x0118                                      | 10001100                           |
| 36     | —              | EXT_IRQ6                     | 0x0120                                      | 10010000                           |
| 37     | —              | Level 6                      | 0x0128                                      | 10010100                           |
| 38     | —              | IMB_IRQ 24                   | 0x0130                                      | 10011000                           |
| 39     | —              | IMB_IRQ 25                   | 0x0138                                      | 10011100                           |
| 40     | —              | IMB_IRQ 26                   | 0x0140                                      | 10100000                           |
| 41     | —              | IMB_IRQ 27                   | 0x0148                                      | 10100100                           |
| 42     | —              | EXT_IRQ7                     | 0x0150                                      | 10101000                           |
| 43     | —              | Level 7                      | 0x0158                                      | 10101100                           |
| 44     | —              | IMB_IRQ 28                   | 0x0160                                      | 10110000                           |
| 45     | —              | IMB_IRQ 29                   | 0x0168                                      | 10110100                           |
| 46     | —              | IMB_IRQ 30                   | 0x0170                                      | 10111000                           |
| 47     | Lowest         | IMB_IRQ 31                   | 0x0178                                      | 10111100                           |

<sup>1</sup> The branch table feature can be used only if the BBCMCR[EIR] is set.

<sup>2</sup> This offset is added to the table base address from the EIBDR register.

<sup>3</sup> This is the value in the 8 most significant bits of the SIVVEC register.

<sup>4</sup> This vector is reserved and normally is not generated. It may be generated, if any other interrupt source disappears, before being acknowledged by the RCPU as a result of any change in the interrupt scheme, module stopping, masking interrupt sources in a module by application software while interrupts are enabled in the RCPU by setting MSR[EE].

The value of the SIVVEC register is supplied internally to the BBC module and can be used as an offset to the branch table start address for the external interrupt relocation feature. Thus a fast way to a specific interrupt source routine is provided without software overhead. The BBCMCR (see [Section 4.6.2.1, “BBC Module Configuration Register \(BBCMCR\)”](#)) and EIBADR (see [Section 4.6.2.5, “External Interrupt Relocation Table Base Address Register \(EIBADR\)”](#)) registers must be programmed to enable this feature in the BBC. Additionally, the SIPEND2 and SIPEND3 registers contain the information about all the interrupt requests that are asserted at a given time, so that software can always read them.

#### NOTE

When the enhanced interrupt controller is enabled the SIPEND and SIMASK registers are not used.

### 6.1.4.4.1 Lower Priority Request Masking

This feature (if enabled) simplifies the masking of lower priority interrupt requests when a request of certain priority is in service in applications that require interrupt nesting. The highest (pending) request is also masked by itself. The masking is accomplished in the following way.

Upon asserting an interrupt request the BBC generates an acknowledge signal to notify the interrupt controller that the request and the branch table offset have been latched. The interrupt controller then sets a bit in the SISR register (interrupt in-service register), according to the asserted request. All other requests whose priority is lower than or equal to the one that is currently in-service, become masked. The mask remains set until the SISR bit is cleared by software (by the interrupt handler routine), writing a ‘1’ value to the corresponding bit. The lower priority request masking diagram is presented in [Figure 6-4](#).

The lower priority request masking feature is disabled by  $\overline{\text{HRESET}}$  and it may be enabled by setting the LPMASK\_EN bit in the SIUMCR register.

#### NOTE

In the regular mode of the interrupt controller the lower priority request masking feature is not available.

The feature must be activated only together with exception table relocation in the BBC module.

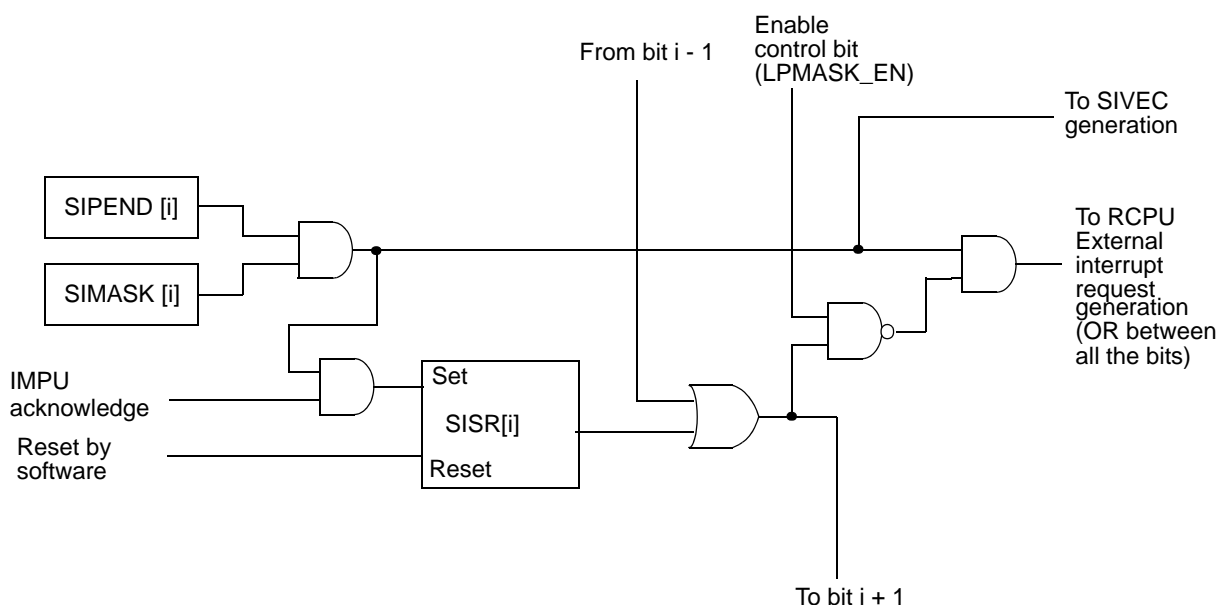


Figure 6-4. Lower Priority Request Masking—One Bit Diagram

### 6.1.4.4.2 Backward Compatibility with MPC555/MPC556

The enhanced interrupt controller is a feature that may be enabled according to a user’s application using the EICEN control bit in SIUMCR register, which can be set and cleared at any time by software. If the bit is cleared, the default interrupt controller operation is available, as described in [Section 6.1.4.3, “Regular Interrupt Controller Operation \(MPC555/MPC556-Compatible Mode\).”](#) The regular operation is fully compatible with the interrupt controller already implemented in MPC555/MPC556.

[Figure 6-5](#) illustrates the interrupt controller functionality in the MPC565.

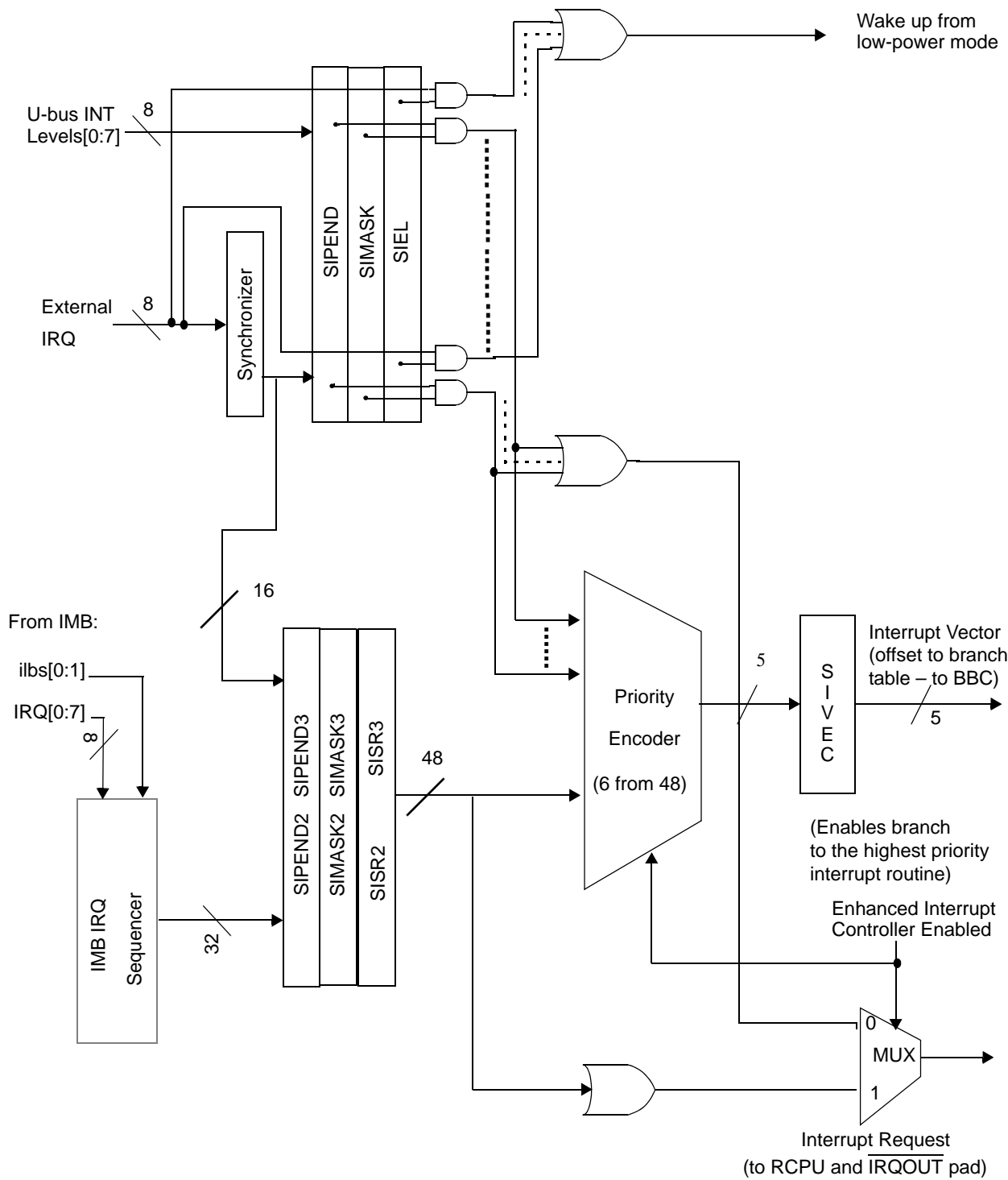


Figure 6-5. MPC565 Interrupt Controller Block Diagram

### 6.1.4.5 Interrupt Overhead Estimation for Enhanced Interrupt Controller Mode

The interrupt overhead consists of two main parts:

- Storage of general and special purpose registers
- Recognition of the interrupt source

The interrupt overhead can increase latency, and decrease the overall system performance. The overhead of register saving time can be reduced by improving the operating system. The number of registers that should be saved can be reduced if each interrupt event has its own interrupt vector. This solution solves the interrupt source recognition overhead. [Table 6-5](#) below illustrates the improvements.

Only registers required for the recognition routine are considered to be saved in the calculations below. Recognition of module internal events/channels is out of the scope of the calculations. See also the typical interrupt handler flowchart in [Figure 6-6](#).

**Table 6-5. Interrupt Latency Estimation for Three Typical Cases**

|                   | <b>MPC565 Architecture Without Using SIVEC</b>  | <b>MPC565 Architecture Using SIVEC</b>   | <b>MPC565 Architecture Using Enhanced Interrupt Controller Features</b>   |
|-------------------|---|--|---|
| Operation Details | Interrupt propagation from request module to RCPU — 8 clocks<br>Store of some GPR and SPR—10 clocks<br>Read SIPEND—4 clocks<br>Read SIMASK—4 clocks<br>SIPEND data processing — 20 clocks<br>(find first set, access to LUT in the Flash, branches)<br>Read UIPEND—4 clocks<br>UIPEND data processing—20 clocks<br>(find first set, access to LUT in the Flash, branches) | Interrupt propagation from request module to RCPU — 8 clocks<br>Store of some GPR and SPR —10 clocks<br>Read SIVEC—4 clocks<br>Branch to routine—10 clocks<br>Read UIPEND—4 clocks<br>UIPEND data processing — 20 clocks<br>(find first set, access to LUT in the Flash, branches) | Interrupt propagation from request module to RCPU — 6 clocks<br>Store of some GPR and SPR—10 clocks<br>Only one branch is executed to reach the interrupt handler routine of the device requesting interrupt servicing—2 clocks |
| Notes:            | If there is a need to enable nesting of interrupts during source recognition procedure, at least 30 clocks should be added to the interrupt latency estimation  | To use this feature in compressed mode some undetermined latency is added to make a branch to compressed address of the routine. This latency is dependant on how the user code is implemented.  | —   |
| Total:            | At Least 70-80 Clocks   | At Least 50-60 Clocks  | 20 Clocks   |

**NOTE**

Compiler and bus collision overhead are not included in the calculations.

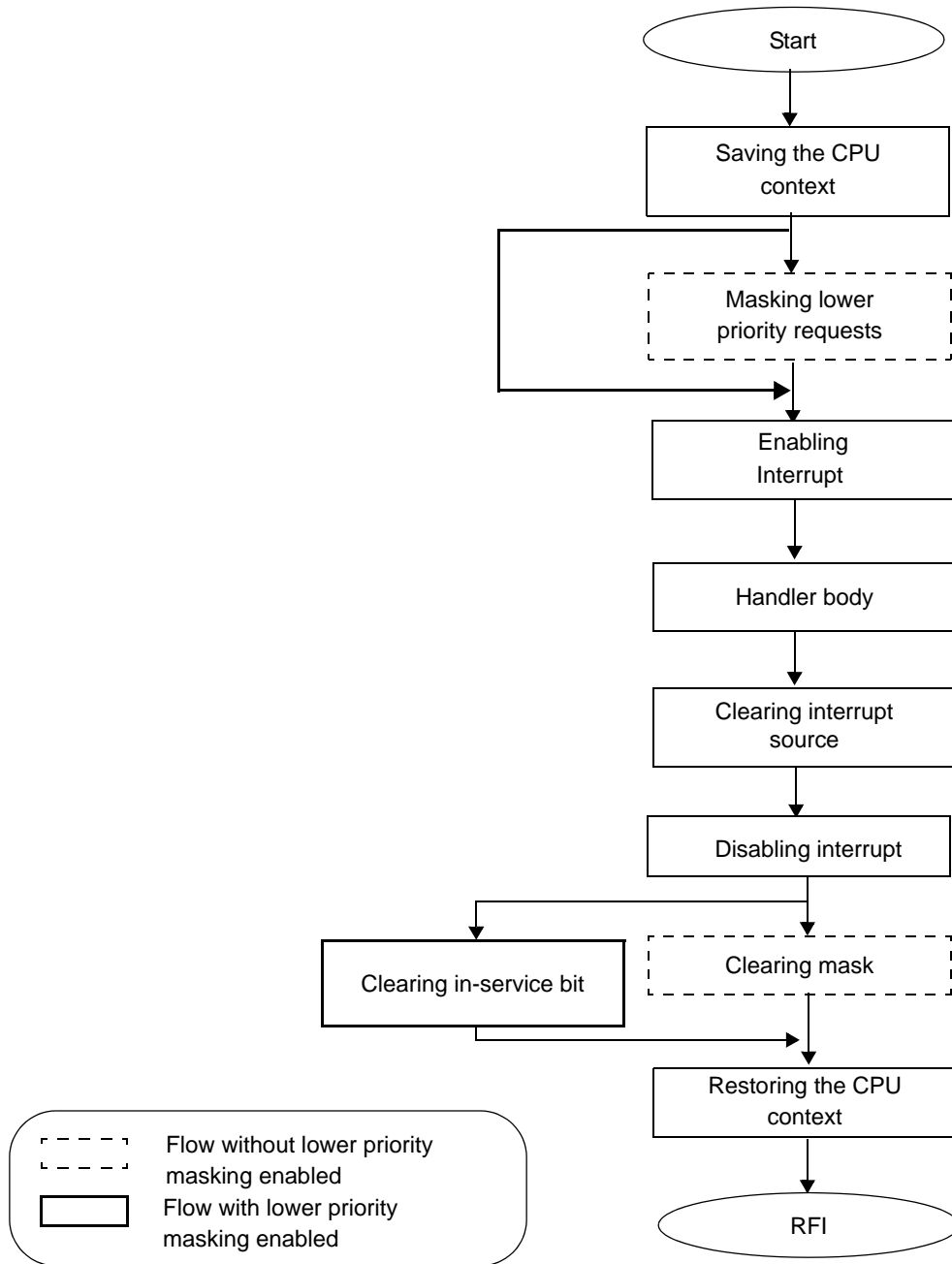


Figure 6-6. Typical Interrupt Handler Routine

### 6.1.5 Hardware Bus Monitor

The bus monitor ensures that each bus cycle is terminated within a reasonable period of time. The USIU provides a bus monitor option to monitor internal to external bus accesses on the external bus. The monitor counts from transfer start to transfer acknowledge and from transfer acknowledge to transfer acknowledge within bursts. If the monitor times out, transfer error acknowledge (TEA) is asserted internally by the MPC565, and RCPU access is terminated with a data error, causing a machine check state or exception.

The bus monitor timing bit in the system protection control register (SYPCR[BMT]) defines the bus monitor time-out period. The programmability of the time-out allows for variation in system peripheral response time. The timing mechanism is clocked by the external bus clock divided by eight. The maximum value is 2040 system clock cycles.

SYPCR[BME] enables or disables the bus monitor. But regardless of the state of this bit the bus monitor is always enabled when freeze is asserted in debug mode.

### 6.1.6 Decrementer (DEC)

The decrementer (DEC) is a 32-bit decrementing counter defined by the MPC565 architecture to provide a decrementer interrupt. This binary counter is clocked by the same frequency as the time base (also defined by the MPC500 architecture). The operation of the time base and decrementer are therefore coherent. The DEC is clocked by the TMBCLK clock. The decrementer period is computed as follows:

$$T_{DEC} = \frac{2^{32}}{F_{TMBCLK}}$$

The state of the DEC is not affected by any resets and should be initialized by software. The DEC runs continuously after power-up once the time base is enabled by setting the TBE bit of the TBSCR (see [Table 6-18](#)) (unless the clock module is programmed to turn off the clock). The decrementer continues counting while reset is asserted.

Reading from the decrementer has no effect on the counter value. Writing to the decrementer replaces the value in the decrementer with the value in the GPR.

Whenever bit 0 (the MSB) of the decrementer changes from zero to one, a decrementer exception occurs. If software alters the decrementer such that the content of bit 0 is changed to a value of 1, a decrementer exception occurs.

A decrementer exception causes a decrementer interrupt request to be pending in the RCPU. When the decrementer exception is taken, the decrementer interrupt request is automatically cleared.

[Table 6-6](#) illustrates some of the periods available for the decrementer, assuming a 4-MHz or 20-MHz crystal, and TBS = 0 which selects TMBCLK division to 4.

#### NOTE

Time base must be enabled to use the decrementer. See [Section 6.2.2.4.4](#), “Time Base Control and Status Register (TBSCR),” for more information.

**Table 6-6. Decrementer Time-Out Periods**

| Count Value | Time-Out @ 4 MHz | Time-Out @ 20 MHz |
|-------------|------------------|-------------------|
| 0           | 1.0 μs           | 0.2 μs            |
| 9           | 10 μs            | 2.0 μs            |
| 99          | 100 μs           | 20 μs             |
| 999         | 1.0 ms           | 200 μs            |

**Table 6-6. Decrementer Time-Out Periods (continued)**

| Count Value    | Time-Out @ 4 MHz | Time-Out @ 20 MHz |
|----------------|------------------|-------------------|
| 9999           | 10.0 ms          | 2 ms              |
| 999999         | 1.0 s            | 200 ms            |
| 9999999        | 10.0 s           | 2.0 s             |
| 99999999       | 100.0 s          | 20 s              |
| 999999999      | 1000 s           | 200 s             |
| (hex) FFFFFFFF | 4295 s           | 859 s             |

Refer to [Section 3.9.5, “Decrementer Register \(DEC\),”](#) for more information.

### 6.1.7 Time Base (TB)

The time base (TB) is a 64-bit free-running binary counter defined by the MPC500 architecture. The TB has two independent reference registers which can generate a maskable interrupt when the time base counter reaches the value programmed in one of the two reference registers. The period of the TB depends on the driving frequency. The TB is clocked by the TMBCLK clock. The period for the TB is:

$$T_{TB} = \frac{2^{64}}{F_{TMBCLK}}$$

The state of TB is not affected by any resets and should be initialized by software. Reads and writes of the TB are restricted to special instructions. Separate special-purpose registers are defined in the MPC500 architecture for reading and writing the TB. For the MPC565 implementation, it is not possible to read or write the entire TB in a single instruction. Therefore, the mttb and mftb instructions are used to move the lower half of the time base (TBL) while the mttbu and mftbu instructions are used to move the upper half (TBU).

Two reference registers are associated with the time base: TBREF0 and TBREF1. A maskable interrupt is generated when the TB count reaches to the value programmed in one of the two reference registers. Two status bits in the time base control and status register (TBSCR) indicate which one of the two reference registers generated the interrupt.

Refer to [Section 6.2.2.4, “System Timer Registers,”](#) for diagrams and bit descriptions of TB registers. Refer to [Section 3.9.4, “Time Base Facility \(TB\) — OEA,”](#) and to the *RCPU Reference Manual* for additional information.

### 6.1.8 Real-Time Clock (RTC)

The RTC is a 32-bit counter and pre-divider used to provide a time-of-day indication to the operating system and application software as show in [Figure 6-7](#). It is clocked by the PITRTCLK clock. The counter is not affected by reset and operates in all low-power modes. It is initialized by software. The RTC can be programmed to generate a maskable interrupt when the time value matches the value programmed in its

associated alarm register. It can also be programmed to generate an interrupt once a second. A control and status register is used to enable or disable the different functions and to report the interrupt source.

**NOTE**

PITRTCLK can be divided by 4 or 256. See [Table 8-1](#) for default settings.

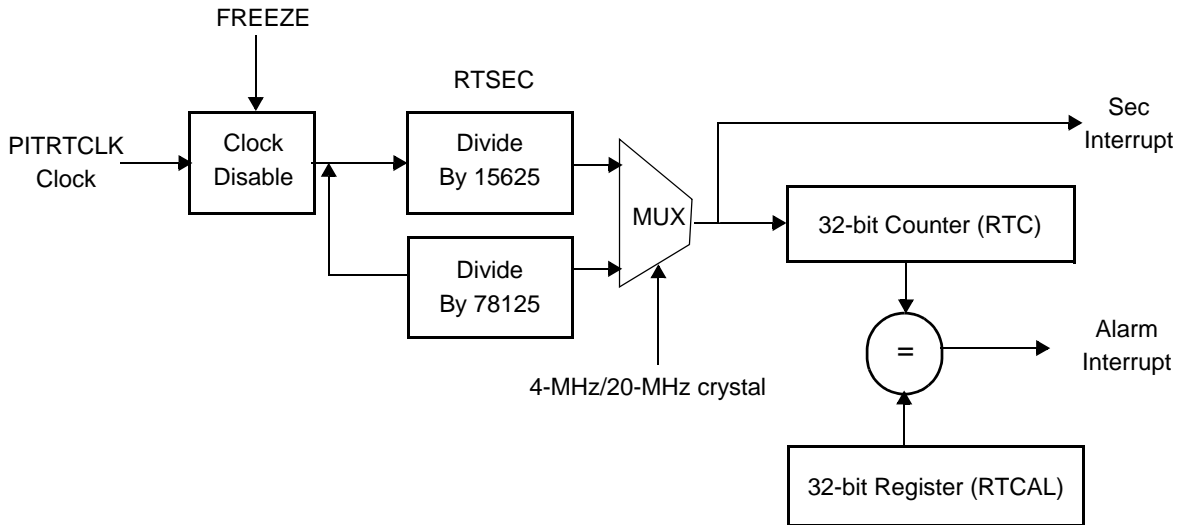


Figure 6-7. RTC Block Diagram

### 6.1.9 Periodic Interrupt Timer (PIT)

The periodic interrupt timer consists of a 16-bit counter clocked by the PITRTCLK clock signal supplied by the clock module as shown in [Figure 6-8](#).

The 16-bit counter counts down to zero when loaded with a value from the PITC register. After the timer reaches zero, the PS bit is set and an interrupt is generated if the PIE bit is a logic one. The software service routine should read the PS bit and then write a zero to terminate the interrupt request. At the next input clock edge, the value in the PITC is loaded into the counter, and the process starts over again.

When a new value is written into the PITC, the periodic timer is updated, the divider is reset, and the counter begins counting. If the PS bit is not cleared, an interrupt request is generated. The request remains pending until PS is cleared. If the PS bit is set again prior to being cleared, the interrupt remains pending until PS is cleared.

Any write to the PITC stops the current countdown, and the count resumes with the new value in PITC. If the PISCR[PTE] bit is not set, the PIT is unable to count and retains the old count value. Reads of the PIT have no effect on the counter value.



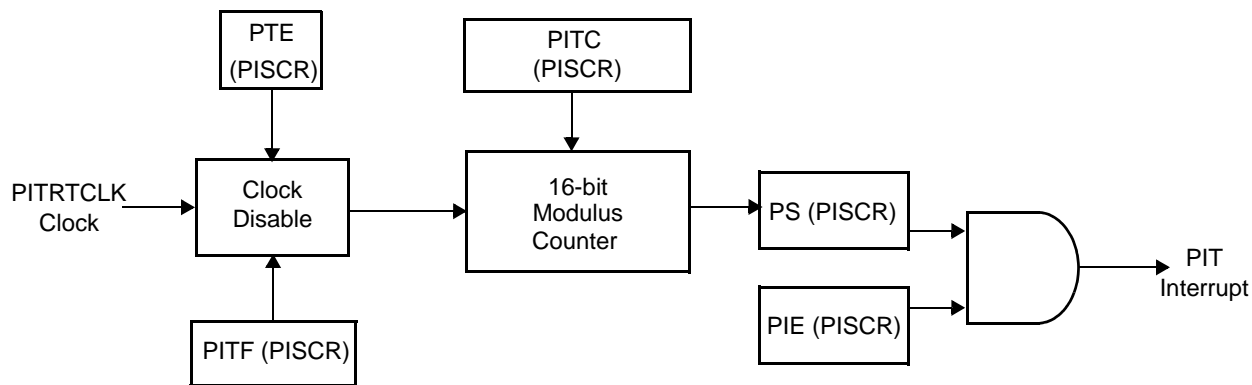


Figure 6-8. PIT Block Diagram

The timeout period is calculated as:

$$PIT_{PERIOD} = \frac{PITC + 1}{F_{PITRTCLK}} = \frac{PITC + 1}{\left\langle \frac{ExternalClock}{4 \text{ or } 256} \right\rangle}$$

Solving this equation using a 4-MHz external clock and a pre-divider of 256 gives:

$$PIT_{PERIOD} = \frac{PITC + 1}{15625}$$

This gives a range from 64 microseconds, with a PITC of 0x0000, to 4.19 seconds, with a PITC of 0xFFFF. When a 20-MHz crystal is used with a pre-divider of 256, the range is between 12.8 microseconds to 0.84 seconds.

### 6.1.10 Software Watchdog Timer (SWT)

The software watchdog timer (SWT) prevents system lockout in case the software becomes trapped in loops with no controlled exit. The SWT is enabled after system reset to cause a system reset if it times out. The SWT requires a special service sequence to be executed on a periodic basis. If this periodic servicing action does not occur, the SWT times out and issues a reset or a non-maskable interrupt (NMI), depending on the value of the SWRI bit in the SYPCR register.

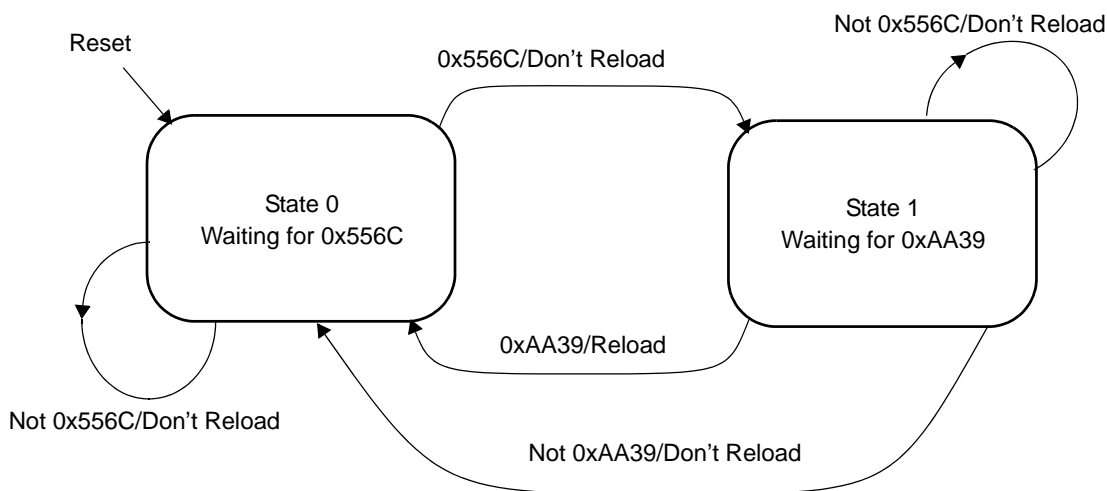
The SWT can be disabled by clearing the SWE bit in the SYPCR. Once the SYPCR is written by software, the state of the SWE bit cannot be changed.

The SWT service sequence consists of the following two steps:

1. Write 0x556C to the software service register (SWSR)
2. Write 0xAA39 to the SWSR

The service sequence clears the watchdog timer and the timing process begins again. If any value other than 0x556C or 0xAA39 is written to the SWSR, the entire sequence must start over.

Although the writes must occur in the correct order prior to time-out, any number of instructions may be executed between the writes. This allows interrupts and exceptions to occur, if necessary, between the two writes.



**Figure 6-9. SWT State Diagram**

Although most software disciplines support the watchdog concept, different systems require different time-out periods. For this reason, the software watchdog provides a selectable range for the time-out period.

In [Figure 6-10](#), the range is determined by the value in the SWTC field. The value held in the SWTC field is then loaded into a 16-bit decremter clocked by the system clock. An additional divide by 2048 prescaler is used if necessary. The decremter begins counting when loaded with a value from the software watchdog timing count field (SWTC). After the timer reaches 0x0, a software watchdog expiration request is issued to the reset or NMI control logic.

Upon reset, the value in the SWTC is set to the maximum value and is again loaded into the software watchdog register (SWR), starting the process over. When a new value is loaded into the SWTC, the software watchdog timer is not updated until the servicing sequence is written to the SWSR. If the SWE is loaded with the value zero, the modulus counter does not count (i.e. SWTC is disabled).

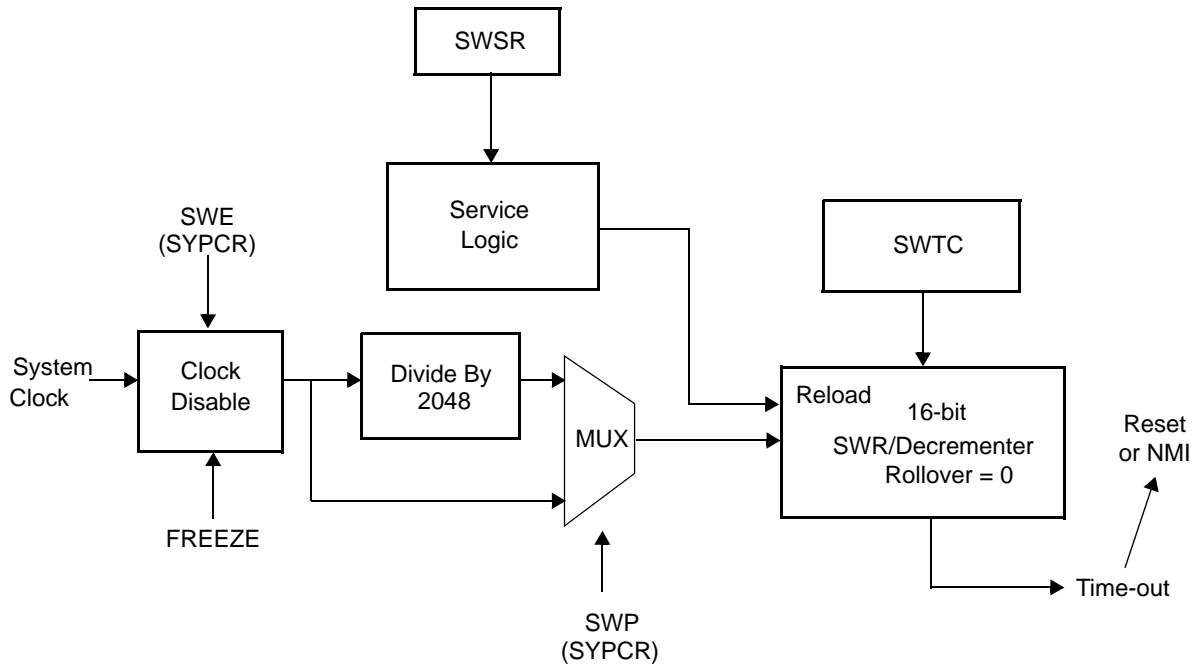


Figure 6-10. SWT Block Diagram

### 6.1.11 Freeze Operation

When the FREEZE line is asserted, the clocks to the software watchdog, the periodic interrupt timer, the real-time clock, the time base counter, and the decremter can be disabled. This is controlled by the associated bits in the control register of each timer. If programmed to stop during FREEZE assertion, the counters maintain their values while FREEZE is asserted. The bus monitor remains enabled regardless of this signal.

### 6.1.12 Low Power Stop Operation

When the processor is set in a low-power mode (doze, sleep, or deep-sleep), the software watchdog timer is frozen. It remains frozen and maintains its count value until the processor exits this state and resumes executing instructions.

The periodic interrupt timer, decremter, and time base are not affected by these low-power modes. They continue to run at their respective frequencies. These timers are capable of generating an interrupt to bring the MCU out of these low-power modes.

## 6.2 Memory Map and Register Definitions

This section provides the MPC565 memory map, register diagrams and bit descriptions of the system configuration and protection registers.

### 6.2.1 Memory Map

The MPC565 internal memory space can be assigned to one of eight locations.

The internal memory map is organized as a single 4-Mbyte block. The user can assign this block to one of eight locations by programming the ISB field in the internal memory mapping register (IMMR). The eight possible locations are the first eight 4-Mbyte memory blocks starting with address 0x0000 0000. (Refer to Figure 6-11.)

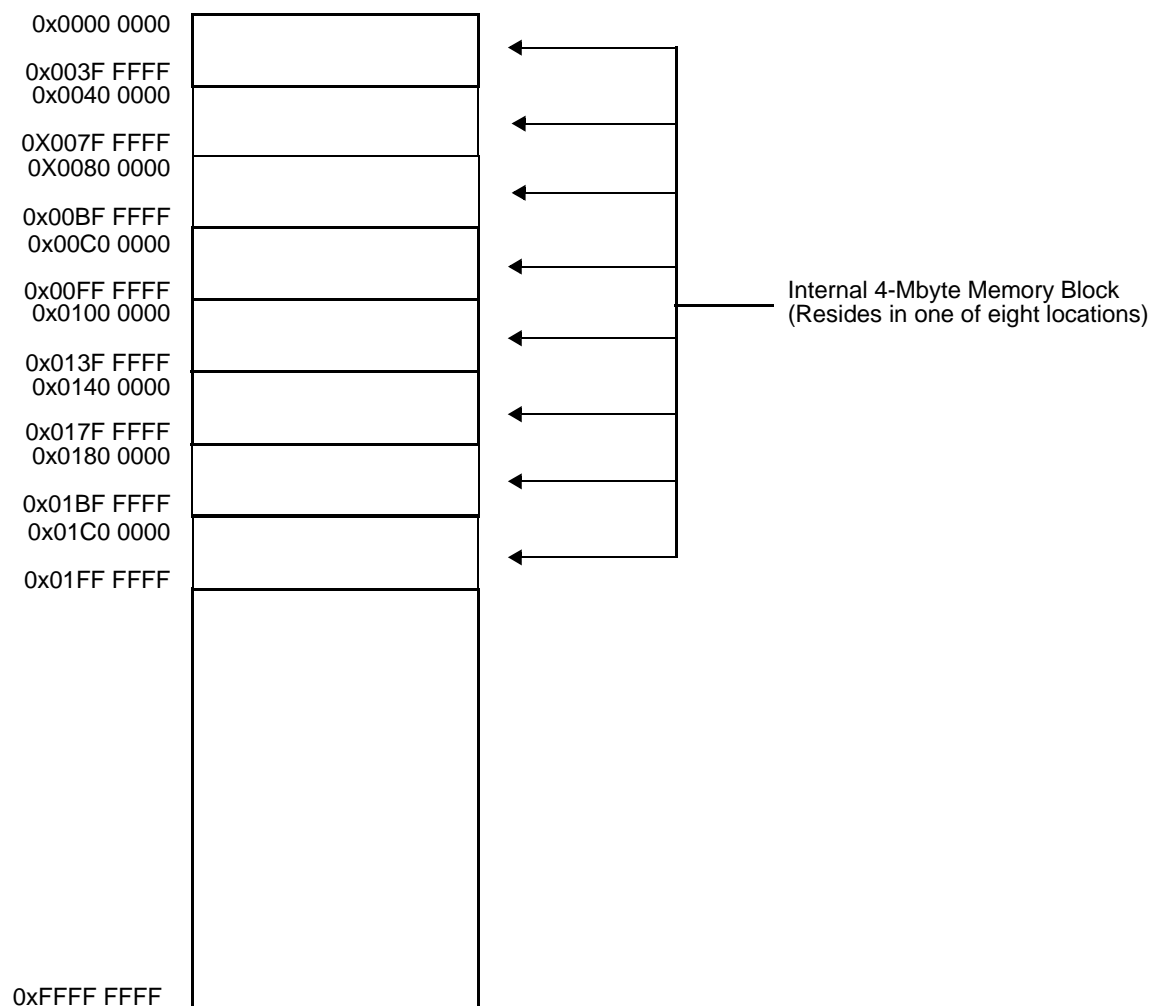


Figure 6-11. MPC565 Memory Map

## 6.2.2 System Configuration and Protection Registers

This section describes the MPC565 registers.

### 6.2.2.1 System Configuration Registers

System configuration registers include the SIUMCR, the IMMR, and the EMCR registers.

### 6.2.2.1.1 SIU Module Configuration Register (SIUMCR)

The SIUMCR contains bits which configure various features in the SIU module. The register contents are shown below.

|                            |  | MSB              |                        |    |                  |      |   |   |                       |         |                |                   |                       |      |     |     |    |  |  |  |  |  | LSB |    |    |    |    |    |    |    |    |    |    |    |    |    |    |    |    |
|----------------------------|--|------------------|------------------------|----|------------------|------|---|---|-----------------------|---------|----------------|-------------------|-----------------------|------|-----|-----|----|--|--|--|--|--|-----|----|----|----|----|----|----|----|----|----|----|----|----|----|----|----|----|
|                            |  | 0                | 1                      | 2  | 3                | 4    | 5 | 6 | 7                     | 8       | 9              | 10                | 11                    | 12   | 13  | 14  | 15 |  |  |  |  |  |     | 16 | 17 | 18 | 19 | 20 | 21 | 22 | 23 | 24 | 25 | 26 | 27 | 28 | 29 | 30 | 31 |
| Field                      |  | EARB             | EARP                   |    |                  | —    |   |   | DSHW                  | DBGC    | — <sup>1</sup> |                   |                       | ATWC | GPC | DLK |    |  |  |  |  |  |     |    |    |    |    |    |    |    |    |    |    |    |    |    |    |    |    |
| $\overline{\text{HRESET}}$ |  | ID0 <sup>2</sup> | 000_0000_0             |    |                  |      |   |   | ID[9:10] <sup>2</sup> |         |                | ID11 <sup>2</sup> | ID12 <sup>2</sup>     | 000  |     |     |    |  |  |  |  |  |     |    |    |    |    |    |    |    |    |    |    |    |    |    |    |    |    |
| Addr                       |  | 0x2F C000        |                        |    |                  |      |   |   |                       |         |                |                   |                       |      |     |     |    |  |  |  |  |  |     |    |    |    |    |    |    |    |    |    |    |    |    |    |    |    |    |
| Field                      |  | —                |                        | SC | RCTX             | MLRC | — |   | MTSC                  | NOS HOW | EICEN          | LPMASK_EN         | BURST_EN <sup>3</sup> | —    |     |     |    |  |  |  |  |  |     |    |    |    |    |    |    |    |    |    |    |    |    |    |    |    |    |
| $\overline{\text{HRESET}}$ |  | 0                | ID[17:18] <sup>2</sup> |    | 0_0000_0000_0000 |      |   |   |                       |         |                |                   |                       |      |     |     |    |  |  |  |  |  |     |    |    |    |    |    |    |    |    |    |    |    |    |    |    |    |    |

<sup>1</sup> DBPC in mask set K85H.

<sup>2</sup> The reset value is a reset configuration word value, extracted from the internal data bus line. Refer to [Section 7.5.2, “Hard Reset Configuration Word \(RCW\)”](#).

<sup>3</sup> Burst enable is available on MPC565, Rev D and later.

**Figure 6-12. SIU Module Configuration Register (SIUMCR)**

### WARNING

All SIUMCR fields which are controlled by the reset configuration word should not be changed by software while the corresponding functions are active.

**Table 6-7. SIUMCR Bit Descriptions**

| Bits | Name | Description   |
|------|------|---|
| 0    | EARB | External arbitration<br>0 Internal arbitration is performed<br>1 External arbitration is assumed  |
| 1:3  | EARP | External arbitration request priority. This field defines the priority of an external master's arbitration request. This field is valid when EARB is cleared. Refer to <a href="#">Section 9.5.7.4, “Internal Bus Arbiter,”</a> for details.  |
| 4:7  | —    | Reserved  |
| 8    | DSHW | Data show cycles. This bit selects the show cycle mode to be applied to U-bus data cycles (data cycles to IMB modules and Flash EEPROM). This field is locked by the DLK bit. Note that instruction show cycles are programmed in the ICTRL and L-bus data show cycles are programmed in the L2UMCR.<br>0 Disable show cycles for all internal data cycles<br>1 Show address and data of all internal data cycles |
| 9:10 | DBGC | Debug pins configuration. Refer to <a href="#">Table 6-8</a> .  |
| 11   | DBPC | Reserved. <sup>1</sup>  |

**Table 6-7. SIUMCR Bit Descriptions (continued)**

| Bits  | Name                  | Description  |
|-------|-----------------------|--|
| 12    | ATWC                  | Address write type enable configuration. This bit configures the pins to function as byte write enables or address types for debugging purposes.<br>0 $\overline{WE}[0:3]/\overline{BE}[0:3]/AT[0:3]$ functions as $\overline{WE}[0:3]/\overline{BE}[0:3]$ <sup>2</sup><br>1 $\overline{WE}[0:3]/\overline{BE}[0:3]/AT[0:3]$ functions as AT[0:3]  |
| 13:14 | GPC                   | This bit configures the pins as shown in <a href="#">Table 6-9</a> .   |
| 15    | DLK                   | Debug register lock<br>0 Normal operation<br>1 SIUMCR is locked and can be written only in test mode or when the internal freeze signal is asserted.   |
| 16    | —                     | Reserved   |
| 17:18 | SC                    | Single-chip select. This field configures the functionality of the address and data buses. Changing the SC field while external accesses are performed is not supported. Refer to <a href="#">Table 6-10</a> .   |
| 19    | RCTX                  | Reset configuration/timer expired. During reset the RSTCONF/TEXP pin functions as RSTCONF. After reset the pin can be configured to function as TEXP, the timer expired signal that supports the low-power modes.<br>0 RSTCONF/TEXP functions as RSTCONF<br>1 RSTCONF/TEXP functions as TEXP   |
| 20:21 | MLRC                  | Multi-level reservation control. This field selects between the functionality of the reservation logic and IRQ pins, refer to <a href="#">Table 6-11</a> .   |
| 22:23 | —                     | Reserved   |
| 24    | MTSC                  | Memory transfer start control.<br>0 $\overline{IRQ2}/\overline{CR}/\overline{SGPIOC2}/\overline{MTS}$ functions according to the MLRC bits setting<br>1 $\overline{IRQ2}/\overline{CR}/\overline{SGPIOC2}/\overline{MTS}$ functions as $\overline{MTS}$  |
| 25    | NOSHOW                | Instruction show cycles disabled. If the NOSHOW bit is set (1), then all instruction show cycles are NOT transmitted to the external bus.  |
| 26    | EICEN                 | Enhanced interrupt controller enable. See <a href="#">Section 6.1.4.4, “Enhanced Interrupt Controller Operation,”</a> for more information.<br>0 Enhanced interrupt controller operates in regular mode (compatible with MPC555/MPC556)<br>1 Enhanced interrupt controller is enabled  |
| 27    | LPMASK_EN             | Low priority request masking enable.<br>0 Lower priority interrupt request masking is disabled<br>1 Lower priority interrupt request masking is enabled  |
| 28    | BURST_EN <sup>3</sup> | Burst enable.<br>0 Burst operation is enabled by the BBCMCR[BE]. Maximum burst length is fixed at 4 beats.<br>1 USIU initiated burst accesses on the external bus. Maximum burst length can be 4 or 8 beats and this may be programmed per memory region. Refer to <a href="#">Section 10.2.5, “Burst Support,”</a> for more information.<br><b>Note:</b> Do not assert $\overline{TEA}$ on the external bus for instruction fetch while SIUMCR[BURST_EN] = 1. Do not place code at the last 8 words of a memory controller region while SIUMCR[BURST_EN] = 1. |
| 29:31 | —                     | Reserved   |

<sup>1</sup> DBPC on Mask Set K85H. 0 = DSCK, DSDI, DSDO selected. 1 = TCK, TDI, TDO selected.

<sup>2</sup>  $\overline{WE}/\overline{BE}$  is selected per memory region by WEBS in the appropriate BR register in the memory controller.

<sup>3</sup> Burst enable is available on MPC565, Rev. D and later.

**Table 6-8. Debug Pins Configuration**

| DBGC | Pin Function       |  |  |  |  |
|------|--------------------|--|--|--|--|
|      | IWP[0:1]/VFLS[0:1] | $\overline{\text{BI}}/\overline{\text{STS}}$ | $\overline{\text{BG}}/\overline{\text{VF0}}/\text{LWP1}$ | $\overline{\text{BR}}/\overline{\text{VF1}}/\text{IWP2}$ | $\overline{\text{BB}}/\overline{\text{VF2}}/\text{IWP3}$ |
| 00   | VFLS[0:1]          | $\overline{\text{BI}}$                       | $\overline{\text{BG}}$                                   | $\overline{\text{BR}}$                                   | $\overline{\text{BB}}$                                   |
| 01   | IWP[0:1]           | $\overline{\text{STS}}$                      | $\overline{\text{BG}}$                                   | $\overline{\text{BR}}$                                   | $\overline{\text{BB}}$                                   |
| 10   | VFLS[0:1]          | $\overline{\text{STS}}$                      | VF0  | VF1  | VF2  |
| 11   | IWP[0:1]           | $\overline{\text{STS}}$                      | LWP1   | IWP2   | IWP3   |

**Table 6-9. General Pins Configuration**

| GPC | Pin Function    |   |
|-----|-----------------|---|
|     | FRZ/PTR/SGPIOC6 | $\overline{\text{IRQOUT}}/\text{LWP0}/\text{SGPIOC7}$ |
| 00  | PTR             | LWP0  |
| 01  | SGPIOC6         | SGPIOC7   |
| 10  | FRZ             | LWP0  |
| 11  | FRZ             | $\overline{\text{IRQOUT}}$                            |

**Table 6-10. Single-Chip Select Field Pin Configuration**

| SC  | Pin Function            |                           |                         |
|---|-------------------------|---------------------------|-------------------------|
|   | DATA[0:15]/SGPIOD[0:15] | DATA[16:31]/SGPIOD[16:31] | ADDR[8:31]/SGPIOA[8:31] |
| 00 (multiple chip, 32-bit port size)                    | DATA[0:15]              | DATA[16:31]               | ADDR[8:31]              |
| 01 (multiple chip, 16-bit port size)                    | DATA[0:15]              | SPGIOD[16:31]             | ADDR[8:31]              |
| 10 (single-chip with address show cycles for debugging) | SPGIOD[0:15]            | SPGIOD[16:31]             | ADDR[8:31]              |
| 11 (single-chip)  | SPGIOD[0:15]            | SPGIOD[16:31]             | SPGIOA[8:31]            |

**Table 6-11. Multi-Level Reservation Control Pin Configuration**

| MLRC | Pin Function  |  |  |  |  |   |
|------|---|--|--|--|--|---|
|      | $\overline{\text{IRQ0}}/\text{SGPIOC0}/\text{MDO4}$ | $\overline{\text{IRQ1}}/\text{RSV}/\text{SGPIOC1}$ | $\overline{\text{IRQ2}}/\text{CR}/\text{SGPIOC2}/\text{MTS}$ | $\overline{\text{IRQ3}}/\text{KR}/\text{RETRY}/\text{SGPIOC3}$ | $\overline{\text{IRQ4}}/\text{AT2}/\text{SGPIOC4}$ | $\overline{\text{IRQ5}}/\text{SGPIOC5}/\text{MODCK1}^1$ |
| 00   | $\overline{\text{IRQ0}}$                            | $\overline{\text{IRQ1}}$                           | $\overline{\text{IRQ2}}^2$                                   | $\overline{\text{IRQ3}}$                                       | $\overline{\text{IRQ4}}$                           | $\overline{\text{IRQ5}}/\text{MODCK1}$                  |
| 01   | $\overline{\text{IRQ0}}$                            | RSV  | $\overline{\text{CR}}^2$                                     | $\overline{\text{KR}}/\text{RETRY}$                            | AT2  | $\overline{\text{IRQ5}}/\text{MODCK1}$                  |
| 10   | SGPIOC0   | SGPIOC1  | SGPIOC2 <sup>2</sup>   | SGPIOC3  | SGPIOC4  | SGPIOC5/MODCK1  |
| 11   | $\overline{\text{IRQ0}}$                            | $\overline{\text{IRQ1}}$                           | SGPIOC2 <sup>2</sup>   | $\overline{\text{KR}}/\text{RETRY}$                            | AT2  | SGPIOC5/MODCK1  |

<sup>1</sup> Operates as MODCK1 during reset.

<sup>2</sup> This is true if MTSC is reset to 0. Otherwise,  $\overline{\text{IRQ2}}/\text{CR}/\text{SGPIOC2}/\text{MTS}$  will function as  $\overline{\text{MTS}}$ .

### 6.2.2.1.2 Internal Memory Map Register (IMMR)

The internal memory map register (IMMR) is a register located within the MPC565 special register space. The IMMR contains identification of a specific device as well as the base for the internal memory map. Based on the value read from this register, software can deduce availability and location of any on-chip system resources.

This register can be read by the mfspr instruction. The ISB field can be written by the mtspr instruction. The PARTNUM and MASKNUM fields are mask programmed and cannot be changed.

|                            |  |         |    |    |                   |    |    |                   |         |                       |    |    |                        |    |    |    |     |  |  |
|----------------------------|--|---------|----|----|-------------------|----|----|-------------------|---------|-----------------------|----|----|------------------------|----|----|----|-----|--|--|
|                            |  | MSB     |    |    |                   |    |    |                   |         |                       |    |    |                        |    |    |    |     |  |  |
|                            |  | 0       | 1  | 2  | 3                 | 4  | 5  | 6                 | 7       | 8                     | 9  | 10 | 11                     | 12 | 13 | 14 | 15  |  |  |
| Field                      |  | PARTNUM |    |    |                   |    |    |                   | MASKNUM |                       |    |    |                        |    |    |    |     |  |  |
| Reset                      |  | 0       | 0  | 1  | 1                 | 0  | 1  | 0                 | 1       | Read-Only Fixed Value |    |    |                        |    |    |    |     |  |  |
|                            |  |         |    |    |                   |    |    |                   |         |                       |    |    |                        |    |    |    | LSB |  |  |
|                            |  | 16      | 17 | 18 | 19                | 20 | 21 | 22                | 23      | 24                    | 25 | 26 | 27                     | 28 | 29 | 30 | 31  |  |  |
| Field                      |  | —       |    |    | FLEN              | —  |    | —                 | —       |                       |    |    | ISB                    |    |    | —  |     |  |  |
| $\overline{\text{HRESET}}$ |  | 0000    |    |    | ID20 <sup>1</sup> | 00 |    | ID23 <sup>2</sup> | 0000    |                       |    |    | ID[28:30] <sup>1</sup> |    |    | 0  |     |  |  |
| Addr                       |  | SPR 638 |    |    |                   |    |    |                   |         |                       |    |    |                        |    |    |    |     |  |  |

<sup>2</sup> The reset value is a reset configuration word value extracted from the indicated bits of the internal data bus. Refer to Section 7.5.2, “Hard Reset Configuration Word (RCW).”

**Figure 6-13. Internal Memory Mapping Register (IMMR)**

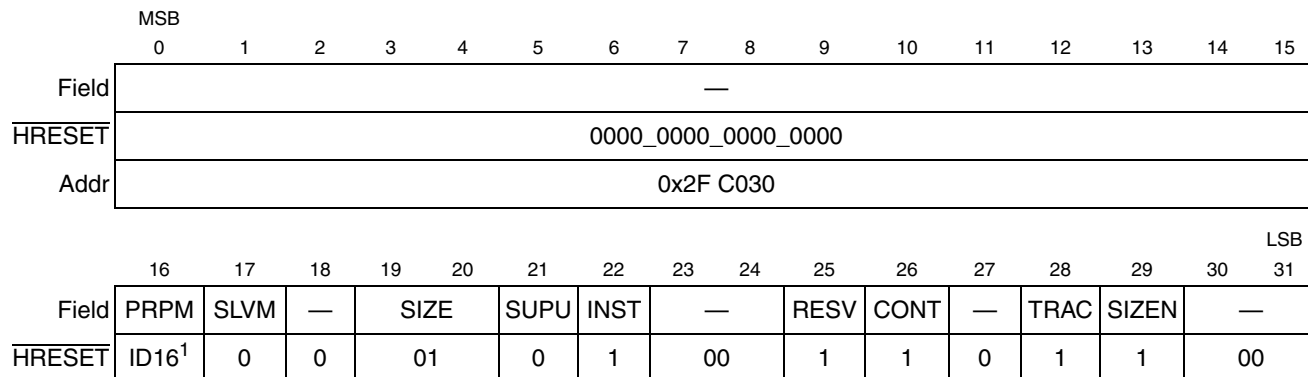


**Table 6-12. IMMR Bit Descriptions**

| Bits  | Name    | Description   |
|-------|---------|---|
| 0:7   | PARTNUM | This read-only field is mask programmed with a code corresponding to the part number of the part on which the SIU is located. It is intended to help factory test and user code which is sensitive to part changes. This changes when the part number changes. For example, it would change if any new module is added, if the size of any memory module is changed. It would not change if the part is changed to fix a bug in an existing module. The MPC565 has an ID of 0x33. |
| 8:15  | MASKNUM | This read-only field is mask programmed with a code corresponding to the mask number of the part. It is intended to help factory test and user code which is sensitive to part changes.   |
| 16:19 | —       | Reserved  |
| 20    | FLEN    | Flash enable is a read-write bit. The default state of FLEN is negated, meaning that the boot is performed from external memory. This bit can be set at reset by the reset configuration word.<br>0 On-chip Flash memory is disabled, and all internal cycles to the allocated Flash address space are mapped to external memory<br>1 On-chip Flash memory is enabled   |
| 21:22 | —       | Reserved  |
| 23    | —       | Reserved. This bit should be programmed to 0 at all times.  |
| 24:27 | —       | Reserved  |
| 28:30 | ISB     | This read-write field defines the base address of the internal memory space. The initial value of this field can be configured at reset to one of eight addresses, and then can be changed to any value by software. Internal base addresses are as follows:<br>000 0x0000 0000<br>001 0x0040 0000<br>010 0x0080 0000<br>011 0x00C0 0000<br>100 0x0100 0000<br>101 0x0140 0000<br>110 0x0180 0000<br>111 0x01C0 0000  |
| 31    | —       | Reserved  |

### 6.2.2.1.3 External Master Control Register (EMCR)

The external master control register selects the external master modes and determines the internal bus attributes for external-to-internal accesses.



<sup>1</sup> The reset value is a reset configuration word value, extracted from the indicated internal data bus line. Refer to [Section 7.5.2, “Hard Reset Configuration Word \(RCW\)”](#).

**Figure 6-14. External Master Control Register (EMCR)**

**Table 6-13. EMCR Bit Descriptions**

| Bits  | Name | Description   |
|-------|------|---|
| 0:15  | —    | Reserved  |
| 16    | PRPM | Peripheral mode. In this mode, the internal RCPu core is shut off and an alternative master on the external bus can access any internal slave module. The reset value of this bit is determined by the reset configuration word bit 16. The bit can also be written by software.<br>0 Normal operation<br>1 Peripheral mode operation |
| 17    | SLVM | Slave mode (valid only if PRPM = 0). In this mode, an alternative master on the external bus can access any internal slave module while the internal RCPu core is fully operational. If PRPM is set, the value of SLVM is a “don’t care.”<br>0 Normal operation<br>1 Slave mode   |
| 18    | —    | Reserved  |
| 19:20 | SIZE | Size attribute. If SIZEN = 1, the SIZE bits controls the internal bus attributes as follows:<br>00 Double word (8 bytes)<br>01 Word (4 bytes)<br>10 Half word (2 bytes)<br>11 Byte  |
| 21    | SUPU | Supervisor/user attribute. SUPU controls the supervisor/user attribute as follows:<br>0 Supervisor mode access permitted to all registers<br>1 User access permitted to registers designated “user access”  |
| 22    | INST | Instruction attribute. INST controls the internal bus instruction attribute as follows:<br>0 Instruction fetch<br>1 Operand or non-CPU access   |
| 23:24 | —    | Reserved  |
| 25    | RESV | Reservation attribute. RESV controls the internal bus reservation attribute as follows:<br>0 Storage reservation cycle<br>1 Not a reservation   |

**Table 6-13. EMCR Bit Descriptions (continued)**

| Bits  | Name  | Description  |
|-------|-------|--|
| 26    | CONT  | Control attribute. CONT drives the internal bus control bit attribute as follows:<br>0 Access to MPC565 control register, or control cycle access<br>1 Access to global address map              |
| 27    | —     | Reserved   |
| 28    | TRAC  | Trace attribute. TRAC controls the internal bus program trace attribute as follows:<br>0 Program trace<br>1 Not program trace  |
| 29    | SIZEN | External size enable control bit. SIZEN determines how the internal bus size attribute is driven:<br>0 Drive size from external bus signals TSIZE[0:1]<br>1 Drive size from SIZE0, SIZE1 in EMCR |
| 30:31 | —     | Reserved   |

### 6.2.2.2 SIU Interrupt Controller Registers

The SIU interrupt controller contains the following registers: SIPEND, SIPEND2 and SIPEND3 (interrupt pending registers), SIMASK, SIMASK2 and SIMASK3 (interrupt mask registers), SIEL, SIVEC, SISR2 and SISR3.

The SIPEND and SIMASK registers are used when the interrupt controller is configured for regular, MPC555/MPC556 compatible, operation. SIPEND2, SIPEND3, SIMASK2, SIMASK3, SISR2 and SISR3 registers are used only when the interrupt controller is operating in enhanced interrupt mode.

SIPEND, SIPEND2 and SIPEND3 are 32-bit registers. Each bit in the register corresponds to an interrupt request. The bits associated with internal exceptions indicate, if set, that an interrupt service is requested. These bits reflect the status of the internal requesting device, and will be cleared when the appropriate actions are initiated by software in the device itself. Writing to these bits has no effect.

The bits associated with the  $\overline{\text{IRQ}}$  pins have a different behavior depending on the sensitivity defined for them in the SIEL register. When the  $\overline{\text{IRQ}}$  is defined as a “level” interrupt the corresponding bit behaves in a manner similar to the bits associated with internal interrupt sources, (i.e., it reflects the status of the  $\overline{\text{IRQ}}$  pin). This bit can not be changed by software, it will be cleared when the external signal is negated. When the  $\overline{\text{IRQ}}$  is defined as an “edge” interrupt, if the corresponding bit is set, it indicates that a falling edge was detected on the line. The bit must be reset by software by writing a ‘1’ to it.

The following acronym definitions apply to the various bits implemented in the SIU interrupt controller registers.

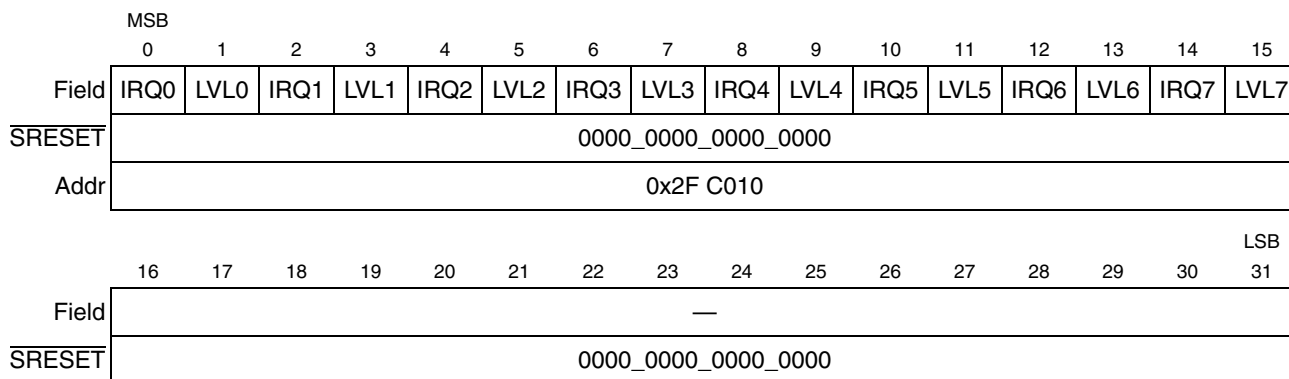
**Table 6-14. SIU Interrupt Controller – Bit Acronym Definitions**

| Name                | Description                                      |
|---------------------|--|
| IRQ <sub>n</sub>    | Interrupt Signal <i>n</i> Request                |
| LVL <sub>n</sub>    | Interrupt Level <i>n</i> Request                 |
| IMBIRQ <sub>n</sub> | Intermodule Bus Interrupt Level <i>n</i> Request |
| IRM <sub>n</sub>    | Interrupt Signal <i>n</i> Mask                   |

**Table 6-14. SIU Interrupt Controller – Bit Acronym Definitions**

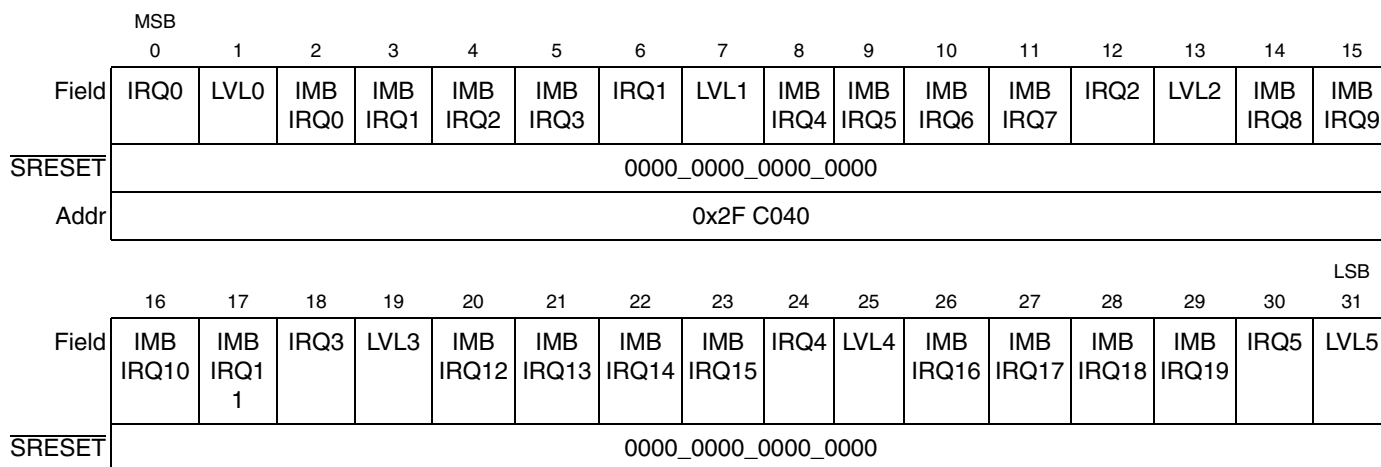
| Name    | Description                               |
|---------|---|
| LVM $n$ | Interrupt Level $n$ Mask                  |
| ED $n$  | Falling Edge Detect, Interrupt Signal $n$ |
| WM $n$  | Wakeup Mask, Interrupt Signal $n$         |

### 6.2.2.2.1 SIU Interrupt Pending Register (SIPEND)



**Figure 6-15. SIU Interrupt Pending Register (SIPEND)**

### 6.2.2.2.2 SIU Interrupt Pending Register 2 (SIPEND2)



**Figure 6-16. SIU Interrupt Pending Register 2 (SIPEND2)**

### 6.2.2.2.3 SIU Interrupt Pending Register 3 (SIPEND3)

|                            |  | MSB                 |              |              |              |          |          |              |              |              |              |          |          |              |              |              |              |     |  |
|----------------------------|--|---------------------|--------------|--------------|--------------|----------|----------|--------------|--------------|--------------|--------------|----------|----------|--------------|--------------|--------------|--------------|-----|--|
|                            |  | 0                   | 1            | 2            | 3            | 4        | 5        | 6            | 7            | 8            | 9            | 10       | 11       | 12           | 13           | 14           | 15           |     |  |
| Field                      |  | IMB<br>IRQ20        | IMB<br>IRQ21 | IMB<br>IRQ22 | IMB<br>IRQ23 | IRQ<br>6 | LVL<br>6 | IMB<br>IRQ24 | IMB<br>IRQ25 | IMB<br>IRQ26 | IMB<br>IRQ27 | IRQ<br>7 | LVL<br>7 | IMB<br>IRQ28 | IMB<br>IRQ29 | IMB<br>IRQ30 | IMB<br>IRQ31 |     |  |
| $\overline{\text{SRESET}}$ |  | 0000_0000_0000_0000 |              |              |              |          |          |              |              |              |              |          |          |              |              |              |              |     |  |
| Addr                       |  | 0x2F C044           |              |              |              |          |          |              |              |              |              |          |          |              |              |              |              |     |  |
|                            |  |                     |              |              |              |          |          |              |              |              |              |          |          |              |              |              |              | LSB |  |
| Field                      |  | —                   |              |              |              |          |          |              |              |              |              |          |          |              |              |              |              |     |  |
| $\overline{\text{SRESET}}$ |  | 0000_0000_0000_0000 |              |              |              |          |          |              |              |              |              |          |          |              |              |              |              |     |  |

Figure 6-17. SIU Interrupt Pending Register 3 (SIPEND3)

### 6.2.2.2.4 SIU Interrupt Mask Register (SIMASK)

SIMASK is a 32-bit read/write register. Each bit in the register corresponds to an interrupt request bit in the SIPEND register.

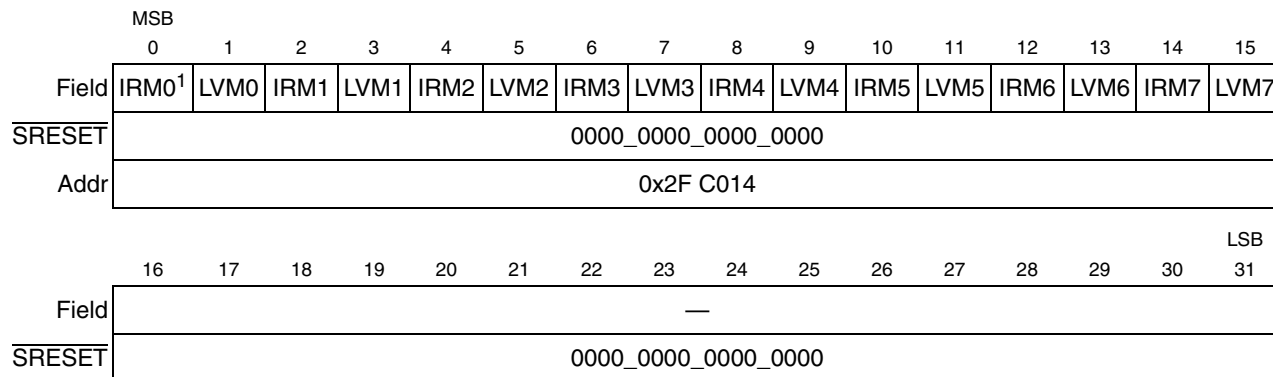
SIMASK2 is a 32-bit read/write register. Each bit in the register corresponds to an interrupt request bit in the SIPEND2 register.

SIMASK3 is a 32-bit read/write register. Each bit in the register corresponds to an interrupt request bit in the SIPEND3 register.

When the bit is set, it enables the generation of an interrupt request to the RCP. SIMASK, SIMASK2, SIMASK3 are updated by software and cleared upon reset. It is the responsibility of the software to determine which of the interrupt sources are enabled at a given time.

#### NOTE

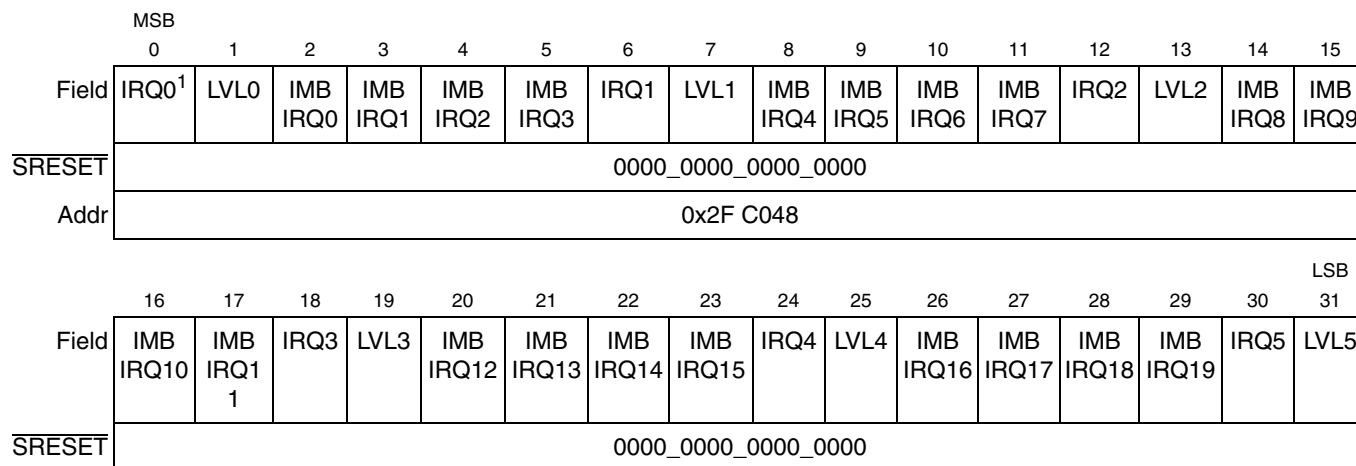
Disable external interrupts in the core prior to changing any interrupt controller related register (SIMASK, SIPEND, SIEL, or SISR). Refer to MSR[EE] bit description in [Table 3-11](#) and the note regarding special handling of the EIC in [Section 6.1.4.4, “Enhanced Interrupt Controller Operation.”](#)



<sup>1</sup> IRQ0 of the SIPEND register is not affected by the setting or clearing of the IRM0 bit of the SIMASK register. IRQ0 is a non-maskable interrupt.

**Figure 6-18. SIU Interrupt Mask Register (SIMASK)**

### 6.2.2.2.5 SIU Interrupt Mask Register 2 (SIMASK2)



<sup>1</sup>  $\overline{\text{IRQ0}}$  of the SIPEND2 register is not affected by the setting or clearing of the IRQ0 bit of the SIMASK2 register.  $\overline{\text{IRQ0}}$  is a non-maskable interrupt

**Figure 6-19. SIU Interrupt Mask Register 2 (SIMASK2)**

### 6.2.2.2.6 SIU Interrupt Mask Register 3 (SIMASK3)

|                            |  | MSB                 |              |              |              |          |          |              |              |              |              |          |          |              |              |              |              |     |  |
|----------------------------|--|---------------------|--------------|--------------|--------------|----------|----------|--------------|--------------|--------------|--------------|----------|----------|--------------|--------------|--------------|--------------|-----|--|
|                            |  | 0                   | 1            | 2            | 3            | 4        | 5        | 6            | 7            | 8            | 9            | 10       | 11       | 12           | 13           | 14           | 15           |     |  |
| Field                      |  | IMB<br>IRQ20        | IMB<br>IRQ21 | IMB<br>IRQ22 | IMB<br>IRQ23 | IRQ<br>6 | LVL<br>6 | IMB<br>IRQ24 | IMB<br>IRQ25 | IMB<br>IRQ26 | IMB<br>IRQ27 | IRQ<br>7 | LVL<br>7 | IMB<br>IRQ28 | IMB<br>IRQ29 | IMB<br>IRQ30 | IMB<br>IRQ31 |     |  |
| $\overline{\text{SRESET}}$ |  | 0000_0000_0000_0000 |              |              |              |          |          |              |              |              |              |          |          |              |              |              |              |     |  |
| Addr                       |  | 0x2F C04C           |              |              |              |          |          |              |              |              |              |          |          |              |              |              |              |     |  |
|                            |  |                     |              |              |              |          |          |              |              |              |              |          |          |              |              |              |              | LSB |  |
| Field                      |  | —                   |              |              |              |          |          |              |              |              |              |          |          |              |              |              |              |     |  |
| $\overline{\text{SRESET}}$ |  | 0000_0000_0000_0000 |              |              |              |          |          |              |              |              |              |          |          |              |              |              |              |     |  |

Figure 6-20. SIU Interrupt Mask Register 3 (SIMASK3)

### 6.2.2.2.7 SIU Interrupt Edge Level Register (SIEL)

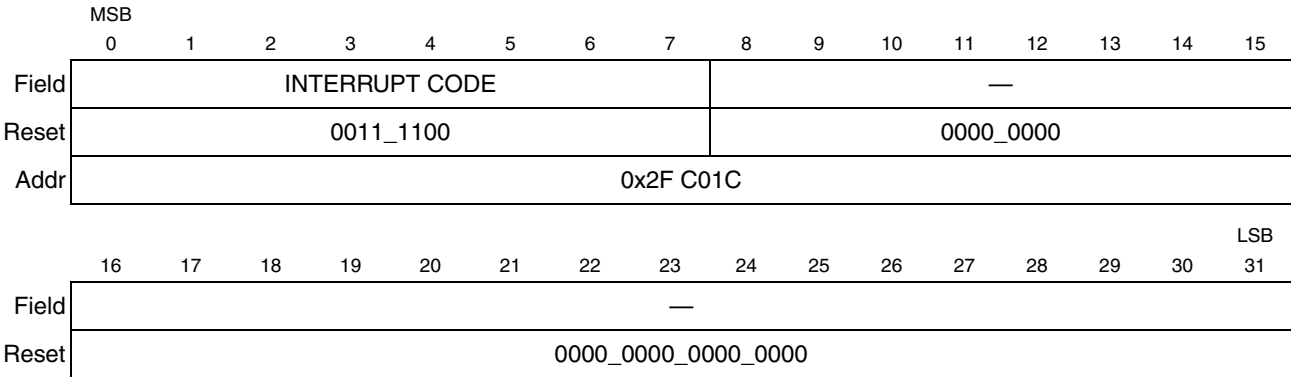
The SIEL is a 32-bit read/write register. Each pair of bits corresponds to an external interrupt request. The EDx bit, if set, specifies that a falling edge in the corresponding  $\overline{\text{IRQ}}$  line will be detected as an interrupt request. When the EDx bit is 0, a low logical level in the  $\overline{\text{IRQ}}$  line will be detected as an interrupt request. The WMx (wake-up mask) bit, if set, indicates that an interrupt request detection in the corresponding line causes the MPC565 to exit low-power mode.

|                            |  | MSB                 |     |     |     |     |     |     |     |     |     |     |     |     |     |     |     |     |  |
|----------------------------|--|---------------------|-----|-----|-----|-----|-----|-----|-----|-----|-----|-----|-----|-----|-----|-----|-----|-----|--|
|                            |  | 0                   | 1   | 2   | 3   | 4   | 5   | 6   | 7   | 8   | 9   | 10  | 11  | 12  | 13  | 14  | 15  |     |  |
| Field                      |  | ED0                 | WM0 | ED1 | WM1 | ED2 | WM2 | ED3 | WM3 | ED4 | WM4 | ED5 | WM5 | ED6 | WM6 | ED7 | WM7 |     |  |
| $\overline{\text{HRESET}}$ |  | 0000_0000_0000_0000 |     |     |     |     |     |     |     |     |     |     |     |     |     |     |     |     |  |
| Addr                       |  | 0x2F C018           |     |     |     |     |     |     |     |     |     |     |     |     |     |     |     |     |  |
|                            |  |                     |     |     |     |     |     |     |     |     |     |     |     |     |     |     |     | LSB |  |
| Field                      |  | —                   |     |     |     |     |     |     |     |     |     |     |     |     |     |     |     |     |  |
| $\overline{\text{HRESET}}$ |  | 0000_0000_0000_0000 |     |     |     |     |     |     |     |     |     |     |     |     |     |     |     |     |  |

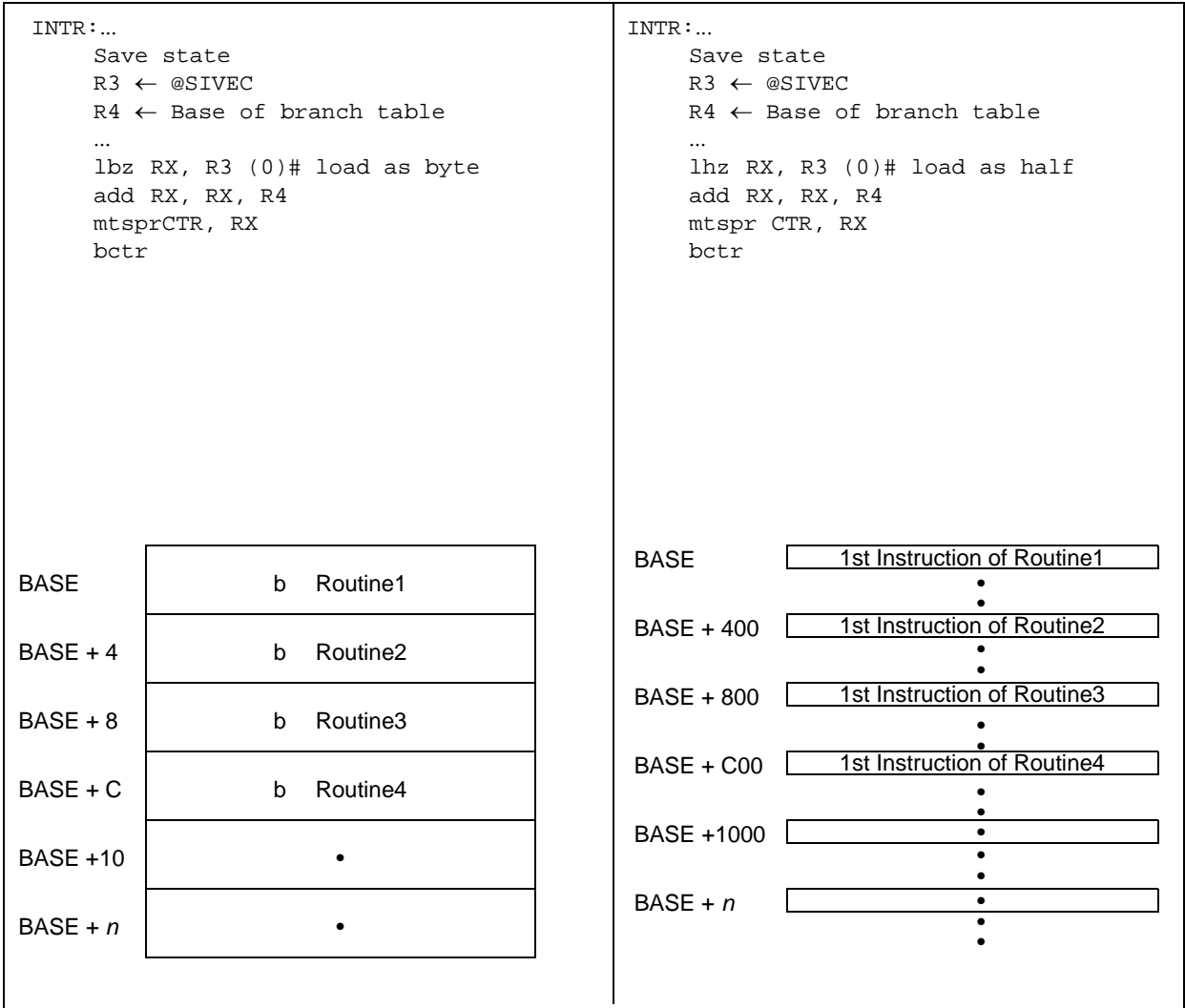
Figure 6-21. SIU Interrupt Edge Level Register (SIEL)

### 6.2.2.2.8 SIU Interrupt Vector Register (SIVEC)

The SIVEC is a 32-bit read-only register that contains an 8-bit code representing the unmasked interrupt source of the highest priority level. The SIVEC can be read as either a byte, half word, or word. When read as a byte, a branch table can be used in which each entry contains one instruction (branch). When read as a half-word, each entry can contain a full routine of up to 256 instructions. The interrupt code is defined such that its two least significant bits are 0, thus allowing indexing into the table. The two possible ways of the code usage are shown on [Figure 6-23](#).



**Figure 6-22. SIU Interrupt Vector Register (SIVEC)**



**Figure 6-23. Example of SIVEC Register Usage for Interrupt Table Handling**



### 6.2.2.2.9 Interrupt In-Service Registers (SISR2 and SISR3)

SISR2, SISR3 are 32-bit read/write registers. Each bit in the register corresponds to an interrupt request. A bit is set if:

- There is a pending interrupt request (SIPEND2/3), that is not masked by (SIMASK2/3), and
- The BBC/IMPU acknowledges interrupt request and latches SIVEC value.

Once a bit is set, all requests with lower or equal priority become masked (i.e. they will not generate any interrupt request to the RCPU) until the bit is cleared. A bit is cleared by writing a ‘1’ to it. Writing zero has no effect.

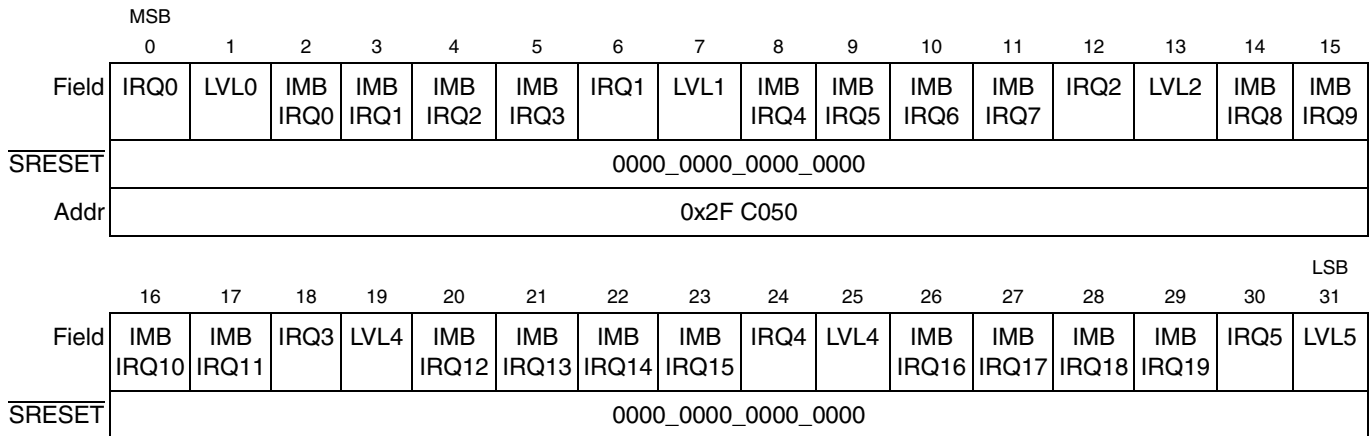


Figure 6-24. Interrupt In-Service Register 2 (SISR2)

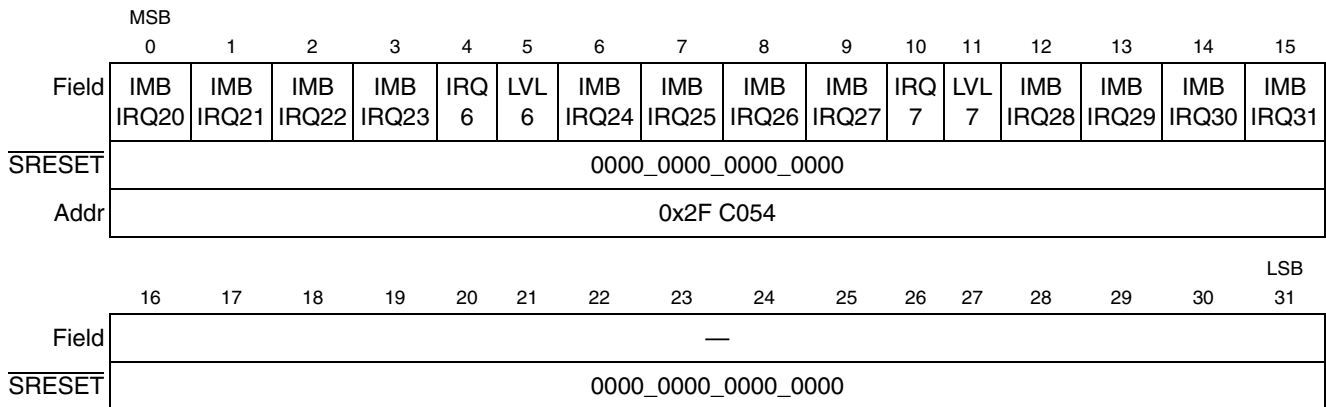
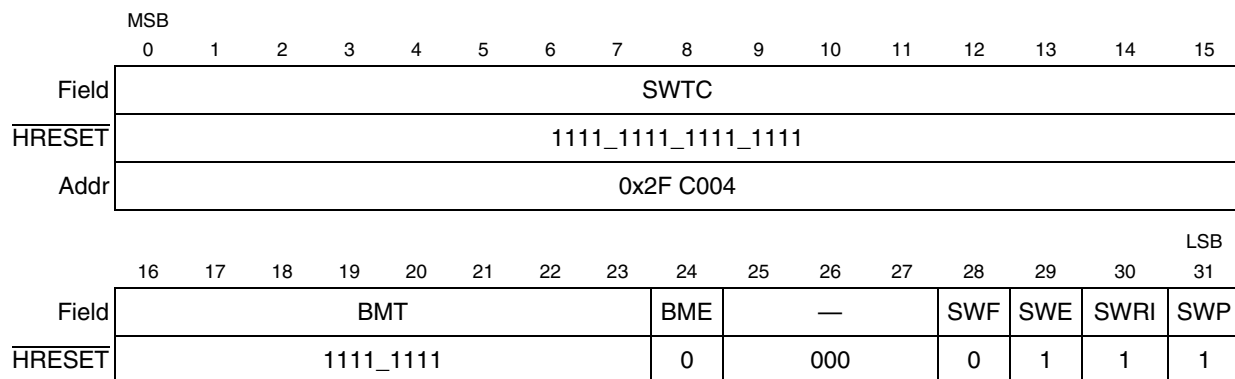


Figure 6-25. Interrupt In-Service Register 3 (SISR3)

## 6.2.2.3 System Protection Registers

### 6.2.2.3.1 System Protection Control Register (SYPCR)

The system protection control register (SYPCR) controls the system monitors, the software watchdog period, and the bus monitor timing. This register can be read at any time, but can be written only once after system reset.



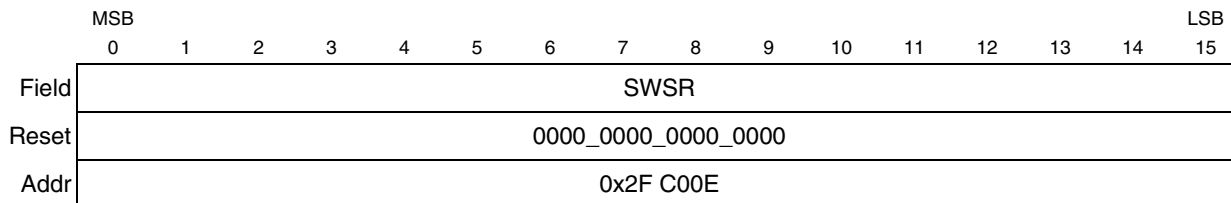
**Figure 6-26. System Protection Control Register (SYPCR)**

**Table 6-15. SYPCR Bit Descriptions**

| Bits  | Name | Description   |
|-------|------|---|
| 0:15  | SWTC | Software watchdog timer count. This field contains the count value of the software watchdog timer.  |
| 16:23 | BMT  | Bus monitor timing. This field specifies the time-out period, in eight-system-clock resolution, of the bus monitor. BMT must be set to non zero even if the bus monitor is not enabled. |
| 24    | BME  | Bus monitor enable<br>0 Disable bus monitor<br>1 Enable bus monitor   |
| 25:27 | —    | Reserved  |
| 28    | SWF  | Software watchdog freeze<br>0 Software watchdog continues to run while FREEZE is asserted<br>1 Software watchdog stops while FREEZE is asserted   |
| 29    | SWE  | Software watchdog enable. Software should clear this bit after a system reset to disable the software watchdog timer.<br>0 Watchdog is disabled<br>1 Watchdog is enabled                |
| 30    | SWRI | Software watchdog reset/interrupt select<br>0 Software watchdog time-out causes a non-maskable interrupt to the RCP<br>1 Software watchdog time-out causes a system reset               |
| 31    | SWP  | Software watchdog prescale<br>0 Software watchdog timer is not prescaled<br>1 Software watchdog timer is prescaled by 2048  |

### 6.2.2.3.2 Software Service Register (SWSR)

The SWSR is the location to which the SWT servicing sequence is written. To prevent SWT time-out, a 0x556C followed by 0xAA39 should be written to this register. The SWSR can be written at any time but returns all zeros when read.


**Figure 6-27. Software Service Register (SWSR)**
**Table 6-16. SWSR Bit Descriptions**

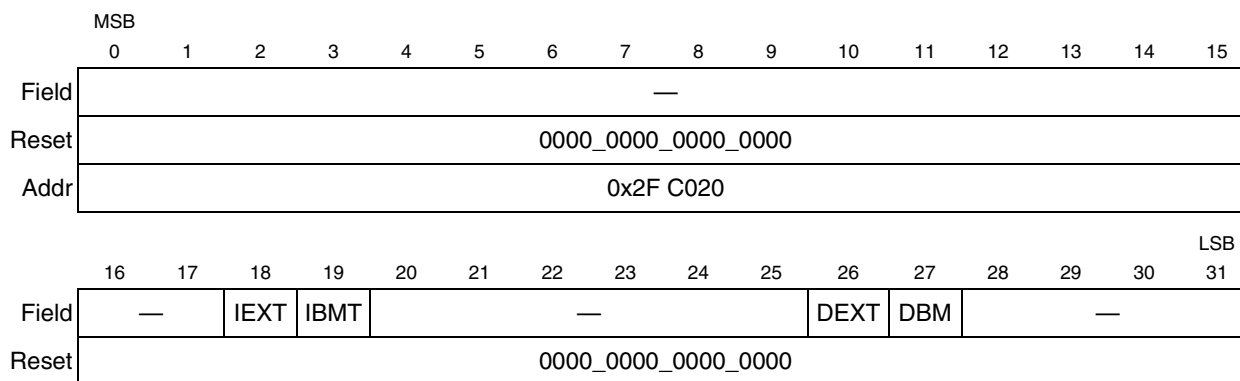
| Bits | Name | Description   |
|------|------|---|
| 0:15 | SWSR | SWT servicing sequence is written to this register. To prevent SWT time-out, a 0x556C followed by 0xAA39 should be written to this register. The SWSR can be written at any time but returns all zeros when read. |

### 6.2.2.3.3 Transfer Error Status Register (TESR)

The transfer error status register contains a bit for each exception source generated by a transfer error. A bit set to logic 1 indicates what type of transfer error exception occurred since the last time the bits were cleared by reset or by the normal software status bit-clearing mechanism.

#### NOTE

These bits may be set due to canceled speculative accesses which do not cause an interrupt. The register has two identical sets of bit fields; one is associated with instruction transfers and the other with data transfers.


**Figure 6-28. Transfer Error Status Register (TESR)**
**Table 6-17. TESR Bit Descriptions**

| Bits | Name | Description  |
|------|------|--|
| 0:17 | —    | Reserved   |
| 18   | IEXT | Instruction external transfer error acknowledge. This bit is set if the cycle was terminated by an externally generated $\overline{TEA}$ signal when an instruction fetch was initiated. |
| 19   | IBMT | Instruction transfer monitor time out. This bit is set if the cycle was terminated by a bus monitor time-out when an instruction fetch was initiated.                                    |

**Table 6-17. TESR Bit Descriptions (continued)**

| Bits  | Name | Description  |
|-------|------|--|
| 20:25 | —    | Reserved   |
| 26    | DEXT | Data external transfer error acknowledge. This bit is set if the cycle was terminated by an externally generated $\overline{TEA}$ signal when a data load or store is requested by an internal master. This bit can also be set if the bus monitor, enabled via SYPCR[BME], asserts $\overline{TEA}$ . |
| 27    | DBM  | Data transfer monitor time out. This bit is set if the cycle was terminated by a bus monitor time-out when a data load or store is requested by an internal master.  |
| 28:31 | —    | Reserved   |

## 6.2.2.4 System Timer Registers

The following sections describe registers associated with the system timers. These facilities are powered by the KAPWR and can preserve their value when the main power supply is off. Refer to [Section 8.2.3, “Pre-Divider,”](#) for details on the required actions needed in order to guarantee this data retention.

A list of KAPWR registers affected by the key/lock mechanism is found in [Table 8-8](#).

### 6.2.2.4.1 Decrementer Register (DEC)

The 32-bit decrementer register is defined by the PowerPC architecture. The values stored in this register are used by a down counter to cause decrementer exceptions. The decrementer causes an exception whenever bit zero changes from a logic zero to a logic one. A read of this register always returns the current count value from the down counter.

Contents of this register can be read or written to by the mfspr or the mtspr instruction. The decrementer register is reset by  $\overline{PORESET}$ .  $\overline{HRESET}$  and  $\overline{SRESET}$  do not affect this register. The decrementer is powered by standby power and can continue to count when standby power is applied.

Decrementer counts down the time base clock and the counting is enabled by TBE bit in TBCSR register [Section 6.2.2.4.4, “Time Base Control and Status Register \(TBSCR\).”](#)

|  |   |  |     |
|--|---|--|-----|
|  | MSB                                     |  | LSB |
|  | 0                                       |  | 31  |
| Field                                      | DECREMENTING COUNTER                    |  |     |
| $\overline{PORESET}$                       | 0000_0000_0000_0000_0000_0000_0000_0000 |  |     |
| $\overline{HRESET}$<br>$\overline{SRESET}$ | Unaffected                              |  |     |
| Addr                                       | SPR 22                                  |  |     |

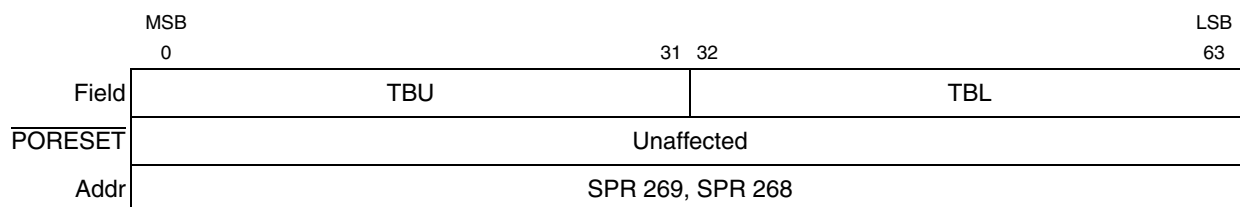
**Figure 6-29. Decrementer Register (DEC)**

Refer to [Section 3.9.5, “Decrementer Register \(DEC\)”](#) for more information on this register.

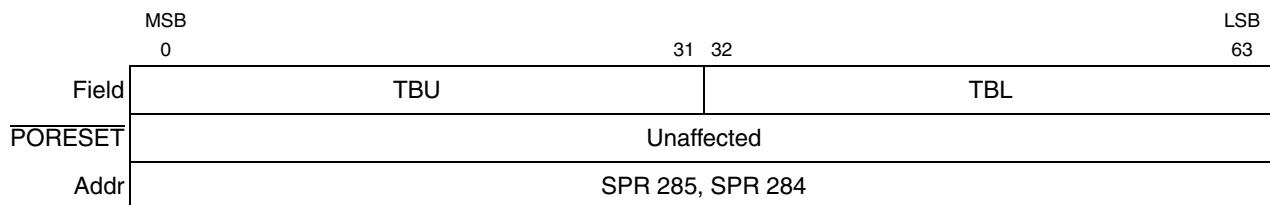
### 6.2.2.4.2 Time Base SPRs (TB)

The TB is a 64-bit register containing a 64-bit integer that is incremented periodically. There is no automatic initialization of the TB; the system software must perform this initialization. The contents of the register may be written by the mttbl or the mttbu instructions, see [Section 3.9.4, “Time Base Facility \(TB\) — OEA.”](#)

Refer to [Section 3.8, “VEA Register Set — Time Base \(TB\)”](#) and [Section 3.9.4, “Time Base Facility \(TB\) — OEA”](#) for more information on reading and writing the TBU and TBL registers.



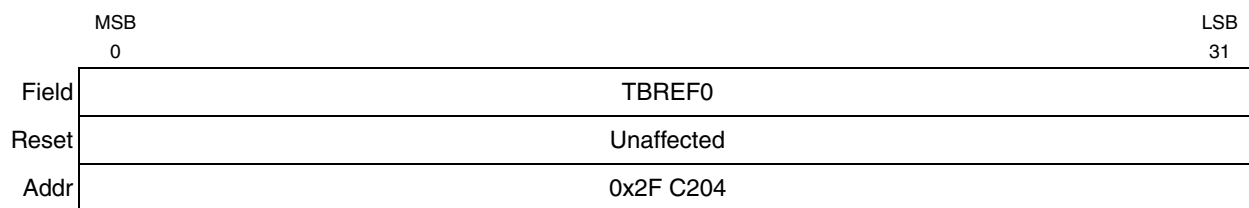
**Figure 6-30. Time Base (Reading) (TB)**



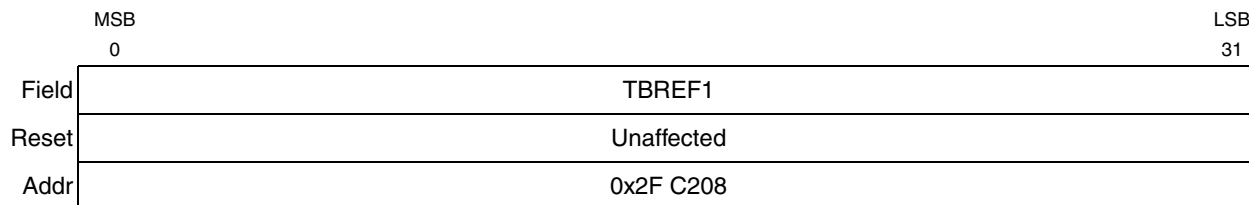
**Figure 6-31. Time Base (Writing) (TB)**

### 6.2.2.4.3 Time Base Reference Registers (TBREF0 and TBREF1)

Two reference registers (TBREF0 and TBREF1) are associated with the lower part of the time base (TBL). Each is a 32-bit read/write register. Upon a match between the contents of TBL and the reference register, a maskable interrupt is generated.



**Figure 6-32. Time Base Reference Register 0 (TBREF0)**



**Figure 6-33. Time Base Reference Register 1 (TBREF1)**

### 6.2.2.4.4 Time Base Control and Status Register (TBSCR)

The TBSCR is 16-bit read/write register. It controls the TB, decremter count enable, and interrupt generation and is used for reporting the source of the interrupts. The register can be read anytime. A status bit is cleared by writing a one to it. (Writing a zero has no effect.) More than one bit can be cleared at a time.

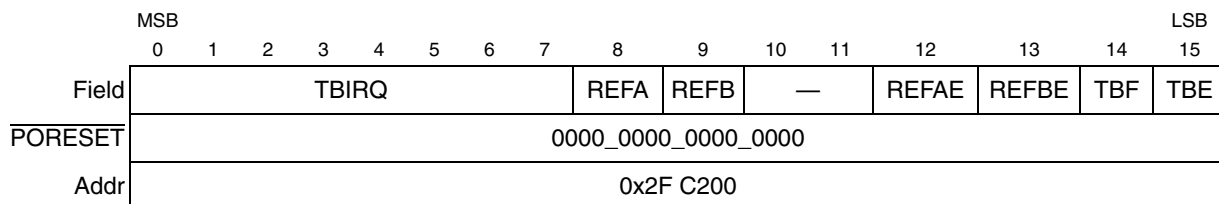


Figure 6-34. Time Base Control and Status Register (TBSCR)

Table 6-18. TBSCR Bit Descriptions

| Bits  | Name  | Description  |
|-------|-------|--|
| 0:7   | TBIRQ | Time base interrupt request. These bits determine the interrupt priority level of the time base. Refer to <a href="#">Section 6.1.4, “Enhanced Interrupt Controller”</a> for interrupt level encoding. |
| 8     | REFA  | Reference A (TBREF0) interrupt status.<br>0 No match detected<br>1 TBREF0 value matches value in TBL   |
| 9     | REFB  | Reference B (TBREF1) interrupt status.<br>0 No match detected<br>1 TBREF1 value matches value in TBL   |
| 10:11 | —     | Reserved   |
| 12    | REFAE | Reference A (TBREF0) interrupt enable. If this bit is set, the time base generates an interrupt when the REFA bit is set.  |
| 13    | REFBE | Reference B (TBREF1) interrupt enable. If this bit is set, the time base generates an interrupt when the REFB bit is set.  |
| 14    | TBF   | Time base freeze. If this bit is set, the time base and decremter stop while FREEZE is asserted.   |
| 15    | TBE   | Time base enable<br>0 Time base and decremter are disabled<br>1 Time base and decremter are enabled  |

### 6.2.2.4.5 Real-Time Clock Status and Control Register (RTCSC)

The RTCSC enables the different RTC functions and reports the source of the interrupts. The register can be read anytime. A status bit is cleared by writing a one to it. (Writing a zero does not affect a status bit’s value.) More than one status bit can be cleared at a time. This register is locked after reset by default. Unlocking is accomplished by writing 0x55CC AA33 to its associated key register. See [Section 8.8.3.2, “Keep-Alive Power Registers Lock Mechanism.”](#)

|         |               |   |   |   |   |   |   |     |     |   |    |     |     |     |     |    |    |     |
|---------|---------------|---|---|---|---|---|---|-----|-----|---|----|-----|-----|-----|-----|----|----|-----|
|         | MSB           | 0 | 1 | 2 | 3 | 4 | 5 | 6   | 7   | 8 | 9  | 10  | 11  | 12  | 13  | 14 | 15 | LSB |
| Field   | RTCIRQ        |   |   |   |   |   |   | SEC | ALR | — | 4M | SIE | ALE | RTF | RTE |    |    |     |
| PORESET | 0000_0000_000 |   |   |   |   |   |   |     |     |   | U  | 000 |     |     | U   |    |    |     |
| Addr    | 0x2F C220     |   |   |   |   |   |   |     |     |   |    |     |     |     |     |    |    |     |

**Figure 6-35. Real-Time Clock Status and Control Register (RTCSC)**
**Table 6-19. RTCSC Bit Descriptions**

| Bits | Name   | Description  |
|------|--------|--|
| 0:7  | RTCIRQ | Real-time clock interrupt request. These bits determine the interrupt priority level of the RTC. Refer to <a href="#">Section 6.1.4, “Enhanced Interrupt Controller”</a> for interrupt level encoding. |
| 8    | SEC    | Once per second interrupt. This status bit is set every second. It should be cleared by the software.  |
| 9    | ALR    | Alarm interrupt. This status bit is set when the value of the RTC equals the value programmed in the alarm register.   |
| 10   | —      | Reserved   |
| 11   | 4M     | Real-time clock source<br>0 RTC assumes that it is driven by 20 MHz to generate the seconds pulse.<br>1 RTC assumes that it is driven by 4 MHz   |
| 12   | SIE    | Second interrupt enable. If this bit is set, the RTC generates an interrupt when the SEC bit is set.   |
| 13   | ALE    | Alarm interrupt enable. If this bit is set, the RTC generates an interrupt when the ALR bit is set.  |
| 14   | RTF    | Real-time clock freeze. If this bit is set, the RTC stops while FREEZE is asserted.  |
| 15   | RTE    | Real-time clock enable<br>0 RTC is disabled<br>1 RTC is enabled  |

#### 6.2.2.4.6 Real-Time Clock Register (RTC)

The real-time clock register is a 32-bit read write register. It contains the current value of the real-time clock. A write to the RTC resets the seconds timer to zero. This register is locked after reset by default. Unlocking is accomplished by writing 0x55CC AA33 to its associated key register. See [Section 8.8.3.2, “Keep-Alive Power Registers Lock Mechanism.”](#)

|       |            |   |    |     |
|-------|------------|---|----|-----|
|       | MSB        | 0 | 31 | LSB |
| Field | RTC        |   |    |     |
| Reset | Unaffected |   |    |     |
| Addr  | 0x2F C224  |   |    |     |

**Figure 6-36. Real-Time Clock Register (RTC)**

### 6.2.2.4.7 Real-Time Clock Alarm Register (RTCAL)

The RTCAL is a 32-bit read/write register. When the value of the RTC is equal to the value programmed in the alarm register, a maskable interrupt is generated.

The alarm interrupt will be generated as soon as there is a match between the ALARM field and the corresponding bits in the RTC. The resolution of the alarm is 1 second. This register is locked after reset by default. Unlocking is accomplished by writing 0x55CC AA33 to its associated key register. See [Section 8.8.3.2, “Keep-Alive Power Registers Lock Mechanism.”](#)

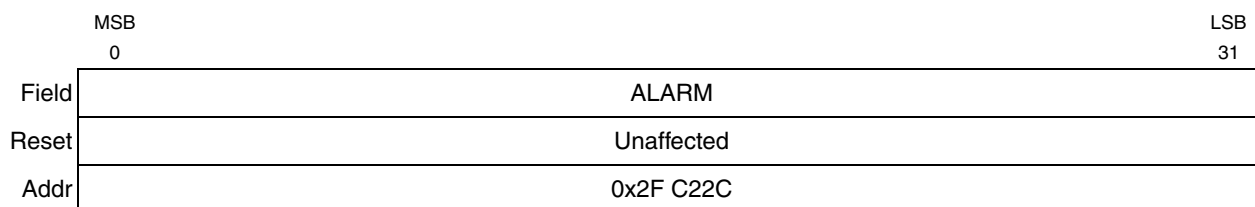


Figure 6-37. Real-Time Clock Alarm Register (RTCAL)

### 6.2.2.4.8 Periodic Interrupt Status and Control Register (PISCR)

The PISCR contains the interrupt request level and the interrupt status bit. It also contains the controls for the 16-bits to be loaded into a modulus counter. This register can be read or written at any time.

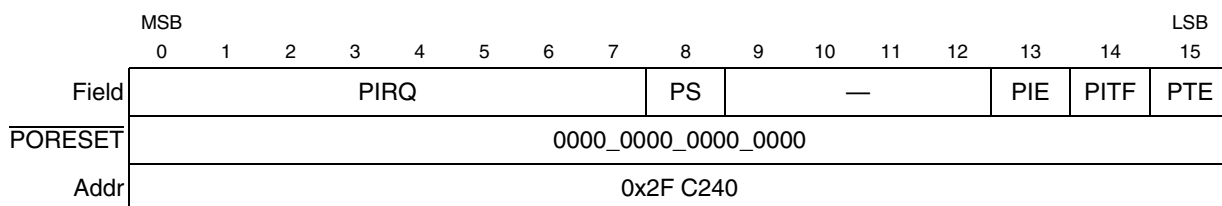


Figure 6-38. Periodic Interrupt Status and Control Register (PISCR)

Table 6-20. PISCR Bit Descriptions

| Bits | Name | Description   |
|------|------|---|
| 0:7  | PIRQ | Periodic interrupt request. These bits determine the interrupt priority level of the PIT. Refer to <a href="#">Section 6.1.4, “Enhanced Interrupt Controller”</a> for interrupt level encoding.                           |
| 8    | PS   | Periodic interrupt status. This bit is set if the PIT issues an interrupt. The PIT issues an interrupt after the modulus counter counts to zero. PS can be negated by writing a one to it. A write of zero has no affect. |
| 9:12 | —    | Reserved  |
| 13   | PIE  | Periodic interrupt enable. If this bit is set, the time base generates an interrupt when the PS bit is set.   |
| 14   | PITF | PIT freeze. If this bit is set, the PIT stops while FREEZE is asserted.   |
| 15   | PTE  | Periodic timer enable<br>0 PIT stops counting and maintains current value<br>1 PIT continues to decrement   |



### 6.2.2.4.9 Periodic Interrupt Timer Count Register (PITC)

The PITC register contains the 16-bits to be loaded in a modulus counter. This register is readable and writable at any time.

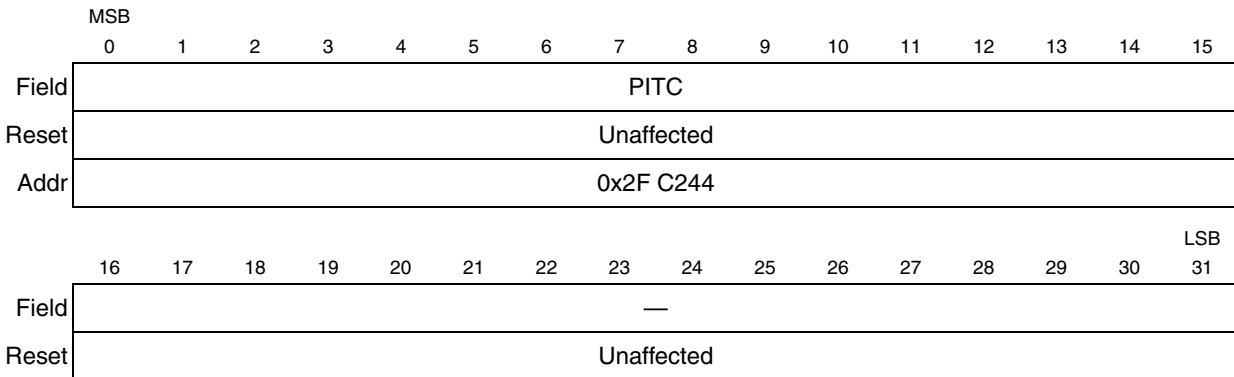


Figure 6-39. Periodic Interrupt Timer Count (PITC)

Table 6-21. PITC Bit Descriptions

| Bits  | Name | Description   |
|-------|------|---|
| 0:15  | PITC | Periodic interrupt timing count. This field contains the 16-bit value to be loaded into the modulus counter that is loaded into the periodic timer. This register is readable and writable at any time. |
| 16:31 | —    | Reserved  |

### 6.2.2.4.10 Periodic Interrupt Timer Register (PITR)

The periodic interrupt register is a read-only register that shows the current value in the periodic interrupt down counter. Read or writing this register does not affect the register.

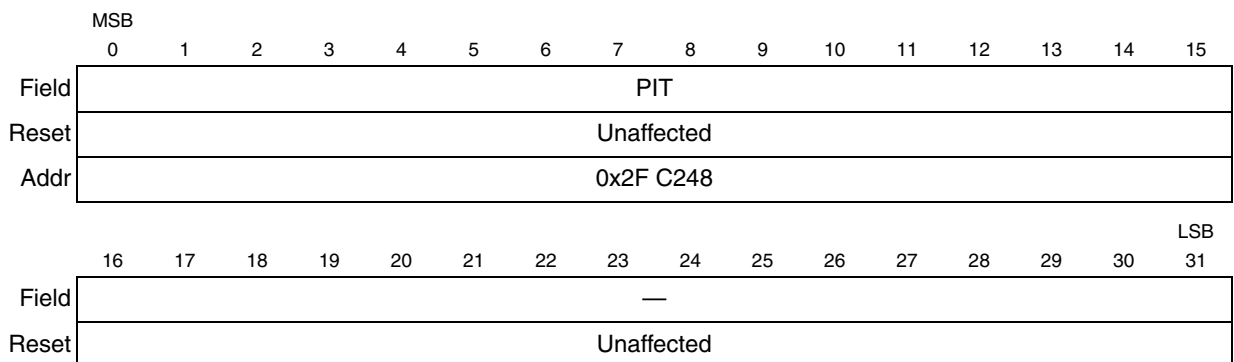


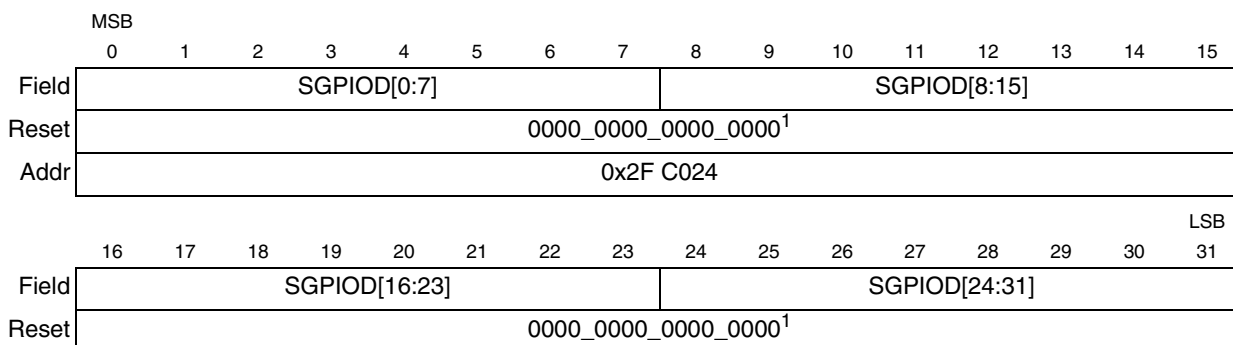
Figure 6-40. Periodic Interrupt Timer Register (PITR)

Table 6-22. PIT Bit Descriptions

| Bits  | Name | Description  |
|-------|------|--|
| 0:15  | PIT  | Periodic interrupt timing count—This field contains the current count remaining for the periodic timer. Writes have no effect on this field. |
| 16:31 | —    | Reserved   |

## 6.2.2.5 General-Purpose I/O Registers

### 6.2.2.5.1 SGPIO Data Register 1 (SGPIODT1)



<sup>1</sup> If the device is configured NOT in full bus mode (i.e., SIUMCR[SC]=0b01, 0x10, or 0b11), the GPIO pins will be in input mode and this register will reflect the state of the pins.

**Figure 6-41. SGPIO Data Register 1 (SGPIODT1)**

**Table 6-23. SGPIODT1 Bit Descriptions**

| Bits  | Name          | Description  |
|-------|---------------|--|
| 0:7   | SGPIOD[0:7]   | SIU general-purpose I/O Group D[0:7]. This 8-bit register controls the data of general-purpose I/O pins SGPIOD[0:7]. The direction (input or output) of this group of pins is controlled by the GDDR0 bit in the SGPIO control register.   |
| 8:15  | SGPIOD[8:15]  | SIU general-purpose I/O Group D[8:15]. This 8-bit register controls the data of general-purpose I/O pins SGPIOD[8:15]. The direction (input or output) of this group of pins is controlled by the GDDR1 bit in the SGPIO control register.   |
| 16:23 | SGPIOD[16:23] | SIU general-purpose I/O Group D[16:23]. This 8-bit register controls the data of the general-purpose I/O pins SGPIOD[16:23]. The direction (input or output) of this group of pins is controlled by the GDDR2 bit in the SGPIO control register.   |
| 24:31 | SGPIOD[24:31] | SIU general-purpose I/O Group D[24:31]. This 8-bit register controls the data of the general-purpose I/O pins SGPIOD[24:31]. The direction of SGPIOD[24:31] is controlled by eight dedicated direction control signals SDDRD[24:31]. Each pin in this group can be configured separately as general-purpose input or output. |

### 6.2.2.5.2 SGPIO Data Register 2 (SGPIODT2)

|       |                                  |    |    |    |    |    |    |    |               |    |    |    |    |    |    |    |     |
|-------|----------------------------------|----|----|----|----|----|----|----|---------------|----|----|----|----|----|----|----|-----|
|       | MSB                              |    |    |    |    |    |    |    |               |    |    |    |    |    |    |    |     |
|       | 0                                | 1  | 2  | 3  | 4  | 5  | 6  | 7  | 8             | 9  | 10 | 11 | 12 | 13 | 14 | 15 |     |
| Field | SGPIOC[0:7]                      |    |    |    |    |    |    |    | SGPIOA[8:15]  |    |    |    |    |    |    |    |     |
| Reset | 0000_0000_0000_0000 <sup>1</sup> |    |    |    |    |    |    |    |               |    |    |    |    |    |    |    |     |
| Addr  | 0x2F C028                        |    |    |    |    |    |    |    |               |    |    |    |    |    |    |    |     |
|       |                                  |    |    |    |    |    |    |    |               |    |    |    |    |    |    |    | LSB |
|       | 16                               | 17 | 18 | 19 | 20 | 21 | 22 | 23 | 24            | 25 | 26 | 27 | 28 | 29 | 30 | 31 |     |
| Field | SGPIOA[16:23]                    |    |    |    |    |    |    |    | SGPIOA[24:31] |    |    |    |    |    |    |    |     |
| Reset | 0000_0000_0000_0000 <sup>1</sup> |    |    |    |    |    |    |    |               |    |    |    |    |    |    |    |     |

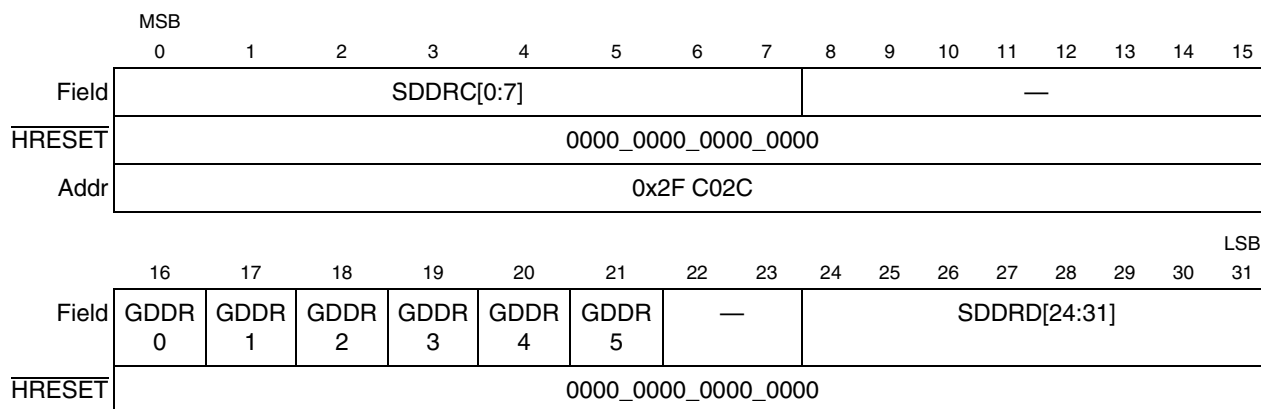
<sup>1</sup> If the device is configured NOT in full bus mode (i.e., SIUMCR[SC]=0b01, 0x10, or 0b11), the GPIO pins will be in input mode and this register will reflect the state of the pins.

**Figure 6-42. SGPIO Data Register 2 (SGPIODT2)**

**Table 6-24. SGPIODT2 Bit Descriptions**

| Bits  | Name           | Description  |
|-------|----------------|--|
| 0:7   | SGPIOC[0:7]    | SIU general-purpose I/O Group C[0:7]. This 8-bit register controls the data of the general-purpose I/O pins SGPIOC[0:7]. The direction of SGPIOC[0:7] is controlled by 8 dedicated direction control signals SDDRC[0:7] in the SGPIO control register. Each pin in this group can be configured separately as general-purpose input or output. |
| 8:15  | SGPIOA[8:15]   | SIU general-purpose I/O Group A[8:15]. This 8-bit register controls the data of the general-purpose I/O pins SGPIOA[8:15]. The GDDR3 bit in the SGPIO control register configures these pins as a group as general-purpose input or output.  |
| 16:23 | SGPIOA [16:23] | SIU general-purpose I/O Group A[16:23]. This 8-bit register controls the data of the general-purpose I/O pins SGPIOA[16:23]. The GDDR4 bit in the SGPIO control register configures these pins as a group as general-purpose input or output.  |
| 24:31 | SGPIOA [24:31] | SIU general-purpose I/O Group A[24:31]. This 8-bit register controls the data of the general-purpose I/O pins SGPIOA[24:31]. The GDDR5 bit in the SGPIO control register configures these pins as a group as general-purpose input or output.  |

### 6.2.2.5.3 SGPIO Control Register (SGPIOCR)



**Figure 6-43. SGPIO Control Register (SGPIOCR)**

**Table 6-25. SGPIOCR Bit Descriptions**

| Bits  | Name          | Description  |
|-------|---------------|--|
| 0:7   | SDDRC[0:7]    | SGPIO data direction for SGPIOC[0:7]. Each SDDR bit zero to seven controls the direction of the corresponding SGPIOC pin zero to seven |
| 8:15  | —             | Reserved   |
| 16    | GDDR0         | Group data direction for SGPIOD[0:7]   |
| 17    | GDDR1         | Group data direction for SGPIOD[8:15]  |
| 18    | GDDR2         | Group data direction for SGPIOD[16:23]   |
| 19    | GDDR3         | Group data direction for SGPIOA[8:15]  |
| 20    | GDDR4         | Group data direction for SGPIOA[16:23]   |
| 21    | GDDR5         | Group data direction for SGPIOA[24:31]   |
| 22:23 | —             | Reserved   |
| 24:31 | SDDRD [24:31] | SGPIO data direction for SGPIOD[24:31]. Each SDDRD bits 24:31 controls the direction of the corresponding SGPIOD pin [24:31].          |

Table 6-26 describes the bit values for data direction control.

**Table 6-26. Data Direction Control**

| SDDR/GDDR | Operation                  |
|-----------|----------------------------|
| 0         | SGPIO configured as input  |
| 1         | SGPIO configured as output |

## Chapter 7

# Reset

This section describes the MPC565 reset sources, operation, control, and status.

### 7.1 Reset Operation

The MPC565 has several inputs to the reset logic which include the following:

- Power-on reset
- External hard reset pin ( $\overline{\text{HRESET}}$ )
- External soft reset pin ( $\overline{\text{SRESET}}$ )
- Loss of PLL lock
- On-chip clock switch
- Software watchdog reset
- Checkstop reset
- Debug port hard reset
- Debug port soft reset
- JTAG reset
- Illegal bit change (ILBC)

All of these reset sources are fed into the reset controller. The control logic determines the cause of the reset, synchronizes it, and resets the appropriate logic modules, depending on the source of the reset. The memory controller, system protection logic, interrupt controller, and parallel I/O pins are initialized only on hard reset. External soft reset initializes internal logic while maintaining system configuration.

The reset status register (RSR) reflects the most recent source to cause a reset.

#### 7.1.1 Power-On Reset

The power-on reset pin,  $\overline{\text{PORESET}}$ , is an active low input. In a system with power-down low-power mode, this pin should be activated only as a result of a voltage failure on the KAPWR pin. After detecting the assertion of  $\overline{\text{PORESET}}$ , the MPC565 enters the power-on reset state. During this state the MODCK[1:3] signals determine the oscillator frequency, PLL multiplication factor, and the PITRTCLK and TMBCLK clock sources. In addition, the MPC565 asserts the  $\overline{\text{SRESET}}$  and  $\overline{\text{HRESET}}$  pins at the rising edge of  $\overline{\text{PORESET}}$ .

The  $\overline{\text{PORESET}}$  pin should be asserted for a minimum time of 100,000 of clock oscillator cycles after a valid level has been reached on the KAPWR supply. After detecting the assertion of  $\overline{\text{PORESET}}$ , the MPC565 remains in the power-on reset state until the last of the following two events occurs:

## Reset

- The Internal PLL enters the lock state and the system clock is active.
- The  $\overline{\text{PORESET}}$  pin is negated.

If MPC565 limp mode is enabled, the internal PLL is not required to be locked before the chip exits power-on reset.

The internal MODCK[1:3] values are sampled at the rising edge of  $\overline{\text{PORESET}}$ . After exiting the power-on reset state, the MPC565 continues to drive the  $\overline{\text{HRESET}}$  and  $\overline{\text{SRESET}}$  pins for 512 system clock cycles. When the timer expires (after 512 cycles), the configuration is sampled from data bus pins, if required (see [Section 7.5.1, “Hard Reset Configuration”](#)) and the MPC565 stops driving the  $\overline{\text{HRESET}}$  and  $\overline{\text{SRESET}}$  pins.

The  $\overline{\text{PORESET}}$  pin has a glitch detector to ensure that low spikes of less than 20 ns are rejected. The internal  $\overline{\text{PORESET}}$  signal asserts only if the  $\overline{\text{PORESET}}$  pin asserts for more than 100 ns.

### 7.1.2 Hard Reset

$\overline{\text{HRESET}}$  (hard reset) is an active low, bidirectional I/O pin. The MPC565 can detect an external assertion of  $\overline{\text{HRESET}}$  only if it occurs while the MPC565 is not asserting  $\overline{\text{HRESET}}$ .

When the MPC565 detects assertion of the external  $\overline{\text{HRESET}}$  pin or a cause to assert the internal  $\overline{\text{HRESET}}$  line is detected, the chip starts to drive the  $\overline{\text{HRESET}}$  and  $\overline{\text{SRESET}}$  for 512 cycles. When the timer expires (after 512 cycles) the configuration is sampled from data pins (refer to [Section 7.5.1, “Hard Reset Configuration”](#)) and the chip stops driving the  $\overline{\text{HRESET}}$  and  $\overline{\text{SRESET}}$  pins. An external pull-up resistor should drive the  $\overline{\text{HRESET}}$  and  $\overline{\text{SRESET}}$  pins high. After detecting the negation of  $\overline{\text{HRESET}}$  or  $\overline{\text{SRESET}}$ , the MPC565 waits 16 clock cycles before testing the presence of an external hard or soft reset.

The  $\overline{\text{HRESET}}$  pin has a glitch detector to ensure that low spikes of less than 20 ns are rejected. The internal  $\overline{\text{HRESET}}$  will be asserted only if  $\overline{\text{HRESET}}$  is asserted for more than 100 ns.

The  $\overline{\text{HRESET}}$  is an open collector type pin.

### 7.1.3 Soft Reset

$\overline{\text{SRESET}}$  (soft reset) is an active low, bidirectional I/O pin. The MPC565 can only detect an external assertion of  $\overline{\text{SRESET}}$  if it occurs while the MPC565 is not asserting  $\overline{\text{SRESET}}$ .

When the MPC565 detects the assertion of external  $\overline{\text{SRESET}}$  or a cause to assert the internal  $\overline{\text{SRESET}}$  line, the chip starts to drive the  $\overline{\text{SRESET}}$  for 512 cycles. When the timer expires (after 512 cycles) the debug port configuration is sampled from the DSDI and DSCK pins and the chip stops driving the  $\overline{\text{SRESET}}$  pin. An external pull-up resistor should drive the  $\overline{\text{SRESET}}$  pin high. After the MPC565 detects the negation of  $\overline{\text{SRESET}}$ , it waits 16 clock cycles before testing the presence of an external soft reset.

The  $\overline{\text{SRESET}}$  is an open collector type pin.

### 7.1.4 Loss of PLL Lock

If the PLL detects a loss of lock, erroneous external bus operation will occur if synchronous external devices use the MPC565 input clock. Erroneous operation could also occur if devices with a PLL use the

MPC565 CLKOUT signal. This source of reset can be optionally asserted if the LOLRE bit in the PLL, low-power, and reset control register (PLPRCR) is set. The enabled PLL loss of lock event generates an internal hard reset sequence. Refer to [Chapter 8, “Clocks and Power Control,”](#) for more information on loss of PLL lock.

### 7.1.5 On-Chip Clock Switch

If the system clock is switched to the backup clock or switched from backup clock to another clock source an internal hard reset sequence is generated. Refer to [Chapter 8, “Clocks and Power Control.”](#)

### 7.1.6 Software Watchdog Reset

When the MPC565 software watchdog counts to zero, a software watchdog reset is asserted. The enabled software watchdog event generates an internal hard reset sequence.

### 7.1.7 Checkstop Reset

When the RCPU enters a checkstop state, and the checkstop reset is enabled (the CSR bit in the PLPRCR is set), a checkstop reset is asserted. The enabled checkstop event generates an internal hard reset sequence. Refer to the *RCPU Reference Manual* for more information.

### 7.1.8 Debug Port Hard Reset

When the development port receives a hard reset request from the development tool, an internal hard reset sequence is generated. In this case the development tool must reconfigure the debug port. Refer to [Chapter 22, “Development Support,”](#) for more information.

### 7.1.9 Debug Port Soft Reset

When the development port receives a soft reset request from the development tool, an internal soft reset sequence is generated. In this case the development tool must reconfigure the debug port. Refer to [Chapter 22, “Development Support,”](#) for more information.

### 7.1.10 JTAG Reset

When the JTAG logic asserts the JTAG soft reset signal, an internal soft reset sequence is generated. Refer to [Chapter 24, “IEEE 1149.1-Compliant Interface \(JTAG\),”](#) for more information.

### 7.1.11 ILBC Illegal Bit Change

When locked bits in the PLPRCR register are changed, an internal hard reset sequence is generated. Refer to [Chapter 8, “Clocks and Power Control.”](#)

## 7.2 Reset Actions Summary

[Table 7-1](#) summarizes the action taken for each reset.

**Table 7-1. Reset Action Taken for Each Reset Cause**

| Reset Source  | Reset Logic and PLL States Reset | System Configuration Reset | Clock Module Reset | $\overline{\text{HRESET}}$ Pin Driven | Debug Port Configuration | Other Internal Logic Reset | $\overline{\text{SRESET}}$ Pin Driven |
|---|----------------------------------|----------------------------|--------------------|---------------------------------------|--------------------------|----------------------------|---------------------------------------|
| Power-On Reset ( $\overline{\text{PORESET}}$ )  | Yes                              | Yes                        | Yes                | Yes                                   | Yes                      | Yes                        | Yes                                   |
| Hard Reset ( $\overline{\text{HRESET}}$ )<br>Sources:<br><ul style="list-style-type: none"> <li>• External Hard Reset</li> <li>• Loss of Lock</li> <li>• On-Chip Clock Switch</li> <li>• Illegal Low-Power Mode</li> <li>• Software Watchdog</li> <li>• Checkstop</li> <li>• Debug Port Hard Reset</li> </ul> | No                               | Yes                        | Yes                | Yes                                   | Yes                      | Yes                        | Yes                                   |
| Soft Reset ( $\overline{\text{SRESET}}$ )<br>Sources:<br><ul style="list-style-type: none"> <li>• External Soft Reset</li> <li>• Debug Port Soft Reset</li> <li>• JTAG Reset</li> </ul>   | No                               | No                         | No                 | No                                    | Yes                      | Yes                        | Yes                                   |

### 7.3 Data Coherency During Reset

The MPC565 supports data coherency and avoids data corruption during reset. If a cycle is executing when any  $\overline{\text{SRESET}}$  or  $\overline{\text{HRESET}}$  source is detected, then the cycle will either complete or will not start before generating the corresponding reset control signal. There are reset sources, however, when the MPC565 generates an internal reset due to special internal situations where this protection is not supported. See [Section 7.4, “Reset Status Register \(RSR\).”](#)

In the case of large operand size (32 or 16 bits) transactions to a smaller port size, the cycle is split into two 16-bit or four 8-bit cycles. In this case, data coherency is assured and data will not be corrupted.

In the case where the core executes an unaligned load/store cycle which is broken down into multiple cycles, data coherency is NOT assured between these cycles (i.e., data could be corrupted).

Contention may occur if a write access is in progress to external memory and  $\overline{\text{SRESET}}/\overline{\text{HRESET}}$  is asserted and the external reset configuration word (RCW) is used. In this case, the external RCW drivers, usually activated by  $\overline{\text{HRESET}}/\overline{\text{SRESET}}$  lines, will drive the data bus together with the MPC565. Thus the data in the RAM may be corrupted regardless of the data coherency mechanism in the MPC565.

**Table 7-2. Reset Configuration Word and Data Corruption/Coherency**

| Reset Driven               | Reset to Use for Data Coherency ( $\overline{\text{EXT\_RESET}}$ ) | Comments |
|----------------------------|--|----------|
| $\overline{\text{HRESET}}$ | $\overline{\text{SRESET}}$   |          |



**Table 7-2. Reset Configuration Word and Data Corruption/Coherency (continued)**

| Reset Driven  | Reset to Use for Data Coherency (EXT_RESET)                   | Comments  |
|---|---|---|
| $\overline{\text{SRESET}}$                              | $\overline{\text{HRESET}}$                                    |   |
| $\overline{\text{HRESET}}$ & $\overline{\text{SRESET}}$ | $\overline{\text{HRESET}} \parallel \overline{\text{SRESET}}$ | Provided only one of them is driven into the MPC565 at a time |

## 7.4 Reset Status Register (RSR)

All of the reset sources are fed into the reset controller. The 16-bit reset status register (RSR) reflects the most recent source, or sources, of reset. (Simultaneous reset requests can cause more than one bit to be set at the same time.) This register contains one bit for each reset source. A bit set to logic one indicates the type of reset that occurred.

Once set, individual bits in the RSR remain set until software clears them. Bits in the RSR can be cleared by writing a one to the bit. A write of zero has no effect on the bit. The register can be read at all times. The reset status register receives its default reset values during power-on reset. The RSR is powered by the KAPWR pin.

| Field                       | MSB            |      |      |      |      |       |       |      |                |      |      |       |       | LSB |     |    |
|-----------------------------|----------------|------|------|------|------|-------|-------|------|----------------|------|------|-------|-------|-----|-----|----|
|                             | 0              | 1    | 2    | 3    | 4    | 5     | 6     | 7    | 8              | 9    | 10   | 11    | 12    | 13  | 14  | 15 |
| $\overline{\text{PORESET}}$ | EHRS           | ESRS | LLRS | SWRS | CSRS | DBHRS | DBSRS | JTRS | OCCS           | ILBC | GPOR | GHRST | GSRST | —   |     |    |
|                             | 0000_0000      |      |      |      |      |       |       |      | 0 <sup>1</sup> | 0    | 1    | 1     | 1     | 1   | 000 |    |
| $\overline{\text{HRESET}}$  | 0000_0000_000  |      |      |      |      |       |       |      |                |      | 1    | 1     | 000   |     |     |    |
| $\overline{\text{SRESET}}$  | 0000_0000_0000 |      |      |      |      |       |       |      |                |      |      | 1     | 000   |     |     |    |
| Addr                        | 0x2F C288      |      |      |      |      |       |       |      |                |      |      |       |       |     |     |    |

<sup>1</sup> OCCS will be set (1) if limp mode is enabled (SCCR[LME]=1).

**Figure 7-1. Reset Status Register (RSR)**
**Table 7-3. Reset Status Register Bit Descriptions**

| Bits | Name              | Description   |
|------|-------------------|---|
| 0    | EHRS <sup>1</sup> | External hard reset status<br>0 No external hard reset has occurred<br>1 An external hard reset has occurred              |
| 1    | ESRS <sup>1</sup> | External soft reset status<br>0 No external soft reset has occurred<br>1 An external soft reset has occurred              |
| 2    | LLRS              | Loss of lock reset status<br>0 No enabled loss-of-lock reset has occurred<br>1 An enabled loss-of-lock reset has occurred |

**Table 7-3. Reset Status Register Bit Descriptions (continued)**

| Bits  | Name  | Description   |
|-------|-------|---|
| 3     | SWRS  | Software watchdog reset status<br>0 No software watchdog reset has occurred<br>1 A software watchdog reset has occurred   |
| 4     | CSRS  | Checkstop reset status<br>0 No enabled checkstop reset has occurred<br>1 An enabled checkstop reset has occurred  |
| 5     | DBHRS | Debug port hard reset status<br>0 No debug port hard reset request has occurred<br>1 A debug port hard reset request has occurred   |
| 6     | DBSRS | Debug port soft reset status<br>0 No debug port soft reset request has occurred<br>1 A debug port soft reset request has occurred   |
| 7     | JTRS  | JTAG reset status<br>0 No JTAG reset has occurred<br>1 A JTAG reset has occurred  |
| 8     | OCCS  | On-chip clock switch<br>0 No on-chip clock switch reset has occurred<br>1 An on-chip clock switch reset has occurred  |
| 9     | ILBC  | Illegal bit change. This bit is set when the MPC565 changes any of the following bits when they are locked:<br>LPM[0:1], locked by the LPML bit<br>MF[0:11], locked by the MFPDL bit<br>DIVF[0:4], locked by the MFPDL bit  |
| 10    | GPOR  | Glitch detected on $\overline{\text{PORESET}}$ pin. This bit is set when the $\overline{\text{PORESET}}$ pin is asserted for more than 20ns<br>0 No glitch was detected on the $\overline{\text{PORESET}}$ pin<br>1 A glitch was detected on the $\overline{\text{PORESET}}$ pin  |
| 11    | GHRST | Glitch detected on $\overline{\text{HRESET}}$ pin. This bit is set when the $\overline{\text{HRESET}}$ pin is asserted for more than 20ns<br>0 No glitch was detected on the $\overline{\text{HRESET}}$ pin<br>1 A glitch was detected on the $\overline{\text{HRESET}}$ pin  |
| 12    | GSRST | Glitch detected on $\overline{\text{SRESET}}$ pin. If the $\overline{\text{SRESET}}$ pin is asserted for more than 20ns the GHRST bit will be set. If an internal or external $\overline{\text{SRESET}}$ is generated the $\overline{\text{SRESET}}$ pin is asserted and the GSRST bit will be set.<br>0 No glitch was detected on $\overline{\text{SRESET}}$ pin<br>1 A glitch was detected on $\overline{\text{SRESET}}$ pin. |
| 13:15 | —     | Reserved  |

<sup>1</sup> In the USIU RSR, if both EHRS and ESRS are set, the reset source is internal. The EHRS and ESRS bits in RSR register are set for any internal reset source in addition to external  $\overline{\text{HRESET}}$  and external  $\overline{\text{SRESET}}$  events. If both internal and external indicator bits are set, then the reset source is internal.

## 7.5 Reset Configuration

### 7.5.1 Hard Reset Configuration

When a hard reset event occurs, the MPC565 reconfigures its hardware system as well as the development port configuration. The logical value of the bits that determine its initial mode of operation, are sampled from the following:

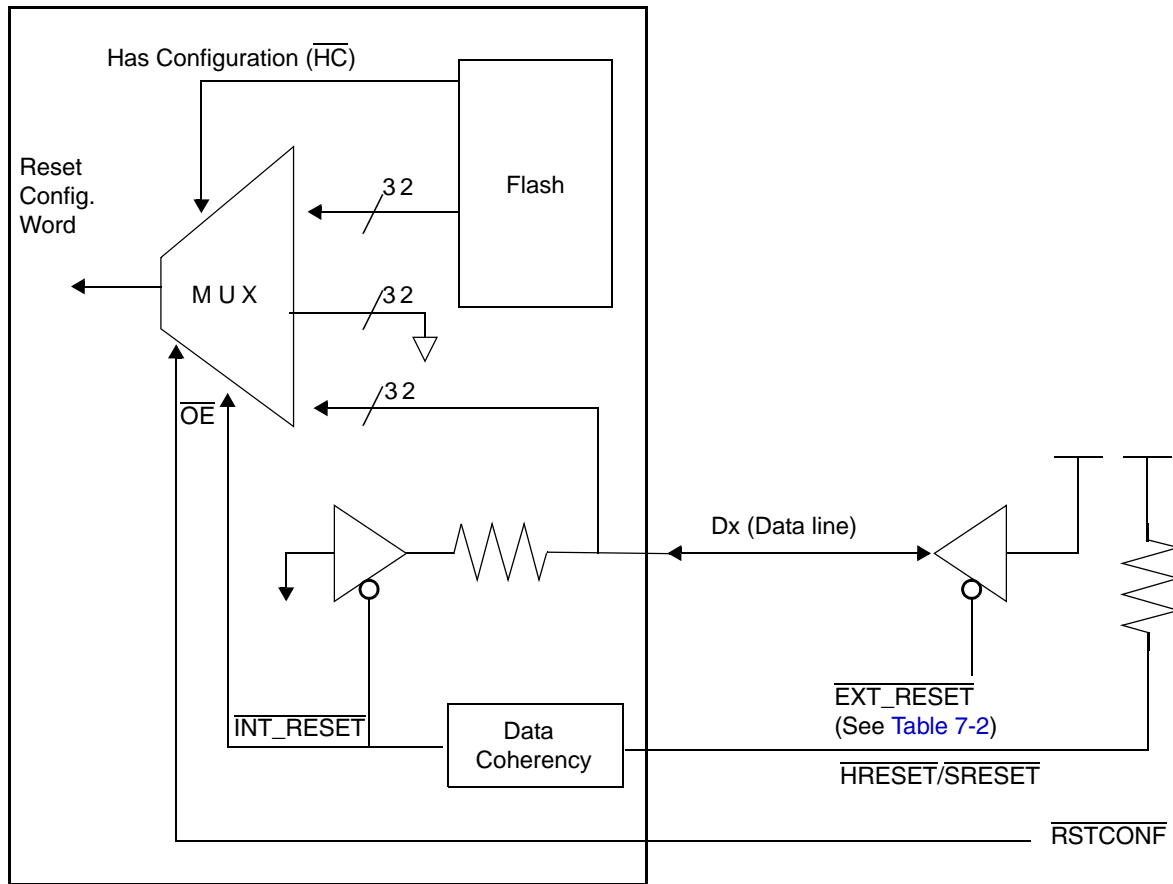
- The external data bus pins DATA[0:31]
- An internal default constant (0x0000 0000)
- An internal NVM register value (UC3FCFIG).

If at the sampling time  $\overline{\text{RSTCONF}}$  is asserted, then the configuration is sampled from the external data bus. If  $\overline{\text{RSTCONF}}$  is negated and a valid NVM value exists ( $\text{UC3FCFIG}[\text{HC}]=0$ ), then the configuration is sampled from the NVM register in the UC3F module. If  $\overline{\text{RSTCONF}}$  is negated and no valid NVM value exists ( $\text{UC3FCFIG}[\text{HC}]=1$ ), then the configuration word is sampled from the internal default (all zeros). HC will be “1” if the internal Flash is erased. [Table 7-4](#) summarizes the reset configuration options.

**Table 7-4. Reset Configuration Options**

| $\overline{\text{RSTCONF}}$ | Has Configuration (HC) | Internal Configuration Word              |
|-----------------------------|------------------------|--|
| 0                           | x                      | DATA[0:31] pins                          |
| 1                           | 0                      | NVM Flash EEPROM register (UC3FCFIG)     |
| 1                           | 1                      | Internal data word default (0x0000 0000) |

If the PRDS control bit in the PDMCR register is cleared and  $\overline{\text{HRESET}}$  and  $\overline{\text{RSTCONF}}$  are asserted, the MPC565 pulls the data bus low with a weak resistor. The user can overwrite this default by driving the appropriate bit high. See [Figure 7-2](#) for the basic reset configuration scheme.



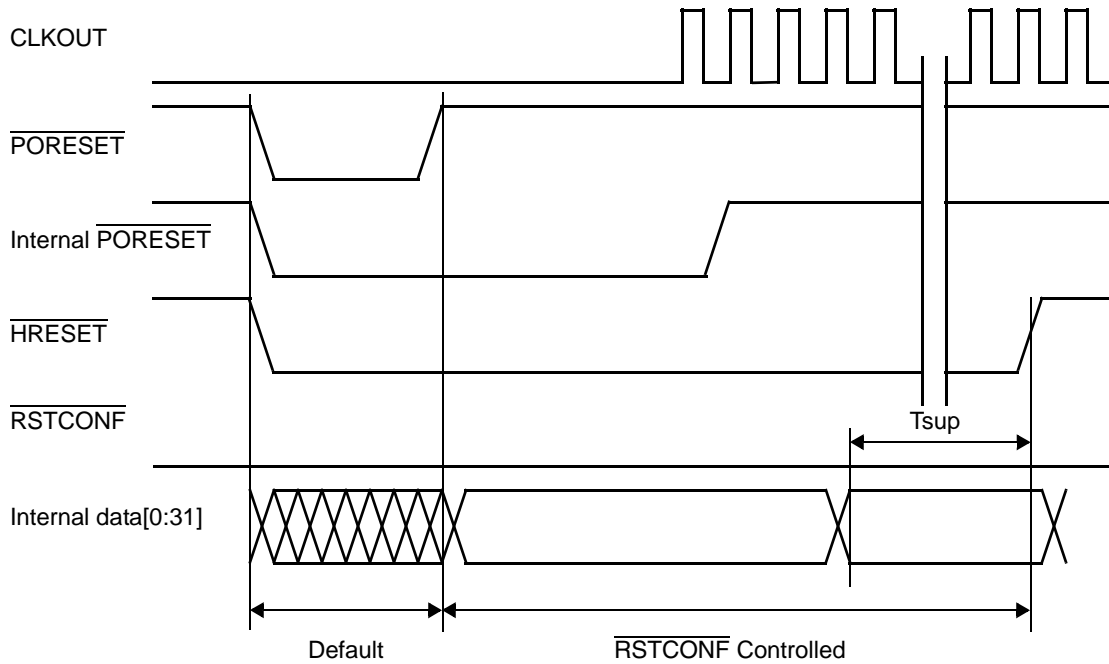
**Figure 7-2. Reset Configuration Basic Scheme**

During the assertion of the  $\overline{\text{PORESET}}$  input signal, the chip assumes the default reset configuration. This assumed configuration changes if the input signal  $\overline{\text{RSTCONF}}$  is asserted when the  $\overline{\text{PORESET}}$  is negated or the  $\text{CLKOUT}$  starts to oscillate. To ensure that stable data is sampled, the hardware configuration is sampled every eight clock cycles on the rising edge of  $\text{CLKOUT}$  with a double buffer. The setup time required for the data bus is approximately 15 cycles (defined as  $T_{\text{sup}}$  in the following figures) and the maximum rise time of  $\overline{\text{HRESET}}$  should be less than six clock cycles. In systems where an external reset configuration word and the  $\text{TEXP}$  output function are both required,  $\overline{\text{RSTCONF}}$  should be asserted until  $\overline{\text{SRESET}}$  is negated.

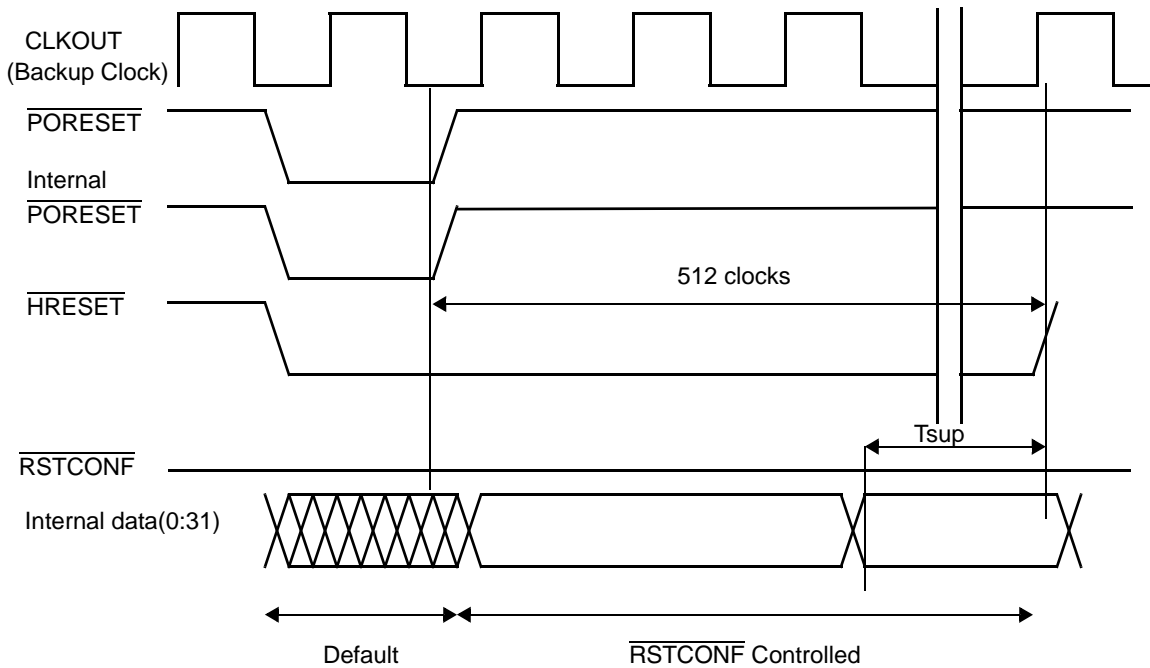
Figure 7-3 to Figure 7-6 provide sample reset configuration timings.

**NOTE**

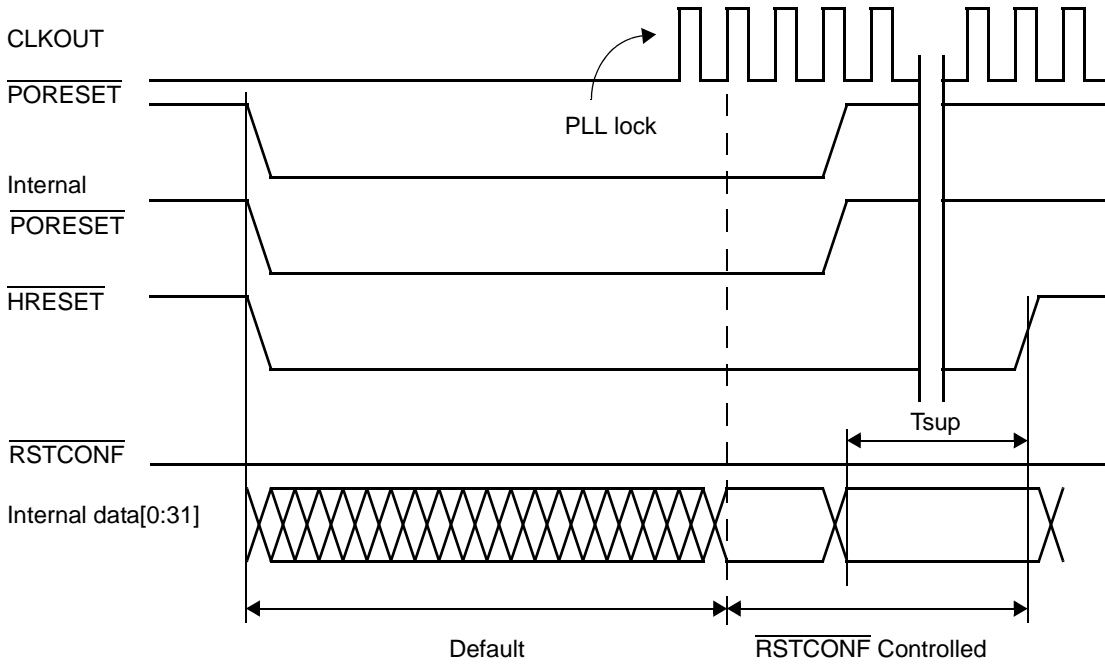
Timing diagrams in the following figures are not to scale.



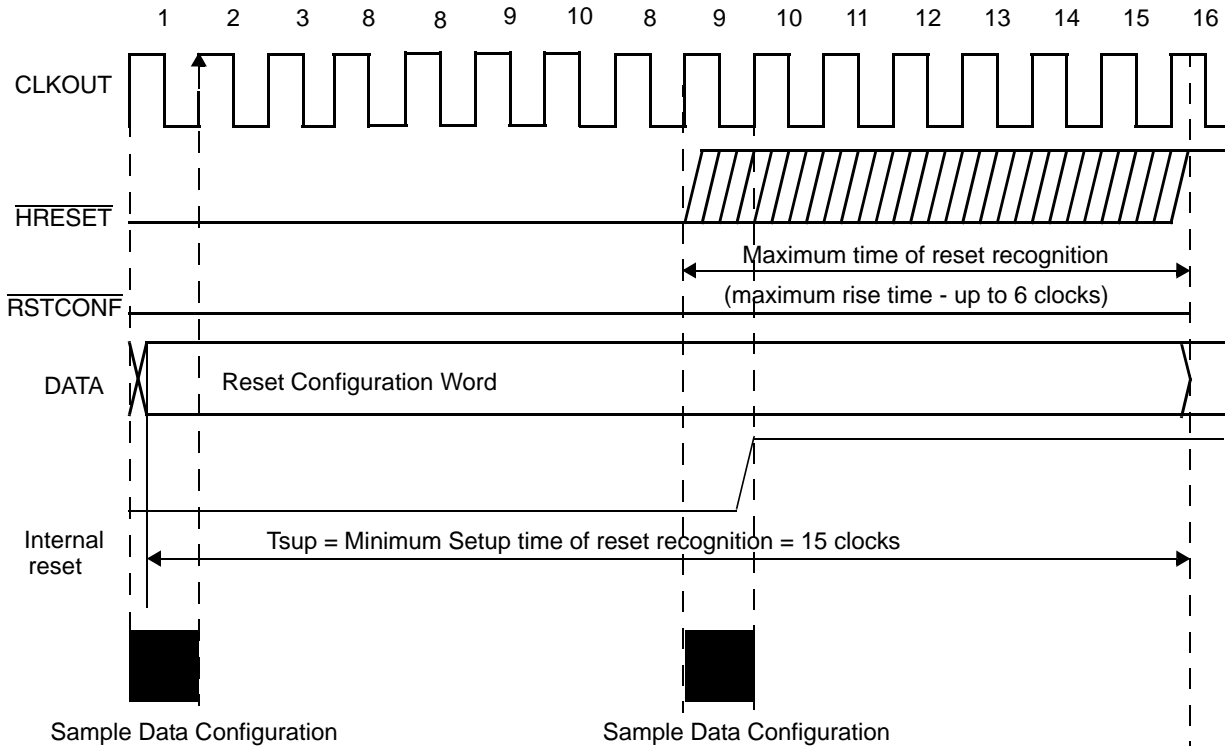
**Figure 7-3. Reset Configuration Sampling Scheme for “Short”  $\overline{\text{PORESET}}$  Assertion, Limp Mode Disabled**



**Figure 7-4. Reset Configuration Timing for “Short”  $\overline{\text{PORESET}}$  Assertion, Limp Mode Enabled**



**Figure 7-5. Reset Configuration Timing for “Long” PORESET Assertion, Limp Mode Disabled**



**Figure 7-6. Reset Configuration Sampling Timing Requirements**

## 7.5.2 Hard Reset Configuration Word (RCW)

Following is the hard reset configuration word that is sampled from the internal data bus, `data_sgpod(0:31)` on the negation of `HRESET`. If the external reset config word is selected (`RSTCONF = 0`), the internal data bus will reflect the state of external data bus. If the internal reset config word is selected and neither of the Flash reset config words are enabled (`UC3FCFIG[HC] = 1`), the internal data bus is internally driven with all zeros. The reset configuration word is not a register in the memory map. Most of the bits in the configuration are located in registers in the SIU. Refer to [Table 7-5](#) for a detailed description of each control bit.

|        |  | MSB                 |    |      |      |          |   |   |   |   |           |    |                |      |           |    |    |  | LSB |      |    |      |      |                      |                       |    |      |    |     |    |    |     |    |    |    |
|--------|--|---------------------|----|------|------|----------|---|---|---|---|-----------|----|----------------|------|-----------|----|----|--|-----|------|----|------|------|----------------------|-----------------------|----|------|----|-----|----|----|-----|----|----|----|
|        |  | 0                   | 1  | 2    | 3    | 4        | 5 | 6 | 7 | 8 | 9         | 10 | 11             | 12   | 13        | 14 | 15 |  |     | 16   | 17 | 18   | 19   | 20                   | 21                    | 22 | 23   | 24 | 25  | 26 | 27 | 28  | 29 | 30 | 31 |
| Field  |  | EARB                | IP | BDRV | BDIS | BPS[0:1] |   | — |   |   | DBGC[0:1] |    | — <sup>1</sup> | ATWC | EBDF[0:1] |    | —  |  |     | PRPM | SC | ETRE | FLEN | EN_COMP <sup>2</sup> | EXC_COMP <sup>2</sup> | —  | OERC | —  | ISB |    |    | DME |    |    |    |
| HRESET |  | 0000_0000_0000_0000 |    |      |      |          |   |   |   |   |           |    |                |      |           |    |    |  |     |      |    |      |      |                      |                       |    |      |    |     |    |    |     |    |    |    |

**Figure 7-7. Reset Configuration Word (RCW)**

<sup>1</sup> Reserved on mask set K13Y (Rev. A) and later. This was DBPC on mask set K85H.

<sup>2</sup> Available only on the MPC566. Software should write "0" to this bit for MPC565.

**Table 7-5. RCW Bit Descriptions**

| Bits | Name | Description  |
|------|------|--|
| 0    | EARB | External Arbitration — Refer to <a href="#">Section 9.5.7, "Arbitration Phase,"</a> for a detailed description of Bus arbitration. The default value is that internal arbitration hardware is used.<br>0 Internal arbitration is performed<br>1 External arbitration is assumed  |
| 1    | IP   | Initial Interrupt Prefix — This bit defines the initial value of <code>MSR[IP]</code> immediately after reset. <code>MSR[IP]</code> defines the Interrupt Table location. If <code>IP</code> is zero then the initial value of <code>MSR[IP]</code> is zero, If the <code>IP</code> is one, then the initial value of <code>MSR[IP]</code> is one. Default value is zero. See <a href="#">Table 3-11</a> for more information.<br>0 <code>MSR[IP] = 0</code> after reset<br>1 <code>MSR[IP] = 1</code> after reset |
| 2    | BDRV | Bus Pins Drive Strength — This bit determines the bus pins (address, data and control) driving capability to be either full or reduced drive. The bus default drive strength is full; Upon default, it also effects the <code>CLKOUT</code> drive strength to be full. See <a href="#">Table 6-7</a> for more information. <code>BDRV</code> controls the default state of <code>COM1</code> in the <code>SIUMCR</code> .<br>0 Full drive<br>1 Reduced drive   |

**Table 7-5. RCW Bit Descriptions (continued)**

| Bits            | Name                  | Description   |
|-----------------|-----------------------|---|
| 3               | BDIS                  | <p>Boot Disable — If the BDIS bit is set, then memory controller is not activated after reset. If it is cleared then the memory controller bank 0 is active immediately after reset such that it matches any addresses. If a write to the OR0 register occurs after reset this bit definition is ignored. The default value is that the memory controller is enabled to control the boot with the CS0 pin. See <a href="#">Section 10.7, “Global (Boot) Chip-Select Operation,”</a> for more information.</p> <p>0 Memory controller bank 0 is active and matches all addresses immediately after reset<br/>1 Memory controller is not activated after reset.</p> |
| 4:5             | BPS                   | <p>Boot Port Size — This field defines the port size of the boot device on reset (BR0[PS]). If a write to the OR0 register occurs after reset this field definition is ignored. See <a href="#">Table 10-4</a> and <a href="#">Table 10-8</a> for more information.</p> <p>00 32-bit port (default)<br/>01 8-bit port<br/>10 16-bit port<br/>11 Reserved</p>  |
| 6:8             | —                     | Reserved. These bits must not be high in the reset configuration word.  |
| 9:10            | DBGC[0:1]             | <p>Debug Pins Configuration — See <a href="#">Section 6.2.2.1.1, “SIU Module Configuration Register (SIUMCR),”</a> for this field definition. The default value is that these pins function as: VFLS[0:1], <math>\overline{B1}</math>, BR, BG and BB. See <a href="#">Table 6-8</a>.</p>  |
| 11              | —                     | Reserved. <sup>1</sup>  |
| 12              | ATWC                  | <p>Address Type Write Enable Configuration — The default value is that these pins function as <math>\overline{WE}</math> pins. See <a href="#">Table 6-7</a>.</p> <p>0 <math>\overline{WE}[0:3]/\overline{BE}[0:3]/AT[0:3]</math> functions as <math>\overline{WE}[0:3]/\overline{BE}[0:3]</math><br/>1 <math>\overline{WE}[0:3]/\overline{BE}[0:3]/AT[0:3]</math> functions as AT[0:3]</p>   |
| 13:14           | EBDF                  | <p>External Bus Division Factor — This field defines the initial value of the external bus frequency. The default value is that CLKOUT frequency is equal to that of the internal clock (no division). See <a href="#">Table 8-9</a>.</p>   |
| 15 <sup>2</sup> | —                     | Reserved. This bit must be 0 in the reset configuration word.   |
| 16              | PRPM                  | <p>Peripheral Mode Enable — This bit determines if the chip is in peripheral mode. A detailed description is in <a href="#">Table 6-13</a> The default value is no peripheral mode enabled.</p>   |
| 17:18           | SC                    | <p>Single Chip Select — This field defines the mode of theMPC565. See <a href="#">Table 6-10</a>.</p> <p>00 Extended chip, 32 bits data<br/>01 Extended chip, 16 bits data<br/>10 Single chip and show cycles (address)<br/>11 Single chip</p>  |
| 19              | ETRE                  | <p>Exception Table Relocation Enable — This field defines whether the Exception Table Relocation feature in the BBC is enabled or disabled; The default state for this field is disabled. For more details, see <a href="#">Table 4-4</a>.</p>  |
| 20              | FLEN                  | <p>Flash Enable — This field determines whether the on-chip Flash memory is enabled or disabled out of reset. The default state is disabled, which means that by default, the boot is from external memory. Refer to <a href="#">Table 6-12</a> for more details.</p> <p>0 Flash disabled — boot is from external memory<br/>1 Flash enabled</p>  |
| 21              | EN_COMP <sup>3</sup>  | <p>Enable Compression — This bit enables the operation of the MPC565 with compressed code. The default state is disabled. See <a href="#">Table 4-4</a> and <a href="#">Appendix A, “MPC566 Compression Features.”</a></p>  |
| 22              | EXC_COMP <sup>3</sup> | <p>Exception Compression — This bit determines the operation of the MPC565 with exceptions. If this bit is set, then the MPC565 assumes that ALL the exception routines are in compressed code. The default indicates the exceptions are all non-compressed. See <a href="#">Table 4-4</a> and <a href="#">Appendix A, “MPC566 Compression Features.”</a></p>   |



**Table 7-5. RCW Bit Descriptions (continued)**

| Bits  | Name | Description  |
|-------|------|--|
| 23    | —    | Reserved. This bit must not be high in the reset configuration word.   |
| 24:25 | OERC | Other Exceptions Relocation Control — These bits effect only if ETRE was enabled. See <a href="#">Table 4-2</a> . Relocation offset:<br>00 Offset 0<br>01 Offset 64 Kbytes<br>10 Offset 512 Kbytes<br>11 Offset to 0x003F E000   |
| 26:27 | —    | Reserved   |
| 28:30 | ISB  | Internal Space Base Select — This field defines the initial value of the ISB field in the IMMR register. A detailed description is in <a href="#">Table 6-12</a> . The default state is that the internal memory map is mapped to start at address 0x0000_0000. This bit must not be high in the reset configuration word. |
| 31    | DME  | Dual Mapping Enable — This bit determines whether Dual mapping of the internal Flash is enabled. For a detailed description refer to <a href="#">Table 10-11</a> . The default state is that dual mapping is disabled.<br>0 Dual mapping disabled<br>1 Dual mapping enabled  |

<sup>1</sup> This bit was DBPC on mask set K85H. It is reserved on all later mask sets. See [Table 6-7](#).

<sup>2</sup> Bit 15 always comes from the internal Flash Reset Configuration Word.

<sup>3</sup> Available only on the MPC566. Software should write "0" to this bit for MPC565.

### 7.5.3 Soft Reset Configuration

When a soft reset event occurs, the MPC565 reconfigures the development port. Refer to [Chapter 22, “Development Support,”](#) for details.



## Chapter 8

# Clocks and Power Control

The main timing reference for the MPC565 can monitor any of the following:

- An external crystal with a frequency of 4 or 20 MHz
- An external frequency source with a frequency of 4 MHz
- An external frequency source at the system frequency

The system operating frequency is generated through a programmable phase-locked loop, the system PLL (SPLL). The SPLL runs at twice the system speed. The SPLL is programmable in integer multiples of the input frequency to generate the internal (VCO/2) operating frequency. A pre-divider before the SPLL enables the division of the high frequency crystal oscillator. The internal operating SPLL frequency should be at least 30 MHz. It can be divided by a power-of-two divider to generate the system operating frequencies.

In addition to the system clock, the clocks submodule provides the following:

- TMBCLK to the time base (TB) and decremter (DEC)
- PITRTCLK to the periodic interrupt timer (PIT) and real-time clock (RTC)

### NOTE

The PPC RTC is separate from the MIOS14 real-time clock sub-module.  
See [Section 17.14, “Real-Time Clock Submodule \(MRTCSM\)”](#).

The oscillator, TB, DEC, RTC, and the PIT are powered from the keep alive power supply (KAPWR) pin. This allows the counters to continue to increment/decrement at the oscillator frequency even when the main power to the MCU is off. While the power is off, the PIT may be used to signal the power supply IC to enable power to the system at specific intervals. This is the power-down wake-up feature. When the chip is not in power-down low-power mode, the KAPWR is powered to the same voltage value as the voltage of the I/O buffers and logic.

The MPC565 clock module consists of the main crystal oscillator, the SPLL, the low-power divider, the clock generator, the system low-power control block, and the limp mode control block. The clock module receives control bits from the system clock control register (SCCR), change of lock interrupt register (COLIR), the PLL low-power and reset-control register (PLPRCR), and the PLL.

Figure 8-1 is a functional block diagram of the clock unit.

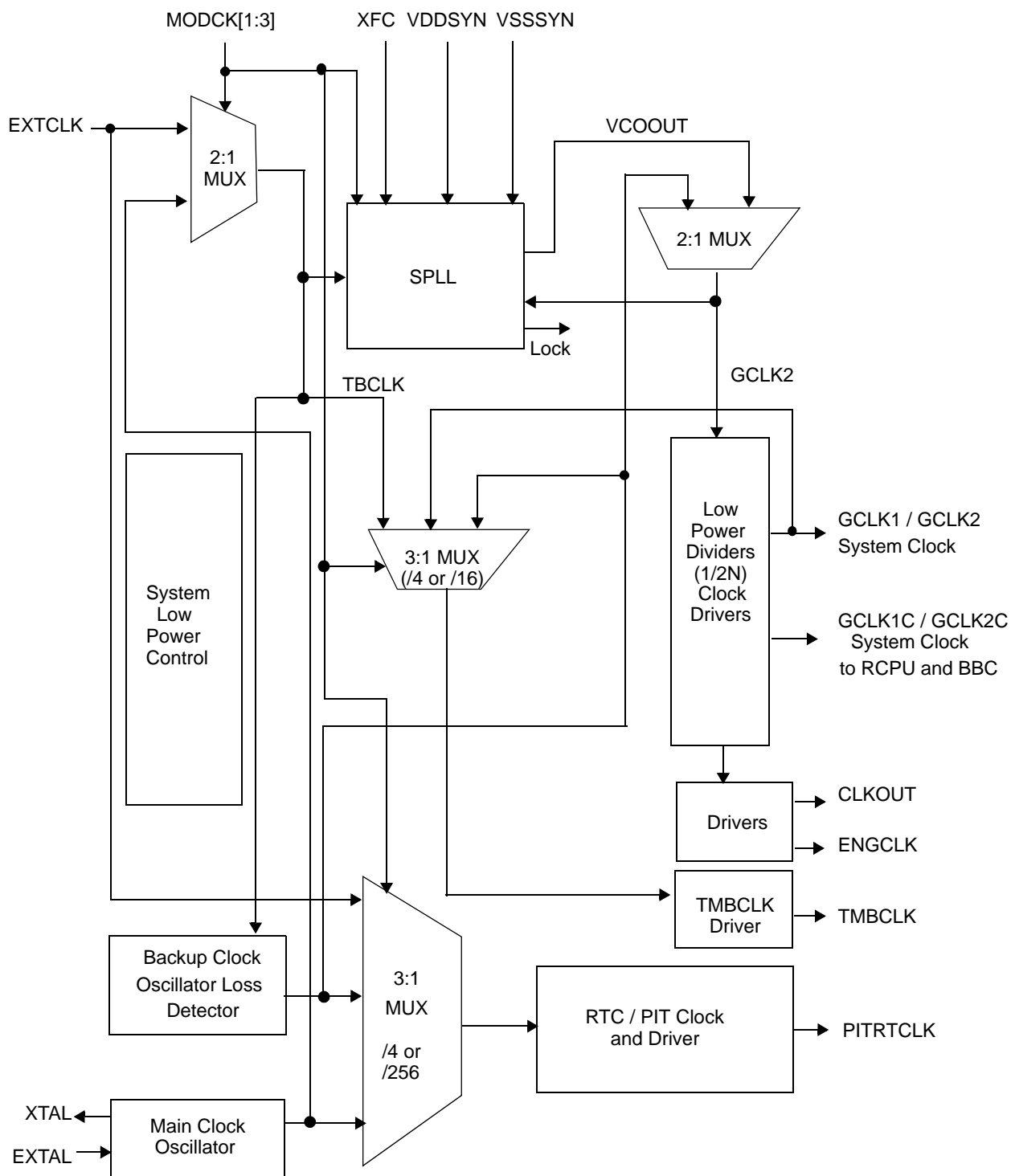


Figure 8-1. Clock Unit Block Diagram

## 8.1 System Clock Sources

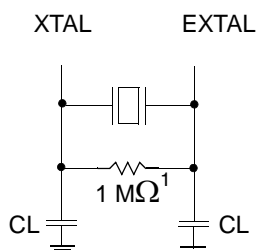
The system clock can be provided by the main system oscillator, an external clock input, or the backup clock (BUCLK) on-chip ring oscillator, see [Figure 8-1](#).

The main system oscillator uses either a 4-MHz or 20-MHz crystal to generate the PLL reference clock. When the main system oscillator output is the timing reference to the system PLL, skew elimination between the XTAL/EXTAL pins and CLKOUT is not guaranteed. There is also an on-chip crystal feedback resistor on the MPC565; however, space should be reserved for an off-chip resistor to allow for future configurations. [Figure 8-2](#) illustrates the main system oscillator crystal configuration.

The external clock input (EXTCLK pin) can receive a clock signal from an external source. The clock frequency must be in the range of 3-5 MHz or, for 1:1 mode, at the system frequency of at least 15 MHz. When the external clock input is the timing reference to the system PLL, the skew between the EXTCLK pin and the CLKOUT is less than  $\pm 1$  ns.

The backup clock on-chip ring oscillator allows the MPC565 to function with a less precise clock. When operating from the backup clock, the MPC565 is in limp mode. This enables the system to continue minimum functionality until the system is fixed. The BUCLK frequency is approximately 11 MHz for the MPC565 (see [Appendix F, “Electrical Characteristics”](#) for the complete frequency range).

For normal operation, at least one clock source (EXTCLK or main system oscillator) must be active. A configuration with both clock sources active is possible as well. At this configuration EXTCLK provides the system clock and main system oscillator provides the PITRTCLK. The input of an unused timing reference (EXTCLK or EXTAL) must be grounded.



1. Resistor is not currently required on the board but space should be available for its addition in the future.

**Figure 8-2. Main System Oscillator Crystal Configuration**

## 8.2 System PLL

The PLL allows the processor to operate at a high internal clock frequency using a low frequency clock input, a feature which offers two benefits: reduces the overall electromagnetic interference generated by the system, and the ability to oscillate at different frequencies reduces cost by eliminating the need to add an additional oscillator to a system.

The PLL can perform the following functions:

- Frequency multiplication
- Skew elimination
- Frequency division

## 8.2.1 Frequency Multiplication

The PLL can multiply the input frequency by any integer between one and 4096. The multiplication factor depends on the value of the MF[0:11] bits in the PLPRCR register. While any integer value from one to 4096 can be programmed, the resulting VCO output frequency must be at least 15 MHz. The multiplication factor is set to a predetermined value during power-on reset as defined in [Table 8-1](#).

## 8.2.2 Skew Elimination

The PLL is capable of eliminating the skew between the external clock entering the chip (EXTCLK) and both the internal clock phases and the CLKOUT pin, making it useful for tight synchronous timings. Skew elimination is active only when the PLL is enabled and programmed with a multiplication factor of one or two (MF = 0 or 1). The timing reference to the system PLL is the external clock input (EXTCLK pin).

## 8.2.3 Pre-Divider

A pre-divider before the phase comparator enables additional system clock resolution when the crystal oscillator frequency is 20 MHz. The division factor is determined by the DIVF[0:4] bits in the PLPRCR.

## 8.2.4 PLL Block Diagram

As shown in [Figure 8-3](#), the reference signal, OSCCLK, goes to the phase comparator. The phase comparator controls the direction (up or down) that the charge pump drives the voltage across the external filter capacitor (XFC). The direction depends on whether the feedback signal phase lags or leads the reference signal. The output of the charge pump drives the VCO. The output frequency of the VCO is divided down and fed back to the phase comparator for comparison with the reference signal, OSCCLK. The MF values, zero to 4095, are mapped to multiplication factors of one to 4096. Note that when the PLL is operating in 1:1 mode (refer to [Table 8-1](#)), the multiplication factor is one (MF = 0). The PLL output frequency is twice the maximum system frequency. This double frequency is needed to generate GCLK1 and GCLK2 clocks. On power-up, with a 4-MHz or 20-MHz crystal and the default MF settings, VCOOUT will be 40 MHz and the system clock will be 20 MHz.

The equation for VCOOUT is:

$$\text{VCOOUT} = \frac{\text{OSCCLK}}{\text{DIVF} + 1} \times (\text{MF} + 1) \times 2$$

### NOTE

When operating with the backup clock, the system clock (and CLKOUT) is one-half of the ring oscillator frequency, (i.e., the system clock is approximately 11 MHz). The time base and PIT clocks will be twice the system clock frequency.

In the case of initial system power up, or if KAPWR is lost, an external circuit must assert power on reset (PORESET). Once KAPWR is valid, PORESET must be asserted long enough to allow the external oscillator to start up and stabilize for the device to come out of reset in normal (non limp) mode.

If limp mode is enabled (by the MODCK[1:3] pins), and  $\overline{\text{PORESET}}$  is negated before the external oscillator has started up, the backup clock, BUCLK, will be used to clock the device. The device will start to run in limp mode. Software can then switch the clock mode from BUCLK to PLL. If an application requires that the device always comes out of reset in normal mode,  $\overline{\text{PORESET}}$  should be asserted long enough for the external oscillator to start up. The maximum start-up time of an external oscillator is given in Appendix F, “Electrical Characteristics” and  $\overline{\text{PORESET}}$  should be asserted for this time and at least an additional 100,000 input clock cycles.

If limp mode is disabled at reset, a short reset of at least 3  $\mu\text{s}$  is enough to obtain normal chip operation, because the BUCLK will not start. The system will wait for the external oscillator to start-up and stabilize.

The PLL will begin to lock once  $\overline{\text{PORESET}}$  has been negated, assuming stable KAPWR and VDDSYN power supplies and internal oscillator (or external clock). The PLL maximum lock time is determined by the input clock to the phase comparator. The PLL locks within 500 input clock cycles if the PLPRCR[MF]  $\leq 4$ . The PLL locks within 1000 input clock cycles if PLPRCR[MF]  $> 4$ .  $\overline{\text{HRESET}}$  will be released 512 system clock cycles after the PLL locks.

Whenever  $\overline{\text{PORESET}}$  is asserted, the MF bits are set according to Table 8-1, and the division factor high frequency (DFNH) and division factor low frequency (DFNL) bits in SCCR are set to the value of 0 ( $\div 1$  for DFNH and  $\div 2$  for DFNL).

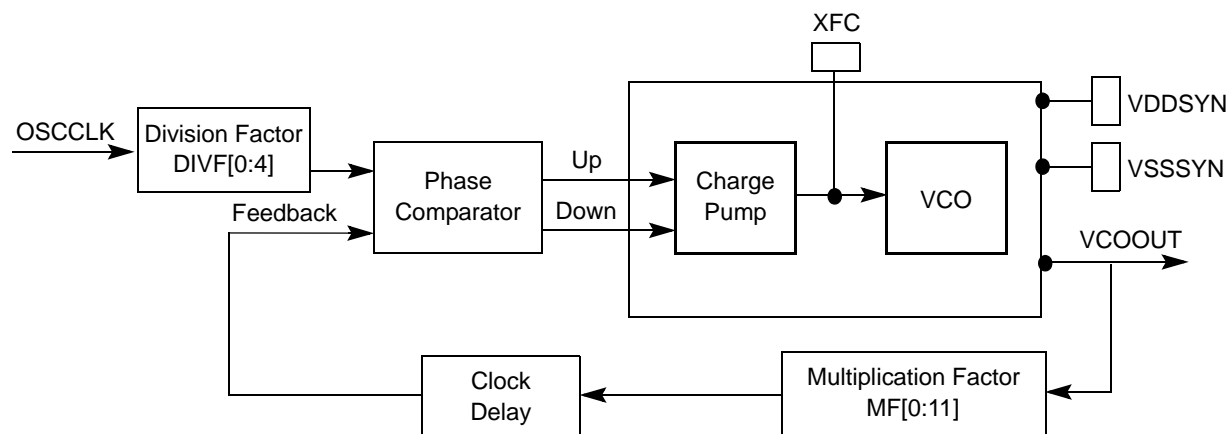


Figure 8-3. System PLL Block Diagram

## 8.2.5 PLL Pins

The following pins are dedicated to the PLL operation:

- VDDSYN — Drain voltage. This is the  $V_{DD}$  dedicated to the analog PLL circuits. The voltage should be well-regulated and the pin should be provided with an extremely low impedance path to the  $V_{DD}$  power rail. VDDSYN should be bypassed to VSSSYN by a 0.1  $\mu\text{F}$  capacitor located as close as possible to the chip package.
- VSSSYN — Source voltage. This is the  $V_{SS}$  dedicated to the analog PLL circuits. The pin should be provided with an extremely low impedance path to ground. VSSSYN should be bypassed to VDDSYN by a 0.1  $\mu\text{F}$  capacitor located as close as possible to the chip package.

- XFC — External filter capacitor. XFC connects to the off-chip capacitor for the PLL filter. One terminal of the capacitor is connected to XFC, and the other terminal is connected to VDDSYN.
  - The off-chip capacitor must have the following values:
    - $0 < MF + 1 < 4$  ( $1130 \times (MF + 1) - 80$ ) pF
    - $MF + 1 \geq 42100 \times (MF + 1)$  pF
 Where MF = the value stored on MF[0:11]. This is one less than the desired frequency multiplication.

### 8.3 System Clock During PLL Loss of Lock

At reset, until the SPLL is locked, the SPLL output clock is disabled.

During normal operation (once the PLL has locked), either the oscillator or an external clock source is generating the system clock. In this case, if loss of lock is detected and the LOLRE (loss of lock reset enable) bit in the PLPRCR is cleared, the system clock source continues to function as the PLL's output clock. The USIU timers can operate with the input clock to the PLL, so that these timers are not affected by the PLL loss of lock. Software can use these timers to measure the loss-of-lock period. If the timer reaches the user-preset software criterion, the MPC565 can switch to the backup clock by setting the switch to backup clock (STBUC) bit in the SCCR, provided the limp mode enable (LME) bit in the SCCR is set.

If loss of lock is detected during normal operation, assertion of  $\overline{\text{HRESET}}$  (for example, if LOLRE is set) disables the PLL output clock until the lock condition is met. During hard reset, the STBUC bit is set as long as the PLL lock condition is not met and clears when the PLL is locked. If STBUC and LME are both set, the system clock switches to the backup clock (BUCLK), and the chip operates in limp mode until STBUC is cleared.

Every change in the lock status of the PLL can generate a maskable interrupt.

#### NOTE

When the VCO is the system clock source, chip operation is unpredictable while the PLL is unlocked. Note further that a switch to the backup clock is possible only if the LME bit in the SCCR is set.

### 8.4 Low-Power Divider

The output of the PLL is sent to a low-power divider block. (In limp mode the BUCLK is sent to a low-power divider block.) This block generates all other clocks in normal operation, but has the ability to divide the output frequency of the VCO before it generates the general system clocks sent to the rest of the MPC565. The PLL VCOOUT is always divided by at least two.

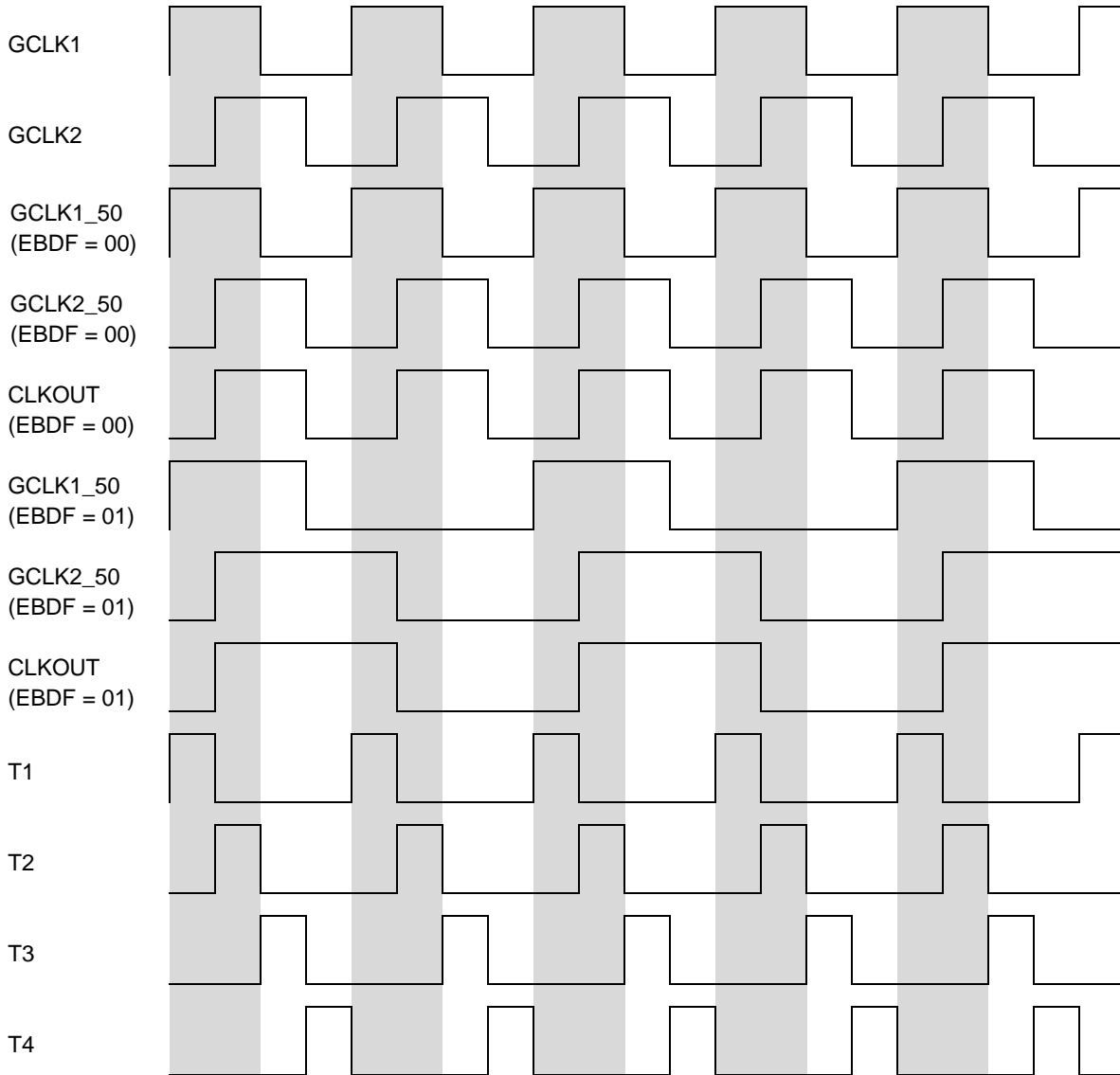
The purpose of the low-power divider block is to allow reduction and restoration of the operating frequencies of different sections of the MPC565 without losing the PLL lock. Using the low-power divider block, full chip operation can still be obtained, but at a lower frequency. This is called gear mode. The selection and speed of gear mode can be changed at any time, with changes occurring immediately.



The low-power divider block is controlled in the system clock control register (SCCR). The default state of the low-power divider is to divide all clocks by one. Thus, for a 40-MHz system, the general system clocks are each 40 MHz. Whenever power-on reset is asserted, the MF bits are set according to [Table 8-1](#), and the division factor high frequency (DFNH) and division factor low frequency (DFNL) bits in SCCR are set to the value of 0 ( $\div 1$  for DFNH and  $\div 2$  for DFNL).

## 8.5 Internal Clock Signals

The internal clocks generated by the clocks module are shown in [Figure 8-4](#). The clocks module also generates the CLKOUT and ENGCLK external clock signals. The PLL synchronizes these signals to each other. The PITRTCLK frequency and source are specified by the RTDIV and RTSEL bits in the SCCR. When the backup clock is functioning as the system clock, the backup clock is automatically selected as the time base clock source and is twice the MPC565 system clock.



**Figure 8-4. MPC565 Clocks**

Note that GCLK1\_50, GCLK2\_50, and CLKOUT can have a lower frequency than GCLK1 and GCLK2. This is to enable the external bus operation at lower frequencies (controlled by EBDF in the SCCR). GCLK2\_50 always rises simultaneously with GCLK2. When DFNH = 0, GCLK2\_50 has a 50% duty cycle. With other values of DFNH or DFNL, the duty cycle is less than 50%. Refer to [Figure 8-7](#). GCLK1\_50 rises simultaneously with GCLK1. When the MPC565 is not in gear mode, the falling edge of GCLK1\_50 occurs in the middle of the high phase of GCLK2\_50. EBDF determines the division factor between GCLK1/GCLK2 and GCLK1\_50/GCLK2\_50.

During power-on reset, the MODCK1, MODCK2, and MODCK3 pins determine the clock source for the PLL and the clock drivers. These pins are latched on the positive edge of PORESET. Their values must be stable as long as this line is asserted. The configuration modes are shown in [Table 8-1](#). MODCK1 specifies

the input source to the SPLL (main system oscillator or EXTCLK). MODCK1, MODCK2, and MODCK3 together determine the multiplication factor at reset and the functionality of limp mode.

If the configuration of PITRTCLK and TMBCLK and the SPLL multiplication factor is to remain unchanged in power-down low-power mode, the MODCK signals should not be sampled at wake-up from this mode. In this case the  $\overline{\text{PORESET}}$  pin should remain negated and  $\overline{\text{HRESET}}$  should be asserted during the power supply wake-up stage.

When MODCK1 is cleared, the output of the main oscillator is selected as the input to the SPLL. When MODCK1 is asserted, the external clock input (EXTCLK pin) is selected as the input to the SPLL. In all cases, the system clock frequency ( $\text{freq}_{\text{gclk2}}$ ) can be reduced by the DFNH[0:2] bits in the SCCR. Note that  $\text{freq}_{\text{gclk2}(\text{max})}$  occurs when the DFNH bits are cleared.

The TBS bit in the SCCR selects the time base clock to be either the SPLL input clock or GCLK2. When the backup clock is functioning as the system clock, the backup clock is automatically selected as the time base clock source.

The PITRTCLK frequency and source are specified by the RTDIV and RTSEL bits in the SCCR. When the backup clock is functioning as the system clock, the backup clock is automatically selected as the time base clock source.

When the  $\overline{\text{PORESET}}$  pin is negated (driven to a high value), the MODCK1, MODCK2, and MODCK3 values are not affected. They remain the same as they were defined during the most recent power-on reset.

Table 8-1 shows the clock configuration modes during power-on reset ( $\overline{\text{PORESET}}$  asserted).

#### NOTE

The MODCK[1:3] are shared functions with IRQ[5:7]. If  $\overline{\text{IRQ}}[5:7]$  are used as interrupts, the interrupt source should be removed during  $\overline{\text{PORESET}}$  to insure the MODCK pins are in the correct state on the rising edge of  $\overline{\text{PORESET}}$ .

**Table 8-1. Reset Clocks Source Configuration**

| MODCK[1:3] <sup>1</sup> | Default Values after PORESET |       |       |        |                 |                 | SPLL Options  |
|-------------------------|------------------------------|-------|-------|--------|-----------------|-----------------|---|
|                         | LME                          | RTSEL | RTDIV | MF + 1 | PITCLK Division | TMBCLK Division |   |
| 000                     | 0                            | 0     | 0     | 1      | 4               | 4               | Used for testing purposes.  |
| 001                     | 0                            | 0     | 1     | 1      | 256             | 16              | Normal operation, PLL enabled.<br>Main timing reference is crystal osc (20 MHz).<br>Limp mode disabled. |
| 010                     | 1                            | 0     | 1     | 5      | 256             | 4               | Normal operation, PLL enabled.<br>Main timing reference is crystal osc (4 MHz).<br>Limp mode enabled.   |
| 011                     | 1                            | 0     | 1     | 1      | 256             | 16              | Normal operation, PLL enabled.<br>Main timing reference is crystal osc (20 MHz).<br>Limp mode enabled.  |

**Table 8-1. Reset Clocks Source Configuration (continued)**

| MODCK[1:3] <sup>1</sup> | Default Values after PORESET |       |       |        |                 |                 | SPLL Options   |
|-------------------------|------------------------------|-------|-------|--------|-----------------|-----------------|--|
|                         | LME                          | RTSEL | RTDIV | MF + 1 | PITCLK Division | TMBCLK Division |  |
| 100<br>101              | 0                            | 1     | 1     | 1      | 256             | 16              | Normal operation, PLL enabled.<br>1:1 Mode<br>Main timing reference is EXT-CLK pin (>15MHz)<br>Limp mode disabled. |
| 110                     | 0                            | 1     | 1     | 5      | 256             | 4               | Normal operation, PLL enabled.<br>Main timing reference is EXT-CLK (3-5 MHz).<br>Limp mode disabled.               |
| 111                     | 1                            | 1     | 1     | 1      | 256             | 16              | Normal operation, PLL enabled.<br>1:1 Mode<br>Main timing reference is EXT-CLK pin (>15MHz)<br>Limp mode enabled.  |

<sup>1</sup> indicates MODCK pins value during power-on reset

**NOTE**

The reset value of the PLL pre-divider is one.

The values of the PITRTCLK clock division and TMBCLK clock division can be changed by software. The RTDIV bit value in the SCCR register defines the division of PITRTCLK. All possible combinations of the TMBCLK divisions are listed in [Table 8-2](#).

**Table 8-2. TMBCLK Divisions<sup>1</sup>**

| SCCR[TBS] | MF + 1 | TMBCLK Division |
|-----------|--------|-----------------|
| 1         | —      | 16              |
| 0         | 1, 2   | 16              |
| 0         | > 2    | 4               |

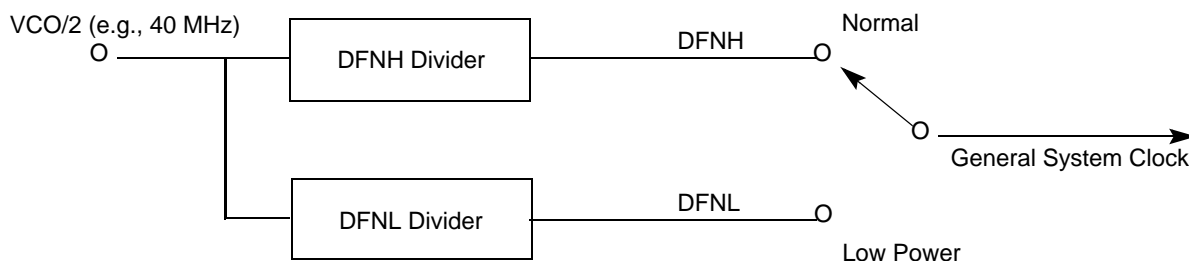
<sup>1</sup> To ensure correct operation of the time base, keep the system clock to time base clock ratio above 4 and always set SCCR[TBS] = 1 when running on the backup clock (limp mode).

### 8.5.1 General System Clocks

The general system clocks (GCLK1C, GCLK2C, GCLK1, GCLK2, GCLK1\_50, and GCLK2\_50) are the basic clock supplied to all modules and sub-modules on the MPC565. GCLK1C and GCLK2C are supplied to the RCPU and to the BBC. GCLK1C and GCLK2C are stopped when the chip enters the doze-low power mode. GCLK1 and GCLK2 are supplied to the SIU and the clock module. The external bus clock GCLK2\_50 is the same as CLKOUT. The general system clock defaults to VCO/2 = 20 MHz (assuming a 20-MHz system frequency) with default power-on reset MF values.

The general system clock frequency can be switched between different values. The highest operational frequency can be achieved when the system clock frequency is determined by DFNH (CSRC bit in the PLPRCR is cleared) and DFNH = 0 (division by one). The general system clock can be operated at a low frequency (gear mode) or a high frequency. The DFNL bits in SCCR define the low frequency. The DFNH bits in SCCR define the high frequency.

The frequency of the general system clock can be changed dynamically with the system clock control register (SCCR), as shown in Figure 8-5.



**Figure 8-5. General System Clocks Select**

The frequency of the general system clock can be changed “on the fly” by software. The user may simply cause the general system clock to switch to its low frequency. However, in some applications, there is a need for a high frequency during certain periods. Interrupt routines, for example, may require more performance than the low frequency operation provides, but must consume less power than in maximum frequency operation. The MPC565 provides a method to automatically switch between low and high frequency operation whenever one of the following conditions exists:

- There is a pending interrupt from the interrupt controller. This option is maskable by the PRQEN bit in the SCCR.
- The (POW) bit in the MSR is clear in normal operation. This option is maskable by the PRQEN bit in the SCCR.

When neither of these conditions exists and the CSRC bit in PLPRCR is set, the general system clock switches automatically back to the low frequency.

Abrupt changes in the divide ratio can cause linear changes in the operating currents of the MPC565.

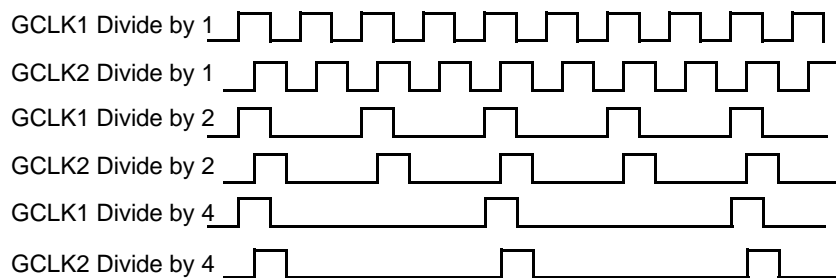
When the multiplication factor (PLPRCR[MF]) for the PLL is changed, the PLL stops all internal clocks until the PLL adjusts to the new frequency. This includes stopping the clock to the watchdog timer, therefore SWT cannot reset the system during this period.

When the clock stops, the current consumed by the device from VDD will fall; it will then rise sharply when the PLL turns on the PLL output clocks at the new frequency. These abrupt changes in the divide ratio can cause linear changes in the operating currents of the device. Insure that the proper power supply filtering is available to handle changes instantaneously. The gear modes (DFNH and DFNL) can be used to temporarily decrease the system frequency to minimize the demand on the power supply when the MF or DIVF multiply/divide ratio is changed.

When the general system clock is divided, its duty cycle is changed. One phase remains the same (for example, 12.5 ns at 40 MHz) while the other becomes longer.

**NOTE**

CLKOUT does not have a 50% duty cycle when the general system clock is divided. The CLKOUT wave form is the same as that of GCLK2\_50.



**Figure 8-6. Divided System Clocks Timing Diagram**

The system clocks GCLK1 and GCLK2 frequency is:

$$FREQ_{sys} = \frac{FREQ_{sysmax}}{(2^{DFNH}) \text{ or } (2^{DFNL + 1})}$$

where  $FREQ_{sysmax} = VCOOUT/2$

Therefore, the complete equation for determining the system clock frequency is:

$$\text{System Frequency} = \frac{OSCCLK}{DIVF + 1} \times \frac{(MF + 1)}{(2^{DNFH}) \text{ or } (2^{DFNL + 1})} \times \frac{2}{2}$$

The clocks GCLK1\_50 and GCLK2\_50 frequency is:

$$FREQ_{50} = \frac{FREQ_{sysmax}}{(2^{DFNH})_{or}(2^{DFNL+1})} \times \frac{1}{EBDF+1}$$

Figure 8-7 shows the timing of USIU clocks when DFNH = 1 or DFNL = 0.

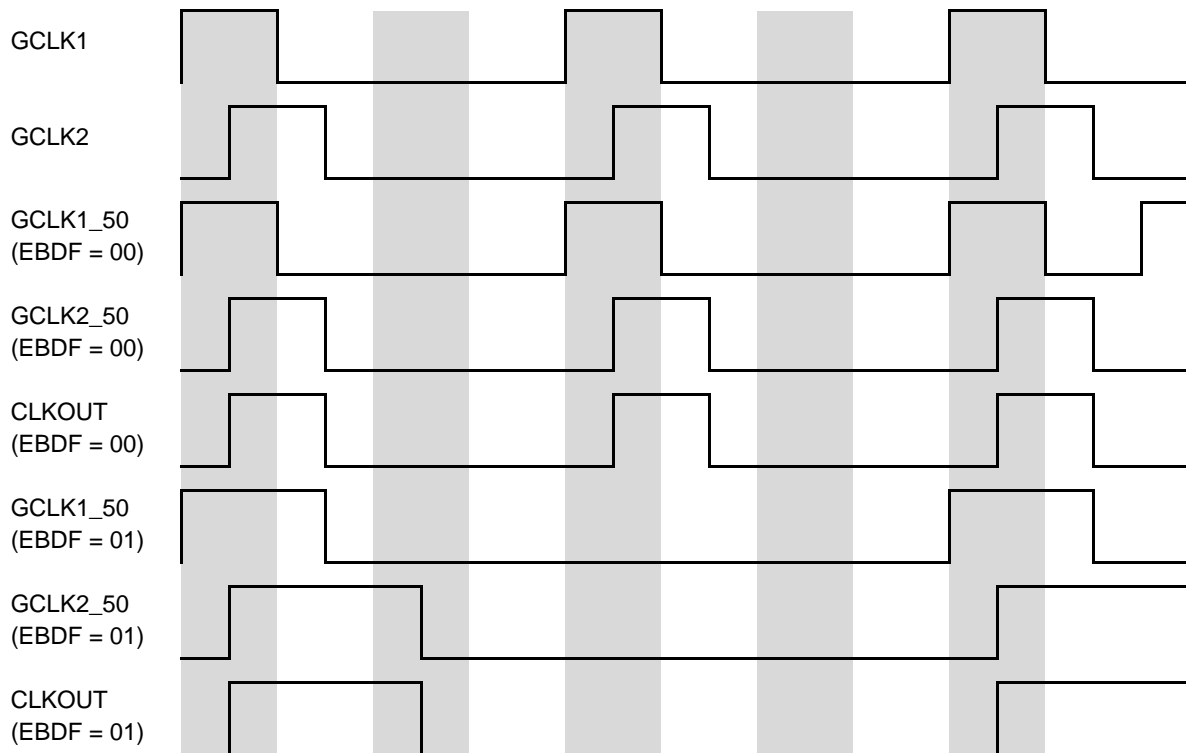


Figure 8-7. Clocks Timing For DFNH = 1 (or DFNL = 0)

### 8.5.2 Clock Out (CLKOUT)

CLKOUT has the same frequency as the general system clock (GCLK2\_50). Unlike the main system clock GCLK1/GCLK2 however, CLKOUT (and GCLK2\_50) represents the external bus clock, and thus will be one-half of the main system clock if the external bus is running at half speed (EBDF = 0b01). The CLKOUT frequency (system frequency) defaults to VCO/2. CLKOUT can drive full, half, or quarter strength; it can also be disabled. The drive strength is controlled in the system clock and reset-control register (SCCR) by the COM[0:1] and CQDS bits. (See [Section 8.11.1, “System Clock Control Register \(SCCR\)”](#)). Disabling or decreasing the strength of CLKOUT can reduce power consumption, noise, and electromagnetic interference on the printed circuit board.

When the PLL is acquiring lock, the CLKOUT signal is disabled and remains in the low state (provided that BUCS = 0).

### 8.5.3 Engineering Clock (ENGCLK)

ENGCLK is an output clock with a 50% duty cycle. Its frequency defaults to VCO/128, which is 1/64 of the main system frequency. ENGCLK frequency can be programmed to the main system frequency divided by a factor from one to 64, as controlled by the ENGDIV[0:5] bits in the SCCR. ENGCLK can drive full- or half-strength, or it can also be disabled (remaining in the high state). The drive strength is controlled by the EECLK[0:1] bits in the SCCR. Disabling ENGCLK can reduce power consumption, noise, and electromagnetic interference on the printed circuit board.

#### NOTE

The full strength ENGCLK setting (SCCR[EECLK]=0b01) selects a 5-V driver with slew rate control while the half-strength selection (SCCR[EECLK]=0b00) is a 2.6-V driver.

When the PLL is acquiring lock, the ENGCLK signal is disabled and remains in the low state (provided that BUCS = 0).

#### NOTE

Skew elimination between CLKOUT and ENGCLK is not guaranteed.

## 8.6 Clock Source Switching

For limp mode support, clock source switching is supported. If for any reason the clock source for the chip is not functioning, the option is to switch the system clock to the backup clock ring oscillator, BUCLK.

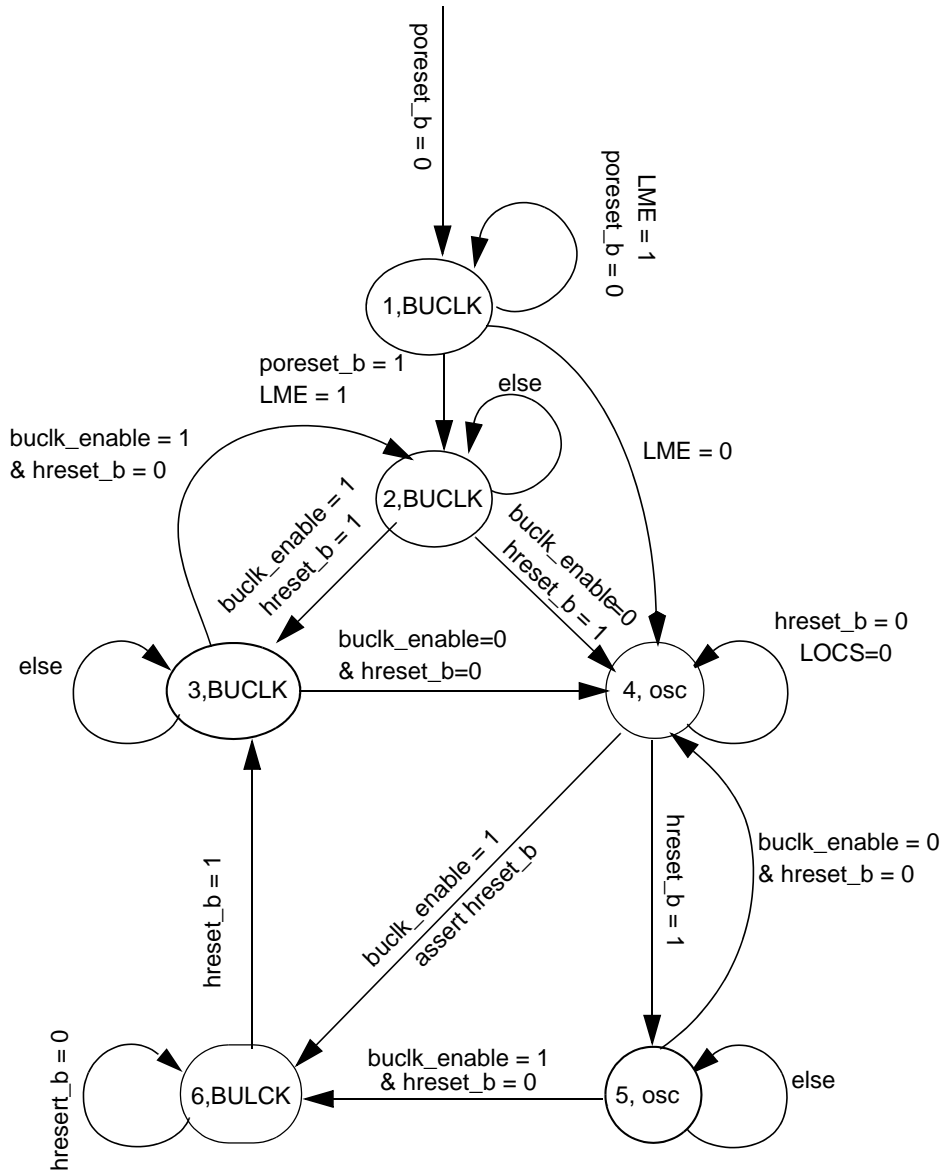
This circuit consists of a loss-of-clock detector, which sets the LOCS status bit and LOCSS sticky bit in the PLPRCR. If the LME bit in the SCCR is set, whenever LOCS is asserted, the clock logic switches the system clock automatically to BUCLK and asserts hard reset to the chip. Switching the system clock to BUCLK is also possible by software setting the STBUC bit in SCCR. Switching from limp mode to normal system operation is accomplished by clearing STBUC and LOCSS bits. This operation also asserts hard reset to the chip.

At  $\overline{\text{HRESET}}$  assertion, if the PLL output clock is not valid, the BUCLK will be selected until software clears LOCSS bit in SCCR. At  $\overline{\text{HRESET}}$  assertion, if the PLL output clock is valid, the system will switch to oscillator/external clock. If during  $\overline{\text{HRESET}}$  the PLL loses lock or the clock frequency becomes slower than the required value, the system will switch to the BUCLK. After  $\overline{\text{HRESET}}$  negation the PLL lock condition does not effect the system clock source selection.

If the LME bit is clear, the switch to the backup clock is disabled and assertion of STBUC bit is ignored. If the chip is in limp mode, clearing the LME bit switches the system to normal operation and asserts hard reset to the chip.

Figure 8-8 describes the clock switching control logic. Table 8-3 summarizes the status and control for each state.





**Figure 8-8. Clock Source Switching Flow Chart**

**NOTE**

buclk\_enable = (STBUC | LOC) and LME lock indicates loss of lock status bit (LOCS) for all cases and loss of clock sticky bit (LOCSS) when state 3 is active. When buclk\_enable is changed, the chip asserts HRESET to switch the system clock to BUCLK or PLL.

At PORESET negation, if the PLL is not locked, the loss-of-clock sticky bit (LOCSS) is asserted, and the chip should operate with BUCLK.

The switching from state three to state four is accomplished by clearing the STBUC and LOCSS bits. If the switching is done when the PLL is not locked, the system clock will not oscillate until lock condition is met.

**Table 8-3. Status of Clock Source**

| STATE          | $\overline{\text{PORESET}}$ | $\overline{\text{HRESET}}$ | LME | LOCS (status)  | LOCSS (sticky) | STBUC | BUCS | Chip Clock Source |
|----------------|-----------------------------|----------------------------|-----|----------------|----------------|-------|------|-------------------|
| 1              | 0                           | 0                          | 1   | 0              | 0              | 0     | 1    | BUCLK             |
| 2              | 1                           | 0                          | 1   | 0/1            | 0              | 0     | 1    | BUCLK             |
| 3 <sup>1</sup> | 1                           | 1                          | 1   | x <sup>2</sup> | 0/1            | 0/1   | 1    | BUCLK             |
| 4              | 1                           | 0                          | 0/1 | 0              | x <sup>2</sup> | 0     | 0    | Oscillator        |
| 5              | 1                           | 1                          | 0/1 | 0              | x <sup>2</sup> | 0     | 0    | Oscillator        |
| 6              | 1                           | 0                          | 1   | 0/1            | 1              | 0/1   | 1    | BUCLK             |

<sup>1</sup> At least one of the two bits, LOCSS or BUCS, must be asserted (one) in this state.

<sup>2</sup> X = don't care.

The default value of the LME bit is determined by MODCK[1:3] during assertion of the  $\overline{\text{PORESET}}$  line. The configuration modes are shown in [Table 8-1](#).

## 8.7 Low-Power Modes

The LPM and other bits in the PLPRCR are encoded to provide one normal operating mode and four low-power modes. In normal and doze modes the system can be in high state with frequency defined by the DFNH bits, or in the low state with frequency defined by the DFNL bits. The normal-high operating mode is the state out of reset. This is also the state of the bits after the low-power mode exit signal arrives.

There are four low-power modes:

- Doze mode
- Sleep mode
- Deep-sleep mode
- Power-down mode

### 8.7.1 Entering a Low-Power Mode

Low-power modes are enabled by setting the MSR[POW] and clearing the SCCR[LPML]. Once enabled, a low-power mode is entered by setting the LPM bits to the appropriate value. This can be done only in one of the normal modes. The user cannot change the PLPRCR[LPM or CSRC] when the MCU is in doze mode.

#### NOTE

Higher than desired currents during low-power mode can be avoided by executing a mullw instruction before entering the low-power mode, i.e., anytime after reset and prior to entering the low-power mode.

Table 8-6 summarizes the control bit settings for the different clock power modes.

**Table 8-4. Power Mode Control Bit Settings**

| Power Mode          | LPM[0:1] | CSRC | TEXPS |
|---------------------|----------|------|-------|
| Normal-high         | 00       | 0    | X     |
| Normal-low (“gear”) | 00       | 1    | X     |
| Doze-high           | 01       | 0    | X     |
| Doze-low            | 01       | 1    | X     |
| Sleep               | 10       | X    | X     |
| Deep-sleep          | 11       | X    | 1     |
| Power-down          | 11       | X    | 0     |

## 8.7.2 Power Mode Descriptions

Table 8-5 describes the clock frequency and chip functionality for each power mode.

**Table 8-5. Power Mode Descriptions**

| Operation Mode      | SPLL       | Clocks                           | Functionality   | Power Pins that Need to be Powered-Up             |
|---------------------|------------|----------------------------------|---|---|
| Normal-high         | Active     | Full frequency $\div 2^{DFNH}$   | Full functions not in use are shut off  | All On  |
| Normal-low (“gear”) | Active     | Full frequency $\div 2^{DFNL+1}$ |   | All On  |
| Doze-high           | Active     | Full frequency $\div 2^{DFNH}$   | Enabled: RTC, PIT, TB and DEC, controller<br>Disabled: extended core (RCPU, BBC, FPU) | KAPWR, VDDSYN, VDD, QVDDL, NVDDL, VDDSRAM, VDDRTC |
| Doze-low            | Active     | Full frequency $\div 2^{DFNL+1}$ | Enabled: RTC, PIT, TB and DEC   | KAPWR, VDDSYN, VDD, QVDDL, NVDDL, VDDSRAM, VDDRTC |
| Sleep               | Active     | Not active                       |   | KAPWR, VDDSYN, VDDSRAM, VDDRTC <sup>1</sup>       |
| Deep-sleep          | Not active | Not active                       |   | KAPWR, VDDSRAM, VDDRTC <sup>1</sup>               |
| Power-down          | Not active | Not active                       |   | KAPWR, VDDSRAM, VDDRTC <sup>1</sup>               |
| SRAM Standby        | Not active | Not active                       | SRAM data retention   | VDDSRAM, VDDRTC                                   |

<sup>1</sup> VDDRTC can optionally be powered off if not required.

### 8.7.3 Exiting from Low-Power Modes

Exiting from low-power modes occurs through an asynchronous interrupt or a synchronous interrupt generated by the interrupt controller. Any enabled asynchronous interrupt clears the LPM bits but does not change the PLPRCR[CSRC] bit.

The return to normal-high mode from normal-low, doze-high, low, and sleep mode is accomplished with the asynchronous interrupt. The sources of the asynchronous interrupt are:

- Asynchronous wake-up interrupt from the interrupt controller
- RTC, PIT, or time base interrupts (if enabled)
- Decrementer exception

The system responds quickly to asynchronous interrupts. The wake-up time from normal-low, doze-high, doze-low, and sleep mode caused by an asynchronous interrupt or a decrementer exception is only three to four clock cycles of maximum system frequency. In 40-MHz systems, this wake-up requires 75 to 100 ns. The asynchronous wake-up interrupt from the interrupt controller is level sensitive one. It will therefore be negated only after the reset of interrupt cause in the interrupt controller.

The timers' (RTC, PIT, time base, or decrementer) interrupts indications set status bits in the PLPRCR (TMIST). The clock module considers this interrupt to be pending asynchronous interrupt as long as the TMIST is set. The TMIST status bit should be cleared before entering any low-power mode.

Table 8-7 summarizes wake-up operation for each of the low-power modes.

**Table 8-6. Power Mode Wake-Up Operation**

| Operation Mode      | Wake-up Method        | Return Time from Wake-up Event to Normal-High  |
|---------------------|-----------------------|--|
| Normal-low ("gear") | Software or Interrupt | Asynchronous interrupts:<br>3-4 maximum system cycles<br>Synchronous interrupts:<br>3-4 actual system cycles |
| Doze-high           | Interrupt             |  |
| Doze-low            | Interrupt             |  |
| Sleep               | Interrupt             | 3-4 maximum system clocks  |
| Deep-sleep          | Interrupt             | < 500 Oscillator Cycles<br>125 $\mu$ s – 4 MHz<br>25 $\mu$ s – 20 MHz  |
| Power-down          | Interrupt             | < 500 oscillator cycles + power supply wake-up   |
| VDDSRAM             | External              | Power-on sequence  |

#### 8.7.3.1 Exiting from Normal-Low Mode

In normal mode (as well as doze mode), if the PLPRCR[CSRC] bit is set, the system toggles between low frequency (defined by PLPRCR[DFNL]) and high frequency (defined by PLPRCR[DFNH]). The system switches from normal-low mode to normal-high mode if either of the following conditions is met:

- An interrupt is pending from the interrupt controller; or
- The MSR[POW] bit is cleared (power management is disabled).

When neither of these conditions are met, the PLPRCR[CSRC] bit is set, and the asynchronous interrupt status bits are reset, the system returns to normal-low mode.

### 8.7.3.2 Exiting from Doze Mode

The system changes from doze mode to normal-high mode whenever an interrupt is pending from the interrupt controller.

### 8.7.3.3 Exiting from Deep-Sleep Mode

The system switches from deep-sleep mode to normal-high mode if any of the following conditions is met:

- An interrupt is pending from the interrupt controller
- An interrupt is requested by the RTC, PIT, or time base
- A decremter exception

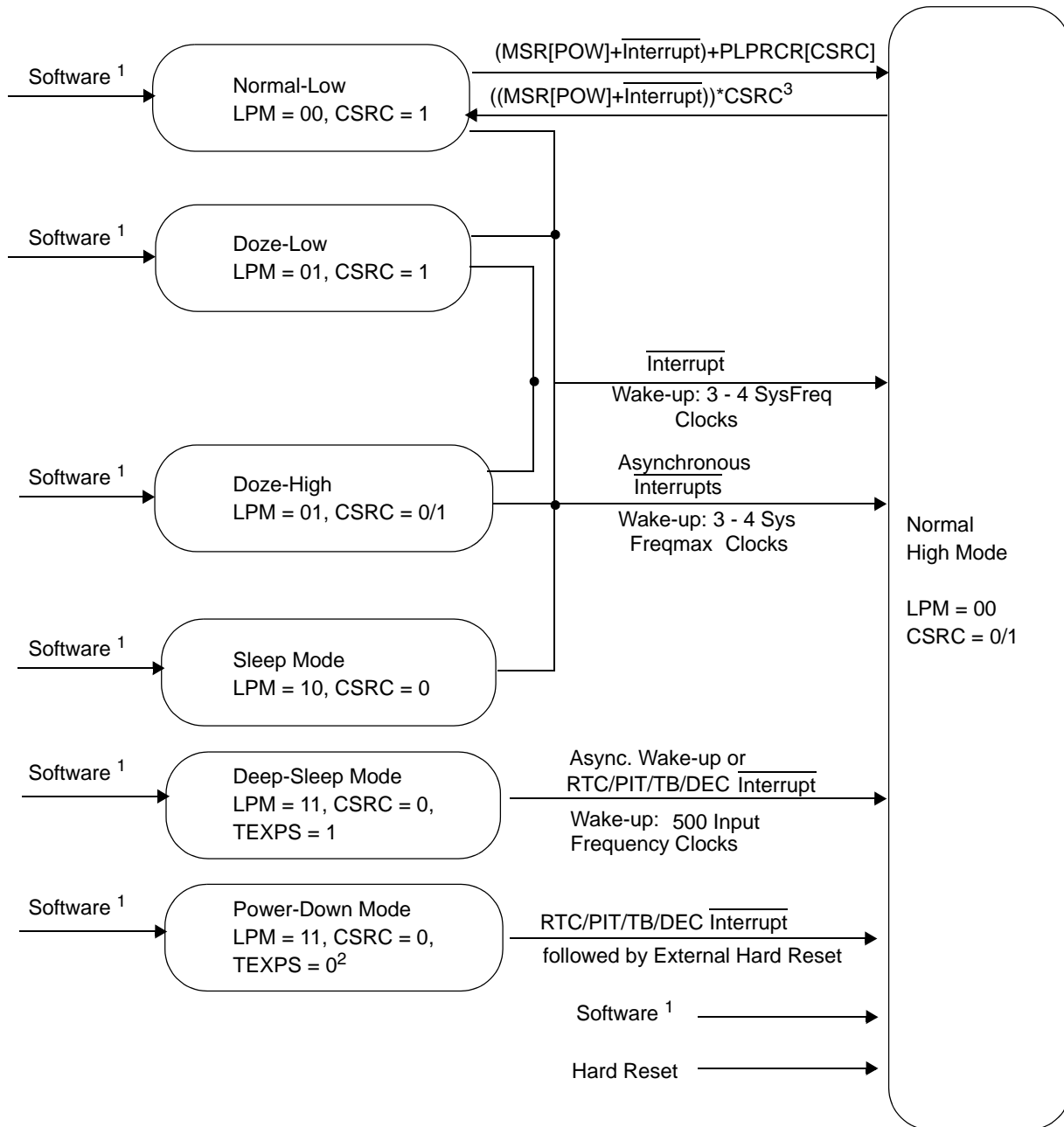
In deep-sleep mode the PLL is disabled. The wake-up time from this mode is up to 500 PLL input frequency clocks. In one-to-one mode the wake-up time may be up to 100 PLL input frequency clocks. For a PLL input frequency of 4 MHz, the wake-up time is less than 125  $\mu$ s.

### 8.7.3.4 Exiting from Power-Down Mode

Exit from power-down mode is accomplished through hard reset. External logic should assert  $\overline{\text{HRESET}}$  in response to the TEXPS bit being set and TEXP pin being asserted. The TEXPS bit is set by an enabled RTC, PIT, time base, or decremter interrupt. The hard reset should be asserted for no longer than the time it takes for the power supply to wake-up in addition to the PLL lock time. When the TEXPS bit is cleared (and the TEXP signal is negated), assertion of hard reset sets the bit, causes the pin to be asserted, and causes an exit from power-down low-power mode. Refer to [Section 8.8.3, “Keep-Alive Power”](#) for more information.

### 8.7.3.5 Low-Power Modes Flow

[Figure 8-9](#) shows the flow among the different power modes.



<sup>1</sup>Software is active only in normal-high/low modes.

<sup>2</sup>TEXPS receives the zero value by writing one. Writing of zero has no effect on TEXPS.

<sup>3</sup>The switch from normal-high to normal-low is enable only if the conditions to asynchronous interrupt are cleared.

**Figure 8-9. Low-Power Modes Flow Diagram**

## 8.8 Basic Power Structure

### 8.8.1 General Power Supply Definitions

KAPWR and VSS power the following clock unit modules: oscillator, PITRTCLK and TMBCLK generation logic, timebase, decremter, RTC, PIT, system clock control register (SCCR), low-power and reset-control register (PLPRCR), and reset status register (RSR). All other circuits are powered by the normal supply pins: VDD, QVDDL, NVDDL, VDDF, VDDSYN, VDDRTC, VFLASH, VDDH and VSS. The power supply for each block is listed in [Table 8-7](#).

**Table 8-7. Power Supplies**

| Circuit  | Power Supply              |
|--|---------------------------|
| CLKOUT<br>SPLL (digital),<br>System low-power control<br>Internal logic<br>Clock drivers   | NVDDL/QVDDL               |
| SPLL (analog)  | VDDSYN                    |
| Main oscillator<br>Reset machine<br>Limp mode mechanism<br>Register control<br>SCCR, PLLRCR and RSR<br>PPC RTC, PIT, TB, and DEC | KAPWR                     |
| CALRAM_A<br>(32 Kbytes)  | VDDSRAM1/VDD <sup>1</sup> |
| CALRAM_B<br>(4 Kbytes)   | VDDSRAM2/VDD <sup>1</sup> |
| DPTRAM (AB and C), DEGRAM  | VDDSRAM3/VDD <sup>1</sup> |
| MIOS RTCSM   | VDDRTC                    |

<sup>1</sup> Keep-alive power is supplied by VDDSRAMx, but run current is provided through VDD. VDDSRAMx must be powered during normal operation, even if standby operation is not required.

The following are the relations between different power supplies:

- $VDD = QVDDL = NVDDL = VDDSYN = VDDF = 2.6 \text{ V} \pm 0.1 \text{ V}$
- $KAPWR = VDD \pm 0.2 \text{ V}$  (during normal operation)
- $VDDRTC = VDDL \pm 0.2 \text{ V}$  (during normal operation)
- $VDDSRAM[1,2,3] = VDD \pm 0.3 \text{ V}$  (during normal operation)
- $VDDH = VDDA = VFLASH = 5.0 \pm 5\%$
- $VDDSRAM[1,2,3] \geq 1.4 \text{ V}$  (during standby operation)
- $KAPWR = 2.6 \pm 0.1 \text{ V}$  (during standby operation)
- $VDDRTC = 2.6 \pm 0.1 \text{ V}$  (during standby operation)

**NOTE**

The power supply inputs VDD, QVDDL, NVDDL, VDDSYN, and VDDF should all be connected to the same 2.6-V power supply. The power supplies VDDSRAM1, VDDSRAM2, VDDSRAM3, VDDRTC, and KAPWR can, in any combination, be connected to a 2.6-V standby power supply. Standby power pins that are not connected to the standby power supply, should be connected to the same power supply as VDD. Additionally, the standby power supply for VDDSRAM1, VDDSRAM2, and VDDSRAM3 only can be connected to a supply as low as 1.4 V. The power supply inputs VDDH and VFLASH should be connected to the same 5.0-V supply. VDDA can be isolated from VDDH, but should be the same approximate voltage.

**8.8.2 Chip Power Structure**

The MPC565 provides a wide range of possibilities for power supply connections. [Figure 8-10](#) illustrates the different power supply sources for each of the basic units on the chip.

**8.8.2.1 NVDDL**

This supplies the final output stage of the 2.6-V pad output drivers.

**8.8.2.2 QVDDL**

This supplies all pad logic and pre-driver circuitry, except for the final output stage of the 2.6-V pad output drivers.

**8.8.2.3 VDD**

VDD powers the internal logic of the MPC565, nominally 2.6V.

**8.8.2.4 VDDSYN, VSSSYN**

The charge pump and the VCO of the SPLL are fed by a separate 2.6-V power supply (VDDSYN) in order to improve noise immunity and achieve a high stability in its output frequency. VSSSYN provides an isolated ground reference for the PLL.

**8.8.2.5 KAPWR**

The oscillator, time base counter, decremter, periodic interrupt timer and the real-time clock are fed by the KAPWR rail. This allows the external power supply unit to disconnect all other sub-units of the MCU in low-power deep-sleep mode. The TEXP pin (fed by the same rail) can be used by the external power supply unit to switch between sources. The  $\overline{\text{IRQ}}[6:7]/\text{MODCK}[2:3]$ ,  $\overline{\text{IRQ}}5/\text{MODCK}1$ , XTAL, EXTAL, EXTCLK,  $\overline{\text{PORESET}}$ ,  $\overline{\text{HRESET}}$ ,  $\overline{\text{SRESET}}$ , and RSTCONF/TEXP input pins are powered by KAPWR. Circuits, including pull-up resistors, driving these inputs should be powered by KAPWR.



### 8.8.2.6 VDDA, VSSA

VDDA supplies power to the analog subsystems of the QADC64E\_A and QADC64E\_B modules; it is nominally 5.0 V. VSSA is the ground reference for the analog subsystems.

### 8.8.2.7 VFLASH

VFLASH supplies the UC3F normal operating voltage. It is nominally 5.0 V.

### 8.8.2.8 VDDF, VSSF

VDDF provides internal core voltage to the UC3F Flash module; it should be a nominal 2.6V. VSSF provides an isolated ground for the UC3F Flash module.

### 8.8.2.9 VDDH

VDDH provides power for the 5-V I/O operations. It is a nominal 5.0 V.

### 8.8.2.10 VDDSRAM1

This is the 2.6-V voltage supply input for the keep-alive section of the CALRAM\_A(32K) module. This pin supplies only keep-alive power to the CALRAM\_A(32K) module. This supply can be between 1.4 and 2.7 V. Run current is supplied by normal VDD.

### 8.8.2.11 VDDSRAM2

This is the 2.6-V voltage supply input for the CALRAM\_B (4K) module. This supply can be between 1.4 and 2.7 V. This pin supplies keep-alive power only to the CALRAM\_B(4K) module. Run current is supplied by normal VDD.

### 8.8.2.12 VDDSRAM3

This is the 2.6-V voltage supply input for the arrays in the DPTRAM\_AB (6K), DPTRAM\_C (4K), and DECRAM modules. This pin supplies keep-alive voltage to the DPTRAM arrays and the DECRAM. Run current is supplied by the normal VDD.

### 8.8.2.13 VDDRTC

VDDRTC supplies power to the MIOS real-time clock submodule and its 32.768-KHz oscillator. The RTC can be kept running when all of the other power supplies are turned off.

### 8.8.2.14 VSS

VSS provides the ground reference for the MPC565.

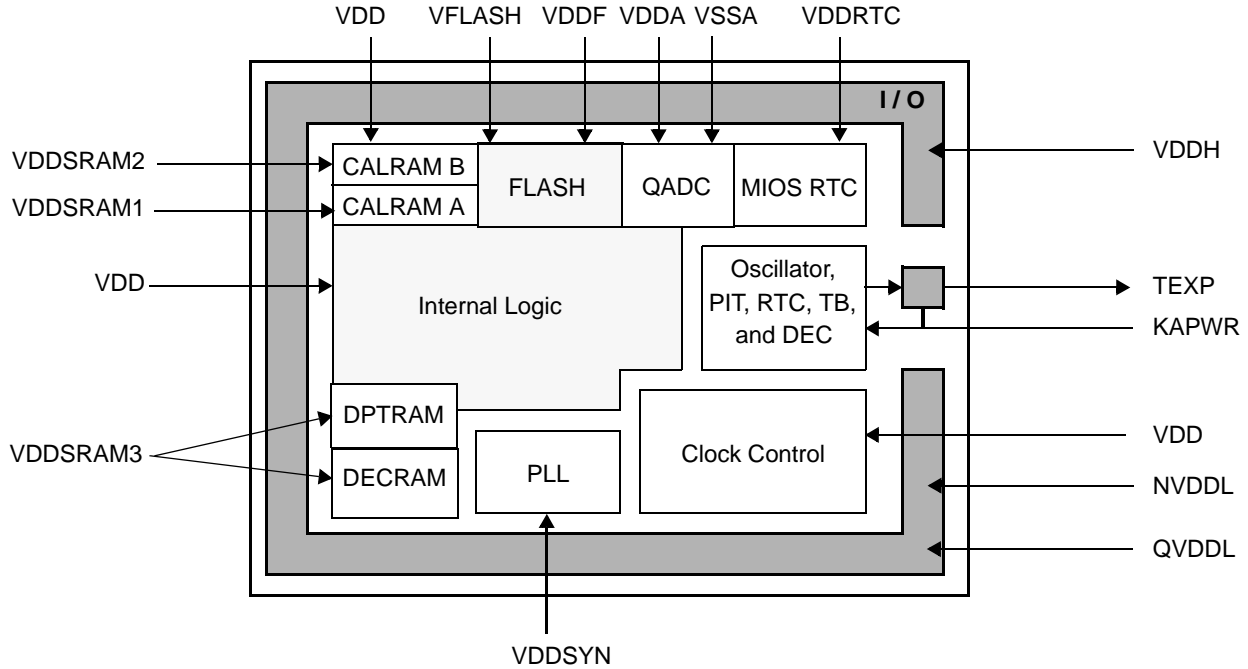
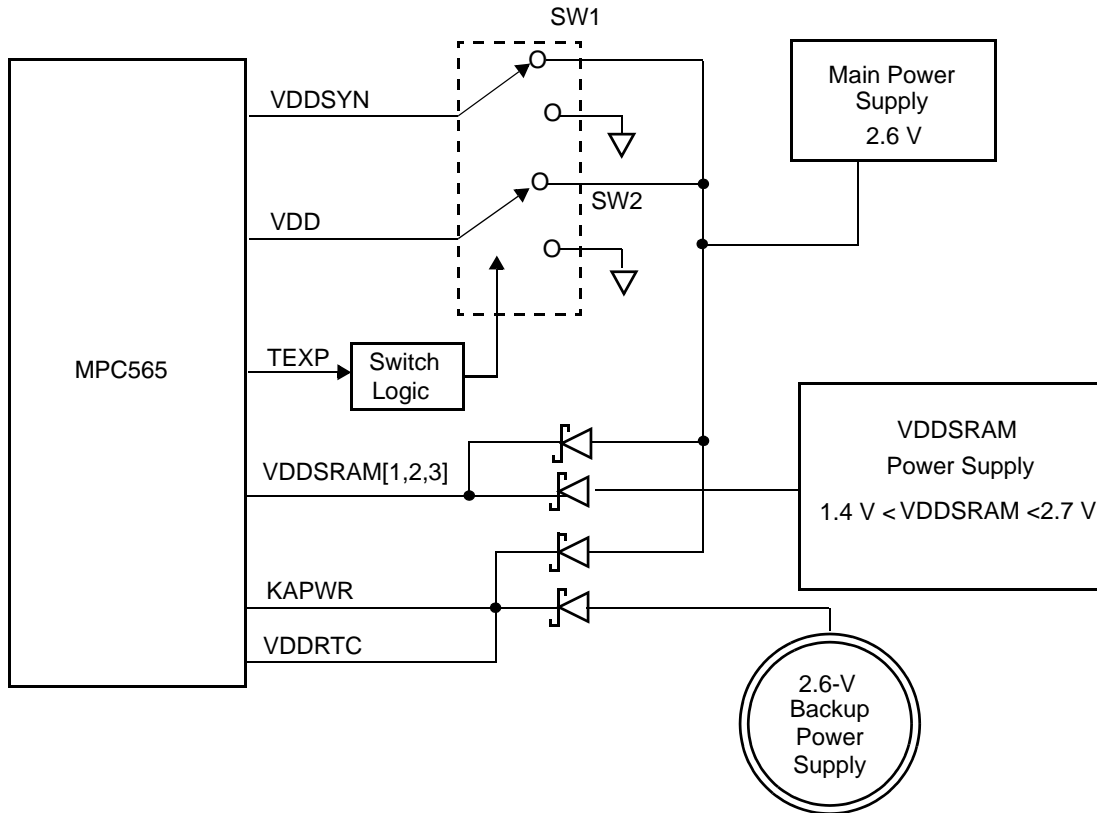


Figure 8-10. Basic Power Supply Configuration

### 8.8.3 Keep-Alive Power

#### 8.8.3.1 Keep-Alive Power Configuration

Figure 8-11 is an example of a switching scheme for an optimized low-power system. SW1 and SW2 can be unified in only one switch if VDDSYN and VDD/NVDDL/QVDDL are supplied by the same source.



**Figure 8-11. External Power Supply Scheme**

The MPC565 asserts the TEXP signal, if enabled, when the RTC or TB time value matches the value programmed in the associated alarm register or when the PIT or DEC value reaches zero. The TEXP signal is negated when the TEXPS status bit is written to one.

The KAPWR power supply feeds the main crystal oscillator (OSCM). The condition for the main crystal oscillator stability is that the power supply value changes slowly. The maximum slope must be less than 5 mV per oscillation cycle ( $\tau > 200\text{-}300/\text{freq}_{\text{oscm}}$ ).

### 8.8.3.2 Keep-Alive Power Registers Lock Mechanism

The USIU timer, clocks, reset, power, decremter, and time base registers are powered by the KAPWR supply. When the main power supply is disconnected after power-down mode is entered, the value stored in any of these registers is preserved. If power-down mode is not entered before power disconnect, there is a chance of data loss in these registers. To minimize the possibility of data loss, the MPC565 includes a key mechanism that ensures data retention as long as a register is locked. While a register is locked, writes to this register are ignored.

Each of the registers in the KAPWR region have a key that can be in one of two states: open or locked. At power-on reset the following keys are locked by default: RTC, RTSEC, RTCAL, and RTCSC. All other registers are unlocked. Each key has an address associated with it in the internal map.

A write of 0x55CCAA33 to the associated key register changes the key to the open state. A write of any other data to this location changes the key to the locked state. The key registers are write-only. A read of the key register has undefined side effects and may be interpreted as a write that locks the associated register.

Table 8-8 lists the registers powered by KAPWR and the associated key registers.

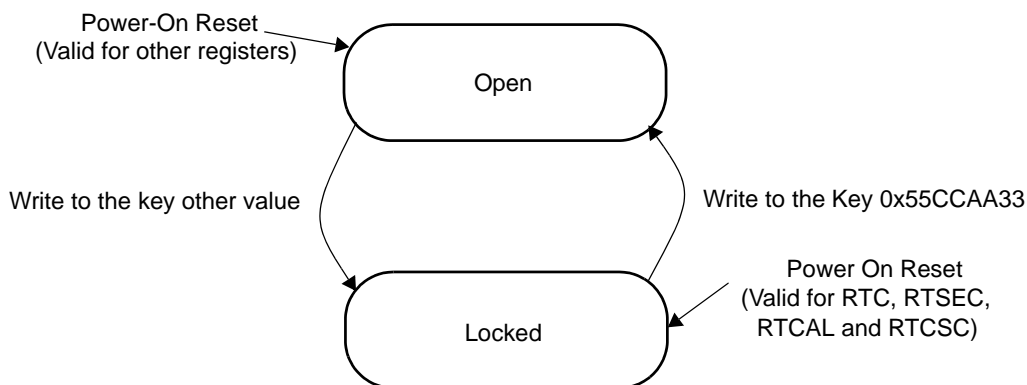
**Table 8-8. KAPWR Registers and Key Registers**

| KAPWR Register        |   | Associated Key Register |  |
|-----------------------|---|-------------------------|--|
| Address or SPR Number | Register  | Address                 | Register   |
| 0x2F C200             | Time Base Status and Control (TBSCR)<br>See <a href="#">Table 6-18</a> for bit descriptions.  | 0x2F C300               | Time Base Status and Control Key (TBSCRK)              |
| 0x2F C204             | Time Base Reference 0 (TBREF0)<br>See <a href="#">Section 6.2.2.4.3</a> , “Time Base Reference Registers (TBREF0 and TBREF1)” for bit descriptions.                               | 0x2F C304               | Time Base Reference 0 Key (TBREF0K)                    |
| 0x2F C208             | Time Base Reference 1 (TBREF1)<br>See <a href="#">Section 6.2.2.4.3</a> , “Time Base Reference Registers (TBREF0 and TBREF1)” for bit descriptions.                               | 0x2F C308               | Time Base Reference 1 Key (TBREF1K)                    |
| 0x2F C220             | Real Time Clock Status and Control (RTCSC)<br>See <a href="#">Table 6-19</a> for bit descriptions. This register is locked after reset by default.                                | 0x2F C320               | Real Time Clock Status and Control Key (RTCSCK)        |
| 0x2F C224             | Real Time Clock (RTC)<br>See <a href="#">Section 6.2.2.4.6</a> , “Real-Time Clock Register (RTC)” for bit descriptions. This register is locked after reset by default.           | 0x2F C324               | Real Time Clock Key (RTCK)                             |
| 0x2F C228             | Real Time Alarm Seconds (RTSEC)<br>Reserved. This register is locked after reset by default.  | 0x2F C328               | Real Time Alarm Seconds Key (RTSECK)                   |
| 0x2F C22C             | Real Time Alarm (RTCAL)<br>See <a href="#">Section 6.2.2.4.7</a> , “Real-Time Clock Alarm Register (RTCAL)” for bit descriptions. This register is locked after reset by default. | 0x2F C32C               | Real Time Alarm Key (RTCALK)                           |
| 0x2F C240             | PIT Status and Control (PISCR)<br>See <a href="#">Table 6-20</a> for bit descriptions.  | 0x2F C340               | PIT Status and Control Key (PISCRK)                    |
| 0x2F C244             | PIT Count (PITC)<br>See <a href="#">Table 6-21</a> for bit descriptions.  | 0x2F C344               | PIT Count Key (PITCK)                                  |
| 0x2F C280             | System Clock Control Register (SCCR)<br>See <a href="#">Table 8-9</a> for bit descriptions.   | 0x2F C380               | System Clock Control Key (SCCRK)                       |
| 0x2F C284             | PLL Low-Power and Reset-Control Register (PLPRCR)<br>See <a href="#">Table 8-11</a> for bit descriptions.   | 0x2F C384               | PLL Low-Power and Reset-Control Register Key (PLPRCRK) |

**Table 8-8. KAPWR Registers and Key Registers (continued)**

| KAPWR Register          |  | Associated Key Register |                                     |
|-------------------------|--|-------------------------|-------------------------------------|
| Address or SPR Number   | Register   | Address                 | Register                            |
| 0x2F C288               | Reset Status Register (RSR)<br>See <a href="#">Table 7-3</a> for bit descriptions.                   | 0x2F C388               | Reset Status Register Key (RSRK)    |
| SPR 22                  | Decrementer<br>See <a href="#">Section 3.9.5, “Decrementer Register (DEC)”</a> for bit descriptions. | 0x2F C30C               | Time Base and Decrementer Key (TBK) |
| SPR 268, 269, 284, 285, | Time Base<br>See <a href="#">Section 6.2.2.4.2, “Time Base SPRs (TB)”</a> for bit descriptions.      |                         |                                     |

Figure 8-12 illustrates the process of locking or unlocking a register powered by KAPWR.


**Figure 8-12. Keep-Alive Register Key State Diagram**

## 8.9 VDDSRAM Supply Failure Detection

A special circuit for VDDSRAM supply failure detection is provided. In the case of supply failure detection, the dedicated sticky bits LVSRS in the VSRMCR register are asserted. Software can read or clear these bits. The user should enable the detector and then clear these bits. If any of the LVSRS bits are read as one, then a power failure of VDDSRAM has occurred. The circuit is capable of detecting supply failure below a voltage level to be determined. Also, enable/disable control bit for the VDDSRAM detector may be used to disconnect the circuit and save the detector power consumption.

### NOTE

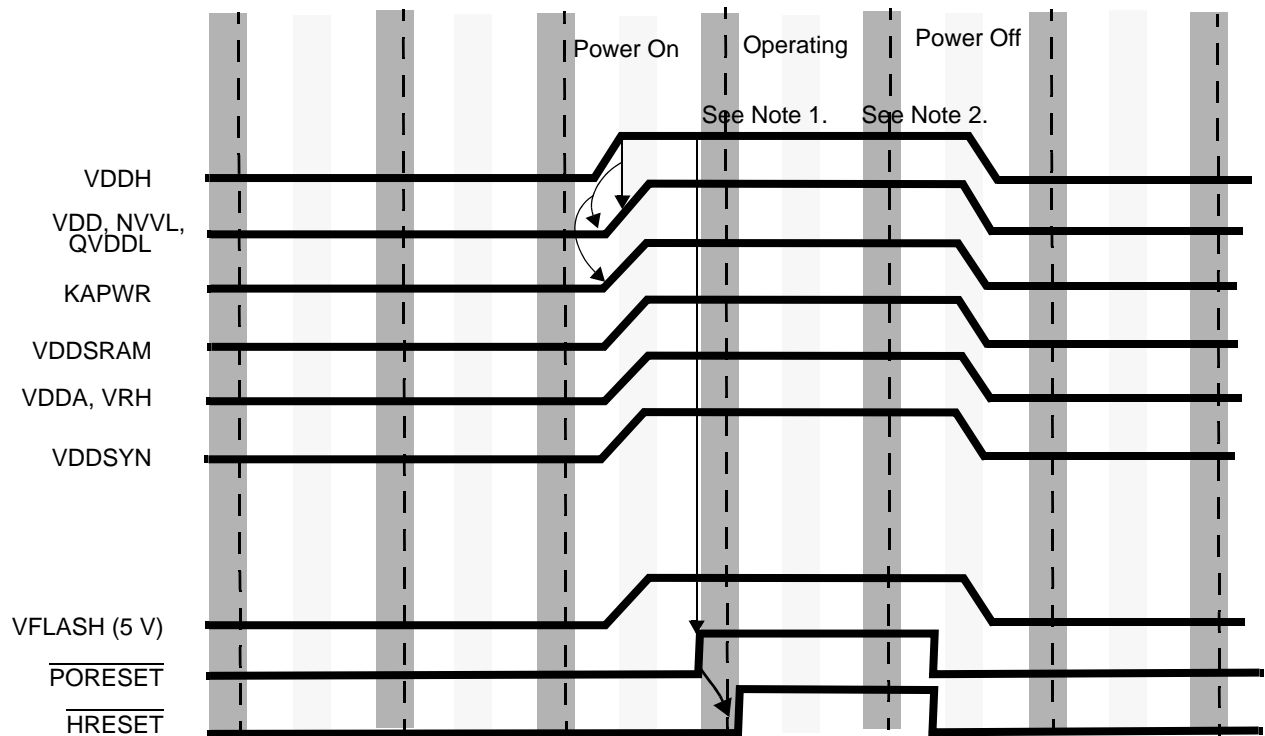
At temperatures above room ambient (25C), the VDDSRAM low voltage detect circuit may not always indicate that the VDDSRAM voltage has dropped below the minimum data retention level for the SRAM. Use an external mechanism to determine when the voltage supplied to the VDDSRAM pin(s) is below the minimum data retention voltage.

## 8.10 Power-Up/Down Sequencing

Figure 8-13 and Figure 8-14 detail the power-up sequencing for MPC565 during normal operation. Note that for each of the conditions detailing the voltage relationships the absolute bounds of the minimum and maximum voltage supply cannot be violated; that is, the value of VDDL cannot fall below 2.5 V or exceed 2.7 V, and the value of VDDH cannot fall below 4.75 V or exceed 5.25 V for normal operation. Power consumption during power up sequencing will be below the operating power consumption.

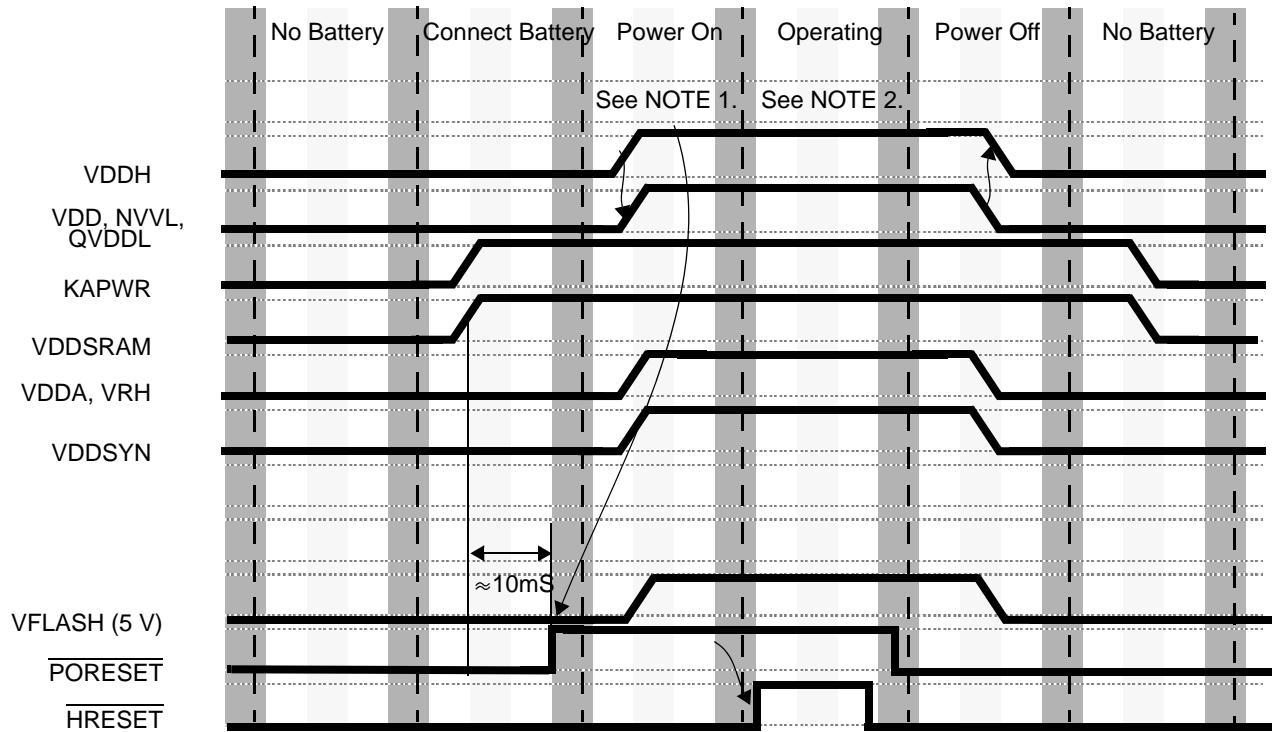
During the power down sequence  $\overline{\text{PORESET}}$  needs to be asserted while VDD, NVDDL, and QVDDL are at a voltage greater than or equal to 2.5 V. Below this voltage the power supply chip can be turned off.

If the turn-off voltage of the power supply chip is greater than 0.74 V for the 2.6-V supply and greater than 0.8 V for the 5-V supply, then the circuitry inside the MPC565 will act as a load to the respective supply and will discharge the supply line down to these values. Since the 2.6-V logic represents a larger load to the supply chip, the 2.6-V supply line will decay faster than the 5-V supply line.



- <sup>1</sup>  $VDDH \geq QVDDL - 0.35 \text{ V}$  (0.5 V max. at temperature extremes)  
 VDDA can lag VDDH, and VDDSYN can lag QVDDL, but both must be at a valid level before resets are negated.  
 If keep alive functions are NOT used, then when system power is on:  
 $KAPWR = VDDSRAM[1:3] = QVDDL \pm 0.1 \text{ V}$   
 $KAPWR \leq 2.7 \text{ V}$
- <sup>2</sup> If keep alive functions ARE used, then  
 $KAPWR = VDDSRAM[1:3] = QVDDL = NVDDL = 2.7 \text{ V} \pm 0.1 \text{ V}$  when system power is on  
 $VDDSRAM[1:3] \geq 1.8 \text{ V}$  and optionally  $KAPWR$  and/or  $VDDRTC = 2.7 \text{ V} \pm 0.1 \text{ V}$  when system power is off  
 Normal system power is defined as  
 $QVDDL = VDDI = VDDF = VDDSYN = VDDSRAM[1:3] = KAPWR = 2.7 \pm 0.1 \text{ V}$  and  $VDDA = VDDH = VFLASH = 5.0 \pm 0.25 \text{ V}$   
 Flash Programming requirements are the same as normal system power. VFLASH should always be  $5.0 \pm 0.25 \text{ V}$ .  
 Do not hold the 3-V supplies at ground while VDDH/VDDA is ramping to 5 V.
- <sup>3</sup> If 5 V is applied before the 3-V supply, all 5-V outputs will be in indeterminate states until the 3-V supply reaches a level that allows reset to be distributed throughout the device

**Figure 8-13. No Standby, No KAPWR, All System Power-On/Off**



- 1  $VDDH \geq QVDDL - 0.35 \text{ V}$  (0.5 V max. at temperature extremes)  
VDDA can lag VDDH, and VDDSYN can lag QVDDL, but both must be at a valid level before resets are negated.  
If keep alive functions are NOT used, then when system power is on:  
 $KAPWR = VDDSRAM[1:3] = QVDDL \pm 0.1 \text{ V}$   
 $KAPWR \leq 2.7 \text{ V}$
- 2 If keep alive functions ARE used, then  
 $KAPWR = VDDSRAM[1:3] = QVDDL = NVDDL = 2.7 \text{ V} \pm 0.1 \text{ V}$  when system power is on  
 $VDDSRAM[1:3] \geq 1.8 \text{ V}$  and optionally  $KAPWR$  and/or  $VDDRRTC = 2.7 \text{ V} \pm 0.1 \text{ V}$  when system power is off  
Normal system power is defined as  
 $QVDDL = VDDI = VDDF = VDDSYN = VDDSRAM[1:3] = KAPWR = 2.7 \pm 0.1 \text{ V}$  and  $VDDA = VDDH = VFLASH = 5.0 \pm 0.25 \text{ V}$   
Flash Programming requirements are the same as normal system power. VFLASH should always be  $5.0 \pm 0.25 \text{ V}$ .  
Do not hold the 3-V supplies at ground while VDDH/VDDA is ramping to 5 V.
- 3 If 5 V is applied before the 3-V supply, all 5-V outputs will be in indeterminate states until the 3-V supply reaches a level that allows reset to be distributed throughout the device

Figure 8-14. Standby and KAPWR, Other Power-On/Off

**NOTE**

For more detailed information on power sequencing see [Section F.8, "Power-Up/Down Sequencing."](#)

## 8.11 Clocks Unit Programming Model

### 8.11.1 System Clock Control Register (SCCR)

The SPLL has a 32-bit control register, SCCR, which is powered by keep-alive power.



|                             |  | MSB       |     |                  |            |       |      |     |                    |       |      |       |                  |            |                        |                        |            | LSB        |             |    |    |    |    |           |           |    |    |    |           |    |    |    |    |
|-----------------------------|--|-----------|-----|------------------|------------|-------|------|-----|--------------------|-------|------|-------|------------------|------------|------------------------|------------------------|------------|------------|-------------|----|----|----|----|-----------|-----------|----|----|----|-----------|----|----|----|----|
|                             |  | 0         | 1   | 2                | 3          | 4     | 5    | 6   | 7                  | 8     | 9    | 10    | 11               | 12         | 13                     | 14                     | 15         | 16         | 17          | 18 | 19 | 20 | 21 | 22        | 23        | 24 | 25 | 26 | 27        | 28 | 29 | 30 | 31 |
| Field                       |  | DBCT      | COM |                  | DCSLR      | MFPDL | LPML | TBS | RTDIV <sup>4</sup> | STBUC | CQDS | PRQEN | RTSEL            | BUCS       | EBDF[0:1]              | LME                    | EECLK[0:1] |            | ENGDIV[0:5] |    |    |    |    | —         | DFNL[0:2] |    |    | —  | DFNH[0:2] |    |    |    |    |
| $\overline{\text{PORESET}}$ |  | 1         | 0   | ID2 <sup>1</sup> | 0000       |       |      |     | 1                  | 1     | 0    | 1     | EQ2 <sup>2</sup> | 0          | ID[13:14] <sup>1</sup> | EQ3 <sup>3</sup>       | 0          | 0          | 1           | 1  | 1  | 1  | 1  |           | 0000_0000 |    |    |    |           |    |    |    |    |
| $\overline{\text{HRESET}}$  |  | U         | 0   | ID2 <sup>1</sup> | Unaffected |       |      |     |                    |       |      |       | 1                | Unaffected |                        | ID[13:14] <sup>1</sup> | U          | Unaffected |             |    |    |    |    | 0000_0000 |           |    |    |    |           |    |    |    |    |
| Addr                        |  | 0x2F C280 |     |                  |            |       |      |     |                    |       |      |       |                  |            |                        |                        |            |            |             |    |    |    |    |           |           |    |    |    |           |    |    |    |    |

- <sup>1</sup> The hard reset value is a reset configuration word value, extracted from the indicated internal data bus lines. Refer to [Section 7.5.2, “Hard Reset Configuration Word \(RCW\).”](#)
- <sup>2</sup> EQ2 = MODCK1
- <sup>3</sup> EQ3 =  $(\overline{\text{MODCK1}} \text{ AND } \overline{\text{MODCK2}} \text{ AND } \overline{\text{MODCK3}}) \mid (\overline{\text{MODCK1}} \text{ AND } \text{MODCK2} \text{ AND } \text{MODCK3}) \mid (\text{MODCK1} \text{ AND } \overline{\text{MODCK2}} \text{ AND } \overline{\text{MODCK3}})$ . See [Table 8-1](#).
- <sup>4</sup> RTDIV will be 0 if MODCK[1:3] = 000.

**Figure 8-15. System Clock and Reset Control Register (SCCR)**

**NOTE**

COM[1] bit default value is determined during by BDRV reset configuration bit; See [Section 7.5.2, “Hard Reset Configuration Word \(RCW\).”](#)

**Table 8-9. SCCR Bit Descriptions**

| Bits | Name | Description   |
|------|------|---|
| 0    | DBCT | Disable backup clock for timers. The DBCT bit controls the timers clock source while the chip is in limp mode. If DBCT is set, the timers clock (TMBLCK, PITRCLK) source will not be the backup clock, even if the system clock source is the backup clock ring oscillator. The real-time clock source will be EXTAL or EXTCLK according to RTSEL bit (see description in bit 11 below), and the time base clocks source will be determined according to TBS bit and MODCK1.<br>0 If the chip is in limp mode, the timer clock source is the backup (limp) clock<br>1 The timer clock source is either the external clock or the crystal (depending on the current clock mode selected) |
| 1:2  | COM  | Clock Output Mode – The COM and CQDS bits control the output buffer strength of the CLKOUT and external bus pins. When both COM bits are set the CLKOUT pin is held in the high (1) state and external bus pins are driven at reduced drive. These bits can be dynamically changed without generating spikes on the CLKOUT and external bus pins. If CLKOUT pin is not connected to external circuits, set both bits (disabling CLKOUT) to minimize noise and power dissipation. The default value for COM[1] is determined by the BDRV bit in the reset configuration word. See <a href="#">Table 7-5</a> . For CLKOUT control see <a href="#">Table 8-10</a> .                        |

**Table 8-9. SCCR Bit Descriptions (continued)**

| Bits | Name  | Description   |
|------|-------|---|
| 3    | DCSLR | <p>Disable clock switching at loss of lock during reset. When DCSLR is clear and limp mode is enabled, the chip will switch automatically to the backup clock if the PLL loses lock during <math>\overline{\text{HRESET}}</math>. When DCSLR is asserted, a PLL loss-of-lock event does not cause clock switching. If <math>\overline{\text{HRESET}}</math> is asserted and DCSLR is set, the chip will not negate <math>\overline{\text{HRESET}}</math> until the PLL acquires lock.</p> <p>0 Enable clock switching if the PLL loses lock during reset<br/>1 Disable clock switching if the PLL loses lock during reset</p> |
| 4    | MFPDL | <p>MF and pre-divider lock. Setting this control bit disables writes to the MF and DIVF bits. This helps prevent runaway software from changing the VCO frequency and causing the SPLL to lose lock. In addition, to protect against hardware interference, a hardware reset will be asserted if these fields are changed while LPML is asserted. This bit is writable once after power-on reset.</p> <p>0 MF and DIVF fields are writable<br/>1 MF and DIVF fields are locked</p>  |
| 5    | LPML  | <p>LPM lock. Setting this control bit disables writes to the LPM and CSRC control bits. In addition, for added protection, a hardware reset is asserted if any mode is entered other than normal-high mode. This protects against runaway software causing the MCU to enter low-power modes. (The MSR[POW] bit provides additional protection). LPML is writable once after power-on reset.)</p> <p>0 LPM and CSRC bits are writable<br/>1 LPM and CSRC bits are locked and hard reset will occur if the MCU is not in normal-high mode</p>   |
| 6    | TBS   | <p>Time base source.</p> <p>0 Source is OSCCLK divided by either 4 or 16<br/>1 Source is system clock divided by 16</p>   |
| 7    | RTDIV | <p>RTC (and PIT) clock divider. At power-on reset this bit is cleared if MODCK[1:3] are all low; otherwise the bit is set.</p> <p>0 RTC and PIT clock divided by 4<br/>1 RTC and PIT clock divided by 256</p>   |
| 8    | STBUC | <p>Switch to backup clock control. When software sets this bit, the system clock is switched to the on-chip backup clock ring oscillator, and the chip undergoes a hard reset. The STBUC bit is ignored if LME is cleared.</p> <p>0 Do not switch to the backup clock ring oscillator<br/>1 Switch to backup clock ring oscillator</p>  |
| 9    | CQDS  | <p>Clock quarter drive strength — The COM and CQDS bits control the output buffer strength of the CLKOUT, see <a href="#">Table 8-10</a>.</p>   |
| 10   | PRQEN | <p>Power management request enable</p> <p>0 Remains in the lower frequency (defined by DFNL) even if the power management bit in the MSR is reset (normal operational mode) or if there is a pending interrupt from the interrupt controller<br/>1 Switches to high frequency (defined by DFNH) when the power management bit in the MSR is reset (normal operational mode) or there is a pending interrupt from the interrupt controller</p>   |

**Table 8-9. SCCR Bit Descriptions (continued)**

| Bits  | Name        | Description  |
|-------|-------------|--|
| 11    | RTSEL       | <p>RTC circuit input source select. At power-on reset RTSEL receives the value of the MODCK1 signal. Refer to <a href="#">Table 8-1</a>. Note that if the chip is operating in limp mode (BUCS = 0), the RTSEL bit is ignored, and the backup clock is the clock source for the RT and PIT clocks</p> <p>0 OSCM clock is selected as input to RTC and PIT<br/>1 EXTCLK clock is selected as the RTC and PIT clock source</p>   |
| 12    | BUCS        | <p>Backup clock status. This status bit indicates the current system clock source. When loss of clock is detected and the LME bit is set, the clock source is the backup clock and this bit is set. When the STBUC bit and LME bit are set, the system switches to the backup clock and BUCS is set.</p> <p>0 System clock is not the backup clock<br/>1 System clock is the backup clock</p>  |
| 13:14 | EBDF[0:1]   | <p>External bus division factor. These bits define the frequency division factor between (GCLK1 and GCLK2) and (GCLK1_50 and GCLK2_50). CLKOUT is similar to GCLK2_50. The GCLK2_50 and GCLK1_50 are used by the external bus interface and controller in order to interface to the external system. The EBDF bits are initialized during hard reset using the hard reset configuration mechanism.</p> <p>00 CLKOUT is GCLK2 divided by 1<br/>01 CLKOUT is GCLK2 divided by 2<br/>1x Reserved</p> <p>Note: If EBDF &gt; 0, an external burst access with short setup timing will corrupt any USIU register load/store. Refer to <a href="#">Section 10.9, "Reduced Data Setup Time."</a></p>                             |
| 15    | LME         | <p>Limp mode enable. When LME is set, the loss-of-clock monitor is enabled and any detection of loss of clock will switch the system clock automatically to backup clock. It is also possible to switch to the backup clock by setting the STBUC bit.</p> <p>If LME is cleared, the option of using limp mode is disabled. The loss of clock detector is not active, and any write to STBUC is ignored.</p> <p>The LME bit is writable once, by software, after power-on reset, when the system clock is not backup clock (BUCS = 0).</p> <p>During power-on reset, the value of LME is determined by the MODCK[1:3] bits. (Refer to <a href="#">Table 8-1</a>.)</p> <p>0 Limp mode disabled<br/>1 Limp mode enabled</p> |
| 16:17 | EECLK[0:1]  | <p>Enable engineering clock. This field controls the output buffer voltage of the ENGCLK pin. When both bits are set the ENGCLK pin is held in the high state. These bits can be dynamically changed without generating spikes on the ENGCLK pin. If ENGCLK is not connected to external circuits, set both bits (disabling ENGCLK) to minimize noise and power dissipation. For measurement purposes the backup clock (BUCLK) can be driven externally on the ENGCLK pin.</p> <p>00 Engineering clock enabled, 2.6 V output buffer<br/>01 Engineering clock enabled (slew rate controlled), 5 V output buffer<br/>10 BUCLK is the output on the ENGCLK 2.6 V output buffer<br/>11 Engineering clock disabled</p>        |
| 18:23 | ENGDIV[0:5] | <p>Engineering clock division factor. These bits define the frequency division factor between VCO/2 and ENGCLK. Division factor can be from 1 (ENGDIV = 000000) to 64 (ENGDIV = 111111). These bits can be read and written at any time. They are not affected by hard reset but are cleared during power-on reset.</p> <p>NOTE: If the engineering clock division factor is not a power of two, synchronization between the system and ENGCLK is not guaranteed.</p>  |

**Table 8-9. SCCR Bit Descriptions (continued)**

| Bits  | Name      | Description  |
|-------|-----------|--|
| 24    | —         | Reserved   |
| 25:27 | DFNL[0:2] | <p>Division factor low frequency. The user can load these bits with the desired divide value and the CSRC bit to change the frequency. Changing the value of these bits does not result in a loss of lock condition. These bits are cleared by power-on or hard reset. Refer to <a href="#">Section 8.5.1, “General System Clocks”</a> and <a href="#">Figure 8-5</a> for details on using these bits.</p> <p>000 Divide by 2<br/>           001 Divide by 4<br/>           010 Divide by 8<br/>           011 Divide by 16<br/>           100 Divide by 32<br/>           101 Divide by 64<br/>           110 Reserved<br/>           111 Divide by 256</p>                     |
| 28    | —         | Reserved   |
| 29:31 | DFNH      | <p>Division factor high frequency. These bits determine the general system clock frequency during normal mode. Changing the value of these bits does not result in a loss of lock condition. These bits are cleared by power-on or hard reset. The user can load these bits at any time to change the general system clock rate. Note that the GCLKs generated by this division factor are not 50% duty cycle (i.e. CLKOUT).</p> <p>000 Divide by 1<br/>           001 Divide by 2<br/>           010 Divide by 4<br/>           011 Divide by 8<br/>           100 Divide by 16<br/>           101 Divide by 32<br/>           110 Divide by 64<br/>           111 Reserved</p> |

**Table 8-10. COM and CQDS Bits Functionality**

| COM[0:1] | CQDS | Function  |
|----------|------|---|
| 00       | x    | Clock Output Enabled Full-Strength Output Buffer, Bus pins full drive       |
| 01       | 0    | Clock Output Enabled Half-Strength Output Buffer, Bus pins reduced drive    |
| 01       | 1    | Clock Output Enabled Quarter-Strength Output Buffer, Bus pins reduced drive |
| 10       | x    | Clock Output Disabled, Bus pins full drive                                  |
| 11       | x    | Clock Output Disabled, Bus pins reduced drive                               |

### 8.11.2 PLL, Low-Power, and Reset-Control Register (PLPRCR)

The PLL, low-power, and reset-control register (PLPRCR) is a 32-bit register powered by the keep-alive power supply.

|                             |                                  |       |                   |       |    |      |            |     |            |    |      |    |      |      |       |      |     |
|-----------------------------|----------------------------------|-------|-------------------|-------|----|------|------------|-----|------------|----|------|----|------|------|-------|------|-----|
|                             | MSB                              |       |                   |       |    |      |            |     |            |    |      |    |      |      |       |      |     |
|                             | 0                                | 1     | 2                 | 3     | 4  | 5    | 6          | 7   | 8          | 9  | 10   | 11 | 12   | 13   | 14    | 15   |     |
| Field                       | MF                               |       |                   |       |    |      |            |     |            |    |      |    | —    | LOCS | LOCSS | SPLS |     |
| $\overline{\text{PORESET}}$ | 0000_0000_0000 or 0000_0000_1000 |       |                   |       |    |      |            |     |            |    |      |    | 0000 |      |       |      |     |
| $\overline{\text{HRESET}}$  | Unaffected                       |       |                   |       |    |      |            |     |            |    |      |    |      |      |       |      |     |
| Addr                        | 0x2F C284                        |       |                   |       |    |      |            |     |            |    |      |    |      |      |       |      |     |
|                             |                                  |       |                   |       |    |      |            |     |            |    |      |    |      |      |       |      | LSB |
|                             | 16                               | 17    | 18                | 19    | 20 | 21   | 22         | 23  | 24         | 25 | 26   | 27 | 28   | 29   | 30    | 31   |     |
| Field                       | SPLSS                            | TEXPS | TEXP_INV          | TMIST | —  | CSRC | LPM        | CSR | LOLRE      | —  | DIVF |    |      |      |       |      |     |
| $\overline{\text{PORESET}}$ | 0                                | 1     | 00_0000_0000_0000 |       |    |      |            |     |            |    |      |    |      |      |       |      |     |
| $\overline{\text{HRESET}}$  | U                                | 1     | U                 | 0     | U  | 000  | Unaffected | —   | Unaffected |    |      |    |      |      |       |      |     |

**Figure 8-16. PLL, Low-Power, and Reset-Control Register (PLPRCR)**

**Table 8-11. PLPRCR Bit Descriptions**

| Bits | Name  | Description   |
|------|-------|---|
| 0:11 | MF    | Multiplication factor bits. The output of the VCO is divided to generate the feedback signal to the phase comparator. The MF bits control the value of the divider in the SPLL feedback loop. The phase comparator determines the phase shift between the feedback signal and the reference clock. This difference results in either an increase or decrease in the VCO output frequency.<br>The MF bits can be read and written at any time. However, this field can be write-protected by setting the MF and pre-divider lock (MFPDL) bit in the SCCR. Changing the MF bits causes the SPLL to lose lock. Also, the MF field should not be modified when entering or exiting from low power mode (LPM change), or when back-up clock is active.<br>The normal reset value for the DFNH bits is zero (divide by 1). When the PLL is operating in one-to-one mode, the multiplication factor is set to x1 (MF = 0). |
| 12   | —     | Reserved  |
| 13   | LOCS  | Loss of clock status. When the oscillator or external clock source is not at the minimum frequency, the loss-of-clock circuit asserts the LOCS bit. This bit is cleared when the oscillator or external clock source is functioning normally. This bit is reset only on power-on reset. Writes to this bit have no effect.<br>0 No loss of oscillator is currently detected<br>1 Loss of oscillator is currently detected   |
| 14   | LOCSS | Loss of clock sticky. If, after negation of $\overline{\text{PORESET}}$ , the loss-of-clock circuit detects that the oscillator or external clock source is not at a minimum frequency, the LOCSS bit is set. LOCSS remains set until software clears it by writing a one to it. A write of zero has no effect on this bit. The reset value is determined during hard reset. The STBUC bit will be set provided the PLL lock condition is not met when $\overline{\text{HRESET}}$ is asserted, and cleared if the PLL is locked when $\overline{\text{HRESET}}$ is asserted.<br>0 No loss of oscillator has been detected<br>1 Loss of oscillator has been detected   |
| 15   | SPLS  | System PLL lock status bit<br>0 SPLL is currently not locked<br>1 SPLL is currently locked  |

**Table 8-11. PLPRCR Bit Descriptions (continued)**

| Bits  | Name     | Description   |
|-------|----------|---|
| 16    | SPLSS    | SPLL lock status sticky bit. An out-of-lock sets the SPLSS bit. The bit remains set until software clears it by writing a one to it. A write of zero has no effect on this bit. The bit is cleared at power-on reset. This bit is not affected due to a software initiated loss-of-lock (MF change and entering deep-sleep or power-down mode). The SPLSS bit is not affected by hard reset.<br>0 SPLL has remained in lock<br>1 SPLL has gone out of lock at least once (not due to software-initiated loss of lock)   |
| 17    | TEXPS    | Timer expired status bit. This bit controls whether the chip negates the TEXP pin in deep-sleep mode, thus enabling external circuitry to switch off the VDD (power-down mode). When LPM = 11, CSRC = 0, and TEXPS is high, the TEXP pin remains asserted. When LPM = 11, CSRC = 0, and TEXPS is low, the TEXPS pin is negated.<br>To enable automatic wake-up TEXPS is asserted when one of the following occurs: <ul style="list-style-type: none"> <li>• The PIT is expired</li> <li>• The real-time clock alarm is set</li> <li>• The time base clock alarm is set</li> <li>• The decremter exception occurs</li> <li>• The bit remains set until software clears it by writing a one to it. A write of zero has no effect on this bit. TEXPS is set by power-on or hard reset.</li> </ul> 0 TEXP is negated in deep-sleep mode<br>1 TEXP pin remains asserted always |
| 18    | TEXP_INV | Timer Expired Pin Inversed Polarity – The TEXP_INV bit controls whether the polarity of the TEXP pin will be active high (normal default) or active low.<br>0 The TEXP pin is active high<br>1 The TEXP pin is active low   |
| 19    | TMIST    | Timers interrupt status. TMIST is set when an interrupt from the RTC, PIT, TB or DEC occurs. The TMIST bit is cleared by writing a one to it. Writing a zero has no effect on this bit. The system clock frequency remains at its high frequency value (defined by DFNH) if the TMIST bit is set, even if the CSRC bit in the PLPRCR is set (DFNL enabled) and conditions to switch to normal-low mode do not exist. This bit is cleared during power-on or hard reset.<br>0 No timer expired event was detected<br>1 A timer expire event was detected   |
| 20    | —        | Reserved  |
| 21    | CSRC     | Clock source. This bit is cleared at hard reset.<br>0 General system clock is determined by the DFNH value<br>1 General system clock is determined by the DFNL value  |
| 22:23 | LPM      | Low-power mode select. These bits are encoded to provide one normal operating mode and four low-power modes. In normal and doze modes, the system can be in high state (frequency determined by the DFNH bits) or low state (frequency defined by the DFNL bits). The LPM field can be write-protected by setting the LPM and CSRC lock (LPML) bit in the SCCR Refer to <a href="#">Table 8-4</a> and <a href="#">Table 8-5</a> .   |
| 24    | CSR      | Checkstop reset enable. If this bit is set, then an automatic reset is generated when the RCPU signals that it has entered checkstop mode, unless debug mode was enabled at reset. If the bit is clear and debug mode is not enabled, then the USIU will not do anything upon receiving the checkstop signal from the RCPU. If debug mode is enabled, then the part enters debug mode upon entering checkstop mode. In this case, the RCPU will not assert the checkstop signal to the reset circuitry. This bit is writable once after soft reset.<br>0 No reset will occur when checkstop is asserted<br>1 Reset will occur when checkstop is asserted  |

**Table 8-11. PLPRCR Bit Descriptions (continued)**

| Bits  | Name  | Description  |
|-------|-------|--|
| 25    | LOLRE | Loss of lock reset enable<br>0 Loss of lock does not cause $\overline{\text{HRESET}}$ assertion<br>1 Loss of lock causes $\overline{\text{HRESET}}$ assertion<br>Note: if limp mode is enabled, use the COLIR feature instead of setting the LOLRE bit. See <a href="#">Section 8.11.3, “Change of Lock Interrupt Register (COLIR).”</a> |
| 26    | —     | Reserved   |
| 27:31 | DIVF  | The DIVF bits control the value of the pre-divider in the SPLL circuit. The DIVF bits can be read and written at any time. However, the DIVF field can be write-protected by setting the MF and pre-divider lock (MFPDL) bit in the SCCR. Changing the DIVF bits causes the SPLL to lose lock.   |

### 8.11.3 Change of Lock Interrupt Register (COLIR)

The COLIR is 16-bit read/write register. It controls the change of lock interrupt generation, and is used for reporting a loss of lock interrupt source. It contains the interrupt request level and the interrupt status bit. This register is readable and writable at any time. A status bit is cleared by writing a one (writing a zero does not affect a status bit's value). The COLIR is mapped into the MPC565 USIU register map.

|                            | MSB          | 0 | 1 | 2 | 3 | 4 | 5 | 6     | 7 | 8     | 9          | 10 | 11 | 12 | 13 | 14 | 15 | LSB |
|----------------------------|--------------|---|---|---|---|---|---|-------|---|-------|------------|----|----|----|----|----|----|-----|
| Field                      | COLIRQ       |   |   |   |   |   |   | COLIS | — | COLIE | —          |    |    |    |    |    |    |     |
| $\overline{\text{SRESET}}$ | 0000_0000_00 |   |   |   |   |   |   |       |   |       | Unaffected |    |    |    |    |    |    |     |
| Addr                       | 0x2F C28C    |   |   |   |   |   |   |       |   |       |            |    |    |    |    |    |    |     |

**Figure 8-17. Change of Lock Interrupt Register (COLIR)**
**Table 8-12. COLIR Bit Descriptions**

| Bits  | Name   | Description  |
|-------|--------|--|
| 0:7   | COLIRQ | Change of lock interrupt request level. These bits determine the interrupt priority level of the change of lock. To specify a certain level, the appropriate one of these bits should be set.          |
| 8     | COLIS  | If set (1), the bit indicates that a change in the PLL lock status was detected. The PLL was locked and lost lock, or the PLL was unlocked and got locked. The bit should be cleared by writing a one. |
| 9     | —      | Reserved   |
| 10    | COLIE  | Change of Lock Interrupt enable. If COLIE bit is asserted, an interrupt will be generated when the COLIS bit is asserted.<br>0 Change of lock Interrupt disable<br>1 Change of lock Interrupt enable   |
| 11:15 | —      | Reserved   |

### 8.11.4 VDDSRAM Control Register (VSRMCR)

This register contains control bits for enabling or disabling the VDDSRAM supply detection circuit. There are also four bits that indicate the failure detection. All four bits have the same function and are required to improve the detection capability in extreme cases.

|         |           |            |   |   |   |       |       |             |   |   |    |    |    |    |    |     |
|---------|-----------|------------|---|---|---|-------|-------|-------------|---|---|----|----|----|----|----|-----|
|         | MSB       |            |   |   |   |       |       |             |   |   |    |    |    |    |    | LSB |
|         | 0         | 1          | 2 | 3 | 4 | 5     | 6     | 7           | 8 | 9 | 10 | 11 | 12 | 13 | 14 | 15  |
| Field   | —         | LVSRs      |   |   |   | VSRDE | LVDRS | —           |   |   |    |    |    |    |    |     |
| PORESET |           | Unaffected |   |   |   | 0     | U     | 0_0000_0000 |   |   |    |    |    |    |    |     |
| Addr    | 0x2F C290 |            |   |   |   |       |       |             |   |   |    |    |    |    |    |     |

U = Unaffected by reset

**Figure 8-18. VDDSRAM Control Register (VSRMCR)**

**Table 8-13. VSRMCR Bit Descriptions**

| Bits | Name               | Description   |
|------|--------------------|---|
| 0    | —                  | Reserved  |
| 1:4  | LVSRs              | Loss of VDDSRAM1 sticky. These status bits indicate whether a VDDSRAM1 supply failure occurred. In addition, when the power is turned on for the first time, VDDSRAM1 rises and these bits are set. The LVSRs bits are cleared by writing them to ones. A write of zero has no effect on these bits.<br>0 No VDDSRAM1 supply failure was detected<br>1 VDDSRAM1 supply failure was detected   |
| 5    | VSRDE <sup>1</sup> | VDDSRAM1 detector disable.<br>0 VDDSRAM1 detection circuit is enabled<br>1 VDDSRAM1 detection circuit is disabled   |
| 6    | LVDRS              | Loss of VDDSRAM1 for DECRAM Sticky — The status bit, dedicated especially for the BBC DECRAM, which indicates if there was VDDSRAM1 supply failure. When the power is turned on for the first time, VDDSRAM1 rises also and the bits will be asserted. The LVDECRAM bit can be cleared by writing ones to LVDECRAM. A write of zero has no effect on this bit. The bit may be used by application software, to decide if there is need to load decompression vocabularies during reset routine.<br>0 VDDSRAM1 supply failure was not detected<br>1 VDDSRAM1 supply failure was detected<br>NOTE: The LVDRS bit is provided as a convenience for indicating that the DECRAM has lost power. It requires that the VDDSRAM1 and VDDSRAM3 pins are connected to the same power supply. It actually only monitors the VDDSRAM1 supply. |
| 7:15 | —                  | Reserved  |

<sup>1</sup> Removed on MPC565 rev D, L99N (and later).



## Chapter 9

# External Bus Interface

The MPC565 external bus is a synchronous, burstable bus. Signals driven on this bus must adhere to the setup and hold time relative to the bus clock's rising edge. The bus has the ability to support multiple masters. The MPC565 external bus interface architecture supports byte, half-word, and word operands allowing access to 8-, 16-, and 32-bit data ports through the use of synchronous cycles controlled by the size outputs (TSIZ0, TSIZ1). For accesses to 16- and 8-bit ports, the slave must be controlled by the memory controller. For more information, refer to [Appendix F, "Electrical Characteristics."](#)

### 9.1 Features

The external bus interface features are listed below:

- 32-bit address bus with transfer size indication (only 24 available on pins)
- 32-bit data bus
- Bus arbitration logic on-chip with external master support
- Chip-select and wait state generation to support peripheral or static memory devices through the memory controller
- Supports various memory (SRAM, EEPROM) types: synchronous and asynchronous, burstable and non-burstable
- Supports non-wrap bursts with up to four data beats
- Flash ROM programming support
- Implements the PowerPC ISA architecture
- Easy to interface to slave devices
- Bus is synchronous (all signals are referenced to rising edge of bus clock)
- Bus can operate at the same frequency as the internal RCPUs of MPC565 or half the frequency.

### 9.2 Bus Transfer Signals

The bus transfers information between the MPC565 and external memory of a peripheral device. External devices can accept or provide 8, 16, and 32 data bits in parallel and must follow the handshake protocol described in this section. The maximum number of bits accepted or provided during a bus transfer is defined as the port width.

The MPC565 has non-multiplexed address and data buses. Control signals indicate the beginning and type of the cycle, as well as the address space and size of the transfer. The selected device then controls the length of the cycle with the signal(s) used to terminate the cycle. A strobe signal for the address lines indicates the validity of the address.

The MPC565 bus is synchronous with a synchronous support. The bus and control input signals must be timed to setup and hold times relative to the rising edge of the clock. Bus cycles can be completed in two clock cycles.

For all inputs, the MPC565 latches the level of the input during a sample window around the rising edge of the clock signal. This window is illustrated in Figure 9-1, where  $t_{su}$  and  $t_{ho}$  are the input setup and hold times, respectively. To ensure that an input signal is recognized on a specific rising edge of the clock, that input must be stable during the sample window. If an input makes a transition during the window time period, the level recognized by the MPC565 is not predictable; however, the MPC565 always resolves the latched level to either a logic high or low before using it. In addition to meeting input setup and hold times for deterministic operation, all input signals must obey the protocols described in this section.

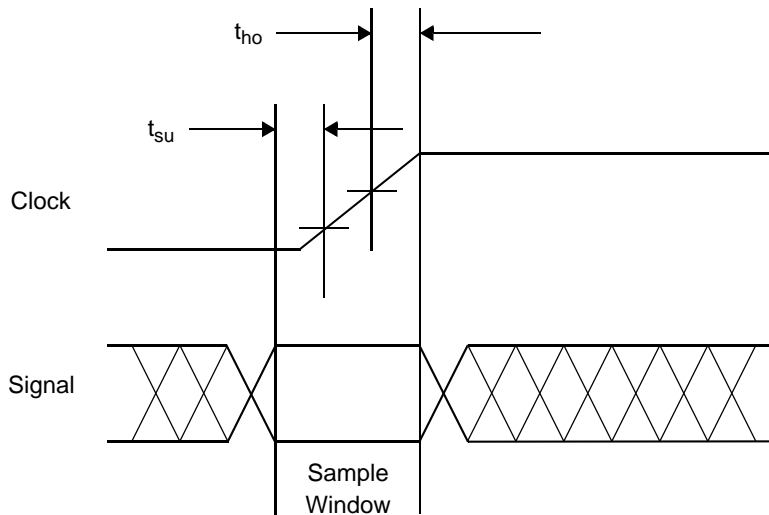


Figure 9-1. Input Sample Window

### 9.3 Bus Control Signals

The MPC565 initiates a bus cycle by driving the address, size, address type, cycle type, and read/write outputs. At the beginning of a bus cycle, TSIZ[0:1] are driven with the address type signals. TSIZ0 and TSIZ1 indicate the number of bytes remaining to be transferred during an operand cycle (consisting of one or more bus cycles). These signals are valid at the rising edge of the clock in which the transfer start ( $\overline{TS}$ ) signal is asserted.

The read/write ( $RD/\overline{WR}$ ) signal determines the direction of the transfer during a bus cycle. Driven at the beginning of a bus cycle,  $RD/\overline{WR}$  is valid at the rising edge of the clock in which  $\overline{TS}$  is asserted. The logic level of  $RD/\overline{WR}$  only changes when a write cycle is preceded by a read cycle or vice versa. The signal may remain low for consecutive write cycles.

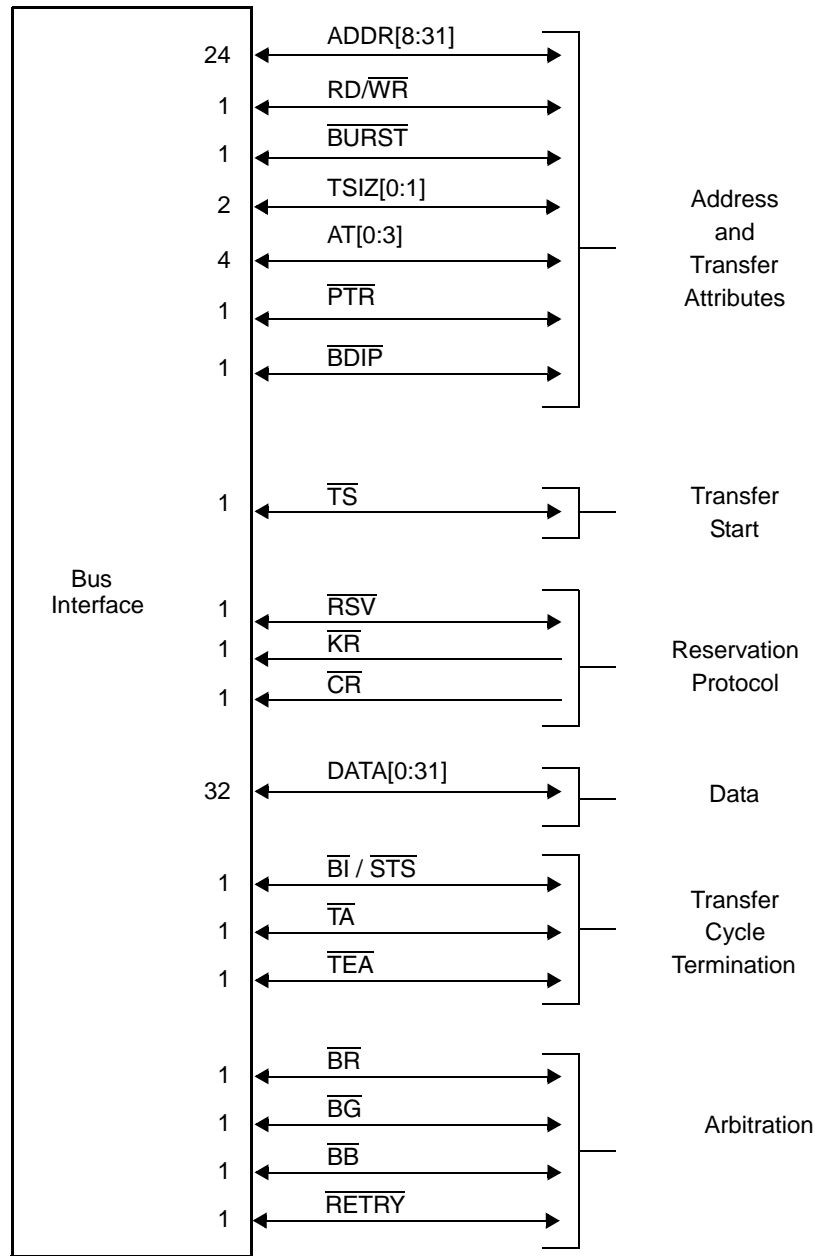


Figure 9-2. MPC565 Bus Signals

## 9.4 Bus Interface Signal Descriptions

Table 9-1 describes each signal in the bus interface unit. More detailed descriptions can be found in subsequent subsections. The buses are described in big endian manner, which means that bit 0 is the most significant bit in a bus (MSB), and bit 31 is the least significant bit (LSB).

**Table 9-1. MPC565 BIU Signals**

| Signal Name                                     | Pins         | Active | I/O    | Description  |
|---|--------------|--------|--------|--|
| Address and Transfer Attributes                 |              |        |        |  |
| ADDR[8:31]<br>Address bus                       | 24<br>[8:31] | High   | O<br>I | Specifies the physical address of the bus transaction.<br>Driven by an external bus master when it owns the external bus. An input for testing purposes only.  |
| RD/ $\overline{\text{WR}}$<br>Read/write        | 1            | High   | O<br>I | Driven by the MPC565 along with the address when it owns the external bus. Driven high indicates that a read access is in progress. Driven low indicates that a write access is in progress.<br>Driven by an external master when it owns the external bus. Driven high indicates that a read access is in progress. Driven low indicates that a write access is in progress.  |
| $\overline{\text{BURST}}$<br>Burst transfer     | 1            | Low    | O<br>I | Driven by the MPC565 along with the address when it owns the external bus. Driven low indicates that a burst transfer is in progress. Driven high indicates that the current transfer is not a burst.<br>Driven by an external master when it owns the external bus. Driven low indicates that a burst transfer is in progress. Driven high indicates that the current transfer is not a burst. The MPC565 does not support burst accesses to internal slaves. |
| TSIZ[0:1]<br>Transfer size                      | 2            | High   | O<br>I | Driven by the MPC565 along with the address when it owns the external bus. Specifies the data transfer size for the transaction.<br>Driven by an external master when it owns the external bus. Specifies the data transfer size for the transaction.  |
| AT[0:3]<br>Address type                         | 3            | High   | O<br>I | Driven by the MPC565 along with the address when it owns the external bus. Indicates additional type on the current transaction.<br>Only for testing purposes.   |
| $\overline{\text{RSV}}$<br>Reservation transfer | 1            | Low    | O<br>I | Driven by the MPC565 along with the address when it owns the external bus. Indicates additional information about the address on the current transaction.<br>Only for testing purposes.  |
| $\overline{\text{PTR}}$<br>Program trace        | 1            | High   | O<br>I | Driven by the MPC565 along with the address when it owns the external bus. Indicates additional information about the address on the current transaction.<br>Only for testing purposes.  |

Table 9-1. MPC565 BIU Signals (continued)

| Signal Name  | Pins | Active | I/O | Description   |
|--|------|--------|-----|---|
| $\overline{\text{BDIP}}$<br>Burst data in progress | 1    | Low    | O   | Driven by the MPC565 when it owns the external bus. It is part of the burst protocol. When $\overline{\text{BDIP}}$ is asserted, the second beat in front of the current one is requested by the master. This signal is negated prior to the end of a burst to terminate the burst data phase early.                                      |
|  |      |        | I   | Driven by an external master when it owns the external bus. When $\overline{\text{BDIP}}$ is asserted, the second beat in front of the current one is requested by the master. This signal is negated prior to the end of a burst to terminate the burst data phase early. The MPC565 does not support burst accesses to internal slaves. |
| Transfer Start                                     |      |        |     |   |
| $\overline{\text{TS}}$<br>Transfer start           | 1    | Low    | O   | Driven by the MPC565 when it owns the external bus. Indicates the start of a transaction on the external bus.   |
|  |      |        | I   | Driven by an external master when it owns the external bus. It indicates the start of a transaction on the external bus or (in show cycle mode) signals the beginning of an internal transaction.   |
| Reservation Protocol                               |      |        |     |   |
| $\overline{\text{CR}}$<br>Cancel reservation       | 1    | Low    | I   | Each MPC500 CPU has its own $\overline{\text{CR}}$ signal. Assertion of $\overline{\text{CR}}$ instructs the bus master to clear its reservation; some other master has touched its reserved space. This is a pulsed signal.  |
| $\overline{\text{KR}}$<br>Kill reservation         | 1    | Low    | I   | In case of a bus cycle initiated by a STWCX instruction issued by the RCPU to a non-local bus on which the storage reservation has been lost, this signal is used by the non-local bus interface to back-off the cycle. Refer to <a href="#">Section 9.5.10, "Storage Reservation"</a> for details.                                       |

**Table 9-1. MPC565 BIU Signals (continued)**

| Signal Name                                    | Pins   | Active | I/O       | Description   |           |           |           |   |            |   |             |   |             |   |
|--|--|--------|-----------|---|-----------|-----------|-----------|---|------------|---|-------------|---|-------------|---|
| Data   |  |        |           |   |           |           |           |   |            |   |             |   |             |   |
| DATA[0:31]<br>Data bus                         | 32   | High   | O         | <p>The data bus has the following byte lane assignments:</p> <table border="1"> <thead> <tr> <th>Data Byte</th> <th>Byte Lane</th> </tr> </thead> <tbody> <tr> <td>DATA[0:7]</td> <td>0</td> </tr> <tr> <td>DATA[8:15]</td> <td>1</td> </tr> <tr> <td>DATA[16:23]</td> <td>2</td> </tr> <tr> <td>DATA[24:31]</td> <td>3</td> </tr> </tbody> </table> <p>Driven by the MPC565 when it owns the external bus and it initiated a write transaction to a slave device. For single beat transactions, the byte lanes not selected for the transfer by ADDR[30:31] and TSIZ[0:1] do not supply valid data.</p> <p>In addition, the MPC565 drives the DATA[0:31] when an external master owns the external bus and initiated a read transaction to an internal slave module.</p> | Data Byte | Byte Lane | DATA[0:7] | 0 | DATA[8:15] | 1 | DATA[16:23] | 2 | DATA[24:31] | 3 |
|  |  |        | Data Byte | Byte Lane   |           |           |           |   |            |   |             |   |             |   |
| DATA[0:7]                                      | 0  |        |           |   |           |           |           |   |            |   |             |   |             |   |
| DATA[8:15]                                     | 1  |        |           |   |           |           |           |   |            |   |             |   |             |   |
| DATA[16:23]                                    | 2  |        |           |   |           |           |           |   |            |   |             |   |             |   |
| DATA[24:31]                                    | 3  |        |           |   |           |           |           |   |            |   |             |   |             |   |
| I  | <p>Driven by the slave in a read transaction. For single beat transactions, the MPC565 does not sample byte lanes that are not selected for the transfer by ADDR[30:31] and TSIZ[0:1].</p> <p>In addition, an external master that owns the bus and initiated a write transaction to an internal slave module drives DATA[0:31].</p> |        |           |   |           |           |           |   |            |   |             |   |             |   |
| Transfer Cycle Termination                     |  |        |           |   |           |           |           |   |            |   |             |   |             |   |
| $\overline{TA}$<br>Transfer acknowledge        | 1  | Low    | I         | Driven by the slave device to which the current transaction was addressed. Indicates that the slave has received the data on the write cycle or returned data on the read cycle. If the transaction is a burst, $\overline{TA}$ should be asserted for each one of the transaction beats.   |           |           |           |   |            |   |             |   |             |   |
|  |  |        | O         | Driven by the MPC565 when the slave device is controlled by the on-chip memory controller or when an external master initiated a transaction to an internal slave module.   |           |           |           |   |            |   |             |   |             |   |
| $\overline{TEA}$<br>Transfer error acknowledge | 1  | Low    | I         | Driven by the slave device to which the current transaction was addressed. Indicates that an error condition has occurred during the bus cycle.   |           |           |           |   |            |   |             |   |             |   |
|  |  |        | O         | Driven by the MPC565 when the internal bus monitor detected an erroneous bus condition, or when an external master initiated a transaction to an internal slave module and an internal error was detected.  |           |           |           |   |            |   |             |   |             |   |

Table 9-1. MPC565 BIU Signals (continued)

| Signal Name  | Pins | Active | I/O | Description  |
|--|------|--------|-----|--|
| $\overline{BI} / \overline{STS}$<br>Burst inhibit/<br>Special Transfer Start | 1    | Low    | I   | Burst Inhibit: Driven by the slave device to which the current transaction was addressed. Indicates that the current slave does not support burst mode.  |
|  |      |        | O   | Burst Inhibit: Driven by the MPC565 when the slave device is controlled by the on-chip Memory Controller. The MPC565 also asserts BI for any external master burst access to internal MPC565 memory space.   |
|  |      |        |     | Special Transfer Start: Driven by the MPC565 when it owns the external bus. Indicates the start of a transaction on the external bus or signals the beginning of an internal transaction in show cycle mode.   |
| Arbitration  |      |        |     |  |
| $\overline{BR}$<br>Bus request   | 1    | Low    | I   | When the internal arbiter is enabled, $\overline{BR}$ assertion indicates that an external master is requesting the bus.   |
|  |      |        | O   | Driven by the MPC565 when the internal arbiter is disabled and the chip is not parked.   |
| $\overline{BG}$<br>Bus grant   | 1    | Low    | O   | When the internal arbiter is enabled, the MPC565 asserts this signal to indicate that an external master may assume ownership of the bus and begin a bus transaction. The $\overline{BG}$ signal should be qualified by the master requesting the bus in order to ensure it is the bus owner:<br>Qualified bus grant = $\overline{BG} \& \sim \overline{BB}$ |
|  |      |        | I   | When the internal arbiter is disabled, $\overline{BG}$ is sampled and properly qualified by the MPC565 when an external bus transaction is to be executed by the chip.   |
| $\overline{BB}$<br>Bus busy  | 1    | Low    | O   | When the internal arbiter is enabled, the MPC565 asserts this signal to indicate that it is the current owner of the bus.<br>When the internal arbiter is disabled, the MPC565 asserts this signal after the external arbiter has granted the ownership of the bus to the chip and it is ready to start the transaction.                                     |
|  |      |        | I   | When the internal arbiter is enabled, the MPC565 samples this signal to get indication of when the external master ended its bus tenure ( $\overline{BB}$ negated). When the internal arbiter is disabled, the $\overline{BB}$ is sampled to properly qualify the $\overline{BG}$ line when an external bus transaction is to be executed by the chip.       |

**Table 9-1. MPC565 BIU Signals (continued)**

| Signal Name                        | Pins | Active | I/O | Description   |
|------------------------------------|------|--------|-----|---|
| $\overline{\text{RETRY}}$<br>Retry | 1    | Low    | I   | In the case of regular transaction, this signal is driven by the slave device to indicate that the MPC565 must relinquish the ownership of the bus and retry the cycle.   |
|                                    |      |        | O   | When an external master owns the bus and the internal MPC565 bus initiates access to the external bus at the same time, this signal is used to cause the external master to relinquish the bus for one clock to solve the contention. |

## 9.5 Bus Operations

This section provides a functional description of the system bus, the signals that control it, and the bus cycles provided for data transfer operations. It also describes the error conditions, bus arbitration, and reset operation.

The MPC565 generates a system clock output (CLKOUT). This output sets the frequency of operation for the bus interface directly. Internally, the MPC565 uses a phase-lock loop (PLL) circuit to generate a master clock for all of the MPC565 circuitry (including the bus interface) which is phase-locked to the CLKOUT output signal.

All signals for the MPC565 bus interface are specified with respect to the rising edge of the external CLKOUT and are guaranteed to be sampled as inputs or changed as outputs with respect to that edge. Since the same clock edge is referenced for driving or sampling the bus signals, the possibility of clock skew could exist between various modules in a system due to routing or the use of multiple clock lines. It is the responsibility of the system to handle any such clock skew problems that could occur.

### 9.5.1 Basic Transfer Protocol

The basic transfer protocol defines the sequence of actions that must occur on the MPC565 bus to perform a complete bus transaction. A simplified scheme of the basic transfer protocol is illustrated in [Figure 9-3](#).



**Figure 9-3. Basic Transfer Protocol**

The basic transfer protocol provides for an arbitration phase and an address and data transfer phase. The address phase specifies the address for the transaction and the transfer attributes that describe the transaction. The data phase performs the transfer of data (if any is to be transferred). The data phase may transfer a single beat of data (four bytes or less) for nonburst operations, a 4-beat burst of data (4 x 4 bytes), an 8-beat burst of data (8 x 2 bytes) or a 16-beat burst of data (16 x 1 bytes).



## 9.5.2 Single Beat Transfer

During the data transfer phase, the data is transferred from master to slave (in write cycles) or from slave to master (on read cycles).

During a write cycle, the master drives the data as soon as it can, but never earlier than the cycle following the address transfer phase. The master has to take into consideration the “one dead clock cycle” switching between drivers to avoid electrical contentions. The master can stop driving the data bus as soon as it samples the  $\overline{TA}$  line asserted on the rising edge of the CLKOUT.

During a read cycle, the master accepts the data bus contents as valid at the rising edge of the CLKOUT in which the  $\overline{TA}$  signal is sampled/asserted.

### 9.5.2.1 Single Beat Read Flow

The basic read cycle begins with bus arbitration, followed by the address transfer, then the data transfer. The handshakes illustrated in the following flow and timing figures (Figure 9-4, Figure 9-5, and Figure 9-6) are applicable to the fixed transaction protocol.

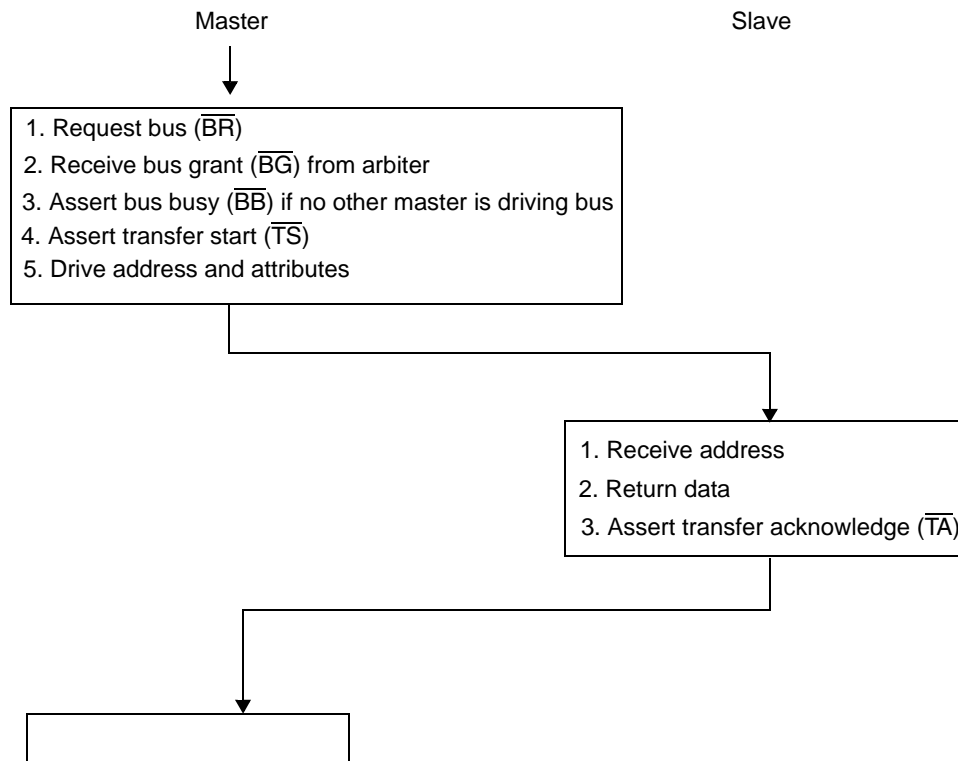
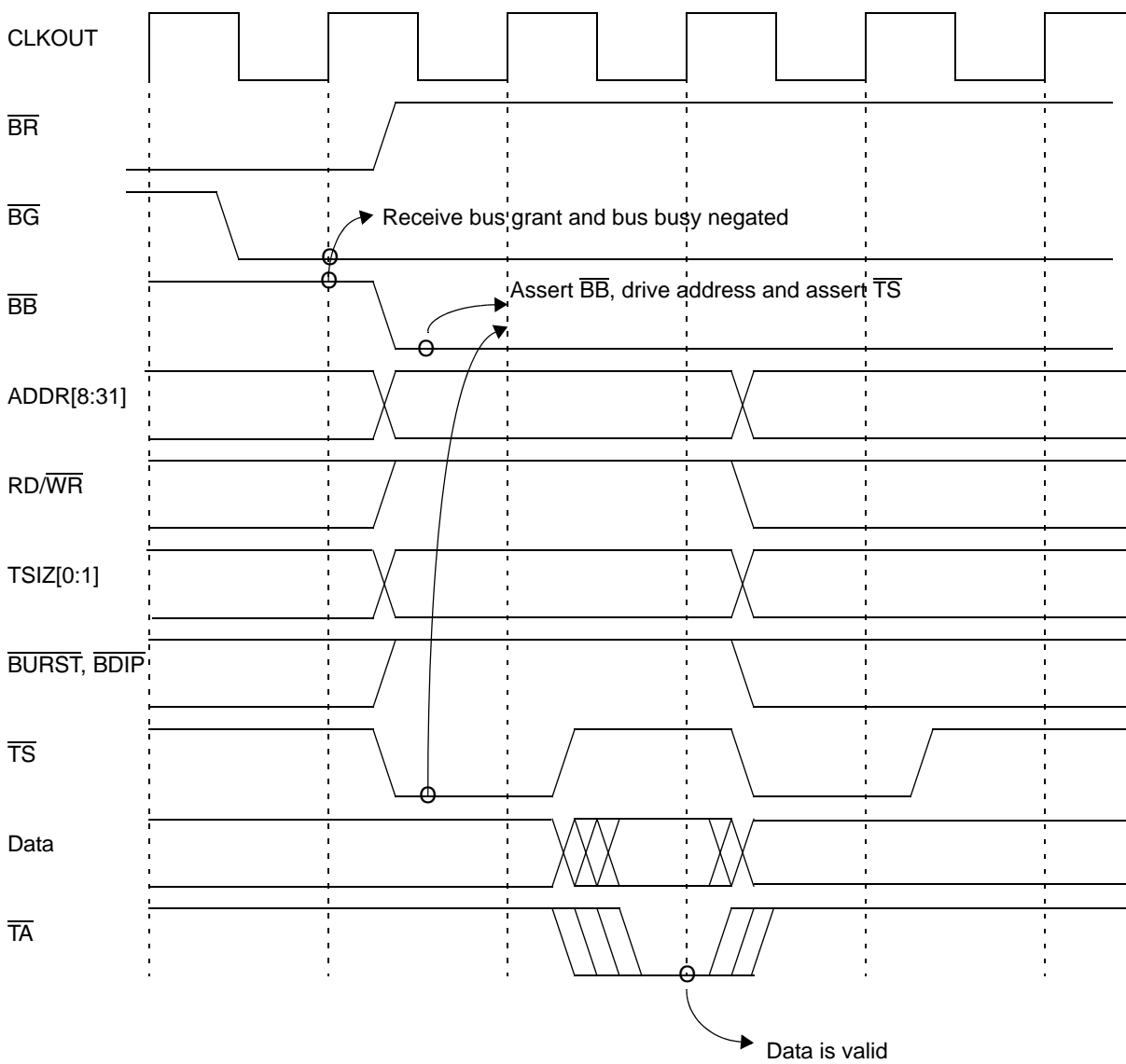


Figure 9-4. Basic Flow Diagram of a Single Beat Read Cycle



**Figure 9-5. Single Beat Read Cycle – Basic Timing – Zero Wait States**

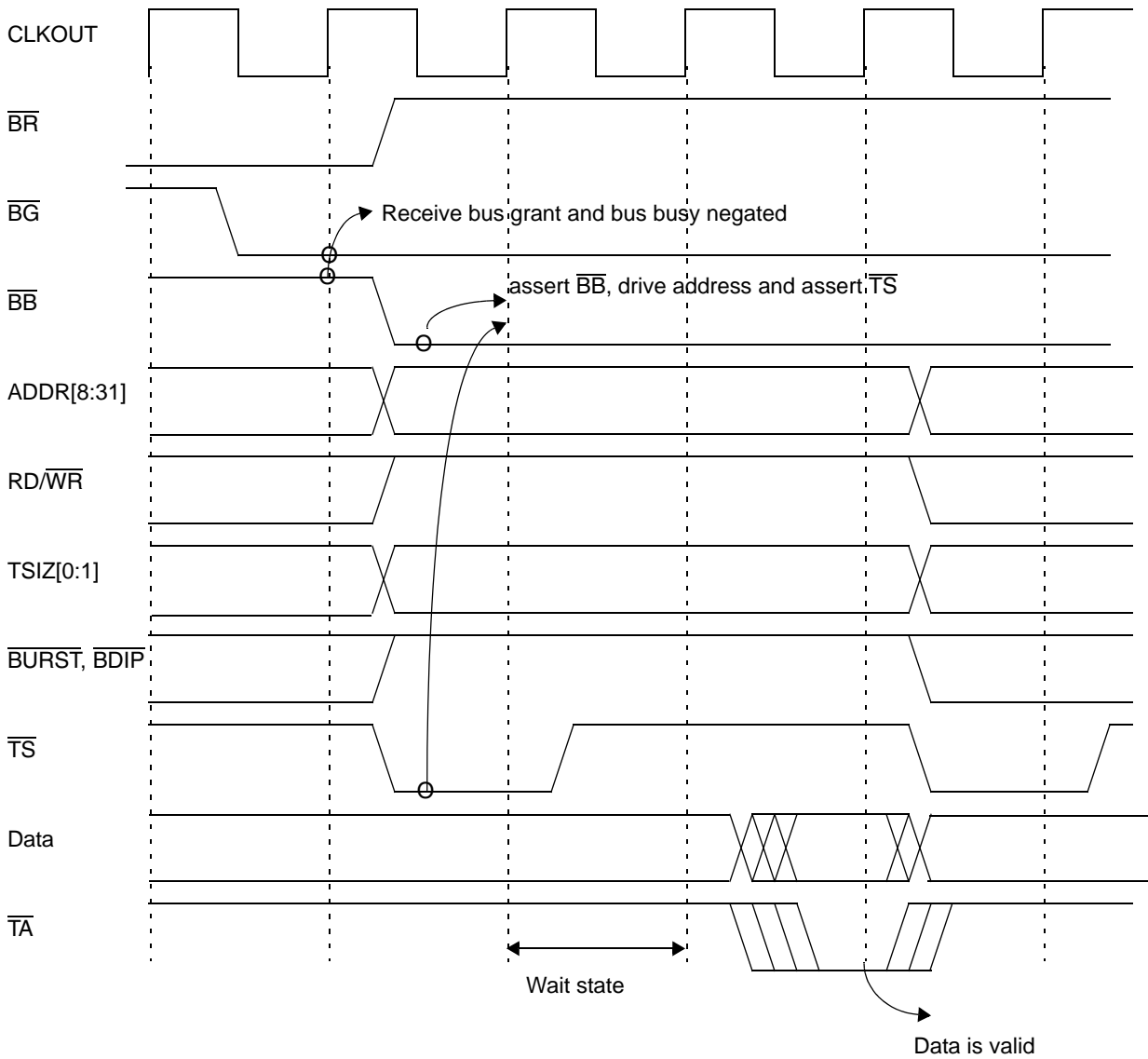


Figure 9-6. Single Beat Read Cycle – Basic Timing – One Wait State

### 9.5.2.2 Single Beat Write Flow

The basic write cycle begins with a bus arbitration, followed by the address transfer, then the data transfer. The handshakes are illustrated in the following flow and timing diagrams as applicable to the fixed transaction protocol.

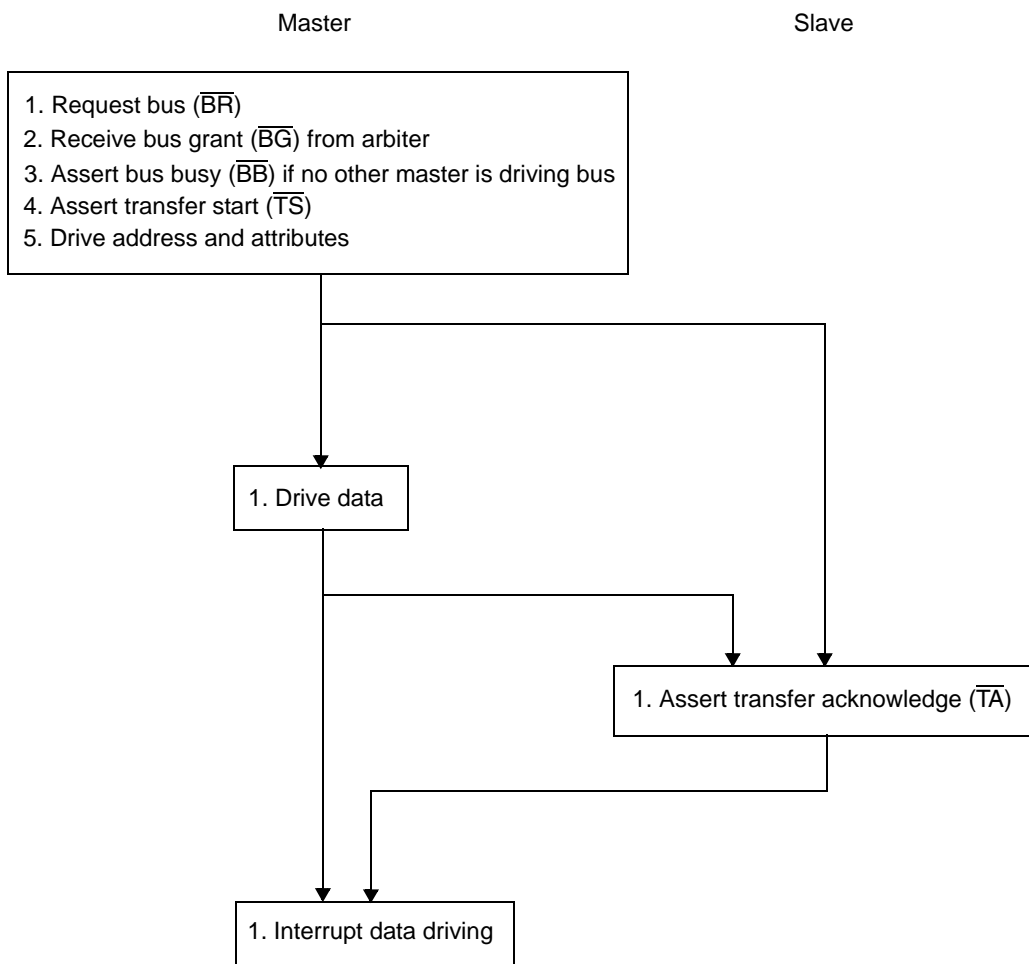
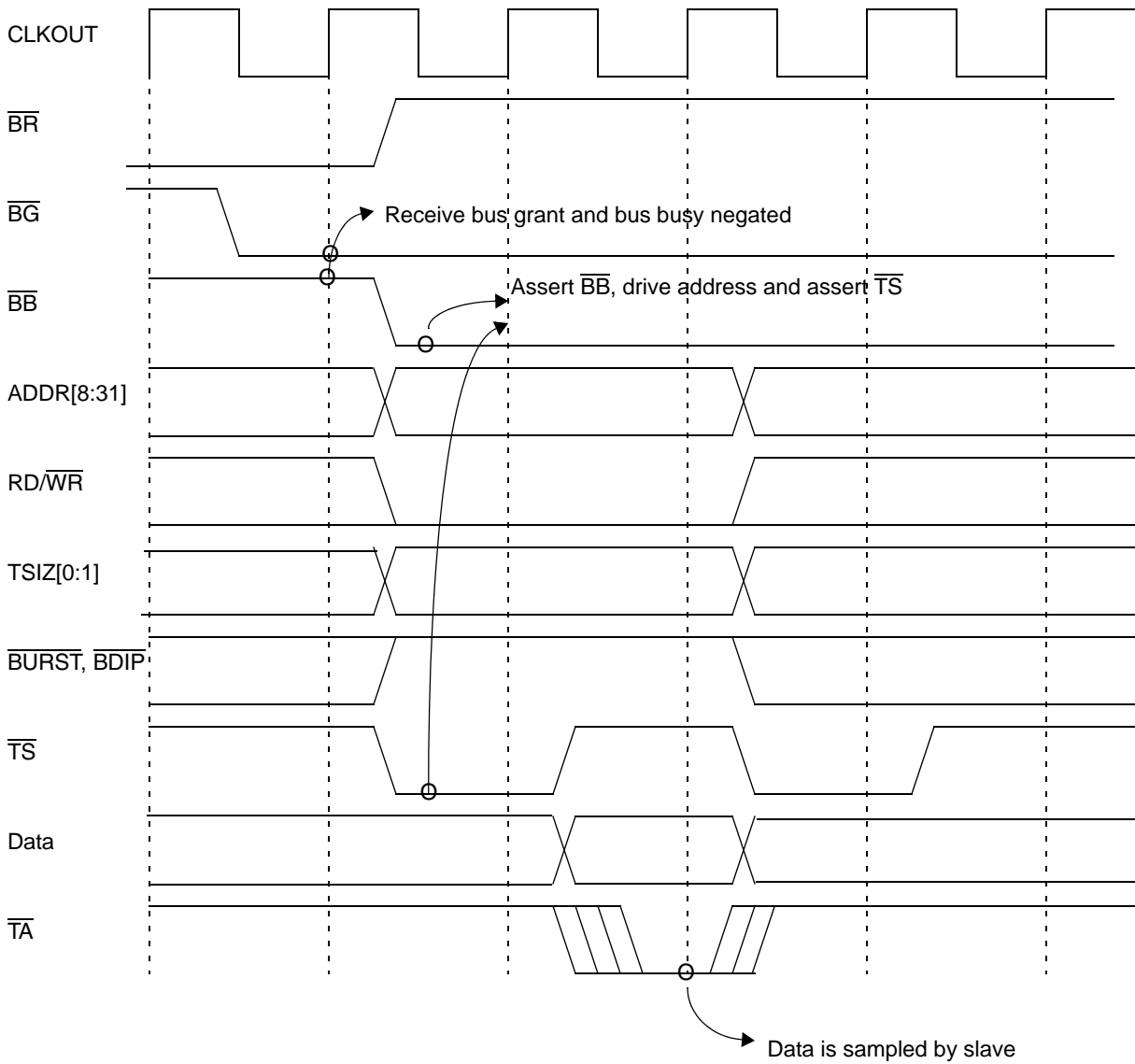


Figure 9-7. Basic Flow Diagram of a Single Beat Write Cycle



**Figure 9-8. Single Beat Basic Write Cycle Timing – Zero Wait States**

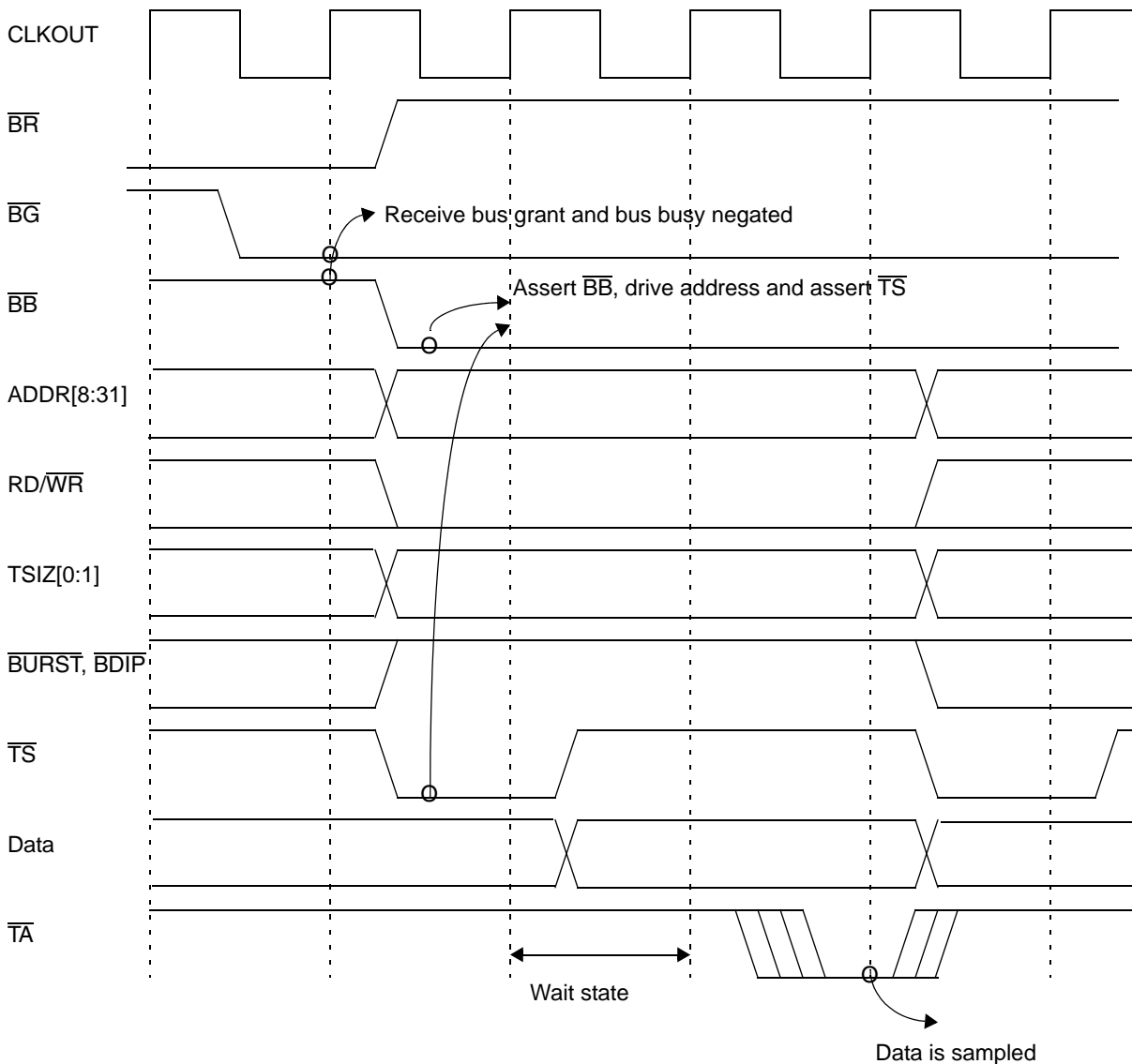
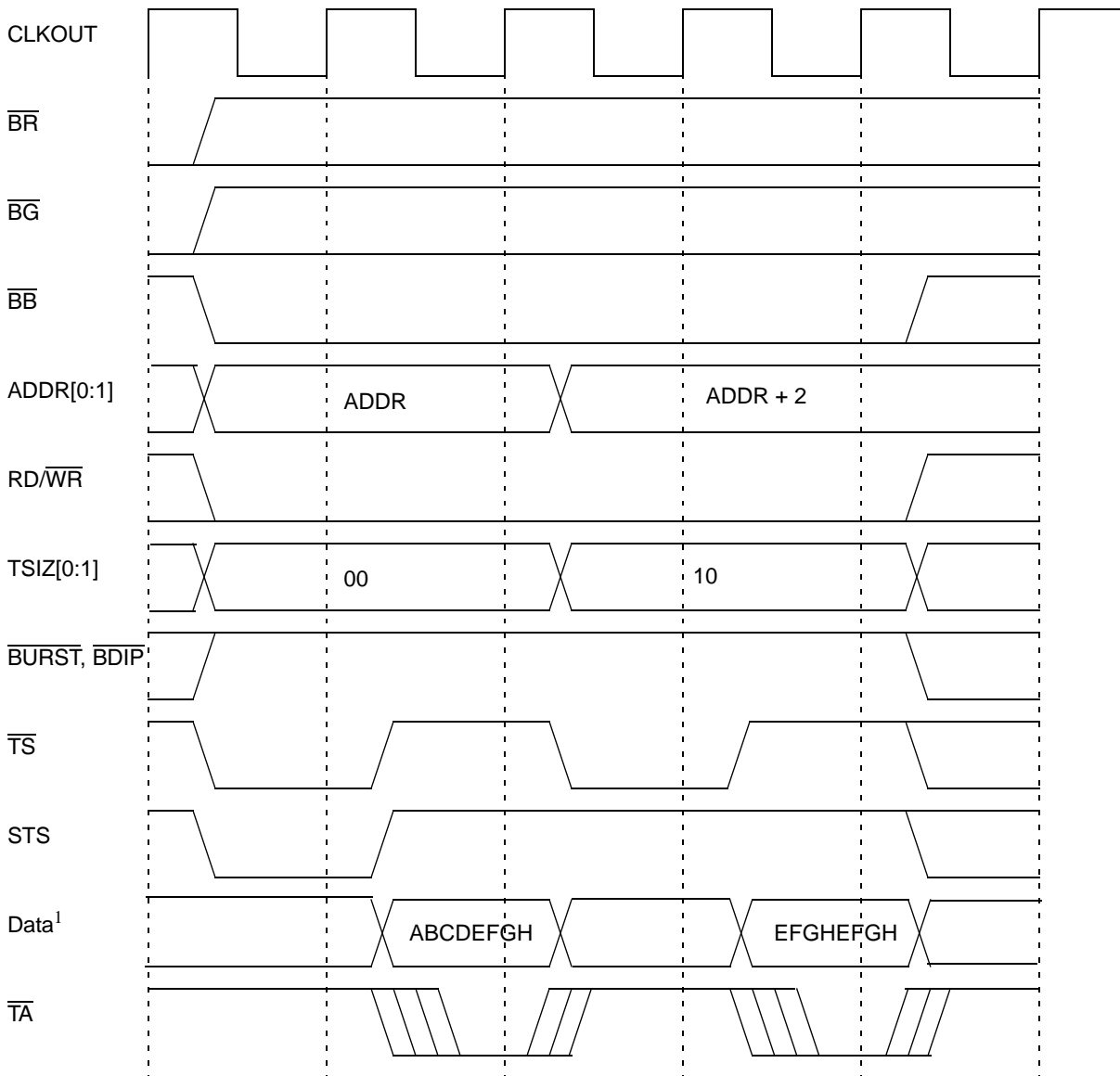


Figure 9-9. Single Beat Basic Write Cycle Timing – One Wait State

### 9.5.2.3 Single Beat Flow with Small Port Size

The general case of single beat transfers assumes that the external memory has a 32-bit port size. The MPC565 provides an effective mechanism for interfacing with 16-bit and 8-bit port size memories, allowing transfers to these devices when they are controlled by the internal memory controller.

In this case, the MPC565 attempts to initiate a transfer as in the normal case. If the bus interface receives a small port size (16 or 8 bits) indication before the transfer acknowledge to the first beat (through the internal memory controller), the MCU initiates successive transactions until the completion of the data transfer. Note that all the transactions initiated to complete the data transfer are considered to be part of an atomic transaction, so the MCU does not allow other unrelated master accesses or bus arbitration to intervene between the transfers. If any of the transactions except the first is re-tried during an access to a small port, then a machine-check exception is generated to the RCPU.



1. For an illustration of device connections on the data bus, see [Figure 9-23](#).

**Figure 9-10. Single Beat 32-Bit Data Write Cycle Timing — 16-Bit Port Size**

### 9.5.3 Data Bus Pre-Discharge Mode

Pre-discharge mode is provided for applications that use 3.3-V/5-V external memories while the MPC565 data bus pads are optimized to 2.6-V memories, and cannot tolerate more than 3.1 V. When connecting 3.3-V devices to the E-bus, and performing read and write operations, this mode should be invoked in order to avoid long term reliability issues of the data pads.

When the PDMCR2[PREDIS\_EN] bit is set, the MPC565 will discharge the bus during the address phase of any write cycle prior to the data phase. The data bus will be discharged from up to 5 V to a level which is suitable to the low voltage drivers. In most cases, the ORx[EHTR] bit of the relevant memory bank, should be set along with the PREDIS\_EN bit in order to reserve sufficient time for the memory to

three-state the bus before the bus discharge is initiated. EHTR has a slight performance reduction impact since it adds a clock gap between some read and write cycles.

**NOTE**

EHTR also adds one idle clock for two consecutive read cycles from different memory banks.

**NOTE**

The pre-discharge will not occur, when using multiple processors with a common bus accessing an external device, if the processor that initiates a read is different from the processor that initiated the previous write. Perform a write to the external device to discharge the external bus, or read a value of 0x0 from the external device, prior to accessing another MCU on the same bus.

### 9.5.3.1 Operating Conditions

Pre-discharge mode should be enabled in the following cases:

- When external devices can charge the data bus to a higher voltage level than 3.1 volts
- And when one or more of the following occurs:
  - The MPC565 uses write accesses to any external memory
  - Data show cycles are enabled
  - Instruction show cycles are enabled in code compression mode (MPC566 only)

**NOTE**

In the case of code compression program tracking (3rd case above), the PREDIS\_EN bit should only be set when program tracking is not required since pre-discharge mode overwrites the compression show cycles data. The user should not set PREDIS\_EN bit when program tracking is required on development system, and set PREDIS\_EN bit on the production version. EHTR can always be set to keep the same system performance during development, and production phases.

### 9.5.3.2 Initialization Sequence

Systems that require pre-discharge operation should include the following steps:

- Execute boot sequence
- Set EHTR bit in all relevant memory banks during the memory controller initialization phase (configure ORx, and BRx) if it is required to extend the time between read cycles, and pre-discharge phase of write cycles.
- Set PREDIS\_EN in PDMCR2 register
- Start to write data to external devices



Refer to [Section 2.4, “Pad Module Configuration Register \(PDMCR2\)”](#), and [Section 10.10.4, “Memory Controller Option Registers \(OR0–OR3\)”](#), for more information on PREDIS\_EN, and EHTR configuration bits.

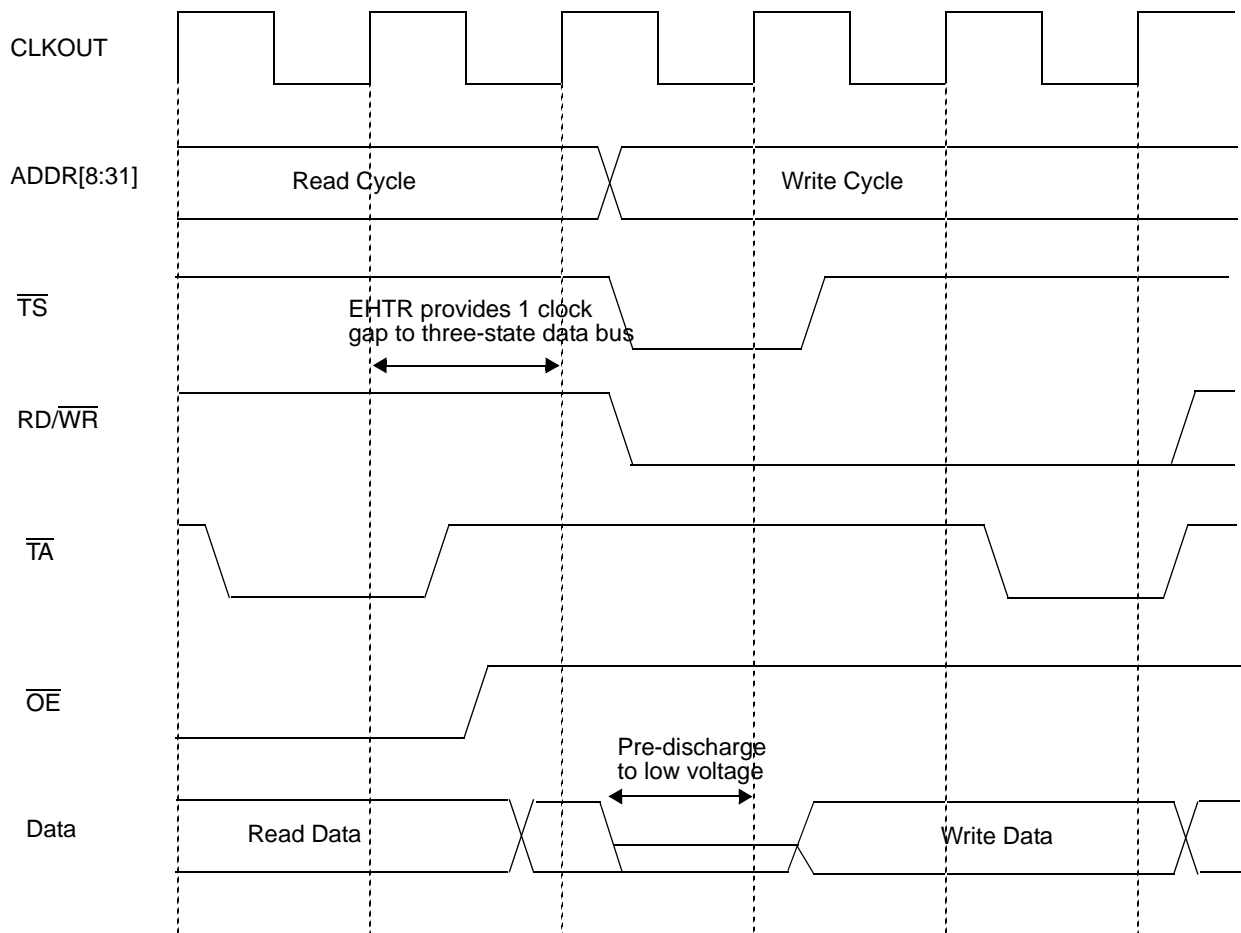


Figure 9-11. Read Followed by Write when Pre-Discharge Mode is Enabled, and EHTR is Set

## 9.5.4 Burst Transfer

The MPC565 uses non-wrapping burst transfers to access operands of up to 32 bytes (eight words). A non-wrapping burst access stops accessing the external device when the word address is modulo four/eight. Burst configuration is determined by the value of BURST\_EN in the SIUMCR register. See [Chapter 5, “Unified System Interface Unit \(USIU\) Overview”](#) for further details. The MPC565 begins the access by supplying a starting address that points to one of the words in the array and requires the memory to sequentially drive or sample each word on the data bus. The selected slave device must internally increment ADDR28 and ADDR29 (and ADDR30 in the case of a 16-bit port slave device, and also ADDR31 in the case of an 8-bit port slave device) of the supplied address for each transfer, causing the address to reach a four/eight word boundary, and then stop. The address and transfer attributes supplied by the MPC565 remain stable during the transfers. The selected device terminates each transfer by driving or sampling the word on the data bus and asserting TA.

The MPC565 also supports burst-inhibited transfers for slave devices that are unable to support bursting. For this type of bus cycle, the selected slave device supplies or samples the first word the MPC565 points to and asserts the burst-inhibit signal with  $\overline{TA}$  for the first transfer of the burst access. The MPC565 responds by terminating the burst and accessing the remainder of the 16-byte block. These remaining accesses use up to three read/write bus cycles (each one for a word) in the case of a 32-bit port width slave, up to seven read/write bus cycles in the case of a 16-bit port width slave, or up to fifteen read/write bus cycles in the case of a 8-bit port width slave.

The general case of burst transfers assumes that the external memory has a 32-bit port size. The MPC565 provides an effective mechanism for interfacing with 16-bit and 8-bit port size memories, allowing bursts transfers to these devices when they are controlled by the internal memory controller.

In this case, the MPC565 attempts to initiate a burst transfer as in the normal case. If the memory controller signals to the bus interface that the external device has a small port size (8 or 16 bits), and if the burst is accepted, the bus interface completes a burst of 16 or 8 beats respectively for four words. Eight words requires 32 or 16 beats. Each beat of the burst transfers only one or two bytes effectively. Note that this burst of 8 or 16 beats is considered an atomic transaction, so the MPC565 does not allow other unrelated master accesses or bus arbitration to intervene between the transfers.

### 9.5.5 Burst Mechanism

In addition to the standard bus signals, the MPC565 burst mechanism uses the following signals:

- The  $\overline{BURST}$  signal indicates that the cycle is a burst cycle.
- The burst data in progress ( $\overline{BDIP}$ ) signal indicates the duration of the burst data.
- The burst inhibit ( $\overline{BI}$ ) signal indicates whether the slave is burstable.

At the start of the burst transfer, the master drives the address, the address attributes, and the  $\overline{BURST}$  signal to indicate that a burst transfer is being initiated, and asserts  $\overline{TS}$ . If the slave is burstable, it negates the burst-inhibit ( $\overline{BI}$ ) signal. If the slave cannot burst, it asserts  $\overline{BI}$ . For additional details, refer to [Section 10.2.5, “Burst Support.”](#)

During the data phase of a burst-write cycle, the master drives the data. It also asserts  $\overline{BDIP}$  if it intends to drive the data beat following the current data beat. When the slave has received the data, it asserts  $\overline{TA}$  to indicate to the master that it is ready for the next data transfer. The master again drives the next data and asserts or negates the  $\overline{BDIP}$  signal. If the master does not intend to drive another data beat following the current one, it negates  $\overline{BDIP}$  to indicate to the slave that the next data beat transfer is the last data of the burst-write transfer.

$\overline{BDIP}$  has two basic timings: normal and late (see [Figure 9-14](#) and [Figure 9-15](#)). In the late timing mode, assertion of  $\overline{BDIP}$  is delayed by the number of wait states in the first data beat. This implies that for zero-wait-state cycles,  $\overline{BDIP}$  assertion time is identical in normal and late modes. Cycles with late  $\overline{BDIP}$  generation can occur only during cycles for which the memory controller generates  $\overline{TA}$  internally. Refer to [Chapter 10, “Memory Controller”](#) for more information.

In the MPC565, no internal master initiates write bursts. The MPC565 is designed to perform this kind of transaction in order to support an external master that is using the memory controller services. Refer to [Section 10.8, “Memory Controller External Master Support.”](#)

During the data phase of a burst-read cycle, the master receives data from the addressed slave. If the master needs more than one data beat, it asserts  $\overline{\text{BDIP}}$ . Upon receiving the second-to-last data beat, the master negates  $\overline{\text{BDIP}}$ . The slave stops driving new data after it receives the negation of the  $\overline{\text{BDIP}}$  signal at the rising edge of the clock.

Burst inputs (reads) in the MPC565 are used only for instruction cycles. Data load cycles are not supported.

Figures 9-12 through 9-21 are examples of various burst cycles, including illustrations of burst-read and burst-write cycles for both the 16- and 32-bit port sizes.

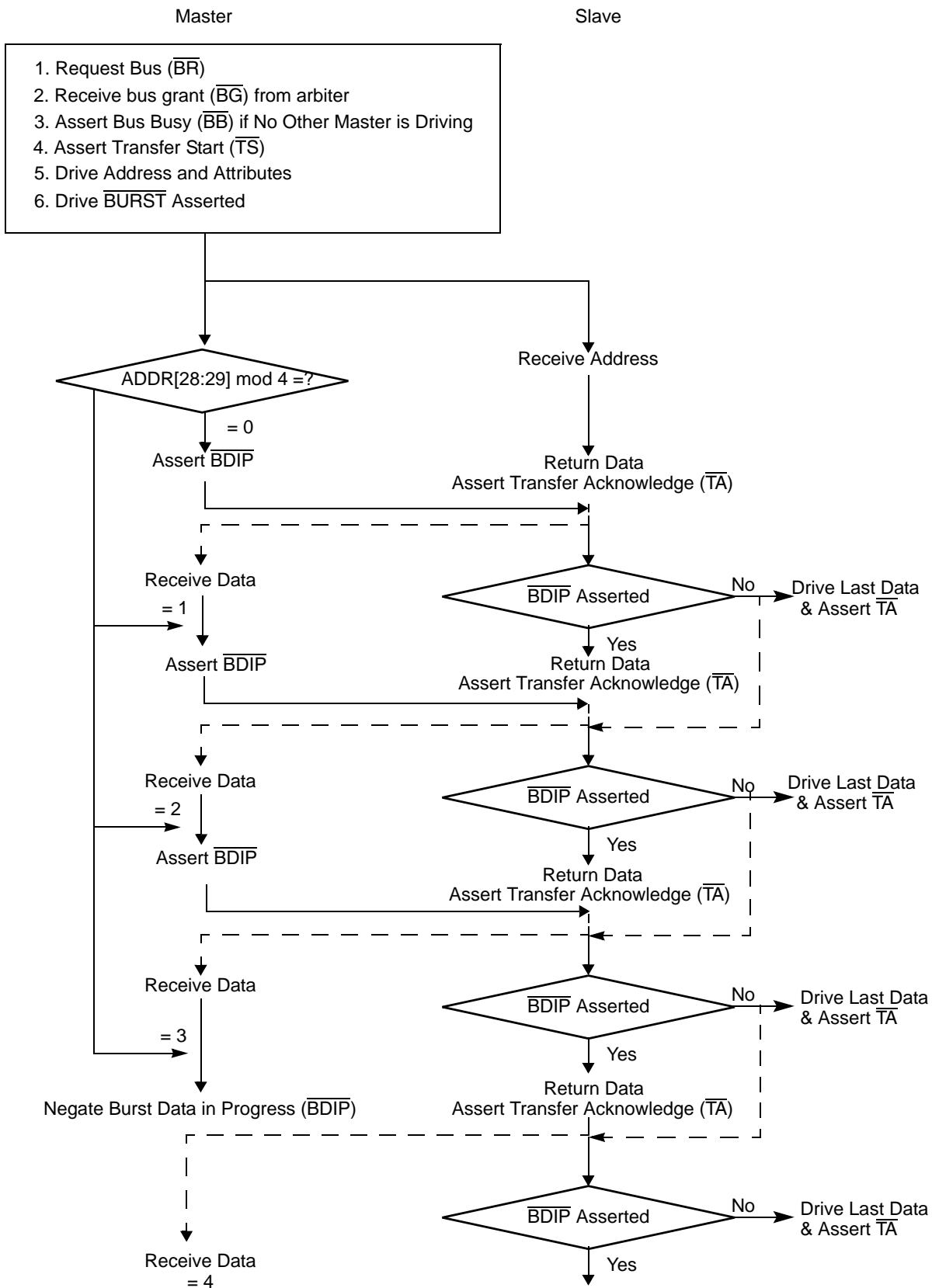


Figure 9-12. Basic Flow Diagram Of A Burst-Read Cycle

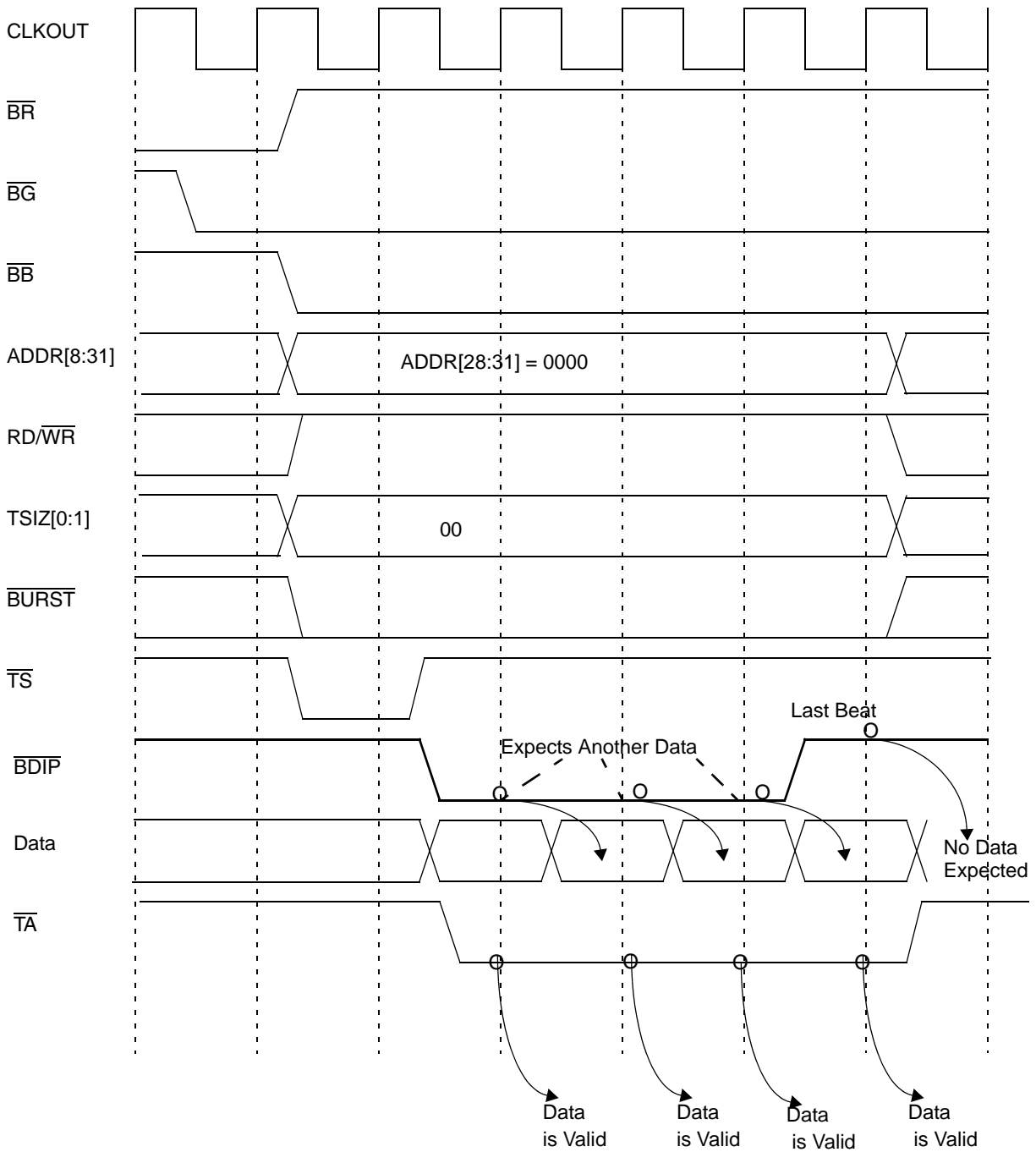


Figure 9-13. Burst-Read Cycle – 32-Bit Port Size – Zero Wait State

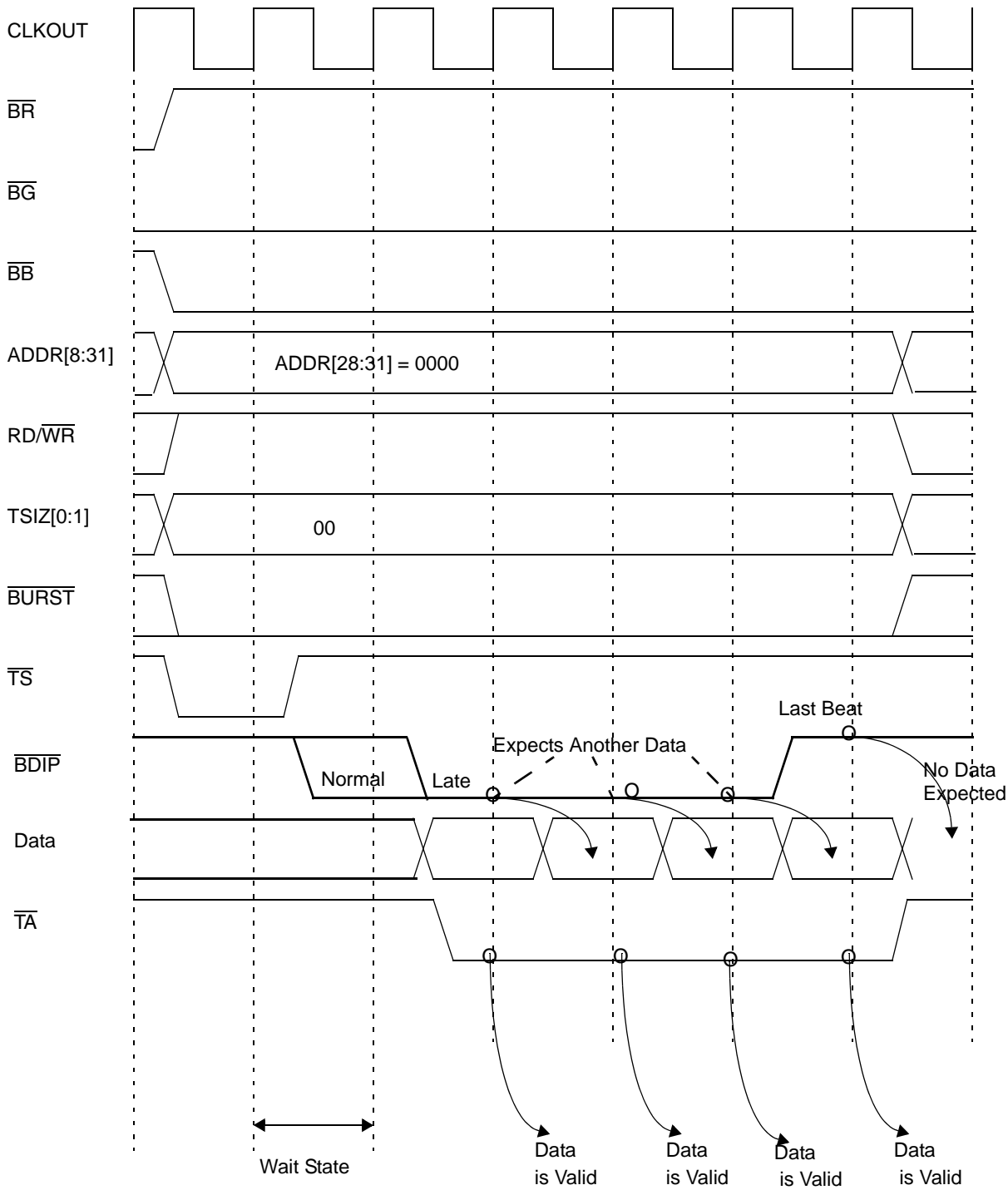


Figure 9-14. Burst-Read Cycle – 32-Bit Port Size – One Wait State

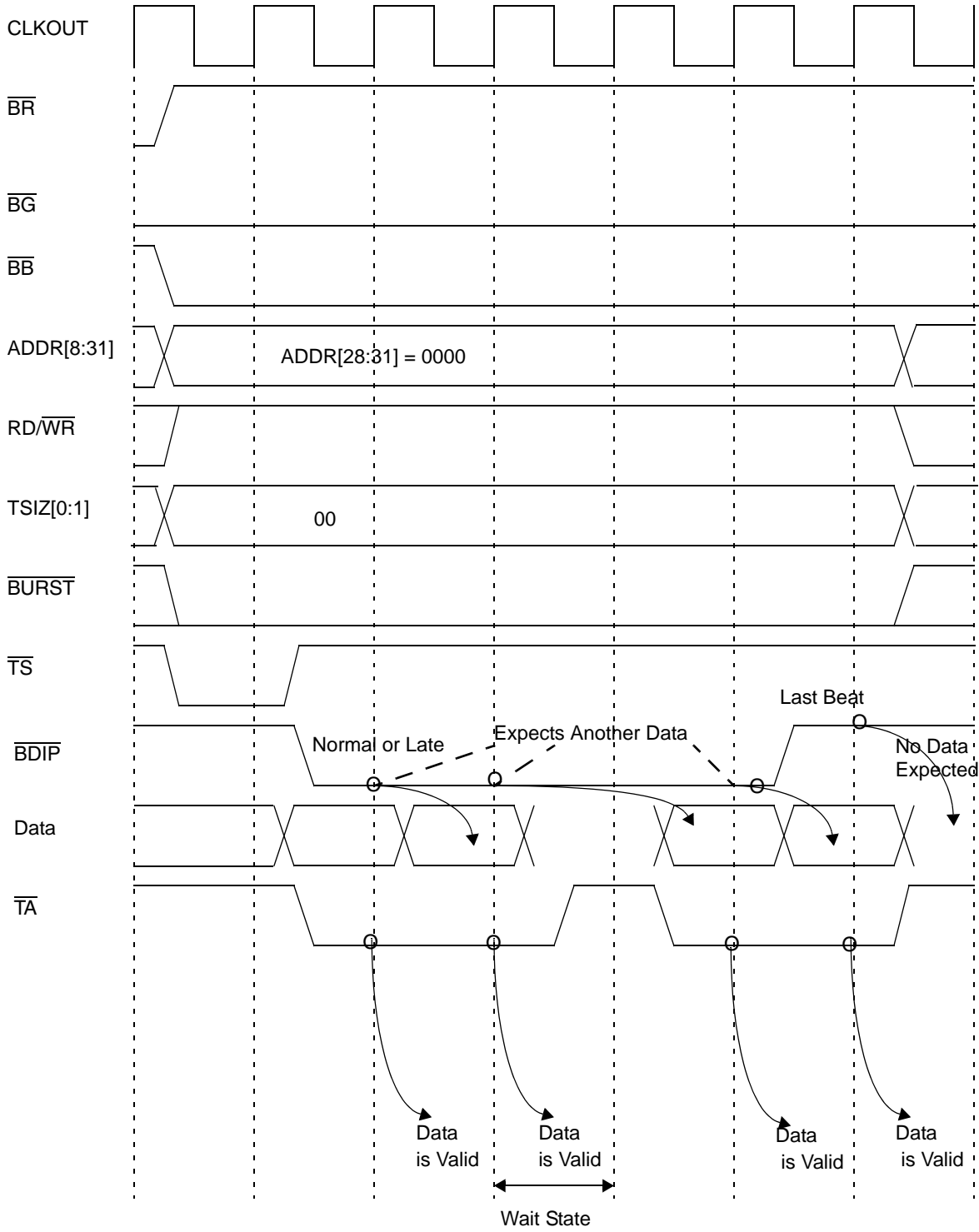


Figure 9-15. Burst-Read Cycle – 32-Bit Port Size – Wait States Between Beats

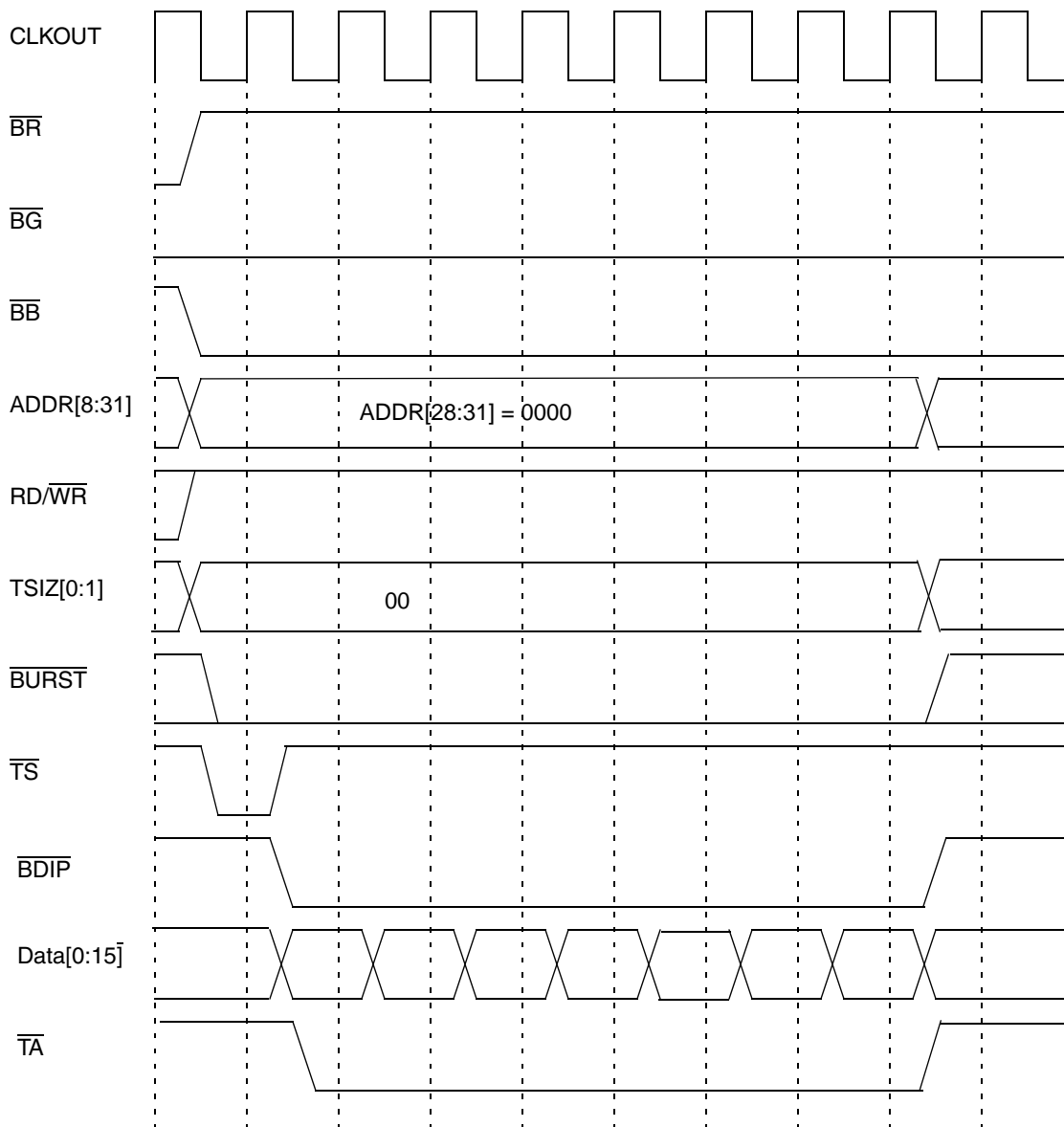


Figure 9-16. Burst-Read Cycle – 16-Bit Port Size



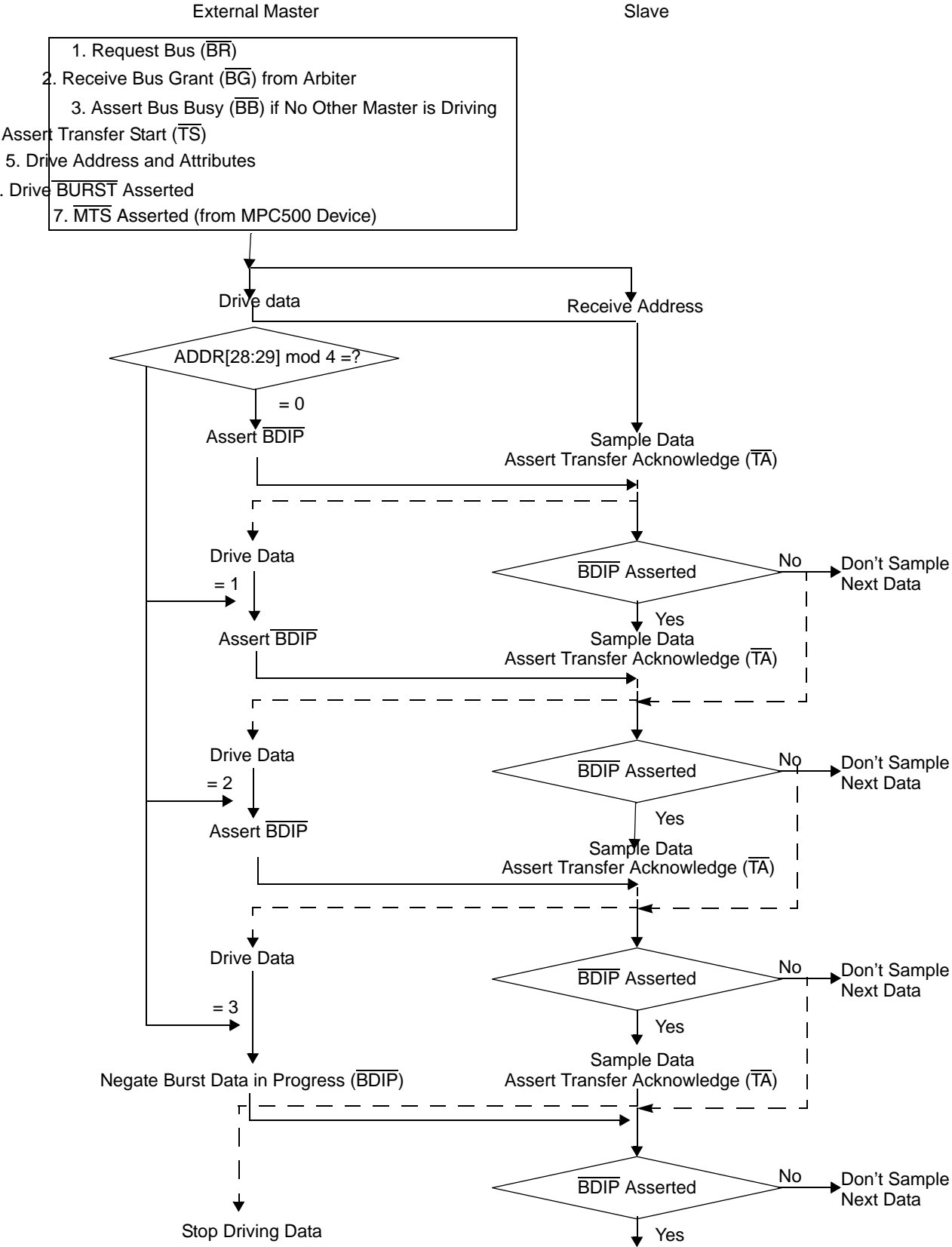
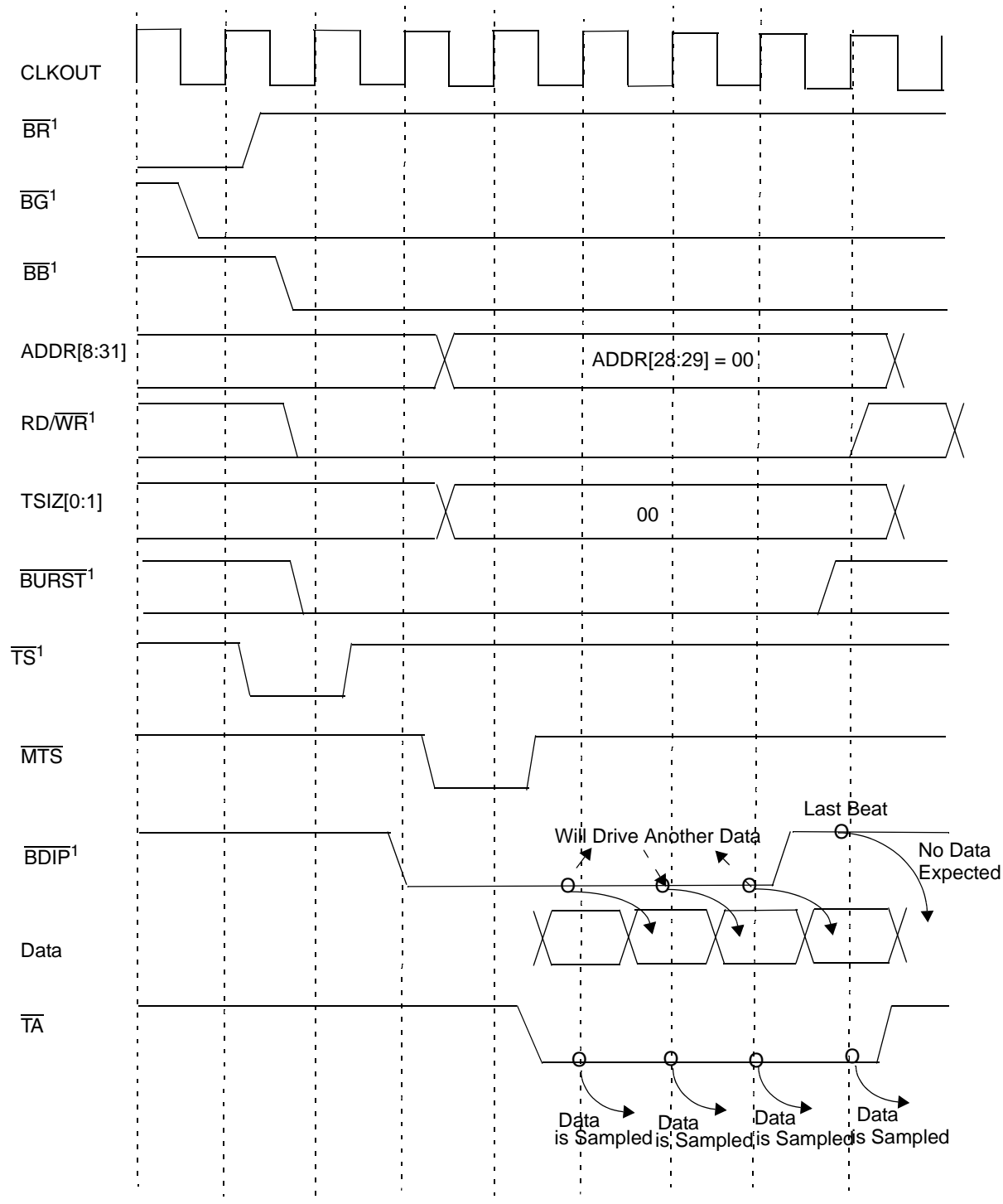
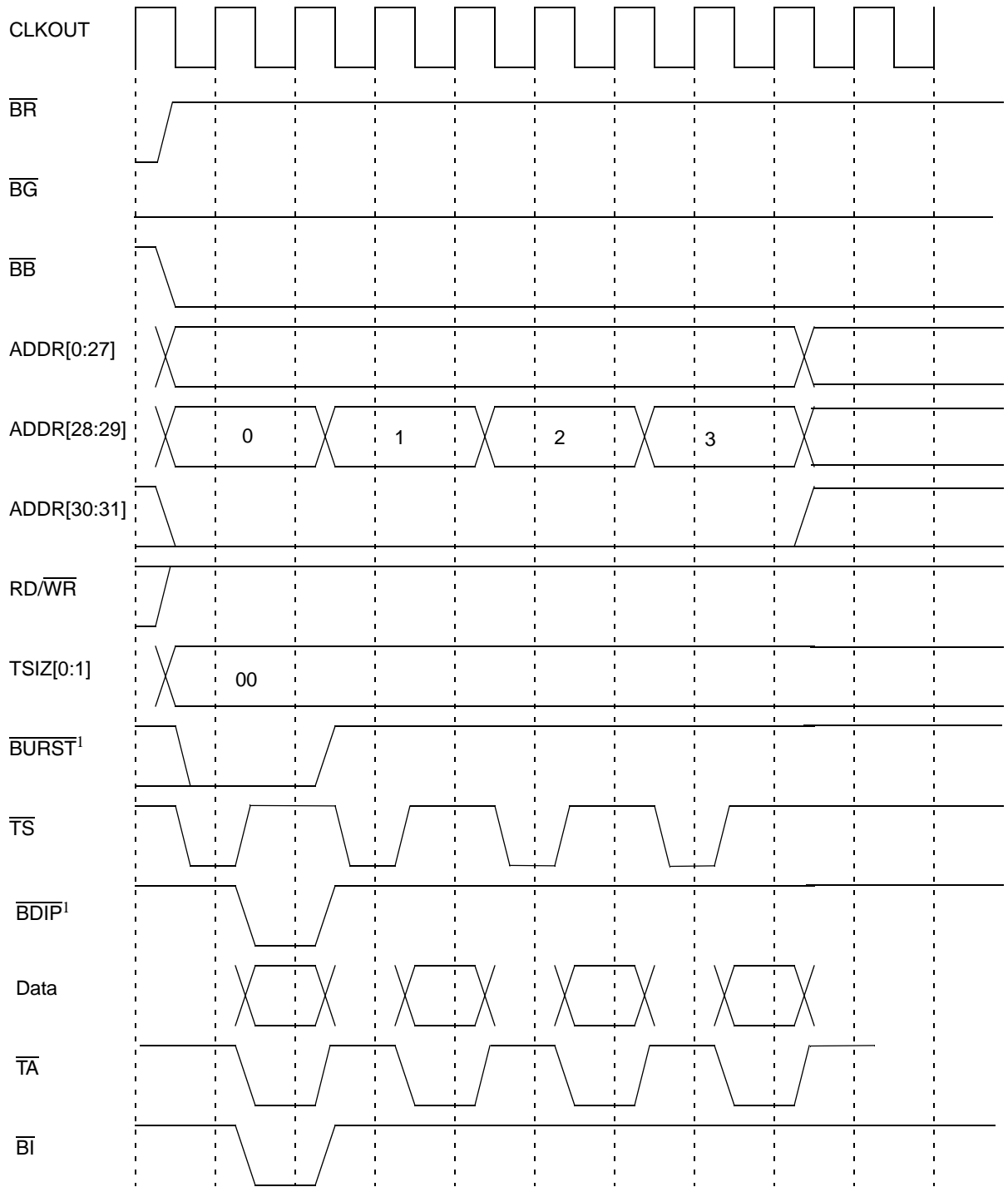


Figure 9-17. Basic Flow Diagram of a Burst-Write Cycle



<sup>1</sup>From external master

Figure 9-18. Burst-Write Cycle, 32-Bit Port Size, Zero Wait States (Only for External Master Memory Controller Service Support)



<sup>1</sup>  $\overline{BURST}$  and  $\overline{BDIP}$  will be asserted for one cycle if the RCP core requests a burst, but the USIU splits it into a sequence of normal cycles.

**Figure 9-19. Burst-Inhibit Read Cycle, 32-Bit Port Size (Emulated Burst)**

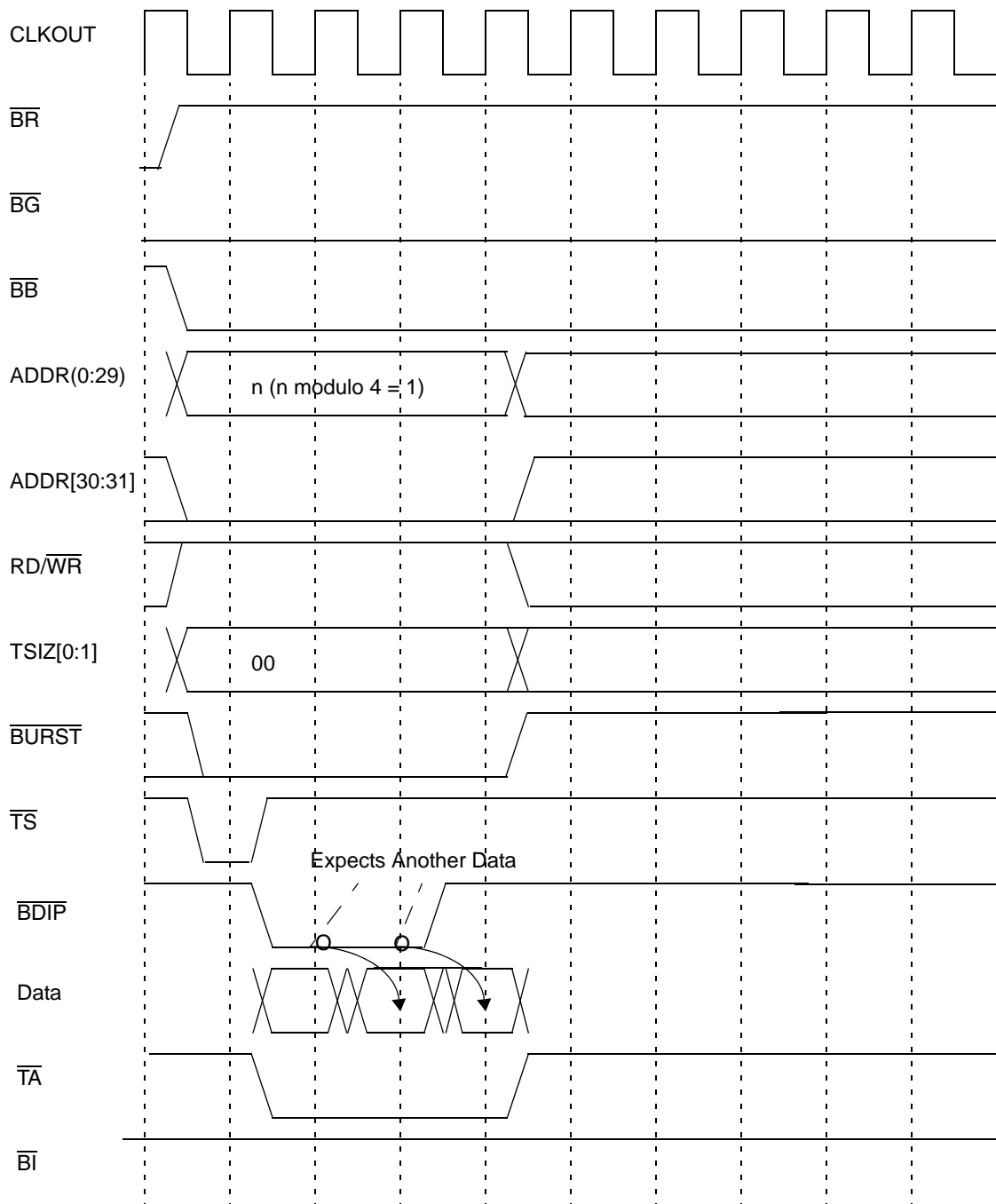


Figure 9-20. Non-Wrap Burst with Three Beats

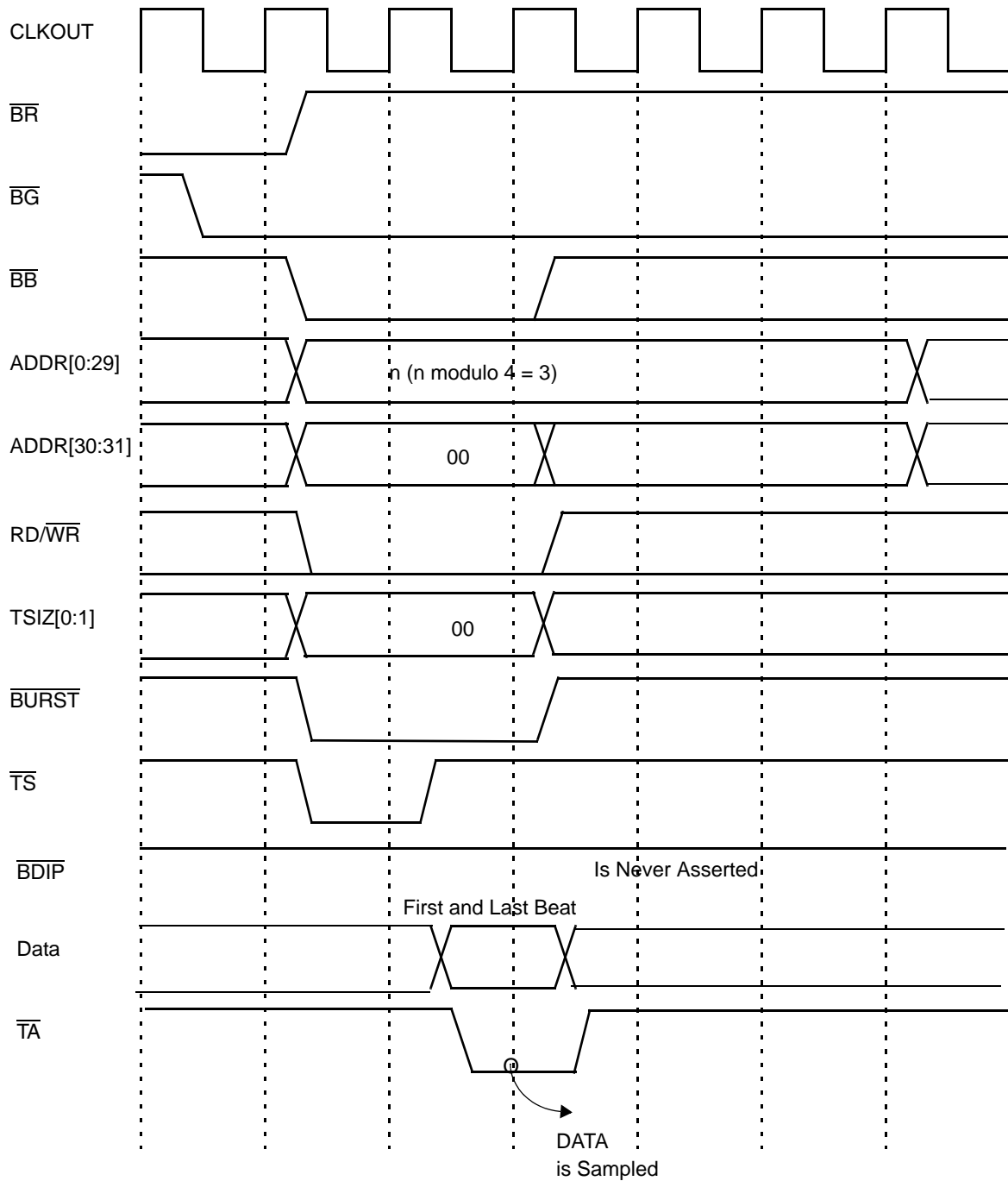


Figure 9-21. Non-Wrap Burst with One Data Beat

## 9.5.6 Alignment and Packaging of Transfers

The MPC565 external bus requires natural address alignment:

- Byte accesses allow any address alignment
- Half-word accesses require address bit 31 to equal zero

## External Bus Interface

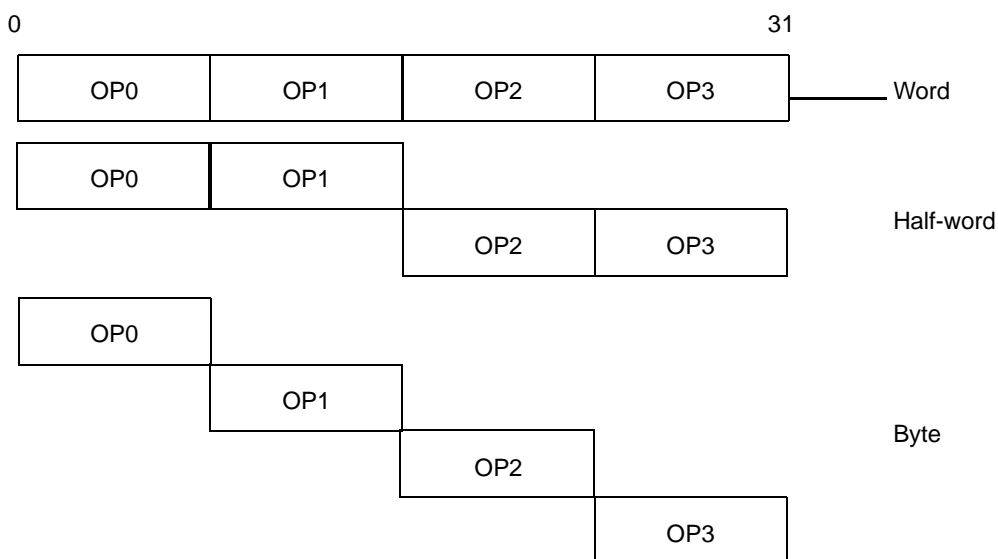
- Word accesses require address bits 30 – 31 to equal zero
- Burst accesses require address bits 30 – 31 to equal zero

The MPC565 performs operand transfers through its 32-bit data port. If the transfer is controlled by the internal memory controller, the MPC565 can support 8- and 16-bit data port sizes.

The bus requires that the portion of the data bus used for a transfer to or from a particular port size be fixed. A 32-bit port resides on DATA[0:31], a 16-bit port must reside on DATA[0:15], and an 8-bit port must reside on DATA[0:7]. The MPC565 always tries to transfer the maximum amount of data on all bus cycles. For a word operation, it always assumes that the port is 32 bits wide when beginning the bus cycle.

In [Figure 9-22](#), [Figure 9-23](#), [Table 9-2](#), and [Table 9-3](#), the following conventions are used:

- OP0 is the most-significant byte of a word operand and OP3 is the least-significant byte.
- The two bytes of a half-word operand are either OP0 (most-significant) and OP1 or OP2 (most-significant) and OP3, depending on the address of the access.
- The single byte of a byte-length operand is OP0, OP1, OP2, or OP3, depending on the address of the access.



**Figure 9-22. Internal Operand Representation**

Figure 9-23 illustrates the device connections on the data bus.

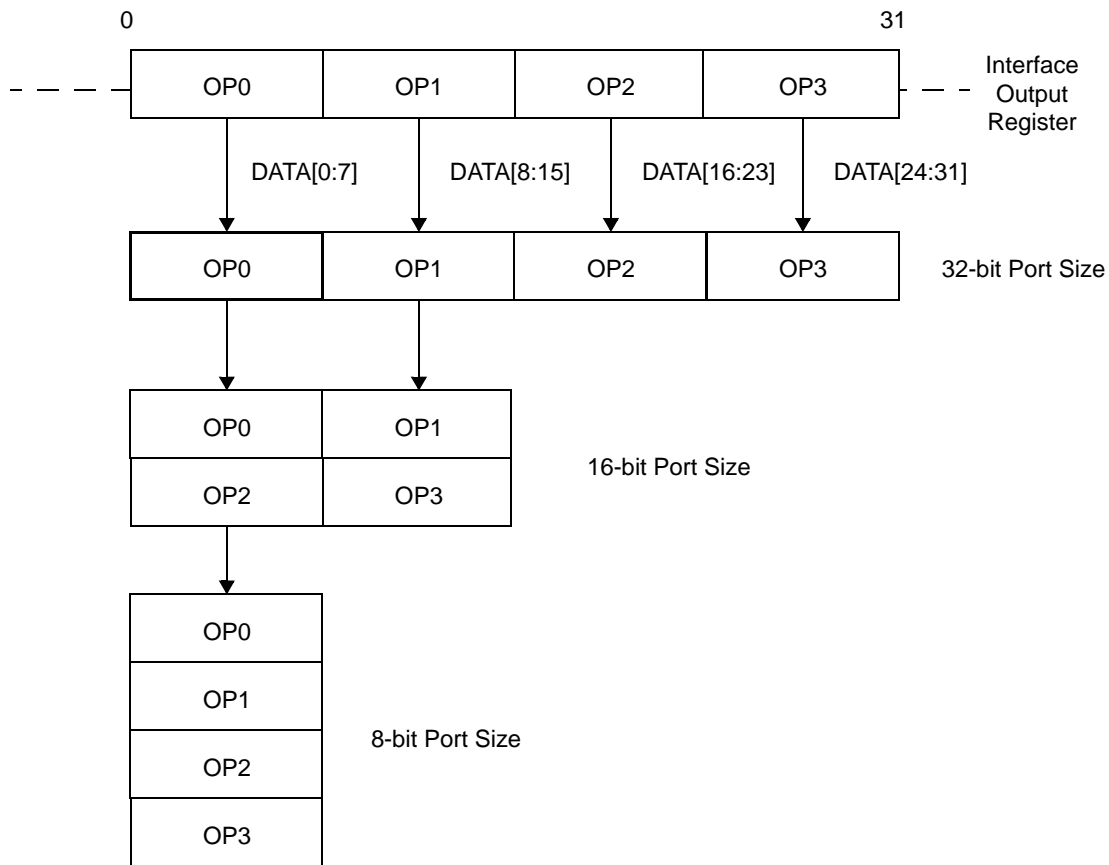


Figure 9-23. Interface To Different Port Size Devices

Table 9-2 lists the bytes required on the data bus for read cycles.

Table 9-2. Data Bus Requirements For Read Cycles

| Transfer Size | TSIZE [0:1] | Address | 32-bit Port Size |            |             |              | 16-bit Port Size |            | 8-bit Port Size |
|---------------|-------------|---------|------------------|------------|-------------|--------------|------------------|------------|-----------------|
|               |             |         | ADDR [30:31]     | DATA [0:7] | DATA [8:15] | DATA [16:23] | DATA [24:31]     | DATA [0:7] | DATA [8:15]     |
| Byte          | 01          | 00      | OP0              | —          | —           | —            | OP0              | —          | OP0             |
|               | 01          | 01      | —                | OP1        | —           | —            | —                | OP1        | OP1             |
|               | 01          | 10      | —                | —          | OP2         | —            | OP2              | —          | OP2             |
|               | 01          | 11      | —                | —          | —           | OP3          | —                | OP3        | OP3             |
| Half-word     | 10          | 00      | OP0              | OP1        | —           | —            | OP0              | OP1        | OP0             |
|               | 10          | 10      | —                | —          | OP2         | OP3          | OP2              | OP3        | OP2             |
| Word          | 00          | 00      | OP0              | OP1        | OP2         | OP3          | OP0              | OP1        | OP0             |

Note: “—” denotes a byte not required during that read cycle.

Table 9-3 lists the patterns of the data transfer for write cycles when the MPC565 initiates an access.

**Table 9-3. Data Bus Contents for Write Cycles**

| Transfer Size | TSIZE[0:1] | Address      | External Data Bus Pattern |             |              |              |
|---------------|------------|--------------|---------------------------|-------------|--------------|--------------|
|               |            | ADDR [30:31] | DATA [0:7]                | DATA [8:15] | DATA [16:23] | DATA [24:31] |
| Byte          | 01         | 00           | OP0                       | —           | —            | —            |
|               | 01         | 01           | OP1                       | OP1         | —            | —            |
|               | 01         | 10           | OP2                       | —           | OP2          | —            |
|               | 01         | 11           | OP3                       | OP3         | —            | OP3          |
| Half-word     | 10         | 00           | OP0                       | OP1         | —            | —            |
|               | 10         | 10           | OP2                       | OP3         | OP2          | OP3          |
| Word          | 00         | 00           | OP0                       | OP1         | OP2          | OP3          |

**Note:** “—” denotes a byte not driven during that write cycle.

### 9.5.7 Arbitration Phase

The external bus design provides for a single bus master at any one time, either the MPC565 or an external device. One or more of the external devices on the bus can have the capability of becoming bus master for the external bus. Bus arbitration may be handled either by an external central bus arbiter or by the internal on-chip arbiter. In the latter case, the system is optimized for one external bus master besides the MPC565. The arbitration configuration (external or internal) is set at system reset.

Each bus master must have bus request ( $\overline{BR}$ ), bus grant ( $\overline{BG}$ ), and bus busy ( $\overline{BB}$ ) signals. The device that needs the bus asserts  $\overline{BR}$ . The device then waits for the arbiter to assert  $\overline{BG}$ . In addition, the new master must look at  $\overline{BB}$  to ensure that no other master is driving the bus before it can assert  $\overline{BB}$  to assume ownership of the bus. Any time the arbiter has taken the bus grant away from the master and the master wants to execute a new cycle, the master must re-arbitrate before a new cycle can be executed. The MPC565, however, guarantees data coherency for access to a small port size and for decomposed bursts. This means that the MPC565 will not release the bus before the completion of the transactions that are considered atomic. [Figure 9-24](#) describes the basic protocol for bus arbitration.



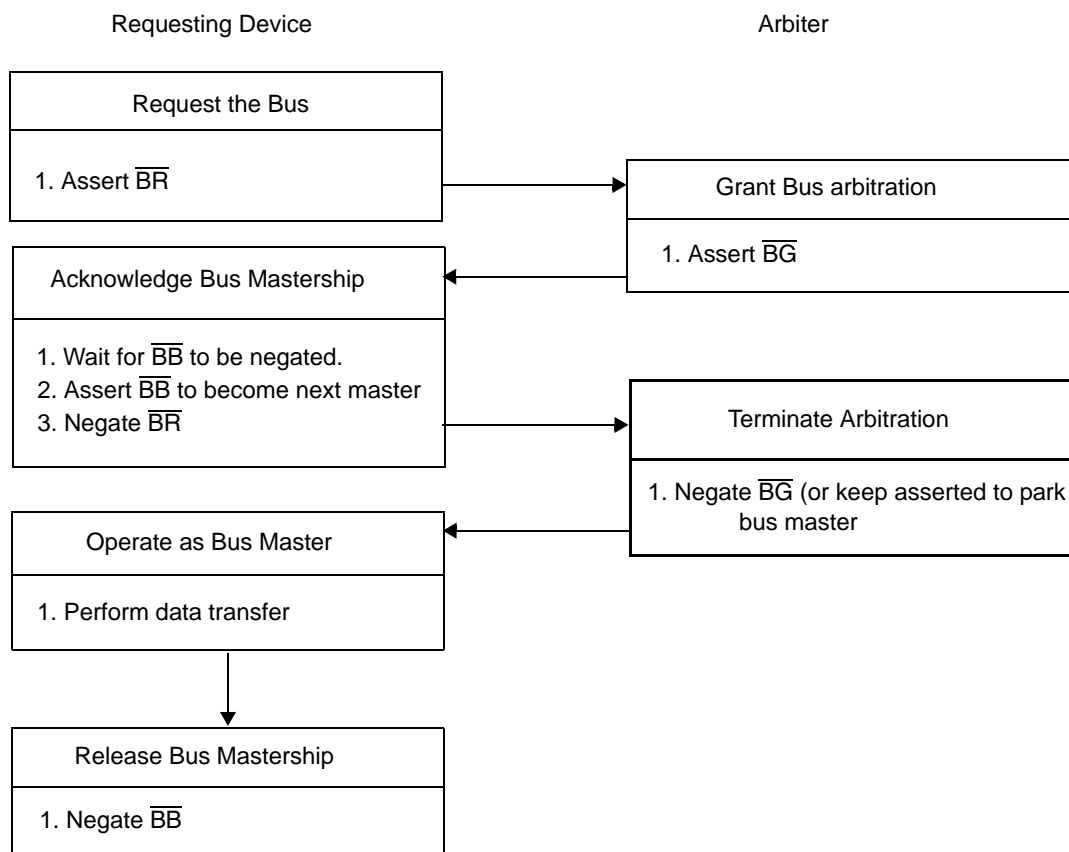


Figure 9-24. Bus Arbitration Flowchart

### 9.5.7.1 Bus Request

The potential bus master asserts  $\overline{BR}$  to request bus mastership.  $\overline{BR}$  should be negated as soon as the bus is granted, the bus is not busy, and the new master can drive the bus. If more requests are pending, the master can keep asserting its bus request as long as needed. When configured for external central arbitration, the MPC565 drives this signal when it requires bus mastership. When the internal on-chip arbiter is used, this signal is an input to the internal arbiter and should be driven by the external bus master.

### 9.5.7.2 Bus Grant

The arbiter asserts  $\overline{BG}$  to indicate that the bus is granted to the requesting device. This signal can be negated following the negation of  $\overline{BR}$  or kept asserted for the current master to park the bus.

When configured for external central arbitration,  $\overline{BG}$  is an input signal to the MPC565 from the external arbiter. When the internal on-chip arbiter is used, this signal is an output from the internal arbiter to the external bus master.

### 9.5.7.3 Bus Busy

$\overline{BB}$  assertion indicates that the current bus master is using the bus. New masters should not begin transfer until this signal is negated. The bus owner should not relinquish or negate this signal until the transfer is complete. To avoid contention on the  $\overline{BB}$  line, the master should three-state this signal when it gets a logical one value. This requires the connection of an external pull-up resistor to ensure that a master that acquires the bus is able to recognize the  $\overline{BB}$  line negated, regardless of how many cycles have passed since the previous master relinquished the bus. Refer to [Figure 9-25](#).

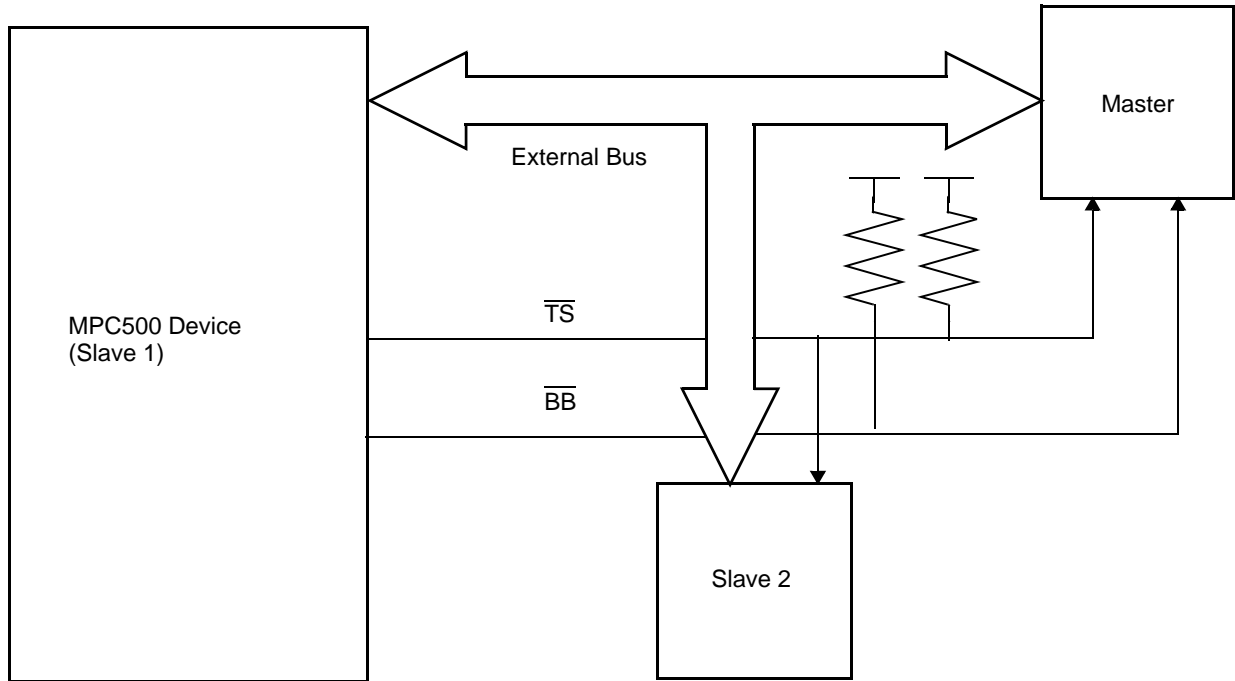


Figure 9-25. Master Signals Basic Connection

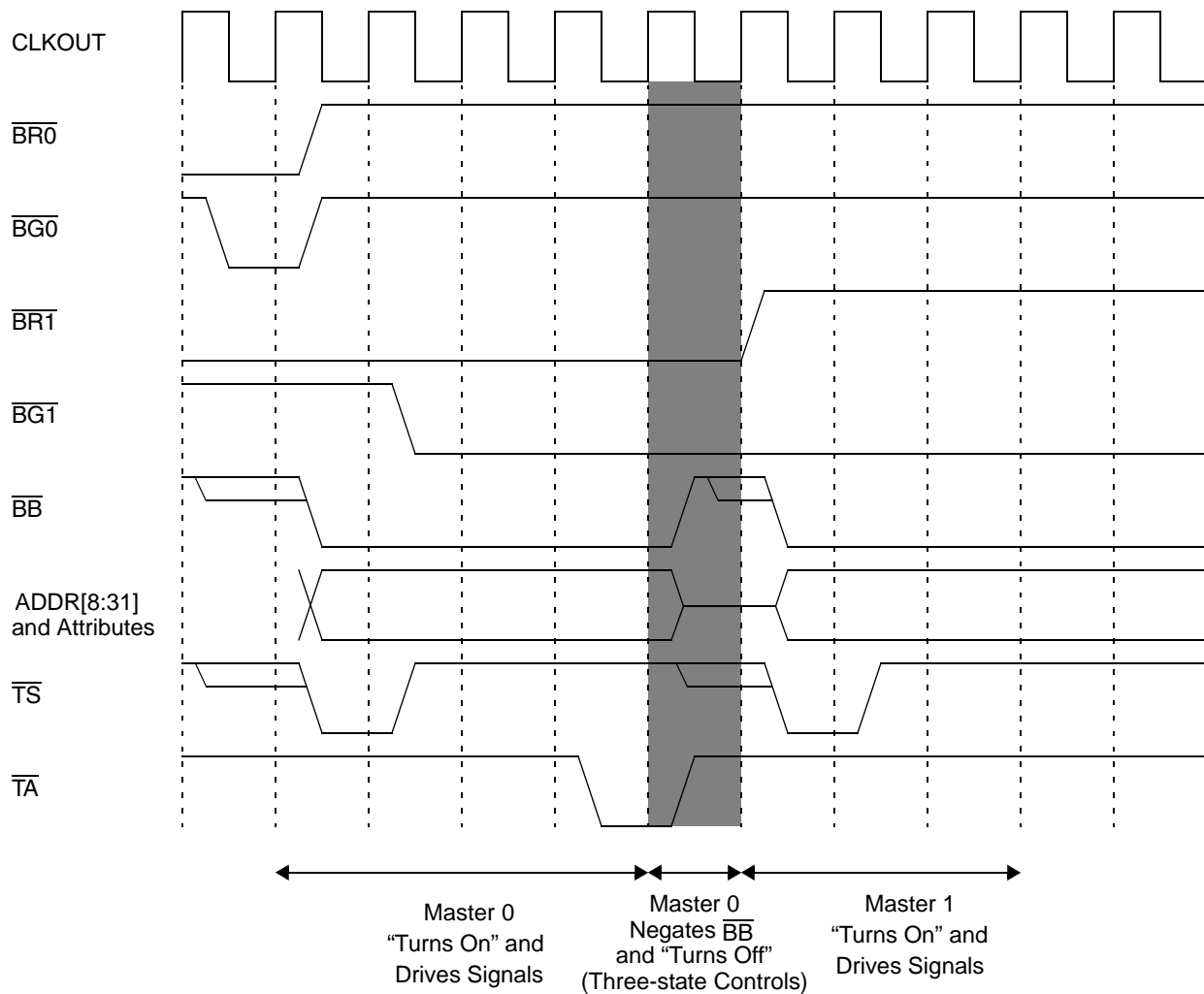


Figure 9-26. Bus Arbitration Timing Diagram

### 9.5.7.4 Internal Bus Arbiter

The MPC565 can be configured at system reset to use the internal bus arbiter. In this case, the MPC565 will be parked on the bus. The parking feature allows the MPC565 to skip the bus request phase, and if  $\overline{BB}$  is negated, assert  $\overline{BB}$  and initiate the transaction without waiting for  $\overline{BG}$  from the arbiter.

The priority of the external device relative to the internal MPC565 bus masters is programmed in the SIU module configuration register. If the external device requests the bus and the MPC565 does not require it, or if the external device has higher priority than the current internal bus master, the MPC565 grants the bus to the external device.

Table 9-4 describes the priority mechanism used by the internal arbiter.

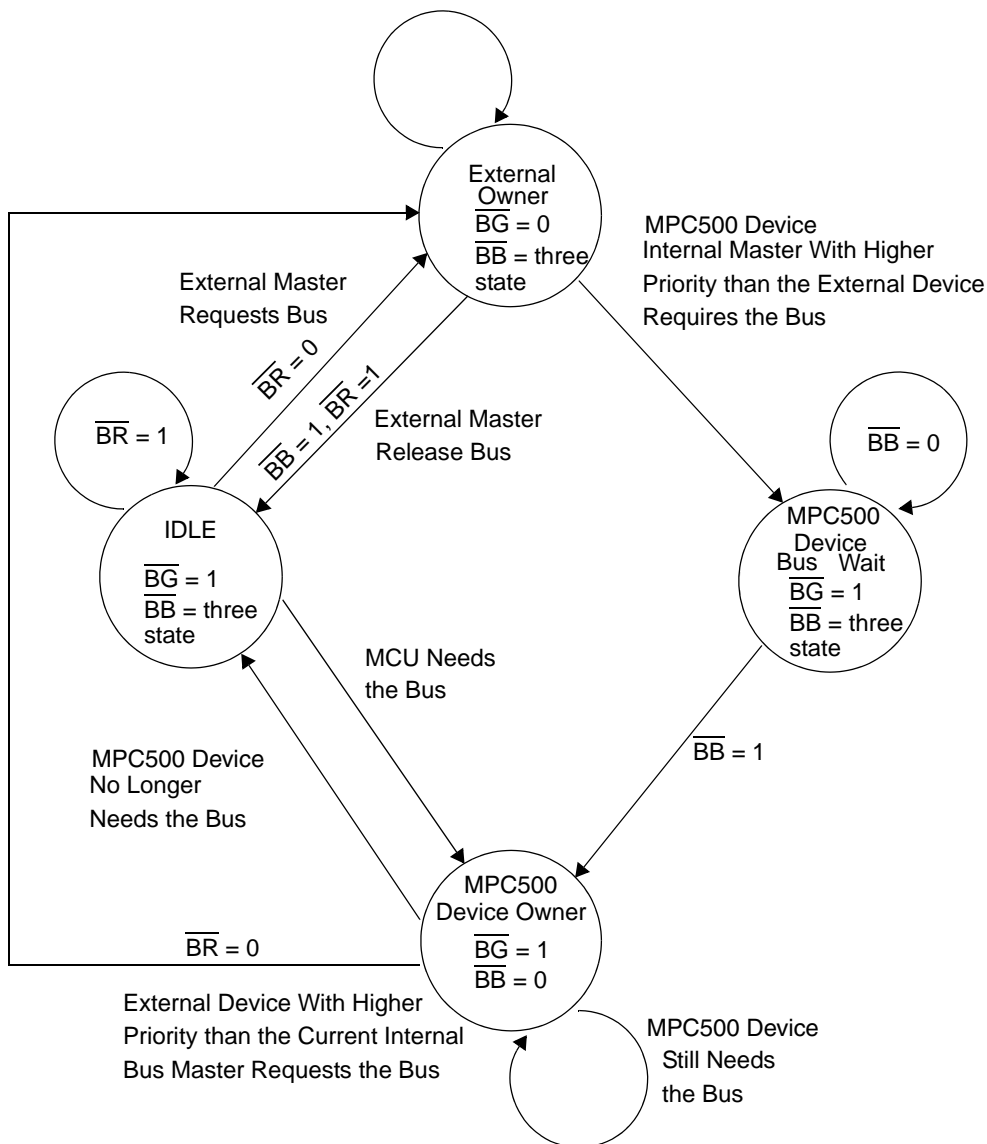
**Table 9-4. Priority Between Internal and External Masters over External Bus<sup>1</sup>**

| Type                       | Direction                    | Priority                            |
|----------------------------|------------------------------|-------------------------------------|
| Parked access <sup>2</sup> | Internal → external          | 0                                   |
| Instruction access         | Internal → external          | 3                                   |
| Data access                | Internal → external          | 4                                   |
| External access            | external → external/internal | EARP (could be programmed to 0 – 7) |

<sup>1</sup> External master will be granted external bus ownership if EARP is greater than the internal access priority.

<sup>2</sup> Parked access is instruction or data access from the RCPU which is initiated on the internal bus without requesting it first in order to improve performance.

Figure 9-27 illustrates the internal finite-state machine that implements the arbiter protocol.



**Figure 9-27. Internal Bus Arbitration State Machine**

## 9.5.8 Address Transfer Phase Signals

Address transfer phase signals include the following:

- Transfer start
- Address bus
- Transfer attributes

Transfer attributes signals include  $\overline{RD/\overline{WR}}$ ,  $\overline{BURST}$ ,  $TSIZ[0:1]$ ,  $AT[0:3]$ ,  $\overline{STS}$ , and  $\overline{BDIP}$ . With the exception of the  $\overline{BDIP}$ , these signals are available at the same time as the address bus.

### 9.5.8.1 Transfer Start

This signal ( $\overline{TS}$ ) indicates the beginning of a transaction on the bus addressing a slave device. This signal should be asserted by a master only after the ownership of the bus was granted by the arbitration protocol. This signal is asserted for the first cycle of the transaction only and is negated in successive clock cycles until the end of the transaction. The master should three-state this signal when it relinquishes the bus to avoid contention between two or more masters in this line. This situation indicates that an external pull-up resistor should be connected to the  $\overline{TS}$  signal to avoid having a slave recognize this signal as asserted when no master drives it. Refer to [Figure 9-25](#).

### 9.5.8.2 Address Bus

The address bus consists of 32 bits, with  $ADDR0$  the most significant bit and  $ADDR31$  the least significant bit. Only 24 bits ( $ADDR[8:31]$ ) are available external to the MPC565. The bus is byte-addressable, so each address can address one or more bytes. The address and its attributes are driven on the bus with the transfer start signal and kept valid until the bus master receives the transfer acknowledge signal from the slave. To distinguish the individual byte, the slave device must observe the  $TSIZ$  signals.

### 9.5.8.3 Read/Write

A high value on the  $\overline{RD/\overline{WR}}$  line indicates a read access. A low value indicates a write access.

### 9.5.8.4 Burst Indicator

$\overline{BURST}$  is driven by the bus master at the beginning of the bus cycle along with the address to indicate that the transfer is a burst transfer.

The MPC565 supports a non-wrapping, 8-beat maximum (with 32-bit port), critical word first burst type. The maximum burst size is 32 bytes. For a 16-bit port, the burst includes 16 beats. For an 8-bit port, the burst includes 32 beats at most.

#### NOTE

8- and 16-bit ports must be controlled by the memory controller.

The actual size of the burst is determined by the address of the starting word of the burst. Refer to [Table 9-5](#) and [Table 9-6](#).

**Table 9-5. 4 Word Burst Length and Order**

| Starting Address ADDR[28:29] | Burst Order (Assuming 32-bit Port Size) | Burst Length in Words (Beats) | Burst Length in Bytes | Comments                                |
|------------------------------|---|-------------------------------|-----------------------|---|
| 00                           | word 0 → word 1 → word 2 → word 3       | 4                             | 16                    |   |
| 01                           | word 1 → word 2 → word 3                | 3                             | 12                    |   |
| 10                           | word 2 → word 3                         | 2                             | 8                     |   |
| 11                           | word 3                                  | 1                             | 4                     | $\overline{\text{BDIP}}$ never asserted |

### 9.5.8.5 Transfer Size

The transfer size signals (TSIZ[0:1]) indicate the size of the requested data transfer. During each transfer, the TSIZ signals indicate how many bytes are remaining to be transferred by the transaction. The TSIZ signals can be used with  $\overline{\text{BURST}}$  and ADDR[30:31] to determine which byte lanes of the data bus are involved in the transfer. For non-burst transfers, the TSIZ signals specify the number of bytes starting from the byte location addressed by ADDR[30:31]. In burst transfers, the value of TSIZ is always 00.

**Table 9-6.  $\overline{\text{BURST}}$ /TSIZE Encoding**

| $\overline{\text{BURST}}$ | TSIZ[0:1] | Transfer Size          |
|---------------------------|-----------|------------------------|
| Negated                   | 01        | Byte                   |
| Negated                   | 10        | Half-word              |
| Negated                   | 11        | x                      |
| Negated                   | 00        | Word                   |
| Asserted                  | 00        | Burst (16 or 32 bytes) |

### 9.5.8.6 Address Types

The address type (AT[0:3]), program trace ( $\overline{\text{PTR}}$ ), and reservation transfer ( $\overline{\text{RSV}}$ ) signals are outputs that indicate one of 16 address types. These types are designated as either a normal or alternate master cycle, user or supervisor, and instruction or data type. The address type signals are valid at the rising edge of the clock in which the special transfer start ( $\overline{\text{STS}}$ ) signal is asserted.

A special use of the  $\overline{\text{PTR}}$  and  $\overline{\text{RSV}}$  signals is for the reservation protocol described in [Section 9.5.10, “Storage Reservation.”](#) Refer to [Section 9.5.14, “Show Cycle Transactions”](#) for information on show cycles.

[Table 9-7](#) summarizes the pins used to define the address type. [Table 9-8](#) lists all the definitions achieved by combining these pins.

**Table 9-7. Address Type Pins**

| Pin              | Function                                |
|------------------|---|
| $\overline{STS}$ | 0 Special transfer<br>1 Normal transfer |
| $\overline{TS}$  | 0 Start of transfer<br>1 No transfer    |
| AT0              | Must equal zero on MPC565               |
| AT1              | 0 Supervisor mode<br>1 User mode        |
| AT2              | 0 Instruction<br>1 Data                 |
| AT3              | Reservation/Program Trace               |
| $\overline{PTR}$ | 0 Program trace<br>1 No program trace   |
| $\overline{RSV}$ | 0 Reservation data<br>1 No reservation  |

**Table 9-8. Address Types Definition**

| STS | $\overline{TS}$ | AT0 | AT1 | AT2 | AT3 | $\overline{PTR}$ | $\overline{RSV}$ | Address Space Definitions                                |  |  |  |  |
|-----|-----------------|-----|-----|-----|-----|------------------|------------------|--|--|--|--|--|
| 1   | x               | x   | x   | x   | x   | 1                | 1                | No transfer  |  |  |  |  |
| 0   | 0 <sup>1</sup>  | 0   | 0   | 0   | 0   | 0                | 1                | RCPU, normal instruction, program trace, supervisor mode |  |  |  |  |
|     |                 |     |     |     | 1   | 1                | 1                | RCPU, normal instruction, supervisor mode                |  |  |  |  |
|     |                 |     |     | 1   | 0   | 1                | 0                | RCPU, reservation data, supervisor mode                  |  |  |  |  |
|     |                 |     |     |     | 1   | 1                | 1                | RCPU, normal data, supervisor mode                       |  |  |  |  |
|     |                 |     | 1   | 0   | 0   | 0                | 0                | 1  | RCPU, normal instruction, program trace, user mode |  |  |  |
|     |                 |     |     |     |     | 1                | 1                | 1  | RCPU, normal instruction, user mode                |  |  |  |
|     |                 |     |     | 1   | 0   | 1                | 0                | 1  | 0  | RCPU, reservation data, user mode                                    |  |  |
|     |                 |     |     |     |     |                  | 1                | 1  | 1  | RCPU, normal data, user mode   |  |  |
|     |                 | 1   | ?   | ?   | ?   | ?                | 1                | 1  | Reserved   |  |  |  |
|     |                 | 1   | 0   | 0   | 0   | 0                | 0                | 0  | 1  | RCPU, show cycle address instruction, program trace, supervisor mode |  |  |
|     |                 |     |     |     |     |                  | 1                | 1  | 1  | RCPU, show cycle address instruction, supervisor mode                |  |  |
|     |                 |     |     |     | 1   | 0                | 1                | 0  | 1  | 0  | RCPU, reservation show cycle data, supervisor mode |  |
|     |                 |     |     |     |     |                  |                  | 1  | 1  | 1  | RCPU, show cycle data, supervisor mode             |  |
|     |                 |     |     | 1   | 0   | 0                | 0                | 0  | 1  | 1  | 1  | RCPU, show cycle address instruction, program trace, user mode |
|     | 1               |     |     |     |     |                  |                  |  | 1  | 1  | RCPU, show cycle address instruction, user mode    |  |
|     | 1               |     |     |     | 0   | 1                | 0                | 1  | 0  | 1  | 0  | RCPU, reservation show cycle data, user mode                   |
|     |                 |     |     |     |     |                  |                  |  | 1  | 1  | 1  | RCPU, show cycle data, user mode                               |
|     | 1               | ?   | ?   | ?   | ?   | 1                | 1                | Reserved   |  |  |  |  |

<sup>1</sup> Cases in which both  $\overline{TS}$  and  $\overline{STS}$  are asserted indicate normal cycles with the show cycle attribute.

### 9.5.8.7 Burst Data in Progress

This signal is sent from the master to the slave to indicate that there is a data beat following the current data beat. The master uses this signal to give the slave advance warning of the remaining data in the burst.  $\overline{BDIP}$  can also be used to terminate the burst cycle early. Refer to [Section 9.5.4, “Burst Transfer”](#) and [Section 9.5.5, “Burst Mechanism”](#) for more information. Refer to [Section 10.10.3, “Memory Controller Base Registers \(BR0–BR3\)”](#) for memory controller  $\overline{BDIP}$  options.

### 9.5.9 Termination Signals

The EBI uses three termination signals:

- Transfer acknowledge ( $\overline{TA}$ )
- Burst inhibit ( $\overline{BI}$ )
- Transfer error acknowledge ( $\overline{TEA}$ )

#### 9.5.9.1 Transfer Acknowledge

Transfer acknowledge ( $\overline{TA}$ ) indicates normal completion of the bus transfer. During a burst cycle, the slave asserts this signal with every data beat returned or accepted.

#### 9.5.9.2 Burst Inhibit

A slave sends the  $\overline{BI}$  signal to the master to indicate that the addressed device does not have burst capability. If this signal is asserted, the master must transfer in multiple cycles and increment the address for the slave to complete the burst transfer. For a system that does not use the burst mode at all, this signal can be tied low permanently. Refer to [Section 10.10.3, “Memory Controller Base Registers \(BR0–BR3\)”](#) for  $\overline{BI}$  options.

#### 9.5.9.3 Transfer Error Acknowledge

The  $\overline{TEA}$  signal terminates a bus cycle under one or more bus error conditions. The current bus cycle must be aborted. This signal overrides any other cycle termination signals, such as transfer acknowledge.

#### 9.5.9.4 Termination Signals Protocol

The transfer protocol was defined to avoid electrical contention on lines that can be driven by various sources. To this end, a slave must not drive signals associated with the data transfer until the address phase is completed and it recognizes the address as its own. The slave must disconnect from signals immediately after it has acknowledged the cycle and no later than the termination of the next address phase cycle. This means that the termination signals must be connected to power through a pull-up resistor to avoid the situation in which a master samples an undefined value in any of these signals when no real slave is addressed.

Refer to [Figure 9-28](#) and [Figure 9-29](#).



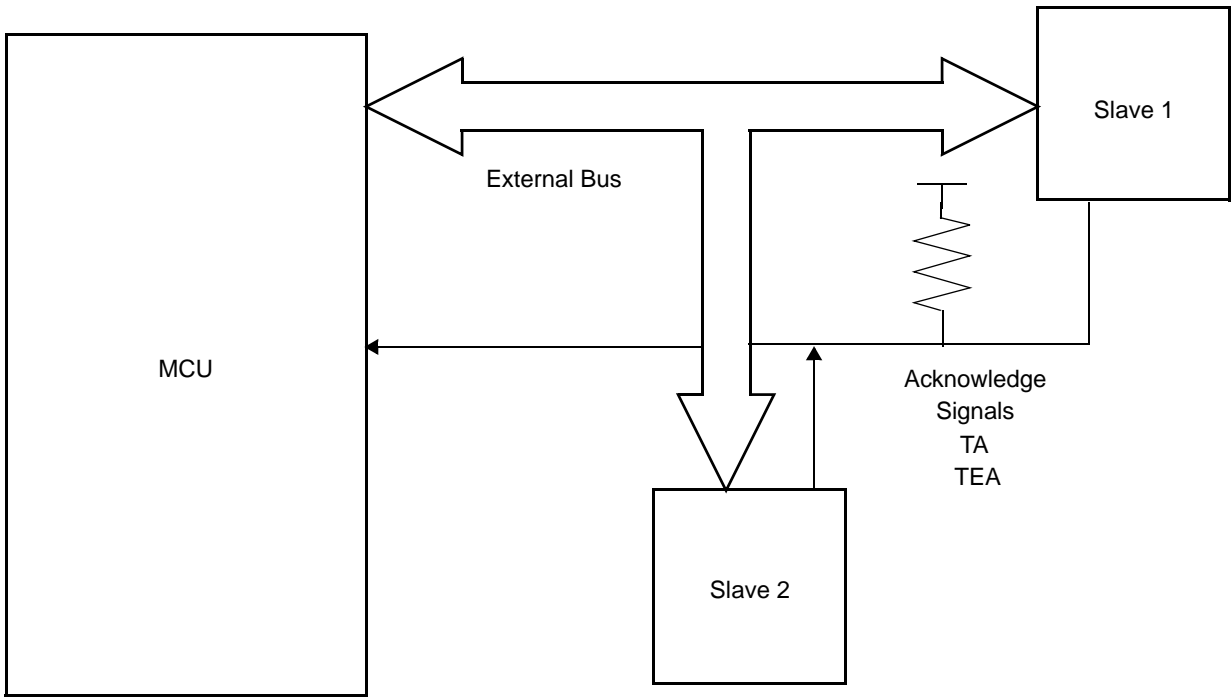


Figure 9-28. Termination Signals Protocol Basic Connection

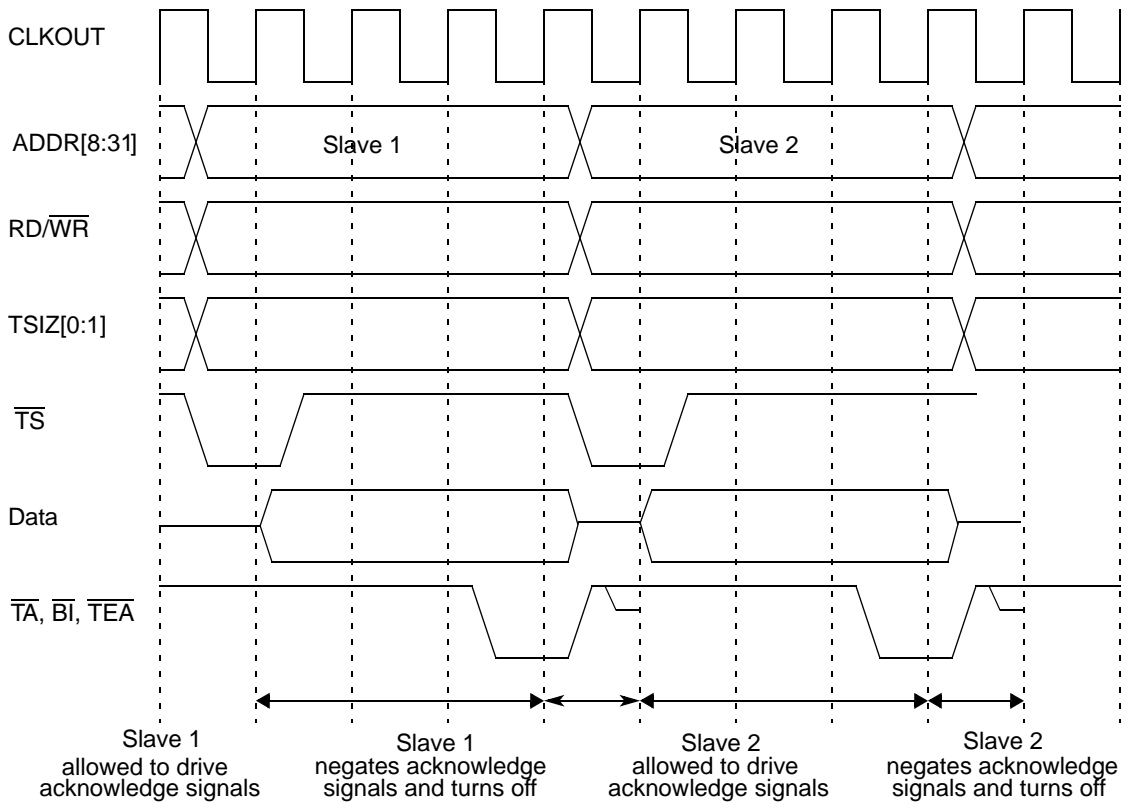


Figure 9-29. Termination Signals Protocol Timing Diagram

## 9.5.10 Storage Reservation

Reservation occurs when a master loads data from memory. The memory location must not be overwritten until the master finishes processing the data and writing the results back to the reserved location. The MPC565 storage reservation protocol supports a multi-level bus structure. For each local bus, storage reservation is handled by the local reservation logic.

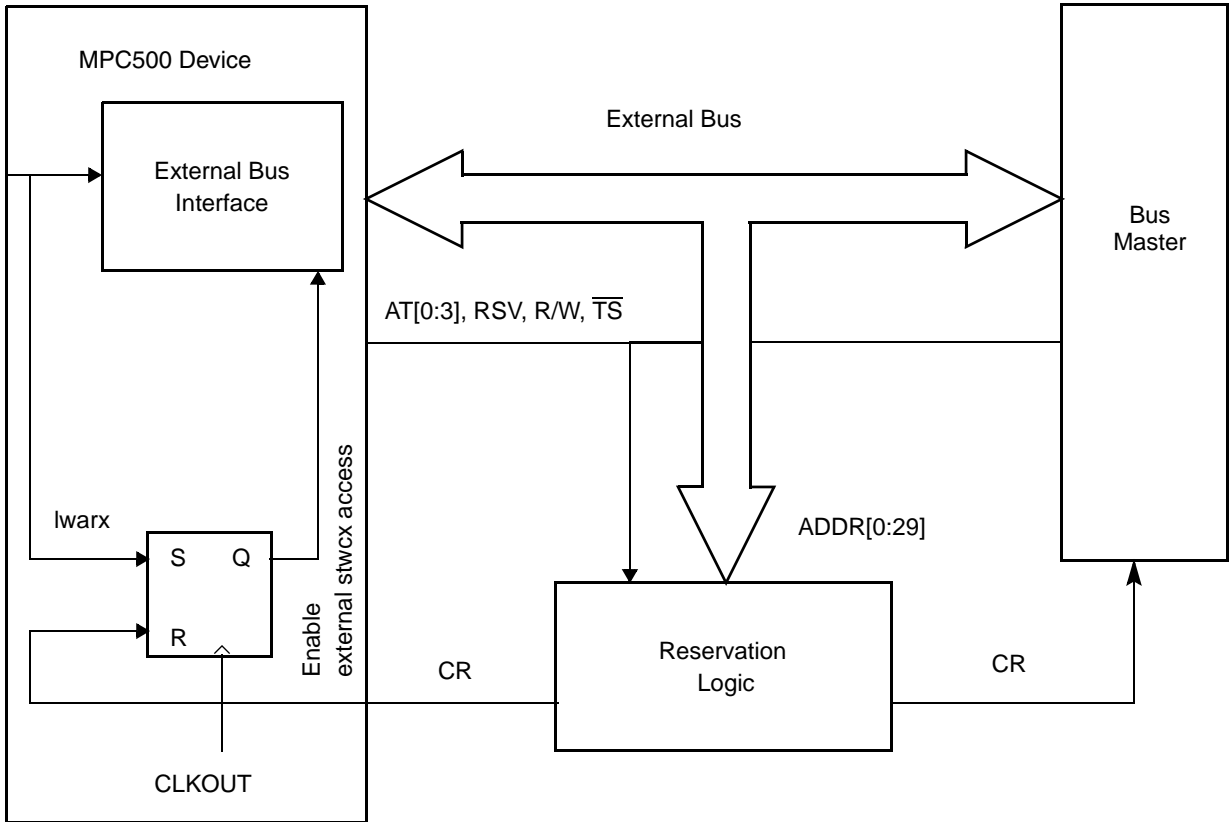
The protocol tries to optimize reservation cancellation such that an MPC500 processor is notified of storage reservation loss on a remote bus only when it has issued a conditional storeword (stwcx) cycle to that address. That is, the reservation loss indication comes as part of the stwcx cycle. This method avoids the need to have very fast storage reservation loss indication signals routed from every remote bus to every MPC500 master.

The storage reservation protocol makes the following assumptions:

- Each processor has, at most, one reservation flag
- lwarx sets the reservation flag
- lwarx by the same processor clears the reservation flag related to a previous lwarx instruction and again sets the reservation flag
- stwcx by the same processor clears the reservation flag
- Store by the same processor does not clear the reservation flag
- Some other processor (or other mechanism) store to the same address as an existing reservation clears the reservation flag
- In case the storage reservation is lost, it is guaranteed that stwcx will not modify the storage

The reservation protocol for a single-level (local) bus is illustrated in [Figure 9-30](#). The protocol assumes that an external logic on the bus carries out the following functions:

- Snoops accesses to all local bus slaves
- Holds one reservation for each local master capable of storage reservations
- Sets the reservation when that master issues a load and reserve request
- Clears the reservation when some other master issues a store to the reservation address

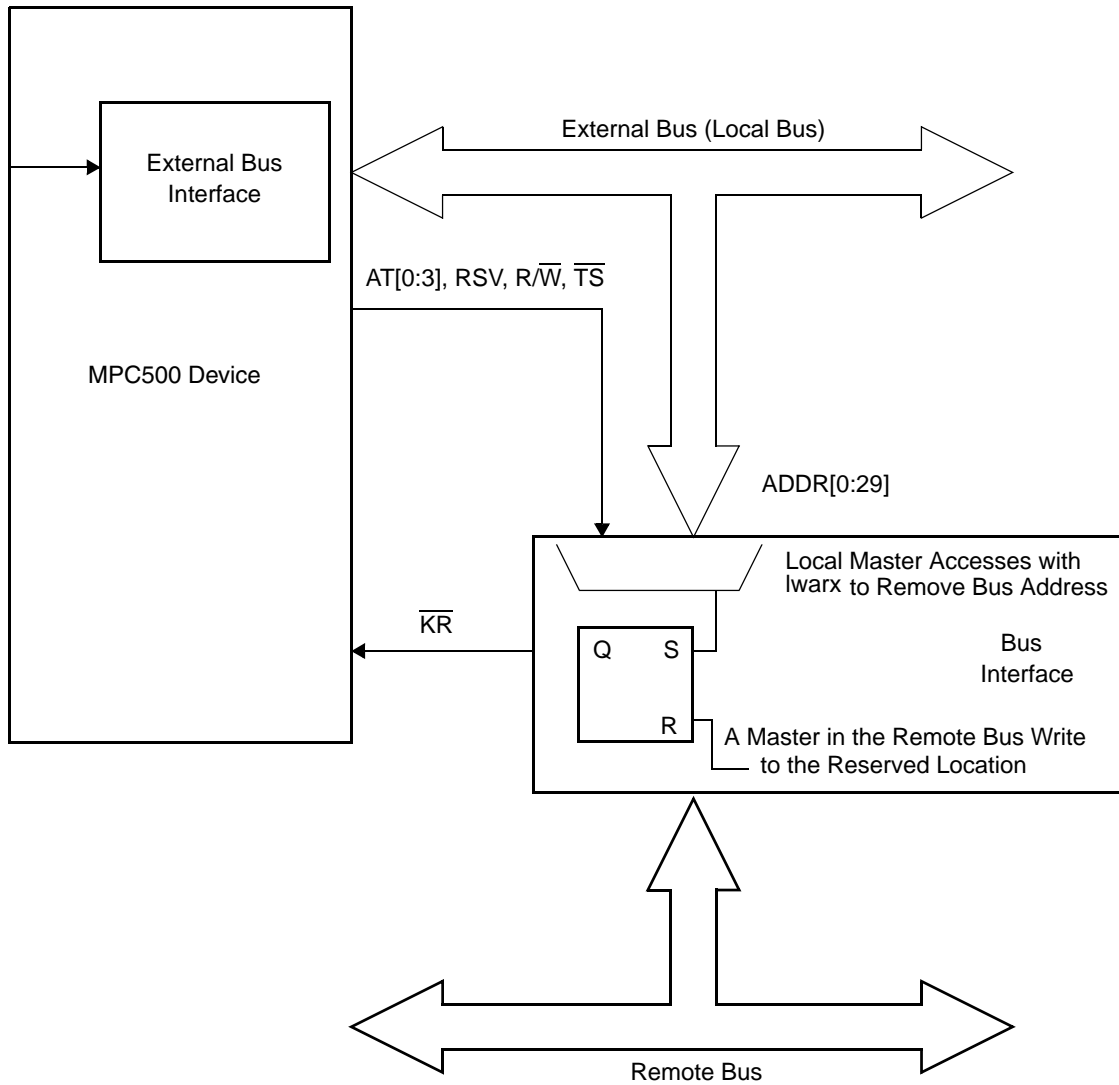


**Figure 9-30. Reservation on Local Bus**

The MPC565 samples the  $\overline{CR}$  line at the rising edge of CLKOUT. When this signal is asserted, the reservation flag is reset (negated).

The external bus interface (EBI) samples the logical value of the reservation flag prior to externally starting a bus cycle initiated by the RCPU stwxc instruction. If the reservation flag is set, the EBI begins with the bus cycle. If the reservation flag is reset, no bus cycle is initiated externally, and this situation is reported to the RCPU.

The reservation protocol for a multi-level (local) bus is illustrated in [Figure 9-31](#). The system describes the situation in which the reserved location is sited in the remote bus.



**Figure 9-31. Reservation on Multi-level Bus Hierarchy**

In this case, the bus interface block implements a reservation flag for the local bus master. The reservation flag is set by the bus interface when a load with reservation is issued by the local bus master and the reservation address is located on the remote bus. The flag is reset (negated) when an alternative master on the remote bus accesses the same location in a write cycle. If the MPC565 begins a memory cycle to the previously reserved address (located in the remote bus) as a result of an stwvx instruction, the following two cases can occur:

- If the reservation flag is set, the buses interface acknowledges the cycle in a normal way
- If the reservation flag is reset, the bus interface should assert the  $\overline{KR}$ . However, the bus interface should not perform the remote bus write-access or abort it if the remote bus supports aborted cycles. In this case the failure of the stwvx instruction is reported to the RCPUR.

## 9.5.11 Bus Exception Control Cycles

The MPC565 bus architecture requires assertion of  $\overline{TA}$  from an external device to signal that the bus cycle is complete.  $\overline{TA}$  is not asserted in the following cases:

- The external device does not respond
- Various other application-dependent errors occur

External circuitry can provide  $\overline{TEA}$  when no device responds by asserting  $\overline{TA}$  within an appropriate period of time after the MPC565 initiates the bus cycle (it can be the internal bus monitor). This allows the cycle to terminate and the processor to enter exception-processing for the error condition (each one of the internal masters causes an internal interrupt under this situation). To properly control termination of a bus cycle for a bus error,  $\overline{TEA}$  must be asserted at the same time or before  $\overline{TA}$  is asserted.  $\overline{TEA}$  should be negated before the second rising edge after it was sampled as asserted to avoid the detection of an error for the next initiated bus cycle.  $\overline{TEA}$  is an open drain pin that allows the “wired-or” of any different sources of error generation.

### 9.5.11.1 Retrying a Bus Cycle

When an external device asserts the  $\overline{RETRY}$  signal during a bus cycle, the MPC565 enters a sequence in which it terminates the current transaction, relinquishes the ownership of the bus, and retries the cycle using the same address, address attributes, and data (in the case of a write cycle).

Figure 9-32 illustrates the behavior of the MPC565 when the  $\overline{RETRY}$  signal is detected as a termination of a transfer. As seen in this figure, in the case when the internal arbiter is enabled, the MPC565 negates  $\overline{BB}$  and asserts  $\overline{BG}$  in the clock cycle following the retry detection. This allows any external master to gain bus ownership. In the next clock cycle, a normal arbitration procedure occurs again. As shown in the figure, the external master did not use the bus, so the MPC565 initiates a new transfer with the same address and attributes as before.

In Figure 9-33, the same situation is shown except that the MPC565 is working with an external arbiter. In this case, in the clock cycle after the  $\overline{RETRY}$  signal is detected asserted,  $\overline{BR}$  is negated together with  $\overline{BB}$ . One clock cycle later, the normal arbitration procedure occurs again.

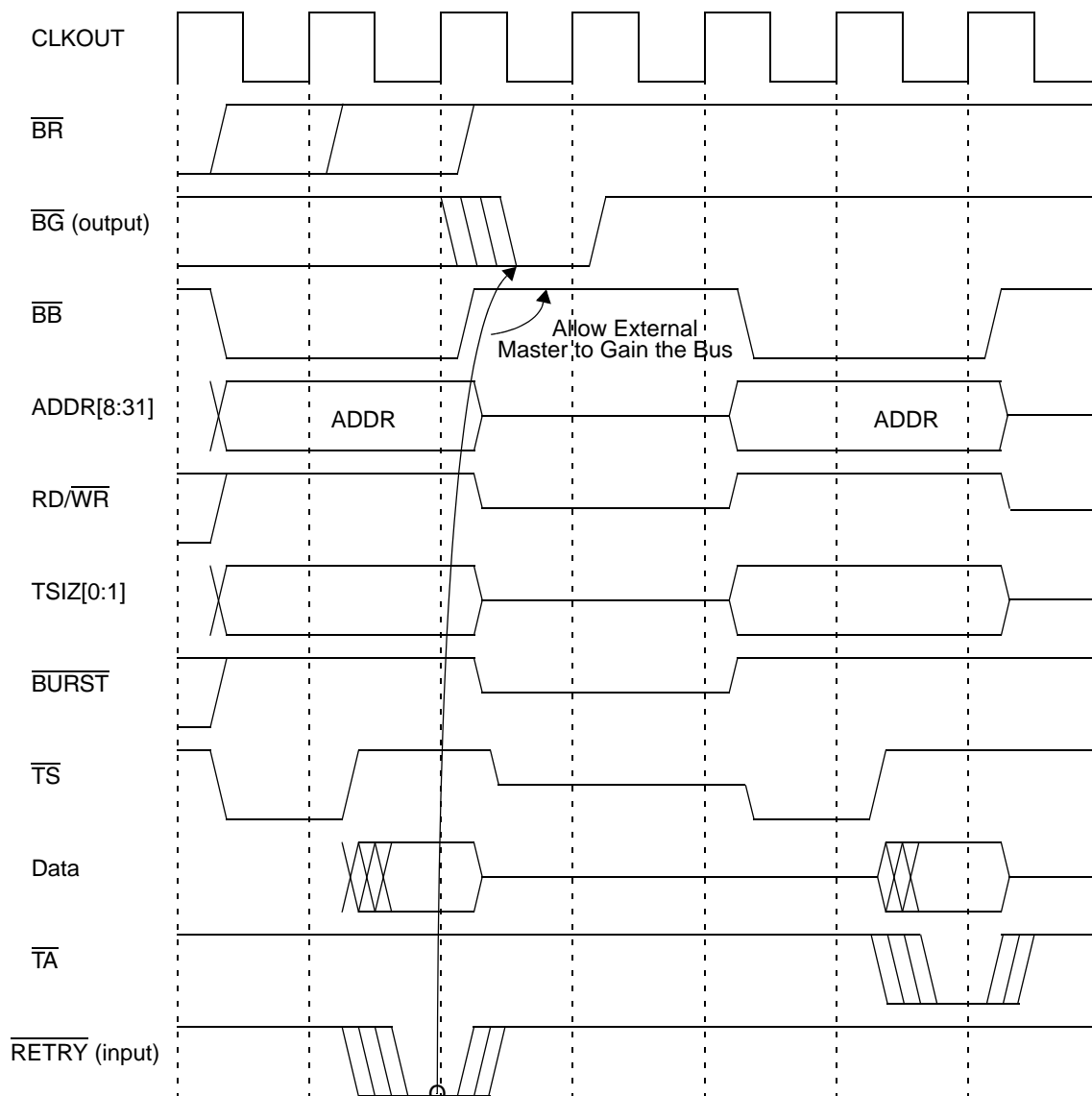
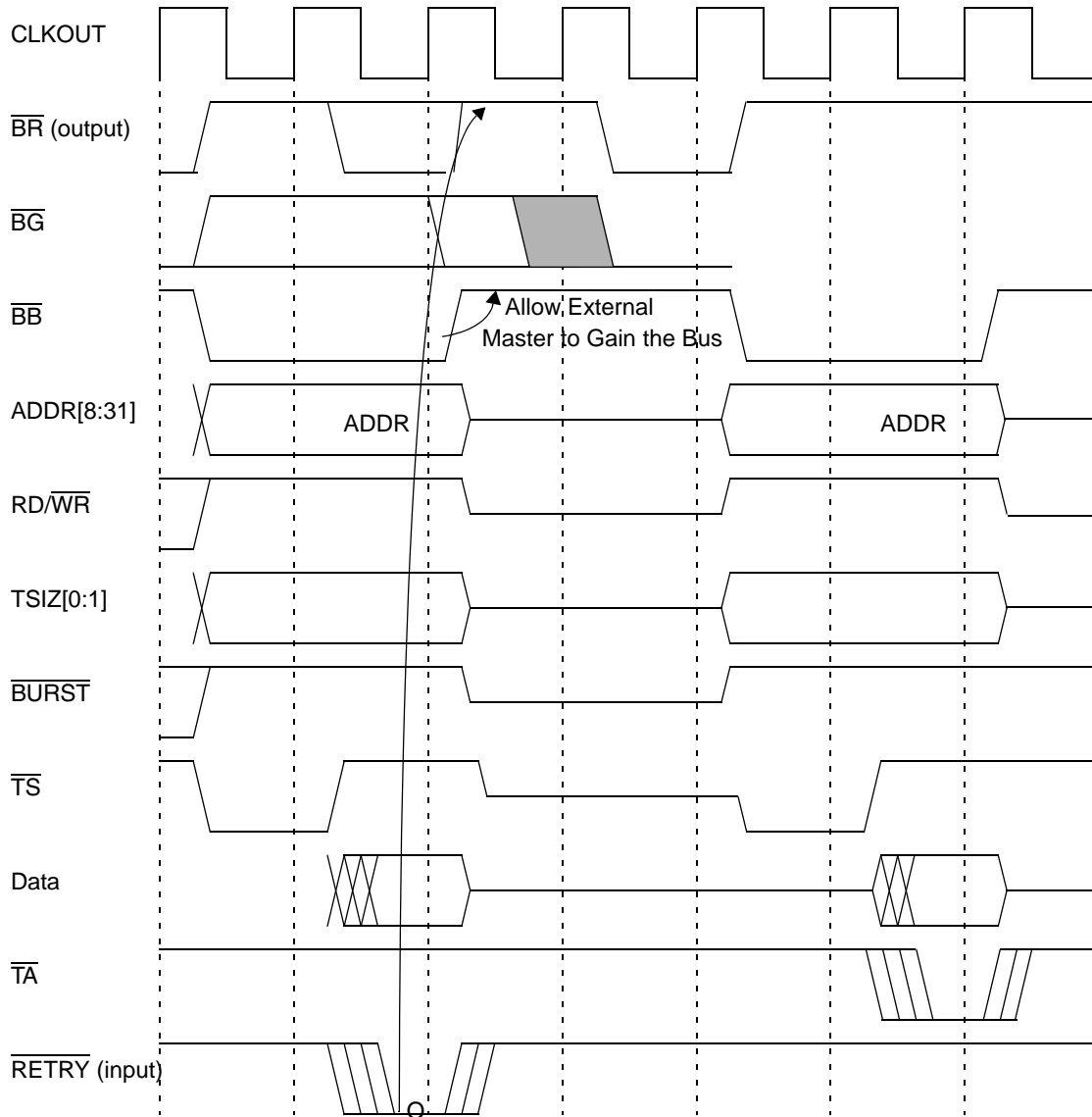
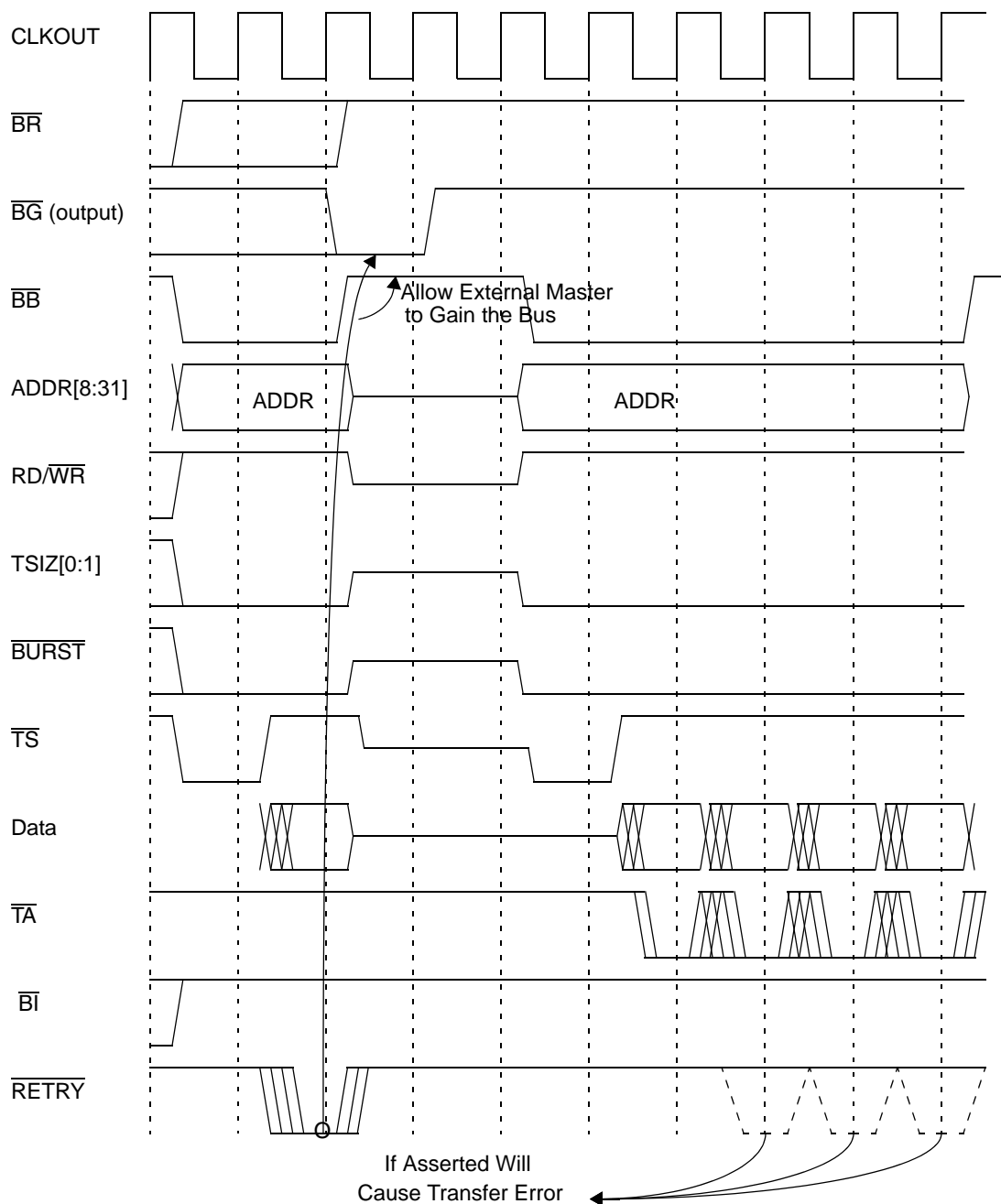


Figure 9-32. Retry Transfer Timing – Internal Arbiter



**Figure 9-33. Retry Transfer Timing – External Arbiter**

When the MPC565 initiates a burst access, the bus interface recognizes the  $\overline{\text{RETRY}}$  assertion as a retry termination only if it detects it before the first data beat was acknowledged by the slave device. When the  $\overline{\text{RETRY}}$  signal is asserted as a termination signal on any data beat of the access after the first (being the first data beat acknowledged by a normal  $\overline{\text{TA}}$  assertion), the MPC565 recognizes  $\overline{\text{RETRY}}$  as a transfer error acknowledge.



**Figure 9-34. Retry on Burst Cycle**

If a burst access is acknowledged on its first beat with a normal  $\overline{T\bar{A}}$  but with the  $\overline{B\bar{I}}$  signal asserted, the following single-beat transfers initiated by the MPC565 to complete the 16-byte transfer recognizes the  $\overline{R\bar{E}T\bar{R}Y}$  signal assertion as a transfer error acknowledge.

In the case in which a small port size causes the MPC565 to break a bus transaction into several small transactions, terminating any transaction with  $\overline{R\bar{E}T\bar{R}Y}$  causes a transfer error acknowledge. See [Section 9.5.2.3, “Single Beat Flow with Small Port Size.”](#)



### 9.5.11.2 Termination Signals Protocol Summary

Table 9-9 summarizes how the MPC565 recognizes the termination signals provided by the slave device that is addressed by the initiated transfer.

**Table 9-9. Termination Signals Protocol**

| $\overline{\text{TEA}}$ | $\overline{\text{TA}}$ | $\overline{\text{RETRY}}$ | Action                      |
|-------------------------|------------------------|---------------------------|-----------------------------|
| Asserted                | X                      | X                         | Transfer error termination  |
| Negated                 | Asserted               | X                         | Normal transfer termination |
| Negated                 | Negated                | Asserted                  | Retry transfer termination  |

### 9.5.12 Bus Operation in External Master Modes

When an external master takes ownership of the external bus and the MPC565 is programmed for external master mode operation, the external master can access the internal space of the MPC565 (see [Section 6.1.2, “External Master Modes”](#)). In external master mode, the external master owns the bus, and the direction of most of the bus signals is inverted, relative to its direction when the MPC565 owns the bus.

The external master gets ownership of the bus and asserts  $\overline{\text{TS}}$  in order to initiate an external master access. The access is directed to the internal bus only if the input address matches the internal address space. The access is terminated with one of the following outputs:  $\overline{\text{TA}}$ ,  $\overline{\text{TEA}}$ , or  $\overline{\text{RETRY}}$ . If the access completes successfully, the MPC565 asserts  $\overline{\text{TA}}$ , and the external master can proceed with another external master access or relinquish the bus. If an address or data error is detected internally, the MPC565 asserts  $\overline{\text{TEA}}$  for one clock.  $\overline{\text{TEA}}$  should be negated before the second rising edge after it is sampled asserted in order to avoid the detection of an error for the next bus cycle initiated.  $\overline{\text{TEA}}$  is an open drain pin, and the negation timing depends on the attached pull-up. The MPC565 asserts the  $\overline{\text{RETRY}}$  signal for one clock in order to retry the external master access.

If the address of the external access does not match the internal memory space, the internal memory controller can provide the chip-select and control signals for accesses that belong to one of the memory controller regions. This feature is explained in [Chapter 10, “Memory Controller.”](#)

[Figure 9-35](#) and [Figure 9-36](#) illustrate the basic flow of read and write external master accesses.

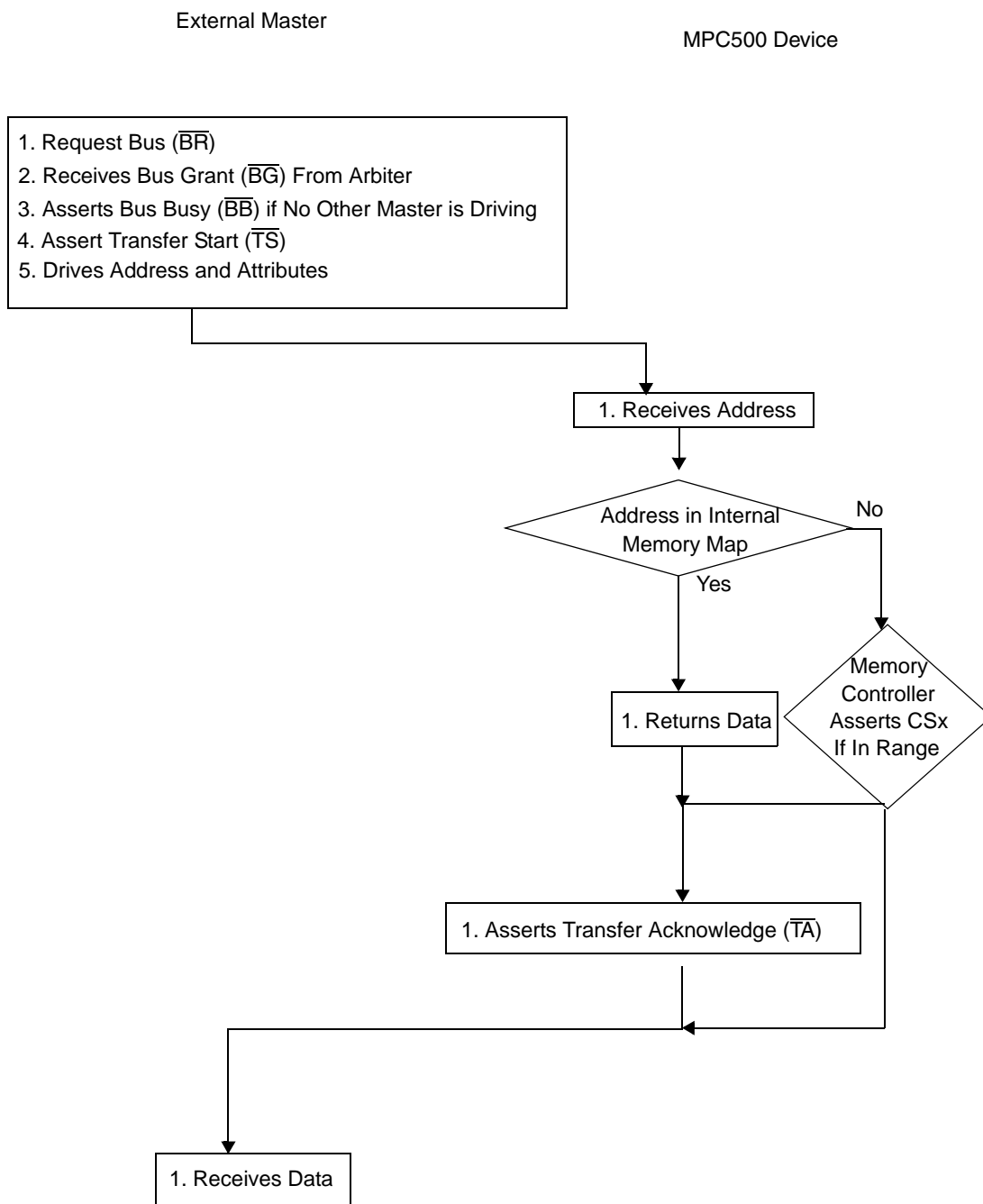
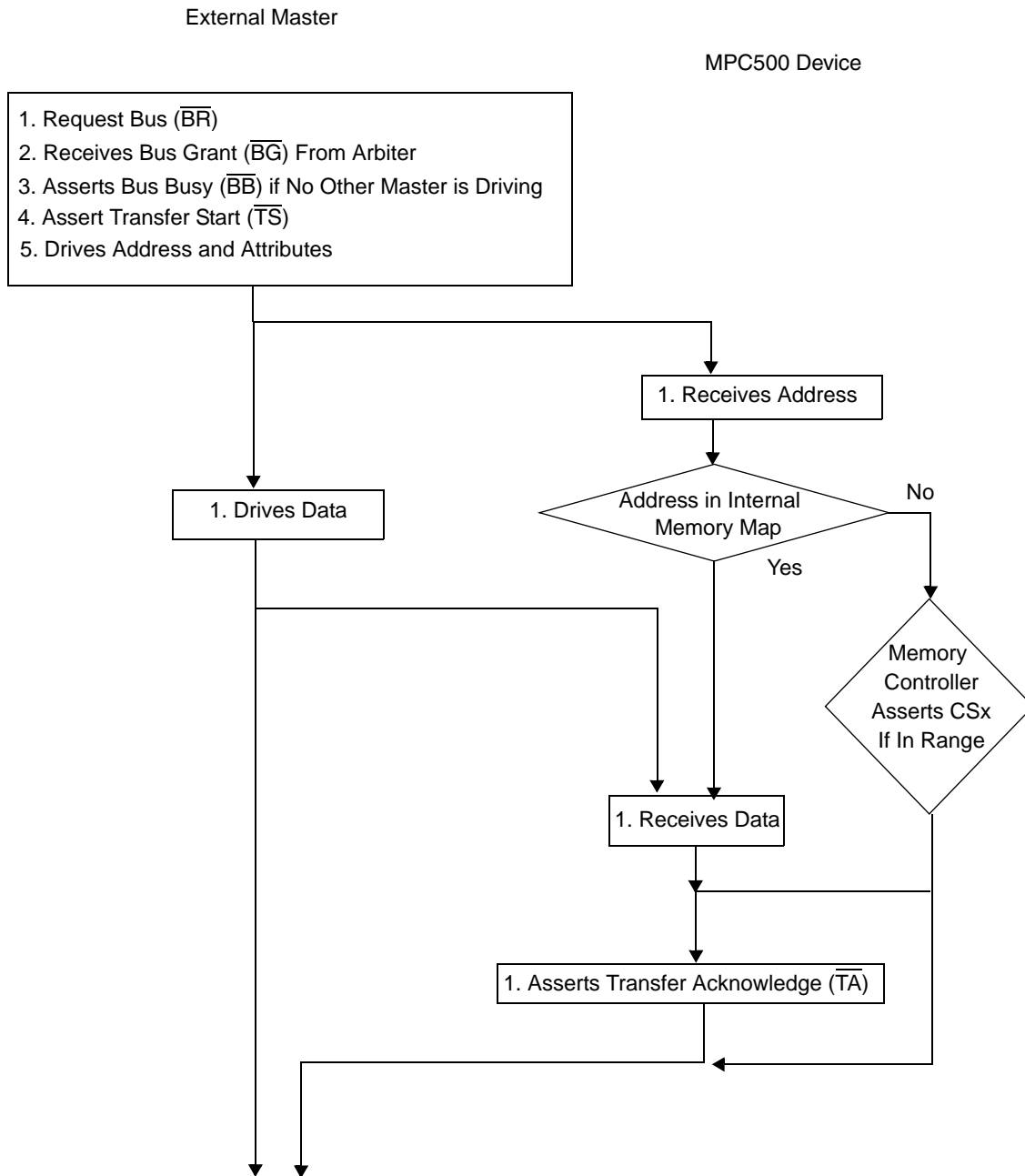


Figure 9-35. Basic Flow of an External Master Read Access



**Figure 9-36. Basic Flow of an External Master Write Access**

Figure 9-37, Figure 9-38, and Figure 9-39 describe read and write cycles from an external master accessing internal space in the MPC565.

**NOTE**

The minimum number of wait states for such access is two clocks. The accesses in these figures are valid for both peripheral mode and slave mode.

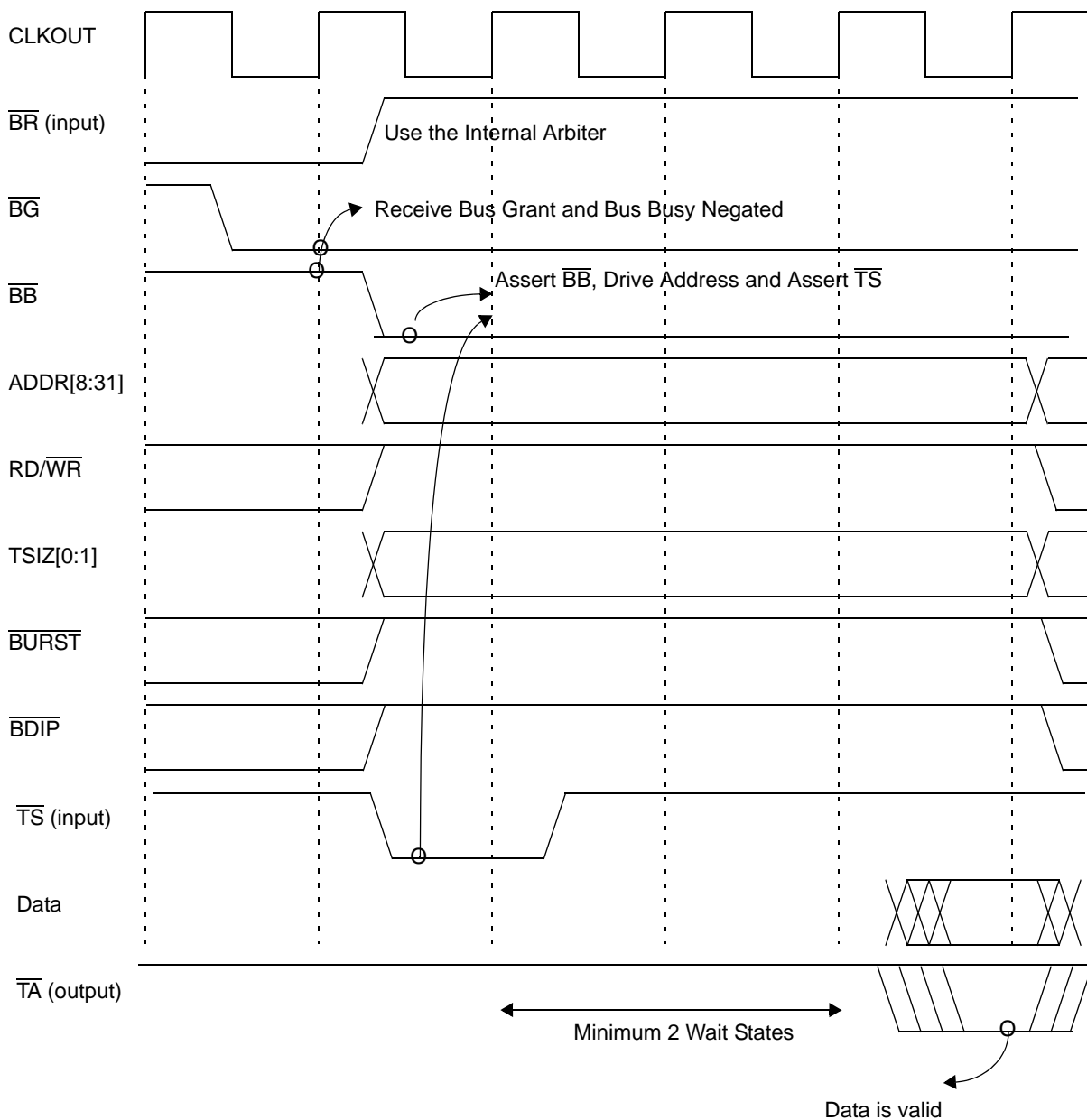


Figure 9-37. Peripheral Mode: External Master Reads from MPC565 (Two Wait States)

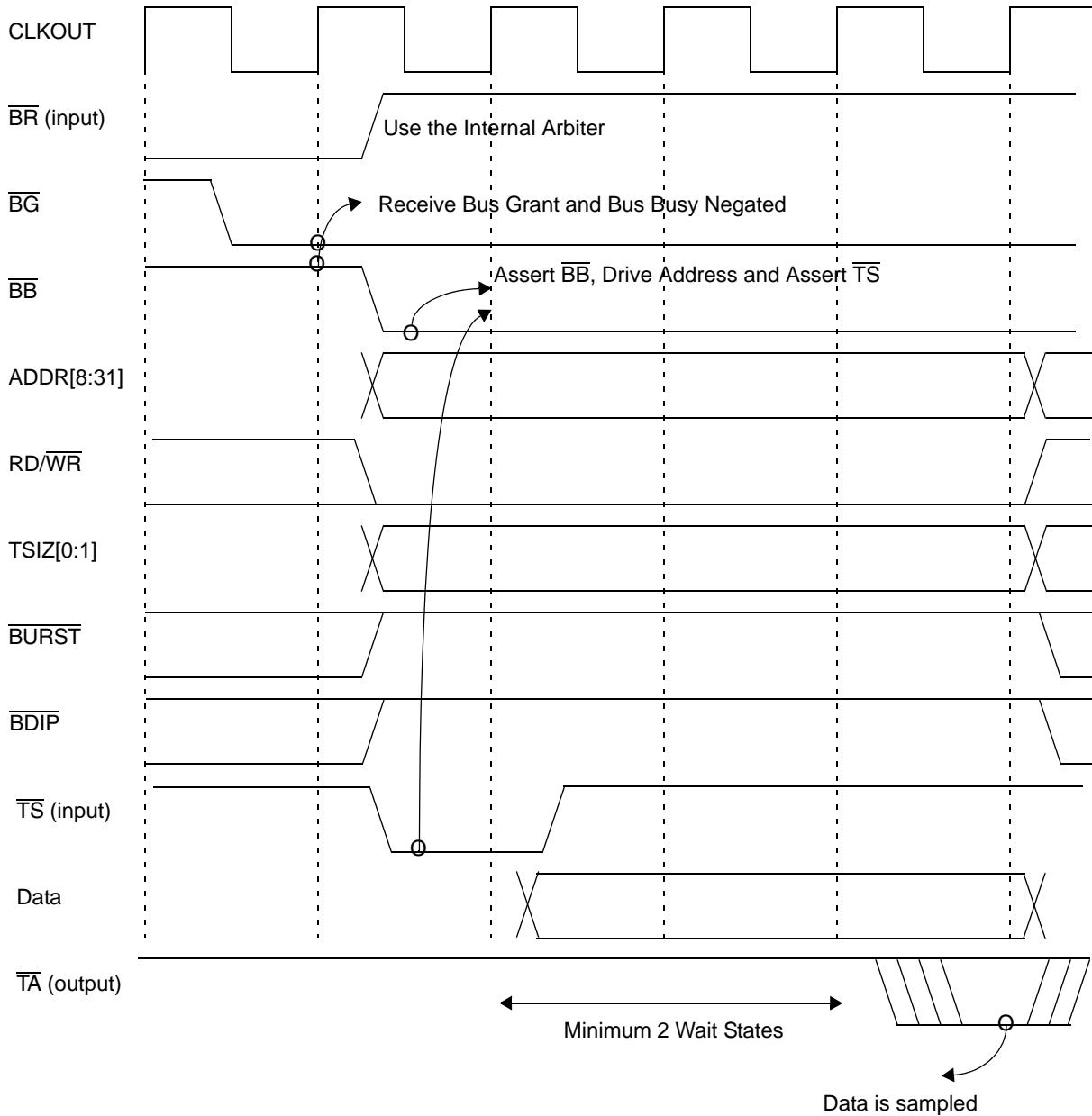


Figure 9-38. Peripheral Mode: External Master Writes to MPC565 (Two Wait States)

### 9.5.13 Contention Resolution on External Bus

When the MPC565 is in slave mode, external master access to the MPC565 internal bus can be terminated with relinquish and retry in order to allow a pending internal-to-external access to be executed. The  $\overline{RETRY}$  signal functions as an output that signals the external master to release the bus ownership and retry the access after one clock.

Figure 9-39 describes the flow of an external master retried access. Figure 9-40 shows the timing when an external access is retried and a pending internal-to-external access follows.

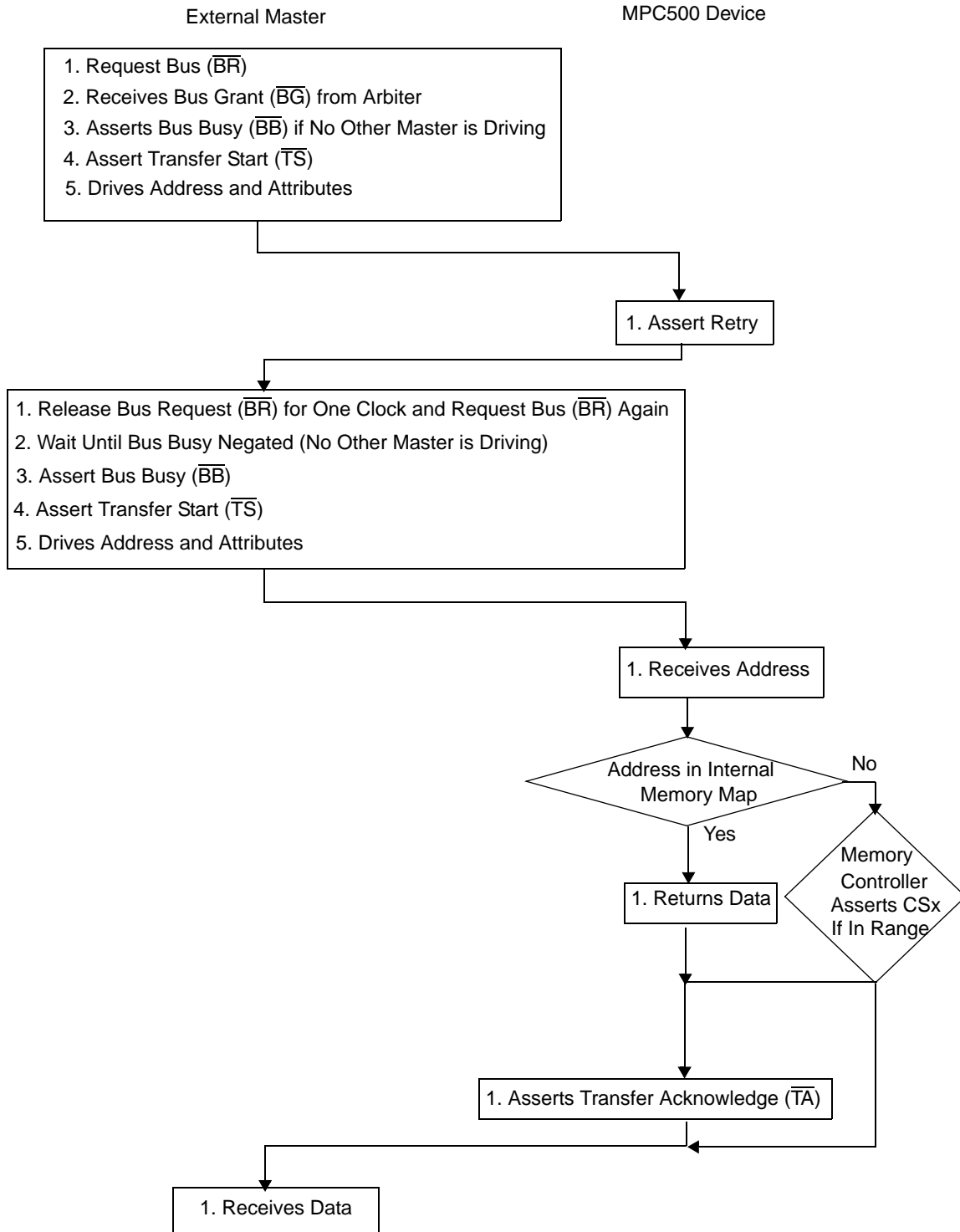
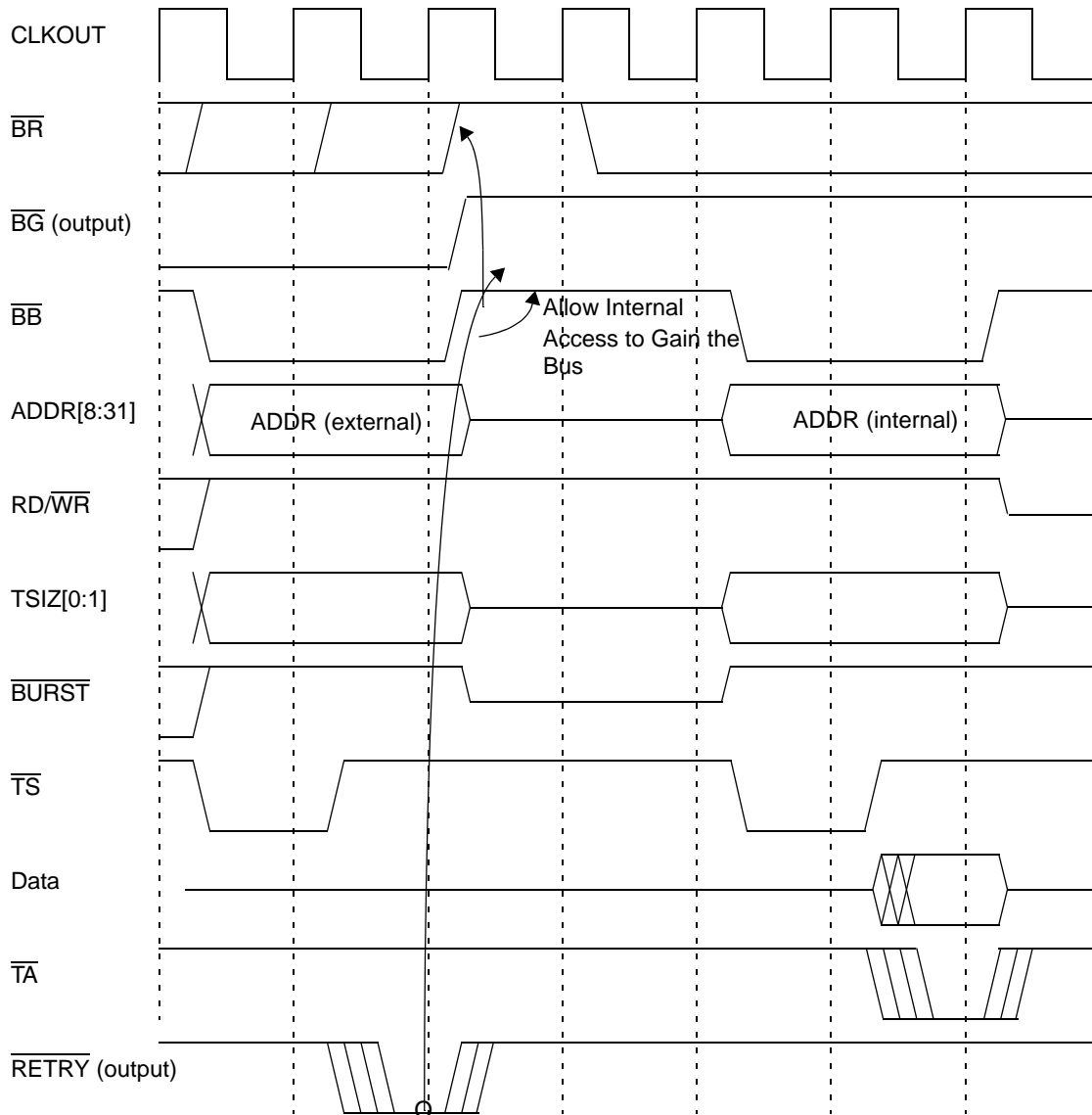


Figure 9-39. Flow of Retry of External Master Read Access



**Note:** the delay for the internal to external cycle may be one clock or greater.

**Figure 9-40. Retry of External Master Access (Internal Arbiter)**

### 9.5.14 Show Cycle Transactions

Show cycles are representations of RCPU accesses to internal devices of the MPC565. These accesses are driven externally for emulation, visibility, and debugging purposes. A show cycle can have one address phase and one data phase, or just an address phase in the case of instruction show cycles. The cycle can be a write or a read access. The data for both the read and write accesses should be driven by the bus master. (This is different from normal bus read and write accesses.) The address and data of the show cycle must each be valid on the bus for one clock. The data phase must not require a transfer acknowledge to terminate the bus show cycle.

Show cycles are activated by properly setting the SIUMCR register bits. Refer to [Section 6.2.2.1.1, “SIU Module Configuration Register \(SIUMCR\)”](#). Construction visibility is controlled by the ISCT\_SER bits in the ICTRL register. Refer to [Table 22-26](#). Data visibility is controlled by the LSHOW bits of the L2U\_MCR register. Refer to [Table 11-7](#).

In a burst show cycle only the first data beat is shown externally. Refer to [Table 9-8](#) for show cycle transaction encodings.

Instruction show cycle bus transactions have the following characteristics (see [Figure 9-41](#)):

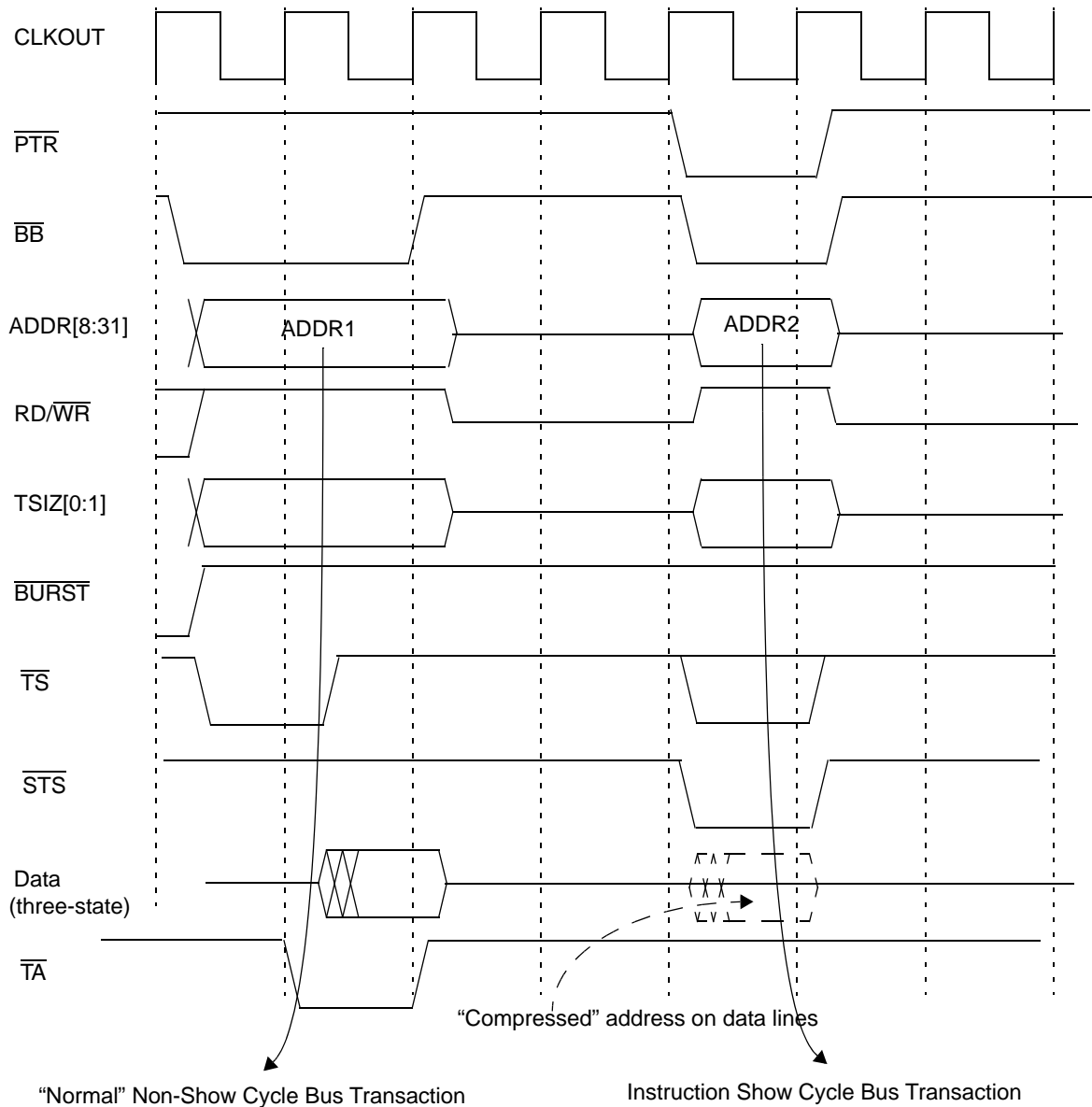
- One clock cycle
- Address phase only; in decompression on mode part of the compressed address is driven on data lines together with address lines. The external bus interface adds one clock delay between a read cycle and such show cycle.
- $\overline{STS}$  assertion only (no  $\overline{TA}$  assertion)

The compressed address is driven on the external bus in the following manner:

- ADDR[0:29] = the word base address;
- DATA[0] = operating mode:
  - 0 = decompression off mode;
  - 1 = decompression on mode;
- DATA[1:4] = bit pointer

See [Chapter 4, “Burst Buffer Controller 2 Module”](#) and [Appendix A, “MPC566 Compression Features”](#) for more details about decompression mode.

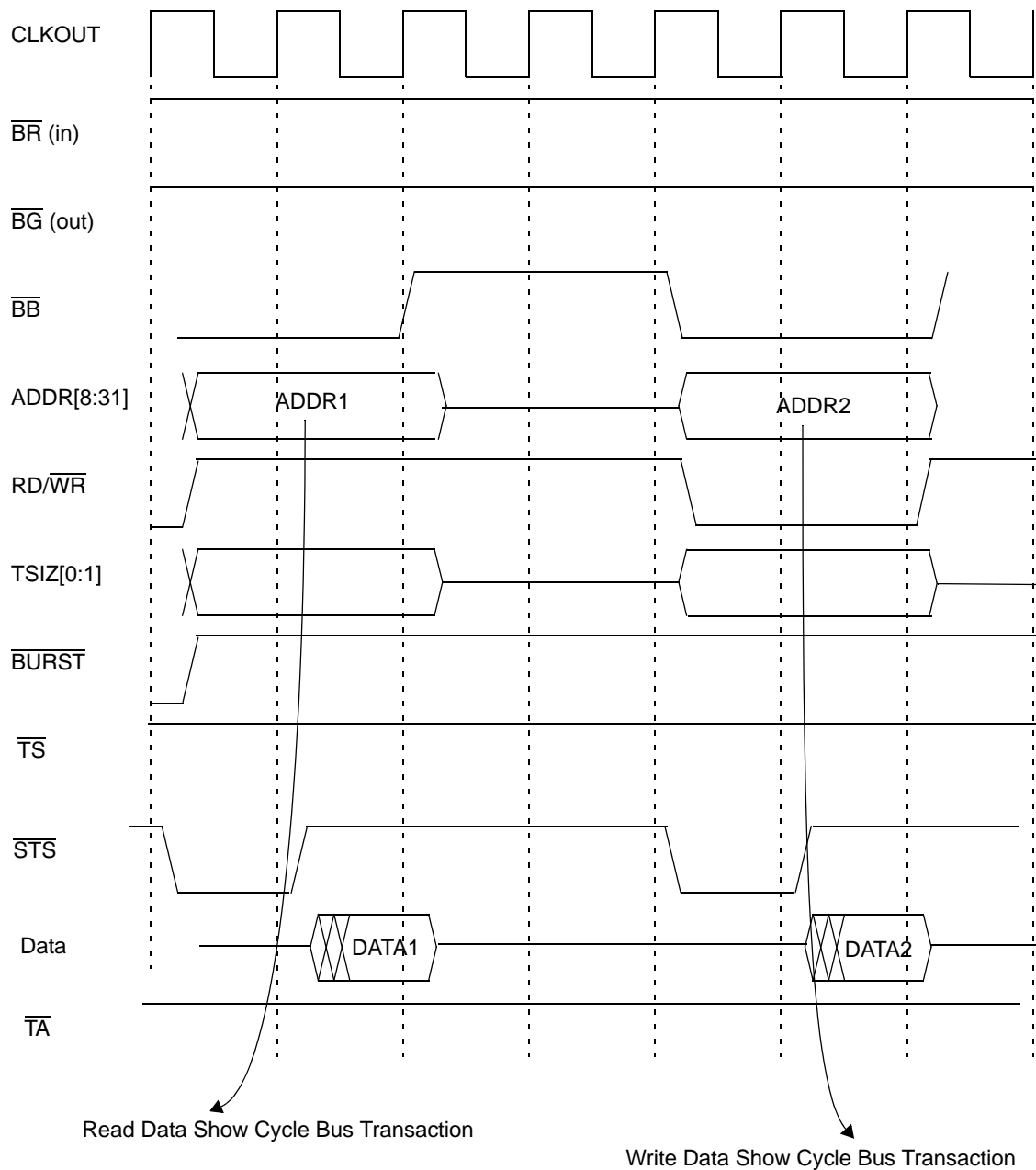




**Figure 9-41. Instruction Show Cycle Transaction**

Both read and write data show cycles have the following characteristics: (see [Figure 9-42](#))

- Two clock cycle duration
- Address valid for two clock cycles
- Data is valid only in the second clock cycle
- $\overline{STS}$  signal only is asserted (no  $\overline{TA}$  or  $\overline{TS}$ )



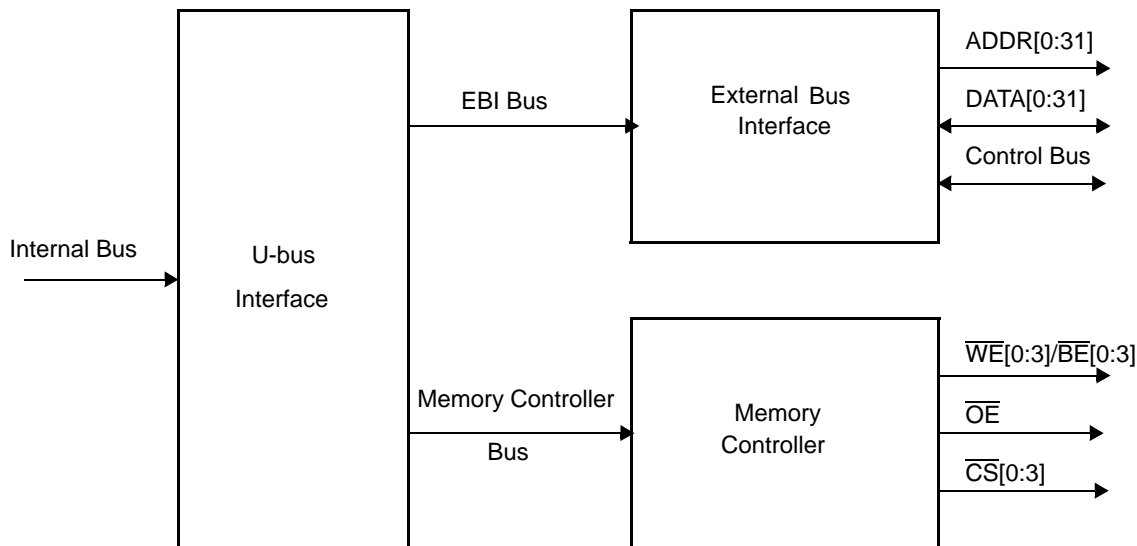
**Figure 9-42. Data Show Cycle Transaction**

## Chapter 10

# Memory Controller

The memory controller generates interface signals to support a glueless interface to external memory and peripheral devices. It supports four regions, each with its own programmed attributes. The four regions are controlled by four chip-select signals. Read and write strobes are also provided.

The memory controller operates in parallel with the external bus interface to support external cycles. When an access to one of the memory regions is initiated, the memory controller takes ownership of the external signals and controls the access until its termination. Refer to [Figure 10-1](#).

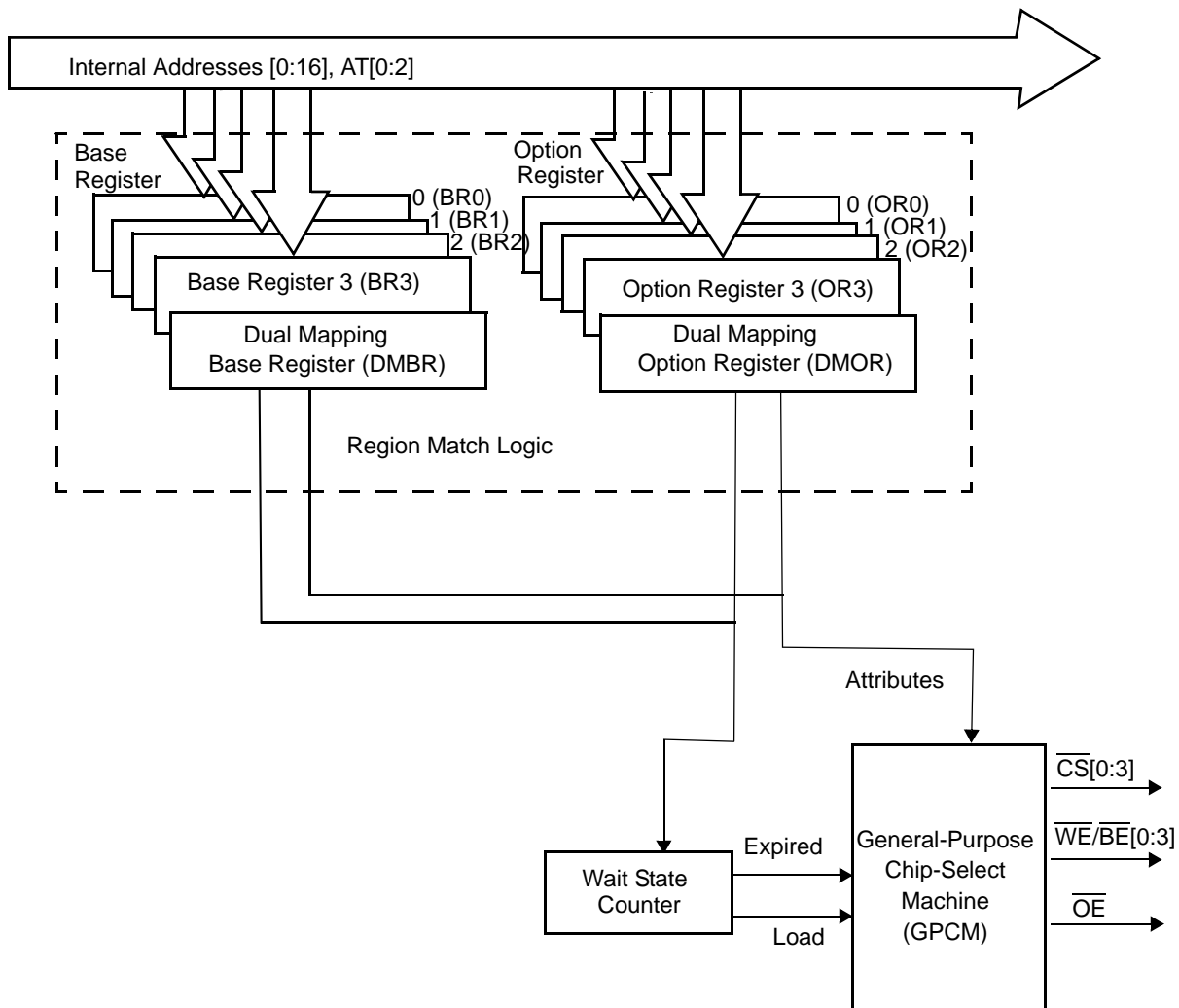


**Figure 10-1. Memory Controller Function within the USIU**

### 10.1 Overview

The memory controller provides a glueless interface to external EPROM, static RAM (SRAM), Flash (EEPROM), and other peripherals. The general-purpose chip-selects are available on lines  $\overline{CS0}$  through  $\overline{CS3}$ .  $\overline{CS0}$  also functions as the global (boot) chip-select for accessing the boot Flash EEPROM. The chip select allows zero to 30 wait states.

[Figure 10-2](#) is a block diagram of the MPC565 memory controller.



**Figure 10-2. Memory Controller Block Diagram**

Most memory controller features are common to all four banks. (For features unique to the  $\overline{CS}0$  bank, refer to [Section 10.7, “Global \(Boot\) Chip-Select Operation.”](#)) A full 32-bit address decode for each memory bank is possible with 17 bits having address masking. The full 32-bit decode is available, even if all 32 address bits are not MPC565 signals connected to the external device.

Each memory bank includes a variable block size of 32 Kbytes, 64 Kbytes and up to four Gbytes. Each memory bank can be selected for read-only or read/write operation. The access to a memory bank can be restricted to certain address type codes for system protection. The address type comparison occurs with a mask option as well.

From 0 to 30 wait states can be programmed with  $\overline{TA}$  generation. Four write-enable and byte-enable signals ( $\overline{WE}/\overline{BE}[0:3]$ ) are available for each byte that is written to memory. An output enable ( $\overline{OE}$ ) signal is provided to eliminate external glue logic. A memory transfer start ( $\overline{MTS}$ ) strobe permits one master on a bus to access external memory through the chip selects on another.

The memory controller functionality allows MPC565-based systems to be built with little or no glue logic. A minimal system using no glue logic is shown in [Figure 10-3](#). In this example  $\overline{CS}0$  is used for a 16-bit

boot EPROM and  $\overline{CS1}$  is used for a 32-bit SRAM. The  $\overline{WE}/\overline{BE}[0:3]$  signals are used both to program the EPROM and to enable write access to various bytes in the RAM.

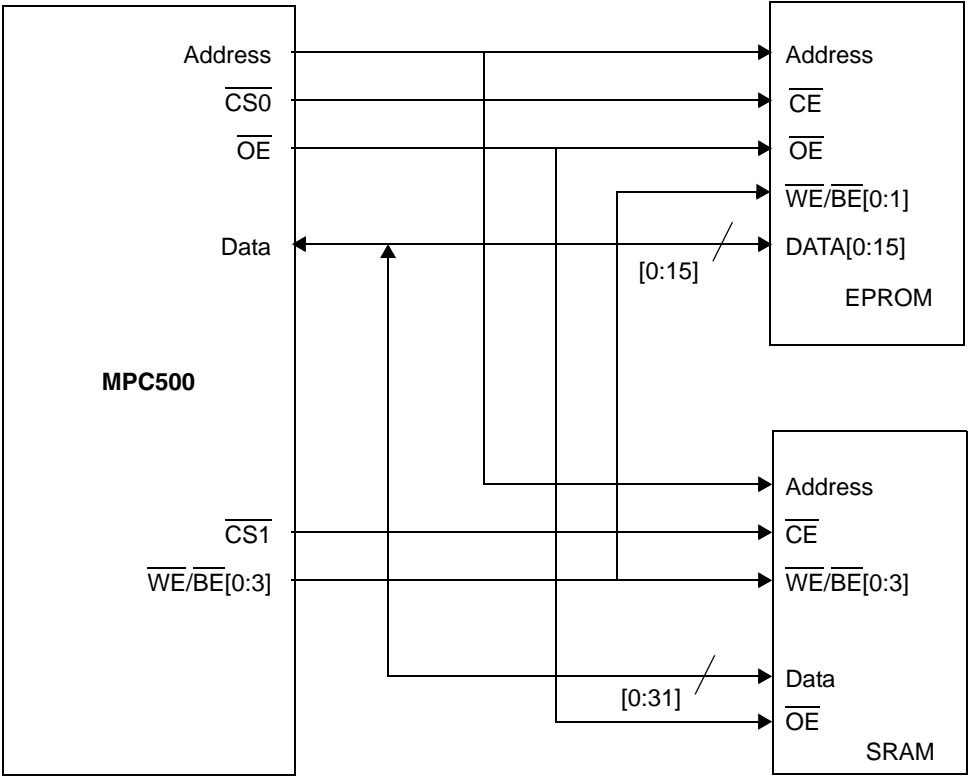
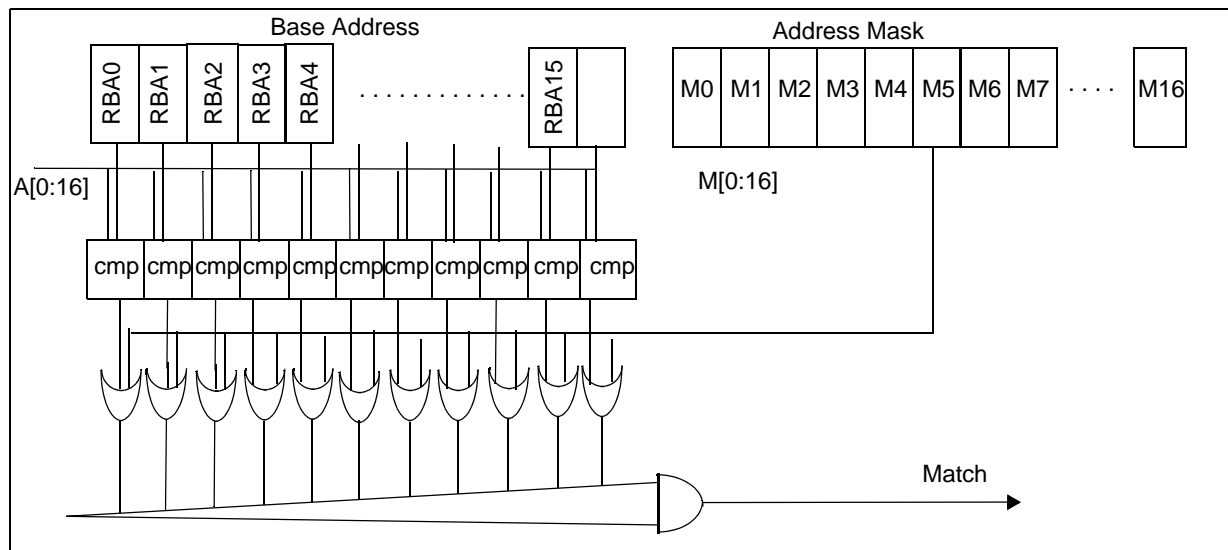


Figure 10-3. MPC565 Simple System Configuration

## 10.2 Memory Controller Architecture

The memory controller consists of a basic machine that handles the memory access cycle: the general-purpose chip-select machine (GPCM).

When any of the internal masters request a new access to external memory, the address of the transfer (with 17 bits having a mask) and the address type (with three bits having a mask) are compared to each one of the valid banks defined in the memory controller. Refer to [Figure 10-4](#).



**Figure 10-4. Bank Base Address and Match Structure**

When a match is found on one of the memory banks, its attributes are selected for the functional operation of the external memory access:

- Read-only or read/write operations
- Number of wait states for a single memory access, and for any beat in a burst access
- Burst-inhibit indication. Internal burst requests are still possible during burst-inhibited cycles; the memory controller emulates the burst cycles
- Port size of the external device

Note that if more than one region matches the internal address supplied, then the lowest numbered region is selected to provide the attributes and the chip select. If the dual mapping region is matched, it has the highest priority (refer to [Section 10.5, “Dual Mapping of the Internal Flash EEPROM Array”](#)).

### 10.2.1 Associated Registers

Status bits for each memory bank are found in the memory control status register (MSTAT). The MSTAT reports write-protect violations for all the banks.

Each of the four memory banks has a base register (BR) and an option register (OR). The BR<sub>x</sub> and OR<sub>x</sub> registers contain the attributes specific to memory bank x. The base register contains a valid bit (V) that indicates the register information for that particular chip select is valid.

### 10.2.2 Port Size Configuration

The memory controller supports dynamic bus sizing. Defined 8-bit ports can be accessed as odd or even bytes. Defined 16-bit ports, when connected to data bus lines zero to 15, can be accessed as odd bytes, even bytes, or even half-words. Defined 32-bit ports can be accessed as odd bytes, even bytes, odd half-words, even half-words, or words on word boundaries. The port size is specified by the PS bits in the base register.

### 10.2.3 Write-Protect Configuration

The WP bit in each base register can restrict write access to its range of addresses. Any attempt to write this area results in the associated WPER bit being set in the MSTAT.

If an attempt to access an external device results in a write-protect violation, the memory controller considers the access to be no match. No chip-select line is asserted externally, and the memory controller does not terminate the cycle. The external bus interface generates a normal cycle on the external bus. Since the memory controller does not acknowledge the cycle internally, the cycle may be terminated by external logic asserting  $\overline{TA}$  or by the on-chip bus monitor asserting  $\overline{TEA}$ .

### 10.2.4 Address and Address Space Checking

The base address is written to the BRx. The address mask bits for the address are written to the OR. The address type access value, if desired, is written to the AT bits in the BRx. The ATM bits in the ORx can be used to mask this value. If address type checking is not desired, program the ATM bits to zero.

Each time an external bus cycle access is requested, the address and address type are compared with each one of the banks. If a match is found, the attributes defined for this bank in its BRx and ORx are used to control the memory access. If a match is found in more than one bank, the lowest bank matched handles the memory access (e.g., bank zero is selected over bank one).

#### NOTE

When an external master accesses a slave on the bus, the internal AT[0:2] lines reaching the memory controller are forced to 100.

### 10.2.5 Burst Support

The memory controller supports burst accesses of external burstable memory. To enable bursts, clear the burst inhibit ( $\overline{BI}$ ) bit in the appropriate base register. Burst support is for read only.

Bursts can be four or eight beats depending on the value of the BURST\_EN bit in the SIUMCR register and the BL bit in the BRx register. That is, the memory controller executes up to eight one-word accesses, but when a modulo eight limit is reached, the burst is terminated (even if fewer than eight words have been accessed).

When the SIU initiates a burst access, if no match is found in any of the memory controller's regions then a burst access is initiated to the external bus. The termination of each beat for this access is externally controlled.

To support different types of memory devices, the memory controller supports two types of timing for the BDIP signal: normal and late.

#### NOTE

The  $\overline{BDIP}$  signal itself is controlled by the external bus interface logic. Refer to [Figure 9-13](#) and [Figure 9-14](#) in [Chapter 9, "External Bus Interface."](#)

If the memory controller is used to support an external master accessing an external device with bursts, the  $\overline{BDIP}$  input signal is used to indicate to the memory controller when the burst is terminated.

For addition details, refer to [Section 9.5.4, “Burst Transfer.”](#)

### 10.3 Chip-Select Timing

The general-purpose chip-select machine (GPCM) allows a glueless and flexible interface between the MPC565 and external SRAM, EPROM, EEPROM, ROM peripherals. When an address and address type match the values programmed in the BR and OR for one of the memory controller banks, the attributes for the memory cycle are taken from the OR and BR registers. These attributes include the following fields: CSNT, ACS, SCY, BSCY, WP, TRLX, BI, PS, and SETA. [Table 10-1](#) summarizes the chip-select timing options.

Byte write and read-enable signals ( $\overline{WE}/\overline{BE}[0:3]$ ) are available for each byte that is written to or read from memory. An output enable ( $\overline{OE}$ ) signal is provided to eliminate external glue logic for read cycles. Upon system reset, a global (boot) chip select is available. (Refer to [Section 10.7, “Global \(Boot\) Chip-Select Operation”](#) for more information on the global chip select.) This provides a boot ROM chip select before the system is fully configured.

**Table 10-1. Timing Attributes Summary**

| Timing Attribute                   | Bits/Fields           | Description   |
|------------------------------------|-----------------------|---|
| Access speed                       | TRLX                  | The TRLX (timing relaxed) bit determines strobe timing to be fast or relaxed.   |
| Intercycle space time              | EHTR                  | The EHTR (extended hold time on read accesses) bit is provided for devices that have long disconnect times from the data bus on read accesses. EHTR specifies whether the next cycle is delayed one clock cycle following a read cycle, to avoid data bus contentions. EHTR applies to all cycles following a read cycle except for another read cycle to the same region.  |
| Synchronous or asynchronous device | ACS, CSNT             | The ACS (address-to-chip-select setup) and CSNT (chip-select negation time) bits cause the timing of the strobes to be the same as the address bus timing, or cause the strobes to have setup and hold times relative to the address bus.   |
| Wait states                        | SCY, BSCY, SETA, TRLX | From zero to 15 wait states can be programmed for any cycle that the memory controller generates. The transfer is then terminated internally. In simplest case, the cycle length equals $(2 + SCY)$ clock cycles, where SCY represents the programmed number of wait states (cycle length in clocks). The number of wait states is doubled if the TRLX bit is set $(2 + (SCY \times 2))$ .<br>When the SETA (external transfer acknowledge) bit is set, $\overline{TA}$ must be generated externally, so that external hardware determines the number of wait states. |

**NOTE**

When a bank is configured for  $\overline{TA}$  to be generated externally (SETA bit is set) and the TRLX is set, the memory controller requires the external device to provide at least one wait state before asserting  $\overline{TA}$  to complete the transfer. In this case, the minimum transfer time is three clock cycles.

The internal  $\overline{TA}$  generation mode is enabled if the SETA bit in the OR register is cleared. However, if the  $\overline{TA}$  signal is asserted externally at least two clock cycles before the wait states counter has expired, this



assertion terminates the memory cycle. When SETA is cleared, it is forbidden to assert external  $\overline{TA}$  less than two clocks before the wait states counter expires.

### 10.3.1 Memory Devices Interface Example

Figure 10-5 describes the basic connection between the MPC565 and a static memory device. In this case  $\overline{CSx}$  is connected directly to the chip enable ( $\overline{CE}$ ) of the memory device. The  $\overline{WE}/\overline{BE}[0:3]$  lines are connected to the respective  $\overline{WE}$  in the memory device where each  $\overline{WE}/\overline{BE}$  line corresponds to a different data byte.

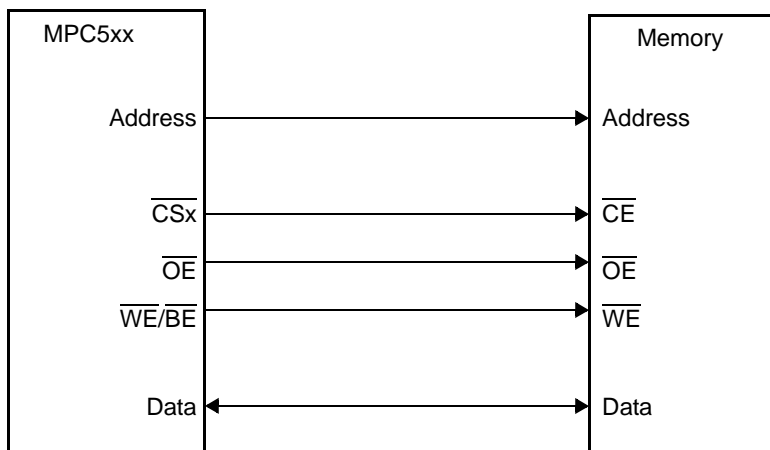
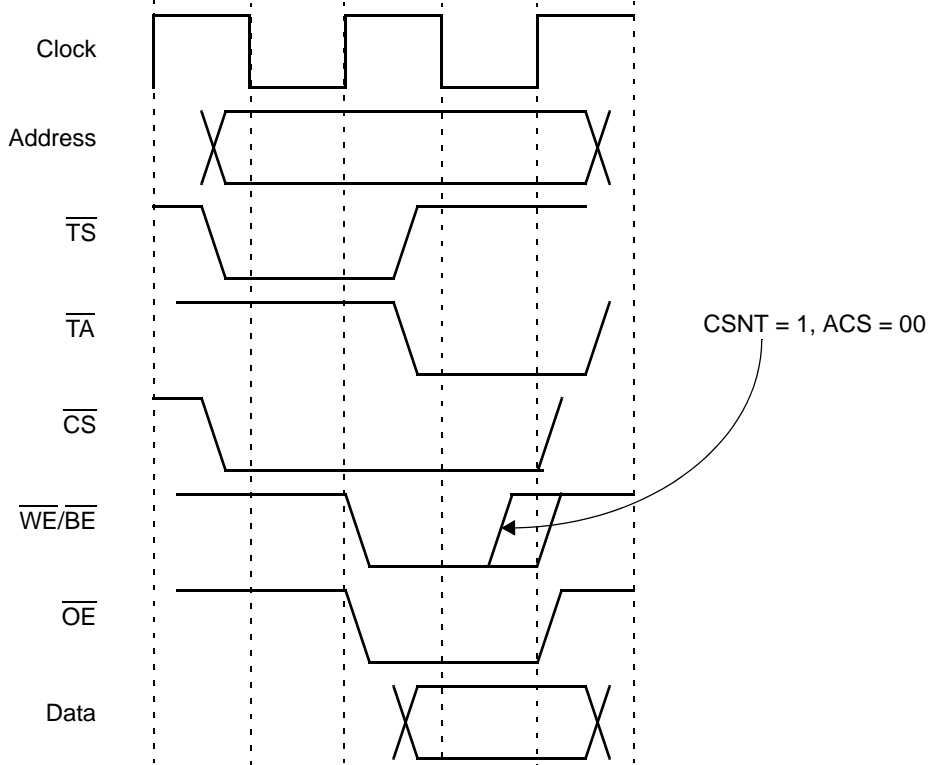


Figure 10-5. GPCM–Memory Devices Interface

In Figure 10-6, the  $\overline{CSx}$  timing is the same as that of the address lines output. The strobes for the transaction are supplied by the  $\overline{OE}$  and the  $\overline{WE}/\overline{BE}$  lines (if programmed as  $\overline{WE}/\overline{BE}$ ). When the ACS bits in the corresponding ORx register = 00,  $\overline{CS}$  is asserted at the same time that the address lines are valid.

#### NOTE

If CSNT is set, the  $\overline{WE}$  signal is negated a quarter of a clock earlier than normal.

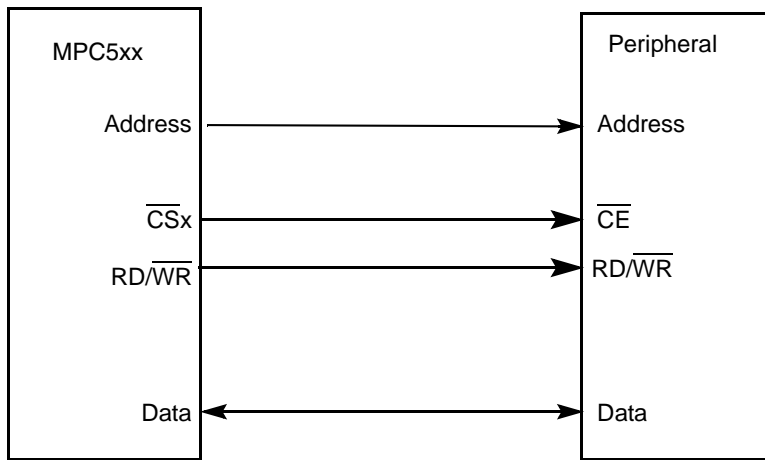


**Note:** In this and subsequent timing diagrams in this section, the data bus refers to a read cycle. In a write cycle, the data immediately follows  $\overline{TS}$ .

**Figure 10-6. Memory Devices Interface Basic Timing (ACS = 00, TRLX = 0)**

### 10.3.2 Peripheral Devices Interface Example

Figure 10-7 illustrates the basic connection between the MPC565 and an external peripheral device. In this case  $\overline{CSx}$  is connected directly to the chip enable ( $\overline{CE}$ ) of the memory device and the  $R/\overline{W}$  line is connected to the  $R/\overline{W}$  in the peripheral device. The  $\overline{CSx}$  line is the strobe output for the memory access.



**Figure 10-7. Peripheral Devices Interface**

The  $\overline{CS}_x$  timing is defined by the setup time required between the address lines and the  $\overline{CE}$  line. The memory controller allows specification of the  $\overline{CS}$  timing to meet the setup time required by the peripheral device. This is accomplished through the ACS field in the base register. In Figure 10-8, the ACS bits are set to 0b11, so  $\overline{CS}_x$  is asserted half a clock cycle after the address lines are valid.

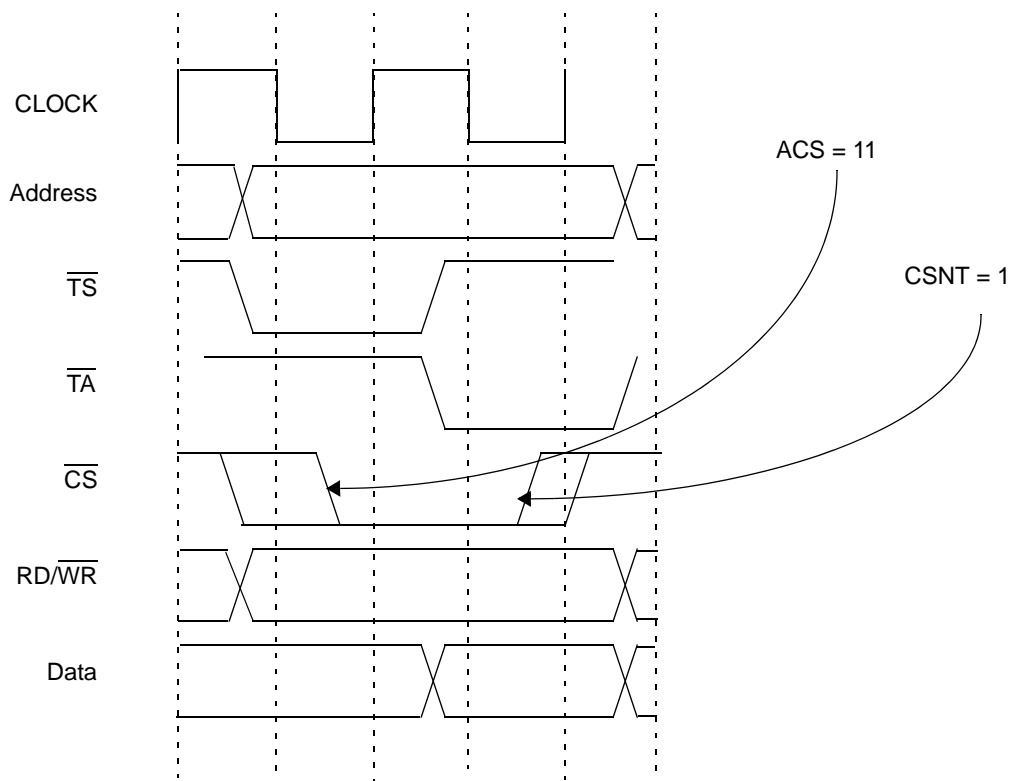


Figure 10-8. Peripheral Devices Basic Timing (ACS = 11, TRLX = 0)

### 10.3.3 Relaxed Timing Examples

The TRLX field is provided for memory systems that need a more relaxed timing between signals. When TRLX is set and ACS = 0b00, the memory controller inserts an additional cycle between address and strobes ( $\overline{CS}$  line and  $\overline{WE/OE}$ ).

When TRLX and CSNT are both set in a write to memory, the strobe lines ( $\overline{WE/BE}[0:3]$  and  $\overline{CS}$ , if ACS = 0b00) are negated one clock earlier than in the regular case.

#### NOTE

In the case of a bank selected to work with external transfer acknowledge (SETA = 1) and TRLX = 1, the memory controller does not support external devices that provide  $\overline{TA}$  to complete the transfer with zero wait states. The minimum access duration in this case equals three clock cycles.

Figure 10-9 shows a read access with relaxed timing. Note the following:

- Strobes ( $\overline{OE}$  and  $\overline{CS}$ ) assertion time is delayed one clock relative to address (TRLX bit set effect).
- Strobe ( $\overline{CS}$ ) is further delayed (half-clock) relative to address due to ACS field being set to 11.

- Total cycle length = 5, is determined as follows:
  - Two clocks for basic cycle
  - SCY = 1 determines 1 wait state, which is multiplied by two due to TRLX being set ( $2 + (SCY \times 2)$ ).
  - Extra clock is added due to TRLX effect on the strobes.

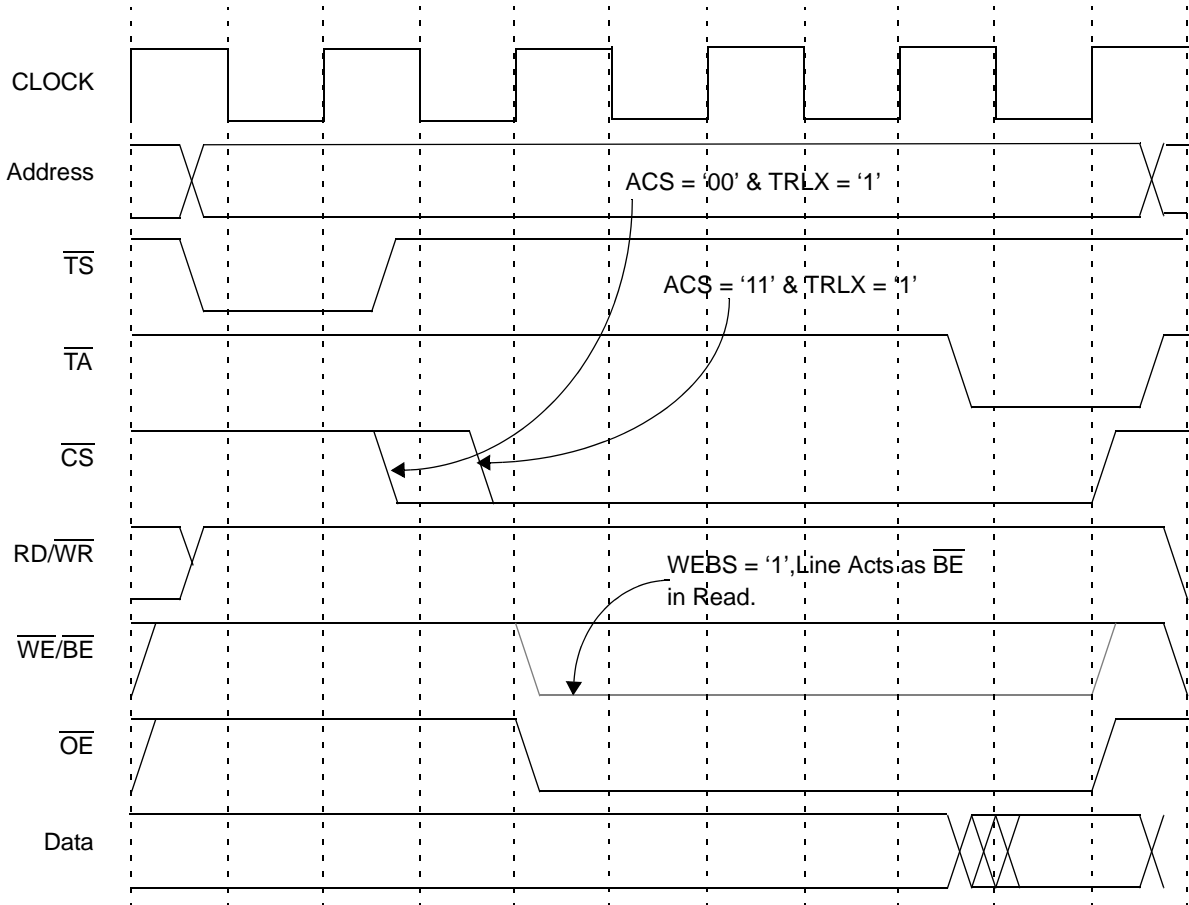


Figure 10-9. Relaxed Timing — Read Access (ACS = 11, SCY = 1, TRLX = 1)

Figure 10-10 through Figure 10-12 are examples of write accesses using relaxed timing. In Figure 10-10, note the following points:

- Because TRLX is set, assertion of the  $\overline{CS}$  and  $\overline{WE}$  strobes is delayed by one clock cycle.
- $\overline{CS}$  assertion is delayed an additional one quarter clock cycle because ACS = 10.
- The total cycle length = three clock cycles, determined as follows:
  - The basic memory cycle requires two clock cycles.
  - An extra clock cycle is required due to the effect of TRLX on the strobes.

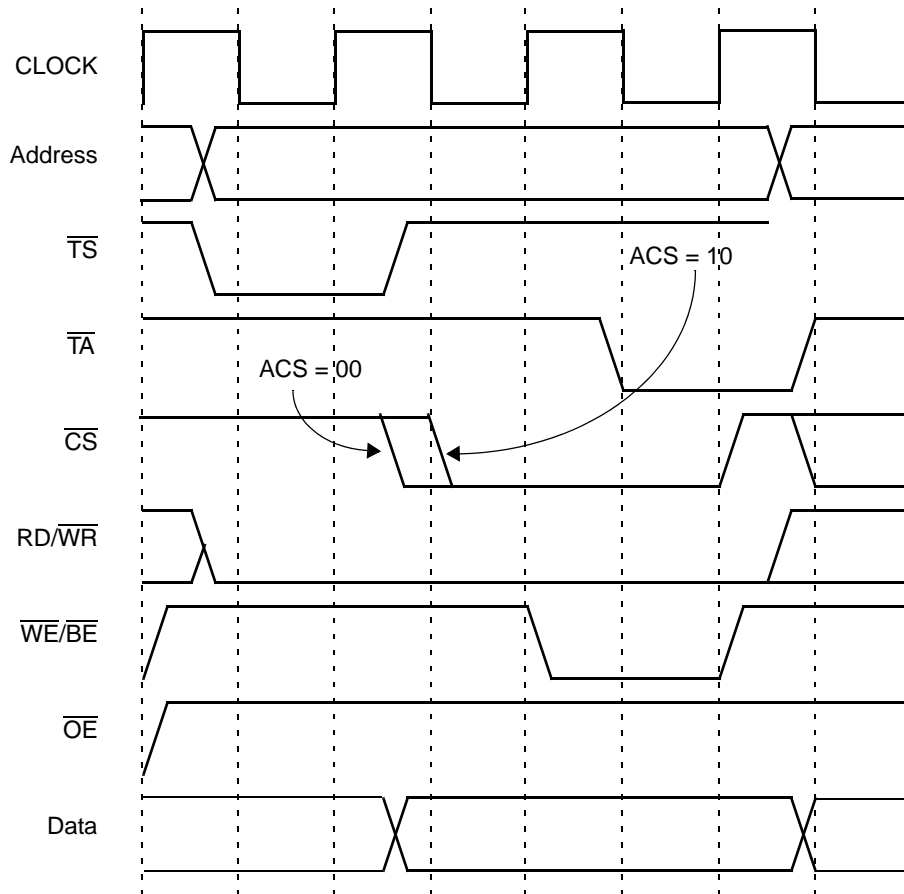


Figure 10-10. Relaxed Timing — Write Access (ACS = 10, SCY = 0, CSNT = 0, TRLX = 1)

In [Figure 10-11](#), note the following:

- Because the TRLX bit is set, the assertion of the  $\overline{CS}$  and  $\overline{WE}$  strobes is delayed by one clock cycle.
- Because ACS = 11, the assertion of  $\overline{CS}$  is delayed an additional half clock cycle.
- Because CSNT = 1,  $\overline{WE}$  is negated one clock cycle earlier than normal. (Refer to [Figure 10-6](#).) The total cycle length is four clock cycles, determined as follows:
  - The basic memory cycle requires two clock cycles.
  - Two extra clock cycles are required due to the effect of TRLX on the assertion and negation of the  $\overline{CS}$  and  $\overline{WE}$  strobes.

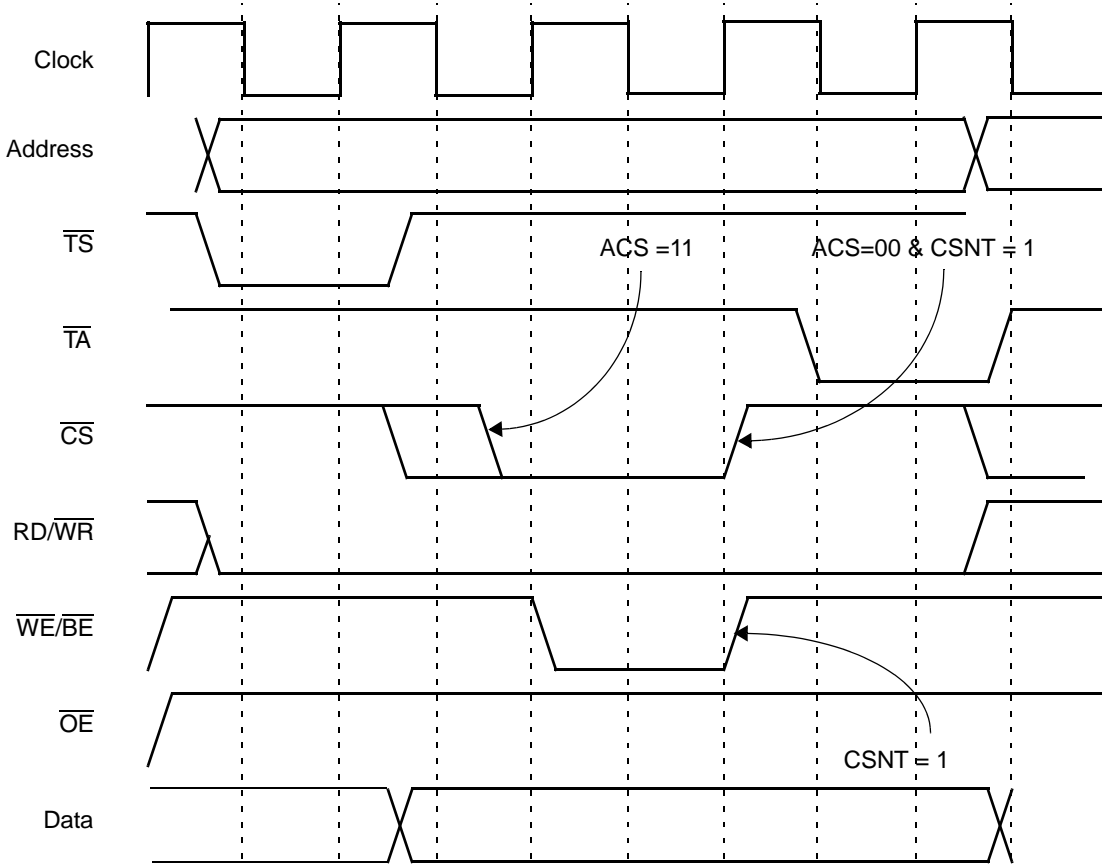


Figure 10-11. Relaxed Timing — Write Access (ACS = 11, SCY = 0, CSNT = 1, TRLX = 1)

In Figure 10-12, notice the following:

- Because ACS = 0, TRLX being set does not delay the assertion of the  $\overline{CS}$  and  $\overline{WE}$  strobes.
- Because CSNT = 1,  $\overline{WE/BE}$  is negated one clock cycle earlier than normal. (Refer to Figure 10-6).
- $\overline{CS}$  is not negated one clock cycle earlier, since ACS = 00.
- The total cycle length is three clock cycles, determined as follows:
  - The basic memory cycle requires two clock cycles.
  - One extra clock cycle is required due to the effect of TRLX on the negation of the  $\overline{WE/BE}$  strobes.

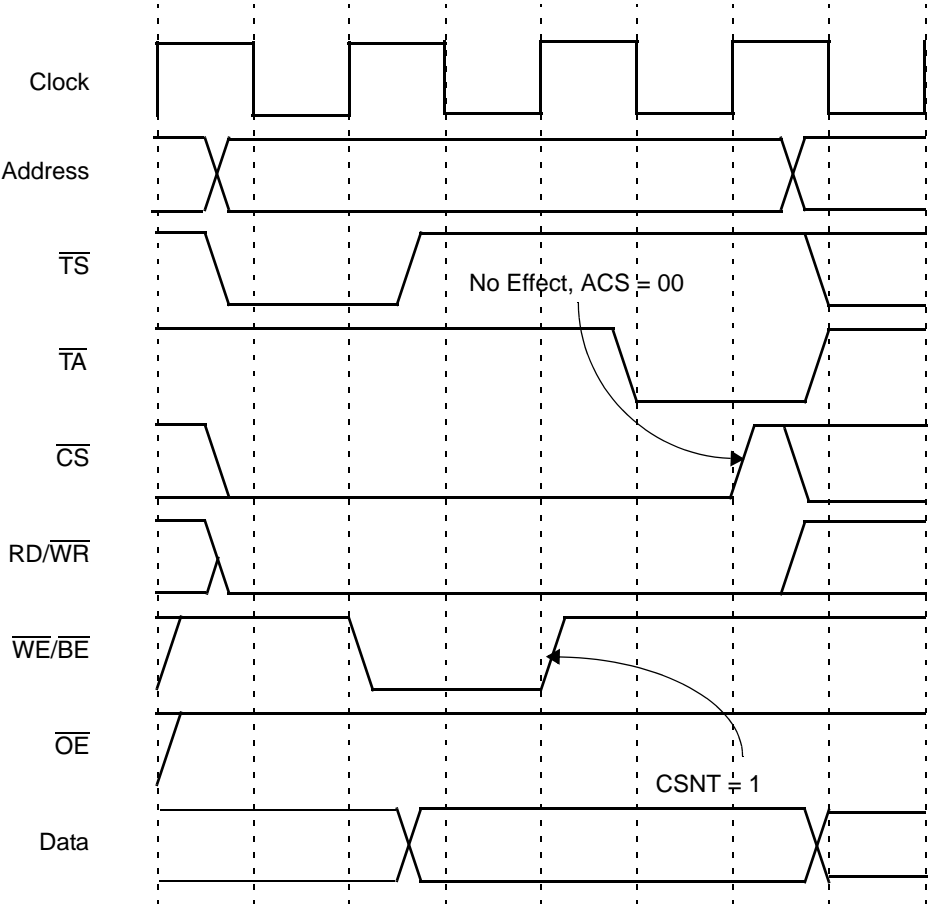
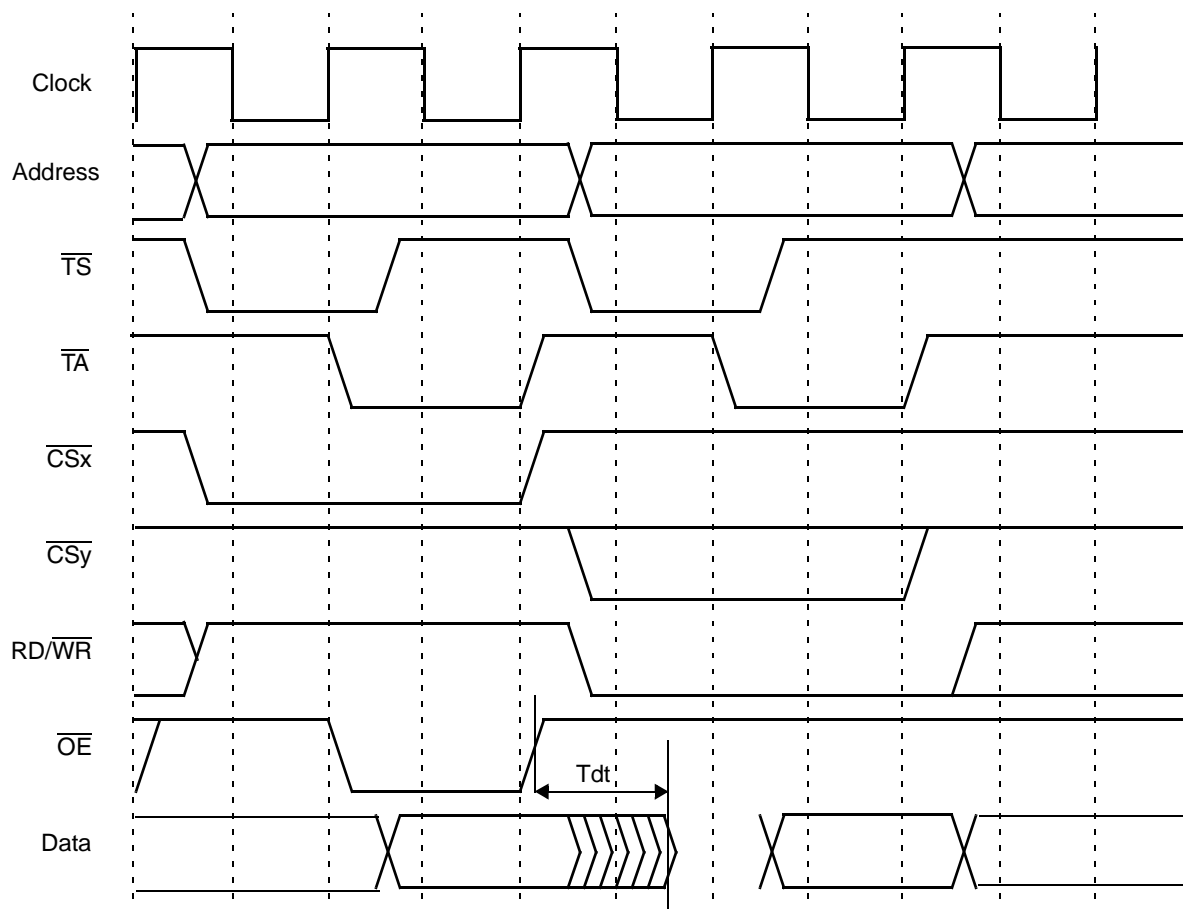


Figure 10-12. Relaxed Timing — Write Access (ACS = 00, SCY = 0, CSNT = 1, TRLX = 1)

### 10.3.4 Extended Hold Time on Read Accesses

For devices that require a long disconnection time from the data bus on read accesses, the bit EHTR in the corresponding OR register can be set. In this case any MPC565 access to the external bus following a read access to the referred memory bank is delayed by one clock cycle unless it is a read access to the same bank. Figure 10-13 through Figure 10-16 show the effect of the EHTR bit on memory controller timing.

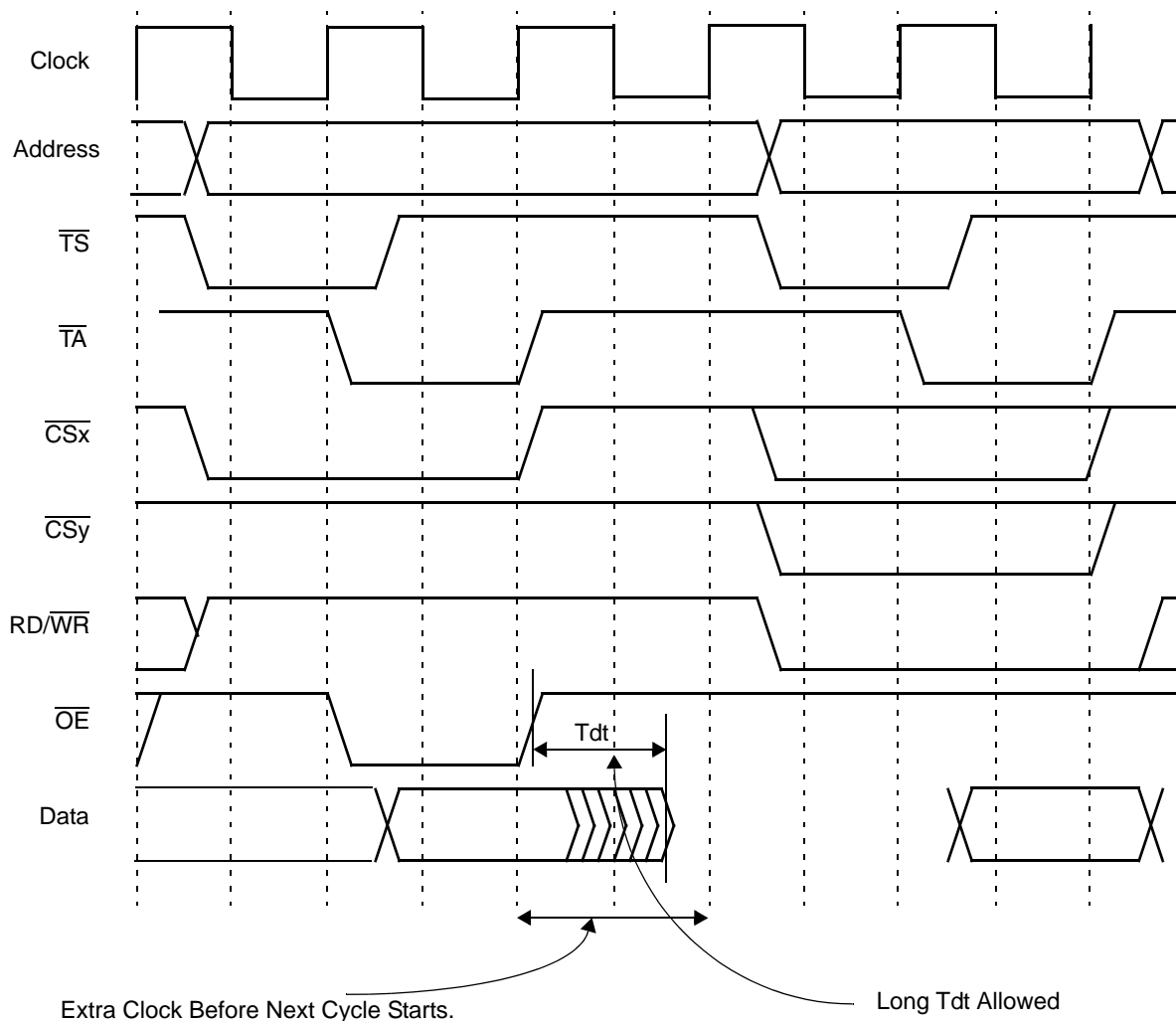
Figure 10-13 shows a write access following a read access. Because EHTR = 0, no extra clock cycle is inserted between memory cycles.



**Figure 10-13. Consecutive Accesses (Write After Read, EHTR = 0)**

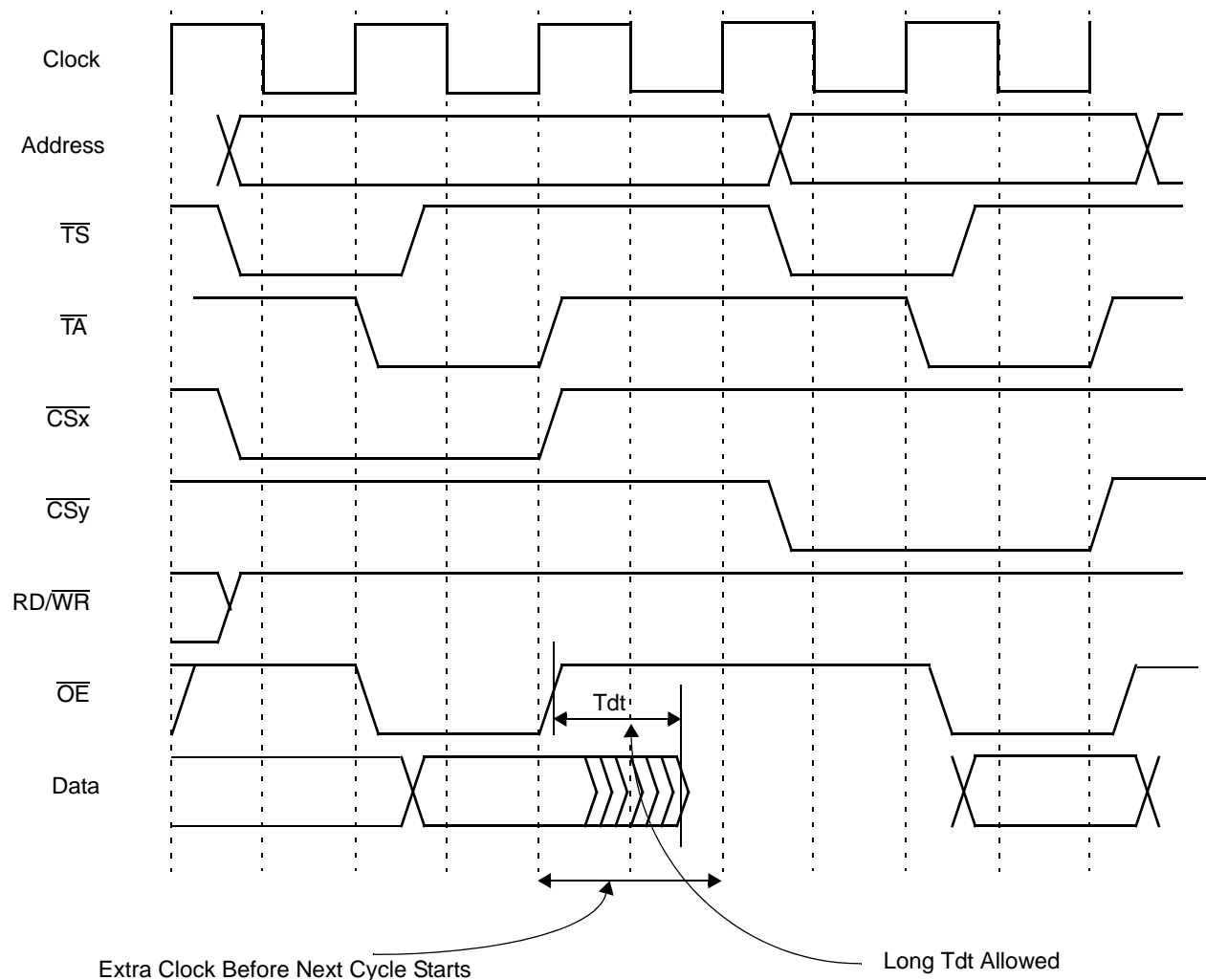
Figure 10-14 shows a write access following a read access when EHTR = 1. An extra clock is inserted between the cycles. For a write cycle following a read, this is true regardless of whether both accesses are to the same region.





**Figure 10-14. Consecutive Accesses (Write After Read, EHTR = 1)**

Figure 10-15 shows consecutive accesses from different banks. Because EHTR = 1 (and the accesses are to different banks), an extra clock cycle is inserted.



**Figure 10-15. Consecutive Accesses  
(Read After Read From Different Banks, EHTR = 1)**

Figure 10-16 shows two consecutive read cycles from the same bank. Even though  $\text{EHTR} = 1$ , no extra clock cycle is inserted between the memory cycles. (In the case of two consecutive read cycles to the same region, data contention is not a concern.)

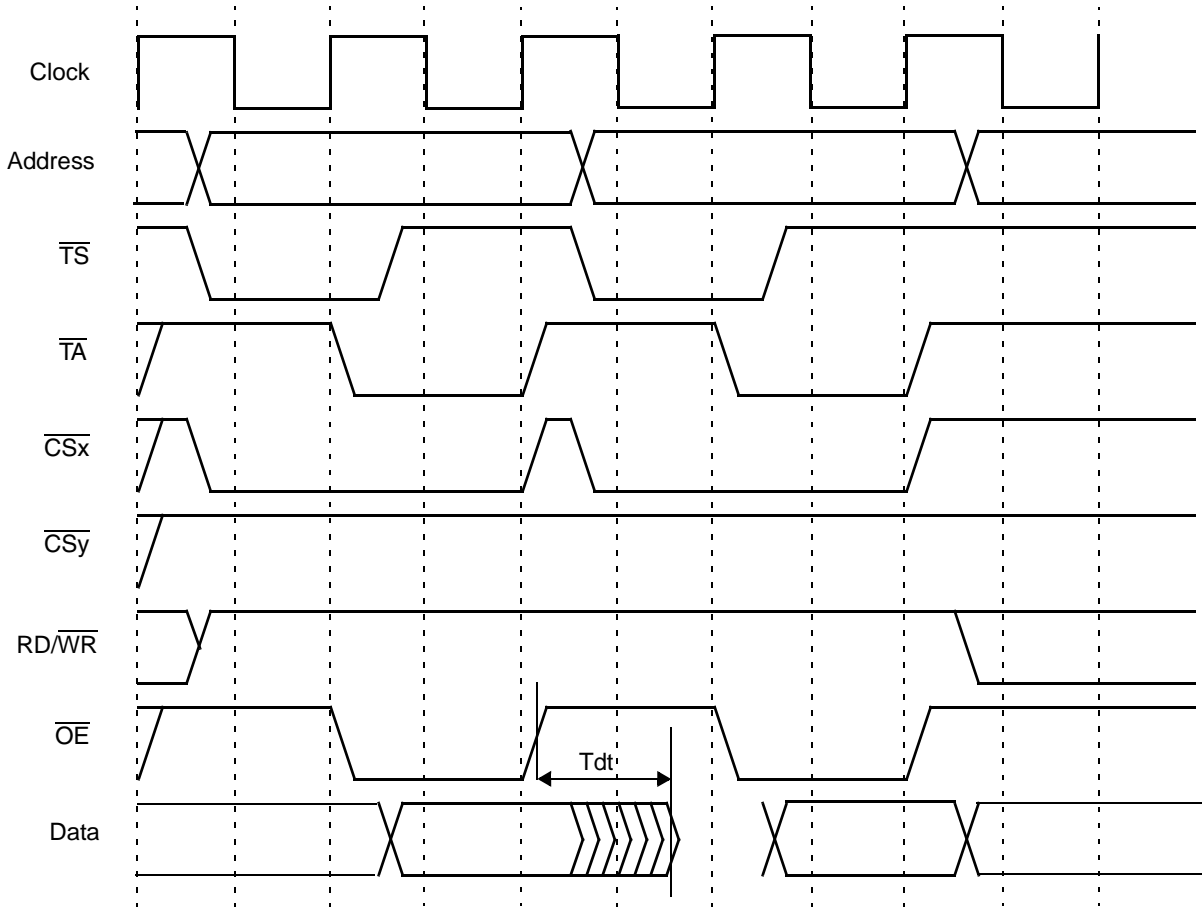


Figure 10-16. Consecutive Accesses (Read After Read from Same Bank, EHTR = 1)

### 10.3.5 Summary of GPCM Timing Options

Table 10-2 summarizes the different combinations of timing options.

Table 10-2. Programming Rules for Timing Strobes

| TRLX | Access Type | ACS | CSNT | Address to CS Asserted | CS Negated to Add/Data Invalid | Address to WE/BE or OE Asserted | WE/BE Negated to Add/Data Invalid | OE Negated to Add/Data Invalid | Total Number of Cycles |
|------|-------------|-----|------|------------------------|--------------------------------|---------------------------------|-----------------------------------|--------------------------------|------------------------|
| 0    | read        | 00  | X    | 0                      | 1/4 * clock                    | 3/4 * clock                     | X                                 | 1/4 * clock                    | 2 + SCY                |
| 0    | read        | 10  | X    | 1/4 * clock            | 1/4 * clock                    | 3/4 * clock                     | X                                 | 1/4 * clock                    | 2 + SCY                |
| 0    | read        | 11  | X    | 1/2 * clock            | 1/4 * clock                    | 3/4 * clock                     | X                                 | 1/4 * clock                    | 2 + SCY                |
| 0    | write       | 00  | 0    | 0                      | 1/4 * clock                    | 3/4 * clock                     | 1/4 * clock                       | X                              | 2 + SCY                |
| 0    | write       | 10  | 0    | 1/4 * clock            | 1/4 * clock                    | 3/4 * clock                     | 1/4 * clock                       | X                              | 2 + SCY                |
| 0    | write       | 11  | 0    | 1/2 * clock            | 1/4 * clock                    | 3/4 * clock                     | 1/4 * clock                       | X                              | 2 + SCY                |
| 0    | write       | 00  | 1    | 0                      | 1/4 * clock                    | 3/4 * clock                     | 1/2 * clock                       | X                              | 2 + SCY                |
| 0    | write       | 10  | 1    | 1/4 * clock            | 1/2 * clock                    | 3/4 * clock                     | 1/2 * clock                       | X                              | 2 + SCY                |

**Table 10-2. Programming Rules for Timing Strokes (continued)**

| TRLX | Access Type | ACS | CSNT | Address to CS Asserted | $\overline{\text{CS}}$ Negated to Add/Data Invalid | Address to $\overline{\text{WE/BE}}$ or $\overline{\text{OE}}$ Asserted | $\overline{\text{WE/BE}}$ Negated to Add/Data Invalid | $\overline{\text{OE}}$ Negated to Add/Data Invalid | Total Number of Cycles |
|------|-------------|-----|------|------------------------|--|---|---|--|------------------------|
| 0    | write       | 11  | 1    | 1/2 * clock            | 1/2 * clock  | 3/4 * clock   | 1/2 * clock   | X  | 2 + SCY                |
| 1    | read        | 00  | X    | 0                      | 1/4 * clock  | 3/4 clock   | X   | 1/4 * clock  | 2 + 2 * SCY            |
| 1    | read        | 10  | X    | (1 + 1/4) * clock      | 1/4 * clock  | (1 + 3/4) * clock   | X   | 1/4 * clock  | 3 + 2 * SCY            |
| 1    | read        | 11  | X    | (1 + 1/2) * clock      | 1/4 * clock  | (1 + 3/4) * clock   | X   | 1/4 * clock  | 3 + 2 * SCY            |
| 1    | write       | 00  | 0    | 0                      | 1/4 * clock  | 3/4 clock   | 1/4 * clock   | X  | 2 + 2 * SCY            |
| 1    | write       | 10  | 0    | (1 + 1/4) * clock      | 1/4 * clock  | (1 + 3/4) * clock   | 1/4 * clock   | X  | 3 + 2 * SCY            |
| 1    | write       | 11  | 0    | (1 + 1/2) * clock      | 1/4 * clock  | (1 + 3/4) * clock   | 1/4 * clock   | X  | 3 + 2 * SCY            |
| 1    | write       | 00  | 1    | 0                      | 1/4 * clock  | 3/4 clock   | (1 + 1/2) * clock                                     | X  | 3 + 2 * SCY            |
| 1    | write       | 10  | 1    | (1 + 1/4) * clock      | (1 + 1/2) * clock                                  | (1 + 3/4) * clock   | (1 + 1/2) * clock                                     | X  | 4 + 2 * SCY            |
| 1    | write       | 11  | 1    | (1 + 1/2) * clock      | (1 + 1/2) * clock                                  | (1 + 3/4) * clock   | (1 + 1/2) * clock                                     | X  | 4 + 2 * SCY            |

**Note:** Timing in this table refers to the typical timing only. Consult the electrical characteristics for exact worst-case timing values. 1/4 clock actually means 0 to 1/4 clock, 1/2 clock means 1/4 to 1/2 clock.

Additional timing rules not covered in [Table 10-2](#) include the following:

- If SETA = 1, an external  $\overline{\text{TA}}$  signal is required to terminate the cycle.
- If TRLX = 1 and SETA = 1, the minimum cycle length = 3 clock cycles (even if SCY = 0000)
- If TRLX = 1, the number of wait states = 2 \* SCY & 2 \* BSCY
- ACS = 01 is not defined (reserved).
- If EHTR = 1, an extra (idle) clock cycle is inserted between a read cycle and a following read cycle to another region, or between a read cycle and a following write cycle to any region.
- If LBDIP = 1 (late  $\overline{\text{BDIP}}$  assertion), the  $\overline{\text{BDIP}}$  signal is asserted only after the number of wait states for the first beat in a burst have elapsed. See [Figure 9-13](#) in [Chapter 9, “External Bus Interface,”](#) as well as [Section 9.5.5, “Burst Mechanism.”](#)

#### NOTE

The LBDIP/TBDIP function can operate only when the cycle termination is internal, using the number of wait states programmed in one of the OR<sub>x</sub> registers. The LBDIP/TBDIP function cannot be activated at the same time—results are unknown.

## 10.4 Write and Byte Enable Signals

The GPCM determines the timing and value of the  $\overline{WE}/\overline{BE}$  signals if allowed by the port size of the accessed bank, the transfer size of the transaction and the address accessed.

The functionality of the  $\overline{WE}/\overline{BE}[0:3]$  signals depends upon the value of the write enable/byte select (WEBS) bit in the corresponding BR register. Setting WEBS to 1 will enable these signals as  $\overline{BE}$ , while clearing it to zero will enable them as  $\overline{WE}$ .  $\overline{WE}$  is asserted only during write access, while  $\overline{BE}$  is asserted for both read and write accesses. The timing of the  $\overline{WE}/\overline{BE}$  signals remains the same in either case, and is determined by the TRLX, ACS and CSNT bits.

The upper  $\overline{WE}/\overline{BE}$  ( $\overline{WE0}/\overline{BE0}$ ) indicates that the upper eight bits of the data bus (D0–D7) contains valid data during a write/read cycle. The upper-middle write byte enable ( $\overline{WE1}/\overline{BE1}$ ) indicates that the upper-middle eight bits of the data bus (D8–D15) contains valid data during a write/read cycle. The lower-middle write byte enable ( $\overline{WE2}/\overline{BE2}$ ) indicates that the lower-middle eight bits of the data bus (D16–D23) contains valid data during a write/read cycle. The lower write/read enable ( $\overline{WE3}/\overline{BE3}$ ) indicates that the lower eight bits of the data bus contains valid data during a write cycle.

The write/byte enable lines affected in a transaction for 32-bit port (PS = 00), a 16-bit port (PS = 10) and a 8-bit port (PS = 01) are shown in Table 10-3.

**Table 10-3. Write Enable/Byte Enable Signals Function<sup>1</sup>**

| Transfer Size | TSIZ |   | Address |     | 32-bit Port Size                |                                 |                                 |                                 | 16-bit Port Size                |                                 |                                 |                                 | 8-bit Port Size                 |                                 |                                 |                                 |
|---------------|------|---|---------|-----|---------------------------------|---------------------------------|---------------------------------|---------------------------------|---------------------------------|---------------------------------|---------------------------------|---------------------------------|---------------------------------|---------------------------------|---------------------------------|---------------------------------|
|               |      |   | A30     | A31 | $\overline{WE0}/\overline{BE0}$ | $\overline{WE1}/\overline{BE1}$ | $\overline{WE2}/\overline{BE2}$ | $\overline{WE3}/\overline{BE3}$ | $\overline{WE0}/\overline{BE0}$ | $\overline{WE1}/\overline{BE1}$ | $\overline{WE2}/\overline{BE2}$ | $\overline{WE3}/\overline{BE3}$ | $\overline{WE0}/\overline{BE0}$ | $\overline{WE1}/\overline{BE1}$ | $\overline{WE2}/\overline{BE2}$ | $\overline{WE3}/\overline{BE3}$ |
| Byte          | 0    | 1 | 0       | 0   | X                               |                                 |                                 |                                 | X                               |                                 |                                 |                                 | X                               |                                 |                                 |                                 |
|               | 0    | 1 | 0       | 1   |                                 | X                               |                                 |                                 |                                 | X                               |                                 |                                 | X                               |                                 |                                 |                                 |
|               | 0    | 1 | 1       | 0   |                                 |                                 | X                               |                                 | X                               |                                 |                                 |                                 | X                               |                                 |                                 |                                 |
|               | 0    | 1 | 1       | 1   |                                 |                                 |                                 | X                               |                                 | X                               |                                 |                                 | X                               |                                 |                                 |                                 |
| Half-Word     | 1    | 0 | 0       | 0   | X                               | X                               |                                 |                                 | X                               | X                               |                                 |                                 | X                               |                                 |                                 |                                 |
|               | 1    | 0 | 1       | 0   |                                 |                                 | X                               | X                               | X                               | X                               |                                 |                                 | X                               |                                 |                                 |                                 |
| Word          | 0    | 0 | 0       | 0   | X                               | X                               | X                               | X                               | X                               | X                               |                                 |                                 | X                               |                                 |                                 |                                 |

<sup>1</sup> This table shows which write enables are asserted (indicated with an 'X') for different combinations of port size and transfer size.

## 10.5 Dual Mapping of the Internal Flash EEPROM Array

The internal Flash EEPROM (UC3F) module can be mapped to an external memory region controlled by the memory controller. Only one region can be programmed to be dual-mapped. When dual mapping is enabled (DME bit is set in the DMBR register) and when an internal address matches the dual-mapped address range (as programmed in the DMBR) with the cycle type matching the AT/ATM field in DMBR/DMOR registers, the following occurs:

- The internal Flash memory does not respond to that address
- The memory controller takes control of the external access

## Memory Controller

- The attributes for the access are taken from one of the base and option registers of the appropriate chip select
- The chip-select region selected is determined by the  $\overline{\text{CS}}$  line select bit field (Section 10.10.5, “Dual-Mapping Base Register (DMBR)”).

With dual mapping, aliasing of address spaces may occur. This happens when the region is dual-mapped into a region which is also mapped into one of the four regions available in the memory controller. If code or data is written to the dual-mapped region, care must be taken to avoid overwriting this code or data by normal accesses of the chip-select region.

There is a match if:

$$\text{bus\_address}[0:16] == \{0000000, \text{ISB}[0:2], 0, \text{BA}[1:6]\} \quad \text{Eqn. 10-1}$$

where **BA** represents the bit field in the DMBR register. **Eqn. 10-2**

Care must also be taken to avoid overwriting “normal” CSx data with dual-mapped code or data.

One way to avoid this situation is by disabling the chip-select region and enabling only the dual-mapped region (DMBR[DME] = 1, but BRx[V] = 0). Figure 10-17 illustrates the phenomenon.

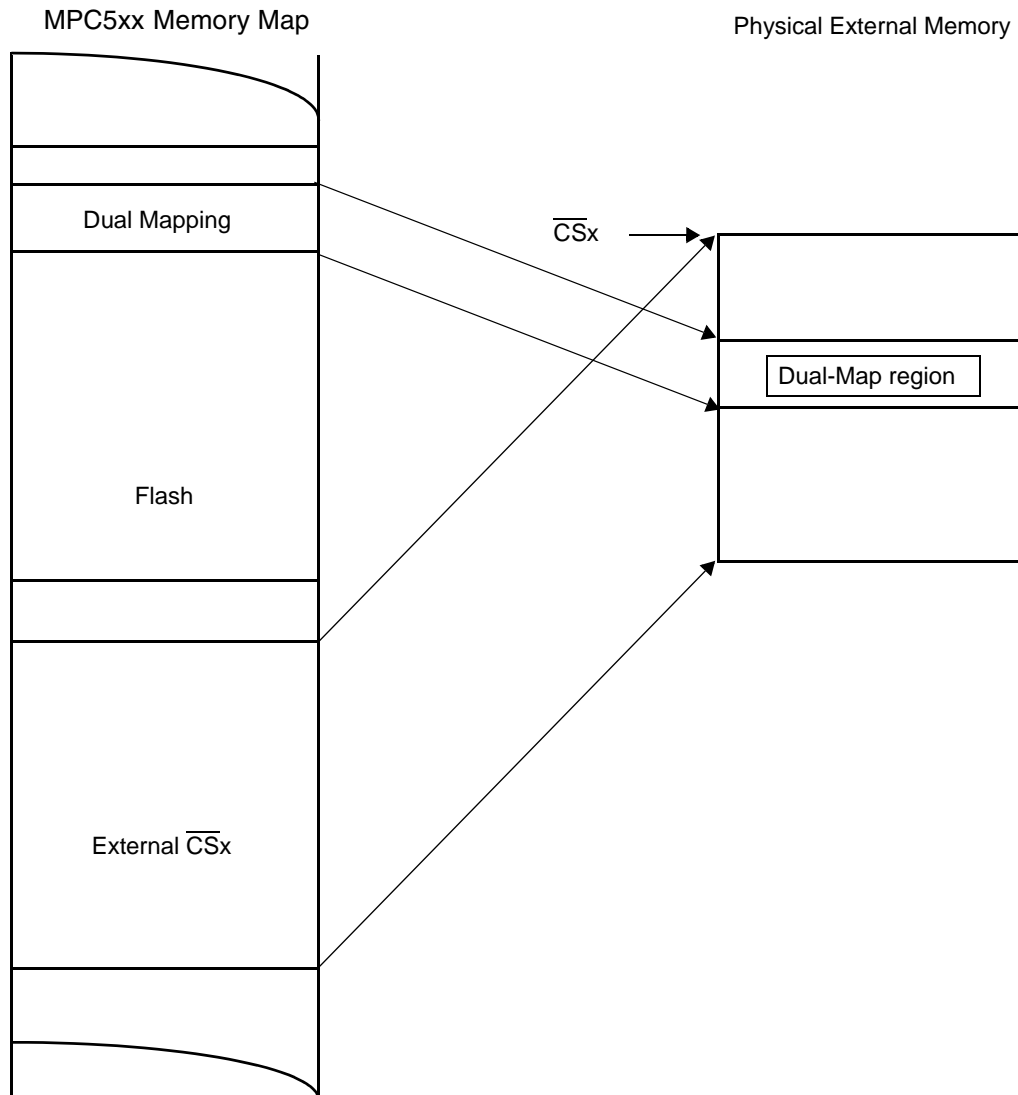


Figure 10-17. Aliasing Phenomenon Illustration

#### NOTE

The default state is to allow dual-mapping data accesses only; this means that dual mapping is possible only for data accesses on the internal bus. Also, the default state takes the lower 2 Mbytes of the MPC565 internal Flash memory. Hence, caution should be taken to change the dual-mapping setup before the first data access. Dual mapping is not supported for an external master when the memory controller serves the access; in such a case, the MPC565 terminates the cycle by asserting  $\overline{TEA}$ .

## 10.6 Dual Mapping of an External Flash Region

The dual mapping feature also enables mapping of external memory to alternative memory regions controlled by the memory controller. When dual mapping is enabled and an external address matches a

dual mapped address, and the cycle type matches AT/ATM field in DMBR/DMOR register, then the following occur:

- The chip-select that is mapped to the access does not respond to that address (it remains negated)
- The chip-select region selected is determined by the DMCS bit field in the DMBR register
- The attributes for the access are taken from the corresponding chip select region

Dual mapping can only be enabled over memory addresses in the range 0x0000 0000 through 0x000F FFFF.

**NOTE**

Internal Flash must be disabled to use dual mapping over an external memory.

## 10.7 Global (Boot) Chip-Select Operation

Global (boot) chip-select operation allows address decoding for a boot ROM before system initialization. If the global chip-select feature is enabled then the memory controller is enabled from reset.

The global chip select port size is programmable at system reset using RCW[BPS]. The global chip select does not provide write protection and responds to all address types, allowing a boot ROM to be located anywhere in the address space.

The memory controller will operate in this boot mode until the first write to any chip select option register (ORx). The chip select signal can be programmed to continue decoding a range of addresses after this write, provided the preferred address range is first loaded into the chip select base register (BRx). After the first write to ORx, the global chip select can only be restarted with a system reset.

Which chip-select line is used as the global chip select, and how it operates, is determined by the reset configuration parameters:

- FLEN – Internal Flash enable (bit 20)
- BDIS – Boot disable (bit 3)
- DME – Dual mapping enable (bit 31)

Table 10-6 summarizes global chip select operations for all combinations of values on these reset configuration word lines. In case 1, where FLEN, BDIS, DME = 0b000 (all cleared) at reset,  $\overline{CS0}$  is the global chip-select output. When the RCPU begins accessing memory after system reset,  $\overline{CS0}$  is asserted for every address, for accesses to both internal and external instructions and data.

In case 2, where FLEN, BDIS, DME = 0b001 at reset,  $\overline{CS0}$  is asserted for all external address accesses (instructions and data) and for internal instruction accesses. However,  $\overline{CS3}$  is asserted for all internal data accesses.  $\overline{CS3}$  is used in this case to allow dual mapping of loads/stores to/from an alternative bank which is not the memory bank normally used for instructions/data. In this way  $\overline{CS3}$  can be used to allow load/store from a different memory bank from reset. DME can then be disabled as required.

The global chip select feature is disabled by driving only the BDIS line of the RCW (FLEN, BDIS, DME = 0b010). This is shown in case 3 of Table 10-6.

Table 10-4 shows the initial values of the “boot bank” in the memory controller.



**Table 10-4. Boot Bank Fields Values After Hard Reset**

| Field     | Value (Binary)   |
|-----------|--|
| PS        | RCW[4:5] BPS   |
| SST       | 0  |
| BL        | 0  |
| WP        | 0  |
| SETA      | 0  |
| BI        | 0b1  |
| V         | $\overline{CS0} = \overline{ID3}$<br>$\overline{CS3} = \overline{ID20} \& \overline{ID31}$ |
| AM[0:16]  | 0 0000 0000 0000 0000  |
| ATM[0:2]  | 000  |
| CSNT      | 0  |
| ACS[0:1]  | 00   |
| EHTR      | 0  |
| SCY[0:3]  | 0b1111   |
| BSCY[0:2] | 0b011  |
| TRLX      | 0  |

## 10.8 Memory Controller External Master Support

The memory controller in the MPC565 supports accesses initiated by both internal and external bus masters to external memories. If the address of any master is mapped within the internal MPC565 address space, the access will be directed to the internal device, and will be ignored by the memory controller. If the address is not mapped internally, but rather mapped to one of the memory controller regions, the memory controller will provide the appropriate chip select and strobes as programmed in the corresponding region (see [Section 6.2.2.1.3, “External Master Control Register \(EMCR\)”](#)).

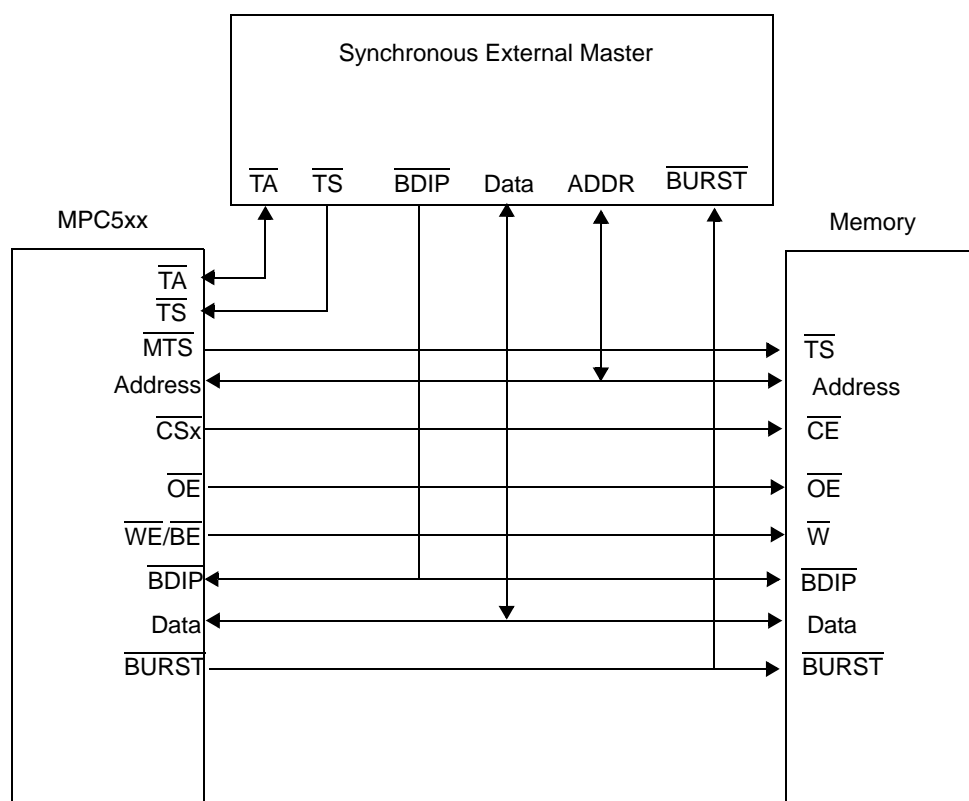
The MPC565 supports only synchronous external bus masters. This means that the external master works with CLKOUT and implements the MPC565 bus protocol to access a slave device.

A synchronous master initiates a transfer by asserting  $\overline{TS}$ . The ADDR[0:31] signals must be stable from the rising edge of CLKOUT during which  $\overline{TS}$  is sampled, until the last  $\overline{TA}$  acknowledges the transfer. Since the external master works synchronously with the MPC565, only setup and hold times around the rising edge of CLKOUT are important. Once the  $\overline{TS}$  is detected/asserted, the memory controller compares the address with each one of its defined valid banks to find a possible match. But, since the external address space is shorter than the internal space, the actual address that is used for comparing against the memory controller regions is in the format of: {00000000, bits [8:16] of the external address}. In the case where a match is found, the controls to the memory devices are generated and the transfer acknowledge indication ( $\overline{TA}$ ) is supplied to the master.

Because it takes two clocks for the external address to be recognized and handled by the memory controller, the  $\overline{TS}$  which is generated by the external master is ahead of the corresponding  $\overline{CS}$  and strobes which are asserted by the memory controller. This 2-clock delay might cause problems in some synchronous memories. To overcome this, the memory controller generates the  $\overline{MTS}$  (memory transfer start) strobe which can be used in the slave's memory instead of the external master's  $\overline{TS}$  signal. As seen in Figure 10-18, the  $\overline{MTS}$  strobe is synchronized to the assertion of  $\overline{CS}$  by the memory controller so that the external memory can latch the external master's address correctly. To activate this feature, the MTSC bit must be set in the SIUMCR register. Use external logic to control devices that can have burst accesses from an external master.

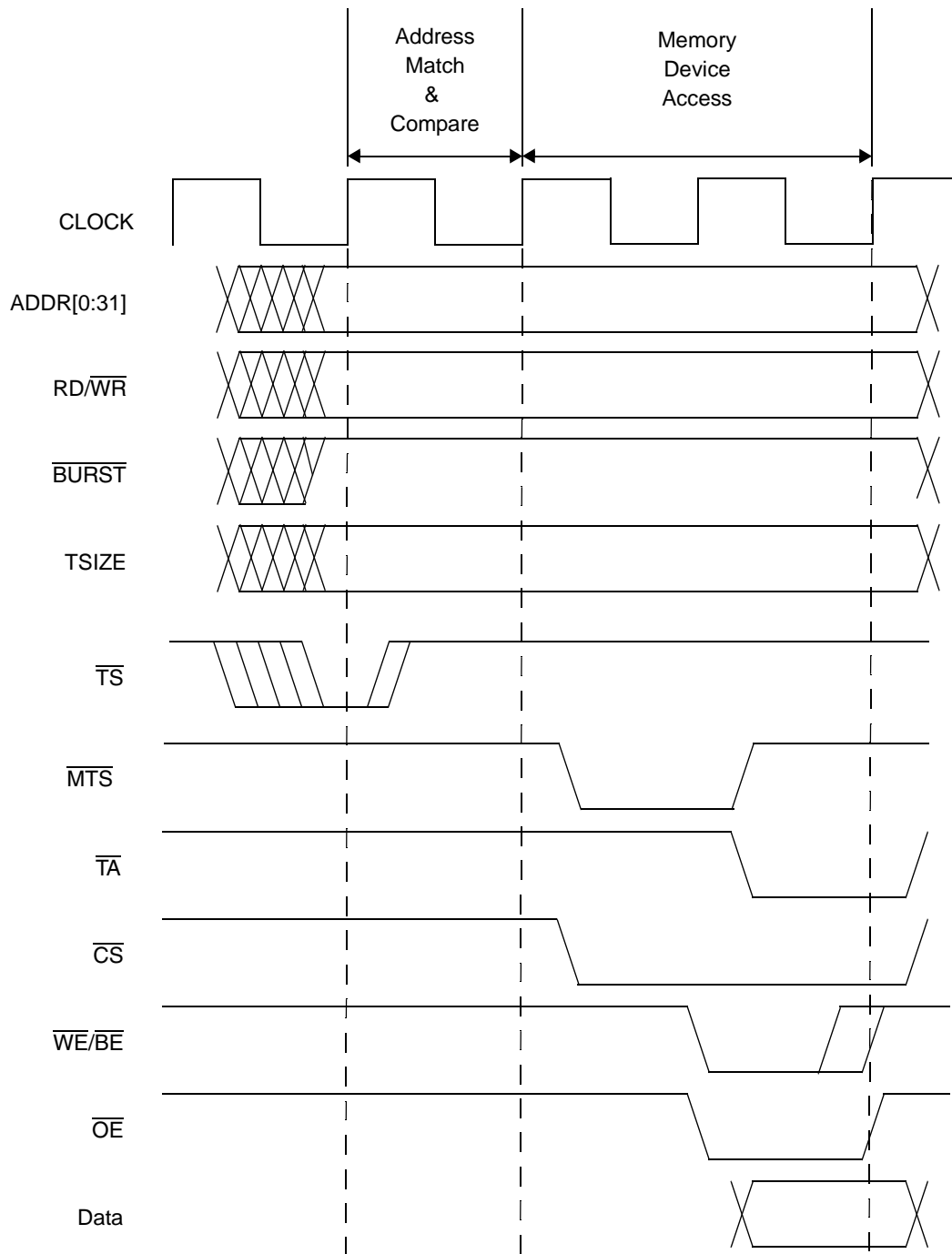
On the MPC565, when the external master accesses the internal Flash when it is disabled, the access is terminated with the transfer error acknowledge ( $\overline{TEA}$ ) signal asserted, and the memory controller does not support this access in any way.

When the memory controller serves an external master, the  $\overline{BDIP}$  signal becomes an input signal. This signal is watched by the memory controller to detect when the burst is terminated.



NOTE: The memory controller's BDIP line is used as a burst\_in\_progress signal.

**Figure 10-18. Synchronous External Master Configuration for GPCM-Handled Memory Devices**



**Figure 10-19. Synchronous External Master Basic Access (GPCM Controlled)**

**NOTE**

Because the MPC565 has only 24 address signals, the eight most significant internal address lines are driven as 0b0000\_0000, and so compared in the memory controller's regions.

## 10.9 Reduced Data Setup Time

In order to meet timing requirements when interfacing to external memories, the data setup time can be reduced. This mode can be selected by programming the BR<sub>x</sub> registers. Thus there is flexibility in how each region can be configured to operate. The operation mode will be determined dynamically according to a particular access type. This means that for a memory region with the reduced setup time mode enabled, the mode will automatically switch to disabled when there is no requirement for the reduced setup time, (e.g., a back-to-back load/store access). For a new access with burst length more than 1, the operation mode will be automatically switched back to the reduced setup time mode.

Reduced setup time can be selected via the SST bit in BR[0:3]. See [Section 10.10.3, “Memory Controller Base Registers \(BR0–BR3\)”](#) for more details. If SCCR[EBDF] is greater than 0, however, an external burst access with reduced data setup time will corrupt a load/store to any USIU register.

The reduced setup time mode may or may not have a performance impact, depending on the properties of the memory. Namely, there is always an additional empty cycle between two burst sequences. On the other hand, this additional cycle, under certain conditions, may be compensated for by reducing the number of cycles in initial data access and sequential burst beats.

**Table 10-5. Timing Requirements for Reduced Setup Time**

| CPU Specification   | Memory Device Requirements  |
|---|-----------------------------|
| Cycle time at 56 MHz = 17.9 ns  | Initial access time = 49 ns |
| Short setup time = 3 ns   | Burst access time = 13 ns   |
| Normal setup time = 6 ns  |                             |
| Additional delay arising from on-board wires and clock skew between internal clock and CLKOUT |                             |

### 10.9.1 Case 1: Normal Setup Time

Initial access:

$$\text{Initial access time of memory} + \text{Data setup time of CPU} + \text{Delays} = 49 + 6 + 1 = 56\text{ns}$$

To derive the number of clocks required, divide by the system clock cycle time:

$$\frac{56}{17.9} = 3.13 \text{ therefore 4 cycles are required}$$

Burst access:

$$\text{Burst access time of memory} + \text{Data setup time of CPU} + \text{Delays} = 13 + 6 + 1 = 20\text{ns}$$

The number of clocks required =  $\frac{20}{17.9} = 1.11$  therefore 2 clocks are required.

This case is illustrated in [Figure 10-20](#).

## 10.9.2 Case 2: Short Setup Time

Initial access:

Enabling short setup time requires one clock cycle:

$$\text{Initial access time of memory} + \text{Data setup time of CPU} + \text{Delays} = 49 + 3 + 1 = 53\text{ns}$$

The number of clocks required =  $\frac{53}{17.9} = 2.96 + 1(\text{SST Enable Clock}) = 3.96$  therefore 4 clocks are required.

Burst access:

$$\text{Burst access time of memory} + \text{Data setup time of CPU} + \text{Delays} = 13 + 3 + 1 = 17\text{ns}$$

The number of clocks required =  $\frac{17}{17.9} = 0.95$  therefore 1 clock is required.

This case is illustrated in [Figure 10-21](#).

## 10.9.3 Summary of Short Setup Time

With normal setup time and a 4-beat burst, a 4-2-2-2 burst cycle is required which is reduced to a 4-1-1-1 burst cycle with a short setup time. Short setup time creates a saving of three clock cycles with a 4-beat burst and can result in even better performance with an 8-beat burst, saving seven clock cycles.

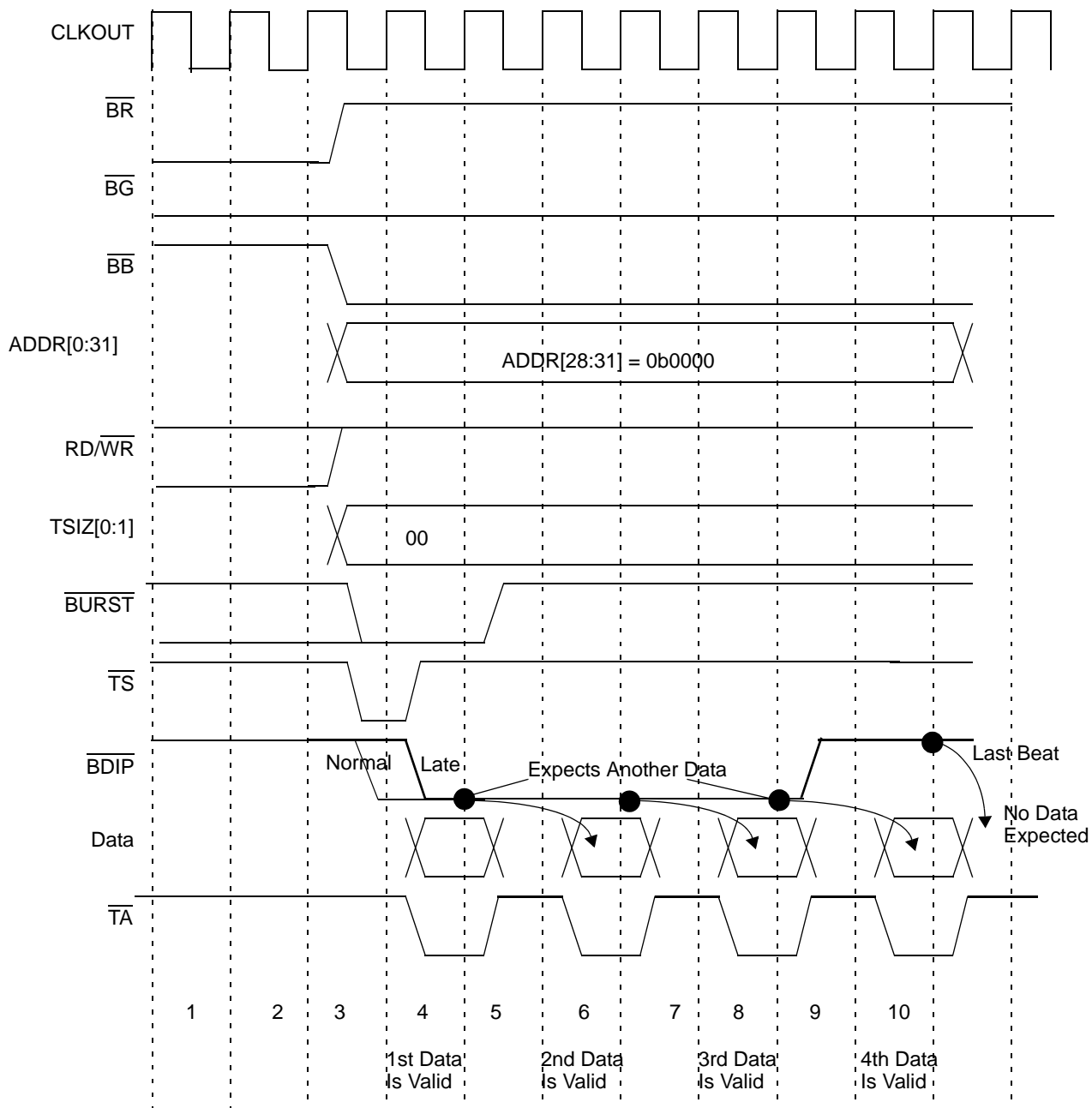
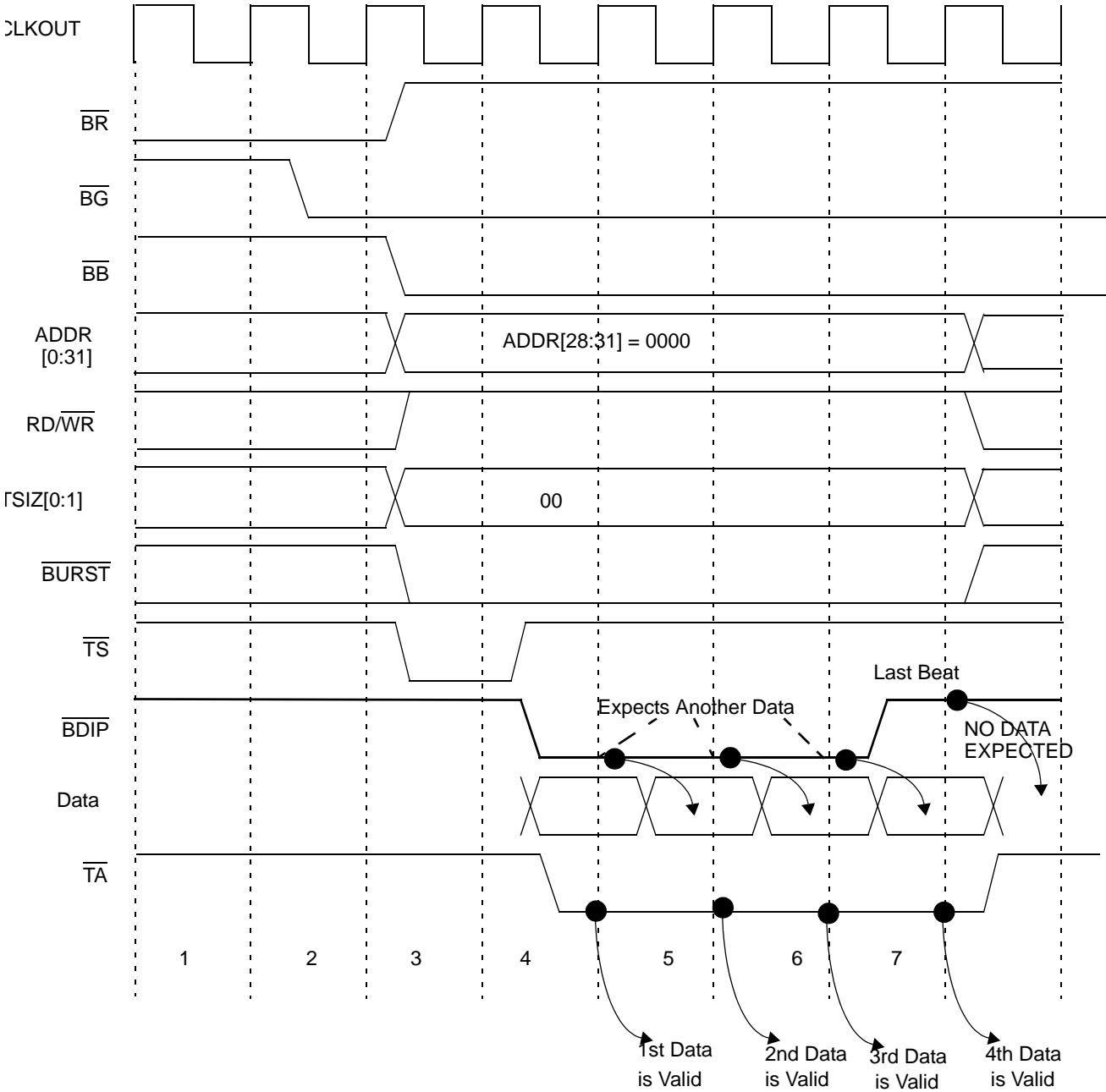


Figure 10-20. A 4-2-2-2 Burst Read Cycle (One Wait State Between Bursts)



**Figure 10-21. 4 Beat Burst Read with Short Setup Time (Zero Wait State)**

**NOTE**

An extra clock cycle is required to enable short set-up time, resulting in a 4-1-1-1 cycle.

## 10.10 Programming Model

The registers in [Table 10-6](#) are used to control the memory controller.

**Table 10-6. Memory Controller Address Map**

| Address               | Register                            |
|-----------------------|-------------------------------------|
| 0x2F C100             | Base Register Bank 0 (BR0)          |
| 0x2F C104             | Option Register Bank 0 (OR0)        |
| 0x2F C108             | Base Register Bank 1 (BR1)          |
| 0x2F C10C             | Option Register Bank 1 (OR1)        |
| 0x2F C110             | Base Register Bank 2 (BR2)          |
| 0x2F C114             | Option Register Bank 2 (OR2)        |
| 0x2F C118             | Base Register Bank 3 (BR3)          |
| 0x2F C11C             | Option Register Bank 3 (OR3)        |
| 0x2F C120 — 0x13F     | Reserved                            |
| 0x2F C140             | Dual-Mapping Base Register (DMBR)   |
| 0x2F C144             | Dual-Mapping Option Register (DMOR) |
| 0x2F C148 — 0x2F C174 | Reserved                            |
| 0x2F C178             | Memory Status Register (MSTAT)      |

### 10.10.1 General Memory Controller Programming Notes

1. In the case of an external master that accesses an internal MPC565 module (in slave or peripheral mode), if that slave device address also matches one of the memory controller's regions, the memory controller will not issue any  $\overline{CS}$  for this access, nor will it terminate the cycle. Thus, this practice should be avoided. Be aware also that any internal slave access prevents memory controller operation.
2. If the memory controller serves an external master, then it can support accesses to 32-bit port devices only. This is because the MPC565 external bus interface cannot initiate extra cycles to complete an access to a smaller port-size device as it does not own the external bus.
3. When the SETA bit in the base register is set, then the timing programming for the various strobes ( $\overline{CS}$ ,  $\overline{OE}$  and  $\overline{WE/BE}$ ) may become meaningless.
4. When configuring a chip select for a memory region with the intent to access that region immediately after configuration, then an ISYNC instruction should be executed in order to ensure that the configuration takes effect before any accesses are initiated.



## 10.10.2 Memory Controller Status Registers (MSTAT)

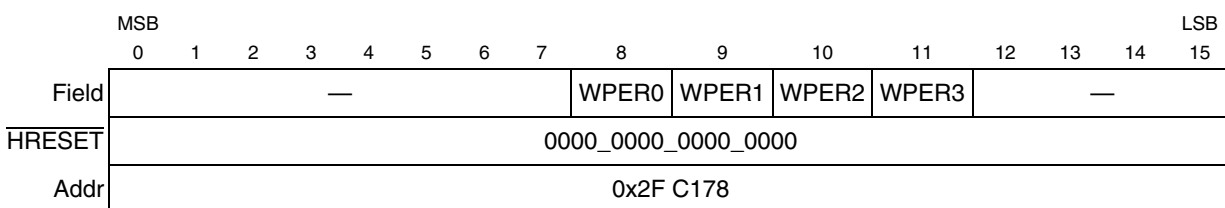
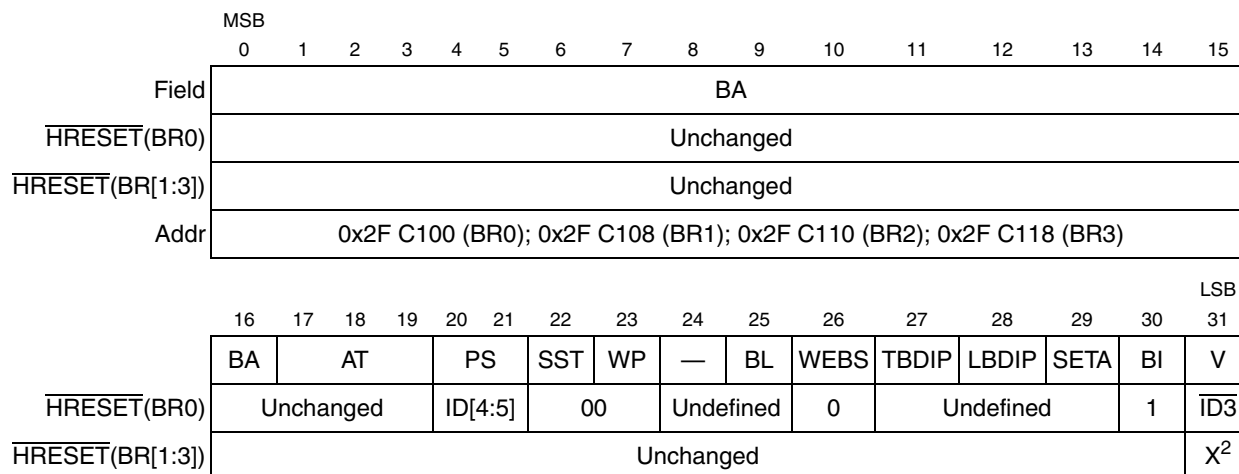


Figure 10-22. Memory Controller Status Register (MSTAT)

Table 10-7. MSTAT Bit Descriptions

| Bits  | Name          | Description  |
|-------|---------------|--|
| 0:7   | —             | Reserved   |
| 8:11  | WPER0 – WPER3 | Write protection error for bank x. This bit is asserted when a write-protect error occurs for the associated memory bank. A bus monitor (responding to $\overline{\text{TEA}}$ assertion) will, if enabled, prompt the read of this register if $\overline{\text{TA}}$ is not asserted during a write cycle. WPERx is cleared by writing one to the bit or by performing a system reset. Writing a zero has no effect on WPER. |
| 12:15 | —             | Reserved   |

## 10.10.3 Memory Controller Base Registers (BR0–BR3)



<sup>1</sup> The reset value is determined by the value on the internal data bus during reset (reset-configuration word).

<sup>2</sup> See Table 10-9 for reset value.

Figure 10-23. Memory Controller Base Registers 0–3 (BR0–BR3)

**Table 10-8. BR0–BR3 Bit Descriptions**

| Bits  | Name             | Description  |
|-------|------------------|--|
| 0:16  | BA               | Base address. These bits are compared to the corresponding unmasked address signals among ADDR[0:16] to determine if a memory bank controlled by the memory controller is being accessed by an internal bus master. (The address types are also compared.) These bits are used in conjunction with the AM[0:16] bits in the OR.  |
| 17:19 | AT               | Address type. This field can be used to require accesses of the memory bank to be limited to a certain address space type. These bits are used in conjunction with the ATM bits in the OR. Note that the address type field uses only AT[0:2] and does not need AT3 to define the memory type space. For a full definition of address types, refer to <a href="#">Section 9.5.8.6, “Address Types.”</a>  |
| 20:21 | PS               | Port size<br>00 32-bit port<br>01 8-bit port<br>10 16-bit port<br>11 Reserved  |
| 22    | SST <sup>1</sup> | Short Setup Time – This field specifies the setup time required for this memory region.<br>0 Normal setup time (like the MPC555)<br>1 Short Setup Time selected<br>Note that an external burst access with short setup timing will corrupt any USIU register load/store if SCCR[EBDF] is not 0b00. Refer to <a href="#">Table 8-9</a> .  |
| 23    | WP               | Write protect. An attempt to write to the range of addresses specified in a base address register that has this bit set can cause the $\overline{TEA}$ signal to be asserted by the bus-monitor logic (if enabled), causing termination of this cycle.<br>0 Both read and write accesses are allowed<br>1 Only read accesses are allowed. The $\overline{CSx}$ signal and $\overline{TA}$ are not asserted by the memory controller on write cycles to this memory bank. WPER is set in the MSTAT register if a write to this memory bank is attempted |
| 24    | —                | Reserved   |
| 25    | BL <sup>1</sup>  | Burst Length – This field specifies the maximum number of words that may comprise a burst access for this memory region. This field has an effect only in the case when the burst accesses are initiated by the USIU (SIUMCR[BURST_EN] = 1).<br>0 Burst access of up to 4 words<br>1 Burst access of up to 8 words   |
| 26    | WEBS             | Write-enable/byte-select. This bit controls the functionality of the $\overline{WE}/\overline{BE}$ pads.<br>0 The $\overline{WE}/\overline{BE}$ pads operate as $\overline{WE}$<br>1 The $\overline{WE}/\overline{BE}$ pads operate as $\overline{BE}$   |
| 27    | TBDIP            | Toggle-burst data in progress. TBDIP determines how long the $\overline{BDIP}$ strobe will be asserted for each data beat in the burst cycles.   |
| 28    | LBDIP            | Late-burst-data-in-progress (LBDIP). This bit determines the timing of the first assertion of the $\overline{BDIP}$ signal in burst cycles.<br>NOTE: Do not set both LBDIP and TBDIP bits in a region’s base registers; behavior in such cases is unpredictable.<br>0 Normal timing for $\overline{BDIP}$ assertion (asserts one clock after negation of $\overline{TS}$ )<br>1 Late timing for $\overline{BDIP}$ assertion (asserts after the programmed number of wait states)   |
| 29    | SETA             | External transfer acknowledge<br>0 $\overline{TA}$ generated internally by memory controller<br>1 $\overline{TA}$ generated by external logic. Note that programming the timing of $\overline{CS}/\overline{WE}/\overline{OE}$ strobes may have no meaning when this bit is set  |

**Table 10-8. BR0–BR3 Bit Descriptions (continued)**

| Bits | Name | Description  |
|------|------|--|
| 30   | BI   | Burst inhibit<br>0 Memory controller drives $\overline{BI}$ negated (high). The bank supports burst accesses.<br>1 Memory controller drives $\overline{BI}$ asserted (low). The bank does not support burst accesses.<br>NOTE: Following a system reset, the $\overline{BI}$ bit is set.   |
| 31   | V    | Valid bit. When set, this bit indicates that the contents of the base-register and option-register pair are valid. The $\overline{CS}$ signal does not assert until the V-bit is set.<br>NOTE: An access to a region that has no V-bit set may cause a bus monitor timeout. See <a href="#">Table 10-9</a> for the reset value of this bit in $\overline{BR0}$ . |

<sup>1</sup> This feature is not available in mask sets prior to L99N (MPC565, Rev D).

**Table 10-9. BRx[V] Reset Value**

| Branch Register | BRx[V] Reset Value                    |
|-----------------|---------------------------------------|
| BR0             | $\overline{ID3}$                      |
| BR1             | 0                                     |
| BR2             | 0                                     |
| BR3             | $\overline{ID20}$ & $\overline{ID31}$ |

### 10.10.4 Memory Controller Option Registers (OR0–OR3)

|        |  | MSB  |     |      |     |      |      |    |    |      |    |    |      |    |    |    |    |     |
|--------|--|--|-----|------|-----|------|------|----|----|------|----|----|------|----|----|----|----|-----|
|        |  | 0  | 1   | 2    | 3   | 4    | 5    | 6  | 7  | 8    | 9  | 10 | 11   | 12 | 13 | 14 | 15 | LSB |
| Field  |  | AM <sup>1</sup>  |     |      |     |      |      |    |    |      |    |    |      |    |    |    |    |     |
| HRESET |  | 0000_0000_0000_0000  |     |      |     |      |      |    |    |      |    |    |      |    |    |    |    |     |
| Addr   |  | 0x2F C104 (OR0); 0x2F C10C (OR1); 0x2F C114 (OR2), 0x2F C11C (OR3) |     |      |     |      |      |    |    |      |    |    |      |    |    |    |    |     |
|        |  | 16   | 17  | 18   | 19  | 20   | 21   | 22 | 23 | 24   | 25 | 26 | 27   | 28 | 29 | 30 | 31 |     |
|        |  | AM   | ATM | CSNT | ACS | EHTR | SCY  |    |    | BSCY |    |    | TRLX |    |    |    |    |     |
| HRESET |  | 0000_0000  |     |      |     |      | 1111 |    |    | 0    | 1  | 1  | 0    |    |    |    |    |     |

<sup>1</sup> It is recommended that this field hold values that are the power of 2 minus 1 (e.g.,  $2^3 - 1 = 7$  [0b111]).

**Figure 10-24. Memory Controller Option Registers 1–3 (OR0–OR3)**

**Table 10-10. OR0–OR3 Bit Descriptions**

| Bits  | Name | Description   |
|-------|------|---|
| 0:16  | AM   | Address mask. This field allows masking of any corresponding bits in the associated base register. Masking the address bits independently allows external devices of different size address ranges to be used. Any clear bit masks the corresponding address bit. Any set bit causes the corresponding address bit to be used in comparison with the address signals. Address mask bits can be set or cleared in any order in the field, allowing a resource to reside in more than one area of the address map. This field can be read or written at anytime.<br>Following a system reset, the AM bits are cleared in OR0.   |
| 17:19 | ATM  | Address type mask. This field masks selected address type bits, allowing more than one address space type to be assigned to a chip-select. Any set bit causes the corresponding address type code bits to be used as part of the address comparison. Any cleared bit masks the corresponding address type code bit. Clear the ATM bits to ignore address type codes as part of the address comparison. Note that the address type field uses only AT[0:2] and does not need AT3 to define the memory type space.<br>Following a system reset, the ATM bits are cleared in OR0.  |
| 20    | CSNT | Chip-select negation time. Following a system reset, the CSNT bit is reset in OR0.<br>0 $\overline{CS}/\overline{WE}$ are negated normally.<br>1 $\overline{CS}/\overline{WE}$ are negated a quarter of a clock earlier than normal<br>Following a system reset, the CSNT bit is cleared in OR0.  |
| 21:22 | ACS  | Address to chip-select setup. Following a system reset, the ACS bits are reset in OR0.<br>00 $\overline{CS}$ is asserted at the same time that the address lines are valid.<br>01 Reserved<br>10 $\overline{CS}$ is asserted a quarter of a clock after the address lines are valid.<br>11 $\overline{CS}$ is asserted half a clock after the address lines are valid<br>Following a system reset, the ACS bits are cleared in OR0.   |
| 23    | EHTR | Extended hold time on read accesses. This bit, when asserted, inserts an idle clock cycle after a read access from the current bank and any MPC565 write accesses or read accesses to a different bank.<br>0 Memory controller generates normal timing<br>1 Memory controller generates extended hold timing<br>Following a system reset, the EHTR bits are cleared in OR0.   |
| 24:27 | SCY  | Cycle length in clocks. This four-bit value represents the number of wait states inserted in the single cycle, or in the first beat of a burst, when the GPCM handles the external memory access. Values range from 0 (0b0000) to 15 (0b1111). This is the main parameter for determining the length of the cycle.<br>The total cycle length may vary depending on the settings of other timing attributes.<br>The total memory access length is (2 + SCY) x Clocks.<br>If an external $\overline{TA}$ response is selected for this memory bank (by setting the SETA bit), then the SCY field is not used.<br>Following a system reset, the SCY bits are set to 0b1111 in OR0. |

**Table 10-10. OR0–OR3 Bit Descriptions (continued)**

| Bits  | Name | Description  |
|-------|------|--|
| 28:30 | BSCY | <p>Burst beats length in clocks. This field determines the number of wait states inserted in all burst beats except the first, when the GPCM starts handling the external memory access and thus using SCY[0:3] as the main parameter for determining the length of that cycle.</p> <p>The total cycle length may vary depending on the settings of other timing attributes.</p> <p>The total memory access length for the beat is (1 + BSCY) x Clocks.</p> <p>If an external <math>\overline{TA}</math> response has been selected for this memory bank (by setting the SETA bit) then BSCY[0:3] are not used.</p> <p>000 0-clock-cycle (1 clock per data beat)<br/>                     001 1-clock-cycle wait states (2 clocks per data beat)<br/>                     010 2-clock-cycle wait states (3 clocks per data beat)<br/>                     011 3-clock-cycle wait states (4 clocks per data beat)<br/>                     1xx Reserved</p> <p>Following a system reset, the BSCY bits are set to 0b011 in OR0.</p> |
| 31    | TRLX | <p>Timing relaxed. This bit, when set, modifies the timing of the signals that control the memory devices during a memory access to this memory region. Relaxed timing multiplies by two the number of wait states determined by the SCY and BSCY fields. Refer to <a href="#">Section 10.3.5, “Summary of GPCM Timing Options,”</a> for a full list of the effects of this bit on signals timing.</p> <p>0 Normal timing is generated by the GPCM.<br/>                     1 Relaxed timing is generated by the GPCM</p> <p>Following a system reset, the TRLX bit is set in OR0.</p>  |

### 10.10.5 Dual-Mapping Base Register (DMBR)

|        |                  | MSB       |   |   |   |   |   |     |     |   |   |    |     |    |    |    |    |  |  |  |  |  |  |  |  |  |  |  |  |  |  |                     | LSB |                     |    |          |
|--------|------------------|-----------|---|---|---|---|---|-----|-----|---|---|----|-----|----|----|----|----|--|--|--|--|--|--|--|--|--|--|--|--|--|--|---------------------|-----|---------------------|----|----------|
|        |                  | 0         | 1 | 2 | 3 | 4 | 5 | 6   | 7   | 8 | 9 | 10 | 11  | 12 | 13 | 14 | 15 |  |  |  |  |  |  |  |  |  |  |  |  |  |  |                     |     | 30                  | 31 |          |
| Field  | —                | BA        |   |   |   |   |   | —   | AT  |   |   |    | —   |    |    |    |    |  |  |  |  |  |  |  |  |  |  |  |  |  |  |                     |     | DMCS                |    | DME      |
| HRESET | 0                | Undefined |   |   |   |   |   | 000 | 001 |   |   |    | 000 |    |    |    |    |  |  |  |  |  |  |  |  |  |  |  |  |  |  |                     |     | $\overline{ID}20^1$ |    | $ID31^1$ |
| Addr   | 0x2F C140        |           |   |   |   |   |   |     |     |   |   |    |     |    |    |    |    |  |  |  |  |  |  |  |  |  |  |  |  |  |  |                     |     |                     |    |          |
| Field  | —                |           |   |   |   |   |   |     |     |   |   |    |     |    |    |    |    |  |  |  |  |  |  |  |  |  |  |  |  |  |  | DMCS                |     | DME                 |    |          |
| HRESET | 0000_0000_0000_0 |           |   |   |   |   |   |     |     |   |   |    |     |    |    |    |    |  |  |  |  |  |  |  |  |  |  |  |  |  |  | $\overline{ID}20^1$ |     | $ID31^1$            |    |          |

<sup>1</sup> The reset value is a reset configuration word value extracted from the indicated internal data bus lines. Refer to [Section 7.5.2, “Hard Reset Configuration Word \(RCW\).”](#)

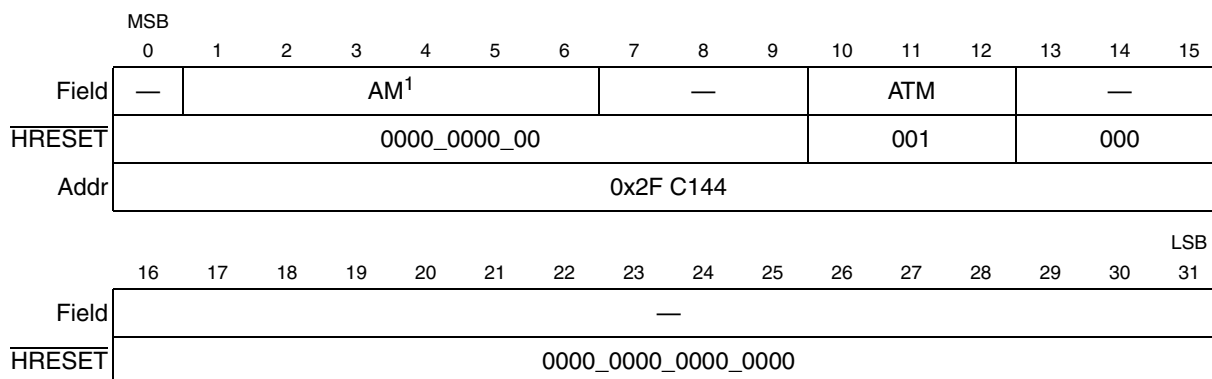
**Figure 10-25. Dual-Mapping Base Register (DMBR)**
**Table 10-11. DMBR Bit Descriptions**

| Bits | Name | Description  |
|------|------|--|
| 0    | —    | Reserved   |
| 1:6  | BA   | Base address. BA field corresponds to address bits [11:16]. The base address field is compared (along with the address type field) to the address of the address bus to determine whether an address should be dual-mapped by one of the memory banks controlled by the memory controller. These bits are used in conjunction with the AM[11:16] bits in the DMOR. |

**Table 10-11. DMBR Bit Descriptions**

| Bits  | Name | Description  |
|-------|------|--|
| 7:9   | —    | Reserved   |
| 10:12 | AT   | Address type. This field can be used to specify that accesses involving the memory bank are limited to a certain address space type. These bits are used in conjunction with the ATM bits in the OR. The default value at reset is to map data only. For a full definition of address types, refer to <a href="#">Section 9.5.8.6, “Address Types.”</a>  |
| 13:27 | —    | Reserved   |
| 28:30 | DMCS | Dual-mapping chip select. This field determines which chip-select signal is assigned for dual mapping.<br>000 $\overline{CS0}$<br>001 $\overline{CS1}$<br>010 $\overline{CS2}$<br>011 $\overline{CS3}$<br>1xx Reserved   |
| 31    | DME  | Dual mapping enabled. This bit indicates that the contents of the dual-mapping registers and associated base and option registers are valid and enables the dual-mapping operation. The default value at reset comes from the internal data bus that reflects the reset configuration word. See <a href="#">Section 10.5, “Dual Mapping of the Internal Flash EEPROM Array,”</a> for more information.<br>0 Dual mapping is not active<br>1 Dual mapping is active |

### 10.10.6 Dual-Mapping Option Register (DMOR)



<sup>1</sup> It is recommended that this field hold values that are the power of 2 minus 1 (e.g.,  $2^3 - 1 = 7$  [0b111]).

**Figure 10-26. Dual-Mapping Option Register (DMOR)**

**Table 10-12. DMOR Bit Descriptions**

| Bits  | Name | Description  |
|-------|------|--|
| 0     | —    | Reserved   |
| 1:6   | AM   | Address mask. The address mask field of each option register provides for masking any of the corresponding bits in the associated base register. By masking the address bits independently, external devices of different size address ranges can be used. Any clear bit masks the corresponding address bit. Any set causes the corresponding address bit to be used in the comparison with the address signals. Address mask bits can be set or cleared in any order in the field, allowing a resource to reside in more than one area of the address map. This field can be read or written at any time.  |
| 7:9   | —    | Reserved   |
| 10:12 | ATM  | Address type mask. This field can be used to mask certain address type bits, allowing more than one address space type to be assigned to a chip select. Any set bit causes the corresponding address type code bits to be used as part of the address comparison. Any cleared bit masks the corresponding address type code bit.<br>To instruct the memory controller to ignore address type codes as part of the address comparison, clear the ATM bits.<br>NOTE: Following a system reset, the ATM bits are cleared in DMOR, except the ATM2 bit. This means that only data accesses are dual mapped. Refer to the address types definition in <a href="#">Table 9-8</a> . |
| 13:31 | —    | Reserved   |





## Chapter 11

# L-Bus to U-Bus Interface (L2U)

The L-bus to U-bus interface unit (L2U) provides an interface between the load/store bus (L-bus) and the unified bus (U-bus). The L2U module includes the data memory protection unit (DMPU), which provides protection for data memory accesses.

The L2U is bidirectional. It allows load/store accesses not intended for the L-bus data RAM to go to the U-bus. It also allows code execution from the L-bus data RAM and read/write accesses from the U-bus to the L-bus.

The L2U directs bus traffic between the L-bus and the U-bus. When transactions start concurrently on both buses, the L2U interface arbitrates to select which transaction is handled. The top priority is assigned to U-bus to L-bus accesses; lower priority is assigned to the load/store accesses by the RCPU.

### 11.1 General Features

- Non-pipelined master and slave on U-bus
  - Does not start two back-to-back accesses on the U-bus
  - Supports U-bus pipelining
  - Retries back-to-back accesses from U-bus masters
- Non-pipelined master and slave on the L-bus
- Generates module selects for L-bus memory-mapped resources within a programmable, contiguous block of storage
- Programmable data memory protection unit (DMPU)
- L-bus and U-bus snoop logic for the reservation protocol compatible with the PowerPC ISA architecture
- Show cycles for RCPU accesses to the CALRAM (none, all, writes)
  - Protection for CALRAM accesses from the U-bus side (all accesses to the CALRAM from the U-bus side are blocked once the CALRAM protection bit is set)

### 11.2 Data Memory Protection Unit Features

- Supports four memory regions whose base address and size can be programmed
  - Available sizes are 4 Kbytes, 8 Kbytes, 16 Kbytes, 32 Kbytes, 64 Kbytes, 128 Kbytes, 256 Kbytes, 512 Kbytes, 1 Mbyte, 2 Mbytes, 4 Mbytes, 8 Mbytes, and 16 Mbytes
  - Region must start on the specified region size boundary (modulo addressing)
  - Overlap between regions is allowed
- Each of the four regions supports the following attributes:

- Access protection: user or supervisor
- Guarded attribute: speculative or non-speculative
- Enable/disable option
- Read only option
- Supports a default global entry for memory space not covered by other regions:
  - Default access protection
  - Default guarded attribute
- Interrupt generated upon:
  - Access violation
  - Load from guarded region
  - Write to read-only region
- The MSR[DR] bit (data relocate) controls DMPU protection on/off operation
- Programming is done using the mtspr/mfspr instructions to/from implementation-specific special purpose registers.
- No protection for accesses to the CALRAM module on the L-bus (CALRAM has its own protection options)

### 11.3 L2U Block Diagram

Figure 11-1 shows a block diagram of the L-bus to U-bus interface as implemented in the overall MPC565 bus architecture.

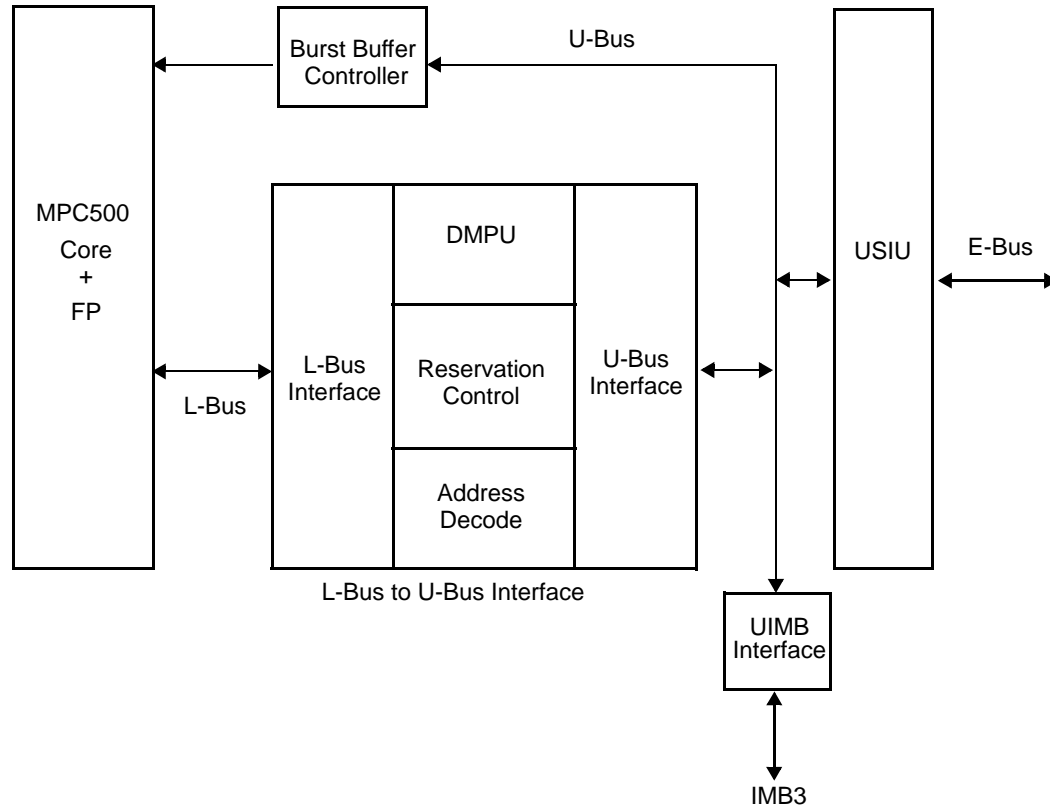


Figure 11-1. L2U Bus Interface Block Diagram

## 11.4 Modes Of Operation

The L2U module can operate in the following modes:

- Normal mode
- Reset operation
- Peripheral mode
- Factory test mode

### 11.4.1 Normal Mode

In normal mode (master or slave) the L2U module acts as a bidirectional protocol translator.

- In master mode the RCPU is fully operational, and there is no external master access to the U-bus.
- Slave mode enables an external master to access any internal bus slave while the RCPU is fully operational. The L2U transfers load/store accesses from the RCPU to the U-bus and the read/write accesses by the U-bus master to the L-bus.

In addition to the bus protocol translation, the L2U supports other functions such as show cycles, data memory protection, and MPC500 reservation protocol.

When a load to or store from the U-bus resource is issued by the RCPU, it is compared against the DMPU region access (address and attribute) comparators. If none of the access attributes are violated, the access is directed to the U-bus by the L2U module. If the DMPU detects an access violation, it informs the error status to the master initiating the cycle.

When show cycles are enabled, accesses to all of the L-bus resources by the RCPU are made visible on the U-bus side by the L2U.

The L2U is responsible for handling the effects of reservations on the L-bus and the U-bus. For the L-bus and the U-bus, the L2U detects reservation losses and updates the RCPU core with the reservation status.

## 11.4.2 Reset Operation

While hard or soft reset is asserted on the U-bus, the L2U asserts the corresponding L-bus reset signals. Upon soft reset assertion, the L2U goes to an idle state and all pending accesses are ignored. Additionally, the L2U module control registers are not initialized on soft reset, keeping the system configuration unchanged.

Upon assertion of hard reset, the L2U control registers are initialized to their reset states. The L2U also drives the reset configuration word from the U-bus to the L-bus upon hard reset.

## 11.4.3 Peripheral Mode

In the peripheral mode of operation the RCPU is shut down and an alternative master on the external bus can perform accesses to any internal bus (U-bus and L-bus) slave.

The external master can also access the internal MPC500 special registers that are located in the L2U module. In order to access one of these MPC500 registers the EMCR[CONT] bit in the USIU must be cleared.

## 11.4.4 Factory Test Mode

Factory test mode is a special mode of operation that allows access to the internal modules for testing. This mode is not intended for general use and is not supported for normal applications.

## 11.5 Data Memory Protection

The data memory protection unit (DMPU) in the L2U module provides access protection for the memory regions on the U-bus side from load/store accesses by the RCPU. (Only U-bus space is protected.) The DMPU does not protect MPC500 register accesses initiated by the RCPU on the L-bus. The user can assign up to four regions of access protection attributes and can assign global attributes to any space not included in the active regions. When it detects an access violation, the L2U generates an exception request to the CPU. A functional diagram of the DMPU is shown in [Figure 11-2](#).

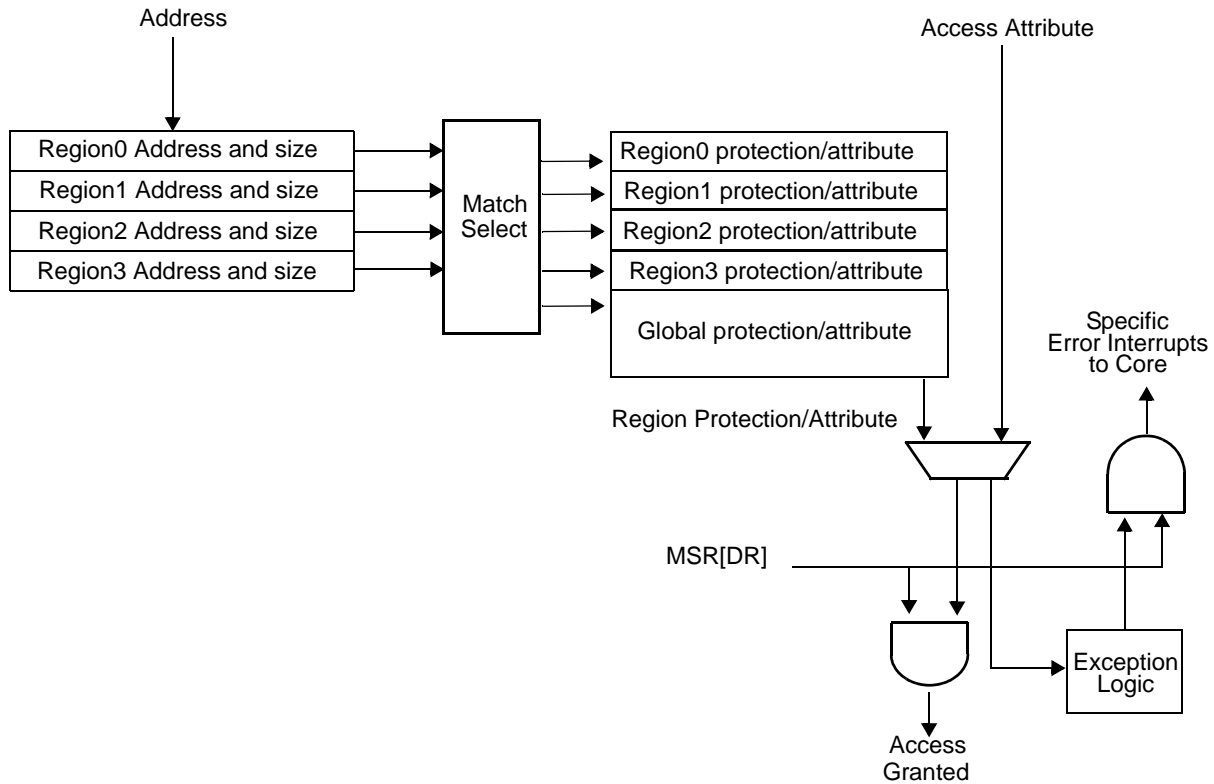


Figure 11-2. DMPU Basic Functional Diagram

### 11.5.1 Functional Description

Data memory protection is assigned on a regional basis. Default manipulation of the DMPU is done on a global region. The DMPU has control registers that contain the following information: region protection on/off, region base address, region size, and the region’s access permissions. Each region’s protection attributes can be turned on or off by configuring the global region attribute register’s enable attribute bit (L2U\_GRA[ENRx]).

During each load or store access from the RCPU to the U-bus, the address is compared to the value in the region base address register of each enabled region. Any access that matches the specific region within its appropriate size, as defined by the region attribute register’s region size field (L2U\_RAx[RS]), sets a match indication.

When more than one match indication occurs, the effective region is the region with the highest priority. Priority is determined by region number; highest priority corresponds to the lowest region number, e.g. region 0 is highest priority, while region 3 is lowest.

When no match occurs, the effective region is the global region, which has the lowest priority.

The region attribute register also contains the region’s protection fields. The protection field (PP) of the effective region is compared to the access attributes. If the attributes match, the access is permitted. When the access is permitted, a U-bus access may be generated according to the specific attribute of the effective region.

When the access by the RCPU is not permitted, the L2U module asserts a data memory storage exception to the RCPU.

For speculative load/store accesses from the RCPU to a region marked as guarded (G bit of region attribute register is set), the L2U asks the RCPU to retry the L-bus cycle until either the access is not speculative, or is canceled by the RCPU.

In the case of attempted accesses to a guarded region together with any other protection violation (no access), the L2U retries the access. The L2U handles this event as a data storage violation only when the access becomes non-speculative.

Note that access protection is active only when the MPC500's MSR[DR] = 1. When MSR[DR] = 0, DMPU exceptions are disabled, all accesses are considered to be to a guarded memory area, and no speculative accesses are allowed. In this case, if the L-bus master [RCPU] initiates a non-CALRAM cycle (access through the L2U) that is marked speculative, the L2U asks the RCPU to retry the L-bus cycle until either the access is not speculative, or it is canceled by the RCPU Core.

**NOTE**

The programmer must not overlap the CALRAM memory space with any enabled region. Overlapping an enabled region with CALRAM memory space disables the L2U data memory protection for that region.

If an enabled region overlaps with the L-bus space, the DMPU ignores all accesses to addresses within the L-bus space. If an enabled region overlaps with MPC500 register addresses, the DMPU ignores any access marked as an MPC500 access.

**11.5.2 Associated Registers**

Table 11-1 shows registers that are used to control the DMPU of the L2U module. All the registers are special purpose registers that are accessed via the MPC500 mtspr/mfspr instructions. The registers are also accessed by an external master when EMCR[CONT] = 0. See Section 11.8, “L2U Programming Model,” for register diagrams and bit descriptions.

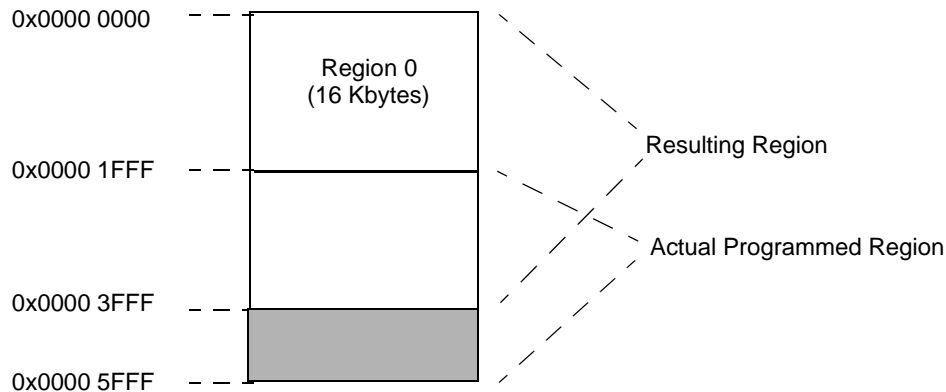
**Table 11-1. DMPU Registers**

| Name     | Description                    |
|----------|--------------------------------|
| L2U_RBA0 | Region Base Address Register 0 |
| L2U_RBA1 | Region Base Address Register 1 |
| L2U_RBA2 | Region Base Address Register 2 |
| L2U_RBA3 | Region Base Address Register 3 |
| L2U_RA0  | Region Attribute Register 0    |
| L2U_RA1  | Region Attribute Register 1    |
| L2U_RA2  | Region Attribute Register 2    |
| L2U_RA3  | Region Attribute Register 3    |
| L2U_GRA  | Global Region Attribute        |

**NOTE**

The appropriate DMPU registers must be programmed before the MSR[DR] bit is set. Otherwise, DMPU operation is not guaranteed.

Program the region base address in the L2U\_RBAx registers to the lower boundary of the region specified by the corresponding L2U\_RAx[RS] field. If the region base address does not correspond to the boundary of the block size programmed in the L2U\_RAx, the DMPU snaps the region base to the lower boundary of that block. For example, if the block size is programmed to 16 Kbytes for region zero (i.e., L2U\_RA0[RS] = 0x3) and the region base address is programmed to 0x1FFF(i.e., L2U\_RBA0[RBA] = 0x1), then the effective base address of region zero is 0x0. See [Figure 11-3](#).



**Figure 11-3. Region Base Address Example**

External action is required to program only legal region sizes. The L2U does not check whether the value is legal. If an illegal region size is programmed, the region calculation may not be successful.

### 11.5.3 L-Bus Memory Access Violations

All L-bus slaves have their own access protection logic. For consistency, all storage access violations have the same termination result. Thus access violations for load/store accesses started by the RCPU always have the same termination from all slaves: assertion of the data storage exception. All other L-bus masters cause machine check exceptions.

## 11.6 Reservation Support

In general terms, a reservation activity is the process whereby a load and store instruction pair is accompanied by a reservation of the data, the goal being to achieve an atomic operation. If a bus master other than the one holding the reservation accesses the data (or some other specific condition occurs as described in [Section 11.6.1, “Reservation Protocol”](#)) the reservation is lost and is indicated accordingly.

The RCPU storage reservation protocol supports a multi-level bus structure. For each local bus, storage reservation is handled by the local reservation logic. The protocol tries to optimize reservation cancellation such that an MPC500 processor (RCPU) is notified of storage reservation loss on a remote bus (U-bus, IMB or external bus) only when it has issued a stwex cycle to that address. That is, the reservation loss indication comes as part of the stwex cycle.

## 11.6.1 Reservation Protocol

The reservation protocol operates under the following assumptions:

- Each processor has at most 1 reservation flag
- A lwarx instruction sets the reservation flag
- Another lwarx instruction by same processor clears the reservation flag related to a previous lwarx instruction and sets again the reservation flag
- A stwcx instruction by the same processor clears the reservation flag
- A store instruction by the same processor does not clear the reservation flag
- Some other processor (or other mechanism) store to an address with an existing reservation clears the reservation flag
- In case the storage reservation is lost, it is guaranteed that stwcx will not modify the storage

## 11.6.2 L2U Reservation Support

The L2U is responsible for handling the effects of reservations on the L-bus and the U-bus. For the L-bus and the U-bus, the L2U detects reservation losses.

The reservation logic in the L2U performs the following functions:

- Snoops accesses to all L-bus and U-bus slaves
- Holds one reservation (address) for the core
- Sets the reservation flag when the RPCU issues a load-with-reservation request

The unit for reservation is one word. A byte or half-word store request by another master will clear the reservation flag.

A load-with-reservation request by the RPCU updates the reservation address related to a previous load-with-reservation request and sets the reservation flag for the new location. A store-with-reservation request by the RPCU clears the reservation flag. A store request by the RPCU does not clear the flag. A store request by some other master to the reservation address clears the reservation flag.

If the storage reservation is lost, it is guaranteed that a store-with-reservation request by the RPCU will not modify the storage.

The L2U does not start a store-with-reservation cycle on the U-bus if the reserved location on the U-bus has been touched by another master. The L2U drives the reservation status back to the core.

When the reserved location in the CALRAM on the L-bus is touched by an alternate master, on the following clock the L2U indicates to the RPCU that the reservation has been touched. On assertion of the cancel-reservation signal, the RPCU clears the internal reservation bit. If an stwcx cycle has been issued at the same time, the RPCU aborts the cycle. Software must check the CR0[EQ] bit to determine if the stwcx instruction completed successfully.

Storage reservation is set regardless of the termination status (address or data phase) of the lwarx access. Storage reservation is cleared regardless of the data phase termination status of the stwcx access if the address phase is terminated normally.



Storage reservation will be cleared regardless of the data phase termination status of the write requests by another master to the reserved address if the address phase of the write access is terminated normally on the destination (U-bus/L-bus) bus.

If the programmable memory map of the part is modified between a lwarx and a stwcx instruction, the reservation is not guaranteed.

### 11.6.3 Reserved Location (Bus) and Possible Actions

Once the RCP core reserves a memory location, the L2U module is responsible for snooping the L-bus and U-bus for possible intrusion of the reserved location. Under certain circumstances, the L2U depends on the USIU or the UIMB to provide status of reservation on external bus and the IMB3 respectively.

Table 11-2 lists all reservation protocol cases supported by the L2U snooping logic.

**Table 11-2. Reservation Snoop Support**

| Reserved Location On | Intruding Alternate Master | Action Taken on stwcx cycle                     |
|----------------------|----------------------------|---|
| L-bus                | L-master                   | Request to cancel the reservation. <sup>1</sup> |
|                      | U-master                   | Request to cancel the reservation.              |
| U-bus                | L-master                   | Block stwcx <sup>2</sup>                        |
|                      | U-master                   | Block stwcx                                     |
| External Bus         | L-master                   | Block stwcx                                     |
|                      | U-master                   | Block stwcx                                     |
|                      | Ext-master                 | Transfer Status <sup>3</sup>                    |
| IMB3                 | L-master                   | Block stwcx                                     |
|                      | U-master                   | Block stwcx                                     |
|                      | IMB3-master                | Transfer Status                                 |

<sup>1</sup> If the RCP core tries to modify (stwcx) that location, the L2U does not have enough time to stop the write access from completing. In this case, the L2U will drive cancel-reservation signal back to the core as soon as it comes to know that the alternate master on the U-bus has touched the reserved location.

<sup>2</sup> If the RCP core tries to modify (stwcx) that location, the L2U does not start the cycle on the U-bus and it communicates to the core that the current write has been aborted by the slave with no side effects.

<sup>3</sup> If the RCP core tries to modify (stwcx) that location, the L2U runs a write-cycle-with-reservation request on the U-bus. The L2U samples the status of the reservation along with the U-bus cycle termination signals and it communicates to the core if the current write has been aborted by the slave with no side effects.

## 11.7 L-Bus Show Cycle Support

The L2U module provides support for L-bus show cycles. L-bus show cycles are external visibility cycles that reflect activity on the L-bus that would otherwise not be visible to the external bus. L-bus show cycles are software controlled.

## 11.7.1 Programming Show Cycles

L-bus show cycles are disabled during reset and must be configured by setting the LSHOW[0:1] bits in the L2U\_MCR. Table 11-3 shows the configurations of the LSHOW[0:1] bits.

**Table 11-3. L2U\_MCR LSHOW Modes**

| LSHOW | Action   |
|-------|--|
| 00    | Disable L-bus show cycles                                      |
| 01    | Show address and data of all L-bus space write cycles          |
| 10    | Reserved (Disable L-bus show cycles)                           |
| 11    | Show address and data of all L-bus space read and write cycles |

## 11.7.2 Performance Impact

When show cycles are enabled in the L2U module, there is a performance penalty on the L-bus. This occurs because the L2U module does not support more than one access being processed at any time. To ensure that only one access at a time is processed, and not lose an L-bus access that would have been show cycled, the L2U module will arbitrate for the L-bus whenever it is processing any access. This L-bus arbitration will prevent any other L-bus master from starting a cycle that might turn out to be a qualifiable L-bus show cycle.

For L-bus show cycles, the minimum performance impact on the L-bus will be three clocks. This minimum impact assumes that the L-bus slave access is a 1-clock access, and the L2U module acquires immediate bus grant on the U-bus. The L2U has to wait two clocks before completing the show cycle on the U-Bus, thus using up five clocks for the complete process.

A retried access on the L-bus (no address acknowledge) that qualifies to be show cycled, will be accepted when it is actually acknowledged. This will cause a 1-clock delay before an L-bus master can retry the access on the L-bus, because the L2U module will release L-bus one clock later.

L2U asserts the internal bus request signal on the U-bus for a minimum of two clocks when starting a show cycle on the U-bus.

## 11.7.3 Show Cycle Protocol

The L2U module behaves as both a master and a slave on the U-bus during show cycles. The L2U starts the U-bus transfer as a bus master and then completes the address phase and data phase of the cycle as a slave. The L2U follows U-bus protocol of in-order termination of the data phase.

The USIU can control the start of show cycles on the U-bus by asserting the no-show cycle indicator. This will cause the L2U module to release the U-bus for at least one clock before retrying the show cycle.

## 11.7.4 L-Bus Write Show Cycle Flow

The L2U performs the following sequence of actions for an L-bus-write show cycle.

1. Arbitrates for the L-bus to prevent any other L-bus cycles from starting

2. Latches the address and the data of the L-bus access, along with all address attributes
3. Waits for the termination of the L-bus access and latches the termination status (data error)
4. Arbitrate for the U-bus, and when granted, starts the U-bus access, asserting show cycle request on the U-bus, along with address, attributes and the write data. The L2U module provides address recognition and acknowledgment for the address phase. If the no-show cycle indicator from the U-bus is asserted, the L2U does not start the show cycle. The L2U module releases the U-bus until the no-show cycle indicator is negated and then arbitrates for the U-bus again.
5. When the L2U module has U-bus data bus grant, it drives the data phase termination handshakes on the U-bus.
6. Releases the L-bus

### 11.7.5 L-Bus Read Show Cycle Flow

The L2U performs the following sequence of actions for an L-bus read show cycle.

1. Arbitrates for the L-bus to prevent any other L-bus cycle from starting
2. Latches the address of the L-bus access, along with all address attributes
3. Waits for the data phase termination on the L-bus and latches the read data, and the termination status from the L-bus
4. Arbitrates for the U-bus, and when granted, starts the U-bus access, asserting the show cycle request on the U-bus, along with address attributes. The L2U module provides address recognition/acknowledgment for the address phase. If the no-show cycle indicator from the U-bus is asserted, the L2U does not start the show cycle. The L2U module releases the U-bus until the no-show cycle indicator is negated and then arbitrates for the U-bus again.
5. When the L2U module has U-bus data bus grant, it drives the read data and the data phase termination handshakes on the U-bus
6. Release the L-bus.

### 11.7.6 Show Cycle Support Guidelines

The following are the guidelines for L2U show cycle support:

- The L2U module provides address and data for all qualifying L-bus cycles when the appropriate mode bits are set in the L2U\_MCR.
- The L2U-module-only provides show cycles L-bus activity that is not targeted for the U-bus or the L2U module internal registers, regardless of the termination status of such activity.
- The L2U module does not provide show cycle access to any MPC500 special purpose register.
- The L2U does not start a show cycle for an L-bus access that is retried. This decision to not start the show cycle causes a clock delay before the cycle can be retried, since the L2U module will have arbitrated away the L-bus immediately on detecting the show cycle, before the retry information is available.
- The L2U module does not show cycle any L-bus activity that is aborted.
- The L2U module does not access the U-bus if the USIU inhibits show cycle activity on the U-bus.

- The L2U does not provide show cycle for any L-bus addresses that fall in the L-bus CALRAM address space if the CALRAM protection [SP] bit is set in the L2U\_MCR.

Table 11-4 summarizes the L2U show cycle support.

**Table 11-4. L2U Show Cycle Support Chart**

| Case | Destination              | LB AACK | LB ABORT       | Comments  |
|------|--------------------------|---------|----------------|---|
| 1    | L-bus Slave <sup>1</sup> | No      | X <sup>2</sup> | Not show cycled<br>[Cycle will be retried one clock later] <sup>3</sup> |
| 2    | L2U <sup>4</sup>         | X       | X              | Not show cycled   |
| 3    | U-bus/E-bus <sup>5</sup> | X       | X              | Not show cycled   |
| 4    | L-bus slave <sup>1</sup> | Yes     | No             | Show cycled   |
| 5    | L-bus slave <sup>1</sup> | Yes     | Yes            | Not show cycled<br>[L-bus will be released next clock]                  |

<sup>1</sup> L-bus slave includes all address in the L-bus address space.

<sup>2</sup> X indicates don't care conditions.

<sup>3</sup> There will be a 1-clock turnaround because the L-bus retry information is not available in time to negate the L-bus arbitration.

<sup>4</sup> L2U indicates L2U registers.

<sup>5</sup> U-bus/E-bus refers to all destinations through the L2U interface.

## 11.8 L2U Programming Model

The L2U control registers control the L2U bus interface and the DMPU. They are accessible via the mtspr and mfspr instructions. They are also accessible by an external master when EMCR[CONT] bit is cleared. L2U control registers are accessible from both the L-bus side and the U-bus side in one clock cycle. As with all SPRs, L2U registers are accessible in supervisor mode only.

Any unimplemented bits in L2U registers return 0's on a read, and the writes to those register bits are ignored.

Table 11-5 shows L2U registers along with their SPR numbers and hexadecimal addresses that are used to access L2U registers during a peripheral mode access.

**Table 11-5. L2U (PPC) Register Decode**

| Name     | SPR # | SPR[5:9] | SPR[0:4] | Address for External Master Access <sup>1</sup> | Access | Description                       |
|----------|-------|----------|----------|---|--------|-----------------------------------|
| L2U_MCR  | 568   | 10001    | 11000    | 0x0000_3110                                     | SUPR   | L2U Module Configuration Register |
| L2U_RBA0 | 792   | 11000    | 11000    | 0x0000_3180                                     | SUPR   | Region Base Address Register 0    |
| L2U_RBA1 | 793   | 11000    | 11001    | 0x0000_3380                                     | SUPR   | Region Base Address Register 1    |
| L2U_RBA2 | 794   | 11000    | 11010    | 0x0000_3580                                     | SUPR   | Region Base Address Register 2    |
| L2U_RBA3 | 795   | 11000    | 11011    | 0x0000_3780                                     | SUPR   | Region Base Address Register 3    |
| L2U_RA0  | 824   | 11001    | 11000    | 0x0000_3190                                     | SUPR   | Region Attribute Register 0       |
| L2U_RA1  | 825   | 11001    | 11001    | 0x0000_3390                                     | SUPR   | Region Attribute Register 1       |

**Table 11-5. L2U (PPC) Register Decode (continued)**

| Name    | SPR # | SPR[5:9] | SPR[0:4] | Address for External Master Access <sup>1</sup> | Access | Description                 |
|---------|-------|----------|----------|---|--------|-----------------------------|
| L2U_RA2 | 826   | 11001    | 11010    | 0x0000_3590                                     | SUPR   | Region Attribute Register 2 |
| L2U_RA3 | 827   | 11001    | 11011    | 0x0000_3790                                     | SUPR   | Region Attribute Register 3 |
| L2U_GRA | 536   | 10000    | 11000    | 0x0000_3100                                     | SUPR   | Global Region Attribute     |

<sup>1</sup> When EMCR[CONT] = 0, for external master access only.

For these registers a bus cycle will be performed on the L-bus and the U-bus with the address as shown in [Table 11-6](#).

**Table 11-6. Hex Address For SPR Cycles**

| A[0:17] | A[18:22] | A[23:27] | A[28:31] |
|---------|----------|----------|----------|
| 0       | spr[5:9] | spr[0:4] | 0        |

### 11.8.1 U-Bus Access

The L2U registers are accessible from the U-bus side only if it is a supervisor mode data access and the register address is correct and it is indicated on the U-bus that it is a PPC register access.

A user mode access, or an access marked as instruction, to L2U registers from the U-bus side will cause a data error on the U-bus.

### 11.8.2 Transaction Size

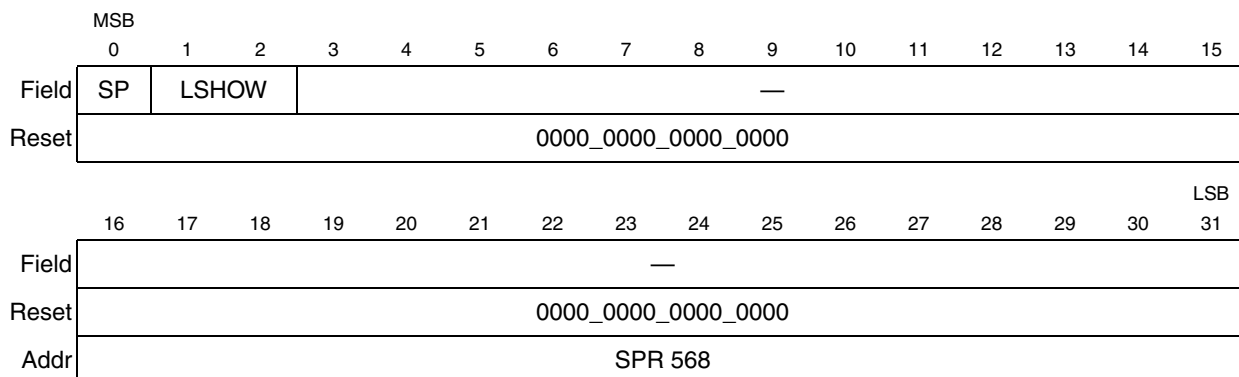
All L2U registers are defined by MPC500 architecture as being 32-bit registers in normal mode. There is no MPC500 instruction to access either a half word or a byte of the special purpose register.

All L2U registers are only word accessible (read and write) in peripheral mode. A half-word or byte access in peripheral mode will result in a word transaction.

### 11.8.3 L2U Module Configuration Register (L2U\_MCR)

The L2U module configuration register (L2U\_MCR) is used to control the L2U module operation.

## L-Bus to U-Bus Interface (L2U)



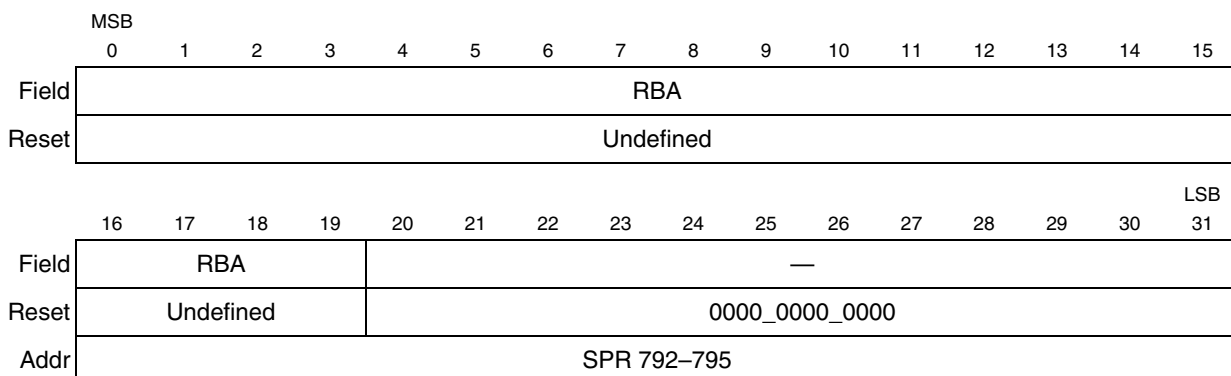
**Figure 11-4. L2U Module Configuration Register (L2U\_MCR)**

**Table 11-7. L2U\_MCR Bit Descriptions**

| Bits | Name  | Description   |
|------|-------|---|
| 0    | SP    | CALRAM Protection (SP) bit is used to protect the CALRAM on the L-bus from U-bus accesses. Any attempt to set or clear the SP bit from the U-bus side has no affect. Once this bit is set, the L2U blocks all CALRAM accesses initiated by the U-bus masters and the access is terminated with a data error on the U-bus. If L-bus show cycles are enabled, setting this bit will disable L-bus CALRAM show cycles. |
| 1:2  | LSHOW | LSHOW bits are used to configure the show cycle mode for cycles accessing the L-bus slave e.g. CALRAM<br>00 Disable show cycles<br>01 Show address and data of all L-bus space write cycles<br>10 Reserved<br>11 Show address and data of all L-bus space read and write cycles   |
| 3:31 | —     | Reserved  |

### 11.8.4 Region Base Address Registers (L2U\_RBAX)

The L2U region base address register (L2U\_RBAX) defines the base address of a specific region protected by the data memory protection unit. There are four registers (x = 0...3), one for each supported region.



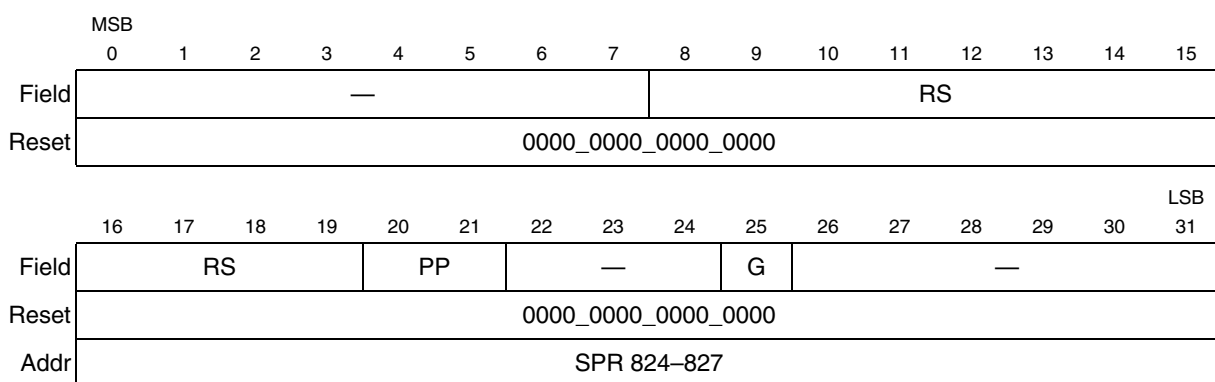
**Figure 11-5. L2U Region x Base Address Register (L2U\_RBAX)**

**Table 11-8. L2U\_RBAX Bit Descriptions**

| Bits  | Name | Description   |
|-------|------|---|
| 0:19  | RBA  | Region base address. The RBA field provides the base address of the region. The region base address should start on the block boundary for the corresponding block size attribute specified in the region attribute register (L2U_RAx). |
| 20:31 | —    | Reserved  |

### 11.8.5 Region Attribute Registers (L2U\_RAx)

Each L2U region attribute register defines the protection attributes associated with a specific region protected by the data memory protection unit. There are four registers (x = 0...3), one for each supported region.



**Figure 11-6. L2U Region X Attribute Register (L2U\_RAx)**

**Table 11-9. L2U\_RAx Bit Descriptions**

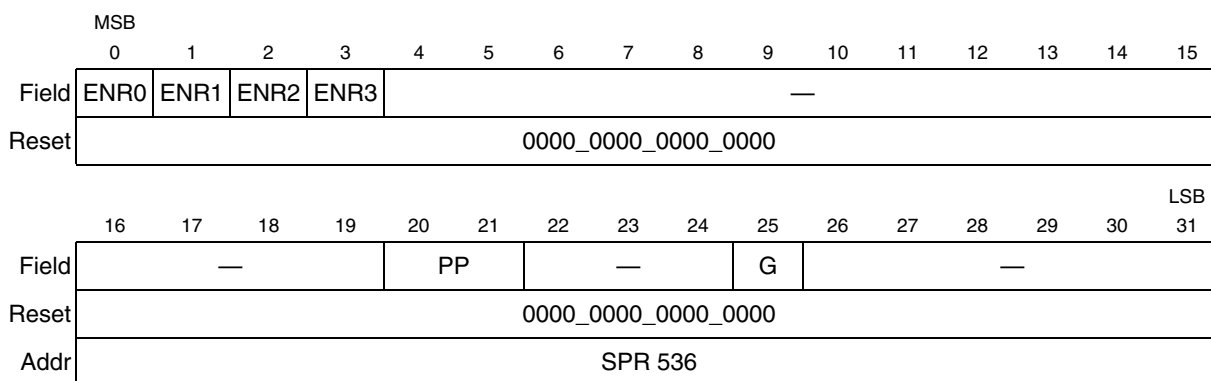
| Bits | Name | Description   |
|------|------|---|
| 0:7  | —    | Reserved  |
| 8:19 | RS   | Region size<br>0000_0000_0000 = 4 Kbytes<br>0000_0000_0001 = 8 Kbytes<br>0000_0000_0011 = 16 Kbytes<br>0000_0000_0111 = 32 Kbytes<br>0000_0000_1111 = 64 Kbytes<br>0000_0001_1111 = 128 Kbytes<br>0000_0011_1111 = 256 Kbytes<br>0000_0111_1111 = 512 Kbytes<br>0000_1111_1111 = 1 Mbyte<br>0001_1111_1111 = 2 Mbytes<br>0011_1111_1111 = 4 Mbytes<br>0111_1111_1111 = 8 Mbytes<br>1111_1111_1111 = 16 Mbytes |

**Table 11-9. L2U\_RAx Bit Descriptions (continued)**

| Bits  | Name | Description  |
|-------|------|--|
| 20:21 | PP   | Protection bits<br>00 No supervisor access, no user access<br>01 Supervisor read/write access, no user access<br>10 Supervisor read/write access, user read-only access<br>11 Supervisor read/write access, user read/write access |
| 22:24 | —    | Reserved   |
| 25    | G    | Guarded attribute<br>0 Not guarded from speculative accesses<br>1 Guarded from speculative accesses  |
| 26:31 | —    | Reserved   |

### 11.8.6 Global Region Attribute Register (L2U\_GRA)

The L2U global region attribute register (L2U\_GRA) defines the protection attributes associated with the memory region which is not protected under the four DMPU regions. This register also provides enable/disable control for the four DMPU regions.



**Figure 11-7. L2U Global Region Attribute Register (L2U\_GRA)**

**Table 11-10. L2U\_GRA Bit Descriptions**

| Bits | Name | Description  |
|------|------|--|
| 0    | ENR0 | Enable attribute for region 0<br>0 Region attribute is off<br>1 Region attribute is on |
| 1    | ENR1 | Enable attribute for region 1<br>0 Region attribute is off<br>1 Region attribute is on |
| 2    | ENR2 | Enable attribute for region 2<br>0 Region attribute is off<br>1 Region attribute is on |



**Table 11-10. L2U\_GRA Bit Descriptions (continued)**

| Bits  | Name | Description  |
|-------|------|--|
| 3     | ENR3 | Enable attribute for region 3<br>0 Region attribute is off<br>1 Region attribute is on   |
| 4:19  | —    | Reserved   |
| 20:21 | PP   | Protection bits<br>00 No supervisor access, no user access<br>01 Supervisor read/write access, no user access<br>10 Supervisor read/write access, user read-only access<br>11 Supervisor read/write access, user read/write access |
| 22:24 | —    | Reserved   |
| 25    | G    | Guarded attribute<br>0 Not guarded from speculative accesses<br>1 Guarded from speculative accesses  |
| 26:31 | —    | Reserved   |



## Chapter 12

# U-Bus to IMB3 Bus Interface (UIMB)

The U-bus to IMB3 bus interface (UIMB) structure is used to connect the CPU internal unified bus (U-bus) to the intermodule bus 3 (IMB3). It controls bus communication between the U-bus and the IMB3. The UIMB interface (see [Figure 12-1](#)) consists of seven submodules that control bus interface timing, address decode, data multiplexing, intrasystem communication (interrupts), and clock generation to allow communication between U-bus and the IMB3. The seven submodules are:

- U-bus interface
- IMB3 interface
- Address decoder
- Data multiplexer
- Interrupt synchronizer
- Clock control
- Scan control

### WARNING

The user should not perform instruction fetches from modules on the IMB3.

### NOTE

Modules on the IMB3 bus can only be reset by  $\overline{\text{SRESET}}$ . Some modules may have a module reset, as well.

## 12.1 Features

- Provides complete interfacing between the U-bus and the IMB3:
  - 15 bits (32 Kbytes) of address decode on IMB3
  - 32-bit data bus
  - Read/write access to IMB3 module registers
  - Interrupt synchronizer
  - Monitoring of accesses to unimplemented addresses within UIMB interface address range
  - Burst-inhibited accesses to the modules on IMB3
- Support of 32-bit and 16-bit bus interface units (BIUs) for IMB3 modules
- Half and full speed operation of IMB3 bus with respect to U-bus
- Simple “slave only” U-bus interface implementation
  - Transparent mode operation not supported
  - Relinquish and retry not supported

- Supports scan control for modules on the IMB3 and on the U-bus

## 12.2 UIMB Block Diagram

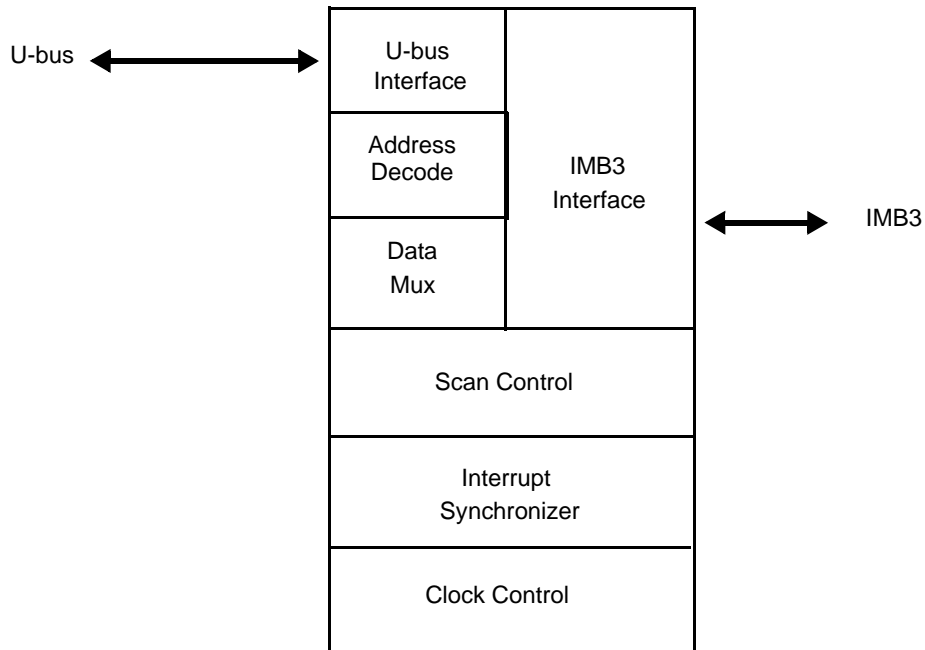


Figure 12-1. UIMB Interface Module Block Diagram

## 12.3 Clock Module

The clock module within the UIMB interface generates the IMB3 clock. The IMB3 clock is the main timing reference used within the IMB3 modules.

The IMB3 clock is generated based on the STOP and HSPEED bits in the UIMB module configuration register (UMCR). If the STOP = 1, the IMB3 clock is not generated. If the STOP = 0 and the HSPEED = 0, the IMB3 clock is generated as the inversion of the internal system clock. This is the same frequency as the CLKOUT if SCCR[EBDF] = 0b00 – full speed external bus. (See [Figure 12-2.](#)) If the HSPEED = 1, then the IMB3 clock is one-half of the internal system frequency. (See [Figure 12-3.](#))

Table 12-1. STOP and HSPEED Bit Functionality

| STOP | HSPEED | Functionality   |
|------|--------|---|
| 0    | 0      | IMB3 bus frequency is the same as U-bus frequency.      |
| 0    | 1      | IMB3 bus frequency is half that of the U-bus frequency. |
| 1    | X      | IMB3 clock is not generated.                            |

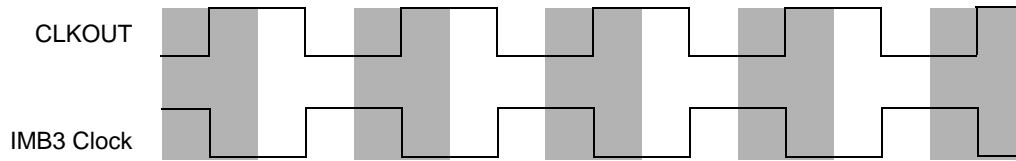
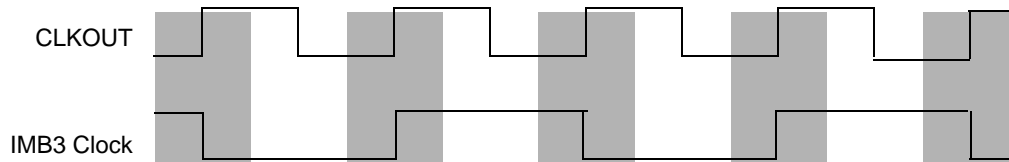

**Figure 12-2. IMB3 Clock – Full-Speed IMB3 Bus**

**Figure 12-3. IMB3 Clock – Half-Speed IMB3 Bus**

Table 12-2 shows the number of system clock cycles that the UIMB requires to perform each type of bus cycle. It is assumed that the IMB3 is available to the UIMB at all times (fastest possible case).

**Table 12-2. Bus Cycles and System Clock Cycles**

| Bus Cycle (from U-bus Transfer Start to U-bus Transfer Acknowledge) | Number of System Clock Cycles |            |
|---|-------------------------------|------------|
|   | Full Speed                    | Half Speed |
| Normal write  | 4                             | 6          |
| Normal read   | 4                             | 6          |
| Dynamically-sized write   | 6                             | 10         |
| Dynamically-sized read  | 6                             | 10         |

#### NOTE

The UIMB interface dynamically interprets the port size of the addressed module during each bus cycle, allowing bus transfers to and from 16-bit and 32-bit IMB3 modules. During a bus transaction, the slave module on the IMB3 signals its port size (16- or 32-bit) via an internal port size signal.

## 12.4 Interrupt Operation

The interrupts from the modules on the IMB3 are propagated to the interrupt controller in the USIU through the UIMB interface. The UIMB interrupt synchronizer latches the interrupts from the modules on the IMB3 and drives them onto the U-bus, where they are latched by the USIU interrupt controller.

The MPC565 includes an option for an enhanced interrupt controller. See [Section 6.1.4.4, “Enhanced Interrupt Controller Operation”](#) for operation details.

### 12.4.1 Interrupt Sources and Levels on IMB3

The IMB3 has eight interrupt lines. There can be a maximum of 32 levels of interrupts from the modules on IMB3 bus. A single module can be a source for more than one interrupt. For example, the QSMCM can

generate two interrupts (one for QSCI1/QSCI2 and another for QSPI). In this case, the QSMCM has two interrupt sources. Each of these two sources can assert the interrupt on any of the 32 levels.

It is possible for multiple interrupt sources to assert the same interrupt level. To reduce the latency, it is a good practice for each interrupt source to assert an interrupt on a level on which no other interrupt source is mapped.

### 12.4.2 IMB3 Interrupt Multiplexing

The IMB3 has 10 lines for interrupt support. Eight lines are for interrupts and two are for interrupt level byte select (ILBS). These lines will transfer the 32 interrupt levels to the interrupt synchronizer. A diagram of the interrupt flow is shown in [Figure 12-4](#).

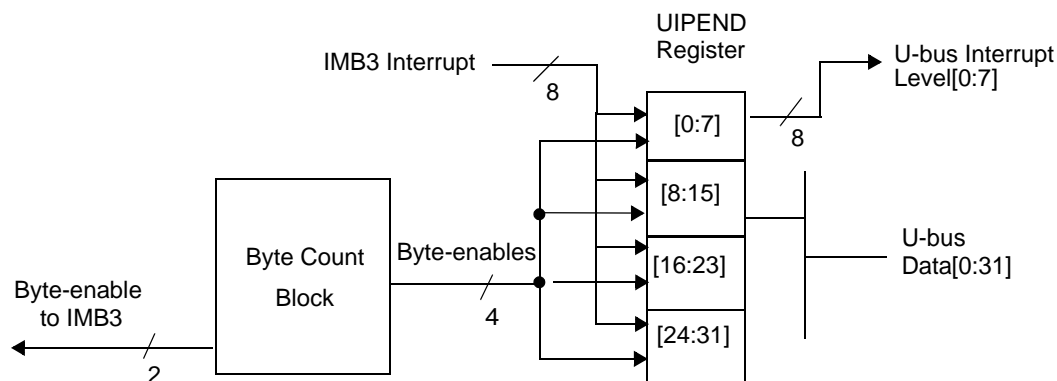


Figure 12-4. Interrupt Synchronizer Signal Flow

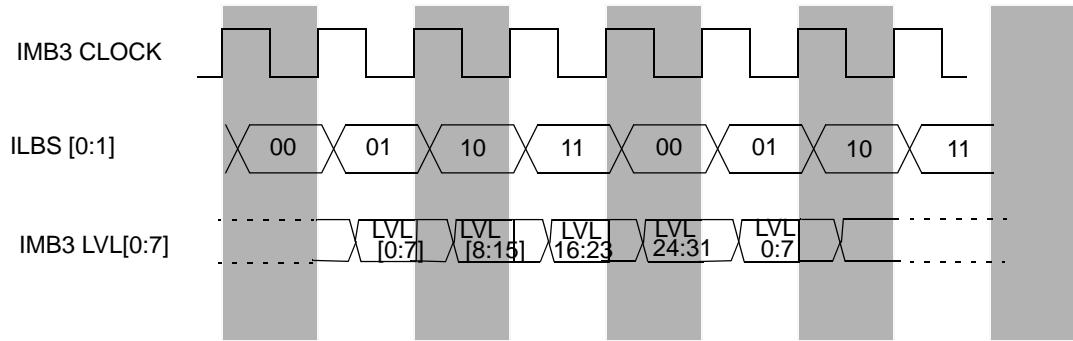
Latching 32 interrupt levels using eight IMB3 interrupt lines is accomplished with a 4:1 time-multiplexing scheme. The UIMB drives two signals (ILBS[0:1]) with a multiplexer select code that tells all interrupting modules on the IMB3 about which group of signals to drive during the next clock. See [Figure 12-5](#).

### 12.4.3 ILBS Sequencing

The IMB3 interface drives the ILBS signals continuously, incrementing through a code sequence (0b00, 0b01, 0b10, 0b11) once every clock. The UMCR[IRQMUX] bits in the IMB3 module configuration register select which type of multiplexing the interrupt synchronizer will perform. The IRQMUX field can select time-multiplexing protocols for 8, 16, 24 or 32 interrupt sources. These protocols would take one, two, three or four clocks, respectively.

[Table 12-4](#) shows ILBS sequencing. Programming IRQMUX[0:1] to 0b00 disables time multiplexing. In this case the ILBS lines remain at 0b00 at all times. In this mode, no interrupts from IMB3 modules which assert on levels 8 through 31 are ever latched by the interrupt synchronizer.  $\overline{\text{SRESET}}$  will not clear the IRQMUX bits, so time multiplexing will be enabled with the previous setup after  $\overline{\text{SRESET}}$  is released.

The timing for the scheme and the values of ILBS and the interrupt levels driven onto the IMB3 IRQ lines are shown in [Figure 12-5](#). This scheme causes a maximum latency of four clocks and an average latency of two clocks before the interrupt request can reach the interrupt synchronizer.



**Note:** This diagram represents the ILBS behavior when  $IRQMUX[0:1] = 11$

**Figure 12-5. Time-Multiplexing Protocol for IRQ Signals**

**Table 12-3. ILBS Signal Functionality**

| ILBS[0:1] | Description  |
|-----------|--|
| 00        | IMB3 interrupt sources mapped onto 0:7 levels will drive interrupts onto IMB3 LVL[0:7]   |
| 01        | IMB3 interrupt sources mapped onto 8:15 levels will drive interrupts onto IMB3 LVL[0:7]  |
| 10        | IMB3 interrupt sources mapped onto 16:23 levels will drive interrupts onto IMB3 LVL[0:7] |
| 11        | IMB3 interrupt sources mapped onto 24:31 levels will drive interrupts onto IMB3 LVL[0:7] |

The  $IRQMUX$  bits determine how many levels of IMB3 interrupts are sampled. Refer to [Table 12-4](#).

**Table 12-4.  $IRQMUX$  Functionality**

| $IRQMUX[0:1]$ | ILBS sequence                       | Description                      |
|---------------|-------------------------------------|----------------------------------|
| 00            | 00, 00, 00,....                     | Latch 0:7 IMB3 interrupt levels  |
| 01            | 00, 01, 00, 01,....                 | Latch 0:15 IMB3 interrupt levels |
| 10            | 00, 01, 10, 00, 01, 10,....         | Latch 0:23 IMB3 interrupt levels |
| 11            | 00, 01, 10, 11, 00, 01, 10, 11,.... | Latch 0:31 IMB3 interrupt levels |

## 12.4.4 Interrupt Synchronizer

The interrupt synchronizer latches the 32 levels of interrupts from the IMB3 bus into a register which can be read by the CPU or other U-bus master. Since there are only eight lines for interrupts on the IMB3 and 32 levels of interrupts are possible, the 32 interrupt levels are multiplexed onto eight IMB3 interrupt lines. Apart from latching these interrupts in the register (UIPEND), the interrupt synchronizer drives the interrupts onto the U-bus, where they are latched by the interrupt controller in the USIU.

If IMB3 modules drive interrupts on any of the 24 levels (levels eight through 31), they will be latched in UIPEND in the UIMB. If any of the register bits 7 to 31 are set, then bit 7 will be set as well.

**NOTE**

Software must poll this register to find out which of the levels 7 to 31 are asserted.

The UIPEND register contains a status bit for each of the 32 interrupt levels. Each bit of the register is a read-only status bit, reflecting the current state of the corresponding interrupt signal. For each of the 32 interrupt levels, a corresponding bit of the UIPEND register is set.

Figure 12-4 shows how the eight interrupt lines are connected to the UIPEND register to represent 32 levels of interrupts. Figure 12-6 shows the implementation of the interrupt synchronizer.

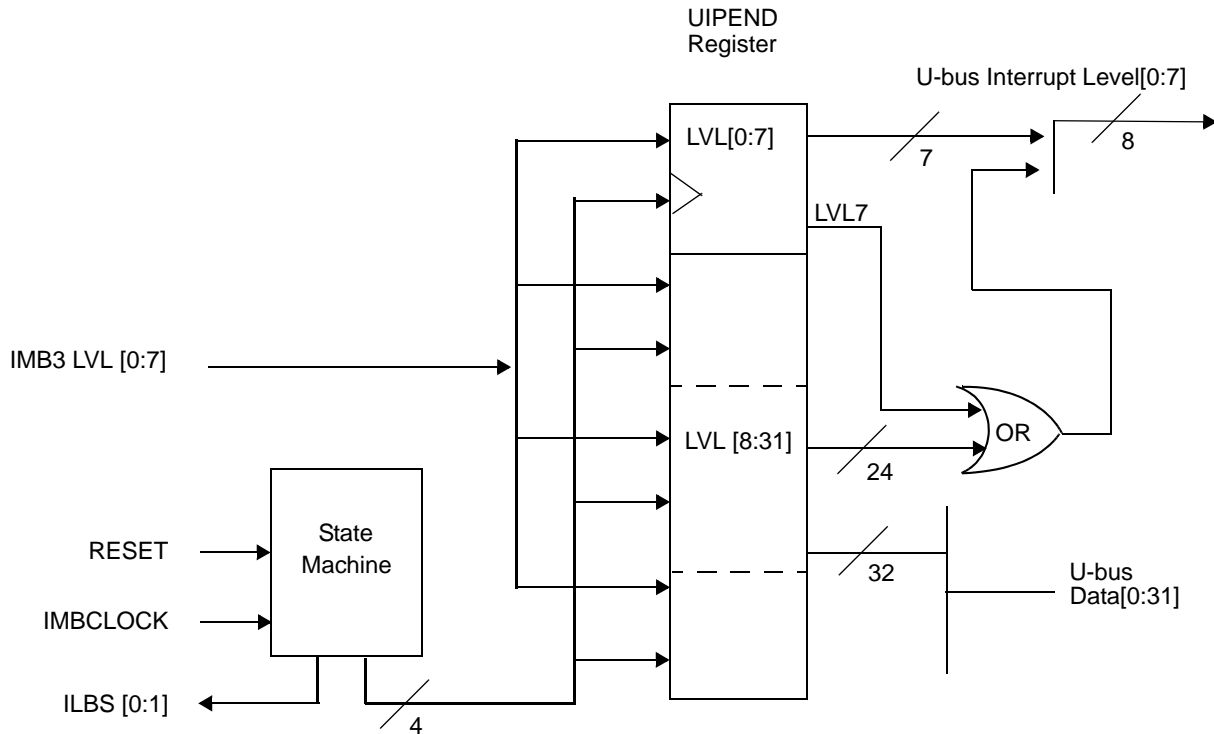


Figure 12-6. Interrupt Synchronizer Block Diagram

## 12.5 Programming Model

Table 12-5 lists the registers used for configuring and testing the UIMB module. The address offset shown in this table is from the start of the block reserved for UIMB registers. As shown in Figure 1-2, this block begins at offset 0x30 7F80 from the start of the MPC565 internal memory map (the last 128-byte sub-block of the UIMB interface memory map).

Table 12-5. UIMB Interface Register Map

| Access <sup>1</sup> | Base Address          | Register  |
|---------------------|-----------------------|---|
| S                   | 0x30 7F80             | UIMB Module Configuration Register (UMCR)<br>See Table 12-6 for bit descriptions. |
| —                   | 0x30 7F84 — 0x30 7F8F | Reserved  |



**Table 12-5. UIMB Interface Register Map (continued)**

| Access <sup>1</sup> | Base Address          | Register   |
|---------------------|-----------------------|--|
| S/T                 | 0x30 7F90             | UIMB Test Control Register (UTSTCREG)<br>Reserved  |
| —                   | 0x30 7F94 — 0x30 7F9F | Reserved   |
| S                   | 0x30 7FA0             | Pending Interrupt Request Register (UIPEND)<br>See <a href="#">Section 12.5.3, “Pending Interrupt Request Register (UIPEND)”</a> for bit descriptions. |

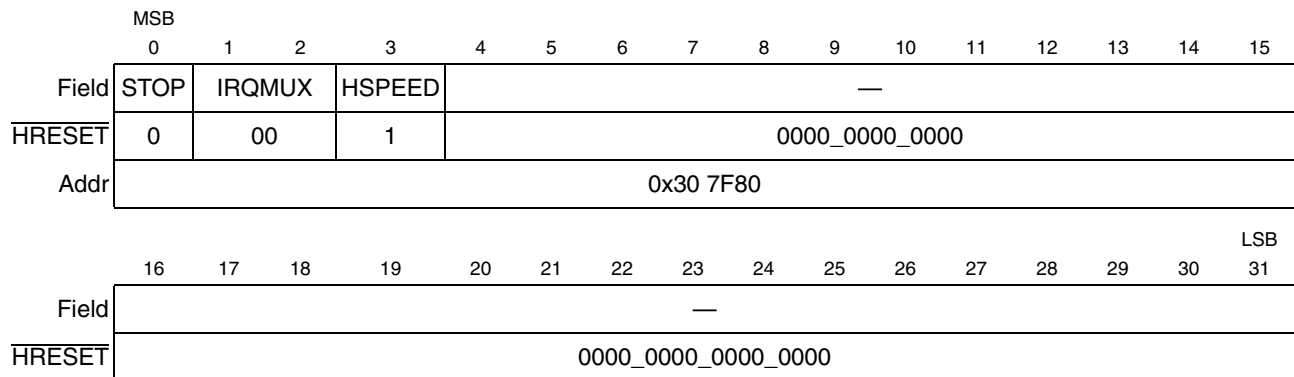
<sup>1</sup> S = Supervisor mode only; T = Test mode only

Any word, half-word or byte access to a 32-bit location within the UIMB interface register decode block that is unimplemented (defined as reserved) causes the UIMB interface to assert a data error exception on the U-bus. The entire 32-bit location must be defined as reserved in order for a data error exception to be asserted.

Unimplemented bits in a register return zero when read.

### 12.5.1 UIMB Module Configuration Register (UMCR)

The UIMB module configuration register (UMCR) is accessible in supervisor mode only.


**Figure 12-7. UIMB Module Configuration Register (UMCR)**

**Table 12-6. UMCR Bit Descriptions**

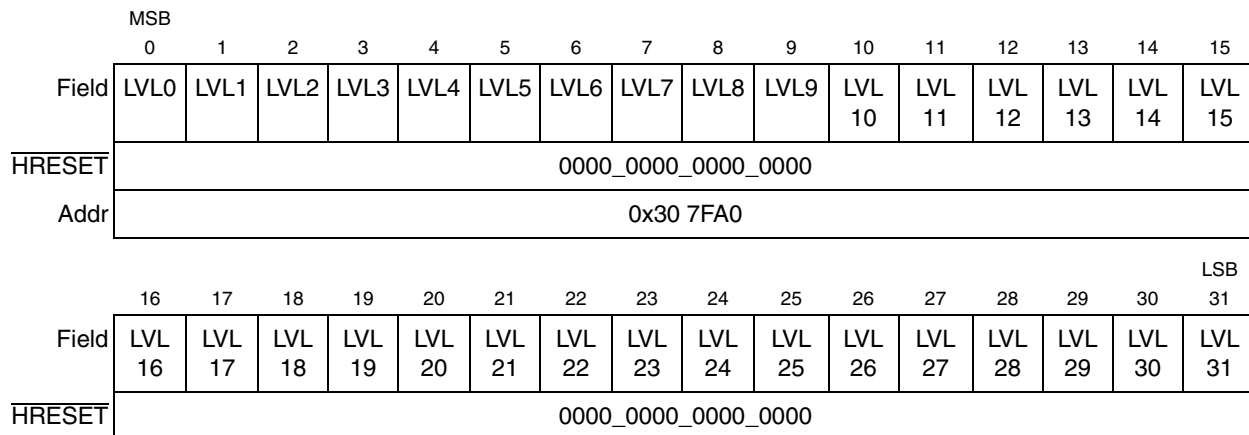
| Bits | Name   | Description   |
|------|--------|---|
| 0    | STOP   | <p>Stop enable.</p> <p>0 Enable system clock for IMB3 bus</p> <p>1 Disable IMB3 system clock</p> <p>To avoid complications at restart and data corruption, system software must stop each slave on the IMB3 before setting the STOP bit. Software must also ensure that all IMB3 interrupts have been serviced before setting this bit.</p>   |
| 1:2  | IRQMUX | <p>Interrupt request multiplexing. These bits control the multiplexing of the 32 possible interrupt requests onto the eight IMB3 interrupt request lines.</p> <p>00 Disables the multiplexing scheme on the interrupt controller within this interface. What this means is that the IMB3 IRQ [0:7] signals are non-multiplexed, only providing 8 [0:7] interrupt request lines to the interrupt controller</p> <p>01 Enables the IMB3 IRQ control logic to perform a 2-to-1 multiplexing to allow transferring of 16 [0:15] interrupt sources</p> <p>10 Enables the IMB3 IRQ control logic to perform a 3-to-1 multiplexing to allow transferring of 24 [0:23] interrupt sources</p> <p>11 Enables the IMB3 IRQ control logic to perform a 4-to-1 multiplexing to allow transferring of 32 [0:31] interrupt sources</p> |
| 3    | HSPEED | <p>Half speed. The HSPEED bit controls the frequency at which the IMB3 runs with respect to the U-bus. This is a modify-once bit. Software can write the reset value of this bit any number of times. However, once logic 0 is written to this location, any attempt to rewrite this bit to a logic 1 will have no effect.</p> <p>0 IMB3 frequency is the same as that of the U-bus</p> <p>1 IMB3 frequency is one half that of the U-bus</p>   |
| 4:31 | —      | Reserved  |

### 12.5.2 Test Control Register (UTSTCREG)

The UTSTCREG register is used for factory testing only.

### 12.5.3 Pending Interrupt Request Register (UIPEND)

The UIPEND register is a read-only status register which reflects the state of the 32 interrupt levels. The state of IRQ0 is shown in bit 0, the state of IRQ1 is shown in bit 1 and so on. This register is accessible only in supervisor mode.



**Figure 12-8. Pending Interrupt Request Register (UIPEND)**

**Table 12-7. UIPEND Bit Descriptions**

| Bits | Name | Description  |
|------|------|--|
| 0:31 | LVLx | Pending interrupt request level. Accessible only in supervisor mode. LVLx identifies the interrupt source as UIMB LVLx, where x is the interrupt number. |



## Chapter 13

# Queued Analog-to-Digital Converter (QADC64E)

The two queued analog-to-digital converter (QADC) modules on the MPC565 are 10-bit, unipolar, successive approximation converters with analog multiplexers. These modules are configured so each module can access all 40 of the part's analog inputs.

For this revision of the QADC, the name QADC64E implies an enhanced version of the QADC64. For simplicity, the names QADC and QADC64E may be used interchangeably throughout this document.

### 13.1 Features, Overview and Quick Reference Diagrams

This section gives an overview of the implementation of the two QADC64E modules on the MPC565. It can also be used for a quick reference while programming the modules.

#### 13.1.1 Features of the QADC64E (Each Module)

- Internal sample and hold
- Up to 40 analog input channels using QADC64E multiplexing and AMUX multiplexing
- Directly supports up to four external multiplexers (for example, the MC14051)
- Up to 65 total input channels using QADC64E, AMUX, and external multiplexing
- Supports AMUX without loss of Port A and Port B functionality
- Programmable input sample time for various source impedances
- Minimum conversion time of 7  $\mu$ s (with typical QCLK frequency)
- Modulus prescaler can divide the system clock for the converter by two to 128
- Two conversion command queues with a total of 64 entries
- Sub-queues possible using pause mechanism
- Queue complete and pause software interrupts available on both queues
- Queue pointers indicate current location for each queue
- Automated queue modes initiated by:
  - External edge trigger
  - External gated trigger (queue 1 only)
  - Periodic/Interval timer within QADC64E module
  - Software command
- Single-scan or continuous-scan of queues
- 64 result registers in each QADC64E
- Output data readable in three formats:

- Right-justified unsigned
- Left-justified signed
- Left-justified unsigned
- Unused analog channels can be used as digital ports
- Multi-module operation allows shared channels (in all queues) and shared clock for synchronization
- Alternate reference input, with control in CCW

### 13.1.2 QADC64E Block Diagrams

Figure 13-1 displays the major components of the QADC64E modules on the MPC565 including the pads, AMUX and both QADCs. Figure 13-2 shows the sub-module arrangement of the QADC64E.

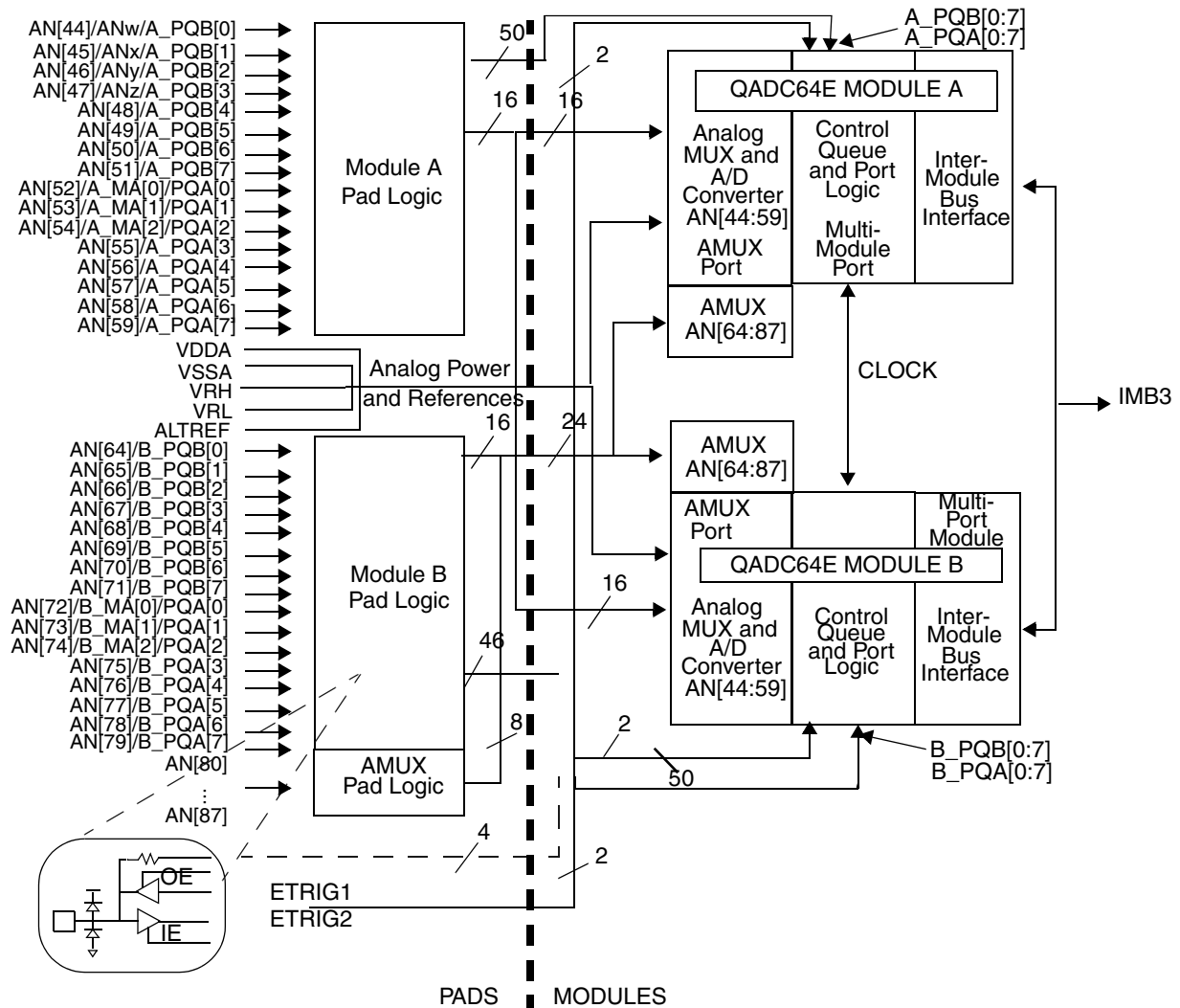


Figure 13-1. Dual QADC64Es on the MPC565

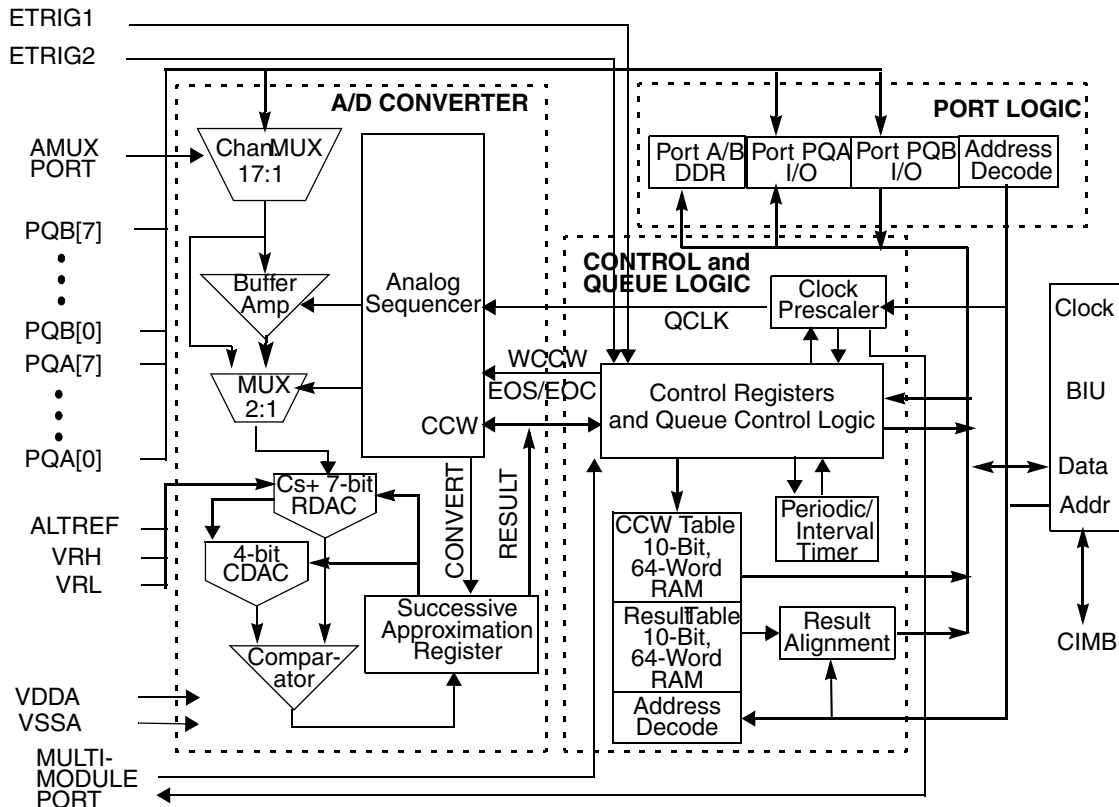


Figure 13-2. QADC64E Block Diagram

The analog section includes input signals, an analog multiplexer, and the sample and hold circuits. The analog conversion is performed by the digital-to-analog converter (DAC) resistor-capacitor array and a high-gain comparator.

The digital control section contains queue control logic to sequence the conversion process and interrupt generation logic. Also included are the periodic/interval timer, control and status registers, the conversion command word (CCW) table RAM, and the result table RAM.

The bus interface unit (BIU) allows the QADC64E to operate with the applications software through the IMB3 environment.

### 13.1.3 Memory Map

The QADC64E occupies one Kbyte, or 512 16-bit entries, of address space. Ten 16-bit registers are control, port, and status registers, 64 16-bit entries are the CCW table, and 64 16-bit entries are the result table, and occupy 192 16-bit address locations because the result data is readable in three data alignment formats.

Each QADC on the MPC565 has its own memory location. [Table 13-1](#) shows the memory map for QADC64E module A. Module B has the same offset scheme starting at 0x30 4C00 (refer to [Table 13-2](#)).

QADC64E A occupies 0x30 4800 to 0x30 4BFF.

Table 13-1. QADC64E A Address Map

| Address   | Msb                     |                       |       |     |      |      |    |                          |                |     |       |      |    |         |                | Lsb            | Register |
|---|-------------------------|-----------------------|-------|-----|------|------|----|--------------------------|----------------|-----|-------|------|----|---------|----------------|----------------|----------|
|   | 0                       | 1                     | 2     | 3   | 4    | 5    | 6  | 7                        | 8              | 9   | 10    | 11   | 12 | 13      | 14             |                |          |
| 0x30 4800   | STOP                    | FRZ                   | --    |     |      |      |    | SUPV                     | --             |     |       |      |    |         |                | Module Config. |          |
| 0x30 4802   | TEST MODE               |                       |       |     | ---  |      |    |                          |                |     |       |      |    |         |                | Test           |          |
| 0x30 4804   | IRL1                    |                       |       |     |      | IRL2 |    |                          |                |     | --    |      |    |         |                | Interrupt      |          |
| 0x30 4806   | PORTQA                  |                       |       |     |      |      |    | PORTQB                   |                |     |       |      |    |         | Port Data      |                |          |
| 0x30 4808   | DDRQA                   |                       |       |     |      |      |    | DDRQB                    |                |     |       |      |    |         | Port Direction |                |          |
| 0x30 480A   | EMUX                    | ---                   |       | TRG | --   |      |    |                          | QCLK PRESCALER |     |       |      |    |         | Control 0      |                |          |
| 0x30 480C   | CIE1                    | PIE1                  | SSE1  | MQ1 |      |      |    |                          | ---            |     |       |      |    |         | Control 1      |                |          |
| 0x30 480E   | CIE2                    | PIE2                  | SSE2  | MQ2 |      |      |    |                          | RESU ME.       | BQ2 |       |      |    |         | Control 2      |                |          |
| 0x30 4810   | CF1                     | PF1                   | CF2   | PF2 | TOR1 | TOR2 | QS |                          |                |     | CWP   |      |    |         | Status 0       |                |          |
| 0x30 4812   | --                      |                       | CWPQ1 |     |      |      |    | ---                      |                |     | CWPQ2 |      |    |         | Status 1       |                |          |
| 0x30 4814-0x30 49FF   | --14 Words Reserved --  |                       |       |     |      |      |    |                          |                |     |       |      |    |         |                | Reserved       |          |
| 0x30 4A00-0x30 4A7F   | --                      |                       |       |     |      |      | P  | R                        | E              | F   | IST   | CHAN |    |         |                |                | CCWs     |
| 0x30 4A80-0x30 4AFF   | 0000 00                 |                       |       |     |      |      |    | UNSIGNED RIGHT JUSTIFIED |                |     |       |      |    |         | Results        |                |          |
| 0x30 4B00-0x30 4B7F   | SIGN                    | SIGNED LEFT JUSTIFIED |       |     |      |      |    |                          | 00 0000        |     |       |      |    |         | Results        |                |          |
| 0x30 4B80-0x30 4BFF   | UNSIGNED LEFT JUSTIFIED |                       |       |     |      |      |    | 00 0000                  |                |     |       |      |    | Results |                |                |          |
| <b>Note:</b> Module Configuration, Test, and Interrupt registers are accessible only as supervisor data space |                         |                       |       |     |      |      |    |                          |                |     |       |      |    |         |                |                |          |



QADC64E B occupies 0x30 4C00 to 0x30 4FFF.

**Table 13-2. QADC64E B Address Map**

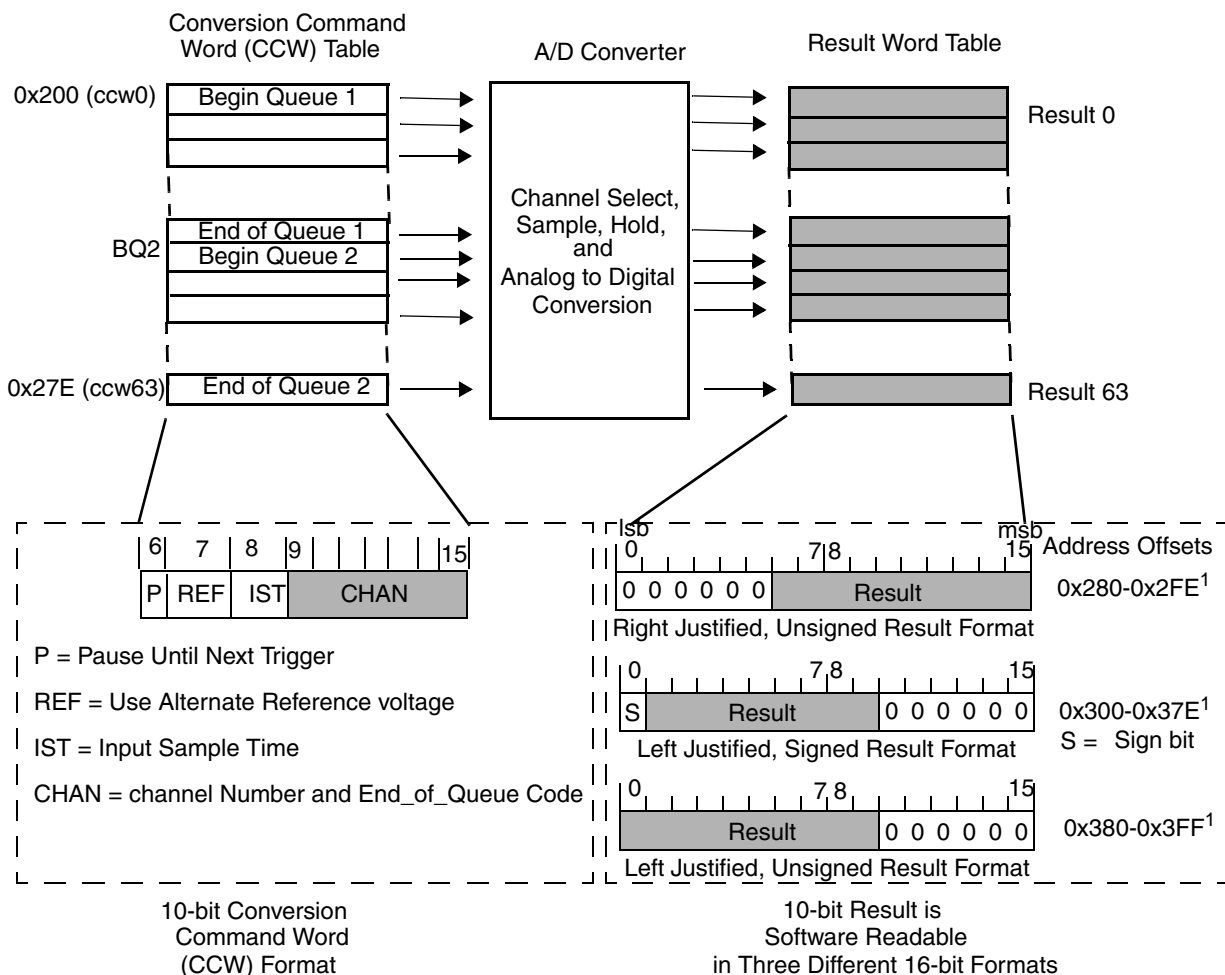
| Address             | Msb                     |                       |       |     |       |       |                          |         |                |      |       |    |         |           |                | Lsb            | Register |
|---------------------|-------------------------|-----------------------|-------|-----|-------|-------|--------------------------|---------|----------------|------|-------|----|---------|-----------|----------------|----------------|----------|
|                     | 0                       | 1                     | 2     | 3   | 4     | 5     | 6                        | 7       | 8              | 9    | 10    | 11 | 12      | 13        | 14             |                |          |
| 0x30 4C00           | STOP                    | FRZ                   | --    |     |       |       |                          | SUPV    | --             |      |       |    |         |           |                | Module Config. |          |
| 0x30 4C02           | TEST MODE               |                       |       |     | ---   |       |                          |         |                |      |       |    |         |           |                | Test           |          |
| 0x30 4C04           | IRL1                    |                       |       |     |       | IRL2  |                          |         |                |      | --    |    |         |           |                | Interrupt      |          |
| 0x30 4C06           | PORTQA                  |                       |       |     |       |       |                          | PORTQB  |                |      |       |    |         |           | Port Data      |                |          |
| 0x30 4C08           | DDRQA                   |                       |       |     |       |       |                          | DDRQB   |                |      |       |    |         |           | Port Direction |                |          |
| 0x30 4C0A           | EMU X                   | ---                   |       | TRG | --    |       |                          |         | QCLK PRESCALER |      |       |    |         |           | Control 0      |                |          |
| 0x30 4C0C           | CIE1                    | PIE1                  | SSE1  | MQ1 |       |       |                          | ---     |                |      |       |    |         | Control 1 |                |                |          |
| 0x30 4C0E           | CIE2                    | PIE2                  | SSE2  | MQ2 |       |       |                          | RESUME. | BQ2            |      |       |    |         | Control 2 |                |                |          |
| 0x30 4C10           | CF1                     | PF1                   | CF2   | PF2 | TO R1 | TO R2 | QS                       |         |                | CWP  |       |    |         | Status 0  |                |                |          |
| 0x30 4C12           | --                      |                       | CWPQ1 |     |       |       |                          | ---     |                |      | CWPQ2 |    |         |           | Status 1       |                |          |
| 0x30 4C14-0x30 4DFF | --246 Words Reserved -- |                       |       |     |       |       |                          |         |                |      |       |    |         |           |                | Reserved       |          |
| 0x30 4E00-0x30 4E7F | --                      |                       |       |     |       |       | P                        | REF     | IST            | CHAN |       |    |         |           | CCWs           |                |          |
| 0x30 4E80-0x30 4EFF | 0000 00                 |                       |       |     |       |       | UNSIGNED RIGHT JUSTIFIED |         |                |      |       |    |         |           |                | Results        |          |
| 0x30 4F00-0x30 4F7F | SIGN                    | SIGNED LEFT JUSTIFIED |       |     |       |       |                          |         | 00 0000        |      |       |    |         | Results   |                |                |          |
| 0x30 4F80-0x30 4FFF | UNSIGNED LEFT JUSTIFIED |                       |       |     |       |       |                          | 00 0000 |                |      |       |    | Results |           |                |                |          |

**Note:** Module Configuration, Test and Interrupt registers are accessible only as supervisor data space

Access to supervisor-only data space is permitted only when the bus master is operating in supervisor access mode. Assignable data space can be either restricted to supervisor-only access or unrestricted to both supervisor and user data space addresses.

### 13.1.4 Using the Queue and Result Word Table

The heart of the QADC is its conversion command word (CCW) queues. This is where the module is programmed to convert a particular channel according to a particular requirement. The queues are created by writing CCWs into the CCW table in the register memory. The queues are controlled by the three control registers, and their status can be read from status registers. As conversions are completed the digital value is written into the result word table. [Figure 13-3](#) shows the CCW queue and the result word table.



**Note:** These offsets must be added to the module base address: A = 0x30 4800 or B = 0x30 4C00.

**Figure 13-3. CCW Queue and Result Table Block Diagram**

### 13.1.5 External Multiplexing

The QADC can use from one to four 8-input external multiplexer chips to expand the number of analog signals that may be converted. The externally multiplexed channels are automatically selected from the channel field of the conversion command word (CCW) table. The software selects the external multiplexed mode by setting the MUX bit in control register 0 (QACR0).

Figure 13-4 shows the maximum configuration of four external multiplexer chips connected to the QADC. The QADC provides three multiplexed address signals — MA[0], MA[1], and MA[2], to select one of eight inputs. These inputs are connected to all four external multiplexer chips.

The analog output of the four multiplex chips are each connected to four separate QADC inputs — AN<sub>w</sub>, AN<sub>x</sub>, AN<sub>y</sub>, and AN<sub>z</sub>. The QADC converts the proper input channel (AN<sub>w</sub>, AN<sub>x</sub>, AN<sub>y</sub>, and AN<sub>z</sub>) by interpreting the CCW channel number.

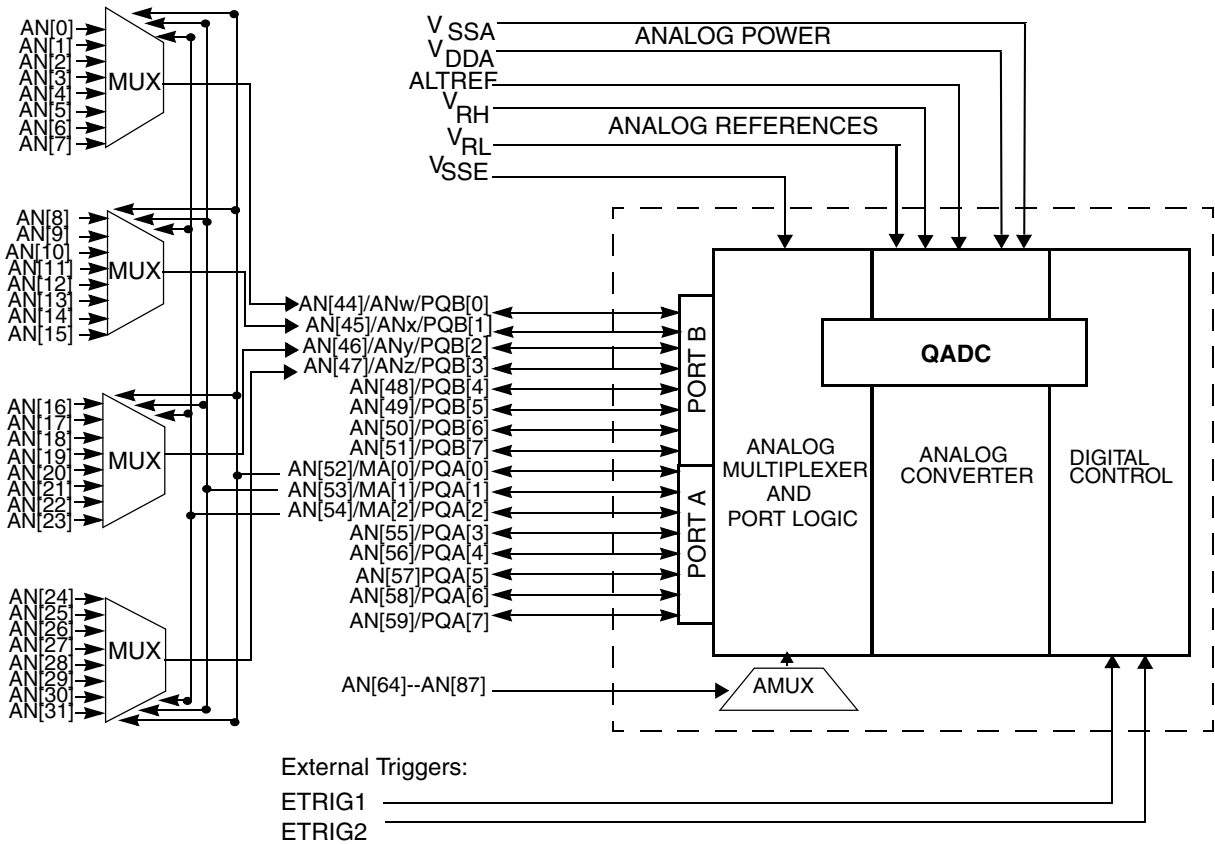


Figure 13-4. Example of External Multiplexing

In the external multiplexed mode, four of the port B signals are redefined to each represent eight input channels. Refer to Table 13-3 for more information.

Table 13-3. Multiplexed Analog Input Channels

| Multiplexed Analog Input | Channels               |
|--------------------------|------------------------|
| AN <sub>w</sub> (AN[44]) | Channels from 0 to 7   |
| AN <sub>x</sub> (AN[45]) | Channels from 8 to 15  |
| AN <sub>y</sub> (AN[46]) | Channels from 16 to 23 |
| AN <sub>z</sub> (AN[47]) | Channels from 24 to 31 |

Table 13-4 shows the total number of analog input channels supported with zero to four external multiplexer chips using one QADC module.

**Table 13-4. Analog Input Channels**

| Number of Analog Input Channels Available<br>Directly Connected + External Multiplexed = Total Channels |                       |                        |                          |                         |
|---|-----------------------|------------------------|--------------------------|-------------------------|
| No External MUX Chips   | One External MUX Chip | Two External MUX Chips | Three External MUX Chips | Four External MUX Chips |
| 40  | 36 + 8 = 44           | 35 + 16 = 51           | 34 + 24 = 58             | 33 + 32 = 65            |

**NOTE: QADC64E External MUX Users**

If either QADC64E A or QADC64E B is in external MUX (EMUX) mode, AN[44:47] (analog inputs) and AN[52:54] and/or AN[72:74] should not be programmed into queues as they will be EMUX input and address signals.

If both QADC64E A or QADC64E B are in external MUX mode, they independently control MUX addresses, but share input signals so a total of four external multiplexers can be used, but each should be assigned to only A or B QADCs. Each QADC module queue can only control external addresses that are controlled by its own MA[2:0] multiplexer address signals.

## 13.2 Programming the QADC64E Registers

The QADC64E has three global registers for configuring module operation:

- Module configuration register (Section 13.2.1, “QADC64E Module Configuration Register (QADMCR)”),
- Interrupt register (Section 13.2.2, “QADC64E Interrupt Register (QADCINT)”), and
- Test register (QADCTEST) for factory tests.

The global registers are always defined to be in supervisor-only data space. Refer to Table 13-1 for the QADC64E A address map and Table 13-2 for the QADC64E B address map.

The remaining five registers in the control register block control the operation of the queuing mechanism, and provide a means of monitoring the operation of the QADC64E.

- Control register 0 (QACR0) contains hardware configuration information (Section 13.2.5, “Control Register 0 (QACR0)”)
- Control register 1 (QACR1) is associated with queue 1 (Section 13.2.6, “Control Register 1 (QACR1)”)
- Control register 2 (QACR2) is associated with queue 2 (Section 13.2.7, “Control Register 2 (QACR2)”)
- Status registers (QASR0 and QASR1) provide visibility on the status of each queue and the particular conversion that is in progress (Section 13.2.8, “Status Registers (QASR0 and QASR1)”)

The CCW table follows the register block in the address map. There are 64 entries to hold the desired analog conversion sequences. Each CCW is a 16-bit entry, with ten implemented bits in four fields.

The final block of address space belongs to the result word table, which appears in three places in the memory map. Each result word table location holds one 10-bit conversion value.

### 13.2.1 QADC64E Module Configuration Register (QADMCR)

The QADMCR contains fields and bits that control freeze and stop modes and determine the privilege level required to access most registers

|                            |  |     |         |   |   |   |   |   |            |        |    |    |    |    |    |     |
|----------------------------|--|-----|---------|---|---|---|---|---|------------|--------|----|----|----|----|----|-----|
|                            | MSB  | 1   | 2       | 3 | 4 | 5 | 6 | 7 | 8          | 9      | 10 | 11 | 12 | 13 | 14 | LSB |
|                            | 0  |     |         |   |   |   |   |   |            |        |    |    |    |    |    | 15  |
| Field                      | STOP                                       | FRZ | —       |   |   |   | — | — | EXT<br>CLK | —      |    |    |    |    |    |     |
| $\overline{\text{SRESET}}$ | 0  | 0   | 00_0000 |   |   |   | 1 | 0 | 0          | 0_0000 |    |    |    |    |    |     |
| Addr                       | 0x30 4800 (QADMCR_A); 0x30 4C00 (QADMCR_B) |     |         |   |   |   |   |   |            |        |    |    |    |    |    |     |

**Figure 13-5. Module Configuration Register (QADMCR)**

**Table 13-5. QADMCR Bit Descriptions**

| Bits  | Name   | Description   |
|-------|--------|---|
| 0     | STOP   | Stop Enable — Refer to <a href="#">Section 13.2.1.1, “Low Power Stop Mode”</a> for more information.<br>0 Disable stop mode<br>1 Enable stop mode   |
| 1     | FRZ    | Freeze Enable — Refer to <a href="#">Section 13.2.1.2, “Freeze Mode”</a> for more information.<br>0 Ignores the IMB3 internal FREEZE signal<br>1 Finish any conversion in progress, then freeze                                     |
| 2:7   | —      | Reserved  |
| 8     | —      | Reserved  |
| 9     | —      | Reserved  |
| 10    | EXTCLK | External Clock Select —<br>0 Internal conversion clock derived from IMB3 clock will be used for the converter and QADC Periodic/Interval Timer.<br>1 Internal conversion clock derived from a master QADC module (see MSTR, bit 9). |
| 11:15 | —      | Reserved.   |

#### 13.2.1.1 Low Power Stop Mode

When the STOP bit in the QADMCR is set, the QADC64E clock (QCLK) which clocks the A/D converter, is disabled and the analog circuitry is powered down. This results in a static, low power consumption, idle condition. The stop mode aborts any conversion sequence in progress. Because the bias currents to the analog circuits are turned off in stop mode, the QADC64E requires some recovery time ( $T_{SR}$  in [Appendix F, “Electrical Characteristics”](#)) to stabilize the analog circuits after the stop enable bit is cleared.

In stop mode:

- BIU state machine and logic do not shut down
- The CCW and Result RAM is not reset and is not accessible
- The module configuration register (QADCMCR), the interrupt register (QADCINT), and the test register (QADCTEST) are fully accessible and are not reset
- The data direction register (DDRQA), port data register (PORTQA/PORTQB), and control register 0 (QACR0) are not reset and are read-only accessible
- Control register 1 (QACR1), control register 2 (QACR2), and the status registers (QASR0 and QASR1) are reset and are read-only accessible
- In addition, the periodic/interval timer is held in reset during stop mode

If the STOP bit is clear, stop mode is disabled.

### 13.2.1.2 Freeze Mode

Freeze mode occurs when the background debug mode is enabled in the freeze module and a breakpoint is encountered. This is indicated by the assertion of the internal FREEZE line on the IMB3. The FRZ bit in the QADCMCR determines whether or not the QADC64E responds to an IMB3 internal FREEZE signal assertion. Freeze is very useful when debugging an application.

When the internal FREEZE signal is asserted and the FRZ bit is set, the QADC64E finishes any conversion in progress and then freezes. Depending on when the FREEZE signal is asserted, there are three possible queue "freeze" scenarios:

- When a queue is not executing, the QADC64E freezes immediately
- When a queue is executing, the QADC64E completes the conversion in progress and then freezes
- If, during the execution of the current conversion, the queue operating mode for the active queue is changed, or a queue 2 abort occurs, the QADC64E freezes immediately

When the QADC64E enters the freeze mode while a queue is active, the current CCW location of the queue pointer is saved.

During freeze, the analog clock, QCLK, is held in reset and the periodic/interval timer is held in reset. External trigger events that occur during the freeze mode are not captured. The BIU remains active to allow IMB3 access to all QADC64E registers and RAM. Although the QADC64E saves a pointer to the next CCW in the current queue, the software can force the QADC64E to execute a different CCW by writing new queue operating modes for normal operation. The QADC64E looks at the queue operating modes, the current queue pointer, and any pending trigger events to decide which CCW to execute when exiting freeze.

If the FRZ bit is clear, the internal FREEZE signal is ignored

### 13.2.1.3 Supervisor/Unrestricted Address Space

The QADC64E memory map is divided into two segments: supervisor-only data space and assignable data space. Access to supervisor-only data space is permitted only when the software is operating in supervisor access mode. Assignable data space can be either restricted to supervisor-only access or unrestricted to

both supervisor and user data space accesses. The SUPV bit in the QADCMCR designates the assignable space as supervisor or unrestricted.

The following information applies to accesses to address space located within the modules' 16-bit boundaries and where the response is a bus error. See [Table 13-6](#) for more information.

- Attempts to read a supervisor-only data space when not in the supervisor access mode and SUPV = 1, causes the bus master to assert a bus error condition. No data is returned. If SUPV = 0, the QADC64E asserts a bus error condition and no data is returned,
- Attempts to write supervisor-only when not in the supervisor access mode and SUPV = 1, causes the bus master to assert a bus error condition. No data is written. If SUPV = 0, the QADC64E asserts a bus error condition and the register is not written.
- Attempts to read unimplemented data space in the unrestricted access mode and SUPV = 1, causes the bus master to assert a bus error condition and no data is returned. In all other attempts to read unimplemented data space, the QADC64E causes a bus error condition and no data is returned.
- Attempts to write unimplemented data space in the unrestricted access mode and SUPV= 1, causes the bus master to assert a bus error condition and no data is written. In all other attempts to write unimplemented data space, the QADC64E causes a bus error condition and no data is written.
- Attempts to read assignable data space in the unrestricted access mode when the space is programmed as supervisor space causes the bus master to assert a bus error condition and no data is returned.
- Attempts to write assignable data space in the unrestricted access mode when the space is programmed as supervisor space causes the bus master to assert a bus error condition and the register is not written.

**Table 13-6. QADC64E Bus Error Response**

| S/U <sup>1</sup> Mode | SUPV Bit | Supervisor-Only Register       | Supervisor/Unrestricted Register | Reserved/Unimplemented Register |
|-----------------------|----------|--------------------------------|----------------------------------|---------------------------------|
| U                     | 0        | QADC64E bus error <sup>2</sup> | Valid access <sup>4</sup>        | QADC64E bus error <sup>2</sup>  |
| U                     | 1        | Master bus error <sup>3</sup>  | Master bus error <sup>3</sup>    | Master bus error <sup>3</sup>   |
| S                     | 0        | Valid access                   | Valid access                     | QADC64E bus error <sup>2</sup>  |
| S                     | 1        | Valid access                   | Valid access                     | QADC64E bus error <sup>2</sup>  |

<sup>1</sup> S/U = Supervisor/Unrestricted

<sup>2</sup> QADC64E bus error = Caused by QADC64E

<sup>3</sup> Master bus error = Caused by bus master

<sup>4</sup> Access to QADCTEST register will act as a reserved/unimplemented register unless in factory test mode

The bus master indicates the supervisor and user space access with the function code bits (FC[2:0]) on the IMB3. For privilege violations, refer to the [Chapter 9, “External Bus Interface”](#) to determine the consequence of a bus error cycle termination.

The supervisor-only data space segment contains the QADC64E global registers, which include the QADCMCR, the QADCTEST, and the QADCINT. The supervisor/unrestricted space designation for the CCW table, the result word table, and the remaining QADC64E registers is programmable.

### 13.2.2 QADC64E Interrupt Register (QADCINT)

QADCINT specifies the priority level of QADC64E interrupt requests. The interrupt level for queue 1 and queue 2 may be different. The interrupt register is read/write accessible in supervisor data space only. The implemented interrupt register fields can be read and written, reserved bits read zero and writes have no effect. They are typically written once when the software initializes the QADC64E, and not changed afterwards.

|        |  |   |   |   |      |   |   |   |   |   |    |    |    |    |    |     |
|--------|--|---|---|---|------|---|---|---|---|---|----|----|----|----|----|-----|
|        | MSB  | 1 | 2 | 3 | 4    | 5 | 6 | 7 | 8 | 9 | 10 | 11 | 12 | 13 | 14 | LSB |
|        | 0  |   |   |   |      |   |   |   |   |   |    |    |    |    |    | 15  |
| Field  | IRL1   |   |   |   | IRL2 |   |   |   | — |   |    |    |    |    |    |     |
| SRESET | 0000_0000_0000_0000                          |   |   |   |      |   |   |   |   |   |    |    |    |    |    |     |
| Addr   | 0x30 4804 (QADCINT_A); 0x30 4C04 (QADCINT_B) |   |   |   |      |   |   |   |   |   |    |    |    |    |    |     |

Figure 13-6. QADC Interrupt Register (QADCINT)

Table 13-7. QADCINT Bit Descriptions

| Bits  | Name | Description   |
|-------|------|---|
| 0:4   | IRL1 | Queue 1 Interrupt Request Level — The IRL1 field establishes the queue 1 interrupt request level. The 00000 state provides a level 0 interrupt, while 11111 provides a level 31 interrupt. All interrupts are presented on the IMB3. Interrupt level priority software determines which level has the highest priority request. |
| 5:9   | IRL2 | Queue 2 Interrupt Request Level — The IRL2 field establishes the queue 2 interrupt request level. The 00000 state provides a level 0 interrupt, while 11111 provides a level 31 interrupt. All interrupts are presented on the IMB3. Interrupt level priority software determines which level has the highest priority request. |
| 10:15 | —    | Reserved.   |

The QADC64E conditionally generates interrupts to the bus master via the IMB3 IRQ signals. When the QADC64E sets a status bit assigned to generate an interrupt, the QADC64E drives the IRQ bus. The value driven onto IRQ[7:0] represents the interrupt level assigned to the interrupt source. Under the control of ILBS, each interrupt request level is driven during the time multiplexed bus during one of four different time slots, with eight levels communicated per time slot. No hardware priority is assigned to interrupts. Furthermore, if more than one source on a module requests an interrupt at the same level, the system software must assign a priority to each source requesting at that level. Figure 13-7 displays the interrupt levels on IRQ with ILBS.



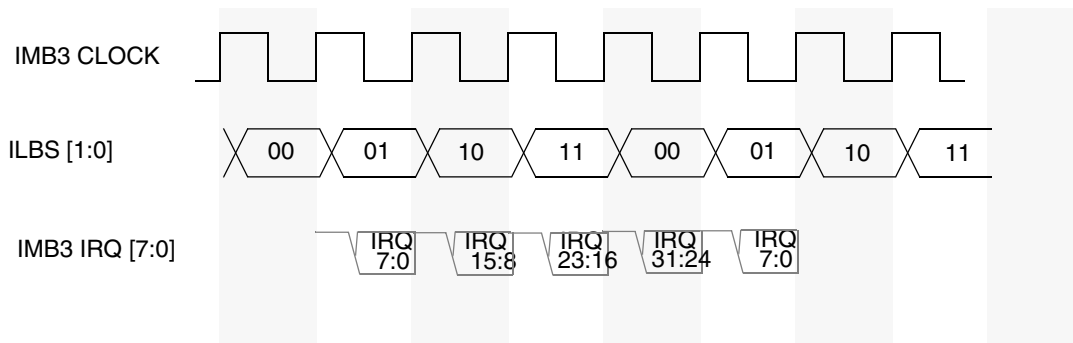


Figure 13-7. Interrupt Levels on IRQ with ILBS

### 13.2.3 Port Data Register (PORTQA and PORTQB)

QADC64E ports A and B are accessed through two 8-bit port data registers (PORTQA and PORTQB) in each QADC64E.

Port A signals are referred to as PQA[7:0] when used as a bidirectional 8-bit input/output port that may be used for general-purpose digital input signals or digital output signals. Port A of module A can also be used for analog inputs (AN[59:52]) and external multiplexer address outputs (MA[2:0]). Module B Port A signals are shared with AN[79:72] and MA[2:0].

Port B signals are referred to as PQB[7:0] when used as a bidirectional 8-bit input/output port that may be used for general-purpose digital input signals or digital output signals. Data for PQB[7:0] is accessed in the lower half of the Module A. Port B can also be used for non-multiplexed (AN[51:44]) and multiplexed PORTQB ANw, ANx, ANy, ANz) analog inputs. Module B Port B is shared with analog inputs AN[71:64].

During a port data register read, the actual value of the signal is reported when its corresponding bit in the data direction register defines the signal to be an input. When the data direction bit specifies the signal to be an output, the content of the port data register is read.

PORTQA and PORTQB are not initialized by reset.

Queued Analog-to-Digital Converter (QADC64E)

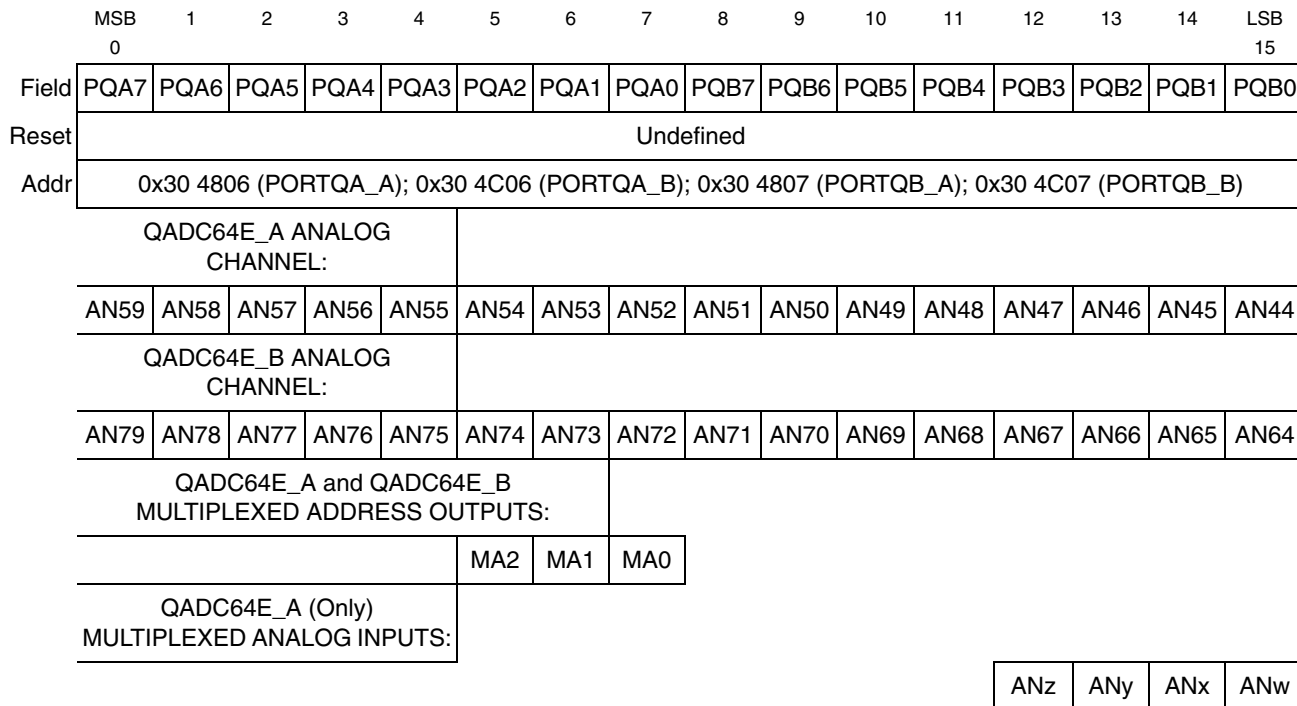


Figure 13-8. Port A Data Register (PORTQA), Port B Data Register (PORTQB)

### 13.2.4 Port Data Direction Register (DDRQA and DDRQB)

The port data direction registers (DDRQA and DDRQB) are associated with the port A and port B digital I/O signals of each QADC64E module. Any bit set in this register configures the corresponding signal as an output. Any bit cleared in this register configures the corresponding signal as an input. The software is responsible for ensuring that DDR bits are not set on signals used for analog inputs. When the DDR bit is set, thereby selecting the signal for analog conversion, the voltage sampled is that of the output digital driver as influenced by the load.

#### WARNING

Caution should be exercised when mixing digital and analog inputs. This should be isolated as much as possible. Rise and fall times should be as large as possible to minimize AC coupling effects.

There are two special cases to consider for the digital I/O port operation. When the externally multiplexed QACR0[MUX] is set, the data direction register settings are ignored for the bits corresponding to PORTQA[2:0], which are the three multiplexed address (MA[2:0]) output signals. The MA[2:0] signals are forced to be digital outputs, regardless of the data direction setting, and the multiplexed address outputs are driven. The data returned during a port data register read is the value of the multiplexed address latches which drive MA[2:0], regardless of the data direction setting.

|        |  |           |           |           |           |           |           |           |           |           |           |           |           |           |           |           |
|--------|--|-----------|-----------|-----------|-----------|-----------|-----------|-----------|-----------|-----------|-----------|-----------|-----------|-----------|-----------|-----------|
|        | MSB  | 1         | 2         | 3         | 4         | 5         | 6         | 7         | 8         | 9         | 10        | 11        | 12        | 13        | 14        | LSB       |
|        | 0  |           |           |           |           |           |           |           |           |           |           |           |           |           |           | 15        |
| Field  | DDQ<br>A7  | DDQ<br>A6 | DDQ<br>A5 | DDQ<br>A4 | DDQ<br>A3 | DDQ<br>A2 | DDQ<br>A1 | DDQ<br>A0 | DDQ<br>B7 | DDQ<br>B6 | DDQ<br>B5 | DDQ<br>B4 | DDQ<br>B3 | DDQ<br>B2 | DDQ<br>B1 | DDQ<br>B0 |
| SRESET | 0000_0000_0000_0000  |           |           |           |           |           |           |           |           |           |           |           |           |           |           |           |
| Addr   | 0x30 4808 (DDRQA_A); 0x30 4C08 (DDRQA_B); 0x30 4809 (DDRQB_A); 0x30 4C09 (DDRQB_B) |           |           |           |           |           |           |           |           |           |           |           |           |           |           |           |

**Figure 13-9. Port A Data Direction Register (DDRQA), Port B Data Direction Register (DDRQB)**

### 13.2.5 Control Register 0 (QACR0)

Control Register 0 is used to define whether external multiplexing is enabled, assign external triggers to the conversion queues and to sets up the QCLK prescaler parameter field. All of the implemented control register fields can be read or written but reserved fields read zero and writes have no effect. Typically, they are written once when software initializes the QADC64E and are not changed afterwards.

|        |  |    |     |        |   |   |   |           |   |   |    |    |    |    |    |     |
|--------|--|----|-----|--------|---|---|---|-----------|---|---|----|----|----|----|----|-----|
|        | MSB                                      | 1  | 2   | 3      | 4 | 5 | 6 | 7         | 8 | 9 | 10 | 11 | 12 | 13 | 14 | LSB |
|        | 0  |    |     |        |   |   |   |           |   |   |    |    |    |    |    | 15  |
| Field  | MUX                                      | —  | TRG | —      |   |   |   | PRESCALER |   |   |    |    |    |    |    |     |
| SRESET | 0  | 00 | 0   | 0000_0 |   |   |   | 001_0011  |   |   |    |    |    |    |    |     |
| Addr   | 0x30 480A (QACR0_A); 0x30 4C0A (QACR0_B) |    |     |        |   |   |   |           |   |   |    |    |    |    |    |     |

**Figure 13-10. Control Register 0 (QACR0)**

**Table 13-8. QACR0 Bit Descriptions**

| Bits | Name      | Description  |
|------|-----------|--|
| 0    | MUX       | Externally Multiplexed Mode — The MUX bit allows the software to select the externally multiplexed mode, which affects the interpretation of the channel numbers and forces the MA[0], MA[1] and MA[2] signals to be outputs.<br>0 Internally multiplexed, 40 possible channels<br>1 Externally multiplexed, up to 65 possible channels<br>See <a href="#">Table 13-4</a>  |
| 1:2  | —         | Reserved   |
| 3    | TRG       | Trigger Assignment — The TRG bit allows the software to assign the ETRIG[2:1] signals to queue 1 and queue 2. Refer to <a href="#">Section 13.6.2, “External Trigger Input Signals.”</a><br>0 ETRIG[1] triggers queue 1, ETRIG[2] triggers queue 2<br>1 ETRIG[1] triggers queue 2, ETRIG[2] triggers queue 1   |
| 4:8  | —         | Reserved   |
| 9:15 | PRESCALER | Prescaler Value — The PRESCALER value determines the QCLK frequency ( $F_{QCLK}$ ). Refer to <a href="#">Appendix F, “Electrical Characteristics</a> for more information on the maximum QADC64E operating clock frequency ( $F_{QCLK}$ ). $F_{QCLK}$ can range from 2 to 128 system clock cycles ( $F_{SYSCLK}$ ). To keep $F_{QCLK}$ within the specified range, the value of $PRESCALER+1$ is the $F_{SYSCLK}$ divisor. Refer to <a href="#">Section 13.4.5, “QADC64E Clock (QCLK) Generation”</a> for more information on selecting a PRESCALER value. |

Table 13-9 displays the bits in the PRESCALER field that enable a range of QCLK frequencies

**Table 13-9. PRESCALER F<sub>SYSCLK</sub> Divide-by Values**

| PRESCALE R [6:0] | F <sub>SYSCLK</sub> Div | PRESCALE R [6:0] | F <sub>SYSCLK</sub> Div | PRESCALER [6:0] | F <sub>sysclk</sub> Div | PRESCALER [6:0] | F <sub>SYSCLK</sub> Div |
|------------------|-------------------------|------------------|-------------------------|-----------------|-------------------------|-----------------|-------------------------|
| 0000000          | 2                       | 0100000          | 33                      | 1000000         | 65                      | 1100000         | 97                      |
| 0000001          | 2                       | 0100001          | 34                      | 1000001         | 66                      | 1100001         | 98                      |
| 0000010          | 3                       | 0100010          | 35                      | 1000010         | 67                      | 1100010         | 99                      |
| 0000011          | 4                       | 0100011          | 36                      | 1000011         | 68                      | 1100011         | 100                     |
| 0000100          | 5                       | 0100100          | 37                      | 1000100         | 69                      | 1100100         | 101                     |
| 0000101          | 6                       | 0100101          | 38                      | 1000101         | 70                      | 1100101         | 102                     |
| 0000110          | 7                       | 0100110          | 39                      | 1000110         | 71                      | 1100110         | 103                     |
| 0000111          | 8                       | 0100111          | 40                      | 1000111         | 72                      | 1100111         | 104                     |
| 0001000          | 9                       | 0101000          | 41                      | 1001000         | 73                      | 1101000         | 105                     |
| 0001001          | 10                      | 0101001          | 42                      | 1001001         | 74                      | 1101001         | 106                     |
| 0001010          | 11                      | 0101010          | 43                      | 1001010         | 75                      | 1101010         | 107                     |
| 0001011          | 12                      | 0101011          | 44                      | 1001011         | 76                      | 1101011         | 108                     |
| 0001100          | 13                      | 0101100          | 45                      | 1001100         | 77                      | 1101100         | 109                     |
| 0001101          | 14                      | 0101101          | 46                      | 1001101         | 78                      | 1101101         | 110                     |
| 0001110          | 15                      | 0101110          | 47                      | 1001110         | 79                      | 1101110         | 111                     |
| 0001111          | 16                      | 0101111          | 48                      | 1001111         | 80                      | 1101111         | 112                     |
| 0010000          | 17                      | 0110000          | 49                      | 1010000         | 81                      | 1110000         | 113                     |
| 0010001          | 18                      | 0110001          | 50                      | 1010001         | 82                      | 1110001         | 114                     |
| 0010010          | 19                      | 0110010          | 51                      | 1010010         | 83                      | 1110010         | 115                     |
| 0010011          | 20                      | 0110011          | 52                      | 1010011         | 84                      | 1110011         | 116                     |
| 0010100          | 21                      | 0110100          | 53                      | 1010100         | 85                      | 1110100         | 117                     |
| 0010101          | 22                      | 0110101          | 54                      | 1010101         | 86                      | 1110101         | 118                     |
| 0010110          | 23                      | 0110110          | 55                      | 1010110         | 87                      | 1110110         | 119                     |
| 0010111          | 24                      | 0110111          | 56                      | 1010111         | 88                      | 1110111         | 120                     |
| 0011000          | 25                      | 0111000          | 57                      | 1011000         | 89                      | 1111000         | 121                     |
| 0011001          | 26                      | 0111001          | 58                      | 1011001         | 90                      | 1111001         | 122                     |
| 0011010          | 27                      | 0111010          | 59                      | 1011010         | 91                      | 1111010         | 123                     |
| 0011011          | 28                      | 0111011          | 60                      | 1011011         | 92                      | 1111011         | 124                     |
| 0011100          | 29                      | 0111100          | 61                      | 1011100         | 93                      | 1111100         | 125                     |
| 0011101          | 30                      | 0111101          | 62                      | 1011101         | 94                      | 1111101         | 126                     |

**Table 13-9. PRESCALER F<sub>SYSCLK</sub> Divide-by Values (continued)**

| PRESCALE R [6:0] | F <sub>SYSCLK</sub> Div | PRESCALE R [6:0] | F <sub>SYSCLK</sub> Div | PRESCALER [6:0] | F <sub>sysclk</sub> Div | PRESCALER [6:0] | F <sub>SYSCLK</sub> Div |
|------------------|-------------------------|------------------|-------------------------|-----------------|-------------------------|-----------------|-------------------------|
| 0011110          | 31                      | 0111110          | 63                      | 1011110         | 95                      | 1111110         | 127                     |
| 0011111          | 32                      | 0111111          | 64                      | 1011111         | 96                      | 1111111         | 128                     |

### 13.2.6 Control Register 1 (QACR1)

Control register 1 is the mode control register for the operation of queue 1. The applications software defines the queue operating mode for the queue, and may enable a completion and/or pause interrupt. All of the control register fields are read/write data. However, the SSE1 bit always reads as zero unless the test mode is enabled. Most of the bits are typically written once when the software initializes the QADC64E, and not changed afterwards.

|        | MSB                                      | 1    | 2    | 3   | 4 | 5 | 6 | 7 | 8 | 9 | 10 | 11 | 12 | 13 | 14 | LSB |
|--------|--|------|------|-----|---|---|---|---|---|---|----|----|----|----|----|-----|
|        | 0  |      |      |     |   |   |   |   |   |   |    |    |    |    |    | 15  |
| Field  | CIE1                                     | PIE1 | SSE1 | MQ1 |   |   |   | — |   |   |    |    |    |    |    |     |
| SRESET | 0000_0000_0000_0000                      |      |      |     |   |   |   |   |   |   |    |    |    |    |    |     |
| Addr   | 0x30 480C (QACR1_A); 0x30 4C0C (QACR1_B) |      |      |     |   |   |   |   |   |   |    |    |    |    |    |     |

**Figure 13-11. Control Register 1 (QACR1)**
**Table 13-10. QACR1 Bit Descriptions**

| Bits | Name | Description  |
|------|------|--|
| 0    | CIE1 | Queue 1 Completion Interrupt Enable — CIE1 enables an interrupt upon completion of queue 1. The interrupt request is initiated when the conversion is complete for the CCW in queue 1.<br>0 Disable the queue completion interrupt associated with queue 1<br>1 Enable an interrupt after the conversion of the sample requested by the last CCW in queue 1  |
| 1    | PIE1 | Queue 1 Pause Interrupt Enable — PIE1 enables an interrupt when queue 1 enters the pause state. The interrupt request is initiated when conversion is complete for a CCW that has the pause bit set.<br>0 Disable the pause interrupt associated with queue 1<br>1 Enable an interrupt after the conversion of the sample requested by a CCW in queue 1 which has the pause bit set  |
| 2    | SSE1 | Queue 1 Single-Scan Enable Bit — SSE1 enables a single-scan of queue 1 to start after a trigger event occurs. The SSE1 bit may be set to a one during the same write cycle when the MQ1 bits are set for one of the single-scan queue operating modes. The single-scan enable bit can be written as a one or a zero, but is always read as a zero, unless a test mode is selected. The SSE1 bit enables a trigger event to initiate queue execution for any single-scan operation on queue 1. The QADC64E clears the SSE1 bit when the single-scan is complete. Refer to <a href="#">Table 13-11</a> for more information.<br>0 Trigger events are not accepted for single-scan modes<br>1 Accept a trigger event to start queue 1 in a single-scan mode |

**Table 13-10. QACR1 Bit Descriptions (continued)**

| Bits | Name | Description  |
|------|------|--|
| 3:7  | MQ1  | Queue 1 Operating Mode — The MQ1 field selects the queue operating mode for queue 1. <a href="#">Table 13-11</a> shows the bits in the MQ1 field which enable different queue 1 operating mode |
| 8:15 | —    | Reserved   |

**Table 13-11. Queue 1 Operating Modes**

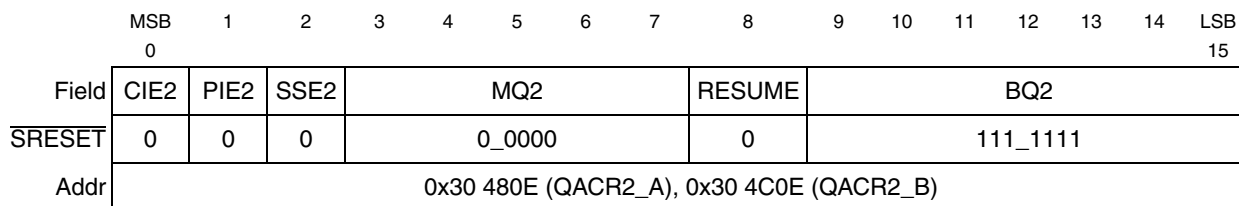
| MQ1[3:7] | Operating Modes   |
|----------|---|
| 00000    | Disabled mode, conversions do not occur                                   |
| 00001    | Software triggered single-scan mode (started with SSE1)                   |
| 00010    | External trigger rising edge single-scan mode                             |
| 00011    | External trigger falling edge single-scan mode                            |
| 00100    | Interval timer single-scan mode: time = QCLK period x 2 <sup>7</sup>      |
| 00101    | Interval timer single-scan mode: time = QCLK period x 2 <sup>8</sup>      |
| 00110    | Interval timer single-scan mode: time = QCLK period x 2 <sup>9</sup>      |
| 00111    | Interval timer single-scan mode: time = QCLK period x 2 <sup>10</sup>     |
| 01000    | Interval timer single-scan mode: time = QCLK period x 2 <sup>11</sup>     |
| 01001    | Interval timer single-scan mode: time = QCLK period x 2 <sup>12</sup>     |
| 01010    | Interval timer single-scan mode: time = QCLK period x 2 <sup>13</sup>     |
| 01011    | Interval timer single-scan mode: time = QCLK period x 2 <sup>14</sup>     |
| 01100    | Interval timer single-scan mode: time = QCLK period x 2 <sup>15</sup>     |
| 01101    | Interval timer single-scan mode: time = QCLK period x 2 <sup>16</sup>     |
| 01110    | Interval timer single-scan mode: time = QCLK period x 2 <sup>17</sup>     |
| 01111    | External gated single-scan mode (started with SSE1)                       |
| 10000    | Reserved mode   |
| 10001    | Software triggered continuous-scan mode                                   |
| 10010    | External trigger rising edge continuous-scan mode                         |
| 10011    | External trigger falling edge continuous-scan mode                        |
| 10100    | Periodic timer continuous-scan mode: time = QCLK period x 2 <sup>7</sup>  |
| 10101    | Periodic timer continuous-scan mode: time = QCLK period x 2 <sup>8</sup>  |
| 10110    | Periodic timer continuous-scan mode: time = QCLK period x 2 <sup>9</sup>  |
| 10111    | Periodic timer continuous-scan mode: time = QCLK period x 2 <sup>10</sup> |
| 11000    | Periodic timer continuous-scan mode: time = QCLK period x 2 <sup>11</sup> |
| 11001    | Periodic timer continuous-scan mode: time = QCLK period x 2 <sup>12</sup> |
| 11010    | Periodic timer continuous-scan mode: time = QCLK period x 2 <sup>1</sup>  |

**Table 13-11. Queue 1 Operating Modes (continued)**

| MQ1[3:7] | Operating Modes   |
|----------|---|
| 11011    | Periodic timer continuous-scan mode: time = QCLK period x 2 <sup>14</sup>   |
| 11100    | Periodic timer continuous-scan mode: time = QCLK period x 2 <sup>15</sup>   |
| 11101    | Periodic timer continuous-scan mode: time = QCLK period x 2 <sup>16</sup>   |
| 11110    | Periodic I timer continuous-scan mode: time = QCLK period x 2 <sup>17</sup> |
| 11111    | External gated continuous-scan mode   |

### 13.2.7 Control Register 2 (QACR2)

Control register 2 is the mode control register for the operation of queue 2. Software specifies the queue operating mode of queue 2, and may enable a completion and/or a pause interrupt. All control register fields are read/write data, except the SSE2 bit, which is readable only when the test mode is enabled. Most of the bits are typically written once when the software initializes the QADC64E, and not changed afterwards.



**Figure 13-12. Control Register 2 (QACR2)**

**Table 13-12. QACR2 Bit Descriptions**

| Bits | Name | Description  |
|------|------|--|
| 0    | CIE2 | Queue 2 Completion Software Interrupt Enable — CIE2 enables an interrupt upon completion of queue 2. The interrupt request is initiated when the conversion is complete for the CCW in queue 2.<br>0 Disable the queue completion interrupt associated with queue 2<br>1 Enable an interrupt after the conversion of the sample requested by the last CCW in queue 2                         |
| 1    | PIE2 | Queue 2 Pause Software Interrupt Enable — PIE2 enables an interrupt when queue 2 enters the pause state. The interrupt request is initiated when conversion is complete for a CCW that has the pause bit set.<br>0 Disable the pause interrupt associated with queue 2<br>1 Enable an interrupt after the conversion of the sample requested by a CCW in queue 2 which has the pause bit set |

**Table 13-12. QACR2 Bit Descriptions (continued)**

| Bits | Name   | Description  |
|------|--------|--|
| 2    | SSE2   | <p>Queue 2 Single-Scan Enable Bit — SSE2 enables a single-scan of queue 2 to start after a trigger event occurs. The SSE2 bit may be set to a one during the same write cycle when the MQ2 bits are set for one of the single-scan queue operating modes. The single-scan enable bit can be written as a one or a zero, but is always read as a zero, unless a test mode is selected. The SSE2 bit enables a trigger event to initiate queue execution for any single-scan operation on queue 2. The QADC64E clears the SSE2 bit when the single-scan is complete. Refer to <a href="#">Table 13-13</a> for more information.</p> <p>0 Trigger events are not accepted for single-scan modes<br/>                     1 Accept a trigger event to start queue 2 in a single-scan mode</p>  |
| 3:7  | MQ2    | <p>Queue 2 Operating Mode — The MQ2 field selects the queue operating mode for queue 2. Refer to <a href="#">Table 13-13</a> for more information.</p>   |
| 8    | RESUME | <p>0 After suspension, begin executing with the first CCW in queue 2 or the current sub-queue<br/>                     1 After suspension, begin executing with the aborted CCW in queue 2</p>   |
| 9:15 | BQ2    | <p>Beginning of queue 2 — The BQ2 field indicates the CCW location where queue 2 begins. To allow the length of queue 1 and queue 2 to vary, a programmable pointer identifies the CCW table location where queue 2 begins. The BQ2 field also serves as an end-of-queue condition for queue 1. Setting BQ2 beyond physical CCW table memory space allows queue 1 all 64 entries.</p> <p>Software defines the beginning of queue 2 by programming the BQ2 field in QACR2. BQ2 is usually programmed before or at the same time as the queue operating mode for queue 2 is selected. If BQ2 is 64 or greater, queue 2 has no entries, and the entire CCW table is dedicated to queue 1 and CCW63 is the end-of-queue 1. If BQ2 is zero, the entire CCW table is dedicated to queue 2. As a special case, when a queue operating mode for queue 1 is selected and a trigger event occurs for queue 1 with BQ2 set to zero, queue 1 execution is terminated after CCW0 is read. Conversions do not occur.</p> <p>The BQ2 pointer may be changed dynamically, to alternate between queue 2 scan sequences. A change in BQ2 after queue 2 has begun or if queue 2 has a trigger pending does not affect queue 2 until queue 2 is started again. For example, two scan sequences could be defined as follows: the first sequence starts at CCW10, with a pause after CCW11 and an EOQ programmed in CCW15; the second sequence starts at CCW16, with a pause after CCW17 and an EOQ programmed in CCW39.</p> <p>With BQ2 set to CCW10 and the continuous-scan mode selected, queue execution begins. When the pause is encountered in CCW11, a software interrupt routine can redefine BQ2 to be CCW16. Therefore, after the end-of-queue is recognized in CCW15, an internal retrigger event is generated and execution restarts at CCW16. When the pause software interrupt occurs again, software can change BQ2 back to CCW10. After the end-of-queue is recognized in CCW39, an internal retrigger event is created and execution now restarts at CCW10.</p> <p>If BQ2 is changed while queue 1 is active, the effect of BQ2 as an end-of-queue indication for queue 1 is immediate. However, beware of the risk of losing the end-of-queue 1 through moving BQ2. Recommend use of EOQ (chan63) to end queue 1.</p> <p><b>Note:</b> Be sure to do a mode change when changing BQ2 and setting SSE2. Setting BQ2 first is recommended.</p> |

[Table 13-13](#) shows the bits in the MQ2 field that enable different queue 2 operating modes.

**Table 13-13. Queue 2 Operating Modes**

| MQ2[3:7] | Operating Modes   |
|----------|---|
| 00000    | Disabled mode, conversions do not occur                 |
| 00001    | Software triggered single-scan mode (started with SSE2) |



**Table 13-13. Queue 2 Operating Modes (continued)**

| MQ2[3:7] | Operating Modes   |
|----------|---|
| 00010    | External trigger rising edge single-scan mode                             |
| 00011    | External trigger falling edge single-scan mode                            |
| 00100    | Interval timer single-scan mode: time = QCLK period x 2 <sup>7</sup>      |
| 00101    | Interval timer single-scan mode: time = QCLK period x 2 <sup>8</sup>      |
| 00110    | Interval timer single-scan mode: time = QCLK period x 2 <sup>9</sup>      |
| 00111    | Interval timer single-scan mode: time = QCLK period x 2 <sup>10</sup>     |
| 01000    | Interval timer single-scan mode: time = QCLK period x 2 <sup>11</sup>     |
| 01001    | Interval timer single-scan mode: time = QCLK period x 2 <sup>12</sup>     |
| 01010    | Interval timer single-scan mode: time = QCLK period x 2 <sup>13</sup>     |
| 01011    | Interval timer single-scan mode: time = QCLK period x 2 <sup>14</sup>     |
| 01100    | Interval timer single-scan mode: time = QCLK period x 2 <sup>15</sup>     |
| 01101    | Interval timer single-scan mode: time = QCLK period x 2 <sup>16</sup>     |
| 01110    | Interval timer single-scan mode: time = QCLK period x 2 <sup>17</sup>     |
| 01111    | Reserved mode   |
| 10000    | Reserved mode   |
| 10001    | Software triggered continuous-scan mode                                   |
| 10010    | External trigger rising edge continuous-scan mode                         |
| 10011    | External trigger falling edge continuous-scan mode                        |
| 10100    | Periodic timer continuous-scan mode: time = QCLK period x 2 <sup>7</sup>  |
| 10101    | Periodic timer continuous-scan mode: time = QCLK period x 2 <sup>8</sup>  |
| 10110    | Periodic timer continuous-scan mode: time = QCLK period x 2 <sup>9</sup>  |
| 10111    | Periodic timer continuous-scan mode: time = QCLK period x 2 <sup>10</sup> |
| 11000    | Periodic timer continuous-scan mode: time = QCLK period x 2 <sup>11</sup> |
| 11001    | Periodic timer continuous-scan mode: time = QCLK period x 2 <sup>12</sup> |
| 11010    | Periodic timer continuous-scan mode: time = QCLK period x 2 <sup>13</sup> |
| 11011    | Periodic timer continuous-scan mode: time = QCLK period x 2 <sup>14</sup> |
| 11100    | Periodic timer continuous-scan mode: time = QCLK period x 2 <sup>15</sup> |
| 11101    | Periodic timer continuous-scan mode: time = QCLK period x 2 <sup>16</sup> |
| 11110    | Periodic timer continuous-scan mode: time = QCLK period x 2 <sup>17</sup> |
| 11111    | Reserved mode   |

**NOTE**

If BQ2 was assigned to the CCW that queue 1 is currently working on, then that conversion is completed before BQ2 takes effect.

Each time a CCW is read for queue 1, the CCW location is compared with the current value of the BQ2 pointer to detect a possible end-of-queue condition. For example, if BQ2 is changed to CCW3 while queue 1 is converting CCW2, queue 1 is terminated after the conversion is completed. However, if BQ2 is changed to CCW1 while queue 1 is converting CCW2, the QADC64E would not recognize a BQ2 end-of-queue condition until queue 1 execution reached CCW1 again, presumably on the next pass through the queue.

### 13.2.8 Status Registers (QASR0 and QASR1)

The status registers contain information about the state of each queue and the current A/D conversion. Except for the four flag bits (CF1, PF1, CF2, and PF2) and the two trigger overrun bits (TOR1 and TOR2), all of the status register fields contain read-only data. The four flag bits and the two trigger overrun bits are cleared by writing a zero to the bit after the bit was previously read as a one.

|                            | MSB                                      | 1   | 2   | 3   | 4    | 5    | 6  | 7 | 8 | 9 | 10  | 11 | 12 | 13 | 14 | LSB |
|----------------------------|--|-----|-----|-----|------|------|----|---|---|---|-----|----|----|----|----|-----|
|                            | 0  |     |     |     |      |      |    |   |   |   |     |    |    |    |    | 15  |
| Field                      | CF1                                      | PF1 | CF2 | PF2 | TOR1 | TOR2 | QS |   |   |   | CWP |    |    |    |    |     |
| $\overline{\text{SRESET}}$ | 0000_0000_0000_0000                      |     |     |     |      |      |    |   |   |   |     |    |    |    |    |     |
| Addr                       | 0x30 4810 (QASR0_A); 0x30 4C10 (QASR0_B) |     |     |     |      |      |    |   |   |   |     |    |    |    |    |     |

**Figure 13-13. Status Register 0 (QASR0)**

**Table 13-14. QASR0 Bit Descriptions**

| Bits | Name | Description  |
|------|------|--|
| 0    | CF1  | <p>Queue 1 Completion Flag — CF1 indicates that a queue 1 scan has been completed. The scan completion flag is set by the QADC64E when the input channel sample requested by the last CCW in queue 1 is converted, and the result is stored in the result table.</p> <p>The end-of-queue 1 is identified when execution is complete on the CCW in the location prior to that pointed to by BQ2, when the current CCW contains an end-of-queue code instead of a valid channel number, or when the currently completed CCW is in the last location of the CCW RAM.</p> <p>When CF1 is set and interrupts are enabled for that queue completion flag, the QADC64E asserts an interrupt request at the level specified by IRL1 in the interrupt register (QADCINT). The software reads the completion flag during an interrupt service routine to identify the interrupt request. The interrupt request is cleared when the software writes a zero to the completion flag bit, when the bit was previously read as a one. Once set, only software or reset can clear CF1.</p> <p>CF1 is maintained by the QADC64E regardless of whether the corresponding interrupt is enabled. The software polls for CF1 bit to see if it is set. This allows the software to recognize that the QADC64E is finished with a queue 1 scan. The software acknowledges that it has detected the completion flag being set by writing a zero to the completion flag after the bit was read as a one.</p>  |
| 1    | PF1  | <p>Queue 1 Pause Flag — PF1 indicates that a queue 1 scan has reached a pause. PF1 is set by the QADC64E when the current queue 1 CCW has the pause bit set, the selected input channel has been converted, and the result has been stored in the result table.</p> <p>Once PF1 is set, the queue enters the paused state and waits for a trigger event to allow queue execution to continue. However, if the CCW with the pause bit set is the last CCW in a queue, the queue execution is complete. The queue status becomes idle, not paused, and both the pause and completion flags are set. Another exception occurs in software controlled mode, where the PF1 can be set but queue 1 never enters the pause state since queue 1 continues without pausing.</p> <p>When PF1 is set and interrupts are enabled for the corresponding queue, the QADC64E asserts an interrupt request at the level specified by IRL1 in the interrupt register. The software may read PF1 during an interrupt service routine to identify the interrupt request. The interrupt request is cleared when the software writes a zero to PF1, when the bit was previously read as a one. Once set, only software or reset can clear PF1.</p> <p>In external gated single-scan and continuous-scan mode the definition of PF1 has been redefined. When the gate closes before the end-of-queue 1 is reached, PF1 becomes set to indicate that an incomplete scan has occurred. In single-scan mode, setting PF1 can be used to cause an interrupt and software can then determine if queue 1 should be enabled again. In either external gated mode, setting PF1 indicates that the results for queue 1 have not been collected during one scan (coherently).</p> <p>NOTE: If a pause in a CCW is encountered in external gated mode for either single-scan and continuous-scan mode, the pause flag <i>will not set</i>, and execution continues without pausing. This has allowed for the added definition of PF1 in the external gated modes.</p> <p>PF1 is maintained by the QADC64E regardless of whether the corresponding interrupts are enabled. The software may poll PF1 to find out when the QADC64E has reached a pause in scanning a queue. The software acknowledges that it has detected a pause flag being set by writing a zero to PF1 after the bit was last read as a one.</p> <p>0 = queue 1 has not reached a pause (or gate has not closed before end-of-queue in gated mode)</p> <p>1 = queue 1 has reached a pause (or gate closed before end-of-queue in gated mode)</p> <p>Refer to <a href="#">Table 13-15</a> for a summary of pause response in all scan modes.</p> |

**Table 13-14. QASR0 Bit Descriptions (continued)**

| Bits | Name | Description  |
|------|------|--|
| 2    | CF2  | <p>Queue 2 Completion Flag — CF2 indicates that a queue 2 scan has been completed. CF2 is set by the QADC64E when the input channel sample requested by the last CCW in queue 2 is converted, and the result is stored in the result table.</p> <p>The end-of-queue 2 is identified when the current CCW contains an end-of-queue code instead of a valid channel number, or when the currently completed CCW is in the last location of the CCW RAM.</p> <p>When CF2 is set and interrupts are enabled for that queue completion flag, the QADC64E asserts an interrupt request at the level specified by IRL2 in the interrupt register (QADCINT). The software reads CF2 during an interrupt service routine to identify the interrupt request. The interrupt request is cleared when the software writes a zero to the CF2 bit, when the bit was previously read as a one. Once set, only software or reset can clear CF2.</p> <p>CF2 is maintained by the QADC64E regardless of whether the corresponding interrupts are enabled. The software polls for CF2 to see if it is set. This allows the software to recognize that the QADC64E is finished with a queue 2 scan. The software acknowledges that it has detected the completion flag being set by writing a zero to the completion flag after the bit was read as a one.</p>  |
| 3    | PF2  | <p>Queue 2 Pause Flag — PF2 indicates that a queue 2 scan has reached a pause. PF2 is set by the QADC64E when the current queue 2 CCW has the pause bit set, the selected input channel has been converted, and the result has been stored in the result table.</p> <p>Once PF2 is set, the queue enters the paused state and waits for a trigger event to allow queue execution to continue. However, if the CCW with the pause bit set is the last CCW in a queue, the queue execution is complete. The queue status becomes idle, not paused, and both the pause and completion flags are set. Another exception occurs in software controlled mode, where the PF2 can be set but queue 2 never enters the pause state.</p> <p>When PF2 is set and interrupts are enabled for the corresponding queue, the QADC64E asserts an interrupt request at the level specified by IRL2 in the interrupt register. The software reads PF2 during an interrupt service routine to identify the interrupt request. The interrupt request is cleared when the software writes a zero to PF2, when the bit was previously read as a one. Once set, only software or reset can clear PF2.</p> <p>PF2 is maintained by the QADC64E regardless of whether the corresponding interrupts are enabled. The software may poll PF2 to find out when the QADC64E has reached a pause in scanning a queue. The software acknowledges that it has detected a pause flag being set by writing a zero to PF2 after the bit was last read as a one.</p> <p>0 = queue 2 has not reached a pause<br/>           1 = queue 2 has reached a pause</p> <p>Refer to <a href="#">Table 13-15</a> for a summary of pause response in all scan modes.</p> |

**Table 13-14. QASR0 Bit Descriptions (continued)**

| Bits | Name | Description  |
|------|------|--|
| 4    | TOR1 | <p>Queue 1 Trigger Overrun — TOR1 indicates that an unexpected trigger event has occurred for queue 1. TOR1 can be set only while queue 1 is in the active state. A trigger event generated by a transition on the external trigger signal or by the periodic/interval timer may be captured as a trigger overrun. TOR1 cannot occur when the software initiated single-scan mode or the software initiated continuous-scan mode are selected.</p> <p>TOR1 occurs when a trigger event is received while a queue is executing and before the scan has completed or paused. TOR1 has no effect on the queue execution. After a trigger event has occurred for queue 1, and before the scan has completed or paused, additional queue 1 trigger events are not retained. Such trigger events are considered unexpected, and the QADC64E sets the TOR1 error status bit. An unexpected trigger event may be a system overrun situation, indicating a system loading mismatch. In external gated continuous-scan mode the definition of TOR1 has been redefined. In the case when queue 1 reaches an end-of-queue condition for the second time during an open gate, TOR1 becomes set. This is considered an overrun condition. In this case CF1 has been set for the first end-of-queue 1 condition and then TOR1 becomes set for the second end-of-queue 1 condition. For TOR1 to be set, software must not clear CF1 before the second end-of-queue 1.</p> <p>The software acknowledges that it has detected a trigger overrun being set by writing a zero to the trigger overrun, after the bit was read as a one. Once set, only software or reset can clear TOR1.</p> <p>0 = No unexpected queue 1 trigger events have occurred<br/>           1 = At least one unexpected queue 1 trigger event has occurred (or queue 1 reaches an end-of-queue condition for the second time in gated mode)</p> |
| 5    | TOR2 | <p>Queue 2 Trigger Overrun — TOR2 indicates that an unexpected trigger event has occurred for queue 2. TOR2 can be set when queue 2 is in the active, suspended, and trigger pending states.</p> <p>The TOR2 trigger overrun can only occur when using an external trigger mode or a periodic/interval timer mode. Trigger overruns cannot occur when the software initiated single-scan mode and the software initiated continuous-scan mode are selected. TOR2 occurs when a trigger event is received while queue 2 is executing, suspended, or a trigger is pending. TOR2 has no effect on the queue execution. A trigger event that causes a trigger overrun is not retained since it is considered unexpected.</p> <p>An unexpected trigger event may be a system overrun situation, indicating a system loading mismatch. The software acknowledges that it has detected a trigger overrun being set by writing a zero to the trigger overrun, after the bit was read as a one. Once set, only software or reset can clear TOR2.</p> <p>0 = No unexpected queue 2 trigger events have occurred<br/>           1 = At least one unexpected queue 2 trigger event has occurred</p>  |

**Table 13-14. QASR0 Bit Descriptions (continued)**

| Bits  | Name | Description   |
|-------|------|---|
| 6:9   | QS   | <p>Queue Status</p> <p>The 4-bit read-only QS field indicates the current condition of queue 1 and queue 2. The following are the five queue status conditions:</p> <ul style="list-style-type: none"> <li>Idle</li> <li>Active</li> <li>Paused</li> <li>Suspended</li> <li>Trigger pending</li> </ul> <p>The two most significant bits are associated primarily with queue 1, and the remaining two bits are associated with queue 2. Since the priority scheme between the two queues causes the status to be interlinked, the status bits are considered as one 4-bit field. <a href="#">Table 13-16</a> shows the bits in the QS field and how they affect the status of queue 1 and queue 2. Refer to <a href="#">Section 13.5, “Trigger and Queue Interaction Examples,”</a> which shows the 4-bit queue status field transitions in typical situations.</p>  |
| 10:15 | CWP  | <p>Command Word Pointer — The CWP allows the software to know which CCW is executing at present, or was last completed. The command word pointer is a software read-only field, and write operations have no effect. The CWP allows software to monitor the progress of the QADC64E scan sequence. The CWP field is a CCW word pointer with a valid range of 0 to 63.</p> <p>When a queue enters the paused state, the CWP points to the CCW with the pause bit set. While in pause, the CWP value is maintained until a trigger event occurs on the same queue or the other queue. Usually, the CWP is updated a few clock cycles before the queue status field shows that the queue has become active. For example, software may read a CWP pointing to a CCW in queue 2, and the status field shows queue 1 paused, queue 2 trigger pending.</p> <p>When the QADC64E finishes the scan of the queue, the CWP points to the CCW where the end-of-queue (EOQ) condition was detected. Therefore, when the end-of-queue condition is a CCW with the EOQ code (channel 63 or 127), the CWP points to the CCW containing the EOQ.</p> <p>When the last CCW in a queue is in the last CCW table location (CCW63), and it does not contain the EOQ code, the end-of-queue is detected when the following CCW is read, so the CWP points to word CCW0.</p> <p>Finally, when queue 1 operation is terminated after a CCW is read that is defined as BQ2, the CWP points to the same CCW as BQ2.</p> <p>During the stop mode, the CWP is reset to zero, since the control registers and the analog logic are reset. When the freeze mode is entered, the CWP is unchanged; it points to the last executed CCW.</p> |

**Table 13-15. Pause Response**

| Scan Mode                                   | Q Operation | PF Asserts? |
|---|-------------|-------------|
| External Trigger Single-scan                | Pauses      | Yes         |
| External Trigger Continuous-scan            | Pauses      | Yes         |
| Periodic/Interval Timer Trigger Single-scan | Pauses      | Yes         |
| Periodic/Interval Timer Continuous-scan     | Pauses      | Yes         |

**Table 13-15. Pause Response (continued)**

| Scan Mode                          | Q Operation | PF Asserts? |
|------------------------------------|-------------|-------------|
| Software Initiated Single-scan     | Continues   | Yes         |
| Software Initiated Continuous-scan | Continues   | Yes         |
| External Gated Single-scan         | Continues   | No          |
| External Gated Continuous-scan     | Continues   | No          |

**Table 13-16. Queue Status**

| QS[9:6] | Queue 1/Queue 2 States                  |
|---------|---|
| 0000    | queue 1 idle, queue 2 idle              |
| 0001    | queue 1 idle, queue 2 paused            |
| 0010    | queue 1 idle, queue 2 active            |
| 0011    | queue 1 idle, queue 2 trigger pending   |
| 0100    | queue 1 paused, queue 2 idle            |
| 0101    | queue 1 paused, queue 2 paused          |
| 0110    | queue 1 paused, queue 2 active          |
| 0111    | queue 1 paused, queue 2 trigger pending |
| 1000    | queue 1 active, queue 2 idle            |
| 1001    | queue 1 active, queue 2 paused          |
| 1010    | queue 1 active, queue 2 suspended       |
| 1011    | queue 1 active, queue 2 trigger pending |
| 1100    | Reserved                                |
| 1101    | Reserved                                |
| 1110    | Reserved                                |
| 1111    | Reserved                                |

One or both queues may be in the idle state. When a queue is idle, CCWs are not being executed for that queue, the queue is not in the pause state, and there is not a trigger pending.

The idle state occurs when a queue is disabled, when a queue is in a reserved mode, or when a queue is in a valid queue operating mode awaiting a trigger event to initiate queue execution.

A queue is in the active state when a valid queue operating mode is selected, when the selected trigger event has occurred, or when the QADC64E is performing a conversion specified by a CCW from that queue.

Only one queue can be active at a time. Either or both queues can be in the paused state. A queue is paused when the previous CCW executed from that queue had the pause bit set. The QADC64E does not execute

any CCWs from the paused queue until a trigger event occurs. Consequently, the QADC64E can service queue 2 while queue 1 is paused.

Only queue 2 can be in the suspended state. When a trigger event occurs on queue 1 while queue 2 is executing, the current queue 2 conversion is aborted. The queue 2 status is reported as suspended. Queue 2 transitions back to the active state when queue 1 becomes idle or paused.

A trigger pending state is required since both queues cannot be active at the same time. The status of queue 2 is changed to trigger pending when a trigger event occurs for queue 2 while queue 1 is active. In the opposite case, when a trigger event occurs for queue 1 while queue 2 is active, queue 2 is aborted and the status is reported as queue 1 active, queue 2 suspended. So due to the priority scheme, only queue 2 can be in the trigger pending state.

There are two transition cases which cause the queue 2 status to be trigger pending before queue 2 is shown to be in the active state. When queue 1 is active and there is a trigger pending on queue 2, after queue 1 completes or pauses, queue 2 continues to be in the trigger pending state for a few clock cycles. The following are fleeting status conditions:

- Queue 1 idle with queue 2 trigger pending
- Queue 1 paused with queue 2 trigger pending

Figure 13-14 displays the status conditions of the queue status field as the QADC64E goes through the transition from queue 1 active to queue 2 active.

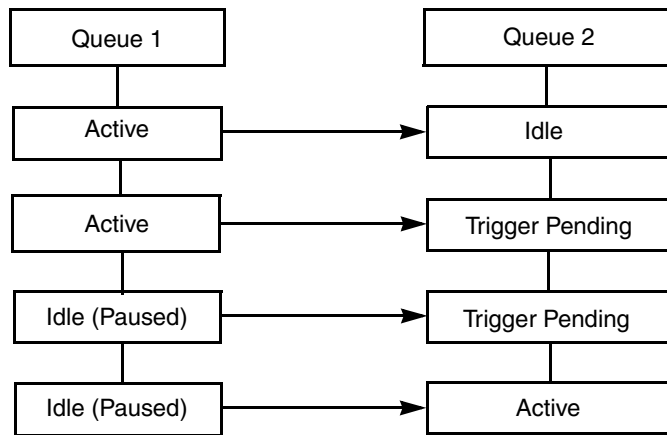


Figure 13-14. QADC64E Queue Status Transition

The queue status field is affected by the stop mode. Because all of the analog logic and control registers are reset, the queue status field is reset to queue 1 idle, queue 2 idle.

During the freeze mode, the queue status field is not modified. The queue status field retains the status it held prior to freezing. As a result, the queue status can show queue 1 active, queue 2 idle, even though neither queue is being executed during freeze.



|        |  |         |   |   |   |   |   |    |         |   |    |    |    |    |    |     |
|--------|--|---------|---|---|---|---|---|----|---------|---|----|----|----|----|----|-----|
|        | MSB                                      | 1       | 2 | 3 | 4 | 5 | 6 | 7  | 8       | 9 | 10 | 11 | 12 | 13 | 14 | LSB |
|        | 0  |         |   |   |   |   |   |    |         |   |    |    |    |    |    | 15  |
| Field  | —  | CWPQ1   |   |   |   |   |   | —  | CWPQ2   |   |    |    |    |    |    |     |
| SRESET | 00                                       | 11_1111 |   |   |   |   |   | 00 | 11_1111 |   |    |    |    |    |    |     |
| Addr   | 0x30 4812 (QASR1_A); 0x30 4C12 (QASR1_B) |         |   |   |   |   |   |    |         |   |    |    |    |    |    |     |

Figure 13-15. Status Register 1 (QASR1)

Table 13-17. QASR1 Bit Descriptions

| Bits  | Name  | Description   |
|-------|-------|---|
| 0:1   | —     | Reserved  |
| 2:7   | CWPQ1 | <p>Command Word Pointer for Q1 — CWPQ1 allows the software to know what CCW was last completed for queue 1. This field is a software read-only field, and write operations have no effect. CWPQ1 allows software to read the last executed CCW in queue 1, regardless of which queue is active. The CWPQ1 field is a CCW word pointer with a valid range of 0 to 63.</p> <p>In contrast to CWP, CPWQ1 is updated when the conversion result is written. When the QADC64E finishes a conversion in queue 1, both the result register is written and the CWPQ1 are updated.</p> <p>Finally, when queue 1 operation is terminated after a CCW is read that is defined as BQ2, CWP points to BQ2 while CWPQ1 points to the last CCW queue 1.</p> <p>During the stop mode, the CWPQ1 is reset to 63, since the control registers and the analog logic are reset. When the freeze mode is entered, the CWPQ1 is unchanged; it points to the last executed CCW in queue 1.</p> |
| 8:9   | —     | Reserved  |
| 10:15 | CWPQ2 | <p>Command Word Pointer for Q2 — CWPQ2 allows the software to know what CCW was last completed for queue 2. This field is a software read-only field, and write operations have no effect. CWPQ2 allows software to read the last executed CCW in queue 2, regardless which queue is active. The CWPQ2 field is a CCW word pointer with a valid range of 0 to 63.</p> <p>In contrast to CWP, CPWQ2 is updated when the conversion result is written. When the QADC64E finishes a conversion in queue 2, both the result register is written and the CWPQ2 are updated.</p> <p>During the stop mode, the CWPQ2 is reset to 63, since the control registers and the analog logic are reset. When the freeze mode is entered, the CWP is unchanged; it points to the last executed CCW in queue 2.</p>   |

### 13.2.9 Conversion Command Word Table

The conversion command word (CCW) table is a RAM, 64 words long on 16-bit address boundaries where 10-bits of each entry are implemented. A CCW can be programmed by the software to request a conversion of one analog input channel. The CCW table is written by software and is not modified by the QADC64E. Each CCW requests the conversion of an analog channel to a digital result. The CCW specifies the analog channel number, the input sample time, and whether the queue is to pause after the current CCW. The ten implemented bits of the CCW word are read/write data, where they may be written when the software initializes the QADC64E. The remaining 6-bits are unimplemented so these read as zeros, and write operations have no effect. Each location in the CCW table corresponds to a location in the result word

table. When a conversion is completed for a CCW entry, the 10-bit result is written in the corresponding result word entry. The QADC64E provides 64 CCW table entries.

The beginning of queue 1 is the first location in the CCW table. The first location of queue 2 is specified by the beginning of queue 2 pointer (BQ2) in QACR2. To dedicate the entire CCW table to queue 1, queue 2 is programmed to be in the disabled mode, and BQ2 is programmed to 64 or greater. To dedicate the entire CCW table to queue 2, queue 1 is programmed to be in the disabled mode, and BQ2 is specified as the first location in the CCW table

Figure 13-16 illustrates the operation of the queue structure.

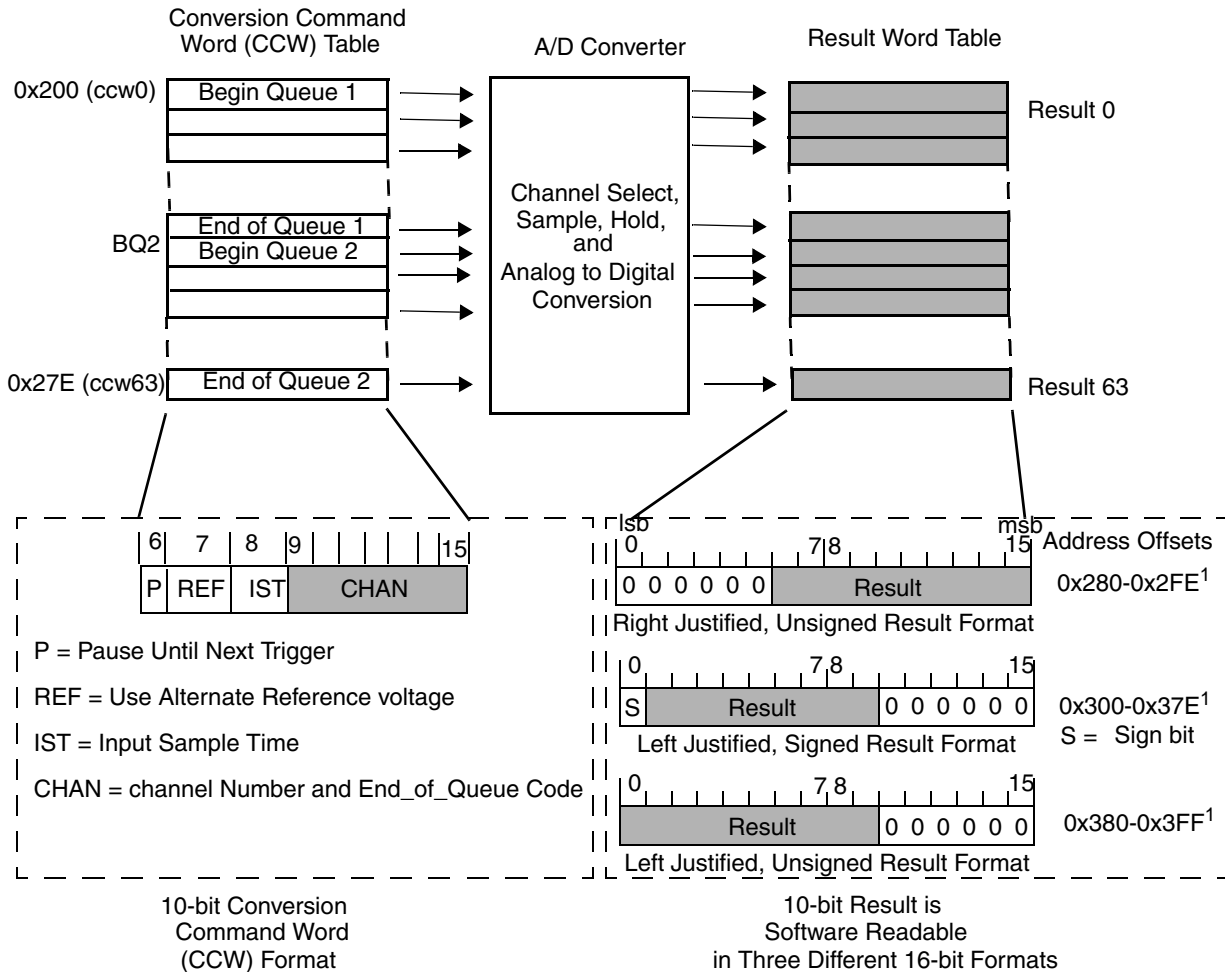


Figure 13-16. QADC64E Conversion Queue Operation

To prepare the QADC64E for a scan sequence, the software writes to the CCW table to specify the desired channel conversions. The software also establishes the criteria for initiating the queue execution by programming the queue operating mode. The queue operating mode determines what type of trigger event causes queue execution to begin. A “trigger event” is used to refer to any of the ways to cause the QADC64E to begin executing the CCWs in a queue or sub-queue. An “external trigger” is only one of the possible “trigger events.”

A scan sequence may be initiated by the following:

- A software command
- Expiration of the periodic/interval timer
- External trigger signal
- External gated signal (queue 1 only)

The software also specifies whether the QADC64E is to perform a single pass through the queue or is to scan continuously. When a single-scan mode is selected, the software selects the queue operating mode and sets the single-scan enable bit. When a continuous-scan mode is selected, the queue remains active in the selected queue operating mode after the QADC64E completes each queue scan sequence.

During queue execution, the QADC64E reads each CCW from the active queue and executes conversions in three stages:

- Initial sample - During initial sample, a buffered version of the selected input channel is connected to the sample capacitor at the input of the sample buffer amplifier.
- Final sample - During the final sample period, the sample buffer amplifier is bypassed, and the multiplexer input charges the sample capacitor directly. Each CCW specifies a final input sample time of 2 or 8 QCLK cycles.
- Resolution - When an analog-to-digital conversion is complete, the result is written to the corresponding location in the result word table. The QADC64E continues to sequentially execute each CCW in the queue until the end of the queue is detected or a pause bit is found in a CCW.

When the pause bit is set in the current CCW, the QADC64E stops execution of the queue until a new trigger event occurs. The pause status flag bit is set, which may cause an interrupt to notify the software that the queue has reached the pause state. After the trigger event occurs, the paused state ends and the QADC64E continues to execute each CCW in the queue until another pause is encountered or the end of the queue is detected.

The following indicate the end-of-queue condition:

- The CCW channel field is programmed with 63 (0x3F) to specify the end of the queue
- The end-of-queue 1 is implied by the beginning of queue 2, which is specified in the BQ2 field in QACR2
- The physical end of the queue RAM space defines the end of either queue

When any of the end-of-queue conditions is recognized, a queue completion flag is set, and if enabled, an interrupt is issued to the software. The following situations prematurely terminate queue execution:

- Since queue 1 is higher in priority than queue 2, when a trigger event occurs on queue 1 during queue 2 execution, the execution of queue 2 is suspended by aborting the execution of the CCW in progress, and the queue 1 execution begins. When queue 1 execution is completed, queue 2 conversions restart with the first CCW entry in queue 2 or the first CCW of the queue 2 sub-queue being executed when queue 2 was suspended. Alternately, conversions can restart with the aborted queue 2 CCW entry. The RESUME bit in QACR2 allows the software to select where queue 2 begins after suspension. By choosing to re-execute all of the suspended queue 2 queue and sub-queue CCWs, all of the samples are guaranteed to have been taken during the same scan pass.

However, a high trigger event rate for queue 1 can prohibit the completion of queue 2. If this occurs, the software may choose to begin execution of queue 2 with the aborted CCW entry.

- Software can change the queue operating mode to disabled mode. Any conversion in progress for that queue is aborted. Putting a queue into the disabled mode does not power down the converter.
- Software can change the queue operating mode to another valid mode. Any conversion in progress for that queue is aborted. The queue restarts at the beginning of the queue, once an appropriate trigger event occurs.
- For low power operation, software can set the stop mode bit to prepare the module for a loss of clocks. The QADC64E aborts any conversion in progress when the stop mode is entered.
- When the freeze enable bit is set by software and the IMB3 internal FREEZE line is asserted, the QADC64E freezes at the end of the conversion in progress. When internal FREEZE is negated, the QADC64E resumes queue execution beginning with the next CCW entry. Refer to [Section 13.4.7, “Configuration and Control Using the IMB3 Interface”](#) for more information.

|       |  |   |   |   |   |   |     |     |           |   |    |    |    |    |    |     |
|-------|--|---|---|---|---|---|-----|-----|-----------|---|----|----|----|----|----|-----|
|       | MSB  | 1 | 2 | 3 | 4 | 5 | 6   | 7   | 8         | 9 | 10 | 11 | 12 | 13 | 14 | LSB |
|       | 0  |   |   |   |   |   |     |     |           |   |    |    |    |    |    | 15  |
| Field | —  |   |   |   |   | P | REF | IST | CHAN[6:0] |   |    |    |    |    |    |     |
| Reset | Undefined                                    |   |   |   |   |   |     |     |           |   |    |    |    |    |    |     |
| Addr  | 0x30 4A00–4A7F (CCWA); 0x30 4E00–4E7F (CCWB) |   |   |   |   |   |     |     |           |   |    |    |    |    |    |     |

**Figure 13-17. Conversion Command Word Table (CCW)**

**Table 13-18. CCW Bit Descriptions**

| Bits | Name | Description  |
|------|------|--|
| 0:5  | —    | Reserved   |
| 6    | P    | <p>Pause — The pause bit allows software to create sub-queues within queue 1 and queue 2. The QADC64E performs the conversion specified by the CCW with the pause bit set, and then the queue enters the pause state. Another trigger event causes execution to continue from the pause to the next CCW.</p> <p>0 Do not enter the pause state after execution of the current CCW<br/>                     1 Enter the pause state after execution of the current CCW</p> <p>NOTE: The pause bit will not cause the queue to pause in the software controlled modes or external gated modes.</p> |
| 7    | REF  | <p>Alternate Reference Enabled — Setting REF high in the CCW enables the use of an alternate reference.</p> <p>0 VRH is used as high reference<br/>                     1 AltRef signal is used as the high reference</p>  |

**Table 13-18. CCW Bit Descriptions (continued)**

| Bits | Name      | Description   |
|------|-----------|---|
| 8    | IST       | Input Sample Time — The IST field allows software to specify the length of the sample window. Provision is made to vary the input sample time, through software control, to offer flexibility in the source impedance of the circuitry providing the QADC64E analog channel inputs. Longer sample times permit more accurate A/D conversions of signals with higher source impedances. The programmable sample time can also be used to increase the time interval between conversions to adjust the queue execution time or the sampling rate.<br>0 = QCLK period * 2<br>1 = QCLK period * 8   |
| 9:15 | CHAN[6:0] | CHAN[6:0] — Channel Number — The CHAN field selects the input channel number. The software programs the channel field of the CCW with the channel number corresponding to the analog input signal to be sampled and converted. The analog input signal channel number assignments and the signal definitions vary depending on whether the multiplexed or non-multiplexed mode is used by the application. As far as the queue scanning operations are concerned, there is no distinction between an internally or externally multiplexed analog input. Refer to <a href="#">Section 13.1.5, “External Multiplexing”</a> for more information on external multiplexing.<br><a href="#">Table 13-19</a> shows the channel number assignments |

**Table 13-19. Multiplexed Channel Assignments and Signal Designations**

| Multiplexed Input Signals |                     |                                |              | Channel Number in CCW CHAN Field |          |
|---------------------------|---------------------|--------------------------------|--------------|----------------------------------|----------|
| Port Signal Name          | Analog Signal Name  | Other Functions / Descriptions | Signal Type  | Binary                           | Decimal  |
| ANw/A_PQB[0]              | AN[00] to AN[07]    | —                              | Input        | 0000000 to 0000111               | 0 to 7   |
| ANx/A_PQB[1]              | AN[08] to AN[15]    | —                              | Input        | 0001000 to 0001111               | 8 to 15  |
| ANy/A_PQB[2]              | AN[16] to AN[23]    | —                              | Input        | 0010000 to 0010111               | 16 to 23 |
| ANz/A_PQB[3]              | AN[24] to AN[31]    | —                              | Input        | 0011000 to 0011111               | 24 to 31 |
| —                         | RESERVED            | —                              | —            | 0100000 to 0101001               | 32 to 41 |
| —                         | RESERVED            | —                              | —            | 0101010                          | 42       |
| —                         | RESERVED            | —                              | —            | 0101011                          | 43       |
| A_PQB[0]                  | AN[44] <sup>1</sup> | ANw                            | Input/Output | 0101100                          | 44       |
| A_PQB[1]                  | AN[45] <sup>1</sup> | ANx                            | Input/Output | 0101101                          | 45       |
| A_PQB[2]                  | AN[46] <sup>1</sup> | ANy                            | Input/Output | 0101110                          | 46       |
| A_PQB[3]                  | AN[47] <sup>1</sup> | ANz                            | Input/Output | 0101111                          | 47       |

**Table 13-19. Multiplexed Channel Assignments and Signal Designations (continued)**

| Multiplexed Input Signals |                    |                                |              | Channel Number in CCW CHAN Field |           |
|---------------------------|--------------------|--------------------------------|--------------|----------------------------------|-----------|
| Port Signal Name          | Analog Signal Name | Other Functions / Descriptions | Signal Type  | Binary                           | Decimal   |
| A_PQB[4]                  | AN[48]             | —                              | Input/Output | 0110000                          | 48        |
| A_PQB[5]                  | AN[49]             | —                              | Input/Output | 0110001                          | 49        |
| A_PQB[6]                  | AN[50]             | —                              | Input/Output | 0110010                          | 50        |
| A_PQB[7]                  | AN[51]             | —                              | Input/Output | 0110011                          | 51        |
| A_PQA[0]                  | AN[52]             | MA[0]                          | Input/Output | 0110100                          | 52        |
| A_PQA[1]                  | AN[53]             | MA[1]                          | Input/Output | 0110101                          | 53        |
| A_PQA[2]                  | AN[54]             | MA[2]                          | Input/Output | 0110110                          | 54        |
| A_PQA[3]                  | AN[55]             | —                              | Input/Output | 0110111                          | 55        |
| A_PQA[4]                  | AN[56]             | —                              | Input/Output | 0111000                          | 56        |
| A_PQA[5]                  | AN[57]             | —                              | Input/Output | 0111001                          | 57        |
| A_PQA[6]                  | AN[58]             | —                              | Input/Output | 0111010                          | 58        |
| A_PQA[7]                  | AN[59]             | —                              | Input/Output | 0111011                          | 59        |
| VRL                       | Low Ref            | —                              | Input        | 0111100                          | 60        |
| VRH/ALTREF <sup>2</sup>   | High Ref           | —                              | Input        | 0111101                          | 61        |
| —                         | —                  | (VRH – VRL)/2                  | —            | 0111110                          | 62        |
| —                         | —                  | End of Queue Code              | —            | 0111111                          | 63        |
| B_PQB[0]                  | AN[64]             | —                              | AMUX Input   | 1000000                          | 64        |
| B_PQB[1]                  | AN[65]             | —                              | AMUX Input   | 1000001                          | 65        |
| B_PQB[2]                  | AN[66]             | —                              | AMUX Input   | 1000010                          | 66        |
| B_PQB[3]                  | AN[67]             | —                              | AMUX Input   | 1000011                          | 67        |
| B_PQB[4]                  | AN[68]             | —                              | AMUX Input   | 1000100                          | 68        |
| B_PQB[5]                  | AN[69]             | —                              | AMUX Input   | 1000101                          | 69        |
| B_PQB[6]                  | AN[70]             | —                              | AMUX Input   | 1000110                          | 70        |
| B_PQB[7]                  | AN[71]             | —                              | AMUX Input   | 1000111                          | 71        |
| B_PQA[0]                  | AN[72]             | MA[0]                          | AMUX Input   | 1001000                          | 72        |
| B_PQA[1]                  | AN[73]             | MA[1]                          | AMUX Input   | 1001001                          | 73        |
| B_PQA[2]                  | AN[74]             | MA[2]                          | AMUX Input   | 1001010                          | 74        |
| B_PQA[3]                  | AN[75]             | —                              | AMUX Input   | 1001011                          | 75        |
| B_PQA[4]                  | AN[76]             | —                              | AMUX Input   | 1001100                          | 76        |
| B_PQA[5]                  | AN[77]             | —                              | AMUX Input   | 1001101                          | 77        |
| B_PQA[6]                  | AN[78]             | —                              | AMUX Input   | 1001110                          | 78        |
| B_PQA[7]                  | AN[79]             | —                              | AMUX Input   | 1001111                          | 79        |
| —                         | AN[80]             | —                              | AMUX Input   | 1010000                          | 80        |
| —                         | AN[81]             | —                              | AMUX Input   | 1010001                          | 81        |
| —                         | AN[82]             | —                              | AMUX Input   | 1010010                          | 82        |
| —                         | AN[83]             | —                              | AMUX Input   | 1010011                          | 83        |
| —                         | AN[84]             | —                              | AMUX Input   | 1010100                          | 84        |
| —                         | AN[85]             | —                              | AMUX Input   | 1010101                          | 85        |
| —                         | AN[86]             | —                              | AMUX Input   | 1010110                          | 86        |
| —                         | AN[87]             | —                              | AMUX Input   | 1010111                          | 87        |
| —                         | RESERVED           | —                              | —            | 1011000 to 1111110               | 88 to 126 |
| —                         | —                  | End of Queue Code              | —            | 1111111                          | 127       |

- <sup>1</sup> This signal is reserved when an external MUX is used.
- <sup>2</sup> Whichever is selected in the CCW.

The channel field is programmed for channel 63 or 127 to indicate the end of the queue. Channels 60 to 62 are special internal channels. When one of the special channels is selected, the sampling amplifier is not used. The value of  $V_{RL}$ ,  $V_{RH}$ , or  $(V_{RH} - V_{RL})/2$  is placed directly onto the converter. Also for the internal special channels, programming any input sample time other than two has no benefit except to lengthen the overall conversion time.

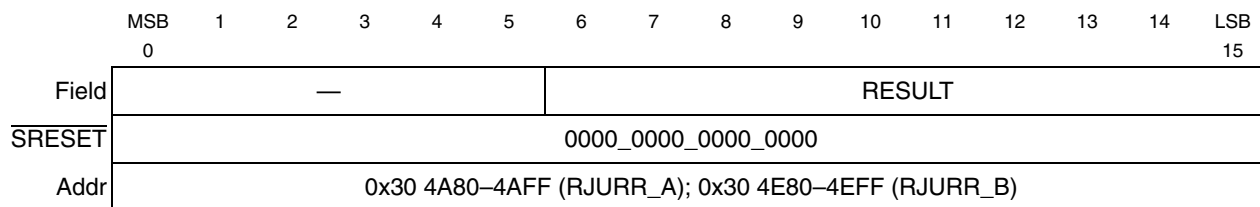
### 13.2.10 Result Word Table

The result word table is a RAM, 64 words long and 10 bits wide. An entry is written by the QADC64E after completing an analog conversion specified by the corresponding CCW table entry. Software can read or write the result word table, but in normal operation, the software reads the result word table to obtain analog conversions from the QADC64E. Unimplemented bits are read as zeros, and write operations do not have any effect. See Figure 13-16 for a diagram of the result word table

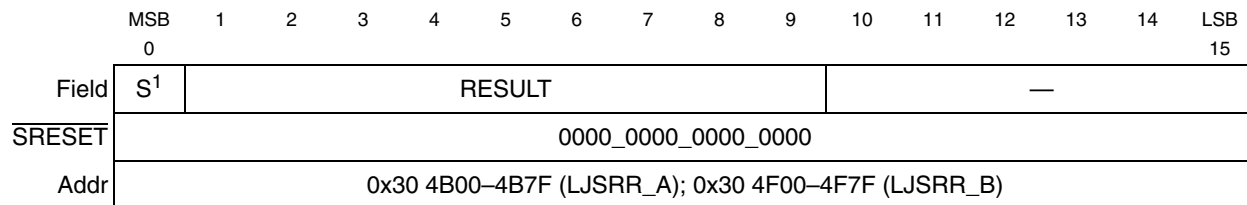
While there is only one result word table, the data can be accessed in three different data formats:

- Right justified in the 16-bit word, with zeros in the higher order unused bits
- Left justified, with the most significant bit inverted to form a sign bit, and zeros in the unused lower order bits
- Left justified, with zeros in the lower order unused bits

The left justified, signed format corresponds to a half-scale, offset binary, two’s complement data format. The data is routed onto the IMB3 according to the selected format. The address used to access the table determines the data alignment format. All write operations to the result word table are right justified.



**Figure 13-18. Right Justified, Unsigned Result Format (RJURR)**



**Figure 13-19. Left Justified, Signed Result Format (LJSRR)**

<sup>1</sup> S = Sign bit.

|        |  |   |   |   |   |   |   |   |   |   |    |    |    |    |    |     |
|--------|--|---|---|---|---|---|---|---|---|---|----|----|----|----|----|-----|
|        | MSB  | 1 | 2 | 3 | 4 | 5 | 6 | 7 | 8 | 9 | 10 | 11 | 12 | 13 | 14 | LSB |
|        | 0  |   |   |   |   |   |   |   |   |   |    |    |    |    |    | 15  |
| Field  | RESULT   |   |   |   |   |   |   |   |   |   | —  |    |    |    |    |     |
| SRESET | 0000_0000_0000_0000                                |   |   |   |   |   |   |   |   |   |    |    |    |    |    |     |
| Addr   | 0x30 4B80–4BFF (LJURR_A); 0x30 4F80–4FFF (LJURR_B) |   |   |   |   |   |   |   |   |   |    |    |    |    |    |     |

**Figure 13-20. Left Justified, Unsigned Result Register (LJURR)**

The three result data formats are produced by routing the RAM bits onto the data bus. The software chooses among the three formats by reading the result at the memory address which produces the desired data alignment.

The result word table is read/write accessible by software. During normal operation, applications software only needs to read the result table. Write operations to the table may occur during test or debug breakpoint operation. When locations in the CCW table are not used by an application, software could use the corresponding locations in the result word table as scratch pad RAM, remembering that only 10 bits are implemented. The result alignment is only implemented for software read operations. Since write operations are not the normal use for the result registers, only one write data format is supported, which is right justified data.

**NOTE**

Some write operations, like bit manipulation, may not operate as expected because the hardware cannot access a true 16-bit value.

### 13.3 Analog Subsystem

This section describes the QADC64E analog subsystem, which includes the front-end analog multiplexer and analog-to-digital converter.

#### 13.3.1 Analog-to-Digital Converter Operation

The analog subsystem consists of the path from the input signals to the A/D converter block. Signals from the queue control logic are fed to the multiplexer and state machine. The end of convert (EOC) signal and the successive-approximation register (SAR) are the result of the conversion. [Figure 13-21](#) shows a block diagram of the QADC64E analog subsystem.



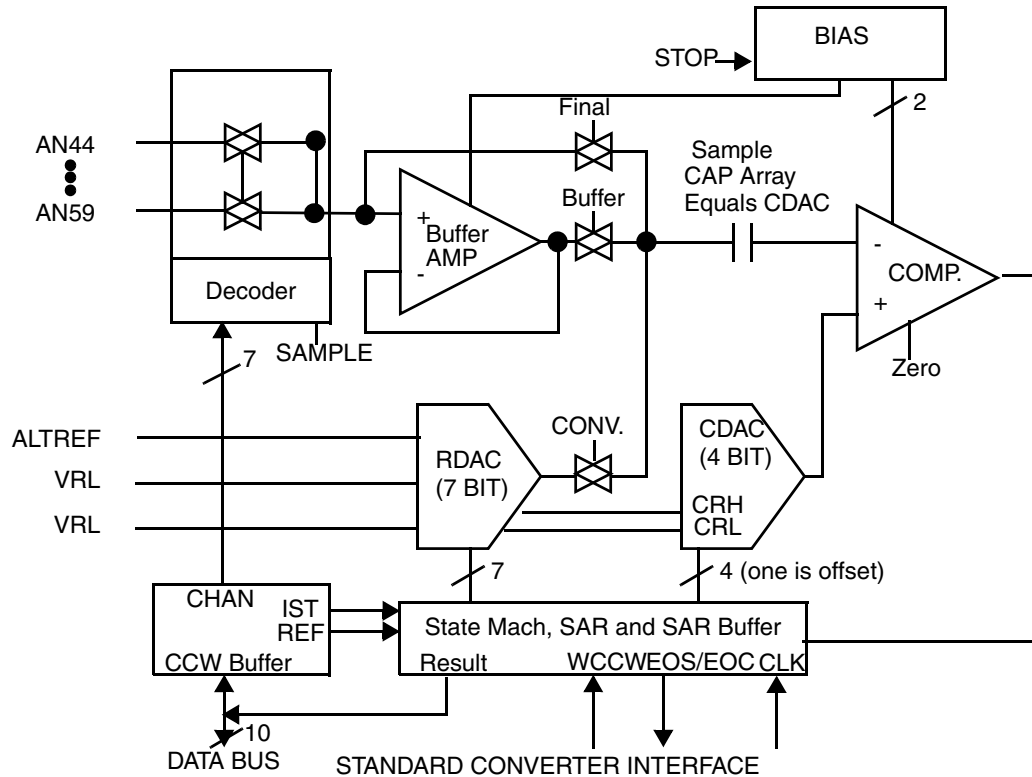


Figure 13-21. QADC64E Analog Subsystem Block Diagram

### 13.3.1.1 Conversion Cycle Times

Total conversion time is made up of initial sample time, final sample time, and resolution time. Initial sample time refers to the time during which the selected input channel is coupled through the buffer amplifier to the sample capacitor. This buffer is used to quickly reproduce its input signal on the sample capacitor and minimize charge sharing errors. During the final sampling period the amplifier is bypassed, and the multiplexer input charges the sample capacitor array directly for improved accuracy. During the resolution period, the voltage in the sample capacitor is converted to a digital value and stored in the SAR.

Initial sample time is fixed at two QCLK cycles. Final sample time can be 2 or 8 QCLK cycles, depending on the value of the IST field in the CCW. Resolution time is ten QCLK cycles.

Therefore, conversion time requires a minimum of 14 QCLK clocks (seven  $\mu$ s with a 2.0-MHz QCLK). If the maximum final sample time period of 8 QCLKs is selected, the total conversion time is 20 QCLKs (10 $\mu$ s with a 2.0 MHz QCLK).

Figure 13-22 illustrates the timing for conversions.

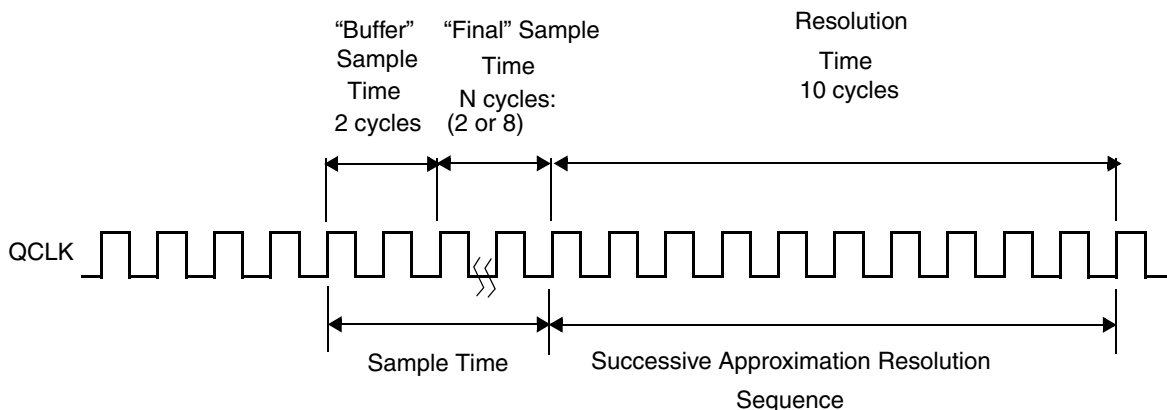


Figure 13-22. Conversion Timing

### 13.3.2 Channel Decode and Multiplexer

The internal multiplexer selects one of the 40 analog input signals for conversion. The selected input is connected to the sample buffer amplifier. The multiplexer also includes positive and negative stress protection circuitry, which prevents deselected channels from affecting the selected channel when current is injected into the deselected channels. Refer to [Appendix F, “Electrical Characteristics”](#) for specific current levels.

### 13.3.3 Sample Buffer Amplifier

The sample buffer is used to raise the effective input impedance of the A/D converter, so that external components (higher bandwidth or higher impedance) are less critical to accuracy. The input voltage is buffered onto the sample capacitor to reduce crosstalk between channels.

### 13.3.4 Digital to Analog Converter (DAC) Array

The digital to analog converter (DAC) array consists of binary-weighted capacitors and a resistor-divider chain. The reference voltages,  $V_{RH}$  and  $V_{RL}$ , are used by the DAC to perform ratiometric conversions. The DAC also converts the following three internal channels:

- $V_{RH}$  — Reference voltage high
- $V_{RL}$  — Reference voltage low
- $(V_{RH} - V_{RL})/2$  — Reference voltage

The DAC array serves to provide a mechanism for the successive approximation A/D conversion.

Resolution begins with the most significant bit (MSB) and works down to the least significant bit (LSB). The switching sequence is controlled by the comparator and successive-approximation register (SAR) logic.

- Sample capacitor — The sample capacitor is employed to sample and hold the voltage to be converted.

### 13.3.5 Comparator

The comparator is used during the approximation process to sense whether the digitally selected arrangement of the DAC array produces a voltage level higher or lower than the sampled input. The comparator output feeds into the SAR which accumulates the A/D conversion result sequentially, beginning with the MSB.

### 13.3.6 Bias

The bias circuit is controlled by the STOP signal to power-up and power-down all the analog circuits.

### 13.3.7 Successive Approximation Register (SAR)

The input of the successive approximation register (SAR) is connected to the comparator output. The SAR sequentially receives the conversion value one bit at a time, starting with the MSB. After accumulating the 10 bits of the conversion result, the SAR data is transferred to the appropriate result location, where it may be read from the IMB3 by user software.

### 13.3.8 State Machine

The state machine receives the QCLK, RST, STOP, IST, CHAN[6:0], and START CONV. signals, from which it generates all timing to perform an A/D conversion. The start convert (START CONV) signal indicates to the A/D converter that the desired channel has been sent to the MUX. IST indicates the desired sample time. The end of conversion (EOC) signal, notifies the queue control logic that a result is available for storage in the result RAM.

## 13.4 Digital Subsystem

The digital control subsystem includes the control logic to sequence the conversion activity, the clock and periodic/interval timer, control and status registers, the conversion command word table RAM, and the result word table RAM.

The central element for control of the QADC64E conversions is the 64-entry CCW table. Each CCW specifies the conversion of one input channel. Depending on the application, one or two queues can be established in the CCW table. A queue is a scan sequence of one or more input channels. By using a pause mechanism, sub queues can be created in the two queues. Each queue can be operated using one of several different scan modes. The scan modes for queue 1 and queue 2 are programmed in QACR1 and QACR2 (control registers 1 and 2). Once a queue has been started by a trigger event (any of the ways to cause the QADC64E to begin executing the CCWs in a queue or sub-queue), the QADC64E performs a sequence of conversions and places the results in the result word table.

### 13.4.1 Queue Priority

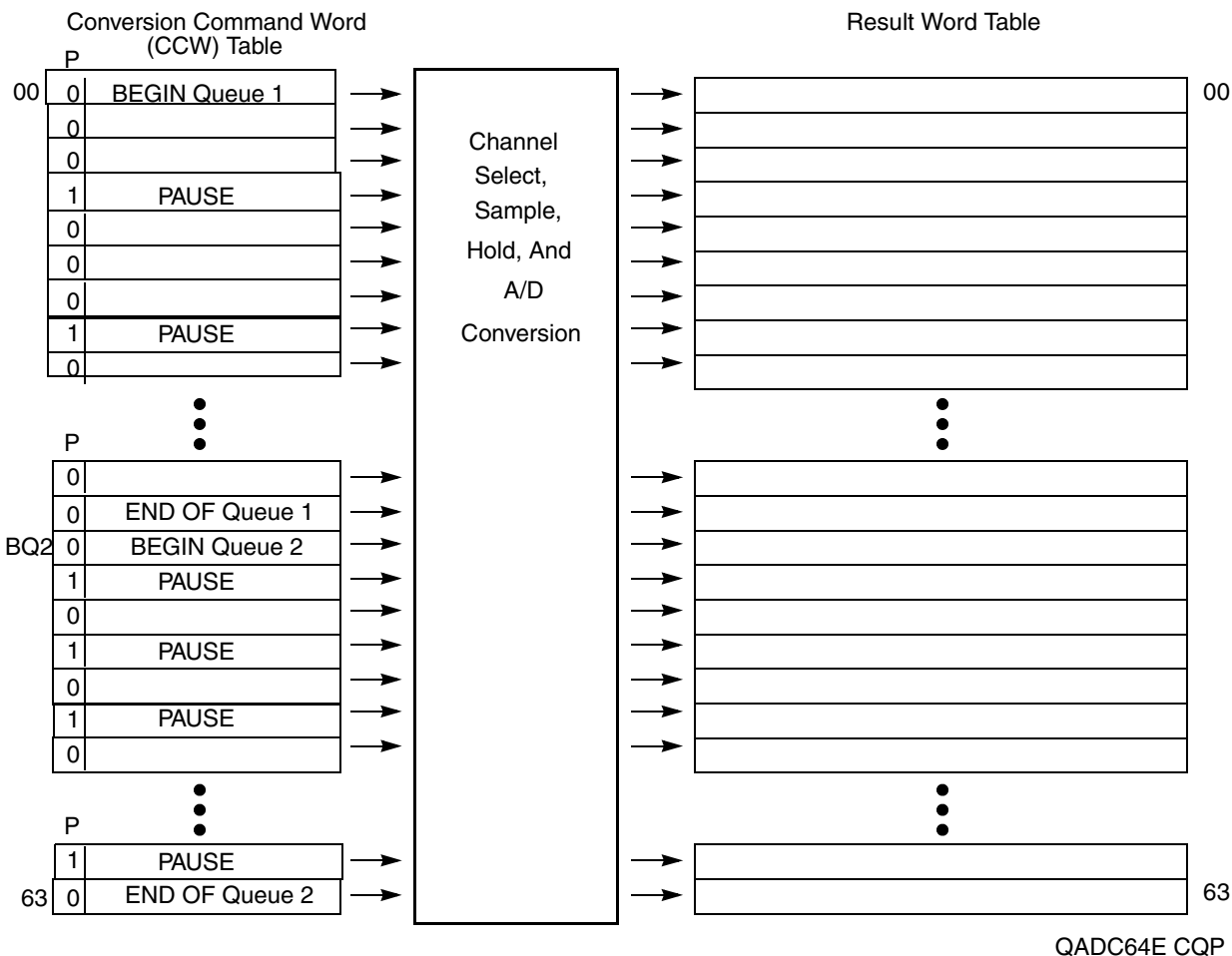
Queue 1 has priority over queue 2 execution. The following cases show the conditions under which queue 1 asserts its priority:

- When a queue is not active, a trigger event for queue 1 or queue 2 causes the corresponding queue execution to begin.
- When queue 1 is active and a trigger event occurs for queue 2, queue 2 cannot begin execution until queue 1 reaches completion or the paused state. The status register records the trigger event by reporting the queue 2 status as trigger pending. Additional trigger events for queue 2, which occur before execution can begin, are captured as trigger overruns.
- When queue 2 is active and a trigger event occurs for queue 1, the current queue 2 conversion is aborted. The status register reports the queue 2 status as suspended. Any trigger events occurring for queue 2 while queue 2 is suspended are captured as trigger overruns. Once queue 1 reaches the completion or the paused state, queue 2 begins executing again. The programming of the RESUME bit in QACR2 determines which CCW is executed in queue 2. Refer to [Section 13.2.7, “Control Register 2 \(QACR2\)”](#) for more information.
- When simultaneous trigger events occur for queue 1 and queue 2, queue 1 begins execution and the queue 2 status is changed to trigger pending.

### 13.4.2 Paused Sub-Queues

The pause feature can be used to divide queue 1 and/or queue 2 into multiple subqueues. A sub-queue is defined by setting the pause bit in the last CCW of the sub-queue.

[Figure 13-23](#) shows the CCW format and an example of using pause to create subqueues. Queue 1 is shown with four CCWs in each sub-queue and queue 2 has two CCWs in each sub-queue.



**Figure 13-23. QADC64E Queue Operation With Pause**

The queue operating mode selected for queue 1 determines what type of trigger event causes the execution of each of the sub-queues within queue 1. Similarly, the queue operating mode for queue 2 determines the type of trigger event required to execute each of the sub-queues within queue 2.

For example, when the external trigger rising edge continuous-scan mode is selected for queue 1, and there are six sub-queues within queue 1, a separate rising edge is required on the external trigger signal after every pause to begin the execution of each sub-queue (refer to Figure 13-23). Refer to Section 13.4.4, “Scan Modes,” for information on different scan modes.

The choice of single-scan or continuous-scan applies to the full queue, and is not applied to each sub-queue. Once a sub-queue is initiated, each CCW is executed sequentially until the last CCW in the sub-queue is executed and the pause state is entered. Execution can only continue with the next CCW, which is the beginning of the next sub-queue. A sub-queue cannot be executed a second time before the overall queue execution has been completed. Refer to Section 13.2.7, “Control Register 2 (QACR2)” for more information.

Trigger events which occur during the execution of a sub-queue are ignored, except that the trigger overrun flag is set. When a continuous-scan mode is selected, a trigger event occurring after the completion of the

last sub-queue (after the queue completion flag is set), causes the execution to continue with the first sub-queue, starting with the first CCW in the queue.

When the QADC64E encounters a CCW with the pause bit set, the queue enters the paused state after completing the conversion specified in the CCW with the pause bit. The pause flag is set and a pause software interrupt may optionally be issued. The status of the queue is shown to be paused, indicating completion of a sub-queue. The QADC64E then waits for another trigger event to again begin execution of the next sub-queue.

### 13.4.3 Boundary Conditions

The following are queue operation boundary conditions:

- The first CCW in a queue contains channel 63 or 127, the end-of-queue (EOQ) code. The queue becomes active and the first CCW is read. The end-of-queue is recognized, the completion flag is set, and the queue becomes idle. A conversion is not performed.
- BQ2 (beginning of queue 2) is set at the end of the CCW table (63 or 127) and a trigger event occurs on queue 2. Refer to [Section 13.2.7, “Control Register 2 \(QACR2\),”](#) for more information on BQ2. The end-of-queue condition is recognized, a conversion is performed, the completion flag is set, and the queue becomes idle.
- BQ2 is set to CCW0 and a trigger event occurs on queue 1. After reading CCW0, the end-of-queue condition is recognized, the completion flag is set, and the queue becomes idle. A conversion is not performed.
- BQ2 is set beyond the end of the CCW table (64 – 127) and a trigger event occurs on queue 2. The end-of-queue condition is recognized immediately, the completion flag is set, and the queue becomes idle. A conversion is not performed.

#### NOTE

Multiple end-of-queue conditions may be recognized simultaneously, although there is no change in the QADC64E behavior. For example, if BQ2 is set to CCW0, CCW0 contains the EOQ code, and a trigger event occurs on queue 1, the QADC64E reads CCW0 and detects both end-of-queue conditions. The completion flag is set and queue 1 becomes idle.

Boundary conditions also exist for combinations of pause and end-of-queue. One case is when a pause bit is in one CCW and an end-of-queue condition is in the next CCW. The conversion specified by the CCW with the pause bit set completes normally. The pause flag is set. However, since the end-of-queue condition is recognized, the completion flag is also set and the queue status becomes idle, not paused. Examples of this situation include:

- The pause bit is set in CCW5 and the channel 63 or 127 (EOQ) code is in CCW6
- The pause is in CCW63
- During queue 1 operation, the pause bit is set in CCW20 and BQ2 points to CCW21

Another pause and end-of-queue boundary condition occurs when the pause and an end-of-queue condition occur in the same CCW. Both the pause and end-of-queue conditions are recognized simultaneously. The end-of-queue condition has precedence so a conversion is not performed for the CCW

and the pause flag is not set. The QADC64E sets the completion flag and the queue status becomes idle. Examples of this situation are:

- The pause bit is set in CCW10 and EOQ is programmed into CCW10
- During queue 1 operation, the pause bit set in CCW32, which is also BQ2

### 13.4.4 Scan Modes

The QADC64E queuing mechanism allows the application to utilize different requirements for automatically scanning input channels.

In single-scan mode, a single pass through a sequence of conversions defined by a queue is performed. In continuous-scan mode, multiple passes through a sequence of conversions defined by a queue are executed. The possible modes are:

- Disabled and
- Reserved mode
- Single-scan modes
  - Software initiated single-scan mode
  - External trigger single-scan mode
  - External gated single-scan mode
  - Interval timer single-scan mode
- Continuous-scan modes
  - Software initiated continuous-scan mode
  - External trigger continuous-scan mode
  - External gated continuous-scan mode
  - Periodic timer continuous-scan mode

The following paragraphs describe single-scan and continuous-scan operations.

#### 13.4.4.1 Disabled Mode

When the disabled mode is selected, the queue is not active. Trigger events cannot initiate queue execution. When both queue 1 and queue 2 are disabled, wait states are not encountered for IMB3 accesses of the RAM. When both queues are disabled, it is safe to change the QCLK prescaler values.

#### 13.4.4.2 Reserved Mode

Reserved mode allows for future mode definitions. When the reserved mode is selected, the queue is not active. It functions the same as disabled mode.

#### CAUTION

Do not use a reserved mode. Unspecified operations may result.

### 13.4.4.3 Single-Scan Modes

When the application software wants to execute a single pass through a sequence of conversions defined by a queue, a single-scan queue operating mode is selected. By programming the MQ field in QACR1 or QACR2, the following modes can be selected:

- Software initiated single-scan mode
- External trigger single-scan mode
- External gated single-scan mode
- Interval timer single-scan mode

#### NOTE

Queue 2 cannot be programmed for external gated single-scan mode.

In all single-scan queue operating modes, the software must also enable the queue to begin execution by writing the single-scan enable bit to a one in the queue's control register. The single-scan enable bits, SSE1 and SSE2, are provided for queue 1 and queue 2 respectively.

Until the single-scan enable bit is set, any trigger events for that queue are ignored. The single-scan enable bit may be set to a one during the write cycle, which selects the single-scan queue operating mode. The single-scan enable bit is set through software, but will always read as a zero. Once set, writing the single-scan enable bit to zero has no effect. Only the QADC64E can clear the single-scan enable bit. The completion flag, completion interrupt, or queue status are used to determine when the queue has completed.

After the single-scan enable bit is set, a trigger event causes the QADC64E to begin execution with the first CCW in the queue. The single-scan enable bit remains set until the queue is completed. After the queue reaches completion, the QADC64E resets the single-scan enable bit to zero. If the single-scan enable bit is written to a one or a zero by the software before the queue scan is complete, the queue is not affected. However, if the software changes the queue operating mode, the new queue operating mode and the value of the single-scan enable bit are recognized immediately. The conversion in progress is aborted and the new queue operating mode takes effect.

In the software-initiated single-scan mode, the writing of a one to the single-scan enable bit causes the QADC64E to internally generate a trigger event and the queue execution begins immediately. In the other single-scan queue operating modes, once the single-scan enable bit is written, the selected trigger event must occur before the queue can start. The single-scan enable bit allows the entire queue to be scanned once. A trigger overrun is captured if a trigger event occurs during queue execution in an edge-sensitive external trigger mode or a periodic/interval timer mode.

In the periodic/interval timer single-scan mode, the next expiration of the timer is the trigger event for the queue. After the queue execution is complete, the queue status is shown as idle. The software can restart the queue by setting the single-scan enable bit to a one. Queue execution begins with the first CCW in the queue.

#### 13.4.4.3.1 Software Initiated Single-Scan Mode

Software can initiate the execution of a scan sequence for queue 1 or 2 by selecting the software initiated single-scan mode, and writing the single-scan enable bit in QACR1 or QACR2. A trigger event is



generated internally and the QADC64E immediately begins execution of the first CCW in the queue. If a pause occurs, another trigger event is generated internally, and then execution continues without pausing.

The QADC64E automatically performs the conversions in the queue until an end-of-queue condition is encountered. The queue remains idle until the software again sets the single-scan enable bit. While the time to internally generate and act on a trigger event is very short, software can momentarily read the status conditions, indicating that the queue is paused. The trigger overrun flag is never set while in the software initiated single-scan mode.

The software initiated single-scan mode is useful in the following applications:

- Allows software complete control of the queue execution
- Allows the software to easily alternate between several queue sequences.

#### 13.4.4.3.2 External Trigger Single-Scan Mode

The external trigger single-scan mode is available on both queue 1 and queue 2. The software programs the polarity of the external trigger edge that is to be detected, either a rising or a falling edge. The software must enable the scan to occur by setting the single-scan enable bit for the queue.

The first external trigger edge causes the queue to be executed one time. Each CCW is read and the indicated conversions are performed until an end-of-queue condition is encountered. After the queue is completed, the QADC64E clears the single-scan enable bit. Software may set the single-scan enable bit again to allow another scan of the queue to be initiated by the next external trigger edge.

The external trigger single-scan mode is useful when the input trigger rate can exceed the queue execution rate. Analog samples can be taken in sync with an external event, even though the software is not interested in data taken from every edge. The software can start the external trigger single-scan mode and get one set of data, and at a later time, start the queue again for the next set of samples.

When a pause bit is encountered during external trigger single-scan mode, another trigger event is required for queue execution to continue. Software involvement is not needed to enable queue execution to continue from the paused state.

#### 13.4.4.3.3 External Gated Single-Scan Mode

The QADC64E provides external gating for queue 1 only. When external gated single-scan mode is selected, the input level on the associated external trigger signal enables and disables queue execution. The polarity of the external gated signal is fixed so only a high level opens the gate and a low level closes the gate. Once the gate is open, each CCW is read and the indicated conversions are performed until the gate is closed. Software must enable the scan to occur by setting the single-scan enable bit for queue 1. If a pause in a CCW is encountered, the pause flag will not set, and execution continues without pausing.

While the gate is open, queue 1 executes one time. Each CCW is read and the indicated conversions are performed until an end-of-queue condition is encountered. When queue 1 completes, the QADC64E sets the completion flag (CF1) and clears the single-scan enable bit. Software may set the single-scan enable bit again to allow another scan of queue 1 to be initiated during the next open gate.

If the gate closes before queue 1 completes execution, the current CCW completes, execution of queue 1 stops, the single-scan enable bit is cleared, and the PF1 bit is set. Software can read the CWPQ1 to

determine the last valid conversion in the queue. Software must set the single-scan enable bit again and should clear the PF1 bit before another scan of queue 1 is initiated during the next open gate. The start of queue 1 is always the first CCW in the CCW table.

Since the condition of the gate is only sampled after each conversion during queue execution, closing the gate for a period less than a conversion time interval does not guarantee the closure will be captured.

#### 13.4.4.3.4 Periodic/Interval Timer Single-Scan Mode

Both queues can use the periodic/interval timer in a single-scan queue operating mode. The timer interval can range from 128- to 128-Kbyte QCLK cycles in binary multiples. When the periodic/ interval timer single-scan mode is selected and the software sets the single-scan enable bit in QACR1 or QACR2, the timer begins counting. When the time interval elapses, an internal trigger event is created to start the queue and the QADC64E begins execution with the first CCW.

The QADC64E automatically performs the conversions in the queue until a pause or an end-of-queue condition is encountered. When a pause occurs, queue execution stops until the timer interval elapses again, and then queue execution continues. When the queue execution reaches an end-of-queue situation, the single-scan enable bit is cleared. Software may set the single-scan enable bit again, allowing another scan of the queue to be initiated by the periodic/interval timer.

The periodic/interval timer generates a trigger event whenever the time interval elapses. The trigger event may cause the queue execution to continue following a pause, or may be considered a trigger overrun. Once the queue execution is completed, the single-scan enable bit must be set again to enable the timer to count again.

Normally only one queue will be enabled for periodic/interval timer single-scan mode and the timer will reset at the end-of-queue. However, if both queues are enabled for either single-scan or continuous periodic/interval timer mode, the end-of-queue condition will not reset the timer while the other queue is active. In this case, the timer will reset when both queues have reached end-of-queue. See [Section 13.4.6, “Periodic / Interval Timer”](#) for a definition of periodic/interval timer reset conditions.

The periodic/interval timer single-scan mode can be used in applications which need coherent results, for example:

- When it is necessary that all samples are guaranteed to be taken during the same scan of the analog signals
- When the interrupt rate in the periodic/interval timer continuous-scan mode would be too high
- In sensitive battery applications, where the single-scan mode uses less power than the software initiated continuous-scan mode

#### 13.4.4.4 Continuous-Scan Modes

When the application software wants to execute multiple passes through a sequence of conversions defined by a queue, a continuous-scan queue operating mode is selected. By programming the MQ1 field in QACR1 or the MQ2 field in QACR2, the following software initiated modes can be selected:

- Software initiated continuous-scan mode
- External trigger continuous-scan mode

- External gated continuous-scan mode
- Periodic/interval timer continuous-scan mode

When a queue is programmed for a continuous-scan mode, the single-scan enable bit in the queue control register does not have any meaning or effect. As soon as the queue operating mode is programmed, the selected trigger event can initiate queue execution.

In the case of the software-initiated continuous-scan mode, the trigger event is generated internally and queue execution begins immediately. In the other continuous-scan queue operating modes, the selected trigger event must occur before the queue can start. A trigger overrun is captured if a trigger event occurs during queue execution in the external trigger continuous-scan mode and the periodic/interval timer continuous-scan mode.

After the queue execution is complete, the queue status is shown as idle. Since the continuous-scan queue operating modes allow the entire queue to be scanned multiple times, software involvement is not needed to enable queue execution to continue from the idle state. The next trigger event causes queue execution to begin again, starting with the first CCW in the queue.

#### NOTE

Coherent samples are guaranteed. The time between consecutive conversions has been designed to be consistent. However, there is one exception. For queues that end with a CCW containing EOQ code (channel 63 or 127), the last queue conversion to the first queue conversion requires 1 additional CCW fetch cycle. Therefore continuous samples are not coherent at this boundary.

In addition, the time from trigger to first conversion cannot be guaranteed since it is a function of clock synchronization, programmable trigger events, queue priorities, and so on.

#### 13.4.4.4.1 Software Initiated Continuous-Scan Mode

When the software initiated continuous-scan mode is programmed, the trigger event is generated automatically by the QADC64E. Queue execution begins immediately. If a pause is encountered, another trigger event is generated internally, and then execution continues without pausing. When the end-of-queue is reached, another internal trigger event is generated, and queue execution begins again from the beginning of the queue.

While the time to internally generate and act on a trigger event is very short, software can momentarily read the status conditions, indicating that the queue is idle. The trigger overrun flag is never set while in the software-initiated continuous-scan mode.

The software initiated continuous-scan mode keeps the result registers updated more frequently than any of the other queue operating modes. The software can always read the result table to get the latest converted value for each channel. The channels scanned are kept up to date by the QADC64E without software involvement. Software can read a result value at any time.

The software initiated continuous-scan mode may be chosen for either queue, but is normally used only with queue 2. When the software initiated continuous-scan mode is chosen for queue 1, that queue operates

continuously and queue 2, being lower in priority, never gets executed. The short interval of time between a queue 1 completion and the subsequent trigger event is not sufficient to allow queue 2 execution to begin.

The software initiated continuous-scan mode is a useful choice with queue 2 for converting channels that do not need to be synchronized to anything, or for the slow-to-change analog channels. Interrupts are normally not used with the software initiated continuous-scan mode. Rather, the software reads the latest conversion result from the result table at any time. Once initiated, software action is not needed to sustain conversions of channel.

#### 13.4.4.4.2 External Trigger Continuous-Scan Mode

The QADC64E provides external trigger signals for both queues. When the external trigger software initiated continuous-scan mode is selected, a transition on the associated external trigger signal initiates queue execution. The polarity of the external trigger signal is programmable, so that the software can select a mode which begins queue execution on the rising or falling edge. Each CCW is read and the indicated conversions are performed until an end-of-queue condition is encountered. When the next external trigger edge is detected, the queue execution begins again automatically. Software initialization is not needed between trigger events.

When a pause bit is encountered in external trigger continuous-scan mode, another trigger event is required for queue execution to continue. Software involvement is not needed to enable queue execution to continue from the paused state.

Some applications need to synchronize the sampling of analog channels to external events. There are cases when it is not possible to use software initiation of the queue scan sequence, since interrupt response times vary.

#### 13.4.4.4.3 External Gated Continuous-Scan Mode

The QADC64E provides external gating for queue 1 only. When external gated continuous-scan mode is selected, the input level on the associated external trigger signal enables and disables queue execution. The polarity of the external gated signal is fixed so a high level opens the gate and a low level closes the gate. Once the gate is open, each CCW is read and the indicated conversions are performed until the gate is closed. When the gate opens again, the queue execution automatically begins again from the beginning of the queue. Software initialization is not needed between trigger events. If a pause in a CCW is encountered, the pause flag will not set, and execution continues without pausing.

The purpose of external gated continuous-scan mode is to continuously collect digitized samples while the gate is open and to have the most recent samples available. It is up to the programmer to ensure that the queue is large enough so that a maximum gate open time will not reach an end-of-queue. However it is useful to take advantage of a smaller queue in the manner described in the next paragraph.

In the event that the queue completes before the gate closes, a completion flag will be set and the queue will roll over to the beginning and continue conversions until the gate closes. If the gate remains open and the completion flag is not cleared, when the queue completes a second time the trigger overrun flag will be set and the queue will roll-over again. The queue will continue to execute until the gate closes or the mode is disabled.

If the gate closes before queue 1 completes execution, the current CCW completes execution of queue 1 stops and QADC64E sets the PF1 bit to indicate an incomplete queue. Software can read the CWPQ1 to determine the last valid conversion in the queue. In this mode, if the gate opens again, execution of queue 1 begins again. The start of queue 1 is always the first CCW in the CCW table.

Since the condition of the gate is only sampled after each conversion during queue execution, closing the gate for a period less than a conversion time interval does not guarantee the closure will be captured.

#### 13.4.4.4 Periodic/Interval Timer Continuous-Scan Mode

The QADC64E includes a dedicated periodic/interval timer for initiating a scan sequence on queue 1 and/or queue 2. Software selects a programmable timer interval ranging from 128 to 128 Kbytes times the QCLK period in binary multiples. The QCLK period is prescaled down from the IMB3 MCU clock.

When a periodic/interval timer continuous-scan mode is selected for queue 1 and/or queue 2, the timer begins counting. After the programmed interval elapses, the timer generated trigger event starts the appropriate queue. Meanwhile, the QADC64E automatically performs the conversions in the queue until an end-of-queue condition or a pause is encountered. When a pause occurs, the QADC64E waits for the periodic interval to expire again, then continues with the queue. Once end-of-queue has been detected, the next trigger event causes queue execution to begin again with the first CCW in the queue.

The periodic/interval timer generates a trigger event whenever the time interval elapses. The trigger event may cause the queue execution to continue following a pause or queue completion, or may be considered a trigger overrun. As with all continuous-scan queue operating modes, software action is not needed between trigger events. Since both queues may be triggered by the periodic/interval timer, see [Section 13.4.6, “Periodic / Interval Timer”](#) for a summary of periodic/interval timer reset conditions.

Software enables the completion interrupt when using the periodic/interval timer continuous-scan mode. When the interrupt occurs, the software knows that the periodically collected analog results have just been taken. The software can use the periodic interrupt to obtain non-analog inputs as well, such as contact closures, as part of a periodic look at all inputs.

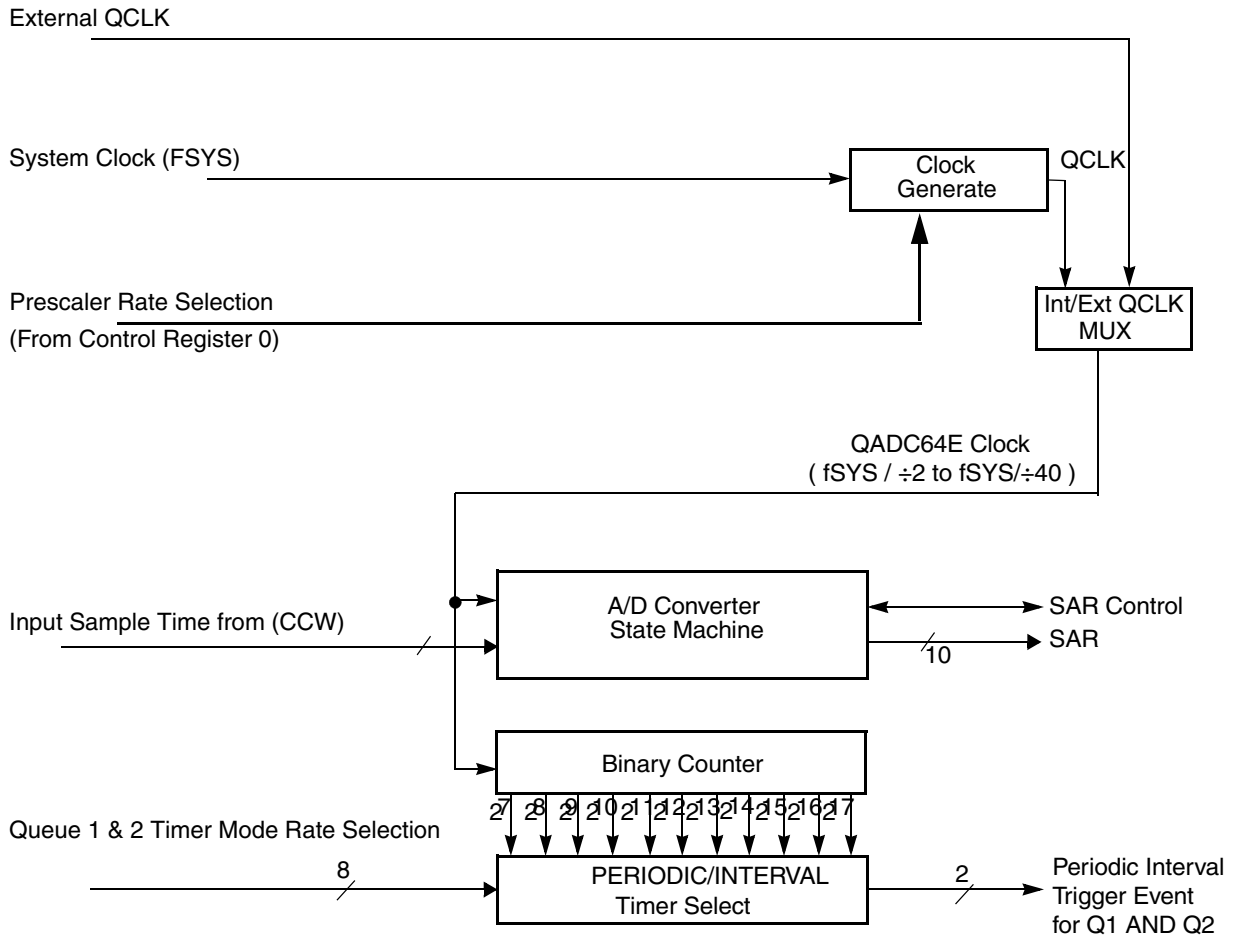
### 13.4.5 QADC64E Clock (QCLK) Generation

[Figure 13-24](#) is a block diagram of the clock subsystem. The QCLK provides the timing for the A/D converter state machine which controls the timing of the conversion. The QCLK is also the input to a 17-stage binary divider which implements the periodic/interval timer. To retain the specified analog conversion accuracy, the QCLK frequency ( $F_{QCLK}$ ) must be within the tolerance specified in [Appendix F, “Electrical Characteristics.”](#)

Before using the QADC64E, the software must initialize the prescaler with values that put the QCLK within the specified range. Though most software applications initialize the prescaler once and do not change it, write operations to the prescaler fields are permitted.

**CAUTION**

A change in the prescaler value while a conversion is in progress is likely to corrupt the result from any conversion in progress. Therefore, any prescaler write operation should be done only when both queues are in the disabled modes.



**Figure 13-24. QADC64E Clock Subsystem Functions**

To accommodate wide variations of the main MCU clock frequency (IMB3 system clock –  $F_{SYS}$ ), QCLK is generated by a programmable prescaler which divides the MCU system clock. To allow the A/D conversion time to be maximized across the spectrum of system clock frequencies, the QADC64E prescaler permits the frequency of QCLK to be software selectable. The software establishes the frequency of the QCLK waveform by setting the PRESCALER field in QACR0. The frequency resulting from a value in the PRESCALER field that is > 0, is calculated by the following formula:

$$F_{QCLK} = F_{SYSCLK} / (PRESCALER + 1)$$

if the value in the PRESCALER field is set to 0, the resulting QCLK frequency may be calculated to be:

$$F_{QCLK} = F_{SYSCLK} / 2$$

**Table 13-20. QADC64E Clock Programmability**

| Control Register 0 Information |           |           | Input Sample Time (IST) =%00 |                      |
|--------------------------------|-----------|-----------|------------------------------|----------------------|
| Example Number                 | Frequency | PRESCALER | QCLK (MHz)                   | Conversion Time (μs) |
| 1                              | 20 MHz    | 0x09      | 2.0                          | 7.0                  |
| 2                              | 40 MHz    | 0x13      | 2.0                          | 7.0                  |
| 3                              | 56 MHz    | 0x1B      | 2.0                          | 7.0                  |

The MCU system clock frequency is the basis of the QADC64E timing. The QADC64E requires that the system clock frequency be at least twice the QCLK frequency. The QCLK frequency is established by the prescaler parameter in QACR0.

### 13.4.6 Periodic / Interval Timer

The on-chip periodic/interval timer can be used to generate trigger events at a programmable interval, initiating execution of queue 1 and/or queue 2. The periodic/interval timer stays reset under the following conditions:

- Both queue 1 and queue 2 are programmed to any mode which does not use the periodic/interval timer
- IMB3 system reset or the master reset is asserted
- Stop mode is selected
- Freeze mode is selected

**NOTE**

Interval timer single-scan mode does not use the periodic/interval timer until the single-scan enable bit is set.

The following two conditions will cause a pulsed reset of the periodic/interval timer during use:

- A queue 1 operating mode change to a mode which uses the periodic/interval timer, even if queue 2 is already using the timer
- A queue 2 operating mode change to a mode which uses the periodic/interval timer, provided queue 1 is not in a mode which uses the periodic/interval timer
- Roll over of the timer

During the low power stop mode, the periodic timer is held in reset. Since low power stop mode causes QACR1 and QACR2 to be reset to zero, a valid periodic or interval timer mode must be written after stop mode is exited to release the timer from reset.

When the IMB3 internal FREEZE line is asserted and a periodic or interval timer mode is selected, the timer counter is reset after the conversion in progress completes. When the periodic or interval timer mode

has been enabled (the timer is counting), but a trigger event has not been issued, the freeze mode takes effect immediately, and the timer is held in reset. When the internal FREEZE line is negated, the timer counter starts counting from the beginning. Refer to [Section 13.4.7, “Configuration and Control Using the IMB3 Interface,”](#) for more information.

## 13.4.7 Configuration and Control Using the IMB3 Interface

The QADC64E module communicates with other microcontroller modules via the IMB3. The QADC64E bus interface unit (BIU) coordinates IMB3 activity with internal QADC64E bus activity. This section describes the operation of the BIU, IMB3 read/write accesses to QADC64E memory locations, module configuration, and general-purpose I/O operation.

### 13.4.7.1 QADC64E Bus Interface Unit

The BIU is designed to act as a slave device on the IMB3. The BIU has the following functions: to respond with the appropriate bus cycle termination, and to supply IMB3 interface timing to all internal module signals.

BIU components consist of

- IMB3 buffers
- Address match and module select logic
- The BIU state machine
- Clock prescaler logic
- Data bus routing logic
- Interface to the internal module data bus

#### NOTE

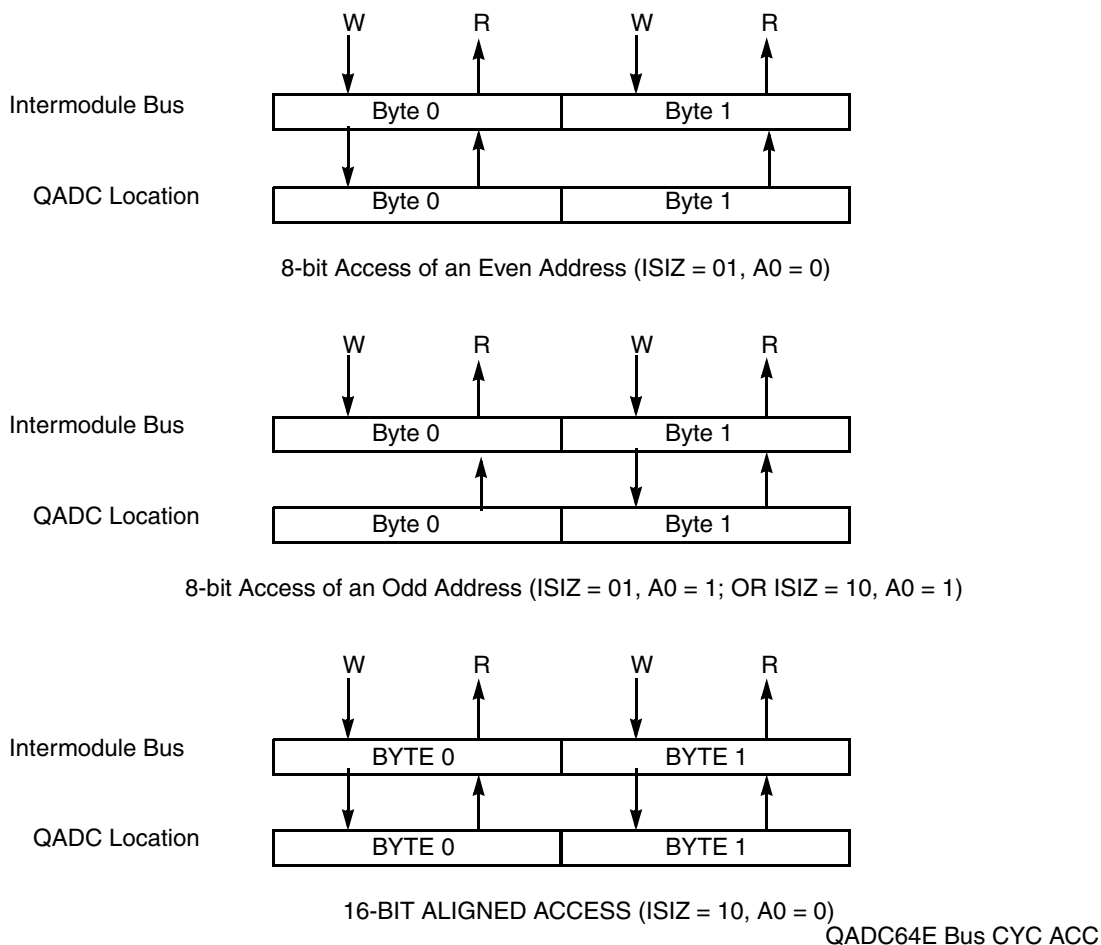
Normal accesses from the IMB3 to the QADC64E require two clocks. However, if the CPU tries to access table locations while the QADC64E is accessing them, the QADC64E produces IMB3 wait states. From one to four IMB3 wait states may be inserted by the QADC64E in the process of reading and writing.

### 13.4.7.2 QADC64E Bus Accessing

The QADC64E supports 8-bit, 16-bit, and 32-bit data transfers, at even and odd addresses. Coherency of results read (ensuring that all results read were taken consecutively in one scan) is not guaranteed. For example, if a read of two consecutive 16-bit locations in a result area is made, the QADC64E could change one 16-bit location in the result area between the bus cycles. There is no holding register for the second 16-bit location. All read and write accesses that require more than one 16-bit access to complete occur as two or more independent bus cycles. Depending on bus master protocol, these accesses could include misaligned and 32-bit accesses.

[Figure 13-25](#) shows the three bus cycles which are implemented by the QADC64E. The following paragraphs describe how the three types of accesses are used, including misaligned 16-bit and 32-bit accesses.





**Figure 13-25. Bus Cycle Accesses**

Byte access to an even address of a QADC64E location is shown in the top illustration of [Figure 13-25](#). In the case of write cycles, byte1 of the register is not disturbed. In the case of a read cycle, the QADC64E provides both byte 0 and byte1.

Byte access to an odd address of a QADC64E location is shown in the center illustration of [Figure 13-25](#). In the case of write cycles, byte 0 of the register is not disturbed. In the case of read cycles, the QADC64E provides both byte 0 and byte1.

16-bit accesses to an even address read or write byte 0 and byte 1 as shown in the lowest illustration of [Figure 13-25](#). The full 16 bits of data is written to and read from the QADC64E location with each access.

16-bit accesses to an odd address require two bus cycles; one byte of two different 16-bit QADC64E locations is accessed. The first bus cycle is treated by the QADC64E as an 8-bit read or write of an odd address. The second cycle is an 8-bit read or write of an even address. The QADC64E address space is organized into 16-bit even address locations, so a 16-bit read or write of an odd address obtains or provides the lower half of one QADC64E location, and the upper half of the following QADC64E location.

32-bit accesses to an even address require two bus cycles to complete the access, and two full 16-bit QADC64E locations are accessed. The first bus cycle reads or writes the addressed 16-bit QADC64E location and the second cycle reads or writes the following 16-bit location.

32-bit accesses to an odd address require three bus cycles. Portions of three different QADC64E locations are accessed. The first bus cycle is treated by the QADC64E as an 8-bit access of an odd address, the second cycle is a 16-bit aligned access, and the third cycle is an 8-bit access of an even address. The QADC64E address space is organized into 16-bit even address locations, so a 32-bit read or write of an odd address provides the lower half of one QADC64E location, the full 16-bit content of the following QADC64E location, and the upper half of the third QADC64E location.

## 13.5 Trigger and Queue Interaction Examples

This section contains examples describing queue priority and conversion timing schemes.

### 13.5.1 Queue Priority Schemes

Since there are two conversion command queues and only one A/D converter, there is a priority scheme to determine which conversion is to occur. Each queue has a variety of trigger events that are intended to initiate conversions, and they can occur asynchronously in relation to each other and other conversions in progress. For example, a queue can be idle awaiting a trigger event, a trigger event can have occurred but the first conversion has not started, a conversion can be in progress, a pause condition can exist awaiting another trigger event to continue the queue, and so on.

The following paragraphs and figures outline the prioritizing criteria used to determine which conversion occurs in each overlap situation.

#### NOTE

The situations in [Figure 13-26](#) through [Figure 13-44](#) are labeled S1 through S19. In each diagram, time is shown increasing from left to right. The execution of queue 1 and queue 2 (Q1 and Q2) is shown as a string of rectangles representing the execution time of each CCW in the queue. In most of the situations, there are four CCWs (labeled C1 to C4) in both queue 1 and queue 2. In some of the situations, CCW C2 is presumed to have the pause bit set, to show the similarities of pause and end-of-queue as terminations of queue execution.

Trigger events are described in [Table 13-21](#).

**Table 13-21. Trigger Events**

| Trigger | Events  |
|---------|---|
| T1      | Events that trigger queue 1 execution (external trigger, software initiated single-scan enable bit, or completion of the previous continuous loop)                                |
| T2      | Events that trigger queue 2 execution (external trigger, software initiated single-scan enable bit, timer period/interval expired, or completion of the previous continuous loop) |

When a trigger event causes a CCW execution in progress to be aborted, the aborted conversion is shown as a ragged end of a shortened CCW rectangle.

The situation diagrams also show when key status bits are set. [Table 13-22](#) describes the status bits.

**Table 13-22. Status Bits**

| Bit                         | Function  |
|-----------------------------|---|
| CF Flag                     | Set when the end of the queue is reached  |
| PF Flag                     | Set when a queue completes execution up through a pause bit   |
| Trigger Overrun Error (TOR) | Set when a new trigger event occurs before the queue is finished serving the previous trigger event |

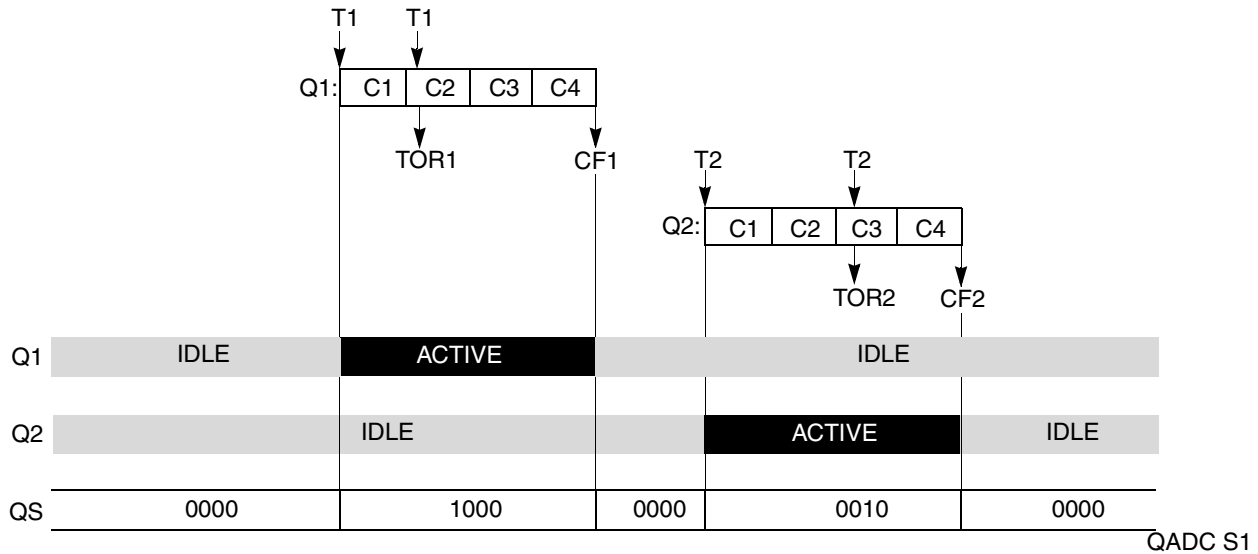
Below the queue execution flows are three sets of blocks that show the status information that is made available to the software. The first two rows of status blocks show the condition of each queue as:

- Idle
- Active
- Pause
- Suspended (queue 2 only)
- Trigger pending

The third row of status blocks shows the 4-bit QS status register field that encodes the condition of the two queues. Two transition status cases, QS = 0011 and QS = 0111, are not shown because they exist only very briefly between stable status conditions.

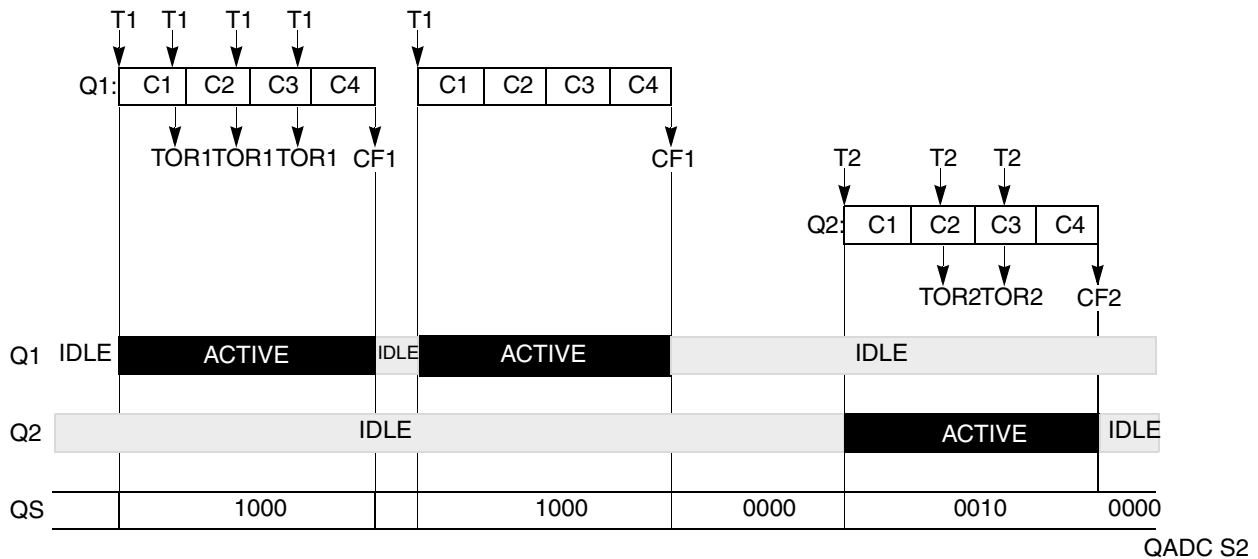
The first three examples in [Figure 13-26](#) through [Figure 13-28](#) (S1, S2, and S3) show what happens when a new trigger event is recognized before the queue has completed servicing the previous trigger event on the same queue.

In situation S1 ([Figure 13-26](#)), one trigger event is being recognized on each queue while that queue is still working on the previously recognized trigger event. The trigger overrun error status bit is set, and otherwise, the premature trigger event is ignored. A trigger event that occurs before the servicing of the previous trigger event is completed does not disturb the queue execution in progress.



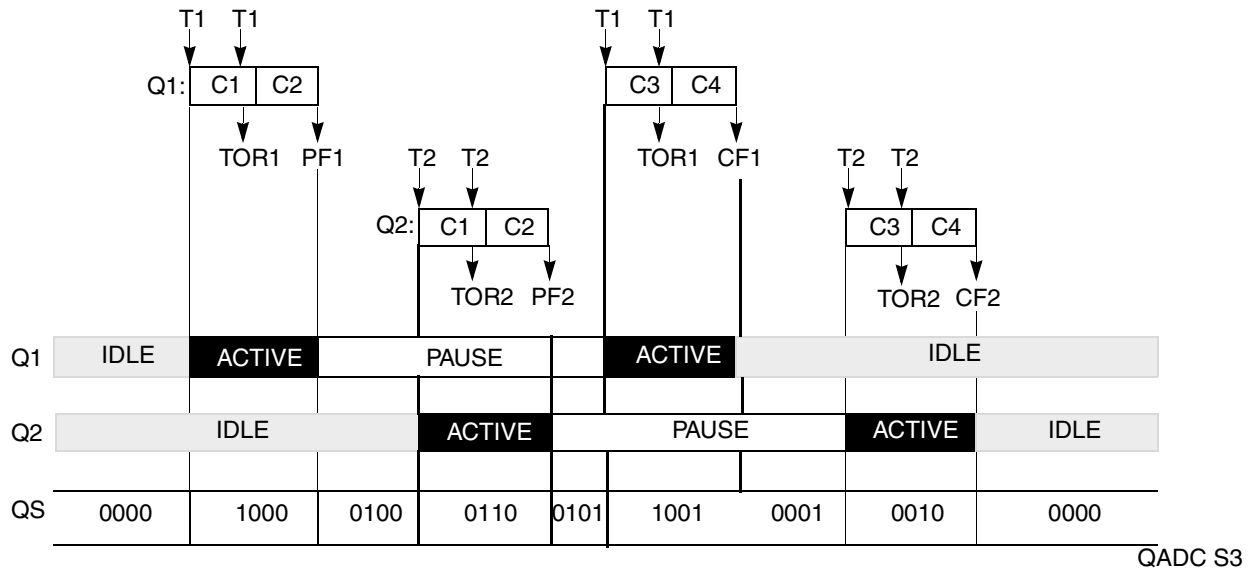
**Figure 13-26. CCW Priority Situation 1**

In situation S2 (Figure 13-26), more than one trigger event is recognized before servicing of a previous trigger event is complete, the trigger overrun bit is again set, but otherwise, the additional trigger events are ignored. After the queue is complete, the first newly detected trigger event causes queue execution to begin again. When the trigger event rate is high, a new trigger event can be seen very soon after completion of the previous queue, leaving software little time to retrieve the previous results. Also, when trigger events are occurring at a high rate for queue 1, the lower priority queue 2 channels may not get serviced at all.



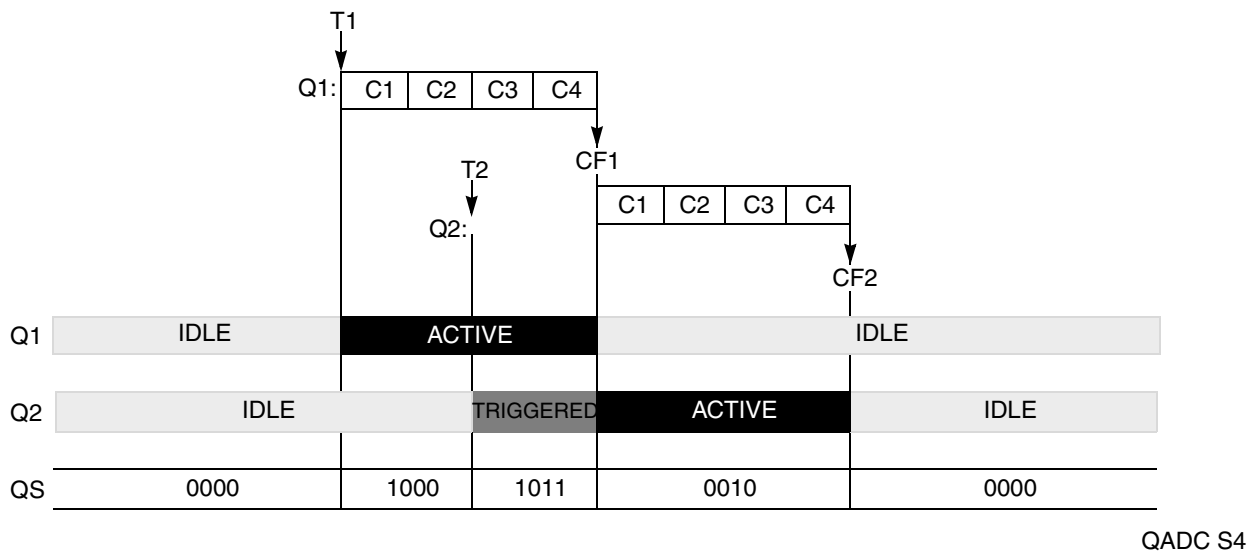
**Figure 13-27. CCW Priority Situation 2**

Situation S3 (Figure 13-27) shows that when the pause feature is in use, the trigger overrun error status bit is set the same way, and that queue execution continues unchanged.

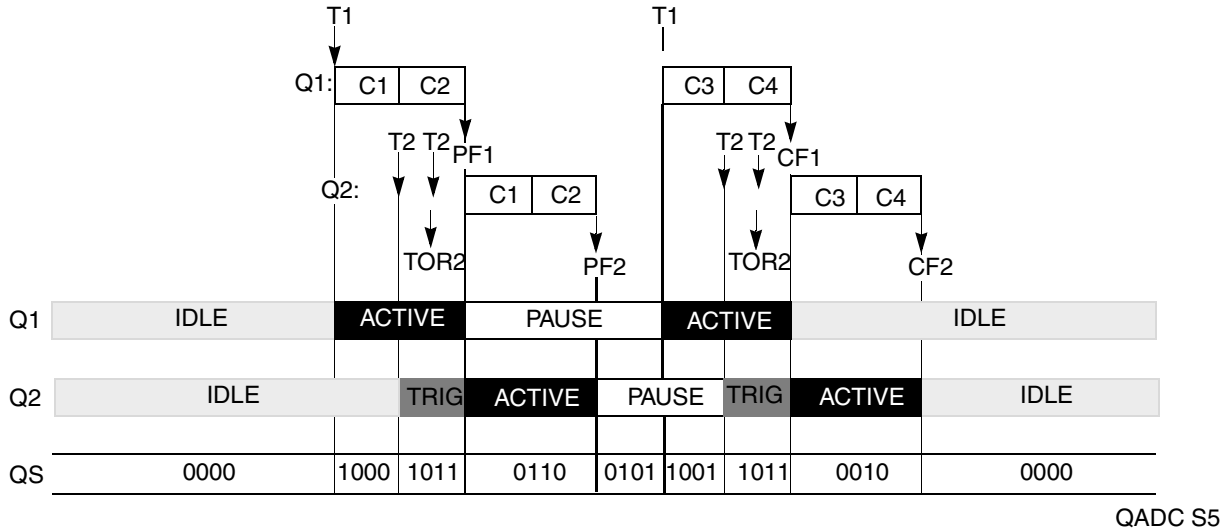

**Figure 13-28. CCW Priority Situation 3**

The next two situations consider trigger events that occur for the lower priority queue 2, while queue 1 is actively being serviced.

Situation S4 (Figure 13-29) shows that a queue 2 trigger event that is recognized while queue 1 is active is saved, and as soon as queue 1 is finished, queue 2 servicing begins.


**Figure 13-29. CCW Priority Situation 4**

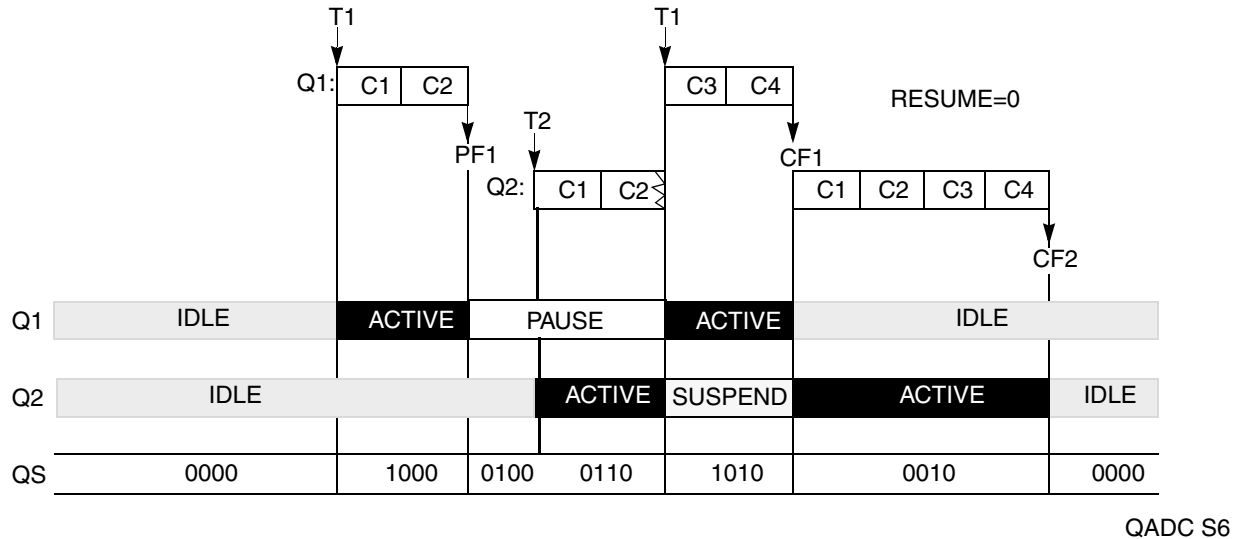
Situation S5 (Figure 13-30) shows that when multiple queue 2 trigger events are detected while queue 1 is busy, the trigger overrun error bit is set, but queue 1 execution is not disturbed. Situation S5 also shows that the effect of queue 2 trigger events during queue 1 execution is the same when the pause feature is in use in either queue.



**Figure 13-30. CCW Priority Situation 5**

The remaining situations, S6 through S11, show the impact of a queue 1 trigger event occurring during queue 2 execution. Queue 1 is higher in priority the conversion taking place in queue 2 is aborted, so that there is not a variable latency time in responding to queue 1 trigger events.

In situation S6 (Figure 13-31), the conversion initiated by the second CCW in queue 2 is aborted just before the conversion is complete, so that queue 1 execution can begin. Queue 2 is considered suspended. After queue 1 is finished, queue 2 starts over with the first CCW, when the RES (resume) control bit is set to 0. Situation S7 (Figure 13-32) shows that when pause operation is not in use with queue 2, queue 2 suspension works the same way.



**Figure 13-31. CCW Priority Situation 6**

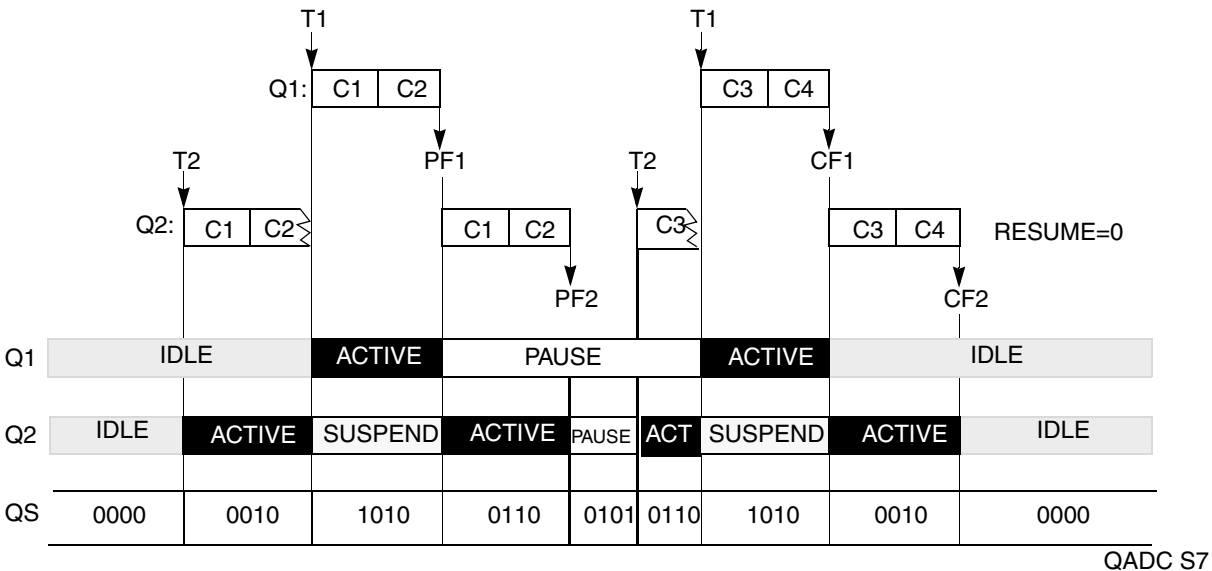


Figure 13-32. CCW Priority Situation 7

Situations S8 and S9 (Figure 13-33 and Figure 13-34) repeat the same two situations with the resume bit set to a one. When the RES bit is set, following suspension, queue 2 resumes execution with the aborted CCW, not the first CCW in the queue.

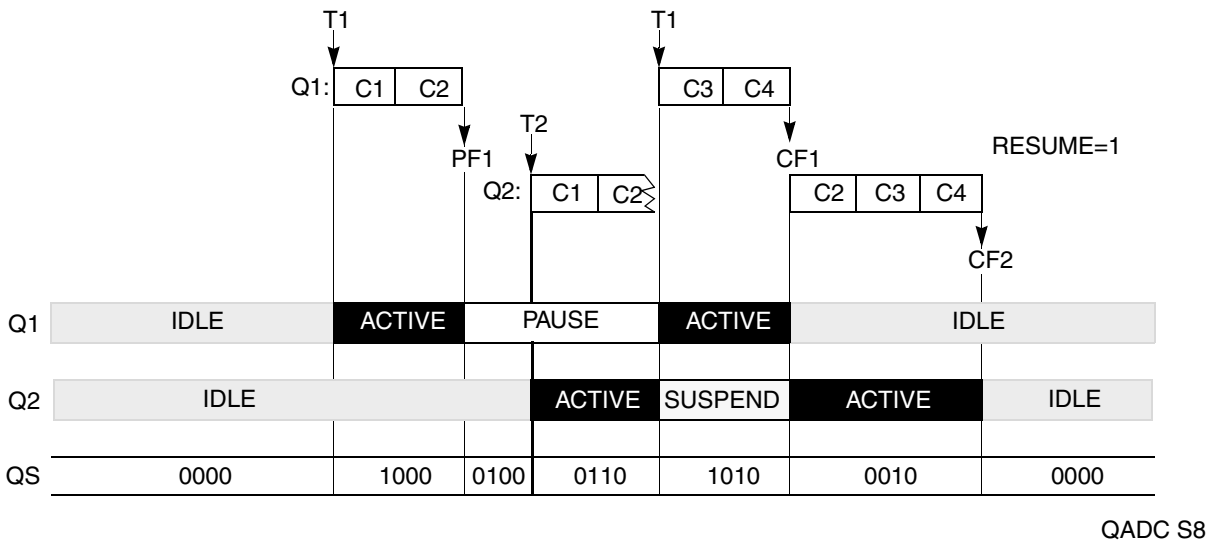
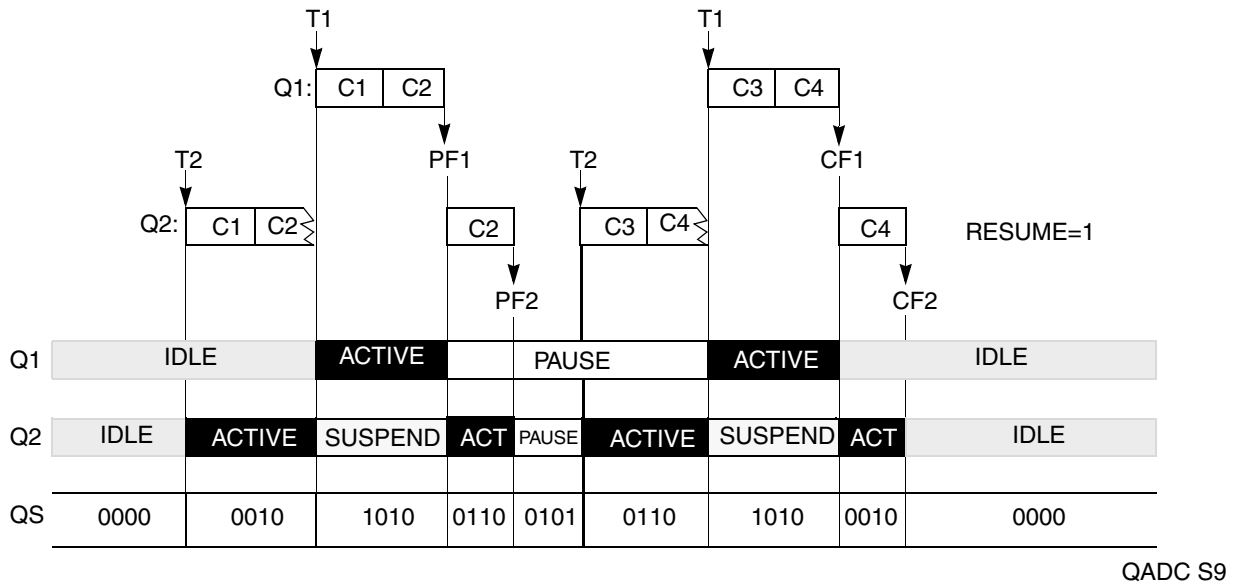
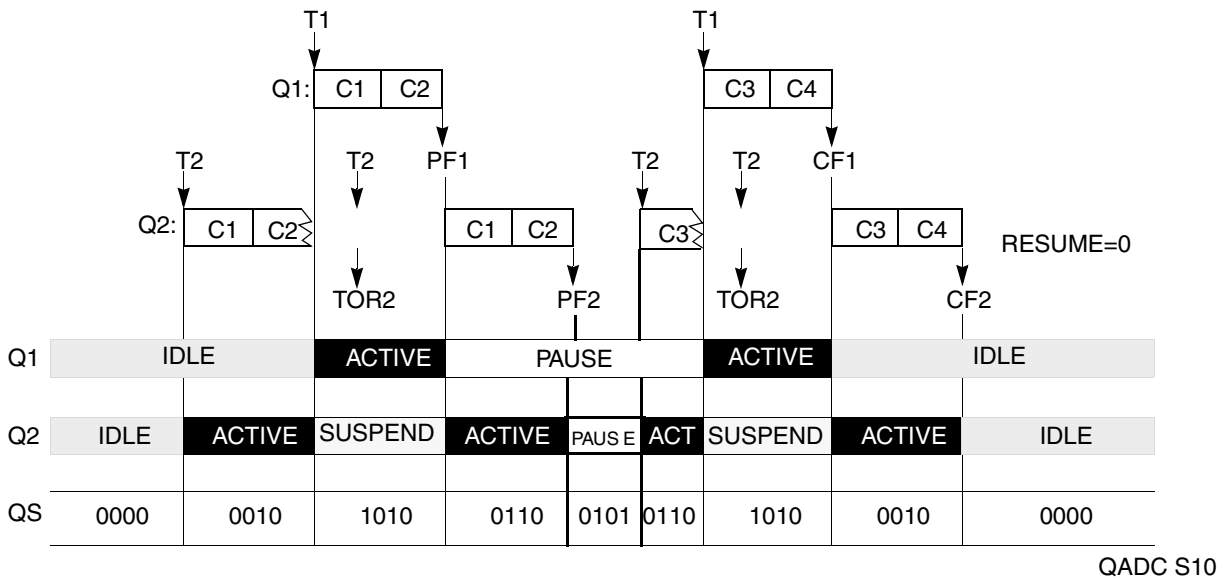


Figure 13-33. CCW Priority Situation 8



**Figure 13-34. CCW Priority Situation 9**

Situations S10 and S11 (Figure 13-35 and Figure 13-36) show that when an additional trigger event is detected for queue 2 while the queue is suspended, the trigger overrun error bit is set, the same as if queue 2 were being executed when a new trigger event occurs. Trigger overrun on queue 2 thus permits the software to know that queue 1 is taking up so much QADC64E time that queue 2 trigger events are being lost.



**Figure 13-35. CCW Priority Situation 10**



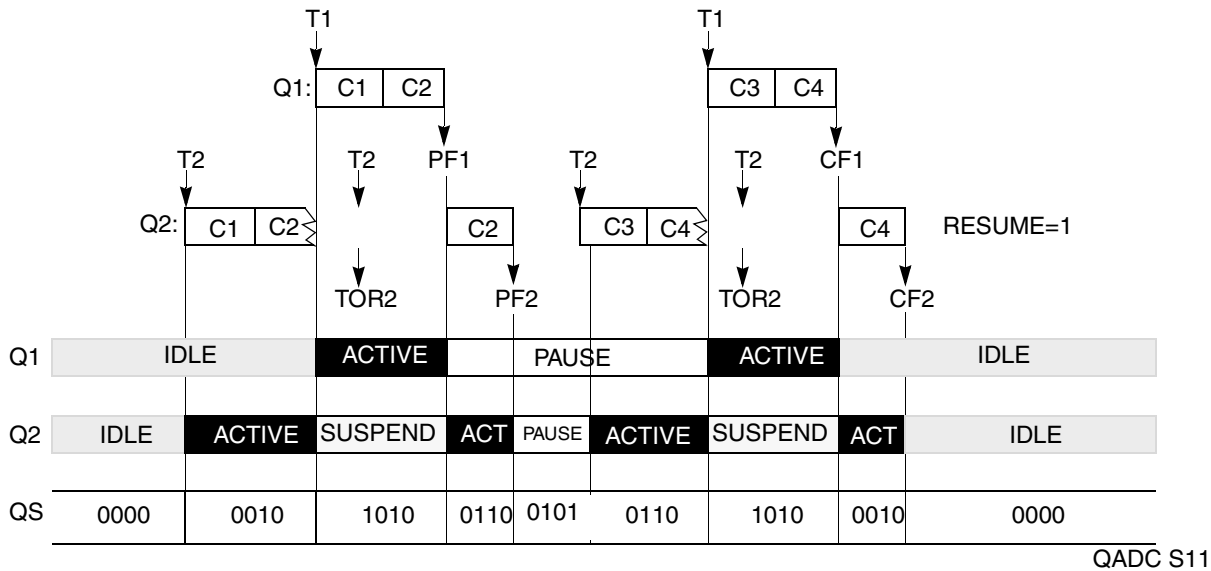


Figure 13-36. CCW Priority Situation 11

The above situations cover normal overlap conditions that arise with asynchronous trigger events on the two queues. An additional conflict to consider is that the freeze condition can arise while the QADC64E is actively executing CCWs. The conventional use for the freeze mode is for software/hardware debugging. When the CPU background debug mode is enabled and a breakpoint occurs, the freeze signal is issued, which can cause peripheral modules to stop operation. When freeze is detected, the QADC64E completes the conversion in progress, unlike queue 1 suspending queue 2. After the freeze condition is removed, the QADC64E continues queue execution with the next CCW in sequence.

Trigger events that occur during freeze are not captured. When a trigger event is pending for queue 2 before freeze begins, that trigger event is remembered when the freeze is passed. Similarly, when freeze occurs while queue 2 is suspended, after freeze, queue 2 resumes execution as soon as queue 1 is finished.

Situations 12 through 19 (Figure 13-37 to Figure 13-44) show examples of all of the freeze situations.

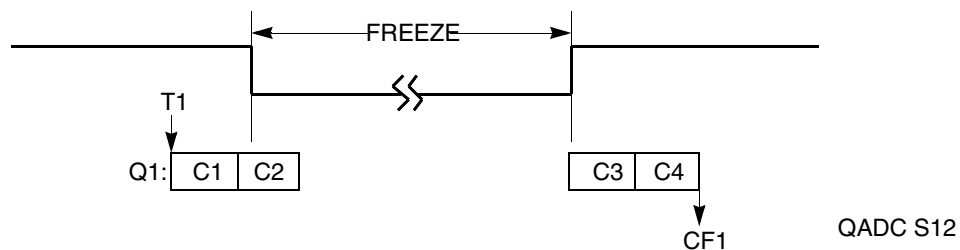


Figure 13-37. CCW Freeze Situation 12

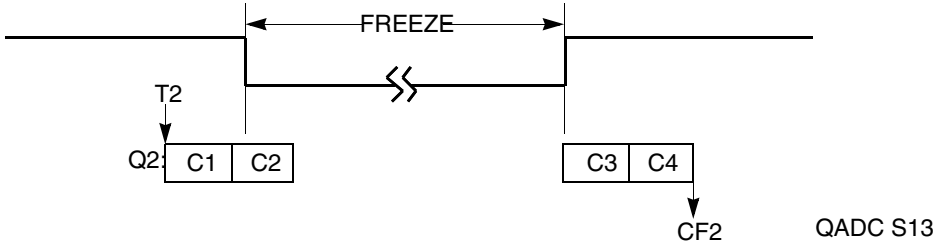


Figure 13-38. CCW Freeze Situation 13

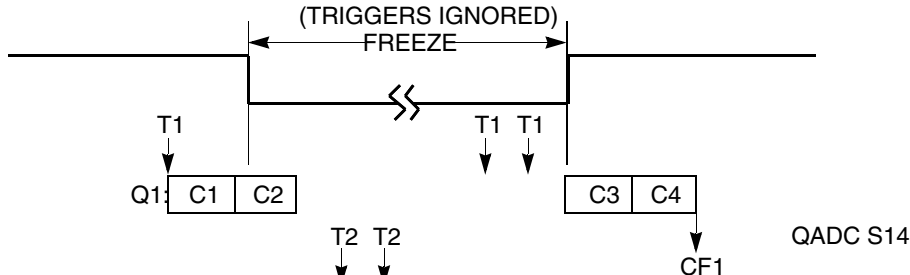


Figure 13-39. CCW Freeze Situation 14

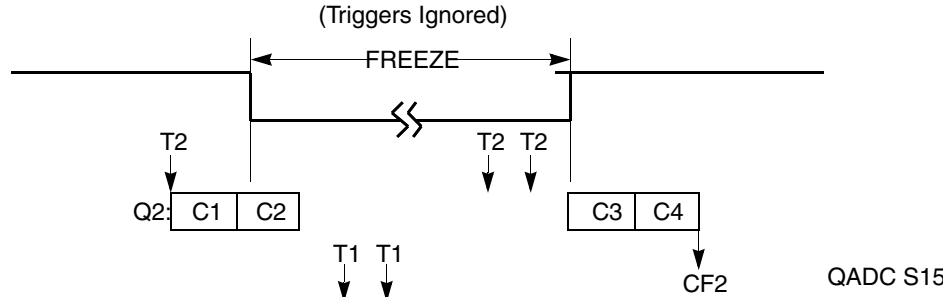


Figure 13-40. CCW Freeze Situation 15

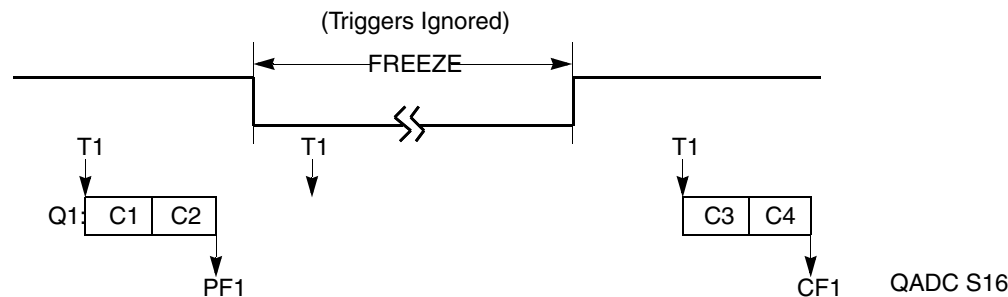


Figure 13-41. CCW Freeze Situation 16

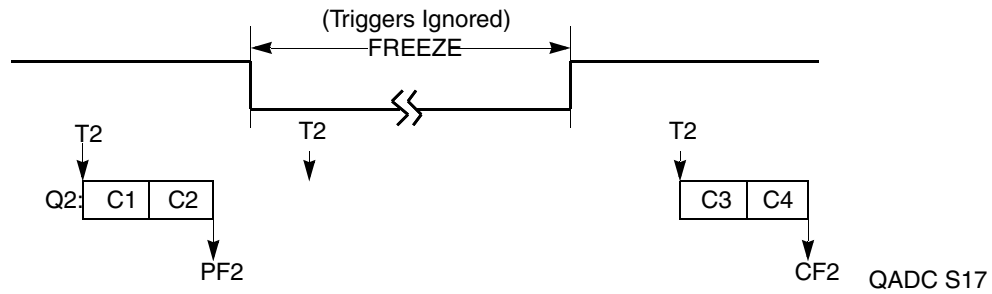


Figure 13-42. CCW Freeze Situation 17

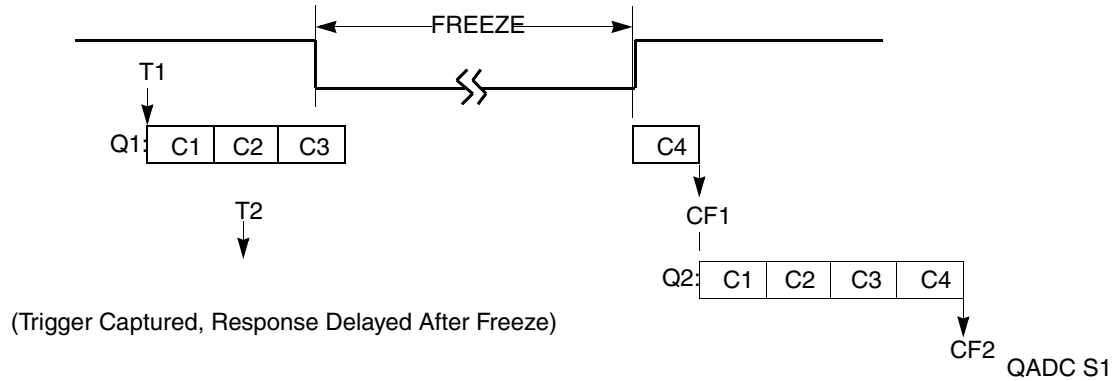


Figure 13-43. CCW Freeze Situation 18

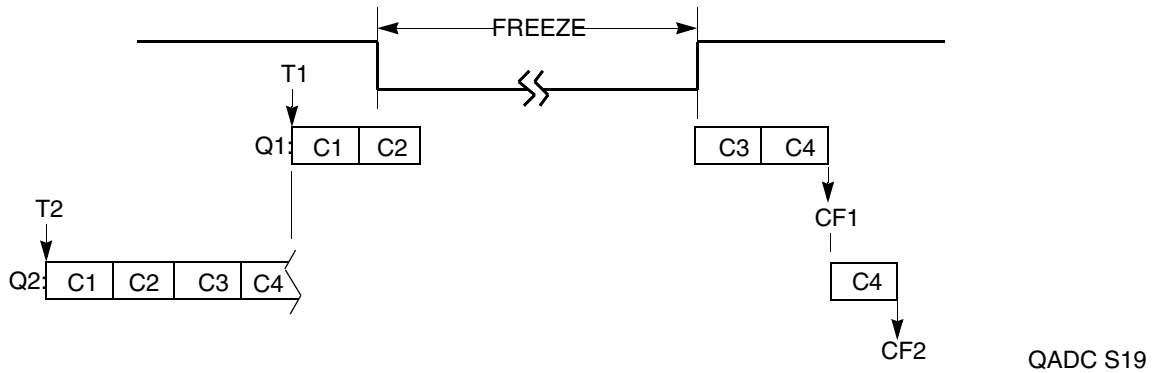


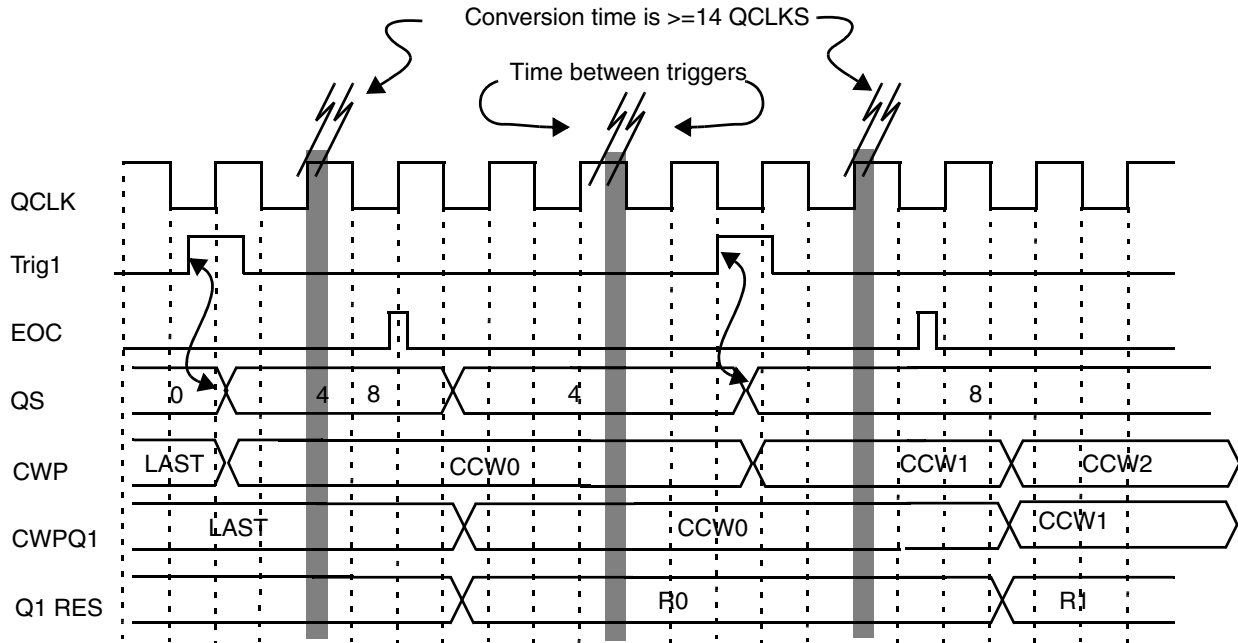
Figure 13-44. CCW Freeze Situation 19

### 13.5.2 Conversion Timing Schemes

This section contains some conversion timing examples. Example 1 (Figure 13-45) below shows the timing for basic conversions where the following is assumed:

- Q1 begins with CCW0 and ends with CCW3
- CCW0 has pause bit set
- CCW1 does not have pause bit set
- External trigger rise-edge for Q1
- CCW4 = BQ2 and Q2 is disabled

- Q1 RES shows relative result register updates



**Figure 13-45. External Trigger Mode (Positive Edge) Timing With Pause**

Recall  $QS = 0 \Rightarrow$  Queues disabled;  $QS = 8 \Rightarrow$  Q1 active, Q2 disabled;  $QS = 4 \Rightarrow$  Q1 paused, Q2 disabled.

A time separator was provided between the triggers and end of conversion (EOC). The relationship to QCLK displayed is not guaranteed.

CWPQ1 and CWPQ2 typically lag CWP and only match CWP when the associated queue is inactive. Another way to view CWPQ1 and CWPQ2 is that these registers update when EOC triggers the result register to be written.

When the pause bit is set (CCW0), please note that CWP does not increment until triggered. When the pause is not set (CCW1), the CWP increments with EOC.

The conversion results Q1 RES(x) show the result associated with CCW(x). So that R0 represents the result associated with CCW0.

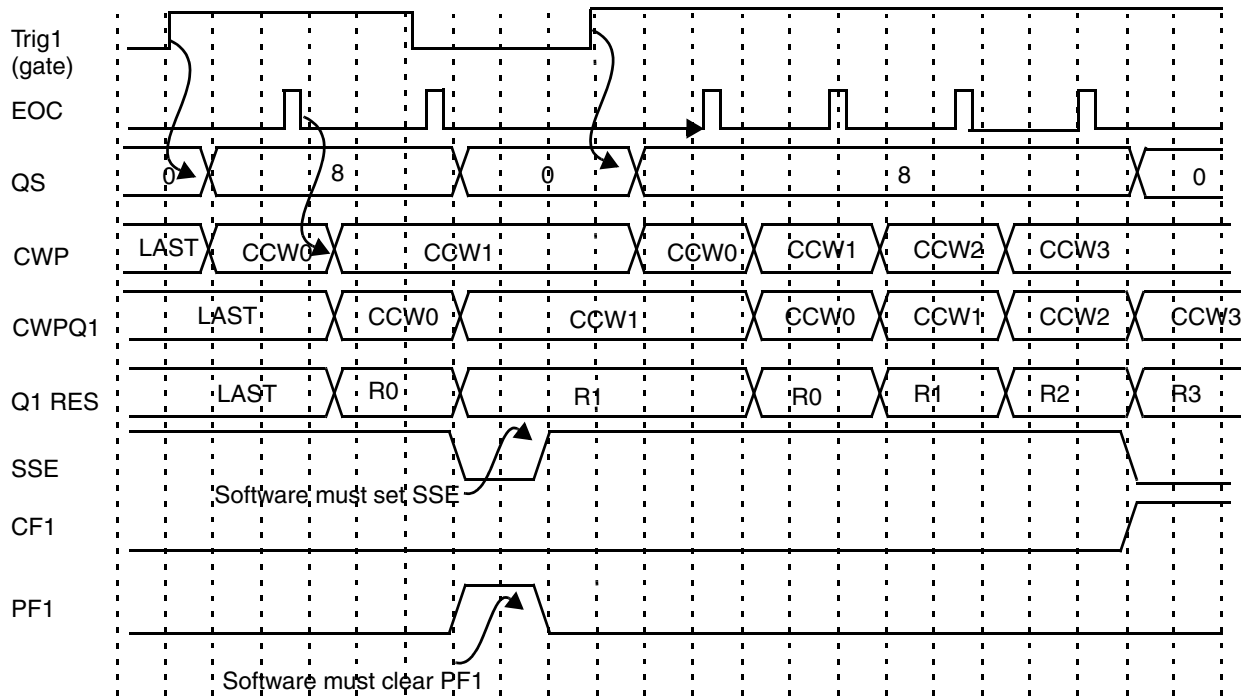
Example 2 below (Figure 13-46) shows the timing for conversions in gated mode single-scan with the same assumptions as example 1 except:

- No pause bits set in any CCW
- External trigger gated single-scan mode for Q1
- Single-scan bit is set

When the gate closes and opens again the conversions start with the first CCW in Q1.

When the gate closes the active conversion completes before the queue goes idle.

When Q1 completes both the CF1 bit sets and the SSE bit clears.



**Figure 13-46. Gated Mode, Single-Scan Timing**

Example 3 (Figure 13-47) below shows the timing for conversions in gated continuous-scan mode with the same assumptions in the amended definition for the PF bit in this mode to reflect the condition that a gate closing occurred before the queue completed is a proposal under consideration at this time as example 2.

**NOTE**

At the end of Q1, the completion flag CF1 sets and the queue restarts. Also, note that if the queue starts a second time and completes, the trigger overrun flag TOR1 sets.

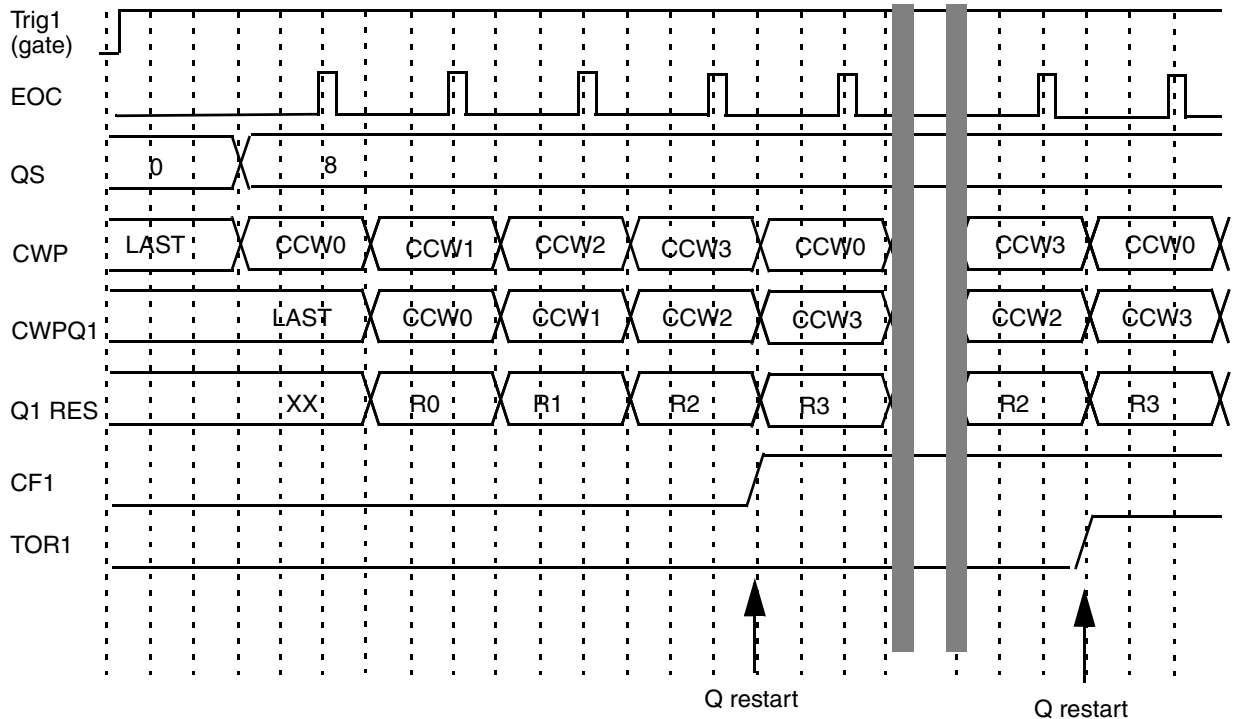


Figure 13-47. Gated Mode, Continuous Scan Timing

## 13.6 QADC64E Integration Requirements

The QADC64E requires accurate, noise-free input signals for proper operation. This section discusses the design of external circuitry to maximize QADC64E performance.

The QADC64E uses the external signals shown in Figure 13-1. There are 32 channel/port signals and a total of 40 analog input channels. With external multiplexing the MPC565 can support 65 analog inputs. Thirty-two of the channel signals can also be used as general-purpose digital port signals. In addition, there are also two analog reference signals, and two analog submodule power shared by both QADC modules.

### 13.6.1 Port Digital Input/Output Signals

The sixteen port signals can be used as analog inputs, or as a bidirectional 16-bit digital input/output port.

Port A signals are referred to as PQA[7:0] when used as a bidirectional 8-bit digital input/output port. These eight signals may be used for general-purpose digital input signals or push-pull digital output signals. Port B signals are referred to as PQB[7:0] and operate the same as Port A.

Port A and B signals are connected to a digital input synchronizer during reads and may be used as general purpose digital inputs when the applied voltages meet high voltage input ( $V_{IH}$ ) and low voltage input ( $V_{IL}$ ) requirements. Refer to Appendix F, “Electrical Characteristics,” for more information on voltage requirements.

Each port A or B signal is configured as an input or output by programming the port data direction register (DDRQA or DDRQB). The digital input signal states are read by the software in the port data register when the port data direction register specifies that the signals are inputs. The digital data in the port data register

is driven onto the port A or B signals when the corresponding bit in the port data direction register specifies output. Refer to [Section 13.2.3, “Port Data Register \(PORTQA and PORTQB\),”](#) for more information. Since the outputs are configured as push-pull drivers, external pull-up provisions are not necessary when the output is used to drive another integrated circuit.

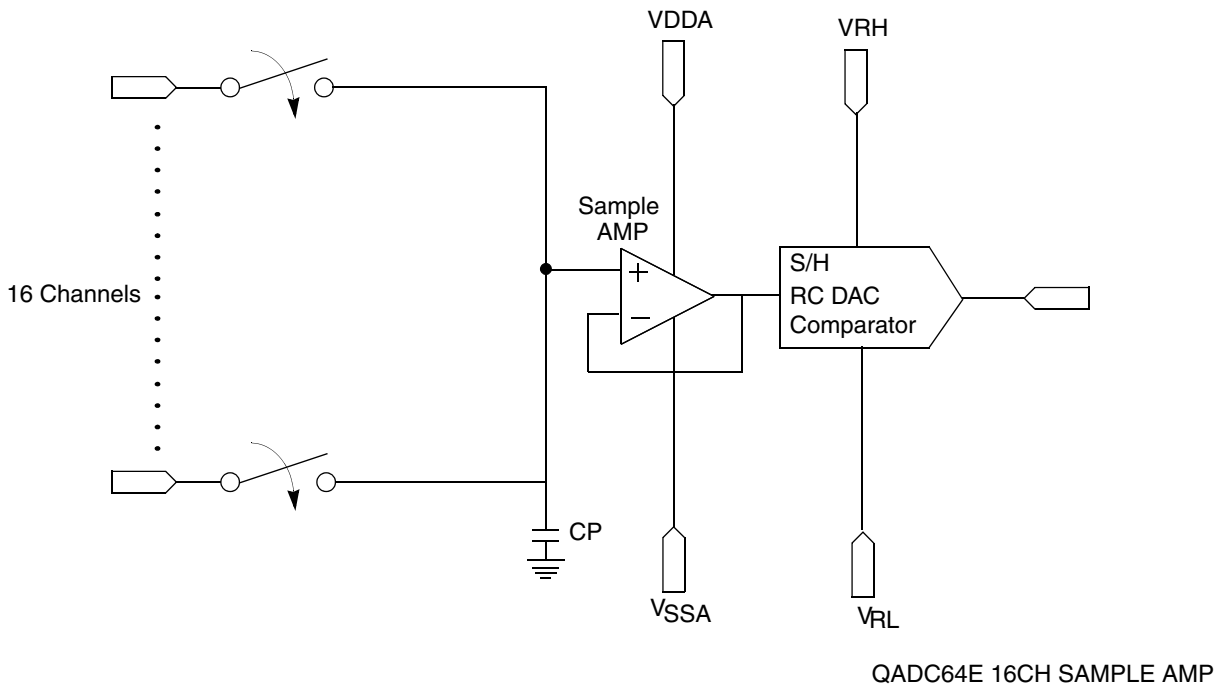
### 13.6.2 External Trigger Input Signals

The QADC64E uses two external trigger signals (ETRIG[2:1]). Each of the two input external trigger signals is associated with one of the scan queues, queue 1 or queue 2. The assignment of ETRIG[2:1] to a queue is made in the QACR0 register by the TRG bit. When TRG=0, ETRIG[1] triggers queue 1 and ETRIG[2] triggers queue 2. When TRG=1, ETRIG[1] triggers queue 2 and ETRIG[2] triggers queue 1.

### 13.6.3 Analog Power Signals

$V_{DDA}$  and  $V_{SSA}$  signals supply power to the analog subsystems of the QADC64E module. Dedicated power is required to isolate the sensitive analog circuitry from the normal levels of noise present on the digital power supply. Refer to [Appendix F, “Electrical Characteristics,”](#) for more information.

The analog supply signals ( $V_{DDA}$  and  $V_{SSA}$ ) define the limits of the analog reference voltages ( $V_{RH}$  and  $V_{RL}$ ) and of the analog multiplexer inputs. [Figure 13-48](#) is a diagram of the analog input circuitry.



**Figure 13-48. Equivalent Analog Input Circuitry**

Since the sample amplifier is powered by  $V_{DDA}$  and  $V_{SSA}$ , it can accurately transfer input signal levels up to but not exceeding  $V_{DDA}$  and down to but not below  $V_{SSA}$ . If the input signal is outside of this range, the output from the sample amplifier is clipped.

In addition,  $V_{RH}$  and  $V_{RL}$  must be within the range defined by  $V_{DDA}$  and  $V_{SSA}$ . As long as  $V_{RH}$  is less than or equal to  $V_{DDA}$  and  $V_{RL}$  is greater than or equal to  $V_{SSA}$  and the sample amplifier has accurately transferred the input signal, resolution is ratiometric within the limits defined by  $V_{RL}$  and  $V_{RH}$ . If  $V_{RH}$  is greater than  $V_{DDA}$ , the sample amplifier can never transfer a full-scale value. If  $V_{RL}$  is less than  $V_{SSA}$ , the sample amplifier can never transfer a zero value.

Figure 13-49 shows the results of reference voltages outside the range defined by  $V_{DDA}$  and  $V_{SSA}$ . At the top of the input signal range,  $V_{DDA}$  is 10 mV lower than  $V_{RH}$ . This results in a maximum obtainable 10-bit conversion value of 0x3FE. At the bottom of the signal range,  $V_{SSA}$  is 15 mV higher than  $V_{RL}$ , resulting in a minimum obtainable 10-bit conversion value of three.

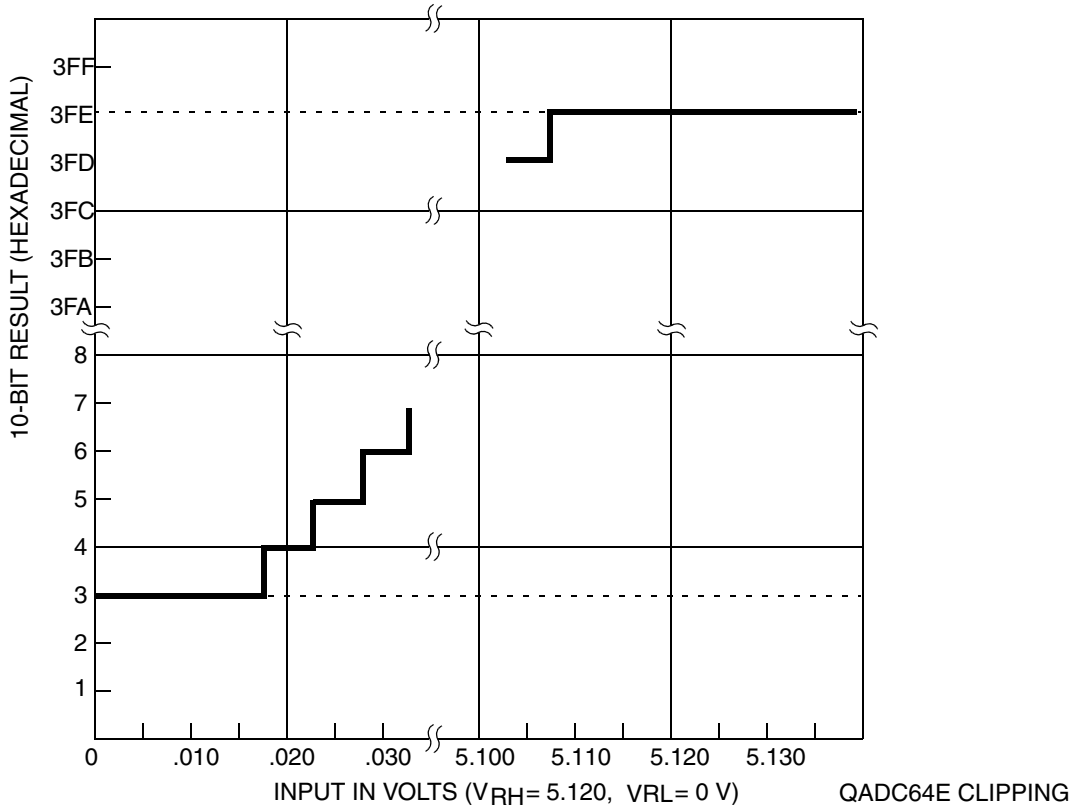


Figure 13-49. Errors Resulting from Clipping

### 13.6.3.1 Analog Supply Filtering and Grounding

Two important factors influencing performance in analog integrated circuits are supply filtering and grounding. Generally, digital circuits use bypass capacitors on every VDD/VSS signal pair. This applies to analog sub-modules also. The distribution of power and ground is equally important.

Analog supplies should be isolated from digital supplies as much as possible. This necessity stems from the higher performance requirements often associated with analog circuits. Therefore, deriving an analog supply from a local digital supply is not recommended. However, if for economic reasons digital and analog power are derived from a common regulator, filtering of the analog power is recommended in addition to the bypassing of the supplies already mentioned.



For example, an RC low pass filter could be used to isolate the digital and analog supplies when generated by a common regulator. If multiple high precision analog circuits are locally employed (i.e., two A/D converters), the analog supplies should be isolated from each other as sharing supplies introduces the potential for interference between analog circuits.

Grounding is the most important factor influencing analog circuit performance in mixed signal systems (or in stand-alone analog systems). Close attention must be paid not to introduce additional sources of noise into the analog circuitry. Common sources of noise include ground loops, inductive coupling, and combining digital and analog grounds together inappropriately.

The problem of how and when to combine digital and analog grounds arises from the large transients which the digital ground must handle. If the digital ground is not able to handle the large transients, the current from the large transients can return to ground through the analog ground. It is the excess current overflowing into the analog ground which causes performance degradation by developing a differential voltage between the true analog ground and the microcontroller's ground signal. The end result is that the ground observed by the analog circuit is no longer true ground and often ends in skewed results.

Two similar approaches designed to improve or eliminate the problems associated with grounding excess transient currents involve star-point ground systems. One approach is to star-point the different grounds at the power supply origin, thus keeping the ground isolated. Refer to [Figure 13-50](#).

Another approach is to star-point the different grounds near the analog ground signal on the microcontroller by using small traces for connecting the non-analog grounds to the analog ground. The small traces are meant only to accommodate DC differences, not AC transients.

#### NOTE

This star-point scheme still requires adequate grounding for digital and analog subsystems in addition to the star-point ground.

Other suggestions for PCB layout in which the QADC64E is employed include:

- Analog ground must be low impedance to all analog ground points in the circuit.
- Bypass capacitors should be as close to the power signals as possible.

The analog ground should be isolated from the digital ground. This can be done by cutting a separate ground plane for the analog ground

- Non-minimum traces should be utilized for connecting bypass capacitors and filters to their corresponding ground/power points.
- Distance for trace runs should be minimized where possible

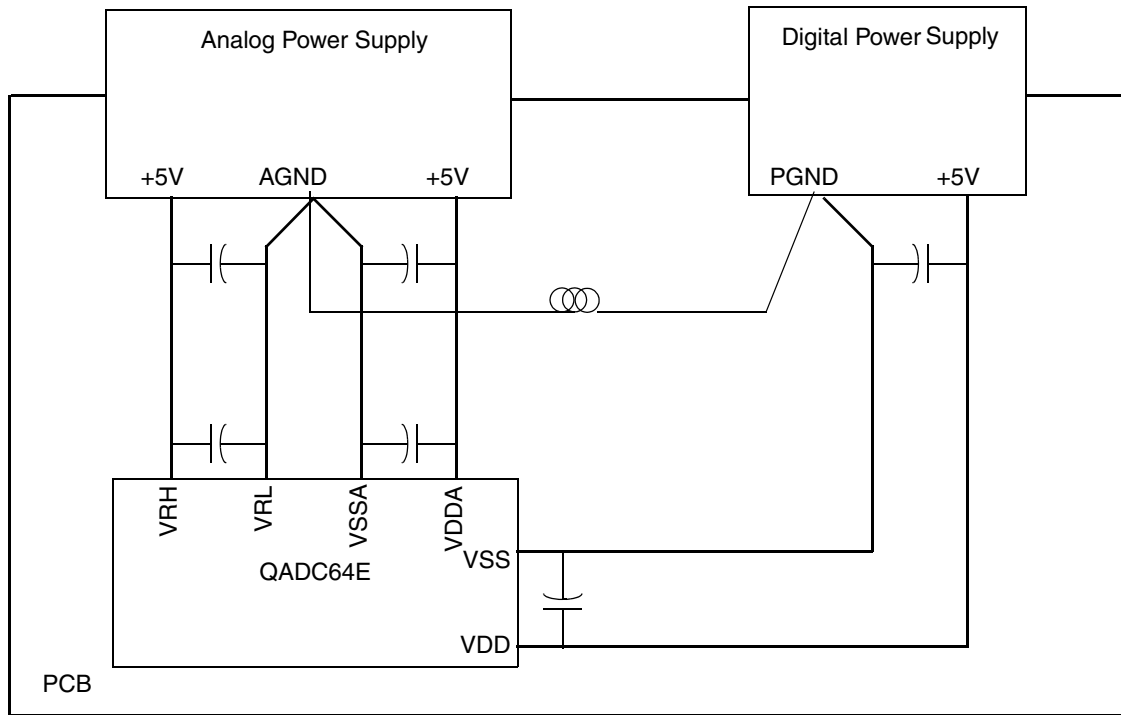


Figure 13-50. Star-Ground at the Point of Power Supply Origin

### 13.6.4 Analog Reference Signals

$V_{RH}$  and  $V_{RL}$  are the dedicated input signals for the high and low reference voltages. Separating the reference inputs from the power supply signals allows for additional external filtering, which increases reference voltage precision and stability, and subsequently contributes to a higher degree of conversion accuracy.

The AltRef signal may be selected through the CCW as the high reference for a conversion. This allows for the ability to “zoom” in on a portion of the convertible range with the full 10 bits. Refer to [Table 13-18](#).

No A/D converter can be more accurate than its analog reference. Any noise in the reference can result in at least that much error in a conversion. The reference for the QADC64E, supplied by signals  $V_{RH}$ , AltRef, and  $V_{RL}$ , should be low-pass filtered from its source to obtain a noise-free, clean signal. In many cases, simple capacitive bypassing may suffice. In extreme cases, inductors or ferrite beads may be necessary if noise or RF energy is present. Series resistance is not advisable since there is an effective DC current requirement from the reference voltage by the internal resistor string in the RC DAC array. External resistance may introduce error in this architecture under certain conditions. Any series devices in the filter network should contain a minimum amount of DC resistance.

### 13.6.5 Analog Input Signals

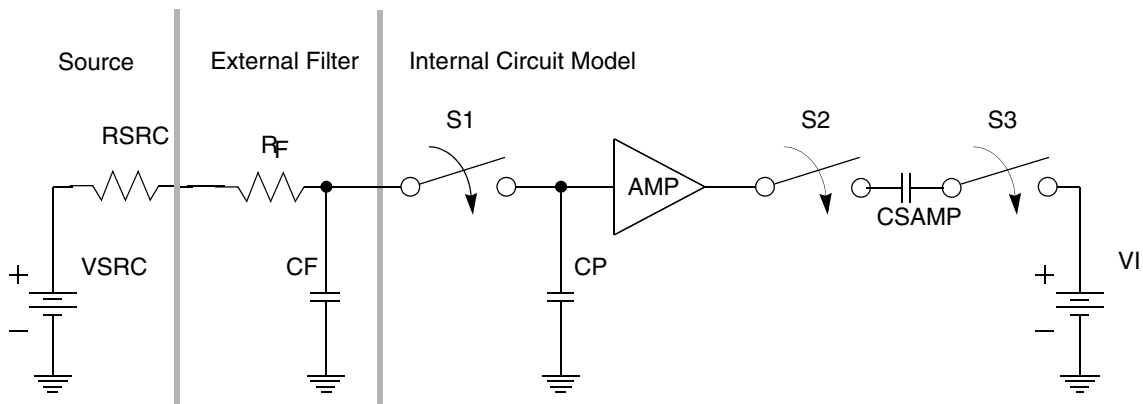
Analog inputs should have low AC impedance at the signals. Low AC impedance can be realized by placing a capacitor with good high frequency characteristics at the input signal of the part. Ideally, that

capacitor should be as large as possible (within the practical range of capacitors that still have good high frequency characteristics). This capacitor has two effects:

- It helps attenuate any noise that may exist on the input.
- It sources charge during the sample period when the analog signal source is a high-impedance source.

Series resistance can be used with the capacitor on an input signal to implement a simple RC filter. The maximum level of filtering at the input signals is application dependent and is based on the bandpass characteristics required to accurately track the dynamic characteristics of an input. Simple RC filtering at the signal may be limited by the source impedance of the transducer or circuit supplying the analog signal to be measured. Refer to [Section 13.6.5.3, “Error Resulting from Leakage,”](#) for more information. In some cases, the size of the capacitor at the signal may be very small.

[Figure 13-51](#) is a simplified model of an input channel. Refer to this model in the following discussion of the interaction between the external circuitry and the circuitry inside the QADC64E.



- VSRC=Source Voltage
- RSRC = Source Impedance
- RF = Filter Impedance
- CF = Filter Capacitor
- CP = Internal Parasitic Capacitance
- CSAMP = Sample Capacitor
- VI = Internal Voltage Source during Sample and Hold

QADC64E SAMPLE AMP MODEL

**Figure 13-51. Electrical Model of an A/D Input Signal**

In [Figure 13-51](#),  $R_F$ ,  $R_{SRC}$  and  $C_F$  comprise the external filter circuit.  $C_P$  is the internal parasitic capacitor.  $C_{SAMP}$  is the capacitor array used to sample and hold the input voltage.  $V_I$  is an internal voltage source used to provide charge to  $C_{SAMP}$  during sample phase.

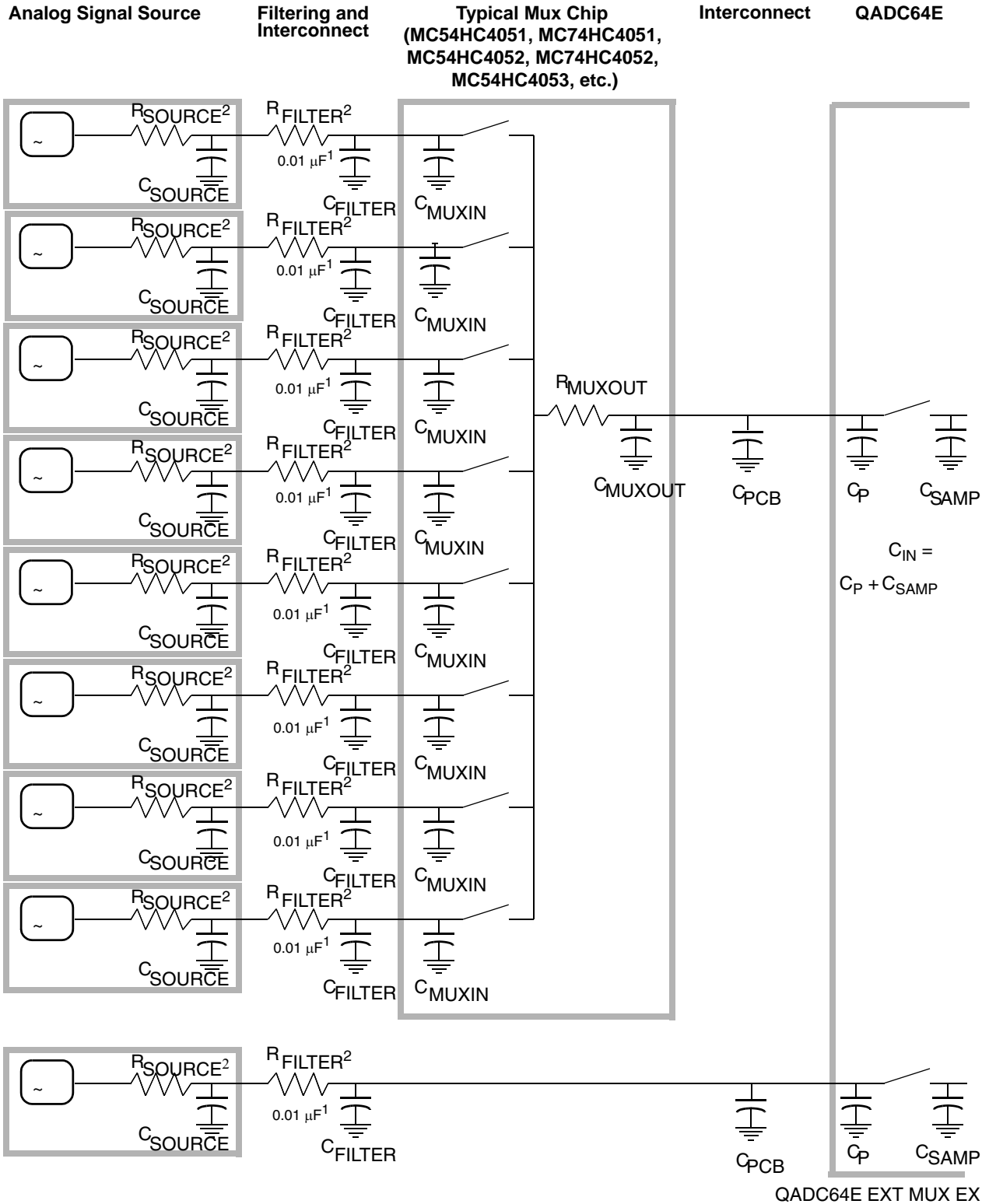
The following paragraphs provide a simplified description of the interaction between the QADC64E and the external circuitry. This circuitry is assumed to be a simple RC low-pass filter passing a signal from a source to the QADC64E input signal. The following simplifying assumptions are made:

- The external capacitor is perfect (no leakage, no significant dielectric absorption characteristics, etc.)

- All parasitic capacitance associated with the input signal is included in the value of the external capacitor
- Inductance is ignored
- The “on” resistance of the internal switches is  $0\ \Omega$  and the “off” resistance is infinite

### 13.6.5.1 Analog Input Considerations

The source impedance of the analog signal to be measured and any intermediate filtering should be considered whether external multiplexing is used or not. [Figure 13-52](#) shows the connection of eight typical analog signal sources to one QADC64E analog input signal through a separate multiplexer chip. Also, an example of an analog signal source connected directly to a QADC64E analog input channel is displayed.



1 Typical Value  
 2  $R_{FILTER}$  typically 10KΩ–20KΩ

Figure 13-52. External Multiplexing of Analog Signal Sources

### 13.6.5.2 Settling Time for the External Circuit

The values for  $R_{SRC}$ ,  $R_F$  and  $C_F$  in the external circuitry determine the length of time required to charge  $C_F$  to the source voltage level ( $V_{SRC}$ ). At time  $t = 0$ ,  $V_{SRC}$  changes in [Figure 13-51](#) while S1 is open, disconnecting the internal circuitry from the external circuitry. Assume that the initial voltage across  $C_F$  is zero. As  $C_F$  charges, the voltage across it is determined by the following equation, where  $t$  is the total charge time:

$$V_{CF} = V_{SRC} \left( 1 - e^{-\frac{t}{(R_F + R_{SRC})C_F}} \right) \tag{Eqn. 13-1}$$

As  $t$  approaches infinity,  $V_{CF}$  will equal  $V_{SRC}$ . (This assumes no internal leakage.) With 10-bit resolution, 1/2 of a count is equal to 1/2048 full-scale value. Assuming worst case ( $V_{SRC}$  = full scale), [Table 13-23](#) shows the required time for  $C_F$  to charge to within 1/2 of a count of the actual source voltage during 10-bit conversions. [Table 13-23](#) is based on the RC network in [Figure 13-51](#).

#### NOTE

The following times are completely independent of the A/D converter architecture (assuming the QADC64E is not affecting the charging).

**Table 13-23. External Circuit Settling Time to 1/2 LSB (10-Bit Conversions)**

| Filter Capacitor (CF) | Source Resistance ( $R_F + R_{SRC}$ ) |              |               |                |
|-----------------------|---------------------------------------|--------------|---------------|----------------|
|                       | 100 $\Omega$                          | 1 k $\Omega$ | 10 k $\Omega$ | 100 k $\Omega$ |
| 1 $\mu$ F             | 760 $\mu$ s                           | 7.6 ms       | 76 ms         | 760 ms         |
| .1 $\mu$ F            | 76 $\mu$ s                            | 760 $\mu$ s  | 7.6 ms        | 76 ms          |
| .01 $\mu$ F           | 7.6 $\mu$ s                           | 76 $\mu$ s   | 760 $\mu$ s   | 7.6 ms         |
| .001 $\mu$ F          | 760 ns                                | 7.6 $\mu$ s  | 76 $\mu$ s    | 760 $\mu$ s    |
| 100 pF                | 76 ns                                 | 760 ns       | 7.6 $\mu$ s   | 76 $\mu$ s     |

The external circuit described in [Table 13-23](#) is a low-pass filter. A user interested in measuring an AC component of the external signal must take the characteristics of this filter into account.

### 13.6.5.3 Error Resulting from Leakage

A series resistor limits the current to a signal, therefore input leakage acting through a large source impedance can degrade A/D accuracy. The maximum input leakage current is specified in [Appendix F, “Electrical Characteristics.”](#) Input leakage is greater at higher operating temperatures. In the temperature range from 125° C to 50° C, the leakage current is halved for every 8 – 12° C reduction in temperature.

Assuming  $V_{RH} - V_{RL} = 5.12$  V, one count (assuming 10-bit resolution) corresponds to 5 mV of input voltage. A typical input leakage of 200 nA acting through 10 k $\Omega$  of external series resistance results in an error of 0.4 count (2.0 mV). If the source impedance is 100 k $\Omega$  and a typical leakage of 100 nA is present, an error of two counts (10 mV) is introduced.

In addition to internal junction leakage, external leakage (e.g., if external clamping diodes are used) and charge sharing effects with internal capacitors also contribute to the total leakage current. [Table 13-24](#) illustrates the effect of different levels of total leakage on accuracy for different values of source impedance. The error is listed in terms of 10-bit counts.

### CAUTION

Leakage from the part below 200 nA is obtainable only within a limited temperature range.

**Table 13-24. Error Resulting from Input Leakage (IOFF)**

| Source Impedance | Leakage Value (10-bit Conversions) |            |            |            |
|------------------|------------------------------------|------------|------------|------------|
|                  | 100 nA                             | 200 nA     | 500 nA     | 1000 nA    |
| 1 k $\Omega$     | —                                  | —          | 0.1 counts | 0.2 counts |
| 10 k $\Omega$    | 0.2 counts                         | 0.4 counts | 1 counts   | 2 counts   |
| 100 k $\Omega$   | 2 counts                           | 4 count    | 10 counts  | 20 counts  |

#### 13.6.5.4 Accommodating Positive/Negative Stress Conditions

Positive or negative stress refers to conditions which exceed nominally defined operating limits. Examples include applying a voltage exceeding the normal limit on an input (for example, voltages outside of the suggested supply/reference ranges) or causing currents into or out of the signal which exceed normal limits. QADC64E specific considerations are voltages greater than  $V_{DDA}$ ,  $V_{RH}$  or less than  $V_{SSA}$  applied to an analog input which cause excessive currents into or out of the input. Refer to [Appendix F, “Electrical Characteristics,”](#) to for more information on exact magnitudes.

Either stress condition can potentially disrupt conversion results on neighboring inputs. Parasitic devices, associated with CMOS processes, can cause an immediate disruptive influence on neighboring signals. Common examples of parasitic devices are diodes to substrate and bipolar devices with the base terminal tied to substrate ( $V_{SSI}/V_{SSA}$  ground). Under stress conditions, current injected on an adjacent signal can cause errors on the selected channel by developing a voltage drop across the selected channel’s impedances.

[Figure 13-53](#) shows an active parasitic bipolar NPN transistor when an input signal is subjected to negative stress conditions. [Figure 13-54](#) shows positive stress conditions can activate a similar PNP transistor.

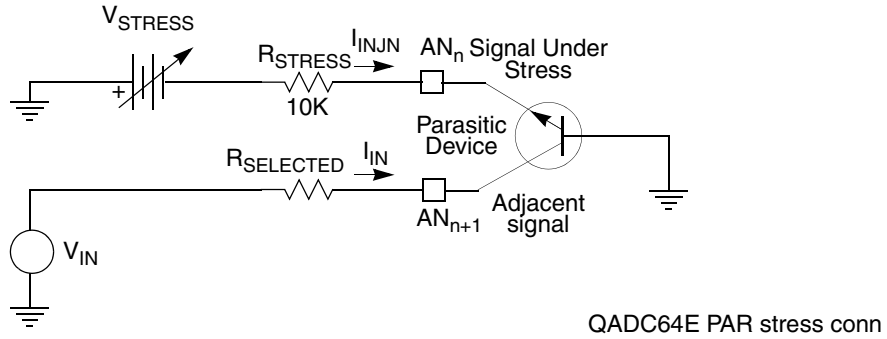


Figure 13-53. Input Signal Subjected to Negative Stress

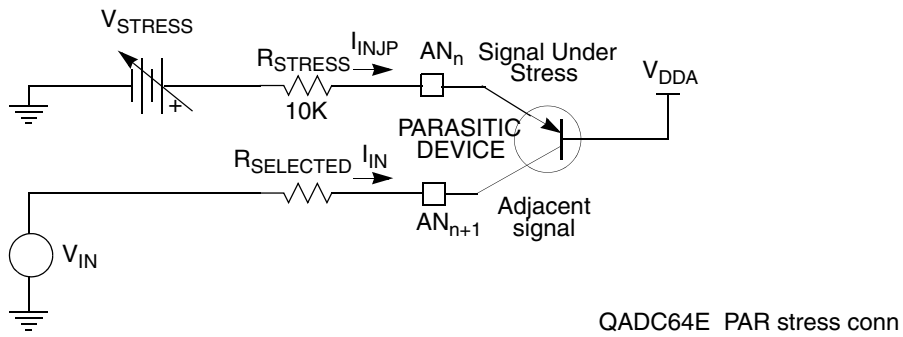


Figure 13-54. Input Signal Subjected to Positive Stress

The current into the signal ( $I_{INJN}$  or  $I_{INJP}$ ) under negative or positive stress is determined by the following equations:

$$I_{INJN} = \frac{-(V_{STRESS} - V_{BE})}{R_{STRESS}} \tag{Eqn. 13-2}$$

$$I_{INJP} = \frac{V_{STRESS} - V_{EB} - V_{DDA}}{R_{STRESS}} \tag{Eqn. 13-3}$$

where:

- $V_{STRESS}$  = Adjustable voltage source
- $V_{EB}$  = Parasitic PNP emitter/base voltage  
(refer to  $V_{NEGCLAMP}$  in [Appendix F, “Electrical Characteristics”](#))
- $V_{BE}$  = Parasitic NPN base/emitter voltage  
(refer to  $V_{NEGCLAMP}$  in [Appendix F, “Electrical Characteristics”](#))
- $R_{STRESS}$  = Source impedance  
(10-k $\Omega$  resistor in [Figure 13-53](#) and [Figure 13-54](#) on stressed channel)
- $R_{SELECTED}$  = Source impedance on channel selected for conversion

The current into ( $I_{IN}$ ) the neighboring signal is determined by the  $K_N$  (current coupling ratio) of the parasitic bipolar transistor ( $K_N \ll 1$ ). The  $I_{IN}$  can be expressed by the following equation:



$$I_{IN} = -K_N * I_{INJ}$$

where  $I_{INJ}$  is either  $I_{INJN}$  or  $I_{INJP}$

A method for minimizing the impact of stress conditions on the QADC64E is to strategically allocate QADC64E inputs so that the lower accuracy inputs are adjacent to the inputs most likely to see stress conditions.

Also, suitable source impedances should be selected to meet design goals and minimize the effect of stress conditions.



## Chapter 14

# Queued Serial Multi-Channel Module (QSMCM)

The MPC565 contains two queued serial multi-channel modules (QSMCM A and QSMCM B). The QSMCM provides three serial communication interfaces: the queued serial peripheral interface (QSPI) and two serial communications interfaces (SCI1 and SCI2). These submodules communicate with the CPU via a common slave bus interface unit (SBIU).

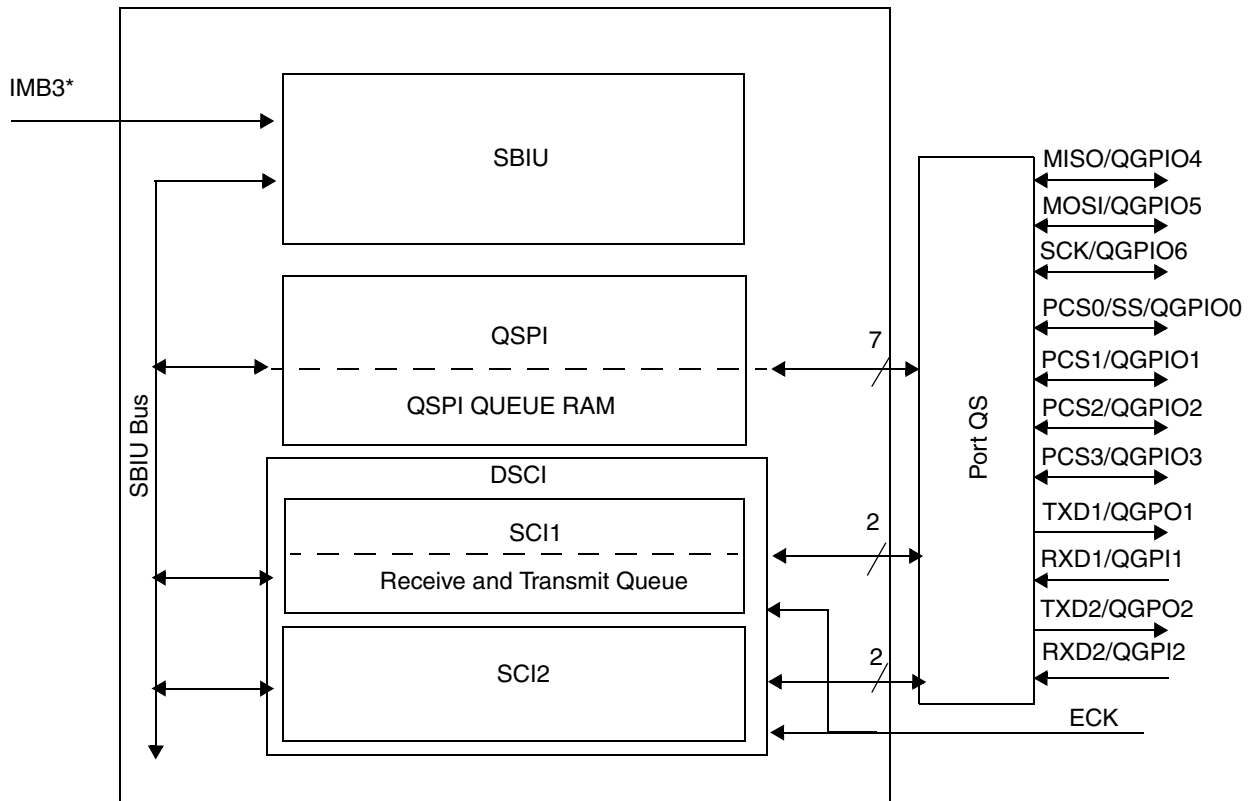
The QSPI is a full-duplex, synchronous serial interface for communicating with peripherals and other MCUs. It is enhanced from the original SPI in the QSMCM (queued serial module) to include a total of 160 bytes of queue RAM to accommodate more receive, transmit, and control information.

The duplicate, independent SCIs are full-duplex universal asynchronous receiver transmitter (UART) serial interface. The original QSM SCI is enhanced by the addition of an SCI, a common external baud clock source, and receive/transmit buffers on one SCI.

The SBIU provides an interface between the QSMCM module and the intermodule bus (IMB3).

### 14.1 Block Diagram

[Figure 14-1](#) depicts the major components of the QSMCM.



Note: SBIU bus and interface to IMB3 are each 16 bits wide.

Figure 14-1. QSMCM Block Diagram

### 14.1.1 QSMCM and DLCMD2 (J1850) Modules

The MPC565 has two QSMCM modules, QSMCM A and QSMCM B. QSMCM A has identical function to the MPC555/MPC556's QSMCM A module. QSMCM B has its RXD2 and PCS3 signals muxed with the signals of the DLCMD2 (J1850) module. The muxing of the signals is controlled by the QPAPCS3 bit in the QSMCM B signal assignment register (PQSPAR), according to Table 14-1. The muxed signals default to DLCMD2 function at reset.

Because the normal function of the PCS signals within the QSMCM require that the QPAPCS3 bit be written before the PCS signals are used, the muxing appears transparent to both the QSMCM B and the DLCMD2 modules. However, only one of the modules, DLCMD2 or QSMCM B, can use the system signals at the same time. Because of this muxed function on QSMCM B, the general-purpose input and output functions are not available on the PCSB3 and RXDB2 signals of the QSMCM B module.

**Table 14-1. DLCMD2 / QSMCM B SCI2 Signal Mux Control**

| QPAPCS3 Bit Value | QSMCM_B / DLCMD2 Pin Function   | Functioning Module |
|-------------------|---|--------------------|
| 0                 | B_PCS3 / J1850_TX pin assigned to J1850_TX.<br>B_RXD2 / J1850_RX pin assigned to J1850_RX.<br>Pins are assigned to DLCMD2 (J1850_TX and J1850_RX) | DLCMD2             |
| 1                 | B_PCS3 / J1850_TX pin assigned to PCSB3.<br>B_RXD2 / J1850_RX pin assigned to RXDB2.<br>Pins are assigned to QSMCM B SCI2 (PCSB3 and RXDB2)       | QSMCM B            |

Because of this muxed function on QSMCM B, the general purpose I/O functions are not available on the B\_PCS3 and B\_RXD2 signals. [Table 14-2](#) shows the signal names for the modified signals.

**Table 14-2. QSMCM Signals on QSMCM A and QSMCM B**

| QSMCM A Signals                        | QSMCM B Signals                        | Different? |
|--|--|------------|
| $\overline{A\_SS}$ / A_QGPIO0 / A_PCS0 | $\overline{B\_SS}$ / B_QGPIO0 / B_PCS0 |            |
| A_QGPIO1 / A_PCS1                      | B_QGPIO1 / B_PCS1                      |            |
| A_QGPIO2 / A_PCS2                      | B_QGPIO2 / B_PCS2                      |            |
| A_QGPIO3 / A_PCS3                      | B_PCS3 / J1850_TX                      | Y          |
| A_MISO / A_QGPIO4                      | B_MISO / B_QGPIO4                      |            |
| A_MOSI / A_QGPIO5                      | B_MOSI / B_QGPIO5                      |            |
| A_SCK / A_QGPIO6                       | B_SCK / B_QGPIO6                       |            |
| —                                      | ECK                                    |            |
| A_TXD1 / A_QGPIO1                      | B_TXD1 / B_QGPIO1                      |            |
| A_TXD2 / A_QGPIO2                      | B_TXD2 / B_QGPIO2                      |            |
| A_RXD1 / A_QGPI1                       | B_RXD1 / B_QGPI1                       |            |
| A_RXD2 / A_QGPI2                       | B_RXD2 / J1850_RX                      | Y          |

## 14.2 Signal Descriptions

The QSMCM has 12 external signals, as shown in [Figure 14-1](#). Seven of the signals, if not in use for their submodule function, can be used as general-purpose I/O port signals. The RXD<sub>x</sub> and TXD<sub>x</sub> signals can alternately serve as general-purpose input-only and output-only signals, respectively. ECK is a dedicated input clock signal.

For detailed descriptions of QSMCM signals, refer to [Section 14.5, “QSMCM Pin Control Registers,”](#) [Section 14.6.3, “QSPI Signals,”](#) and [Section 14.7.6, “SCI Signals.”](#)

### 14.3 Memory Maps

The QSMCM memory maps, shown in [Table 14-3](#) and [Table 14-4](#), include the global registers, the QSPI and dual SCI control and status registers, and the QSPI RAM. The QSMCM memory map can be divided into supervisor-only data space and assignable data space. The address offsets shown are from the base address of the QSMCM module. Refer to [Figure 1-3](#) for a diagram of the MPC565 internal memory map.

**Table 14-3. QSMCM A and QSMCM B Register Map**

| Access <sup>1</sup> | Address                      | Msb <sup>2</sup><br>0  | Lsb<br>15   |
|---------------------|------------------------------|--|---|
| S                   | 0x30 5000(A)<br>0x30 5400(B) | QSMCM Module Configuration Register (QSMCMMCR)<br>See <a href="#">Table 14-7</a> for bit descriptions. |   |
| T                   | 0x30 5002(A)<br>0x30 5402(B) | QSMCM Test Register (QTEST)  |   |
| S                   | 0x30 5004(A)<br>0x30 5404(B) | Dual SCI Interrupt Level (QDSCI_IL)<br>See <a href="#">Table 14-8</a> for bit descriptions.            | Reserved  |
| S                   | 0x30 5006(A)<br>0x30 5406(B) | Reserved   | Queued SPI Interrupt Level (QSPI_IL)<br>See <a href="#">Table 14-9</a> for bit descriptions.                                      |
| S/U                 | 0x30 5008(A)<br>0x30 5408(B) | SCI1Control Register 0 (SCC1R0)<br>See <a href="#">Table 14-27</a> for bit descriptions.               |   |
| S/U                 | 0x30 500A(A)<br>0x30 540A(B) | SCI1Control Register 1 (SCC1R1)<br>See <a href="#">Table 14-28</a> for bit descriptions.               |   |
| S/U                 | 0x30 500C(A)<br>0x30 540C(B) | SCI1 Status Register (SC1SR)<br>See <a href="#">Table 14-29</a> for bit descriptions.                  |   |
| S/U                 | 0x30 500E(A)<br>0x30 540E(B) | SCI1 Data Register (SC1DR)<br>See <a href="#">Table 14-30</a> for bit descriptions.                    |   |
| S/U                 | 0x30 5010(A)<br>0x30 5410(B) | Reserved   |   |
| S/U                 | 0x30 5012(A)<br>0x30 5412(B) | Reserved   |   |
| S/U                 | 0x30 5014(A)<br>0x30 5414(B) | Reserved   | QSMCM Port Q Data Register (PORTQS)<br>See <a href="#">Section 14.5.1, "Port QS Data Register (PORTQS)"</a> for bit descriptions. |
| S/U                 | 0x30 5016(A)<br>0x30 5416(B) | QSMCM Pin Assignment Register (PQSPAR)<br>See <a href="#">Table 14-14</a> for bit descriptions.        | QSMCM Data Direction Register (DDRQS)<br>See <a href="#">Table 14-15</a> for bit descriptions.                                    |
| S/U                 | 0x30 5018(A)<br>0x30 5418(B) | QSPI Control Register 0 (SPCR0)<br>See <a href="#">Table 14-17</a> for bit descriptions.               |   |
| S/U                 | 0x30 501A(A)<br>0x30 541A(B) | QSPI Control Register 1 (SPCR1)<br>See <a href="#">Table 14-19</a> for bit descriptions.               |   |
| S/U                 | 0x30 501C(A)<br>0x30 541C(B) | QSPI Control Register 2 (SPCR2)<br>See <a href="#">Table 14-20</a> for bit descriptions.               |   |
| S/U                 | 0x30 501E(A)<br>0x30 541E(B) | QSPI Control Register 3 (SPCR3)<br>See <a href="#">Table 14-21</a> for bit descriptions.               | QSPI Status Register (SPSR)<br>See <a href="#">Table 14-22</a> for bit descriptions.  |

**Table 14-3. QSMCM A and QSMCM B Register Map (continued)**

| Access <sup>1</sup> | Address   | Msb <sup>2</sup><br>0   | Lsb<br>15 |
|---------------------|---|---|-----------|
| S/U                 | 0x30 5020(A)<br>0x30 5420(B)  | SCI2 Control Register 0 (SCC2R0)  |           |
| S/U                 | 0x30 5022(A)<br>0x30 5422(B)  | SCI2 Control Register 1 (SCC2R1)  |           |
| S/U                 | 0x30 5024(A)<br>0x30 5424(B)  | SCI2 Status Register (SC2SR)  |           |
| S/U                 | 0x30 5026(A)<br>0x30 5426(B)  | SCI2 Data Register (SC2DR)  |           |
| S/U                 | 0x30 5028(A)<br>0x30 5428(B)  | QSCI1 Control Register (QSCI1CR)<br>See <a href="#">Table 14-35</a> for bit descriptions. |           |
| S/U                 | 0x30 502A(A)<br>0x30 542A(B)  | QSCI1 Status Register (QSCI1SR)<br>See <a href="#">Table 14-36</a>                        |           |
| S/U                 | 0x30 502C –<br>0x30 504A(A)<br>0x30 542C –<br>0x30 544A(B)              | Transmit Queue Locations (SCTQ)   |           |
| S/U                 | 0x30 504C –<br>0x30 506A(A)<br>0x30 544C –<br>0x30 546A(B)              | Receive Queue Locations (SCRQ)  |           |
| S/U                 | 0x30 506C –<br>0x30 513F(A) <sup>3</sup><br>0x30 546C –<br>0x30 553F(B) | Reserved  |           |
| S/U                 | 0x30 5140 –<br>0x30 517F(A)<br>0x30 5540 –<br>0x30 557F(B)              | Receive Data RAM (REC.RAM)  |           |
| S/U                 | 0x30 5180 –<br>0x30 51BF(A)<br>0x30 5580 –<br>0x30 55BF(B)              | Transmit Data RAM (TRAN.RAM)  |           |
| S/U                 | 0x30 51C0 –<br>0x30 51DF(A)<br>0x30 55C0 –<br>0x30 55DF(B)              | Command RAM (COMD.RAM)  |           |

<sup>1</sup> S = Supervisor access only

S/U = Supervisor access only or unrestricted user access (assignable data space).

T = Test

<sup>2</sup> 8-bit registers, such as SPCR3 and SPSR, are on 8-bit boundaries. 16-bit registers such as SPCR0 are on 16-bit boundaries.

<sup>3</sup> Note that QRAM offsets have been changed from the original (modular family) QSMCM.

The supervisor-only data space segment contains the QSMCM global registers. These registers define parameters needed by the QSMCM to integrate with the MCU. Access to these registers is permitted only when the CPU is operating in supervisor mode.

Assignable data space can be either restricted to supervisor-only access or unrestricted to both supervisor and user accesses. The supervisor (SUPV) bit in the QSMCM module configuration register (QSMCMMCR) designates the assignable data space as either supervisor or unrestricted. If SUPV is set, then the space is designated as supervisor-only space. Access is then permitted only when the CPU is operating in supervisor mode. If SUPV is clear, both user and supervisor accesses are permitted. To clear SUPV, the CPU must be in supervisor mode.

The QSMCM assignable data space segment contains the control and status registers for the QSPI and SCI submodules, as well as the QSPI RAM. All registers and RAM can be accessed on byte (8-bit), half-word (16-bit), and word (32-bit) boundaries. Word accesses require two consecutive IMB3 bus cycles.

## 14.4 QSMCM Global Registers

The QSMCM global registers contain system parameters used by the QSPI and SCI submodules for interfacing to the CPU and the intermodule bus. The global registers are listed in [Table 14-4](#) and [Table 14-5](#).

**Table 14-4. QSMCM A Global Registers**

| Access <sup>1</sup> | Address   | Msb <sup>2</sup>   | Lsb  |
|---------------------|-----------|--|--|
| S                   | 0x30 5000 | QSMCM Module Configuration Register (QSMCMMCR_A)<br>See <a href="#">Table 14-7</a> for bit descriptions. |  |
| T                   | 0x30 5002 | QSMCM Test Register (QTEST_A)  |  |
| S                   | 0x30 5004 | Dual SCI Interrupt Level (QDSCI_IL_A)<br>See <a href="#">Table 14-8</a> for bit descriptions.            | Reserved   |
| S                   | 0x30 5006 | Reserved   | Queued SPI Interrupt Level (QSPI_IL_A)<br>See <a href="#">Table 14-9</a> for bit descriptions. |

<sup>1</sup> S = Supervisor access only

S/U = Supervisor access only or unrestricted user access (assignable data space).

<sup>2</sup> 8-bit registers reside on 8-bit boundaries. 16-bit registers reside on 16-bit boundaries.

**Table 14-5. QSMCM B Global Registers**

| Access <sup>1</sup> | Address   | Msb <sup>2</sup>   | Lsb  |
|---------------------|-----------|--|--|
| S                   | 0x30 5400 | QSMCM Module Configuration Register (QSMCMMCR_B)<br>See <a href="#">Table 14-7</a> for bit descriptions. |  |
| T                   | 0x30 5402 | QSMCM Test Register (QTEST_B)  |  |
| S                   | 0x30 5404 | Dual SCI Interrupt Level (QDSCI_IL_B)<br>See <a href="#">Table 14-8</a> for bit descriptions.            | Reserved   |
| S                   | 0x30 5406 | Reserved   | Queued SPI Interrupt Level (QSPI_IL_B)<br>See <a href="#">Table 14-9</a> for bit descriptions. |



- <sup>1</sup> S = Supervisor access only  
S/U = Supervisor access only or unrestricted user access (assignable data space).
- <sup>2</sup> 8-bit registers reside on 8-bit boundaries. 16-bit registers reside on 16-bit boundaries.

### 14.4.1 Low-Power Stop Operation

When the STOP bit in QSMCMMCR is set, the IMB3 clock input to the QSMCM is disabled and the module enters a low-power operating state. QSMCMMCR is the only register guaranteed to be readable while STOP is asserted. The QSPI RAM is not readable in low-power stop mode. However, writes to RAM or any register are guaranteed valid while STOP is asserted. STOP can be written by the CPU and is cleared by reset.

#### NOTE

System software must bring each submodule to an orderly stop before setting STOP to avoid data corruption. The SCI receiver and transmitter should be disabled after transfers in progress are complete. The QSPI can be halted by setting the HALT bit in SPCR3 and then setting STOP after the HALTA flag is set.

### 14.4.2 Freeze Operation

The FRZ1 bit in QSMCMMCR determines how the QSMCM responds when the IMB3 FREEZE signal is asserted. FREEZE is asserted when the CPU enters background debug mode. Setting FRZ1 causes the QSPI to halt on the first transfer boundary following FREEZE assertion. FREEZE causes the SCI1 transmit queue to halt on the first transfer boundary following FREEZE assertion.

### 14.4.3 Access Protection

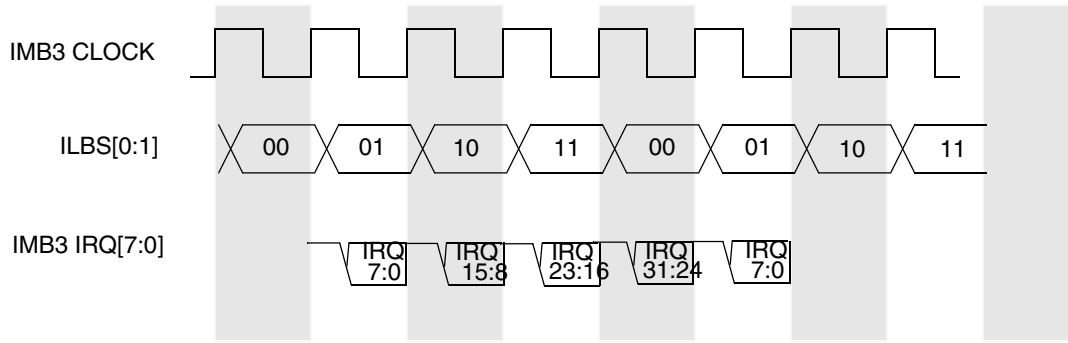
The SUPV bit in the QSMCMMCR defines the assignable QSMCM registers as either supervisor-only data space or unrestricted data space.

When the SUPV bit is set, all registers in the QSMCM are placed in supervisor-only space. For any access from within user mode, the IMB3 address acknowledge ( $\overline{\text{AACK}}$ ) signal is asserted and a bus error is generated.

Because the QSMCM contains a mix of supervisor and user registers,  $\overline{\text{AACK}}$  is asserted for either supervisor or user mode accesses, and the bus cycle remains internal. If a supervisor-only register is accessed in user mode, the module responds as if an access had been made to an unauthorized register location, and a bus error is generated.

### 14.4.4 QSMCM Interrupts

The interrupt structure of the IMB3 supports a total of 32 interrupt levels that are time multiplexed on the IRQB[0:7] lines as seen in [Figure 14-2](#).



**Figure 14-2. QSMCM Interrupt Levels**

In this structure, all interrupt sources place their asserted level on a time multiplexed bus during four different time slots, with eight levels communicated per slot. The ILBS[0:1] signals indicate which group of eight are being driven on the interrupt request lines.

**Table 14-6. Interrupt Levels**

| ILBS[0:1] | Levels |
|-----------|--------|
| 00        | 0:7    |
| 01        | 8:15   |
| 10        | 16:23  |
| 11        | 24:31  |

The QSMCM module is capable of generating one of the 32 possible interrupt levels on the IMB3. The levels that the interrupt will drive can be programmed into the interrupt request level (ILDSCI and ILQSPI) bits located in the interrupt configuration register (QDSCI\_IL and QSPI\_IL). This value determines which interrupt signal ( $\overline{\text{IRQB}}[0:7]$ ) is driven onto the bus during the programmed time slot. [Figure 14-3](#) shows a block diagram of the interrupt hardware.

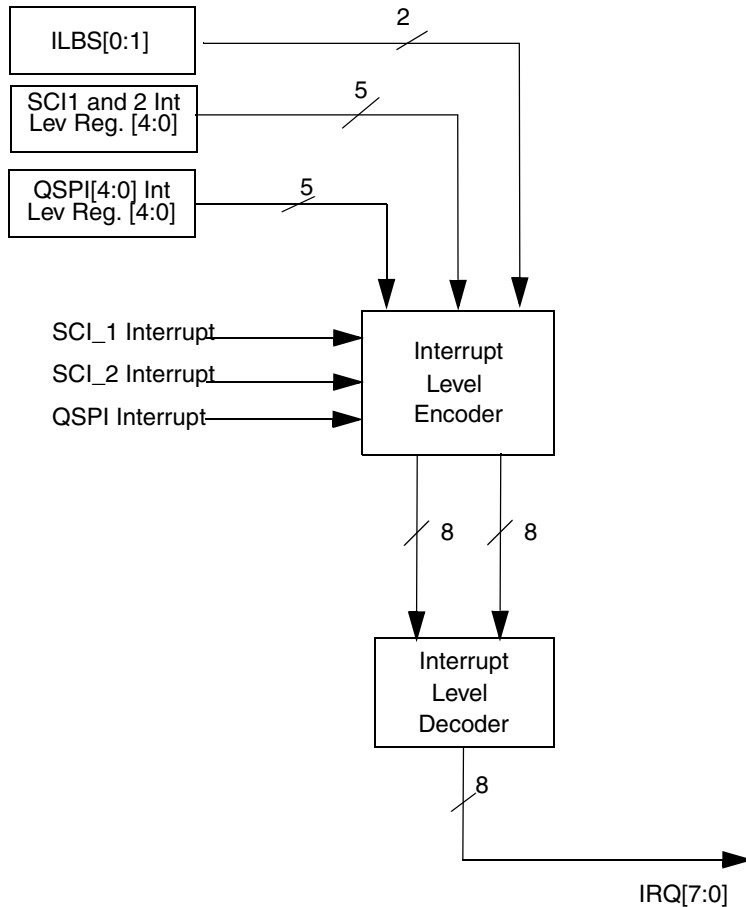


Figure 14-3. QSPI Interrupt Generation

### 14.4.5 QSMCM Configuration Register (QSMCMMCR)

The QSMCMMCR contains parameters for interfacing to the CPU and the intermodule bus. This register can be modified only when the CPU is in supervisor mode. Attempted access from User mode will cause a bus error to be generated.

|        | MSB  | 1    | 2       | 3 | 4 | 5 | 6 | 7    | 8        | 9 | 10 | 11 | 12 | 13 | 14 | LSB |
|--------|--|------|---------|---|---|---|---|------|----------|---|----|----|----|----|----|-----|
|        | 0  |      |         |   |   |   |   |      |          |   |    |    |    |    |    | 15  |
| Field  | STOP   | FRZ1 | —       |   |   |   |   | SUPV | —        |   |    |    |    |    |    |     |
| SRESET | 0  | 0    | 00_0000 |   |   |   |   | 1    | 000_0000 |   |    |    |    |    |    |     |
| Addr   | 0x30 5000 (QSMCMMCR_A); 0x30 5400 (QSMCMMCR_B) |      |         |   |   |   |   |      |          |   |    |    |    |    |    |     |

Figure 14-4. QSMCM Configuration Register (QSMCMMCR)

**Table 14-7. QSMCMCR Bit Descriptions**

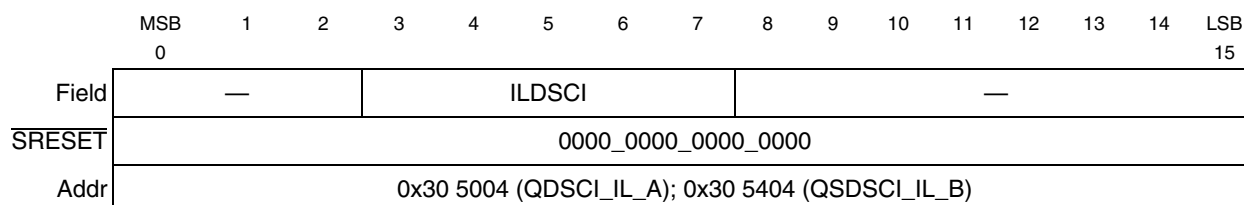
| Bits  | Name | Description   |
|-------|------|---|
| 0     | STOP | Stop enable. Refer to <a href="#">Section 14.4.1, “Low-Power Stop Operation.”</a><br>0 Normal clock operation<br>1 Internal clocks stopped  |
| 1     | FRZ1 | Freeze1 bit. Refer to <a href="#">Section 14.4.2, “Freeze Operation.”</a><br>0 Ignore the FREEZE signal<br>1 Halt the QSMCM (on transfer boundary)  |
| 2:7   | —    | Reserved  |
| 8     | SUPV | Supervisor / Unrestricted. Refer to <a href="#">Section 14.4.3, “Access Protection.”</a><br>0 Assigned registers are unrestricted (user access allowed)<br>1 Assigned registers are restricted (only supervisor access allowed) |
| 9:11  | —    | Reserved  |
| 12:15 | —    | Reserved. These bits are used for the IARB (interrupt arbitration ID) field in QSM implementations that use hardware interrupt arbitration. These bits are not used on the MPC565/MPC566.                                       |

### 14.4.6 QSMCM Test Register (QTEST)

The QTEST register is used for factory testing of the MCU.

### 14.4.7 QSMCM Interrupt Level Registers (QDSCI\_IL, QSPI\_IL)

The QDSCI\_ILI and QSPI\_IL registers determine the interrupt level requested by the QSMCM. The two SCI submodules (DSCI) share a 5-bit interrupt level field, ILDSCI. The QSPI uses a separate field, ILQSPI. The level value is used to determine which interrupt is serviced first when two or more modules or external peripherals simultaneously request an interrupt. The user can select among 32 levels. This register can be accessed only when the CPU is in supervisor mode.



**Figure 14-5. QSM2 Dual SCI Interrupt Level Register (QDSCI\_IL)**

**Table 14-8. QDSCI\_IL Bit Descriptions**

| Bits | Name   | Description  |
|------|--------|--|
| 0:2  | —      | Reserved   |
| 3:7  | ILDSCI | Interrupt level of Dual SCIs<br>00000lowest interrupt level request (level 0)<br>11111highest interrupt level request (level 31) |
| 8:15 | —      | Reserved   |

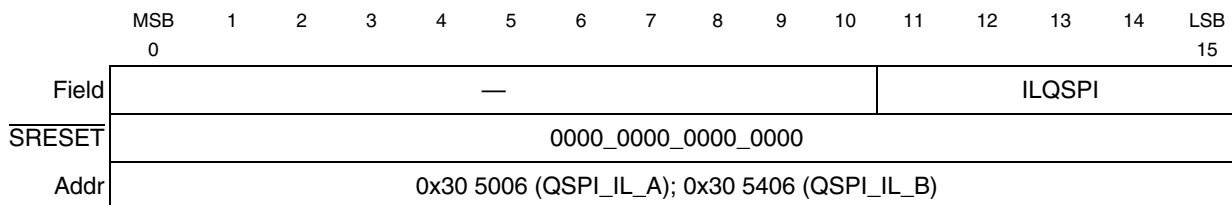


Figure 14-6. QSPI Interrupt Level Register (QSPI\_IL)

Table 14-9. QSPI\_IL Bit Descriptions

| Bits  | Name   | Description  |
|-------|--------|--|
| 0:10  | —      | Reserved   |
| 11:15 | ILQSPI | Interrupt level of SPI<br>00000lowest interrupt level request (level 0)<br>11111highest interrupt level request (level 31) |

## 14.5 QSMCM Pin Control Registers

Table 14-10 lists the three QSMCM pin control registers.

Table 14-10. QSMCM Pin Control Registers

| Address                | Register  |
|------------------------|---|
| 0x30 5014<br>0x30 5414 | QSMCM Port Data Register (PORTQS)<br>See Section 14.5.1, “Port QS Data Register (PORTQS)” for bit descriptions. |
| 0x30 5016<br>0x30 5416 | PORTQS Pin Assignment Register (PQSPAR)<br>See Table 14-14 for bit descriptions.                                |
| 0x30 5017<br>0x30 5417 | PORTQS Data Direction Register (DDRQS)<br>See Table 14-15 for bit descriptions.                                 |

Each QSMCM uses 12 pins. Eleven of the pins (nine on QSMCM B), when not being used by the serial sub-systems, form a parallel port on the MCU. (The ECK pin is a dedicated external clock source.)

The Port QS pin assignment register (PQSPAR) governs the usage of QSPI pins. Clearing a bit assigns the corresponding pin to general-purpose I/O; setting a bit assigns the pin to the QSPI. QPAPCS[3] (bit 1) of PQSPAR\_B selects between the J1850\_TX/J1850\_RX and B\_PCS[3]/B\_RXD2.

PQSPAR does not affect operation of the SCI. When the SCIx transmitter is disabled, TXDx is a digital output; when the SCIx receiver is disabled, RXDx is a digital input. When the SCIx transmitter or receiver is enabled, the associated TXDx or RXDx pin is assigned its SCI function.

The port QS data direction register (DDRQS) determines whether QSPI pins are inputs or outputs. Clearing a bit makes the corresponding pin an input; setting a bit makes the pin an output. DDRQS affects both QSPI function and I/O function. Table 14-15 summarizes the effect of DDRQS bits on QSPI pin function.

DDRQS does not affect SCI pin function. TXDx pins are always outputs, and RXDx pins are always inputs, regardless of whether they are functioning as SCI pins or as PORTQS pins.

The port QS data register (PORTQS) latches I/O data. PORTQS writes drive pins defined as outputs. PORTQS reads return data present on the pins. To avoid driving undefined data, write data to PORTQS before configuring DDRQS.

**Table 14-11. Effect of DDRQS on QSPI Pin Function**

| QSMCM Pin               | Mode   | DDRQS Bit | Bit State | Pin Function                 |
|-------------------------|--------|-----------|-----------|------------------------------|
| MISO                    | Master | DDQS[0]   | 0         | Serial data input to QSPI    |
|                         |        |           | 1         | Disables data input          |
|                         | Slave  |           | 0         | Disables data output         |
|                         |        |           | 1         | Serial data output from QSPI |
| MOSI                    | Master | DDQS[1]   | 0         | Disables data output         |
|                         |        |           | 1         | Serial data output from QSPI |
|                         | Slave  |           | 0         | Serial data input to QSPI    |
|                         |        |           | 1         | Disables data input          |
| SCK <sup>1</sup>        | Master | DDQS[2]   | —         | Clock output from QSPI       |
|                         | Slave  |           | —         | Clock input to QSPI          |
| PCS[0]/ $\overline{SS}$ | Master | DDQS[3]   | 0         | Assertion causes mode fault  |
|                         |        |           | 1         | Chip-select output           |
|                         | Slave  |           | 0         | QSPI slave select input      |
|                         |        |           | 1         | Disables slave select input  |
| PCS[1:3]                | Master | DDQS[4:6] | 0         | Disables chip-select output  |
|                         |        |           | 1         | Chip-select output           |
|                         | Slave  |           | 0         | Inactive                     |
|                         |        |           | 1         | Inactive                     |

<sup>1</sup> SCK/QGPIO6 is a digital I/O pin unless the SPI is enabled (SPE set in SPCR1), in which case it becomes the QSPI serial clock SCK.

### 14.5.1 Port QS Data Register (PORTQS)

PORTQS determines the actual input or output value of a QSMCM port pin if the pin is defined as general-purpose input or output. All QSMCM pins except the ECK pin can be used as general-purpose input and/or output. When the SCIx transmitter is disabled, TXDx is a digital output; when the SCIx receiver is disabled, RXDx is a digital input. Writes to this register affect the pins defined as outputs; reads of this register return the actual value of the pins.

|        |  |   |   |            |            |            |            |   |            |            |            |            |           |            |            |     |
|--------|--|---|---|------------|------------|------------|------------|---|------------|------------|------------|------------|-----------|------------|------------|-----|
|        | MSB  | 1 | 2 | 3          | 4          | 5          | 6          | 7 | 8          | 9          | 10         | 11         | 12        | 13         | 14         | LSB |
|        | 0  |   |   |            |            |            |            |   |            |            |            |            |           |            |            | 15  |
| Field  | —  |   |   | QDR<br>XD2 | QDT<br>XD2 | QDR<br>XD1 | QDT<br>XD1 | 0 | QDP<br>CS3 | QDP<br>CS2 | QDP<br>CS1 | QDPC<br>S0 | QDS<br>CK | QDM<br>OSI | QDM<br>ISO |     |
| SRESET | 0000                                       |   |   | 0          | 1          | 0          | 1          |   | 0          | 0          | 0          | 0          | 0         | 0          | 0          |     |
| Addr   | 0x30 5014 (PORTQS_A); 0x30 5414 (PORTQS_B) |   |   |            |            |            |            |   |            |            |            |            |           |            |            |     |

Figure 14-7. PORTQS — Port QS Data Register

### 14.5.2 PORTQS Pin Assignment Register (PQSPAR)

PQSPAR determines which of the QSPI pins, with the exception of the SCK pin, are used by the QSPI submodule, and which pins are available for general-purpose I/O. Pins may be assigned on a pin-by-pin basis. If the QSPI is disabled, the SCK pin is automatically assigned its general-purpose I/O function (QGPI06).

QSPI pins designated by PQSPAR as general-purpose I/O pins are controlled only by DDRQS and PORTQS; the QSPI has no effect on these pins. PQSPAR does not affect the operation of the SCI submodule.

Table 14-12 and Table 14-13 summarizes the QSMCM pin functions.

Table 14-12. QSMCM A Pin Functions

| PORTQS Function | QSMCM Function |
|-----------------|----------------|
| QGPI2           | RXD2           |
| QGPO2           | TXD2           |
| QGPI1           | RXD1           |
| QGPO1           | TXD1           |
| QGPI06          | SCK            |
| QGPI05          | MOSI           |
| QGPI04          | MISO           |
| QGPI03          | PCS3           |
| QGPI02          | PCS2           |
| QGPI01          | PCS1           |
| QGPI00          | PCS0           |

Table 14-13. QSMCM B Pin Functions

| PORTQS Function | QSMCM Function |
|-----------------|----------------|
| J1850_RX        | RXD2           |
| QGPO2           | TXD2           |
| QGPI1           | RXD1           |

**Table 14-13. QSMCM B Pin Functions (continued)**

| PORTQS Function | QSMCM Function |
|-----------------|----------------|
| QGPO1           | TXD1           |
| QGPI06          | SCK            |
| QGPI05          | MOSI           |
| QGPI04          | MISO           |
| J1850_TX        | PCS3           |
| QGPI02          | PCS2           |
| QGPI01          | PCS1           |
| QGPI00          | PCS[0]         |

|        | MSB  | 1       | 2       | 3       | 4       | 5 | 6       | 7       | 8      | 9 | 10 | 11 | 12 | 13 | 14 | LSB |
|--------|--|---------|---------|---------|---------|---|---------|---------|--------|---|----|----|----|----|----|-----|
|        | 0  |         |         |         |         |   |         |         |        |   |    |    |    |    |    | 15  |
| Field  | —  | QPAPCS3 | QPAPCS2 | QPAPCS1 | QPAPCS0 | — | QPAMOSI | QPAMISO | DDRQS* |   |    |    |    |    |    |     |
| SRESET | 0000_0000_0000_0000                        |         |         |         |         |   |         |         |        |   |    |    |    |    |    |     |
| Addr   | 0x30 5016 (PQSPAR_A); 0x30 5416 (PQSPAR_B) |         |         |         |         |   |         |         |        |   |    |    |    |    |    |     |

**Note:** See bit descriptions in [Table 14-15](#)

**Figure 14-8. PORTQS Pin Assignment Register (PQSPAR)**

**Table 14-14. PQSPAR Bit Descriptions**

| Bits | Name    | Description   |
|------|---------|---|
| 0    | —       | Reserved  |
| 1    | QPAPCS3 | 0 Pin is assigned QGPI0[3] in QSMCM A or J1850_TX on QSMCM B<br>1 Pin is assigned PCS[3] function<br>When J1850_TX is selected, B_RXD2 becomes J1850_RX |
| 2    | QPAPCS2 | 0 Pin is assigned QGPI0[2]<br>1 Pin is assigned PCS[2] function   |
| 3    | QPAPCS1 | 0 Pin is assigned QGPI0[3]<br>1 Pin is assigned PCS[3]  |
| 4    | QPAPCS0 | 0 Pin is assigned QGPI0[0]<br>1 Pin is assigned PCS[0] function   |
| 5    | —       | Reserved  |
| 6    | QPAMOSI | 0 Pin is assigned QGPI0[5]<br>1 Pin is assigned MOSI function   |
| 7    | QPAMISO | 0 Pin is assigned QGPI0[4]<br>1 Pin is assigned MISO function   |
| 8:15 | DDRQS   | PORSTQS data direction register. See Section 14.5.3, “PORTQS Data Direction Register (DDRQS),” on page 14-15.   |



### 14.5.3 PORTQS Data Direction Register (DDRQS)

DDRQS assigns QSPI pin as an input or an output regardless of whether the QSPI submodule is enabled or disabled. All QSPI pins are configured during reset as general-purpose inputs.

This register does not affect SCI operation. The TXD1 and TXD2 remain output pins dedicated to the SCI submodules, and the RXD1, RXD2, and ECK pins remain input pins dedicated to the SCI submodules.

|        |  |   |   |   |   |   |   |   |             |             |             |             |        |         |         |     |  |
|--------|--|---|---|---|---|---|---|---|-------------|-------------|-------------|-------------|--------|---------|---------|-----|--|
|        | MSB                                      | 1 | 2 | 3 | 4 | 5 | 6 | 7 | 8           | 9           | 10          | 11          | 12     | 13      | 14      | LSB |  |
|        | 0  |   |   |   |   |   |   |   |             |             |             |             |        |         |         | 15  |  |
| Field  | PQSPAR*                                  |   |   |   |   |   |   | — | QDDP<br>CS3 | QDDP<br>CS2 | QDDP<br>CS1 | QDDP<br>CS0 | QDDSCK | QDDMOSI | QDDMISO |     |  |
| SRESET | 0000_0000_0000_0000                      |   |   |   |   |   |   |   |             |             |             |             |        |         |         |     |  |
| Addr   | 0x30 5016 (DDRQS_A); 0x30 5416 (DDRQS_B) |   |   |   |   |   |   |   |             |             |             |             |        |         |         |     |  |

**Note:** See bit descriptions in [Table 14-14](#)

**Figure 14-9. PORTQS Data Direction Register (DDRQS)**

**Table 14-15. DDRQS Bit Descriptions**

| Bits | Name     | Description   |
|------|----------|---|
| 0:7  | PQSPAR   | PORTSQS pin assignment register. See <a href="#">Section 14.5.2, “PORTQS Pin Assignment Register (PQSPAR).”</a> |
| 8    | —        | Reserved  |
| 9    | QDDPCS3  | QSPI pin data direction for the pin PCS3<br>0 Pin direction is input<br>1 Pin direction is output               |
| 10   | QDDPCS2  | QSPI pin data direction for the pin PCS2<br>0 Pin direction is input<br>1 Pin direction is output               |
| 11   | QDDPCS1  | QSPI pin data direction for the pin PCS1<br>0 Pin direction is input<br>1 Pin direction is output               |
| 12   | QDDPCS0  | QSPI pin data direction for the pin PCS0<br>0 Pin direction is input<br>1 Pin direction is output               |
| 13   | QDDSCK   | QSPI pin data direction for the pin SCK<br>0 Pin direction is input<br>1 Pin direction is output                |
| 14   | QPD MOSI | QSPI pin data direction for the pin MOSI<br>0 Pin direction is input<br>1 Pin direction is output               |
| 15   | QPD MISO | QSPI pin data direction for the pin MISO<br>0 Pin direction is input<br>1 Pin direction is output               |

## 14.6 Queued Serial Peripheral Interface

The queued serial peripheral interface (QSPI) is used to communicate with external devices through a synchronous serial bus. The QSPI is fully compatible with SPI systems found on other Freescale products, but has enhanced capabilities. The QSPI can perform full duplex three-wire or half duplex two-wire transfers. Several transfer rates, clocking, and interrupt-driven communication options are available. Figure 14-10 is a block diagram of the QSPI.

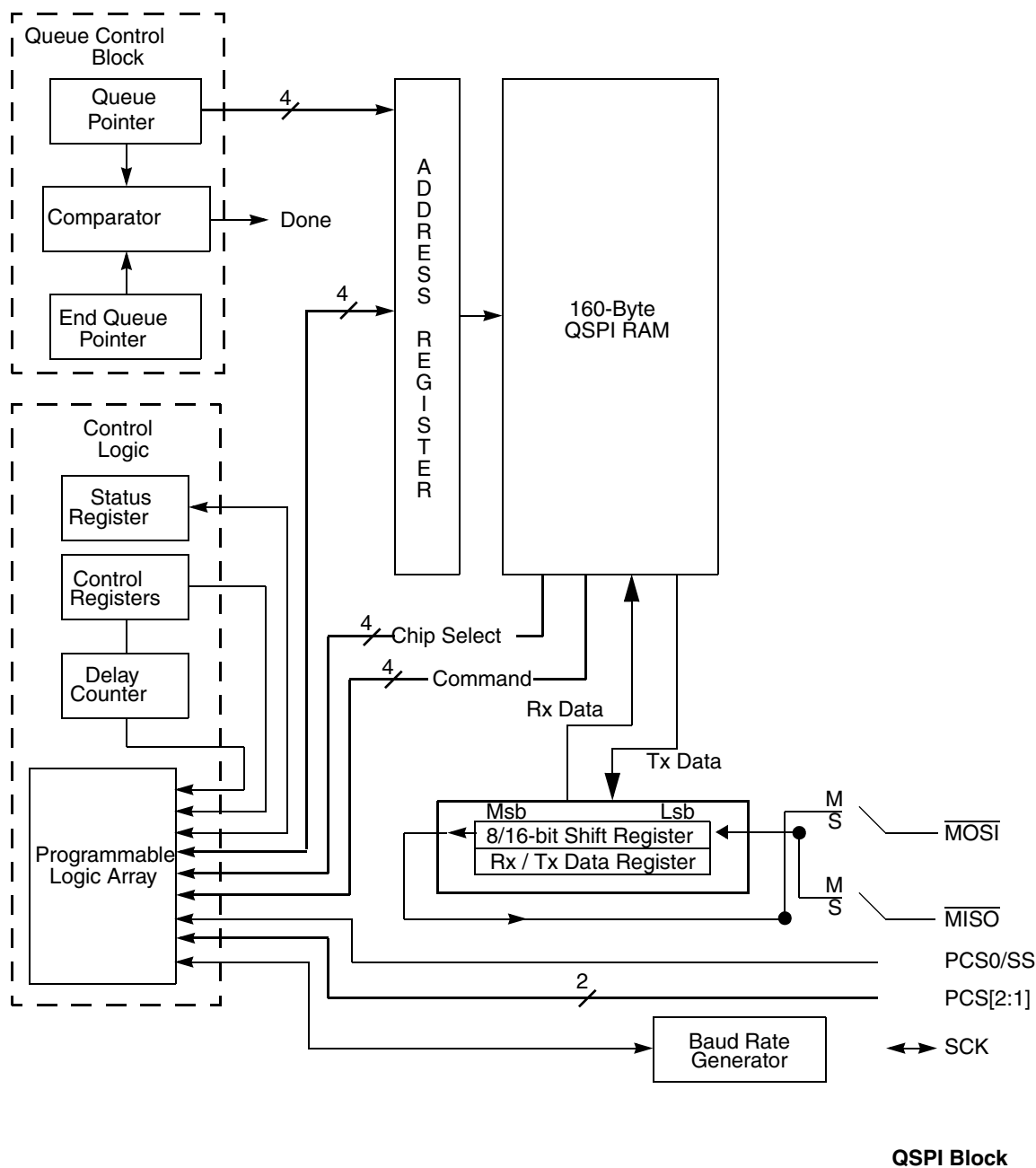


Figure 14-10. QSPI Block Diagram

Serial transfers of eight to 16 bits can be specified. Programmable transfer length simplifies interfacing to devices that require different data lengths.

An inter-transfer delay of approximately 0.8 to 204  $\mu$ s (using a 40-MHz IMB3 clock) can be programmed. The default delay is 17 clocks (0.425  $\mu$ s at 40 MHz). Programmable delay simplifies the interface to devices that require different delays between transfers.

A dedicated 160-byte RAM is used to store received data, data to be transmitted, and a queue of commands. The CPU can access these locations directly. This allows serial peripherals to be treated like memory-mapped parallel devices.

The command queue allows the QSPI to perform up to 32 serial transfers without CPU intervention. Each queue entry contains all the information needed by the QSPI to independently complete one serial transfer.

A pointer identifies the queue location containing the data and command for the next serial transfer. Normally, the pointer address is incremented after each serial transfer, but the CPU can change the pointer value at any time. Support for multiple tasks can be provided by segmenting the queue.

The QSPI has four peripheral chip-select pins. The chip-select signals simplify interfacing by reducing CPU intervention. If the chip-select signals are externally decoded, 16 independent select signals can be generated.

Wrap-around mode allows continuous execution of queued commands. In wraparound mode, newly received data replaces previously received data in the receive RAM. Wrap-around mode can simplify the interface with A/D converters by continuously updating conversion values stored in the RAM.

Continuous transfer mode allows transfer of an uninterrupted bit stream. From eight to 512 bits can be transferred without CPU intervention. Longer transfers are possible, but minimal intervention is required to prevent loss of data. A standard delay of 17 IMB3 clocks (0.8  $\mu$ s with a 40-MHz IMB3 clock) is inserted between the transfer of each queue entry.

### 14.6.1 QSPI Registers

The QSPI memory map, shown in [Table 14-16](#), includes the QSMCM global and pin control registers, four QSPI control registers (SPCR[0:3]), the status register (SPSR), and the QSPI RAM. Registers and RAM can be read and written by the CPU. The memory map can be divided into supervisor-only data space and assignable data space. The address offsets shown are from the base address of the QSMCM module. Refer to [Figure 1-3](#) for a diagram of the MPC565 internal memory map.

**Table 14-16. QSPI Register Map**

| Access <sup>1</sup> | Address                      | Msb <sup>2</sup>   | Lsb |
|---------------------|------------------------------|--|-----|
| S/U                 | 0x30 5018(A)<br>0x30 5418(B) | QSPI Control Register 0 (SPCR0)<br>See <a href="#">Table 14-17</a> for bit descriptions. |     |
| S/U                 | 0x30 501A(A)<br>0x30 541A(B) | QSPI Control Register 1 (SPCR1)<br>See <a href="#">Table 14-19</a> for bit descriptions. |     |
| S/U                 | 0x30 501C(A)<br>0x30 541C(B) | QSPI Control Register 2 (SPCR2)<br>See <a href="#">Table 14-20</a> for bit descriptions. |     |

**Table 14-16. QSPI Register Map (continued)**

| Access <sup>1</sup> | Address  | Msb <sup>2</sup>   | Lsb  |
|---------------------|--|--|--|
| S/U                 | 0x30 501E/<br>0x30 501F(A)<br>0x30 541E/<br>0x30 541F(B)   | QSPI Control Register 3 (SPCR3)<br>See Table 14-21 for bit descriptions. | QSPI Status Register (SPSR)<br>See Table 14-22 for bit descriptions. |
| S/U                 | 0x30 5140 –<br>0x30 517F(A)<br>0x30 5540 –<br>0x30 557F(B) | Receive Data RAM (32 half-words)   |  |
| S/U                 | 0x30 5180 –<br>0x30 51BF(A)<br>0x30 5580 –<br>0x30 55BF(B) | Transmit Data RAM (32 half-words)  |  |
| S/U                 | 0x30 51C0 –<br>0x30 51DF(A)<br>0x30 55C0 –<br>0x30 55DF(B) | Command RAM (32 bytes)   |  |

<sup>1</sup> S = Supervisor access only

S/U = Supervisor access only or unrestricted user access (assignable data space).

<sup>2</sup> 8-bit registers, such as SPCR3 and SPSR, are on 8-bit boundaries. 16-bit registers such as SPCR0 are on 16-bit boundaries.

To ensure proper operation, set the QSPI enable bit (SPE) in SPCR1 only after initializing the other control registers. Setting this bit starts the QSPI.

Rewriting the same value to a control register does not affect QSPI operation with the exception of writing NEWQP in SPCR2. Rewriting the same value to these bits causes the RAM queue pointer to restart execution at the designated location.

Before changing control bits, the QSPI should be halted. Writing a different value into a control register other than SPCR2 while the QSPI is enabled may disrupt operation. SPCR2 is buffered, preventing any disruption of the current serial transfer. After the current serial transfer is completed, the new SPCR2 value becomes effective.

### 14.6.1.1 QSPI Control Register 0 (SPCR0)

SPCR0 contains parameters for configuring the QSPI before it is enabled. The CPU has read/write access to SPCR0, but the QSPI has read access only. SPCR0 must be initialized before QSPI operation begins. Writing a new value to SPCR0 while the QSPI is enabled disrupts operation.

|                            |  |      |      |   |   |      |      |           |   |   |    |    |    |    |    |     |
|----------------------------|--|------|------|---|---|------|------|-----------|---|---|----|----|----|----|----|-----|
|                            | MSB                                      | 1    | 2    | 3 | 4 | 5    | 6    | 7         | 8 | 9 | 10 | 11 | 12 | 13 | 14 | LSB |
|                            | 0  |      |      |   |   |      |      |           |   |   |    |    |    |    |    | 15  |
| Field                      | MSTR                                     | WOMQ | BITS |   |   | CPOL | CPHA | SPBR      |   |   |    |    |    |    |    |     |
| $\overline{\text{SRESET}}$ | 0  | 0    | 0000 |   |   | 0    | 1    | 0000_0100 |   |   |    |    |    |    |    |     |
| Addr                       | 0x30 5018 (SPCR0_A); 0x30 5418 (SPCR0_B) |      |      |   |   |      |      |           |   |   |    |    |    |    |    |     |

**Figure 14-11. QSPI Control Register 0 (SPCR0)**

**Table 14-17. SPCR0 Bit Descriptions**

| Bits | Name | Description  |
|------|------|--|
| 0    | MSTR | Master/slave mode select<br>0 QSPI is a slave device and only responds to externally generated serial transfers.<br>1 QSPI is the system master and can initiate transmission to external SPI devices.   |
| 1    | WOMQ | Wired-OR mode for QSPI pins. This bit controls the QSPI pins regardless of whether they are used as general-purpose outputs or as QSPI outputs, and regardless of whether the QSPI is enabled or disabled.<br>0 Pins designated for output by DDRQS operate in normal mode.<br>1 Pins designated for output by DDRQS operate in open drain mode.   |
| 2:5  | BITS | Bits per transfer. In master mode, when BITSE is set in a command RAM byte, BITS determines the number of data bits transferred. When BITSE is cleared, eight bits are transferred regardless of the value in BITS. In slave mode, the BITS field always determines the number of bits the QSPI will receive during each transfer before storing the received data.<br>Data transfers from 8 to 16 bits are supported. Illegal (reserved) values default to eight bits. <a href="#">Table 14-18</a> shows the number of bits per transfer. |
| 6    | CPOL | Clock polarity. CPOL is used to determine the inactive state of the serial clock (SCK). It is used with CPHA to produce a desired clock/data relationship between master and slave devices.<br>0 The inactive state of SCK is logic zero.<br>1 The inactive state of SCK is logic one.   |
| 7    | CPHA | Clock phase. CPHA determines which edge of SCK causes data to change and which edge causes data to be captured. CPHA is used with CPOL to produce a desired clock/data relationship between master and slave devices.<br>0 Data is captured on the leading edge of SCK and changed on the trailing edge of SCK.<br>1 Data is changed on the leading edge of SCK and captured on the trailing edge of SCK   |
| 8:15 | SPBR | Serial clock baud rate. The QSPI uses a modulus counter to derive the SCK baud rate from the MCU IMB3 clock. Baud rate is selected by writing a value from 2 to 255 into SPBR. The following equation determines the SCK baud rate:<br><br>$\text{SCK Baud Rate} = \frac{f_{\text{SYS}}}{2 \times \text{SPBR}}$<br>Refer to <a href="#">Section 14.6.5.2, "Baud Rate Selection"</a> for more information.  |

**Table 14-18. Bits Per Transfer**

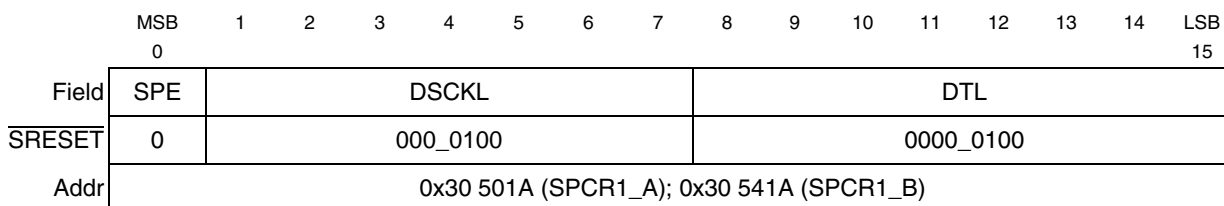
| Bits[3:0]    | Bits per Transfer        |
|--------------|--------------------------|
| 0000         | 16                       |
| 0001 to 0111 | Reserved (defaults to 8) |
| 1000         | 8                        |
| 1001         | 9                        |
| 1010         | 10                       |
| 1011         | 11                       |
| 1100         | 12                       |
| 1101         | 13                       |

**Table 14-18. Bits Per Transfer (continued)**

| Bits[3:0] | Bits per Transfer |
|-----------|-------------------|
| 1110      | 14                |
| 1111      | 15                |

### 14.6.1.2 QSPI Control Register 1 (SPCR1)

SPCR1 enables the QSPI and specifies transfer delays. The CPU has read/write access to SPCR1, but the QSPI has read access only to all bits except SPE. SPCR1 must be written last during initialization because it contains SPE. The QSPI automatically clears this bit after it completes all serial transfers or when a mode fault occurs. Writing a new value to SPCR1 while the QSPI is enabled disrupts operation.



**Figure 14-12. SPCR1 — QSPI Control Register**

**Table 14-19. SPCR1 Bit Descriptions**

| Bits | Name | Description  |
|------|------|--|
| 0    | SPE  | QSPI enable. Refer to <a href="#">Section 14.6.4.1, “Enabling, Disabling, and Halting the QSPI.”</a><br>0 QSPI is disabled. QSPI pins can be used for general-purpose I/O.<br>1 QSPI is enabled. Pins allocated by PQSPAR are controlled by the QSPI.  |
| 1:7  | DCKL | Delay before SCK. When the DCKL bit is set in a command RAM byte, this field determines the length of the delay from PCS valid to SCK transition. The following equation determines the actual delay before SCK:<br>$\text{PCS to SCK Delay} = \frac{\text{DCKL}}{f_{\text{SYS}}}$ where DCKL is in the range of 1 to 127.<br>Refer to <a href="#">Section 14.6.5.3, “Delay Before Transfer”</a> for more information.   |
| 8:15 | DTL  | Length of delay after transfer. When the DT bit is set in a command RAM byte, this field determines the length of the delay after a serial transfer. When the DT bit is cleared (default) in the command RAM byte, the standard delay is inserted. The following equation is used to calculate the delay:<br>$\text{Delay after Transfer} = \frac{32 \cdot \text{DTL}}{f_{\text{SYS}}}$ A DTL value of 0 is a special case and causes the delay to be calculated as follows:<br>$\text{Delay after Transfer} = \frac{32(256)}{f_{\text{SYS}}}$ Refer to <a href="#">Section 14.6.5.4, “Delay After Transfer”</a> for more information. |

### 14.6.1.3 QSPI Control Register 2 (SPCR2)

SPCR2 contains QSPI queue pointers, wraparound mode control bits, and an interrupt enable bit. The CPU has read/write access to SPCR2, but the QSPI has read access only. Writes to this register are buffered. New SPCR2 values become effective only after completion of the current serial transfer. Rewriting NEWQP in SPCR2 causes execution to restart at the designated location. Reads of SPCR2 return the current value of the register, not the buffer.

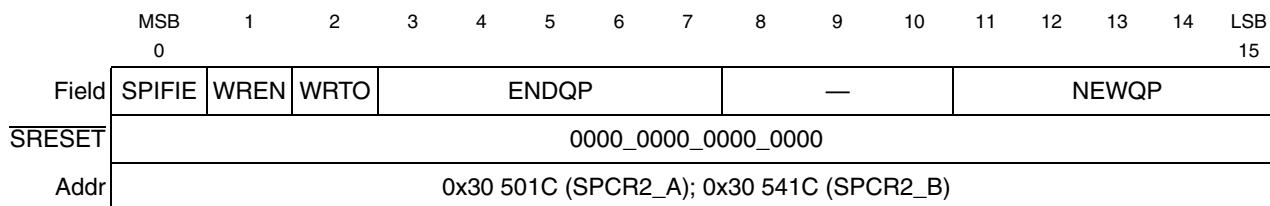


Figure 14-13. SPCR2 — QSPI Control Register 2

Table 14-20. SPCR2 Bit Descriptions

| Bits  | Name   | Description   |
|-------|--------|---|
| 0     | SPIFIE | SPI finished interrupt enable. Refer to <a href="#">Section 14.6.4.2, “QSPI Interrupts.”</a><br>0 QSPI interrupts disabled<br>1 QSPI interrupts enabled   |
| 1     | WREN   | Wrap enable. Refer to <a href="#">Section 14.6.5.7, “Master Wraparound Mode.”</a><br>0 Wraparound mode disabled.<br>1 Wraparound mode enabled.  |
| 2     | WRTO   | Wrap to. When wraparound mode is enabled and after the end of queue has been reached, WRTO determines which address the QSPI executes next. The end of queue is determined by an address match with ENDQP.<br>0 Wrap to pointer address 0x0<br>1 Wrap to address in NEWQP   |
| 3:7   | ENDQP  | Ending queue pointer. This field determines the last absolute address in the queue to be completed by the QSPI. After completing each command, the QSPI compares the queue pointer value of the just-completed command with the value of ENDQP. If the two values match, the QSPI sets SPIF to indicate it has reached the end of the programmed queue. Refer to <a href="#">Section 14.6.4, “QSPI Operation”</a> for more information. |
| 8:10  | —      | Reserved  |
| 11:15 | NEWQP  | New queue pointer value. This field contains the first QSPI queue address. Refer to <a href="#">Section 14.6.4, “QSPI Operation”</a> for more information.  |

### 14.6.1.4 QSPI Control Register 3 (SPCR3)

SPCR3 contains the loop mode enable bit, halt and mode fault interrupt enable, and the halt control bit. The CPU has read/write access to SPCR3, but the QSPI has read access only. SPCR3 must be initialized before QSPI operation begins. Writing a new value to SPCR3 while the QSPI is enabled disrupts operation.

|        |  |   |   |   |       |      |      |       |   |   |    |    |    |    |    |     |
|--------|--|---|---|---|-------|------|------|-------|---|---|----|----|----|----|----|-----|
|        | MSB                                      | 1 | 2 | 3 | 4     | 5    | 6    | 7     | 8 | 9 | 10 | 11 | 12 | 13 | 14 | LSB |
|        | 0  |   |   |   |       |      |      |       |   |   |    |    |    |    |    | 15  |
| Field  | —  |   |   |   | LOOPQ | HMIE | HALT | SPSR* |   |   |    |    |    |    |    |     |
| SRESET | 0000_0000_0000_0000                      |   |   |   |       |      |      |       |   |   |    |    |    |    |    |     |
| Addr   | 0x30 501E (SPCR3_A); 0x30 541E (SPCR3_B) |   |   |   |       |      |      |       |   |   |    |    |    |    |    |     |

Note: See bit descriptions in [Table 14-22](#)

**Figure 14-14. SPCR3 — QSPI Control Register 3**

**Table 14-21. SPCR3 Bit Descriptions**

| Bits | Name  | Description   |
|------|-------|---|
| 0:4  | —     | Reserved  |
| 5    | LOOPQ | QSPI loop mode. LOOPQ controls feedback on the data serializer for testing.<br>0 Feedback path disabled.<br>1 Feedback path enabled.  |
| 6    | HMIE  | HALTA and MODF interrupt enable. HMIE enables interrupt requests generated by the HALTA status flag or the MODF status flag in SPSR.<br>0 HALTA and MODF interrupts disabled.<br>1 HALTA and MODF interrupts enabled.   |
| 7    | HALT  | Halt QSPI. When HALT is set, the QSPI stops on a queue boundary. It remains in a defined state from which it can later be restarted. Refer to <a href="#">Section 14.6.4.1, “Enabling, Disabling, and Halting the QSPI.”</a><br>0 QSPI operates normally.<br>1 QSPI is halted for subsequent restart. |
| 8:15 | —     | SPSR. See <a href="#">Table 14-22</a> for bit descriptions.   |

### 14.6.1.5 QSPI Status Register (SPSR)

The SPSR contains information concerning the current serial transmission. Only the QSPI can set bits in this register. To clear status flags, the CPU reads SPSR with the flags set and then writes the SPSR with zeros in the appropriate bits. Writes to CPTQP have no effect.

|        |   |   |   |   |   |   |      |      |       |       |    |    |    |    |    |     |
|--------|---|---|---|---|---|---|------|------|-------|-------|----|----|----|----|----|-----|
|        | MSB   | 1 | 2 | 3 | 4 | 5 | 6    | 7    | 8     | 9     | 10 | 11 | 12 | 13 | 14 | LSB |
|        | 0   |   |   |   |   |   |      |      |       |       |    |    |    |    |    | 15  |
| Field  | SPCR3 <sup>1</sup>                                  |   |   |   |   |   | SPIF | MODF | HALTA | CPTQP |    |    |    |    |    |     |
| SRESET | 0000_0000_0000_0000                                 |   |   |   |   |   |      |      |       |       |    |    |    |    |    |     |
| Addr   | 0x30 501E (SPSR_A); 0x30 541E (SPSR_B) <sup>2</sup> |   |   |   |   |   |      |      |       |       |    |    |    |    |    |     |

<sup>1</sup>See bit descriptions in [Table 14-21](#)

<sup>2</sup>SPSR can be accessed as an 8-bit register at location 0x30 501F or 0x30 541F.

**Figure 14-15. QSPI Status Register (SPSR)**



**Table 14-22. SPSR Bit Descriptions**

| Bits  | Name  | Description  |
|-------|-------|--|
| 0:7   | SPCR3 | See bit descriptions in <a href="#">Table 14-21</a> .  |
| 8     | SPIF  | QSPI finished flag. SPIF is set after execution of the command at the address in ENDQP in SPCR2. If wraparound mode is enabled (WREN = 1), the SPIF is set, after completion of the command defined by ENDQP, each time the QSPI cycles through the queue.<br>0 QSPI is not finished<br>1 QSPI is finished   |
| 9     | MODF  | Mode fault flag. The QSPI asserts MODF when the QSPI is in master mode (MSTR = 1) and the $\overline{SS}$ input pin is negated by an external driver. Refer to <a href="#">Section 14.6.8, "Mode Fault"</a> for more information.<br>0 Normal operation<br>1 Another SPI node requested to become the network SPI master while the QSPI was enabled in master mode ( $\overline{SS}$ input taken low).   |
| 10    | HALTA | Halt acknowledge flag. HALTA is set when the QSPI halts in response to setting the HALT bit in SPCR3. HALTA is also set when the IMB3 FREEZE signal is asserted, provided the FRZ1 bit in the QSMCMMCR is set. To prevent undefined operation, no modification should be made to any QSPI control registers or RAM while the QSPI is halted.<br>If HMIE in SPCR3 is set the QSPI sends interrupt requests to the CPU when HALTA is asserted.<br>0 QSPI is not halted.<br>1 QSPI is halted                            |
| 11:15 | CPTQP | Completed queue pointer. CPTQP points to the last command executed. It is updated when the current command is complete. When the first command in a queue is executing, CPTQP contains either the reset value 0x0 or a pointer to the last command completed in the previous queue.<br>If the QSPI is halted, CPTQP may be used to determine which commands have not been executed. The CPTQP may also be used to determine which locations in the receive data segment of the QSPI RAM contain valid received data. |

## 14.6.2 QSPI RAM

The QSPI contains a 160-byte block of dual-ported static RAM that can be accessed by both the QSPI and the CPU. Because of this dual access capability, up to two wait states may be inserted into CPU access time if the QSPI is in operation.

The size and type of access of the QSPI RAM by the CPU affects the QSPI access time. The QSPI allows byte, half-word, and word accesses. Only word accesses of the RAM by the CPU are coherent because these accesses are an indivisible operation. If the CPU makes a coherent access of the QSPI RAM, the QSPI cannot access the QSPI RAM until the CPU is finished. However, a word or misaligned word access is not coherent because the CPU must break its access of the QSPI RAM into two parts, which allows the QSPI to access the QSPI RAM between the two accesses by the CPU.

The RAM is divided into three segments: receive data RAM, transmit data RAM, and command data RAM. Receive data is information received from a serial device external to the MCU. Transmit data is information stored for transmission to an external device. Command data defines transfer parameters. [Figure 14-16](#) shows RAM organization.

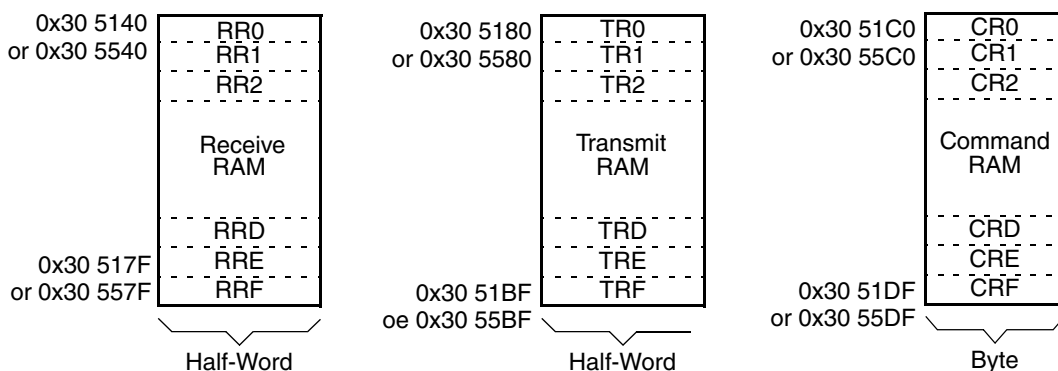


Figure 14-16. QSPI RAM

### 14.6.2.1 Receive RAM

Data received by the QSPI is stored in this segment, to be read by the CPU. Data stored in the receive RAM is right-justified, (i.e., the least significant bit is always in the right-most bit position within the word regardless of the serial transfer length). Unused bits in a receive queue entry are set to zero by the QSPI upon completion of the individual queue entry. The CPU can access the data using byte, half-word, or word addressing.

The CPTQP value in SPSR shows which queue entries have been executed. The CPU uses this information to determine which locations in receive RAM contain valid data before reading them.

### 14.6.2.2 Transmit RAM

Data that is to be transmitted by the QSPI is stored in this segment. The CPU normally writes one word of data into this segment for each queue command to be executed. If the corresponding peripheral, such as a serial input port, is used solely to input data, then this segment does not need to be initialized.

Data must be written to transmit RAM in a right-justified format. The QSPI cannot modify information in the transmit RAM. The QSPI copies the information to its data serializer for transmission. Information remains in transmit RAM until overwritten.

### 14.6.2.3 Command RAM

Command RAM is used by the QSPI in master mode. The CPU writes one byte of control information to this segment for each QSPI command to be executed. The QSPI cannot modify information in command RAM.

Command RAM consists of 32 bytes. Each byte is divided into two fields. The peripheral chip-select field, enables peripherals for transfer. The command control field provides transfer options.

A maximum of 32 commands can be in the queue. These bytes are assigned an address from 0x00 to 0x1F. Queue execution by the QSPI proceeds from the address in NEWQP through the address in ENDQP. (Both of these fields are in SPCR2.)

|                 |       |    |      |                        |      |      |                   |
|-----------------|-------|----|------|------------------------|------|------|-------------------|
| MSB<br>0        | 1     | 2  | 3    | 4                      | 5    | 6    | LSB<br>7          |
| CONT            | BITSE | DT | DSCK | PCS3                   | PCS2 | PCS1 | PCS0 <sup>1</sup> |
| —               | —     | —  | —    | —                      | —    | —    | —                 |
| CONT            | BITSE | DT | DSCK | PCS3                   | PCS2 | PCS1 | PCS0 <sup>1</sup> |
| Command Control |       |    |      | Peripheral Chip Select |      |      |                   |

<sup>1</sup> The PCS[0] bit represents the dual-function PCS[0]/ $\overline{SS}$ .

**Figure 14-17. CR[0:F] — Command RAM 0x30 51C0–0x30 51DF  
0x30 55C0–0x30 55DF**

**Table 14-23. Command RAM Bit Descriptions**

| Bits | Name     | Description  |
|------|----------|--|
| 0    | CONT     | Continue<br>0 Control of chip selects returned to PORTQS after transfer is complete.<br>1 Peripheral chip selects remain asserted after transfer is complete.  |
| 1    | BITSE    | Bits per transfer enable<br>0 Eight bits<br>1 Number of bits set in BITS field of SPCR0.   |
| 2    | DT       | Delay after transfer<br>0 Delay after transfer is $17 \div f_{SYS}$ .<br>1 SPCR1 DTL[7:0] specifies delay after transfer PCS valid to SCK.   |
| 3    | DSCK     | PCS to SCK Delay<br>0 PCS valid to SCK delay is one-half SCK.<br>1 SPCR1 DSCKL[6:0] specifies delay from PCS valid to SCK.   |
| 4:7  | PCS[3:0] | Peripheral chip selects. Use peripheral chip-select bits to select an external device for serial data transfer. More than one peripheral chip select may be activated at a time, and more than one peripheral chip can be connected to each PCS pin, provided proper fanout is observed. PCS0 shares a pin with the slave select ( $\overline{SS}$ ) signal, which initiates slave mode serial transfer. If $\overline{SS}$ is taken low when the QSPI is in master mode, a mode fault occurs. |

Refer to [Section 14.6.5, “Master Mode Operation”](#) for more information on the command RAM.

### 14.6.3 QSPI Signals

Seven signals are associated with the QSPI. When not needed by the QSPI, they can be configured for general-purpose I/O. [Table 14-24](#) identifies the QSPI signals and their functions. Register DDRQS determines whether the signals are designated as input or output. The user must initialize DDRQS for the QSPI to function correctly.

**Table 14-24. QSPI Signal Functions**

| Signal Name         | Mnemonic          | Mode            | Function  |
|---------------------|-------------------|-----------------|---|
| Master in slave out | $\overline{MISO}$ | Master<br>Slave | Serial data input to QSPI<br>Serial data output from QSPI |

**Table 14-24. QSPI Signal Functions (continued)**

|  |                                  |                 |   |
|--|----------------------------------|-----------------|---|
| Master out slave in  | $\overline{\text{MOSI}}$         | Master<br>Slave | Serial data output from QSPI<br>Serial data input to QSPI |
| Serial clock   | SCK <sup>1</sup>                 | Master<br>Slave | Clock output from QSPI clock<br>Input to QSPI             |
| Peripheral chip selects  | PCS[1:3]                         | Master          | Outputs select peripheral(s)                              |
| Peripheral chip select <sup>2</sup><br>Slave select <sup>3</sup> | PCS0 /<br>$\overline{\text{SS}}$ | Master<br>Slave | Output selects peripheral(s)<br>Input selects the QSPI    |
| Slave select <sup>4</sup>  | $\overline{\text{SS}}$           | Master          | May cause mode fault                                      |

<sup>1</sup> All QSPI pins (except SCK) can be used as general-purpose I/O if they are not used by the QSPI while the QSPI is operating. SCK can only be used for general-purpose I/O if the QSPI is disabled.

<sup>2</sup> An output (PCS0) when the QSPI is in master mode.

<sup>3</sup> An input ( $\overline{\text{SS}}$ ) when the QSPI is in slave mode.

<sup>4</sup> An input ( $\overline{\text{SS}}$ ) when the QSPI is in master mode; useful in multimaster systems.

## 14.6.4 QSPI Operation

The QSPI uses a dedicated 160-byte block of static RAM accessible by both the QSPI and the CPU to perform queued operations. The RAM is divided into three segments: 32 command control bytes, 64 transmit data bytes, and 64 receive data bytes.

Once the CPU has set up a queue of QSPI commands, written the transmit data segment with information to be sent, and enabled the QSPI, the QSPI operates independently of the CPU. The QSPI executes all of the commands in its queue, sets a flag indicating completion, and then either interrupts the CPU or waits for CPU intervention.

QSPI RAM is organized so that one byte of command data, one word of transmit data, and one word of receive data correspond to each queue entry, 0x0 to 0x2F.

The CPU initiates QSPI operation by setting up a queue of QSPI commands in command RAM, writing transmit data into transmit RAM, then enabling the QSPI. The QSPI executes the queued commands, sets a completion flag (SPIF), and then either interrupts the CPU or waits for intervention.

There are four queue pointers. The CPU can access three of them through fields in QSPI registers. The new queue pointer (NEWQP), contained in SPCR2, points to the first command in the queue. An internal queue pointer points to the command currently being executed. The completed queue pointer (CPTQP), contained in SPSR, points to the last command executed. The end queue pointer (ENDQP), contained in SPCR2, points to the final command in the queue.

The internal pointer is initialized to the same value as NEWQP. During normal operation, the command pointed to by the internal pointer is executed, the value in the internal pointer is copied into CPTQP, the internal pointer is incremented, and then the sequence repeats. Execution continues at the internal pointer address unless the NEWQP value is changed. After each command is executed, ENDQP and CPTQP are compared. When a match occurs, the SPIF flag is set and the QSPI stops and clears SPE, unless wraparound mode is enabled.

At reset, NEWQP is initialized to 0x0. When the QSPI is enabled, execution begins at queue address 0x0 unless another value has been written into NEWQP. ENDQP is initialized to 0x0 at reset but should be changed to the last queue entry before the QSPI is enabled. NEWQP and ENDQP can be written at any time. When NEWQP changes, the internal pointer value also changes. However, if NEWQP is written while a transfer is in progress, the transfer is completed normally. Leaving NEWQP and ENDQP set to 0x0 transfers only the data in transmit RAM location 0x0.

#### 14.6.4.1 Enabling, Disabling, and Halting the QSPI

The SPE bit in the SPCR1 enables or disables the QSPI submodule. Setting SPE causes the QSPI to begin operation. If the QSPI is a master, setting SPE causes the QSPI to begin initiating serial transfers. If the QSPI is a slave, the QSPI begins monitoring the PCS0/ $\overline{SS}$  pin to respond to the external initialization of a serial transfer.

When the QSPI is disabled, the CPU may use the QSPI RAM. When the QSPI is enabled, both the QSPI and the CPU have access to the QSPI RAM. The CPU has both read and write access to all 160 bytes of the QSPI RAM. The QSPI can read-only the transmit data segment and the command control segment and can write-only the receive data segment of the QSPI RAM.

The QSPI turns itself off automatically when it is finished by clearing SPE. An error condition called mode fault (MODF) also clears SPE. This error occurs when PCS0/ $\overline{SS}$  is configured for input, the QSPI is a system master (MSTR = 1), and PCS0/ $\overline{SS}$  is driven low externally.

Setting the HALT bit in SPCR3 stops the QSPI on a queue boundary. The QSPI halts in a known state from which it can later be restarted. When HALT is set, the QSPI finishes executing the current serial transfer (up to 16 bits) and then halts. While halted, if the command control bit (CONT of the QSPI RAM) for the last command was asserted, the QSPI continues driving the peripheral chip select pins with the value designated by the last command before the halt. If CONT was cleared, the QSPI drives the peripheral chip-select pins to the value in register PORTQS.

If HALT is set during the last command in the queue, the QSPI completes the last command, sets both HALTA and SPIF, and clears SPE. If the last queue command has not been executed, asserting HALT does not set SPIF or clear SPE. QSPI execution continues when the CPU clears HALT.

To stop the QSPI, assert the HALT bit in SPCR3, then wait until the HALTA bit in SPSR is set. SPE can then be safely cleared, providing an orderly method of shutting down the QSPI quickly after the current serial transfer is completed. The CPU can disable the QSPI immediately by clearing SPE. However, loss of data from a current serial transfer may result and confuse an external SPI device.

#### 14.6.4.2 QSPI Interrupts

The QSPI has three possible interrupt sources but only one interrupt vector. These sources are SPIF, MODF, and HALTA. When the CPU responds to a QSPI interrupt, the interrupt cause must be ascertained by reading the SPSR. Any interrupt that was set may then be cleared by writing to SPSR with a zero in the bit position corresponding to the interrupt source.

The SPIFIE bit in SPCR2 enables the QSPI to generate an interrupt request upon assertion of the SPIF status flag. Because it is buffered, the value written to SPIFIE applies only upon completion of the queue

(the transfer of the entry indicated by ENDPQ). Thus, if a single sequence of queue entries is to be transferred (i.e., no WRAP), then SPIFIE should be set to the desired state before the first transfer.

If a sub-queue is to be used, the same CPU write that causes a branch to the sub-queue may enable or disable the SPIF interrupt for the sub-queue. The primary queue retains its own selected interrupt mode, either enabled or disabled.

The SPIF interrupt must be cleared by clearing SPIF. Subsequent interrupts may then be prevented by clearing SPIFIE. Clearing SPIFIE does not immediately clear an interrupt already caused by SPIF.

#### 14.6.4.3 QSPI Flow

The QSPI operates in either master or slave mode. Master mode is used when the MCU initiates data transfers. Slave mode is used when an external device initiates transfers. Switching between these modes is controlled by MSTR in SPCR0. Before entering either mode, appropriate QSMCM and QSPI registers must be initialized properly.

In master mode, the QSPI executes a queue of commands defined by control bits in each command RAM queue entry. Chip-select pins are activated, data is transmitted from the transmit RAM and received by the receive RAM.

In slave mode, operation proceeds in response to  $\overline{SS}$  pin assertion by an external SPI bus master. Operation is similar to master mode, but no peripheral chip selects are generated, and the number of bits transferred is controlled in a different manner. When the QSPI is selected, it automatically executes the next queue transfer to exchange data with the external device correctly.

Although the QSPI inherently supports multi-master operation, no special arbitration mechanism is provided. A mode fault flag (MODF) indicates a request for SPI master arbitration. System software must provide arbitration. Note that unlike previous SPI systems, MSTR is not cleared by a mode fault being set nor are the QSPI pin output drivers disabled. The QSPI and associated output drivers must be disabled by clearing SPE in SPCR1.

Figure 14-18 shows QSPI initialization. Figure 14-19 and Figure 14-22 show QSPI master and slave operation. The CPU must initialize the QSMCM global and pin registers and the QSPI control registers before enabling the QSPI for either mode of operation. The command queue must be written before the QSPI is enabled for master mode operation. Any data to be transmitted should be written into transmit RAM before the QSPI is enabled. During wraparound operation, data for subsequent transmissions can be written at any time.

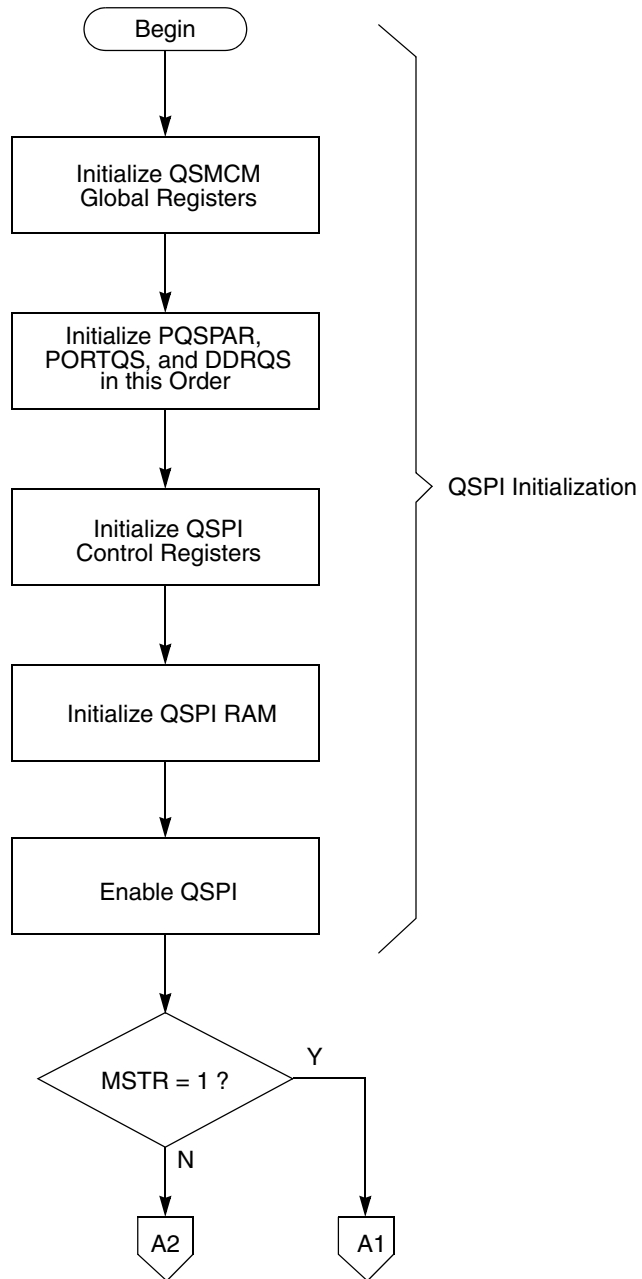


Figure 14-18. Flowchart of QSPI Initialization Operation

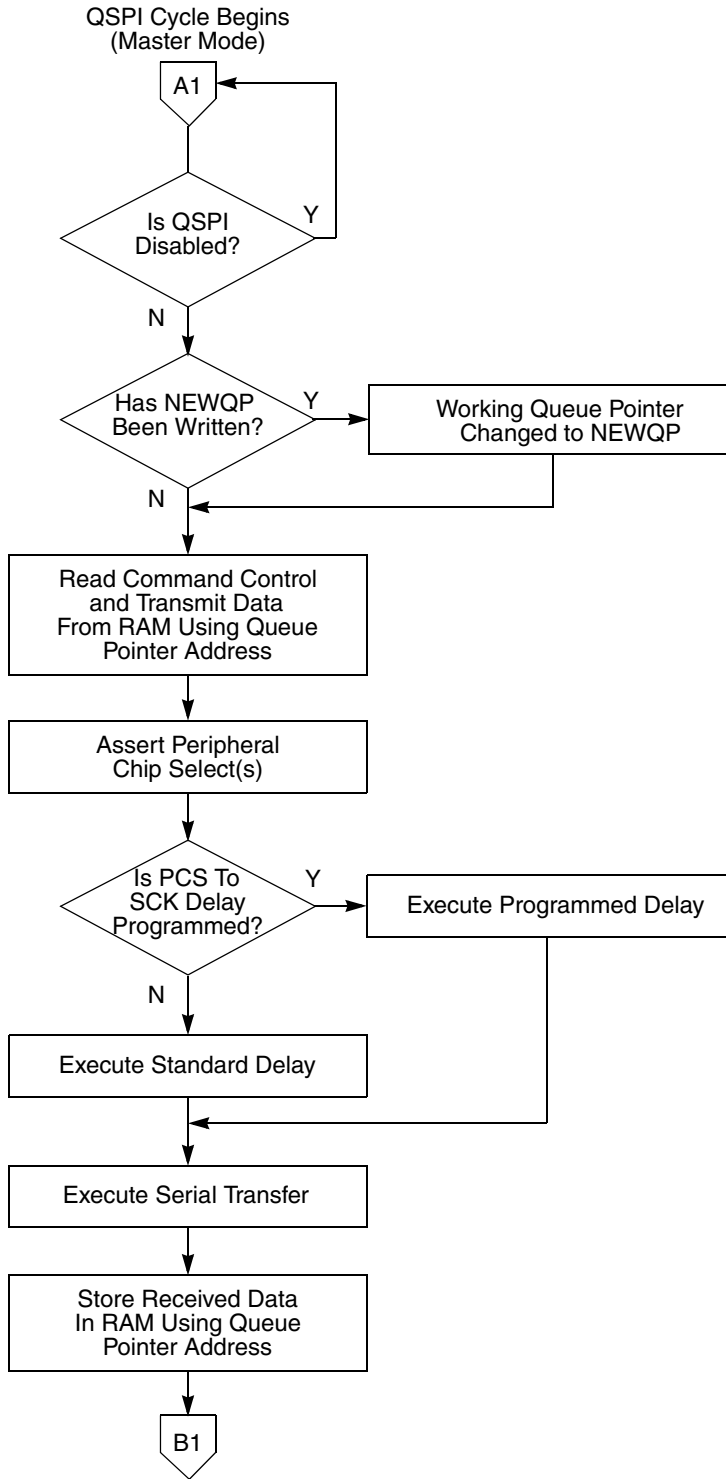


Figure 14-19. Flowchart of QSPI Master Operation (Part 1)



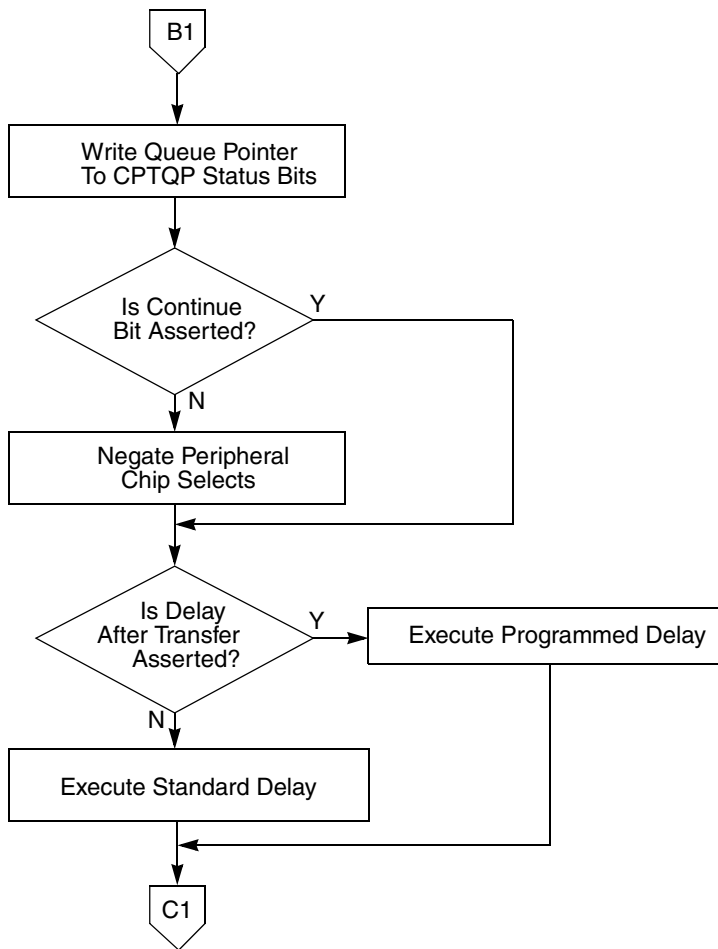


Figure 14-20. Flowchart of QSPI Master Operation (Part 2)

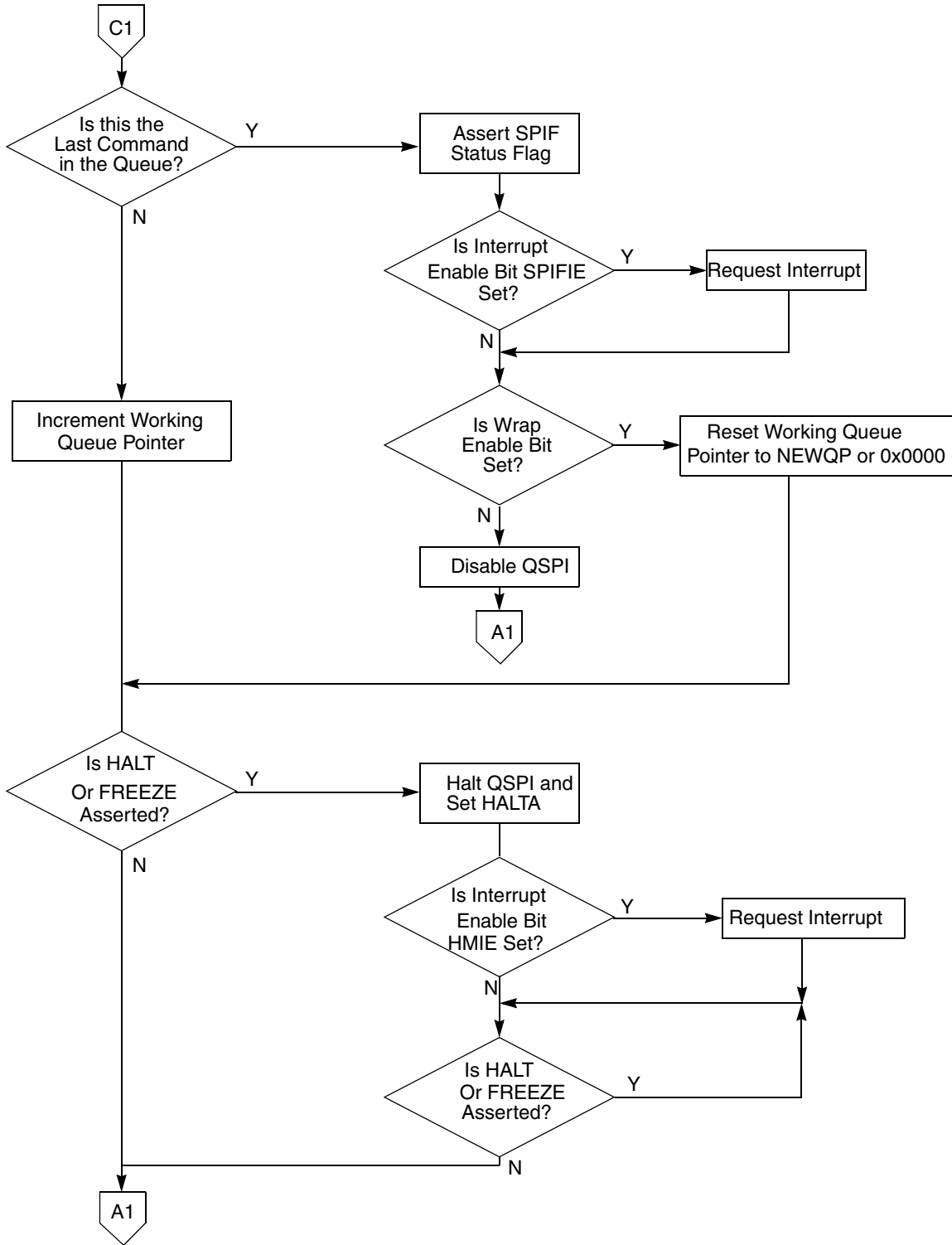


Figure 14-21. Flowchart of QSPI Master Operation (Part 3)

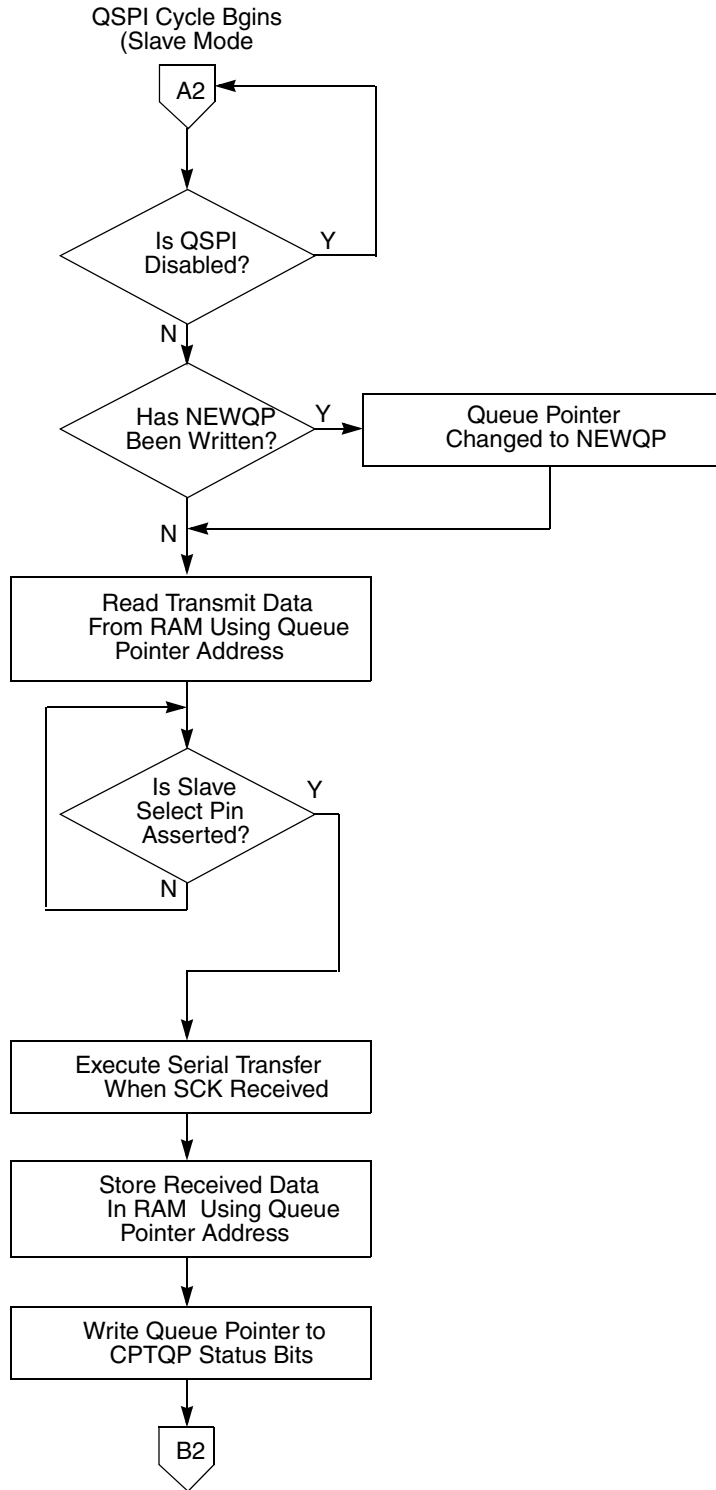


Figure 14-22. Flowchart of QSPI Slave Operation (Part 1)

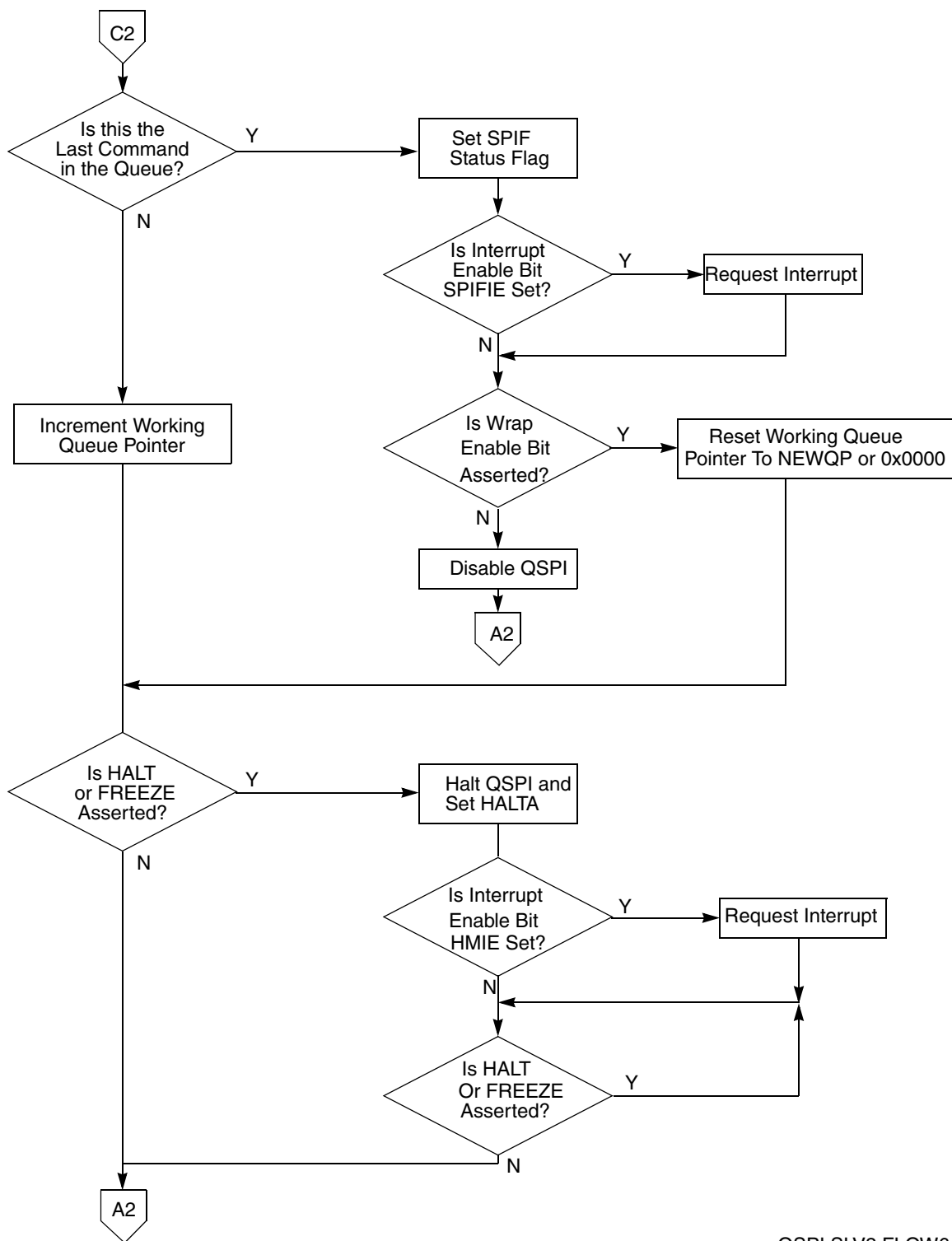


Figure 14-23. Flowchart of QSPI Slave Operation (Part 2)

Normally, the SPI bus performs synchronous bidirectional transfers. The serial clock on the SPI bus master supplies the clock signal SCK to time the transfer of data. Four possible combinations of clock phase and polarity can be specified by the CPHA and CPOL bits in SPCR0.

Data is transferred with the most significant bit first. The number of bits transferred per command defaults to eight, but can be set to any value from eight to sixteen bits by writing a value into the BITS field in SPCR0 and setting BITSE in command RAM.

Typically, SPI bus outputs are not open drain unless multiple SPI masters are in the system. If needed, the WOMQ bit in SPCR0 can be set to provide wired-OR, open drain outputs. An external pull-up resistor should be used on each output line. WOMQ affects all QSPI pins regardless of whether they are assigned to the QSPI or used as general-purpose I/O.

### 14.6.5 Master Mode Operation

Setting the MSTR bit in SPCR0 selects master mode operation. In master mode, the QSPI can initiate serial transfers, but cannot respond to externally initiated transfers. When the slave select input of a device configured for master mode is asserted, a mode fault occurs.

Before QSPI operation begins, PQSPAR must be written to assign the necessary pins to the QSPI. The pins necessary for master mode operation are MISO, MOSI, SCK, and one or more of the chip-select pins. MISO is used for serial data input in master mode, and MOSI is used for serial data output. Either or both may be necessary, depending on the particular application. SCK is the serial clock output in master mode and must be assigned to the QSPI for proper operation.

The PORTQS data register must next be written with values that make the QGPIO[6]/SCK (bit 13 QDSCK of PORTQS) and QGPIO[3:0]/PCS[3:0] (bits 12:9 QDPCS[3:0] of PORTQS) outputs inactive when the QSPI completes a series of transfers. Pins allocated to the QSPI by PQSPAR are controlled by PORTQS when the QSPI is inactive. PORTQS I/O pins driven to states opposite those of the inactive QSPI signals can generate glitches that momentarily enable or partially clock a slave device.

For example, if a slave device operates with an inactive SCK state of logic one ( $CPOL = 1$ ) and uses active low peripheral chip-select PCS0, the QDSCK and QDPCS0 bits in PORTQS must be set to 0b11. If QDSCK and QDPCS0 = 0b00, falling edges will appear on QGPIO[6]/SCK and GPIO[0]/PCS0 as the QSPI relinquishes control of these pins and PORTQS drives them to logic zero from the inactive SCK and PCS0 states of logic one.

Before master mode operation is initiated, QSMCM register DDRQS is written last to direct the data flow on the QSPI pins used. Configure the SCK, MOSI and appropriate chip-select pins PCS[3:0] as outputs. The MISO pin must be configured as an input.

After pins are assigned and configured, write appropriate data to the command queue. If data is to be transmitted, write the data to transmit RAM. Initialize the queue pointers as appropriate.

QSPI operation is initiated by setting the SPE bit in SPCR1. Shortly after SPE is set, the QSPI executes the command at the command RAM address pointed to by NEWQP. Data at the pointer address in transmit RAM is loaded into the data serializer and transmitted. Data that is simultaneously received is stored at the pointer address in receive RAM.

When the proper number of bits have been transferred, the QSPI stores the working queue pointer value in CPTQP, increments the working queue pointer, and loads the next data for transfer from transmit RAM. The command pointed to by the incremented working queue pointer is executed next, unless a new value has been written to NEWQP. If a new queue pointer value is written while a transfer is in progress, that transfer is completed normally.

When the CONT bit in a command RAM byte is set, PCS pins are continuously driven to specified states during and between transfers. If the chip-select pattern changes during or between transfers, the original pattern is driven until execution of the following transfer begins. When CONT is cleared, the data in register PORTQS is driven between transfers. The data in PORTQS must match the inactive states of SCK and any peripheral chip-selects used.

When the QSPI reaches the end of the queue, it sets the SPIF flag. If the SPIFIE bit in SPCR2 is set, an interrupt request is generated when SPIF is asserted. At this point, the QSPI clears SPE and stops unless wraparound mode is enabled.

### 14.6.5.1 Clock Phase and Polarity

In master mode, data transfer is synchronized with the internally-generated serial clock SCK. Control bits, CPHA and CPOL, in SPCR0, control clock phase and polarity. Combinations of CPHA and CPOL determine upon which SCK edge to drive outgoing data from the MOSI pin and to latch incoming data from the MISO pin.

### 14.6.5.2 Baud Rate Selection

Baud rate is selected by writing a value from two to 255 into the SPBR field in SPCR0. The QSPI uses a modulus counter to derive the SCK baud rate from the MCU IMB3 clock.

The following expressions apply to the SCK baud rate:

$$\text{SCK Baud Rate} = \frac{f_{\text{SYS}}}{2 \times \text{SPBR}} \quad \text{Eqn. 14-1}$$

**or** **Eqn. 14-2**

$$\text{SPBR} = \frac{f_{\text{SYS}}}{2 \times \text{SCK Baud Rate Desired}} \quad \text{Eqn. 14-3}$$

Giving SPBR a value of zero or one disables the baud rate generator. SCK is disabled and assumes its inactive state. At reset, the SCK baud rate is initialized to one eighth of the IMB3 clock frequency.

Table 14-25 provides some example SCK baud rates with a 40-MHz IMB3 clock.

**Table 14-25. Example SCK Frequencies with a 40-MHz IMB3 clock**

| Division Ratio | SPBR Value | SCK Frequency |
|----------------|------------|---------------|
| 4              | 2          | 10.00 MHz     |
| 6              | 3          | 6.67 MHz      |
| 8              | 4          | 5.00 MHz      |

**Table 14-25. Example SCK Frequencies with a 40-MHz IMB3 clock (continued)**

| Division Ratio | SPBR Value | SCK Frequency |
|----------------|------------|---------------|
| 14             | 7          | 2.86 MHz      |
| 28             | 14         | 1.43 MHz      |
| 58             | 29         | 689 KHz       |
| 280            | 140        | 143 KHz       |
| 510            | 255        | 78.43 KHz     |

### 14.6.5.3 Delay Before Transfer

The DSCK bit in each command RAM byte inserts either a standard (DSCK = 0) or user-specified (DSCK = 1) delay from chip-select assertion until the leading edge of the serial clock. The DSCKL field in SPCR1 determines the length of the user-defined delay before the assertion of SCK. The following expression determines the actual delay before SCK when DSCKL is in the range of 1–127:

$$\text{PCS to SCK Delay} = \frac{\text{DSCKL}}{f_{\text{SYS}}} \quad \text{Eqn. 14-4}$$

#### NOTE

A zero value for DSCKL causes a delay of 128 IMB3 clocks, which equals 3.2  $\mu\text{s}$  for a 40-MHz IMB3 clock. Because of design limits, a DSCKL value of one is valid, but defaults to the same timing as a value of two.

When DSCK equals zero, DSCKL is not used. Instead, the PCS valid-to-SCK transition is one-half the SCK period.

### 14.6.5.4 Delay After Transfer

Delay after transfer can be used to provide a peripheral deselect interval. A delay can also be inserted between consecutive transfers to allow serial A/D converters to complete conversion. Writing a value to the DTL field in SPCR1 specifies a delay period. The DT bit in each command RAM byte determines whether the standard delay period (DT = 0) or the specified delay period (DT = 1) is used. The following expression is used to calculate the delay:

$$\text{Delay after transfer} = \frac{32 \times \text{DTL}}{f_{\text{SYS}}} \quad \text{Eqn. 14-5}$$

where DTL is in the range from 1 to 255. A DTL value of 0 is a special case and results in a delay calculated as follows:

$$\text{Delay after transfer} = \frac{32 \times 256}{f_{\text{SYS}}} \quad \text{Eqn. 14-6}$$

If DT is zero in a command RAM byte, a standard delay is inserted.

$$\text{Standard Delay after Transfer} = \frac{17}{f_{\text{SYS}}} \quad \text{Eqn. 14-7}$$

Adequate delay between transfers must be specified for long data streams because the QSPI requires time to load a transmit RAM entry for transfer. Receiving devices need at least the standard delay between successive transfers. If the IMB3 clock is operating at a slower rate, the delay between transfers must be increased proportionately.

#### 14.6.5.5 Transfer Length

There are two transfer length options. The user can choose a default value of eight bits, or a programmed value from eight (0b1000) to 16 (0b0000) bits, inclusive. Reserved values (from 0b0001 to 0b0111) default to eight bits. The programmed value must be written into the BITS field in SPCR0. The BITSE bit in each command RAM byte determines whether the default value (BITSE = 0) or the BITS value (BITSE = 1) is used.

#### 14.6.5.6 Peripheral Chip Selects

Peripheral chip-select signals are used to select an external device for serial data transfer. Chip-select signals are asserted when a command in the queue is executed. Signals are asserted at a logic level corresponding to the value of the PCS[3:0] bits in each command byte. More than one chip-select signal can be asserted at a time, and more than one external device can be connected to each PCS pin, provided proper fanout is observed. PCS0 shares a pin with the slave select  $\overline{SS}$  signal, which initiates slave mode serial transfer. If  $\overline{SS}$  is taken low when the QSPI is in master mode, a mode fault occurs.

To configure a peripheral chip select, set the appropriate bit in PQSPAR, then configure the chip-select pin as an output by setting the appropriate bit in DDRQS. The value of the bit in PORTQS that corresponds to the chip-select pin determines the base state of the chip-select signal. If the base state is zero, chip-select assertion must be active high (PCS bit in command RAM must be set); if base state is one, assertion must be active low (PCS bit in command RAM must be cleared). PORTQS bits are cleared during reset. If no new data is written to PORTQS before pin assignment and configuration as an output, the base state of chip-select signals is zero and chip-select pins are configured for active-high operation.

#### 14.6.5.7 Master Wraparound Mode

Wraparound mode is enabled by setting the WREN bit in SPCR2. The queue can wrap to pointer address 0x0 or to the address pointed to by NEWQP, depending on the state of the WRTO bit in SPCR2.

In wraparound mode, the QSPI cycles through the queue continuously, even while the QSPI is requesting interrupt service. SPE is not cleared when the last command in the queue is executed. New receive data overwrites previously received data in receive RAM. Each time the end of the queue is reached, the SPIF flag is set. SPIF is not automatically reset. If interrupt-driven QSPI service is used, the service routine must clear the SPIF bit to end the current interrupt request. Additional interrupt requests during servicing can be prevented by clearing SPIFIE, but SPIFIE is buffered. Clearing it does not end the current request.

Wraparound mode is exited by clearing the WREN bit or by setting the HALT bit in SPCR3. Exiting wraparound mode by clearing SPE is not recommended, as clearing SPE may abort a serial transfer in progress. The QSPI sets SPIF, clears SPE, and stops the first time it reaches the end of the queue after WREN is cleared. After HALT is set, the QSPI finishes the current transfer, then stops executing commands. After the QSPI stops, SPE can be cleared.



## 14.6.6 Slave Mode

Clearing the MSTR bit in SPCR0 selects slave mode operation. In slave mode, the QSPI is unable to initiate serial transfers. Transfers are initiated by an external SPI bus master. Slave mode is typically used on a multi-master SPI bus. Only one device can be bus master (operate in master mode) at any given time.

Before QSPI operation is initiated, QSMCM register PQSPAR must be written to assign necessary pins to the QSPI. The pins necessary for slave mode operation are MISO, MOSI, SCK, and PCS0/ $\overline{SS}$ . MISO is used for serial data output in slave mode, and MOSI is used for serial data input. Either or both may be necessary, depending on the particular application. SCK is the serial clock input in slave mode and must be assigned to the QSPI for proper operation. Assertion of the active-low slave select signal  $\overline{SS}$  initiates slave mode operation.

Before slave mode operation is initiated, DDRQS must be written to direct data flow on the QSPI pins used. Configure the MOSI, SCK and PCS0/ $\overline{SS}$  pins as inputs. The MISO pin must be configured as an output.

After pins are assigned and configured, write data to be transmitted into transmit RAM. Command RAM is not used in slave mode, and does not need to be initialized. Set the queue pointers, as appropriate.

When SPE is set and MSTR is clear, a low state on the slave select PCS0/ $\overline{SS}$  pin begins slave mode operation at the address indicated by NEWQP. Data that is received is stored at the pointer address in receive RAM. Data is simultaneously loaded into the data serializer from the pointer address in transmit RAM and transmitted. Transfer is synchronized with the externally generated SCK. The CPHA and CPOL bits determine upon which SCK edge to latch incoming data from the MISO pin and to drive outgoing data from the MOSI pin.

Because the command RAM is not used in slave mode, the CONT, BITSE, DT, DSCK, and peripheral chip-select bits have no effect. The PCS0/ $\overline{SS}$  pin is used only as an input.

The SPBR, DT and DSCKL fields in SPCR0 and SPCR1 bits are not used in slave mode. The QSPI drives neither the clock nor the chip-select pins and thus cannot control clock rate or transfer delay.

Because the BITSE option is not available in slave mode, the BITS field in SPCR0 specifies the number of bits to be transferred for all transfers in the queue. When the number of bits designated by BITS[3:0] has been transferred, the QSPI stores the working queue pointer value in CPTQP, increments the working queue pointer, and loads new transmit data from transmit RAM into the data serializer. The working queue pointer address is used the next time PCS0/ $\overline{SS}$  is asserted, unless the RCPW writes to NEWQP first.

The QSPI shifts one bit for each pulse of SCK until the slave select input goes high. If  $\overline{SS}$  goes high before the number of bits specified by the BITS field is transferred, the QSPI resumes operation at the same pointer address the next time  $\overline{SS}$  is asserted. The maximum value that the BITS field can have is 16. If more than 16 bits are transmitted before  $\overline{SS}$  is negated, pointers are incremented and operation continues.

The QSPI transmits as many bits as it receives at each queue address, until the BITS value is reached or  $\overline{SS}$  is negated.  $\overline{SS}$  does not need to go high between transfers as the QSPI transfers data until reaching the end of the queue, whether  $\overline{SS}$  remains low or is toggled between transfers.

When the QSPI reaches the end of the queue, it sets the SPIF flag. If the SPIFIE bit in SPCR2 is set, an interrupt request is generated when SPIF is asserted. At this point, the QSPI clears SPE and stops unless wraparound mode is enabled.

Slave wraparound mode is enabled by setting the WREN bit in SPCR2. The queue can wrap to pointer address 0x0 or to the address pointed to by NEWQP, depending on the state of the WRTO bit in SPCR2. Slave wraparound operation is identical to master wraparound operation.

#### 14.6.6.1 Description of Slave Operation

After reset, the QSMCM registers and the QSPI control registers must be initialized as described above. Although the command control segment is not used, the transmit and receive data segments may, depending upon the application, need to be initialized. If meaningful data is to be sent out from the QSPI, the data to be transmitted should be written to the segment before enabling the QSPI.

If SPE is set and MSTR is not set, a low state on the slave select ( $\overline{\text{PCS0/SS}}$ ) pin commences slave mode operation at the address indicated by NEWQP. The QSPI transmits the data found in the transmit data segment at the address indicated by NEWQP, and the QSPI stores received data in the receive data segment at the address indicated by NEWQP. Data is transferred in response to an external slave clock input at the SCK pin.

Because the command control segment is not used, the command control bits and peripheral chip-select codes have no effect in slave mode operation. The QSPI does not drive any of the four peripheral chip-selects as outputs.  $\overline{\text{PCS0/SS}}$  is used as an input.

Although CONT cannot be used in slave mode, a provision is made to enable receipt of more than 16 data bits. While keeping the QSPI selected ( $\overline{\text{PCS0/SS}}$  is held low), the QSPI stores the number of bits, designated by BITS, in the current receive data segment address, increments NEWQP, and continues storing the remaining bits (up to the BITS value) in the next receive data segment address.

As long as  $\overline{\text{PCS0/SS}}$  remains low, the QSPI continues to store the incoming bit stream in sequential receive data segment addresses, until either the value in BITS is reached or the end-of-queue address is used with wraparound mode disabled.

When the end of the queue is reached, the SPIF flag is asserted, optionally causing an interrupt. If wraparound mode is disabled, any additional incoming bits are ignored.

If wraparound mode is enabled, storing continues at either address 0x0 or the address of NEWQP, depending on the WRTO value. When using this capability to receive a long incoming data stream, the proper delay between transfers must be used. The QSPI requires time, approximately 0.425  $\mu\text{s}$  with a 40-MHz IMB3 clock, to prefetch the next transmit RAM entry for the next transfer. Therefore, a baud rate may be selected that provides at least a 0.6- $\mu\text{s}$  delay between successive transfers to ensure no loss of incoming data. If the IMB3 clock is operating at a slower rate, the delay between transfers must be increased proportionately.

Because the BITSE option in the command control segment is no longer available, BITS sets the number of bits to be transferred for all transfers in the queue until the CPU changes the BITS value. As mentioned above, until  $\overline{\text{PCS0/SS}}$  is negated (brought high), the QSPI continues to shift one bit for each pulse of SCK. If  $\overline{\text{PCS0/SS}}$  is negated before the proper number of bits (according to BITS) is received, the next time the

QSPI is selected it resumes storing bits in the same receive-data segment address where it left off. If more than 16 bits are transferred before negating the  $\overline{\text{PCS0/SS}}$ , the QSPI stores the number of bits indicated by BITS in the current receive data segment address, then increments the address and continues storing as described above.

### NOTE

$\overline{\text{PCS0/SS}}$  does not necessarily have to be negated between transfers.

Once the proper number of bits (designated by BITS) are transferred, the QSPI stores the received data in the receive data segment, stores the internal working queue pointer value in CPTQP, increments the internal working queue pointer, and loads the new transmit data from the transmit data segment into the data serializer. The internal working queue pointer address is used the next time  $\overline{\text{PCS0/SS}}$  is asserted, unless the CPU writes to the NEWQP first.

The DT and DSCK command control bits are not used in slave mode. As a slave, the QSPI does not drive the clock line nor the chip-select lines and, therefore, does not generate a delay.

In slave mode, the QSPI shifts out the data in the transmit data segment. The transmit data is loaded into the data serializer (refer to [Figure 14-1](#)) for transmission. When the  $\overline{\text{PCS0/SS}}$  pin is pulled low the MISO pin becomes active and the serializer then shifts the 16 bits of data out in sequence, most significant bit first, as clocked by the incoming SCK signal. The QSPI uses CPHA and CPOL to determine which incoming SCK edge the MOSI pin uses to latch incoming data, and which edge the MISO pin uses to drive the data out.

The QSPI transmits and receives data until reaching the end of the queue (defined as a match with the address in ENDQP), regardless of whether  $\overline{\text{PCS0/SS}}$  remains selected or is toggled between serial transfers. Receiving the proper number of bits causes the received data to be stored. The QSPI always transmits as many bits as it receives at each queue address, until the BITS value is reached or  $\overline{\text{PCS0/SS}}$  is negated.

## 14.6.7 Slave Wraparound Mode

When the QSPI reaches the end of the queue, it always sets the SPIF flag, whether wraparound mode is enabled or disabled. An optional interrupt to the CPU is generated when SPIF is asserted. At this point, the QSPI clears SPE and stops unless wraparound mode is enabled. A description of the SPIFIE bit can be found in [Section 14.6.1.3, “QSPI Control Register 2 \(SPCR2\).”](#)

In wraparound mode, the QSPI cycles through the queue continuously. Each time the end of the queue is reached, the SPIF flag is set. If the CPU fails to clear SPIF, it remains set, and the QSPI continues to send interrupt requests to the CPU (assuming SPIFIE is set). The user may avoid causing CPU interrupts by clearing SPIFIE.

As SPIFIE is buffered, clearing it after the SPIF flag is asserted does not immediately stop the CPU interrupts, but only prevents future interrupts from this source. To clear the current interrupt, the CPU must read QSPI register SPSR with SPIF asserted, followed by a write to SPSR with zero in SPIF (clear SPIF). Execution continues in wraparound mode even while the QSPI is requesting interrupt service from the CPU. The internal working queue pointer is incremented to the next address and the commands are

executed again. SPE is not cleared by the QSPI. New receive data overwrites previously received data located in the receive data segment.

Wraparound mode is properly exited in two ways: a) The CPU may disable wrap-around mode by clearing WREN. The next time end of the queue is reached, the QSPI sets SPIF, clears SPE, and stops; and, b) The CPU sets HALT. This second method halts the QSPI after the current transfer is completed, allowing the CPU to negate SPE. The CPU can immediately stop the QSPI by clearing SPE; however, this method is not recommended, as it causes the QSPI to abort a serial transfer in process.

### 14.6.8 Mode Fault

MODF is asserted by the QSPI when the QSPI is the serial master ( $MSTR = 1$ ) and the slave select ( $PCS0/\overline{SS}$ ) input pin is pulled low by an external driver. This is possible only if the  $PCS0/\overline{SS}$  pin is configured as input by QDDR. This low input to  $\overline{SS}$  is not a normal operating condition. It indicates that a multimaster system conflict may exist, that another MCU is requesting to become the SPI network master, or simply that the hardware is incorrectly affecting  $PCS0/\overline{SS}$ . SPE in SPCR1 is cleared, disabling the QSPI. The QSPI pins revert to control by QPDR. If MODF is set and HMIE in SPCR3 is asserted, the QSPI generates an interrupt to the CPU.

The CPU may clear MODF by reading SPSR with MODF asserted, followed by writing SPSR with a zero in MODF. After correcting the mode fault problem, the QSPI can be re-enabled by asserting SPE.

The  $PCS0/\overline{SS}$  pin may be configured as a general-purpose output instead of input to the QSPI. This inhibits the mode fault checking function. In this case, MODF is not used by the QSPI.

## 14.7 Serial Communication Interface

The dual, independent, serial communication interface (DSCI) communicates with external devices through an asynchronous serial bus. The two SCI modules are functionally equivalent, except that the SCII also provides 16-deep queue capabilities for the transmit and receive operations. The SCIs are fully compatible with other Freescale SCI systems. The DSCI has all of the capabilities of previous SCI systems as well as several significant new features.

[Figure 14-24](#) is a block diagram of the SCI transmitter. [Figure 14-25](#) is a block diagram of the SCI receiver.

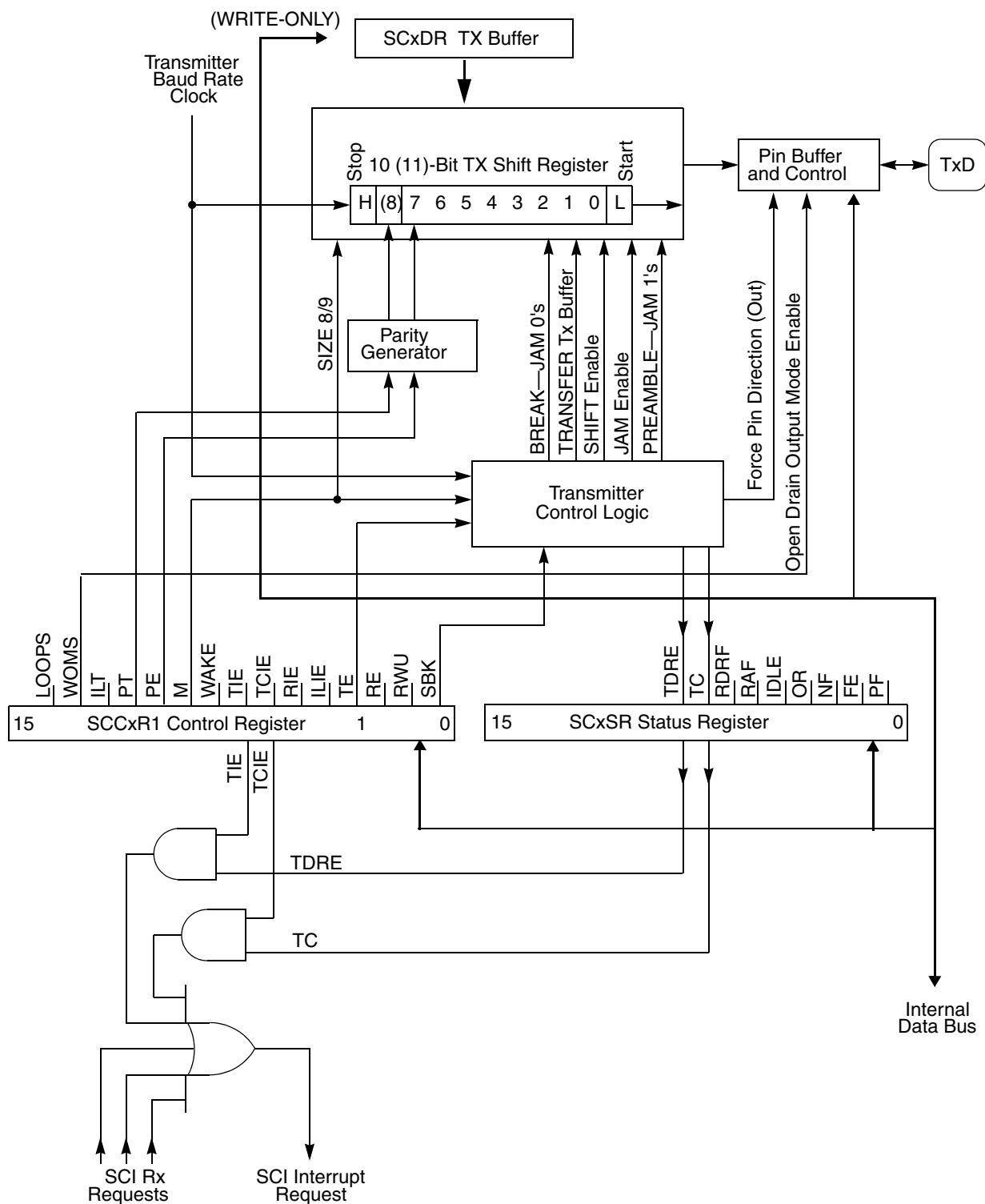


Figure 14-24. SCI Transmitter Block Diagram

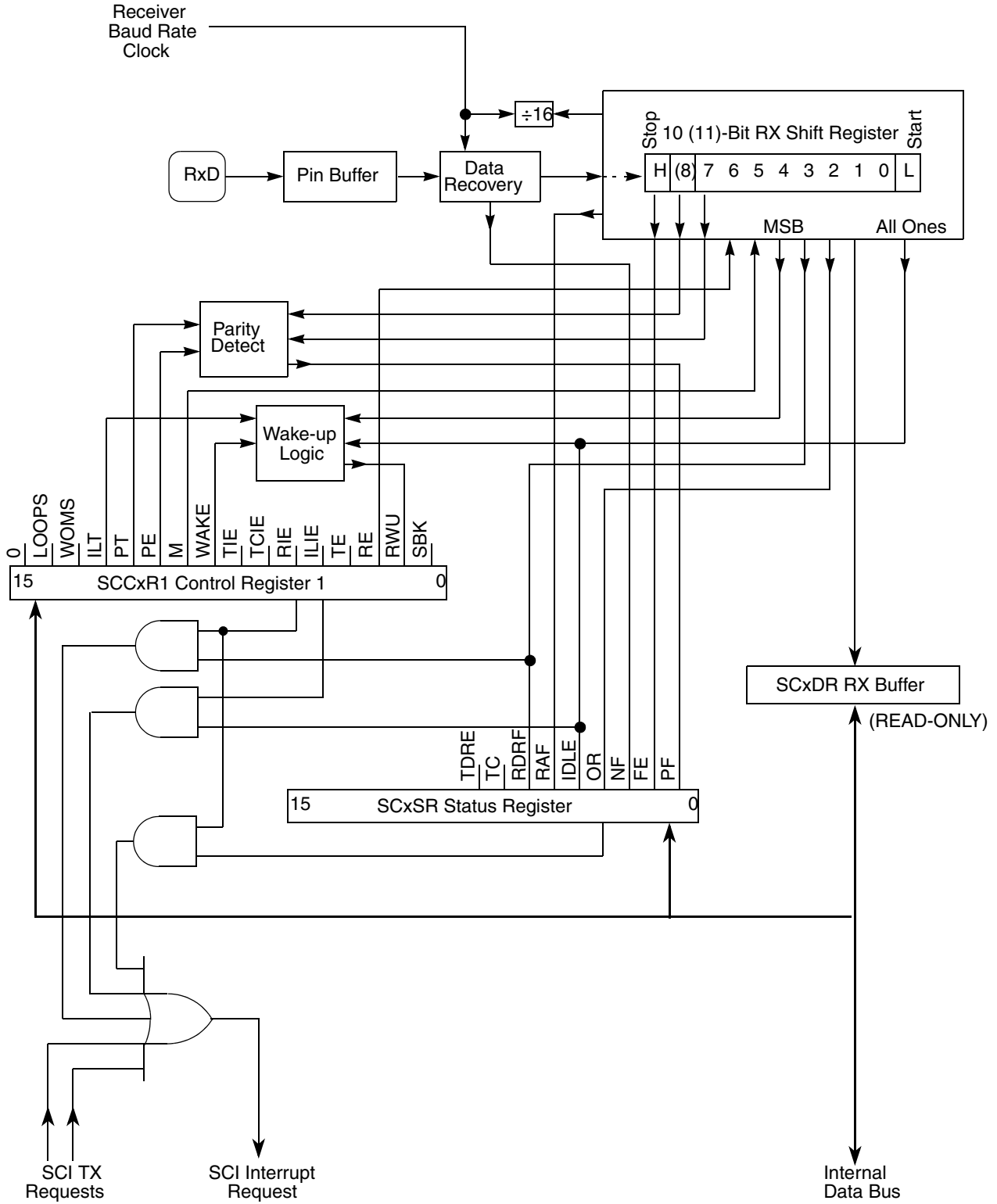


Figure 14-25. SCI Receiver Block Diagram

## 14.7.1 SCI Registers

The SCI programming model includes the QSMCM global and pin control registers and the DSCI registers.

The DSCI registers, listed in [Table 14-26](#), consist of five control registers, three status registers, and 34 data registers. All registers may be read or written at any time by the CPU. Rewriting the same value to any DSCI register does not disrupt operation; however, writing a different value into a DSCI register when the DSCI is running may disrupt operation. To change register values, the receiver and transmitter should be disabled with the transmitter allowed to finish first. The status flags in register SCxSR can be cleared at any time.

**Table 14-26. SCI Registers**

| Address  | Name                             | Usage  |
|--|----------------------------------|--|
| 0x30 5008(A)<br>0x30 5408(B)                               | SCC1R0                           | SCI1 Control Register 0<br>See <a href="#">Table 14-27</a> for bit descriptions.   |
| 0x30 500A(A)<br>0x30 540A(B)                               | SCC1R1                           | SCI1 Control Register 1<br>See <a href="#">Table 14-28</a> for bit descriptions.   |
| 0x30 500C(A)<br>0x30 540C(B)                               | SC1SR                            | SCI1 Status Register<br>See <a href="#">Table 14-29</a> for bit descriptions.  |
| 0x30 500E(A)<br>0x30 540E(B)<br>(non-queue mode only)      | SC1DR                            | SCI1 Data Register<br>Transmit Data Register (TDR1)*<br>Receive Data Register (RDR1)*<br>See <a href="#">Table 14-30</a> for bit descriptions.               |
| 0x30 5020(A)<br>0x30 5420(B)                               | SCC2R0                           | SCI2 Control Register 0  |
| 0x30 5022(A)<br>0x30 5422(B)                               | SCC2R1                           | SCI2 Control Register 1  |
| 0x30 5024(A)<br>0x30 5424(B)                               | SC2SR                            | SCI2 Status Register   |
| 0x30 5026(A)<br>0x30 5426(B)                               | SC2DR                            | SCI2 Data Register<br>Transmit Data Register (TDR2)*<br>Receive Data Register (RDR2)*  |
| 0x30 5028(A)<br>0x30 5428(B)                               | QSCI1CR                          | QSCI1 Control Register<br>Interrupts, wrap, queue size and enables for receive and transmit, QTPNT.<br>See <a href="#">Table 14-35</a> for bit descriptions. |
| 0x30 502A(A)<br>0x30 542A(B)                               | QSCI1SR                          | QSCI1 Status Register<br>OverRun error flag, queue status flags, QRPNT, and QPEND.<br>See <a href="#">Table 14-36</a> for bit descriptions.                  |
| 0x30 502C —<br>0x30 504A(A)<br>0x30 542C —<br>0x30 544A(B) | QSCI1 Transmit Queue Memory Area | QSCI1 Transmit Queue Data locations (on half-word boundary)  |
| 0x30 504C-6A(A)<br>0x30 544C-6A(B)                         | QSCI1 Receive Queue Memory Area  | QSCI1 Receive Queue Data locations (on half-word boundary)   |

**Note:** Reads access the RDRx; writes access the TDRx.

During SCIx initialization, two bits in the SCCxR1 should be written last: the transmitter enable (TE) and receiver enable (RE) bits, which enable SCIx. Registers SCCxR0 and SCCxR1 should both be initialized at the same time or before TE and RE are asserted. A single half-word write to SCCxR1 can be used to initialize SCIx and enable the transmitter and receiver.

### 14.7.2 SCI Control Register 0 (SCCxR0)

SCCxR0 contains the SCIx baud rate selection field and two bits controlling the clock source. The baud rate must be set before the SCI is enabled. The CPU can read and write SCCxR0 at any time.

Changing the value of SCCxR0 bits during a transfer operation can disrupt the transfer. Before changing register values, allow the SCI to complete the current transfer, then disable the receiver and transmitter.

|        |  |   |                  |   |   |   |   |   |   |   |    |    |    |    |    |     |
|--------|--|---|------------------|---|---|---|---|---|---|---|----|----|----|----|----|-----|
|        | MSB  | 1 | 2                | 3 | 4 | 5 | 6 | 7 | 8 | 9 | 10 | 11 | 12 | 13 | 14 | LSB |
|        | 0  |   |                  |   |   |   |   |   |   |   |    |    |    |    |    | 15  |
| Field  | —  |   | SCxBR            |   |   |   |   |   |   |   |    |    |    |    |    |     |
| SRESET | 000  |   | 0_0000_0000_0100 |   |   |   |   |   |   |   |    |    |    |    |    |     |
| Addr   | 0x30 5020 (SCC1R0_A); 0x30 5420 (SCC2R0_B) |   |                  |   |   |   |   |   |   |   |    |    |    |    |    |     |

Figure 14-26. SCI Control Register 0 (SCCxR0)

Table 14-27. SCCxR0 Bit Descriptions

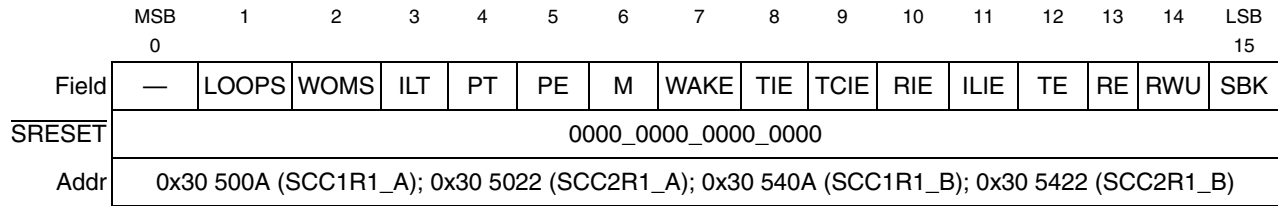
| Bits | Name  | Description  |
|------|-------|--|
| 0–2  | —     | Reserved, should be cleared.   |
| 3:15 | SCxBR | <p>SCI baud rate. The SCI baud rate is programmed by writing a 13-bit value to this field. Writing a value of zero to SCxBR disables the baud rate generator. Baud clock rate is calculated as follows:</p> $\text{SCI Baud Rate} = \frac{f_{\text{sys}}}{32 \times \text{SCxBR}}$ <p>where SCxBR is in the range of 1 to 8191. <span style="float: right;"><b>Eqn. 14-8</b></span></p> <p>Refer to <a href="#">Section 14.7.7.3, “Baud Clock”</a> for more information.</p> |

### 14.7.3 SCI Control Register 1 (SCCxR1)

SCCxR1 contains SCIx configuration parameters, including transmitter and receiver enable bits, interrupt enable bits, and operating mode enable bits. The CPU can read or write this register at any time. The SCI can modify the RWU bit under certain circumstances.

Changing the value of SCCxR1 bits during a transfer operation can disrupt the transfer. Before changing register values, allow the SCI to complete the current transfer, then disable the receiver and transmitter.





**Figure 14-27. SCI Control Register 1 (SCCxR1)**

**Table 14-28. SCCxR1 Bit Descriptions**

| Bits | Name  | Description   |
|------|-------|---|
| 0    | —     | Reserved  |
| 1    | LOOPS | Loop mode<br>0 Normal SCI operation, no looping, feedback path disabled.<br>1 SCI test operation, looping, feedback path enabled.   |
| 2    | WOMS  | Wired-OR mode for SCI Pins<br>0 If configured as an output, TXD is a normal CMOS output.<br>1 If configured as an output, TXD is an open drain output.  |
| 3    | ILT   | Idle-line detect type. Refer to <a href="#">Section 14.7.7.8, “Idle-Line Detection.”</a><br>0 Short idle-line detect (start count on first one).<br>1 Long idle-line detect (start count on first one after stop bit(s)). |
| 4    | PT    | Parity type. Refer to <a href="#">Section 14.7.7.4, “Parity Checking.”</a><br>0 Even parity.<br>1 Odd parity.   |
| 5    | PE    | Parity enable. Refer to <a href="#">Section 14.7.7.4, “Parity Checking.”</a><br>0 SCI parity disabled.<br>1 SCI parity enabled.   |
| 6    | M     | Mode select. Refer to <a href="#">Section 14.7.7.2, “Serial Formats.”</a><br>0 10-bit SCI frame.<br>1 11-bit SCI frame.   |
| 7    | WAKE  | Wakeup by address mark. Refer to <a href="#">Section 14.7.7.9, “Receiver Wake-Up.”</a><br>0 SCI receiver awakened by idle-line detection.<br>1 SCI receiver awakened by address mark (last bit set).                      |
| 8    | TIE   | Transmit interrupt enable<br>0 SCI TDRE interrupts disabled.<br>1 SCI TDRE interrupts enabled.  |
| 9    | TCIE  | Transmit complete interrupt enable<br>0 SCI TC interrupts disabled.<br>1 SCI TC interrupts enabled.   |
| 10   | RIE   | Receiver interrupt enable<br>0 SCI RDRF and OR interrupts disabled.<br>1 SCI RDRF and OR interrupts enabled.  |
| 11   | ILIE  | Idle-line interrupt enable<br>0 SCI IDLE interrupts disabled.<br>1 SCI IDLE interrupts enabled.   |

**Table 14-28. SCCxR1 Bit Descriptions (continued)**

| Bits | Name | Description   |
|------|------|---|
| 12   | TE   | Transmitter enable<br>0 SCI transmitter disabled (TXD pin can be used as general-purpose output)<br>1 SCI transmitter enabled (TXD pin dedicated to SCI transmitter).   |
| 13   | RE   | Receiver Enable<br>0 SCI receiver disabled (RXD pin can be used as general-purpose input).<br>1 SCI receiver enabled (RXD pin is dedicated to SCI receiver).  |
| 14   | RWU  | Receiver wakeup. Refer to <a href="#">Section 14.7.7.9, “Receiver Wake-Up.”</a><br>0 Normal receiver operation (received data recognized).<br>1 Wakeup mode enabled (received data ignored until receiver is awakened). |
| 15   | SBK  | Send break<br>0 Normal operation.<br>1 Break frame(s) transmitted after completion of current frame.  |

### 14.7.4 SCI Status Register (SCxSR)

SCxSR contains flags that show SCI operating conditions. These flags are cleared either by SCIx hardware or by a read/write sequence. The sequence consists of reading the SCxSR (either the upper byte, lower byte, or the entire half-word) with a flag bit set, then reading (or writing, in the case of flags TDRE and TC) the SCxDR (either the lower byte or the half-word).

The contents of the two 16-bit registers SCxSR and SCxDR appear as upper and lower half-words, respectively, when the SCxSR is read into a 32-bit register. An upper byte access of SCxSR is meaningful only for reads. Note that a word read can simultaneously access both registers SCxSR and SCxDR. This action clears the receive status flag bits that were set at the time of the read, but does not clear the TDRE or TC flags. To clear TC, the SCxSR read must be followed by a write to register SCxDR (either the lower byte or the half-word). The TDRE flag in the status register is read-only.

If an internal SCI signal for setting a status bit comes after the CPU has read the asserted status bits but before the CPU has read or written the SCxDR, the newly set status bit is not cleared. Instead, SCxSR must be read again with the bit set and SCxDR must be read or written before the status bit is cleared.

#### NOTE

None of the status bits are cleared by reading a status bit while it is set and then writing zero to that same bit. Instead, the procedure outlined above must be followed. Note further that reading either byte of SCxSR causes all 16 bits to be accessed, and any status bits already set in either byte are armed to clear on a subsequent read or write of SCxDR.

|        |  |   |   |   |   |   |      |    |      |     |      |    |    |    |    |     |
|--------|--|---|---|---|---|---|------|----|------|-----|------|----|----|----|----|-----|
|        | MSB  | 1 | 2 | 3 | 4 | 5 | 6    | 7  | 8    | 9   | 10   | 11 | 12 | 13 | 14 | LSB |
|        | 0  |   |   |   |   |   |      |    |      |     |      |    |    |    |    | 15  |
| Field  | —  |   |   |   |   |   | TDRE | TC | RDRF | RAF | IDLE | OR | NF | FE | PF |     |
| SRESET | 0000_000   |   |   |   |   |   | 1    | 1  | 0    | 0   | 0    | 0  | 0  | 0  | 0  | 0   |
| Addr   | 0x30 500C (SC1SR_A); 0x30 5024 (SC2SR_A); 0x30 540C (SC1SR_B); 0x30 5424 (SC2SR_B) |   |   |   |   |   |      |    |      |     |      |    |    |    |    |     |

**Figure 14-28. SC1x Status Register (SCxSR)**

**Table 14-29. SCxSR Bit Descriptions**

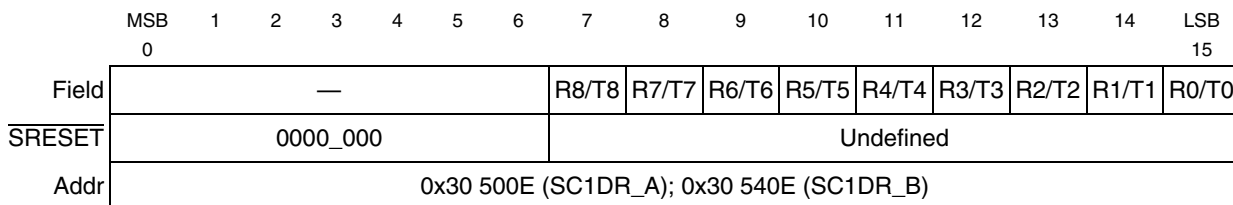
| Bits | Name | Description   |
|------|------|---|
| 0:6  | —    | Reserved  |
| 7    | TDRE | Transmit data register empty. TDRE is set when the byte in TDRx is transferred to the transmit serial shifter. If this bit is zero, the transfer is yet to occur and a write to TDRx will overwrite the previous value. New data is not transmitted if TDRx is written without first clearing TDRE.<br>0 Transmit data register still contains data to be sent to the transmit serial shifter.<br>1 A new character can now be written to the transmit data register.<br>For transmit queue operation, this bit should be ignored by software.  |
| 8    | TC   | Transmit complete. TC is set when the transmitter finishes shifting out all data, queued preambles (mark/idle-line), or queued breaks (logic zero).<br>0 SCI transmitter is busy.<br>1 SCI transmitter is idle.<br>For transmit queue operation, TC is cleared when SCxSR is read with TC set, followed by a write to SCTQ[0:15].   |
| 9    | RDRF | Receive data register full. RDRF is set when the contents of the receive serial shifter are transferred to register RDRx. If one or more errors are detected in the received word, the appropriate flag(s) (NF, FE, or PF) are set within the same clock cycle.<br>0 Receive data register is empty or contains previously read data.<br>1 Receive data register contains new data.<br>For receiver queue operation, this bit should be ignored by software.  |
| 10   | RAF  | Receiver active flag. RAF indicates whether the receiver is busy. This flag is set when the receiver detects a possible start bit and is cleared when the chosen type of idle line is detected. RAF can be used to reduce collisions in systems with multiple masters.<br>0 SCI receiver is idle.<br>1 SCI receiver is busy.  |
| 11   | IDLE | Idle line detected. IDLE is set when the receiver detects an idle-line condition (reception of a minimum of 10 or 11 consecutive ones as specified by ILT in SCCxR1). This bit is not set by the idle-line condition when RWU in SCCxR1 is set. Once cleared, IDLE is not set again until after RDRF is set (after the line is active and becomes idle again). If a break is received, RDRF is set, allowing a subsequent idle line to be detected again.<br>Under certain conditions, the IDLE flag may be set immediately following the negation of RE in SCCxR1. System designs should ensure this causes no detrimental effects.<br>0 SCI receiver did not detect an idle-line condition.<br>1 SCI receiver detected an idle-line condition.<br>For receiver queue operation, IDLE is cleared when SCxSR is read with IDLE set, followed by a read of SCRQ[0:15]. |

**Table 14-29. SCxSR Bit Descriptions (continued)**

| Bits | Name | Description  |
|------|------|--|
| 12   | OR   | <p>Overrun error. OR is set when a new byte is ready to be transferred from the receive serial shifter to register RDRx, and RDRx is already full (RDRF is still set). Data transfer is inhibited until OR is cleared. Previous data in RDRx remains valid, but additional data received during an overrun condition (including the byte that set OR) is lost.</p> <p>Note that whereas the other receiver status flags (NF, FE, and PF) reflect the status of data already transferred to RDRx, the OR flag reflects an operational condition that resulted in a loss of data to RDRx.</p> <p>0 RDRF is cleared before new data arrives.<br/>1 RDRF is not cleared before new data arrives.</p>   |
| 13   | NF   | <p>Noise error flag. NF is set when the receiver detects noise on a valid start bit, on any of the data bits, or on the stop bit(s). It is not set by noise on the idle line or on invalid start bits. Each bit is sampled three times for noise. If the three samples are not at the same logic level, the majority value is used for the received data value, and NF is set. NF is not set until the entire frame is received and RDRF is set.</p> <p>Although no interrupt is explicitly associated with NF, an interrupt can be generated with RDRF, and the interrupt handler can check NF.</p> <p>0 No noise detected in the received data.<br/>1 Noise detected in the received data.</p> <p>For receiver queue operation NF is cleared when SCxSR is read with NF set, followed by a read of SCRQ[0:15].</p> |
| 14   | FE   | <p>Framing error. FE is set when the receiver detects a zero where a stop bit (one) was expected. A framing error results when the frame boundaries in the received bit stream are not synchronized with the receiver bit counter. FE is not set until the entire frame is received and RDRF is set.</p> <p>Although no interrupt is explicitly associated with FE, an interrupt can be generated with RDRF, and the interrupt handler can check FE.</p> <p>0 No framing error detected in the received data.<br/>1 Framing error or break detected in the received data.</p>  |
| 15   | PF   | <p>Parity error. PF is set when the receiver detects a parity error. PF is not set until the entire frame is received and RDRF is set.</p> <p>Although no interrupt is explicitly associated with PF, an interrupt can be generated with RDRF, and the interrupt handler can check PF.</p> <p>0 No parity error detected in the received data.<br/>1 Parity error detected in the received data.</p>   |

### 14.7.5 SCI Data Register (SCxDR)

The SCxDR consists of two data registers located at the same address. The receive data register (RDRx) is a read-only register that contains data received by the SCI serial interface. Data is shifted into the receive serial shifter and is transferred to RDRx. The transmit data register (TDRx) is a write-only register that contains data to be transmitted. Data is first written to TDRx, then transferred to the transmit serial shifter, where additional format bits are added before transmission.



**Figure 14-29. SCI Data Register (SCxDR)**

**Table 14-30. SCxDR Bit Descriptions**

| Bits | Name              | Description   |
|------|-------------------|---|
| 0:6  | —                 | Reserved  |
| 7:15 | R[8:0]/<br>T[8:0] | R[7:0]/T[7:0] contain either the eight data bits received when SCxDR is read, or the eight data bits to be transmitted when SCxDR is written. R8/T8 are used when the SCI is configured for nine-bit operation (M = 1). When the SCI is configured for 8-bit operation, R8/T8 have no meaning or effect.<br>Accesses to the lower byte of SCxDR triggers the mechanism for clearing the status bits or for initiating transmissions whether byte, half-word, or word accesses are used. |

## 14.7.6 SCI Signals

The RXD1 and RXD2 signals are the receive data signals for the SCI1 and SCI2, respectively. TXD1 and TXD2 are the transmit data signals for the two SCI modules. An external clock signal, ECK, is common to both SCIs. The signals and their functions are listed in [Table 14-31](#).

**Table 14-31. SCI Signal Functions**

| Signal Names   | Mnemonic   | Mode   | Function   |
|----------------|------------|--|--|
| Receive Data   | RXD1, RXD2 | Receiver disabled<br>Receiver enabled  | General purpose input<br>Serial data input to SCI  |
| Transmit Data  | TXD1, TXD2 | Transmitter disabled<br>Transmitter enabled  | General purpose output<br>Serial data output from SCI                                    |
| External Clock | ECK        | Receiver disabled<br>Receiver enabled<br>Transmitter disabled<br>Transmitter enabled | Not used<br>Alternate input source to baud<br>Not used<br>Alternate input source to baud |

## 14.7.7 SCI Operation

The SCI can operate in polled or interrupt-driven mode. Status flags in SCxSR reflect SCI conditions regardless of the operating mode chosen. The TIE, TCIE, RIE, and ILIE bits in SCCxR1 enable interrupts for the conditions indicated by the TDRE, TC, RDRF, and IDLE bits in SCxSR, respectively.

### 14.7.7.1 Definition of Terms

- Bit-time — The time required to transmit or receive one bit of data, which is equal to one cycle of the baud frequency.

- Start bit — One bit-time of logic zero that indicates the beginning of a data frame. A start bit must begin with a one-to-zero transition and be preceded by at least three receive time samples of logic one.
- Stop bit— One bit-time of logic one that indicates the end of a data frame.
- Frame — A complete unit of serial information. The SCI can use 10-bit or 11-bit frames.
- Data frame — A start bit, a specified number of data or information bits, and at least one stop bit.
- Idle frame — A frame that consists of consecutive ones. An idle frame has no start bit.
- Break frame — A frame that consists of consecutive zeros. A break frame has no stop bits.

### 14.7.7.2 Serial Formats

All data frames must have a start bit and at least one stop bit. Receiving and transmitting devices must use the same data frame format. The SCI provides hardware support for both 10-bit and 11-bit frames. The M bit in SCCxR1 specifies the number of bits per frame.

The most common data frame format for NRZ (non-return to zero) serial interfaces is one start bit, eight data bits (LSB first), and one stop bit (ten bits total). The most common 11-bit data frame contains one start bit, eight data bits, a parity or control bit, and one stop bit. Ten-bit and 11-bit frames are shown in [Table 14-32](#).

**Table 14-32. Serial Frame Formats**

| 10-bit Frames |      |                |      |
|---------------|------|----------------|------|
| Start         | Data | Parity/Control | Stop |
| 1             | 7    | —              | 2    |
| 1             | 7    | 1              | 1    |
| 1             | 8    | —              | 1    |
| 11-Bit Frames |      |                |      |
| Start         | Data | Parity/Control | Stop |
| 1             | 7    | 1              | 2    |
| 1             | 8    | 1              | 1    |

### 14.7.7.3 Baud Clock

The SCI baud rate is programmed by writing a 13-bit value to the SCxBR field in SCI control register zero (SCCxR0). The baud rate is derived from the MCU IMB3 clock by a modulus counter. Writing a value of zero to SCxBR[12:0] disables the baud rate generator. The baud rate is calculated as follows:

$$\text{SCI Baud Rate} = \frac{f_{\text{SYS}}}{32 \times \text{SCxBR}} \quad \text{Eqn. 14-9}$$

or Eqn. 14-10

$$\text{SCxBR} = \frac{f_{\text{SYS}}}{32 \times \text{SCI Baud Rate Desired}} \quad \text{Eqn. 14-11}$$

where SCxBR is in the range {1, 2, 3, ..., 8191}.

The SCI receiver operates asynchronously. An internal clock is necessary to synchronize with an incoming data stream. The SCI baud rate generator produces a receive time sampling clock with a frequency 16 times that of the SCI baud rate. The SCI determines the position of bit boundaries from transitions within the received waveform, and adjusts sampling points to the proper positions within the bit period.

Table 14-33 shows possible baud rates for a 40-MHz IMB3 clock. The maximum baud rate with this IMB3 clock speed is 1250 Kbaud.

**Table 14-33. Examples of SCIx Baud Rates<sup>1</sup>**

| Nominal Baud Rate | Actual Baud Rate | Percent Error | Value of SCxBR |
|-------------------|------------------|---------------|----------------|
| 1,250,000.00      | 1,250,000.00     | 0.00          | 1              |
| 57,600.00         | 56,818.18        | -1.36         | 22             |
| 38,400.00         | 37,878.79        | -1.36         | 33             |
| 32,768.00         | 32,894.74        | 0.39          | 38             |
| 28,800.00         | 29,069.77        | 0.94          | 43             |
| 19,200.00         | 19,230.77        | 0.16          | 65             |
| 14,400.00         | 14,367.81        | -0.22         | 87             |
| 9,600.00          | 9,615.38         | 0.16          | 130            |
| 4,800.00          | 4,807.69         | 0.16          | 260            |
| 2,400.00          | 2,399.23         | -0.03         | 521            |
| 1,200.00          | 1,199.62         | -0.03         | 1042           |
| 600.00            | 600.09           | 0.02          | 2083           |
| 300.00            | 299.98           | -0.01         | 4167           |

<sup>1</sup> These rates are based on a 40-MHz IMB3 clock.

#### 14.7.7.4 Parity Checking

The PT bit in SCCxR1 selects either even (PT = 0) or odd (PT = 1) parity. PT affects received and transmitted data. The PE bit in SCCxR1 determines whether parity checking is enabled (PE = 1) or disabled (PE = 0). When PE is set, the MSB of data in a frame (i.e., the bit preceding the stop bit) is used for the parity function. For transmitted data, a parity bit is generated. For received data, the parity bit is checked. When parity checking is enabled, the PF bit in the SCI status register (SCxSR) is set if a parity error is detected.

Enabling parity affects the number of data bits in a frame, which can in turn affect frame size. Table 14-34 shows possible data and parity formats.

**Table 14-34. Effect of Parity Checking on Data Size**

| M | PE | Result                    |
|---|----|---------------------------|
| 0 | 0  | 8 data bits               |
| 0 | 1  | 7 data bits, 1 parity bit |
| 1 | 0  | 9 data bits               |
| 1 | 1  | 8 data bits, 1 parity bit |

### 14.7.7.5 Transmitter Operation

The transmitter consists of a serial shifter and a parallel data register (TDRx) located in the SCI data register (SCxDR). The serial shifter cannot be directly accessed by the CPU. The transmitter is double-buffered, which means that data can be loaded into the TDRx while other data is shifted out. The TE bit in SCCxR1 enables (TE = 1) and disables (TE = 0) the transmitter.

The shifter output is connected to the TXD pin while the transmitter is operating (TE = 1, or TE = 0 and transmission in progress). Wired-OR operation should be specified when more than one transmitter is used on the same SCI bus. The WOMS bit in SCCxR1 determines whether TXD is an open drain (wired-OR) output or a normal CMOS output. An external pull-up resistor on TXD is necessary for wired-OR operation. WOMS controls TXD function, regardless of whether the pin is used by the SCI or as a general-purpose output pin.

Data to be transmitted is written to SCxDR, then transferred to the serial shifter. Before writing to TDRx, the transmit data register empty (TDRE) flag in SCxSR should be checked. When TDRE = 0, the TDRx contains data that has not been transferred to the shifter. Writing to SCxDR again overwrites the data. If TDRE = 1, then TDRx is empty, and new data may be written to TDRx, clearing TDRE.

As soon as the data in the transmit serial shifter has shifted out and if a new data frame is in TDRx (TDRE = 0), then the new data is transferred from TDRx to the transmit serial shifter and TDRE is set automatically. An interrupt may optionally be generated at this point.

The transmission complete (TC) flag in SCxSR shows transmitter shifter state. When TC = 0, the shifter is busy. TC is set when all shifting operations are completed. TC is not automatically cleared. The processor must clear it by first reading SCxSR while TC is set, then writing new data to SCxDR, or writing to SCTQ[0:15] for transmit queue operation.

The state of the serial shifter is checked when the TE bit is set. If TC = 1, an idle frame is transmitted as a preamble to the following data frame. If TC = 0, the current operation continues until the final bit in the frame is sent, then the preamble is transmitted. The TC bit is set at the end of preamble transmission.

The SBK bit in SCCxR1 is used to insert break frames in a transmission. A non-zero integer number of break frames are transmitted while SBK is set. Break transmission begins when SBK is set, and ends with the transmission in progress at the time either SBK or TE is cleared. If SBK is set while a transmission is in progress, that transmission finishes normally before the break begins. To ensure the minimum break time, toggle SBK quickly to one and back to zero. The TC bit is set at the end of break transmission. After break transmission, at least one bit-time of logic level one (mark idle) is transmitted to ensure that a subsequent start bit can be detected.

If TE remains set, after all pending idle, data and break frames are shifted out, TDRE and TC are set and TXD is held at logic level one (mark).

When TE is cleared, the transmitter is disabled after all pending idle, data, and break frames are transmitted. The TC flag is set, and control of the TXD pin reverts to PQSPAR and DDRQS. Buffered data is not transmitted after TE is cleared. To avoid losing data in the buffer, do not clear TE until TDRE is set.

Some serial communication systems require a mark on the TXD pin even when the transmitter is disabled. Configure the TXD pin as an output, then write a one to either QDTX1 or QDTX2 of the PORTQS register.



See [Section 14.5.1, “Port QS Data Register \(PORTQS\).”](#) When the transmitter releases control of the TXD pin, it reverts to driving a logic one output.

To insert a delimiter between two messages, to place non-listening receivers in wake-up mode between transmissions, or to signal a re-transmission by forcing an idle-line, clear and then set TE before data in the serial shifter has shifted out. The transmitter finishes the transmission, then sends a preamble. After the preamble is transmitted, if TDRE is set, the transmitter marks idle. Otherwise, normal transmission of the next sequence begins.

Both TDRE and TC have associated interrupts. The interrupts are enabled by the transmit interrupt enable (TIE) and transmission complete interrupt enable (TCIE) bits in SCCxR1. Service routines can load the last data frame in a sequence into SCxDR, then terminate the transmission when a TDRE interrupt occurs.

Two SCI messages can be separated with minimum idle time by using a preamble of 10 bit-times (11 if a 9-bit data format is specified) of marks (logic ones). Follow these steps:

1. Write the last data frame of the first message to the TDRx
2. Wait for TDRE to go high, indicating that the last data frame is transferred to the transmit serial shifter
3. Clear TE and then set TE back to one. This queues the preamble to follow the stop bit of the current transmission immediately.
4. Write the first data frame of the second message to register TDRx

In this sequence, if the first data frame of the second message is not transferred to TDRx prior to the finish of the preamble transmission, then the transmit data line (TXDx pin) marks idle (logic one) until TDRx is written. In addition, if the last data frame of the first message finishes shifting out (including the stop bit) and TE is clear, TC goes high and transmission is considered complete. The TXDx pin reverts to being a general-purpose output pin.

#### 14.7.7.6 Receiver Operation

The receiver can be divided into two segments. The first is the receiver bit processor logic that synchronizes to the asynchronous receive data and evaluates the logic sense of each bit in the serial stream. The second receiver segment controls the functional operation and the interface to the CPU including the conversion of the serial data stream to parallel access by the CPU.

**Receiver Bit Processor** — The receiver bit processor contains logic to synchronize the bit-time of the incoming data and to evaluate the logic sense of each bit. To accomplish this an RT clock, which is 16 times the baud rate, is used to sample each bit. Each bit-time can thus be divided into 16 time periods called RT1–RT16. The receiver looks for a possible start bit by watching for a high-to-low transition on the RXDx pin and by assigning the RT time labels appropriately.

When the receiver is enabled by writing RE in SCCxR1 to one, the receiver bit processor logic begins an asynchronous search for a start bit. The goal of this search is to gain synchronization with a frame. The bit-time synchronization is done at the beginning of each frame so that small differences in the baud rate of the receiver and transmitter are not cumulative. SCIx also synchronizes on all one-to-zero transitions in the serial data stream, which makes SCIx tolerant to small frequency variations in the received data stream.

The sequence of events used by the receiver to find a start bit is listed below.

1. Sample RXD<sub>x</sub> input during each RT period and maintain these samples in a serial pipeline that is three RT periods deep.
2. If RXD<sub>x</sub> is low during this RT period, go to step 1.
3. If RXD<sub>x</sub> is high during this RT period, store sample and proceed to step 4.
4. If RXD<sub>x</sub> is low during this RT period, but not high for the previous three RT periods (which is noise only), set an internal working noise flag and go to step 1, since this transition was not a valid start bit transition.
5. If RXD<sub>x</sub> is low during this RT period and has been high for the previous three RT periods, call this period RT<sub>1</sub>, set RAF, and proceed to step 6.
6. Skip RT<sub>2</sub> but place RT<sub>3</sub> in the pipeline and proceed to step 7.
7. Skip RT<sub>4</sub> and sample RT<sub>5</sub>. If both RT<sub>3</sub> and RT<sub>5</sub> are high (RT<sub>1</sub> was noise only), set an internal working noise flag. Go to step 3 and clear RAF. Otherwise, place RT<sub>5</sub> in the pipeline and proceed to step 8.
8. Skip RT<sub>6</sub> and sample RT<sub>7</sub>. If any two of RT<sub>3</sub>, RT<sub>5</sub>, or RT<sub>7</sub> is high (RT<sub>1</sub> was noise only), set an internal working noise flag. Go to step 3 and clear RAF. Otherwise, place RT<sub>7</sub> in the pipeline and proceed to step 9.
9. A valid start bit is found and synchronization is achieved. From this point on until the end of the frame, the RT clock will increment starting over again with RT<sub>1</sub> on each one-to-zero transition or each RT<sub>16</sub>. The beginning of a bit-time is thus defined as RT<sub>1</sub> and the end of a bit-time as RT<sub>16</sub>.

Upon detection of a valid start bit, synchronization is established and is maintained through the reception of the last stop bit, after which the procedure starts all over again to search for a new valid start bit. During a frame's reception, SCI<sub>x</sub> resynchronizes the RT clock on any one-to-zero transitions.

Additional logic in the receiver bit processor determines the logic level of the received bit and implements an advanced noise-detection function. During each bit-time of a frame (including the start and stop bits), three logic-sense samples are taken at RT<sub>8</sub>, RT<sub>9</sub>, and RT<sub>10</sub>. The logic sense of the bit-time is decided by a majority vote of these three samples. This logic level is shifted into register RDR<sub>x</sub> for every bit except the start and stop bits.

If RT<sub>8</sub>, RT<sub>9</sub>, and RT<sub>10</sub> do not all agree, an internal working noise flag is set. Additionally for the start bit, if RT<sub>3</sub>, RT<sub>5</sub>, and RT<sub>7</sub> do not all agree, the internal working noise flag is set. If this flag is set for any of the bit-times in a frame, the NF flag in SC<sub>x</sub>SR is set concurrently with the RDRF flag in SC<sub>x</sub>SR when the data is transferred to register RDR<sub>x</sub>. The user must determine if the data received with NF set is valid. Noise on the RXD<sub>x</sub> pin does not necessarily corrupt all data.

The operation of the receiver bit processor is shown in [Figure 14-30](#). This example demonstrates the search for a valid start bit and the synchronization procedure as outlined above. The possibilities of noise durations greater than one bit-time are not considered in this examples.

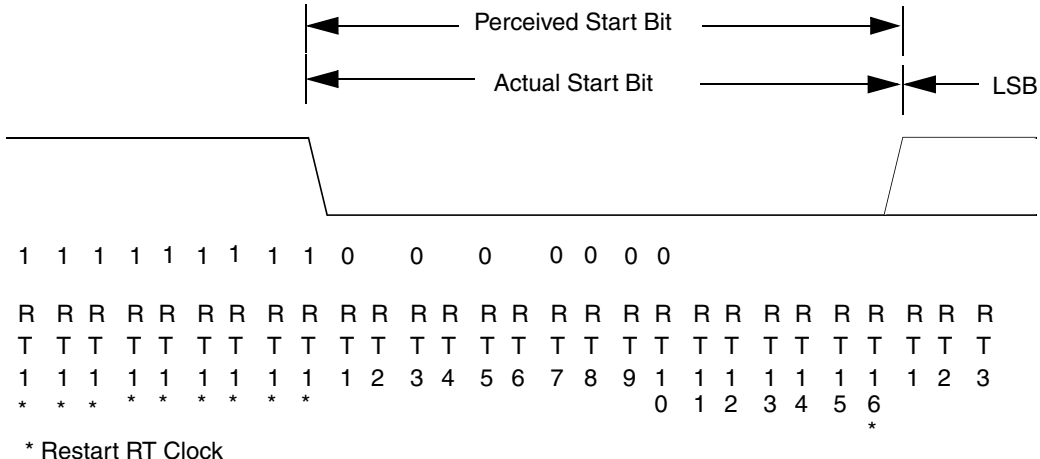


Figure 14-30. Start Search Example

**14.7.7.7 Receiver Functional Operation**

The RE bit in SCCxR1 enables (RE = 1) and disables (RE = 0) the receiver. The receiver contains a receive serial shifter and a parallel receive data register (RDRx) located in the SCI data register (SCxDR). The serial shifter cannot be directly accessed by the CPU. The receiver is double-buffered, allowing data to be held in the RDRx while other data is shifted in.

Receiver bit processor logic drives a state machine that determines the logic level for each bit-time. This state machine controls when the bit processor logic is to sample the RXD pin and also controls when data is to be passed to the receive serial shifter. A receive time clock is used to control sampling and synchronization. Data is shifted into the receive serial shifter according to the most recent synchronization of the receive time clock with the incoming data stream. From this point on, data movement is synchronized with the MCU IMB3 clock. Operation of the receiver state machine is detailed in the *Queued Serial Module Reference Manual (QSMRM/AD)*.

The number of bits shifted in by the receiver depends on the serial format. However, all frames must end with at least one stop bit. When the stop bit is received, the frame is considered to be complete, and the received data in the serial shifter is transferred to the RDRx. The receiver data register flag (RDRF) is set when the data is transferred.

The stop bit is always a logic one. If a logic zero is sensed during this bit-time, the FE flag in SCxSR is set. A framing error is usually caused by mismatched baud rates between the receiver and transmitter or by a significant burst of noise. Note that a framing error is not always detected; the data in the expected stop bit-time may happen to be a logic one.

Noise errors, parity errors, and framing errors can be detected while a data stream is being received. Although error conditions are detected as bits are received, the noise flag (NF), the parity flag (PF), and the framing error (FE) flag in SCxSR are not set until data is transferred from the serial shifter to the RDRx.

RDRF must be cleared before the next transfer from the shifter can take place. If RDRF is set when the shifter is full, transfers are inhibited and the overrun error (OR) flag in SCxSR is set. OR indicates that the

RDRx needs to be serviced faster. When OR is set, the data in the RDRx is preserved, but the data in the serial shifter is lost.

When a completed frame is received into the RDRx, either the RDRF or OR flag is always set. If RIE in SCCxR1 is set, an interrupt results whenever RDRF is set. The receiver status flags NF, FE, and PF are set simultaneously with RDRF, as appropriate. These receiver flags are never set with OR because the flags apply only to the data in the receive serial shifter. The receiver status flags do not have separate interrupt enables, since they are set simultaneously with RDRF and must be read at the same time as RDRF.

When the CPU reads SCxSR and SCxDR in sequence, it acquires status and data, and also clears the status flags. Reading SCxSR acquires status and arms the clearing mechanism. Reading SCxDR acquires data and clears SCxSR.

### 14.7.7.8 Idle-Line Detection

During a typical serial transmission, frames are transmitted isochronically and no idle time occurs between frames. Even when all the data bits in a frame are logic ones, the start bit provides one logic zero bit-time during the frame. An idle line is a sequence of contiguous ones equal to the current frame size. Frame size is determined by the state of the M bit in SCCxR1.

The SCI receiver has both short and long idle-line detection capability. Idle-line detection is always enabled. The idle-line type (ILT) bit in SCCxR1 determines which type of detection is used. When an idle-line condition is detected, the IDLE flag in SCxSR is set.

For short idle-line detection, the receiver bit processor counts contiguous logic one bit-times whenever they occur. Short detection provides the earliest possible recognition of an idle-line condition, because the stop bit and contiguous logic ones before and after it are counted. For long idle-line detection, the receiver counts logic ones after the stop bit is received. Only a complete idle frame causes the IDLE flag to be set.

In some applications, software overhead can cause a bit-time of logic level one to occur between frames. This bit-time does not affect content, but if it occurs after a frame of ones when short detection is enabled, the receiver flags an idle line.

When the ILIE bit in SCCxR1 is set, an interrupt request is generated when the IDLE flag is set. The flag is cleared by reading SCxSR and SCxDR in sequence. For receiver queue operation, IDLE is cleared when SCxSR is read with IDLE set, followed by a read of SCRQ[0:15]. IDLE is not set again until after at least one frame has been received (RDRF = 1). This prevents an extended idle interval from causing more than one interrupt.

### 14.7.7.9 Receiver Wake-Up

The receiver wake-up function allows a transmitting device to direct a transmission to a single receiver or to a group of receivers by sending an address frame at the start of a message. Hardware activates each receiver in a system under certain conditions. Resident software must process address information and enable or disable receiver operation.

A receiver is placed in wake-up mode by setting the RWU bit in SCCxR1. While RWU is set, receiver status flags and interrupts are disabled. Although the software can clear RWU, it is normally cleared by hardware during wake-up.

The WAKE bit in SCCxR1 determines which type of wake-up is used. When WAKE = 0, idle-line wake-up is selected. When WAKE = 1, address-mark wake-up is selected. Both types require a software-based device addressing and recognition scheme.

Idle-line wake-up allows a receiver to sleep until an idle line is detected. When an idle line is detected, the receiver clears RWU and wakes up. The receiver waits for the first frame of the next transmission. The data frame is received normally, transferred to the RDRx, and the RDRF flag is set. If software does not recognize the address, it can set RWU and put the receiver back to sleep. For idle-line wake-up to work, there must be a minimum of one frame of idle line between transmissions. There must be no idle time between frames within a transmission.

Address mark wake-up uses a special frame format to wake up the receiver. When the MSB of an address-mark frame is set, that frame contains address information. The first frame of each transmission must be an address frame. When the MSB of a frame is set, the receiver clears RWU and wakes up. The data frame is received normally, transferred to the RDRx, and the RDRF flag is set. If software does not recognize the address, it can set RWU and put the receiver back to sleep. Address mark wake-up allows idle time between frames and eliminates idle time between transmissions. However, there is a loss of efficiency because of an additional bit-time per frame.

#### 14.7.7.10 Internal Loop Mode

The LOOPS bit in SCCxR1 controls a feedback path in the data serial shifter. When LOOPS is set, the SCI transmitter output is fed back into the receive serial shifter. TXD is asserted (idle line). Both transmitter and receiver must be enabled before entering loop mode.

## 14.8 SCI Queue Operation

### 14.8.1 Queue Operation of SCI1 for Transmit and Receive

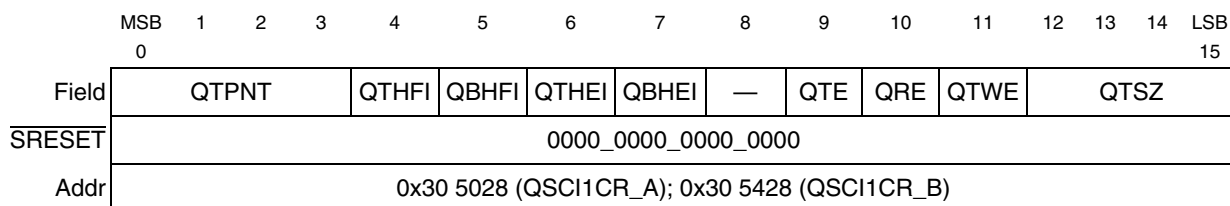
The SCI1 serial module allows for queueing on transmit and receive data frames. In the standard mode, in which the queue is disabled, the SCI1 operates as previously defined (i.e., transmit and receive operations done via SC1DR). However, if the SCI1 queue feature is enabled (by setting the QTE and/or QRE bits within QSCI1CR) a set of 16 entry queues is allocated for the receive and/or transmit operation. Through software control the queue is capable of continuous receive and transfer operations within the SCI1 serial unit.

### 14.8.2 Queued SCI1 Status and Control Registers

The SCI1 queue uses the following registers:

- QSCI1 control register (QSCI1CR, address offset 0x28)
- QSCI1 status register (QSCI1SR, address offset 0x2A)

### 14.8.2.1 QSCI1 Control Register (QSCI1CR)



**Figure 14-31. QSCI1 Control Register (QSCI1CR)**

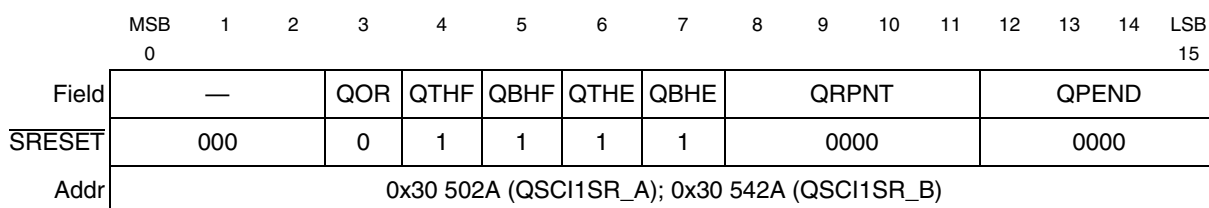
**Table 14-35. QSCI1CR Bit Descriptions**

| Bits | Name  | Description   |
|------|-------|---|
| 0:3  | QTPNT | Queue transmit pointer. QTPNT is a 4-bit counter used to indicate the next data frame within the transmit queue to be loaded into the SC1DR. This feature allows for ease of testability.   |
| 4    | QTHFI | Receiver queue top-half full interrupt. When set, QTHFI enables an SCI1 interrupt whenever the QTHF flag in QSCI1SR is set. The interrupt is blocked by negating QTHFI. This bit refers to the queue locations SCRQ[0:7].<br>0 QTHF interrupt inhibited<br>1 Queue top-half full (QTHF) interrupt enabled   |
| 5    | QBHFI | Receiver queue bottom-half full interrupt. When set, QBHFI enables an SCI1 interrupt whenever the QBHF flag in QSCI1SR is set. The interrupt is blocked by negating QBHFI. This bit refers to the queue locations SCRQ[8:15].<br>0 QBHF interrupt inhibited<br>1 Queue bottom-half full (QBHF) interrupt enabled  |
| 6    | QTHEI | Transmitter queue top-half empty interrupt. When set, QTHEI enables an SCI1 interrupt whenever the QTHE flag in QSCI1SR is set. The interrupt is blocked by negating QTHEI. This bit refers to the queue locations SCTQ[0:7].<br>0 QTHE interrupt inhibited<br>1 Queue top-half empty (QTHE) interrupt enabled  |
| 7    | QBHEI | Transmitter queue bottom-half empty interrupt. When set, QBHEI enables an SCI1 interrupt whenever the QBHE flag in QSCI1SR is set. The interrupt is blocked by negating QBHEI. This bit refers to the queue locations SCTQ[8:15].<br>0 QBHE interrupt inhibited<br>1 Queue bottom-half empty (QBHE) interrupt enabled   |
| 8    | —     | Reserved  |
| 9    | QTE   | Queue transmit enable. When set, the transmit queue is enabled and the TDRE bit should be ignored by software. The TC bit is redefined to indicate when the entire queue is finished transmitting. When clear, the SCI1 functions as described in the previous sections and the bits related to the queue (Section 5.5 and its subsections) should be ignored by software with the exception of QTE.<br>0 Transmit queue is disabled<br>1 Transmit queue is enabled |
| 10   | QRE   | Queue receive enable. When set, the receive queue is enabled and the RDRF bit should be ignored by software. When clear, the SCI1 functions as described in the previous sections and the bits related to the queue (Section 5.5 and its subsections) should be ignored by software with the exception of QRE.<br>0 Receive queue is disabled<br>1 Receive queue is enabled   |

**Table 14-35. QSCI1CR Bit Descriptions (continued)**

| Bits  | Name | Description   |
|-------|------|---|
| 11    | QTWE | Queue transmit wrap enable. When set, the transmit queue is allowed to restart transmitting from the top of the queue after reaching the bottom of the queue. After each wrap of the queue, QTWE is cleared by hardware.<br>0 Transmit queue wrap feature is disabled<br>1 Transmit queue wrap feature is enabled |
| 12:15 | QTSZ | Queue transfer size. The QTSZ bits allow programming the number of data frames to be transmitted. From 1 (QTSZ = 0b0000) to 16 (QTSZ = 0b1111) data frames can be specified. QTSZ is loaded into QPEND initially or when a wrap occurs.   |

### 14.8.2.2 QSCI1 Status Register (QSCI1SR)



**Figure 14-32. QSCI1 Status Register (QSCI1SR)**

**Table 14-36. QSCI1SR Bit Descriptions**

| Bits | Name | Description   |
|------|------|---|
| 0:2  | —    | Reserved  |
| 3    | QOR  | Receiver queue overrun error. The QOR is set when a new data frame is ready to be transferred from the SC1DR to the queue and the queue is already full (QTHF or QBHF are still set). Data transfer is inhibited until QOR is cleared. Previous data transferred to the queue remains valid. Additional data received during a queue overrun condition is not lost provided the receive queue is re-enabled before OR (SC1SR) is set. The OR flag is set when a new data frame is received in the shifter but the data register (SC1DR) is still full. The data in the shifter that generated the OR assertion is overwritten by the next received data frame, but the data in the SC1DR is not lost.<br>0 The queue is empty before valid data is in the SC1DR<br>1 The queue is not empty when valid data is in the SC1DR |
| 4    | QTHF | Receiver queue top-half full. QTHF is set when the receive queue locations SCRQ[0:7] are completely filled with new data received via the serial shifter. QTHF is cleared when register QSCI1SR is read with QTHF set, followed by a write of QTHF to zero.<br>0 The queue locations SCRQ[0:7] are partially filled with newly received data or is empty<br>1 The queue locations SCRQ[0:7] are completely full of newly received data  |
| 5    | QBHF | Receiver queue bottom-half full. QBHF is set when the receive queue locations SCRQ[8:15] are completely filled with new data received via the serial shifter. QBHF is cleared when register QSCI1SR is read with QBHF set, followed by a write of QBHF to zero.<br>0 The queue locations SCRQ[8:15] are partially filled with newly received data or is empty<br>1 The queue locations SCRQ[8:15] are completely full of newly received data  |

**Table 14-36. QSCI1SR Bit Descriptions (continued)**

| Bits  | Name  | Description   |
|-------|-------|---|
| 6     | QTHE  | Transmitter queue top-half empty. QTHE is set when all the data frames in the transmit queue locations SCTQ[0:7] have been transferred to the transmit serial shifter. QTHE is cleared when register QSCI1SR is read with QTHE set, followed by a write of QTHE to zero.<br>0 The queue locations SCTQ[0:7] still contain data to be sent to the transmit serial shifter<br>1 New data may now be written to the queue locations SCTQ[0:7]      |
| 7     | QBHE  | Transmitter queue bottom-half empty. QBHE is set when all the data frames in the transmit queue locations SCTQ[8:15] has been transferred to the transmit serial shifter. QBHE is cleared when register QSCI1SR is read with QBHE set, followed by a write of QBHE to zero.<br>0 The queue locations SCTQ[8:15] still contain data to be sent to the transmit serial shifter<br>1 New data may now be written to the queue locations SCTQ[8:15] |
| 8:11  | QRPNT | Queue receive pointer. QRPNT is a 4-bit counter used to indicate the position where the next valid data frame will be stored within the receive queue. This field is writable in test mode only; otherwise it is read-only.   |
| 12:15 | QPEND | Queue pending. QPEND is a 4-bit decremter used to indicate the number of data frames in the queue that are awaiting transfer to the SC1DR. This field is read-only. From 1 (QPEND = 0b0000) to 16 (or done, QPEND = 1111) data frames can be specified.   |

### 14.8.3 QSCI1 Transmitter Block Diagram

The block diagram of the enhancements to the SCI transmitter is shown in [Figure 14-33](#).



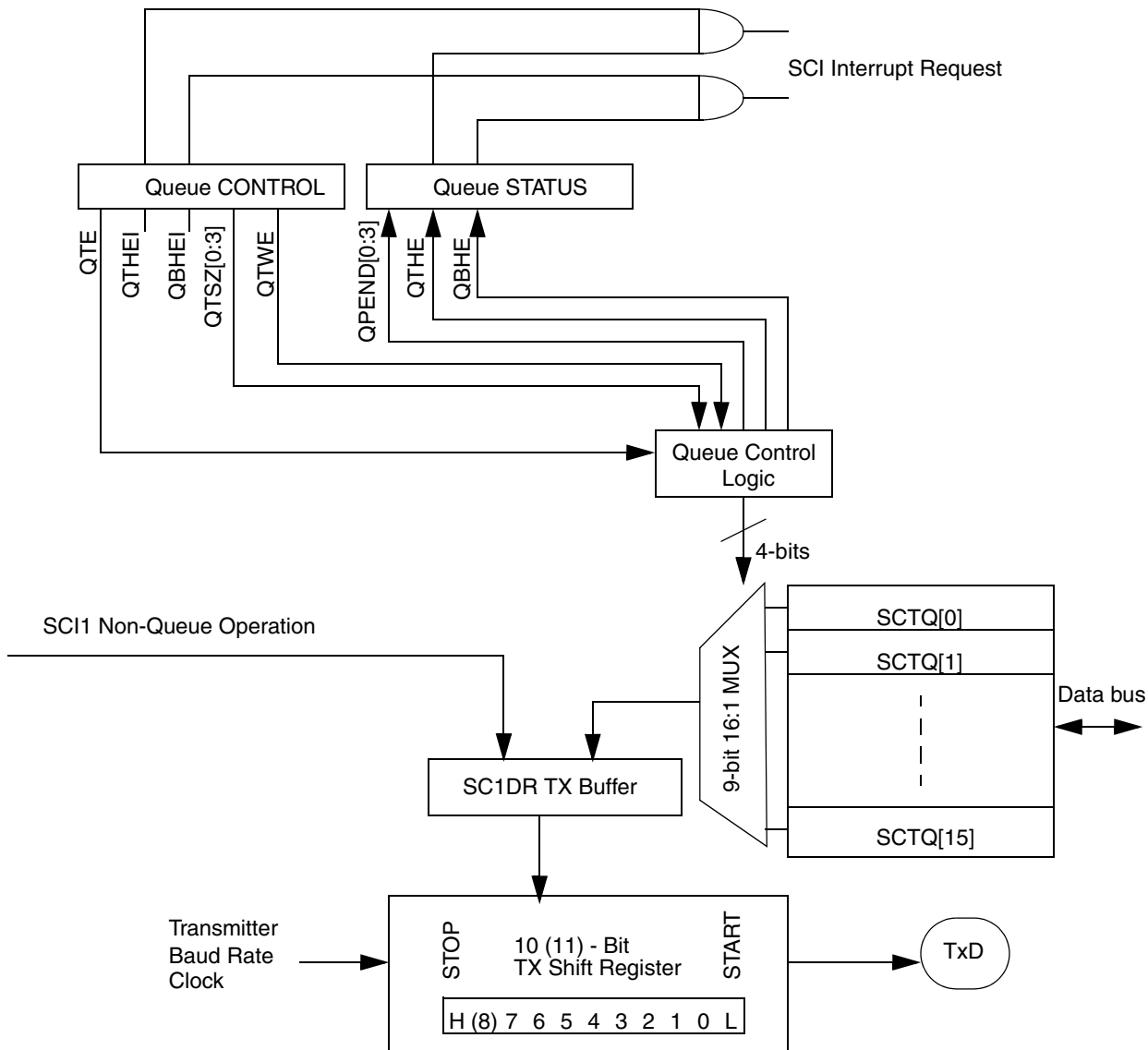


Figure 14-33. Queue Transmitter Block Enhancements

### 14.8.4 QSCI1 Additional Transmit Operation Features

- Available on a single SCI channel (SCI1) implemented by the queue transmit enable (QTE) bit set by software. When enabled, (QTE = 1) the TDRE bit should be ignored by software and the TC bit is redefined (as described later).
- When the queue is disabled (QTE = 0), the SCI functions in single buffer transfer mode where the queue size is set to one (QTSZ = 0000), and TDRE and TC function as previously defined. Locations SCTQ[0:15] can be used as general purpose 9-bit registers. All other bits pertaining to the queue should be ignored by software.
- Programmable queue up to 16 transmits (SCTQ[0:15]) which may allow for infinite and continuous transmits.

- Available transmit wrap function to prevent message breaks for transmits greater than 16. This is achieved by the transmit wrap enable (QTWE) bit. When QTWE is set, the hardware is allowed to restart transmitting from the top of the queue (SCTQ0). After each wrap, QTWE is cleared by hardware.
  - Transmissions of more than 16 data frames must be performed in multiples of 16 (QTSZ = 0b1111) except for the last set of transmissions. For any single non-continuous transmissions of 16 or less or the last transmit set composed of 16 or fewer data frames, programming of QTSZ to the corresponding value of 16 or less where QTWE = 0 is allowed.
- Interrupt generation when the top half (SCTQ[0:7]) of the queue has been emptied (QTHE) and the bottom half (SCTQ[8:15]) of the queue has been emptied (QBHE). This may allow for uninterrupted and continuous transmits by indicating to the CPU that it can begin refilling the queue portion that is now emptied.
  - The QTHE bit is set by hardware when the top half is empty or the transmission has completed. The QTHE bit is cleared when the QSCI1SR is read with QTHE set, followed by a write of QTHE to zero.
  - The QBHE bit is set by hardware when the bottom half is empty or the transmission has completed. The QBHE bit is cleared when the QSCI1SR is read with QBHE set, followed by a write of QBHE to zero.
  - In order to implement the transmit queue, QTE must be set (QSCI1CR), TE must be set (SCC1R1), QTHE must be cleared (QSCI1SR), and TDRE must be set (SC1SR).
- Enable and disable options for the interrupts QTHE and QBHE as controlled by QTHEI and QBHEI respectfully.
- Programmable 4-bit register queue transmit size (QTSZ) for configuring the queue to any size up to 16 transfers at a time. This value may be rewritten after transmission has started to allow for the wrap feature.
- 4-bit status register to indicate the number of data transfers pending (QPEND). This register counts down to all 0's where the next count rolls over to all 1's. This counter is writable in test mode; otherwise it is read-only.
- 4-bit counter (QTPNT) is used as a pointer to indicate the next data frame within the transmit queue to be loaded into the SC1DR. This counter is writable in test mode; otherwise it is read-only.
- A transmit complete (TC) bit re-defined when the queue is enabled (QTE = 1) to indicate when the entire queue (including when wrapped) is finished transmitting. This is indicated when QPEND = 1111 and the shifter has completed shifting data out. TC is cleared when the SCxSR is read with TC = 1 followed by a write to SCTQ[0:15]. If the queue is disabled (QTE = 0), the TC bit operates as originally designed.
- When the transmit queue is enabled (QTE = 1), writes to the transmit data register (SC1DR) have no effect.

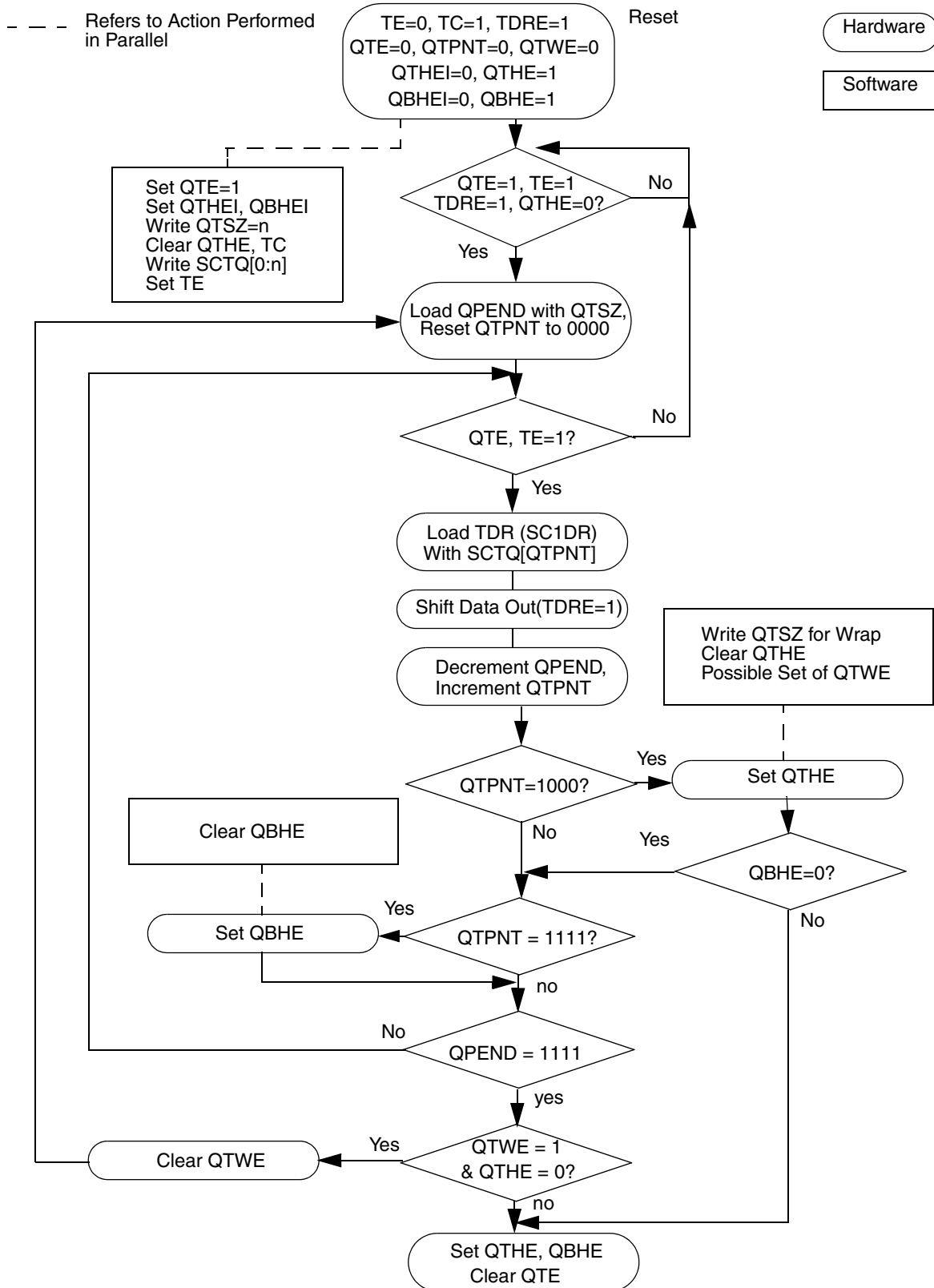


Figure 14-34. QSCI1 Queue Transmit Flow

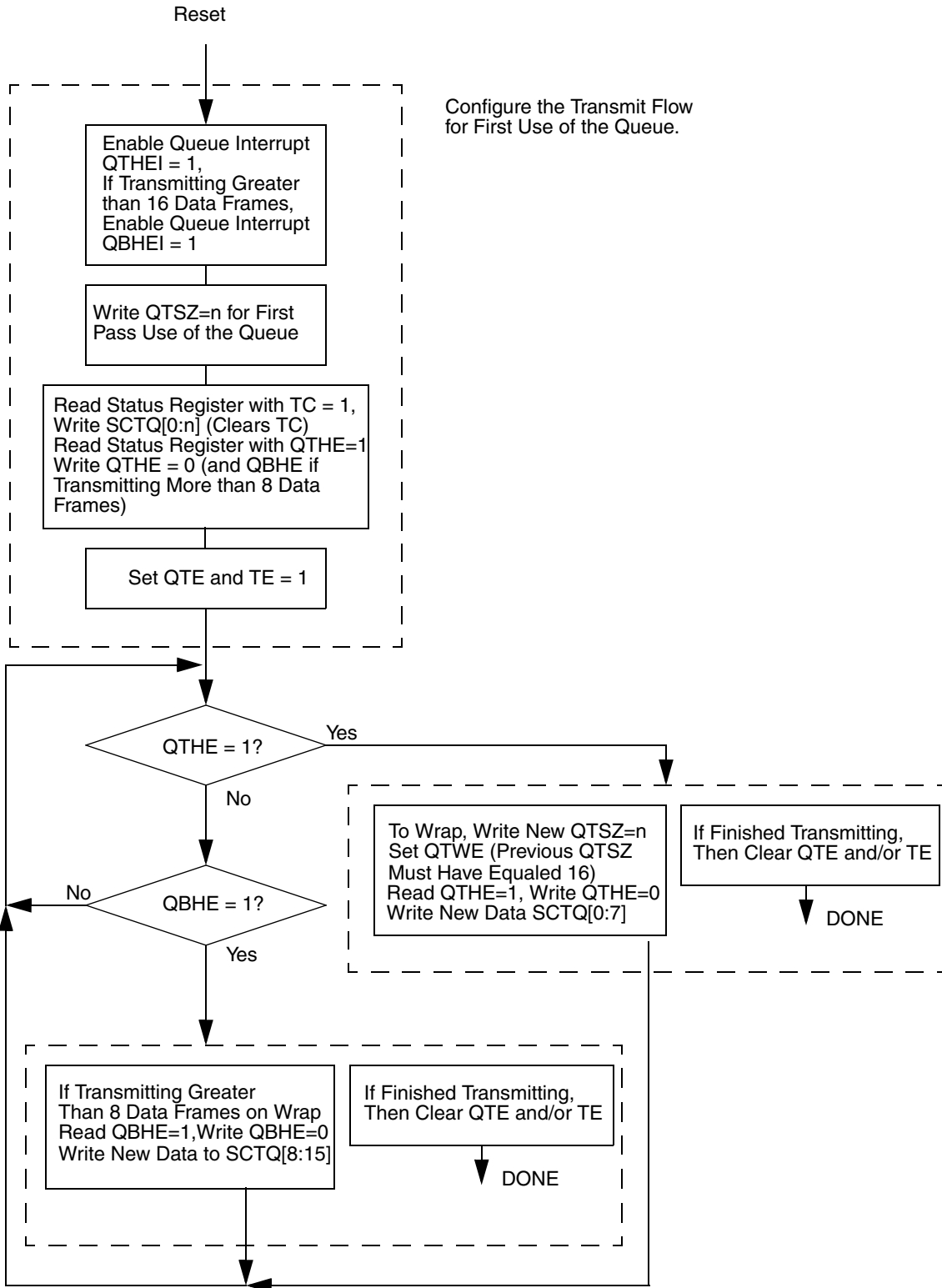
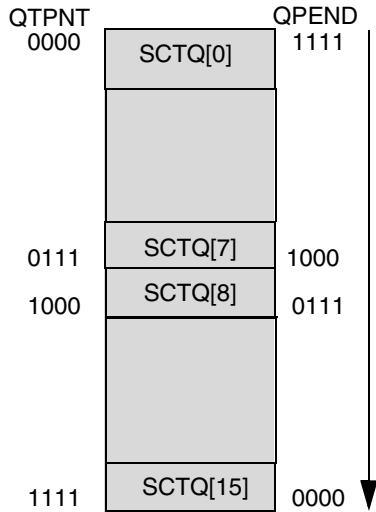


Figure 14-35. QSCI1 Queue Transmit Software Flow

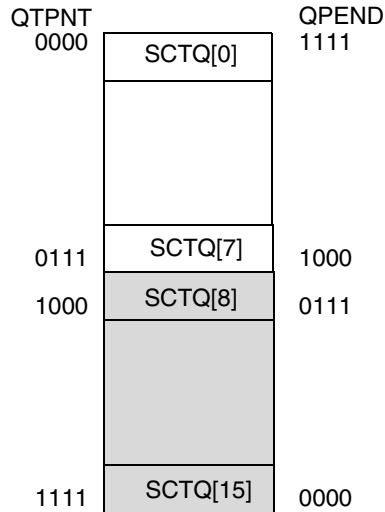
### 14.8.5 Example QSCI1 Transmit for 17 Data Bytes

Figure 14-36 below shows a transmission of 17 data frames. The bold type indicates the current value for QTPNT and QPEND. The italic type indicates the action just performed by hardware. Regular type indicates the actions that should be performed by software before the next event.

① Transmit Queue Enabled  
QTSZ=1111 (16 Data Frames)

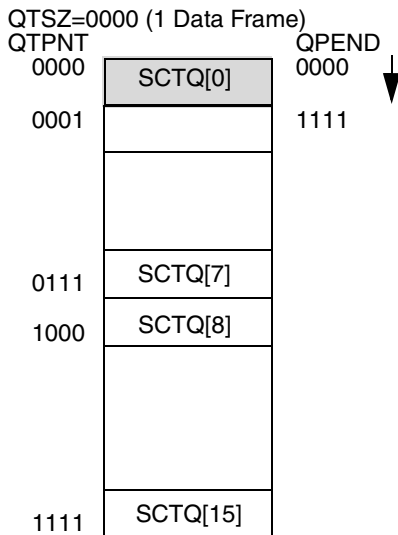


② QTHE Interrupt Received  
QTSZ=1111 (16 Data Frames)



Write New QTSZ for When Wrap Occurs  
QTSZ=0 (16+1=17), Set QTWE, Clear QTHE  
Write SCTQ[0] for 17th Transfer

③ QBHE Interrupt Received  
(Wrap Occurred)



Load QPEND with QTSZ (0)  
Clear QTWE  
Reset QTPNT

Data to be transferred  
 Available register space

Figure 14-36. Queue Transmit Example for 17 Data Bytes

### 14.8.6 Example SCI Transmit for 25 Data Bytes

Figure 14-37 below is an example of a transmission of 25 data frames.

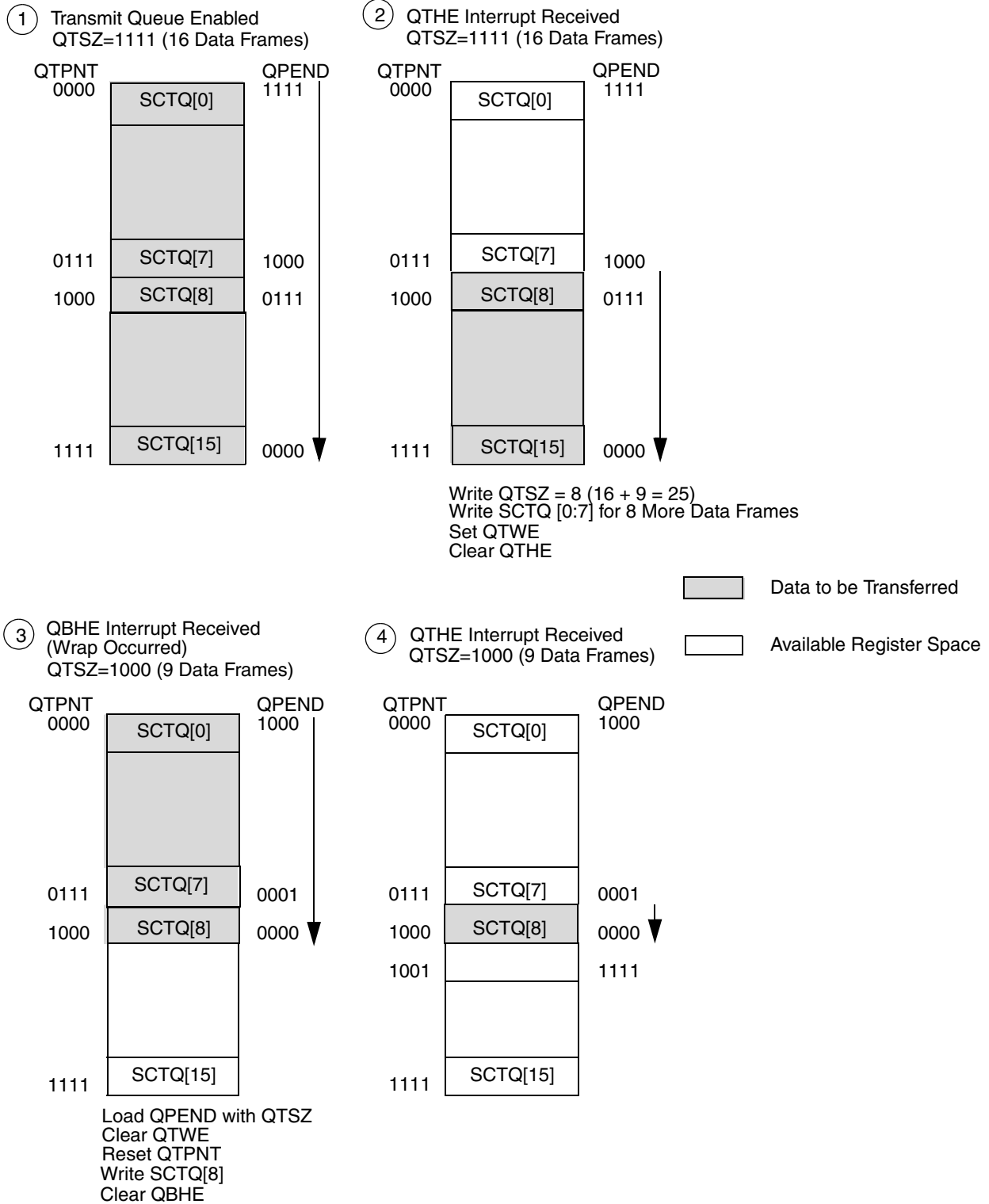


Figure 14-37. Queue Transmit Example for 25 Data Frames

## 14.8.7 QSCI1 Receiver Block Diagram

The block diagram of the enhancements to the SCI receiver is shown below in [Figure 14-38](#).

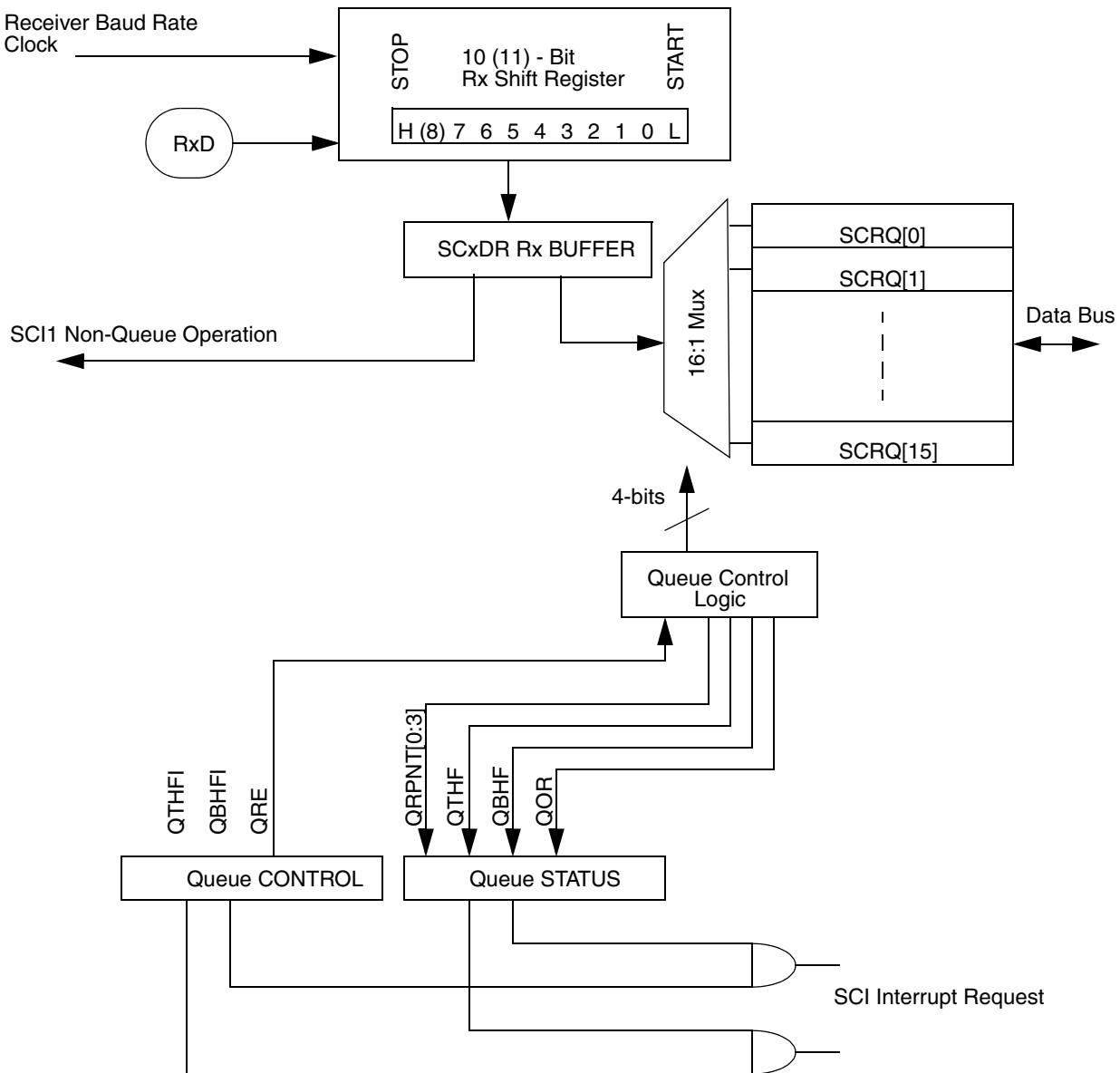


Figure 14-38. Queue Receiver Block Enhancements

## 14.8.8 QSCI1 Additional Receive Operation Features

- Available on a single SCI channel (SCI1) implemented by the queue receiver enable (QRE) bit set by software. When the queue is enabled, software should ignore the RDRF bit.
- When the queue is disabled (QRE = 0), the SCI functions in single buffer receive mode (as originally designed) and RDRF and OR function as previously defined. Locations SCRQ[0:15] can be used as general purpose 9-bit registers. Software should ignore all other bits pertaining to the queue.

- Only data that has no errors (FE and PF both false) is allowed into the queue. The status flags FE and PF, if set, reflect the status of data not allowed into the queue. The receive queue is disabled until the error flags are cleared via the original SCI mechanism and the queue is re-initialized. The pointer QRPNT indicates the queue location where the data frame would have been stored.
- Queue size capable to receive up to 16 data frames (SCRQ[0:15]) which may allow for infinite and continuous receives.
- Interrupt generation can occur when the top half (SCRQ[0:7]) of the queue has been filled (QTHF) and the bottom half (SCRQ[8:15]) of the queue has been filled (QBHF). This may allow for uninterrupted and continuous receives by indicating to the CPU to start reading the queue portion that is now full.
  - The QTHF bit is set by hardware when the top half is full. The QTHF bit is cleared when the SCxSR is read with QTHF set, followed by a write of QTHF to zero.
  - The QBHF bit is set by hardware when the bottom half is full. The QBHF bit is cleared when the SCxSR is read with QBHF set, followed by a write of QBHF to zero.
- In order to implement the receive queue, the following conditions must be met: QRE must be set (QSCI1CR); RE must be set (SCC1R1); QOR and QTHF must be cleared (QSCI1SR); and OR, PF, and FE must be cleared (SC1SR).
- Enable and disable options for the interrupts QTHF and QBHF as controlled by the QTHFI and QBHFI, respectively.
- 4-bit counter (QRPNT) is used as a pointer to indicate where the next valid data frame will be stored.
- A queue overrun error flag (QOR) to indicate when the queue is already full and another data frame is ready to be stored into the queue (similar to the OR bit in single buffer mode). The QOR bit can be set for QTHF = 1 or QBHF = 1, depending on where the store is being attempted.
- The queue can be exited when an idle line is used to indicate when a group of serial transmissions is finished. This can be achieved by using the ILIE bit to enable the interrupt when the IDLE flag is set. The CPU can then clear QRE and/or RE allowing the receiver queue to be exited.
- For receiver queue operation, IDLE is cleared when SC1SR is read with IDLE set, followed by a read of SCRQ[0:15].
- For receiver queue operation, NF is cleared when the SC1SR is read with NF set, followed by a read of SCRQ[0:15]. When noise occurs, the data is loaded into the receive queue, and operation continues unaffected. However, it may not be possible to determine which data frame in the receive queue caused the noise flag to be asserted.
- The queue is successfully filled (16 data frames) if error flags (FE and PF) are clear, QTHF and QBHF are set, and QRPNT is reset to all zeroes.
- QOR indicates that a new data frame has been received in the data register (SC1DR), but it cannot be placed into the receive queue due to either the QTHF or QBHF flag being set (QSCI1SR). Under this condition, the receive queue is disabled (QRE = 0). Software may service the receive queue and clear the appropriate flag (QTHF, QBHF). Data is not lost provided that the receive queue is re-enabled before OR (SC1SR) is set, which occurs when a new data frame is received in the shifter but the data register (SC1DR) is still full. The data in the shifter that generated the OR assertion is overwritten by the next received data frame, but the data in the SC1DR is not lost.



### 14.8.9 QSCI1 Receive Flow Chart Implementing The Queue

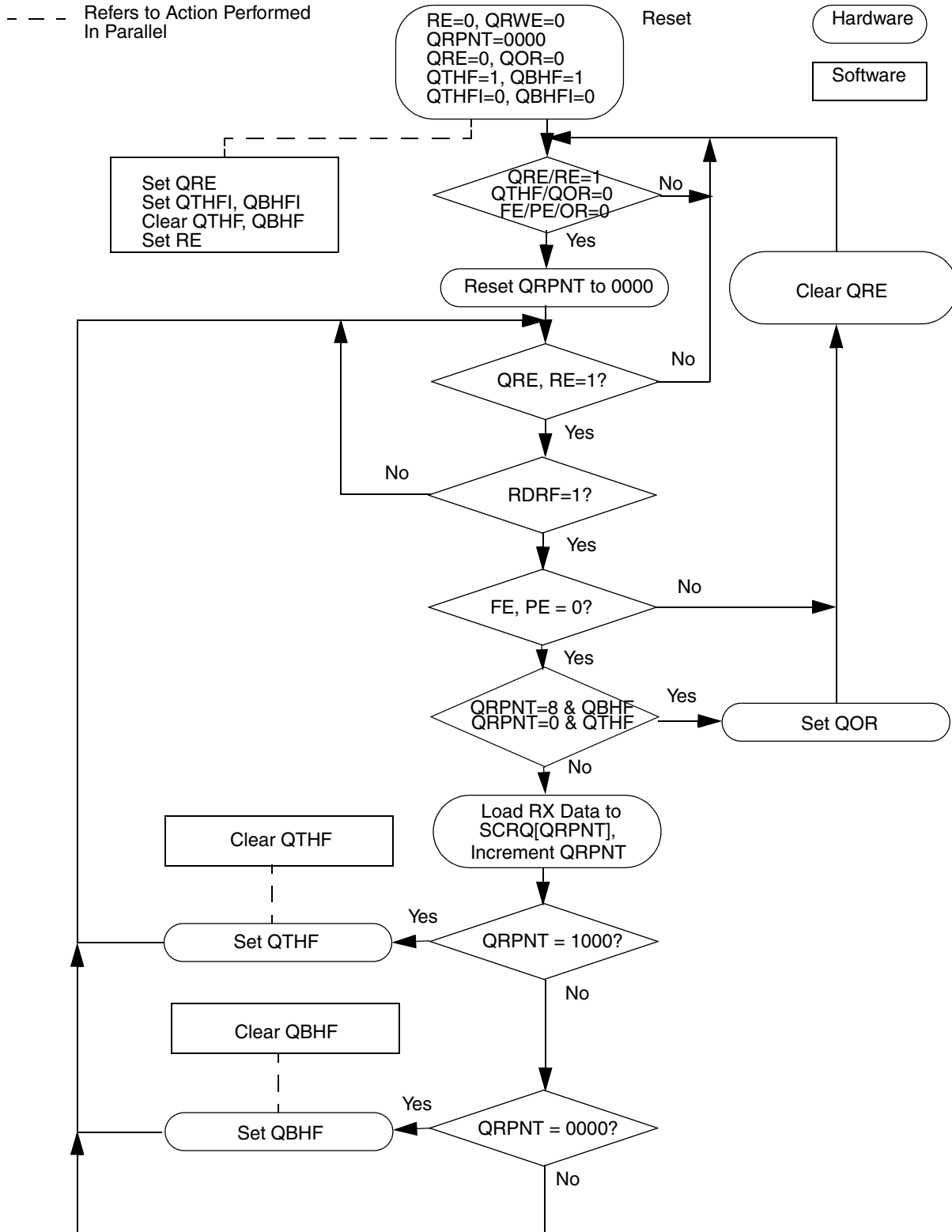


Figure 14-39. Queue Receive Flow

### 14.8.10 QSCI1 Receive Queue Software Flow Chart

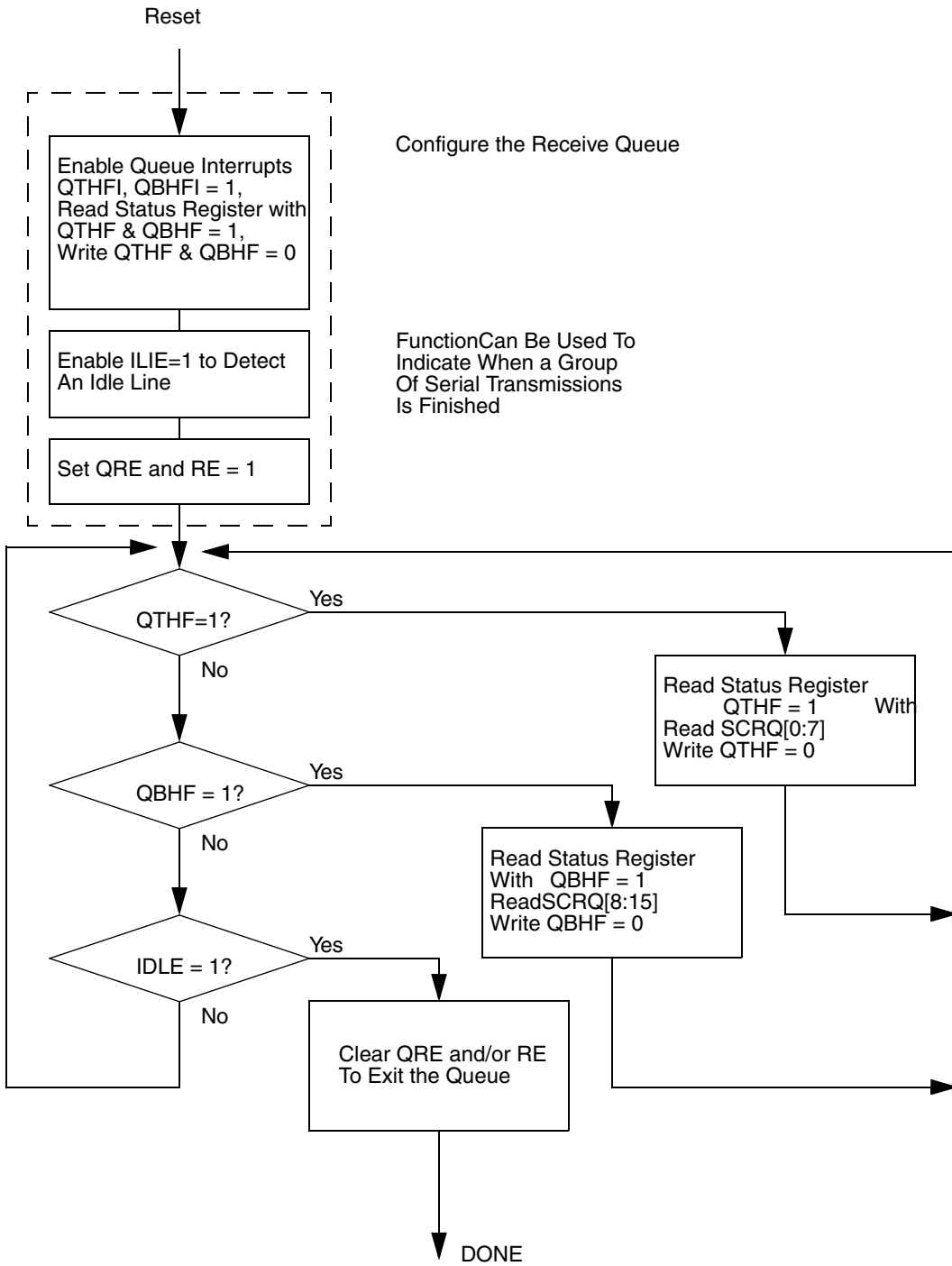


Figure 14-40. Queue Receive Software Flow

### 14.8.11 Example QSCI1 Receive Operation of 17 Data Frames

Figure 14-41 shows an example receive operation of 17 data frames. The bold type indicates the current value for the QRPNT. Action of the queue may be followed by starting at the top of the figure and going left to right and then down the page.

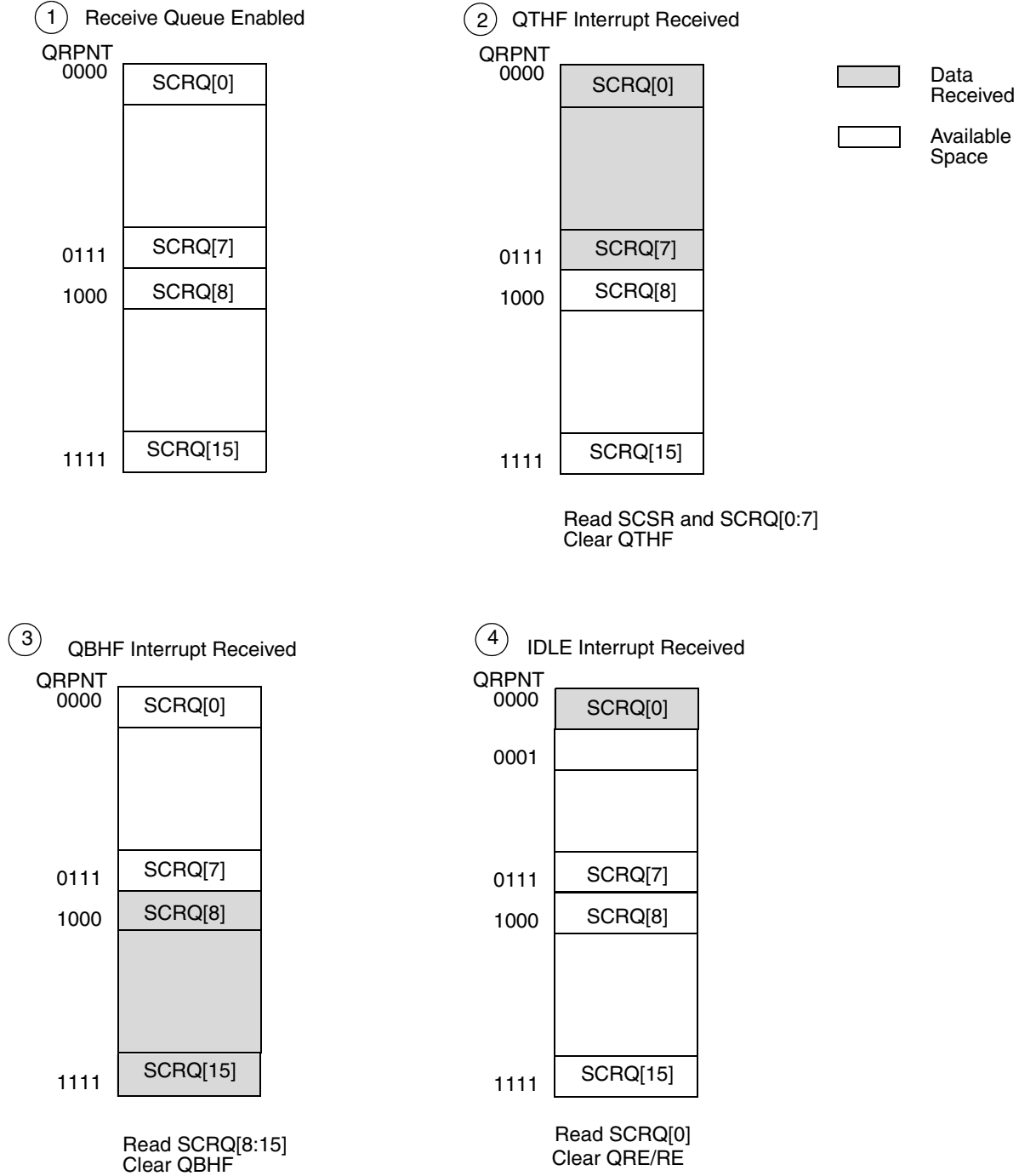


Figure 14-41. Queue Receive Example for 17 Data Bytes



## Chapter 15

# Data Link Controller Module (DLCMD2)

This chapter contains data for the data link controller digital module (DLCMD2). This module is based on the intermodule bus (IMB) DLCMD module, but has several feature enhancements including those required for the IMB3. The primary purpose of this document is to form the foundation for the functionality and features of the module. This module is designed in a modular structure and is fully compatible with the intermodule bus version 3.

The DLCMD2 is designed with sufficient flexibility to accommodate feature mixes such as byte or symbol-level message buffering.

### 15.1 Features

The DLCMD2 is essentially the digital portion of a Class B serial data link controller. A separate transceiver is required. The DLCMD2 provides the following features:

- SAE J1850 compatible
- GM Class 2 compatible
- 10.4 Kbytes/s VPW bit format
- Handles all network protocol functions (access, arbitration, error detection)
- Parallel 16-bit accesses
- All registers are individually addressable
- Polling of IMB3 interrupt generation with vector lookup
- Transmit buffer first byte can be loaded without a command byte
- Message buffering on transmit and receive
- Eight-bit hardware CRC generation and checking
- No on-board oscillator (uses system clock)
- DLCMD2 logic is clocked from IMB3
- Interface to the external transceiver
- Transmit and receive block mode supported
- Transmit and receive 4X mode supported
- Two extra 1-bits sent if lose arbitration on a byte boundary
- Transmitter underrunning indication added to status register
- IMB3 full feature support with option plug selection
- Software programmable prescaler to support two 128-MHz system clock range
- Programmable receiver input polarity

- Programmable normalization bit format
- Digitally filtered receiver
- Power conserving sleep mode with wakeup from bus activity and no loss of data
- In-Frame Response (IFR) type 1, 2, and 3 supported
- Auto retry for loss of arbitration and errors
- Symbol timing control and pre-scaler register
- Symbol timing data register (SDATA)
- Write access to symbol timing parameter table through SDATA

## 15.2 Background

The DLCMD2 is an evolution of an earlier module found on IMB MCUs. The analog function, or transceiver, necessary to interface to the J1850 bus must be applied external to the module.

## 15.3 Applicable Documents

- SAE J1850 [Class B Data Communications Network Interface](#)

## 15.4 General Requirements

This module may be used with MCUs supporting the IMB3 bus architecture. Refer to [Table 15-1](#).

**Table 15-1. DLCMD2 Requirements**

| Operating Temperature | IC Package | Clock Speed <sup>1</sup>                        | Quiescent Current Draw    |
|-----------------------|------------|---|---------------------------|
| -40 to +125 °C        | NA         | 2.00 MHz (Min) to 128.00 MHz (Max) <sup>2</sup> | 50 µA LPSTOP, 200 µA idle |

<sup>1</sup> No additional clock part needed for the DLCMD2. The DLCMD2 will adapt to the CPU (IMB3) clocking using software programmable prescaler. DLCMD2 must correctly operate over any clock jitter present within the integrated device.

<sup>2</sup> Limited to 56 MHz (Max) on the MPC565.

## 15.5 Logic Description

The data link controller module (DLCMD2) provides access to an external serial communication multiplex bus, operating according to the SAE J1850 protocol.

This section describes the features, functions, and operation, of the DLCMD2 used as one of several nodes in a vehicle multiplex and/or diagnostic wiring network. All control, status, and message bytes (head of FIFOs only) are accessible as memory mapped registers within the MCU.

It retains the maximum throughput performance for single-chip applications including full J1850 message-level buffering.

### 15.5.1 Block Diagram

A block diagram of the DLCMD2 is shown in [Figure 15-1](#).

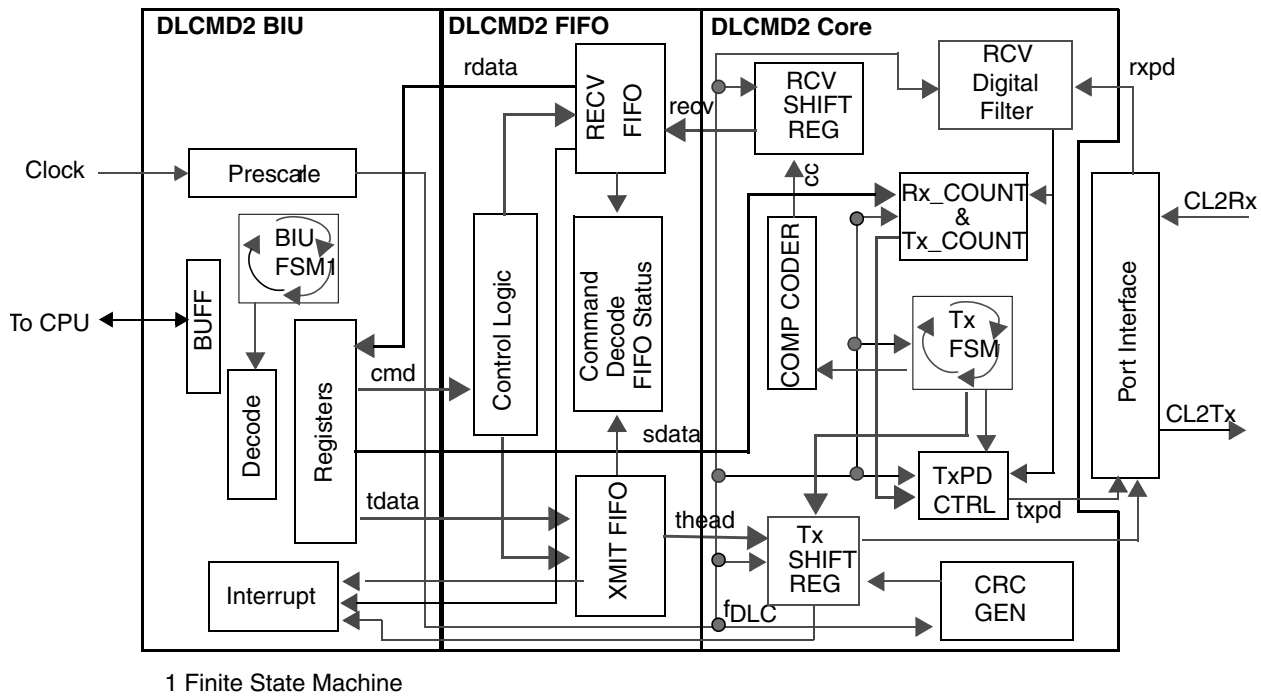


Figure 15-1. DLCMD2 Block Diagram

## 15.5.2 DLCMD2 Operation

The sections that follow describe the operation of the DLCMD2.

### 15.5.2.1 General

The DLCMD2 handles J1850 messages with minimal CPU servicing. The MCU will typically transfer complete messages into the DLCMD2 for transmission on the J1850 data link, and is interrupted only when a complete message is received off of the J1850 data link. Internal buffers of 20 bytes on the receive side and 11 bytes on the transmit side allow full message length operations (maximum 12 bytes normal mode, including a one-byte CRC). The DLCMD2 handles all arbitration and error detection duties internally.

The Class 2 data link has been defined as the GM implementation of the SAE J1850 automotive communications protocol. The Class 2 bus is a 10.4 Kbytes/s Carrier Sense Multiple Access with Collision Resolution (CSMA/CR) communications bus. CSMA/CR operates by arbitrating ownership of the bus on a bit-by-bit basis. The major advantage of CSMA/CR is that no message is lost in a collision. If a node determines that it needs to send a message while another message is in progress, it must wait until the link is idle. When one node begins to transmit (after bus idle), all nodes desiring to transmit are obligated to begin their transmission at the same time. The rule of arbitration is that any node that transmits a 1-bit when another node transmits a 0-bit stops transmitting on the bus immediately. This is called a zero-dominant bus. See [Section 15.6, “Signals Overview”](#) for 1-bit and 0-bit definitions. All nodes are obligated to receive all bits of every message on the bus, even while transmitting. Arbitration continues to the end of a message, if necessary, resulting in a properly transmitted message even if arbitration were to

continue to the end of the message. When the bus becomes idle, the node(s) which previously lost arbitration will re-transmit its message if the TxFIFO was not cleared or overwritten with another message.

### 15.5.2.2 Logic Section Description and Relation to Transceiver

The logic section includes the IMB3 interface, J1850 waveform generation and timing logic, buffers for data (transmit and receive), error detection code generation and checking, configuration logic, control logic, status logic, and arbitration logic.

The nondestructive contention protocol of the J1850 bus requires that there be an active and a passive state of the bus. The bus is in the active or driven state when one or more of the connected transceivers is active and passive when all transceivers are inactive. This is a logical wired OR arrangement.

The function of the transceiver is to drive the bus active in response to a signal from the DLCMD2 logic and to detect the state of the bus for the DLCMD2 logic handler. The transceiver establishes and detects the state of the bus within a limited period of time. It does so in the presence of conducted and induced noise and without creating radio interference. Operation of the transceiver is constrained by the available power and the need to tolerate a number of abnormal conditions.

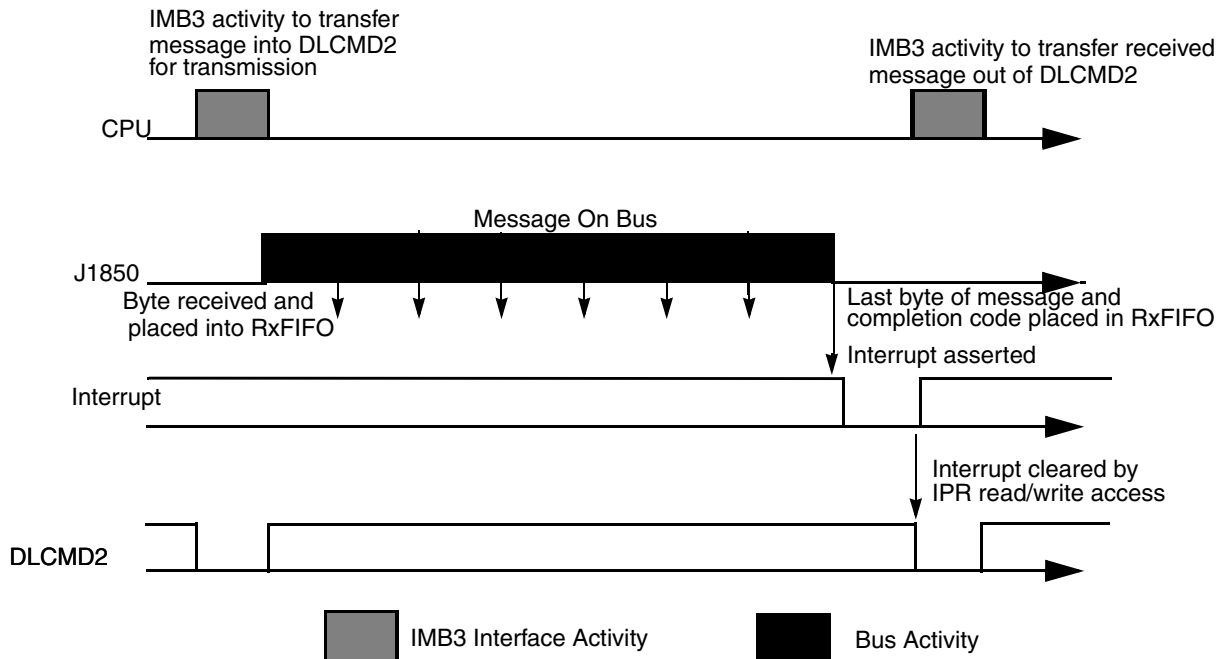
The J1850 bus is intended to work in a relatively noisy environment. The main source of low frequency noise is ground offset between the nodes. Proper operation is assured with any combination of ground offsets up to a maximum differential of two volts at any frequency. Induced noise tends to be short duration pulses. The protocol handler includes a digital filter to remove these pulses. Additional filtering is not needed in the receiver, which responds quickly and avoids stretching large amplitude pulses.

### 15.5.2.3 DLCMD2 Transmit/Receive Operation

A standard data exchange is composed of one data byte and (in some cases) one command byte going from CPU to DLCMD2, or one status byte and one data byte going from DLCMD2 to CPU. The use of the byte written to the DLCMD2 is specified in the command byte that accompanies it or deduced from current DLCMD2 state. The command byte also contains instructions for the DLCMD2 regarding the receive first in/first out (FIFO) buffer, transmit actions, resetting the transmitter, and sending a break signal. The status byte that the DLCMD2 sends to the CPU contains information on the status of the receive FIFO buffer, the status of the transmit FIFO buffer, the condition of the bus, and the type of accompanying data. The data accompanying the status byte can be data received off of the J1850 bus, a completion code which contains information about a received message, or nothing.

Figure 15-2 shows the DLCMD2 transmit/receive operation.





**Figure 15-2. Typical Transmit/Receive Operation**

All messages received off of the J1850 bus will have their start bit removed and the CRC replaced with a completion code. All other bytes of the message are placed in order, most significant bit (MSB) first, in the receive FIFO buffer.

The DLCMD2 requests servicing by requesting an interrupt. Interrupts may be disabled. Typically, the DLCMD2 will only interrupt the CPU when a complete message has been received. The CPU then will service the DLCMD2 and remove the message. When the CPU desires to send a message on the J1850 bus, it will select the DLCMD2, and transfer a complete message (without start bit or CRC).

The DLCMD2 allows the CPU to continually write message bytes to be transmitted without intervening command bytes; only the last byte must be accompanied by a command byte indicating "last byte." User code must read both status and receive data in pairs. The DLCMD2 supports aligned word writes and reads of certain locations.

The DLCMD2 can be programmed by the CPU to enter a power conserving sleep mode as soon as bus traffic stops. If interrupts are enabled, the DLCMD2 will wake-up its internal circuitry and interrupt the host when activity on the bus is sensed. The DLCMD2 will be able to correctly receive the first message that wakes it up from sleep mode.

Error conditions and transmit status, such as lost arbitration, are sent to the CPU either in the status byte or in the completion code that is placed in the receive FIFO immediately after each received message.

### 15.5.2.4 Message Transmission

As described in [Section 15.5.2.3, "DLCMD2 Transmit/Receive Operation,"](#) the DLCMD2 is loaded with a message from the CPU for transmission. The DLCMD2 will then add a start bit to the outgoing data, and contend for a message slot on the J1850 bus. The transmit buffer in the DLCMD2 is 11 bytes long, to allow

complete messages to be transferred to the DLCMD2 for transmission. Information about which byte the CPU is transferring is sent to the DLCMD2 as part of the control information sent with each byte transferred. When the DLCMD2 has transmitted all of the message bytes, it will automatically append a CRC to the end of the message.

The DLCMD2 will automatically retry a transmission if it lost arbitration. The auto retry feature causes the DLCMD2 to signal to the CPU (via the status byte) that the transmit FIFO is full until the message is successfully sent. Once successfully sent, the DLCMD2 will signal the CPU that the TxFIFO is empty and hence ready for the next message. Each time the message loses arbitration, the completion code for that received message will indicate that the transmitter attempted transmission, and lost arbitration. As soon as a transmit slot on the bus becomes open, the DLCMD2 will automatically attempt to retransmit the message. If there were any errors during the transmission of the message the auto retry feature will cause the message to be retransmitted. The auto retry feature can be terminated by the CPU through the command byte. This causes the DLCMD2 to finish its current transmit activity, and then clear the transmit buffer. If there is no transmit activity when the auto retry is disabled and the DLCMD2 previously attempted to transmit, the DLCMD2 will immediately clear the transmit buffer.

### 15.5.2.5 Message Reception

Receiving information off of the J1850 bus occurs in much the same manner as sending data.

#### NOTE

By definition, every message a DLCMD2 sends on the data link is also received by its own receiver as if the transmission had been initiated by a different node.

The DLCMD2 will automatically remove the start bit from the message, and check the CRC for errors. If a CRC error occurs, it is flagged in the message completion information (completion code) that takes the place of the CRC byte in the receive FIFO buffer (RxFIFO). The DLCMD2 will interrupt the CPU to signal that a complete message has been received, or when the RxFIFO is approaching full. When the CPU starts the transfer process, the status byte from the DLCMD2 indicates the data's presence, and the amount of data left in the RxFIFO. When a DLCMD2 loses arbitration to another node, it will continue to receive the remainder of the message. The completion code will indicate that the DLCMD2 contended for a transmit slot, and lost arbitration to the received message. The CPU does not need to resend the message if the auto retry feature is enabled.

The timing of the transmit waveform is re-synchronized on each edge as received off of the bus.

Provisions have been made for immediate in-message reply to allow a path for compatibility with other J1850 implementations. In-Frame Response (IFR) requires a byte-by-byte interrupt mode and careful CPU attention. IFR is described in detail in a later section.

A break/reset waveform on the bus is shaped such that it will win arbitration against any currently transmitting message. When the DLCMD2 senses that such a waveform has occurred on the bus, it will stop transmitting its current message, reset its transmitter [clear the data link controller module (DLCMD2) TxFIFO], and set a bit in the completion code and request an interrupt to indicate to the CPU that such a condition has occurred. Since the break signal always wins arbitration, any in-progress messages will simply lose arbitration, and the DLCMD2 will treat the in-progress received message as

complete. If a break occurs while there are no in progress messages, a completion code indicating that a break has occurred will be placed in the RxFIFO and a CPU interrupt is generated. The break is sent by the DLCMD2 controller by placing a send break command in the command byte. This waveform is sent immediately upon the command byte being latched in. If there is a current transmission, it will be stopped, and the break waveform sent. A break will also take the DLCMD2 out of 4X mode.

### 15.5.2.6 Sleep Mode

The CPU may put the DLCMD2 in sleep mode by setting the STOP bit in the MCR. Setting this bit will tell the DLCMD2 to halt its internal clocks immediately after any currently in progress messages are completed.

Interrupts to the host on bus activity can be disabled by configuring the DLCMD2 in the ILR register. Normal use of the sleep feature will have interrupts to the host enabled, so that the host will not miss any messages on the data link. If interrupts are disabled, and then the DLCMD2 is put to sleep, the only way to wake up the DLCMD2 is by the CPU clearing the STOP bit.

### 15.5.2.7 Debug Mode

The debug mode is entered from the reset state or from the run state by asserting or deasserting the appropriate signals. See [Section 15.7.5, “DLCMD2 DEBUG”](#) for details.

### 15.5.2.8 4X Speed Mode

The DLCMD2 has the ability to transfer large amounts of data in a 4X speed mode under special conditions such as memory loading, and diagnostic responses. There is a bit in the MCR to control this feature. The 4X speed mode affects only the bit timing section of the DLCMD2, including the digital filter. A break will reset any listening nodes out of 4X speed mode. The 4X speed mode is not for use during normal operation.

To use 4X mode there must be coordination of all nodes on the network. This mode will not work properly at the network level unless ALL nodes are transmitting in 4X mode. Certain nodes may elect not to take part in 4X communications; these nodes may listen but must not transmit.

Notification of entrance into the special 4X mode is communicated to all nodes with a regular speed message indicating the bus protocol speed switch to 4X mode. A BREAK received will automatically take the DLCMD2 out of 4X mode.

### 15.5.2.9 Block Mode

The DLCMD2 has the ability to receive a message of unlimited length, provided the CPU reads bytes out of the RxFIFO before it overflows.

If the TxFIFO was filled with no last byte indicated, the DLCMD2 will start sending that message in terminate auto-retry mode; the status will indicate “TxFIFO almost full” as soon as the first byte is sent, and “TxFIFO contains some data bytes” as soon as the second byte is sent. As new data is written to the TxFIFO, the status will accurately reflect the condition of the TxFIFO until a “last byte” is written. When a “last byte” command has been sent to the DLCMD2, the TxFIFO will indicate “TxFIFO full” until the

transmission is finished. The DLCMD2 will send an infinite length message if properly handled by the CPU.

### 15.5.2.10 Error Detection

The DLCMD2 uses a digital filter and the cyclical redundancy check (CRC) byte to detect errors.

The digital filter eliminates short duration noise spikes and transition noise from the incoming waveform. It is a “hysteresis” type filter with a time constant of approximately 8 μs, depending on the IMB3 clock frequency. The step response of the filter is a step function delayed by ±8 μs.

As an example, with a 2-MHz clock ( $T_{DLC} = 0.5 \mu s$ ) and a 4-bit up/down counter. The counter counts up for every oscillator clock pulse when the input is in the active state and down when the input is in the passive state. The counter clamps at 0 and 15. The output is defined by [Table 15-2](#).

**Table 15-2. Digital Filter Output**

| Count  | Output    |
|--------|-----------|
| 0      | 0         |
| 1 – 14 | Unchanged |
| 15     | 1         |

This filter will cause a receive delay of 16-17 times  $T_{DLC}$  in addition to the delay in the transmitter and receiver analog interface circuitry. This delay’s only variation is due to the tolerance on the CPU’s oscillator.

In simple terms, the effect of the filter is that a pulse low or high level on the bus is not recognized unless it’s duration is longer than about 8 μs.

The CRC byte is used by the receiver to determine if any errors have occurred during transmission. CRC generation uses the divisor polynomial:  $X^8 + X^4 + X^3 + X^2 + 1$ . The transmitted CRC is generated by the receiver by initially setting the remainder polynomial to all ones, serially processing the first byte and then all remaining bytes of the message, and appending the one’s complement of the remainder to the end of the transmitted message. The receiver uses the same divisor polynomial to process all received message bits including the CRC but excluding the start bit. If the transmission is received correctly, at the completion of the message reception, the remainder polynomial will be:  $X^7 + X^6 + X^2$  (0b11000100 or 0xC4).

This CRC code will detect all single and 2 bit errors and all 8 bit burst errors (i.e., any number of errors within a single 8-bit span). Severe noise will normally be detected separately as a bit timing error.

### 15.5.2.11 Arbitration

The J1850 bus is classified as a Carrier Sense Multiple Access with Collision Resolution (CSMA/CR). This type of bus operates by arbitrating ownership of the network on a bit-by-bit basis. The major advantage of CSMA/CR is that no message is lost in a collision. If a node determines that it needs to send a message while another message is in progress, it must wait until the link is idle. When one node begins to transmit (after bus idle), all nodes desiring to transmit are obligated to begin their transmission at the

same time. The rule of arbitration is that any node that transmits a 1-bit when another node transmits a 0-bit stops transmitting on the bus immediately. This is called a 0 dominant bus. To prevent noise from corrupting the bus, arbitration is also lost if a 1-bit is detected when a 0-bit was transmitted. All nodes are obligated to receive all bits of every message on the bus, even while transmitting. Arbitration continues to the end of a message, if necessary. If an opposite bit is detected, transmission is immediately stopped unless it occurs on the 8th bit of a byte. In this case the DLCMD2 will automatically append two extra 1-bits and then stop transmitting.

#### NOTE

Two extra bits must be transmitted due to the fact that the eighth bit of a byte is an active, high level on the J1850 bus. Therefore the first extra bit will be a passive, low level, and one more bit is needed in the active, high level so that after the falling edge of this bit the bus will be in the passive state.

These two extra bits will be arbitrated normally and thus will not interfere with another message.

### 15.5.2.12 Timebase Generation

The generation of time intervals within the DLCMD2 module takes into account the variations of MCU family, oscillator frequency, and physical interface delays that may occur. The frequency  $F_{IMB3}$  is sent to the DLCMD2 where it is further divided by “n” (set by the [Section 15.10.5, “Symbol Timing Control and Pre-Scaler Register \(SCTL\)”](#)), such that the main DLCMD2 operating frequency ( $F_{DLC}$ ) is approximately 2.00 MHz, depending on IMB3 clock frequency.

The DLCMD2 J1850 bit timings are derived from the  $f_{DLC}$  time base and a stored table of VPW symbol values. The table of VPW symbol values is generated via the [Section 15.10.6, “Symbol Timing Data Register \(SDATA\)”](#).

#### NOTE

The  $F_{DLC}$  signal defines the fundamental resolution of the DLCMD2 module. All bit timings within the DLCMD2 are based upon integer multiples of the fundamental resolution.

Should a physical interface exhibit an unusually large delay, the length of the J1850 transmit symbol values stored in the DLCMD2 symbol table may be reduced proportionally to compensate.

The VPW symbol length table is determined after the symbol lengths have been set via the transceiver REXT bias resistor selection. The REXT resistor values are chosen so as to minimize the radio frequency interference (RFI) from the J1850 bus by inputting a 10.4-KHz square wave into the transmitter and subsequently out on the J1850 bus. These biasing resistors will affect the length of the VPW symbols to some degree due to their effect on the corners of the bus signal that is output by the transmitter.

### 15.5.2.13 Receive and Transmit Message Buffers

The RxFIFO and TxFIFO are 20 and 11 bytes in length respectively, to allow buffering of a complete message.

The TxFIFO must be able to differentiate between three types of data:

1. Message data byte
2. First byte in message
3. Last byte in message

The auto retry feature recirculates the bytes of a message in the TxFIFO until the message is successfully sent, at which time the FIFO's contents are flushed. When auto retry is disabled, the FIFO will complete an in progress transmission, if any, and then flush the contents of the FIFO. If the node is not transmitting, the FIFO will be flushed immediately. If the auto retry feature is disabled as a message is being loaded into the DLCMD2, the DLCMD2 will try to transmit the message once and then clear the transmit FIFO.

Received bytes will be placed into the RxFIFO as soon as they are completely received off the bus. When an EOD has occurred on the bus, a completion code will be inserted into the RxFIFO after the last received byte of the message. The CRC byte will be checked by the logic and discarded.

#### 15.5.2.14 Bus Waveforms Generation

The DLCMD2 supports Huntzicker encoding. Each symbol generated by the DLCMD2 will be synchronized with the latest edge seen on the bus. Errors due to oscillator tolerance and ground offsets will not accumulate through the message in this manner. Synchronizing in this manner does require that the bit timing unit account for all known delays. The transmit timing will have a very narrow window due to oscillator tolerance and variation in the known delay. The receive timing will have a much wider window due to the uncertainty in determining edge position resulting from ground offsets, oscillator tolerance, and delay time variation. In either case, transmit or receive, the timing will be specified as beginning when the DLCMD2 senses a transition and ending when the DLCMD2 causes or senses the next transition.

#### 15.5.2.15 Huntzicker Encoding

The information contained in this section describes the bit timing section of the logic on the DLCMD2. The timing of VPW (Huntzicker) waveforms requires knowledge of the fixed delays in the transceiver and the logic section. The J1850 bus is a single wire ground referenced bus. This configuration has two important consequences for the bit timing section. In order to reduce the radiated emissions of the bus, each edge must be slew rate limited, and have its corners shaped. To not adversely affect the corner shaping, the specification must not place limits that force the corners. The other consequence is due to the ground offset requirement for the bus. This requirement dictates a minimal voltage swing necessary to operate in the presence of ground offset. The combination of the two factors gives rise to an uncertainty in both when the receiver (of a receiving node) detects a given transition, and when the transmitter (through its own receiver) detects the same transition.

VPW encoding defines one edge for each symbol. A symbol is composed of a period of time (at a particular state of the bus) and the edge that follows that period. The point of reference for the time period is the trip point that the receiver uses to recognize the preceding transition on the bus. Three independent variables are used to describe the waveform generated. These are the times from the trip point to each of the following transition threshold levels, and the time between these threshold levels. The corners of the waveform fall outside of the "slew rate" time requirement, and may bargain for time and voltage more freely.

The following symbol limits are consistent with  $T_{t,max} = 16 \mu s$  and an oscillator tolerance of 2%.  $T_{nom}$  is the nominal symbol time with no oscillator error and the receiver detecting the transition at  $T_{t,max}/2$ .  $T_{R1}$  to  $T_{R2}$  is the required acceptance range while  $T_{R1TYP}$  to  $T_{R2TYP}$  is a typical acceptance range with a 2% guard band plus a small margin.  $T_{R1TYP}$  to  $T_{R2TYP}$  in Table 15-3 represent the receiver windows.  $T_{x1}$  and  $T_{x2}$  in Table 15-4 represent transmitter windows consistent with a 2% oscillator tolerance and 3  $\mu s$  for all other variations in the transmit path.

**Table 15-3. Receive Windows**

| Symbol <sup>1, 2, 3</sup>                | $T_{rnom}$ | $T_{rmin}$ | $T_{rmax}$ | $T_{r1}$ | $T_{r2}$ | $T_{r1typ}$ | $T_{r2typ}$      | Units   |
|--|------------|------------|------------|----------|----------|-------------|------------------|---------|
| Short 1/0                                | 64         | 53         | 75         | 37       | 91       | 34          | 96               | $\mu s$ |
| Long 1/0                                 | 128        | 116        | 141        | 100      | 157      | 96          | 163              | $\mu s$ |
| Start of Frame (SOF) / End of Data (EOD) | 200        | 186        | 214        | 170      | 230      | 163         | 239              | $\mu s$ |
| End of Frame (EOF)                       | 280        | 265        | —          | 249      | —        | 239         | 320 <sup>4</sup> | $\mu s$ |

<sup>1</sup> All waveforms less than 8  $\mu s$  will be filtered out by the digital filter, and will not be seen as an error.

<sup>2</sup> Break is an active symbol that will be transmitted as at least 239  $\mu s$  in length.

<sup>3</sup> All window times include digital as well as analog signal delays

<sup>4</sup> All transmitters are armed as soon as they detect the EOF. The end of the guard band on the EOF serves as a arming point for all transmitters. This is the point that all nodes must have recognized an EOF.

**Table 15-4. Transmit Windows**

| Symbol    | $T_{xnom}$ | $T_{xmin}$ | $T_{xmax}$ | Units   |
|-----------|------------|------------|------------|---------|
| Short 1/0 | 64         | 60         | 68         | $\mu s$ |
| Long 1/0  | 128        | 122        | 134        | $\mu s$ |
| SOF/EOD   | 200        | 193        | 207        | $\mu s$ |
| EOF       | 280        | 271        | 289        | $\mu s$ |

The symbol waveforms seen on the bus have two important characteristics:

Each transition of the transmitted bus signal, as initiated by CL2Tx (LOTI), is slew rate limited and has its corners rounded (wave shaped) so that the nominal rise or fall time is about 16  $\mu s$  to reduce the radiated emissions of the bus. This wave shaping is disabled when 4X mode is enabled.

The received bus signal needs only a minimal voltage swing around the receiver's nominal trip point voltage for proper detection. The point of reference for the time period is the trip point voltage ( $V_T$ ) a receiver uses to recognize a transition on the bus and produce the CL2Rx (LITO) signal.

The CL2Rx signal is digitally filtered with an approximate 8  $\mu s$  delay at the 10.4-KHz bus rate (2  $\mu s$  in 4X mode). Since a high or low level input to the filter must last longer than the filter delay time in order to appear at the filter output, noise pulses shorter than this are eliminated.

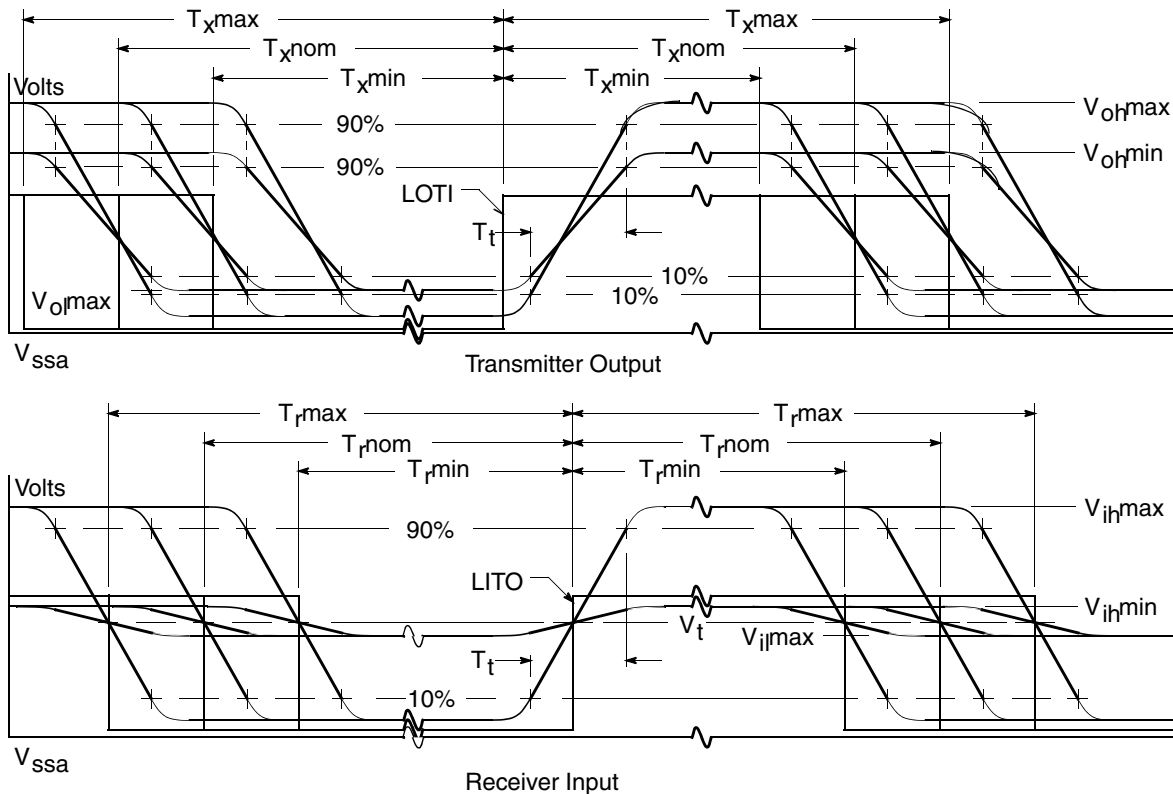
When a single node is transmitting, the symbol time period between successive transitions is controlled completely by the transmitter's transmit symbol timing logic. When two or more nodes are contending for

the bus the start point for an active to passive state transition is determined by the node with the slowest clock rate and the start point for an inactive to active state transition is determined by the node with the fastest clock rate, assuming that both nodes are transmitting the same symbol. The symbol width as controlled by the transmitting node's CL2Tx signal, can range from  $T_{XMIN}$  to  $T_{XMAX}$ . The receiver's acceptance time window range ( $T_{RMIN}$  to  $T_{RMAX}$ ) is much broader to allow all widths to be classified into defined symbols.

### 15.5.3 TData Link Controller Module (DLCMD2)

The time windows are not affected by multiple nodes trying to transmit at the same time during arbitration. This is because one node effectively dominates each transition (the first node to leave the passive state or the last node to leave the active state). Although the fastest or slowest node dominates a particular transition, the arbitration scheme assures that the highest priority message always wins.

J1850 bus transmitter output and input signal waveforms are shown in [Figure 15-3](#).



**Figure 15-3. VPW Signal Waveforms**

1.  $T_{XMAX}$  is maximum symbol transmission time.
2.  $T_{XNOM}$  is nominal symbol transmission time.
3.  $T_{XMIN}$  is minimum symbol transmission time.
4.  $T_{RMAX}$  is maximum symbol receive window time.
5.  $T_{RNOM}$  is nominal symbol receive window time.
6.  $T_{RMIN}$  is minimum symbol receive window time.



7.  $V_{ohmax}$  is maximum logic high output voltage
8.  $V_{ohmin}$  is minimum logic high output voltage.
9.  $V_{olmax}$  is maximum logical low output voltage.
10.  $V_{ilmax}$  is maximum logic low input voltage.
11.  $V_{ihmax}$  is maximum logic high input voltage.
12.  $V_{ihmin}$  is minimum logic high input voltage.

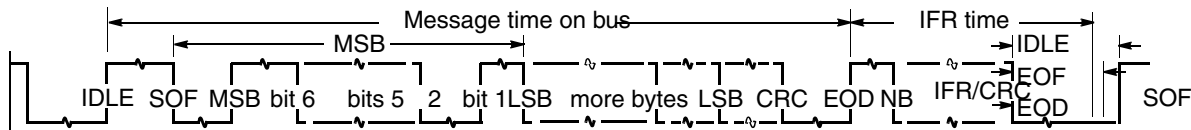
## 15.6 Signals Overview

This section provides an overview of DLCMD2 signals.

### 15.6.1 J1850 Bus Waveforms

The DLCMD2 module must be able to generate and recognize the set of Huntzicker waveforms described in the following sections. See [Figure 15-4](#). Additionally:

- Each symbol is represented by the time between two consecutive transitions
- There is one transition per symbol and one symbol per transition
- There are both active and passive symbols that are used alternately
- A longer active symbol will dominate a shorter one
- A shorter passive symbol will dominate a longer one



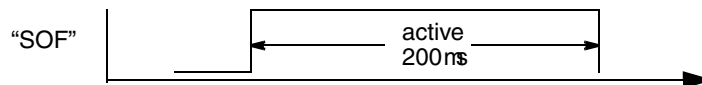
Note: waveform is not to scale.

**Figure 15-4. Huntzicker Waveform Message**

The following sections show the nominal time duration, in microseconds ( $\mu s$ ), of the VPW message symbols generated by the DLCMD2 as they appear on the J1850 bus when operating at the normal bus speed. When the DLCMD2 is operating at the high bus speed all 4X symbol times are one fourth that shown, except for “Break”, which will be transmitted the same length in 1X or 4X mode.

#### 15.6.1.1 Start of Frame (SOF)

This active symbol appears at the start of every message when a transmitter drives the bus high to start a message.



**Figure 15-5. Start of Frame Symbol**

### 15.6.1.2 Data Bits

Each data bit is represented by the time between two consecutive transitions. There are both passive and active bit states that are used alternately. The “0” bit is the dominant bit in arbitration.

#### 15.6.1.3 “0” bit

The two dominant “0” bit waveforms are:

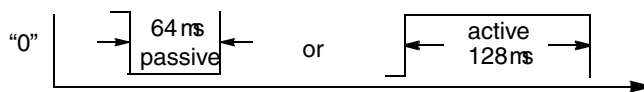


Figure 15-6. Passive “0” and Active “0”

#### 15.6.1.4 “1” bit

The two “1” bit waveforms are:

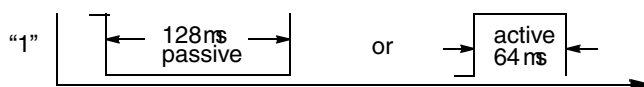


Figure 15-7. Passive “1” and Active “1”

#### 15.6.1.5 End of Data (EOD)

This passive symbol appears after the first CRC byte only in the “request in-frame data” message. It ends when the responding transmitter sends its normalization/format bit prior to the start of the first in-frame response byte. If no node responds, this passive symbol will stretch into an “end of frame” symbol.

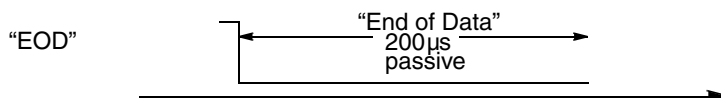


Figure 15-8. End of Data Symbol

#### 15.6.1.6 Normalization Bit

The normalization bit symbol duration is the same as an active “1” or “0” bit time. The format of this bit, whether it is a “1” or “0,” can be selected by the Normalization Bit Format Select (NBFS) bit as defined in [Section 15.10.5, “Symbol Timing Control and Pre-Scaler Register \(SCTL\).”](#) J1850 protocol encourages the use of a “0” when the In-Frame Response (IFR) ends with a CRC byte and a “1” when the IFR does not end with a CRC byte.

#### 15.6.1.7 End of Frame (EOF)

This passive symbol appears at the end of every message. It is at least 280 µs long. If the bus remains passive until 320 µs, the bus is idle and a transmitter may begin transmitting. If a transmitter desiring bus

access detects a rising edge on the bus between 280  $\mu$ s and 320  $\mu$ s (due to clock mismatch between nodes) it may join in and arbitrate for the bus.

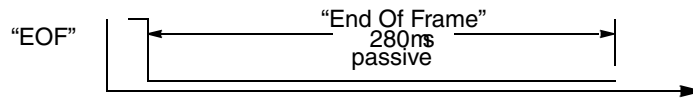


Figure 15-9. End of Frame Symbol

### 15.6.1.8 Break

The active “Break” signal causes any other transmitting module to stop transmitting immediately because it loses arbitration. It is at least 239  $\mu$ s long.

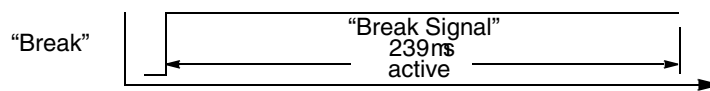


Figure 15-10. Break Symbol Controller Module (DLCMD2)

## 15.6.2 General Symbol Transmission

The J1850 transmitter will drive the bus to active state and expect that the external RC network will pull the bus back down to the passive state, which is relative since there may be a difference of base ground potential between J1850 nodes in the vehicle. The transmitter is responding to feedback from the receiver in order to know precisely when to switch the transmitter on or off. There is a set of basic transmit timing windows for transmitted symbols within the logic section of the DLCMD2 but if the receiver detects the state of the bus as changing early, the transmitter will also change to that level unless it had not intended to transmit that symbol whereby arbitration is lost and transmission will cease immediately. Thus, all J1850 devices on the J1850 bus synchronize to each other’s clock and ground mismatches. Remember that there is only one train of symbols appearing on the bus. The individual symbols are pulled high and released low by various transmitters but the end result is one waveform. It just may be seen differently by the devices due to clock, ground, and power supply variations.

### 15.6.3 General Symbol Reception

An external transceiver passes unfiltered bus status information to the DLCMD2’s Rx pin. Internal to the DLCMD2, the digital 1 or 0 is clocked through a digital delay filter for 16 ticks of its internal frequency clock (a delay of 8  $\mu$ s at normal (2 MHz  $F_{DLC}$ ) speed before the filter output changes state. High and low levels on the J1850 bus are timed in the logic section and compared to a set of received symbol threshold windows. Every received high or low level is translated into one of the symbols in the above sections or is flagged as a bit timing error.

The bus is “idle” when the output of the DLCMD2’s digital filter has been in the passive state for 320  $\mu$ s.

### 15.6.4 Support For External Transceiver

As shown in [Figure 15-11](#), the DLCMD2 will be designed to use an external (IC) transceiver.

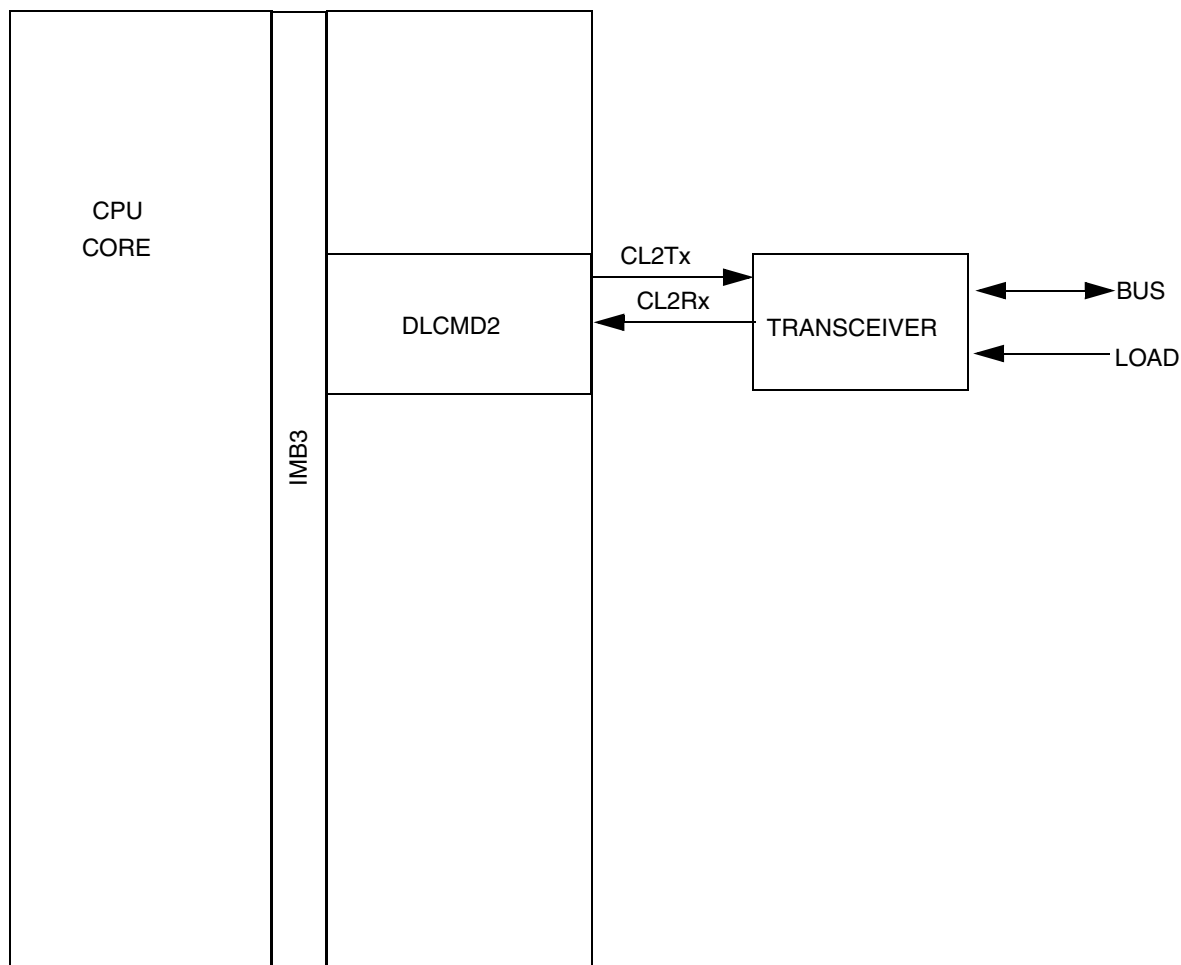


Figure 15-11. Support For External Transceiver

## 15.7 Operating Modes

This section describes DLCMD2 operating modes. The DLCMD2 has five main modes of operation which interact with the power supplies, pins, and the rest of the MCU. Refer to [Figure 15-12](#).

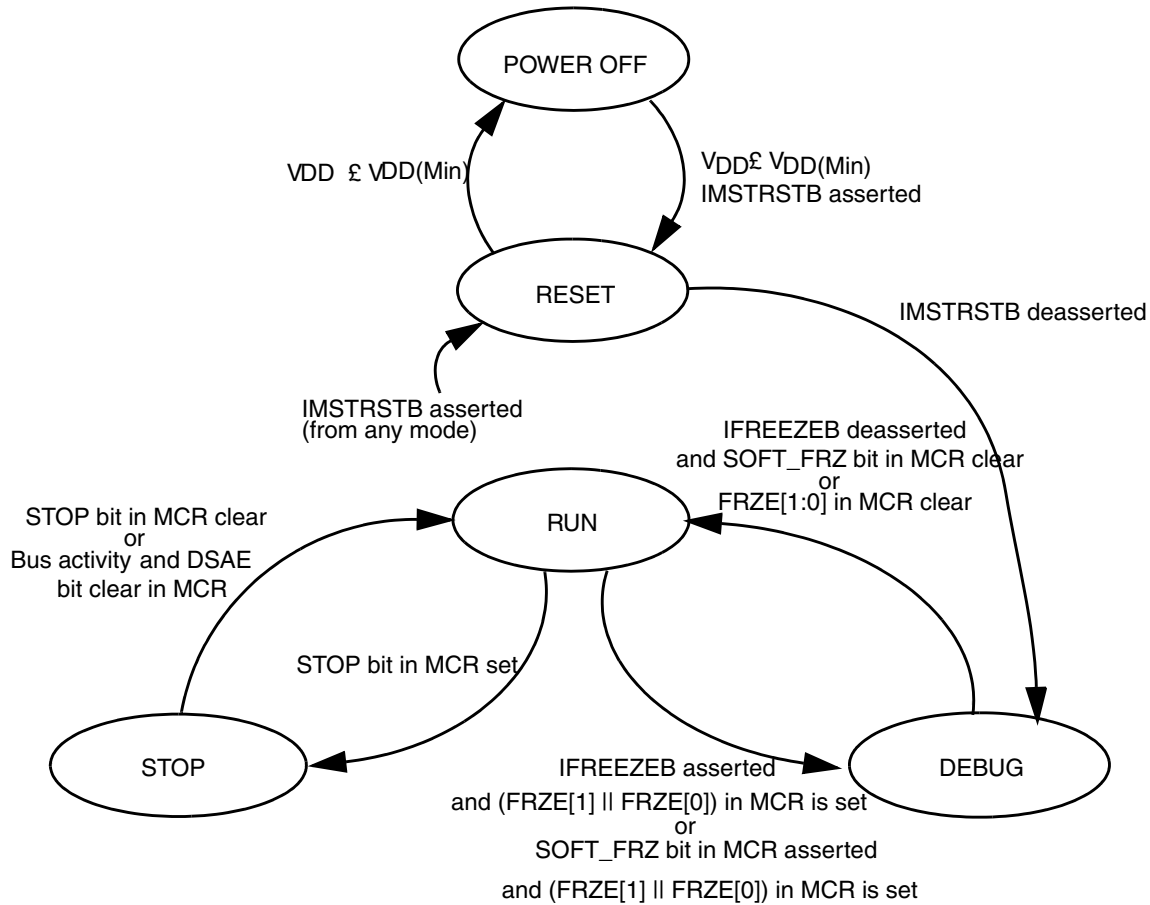


Figure 15-12. DLCMD2 Operation Modes

### 15.7.1 Power Off

This mode is entered from the reset mode whenever the DLCMD2 supply voltage  $V_{DD}$  drops below its minimum specified value for the DLCMD2 to guarantee operation. This implies that the DLCMD2 must be placed in the reset mode before being powered down. In this mode, the pin input and output specifications are not guaranteed.

### 15.7.2 Reset

This mode is entered from the power off mode whenever the DLCMD2 supply voltage  $V_{DD}$  rises above its minimum specified value and IMSTRSTB is asserted. This implies that IMSTRSTB must be asserted while powering up the DLCMD2 or an unknown state will be entered and correct operation cannot be guaranteed. It is also entered from any other mode on the falling edge of CLOCK after IMSRSTB is asserted.

In this mode  $V_{DD}$  is supplied to the internal circuits, which are held in their reset state and the internal DLCMD2 system clock is running. Registers will assume their reset condition. Outputs are held in their programmed reset state, inputs and network activity are ignored.

### 15.7.3 Run

This mode is entered from the debug mode after all MCU reset sources are no longer asserted. It is entered from the DLCMD2 STOP mode whenever a message is successfully received or the CPU has accessed the DLCMD2 and negated the STOP bit (if previously set).

It is entered from the DLCMD2 LPSTOP mode whenever network activity is sensed although messages will not be received properly until the clocks have stabilized and the CPU is also in the run mode.

In this mode, normal network operation takes place. The user should ensure that all DLCMD2 transmissions have ceased before exiting this mode.

### 15.7.4 DLCMD2 STOP and LPSTOP

#### 15.7.4.1 DLCMD2 STOP mode

This mode is automatically entered from the run mode whenever the CPU executes a STOP instruction. The IMB3 clocks continue to run, but the CPU clock is stopped.

In this mode, the DLCMD2 internal clocks continue to run and the module will await a valid network message. If a valid network message is successfully received, a CPU interrupt request will be generated (if interrupts are enabled).

DLCMD2 power is only conserved in this mode if the STOP bit in the MCR is set, stopping the DLCMD2 clocks.

#### 15.7.4.2 DLCMD2 LPSTOP mode

This power conserving mode is automatically entered from the run mode whenever the CPU executes a LPSTOP instruction.

In this mode, the DLCMD2 internal clocks are stopped and the module will await any J1850 activity (including noise). If network activity is sensed, then a CPU interrupt request will be generated, restarting both the IMB and DLCMD2 internal clocks.

### 15.7.5 DLCMD2 DEBUG

This is a special debug mode entered by asserting the SOFT\_FRZ bit in the MCR register, or by asserting IMB3 IFREEZEB line. For either case, activating the DLCMD2 debug mode is qualified by the FRZE[1:0] in MCR register.

Upon exiting the reset state the SOFT\_FRZ bit and FRZE[ 1:0] bits are set in the MCR register. Hence, reset mode is always followed by the debug mode.

Once this mode is set, the following occurs:

- The pre-scaler divider is stopped, thus halting all related activities.
- Any activity on the J1850 bus will be ignored. The DLCMD2 ignores the CL2Rx input pin and drives CL2Tx to the passive state.
- The CPU can read and write into most of DLCMD2 registers except for otherwise noted in the register description section.
- The NOT\_RDY and FREEZ\_ACK bits in MCR register are set.
- After asserting the debug mode configuration bits, the FREEZ\_ACK bit will be set in MCR register, before executing any other action to the DLCMD2; otherwise the DLCMD2 may operate in an unpredictable way.

Exiting the debug mode is done in one of the following ways:

- Both, IMB3 freeze and SOFT\_FRZ bits are negated.
- CPU negates the FRZE bit.
- Once debug mode is exited, the DLCMD2 is ready to transmit/receive normally on the J1850 bus.

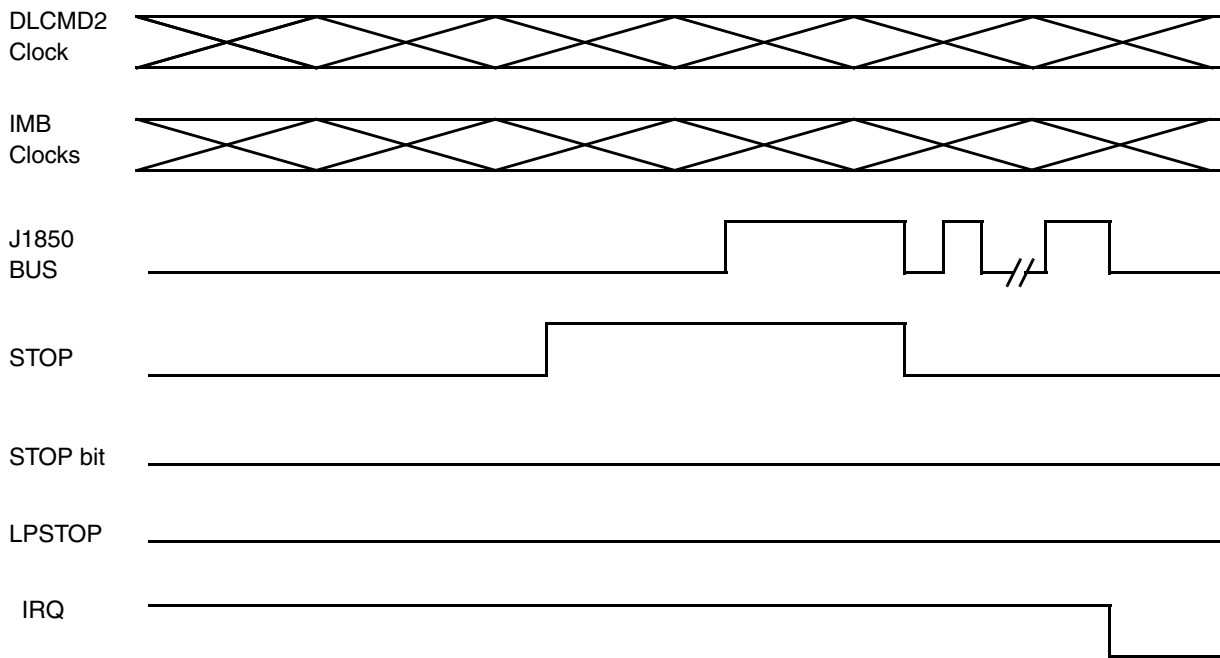


Figure 15-13. STOP Power Mode (No STOP Bit Set)

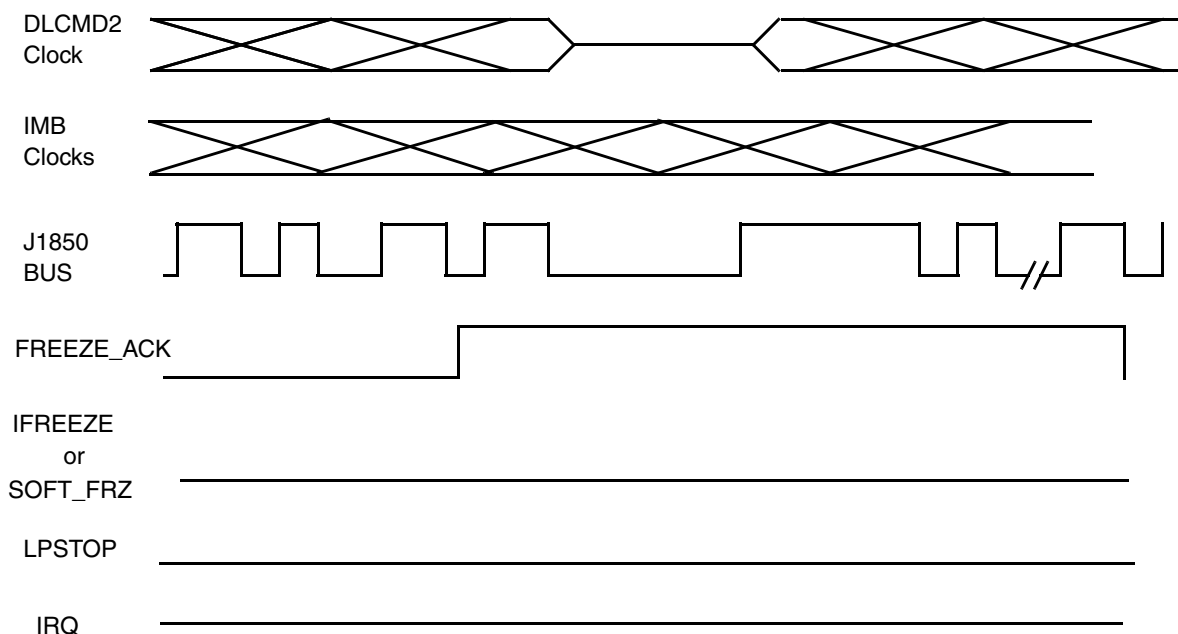


Figure 15-14. DEBUG Power Mode (IFREEZEB or SOFT\_FRZ)

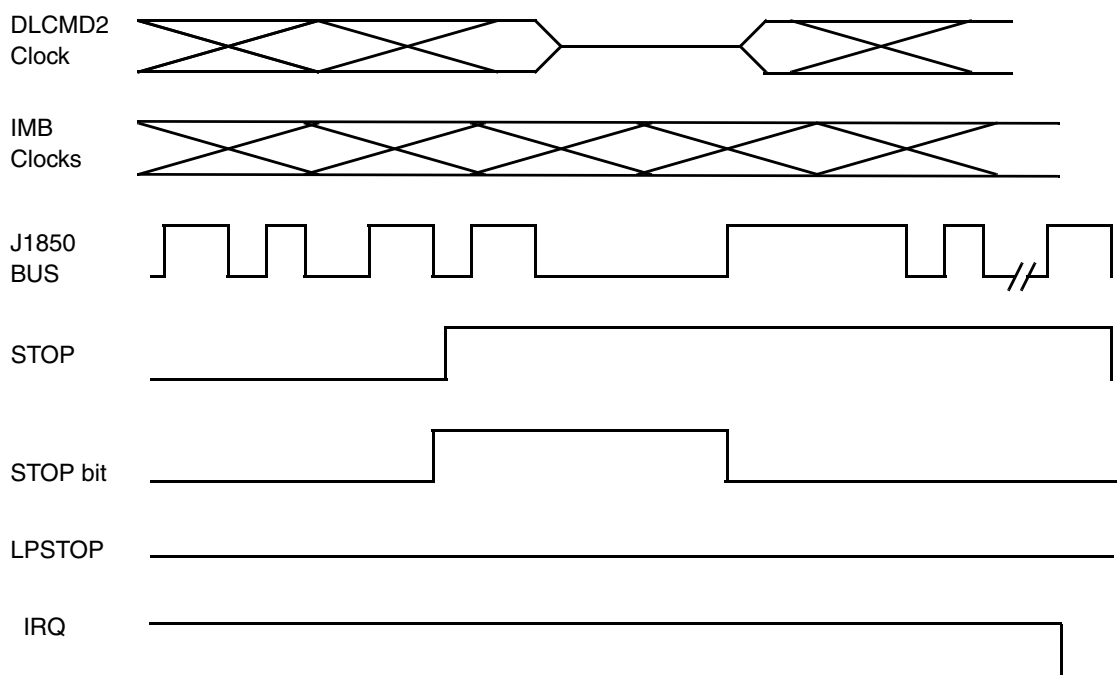


Figure 15-15. STOP Power Mode (STOP Bit Set)



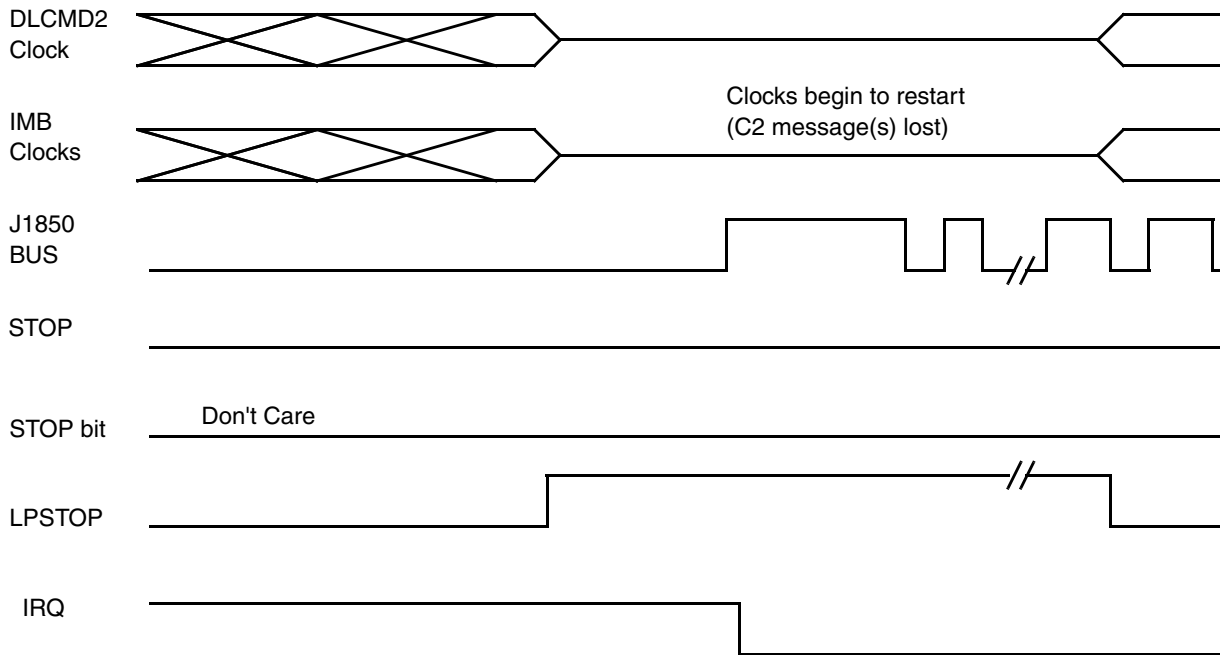


Figure 15-16. LPSTOP Power Mode

## 15.8 CPU Interface

This section covers DLCMD2 interfaces to the CPU.

### 15.8.1 Parallel Interface Requirements

This section defines the de-multiplexed parallel interface protocol used.

The logical operations done in a DLCMD2 module service routine are as follows:

1. Read status byte from DLCMD2 module
2. Read received data from DLCMD2 module if required
3. Write command byte to DLCMD2 module if required
4. Write transmit data to DLCMD2 module

These four bytes are a complete exchange of information. However, these bytes are not all necessary or required during a CPU/DLCMD2 data link controller module (DLCMD2) module transfer. All possible unique CPU/DLCMD2 module transfers are shown in [Table 15-5](#). All CPU/DLCMD2 module transfers will be made up of combinations of one or more of these building blocks. Pop and push refer to automatic (without command byte) flushing and loading of data bytes out of and into the DLCMD2 module.

A transmit data byte need not immediately follow the command. The transmit data byte must be the next byte transferred to the DLCMD2 but could be sent any time later. The command will not be acted upon until this next byte is sent to the DLCMD2.

**Table 15-5. CPU/DLCMD2 Transfers**

| Acceptable Read/Write Combinations                         | Auto Pop? | Auto Push?       | First Byte Flag Set? | Word Read/Write Allowed? |
|--|-----------|------------------|----------------------|--------------------------|
| 1. Read status byte from DLCMD2 <sup>1</sup>               | No        | No               | No                   | No                       |
| 2. Write command byte to DLCMD2                            | —         | No               | No                   | Yes                      |
| Write transmit or dummy data to DLCMD2 module              | —         | No               | Maybe                | Yes                      |
| If no data accompanies, then command byte causes no action | —         | —                | —                    | —                        |
| 3. Read status byte from DLCMD2                            | No        | —                | —                    | Yes                      |
| Read received data byte from DLCMD2                        | Yes       | —                | —                    | Yes                      |
| Read status byte from DLCMD2                               | No        | —                | —                    | Yes                      |
| Read received data byte from DLCMD2                        | Yes       | —                | —                    | —                        |
| (Until entire message received)                            | —         | —                | —                    | —                        |
| 4. Write transmit data byte to DLCMD2                      | —         | Yes <sup>2</sup> | Yes                  | No                       |
| Write transmit data byte to DLCMD2                         | —         | Yes              | No                   | No                       |
| Write command byte to DLCMD2 (load as last byte)           | —         | No               | No                   | Yes                      |
| Write transmit data to DLCMD2 (last byte)                  | —         | No               | No                   | Yes                      |

<sup>1</sup> Minimal transfer

<sup>2</sup> If TxFIFO empty

In numbers 2-4, word reads and writes may be done to read a status byte and a received data byte, or write a command byte and a transmit data byte with one instruction. If number 2 was for loading a single byte for transmit the command byte would specify load as first and last byte (no auto push, no first byte flag set). Number 3 would be for reading an entire message from the DLCMD2 module when there is no transmit data to be sent to the DLCMD2 module. Number 4 is a quick way to load an entire message into the DLCMD2 module when there is no data to read from the DLCMD2 module.

Auto pop is the default for reading from the Rx FIFO. This means that a read of a data byte from the Rx FIFO causes the current byte in the FIFO to be automatically flushed. Auto pop cannot be disabled.

Auto push is the automatic loading of a data byte into the Tx FIFO via a write to the DLCMD2 module. This is the default when there was no preceding command byte. There is no auto push if a command byte is sent before the data byte; and the command byte must specify what to do with the following data byte.

The action(s) called out in the command byte will be acted upon the moment the transmit (or dummy) data byte is written into the DLCMD2 module.

### 15.8.2 Reset Operation

When master reset is asserted, the DLCMD2 module will be held in an off state. System power should be up and stable when master reset is negated.

After toggling the reset line, the CPU writes command and any configuration bits (via MCR) into the DLCMD2 module to initialize it.

## 15.9 Operational Information

The following sections will be included in the DLCMD2 application document and are mostly redundant information to previous sections.

### 15.9.1 Initialization

After power up and/or reset the DLCMD2 should be configured via writes to the MCR, ILR, IVR, SDATA, and SCTL registers.

#### NOTE

Interrupts are disabled at power up and reset and must be enabled if a polled method of servicing the DLCMD2 is not used.

- Step 1 — Initialize MCR
  - Begin initialization of the configuration bits by writing the SUPV bit in the MCR. This will determine what types of accesses are to be allowed (user and supervisor or just supervisor) to DLCMD2 registers for the rest of the initialization process and during normal operation. Care should be taken not to clear the SOFT\_FRZ or FRZ[1:0] bits while writing the SUPV bit. This precaution will ensure the DLCMD2 remains in the debug mode until initialization is complete.
- Step 2 — Initialize ILR and IVR registers if Interrupts Employed
- Step 3 — Initialize SCTL and SDATA registers
- Step 4 — Enable DLCMD2 by exiting DEBUG mode

### 15.9.2 Transmitting a Message

The DLCMD2 is loaded with a message from the CPU for transmission. The DLCMD2 will then add a SOF bit to the outgoing data, and contend for a message slot on the J1850 bus. The TxFIFO in the DLCMD2 is 11 bytes long, to allow complete (except block) messages to be transferred to the DLCMD2 by the CPU for transmission. Information about which byte the CPU is transferring is sent to the DLCMD2 as part of the control information sent with each byte transferred and is optional with the DLCMD2 except for the last byte. When the DLCMD2 has transmitted all of the message bytes, it will automatically append a CRC to the end of the outgoing message.

The DLCMD2 will automatically retry a transmission if it lost arbitration or any errors were detected. The auto retry feature causes the DLCMD2 to indicate that the TxFIFO is full until the message is successfully sent except where no last byte was indicated. As soon as the CPU transfers a “last byte” of a message to the DLCMD2, or fills the eleventh position of the TxFIFO, the DLCMD2 will indicate that the TxFIFO is full. In the case of filling the TxFIFO with no “last byte” indicated (block mode) the status will say “TxFIFO almost full” after a byte has been sent so that the next byte of the block message can be loaded by the CPU. Once successfully sent, the DLCMD2 will indicate that the TxFIFO is empty and hence ready for the next message. Each time the message loses arbitration, the completion code for that received message will indicate to the transmitter that it attempted transmission, and lost arbitration. The auto retry

feature can be terminated by the CPU through the command byte. This causes the DLCMD2 to finish its current transmit activity, and then clear the TxFIFO. If there had not been any transmit activity when the auto retry is disabled, the DLCMD2 will attempt to transmit the message once and then clear the TxFIFO.

A break waveform on the bus is shaped such that it will win arbitration against any currently transmitting message. When the DLCMD2 senses that such a waveform has occurred on the bus, it will stop transmitting its current message, reset its transmitter (clear the TxFIFO), and set a bit in the completion code and assert an interrupt to indicate to the CPU that such a condition has occurred. Since the break signal wins arbitration all of the time, any in progress messages will have simply lost arbitration, and the DLCMD2 will treat the in progress received message as complete. If a break occurs while there are no in progress messages, a completion code indicating that a break has occurred will be placed in the RxFIFO and a CPU interrupt is generated. The break/reset waveform is sent by a DLCMD2 by setting a bit combination in the command byte. This waveform is sent immediately upon the command byte being latched in. If there is a current transmission, it will be stopped, and the break waveform sent. Break automatically takes all nodes on the network out of 4X speed mode.

#### **NOTE**

An SOF from a node in regular mode will be seen as a break by any nodes in 4X mode.

### **15.9.3 Receiving a Message**

The status byte that the CPU reads from the DLCMD2 contains information on the status of the RxFIFO, the status of the TxFIFO, the condition of the bus, and the type of accompanying data byte. The data accompanying the status byte can be data received off of the J1850 bus, a completion code which contains information about a received message, or nothing.

All messages received off the J1850 bus will have their start bit removed and error detection code replaced with a completion code. All other bytes of the message are placed in order, MSB first, in the RxFIFO.

Receiving information off the J1850 bus occurs in much the same manner as sending data.

#### **NOTE**

By definition, every message a DLCMD2 sends on the data link is also received by its own receiver as if the transmission had been initiated by a different node.

The DLCMD2 will automatically remove the SOF bit from the message, and check the CRC for errors. If a CRC error occurs, it is flagged in the message completion information (completion code) that takes the place of the CRC byte in the RxFIFO. The DLCMD2 will interrupt the CPU to signal that a complete message has been received, or when the RxFIFO is approaching full. When the CPU starts the transfer process, the status byte from the DLCMD2 indicates the data's presence, and something about the amount of data left in the RxFIFO. Conditions necessary for interrupting the CPU are selectable with a write to the Interrupt Level Register (ILR). When a DLCMD2 loses arbitration to another node, it will continue to receive the remainder of the message. The completion code will indicate that the DLCMD2 contended for a transmit slot, and lost arbitration to the received message. The CPU does not need to resend the message if the auto retry feature is enabled.

### 15.9.4 Receiving a Message in Block Mode

Although not a part of the SAE J1850 protocol, the DLCMD2 does allow for a special “block mode” of operation for the receiver. As far as the DLCMD2 is concerned, a block mode message is simply a long J1850 frame that contains an indefinite number of data bytes. All of the other features of the frame remain the same, including the SOF, CRC, and EOD symbols.

Data link controller module (DLCMD2) Class 2 convention requires that another node wishing to send a block mode transmission must first inform all other nodes on the network that this is about to happen. This is usually accomplished by sending a special predefined message.

Block mode may be combined with 4X mode.

### 15.9.5 Transmitting a Message in Block Mode

If the TxFIFO was filled with no last byte indicated, the DLCMD2 will start sending that message in terminate auto-retry mode; the status will indicate “TxFIFO almost full” as soon as the first byte is sent, and “TxFIFO contains some data bytes” as soon as the second byte is sent. As new data is written to the TxFIFO, the status will accurately reflect the condition of the TxFIFO until a “last byte” is written. When a “last byte” command has been sent to the DLCMD2, the TxFIFO will indicate “TxFIFO full” until the transmission is finished. The DLCMD2 will send an infinite length message if properly handled by the CPU.

Block mode transmit may be combined with 4X mode.

### 15.9.6 Receiving a Message in 4X Mode

Although not a part of the SAE J1850 protocol, the DLCMD2 does allow for a special “4X mode” of receive operation. 4X mode is entered in software by setting the 4X bit in the MCR register. This bit is cleared automatically by a BREAK symbol reception, or may be manually cleared in software.

### 15.9.7 Transmitting a Message in 4x Mode

If the 4X mode bit is set in the MCR register, the DLCMD2 will use a different set of VPW timing numbers to set the widths of the J1850 bus symbols when transmitting. This bit is cleared automatically by a BREAK symbol reception, or it may be cleared manually.

## 15.10 Programming Model

The following section provides register descriptions for the DLCMD2. In the following paragraphs, the top line lists the bit number in the register. The second line contains the mnemonic for the bit. The values shown under the mnemonic are the values of those register bits after IMSTRSTB is asserted. If ISYSRSTB affects the bits differently than IMSTRSTB, this fact is discussed in the paragraphs following the chart.

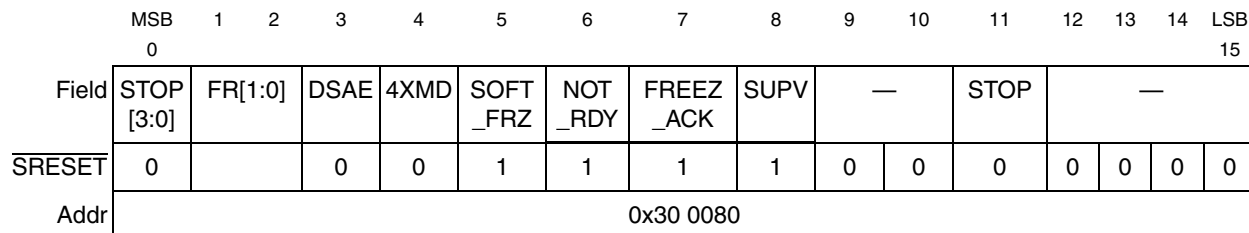
The DLCMD2 registers hold, in some cases, bit locations marked as “reserved”. These bits will always read as logic ‘0’ and writes to these bits are ignored.

The register decode map is fixed and begins at the first address of the module base address. [Table 15-6](#) shows the registers associated with the DLCMD2 module and their relative offset from the base address. Four of the registers are in supervisor-only data space and the remainder are in assignable data space.

**Table 15-6. DLCMD2 Memory Map**

| Access | Offset                  | 0  | 15                              | R/W                 | Reset  |
|--------|-------------------------|--|---------------------------------|---------------------|--------|
| S      | 0x30 0080               | Module Configuration Register (MCR)                  |                                 | R/W                 | 0x6780 |
| S      | 0x30 0082               | RESERVED   |                                 | —                   | —      |
| S      | 0x30 0084               | Interrupt Pending Register (IPR)                     |                                 | R/W                 | 0x0000 |
| S      | 0x30 0086/<br>0x30 0087 | Interrupt Level Register (ILR)                       | Interrupt Vector Register (IVR) | R/W, RO (bit2~bit0) | 0x000F |
| S/U    | 0x30 0088               | Symbol Timing Control and Pre-scaler Register (SCTL) |                                 | R/W                 | 0x0000 |
| S/U    | 0x30 008A               | Symbol Timing Data Register (SDATA)                  |                                 | WO                  | 0x00XX |
| S/U    | 0x30 008C/<br>0x30 008D | Command Register (CMD)                               | Transmit Data Register (TDATA)  | R/W-WO for (TDATA)  | 0x00XX |
| S/U    | 0x30 008E/<br>0x30 008F | Status Register (STAT)                               | Receive Data Register (RDATA)   | RO                  | 0x00XX |

### 15.10.1 Module Configuration Register (MCR)



**Figure 15-17. Module Configuration Register (MCR)**

**Table 15-7. MCR Bit Descriptions**

| Bits | Name    | Description   |
|------|---------|---|
| 0    | STOP    | Stop System Clock — The STOP bit, if asserted, will stop the system clock within the DLCMD2 module except for the IMB bus interface (BIU). The module’s BIU must continue to operate to allow the CPU access to the module’s registers (except for LPSTOP). The system clock is stopped on the low phase of ICLOCK. Once the bus becomes idle, the system clock will remain stopped until the STOP bit is negated by the CPU, or a reset occurs, or an edge from the J1850 bus passes through the digital filter (if DSAE not set). |
| 1:2  | FR[1:0] | Freeze — There exists two bits in the DLCMD2 module control register to determine the action to be taken when the Freeze signal of the IMB is asserted. <a href="#">Table 15-8</a> defines the freeze bit field.  |

**Table 15-7. MCR Bit Descriptions (continued)**

| Bits | Name      | Description  |
|------|-----------|--|
| 3    | DSAE      | Disable STOP Mode Automatic Exit — When asserted, the DSAE bit will prevent J1850 activity from causing the DLCMD2 to exit STOP mode, and will prevent INTACL2-type interrupts from being asserted. (When DSAE is negated, the DLCMD2 will automatically restart its internal clocks from STOP mode upon sensing any J1850 activity, and INTACL2-type interrupts will be allowed (although they must still be explicitly enabled by INTACL2E.) The CPU must negate the STOP bit to exit DLCMD2 STOP mode and restart the DLCMD2 clocks, since J1850 activity will not take the DLCMD2 out of STOP mode. When cleared, any J1850 activity that passes through the digital filter will take the DLCMD2 out of STOP mode and clear the STOP bit (if set). |
| 4    | 4XMD      | 4X Mode — When the 4XMD bit is asserted, the DLCMD2 will use 4X mode bit timings rather than the normal J1850 symbol timings. Note that normal waveshaping by the analog transceiver (whether on-chip or off-chip) must be disabled for the DLCMD2/transceiver combination to transmit properly in 4X mode. This bit is automatically reset upon receipt of a BREAK symbol.  |
| 5    | SOFT_FRZ  | Software Freeze — Assertion of this bit has the same effect as the assertion of the IFREEZEB signal on the IMB3, as described in the description of IFREEZEB/SOFT_FRZ mode and FRZE bits. However, it does not require that the IFREEZBE signal be asserted in order to enter debug mode.<br>This bit is initialized to 1 (debug mode). The CPU clears it after initializing the control registers. No transmissions or receptions are performed by the DLCMD2 before this bit is cleared.<br>For detailed description of the debug mode, refer to <a href="#">Section 15.7.5, “DLCMD2 DEBUG.”</a><br>0 No DLCMD2 internal request to enter Debug Mode.<br>1 Enter Debug mode if (FRZE[ 1]    FRZE[ 0])  |
| 6    | NOT_RDY   | NOT_RDY — This bit indicates that the DLCMD2 is either in STOP or in DEBUG states. This bit is read-only. Whenever one of these two modes is asserted, this bit is set once the DLCMD2 has entered the corresponding mode. It is negated once the DLCMD2 has exited these modes. For more details refer to <a href="#">Section 15.7.4, “DLCMD2 STOP and LPSTOP”</a> and <a href="#">Section 15.7.5, “DLCMD2 DEBUG.”</a>  |
| 7    | FREEZ_ACK | DLCMD2 Disabled — DLCMD2 is in debug mode and its pre-scaler is stopped. This bit is read-only. The value of this bit is one when the DLCMD2’s pre-scaler is stopped, and 0 when debug mode is negated and the pre-scaler is running again. When the DLCMD2 enters debug mode it sets the FREEZ_ACK bit. The CPU can poll this bit to know if the DLCMD2 entered debug mode. If debug mode is negated then this bit is negated once the DLCMD2’s pre-scaler is running.  |
| 8    | SUPV      | Supervisor/User Data Space — The SUPV bit affects the SCTL/SDATA, CMD/TDATA and STAT/RDATA registers, the only registers in the DLCMD2 currently defined as supervisor/unrestricted access. If SUPV is asserted (all DLCMD2 registers are to be treated as supervisor only) bit 2 of the function code (FC2) must be asserted during module address decoding to allow the supervisor/unrestricted access registers to respond to accesses in supervisor data space.<br>If the SUPV bit is cleared (SCTL/SDATA, CMD/TDATA and STAT/RDATA accesses are to be treated as unrestricted) FC2 is ignored during module address decoding, allowing supervisor/unrestricted access registers to respond to accesses in supervisor data or user data space.     |
| 9:10 | —         | Reserved   |

**Table 15-7. MCR Bit Descriptions (continued)**

| Bits  | Name     | Description   |
|-------|----------|---|
| 11    | STOP_ACK | DLCMD2 is STOPPED — DLCMD2 is in STOP mode and its main clocks are stopped. This bit is read-only. The value of this bit is '1' when the DLCMD2 enters STOP Mode and its clocks are stopped, (see Section 15.7.4, “DLCMD2 STOP and LPSTOP”) and '0' when stop mode is negated and the DLCMD2's clocks are running again. When the DLCMD2 enters STOP mode and shuts its clocks off, it sets the STOP_ACK bit. The CPU can poll this bit to know if the DLCMD2 entered stop mode (e.g., stopped its clocks). If stop mode bit is negated, then this bit is negated once the DLCMD2's clocks are running. |
| 12:15 | —        | Reserved. These bits are used for the IARB (interrupt arbitration ID) field in DLCMD2 implementations that use hardware interrupt arbitration. These bits are not used on the MPC565/MPC566.  |

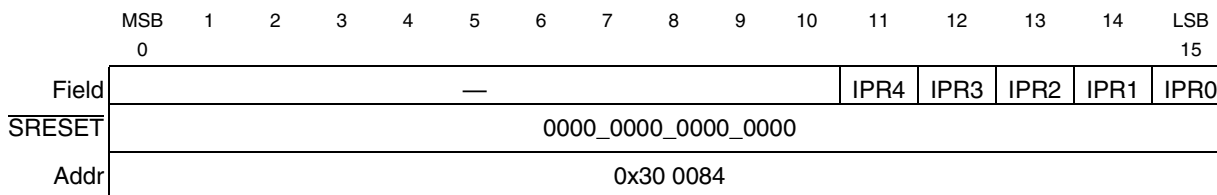
**Table 15-8. Freeze Bit Field Description**

| FRZ[1] | FRZ[0] | Result   |
|--------|--------|--|
| 0      | 0      | Ignore FREEZE  |
| 0      | 1      | Freeze on DLCMD2 internal F <sub>DLC</sub> high state. (CTWO is in high state when IFREEZEB is asserted, or F <sub>DLC</sub> enters its high state sometime after IFREEZEB is asserted.) |
| 1      | 0      | Freeze on receipt of next bit. (DLCMD2 internal RIT signal is asserted IFREEZEB is asserted, or RBIT becomes asserted sometime after IFREEZEB is asserted.)                              |
| 1      | 1      | Freeze immediately   |

Read restrictions: supervisor only, bits[9:10] are reserved but can be read as zeros.

Write restrictions: supervisor only, bits[9:10] are reserved.

### 15.10.2 Interrupt Pending Register (IPR)



**Figure 15-18. Interrupt Pending Register (IPR)**

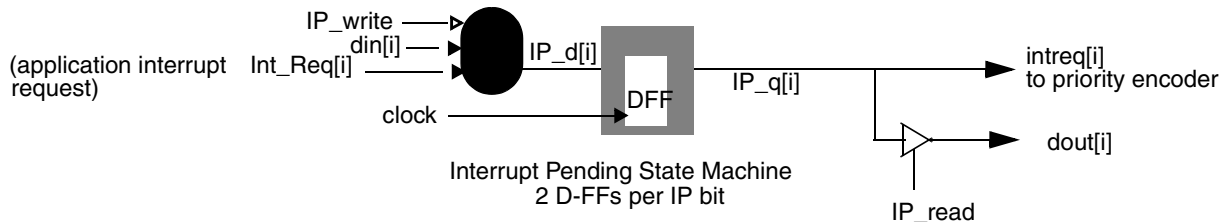


**Table 15-9. Interrupt Pending Register (IPR) Bit Descriptions**

| Bits  | Name     | Description  |
|-------|----------|--|
| 0:10  | —        | Reserved.  |
| 11:15 | IPR[0:4] | <p>Interrupt pending. Indicates that an interrupt service request has been made by the module interrupt logic. An interrupt request to the IMB3 is generated whenever the interrupt asserting condition is met. A bit in the IP register (indicating the application logic interrupt request is detected) can be set in any order to generate the IMB3 interrupt request.</p> <p>Once set, the IP bits remain set until the IP bit is cleared by software, or reset. To clear an IP bit, the bit must be first read as a 1 and then the bit must be written to a 0. IP bits which are 0 when the IP register is read are unaffected by the write operation. Also, if the IP logic detects another application logic interrupt request after the IP bit was read as a 1 and before a 0 is written to clear it, the IP bit cannot be cleared until the IP bit is again read as a 1 and then written to a 0. Bits in this register are set by the application logic request and cannot be written to a one by software (writing 1 to the IP register have no effect). Only writes of 0 are valid, when permitted, to clear the IP bit(s).</p> <p>IPR[0] : R1STBYTE interrupt pending sets IPR[0].<br/>                     IPR[1] : RCCODE interrupt pending sets IPR[1].<br/>                     IPR[2] : R13BYTE interrupt pending sets IPR[2].<br/>                     IPR[3] : THLFMTY interrupt pending sets IPR[3].<br/>                     IPR[4] : ACL2 interrupt pending sets IPR[4].</p> |

Read restrictions: supervisor only, bit [15:5] are reserved but can be read as zeros.

Write restrictions: supervisor only, bit [15:5] are reserved.



**Figure 15-19. Interrupt Request Logic Path**

### 15.10.3 Interrupt Level Register (ILR)

|        |           |          |   |           |   |          |   |     |
|--------|-----------|----------|---|-----------|---|----------|---|-----|
|        | MSB       | 1        | 2 | 3         | 4 | 5        | 6 | LSB |
|        | 0         |          |   |           |   |          |   | 7   |
| Field  | INTMODE   | INTACL2E | — | ILBS[1:0] |   | ILR[2:0] |   |     |
| SRESET | 0000_0000 |          |   |           |   |          |   |     |
| Addr   | 0x30 0086 |          |   |           |   |          |   |     |

**Figure 15-20. Interrupt Level Register (ILR)**

**Table 15-10. ILR Bit Descriptions**

| Bits | Name      | Description  |
|------|-----------|--|
| 0    | INTMODE   | Interrupt Mode — When the INTMODE bit is asserted, the DLCMD2 will assert an interrupt when a single byte is received into an empty RxFIFO. When cleared, only standard interrupts are enabled.<br>Table 15-11 defines interrupt levels.   |
| 1    | INTAC L2E | Interrupt Any Bus activity Enable — When the INTACL2E bit is set, the DLCMD2 will assert an interrupt when any network activity (including noise) is detected. This bit must be set for the DLCMD2 to wake up the processor from LPSTOP. Although the detected activity may be only noise, neither IMB3 nor module clocks can run in LPSTOP, therefore the DLCMD2 cannot distinguish noise from valid network activity, and must wake up the processor to restart the clocks necessary for J1850 message reception. Normally, this bit would be set by the CPU just before going into LPSTOP, and is cleared once the ACL2 interrupt condition is latched.     |
| 2    | —         | Reserved.  |
| 3:4  | ILBS[1:0] | Interrupt Level Byte Select — These two bits indicate during which time slot the DLCMD2 should drive its interrupt. For more details, refer to Section 15.7.4, “DLCMD2 STOP and LPSTOP” and Section 15.7.5, “DLCMD2 DEBUG” for IRQ_PLUG=1.   |
| 5:7  | ILR       | Interrupt Request Level — The interrupt request level field contains the priority level of the DLCMD2 interrupts for the CPU. Level seven for this field indicates a nonmaskable interrupt, while level zero indicates that interrupts have been disabled. The interrupt request level field is initialized to zero during reset which prevents the module from generating an interrupt until this register has been initialized.<br>NOTE: Level zero corresponds to IRQ[ 0] which is not recognized at the system level, hence the interrupts are treated as disabled. The interrupt request level field, therefore acts as master enable for the interrupts. |

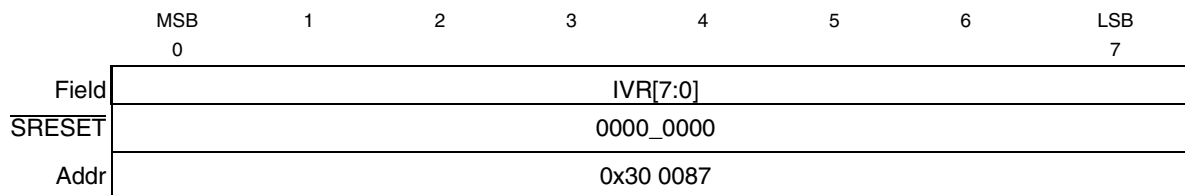
Read restrictions: supervisor only, bit[2] is reserved but can be read as zero.

Write restrictions: supervisor only, bit[2] is reserved.

**Table 15-11. Interrupt Levels**

| ILBS [1:0] | Levels |
|------------|--------|
| 00         | 0:7    |
| 01         | 8:15   |
| 10         | 16:23  |
| 11         | 24:31  |

### 15.10.4 Interrupt Vector Register (IVR)



**Figure 15-21. Interrupt Vector Register (IVR)**

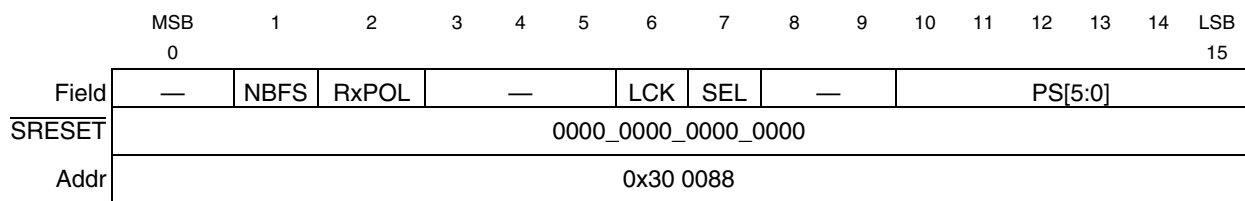
**Table 15-12. IVR Bit Descriptions**

| Bits | Name     | Description   |
|------|----------|---|
| 0:7  | IVR[7:0] | Interrupt Vector Field — The interrupt vector register holds the offset into the exception vector table, and is what is driven by the DLCMD2 in response to an IMB IACK cycle. IVR[ 7:3] are programmable. IVR[ 2:0] are read-only bits and encoded from the highest priority of any currently active interrupt sources per <a href="#">Table 15-12</a> .<br>The IVR is not used by the MPC565. |

Read restrictions: supervisor only.

Write restrictions: supervisor only.

### 15.10.5 Symbol Timing Control and Pre-Scaler Register (SCTL)



**Figure 15-22. Symbol Timing Control and Pre-Scaler Register (SCTL)**

**Table 15-13. SCTL Bit Descriptions**

| Bits | Name  | Description   |
|------|-------|---|
| 0    | —     | Reserved.   |
| 1    | NBFS  | This bit controls the format of normalization bit (NB). SAE J1850 strongly encourages the use of an active long, '0', for in-frame responses containing CRC and active short, '1', for in-frame response without CRC. Once the LCK is set, the writes to NBFS are disabled.<br>0 NBFS, NB that is received or transmitted is a '1' when the response part of an in-frame response (IFR) ends with a CRC byte. NB that is received or transmitted is a '0' when the response part of an in-frame response (IFR) does not end with a CRC byte.<br>1 NBFS, NB that is received or transmitted is a '0' when the response part of an in-frame response (IFR) ends with a CRC byte. NB that is received or transmitted is a '1' when the response part of an in-frame response (IFR) does not end with a CRC byte. |
| 2    | RxPOL | Receive Pin Polarity (Bit 13) — The receive pin polarity bit is used to select the polarity of incoming signal on the receive pin. Some external analog transceivers invert the receive signal from the J1850 bus before feeding back to the digital receive pin. Once the LCK is set, the writes to RxPOL are disabled.<br>0 RxPOL, select normal/true polarity; true non-inverted signal from J1850 bus, (i.e., the external transceiver does not invert the receive signal).<br>1 RxPOL, select inverted polarity, where external transceiver inverts the receive signal.  |
| 3:5  | —     | Reserved.   |

**Table 15-13. SCTL Bit Descriptions (continued)**

| Bits  | Name    | Description  |
|-------|---------|--|
| 6     | LCK     | Write Lock on Symbol Timing Parameter Table (Bit 9) — LCK disables writes to the symbol timing parameter table through SDATA. Once LCK is set, only reset will clear the bit (unless in test mode).<br>0 LCK, enables the writes to the symbol timing parameter table through SDATA register.<br>1 LCK, disables the writes to NBFS, RxPOL, PS5 -PS0 in SCTL register and the symbol timing parameter table through SDATA register. Once LCK is set, only reset will clear this bit (unless in test mode).   |
| 7     | SEL     | Select Normal or 4X Bit-timing Parameter Table (Bit 8) — There are two sets of parameters used for DLMCD2 bit-timing. These two sets of parameters are accessible through the SDATA register. There are twelve parameters for normal bit-timing (four for receiving and eight for transmitting) and twelve parameters for 4X bit-timing (four for receiving and eight for transmitting). These bits may be written only when LCK is cleared. Once the LCK is set, the writes to SEL are disabled and SEL is cleared.<br>0 SEL, allows access (write) to the normal mode parameters.<br>1 SEL, allows access (write) to the 4X mode parameters. |
| 8:9   | —       | Reserved.  |
| 10:15 | PS[5:0] | DLCMD2 Pre-Scaler Rate Select (Bit [5:0])<br>Set the system clock divisor necessary to achieve the DLCMD2 internal bit-rate clock. The frequency should be as close to 2 MHz as possible. These bits may be written only when LCK is cleared.<br>Once the LCK is set, the writes to PS[5:0] are disabled.<br>The value programmed into PS[5:0] bits is dependent on the chosen IMB3 system clock frequency per <a href="#">Table 15-14</a> .   |

Read restrictions: supervisor/unrestricted access, bit[0], bits[3:5], bits[8:9] are reserved but can be read as zeroes.

Write restrictions: supervisor/unrestricted access, bit[0], bits[3:5], bits[8:9] are reserved.

**NOTE**

PS[5:0] is always loaded with “desired divisor” -1 and comes out of reset programmed for a divided by one clock rate (PS[5:0] = 0x00).

**Table 15-14. DLCMD2 Pre-Scaler Rate Selection**

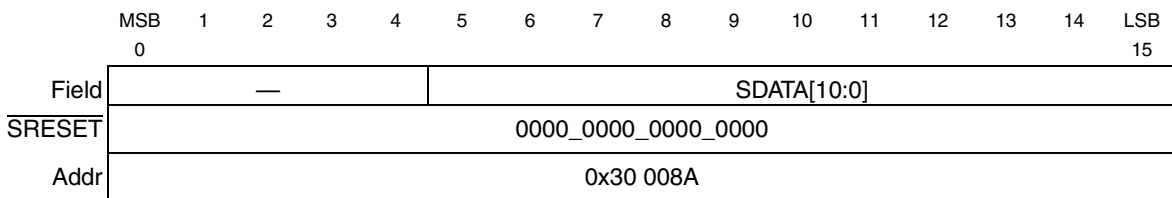
| IMB3 Bus Clock Frequency        | PS[5:0] | Division | F <sub>DLC</sub> |
|---------------------------------|---------|----------|------------------|
| f <sub>CLOCK</sub> = 2.000 MHz  | 0x00    | 1        | 2.000 MHz        |
| f <sub>CLOCK</sub> = 15.000 MHz | 0x06    | 7        | 2.143 MHz        |
| f <sub>CLOCK</sub> = 16.000 MHz | 0x07    | 8        | 2.0 MHz          |
| f <sub>CLOCK</sub> = 25.000 MHz | 0x0B    | 12       | 2.083 MHz        |
| f <sub>CLOCK</sub> = 26.000 MHz | 0x0C    | 13       | 2.0 MHz          |
| f <sub>CLOCK</sub> = 40.000 MHz | 0x13    | 20       | 2.0 MHz          |
| f <sub>CLOCK</sub> = 45.000 MHz | 0x15    | 22       | 2.045 MHz        |
| f <sub>CLOCK</sub> = 56.000 MHz | 0x1B    | 28       | 2.045 MHz        |

**Table 15-14. DLCMD2 Pre-Scaler Rate Selection (continued)**

| IMB3 Bus Clock Frequency         | PS[5:0] | Division | F <sub>DLC</sub> |
|----------------------------------|---------|----------|------------------|
| f <sub>CLOCK</sub> = 66.000 MHz  | 0x20    | 33       | 2.0 MHz          |
| f <sub>CLOCK</sub> = 128.000 MHz | 0X3F    | 64       | 2.0 MHz          |

### 15.10.6 Symbol Timing Data Register (SDATA)

Refer to [Figure 15-24](#) for SDATA symbol timing table access read restrictions: supervisor/unrestricted access, the entire register will be read as zeroes.



**Figure 15-23. Symbol Timing Data Register (SDATA)**

**Table 15-15. SDATA Bit Descriptions**

| Bits | Name  | Description  |
|------|-------|--|
| 0:4  | —     | Reserved.  |
| 5:15 | SDATA | Symbol Timing Data Register — The bit-timing of J1850 symbols is written into the twenty-four entries of the parameter table through the SDATA register. An internal pointer along with the SEL bit is used to select which parameter is accessed (write) through the SDATA register. This pointer is incremented when SDATA is written and cleared when the SCTL register is accessed. Refer to <a href="#">Figure 15-24</a> for a block diagram and <a href="#">Table 15-16</a> for the parameter table. |

Write restrictions: supervisor/unrestricted access when LCK in SCTL register is clear. Bit [0:4] are reserved.

S10-S0 — symbol timing data register controller module (DLCMD2)

The parameter table lists the cycle counts for four receive symbols and eight transmit symbols in normal and 4X modes. The user must calculate the cycle counts for each symbol based on the desired value, round trip delay, digital filter delay, and bus frequency. The calculated cycle counts must be entered into the parameter table through the [Section 15.10.6, “Symbol Timing Data Register \(SDATA\).”](#) To calculate the cycle count for receive symbols, multiply F<sub>DLC</sub> by the desired symbol time (in μs) and round to the nearest integer. To calculate the cycle count for transmit symbols, subtract the round trip delay for the transceiver from the desired symbol time (in μs), multiply by F<sub>DLC</sub>, round to the nearest integer, and subtract the cycle count of the digital filter (16 cycles in normal mode, four cycles in 4X mode). As an example, let the transceiver round trip delay be 16 μs, the desired symbol be 64 μs, and F<sub>DLC</sub> be 2.083 MHz. The cycle count would be:

$$\text{cycle count} = ((64 \mu\text{s} - 16 \mu\text{s}) \times 2.083 \text{ cycles} / \mu\text{s}) - 16 \text{ cycles} = 84 \text{ cycles}$$

After the cycle count has been computed, it must be converted into binary format and entered into the respective parameter through the [Section 15.10.6, “Symbol Timing Data Register \(SDATA\).”](#)

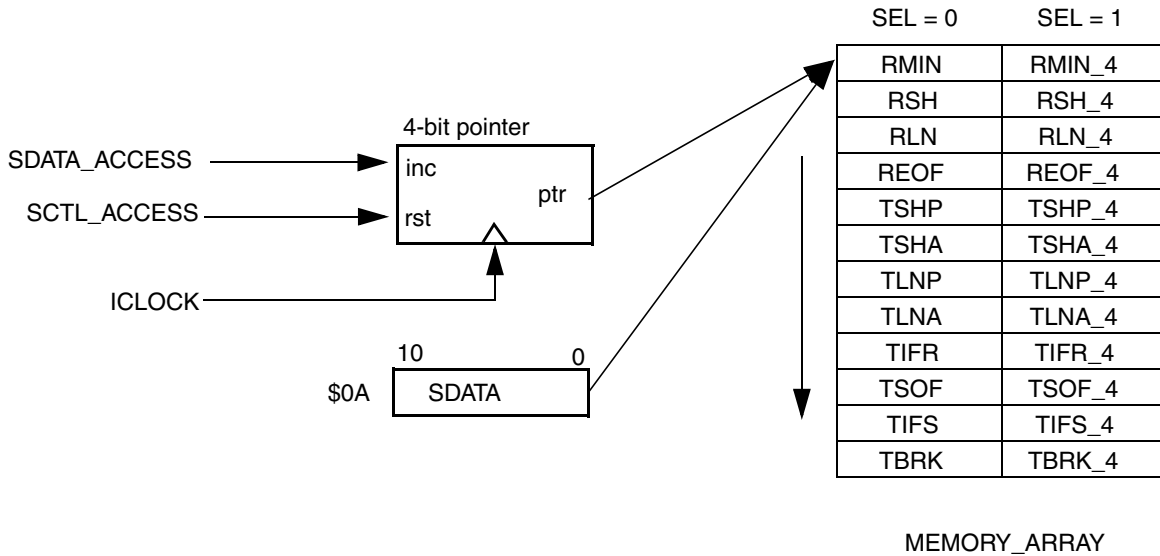


Figure 15-24. DLCMD2 SDATA Block Diagram

Table 15-16. Timing Parameter Table

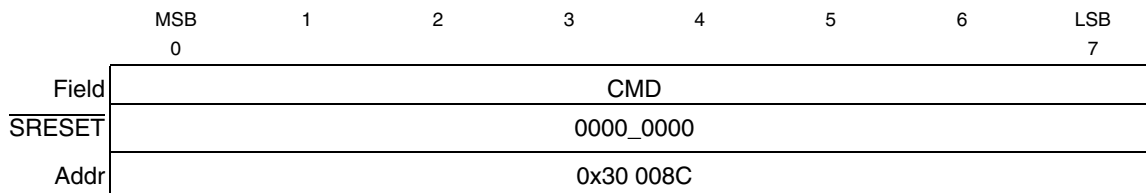
| Programming Sequence | Symbol Description  | Symbol (SEL = 0) | Symbol Timing (µs) | Symbol (SEL = 1) | Symbol Timing 4X (µs) |
|----------------------|---|------------------|--------------------|------------------|-----------------------|
| 1                    | Minimum receive symbol time   | RMIN             | 34                 | RMIN_4           | 8                     |
| 2                    | Maximum receive short pulse time  | RSH              | 96                 | RSH_4            | 24                    |
| 3                    | Maximum receive long pulse time   | RLN              | 163                | RLN_4            | 41                    |
| 4                    | Minimum end-of-frame time   | REOF             | 239                | REOF_4           | 60                    |
| 5                    | Target transmit short passive symbol time                                 | TSHP             | 64                 | TSHP_4           | 16                    |
| 6                    | Target transmit short active symbol time                                  | TSHA             | 64                 | TSHA_4           | 16                    |
| 7                    | Target transmit long passive symbol time                                  | TLNP             | 128                | TLNP_4           | 32                    |
| 8                    | Target transmit long active symbol time                                   | TLNA             | 128                | TLNA_4           | 32                    |
| 9                    | Target end-of-data time before IFR begins                                 | TIFR             | 200                | TIFR_4           | 50                    |
| 10                   | Target transmit start-of-frame symbol time                                | TSOF             | 200                | TSOF_4           | 50                    |
| 11                   | Target inter-frame separation time before DLCMD2 is ready for new message | TIFS             | 320                | TIFS_4           | 80                    |
| 12                   | Target transmit break symbol time   | TBRK             | 800                | TBRK_4           | 800                   |

### 15.10.7 Transmit Command Register (CMD)

Command and configuration of the DLCMD2 module is accomplished through a command byte that accompanies every data byte sent from the CPU to the DLCMD2 module.

**NOTE**

The command byte is the first byte transferred to the DLCMD2 module, and must be followed by a byte (data or dummy) which causes the command to be acted on (this can be done in an aligned word write or two separate byte writes).



**Figure 15-25. Transmit Command Register (CMD)**

**Table 15-17. CMD Bit Descriptions**

| Bits | Name | Description  |
|------|------|--|
| 0:7  | CMD  | Transmit Command Register — The command byte can be broken in three fields. Bits 0:2 describe general commands. Bits 3:5 describe the type and destination of the accompanying byte associated with the command. Bits 6:7 control the receive FIFO.<br>Refer to <a href="#">Table 15-18</a> for general command descriptions. Refer to <a href="#">Table 15-19</a> for type and destination of accompanying byte descriptions. Refer to <a href="#">Table 15-20</a> for RxFIFO command descriptions. |

Read restrictions: reads will return 0x00.

Write restrictions: supervisor/unrestricted access.

**Table 15-18. General Commands**

| CMD0 | CMD1 | CMD2 | Description  |
|------|------|------|--|
| 0    | 0    | 0    | Do nothing — DLCMD2 will not perform any actions defined in this field.  |
| 0    | 0    | 1    | Reserved — Results in “do nothing.”  |
| 0    | 1    | 0    | Send Break signal — When this command is latched in, the DLCMD2 will immediately send a break signal on the bus, regardless of its current transmit or receive status. |

**Table 15-18. General Commands (continued)**

| CMD0 | CMD1 | CMD2 | Description   |
|------|------|------|---|
| 0    | 1    | 1    | <p>Send on EOD with CRC (Transmit Single or Multiple Byte IFR with CRC)</p> <ol style="list-style-type: none"> <li>1. Must be accompanied by a data byte that is flagged as “1st byte” or “1st and last” byte. The remaining IFR bytes may not be sent to the DLCMD2 with the “Send on EOD” combination set.</li> <li>2. This command causes the DLCMD2 to go into Terminate Auto Retry (TAR) mode automatically. It also causes a reset of the transmitter and TxFIFO before the response byte is loaded. If the DLCMD2 is transmitting and loses arbitration, an IFR can be loaded in response to the message winning arbitration.</li> <li>3. If this command is latched in while the bus is idle or between EOD and EOF, the IFR command/data bytes will be ignored. If valid command/data bytes follow the invalid IFR command/data bytes, the DLCMD2 will attempt to transmit the bytes as a normal message once.</li> <li>4. If a message is in progress and the EOD symbol has not been detected when this command is latched in, the DLCMD2 will send the IFR if there were no receiver errors detected. If receiver errors were detected, the IFR will be lost and the DLCMD2 will not be in TAR mode.</li> <li>5. If the remaining IFR bytes, if any are required, are not placed into the TxFIFO before they are needed, then an underrun will occur. This will cause the CRC to be inverted in the IFR. The second byte must be loaded before the falling edge of the Normalization Bit. The next IFR byte must be loaded before the last bit of the current byte is transmitted. Since there is only one responder transmitting an IFR, the inverted CRC will cause the DLCMD2 to corrupt its own message. Other nodes will receive this as a CRC error.</li> <li>6. If this DLCMD2 is the one transmitting, send on EOD will cause a bit timing or incomplete byte error and a reset of the TxFIFO. Both the original message and the IFR will be lost.</li> <li>7. Cannot be sent in response to an IFR without CRC.</li> </ol> |
| 1    | 0    | 0    | <p>Terminate Auto Retry (TAR)</p> <ol style="list-style-type: none"> <li>1. If this command is latched in while there is not a complete message in the TxFIFO, then when that message is completely loaded the DLCMD2 will attempt to transmit that message only once. After this transmit attempt, the TxFIFO will be empty.</li> <li>2. If this command is latched in while the DLC is transmitting, then the DLCMD2 will finish its transmit activity (successful transmission, or lose arbitration) and then clear the TxFIFO.</li> <li>3. If a complete message is in the TxFIFO, but not yet transmitting when this command is latched in, and: <ol style="list-style-type: none"> <li>a. The message has just lost arbitration and is waiting for the next slot for retransmission, the DLCMD2 will attempt transmission one more time.</li> <li>b. The message has not tried to transmit yet (loaded while a message was on the bus). The DLCMD2 will try to transmit once, and then reset the TxFIFO.</li> <li>c. If the TxFIFO is full, and there is no last byte indicated (message of more than 11 bytes), then an automatic TAR is executed.</li> </ol> </li> </ol>  |
| 1    | 0    | 1    | <p>Send on EOD without CRC (Transmit Single or Multiple Byte IFR w/o CRC)</p> <ol style="list-style-type: none"> <li>1. Same as 0 1 1 but a CRC will not be transmitted.</li> <li>2. This response cannot be sent after a previous IFR without CRC.</li> </ol>  |



**Table 15-18. General Commands (continued)**

| CMD0 | CMD1 | CMD2 | Description  |
|------|------|------|--|
| 1    | 1    | 0    | Send on EOD with auto re-try (Transmit Single Byte IFR with auto re-try)<br>1. If a loss of arbitration occurs when the DLCMD2 attempts to transmit and after the IFR byte winning arbitration completes transmission, the DLCMD2 will again attempt to transmit. The DLCMD2 will continue transmission attempts until an error is detected on the bus.<br>2. The TxFIFO will not be empty until the message is successfully sent. |
| 1    | 1    | 1    | Abort Transmission Now (Reset Transmitter)<br>1. This command causes the transmitter, including the TxFIFO to be reset immediately. If a message is in progress, it will be terminated immediately.<br>2. The first byte of a new message may accompany this command in the same 2-byte host-DLCMD2 transfer.  |

**Table 15-19. Type and Destination of Accompanying Byte Commands**

| CMD3 | CMD4 | CMD5 | Description   |
|------|------|------|---|
| 0    | 0    | 0    | Do Not Load as Transmit Data – The DLCMD2 will not perform any actions defined in this field.   |
| 0    | 0    | 1    | Load as Transmit Data – If the TxFIFO is indicating full (complete message already in TxFIFO), then the byte is not loaded and is lost.   |
| 0    | 1    | 0    | Reserved  |
| 0    | 1    | 1    | Load as Last Byte of Transmit Data<br>1. If there is not a “1st byte” at the head of the TxFIFO, the byte is not loaded and is lost unless a block transfer is in progress.<br>2. If the TxFIFO is empty, the byte is not loaded and is lost.<br>3. If the TxFIFO is indicating full (complete message already in TxFIFO), then the byte is not loaded and is lost.   |
| 1    | 0    | 0    | Reserved  |
| 1    | 0    | 1    | Load as First Byte of Message<br>1. If there is already a first byte in the TxFIFO, the byte is loaded, and will cause a transmit underrun error during transmission of this message. The first “first byte” and subsequent bytes will transmit correctly until the second “first byte” is encountered and this byte is not transmitted and is lost.<br>2. If the status of the TxFIFO is full (complete message already loaded, or partial message < 11 bytes), then the data byte is not loaded, and is lost. |
| 1    | 1    | 0    | Reserved  |
| 1    | 1    | 1    | Load as First and Last Byte of Message – If the TxFIFO is full, then the byte is not loaded and is lost.  |

## 15.10.8 Transmit Data Register (TDATA)

Table 15-20. RxFIFO Commands

| CMD6 | CMD7 | Description  |
|------|------|--|
| 0    | 0    | Do Nothing   |
| 0    | 1    | Reserved (Do nothing)  |
| 1    | 0    | <p>Flush Byte</p> <ol style="list-style-type: none"> <li>1. If there is nothing in the RxFIFO, then no action is taken even if a byte arrives before the DLCMD2 access is complete.</li> <li>2. If there are any bytes in the RxFIFO, then the first byte (at the head of the RxFIFO) is flushed.</li> <li>3. Flush byte commands will not queue up.</li> </ol>  |
| 1    | 1    | <p>Flush Current Message<sup>1</sup></p> <ol style="list-style-type: none"> <li>1. If there is nothing in the RxFIFO when this command is latched in, the next message received will be flushed except for the completion code. Only the completion code will cause an interrupt.</li> <li>2. If there is a partial message in the RxFIFO (still being received off of the data link), all remaining bytes of the message will be flushed, except for the completion code, when it is formed. Only the completion code will cause an interrupt.</li> <li>3. If there is a complete message in the RxFIFO (message bytes and completion code), all bytes of the message will be flushed except for the completion code.</li> <li>4. If there is completion code at the head of the RxFIFO, no action is taken when this command is latched in.</li> </ol> |

<sup>1</sup> Flush message commands cannot be queued up. Only one dump command is ever active. A Flush message command cannot be stopped after being issued. In cases 2 and 3, the RxFIFO status may be invalid during a flush message operation. It could take a few  $\mu$ s (or even longer if there is no completion code in the RxFIFO yet) for the status to correctly indicate the condition of the RxFIFO. In cases 1 and 2, the RxFIFO status invalid time varies with how much of the message is yet to be received, (i.e., the completion code must “leak down” to the head of the RxFIFO before the RxFIFO is “valid” again). The RxFIFO is not necessarily empty after a flush message command.

## 15.10.9 TxFIFO Command Load Sequences

Table 15-21 shows various load sequences for the CMD and TDATA registers. The table indicates whether the sequence is valid or invalid and how the DLCMD2 will handle each case.

**Table 15-21. Command Load Sequences**

| Load Sequence   | DLCMD2 operation   |
|---|--|
| 1) Write "Load as First Byte" and data byte as 16-bit write.<br>2) Write "Load as Transmit Data Byte" and data byte as 16-bit write.<br>3) Write "Load as Last Byte" and data byte as 16-bit write.   | All three command and data bytes are pushed into the TxFIFO. DLCMD2 transmits message correctly. "Load as Last Byte" command and last data byte can be written with two separate 8-bit writes.   |
| 1) Write data bytes as 8-bit writes.<br>2) Write "Load as Last Byte" and last data byte as 16-bit write.  | First data byte treated as "first byte." "Load as Last Byte" and last data byte is pushed into the TxFIFO. DLCMD2 transmits message correctly. "Load as Last Byte" command and last data byte can be written with two separate 8-bit writes. |
| 1) Write "Send on EOD" as 8-bit write.<br>2) Write data bytes as 8-bit writes.<br>3) Write "Load as Last Byte" and last byte as 16-bit write.   | No IFR transmission occurs. "Send on EOD" command will be ignored and first data byte will be treated as "first byte." If EOF is received, the DLCMD2 will transmit the bytes as a normal message.   |
| 1) Write "Send on EOD" as 8-bit write.<br>2) Write "Load as First Byte" and data byte as 16-bit write.<br>3) Write data bytes as 8-bit writes.<br>4) Write "Load as Last Byte" and data byte as 16-bit write.                                       | No IFR transmission occurs. "Send on EOD" command will be ignored and first data byte will be treated as "first byte." If EOF is received, the DLCMD2 will transmit the bytes as a normal message.   |
| 1) Write "Send on EOD," "Load as First Byte," and data byte as 16-bit write.<br>2) Write data bytes as 8-bit writes.<br>3) Write "Load as Last Byte" and last data byte as 16-bit write.  | Command and data word is pushed into the TxFIFO. Data bytes are pushed into the TxFIFO. Command and data byte is pushed into the TxFIFO. DLCMD2 transmits an IFR correctly.  |
| 1) Write "Load as First Byte" as 8-bit write.<br>2) Write "Send on EOD" as 8-bit write.<br>3) Write data bytes as 8-bit writes.<br>4) Write "Load as Last Byte" and data byte as 16-bit write.  | No IFR transmission occurs. "Send on EOD" command will be ignored and first data byte will be treated as "first byte." If EOF is received, the DLCMD2 will transmit the bytes as a normal message.   |
| 1) Write "Send on EOD," "Load as First Byte," and data byte as 16-bit write.<br>2) Write "Send on EOD," "Load as transmit data byte," and data byte as 16-bit write.<br>3) Write "Send on EOD," "Load as Last Byte," and data byte as 16-bit write. | No IFR transmission occurs. Data bytes other than the first byte of an IFR cannot be written with "Send on EOD." All data bytes are ignored.   |

**NOTE**

Any load sequence other than sequences 1-5 will not result in DLCMD2 transmission activity.

**15.10.10 Transmit Data Register (TDATA)**

|        |            |   |   |   |   |   |   |     |
|--------|------------|---|---|---|---|---|---|-----|
|        | MSB        | 1 | 2 | 3 | 4 | 5 | 6 | LSB |
|        | 0          |   |   |   |   |   |   | 7   |
| Field  | TDATA[0:7] |   |   |   |   |   |   |     |
| SRESET | 0000_0000  |   |   |   |   |   |   |     |
| Addr   | 0x30_008D  |   |   |   |   |   |   |     |

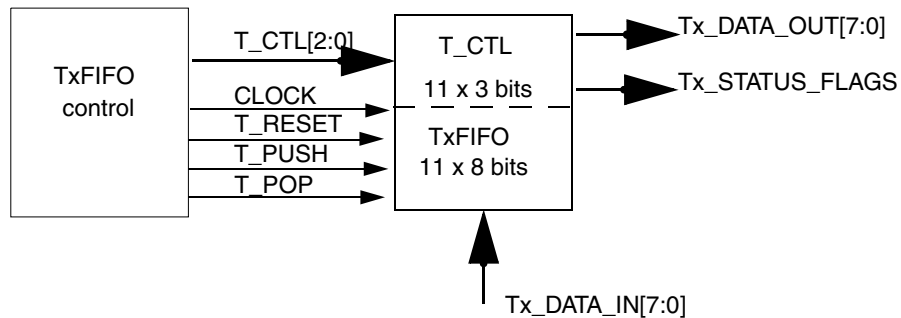
**Figure 15-26. Transmit Data Register (TDATA)**

**Table 15-22. Transmit Data Register (TDATA) Bit Descriptions**

| Bits | Name  | Description   |
|------|-------|---|
| 0:7  | TDATA | Transmit Data Register — The transmit data register (TDATA[ 7:0]) is used to load data into the TxFIFO. Data is automatically pushed into the TxFIFO on every write to the TDATA register. See <a href="#">Figure 15-27</a> . |

Read restrictions: reads will return 0x00.

Write restrictions: supervisor/unrestricted access.



**Figure 15-27. TxFIFO Block Diagram**

### 15.10.11 Receive Status Register (STAT)

Each byte of data that the DLCMD2 module has received from the J1850 bus will be transferred to the CPU along with a status byte, which relays information on the condition of the DLCMD2 module and the data that has been received.

**NOTE**

Commands that are in progress may not be reflected in the status byte until sufficient time has elapsed for that command to be performed. The status must be read with each received data byte on the DLCMD2 module, either in an aligned word read, or two separate byte reads.

|        |           |   |   |   |   |   |   |     |
|--------|-----------|---|---|---|---|---|---|-----|
|        | MSB       | 1 | 2 | 3 | 4 | 5 | 6 | LSB |
|        | 0         |   |   |   |   |   |   | 7   |
| Field  | STAT[0:7] |   |   |   |   |   |   |     |
| SRESET | 0000_0000 |   |   |   |   |   |   |     |
| Addr   | 0x30 008E |   |   |   |   |   |   |     |

**Figure 15-28. Receive Status Register (STAT)**

**Table 15-23. Receive Status Register (STAT) Bit Descriptions**

| Bits | Name | Description   |
|------|------|---|
| 0:7  | STAT | Receive Status Register — The status byte can be broken in five fields. Bits 0:2 describe the status of the RxFIFO. Bit 3 indicates whether the bus is idle. Bit 4 indicates whether the bus is shorted to ground. Bit 5 indicates whether the TxFIFO is underrunning. Bits 6:7 describes the status of the TxFIFO.<br>Refer to <a href="#">Table 15-24</a> for RxFIFO status descriptions. Refer to <a href="#">Table 15-25</a> for data link idle status descriptions. Refer to <a href="#">Table 15-26</a> for transmitter shorted status descriptions. Refer to <a href="#">Table 15-27</a> for TxFIFO underrunning status descriptions. Refer to <a href="#">Table 15-28</a> for TxFIFO status descriptions. |

Read Restrictions: supervisor/unrestricted access.

Write Restrictions: supervisor/unrestricted access, unaffected by writes.

**Table 15-24. RxFIFO Status**

| STAT0 | STAT1 | STAT2 | Description  |
|-------|-------|-------|--|
| 0     | 0     | 0     | RxFIFO Invalid or Empty.<br>1. Read of accompanying data byte is not valid.<br>2. RxFIFO invalid (flush message command in progress).  |
| 0     | 0     | 1     | RxFIFO Contains More Than One Byte – RxFIFO has between 2-12 bytes of data at the DLCMD2 access and no completion code.  |
| 0     | 1     | 0     | RxFIFO Contains a Completion Code – Indicates the presence of a completion code in the RxFIFO (not at head of RxFIFO) at the DLCMD2 access. There is no other data also in the RsFIFO. |
| 0     | 1     | 1     | Receive Data Byte in Position 13 and No Completion Code in RxFIFO – Position 13 in the RxFIFO is filled and no completion code is present.   |
| 1     | 0     | 0     | RxFIFO Contains Exactly One Byte – RxFIFO contains exactly one data byte (not a completion code).  |
| 1     | 0     | 1     | Completion Code at Head of RxFIFO, More Bytes Available – RxFIFO has a completion code at the head, additional bytes from an in-progress message and no other completion codes.        |
| 1     | 1     | 0     | Completion Code at Head of RxFIFO, Another Complete Message Available – RxFIFO has a completion code at the head and another completed message (completion code preset) in the RxFIFO. |
| 1     | 1     | 1     | Completion Code on at Head of FIFO – RxFIFO has a completion code at the head and it is the only byte in the RxFIFO.   |

**Table 15-25. Data Link Idle Status**

| STAT3 | Description  |
|-------|--|
| 0     | Data Link is Busy – A high level on the bus has been detected for more than 8 $\mu$ s, or an EOF symbol is being timed by the receive logic. Once bit 4 is a zero because of message activity it will not become one until an EOF symbol has been received. Noise on an idle line could cause the idle bit to change state as the idle bit is unfiltered. The order of events after a transmission is: EOD → comp. code pushed → interrupt → EOF (idle). |
| 1     | Data Link is Idle – This is the point that a transmitter may begin accessing the bus.  |

**Table 15-26. Transmitter Shorted Status**

| STAT4 | Description  |
|-------|--|
| 0     | Data Link is Not Shorted to Ground   |
| 1     | Data Link is Shorted to Ground <sup>1</sup> – When a hardware fault prevents the active level from being sensed after the transmitter has driven the bus for 60 $\mu$ s the “data link shorted” bit is set. The only way to clear this error and try again is to reset the transmitter with the DLCMD2 Command byte or a master reset of the system reset pin. |

<sup>1</sup> If the problem is a momentary short on the data link, it is appropriate to try reloading and transmitting the message again. If the problem is a defective line receiver then a retry could corrupt another message. The CPU must be able to handle this condition and execute a graceful recovery routine. A short to 12 V will be sensed as a “data link is busy” condition. If the short to high is longer than the minimum time for a BREAK signal a completion code indicating a BREAK will be pushed into the Rx FIFO after the short goes away.

**Table 15-27. Tx FIFO Underrunning Status**

| STAT5 | Description  |
|-------|--|
| 0     | The DLCMD2 Tx FIFO is Not Underrunning   |
| 1     | The DLCMD2 Tx FIFO is Underrunning (Tx FIFO is half empty, no last byte indicated)<br>1. Cleared automatically following a read of the status register.<br>2. Actual Tx FIFO underrun event (if it occurs) will be indicated in the completion code. |

**Table 15-28. Tx FIFO Status**

| STAT6 | STAT7 | Description  |
|-------|-------|--|
| 0     | 0     | Tx FIFO is Empty   |
| 0     | 1     | Tx FIFO Contains Some Data Bytes – Tx FIFO contains between one and nine data bytes.                                     |
| 1     | 0     | Tx FIFO Almost Full – Tx FIFO contains 10 bytes (one byte left empty).   |
| 1     | 1     | Tx FIFO Full – Tx FIFO contains a valid “last byte” or it contains 11 bytes and no “last byte” (see Block Mode section). |

### 15.10.12 Receive Data Register (RDATA)

|        |            |   |   |   |   |   |   |     |
|--------|------------|---|---|---|---|---|---|-----|
|        | MSB        | 1 | 2 | 3 | 4 | 5 | 6 | LSB |
|        | 0          |   |   |   |   |   |   | 7   |
| Field  | RDATA[0:7] |   |   |   |   |   |   |     |
| SRESET | 0000_0000  |   |   |   |   |   |   |     |
| Addr   | 0x30_008F  |   |   |   |   |   |   |     |

Figure 15-29. Receive Data Register (RDATA)

Table 15-29. RDATA Bit Descriptions

| Bit(s) | Name  | Description  |
|--------|-------|--|
| 0:7    | RDATA | Receive Data Register — The receive data register is used to read data from the RxFIFO. Data is popped from the RxFIFO on every read of the RDATA register. See <a href="#">Figure 15-30</a> . |

Read Restrictions: supervisor/unrestricted access.

Write Restrictions: supervisor/unrestricted access, unaffected by writes.

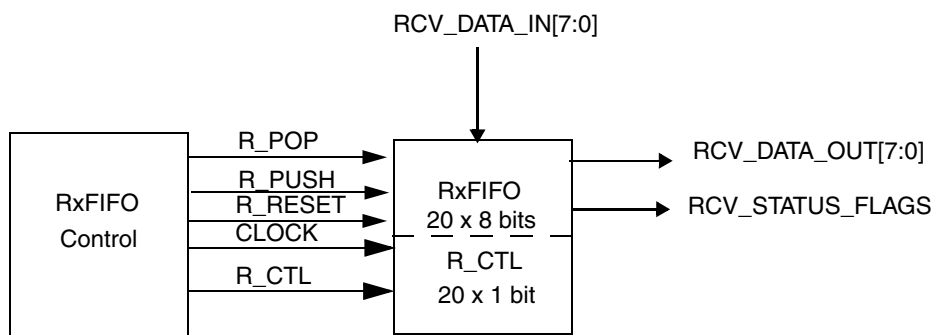


Figure 15-30. RxFIFO Block Diagram

### 15.10.13 Completion Code

When the message that is being received is complete, that is, after EOD has elapsed since the last transition on the bus, the DLCMD2 will prepare a completion code, which is a one byte descriptor with information about the message. If an error (CRC error, incomplete byte, bit timing error, underrun, and loss of arbitration) has occurred, the DLCMD2 will push a completion code into the RxFIFO after EOD has elapsed. If a BREAK symbol has been received, the DLCMD2 will push a completion code into the RxFIFO as soon as the bus is passive. Refer to [Figure 15-31](#). This byte will be queued and transferred to the host in the same manner that a data byte is. The status byte will flag its presence.

**NOTE**

Any activity on the bus (i.e., noise pulses greater than eight  $\mu$ s, messages, truncated messages, bad messages, etc.) will cause a completion code to be pushed into the Rx FIFO after the bus is idle for an EOD length of time. In the case of noise, the completion code will not be pushed until the noise train is over for at least an EOD period of time and there will be only one completion code for all of the noise.

|       |                           |                |                     |     |           |            |   |   |
|-------|---------------------------|----------------|---------------------|-----|-----------|------------|---|---|
|       | 7                         | 6              | 5                   | 4   | 3         | 2          | 1 | 0 |
|       | Errors in Receive Message | RxFIFO Overrun | Transmitter Actions | IFR | IFR w/CRC | Error Code |   |   |
| RESET | 0                         | 0              | 0                   | 0   | 0         | 0          | 0 | 0 |

**Figure 15-31. Completion Code Byte Bit Definitions**

Refer to [Table 15-30](#) for receive error descriptions. Refer to [Table 15-31](#) for RxFIFO overrun descriptions. Refer to [Table 15-32](#) for transmitter action descriptions. Refer to [Table 15-27](#) for Tx FIFO underrunning status descriptions. Refer to [Table 15-32](#) for IFR bit descriptions. Refer to [Table 15-33](#) for IFR with/without a CRC bit descriptions. Refer to [Table 15-34](#) for error code descriptions.

**Table 15-30. Receive Error Status**

| Bit 0 | Description  |
|-------|--|
| 0     | No Error Detected  |
| 1     | Error(s) Detected – When set, certain errors occurred in the reception of this message (see description for bits 1 and 0). If not set, then bits 1 and 0 are also 0. |

**Table 15-31. RxFIFO Overrun Status**

| Bit 1 | Description   |
|-------|---|
| 0     | No Overrun  |
| 1     | Overrun – When set, a receiver RxFIFO overrun has occurred. It will be set as soon as the 19th data byte has been placed in the FIFO (20th position is always completion code). The host has not read out the DLCMD2 regularly enough to prevent the incoming message bytes from being lost. Previously received data bytes remain in the RxFIFO. The host must make a decision to disregard the partial message and perhaps transmit a request for retransmission of the message. If this bit is set no other bits in the completion code may be taken as valid. |



**Table 15-32. Transmitter Action Status**

| Bit 2 | Bit 3 | Description  |
|-------|-------|--|
| 0     | 0     | Transmitter Not Involved – The transmitter did not attempt to contend against this message.  |
| 0     | 1     | Transmitter Underrun – This message was not completed (not set if transmitter lost arbitration).   |
| 1     | 0     | Transmitter Lost Arbitration – Transmitter contended against this message unsuccessfully or a RxFIFO overrun occurred (arbitration was not necessarily lost nor transmission stopped). |
| 1     | 1     | Transmitter Successful – Transmitter contended for this slot successfully (message transmitted successfully). Message originated from this node.                                       |

**Table 15-33. IFR Bit Status**

| Bit 4 | Description  |
|-------|--|
| 0     | Message not an IFR.  |
| 1     | IFR – The preceding bytes that this completion code is associated with was an in-frame response. |

**Table 15-34. IFR With/Without a CRC Bit Status**

| Bit 5 | Description  |
|-------|--|
| 0     | IFR Without CRC – This in-frame response does not contain a CRC.   |
| 1     | IFR With CRC – The preceding byte(s) that this completion code is associated with was an in-frame response with a CRC. |

**Table 15-35. Error Code Status<sup>1, 2, 3</sup>**

| Bit 6 | Bit 7 | Description  |
|-------|-------|--|
| 0     | 0     | CRC Error – A CRC error was detected in the reception of this message or a receiver overrun occurred.                                |
| 0     | 1     | Incomplete Byte Received – An incorrect mod 8 count was detected in the reception of this message. A complete byte was not received. |

**Table 15-35. Error Code Status<sup>1, 2, 3</sup>**

| Bit 6 | Bit 7 | Description   |
|-------|-------|---|
| 1     | 0     | Bit Timing Error – A bit timing error occurred in this message. Will occur with a mismatch of internal clock divide relative to other nodes. The receiver immediately places this completion code after the reception of this error. May happen if a break occurs after the bus has been low for only 8 to 34 $\mu$ s. In this case there will be two completion codes, the first for the bit error, and the second for the break. See <a href="#">Table 15-30</a> through <a href="#">Table 15-34</a> for other bit timing errors. |
| 1     | 1     | Break Symbol Received.<br>1. A break was detected on the bus, or the bus was shorted high for more than 239 $\mu$ s and has recovered.<br>a. If the receive buffer has 19 bytes in it and a break is received, the completion code will indicate on overflow but no break.<br>b. If the receive buffer has 20 bytes (full) and a break is received, there will be no new completion code pushed and no indication of the break.   |

- <sup>1</sup> These error codes are used in conjunction with the error flag to report detected errors. Errors are reported based on the order of precedence. Only the highest precedence error be reported.
- <sup>2</sup> The following list is in precedence order, highest first:
1. Break condition occurred.
  2. Bit timing error detected.
  3. Incomplete byte (incorrect mod 8 count).
  4. CRC error detected.
- <sup>3</sup> If any of these error conditions is noted, any pending EOD response message (in-frame response) will not be sent.

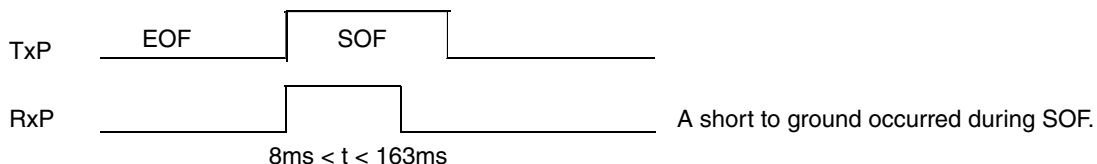
### 15.10.14 Bus Errors

The following figures describe various bit timing/ invalid symbol errors.

**NOTE**

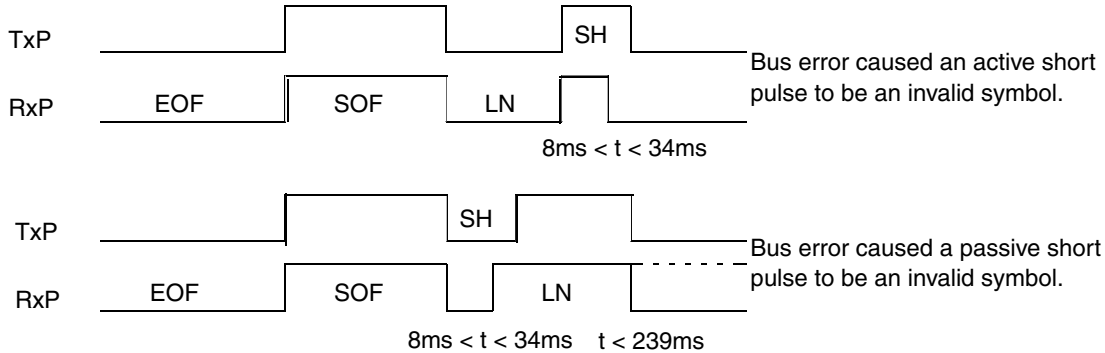
TxP signals shown are what is expected if the error had not occurred and not necessarily what is on the bus during these error conditions.

[Figure 15-32](#) shows an active symbol received during SOF transmission that is greater than the 8  $\mu$ s digital filter and less than the minimum SOF symbol time. This symbol will be flagged as an invalid symbol and the corresponding completion code will be 0x82.



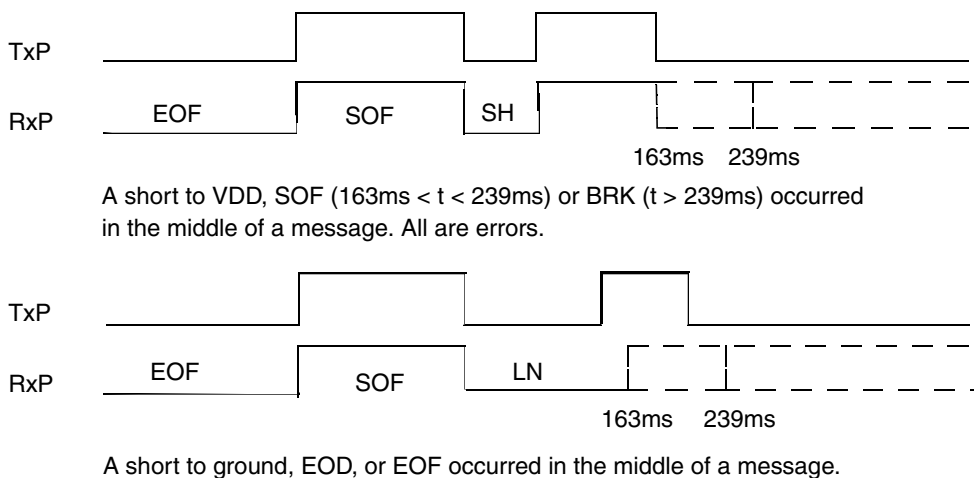
**Figure 15-32. SOF Symbol Too Short**

Figure 15-33 shows bit timing errors on short bits. This can be caused by noise, a bus short to ground (or  $V_{DD}$  for passive bits), clock mismatches, etc. The corresponding completion code will be 0x82. If for the second case, the bus remains high for more than 239  $\mu$ s and then goes low, a completion code of 0x83 will follow.



**Figure 15-33. Short Bit Too Short**

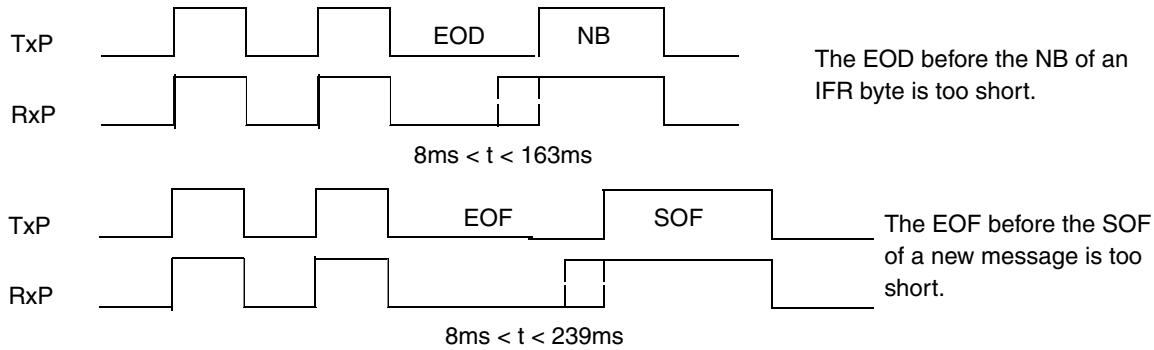
Figure 15-34 shows bit timing errors on long bits. This can be caused by noise, a bus short to  $V_{DD}$  (or ground for passive bits), clock mismatches, etc. For an active bit, if the bus goes low between 163 and 239  $\mu$ s, the corresponding completion code will be 0x82. If the bus goes low after the minimum BREAK time, a completion code of 0x83 will follow. For a passive bit, if the bus goes high between 163 and 239  $\mu$ s, the completion code will be 0x82. If the bus remains high for more than 239  $\mu$ s and then goes low, a completion code of 0x83 will follow.



**Figure 15-34. Long Bit Too Long**

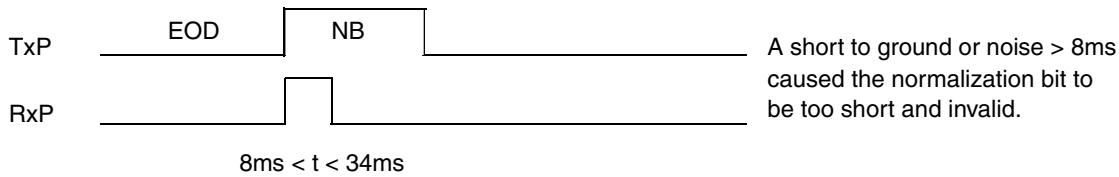
### 15.10.15 Data Link Controller Module (DLCMD2)

Figure 15-35 shows bit timing errors on an EOD and EOF. This can be caused by noise, a bus short to  $V_{DD}$ , clock mismatches, etc. In these cases, the completion code will be 0x82.



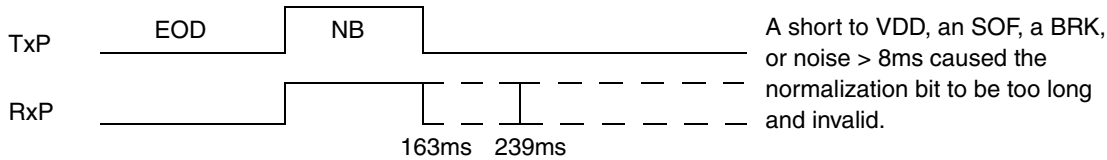
**Figure 15-35. EOD and EOF Too Short**

Figure 15-36 shows a bit timing error on a normalization bit. This can be caused by noise, a bus short to ground, clock mismatches, etc. The corresponding completion code will be 0x82.



**Figure 15-36. Normalization Bit Too Short**

Figure 15-37 shows a bit timing error on a normalization bit. This can be caused by noise, a bus short to V<sub>DD</sub>, clock mismatches, etc. The corresponding completion code will be 0x82. If the bus remains high for more than 239 μs and then goes low, a completion code of 0x83 will follow.



**Figure 15-37. Normalization Bit Too Long**

Other errors include CRC, incomplete byte, and BREAK. A CRC error occurs when the received message is corrupted by noise, delays, clock mismatches, etc. An incomplete byte error occurs when a received message ends on a non-byte boundary. This error also occurs when two extra 1's are transmitted after arbitration is lost on the last bit of a byte. Reception of a BREAK symbol is considered an error. This error occurs when the bus is held high for more than 239 μs and then goes low.

## 15.11 Mask Programmable Bus Error (BERR) Functionality

This DLCMD2 supports the BERR behavior according to IMB3 specification.

### 15.11.1 BERR\_PLUG = 0

The DLCMD2 never asserts BERR signal in the IMB3.

### 15.11.2 BERR\_PLUG = 1

The DLCMD2 will terminate the bus cycle with BERR in the following cases:

- Access to reserved 16-bit register within the DLCMD2's memory map.
- User access to supervisor-only registers when other registers in the DLCMD2's memory map are user-accessible (MCR SUPV bit is not set).
- Access to test register (TCR) when not in test mode.
- Writes to read-only registers.

## 15.12 Interrupt

This section describes DLCMD2 interrupt operation.

### 15.12.1 DLCMD2 Interrupts

In the default mode, interrupts may be requested due to one or more of four conditions becoming true. An optionally configured mode adds one more condition which will generate an interrupt. Interrupts may also be disabled.

If conditions which generate an interrupt occur while the DLCMD2 is being accessed, they will not be requested until the access is complete. Assuming interrupts are enabled, the default set of conditions that will cause the DLCMD2 module to request an interrupt are:

1. Completion code is placed in Rx FIFO, DLCMD2 not accessed.
  - a) An EOD has been received on the J1850 bus.
  - b) Additional byte is received when the Rx FIFO is full. This condition will cause the completion code to be pushed (in position 20 of the Rx FIFO). The received byte and the rest of the message are ignored.
  - c) DLCMD2 receives break. The reception of the break symbol will cause the completion code to be pushed into Rx FIFO. If the break is received in the middle of DLCMD2 transmitting, it will stop transmitting, reset the transmitter, and clear the Tx FIFO.
  - d) DLCMD2 detects a bit-timing error. The bit-timing error will cause the completion code to be pushed into Rx FIFO.
2. The Rx FIFO has 12 bytes in it and the 13th byte is received, and the DLCMD2 is not accessed. Completion code may or may not be present in Rx FIFO. This differs from the 13th byte status indication which occurs only if there is no completion code in the Rx FIFO.
  - a) The status byte will only reflect this interrupt if there are no completion codes in the Rx FIFO
  - b) This interrupt generally means that the DLCMD2 is being neglected by the host.

3. A transmit operation is in progress, and there is no last byte to the message in the buffer and the buffer becomes half empty (six bytes left to transmit, five bytes in TxFIFO and the sixth byte is popped off to the transmit shift register), and the DLCMD2 is not accessed.
4. The DLCMD2 is waking up on the rising edge of data link activity when it was previously in sleep mode.
  - a) Any J1850 bus edge will wake up the DLCMD2. Will get a bit error indication if the DLCMD2 does not see at least 34  $\mu$ s of the SOF.

By setting bit 15 in the ILR register in [Section 15.10.3, “Interrupt Level Register \(ILR\),”](#) one more condition capable of generating an interrupt is added:

5. A byte has been received into an empty Rx FIFO, and the DLCMD2 is not accessed.

[Table 15-35](#) shows DLCMD2 interrupt operations. Refer to [Table 15-12](#) for IVR[2:0] Encoding.

**Table 15-36. Interrupt Operations**

| Interrupt                       | Conditions Necessary to Enable/Re-Enable Interrupts   | Conditions for Interrupt Assertion   | Conditions to Clear This Interrupt                     |
|---------------------------------|---|--|--|
| Wake up                         | Enter low power mode  | DLCMD2 module is in sleep mode.<br>Positive going edge on bus > $V_{ih}$ is sensed on bus.   | Read IPR with bit 3 set and write IPR[3] “0” to clear  |
| Transmitter half full (6 bytes) | 1. “Load a byte into TxFIFO” with a fifth byte position filled,<br>— OR —<br>2. Load in data bytes so that the sixth position in TxFIFO is occupied.  | A transmit operation is in progress, no last byte indicated to the message in TxFIFO (block mode), TxFIFO becomes half empty, and transmit interrupt is enabled (last byte not pushed into TxFIFO) | Read IPR with bit 3 set and write IPR[3] “0” to clear  |
| 13th byte received              | The only way to insure that this interrupt is re-enabled is to complete empty out the Rx FIFO:<br>1. If the 13th byte is occupied and the 14th isn’t a “flush byte” command will re-enable.<br>— OR —<br>2. If the 13th byte is occupied and the 14th is not, and there is no completion code at the head of the Rx FIFO, a “flush message” command will re-enable.<br>— OR —<br>3. The 13th byte becomes unoccupied. | RxFIFO receives 13th byte, (Completion may or may not be present in Rx FIFO, refer to <a href="#">Section 15.12.1, “DLCMD2 Interrupts”</a> )   | Read IPR with bit 2 set and write IPR[2] “0” to clear. |

**Table 15-36. Interrupt Operations**

| Interrupt                              | Conditions Necessary to Enable/Re-Enable Interrupts   | Conditions for Interrupt Assertion  | Conditions to Clear This Interrupt                     |
|--|---|---|--|
| EOD sensed on bus                      | Always enabled.   | A completion code is placed onto the RxFIFO.  | Read IPR with bit 1 set and write IPR[1] "0" to clear. |
| First byte received in an empty RxFIFO | 1. If the first position is filled, and the second position is empty, and a "flush byte" command is issued.<br>— OR —<br>2. The first position becomes empty. | RxFIFO empty, first byte received, INTMODE in ILR must be set, and flush interrupt enabled (flush message except completion code, completion code will cause EOD interrupt) | Read IPR with bit 0 set and write IPR[0] "0" to clear. |

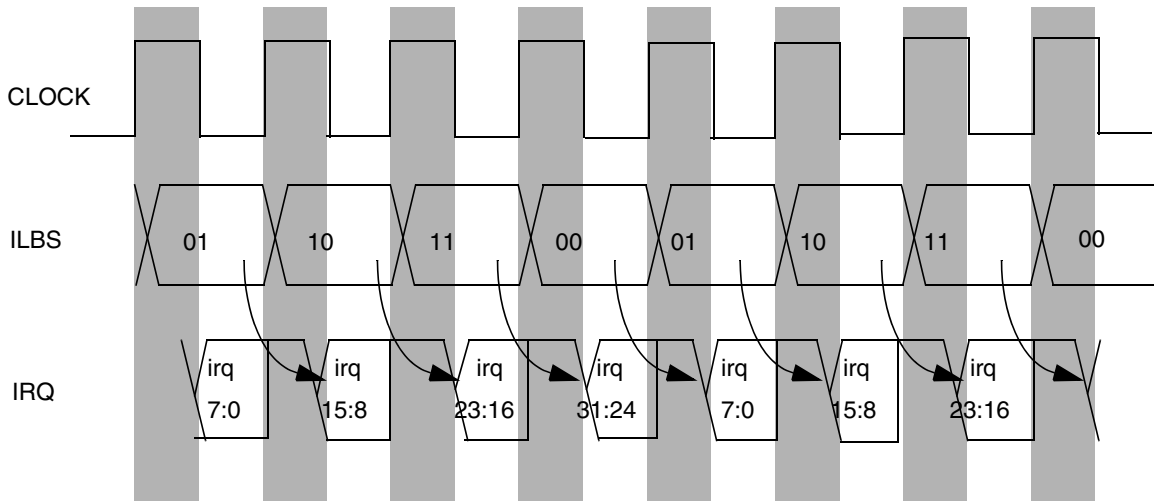
## 15.12.2 Interrupt Structure

This interrupt structure for the IMB3 supports a total of 32 interrupt levels that are time multiplexed on the IRQB[7:0] lines as seen in [Table 15-37](#). In this structure, all interrupt sources place their asserted level on a time multiplexed bus during four different time slots, with eight levels communicated per slot. However, each group of levels actually occur, one system clock cycle after the associated IMB3 ILBS signal is asserted. The ILBS[1:0] signals indicate which group of eight are being driven on the interrupt request lines. See [Table 15-37](#) and [Section 12.4, "Interrupt Operation"](#) for further details.

**Table 15-37. Interrupt Levels**

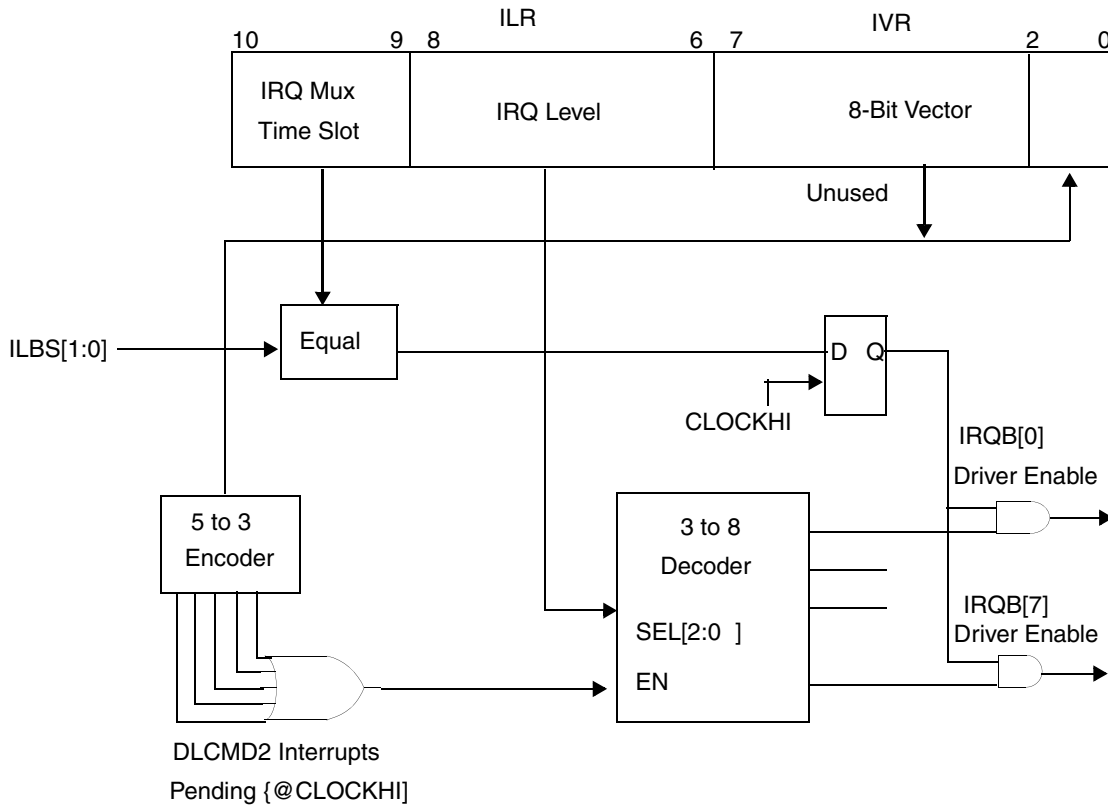
| ILBS[1:0] | Levels |
|-----------|--------|
| 00        | 0:7    |
| 01        | 8:15   |
| 10        | 16:23  |
| 11        | 24:31  |

The DLCMD2 module is capable of generating one of the 32 possible interrupt levels on the IMB3. The level that the DLCMD2 will drive can be programmed into the interrupt request level bits located in the interrupt level register (ILR[2:0] bit field — bits [2:0] in the ILR register). The two bits, ILBS[1:0] in the ILR register (bits [4:3]) determine on which slot the DLCMD2 should drive its interrupt signal (one of IRQB[7:1]). [Figure 15-38](#) shows the timing of slot multiplexing on the IMB3.



**Figure 15-38. Interrupt Request Multiplex Timing**

This interrupt generation scheme is shown in [Figure 15-39](#). Even though the IACK cycles are not generated in this interrupt scheme, the lower three bits of IVR register are read-only bits and will be updated immediately by the DLCMD2 to indicate the source of interrupts.



**Figure 15-39. DLCMD2 Interrupt Vector Generation (IRQ\_PLUG = 1)**



## 15.13 In-Frame Response

This section describes how the DLCMD2 uses an in-frame response (IFR) in message transmission.

### 15.13.1 IFR Operation

The IFR may be sent by loading up a message for transmission with a “send on EOD” bit combination set in the command byte accompanying the first byte. The setting of the EOD bit combination will automatically next byte as part of, or the complete, response.

A message on the bus is determined to be ready for a response when an “end of data” (EOD) waveform has occurred on the bus. If a reply message initiates immediately following the EOD, then this will be an IFR. If no response is sent when EOD occurs, then an EOF will appear on the bus, signifying normal end of message without response. The EOF waveform is an extension of the EOD waveform. The reply will start with an active “1” or “0”, called the normalization bit, and may also have a CRC transmitted with it. The DLCMD2 is capable of arbitrating against and receiving all types of IFRs. Whether or not the received IFR contains a CRC or not is signalled through the use of the NBFS bit in the [Section 15.10.5, “Symbol Timing Control and Pre-Scaler Register \(SCTL\)”](#). IFRs are arbitrated just like any other message if more than one node wants to send a response. Single byte IFR from multiple responders (type 2) will retransmit if arbitration is lost. If arbitration is lost on the last bit of a type 2 IFR byte, two extra “1” bits will not be sent onto the bus since the IFR will retransmit. Upon beginning transmission of a single byte IFR from a single responder (type 1) or multiple byte IFR from a single responder (type 3), the DLCMD2 will enter TAR mode and not retransmit the IFR if arbitration is lost. If arbitration is lost on the last bit of a type 3 IFR byte, two extra “1” bits will be sent onto the bus.

This response message is sent only if:

1. There were no errors of any type in the original message requiring response. The only exception to this is that if an IFR is loaded after the transmitter lost arbitration to another message, the IFR will be sent at EOD.
2. IFR was loaded with a command byte that indicated either: “first byte” or “first and last” byte of a message.
3. This IFR was loaded into the DLCMD2 after the start of the message was detected, and  $t_{resp}$  before the EOD was recognized.

When the DLCMD2 receives the command byte and data byte signaling an IFR, it will start transmitting the response after EOD even if there is no last byte in the TxFIFO. The DLCMD2 will start the response by automatically transmitting an active phase “0” or a “1” depending on how the NBFS bit is programmed.

It is left to the host to remember that any messages that were in the transmit buffer at the time the IFR was loaded have been flushed, and must be reloaded by the host for transmission. This is true even if the IFR was not successfully loaded or transmitted.

Completion code bit 3 will inform the host of whether or not an IFR has occurred. If an IFR has occurred, the RxFIFO will contain the initial message, with a completion code, and the response, with its completion code. Each completion code identifies the message associated with it as a normal message, or a response. The only way that the CPU can tell that such a sequence has occurred on the bus is by reading the completion code.

If any errors occur during the reception of an IFR:

1. A completion code indicating an error occurred during reception is pushed into the RxFIFO.
2. Anything left of the IFR is not received off the bus.

If bit 3 of the completion code is set, then bit 2 will indicate whether the response had a CRC field or not. If bit 2 is set, then the response had a CRC field. This is important for the CPU to determine the meaning of the response.

A DLCMD2 may send an IFR to an IFR with CRC but no response may follow an IFR without CRC.

For the system to enter a mode that allows an IFR, some coordination of nodes is required. The node sending an IFR must select the appropriate interrupt configuration (interrupt on first byte), and be ready to transfer a response into the DLCMD2, signalling through the command byte that this is an IFR.

### 15.13.2 IFR Abort Conditions

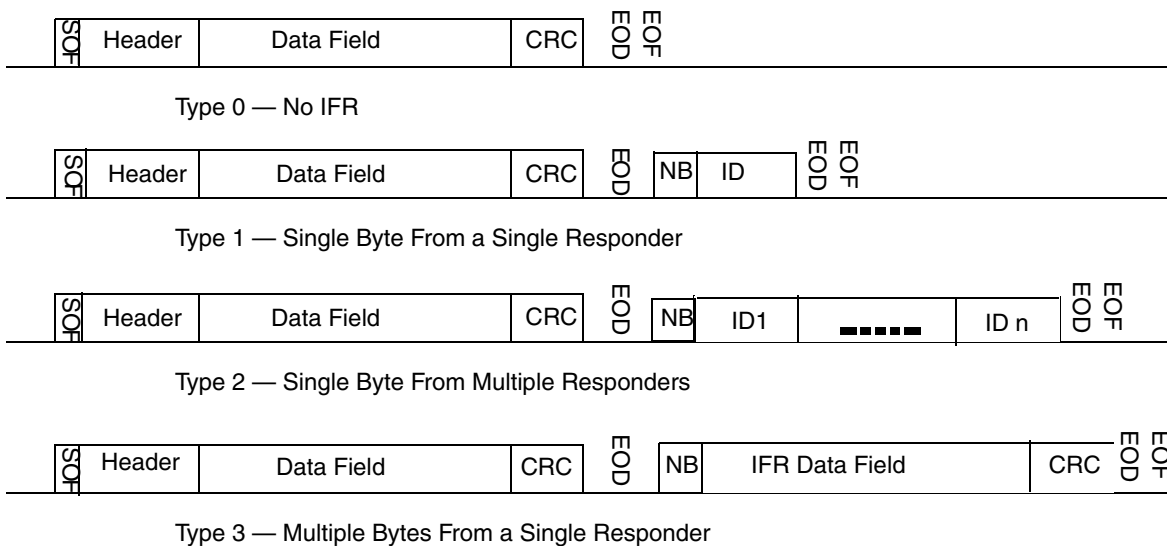
Table 15-38 shows conditions in which IFRs are aborted.

**Table 15-38. IFR Aborted Conditions**

| IFR Transmission Aborted If  | Actions Taken   |
|--|---|
| Host underran transmitter (no “last byte” indicated in the TxFIFO at EOD, and host did not supply a last byte in time for transmission).   | DLCMD2 inverts the CRC field on the truncated IFR.  |
| IFR loses contention to another IFR.   | DLCMD2 stops transmitting multiple byte IFRs, and flushes the TxFIFO immediately. DLCMD2 can be configured to auto-retry or stop transmission of single byte IFRs upon loss of arbitration. |
| Error detected in the received message.  | DLCMD2 resets the transmitter and TxFIFO, no IFR is sent.   |
| Error in IFR during transmission.  | IFR is stopped, transmitter and TxFIFO are reset.   |
| IFR not loaded correctly.<br>1. Bus idle when IFR was loaded (loaded before any message is on the bus).<br>2. IFR loaded less than tresp before EOD is sensed on bus (loaded too late).<br>3. IFR not loaded with “first byte” indicated.<br>4. IFR bit set in command byte, but no data is loaded at all. | DLCMD2 resets the transmitter and TxFIFO, no IFR is sent.   |

### 15.13.3 IFR Types

The DLCMD2 supports types 1, 2 and 3 IFRs with arbitration and auto-retransmission. See Figure 15-40 for a description of each type of IFR. The following sections describe how the DLCMD2 can be configured to transmit the three types of IFRs.



**Figure 15-40. Types of IFR**

### 15.13.3.1 Type 1 IFR

A type 1 IFR is a single byte IFR without CRC transmitted by a single responder. If arbitration is lost, the DLCMD2 will not attempt to re-transmit the IFR byte in the TxFIFO. The TxFIFO will be cleared and the IFR byte will be lost.

The DLCMD2 can be configured to transmit a type 1 IFR by writing an IFR byte into the TDATA register and a command byte of \$BC indicating “send on EOD without CRC” and “load as first and last byte.”

### 15.13.3.2 1.Type 2 IFR

A type 2 IFR results from multiple responders transmitting a single byte IFR onto the bus. Since only one IFR will win arbitration, the other responders will re-transmit their IFRs as soon as the IFR winning arbitration finishes. The IFR byte in the TxFIFO will not be cleared until transmission is successful or an error is detected on the bus.

The DLCMD2 can be configured to transmit a type 2 IFR by writing an IFR byte into the TDATA register and a command byte of \$DC indicating “send on EOD with auto retry” and “load as first and last byte.”

### 15.13.3.3 Type 3 IFR

A type 3 IFR is a multiple byte IFR with or without CRC transmitted by a single responder. If arbitration is lost, the DLCMD2 will not attempt to re-transmit the IFR bytes in the TxFIFO. The TxFIFO will be cleared and the IFR bytes will be lost.

The DLCMD2 can be configured to transmit a type 3 IFR with CRC by writing the first IFR byte into the TDATA register and a command byte of \$74 indicating “send on EOD with CRC” and “load as first byte.”

The DLCMD2 can also be configured to transmit a type 3 IFR without CRC by writing the first byte into the TDATA register and a command byte of \$B4 indicating “send on EOD without CRC” and “load as first byte.”

## 15.14 System Overview

Typical usage of the DLCMD2 in a microcomputer system is shown in [Figure 15-41](#).

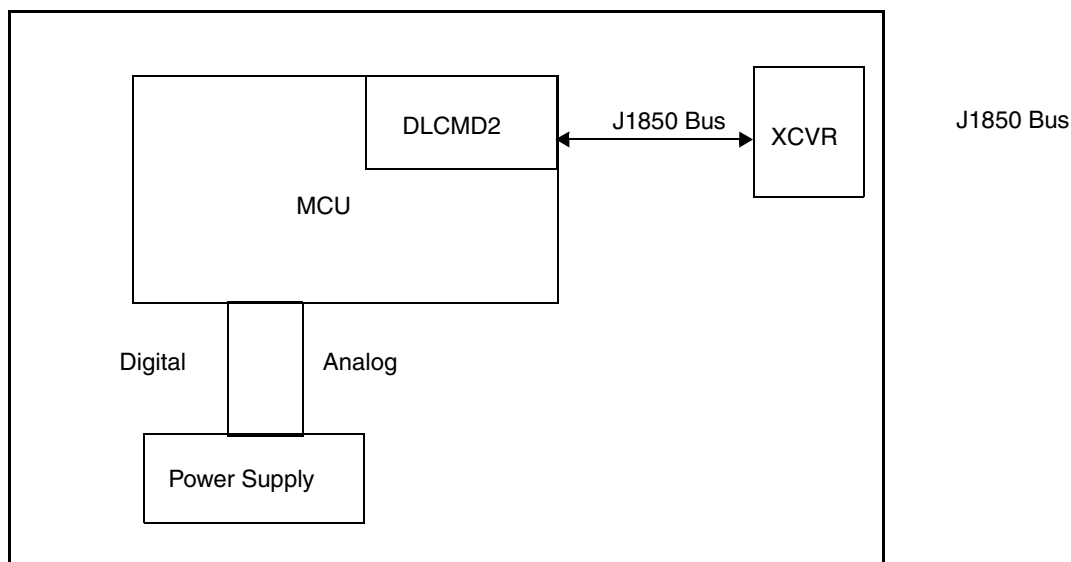


Figure 15-41. J1850 Node

## 15.15 Test Operation

### 15.15.1 Test Configuration Register (TCR)

The test configuration register controls various test modes which are used during manufacturing, and are not intended to be used in a normal application. The test configuration register can be read or written only in test mode.

When read from supervisor data space in non-test mode, the test register reads as 0x0000. When being written to supervisor data space in non-test mode, the test register ignores the write.

## 15.16 Module I/O Signals

### 15.16.1 Signal Descriptions

This section provides information on external signal functions.

## 15.16.2 External Connections

Figure 15-42 shows DLCMD2 external connections.

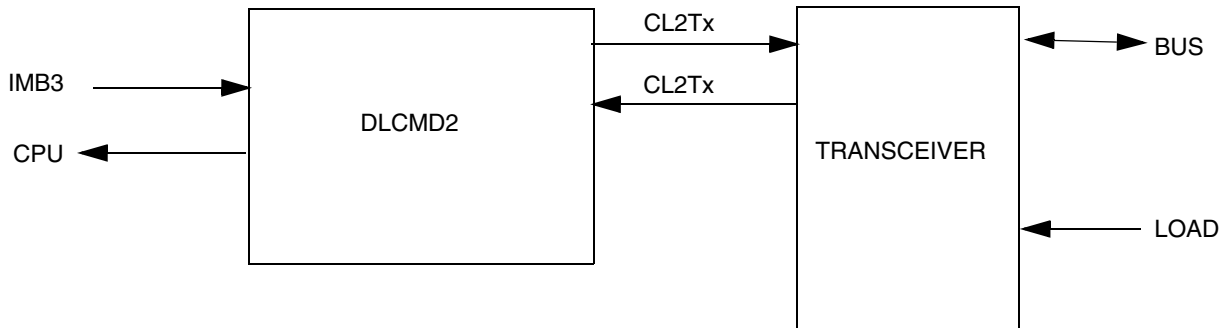


Figure 15-42. DLCMD2 External Connections

## 15.16.3 Signal Functions

Table 15-39 summarizes DLCMD2 external signals.

Table 15-39. Signal Names

| Module Signal Name (External) | Input / Output | Description                              |
|-------------------------------|----------------|--|
| CL2Tx                         | O              | DLCMD2 digital output to transceiver     |
| CL2Rx                         | I              | DLCMD2 digital input from transceiver    |
| 4XEN <sup>1</sup>             | O              | 4X transmit enable output to transceiver |

<sup>1</sup> This signal is not available on the MPC565.

### 15.16.3.1 CL2Tx

This pin is a logic level output. A logic “0” output drives the BUS output to 0 VDC (external pull down resistor to ground) and a logic “1” output produces a high voltage at the bus output. An internal 200 kΩ to ground in the XCVR guarantees a logic “0” input when this pin is open circuit (the bus output is tri-stated).

### 15.16.3.2 CL2Rx

This is a CMOS compatible input used to get receiver data to the microprocessor. There is a minimum of .1 VDC of hysteresis between the bus high and low (and vice versa) transition points.

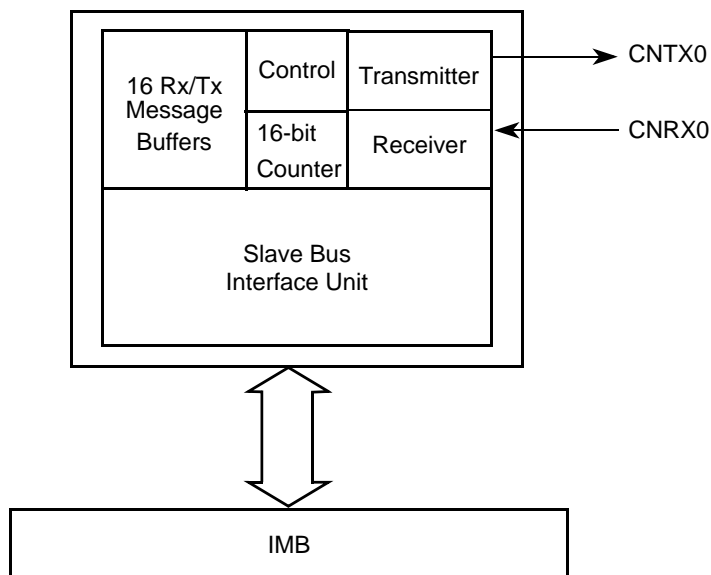


## Chapter 16

# CAN 2.0B Controller Module (TOUCAN)

The MPC565 contains three CAN 2.0B controller modules (TouCAN). Each TouCAN is a communication controller that implements the Controller Area Network (CAN) protocol, an asynchronous communications protocol used in automotive and industrial control systems. It is a high speed (one Mbit/sec), short distance, priority based protocol that can run over a variety of mediums (for example, fiber optic cable or an unshielded twisted pair of wires). The TouCAN supports both the standard and extended identifier (ID) message formats specified in the CAN protocol specification, revision 2.0, part B. The third TouCAN has its signals muxed with MIOS14 GPIO signals. These signals are configured as GPIO inputs at reset and must be changed to TouCAN signals in the MIOS before enabling the TouCAN.

Each TouCAN module contains 16 message buffers that are used for transmit and receive functions. It also contains message filters, which are used to qualify the received message IDs when comparing them to the receive buffer identifiers. [Figure 16-1](#) shows a block diagram of a TouCAN module.



**Figure 16-1. TouCAN Block Diagram**

## 16.1 Features

Each TouCAN module provides these features:

- Full implementation of CAN protocol specification, version 2.0 A/B
  - Standard data and remote frames (up to 109 bits long)
  - Extended data and remote frames (up to 127 bits long)
  - Zero to eight bytes data length

- Programmable bit rate up to one Mbit/sec
- 16 Rx/Tx message buffers of 0-8 bytes data length
- Content-related addressing
- No read/write semaphores required
- Three programmable mask registers: global (for message buffers 0 through 13), special for message buffer 14, and special for message buffer 15
- Programmable transmit-first scheme: lowest ID or lowest buffer number
- “Time stamp”, based on 16-bit free-running timer
- Global network time, synchronized by a specific message
- Programmable I/O modes
- Maskable interrupts
- Independent of the transmission medium (external transceiver is assumed)
- Open network architecture
- Multimaster concept
- High immunity to EMI
- Short latency time for high-priority messages
- Low power sleep mode with programmable wakeup on bus activity
- Outputs have open drain drivers
- Support for SAE J1939 and SAE J2284
- Support for DeviceNet™ and Smart Distributed System

## 16.2 External Signals

Each TouCAN module interface to the external CAN bus consists of two signals: CNTX0 which transmits serial data, and CNRX0 which receives serial data.



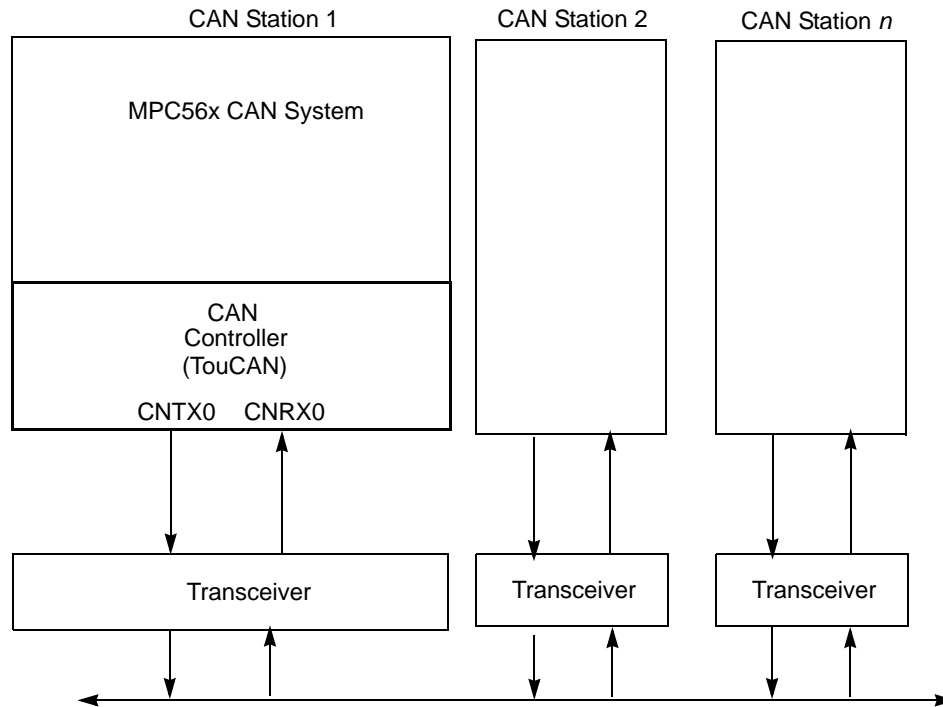


Figure 16-2. Typical CAN Network

Each CAN station is connected physically to the CAN bus through an external transceiver. The transceiver provides the transmit drive, waveshaping, and receive/compare functions required for communicating on the CAN bus. It can also provide protection against damage to the TouCAN caused by a defective CAN bus or a defective CAN station.

### 16.2.1 TouCAN Signal Sharing

The CNTX0 and CNRX0 signals of TouCAN\_A and TouCAN\_B are available at all times. The CNTX0 and CNRX0 signals of TouCAN\_C are shared with either the QSMCM SCI2 (TXD2/QGPO[2], RXD2/QGPI[2]) or with MIOS14 GPIO signals (MPIO32B13 MPIO32B14). The signal functions for these signals are controlled by the PDMCR2[TCNC] register.

#### NOTE

Only one function can be enabled on a signal at a time.

### 16.3 TouCAN Architecture

The TouCAN module uses a flexible design that allows each of its 16 message buffers to be designated either a transmit (Tx) buffer or a receive (Rx) buffer. In addition, to reduce the CPU overhead required for message handling, each message buffer is assigned an interrupt flag bit to indicate that the transmission or reception completed successfully.

### 16.3.1 Tx/Rx Message Buffer Structure

Figure 16-3 displays the extended (29-bit) ID message buffer structure.

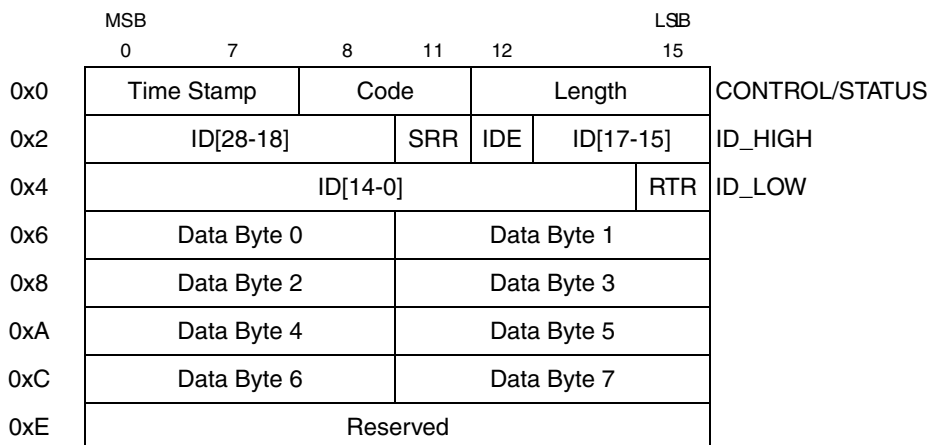


Figure 16-3. Extended ID Message Buffer Structure

Figure 16-4 displays the standard (11-bit) ID message buffer structure.

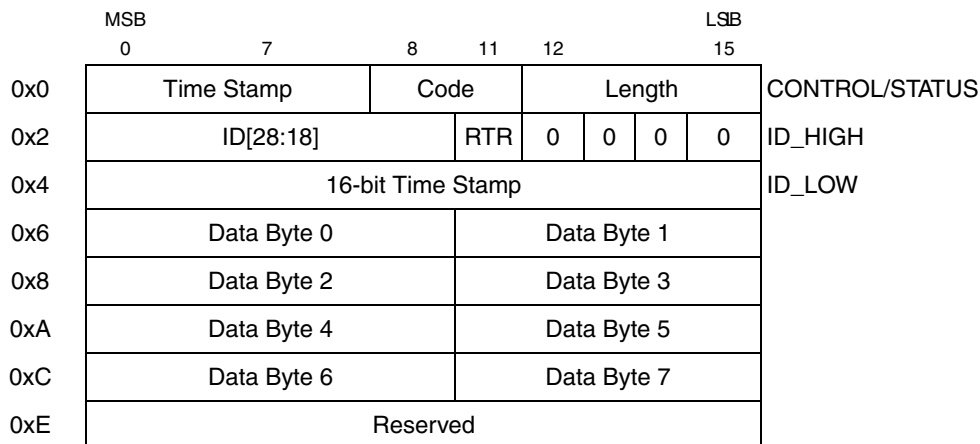


Figure 16-4. Standard ID Message Buffer Structure

#### 16.3.1.1 Common Fields for Extended and Standard Format Frames

Table 16-1 describes the message buffer fields that are common to both extended and standard identifier format frames.

Table 16-1. Common Extended/Standard Format Frames

| Field      | Description   |
|------------|---|
| Time Stamp | Contains a copy of the high byte of the free running timer, which is captured at the beginning of the identifier field of the frame on the CAN bus. |
| Code       | Refer to <a href="#">Table 16-2</a> and <a href="#">Table 16-3</a> .  |

**Table 16-1. Common Extended/Standard Format Frames (continued)**

| Field       | Description  |
|-------------|--|
| Length (Rx) | Length (in bytes) of the Rx data stored in offset 0x6 through 0xD of the buffer. This field is written by the TouCAN module, copied from the DLC (data length code) field of the received frame.   |
| Length (Tx) | Length (in bytes) of the data to be transmitted, located in offset 0x6 through 0xD of the buffer. This field is written by the CPU and is used as the DLC field value. If RTR (remote transmission request) = 1, the frame is a remote frame and will be transmitted without data field, regardless of the value in Tx length. |
| Data        | This field can store up to eight data bytes for a frame. For Rx frames, the data is stored as it is received from the bus. For Tx frames, the CPU provides the data to be transmitted within the frame.  |
| Reserved    | The CPU controls access to this word entry field (16 bits).  |

**Table 16-2. Message Buffer Codes for Receive Buffers**

| Rx Code Before Rx New Frame | Description  | Rx Code After Rx New Frame | Comment  |
|-----------------------------|--|----------------------------|--|
| 0b0000                      | NOT ACTIVE — message buffer is not active.   | —                          | —  |
| 0b0100                      | EMPTY — message buffer is active and empty.  | 0b0010                     | —  |
| 0b0010                      | FULL — message buffer is full.   | 0b0110                     | If a CPU read occurs before the new frame, new receive code is 0010. |
| 0b0110                      | OVERRUN — additional frame was received into a full buffer before the CPU read the first one.                        |                            |  |
| 0b0XY1 <sup>1</sup>         | BUSY — message buffer is now being filled with a new receive frame. This condition will be cleared within 20 cycles. | 0b0010                     | An empty buffer was filled (XY was 10).                              |
|                             |  | 0b0110                     | A full/overrun buffer was filled (Y was 1).                          |

<sup>1</sup> For Tx message buffers, upon read, the BUSY bit should be ignored.

**Table 16-3. Message Buffer Codes for Transmit Buffers**

| RTR | Initial Tx Code     | Description   | Code After Successful Transmission |
|-----|---------------------|---|------------------------------------|
| x   | 0b1000              | Message buffer not ready for transmit.  | —                                  |
| 0   | 0b1100              | Data frame to be transmitted once, unconditionally.   | 0b1000                             |
| 1   | 0b1100              | Remote frame to be transmitted once, and message buffer becomes an Rx message buffer for data frames.         | 0b0100                             |
| 0   | 0b1010 <sup>1</sup> | Data frame to be transmitted only as a response to a remote frame, always.                                    | 0b1010                             |
| 0   | 0b1110              | Data frame to be transmitted only once, unconditionally, and then only as a response to remote frame, always. | 0b1010                             |

<sup>1</sup> When a matching remote request frame is detected, the code for such a message buffer is changed to be 0b1110.

### 16.3.1.2 Fields for Extended Format Frames

Table 16-4 describes the message buffer fields used only for extended identifier format frames.

**Table 16-4. Extended Format Frames**

| Field                             | Description   |
|-----------------------------------|---|
| ID[28:18]/[17:15]                 | Contains the 14 most significant bits of the extended identifier, located in the ID_HIGH word of the message buffer.  |
| Substitute Remote Request (SRR)   | Contains a fixed recessive bit, used only in extended format. Should be set to one for Tx buffers. It will be stored as received on the CAN bus for Rx buffers. |
| ID Extended (IDE)                 | If extended format frame is used, this field should be set to one. If zero, standard format frame should be used.   |
| ID[14:0]                          | Bits [14:0] of the extended identifier, located in the ID_LOW word of the message buffer.   |
| Remote Transmission Request (RTR) | This bit is located in the least significant bit of the ID_LOW word of the message buffer<br>0 Data Frame<br>1 Remote Frame                                     |

### 16.3.1.3 Fields for Standard Format Frames

Table 16-5 describes the message buffer fields used only for standard identifier format frames.

**Table 16-5. Standard Format Frames**

| Field                 | Description   |
|-----------------------|---|
| 16-bit Time Stamp     | The ID_LOW word, which is not needed for standard format, is used in a standard format buffer to store the 16-bit value of the free-running timer which is captured at the beginning of the identifier field of the frame on the CAN bus.   |
| ID[28:18]             | Contains bits [28:18] of the identifier, located in the ID_HIGH word of the message buffer. The four least significant bits in this register (corresponding to the IDE bit and ID[17:15] for an extended identifier message) must all be written as logic zeros to ensure proper operation of the TouCAN.             |
| RTR                   | This bit is located in the ID_HIGH word of the message buffer;<br>0 Data Frame<br>1 Remote Frame  |
| RTR/SRR Bit Treatment | If the TouCAN transmits this bit as a one and receives it as a zero, an “arbitration loss” is indicated. If the TouCAN transmits this bit as a zero and receives it as a one, a bit error is indicated. If the TouCAN transmits a value and receives a matching response, a successful bit transmission is indicated. |

### 16.3.1.4 Serial Message Buffers

To allow double buffering of messages, the TouCAN has two shadow buffers called serial message buffers. The TouCAN uses these two buffers for buffering both received messages and messages to be transmitted. Only one serial message buffer is active at a time, and its function depends upon the operation of the TouCAN at that time. These buffers are not accessible or visible to the user.

### 16.3.1.5 Message Buffer Activation/Deactivation Mechanism

Each message buffer must be activated once it is configured for the desired operation. A buffer is activated by writing the appropriate code to the control/status word for that buffer. Once the buffer is activated, it will start the normal transmit and receive processes.

A buffer is deactivated by writing the appropriate deactivation code to the control/status word for that buffer. A buffer is typically deactivated to reconfigure the buffer (for example to change the buffer's function from Rx to Tx or Tx to Rx). The buffer should also be deactivated before changing a receive buffer's message identifier or before loading a new message to be transmitted into a transmit buffer.

For more details on activation and deactivation of message buffers and the effects on message buffer operation, refer to [Section 16.4, "TouCAN Operation."](#)

### 16.3.1.6 Message Buffer Lock/Release/Busy Mechanism

In addition to the activation/deactivation mechanism, the TouCAN also uses a lock/release/busy mechanism to ensure data coherency during the receive process. The mechanism includes a lock status for each message buffer and uses the two serial message buffers to facilitate frame transfers within the TouCAN.

Reading the control/status word of a receive message buffer triggers the lock for that buffer. While locked, a received message cannot be transferred into that buffer from one of the serial message buffers.

If a message transfer between the message buffer and a serial message buffer is in progress when the control/status word is read, the BUSY status is indicated in the code field, and the lock is not activated.

The user can release the lock on a message buffer in one of two ways. Reading the control/status word of another message buffer locks that buffer, releasing the previously locked buffer. A global release can also be performed on any locked message buffer by reading the free-running timer.

Once a lock is released, any message transfers between a serial message buffer and a message buffer that were delayed due to that buffer being locked will take place. For more details on the message buffer locking mechanism, and the effects on message buffer operation, refer to [Section 16.4, "TouCAN Operation."](#)

## 16.3.2 Receive Mask Registers

The receive mask registers are used as acceptance masks for received frame IDs. The following masks are defined:

- A global mask, used for receive buffers 0-13
- Two separate masks for buffers 14 and 15

The value of the mask registers should not be changed during normal operation. If the mask register data is changed after the masked identifier of a received message is matched to a locked message buffer, that message will be transferred into that message buffer once it is unlocked, regardless of whether that message's masked identifier still matches the receive buffer identifier. [Table 16-6](#) shows mask bit values.

**Table 16-6. Receive Mask Register Bit Values**

| Mask Bit | Values   |
|----------|--|
| 0        | The corresponding incoming ID bit is “don’t care”  |
| 1        | The corresponding ID bit is checked against the incoming ID bit to see if a match exists |

Table 16-7 shows mask examples for normal and extended messages. Refer to Section 16.7, “Programming Model” for more information on Rx mask registers.

**Table 16-7. Mask Examples for Normal/Extended Messages**

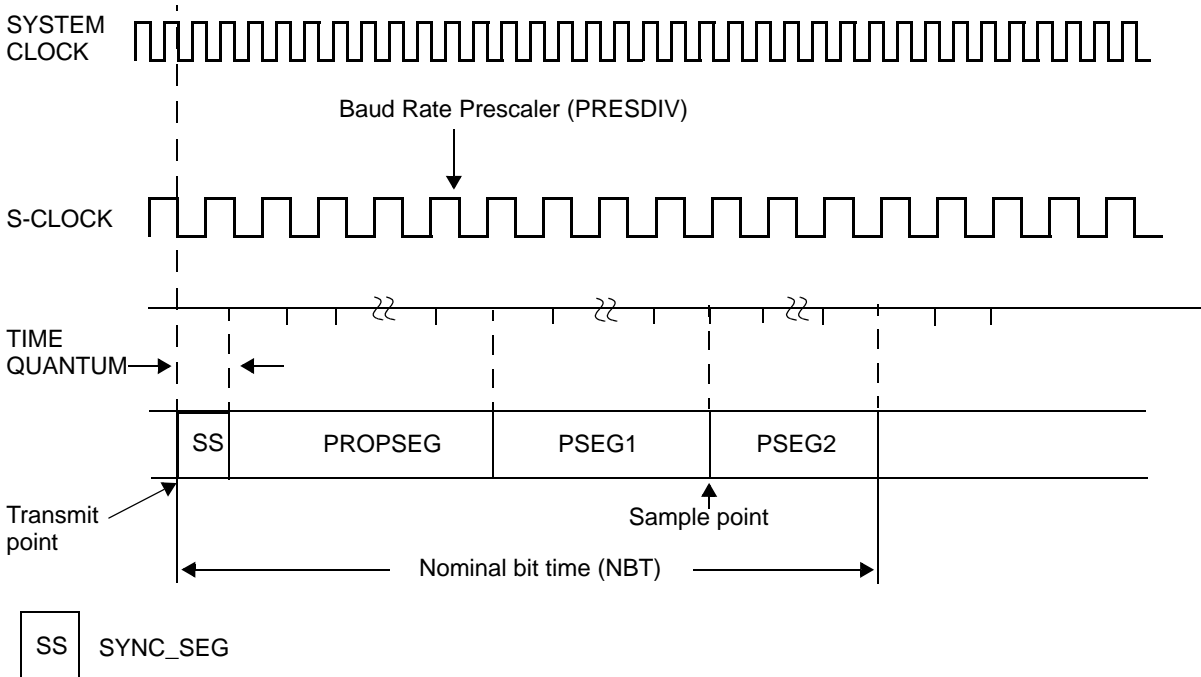
| Message Buffer (MB)/Mask | Base ID ID[28:18]     | IDE | Extended ID ID[17:0]                | Match           |
|--------------------------|-----------------------|-----|-------------------------------------|-----------------|
| MB2                      | 1 1 1 1 1 1 1 1 0 0 0 | 0   | —                                   | —               |
| MB3                      | 1 1 1 1 1 1 1 1 0 0 0 | 1   | 0 1 0 1 0 1 0 1 0 1 0 1 0 1 0 1 0 1 | —               |
| MB4                      | 0 0 0 0 0 0 1 1 1 1 1 | 0   | —                                   | —               |
| MB5                      | 0 0 0 0 0 0 1 1 1 0 1 | 1   | 0 1 0 1 0 1 0 1 0 1 0 1 0 1 0 1 0 1 | —               |
| MB14                     | 1 1 1 1 1 1 1 1 0 0 0 | 1   | 0 1 0 1 0 1 0 1 0 1 0 1 0 1 0 1 0 1 | —               |
| Rx Global Mask           | 1 1 1 1 1 1 1 1 1 1 0 |     | 1 1 1 1 1 1 1 0 0 0 0 0 0 0 0 0 0 1 | —               |
| Rx Message In            | 1 1 1 1 1 1 1 1 0 0 1 | 1   | 0 1 0 1 0 1 0 1 0 1 0 1 0 1 0 1 0 1 | 3 <sup>1</sup>  |
|                          | 1 1 1 1 1 1 1 1 0 0 1 | 0   | —                                   | 2 <sup>2</sup>  |
|                          | 1 1 1 1 1 1 1 1 0 0 1 | 1   | 0 1 0 1 0 1 0 1 0 1 0 1 0 1 0 1 0 0 | — <sup>3</sup>  |
|                          | 0 1 1 1 1 1 1 1 0 0 0 | 0   | —                                   | — <sup>4</sup>  |
|                          | 0 1 1 1 1 1 1 1 0 0 0 | 1   | 0 1 0 1 0 1 0 1 0 1 0 1 0 1 0 1 0 1 | — <sup>5</sup>  |
| Rx 14 Mask               | 0 1 1 1 1 1 1 1 1 1 1 |     | 1 1 1 1 1 1 1 0 0 0 0 0 0 0 0 0 0 0 | —               |
| Rx Message In            | 1 0 1 1 1 1 1 1 0 0 0 | 1   | 0 1 0 1 0 1 0 1 0 1 0 1 0 1 0 1 0 1 | — <sup>6</sup>  |
|                          | 0 1 1 1 1 1 1 1 0 0 0 | 1   | 0 1 0 1 0 1 0 1 0 1 0 1 0 1 0 1 0 1 | 14 <sup>7</sup> |

- <sup>1</sup> Match for extended format (MB3).
- <sup>2</sup> Match for standard format (MB2).
- <sup>3</sup> No match for MB3 because of ID0.
- <sup>4</sup> No match for MB2 because of ID28.
- <sup>5</sup> No match for MB3 because of ID28, match for MB14.
- <sup>6</sup> No match for MB14 because of ID27.
- <sup>7</sup> Match for MB14.

### 16.3.3 Bit Timing

The TouCAN module uses three 8-bit registers to set up the bit timing parameters required by the CAN protocol. Control registers one and two (CANCTRL1, CANCTRL2) contain the PROPSEG, PSEG1, PSEG2, and the RJW fields that allow configuration of the bit timing parameters. The prescaler divide register (PRES DIV) allows selection of the ratio used to derive the serial clock (S-clock) from the system clock. The time quanta clock operates at the S-clock frequency. Table 16-8 provides examples of system clock, CAN bit rate, and S-clock bit timing parameters, and Figure 16-5 shows the relationship between

the system clock and the CAN bit segments. Refer to [Section 16.7, “Programming Model,”](#) for more information on the bit timing registers.



**Figure 16-5. Relationship between System Clock and CAN Bit Segments**

A bit is divided into four separate non-overlapping time segments called SYNC\_SEG, PROPSEG, PSEG1, and PSEG2. These are illustrated in [Figure 16-5](#). The period of the nominal bit time (NBT) is the sum of the segment durations:

$$t_{NBT} = t_{SYNC\_SEG} + t_{PROPSEG} + t_{PSEG1} + t_{PSEG2}$$

The sample point indicated in [Figure 16-5](#) is the position of the actual sample point if a single sample per bit is selected (CANCTRL1[SAMP] bit = 0). If three samples per bit are selected, the sample point indicated in [Figure 16-5](#) marks the position of the final sample.

**Table 16-8. Example System Clock, CAN Bit Rate, and S-Clock Frequencies**

| System Clock Frequency (MHz) | CAN Bit Rate (MHz) | Possible S-Clock Frequency (MHz) | Possible Number of Time Quanta/Bit | PRES DIV Value + 1 |
|------------------------------|--------------------|----------------------------------|------------------------------------|--------------------|
| 56                           | 1                  | 56                               | 56                                 | 1                  |
| 40                           | 1                  | 40                               | 40                                 | 1                  |
| 25                           | 1                  | 25                               | 25                                 | 1                  |
| 20                           | 1                  | 10, 20                           | 10, 20                             | 2, 1               |
| 16                           | 1                  | 8, 16                            | 8, 16                              | 2, 1               |
| 56                           | 0.500              | 56                               | 118                                | 1                  |
| 40                           | 0.500              | 40                               | 80                                 | 1                  |
| 25                           | 0.500              | 25                               | 50                                 | 1                  |
| 20                           | 0.500              | 1, 2, 2.5                        | 2, 4, 5                            | 20, 10, 8          |

**Table 16-8. Example System Clock, CAN Bit Rate, and S-Clock Frequencies (continued)**

| System Clock Frequency (MHz) | CAN Bit Rate (MHz) | Possible S-Clock Frequency (MHz) | Possible Number of Time Quanta/Bit | PRESDIV Value + 1 |
|------------------------------|--------------------|----------------------------------|------------------------------------|-------------------|
| 16                           | 0.500              | 1, 2                             | 2, 4                               | 16, 8             |
| 56                           | 0.125              | 1, 2                             | 8, 16                              | 56, 28            |
| 40                           | 0.125              | 1, 2                             | 8, 16                              | 40, 20            |
| 25                           | 0.125              | 1, 1.25, 2.5                     | 8,10, 20                           | 25, 20,10         |
| 20                           | 0.125              | 1, 2, 2.5                        | 8, 16, 20                          | 20, 10, 8         |
| 16                           | 0.125              | 1, 2                             | 8,16                               | 16, 8             |

### 16.3.3.1 Configuring the TouCAN Bit Timing

The following considerations must be observed when programming bit timing functions.

- If the programmed PRESDIV value results in a single system clock per one time quantum, then the PSEG2 field in CANCTRL2 register must not be programmed to zero.
- If the programmed PRESDIV value results in a single system clock per one time quantum, then the information processing time (IPT) equals three time quanta; otherwise it equals two time quanta. If PSEG2 equals two, then the TouCAN transmits one time quantum late relative to the scheduled sync segment.
- If the prescaler and bit timing control fields are programmed to values that result in fewer than 10 system clock periods per CAN bit time and the CAN bus loading is 100%, then any time the rising edge of a start-of-frame (SOF) symbol transmitted by another node occurs during the third bit of the intermission between messages, the TouCAN may not be able to prepare a message buffer for transmission in time to begin its own transmission and arbitrate against the message which transmitted the early SOF.
- The TouCAN bit time must be programmed to be greater than or equal to nine system clocks, or correct operation is not guaranteed. The duration of the synchronization segment, SYNC\_SEG, is not programmable and is fixed at one time quantum.

### 16.3.4 Error Counters

The TouCAN has two error counters, the transmit (Tx) error counter and the receive (Rx) error counter. Refer to [Section 16.7, “Programming Model,”](#) for more information on error counters. The rules for increasing and decreasing these counters are described in the CAN protocol, and are fully implemented in the TouCAN. Each counter has the following features:

- Eight-bit up/down-counter
- Increment by eight (Rx error counter also increments by one)
- Decrement by one
- Avoid decrement when equal to zero
- Rx error counter reset to a value between 119 and 127 inclusive, when the TouCAN transitions from error passive to error active



- Following reset, both counters reset to zero
- Detect values for error passive, bus off and error active transitions
- Cascade usage of Tx error counter with an additional internal counter to detect the 128 occurrences of 11 consecutive recessive bits necessary to transition from bus off into error active.

Both counters are read-only (except in test/freeze/halt modes).

The TouCAN responds to any bus state as described in the CAN protocol, transmitting an error active or error passive flag, delaying its transmission start time (error passive) and avoiding any influence on the bus when in the bus off state. The following are the basic rules for TouCAN bus state transitions:

- If the value of the Tx error counter or Rx error counter increments to a value greater than or equal to 128, the fault confinement state (FCS[1:0]) field in the error status register is updated to reflect an error passive state.
- If the TouCAN is in an error passive state, and either the Tx error counter or Rx error counter decrements to a value less than or equal to 127 while the other error counter already satisfies this condition, the FCS[1:0] field in the error status register is updated to reflect an error active state.
- If the value of the Tx error counter increases to a value greater than 255, the FCS[1:0] field in the error status register is updated to reflect a bus off state, and an interrupt may be issued. The value of the Tx error counter is reset to zero.
- If the TouCAN is in the bus off state, the Tx error counter and an additional internal counter are cascaded to count 128 occurrences of 11 consecutive recessive bits on the bus. To do this, the Tx error counter is first reset to zero, and then the internal counter begins counting consecutive recessive bits. Each time the internal counter counts 11 consecutive recessive bits, the Tx error counter is incremented by one and the internal counter is reset to zero. When the Tx error counter reaches the value of 128, the FCS[1:0] field in the error status register is updated to be error active, and both error counters are reset to zero. Any time a dominant bit is detected following a stream of less than 11 consecutive recessive bits, the internal counter resets itself to zero but does not affect the Tx error counter value.
- If only one node is operating in a system, the Tx error counter is incremented with each message it attempts to transmit, due to the resulting acknowledgment errors. However, acknowledgment errors never cause the TouCAN to change from the error passive state to the bus off state.
- If the Rx error counter increments to a value greater than 127, it stops incrementing, even if more errors are detected while being a receiver. After the next successful message reception, the counter is reset to a value between 119 and 127, to enable a return to the error active state.

The three basic states and the transition behavior of the CAN controller are shown in [Figure 16-6](#).

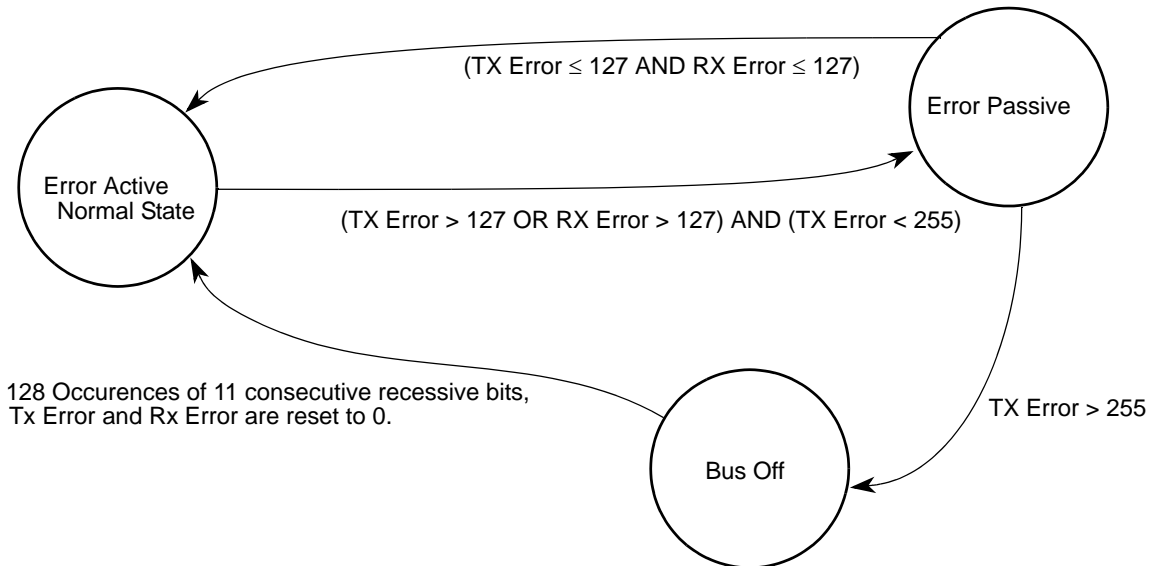


Figure 16-6. CAN Controller State Diagram

### 16.3.5 Time Stamp

The value of the free-running 16-bit timer is sampled at the beginning of the identifier field on the CAN bus. For a message being received, the time stamp is stored in the time stamp entry of the receive message buffer at the time the message is written into that buffer. For a message being transmitted, the time stamp entry is written into the transmit message buffer once the transmission has completed successfully.

The free-running timer can optionally be reset upon the reception of a frame into message buffer 0. This feature allows network time synchronization to be performed.

## 16.4 TouCAN Operation

The basic operation of the TouCAN can be divided into four areas:

- Reset
- Initialization of the module
- Transmit message handling
- Receive message handling

Example sequences for performing each of these processes is given in the following paragraphs.

### 16.4.1 TouCAN Reset

The TouCAN can be reset in two ways:

- Hard reset of the module via  $\overline{\text{SRESET}}$ .
- Soft reset of the module, using the SOFTRST bit in the module configuration register

Following the negation of reset, the TouCAN is not synchronized with the CAN bus, and the HALT, FRZ, and FRZACK bits in the module configuration register are set. In this state, the TouCAN does not initiate frame transmissions or receive any frames from the CAN bus. The contents of the message buffers are not changed following reset.

Any configuration change or initialization requires that the TouCAN be frozen by either the assertion of the HALT bit in the module configuration register or by reset.

## 16.4.2 TouCAN Initialization

Initialization of the TouCAN includes the initial configuration of the message buffers and configuration of the CAN communication parameters following a reset, as well as any reconfiguration which may be required during operation. The following is a general initialization sequence for the TouCAN:

1. Initialize all operation modes
  - a) Initialize the transmit and receive pin modes in CANCTRL0
  - b) Initialize the bit timing parameters PROPSEG, PSEG1, PSEG2, and RJW in CANCTRL1 and CANCTRL2
  - c) Select the S-clock rate by programming the PRESDIV register
  - d) Select the internal arbitration mode (LBUF bit in CANCTRL1)
2. Initialize message buffers
  - a) The control/status word of all message buffers must be written either as an active or inactive message buffer.
  - b) All other entries in each message buffer should be initialized as required
3. Initialize mask registers for acceptance mask as required
4. Initialize TouCAN interrupt handler
  - a) Initialize the interrupt configuration register (CANICR) with a specific request level
  - b) Set the required mask bits in the IMASK register (for all message buffer interrupts), in CANCTRL0 (for bus off and error interrupts), and in CANMCR for the WAKE interrupt
5. Negate the HALT bit in the module configuration register. At this point, the TouCAN attempts to synchronize with the CAN bus

### NOTE

In both the transmit and receive processes, the first action in preparing a message buffer must be to deactivate the buffer by setting its code field to the proper value. This step is mandatory to ensure data coherency.

## 16.4.3 Transmit Process

The transmit process includes preparation of a message buffer for transmission, as well as the internal steps performed by the TouCAN to decide which message to transmit. This involves loading the message and ID to be transmitted into a message buffer and then activating that buffer as an active transmit buffer. Once this is done, the TouCAN performs all additional steps necessary to transmit the message onto the CAN bus.

The user should prepare or change a message buffer for transmission by executing the following steps.

1. Write the control/status word to hold the transmit buffer inactive (code = 0b1000)
2. Write the ID\_HIGH and ID\_LOW words
3. Write the data bytes
4. Write the control/status word (active Tx code, Tx length)

#### **NOTE**

Steps 1 and 4 are mandatory to ensure data coherency.

Once an active transmit code is written to a transmit message buffer, that buffer begins participating in an internal arbitration process as soon as the receiver senses that the CAN bus is free, or at the inter-frame space. If there are multiple messages awaiting transmission, this internal arbitration process selects the message buffer from which the next frame is transmitted.

When this process is over and a message buffer is selected for transmission, the frame from that message buffer is transferred to the serial message buffer for transmission.

The TouCAN transmits no more than eight data bytes, even if the transmit length contains a value greater than eight.

At the end of a successful transmission, the value of the free-running timer (which was captured at the beginning of the identifier field on the CAN bus), is written into the time stamp field in the message buffer. The code field in the control/status word of the message buffer is updated and a status flag is set in the IFLAG register.

#### **16.4.3.1 Transmit Message Buffer Deactivation**

Any write access to the control/status word of a transmit message buffer during the process of selecting a message buffer for transmission immediately deactivates that message buffer, removing it from the transmission process.

If the transmit message buffer is deactivated while a message is being transferred from it to a serial message buffer, the message is not transmitted.

If the transmit message buffer is deactivated after the message is transferred to the serial message buffer, the message is transmitted, but no interrupt is requested, and the transmit code is not updated.

If a message buffer containing the lowest ID is deactivated while that message is undergoing the internal arbitration process to determine which message should be sent, then that message may not be transmitted.

#### **16.4.3.2 Reception of Transmitted Frames**

The TouCAN receives a frame it has transmitted if an empty message buffer with a matching identifier exists.

### **16.4.4 Receive Process**

During the receive process, the following events occur:

- The user configures the message buffers for reception
- The TouCAN transfers received messages from the serial message buffers to the receive message buffers with matching IDs
- The user retrieves these messages

The user should prepare or change a message buffer for frame reception by executing the following steps.

1. Write the control/status word to hold the receive buffer inactive (code = 0b0000)
2. Write the ID\_HIGH and ID\_LOW words
3. Write the control/status word to mark the receive message buffer as active and empty

#### NOTE

Steps 1 and 3 are mandatory for data coherency.

Once these steps are performed, the message buffer functions as an active receive buffer and participates in the internal matching process, which takes place every time the TouCAN receives an error-free frame. In this process, all active receive buffers compare their ID value to the newly received one. If a match is detected, the following actions occur:

1. The frame is transferred to the first (lowest entry) matching receive message buffer
2. The value of the free-running timer (captured at the beginning of the identifier field on the CAN bus) is written into the time stamp field in the message buffer
3. The ID field, data field, and Rx length field are stored
4. The code field is updated
5. The status flag is set in the IFLAG register

The user should read a received frame from its message buffer in the following order:

1. Control/status word (mandatory, as it activates the internal lock for this buffer)
2. ID (optional, since it is needed only if a mask was used)
3. Data field word(s)
4. Free-running timer (optional, as it releases the internal lock)

If the free running timer is not read, that message buffer remains locked until the read process starts for another message buffer. Only a single message buffer is locked at a time. When a received message is read, the only mandatory read operation is that of the control/status word. This ensures data coherency.

If the BUSY bit is set in the message buffer code, the CPU should defer accessing that buffer until this bit is negated. Refer to [Table 16-2](#).

#### NOTE

The user should check the status of a message buffer by reading the status flag in the IFLAG register and not by reading the control/status word code field for that message buffer. This prevents the buffer from being locked inadvertently.

Because the received identifier field is always stored in the matching receive message buffer, the contents of the identifier field in a receive message buffer may change if one or more of the ID bits are masked.

### 16.4.4.1 Receive Message Buffer Deactivation

Any write access to the control/status word of a receive message buffer during the process of selecting a message buffer for reception immediately deactivates that message buffer, removing it from the reception process.

If a receive message buffer is deactivated while a message is being transferred into it, the transfer is halted and no interrupt is requested. If this occurs, that receive message buffer may contain mixed data from two different frames.

The CPU should not write data into a receive message buffer. If this occurs while a message is being transferred from a serial message buffer, the control/status word will reflect a full or overrun condition, but no interrupt is requested.

### 16.4.4.2 Locking and Releasing Message Buffers

The lock/release/busy mechanism is designed to guarantee data coherency during the receive process. The following examples demonstrate how the lock/release/busy mechanism affects TouCAN operation:

1. Reading a control/status word of a message buffer triggers a lock for that message buffer. A new received message frame which matches the message buffer cannot be written into this message buffer while it is locked.
2. To release a locked message buffer, the CPU either locks another message buffer by reading its control/status word or globally releases any locked message buffer by reading the free-running timer.
3. If a receive frame with a matching ID is received during the time the message buffer is locked, the receive frame is not immediately transferred into that message buffer, but remains in the serial message buffer. There is no indication when this occurs.
4. When a locked message buffer is released, if a frame with a matching identifier exists within the serial message buffer, then this frame is transferred to the matching message buffer.
5. If two or more receive frames with matching IDs are received while a message buffer with a matching ID is locked, the last received frame with that ID is kept within the serial message buffer, while all preceding ones are lost. There is no indication when this occurs.
6. If the control/status word of a receive message buffer is read while a frame is being transferred from a serial message buffer, the BUSY code is indicated. The user should wait until this code is cleared before continuing to read from the message buffer to ensure data coherency. In this situation, the read of the control/status word does not lock the message buffer.

Polling the control/status word of a receive message buffer can lock it, preventing a message from being transferred into that buffer. If the control/status word of a receive message buffer is read, it should be followed by a read of the control/status word of another buffer, or by a read of the free-running timer, to ensure that the locked buffer is unlocked.

### 16.4.5 Remote Frames

The remote frame is a message frame that is transmitted to request a data frame. The TouCAN can be configured to transmit a data frame automatically in response to a remote frame, or to transmit a remote frame and then wait for the responding data frame to be received.

To transmit a remote frame, a message buffer is initialized as a transmit message buffer with the RTR bit set to one. Once this remote frame is transmitted successfully, the transmit message buffer automatically becomes a receive message buffer, with the same ID as the remote frame that was transmitted.

When the TouCAN receives a remote frame, it compares the remote frame ID to the IDs of all transmit message buffers programmed with a code of 1010. If there is an exact matching ID, the data frame in that message buffer is transmitted. If the RTR bit in the matching transmit message buffer is set, the TouCAN transmits a remote frame as a response.

A received remote frame is not stored in a receive message buffer. It is only used to trigger the automatic transmission of a frame in response. The mask registers are not used in remote frame ID matching. All ID bits (except RTR) of the incoming received frame must match for the remote frame to trigger a response transmission.

### 16.4.6 Overload Frames

The TouCAN does not initiate overload frame transmissions unless it detects the following conditions on the CAN bus:

- A dominant bit is the first or second bit of intermission
- A dominant bit is the seventh (last) bit of the end-of-frame (EOF) field in receive frames
- A dominant bit is the eighth (last) bit of the error frame delimiter or overload frame delimiter

## 16.5 Special Operating Modes

The TouCAN module has three special operating modes:

- Debug mode
- Low-power stop mode
- Auto power save mode

### 16.5.1 Debug Mode

Debug mode is entered when the FRZ1 bit in CANMCR is set and one of the following events occurs:

- The HALT bit in the CANMCR is set; or
- The IMB3 FREEZE line is asserted

Once entry into debug mode is requested, the TouCAN waits until an intermission or idle condition exists on the CAN bus, or until the TouCAN enters the error passive or bus off state. Once one of these conditions exists, the TouCAN waits for the completion of all internal activity. Once this happens, the following events occur:

- The TouCAN stops transmitting or receiving frames
- The prescaler is disabled, thus halting all CAN bus communication
- The TouCAN ignores its Rx signals and drives its Tx signals as recessive
- The TouCAN loses synchronization with the CAN bus and the NOTRDY and FRZACK bits in CANMCR are set
- The CPU is allowed to read and write the error counter registers

After engaging one of the mechanisms to place the TouCAN in debug mode, the FRZACK bit must be set before accessing any other registers in the TouCAN; otherwise unpredictable operation may occur.

To exit debug mode, the IMB3 FREEZE line must be negated or the HALT bit in CANMCR must be cleared.

Once debug mode is exited, the TouCAN resynchronizes with the CAN bus by waiting for 11 consecutive recessive bits before beginning to participate in CAN bus communication.

## 16.5.2 Low-Power Stop Mode

Before entering low-power stop mode, the TouCAN waits for the CAN bus to be in an idle state, or for the third bit of intermission to be recessive. The TouCAN then waits for the completion of all internal activity (except in the CAN bus interface) to be complete. Then the following events occur:

- The TouCAN shuts down its clocks, stopping most internal circuits, thus achieving maximum power savings
- The bus interface unit continues to operate, allowing the CPU to access the module configuration register
- The TouCAN ignores its Rx signals and drives its Tx signals as recessive
- The TouCAN loses synchronization with the CAN bus, and the STOPACK and NOTRDY bits in the module configuration register are set

To exit low-power stop mode:

- Reset the TouCAN either by asserting one of the IMB3 reset lines or by asserting the SOFTRST bit CANMCR
- Clear the STOP bit in CANMCR
- The TouCAN module can optionally exit low-power stop mode via the self wake mechanism. If the SELFWAKE bit in CANMCR was set at the time the TouCAN entered stop mode, then upon detection of a recessive to dominant transition on the CAN bus, the TouCAN clears the STOP bit in CANMCR and its clocks begin running.

When the TouCAN is in low-power stop mode, a recessive to dominant transition on the CAN bus causes the WAKEINT bit in the error and status register (ESTAT) to be set. This event generates an interrupt if the WAKEMSK bit in CANMCR is set.

Consider the following notes regarding low-power stop mode:



- When the self wake mechanism is activated, the TouCAN tries to receive the frame that woke it up. (It assumes that the dominant bit detected is a start-of-frame bit.) It will not arbitrate for the CAN bus at this time.
- If the STOP bit is set while the TouCAN is in the bus off state, then the TouCAN enters low-power stop mode and stops counting recessive bit times. The count continues when STOP is cleared.
- To place the TouCAN in low-power stop mode with the self wake mechanism engaged, write to CANMCR with both STOP and SELFWAKE set, and then wait for the TouCAN to set the STOPACK bit.
- To take the TouCAN out of low-power stop mode when the self wake mechanism is enabled, write to CANMCR with both STOP and SELFWAKE clear, and then wait for the TouCAN to clear the STOPACK bit.
- The SELFWAKE bit should not be set after the TouCAN has already entered low-power stop mode.
- If both STOP and SELFWAKE are set and a recessive to dominant edge immediately occurs on the CAN bus, the TouCAN may never set the STOPACK bit, and the STOP bit will be cleared.
- To prevent old frames from being sent when the TouCAN awakes from low-power stop mode via the self wake mechanism, disable all transmit sources, including transmit buffers configured for remote request responses, before placing the TouCAN in low-power stop mode.
- If the TouCAN is in debug mode when the STOP bit is set, the TouCAN assumes that debug mode should be exited. As a result, it tries to synchronize with the CAN bus, and only then does it await the conditions required for entry into low-power stop mode.
- Unlike other modules, the TouCAN does not come out of reset in low-power stop mode. The basic TouCAN initialization procedure should be executed before placing the module in low-power stop mode. (Refer to [Section 16.4.2, “TouCAN Initialization.”](#))
- If the TouCAN is in low-power stop mode with the self wake mechanism engaged and is operating with a single system clock per time quantum, there can be extreme cases in which the TouCAN would wake-up on a recessive to dominant edge which may not conform to the CAN protocol. TouCAN synchronization is shifted one time quantum from the wake-up event. This shift lasts until the next recessive-to-dominant edge, which resynchronizes the TouCAN to be in conformance with the CAN protocol. The same holds true when the TouCAN is in auto power save mode and awakens on a recessive to dominant edge.

### 16.5.3 Auto Power Save Mode

Auto power save mode enables normal operation with optimized power savings. Once the auto power save (APS) bit in CANMCR is set, the TouCAN looks for a set of conditions in which there is no need for the clocks to be running. If these conditions are met, the TouCAN stops its clocks, thus saving power. The following conditions activate auto power save mode:

- No Rx/Tx frame in progress
- No transfer of Rx/Tx frames to and from a serial message buffer, and no Tx frame awaiting transmission in any message buffer
- No CPU access to the TouCAN module

- The TouCAN is not in debug mode, low-power stop mode, or the bus off state

While its clocks are stopped, if the TouCAN senses that any one of the aforementioned conditions is no longer true, it restarts its clocks. The TouCAN then continues to monitor these conditions and stops or restarts its clocks accordingly.

## 16.6 Interrupts

The TouCAN can generate one interrupt level to be passed to the CPU. This level is programmed into the priority level bits in the interrupt configuration register (CANICR). This value determines which interrupt signal is driven onto the bus when an interrupt is requested.

Each one of the 16 message buffers can be an interrupt source, if its corresponding IMASK bit is set. There is no distinction between transmit and receive interrupts for a particular buffer. Each of the buffers is assigned a bit in the IFLAG register. An IFLAG bit is set when the corresponding buffer completes a successful transmission/reception. An IFLAG bit is cleared when the CPU reads IFLAG while the associated bit is set, and then writes it back as zero (and no new event of the same type occurs between the read and the write actions).

The other three interrupt sources (bus off, error and wake up) act in the same way, and have flag bits located in the error and status register (ESTAT). The bus off and error interrupt mask bits (BOFFMSK and ERRMSK) are located in CANCTRL0, and the wake up interrupt mask bit (WAKEMSK) is located in the module configuration register. Refer to [Section 16.7, “Programming Model,”](#) for more information on these registers.

The TouCAN module is capable of generating one of the 32 possible interrupt levels on the IMB3. The 32 interrupt levels are time multiplexed on the IMB3 IRQ[0:7] lines. All interrupt sources place their asserted level on a time multiplexed bus during four different time slots, with eight levels communicated per slot. The ILBS[0:1] signals indicate which group of eight are being driven on the interrupt request lines.

**Table 16-9. Interrupt Levels**

| ILBS[0:1] | Levels |
|-----------|--------|
| 00        | 0:7    |
| 01        | 8:15   |
| 10        | 16:23  |
| 11        | 24:31  |

The level that the TouCAN will drive onto internal IRQ[7:0] signals is programmed in the three Interrupt Request Level (IRL) bits located in the interrupt configuration register. The two ILBS bits in the ICR register determine on which slot the TouCAN should drive its interrupt signal. Under the control of ILBS, each interrupt request level is driven during the time multiplexed bus during one of four different time slots, with eight levels communicated per time slot. No hardware priority is assigned to interrupts. Furthermore, if more than one source on a module requests an interrupt at the same level, the system software must assign a priority to each source requesting at that level. [Figure 16-7](#) displays the interrupt levels on IRQ with ILBS.

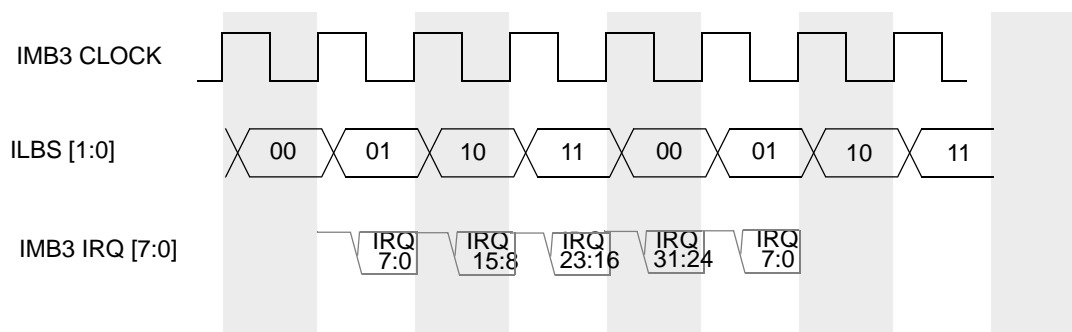


Figure 16-7. Interrupt Levels on IRQ with ILBS

## 16.7 Programming Model

Table 16-10 shows the TouCAN address map. The lowercase “x” appended to each register name represents “A”, “B” or “C” for the TouCAN\_A, TouCAN\_B, or TouCAN\_C module, respectively. Refer to Figure 1-3 to locate each TouCAN module in the MPC565 address map.

The column labeled “Access” indicates the privilege level at which the CPU must be operating to access the register. A designation of “S” indicates that supervisor mode is required. A designation of “S/U” indicates that the register can be programmed for either supervisor mode access or unrestricted access.

The address space for each TouCAN module is split, with 128 bytes starting at the base address, and an extra 256 bytes starting at the base address +128. The upper 256 are fully used for the message buffer structures. Of the lower 128 bytes, some are not used. Registers with bits marked as “reserved” should always be written as logic 0.

Typically, the TouCAN control registers are programmed during system initialization, before the TouCAN becomes synchronized with the CAN bus. The configuration registers can be changed after synchronization by halting the TouCAN module. This is done by setting the HALT bit in the TouCAN module configuration register (CANMCR). The TouCAN responds by asserting CANMCR[NOTRDY]. Additionally, the control registers can be modified while the MCU is in background debug mode.

### NOTE

The TouCAN has no hard-wired protection against invalid bit/field programming within its registers. Specifically, no protection is provided if the programming does not meet CAN protocol requirements.

Table 16-10. TouCAN Register Map

| Access | Address                                      | MSB<br>0   | LSB<br>15 |
|--------|--|--|-----------|
| S      | 0x30 7080(A)<br>0x30 7480(B)<br>0x30 7880(C) | TouCAN Module Configuration Register (CANMCR_x)<br>See Table 16-11 for bit descriptions. |           |
| S      | 0x30 7082(A)<br>0x30 7482(B)<br>0x30 7882(C) | TouCAN Test Register (CANTCR_x)  |           |

**Table 16-10. TouCAN Register Map (continued)**

| Access | Address  | MSB<br>0  | LSB<br>15  |
|--------|--|---|--|
| S      | 0x30 7084(A)<br>0x30 7484(B)<br>0x30 7884(C)                                     | TouCAN Interrupt Register (CANICR_x)<br>See <a href="#">Table 16-12</a> for bit descriptions.   |  |
| S/U    | 0x30 7086(A)<br>0x30 7486(B)<br>0x30 7886(C)                                     | Control Register 0 (CANCTRL0_x)<br>See <a href="#">Table 16-13</a> for bit descriptions.  | Control Register 1 (CANCTRL1_x)<br>See <a href="#">Table 16-16</a> for bit descriptions. |
| S/U    | 0x30 7088(A)<br>0x30 7488(B)<br>0x30 7888(C)                                     | Control and Prescaler<br>Divider Register (PRESDIV_x)<br>See <a href="#">Table 16-17</a> for bit descriptions.  | Control Register 2 (CANCTRL2_x)<br>See <a href="#">Table 16-18</a> for bit descriptions. |
| S/U    | 0x30 708A(A)<br>0x30 748A(B)<br>0x30 788A(C)                                     | Free-Running Timer Register (TIMER_x)<br>See <a href="#">Table 16-19</a> for bit descriptions.  |  |
| —      | 0x30 708C – 0x30 708E(A)<br>0x30 748C – 0x30 748E(B)<br>0x30 788C – 0x30 788E(C) | Reserved  |  |
| S/U    | 0x30 7090(A)<br>0x30 7490(B)<br>0x30 7890(C)                                     | Receive Global Mask – High (RXGMSKHI_x)<br>See <a href="#">Table 16-20</a> for bit descriptions.  |  |
| S/U    | 0x30 7092(A)<br>0x30 7492(B)<br>0x30 7892(C)                                     | Receive Global Mask – Low (RXGMSKLO_x)<br>See <a href="#">Table 16-20</a> for bit descriptions.   |  |
| S/U    | 0x30 7094(A)<br>0x30 7494(B)<br>0x30 7894(C)                                     | Receive Buffer 14 Mask – High (RX14MSKHI_x)<br>See <a href="#">Section 16.7.10</a> , “Receive Buffer 14 Mask Registers (RX14MSKHI, RX14MSKLO),” for bit descriptions. |  |
| S/U    | 0x30 7096(A)<br>0x30 7496(B)<br>0x30 7896(C)                                     | Receive Buffer 14 Mask – Low (RX14MSKLO_x)<br>See <a href="#">Section 16.7.10</a> , “Receive Buffer 14 Mask Registers (RX14MSKHI, RX14MSKLO),” for bit descriptions.  |  |
| S/U    | 0x30 7098(A)<br>0x30 7498(B)<br>0x30 7898(C)                                     | Receive Buffer 15 Mask – High (RX15MSKHI_x)<br>See <a href="#">Section 16.7.11</a> , “Receive Buffer 15 Mask Registers (RX15MSKHI, RX15MSKLO),” for bit descriptions. |  |
| S/U    | 0x30 709A(A)<br>0x30 749A(B)<br>0x30 789A(C)                                     | Receive Buffer 15 Mask – Low (RX15MSKLO_x)<br>See <a href="#">Section 16.7.11</a> , “Receive Buffer 15 Mask Registers (RX15MSKHI, RX15MSKLO),” for bit descriptions.  |  |
| —      | 0x30 709C – 0x30 709E(A)<br>0x30 749C – 0x30 749E(B)<br>0x30 789C – 0x30 789E(C) | Reserved  |  |
| S/U    | 0x30 70A0(A)<br>0x30 74A0(B)<br>0x30 78A0(C)                                     | Error and Status Register (ESTAT_x)<br>See <a href="#">Table 16-23</a> for bit descriptions.  |  |
| S/U    | 0x30 70A2(A)<br>0x30 74A2(B)<br>0x30 78A2(C)                                     | Interrupt Masks (IMASK_x)<br>See <a href="#">Table 16-26</a> for bit descriptions.  |  |
| S/U    | 0x30 70A4(A)<br>0x30 74A4(B)<br>0x30 78A4(C)                                     | Interrupt Flags (IFLAG_x)<br>See <a href="#">Table 16-27</a> for bit descriptions.  |  |

**Table 16-10. TouCAN Register Map (continued)**

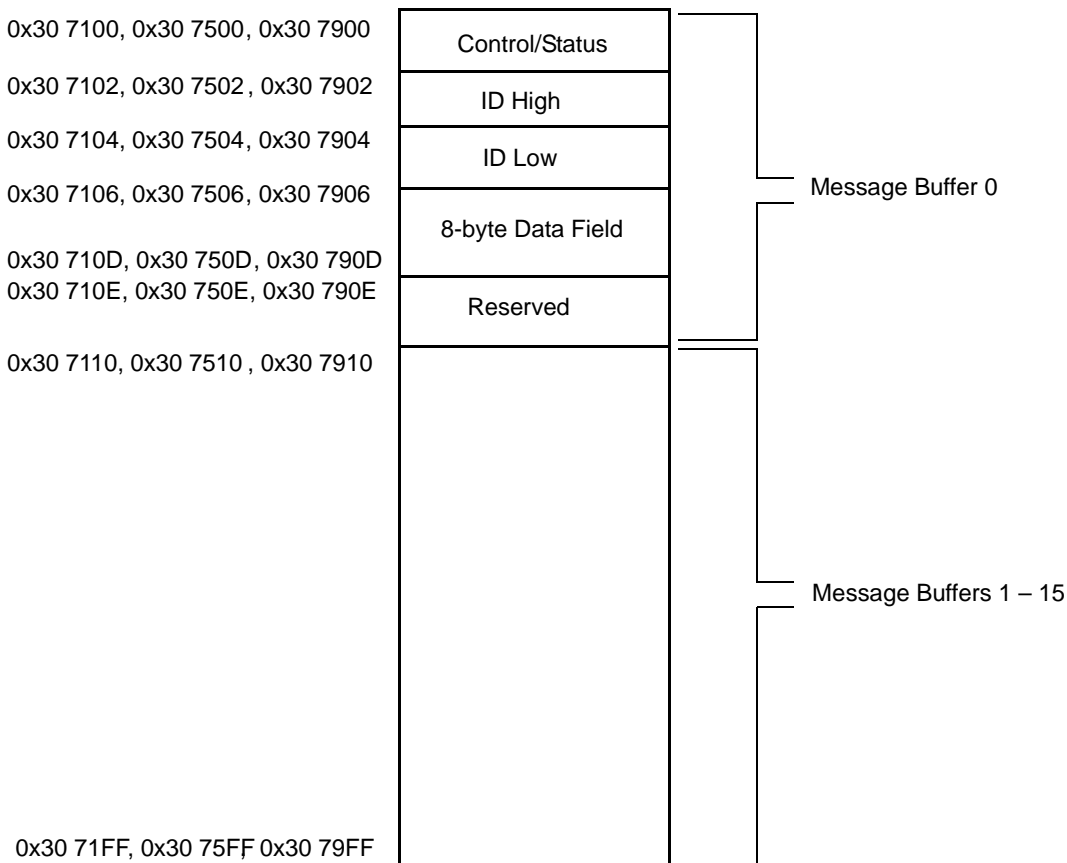
| Access | Address  | MSB<br>0   | LSB<br>15   |
|--------|--|--|---|
| S/U    | 0x30 70A6(A)<br>0x30 74A6(B)<br>0x30 78A6(C)                                     | Receive Error Counter (RXECTR_x)<br>See <a href="#">Table 16-28</a> for bit descriptions.  | Transmit Error Counter (TXECTR_x)<br>See <a href="#">Table 16-28</a> for bit descriptions |
| S/U    | 0x30 7100 — 0x30 710F(A)<br>0x30 7500 — 0x30 750F(B)<br>0x30 7900 — 0x30 790F(C) | MBUFF0 <sup>1</sup><br>TouCAN X Message Buffer 0.<br>See <a href="#">Figure 16-3</a> and <a href="#">Figure 16-4</a> for message buffer definitions.   |   |
| S/U    | 0x30 7110 — 0x30 711F(A)<br>0x30 7510 — 0x30 751F(B)<br>0x30 7910 — 0x30 791F(C) | MBUFF1 <sup>1</sup><br>TouCAN X Message Buffer 1.<br>See <a href="#">Figure 16-3</a> and <a href="#">Figure 16-4</a> for message buffer definitions.   |   |
| S/U    | 0x30 7120 — 0x30 712F(A)<br>0x30 7520 — 0x30 752F(B)<br>0x30 7920 — 0x30 792F(C) | MBUFF2 <sup>1</sup><br>TouCAN X Message Buffer 2.<br>See <a href="#">Figure 16-3</a> and <a href="#">Figure 16-4</a> for message buffer definitions.   |   |
| S/U    | 0x30 7130 — 0x30 713F(A)<br>0x30 7530 — 0x30 753F(B)<br>0x30 7930 — 0x30 793F(C) | MBUFF3 <sup>1</sup><br>TouCAN X Message Buffer 3.<br>See <a href="#">Figure 16-3</a> and <a href="#">Figure 16-4</a> for message buffer definitions.   |   |
| S/U    | 0x30 7140 — 0x30 714F(A)<br>0x30 7540 — 0x30 754F(B)<br>0x30 7940 — 0x30 794F(C) | MBUFF4 <sup>1</sup><br>TouCAN X Message Buffer 4.<br>See <a href="#">Figure 16-3</a> and <a href="#">Figure 16-4</a> for message buffer definitions.   |   |
| S/U    | 0x30 7150 — 0x30 715F(A)<br>0x30 7550 — 0x30 755F(B)<br>0x30 7950 — 0x30 795F(C) | MBUFF5 <sup>1</sup><br>TouCAN X Message Buffer 5.<br>See <a href="#">Figure 16-3</a> and <a href="#">Figure 16-4</a> for message buffer definitions.   |   |
| S/U    | 0x30 7160 — 0x30 716F(A)<br>0x30 7560 — 0x30 756F(B)<br>0x30 7960 — 0x30 796F(C) | MBUFF6 <sup>1</sup><br>TouCAN X Message Buffer 6.<br>See <a href="#">Figure 16-3</a> and <a href="#">Figure 16-4</a> for message buffer definitions.   |   |
| S/U    | 0x307170 — 0x30717F(A)<br>0x30 7570 — 0x30 757F(B)<br>0x30 7970 — 0x30 797F(C)   | MBUFF7 <sup>1</sup><br>TouCAN X Message Buffer 7.<br>See <a href="#">Figure 16-3</a> and <a href="#">Figure 16-4</a> for message buffer definitions.   |   |
| S/U    | 0x30 7180 — 0x30 718F(A)<br>0x30 7580 — 0x30 758F(B)<br>0x30 7980 — 0x30 798F(C) | MBUFF8 <sup>1</sup><br>TouCAN X Message Buffer 8.<br>See <a href="#">Figure 16-3</a> and <a href="#">Figure 16-4</a> for message buffer definitions.   |   |
| S/U    | 0x30 7190 — 0x30 719F(A)<br>0x30 7590 — 0x30 759F(B)<br>0x30 7990 — 0x30 799F(C) | MBUFF9 <sup>1</sup><br>TouCAN X Message Buffer 9.<br>See <a href="#">Figure 16-3</a> and <a href="#">Figure 16-4</a> for message buffer definitions.   |   |
| S/U    | 0x30 71A0 — 0x30 71AF(A)<br>0x30 75A0 — 0x30 75AF(B)<br>0x30 79A0 — 0x30 79AF(C) | MBUFF10 <sup>1</sup><br>TouCAN X Message Buffer 10.<br>See <a href="#">Figure 16-3</a> and <a href="#">Figure 16-4</a> for message buffer definitions. |   |
| S/U    | 0x30 71B0 — 0x30 71BF(A)<br>0x30 75B0 — 0x30 75BF(B)<br>0x30 79B0 — 0x30 79BF(C) | MBUFF11 <sup>1</sup><br>TouCAN X Message Buffer 11.<br>See <a href="#">Figure 16-3</a> and <a href="#">Figure 16-4</a> for message buffer definitions. |   |
| S/U    | 0x30 71C0 — 0x30 71CF(A)<br>0x30 75C0 — 0x30 75CF(B)<br>0x30 79C0 — 0x30 79CF(C) | MBUFF12 <sup>1</sup><br>TouCAN X Message Buffer 12.<br>See <a href="#">Figure 16-3</a> and <a href="#">Figure 16-4</a> for message buffer definitions. |   |
| S/U    | 0x30 71D0 — 0x30 71DF(A)<br>0x30 75D0 — 0x30 75DF(B)<br>0x30 79D0 — 0x30 79DF(C) | MBUFF13 <sup>1</sup><br>TouCAN X Message Buffer 13.<br>See <a href="#">Figure 16-3</a> and <a href="#">Figure 16-4</a> for message buffer definitions. |   |

**Table 16-10. TouCAN Register Map (continued)**

| Access | Address  | MSB<br>0   | LSB<br>15 |
|--------|--|--|-----------|
| S/U    | 0x30 71E0 — 0x30 71EF(A)<br>0x30 75E0 — 0x30 75EF(B)<br>0x30 79E0 — 0x30 79EF(C) | MBUFF14 <sup>1</sup><br>TouCAN X Message Buffer 14.<br>See Figure 16-3 and Figure 16-4 for message buffer definitions. |           |
| S/U    | 0x30 71F0 — 0x30 71FF(A)<br>0x30 75F0 — 0x30 75FF(B)<br>0x30 79F0 — 0x30 79FF(C) | MBUFF15 <sup>1</sup><br>TouCAN X Message Buffer 15.<br>See Figure 16-3 and Figure 16-4 for message buffer definitions. |           |

<sup>1</sup> The last word of each of the MBUFF arrays (address 0x....E) is reserved and may cause an RCPUR exception if read.

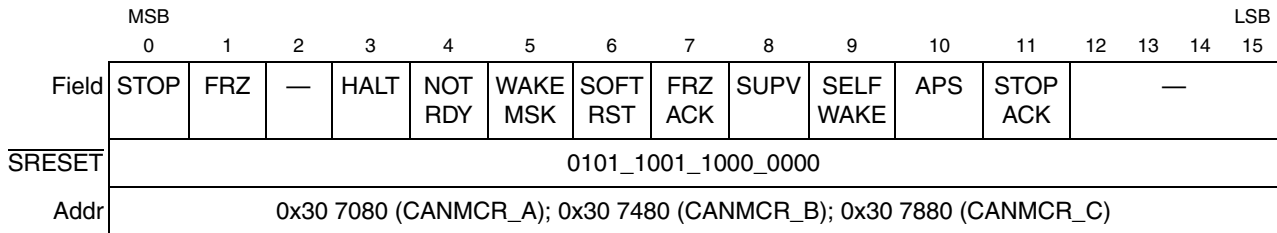
TouCAN\_A, B, and C Addresses:



**TouCAN Message Buffer Map**

**Figure 16-8. TouCAN Message Buffer Memory Map**

### 16.7.1 TouCAN Module Configuration Register (CANMCR)



**Figure 16-9. TouCAN Module Configuration Register (CANMCR)**

**Table 16-11. CANMCR Bit Descriptions**

| Bits | Name    | Description   |
|------|---------|---|
| 0    | STOP    | Low-power stop mode enable. The STOP bit may only be set by the CPU. It may be cleared either by the CPU or by the TouCAN, if the SELF WAKE bit is set. Before asserting the STOP Mode, the CPU should disable all interrupts in the TOUCAN, otherwise it may be interrupted while in STOP mode upon a non wake-up condition. WAKE-INT can still be enabled by setting WAKEMSK.<br>0 Enable TouCAN clocks<br>1 Disable TouCAN clocks  |
| 1    | FRZ     | FREEZE assertion response. When FRZ = 1, the TouCAN can enter debug mode when the IMB3 FREEZE line is asserted or the HALT bit is set. Clearing this bit field causes the TouCAN to exit debug mode. Refer to <a href="#">Section 16.5.1, “Debug Mode”</a> for more information.<br>0 TouCAN ignores the IMB3 FREEZE signal and the HALT bit in the module configuration register.<br>1 TouCAN module enabled to enter debug mode.  |
| 2    | —       | Reserved  |
| 3    | HALT    | Halt TouCAN S-Clock. Setting the HALT bit has the same effect as assertion of the IMB3 FREEZE signal on the TouCAN without requiring that FREEZE be asserted. This bit is set to one after reset. It should be cleared after initializing the message buffers and control registers. TouCAN message buffer receive and transmit functions are inactive until this bit is cleared. When HALT is set, write access to certain registers and bits that are normally read-only is allowed.<br>0 The TouCAN operates normally<br>1 TouCAN enters debug mode if FRZ = 1 |
| 4    | NOTRDY  | TouCAN not ready. This bit indicates that the TouCAN is either in low-power stop mode or debug mode. This bit is read-only and is set only when the TouCAN enters low-power stop mode or debug mode. It is cleared once the TouCAN exits either mode, either by synchronization to the CAN bus or by the self wake mechanism.<br>0 TouCAN has exited low-power stop mode or debug mode.<br>1 TouCAN is in low-power stop mode or debug mode.  |
| 5    | WAKEMSK | Wakeup interrupt mask. The WAKEMSK bit enables wake-up interrupt requests.<br>0 Wake up interrupt is disabled<br>1 Wake up interrupt is enabled   |

**Table 16-11. CANMCR Bit Descriptions (continued)**

| Bits  | Name     | Description  |
|-------|----------|--|
| 6     | SOFTRST  | <p>Soft reset. When this bit is asserted, the TouCAN resets its internal state machines (sequencer, error counters, error flags, and timer) and the host interface registers (CANMCR, CANICR, CANTCR, IMASK, and IFLAG). The configuration registers that control the interface with the CAN bus are not changed (CANCTRL[0:2] and PRES DIV). Message buffers and receive message masks are also not changed. This allows SOFTRST to be used as a debug feature while the system is running. Setting SOFTRST also clears the STOP bit in CANMCR.</p> <p>After setting SOFTRST, allow one complete bus cycle to elapse for the internal TouCAN circuitry to completely reset before executing another access to CANMCR. The TouCAN clears this bit once the internal reset cycle is completed.</p> <p>0 Soft reset cycle completed<br/>1 Soft reset cycle initiated</p> |
| 7     | FRZACK   | <p>TouCAN disable. When the TouCAN enters debug mode, it sets the FRZACK bit. This bit should be polled to determine if the TouCAN has entered debug mode. When debug mode is exited, this bit is negated once the TouCAN prescaler is enabled. This is a read-only bit.</p> <p>0 The TouCAN has exited debug mode and the prescaler is enabled<br/>1 The TouCAN has entered debug mode, and the prescaler is disabled</p>   |
| 8     | SUPV     | <p>Supervisor/user data space. The SUPV bit places the TouCAN registers in either supervisor or user data space.</p> <p>0 Registers with access controlled by the SUPV bit are accessible in either user or supervisor privilege mode<br/>1 Registers with access controlled by the SUPV bit are restricted to supervisor mode</p>   |
| 9     | SELFWAKE | <p>Self wake enable. This bit allows the TouCAN to wake up when bus activity is detected after the STOP bit is set. If this bit is set when the TouCAN enters low-power stop mode, the TouCAN will monitor the bus for a recessive to dominant transition. If a recessive to dominant transition is detected, the TouCAN immediately clears the STOP bit and restarts its clocks. If a write to CANMCR with SELFWAKE set occurs at the same time a recessive-to-dominant edge appears on the CAN bus, the bit will not be set, and the module clocks will not stop. The user should verify that this bit has been set by reading CANMCR. Refer to <a href="#">Section 16.5.2, “Low-Power Stop Mode”</a> for more information on entry into and exit from low-power stop mode.</p> <p>0 Self wake disabled<br/>1 Self wake enabled</p>                                  |
| 10    | APS      | <p>Auto power save. The APS bit allows the TouCAN to automatically shut off its clocks to save power when it has no process to execute, and to automatically restart these clocks when it has a task to execute without any CPU intervention.</p> <p>0 Auto power save mode disabled; clocks run normally<br/>1 Auto power save mode enabled; clocks stop and restart as needed</p>  |
| 11    | STOPACK  | <p>Stop acknowledge. When the TouCAN is placed in low-power stop mode and shuts down its clocks, it sets the STOPACK bit. This bit should be polled to determine if the TouCAN has entered low-power stop mode. When the TouCAN exits low-power stop mode, the STOPACK bit is cleared once the TouCAN's clocks are running.</p> <p>0 The TouCAN is not in low-power stop mode and its clocks are running<br/>1 The TouCAN has entered low-power stop mode and its clocks are stopped</p>   |
| 12:15 | —        | <p>Reserved. These bits are used for the IARB (interrupt arbitration ID) field in TouCAN implementations that use hardware interrupt arbitration. These bits are not used on the MPC565/MPC566.</p>  |

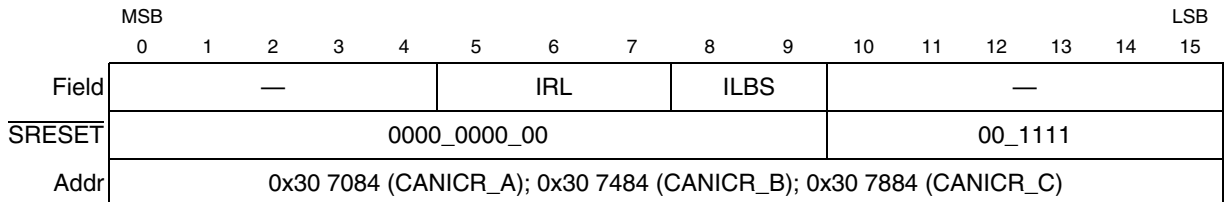


## 16.7.2 TouCAN Test Configuration Register

CANTCR — TouCAN Test Configuration Register 0x30 7082, 0x30 7482, 0x30 7882

This register is used for factory test only.

## 16.7.3 TouCAN Interrupt Configuration Register (CANICR)

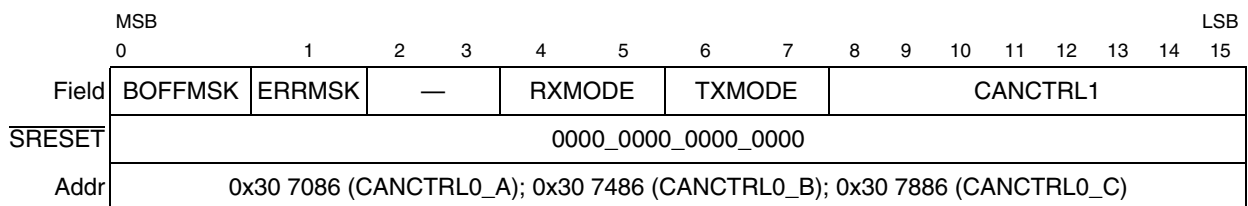


**Figure 16-10. TouCAN Interrupt Configuration Register (CANICR)**

**Table 16-12. CANICR Bit Descriptions**

| Bits  | Name | Description   |
|-------|------|---|
| 0:4   | —    | Reserved  |
| 5:7   | IRL  | Interrupt request level. When the TouCAN generates an interrupt request, this field determines which of the interrupt request signals is asserted.  |
| 8:9   | ILBS | Interrupt level byte select. This field selects one of four time-multiplexed slots during which the interrupt request is asserted. The ILBS and IRL fields together select one of 32 effective interrupt levels.<br>00 Levels 0 to 7<br>01 Levels 8 to 15<br>10 Levels 16 to 23<br>11 Levels 24 to 31 |
| 10:15 | —    | Reserved  |

## 16.7.4 Control Register 0 (CANCTRL0)



**Figure 16-11. Control Register 0 (CANCTRL0)**

**Table 16-13. CANCTRL0 Bit Descriptions**

| Bits | Name     | Description   |
|------|----------|---|
| 0    | BOFFMSK  | Bus off interrupt mask. The BOFF MASK bit provides a mask for the bus off interrupt.<br>0 Bus off interrupt disabled<br>1 Bus off interrupt enabled |
| 1    | ERRMSK   | Error interrupt mask. The ERRMSK bit provides a mask for the error interrupt.<br>0 Error interrupt disabled<br>1 Error interrupt enabled            |
| 2:3  | —        | Reserved  |
| 4:5  | RXMODE   | Receive signal configuration control. These bits control the configuration of the CNRX0 signals. Refer to <a href="#">Table 16-14</a> .             |
| 6:7  | TXMODE   | Transmit signal configuration control. This bit field controls the configuration of the CNTX0 signals. Refer to <a href="#">Table 16-15</a> .       |
| 8:15 | CANCTRL1 | See <a href="#">Table 16-16</a> and <a href="#">Section 16.7.5, “Control Register 1 (CANCTRL1)”</a> .   |

**Table 16-14. Rx MODE[1:0] Configuration**

| Signal | RX1 | RX0 | Receive Signal Configuration  |
|--------|-----|-----|---|
| CNRX0  | X   | 0   | 0 CNRX0 signal is interpreted as a dominant bit<br>1 CNRX0 signal is interpreted as a recessive bit |
|        | X   | 1   | 0 CNRX0 signal is interpreted as a recessive bit<br>1 CNRX0 signal is interpreted as a dominant bit |

**Table 16-15. Transmit Signal Configuration**

| TXMODE[1:0] | TransmitSignal Configuration   |
|-------------|--|
| 00          | Full CMOS <sup>1</sup> ; positive polarity (CNTX0 = 0 is a dominant level) |
| 01          | Full CMOS <sup>1</sup> ; negative polarity (CNTX0 = 1 is a dominant level) |
| 1X          | Open drain <sup>2</sup> ; positive polarity                                |

<sup>1</sup> Full CMOS drive indicates that both dominant and recessive levels are driven by the chip.

<sup>2</sup> Open drain drive indicates that only a dominant level is driven by the chip. During a recessive level, the CNTX0 signal is disabled (three stated), and the electrical level is achieved by external pull-up/pull-down devices. The assertion of both Tx mode bits causes the polarity inversion to be cancelled (open drain mode forces the polarity to be positive).

## 16.7.5 Control Register 1 (CANCTRL1)

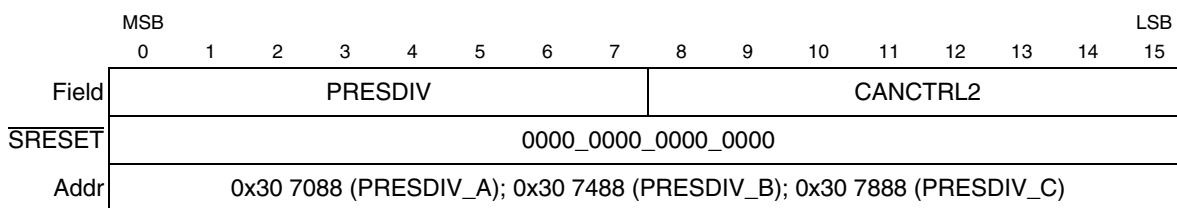
|        |  |   |   |   |   |   |   |      |   |       |      |    |         |    |    |    |    |     |
|--------|--|---|---|---|---|---|---|------|---|-------|------|----|---------|----|----|----|----|-----|
|        | MSB  | 0 | 1 | 2 | 3 | 4 | 5 | 6    | 7 | 8     | 9    | 10 | 11      | 12 | 13 | 14 | 15 | LSB |
| Field  | CANCTRL0   |   |   |   |   |   |   | SAMP | — | TSYNC | LBUF | —  | PROPSEG |    |    |    |    |     |
| SRESET | 0000_0000_0000_0000  |   |   |   |   |   |   |      |   |       |      |    |         |    |    |    |    |     |
| Addr   | 0x30 7086 (CANCTRL1_A); 0x30 7486 (CANCTRL1_B); 0x30 7886 (CANCTRL1_C) |   |   |   |   |   |   |      |   |       |      |    |         |    |    |    |    |     |

**Figure 16-12. Control Register 1 (CANCTRL1)**

**Table 16-16. CANCTRL1 Bit Descriptions**

| Bits  | Name     | Description  |
|-------|----------|--|
| 0:7   | CANCTRL0 | See <a href="#">Table 16-13</a>  |
| 8     | SAMP     | Sampling mode. The SAMP bit determines whether the TouCAN module will sample each received bit one time or three times to determine its value.<br>0 One sample, taken at the end of phase buffer segment one, is used to determine the value of the received bit.<br>1 Three samples are used to determine the value of the received bit. The samples are taken at the normal sample point and at the two preceding periods of the S-clock.  |
| 9     | —        | Reserved   |
| 10    | TSYNC    | Timer synchronize mode. The TSYNC bit enables the mechanism that resets the free-running timer each time a message is received in message buffer zero. This feature provides the means to synchronize multiple TouCAN stations with a special “SYNC” message (global network time).<br>0 Timer synchronization disabled.<br>1 Timer synchronization enabled.<br>Note: there can be a bit clock skew of four to five counts between different TouCAN modules that are using this feature on the same network. |
| 11    | LBUF     | Lowest buffer transmitted first. The LBUF bit defines the transmit-first scheme.<br>0 Message buffer with lowest ID is transmitted first.<br>1 Lowest numbered buffer is transmitted first.  |
| 12    | —        | Reserved   |
| 13:15 | PROPSEG  | Propagation segment time. PROPSEG defines the length of the propagation segment in the bit time. The valid programmed values are zero to seven. The propagation segment time is calculated as follows:<br>$\text{Propagation Segment Time} = (\text{PROPSEG} + 1) \text{ Time Quanta}$ where<br>1 Time Quantum = 1 Serial Clock (S-Clock) Period   |

### 16.7.6 Prescaler Divide Register (PRES DIV)

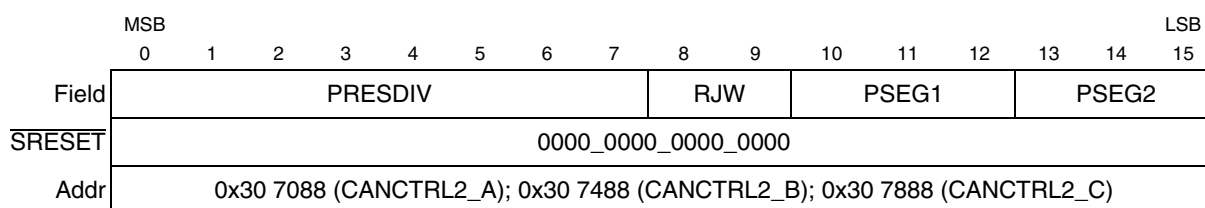


**Figure 16-13. Prescaler Divide Register**

**Table 16-17. PRESDIV Bit Descriptions**

| Bits | Name     | Description  |
|------|----------|--|
| 0:7  | PRESDIV  | <p>Prescaler divide factor. PRESDIV determines the ratio between the system clock frequency and the serial clock (S-clock). The S-clock is determined by the following calculation:</p> $S\text{-clock} = \frac{f_{SYS}}{PRESDIV + 1} \quad \text{Eqn. 16-1}$ <p>The reset value of PRESDIV is 0x00, which forces the S-clock to default to the same frequency as the system clock. The valid programmed values are 0 through 255.</p> |
| 8:15 | CANCTRL2 | See <a href="#">Table 16-18</a> .  |

## 16.7.7 Control Register 2 (CANCTRL2)



**Figure 16-14. Control Register 2 (CANCTRL2)**

**Table 16-18. CANCTRL2 Bit Descriptions**

| Bits  | Name    | Description  |
|-------|---------|--|
| 0:7   | PRESDIV | See <a href="#">Table 16-17</a> .  |
| 8:9   | RJW     | <p>Resynchronization jump width. The RJW field defines the maximum number of time quanta a bit time may be changed during resynchronization. The valid programmed values are zero through three.</p> <p>The resynchronization jump width is calculated as follows:<br/>Resynchronizaton Jump Width = (RJW + 1) Time Quanta</p> |
| 10:12 | PSEG1   | <p>PSEG1[2:0] — Phase buffer segment 1. The PSEG1 field defines the length of phase buffer segment one in the bit time. The valid programmed values are zero through seven.</p> <p>The length of phase buffer segment 1 is calculated as follows:<br/>Phase Buffer Segment 1 = (PSEG1 + 1) Time Quanta</p>                     |
| 13:15 | PSEG2   | <p>PSEG2 — Phase Buffer Segment 2. The PSEG2 field defines the length of phase buffer segment two in the bit time. The valid programmed values are zero through seven.</p> <p>The length of phase buffer segment two is calculated as follows:<br/>Phase Buffer Segment 2 = (PSEG2 + 1) Time Quanta</p>                        |

## 16.7.8 Free Running Timer (TIMER)

|        |   |   |   |   |   |   |   |   |   |   |   |    |    |    |    |    |    |     |
|--------|---|---|---|---|---|---|---|---|---|---|---|----|----|----|----|----|----|-----|
|        | MSB   | 0 | 1 | 2 | 3 | 4 | 5 | 6 | 7 | 8 | 9 | 10 | 11 | 12 | 13 | 14 | 15 | LSB |
| Field  | TIMER   |   |   |   |   |   |   |   |   |   |   |    |    |    |    |    |    |     |
| SRESET | 0000_0000_0000_0000   |   |   |   |   |   |   |   |   |   |   |    |    |    |    |    |    |     |
| Addr   | 0x30 708A (TIMER_A); 0x30 748A (TIMER_B); 0x30 788A (TIMER_C) |   |   |   |   |   |   |   |   |   |   |    |    |    |    |    |    |     |

**Figure 16-15. Free Running Timer Register (TIMER)**

**Table 16-19. TIMER Bit Descriptions**

| Bits | Name  | Description  |
|------|-------|--|
| 0:15 | TIMER | <p>The free running timer counter can be read and written by the CPU. The timer starts from zero after reset, counts linearly to 0xFFFF, and wraps around.</p> <p>The timer is clocked by the TouCAN bit-clock. During a message, it increments by one for each bit that is received or transmitted. When there is no message on the bus, it increments at the nominal bit rate.</p> <p>The timer value is captured at the beginning of the identifier field of any frame on the CAN bus. The captured value is written into the “time stamp” entry in a message buffer after a successful reception or transmission of a message.</p> |

## 16.7.9 Receive Global Mask Registers (RXGMSKHI, RXGMSKLO)

|        |   |     |     |     |     |     |     |     |     |     |     |     |     |     |     |     |     |   |     |
|--------|---|-----|-----|-----|-----|-----|-----|-----|-----|-----|-----|-----|-----|-----|-----|-----|-----|---|-----|
|        | MSB   | 0   | 1   | 2   | 3   | 4   | 5   | 6   | 7   | 8   | 9   | 10  | 11  | 12  | 13  | 14  | 15  |   |     |
| Field  | MID   | MID | MID | MID | MID | MID | MID | MID | MID | MID | MID | MID | 0   | 1   | MID | MID | MID |   |     |
|        | 28  | 27  | 26  | 25  | 24  | 23  | 22  | 21  | 20  | 19  | 18  |     |     |     | 17  | 16  | 15  |   |     |
| SRESET | 1   | 1   | 1   | 1   | 1   | 1   | 1   | 1   | 1   | 1   | 1   | 1   | 0   | 1   | 1   | 1   | 1   |   |     |
| Addr   | 0x30 7090 (RxGMSKHI_A); 0x30 7490 (RxGMSKHI_B); 0x30 7890 (RxGMSKHI_C);<br>0x30 7092 (RxGMSKLO_A); 0x30 7492 (RxGMSKLO_B); 0x30 7892 (RxGMSKLO_C) |     |     |     |     |     |     |     |     |     |     |     |     |     |     |     |     |   |     |
|        |   |     |     |     |     |     |     |     |     |     |     |     |     |     |     |     |     |   | LSB |
| Field  | MID   | MID | MID | MID | MID | MID | MID | MID | MID | MID | MID | MID | MID | MID | MID | MID | MID | 0 |     |
|        | 14  | 13  | 12  | 11  | 10  | 9   | 8   | 7   | 6   | 5   | 4   | 3   | 2   | 1   | 0   |     |     |   |     |
| SRESET | 1   | 1   | 1   | 1   | 1   | 1   | 1   | 1   | 1   | 1   | 1   | 1   | 1   | 1   | 1   | 1   | 0   |   |     |

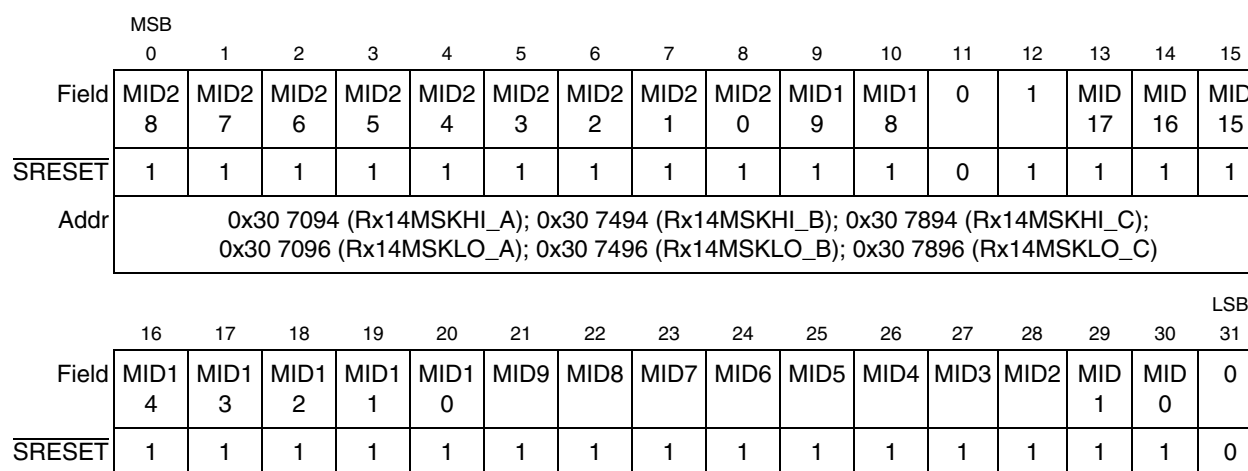
**Figure 16-16. Receive Global Mask Register: High (RXGMSKHI), Low (RXGMSKLO)**

**Table 16-20. RXGMSKHI, RXGMSKLO Bit Descriptions**

| Bits | Name | Description  |
|------|------|--|
| 0:31 | MIDx | <p>The receive global mask registers use four bytes. The mask bits are applied to all receive-identifiers, excluding receive-buffers 14 and 15, which have their own specific mask registers.</p> <p>Base ID mask bits MID[28:18] are used to mask standard or extended format frames. Extended ID bits MID[17:0] are used to mask only extended format frames.</p> <p>The RTR/SRR bit of a received frame is never compared to the corresponding bit in the message buffer ID field. However, remote request frames (RTR = 1) once received, are never stored into the message buffers. RTR mask bit locations in the mask registers (bits 11 and 31) are always zero, regardless of any write to these bits.</p> <p>The IDE bit of a received frame is always compared to determine if the message contains a standard or extended identifier. Its location in the mask registers (bit 12) is always one, regardless of any write to this bit.</p> |

### 16.7.10 Receive Buffer 14 Mask Registers (RX14MSKHI, RX14MSKLO)

The receive buffer 14 mask registers have the same structure as the receive global mask registers and are used to mask buffer 14.



**Figure 16-17. Receive Buffer 14 Mask Registers: High (RX14MSKHI), Low (RX14MSKLO)**

**Table 16-21. RX14MSKHI, RX14MSKLO Field Descriptions**

| Bits | Name | Description   |
|------|------|---|
| 0:31 | MIDx | <p>The receive buffer 14 mask registers use 4 bytes.</p> <p>Base ID mask bits MID[28:18] are used to mask standard or extended format frames. Extended ID bits MID[17:0] are used to mask only extended format frames.</p> <p>The RTR/SRR bit of a received frame is never compared to the corresponding bit in the message buffer ID field. However, remote request frames (RTR = 1) once received, are never stored into the message buffers. RTR mask bit locations in the mask registers (bits 11 and 31) are always zero, regardless of any write to these bits.</p> <p>The IDE bit of a received frame is always compared to determine if the message contains a standard or extended identifier. Its location in the mask registers (bit 12) is always one, regardless of any write to this bit.</p> |

## 16.7.11 Receive Buffer 15 Mask Registers (RX15MSKHI, RX15MSKLO)

The receive buffer 15 mask registers have the same structure as the receive global mask registers and are used to mask buffer 15.

|                            |  | MSB   |     |     |     |     |     |     |     |     |     |     |     |     |     |     |     |  |  |
|----------------------------|--|---|-----|-----|-----|-----|-----|-----|-----|-----|-----|-----|-----|-----|-----|-----|-----|--|--|
|                            |  | 0   | 1   | 2   | 3   | 4   | 5   | 6   | 7   | 8   | 9   | 10  | 11  | 12  | 13  | 14  | 15  |  |  |
| Field                      |  | MID   | MID | MID | MID | MID | MID | MID | MID | MID | MID | 0   | 1   | MID | MID | MID |     |  |  |
|                            |  | 28  | 27  | 26  | 25  | 24  | 23  | 22  | 21  | 20  | 19  | 18  |     | 17  | 16  | 15  |     |  |  |
| $\overline{\text{SRESET}}$ |  | 1   | 1   | 1   | 1   | 1   | 1   | 1   | 1   | 1   | 1   | 0   | 1   | 1   | 1   | 1   |     |  |  |
| Addr                       |  | 0x30 7098 (Rx15MSKHI_A); 0x30 7498 (Rx15MSKHI_B); 0x30 7898 (Rx14MSKHI_C);<br>0x30 709A (Rx14MSKLO_A); 0x30 749A (Rx14MSKLO_B); 0x30 789A (Rx14MSKLO_C) |     |     |     |     |     |     |     |     |     |     |     |     |     |     |     |  |  |
|                            |  |   |     |     |     |     |     |     |     |     |     |     |     |     |     |     | LSB |  |  |
|                            |  | 16  | 17  | 18  | 19  | 20  | 21  | 22  | 23  | 24  | 25  | 26  | 27  | 28  | 29  | 30  | 31  |  |  |
| Field                      |  | MID   | MID | MID | MID | MID | MID | MID | MID | MID | MID | MID | MID | MID | MID | 0   |     |  |  |
|                            |  | 14  | 13  | 12  | 11  | 10  | 9   | 8   | 7   | 6   | 5   | 4   | 3   | 2   | 1   | 0   |     |  |  |
| $\overline{\text{SRESET}}$ |  | 1   | 1   | 1   | 1   | 1   | 1   | 1   | 1   | 1   | 1   | 1   | 1   | 1   | 1   | 0   |     |  |  |

Figure 16-18. Receive Buffer 15 Mask Registers: High (RX15MSKHI), Low (RX15MSKLO)

Table 16-22. RX15MSKHI, RX15MSKLO Field Descriptions

| Bits | Name | Description   |
|------|------|---|
| 0:31 | MIDx | <p>The receive buffer 14 mask registers use 4 bytes.<br/>Base ID mask bits MID[28:18] are used to mask standard or extended format frames.<br/>Extended ID bits MID[17:0] are used to mask only extended format frames.<br/>The RTR/SRR bit of a received frame is never compared to the corresponding bit in the message buffer ID field. However, remote request frames (RTR = 1) once received, are never stored into the message buffers. RTR mask bit locations in the mask registers (bits 11 and 31) are always zero, regardless of any write to these bits.</p> <p>The IDE bit of a received frame is always compared to determine if the message contains a standard or extended identifier. Its location in the mask registers (bit 12) is always one, regardless of any write to this bit.</p> |

## 16.7.12 Error and Status Register (ESTAT)

|                            |  | MSB   |            |            |             |              |            |            |      |       |     |    |             |            |             | LSB |    |
|----------------------------|--|---|------------|------------|-------------|--------------|------------|------------|------|-------|-----|----|-------------|------------|-------------|-----|----|
|                            |  | 0   | 1          | 2          | 3           | 4            | 5          | 6          | 7    | 8     | 9   | 10 | 11          | 12         | 13          | 14  | 15 |
| Field                      |  | BIT<br>ERR  | ACK<br>ERR | CRC<br>ERR | FORM<br>ERR | STUFF<br>ERR | TX<br>WARN | RX<br>WARN | IDLE | TX/RX | FCS | —  | BOFF<br>INT | ERR<br>INT | WAKE<br>INT |     |    |
| $\overline{\text{SRESET}}$ |  | 0000_0000_0000_0000   |            |            |             |              |            |            |      |       |     |    |             |            |             |     |    |
| Addr                       |  | 0x30 70A0 (ESTAT_A); 0x30 74A0 (ESTAT_B); 0x30 78A0 (ESTAT_C) |            |            |             |              |            |            |      |       |     |    |             |            |             |     |    |

Figure 16-19. Error and Status Register (ESTAT)

This register reflects various error conditions, general status, and has the enable bits for three of the TouCAN interrupt sources. The reported error conditions are those which have occurred since the last time the register was read. A read clears these bits to zero.

**Table 16-23. ESTAT Bit Descriptions**

| Bits  | Name     | Description  |
|-------|----------|--|
| 0:1   | BITERR   | Transmit bit error. The BITERR[1:0] field is used to indicate when a transmit bit error occurs. Refer to <a href="#">Table 16-24</a> .<br>NOTE: The transmit bit error field is not modified during the arbitration field or the ACK slot bit time of a message, or by a transmitter that detects dominant bits while sending a passive error frame.   |
| 2     | ACKERR   | Acknowledge error. The ACKERR bit indicates whether an acknowledgment has been correctly received for a transmitted message.<br>0 No ACK error was detected since the last read of this register<br>1 An ACK error was detected since the last read of this register   |
| 3     | CRCERR   | Cyclic redundancy check error. The CRCERR bit indicates whether or not the CRC of the last transmitted or received message was valid.<br>0 No CRC error was detected since the last read of this register<br>1 A CRC error was detected since the last read of this register   |
| 4     | FORMERR  | Message format error. The FORMERR bit indicates whether or not the message format of the last transmitted or received message was correct.<br>0 No format error was detected since the last read of this register<br>1 A format error was detected since the last read of this register  |
| 5     | STUFFERR | Bit stuff error. The STUFFERR bit indicates whether or not the bit stuffing that occurred in the last transmitted or received message was correct.<br>0 No bit stuffing error was detected since the last read of this register<br>1 A bit stuffing error was detected since the last read of this register  |
| 6     | TXWARN   | Transmit error status flag. The TXWARN status flag reflects the status of the TouCAN transmit error counter.<br>0 Transmit error counter < 96<br>1 Transmit error counter ≥ 96   |
| 7     | RXWARN   | Receiver error status flag. The RXWARN status flag reflects the status of the TouCAN receive error counter.<br>0 Receive error counter < 96<br>1 Receive error counter ≥ 96  |
| 8     | IDLE     | Idle status. The IDLE bit indicates when there is activity on the CAN bus.<br>0 The CAN bus is not idle<br>1 The CAN bus is idle   |
| 9     | TX/RX    | Transmit/receive status. The TX/RX bit indicates when the TouCAN module is transmitting or receiving a message. TX/RX has no meaning when IDLE = 1.<br>0 The TouCAN is receiving a message if IDLE = 0<br>1 The TouCAN is transmitting a message if IDLE = 0   |
| 10:11 | FCS      | Fault confinement state. The FCS[1:0] field describes the state of the TouCAN. Refer to <a href="#">Table 16-25</a> .<br>If the SOFTRST bit in CANMCR is asserted while the TouCAN is in the bus off state, the error and status register is reset, including FCS[1:0]. However, as soon as the TouCAN exits reset, FCS[1:0] bits will again reflect the bus off state. Refer to <a href="#">Section 16.3.4, “Error Counters”</a> for more information on entry into and exit from the various fault confinement states. |
| 12    | —        | Reserved   |



**Table 16-23. ESTAT Bit Descriptions (continued)**

| Bits | Name    | Description   |
|------|---------|---|
| 13   | BOFFINT | Bus off interrupt. The BOFFINT bit is used to request an interrupt when the TouCAN enters the bus off state.<br>0 No bus off interrupt requested<br>1 When the TouCAN state changes to bus off, this bit is set, and if the BOFFMSK bit in CANCTRL0 is set, an interrupt request is generated. This interrupt is not requested after reset.   |
| 14   | ERRINT  | Error Interrupt. The ERRINT bit is used to request an interrupt when the TouCAN detects a transmit or receive error.<br>0 No error interrupt request<br>1 If an event which causes one of the error bits in the error and status register to be set occurs, the error interrupt bit is set. If the ERRMSK bit in CANCTRL0 is set, an interrupt request is generated.<br>To clear this bit, first read it as a one, then write as a zero. Writing a one has no effect. |
| 15   | WAKEINT | Wake interrupt. The WAKEINT bit indicates that bus activity has been detected while the TouCAN module is in low-power stop mode.<br>0 No wake interrupt requested<br>1 When the TouCAN is in low-power stop mode and a recessive to dominant transition is detected on the CAN bus, this bit is set. If the WAKEMSK bit is set in CANMCR, an interrupt request is generated.  |

**Table 16-24. Transmit Bit Error Status**

| BITERR[1:0] | Bit Error Status  |
|-------------|---|
| 00          | No transmit bit error                                       |
| 01          | At least one bit sent as dominant was received as recessive |
| 10          | At least one bit sent as recessive was received as dominant |
| 11          | Not used  |

**Table 16-25. Fault Confinement State Encoding**

| FCS[1:0] | Bus State     |
|----------|---------------|
| 00       | Error active  |
| 01       | Error passive |
| 1X       | Bus off       |

### 16.7.13 Interrupt Mask Register (IMASK)

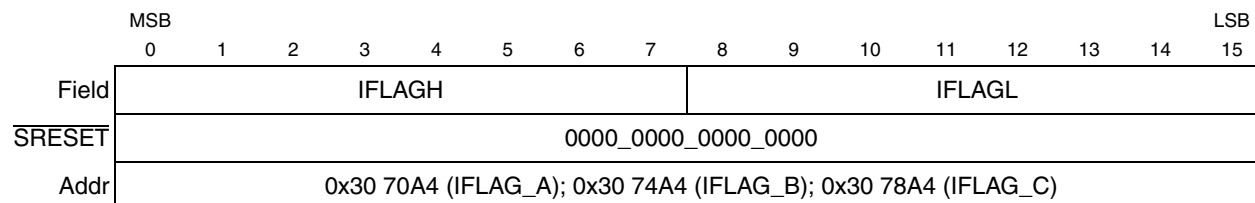
|        | MSB   | 0 | 1 | 2 | 3 | 4 | 5 | 6      | 7 | 8 | 9 | 10 | 11 | 12 | 13 | 14 | 15 | LSB |
|--------|---|---|---|---|---|---|---|--------|---|---|---|----|----|----|----|----|----|-----|
| Field  | IMASKH  |   |   |   |   |   |   | IMASKL |   |   |   |    |    |    |    |    |    |     |
| SRESET | 0000_0000_0000_0000   |   |   |   |   |   |   |        |   |   |   |    |    |    |    |    |    |     |
| Addr   | 0x30 70A2 (IMASK_A); 0x30 74A2 (IMASK_B); 0x30 78A2 (IMASK_C) |   |   |   |   |   |   |        |   |   |   |    |    |    |    |    |    |     |

**Figure 16-20. Interrupt Mask Register (IMASK)**

**Table 16-26. IMASK Bit Descriptions**

| Bits      | Name           | Description  |
|-----------|----------------|--|
| 0:7, 8:15 | IMASKH, IMASKL | IMASK contains two 8-bit fields, IMASKH and IMASKL. IMASK can be accessed with a 16-bit read or write, and IMASKH and IMASKL can be accessed with byte reads or writes. IMASK contains one interrupt mask bit per buffer. It allows the CPU to designate which buffers will generate interrupts after successful transmission/reception. Setting a bit in IMASK enables interrupt requests for the corresponding message buffer. |

### 16.7.14 Interrupt Flag Register (IFLAG)

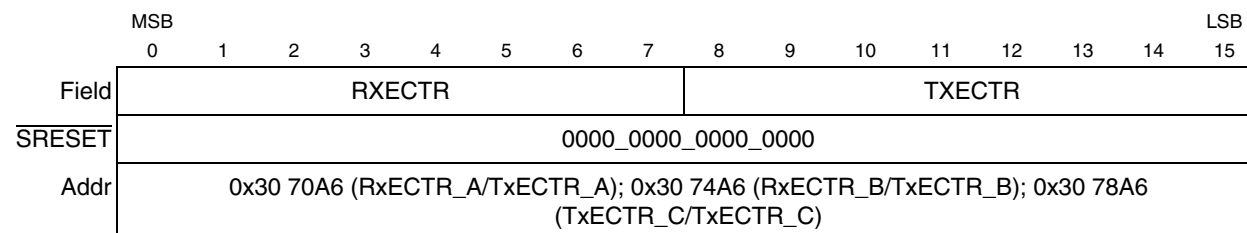


**Figure 16-21. Interrupt Flag Register (IFLAG)**

**Table 16-27. IFLAG Bit Descriptions**

| Bits      | Name           | Description  |
|-----------|----------------|--|
| 0:7, 8:15 | IFLAGH, IFLAGL | IFLAG contains two 8-bit fields, IFLAGH and IFLAGL. IFLAG can be accessed with a 16-bit read or write, and IFLAGH and IFLAGL can be accessed with byte reads or writes. IFLAG contains one interrupt flag bit per buffer. Each successful transmission/reception sets the corresponding IFLAG bit and, if the corresponding IMASK bit is set, an interrupt request will be generated. To clear an interrupt flag, first read the flag as a one, and then write it as a zero. Should a new flag setting event occur between the time that the CPU reads the flag as a one and writes the flag as a zero, the flag is not cleared. This register can be written to zeros only. |

### 16.7.15 Error Counters (RXECTR, TXECTR)



**Figure 16-22. Receive Error Counter (RXECTR), Transmit Error Counter (TXECTR)**

**Table 16-28. RXECTR, TXECTR Bit Descriptions**

| Bits      | Name           | Description   |
|-----------|----------------|---|
| 0:7, 8:15 | RXECTR, TXECTR | Both counters are read only, except when the TouCAN is in test or debug mode. |

## Chapter 17

# Modular Input/Output Subsystem (MIOS14)

The modular I/O system (MIOS) consists of a library of flexible I/O and timer functions including I/O port, counters, input capture, output compare, pulse and period measurement, and PWM. Because the MIOS14 is composed of submodules, it is easily configurable for different kinds of applications.

The MIOS14 is composed of the following submodules:

- One MIOS14 bus interface submodule (MBISM)
- One MIOS14 counter prescaler submodule (MCPSM)
- Six MIOS14 modulus counter submodules (MMCSM)
- 10 MIOS14 double action submodules (MDASM)
- 12 MIOS14 pulse-width modulation submodules (MPWMSM)
- One MIOS14 16-bit parallel port I/O submodule (MPIOISM)
- Two interrupt request submodules (MIRSM)
- Real-time clock (MRTCSM)

### 17.1 Block Diagram

[Figure 17-1](#) is a block diagram of the MIOS14.

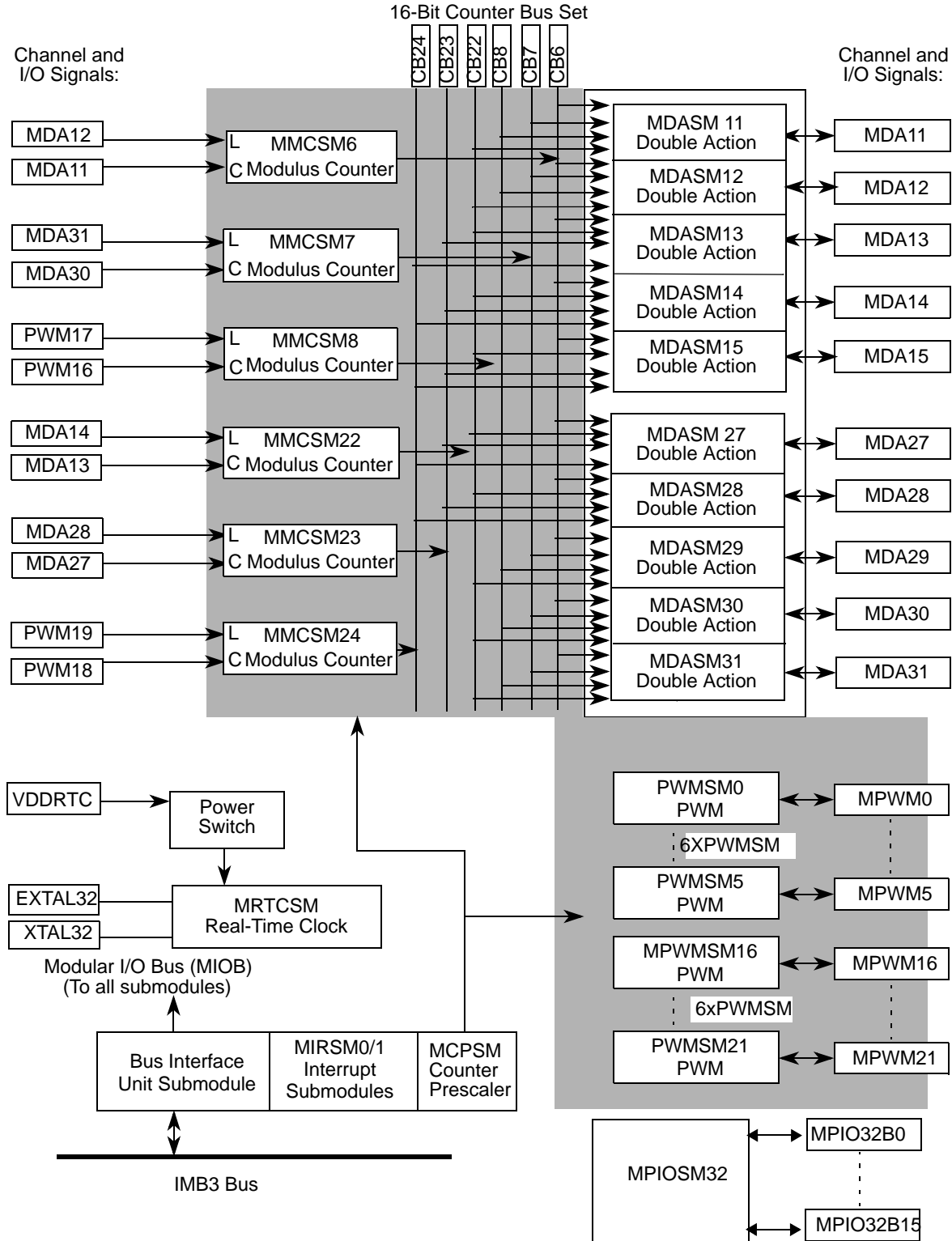


Figure 17-1. MPC565 MIOS14 Block Diagram

## 17.2 MIOS14 Key Features

The basic features of the MIOS14 are as follows:

- Modular architecture at the silicon implementation level
- Disable capability in each submodule to allow power saving when its function is not needed
- Six 16-bit counter buses to allow action submodules to use counter data
- When not used for timing functions, every channel signal can be used as a port signal: I/O, output only or input only, depending on the channel function.
- Submodules' signal status bits reflect the status of the signal
- MIOS14 counter prescaler submodule (MCPSM):
  - Centralized counter clock generator
  - Programmable 4-bit modulus down-counter
  - Wide range of possible division ratios: 2 through 16
  - Count inhibit under software control
- MIOS14 modulus counter submodule (MMCSM):
  - Programmable 16-bit modulus up-counter with built-in programmable 8-bit prescaler clocked by MCPSM output.
  - Maximum increment frequency of the counter:
    - Clocked by the internal MCPSM output:  $f_{SYS} / 2$
    - Clocked by the external signal:  $f_{SYS} / 4$
  - Flag setting and possible interrupt generation on overflow of the up-counter
  - Time counter on internal clock with interrupt capability after a pre-determined time
  - Optional signal usable as an external event counter (pulse accumulator) with overflow and interrupt capability after a pre-determined number of external events.
  - Usable as a regular free-running up-counter
  - Capable of driving a dedicated 16-bit counter bus to provide timing information to action submodules (the value driven is the contents of the 16-bit up-counter register)
  - Optional signal to externally force a load to the counter with modulus value
- MIOS14 double action submodule (MDASM):
  - Versatile 16-bit dual action unit allowing two events to occur before software intervention is required
  - Six software selectable modes allowing the MDASM to perform pulse width and period measurements, PWM generation, single input capture and output compare operations as well as port functions
  - Software selection of one of the six possible 16-bit counter buses used for timing operations
  - Flag setting and possible interrupt generation after MDASM action completion
  - Software selection of output pulse polarity
  - Software selection of totem-pole or open-drain output
  - Software readable output signal status

- Possible use of signal as I/O port when MDASM function is not needed
- MIOS14 pulse width modulation submodule (MPWMSM):
  - Output pulse width modulated (PWM) signal generation with no software involvement
  - Built-in 8-bit programmable prescaler clocked by the MCPSM
  - PWM period and pulse width values provided by software:
    - Double-buffered for glitch-free period and pulse width changes
    - Two-cycle minimum output period/pulse-width increment (50 ns @ 40 MHz)
    - 50% duty-cycle output maximum frequency: 10 MHz
    - Up to 16 bits output pulse width resolution
    - Wide range of periods:
      - 16 bits of resolution: period range from 3.27 ms (with 50-ns steps) to 6.71 s (with 102.4  $\mu$ s steps)
      - Eight bits of resolution: period range from 12.8  $\mu$ s (with 50-ns steps) to 26.2 ms (with 102.4- $\mu$ s steps)
    - Wide range of frequencies:
      - Maximum output frequency at  $f_{SYS} = 40$  MHz with 16 bits of resolution and divide-by-2 prescaler selection: 305 Hz (3.27 ms)
      - Minimum output frequency at  $f_{SYS} = 40$  MHz with 16 bits of resolution and divide-by-4096 prescaler selection: 0.15 Hz (6.7 s)
      - Maximum output frequency at  $f_{SYS} = 40$  MHz with eight bits of resolution and divide-by-2 prescaler selection: 78125 Hz (12.8  $\mu$ s)
      - Minimum output frequency at  $f_{SYS} = 40$  MHz with 8 bits of resolution and divide-by-4096 prescaler selection: 38.14 Hz (8.2 ms)
  - Programmable duty cycle from 0% to 100%
  - Possible interrupt generation after every period
  - Software selectable output pulse polarity
  - Software readable output signal status
  - Possible use of signal as I/O port when PWM function is not needed
- MIOS14 16-bit parallel port I/O submodule (MPIOISM):
  - Up to 16 parallel I/O signals per MPIOISM
  - Uses four 16-bit registers in the address space, one for data and one for direction and two reserved
  - Simple data direction register (DDR) concept for selection of signal direction
- One MIOS real-time clock submodule (MRTCSM)
  - Programmable 47-bit free-running ripple counter for minimum power consumption split into a 15-bit prescaler and a 32-bit second counter
  - Buffering of the 47-bit free-running counter to guarantee 32-bit and 47-bit coherent accesses on the 16-bit MIOB bus.

- Possibility of suppressing 15-bit prescaler update
- Software shutdown of the dedicated low power oscillator to maintain battery shelf life
- Flag setting and possible interrupt generation according to eight software selectable rates
- Automatic hardware power supply selection through dedicated power switch
- Customized to use low cost standard 32.768-KHz crystal for internal clocking of the 32-bit counter at 1Hz
- Software accessible precision of  $2^{-15}$  seconds and unique time indication in seconds over a span of 136 years ( $2^{32}$  seconds)

### 17.2.1 Submodule Numbering, Naming, and Addressing

A block is a group of four 16-bit registers. Each of the blocks within the MIOS14 addressing range is assigned a block number. The first block is located at the base address of the MIOS14. The blocks are numbered sequentially starting from 0.

Every submodule instantiation is also assigned a number. The number of a given submodule is the block number of the first block of this submodule.

A submodule is assigned a name made of its acronym followed by its submodule number. For example, if submodule number 18 were an MPWMSM, it would be named MPWMSM18.

This numbering convention does not apply to the MBISM, the MCPSM, and the MIRSMs. The MBISM and the MCPSM are unique in the MIOS14 and do not need a number. The MIRSMs are numbered incrementally starting from zero.

The MIOS14 base address is defined at the chip level and is referred to as the “MIOS14 base address.” The MIOS14 addressable range is four Kbytes.

The base address of a given implemented submodule within the MIOS14 is the sum of the base address of the MIOS14 and the submodule number multiplied by eight. Refer to [Table 17-1](#).

This does not apply to the MBISM, the MCPSM and the MIRSMs. For these submodules, refer to the MIOS14 memory map in [Figure 17-2](#).

### 17.2.2 Signal Naming Convention

In [Figure 17-2](#), MDASM signals have a prefix MDA, MPWMSM signals have a prefix of MPWM and the port signals have a prefix of MPIO. The modulus counter clock and load signals are multiplexed with MDASM signals.

The MIOS14 input and output signal names are composed of five fields according to the following convention:

- “M”
- <submodule short\_prefix>
- <submodule number>
- <signal attribute suffix> (optional)

- <bit number> (optional)

The signal prefix and suffix for the different MIOS14 submodules are as follows:

- **MMCSM:**
  - submodule short\_prefix: “MC”
  - signal attribute suffix: C for the clock signal
  - signal attribute suffix: L for the load signal
  - For example, an MMCSM placed as submodule number *n* would have its corresponding input clock pin named MMCnC and its input load pin named MMCnL. MMC6C is input on MDA11 and MMC22C is input on MDA13. The MMC6L is input on MDA12 and MMC22C is input on MDA14.
- **MDASM:**
  - submodule short\_prefix: “DA”
  - signal attribute suffix: none
  - For example a MDASM placed as submodule number *n* would have its corresponding channel I/O signal named MDAn
- **MPWMSM:**
  - submodule short\_prefix: “PWM”
  - signal attribute suffix: none
  - For example a MPWMSM placed as submodule number *n* would have its corresponding channel I/O signal named MPWMn
- **MPIOSM:**
  - submodule short\_prefix: “PIO”
  - signal attribute suffix: B
  - For example a MPIOSM placed as submodule number *n* would have its corresponding I/O signals named MPIOnB0 to MPIOnB15 for bit-0 to bit-15, respectively.

In the MIOS14, some signals are multiplexed between submodules using the same signal names for the inputs and outputs which are connected as shown in [Table 17-1](#).

### 17.3 MIOS14 Configuration

The complete MIOS14 submodule and signal configuration is shown in [Table 17-1](#).



Table 17-1. MIOS14 Configuration Description

| Sub-Module Type | Block No. | Connected to:    |                  |                  |                  | MIRSM No. | MIRSM Bit Position | Base Address Offset | Signal Function | Input Signal Name | Output Signal Name | Alternate Signal Name |
|-----------------|-----------|------------------|------------------|------------------|------------------|-----------|--------------------|---------------------|-----------------|-------------------|--------------------|-----------------------|
|                 |           | CBA              | CBB              | CBC              | CBD              |           |                    |                     |                 |                   |                    |                       |
|                 |           | BSL0=0<br>BSL1=0 | BSL0=1<br>BSL1=0 | BSL0=0<br>BSL1=1 | BSL0=1<br>BSL1=1 |           |                    |                     |                 |                   |                    |                       |
| PWMSM           | 0         |                  |                  |                  |                  | 0         | 0                  | 0x30<br>6000        | PWM, I/O        | MPWM0             | MPWM0              |                       |
| PWMSM           | 1         |                  |                  |                  |                  | 0         | 1                  | 0x30<br>6008        | PWM, I/O        | MPWM1             | MPWM1              |                       |
| PWMSM           | 2         |                  |                  |                  |                  | 0         | 2                  | 0x30<br>6010        | PWM, I/O        | MPWM2             | MPWM2              |                       |
| PWMSM           | 3         |                  |                  |                  |                  | 0         | 3                  | 0x30<br>6018        | PWM, I/O        | MPWM3             | MPWM3              |                       |
| PWMSM           | 4         |                  |                  |                  |                  | 0         | 4                  | 0x30<br>6020        | PWM, I/O        | MPWM4             | MPWM4              |                       |
| PWMSM           | 5         |                  |                  |                  |                  | 0         | 5                  | 0x30<br>6028        | PWM, I/O        | MPWM5             | MPWM5              |                       |
| MMCSM           | 6         | CB6              |                  |                  |                  | 0         | 6                  | 0x30<br>6030        | Clock In        | MDA11             |                    |                       |
|                 |           |                  |                  |                  |                  |           |                    |                     | Load In         | MDA12             |                    |                       |
| MMCSM           | 7         |                  |                  | CB7              |                  | 0         | 7                  | 0x30<br>6038        | Clock In        | MDA30             |                    |                       |
|                 |           |                  |                  |                  |                  |           |                    |                     | Load In         | MDA31             |                    |                       |
| MMCSM           | 8         |                  |                  |                  | CB8              | 0         | 8                  | 0x30<br>6040        | Clock In        | MPWM<br>16        |                    |                       |
|                 |           |                  |                  |                  |                  |           |                    |                     | Load In         | MPWM<br>17        |                    |                       |
| Reserved        | 9         |                  |                  |                  |                  |           |                    |                     |                 |                   |                    |                       |
| RTCSM           | 10        |                  |                  |                  |                  | 0         | 10                 | 0x30<br>6050        | Osc.<br>Input   | EXTAL32           |                    |                       |
|                 |           |                  |                  |                  |                  |           |                    |                     | Osc.<br>Output  | XTAL32            |                    |                       |
|                 |           |                  |                  |                  |                  |           |                    |                     | Power<br>Supply | VRTC              |                    |                       |
| MDASM           | 11        | CB6              | CB22             | CB7              | CB8              | 0         | 11                 | 0x30<br>6058        | Channel<br>I/O  | MDA11             | MDA11              |                       |
| MDASM           | 12        | CB6              | CB22             | CB7              | CB8              | 0         | 12                 | 0x30<br>6060        | Channel<br>I/O  | MDA12             | MDA12              |                       |
| MDASM           | 13        | CB6              | CB22             | CB23             | CB24             | 0         | 13                 | 0x30<br>6068        | Channel<br>I/O  | MDA13             | MDA13              |                       |
| MDASM           | 14        | CB6              | CB22             | CB23             | CB24             | 0         | 14                 | 0x30<br>6070        | Channel<br>I/O  | MDA14             | MDA14              |                       |
| MDASM           | 15        | CB6              | CB22             | CB23             | CB24             | 0         | 15                 | 0x30<br>6078        | Channel<br>I/O  | MDA15             | MDA15              |                       |

Table 17-1. MIOS14 Configuration Description (continued)

| Sub-Module Type | Block No. | Connected to:    |                  |                  |                  | MIRSM No. | MIRSM Bit Position | Base Address Offset | Signal Function | Input Signal Name | Output Signal Name | Alternate Signal Name |
|-----------------|-----------|------------------|------------------|------------------|------------------|-----------|--------------------|---------------------|-----------------|-------------------|--------------------|-----------------------|
|                 |           | CBA              | CBB              | CBC              | CBD              |           |                    |                     |                 |                   |                    |                       |
|                 |           | BSL0=0<br>BSL1=0 | BSL0=1<br>BSL1=0 | BSL0=0<br>BSL1=1 | BSL0=1<br>BSL1=1 |           |                    |                     |                 |                   |                    |                       |
| PWMSM           | 16        |                  |                  |                  |                  | 1         | 0                  | 0x30<br>6080        | PWM, I/O        | MPWM<br>16        | MPWM<br>16         |                       |
| PWMSM           | 17        |                  |                  |                  |                  | 1         | 1                  | 0x30<br>6088        | PWM, I/O        | MPWM<br>17        | MPWM<br>17         |                       |
| PWMSM           | 18        |                  |                  |                  |                  | 1         | 2                  | 0x30<br>6090        | PWM, I/O        | MPWM<br>18        | MPWM<br>18         |                       |
| PWMSM           | 19        |                  |                  |                  |                  | 1         | 3                  | 0x30<br>6098        | PWM, I/O        | MPWM<br>19        | MPWM<br>19         |                       |
| PWMSM           | 20        |                  |                  |                  |                  | 1         | 4                  | 0x30<br>60A0        | PWM, I/O        | MPWM<br>20        | MPWM<br>20         |                       |
| PWMSM           | 21        |                  |                  |                  |                  | 1         | 5                  | 0x30<br>60A8        | PWM, I/O        | MPWM<br>21        | MPWM<br>21         |                       |
| MMCSM           | 22        |                  | CB22             |                  |                  | 1         | 6                  | 0x30<br>60B0        | Clock In        | MDA13             |                    |                       |
|                 |           |                  |                  |                  |                  |           |                    |                     | Load In         | MDA14             |                    |                       |
| MMCSM           | 23        |                  |                  | CB23             |                  | 1         | 7                  | 0x30<br>60B8        | Clock In        | MDA27             |                    |                       |
|                 |           |                  |                  |                  |                  |           |                    |                     | Load In         | MDA28             |                    |                       |
| MMCSM           | 24        |                  |                  |                  | CB24             | 1         | 8                  | 0x30<br>60C0        | Clock In        | MPWM<br>18        |                    |                       |
|                 |           |                  |                  |                  |                  |           |                    |                     | Load In         | MPWM<br>19        |                    |                       |
| Reserved        | 25-26     |                  |                  |                  |                  |           |                    |                     |                 |                   |                    |                       |
| MDASM           | 27        | CB6              | CB22             | CB23             | CB24             | 1         | 11                 | 0x30<br>60D8        | Channel I/O     | MDA27             | MDA27              |                       |
| MDASM           | 28        | CB6              | CB22             | CB23             | CB24             | 1         | 12                 | 0x30<br>60E0        | Channel I/O     | MDA28             | MDA28              |                       |
| MDASM           | 29        | CB6              | CB22             | CB7              | CB8              | 1         | 13                 | 0x30<br>60E8        | Channel I/O     | MDA29             | MDA29              |                       |
| MDASM           | 30        | CB6              | CB22             | CB7              | CB8              | 1         | 14                 | 0x30<br>60F0        | Channel I/O     | MDA30             | MDA30              |                       |
| MDASM           | 31        | CB6              | CB22             | CB7              | CB8              | 1         | 15                 | 0x30<br>60F8        | Channel I/O     | MDA31             | MDA31              |                       |
| MPIOISM         | 32        |                  |                  |                  |                  |           |                    | 0x30<br>6100        | GPIO            | MPIO32 B0         | MPIO32B0           | VF0                   |
|                 |           |                  |                  |                  |                  |           |                    |                     | GPIO            | MPIO32 B1         | MPIO32B1           | VF1                   |
|                 |           |                  |                  |                  |                  |           |                    |                     | GPIO            | MPIO32 B2         | MPIO32B2           | VF2                   |

Table 17-1. MIOS14 Configuration Description (continued)

| Sub-Module Type | Block No. | Connected to:    |                  |                  |                  | MIRSM No. | MIRSM Bit Position | Base Address Offset | Signal Function | Input Signal Name | Output Signal Name | Alternate Signal Name |
|-----------------|-----------|------------------|------------------|------------------|------------------|-----------|--------------------|---------------------|-----------------|-------------------|--------------------|-----------------------|
|                 |           | CBA              | CBB              | CBC              | CBD              |           |                    |                     |                 |                   |                    |                       |
|                 |           | BSL0=0<br>BSL1=0 | BSL0=1<br>BSL1=0 | BSL0=0<br>BSL1=1 | BSL0=1<br>BSL1=1 |           |                    |                     |                 |                   |                    |                       |
|                 |           |                  |                  |                  |                  |           |                    | GPIO                | MPIO32 B3       | MPIO32B3          | VFLS0              |                       |
|                 |           |                  |                  |                  |                  |           |                    | GPIO                | MPIO32 B4       | MPIO32B4          | VFLS1              |                       |
|                 |           |                  |                  |                  |                  |           |                    | GPIO                | MPIO32 B5       | MPIO32B5          | MPWM4              |                       |
|                 |           |                  |                  |                  |                  |           |                    | GPIO                | MPIO32 B6       | MPIO32B6          | MPWM5              |                       |
|                 |           |                  |                  |                  |                  |           |                    | GPIO                | MPIO32 B7       | MPIO32B7          | MDO7               |                       |
|                 |           |                  |                  |                  |                  |           |                    | GPIO                | MPIO32 B8       | MPIO32B8          | MDO6               |                       |
|                 |           |                  |                  |                  |                  |           |                    | GPIO                | MPIO32 B9       | MPIO32B9          | MDO5               |                       |
|                 |           |                  |                  |                  |                  |           |                    | GPIO                | MPIO32 B10      | MPIO32B10         | MDO4               |                       |
|                 |           |                  |                  |                  |                  |           |                    | GPIO                | MPIO32 B11      | MPIO32B11         | MPWM 20            |                       |
|                 |           |                  |                  |                  |                  |           |                    | GPIO                | MPIO32 B12      | MPIO32B12         | MPWM 21            |                       |
|                 |           |                  |                  |                  |                  |           |                    | GPIO                | MPIO32 B13      | MPIO32B13         | C_CNTX0            |                       |
|                 |           |                  |                  |                  |                  |           |                    | GPIO                | MPIO32 B14      | MPIO32B14         | C_CNRX0            |                       |
|                 |           |                  |                  |                  |                  |           |                    | GPIO                | MPIO32 B15      | MPIO32B15         |                    |                       |
| Reserved        | 33-255    |                  |                  |                  |                  |           |                    |                     |                 |                   |                    |                       |
| MBISM           | 256       |                  |                  |                  |                  |           | 0x30<br>6800       |                     |                 |                   |                    |                       |
| Reserved        | 257       |                  |                  |                  |                  |           |                    |                     |                 |                   |                    |                       |
| MCPSM           | 258       |                  |                  |                  |                  |           | 0x30<br>6810       |                     |                 |                   |                    |                       |
| Reserved        | 259-383   |                  |                  |                  |                  |           |                    |                     |                 |                   |                    |                       |
| MIRSM0          | 384-391   |                  |                  |                  |                  |           | 0x30<br>6C00       |                     |                 |                   |                    |                       |
| MIRSM1          | 392-399   |                  |                  |                  |                  |           | 0x30<br>6C40       |                     |                 |                   |                    |                       |
| Reserved        | 400-511   |                  |                  |                  |                  |           |                    |                     |                 |                   |                    |                       |

### 17.3.1 MIOS14 Signals

The MIOS14 requires 37 signals: 3 RTC signals, 10 MDASM signals, 8 dedicated MPWMSM signals, 12 dedicated MPIOISM signals and 4 signals are shared between the MPWMSM and MPIOISM. The required

signal function on shared signals is chosen using the PDMCR2 register in the USIU. The usage of all MIOS14 signals is shown in the block diagram of [Figure 17-1](#) and in the configuration description of [Table 17-1](#).

### 17.3.2 MIOS14 Bus System

The internal bus system within the MIOS14 is called the modular I/O bus (MIOB). The MIOB makes communications possible between any submodule and the IMB3 bus master through the MBISM.

The MIOB is divided into three dedicated buses:

- The read/write and control bus
- The request bus
- The counter bus set

### 17.3.3 Read/Write and Control Bus

The read/write and control bus (RWCB) allows read and write data transfers to and from any I/O submodule through the MBISM. It includes signals for data and addresses as well as control signals. The control signals allow 16-bit simple synchronous single master accesses and supports fast or slow master accesses.

### 17.3.4 Request Bus

The request bus (RQB) provides interrupt request signals along with I/O submodule identification and priority information to the MBISM.

#### NOTE

Some submodules do not generate interrupts and are therefore independent of the RQB.

### 17.3.5 Counter Bus Set

The 16-bit counter bus set (CBS) is a set of six 16-bit counter buses. The CBS makes it possible to transfer information between submodules. Typically, counter submodules drive the CBS, while action submodules process the data on these buses. Note, however, that some submodules are self-contained and therefore independent of the counter bus set.

## 17.4 MIOS14 Programming Model

The address space of the MIOS14 consist of 4 Kbytes starting at the base address of the module (0x306000). The overall address map organization is shown in [Figure 17-2](#).

All MIOS14 unimplemented locations within the addressable range, return a logic 0 when accessed. In addition, the internal TEA (transfer error acknowledge) signal is asserted.

All unused bits within MIOS14 registers return a 0 when accessed.

## 17.4.1 Bus Error Support

A bus error signal is generated when access to an unimplemented or reserved 16-bit register is attempted, or when a privilege violation occurs. A bus error is generated under any of the following conditions:

- Attempted access to unimplemented 16-bit registers within the decoded register block boundary.
- Attempted user access to supervisor registers
- Attempted access to test registers when not in test mode
- Attempted write to read-only registers

## 17.4.2 Wait States

The MIOS14 does not generate wait states.

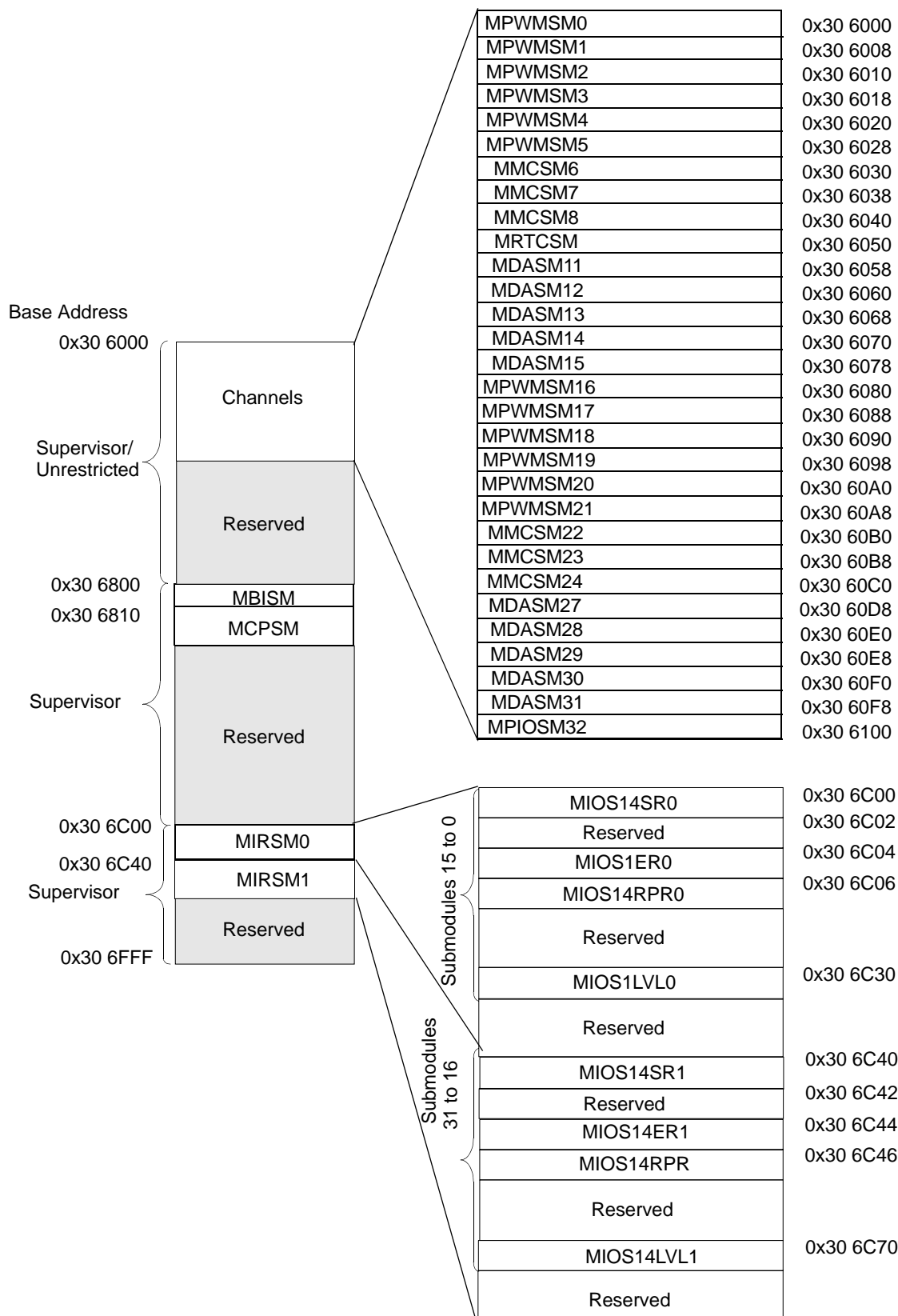


Figure 17-2. MIOS14 Memory Map

If a supervisor privilege address space is accessed in user mode, the module returns a bus error.

## 17.5 MIOS14 I/O Ports

Each signal of each submodule can be used as an input, output, or I/O port:

**Table 17-2. MIOS14 I/O Ports**

| Submodule | Number of Pins per Module | Type |
|-----------|---------------------------|------|
| MPIOSM    | 16                        | I/O  |
| MMCSM     | 2                         | I    |
| MDASM     | 1                         | I/O  |
| MPWMSM    | 1                         | I/O  |

## 17.6 MIOS14 Bus Interface Submodule (MBISM)

The MIOS14 bus interface submodule (MBISM) is used as an interface between the MIOB (modular I/O bus) and the IMB3. It allows the CPU to communicate with the MIOS14 submodules.

### 17.6.1 MIOS14 Bus Interface (MBISM) Registers

Table 17-3 is the address map for the MBISM submodule.

|           | MSB  |   | LSB |   |   |   |   |   |   |   |    |    |    |    |    |    |
|-----------|--|---|-----|---|---|---|---|---|---|---|----|----|----|----|----|----|
|           | 0  | 1 | 2   | 3 | 4 | 5 | 6 | 7 | 8 | 9 | 10 | 11 | 12 | 13 | 14 | 15 |
| 0x30 6800 | MIOS14 Test and Signal Control Register (MIOS14TPCR) |   |     |   |   |   |   |   |   |   |    |    |    |    |    |    |
| 0x30 6802 | MIOS14 Vector Register (MIOS14VECT) -Reserved        |   |     |   |   |   |   |   |   |   |    |    |    |    |    |    |
| 0x30 6804 | MIOS14 Module-Version Number Register (MIOS14VNR)    |   |     |   |   |   |   |   |   |   |    |    |    |    |    |    |
| 0x30 6806 | MIOS14 Module Control Register (MIOS14MCR)           |   |     |   |   |   |   |   |   |   |    |    |    |    |    |    |
| 0x30 6808 | Reserved   |   |     |   |   |   |   |   |   |   |    |    |    |    |    |    |
| 0x30 680A | Reserved   |   |     |   |   |   |   |   |   |   |    |    |    |    |    |    |
| 0x30 680C | Reserved   |   |     |   |   |   |   |   |   |   |    |    |    |    |    |    |
| 0x30 680E | Reserved   |   |     |   |   |   |   |   |   |   |    |    |    |    |    |    |

**Figure 17-3. MBISM Registers**

#### 17.6.1.1 MIOS14 Test and Signal Control Register (MIOS14TPCR)

This register is used for MIOS14 factory testing and to specify the signal usage. Note that this register does not control the signal multiplexing of the MIOS GPIO signals that are shared with the READI MDO function (MDO4/MPIO32B10, MDO5/MPIO32B9, MDO6/MPIO32B8, MDO7/MPIO32B7). These signals are controlled by the READI module.

|        |                     |   |   |   |   |   |   |           |     |   |      |    |      |    |    |     |  |
|--------|---------------------|---|---|---|---|---|---|-----------|-----|---|------|----|------|----|----|-----|--|
|        | MSB                 |   |   |   |   |   |   |           |     |   |      |    |      |    |    | LSB |  |
|        | 0                   | 1 | 2 | 3 | 4 | 5 | 6 | 7         | 8   | 9 | 10   | 11 | 12   | 13 | 14 | 15  |  |
| Field  | TEST                | — |   |   |   |   |   | VMUX[7:5] | PWM | — | CCAN | VF | VFLS |    |    |     |  |
| SRESET | 0000_0000_0000_0000 |   |   |   |   |   |   |           |     |   |      |    |      |    |    |     |  |
| Addr   | 0x30 6800           |   |   |   |   |   |   |           |     |   |      |    |      |    |    |     |  |

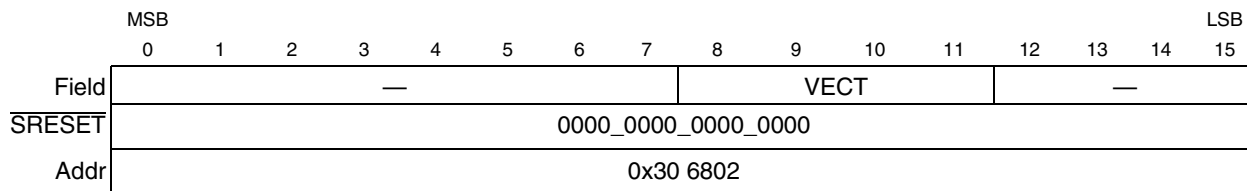
**Figure 17-4. Test and Signal Control Register (MIOS14TPCR)**

**Table 17-3. MIOS14TPCR Bit Descriptions**

| Bits | Name                | Description   |
|------|---------------------|---|
| 0    | TEST                | Test — This bit is used for MIOS14 factory testing and should always be programmed to a 0.  |
| 1:7  | —                   | Reserved  |
| 8:10 | VMUX7<br>—<br>VMUX5 | Reserved  |
| 11   | PWM                 | PWM Signal Multiplex — This bit controls the function of the following signals:<br>MPWM20/MPIO32B11,<br>MPWM21/MPIO32B12,<br>MPWM4/MPIO32B5,<br>MPWM5/MPIO32B6.<br>0 MIOS General Purpose I/O is selected (MPIO32B5, MPIO32B6, MPIO32B11, MPIO32B12)<br>1 PWM function is selected (MPWM4, MPWM5, MPWM20, MPWM21) |
| 12   | —                   | This bit should be set to 0.  |
| 13   | CCAN                | TOUCAN_C Signal Multiplex — This bit controls the function of the following signals:<br>C_CNTX0/MPIO32B13<br>C_CNRX0/MPIO32B14<br>0 MIOS General Purpose I/O is selected (MPIO32B13, MPIO32B14)<br>1 TOUCAN C function is selected (C_CNTX0, C_CNRX0)   |
| 14   | VF                  | VF Pin Multiplex — This bit controls the function of the VF pins (VF0/MPIO32B0, VF1/MPIO32B1, VF2/MPIO32B2)<br>0 = MIOS14 General-Purpose I/O is selected (MPIO32B0, MPIO32B1, MPIO32B2)<br>1 = VF function is selected (VF[0:2])   |
| 15   | VFLS                | VFLS Pin Multiplex — This bit controls the function of the VFLS signals (VFLS0/MPIO32B3, VFLS1/MPIO32B4)<br>0 = MIOS14 General-Purpose I/O is selected (MPIO32B3, MPIO32B4)<br>1 = VFLS function is selected (VFLS[0:1])  |

### 17.6.1.2 MIOS14 Vector Register (MIOS14VECT)

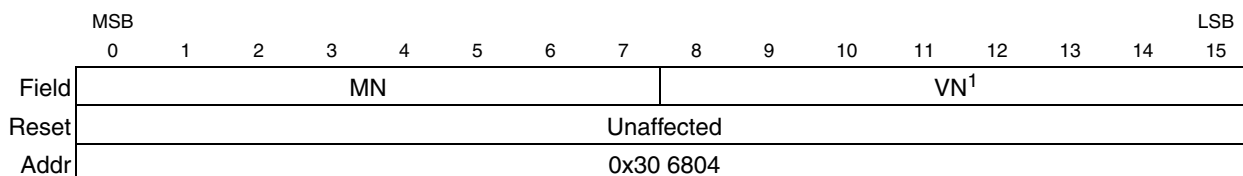



**Figure 17-5. Vector Register (MIOS14VECT)**
**Table 17-4. MIOS14VECT Bit Descriptions**

| Bits  | Name | Description  |
|-------|------|--|
| 0:7   | —    | Reserved   |
| 8:11  | VECT | Interrupt Vectors MSBs — These bits are not used on the MPC565 |
| 12:15 | —    | Reserved   |

### 17.6.1.3 MIOS14 Module and Version Number Register (MIOS14VNR)

This read-only register contains the hard-coded values of the module and version number.


**Figure 17-6. MIOS14 Module/Version Number Register (MIOS14VNR)**

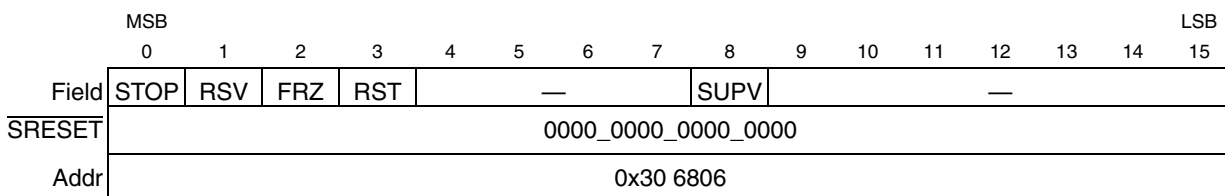
<sup>1</sup> This field contains the revision level of the MIOS module and may change with different revisions of the device.

**Table 17-5. MIOS14VNR Bit Descriptions**

| Bits | Name | Description  |
|------|------|--|
| 0:7  | MN   | Module number = 0x0E on the MPC565                                 |
| 8:15 | VN   | Version number. May change with different revisions of the device. |

### 17.6.1.4 MIOS14 Module Configuration Register (MIOS14MCR)

The MIOS14MCR register is a collection of read/write stop, freeze, reset, and supervisor bits, as well as interrupt arbitration number bits. These bits are detailed in [Table 17-6](#).


**Figure 17-7. Module Configuration Register (MIOS14MCR)**

**Table 17-6. MIOS14MCR Bit Descriptions**

| Bits | Name | Description  |
|------|------|--|
| 0    | STOP | Stop enable — The STOP bit, while asserted, activates the MIOB freeze signal regardless of the state of the IMB3 FREEZE signal. The MIOB freeze signal is further validated in some submodules with internal freeze enable bits in order for the submodule to be stopped. The MBISM continues to operate to allow the CPU access to the submodule's registers. The MIOB freeze signal remains active until reset or until the STOP bit is written to zero by the CPU (via the IMB3). The STOP bit is cleared by reset.<br>0 Allows MIOS14 operation.<br>1 Selectively stops MIOS14 operation.  |
| 1    | —    | Reserved   |
| 2    | FRZ  | Freeze enable — The FRZ bit, while asserted, activates the MIOB freeze signal only when the IMB3 FREEZE signal is active. The MIOB freeze signal is further validated in some submodules with internal freeze enable bits in order for the submodule to be frozen. The MBISM continues to operate to allow the CPU access to the submodule's registers. The MIOB freeze signal remains active until the FRZ bit is written to zero or the IMB3 FREEZE signal is negated. The FRZ bit is cleared by reset.<br>0 Ignores the FREEZE signal on the IMB3, allows MIOS14 operation.<br>1 Selectively stops MIOS14 operation when the FREEZE signal appears on the IMB3. |
| 3    | RST  | Module reset — The RST bit is always read as 0 and can be written to 1. When the RST bit is written to 1 operation of the MIOS14 completely stops and resets all the values in the submodule. This completely stops the operation of the MIOS14 and reset all the values in the submodules registers that are affected by reset. This bit provides a way of resetting the complete MIOS14 module regardless of the reset state of the CPU. The RST bit is cleared by reset.<br>0 Writing a 0 to RST has no effect.<br>1 Reset the MIOS14 submodules.   |
| 4:7  | —    | Reserved   |
| 8    | SUPV | Supervisor data space selector — The SUPV bit tells if the address space from 0x30 6000 to 0x30 67FF in the MIOS14 is accessed at the supervisor privilege level (See <a href="#">Figure 17-2</a> ). When cleared, these addresses are accessed at the unrestricted privilege level. The SUPV bit is cleared by reset.<br>0 Unrestricted Data Space.<br>1 Supervisor Data Space.   |
| 9:15 | —    | Reserved. These bits are used for the IARB (interrupt arbitration ID) field in MIOS14 implementations that use hardware interrupt arbitration. These bits are not used on the MPC565/MPC566.   |

## 17.7 MIOS14 Counter Prescaler Submodule (MCPSM)

The MIOS14 counter prescaler submodule (MCPSM) divides the MIOS14 clock ( $f_{SYS}$ ) to generate the counter clock. It is designed to provide all the submodules with the same division of the main MIOS14 clock (division of  $f_{SYS}$ ). It uses a 4-bit modulus counter. The clock signal is prescaled by loading the value of the clock prescaler register into the prescaler counter every time it overflows. This allows all prescaling factors between 2 and 16. Counting is enabled by asserting MCPSMSCR[PREN]. The counter can be stopped at any time by negating this bit, thereby stopping all submodules using the output of the MCPSM (counter clock). A block diagram of the MCPSM is given in [Figure 17-8](#).

The following sections describe the MCPSM in detail.

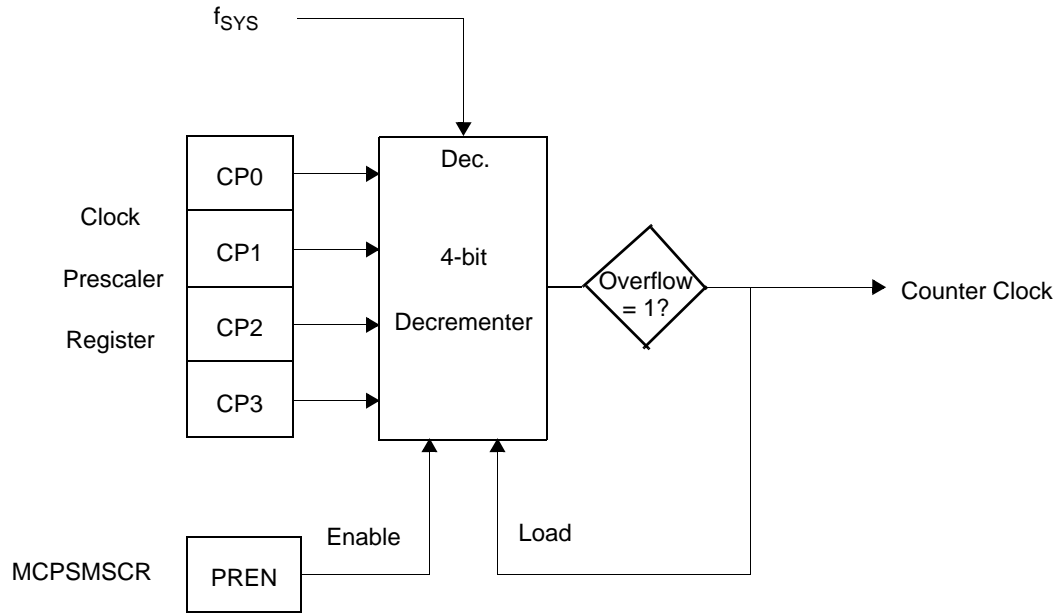


Figure 17-8. MCPSM Block Diagram

### 17.7.1 MCPSM Features

- Centralized counter clock generator
- Programmable 4-bit modulus down-counter
- Wide range of possible division ratios: 2 through 16
- Count inhibit under software control

#### 17.7.1.1 MCPSM Signal Functions

The MCPSM has no associated external signals.

#### 17.7.1.2 Modular I/O Bus (MIOB) Interface

- The MCPSM is connected to all the signals in the read/write and control bus, to allow data transfer from and to the MCPSM registers, and to control the MCPSM in the different possible situations.
- The MIOS14 counter prescaler submodule does not use any 16-bit counter bus.
- The MIOS14 counter prescaler submodule does not use the request bus.

### 17.7.2 Effect of RESET on MCPSM

When the RESET signal is asserted, all the bits in the MCPSM status and control register are cleared.

#### NOTE

The MCPSM is still disabled after the RESET signal is negated and counting must be explicitly enabled by asserting MCPSMSCR[PREN].

## 17.7.3 MCPSM Registers

The privilege level to access to the MCPSM registers is supervisor only.

### 17.7.3.1 MCPSM Registers Organization

Table 17-7. MCPSM Register Address Map

| Address   | Register                                 |
|-----------|--|
| 0x30 6810 | Reserved                                 |
| 0x30 6812 | Reserved                                 |
| 0x30 6814 | Reserved                                 |
| 0x30 6816 | MCPSM Status/Control Register (MCPSMSCR) |

### 17.7.3.2 MCPSM Status/Control Register (MCPSMSCR)

|        | MSB                 |      |   |   |   |   |   |   |   |   |    |    |        |    | LSB |    |
|--------|---------------------|------|---|---|---|---|---|---|---|---|----|----|--------|----|-----|----|
|        | 0                   | 1    | 2 | 3 | 4 | 5 | 6 | 7 | 8 | 9 | 10 | 11 | 12     | 13 | 14  | 15 |
| Field  | PREN                | FREN | — |   |   |   |   |   |   |   |    |    | PSL3:0 |    |     |    |
| SRESET | 0000_0000_0000_0000 |      |   |   |   |   |   |   |   |   |    |    |        |    |     |    |
| Addr   | 0x30 6816           |      |   |   |   |   |   |   |   |   |    |    |        |    |     |    |

Figure 17-9. MCPSM Status/Control Register (MCPSMSCR)

Table 17-8. MCPSMSCR Bit Descriptions

| Bits  | Name     | Description   |
|-------|----------|---|
| 0     | PREN     | Prescaler enable bit — This active high read/write control bit enables the MCPSM counter. The PREN bit is cleared by reset.<br>0 MCPSM counter disabled.<br>1 MCPSM counter enabled.  |
| 1     | FREN     | Freeze bit — This active high read/write control bit when set make possible a freeze of the MCPSM counter if the MIOB freeze line is activated.<br><b>Note:</b> This line is active when MIOS14MCR[STOP] is set or when MIOS14MCR[FREN] and the IMB3 FREEZE line are set.<br>When the MCPSM is frozen, it stops counting. Then when the FREN bit is reset or when the freeze condition on the MIOB is negated, the counter restarts from where it was before freeze.<br>The FREN bit is cleared by reset.<br>0 MCPSM counter not frozen.<br>1 MCPSM counter frozen if MIOB freeze active. |
| 2:11  | —        | Reserved  |
| 12:15 | PSL[3:0] | Clock prescaler — This 4-bit read/write data register stores the modulus value for loading into the clock prescaler. The new value is loaded into the counter on the next time the counter equals one or when disabled (PREN =0).   |

**Table 17-9. Clock Prescaler Setting**

| PSL[3:0] Value |        | Divide Ratio            |
|----------------|--------|-------------------------|
| Hex            | Binary |                         |
| 0x0            | 0b0000 | 16                      |
| 0x1            | 0b0001 | No counter clock output |
| 0x2            | 0b0010 | 2                       |
| 0x3            | 0b0011 | 3                       |
| ...            | ...    | ...                     |
| 0xE            | 0b1110 | 14                      |
| 0xF            | 0b1111 | 15                      |

**NOTE**

If the binary value 0b0001 is entered in PSL[3:0], the output signal is stuck at zero, no clock is output.

## 17.8 MIOS14 Modulus Counter Submodule (MMCSM)

The MMCSM is a versatile counter submodule capable of performing complex counting and timing functions, including modulus counting, in a wide range of applications. The MMCSM may also be configured as an event counter, allowing the overflow flag to be set after a predefined number of events (internal clocks or external events), or as a time source for other submodules.

**NOTE**

The MMCSM can also operate as a free running counter by loading the modulus value of zero.

The main components of the MMCSM are an 8-bit prescaler counter, an 8-bit prescaler register, a 16-bit up-counter register, a 16-bit modulus latch register, counter loading and interrupt flag generation logic.

The contents of the modulus latch register is transferred to the counter under the following three conditions:

1. When an overflow occurs
2. When an appropriate transition occurs on the external load signal
3. When the program writes to the counter register. In this case, the value is first written into the modulus register and immediately transferred to the counter.

Software can also write a value to the modulus register for later loading into the counter with one of the two first criteria.

A software control register selects whether the clock input to the counter is one of the prescaler outputs or the corresponding input signal. The polarity of the external input signal is also programmable.

The following sections describe the MMCSM in detail. A block diagram of the MMCSM is shown in [Figure 17-10](#).

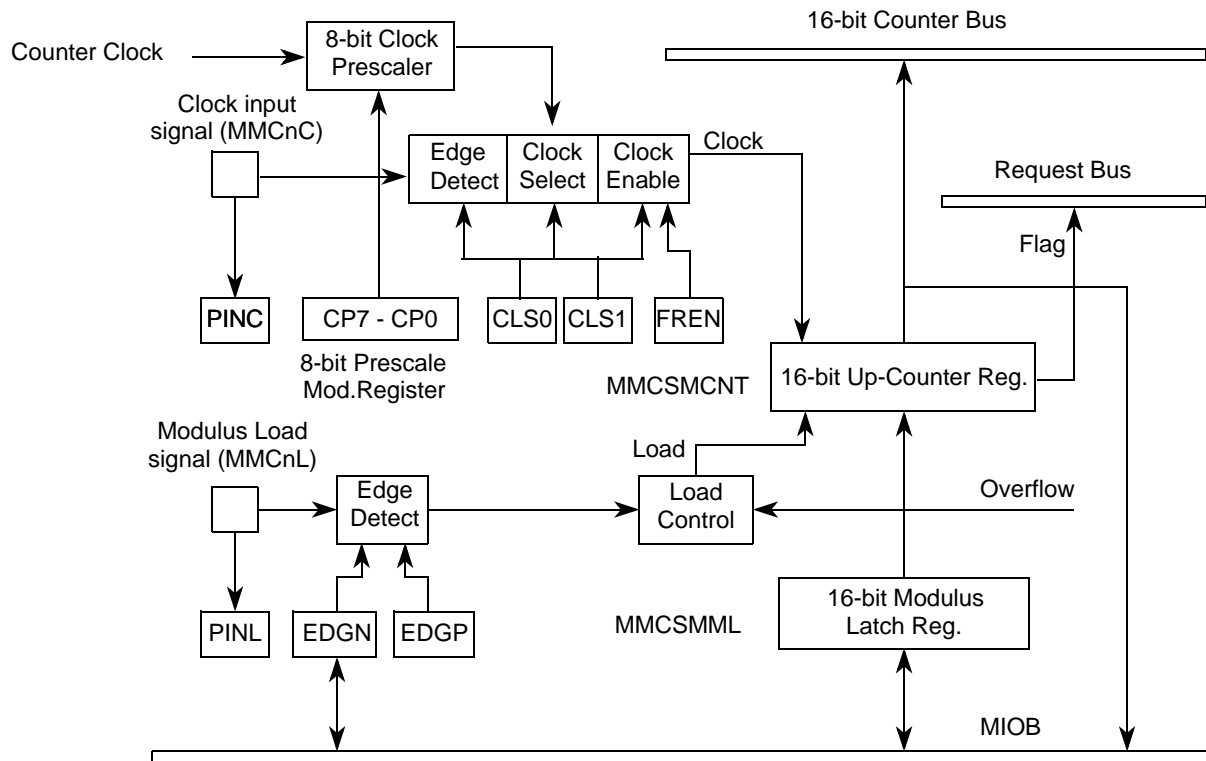


Figure 17-10. MMCSM Block Diagram

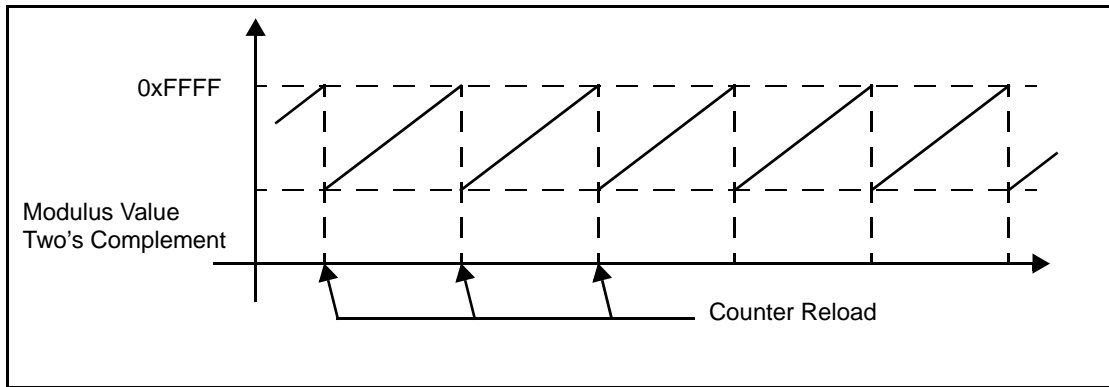


Figure 17-11. MMCSM Modulus Up-Counter

### 17.8.1 MMCSM Features

- Programmable 16-bit modulus up-counter with a built-in programmable 8-bit prescaler clocked by MCPSM
- Maximum increment frequency of the counter:
  - clocked by the internal MCPSM output:  $f_{SYS} / 2$
  - clocked by the external signal:  $f_{SYS} / 4$
- Flag setting and possible interrupt generation on overflow of the up-counter register

- Time counter on internal clock with interrupt capability after a pre-determined time
- External event counter (pulse accumulator) with overflow and interrupt capability after a pre-determined number of external events
- Usable as a regular free-running up-counter
- Capable of driving a dedicated 16-bit counter bus to provide timing information to action submodules (the value driven is the contents of the 16-bit up-counter register)
- Optional signal for counting external events
- Optional signal to externally force a load of the modulus counter

### 17.8.1.1 MMCSM Signal Functions

The MMCSM has two dedicated external signals.

An external modulus load signal (MMCNL) allows the modulus value stored in the modulus latch register (MMCSMML) to be loaded into the up-counter register (MMCSMCNT) at any time. Both rising and falling edges of the load signal may be used, according to the EDGEP and EDGEN bit settings in the MMCSMSCR.

An external event clock signal (MMCNc) can be selected as the clock source for the up-counter register (MMCSMCNT) by setting the appropriate value in the CLS bit field of the status/control register (MMCSMSCR). Either rising or falling edge may be used according to the setting of these bits.

When the external clock source is selected, the MMCSM is in the event counter mode. The counter can simply count the number of events occurring on the input signal. Alternatively, the MMCSM can be programmed to generate an interrupt when a predefined number of events have been counted; this is done by presetting the counter with the two's complement value of the desired number of events.

### 17.8.2 MMCSM Prescaler

The built-in prescaler consists of an 8-bit modulus counter, clocked by the MCPSM output. It is loaded with an 8-bit value every time the counter overflows or whenever the prescaler output is selected as the clock source. This 8-bit value is stored in the MMCSMSCR[CP]. The prescaler overflow signal is used to clock the MMCSM up-counter. This allows the MMCSMCNT to be incremented at the MCPSM output frequency divided by a value between 1 and 256.

### 17.8.3 Modular I/O Bus (MIOB) Interface

- The MMCSM is connected to all the signals in the read/write and control bus, to allow data transfer from and to the MMCSM registers, and to control the MMCSM in the different possible situations.
- The MMCSM drives a dedicated 16-bit counter bus with the value currently in the up-counter register
- The MMCSM uses the request bus to transmit the FLAG line to the interrupt request submodule (MIRSM). A flag is set when an overflow has occurred in the up-counter register.

## 17.8.4 Effect of RESET on MMCSM

When the RESET signal is asserted, only the FREN, EDGP, EDGN, and CLS bits in the MMCSMSCR are cleared. The clock prescaler CP, PINC, and PINL bits in the same register are not cleared.

- The PINC and PINL bits in the MMCSMSCR always reflect the state of the appropriate external pins.
- The MMCSM is disabled after reset and must be explicitly enabled by selecting a clock source using the CLS bits.

The MMCSMCNT and the MMCSMML, together with the clock prescaler register bits, must be initialized by software, because they are undefined after a hardware reset. A modulus value must be written to the MMCSMCNT (which also writes into the MMCSMML) before the MMCSMSCR is written to. The latter access initializes the clock prescaler.

## 17.8.5 MMCSM Registers

The privilege level to access to the MMCSM registers depends on the MIOS14MCR SUPV bit. The privilege level is unrestricted after  $\overline{\text{SRESET}}$  and can be changed to supervisor by software.

### 17.8.5.1 MMCSM Register Organization

Table 17-10. MMCSM Address Map

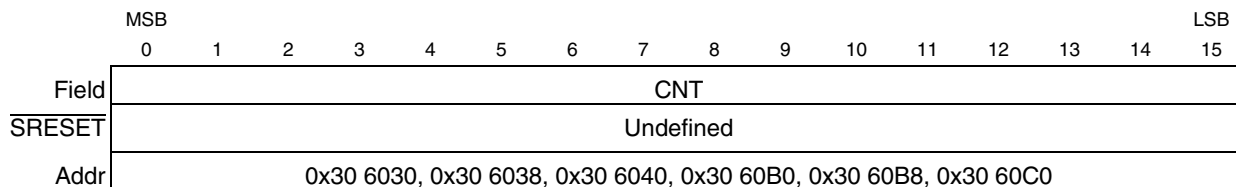
| Address       | Register  |
|---------------|---|
| <b>MMCSM6</b> |   |
| 0x30 6030     | MMCSM6 Up-Counter Register (MMCSMCNT)<br>See <a href="#">Table 17-11</a> for bit descriptions.  |
| 0x30 6032     | MMCSM6 Modulus Latch Register (MMCSMML)<br>See <a href="#">Table 17-12</a> for bit descriptions.  |
| 0x30 6034     | MMCSM6 Status/Control Register Duplicated (MMCSMSCRD)<br>See <a href="#">Section 17.8.5.5, “MMCSM Status/Control Register (MMCSMSCR)”</a> for bit descriptions. |
| 0x30 6036     | MMCSM6 Status/Control Register (MMCSMSCR).<br>See <a href="#">Table 17-13</a> for bit descriptions.   |
| <b>MMCSM7</b> |   |
| 0x30 6038     | MMCSM7 Up-Counter Register (MMCSMCNT)   |
| 0x30 603A     | MMCSM7 Modulus Latch Register (MMCSMML)   |
| 0x30 603C     | MMCSM7 Status/Control Register Duplicated (MMCSMSCRD)   |
| 0x30 603E     | MMCSM7 Status/Control Register (MMCSMSCR)   |
| <b>MMCSM8</b> |   |
| 0x30 6040     | MMCSM8 Up-Counter Register (MMCSMCNT)   |
| 0x30 6042     | MMCSM8 Modulus Latch Register (MMCSMML)   |
| 0x30 6044     | MMCSM8 Status/Control Register Duplicated (MMCSMSCRD)   |
| 0x30 6046     | MMCSM8 Status/Control Register (MMCSMSCR)   |



**Table 17-10. MMCSM Address Map (continued)**

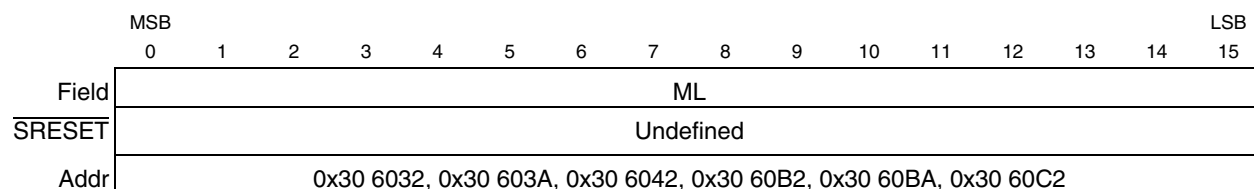
| Address        | Register   |
|----------------|--|
| <b>MMCSM22</b> |  |
| 0x30 60B0      | MMCSM22 Up-Counter Register (MMCSMCNT)                 |
| 0x30 60B2      | MMCSM22 Modulus Latch Register (MMCSMML)               |
| 0x30 60B4      | MMCSM22 Status/Control Register Duplicated (MMCSMSCRD) |
| 0x30 60B6      | MMCSM22 Status/Control Register (MMCSMSCR)             |
| <b>MMCSM23</b> |  |
| 0x30 60B8      | MMCSM23 Up-Counter Register (MMCSMCNT)                 |
| 0x30 60BA      | MMCSM23 Modulus Latch Register (MMCSMML)               |
| 0x30 60BC      | MMCSM23 Status/Control Register Duplicated (MMCSMSCRD) |
| 0x30 60BE      | MMCSM23 Status/Control Register (MMCSMSCR)             |
| <b>MMCSM24</b> |  |
| 0x30 60C0      | MMCSM24 Up-Counter Register (MMCSMCNT)                 |
| 0x30 60C2      | MMCSM24 Modulus Latch Register (MMCSMML)               |
| 0x30 60C4      | MMCSM24 Status/Control Register Duplicated (MMCSMSCRD) |
| 0x30 60C6      | MMCSM24 Status/Control Register (MMCSMSCR)             |

### 17.8.5.2 MMCSM Up-Counter Register (MMCSMCNT)


**Figure 17-12. MMCSM Up-Counter Register (MMCSMCNT)**
**Table 17-11. MMCSMCNT Bit Descriptions**

| Bits | Name | Description  |
|------|------|--|
| 0:15 | CNT  | Counter value — These bits are read/write data bits representing the 16-bit value of the up-counter. It contains the value that is driven onto the 16-bit counter bus.<br><b>Note:</b> Writing to MMCSMCNT simultaneously writes to MMCSMML. |

### 17.8.5.3 MMCSM Modulus Latch Register (MMCSMML)



**Figure 17-13. MMCSM Modulus Latch Register (MMCSMML)**

**Table 17-12. MMCSMML Bit Descriptions**

| Bits | Name | Description   |
|------|------|---|
| 0:15 | ML   | Modulus latches — These bits are read/write data bits containing the 16-bit modulus value to be loaded into the up-counter.<br>The value loaded in this register must be the one's complement of the desired modulus count. The up-counter increments from this one's complement value up to 0xFFFF to get the correct number of steps before an overflow is generated to reload the modulus value into the up-counter. |

### 17.8.5.4 MMCSM Status/Control Register (MMCSMSCRD) (Duplicated)

The MMCSMSCRD and the MMCSMSCR are the same registers accessed at two different addresses. Reading or writing to one of these two addresses has exactly the same effect.

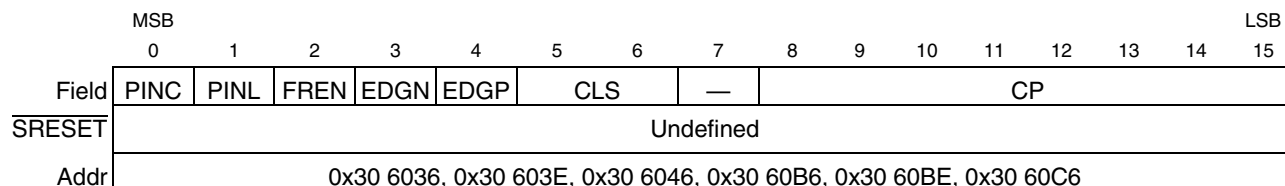
The duplication of the SCR register allows coherent 32-bit accesses when using a RCP. U.

#### WARNING

The user should not write directly to the address of the MMCSMSCRD. This register's address may be reserved for future use and should not be accessed by the software to ensure future software compatibility.

### 17.8.5.5 MMCSM Status/Control Register (MMCSMSCR)

The status/control register (SCR) is a collection of read-only signal status bits, read/write control bits and an 8-bit read/write data register, as detailed below.



**Figure 17-14. MMCSM Status/Control Register (MMCSMSCR)**

**Table 17-13. MMCSMSCR Bit Descriptions**

| Bits | Name | Description  |
|------|------|--|
| 0    | PINC | Clock input signal status bit — This read-only status bit reflects the logic state of the clock input signal MMCnC (MDA11, MDA13, MDA27, MDA30, PWM16, and PWM18).   |
| 1    | PINL | Modulus load input signal status bit — This read-only status bit reflects the logic state of the modulus load signal MMCnL (MDA12, MDA14, MDA28, MDA31, PWM17, and PWM19).   |
| 2    | FREN | Freeze enable — This active high read/write control bit enables the MMCSM to recognize the MIOB freeze signal.   |
| 3    | EDGN | Modulus load falling-edge sensitivity — This active high read/write control bit sets falling-edge sensitivity for the MMCnL signal, such that a high-to-low transition causes a load of the MMCSMCNT.  |
| 4    | EDGP | Modulus load rising-edge sensitivity<br>This active high read/write control bit sets rising-edge sensitivity for the MMCnL signal, such that a low-to-high transition causes a load of the MMCSMCNT.<br>See <a href="#">Table 17-14</a> for details about edge sensitivity.  |
| 5:6  | CLS  | Clock select — These read/write control bits select the clock source for the modulus counter. Either the rising edge or falling edge of the clock signal on the MMCnC signal may be selected, as well as, the internal MMCSM prescaler output or disable mode (no clock source). See <a href="#">Table 17-15</a> for details about the clock selection.  |
| 7    | —    | Reserved   |
| 8:15 | CP   | Clock prescaler — This 8-bit data field is also accessible as an 8-bit data register. It stores the two's complement of the modulus value to be loaded into the built-in 8-bit clock prescaler. The new value is loaded into the prescaler counter on the next counter overflow, or upon setting the CLS1 — CLS0 bits for selecting the clock prescaler as the clock source.<br><a href="#">Table 17-16</a> gives the clock divide ratio according to the value of CP. |

**Table 17-14. MMCSMCNT Edge Sensitivity**

| EDGN | EDGP | Edge Sensitivity                          |
|------|------|---|
| 1    | 1    | MMCSMCNT load on rising and falling edges |
| 1    | 0    | MMCSMCNT load on falling edges            |
| 0    | 1    | MMCSMCNT load on rising edges             |
| 0    | 0    | None (disabled)                           |

**Table 17-15. MMCSMCNT Clock Signal**

| CLS | Clocking Selected         |
|-----|---------------------------|
| 11  | MMCSM clock prescaler     |
| 10  | Clock signal rising-edge  |
| 01  | Clock signal falling-edge |
| 00  | None (disable)            |

**Table 17-16. Prescaler Values**

| Prescaler Value<br>(CP in Hex) | MIOS14 Prescaler<br>Clock Divided By |
|--------------------------------|--------------------------------------|
| FF                             | 1                                    |
| FE                             | 2                                    |
| FD                             | 3                                    |
| FC                             | 4                                    |
| FB                             | 5                                    |
| FA                             | 6                                    |
| F9                             | 7                                    |
| F8                             | 8                                    |
| .....                          | .....                                |
| 02                             | 254 ( $2^8 - 2$ )                    |
| 01                             | 255 ( $2^8 - 1$ )                    |
| 00                             | 256 ( $2^8$ )                        |

## 17.9 MIOS14 Double Action Submodule (MDASM)

The MIOS14 double action submodule (MDASM) is a function included in the MIOS14 library. It is a versatile 16-bit dual action submodule capable of performing two event operations before software intervention is required. It can perform two event operations such as PWM generation and measurement, input capture, output compare, etc.

The MDASM is composed of two timing channels (A and B), an output flip-flop, an input edge detector and some control logic. All control and status bits are contained in the MDASM status and control register.

The following sections describe the MDASM in detail. A block diagram of the MDASM is shown in [Figure 17-15](#).

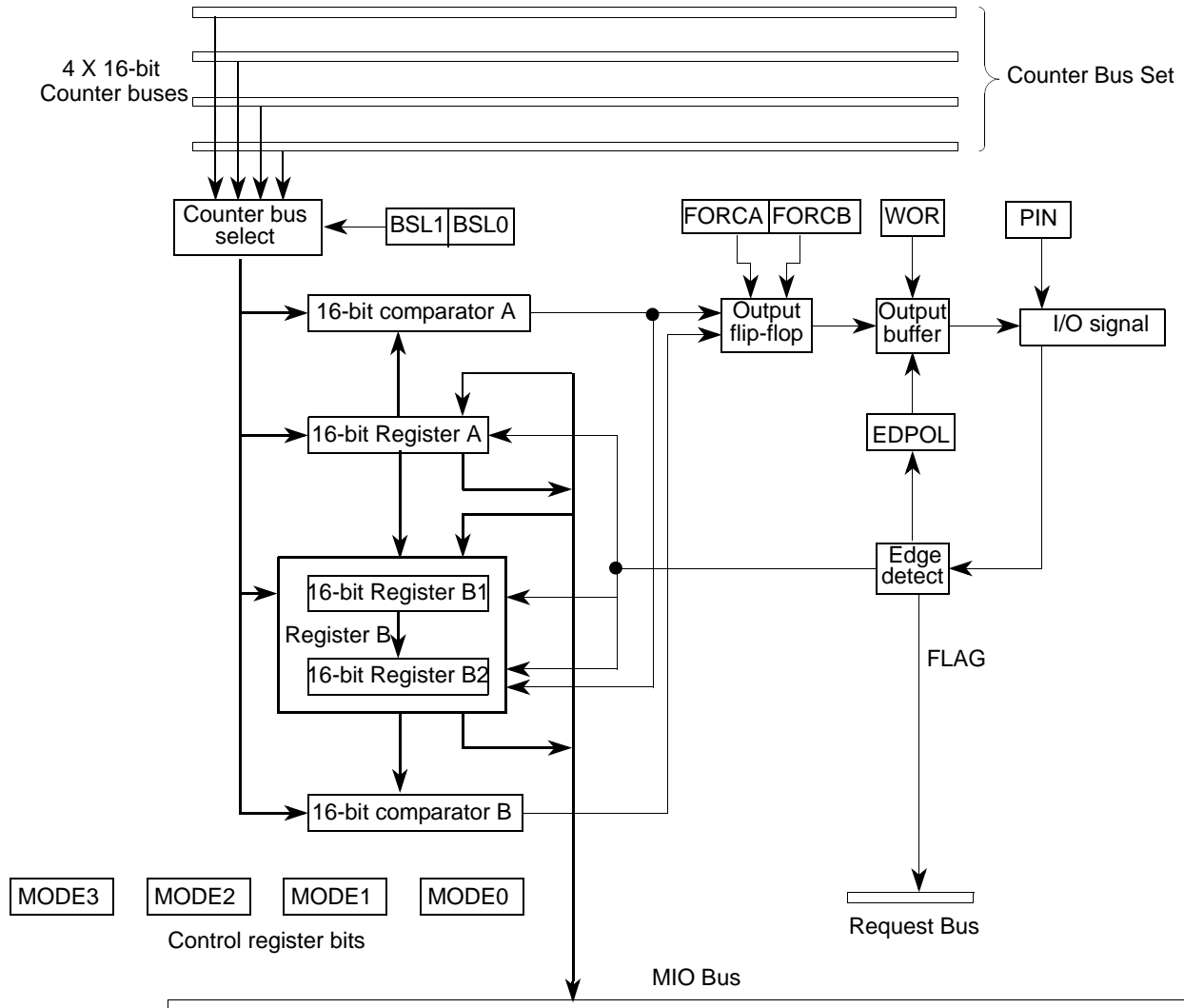


Figure 17-15. MDASM Block Diagram

### 17.9.1 MDASM Features

- Versatile 16-bit dual action unit allowing up to two events to occur before software intervention is required
- Six software selectable modes allowing the MDASM to perform pulse width and period measurements, PWM generation, single input capture and output compare operations as well as port functions
- Software selection of one of the four possible 16-bit counter buses used for timing operations
- Flag setting and possible interrupt generation after MDASM action completion
- Software selection of output pulse polarity
- Software selection of totem-pole or open-drain output
- Software readable output signal status

### 17.9.1.1 MDASM Signal Functions

The MDASM has one dedicated external signal. This signal is used in input or in output depending on the selected mode. When in input, it allows the MDASM to perform input capture, input pulse width measurement and input period measurement. When in output, it allows output compare, single shot output pulse, single output compare and output port bit operations as well as output pulse width modulation.

#### NOTE

In disable mode, the signal becomes a high impedance input and the input level on this signal is reflected by the state of the PIN bit in the MDASMSCR register.

### 17.9.2 MDASM Description

The MDASM contains two timing channels A and B associated with the same input/output signal. The dual action submodule is so called because its timing channel configuration allows two events (input capture or output compare) to occur before software intervention is required.

Six operating modes allow the software to use the MDASM's input capture and output compare functions to perform pulse width measurement, period measurement, single pulse generation and continuous pulse width generation, as well as standard input capture and output compare. The MDASM can also work as a single I/O signal. See [Table 17-17](#) for details.

Channel A comprises one 16-bit data register and one 16-bit comparator. Channel B also consists of one 16-bit data register and one 16-bit comparator, however, internally, channel B has two data registers B1 and B2, and the operating mode determines which register is accessed by the software:

- In the input modes (IPWM, IPM and IC), registers A and B2 are used to hold the captured values; in these modes, the B1 register is used as a temporary latch for channel B.
- In the output compare modes (OCB and OCAB), registers A and B2 are used to define the output pulse; register B1 is not used in these modes.
- In the output pulse width modulation mode (OPWM), registers A and B1 are used as primary registers and hidden register B2 is used as a double buffer for channel B.

Register contents are always transferred automatically at the correct time so that the minimum pulse (measurement or generation) is just one 16-bit counter bus count. The A and B data registers are always read/write registers, accessible via the MIOB.

In the input modes, the edge detect circuitry triggers a capture whenever a rising or falling edge (as defined by the EDPOL bit) is applied to the input signal. The signal on the input signal is Schmitt triggered and synchronized with the MIOS14 CLOCK.

In the disable mode (DIS) and in the input modes, the PIN bit reflects the state present on the input signal (after being Schmitt triggered and synchronized). In the output modes the PIN bit reflects the value present on the output flip-flop. The output flip-flop is used in output modes to hold the logic level applied to the output signal.

The 16-bit counter bus selector is common to all input and output functions; it connects the MDASM to one of the four 16-bit counter buses available to that submodule instance and is controlled in software by the 16-bit counter bus selector bits BSL0 and BSL1 in the MDASMSCR register.

### 17.9.3 MDASM Modes of Operation

The mode of operation of the MDASM is determined by the mode select bits MODE[0:3] in the MDASMSCR register (see [Table 17-17](#)).

**Table 17-17. MDASM Modes of Operation**

| MODE[0:3] | Mode | Description of Mode  |
|-----------|------|--|
| 0000      | DIS  | Disabled — Input signal is high impedance; PIN gives state of the input signal.  |
| 0001      | IPWM | Input pulse width measurement — Capture on the leading edge and the trailing edge of an input pulse.                   |
| 0010      | IPM  | Input period measurement — Capture two consecutive rising/falling edges.   |
| 0011      | IC   | Input capture — Capture when the designated edge is detected.  |
| 0100      | OCB  | Output compare, flag line activated on B compare — Generate leading and trailing edges of an output pulse.             |
| 0101      | OCAB | Output compare, flag line activated on A and B compare — Generate leading and trailing edges of an output pulse.       |
| 1xxx      | OPWM | Output pulse width modulation — Generate continuous PWM output with 7, 9, 11, 12, 13, 14, 15 or 16 bits of resolution. |

To avoid spurious interrupts, and to make sure that the FLAG line is activated according to the newly selected mode, the following sequence of operations should be adopted when changing mode:

1. Disable MDASM interrupts (by resetting the enable bit in the relevant MIRSM)
2. Change mode (via disable mode)
3. Reset the corresponding FLAG bit in the relevant MIRSM
4. Re-enable MDASM interrupts (if desired)

#### NOTE

When changing between output modes, it is not necessary to follow this procedure, as in these modes the FLAG bit merely indicates to the software that the compare value can be updated. However changing modes without passing via the disable mode does not guarantee the subsequent functionality.

#### 17.9.3.1 Disable (DIS) Mode

The disable mode is selected by setting MODE[0:3] to 0b0000.

In this mode, all input capture and output compare functions of the MDASM are disabled and the FLAG line is maintained inactive, but the input port signal function remains available. The associated signal becomes a high impedance input and the input level on this signal is reflected by the state of the PIN bit in the MDASMSCR register. All control bits remain accessible, allowing the software to prepare for future

mode selection. Data registers A and B are accessible at consecutive addresses. Writing to data register B stores the same value in registers B1 and B2.

### WARNING

When changing modes, it is imperative to go through the DIS mode. Failure to do this could lead to invalid and unexpected output compare or input capture results, and to flags being set incorrectly.

#### 17.9.3.2 Input Pulse Width Measurement (IPWM) Mode

IPWM mode is selected by setting MODE[0:3] to 0b0001.

This mode allows the width of a positive or negative pulse to be determined by capturing the leading edge of the pulse on channel B and the trailing edge of the pulse on channel A; successive captures are done on consecutive edges of opposite polarity. The edge sensitivity is selected by the EDPOL bit in the MDASMSCR register.

This mode also allows the software to determine the logic level on the input signal at any time by reading the PIN bit in the MDASMSCR register.

The channel A input capture function remains disabled until the first leading edge triggers the first input capture on channel B (refer to [Figure 17-16](#)). When this leading edge is detected, the count value of the 16-bit counter bus selected by the BSL[1:0] bits is latched in the 16-bit data register B1; the FLAG line is not activated. When the next trailing edge is detected, the count value of the 16-bit counter bus is latched into the 16-bit data register A and, at the same time, the FLAG line is activated and the contents of register B1 are transferred to register B2.

Reading data register B returns the value in register B2. If subsequent input capture events occur while the FLAG bit is set in the corresponding MIRSM, data registers A and B will be updated with the latest captured values and the FLAG line will remain active.

If a 32-bit coherent operation is in progress when the trailing edge is detected, the transfer from B1 to B2 is deferred until the coherent operation is completed. Operation of the MDASM then continues on channels B and A as previously described.

The input pulse width is calculated by subtracting the value in data register B from the value in data register A.

[Figure 17-16](#) provides an example of how the MDASM can be used for input pulse width measurement.



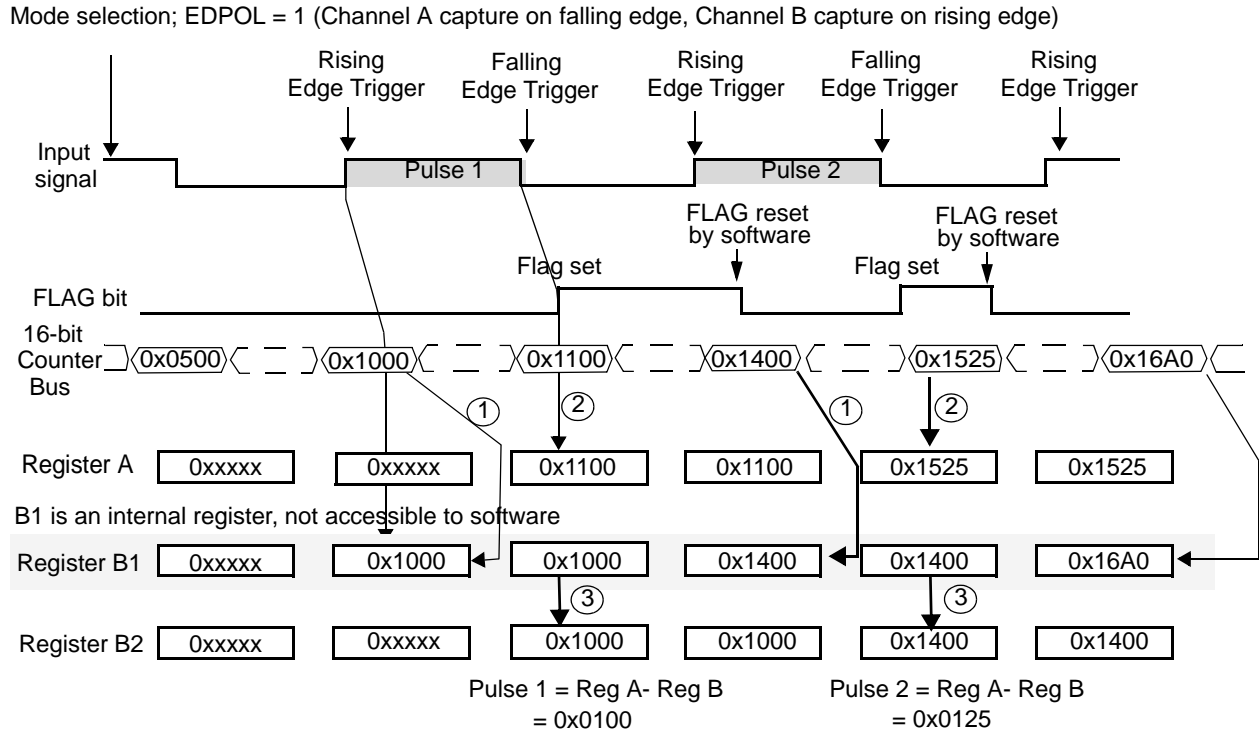


Figure 17-16. Input Pulse Width Measurement Example

### 17.9.3.3 Input Period Measurement (IPM) Mode

IPM mode is selected by setting MODE[0:3] to 0b0010.

This mode allows the period of an input signal to be determined by capturing two consecutive rising edges or two consecutive falling edges; successive input captures are done on consecutive edges of the same polarity. The edge sensitivity is defined by the EDPOL bit in the MDASMSCR register.

This mode also allows the software to determine the logic level on the input signal at any time by reading the PIN bit in the MDASMSCR register (refer to Figure 17-17). When the first edge having the selected polarity is detected, the 16-bit counter bus value is latched into the 16-bit data register A. Data in register B1 is transferred to data register B2 and the data in register A is transferred to register B1.

On this first capture the FLAG line is not activated, and the value in register B2 is meaningless. On the second and subsequent captures, the FLAG line is activated when the data in register A is transferred to register B1.

When the second edge of the same polarity is detected, the counter bus value is latched into data register A, the data in register B1 is transferred to data register B2, the FLAG line is activated to signify that the beginning and end points of a complete period have been captured, and finally the data in register A is transferred to register B1. This sequence of events is repeated for each subsequent capture. Reading data register B returns the value in register B2.

If a 32-bit coherent operation is in progress when an edge (except for the first edge) is detected, the transfer of data from B1 to B2 is deferred until the coherent operation is completed. At any time, the input level present on the input signal can be read on the PIN bit.

The input pulse period is calculated by subtracting the value in data register B from the value in data register A.

Figure 17-17 provides an example of how the MDASM can be used for input period measurement.

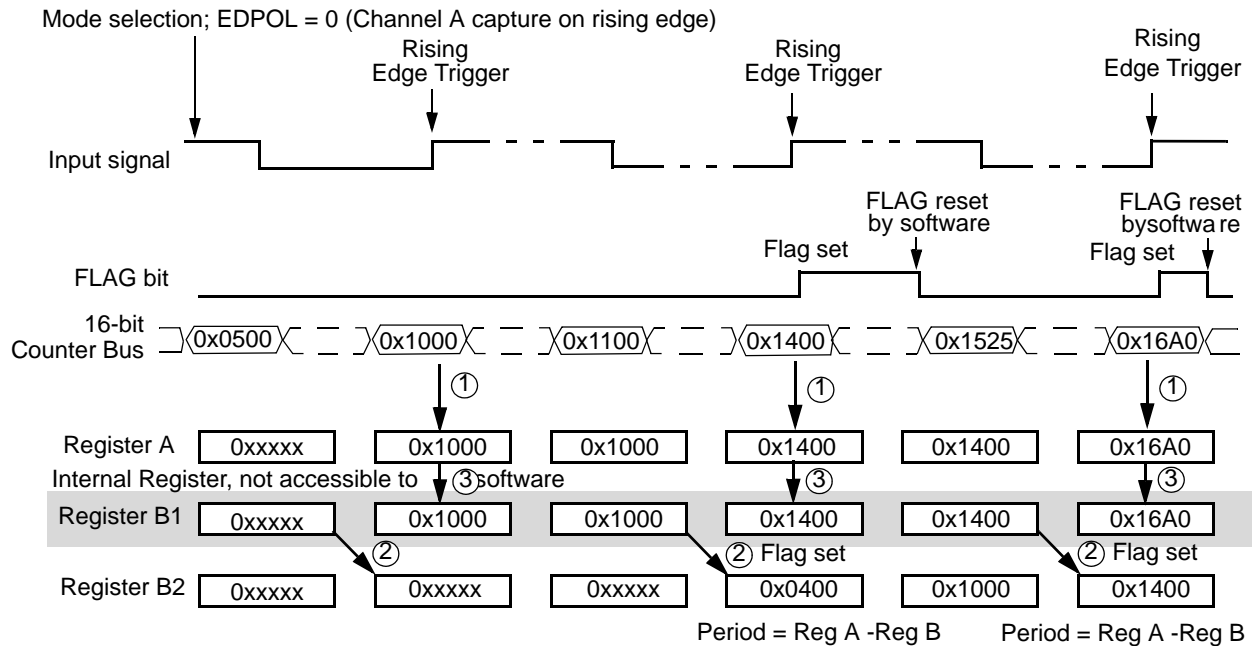


Figure 17-17. Input Period Measurement Example

### 17.9.3.4 Input Capture (IC) Mode

IC mode is selected by setting MODE[0:3] to 0b0011.

This mode is identical to the input period measurement mode (IPM) described above, with the exception that the FLAG line is also activated at the occurrence of the first detected edge of the selected polarity. In this mode the MDASM functions as a standard input capture function. In this case the value latched in channel B can be ignored. Figure 17-18 provides an example of how the MDASM can be used for input capture.

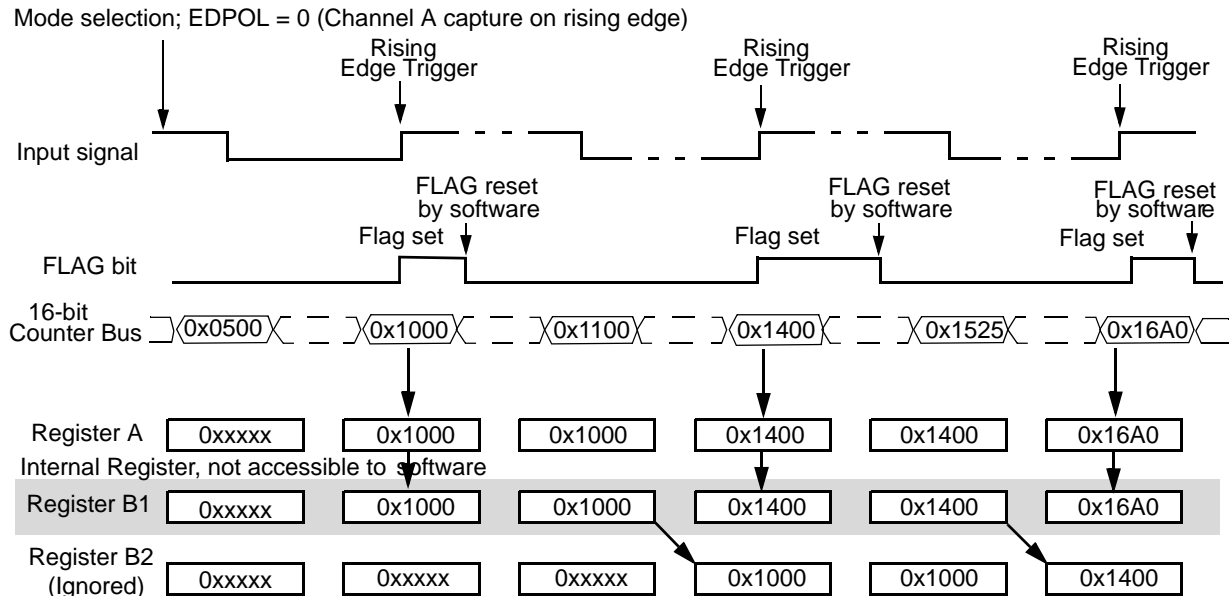


Figure 17-18. MDASM Input Capture Example

### 17.9.3.5 Output Compare (OCB and OCAB) Modes

Output compare mode (either OCA or OCB) is selected by setting MODE[0:3] to 0b010x. The MODE0 controls the activation criteria for the FLAG line, (i.e., when a compare occurs only on channel B or when a compare occurs on either channel).

This mode allows the MDASM to perform four different output functions:

- Single-shot output pulse (two edges), with FLAG line activated on the second edge
- Single-shot output pulse (two edges), with FLAG line activated on both edges
- Single-shot output transition (one edge)
- Output port signal, with output compare function disabled

In this mode the leading and trailing edges of variable width output pulses are generated by calculated output compare events occurring on channels A and B, respectively. OC mode may also be used to perform a single output compare function, or may be used as an output port bit.

In this mode, channel B is accessed via register B2. A write to register B2 writes the same value to register B1 even though the contents of B1 are not used in this mode. Both channels work together to generate one ‘single shot’ output pulse signal. Channel A defines the leading edge of the output pulse, while channel B defines the trailing edge of the pulse. FLAG line activation can be done when a match occurs on channel B only or when a compare occurs on either channel (as defined by the MODE0 in the MDASMSCR register).

When this mode is first selected, (i.e., coming from disable mode, both comparators are disabled). Each comparator is enabled by writing to its data register; it remains enabled until the next successful comparison is made on that channel, whereupon it is disabled. The values stored in registers A and B are compared with the count value on the selected 16-bit counter bus when their corresponding comparators are enabled.

The output flip-flop is set when a match occurs on channel A. The output flip-flop is reset when a match occurs on channel B. The polarity of the output signal is selected by the EDPOL bit. The output flip-flop level can be obtained at any time by reading the PIN bit.

If subsequent enabled output compares occur on channels A and B, the output pulses continue to be output, regardless of the state of the FLAG bit.

At any time, the FORCA and FORCB bits allow the software to force the output flip-flop to the level corresponding to a comparison on channel A or B, respectively.

**NOTE**

The FLAG line is not affected by these ‘force’ operations.

Totem pole or open-drain output circuit configurations can be selected using the WOR bit in the MDASMSCR register.

**NOTE**

If both channels are loaded with the same value, the output flip-flop provides a logic zero level output and the flag bit is still set on the match.

**NOTE**

16-bit counter bus compare only occurs when the 16-bit counter bus is updated.

**17.9.3.5.1 Single Shot Output Pulse Operation**

The single shot output pulse operation is selected by writing the leading edge value of the desired pulse to data register A and the trailing edge value to data register B. A single pulse will be output at the desired time, thereby disabling the comparators until new values are written to the data registers. To generate a single shot output pulse, the OCB mode should be used to only generate a flag on the B match.

In this mode, registers A and B2 are accessible to the user software (at consecutive addresses).

[Figure 17-19](#) provides an example of how the MDASM can be used to generate a single output pulse.

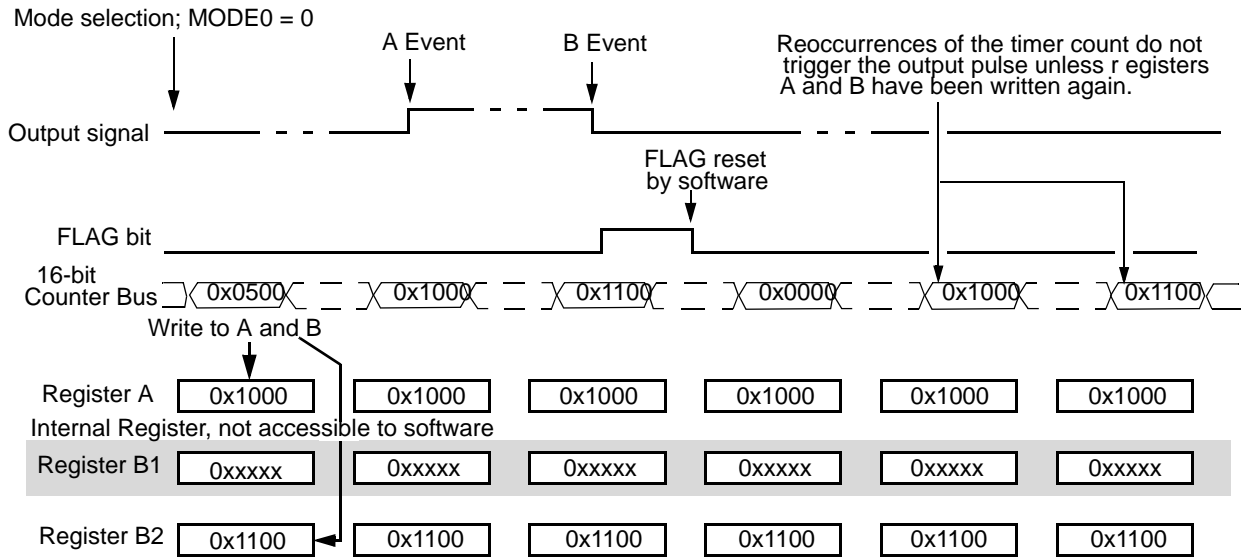


Figure 17-19. Single Shot Output Pulse Example

### 17.9.3.5.2 Single Output Compare Operation

The single output compare operation is selected by writing to only one of the two data registers (A or B), thus enabling only one of the comparators. Following the first successful match on the enabled channel, the output level is fixed and remains at the same level indefinitely with no further software intervention being required. To generate a single output compare, the OCAB mode should be used to generate a flag on both the A and the B match.

#### NOTE

In this mode, registers A and B2 are accessible to the user software (at consecutive addresses).

Figure 17-20 provides an example of how the MDASM can be used to perform a single output compare.

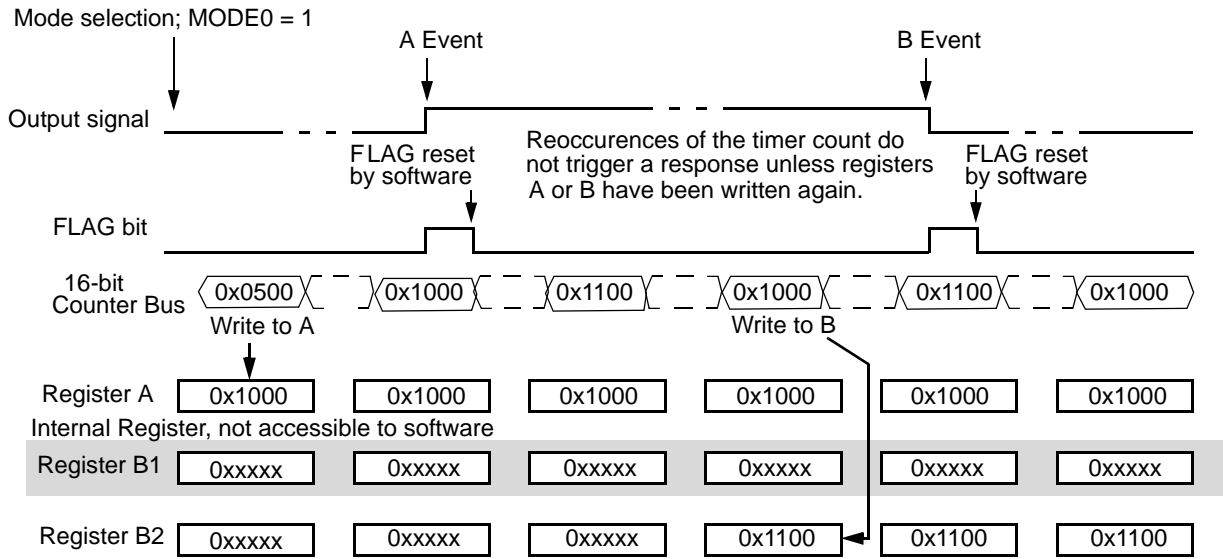


Figure 17-20. Single Shot Output Transition Example

### 17.9.3.5.3 Output Port Bit Operation

The output port bit operation is selected by leaving both channels disabled, (i.e., by writing to neither register A nor B). The EDPOL bit alone controls the output value. The same result can be achieved by keeping EDPOL at zero and using the FORCA and FORCB bits to obtain the desired output level.

### 17.9.3.6 Output Pulse Width Modulation (OPWM) Mode

OPWM mode is selected by setting MODE[0:3] to 1xxx. The MODE[1:3] bits allow some of the comparator bits to be masked.

This mode allows pulse width modulated output waveforms to be generated, with eight selectable frequencies. Frequencies are only relevant as such if the counter bus is driven by a counter as a time reference. Both channels (A and B) are used to generate one PWM output signal on the MDASM signal.

Channel B is accessed via register B1. Register B2 is not accessible. Channels A and B define respectively the leading and trailing edges of the PWM output pulse. The value in register B1 is transferred to register B2 each time a match occurs on either channel A or B.

#### NOTE

A FORCA or FORCB does not cause a transfer from B1 to B2.

The value loaded in register A is compared with the value on the 16-bit counter bus each time the counter bus is updated. When a match on A occurs, the FLAG line is activated and the output flip-flop is set. The value loaded in register B2 is compared with the value on the 16-bit counter bus each time the counter bus is updated. When a match occurs on B, the output flip-flop is reset.

### NOTE

If both channels are loaded with the same value, when a simultaneous match on A and B occurs, the submodule behaves as if a simple match on B had occurred except for the FLAG line which is activated. The output flip-flop is reset and the value in register B1 is transferred to register B2 on the match.

The polarity of the PWM output signal is selected by the EDPOL bit. The output flip-flop level can be obtained at any time by reading the PIN bit.

If subsequent compares occur on channels A and B, the PWM pulses continue to be output, regardless of the state of the FLAG bit.

At any time, the FORCA and FORCB bits allow the software to force the output flip-flop to the level corresponding to a comparison on A or B respectively. Note that the FLAG line is not activated by the FORCA and FORCB operations.

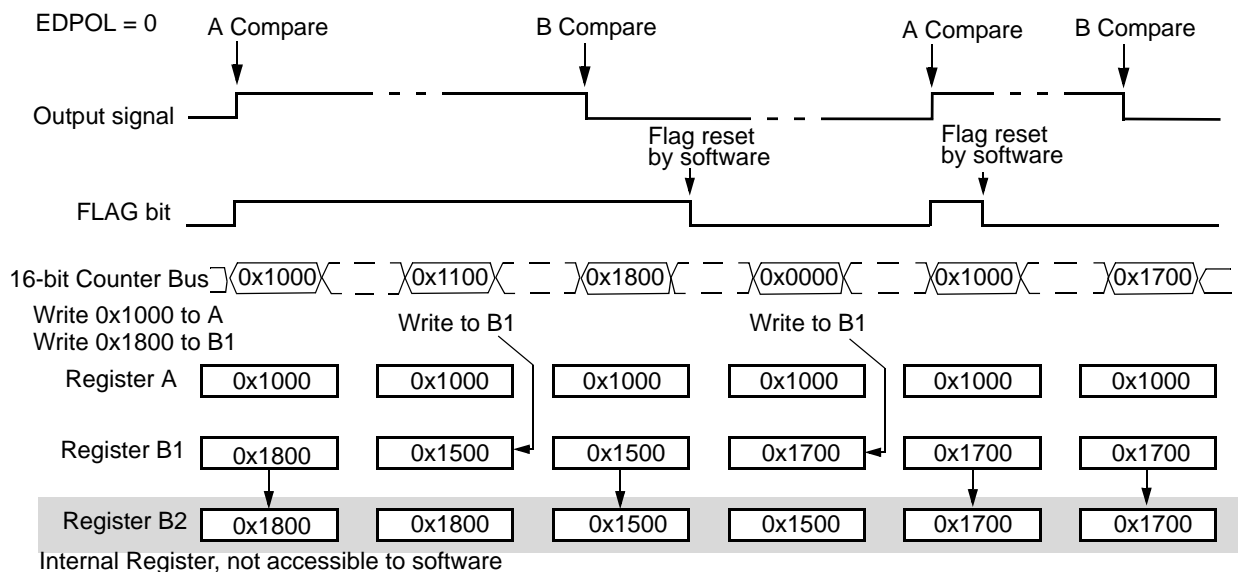
### WARNING

Data registers A and B must be loaded with the values needed to produce the desired PWM output pulse.

### NOTE

16-bit counter bus compare only occurs when the 16-bit counter bus is updated.

Figure 17-21 provides an example of how the MDASM can be used for pulse width modulation.



**Figure 17-21. MDASM Output Pulse Width Modulation Example**

To generate PWM output pulses of different frequencies, the 16-bit comparator can have some of its bits masked. This is controlled by bits MODE2, MODE1 and MODE0. The frequency of the PWM output ( $f_{PWM}$ ) is given by the following equation (assuming the MDASM is connected to a 16-bit counter bus used as time reference and  $f_{SYS}$  is the frequency of the MIOS14 CLOCK):

$$f_{\text{PWM}} = \frac{f_{\text{SYS}}}{N_{\text{MCPSM}} \cdot N_{\text{COUNTER}} \cdot N_{\text{MDASM}}}$$

where:

- $N_{\text{MCPSM}}$  is the overall MCPSM clock divide ratio (2, 3, 4,...,16).
- $N_{\text{COUNTER}}$  is the divide ratio of the prescaler of the counter (used as a time reference) that drives the 16-bit counter bus.
- $N_{\text{MDASM}}$  is the maximum count reachable by the counter when using n bits of resolution (this count is equal to  $2^n$ ).

A few examples of frequencies and resolutions that can be obtained are shown in [Table 17-18](#).

**Table 17-18. MDASM PWM Example Output Frequencies/Resolutions at  $f_{\text{SYS}} = 40 \text{ MHz}$**

| Resolution (bits) | $N_{\text{MCPSM}}$ | $N_{\text{COUNTER}}$ | $N_{\text{MDASM}}$ | PWM output frequency (Hz) <sup>1</sup> |
|-------------------|--------------------|----------------------|--------------------|--|
| 16                | 16                 | 256                  | 65536              | 0.15                                   |
| 16                | 2                  | 1                    | 65536              | 305.17                                 |
| 15                | 16                 | 256                  | 32768              | 0.29                                   |
| 15                | 2                  | 1                    | 32768              | 610.35                                 |
| 14                | 16                 | 256                  | 16384              | 0.59                                   |
| 14                | 2                  | 1                    | 16384              | 1 220.70                               |
| 13                | 16                 | 256                  | 8192               | 1.19                                   |
| 13                | 2                  | 1                    | 8192               | 2 441.41                               |
| 12                | 16                 | 256                  | 4096               | 2.38                                   |
| 12                | 2                  | 1                    | 4096               | 4 882.81                               |
| 11                | 16                 | 256                  | 2048               | 4.77                                   |
| 11                | 2                  | 1                    | 2048               | 9 765.63                               |
| 9                 | 16                 | 256                  | 512                | 19.07                                  |
| 9                 | 2                  | 1                    | 512                | 39 062.50                              |
| 7                 | 16                 | 256                  | 128                | 76.29                                  |
| 7                 | 2                  | 1                    | 128                | 156 250                                |

<sup>1</sup> This information is valid only if the MDASM is connected to an MMCSM operating as a free-running counter.

When using 16 bits of resolution on the comparator ( $\text{MODE}[2:0] = 0b000$ ), the output can vary from a 0% duty cycle up to a duty cycle of 65535/65536. In this case it is not possible to have a 100% duty cycle. In cases where 16-bit resolution is not needed, it is possible to have a duty cycle ranging from 0% to 100%. Setting bit 15 of the value stored in register B to one results in the output being ‘always set’. Clearing bit 15 (to zero) allows normal comparisons to occur and the normal output waveform is obtained. Changes to and from the 100% duty cycle are done synchronously on an A or B match, as are all other width changes.



In the OPWM mode, the WOR bit selects whether the output is totem pole driven or open-drain.

## 17.9.4 Modular I/O Bus (MIOB) Interface

- The MDASM is connected to all the signals in the read/write and control bus, to allow data transfer from and to the MDASM registers, and to control the MDASM in the different possible situations.
- The MDASM is connected to four 16-bit counter buses available to that submodule instance, so that the MDASM can select by software which one to use.
- The MDASM uses the request bus to transmit the FLAG line to the interrupt request submodule (MIRSM).

## 17.9.5 Effect of RESET on MDASM

When the reset signal is asserted, the MDASM registers are reset according to the values specified in [Section 17.9.6, “MDASM Registers.”](#)

## 17.9.6 MDASM Registers

The privilege level to access the MDASM registers depends on the MIOS14MCR[SUPV]. The privilege level is unrestricted after reset and can be changed to supervisor by software.

### 17.9.6.1 MDASM Registers Organization

The MDASM register map comprises four 16-bit register locations. As shown in below, the register block contains four MDASM registers. Note that the MDASMSCRD is the duplication of the MDASMSCR. This is done to allow 32-bit aligned accesses.

#### WARNING

The user should not write directly to the address of the MDASMSCRD. This register’s address may be reserved for future use and should not be accessed by the software to ensure future software compatibility.

All unused bits return zero when read by the software. All register addresses in this section are specified as offsets from the base address of the MDASM.

**Table 17-19. MDASM Address Map**

| Address        | Register   |
|----------------|--|
| <b>MDASM11</b> |  |
| 0x30 6058      | MDASM11 Data A Register (MDASMAR)<br>See <a href="#">Section 17.9.6.2, “MDASM Data A (MDASMAR) Register”</a> for bit descriptions. |
| 0x30 605A      | MDASM11 Data B Register (MDASMBR)<br>See <a href="#">Section 17.9.6.3, “MDASM Data B (MDASMBR) Register”</a> for bit descriptions. |

**Table 17-19. MDASM Address Map (continued)**

| Address        | Register  |
|----------------|---|
| 0x30 605C      | MDASM11 Status/Control Register Duplicated (MDASMSCRD)<br>See <a href="#">Table 17-22</a> for bit descriptions. |
| 0x30 605E      | MDASM11 Status/Control Register (MDASMSCR)<br>See <a href="#">Table 17-22</a> for bit descriptions.             |
| <b>MDASM12</b> |   |
| 0x30 6060      | MDASM12 Data A Register (MDASMAR)   |
| 0x30 6062      | MDASM12 Data B Register (MDASMBR)   |
| 0x30 6064      | MDASM12 Status/Control Register Duplicated (MDASMSCRD)  |
| 0x30 6066      | MDASM12 Status/Control Register (MDASMSCR)  |
| <b>MDASM13</b> |   |
| 0x30 6068      | MDASM13 Data A Register (MDASMAR)   |
| 0x30 606A      | MDASM13 Data B Register (MDASMBR)   |
| 0x30 606C      | MDASM13 Status/Control Register Duplicated (MDASMSCRD)  |
| 0x30 606E      | MDASM13 Status/Control Register (MDASMSCR)  |
| <b>MDASM14</b> |   |
| 0x30 6070      | MDASM14 Data A Register (MDASMAR)   |
| 0x30 6072      | MDASM14 Data B Register (MDASMBR)   |
| 0x30 6074      | MDASM14 Status/Control Register Duplicated (MDASMSCRD)  |
| 0x30 6076      | MDASM14 Status/Control Register (MDASMSCR)  |
| <b>MDASM15</b> |   |
| 0x30 6078      | MDASM15 Data A Register (MDASMAR)   |
| 0x30 607A      | MDASM15 Data B Register (MDASMBR)   |
| 0x30 607C      | MDASM15 Status/Control Register Duplicated (MDASMSCRD)  |
| 0x30 607E      | MDASM15 Status/Control Register (MDASMSCR)  |
| <b>MDASM27</b> |   |
| 0x30 60D8      | MDASM27 Data A Register (MDASMAR)   |
| 0x30 60DA      | MDASM27 Data B Register (MDASMBR)   |
| 0x30 60DC      | MDASM27 Status/Control Register Duplicated (MDASMSCRD)  |
| 0x30 60DE      | MDASM27 Status/Control Register (MDASMSCR)  |
| <b>MDASM28</b> |   |
| 0x30 60E0      | MDASM28 Data A Register (MDASMAR)   |
| 0x30 60E2      | MDASM28 Data B Register (MDASMBR)   |

**Table 17-19. MDASM Address Map (continued)**

| Address        | Register   |
|----------------|--|
| 0x30 60E4      | MDASM28 Status/Control Register Duplicated (MDASMSCRD) |
| 0x30 60E6      | MDASM28 Status/Control Register (MDASMSCR)             |
| <b>MDASM29</b> |  |
| 0x30 60E8      | MDASM29 Data A Register (MDASMAR)                      |
| 0x30 60EA      | MDASM29 Data B Register (MDASMBR)                      |
| 0x30 60EC      | MDASM29 Status/Control Register Duplicated (MDASMSCRD) |
| 0x30 60EE      | MDASM29 Status/Control Register (MDASMSCR)             |
| <b>MDASM30</b> |  |
| 0x30 60F0      | MDASM30 Data A Register (MDASMAR)                      |
| 0x30 60F2      | MDASM30 Data B Register (MDASMBR)                      |
| 0x30 60F4      | MDASM30 Status/Control Register Duplicated (MDASMSCRD) |
| 0x30 60F6      | MDASM30 Status/Control Register (MDASMSCR)             |
| <b>MDASM31</b> |  |
| 0x30 60F8      | MDASM31 Data A Register (MDASMAR)                      |
| 0x30 60FA      | MDASM31 Data B Register (MDASMBR)                      |
| 0x30 60FC      | MDASM31 Status/Control Register Duplicated (MDASMSCRD) |
| 0x30 60FE      | MDASM31 Status/Control Register (MDASMSCR)             |

### 17.9.6.2 MDASM Data A (MDASMAR) Register

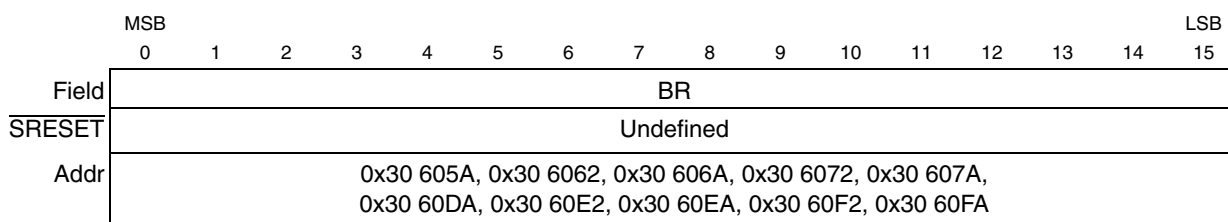
|        | MSB   | 0 | 1 | 2 | 3 | 4 | 5 | 6 | 7 | 8 | 9 | 10 | 11 | 12 | 13 | 14 | 15 | LSB |
|--------|---|---|---|---|---|---|---|---|---|---|---|----|----|----|----|----|----|-----|
| Field  | AR  |   |   |   |   |   |   |   |   |   |   |    |    |    |    |    |    |     |
| SRESET | Undefined   |   |   |   |   |   |   |   |   |   |   |    |    |    |    |    |    |     |
| Addr   | 0x30 6058, 0x30 6060, 0x30 6068, 0x30 6070, 0x30 6078,<br>0x30 60D8, 0x30 60E0, 0x30 60E8, 0x30 60F0, 0x30 60F8 |   |   |   |   |   |   |   |   |   |   |    |    |    |    |    |    |     |

**Figure 17-22. MDASM Data A Register (MDASMAR)**

**Table 17-20. MDASMAR Bit Descriptions**

| Bits | Name | Description   |
|------|------|---|
| 0:15 | AR   | <p>MDASMAR is the data register associated with channel A; its use varies with the different modes of operation:</p> <p>DIS mode: MDASMAR can be accessed to prepare a value for a subsequent mode selection.</p> <p>IPWM mode: MDASMAR contains the captured value corresponding to the trailing edge of the measured pulse.</p> <p>IPM and IC modes: MDASMAR contains the captured value corresponding to the most recently detected dedicated edge (rising or falling edge).</p> <p>OCB and OCAB modes: MDASMAR is loaded with the value corresponding to the leading edge of the pulse to be generated. Writing to MDASMAR in the OCB and OCAB modes also enables the corresponding channel A comparator until the next successful comparison.</p> <p>OPWM mode: MDASMAR is loaded with the value corresponding to the leading edge of the PWM pulse to be generated.</p> <p><b>NOTE:</b> In IC, IPM, or IPWM mode, when a read to register A or B occurs at the same time as a counter bus capture into that register and the counter bus is changing value, then the counter bus capture to that register is delayed.</p> |

### 17.9.6.3 MDASM Data B (MDASMBR) Register



**Figure 17-23. MDASM DataB Register (MDASMBR)**

**Table 17-21. MDASMBR Bit Descriptions**

| Bits | Name | Description   |
|------|------|---|
| 0:15 | BR   | <p>MDASMBR is the data register associated with channel B; its use varies with the different modes of operation.</p> <p>Writing to register B always writes to B1 and, depending on the mode selected, sometimes to B2. Reading register B either reads B1 or B2 depending on the mode selected.</p> <p>In the DIS mode, MDASMBR can be accessed to prepare a value for a subsequent mode selection. In this mode, register B1 is accessed in order to prepare a value for the OPWM mode. Unused register B2 is hidden and cannot be read, but is written with the same value when register B1 is written.</p> <p>In the IPWM mode, MDASMBR contains the captured value corresponding to the leading edge of the measured pulse. In this mode, register B2 is accessed; buffer register B1 is hidden and is not readable.</p> <p>In the IPM and IC modes, MDASMBR contains the captured value corresponding to the previously dedicated edge (rising or falling edge). In this mode, register B2 is accessed; buffer register B1 is hidden and is not readable.</p> <p>In the OCB and OCAB modes, MDASMBR is loaded with the value corresponding to the trailing edge of the pulse to be generated. Writing to MDASMBR in the OCB and OCAB modes also enables the corresponding channel B comparator until the next successful comparison. In this mode, register B2 is accessed; buffer register B1 is hidden and is not readable.</p> <p>In the OPWM mode, MDASMBR is loaded with the value corresponding to the trailing edge of the PWM pulse to be generated. In this mode, register B1 is accessed; buffer register B2 is hidden and cannot be accessed.</p> <p>NOTE: In IC, IPM, or IPWM mode, when a read to register A or B occurs at the same time as a counter bus capture into that register and the counter bus is changing value, then the counter bus capture to that register is delayed.</p> |

#### 17.9.6.4 MDASM Status/Control Register (MDASMSCRD) (Duplicated)

The MDASMSCRD and the MDASMSCR are the same registers accessed at two different addresses. Reading or writing to one of these two addresses has exactly the same effect.

#### WARNING

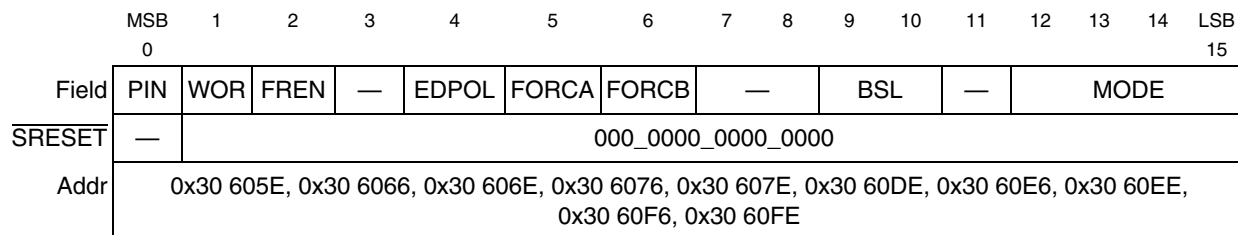
The user should not write directly to the address of the MDASMSCRD. This register's address may be reserved for future use and should not be accessed by the software to ensure future software compatibility.

The duplication of the SCR register allows coherent 32-bit accesses when using an RCPU.

#### 17.9.6.5 MDASM Status/Control Register (MDASMSCR)

The status and control register gathers a read only bit reflecting the status of the MDASM signal as well as read/write bits related to its control and configuration.

The signal input status bit reflects the status of the corresponding signal when in input mode. When in output mode, the PIN bit only reflects the status of the output flip-flop.



**Figure 17-24. MDASM Status/Control Register (MDASMSCR)**

**Table 17-22. MDASMSCR Bit Descriptions**

| Bits | Name  | Description   |
|------|-------|---|
| 0    | PIN   | Pin Input Status — The pin input status bit reflects the status of the corresponding bit.   |
| 1    | WOR   | Wired-OR bit — In the DIS, IPWM, IPM and IC modes, the WOR bit is not used; reading this bit returns the value that was previously written.<br>In the OCB, OCAB and OPWM modes, the WOR bit selects whether the output buffer is configured for open-drain or totem pole operation. When open-drain mode is selected, the EDPOL bit is not used; writing to EDPOL will have no effect on the output voltage.<br>1 Output buffer is open-drain.<br>0 Output buffer is totem pole.<br>The WOR bit is cleared by reset.  |
| 2    | FREN  | Freeze enable bit — This active high read/write control bit enables the MDASM to recognize the MIOB freeze signal.<br>1 = The MDASM is frozen if the MIOB freeze line is active.<br>0 = The MDASM is not frozen even if the MIOB freeze line is active.<br>The FREN is cleared by reset.  |
| 3    | —     | Reserved  |
| 4    | EDPOL | Polarity bit — In the DIS mode, this bit is not used; reading it returns the last value written.<br>In the IPWM mode, this bit is used to select the capture edge sensitivity of channels A and B.<br>1 Channel A captures on a falling edge. Channel B captures on a rising edge.<br>0 Channel A captures on a rising edge. Channel B captures on a falling edge.<br>In the IPM and IC modes, the EDPOL bit is used to select the input capture edge sensitivity of channel A.<br>1 Channel A captures on a falling edge.<br>0 Channel A captures on a rising edge.<br>In the OCB, OCAB and OPWM modes, the EDPOL bit is used to select the voltage level on the output signal. If open-drain mode is selected via the WOR bit, the EDPOL bit is disabled and writing to it will have no effect on the output voltage.<br>1 The complement of the output flip-flop logic level appears on the output signal: a match on channel A resets the output signal; a match on channel B sets the output signal.<br>0 The output flip-flop logic level appears on the output signal: a match on channel A sets the output signal, a match on channel B resets the output signal.<br>The EDPOL bit is cleared by reset. |
| 5    | FORCA | Force A bit — In the OCB, OCAB and OPWM modes, the FORCA bit allows the software to force the output flip-flop to behave as if a successful comparison had occurred on channel A (except that the FLAG line is not activated). Writing a one to FORCA sets the output flip-flop; writing a zero to it has no effect.<br>In the DIS, IPWM, IPM and IC modes, the FORCA bit is not used and writing to it has no effect. FORCA is cleared by reset and is always read as zero.<br>Writing a one to both FORCA and FORCB simultaneously resets the output flip-flop.   |

**Table 17-22. MDASMSCR Bit Descriptions (continued)**

| Bits  | Name  | Description   |
|-------|-------|---|
| 6     | FORCB | Force B bit — In the OCB, OCAB and OPWM modes, the FORCB bit allows the software to force the output flip-flop to behave as if a successful comparison had occurred on channel B (except that the FLAG line is not activated). Writing a one to FORCB resets the output flip-flop; writing a zero to it has no effect.<br>In the DIS, IPWM, IPM and IC modes, the FORCB bit is not used and writing to it has no effect. FORCB is cleared by reset and is always read as zero.<br>Writing a one to both FORCA and FORCB simultaneously resets the output flip-flop. |
| 7:8   | —     | Reserved  |
| 9:10  | BSL   | Bus select bits — These bits are used to select which of the six 16-bit counter buses is used by the MDASM. Each MDASM instance has four possible counter buses that may be connected. See <a href="#">Table 17-24</a> for more information.<br><b>NOTE:</b> Unconnected counter buses inputs are grounded.   |
| 11    | —     | Reserved  |
| 12:15 | MODE  | Mode select bits — The four mode select bits select the mode of operation of the MDASM. To avoid spurious interrupts, it is recommended that MDASM interrupts are disabled before changing the operating mode.<br>The mode select bits are cleared by reset.<br><b>NOTE:</b> The reserved modes should not be set; if these modes are set, the MDASM behavior is undefined.   |

**Table 17-23. MDASM Mode Selects**

| MDASM Control Register Bits | Bits of Resolution | Counter Bus Bits Ignored | MDASM Mode of Operation                        |
|-----------------------------|--------------------|--------------------------|--|
| MODE                        |                    |                          |  |
| 0000                        | —                  | —                        | DIS – Disabled                                 |
| 0001                        | 16                 | —                        | IPWM – Input pulse width measurement           |
| 0010                        | 16                 | —                        | IPM – Input period measurement                 |
| 0011                        | 16                 | —                        | IC – Input capture                             |
| 0100                        | 16                 | —                        | OCB – Output compare, flag on B compare        |
| 0101                        | 16                 | —                        | OCAB – Output compare, flag on A and B compare |
| 0110                        | —                  | —                        | Reserved                                       |
| 0111                        | —                  | —                        | Reserved                                       |
| 1000                        | 16                 | —                        | OPWM – Output pulse width modulation           |
| 1001                        | 15                 | 0                        | OPWM – Output pulse width modulation           |
| 1010                        | 14                 | 0,1                      | OPWM – Output pulse width modulation           |
| 1011                        | 13                 | 0-2                      | OPWM – Output pulse width modulation           |
| 1100                        | 12                 | 0-3                      | OPWM – Output pulse width modulation           |
| 1101                        | 11                 | 0-4                      | OPWM – Output pulse width modulation           |

**Table 17-23. MDASM Mode Selects (continued)**

| MDASM Control Register Bits | Bits of Resolution | Counter Bus Bits Ignored | MDASM Mode of Operation              |
|-----------------------------|--------------------|--------------------------|--------------------------------------|
| MODE                        |                    |                          |                                      |
| 1110                        | 9                  | 0-6                      | OPWM – Output pulse width modulation |
| 1111                        | 7                  | 0-8                      | OPWM – Output pulse width modulation |

**Table 17-24. MDASM Counter Bus Selection**

| Sub-Module Type | Block Number | Connected to:    |                  |                  |                  |
|-----------------|--------------|------------------|------------------|------------------|------------------|
|                 |              | CBA              | CBB              | CBC              | CBD              |
|                 |              | BSL0=0<br>BSL1=0 | BSL0=1<br>BSL1=0 | BSL0=0<br>BSL1=1 | BSL0=1<br>BSL1=1 |
| MDASM           | 11           | CB6              | CB22             | CB7              | CB8              |
| MDASM           | 12           | CB6              | CB22             | CB7              | CB8              |
| MDASM           | 13           | CB6              | CB22             | CB23             | CB24             |
| MDASM           | 14           | CB6              | CB22             | CB23             | CB24             |
| MDASM           | 15           | CB6              | CB22             | CB23             | CB24             |
| MDASM           | 27           | CB6              | CB22             | CB23             | CB24             |
| MDASM           | 28           | CB6              | CB22             | CB23             | CB24             |
| MDASM           | 29           | CB6              | CB22             | CB7              | CB8              |
| MDASM           | 30           | CB6              | CB22             | CB7              | CB8              |
| MDASM           | 31           | CB6              | CB22             | CB7              | CB8              |

## 17.10 MIOS14 Pulse Width Modulation Submodule (MPWMSM)

The MIOS14 pulse width modulation submodule (MPWMSM) is a function included in the MIOS14 library. It allows pulse width modulated signals to be generated over a wide range of frequencies, independently of other MIOS14 output signals and with no software intervention. The output pulse width can vary from 0% to 100%. The minimum pulse width is twice the minimum MIOS14 CLOCK period (i.e., the minimum pulse width is 50 ns when  $f_{SYS}$  is 40 MHz). The MPWMSM can run in a double-buffered mode, to avoid spurious update.

The following sections describe the MPWMSM in detail. A block diagram of the MPWMSM is shown in [Figure 17-25](#).



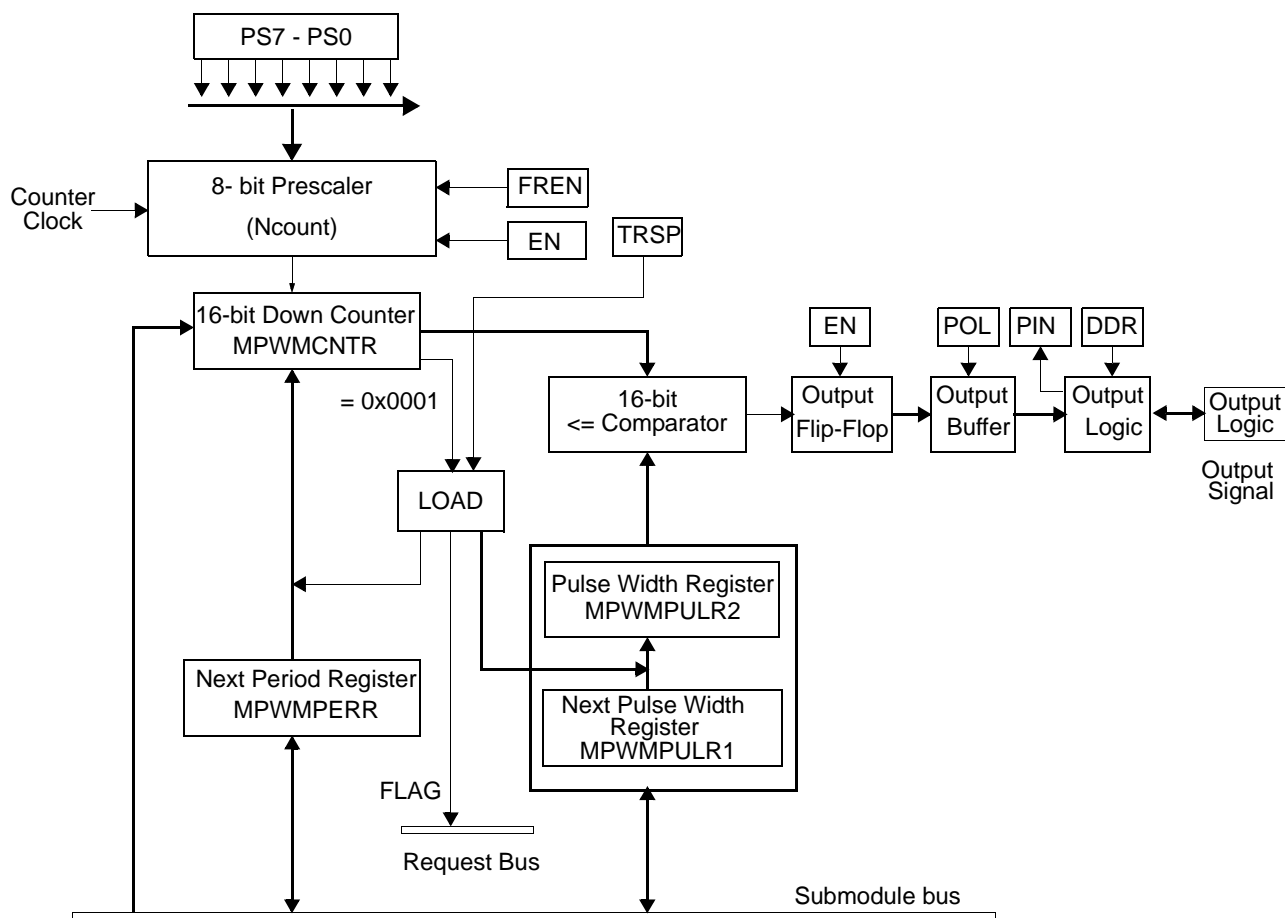


Figure 17-25. MPWMSM Block Diagram

### 17.10.1 MPWMSM Terminology

Terminology used in the MIOS14 pulse width modulation submodule includes the following:

|                    |  |
|--------------------|--|
| Bits of resolution | The MPWMSM contains a 16-bit modulus down-counter that counts from the desired loaded value to 0x0001. The term “bits of resolution” is used in this document to indicate the size of the equivalent free running binary counter. To cover the worst case, the number of bits is rounded to the lower number. For example, if the counter is preset with a value between 128 and 255, it is said to have seven bits of resolution. If it is preset with a value between 256 and 511, it is said to have eight bits of resolution, and so on. |
| Resolution         | The term “resolution” is used in this document to define the minimum MPWMSM output increment in time units.  |

### 17.10.2 MPWMSM Features

- Output pulse width modulated (PWM) signal generation with no software intervention
- Built-in 8-bit programmable prescaler clocked by the MCPSM

- PWM period and pulse width values provided by software:
  - Double-buffered for glitch-free period and pulse width changes
  - Minimum output period/pulse-width increment: 50 ns (assuming  $f_{SYS} = 40$  MHz)
  - Maximum 50% duty-cycle output frequency: 10 MHz (assuming  $f_{SYS} = 40$  MHz)
  - Up to 16 bits of resolution for the output pulse width
  - Wide range of periods
    - 16 bits of resolution: period range from 3.27 ms (with 50-ns steps) to 6.71 s (with 102.4  $\mu$ s steps)
    - Eight bits of resolution: period range from 12.8  $\mu$ s (with 50-ns steps) to 26.2 ms (with 102.4- $\mu$ s steps)
  - Wide range of frequencies
    - Maximum output frequency at  $f_{SYS} = 40$  MHz with 16 bits of resolution and divide-by-2 prescaler selection: 305 Hz (3.27 ms.)
    - Minimum output frequency at  $f_{SYS} = 40$  MHz with 16 bits of resolution and divide-by-4096 prescaler selection: 0.15 Hz (6.7 s.)
    - Maximum output frequency at  $f_{SYS} = 40$  MHz with 8 bits of resolution and divide-by-2 prescaler selection: 78125 Hz (12.8  $\mu$ s.)
    - Minimum output frequency at  $f_{SYS} = 40$  MHz with 8 bits of resolution and divide-by-4096 prescaler selection: 38.15 Hz (26.2 ms.)
- Programmable duty cycle from 0% to 100%
- Possible interrupt generation at start of every period
- Software selectable output pulse polarity
- Software readable output signal status
- Possible use of signal as I/O port when PWM function is not needed

### 17.10.3 MPWMSM Description

The purpose of the MPWMSM is to create a variable pulse width output signal at a wide range of frequencies, independently of other MIOS14 output signals. The MPWMSM includes its own counter, and thus does not use the MIOS14 counter bus set. However the MPWMSM uses the prescaled clock bus that originates in the MIOS14 counter prescaler submodule (MCPSM). The MPWMSM pulse width can vary from 0% to 100%, with up to 16 bits of resolution. The finest output resolution is the MIOS14 CLOCK period multiplied by two (for a MIOS14 CLOCK with  $f_{SYS} = 40$  MHz, the finest output pulse width resolution is 50 ns). With the full 16 bits of resolution and the MCPSM set to divide by two, the period of the output signal can range from 3.276 ms to 6.71 s (assuming  $f_{SYS} = 40$  MHz).

By reducing the amount of bits of resolution, the output signal period can be reduced. For example, the period can be as fast as 204.8  $\mu$ s (4882 Hz) with 12 bits of resolution, as fast as 12.8  $\mu$ s (78.125 KHz) with eight bits of resolution, and as fast as 3.2  $\mu$ s (312.5 KHz) with six bits of resolution (still assuming a  $f_{SYS} = 40$  MHz and the MCPSM set to divide by two).

The MPWMSM is composed of:

- An output flip-flop with output buffer and polarity control
- An input/output signal with data direction control
- An 8-bit prescaler and clock selection logic
- A 16-bit down-counter (MPWMCNTR)
- A register to hold the next period values (MPWMPERR)
- Two registers to hold the current and next pulse width values (MPWMPULR)
- A less-than or equal comparator
- A status and control register (MPWMSCR)

### 17.10.3.1 Clock Selection

The MPWMSM contains an 8-bit prescaler clocked by the output signal from the MIOS14 counter prescaler submodule ( $f_{SYS}/2$  to  $f_{SYS}/16$ ). The MPWMSM clock selector allows the choice, by software, of one of 256 divide ratios which give to the MPWMSM a large choice of frequencies available for the down-counter. The MPWMSM down-counter is thus capable of counting with a clock frequency ranging from  $f_{SYS}/2$  to  $f_{SYS}/4096$ .

Switching the MPWMSM from disable to enable will reload the value of MPWMSCR[CP] into the 8-bit prescaler counter.

### 17.10.3.2 Counter

A 16-bit down-counter in the MPWMSM provides the time reference for the output signal. The counter is software writable. When writing to the counter (i.e., at the MPWMCNTR address), it also writes to the MPWMPERR register. When in transparent mode (TRSP = 1), writing to the MPWMPERR will also write to the counter. The down-counter is readable at anytime. The value loaded in the down-counter corresponds to the period of the output signal.

When the MPWMSM is enabled, the counter begins counting. As long as it is enabled, the counter counts down freely. The counter counts at the rate established by the prescaler. When the count down reaches 0x0001, the load operation is executed and the value in the MPWMPERR register is loaded in the MPWMCNTR register, (i.e., the counter). Then the counter restarts to count down from that value.

### 17.10.3.3 Period Register

The period section is composed of a 16-bit data register (MPWMPERR). The software establishes the period of the output signal in register MPWMPERR.

When the MPWMSM is running in transparent mode, the period value in register MPWMPERR is immediately transferred to the counter on a write to the MPWMPERR.

When the MPWMSM is running in double-buffered mode, the period value in register MPWMPERR can be changed at any time without affecting the current period of the output signal. The new value of MPWMPERR will be transferred to the counter only when the counter reaches the value of 0x0001 and generates a load signal.

Period values of 0x0000, 0x0001, and 0x0002 are MPWMSM special cases:

- The value 0x0000 in the period register, causes the counter to act like a free running counter. This condition creates a period of 65536 PWM clock periods.
- The value 0x0001 in the period register will always cause a period match to occur and the counter will never decrement below 0x0001. This condition is defined as a period of “1” PWM clock count. The output flip-flop is always set unless MPWMPULR = 0x0000, when the output flip-flop is always reset. Refer to [Section 17.10.3.5, “Duty Cycles \(0% and 100%\)”](#) for details about 0% and 100% duty cycles.
- Writing value 0x0002 in the period register causes a period match to occur every two clock periods. The counter decrements from 0x0002 to 0x0001, and then it is initialized back to 0x0002. This condition is defined as a period of 2 clock counts. Note that the value 0x0002 loaded in the period register and a value of 0x0001 in the pulse width register is the condition to obtain the maximum possible output frequency for a given clock period.

The relationship between the output frequency obtained ( $F_{P\text{WMO}}$ ) and the MIOS14 CLOCK frequency ( $f_{\text{SYS}}$ ), the MCPSM clock divide ratio ( $N_{\text{MCPSM}}$ ), the counter divide ratio ( $N_{\text{MPWMSM}}$ ) and the value loaded in the counter ( $V_{\text{COUNTER}}$ ) is given by the following equation:

$$f_{\text{P\text{WMO}}} = \frac{f_{\text{SYS}}}{N_{\text{MCPSM}} \cdot N_{\text{MPWMSM}} \cdot V_{\text{COUNTER}}}$$

### 17.10.3.4 Pulse Width Registers

The pulse width section is composed of two 16-bit data registers (MPWMPULR1 and MPWMPULR2). Only MPWMPULR1 is accessible by software. The software establishes the pulse width of the MPWMSM output signal in MPWMPULR1. MPWMPULR2 is used as a double buffer of MPWMPULR1.

When the MPWMSM is running in transparent mode, the pulse width value in MPWMPULR1 is immediately transferred in MPWMPULR2 so that the new value takes effect immediately.

#### NOTE

When the MPWMSM is in disable mode, writing to MPWMPULR1 will write automatically to MPWMPULR2.

When the MPWMSM is not running in double-buffered mode, the pulse width value in MPWMPULR1 can be changed at any time without affecting the current pulse width of the output signal. The new value in MPWMPULR1 will be transferred to MPWMPULR2 only when the down-counter reaches the value of 0x0001.

When the counter first reaches the value in MPWMPULR2, the output flip-flop is set. The output is reset when the counter reaches 0x0001. The pulse width match starts the width of the output signal, it does not affect the counter. MPWMPULR1 is software readable and writable at any time. The MPWMSM does not modify the content of MPWMPULR1.

The PWM output pulse width can be as wide as one period minus one MPWMSM clock count: (i.e.,  $\text{MPWMPULR2} = \text{MPWPERR} - [\text{one MPWMSM clock count}]$ ). At the other end of the pulse width range, MPWMPULR2 can contain 0x0001 to create a pulse width of one PWM clock count.

For example, with 0x00FF in the counter and 0x0002 in MPWMPULR2, the period is 255 PWM clock count and the pulse width is 2 PWM clock counts.

For a given system clock frequency, with a given counter divide ratio and clock selection divide ratio, the output pulse width is given by the following equation:

$$\text{Pulse_Width} = \frac{N_{\text{MCPSM}}^2 N_{\text{MPWMSM}}^2 V_{\text{MPWMB2}}}{f_{\text{SYS}}}$$

where  $V_{\text{MPWMB2}}$  is the value in the register B2

In such conditions, the minimum output pulse width that can be obtained is given by:

$$\text{Minimum_Pulse_Width} = \frac{N_{\text{MCPSM}}^2 N_{\text{MPWMSM}}}{f_{\text{SYS}}}$$

and the maximum pulse width by:

$$\text{Maximum_Pulse_Width} = \frac{N_{\text{MCPSM}}^2 N_{\text{MPWMSM}}^2 (2^{\text{Bit_of_Resolution}} - 1)}{f_{\text{SYS}}}$$

### 17.10.3.5 Duty Cycles (0% and 100%)

The 0% and 100% duty cycles are special cases to give flexibility to the software to create a full range of outputs. The “always set” and “always clear” conditions of the output flip-flop are established by the value in register MPWMPULR2. These boundary conditions are generated by software, just like another pulse. When the PWM output is being used to generate an analog level, the 0% and 100% represent the full scale values.

The 0% output is created with a 0x0000 in register MPWMPULR2, which prevents the output flip-flop from ever being set.

The 100% output is created when the content of register MPWMPULR2 is equal to or greater than the content of register MPWMPERR. Thus, the width register match occurs on counter reload. The state sequencer provides the timing to ensure that the first appearance of a 100% value in register MPWMPULR2 causes a glitchless always-set condition of the output flip-flop when TRSP = ‘0’.

#### NOTE

Even if the output is forced to 100%, the 16-bit up counter continues its counting and that output changes to or from the 100% value are done synchronously to the selected period.

#### NOTE

When a PWM output period is selected to be 65536 PWM clocks by loading 0x0000 in the period register, it is not possible to have an 100% duty cycle output signal. In this case, the maximum duty cycle available is of 65535/65536.

### 17.10.3.6 Pulse/Frequency Range Table

Table 17-25 summarizes the frequency and minimum pulse width values that can be obtained respectively with divide-by-1 and divide-by-256 MPWMSM clock prescaler options, while using a MIOS14 CLOCK frequency of 40 MHz, and for each MCPSM clock divide ratios.

**Table 17-25. PWM Pulse/Frequency Ranges (in Hz) Using /1 or /256 Option (40 MHz)**

| Minimum Pulse Width     | Bits of Resolution |       |       |       |       |       |        |        |        |        |        |        |        |        |        |         |
|-------------------------|--------------------|-------|-------|-------|-------|-------|--------|--------|--------|--------|--------|--------|--------|--------|--------|---------|
|                         | 16                 | 15    | 14    | 13    | 12    | 11    | 10     | 9      | 8      | 7      | 6      | 5      | 4      | 3      | 2      | 1       |
| <b>With /1 Option</b>   |                    |       |       |       |       |       |        |        |        |        |        |        |        |        |        |         |
| 50 ns/2                 | 305                | 610   | 1220  | 2441  | 4882  | 9765  | 19.5 K | 39K    | 78K    | 156K   | 312K   | 625K   | 1250 K | 2500 K | 5000 K | 10000 K |
| 75 ns/3                 | 203                | 407   | 814   | 1628  | 3255  | 6510  | 13K    | 26K    | 52K    | 104K   | 208K   | 416K   | 833 K  | 1666 K | 3333 K | 6666K   |
| 100 ns/4                | 152                | 305   | 610   | 1220  | 2441  | 4882  | 9765   | 19.5 K | 39K    | 78K    | 156K   | 312K   | 625 K  | 1250 K | 2500 K | 5000K   |
| 125 ns/5                | 122                | 244   | 488   | 976   | 1953  | 3906  | 7812   | 15.6 K | 31.3 K | 62.5K  | 125K   | 250K   | 500 K  | 1000 K | 2000 K | 4000K   |
| 150 ns/6                | 101                | 203   | 407   | 814   | 1628  | 3255  | 6510   | 13K    | 26K    | 52K    | 104K   | 208K   | 416 K  | 833K   | 1666 K | 3333K   |
| 175 ns/7                | 87.2               | 174   | 348   | 697   | 1395  | 2790  | 5580   | 11.1 K | 22.3 K | 44.6K  | 89.3 K | 178K   | 357K   | 714K   | 1428 K | 2857K   |
| 200 ns/8                | 76.3               | 152   | 305   | 610   | 1220  | 2441  | 4882   | 9765   | 19.5 K | 39K    | 78K    | 156 K  | 312 K  | 625K   | 1250 K | 2500K   |
| 225 ns/9                | 67.8               | 135   | 271   | 542   | 1085  | 2170  | 4340   | 8680   | 17.3 K | 34.7K  | 69.4 K | 138K   | 277K   | 555K   | 1111 K | 2222K   |
| 250 ns/10               | 61                 | 122   | 244   | 488   | 976   | 1953  | 3906   | 7812   | 15.K   | 31.3K  | 62.5 K | 125K   | 250 K  | 500 K  | 1000 K | 2000K   |
| 275 ns/11               | 55.5               | 111   | 222   | 443   | 887   | 1775  | 3551   | 7102   | 14.2 K | 28.4K  | 56.8 K | 113K   | 227 K  | 454K   | 909 K  | 1818 K  |
| 300 ns/12               | 50.8               | 101   | 203   | 407   | 814   | 1628  | 3255   | 6510   | 13K    | 26K    | 52K    | 104K   | 208 K  | 416K   | 833 K  | 1666 K  |
| 325 ns/13               | 46.9               | 93.9  | 187   | 375   | 751   | 1502  | 3004   | 6009   | 12K    | 24K    | 48K    | 96.1 K | 192 K  | 384K   | 769 K  | 1538 K  |
| 350 ns/14               | 43.6               | 87.2  | 174   | 348   | 697   | 1395  | 2790   | 5580   | 11.1 K | 22.3 K | 44.6 K | 89.3 K | 178 K  | 357K   | 714 K  | 1428K   |
| 375 ns/15               | 40.7               | 81.4  | 162   | 325   | 651   | 1302  | 2604   | 5208   | 10.4 K | 20.8 K | 41.6 K | 83.3 K | 166 K  | 333K   | 666 K  | 1333 K  |
| 400 ns/16               | 38.1               | 76.3  | 152   | 305   | 610   | 1220  | 2441   | 4882   | 9765   | 19.5K  | 39K    | 78K    | 156K   | 312K   | 625K   | 1250K   |
| <b>With /256 Option</b> |                    |       |       |       |       |       |        |        |        |        |        |        |        |        |        |         |
| 12.8 $\mu$ s/512        | 1.192              | 2.384 | 4.768 | 9.536 | 19.07 | 38.14 | 76.29  | 152.5  | 305.1  | 610.3  | 1220   | 2441   | 4882   | 9765   | 19.5K  | 39K     |
| 19.2 $\mu$ s/768        | 0.794              | 1.589 | 3.178 | 6.357 | 12.71 | 25.43 | 50.86  | 101.7  | 203.4  | 406.9  | 813.8  | 1627   | 3255   | 6510   | 13 K   | 26K     |

**Table 17-25. PWM Pulse/Frequency Ranges (in Hz) Using /1 or /256 Option (40 MHz) (continued)**

| Minimum Pulse Width | Bits of Resolution |       |       |       |       |       |       |       |       |       |       |       |       |      |      |       |
|---------------------|--------------------|-------|-------|-------|-------|-------|-------|-------|-------|-------|-------|-------|-------|------|------|-------|
|                     | 16                 | 15    | 14    | 13    | 12    | 11    | 10    | 9     | 8     | 7     | 6     | 5     | 4     | 3    | 2    | 1     |
| 25.6 $\mu$ s /1024  | 0.596              | 1.192 | 2.384 | 4.768 | 9.536 | 19.07 | 38.14 | 76.29 | 152.5 | 305.1 | 610.3 | 1220  | 2441  | 4882 | 9765 | 19.5K |
| 32 $\mu$ s/1280     | 0.476              | 0.953 | 1.907 | 3.814 | 7.629 | 15.24 | 30.51 | 61.03 | 122   | 244.1 | 488.2 | 976.5 | 1953  | 3906 | 7812 | 15.6K |
| 38.4 $\mu$ s /1536  | 0.397              | 0.795 | 1.589 | 3.179 | 6.358 | 12.71 | 25.43 | 50.86 | 101.7 | 203.5 | 406.9 | 813.8 | 1627  | 3255 | 6510 | 13K   |
| 44.8 $\mu$ s /1792  | 0.34               | 0.681 | 1.362 | 2.724 | 5.449 | 10.89 | 21.80 | 43.59 | 87.19 | 174.4 | 348.8 | 697.5 | 1395  | 2790 | 5580 | 11.1K |
| 51.2 $\mu$ s /2048  | 0.298              | 0.596 | 1.192 | 2.384 | 4.768 | 9.536 | 19.07 | 38.14 | 76.29 | 152.5 | 305.1 | 610.3 | 1220  | 2441 | 4882 | 9765  |
| 57.6 $\mu$ s /2304  | 0.264              | 0.529 | 1.059 | 2.119 | 4.238 | 8.477 | 16.95 | 33.90 | 67.81 | 135.6 | 271.2 | 542.5 | 1085  | 2170 | 4340 | 8680  |
| 64 $\mu$ s/2560     | 0.238              | 0.476 | 0.953 | 1.907 | 3.814 | 7.629 | 15.24 | 30.51 | 61.03 | 122   | 244.1 | 488.2 | 976.5 | 1953 | 3906 | 7812  |
| 70.4 $\mu$ s /2816  | 0.216              | 0.433 | 0.867 | 1.734 | 3.468 | 6.936 | 13.87 | 27.74 | 55.48 | 110.9 | 221.9 | 443.9 | 887.8 | 1775 | 3551 | 7102  |
| 76.8 $\mu$ s /3072  | 0.198              | 0.397 | 0.795 | 1.589 | 3.179 | 6.358 | 12.71 | 25.43 | 50.86 | 101.7 | 203.5 | 406.9 | 813.8 | 1627 | 3255 | 6510  |
| 83.2 $\mu$ s /3328  | 0.183              | 0.366 | 0.733 | 1.467 | 2.934 | 5.869 | 11.74 | 23.47 | 46.95 | 93.9  | 187.8 | 375.6 | 751.2 | 1502 | 3004 | 6009  |
| 89.6 $\mu$ s /3584  | 0.170              | 0.340 | 0.681 | 1.362 | 2.724 | 5.449 | 10.89 | 21.80 | 43.59 | 87.19 | 174.4 | 348.8 | 697.5 | 1395 | 2790 | 5580  |
| 96 $\mu$ s/3840     | 0.159              | 0.318 | 0.636 | 1.271 | 2.543 | 5.086 | 10.17 | 20.34 | 40.69 | 81.38 | 162.8 | 325.5 | 651   | 1302 | 2604 | 5208  |

### 17.10.3.7 MPWMSM Status and Control Register (SCR)

One register is used to initialize the MPWMSM and monitor its operation. Control bits are included to allow the software to enable the PWM generator, establish the output signal polarity, select the counter clock rate and set the glitch-free mode. A status bit is included to allow the software to read the state of the output signal.

### 17.10.3.8 MPWMSM Interrupt

A valid MPWMSM interrupt is recognized when a pulse occurs on the flag line to set the flag bit and the interrupt enable bit is set for the corresponding level in the MIRSM (Refer to [Section 17.12, “MIOS14 Interrupts,”](#) [Section 17.12.1, “MIOS14 Interrupt Structure”](#) and [Section 17.12.2, “MIOS14 Interrupt Request Submodule \(MIRSM\)”](#) for details about interrupts). A set flag pulse is generated at the start of every period.

The flag bit is a status bit which indicates, when set, that the output period has started and that registers MPWMPERR and MPWMPULR1 are available for updates when in double-buffered mode. The level of the resulting interrupt is determined in the MIRSM.

### 17.10.3.9 MPWMSM Port Functions

The MPWMSM has one dedicated I/O external signal.

The output flip-flop is the basic output of the MPWMSM. Except when the pulse width is at 100% or 0%, the output flip-flop is reset at the beginning of each period and is set at the beginning of the designated pulse width until the end of the period. As a software option, the polarity of the signal presented to the output signal may be the state of the output flip-flop or the inverse of the output flip-flop.

The MPWMSM is connected to an external, input/output signal. When in the disabled mode, the POL bit (polarity) and the DDR bit (data direction) in the SCR register allow the MPWMSM to be used as an I/O port.

### 17.10.3.10 MPWMSM Data Coherency

Byte accesses to MPWMPULR and MPWMPERR are supported, but are not recommended as the transfer from the primary registers to the secondary registers are done as a 16-bit word transfer.

For most MPWMSM operations, 16-bit accesses are sufficient and long word accesses (32-bit) are treated as two 16-bit accesses, with one exception — a long word write to the period/pulse width registers. In this case, if the long word write takes place within the PWM period, there is no visible effect on the output signal and the new values stored in MPWMPERR and MPWMPULR are ready to be loaded into the buffer registers at the start of the next period. If, however, the long word write coincides with the end of the period, then the transfer of values from the primary to the secondary registers is delayed until the end of the next period; during this period the previous values are used for the period and width. This feature enables updates of the period and pulse-width values without getting erroneous pulses.

## 17.10.4 Modular Input/Output Bus (MIOS14) Interface

The MPWMSM is connected to all the signals in the read/write and control bus, to allow data transfer from and to the MPWMSM registers, and to control the MPWMSM in the different possible situations.

- The MPWMSM is not using any of the 16-bit counter buses.
- The MPWMSM uses the request bus to transmit to the request submodule.

### 17.10.5 Effect of RESET on MPWMSM

The MPWMSM is affected by reset according to what is described in the section related to register description.

The MPWMPERR, MPWMPULR, and MPWMCNTR registers, together with the clock prescaler register bits, must be initialized by software, since they are undefined after hardware reset.



A value must be written to the MPWMCNTR (which writes the same value into the MPWMPERR) and a pulse width value written to MPWMPULR, before the MPWMSCR is written to. The latter access initializes the clock prescaler.

## 17.10.6 MPWMSM Registers

The privilege level to access to the MPWMSM registers depends on the MIOS14MCR[SUPV]. The privilege level is unrestricted after reset and can be change to supervisor by software.

### 17.10.6.1 MPWMSM Registers Organization

The MPWMSM register map comprises four 16-bit register locations, as shown in [Table 17-26](#). All unused bits return zero when read by the software. All register addresses in this section are specified as offsets from the base address of the MPWMSM.

**Table 17-26. MPWMSM Address Map**

| Address        | Register   |
|----------------|--|
| <b>MPWMSM0</b> |  |
| 0x30 6000      | MPWMSM0 Period Register (MPWMPERR)<br>See <a href="#">Table 17-27</a> for bit descriptions.        |
| 0x30 6002      | MPWMSM0 Pulse Register (MPWMPULR)<br>See <a href="#">Table 17-28</a> for bit descriptions.         |
| 0x30 6004      | MPWMSM0 Count Register (MPWMCNTR)<br>See <a href="#">Table 17-29</a> for bit descriptions.         |
| 0x30 6006      | MPWMSM0 Status/Control Register (MPWMSCR)<br>See <a href="#">Table 17-30</a> for bit descriptions. |
| <b>MPWMSM1</b> |  |
| 0x30 6008      | MPWMSM1 Period Register (MPWMPERR)   |
| 0x30 600A      | MPWMSM1 Pulse Register (MPWMPULR)  |
| 0x30 600C      | MPWMSM1 Count Register (MPWMCNTR)  |
| 0x30 600E      | MPWMSM1 Status/Control Register (MPWMSCR)  |
| <b>MPWMSM2</b> |  |
| 0x30 6010      | MPWMSM2 Period Register (MPWMPERR)   |
| 0x30 6012      | MPWMSM2 Pulse Register (MPWMPULR)  |
| 0x30 6014      | MPWMSM2 Count Register (MPWMCNTR)  |
| 0x30 6016      | MPWMSM2 Status/Control Register (MPWMSCR)  |
| <b>MPWMSM3</b> |  |
| 0x30 6018      | MPWMSM3 Period Register (MPWMPERR)   |
| 0x30 601A      | MPWMSM3 Pulse Register (MPWMPULR)  |

**Table 17-26. MPWMSM Address Map (continued)**

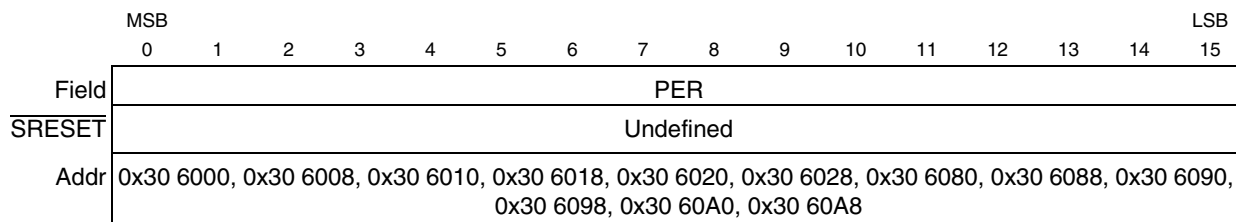
| Address         | Register                                   |
|-----------------|--|
| 0x30 601C       | MPWMSM3 Count Register (MPWMCNTR)          |
| 0x30 601E       | MPWMSM3 Status/Control Register (MPWMSCR)  |
| <b>MPWMSM4</b>  |  |
| 0x30 6020       | MPWMSM4 Period Register (MPWMPERR)         |
| 0x30 6022       | MPWMSM4 Pulse Register (MPWMPULR)          |
| 0x30 6024       | MPWMSM4 Count Register (MPWMCNTR)          |
| 0x30 6026       | MPWMSM4 Status/Control Register (MPWMSCR)  |
| <b>MPWMSM5</b>  |  |
| 0x30 6028       | MPWMSM5 Period Register (MPWMPERR)         |
| 0x30 602A       | MPWMSM5 Pulse Register (MPWMPULR)          |
| 0x30 602C       | MPWMSM5 Count Register (MPWMCNTR)          |
| 0x30 602E       | MPWMSM5 Status/Control Register (MPWMSCR)  |
| <b>MPWMSM16</b> |  |
| 0x30 6080       | MPWMSM16 Period Register (MPWMPERR)        |
| 0x30 6082       | MPWMSM16 Pulse Register (MPWMPULR)         |
| 0x30 6084       | MPWMSM16 Count Register (MPWMCNTR)         |
| 0x30 6086       | MPWMSM16 Status/Control Register (MPWMSCR) |
| <b>MPWMSM17</b> |  |
| 0x30 6088       | MPWMSM17 Period Register (MPWMPERR)        |
| 0x30 608A       | MPWMSM17 Pulse Register (MPWMPULR)         |
| 0x30 608C       | MPWMSM17 Count Register (MPWMCNTR)         |
| 0x30 608E       | MPWMSM17 Status/Control Register (MPWMSCR) |
| <b>MPWMSM18</b> |  |
| 0x30 6090       | MPWMSM18 Period Register (MPWMPERR)        |
| 0x30 6092       | MPWMSM18 Pulse Register (MPWMPULR)         |
| 0x30 6094       | MPWMSM18 Count Register (MPWMCNTR)         |
| 0x30 6096       | MPWMSM18 Status/Control Register (MPWMSCR) |
| <b>MPWMSM19</b> |  |
| 0x30 6098       | MPWMSM19 Period Register (MPWMPERR)        |
| 0x30 609A       | MPWMSM19 Pulse Register (MPWMPULR)         |
| 0x30 609C       | MPWMSM19 Count Register (MPWMCNTR)         |

**Table 17-26. MPWMSM Address Map (continued)**

| Address         | Register                                   |
|-----------------|--|
| 0x30 609E       | MPWMSM19 Status/Control Register (MPWMSCR) |
| <b>MPWMSM20</b> |  |
| 0x30 60A0       | MPWMSM20 Period Register (MPWMPERR)        |
| 0x30 60A2       | MPWMSM20 Pulse Register (MPWMPULR)         |
| 0x30 60A4       | MPWMSM20 Count Register (MPWMCNTR)         |
| 0x30 60A6       | MPWMSM20 Status/Control Register (MPWMSCR) |
| <b>MPWMSM21</b> |  |
| 0x30 60A8       | MPWMSM21 Period Register (MPWMPERR)        |
| 0x30 60AA       | MPWMSM21 Pulse Register (MPWMPULR)         |
| 0x30 60AC       | MPWMSM21 Count Register (MPWMCNTR)         |
| 0x30 60AE       | MPWMSM21 Status/Control Register (MPWMSCR) |

### 17.10.6.2 MPWMSM Period Register (MPWMPERR)

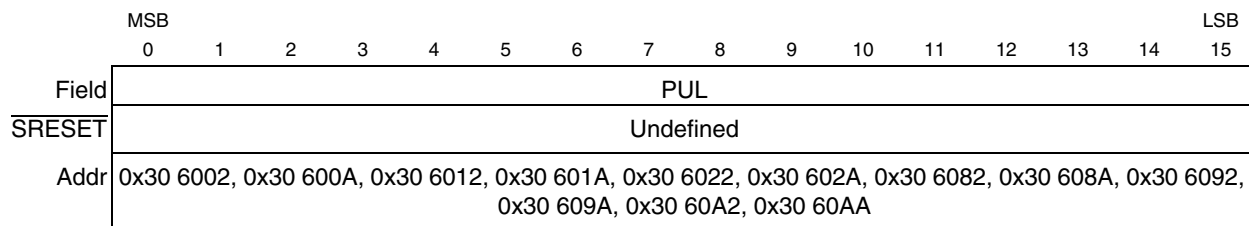
The period register contains the binary value corresponding to the period to be generated.


**Figure 17-26. MPWMSM Period Register (MPWMPERR)**
**Table 17-27. MPWMPERR Bit Descriptions**

| Bits | Name | Description  |
|------|------|--|
| 0:15 | PER  | Period. These bits contain the binary value corresponding to the period to be generated. |

### 17.10.6.3 MPWMSM Pulse Width Register (MPWMPULR)

The pulse width register contains the binary value of the pulse width to be generated.



**Figure 17-27. MPWMSM Pulse Width Register (MPWMPULR)**

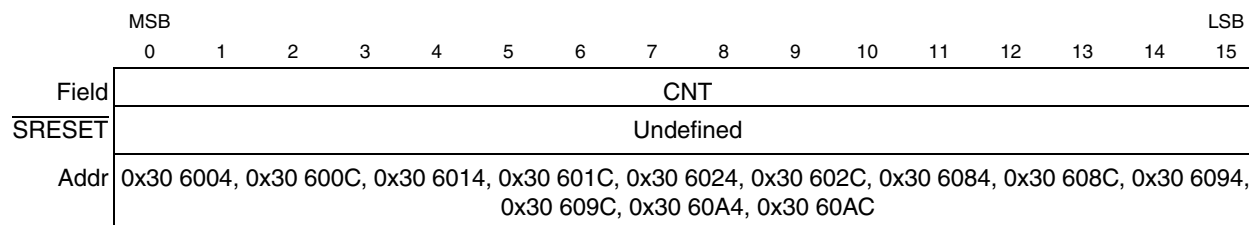
**Table 17-28. MPWMPULR Bit Descriptions**

| Bits | Name | Description  |
|------|------|--|
| 0:15 | PUL  | Pulse width. These bits contain the binary value of the pulse width to be generated. |

### 17.10.6.4 MPWMSM Counter Register (MPWMCNTR)

The counter register reflects the actual value of the MPWMSM counter.

This register is writable only through the period register (PWMPERR). Writes to the counter register will write the same value to the period register.



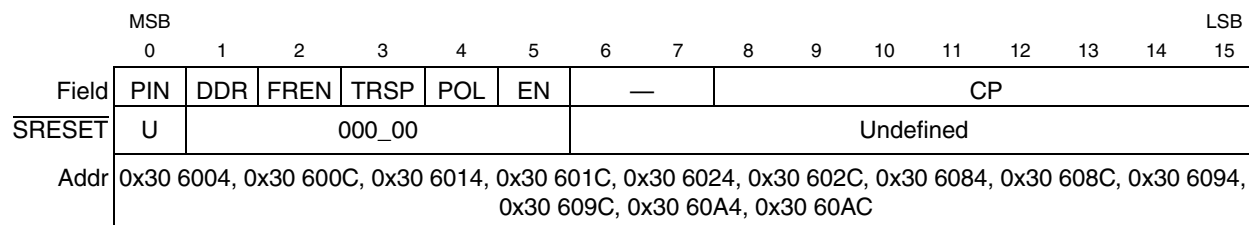
**Figure 17-28. MPWMSM Counter Register (MPWMCNTR)**

**Table 17-29. MPWMCNTR Bit Descriptions**

| Bits | Name | Description   |
|------|------|---|
| 0:15 | CNT  | Counter. These bits reflect the actual value of the MPWMSM counter. |

### 17.10.6.5 MPWMSM Status/Control Register (MPWMSCR)

The status and control register gathers read only bits reflecting the status of the MPWMSM signal as well as read/write bits related to its control and configuration.



**Figure 17-29. MPWMSM Status/Control Register (MPWMSCR)**

**Table 17-30. MPWMSCR Bit Descriptions**

| Bits | Name | Description   |
|------|------|---|
| 0    | PIN  | Pin input status bit — The PIN bit reflects the state present on the MPWMSM signal. The software can thus monitor the pin state.<br>The PIN bit is a read-only bit. Writing to the PIN bit has no effect.   |
| 1    | DDR  | Data direction register — The DDR bit indicates the direction for the signal when the PWM function is not used (disable mode).<br>0 signal is in input.<br>1 signal is in output.<br>The DDR bit is cleared by reset.<br><a href="#">Table 17-31</a> lists the different uses for the polarity (POL) bit, the enable (EN) bit and the data direction register (DDR) bit.  |
| 2    | FREN | Freeze enable bit — This active high read/write control bit enables the MPWMSM to recognize the freeze signal on the MIOB.<br>0 MPWMSM not frozen even if the MIOB freeze line is active.<br>1 MPWMSM frozen if the MIOB freeze line is active.<br>The FREN is cleared by reset.  |
| 3    | TRSP | Transparent mode — The TRSP bit indicates that the MPWMSM is in transparent mode. In transparent mode, when the software writes to either the MPWMPERR or MPWMPULR1 register the value written is immediately transferred to the counter or register MPWMPULR2 respectively.<br>0 Double-buffered mode.<br>1 Transparent mode.<br>The TRSP bit is cleared by reset.   |
| 4    | POL  | Output polarity control bit — The POL bit works in conjunction with the EN bit and controls whether the MPWMSM drives the signal with the direct or the inverted value of the output flip-flop.<br><a href="#">Table 17-31</a> lists the different uses for the polarity (POL) bit, the enable (EN) bit and the data direction register (DDR) bit.  |
| 5    | EN   | Enable PWM signal generation — The EN bit defines whether the MPWMSM generates a PWM signal or is used as an I/O channel:<br>0 PWM generation disabled (signal can be used as I/O).<br>1 PWM generation enabled (the signal is in output mode).<br>Each time the submodule is enabled, the value of CP is loaded into the prescaler.<br>The EN bit is cleared by reset.   |
| 6:7  | —    | Reserved  |
| 8:15 | CP   | Clock prescaler — This 8-bit read/write data register stores the modulus value for loading into the built-in 8-bit clock prescaler. The value loaded defines the divide ratio for the signal that clocks the MPWMSM. The new value is loaded into the prescaler counter on the prescaler counter overflow, or upon the EN bit of the MPWMSCR being set.<br><a href="#">Table 17-32</a> gives the clock divide ratio according to the value of CP. |

**Table 17-31. PWMSM Output Signal Polarity Selection**

| Control Bits |    |     | Signal Direction | Signal State | Periodic Edge | Variable Edge | Optional Interruption |
|--------------|----|-----|------------------|--------------|---------------|---------------|-----------------------|
| POL          | EN | DDR |                  |              |               |               |                       |
| 0            | 0  | 0   | Input            | INPUT        | —             | —             | —                     |
| 0            | 0  | 1   | Output           | Always Low   | —             | —             | —                     |
| 0            | 1  | X   | Output           | High Pulse   | Falling Edge  | Rising Edge   | Falling Edge          |
| 1            | 0  | 0   | Input            | INPUT        | —             | —             | —                     |

**Table 17-31. PWMSM Output Signal Polarity Selection (continued)**

|   |   |   |        |             |             |              |             |
|---|---|---|--------|-------------|-------------|--------------|-------------|
| 1 | 0 | 1 | Output | Always High | —           | —            | —           |
| 1 | 1 | X | Output | Low Pulse   | Rising Edge | Falling Edge | Rising Edge |

**Table 17-32. Prescaler Values**

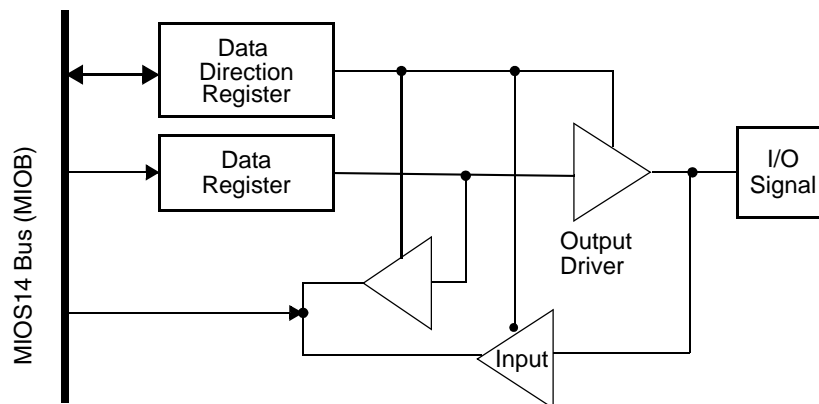
| Prescaler Value (CP in Hex) | MCPSM Divide Ratio:     |
|-----------------------------|-------------------------|
| FF                          | 1                       |
| FE                          | 2                       |
| FD                          | 3                       |
| FC                          | 4                       |
| FB                          | 5                       |
| FA                          | 6                       |
| F9                          | 7                       |
| F8                          | 8                       |
| .....                       | .....                   |
| 02                          | 254 (2 <sup>8</sup> -2) |
| 01                          | 255 (2 <sup>8</sup> -1) |
| 00                          | 256 (2 <sup>8</sup> )   |

### 17.11 MIOS14 16-bit Parallel Port I/O Submodule (MPIOISM)

The MIOS14 parallel port I/O submodule (MPIOISM) is a function included in the MIOS14 library in order to provide the required port I/O capability. The MPIOISM can operate without the involvement of other MIOS14 submodules.

Each implemented MPIOISM provides I/O capability for up to 16 signals.

The following sections describe the MPIOISM in detail. A block diagram of one bit of the MPIOISM is shown in [Figure 17-30](#). The MPIOISM contains 16 such blocks.



**Figure 17-30. MPIOISM 1-Bit Block Diagram**

### 17.11.1 MPIOISM Features

- A submodule of the MIOS14 library
- Uses two 16-bit registers in the address space
- Up to 16 bidirectional parallel input/output signals
- Simple DDR (data direction register) concept for signal direction selection

### 17.11.2 MPIOISM Signal Functions

Table 17-33 shows the MPIOISM I/O signal functions according to the setting of the DDR when writing to or reading from the DR.

**Table 17-33. MPIOISM I/O Signal Function**

| Operation Performed | DDR | I/O Signal Function   |
|---------------------|-----|---|
| Write               | 0   | The I/O signal is in input mode. Data is written into the DR.         |
| Write               | 1   | Data is written into the DR and output to the I/O signal.             |
| Read                | 0   | The I/O signal is in input mode. The state of the I/O signal is read. |
| Read                | 1   | The I/O signal is in an output mode. The DR is read.                  |

### 17.11.3 MPIOISM Description

#### 17.11.3.1 MPIOISM Port Function

A MIOS14 parallel port I/O submodule can handle up to 16 input/output signals. The number of I/O signals is determined at the time of silicon implementation.

The MPIOISM has two 16-bit registers: the data register (DR) and the data direction register (DDR). Each signal of the MPIOISM may be programmed as an input or an output, determined by the state of the corresponding bit in the DDR.

The data direction register can be written to or read by the processor. During the programmed output state, a read of the data register reads the value of the output data latch and not the I/O signal. See [Figure 17-30](#) and [Table 17-33](#).

During reset, all MPIOISM signals are configured as inputs. The contents of the data register are undefined after reset.

As a general practice, it is recommended to write a value in the data register before configuring its corresponding I/O signal as an output.

#### 17.11.3.2 Non-Bonded MPIOISM Pads

A non-bonded MPIOISM pad reads '0' when it is configured as an input. When configured as an output, it indicates the current state of the output data latch.

### 17.11.4 Modular I/O Bus (MIOB) Interface

- The MPIO SM is connected to all the signals in the read/write and control bus, to allow data transfer from and to the MPIO SM registers, and to control the MPIO SM in the different possible situations.
- The MPIO SM does not use the counter bus set and is therefore not connected to it.
- The MPIO SM does not generate any interrupts and is therefore not connected to this bus.

### 17.11.5 Effect of RESET on MPIO SM

When the RESET signal is asserted, all the DDR bits are cleared. The data bits are undefined after reset.

### 17.11.6 MPIO SM Testing

No special test logic has been implemented in this submodule. To be flexible while selecting the number of implemented signals, the test patterns are implemented in a bit per bit modular fashion.

### 17.11.7 MPIO SM Registers

The privilege level to access to the MPIO SM registers depends on the MIOS14MCR[SUPV]. The privilege level is unrestricted after reset and can be change to supervisor by software.

### 17.11.8 MPIO SM Register Organization

|           |   |   |   |   |   |   |   |   |   |   |    |    |    |    |    |     |
|-----------|---|---|---|---|---|---|---|---|---|---|----|----|----|----|----|-----|
|           | MSB   | 1 | 2 | 3 | 4 | 5 | 6 | 7 | 8 | 9 | 10 | 11 | 12 | 13 | 14 | LSB |
|           | 0   |   |   |   |   |   |   |   |   |   |    |    |    |    |    | 15  |
| 0x30 6100 | MPIO SM Data Register (MPIO SM DR)            |   |   |   |   |   |   |   |   |   |    |    |    |    |    |     |
| 0x30 6102 | MPIO SM Data Direction Register (MPIO SM DDR) |   |   |   |   |   |   |   |   |   |    |    |    |    |    |     |
| 0x30 6104 | Reserved                                      |   |   |   |   |   |   |   |   |   |    |    |    |    |    |     |
| 0x30 6106 | Reserved                                      |   |   |   |   |   |   |   |   |   |    |    |    |    |    |     |

Figure 17-31. MPIO SM — Register Organization

#### 17.11.8.1 MPIO SM Data Register (MPIO SM DR)

|                            |           |      |      |      |      |      |      |      |      |      |      |      |      |      |      |      |      |
|----------------------------|-----------|------|------|------|------|------|------|------|------|------|------|------|------|------|------|------|------|
|                            | MSB       | 0    | 1    | 2    | 3    | 4    | 5    | 6    | 7    | 8    | 9    | 10   | 11   | 12   | 13   | 14   | 15   |
| Field                      | Data      | Data | Data | Data | Data | Data | Data | Data | Data | Data | Data | Data | Data | Data | Data | Data | Data |
|                            | 15        | 14   | 13   | 12   | 11   | 10   | 9    | 8    | 7    | 6    | 5    | 4    | 3    | 2    | 1    | 0    |      |
| $\overline{\text{SRESET}}$ | Undefined |      |      |      |      |      |      |      |      |      |      |      |      |      |      |      |      |
| Addr                       | 0x30 6100 |      |      |      |      |      |      |      |      |      |      |      |      |      |      |      |      |

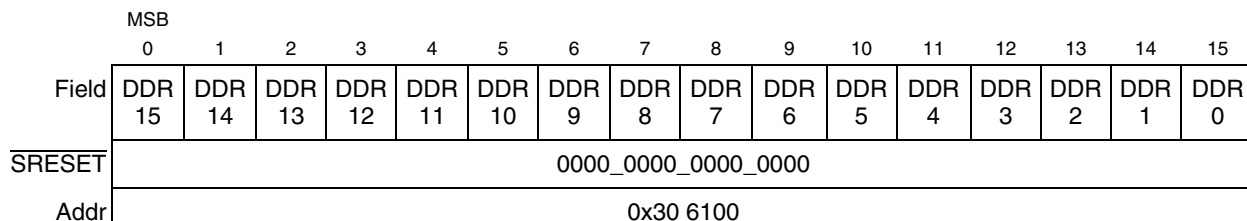
Figure 17-32. MPIO SM Data Register (MPIO SM DR)



**Table 17-34. MPIOSEMDR Bit Descriptions**

| Bits | Name         | Description  |
|------|--------------|--|
| 15:0 | DATA15–DATA0 | These bits are read/write data bits that define the value to be driven to the pad in output mode, for each implemented I/O signal of the MPIOSEMDR. The Msb is 15, Lsb is 0. |

### 17.11.8.2 MPIOSEMDR Data Direction Register (MPIOSEMDDR)


**Figure 17-33. MPIOSEMDR Data Direction Register (MPIOSEMDDR)**
**Table 17-35. MPIOSEMDDR Bit Descriptions**

| Bits | Name       | Description  |
|------|------------|--|
| 0:15 | DDR15–DDR0 | These bits are read/write data bits that define the data direction status for each implemented I/O signal of the MPIOSEMDR.<br>0 = corresponding signal is input.<br>1 = corresponding signal is output. |

## 17.12 MIOS14 Interrupts

This section describes the interrupt functions of the MIOS14 and its submodules and how these interrupts are passed to the CPU via the peripheral bus. Interrupt requests from the MIOS14 are treated as exceptions by the CPU and are dealt with by the CPU’s exception processing routines. For a more detailed description of exception processing in the relevant microprocessors, please refer [Chapter 3, “Central Processing Unit”](#) and to the *RCPUR Reference Manual*.

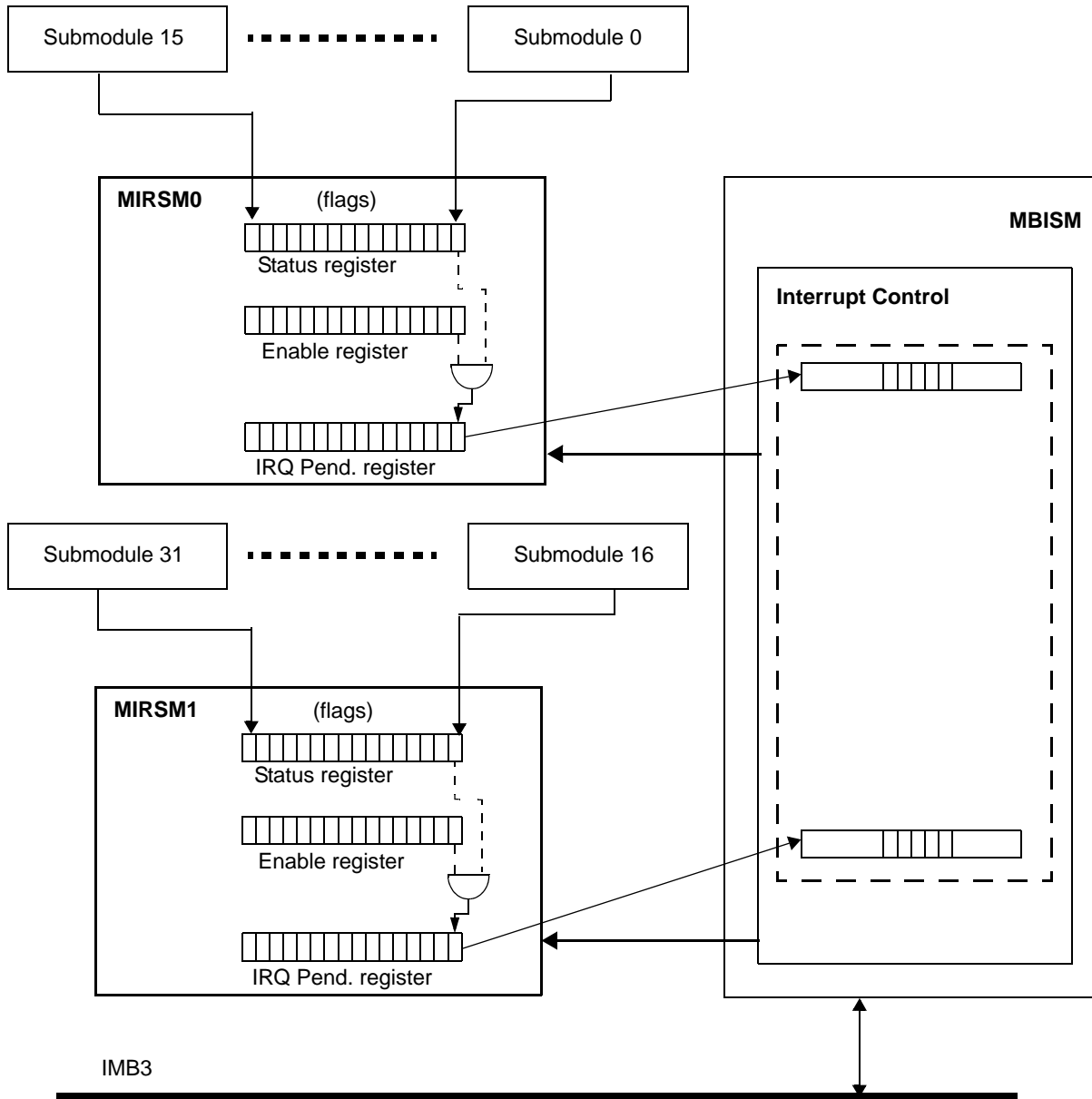
### 17.12.1 MIOS14 Interrupt Structure

The MIOS14 and its submodules are capable of generating interrupts on different levels to be transmitted to the CPU via the peripheral bus. Inside the MIOS14, all the information required for requesting and servicing the interrupts are treated in two different sections:

- The interrupt request submodules (MIRSM)
- The interrupt control section (ICS) of the MBISM

The MIRSM gathers in service request flags from each group of up to 16 submodules and transfers those requests to the MIOS14 interrupt control section (ICS). [Figure 17-34](#) shows a block diagram of the whole interrupt architecture.

Figure 17-34. MIOS14 Interrupt Structure



NOTE: Submodules 9, 25, and 26 are reserved on the MPC565/MPC566

### 17.12.2 MIOS14 Interrupt Request Submodule (MIRSM)

Each submodule that is capable of generating an interrupt can assert a flag line when an event occurs. On MPC565 each MIRSM serves 14 submodules.

Each MIRSM includes:

- One 16-bit status register (for the flags)

- One 16-bit enable register for each implemented level
- One 16-bit IRQ pending register for each implemented level

One bit position in each of the above registers is associated with one submodule.

#### NOTE

If a submodule in a group of 16 cannot generate interrupts, then its corresponding flag bit in the status register is inactive and is read as zero.

When an event occurs in a submodule that activates a flag line, the corresponding flag bit in the status register is set. The status register is read/write, but a flag bit can be reset only if it has previously been read as a one. Writing a “one” to a flag bit has no effect. When the software intends to clear only one flag bit within a status register, the software must write an all-ones 16-bit value except for the bit position to be cleared which is a zero.

The enable register is initialized by the software to indicate whether each interrupt request is enabled for the levels defined in the ICS.

#### NOTE

In the case of multiple requests levels implementation in the same MIOS14, it is possible to enable interrupts at more than one different levels for the same submodule. It is the responsibility of the software to manage this.

Each bit in the IRQ pending register is the result of a logical “AND” between the corresponding bits in the status and in the enable registers. If a flag bit is set and the level enable bit is also set, then the IRQ pending bit is set, and the information is transferred to the interrupt control section that is in charge of sending the corresponding level to the CPU. The IRQ pending register is read only.

#### NOTE

When the enable bit is not set for a particular submodule, the corresponding status register bit is still set when the corresponding flag is set. This allows the traditional software approach of polling the flag bits to see which ones are set. The status register makes flag polling easy, since up to 16 flag bits are contained in one register.

The submodule number of an interrupting source defines the corresponding MIRSM number and the bit position in the status registers. To find the MIRSM number and bit position of an interrupting source, proceed as follow:

1. Divide the interrupting submodule number by 16
2. The integer result of the division gives the MIRSM number
3. The remainder of the division gives the bit position

## 17.12.3 MIRSM0 Interrupt Registers

### 17.12.3.1 Interrupt Status Register (MIOS14SR0)

This register contains the flag bits that are raised when the submodules generate an interrupt. Each bit corresponds to a given submodule.

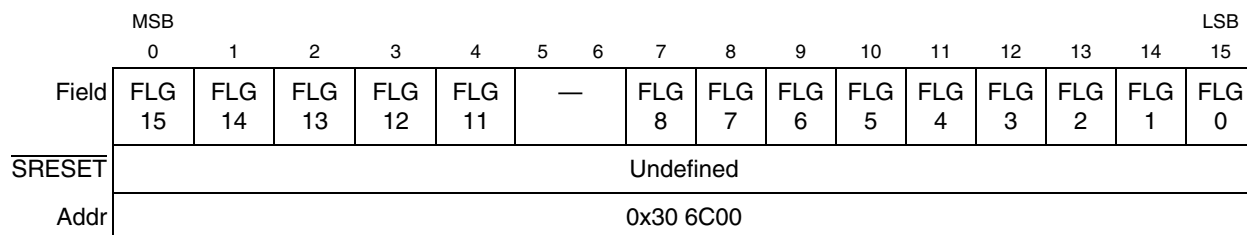


Figure 17-35. Interrupt Status Register (MIOS14SR0)

Table 17-36. MIOS14SR0 Bit Description

| Bits  | Name     | Description                         |
|-------|----------|-------------------------------------|
| 0:4   | FLG15:11 | Flag Bits — MDASM flag bits [15:11] |
| 5:6   | —        | Reserved                            |
| 7:9   | FLG8:6   | Flag Bits — MMCSM flag bits [8:6]   |
| 10:15 | FLG5:0   | Flag Bits — PWMSM flag bits [5:0]   |

### 17.12.3.2 Interrupt Enable Register (MIOS14ER0)

This register contains the interrupt enable bits for the submodules. Each bit corresponds to a given submodule.

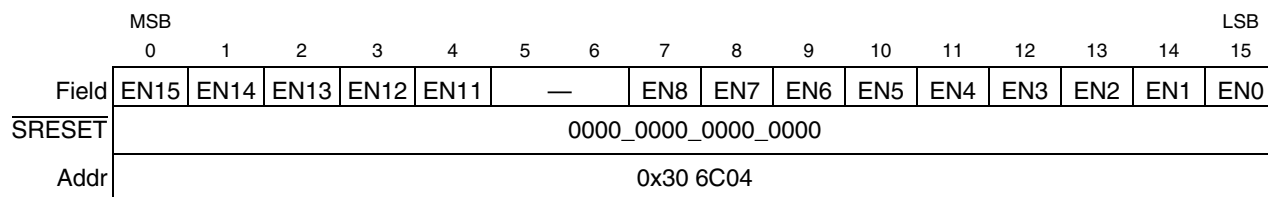


Figure 17-36. Interrupt Enable Register (MIOS14ER0)

Table 17-37. MIOS14ER0 Bit Descriptions

| Bits  | Name    | Description                             |
|-------|---------|---|
| 0:4   | EN15:11 | Enable Bits — MDASM enable bits [15:11] |
| 5:6   | —       | Reserved                                |
| 7:9   | EN8:6   | Enable Bits — MMCSM enable bits [8:6]   |
| 10:15 | EN5:0   | Enable Bits — PWMSM enable bits [5:0]   |

### 17.12.3.3 Interrupt Request Pending Register (MIOS14RPR0)

This register is a read only register that contains the interrupt pending bits for the submodules. Each bit corresponds to a given submodule. When one of these bits is set, it means that a submodule raised its flag and the corresponding enable was set.

As this register is read only, a write to this register has no other effect than generating a bus error if the bus error option is selected.

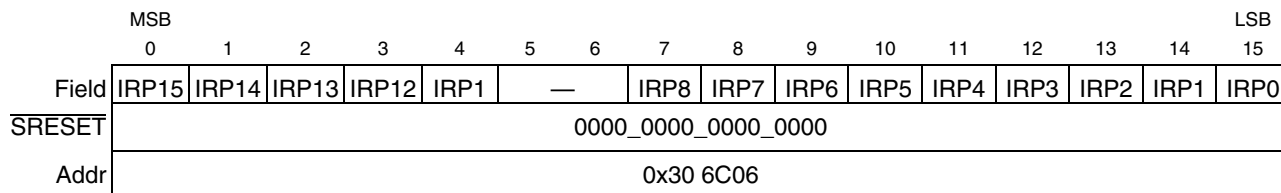


Figure 17-37. Interrupt Request Pending Register (MIOS14RPR0)

Table 17-38. MIOS14PR0 Bit Descriptions

| Bits  | Name         | Description                               |
|-------|--------------|---|
| 0:4   | IRP15:1<br>1 | Pending Bits — MDASM pending bits [15:11] |
| 5:6   | —            | Reserved                                  |
| 7:9   | IRP8:6       | Pending Bits — MMCSM pending bits [8:6]   |
| 10:15 | IRP5:0       | Pending Bits — PWMSM pending bits [5:0]   |

## 17.12.4 MIRSM1 Interrupt Registers

### 17.12.4.1 Interrupt Status Register (MIOS14SR1)

This register contains the flag bits that are raised when the submodules generate an interrupt. Each bit corresponds to a given submodule.

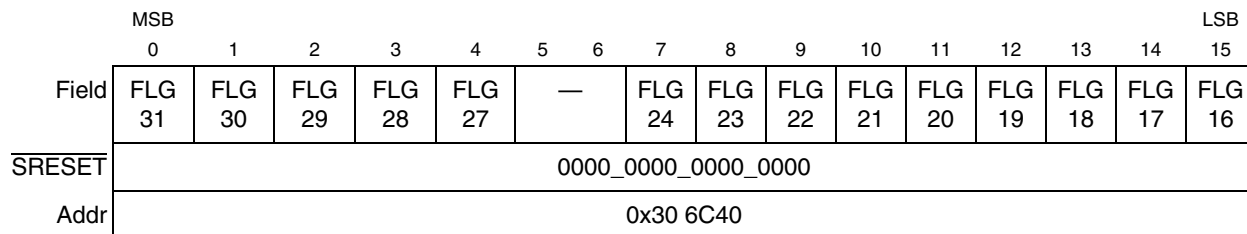


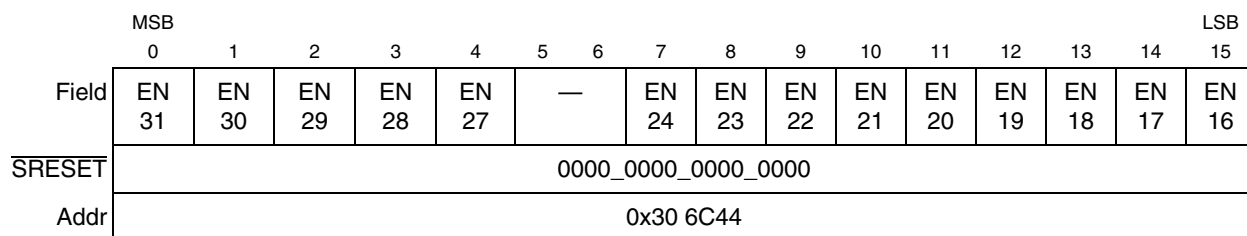
Figure 17-38. Interrupt Status Register (MIOS14SR1)

**Table 17-39. MIOS14SR1 Bit Descriptions**

| Bits  | Name      | Description                         |
|-------|-----------|-------------------------------------|
| 0:4   | FLG31:27  | Flag Bits — MDASM flag bits [31:27] |
| 5:6   | —         | Reserved                            |
| 7:9   | FLGL24:22 | Flag Bits— MMCSM flag bits [24:22]  |
| 10:15 | FLG21:16  | Flag Bits — PWMSM flag bits [21:16] |

### 17.12.4.2 Interrupt Enable Register (MIOS14ER1)

This register contains the interrupt enable bits for the submodules. Each bit corresponds to a given submodule.



**Figure 17-39. Interrupt Enable Register (MIOS14ER1)**

**Table 17-40. MIOS14ER1 Bit Descriptions**

| Bits  | Name    | Description                             |
|-------|---------|---|
| 0:4   | EN31:27 | Enable Bits — MDASM enable bits [31:27] |
| 5:6   | —       | Reserved                                |
| 7:9   | EN24:22 | Enable Bits — MMCSM enable bits [24:22] |
| 10:15 | EN21:16 | Enable Bits — PWMSM enable bits [21:16] |

### 17.12.4.3 Interrupt Request Pending Register (MIOS14RPR1)

This register is a read only register that contains the interrupt pending bits for the submodules. Each bit corresponds to a given submodule. When one of these bits is set, it means that a submodule raised its flag and the corresponding enable was set.

As this register is read only, a write to this register has no other effect than generating a bus error if the bus error option is selected.

|        |     |           |           |           |           |           |   |   |           |           |           |           |           |           |           |           |           |     |
|--------|-----|-----------|-----------|-----------|-----------|-----------|---|---|-----------|-----------|-----------|-----------|-----------|-----------|-----------|-----------|-----------|-----|
|        | MSB | 0         | 1         | 2         | 3         | 4         | 5 | 6 | 7         | 8         | 9         | 10        | 11        | 12        | 13        | 14        | 15        | LSB |
| Field  |     | IRP<br>31 | IRP<br>30 | IRP<br>29 | IRP<br>28 | IRP<br>27 | — |   | IRP<br>24 | IRP<br>23 | IRP<br>22 | IRP<br>21 | IRP<br>20 | IRP<br>19 | IRP<br>18 | IRP<br>17 | IRP<br>16 |     |
| SRESET |     | Undefined |           |           |           |           |   |   |           |           |           |           |           |           |           |           |           |     |
| Addr   |     | 0x30 6C46 |           |           |           |           |   |   |           |           |           |           |           |           |           |           |           |     |

**Figure 17-40. Interrupt Request Pending Register (MIOS14RPR1)**
**Table 17-41. MIOS14RPR1 Bit Descriptions**

| Bits  | Name     | Description                               |
|-------|----------|---|
| 0:4   | IRP31:27 | Pending Bits — MDASM pending bits [31:27] |
| 5:6   | —        | Reserved                                  |
| 7:9   | IRP24:22 | Pending Bits — MMCSM pending bits [24:22] |
| 10:15 | IRP21:16 | Pending Bits — PWMSM pending bits [21:16] |

### 17.12.5 Interrupt Control Section (ICS)

The interrupt control section delivers the interrupt level to the CPU. The interrupt control section adapts the characteristics of the MIOB request bus to the characteristics of the interrupt structure of the IMB3.

When at least one of the flags is set on an enabled level, the ICS receives a signal from the corresponding IRQ pending register. This signal is the result of a logical “OR” between all the bits of the IRQ pending register.

The signal received from the IRQ pending register is associated with the interrupt level register within the ICS. This level is coded on five bits in this register: three bits represent one of eight levels and the two other represent the four time multiplex slots. According to this level, the ICS sets the correct  $\overline{IRQ}[7:0]$  lines with the correct  $ILBS[1:0]$  time multiplex lines on the peripheral bus. The CPU is then informed as to which of the thirty-two interrupt levels is requested.

Based on the interrupt level requested, the software must determine which submodule requested the interrupt. The software may use a find-first-one type of instruction to determine, in the concerned MIRSM, which of the bits is set. The CPU can then serve the requested interrupt.

### 17.12.6 MBISM Interrupt Registers

Table 17-42 shows the MBISM interrupt registers.

**Table 17-42. MBISM Interrupt Registers Address Map**

| Address   | Register  |
|-----------|---|
| 0x30 6C30 | MIOS14 Interrupt Level Register 0 (MIOS14LVL0)<br>See Table 17-43 for bit descriptions. |
| 0x30 6C70 | MIOS14 Interrupt Level Register 1 (MIOS14LVL1)<br>See Table 17-44 for bit descriptions. |

### 17.12.6.1 MIOS14 Interrupt Level Register 0 (MIOS14LVL0)

This register contains the interrupt level that applies to the submodules numbers 15 to zero.

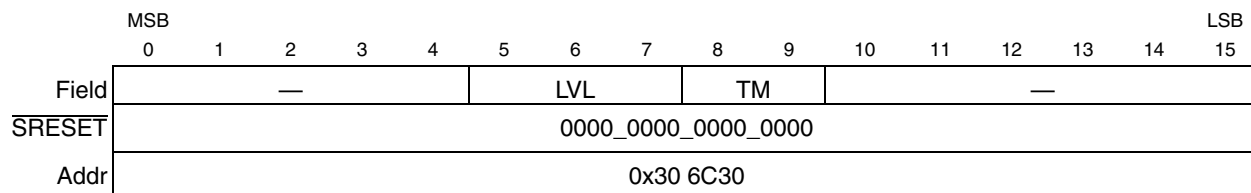


Figure 17-41. MIOS14 Interrupt Level Register 0 (MIOS14LVL0)

Table 17-43. MIOS14LVL0 Bit Descriptions

| Bits  | Name | Description  |
|-------|------|--|
| 0:4   | —    | Reserved   |
| 5:7   | LVL  | Interrupt request level. This field represents one of eight possible levels. |
| 8:9   | TM   | Time multiplexing. This field determines the multiplexed time slot           |
| 10:15 | —    | Reserved   |

### 17.12.6.2 MIOS14 Interrupt Level Register 1 (MIOS14LVL1)

This register contains the interrupt level that applies to the submodules number 15 to zero.

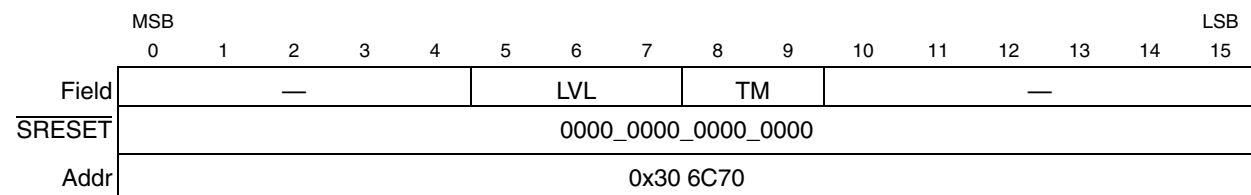


Figure 17-42. MIOS14 Interrupt Level Register 1 (MIOS14LVL1)

Table 17-44. MIOS14LVL1 Bit Descriptions

| Bits  | Name | Description  |
|-------|------|--|
| 0:4   | —    | Reserved   |
| 5:7   | LVL  | Interrupt request level. This field represents one of eight possible levels. |
| 8:9   | TM   | Time multiplexing. This field determines the multiplexed time slot.          |
| 10:15 | —    | Reserved   |

## 17.13 MIOS14 Function Examples

The versatility of the MIOS14 timer architecture is based on multiple counters and capture/compare channel units interconnected on 16-bit counter buses. This section includes some typical application examples to show how the submodules can be interconnected to form timing functions. The diagrams used to illustrate these examples show only the blocks utilized for that function.



To illustrate the timing range of the MIOS14 in different applications, many of the following paragraphs include time intervals quoted in microseconds and seconds. The assumptions used are that  $f_{SYS}$  is at 40 MHz with minimum overall prescaling (50 ns cycle) and with the maximum overall prescaling (32  $\mu$ s cycle). For other  $f_{SYS}$  clock cycle rates and prescaler choices, the times mentioned in these paragraphs scale appropriately.

### 17.13.1 MIOS14 Input Double Edge Pulse Width Measurement

To measure the width of an input pulse, the MIOS14 double action submodule (MDASM) has two capture registers so that only one interrupt is needed after the second edge. The software can read both edge samples and subtract them to get the pulse width. The leading edge sample is double latched so that the software has the time of one full period of the input signal to read the samples to be sure that nothing is lost. Depending on the prescaler divide ratio, pulse width from 50 ns to 6.7 s can be measured. Note that a software option is provided to also generate an interrupt after the first edge.

In the example shown in [Figure 17-43](#), a counter submodule is used as the time-base for a MDASM configured in the input pulse width measurement mode. When the leading edge (programmed for being either rising or falling) of the input signal occurs, the state of the 16-bit counter bus is saved in register B1. When the trailing edge occurs, the 16-bit counter bus is latched into register A and the content of register B1 is transferred to register B2. This operation leaves register B1 free for the next leading edge to occur on the next clock cycle. When enabled, an interrupt is provided after the trailing edge, to notify the software that pulse width measurement data is available for a new pulse. After the trailing edge, the software has one cycle time of the input signal to obtain the values for each edge. When software attention is not needed for every pulse, the interrupt can be disabled. The software can read registers A and B2 coherently (using a 32-bit read instruction) at any time, to get the latest edge measurements. The software work is less than half that needed with a timer that requires the software to read one edge and save the value and then wait for the second edge.

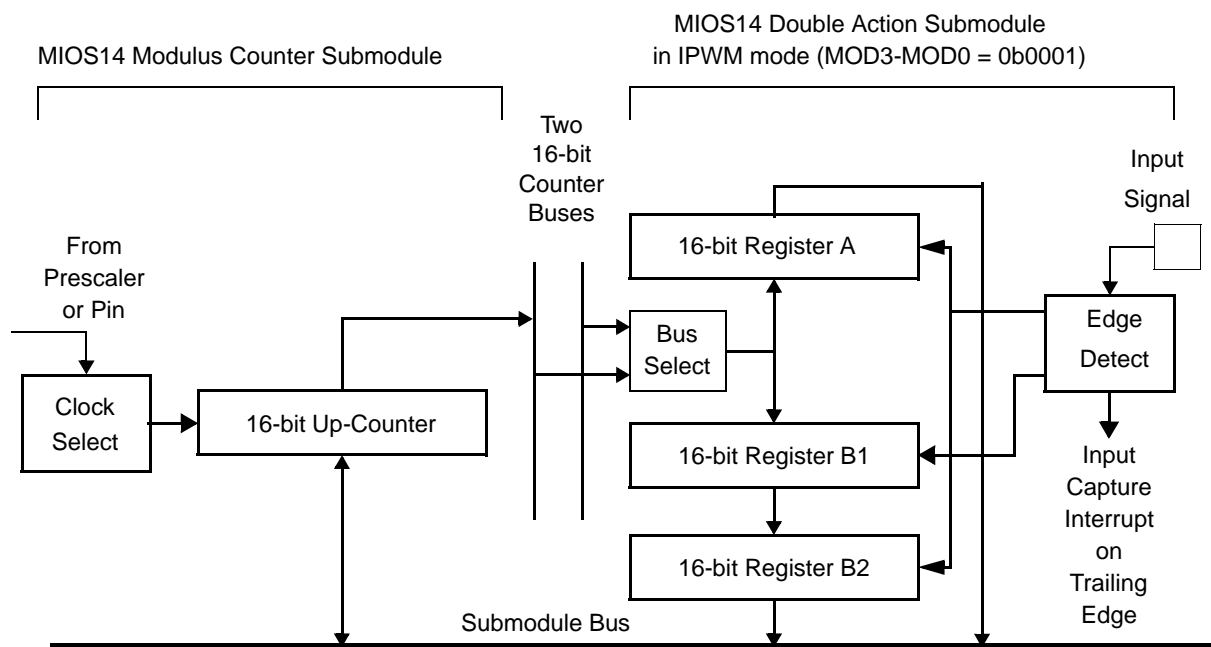


Figure 17-43. MIOS14 Example: Double Capture Pulse Width Measurement

### 17.13.2 MIOS14 Input Double Edge Period Measurement

Two samples are available to the software from an MIOS14 double action submodule for period measurement. The software can read the previous and the current edge samples and subtract them. As with pulse width measurement, the software can be sure not to miss samples by ensuring that the interrupt response time is faster than the fastest input period. Alternately, when the software is just interested in the latest period measurement, one 32-bit coherent read instruction can get both the current and the previous samples. Depending on the prescaler divide ratio, period times can be measured from 50 ns to 6.7 s.

Figure 17-44 shows a counter submodule and a DASM combination as an example of period measurement. The software designates whether the rising or falling edge of the input signal is to be used for the measurements. When the edge is detected, the state of the 16-bit counter bus is stored in register A and the content of register B1 is transferred to register B2. After register B2 is safely latched, the content of register A is transferred to register B1. This procedure gives the software coherent current and previous samples in registers A and B2 at all times. An interrupt is available for the cases where the software needs to be aware of each new sample. Note that a software option is provided to also generate an interrupt after the first edge.

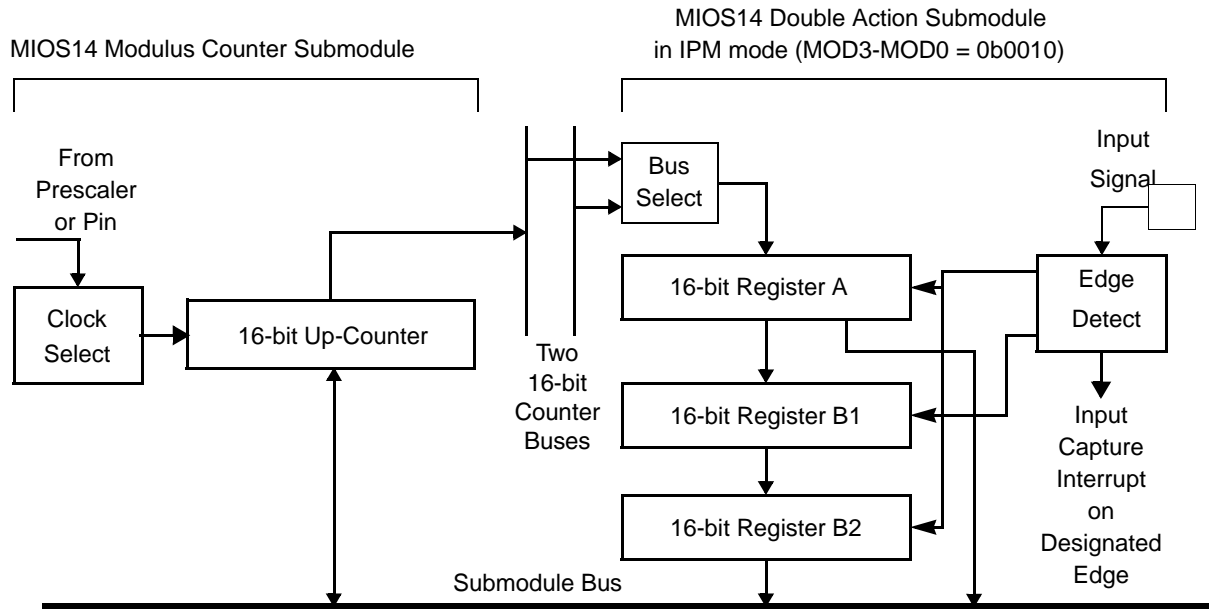


Figure 17-44. MIOS14 Example: Double Capture Period Measurement

### 17.13.3 MIOS14 Double Edge Single Output Pulse Generation

Software can initialize the MIOS14 to generate both the rising and the falling edge of an output pulse. With a MDASM, pulses as narrow as 50 ns can be generated since software action is not needed between the edges. Pulses as long as 2.1 s can be generated. When an interrupt is desired, it can be selected to occur on every edge or only after the second edge.

Figure 17-45 shows how a counter submodule and a MDASM can be used to generate both edges of a single output pulse. The software puts the compare value for one edge in register A and the other one in register B2. The MDASM automatically creates both edges and the pulse can be selected by software to be a high-going or a low-going. After the trailing edge, the MDASM stops to await further commands from the software. Note that a single edge output can be generated by writing to only one register.

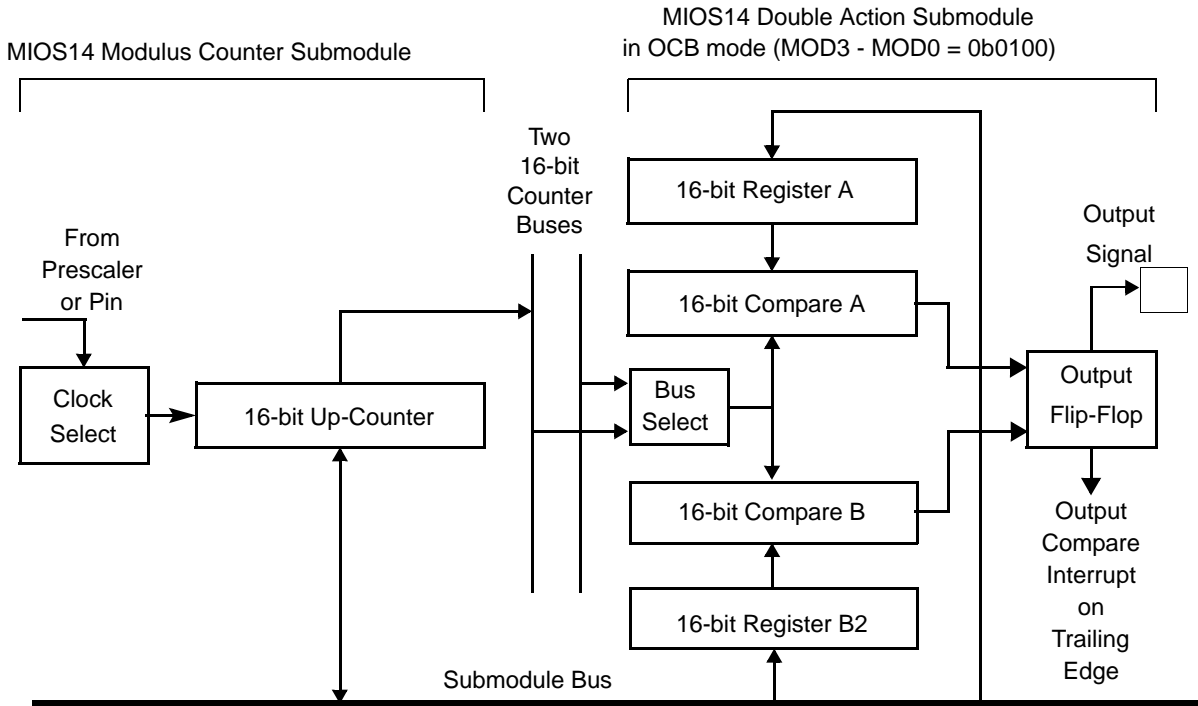


Figure 17-45. MIOS14 Example: Double Edge Output Compare

### 17.13.4 MIOS14 Output Pulse Width Modulation with MDASM

Output waveforms can be generated with any duty cycle without software involvement. The software sets up a MDASM with the compare times for the rising and falling edges and they are automatically repeated. The software does not need to respond to interrupts to generate continuous pulses. The frequency may be selected as the frequency of a free-running counter time-base, times a binary multiplier selected in the MDASM. Multiple PWM outputs can be created from multiple MDASMs and share one counter submodule, provided that the frequencies of all of the output signals are a binary multiple of the time-base and that the counter submodule is operating in a free-running mode. Each MDASM has a software selectable “don’t care” on high-order bits of the time-base comparison so that the frequency of one output can be a binary multiple of another signal. Masking the time-base serves to multiply the frequency of the time-base by a binary number to form the frequency of the output waveform. The duty cycle can vary from one cycle to 64-Kbyte cycles. The frequency can range from 0.48 Hz to 156 KHz, though the resolution decreases at the higher frequencies to as low as seven bits. The generation of output square wave signals is of course the special case where the high and low times are equal.

When an MMCSM is used to drive the time-base, the modulus value is the period of the output PWM signal. Figure 17-46 shows such an example. The polarity of the leading edge of an output waveform is programmable for a rising or a falling edge. The software selects the period of the output signal by programming the MMCSM with a modulus value. The leading edge compare value is written into register A by software and the trailing edge time is written into register B1. When the leading edge value is reached, the content of register B1 is transferred to register B2, to form the next trailing edge value. Subsequent changes to the output pulse width are made by writing a new time into register B1. Updates to the pulse width are always synchronized to the leading edge of the waveform.

It is typical to use the pulse width modulation mode of the MDASM without interrupts, although an interrupt can be enabled to occur on the leading edge. When the output is an unchanging repetitive waveform, the MDASM continuously generates the signal without any software intervention. When the software needs to change the pulse width, a new trailing edge time is written to the MDASM. The output is changed on the next full pulse. When the software needs to change the output at a regular rate, such as an acceleration curve, the leading edge interrupt gives the software one period time to update the new trailing edge time.

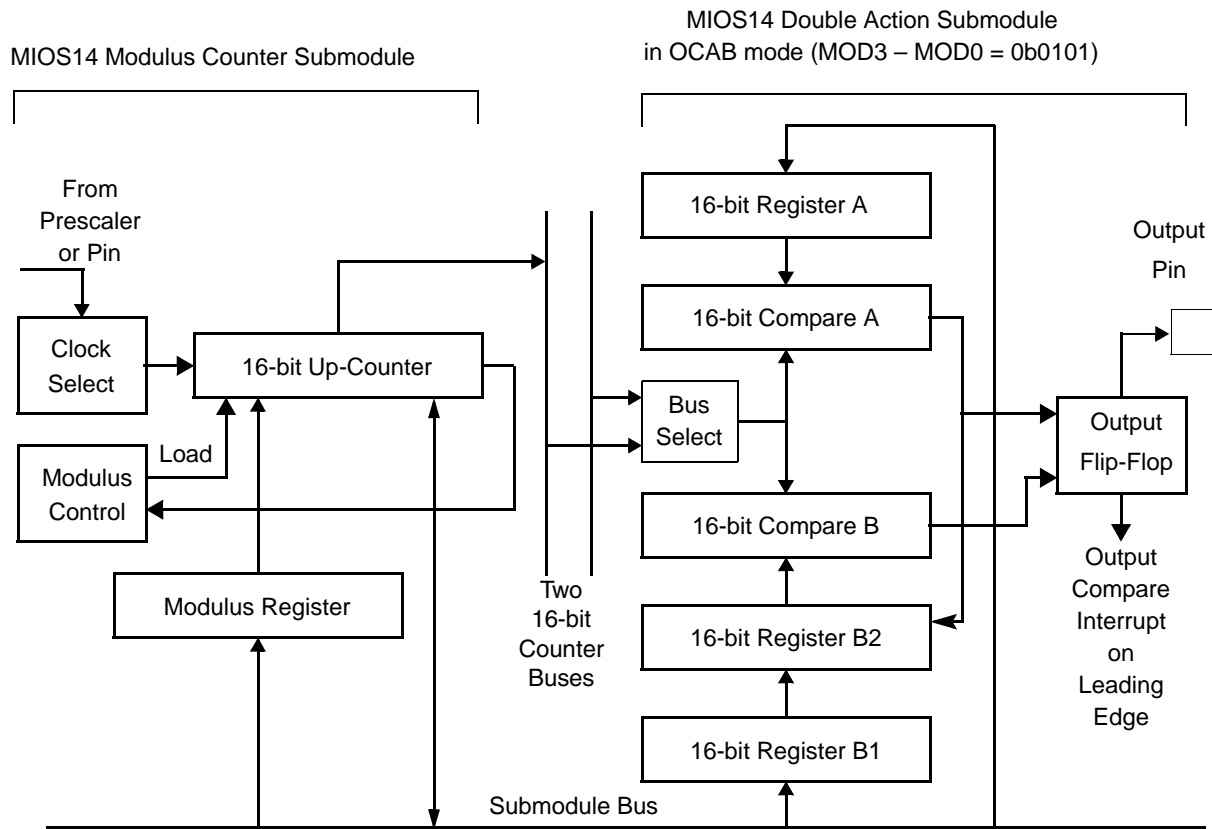


Figure 17-46. MIOS14 Example: Pulse Width Modulation Output

### 17.13.5 MIOS14 Input Pulse Accumulation

Counting the number of pulses on an input signal is another capability of the MIOS14. Pulse accumulation uses an MMCSM. Since the counters in the counter submodules are software accessible, pulse accumulation does not require the use of an action submodule. The pulse accumulation can operate continuously, interrupting only on binary overflow of the 16-bit counter. When an MMCSM is used, an interrupt can instead be created when the pulse accumulation reaches a preprogrammed value. To do that, the two's complement of the value is put in the modulus register and the interrupt occurs when the counter overflows.

## 17.14 Real-Time Clock Submodule (MRTCSM)

The MIOS real-time clock submodule (MRTCSM) is a function included in the MIOS library. It is a software-programmable counter suitable for keeping track of the time of the day, maintaining calendar information or timestamping incoming system events.

The purpose of the MRTCSM is to provide a real time function independently of other MIOS submodules, which may be sustained on a separate standby power supply. The MRTCSM was designed to minimize current drained from battery when in standby.

This time counter is driven by a dedicated 32.768-KHz low-power oscillator. The core of the MRTCSM is a 47-bit counter chain, split as a 15-bit prescaler and a 32-bit free-running counter. Seconds, minutes, hours and days can be derived by software from the 32-bit counter. The MRTCSM can maintain a unique one-second count over a period of approximately 136 years. The prescaler provides additional sub-second information for precise timestamping.

The MRTCSM has interrupt generation capability for one of eight delays ranging from one second to  $2^{23}$  seconds (approximately three months).

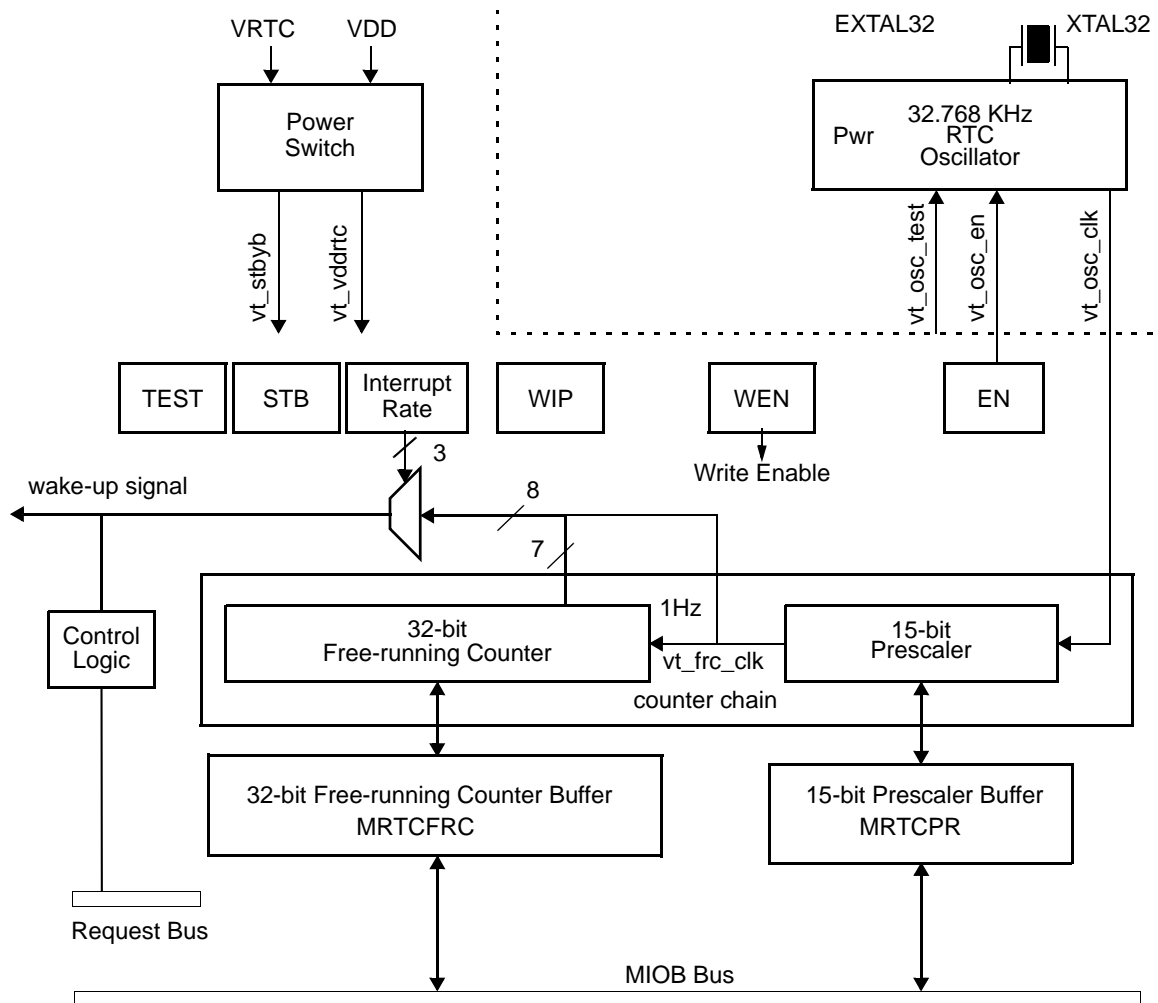
In this section, the following terminology is used:

**Update** — The term “update” indicates the buffers are updated from the counter and/or prescaler.

**Transfer** — The term “transfer” is used to indicate a data transfer from the buffer to the counter and prescaler.

### 17.14.1 MRTCSM Features

- Programmable 47-bit free-running ripple counter for minimum power consumption split into a 15-bit prescaler and a 32-bit second counter
- Buffering of the 47-bit free-running counter to guaranty 32-bit and 47-bit coherent accesses on the 16-bit MIOB bus
- Possibility of suppressing 15-bit prescaler update
- Software shutdown of the dedicated low power oscillator to maintain battery shelf life



**Figure 17-47. MRTCSM Block Diagram**

- Flag setting and possible interrupt generation according to eight software selectable rates
- Wake-up signal generation for chip level usage
- Automatic hardware power supply selection through dedicated power switch
- Customized to use low cost standard 32.768-KHz crystal for internal clocking of the 32-bit counter at one Hz
- Software accessible precision of  $2^{-15}$  seconds and unique time indication in seconds over a span of 136 years ( $2^{32}$  seconds)
- Eliminates risk of time inaccuracy due to interrupt overruns appearing in systems with software accumulated time

### 17.14.2 MRTCSM Pad Functions

The MRTCSM has no dedicated pads. However its dedicated power switch needs two pads for the 32.768-KHz crystal while its dedicated power switch needs one.

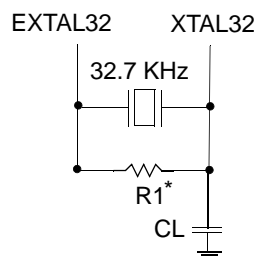
## 17.14.3 MRTCSM Description

This section describes the MRCTSM and its dedicated oscillator and power switch. Refer to the specifications of these two external modules for more information. Refer to [Figure 17-47](#) for a block diagram of the MRTCSM.

### 17.14.3.1 Oscillator

The basic time base for the MRTCSM is a 32.768-KHz dedicated low power oscillator. This oscillator uses an external crystal connected between the XTAL32 and EXTAL32 pads as a reference frequency source. The dedicated 32.768-KHz oscillator is in the chip periphery with the pads for the 32.768-KHz crystal. Having a dedicated oscillator with its uninterruptable power supply allows the counter chain (15-bit prescaler and 32-bit free-running counter) to run while the rest of the chip is powered down. The 32.768-KHz clock signal which is output by the oscillator is called `vt_osc_clk`. The frequency of the oscillator is called `OSC_FREQ`. The EXTAL32 signal has an internal load capacitor, therefore an external load capacitor is not required on EXTAL32. The  $C_L$  on the XTAL32 side of the crystal should be according to the crystal manufacturer, typically 12 pF. The MIOS RTC oscillator circuit is shown in [Figure 17-48](#).

The enable bit (EN) in the MRTCSM control register (MRTCSMCR) can disable the oscillator and counter chain for maximum power saving. When enabled, the oscillator supplies the clock to the counter chain.



**Note:** Resistor is not currently required on the board but room should be left on the board for its addition in the future.

**Figure 17-48. MIOS RTC Oscillator Circuit**

### 17.14.3.2 Standby Supply and Power Switch

The MRTCSM power switch selects either the main power  $V_{DD}$  or dedicated standby power  $V_{RTC}$  as power supply (`vt_vddrtc`) for the MRTCSM. The power switch also generates the internal `vt_stbyb` signal which indicates in the MRTCSM which of the two supplies is selected:

- `vt_stbyb = 0`, standby mode,  $V_{RTC}$  supply selected
- `vt_stbyb = 1`, normal mode,  $V_{DD}$  supply selected

Normal mode is selected when  $V_{DD}$  is greater than  $V_{RTC}$ . The MRTCSM is supplied by  $V_{DD}$  and all the MRTCSM functions are allowed. Read and write operations to the MRTCSM registers comply to the description given in [Section 17.14.3, “MRTCSM Description.”](#)

The standby mode is selected automatically by hardware when the main  $V_{DD}$  supply becomes lower than the  $V_{RTC}$  supply. While in standby mode, the MRTCSM is supplied by the  $V_{RTC}$  supply. The counter chain continues to count the time from the dedicated 32.768-KHz oscillator. However, the buffers of the



counter chain are no longer updated. If, despite being in standby mode, a buffer read or write operation occurs, a bus error is returned. Write operations to any of the MRTCSM registers have no effect.

The loss of primary power  $V_{DD}$  does not cause the counter chain to be affected as long as the VRTC power pad is above its minimum operating voltage. Only the loss of primary and standby power cause the content of the counter chain to be lost.

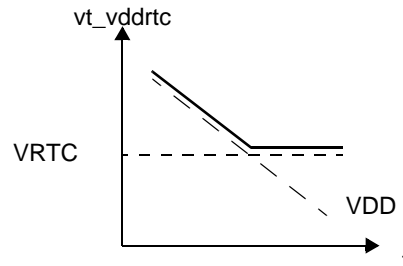


Figure 17-49. Selection of  $vt\_vddrtc$

### 17.14.3.3 Counter Chain

The MRTCSM avoids the software burden of servicing periodic interrupts to count time of day and calendar information. The software needs an initialization procedure that determines the preset state of the counter chain. After initialization, the software can calculate the current time and the current date from the contents of the counter chain. The software fetches the contents of the counter chain either regularly, with a periodic interrupt or as a low priority task in the application's software loop, or whenever needed. In any case, software response time problems during intensive CPU usage will not affect the counter chain accuracy.

When the EN bit in MRTCSMCR is set, the MRTCSM oscillator and the counter chain are running. The counter chain is clocked with every rising edge of  $vt\_osc\_clk$ . Refer to [Figure 17-50](#) for timing details.

### 17.14.3.4 15-Bit Prescaler

The prescaler is a 15-bit presetable ripple counter designed to require minimum power consumption. The input clock is  $vt\_osc\_clk$ . The output is the  $vt\_frc\_clk$  clock signal used by the 32-bit free-running counter and runs at one Hz.

The 15-bit prescaler is double buffered in order to synchronize the available data and to allow easy coherent register accesses. The 15-bit prescaler can only be accessed through the 15-bit prescaler buffer (MRTCPBR)

### 17.14.3.5 32-Bit Free-Running Counter

The MRTCSM has a 32-bit presetable binary free-running counter that increments every second. The input to this counter is  $vt\_frc\_clk$  which comes directly from the 15-bit prescaler. The counter chain overflows approximately every 136 years.

The 32-bit free-running counter is double buffered in order to synchronize the available data and to allow easy coherent register accesses. The 32-bit free-running counter can only be accessed through the 32-bit free-running counter buffer (MRTCFCR).

### 17.14.3.6 15-Bit Prescaler and 32-Bit Free-Running Counter Buffers

The 15-bit prescaler buffer (MRTCPB) and 32-bit free-running counter buffer (MRTCFCR) shown in [Figure 17-47](#) serve two purposes:

- Synchronize the counter chain signals (vt\_osc\_clk and vt\_frc\_clk) to the peripheral bus system clock
- Provide coherent access to 47-bit or 32-bit data on a 16-bit data bus

MRTCFCR and MRTCPB can be read at any time. They must be written in conjunction and can only be written if the write enable bit (WEN) is set. Refer to [Section 17.14.1, “MRTCSM Features”](#) for details concerning write operations to the buffers.

When doing regular byte or word read operations, the coherency of subsequent accesses is not guaranteed. Specific hardware is implemented that allows coherent accesses by using long word operations. Refer to [Section 17.9.6.5, “MDASM Status/Control Register \(MDASMSCR\)”](#) for the description of coherent accesses.

## 17.14.4 Modes of Operation

The following subsections describe how MRTCPB and MRTCFCR are updated and how they should be accessed by software.

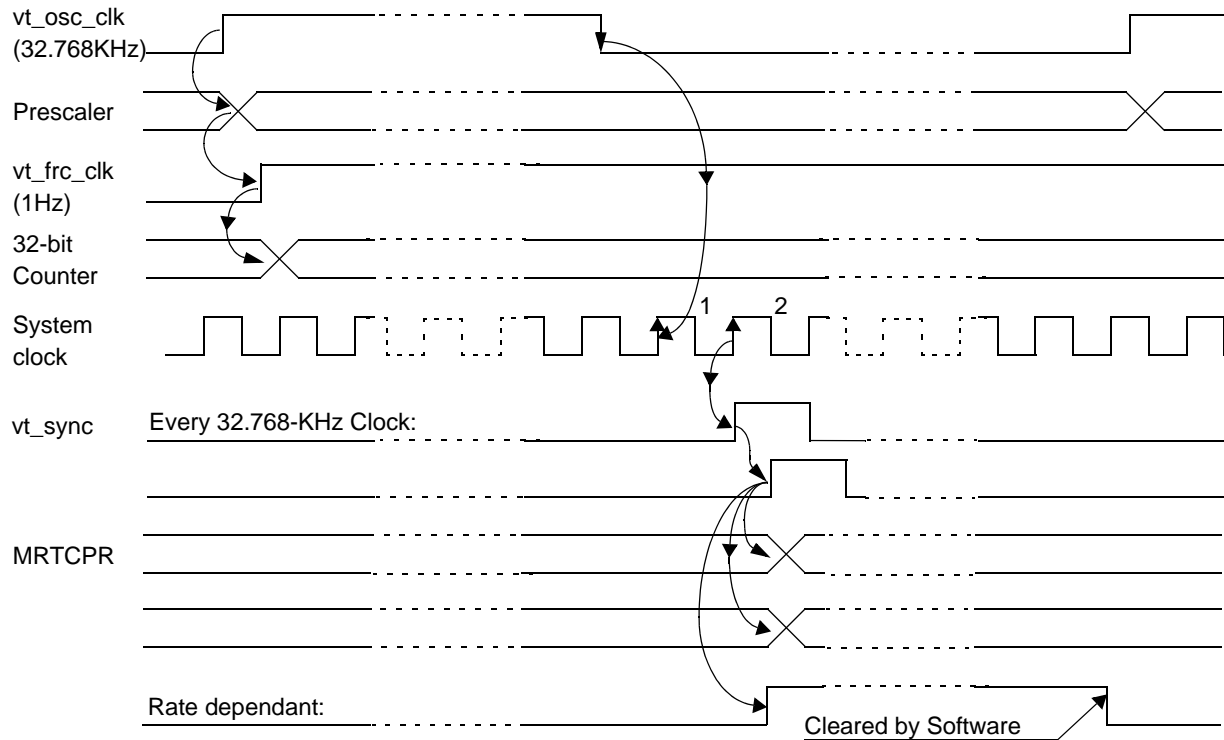
### 17.14.4.1 Enabling the MRTCSM

The EN enable bit of the MRTCSM register selects whether the oscillator and counter chain are running or not. The MRTCSM can be disabled (EN = 0) by software for maximum power saving (e.g., to maintain battery shelf life).

When the MRTCSM is disabled, writing to MRTCPB and MRTCFCR may give unpredictable results.

### 17.14.4.2 15-Bit Prescaler and 32-Bit Free-Running Counter Buffer Updates

When the MRTCSM is enabled (EN = 1), MRTCPB and MRTCFCR are updated at the OSC\_FREQ rate. The timing for updating the buffers is shown in [Figure 17-50](#). The 47-bit counter chain is incremented at every rising edge of vt\_osc\_clk. A pulse is generated after the falling edge of vt\_osc\_clk to synchronize transfers and updates of the buffers to/from the counter chain. In this document, this synchronized pulse is called vt\_sync.



**Figure 17-50. 15-Bit Prescaler and 32-Bit Free-Running Counter Buffer Updates**

In standby mode ( $vt\_stbyb = 0$ ), the update of MRTCPDR and MRTCFRC is stopped to reduce power consumption. Access to all the MRTCSM registers is then inhibited. When exiting standby mode, the update of MRTCPDR and MRTCFRC is reestablished at the regular OSC\_FREQ rate starting on the next vt\_sync.

In some particular conditions, the update of MRTCPDR can be disabled. Refer to [Section 17.14.3.2, “Standby Supply and Power Switch”](#) for more details.

### 17.14.4.3 Read of 15-Bit Prescaler and 32-Bit Free-Running Counter Buffers

The addresses of the different MRTCSM registers are given in [Section 17.14.10, “MRTCSM Registers.”](#) Byte or word accesses to MRTCPDR, MRTCFRCH and MRTCFRCL can be performed at any time. However, the coherency between reads is not guaranteed when using byte or word accesses since these buffers may be updated in between read operations.

In order to guarantee coherent reads, the following procedure should be followed:

1. Execute a long word read of MRTCFRCH (at address MRTCFRCH)
2. Execute a word read of MRTCPDR (optional)

If vt\_sync occurs while a long word read operation of MRTCFRCH is in progress, the update of the buffer is deferred until the end of the long word read.

Long word reads to MRTCFRC disable the update of MRTCPD until the next word read of MRTCPD. Once a 15-bit prescaler buffer read operation is performed, MRTCPD updates resume at the OSC\_FREQ rate, starting with the next vt\_sync.

#### 17.14.4.4 Write to 15-Bit Prescaler and 32-Bit Free-Running Counter Buffers

Write operations to the buffers have no effect if WEN is reset.

In order to write a new value coherently to the complete counter chain, the following sequence must be performed:

1. Set the WEN bit in the MRTCD register
2. Execute a long word write to MRTCFRC (at address MRTCFRC), or two word writes to MRTCFRC and MRTCFRC
3. Execute a word write to MRTCPD

When the WEN bit is set, the update of MRTCPD and MRTCFRC is stopped. When MRTCPD is written to, the WEN bit is reset and the buffers become read only. The written values will then be transferred to the counter chain at the next vt\_sync pulse. Following this sequence, the buffers will be updated from the counter chain at their regular OSC\_FREQ rate, as described in [Section 17.14.4.2, “15-Bit Prescaler and 32-Bit Free-Running Counter Buffer Updates.”](#) The option of disabling the update of MRTCPD from the counter chain is not affected by the write operation.

Once WEN is set, write MRTCFRC before MRTCPD. Not doing so transfers an old value of MRTCFRC to the counter chain.

When a word write to MRTCPD happens after setting the WEN bit, the WIP read only bit in the MRTCD register is set. This bit is reset once the transfer has occurred. The WIP bit indicates to the programmer that a write procedure is in progress

While doing a coherent write, once the prescaler buffer has been written to, the WEN bit cannot be set again until the full contents of MRTCPD and MRTCFRC have been transferred to the counter chain. Trying to set the WEN bit before this operation is completed has no effect.

If a reset appears while doing a coherent write or after a coherent write before the next vt\_sync, the write operation is aborted and the buffers are updated as usual from the counter chain at the next vt\_sync pulse.

#### 17.14.5 MRTCD Interrupt

The MRTCD is capable of generating interrupts at a fixed time interval. The value of the interrupt rate is determined by the MRTCD bits IR2, IR1 and IR0. These three bits control which bit in the counter chain will be monitored for a positive edge. Therefore, the interrupt rates are powers of two of the vt\_frc\_clk period. The interrupt flag is updated synchronously with vt\_sync.

The possible rates which can be selected are shown in [Table 17-49](#).

Interrupts are not generated when writing a new value to the counter chain.

When exiting low power mode with the peripheral bus clock stopped or standby mode, buffers contain unpredictable values until the next vt\_sync and the periodic interrupt flag is undetermined until the second

vt\_sync. The programmer should consider clearing the corresponding RQSM interrupt enable bit before entering these low power or standby modes to avoid possible interrupts when exiting these modes.

### 17.14.6 Chip Wake-Up Feature

In the case of main power supply shut-down, the chip clocks are stopped. A wake-up signal is available at the MIOS14 periphery that allows the MRTCSM to wake up the chip periodically. This signal reflects the status of one of the bits of the counter chain. The period is programmable by setting IR2, IR1 and IR0 appropriately, and is the same as the interrupt signal period (refer to [Table 17-49](#)).

This feature can be used to get the chip out of the low power mode. Refer to the chip specification for details about the use of the wake-up signal.

### 17.14.7 Modular I/O Bus (MIOB) Interface

- The MRTCSM is connected to all the signals in the read/write and control bus, to allow data transfer from and to the MRTCSM registers, and to control the MRTCSM
- The MRTCSM does not use the counter bus set
- The MRTCSM uses the request bus to transmit the FLAG line to its request submodule (RQSM)

#### 17.14.7.1 Low Power Mode — Peripheral Bus Clock Running

As long as the peripheral bus clock is running, the MRTCSM is running normally.

#### 17.14.7.2 Low Power Mode — Peripheral Bus Clock Stopped

If the peripheral bus clock is stopped, the update of the prescaler and counter buffers is not possible. The interrupt flag is also not updated and consequently cannot be used to exit this low power mode. However, the operation of the wake-up signal, the dedicated 32.768-KHz oscillator and the counter chain are not disturbed by this mode. The wake-up signal can still be used to exit this mode.

As soon as this low power mode is exited, the update of MRTCP and MRTCFRC is done at their regular OSC\_FREQ rate, starting on the next vt\_sync. Until this update occurs, the buffers contain unpredictable values. Refer to [Section 17.14.5, “MRTCSM Interrupt”](#) for a description of the effect of this mode on the interrupt flag.

When a coherent write operation is performed, it is mandatory to wait for the vt\_sync following the completion of this operation before entering this low power mode.

### 17.14.8 Effect of Standby Mode on MRTCSM

When in standby mode, the MRTCSM is supplied by the VRTC power supply. The counter chain continues to count clocked by the 32.768-KHz oscillator. However, the update of MRTCP and MRTCFRC is stopped. The interrupt flag is also not updated and consequently cannot be used to exit this mode.

In order to prevent loss of data in a run away situation during power-up and power-down sequences, the access to all the MRTCSM registers is inhibited. It is recommended to use an external LVI circuit asserting the RESET signal when the main  $V_{DD}$  supply is below the minimum specified value.

When exiting the standby mode, the update of MRTCPDR and MRTCFRC is done at the regular OSC\_FREQ rate, starting on the next vt\_sync. Until this update occurs, the buffers contain unpredictable values. Refer to [Section 17.14.5, “MRTCSM Interrupt”](#) for a description of the effect of this mode on the interrupt flag.

The standby mode should not be entered during a coherent write operation or while WIP is set. If this happens, the correct transfer to the counter chain is not guaranteed.

The prescaler update power saving feature described in [Section 17.14.4.3, “Read of 15-Bit Prescaler and 32-Bit Free-Running Counter Buffers”](#) is not affected by standby mode.

### 17.14.9 Effect of RESET on MRTCSM

When the MIOB reset is asserted, the access to all the MRTCSM registers is blocked. The operation of the MRTCSM oscillator, counter chain and buffer updates is not affected by reset. The interrupt rate selection and the prescaler update power saving feature are not affected by reset. Only the WEN, TEST, STB and WIP bits of the MRTCSMCR register are affected by reset. Refer to [Section 17.14.10, “MRTCSM Registers”](#) for more details.

Reset should not occur during a coherent write operation or while WIP is set. If this happens, the transfer operation is not guaranteed.

Since the interrupt rate and the power saving feature are not affected by the reset, initialize these options when the device is powered for the first time.

On a power-on reset, after a standby mode, buffers contain unpredictable values and the periodic interrupt flag is undetermined until the second vt\_sync. However, the interrupt enable will have been cleared by reset in the corresponding RQSM.

### 17.14.10 MRTCSM Registers

The privilege level to access the MRTCSM registers depends on the MIOS14MCR SUPV bit. This privilege level is reset to user and can be changed to supervisor by software.

### 17.14.11 MRTCSM Register Organization

The MRTCSM register map comprises four 16-bit register locations.

All unused bits return zero when read by the software. All register addresses in this section are specified as offsets from the base address of the MRTCSM.

|           |   |   |   |   |   |   |   |   |   |    |    |    |    |    |           |
|-----------|---|---|---|---|---|---|---|---|---|----|----|----|----|----|-----------|
| MSB<br>0  | 1   | 2 | 3 | 4 | 5 | 6 | 7 | 8 | 9 | 10 | 11 | 12 | 13 | 14 | LSB<br>15 |
| 0x30 6050 | MRTCSM Free-running counter buffer high register (MRTCFRCH) |   |   |   |   |   |   |   |   |    |    |    |    |    |           |
| 0x30 6052 | MRTCSM Free-running counter buffer low register (MRTCFRCL)  |   |   |   |   |   |   |   |   |    |    |    |    |    |           |
| 0x30 6054 | MRTCSM Prescaler buffer register (MRTCPBR)                  |   |   |   |   |   |   |   |   |    |    |    |    |    |           |
| 0x30 6056 | MRTCSM status and control register (MRTCSCR)                |   |   |   |   |   |   |   |   |    |    |    |    |    |           |

**Figure 17-51. MRTCSM — Register Organization**

### 17.14.11.1 MRTCSM Free-Running Counter High Buffer (MRTCFRCH) Register

|          |            |      |      |      |      |      |     |     |     |     |     |     |     |     |           |     |
|----------|------------|------|------|------|------|------|-----|-----|-----|-----|-----|-----|-----|-----|-----------|-----|
| MSB<br>0 | 1          | 2    | 3    | 4    | 5    | 6    | 7   | 8   | 9   | 10  | 11  | 12  | 13  | 14  | LSB<br>15 |     |
| Field    | CH15       | CH14 | CH13 | CH12 | CH11 | CH10 | CH9 | CH8 | CH7 | CH6 | CH5 | CH4 | CH3 | CH2 | CH1       | CH0 |
| Reset    | Unaffected |      |      |      |      |      |     |     |     |     |     |     |     |     |           |     |
| Addr     | 0x30 6050  |      |      |      |      |      |     |     |     |     |     |     |     |     |           |     |

**Figure 17-52. MRTCSM 32-Bit Counter High Buffer Register (MRTCSMFRCH)**
**Table 17-45. MRTCSMFRCH Bit Descriptions**

| Bits | Name       | Description  |
|------|------------|--|
| 0:15 | CH15 – CH0 | MRTCFRCH is the data register associated with the 32-bit free-running counter high buffer. It contains the synchronized high word value of the 32-bit free-running counter or the value to be loaded into the high word 32-bit free-running counter. The MRTCFRCH register is not affected by reset. |

### 17.14.11.2 MRTCSM Free-Running Counter Low Buffer (MRTCFRCL) Register

|          |            |      |      |      |      |      |     |     |     |     |     |     |     |     |           |     |
|----------|------------|------|------|------|------|------|-----|-----|-----|-----|-----|-----|-----|-----|-----------|-----|
| MSB<br>0 | 1          | 2    | 3    | 4    | 5    | 6    | 7   | 8   | 9   | 10  | 11  | 12  | 13  | 14  | LSB<br>15 |     |
| Field    | CL15       | CL14 | CL13 | CL12 | CL11 | CL10 | CL9 | CL8 | CL7 | CL6 | CL5 | CL4 | CL3 | CL2 | CL1       | CL0 |
| Reset    | Unaffected |      |      |      |      |      |     |     |     |     |     |     |     |     |           |     |
| Addr     | 0x30 6052  |      |      |      |      |      |     |     |     |     |     |     |     |     |           |     |

**Figure 17-53. MRTCSM 32-Bit Counter Low Buffer Register (MRTCSMFRCL)**
**Table 17-46. MRTCSMFRCL Bit Descriptions**

| Bits | Name      | Description   |
|------|-----------|---|
| 0:15 | CL15– CL0 | MRTCFRCL is the data register associated with the 32-bit free-running counter low buffer. It contains the synchronized low word value of the 32-bit free-running counter or the value to be loaded into the low word 32-bit free-running counter. The MRTCFRCL register is not affected by reset. |

### 17.14.11.3 MRTCSM Prescaler Counter Buffer (MRTCPR) Register

|       |            |      |      |      |      |      |     |     |     |     |     |     |     |     |     |     |
|-------|------------|------|------|------|------|------|-----|-----|-----|-----|-----|-----|-----|-----|-----|-----|
|       | MSB        | 1    | 2    | 3    | 4    | 5    | 6   | 7   | 8   | 9   | 10  | 11  | 12  | 13  | 14  | LSB |
|       | 0          |      |      |      |      |      |     |     |     |     |     |     |     |     |     | 15  |
| Field | PR15       | PR14 | PR13 | PR12 | PR11 | PR10 | PR9 | PR8 | PR7 | PR6 | PR5 | PR4 | PR3 | PR2 | PR1 | PR0 |
| Reset | Unaffected |      |      |      |      |      |     |     |     |     |     |     |     |     |     |     |
| Addr  | 0x30 6054  |      |      |      |      |      |     |     |     |     |     |     |     |     |     |     |

Figure 17-54. MRTCSM Prescaler Counter Buffer Register (MRTCPR)

Table 17-47. MRTCPR Bit Descriptions

| Bits | Name     | Description   |
|------|----------|---|
| 0:15 | PR15–PR0 | MRTCPR is the data register associated with the prescaler buffer. It contains the synchronized value of the 15-bit prescaler or the value to be loaded into the 15-bit prescaler. The MRTCPR register is not affected by reset. |

### 17.14.11.4 MRTCSM Status/Control Register (MRTCSMSCR)

The status and control register gathers read/write bits related to its control and configuration.

|        |           |   |   |   |     |           |   |   |      |     |    |            |    |     |     |     |
|--------|-----------|---|---|---|-----|-----------|---|---|------|-----|----|------------|----|-----|-----|-----|
|        | MSB       | 1 | 2 | 3 | 4   | 5         | 6 | 7 | 8    | 9   | 10 | 11         | 12 | 13  | 14  | LSB |
|        | 0         |   |   |   |     |           |   |   |      |     |    |            |    |     |     | 15  |
| Field  | WIP       | — |   |   | WEN | EN        | — |   | TEST | STB | —  |            |    | IR2 | IR1 | IR0 |
| SRESET | 0000_0    |   |   |   | U   | 00_0000_0 |   |   |      |     |    | Unaffected |    |     |     |     |
| Addr   | 0x30 6056 |   |   |   |     |           |   |   |      |     |    |            |    |     |     |     |

Figure 17-55. MRTCSM Status/Control Register (MRTCSMSCR)

Table 17-48. MRTCSMSCR Bit Descriptions

| Bits | Name | Description   |
|------|------|---|
| 0    | WIP  | Write in progress status bit — This read only bit indicates that a transfer from the buffers to the counter chain is in progress. This bit is set when writing to MRTCPR during the coherent write procedure and is reset once the transfer to the counter chain has occurred.<br>0 No transfer from buffers to counter chain in progress.<br>1 Transfer from buffers to counter chain in progress.<br>The WIP bit is cleared by reset.   |
| 1:3  | —    | Reserved  |
| 4    | WEN  | Write enable control bit — This active high control bit allows the counter chain to be written to. MRTCPR and MRTCFRC are read only registers and regular write operations to these registers have no effect. When the WEN bit is set, it enables writing to the counter chain buffers. <a href="#">Section 17.14.4.4, “Write to 15-Bit Prescaler and 32-Bit Free-Running Counter Buffers”</a> describes the coherent write procedure to be used.<br><b>NOTE:</b> The WEN bit cannot be set while the WIP bit is set.<br>The WEN bit is cleared by reset. |



**Table 17-48. MRTCSMSCR Bit Descriptions (continued)**

| Bits  | Name    | Description  |
|-------|---------|--|
| 5     | EN      | Enable control bit — This active high bit enables real time clock operation. It selects whether the MRTCSM is running or not.<br>0 MRTCSM is not running. Oscillator, counter chain and associated logic is not running, thus completely disabling the MRTCSM for maximum power saving.<br>1 MRTCSM is running, all MRTCSM functions are enabled.<br>The EN bit is not affected by reset and is undefined after the first power-up of the MRTCSM. <a href="#">Section 17.14.4.1, “Enabling the MRTCSM”</a> describes the enabling of the MRTCSM.<br><b>NOTE:</b> The EN bit cannot be modified while the WIP bit is set. |
| 6:7   | —       | Reserved   |
| 9     | TEST    | This bit is reserved for factory testing only and should never be write to one.<br>The TEST bit is cleared by reset.   |
| 10    | STB     | This bit is reserved for factory testing only and must always be zero.<br>The STB bit is cleared by reset.   |
| 10:12 | —       | Reserved   |
| 13:15 | IR[2:0] | Interrupt rate control bits — The three interrupt rate control bits select the rate of the timer interrupt. Refer to <a href="#">Table 17-49</a> to determine the rate of the real time clock interrupt.   |

**Table 17-49. Interrupt Rate Selection**

| MRTCSM Control Register Bits |     |     | Monitored Counter Chain Bit #N | MRTCSM Interrupt Rate<br>When vt_osc_clk = 32.768KHz<br>(2N/32768) |
|------------------------------|-----|-----|--------------------------------|--|
| IR2                          | IR1 | IR0 |                                |  |
| 0                            | 0   | 0   | 15 (output of prescaler)       | 1 second   |
| 0                            | 0   | 1   | 21                             | 64 seconds = 1.1 minutes   |
| 0                            | 1   | 0   | 25                             | 1024 seconds = 17.1 minutes  |
| 0                            | 1   | 1   | 27                             | 4096 seconds = 1.1 hours   |
| 1                            | 0   | 0   | 31                             | 65536 second = 18.2 hours  |
| 1                            | 0   | 1   | 34                             | 524288 seconds = 6.1 days  |
| 1                            | 1   | 0   | 36                             | 2097152 seconds = 24.3 days  |
| 1                            | 1   | 1   | 38                             | 8388608 seconds = 3.2 months                                       |

The interrupt rate control bits are unaffected by reset and unknown after the first power-up of the MRTCSM.



# Chapter 18

## Time Processor Unit 3

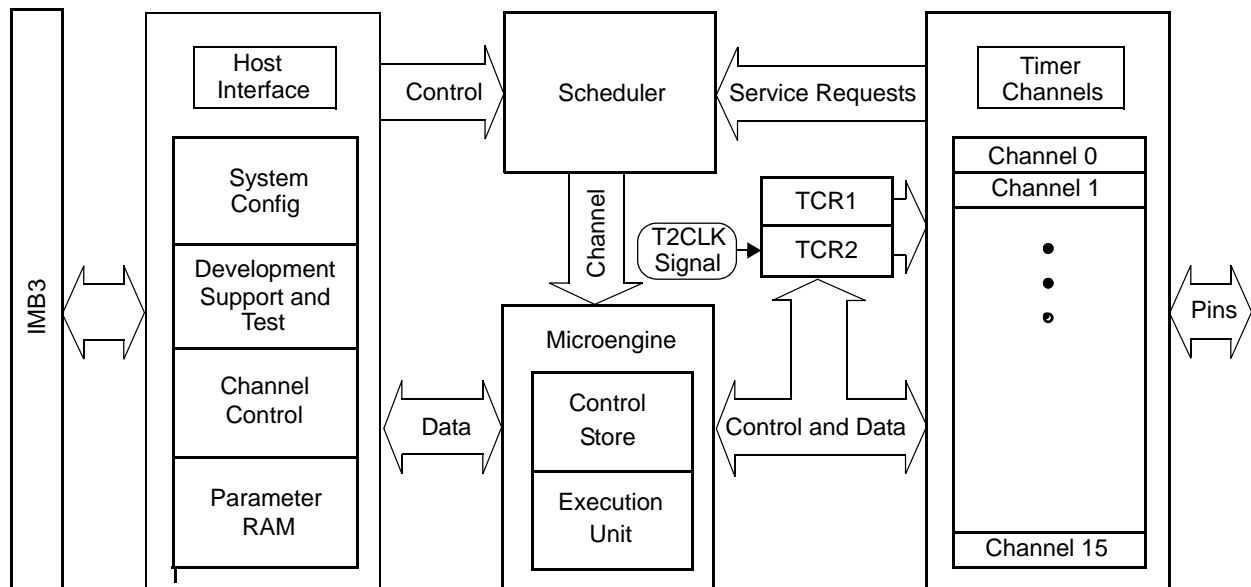
The time processor unit 3 (TPU3), an enhanced version of the original TPU, is an intelligent, semi-autonomous microcontroller designed for timing control. The TPU3 is fully compatible to the TPU2. Operating simultaneously with the CPU, the three TPU3 modules process micro-instructions, schedule and process real-time hardware events, perform input and output, and access shared data without CPU intervention. Consequently, for each timer event, the CPU setup and service times are minimized or eliminated.

The MPC565 contains three independent TPU3s: TPU\_A, TPU\_B, and TPU\_C. These three TPU3 modules are memory mapped as shown in [Table 18-1](#).

**Table 18-1. TPU Memory Map**

| TPU   | Address             |
|-------|---------------------|
| TPU_A | 0x30 4000—0x30 43FF |
| TPU_B | 0x30 4400—0x30 47FF |
| TPU_C | 0x30 5C00—0x30 5FFF |

[Figure 18-1](#) is a simplified block diagram of a single TPU3.



**Figure 18-1. TPU3 Block Diagram**

## 18.1 Overview

The TPU3 can be viewed as a special-purpose microcomputer that performs a programmable series of two operations, match and capture. Each occurrence of either operation is called an event. A programmed series of events is called a function. TPU functions replace software functions that would require CPU interrupt service.

The microcode ROM TPU3 functions that are available in the MPC565 are described in [Appendix D, “TPU3 ROM Functions.”](#)

## 18.2 TPU3 Components

The TPU3 consists of two 16-bit time bases, 16 independent timer channels, a task scheduler, a microengine, and a host interface. In addition, a dual-ported parameter RAM (DPTRAM) is used to pass parameters between the module and the CPU.

### 18.2.1 Time Bases

Two 16-bit counters provide reference time bases for all output-compare and input-capture events. Prescalers for both time bases are controlled by the CPU via bit fields in the TPU3 module configuration register (TPUMCR) and TPU module configuration register two (TPUMCR2). Timer count registers TCR1 and TCR2 provide access to the current counter values. TCR1 and TCR2 can be read by TPU microcode but are not directly available to the CPU. The TCR1 clock is always derived from the system clock. The TCR2 clock can be derived from the system clock or from an external input via the T2CLK clock pin. The duration between active edges on the T2CLK clock pin must be at least nine system clocks.

### 18.2.2 Timer Channels

The TPU3 has 16 independent channels, each connected to an MCU pin. The channels have identical hardware and are functionally equivalent in operation. Each channel consists of an event register and pin control logic. The event register contains a 16-bit capture register, a 16-bit compare/match register, and a 16-bit greater-than-or-equal-to comparator. The direction of each pin, either output or input, is determined by the TPU microengine. Each channel can either use the same time base for match and capture, or can use one time base for match and the other for capture.

### 18.2.3 Scheduler

When a service request is received, the scheduler determines which TPU3 channel is serviced by the microengine. A channel can request service for one of four reasons: for host service, for a link to another channel, for a match event, or for a capture event. The host system assigns each active channel one of three priorities: high, middle, or low. When multiple service requests are received simultaneously, a priority-scheduling mechanism grants service based on channel number and assigned priority.

## 18.2.4 Microengine

The microengine is composed of a control store and an execution unit. Control-store ROM holds the microcode for each factory-masked time function. When assigned to a channel by the scheduler, the execution unit executes microcode for a function assigned to that channel by the CPU. Microcode can also be executed from the dual-port RAM (DPTRAM) module instead of the control store. The DPTRAM allows emulation and development of custom TPU microcode without the generation of a microcode ROM mask. Refer to [Section 18.3.6, “Emulation Support”](#) for more information.

## 18.2.5 Host Interface

The host interface registers allow communication between the CPU and the TPU3, both before and during execution of a time function. The registers are accessible from the IMB through the TPU3 bus interface unit. Refer to [Section 18.4, “Programming Model”](#) for register bit/field definitions and address mapping.

## 18.2.6 Parameter RAM

Parameter RAM occupies 256 bytes at the top of the system address map. Channel parameters are organized as 128 16-bit words. Channels zero through 15 each have eight parameters. The parameter RAM address map in [Section 18.4.15, “TPU3 Parameter RAM,”](#) shows how parameter words are organized in memory.

The CPU specifies function parameters by writing to the appropriate RAM address. The TPU3 reads the RAM to determine channel operation. The TPU3 can also store information to be read by the CPU in the parameter RAM. Detailed descriptions of the parameters required by each time function are beyond the scope of this manual. Refer to the *TPU Reference Manual (TPURM/AD)*, included in the *TPU Literature Package (TPULITPAK/D)* for more information.

## 18.3 TPU Operation

All TPU3 functions are related to one of the two 16-bit time bases. Functions are synthesized by combining sequences of match events and capture events. Because the primitives are implemented in hardware, the TPU3 can determine precisely when a match or capture event occurs, and respond rapidly. An event register for each channel provides for simultaneous match/capture event occurrences on all channels.

When a match or input capture event requiring service occurs, the affected channel generates a service request to the scheduler. The scheduler determines the priority of the request and assigns the channel to the microengine at the first available time. The microengine performs the function defined by the content of the control store or emulation RAM, using parameters from the parameter RAM.

### 18.3.1 Event Timing

Match and capture events are handled by independent channel hardware. This provides an event accuracy of one time-base clock period, regardless of the number of channels that are active. An event normally causes a channel to request service. The time needed to respond to and service an event is determined by which channels and the number of channels requesting service, the relative priorities of the channels requesting service, and the microcode execution time of the active functions. Worst-case event service

time (latency) determines TPU3 performance in a given application. Latency can be closely estimated. For more information, refer to the *TPU Reference Manual (TPURM/AD)*.

### 18.3.2 Channel Orthogonality

Most timer systems are limited by the fixed number of functions assigned to each pin. All TPU3 channels contain identical hardware and are functionally equivalent in operation, so that any channel can be configured to perform any time function. Any function can operate on the calling channel, and, under program control, on another channel determined by the program or by a parameter. The user controls the combination of time functions.

### 18.3.3 Interchannel Communication

The autonomy of the TPU3 is enhanced by the ability of a channel to affect the operation of one or more other channels without CPU intervention. Interchannel communication can be accomplished by issuing a link service request to another channel, by controlling another channel directly, or by accessing the parameter RAM of another channel.

### 18.3.4 Programmable Channel Service Priority

The TPU3 provides a programmable service priority level to each channel. Three priority levels are available. When more than one channel of a given priority requests service at the same time, arbitration is accomplished according to channel number. To prevent a single high-priority channel from permanently blocking other functions, other service requests of the same priority are performed in channel order after the lowest-numbered, highest-priority channel is serviced (i.e. round-robin).

### 18.3.5 Coherency

For data to be coherent, all available portions of the data must be identical in age, or must be logically related. As an example, consider a 32-bit counter value that is read and written as two 16-bit words. The 32-bit value is read-coherent only if both 16-bit portions are updated at the same time, and write-coherent only if both portions take effect at the same time. Parameter RAM hardware supports coherent access of two adjacent 16-bit parameters. The host CPU must use a long-word operation to guarantee coherency.

### 18.3.6 Emulation Support

Although factory-programmed time functions can perform a wide variety of control tasks, they may not be ideal for all applications. The TPU3 provides emulation capability that allows the development of new time functions. Emulation mode is entered by setting the EMU bit in TPUMCR. In emulation mode, an auxiliary bus connection is made between the DPTRAM and the TPU3, and access to DPTRAM via the intermodule bus is disabled. A 9-bit address bus, a 32-bit data bus, and control lines transfer information between the modules. To ensure exact emulation, DPTRAM module access timing remains consistent with access timing of the TPU microcode ROM control store.

To support changing TPU application requirements, Freescale has established a TPU function library. The function library is a collection of TPU functions written for easy assembly in combination with each other

or with custom functions. Refer to Freescale Programming Note, *Using the TPU Function Library and TPU Emulation Mode* (TPUPN00/D) for information about developing custom functions and accessing the TPU function library. Refer to *General TPU C Functions for the MPC500 Family* (AN2360/D) for more information about TPU functions in general and the *TPU Literature Package* (TPULITPAK/D) for more information about specific functions.

### 18.3.7 TPU3 Interrupts

Each of the TPU3 channels can generate an interrupt service request. Interrupts for each channel must be enabled by writing to the appropriate control bit in the channel interrupt enable register (CIER). The channel interrupt status register (CISR) contains one interrupt status flag per channel. Time functions set the flags. Setting a flag bit causes the TPU3 to make an interrupt service request if the corresponding channel interrupt enable bit is set.

The TPU3 can generate one of 32 possible interrupt request levels on the IMB3. The value driven onto  $\overline{\text{IRQ}}[7:0]$  represents the interrupt level programmed in the IRL field of the TPU interrupt configuration register (TICR). Under the control of the ILBS bits in the ICR, each interrupt request level is driven during one of four different time-multiplexed time slots, with eight levels communicated per time slot. No hardware priority is assigned to interrupts. Furthermore, if more than one source on a module requests an interrupt at the same level, the system software must assign a priority to each source requesting at that level. Figure 18-2 displays the interrupt level scheme.

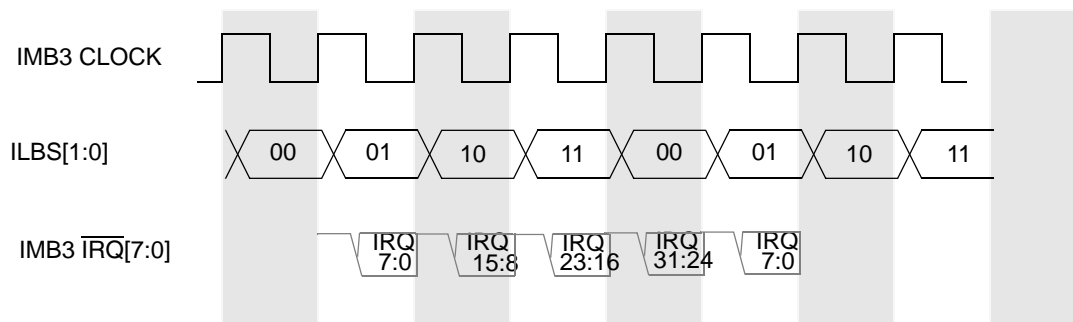


Figure 18-2. TPU3 Interrupt Levels

### 18.3.8 Prescaler Control for TCR1

Timer count register 1 (TCR1) is clocked from the output of a prescaler. The following fields control TCR1:

- The PSCK and TCR1P fields in TPUMCR
- The DIV2 field in TPUMCR2
- The EPSCKE and EPSCK fields in TPUMCR3.

The rate at which TCR1 is incremented is determined as follows:

- The user selects either the standard prescaler (by clearing the enhanced prescaler enable bit, EPSCKE, in TPUMCR3) or the enhanced prescaler (by setting EPSCKE).
  - If the standard prescaler is selected (EPSCKE = 0), then the PSCK bit determines whether the standard prescaler divides the system clock input by 32 (PSCK = 0) or 4 (PSCK = 1)

- If the enhanced prescaler is selected (EPSCKE = 1), the EPSCK bits select a value by which the system clock is divided. The lowest frequency for TCR1 clock is system clock divided by 64x8. The highest frequency for TCR1 clock is system clock divided by two (2x1). See [Table 18-2](#) and [Table 18-3](#).

**Table 18-2. Enhanced TCR1 Prescaler Divide Values**

| EPSCK Value        | Divide System Clock By |
|--------------------|------------------------|
| 0x00               | 2                      |
| 0x01               | 4                      |
| 0x02               | 6                      |
| 0x03               | 8                      |
| 0x04, 0x05,...0x1d | 10,12,...60            |
| 0x1e               | 62                     |
| 0x1f               | 64                     |

- The output of either the standard prescaler or the enhanced prescaler is then divided by 1, 2, 4, or 8, depending on the value of the TCR1P field in the TPUMCR.

**Table 18-3. TCR1 Prescaler Values**

| TCR1P Value | Divide by |
|-------------|-----------|
| 0b00        | 1         |
| 0b01        | 2         |
| 0b10        | 4         |
| 0b11        | 8         |

- If the TPUMCR2[DIV2] bit is one, the TCR1 counter increments at a rate of the internal clock divided by two. If DIV2 is zero, the TCR1 increment rate is defined by the output of the TCR1 prescaler (which, in turn, takes as input the output of either the standard or enhanced prescaler).

[Figure 18-3](#) shows a diagram of the TCR1 prescaler control block.



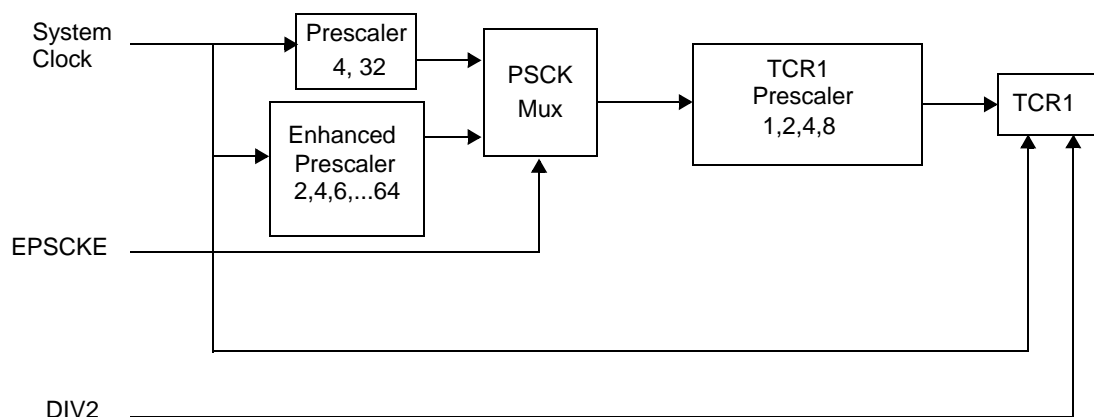


Figure 18-3. TCR1 Prescaler Control

### 18.3.9 Prescaler Control for TCR2

Timer count register 2 (TCR2), like TCR1, is clocked from the output of a prescaler. The T2CG (TCR2 clock/gate control) bit and the T2CSL (TCR2 counter clock edge) bit in TPUMCR determine T2CR2 pin functions. Refer to [Table 18-4](#).

Table 18-4. TCR2 Counter Clock Source

| T2CSL | T2CG | TCR2 Clock                     |
|-------|------|--------------------------------|
| 0     | 0    | Rise transition T2CLK          |
| 0     | 1    | Gated system clock             |
| 1     | 0    | Fall transition T2CLK          |
| 1     | 1    | Rise and fall transition T2CLK |

The function of the T2CG bit is shown in [Figure 18-4](#).

When T2CG is set, the external T2CLK pin functions as a gate of the DIV8 clock (the TPU3 system clock divided by eight). In this case, when the external TCR2 pin is low, the DIV8 clock is blocked, preventing it from incrementing TCR2. When the external TCR2 pin is high, TCR2 is incremented at the frequency of the DIV8 clock. When T2CG is cleared, an external clock from the TCR2 pin, which has been synchronized and fed through a digital filter, increments TCR2. The duration between active edges on the T2CLK clock pin must be at least nine system clocks.

TPUMCR3[TCR2PSCK2] and TPUMCR[TCR2] determine how the clock source is divided to provide the output, see [Table 18-5](#). [Figure 18-4](#) illustrates the TCR2 pre-divider and pre-scaler control.

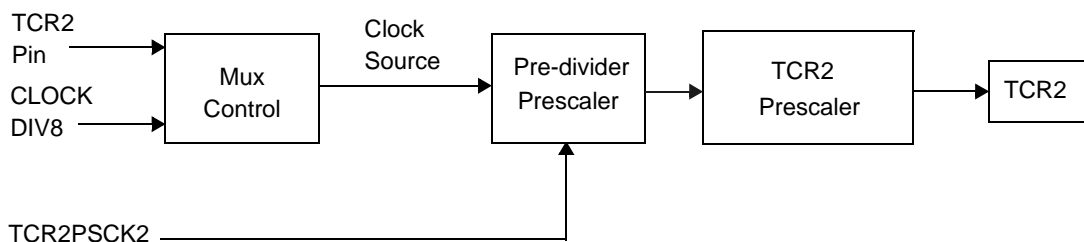


Figure 18-4. TCR2 Prescaler Control

Table 18-5 is a summary of prescaler output (assuming a divide-by-one value for the pre-divider prescaler).

Table 18-5. TCR2 Prescaler Control

| TCR2 Value | Internal Clock Divide Ratio |               | External Clock Divide Ratio |               |
|------------|-----------------------------|---------------|-----------------------------|---------------|
|            | TCR2PSCK2 = 0               | TCR2PSCK2 = 1 | TCR2PSCK2 = 0               | TCR2PSCK2 = 1 |
| 0b00       | 8                           | 8             | 1                           | 1             |
| 0b01       | 16                          | 24            | 2                           | 3             |
| 0b10       | 32                          | 56            | 4                           | 7             |
| 0b11       | 64                          | 120           | 8                           | 15            |

## 18.4 Programming Model

The TPU3 memory map contains three groups of registers:

- System configuration registers
- Channel control and status registers
- Development support and test verification registers

All registers except the channel interrupt status register (CISR) must be read or written by means of half-word (16-bit) or word (32-bit) accesses. The address space of the TPU3 memory map occupies 512 bytes. Unused registers within the 512-byte address space return zeros when read.

Table 18-6 shows the TPU3 address map.

Table 18-6. TPU3 Register Map

| Address  | Register  |
|--|---|
| 0x30 4000(TPU_A)<br>0x30 4400(TPU_B)<br>0x30 5C00(TPU_C) | TPU3 Module Configuration Register (TPUMCR)<br>See Table 18-7 for bit descriptions. |
| 0x30 4002(TPU_A)<br>0x30 4402(TPU_B)<br>0x30 5C02(TPU_C) | TPU3 Test Configuration Register (TCR)  |
| 0x30 4004(TPU_A)<br>0x30 4404(TPU_B)<br>0x30 5C04(TPU_C) | Development Support Control Register (DSCR)<br>See Table 18-8 for bit descriptions. |

**Table 18-6. TPU3 Register Map (continued)**

| Address  | Register   |
|--|--|
| 0x30 4006(TPU_A)<br>0x30 4406(TPU_B)<br>0x30 5C06(TPU_C) | Development Support Status Register (DSSR)<br>See <a href="#">Table 18-9</a> for bit descriptions.     |
| 0x30 4008(TPU_A)<br>0x30 4408(TPU_B)<br>0x30 5C08(TPU_C) | TPU3 Interrupt Configuration Register (TICR)<br>See <a href="#">Table 18-10</a> for bit descriptions.  |
| 0x30 400A(TPU_A)<br>0x30 440A(TPU_B)<br>0x30 5C0A(TPU_C) | Channel Interrupt Enable Register (CIER)<br>See <a href="#">Table 18-11</a> for bit descriptions.      |
| 0x30 400C(TPU_A)<br>0x30 440C(TPU_B)<br>0x30 5C0C(TPU_C) | Channel Function Selection Register 0 (CFSR0)<br>See <a href="#">Table 18-12</a> for bit descriptions. |
| 0x30 400E(TPU_A)<br>0x30 440E(TPU_B)<br>0x30 5C0E(TPU_C) | Channel Function Selection Register 1 (CFSR1)<br>See <a href="#">Table 18-12</a> for bit descriptions. |
| 0x30 4010(TPU_A)<br>0x30 4410(TPU_B)<br>0x30 5C10(TPU_C) | Channel Function Selection Register 2 (CFSR2)<br>See <a href="#">Table 18-12</a> for bit descriptions. |
| 0x30 4012(TPU_A)<br>0x30 4412(TPU_B)<br>0x30 5C12(TPU_C) | Channel Function Selection Register 3 (CFSR3)<br>See <a href="#">Table 18-12</a> for bit descriptions. |
| 0x30 4014(TPU_A)<br>0x30 4414(TPU_B)<br>0x30 5C14(TPU_C) | Host Sequence Register 0 (HSQR0)<br>See <a href="#">Table 18-13</a> for bit descriptions.              |
| 0x30 4016(TPU_A)<br>0x30 4416(TPU_B)<br>0x30 5C16(TPU_C) | Host Sequence Register 1 (HSQR1)<br>See <a href="#">Table 18-13</a> for bit descriptions.              |
| 0x30 4018(TPU_A)<br>0x30 4418(TPU_B)<br>0x30 5C18(TPU_C) | Host Service Request Register 0 (HSRR0)<br>See <a href="#">Table 18-14</a> for bit descriptions.       |
| 0x30 401A(TPU_A)<br>0x30 441A(TPU_B)<br>0x30 5C1A(TPU_C) | Host Service Request Register 1 (HSRR1)<br>See <a href="#">Table 18-14</a> for bit descriptions.       |
| 0x30 401C(TPU_A)<br>0x30 441C(TPU_B)<br>0x30 5C1C(TPU_C) | Channel Priority Register 0 (CPR0)<br>See <a href="#">Table 18-15</a> for bit descriptions.            |
| 0x30 401E(TPU_A)<br>0x30 441E(TPU_B)<br>0x30 5C1E(TPU_C) | Channel Priority Register 1 (CPR1)<br>See <a href="#">Table 18-15</a> for bit descriptions.            |
| 0x30 4020(TPU_A)<br>0x30 4420(TPU_B)<br>0x30 5C20(TPU_C) | Channel Interrupt Status Register (CISR)<br>See <a href="#">Table 18-17</a> for bit descriptions.      |

**Table 18-6. TPU3 Register Map (continued)**

| Address  | Register   |
|--|--|
| 0x30 4022(TPU_A)<br>0x30 4422(TPU_B)<br>0x30 5C22(TPU_C)                                     | Link Register (LR)   |
| 0x30 4024(TPU_A)<br>0x30 4424(TPU_B)<br>0x30 5C24(TPU_C)                                     | Service Grant Latch Register (SGLR)  |
| 0x30 4026(TPU_A)<br>0x30 4426(TPU_B)<br>0x30 5C26(TPU_C)                                     | Decoded Channel Number Register (DCNR)   |
| 0x30 4028(TPU_A)<br>0x30 4428(TPU_B)<br>0x30 5C28(TPU_C)                                     | TPU Module Configuration Register 2 (TPUMCR2)<br>See <a href="#">Table 18-18</a> for bit descriptions. |
| 0x30 402A(TPU_A)<br>0x30 442A(TPU_B)<br>0x30 5C2A(TPU_C)                                     | TPU Module Configuration 3 (TPUMCR3)<br>See <a href="#">Table 18-21</a> for bit descriptions.          |
| 0x30 402C(TPU_A)<br>0x30 442C(TPU_B)<br>0x30 5C2C(TPU_C)                                     | Internal Scan Data Register (ISDR)   |
| 0x30 402E(TPU_A)<br>0x30 442E(TPU_B)<br>0x30 5C2E(TPU_C)                                     | Internal Scan Control Register (ISCR)  |
| 0x30 4100 – 0x30 410F(TPU_A)<br>0x30 4500 – 0x30 450F(TPU_B)<br>0x30 5D00– 0x30 5D0F(TPU_C)  | Channel 0 Parameter Registers  |
| 0x30 4110 – 0x30 411F(TPU_A)<br>0x30 4510 – 0x30 451F(TPU_B)<br>0x30 5D10 – 0x30 5D1F(TPU_C) | Channel 1 Parameter Registers  |
| 0x30 4120 – 0x30 412F(TPU_A)<br>0x30 4520 – 0x30 452F(TPU_B)<br>0x30 5D20 – 0x30 5D2F(TPU_C) | Channel 2 Parameter Registers  |
| 0x30 4130 – 0x30 413F(TPU_A)<br>0x30 4530 – 0x30 453F(TPU_B)<br>0x30 5D30 – 0x30 5D3F(TPU_C) | Channel 3 Parameter Registers  |
| 0x30 4140 – 0x30 414F(TPU_A)<br>0x30 4540 – 0x30 454F(TPU_B)<br>0x30 5D40 – 0x30 5D4F(TPU_C) | Channel 4 Parameter Registers  |
| 0x30 4150 – 0x30 415F(TPU_A)<br>0x30 4550 – 0x30 455F(TPU_B)<br>0x30 5D50 – 0x30 5D5F(TPU_C) | Channel 5 Parameter Registers  |
| 0x30 4160 – 0x30 416F(TPU_A)<br>0x30 4560 – 0x30 456F(TPU_B)<br>0x30 5D60 – 0x30 5D6F(TPU_C) | Channel 6 Parameter Registers  |

**Table 18-6. TPU3 Register Map (continued)**

| Address  | Register                       |
|--|--------------------------------|
| 0x30 4170 – 0x30 417F(TPU_A)<br>0x30 4570 – 0x30 457F(TPU_B)<br>0x30 5D70 – 0x30 5D7F(TPU_C) | Channel 7 Parameter Registers  |
| 0x30 4180 – 0x30 418F(TPU_A)<br>0x30 4580 – 0x30 458F(TPU_B)<br>0x30 5D80 – 0x30 5D8F(TPU_C) | Channel 8 Parameter Registers  |
| 0x30 4190 – 0x30 419F(TPU_A)<br>0x30 4590 – 0x30 459F(TPU_B)<br>0x30 5D90 – 0x30 5D9F(TPU_C) | Channel 9 Parameter Registers  |
| 0x30 41A0 – 0x30 41AF(TPU_A)<br>0x30 45A0 – 0x30 45AF(TPU_B)<br>0x30 5DA0 – 0x30 5DAF(TPU_C) | Channel 10 Parameter Registers |
| 0x30 41B0 – 0x30 41BF(TPU_A)<br>0x30 45B0 – 0x30 45BF(TPU_B)<br>0x30 5DB0 – 0x30 5DBF(TPU_C) | Channel 11 Parameter Registers |
| 0x30 41C0 – 0x30 41CF(TPU_A)<br>0x30 45C0 – 0x30 45CF(TPU_B)<br>0x30 5CC0 – 0x30 5CCF(TPU_C) | Channel 12 Parameter Registers |
| 0x30 41D0 – 0x30 41DF(TPU_A)<br>0x30 45D0 – 0x30 45DF(TPU_B)<br>0x30 5DD0 – 0x30 5DDF(TPU_C) | Channel 13 Parameter Registers |
| 0x30 41E0 – 0x30 41EF(TPU_A)<br>0x30 45E0 – 0x30 45EF(TPU_B)<br>0x30 5CD0 – 0x30 5DEF(TPU_C) | Channel 14 Parameter Registers |
| 0x30 41F0 – 0x30 41FF(TPU_A)<br>0x30 45F0 – 0x30 45FF(TPU_B)<br>0x30 5DF0 – 0x30 5DFF(TPU_C) | Channel 15 Parameter Registers |

### 18.4.1 TPU Module Configuration Register (TPUMCR)

|        | MSB  |       |       |     |      |     |      |      |      |       | LSB  |    |    |    |    |    |
|--------|--|-------|-------|-----|------|-----|------|------|------|-------|------|----|----|----|----|----|
|        | 0  | 1     | 2     | 3   | 4    | 5   | 6    | 7    | 8    | 9     | 10   | 11 | 12 | 13 | 14 | 15 |
| Field  | STOP   | TCR1P | TCR2P | EMU | T2CG | STF | SUPV | PSCK | TPU3 | T2CSL | —    |    |    |    |    |    |
| SRESET | 0  | 00    | 00    | 0   | 0    | 0   | 1    | 0    | 1    | 0     | 0000 |    |    |    |    |    |
| Addr   | 0x30 4000(TPU_A), 0x30 4400 (TPU_B), 0x30 5C00 (TPU_C) |       |       |     |      |     |      |      |      |       |      |    |    |    |    |    |

**Figure 18-5. TPUMCR — TPU Module Configuration Register**

**Table 18-7. TPUMCR Bit Description**

| Bits | Name  | Description   |
|------|-------|---|
| 0    | STOP  | Low-power stop mode enable. If the STOP bit in TPUMCR is set, the TPU3 shuts down its internal clocks, shutting down the internal microengine. TCR1 and TCR2 cease to increment and retain the last value before the stop condition was entered. The TPU3 asserts the stop flag (STF) in TPUMCR to indicate that it has stopped.<br>0 Enable TPU3 clocks<br>1 Disable TPU3 clocks     |
| 1:2  | TCR1P | Timer Count Register 1 prescaler control. TCR1 is clocked from the output of a prescaler. The prescaler divides its input by 1, 2, 4, or 8. This is a write-once field unless the PWOD bit in TPUMCR3 is set.<br>00 Divide by 1<br>01 Divide by 2<br>10 Divide by 4<br>11 Divide by 8<br>Refer to <a href="#">Section 18.3.8, "Prescaler Control for TCR1"</a> for more information.  |
| 3:4  | TCR2P | Timer Count Register 2 prescaler control. TCR2 is clocked from the output of a prescaler. The prescaler divides this input by 1, 2, 4, or 8. This is a write-once field unless the PWOD bit in TPUMCR3 is set.<br>00 Divide by 1<br>01 Divide by 2<br>10 Divide by 4<br>11 Divide by 8<br>Refer to <a href="#">Section 18.3.9, "Prescaler Control for TCR2"</a> for more information. |
| 5    | EMU   | Emulation control. In emulation mode, the TPU3 executes microinstructions from DPTRAM exclusively. Access to the DPTRAM via the IMB3 is blocked, and the DPTRAM is dedicated for use by the TPU3. After reset, this bit can be written only once.<br>0 TPU3 and DPTRAM operate normally<br>1 TPU3 and DPTRAM operate in emulation mode <sup>1</sup>                                   |
| 6    | T2CG  | TCR2 clock/gate control<br>0 TCR2 pin used as clock source for TCR2<br>1 TCR2 pin used as gate of DIV8 clock for TCR2<br>Refer to <a href="#">Section 18.3.9, "Prescaler Control for TCR2"</a> for more information.  |
| 7    | STF   | Stop flag.<br>0 TPU3 is operating normally<br>1 TPU3 is stopped (STOP bit has been set)   |
| 8    | SUPV  | Supervisor data space<br>0 Assignable registers are accessible from user or supervisor privilege level<br>1 Assignable registers are accessible from supervisor privilege level only  |
| 9    | PSCK  | Standard prescaler clock. Note that this bit has no effect if the extended prescaler is selected (EPSCKE = 1).<br>0 $f_{SYS} \div 32$ is input to TCR1 prescaler, if standard prescaler is selected<br>1 $f_{SYS} \div 4$ is input to TCR1 prescaler, if standard prescaler is selected   |

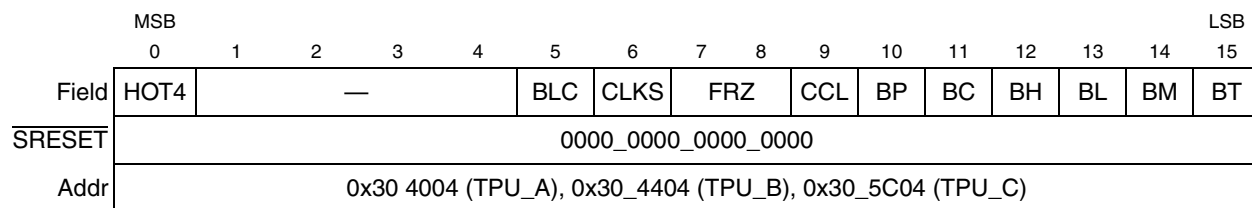
**Table 18-7. TPUMCR Bit Description (continued)**

| Bits  | Name  | Description   |
|-------|-------|---|
| 10    | TPU3  | TPU3 enable. The TPU3 enable bit provides compatibility with the TPU. If running TPU code on the TPU3, the microcode size should not be greater than 2 Kbytes and the TPU3 enable bit should be cleared to zero. The TPU3 enable bit is write-once after reset. The reset value is one, meaning that the TPU3 will operate in TPU3 mode.<br>0 TPU mode; zero is the TPU reset value<br>1 TPU3 mode; one is the TPU3 reset value<br>NOTE: The programmer should not change this value unless necessary when developing custom TPU microcode. |
| 11    | T2CSL | TCR2 counter clock edge. This bit and the T2CG control bit determine the clock source for TCR2. Refer to <a href="#">Section 18.3.9, “Prescaler Control for TCR2”</a> for details.  |
| 12:15 | —     | Reserved. These bits are used for the IARB (interrupt arbitration ID) field in TPU3 implementations that use hardware interrupt arbitration. These bits are not used on the MPC565/MPC566.  |

<sup>1</sup> If all TPUs connected to a DPTRAM are stopped, the DPTRAM is accessible.

## 18.4.2 Development Support Control Register (DSCR)

This register is accessible only when the TPU is in test mode; see [Section 18.4.14, “Factory Test Registers.”](#)


**Figure 18-6. DSCR — Development Support Control Register**
**Table 18-8. DSCR Bit Descriptions**

| Bits | Name | Description   |
|------|------|---|
| 0    | HOT4 | Hang On T4 <sup>1</sup><br>0 Exit wait on T4 state caused by assertion of HOT4<br>1 Enter wait on T4 state  |
| 1:4  | —    | Reserved  |
| 5    | BLC  | Branch Latch Control<br>0 Latch conditions into branch condition register before exiting halted state<br>1 Do not latch conditions into branch condition register before exiting the halted state or during the time-slot transition period |
| 6    | CLKS | Stop clocks (to TCRs)<br>0 Do not stop TCRs<br>1 Stop TCRs during the halted state  |

**Table 18-8. DSCR Bit Descriptions (continued)**

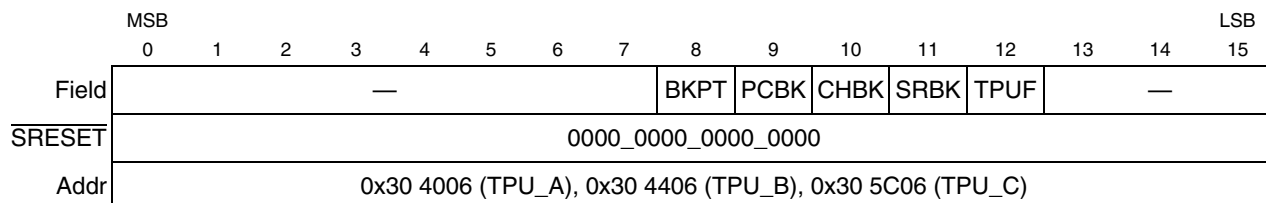
| Bits | Name | Description   |
|------|------|---|
| 7:8  | FRZ  | FREEZE assertion response. The FRZ bits specify the TPU microengine response to the IMB3 FREEZE signal<br>00 Ignore freeze<br>01 Reserved<br>10 Freeze at end of current microcycle<br>11 Freeze at next time-slot boundary   |
| 9    | CCL  | Channel Conditions Latch. CCL controls the latching of channel conditions match recognition latch (MRL) and transition detect latch (TDL) when the CHAN register is written. Refer to the TPU Reference Manual (TPURM/AD) for further information.<br>0 Only the pin state condition of the new channel is latched as a result of the write CHAN register microinstruction<br>1 Pin state, MRL, and TDL conditions of the new channel are latched as a result of a write CHAN register microinstruction |
| 10   | BP   | Breakpoint enable for microprogram counter ( $\mu$ PC)<br>0 Breakpoint not enabled<br>1 Break if $\mu$ PC equals $\mu$ PC breakpoint register   |
| 11   | BC   | Channel breakpoint enable<br>0 Breakpoint not enabled<br>1 Break if CHAN register equals channel breakpoint register at beginning of state or when CHAN is changed through microcode  |
| 12   | BH   | Host service breakpoint enable<br>0 Breakpoint not enabled<br>1 Break if host service latch is asserted at beginning of state   |
| 13   | BL   | Link service breakpoint enable<br>0 Breakpoint not enabled<br>1 Break if link service latch is asserted at beginning of state   |
| 14   | BM   | MRL breakpoint enable<br>0 Breakpoint not enabled<br>1 Break if MRL is asserted at beginning of state   |
| 15   | BT   | TDL breakpoint enable<br>0 Breakpoint not enabled<br>1 Break if TDL is asserted at beginning of state   |

<sup>1</sup> T4 is one of the four basic timers (T1, T2, T3 & T4) used for microengine timing.

### 18.4.3 Development Support Status Register (DSSR)

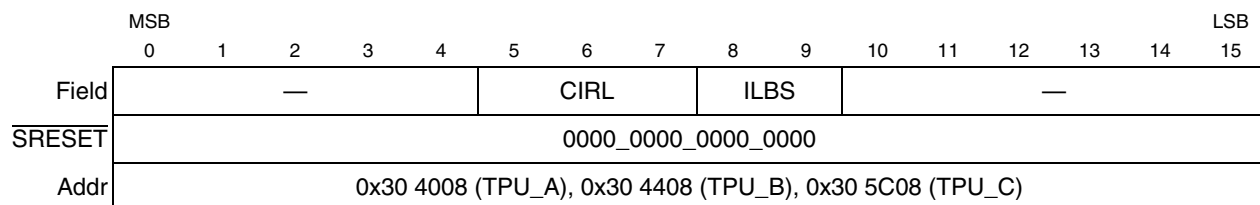
This register is accessible only when the TPU is in test mode; see [Section 18.4.14, “Factory Test Registers.”](#)




**Figure 18-7. DSSR — Development Support Status Register**
**Table 18-9. DSSR Bit Descriptions**

| Bits  | Name | Description   |
|-------|------|---|
| 0:7   | —    | Reserved  |
| 8     | BKPT | Breakpoint asserted flag. If an internal breakpoint caused the TPU3 to enter the halted state, the TPU3 asserts the BKPT signal on the IMB and sets the BKPT flag. BKPT remains set until the TPU3 recognizes a breakpoint acknowledge cycle, or until the IMB FREEZE signal is asserted. |
| 9     | PCBK | Microprogram Counter ( $\mu$ PC) breakpoint flag. PCBK is asserted if a breakpoint occurs because of a $\mu$ PC register match with the $\mu$ PC breakpoint register. PCBK is negated when the BKPT flag is cleared.  |
| 10    | CHBK | Channel register breakpoint flag. CHBK is asserted if a breakpoint occurs because of a CHAN register match with the CHAN register breakpoint register. CHBK is negated when the BKPT flag is cleared.   |
| 11    | SRBK | Service request breakpoint flag. SRBK is asserted if a breakpoint occurs because of any of the service request latches being asserted along with their corresponding enable flag in the development support control register. SRBK is negated when the BKPT flag is cleared.              |
| 12    | TPUF | TPU3 FREEZE flag. TPUF is set whenever the TPU3 is in a halted state as a result of FREEZE being asserted. This flag is automatically negated when the TPU3 exits the halted state because of FREEZE being negated.   |
| 13:15 | —    | Reserved  |

## 18.4.4 TPU3 Interrupt Configuration Register (TICR)

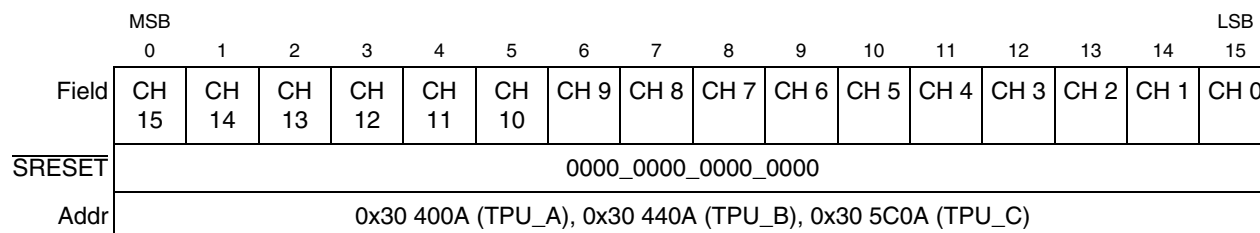

**Figure 18-8. TICR — TPU3 Interrupt Configuration Register**

**Table 18-10. TICR Bit Description**

| Bits  | Name | Description   |
|-------|------|---|
| 0:4   | —    | Reserved  |
| 5:7   | CIRL | Channel interrupt request level. This three-bit field specifies the interrupt request level for all channels. This field is used in conjunction with the ILBS field to determine the request level of TPU3 interrupts.  |
| 8:9   | ILBS | Interrupt level byte select. This field and the CIRL field determine the level of TPU3 interrupt requests.<br>00 $\overline{\text{IRQ}}[0:7]$ selected<br>01 $\overline{\text{IRQ}}[8:15]$ selected<br>10 $\overline{\text{IRQ}}[16:23]$ selected<br>11 $\overline{\text{IRQ}}[24:31]$ selected |
| 10:15 | —    | Reserved. Note that bits 10:11 represent channel interrupt base vector (CIBV) bits in some TPU3 implementations.  |

### 18.4.5 Channel Interrupt Enable Register (CIER)

The channel interrupt enable register (CIER) allows the CPU to enable or disable the ability of individual TPU3 channels to request interrupt service. Setting the appropriate bit in the register enables a channel to make an interrupt service request; clearing a bit disables the interrupt.



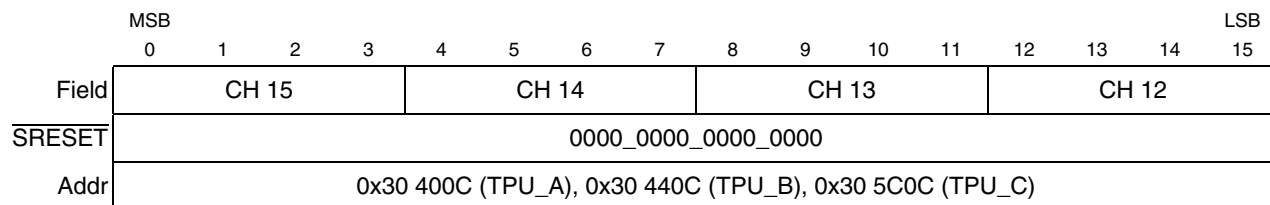
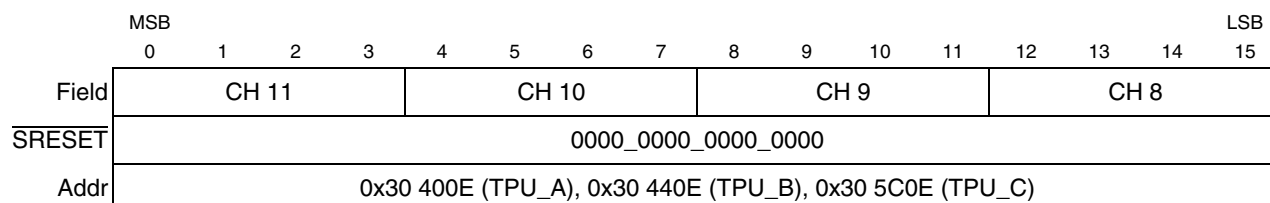
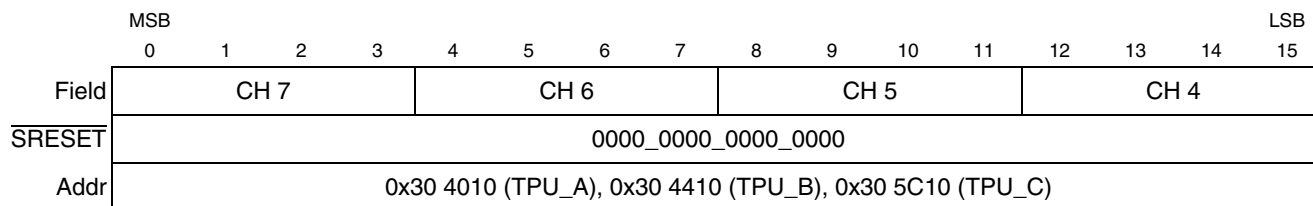
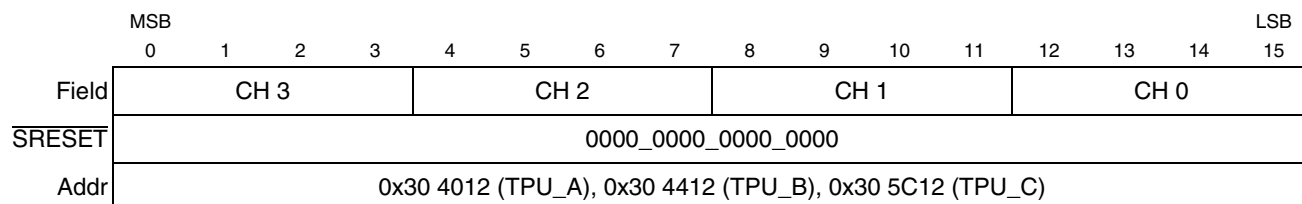
**Figure 18-9. CIER — Channel Interrupt Enable Register**

**Table 18-11. CIER Bit Descriptions**

| Bits | Name     | Description  |
|------|----------|--|
| 0:15 | CH[15:0] | Channel interrupt enable/disable<br>0 Channel interrupts disabled<br>1 Channel interrupts enabled<br>NOTE: The MSB (bit 0) represents CH15, and the LSB (bit 15) represents CH0. |

### 18.4.6 Channel Function Select Registers (CFSR<sub>n</sub>)

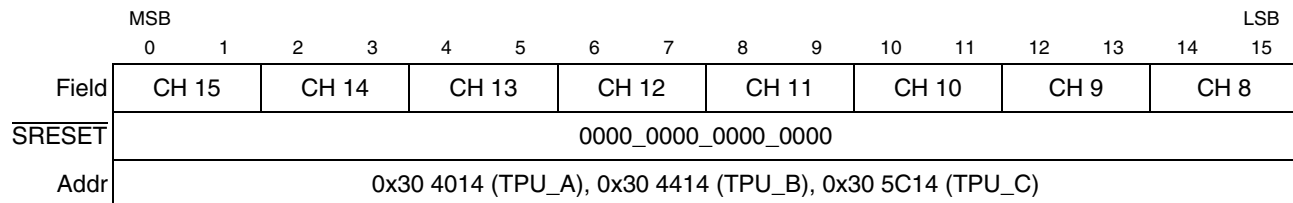
Encoded 4-bit fields within the channel function select registers specify one of 16 time functions to be executed on the corresponding channel. Encodings for predefined functions are found in [Table D-1](#) and [Table D-2](#).


**Figure 18-10. CFSR0 — Channel Function Select Register 0**

**Figure 18-11. CFSR1 — Channel Function Select Register 1**

**Figure 18-12. CFSR2 — Channel Function Select Register 2**

**Figure 18-13. CFSR3 — Channel Function Select Register 3**
**Table 18-12. CFSR<sub>n</sub> Bit Descriptions**

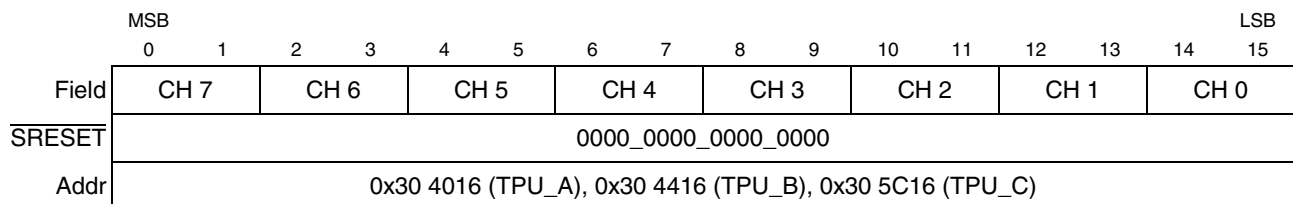
| Name     | Description  |
|----------|--|
| CH[15:0] | Encoded time function for each channel. Encoded four-bit fields in the channel function select registers specify one of 16 time functions to be executed on the corresponding channel. |

### 18.4.7 Host Sequence Registers (HSQR<sub>n</sub>)

The host sequence field selects the mode of operation for the time function selected on a given channel. The meaning of the host sequence bits depends on the time function specified. See [Appendix D, “TPU3 ROM Functions,”](#) for definitions of the host service request bits for the predefined TPU ROM functions.



**Figure 18-14. HSQR0 — Host Sequence Register 0**



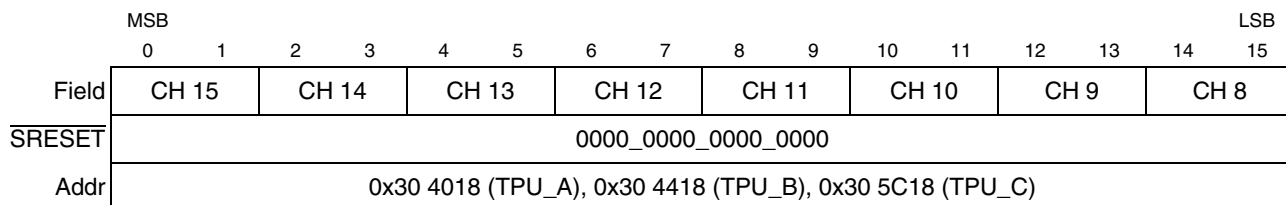
**Figure 18-15. HSQR1 — Host Sequence Register 1**

**Table 18-13. HSQRn Bit Descriptions**

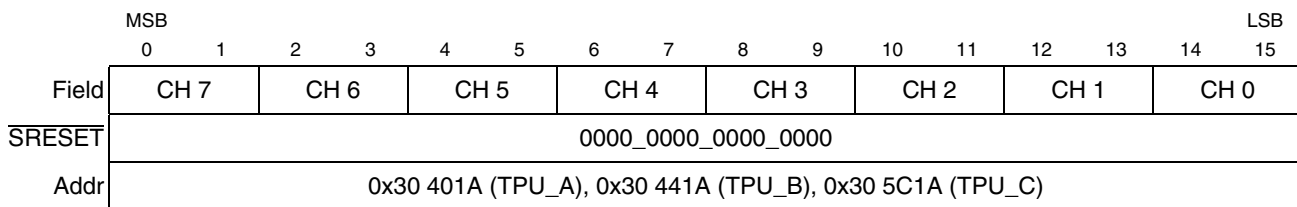
| Name     | Description   |
|----------|---|
| CH[15:0] | Encoded host sequence. The host sequence field selects the mode of operation for the time function selected on a given channel. The meaning of the host sequence bits depends on the time function specified. |

## 18.4.8 Host Service Request Registers (HSRRn)

The host service request field selects the type of host service request for the time function selected on a given channel. The meaning of the host service request bits is determined by time function microcode. See [Appendix D, “TPU3 ROM Functions,”](#) the *TPU Reference Manual* and the *Freescale TPU Literature Package* for more information.



**Figure 18-16. HSRR0 — Host Service Request Register 0**



**Figure 18-17. HSRR1 — Host Service Request Register 1**

**Table 18-14. HSSR<sub>n</sub> Bit Descriptions**

| Name     | Description  |
|----------|--|
| CH[15:0] | <p>Encoded type of host service. The host service request field selects the type of host service request for the time function selected on a given channel. The meaning of the host service request bits depends on the time function specified.</p> <p>A host service request field cleared to 0b00 signals the host that service is completed by the microengine on that channel. The host can request service on a channel by writing the corresponding host service request field to one of three non-zero states. The CPU must monitor the host service request register until the TPU3 clears the service request to 0b00 before any parameters are changed or a new service request is issued to the channel.</p> |

### 18.4.9 Channel Priority Registers (CPRx)

The channel priority registers (CPR1, CPR2) assign one of three priority levels to a channel or disable the channel. See [Appendix D, “TPU3 ROM Functions,”](#) for more information.

|                            | MSB   | 0     | 1     | 2     | 3     | 4     | 5     | 6    | 7    | 8 | 9 | 10 | 11 | 12 | 13 | 14 | 15 | LSB |
|----------------------------|---|-------|-------|-------|-------|-------|-------|------|------|---|---|----|----|----|----|----|----|-----|
| Field                      |   | CH 15 | CH 14 | CH 13 | CH 12 | CH 11 | CH 10 | CH 9 | CH 8 |   |   |    |    |    |    |    |    |     |
| $\overline{\text{SRESET}}$ | 0000_0000_0000_0000                                     |       |       |       |       |       |       |      |      |   |   |    |    |    |    |    |    |     |
| Addr                       | 0x30 401C (TPU_A), 0x30 441C (TPU_B), 0x30 5C1C (TPU_C) |       |       |       |       |       |       |      |      |   |   |    |    |    |    |    |    |     |

**Figure 18-18. CPR0 — Channel Priority Register 0**

|                            | MSB   | 0    | 1    | 2    | 3    | 4    | 5    | 6    | 7    | 8 | 9 | 10 | 11 | 12 | 13 | 14 | 15 | LSB |
|----------------------------|---|------|------|------|------|------|------|------|------|---|---|----|----|----|----|----|----|-----|
| Field                      |   | CH 7 | CH 6 | CH 5 | CH 4 | CH 3 | CH 2 | CH 1 | CH 0 |   |   |    |    |    |    |    |    |     |
| $\overline{\text{SRESET}}$ | 0000_0000_0000_0000                                     |      |      |      |      |      |      |      |      |   |   |    |    |    |    |    |    |     |
| Addr                       | 0x30 401E (TPU_A), 0x30 441E (TPU_B), 0x30 5C1E (TPU_C) |      |      |      |      |      |      |      |      |   |   |    |    |    |    |    |    |     |

**Figure 18-19. CPR1 — Channel Priority Register 1**
**Table 18-15. CPR<sub>n</sub> Bit Description**

| Name     | Description  |
|----------|--|
| CH[15:0] | Encoded channel priority levels. <a href="#">Table 18-16</a> indicates the number of time slots guaranteed for each channel priority encoding. |

**Table 18-16. Channel Priorities**

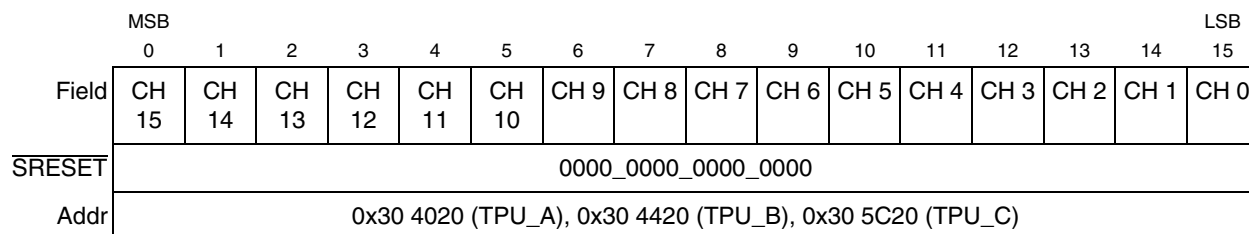
| CHx[1:0] | Service  | Guaranteed Time Slots |
|----------|----------|-----------------------|
| 00       | Disabled | —                     |
| 01       | Low      | 1 out of 7            |
| 10       | Middle   | 2 out of 7            |
| 11       | High     | 4 out of 7            |

### 18.4.10 Channel Interrupt Status Register (CISR)

The channel interrupt status register (CISR) contains one interrupt status flag per channel. Time functions specify via microcode when an interrupt flag is set. Setting a flag causes the TPU3 to make an interrupt service request if the corresponding CIER bit is set. To clear a status flag, read CISR, then write a zero to the appropriate bit.

**NOTE**

CISR is the only TPU3 register that can be accessed on a byte basis.

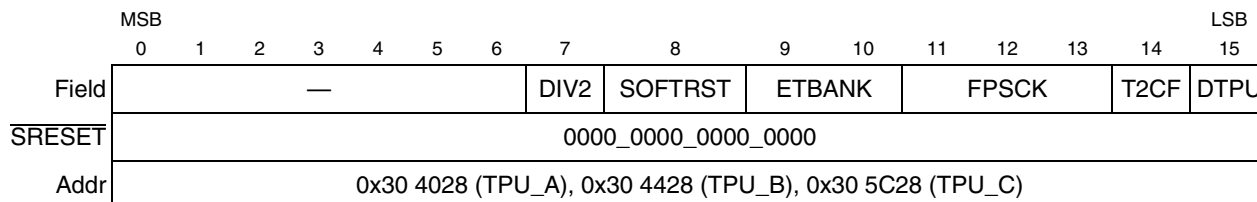


**Figure 18-20. CISR — Channel Interrupt Status Register**

**Table 18-17. CISR Bit Descriptions**

| Bits | Name     | Description  |
|------|----------|--|
| 0:15 | CH[15:0] | Channel interrupt status<br>0 Channel interrupt not asserted<br>1 Channel interrupt asserted |

### 18.4.11 TPU3 Module Configuration Register 2 (TPUMCR2)



**Figure 18-21. TPUMCR2 — TPU Module Configuration Register 2**

**Table 18-18. TPUMCR2 Bit Descriptions**

| Bits | Name | Description   |
|------|------|---|
| 0:6  | —    | Reserved  |
| 7    | DIV2 | Divide by 2 control. When asserted, the DIV2 bit, along with the TCR1P bit and the PSCK bit in the TPUMCR, determines the rate of the TCR1 counter in the TPU3. If set, the TCR1 counter increments at a rate of two system clocks. If negated, TCR1 increments at the rate determined by control bits in the TCR1P and PSCK fields.<br>0 TCR1 increments at rate determined by control bits in the TCR1P and PSCK fields of the TPUMCR register<br>1 Causes TCR1 counter to increment at a rate of the system clock divided by two |

**Table 18-18. TPUMCR2 Bit Descriptions (continued)**

| Bits  | Name     | Description  |
|-------|----------|--|
| 8     | SOFT RST | Soft reset. The TPU3 performs an internal reset when both the SOFT RST bit in the TPUMCR2 and the STOP bit in TPUMCR are set. The CPU must write zero to the SOFT RST bit to bring the TPU3 out of reset. The SOFT RST bit must be asserted for at least nine clocks.<br>0 Normal operation<br>1 Puts TPU3 in reset until bit is cleared<br>NOTE: Do not attempt to access any other TPU3 registers when this bit is asserted. When this bit is asserted, it is the only accessible bit in the register.   |
| 9:10  | ETBANK   | Entry table bank select. This field determines the bank where the microcoded entry table is situated. After reset, this field is 0b00. This control bit field is write once after reset. ETBANK is used when the microcode contains entry tables not located in the default bank 0. To execute the ROM functions on this MCU, ETBANK[1:0] must be 00. Refer to <a href="#">Table 18-19</a> .<br>NOTE: This field should not be modified by the programmer unless necessary because of custom microcode.    |
| 11:13 | FPSCK    | Filter prescaler clock. The filter prescaler clock control bit field determines the ratio between system clock frequency and minimum detectable pulses. The reset value of these bits is zero, defining the filter clock as four system clocks. Refer to <a href="#">Table 18-20</a> .   |
| 14    | T2CF     | T2CLK pin filter control. When asserted, the T2CLK input pin is filtered with the same filter clock that is supplied to the channels. This control bit is write once after reset.<br>0 Uses fixed four-clock filter<br>1 T2CLK input pin filtered with same filter clock that is supplied to the channels  |
| 15    | DTPU     | Disable TPU3 pins. When the disable TPU3 control pin is asserted, pin TP15 is configured as an input disable pin. When the TP15 pin value is zero, all TPU3 output pins are three-stated, regardless of the pins function. The input is not synchronized. This control bit is write once after reset.<br>0 TP15 functions as normal TPU3 channel<br>1 TP15 pin configured as output disable pin. When TP15 pin is low, all TPU3 output pins are in a high-impedance state, regardless of the pin function. |

**Table 18-19. Entry Table Bank Location**

| ETBANK | Bank |
|--------|------|
| 00     | 0    |
| 01     | 1    |
| 10     | 2    |
| 11     | 3    |

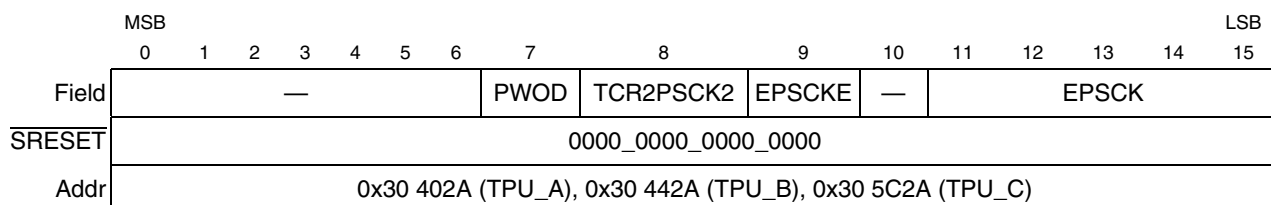
**Table 18-20. System Clock Frequency/Minimum Guaranteed Detected Pulse**

| Filter Control | Divide By | 20 MHz      | 33 MHz       | 40 MHz       | 56 MHz       |
|----------------|-----------|-------------|--------------|--------------|--------------|
| 000            | 4         | 200 ns      | 121 ns       | 100 ns       | 71 ns        |
| 001            | 8         | 400 ns      | 242 ns       | 200 ns       | 143 ns       |
| 010            | 16        | 800 ns      | 485 ns       | 400 ns       | 286 ns       |
| 011            | 32        | 1.6 $\mu$ s | 970 ns       | 800 ns       | 571 ns       |
| 100            | 64        | 3.2 $\mu$ s | 1.94 $\mu$ s | 1.60 $\mu$ s | 1.14 $\mu$ s |

**Table 18-20. System Clock Frequency/Minimum Guaranteed Detected Pulse**

|     |     |              |               |               |              |
|-----|-----|--------------|---------------|---------------|--------------|
| 101 | 128 | 6.4 $\mu$ s  | 3.88 $\mu$ s  | 3.20 $\mu$ s  | 2.29 $\mu$ s |
| 110 | 256 | 12.8 $\mu$ s | 7.76 $\mu$ s  | 6.40 $\mu$ s  | 4.57 $\mu$ s |
| 111 | 512 | 25.6 $\mu$ s | 15.51 $\mu$ s | 12.80 $\mu$ s | 9.14 $\mu$ s |

### 18.4.12 TPU Module Configuration Register 3 (TPUMCR3)


**Figure 18-22. TPUMCR3 — TPU Module Configuration Register 3**
**Table 18-21. TPUMCR3 Bit Descriptions**

| Bits  | Name      | Description   |
|-------|-----------|---|
| 0:6   | —         | Reserved  |
| 7     | PWOD      | Prescaler write-once disable bit. The PWOD bit does not lock the EPSCK field and the EPSCKE bit.<br>0 Prescaler fields in MCR are write-once<br>1 Prescaler fields in MCR can be written anytime      |
| 8     | TCR2PSCK2 | TCR2 prescaler 2<br>0 Prescaler clock source is divided by one.<br>1 Prescaler clock is divided. See divider definitions in <a href="#">Table 18-5</a> .  |
| 9     | EPSCKE    | Enhanced pre-scaler enable<br>0 Disable enhanced prescaler (use standard prescaler)<br>1 Enable enhanced prescaler. System clock will be divided by the value in EPSCK field.                         |
| 10    | —         | Reserved  |
| 11:15 | EPSCK     | Enhanced prescaler value that will be loaded into the enhanced prescaler counter. Prescaler value(EPSCK + 1) x 2. Refer to <a href="#">Section 18.3.8, "Prescaler Control for TCR1,"</a> for details. |



### 18.4.13 SIU Test Register (SIUTST)

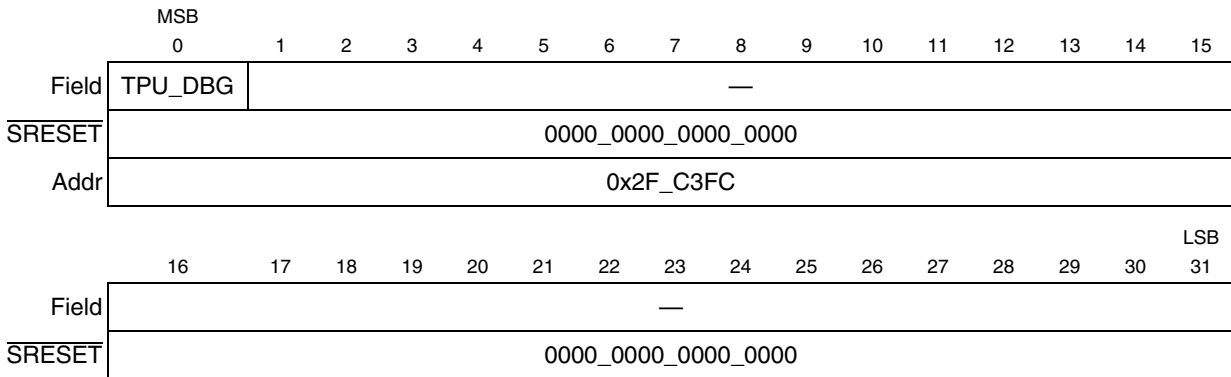


Figure 18-23. SIUTST — SIU Test Register

Table 18-22. SIUTST Bit Descriptions

| Bits | Name    | Description   |
|------|---------|---|
| 0    | TPU_DBG | This enables the test features of the TPU for use by TPU debuggers. It should only be enabled while debugging TPU microcode.<br>0 TPU debugging is disabled<br>1 TPU debug is enabled |
| 1:31 | —       | Reserved, always clear to 0.  |

### 18.4.14 Factory Test Registers

Table 18-23 shows registers that are used for factory test only. The TPU Development Support registers are also used by TPU debuggers. They can only be used if the TPU is put into its test mode.

Table 18-23. Registers Used for Factory Test Only

| Name  | Address   |           |           |
|---|-----------|-----------|-----------|
|   | TPU_A     | TPU_B     | TPU_C     |
| Link Register (LR)                          | 0x30 4022 | 0x30 4422 | 0x30 5C22 |
| Service Grant Latch Register (SGLR)         | 0x30 4024 | 0x30 4424 | 0x30 5C24 |
| Decoded Channel Number Register (DCNR)      | 0x30 4026 | 0x30 4426 | 0x30 5C26 |
| Internal scan data register (ISDR)          | 0x30 402C | 0x30 442C | 0x30 5C2C |
| Internal scan control register (ISCR)       | 0x30 402E | 0x30 442E | 0x30 5C2E |
| TPU3 Test Configuration Register (TCR)      | 0x30 4002 | 0x30 4402 | 0x30 5C02 |
| Development Support Control Register (DSCR) | 0x30 4004 | 0x30_4404 | 0x30 5C04 |
| Development Support Status Register (DSSR)  | 0x30 4006 | 0x30 4406 | 0x30 5C06 |

### 18.4.15 TPU3 Parameter RAM

The channel parameter registers are organized as one hundred 16-bit words of RAM. Channels 0 to 15 have eight parameters. The parameter registers constitute a shared work space for communication between the CPU and the TPU3. The TPU3 can only access data in the parameter RAM. Refer to [Table 18-24](#).

**Table 18-24. Parameter RAM Address Offset Map**

| Channel Number | Parameter    |              |              |              |              |              |              |              |
|----------------|--------------|--------------|--------------|--------------|--------------|--------------|--------------|--------------|
|                | 0            | 1            | 2            | 3            | 4            | 5            | 6            | 7            |
| 0              | 0x30 4100(A) | 0x30 4102(A) | 0x30 4104(A) | 0x30 4106(A) | 0x30 4108(A) | 0x30 410A(A) | 0x30 410C(A) | 0x30 410E(A) |
|                | 0x30 4500(B) | 0x30 4502(B) | 0x30 4504(B) | 0x30 4506(B) | 0x30 4508(B) | 0x30 450A(B) | 0x30 450C(B) | 0x30 450E(B) |
|                | 0x30 5D00(C) | 0x30 5D02(C) | 0x30 5D04(C) | 0x30 5D06(C) | 0x30 5D08(C) | 0x30 5D0A(C) | 0x30 5D0C(C) | 0x30 5D0E(C) |
| 1              | 0x30 4110(A) | 0x30 4112(A) | 0x30 4114(A) | 0x30 4116(A) | 0x30 4118(A) | 0x30 411A(A) | 0x30 411C(A) | 0x30 411E(A) |
|                | 0x30 4510(B) | 0x30 4512(B) | 0x30 4514(B) | 0x30 4516(B) | 0x30 4518(B) | 0x30 451A(B) | 0x30 451C(B) | 0x30 451E(B) |
|                | 0x30 5D10(C) | 0x30 5D12(C) | 0x30 5D14(C) | 0x30 5D16(C) | 0x30 5D18(C) | 0x30 5D1A(C) | 0x30 5D1C(C) | 0x30 5D1E(C) |
| 2              | 0x30 4120(A) | 0x30 4122(A) | 0x30 4124(A) | 0x30 4126(A) | 0x30 4128(A) | 0x30 412A(A) | 0x30 412C(A) | 0x30 412E(A) |
|                | 0x30 4520(B) | 0x30 4522(B) | 0x30 4524(B) | 0x30 4526(B) | 0x30 4528(B) | 0x30 452A(B) | 0x30 452C(B) | 0x30 452E(B) |
|                | 0x30 5D20(C) | 0x30 5D23(C) | 0x30 5D24(C) | 0x30 5D26(C) | 0x30 5D28(C) | 0x30 5D2A(C) | 0x30 5D2C(C) | 0x30 5D2E(C) |
| 3              | 0x30 4130(A) | 0x30 4132(A) | 0x30 4134(A) | 0x30 4136(A) | 0x30 4138(A) | 0x30 413A(A) | 0x30 413C(A) | 0x30 413E(A) |
|                | 0x30 4530(B) | 0x30 4532(B) | 0x30 4534(B) | 0x30 4536(B) | 0x30 4538(B) | 0x30 453A(B) | 0x30 453C(B) | 0x30 453E(B) |
|                | 0x30 5D30(C) | 0x30 5D32(C) | 0x30 5D34(C) | 0x30 5D36(C) | 0x30 5D38(C) | 0x30 5D3A(C) | 0x30 5D3C(C) | 0x30 5D3E(C) |
| 4              | 0x30 4140(A) | 0x30 4142(A) | 0x30 4144(A) | 0x30 4146(A) | 0x30 4148(A) | 0x30 414A(A) | 0x30 414C(A) | 0x30 414E(A) |
|                | 0x30 4540(B) | 0x30 4542(B) | 0x30 4544(B) | 0x30 4546(B) | 0x30 4548(B) | 0x30 454A(B) | 0x30 454C(B) | 0x30 454E(B) |
|                | 0x30 5D40(C) | 0x30 5D42(C) | 0x30 5D44(C) | 0x30 5D46(C) | 0x30 5D48(C) | 0x30 5D4A(C) | 0x30 5D4C(C) | 0x30 5D4E(C) |
| 5              | 0x30 4150(A) | 0x30 4152(A) | 0x30 4154(A) | 0x30 4156(A) | 0x30 4158(A) | 0x30 415A(A) | 0x30 415C(A) | 0x30 415E(A) |
|                | 0x30 4550(B) | 0x30 4552(B) | 0x30 4554(B) | 0x30 4556(B) | 0x30 4558(B) | 0x30 455A(B) | 0x30 455C(B) | 0x30 455E(B) |
|                | 0x30 5D50(C) | 0x30 5D52(C) | 0x30 5D54(C) | 0x30 5D56(C) | 0x30 5D58(C) | 0x30 5D5A(C) | 0x30 5D5C(C) | 0x30 5D5E(C) |
| 6              | 0x30 4160(A) | 0x30 4162(A) | 0x30 4164(A) | 0x30 4166(A) | 0x30 4168(A) | 0x30 416A(A) | 0x30 416C(A) | 0x30 416E(A) |
|                | 0x30 4560(B) | 0x30 4562(B) | 0x30 4564(B) | 0x30 4566(B) | 0x30 4568(B) | 0x30 456A(B) | 0x30 456C(B) | 0x30 456E(B) |
|                | 0x30 5D60(C) | 0x30 5D62(C) | 0x30 5D64(C) | 0x30 5D66(C) | 0x30 5D68(C) | 0x30 5D6A(C) | 0x30 5D6C(C) | 0x30 5D6E(C) |
| 7              | 0x30 4170(A) | 0x30 4172(A) | 0x30 4174(A) | 0x30 4176(A) | 0x30 4178(A) | 0x30 417A(A) | 0x30 417C(A) | 0x30 417E(A) |
|                | 0x30 4570(B) | 0x30 4572(B) | 0x30 4574(B) | 0x30 4576(B) | 0x30 4578(B) | 0x30 457A(B) | 0x30 457C(B) | 0x30 457E(B) |
|                | 0x30 5D70(C) | 0x30 5D72(C) | 0x30 5D74(C) | 0x30 5D76(C) | 0x30 5D78(C) | 0x30 5D7A(C) | 0x30 5D7C(C) | 0x30 5D7E(C) |
| 8              | 0x30 4180(A) | 0x30 4182(A) | 0x30 4184(A) | 0x30 4186(A) | 0x30 4188(A) | 0x30 418A(A) | 0x30 418C(A) | 0x30 418E(A) |
|                | 0x30 4580(B) | 0x30 4582(B) | 0x30 4585(B) | 0x30 4586(B) | 0x30 4588(B) | 0x30 458A(B) | 0x30 458C(B) | 0x30 458E(B) |
|                | 0x30 5D80(C) | 0x30 5D82(C) | 0x30 5D84(C) | 0x30 5D86(C) | 0x30 5D88(C) | 0x30 5D8A(C) | 0x30 5D8C(C) | 0x30 5D8E(C) |
| 9              | 0x30 4190(A) | 0x30 4192(A) | 0x30 4194(A) | 0x30 4196(A) | 0x30 4198(A) | 0x30 419A(A) | 0x30 419C(A) | 0x30 419E(A) |
|                | 0x30 4590(B) | 0x30 4592(B) | 0x30 4594(B) | 0x30 4596(B) | 0x30 4598(B) | 0x30 459A(B) | 0x30 459C(B) | 0x30 459E(B) |
|                | 0x30 5D90(C) | 0x30 5D92(C) | 0x30 5D94(C) | 0x30 5D96(C) | 0x30 5D98(C) | 0x30 5D9A(C) | 0x30 5D9C(C) | 0x30 5D9E(C) |
| 10             | 0x30 41A0(A) | 0x30 41A2(A) | 0x30 41A4(A) | 0x30 41A6(A) | 0x30 41A8(A) | 0x30 41AA(A) | 0x30 41AC(A) | 0x30 41AE(A) |
|                | 0x30 45A0(B) | 0x30 45A2(B) | 0x30 45A4(B) | 0x30 45A6(B) | 0x30 45A8(B) | 0x30 45AA(B) | 0x30 45AC(B) | 0x30 45AE(B) |
|                | 0x30 5DA0(C) | 0x30 5DA2(C) | 0x30 5DA4(C) | 0x30 5DA6(C) | 0x30 5DA8(C) | 0x30 5DAA(C) | 0x30 5DAC(C) | 0x30 5DAE(C) |
| 11             | 0x30 41B0(A) | 0x30 41B2(A) | 0x30 41B4(A) | 0x30 41B6(A) | 0x30 41B8(A) | 0x30 41BA(A) | 0x30 41BC(A) | 0x30 41BE(A) |
|                | 0x30 45B0(B) | 0x30 45B2(B) | 0x30 45B4(B) | 0x30 45B6(B) | 0x30 45B8(B) | 0x30 45BA(B) | 0x30 45BC(B) | 0x30 45BE(B) |
|                | 0x30 5DB0(C) | 0x30 5DB2(C) | 0x30 5DB4(C) | 0x30 5DB6(C) | 0x30 5DB8(C) | 0x30 5DBA(C) | 0x30 5DBC(C) | 0x30 5DBE(C) |
| 12             | 0x30 41C0(A) | 0x30 41C2(A) | 0x30 41C4(A) | 0x30 41C6(A) | 0x30 41C8(A) | 0x30 41CA(A) | 0x30 41CC(A) | 0x30 41CE(A) |
|                | 0x30 45C0(B) | 0x30 45C2(B) | 0x30 45C4(B) | 0x30 45C6(B) | 0x30 45C8(B) | 0x30 45CA(B) | 0x30 45CC(B) | 0x30 45CE(B) |
|                | 0x30 5DC0(C) | 0x30 5DC2(C) | 0x30 5DC4(C) | 0x30 5DC6(C) | 0x30 5DC8(C) | 0x30 5DCA(C) | 0x30 5DCC(C) | 0x30 5DCE(C) |

**Table 18-24. Parameter RAM Address Offset Map (continued)**

| Channel Number | Parameter    |              |              |              |              |              |              |              |
|----------------|--------------|--------------|--------------|--------------|--------------|--------------|--------------|--------------|
|                | 0            | 1            | 2            | 3            | 4            | 5            | 6            | 7            |
| 13             | 0x30 41D0(A) | 0x30 41D2(A) | 0x30 41D4(A) | 0x30 41D6(A) | 0x30 41D8(A) | 0x30 41DA(A) | 0x30 41DC(A) | 0x30 41DE(A) |
|                | 0x30 45D0(B) | 0x30 45D2(B) | 0x30 45D4(B) | 0x30 45D6(B) | 0x30 45D8(B) | 0x30 45DA(B) | 0x30 45DC(B) | 0x30 45DE(B) |
|                | 0x30 5DD0(C) | 0x30 5DD2(C) | 0x30 5DD4(C) | 0x30 5DD6(C) | 0x30 5DD8(C) | 0x30 5DDA(C) | 0x30 5DDC(C) | 0x30 5DDE(C) |
| 14             | 0x30 41E0(A) | 0x30 41E2(A) | 0x30 41E4(A) | 0x30 41E6(A) | 0x30 41E8(A) | 0x30 41EA(A) | 0x30 41EC(A) | 0x30 41EE(A) |
|                | 0x30 45E0(B) | 0x30 45E2(B) | 0x30 45E4(B) | 0x30 45E6(B) | 0x30 45E8(B) | 0x30 45EA(B) | 0x30 45EC(B) | 0x30 45EE(B) |
|                | 0x30 5DE0(C) | 0x30 5DE2(C) | 0x30 5DE4(C) | 0x30 5DE6(C) | 0x30 5DE8(C) | 0x30 5DEA(C) | 0x30 5DEC(C) | 0x30 5DEE(C) |
| 15             | 0x30 41F0(A) | 0x30 41F2(A) | 0x30 41F4(A) | 0x30 41F6(A) | 0x30 41F8(A) | 0x30 41FA(A) | 0x30 41FC(A) | 0x30 41FE(A) |
|                | 0x30 45F0(B) | 0x30 45F2(B) | 0x30 45F4(B) | 0x30 45F6(B) | 0x30 45F8(B) | 0x30 45FA(B) | 0x30 45FC(B) | 0x30 45FE(B) |
|                | 0x30 5DF0(C) | 0x30 5DF2(C) | 0x30 5DF4(C) | 0x30 5DF6(C) | 0x30 5DF8(C) | 0x30 5DFA(C) | 0x30 5DFC(C) | 0x30 5DFE(C) |

## 18.5 Time Functions

Descriptions of the MPC565 pre-programmed time functions are shown in [Appendix D, “TPU3 ROM Functions.”](#)



## Chapter 19

# Dual-Port TPU3 RAM (DPTRAM)

The dual-port RAM (DPTRAM) module with TPU3 microcode storage support consists of a control register block and a 4- or 6-Kbyte array of static RAM, which can be used either as a microcode storage for TPU3 or as a general-purpose memory. The MPC565 has two DPTRAM modules. One module (DPTRAM AB) has a 6-Kbyte array and serves two TPU3 modules (A and B). The other module (DPTRAM C) has a 4-Kbyte array and serves a third TPU3 module (C).

Each DPTRAM module acts as a common memory on the IMB3 and allows the transfer of data to the two TPU3 modules. Therefore, the DPTRAM interface includes an IMB3 bus interface and two TPU3 interfaces. The DPTRAM C, however, connects to only one TPU3. When the DPTRAM is being used in microcode mode, the array is only accessible to the TPU3 via a separate local bus, and not via the IMB3.

In the MPC565, the DPTRAM base address register (RAMBAR) must each be set to a particular value to fit into the IMB memory map of the part. The DPTRAM AB RAMBAR register *must* be programmed to 0xFFA0 and the DPTRAM C RAMBAR must be programmed to 0xFF90 in order to put them in the proper memory location for the MPC565.

The dual-port TPU3 RAM is intended to serve as fast, two-clock access, general-purpose RAM memory for the MPC565. When used as general-purpose RAM, this module is accessed via the MPC565's internal bus.

The DPTRAM module is powered by  $V_{DD}$  in normal operation. The entire array may be used as standby RAM if standby power is supplied via the  $V_{DDSRAM3}$  pin of the MPC565.  $V_{DDSRAM3}$  must be supplied by an external source.

The DPTRAM may also be used as the microcode control store for up to two TPU3 modules when placed in a special emulation mode. In this mode the DPTRAM array may only be accessed by either or both of the TPU3 units simultaneously via separate emulation buses, and not via the IMB3.

The DPTRAM contains a multiple input signature calculator (MISC) in order to provide RAM data corruption checking. The MISC reads the DPTRAM address and generates a 32-bit data-dependent signature. This signature can then be checked by the host.

### NOTE

The RCPU cannot perform instruction fetches from any module on the IMB3 (including the DPTRAM). Only data accesses are permitted.

## 19.1 Features

- Six Kbytes of static RAM in module DPTRAM AB and four Kbytes of static RAM in module DPTRAM C
- Accessible by the CPU only if neither TPU3 is in emulation mode

- Low-power stop operation
  - Entered by setting the STOP bit in the DPTMCR
  - Does not enter low-power state while in TPU3 emulation mode for protection
- TPU3 microcode mode
  - The DPTRAM array acts as a microcode storage for the TPU3 module. This provides a means of executing TPU3 code out of DPTRAM instead of TPU3 ROM.
- Includes built in check logic which scans the array contents and calculates the DPTRAM signature
- IMB3 bus interface
- Two TPU3 interface units
- Byte, half-word, or word accessible

## 19.2 DPTRAM Configuration Block Diagram

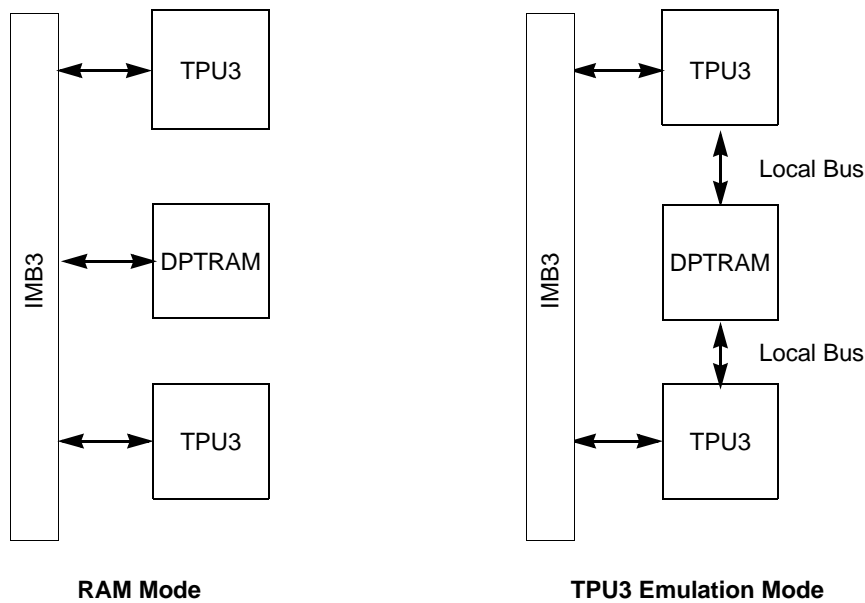


Figure 19-1. DPTRAM Configuration

## 19.3 Programming Model

The DPTRAM module consists of two separately addressable sections. The first is a set of memory-mapped control and status registers used for configuration (DPTMCR, RAMBAR, MISRH, MISRL, MISCNT) and testing (DPTTCR) of the DPTRAM array. The second section is the array itself.

All DPTRAM module control and status registers are located in supervisor data space. User read or write attempts will result in a bus error.

When the TPU3 is using the RAM array for microcode control storage, none of these control registers has any effect on the operation of the RAM array.

All addresses within the 64-byte control block will respond when accessed properly. Unimplemented addresses will return zeros for read accesses. Likewise, unimplemented bits within registers will return zero when read and will not be affected by write operations.

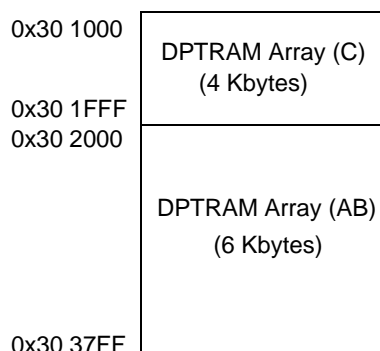
Table 19-1 shows the DPTRAM control and status registers. The addresses shown are offsets from the internal system base address (see Section 6.2.2.1.2, “Internal Memory Map Register (IMMR)”). Refer to Figure 1-3 to locate the DPTRAM control block in the MPC565 address map.

**Table 19-1. DPTRAM Register Map**

| R/W Access              | Address <sup>1</sup>          | Register   | Reset Value         |
|-------------------------|-------------------------------|--|---------------------|
| Supervisor R/W          | 0x30 0000(AB)<br>0x30 0040(C) | DPT RAM Module Configuration Register (DPTRMCR)<br>See Table 19-2 for bit descriptions.  | 0x0100              |
| Test                    | 0x30 0002(AB)<br>0x30 0042(C) | Test Configuration Register (DPTTCR)   | 0x0000              |
| Supervisor R/W          | 0x30 0004(AB)<br>0x30 0044(C) | RAM Base Address Register (RAMBAR)<br>See Table 19-3 for bit descriptions.   | 0x0001              |
| Supervisor<br>Read Only | 0x30 0006(AB)<br>0x30 0046(C) | Multiple Input Signature Register High (MISRH)<br>See Section 19.3.4, “MISR High (MISRH) and MISR Low Registers (MISRL)” for bit descriptions. | 0x0000              |
| Supervisor<br>Read Only | 0x30 0008(AB)<br>0x30 0048(C) | Multiple Input Signature Register Low (MISRL)<br>See Section 19.3.4, “MISR High (MISRH) and MISR Low Registers (MISRL)” for bit descriptions.  | 0x0000              |
| Supervisor<br>Read Only | 0x30 000A(AB)<br>0x30 004A(C) | Multiple Input Signature Counter (MISCNT)<br>See Section 19.3.5, “MISC Counter (MISCNT)” for bit descriptions.                                 | Last memory address |

<sup>1</sup> (AB) = 6 Kbytes and (C) = 4 Kbytes

The DPTRAM AB array occupies a 6-Kbyte block. In the MPC565, the array must be located at the address 0x30 2000. The DPTRAM C array occupies a 4-Kbyte block and the array must be located at the address 0x30 1000. Refer to Figure 1-3 and Figure 19-2.



**Figure 19-2. DPTRAM Memory Map**

### 19.3.1 DPTRAM Module Configuration Register (DPTMCR)

This register defines the basic configuration of the DPTRAM modules AB and C. The DPTMCR contains bits to configure the DPTRAM modules for stop operation and for proper access privileges to the array. The register also contains the MISC control bits.

|        |   |           |   |   |   |      |       |      |           |   |    |    |    |    |    |    |     |
|--------|---|-----------|---|---|---|------|-------|------|-----------|---|----|----|----|----|----|----|-----|
|        | MSB   |           |   |   |   |      |       |      |           |   |    |    |    |    |    |    | LSB |
|        | 0   | 1         | 2 | 3 | 4 | 5    | 6     | 7    | 8         | 9 | 10 | 11 | 12 | 13 | 14 | 15 |     |
| Field  | STOP  | —         |   |   |   | MISF | MISEN | RASP | —         |   |    |    |    |    |    |    |     |
| SRESET | 0   | Undefined |   |   |   | 0    | 0     | 1    | 0000_0000 |   |    |    |    |    |    |    |     |
| Addr   | 0x30 0000 (DPTMCR AB), 0x30 0040 (DPTMCR C) |           |   |   |   |      |       |      |           |   |    |    |    |    |    |    |     |

**Figure 19-3. DPT Module Configuration Register (DPTMCR)**

**Table 19-2. DPTMCR Bit Settings**

| Bits | Name  | Description  |
|------|-------|--|
| 0    | STOP  | Low power stop (sleep) mode<br>0 DPTRAM clocks running<br>1 DPTRAM clocks shut down<br>Only the STOP bit in the DPTMCR may be accessed while the STOP bit is asserted. Accesses to other DPTRAM registers may result in unpredictable behavior. Note also that the STOP bit should be set and cleared independently of the other control bits in this register to guarantee proper operation. Changing the state of other bits while changing the state of the STOP bit may result in unpredictable behavior.<br>Refer to <a href="#">Section 19.4.4, “Stop Operation”</a> for more information. |
| 1:4  | —     | Reserved   |
| 5    | MISF  | Multiple input signature flag. MISF is readable at any time. This flag bit should be polled by the host to determine if the MISC has completed reading the DPTRAM. If MISF is set, the host should read the MISRH and MISRL registers to obtain the DPTRAM signature.<br>0 First signature not ready<br>1 MISC has read entire DPTRAM. Signature is latched in MISRH and MISRL and is ready to be read.  |
| 6    | MISEN | Multiple input signature enable. MISEN is readable and writable at any time. The MISC will only operate when this bit is set and the MPC565 is in TPU3 emulation mode. When enabled, the MISC will continuously cycle through the DPTRAM addresses, reading each and adding the contents to the MISR. In order to save power, the MISC can be disabled by clearing the MISEN bit.<br>0 MISC disabled<br>1 MISC enabled   |
| 7    | RASP  | RAM area supervisor/user program/data. The DPTRAM array may be placed in supervisor or unrestricted Space. When placed in supervisor space, (RASP = 1), only a supervisor may access the array. If a supervisor program is accessing the array, normal read/write operation will occur. If a user program is attempting to access the array, the access will be ignored and the address may be decoded externally.<br>0 Both supervisor and user access to DPTRAM allowed<br>1 Supervisor access only to DPTRAM allowed  |
| 8:15 | —     | Reserved. These bits are used for the IARB (interrupt arbitration ID) field in TPU3 implementations that use hardware interrupt arbitration. These bits are not used on the MPC565/MPC566.   |



### 19.3.2 DPTRAM Test Register (DPTTCR)

DPTTCR (test register, address 0x30 0002, 0x30 0042) is used only during factory testing of the MPC565, and, if written, will generate a bus error.

### 19.3.3 RAM Base Address Register (RAMBAR)

The RAMBAR register is used to specify the 16 MSBs of the starting DPTRAM array location in the memory map. In order to be accessible in the MPC565 memory map, this register *must* be programmed to 0xFFA0 for the DPTRAM AB and 0xFF90 for the DPTRAM C.

This register can be written only once after a reset. This prevents runaway software from inadvertently re-mapping the array. Since the locking mechanism is triggered by the first write after reset, the base address of the array should be written in a single operation. Writing only one half of the register will prevent the other half from being written.

|                            | MSB   |    |     |     |     |     |     |     |     |     |     | LSB |    |    |    |       |
|----------------------------|---|----|-----|-----|-----|-----|-----|-----|-----|-----|-----|-----|----|----|----|-------|
|                            | 0   | 1  | 2   | 3   | 4   | 5   | 6   | 7   | 8   | 9   | 10  | 11  | 12 | 13 | 14 | 15    |
| Field                      | A8  | A9 | A10 | A11 | A12 | A13 | A14 | A15 | A16 | A17 | A18 | A19 | —  | —  | —  | RAMDS |
| $\overline{\text{SRESET}}$ | 0000_0000_0000_000                          |    |     |     |     |     |     |     |     |     |     |     |    |    | 1  |       |
| Addr                       | 0x30 0004 (RAMBAR_AB), 0x30 0044 (RAMBAR_C) |    |     |     |     |     |     |     |     |     |     |     |    |    |    |       |

Figure 19-4. RAM Array Base Address Register (RAMBAR)

Table 19-3. RAMBAR Bit Settings

| Bits  | Name    | Description   |
|-------|---------|---|
| 0:11  | A[8:19] | DPTRAM array base address. These bits specify the 11 high-order bits (address lines ADDR[8:19] in little-endian notation) of the 24-bit base address of the DPTRAM array. This allows the array to be placed on a 8-Kbyte boundary anywhere in the memory map. Do not overlap the DPTRAM array memory map with other modules on the chip.<br>On the MPC565 the value 0xFFA0 must be used for DPTRAM 6 Kbyte and 0xFF90 must be used for DPTRAM 4 Kbyte.                                       |
| 12:14 | —       | Reserved. (Bit 12 represents A[20] in DPTRAM implementations that require it.)  |
| 15    | RAMDS   | RAM disabled. RAMDS is a read-only status bit. The DPTRAM array is disabled after a master reset because the RAMBAR register may be incorrect. When the array is disabled, it will not respond to any addresses on the IMB3. Access to the DPTRAM control register block is not affected when the array is disabled.<br>RAMDS is cleared by the DPTRAM module when a base address is written to the array address field of RAMBAR.<br>RAMDS = 0: DPTRAM enabled<br>RAMDS = 1: DPTRAM disabled |

### 19.3.4 MISR High (MISRH) and MISR Low Registers (MISRL)

The MISRH and MISRL together contain the 32-bit RAM signature calculated by the MISC. These registers are read-only and should be read by the host when the MISF bit in the MCR is set. Note that the naming of the D[31:0] bits represents little-endian bit encoding.

Exiting TPU3 emulation mode results in the reset of both MISRH and MISRL.

|                            | MSB                                       |     |     |     |     |     |     |     |     |     |     |     |     |     |     | LSB |
|----------------------------|---|-----|-----|-----|-----|-----|-----|-----|-----|-----|-----|-----|-----|-----|-----|-----|
|                            | 0   | 1   | 2   | 3   | 4   | 5   | 6   | 7   | 8   | 9   | 10  | 11  | 12  | 13  | 14  | 15  |
| Field                      | D31                                       | D30 | D29 | D28 | D27 | D26 | D25 | D24 | D23 | D22 | D21 | D20 | D19 | D18 | D17 | D16 |
| $\overline{\text{SRESET}}$ | 0000_0000_0000_0000                       |     |     |     |     |     |     |     |     |     |     |     |     |     |     |     |
| Addr                       | 0x30 0006 (MISRH AB), 0x30 0046 (MISRH C) |     |     |     |     |     |     |     |     |     |     |     |     |     |     |     |

**Figure 19-5. Multiple Input Signature Register High (MISRH)**

|                            | MSB                                       |     |     |     |     |     |    |    |    |    |    |    |    |    |    | LSB |
|----------------------------|---|-----|-----|-----|-----|-----|----|----|----|----|----|----|----|----|----|-----|
|                            | 0   | 1   | 2   | 3   | 4   | 5   | 6  | 7  | 8  | 9  | 10 | 11 | 12 | 13 | 14 | 15  |
| Field                      | D15                                       | D14 | D13 | D12 | D11 | D10 | D9 | D8 | D7 | D6 | D5 | D4 | D3 | D2 | D1 | D0  |
| $\overline{\text{SRESET}}$ | 0000_0000_0000_0000                       |     |     |     |     |     |    |    |    |    |    |    |    |    |    |     |
| Addr                       | 0x30 0008 (MISRL AB), 0x30 0048 (MISRL C) |     |     |     |     |     |    |    |    |    |    |    |    |    |    |     |

**Figure 19-6. Multiple Input Signature Register Low (MISRL)**

### 19.3.5 MISC Counter (MISCNT)

The MISCNT contains the address of the current MISC memory access. This register is read-only. Note that the naming of the A[31:0] bits represents little-endian bit encoding.

Exiting TPU3 emulation mode or clearing the MISEN bit in the DPTMCR results in the reset of this register.

|                            | MSB   |   |     |     |     |    |    |    |    |    |    |    |    |    |    | LSB |
|----------------------------|---|---|-----|-----|-----|----|----|----|----|----|----|----|----|----|----|-----|
|                            | 0   | 1 | 2   | 3   | 4   | 5  | 6  | 7  | 8  | 9  | 10 | 11 | 12 | 13 | 14 | 15  |
| Field                      | —   |   | A12 | A11 | A10 | A9 | A8 | A7 | A6 | A5 | A4 | A3 | A2 | A1 | A0 |     |
| $\overline{\text{SRESET}}$ | Last Memory Address                         |   |     |     |     |    |    |    |    |    |    |    |    |    |    |     |
| Addr                       | 0x30 000A (MISCNT AB), 0x30 004A (MISCNT C) |   |     |     |     |    |    |    |    |    |    |    |    |    |    |     |

**Figure 19-7. MISC Counter (MISCNT)**

## 19.4 DPTRAM Operation

The DPTRAM modules have several modes of operation. The following sections describe DPTRAM operation in each of these modes.

### 19.4.1 Normal Operation

In normal operation, read or write data accesses of 8-, 16-, or 32-bits are supported. Also, in normal operation, neither TPU3 accesses the array, nor do they have any effect on the operation of the DPTRAM module.

## 19.4.2 Standby Operation

The DPTRAM array uses a separate power supply  $V_{\text{DDSRAM3}}$  to provide power to the DPTRAM array during a power-down phase.

In order to guarantee valid DPTRAM data during power-down, external low voltage inhibit circuitry (external to the MPC565) must be designed to force the RESET pin of the MPC565 into the active state before  $V_{\text{DD}}$  drops below its normal limit. This is necessary to inhibit spurious writes to the DPTRAM during power-down.

## 19.4.3 Reset Operation

When a synchronous reset occurs, a bus master is allowed to complete the current access. Thus a write bus cycle (byte, half word, or word) that is in progress when a synchronous reset occurs will be completed without error. Once a write already in progress has been completed, further writes to the DPTRAM array are inhibited.

If a reset is generated by an asynchronous reset such as the loss of clocks or software watchdog time-out, the contents of the DPTRAM array are not guaranteed. (Refer to [Chapter 7, “Reset”](#) for a description of MPC565 reset sources, operation, control, and status.)

Reset will also reconfigure some of the fields and bits in the DPTRAM control registers to their default reset state. See the description of the control registers to determine the effect of reset on these registers.

## 19.4.4 Stop Operation

Setting DPTMCR[STOP] causes the module to enter its lowest power-consuming state. The DPTMCR can still be written to allow the STOP control bit to be cleared.

In stop mode, the DPTRAM array cannot be read or written. All data in the array is retained. The BIU continues operating to allow the CPU to access the STOP bit in the DPTMCR. The system clock remains stopped until the STOP bit is cleared or the DPTRAM module is reset.

The STOP bit is initialized to logical zero during reset. Only the STOP bit in the DPTMCR can be accessed while the STOP bit is asserted. Accesses to other DPTRAM registers may result in unpredictable behavior.

The RAM switches to  $V_{\text{DDSRAM3}}$  when  $V_{\text{DD}}$  drops below the  $V_{\text{DDSRAM3}}$  voltage.

The DPTRAM AB and the DPTRAM C will not enter stop mode if one of the TPUs is in emulation mode using DPTRAM (i.e., TPUMCR[EMU] = 1)

## 19.4.5 Freeze Operation

The FREEZE line on the IMB3 has no effect on the DPTRAM module. When the freeze line is set, the DPTRAM module will operate in its current mode of operation. If the DPTRAM module is not disabled, (RAMDS = 0), it may be accessed via the IMB3. If the DPTRAM array is being used by the TPU3 in emulation mode, the DPTRAM will still be able to be accessed by the TPU3 microengine.

## 19.4.6 TPU3 Emulation Mode Operation

To emulate TPU3 time functions, store in the RAM array the microinstructions required for all time functions. Storing microinstructions must be done with the DPTRAM in its normal operating mode and accessible from the IMB3. After the time functions are stored in the array, place one or both of the TPU3 units in emulation mode. The RAM array is then controlled by the TPU3 units and disconnected from the IMB3.

To use the DPTRAM for microcode accesses, set the EMU bit in the corresponding TPU3 module configuration register. Through the auxiliary buses, the TPU3 units can access word instructions simultaneously at a rate of up to 56 MHz.

When the DPTRAM array is being used by one or two of the TPU3 units, all accesses via the IMB3 are disabled. The control registers have no effect on the RAM array.

The contents of the RAM are validated using a multiple input signature calculator (MISC). MISC reads of the RAM are performed only when the MPC565 is in emulation mode and the MISC is enabled (MISEN = 1 in the DPTMCR).

Refer to [Section 18.3.6, “Emulation Support”](#) for more information in TPU3 and DPTRAM operation in emulation mode.

## 19.5 Multiple Input Signature Calculator (MISC)

The integrity of the DPTRAM data is ensured through the use of a MISC. The DPTRAM data is read in reverse address order and a unique 32-bit signature is generated based on the output of these reads. MISC reads are performed when one of the TPU3 modules does not request back-to-back accesses to the DPTRAM provided that the MISEN bit in the DPTMCR is set.

The MISC generates the DPTRAM signature based on the following polynomial:

$$G(x) = 1 + x + x^2 + x^{22} + x^{31} \quad \text{Eqn. 19-1}$$

After the entire DPTRAM has been read and a signature has been calculated, the MISC sets the MISF bit in the DPTMCR. The host should poll this bit and enter a handling routine when the bit is found to be set.

The signature should then be read from the MISRH and MISRL registers and the host determines if it matches the predetermined signature.

The MISRH and MISRL registers are updated each time the MISC completes reading the entire DPTRAM regardless of whether or not the previous signature has been read or not. This ensures that the host reads the most recently generated signature.

The MISC can be disabled by clearing the MISEN bit in the DPTMCR.

### NOTE

The reset state of the DPTMCR[MISEN] is disabled.

## Chapter 20

# CDR3 Flash (UC3F) EEPROM

### 20.1 Introduction

The MPC565 U-bus CDR3 (UC3F) EEPROM module is designed for use in embedded microcontroller (MCU) applications targeted for high-speed read performance and high-density byte count requirements.

The MPC565 has 1 Mbyte of Flash divided between two UC3F modules. The UC3F array uses a single transistor Flash bit cell and is configured for a module of 512 Kbytes (524,288 bytes) of non-volatile memory (NVM). Each UC3F module is divided into eight 64-Kbyte (65,536-byte) array blocks. Two blocks of the UC3F module memory map may be subdivided into two smaller blocks: a 48-Kbyte (49,152-byte) block and a 16-Kbyte (16,384-byte) block, or a 16-Kbyte block and a 48-Kbyte block.

The primary function of the UC3F EEPROM module is to serve as electrically programmable and erasable NVM to store program instructions and/or data. It is a class of non-volatile solid state silicon memory device consisting of an array of isolated elements, an electrical means for selectively adding and removing charge to the elements, and a means of selectively sensing the stored charge in the elements. When power is removed from the device, the stored charge of the isolated elements will be retained.

The UC3F EEPROM module is arranged into two major sections as shown in [Figure 20-1](#). The first section is the UC3F array used to store system program and data. The second section is the memory interface (MI) that controls operation of the UC3F array. The MI also serves as the interface between the UC3F array and a bus interface unit (BIU) which connects the UC3F array to the U-bus.

#### NOTE

If the Flash arrays are disabled in the IMMR register (FLEN=0), then neither the UC3F array or the UC3F control registers are accessible.

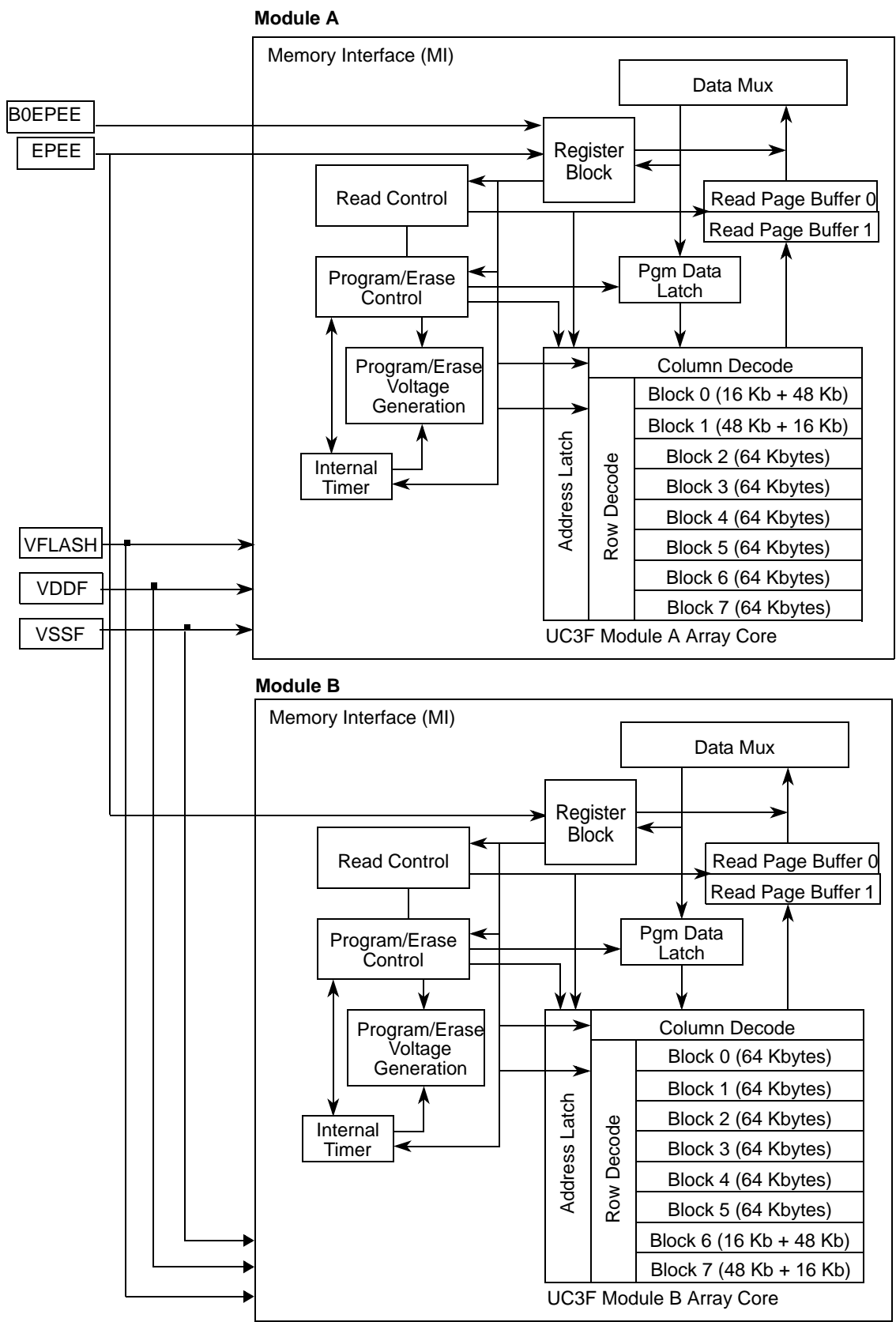


Figure 20-1. Block Diagram for a 1 Mbyte UC3F Module Configuration

The UC3F EEPROM module array is divided into array blocks to allow for independent erase, address attributes restrictions, and protection from program and erase for each array block. The size of a large array block in the UC3F module is fixed at 64 Kbytes. The size of a subdivided large block becomes the original large array block size minus 16 Kbytes (64 Kbytes – 16 Kbytes = 48 Kbytes). The size of the small block, which is the remainder of the large block, is always 16 Kbytes. The total UC3F EEPROM array is distributed into eight large blocks, two of which contain small blocks. Information is transferred to the UC3F EEPROM by long-word (64 bits), word (32 bits), half-word (16 bits), or byte (8 bits).

To improve system performance, each array read access retrieves 32 bytes of information. These 32 bytes may be copied into one of two read page buffers aligned to the low order addresses. The two read page buffers are independently updated by page management logic contained in the BIU which interfaces to the UC3F EEPROM module.

To prevent unnecessary page accesses from the array, the UC3F memory interface (MI) monitors the incoming address to determine if the required information is in one of the two read page buffers. This strategy allows the UC3F array to have an off page access and an on page access. In normal operation, write accesses to the UC3F array are not recognized except during program and erase operations.

The UC3F EEPROM uses an embedded hardware algorithm to program and erase the UC3F array. Special control logic is included to guard against accidental program or erase by requiring a specific series of read and write accesses to the UC3F control registers. External inputs provide a hardware protection mechanism to prevent accidental program and erase of UC3F array blocks. The hardware algorithm automatically performs all necessary applications of high voltage pulses and verify reads of the UC3F array to ensure that all bits are programmed and erased with sufficient margin to guarantee data integrity and reliability.

## 20.2 Features of the CDR3 Flash EEPROM (UC3F)

- High density single transistor Flash bit cell
- -40 to 125° C ambient temperature operating range
  - -40 to 85° C on the suffix C device
  - Read access supported from -40 to -55° C on the MPC566 suffix A extreme temperature device
- 2.5-V to 2.7-V  $V_{DDF}$  operating range and 4.75-V to 5.25-V  $V_{FLASH}$  operating range
- Shadow information stored in special Flash NVM shadow locations
- 512 Kbytes per module using 64-Kbyte blocks
  - Two 16-Kbyte small blocks per module (1 Mbyte total)
- Array block restriction control for small and large blocks
  - Erase by array blocks
  - Array protection for program and erase operations
  - Array block assignment of supervisor or supervisor/user space
  - Array block assignment of data or instruction/data space
- Internal 64-bit data path architecture
- Page mode read
  - Retains two independent read page buffers

- Read page size of 32 bytes (8 words).
- Word (32-bit) programming
- Embedded hardware program and erase algorithm
  - Uses internal oscillator to time program and erase pulses. Pulses are timed independently of system clock frequency
  - Automatically performs margin reads
- External Flash program or erase enable inputs for block 0 (module A only) or entire Flash array (B0EPEE and EPEE)
- Low power disable via an external signal or UC3F register bit
- Censor mode for Flash memory array access restriction with a user bypass for unrestricted array access

## 20.3 UC3F Interface

The UC3F module contains a memory interface (MI) and an array core. The MI controls access of the array core and register block in the UC3F module.

The interface signals to the UC3F module consist of address inputs, data inputs, data outputs, a simple set of control signals for read and write operations, a set of register selects, and a set of register outputs which are used by the BIU. Three required supply pins power the module:  $V_{DDF}$ ,  $V_{SSF}$ , and  $V_{FLASH}$ .

The UC3F module is a fully asynchronous module and does not require a clock input for operation. All required clocks are generated internally using an internal oscillator, external test clock input, or internal delay circuits.

### 20.3.1 External Interface

The UC3F EEPROM module uses external pins to provide power supplies. These pins are listed in [Table 20-1](#).

**Table 20-1. UC3F External Interface Signals**

| Mnemonic  | I/O Type   | Description           | Comments  |
|-----------|------------|-----------------------|---|
| $V_{DDF}$ | Power Pin  | UC3F power supply     | To reduce noise in the read path no other circuits should be connected to the UC3F $V_{DDF}$ supply pin. This $V_{DD}$ pin must be isolated from all other $V_{DD}$ pins inside the device. The specified voltage range during operation is $2.6\text{ V} \pm 0.1\text{ V}$ . |
| $V_{SSF}$ | Ground Pin | UC3F ground           | To reduce noise in the read path no other circuits should be connected to the UC3F $V_{SSF}$ supply. This $V_{SS}$ pin must be isolated from all other $V_{SS}$ pins inside the device.   |
| VFLASH    | Power Pin  | UC3F 5-V power supply | VFLASH provides a 5-V supply to the UC3F module which is used for read, program, and erase operations. VFLASH must be in the range of 4.75 V to 5.25 V ( $5\text{ V} \pm 5\%$ ) during operation.   |



**Table 20-1. UC3F External Interface Signals (continued)**

| Mnemonic | I/O Type                          | Description                | Comments   |
|----------|-----------------------------------|----------------------------|--|
| EPEE     | External Program/Erase            | EPEE pin status            | The EPEE bit monitors the state of the external program/erase enable (EPEE) input. The UC3F module samples the EPEE input when EHV is asserted and holds that sampled state until EHV is negated.  |
| B0EPEE   | Block 0<br>External Program/Erase | Block 0<br>EPEE pin status | <p>The B0EM bit monitors the state of Block 0 EPEE, B0EPEE, input. The UC3F module samples the B0EPEE input when EHV is asserted and holds that sampled value until EHV is negated.</p> <p>If B0EM = 1 when EHV is asserted, high voltage operations such as program or erase are enabled for either small block 0 or the lowest numbered block of the UC3F array regardless of the state of EPEE.</p> <p>If B0EM = 0 when EHV is asserted, high voltage operations are disabled for small block 0 or the lowest numbered block of the UC3F array regardless of the state of EPEE.</p> |

## 20.4 Programming Model

The UC3F EEPROM module consists of a control register block, an addressable shadow row implemented in Flash, and an addressable main Flash memory array. The control registers are used to configure, program, erase and exercise the UC3F shadow row and Flash array.

### 20.4.1 UC3F EEPROM Control Registers

These supervisor-level control registers are used to control UC3F EEPROM module operation. On reset, the registers are loaded with default reset information. Several bits of the UC3F control registers are special Flash NVM registers which retain their state when power is removed from the UC3F EEPROM. These special NVM registers are identified in the individual register field and control bit descriptions.

#### 20.4.1.1 Register Addressing

The UC3F module control registers, shown in [Table 20-2](#), are selected with individual register selects generated from the BIU. As such, each Flash module that is designed using the UC3F EEPROM module may uniquely define the addressing of the control register block.

**Table 20-2. UC3F Register Programming Model**

| Address   | Register                                   |
|-----------|--|
| 0x2F C800 | Module A Configuration (UC3FMCR A)         |
| 0x2F C804 | Extended Module Configuration (UC3FMCRE A) |
| 0x2F C808 | High Voltage Control (UC3FCTL A)           |
| 0x2F C80C | Reserved                                   |
| 0x2F C840 | Module B Configuration (UC3FMCR B)         |
| 0x2F C844 | Extended Module Configuration (UC3FMCRE B) |
| 0x2F C848 | High Voltage Control (UC3FCTL B)           |
| 0x2F C84C | Reserved                                   |

### 20.4.1.2 UC3F EEPROM Configuration Register (UC3FMCR)

The UC3F module configuration register is used to configure the operation and access restrictions of the UC3F array and shadow row.

|        |  | MSB                                    |             |          |            |            |               |                      |                      |             |          |          |          |          |          |          |          |                |  |  |  |  |  |  |  |  |  |  |  |  |  |  | LSB |          |          |          |          |          |          |          |          |          |          |          |          |          |          |          |    |
|--------|--|--|-------------|----------|------------|------------|---------------|----------------------|----------------------|-------------|----------|----------|----------|----------|----------|----------|----------|----------------|--|--|--|--|--|--|--|--|--|--|--|--|--|--|-----|----------|----------|----------|----------|----------|----------|----------|----------|----------|----------|----------|----------|----------|----------|----------|----|
|        |  | 0                                      | 1           | 2        | 3          | 4          | 5             | 6                    | 7                    | 8           | 9        | 10       | 11       | 12       | 13       | 14       | 15       |                |  |  |  |  |  |  |  |  |  |  |  |  |  |  |     | 16       | 17       | 18       | 19       | 20       | 21       | 22       | 23       | 24       | 25       | 26       | 27       | 28       | 29       | 30       | 31 |
| Field  |  | <b>STOP</b>                            | <b>LOCK</b> | —        | <b>FIC</b> | <b>SIE</b> | <b>ACCESS</b> | <b>CENSOR</b>        |                      | <b>SUPV</b> |          |          |          |          |          |          |          |                |  |  |  |  |  |  |  |  |  |  |  |  |  |  |     |          |          |          |          |          |          |          |          |          |          |          |          |          |          |          |    |
| HRESET |  | <b>0</b>                               | <b>1</b>    | <b>0</b> | <b>0</b>   | <b>0</b>   | <b>0</b>      | <b>1<sup>1</sup></b> | <b>1<sup>1</sup></b> | <b>1</b>    | <b>1</b> | <b>1</b> | <b>1</b> | <b>1</b> | <b>1</b> | <b>1</b> | <b>1</b> |                |  |  |  |  |  |  |  |  |  |  |  |  |  |  |     | <b>0</b> | <b>0</b> | <b>0</b> | <b>0</b> | <b>0</b> | <b>0</b> | <b>0</b> | <b>0</b> | <b>1</b> | <b>1</b> | <b>1</b> | <b>1</b> | <b>1</b> | <b>1</b> | <b>1</b> |    |
| Addr   |  | 0x2F C800 (UC3F A), 0x2F C840 (UC3F B) |             |          |            |            |               |                      |                      |             |          |          |          |          |          |          |          |                |  |  |  |  |  |  |  |  |  |  |  |  |  |  |     |          |          |          |          |          |          |          |          |          |          |          |          |          |          |          |    |
| Field  |  | <b>DATA</b>                            |             |          |            |            |               |                      |                      |             |          |          |          |          |          |          |          | <b>PROTECT</b> |  |  |  |  |  |  |  |  |  |  |  |  |  |  |     |          |          |          |          |          |          |          |          |          |          |          |          |          |          |          |    |
| HRESET |  | <b>0</b>                               |             |          |            |            |               |                      |                      |             |          |          |          |          |          |          |          | <b>1</b>       |  |  |  |  |  |  |  |  |  |  |  |  |  |  |     |          |          |          |          |          |          |          |          |          |          |          |          |          |          |          |    |

<sup>1</sup> Reset state determined by NVM registers. These bits will be set to 01 by the factory.

**Figure 20-2. UC3F EEPROM Configuration Register (UC3FMCR)**

**Table 20-3. UC3FMCR Bit Descriptions**

| Bits | Name                                  | Description   |
|------|---------------------------------------|---|
| 0    | STOP                                  | <p>Array stop control. Writes to the STOP bit have no effect while in program or erase operation (SES = 1). The STOP bit is always readable whenever the registers are enabled.</p> <p>When STOP = 1, the reset state of STOP is 1 and the UC3F array is disabled; internal circuits are switched into a low power state. The STOP bit may be used to implement low power standby modes or power management schemes. The UC3FMCR remains readable and writable when STOP = 1 so that the STOP bit may be deasserted. Attempts to program or erase the array while STOP = 1 have no effect. SES cannot be set to 1 when STOP = 1.</p> <p>When STOP = 0, the reset state of STOP is 0 and the UC3F array is enabled for accesses. All registers that were disabled with STOP = 1 are now enabled. A STOP recovery time of 1 <math>\mu</math>s is required for biases in the UC3F array to reach their appropriate states to resume normal operation. Operations to the UC3F array should be delayed for at least 1<math>\mu</math>s after clearing the STOP bit.</p> <p>0 = UC3F array is enabled<br/>1 = UC3F array is disabled (low-power mode)</p>   |
| 1    | $\overline{\text{LOCK}}$ <sup>1</sup> | <p>Lock control. The default reset state of <math>\overline{\text{LOCK}}</math> is 1. This enables writing of all fields in the Flash registers.</p> <p>Once the <math>\overline{\text{LOCK}}</math> bit has been asserted (<math>\overline{\text{LOCK}}</math> = 0) in normal operating mode, the write-lock can only be disabled again by a reset. When the device is in background debug mode and CSC = 0, the <math>\overline{\text{LOCK}}</math> bit may be written from a 0 to a 1.</p> <p>When the <math>\overline{\text{LOCK}}</math> control bit is cleared to 0, the write-locked register bits: FIC, SUPV, SBSUPV[0:1], DATA, SBDATA, PROTECT, SBPROTECT, and SBEN[0:1] are locked. Writes to these bits while <math>\overline{\text{LOCK}}</math> = 0 will have no effect.</p> <p><math>\overline{\text{LOCK}}</math> can be written to 0 once after reset when UC3FCTL[CSC] = 0 to allow protection of the write-locked register bits after initialization.</p> <p style="text-align: center;"><b>WARNING:</b></p> <p style="text-align: center;">If the lock protection mechanism is enabled (<math>\overline{\text{LOCK}}</math> = 0) before PROTECT and SBPROTECT are cleared, the device must use background debug mode to program or erase the UC3F EEPROM.</p> |
| 2    | —                                     | Reserved  |
| 3    | FIC                                   | <p>Force information censorship. The default reset state of FIC is normal censorship operation (FIC = 0). The FIC bit is write protected by the <math>\overline{\text{LOCK}}</math> bit and the UC3FCTL[CSC] bit. Writes will have no effect if <math>\overline{\text{LOCK}}</math> = 0 or CSC = 1. Once FIC is set (FIC = 1), it cannot be cleared except by a reset. The FIC bit can be read whenever the registers are enabled.</p> <p>The FIC bit is a censorship emulation mode used to aid in the development of custom techniques for controlling the ACCESS bit without setting CENSOR[0:1] to the information censorship state. Using FIC to force information censorship allows testing of the hardware and software for setting ACCESS without setting CENSOR[0:1] = 11 and risk permanently setting the device into an unusable information censorship state.</p> <p>0 = normal uc3f censorship operation<br/>1 = forces the uc3f into information censorship mode</p>  |
| 4    | SIE                                   | <p>Shadow information enable. The default reset state of SIE is 0. The SIE bit is write protected in program operation (SES = 1 and PE = 0). The SIE bit can be read whenever the registers are enabled.</p> <p>When SIE = 1, normal array accesses are disabled, and the two shadow information rows are enabled. Array accesses are directed to the shadow row while SIE = 1. When an array location is read in this mode, only the lower 6 address bits are used to select which 64 bytes of the 512-byte shadow row are read. The upper address bits are not used for shadow row decoding. The read page buffer address monitor is reset whenever SIE is modified making the next UC3F array access an off page access.</p> <p>0 = normal array access<br/>1 = disables normal array access and selects the shadow information rows</p>   |

**Table 20-3. UC3FMCR Bit Descriptions (continued)**

| Bits | Name   | Description  |
|------|--------|--|
| 5    | ACCESS | <p>Enable uncensored access. A censored access to the UC3F EEPROM is any access where the device is in the censored mode.</p> <p>The default reset state is ACCESS is a 0 so that FIC and CENSOR[0:1] control the state of censorship to the UC3F EEPROM array. All accesses to the UC3F EEPROM array is allowed if ACCESS = 1.</p> <p>ACCESS can be read whenever the registers are enabled. ACCESS provides a method to bypass the UC3F EEPROM module censorship.</p> <p>0 Censored - UC3F array access allowed only if the censorship state is no censorship<br/>           1 Allows all UC3F array access</p>  |
| 6:7  | CENSOR | <p>Censor accesses. The CENSOR[0:1] bits are implemented using non-volatile register bits or CAM cells. The reset state of CENSOR[0:1] is user defined by the contents stored in the NVM register bits.</p> <p>CENSOR is not writable but the NVM register's data can be set or cleared to the desired reset state. Reading CENSOR while setting or clearing with the high voltage applied (CSC = 1 and HVS = 1) will return 0's.</p> <p>00 cleared censorship, UC3F array access allowed only if device is in uncensored mode<br/>           01 no censorship, all UC3F array accesses allowed<br/>           10 no censorship, all UC3F array accesses allowed<br/>           11 information censorship, UC3F array access allowed only if device is in uncensored mode</p>  |
| 8:15 | SUPV   | <p>Supervisor space. The SUPV bits are used to assign supervisor space restrictions for each block of the UC3F array. The index for the SUPV bit field is used to determine block assignment. For example, SUPV[0] is used for the supervisor space assignment of array block 0, while SUPV[4] is used for array block 4 Supervisor space assignment.</p> <p>Array block M is mapped into supervisor address space when SUPV[M] = 1, and only supervisor accesses are allowed to array block M. If SUPV[M] = 0, then array block M is mapped into unrestricted address space which allows both supervisor and user accesses to array block M.</p> <p>The SUPV bits are not actually used in the UC3F EEPROM module but are used by the BIU to determine access restrictions to UC3F array on a blockwise basis. The block addresses are decoded in the BIU to determine which array block is selected, and the selected block's SUPV bit is compared with the address space attributes to determine validity of an array access.</p> <p>When the small block function is enabled, the enabled small block portion of an array block is not controlled by the SUPV bit corresponding to the array block containing that small block. This particular small block is controlled by the appropriate SBSUPV bit while the remainder of that array block is controlled by its SUPV bit.</p> <p>0 array block M is placed in unrestricted address space<br/>           1 array block M is placed in supervisor address space</p> |

**Table 20-3. UC3FMCR Bit Descriptions (continued)**

| Bits  | Name    | Description   |
|-------|---------|---|
| 16:23 | DATA    | <p>Data space. The DATA bits are write protected by <math>\overline{LOCK}</math> and CSC. Writes to DATA have no effect if <math>\overline{LOCK} = 0</math> or <math>CSC = 1</math>. The DATA bits may be read whenever the registers are enabled. Each array block of the UC3F EEPROM may be mapped into data or data and instruction address space. When array block M is mapped into data address space (<math>DATA[M] = 1</math>), only data accesses will be allowed. When array block M is mapped into both Data and Instruction address space (<math>DATA[M] = 0</math>), both data and instruction accesses will be allowed.</p> <p>The DATA bits are not actually used in the UC3F EEPROM module but are used by the BIU to determine access restrictions to UC3F array on a blockwise basis. The block addresses are decoded in the BIU to determine which array block is selected, and the selected block's DATA bit is compared with the address space attributes to determine validity of an array access.</p> <p>When the small block function is enabled, the enabled small block portion of an array block is not controlled by the DATA bit corresponding to the array block containing that small block. This particular small block is controlled by the appropriate SBDATA bit while the remainder of that array block is controlled by its DATA bit.</p> <p>0 array block M is placed in both data and instruction address spaces<br/>           1 array block M is placed in data address space</p> |
| 24:31 | PROTECT | <p>Block protect. Each array block of the UC3F EEPROM can be individually protected from program or erase operation. The contents of array block M are protected from program or erase by setting <math>PROTECT[M] = 1</math>. The UC3F will perform all program and erase interlocks and complete the program or erase sequence, but the program and erase voltages are not applied to locations within the protected array block(s), blocks whose corresponding PROTECT bit is set to 1. By setting <math>PROTECT[M] = 0</math>, array block M is enabled for program and erase operation, and its contents may be altered by programming or erasing.</p> <p>When the small block function is enabled, the enabled small block portion of an array block is not controlled by the PROTECT bit corresponding to the array block containing that small block. This particular small block is controlled by the appropriate SBPROTECT bit while the remainder of that array block is controlled by its PROTECT bit.</p> <p>0 array block M is unprotected<br/>           1 array block M is protected</p>  |

<sup>1</sup> Note that the LOCK bit is in a different bit location on the MPC565 than in the MPC555. It was at bit 0 of CMFMCR.

### 20.4.1.3 UC3F EEPROM Extended Configuration Register (UC3FMCRE)

The UC3FMCRE is an extended module configuration register used for configuring the small block functions. In addition, 16 bits of the UC3FMCRE are used to provide a source for module identification.

|        |  |    |        |     |        |                |                |                      |    |    |         |    |    |    |    |    |  |
|--------|--|----|--------|-----|--------|----------------|----------------|----------------------|----|----|---------|----|----|----|----|----|--|
|        | MSB                                    |    |        |     |        |                |                |                      |    |    |         |    |    |    |    |    |  |
|        | 0                                      | 1  | 2      | 3   | 4      | 5              | 6              | 7                    | 8  | 9  | 10      | 11 | 12 | 13 | 14 | 15 |  |
| Field  | SBEN                                   |    | SBSUPV |     | SBDATA |                | SBPROTECT      |                      | —  |    | BIU     |    |    |    |    |    |  |
| HRESET | 0                                      | 0  | 1      | 1   | 0      | 0              | 1              | 1                    | 1  | 1  | 00_0000 |    |    |    |    |    |  |
| Addr   | 0x2F C804 (UC3F A), 0x2F C844 (UC3F B) |    |        |     |        |                |                |                      |    |    |         |    |    |    |    |    |  |
|        | LSB                                    |    |        |     |        |                |                |                      |    |    |         |    |    |    |    |    |  |
|        | 16                                     | 17 | 18     | 19  | 20     | 21             | 22             | 23                   | 24 | 25 | 26      | 27 | 28 | 29 | 30 | 31 |  |
| Field  | MEMSIZ                                 |    |        | BLK | MAP    | SBLKL          |                | FLASHID <sup>1</sup> |    |    |         |    |    |    |    |    |  |
| HRESET | 1                                      | 0  | 1      | 1   | 0      | X <sup>2</sup> | X <sup>2</sup> | 0_0000_0000          |    |    |         |    |    |    |    |    |  |

1 The value of FLASHID could change to show a revision of the UC3F module.

2 SBLKL = 0b10 for Module A and 0b01 for Module B

**Figure 20-3. UC3FMCRE— UC3F EEPROM Extended Configuration Register**

**Table 20-4. UC3FMCRE Bit Descriptions**

| Bits | Name   | Description   |
|------|--------|---|
| 0:1  | SBEN   | <p>Small block enable. When SBEN[M]=0, the corresponding small block M behaves logically as if the small block is still part of the larger host block. In addition, the small block protect bit (SBPROTECT[M]), the small block supervisor bit (SBSUPV[M]), the small block data bit (SBDATA[M]), and the small block BLOCK bit (SBBLOCK[M]) corresponding to small block M have no effect. The corresponding small block is controlled by the same protect, supervisor, data, and block bits that control its host block.</p> <p>When SBEN[M] = 1, the corresponding small block M can be programmed and erased independently of its host block. The corresponding small block protect bit, the small block supervisor bit, the small block data bit, and the small block bit are enabled by SBEN.</p> <p>For example: when SBEN[0] = 0, Small Block 0 (16 Kbytes) and the residual block (16 Kbytes or 48 Kbytes) contained in the host block of Small Block 0 are programmed and erased as if the two blocks are one large array block ( 64 Kbytes). When SBEN[0] = 1, small block 0 and the residual block contained in the host block of small block 0 behave as two separate blocks, i.e. small block 0 and the residual block in small block 0's host block can be programmed and erased independently of each other.</p> <p>0 small block M behaves as part of the host block<br/>1 small block M functions independent of host block</p> |
| 2:3  | SBSUPV | <p>Small block supervisor space. Each small array block of the UC3F EEPROM may be mapped into supervisor or unrestricted address space. When small array block M is mapped into supervisor address space, SBSUPV[M] = 1, only supervisor accesses are allowed. When small block M is mapped to unrestricted address space, SBSUPV[M] = 0, both supervisor and user accesses are allowed.</p> <p>If SBEN[M] = 0, the corresponding small block M is logically part of the host block and SBSUPV[M] has no effect. Instead, the corresponding SUPV[M] bit will be used to determine if the small block is mapped to Supervisor or Unrestricted address space.</p> <p>Like the SUPV[0:7] bits, the SBSUPV bits are not actually used in the UC3F EEPROM module but are used by the BIU to determine access restrictions to the UC3F array. Block addresses are decoded in the BIU to determine which small array block is selected, and the selected small block's SBSUPV bit is compared with the address space attributes to determine validity of an array access.</p> <p>0 small block M is placed in unrestricted address space<br/>1 small block M is placed in supervisor address space</p>   |

**Table 20-4. UC3FMCRE Bit Descriptions (continued)**

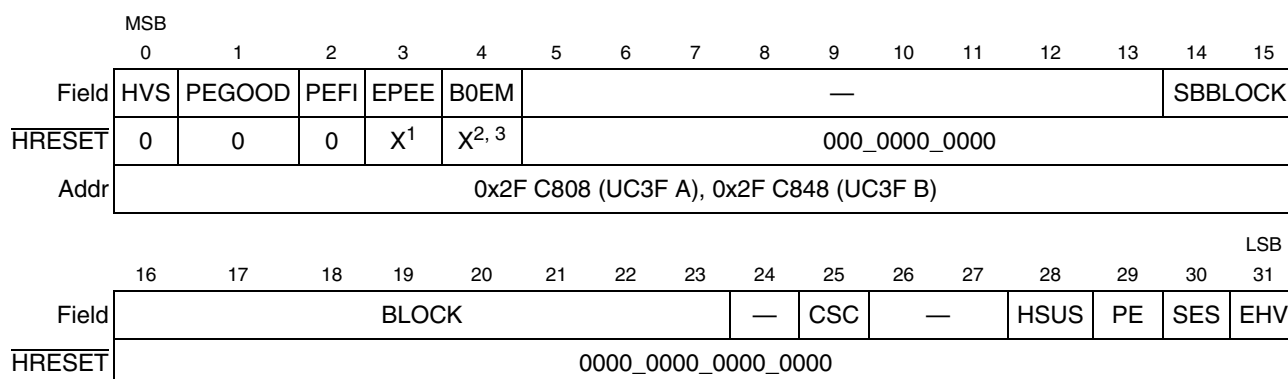
| Bits  | Name      | Description  |
|-------|-----------|--|
| 4:5   | SBDATA    | <p>Small block data space. Each small array block of the UC3F EEPROM may be mapped into data or both data and instruction address space. When a small array block is mapped into data address space, SBDATA[M] = 1, only data accesses will be allowed. When a small array block is mapped into both data and instruction address space, SBDATA[M] = 0, both data and instruction accesses will be allowed.</p> <p>If SBEN[M] = 0, the corresponding small block M is logically part of the host block and SBDATA[M] has no effect. Instead, the corresponding DATA[M] bit will be used to determine if the small block is mapped to Data or to both Data and Instruction address space.</p> <p>Like the DATA bits, the SBDATA bits are not actually used in the UC3F EEPROM module but are used by the BIU to determine access restrictions to the UC3F array. Block addresses are decoded in the BIU to determine which small array block is selected, and the selected small block's SBDATA bit is compared with the address space attributes to determine validity of an array access.</p> <p>0 small block M is placed in both Data and Instruction address spaces<br/>           1 small block M is placed in Data address space</p> |
| 6:7   | SBPROTECT | <p>Small block protect. Each small block of the UC3F EEPROM can be individually protected from program or erase operation. The UC3F will perform all program and erase interlocks and even complete the program or erase sequence, but the program and erase voltages are not applied to locations within the protected small block(s).</p> <p>0 small block M is unprotected<br/>           1 small block M is protected</p>  |
| 8:9   | —         | Reserved   |
| 10:15 | BIU       | BIU configuration bits. These register bits are reserved for BIU functionality and are strictly outputs from the UC3F EEPROM.  |
| 16:18 | MEMSIZ    | <p>Memory size. The MEMSIZ field is used to indicate the UC3F array size. The MEMSIZ bits are read only and writes have no effect.</p> <p>000 UC3F array is 64 Kbytes<br/>           001 UC3F array is 128 Kbytes<br/>           010 UC3F array is 192 Kbytes<br/>           011 UC3F array is 256 Kbytes<br/>           100 unused<br/>           101 UC3F array is 512 Kbytes<br/>           110 unused<br/>           111 unused</p> <p>Both Flash modules on the MPC565 are 512 Kbytes.</p>  |
| 19    | BLK       | <p>Block size. The BLK bit is used to indicate the array block size used in the UC3F array. The BLK bit is read only and writes have no effect.</p> <p>0 array block size is 32 Kbytes<br/>           1 block size is 64 Kbytes NOTE: All blocks are 64 Kbytes (i.e. BLK is always set)</p>  |
| 20    | MAP       | <p>Array address mapping. The MAP bit is used to indicate the UC3F array address mapping within a <math>2^N</math> address space. The MAP bit is read only and writes have no effect. The MAP bit is more useful when the UC3F array is a non-<math>2^N</math> size.</p> <p>When MAP = 0, the UC3F array is mapped to the bottom (starting at address 0) of the <math>2^N</math> space in which the array resides. For modules with <math>2^N</math> array sizes, the MAP bit is always set to 0.</p> <p>When MAP = 1, the UC3F array is mapped to the top (ending at address all \$F's) of the <math>2^N</math> space in which the array resides.</p> <p>0 UC3F array is mapped to bottom of <math>2^N</math> address space<br/>           1 UC3F array is mapped to top of <math>2^N</math> address space</p>  |

**Table 20-4. UC3FMCRE Bit Descriptions (continued)**

| Bits  | Name    | Description  |
|-------|---------|--|
| 21:22 | SBLKL   | Small block location code. There are three possible locations for the small blocks: 1) a small block may be placed in the lowest numbered host block and the highest numbered host blocks, 2) a small block may be placed in the lowest numbered host block and the second lowest numbered host block, and 3) a small block may be placed in the second highest numbered host block and the highest numbered host block.<br>00 unused<br>01 small blocks are part of the two highest numbered blocks of the UC3F array<br>10 small blocks are part of the two lowest numbered blocks of the UC3F array<br>11 small blocks are part of the lowest and highest numbered blocks of the UC3F array |
| 23:31 | FLASHID | Flash module identification code. The FLASHID value is assigned by Freescale and used internally for tracking purposes. The FLASHID field is read only and writes have no effect.  |

### 20.4.1.4 UC3F EEPROM High Voltage Control Register (UC3FCTL)

The UC3F EEPROM high voltage control register is used to control the program and erase operations of the UC3F EEPROM module.



- 1 Value is set by the current status of the EPEE pin.
- 2 Value is set by the current status of the B0EPEE pin.
- 3 BOEM will always read 1 on module B.

**Figure 20-4. UC3F EEPROM High Voltage Control Register (UC3FCTL)**

**Table 20-5. UC3FCTL Bit Descriptions**

| Bits | Name | Description  |
|------|------|--|
| 0    | HVS  | High voltage status. The HVS bit is for status only, and writes to HVS have no effect. During a program or erase operation, HVS is set (HVS = 1) to indicate when high voltage operations are in progress. The HVS bit will negate itself when the program or erase operation completes successfully, EHV negates during program or erase to terminate the program/erase operation, HSUS is asserted to suspend the program/erase operation, resetting the module, or the internal hardware program/erase controller times out.<br>0 no program or erase of the UC3F array or shadow information or SENSOR bits in progress<br>1 program or erase of the UC3F array or shadow information or SENSOR bits in progress |



**Table 20-5. UC3FCTL Bit Descriptions (continued)**

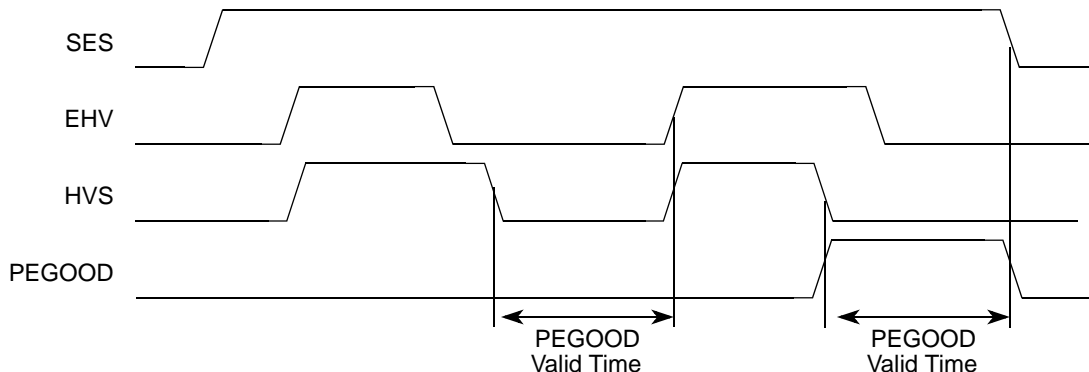
| Bits  | Name    | Description  |
|-------|---------|--|
| 1     | PEGOOD  | <p>Program/erase operation result. The PEGOOD bit is for status only. At the completion of a program or erase operation using the embedded hardware algorithm, the hardware algorithm will change the state of the PEGOOD bit to reflect whether or not the program or erase operation was successful.</p> <p>Note: PEGOOD will be set under the following conditions:</p> <ul style="list-style-type: none"> <li>• No failure occurred</li> <li>• No program or erase operation was requested (i.e., the Flash was protected)</li> </ul> <p>The PEGOOD bit is only valid after the hardware program/erase algorithm has cleared HVS. PEGOOD is reset when either EHV is asserted or SES is cleared. See <a href="#">Figure 20-5</a> for a timing diagram of when PEGOOD is valid.</p> <p>0 program or erase operation failed<br/>1 program or erase operation was successful</p>  |
| 2     | PEFI    | <p>Program/erase fail indicator. The PEFI bit is a status qualifier for the PEGOOD bit and is valid for the same times that PEGOOD is valid. In the event of an erase failure which returns PEGOOD = 0, the PEFI bit provides diagnostic information for the cause of the erase failure. If PEFI = 0, the erase failure occurred during the preprogramming step of the erase operation. If PEFI = 1, the erase failure occurred during the actual erase or APDE steps of the erase operation.</p> <p>In the event of a program failure which returns PEGOOD = 0, the PEFI bit indicates a program failure by reading as a 0. The PEFI bit should never return a 1 for a program failure.</p> <p>NOTE: The PEFI bit is meaningful only while PEGOOD is valid and PEGOOD = 0. PEFI is valid after HVS negates and prior to the assertion of EHV or negation of SES.</p> <p>0 Program operation failed if PEGOOD = 0<br/>1 Erase operation failed if PEGOOD = 0</p> |
| 3     | EPEE    | <p>EPEE pin status. The EPEE bit monitors the state of the external program/erase enable (EPEE) input. The UC3F module samples the EPEE input when EHV is asserted and holds that sampled state until EHV is negated.</p> <p>0 high voltage operations are not possible<br/>1 high voltage operations are possible</p>   |
| 4     | B0EM    | <p>Block 0 EPEE pin status. The B0EM bit monitors the state of the Block 0 EPEE, B0EPEE, input. The UC3F module samples the B0EPEE input when EHV is asserted and holds that sampled value until EHV is negated.</p> <p>If B0EM = 1 when EHV is asserted, high voltage operations such as program or erase are enabled for either small block 0 or the lowest numbered block of the UC3F array regardless of the state of EPEE.</p> <p>If B0EM = 0 when EHV is asserted, high voltage operations are disabled for small block 0 or the lowest numbered block of the UC3F array regardless of the state of EPEE.</p> <p>0 High voltage operations are not possible for block 0 or lowest numbered block<br/>1 High voltage operations are possible for block 0 or lowest numbered block.</p> <p>NOTE: This bit is always enabled on UC3F Module B.</p>  |
| 5:13  | —       | Reserved   |
| 14:15 | SBBLOCK | <p>Small block program and erase select. The SBBLOCK bits are write-protected by the SES bit. SBBLOCK selects the UC3F EEPROM small array blocks for program and erase operation. When programming, only those blocks intended to be enabled for programming should have their corresponding BLOCK[M] or SBBLOCK[M] bit set.</p> <p>0 Small block M is not selected for program or erase<br/>1 Small Block M is selected for program or erase</p>  |

**Table 20-5. UC3FCTL Bit Descriptions (continued)**

| Bits  | Name  | Description   |
|-------|-------|---|
| 16:23 | BLOCK | <p>Block program and erase select. The BLOCK bits are write protected by the SES bit. BLOCK selects the UC3F EEPROM array blocks for program and erase operation. All the blocks may be selected for program or erase operation at once.</p> <p>The UC3F EEPROM configuration along with BLOCK determine which array blocks that may be programmed. The UC3F EEPROM array blocks that are enabled to be programmed by the program operation are the blocks whose corresponding BLOCK bit is set to 1. For example, if array blocks 2 and 5 are enabled for programming, BLOCK[2] and BLOCK[5] must be set to 1 while BLOCK[0], BLOCK[1], BLOCK[3], BLOCK[4], BLOCK[6], and BLOCK[7] are set to 0.</p> <p>The UC3F EEPROM configuration along with BLOCK determine the blocks that will be erased simultaneously. All array blocks whose corresponding BLOCK bits are set will be erased during the erase operation. For example, if BLOCK = 00100111, then array blocks 2, 5, 6, and 7 get erased when an erase operation is performed.</p> <p>0 Array block M is not selected for program or erase<br/>           1 Array block M is selected for program or erase</p> |
| 24    | —     | Reserved  |
| 25    | CSC   | <p>Censor set or clear. The CSC bit is write protected by the SES bit. CSC configures the UC3F EEPROM for setting or clearing CENSOR. If CSC = 1 then CENSOR is configured for setting if PE = 0 or clearing if PE = 1.</p> <p>When the CSC bit is set, the following bits in the UC3FMCR register are write-locked: <math>\overline{LOCK}</math>, FIC, ACCESS, SUPV, DATA, and PROTECT.</p> <p>0 Configure for normal operation<br/>           1 Configure to set or clear the CENSOR bits</p>   |
| 26:27 | —     | Reserved  |
| 28    | HSUS  | <p>Program/erase suspend. Setting the HSUS bit during an embedded hardware algorithm program or erase operation will force the UC3F EEPROM to suspend the current program or erase. The UC3F EEPROM will maintain all information necessary to resume the suspended operation.</p> <p>Array reads are possible while HSUS = 1. However, array reads must be done to locations that are not being affected by the program/erase operation that is currently being suspended. The UC3F EEPROM will NOT prevent read accesses to those locations. Reads to those locations will result in UNKNOWN data. Writes to the HSUS bit only have effect while EHV = 1. The HSUS bit is write locked by EHV = 0.</p> <p>0 Hardware program/erase behaves normally<br/>           1 Any current hardware program/erase is suspended</p>  |
| 29    | PE    | <p>Program or erase select. The PE bit is write protected by the SES bit. PE configures the UC3F EEPROM for programming or erasing. When PE = 0, the array is configured for programming and if SES = 1 the SIE bit will be write locked. When PE = 1, the array is configured for erasing and SES will not write lock the SIE bit.</p> <p>0 Configure for program operation<br/>           1 Configure for erase operation</p>   |

**Table 20-5. UC3FCTL Bit Descriptions (continued)**

| Bits | Name | Description  |
|------|------|--|
| 30   | SES  | <p>Start-end program or erase sequence. The SES bit is write protected by the STOP, HVS, and EHV bits. The SES bit is used to signal the start and end of a program or erase sequence. At the start of a program or erase sequence, SES is set. This will lock STOP, PROTECT, SBPROTECT, BLOCK, SBBLOCK, SBEN, CSC, and PE. If PE = 0 and SES = 1, SIE will be write locked. At this point, the UC3F EEPROM is ready to receive either the programming writes or the erase interlock write.</p> <p>NOTE: The erase interlock write is a write to any UC3F EEPROM array location after SES is set and PE = 1.</p> <p>If PE = 0 and SES = 1, writes to the UC3F array are programming writes. The first programming write sets the address of the location to be programmed, and the data written is captured into the program data latch for programming into the UC3F array. All programming writes after the first programming write update the program data latch but do not change the address to be programmed.</p> <p>At the end of the program or erase operation, the SES bit must be cleared to return to normal operation and release the STOP, PROTECT, SBPROTECT, BLOCK, SBBLOCK, CSC, SBEN, and PE bits.</p> <p>0 UC3F EEPROM not configured for program or erase operation<br/>1 Configure UC3F EEPROM for program or erase operation</p> |
| 31   | EHV  | <p>Enable high voltage. EHV can be asserted only after the SES bit has been asserted and a valid programming write(s) or erase hardware interlock write has occurred. If an attempt is made to assert EHV when SES is negated, or if a valid programming write or erase hardware interlock write has not occurred since SES was asserted, EHV will remain negated.</p> <p>The external program or erase enable pin (EPEE) and EHV are used to control the application of the program or erase voltage to the UC3F EEPROM module. High voltage operations to the UC3F EEPROM array, special shadow locations or FLASH NVM registers can occur only if EHV = 1 and EPEE = 1.</p> <p>Only after the correct hardware and software interlocks have been applied to the UC3F EEPROM can EHV be set. Once EHV is set, SES cannot be changed and attempts to read the array will not be acknowledged.</p> <p>Clearing EHV during a program or erase operation will safely terminate the high voltage operation. If EHV is cleared while using the embedded hardware program/erase algorithm, the program/erase routine will abort the operation and exit normally.</p> <p>0 Program or erase pulse disabled<br/>1 Program or erase pulse enabled</p>  |



**Figure 20-5. PEGOOD Valid Time**

## 20.4.2 UC3F EEPROM Array Addressing

The UC3F array is divided into eight blocks, 64 Kbytes in size, which may be independently erased. Two blocks are host to a 16-Kbyte small block.

Seventeen bits of address are used to decode locations in the UC3F array. The read control logic in the UC3F EEPROM module decodes the upper 14 bits of that address to determine if the desired data is currently stored in one of the two read page buffers. If the data is already present in one of the two read page buffers, a read operation is not completed to the UC3F array core, and 64 bits of data are transferred from the appropriate read page buffer to the BIU. This type of array read access is an on-page read.

In the event that the read control logic determines that the desired data is not contained within one of the read page buffers, a read access to the UC3F array core is completed and 32 bytes of data are transferred from the array core. Only the addressed 64 bits of data will be transferred to the BIU. This type of array read access is an off-page read. The BIU contains logic to implement the read page buffer update and replacement scheme to transfer the 32 bytes of data into the appropriate read page buffer. If the read page update and replacement scheme contains a random access mode that does not update the read page buffers, the 32 bytes of data retrieved from the UC3F array core will not be transferred into either read page buffer. The BIU is expected to contain page update logic for controlling the updating of the read page buffers.

Write accesses to the UC3F array have no effect except during program and erase operation.

## 20.4.3 UC3F EEPROM Shadow Row

The UC3F EEPROM module contains a special shadow row that is used to hold reset configuration data and user data. See [Figure 20-6](#).

The shadow row is accessed by setting UC3FMCR[SIE] = 1 and performing normal array accesses. Upon transitioning SIE (a 1-to-0 or 0-to-1 transition), the read page match decode circuit is reset so that the next array access is an off-page access.

The shadow row contains 512 bytes which are addressed for read accesses using the low order row and read page addresses.

The shadow row is implemented in the lowest numbered block of the array. In the case of a UC3F array configuration which also has a small block in the lowest numbered block of the array, the shadow row is contained in the small block. If SBEN[0] = 1 in this array configuration, the shadow row is treated as part of small block 0. SBPROTECT[0] and SBBLOCK[0] are used to control program and erase operation of the shadow row. If SBEN[0] = 0 in this array configuration, the shadow row is treated as part of the host block. The corresponding PROTECT and BLOCK bits are used to control program and erase operation of the shadow row.

### NOTE

A module cannot read its own shadow row. On the MPC565, a program running from module UC3F A can read the shadow row of the UC3F B module, or vice versa. But module A, for example, cannot read its own shadow row, nor can module B read its own shadow row.

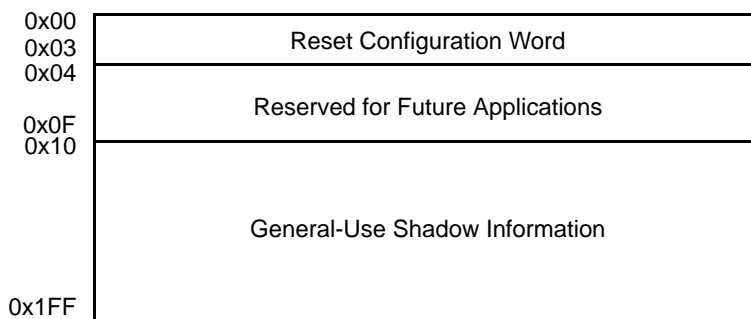


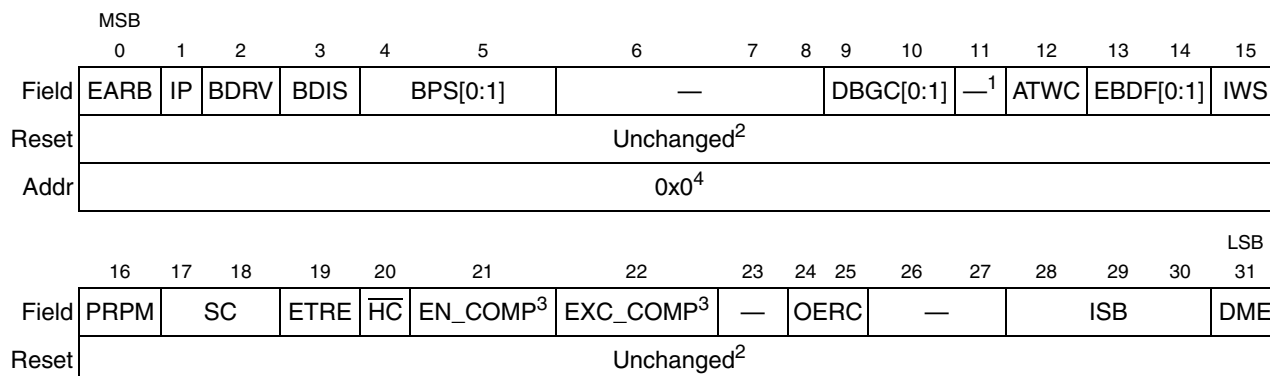
Figure 20-6. Shadow Information

### 20.4.3.1 Reset Configuration Word (UC3FCFIG)

The UC3F EEPROM reset configuration word is implemented in the first word (ADDR[23:29] = 0x00) of the special shadow locations. The reset configuration word along with the rest of the shadow information words is located in supervisor data address space. The purpose of the reset configuration word is to provide the system with an alternative internal source for the reset configuration.

Note that with the exception of bit 20, the bits in the UC3FCFIG are identical to those in the USIU hard reset configuration word.

The reset state of UC3FCFIG is user programmable.



<sup>1</sup> Reserved on all mask sets from K16Y and later. This bit was DBPC on mask set 1K85H.

<sup>2</sup> Programmed by the user.

<sup>3</sup> Available only on the MPC566

<sup>4</sup> When UC3FMCR[SIE] = 1, UC3FCFIG is the first word of the shadow row.

Figure 20-7. Hard Reset Configuration Word (UC3FCFIG)

**Table 20-6. RCW Bit Descriptions**

| Bits  | Name      | Description   |
|-------|-----------|---|
| 0     | EARB      | External arbitration — Refer to <a href="#">Section 9.5.7, “Arbitration Phase”</a> for a detailed description of Bus arbitration. The default value is that internal arbitration hardware is used.<br>0 Internal arbitration is performed<br>1 External arbitration is assumed  |
| 1     | IP        | Initial interrupt prefix — This bit defines the initial value of the MSR[IP] immediately after reset. The MSR[IP] bit defines the Interrupt Table location.<br>0 MSR[IP] = 0 after reset<br>1 MSR[IP] = 1 after reset<br>The default value is 0. See <a href="#">Table 3-11</a> for more information.   |
| 2     | BDRV      | Bus pins drive strength — This bit determines the bus pins’ (address, data, and control) driving capability to be either full or reduced drive. The bus default drive strength is full; upon default, it also causes the CLKOUT drive strength to be full. See <a href="#">Table 6-7</a> for more information. BDRV controls the default state of COM[1] in the SIUMCR.<br>0 Full drive<br>1 Reduced drive  |
| 3     | BDIS      | Boot disable — If the BDIS bit is set, then memory controller is not activated after reset. If it is cleared then the memory controller bank 0 is active immediately after reset such that it matches any addresses. If a write to the OR0 register occurs after reset this bit definition is ignored. The default value is that the memory controller is enabled to control the boot with the $\overline{CS0}$ pin. See <a href="#">Section 10.7, “Global (Boot) Chip-Select Operation”</a> for more information.<br>0 Memory controller bank 0 is active and matches all addresses immediately after reset<br>1 Memory controller is not activated after reset. |
| 4:5   | BPS       | Boot port size — This field defines the port size of the boot device on reset (BR0[PS]). If a write to the OR0 register occurs after reset this field definition is ignored. See <a href="#">Table 10-4</a> and <a href="#">Table 10-8</a> for more information.<br>00 32-bit port (default)<br>01 8-bit port<br>10 16-bit port<br>11 Reserved  |
| 6:8   | —         | Reserved. These bits must not be high in the reset configuration word.  |
| 9:10  | DBGC[0:1] | Debug pins configuration — See <a href="#">Section 6.2.2.1.1, “SIU Module Configuration Register (SIUMCR)”</a> for this field definition. The default value is that these pins function as: VFLS[0:1], $\overline{BI}$ , $\overline{BR}$ , $\overline{BG}$ and $\overline{BB}$ . See <a href="#">Table 6-8</a> .  |
| 11    | —         | Reserved. <sup>1</sup>  |
| 12    | ATWC      | Address type write enable configuration — The default value is that these pins function as $\overline{WE}$ pins.<br>0 $\overline{WE}[0:3]/\overline{BE}[0:3]/AT[0:3]$ functions as $\overline{WE}[0:3]/\overline{BE}[0:3]$<br>1 $\overline{WE}[0:3]/\overline{BE}[0:3]/AT[0:3]$ functions as AT[0:3]<br>See <a href="#">Table 6-7</a> .   |
| 13:14 | EBDF      | External bus division factor — This field defines the initial value of the external bus frequency. The default value is that CLKOUT frequency is equal to that of the internal clock (no division). See <a href="#">Table 8-9</a> .   |

**Table 20-6. RCW Bit Descriptions (continued)**

| Bits  | Name                  | Description   |
|-------|-----------------------|---|
| 15    | IWS                   | Interlock write select — This bit determines which interlock write operation should be used during the clear censorship operation.<br>IWS always comes from the UC3FCFIG, it will never use the external reset configuration word (RSTCONF=0) or the default internal reset configuration word (RSTCONF=1 and HC=1). IWS should be programmed to the same value in UC3F_A and UC3F_B.<br>0 Interlock write is a write to any UC3F array location<br>1 Interlock write is a write to the UC3FMCR register. |
| 16    | PRPM                  | Peripheral mode enable — This bit determines if the chip is in peripheral mode. A detailed description is in <a href="#">Table 6-13</a> . The default value is no peripheral mode enabled.  |
| 17:18 | SC                    | Single chip select — This field defines the mode of the MPC565.<br>00 Extended chip, 32 bits data<br>01 Extended chip, 16 bits data<br>10 Single chip and show cycles (address)<br>11 Single chip<br>See <a href="#">Table 6-10</a> .   |
| 19    | ETRE                  | Exception table relocation enable — This field defines whether the Exception Table Relocation feature in the BBC is enabled or disabled. The default state for this field is disabled. For more details, see <a href="#">Table 4-4</a> .  |
| 20    | HC                    | Has configuration – This bit determines if the Flash Reset Configuration word is valid.<br>0 The Flash shadow row contains a valid Reset Configuration Word<br>1 The Flash shadow row does not contain a valid Reset Configuration Word   |
| 21    | EN_COMP <sup>2</sup>  | Enable compression — This bit enables or disables decompression-on mode of the MPC566. See <a href="#">Table 4-4</a> .<br>0 Decompression-on mode is disabled.<br>1 Decompression-on mode is enabled.   |
| 22    | EXC_COMP <sup>2</sup> | Exception compression — This bit determines the operation of the MPC566 with exceptions. See <a href="#">Table 4-4</a> .<br>0 The device assumes that exception routines are noncompressed.<br>1 The device assumes that all exception routines are compressed.   |
| 23    | —                     | Reserved. This bit must be programmed low in the reset configuration word.  |
| 24:25 | OERC                  | Other exceptions relocation control — These bits effect only if ETRE was enabled.<br>Relocation offset:<br>00 Offset 0<br>01 Offset 64 Kbytes<br>10 Offset 512 Kbytes<br>11 Offset to 0x003F E000<br>See <a href="#">Table 4-2</a> .  |
| 26:27 | —                     | Reserved  |
| 28:30 | ISB                   | Internal space base select — This field defines the initial value of the ISB field in the IMMR register. A detailed description is in <a href="#">Table 6-12</a> . The default state is that the internal memory map is mapped to start at address 0x0000_0000. This bit must not be high in the reset configuration word.  |
| 31    | DME                   | Dual mapping enable — This bit determines whether Dual mapping of the internal Flash is enabled. For a detailed description refer to <a href="#">Table 10-11</a> . The default state is that dual mapping is disabled.<br>0 Dual mapping disabled<br>1 Dual mapping enabled   |

- <sup>1</sup> Reserved on all mask sets K16Y and later. This bit was DBPC on mask set 1K85H. DBPC definition was 0=DSCK, DSDI, DSDO selected; 1 = TCK, TDI, TDO selected.
- <sup>2</sup> This bit is available only on the MPC566.

During reset, the has configuration bit ( $\overline{HC}$ ) and the USIU configure the UC3F EEPROM module to provide UC3FCFIG. If  $\overline{HC} = 0$  and the USIU requests internal configuration during reset the reset configuration word will be provided by UC3FCFIG.

The default reset state of the UC3FCFIG after an erase operation of the UC3F module is no configuration word available ( $\overline{HC} = 1$ ).

**NOTE**

The reset configuration word can be stored in either UC3F A or UC3F B. UCF3 A will be read first.

**20.4.4 UC3F EEPROM 512-Kbyte Array Configuration**

Figure 20-8, the array configuration diagram, shows the UC3F configuration for the MPC565 512-Kbyte arrays.

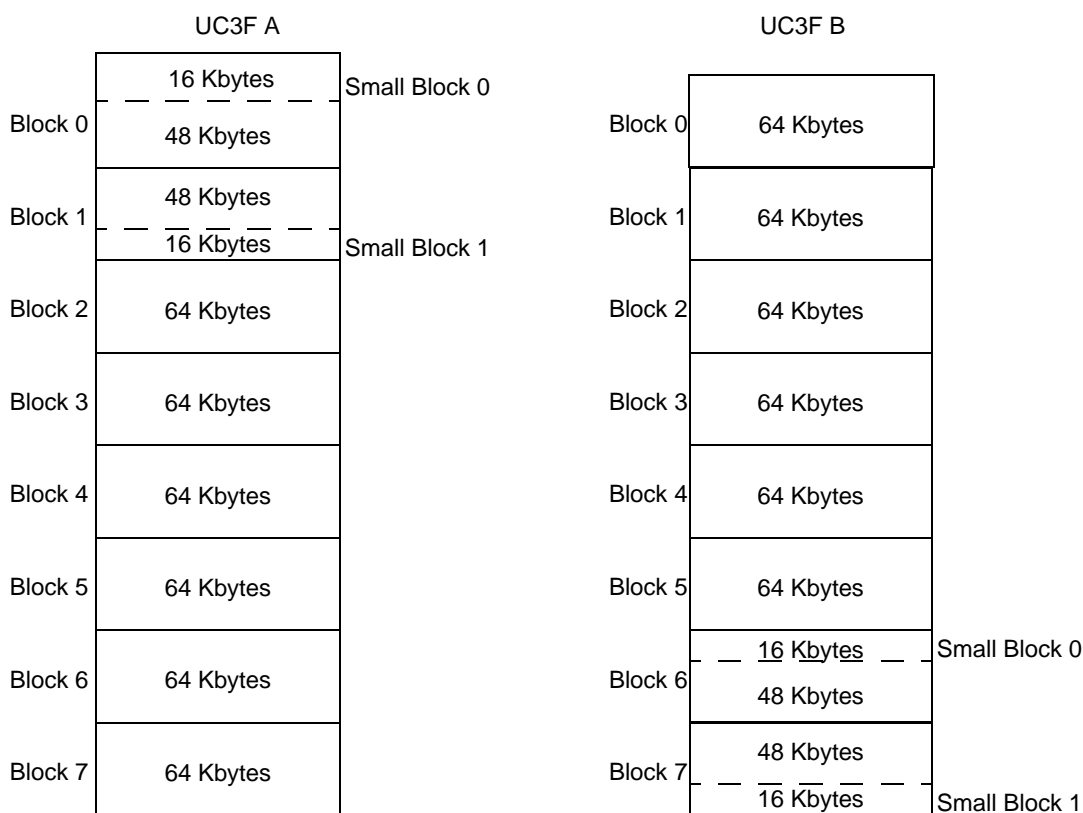


Figure 20-8. 512-Kbyte Array Configurations



## 20.5 UC3F Operation

The following sections describe the operation of the UC3F EEPROM during various operational modes. The primary function of the UC3F EEPROM module is to serve as electrically erasable and programmable non-volatile memory for embedded application in microcontrollers.

### 20.5.1 Reset

The device signals a reset to the UC3F EEPROM by asserting the reset signal. A reset is the highest priority operation for the UC3F EEPROM and terminates all other operations. The UC3F EEPROM module uses reset to initialize register bits to their default reset value. If the UC3F EEPROM is in program or erase operation ( $UC3FCTL[EHV] = 1$  and  $UC3FCTL[SES] = 1$ ) and a reset is issued, the module will perform the needed interlocks to disable the high voltage without damage to the high voltage circuits. Reset terminates any other mode of operation and forces the UC3F EEPROM module to a state ready to receive accesses.

During power up and power down periods, it is assumed that the reset signal is asserted to prevent accidental program/erase disturb of the UC3F array.

### 20.5.2 Register Read and Write Operation

The UC3F EEPROM control registers are accessible for read or write operation at all times while the device is powered up and enabled except during reset.

### 20.5.3 Array Read Operation

The UC3F EEPROM array is available for a read operation under most conditions while the device is powered up. Reads of the array are not allowed in the following instances:

- During reset—When in information or cleared censorship with  $ACCESS = 0$
- While the UC3F EEPROM is disabled—See [Section 20.5.10, “Disabled,”](#) for more information on disabling the UC3F EEPROM
- While the UC3F EEPROM is in STOP mode—See [Section 20.5.9, “Stop Operation,”](#) for more information on STOP mode
- While high voltage is applied to the array during program and erase operation — $HVS = 1$  or  $EHV = 1$  and not suspended

The address of an incoming read access is compared to the address for which data is currently held in the read page buffers. If the data corresponding to the read address is currently held in one of the two read page buffers, the data is fetched from the appropriate read page buffer. A data fetch from a read page buffer is an on-page read operation [Section 20.5.3.1, “Array On-Page Read Operation.”](#) If the data is not contained in one of the read page buffers, 32 bytes of information is fetched from the UC3F array, and the addressed data is driven onto the data bus. A data fetch from the UC3F array is an off-page read operation.

## NOTE

After setting/clearing UC3FCTL[HSUS], reset, programming writes, erase interlock write, setting EHV, clearing SES or setting/clearing SIE, the page buffers may not contain valid information. The UC3F forces an off-page read before an on-page read can be accomplished to ensure data coherency.

For information regarding how the two read page buffers in the UC3F EEPROM are associated to array blocks, refer to [Section 20.4.2, “UC3F EEPROM Array Addressing.”](#)

The UC3F module is configured as a page mode memory. The UC3F module uses an internal address comparator to monitor incoming addresses to determine if the addressed information is stored in a read page buffer. When the address comparator determines that the requested information is not stored in a read page buffer, an array off-page read operation retrieves 32 bytes of data from the Flash array and transfers the addressed data to the data bus.

In the MPC565, each UC3F module contains two 32-byte read page buffers. In each module, one buffer is dedicated to the most recently accessed instruction fetches and the other read page buffer is dedicated to the most recently loaded data access.

### 20.5.3.1 Array On-Page Read Operation

An internal address comparator is used to determine if addressed information is stored in a read page buffer. If the address of a read access matches data contained in a read page buffer, that addressed data is transferred from the read page buffer to the data bus. An off-page read access to transfer data from the Flash array to the data bus is not performed in this case.

### 20.5.4 Shadow Row Select Read Operation

The normal array is accessed when the SIE register bit in the UC3FMCR = 0. When SIE = 1, reads to the array access the shadow information row.

### 20.5.5 Array Program/Erase Interlock Write Operation

The only valid writes to the UC3F array are program or erase interlock writes. In the case of program interlock writes, the address of the write determines the location to be programmed while the data written is transferred to the program data latches to be programmed into the array. Address and data written during an erase interlock write is a “don’t care” and is not stored anywhere.

### 20.5.6 High Voltage Operations

There are two fundamental high voltage operations, program and erase. Program changes a UC3F array bitcell from a logic 1 state to a logic 0 state and is a selective operation performed on up to 32 bits at a time. Erase changes a UC3F array bitcell from a logic 0 state to a logic 1 state and is a bulk operation performed on one block or multiple blocks of the UC3F array.

### 20.5.6.1 Overview of Program/Erase Operation

The embedded hardware program/erase algorithm relies on an internal state machine to perform the program and erase sequences. The embedded hardware algorithm uses an internal oscillator to control the high voltage pulse duration and hardware control logic. The embedded hardware algorithm is also responsible for performing all margin reads and applying high voltage pulses to ensure each bit is programmed or erased with sufficient margin. Upon successful program or erase operation, the program/erase hardware control logic terminates the program or erase operation with a pass status (PEGOOD = 1). The program/erase control logic will time out in the event that the maximum program or erase time is exceeded and return a fail status (PEGOOD = 0).

### 20.5.7 Programming

To modify the charge stored in an isolated element of the UC3F bit from a logic 1 state to a logic 0 state, a programming operation is required. This programming operation applies the required voltages to change the charge state of the selected bits without changing the logic state of any other bits in the UC3F array. The program operation cannot change the logic 0 state to a logic 1 state; this transition must be done by the erase operation. Programming uses a program data latch to store the data to be programmed and an address latch to store the word address to be programmed. The UC3F Array may be programmed by byte (8 bits), half-word (16 bits), or word (32 bits).

Blocks of the UC3F EEPROM that are protected (PROTECT[M] = 1, SBEN[N] = 1 and SBPROTECT[N] = 1) will not be programmed. Also, if EPEE = 0, no programming voltages will be applied to the array. If B0EPEE = 0, no programming voltages will be applied to block 0 or small block 0 depending on the state of SBEN[0] and the configuration of the array.

#### 20.5.7.1 Program Sequence

The UC3F EEPROM module requires a sequence of writes to the high voltage control register (UC3FCTL) and to the program data latch in order to enable the high voltage to the array or shadow information for program operation. The required hardware program sequence follows.

1. Write PROTECT[0:7] and SBPROTECT[0:1] to disable protection on blocks to be programmed.
2. Write BLOCK[0:7] and SBBLOCK[0:1] to select the array blocks to be programmed, SES = 1 and PE = 0 in the UC3FCTL register.

#### NOTE

BLOCK[0:7] and SBBLOCK[0:1] in conjunction with SBEN[0:1] determine which blocks/small blocks in the array are enabled for programming operation. Just because a BLOCK or SBBLOCK bit is enabled (set to 1), no programming can occur in the corresponding block/small block unless the programming operation specifically targets an address location within that block/small block to program. If BLOCK or SBBLOCK is not set to 1, no address locations in that corresponding block or small block can be programmed.

3. Programming write — A successful write to the array location to be programmed. This write updates the program data latch with the information to be programmed. In addition, the address of the first programming write is latched in the UC3F memory interface block. All accesses of the array after the first write are to the same address regardless of the address provided. Thus the locations accessed after the first programming write are limited to the location to be programmed. The last write to the program data latch is saved for programming.

**NOTE**

If a byte of the program data latch has not received a programming write, no programming voltages will be applied to the corresponding byte in the array. Once EHV has been set, writes to the program data latch are disabled until EHV is cleared to 0.

4. Write  $EHV = 1$  in the UC3FCTL register.

**NOTE**

The values of the EPEE and B0EPEE inputs are latched with the assertion of EHV to determine the array protection state for the program operation. It is assumed that the EPEE and B0EPEE inputs are setup prior to the assertion of EHV.

5. Read the UC3FCTL register until  $HVS = 0$ .
6. Read the UC3FCTL, confirm  $PEGOOD = 1$ .
7. Write  $EHV = 0$ .

**WARNING**

Writing  $EHV = 0$  before  $HVS = 0$  causes the current program sequence to ABORT. The location for which the program sequence was aborted may not have been programmed with sufficient margins. The block containing that location must be erased and reprogrammed before that block of the UC3F array may be used reliably.

8. If more information needs to be programmed go to step 3.
9. Write  $SES = 0$  in the UC3FCTL register.

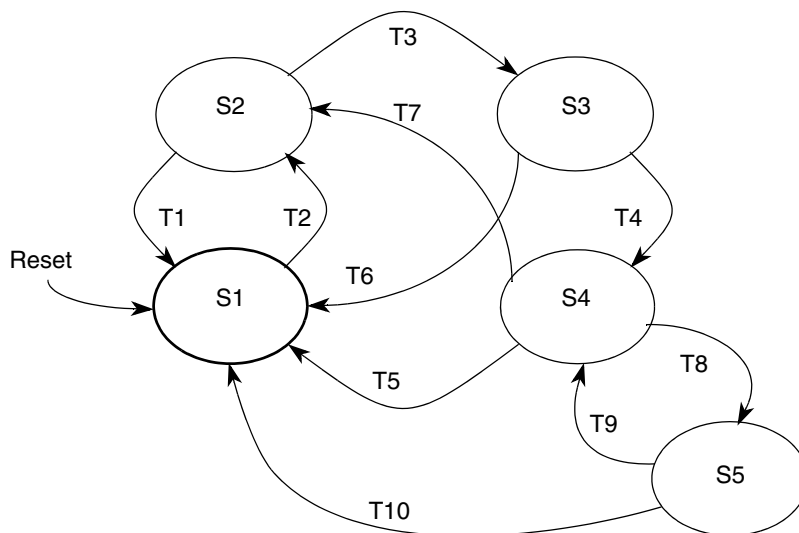


Figure 20-9. Program State Diagram

Table 20-7. Program Interlock State Descriptions

| State | Mode  | Next State | Transition Requirement |   |
|-------|---|------------|------------------------|---|
| S1    | Normal Operation:<br>Normal array reads and register accesses. The block protect information can be modified.   | S2         | T2                     | Write PE = 0, SES = 1.  |
| S2    | First Program Hardware Interlock Write:<br>Normal read operation still occurs. The array will accept programming writes. Accesses to the registers are normal register accesses. A write to UC3FCTL cannot change EHV at this time. If the write is to a register no data will be stored in the program data latch and the UC3F remains in state S2.  | S1         | T1                     | Write SES = 0 or a reset.   |
|       |   | S3         | T3                     | Hardware Interlock. A successful write to any UC3F array location. This programming write will latch the selected word of data into the program data latch and the address is latched to select the location that will be programmed. Once a bit has been written then it remains in the program data latch until another write over-writes that data or a write of SES = 0. If the write is to a register no data will be stored in the program data latch and the UC3F remains in state S2. |
| S3    | Expanded Program Hardware Interlock Operation:<br>Programming writes are accepted so that data may be programmed. These writes may be to any UC3F array location. The location to be programmed is determined from the address initially written to on the first program interlock write. The program data latch may be updated on any program interlock writes which occur in this state. Accesses to the registers are normal register accesses. A write to UC3FCTL can change EHV. If the write is to a register no data will be stored in the program data latch. | S1         | T6                     | Write SES = 0 or a reset.   |
|       |   | S4         | T4                     | Write EHV = 1.  |

**Table 20-7. Program Interlock State Descriptions (continued)**

| State | Mode   | Next State | Transition Requirement |  |
|-------|--|------------|------------------------|--|
| S4    | Program Operation:<br>High voltage is applied to the array or shadow information to program the UC3F bit cells, and program margin reads are automatically performed by the internal program control logic. No further programming writes will be accepted. During programming, the array will not respond to any access. Accesses to the registers are allowed. A write to UC3FCTL can change EHV or HSUS only. | S1         | T5                     | Reset.                                       |
|       |  | S2         | T7                     | Write EHV = 0.                               |
|       |  | S5         | T8                     | Write HSUS = 1 or disable the UC3F module.   |
| S5    | Program Suspend Operation:<br>The program operation is suspended to either read the array or disable the module. Once HVS reads as a 0, the program operation is suspended. Normal reads to the array can be performed if the module is enabled; read accesses to the location being programmed returns indeterminate data.  | S1         | T10                    | Reset.                                       |
|       |  | S4         | T9                     | Write HSUS = 0 or re-enable the UC3F module. |

### 20.5.7.2 Program Shadow Information

Programming the shadow information uses the same procedure as programming the array except that SIE must be set to a 1 prior to initiating the programming sequence. Only the lowermost addresses are used to encode words that get programmed in the shadow row. The shadow information is physically located in lowest numbered block and will also be located in small block 0 if the lowest numbered block hosts a small block in the implemented configuration.

### 20.5.7.3 Program Suspend

The program operation may be suspended to allow read accesses to the array. Setting the HSUS bit in the UC3FCTL to a 1 while PE = 0, EHV = 1, and HVS = 1 forces the array into a program suspend state. The deassertion of the HVS bit (HVS = 0) signifies that the program operation has been successfully suspended. The HVS bit should negate within 10µs of asserting the HSUS bit.

While in program suspend mode, normal read accesses may be performed to the UC3F array or shadow information words. Reads to the array location targeted for program return indeterminate data since only a partial programming operation may have been performed.

The program operation may be resumed by setting HSUS = 0.

## NOTE

Repeated suspending of a program operation to fetch array contents may extend the program operation. The internal program hardware may only resume the program operation at predefined steps of the internal program hardware sequence; interrupting the program operation on a high frequency basis may cause the internal program hardware to delay completion of the current step and delay advancement to the next step of the internal program hardware sequence. Frequent suspend/resume operations (more than approximately once per millisecond) may also cause program or erase timeouts, and are not recommended.

### 20.5.8 Erasing

To modify the charge stored in an isolated element of the UC3F bit from a logic 0 state to a logic 1 state, an erase operation is required. In the UC3F EEPROM, erase is a bulk operation that affects the stored charge of all the isolated elements in an array block. To make the UC3F module block-erasable, the array is divided into blocks that are physically isolated from each other. Each of the array blocks may be erased in isolation or in any combination. The UC3F array block size is fixed for all blocks in the module at 64 Kbytes and the module is comprised of eight blocks. Two of these blocks may be further subdivided into two small blocks. Array blocks of the UC3F EEPROM that are protected ( $PROTECT[M] = 1$  or ( $SBEN[M] = 1$  &  $SBPROTECT[M] = 1$ )) will not be erased. Also, if  $EPEE = 0$  or  $B0EPEE = 0$ , no erase voltages will be applied to the array or the block corresponding to block 0 or small block 0 if  $SBEN[0] = 1$ .

The embedded program/erase algorithm first pre-programs all bits in blocks selected for erase prior to actually erasing the selected blocks.

The array blocks selected for erase operation are determined by  $BLOCK[0:7]$ ,  $SBBLOCK[0:1]$  in conjunction with  $SBEN[0:1]$ , and the array configuration. If multiple blocks are selected for erase, the embedded erase hardware algorithm serially erases each array block until all of the selected blocks are erased. For instance, if  $BLOCK[0:7] = 0x78$  and  $SBEN[0:1] = 0b00$ , then blocks 1, 2, 3, and 4 are selected for erase. The embedded erase hardware algorithm first erases block 1 and then erases block 2 followed by blocks 3 and 4. The total erase time for this example is the block erase time,  $T_{ERASE}$ , multiplied by four since four blocks are erased. In addition, the preprogramming time to program all locations in blocks 1, 2, 3, and 4 to a “0” state needs to be considered when determining the total erase time. The preprogramming time is dependent on the data already stored in the Flash array before beginning the erase operation.

#### 20.5.8.1 Erase Sequence

The UC3F EEPROM module requires a sequence of writes to the high voltage control register (UC3FCTL) and an erase interlock write in order to enable high voltage to the array and shadow information for erase operation. The required hardware algorithm erase sequence follows.

1. Write  $PROTECT[0:7]$  and  $SBPROTECT[0:1]$  to disable protect for the blocks to be erased.
2. Write  $BLOCK[0:7]$  and  $SBBLOCK[0:1]$  to select the blocks to be erased,  $PE = 1$  and  $SES = 1$  in the UC3FCTL register.

**NOTE**

BLOCK[0:7] and SBBLOCK[0:1] in conjunction with SBEN[0:1] determine which blocks are selected for erase. Blocks whose BLOCK bits or enabled small blocks whose SBBLOCK bits are set (equal to 1) get erased when an erase operation is performed.

3. Execute an erase interlock write to any UC3F array location.
4. Write EHV = 1 in the UC3FCTL register.

**NOTE**

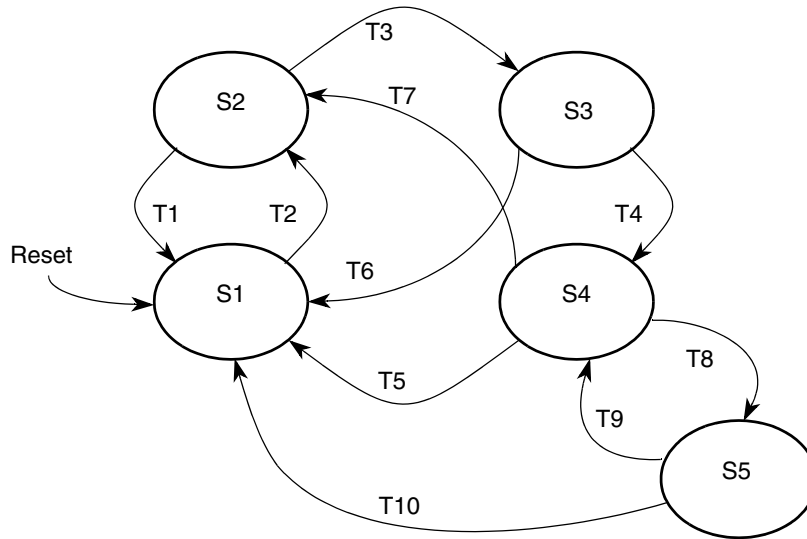
The values of the EPEE and B0EPEE inputs are latched with the assertion of EHV to determine the array protection state for the erase operation. It is assumed that the EPEE and B0EPEE inputs are setup prior to the assertion of EHV.

5. Read the UC3FCTL register until HVS = 0.

**WARNING**

Writing EHV = 0 before HVS = 0 causes the current erase sequence to ABORT. All blocks being erased must go through another erase sequence before the UC3F EEPROM can be used reliably.

6. Read the UC3FCTL register. Confirm PEGOOD = 1.
7. Write EHV = 0 in the UC3FCTL register.
8. Write SES = 0 in the UC3FCTL register.



**Figure 20-10. Erase State Diagram**



**Table 20-8. Erase Interlock State Descriptions**

| State | Mode   | Next State | Transition Requirement |  |
|-------|--|------------|------------------------|--|
| S1    | Normal Operation:<br>Normal array reads and register accesses. The Block protect information can be modified.  | S2         | T2                     | Write PE = 1, SES = 1.   |
| S2    | Erase Hardware Interlock Write:<br>Normal read operation still occurs. The UC3F will accept the erase hardware interlock write. This write may be to any UC3F array location. Accesses to the registers are normal register accesses. A write to UC3FCTL cannot set EHV at this time. A write to the register is not an erase hardware interlock write and the UC3F remains in state S2. | S1         | T1                     | Write SES = 0 or a reset.  |
|       |  | S3         | T3                     | Hardware Interlock<br>A successful write to any UC3F array location is the erase interlock write. If the write is to a register the erase hardware interlock write has not been done and the UC3F remains in state S2. |
| S3    | High voltage write enable<br>Accesses to the registers are normal register accesses. A write to UC3FCTL can change SES or EHV.   | S1         | T6                     | Write SES = 0 or a reset.  |
|       |  | S4         | T4                     | Write EHV = 1.   |
| S4    | Erase Operation:<br>High voltage is applied to the array blocks to erase the UC3F bit cells, and erase margin reads are automatically performed by the embedded erase control logic. During erase the array will not respond to any address. Accesses to the registers are allowed. A write to UC3FCTL can change EHV or HSUS only.  | S1         | T5                     | Reset.   |
|       |  | S2         | T7                     | Write EHV = 0.   |
|       |  | S5         | T8                     | Write HSUS = 1 or disable the UC3F module.   |
| S5    | Erase Suspend Operation:<br>The erase operation is suspended to either read the array or disable the module. Once HVS reads as a 0, the erase operation is suspended. Normal reads to the array can be performed if the module is enabled; read accesses to locations in blocks being erased return indeterminate data.  | S1         | T10                    | Reset.   |
|       |  | S4         | T9                     | Write HSUS = 0 or re-enable the UC3F module.   |

### 20.5.8.2 Erasing Shadow Information Words

The shadow information words are erased with either the lowest numbered block or small block 0, depending on the array configuration and the state of SBEN[0]. If the lowest numbered block in the array does not host a small block, then the shadow information words are erased with the lowest numbered block. If the lowest numbered block hosts a small block, then the shadow information words may get erased with small block 0. If SBEN[0] = 0 for this array configuration, then the shadow information words get erased with the lowest numbered block. If SBEN[0] = 1 for this same array configuration, then the shadow information words get erased with small block 0 only.

### 20.5.8.3 Erase Suspend

The erase operation may be suspended to allow read accesses to the array. Setting the HSUS bit in the UC3FCTL to a 1 while EHV=1 and HVS=1 forces the array into an erase suspend state. The deassertion

of the HVS bit ( $HVS = 0$ ) signifies that the erase operation has been successfully suspended. The HVS bit should negate within 10 ms of asserting the HSUS bit.

While in erase suspend mode, normal read accesses may be performed to the UC3F array or shadow information words. Reads to the array block or blocks targeted for erase return indeterminate data since only a partial erase operation has been performed.

The erase operation may be resumed by setting  $HSUS = 0$ .

#### NOTE

Repeated suspending of an erase operation to fetch array contents may severely extend the erase operation. The internal erase hardware may only resume the erase operation at predefined steps of the internal erase hardware sequence; interrupting the erase operation on a high frequency basis may cause the internal erase hardware to delay completion of the current step and delay advancement to the next step of the internal erase hardware sequence.

### 20.5.9 Stop Operation

The UC3F EEPROM goes into a low power operation, or stop operation, while  $STOP = 1$ . When the STOP bit is set, only the control registers can be accessed on the UC3F EEPROM module. The UC3F EEPROM array may not be programmed, erased or read while  $STOP = 1$ .

With  $STOP = 1$ , the UC3F module enters a low power state by shutting down internal timers and bias generators. A stop recovery time of 1  $\mu\text{s}$  is required when clearing the STOP bit to exit stop operation. The BIU should allow 1  $\mu\text{s}$  following the negation of the STOP bit so that internal bias generators used by the array may recover to normal levels prior to initiating any UC3F array accesses.

#### NOTE

The UC3F cannot be stopped while the array is being programmed or erased since the STOP bit is write locked by  $SES = 1$ .

### 20.5.10 Disabled

Both UC3F modules can be disabled by clearing the FLEN bit in the IMMR register (see [Section 6.2.2, “System Configuration and Protection Registers”](#)). While disabled, the UC3F module is completely shut down. The register block and array are not accessible in this mode, and all circuits which draw any DC power are disabled to eliminate power consumption. In addition, each individual module can be disabled by setting the STOP bit in the UC3FMCR register (see [Section 20.4.1.2, “UC3F EEPROM Configuration Register \(UC3FMCR\)”](#)).

If the UC3F module is disabled while programming or erasing, the HSUS bit in the UC3FCTL register is asserted ( $HSUS = 1$ ) to suspend the current program or erase operation. When the UC3F module is re-enabled, the suspended program or erase operation may be resumed by writing the HSUS bit to a 0.

**NOTE**

While there should be no harmful side effects resulting from disabling the UC3F module while in program or erase operation, it is not recommended that program or erase operation be suspended in this manner.

When disabled, the power used by the UC3F is reduced to leakage levels; otherwise, the UC3F module is enabled for accesses. For example, recovering from a stop operation (STOP = 1), there is a recovery time of 1 μs for internal biases to reach to operating levels.

**20.5.11 Censored Accesses and Non-Censored Accesses**

The UC3F EEPROM has a censorship mechanism which provides for several censorship states. The censorship mechanism is used to increase restrictions in accessing Flash data. Four bits in UC3FMCR are used to configure the UC3F censorship state. These bits are:

- ACCESS—Enables a UC3F EEPROM to bypass the censorship.
- FIC—Overrides CENSOR[0:1] to force information censorship.
- CENSOR[0:1]—Determine the censorship state of the UC3F.

The device has two relevant modes used by the UC3F EEPROM to select the type of censorship. The first mode, which is uncensored mode, provides no censorship. In uncensored mode the ACCESS and CENSOR[0:1] bits are irrelevant. The second mode, censored mode, enables the UC3F EEPROM to exercise censorship based on the state of ACCESS, FIC, and CENSOR[0:1]. The device will enter censored mode only if one of following events occurs:

- booting from external memory
- operating in peripheral mode or upon any access by an external master
- operating in debug mode (BDM or Nexus)
- booting from internal SRAM

In censored mode, a UC3F EEPROM may disallow accesses to the array. If censored mode is entered by any means then the UC3F EEPROM will exercise censorship according to [Table 20-9](#).

**Table 20-9. Censorship States**

| ACCESS | FIC | CENSOR[0:1] | Description   |
|--------|-----|-------------|---|
| 0      | 0   | 11          | Information censorship, No UC3F array accesses allowed. |
| 0      | 0   | 01 or 10    | No censorship, UC3F array accesses allowed.             |
| 0      | 0   | 00          | Cleared censorship, No UC3F array accesses allowed.     |
| 0      | 1   | XX          | Emulated censorship, No UC3F array accesses allowed.    |
| 1      | X   | XX          | No censorship, UC3F array accesses allowed.             |

While the device remains in the uncensored mode, ACCESS may be set to allow the device to enter censored mode and still access the UC3F array. ACCESS may not be set while the device is in censored mode but may be cleared.

**Table 20-10. Censorship Modes and Censorship Status**

| Mode               | Censored |                |    |                        |    |                  | Uncensored |    |    |     |     |
|--------------------|----------|----------------|----|------------------------|----|------------------|------------|----|----|-----|-----|
|                    | 0        |                |    | 1                      |    |                  | 0          |    | 1  |     |     |
| ACCESS             | 0        |                |    | 1                      |    |                  | 0          |    | 1  |     |     |
| FIC                | 0        |                | 1  | 0                      |    | 1                | 0          |    | 1  |     |     |
| CENSOR[0:1]        | 00       | 01<br>or<br>10 | 11 | 00,<br>01,<br>or<br>10 | 11 | 00, 01, 10 or 11 |            |    |    |     |     |
| UC3F EEPROM Status | #1       | #2             | #3 | #4                     | #5 | #6               | #7         | #8 | #9 | #10 | #11 |

 Indicates that the UC3F array cannot be accessed.

1. ACCESS cannot be changed. FIC can be set. UC3F array cannot be accessed. CENSOR[0:1] can be set. CENSOR[0:1] cannot be cleared.

---

2. ACCESS cannot be changed. FIC can be set. UC3F array can be accessed. CENSOR[0:1] can be set. CENSOR[0:1] can be cleared.

---

3. ACCESS cannot be changed. FIC can be set. UC3F array cannot be accessed. CENSOR[0:1] cannot be cleared unless IWS = 1.

---

4. ACCESS cannot be changed. FIC cannot be changed. UC3F array cannot be accessed. CENSOR[0:1] can be set. CENSOR[0:1] cannot be cleared unless IWS = 1.

---

5. ACCESS cannot be changed. FIC cannot be changed. UC3F array cannot be accessed. CENSOR[0:1] cannot be cleared unless IWS = 1.

---

6. ACCESS can be cleared. FIC can be set. UC3F array can be accessed. CENSOR[0:1] can be changed.

---

7. ACCESS can be cleared. FIC cannot be changed. UC3F array can be accessed. CENSOR[0:1] can be changed.

---

8. ACCESS can be changed. FIC can be set. UC3F array can be accessed. CENSOR[0:1] can be changed.

---

9. ACCESS can be changed. FIC cannot be changed. UC3F array can be accessed. CENSOR[0:1] cannot be changed unless IWS = 1.

---

10. ACCESS can be changed. FIC can be set. UC3F array can be accessed. CENSOR[0:1] can be changed.

---

11. ACCESS can be changed. FIC cannot be changed. UC3F array can be accessed. CENSOR[0:1] can be changed.

The only way CENSOR[0:1] can be changed is by setting or clearing the FLASH NVM fuses. In the information censorship state, CENSOR[0:1] must be cleared to the cleared censorship state before CENSOR[0:1] can be put into the no censorship state. While clearing CENSOR[0:1] the entire UC3F array is erased. Thus the information stored in the UC3F array is made invalid while clearing CENSOR[0:1].

### 20.5.11.1 Setting and Clearing Censor

The value of each bit in CENSOR[0:1] is determined by the state of an NVM CAM cell. The NVM CAM cell is not writable but instead may be set or cleared. Reading CENSOR[0:1] while setting or clearing with the high voltage applied (CSC = 1 and EHV = 1) will return 0's.

### 20.5.11.2 Setting Censor

The set operation changes the state in an NVM CAM cell from a 0 to a 1. This set operation can be done without changing the contents of the UC3F array. The required sequence to set one or both of the bits in CENSOR[0:1] follows.

1. Write CSC = 1, PE = 0 and SES = 1 in the UC3FCTL register
2. Write a 1 to the CENSOR bit(s) to be set
3. Write EHV = 1 in the UC3FCTL register
4. Read the UC3FCTL register until HVS = 0
5. Read the UC3FCTL register. Confirm PEGOOD = 1
6. Write EHV = 0 in the UC3FCTL register
7. Write SES = 0 and CSC = 0

### 20.5.11.3 Clearing Censor

The clear operation changes the state of the CENSOR[0:1] bits from a 1 to a 0 by erasing the CAM cells. This clear operation can be done only while erasing the entire UC3F array and shadow information. The required sequence to clear CENSOR follows.

Clear CENSOR[0:1]

1. Write PROTECT[0:7] = 0x00 to enable the entire array for erase. If SBEN[M] = 1, then SBPROTECT[M] must also be cleared to 0.
2. Write BLOCK[0:7] = 0xFF, CSC = 1, PE = 1 and SES = 1 in the UC3FCTL register. If SBEN[M] = 1, then SBBLOCK[M] must also be set to 1.
3. Do an erase interlock write.

On the UC3F module, the erase interlock write can be performed in one of two ways, depending on the value of the UC3FCFIG bit 15, IWS.

If IWS = 0, a valid erase interlock write is a write to any valid array location. This is subject to any censorship conditions that might apply.

If IWS = 1, a valid erase interlock write can be a write to any valid array location or a write to the UC3FCMCR register.

When the IWS = 1, the CENSOR[0:1] bits can always be cleared in the UC3F flash EEPROM status states #3, #4 and #5 from [Table 20-10](#).

The erase interlock write is only valid if all blocks of the array are selected for erase and not protected. BLOCK[0:7] and SBBLOCK[0:1] set to 1, as well as PROTECT[0:7] and SBPROTECT[0:1] set to 0, are required for a valid erase interlock write during the clear censor operation.

4. Write EHV = 1 in the UC3FCTL register.

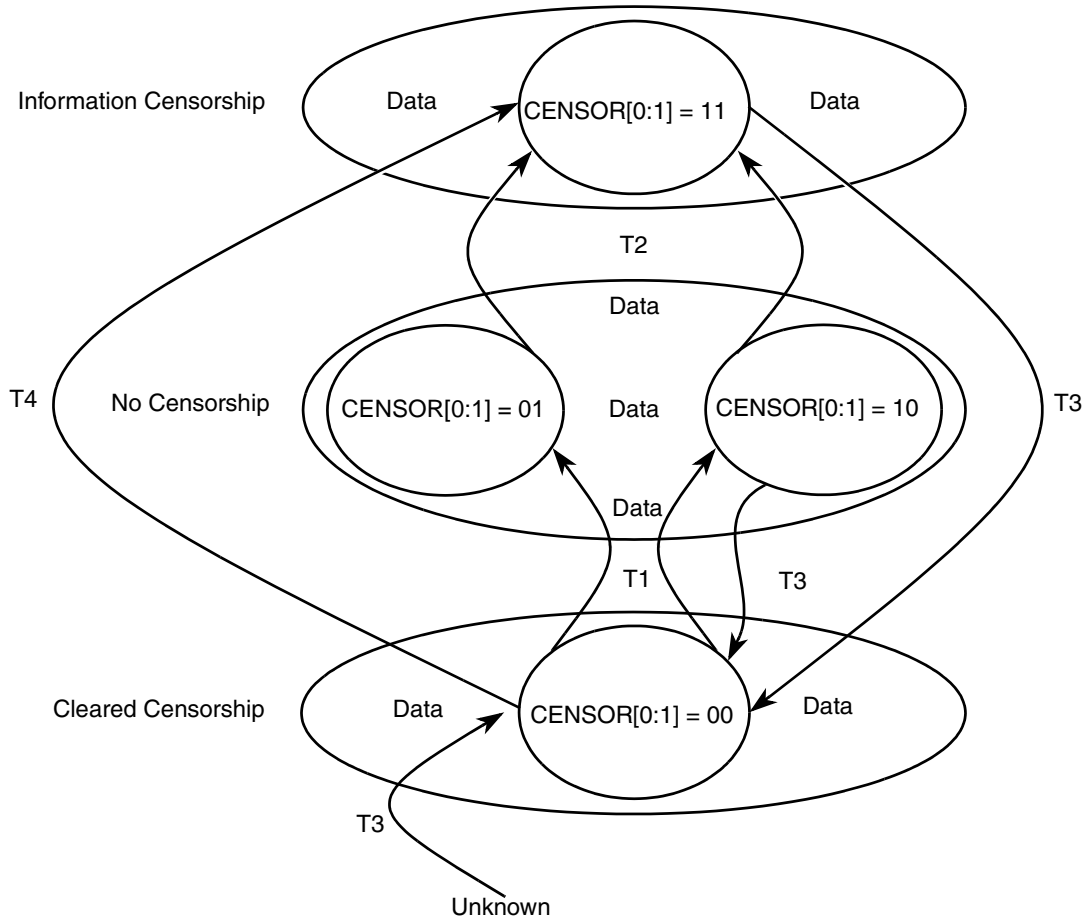
**NOTE**

The values of the EPEE and B0EPEE inputs are latched with the assertion of EHV to determine the array protection state for the clear sensor operation. It is assumed that the EPEE and B0EPEE inputs are setup prior to the assertion of EHV. If EPEE and B0EPEE are not enabled for erase, the CENSOR[0:1] bits may not be cleared.

5. Read the UC3FCTL register until HVS = 0.
6. Read the UC3FCTL register. Confirm PEGOOD = 1.
7. Write EHV = 0 in the UC3FCTL register.
8. Write SES = 0 and CSC = 0.

**20.5.11.4 Switching The UC3F EEPROM Sensorship**

There are three states of sensorship that CENSOR[0:1] can select. These are—cleared sensorship, no sensorship (two states) and information sensorship. These three states, state values, transitions, and state of sensorship are shown in Figure 20-11.



**Figure 20-11. Sensorship States and Transitions**

CENSOR[0:1] transitions are listed as follows:

1. Cleared censorship to no censorship, T1  
Set CENSOR[0] or CENSOR[1].
2. No censorship to information censorship, T2  
Set CENSOR[0] and CENSOR[1].
3. Information censorship, no censorship or unknown to cleared censorship, T3  
Clear CENSOR[0:1]. This is done only while the entire UC3F array is erased.
4. Cleared censorship to information censorship, T4  
Set both CENSOR[0] and CENSOR[1].

### 20.5.12 Background Debug Mode or Freeze Operation

While in background debug mode, the UC3F should respond normally to accesses except that  $\overline{\text{LOCK}}$  is writable. See the  $\overline{\text{LOCK}}$  bit in [Table 20-3](#).





## Chapter 21

# CALRAM Operation

The calibration static random access memory (CALRAM) module provides the MPC565 with a general purpose memory that may be read from or written to as either bytes, half-words, or words. In addition to this, a portion of the CALRAM, called the overlay region, can be used for calibration. Calibration in this context is defined as overlaying portions of the U-bus Flash with a portion of the CALRAM array. During normal Flash access, the RISC central processing unit (RPCU) reads data from U-bus Flash (through L-bus and L2U) as shown in [Figure 21-1](#). During calibration access, instead of Flash providing the data, the overlay regions of CALRAM provide the data to the RPCU.

### 21.1 Features

Standard CALRAM features are listed below:

- One-clock accesses
  - Two-cycle access for power savings
- Byte, half-word (16-bits), or word (32-bit) read/write accesses
- Each 8-Kbyte block has individual protection control bits.
- Low power standby operation for data retention

Special overlay features are:

- Eight overlay regions; each can be programmed to be 4-, 16-, 32-, 64-, 128-, 256-, or 512-bytes long
- Each overlay region size can be forced to 4 bytes long
- Data driven from the CALRAM module for overlay access has the same timing as the data that would have come from the U-bus Flash
- Overlay is for data read from the U-bus Flash space and does not affect instruction fetches from the Flash
- Overlay block is naturally aligned
  - For example, 128-byte block is 128-byte aligned
- Normal access to overlaid portion of CALRAM array can be made to generate an error (machine check) if so configured

### 21.2 CALRAM Block Diagram

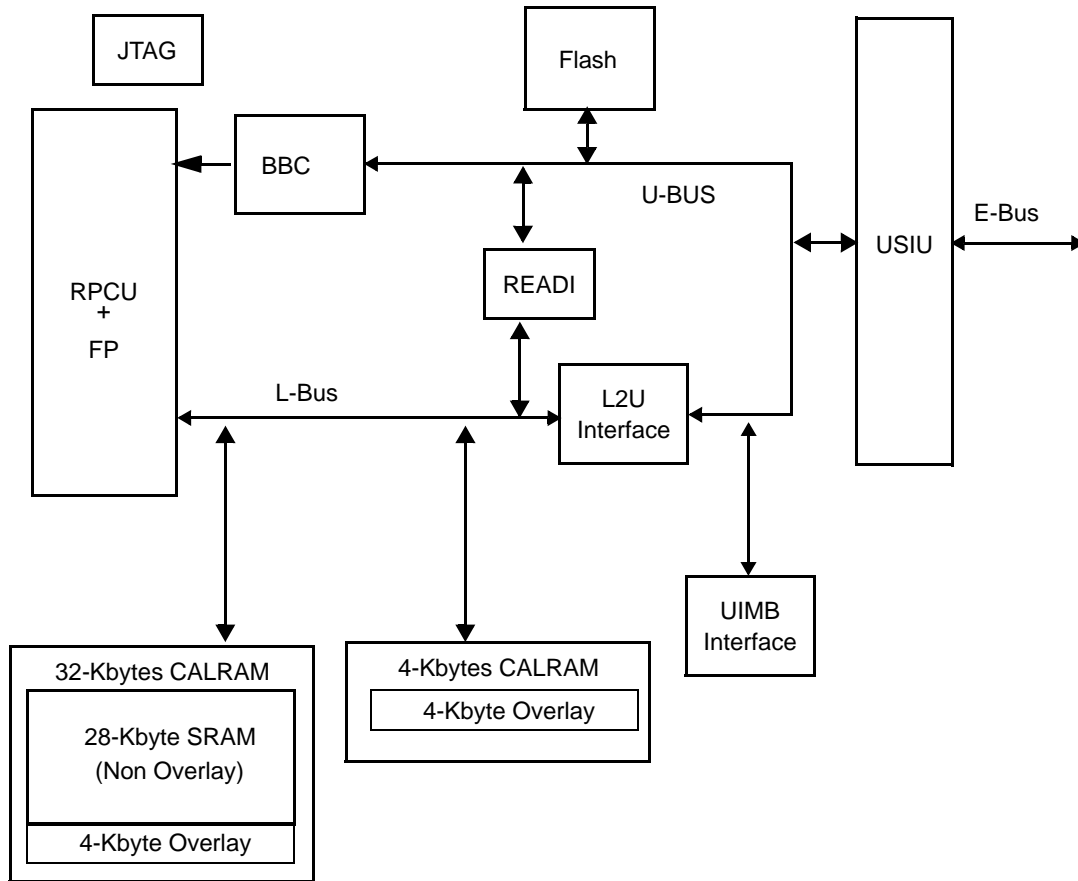


Figure 21-1. System Block Diagram

### 21.3 CALRAM Memory Map

The MPC565 chip internal memory map is shown in [Figure 21-2](#).

The CALRAM module is divided into two sections.

- Control section:
  - Includes all the registers in the CALRAM module
- Array sub-region:
  - Contains memory arrays

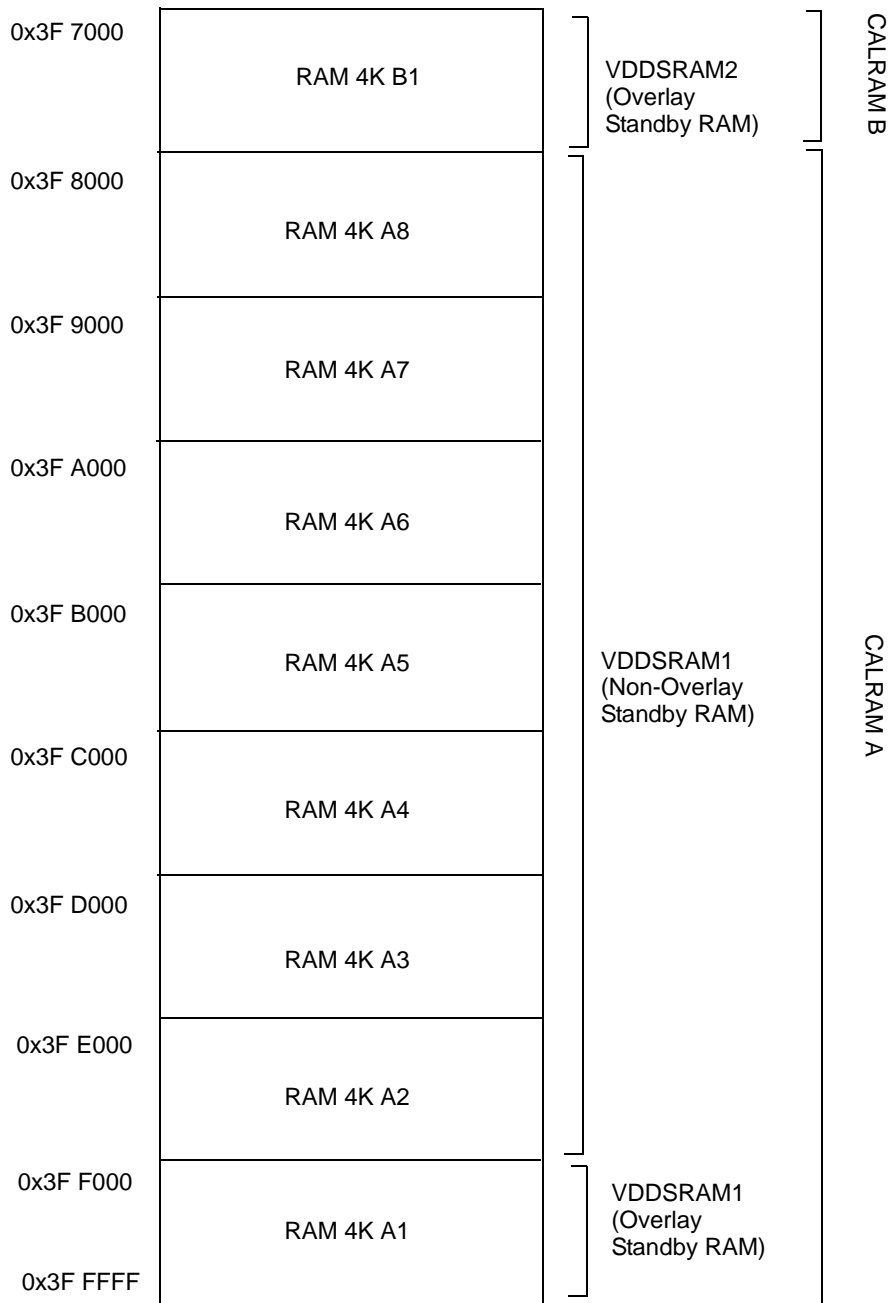
The MPC565 contains two CALRAM modules — one is a 32-Kbyte memory at address 0x3F 8000 – 0x3F FFFF and another is a 4-Kbyte memory at address 0x3F 7000 – 0x3F 7FFF as shown in [Figure 21-1](#) and [Figure 21-2](#). In addition, each module is assigned 16 32-bit register address spaces: 12 implemented and four unimplemented registers. The 12 implemented registers are: one module configuration register (CRAMMCR), one register reserved for factory test, eight region base address (CRAM\_RBAX) registers, one overlay configuration register (CRAMOVLCR), and one ownership trace register (CALRAM\_OTR) to support a separate module called READI. Refer to [Chapter 23, “READI Module.”](#)

|           |                            |
|-----------|----------------------------|
| 0x00 0000 | UC3F A Flash<br>512 Kbytes |
| 0x07 FFFF |                            |
| 0x08 0000 | UC3F B Flash<br>512 Kbytes |
| 0x0F FFFF |                            |
| 0x37 FFFF | CALRAM A Registers         |
| 0x38 0000 |                            |
| 0x38 003F |                            |
| 0x38 0040 |                            |
| 0x38 007F | CALRAM B Registers         |
|           |                            |
| 0x3F 6FFF | CALRAM B (4 Kbytes)        |
| 0x3F 7000 |                            |
| 0x3F 7FFF | CALRAM A (32 Kbytes A)     |
| 0x3F 8000 |                            |
| 0x3F FFFF |                            |

**Figure 21-2. MPC565 Memory Map with CALRAM Address Ranges**

## CALRAM Operation

When the normal device power (VDD) is off, portions of the CALRAM array can be powered by separate power supply sources (VDDSRAM1/VDDSRAM2) as shown in [Figure 21-3](#), thus allowing the data to be retained.



**Figure 21-3. Standby Power Supply Configuration for CALRAM Array**

## 21.4 Modes of Operation

The CALRAM module has the following modes of operation:

- Reset
- One-cycle
- Two-cycle
- Standby
- Stop
- Overlay

### 21.4.1 Reset

Reset configures the CALRAM module and resets some of the bits in the CALRAM registers to their default reset state. Some register bits are unaffected by reset. See section [Section 21.5, “Programming Model.”](#)

### 21.4.2 One-Cycle Mode

The CALRAM registers and array may be accessed for reads or writes as byte, (aligned) half-word, or word. This mode is the default mode of operation and, as the name suggests, the access time to the array and the internal registers for reads and writes is one cycle. Thus the one-cycle mode is used for high performance although it consumes more power than the two cycle mode.

#### 21.4.2.1 CALRAM Access/Privilege Violations

Each 8-Kbyte CALRAM array can be assigned read-only, data-only, or supervisor-only privilege if data relocate (DR) bit in the MSR is set. All CALRAM registers are assigned supervisor-only and data-only privilege. A privilege violation causes an error. See section [Section 21.5.1, “CALRAM Module Configuration Register \(CRAMMCR\).”](#)

An attempt to access any of the four unimplemented reserved registers (of the 16 register spaces) causes an error and returns 0's on the data bus for a read access. CALRAM B is only 4 Kbytes and will generate an error if the unimplemented 28 Kbyte region is accessed, that is, any accesses to the array from 0x3F 0000 to 0x3F 6FFF end in an error. Each CALRAM module is allocated 16 register spaces among which only 12 registers are implemented. An attempt to access any of the four unimplemented reserved registers causes an error and returns 0's on the data bus for a read access.

If an error condition occurs due to privilege violation or an attempt to access unimplemented portions of array or register space, then the type of the error generated depends on whether the access generating the error was initiated by the RCPU core or by a non-RCPU bus master. If the error causing access was initiated by the RCPU core, a data storage interrupt (DSI) is generated. If the access was initiated by a non-RCPU bus master, a machine check exception is generated. Also, a write access that generates an error does not corrupt the data in an array or a register. Similarly, a read access that generates an error does not drive the data on the L-bus from the array or the register, instead it drives 0's. Also, aborted accesses maintain data integrity. Aborted writes do not corrupt data in register/array, and aborted reads do not drive the requested data on L-bus.

### 21.4.3 Two-Cycle Mode

In this mode, the CALRAM module takes two cycles to complete an access and consumes less power than in one-cycle mode. It follows the normal one-cycle mode operation except that the accesses are completed one cycle later. This mode is selected by setting the 2CY bit in the CRAMMCR register.

### 21.4.4 Standby Operation/Keep-Alive Power

The registers and control logic for the CALRAM module are powered by VDD. The memory array is also supplied by VDD during normal operation; however, when the VDD is off, the CALRAM array is backed up by switched sources (VDDSRAM1 or VDDSRAM2) that are also known as standby power.

In the MPC565, when the VDD is off, the CALRAM arrays from 0x3F 8000 to 0x3F FFFF (32 Kbytes of CALRAM module A) and from 0x3F 7000 to 0x3F 7FFF (all 4 Kbytes of CALRAM module B) are powered by VDDSRAM1 and VDDSRAM2, respectively, as shown in [Figure 21-3](#).

### 21.4.5 Stop Operation

The low power stop mode for this module is entered by setting the disable bit (DIS) in the CRAMMCR register. Reads from and writes to the array during this mode will generate an error.

When the disable bit (DIS) is cleared, the module returns to normal function.

### 21.4.6 Overlay Mode Operation

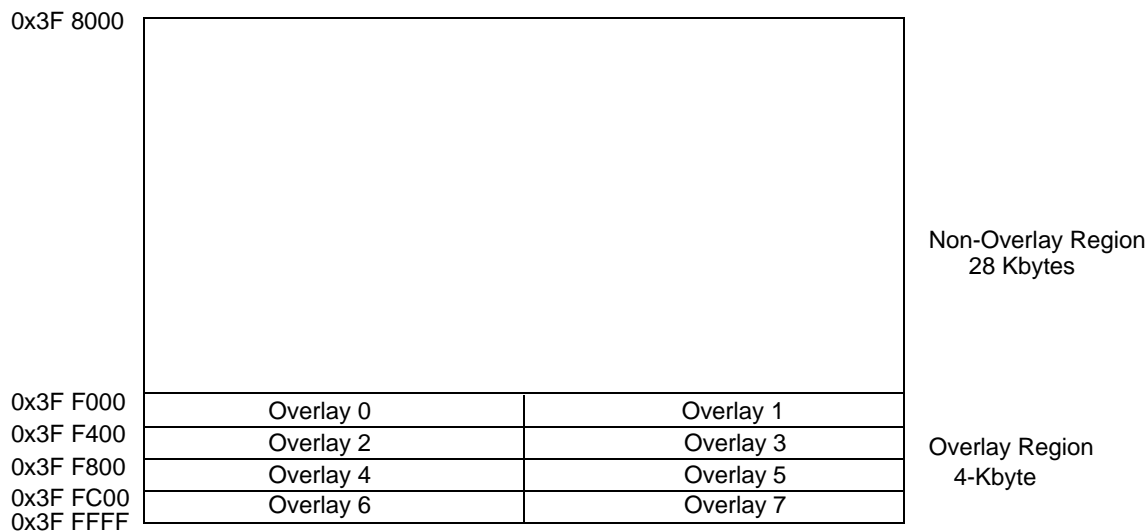
For a microcontroller used as a controller for an engine (or other electromechanical device), various parameters stored in the Flash memory may need to be changed in order to properly tune (calibrate) the engine. Because Flash memory may not be readily programmed during normal operation of an embedded controller, portions of the CALRAM array can be overlaid onto the U-bus Flash memory. By allowing the CALRAM module to overlay portions of Flash memory, parameters normally stored in the Flash may be tweaked and changed with a development tool both during normal operation and prior to programming a final, more precise version of the Flash memory.

The overlay is for read-only data and does not affect instruction fetches from the Flash. The data for any L-bus address which falls in the overlay region of the U-bus Flash will be driven by the CALRAM on the L-bus. The CALRAM also indicates to the L2U to block the data from the Flash to be driven onto the L-bus. As far as the RCPU core is concerned, the timing of data coming from the CALRAM appears to be the same as that from the Flash.

#### 21.4.6.1 Overlay Mode Configuration

Each CALRAM module contains eight overlay regions, each of which is 512 bytes long as shown in [Figure 21-4](#). All overlay regions of a module are contiguous and each starts at the least significant address of the region and can increment all the way up to 512 bytes as shown in [Figure 21-5](#). As described in [Section 21.5.2, “CALRAM Region Base Address Registers \(CRAM\\_RBAX\)”](#), CRAM\_RBAX registers allow the programming of the base addresses RBA[11:29] of the U-bus Flash regions and the RGN\_SIZE[0:4] to be overlaid. Note that each region can also be individually disabled by writing 0000 to

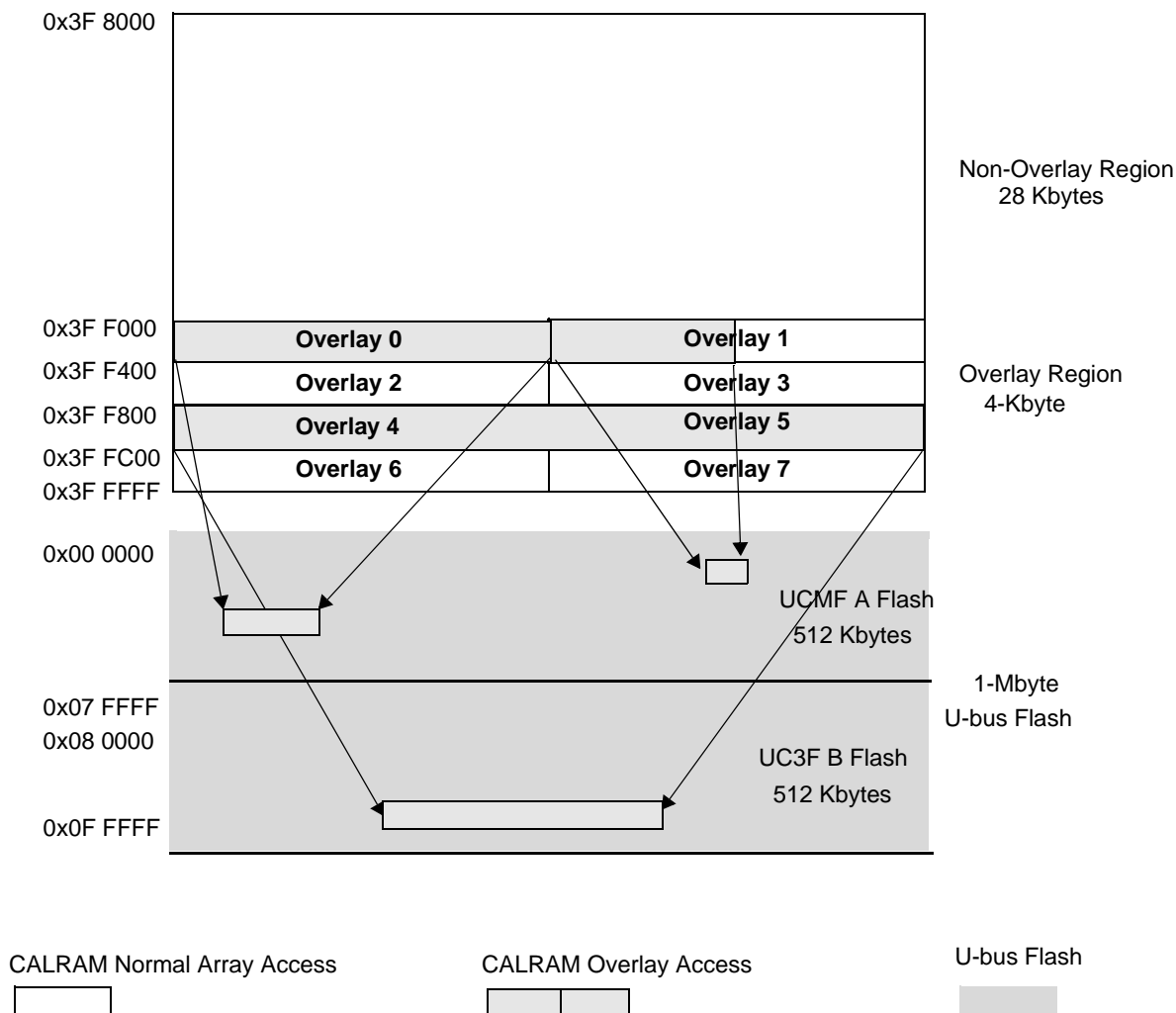
RGN\_SIZE[0:3]. If the programmed base address is not naturally aligned with respect to the RGN\_SIZE field, the least significant bits of the base address fields can be considered 0's in order to make the starting address naturally aligned. In an RBA register, RGN\_SIZE[0:3] = {0101} select the size to be 128 bytes, and even if CRAM\_RBAX [25:29] are not all 0's, they will be considered as 0's so that the address becomes 128-byte naturally aligned.



**Figure 21-4. CALRAM A Array**

When programming the CRAM\_RBAX registers, the CALRAM can be put in overlay mode by setting the OVL bit in the CALRAM overlay configuration register (CRAMOVLCR) as described in section [Section 21.5.3, “CALRAM Overlay Configuration Register \(CRAM\\_OVLCR\).”](#) For example, [Figure 21-5](#) shows that overlay regions 0, 4, and 5 have their entire region of 512 bytes mapped to regions in the Flash as specified by CRAM\_RBA0, CRAM\_RBA4, and CRAM\_RBA5. Overlay region 1 is partially mapped to a region in Flash as specified by the CRAM\_RBA1. If the region size of 256 bytes is selected for overlay region 1, for example, then the enabled portion of overlay region 1 will occupy address 0x3F F200 to 0x3F F2FF. The rest of overlay region 1 from 0x3F F300 to 0x3F F3FF is available for normal (non-overlay) array access. Overlay regions 2, 3, 6, and 7 are disabled for overlay and hence can be used, in their entirety, for normal (non-overlay) array accesses.

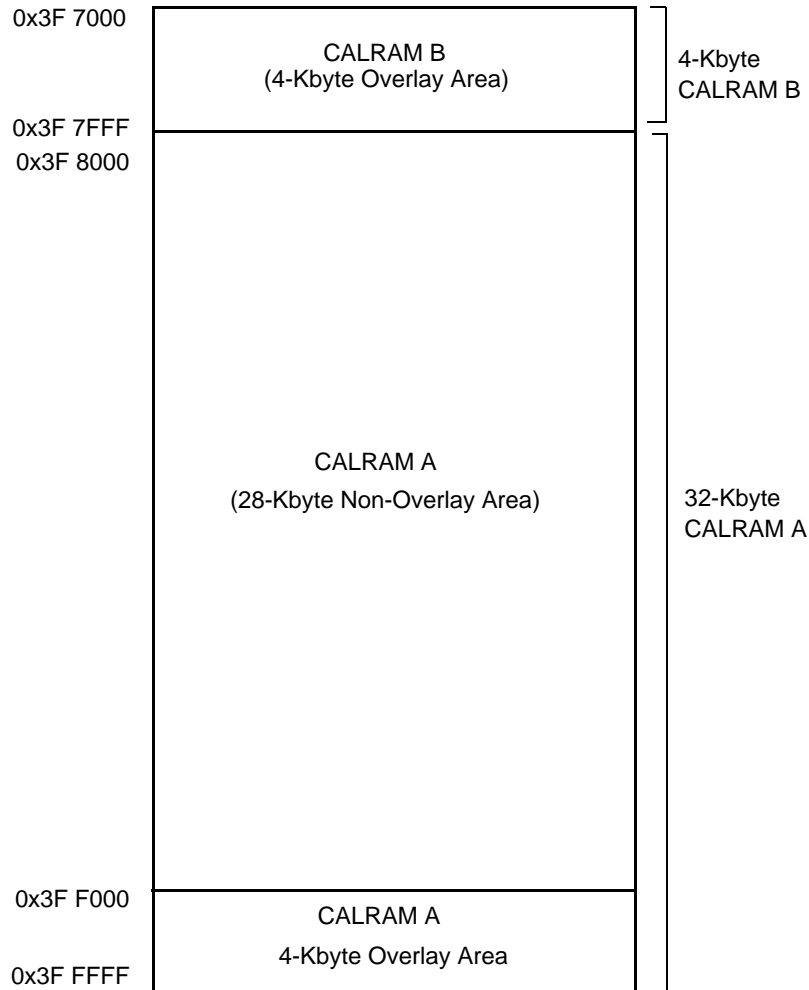
CALRAM Operation



**Figure 21-5. CALRAM A Module Overlay Map of Flash (CLPS = 0)**

Figure 21-6 illustrates the address spaces occupied by the two CALRAM modules available in MPC565.

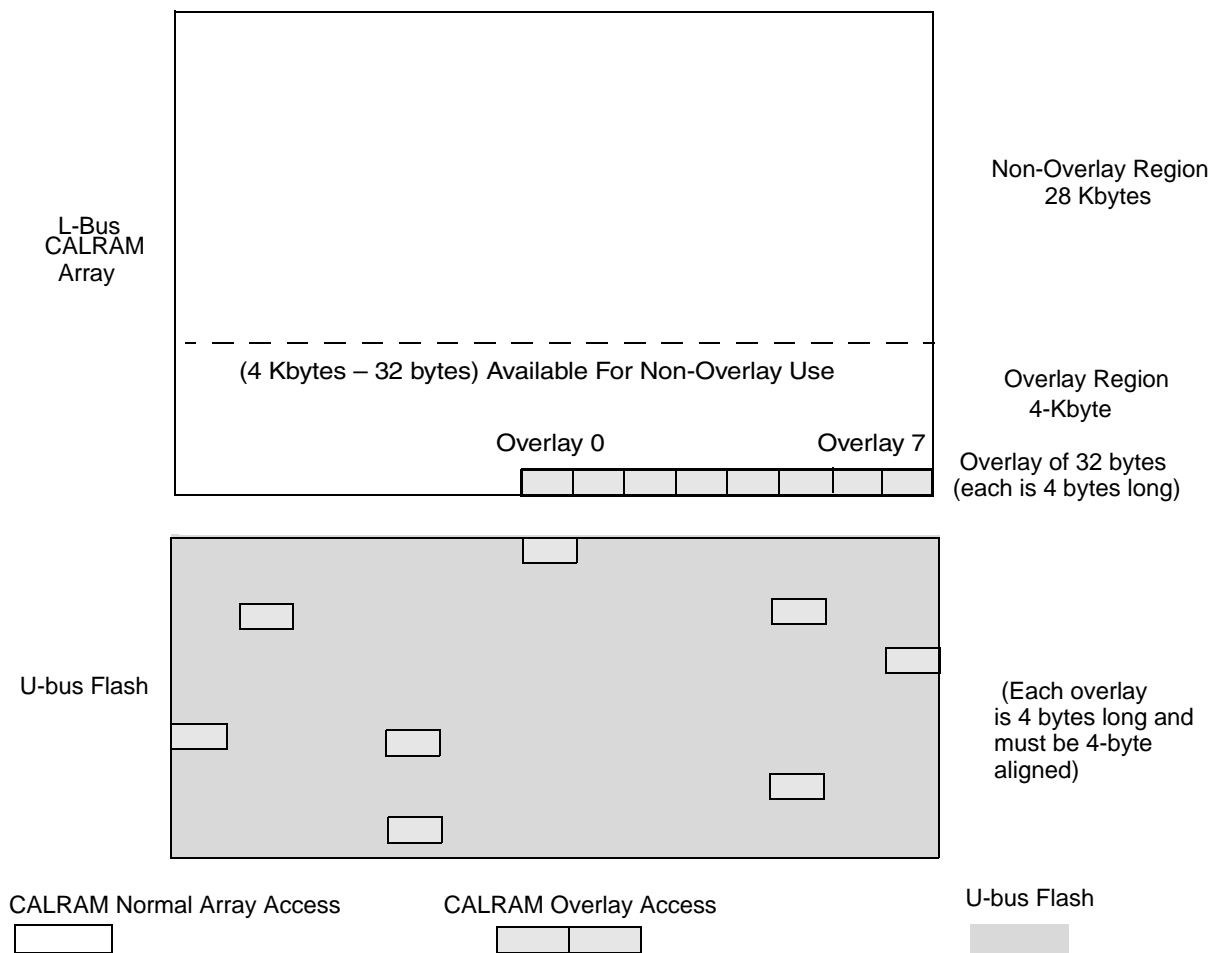




**Figure 21-6. CALRAM B and CALRAM A Address Map (When CLPS = 0)**

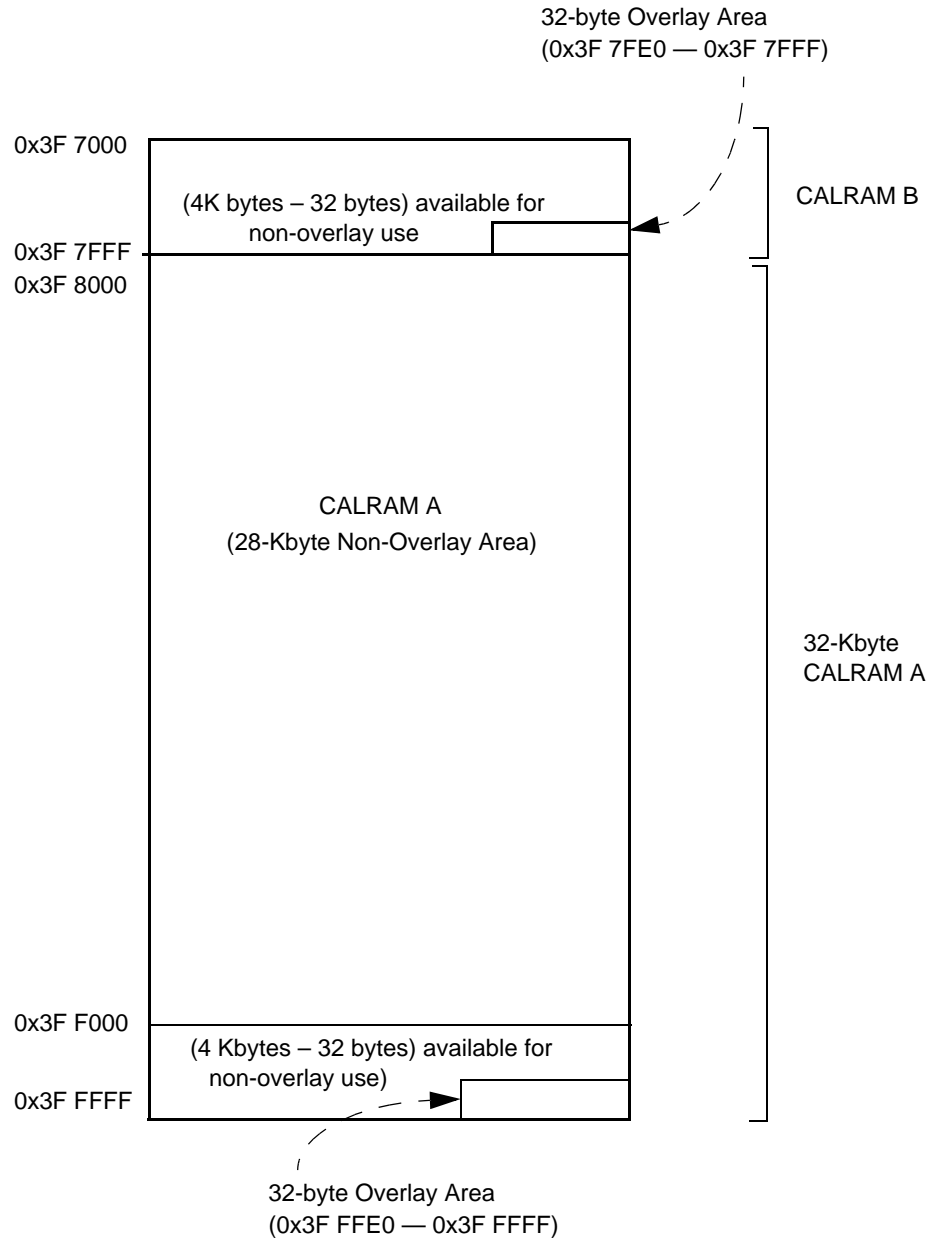
If the CLPS bit in OVLCR register is set, then each of the eight region sizes is forced to be 4 bytes long as shown in [Figure 21-7](#), regardless of the value programmed in the RGN\_SIZE field. These 32 bytes occupy contiguous address space in CALRAM A, for example, from 0x3F FFE0 to 0x3F FFFF. The remainder (4 Kbytes – 32 bytes) is not only available for normal array access but also contiguous with a 28-Kbyte non-overlay array.

CALRAM Operation



**Figure 21-7. CALRAM Module Overlay Map of Flash (CLPS = 1)**

Figure 21-8 shows the overlay regions when the CLPS bit is set for both CALRAM A and CALRAM B in MPC565.



**Figure 21-8. CALRAM B and CALRAM A Address Map (When CLPS = 1 for Both CALRAM A and CALRAM B)**

The values programmed in the RBAX registers are unaffected by reset. See [Section 21.5.2, “CALRAM Region Base Address Registers \(CRAM\\_RBAX\)”](#) for details. On reset, it is not necessary to reprogram the RBAX registers. In such cases, the calibration mode can be re-entered simply by setting the OVL bit.

### 21.4.6.2 Priority of Overlay Regions

When the address matches to more than one enabled portion of the overlay region, the effective region is the region with the highest priority. Priority is determined by the region number; the highest priority assigned to the lowest region number.

The highest priority is assigned to the one in lowest address space (highest address); region 0 of CALRAM A has the highest priority and region 7 of CALRAM B has the lowest priority as shown in [Table 21-1](#). Also, region 7 of CALRAM A has higher priority than region 0 of CALRAM B.

The benefit from this priority feature is that by storing the parameters in eight overlay regions, it overlays all eight regions onto the same 512-byte Flash region, and enables the overlay feature. Upon observing system performance with a set of parameters, the next set of parameters can be selected by simply disabling the highest priority region. This “observing and disabling the highest priority region” loop can continue until all regions are disabled. This allows moving from one set of parameters to another with minimal amount of reprogramming efforts. Sixteen sets of parameters can be run using this technique.

**Table 21-1. Priorities of Overlay Regions**

| Module/Region Number | Priority |
|----------------------|----------|
| CALRAM A/region 0    | Highest  |
| CALRAM A/region 1    | .        |
| CALRAM A/region 2    | .        |
| CALRAM A/region 3    | .        |
| CALRAM A/region 4    | .        |
| CALRAM A/region 5    | .        |
| CALRAM A/region 6    | .        |
| CALRAM A/region 7    | .        |
| CALRAM B/region 0    | .        |
| CALRAM B/region 1    | .        |
| CALRAM B/region 2    | .        |
| CALRAM B/region 3    | .        |
| CALRAM B/region 4    | .        |
| CALRAM B/region 5    | .        |
| CALRAM B/region 6    | .        |
| CALRAM B/region 7    | Lowest   |

### 21.4.6.3 Normal (Non-Overlay) Access to Overlay Regions

If overlay is enabled and CRAMOVLCR[DERR] is set, then any normal L-bus array access that falls within any of the eight enabled overlay regions generates a machine-check exception; otherwise the access

terminates normally without asserting data error. The L-bus write accesses cause the data to be written regardless of whether the DERR bit is set or not.

For example, if overlay region 1 is programmed such that it is enabled and its region size is 256 bytes, then any L-bus access to address in the range of 0x3F F200 – 0x3F F2FF generates machine check exception if the DERR bit is set in CRAMOVLCR register. The other portion of region 1 from 0x3F F300 to 0x3F F3FF can be used as normal (non-overlay) array.

### 21.4.6.4 Calibration Write Cycle Flow

Write accesses to the overlaid U-bus Flash regions are ignored completely by the CALRAM module.

## 21.5 Programming Model

The following section describes the CALRAM programmer’s model. The CALRAM has one register (CRAMMCR) for configuring the CALRAM array and one register dedicated to factory test. In addition, there are eight 32-bit region base address registers for calibration purposes and a 32-bit overlay configuration register. The region base address registers hold the base address for the Flash region and region size that need to be overlaid by the CALRAM. The overlay configuration register provides three bits (OVL, DERR, and CLSP) that are needed for overlay configuration. The CALRAM ownership trace register (CRAM\_OTR) is provided to support a separate module called a READI module. Access to all CALRAM registers requires the bus master to be in supervisor data mode. On a privilege violation, the register is not accessed and the access generates an error.

Table 21-2 shows the register address map for the MPC565.

**Table 21-2. CALRAM A and B Control Registers**

| Address   | Register         |
|-----------|------------------|
| CALRAM A  |                  |
| 0x38 0000 | CRAMMCR_A        |
| 0x38 0004 | for factory test |
| 0x38 0008 | CRAM_RBA0_A      |
| 0x38 000C | CRAM_RBA1_A      |
| 0x38 0010 | CRAM_RBA2_A      |
| 0x38 0014 | CRAM_RBA3_A      |
| 0x38 0018 | CRAM_RBA4_A      |
| 0x38 001C | CRAM_RBA5_A      |
| 0x38 0020 | CRAM_RBA6_A      |
| 0x38 0024 | CRAM_RBA7_A      |
| 0x38 0028 | CRAMOVLCR_A      |
| 0x38 002C | READI_OTR        |
| 0x38 0030 | Reserved         |

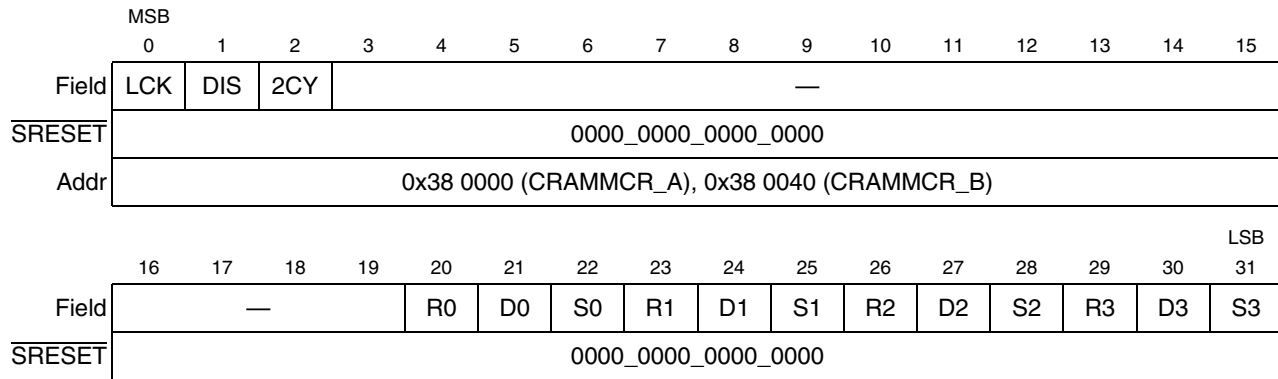
**Table 21-2. CALRAM A and B Control Registers (continued)**

| Address   | Register         |
|-----------|------------------|
| 0x38 0034 | Reserved         |
| 0x38 0038 | Reserved         |
| 0x38 003C | Reserved         |
| CALRAM B  |                  |
| 0x38 0040 | CRAMMCR_B        |
| 0x38 0044 | for factory test |
| 0x38 0048 | CRAM_RBA0_B      |
| 0x38 004C | CRAM_RBA1_B      |
| 0x38 0050 | CRAM_RBA2_B      |
| 0x38 0054 | CRAM_RBA3_B      |
| 0x38 0058 | CRAM_RBA4_B      |
| 0x38 005C | CRAM_RBA5_B      |
| 0x38 0060 | CRAM_RBA6_B      |
| 0x38 0064 | CRAM_RBA7_B      |
| 0x38 0068 | CRAMOVLCR_B      |
| 0x38 006C | CRAMOTR_B        |
| 0x38 0070 | Reserved         |
| 0x38 0074 | Reserved         |
| 0x38 0078 | Reserved         |
| 0x38 007C | Reserved         |

Any unimplemented bits in CALRAM registers return 0's on a read and writes to these bits are ignored.

### 21.5.1 CALRAM Module Configuration Register (CRAMMCR)

The module configuration register (CRAMMCR) contains bits that allow the CALRAM to be configured for normal RAM accesses.



**Figure 21-9. CALRAM Module Configuration Register (CRAMMCR)**

A brief description of each bit is provided in [Table 21-3](#)

**Table 21-3. CRAMMCR Bit Descriptions**

| Bits | Name | Description  |
|------|------|--|
| 0    | LCK  | Write protection — This bit is designed to lock out writes to the CRAMMCR. While LCK = 0 the register can be written repeatedly without restriction.<br>If LCK = 1, the register does not accept writes (i.e., the value of the register remains unchanged, but the cycle terminates normally.)<br>In normal mode, this bit can only be set once and can only be cleared by reset.<br>0 writes to the CRAMMCR are unrestricted<br>1 writes to the CRAMMCR are ignored<br>In freeze mode, only the LCK bit may be written to zero if it was previously set.   |
| 1    | DIS  | Array disable — When set, this bit disables the CALRAM array.<br>In this mode, all reads and writes to the CALRAM array are ignored and a bus error is generated. The CALRAM responds to register access while DIS = 1.<br>This is a low power mode for the module, since all internal functions will be disabled.<br>The module can be re-enabled by writing the DIS bit back to a zero. Reset will also re-enable the module.<br>0 CALRAM module array access is enabled<br>1 CALRAM module array access is disabled   |
| 2    | 2CY  | Two cycle mode — When set, this bit puts the CALRAM into a two cycle access mode operation for CALRAM register accesses as well as array accesses.<br>This mode provides power savings by using the first cycle to decode any L-bus access for an address match to where the array resides.<br>0 CALRAM module in one-cycle operation<br>1 CALRAM module in two-cycle operation  |
| 3:19 | —    | Reserved   |
| 20   | R0   | Read-only/read-write privilege — If the data relocate (DR) bit is set in Machine Status Register (MSR in RCPUI) and R0 is also set, then write accesses are terminated with an error. If DR bit is 0, both reads and writes to the array block is allowed regardless of the value programmed in R0. This bit controls the highest 8-Kbyte block (lowest address) of CALRAM in the associated array. Likewise, R1, R2, and R3 control three other 8-Kbyte blocks in the same manner. See <a href="#">Table 21-4</a> for control bit address ranges.<br>R0 = 0 and DR = 0 readable and writable (array 8-Kbyte block)<br>R0 = 0 and DR = 1 readable and writable (array 8-Kbyte block)<br>R0 = 1 and DR = 0 readable and writable (array 8-Kbyte block)<br>R0 = 1 and DR = 1 read only (array 8-Kbyte block) |

**Table 21-3. CRAMMCR Bit Descriptions (continued)**

| Bits | Name | Description  |
|------|------|--|
| 21   | D0   | <p>Data-only/data-instruction privilege (Data type assignment) — If the data relocate (DR) bit is set in Machine Status Register (MSR) and D0 is also set, then any access attempting to fetch an instruction from the array block generates an error. If DR bit is 0, both data read and instruction fetch from the array block is allowed, regardless of the value programmed in D0.</p> <p>This bit controls the highest 8-Kbyte block (lowest address) of CALRAM in the associated array. Likewise, D1, D2, and D3 control three other 8-Kbyte blocks in the same manner. See <a href="#">Table 21-4</a> for control bit address ranges.</p> <p>D0 = 0 and DR = 0 data and/or Instruction (array 8-Kbyte block)<br/>           D0 = 0 and DR = 1 data and/or Instruction (array 8-Kbyte block)<br/>           D0 = 1 and DR = 0 data and/or Instruction (array 8-Kbyte block)<br/>           D0 = 1 and DR = 1 data only (array 8-Kbyte block)</p>   |
| 22   | S0   | <p>Supervisor-only/supervisor-user privilege (Space assignment) — If the data relocate (DR) bit is set in Machine Status Register (MSR) and S0 is also set, then any access to the array block by a user program generates an error. If DR bit is 0, both user and supervisor program can access the array block, regardless of the value programmed in S0. The CALRAM array may be placed in supervisor or unrestricted space.</p> <p>This bit controls the highest 8-Kbyte block (lowest address) of CALRAM in the associated array. Likewise, S1, S2, and S3 control other three blocks in the same manner. See <a href="#">Table 21-4</a> for control bit address ranges.</p> <p>S0 = 0 and DR = 0 both user and supervisor access allowed (array 8-Kbyte block)<br/>           S0 = 0 and DR = 1 both user and supervisor access allowed (array 8-Kbyte block)<br/>           S0 = 1 and DR = 0 both user and supervisor access allowed (array 8-Kbyte block)<br/>           S0 = 1 and DR = 1 only supervisor access allowed (array 8-Kbyte block)</p> |
| 23   | R1   | Same as R0 except for address ranges shown on <a href="#">Table 21-4</a> . <sup>1</sup>  |
| 24   | D1   | Same as D0 except for address ranges shown on <a href="#">Table 21-4</a> . <sup>1</sup>  |
| 25   | S1   | Same as S0 except for address ranges shown on <a href="#">Table 21-4</a> . <sup>1</sup>  |
| 26   | R2   | Same as R0 except for address ranges shown on <a href="#">Table 21-4</a> . <sup>1</sup>  |
| 27   | D2   | Same as D0 except for address ranges shown on <a href="#">Table 21-4</a> . <sup>1</sup>  |
| 28   | S2   | Same as S0 except for address ranges shown on <a href="#">Table 21-4</a> . <sup>1</sup>  |
| 29   | R3   | Same as R0 except for address ranges shown on <a href="#">Table 21-4</a> .   |
| 30   | D3   | Same as D0 except for address ranges shown on <a href="#">Table 21-4</a> .   |
| 31   | S3   | Same as S0 except for address ranges shown on <a href="#">Table 21-4</a> .   |

<sup>1</sup> This bit has no effect in CRAMMCR B.

**Table 21-4. CRAMMCR Privilege Bit Assignment for 8-Kbyte Array Blocks**

| Bit Selection  | Address Block (Relative)  |
|----------------|---------------------------|
| R0, D0, and S0 | 0xXXXX 0000 – 0xXXXX 1FFF |
| R1, D1, and S1 | 0xXXXX 2000 – 0xXXXX 3FFF |
| R2, D2, and S2 | 0xXXXX 4000 – 0xXXXX 5FFF |
| R3, D3, and S3 | 0xXXXX 6000 – 0xXXXX 7FFF |



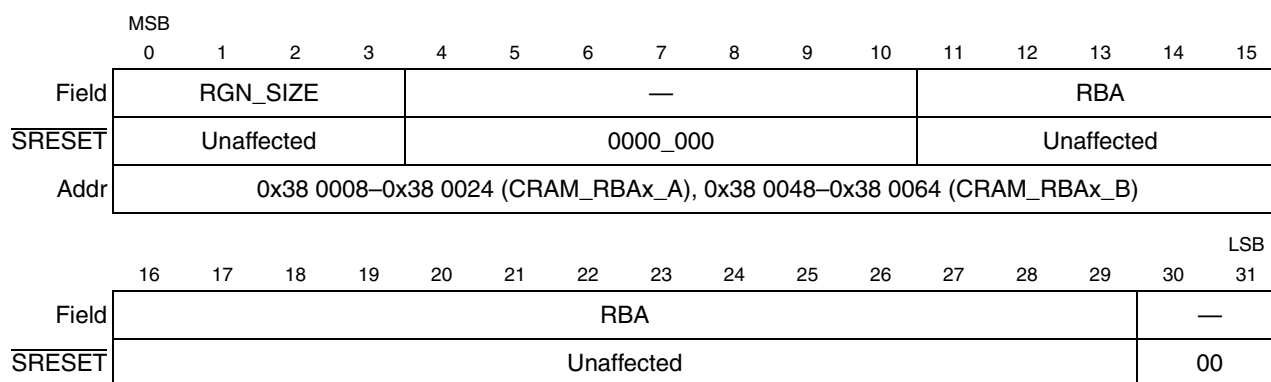
Because only a 4-Kbyte array is implemented in CALRAM B module in the MPC565, note that R3, D3, and S3 provide the privilege bits for the array from 0x3F 7000 to 0x3F 7FFF.

## 21.5.2 CALRAM Region Base Address Registers (CRAM\_RBx)

The region base address register defines the base address of a region on the U-bus Flash memory space that will be overlaid by a portion of the CALRAM memory space and the region size. Because eight such regions in the Flash can be overlaid by the CALRAM, eight such registers (x = 0, 1, 2, 7) are provided.

The CRAM\_RBx[11:29] provides the base address (starting address) of the U-bus Flash region to be overlaid and the CRAM\_RBx[0:3] provides size corresponding to the region. See [Table 21-6](#) for details. The RGN\_SIZE[0] is reserved and should never be programmed to a one, because the MPC565 has only 1 Mbyte of Flash, and CRAM\_RBx[11] should never be programmed to a one. Also, note that if CRAM\_OVLCR[CLPS] is set, each of the eight sizes are forced to be four bytes, regardless of the value programmed in the RGN\_SIZE[0:3] field. See [Section 21.5.3, “CALRAM Overlay Configuration Register \(CRAM\\_OVLCR\)”](#) for details.

The implemented bits of CRAM\_RBx bits are unaffected by reset (hard reset). The diagram below shows one such register, CRAM\_RBA0, which provides the base address of overlay region 0.



**Figure 21-10. CALRAM Region Base Address Register (CRAM\_RBx)**

**Table 21-5. CRAM\_RBx Bit Descriptions**

| Bits  | Name     | Description   |
|-------|----------|---|
| 0:3   | RGN_SIZE | These bits define the size of the overlay region. See <a href="#">Table 21-6</a> for sizes.     |
| 4:10  | —        | Reserved  |
| 11:29 | RBA      | The region base address defines the starting address of the memory to be overlaid. <sup>1</sup> |
| 30:31 | —        | Reserved  |

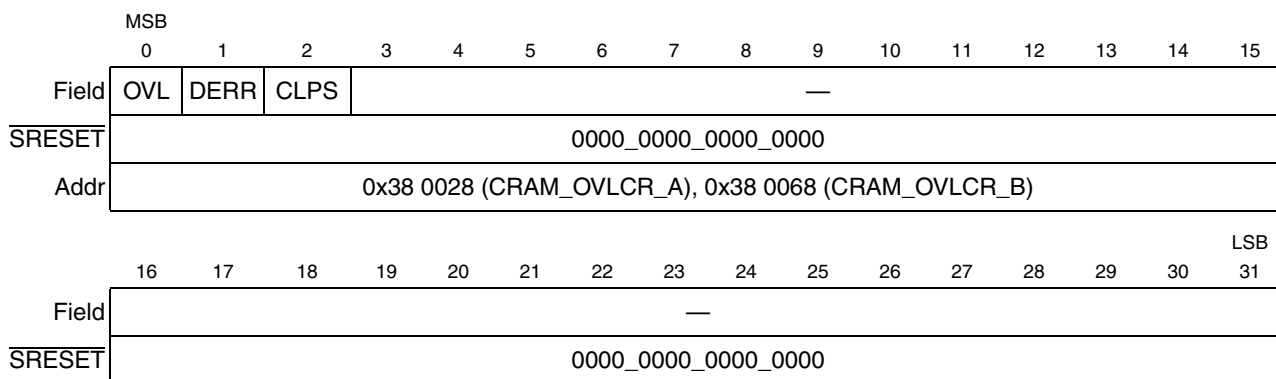
<sup>1</sup> The overlay match address will include ISB in its comparison. The overlay can only be in the range of the ISB internal space.

**Table 21-6. RGN\_SIZE Encoding**

| RGN_SIZE | Number of Overlay Bytes    |
|----------|----------------------------|
| 0000     | Overlay block disabled     |
| 0001     | Overlay block is 4 bytes   |
| 0010     | Overlay block is 16 bytes  |
| 0011     | Overlay block is 32 bytes  |
| 0100     | Overlay block is 64 bytes  |
| 0101     | Overlay block is 128 bytes |
| 0110     | Overlay block is 256 bytes |
| 0111     | Overlay block is 512 bytes |
| 1xxx     | Reserved                   |

**Note:** The overlay size of 8 bytes cannot be selected

### 21.5.3 CALRAM Overlay Configuration Register (CRAM\_OVLCR)



**Figure 21-11. CALRAM Overlay Configuration Register (CRAM\_OVLCR)**

**Table 21-7. CRAMOVLCR Bit Descriptions**

| Bits | Name | Description  |
|------|------|--|
| 0    | OVL  | Overlay enable — When set, the CALRAM overlay mode operation is enabled. In this mode CALRAM allows eight programmable sections (four to 512 bytes) of the on-chip U-bus Flash memory module to be overlaid by sections of the CALRAM.<br>0 CALRAM module overlay is disabled<br>1 CALRAM module overlay is enabled                        |
| 1    | DERR | Data error<br>0 CALRAM module will not generate machine check exception due to normal L-bus array access to the enabled portion of overlay region even if overlay is enabled<br>1 CALRAM module will generate machine check exception due to normal L-bus array access to the enabled portion of overlay region even if overlay is enabled |

**Table 21-7. CRAMOVLCR Bit Descriptions (continued)**

| Bits | Name | Description  |
|------|------|--|
| 2    | CLPS | Collapse the total overlay region from 4 Kbytes to 32 bytes; that is, the size is forced to be four bytes for each for the eight regions regardless of the values programmed in CRAM_RBAX[0:3]; these bits are also referred to as RGN_SIZE[0:3].<br>0 Overlay region of four Kbytes; region size as specified by CRAM_RBAX[0:3].<br>1 Overlay region of 32 bytes; each region size is four bytes long regardless of the values in CRAM_RBAX[0:3]. |
| 3:31 | —    | Reserved   |

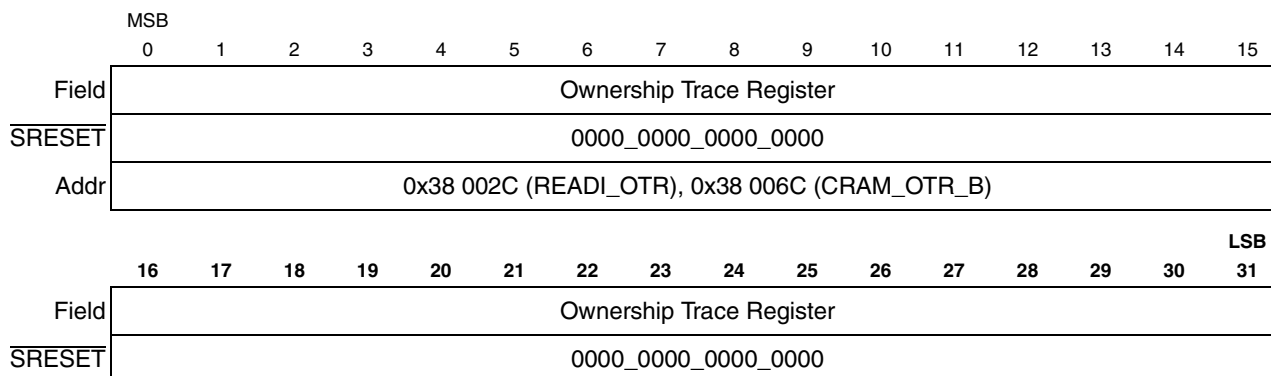
### 21.5.4 CALRAM Ownership Trace Register (CRAM\_OTR)

This register is provided to support a separate module called READI. Refer to [Chapter 23, “READI Module.”](#)

The reads from this register will return 0’s.

**NOTE**

CRAM\_OTR A is also defined as READI\_OTR. See [Section 23.6.1.1, “User-Mapped Register \(OTR\).”](#) CRAM\_OTR B is not used on the MPC565.



**Figure 21-12. CALRAM Ownership Trace Register (CRAM\_OTR)**



## Chapter 22

# Development Support

The visibility and controllability requirements of emulators and bus analyzers are in opposition to the trend of modern microcomputers and microprocessors where many bus cycles are directed to internal resources and are not visible externally.

In order to enhance the development tool visibility and controllability, some of the development support functions are implemented in silicon. These functions include program flow tracking, internal watchpoint, breakpoint generation, and emulation while in debug mode.

This section covers program flow tracking support, breakpoint/watchpoint support, development system interface support (debug mode) and software monitor debugger support. These features allow efficiency in debugging systems based on the MPC565.

### 22.1 Program Flow Tracking

The mechanism described in this section allows tracking of program instruction flow with almost no performance degradation. The information provided may be compressed and captured externally and then parsed by a post-processing program using the microarchitecture defined below.

The program instructions flow is visible on the external bus when the MPC565 is programmed to operate in serial mode and show all fetch cycles on the external bus. This mode is selected by programming the ISCT\_SER (instruction fetch show cycle control) field in the I-bus support control register (ICTRL), as shown in [Table 22-26](#). In this mode, the processor is fetch serialized, and all internal fetch cycles appear on the external bus. Processor performance is, therefore, much lower than when working in regular mode.

These features, together with the fact that most fetch cycles are performed internally (e.g., from the I-cache), increase performance but make it very difficult to provide the real program trace.

In order to reconstruct a program trace, the program code and the following additional information from the MCU are needed:

- A description of the last fetched instruction (stall, sequential, branch not taken, branch direct taken, branch indirect taken, exception taken)
- The addresses of the targets of all indirect flow change. Indirect flow changes include all branches using the link and count registers as the target address, all exceptions, and rfi, mtmsr and mtspr (to some registers) because they may cause a context switch.
- The number of instructions canceled each clock

Instructions are fetched sequentially until branches (direct or indirect) or exceptions appear in the program flow or some stall in execution causes the machine not to fetch the next address. Instructions may be architecturally executed, or they may be canceled in some stage of the machine pipeline.

The following sections define how this information is generated and how it should be used to reconstruct the program trace. The issue of data compression that could reduce the amount of memory needed by the debug system is also mentioned.

## 22.1.1 Program Trace Cycle

To allow visibility of the events happening in the machine a few dedicated pins are used and a special bus cycle attribute, program trace cycle, is defined.

The program trace cycle attribute is attached to all fetch cycles resulting from indirect flow changes. When program trace recording is needed, make sure these cycles are visible on the external bus.

The VSYNC indication, when asserted, forces all fetch cycles marked with the program trace cycle attribute to be visible on the external bus even if their data is found in one of the internal devices. To enable the external hardware to properly synchronize with the internal activity of the CPU, the assertion and negation of VSYNC forces the machine to synchronize. The first fetch after this synchronization is marked as a program trace cycle and is visible on the external bus. For more information on the activity of the external hardware during program trace refer to [Section 22.1.4, “External Hardware.”](#)

In order to keep the pin count of the chip as low as possible, VSYNC is not implemented as one of the chip’s external pins. It is asserted and negated using the serial interface implemented in the development port. For more information on this interface refer to [Section 22.4, “Development Port.”](#)

Forcing the CPU to show all fetch cycles marked with the program trace cycle attribute can be done either by asserting the VSYNC pin (as mentioned above) or by programming the fetch show cycle bits in the instruction support control register, ICTRL. For more information refer to [Section 22.1.5, “Instruction Fetch Show Cycle Control.”](#)

When the VSYNC indication is asserted, all fetch cycles marked with the program trace cycle attribute are made visible on the external bus. These cycles can generate regular bus cycles (address phase and data phase) when the instructions reside only in one of the external devices. Or, they can generate address-only cycles when the instructions reside in one of the internal devices (internal memory, etc.).

When VSYNC is asserted, some performance degradation is expected due to the additional external bus cycles. However, since this performance degradation is expected to be very small, it is possible to program the machine to show all indirect flow changes. In this way, the machine will always perform the additional external bus cycles and maintain exactly the same behavior both when VSYNC is asserted and when it is negated. For more information refer to [Section 22.6.10, “L-Bus Support Control Register 2.”](#)

The status pins are divided into two groups and one special case listed in the following sections.

### 22.1.1.1 Instruction Queue Status Pins — VF [0:2]

Instruction queue status pins denote the type of the last fetched instruction or how many instructions were flushed from the instruction queue. These status pins are used for both functions because queue flushes only happen in clocks that there is no fetch type information to be reported.

Possible instruction types are defined in [Table 22-1](#).

**Table 22-1. VF Pins Instruction Encodings**

| VF[0:2] | Instruction Type   | VF Next Clock Will Hold              |
|---------|--|--------------------------------------|
| 000     | None   | More instruction type information    |
| 001     | Sequential   | More instruction type information    |
| 010     | Branch (direct or indirect) not taken  | More instruction type information    |
| 011     | VSYNC was asserted/negated and therefore the next instruction will be marked with the indirect change-of-flow attribute  | More instruction type information    |
| 100     | Exception taken — the target will be marked with the indirect change-of-flow attribute   | Queue flush information <sup>1</sup> |
| 101     | Branch indirect taken, rfi, mtmsr, isync and in some cases mtspr to CMPA-F, ICTRL, ECR, or DER — the target will be marked with the indirect change-of-flow attribute <sup>2</sup> | Queue flush information <sup>1</sup> |
| 110     | Branch direct taken  | Queue flush information <sup>1</sup> |
| 111     | Branch (direct or indirect) not taken  | Queue flush information <sup>1</sup> |

<sup>1</sup> Unless next clock VF=111. See below.

<sup>2</sup> The sequential instructions listed here affect the machine in a manner similar to indirect branch instructions. Refer to [Section 22.1.3, “Sequential Instructions Marked as Indirect Branch.”](#)

[Table 22-2](#) shows VF[0:2] encodings for instruction queue flush information.

**Table 22-2. VF Pins Queue Flush Encodings**

| VF[0:2] | Queue Flush Information                       |
|---------|---|
| 000     | 0 instructions flushed from instruction queue |
| 001     | 1 instruction flushed from instruction queue  |
| 010     | 2 instructions flushed from instruction queue |
| 011     | 3 instructions flushed from instruction queue |
| 100     | 4 instructions flushed from instruction queue |
| 101     | 5 instructions flushed from instruction queue |
| 110     | Reserved                                      |
| 111     | Instruction type information <sup>1</sup>     |

<sup>1</sup> Refer to [Table 22-1](#).

### 22.1.1.2 History Buffer Flushes Status Pins— VFLS [0:1]

The history buffer flushes status pins denote how many instructions are flushed from the history buffer this clock due to an exception. [Table 22-3](#) shows VFLS encodings.

**Table 22-3. VFLS Pin Encodings**

| VFLS[0:1] | History Buffer Flush Information   |
|-----------|--|
| 00        | 0 instructions flushed from history queue  |
| 01        | 1 instruction flushed from history queue   |
| 10        | 2 instructions flushed from history queue  |
| 11        | Used for debug mode indication (FREEZE). Program trace external hardware should ignore this setting. |

### 22.1.1.3 Queue Flush Information Special Case

There is one special case when although queue flush information is expected on the VF pins, (according to the last value on the VF pins), regular instruction type information is reported. The only instruction type information that can appear in this case is VF = 111, branch (direct or indirect) NOT taken. Since the maximum queue flushes possible is five, it is easy to identify this special case.

### 22.1.2 Program Trace when in Debug Mode

When entering debug mode an interrupt/exception taken is reported on the VF pins, (VF = 100) and a cycle marked with the program trace cycle is made visible externally.

When the CPU is in debug mode, the VF pins equal '000' and the VFLS pins equal '11'. For more information on debug mode refer to [Section 22.3, "Development System Interface."](#)

If VSYNC is asserted/negated while the CPU is in debug mode, this information is reported as the first VF pins report when the CPU returns to regular mode. If VSYNC was not changed while in debug mode. the first VF pins report will be of an indirect branch taken (VF = 101), suitable for the rfi instruction that is being issued. In both cases the first instruction fetch after debug mode is marked with the program trace cycle attribute and therefore is visible externally.

### 22.1.3 Sequential Instructions Marked as Indirect Branch

There are cases when non-branch (sequential) instructions may effect the machine in a manner similar to indirect branch instructions. These instructions include rfi, mtmsr, isync and mtspr to CMPA-F, ICTRL, ECR and DER.

These instructions are marked by the CPU as indirect branch instructions (VF = 101) and the following instruction address is marked with the same program trace cycle attribute as if it were an indirect branch target. Therefore, when one of these special instructions is detected in the CPU, the address of the following instruction is visible externally. In this way the reconstructing software is able to evaluate correctly the effect of these instructions.

### 22.1.4 External Hardware

When program trace is needed, the external hardware needs to sample the status pins (VF and VFLS) each clock cycle and the address of all cycles marked with the program trace cycle attribute.



Program trace can be used in various ways. Below are two examples of how program trace can be used:

- **Back trace** — Back trace is useful when a record of the program trace before some event occurred is needed. An example of such an event is some system failure.  
In case back trace is needed the external hardware should start sampling the status pins (VF and VFLS) and the address of all cycles marked with the program trace cycle attribute immediately when reset is negated. If show cycles is programmed out of reset to show all, all cycles marked with program trace cycle attribute are visible on the external bus. VSYNC should be asserted sometime after reset and negated when the programmed event occurs. If no show is programmed for show cycles, make sure VSYNC is asserted before the Instruction show cycles programming is changed from show all.  
Note that in case the timing of the programmed event is unknown it is possible to use cyclic buffers. After VSYNC is negated the trace buffer will contain the program flow trace of the program executed before the programmed event occurred.
- **Window trace** — Window trace is useful when a record of the program trace between two events is needed. In case window trace is needed the VSYNC pin should be asserted between these two events.  
After the VSYNC pin is negated the trace buffer will contain information describing the program trace of the program executed between the two events.

#### 22.1.4.1 Synchronizing the Trace Window to the CPU Internal Events

The assertion/negation of VSYNC is done using the serial interface implemented in the development port. In order to synchronize the assertion/negation of VSYNC to an internal event of the CPU, it is possible to use the internal breakpoints together with debug mode. This method is available only when debug mode is enabled. For more information on debug mode refer to [Section 22.3, “Development System Interface.”](#)

The following is an example of steps that enable synchronization of the trace window to the CPU internal events:

1. Enter debug mode, either immediately out of reset or using the debug mode request
2. Program the hardware to break on the event that marks the start of the trace window using the control registers defined in [Section 22.2, “Watchpoints and Breakpoints Support”](#)
3. Enable debug mode entry for the programmed breakpoint in the debug enable register (DER). See [Section 22.6.13, “Development Port Data Register \(DPDR\)”](#)
4. Return to the regular code run (see [Section 22.3.1.6, “Exiting Debug Mode”](#))
5. The hardware generates a breakpoint when the programmed event is detected and the machine enters debug mode (see [Section 22.3.1.2, “Entering Debug Mode”](#))
6. Program the hardware to break on the event that marks the end of the trace window
7. Assert VSYNC
8. Return to the regular code run. The first report on the VF pins is a VSYNC (VF = 011).
9. The external hardware starts sampling the program trace information upon the report on the VF pins of VSYNC
10. The hardware generates a breakpoint when the programmed event is detected and the machine enters debug mode

11. Negate VSYNC
12. Return to the regular code run (issue an rfi). The first report on the VF pins is a VSYNC (VF = 011)
13. The external hardware stops sampling the program trace information upon the report on the VF pins of VSYNC

### 22.1.4.2 Detecting the Trace Window Start Address

When using back trace, latching the value of the status pins (VF and VFLS), and the address of the cycles marked as program trace cycle, should start immediately after the negation of reset. The start address is the first address in the program trace cycle buffer.

When using window trace, latching the value of the status pins (VF and VFLS), and the address of the cycles marked as program trace cycle, should start immediately after the first VSYNC is reported on the VF pins. The start address of the trace window should be calculated according to first two VF pins reports.

Assuming that VF1 and VF2 are the two first VF pins reports and T1 and T2 are the two addresses of the first two cycles marked with the program trace cycle attribute that were latched in the trace buffer, use the following table to calculate the trace window start address.

**Table 22-4. Detecting the Trace Buffer Start Point**

| VF1          | VF2                          | Starting point              | Description  |
|--------------|------------------------------|-----------------------------|--|
| 011<br>VSYNC | 001<br>sequential            | T1                          | VSYNC asserted followed by a sequential instruction. The start address is T1                               |
| 011<br>VSYNC | 110<br>branch direct taken   | T1 - 4 +<br>offset (T1 - 4) | VSYNC asserted followed by a taken direct branch. The start address is the target of the direct branch     |
| 011<br>VSYNC | 101<br>branch indirect taken | T2                          | VSYNC asserted followed by a taken indirect branch. The start address is the target of the indirect branch |

### 22.1.4.3 Detecting the Assertion/Negation of VSYNC

Since the VF pins are used for reporting both instruction type information and queue flush information, the external hardware must take special care when trying to detect the assertion/negation of VSYNC. When VF = 011 it is a VSYNC assertion/negation report only if the previous VF pins value was one of the following values: 000, 001, or 010.

### 22.1.4.4 Detecting the Trace Window End Address

The information on the status pins that describes the last fetched instruction and the last queue/history buffer flushes, changes every clock. Cycles marked as program trace cycle are generated on the external bus only when possible (when the SIU wins the arbitration over the external bus). Therefore, there is some delay between the information reported on the status pins that a cycle marked as program trace cycle will be performed on the external bus and the actual time that this cycle can be detected on the external bus.

When VSYNC is negated (through the serial interface of the development port), the CPU delays the report of the of the assertion/negation of VSYNC on the VF pins (VF = 011) until all addresses marked with the program trace cycle attribute were visible externally. Therefore, the external hardware should stop

sampling the value of the status pins (VF and VFLS), and the address of the cycles marked as program trace cycle immediately after the VSYNC report on the VF pins.

The last two instructions reported on the VF pins are not always valid. Therefore at the last stage of the reconstruction software, the last two instructions should be ignored.

#### 22.1.4.5 Compress

In order to store all the information generated on the pins during program trace (five bits per clock + 30 bits per show cycle) a large memory buffer may be needed. However, since this information includes events that were canceled, compression can be very effective. External hardware can be added to eliminate all canceled instructions and report only on branches (taken and not taken), indirect flow change, and the number of sequential instructions after the last flow change.

### 22.1.5 Instruction Fetch Show Cycle Control

Instruction fetch show cycles are controlled by the bits in the ICTRL and the state of VSYNC. The following table defines the level of fetch show cycles generated by the CPU. For information on the fetch show cycles control bits refer to [Table 22-5](#).

**Table 22-5. Fetch Show Cycles Control**

| VSYNC | ICTL<br>Instruction Fetch Show Cycle<br>Control Bits | Show Cycles Generated                  |
|-------|--|--|
| X     | 00   | All fetch cycles                       |
| X     | 01   | All change of flow (direct & indirect) |
| X     | 10   | All indirect change of flow            |
| 0     | 11   | No show cycles are performed           |
| 1     | 11   | All indirect change of flow            |

#### NOTE

A cycle marked with the program trace cycle attribute is generated for any change in the VSYNC state (assertion or negation).

## 22.2 Watchpoints and Breakpoints Support

Watchpoints, when detected, are reported to the external world on dedicated pins but do not change the timing and the flow of the machine. Breakpoints, when detected, force the machine to branch to the appropriate exception handler. The RCPU supports internal watchpoints, internal breakpoints, and external breakpoints.

Internal watchpoints are generated when a user programmable set of conditions are met. Internal breakpoints can be programmed to be generated either as an immediate result of the assertion of one of the internal watchpoints, or after an internal watchpoint is asserted for a user programmable times. Programming a certain internal watchpoint to generate an internal breakpoint can be done either in

software, by setting the corresponding software trap enable bit, or on the fly using the serial interface implemented in the development port to set the corresponding development port trap enable bit.

In the RCPU, as in other RISC processors, saving/restoring machine state on the stack during exception handling, is done mostly in software. When the software is in the middle of saving/restoring machine state, MSR[RI] is cleared. Exceptions that occur and that are handled by the RCPU when MSR[RI] is clear result in a non-restartable machine state. For more information refer to [Section 3.13.4, “Exceptions.”](#)

In general, breakpoints are recognized in the RCPU only when MSR[RI] is set, which guarantees machine restartability after a breakpoint. In this working mode breakpoints are said to be masked. There are cases when it is desired to enable breakpoints even when MSR[RI] is clear, with the possible risk of causing a non-restartable machine state. Therefore internal breakpoints have also a programmable non-masked mode, and an external development system can also choose to assert a non-maskable external breakpoint.

Watchpoints are not masked and therefore always reported on the external pins, regardless of the value of MSR[RI]. The counters, although counting watchpoints, are part of the internal breakpoints logic and therefore are not decremented when the RCPU is operating in the masked mode and MSR[RI] is clear.

Figure 22-1 shows the watchpoint and breakpoint support of the RCPU.

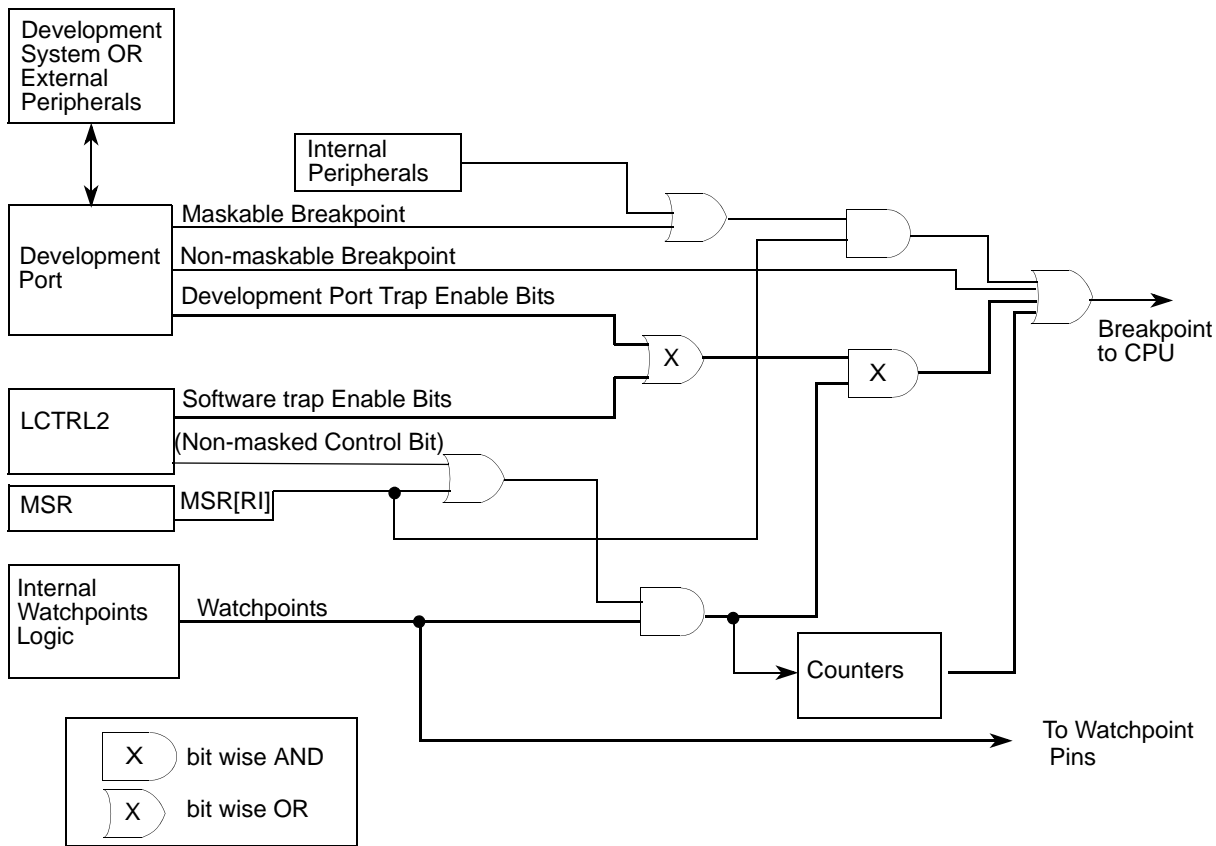


Figure 22-1. Watchpoint and Breakpoint Support in the CPU

## 22.2.1 Internal Watchpoints and Breakpoints

This section describes the internal breakpoints and watchpoints support of the RCPU. For information on external breakpoints support refer to [Section 22.3, “Development System Interface.”](#)

Internal breakpoint and watchpoint support is based on eight comparators comparing information on instruction and load/store cycles, two counters, and two AND-OR logic structures. The comparators perform compare on the Instruction address (I-address), on the load/store address (L-address) and on the load/store data (L-data).

The comparators are able to detect the following conditions: equal, not equal, greater than, less than (greater than or equal and less than or equal are easily obtained from these four conditions; for more information refer to [Section 22.2.1.6, “Generating Six Compare Types”](#)). Using the AND-OR logic structures “in range” and “out of range” detections (on address and on data) are supported. Using the counters, it is possible to program a breakpoint to be recognized after an event was detected a predefined number of times.

The L-data comparators can operate on fix point data of load or store. When operating on fix point data the L-data comparators are able to perform compare on bytes, half-words and words and can treat numbers either as signed or as unsigned values.

The comparators generate match events. The match events enter the instruction AND-OR logic where the instruction watchpoints and breakpoint are generated. The instruction watchpoints, when asserted, may generate the instruction breakpoint. Two of them may decrement one of the counters. If one of the instruction watchpoints expires in a counter that is counting, the instruction breakpoint is asserted.

The instruction watchpoints and the load/store match events (address and data) enter the load/store AND-OR logic where the load/store watchpoints and breakpoint are generated. The load/store watchpoints, when asserted, may generate the load/store breakpoint or they may decrement one of the counters. When a counter that is counting one of the load/store watchpoints expires, the load/store breakpoint is asserted.

The READI module provides watchpoint messaging using Nexus IEEE-ISTO 5001-1999 standard (version 1.0) defined public messages. The watchpoint status signals from the RCPU are snooped, and when watchpoints occur, a message is sent to the pin output formatter to be messaged out (the general message queue is bypassed to prevent watchpoint messages from being cancelled in the event of a queue overflow). The Watchpoint message has the second highest priority. Refer to [Section 23.7.3, “Message Priority,”](#) for further details on message priorities. The watchpoint message contains the watchpoint code which indicates all the unique watchpoints have occurred since the last watchpoint message. If duplicate watchpoints occur before the watchpoint message is sent out, a watchpoint overrun message is generated. The watchpoint source field will indicate which watchpoints occurred.

Watchpoints progress in the machine and are reported on retirement. Internal breakpoints progress in the machine until they reach the top of the history buffer when the machine branches to the breakpoint exception routine.

In order to enable the use of the breakpoint features without adding restrictions on the software, the address of the load/store cycle that generated the load/store breakpoint is not stored in the DAR (data address register), like other load/store type exceptions. In case of a load/store breakpoint, the address of the

load/store cycle that generated the breakpoint is stored in an implementation-dependent register called the BAR (breakpoint address register).

Key features of internal watchpoint and breakpoint support are:

- Four I-address comparators (each supports equal, not equal, greater than, less than)
- Two L-address comparators (each supports equal, not equal, greater than, less than) including least significant bits masking according to the size of the bus cycle for the byte and half-word working modes. Refer to [Section 22.2.1.2, “Byte and Half-Word Working Modes.”](#)
- Two L-data comparators (each supports equal, not equal, greater than, less than) including byte, half-word and word operating modes and four byte mask bits for each comparator. Can be used for fix point data. Match is detected only on the valid part of the data bus (according to the cycle’s size and the two address least significant bits).
- No internal breakpoint/watchpoint matching support for unaligned words and half-words
- The L-data comparators can be programmed to treat fix point numbers as signed values or as unsigned values
- Combine comparator pairs to detect in and out of range conditions (including either signed or unsigned values on the L-data)
- A programmable AND-OR logic structure between the four instruction comparators results with five outputs, four instruction watchpoints and one instruction breakpoint
- A programmable AND-OR logic structure between the four instruction watchpoints and the four load/store comparators results with three outputs, two load/store watchpoints and one load/store breakpoint
- Five watchpoint pins, three for the instruction and two for the load/store
- Two dedicated 16-bit down counters. Each can be programmed to count either an instruction watchpoint or an load/store watchpoint. Only architecturally executed events are counted, (count up is performed in case of recovery).
- On the fly trap enable programming of the different internal breakpoints using the serial interface of the development port (refer to [Section 22.4, “Development Port”](#)). Software control is also available.
- Watchpoints do not change the timing of the machine
- Internal breakpoints and watchpoints are detected on the instruction during instruction fetch
- Internal breakpoints and watchpoints are detected on the load/store during load/store bus cycles
- Both instruction and load/store breakpoints and watchpoints are handled and reported on retirement. Breakpoints and watchpoints on recovered instructions (as a result of exceptions, interrupts or miss prediction) are not reported and do not change the timing of the machine.
- Instructions with instruction breakpoints are not executed. The machine branches to the breakpoint exception routine BEFORE it executes the instruction.
- Instructions with load/store breakpoints are executed. The machine branches to the breakpoint exception routine AFTER it executes the instruction. The address of the access is placed in the BAR (breakpoint address register).
- Load/store multiple and string instructions with load/store breakpoints first finish execution (all of it) and then the machine branches to the breakpoint exception routine.

- Load/store data compare is done on the load/store, AFTER swap in store accesses and BEFORE swap in load accesses (as the data appears on the bus).
- Internal breakpoints may operate either in masked mode or in non-masked mode.
- Both “go to x” and “continue” working modes are supported for the instruction breakpoints.

### 22.2.1.1 Restrictions

There are cases when the same watchpoint can be detected more than once during the execution of a single instruction, e.g. a load/store watchpoint is detected on more than one transfer when executing a load/store multiple/string or a load/store watchpoint is detected on more than one byte when working in byte mode. In all these cases only one watchpoint of the same type is reported for a single instruction. Similarly, only one watchpoint of the same type can be counted in the counters for a single instruction.

Because watchpoint events are reported upon the retirement of the instruction that caused the event, and more than one instruction can retire from the machine in one clock, consequent events may be reported in the same clock. Moreover the same event, if detected on more than one instruction (e.g., tight loops, range detection), in some cases will be reported only once. Note that the internal counters count correctly in these cases.

Do not put a breakpoint on an mtspr instruction that accesses the ICTRL register when ICTRL[IFM] = 1 because this causes unpredictable behavior.

### 22.2.1.2 Byte and Half-Word Working Modes

The CPU watchpoints and breakpoints support enables detection of matches on bytes and half-words even when accessed using a load/store instruction of larger data widths, for example when loading a table of bytes using a series of load word instructions. In order to use this feature, program the byte mask for each of the L-data comparators and write the needed match value to the correct half-word of the data comparator when working in half-word mode and to the correct bytes of the data comparator when working in byte mode.

Since bytes and half-words can be accessed using a larger data width instruction, it is impossible to predict the exact value of the L-address lines when the requested byte/half-word is accessed, (e.g., if the matched byte is byte two of the word and it is accessed using a load word instruction), the L-address value will be of the word (byte zero). Therefore, the CPU masks the two least-significant bits of the L-address comparators whenever a word access is performed and the least-significant bit whenever a half-word access is performed.

Address range is supported only when aligned according to the access size. (See [Section 22.2.1.3, “Examples”](#)).

### 22.2.1.3 Examples

- A fully supported scenario:
  - Looking for:  
Data size: Byte

- Address: 0x00000003
  - Data value: greater than 0x07 and less than 0x0c
  - Programming options:
    - One L-address comparator = 0x00000003 and program for equal
    - One L-data comparator = 0x00000007 and program for greater than
    - One L-data comparator = 0x0000000c and program for less than
    - Both byte masks = 0xe
    - Both L-data comparators program to byte mode
  - Result:
    - The event will be correctly detected regardless of the load/store instruction the compiler chooses for this access
- A fully supported scenario:
  - Looking for:
    - Data size: half-word
    - Address: greater than 0x00000000 and less than 0x0000000c
    - Data value: greater than 0x4e204e20 and less than 0x9c409c40
  - Programming option:
    - One L-address comparator = 0x00000000 and program for greater than
    - One L-address comparator = 0x0000000c and program for less than
    - One L-data comparator = 0x4e204e20 and program for greater than
    - One L-data comparator = 0x9c409c40 and program for less than
    - Both byte masks = 0x0
    - Both L-data comparators program to half-word mode
  - Result:
    - The event will be correctly detected as long as the compiler does not use a load/store instruction with data size of byte.
- A partially supported scenario:
  - Looking for:
    - Data size: half-word
    - Address: greater than or equal 0x00000002 and less than 0x0000000e
    - Data value: greater than 0x4e204e20 and less than 0x9c409c40
  - Programming option:
    - One L-address comparator = 0x00000001 and program for greater than
    - One L-address comparator = 0x0000000e and program for less than
    - One L-data comparator = 0x4e204e20 and program for greater than
    - One L-data comparator = 0x9c409c40 and program for less than
    - Both byte masks = 0x0
    - Both L-data comparators program to half-word mode or to word mode
  - Result:
    - The event will be correctly detected if the compiler chooses a load/store instruction with data size of half-word. If the compiler chooses load/store instructions with data size greater than half-word (word, multiple), there might be some false detections.



These can be ignored only by the software that handles the breakpoints. The following figure illustrates this partially supported scenario.

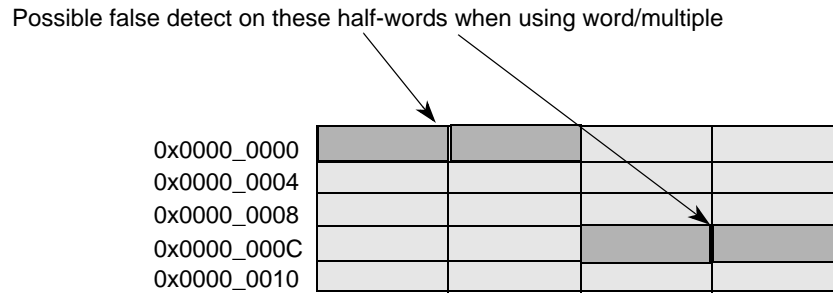


Figure 22-2. Partially Supported Watchpoint/Breakpoint Example

### 22.2.1.4 Context Dependent Filter

The CPU can be programmed to either recognize internal breakpoints only when the recoverable interrupt bit in the MSR is set (masked mode) or it can be programmed to always recognize internal breakpoints (non-masked mode).

When the CPU is programmed to recognize internal breakpoints only when  $MSR[RI] = 1$ , it is possible to debug all parts of the code except when the machine status save/restore registers (SRR0 and SRR1), DAR (data address register) and DSISR (data storage interrupt status register) are busy and, therefore,  $MSR[RI] = 0$ , (in the prologues and epilogues of interrupt/exception handlers).

When the CPU is programmed always to recognize internal breakpoints, it is possible to debug all parts of the code. However, if an internal breakpoint is recognized when  $MSR[RI] = 0$  (SRR0 and SRR1 are busy), the machine enters into a non-restartable state. For more information refer to [Section 3.13.4, “Exceptions.”](#)

When working in the masked mode, all internal breakpoints detected when  $MSR[RI] = 0$  are lost. Watchpoints detected in this case are not counted by the debug counters. Watchpoints detected are always reported on the external pins, regardless of the value of  $MSR[RI]$ .

Out of reset, the CPU is in masked mode. Programming the CPU to be in non-masked mode is done by setting the BRKNOMSK bit in the LCTRL2 register. Refer to [Section 22.6.10, “L-Bus Support Control Register 2.”](#) The BRKNOMSK bit controls all internal breakpoints (I-breakpoints and L-breakpoints).

### 22.2.1.5 Ignore First Match

In order to facilitate the debugger utilities “continue” and “go from x”, the ignore first match option is supported for instruction breakpoints. When an instruction breakpoint is first enabled (as a result of the first write to the instruction support control register or as a result of the assertion of  $MSR[RI]$  when operating in the masked mode), the first instruction will not cause an instruction breakpoint if the ignore first match (IFM) bit in the instruction support control register (ICTRL) is set (used for “continue”).

When the IFM bit is clear, every matched instruction can cause an instruction breakpoint (used for “go from x”). This bit is set by the software and cleared by the hardware after the first instruction breakpoint match is ignored. Load/store breakpoints and all counter generated breakpoints (instruction and load/store) are not affected by this mode.

### 22.2.1.6 Generating Six Compare Types

Using the four compare types mentioned above (equal, not equal, greater than, less than) it is possible to generate also two more compare types: greater than or equal and less than or equal.

- Generating the greater than or equal compare type can be done by using the greater than compare type and programming the comparator to the needed value minus 1.
- Generating the less than or equal compare type can be done by using the less than compare type and programming the comparator to the needed value plus 1.

This method does not work for the following boundary cases:

- Less than or equal of the largest unsigned number (1111...1)
- Greater than or equal of the smallest unsigned number (0000...0)
- Less than or equal of the maximum positive number when in signed mode (0111...1)
- Greater than or equal of the maximum negative number when in signed mode (1000...)

These boundary cases need no special support because they all mean ‘always true’ and can be programmed using the ignore option of the load/store watchpoint programming (refer to [Section 22.2, “Watchpoints and Breakpoints Support”](#)).

### 22.2.2 Instruction Support

There are four instruction address comparators A,B,C, and D. Each is 30 bits long, generating two output signals: equal and less than. These signals are used to generate one of the following four events: equal, not equal, greater than, less than.

The instruction watchpoints and breakpoint are generated using these events and according to user programming. Note that using the OR option enables “out of range” detect.

**Table 22-6. Instruction Watchpoints Programming Options**

| Name | Description                   | Programming Options                |
|------|-------------------------------|------------------------------------|
| IWP0 | First instruction watchpoint  | Comparator A<br>Comparators (A&B)  |
| IWP1 | Second instruction watchpoint | Comparator B<br>Comparator (A   B) |
| IWP2 | Third instruction watchpoint  | Comparator C<br>Comparators (C&D)  |
| IWP3 | Fourth instruction watchpoint | Comparator D<br>Comparator (C   D) |

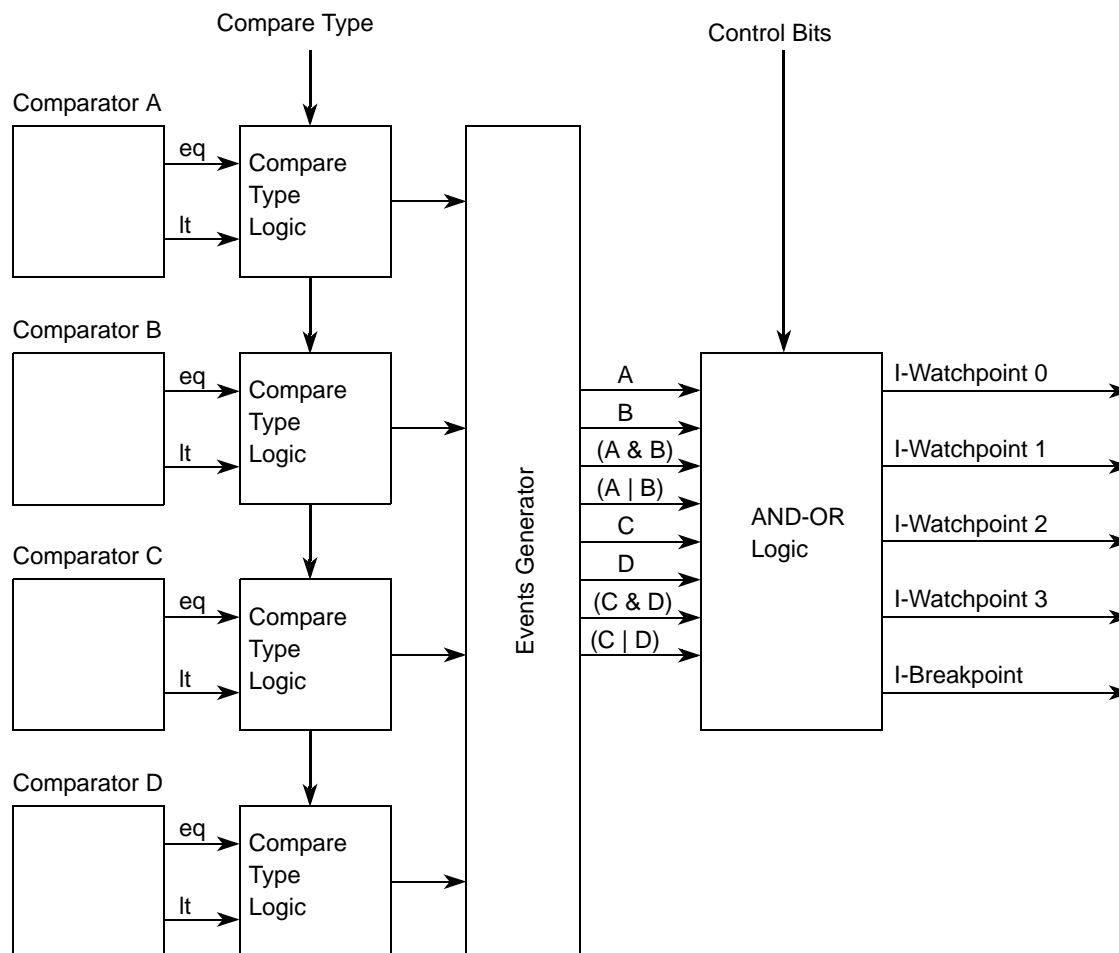


Figure 22-3. Instruction Support General Structure

### 22.2.2.1 Load/Store Support

There are two load/store address comparators E, and F. Each compares the 32 address bits and the cycle's attributes (read/write). The two least-significant bits are masked (ignored) whenever a word is accessed and the least-significant bit is masked whenever a half-word is accessed. (For more information refer to [Section 22.2.1.2, "Byte and Half-Word Working Modes"](#)). Each comparator generates two output signals: equal and less than. These signals are used to generate one of the following four events (one from each comparator): equal, not equal, greater than, less than.

There are two load/store data comparators (comparators G,H) each is 32 bits wide and can be programmed to treat numbers either as signed values or as unsigned values. Each data comparator operates as four independent byte comparators. Each byte comparator has a mask bit and generates two output signals: equal and less than, if the mask bit is not set. Therefore, each 32 bit comparator has eight output signals.

These signals are used to generate the "equal and less than" signals according to the compare size programmed (byte, half-word, word). When operating in byte mode all signals are significant, when operating in half-word mode only four signals from each 32 bit comparator are significant. When operating in word mode only two signals from each 32 bit comparator are significant.

From the new “equal and less than” signals and according to the compare type programmed one of the following four match events are generated: equal, not equal, greater than, less than. Therefore, from the two 32-bit comparators eight match indications are generated: Gmatch[0:3], Hmatch[0:3].

According to the lower bits of the address and the size of the cycle, only match indications that were detected on bytes that have valid information are validated, the rest are negated. Note that if the cycle executed has a smaller size than the compare size (e.g., a byte access when the compare size is word or half-word) no match indication will be asserted.

Using the match indication signals four load/store data events are generated in the following way.

**Table 22-7. Load/Store Data Events**

| Event Name | Event Function <sup>1</sup>   |
|------------|---|
| G          | (Gmatch0   Gmatch1   Gmatch2   Gmatch3)   |
| H          | (Hmatch0   Hmatch1   Hmatch2   Hmatch3)   |
| (G&H)      | ((Gmatch0 & Hmatch0)   (Gmatch1 & Hmatch1)   (Gmatch2 & Hmatch2)   (Gmatch3 & Hmatch3)) |
| (G   H)    | ((Gmatch0   Hmatch0)   (Gmatch1   Hmatch1)   (Gmatch2   Hmatch2)   (Gmatch3   Hmatch3)) |

<sup>1</sup> ‘&’ denotes a logical AND, ‘|’ denotes a logical OR

The four load/store data events together with the match events of the load/store address comparators and the instruction watchpoints are used to generate the load/store watchpoints and breakpoint according to the programming.

**Table 22-8. Load/Store Watchpoints Programming Options**

| Name | Description                  | Instruction Events Programming Options            | L-address Events Programming Options   | L-data Events Programming Options  |
|------|------------------------------|---|--|--|
| LWP0 | First Load/store watchpoint  | IWP0, IWP1, IWP2, IWP3, ignore instruction events | Comparator E<br>Comparator F<br>Comparators (E&F)<br>Comparators (E   F)<br>ignore L-addr events | Comparator G<br>Comparator H<br>Comparators (G&H)<br>Comparators (G   H)<br>ignore L-data events |
| LWP1 | Second Load/store watchpoint | IWP0, IWP1, IWP2, IWP3, ignore instruction events | Comparator E<br>Comparator F<br>Comparators (E&F)<br>Comparators (E   F)<br>ignore L-addr events | Comparator G<br>Comparator H<br>Comparators (G&H)<br>Comparators (G   H)<br>ignore L-data events |

Note that when programming the load/store watchpoints to ignore L-addr events and L-data events, it does not reduce the load/store watchpoints detection logic to be instruction watchpoint detection logic since the instruction must be a load/store instruction for the load/store watchpoint event to trigger.

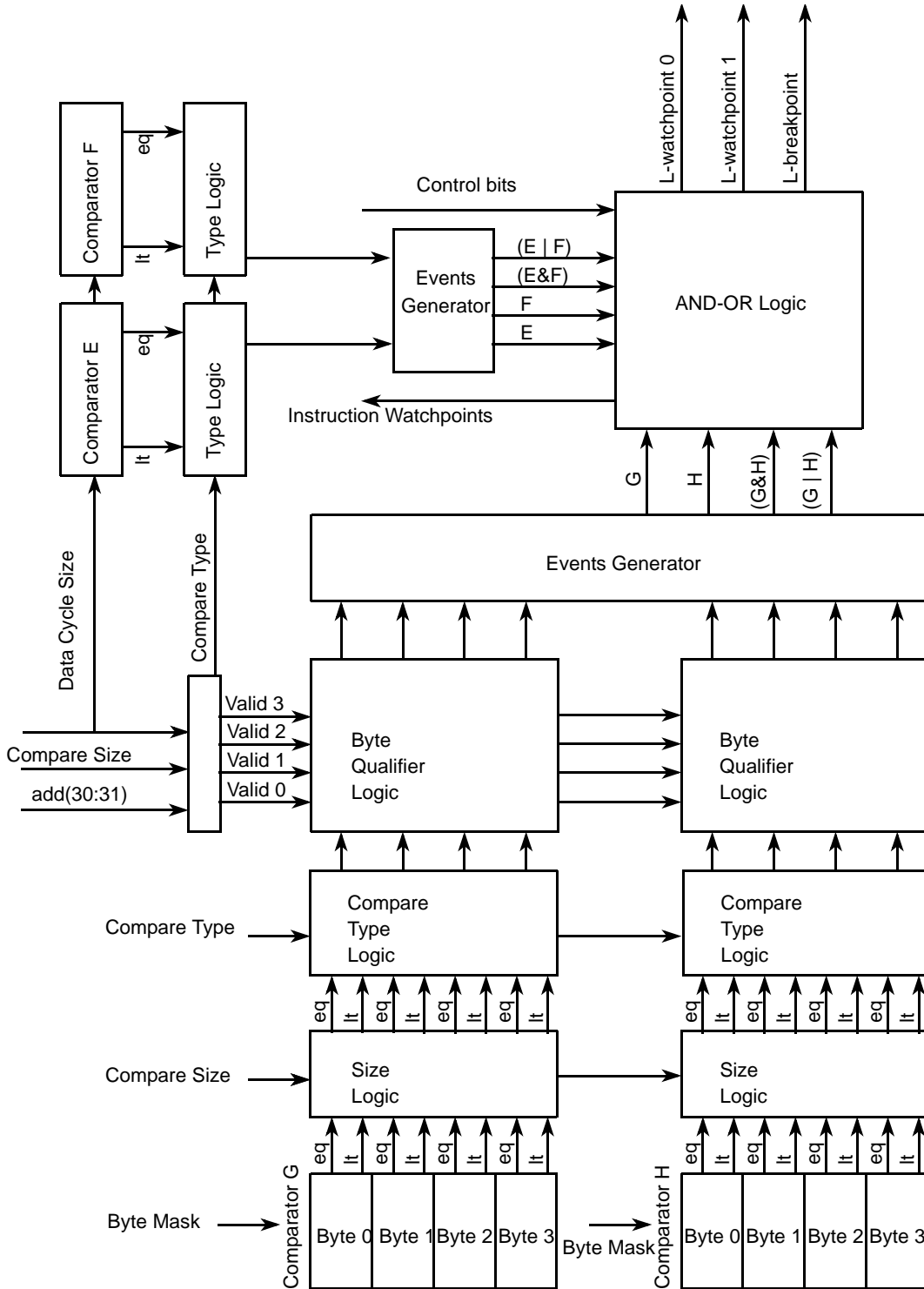


Figure 22-4. Load/Store Support General Structure

### 22.2.3 Watchpoint Counters

There are two 16-bit watchpoint counters. Each counter is able to count one of the instruction watchpoints or one of the load/store watchpoints. Both generate the corresponding breakpoint when they reach ZERO.

When working in the masked mode, the counters do not count watchpoints detected when  $MSR[RI] = 0$ . See [Section 22.2.1.4, “Context Dependent Filter.”](#)

The counters value when counting watchpoints programmed on the actual instructions that alter the counters, are not predictable. Reading values from the counters when they are active, must be synchronized by inserting a sync instruction before the actual read is performed.

#### NOTE

When programmed to count instruction watchpoints, the last instruction which decrements the counter to ZERO is treated like any other instruction breakpoint in the sense that it is not executed and the machine branches to the breakpoint exception routine BEFORE it executes this instruction. As a side effect of this behavior, the value of the counter inside the breakpoint exception routine equals ONE and not ZERO as might be expected.

When programmed to count load/store watchpoints, the last instruction which decrements the counter to ZERO is treated like any other load/store breakpoint in the sense that it is executed and the machine branches to the breakpoint exception routine AFTER it executes this instruction. Therefore, the value of the counter inside the breakpoint exception routine equals ZERO.

#### 22.2.3.1 Trap Enable Programming

The trap enable bits can be programmed by regular software (only if  $MSR[PR] = 0$ ) using the `mtspr` instruction or “on the fly” using the special development port interface. For more information refer to section [Section 22.4.6.5, “Development Port Serial Communications — Trap Enable Mode.”](#)

The value used by the breakpoints generation logic is the bit wise OR of the software trap enable bits, (the bits written using the `mtspr`) and the development port trap enable bits (the bits serially shifted using the development port).

All bits, the software trap enable bits and the development port trap enable bits, can be read from `ICTRL` and the `LCTRL2` using `mfspr`. For the exact bits placement refer to [Section 22.6.10, “L-Bus Support Control Register 2”](#) and to [Section 22.6.10, “L-Bus Support Control Register 2.”](#)

## 22.3 Development System Interface

When debugging an existing system, it is sometimes desirable to be able to do so without the need to insert any changes in the existing system. In some cases it is not desired, or even impossible, to add load to the lines connected to the existing system. The development system interface of the CPU supports such a configuration.

The development system interface of the CPU uses a dedicated serial port (the development port) and, therefore, does not need any of the regular system interfaces. Controlling the activity of the system from the development port is done when the CPU is in the debug mode. The development port is a relatively

economical interface (three pins) that allows the development system to operate in a lower frequency than the frequency of the CPU. Note that it is also possible to debug the CPU using monitor debugger software, for more information refer to [Section 22.5, “Software Monitor Debugger Support.”](#)

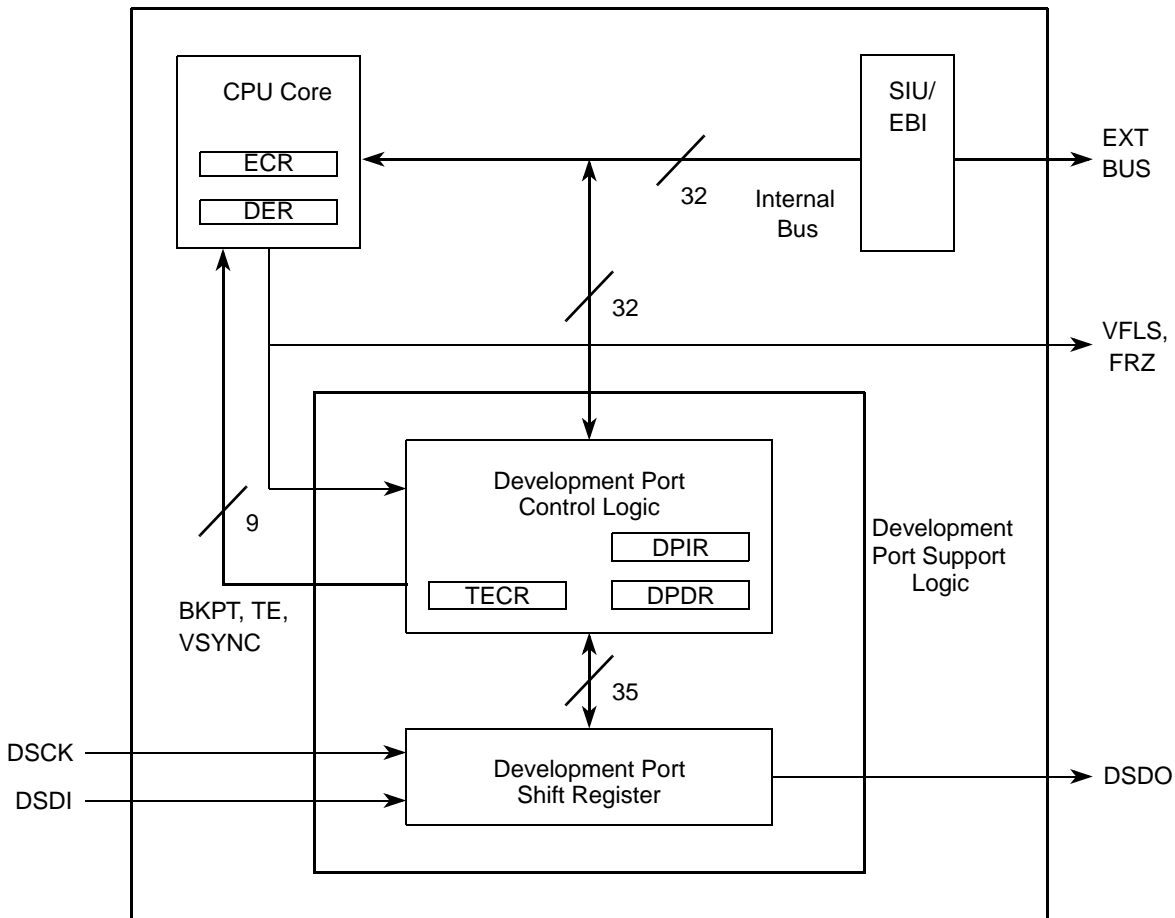
Debug mode is a state where the CPU fetches all instructions from the development port. In addition, when in debug mode, data can be read from the development port and written to the development port. This allows memory and registers to be read and modified by a development tool (emulator) connected to the development port.

For protection purposes, two possible working modes are defined: debug mode enable and debug mode disable. These working modes are selected only during reset. For more information refer to [Section 22.3.1.1, “Debug Mode Enable vs. Debug Mode Disable.”](#)

The user can work in debug mode starting from reset or the CPU can be programmed to enter debug mode as a result of a predefined list of events. These events include all possible interrupts and exceptions in the CPU system, including the internal breakpoints, together with two levels of development port requests (masked and non-masked) and one peripheral breakpoint request that can be generated by any one of the peripherals of the system (including internal and external modules). Each event can be programmed either to be treated as a regular interrupt that causes the machine to branch to its interrupt vector, or to be treated as a special interrupt that causes debug mode entry.

When in debug mode an rfi instruction will return the machine to its regular work mode. The debugger tool should issue an isync instruction to the debug port prior to any other instructions when the CPU enters debug mode after running code.

The relationship between the debug mode logic to the rest of the CPU chip is shown in [Figure 22-5](#).



**Figure 22-5. Functional Diagram of MPC565 Debug Mode Support**

The development port provides a full duplex serial interface for communications between the internal development support logic of the CPU and an external development tool. The development port can operate in two working modes: the trap enable mode and the debug mode.

The trap enable mode is used in order to shift into the CPU internal development support logic the following control signals:

1. Instruction trap enable bits, used for on the fly programming of the instruction breakpoint
2. Load/store trap enable bits, used for on the fly programming of the load/store breakpoint
3. Non-maskable breakpoint, used to assert the non-maskable external breakpoint
4. Maskable breakpoint, used to assert the maskable external breakpoint
5. VSYNC, used to assert and negate VSYNC

In debug mode the development port controls also the debug mode features of the CPU. For more information [Section 22.4, “Development Port.”](#)

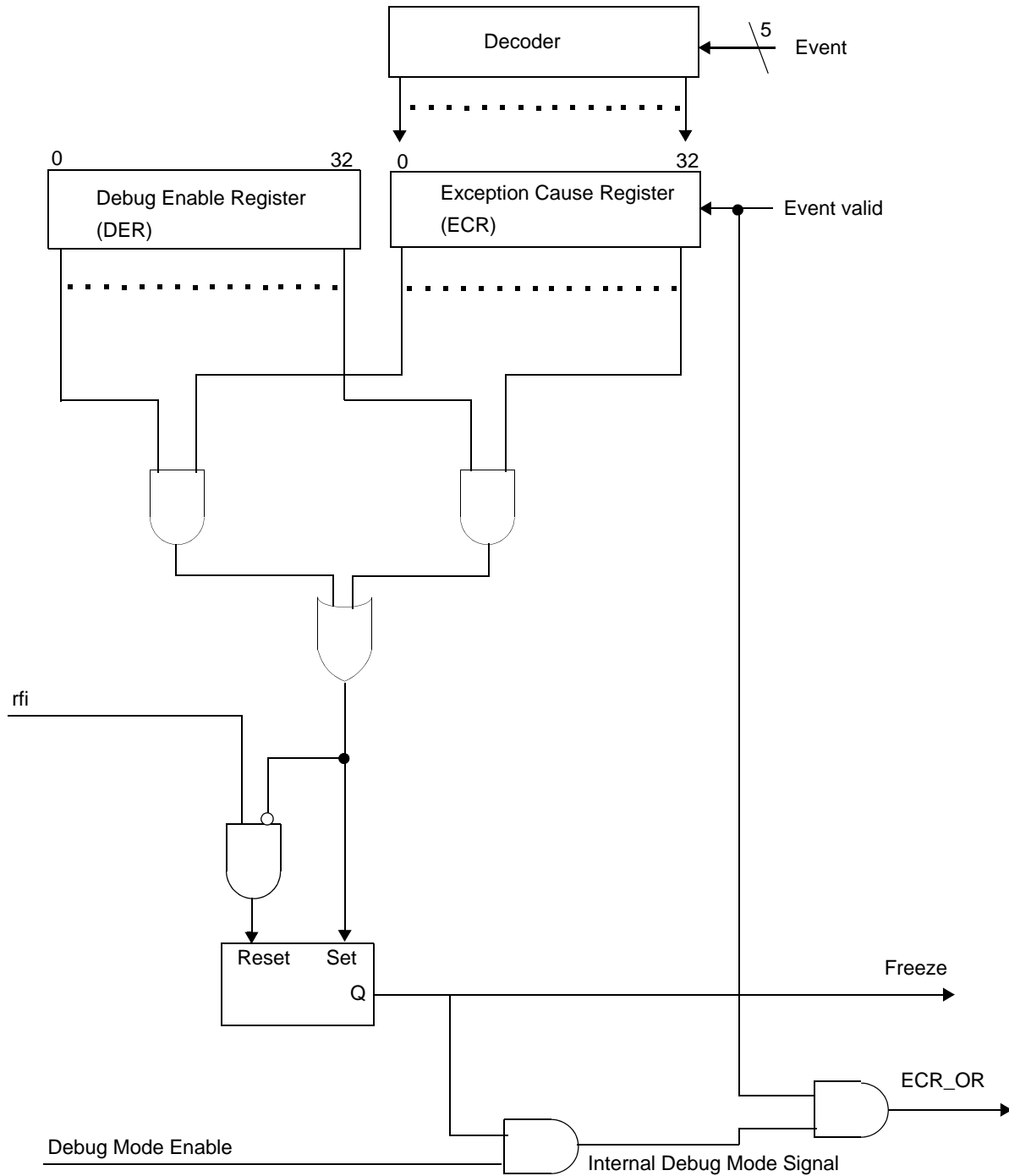
### 22.3.1 Debug Mode Support

The debug mode of the CPU provides the development system with the following basic functions:



- Gives an ability to control the execution of the processor and maintain control on it under all circumstances. The development port is able to force the CPU to enter to the debug mode even when external interrupts are disabled.
- It is possible to enter debug mode immediately out of reset thus allowing debugging of a ROM-less system.
- It is possible to selectively define, using an enable register, the events that will cause the machine to enter into the debug mode.
- When in debug mode detect the reason upon which the machine entered debug mode by reading a cause register.
- Entering into the debug mode in all regular cases is restartable in the sense that it is possible to continue to run the regular program from the location where it entered the debug mode.
- When in debug mode all instructions are fetched from the development port but load/store accesses are performed on the real system memory.
- Data Register of the development port is accessed using mtspr and mfspr instructions via special load/store cycles. (This feature together with the last one enables easy memory dump & load).
- Upon entering debug mode, the processor gets into the privileged state ( $MSR[PR] = 0$ ). This allows execution of any instruction, and access to any storage location.
- An OR signal of all exception cause register (ECR) bits (ECR\_OR) enables the development port to detect pending events while already in debug mode. An example is the ability of the development port to detect a debug mode access to a non existing memory space.

Figure 22-6 illustrates the debug mode logic implemented in the CPU.



**Figure 22-6. Debug Mode Logic**

### 22.3.1.1 Debug Mode Enable vs. Debug Mode Disable

For protection purposes two possible working modes are defined: debug mode enable and debug mode disable. These working modes are selected only during reset.

Debug mode is enabled by asserting DSCK during reset. The state of this pin is sampled three clocks before the negation of  $\overline{\text{SRESET}}$ .

#### NOTE

Because  $\overline{\text{SRESET}}$  negation is done by an external pull up resistor any reference here to  $\overline{\text{SRESET}}$  negation time refers to the time the MPC565 releases  $\overline{\text{SRESET}}$ . If the actual negation is slow due to a large resistor, set up time for the debug port signals should be set accordingly.

If the DSCK pin is sampled negated, debug mode is disabled until a subsequent reset when the DSCK pin is sampled in the asserted state. When debug mode is disabled the internal watchpoint/breakpoint hardware will still be operational and may be used by a software monitor program for debugging purposes.

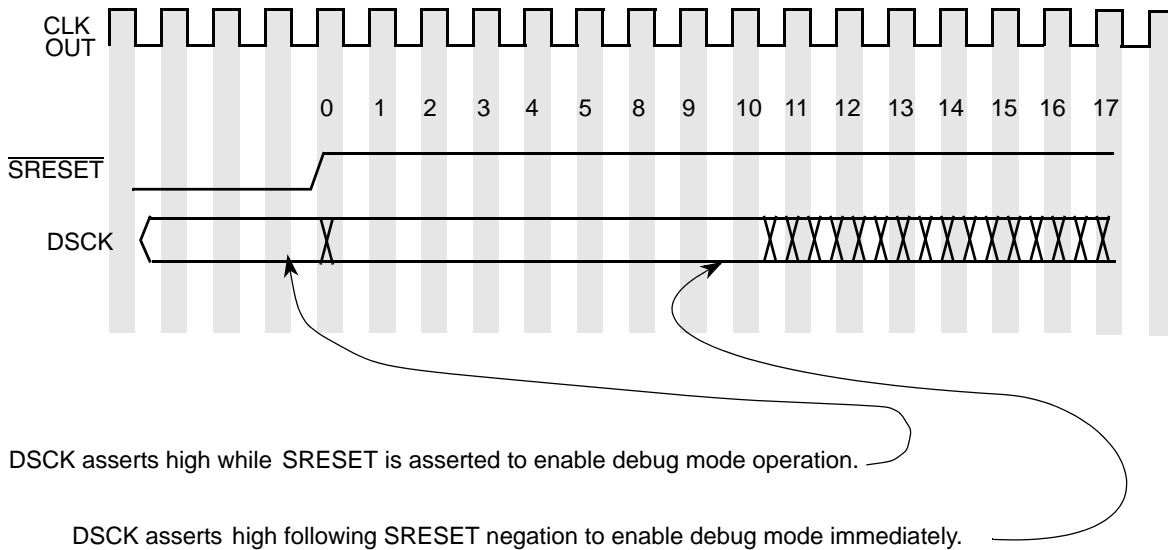
When debug mode is disabled, all development support registers (see list in [Table 22-14](#)) are accessible to the supervisor code ( $\text{MSR}[\text{PR}] = 0$ ) and can be used by a monitor debugger software. However, the processor never enters debug mode and, therefore, the exception cause register (ECR) and the debug enable register (DER) are used only for asserting and negating the freeze signal. For more information on the software monitor debugger support refer to [Section 22.5, “Software Monitor Debugger Support.”](#)

When debug mode is enabled, all development support registers are accessible only when the CPU is in debug mode. Therefore, even supervisor code that may be still under debug cannot prevent the CPU from entering debug mode. The development system has full control of all development support features of the CPU through the development port. Refer to [Table 22-16](#).

### 22.3.1.2 Entering Debug Mode

Entering debug mode can be a result of a number of events. All events have a programmable enable bit to selectively decide which events result in debug mode entry and which in regular interrupt handling.

Entering debug mode is also possible immediately out of reset, thus allowing the debugging of even a ROM-less system. Using this feature is possible by special programming of the development port during reset. If the DSCK pin continues to be asserted following  $\overline{\text{SRESET}}$  negation (after enabling debug mode) the processor will take a breakpoint exception and go directly to debug mode instead of fetching the reset vector. To avoid entering debug mode following reset, the DSCK pin must be negated no later than seven clock cycles after  $\overline{\text{SRESET}}$  negates. In this case, the processor will jump to the reset vector and begin normal execution. When entering debug mode immediately after reset, bit 31 (development port interrupt) of the exception cause register (ECR) is set.



**Figure 22-7. Debug Mode Reset Configuration**

When debug mode is disabled all events result in regular interrupt handling.

The internal freeze signal is asserted whenever an enabled event occurs, regardless if debug mode is enabled or disabled. The internal freeze signal is connected to all relevant internal modules. These modules can be programmed to stop all operations in response to the assertion of the freeze signal. Refer to [Section 22.5.1, “Freeze Indication.”](#)

The freeze indication is negated when exiting debug mode. Refer to [Section 22.3.1.6, “Exiting Debug Mode.”](#)

The following list contains the events that can cause the CPU to enter debug mode. Each event results in debug mode entry if debug mode is enabled and the corresponding enable bit is set. The reset values of the enable bits allow, in most cases, the use of the debug mode features without the need to program the debug enable register (DER). For more information refer to [Section 22.6.13, “Development Port Data Register \(DPDR\).”](#)

- NMI exception as a result of the assertion of the IRQ0\_B pin. For more information refer to [Section 3.15.4.1, “System Reset Exception and NMI \(0x0100\).”](#)
- Check stop. Refer to [Section 22.3.1.3, “Check Stop State and Debug Mode,”](#) for more information.
- Machine check exception
- Implementation specific instruction protection error
- Implementation specific data protection error
- External interrupt, recognized when MSR[EE] = 1
- Alignment interrupt
- Program interrupt
- Floating point unavailable exception
- Floating point assist exception
- Decrementer exception, recognized when MSR[EE] = 1

- System call exception
- Trace, asserted when in single trace mode or when in branch trace mode (refer to [Section 3.15.4.11](#), “Trace Exception (0x0D00)”)
- Implementation dependent software emulation exception
- Instruction breakpoint, when breakpoints are masked (BRKNOMSK bit in the LCTRL2 is clear) recognized only when MSR[RI] = 1, when breakpoints are not masked (BRKNOMSK bit in the LCTRL2 is set) always recognized
- Load/store breakpoint, when breakpoints are masked (BRKNOMSK bit in the LCTRL2 is cleared) recognized only when MSR[RI] = 1, when breakpoints are not masked (BRKNOMSK bit in the LCTRL2 is set) always recognized
- Peripherals breakpoint, from the development port, internal and external modules. are recognized only when MSR[RI] = 1.
- Development port non-maskable interrupt, as a result of a debug station request. Useful in some catastrophic events like an endless loop when MSR[RI] = 0. As a result of this event the machine may enter a non-restartable state, for more information refer to [Section 3.13.4](#), “Exceptions.”

The processor enters into the debug mode state when at least one of the bits in the exception cause register (ECR) is set, the corresponding bit in the debug enable register (DER) is enabled and debug mode is enabled. When debug mode is enabled and an enabled event occurs, the processor waits until its pipeline is empty and then starts fetching the next instructions from the development port. For information on the exact value of machine status save/restore registers (SRR0 and SRR1) refer to [Section 3.13.4](#), “Exceptions.”

When the processor is in debug mode the freeze indication is asserted thus allowing any peripheral that is programmed to do so to stop. The fact that the CPU is in debug mode is also broadcast to the external world using the value b11 on the VFLS pins.

#### NOTE

The freeze signal can be asserted by software when debug mode is disabled.

The development port should read the value of the exception cause register (ECR) in order to get the cause of the debug mode entry. Reading the exception cause register (ECR) clears all its bits.

### 22.3.1.3 Check Stop State and Debug Mode

The CPU enters the check stop state if the machine check interrupt is disabled (MSR[ME] = 0) and a machine check interrupt is detected. However, if a machine check interrupt is detected when MSR[ME] = 0, debug mode is enabled and the check stop enable bit in the debug enable register (DER) is set, the CPU enters debug mode rather than the check stop state.

The different actions taken by the CPU when a machine check interrupt is detected are shown in the following table.

**Table 22-9. Check Stop State and Debug Mode**

| MSR[ME] | Debug Mode Enable | CHSTPE <sup>1</sup> | MCIE <sup>2</sup> | Action Performed by the CPU when Detecting a Machine Check Interrupt | Exception Cause Register (ECR) Value |
|---------|-------------------|---------------------|-------------------|--|--------------------------------------|
| 0       | 0                 | X                   | X                 | Enter the check stop state   | 0x2000_0000                          |
| 1       | 0                 | X                   | X                 | Branch to the machine check interrupt                                | 0x1000_0000                          |
| 0       | 1                 | 0                   | X                 | Enter the check stop state   | 0x2000_0000                          |
| 0       | 1                 | 1                   | X                 | Enter Debug Mode   | 0x2000_0000                          |
| 1       | 1                 | X                   | 0                 | Branch to the machine check interrupt                                | 0x1000_0000                          |
| 1       | 1                 | X                   | 1                 | Enter Debug Mode   | 0x1000_0000                          |

<sup>1</sup> Check stop enable bit in the debug enable register (DER)

<sup>2</sup> Machine check interrupt enable bit in the debug enable register (DER)

### 22.3.1.4 Saving Machine State upon Entering Debug Mode

If entering debug mode was as a result of any load/store type exception, and therefore the DAR (data address register) and DSISR (data storage interrupt status register) have some significant value, these two registers must be saved before any other operation is performed. Failing to save these registers may result in loss of their value in case of another load/store type exception inside the development software.

Since exceptions are treated differently when in debug mode (refer to [Section 22.3.1.5, “Running in Debug Mode”](#)), there is no need to save machine status save/restore zero register (SRR0) and machine status save/restore one register (SRR1).

### 22.3.1.5 Running in Debug Mode

When running in debug mode all fetch cycles access the development port regardless of the actual address of the cycle. All load/store cycles access the real memory system according to the cycle’s address. The data register of the development port is mapped as a special control register therefore it is accessed using mtspr and mfspr instructions via special load/store cycles (refer to [Section 22.6.13, “Development Port Data Register \(DPDR\)”](#)).

Exceptions are treated differently when running in debug mode. When already in debug mode, upon recognition of an exception, the exception cause register (ECR) is updated according to the event that caused the exception, a special error indication (ecr\_or) is asserted for one clock cycle to report to the development port that an exception occurred and execution continues in debug mode without any change in SRR0 and SRR1. ECR\_OR is asserted before the next fetch occurs to allow the development system to detect the excepting instruction.

Not all exceptions are recognized when in debug mode. Breakpoints and watchpoints are not generated by the hardware when in debug mode (regardless of the value of MSR[RI]). Upon entering debug mode MSR[EE] is cleared by the hardware thus forcing the hardware to ignore external and decremter interrupts.

### WARNING

Setting the MSR[EE] bit while in debug mode, (by the debug software), is strictly forbidden. The reason for this restriction is that the external interrupt event is a level signal, and since the CPU only reports exceptions while in debug mode but do not treat them, the CPU does not clear the MSR[EE] bit and, therefore, this event, if enabled, is recognized again every clock cycle.

When the ecr\_or signal is asserted the development station should investigate the exception cause register (ECR) in order to find out the event that caused the exception.

Since the values in SRR0 and SRR1 do not change if an exception is recognized while already in debug mode, they only change once when entering debug mode, saving them when entering debug mode is not necessary.

#### 22.3.1.6 Exiting Debug Mode

The rfi instruction is used to exit from debug mode in order to return to the normal processor operation and to negate the freeze indication. The development system may monitor the freeze status to make sure the MPC565 is out of debug mode. It is the responsibility of the software to read the exception cause register (ECR) before performing the rfi. Failing to do so will force the CPU to immediately re-enter to debug mode and to re-assert the freeze indication in case an asserted bit in the interrupt cause register (ECR) has a corresponding enable bit set in the debug enable register (DER).

## 22.4 Development Port

The development port provides a full duplex serial interface for communications between the internal development support logic including debug mode and an external development tool.

The relationship of the development support logic to the rest of the CPU chip is shown in [Figure 22-5](#). The development port support logic is shown as a separate block for clarity. It is implemented as part of the SIU module.

### 22.4.1 Development Port Pins

The following development port pin functions are provided:

1. Development serial clock (DSCK)
2. Development serial data in (DSDI)
3. Development serial data out (DSDO)

### 22.4.2 Development Serial Clock

The development serial clock (DSCK) is used to shift data into and out of the development port shift register. At the same time, the new most significant bit of the shift register is presented at the DSDO pin. In all further discussions references to the DSCK signal imply the internal synchronized value of the clock. The DSCK input must be driven either high or low at all times and not allowed to float. A typical target environment would pull this input low with a resistor.

The clock may be implemented as a free running clock or as gated clock. As discussed in section [Section 22.4.6.5, “Development Port Serial Communications — Trap Enable Mode”](#) and section [Section 22.4.6.8, “Development Port Serial Communications — Debug Mode,”](#) the shifting of data is controlled by ready and start signals so the clock does not need to be gated with the serial transmissions.

The DSCK pin is also used at reset to enable debug mode and immediately following reset to optionally cause immediate entry into debug mode following reset.

### 22.4.3 Development Serial Data In

Data to be transferred into the development port shift register is presented at the development serial data in (DSDI) pin by external logic. To be sure that the correct value is used internally. When driven asynchronous (synchronous) with the system clock, the data presented to DSDI must be stable a setup time before the rising edge of DSCK (CLKOUT) and a hold time after the rising edge of DSCK (CLKOUT).

The DSDI pin is also used at reset to control the overall chip configuration mode and to determine the development port clock mode. See section [Section 22.4.6.4, “Development Port Serial Communications — Clock Mode Selection”](#) for more information.

### 22.4.4 Development Serial Data Out

The debug mode logic shifts data out of the development port shift register using the development serial data out (DSDO) pin. All transitions on DSDO are synchronous with DSCK or CLKOUT depending on the clock mode. Data will be valid a setup time before the rising edge of the clock and will remain valid a hold time after the rising edge of the clock.

Refer to [Table 22-12](#) for DSDO data meaning.

### 22.4.5 Freeze Signal

The freeze indication means that the processor is in debug mode (i.e., normal processor execution of user code is frozen). On the MPC565, the freeze state can be indicated by three different pins. The FRZ signal is generated synchronously with the system clock. This indication may be used to halt any off-chip device while in debug mode as well as a handshake means between the debug tool and the debug port. The internal freeze status can also be monitored through status in the data shifted out of the debug port.

#### 22.4.5.1 SGPIOC6/FRZ/ $\overline{\text{PTR}}$ Signal

The SGPIOC6/FRZ/ $\overline{\text{PTR}}$  signal powers up as the  $\overline{\text{PTR}}$  function and its function is controlled by the GPC bits in the SIUMCR.

#### 22.4.5.2 IWP[0:1]/VFLS[0:1] Signals

The power-up state of IWP[0:1]/VFLS[0:1] is controlled by setting the SIUMCR[DBGC]; see [Table 6-8](#). They can also be set via the reset configuration word (See [Section 7.5.2, “Hard Reset Configuration Word \(RCW\)”](#)). The FRZ state is indicated by the value 0b11 on the VFLS[0:1] signals.



### 22.4.5.3 VFLS[0:1]/MPIO32B[3:4] Signals

The VFLS[0:1]/MPIO32B[3:4] signals power up as the MPIO32B[3:4] function and their function can be changed via the VFLS bit in the MIOS14TPCR register. The FRZ state is indicated by the value 0b11 on the VFLS[0:1] signals.

## 22.4.6 Development Port Registers

The development port consists logically of the three registers: development port instruction register (DPIR), development port data register (DPDR), and trap enable control register (TECR). These registers are physically implemented as two registers, development port shift register and trap enable control register. The development port shift register acts as both the DPIR and DPDR depending on the operation being performed. It is also used as a temporary holding register for data to be stored into the TECR. These registers are discussed below in more detail.

### 22.4.6.1 Development Port Shift Register

The development port shift register is a 35-bit shift register. Instructions and data are shifted into it serially from DSDI using DSCK (or CLKOUT depending on the debug port clock mode, refer to [Section 22.4.6.4, “Development Port Serial Communications — Clock Mode Selection”](#)) as the shift clock. These instructions or data are then transferred in parallel to the CPU, the trap enable control register (TECR). When the processor enters debug mode it fetches instructions from the DPIR which causes an access to the development port shift register. These instructions are serially loaded into the shift register from DSDI using DSCK (or CLKOUT) as the shift clock. In a similar way, data is transferred to the CPU by moving it into the shift register which the processor reads as the result of executing a “move from special purpose register DPDR” instruction. Data is also parallel-loaded into the development port shift register from the CPU by executing a “move to special purpose register DPDR” instruction. It is then shifted out serially to DSDO using DSCK (or CLKOUT) as the shift clock.

### 22.4.6.2 Trap Enable Control Register

The trap enable control register is a 9-bit register that is loaded from the development port shift register. The contents of the control register are used to drive the six trap enable signals, the two breakpoint signals, and the VSYNC signal to the CPU. The “transfer data to trap enable control register” commands will cause the appropriate bits to be transferred to the control register.

The trap enable control register is not accessed by the CPU, but instead supplies signals to the CPU. The trap enable bits, VSYNC bit, and the breakpoint bits of this register are loaded from the development port shift register as the result of trap enable mode transmissions. The trap enable bits are reflected in ICTRL and LCTRL2 special registers. See [Section 22.6.10, “L-Bus Support Control Register 2”](#) and [Section 22.6.10, “L-Bus Support Control Register 2.”](#)

### 22.4.6.3 Development Port Registers Decode

The development port shift register is selected when the CPU accesses DPIR or DPDR. Accesses to these two special purpose registers occur in debug mode and appear on the internal bus as an address and the assertion of an address attribute signal indicating that a special purpose register is being accessed. The

DPIR register is read by the CPU to fetch all instructions when in debug mode and the DPDR register is read and written to transfer data between the CPU and external development tools. The DPIR and DPDR are pseudo registers. Decoding either of these registers will cause the development port shift register to be accessed. The debug mode logic knows whether the CPU is fetching instructions or reading or writing data. If what the CPU is expecting and what the register receives from the serial port do not match (instruction instead of data) the mismatch is used to signal a sequence error to the external development tool.

#### 22.4.6.4 Development Port Serial Communications — Clock Mode Selection

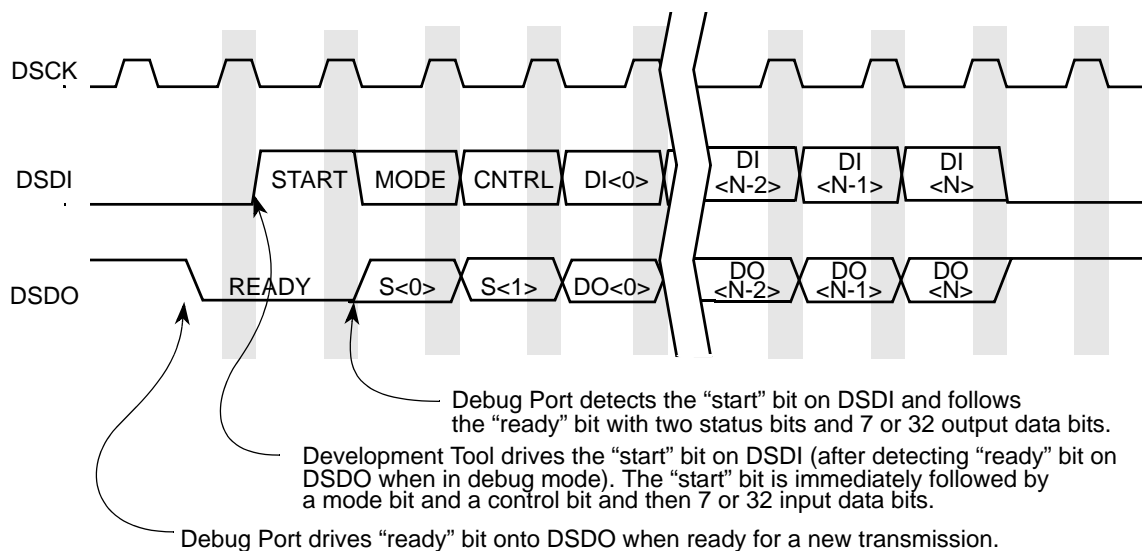
All of the serial transmissions are clock transmissions and are therefore synchronous communications. However, the transmission clock may be either synchronous or asynchronous with the system clock (CLKOUT). The development port allows the selection of two methods for clocking the serial transmissions. The first method allows the transmission to occur without being externally synchronized with CLKOUT, in this mode a serial clock DSCK must be supplied to the MPC565. The other communication method requires a data to be externally synchronized with CLKOUT.

The first clock mode is called “asynchronous clock” since the input clock (DSCK) is asynchronous with CLKOUT. To be sure that data on DSDI is sampled correctly, transitions on DSDI must occur a setup time ahead and a hold time after the rising edge of DSCK. This clock mode allows communications with the port from a development tool which does not have access to the CLKOUT signal or where the CLKOUT signal has been delayed or skewed. Refer to the timing diagram in [Figure 22-8](#).

The second clock mode is called “synchronous self clock”. It does not require an input clock. Instead the port is timed by the system clock. The DSDI input is required to meet setup and hold time requirements with respect to CLKOUT rising edge. The data rate for this mode is always the same as the system clock. Refer to the timing diagram in [Figure 22-9](#).

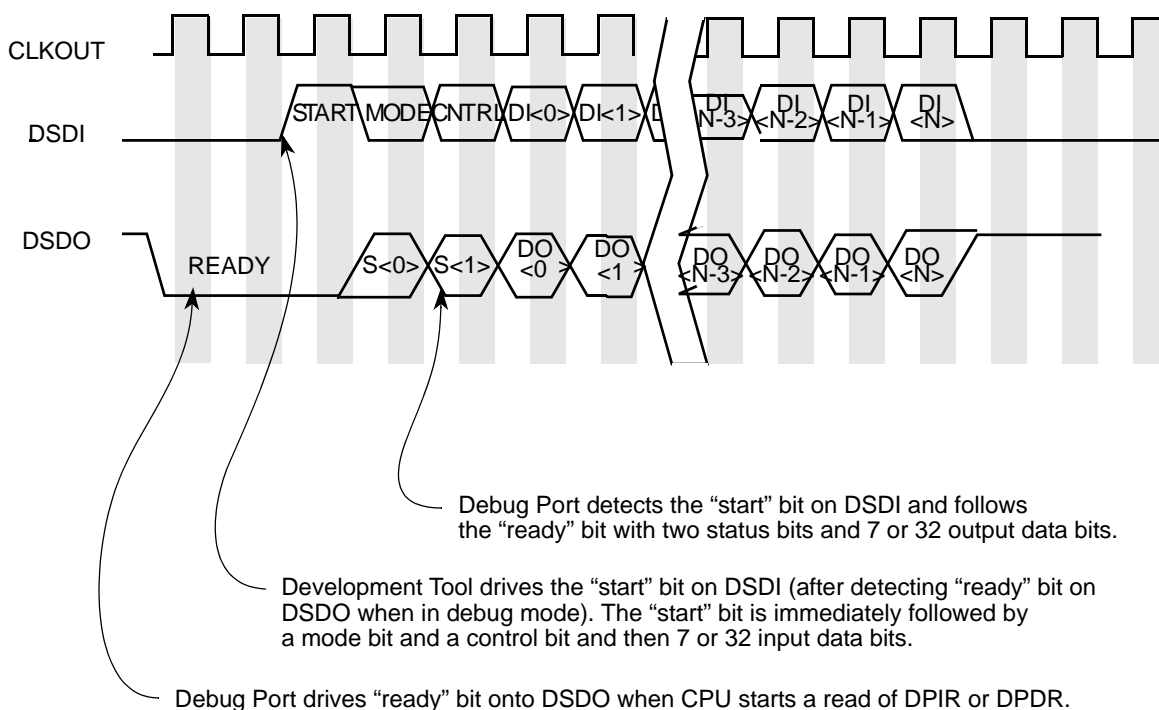
The selection of clock or self clock mode is made at reset. The state of the DSDI input is latched eight clocks after  $\overline{\text{SRESET}}$  negates. If it is latched low, asynchronous clock mode is enabled. If it is latched high then synchronous self clock mode is enabled.

Since DSDI is used to select the development port clocking scheme, it is necessary to prevent any transitions on DSDI during this time from being recognized as the start of a serial transmission. The port will not begin scanning for the start bit of a serial transmission until 16 clocks after the negation of  $\overline{\text{SRESET}}$ . If DSDI is asserted 16 clocks after  $\overline{\text{SRESET}}$  negation, the port will wait until DSDI is negated to begin scanning for the start bit.

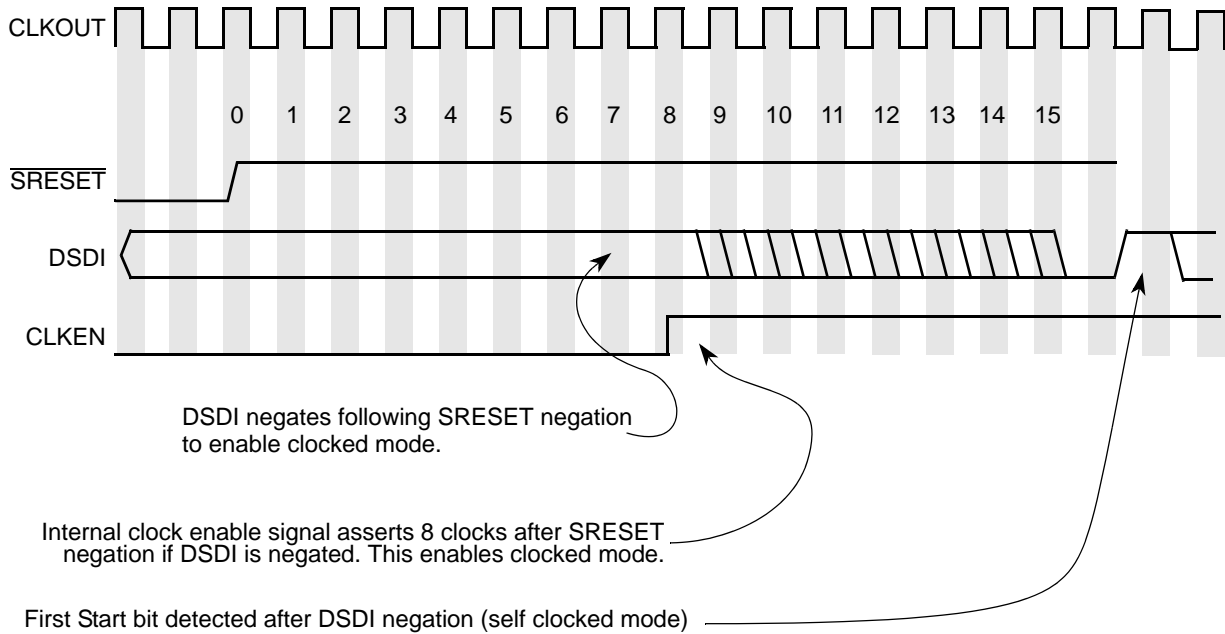


**Note:** DCLK and DSDI transitions are not required to be synchronous with CLKOUT.

**Figure 22-8. Asynchronous Clock Serial Communications**



**Figure 22-9. Synchronous Self Clock Serial Communication**



**Figure 22-10. Enabling Clock Mode Following Reset**

### 22.4.6.5 Development Port Serial Communications — Trap Enable Mode

When not in debug mode the development port starts communications by setting DSDO (the MSB of the 35-bit development port shift register) low to indicate that all activity related to the previous transmission are complete and that a new transmission may begin. The start of a serial transmission from an external development tool to the development port is signaled by a start bit. A mode bit in the transmission defines the transmission as either a trap enable mode transmission or a debug mode transmission. If the mode bit is set the transmission will only be 10 bits long and only seven data bits will be shifted into the shift register. These seven bits will be latched into the TECR. A control bit determines whether the data is latched into the trap enable and VSYNC bits of the TECR or into the breakpoints bits of the TECR.

### 22.4.6.6 Serial Data into Development Port — Trap Enable Mode

The development port shift register is 35 bits wide but trap enable mode transmissions only use the start/ready bit, a mode/status bit, a control/status bit, and the seven least significant data bits. The encoding of data shifted into the development port shift register (through the DSDI pin) is shown in [Table 22-10](#) and [Table 22-11](#) below:

**Table 22-10. Trap Enable Data Shifted into Development Port Shift Register**

| Start | Mode | Control | 1st                       | 2nd | 3rd | 4th | 1st       | 2nd | VSYNC   | Function |
|-------|------|---------|---------------------------|-----|-----|-----|-----------|-----|---|----------|
|       |      |         | ----- Instruction-----    |     |     |     | -- Data-- |     |   |          |
|       |      |         | Watchpoint Trap Enables   |     |     |     |           |     |   |          |
| 1     | 1    | 0       | 0 = disabled; 1 = enabled |     |     |     |           |     | Transfer Data to Trap Enable Control Register |          |

**Table 22-11. Debug Port Command Shifted Into Development Port Shift Register**

| Start | Mode | Control | Extended Opcode |   | Major Opcode   | Function                        |
|-------|------|---------|-----------------|---|----------------|---------------------------------|
| 1     | 1    | 1       | x               | x | 00000          | NOP                             |
|       |      |         |                 |   | 00001          | Hard Reset request              |
|       |      |         |                 |   | 00010          | Soft Reset request              |
|       |      |         | 0               | x | 00011          | Reserved                        |
|       |      |         | 1               | 0 | 00011          | End Download procedure          |
|       |      |         | 1               | 1 | 00011          | Start Download procedure        |
|       |      |         | x               | x | 00100... 11110 | Reserved                        |
|       |      |         | x               | 0 | 11111          | Negate Maskable breakpoint.     |
|       |      |         | x               | 1 | 11111          | Assert Maskable breakpoint.     |
|       |      |         | 0               | x | 11111          | Negate Non Maskable breakpoint. |
|       |      |         | 1               | x | 11111          | Assert Non Maskable breakpoint. |

The watchpoint trap enables and VSYNC functions are described in section [Section 22.2, “Watchpoints and Breakpoints Support”](#) and section [Section 22.1, “Program Flow Tracking.”](#)

The debug port command function allows the development tool to either assert or negate breakpoint requests, reset the processor, activate or deactivate the fast down-load procedure.

#### 22.4.6.7 Serial Data Out of Development Port — Trap Enable Mode

In trap enable mode the only response out of the development port is “sequencing error.”

Data that can come out of the development port is shown in [Table 22-12](#). “Valid data from CPU” and “CPU interrupt” status cannot occur in trap enable mode.

**Table 22-12. Status / Data Shifted Out of Development Port Shift Register**

| Ready | Status [0:1] |   | Data                       |   |   | Function            |
|-------|--------------|---|----------------------------|---|---|---------------------|
|       |              |   | Bit 0                      | Bit 1                                       | Bits 2:31 or 2:6 —<br>(Depending on Input Mode) |                     |
| (0)   | 0            | 0 | Data                       |   |   | Valid Data from CPU |
| (0)   | 0            | 1 | Freeze status <sup>1</sup> | Download Procedure in progress <sup>2</sup> | 1's   | Sequencing Error    |
| (0)   | 1            | 0 |                            |   | 1's   | CPU Interrupt       |
| (0)   | 1            | 1 |                            |   | 1's   | Null                |

<sup>1</sup> The “Freeze” status is set to (1) when the CPU is in debug mode and to (0) otherwise.

<sup>2</sup> The “Download Procedure in progress” status is asserted (0) when Debug port in the Download procedure and is negated (1) otherwise.

When not in debug mode the sequencing error encoding indicates that the transmission from the external development tool was a debug mode transmission. When a sequencing error occurs the development port will ignore the data shifted in while the sequencing error was shifting out. It will be treated as a NOP function.

Finally, the null output encoding is used to indicate that the previous transmission did not have any associated errors.

When not in debug mode, ready will be asserted at the end of each transmission. If debug mode is not enabled and transmission errors can be guaranteed not to occur, the status output is not needed.

### 22.4.6.8 Development Port Serial Communications — Debug Mode

When in debug mode the development port starts communications by setting DSDO low to indicate that the CPU is trying to read an instruction from DPIR or data from DPDR. When the CPU writes data to the port to be shifted out the ready bit is not set. The port waits for the CPU to read the next instruction before asserting ready. This allows duplex operation of the serial port while allowing the port to control all transmissions from the external development tool. After detecting this ready status the external development tool begins the transmission to the development port with a start bit (logic high) on the DSDI pin.

### 22.4.6.9 Serial Data Into Development Port

In debug mode the 35 bits of the development port shift register are interpreted as a start/ready bit, a mode/status bit, a control/status bit, and 32 bits of data. All instructions and data for the CPU are transmitted with the mode bit cleared indicating a 32-bit data field. The encoding of data shifted into the development port shift register (through the DSDI pin) is shown below in [Table 22-13](#).

**Table 22-13. Debug Instructions / Data Shifted into Development Port Shift Register**

| Start | Mode | Control | Instruction / Data (32 Bits) |                | Function                                      |
|-------|------|---------|------------------------------|----------------|---|
|       |      |         | Bits 0:6                     | Bits 7:31      |   |
| 1     | 0    | 0       | CPU Instruction              |                | Transfer Instruction to CPU                   |
| 1     | 0    | 1       | CPU Data                     |                | Transfer Data to CPU                          |
| 1     | 1    | 0       | Trap enable <sup>1</sup>     | Does not exist | Transfer data to Trap Enable Control Register |
| 1     | 1    | 1       | 0011111                      | Does not exist | Negate breakpoint requests to the CPU.        |
| 1     | 1    | 1       | 0                            | Does not exist | NOP   |

<sup>1</sup> Refer to [Table 22-10](#)

Data values in the last two functions other than those specified are reserved.

All transmissions from the debug port on DSDO begin with a “0” or “ready” bit. This indicates that the CPU is trying to read an instruction or data from the port. The external development tool must wait until it sees DSDO go low to begin sending the next transmission.

The control bit differentiates between instructions and data and allows the development port to detect that an instruction was entered when the CPU was expecting data and vice versa. If this occurs a sequence error indication is shifted out in the next serial transmission.

The trap enable function allows the development tool to transfer data to the trap enable control register.

The debug port command function allows the development tool to either negate breakpoint requests, reset the processor, activate or deactivate the fast down load procedure.

The NOP function provides a null operation for use when there is data or a response to be shifted out of the data register and the appropriate next instruction or command will be determined by the value of the response or data shifted out.

#### 22.4.6.10 Serial Data Out of Development Port

The encoding of data shifted out of the development port shift register in debug mode (through the DSDO pin) is the same as for trap enable mode and is shown in [Table 22-12](#).

Valid data encoding is used when data has been transferred from the CPU to the development port shift register. This is the result of an instruction to move the contents of a general purpose register to the debug port data register (DPDR). The valid data encoding has the highest priority of all status outputs and will be reported even if an interrupt occurs at the same time. Since it is not possible for a sequencing error to occur and also have valid data there is no priority conflict with the sequencing error status. Also, any interrupt that is recognized at the same time that there is valid data is not related to the execution of an

instruction. Therefore, a valid data status will be output and the interrupt status will be saved for the next transmission.

The sequencing error encoding indicates that the inputs from the external development tool are not what the development port and/or the CPU was expecting. Two cases could cause this error:

1. The processor was trying to read instructions and there was data shifted into the development port, or
2. The processor was trying to read data and there was instruction shifted into the development port. The port will terminate the read cycle with a bus error.

This bus error will cause the CPU to signal that an interrupt (exception) occurred. Since a status of sequencing error has a higher priority than exception, the port will report the sequencing error first, and the CPU interrupt on the next transmission. The development port will ignore the command, instruction, or data shifted in while the sequencing error or CPU interrupt is shifted out. The next transmission after all error status is reported to the port should be a new instruction, trap enable or command (possibly the one that was in progress when the sequencing error occurred).

The interrupt-occurred encoding is used to indicate that the CPU encountered an interrupt during the execution of the previous instruction in debug mode. Interrupts may occur as the result of instruction execution (such as unimplemented opcode or arithmetic error), because of a memory access fault, or from an unmasked external interrupt. When an interrupt occurs the development port will ignore the command, instruction, or data shifted in while the interrupt encoding was shifting out. The next transmission to the port should be a new instruction, trap enable or debug port command.

Finally, the null encoding is used to indicate that no data has been transferred from the CPU to the development port shift register.

### 22.4.6.11 Fast Download Procedure

The download procedure is used to download a block of data from the debug tool into system memory. This procedure can be accomplished by repeating the following sequence of transactions from the development tool to the debug port for the number of data words to be down loaded:

```

INIT:      Save RX, RY
          RY <- Memory Block address- 4

          ...

repeat:   mfspr    RX, DPDR
          DATA word to be moved to memory
          stwu     RX, 0x4(RY)
until here

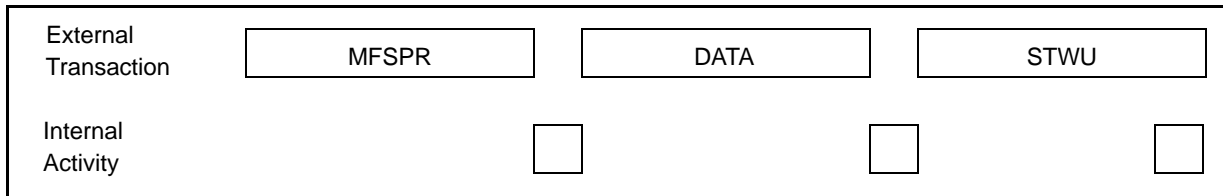
          ...

          Restore RX,RY
    
```

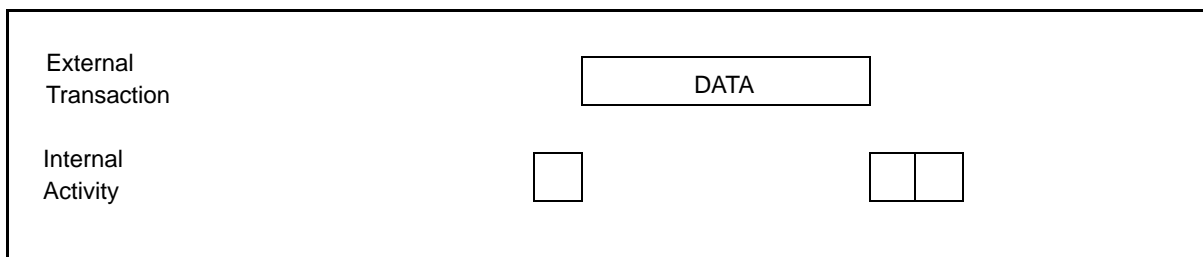
**Figure 22-11. Download Procedure Code Example**



For large blocks of data this sequence may take significant time to complete. The “fast download procedure” of the debug port may be used to reduce this time. This time reduction is achieved by eliminating the need to transfer the instructions in the loop to the debug port. The only transactions needed are those required to transfer the data to be placed in system memory. [Figure 22-12](#) and [Figure 22-13](#) illustrate the time benefit of the “fast download procedure”.



**Figure 22-12. Slow Download Procedure Loop**



**Figure 22-13. Fast Download Procedure Loop**

The sequence of the instructions used in the “fast download procedure” is the one illustrated in [Figure 22-11](#) with  $RX = r31$  and  $RY = r30$ . This sequence is repeated infinitely until the “end download procedure” command is issued to the debug port.

Note that, the internal general purpose register 31 is used for temporary storage data value. Before beginning the “fast download procedure” by the “start download procedure command”, The value of the first memory block address,  $-4$ , must be written to the general purpose register 30.

To end a download procedure, an “end download procedure” command should be issued to the debug port, and then, additional DATA transaction should be sent by the development tool. This data word will NOT be placed into the system memory, but it is needed to stop the procedure gracefully.

## 22.5 Software Monitor Debugger Support

When in debug mode disable, a software monitor debugger can make use of all of the development support features defined in the CPU. When debug mode is disabled all events result in regular interrupt handling, i.e. the processor resumes execution in the corresponding interrupt handler. The exception cause register (ECR) and the debug enable register (DER) only influence the assertion and negation of the freeze signal.

### 22.5.1 Freeze Indication

The internal freeze signal is connected to all relevant internal modules. These modules can be programmed to stop all operations in response to the assertion of the freeze signal. In order to enable a software monitor debugger to broadcast the fact that the debug software is now executed, it is possible to assert and negate the internal freeze signal also when debug mode is disabled.

The assertion and negation of the freeze signal when in debug mode disable is controlled by the exception cause register (ECR) and the debug enable register (DER) as described in [Figure 22-6](#). In order to assert the freeze signal the software needs to program the relevant bits in the debug enable register (DER). In order to negate the freeze line the software needs to read the exception cause register (ECR) in order to clear it and perform an rfi instruction.

If the exception cause register (ECR) is not cleared before the rfi is performed the freeze signal is not negated. Therefore it is possible to nest inside a software monitor debugger without affecting the value of the freeze line although rfi may be performed a few times. Only before the last rfi the software needs to clear the exception cause register (ECR).

The above mechanism enables the software to accurately control the assertion and the negation of the freeze signal.

## 22.6 Development Support Registers

[Table 22-14](#) lists the registers used for development support in SPR number order, and the register sections, [Section 22.6.2, “Comparator A–D Value Registers \(CMPA–CMPD\)”](#) through [Section 22.6.13, “Development Port Data Register \(DPDR\),”](#) follow the same SPR order. The registers are accessed with the mtspr and mfspr instructions.

**Table 22-14. Development Support Programming Model**

| SPR Number (Decimal) | Name  |
|----------------------|---|
| 144                  | Comparator A Value Register (CMPA)<br>See <a href="#">Table 22-17</a> for bit descriptions.                       |
| 145                  | Comparator B Value Register (CMPB)<br>See <a href="#">Table 22-17</a> for bit descriptions.                       |
| 146                  | Comparator C Value Register (CMPC)<br>See <a href="#">Table 22-17</a> for bit descriptions.                       |
| 147                  | Comparator D Value Register (CMPD)<br>See <a href="#">Table 22-17</a> for bit descriptions.                       |
| 148                  | Exception Cause Register (ECR)<br>See <a href="#">Table 22-18</a> for bit descriptions.                           |
| 149                  | Debug Enable Register (DER)<br>See <a href="#">Table 22-19</a> for bit descriptions.                              |
| 150                  | Breakpoint Counter A Value and Control Register (COUNTA)<br>See <a href="#">Table 22-20</a> for bit descriptions. |
| 151                  | Breakpoint Counter B Value and Control Register (COUNTB)<br>See <a href="#">Table 22-21</a> for bit descriptions. |
| 152                  | Comparator E Value Register (CMPE)<br>See <a href="#">Table 22-22</a> for bit descriptions.                       |
| 153                  | Comparator F Value Register (CMPF)<br>See <a href="#">Table 22-22</a> for bit descriptions.                       |

**Table 22-14. Development Support Programming Model (continued)**

| SPR Number (Decimal) | Name  |
|----------------------|---|
| 154                  | Comparator G Value Register (CMPG)<br>See <a href="#">Table 22-23</a> for bit descriptions.   |
| 155                  | Comparator H Value Register (CMPH)<br>See <a href="#">Table 22-23</a> for bit descriptions.   |
| 156                  | L-Bus Support Control Register 1 (LCTRL1)<br>See <a href="#">Table 22-24</a> for bit descriptions.  |
| 157                  | L-Bus Support Control Register 2 (LCTRL2)<br>See <a href="#">Table 22-25</a> for bit descriptions.  |
| 158                  | I-Bus Support Control Register (ICTRL)<br>See <a href="#">Table 22-26</a> for bit descriptions.   |
| 159                  | Breakpoint Address Register (BAR)<br>See <a href="#">Table 22-28</a> for bit descriptions.  |
| 630                  | Development Port Data Register (DPDR)<br>See <a href="#">Section 22.6.13, "Development Port Data Register (DPDR)"</a> for bit descriptions. |

## 22.6.1 Register Protection

[Table 22-15](#) and [Table 22-16](#) summarize protection features of development support registers during read and write accesses, respectively.

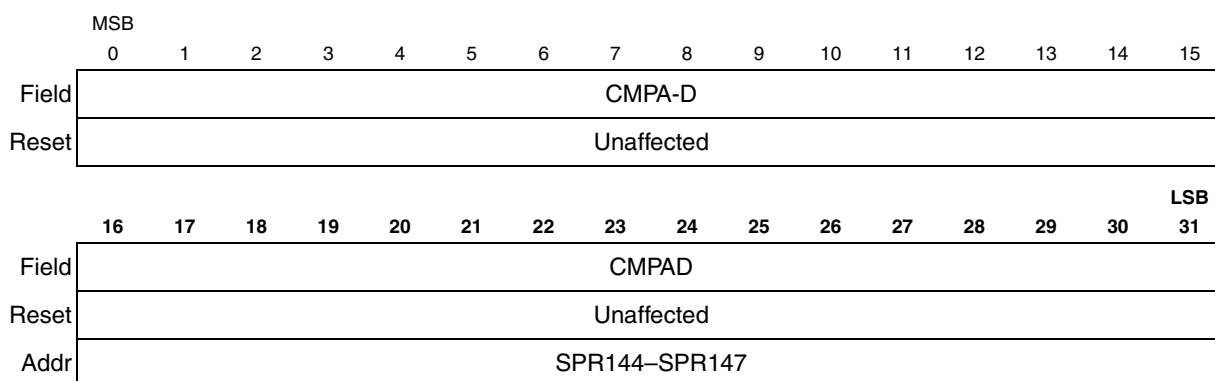
**Table 22-15. Development Support Registers Read Access Protection**

| MSR[PR] | Debug Mode Enable | In Debug Mode | Result   |
|---------|-------------------|---------------|--|
| 0       | 0                 | X             | Read is performed.<br>ECR is cleared when read.<br>Reading DPDR yields indeterminate data.     |
| 0       | 1                 | 0             | Read is performed.<br>ECR is not cleared when read.<br>Reading DPDR yields indeterminate data. |
| 0       | 1                 | 1             | Read is performed.<br>ECR is cleared when read.  |
| 1       | X                 | X             | Program exception is generated.<br>Read is not performed.<br>ECR is not cleared when read.     |

**Table 22-16. Development Support Registers Write Access Protection**

| MSR[PR] | Debug Mode Enable | In Debug Mode | Result   |
|---------|-------------------|---------------|--|
| 0       | 0                 | X             | Write is performed.<br>Write to ECR is ignored.<br>Writing to DPDR is ignored. |
| 0       | 1                 | 0             | Write is not performed.<br>Writing to DPDR is ignored.                         |
| 0       | 1                 | 1             | Write is performed.<br>Write to ECR is ignored.                                |
| 1       | X                 | X             | Write is not performed.<br>Program exception is generated.                     |

## 22.6.2 Comparator A–D Value Registers (CMPA–CMPD)


**Figure 22-14. Comparator A–D Value Register (CMPA–CMPD)**
**Table 22-17. CMPA-CMPD Bit Descriptions**

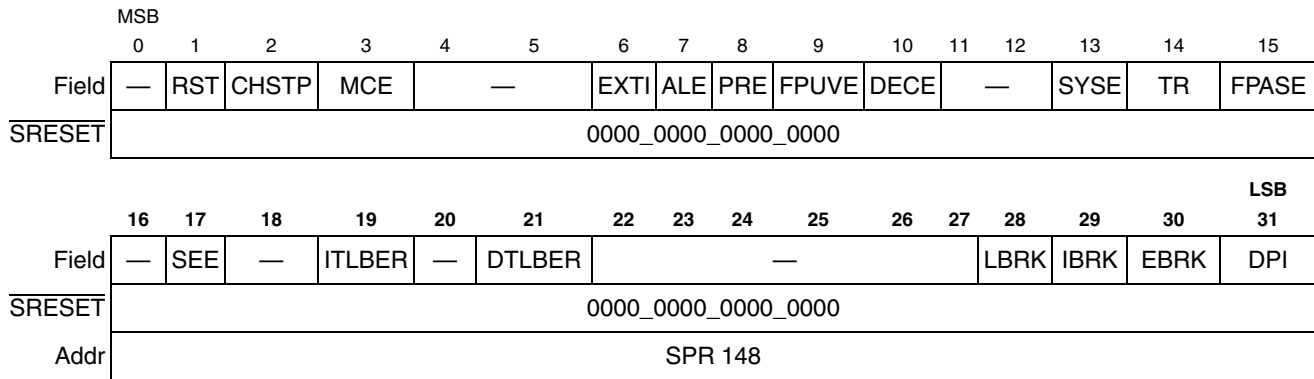
| Bits | Mnemonic | Description                 |
|------|----------|-----------------------------|
| 0:31 | CMPA-D   | Address bits to be compared |

**Note:** These registers are unaffected by reset.

## 22.6.3 Exception Cause Register (ECR)

The ECR indicates the cause of entry into debug mode. All bits are set by the hardware and cleared when the register is read when debug mode is disabled, or if the processor is in debug mode. Attempts to write to this register are ignored. When the hardware sets a bit in this register, debug mode is entered only if debug mode is enabled and the corresponding mask bit in the DER is set.

All bits are cleared to zero following reset.


**Figure 22-15. Exception Cause Register (ECR)**
**Table 22-18. ECR Bit Descriptions**

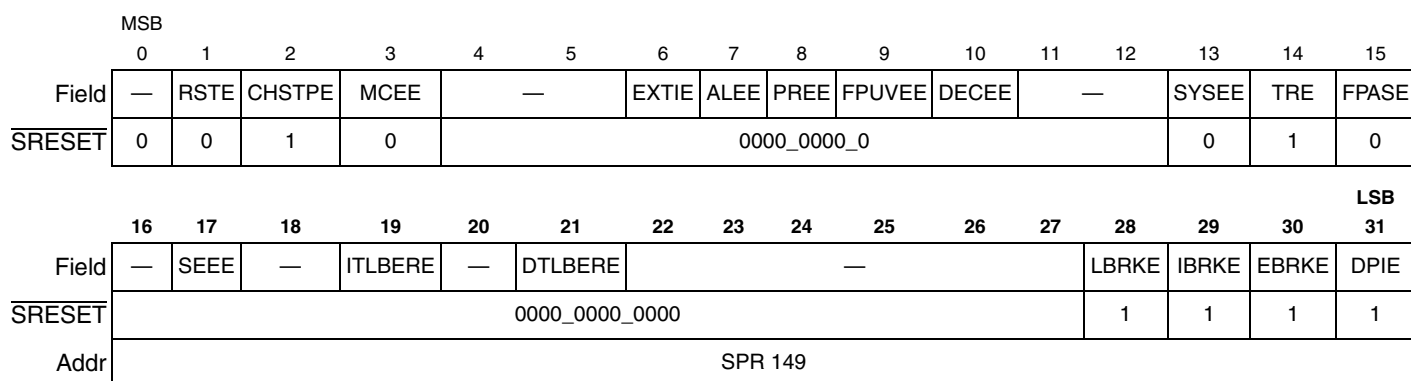
| Bits  | Name   | Description   |
|-------|--------|---|
| 0     | —      | Reserved  |
| 1     | RST    | Reset interrupt bit. This bit is set when the system reset pin is asserted.   |
| 2     | CHSTP  | Checkstop bit. Set when the processor enters checkstop state.   |
| 3     | MCE    | Machine check interrupt bit. Set when a machine check exception (other than one caused by a data storage or instruction storage error) is asserted.   |
| 4:5   | —      | Reserved  |
| 6     | EXTI   | External interrupt bit. Set when the external interrupt is asserted.  |
| 7     | ALE    | Alignment exception bit. Set when the alignment exception is asserted.  |
| 8     | PRE    | Program exception bit. Set when the program exception is asserted.  |
| 9     | FPUVE  | Floating point unavailable exception bit. Set when the program exception is asserted.   |
| 10    | DECE   | Decrementer exception bit. Set when the decremter exception is asserted.  |
| 11:12 | —      | Reserved  |
| 13    | SYSE   | System call exception bit. Set when the system call exception is asserted.  |
| 14    | TR     | Trace exception bit. Set when in single-step mode or when in branch trace mode.   |
| 15    | FPASE  | Floating point assist exception bit. Set when the floating point assist exception occurs.   |
| 16    | —      | Reserved  |
| 17    | SEE    | Software emulation exception. Set when the software emulation exception is asserted.  |
| 18    | —      | Reserved  |
| 19    | ITLBER | Implementation specific instruction protection error<br>This bit is set as a result of an instruction protection error. Results in debug mode entry if debug mode is enabled and the corresponding enable bit is set. |
| 20    | —      | Reserved  |
| 21    | DTLBER | Implementation specific data protection error<br>This bit is set as a result of an data protection error. Results in debug mode entry if debug mode is enabled and the corresponding enable bit is set.               |

**Table 22-18. ECR Bit Descriptions (continued)**

| Bits  | Name | Description  |
|-------|------|--|
| 22:27 | —    | Reserved   |
| 28    | LBRK | L-bus breakpoint exception bit. This bit is set as a result of the assertion of a load/store breakpoint. Results in debug mode entry if debug mode is enabled and the corresponding enable bit is set.   |
| 29    | IBRK | I-bus breakpoint exception bit. This bit is set as a result of the assertion of an Instruction breakpoint. Results in debug mode entry if debug mode is enabled and the corresponding enable bit is set.   |
| 30    | EBRK | External breakpoint exception bit. Set when an external breakpoint is asserted (by an on-chip IMB or L-bus module, or by an external device or development system through the development port). This bit is set as a result of the assertion of an external breakpoint. Results in debug mode entry if debug mode is enabled and the corresponding enable bit is set. |
| 31    | DPI  | Development port interrupt bit. Set by the development port as a result of a debug station non-maskable request or when debug mode is entered immediately out of reset.  |

### 22.6.4 Debug Enable Register (DER)

This register enables selectively masking the events that may cause the processor to enter into debug mode.



**Figure 22-16. Debug Enable Register (DER)**

**Table 22-19. DER Bit Descriptions**

| Bits | Name   | Description   |
|------|--------|---|
| 0:1  | —      | Reserved  |
| 1    | RSTE   | Reset enable<br>0 Debug entry is disabled (reset value)<br>1 Debug entry is enabled                           |
| 2    | CHSTPE | Checkstop enable bit<br>0 Debug mode entry disabled<br>1 Debug mode entry enabled (reset value)               |
| 3    | MCEE   | Machine check exception enable bit<br>0 Debug mode entry disabled (reset value)<br>1 Debug mode entry enabled |

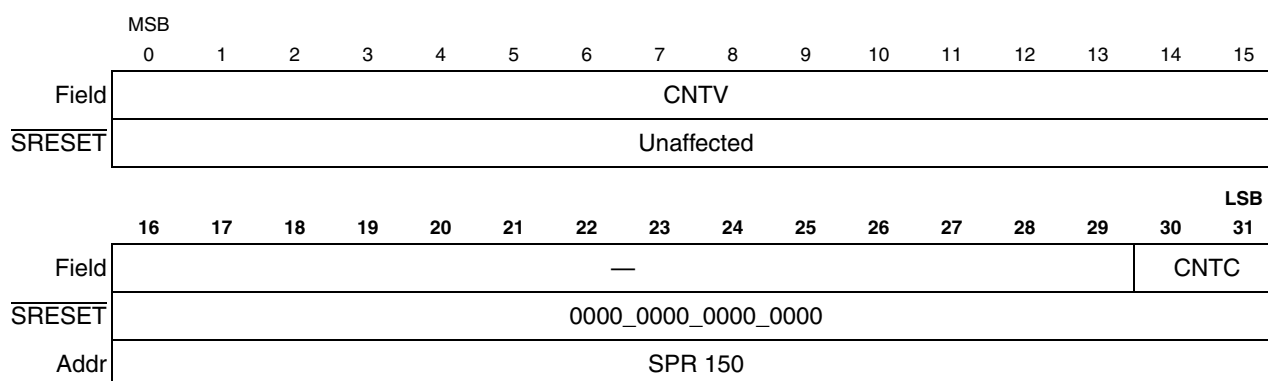
**Table 22-19. DER Bit Descriptions (continued)**

| Bits  | Name    | Description   |
|-------|---------|---|
| 4:5   | —       | Reserved  |
| 6     | EXTIE   | External interrupt enable bit<br>0 Debug mode entry disabled (reset value)<br>1 Debug mode entry enabled                                    |
| 7     | ALEE    | Alignment exception enable bit<br>0 Debug mode entry disabled (reset value)<br>1 Debug mode entry enabled                                   |
| 8     | PREE    | Program exception enable bit<br>0 Debug mode entry disabled (reset value)<br>1 Debug mode entry enabled                                     |
| 9     | FPUVEE  | Floating point unavailable exception enable bit<br>0 Debug mode entry disabled (reset value)<br>1 Debug mode entry enabled                  |
| 10    | DECEE   | Decrementer exception enable bit<br>0 Debug mode entry disabled (reset value)<br>1 Debug mode entry enabled                                 |
| 11:12 | —       | Reserved  |
| 13    | SYSEE   | System call exception enable bit<br>0 Debug mode entry disabled (reset value)<br>1 Debug mode entry enabled                                 |
| 14    | TRE     | Trace exception enable bit<br>0 Debug mode entry disabled<br>1 Debug mode entry enabled (reset value)                                       |
| 15    | FPASEE  | Floating point assist exception enable bit.<br>0 Debug mode entry disabled (reset value)<br>1 Debug mode entry enabled                      |
| 16    | —       | Reserved  |
| 17    | SEEE    | Software emulation exception enable bit<br>0 Debug mode entry disabled (reset value)<br>1 Debug mode entry enabled                          |
| 18    | —       | Reserved  |
| 19    | ITLBERE | Implementation specific instruction protection error enable bit.<br>0 Debug mode entry disabled (reset value)<br>1 Debug mode entry enabled |
| 20    | —       | Reserved  |
| 21    | DTLBERE | Implementation specific data protection error enable bit.<br>0 Debug mode entry disabled (reset value)<br>1 Debug mode entry enabled        |
| 22:27 | —       | Reserved  |
| 28    | LBRKE   | Load/store breakpoint enable bit.<br>0 Debug mode entry disabled<br>1 Debug mode entry enabled (reset value)                                |

**Table 22-19. DER Bit Descriptions (continued)**

| Bits | Name  | Description   |
|------|-------|---|
| 29   | IBRKE | Instruction breakpoint interrupt enable bit.<br>0 Debug mode entry disabled<br>1 Debug mode entry enabled (reset value)   |
| 30   | EBRKE | External breakpoint interrupt enable bit (development port, internal or external modules).<br>0 Debug mode entry disabled<br>1 Debug mode entry enabled (reset value) |
| 31   | DPIE  | Development port interrupt enable bit<br>0 Debug mode entry disabled<br>1 Debug mode entry enabled (reset value)  |

## 22.6.5 Breakpoint Counter A Value and Control Register



**Figure 22-17. Breakpoint Counter A Value and Control Register (COUNTA)**

**Table 22-20. Breakpoint Counter A Value and Control Register (COUNTA)**

| Bits  | Name | Description   |
|-------|------|---|
| 0:15  | CNTV | Counter preset value  |
| 16:29 | —    | Reserved  |
| 30:31 | CNTC | Counter source select<br>00 not active (reset value)<br>01 I-bus first watchpoint<br>10 L-bus first watchpoint<br>11 Reserved |

**Note:** COUNTA[16:31] are cleared following reset; COUNTA[0:15] are unaffected by reset.



## 22.6.6 Breakpoint Counter B Value and Control Register

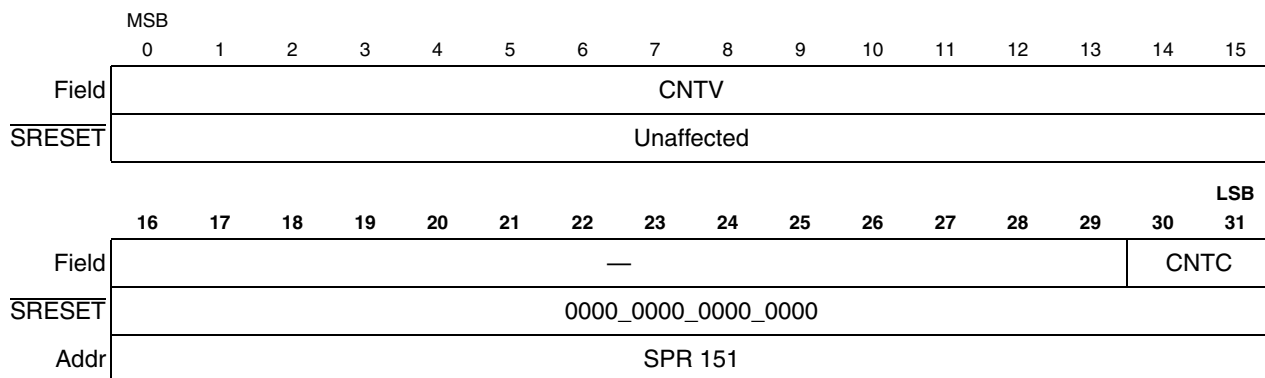


Figure 22-18. Breakpoint Counter B Value and Control Register (COUNTB)

Table 22-21. Breakpoint Counter B Value and Control Register (COUNTB)

| Bits  | Name | Description   |
|-------|------|---|
| 0:15  | CNTV | Counter preset value  |
| 16:29 | —    | Reserved  |
| 30:31 | CNTC | Counter source select<br>00 not active (reset value)<br>01 I-bus second watchpoint<br>10 L-bus second watchpoint<br>11 Reserved |

**Note:** COUNTB[16:31] are cleared following reset; COUNTB[0:15] are unaffected by reset.

## 22.6.7 Comparator E–F Value Registers (CMPE–CMPF)

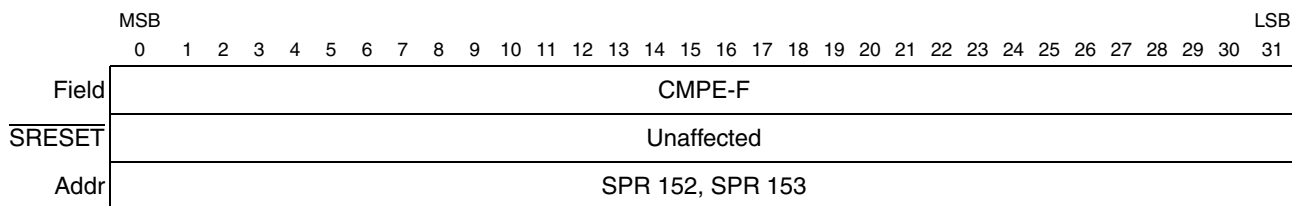


Figure 22-19. Comparator E–F Value Registers (CMPE–CMPF)

Table 22-22. CMPE–CMPF Bit Descriptions

| Bits | Mnemonic | Description                 |
|------|----------|-----------------------------|
| 0:31 | CMPE-F   | Address bits to be compared |

**Note:** These registers are unaffected by reset.

## 22.6.8 Comparator G–H Value Registers (CMPG–CMPH)

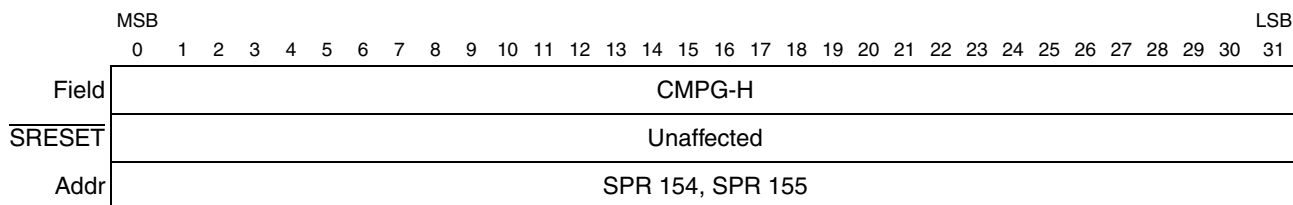


Figure 22-20. Comparator G–H Value Registers (CMPG–CMPH)

Table 22-23. CMPG-CMPH Bit Descriptions

| Bits | Mnemonic | Description              |
|------|----------|--------------------------|
| 0:31 | CMPG-H   | Data bits to be compared |

**Note:** These registers are unaffected by reset.

## 22.6.9 L-Bus Support Control Register 1

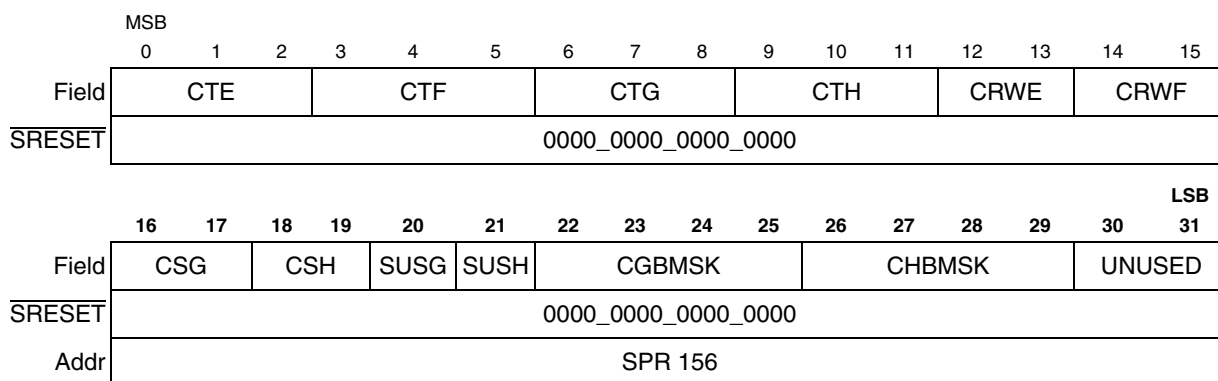


Figure 22-21. L-Bus Support Control Register 1 (LCTRL)

Table 22-24. LCTRL1 Bit Descriptions

| Bits  | Mnemonic | Description                                | Function  |
|-------|----------|--|---|
| 0:2   | CTE      | Compare type, comparator E                 | 0xx not active (reset value)<br>100 equal<br>101 less than<br>110 greater than<br>111 not equal |
| 3:5   | CTF      | Compare type, comparator F                 |   |
| 6:8   | CTG      | Compare type, comparator G                 |   |
| 9:11  | CTH      | Compare type, comparator H                 |   |
| 12:13 | CRWE     | Select match on read/write of comparator E | 0X don't care (reset value)<br>10 match on read<br>11 match on write                            |
| 14:15 | CRWF     | Select match on read/write of comparator F |   |

**Table 22-24. LCTRL1 Bit Descriptions (continued)**

| Bits  | Mnemonic | Description                                     | Function  |
|-------|----------|---|---|
| 16:17 | CSG      | Compare size, comparator G                      | 00 reserved<br>01 word<br>10 half word<br>11 byte<br>(Must be programmed to word for floating point compares)         |
| 18:19 | CSH      | Compare size, comparator H                      |   |
| 20    | SUSG     | Signed/unsigned operating mode for comparator G | 0 unsigned<br>1 signed<br>(Must be programmed to signed for floating point compares)                                  |
| 21    | SUSH     | Signed/unsigned operating mode for comparator H |   |
| 22:25 | CGBMSK   | Byte mask for 1st L-data comparator             | 0000 all bytes are not masked<br>0001 the last byte of the word is masked<br>.<br>.<br>.<br>1111 all bytes are masked |
| 26:29 | CHBMSK   | Byte mask for 2nd L-data comparator             |   |
| 30:31 | —        | Reserved  | —   |

**Note:** LCTRL1 is cleared following reset.

## 22.6.10 L-Bus Support Control Register 2

|        |  | MSB                 |       |         |          |         |         |       |       |         |       |        |        |        |        |     |    |  |  |  |
|--------|--|---------------------|-------|---------|----------|---------|---------|-------|-------|---------|-------|--------|--------|--------|--------|-----|----|--|--|--|
|        |  | 0                   | 1     | 2       | 3        | 4       | 5       | 6     | 7     | 8       | 9     | 10     | 11     | 12     | 13     | 14  | 15 |  |  |  |
| Field  |  | LW0EN               | LW0IA | LW0IADC | LW0LA    | LW0LADC | LW0LDDC | LW0EN | LW1IA | LW1IADC | LW1LA |        |        |        |        |     |    |  |  |  |
| SRESET |  | 0000_0000_0000_0000 |       |         |          |         |         |       |       |         |       |        |        |        |        |     |    |  |  |  |
|        |  |                     |       |         |          |         |         |       |       |         |       |        |        |        |        | LSB |    |  |  |  |
|        |  | 16                  | 17    | 18      | 19       | 20      | 21      | 22    | 23    | 24      | 25    | 26     | 27     | 28     | 29     | 30  | 31 |  |  |  |
| Field  |  | LW1LADC             | LW1LD | LW1LDDC | BRKNOMSK | —       |         |       |       |         |       | DLW0EN | DLW1EN | SLW0EN | SLW1EN |     |    |  |  |  |
| SRESET |  | 0000_0000_0000_0000 |       |         |          |         |         |       |       |         |       |        |        |        |        |     |    |  |  |  |
| Addr   |  | SPR 157             |       |         |          |         |         |       |       |         |       |        |        |        |        |     |    |  |  |  |

**Figure 22-22. L-Bus Support Control Register 2 (LCTRL2)**

**Table 22-25. LCTRL2 Bit Descriptions**

| Bits  | Name    | Description   |
|-------|---------|---|
| 0     | LW0EN   | 1st L-bus watchpoint enable bit<br>0 watchpoint not enabled (reset value)<br>1 watchpoint enabled   |
| 1:2   | LW0IA   | 1st L-bus watchpoint I-addr watchpoint selection<br>00 first I-bus watchpoint<br>01 second I-bus watchpoint<br>10 third I-bus watchpoint<br>11 fourth I-bus watchpoint              |
| 3     | LW0IADC | 1st L-bus watchpoint<br>care/don't care I-addr events<br>0 Don't care<br>1 Care   |
| 4:5   | LW0LA   | 1st L-bus watchpoint<br>L-addr events selection<br>00 match from comparator E<br>01 match from comparator F<br>10 match from comparators (E&F)<br>11 match from comparators (E   F) |
| 6     | LW0LADC | 1st L-bus watchpoint<br>care/don't care L-addr events<br>0 Don't care<br>1 Care   |
| 7:8   | LW0LD   | 1st L-bus watchpoint<br>L-data events selection<br>00 match from comparator G<br>01 match from comparator H<br>10 match from comparators (G&H)<br>11 match from comparators (G   H) |
| 9     | LW0LDDC | 1st L-bus watchpoint<br>care/don't care L-data events<br>0 Don't care<br>1 Care   |
| 10    | LW1EN   | 2nd L-bus watchpoint enable bit<br>0 watchpoint not enabled (reset value)<br>1 watchpoint enabled   |
| 11:12 | LW1IA   | 2nd L-bus watchpoint I-addr watchpoint selection<br>00 first I-bus watchpoint<br>01 second I-bus watchpoint<br>10 third I-bus watchpoint<br>11 fourth I-bus watchpoint              |
| 13    | LW1IADC | 2nd L-bus watchpoint<br>care/don't care I-addr events<br>0 Don't care<br>1 Care   |

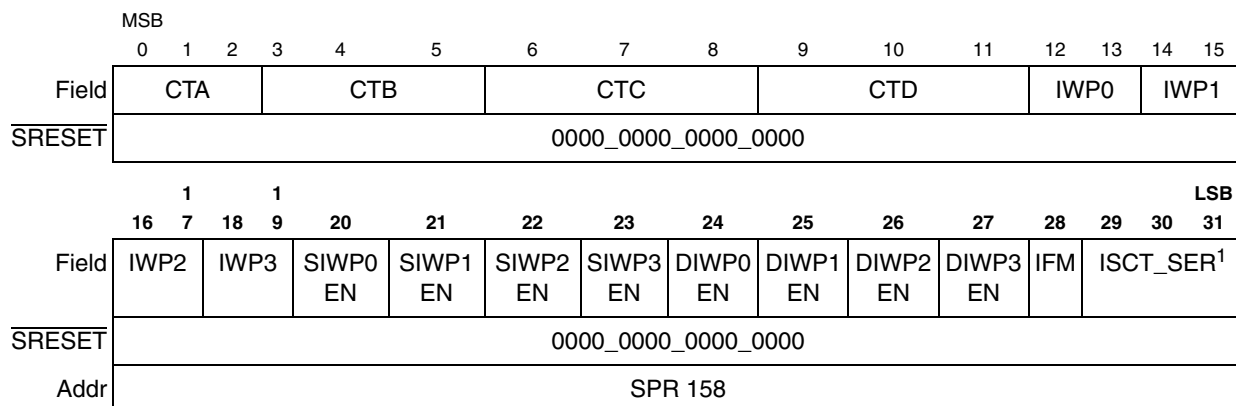
**Table 22-25. LCTRL2 Bit Descriptions (continued)**

| Bits  | Name     | Description   |
|-------|----------|---|
| 14:15 | LW1LA    | 2nd L-bus watchpoint<br>L-addr events selection<br>00 match from comparator E<br>01 match from comparator F<br>10 match from comparators (E&F)<br>11 match from comparators (E   F) |
| 16    | LW1LADC  | 2nd L-bus watchpoint<br>care/don't care L-addr events<br>0 Don't care<br>1 Care   |
| 17:18 | LW1LD    | 2nd L-bus watchpoint<br>L-data events selection<br>00 match from comparator G<br>01 match from comparator H<br>10 match from comparators (G&H)<br>11 match from comparator (G   H)  |
| 19    | LW1LDDC  | 2nd L-bus watchpoint<br>care/don't care L-data events<br>0 Don't care<br>1 Care   |
| 20    | BRKNOMSK | Internal breakpoints non-mask bit<br>0 masked mode; breakpoints are recognized only when MSR[RI]=1 (reset value)<br>1 non-masked mode; breakpoints are always recognized            |
| 21:27 | —        | Reserved  |
| 28    | DLW0EN   | Development port trap enable selection of the 1st L-bus watchpoint (read only bit)<br>0 trap disabled (reset value)<br>1 trap enabled   |
| 29    | DLW1EN   | Development port trap enable selection of the 2nd L-bus watchpoint (read only bit)<br>0 trap disabled (reset value)<br>1 trap enabled   |
| 30    | SLW0EN   | Software trap enable selection of the 1st L-bus watchpoint<br>0 trap disabled (reset value)<br>1 trap enabled   |
| 31    | SLW1EN   | Software trap enable selection of the 2nd L-bus watchpoint<br>0 trap disabled (reset value)<br>1 trap enabled   |

**Note:** LCTRL2 is cleared following reset.

For each watchpoint, three control register fields (LW<sub>x</sub>IA, LW<sub>x</sub>LA, LW<sub>x</sub>LD) must be programmed. For a watchpoint to be asserted, all three conditions must be detected.

## 22.6.11 I-Bus Support Control Register (ICTRL)



**Figure 22-23. I-Bus Support Control Register (ICTRL)**

<sup>1</sup> Changing the instruction show cycle programming starts to take effect only from the second instruction after the actual mtspr to ICTRL.

If the processor aborts a fetch of the target of a direct branch (due to an exception), the target is not always visible on the external pins. Program trace is not affected by this phenomenon.

**Table 22-26. ICTRL Bit Descriptions**

| Bits  | Mnemonic | Description                      | Function   |   |
|-------|----------|----------------------------------|--|---|
|       |          |                                  | Non-compressed mode <sup>1</sup>   | Compressed Mode <sup>2</sup>  |
| 0:2   | CTA      | Compare type of comparator A     | 0xx = not active (reset value)<br>100 = equal<br>101 = less than<br>110 = greater than<br>111 = not equal  | 1xx = not active<br>000 = equal (reset value)<br>001 = less than<br>010 = greater than<br>011 = not equal |
| 3:5   | CTB      | Compare type of comparator B     |  |   |
| 6:8   | CTC      | Compare type of comparator C     |  |   |
| 9:11  | CTD      | Compare type of comparator D     |  |   |
| 12:13 | IWP0     | I-bus 1st watchpoint programming | 0x = not active (reset value)<br>10 = match from comparator A<br>11 = match from comparators (A&B)   |   |
| 14:15 | W1       | I-bus 2nd watchpoint programming | 0x = not active (reset value)<br>10 = match from comparator B<br>11 = match from comparators (A   B)   |   |
| 16:17 | IWP2     | I-bus 3rd watchpoint programming | 0x = not active (reset value)<br>10 = match from comparator C<br>11 = match from comparators (C&D)   |   |
| 18:19 | IWP3     | I-bus 4th watchpoint programming | 0x = not active (reset value)<br>10 = match from comparator D<br>11 = match from comparators (C   D)<br>0x = not active (reset value)<br>10 = match from comparator D<br>11 = match from comparators (C   D) |   |

**Table 22-26. ICTRL Bit Descriptions (continued)**

| Bits  | Mnemonic | Description  | Function   |                              |
|-------|----------|--|--|------------------------------|
|       |          |  | Non-compressed mode <sup>1</sup>   | Compressed Mode <sup>2</sup> |
| 20    | SIWP0EN  | Software trap enable selection of the 1st I-bus watchpoint                         | 0 = trap disabled (reset value)<br>1 = trap enabled  |                              |
| 21    | SIWP1EN  | Software trap enable selection of the 2nd I-bus watchpoint                         |  |                              |
| 22    | SIWP2EN  | Software trap enable selection of the 3rd I-bus watchpoint                         |  |                              |
| 23    | SIWP3EN  | Software trap enable selection of the 4th I-bus watchpoint                         |  |                              |
| 24    | DIWP0EN  | Development port trap enable selection of the 1st I-bus watchpoint (read only bit) | 0 = trap disabled (reset value)<br>1 = trap enabled  |                              |
| 25    | DIWP1EN  | Development port trap enable selection of the 2nd I-bus watchpoint (read only bit) |  |                              |
| 26    | DIWP2EN  | Development port trap enable selection of the 3rd I-bus watchpoint (read only bit) |  |                              |
| 27    | DIWP3EN  | Development port trap enable selection of the 4th I-bus watchpoint (read only bit) |  |                              |
| 28    | IFM      | Ignore first match, only for I-bus breakpoints                                     | 0 = Do not ignore first match, used for “go to x” (reset value)<br>1 = Ignore first match (used for “continue”)  |                              |
| 29:31 | ISCT_SER | RCPU serialize control and Instruction fetch show cycle                            | These bits control serialization and instruction fetch show cycles. See <a href="#">Table 22-27</a> for the bit definitions.<br>NOTE: Changing the instruction show cycle programming starts to take effect only from the second instruction after the actual <b>mtspr</b> to ICTRL. |                              |

<sup>1</sup> Refer to [Appendix A, “MPC566 Compression Features,”](#) for code compression-specific functionality.

<sup>2</sup> MPC566 only.

**Table 22-27. ISCT\_SER Bit Descriptions**

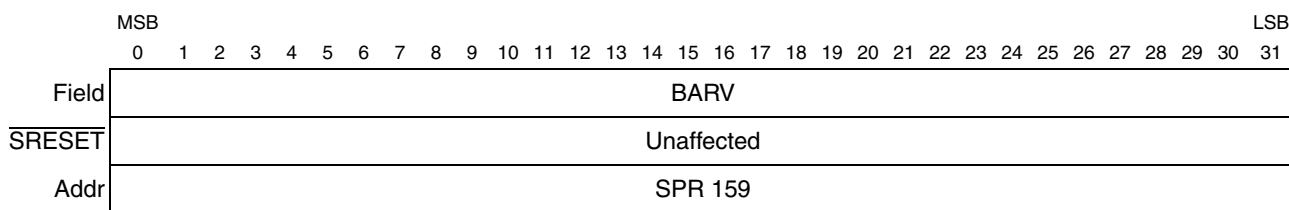
| Serialize Control (SER) | Instruction Fetch (ISCTL) | Functions Selected   |
|-------------------------|---------------------------|--|
| 0                       | 00                        | RCPU is fully serialized and show cycles will be performed for all fetched instructions (reset value) <sup>1</sup> |
| 0                       | 01                        | RCPU is fully serialized and show cycles will be performed for all changes in the program flow                     |
| 0                       | 10                        | RCPU is fully serialized and show cycles will be performed for all indirect changes in the program flow            |
| 0                       | 11                        | RCPU is fully serialized and no show cycles will be performed for fetched instructions                             |

**Table 22-27. ISCT\_SER Bit Descriptions**

| Serialize Control (SER) | Instruction Fetch (ISCTL) | Functions Selected  |
|-------------------------|---------------------------|---|
| 1                       | 00                        | Illegal. This mode should not be selected.  |
| 1                       | 01                        | RCPU is not serialized (normal mode) and show cycles will be performed for all changes in the program flow          |
| 1                       | 10                        | RCPU is not serialized (normal mode) and show cycles will be performed for all indirect changes in the program flow |
| 1                       | 11                        | RCPU is not serialized (normal mode) and no show cycles will be performed for fetched instructions                  |

<sup>1</sup> In compression mode, the MPC566 cannot perform a show cycles of all instructions. Only changes of flow or all indirect changes of flow are supported. If the ISCT\_SER bits are set to 0b000, the RCPU will show changes of flow only (i.e., treat it as if ISCT\_SER were set to 0b001).

## 22.6.12 Breakpoint Address Register (BAR)



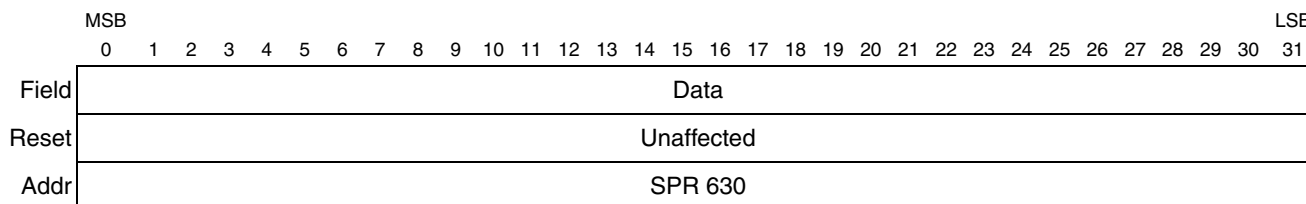
**Figure 22-24. Breakpoint Address Register (BAR)**

**Table 22-28. BAR Bit Descriptions**

| Bits | Mnemonic   | Description   |
|------|------------|---|
| 0:31 | BARV[0:31] | The address of the load/store cycle that generated the breakpoint |

## 22.6.13 Development Port Data Register (DPDR)

This 32-bit special purpose register physically resides in the development port logic. It is used for data interchange between the core and the development system. An access to this register is initiated using mtspr and mfspr (SPR 630) and implemented using a special bus cycle on the internal bus.



**Figure 22-25. Development Port Data Register (DPDR)**



## Chapter 23

# READI Module

The READI module provides real-time development capabilities for RCPU-based MCUs in compliance with the Nexus IEEE-ISTO 5001-1999. This module provides development support capabilities for MCUs in single chip mode, without requiring address and data signals for internal visibility. The development features supported are program trace, data trace, watchpoint trace, ownership trace, run-time access to the MCU's internal memory map, and access to RCPU internal registers during halt, via the auxiliary port.

The auxiliary port, along with RCPU development features (such as background debug mode and watchpoints) supports all software and hardware development in single chip mode. The auxiliary port, along with (on-chip) calibration RAM, allows calibration variable acquisition and calibration constant tuning in single chip mode, for automotive powertrain development systems.

### NOTE

In this section the bit numbering in the register definitions of tool mapped registers follows the Nexus IEEE-ISTO 5001 - 1999 bit numbering convention of MSB = bit 31 and LSB = bit 0, unlike the MPC500 standard (MSB = bit 0 and LSB = bit 31). The bit description tables list the bit numbering and Nexus bit numbering.

## 23.1 Features Summary

The READI module is compliant with Class 3 of the IEEE-ISTO 5001-1999. The following features are implemented:

- Program trace via branch trace messaging (BTM). Branch trace messaging displays program flow discontinuities (direct and indirect branches, exceptions etc.), allowing the development tool to interpolate what transpires between the discontinuities. Thus static code may be traced.
- Data trace via data write messaging (DWM) and data read messaging (DRM). This provides the capability for the development tool to trace reads and/or writes to (selected) internal memory resources. Data trace also allows for calibration variable acquisition in automotive powertrain development systems.
  - Two data trace windows with programmable address range and access attributes. Data trace windowing reduces the requirements on the auxiliary port bandwidth by constraining the number of trace locations.
- Ownership trace via ownership trace messaging (OTM). OTM facilitates ownership trace by providing visibility of which process ID or operating system task is activated. An ownership trace message is transmitted to indicate when a new process/task is activated, allowing development tools to trace process/task flow.

- Run-time access to on-chip memory map and MPC500 special purpose registers (SPRs) via the READI read/write access protocol. This feature supports accesses for runtime internal visibility, calibration constant acquisition and tuning, and external rapid prototyping for powertrain automotive development systems.
- Watchpoint messaging via the auxiliary port
- Nine or 16 full-duplex auxiliary signal interface for medium and high visibility throughput
  - One of two modes selected during reset: full port mode (FPM) and reduced port mode (RPM).
    - FPM comprises 16 signals and RPM comprises nine signals
  - Auxiliary output port
    - One MCKO (message clock out) signal
    - Two or eight MDO (message data out) signals
    - One  $\overline{\text{MSEO}}$  (message start/end out) signal
  - Auxiliary input port
    - One  $\overline{\text{MCKI}}$  (message clock in) signal
    - One or two MDI (message data in) signals
    - One  $\overline{\text{MSEI}}$  (message start/end in) signal
    - One  $\overline{\text{EVTI}}$  (event in) signal
    - One  $\overline{\text{RSTI}}$  (reset in) signal
- All features configurable and controllable via the auxiliary port
- Security features for production environment
- Support of existing RCPU development access protocol via the auxiliary port
- READI module can be reset independent of system reset
- Parametrics:
  - Two bits are downloaded per clock in full port mode. For example, with input clock running at 28 MHz, this translates to a download rate of 56 Mbits/s.
  - One bit is downloaded per clock in reduced port mode. For example, with input clock running at 28 MHz, this translates to a download rate of 28 Mbits/s.
  - Eight bits are uploaded per clock in full port mode. For example, with system clock running at 56 MHz, this translates to a upload rate of 448 Mbits/s.
  - Two bits are uploaded per clock in reduced port mode. For example, with system clock running at 56 MHz, this translates to a upload rate of 112 Mbits/s.

### 23.1.1 Functional Block Diagram

The functional block diagram of the READI module is shown in [Figure 23-1](#).

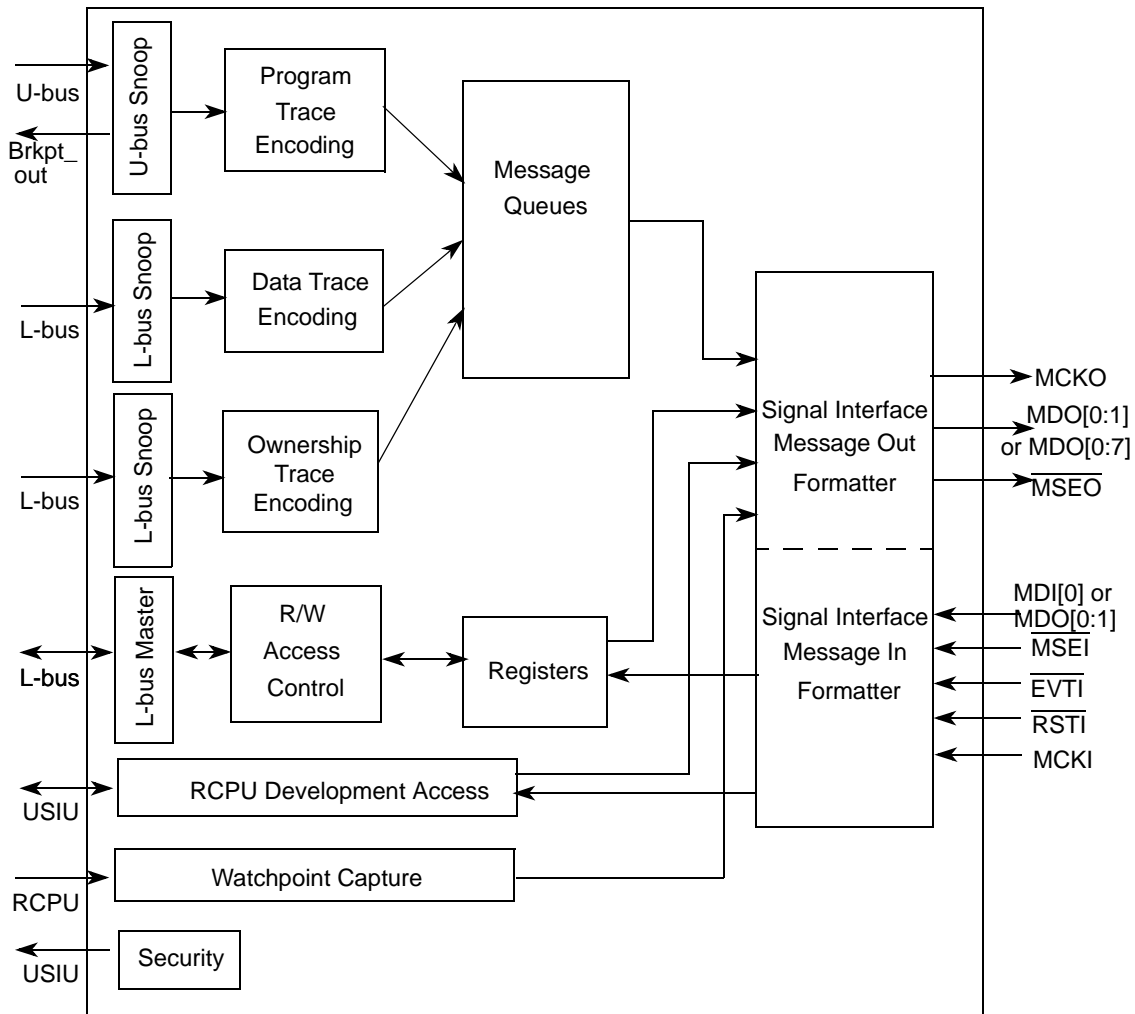


Figure 23-1. READI Functional Block Diagram

## 23.2 Modes of Operation

The various operating modes of the READI module are:

1. Reset
2. Secure
3. Normal
4. Disabled

### 23.2.1 Reset Configuration

The READI reset configuration is explained in [Section 23.7.6, “READI Reset Configuration.”](#)

## 23.2.2 Security

Security is provided via the UC3F censorship mechanism. If a UC3F array is in censored mode, reads or writes to the UC3F will not be allowed (RCPU will not be able to fetch instructions from the UC3F) once any of the following cases are detected:

- Program trace and/or data trace are enabled
- Read/write access is attempted (can be to any address location)
- RCPU development access is enabled.

## 23.2.3 Normal

Normal operation of the READI module allows for development support features to be available. These features include control of the device, access to registers, and the ability to perform data or instruction trace.

## 23.2.4 Disabled

If  $\overline{\text{EVTI}}$  is negated at negation of  $\overline{\text{RSTI}}$ , the READI module will be disabled. No trace output will be provided, and output auxiliary port will be three-stated. Any message sent by the tool is ignored.

## 23.3 Parametrics

With 32-deep message queues, throughput numbers were calculated for the following benchmark codes [assuming full port mode]:

- For an example benchmark which had 10.9% direct branches, 2.5% indirect branches, 10.4% data writes, and 19.3% data reads, approximately 20% of total data trace accesses will be traced.
- For another example benchmark which had 9.8% direct branches, 2.8% indirect branches, 6.6% data writes, and 18.3% data reads, approximately 27% of total data trace accesses will be traced.

### NOTE

The queue is only 16 messages deep on revisions prior to Rev. D of the MPC565.

For reduced port mode, the data trace feature should not be used, or used sparingly, so as not to cause queue overruns.

## 23.4 Messages

The READI module implements messaging via the auxiliary port according to the IEEE-ISTO 5001 - 1999. Messaging will be implemented via transfer codes (TCODEs) on the auxiliary port. The TCODE number for the message identifies the transfer format (the number and/or size of packets to be transferred) and the purpose of each packet.

Public messages outlined in [Table 23-1](#) are supported by READI.

**Table 23-1. Public Messages**

| TCODE Number | Message Name  |
|--------------|---|
| 1            | Device ID. Refer to <a href="#">Section 23.6.1.3, "Device ID Register (DID)."</a>   |
| 2            | Ownership Trace Message. Refer to <a href="#">Section 23.13.1, "Ownership Trace Messaging."</a>   |
| 3            | Program Trace — Direct Branch Message. Refer to <a href="#">Section 23.8.2.1, "Direct Branch Messages."</a>   |
| 4            | Program Trace — Indirect Branch Message. Refer to <a href="#">Section 23.8.2.2, "Indirect Branch Messages."</a>   |
| 5            | Data Trace — Data Write Message. Refer to <a href="#">Section 23.9.2.1, "Data Write Message."</a>   |
| 6            | Data Trace — Data Read Message. Refer to <a href="#">Section 23.9.2.2, "Data Read Message."</a>   |
| 8            | Error Message. Refer to <a href="#">Table 23-20</a> .   |
| 10 (0x0A)    | Program Trace Correction. Refer to <a href="#">Section 23.8.2.3, "Correction Messages."</a>   |
| 11 (0x0B)    | Program Trace — Direct Branch Synchronization Message. Refer to <a href="#">Section 23.8.2.4.1, "Direct Branch Synchronization Message."</a>  |
| 12 (0x0C)    | Program Trace — Indirect Branch Synchronization Message. Refer to <a href="#">Section 23.8.2.4.2, "Indirect Branch Synchronization Message."</a>  |
| 13 (0x0D)    | Data Trace — Data Write Synchronization Message. Refer to <a href="#">Section 23.9.2.4, "Data Write Synchronization Message."</a>   |
| 14 (0x0E)    | Data Trace — Data Read Synchronization Message. Refer to <a href="#">Section 23.9.2.5, "Data Read Synchronization Messaging."</a>   |
| 15 (0x0F)    | Watchpoint Message. Refer to <a href="#">Section 23.12.1, "Watchpoint Messaging."</a>   |
| 16 (0x10)    | Auxiliary Access — Device Ready for Upload/Download Message. Refer to <a href="#">Section 23.6.2, "Accessing Memory-Mapped Locations Via the Auxiliary Port."</a>                                   |
| 17 (0x11)    | Auxiliary Access — Upload Request (Tool Requests Information) Message. Refer to <a href="#">Section 23.6.3, "Accessing READI Tool Mapped Registers Via the Auxiliary Port."</a>                     |
| 18 (0x12)    | Auxiliary Access — Download Request (Tool Provides Information) Message. Refer to <a href="#">Section 23.6.2, "Accessing Memory-Mapped Locations Via the Auxiliary Port."</a>                       |
| 19 (0x13)    | Auxiliary Access — Upload/Download Information (Device/Tool Provides Information) Message. Refer to <a href="#">Section 23.6.3, "Accessing READI Tool Mapped Registers Via the Auxiliary Port."</a> |
| 27 (0x1B)    | Program Trace <sup>1</sup> - Resource Full Message. Refer to <a href="#">Section 23.8.2.4.5, "Resource Full Message."</a>   |

<sup>1</sup> This message is not available on the MPC565 prior to revision D.

**Table 23-2. Vendor-Defined Messages**

| TCODE Number | Message Name  |
|--------------|---|
| 56 (0x38)    | RCPU Development Access — DSDI Data (Tool Provides Information) Message                 |
| 57 (0x39)    | RCPU Development Access — DSDO Data (Device Provides Information) Message               |
| 58 (0x3A)    | RCPU Development Access — BDM Status (Device Provides Information) Message              |
| 59 (0x3B)    | Program Trace — Indirect Branch Message With Compressed Code. Available in MPC566 only. |

**Table 23-2. Vendor-Defined Messages (continued)**

| TCODE Number | Message Name  |
|--------------|---|
| 60 (0x3C)    | Program Trace — Direct Branch Synchronization Message With Compressed Code. Available in MPC566 only.   |
| 61 (0x3D)    | Program Trace — Indirect Branch Synchronization Message With Compressed Code. Available in MPC566 only. |

Vendor-defined messages outlined in [Table 23-2](#) are also supported by READI.

## 23.5 Terms and Definitions

**Table 23-3. Terms and Definitions**

| Term                         | Description  |
|------------------------------|--|
| Auxiliary Port               | Refers to IEEE-ISTO 5001 auxiliary port.   |
| Branch Trace Messaging (BTM) | External visibility of addresses for taken branches and exceptions, and the number of sequential instructions executed between each taken branch.  |
| BDM                          | Background Debug Mode.   |
| Compressed Code Mode         | Current instruction stream is fetching compressed code. Available in MPC566 only.  |
| Calibration Constants        | Performance related constants which must be tuned for automotive powertrain and disk drive applications.   |
| Calibration Variables        | Intermediate calculations which must be visible during the calibration or tuning process to enable accurate tuning of calibration constants.   |
| Data Read Message (DRM)      | External visibility of data reads to internal memory-mapped resources.   |
| Data Write Message (DWM)     | External visibility of data writes to internal memory-mapped resources.  |
| Data Trace Messaging (DTM)   | External visibility of how data flows through the embedded system. May include DRM and/or DWM.   |
| Download                     | Tool sends information to the device   |
| Field                        | Number of bits representing single piece of information  |
| FPM                          | Full Port Mode. This is the default full port mode for READI.  |
| IEEE-ISTO 5001               | IEEE-ISTO 5001, formerly known as Global Embedded Processor Debug Interface Standard. Worldwide web documentation at <a href="http://www.nexus5001.org/">http://www.nexus5001.org/</a> .                                   |
| Halt                         | RCPU is in freeze state (typically in debug mode)  |
| Instruction Fetch            | The process of reading the instruction data received from the instruction memory.  |
| Instruction Issue            | The process of driving valid instruction bits inside the processor. The instruction is decoded by each execution unit, and the appropriate execution unit prepares to execute the instruction during the next clock cycle. |

**Table 23-3. Terms and Definitions (continued)**

| Term                          | Description   |
|-------------------------------|---|
| Instruction Taken             | An instruction is taken after it has been issued and recognized by the appropriate execution unit. All resources to perform the instruction are ready, and the processor begins to execute it.  |
| Instruction Retire            | Completion of the instruction issue, execution and writeback stages. An instruction is ready to be retired if it completes without generating an exception and all instructions ahead of it in history buffer have completed without generating an exception.                         |
| ICTRL                         | Instruction bus support control register (Refer to <a href="#">Table 22.6.11</a> )  |
| Ownership Trace Message (OTM) | Visibility of process/function that is currently executing.   |
| Public Messages               | Messages on the auxiliary signals for accomplishing common visibility and controllability requirements e.g. DRM and DWM.  |
| RCPU                          | Processor that implements the PowerPC-based architecture used in the Freescale MPC500 family of microcontrollers.   |
| READI                         | Real time Embedded Applications Development Interface.  |
| READI signals                 | Refers to IEEE-ISTO 5001 auxiliary port.  |
| RPM                           | Reduced Port Mode. This is the reduced port mode for READI.   |
| run-time                      | RCPU is executing program code in normal mode   |
| Sequential Instruction        | Any instruction other than a flow-control instruction or isync.   |
| Snooping                      | Monitoring addresses driven by a bus master to detect the need for coherency actions.   |
| Standard                      | The phrase “according to the standard” implies according the IEEE-ISTO 5001 - 1999.   |
| Superfield                    | One or more message “fields” delimited by $\overline{\text{MSE0}}/\overline{\text{MSE1}}$ assertion/negation. The information transmitted between “start-message” and “end-packet” states.  |
| Show Cycle                    | An internal access (e.g., to an internal memory) reflected on the external bus using a special cycle (marked with a dedicated transfer code). For an internal memory “hit,” an address-only bus cycle is generated; for an internal memory “miss,” a complete bus cycle is generated. |
| Transfer Code (TCODE)         | Message header that identifies the number and/or size of packets to be transferred, and how to interpret each of the packets.   |
| TCK / DSCK / MCKI             | Multiplexed signal: JTAG Clock or Development Port Clock. MCKI is a READI signal on the MPC565.   |
| TDI / DSDI / MDI0             | Multiplexed signal: JTAG Data In or Development Port Serial Data In. MDI0 is a READI signal on the MPC565.  |
| TDO / DSDO / MDO0             | Multiplexed signal: JTAG Data Out or Development Port Serial Data Out. MDO0 is a READI signal on the MPC565.  |
| Upload                        | Device sends information to the tool.   |
| VSYNC                         | Internal RCPu signal  |
| VF                            | Internal RCPu signal which indicates instruction queue status.  |
| VFLS                          | Internal RCPu signal which indicates history buffer flush status.   |

## 23.6 Programming Model

The READI registers do not follow the recommendations of the IEEE-ISTO 5001 - 1999, but are loosely based on the 0.9 release of the standard. See <http://www.nexus5001.org/>.

READI registers are classified into two categories: user-mapped register and tool-mapped registers.

User-mapped register (a memory-mapped register):

- Ownership trace register

Tool-mapped registers (registers which can be accessed only through the development tool and are not memory mapped):

- Device ID register
- Development control register
- Mode control register 4-bit
- User base address register
- Read/write access register
- Upload/download information register
- Data trace attributes register 1
- Data trace attributes register 2

### 23.6.1 Register Map

READI registers are accessible via the auxiliary port. They can be classified into two categories: user-mapped registers and tool-mapped registers.

#### 23.6.1.1 User-Mapped Register (OTR)

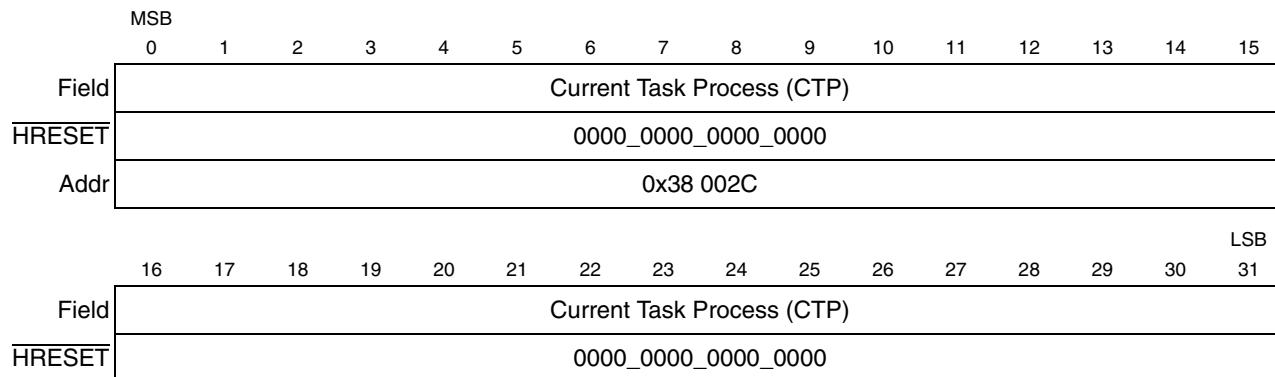
The operating system writes the ID for the current task/process in the single user-mapped register, the READI ownership trace (OTR) register. [Table 23-4](#) shows the location of the register bits. Their functions are explained below.

The current task/process (CTP) field is updated by the operating system software to provide task/process ID information. The OTR register can only be accessed by supervisor data attributes. Only CPU writes to this register will be transmitted. This register is not accessible via the auxiliary port download request message.

#### NOTE

This is the only READI register that is reset by  $\overline{\text{HRESET}}$ .





**Figure 23-2. READI Ownership Trace Register (OTR)**

**Table 23-4. OTR Bit Descriptions**

| Bits | Name | Description                                 |
|------|------|---|
| 0:31 | CTP  | READI ownership trace register, write only. |

### 23.6.1.2 Tool-Mapped Registers

Table 23-5 defines READI registers that are not memory mapped and can only be accessed through the development tool. Their corresponding access opcodes are also defined.

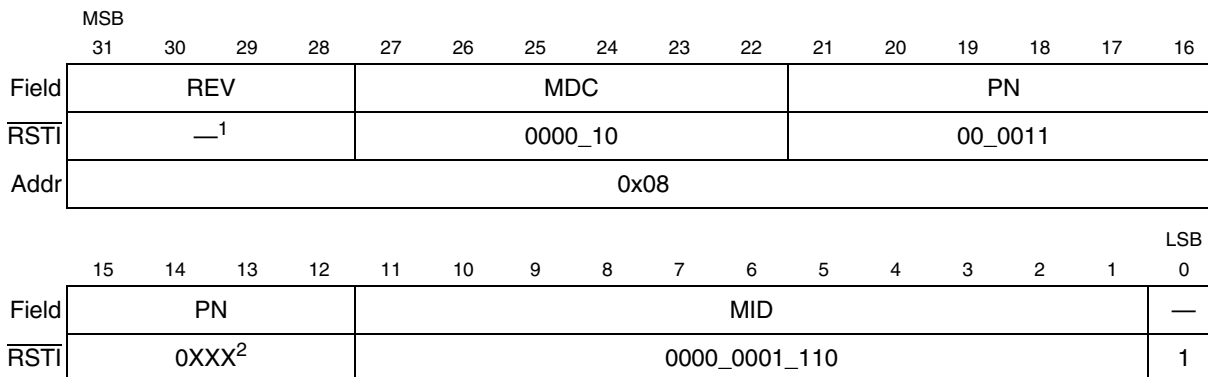
**Table 23-5. Tool-Mapped Register Space**

| Access Opcode | Register                                   | Access Type             |
|---------------|--|-------------------------|
| 8 (0x08)      | Device ID Register (DID)                   | Read Only               |
| 10 (0x0A)     | Development Control Register (DC)          | Read Only               |
| 11(0x0B)      | Mode Control Register (MC) <sup>1</sup>    | Read/Write <sup>1</sup> |
| 13 (0x0D)     | User Base Address Register (UBA)           | Read Only               |
| 15 (0x0F)     | Read/Write Access Register (RWA)           | Read/Write              |
| 16 (0x10)     | Upload/Download Information Register (UDI) | Read/Write              |
| 20 (0x14)     | Data Trace Attributes Register 1 (DTA1)    | Read/Write              |
| 21 (0x15)     | Data Trace Attributes Register 2 (DTA2)    | Read/Write              |

<sup>1</sup> Not available on all revisions. Refer to the device errata for the version of silicon in use.

### 23.6.1.3 Device ID Register (DID)

Accessing the DID register provides key attributes to the development tool concerning the MCU. This information is also transmitted via the auxiliary output port upon exit of READI reset ( $\overline{RSTI}$ ), if  $\overline{EVTI}$  is asserted at  $\overline{RSTI}$  negation. Table 23-6 gives the bit descriptions.



<sup>1</sup> The default value depends on the revision of the device.

<sup>2</sup> XXX=0b011 for MPC565/566.

**Figure 23-3. READI Device ID Register**

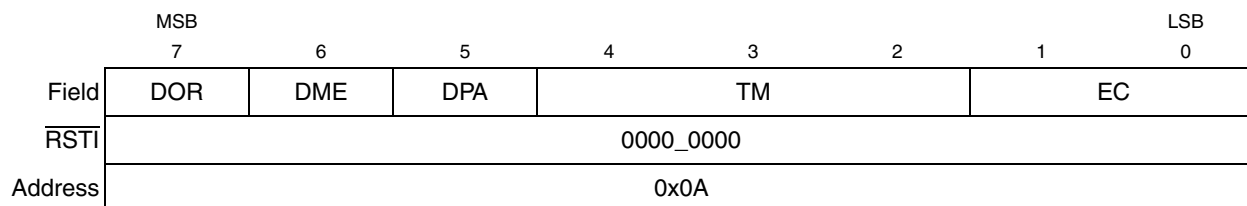
**Table 23-6. DID Bit Descriptions**

| RCPU Bits | Nexus Bits | Name             | Description   |
|-----------|------------|------------------|---|
| 0:3       | 31:28      | REV              | READI version number. This field contains the revision level of the device.   |
| 4:9       | 27:22      | MDC <sup>1</sup> | READI Manufacturer Design Center. This field identifies the manufacturer's design center. The MPC565 has a value of 0x02.   |
| 10:19     | 21:12      | PN <sup>1</sup>  | READI Part Number. This part number identification field. The MPC565 field value is 0x033.  |
| 20:30     | 11:1       | MID              | READI Manufacturer ID. This field identifies the manufacturer of the device, Freescale's ID is 0x0E. The value of this register for the MPC565 prior to Revision D silicon is 0x1C. |
| 31        | 0          | —                | Reserved  |

<sup>1</sup> The IEEE-ISTO 5001-1999 defines these two fields as a single combined field.

### 23.6.1.4 Development Control Register (DC)

The DC register is used for basic development control of the READI module. [Table 23-7](#) shows the location of register bits.



**Figure 23-4. READI Development Control (DC) Register**

**Table 23-7. DC Bit Descriptions**

| RCPU Bits | Nexus Bits | Name             | Description   |
|-----------|------------|------------------|---|
| 0         | 7          | DOR <sup>1</sup> | READI Debug Mode Entry Out-of-reset Field can be configured to enable or disable debug mode entry out of reset.<br>0 Debug Mode Not Entered Out-of-Reset<br>1 Debug Mode Entered Out-of-Reset   |
| 1         | 6          | DME <sup>1</sup> | READI Debug Mode Enable Field can be configured to enable or disable debug mode.<br>0 Debug Mode Disabled<br>1 Debug Mode Enabled   |
| 2         | 5          | DPA <sup>1</sup> | READI RCP Development Access Field can be configured to access the RCP Development features via the READI module or via the debug signals (TCK / DSCK, TDI / DSDI and TDO / DSDO). The default DPA setting configures the RCP Development features to be accessed via debug signals.<br>0 RCP Development Access Disabled through READI, BDM signals enabled<br>1 RCP Development Access Enabled through READI  |
| 3:5       | 4:2        | TM               | READI Trace Mode Field can be configured to enable BTM, DTM, and OTM. Any or all types of trace may be enabled.<br>000 No Trace<br>1xx BTM Branch Trace Messaging Enabled<br>x1x DTM Data Trace Messaging Enabled<br>xx1 OTM Ownership Trace Messaging Enabled  |
| 6:7       | 1:0        | EC               | READI $\overline{\text{EVTI}}$ Control Field can be configured for synchronization and breakpoint generation. If the EC is equal to 0b00, asserting $\overline{\text{EVTI}}$ will cause the next program and data trace message to be a synchronization message (providing program and data trace are enabled). If the EC field is equal to 0b01, a breakpoint will be generated. If the field is configured to one of the reserved states, its action reverts to that of the default state.<br>NOTE: The $\overline{\text{EVTI}}$ signal is level sensitive when EC is configured for breakpoint generation. This implies that as long as $\overline{\text{EVTI}}$ assertion is continued (with EC set to 0b01), the READI module will continue requesting a breakpoint. The user must detect breakpoint generation and negate the $\overline{\text{EVTI}}$ signal appropriately.<br>00 $\overline{\text{EVTI}}$ for program and data trace synchronization<br>01 $\overline{\text{EVTI}}$ for breakpoint generation<br>1x No Action |

<sup>1</sup> The DPA, DOR, and DME fields in the DC register can only be modified when system reset is asserted, or reset (to default state) when the READI module is reset by the assertion of  $\overline{\text{RSTI}}$ .

Table 23-8 describes the DC register fields with the mode configurations for RCP Development access.

**Table 23-8. RCP Development Access Modes**

| DOR | DME | DPA | RCP Development Access through READI   |
|-----|-----|-----|--|
| x   | x   | 0   | No RCP Development Access via READI. RCP access is done through BDM signals. |
| x   | 0   | 1   | Non-debug mode access of RCP development through READI.                      |

**Table 23-8. RCPU Development Access Modes (continued)**

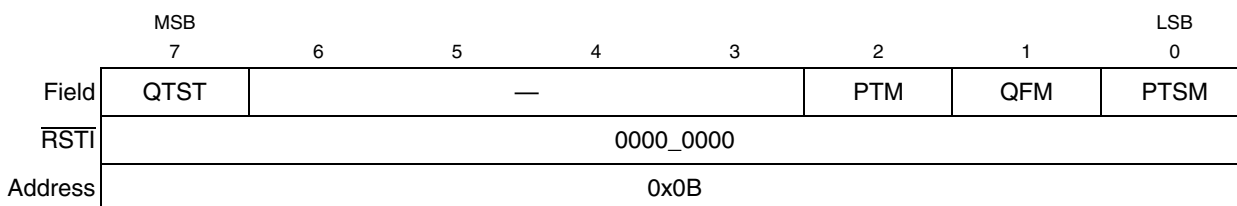
| DOR | DME | DPA | RCPU Development Access through READI   |
|-----|-----|-----|---|
| 0   | 1   | 1   | Debug mode is enabled through READI (RCPU is still in normal mode, out of reset)                    |
| 1   | 1   | 1   | Debug mode is enabled through READI and entered out-of-reset. Debug mode entry causes RCPU to halt. |

### 23.6.1.5 Mode Control Register (MC)

The MC register is used to select different modes of the READI module. [Table 23-7](#) shows the location of register bits.

**NOTE**

The MC register is not available prior to Revision D of the MPC565. Prior revisions have only the default features.



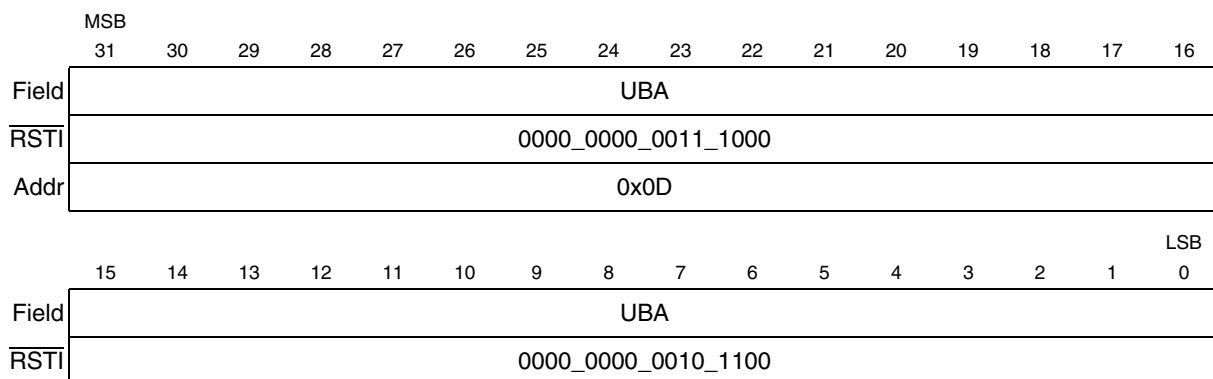
**Figure 23-5. READI Mode Control (MC) Register**

**Table 23-9. MC Bit Descriptions**

| RCPU Bits | Nexus Bits | Name | Description  |
|-----------|------------|------|--|
| 0         | 7          | QTST | Enables a factory test mode for structural testing of the queue. This bit can only be written in factory test mode. When set, no trace messages are queued. Users should always write this bit as a 0.   |
| 5         | 2          | PTM  | The Program Trace Mode (PTM) bit enables an enhanced method of program trace. This mode allows program trace to work with the ISCTL bits of the ICTRL register set to any value except 3. The value of 2 is recommended for optimal processor performance. The drawback of this mode is direct branch messages are never synchronizing so sync requests must be held until the next indirect branch.<br>0 Legacy Program Trace Mode<br>1 Enhanced Program Trace Mode |
| 6         | 1          | QFM  | The Queue Flush Mode (QFM) bit selects if information in the queue is discarded or transmitted at the time of an overrun. Discarding information allows trace to resume quicker after an overrun, but makes it difficult to find the cause of the overrun.<br>0 Information in the queue is removed<br>1 Trace is stopped until the queue empties.   |
| 7         | 0          | PTSM | The Program Trace Sync Mode (PTSM) indicates if the program trace messages contain the I-CNT packet.<br>0 Program trace message do not contain the I-CNT packet.<br>1 Program trace message contain the I-CNT packet.  |

### 23.6.1.6 User Base Address Register (UBA)

The UBA register defines the memory map address for the OT register. [Table 23-10](#) gives a description of the register bits.



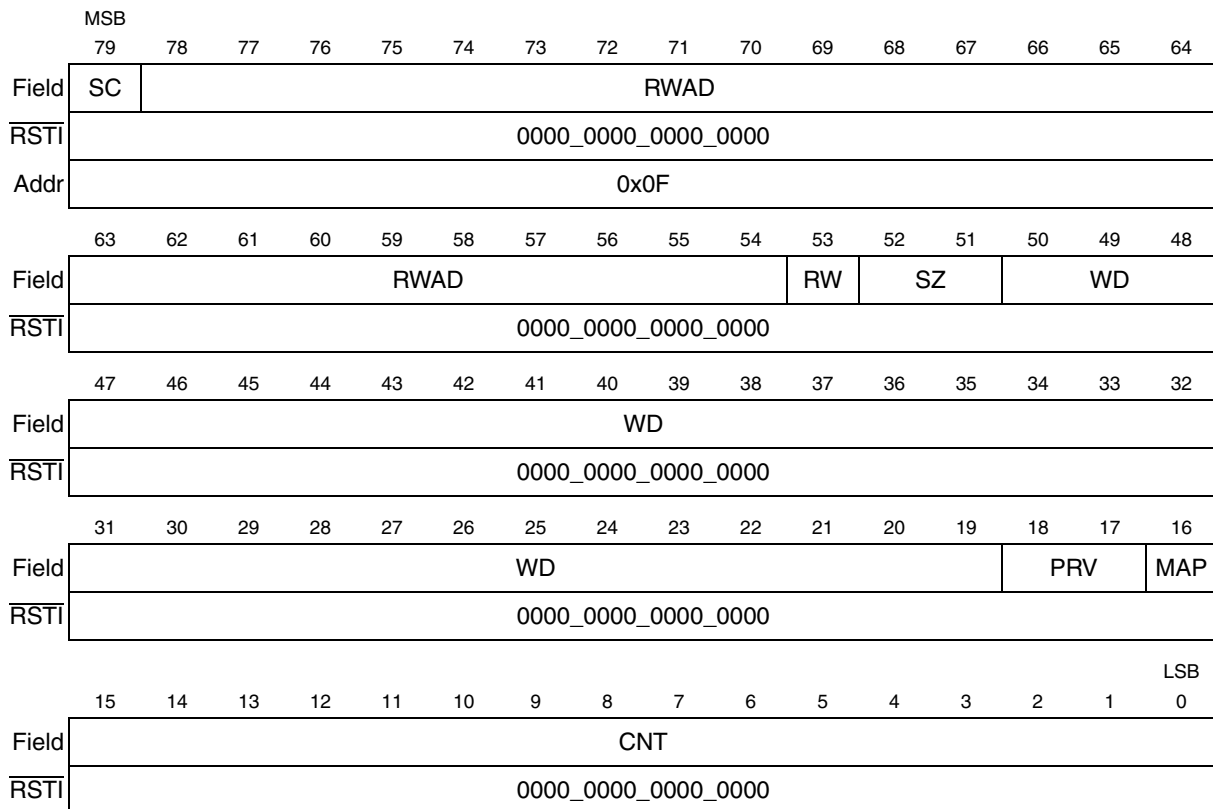
**Figure 23-6. READI User Base Address Register**

**Table 23-10. UBA Bit Descriptions**

| RCPU Bits | Nexus Bits | Name | Description  |
|-----------|------------|------|--|
| 0:31      | 31:0       | UBA  | The user base address (UBA) field defines the memory map address for the OT register. The MPC565 user base address is 0x38002C. The UBA register is read-only by the development tool. |

### 23.6.1.7 Read/Write Access Register (RWA)

The RWA register provides DMA-like access to memory-mapped locations, MPC500 special purpose registers, and READI tool mapped registers. [Table 23-11](#) shows the location of register bits.



**Figure 23-7. READI Read/Write Access Register**

**Table 23-11. RWA Read/Write Access Bit Descriptions**

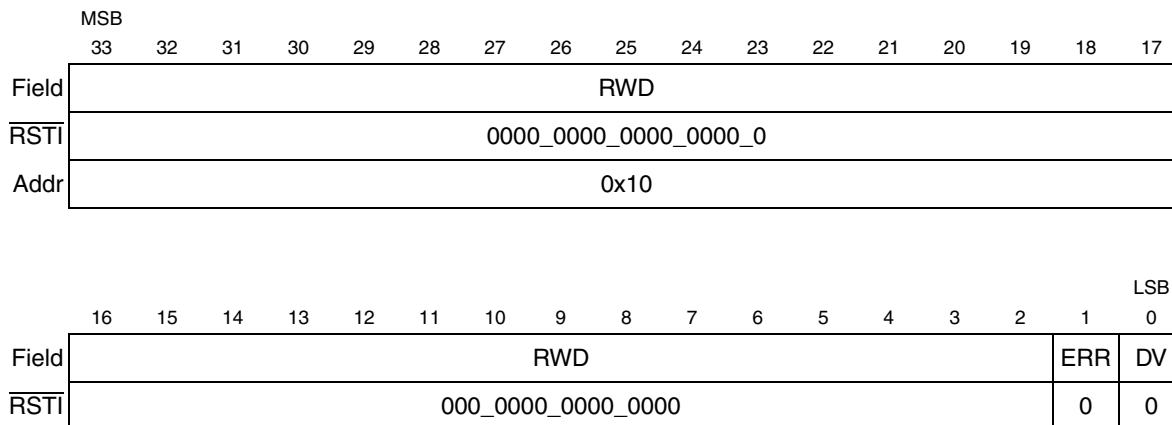
| RCPU Bits | Nexus Bits | Name | Description  |
|-----------|------------|------|--|
| 0         | 79         | SC   | The start complete (SC) field is set when a read or write access is initiated. The device will clear the SC bit once the read or write access completes. During a block access, if the SC bit is reset, the access will terminate.<br>0 Access complete<br>1 Start access  |
| 1:25      | 78:54      | RWAD | Read/write address (RWAD) bits are used to identify the address of internal memory-mapped resources to be accessed, or the lowest address (i.e., lowest unsigned value) for a block move (CNT > 0). The address range for a block move is from RWAD to RWAD + CNT.<br>NOTE: The RWD field of the UDI register is shared with the WD field of the RWA register. |
| 26        | 53         | RW   | The read/write (RW) field can be configured to allow selection of a read or a write access.<br>0 Read access<br>1 Write access   |

**Table 23-11. RWA Read/Write Access Bit Descriptions (continued)**

| RCPU Bits | Nexus Bits | Name | Description  |
|-----------|------------|------|--|
| 27:28     | 52:51      | SZ   | The word size (SZ) field can be configured to allow 32-bit, 16-bit, or 8-bit read/write accesses. If the field is configured to one of the reserved states, its action reverts to that of the default state.<br>00 32-bit<br>01 16-bit<br>10 8-bit<br>11 Reserved  |
| 29:60     | 50:19      | WD   | Write data (WD) bits contain the data to be written. For a read access, the data stored is a don't care.   |
| 61:62     | 18:17      | PRV  | The Privilege Attribute Field can be configured to select different read/write access attributes.<br>00 User Data<br>01 User Instruction<br>10 Supervisor Data<br>11 Supervisor Instruction  |
| 63        | 16         | MAP  | The Map Select Field can be configured to allow access to multiple memory maps. The primary processor memory map (MAP equal to 0b0) is designated as the default. The secondary memory map (MAP equal to 0b1) can be set to select the MPC500 special purpose registers.<br>0 Primary memory map<br>1 Secondary memory map (PPC Special Purpose Registers)   |
| 64:79     | 15:0       | CNT  | The Access Count Field can be configured to indicate the number of accesses of word size (defined in SZ field). The CNT value is used to increment the specified address in the RWAD field for block read/write accesses.<br>For a single read/write access, the CNT value should equal to 0x0000. A 64-Kbyte block read/write access can be performed by configuring the CNT bits as 0xFFFF. If a user wants to terminate a block read or write access which has not completed, the CNT bits should be reset. |

### 23.6.1.8 Upload/Download Information Register (UDI)

The UDI register, a 34-bit register, is used to store the data to be written for block write access, and the data read for read (single and block) accesses. [Table 23-12](#) gives a description of the register bits.



**Figure 23-8. READI Upload/Download Information Register**

**Table 23-12. UDI Bit Descriptions**

| RCPU Bits | Nexus Bits | Name | Description  |
|-----------|------------|------|--|
| 0:31      | 33:2       | RWD  | The Read/Write Data Field is used to store data for read accesses and block write accesses. It can contain three sizes of data. Refer to <a href="#">Table 23-13</a> , <a href="#">Table 23-14</a> and <a href="#">Table 23-9</a> for details.   |
| 32        | 1          | ERR  | The Error Field is used to determine the status of the read or write access. Refer to <a href="#">Table 23-13</a> and <a href="#">Table 23-14</a> for details.<br>0 Read or write access has not been completed.<br>1 Read or write access has completed.<br>NOTE: The ERR field is read-only. |
| 33        | 0          | DV   | The Data Valid Field is used to determine the status of the read or write access. Refer to <a href="#">Table 23-13</a> and <a href="#">Table 23-14</a> for details.<br>0 No error has occurred.<br>1 Access error occurred.<br>NOTE: The DV field is read-only.                                |

**Table 23-13. Read Access Status**

| ERR | DV | Status   |
|-----|----|--|
| 0   | 0  | Read access has not yet completed                      |
| 0   | 1  | Read access has completed and no access error occurred |
| 1   | 0  | Access error occurred                                  |
| 1   | 1  | Not allowed  |

**Table 23-14. Write Access Status**

| ERR | DV | Status  |
|-----|----|---|
| 0   | 0  | Write access has completed and no access error occurred |
| 1   | 0  | Write access error occurred (Error Message sent out)    |
| 0   | 1  | Write access has not yet completed                      |
| 1   | 1  | Not allowed   |



|        |                          |  |         |         |        |
|--------|--------------------------|--|---------|---------|--------|
|        |                          |  |         |         | LSB    |
| 8 bit  | Reserved – Read as Zeros |  |         | LS Byte | ERR DV |
| 16 bit | Reserved – Read as Zeros |  | MS Byte | LS Byte | ERR DV |
| 32 bit | MS Byte                  |  |         | LS Byte | ERR DV |

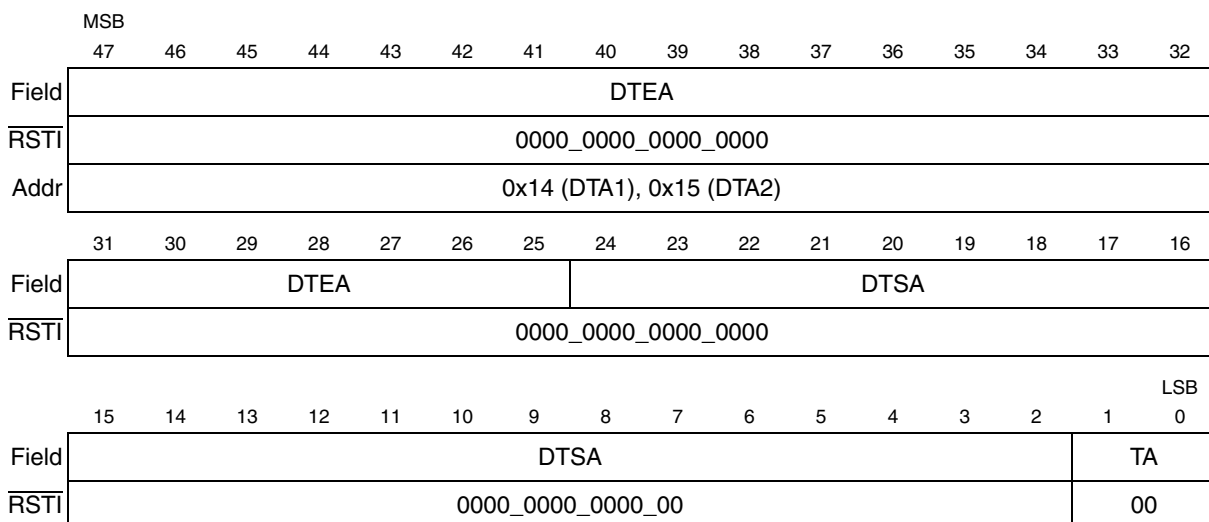
**Figure 23-9. RWD Field Configuration**

**NOTE**

The RWD field of the UDI register is shared with the WD field of the RWA register.

**23.6.1.9 Data Trace Attributes 1 and 2 Registers (DTA1 and DTA2)**

The DTA1 and DTA2 registers allow data trace messaging (DTM) to be restricted to reads, writes or both for a user programmable address range. Two DTA registers allow two address ranges to be selected for DTM. Refer to [Table 23-15](#) for register bit descriptions.



**Figure 23-10. READI Data Trace Attributes 1 Register (DTA1)  
READI Data Trace Attributes 2 Register (DTA2)**

**Table 23-15. DTA 1 AND 2 Bit Descriptions**

| RCPU Bits | Nexus Bits | Name              | Description  |
|-----------|------------|-------------------|--|
| 0:22      | 47:25      | DTEA <sup>1</sup> | The Read/Write End Field defines the end address for the address range. Refer to <a href="#">Table 23-16</a> . |

**Table 23-15. DTA 1 AND 2 Bit Descriptions (continued)**

| RCPU Bits | Nexus Bits | Name              | Description   |
|-----------|------------|-------------------|---|
| 23:45     | 24:2       | DTSA <sup>1</sup> | The Read/Write Start Field defines the starting address for the address range. Refer to <a href="#">Table 23-16</a> .   |
| 46:47     | 1:0        | TA                | The Read/Write Trace Field can be configured to allow enabling or disabling data read and/or data write traces.<br>00 Disable data read and data write trace<br>x1 Enable data read trace<br>1x Enable data write trace |

<sup>1</sup> Data trace range start and end addresses must be word-aligned.

**Table 23-16. Data Trace Values**

| Programmed Values | Range Selected |
|-------------------|----------------|
| DTSA < DTEA       | DTSA → ← DTEA  |
| DTSA > DTEA       | Invalid Range  |
| DTSA = DTEA       | Word at DTSA   |

**NOTE**

There is no way to distinguish between off-core MPC500 special purpose register (SPR) map and normal memory map accesses via the defined address range control. If data trace ranges are set up such that the off-core MPC500 SPR map falls within active ranges, then accesses to these off-core MPC500 SPRs will be traced, and the messages will not be distinguishable from accesses to normal memory map space. Off-core MPC500 SPRs typically exist in the 8- to 16-Kbyte lowest memory block (0x2000 – 0x3FF0). If data or peripherals are mapped to this space, load/stores to MPC500 SPRs will be indistinguishable from data or peripheral accesses.

### 23.6.2 Accessing Memory-Mapped Locations Via the Auxiliary Port

The control and status information is accessed via the four auxiliary access public messages: device ready for upload/download, upload request (tool requests information), download request (tool provides information), and upload/download information (device/tool provides information).

To write control or status to memory-mapped locations the following sequence would be required.

1. The tool confirms that the device is ready (so as to not cancel an ongoing read write access). The tool transmits the download request public message (TCODE 18) which contains write attributes, write data, and target address.
2. The tool waits for device ready for upload/download (TCODE 16) message before initiating next access.

To read control or status from memory-mapped locations the following sequence would be required.

1. The tool confirms that the device is ready. The tool transmits the download request public message (TCODE 18) which contains read attributes and target address.
2. When device reads data it transmits upload/download information message (TCODE 19) containing read data. Device is now ready for next access.

For a block write to memory-mapped locations the following sequence would be required.

1. The tool confirms that the device is ready. The tool transmits the download request public message (TCODE 18) which contains block write attributes, first write data, and target address.
2. The tool waits for device ready for upload/download message (TCODE 16). When it is transmitted by device, tool transmits upload/download information message (TCODE 19) containing next write data. This step is repeated until all data is written

For a block read from memory-mapped locations the following sequence would be required.

1. The tool confirms that the device is ready. The tool transmits the download request public message (TCODE 18) which contains block read attributes and target address.
2. The tool waits for upload/download information message (TCODE 19) from device, which contains read data. This step is repeated until all data is read.

Refer to [Section 23.10, “Read/Write Access,”](#) for more details on read/write access protocol.

### 23.6.3 Accessing READI Tool Mapped Registers Via the Auxiliary Port

To write control or status data to READI tool mapped registers the following sequence would be required.

1. The tool confirms that the device is ready. The tool transmits the download request message (TCODE 18) which contains write data, and register opcode.
2. The tool waits for device ready for upload/download message (TCODE 16) before initiating next access.

To read control or status from READI tool mapped registers the following sequence would be required

1. The tool confirms that the device is ready. The tool transmits the upload request message (TCODE 17) which contains the target opcode.
2. When device reads data it transmits upload/download information message (TCODE 19) containing read data. Device is now ready for next access.

Refer to [Section 23.10, “Read/Write Access,”](#) for more details on read/write access protocol.

### 23.6.4 Partial Register Updates

Registers may be updated via the auxiliary port using the download request message with the message containing only N (where N is less than register width) most-significant bits of the register. In such cases the bits not transmitted will be reset to 0b0. The bits transmitted will be aligned such that the last bit transmitted will be the most significant bit of the register. Therefore a message size that is divisible by the input port size should be transmitted.

## 23.6.5 Programming Considerations

The following programming guidelines are recommended for users of the READI features.

### 23.6.5.1 Program Trace Guidelines

Program trace via BTM is not supported during BDM.

For program trace synchronization to work, the ICTRL register (Refer to [Table 22.6.11](#)) must be programmed such that show cycles will be performed for all changes in the program flow (ISCTL field = 0b01) or the PTM bit in the READI MC register must be set and the ISCTL field in the ICTRL register must not equal 0b11.

#### NOTE

The user must program the ICTRL for change of flow show cycles or the PTM bit in the READI MC register early in the reset vector, before any branches, otherwise trace is not guaranteed.

If BDM is enabled, the ICTRL register cannot be modified through the program and can only be modified through RCPU development access.

To get the best performance from the system, PTM should be set to 1 and ISCTL should be set to 0b10. It is also recommended that the USIU be programmed to ignore instruction show cycles (so as to not impact U-bus performance). See [Section 6.2.2.1.1, “SIU Module Configuration Register \(SIUMCR\).”](#)

To correctly trace program execution using BTM, the READI module must be enabled prior to release of system reset. If the READI module is enabled ( $\overline{\text{EVTI}}$  asserted,  $\overline{\text{RSTI}}$  negated) after the RCPU has started execution of the program, the trace cannot be guaranteed. Refer to [Figure 23-16](#) for further details.

### 23.6.5.2 Compressed Code Mode Guidelines

To display data on instruction show cycles, the BBC must be enabled. BBCMCR[DECOMP\_SC\_EN] (refer to [Section 4.6.2.1, “BBC Module Configuration Register \(BBCMCR\)”](#)) must be set when decompression is enabled. This will allow READI to track the compressed code.

BBCMCR[DECOMP\_SC\_EN] should not be set if there is no intention to use compressed code, as it will degrade U-bus performance.

Refer to [Appendix A, “MPC566 Compression Features”](#) for MPC566 compression information.

The ICTRL register must be programmed such that a show cycle will be performed for all changes in the program flow (ISCTL field = 0b01), or the PTM bit must be set and ISCTL must be set to a value other than 0b11. (See [Table 22-26](#).)

## 23.7 Signal Interface

This section details information regarding the READI signals and signal protocol.

## 23.7.1 Functional Description

The READI signal interface provides the function of transmitting messages from the message queues to the external tools. The signal interface also provides the control for timing and logic for formatting the messages.

### 23.7.1.1 Signals Implemented

The READI module implements one MCKO, MCKI,  $\overline{\text{EVTI}}$ ,  $\overline{\text{RSTI}}$ ,  $\overline{\text{MSEO}}$ , and  $\overline{\text{MSEI}}$  signal. It also implements one or two MDI and two or eight MDO signals. The input signals are synchronized to the MCKI input clock and the output signals are synchronized to the free running MCKO output clock. The MCKI input clock should be synchronised to the MCKO output clock to ensure correct message reception. The READI signal definition is outlined in [Table 23-17](#).

#### NOTE

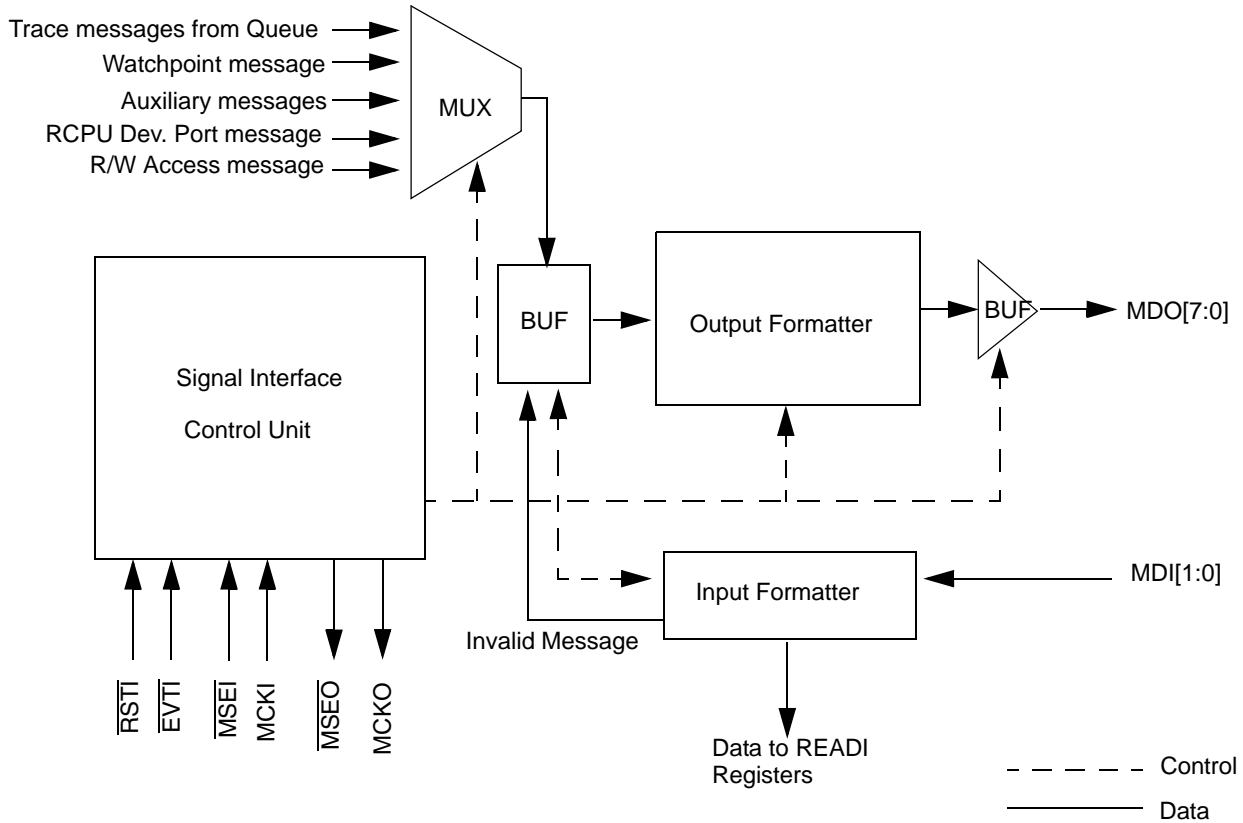
MCKI clock frequency has to be less than or equal to one half of MCKO clock frequency.

**Table 23-17. Description of READI Signals**

| IEEE-ISTO 5001 Signal Name | Input/Output | Description of Signal   |
|----------------------------|--------------|---|
| MCKO                       | Output       | Message Clock-Out (MCKO) is a free-running output clock to development tools for timing of MDO and $\overline{\text{MSEO}}$ signal functions. MCKO is the same as the MCU system clock.   |
| MDO[7:0] or MDO[1:0]       | Output       | Message Data Out (MDO[7:0] or MDO[1:0]) are output signals used for uploading OTM, BTM, DTM, and Read/Write Accesses. External latching of MDO will occur on rising edge of MCKO. Eight signals are implemented. MDO[7:0] are used in full port mode, MDO[1:0] are used in reduced port mode.   |
| $\overline{\text{MSEO}}$   | Output       | Message Start/End Out ( $\overline{\text{MSEO}}$ ) is an output signal which indicates when a message on the MDO signals has started, when a variable length packet has ended, and when the message has ended. 1 $\overline{\text{MSEO}}$ signal is implemented. External latching of $\overline{\text{MSEO}}$ will occur on rising edge of MCKO. |
| MCKI                       | Input        | Message Clock-In (MCKI) is a input clock from development tools for timing of MDI and $\overline{\text{MSEI}}$ signal functions. MCKI frequency has to be less than or equal to one half of MCKO frequency.   |
| MDI[1:0] or MDI0           | Input        | Message Data In (MDI[1:0] or MDI[0]) are input signals used for downloading configuration information, writes to user resources, etc. Internal latching of MDI will occur on rising edge of MCKI. Two signals are implemented on the MPC565. MDI[1:0] are used in full port mode, MDI[0] only is used in reduced port mode.                       |
| $\overline{\text{MSEI}}$   | Input        | Message Start/End In ( $\overline{\text{MSEI}}$ ) is an input signal which indicates when a message on the MDI signals has started, when a variable length packet has ended, and when the message has ended. 1 $\overline{\text{MSEI}}$ signal is implemented. Internal latching of $\overline{\text{MSEI}}$ will occur on rising edge of MCKI.   |
| $\overline{\text{EVTI}}$   | Input        | Event In ( $\overline{\text{EVTI}}$ ) — The $\overline{\text{EVTI}}$ signal is level sensitive when configured for breakpoint generation, otherwise it is edge sensitive.   |
| $\overline{\text{RSTI}}$   | Input        | Reset In ( $\overline{\text{RSTI}}$ ).  |

## 23.7.2 Functional Block Diagram

Figure 23-11 depicts the functional block diagram of the signal interface.



**Figure 23-11. Functional Diagram of Signal Interface**

The signal interface is responsible for handshaking with the message queue and registers. It is also responsible for requesting new messages from the message queue. A message is always requested from the message queue if the message queue is not empty, the message buffer is available and a higher priority message is not requesting to be transmitted. The rate at which data is removed from the queue depends on the average message length, the number of MDO signals, and the MCKO clocking rate.

## 23.7.3 Message Priority

Message formatting is performed in the signal interface block. The following priority scheme is implemented for messages sent to the signal output formatter block, with 1 being the highest priority and 5 being the lowest priority:

1. Invalid message
2. READI register access handshakes (device ready/download information)
3. Watchpoint messages
4. Read/write access message
5. RCP development access message

- 6. Queued messages (program trace, data trace, and ownership trace)

### 23.7.4 Signal Protocol

The protocol for the MCU receiving and transmitting messages via the auxiliary signals will be accomplished with the  $\overline{\text{MSEI}}$  and  $\overline{\text{MSEO}}$  signal functions respectively. The  $\overline{\text{MSEI}}$  signal will provide the protocol for the MCU receiving messages, and the  $\overline{\text{MSEO}}$  signal will provide the protocol for the MCU transmitting messages.

The  $\overline{\text{MSEI}}/\overline{\text{MSEO}}$  protocol is illustrated in Table 23-18.

Table 23-18.  $\overline{\text{MSEI}}/\overline{\text{MSEO}}$  Protocol

| Operation                     | $\overline{\text{MSEO}}/\overline{\text{MSEI}}$ State |
|-------------------------------|---|
| Idle                          | "1"s at all clocks                                    |
| Start                         | Two "1"s followed by one "0"                          |
| Active                        | "0"s at all clocks during transmission of a message   |
| End of variable length packet | "0" followed by "1"                                   |
| End of packet and message     | "0" followed by two or more "1"s                      |

$\overline{\text{MSEI}}/\overline{\text{MSEO}}$  are used to signal the end of variable-length packets and messages. They are not required to indicate end of fixed length packets.  $\overline{\text{MSEI}}/\overline{\text{MSEO}}$  are sampled on the rising edge of MCKI and MCKO respectively.

Fixed width fields can be concatenated before variable length fields without regard to the individual fields starting or ending at message  $N$  bit boundaries. Variable width fields must end at message  $N$  bit boundaries (where  $N$  is MDI/MDO signals).

Figure 23-12 shows the basic relation between the MDO and  $\overline{\text{MSEO}}$  signals, and packet structure. MDO and  $\overline{\text{MSEO}}$  are sampled on the rising edge of MCKO.

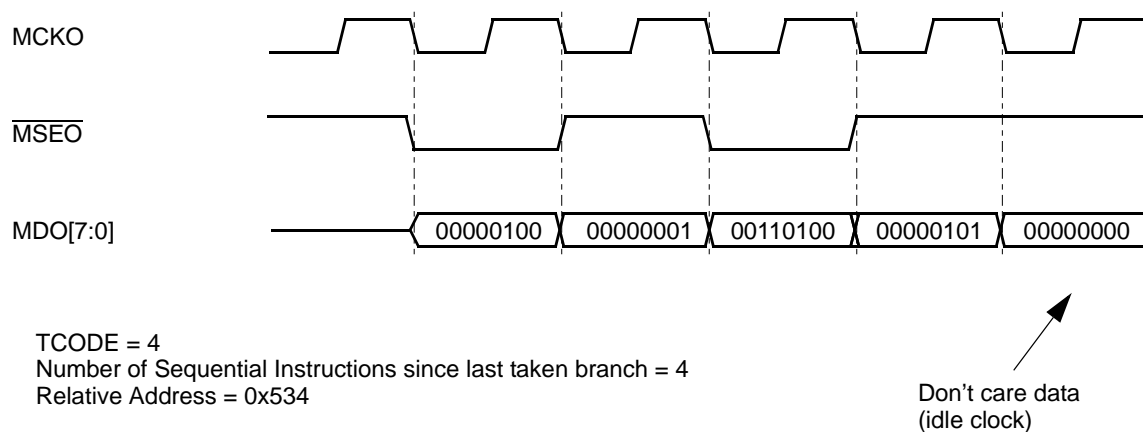


Figure 23-12. Auxiliary Signal Packet Structure for Program Trace Indirect Branch Message

Figure 23-13 illustrates the state diagram for  $\overline{\text{MSEI}}/\overline{\text{MSEO}}$  transfers. In the End Message state, data on MDI/O is ignored.

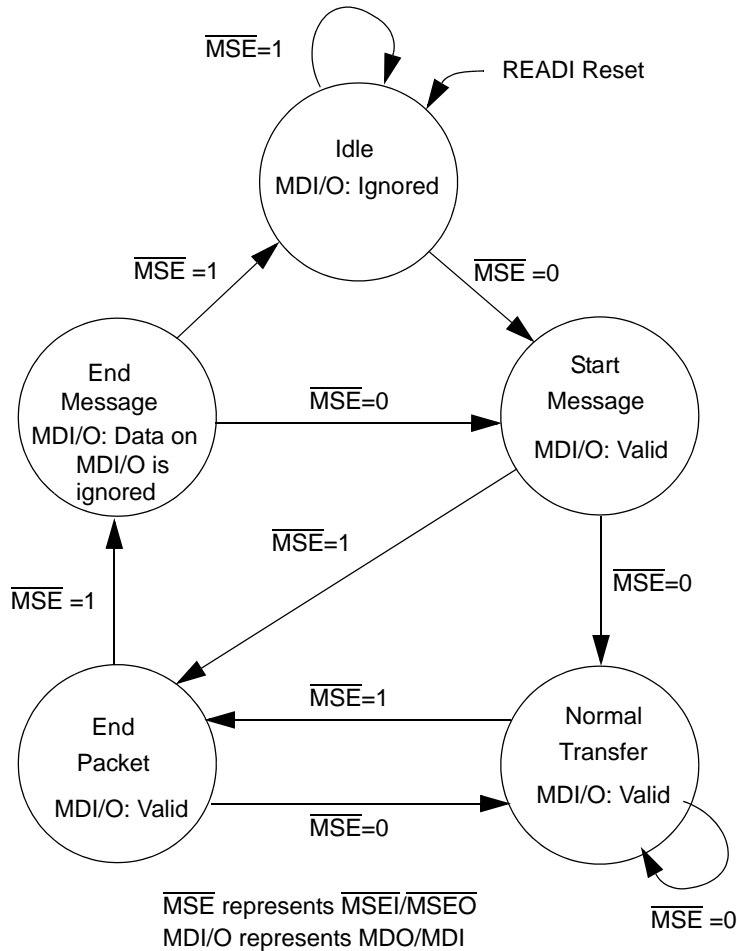


Figure 23-13.  $\overline{\text{MSEI}}/\overline{\text{MSEO}}$  Transfers

### 23.7.5 Messages

Public messages outlined in Table 23-19 are supported by READI.

Table 23-19. Public Messages Supported

| Message Name            | Minimum Packet Size (bits) | Maximum Packet Size (bits) | Packet Type | Packet Description    | Direction   |
|-------------------------|----------------------------|----------------------------|-------------|-----------------------|-------------|
| Device ID               | 6                          | 6                          | Fixed       | TCODE number = 1      | From Device |
|                         | 32                         | 32                         | Fixed       | Device ID information |             |
| Ownership Trace Message | 6                          | 6                          | Fixed       | TCODE number = 2      | From Device |
|                         | 32                         | 32                         | Fixed       | Task/Process ID tag   |             |



**Table 23-19. Public Messages Supported (continued)**

| Message Name  | Minimum Packet Size (bits) | Maximum Packet Size (bits) | Packet Type | Packet Description   | Direction   |
|---|----------------------------|----------------------------|-------------|--|-------------|
| Program Trace — Direct Branch Message   | 6                          | 6                          | Fixed       | TCODE number = 3   | From Device |
|   | 1                          | 8                          | Variable    | number of sequential instructions executed since last taken branch     |             |
| Program Trace — Indirect Branch Message                                       | 6                          | 6                          | Fixed       | TCODE number = 4   | From Device |
|   | 1                          | 8                          | Variable    | number of sequential instructions executed since last taken branch     |             |
|   | 1                          | 23                         | Variable    | unique portion of the target address for taken branches and exceptions |             |
| Data Trace — Data Write Message   | 6                          | 6                          | Fixed       | TCODE number = 5   | From Device |
|   | 1                          | 25                         | Variable    | unique portion of the data write address                               |             |
|   | 8                          | 32                         | Variable    | data write value (8, 16, 32 bits)                                      |             |
| Data Trace — Data Read Message  | 6                          | 6                          | Fixed       | TCODE number = 6   | From Device |
|   | 1                          | 25                         | Variable    | unique portion of the data read address                                |             |
|   | 8                          | 32                         | Variable    | data read value (8, 16, 32 bits)                                       |             |
| Error Message <sup>1</sup>  | 6                          | 6                          | Fixed       | TCODE number = 8   | From Device |
|   | 5                          | 5                          | Fixed       | error code   |             |
| Program Trace Correction Message  | 6                          | 6                          | Fixed       | TCODE number = 10 (0xA)  | From Device |
|   | 1                          | 8                          | Variable    | correcting the number of instructions in the trace                     |             |
| Program Trace — Direct Branch Synchronization Message (PTSM = 0)              | 6                          | 6                          | Fixed       | TCODE number = 11 (0xB)  | From Device |
|   | 1                          | 1                          | Variable    | number of program trace messages cancelled                             |             |
|   | 1                          | 23                         | Variable    | full target address  |             |
| Program Trace — Direct Branch Synchronization <sup>2</sup> Message (PTSM = 1) | 6                          | 6                          | Fixed       | TCODE number = 11 (0xB)  | From Device |
|   | 1                          | 8                          | Variable    | number of sequential instructions executed since last taken branch     |             |
|   | 1                          | 23                         | Variable    | full target address  |             |
| Program Trace — Indirect Branch Synchronization Message (PTSM = 0)            | 6                          | 6                          | Fixed       | TCODE number = 12 (0xC)  | From Device |
|   | 1                          | 1                          | Variable    | number of program trace messages cancelled                             |             |
|   | 1                          | 23                         | Variable    | full target address  |             |

**Table 23-19. Public Messages Supported (continued)**

| Message Name  | Minimum Packet Size (bits) | Maximum Packet Size (bits) | Packet Type | Packet Description   | Direction          |
|---|----------------------------|----------------------------|-------------|--|--------------------|
| Program Trace — Indirect Branch Synchronization <sup>2</sup> Message (PTSM = 1) | 6                          | 6                          | Fixed       | TCODE number = 12 (0xC)  | From Device        |
|   | 1                          | 8                          | Variable    | number of sequential instructions executed since last taken branch   |                    |
|   | 1                          | 23                         | Variable    | full target address  |                    |
| Data Trace — Data Write Synchronization Message                                 | 6                          | 6                          | Fixed       | TCODE number = 13 (0xD)  | From Device        |
|   | 1                          | 1                          | Variable    | number of messages canceled  |                    |
|   | 1                          | 25                         | Variable    | full target address  |                    |
|   | 8                          | 32                         | Variable    | data write value (8, 16, 32 bits)  |                    |
| Data Trace — Data Read Synchronization Message                                  | 6                          | 6                          | Fixed       | TCODE number = 14 (0xE)  | From Device        |
|   | 1                          | 1                          | Variable    | number of messages canceled  |                    |
|   | 1                          | 25                         | Variable    | full target address  |                    |
|   | 8                          | 32                         | Variable    | data read value (8, 16, 32 bits)   |                    |
| Watchpoint Message  | 6                          | 6                          | Fixed       | TCODE number = 15 (0xF)  | From Device        |
|   | 6                          | 6                          | Fixed       | number indicating watchpoint source  |                    |
| Auxiliary Access — Device Ready for Upload/Download Message                     | 6                          | 6                          | Fixed       | TCODE number = 16 (0x10)   | From Device        |
| Auxiliary Access — Upload Request Message                                       | 6                          | 6                          | Fixed       | TCODE number = 17 (0x11)   | From Tool          |
|   | 8                          | 8                          | Fixed       | opcode to enable selected configuration, status or data upload from MCU  |                    |
| Auxiliary Access — Download Request Message                                     | 6                          | 6                          | Fixed       | TCODE number = 18 (0x12)   | From Tool          |
|   | 8                          | 8                          | Fixed       | opcode to enable selected configuration or data download to MCU  |                    |
|   | 8                          | 80                         | Variable    | Depending upon opcode selected for download, information to be downloaded to device will vary.   |                    |
| Auxiliary Access — Upload/Download Information Message                          | 6                          | 6                          | Fixed       | TCODE number = 19 (0x13)   | From Device / Tool |
|   | 8                          | 80                         | Variable    | 1). For an access, depending on word size selected (SZ field in RWA register), variable-length packets of information (10, 18, or 34 bits) will be uploaded/downloaded from/to device.<br>2). Depending upon opcode selected for upload from internal READI registers, information to be uploaded to the device will vary. |                    |

**Table 23-19. Public Messages Supported (continued)**

| Message Name                       | Minimum Packet Size (bits) | Maximum Packet Size (bits) | Packet Type | Packet Description       | Direction   |
|------------------------------------|----------------------------|----------------------------|-------------|--------------------------|-------------|
| Resource Full Message <sup>2</sup> | 6                          | 6                          | Fixed       | TCODE number = 27 (0x1B) | From Device |
|                                    | 1                          | 4                          | Variable    | resource code            |             |

<sup>1</sup> Refer to [Table 23-20](#) for the error message codes.

<sup>2</sup> Not available on the MPC565 prior to revision D.

**Table 23-20. Error Message Codes**

| Error Code  | Description                          |
|-------------|--------------------------------------|
| 00000       | Ownership trace overrun <sup>1</sup> |
| 00001       | Program trace overrun <sup>1</sup>   |
| 00010       | Data trace overrun <sup>1</sup>      |
| 00011       | Read/write access error              |
| 00100       | Invalid message                      |
| 00101       | Invalid access opcode                |
| 00110       | Watchpoint overrun                   |
| 00111       | Program/data/ownership trace overrun |
| 01000-10111 | Reserved                             |
| 11000-11111 | Vendor Defined                       |

<sup>1</sup> Not available on the MPC565 prior to revision D.

Vendor-defined messages outlined in [Table 23-21](#) are also supported by READI.

**Table 23-21. Vendor-Defined Messages Supported**

| TCODE Name                           | Minimum Packet Size (bits) | Maximum Packet Size (bits) | Packet Type | Packet Description                     | Direction   |
|--------------------------------------|----------------------------|----------------------------|-------------|--|-------------|
| Dev Port Access — DSDI Data Message  | 6                          | 6                          | Fixed       | TCODE number = 56 (0x38)               | From Tool   |
|                                      | 10                         | 35                         | Variable    | BDM Development Serial Data In (DSDI)  |             |
| Dev Port Access — DSDO Data Message  | 6                          | 6                          | Fixed       | TCODE number = 57 (0x39)               | From Device |
|                                      | 10                         | 35                         | Variable    | BDM Development Serial Data Out (DSDO) |             |
| Dev Port Access — BDM Status Message | 6                          | 6                          | Fixed       | TCODE number = 58 (0x3A)               | From Device |
|                                      | 1                          | 1                          | Fixed       | BDM status                             |             |

**Table 23-21. Vendor-Defined Messages Supported (continued)**

| TCODE Name   | Minimum Packet Size (bits) | Maximum Packet Size (bits) | Packet Type | Packet Description   | Direction   |
|--|----------------------------|----------------------------|-------------|--|-------------|
| Program Trace — Indirect Branch Message With Compressed Code <sup>1</sup>                            | 6                          | 6                          | Fixed       | TCODE number = 59 (0x3B)   | From Device |
|  | 1                          | 8                          | Variable    | Number of sequential instructions executed since last taken branch                       |             |
|  | 6                          | 6                          | Fixed       | Bit address  |             |
|  | 1                          | 23                         | Variable    | Unique portion of the target address for taken branches and exceptions (compressed code) |             |
| Program Trace — Direct Branch Synchronization Message With Compressed Code <sup>1</sup> (PTSM = 0)   | 6                          | 6                          | Fixed       | TCODE number = 60 (0x3C)   | From Device |
|  | 6                          | 6                          | Fixed       | Bit address  |             |
|  | 1                          | 23                         | Variable    | Current instruction address  |             |
| Program Trace — Direct Branch Synchronization Message With Compressed Code <sup>1</sup> (PTSM = 1)   | 6                          | 6                          | Fixed       | TCODE number = 60 (0x3C)   | From Device |
|  | 1                          | 8                          | Variable    | number of sequential instructions executed since last taken branch                       |             |
|  | 6                          | 6                          | Fixed       | Bit Address  |             |
|  | 1                          | 23                         | Variable    | Current instruction address  |             |
| Program Trace — Indirect Branch Synchronization Message With Compressed Code <sup>1</sup> (PTSM = 0) | 6                          | 6                          | Fixed       | TCODE number = 61 (0x3D)   | From Device |
|  | 6                          | 6                          | Fixed       | Bit address  |             |
|  | 1                          | 23                         | Variable    | Current instruction address  |             |
| Program Trace — Direct Branch Synchronization Message With Compressed Code (PTSM = 1)                | 6                          | 6                          | Fixed       | TCODE number = 61 (0x3D)   | From Device |
|  | 1                          | 8                          | Variable    | number of sequential instructions executed since last taken branch                       |             |
|  | 6                          | 6                          | Fixed       | Bit Address  |             |
|  | 1                          | 23                         | Variable    | Current instruction address  |             |

<sup>1</sup> This message is provided only for the MPC566.

### 23.7.5.1 Message Formats

Message formatting is performed in the signal interface block. Raw messages read from the message queue are independent of the number of MDO signals implemented.

Table 23-22 shows the various message formats that the signal interface formatter has to encounter.

**NOTE**

For variable length fields, the transmitted size of the field is determined as the bits from the least significant bit to the most significant non-zero valued bit, (i.e., most significant 0 value bits are not transmitted).

**Table 23-22. Message Field Sizes<sup>1,2</sup>**

| Message  | TCODE       | Field # 1                       | Field # 2                       | Field # 3 | Max Size <sup>3</sup> | Min. Size <sup>4</sup> |
|--|-------------|---------------------------------|---------------------------------|-----------|-----------------------|------------------------|
| Device ID  | 1           | Fixed = 32                      | NA                              | NA        | 38 bits               | 38 bits                |
| Ownership Trace Message  | 2           | Fixed = 32                      | NA                              | NA        | 38 bits               | 38 bits                |
| Program Trace — Direct Branch Message                              | 3           | Variable<br>Max = 8<br>Min = 1  | NA                              | NA        | 14 bits               | 7 bits                 |
| Program Trace — Indirect Branch Message                            | 4           | Variable<br>Max = 8<br>Min = 1  | Variable<br>Max = 23<br>Min = 1 | NA        | 37 bits               | 8 bits                 |
| Data Trace — Data Write Message                                    | 5           | Variable<br>Max = 25<br>Min = 1 | Variable<br>Max = 32<br>Min = 8 | NA        | 63 bits               | 15 bits                |
| Data Trace — Data Read Message                                     | 6           | Variable<br>Max = 25<br>Min = 1 | Variable<br>Max = 32<br>Min = 8 | NA        | 63 bits               | 15 bits                |
| Error Message <sup>5</sup>   | 8           | Fixed = 5                       | NA                              | NA        | 11 bits               | 11 bits                |
| Program Trace Correction Message                                   | 10<br>(0xA) | Variable<br>Max = 8<br>Min = 1  | NA                              | NA        | 14 bits               | 7 bits                 |
| Program Trace — Direct Branch Synchronization Message (PTSM = 0)   | 11<br>(0xB) | Variable<br>Max = 1<br>Min = 1  | Variable<br>Max = 23<br>Min = 1 | NA        | 30 bits               | 8 bits                 |
| Program Trace — Direct Branch Synchronization Message (PTSM = 1)   | 11<br>(0xB) | Variable<br>Max = 8<br>Min = 1  | Variable<br>Max = 23<br>Min = 1 | NA        | 37 bits               | 8 bits                 |
| Program Trace — Indirect Branch Synchronization Message (PTSM = 0) | 12<br>(0xC) | Variable<br>Max = 1<br>Min = 1  | Variable<br>Max = 23<br>Min = 1 | NA        | 30 bits               | 8 bits                 |
| Program Trace — Indirect Branch Synchronization Message (PTSM = 1) | 12<br>(0xC) | Variable<br>Max = 8<br>Min = 1  | Variable<br>Max = 23<br>Min = 1 | NA        | 37 bits               | 8 bits                 |

**Table 23-22. Message Field Sizes<sup>1,2</sup> (continued)**

| Message  | TCODE        | Field # 1                        | Field # 2                       | Field # 3                       | Max Size <sup>3</sup> | Min. Size <sup>4</sup> |
|--|--------------|----------------------------------|---------------------------------|---------------------------------|-----------------------|------------------------|
| Data Trace — Data Write Synchronization Message  | 13<br>(0xD)  | Variable<br>Max = 1<br>Min = 1   | Variable<br>Max = 25<br>Min = 1 | Variable<br>Max = 32<br>Min = 8 | 64 bits               | 16 bits                |
| Data Trace — Data Read Synchronization Message   | 14<br>(0xE)  | Variable<br>Max = 1<br>Min = 1   | Variable<br>Max = 25<br>Min = 1 | Variable<br>Max = 32<br>Min = 8 | 64 bits               | 16 bits                |
| Watchpoint Message   | 15<br>(0xF)  | Fixed = 6                        | NA                              | NA                              | 12 bits               | 12 bits                |
| Auxiliary Access — Device Ready for Upload/Download Message  | 16<br>(0x10) | NA                               | NA                              | NA                              | 6 bits                | 6 bits                 |
| Auxiliary Access — Upload Request (Tool requests information) Message                              | 17<br>(0x11) | Fixed = 8                        | NA                              | NA                              | 14 bits               | 14 bits                |
| Auxiliary Access —Download Request (Tool provides Information) Message                             | 18<br>(0x12) | Fixed = 8                        | Variable<br>Max = 80<br>Min = 8 | NA                              | 94 bits               | 22 bits                |
| Auxiliary Access — Upload/Download Information (Device/Tool provides Information) Message          | 19<br>(0x13) | Variable<br>Max = 80<br>Min = 8  | NA                              | NA                              | 86 bits               | 14 bits                |
| Resource Full Message <sup>6</sup>   | 27<br>(0x1B) | Variable<br>Max = 4<br>Min = 1   | NA                              | NA                              | 10 bits               | 7 bits                 |
| Dev Port Access — DSDI Data (Tool Provides Information) Message                                    | 56<br>(0x38) | Variable<br>Max = 35<br>Min = 10 | NA                              | NA                              | 41 bits               | 16 bits                |
| Dev Port Access — DSDO Data (Device Provides Information) Message                                  | 57<br>(0x39) | Variable<br>Max = 35<br>Min = 10 | NA                              | NA                              | 41 bits               | 16 bits                |
| Dev Port Access —BDM Status (Device Provides Information) Message                                  | 58<br>(0x3A) | Fixed = 1                        | NA                              | NA                              | 7 bits                | 7 bits                 |
| Program Trace — Indirect Branch Message With Compressed Code                                       | 59<br>(0x3B) | Variable<br>Max = 8<br>Min = 1   | Fixed = 6                       | Variable<br>Min = 1<br>Max = 23 | 43 bits               | 14 bits                |
| Program Trace — Direct Branch Synchronization Message With Compressed Code (PTSM = 0) <sup>7</sup> | 60<br>(0x3C) | Fixed = 6                        | Variable<br>Max = 23<br>Min = 1 | NA                              | 35 bits               | 13 bits                |

**Table 23-22. Message Field Sizes<sup>1,2</sup> (continued)**

| Message   | TCODE        | Field # 1                      | Field # 2                       | Field # 3                       | Max Size <sup>3</sup> | Min. Size <sup>4</sup> |
|---|--------------|--------------------------------|---------------------------------|---------------------------------|-----------------------|------------------------|
| Program Trace —<br>Direct Branch<br>Synchronization<br>Message With<br>Compressed Code (PTSM = 1) <sup>5</sup>  | 60<br>(0x3C) | Variable<br>Max = 8<br>Min = 1 | Fixed = 6                       | Variable<br>Min = 1<br>Max = 23 | 43 bits               | 14 bits                |
| Program Trace—<br>Indirect Branch<br>Synchronization<br>Message With<br>Compressed Code (PTSM = 0) <sup>5</sup> | 61<br>(0x3D) | Fixed = 6                      | Variable<br>Max = 23<br>Min = 1 | NA                              | 35 bits               | 13 bits                |
| Program Trace—<br>Indirect Branch<br>Synchronization<br>Message With<br>Compressed Code (PTSM = 1) <sup>5</sup> | 61<br>(0x3D) | Variable<br>Max = 8<br>Min = 1 | Fixed = 6                       | Variable<br>Min = 1<br>Max = 23 | 43 bits               | 14 bits                |

<sup>1</sup> The double edges indicate that  $\overline{\text{MSEO/MSEI}}$  is asserted to indicate the start of a message or negated to indicate the end of a message. Refer to [Figure 23-14](#).

<sup>2</sup> The shaded edges indicate super fields that can hold information delimited via  $\overline{\text{MSEO/MSEI}}$  assertion followed by  $\overline{\text{MSEO/MSEI}}$  negation.

<sup>3</sup> Maximum information size. The actual number of bits transmitted is dependant on the number of MDO signals.

<sup>4</sup> Minimum information size. The actual number of bits transmitted is dependent on the number of MDO signals.

<sup>5</sup> Refer to [Table 23-20](#).

<sup>6</sup> Not available prior to Rev. D of the MPC565

<sup>7</sup> Only available on MPC566

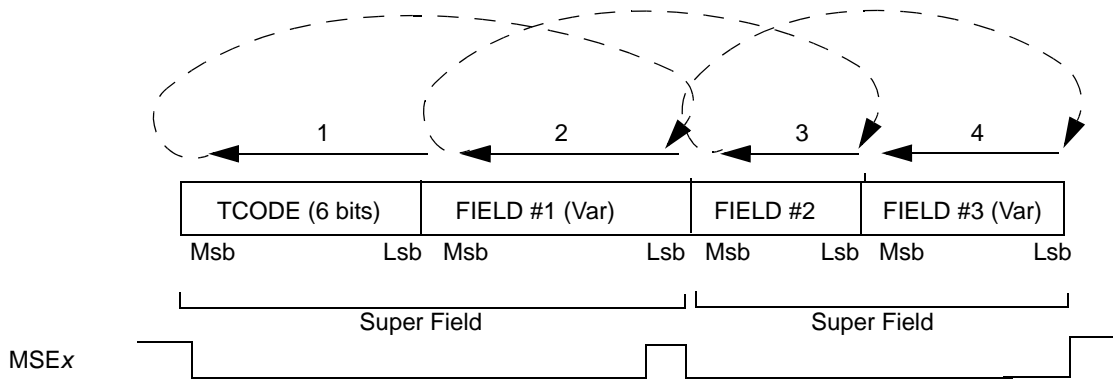
The maximum message length is 94 bits. The maximum number of fields is three, excluding the TCODE itself.

### 23.7.5.2 Rules of Messages

- A variable sized field within a message must end on a port boundary.
- A variable sized field may start within a port boundary only when following a fixed length packet.
- Super fields must end on a port boundary (2-, 4-, or 8-bit boundaries depending on whether the device receives or sends messages, and the port size configured).
- When a variable length field is sized such that it does not end on a port boundary, it is necessary to extend and zero fill the remaining bits after the highest-order bit so that it can end on a port boundary.
- A data field within a data trace message must be 8, 16, 24, or 32 bits in length.

The field containing the TCODE number is always transferred out first, followed by subsequent fields of information. Within a field, the lowest significant bits are shifted out first. [Figure 23-14](#) shows the transmission sequence of a message which is made up of a TCODE (a fixed-length field) and a variable length field (FIELD 1), together making a super field. Every instance of a fixed length field followed by a variable field is a super field. [Figure 23-14](#), for example, shows two super fields. The only exception to

this rule are the development port access messages. See [Section 23.14.1, “RCPU Development Access Messaging,”](#) for further details.



**Figure 23-14. Transmission Sequence of Messages**

### 23.7.5.3 Branch Trace Message Examples

The following are examples of branch trace messages.

#### 23.7.5.3.1 Example of Indirect Branch Message

[Table 23-23](#) illustrates an example of how the indirect branch public message is transmitted. The example uses a 4-bit output port.

Note that T0, I0, and A0 are the least significant bits where:

Tx = TCODE number (fixed)

Ix = Number of sequential instructions (variable)

Ax = Unique portion of the address (variable)

#### NOTE

During clock 7, the tool should ignore data on MDO signals.



**Table 23-23. Indirect Branch Message**

| Clock | MDO[3:0] |    |    |    | $\overline{\text{MSE0}}$ |                               |
|-------|----------|----|----|----|--------------------------|-------------------------------|
|       | 3        | 2  | 1  | 0  | 1                        | Idle                          |
| 0     | X        | X  | X  | X  | 1                        | Idle (or end of last message) |
| 1     | T3       | T2 | T1 | T0 | 0                        | Start Message                 |
| 2     | I1       | I0 | T5 | T4 | 0                        | Normal Transfer               |
| 3     | I5       | I4 | I3 | I2 | 0                        | Normal Transfer               |
| 4     | 0        | 0  | I7 | I6 | 1                        | End Packet                    |
| 5     | A3       | A2 | A1 | A0 | 0                        | Normal Transfer               |
| 6     | A7       | A6 | A5 | A4 | 1                        | End Packet                    |
| 7     | 0        | 0  | 0  | 0  | 1                        | End Message                   |
| 8     | T3       | T2 | T1 | T0 | 0                        | Start Message                 |

### 23.7.5.3.2 Example of Direct Branch Message

Table 23-24 is an example of the minimum transmission of any message containing a variable length field (three clocks). The example uses a 4-bit output port.

Note that T0, and I0 are the least significant bits where:

Tx = TCODE number (fixed)

Ix = Number of sequential instructions (variable)

#### NOTE

During clock 3, the tool should ignore data on MDO signals.

**Table 23-24. Direct Branch Message**

| Clock | MDO[3:0] |    |    |    | $\overline{\text{MSE0}}$ |               |
|-------|----------|----|----|----|--------------------------|---------------|
|       | 3        | 2  | 1  | 0  | 1                        | Idle          |
| 1     | T3       | T2 | T1 | T0 | 0                        | Start Message |
| 2     | I1       | I0 | T5 | T4 | 1                        | End Packet    |
| 3     | 0        | 0  | 0  | 0  | 1                        | End Message   |

### 23.7.5.4 Non-Temporal Ordering of Transmitted Messages

Trace messages sent out may not be in the sequence they actually occurred. The traces are monitored on the internal buses and these traces are captured as they occur and are sent out in the order they were captured and processed.

BTMs are in sequence and DTMs are in sequence, however, temporal order of DTMs interleaved with BTMs may not be accurate with regard to logical flow of code.

## 23.7.6 READI Reset Configuration

The READI reset configuration information is received via  $\overline{\text{EVTI}}$  and MDIO to enable or disable the READI module and select the port size.  $\overline{\text{EVTI}}$  and MDIO are sampled synchronously at the negation of  $\overline{\text{RSTI}}$ . Reset configuration information must be valid on  $\overline{\text{EVTI}}$  and MDIO at least four clocks prior to the negation of  $\overline{\text{RSTI}}$ .

If  $\overline{\text{EVTI}}$  is sampled asserted at negation of  $\overline{\text{RSTI}}$ , the READI module will be enabled. This is illustrated in Figure 23-15.

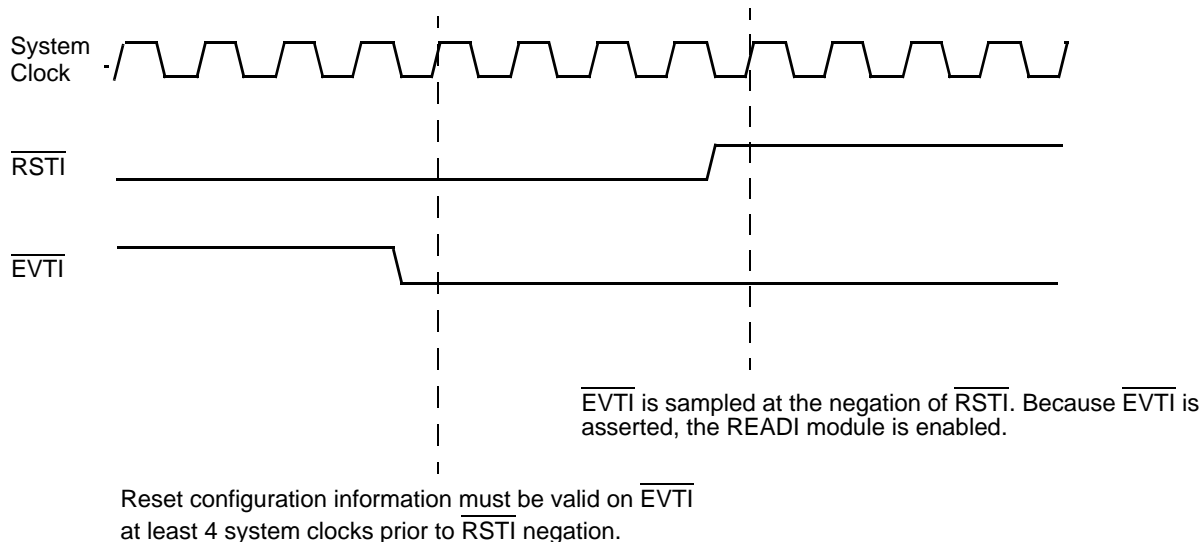
READI control and status information will be reset and the auxiliary output port will be three-stated, when  $\overline{\text{RSTI}}$  is asserted. System reset will not reset the READI control and status information and not three-state the auxiliary output port.

Port size configuration is selected via the value of MDIO at the negation of  $\overline{\text{RSTI}}$ . Table 23-25 describes the READI reset configuration options.

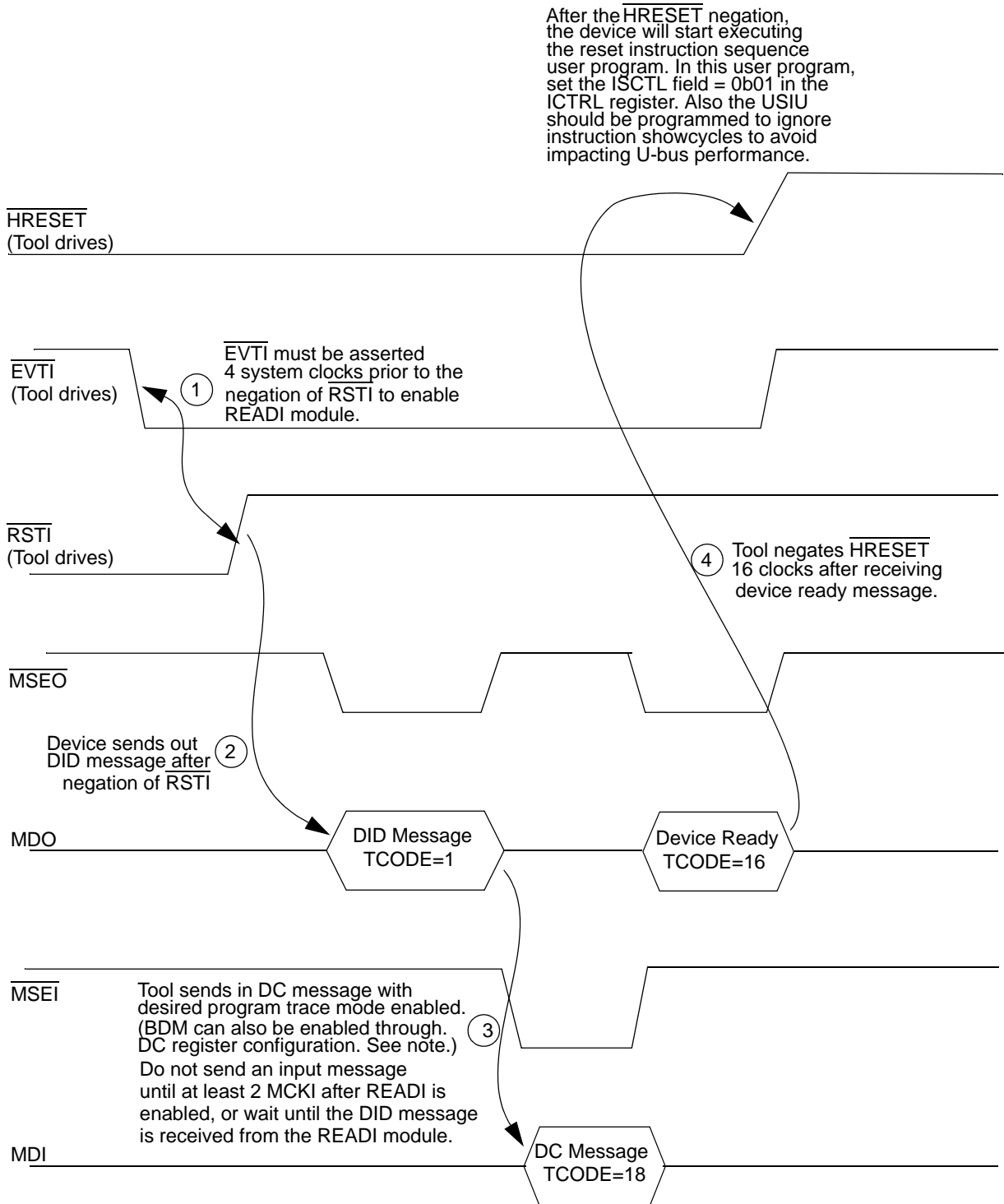
**Table 23-25. READI Reset Configuration Options**

| $\overline{\text{EVTI}}$ | MDI [0] | Configuration   |
|--------------------------|---------|---|
| 1                        | X       | Module Disabled. All outputs three-stated.                      |
| 0                        | 1       | Module Enabled, Default Full Port Configuration<br>2 MDI, 8 MDO |
| 0                        | 0       | Module Enabled, Reduced Port Configuration<br>1 MDI, 2 MDO      |

$\overline{\text{RSTI}}$  has a pull-down resistor in the pads. If the auxiliary port is not connected to a tool, READI module will be in reset state and not drive the auxiliary output port.



**Figure 23-15. READI Module Enabled**



**NOTE:**  
 If background debug mode (BDM) is enabled, the ICTRL register cannot be modified through user program. This register can only be accessed through the development port.

Figure 23-16. Enabling Program Trace Out of System Reset

### 23.7.6.1 Reset Configuration for Debug Mode

To enable RCPU development access via the READI signals, the reset sequence outlined below should be used:

- Assert READI reset ( $\overline{\text{RSTI}}$ ), event-in ( $\overline{\text{EVTI}}$ ) and system reset ( $\overline{\text{HRESET}}$ )
- Negate  $\overline{\text{RSTI}}$
- Upon negation of  $\overline{\text{RSTI}}$ , tool should configure the DOR, DME, and DPA fields in the DC register to desired setting.
- Tool negates  $\overline{\text{HRESET}}$  at least 16 system clocks after receiving the device ready message

Refer to [Figure 23-83](#) for further details.

### 23.7.6.2 Reset Configuration for Non-Debug Mode

Refer to [Section 23.7.6.1, “Reset Configuration for Debug Mode,”](#) for details on reset configuration for non-debug mode. The only difference between non-debug mode reset configuration and debug mode reset configuration are the values of the DPA, DOR, and DME fields in the DC register.

### 23.7.6.3 Secure Mode

Refer to [Section 23.2.2, “Security,”](#) for further details.

### 23.7.6.4 Disabled Mode

If  $\overline{\text{EVTI}}$  is negated at negation of  $\overline{\text{RSTI}}$ , the READI module will be disabled. No trace output will be provided, and output auxiliary signals will be three-stated. This is illustrated in [Figure 23-17](#).

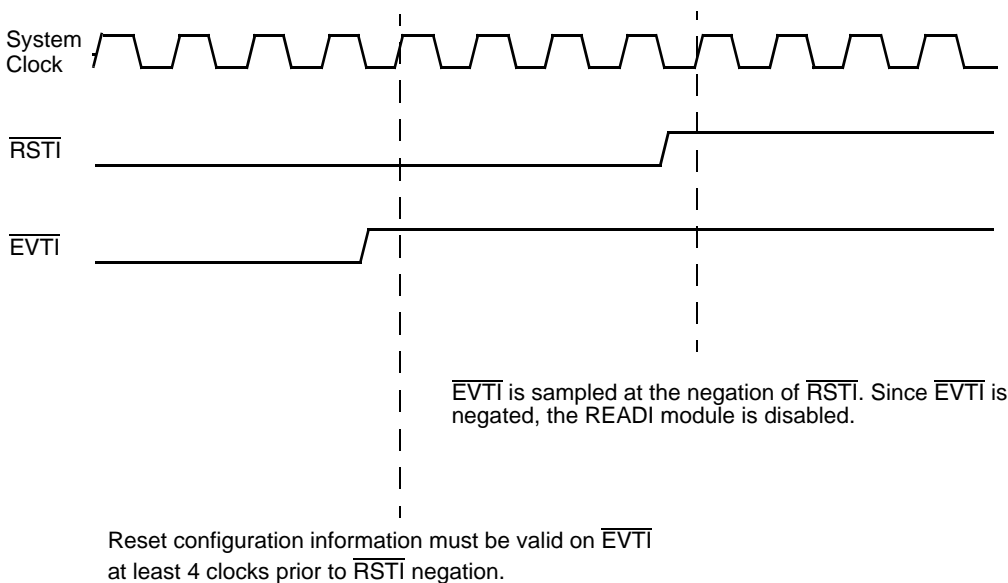


Figure 23-17. READI Module Disabled

### 23.7.6.5 Guidelines for Transmitting Input Messages

- An error message is sent out when an invalid TCODE is detected by the signal input formatter. Refer to [Section 23.10.8.2, “Invalid Message,”](#) for further details.
- An error message is sent out when an invalid access opcode is detected in auxiliary input messages by the signal input formatter. Refer to [Section 23.10.8.3, “Invalid Access Opcode,”](#) for further details.
- If the TCODE is valid, then READI will expect that the correct number of packets have been received and no further checking will be performed. If the number of packets received by READI is not correct, READI response is not defined, unless the message is a download request message (refer to [Section 23.6.4, “Partial Register Updates,”](#) for further details).

## 23.8 Program Trace

This section details the program trace mechanism supported by READI for the RCPU. Program trace is implemented via branch trace messaging (BTM) as per the IEEE-ISTO 5001-1999 definition.

### 23.8.1 Branch Trace Messaging

Branch trace messaging facilitates program trace by providing the following types of information:

- Messaging for taken direct branches includes how many sequential instructions were executed since the last taken branch or exception. Direct (or indirect) branches not taken are counted as sequential instructions.
- Messaging for taken indirect branches and exceptions includes how many sequential instructions were executed since the last taken branch or exception and the unique portion of the branch target address or exception vector address.
- For some mispredicted branches and exception occurrences, program trace correction messages correct the number of instructions since last taken branch as transmitted in prior BTM message.

#### 23.8.1.1 RCPU Instructions that Cause BTM Messages

The following RCPU instructions, when executed, cause indirect branch messages to be encoded:

1. Taken branch relative to link or counter registers
2. Context switching sequential instructions
3. Exception taken (error/interrupts)

The following RCPU instruction, when executed, causes direct branch messages to be encoded:

1. Taken direct branch instructions

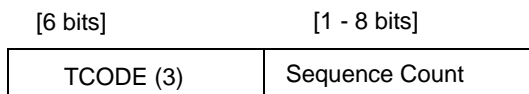
### 23.8.2 BTM Message Formats

BTM messages are of five types — direct, indirect, correction, synchronization, and error.

### 23.8.2.1 Direct Branch Messages

Direct branches (conditional or unconditional) are all taken branches whose destination is fixed in the instruction opcode.

The program trace direct branch message has the following format:



Max Length = 14 bits

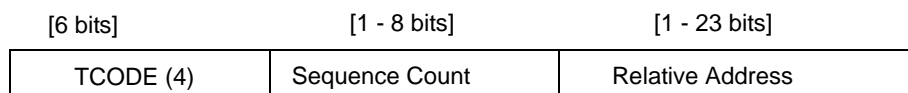
Min Length = 7 bits

**Figure 23-18. Direct Branch Message Format**

### 23.8.2.2 Indirect Branch Messages

Indirect branches include interrupts, exceptions, and all taken branches whose destination is determined at run time. For the RCPU, certain sequential instructions are tagged with the indirect change-of-flow attribute because these instruction affect the machine in a similar manner to true indirect change-of-flow instructions. These instructions are the rfi, isync, mtmsr and certain mtspr (to CMPA – CMPF, ICTRL, ECR and DER)

The program trace indirect branch message has the following format:



Max Length = 37 bits

Min Length = 8 bits

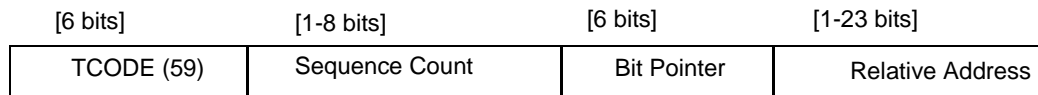
**Figure 23-19. Indirect Branch Message Format**

For compressed code support, six additional bits indicate the starting bit address within the word of the compressed instruction.

The program trace indirect branch with compressed code message has the format shown in [Figure 23-20](#). The format of the bit address field is shown in [Figure 23-21](#). The bit definitions are shown in [Table 23-26](#).

**NOTE**

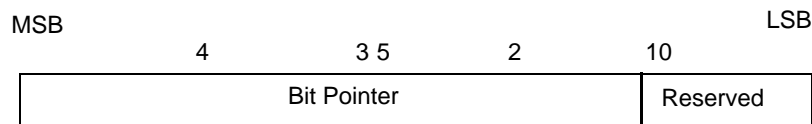
On the MPC566, the bit pointer should be multiplied by 2 (shift left on bit) for the actual starting bit position.



Max Length = 40 bits

Min Length = 14 bits

**Figure 23-20. Indirect Branch Message Format with Compressed Code**


**Figure 23-21. Bit Pointer Format with Compressed Code**
**Table 23-26. Bit Pointer Format**

| RCPU Bits | Nexus Bits | Name | Description  |
|-----------|------------|------|--|
| 4:5       | 0:1        | —    | Reserved (Unused)  |
| 0:3       | 2:5        | BP   | Bit pointer. This value is 1/2 of the actual bit position on which the instruction starts. |

### 23.8.2.3 Correction Messages

In case of a mispredicted branch or an exception, a program trace correction message may also be sent indicating a number which corrects the number of instructions (not messages) in the trace.

In the case of a synchronizing branch trace message getting corrected due to a misprediction or an exception, the next branch trace message will be a synchronizing message.

[Table 23-27](#) illustrates an example of a program trace correction message in case of a mispredicted branch.

#### NOTE

In case of a mispredicted branch, the correction count is always 1 and the sequential instruction count is reset to 1 (to denote the not-taken branch as a sequential instruction), after the program trace correction message is sent. This is because a mispredicted branch is considered to be a sequential instruction.

[Table 23-28](#) illustrates an example of a program trace correction message in case of an exception.

#### NOTE

In case of an exception, the sequential instruction count is reset to 0, after the program trace correction message is sent.

**Table 23-27. Program Trace Correction Due to a Mispredicted Branch**

| Time | Processor State        | Message sent |
|------|------------------------|--------------|
| 1    | Sequential Instruction |              |
| 2    | Sequential Instruction |              |
| 3    | Sequential Instruction |              |
| 4    | Sequential Instruction |              |
| 5    | Sequential Instruction |              |

**Table 23-27. Program Trace Correction Due to a Mispredicted Branch (continued)**

| Time  | Processor State                                  | Message sent   |
|---|--|--|
| 6   | Direct Branch Instruction                        | Direct Branch Message<br>TCODE = 3<br>Number of sequential instructions executed since last taken branch = 5   |
| 7   | Sequential Instruction                           |  |
| 8   | Sequential Instruction                           |  |
| 9   | Sequential Instruction                           |  |
| 10  | Sequential Instruction                           |  |
| 11  | Indirect Branch Instruction (mispredicted taken) | Indirect Branch Message<br>TCODE = 4<br>Number of sequential instructions executed since last taken branch = 4<br>Unique portion of the target address       |
| 12  | Sequential Instruction                           |  |
| 13  | Sequential Instruction                           |  |
| 14  | Sequential Instruction                           |  |
| 15  | Branch Correction                                | Program Trace Correction Message<br>TCODE = 10<br>Number of instructions to rewind from trace = 1  |
| 16  | Sequential Instruction                           |  |
| 17  | Sequential Instruction                           |  |
| 18  | Indirect Branch Instruction (predicted taken)    | Indirect Branch Message<br>TCODE = 4<br>Number of sequential instructions executed since last valid taken branch = 3<br>Unique portion of the target address |
| <p>At Time 11, the Indirect Branch is mispredicted taken.<br/>           At Time 15, branch correction occurs due to the mispredicted branch which was taken at Time 11. A program trace correction message is sent out correcting the number of instructions in the trace (1). Sequential instruction which occurred at Time 12, 13, and 14 respectively are not included in the correction count because the tool is not aware that they occurred (they were not transmitted out).<br/>           At Time 18, the Indirect Branch Message indicates that 3 sequential instructions were executed since trace correction (this includes the mispredicted branch instruction which is considered to be a sequential instruction).</p> |  |  |

**Table 23-28. Program Trace Correction Due to an Exception**

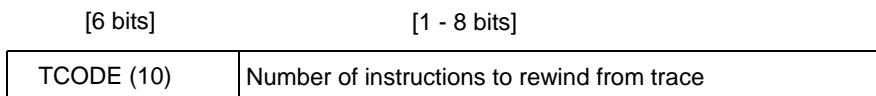
| Time | Processor State        | Message sent |
|------|------------------------|--------------|
| 1    | Sequential Instruction |              |
| 2    | Sequential Instruction |              |
| 3    | Sequential Instruction |              |



**Table 23-28. Program Trace Correction Due to an Exception (continued)**

| Time   | Processor State                        | Message sent   |
|--|--|--|
| 4  | Direct Branch Instruction              | Direct Branch Message<br>TCODE = 3<br>Number of sequential instructions executed since last taken branch = 3   |
| 5  | Sequential Instruction                 |  |
| 6  | Sequential Instruction                 |  |
| 7  | Sequential Instruction                 |  |
| 8  | Sequential Instruction                 |  |
| 9  | Indirect Branch Instruction            | Indirect Branch Message<br>TCODE = 4<br>Number of sequential instructions executed since last taken branch = 4<br>Unique portion of the target address |
| 10   | Sequential Instruction                 |  |
| 11   | Sequential Instruction                 |  |
| 12   | Indirect Branch Instruction            | Indirect Branch Message<br>TCODE = 4<br>Number of sequential instructions executed since last taken branch = 2<br>Unique portion of the target address |
| 13   | Sequential Instruction                 |  |
| 14   | Exception due to instruction at Time 8 | Program Trace Correction Message<br>TCODE = 10<br>Number of instructions to rewind from trace = 5  |
| 16   | Indirect Branch Instruction            | Indirect Branch Message<br>TCODE = 4<br>Number of sequential instructions executed since last taken branch = 0<br>Unique portion of the target address |
| <p>At Time 8, the Sequential instruction that causes an exception is issued.</p> <p>At Time 14, the instruction issued at Time 8 causes an exception. A Program Trace Correction Message is sent out correcting the number of instructions in the trace (5). The sequential instruction that occurred at Time 13 is not included in the correction count because the tool is not aware that it occurred (it was not transmitted out).</p> <p>Note: The sequential instruction at Time 8 did not retire and is included in the correction number.</p> |  |  |

The program trace correction message has the following format:



Max Length = 14 bits

Min Length = 7 bits

**Figure 23-22. Program Trace Correction Message Format**

### 23.8.2.4 Synchronization Messages

A program trace synchronization message is transmitted via the auxiliary port (provided program trace is enabled) for the following conditions:

- Initial program trace message upon exit of any system reset will be a synchronization message.
- Upon exit of sleep, deep-sleep and low power down mode, the first BTM will be a synchronization message.
- Initial program trace message upon exit of background debug mode. Upon exiting BDM, the next BTM will be a synchronization message.
- When BTM is enabled, the first BTM will be a synchronization message.
- After 255 program trace messages have been queued without synchronization, the next BTM will be a synchronization message.
- Upon assertion of an event In ( $\overline{\text{EVTI}}$ ) signal. If the READI module is not disabled, an  $\overline{\text{EVTI}}$  assertion will cause the next BTM to be a synchronization message (provided the EC field is 0b00 in the DC register).
- Upon occurrence of a watchpoint, the next BTM will be a synchronization message (provided program trace is enabled).
- Occurrence of queue overrun. A program trace overrun error occurs when a trace message cannot be queued due to the queue being full. This causes the message queue to be flushed, and an error message is placed as the first message in the queue. The error code within the error message will indicate that program/data/ownership trace overrun has occurred. The next BTM will be a synchronization message.
- Sequential instruction count overflow. When the sequential instruction counter reaches its maximum count (up to 256 sequential instructions may be executed), the next BTM will be a program trace synchronization message. The sequential instruction counter is reset.
- Upon entering or exiting code compression mode, the next BTM will be a synchronization message.
- The next change-of-flow instruction fetch following VSYNC will be a synchronization message.

Program trace synchronization messages provide the full address (without leading zeros) and ensure that development tools fully synchronize with program trace regularly. Synchronization messages provide a reference address for subsequent BTMs, in which only the unique portion of the program trace address is transmitted.

### NOTE

For program trace synchronization to work, the ICTRL register (refer to [Table 22.6.11](#)) must be programmed such that show cycle will be performed for all changes in the program flow (ISCTL field = 01) if the PTM bit is set to 0. If the PTM bit is set to 1, ISCTL can be programmed to any value except no show cycles (ISCTL field = 11).

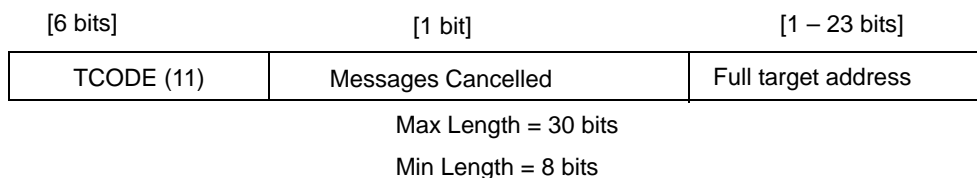
It is also recommended that the USIU be programmed to ignore instruction show cycles so as to not impact U-bus performance; set SIUMCR[NOSHOW]. Synchronization will only occur at changes in program flow boundaries, and cannot be forced by the READI module. Synchronizations on errors, overflows, as well as periodic synchronizations will not be deterministic to the nearest instruction, but to the next taken change in program flow. The start of program trace (enabled via any means) will be also deferred to the next change in program flow.

Program trace synchronization messages are of the following types:

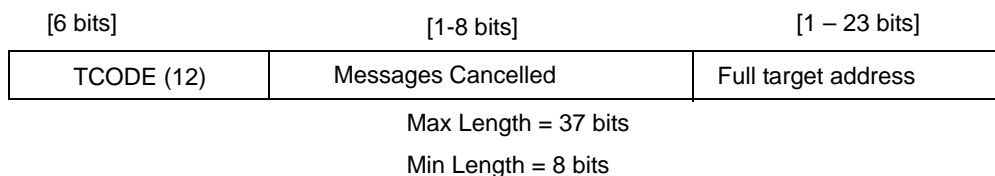
- Direct branch
- Indirect branch
- Direct branch with compressed code
- Indirect branch with compressed code
- Resource full

#### 23.8.2.4.1 Direct Branch Synchronization Message

The program trace direct branch synchronization message has the following formats depending on how the PTSM bit in the MC register is configured:



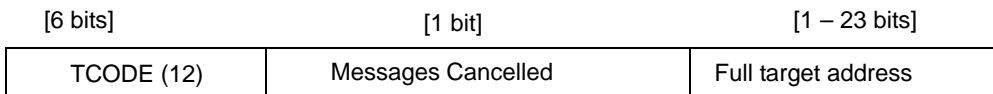
**Figure 23-23. Direct Branch Synchronization Message Format (PTSM = 0)**



**Figure 23-24. Direct Branch Synchronization Message Format (PTSM = 1)**

#### 23.8.2.4.2 Indirect Branch Synchronization Message

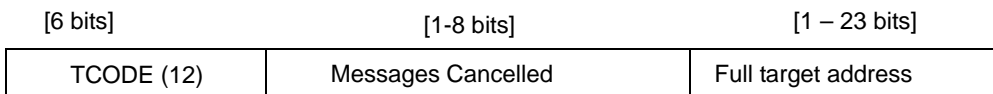
The program trace indirect branch synchronization message has the following formats depending on the setting of MC[PTSM]:



Max Length = 30 bits

Min Length = 8 bits

**Figure 23-25. Indirect Branch Synchronization Message Format (PTSM = 0)**



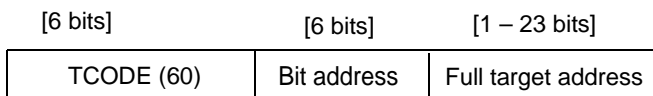
Max Length = 37 bits

Min Length = 8 bits

**Figure 23-26. Indirect Branch Synchronization Message Format (PTSM = 1)**

### 23.8.2.4.3 Direct Branch Synchronization Message With Compressed Code

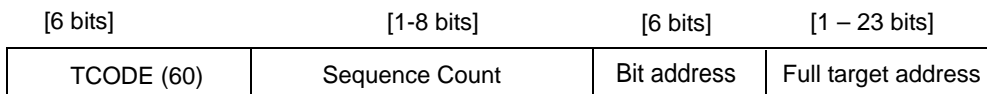
For compressed code support, six additional bits indicate the starting bit address within the word of the compressed instruction. The program trace direct branch synchronization with compressed code message has the following formats depending on the setting of MC[PTSM]:



Max Length = 35 bits

Min Length = 13 bits

**Figure 23-27. Direct Branch Synchronization Message Format with Compressed Code (PTSM = 0)**



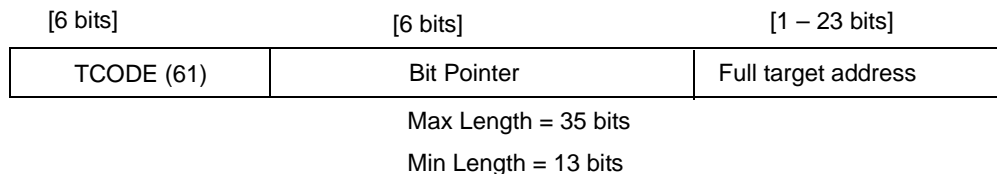
Max Length = 43 bits

Min Length = 14 bits

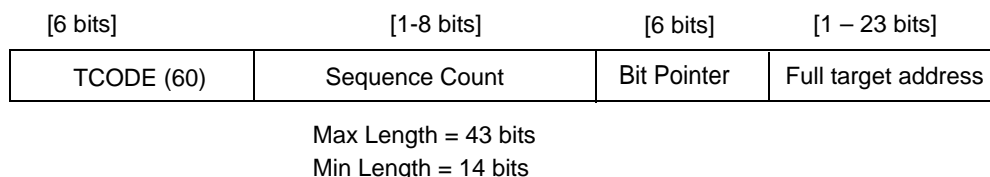
**Figure 23-28. Direct Branch Synchronization Message Format with Compressed Code (PTSM = 1)**

### 23.8.2.4.4 Indirect Branch Synchronization Message with Compressed Code

For compressed code support, six additional bits indicate the starting bit address within the word of the compressed instruction. The program trace indirect branch synchronization with compressed code message has the following formats depending on the setting of MC[PTSM]:



**Figure 23-29. Indirect Branch Synchronization Message Format with Compressed Code (PTSM = 0)**



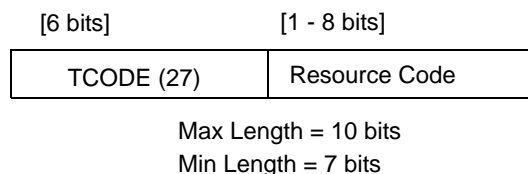
**Figure 23-30. Indirect Branch Synchronization Message Format with Compressed Code (PTSM = 1)**

Bit pointer format is shown in [Figure 23-21](#) and bit address format is described in [Table 23-26](#).

#### 23.8.2.4.5 Resource Full Message

When more than 256 instructions have run without a branch being taken a program trace resource full message will be generated that indicates the maximum I-CNT value has been reached. The I-CNT field has a maximum width of 8 bits.

The total instruction count can be found by adding 256 for each program trace full message received to the sequence count of the direct or indirect branch trace message that follows the resource full message. The program trace full message has the following format:



**Figure 23-31. Program Trace Full Message Format**

At this time, the program trace sequential count full code is the only defined option for this message.

**Table 23-29. Resource Codes**

| Error Code | Description                         |
|------------|-------------------------------------|
| 0000       | Program Trace Sequential Count Full |
| 0001-1111  | Vendor Defined or Reserved          |

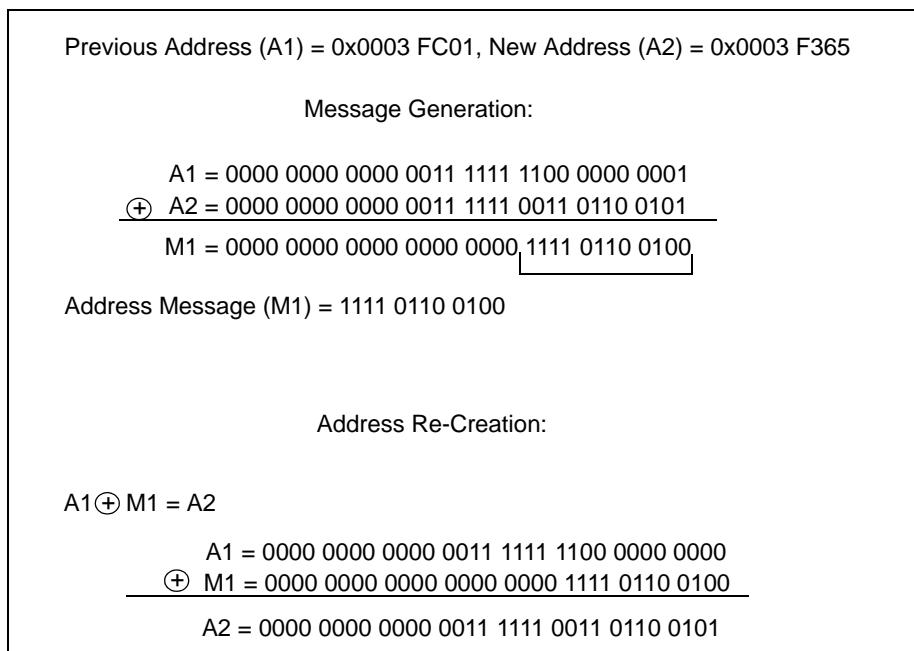
#### 23.8.2.5 Error Messages

Branch trace error messages are explained within applicable functional areas, such as data trace, watchpoint, and program trace sections of this chapter.

### 23.8.2.6 Relative Addressing

The relative address feature is compliant with the IEEE-ISTO 5001 - 1999 recommendations, and is designed to reduce the number of bits transmitted for addresses of indirect branch messages.

The address transmitted is relative to the address of the previous branch trace message. It is generated by XORing the new address with the previous address, and then using only the results up to the most significant '1' in the result. To recreate this address, an XOR of the (most-significant 0-padded) message address with the previously decoded address gives the current address. [Figure 23-32](#) shows how a relative address is generated and how it can be used to recreate the original address.



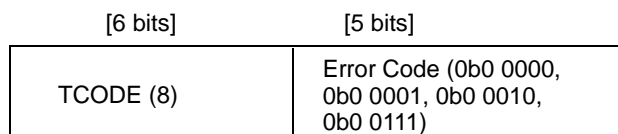
**Figure 23-32. Relative Address Generation and Re-Creation**

### 23.8.3 Queue Overflow Program Trace Error Message

A trace overrun error occurs when a trace message cannot be queued due to the queue being full, provided program trace is enabled.

The overrun error causes the message queue to be flushed, and an error message to be queued. The error code within the error message indicates that either a program/data/ownership trace overrun error has occurred or that only a program trace overrun has occurred. The next BTM will be a synchronization message. Refer to [Table 23-20](#).

The error message has the following format:



Length = 11 bits

**Figure 23-33. Error Message (Queue Overflow) Format**

## 23.8.4 Branch Trace Message Operation

### 23.8.4.1 BTM Capture and Encoding Algorithm

BTM is accomplished by capturing instruction fetch information from the U-bus and instruction execution information from the RCPU (VF and VFSL signals), and combining them to generate program trace messages.

### 23.8.4.2 Instruction Fetch Snooping

Instruction fetches are snooped on the U-bus. There is a one-to-one correspondence between instruction fetches marked with the U-bus program trace attribute and the indication of RCPU VF signal (only 3, 4, 5, and 6) between two synchronization events.

Since U-bus program trace attribute occurs after the indication of VF, it is latched and paired with the nearest (previous) unpaired VF (3, 4, 5, and 6) indication to determine the instruction address.

For all other VF indications, except 3, 4, 5, and 6, it is not possible to determine the instruction address.

### 23.8.4.3 Instruction Execution Tracking

Instruction execution tracking is performed by capturing the RCPU VF and VFSL signals, and decoding them to infer the state of the processor. The RCPU VF signals indicate two classifications of information:

- The current instruction type which is being loaded into the RCPU instruction queue. For further details refer to the *RCPU Reference Manual*.
- The number of instructions which are currently being flushed from the RCPU instruction queue. For further details refer to the *RCPU Reference Manual*.

### 23.8.4.4 Instruction Flush Cases

The various conditions under which the RCPU may signal instruction flushes of the RCPU prefetch queue or RCPU history buffer are:

1. A taken branch (direct, indirect, interrupt or exception) will cause the instruction prefetch queue (which contains instructions from the now old stream) to be flushed, and fetching will start from the branch target stream. The sequential instruction count will be updated to reflect this.
2. A mispredicted branch will cause instructions fetched from the new stream to be flushed, and fetching will resume from the old stream. It will also require a program trace message to be cancelled and the trace to be corrected.

- An exception can cause cancellation of multiple taken branches which may require cancelling multiple program trace messages.

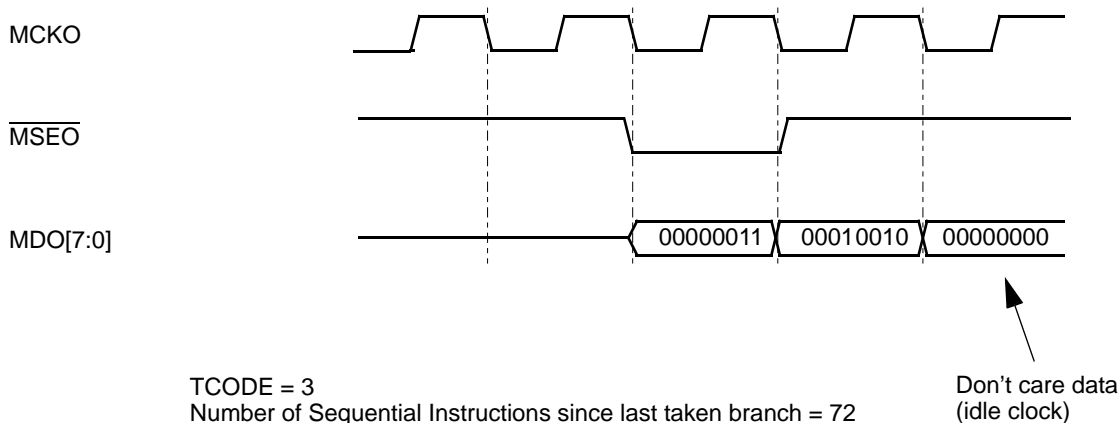
### 23.8.5 Branch Trace Message Queueing

READI implements a queue 16 or 32 messages deep (depending on the silicon version) for program trace, data trace, and ownership trace messages. Messages that enter the queue are transmitted via the output auxiliary port in the order in which they are queued.

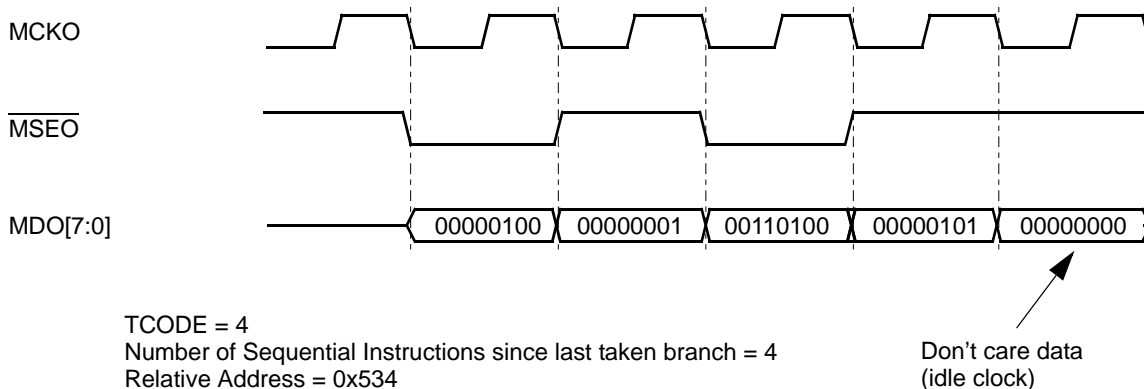
**NOTE**

If multiple trace messages need to be queued at the same time, program trace messages will have the highest priority unless the data trace buffers are full, in which case the data trace messages are given temporary higher priority than the program trace messages.

### 23.8.6 BTM Timing Diagrams

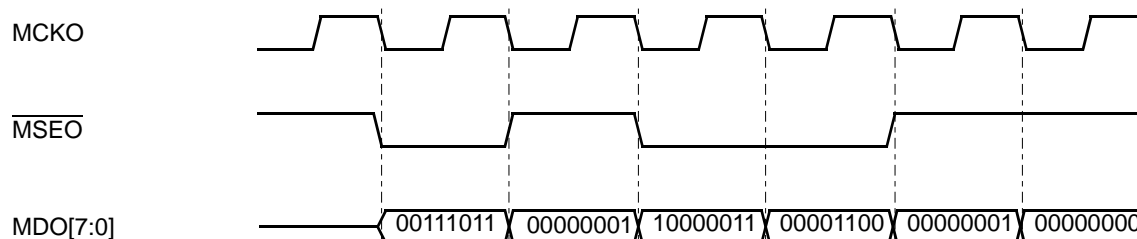


**Figure 23-34. Direct Branch Message**



**Figure 23-35. Indirect Branch Message**

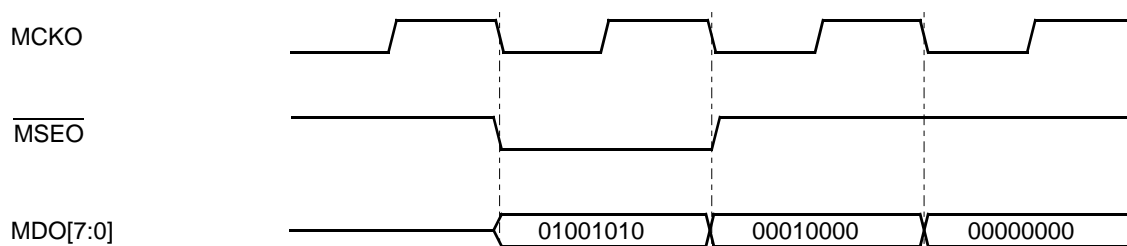




TCODE = 59 (0x3B)  
Number of Sequential Instructions since last taken branch = 4  
Bit Address = 3  
Relative Address = 0x432

Don't care data  
(idle clock)

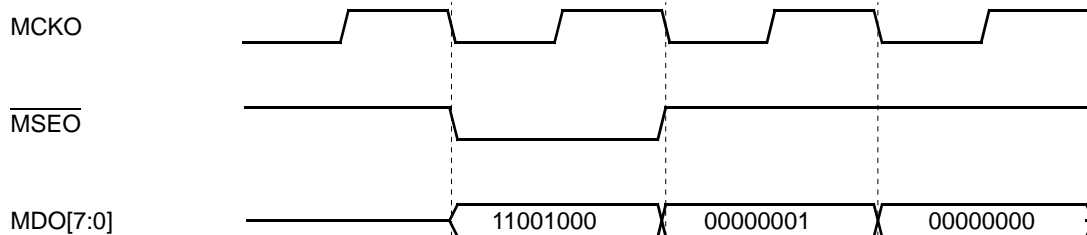
**Figure 23-36. Indirect Branch Message with Compressed Code**



TCODE = 10 (0xA)  
Number of instructions corrected in trace= 65

Don't care data  
(idle clock)

**Figure 23-37. Program Trace Correction Message**

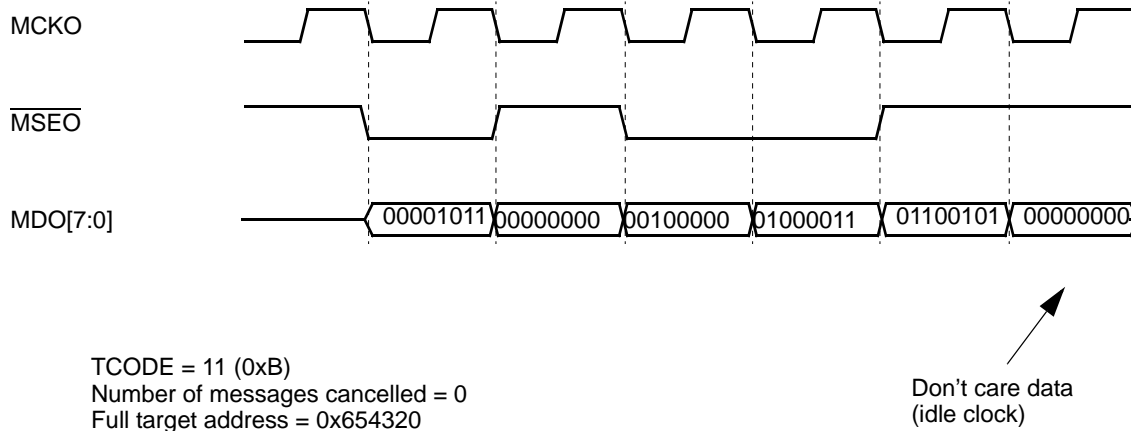


TCODE = 8  
Error Code = 0b00111 (Program/Data/Ownership trace overrun)

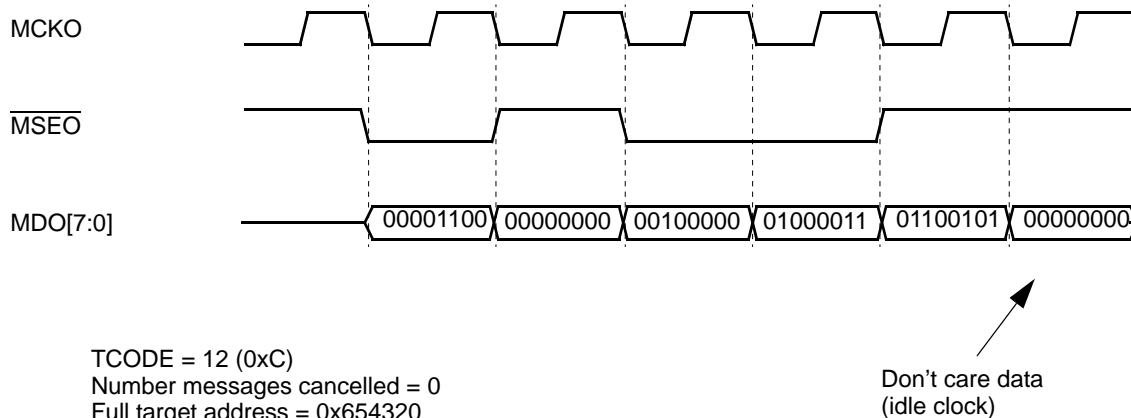
Don't care data  
(idle clock)

**Figure 23-38. Error Message (Program/Data/Ownership Trace Overrun)**

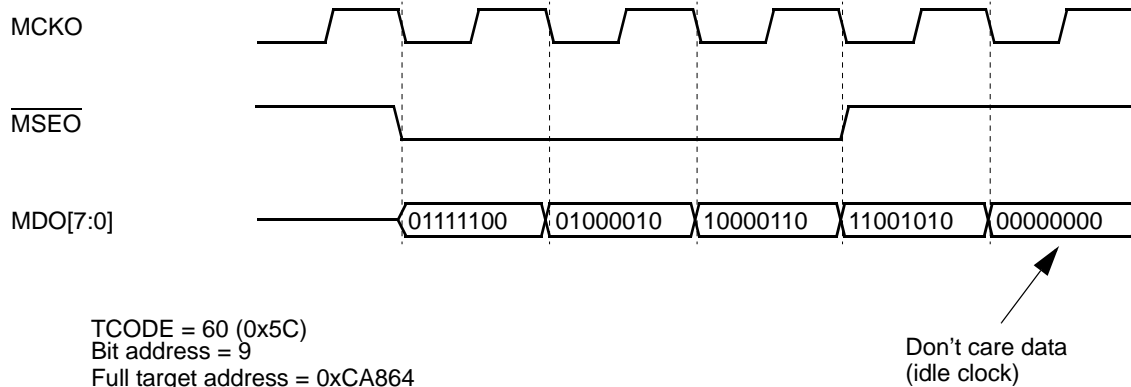
READI Module



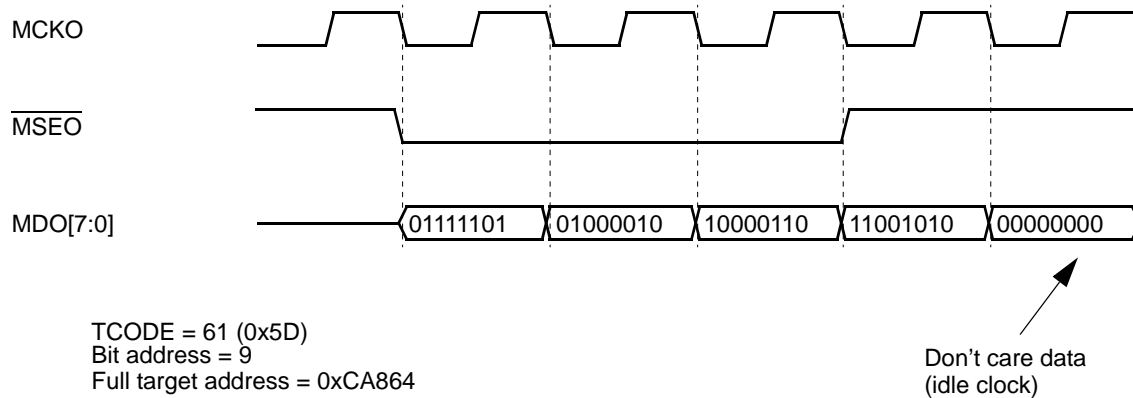
**Figure 23-39. Direct Branch Synchronization Message**



**Figure 23-40. Indirect Branch Synchronization Message**



**Figure 23-41. Direct Branch Synchronization Message with Compressed Code**



**Figure 23-42. Indirect Branch Synchronization Message with Compressed Code**

## 23.8.7 Program Trace Guidelines

Refer to [Section 23.6.5.1, “Program Trace Guidelines,”](#) for further details.

## 23.9 Data Trace

This section details the data trace mechanism supported by READI. Data trace is implemented via data write messaging (DWM) and data read messaging (DRM), as per the IEEE-ISTO 5001 - 1999.

### 23.9.1 Data Trace for the Load/Store Bus (L-Bus)

The L-bus allows the RCPU to perform loads and stores, and the L2U to read and write the L-bus resources. Snooping for data trace on the L-bus requires the READI module to handle the full range of L-bus cycles. This includes various cases of pipelining and aborted cycles.

Data trace requires snooping the L-bus cycles, and storing the information for qualifying accesses (based on enabled features and matching target addresses). The READI module traces all data accesses that meet the selected range and attributes. This includes all RCPU initiated accesses and all L-bus accesses.

L-bus data cycles can have data sizes of 8, 16, or 32 bits. The READI module supports all three data sizes. In full port mode, 16-bit accesses shift out 24 bits of data so the tool can differentiate them from 8-bit accesses.

#### NOTE

In early versions of the READI module, 8-bit data cannot be differentiated from 16-bit data when the 8 MSBs are set to zero. See the device mask set errata list for customer information.

### 23.9.2 Data Trace Message Formats

Data trace messages are of five types:

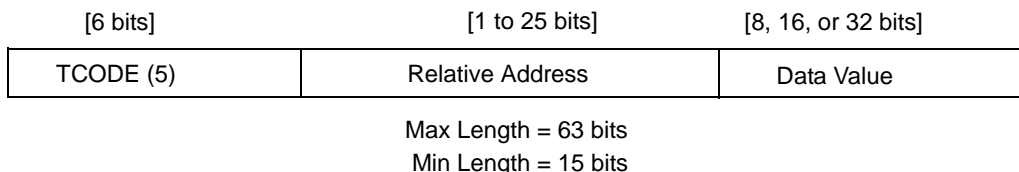
- Data write
- Data read

- Data write synchronization
- Data read synchronization
- Error message

### 23.9.2.1 Data Write Message

The data write message contains the data write value and the address of the target location, relative to the previous data trace message.

The data write message has the following format:

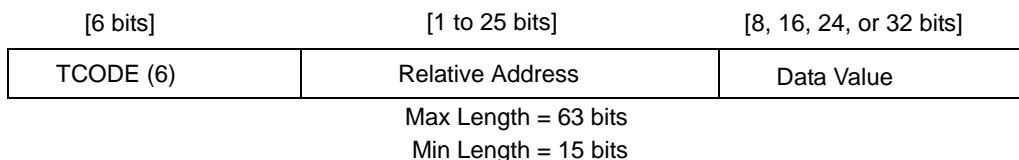


**Figure 23-43. Data Write Message Format**

### 23.9.2.2 Data Read Message

The data read message contains the data read value and the address of the target location, relative to the previous data trace message.

The data read message has the following format:



**Figure 23-44. Data Read Message Format**

### 23.9.2.3 Data Trace Synchronization Messages

A data trace synchronization message shall be transmitted via the auxiliary port (provided data trace is enabled) for the following conditions:

- Initial data trace message upon exit of any system reset will be a synchronization message.
- Upon exit of sleep, deep-sleep and low power down mode, the first data trace message will be a synchronization message.
- Initial data trace message upon exit of background debug mode. Upon exiting BDM, the next data trace message will be a synchronization message.
- When data trace is enabled, the first data trace message will be a synchronization message.
- After 255 data trace messages have been queued without synchronization, the next data trace message will be a synchronization message.

- Upon assertion of an event In ( $\overline{\text{EVTI}}$ ) signal. If the READI module is not disabled at reset, when  $\overline{\text{EVTI}}$  asserts, if the EC field is 0b00 in the DC register, the next data trace message will be a synchronization message.
- Upon occurrence of a watchpoint, the next data trace message will be a synchronization message.
- Occurrence of queue overrun. A data trace overrun error occurs when a trace message cannot be queued due to the queue being full (provided data trace is enabled). This causes the message queue to be flushed, and an error message is placed as the first message in the queue. The error code within the error message indicates that program/data/ownership trace overrun has occurred. The next data trace message will be a synchronization message.

Data trace synchronization messages provide the full address (without leading zeros) and ensure that development tools fully synchronize with data trace regularly. Synchronization messages provide a reference address for subsequent DTMs, in which only the unique portion of the data trace address is transmitted.

Data trace synchronization messages are of two types:

- Data write
- Data read

### 23.9.2.4 Data Write Synchronization Message

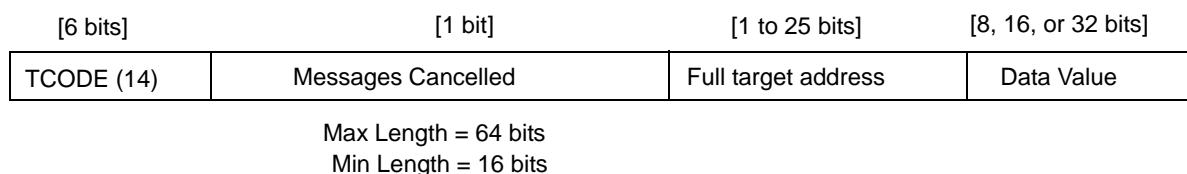
The data write synchronization message has the following format:



**Figure 23-45. Data Write Synchronization Message Format**

### 23.9.2.5 Data Read Synchronization Messaging

The data read synchronization message has the following format:



**Figure 23-46. Data Read Synchronization Message Format**

### 23.9.2.6 Relative Addressing

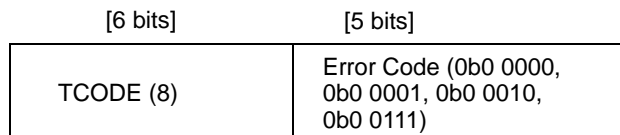
Refer to [Section 23.9.2.6, “Relative Addressing,”](#) for further details.

### 23.9.3 Queue Overflow Data Trace Error Message

A program/data/ownership trace overrun error or data trace error occurs when a trace message cannot be queued due to the queue being full, provided data trace is enabled.

The overrun error causes the message queue to be flushed, and an error message to be queued. The error code within the error message indicates that a program/data/ownership trace overrun error has occurred. The next DTM will be a synchronization message. Refer to [Table 23-20](#).

The error message has the following format:



Length = 11 bits

**Figure 23-47. Error Message (Queue Overflow) Format**

### 23.9.4 Data Trace Operation

Data trace is performed by snooping the L-bus for read or write cycles. Data trace functions are enabled by setting the appropriate fields in the DC register and the DTA registers. For details on field configuration, refer to [Section 23.6.1.4, “Development Control Register \(DC\),”](#) and [Section 23.6.1.9, “Data Trace Attributes 1 and 2 Registers \(DTA1 and DTA2\),”](#) respectively.

Data trace flow is depicted in [Figure 23-48](#).

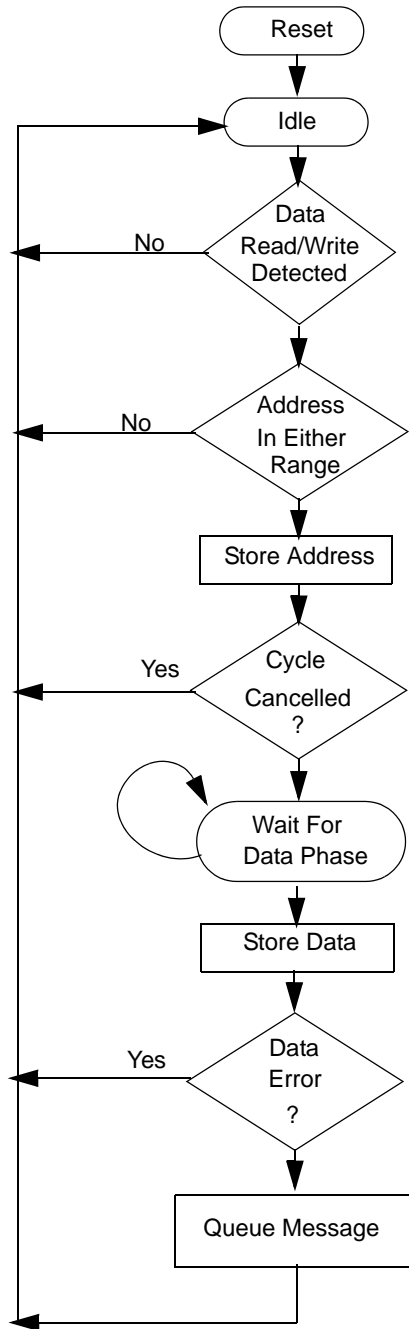


Figure 23-48. Data Trace Flow Diagram for Non-Pipelined Access

### 23.9.5 Data Trace Windowing

Data trace windowing is achieved via the address range within the DTEA and the DTSA fields of the DTA registers. All L-bus accesses which fall within these two address ranges, provided the address ranges are enabled in either DTA register, are candidates to be transmitted. Data read and/or data write trace may be enabled via the TA field of the data trace attributes registers (DTA).

**NOTE**

Data trace ranges are word aligned. Therefore, the address range fields (DTEA and DTSA) of the DTA registers are only 23 bits wide and, as such, should be assigned by the tool with the 23 most significant bits of the intended 25-bit range address, i.e. the 2 LSB of the address are not used.)

**NOTE**

The off-core MPC500 special purpose register (SPR) map cannot be distinguished from the normal memory map accesses via the defined address range control. If data trace ranges are set up such that the off-core MPC500 SPR map falls within active ranges, then accesses to these off-core MPC500 SPRs will be traced, and the messages will not be distinguishable from accesses to normal memory map space. Off-core MPC500 SPRs typically exist in the 8-Kbyte – 16-Kbyte lowest memory block (0x2000 - 0x3FF0). If data or peripherals are mapped to this space, load/stores to MPC500 SPRs will be indistinguishable from data or peripheral accesses.

### 23.9.6 Special L-Bus Cases

Special L-bus cases are handled as described in [Table 23-30](#).

**Table 23-30. Special L-Bus Case Handling**

| Special Case                                       | Action                         |
|--|--------------------------------|
| L-bus Cycle Aborted                                | Cycle ignored                  |
| L-bus Cycle with data error                        | Message discarded              |
| L-bus Cycle terminated due to address error        | Cycle ignored                  |
| L-bus Cycle completed without error                | Cycle captured and transmitted |
| L-bus Cycle initiated by READI (Read/Write Access) | Cycle ignored                  |
| L-bus Cycle is an instruction fetch                | Cycle ignored                  |
| Data Storage Interrupt                             | Cycle ignored                  |
| System Reset                                       | Cycle ignored                  |

### 23.9.7 Data Trace Queuing

For queuing program trace, data trace, and ownership trace messages, READI implements a queue 32 messages deep (The queue is 16 messages deep on some versions; refer to device errata). Messages that enter the queue are transmitted via the output auxiliary port in the order in which they are queued.

**NOTE**

If multiple trace messages need to be queued at the same time, program trace messages have a higher priority for queue entry than data trace messages, unless the data trace buffers are full, in which case the data trace messages are given temporary higher priority than the program trace messages.



## 23.9.8 Throughput and Latency

### 23.9.8.1 Assumptions for Throughput Analysis

- All accesses are data trace only
- 56-MHz operation
- Output signals are always free (not in middle of transmission) when requested
- Relative Address field for data trace messages is 20 bits
- Data field for data trace messages is 32 bits
- One idle clock between data trace messages

### 23.9.8.2 Throughput Calculations

The data (read or write) trace message is 58 bits (6 [TCODE] + 20 [Relative address] + 32 [Data]).

Data trace messages are transmitted out via the MDO signals. Hence it will take eight clocks (58 bits/8 MDO signals) to send a message. There will be one idle clock before the next data trace message can be sent.

At 56 MHz, it will take 161ns  $((8+1) \times 17.8)$  to transmit the message.

Therefore, the average number of data trace messages that can be transmitted out is 6.2 million (1/161ns) per second, or 24.8 million bytes of read/write data per second.

## 23.9.9 Data Timing Diagrams

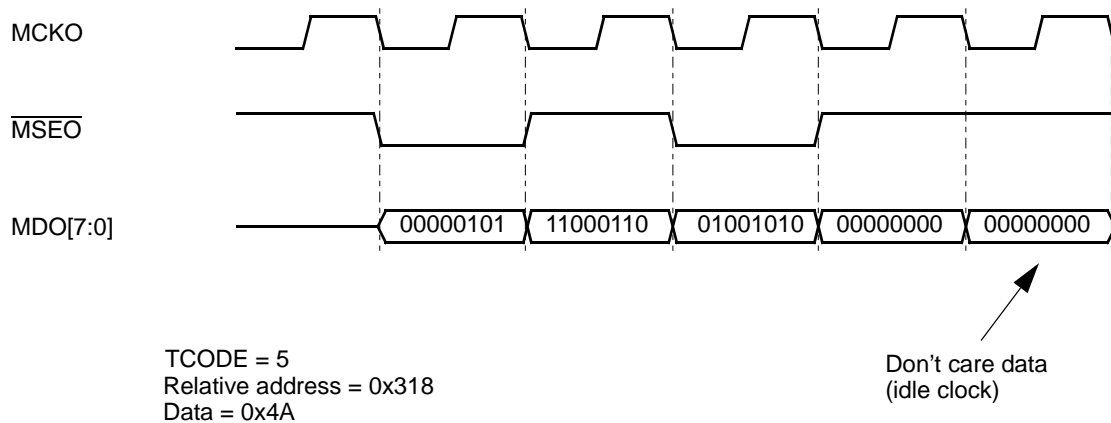
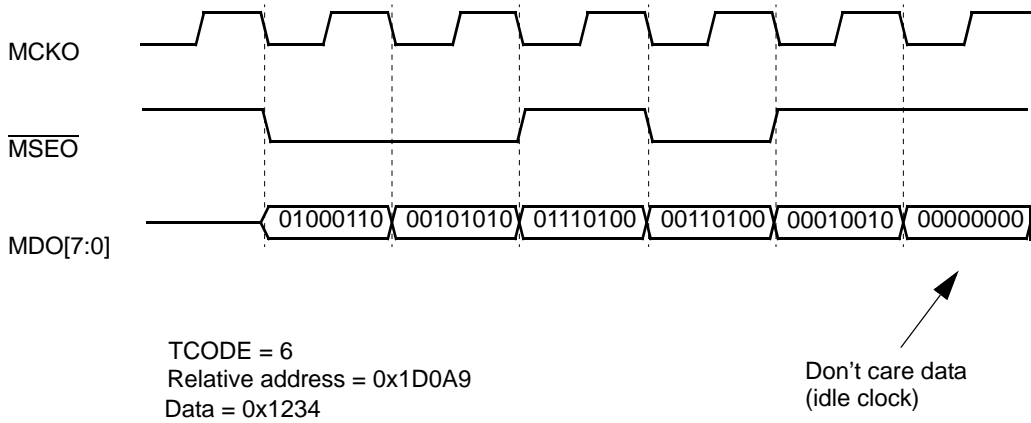
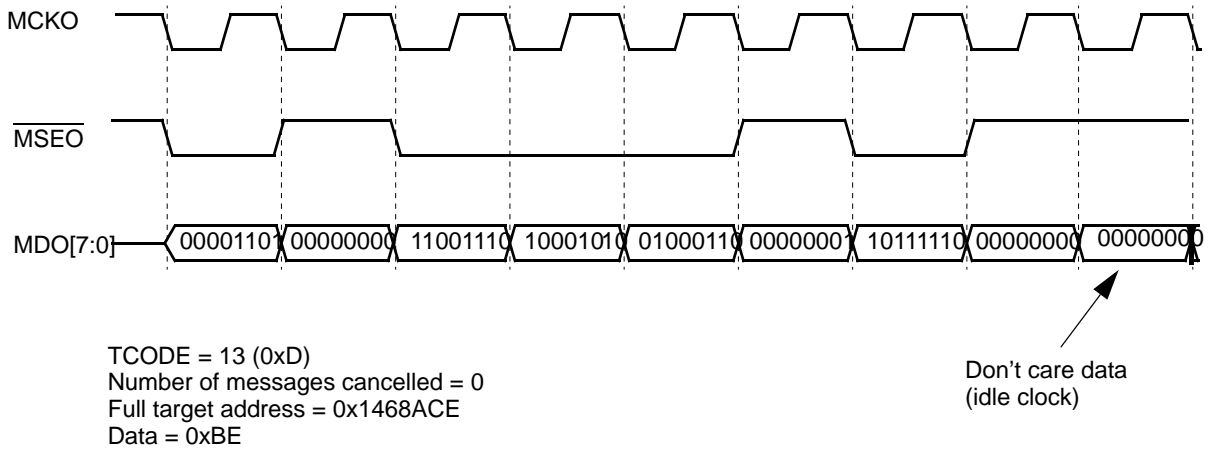


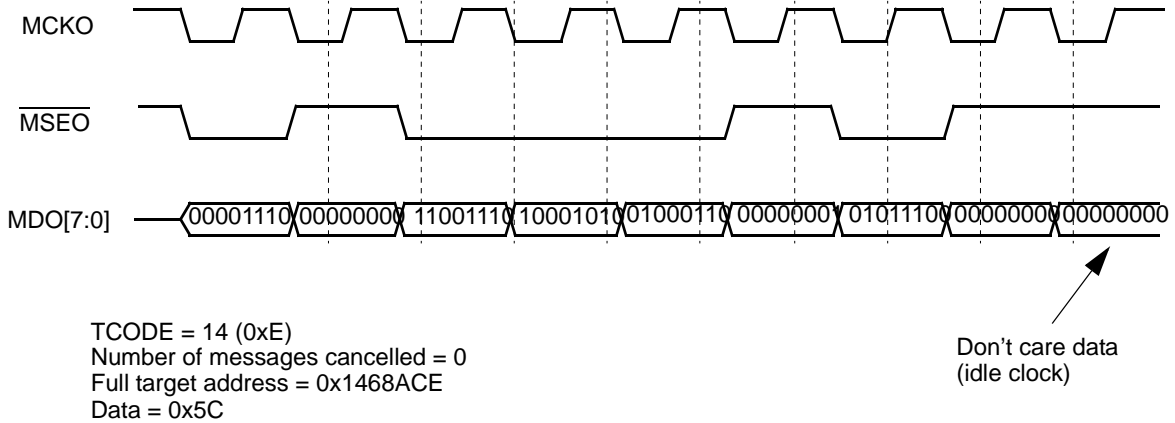
Figure 23-49. Data Write Message



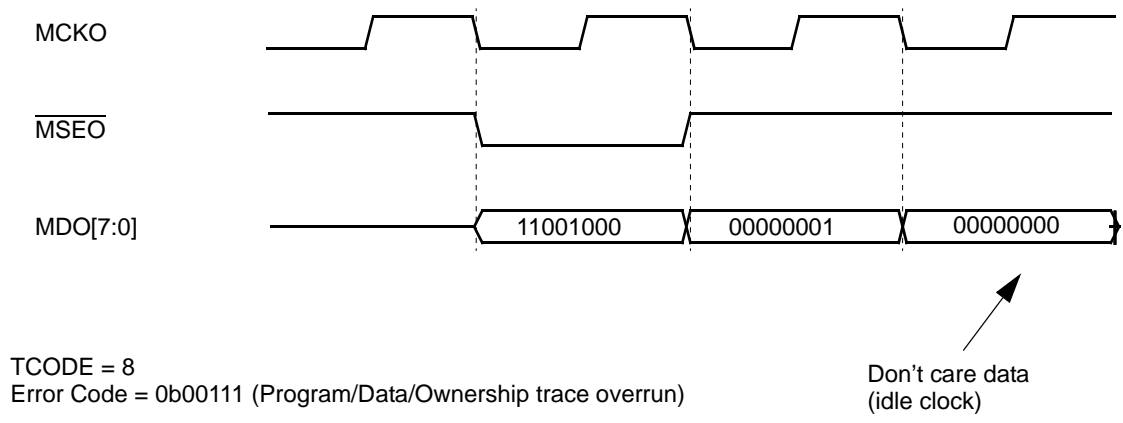
**Figure 23-50. Data Read Message**



**Figure 23-51. Data Write Synchronization Message**



**Figure 23-52. Data Read Synchronization Message**



**Figure 23-53. Error Message (Program/Data/Ownership Trace Overrun)**

## 23.10 Read/Write Access

The read/write access feature allows access to internal memory-mapped space via the auxiliary port. Read/write mechanism supports single and block, reads and writes.

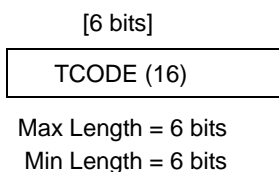
### 23.10.1 Functional Description

The READI module is capable of bus mastership on the L-bus and for setting up and reading data and status.

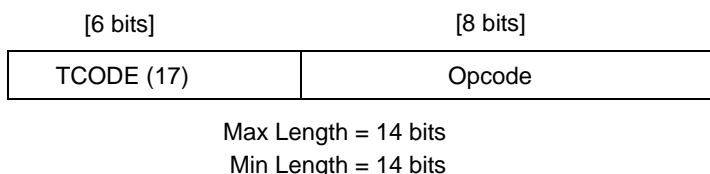
All accesses are setup and initiated to the read/write access register (RWA) and upload/download information register (UDI) via the four auxiliary access public messages: device ready for upload/download, upload request (tool requests information), download request (tool provides information), upload/download information (device/tool provides information).

Read/write access features are enabled by setting the appropriate fields in the RWA register. For details on field configuration, refer to [Section 23.6.1.7, “Read/Write Access Register \(RWA\).”](#)

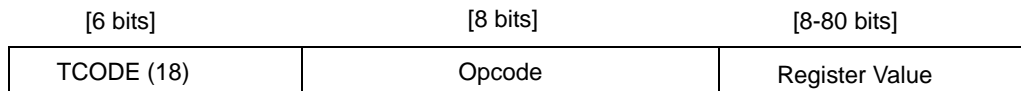
The functional flow for read/write access to memory-mapped locations and MPC500 registers is depicted in [Figure 23-58](#).



**Figure 23-54. Target Ready Message**

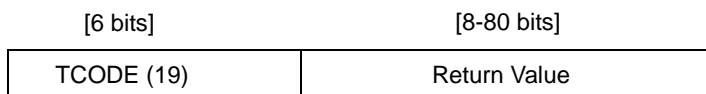


**Figure 23-55. Read Register Message**



Max Length = 94 bits  
Min Length = 22 bits

**Figure 23-56. Write Register Message**



Max Length = 86 bits  
Min Length = 14 bits

**Figure 23-57. Read/Write Response Message**

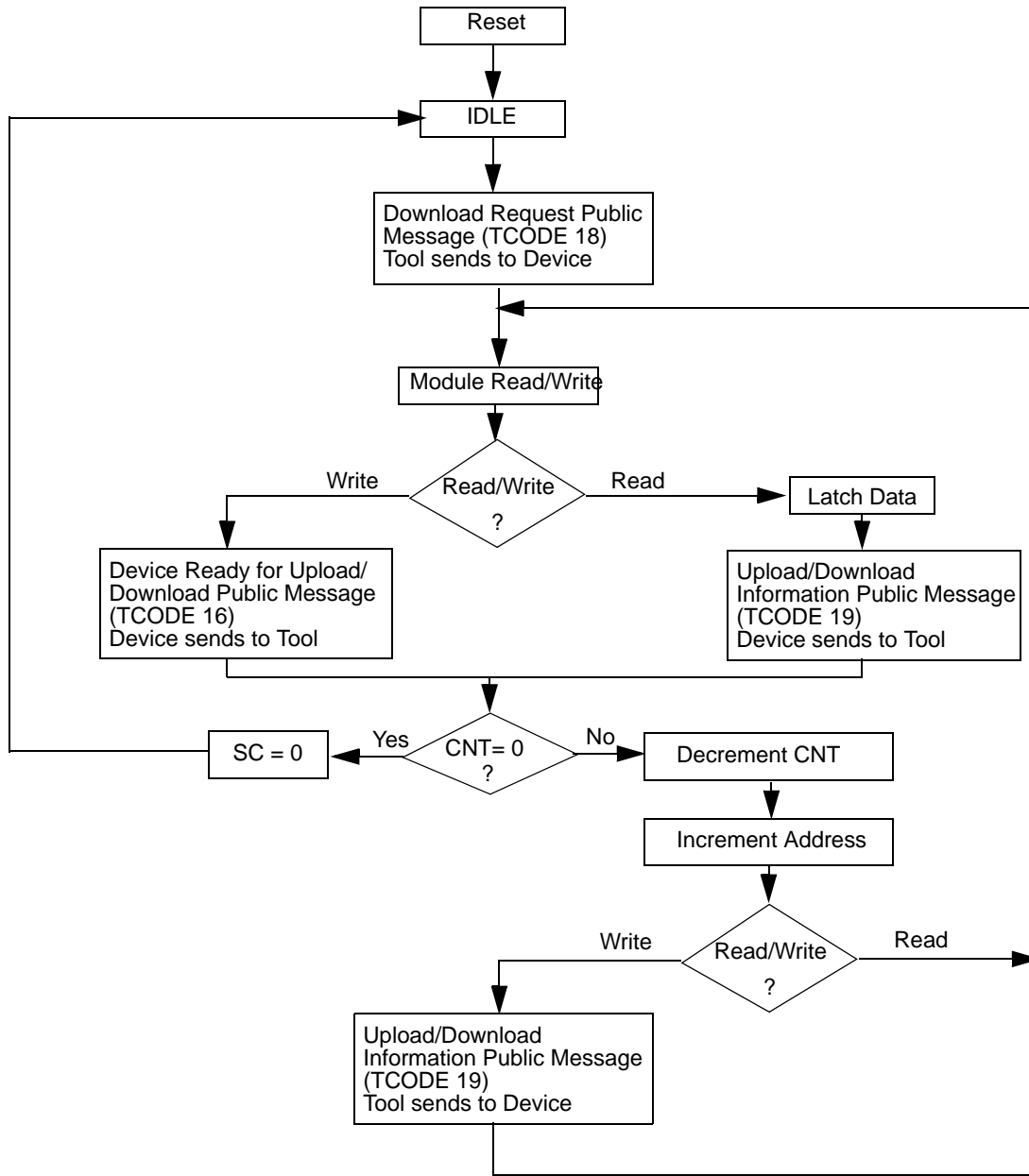


Figure 23-58. Read/Write Access Flow Diagram

## 23.10.2 Write Operation to Memory-Mapped Locations and SPR Registers

### 23.10.2.1 Single Write Operation

For a single write access to memory-mapped locations and SPR registers, the following sequence of operations need to be performed via the auxiliary port:

1. The tool confirms that the device is ready before transmitting download request public message (TCODE=18).

2. The download request public message contains:
  - a) TCODE(18)
  - b) Access opcode 0xF which signals that subsequent data needs to be stored in the RWA register.
  - c) Configure the RWA register fields as follows:
    - Start/complete (1 to indicate start access) -> SC
    - Read/write address (write address) -> RWAD
    - Read/write (1 to indicate a write access) -> RW
    - Word size (32 bits, 16 bits, 8 bits) -> SZ
    - Write data (write data) -> WD
    - Privilege (user data/instruction, supervisor data/instruction) -> PRV
    - Map select (select memory map, 0b0 or 0b1) -> MAP
      - 0 = Normal memory access
      - 1 = Secondary memory map (SPR)
    - Access Count (0 to indicate single access) -> CNT
3. After completion of the write operation, the device ready for upload/download public message (TCODE=16) is transmitted to the tool indicating that the device is ready for next access.
4. The SC bit is cleared to indicate that the write access is complete.

### 23.10.2.2 Block Write Operation

For a block write access to memory-mapped locations, the following sequence of operations need to be performed via the auxiliary port:

1. The tool confirms that the device is ready before transmitting download request public message (TCODE = 18).
2. The download request public message contains:
  - a) TCODE(18)
  - b) Access opcode 0xF which signals that subsequent data needs to be stored in the RWA register.
  - c) Configure the RWA register fields as follows:
    - Start/complete (1 to indicate start access) -> SC
    - Read/write address (starting write address of block) -> RWAD
    - Read/write (1 to indicate a write access) -> RW
    - Word size (32 bits, 16 bits, 8 bits) -> SZ
    - Write data (write data) -> WD
    - Privilege (user data/instruction, supervisor data/instruction) -> PRV
    - Map select (select memory map 0b0) -> MAP
    - Access count (non zero number to indicate size of block access) -> CNT
3. After completion of this write operation, the device ready for upload/download public message (TCODE = 16) is transmitted to the tool indicating that the device is ready for next access.

4. The specified address (stored in RWAD field) is incremented to the next word size and the number in the CNT field is decremented. The SC field is not cleared.
5. The tool transmits the next upload/download information public message (TCODE = 19).
6. The upload/download information public message contains:
  - a) TCODE(19)
  - b) Write data (write data -> UDI)
7. After the completion of this write operation, the device ready for upload/download public message (TCODE = 16) is transmitted to the tool indicating that the device is ready for next access.
8. The specified address (in RWAD field) is incremented to the next word size and the number in the CNT field is decremented. The SC field is not cleared.
9. Steps 5 through 8 are repeated until the count value in the CNT field of RWA register equals zero. The SC bit is cleared to indicate end of the block write access.

#### NOTE

For downloading write data to the device for block write operation, the download request public message (TCODE = 18) should not be used to write subsequent data to the UDI register. Data written to the UDI register (via download request message, TCODE 18) is not used by the device for any read/write operation.

### 23.10.3 Read Operation to Memory-Mapped Locations and SPR Registers

#### 23.10.3.1 Single Read Operation

For a single read access to memory-mapped locations and SPR registers, the following sequence of operations need to be performed via the auxiliary port:

1. The tool confirms that the device is ready before transmitting download request public message (TCODE = 18).
2. The download request public message contains:
  - a) TCODE(18)
  - b) Access opcode 0xF which signals that subsequent data needs to be stored in the RWA register.
  - c) Configure the RWA fields as follows:
    - Start/complete (1 to indicate start access) -> SC
    - Read/write address (read address) -> RWAD
    - Read/write (0 to indicate a read access) -> RW
    - Word size (32 bits, 16 bits, 8 bits) -> SZ
    - Write data (0XXXXXXXX-> WD [don't care])
    - Privilege (user data/instruction, supervisor data/instruction) > PRV
    - Map select (select memory map, 00 or 01) -> MAP
    - Access count (0 to indicate single access) -> CNT
3. Data read from the specified address is stored in the UDI register.

4. Once the read access is completed, the upload/download information public message (TCODE = 19) is transmitted to the tool along with the data read from the UDI register. This message also indicates that the device is ready for next access.
5. The SC field in the RWA register is cleared.

### 23.10.3.2 Block Read Operation

For a block read access to memory-mapped locations and SPR registers, the following sequence of operations need to be performed via the auxiliary port:

1. The tool confirms that the device is ready before transmitting download request public message (TCODE = 18).
2. The download request public message contains:
  - a) TCODE(18)
  - b) Access opcode 0xF which signals that subsequent data needs to be stored in the RWA register.
  - c) Configure the RWA fields as follows:
    - Start/complete (1 to indicate start access) -> SC
    - Read/write address (starting read address of block) -> RWAD
    - Read/write (0 to indicate a read access) -> RW
    - Word size (32 bits, 16 bits, 8 bits) -> SZ
    - Write data (0XXXXXXXX-> WD [don't care])
    - Privilege (user data/instruction, supervisor data/instruction) > PRV
    - Map select (select memory map 0b0) -> MAP
    - Access count (non-zero number to indicate block access) -> CNT
3. Data read from the specified address is stored in the UDI register.
4. After the completion of this read operation, the upload/download information public message (TCODE=19) is transmitted to the tool along with the data read from the UDI register. This message also indicates that the device is ready to perform the next read operation.
5. The specified address (in RWAD field) is incremented to the next word size and the number in the CNT field is decremented. The SC field is not cleared.
6. The data read from the new address is stored in the UDI register.
7. Steps 4 through 7 are repeated until the count value in the CNT field of RWA register equals zero. The SC bit is cleared to indicate end of the block read access.

## 23.10.4 Read/Write Access to Internal READI Registers

### 23.10.4.1 Write Operation

For a write access to internal READI registers, the following sequence of operations need to be performed via the auxiliary port:

1. The tool confirms that the device is ready before transmitting download request public message (TCODE = 18).



2. The download request public message contains:
  - a) TCODE(18)
  - b) Access opcode, which specifies the register where data needs to be written, (e.g., access opcode 0x14 indicates that DTA1 register is the target register).
  - c) Data to be written to the register.
3. After the data has been written to the targeted register, the device ready for upload/download public message (TCODE = 16) is transmitted to the tool indicating that the device is ready for next access.

### 23.10.4.2 Read Operation

For a read access to internal READI registers, the following sequence of operations need to be performed via the auxiliary port:

1. The tool confirms that the device is ready before transmitting upload request public message (TCODE = 17).
2. The upload request public message contains:
  - a) TCODE(17)
  - b) Access opcode, which specifies the register where data needs to be read from, (for example, access opcode 0x14 indicates that DTA1 register is the target register).
3. The upload/download information public message (TCODE=19) is transmitted to the tool along with the data read from the targeted register indicating that the device is ready for next access.

### 23.10.5 Error Handling

The READI module handles the various error conditions in the manner shown in the following sections.

#### 23.10.5.1 Access Alignment

The READI module will force address alignment based on the word size field (SZ) value. If the SZ field indicates word (32-bit) access, the least significant two bits of the read/write address field (RWAD) are ignored. If the SZ field indicates half-word (16-bit) access, the least significant bit of the read/write address field (RWAD) is ignored.

#### 23.10.5.2 L-Bus Address Error

An address error occurs on the L-bus when the address phase of a cycle is not completed normally. This could occur because of address not being valid or the address map not being valid. In such cases:

1. The access is terminated without retrying.
2. The SC bit of the RWA is reset. Block accesses do not continue.
3. The error message (TCODE = 8) is transmitted (error code 0b00011). Refer to [Table 23-20](#).

#### 23.10.5.3 L-Bus Data Error

L-bus data error is signalled due to:

- L-bus data phase error.
- U-bus address phase error (for a L-bus to U-bus cycle).
- U-bus data phase error (for a L-bus to U-bus cycle).

L-bus data error conditions are signalled along with the transfer acknowledge for the access. L-bus data error conditions may occur because of privilege violations, access to protected memory, etc. In such cases, for a read access, the ERR bit of the UDI is set, and the DV bit in the UDI is reset at the termination of the access. For a write access, an error public message (TCODE = 8) is transmitted (error code 0b00011).

### 23.10.6 Exception Sequences

The following cases are defined for sequences of the read/write protocol that differ from those described in the above sections:

1. If the SC bit is set to start READI read/write accesses, without valid values in the RWAD, then an L-bus address error may occur, which is handled as described above.
2. If a block access is in progress with all the cycles not yet completed, and the RWA is written to again, (with or without modifications), then the block access is terminated at the boundary of the nearest completed access. The resulting data is discarded and not written to the UDI. If a new access has been programmed in the RWA register, then that access will start once the controller has recovered.
3. When a block access is in progress with all the cycles not yet completed, writing the SC bit to 0 in RWA register will terminate the block access and device will send out device ready for upload/download message.
4. If a any type (single/block) of access is in progress with the cycles not yet completed, and system reset occurs, the device will send out an error message. The access will be terminated and the SC bit will be reset. Refer to [Table 23-20](#).
5. If any type of (single/block) of access is requested while system is in reset, the device will send out an error message. The access will not be started and the SC bit will be reset.

### 23.10.7 Secure Mode

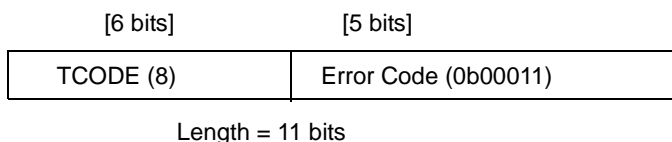
For details refer to [Section 23.2.2, “Security.”](#)

### 23.10.8 Error Messages

#### 23.10.8.1 Read/Write Access Error

An error message is sent out when an L-bus access error or data error on a write access occurs. The error code within the error message indicates that an L-bus address or L-bus data error occurred. For other error handling, see [Section 23.10.5, “Error Handling.”](#) For a list of error codes, refer to [Table 23-20](#).

The error message has the following format:

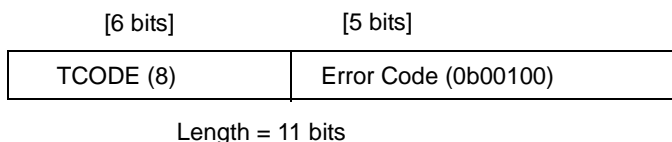


**Figure 23-59. Error Message (Read/Write Access Error) Format**

### 23.10.8.2 Invalid Message

An error message is sent out when an invalid message is received by READI. The error code within the error message indicates that an invalid TCODE was detected in the auxiliary input messages by the signal input formatter. Refer to [Table 23-20](#).

The error message has the following format:



**Figure 23-60. Error Message (Invalid Message) Format**

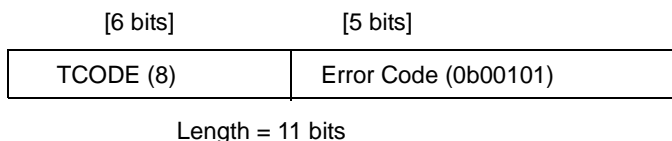
#### NOTE

If the TCODE is valid, then READI will expect that the correct number of packets have been received and no further checking will be performed. If the number of packets received by READI is not correct, READI response is not deterministic.

### 23.10.8.3 Invalid Access Opcode

An error message is sent out when an invalid access opcode is received by READI. The error code within the error message indicates that an invalid access opcode was detected in the auxiliary input messages by the signal input formatter. Refer to [Table 23-20](#).

The error message has the following format:



**Figure 23-61. Error Message (Invalid Access Opcode) Format**

### 23.10.9 Faster Read/Write Accesses with Default Attributes

Read/write access throughput may be increased by taking advantage of the default settings of the RWA register, and truncating the least significant zero bits of the download request message. For example, to read a word from the default memory map, with default attributes, a download request message that selects

the RWA register, and transmits the SC, RWAD, RW fields only is sufficient. This message will contain 41 bits instead of the 94 bits for writing the full contents of the RWA register. See [Table 23-11](#) and [Section 23.6.4, “Partial Register Updates,”](#) for RWAR and partial register update details respectively.

**NOTE**

The last data bit transmitted in the download request message (TCODE 18) will always be the MSB of the register referenced by the opcode (SC field in the case of the RWA register).

**23.10.10 Throughput and Latency**

Throughput analysis has been performed for various read/write access cases such as single write, block write, single byte read, single word read, block byte read, block word read accesses to memory-mapped locations. Data is presented for the two cases when the RWA register is written partially and completely.

**23.10.10.1 Assumptions for Throughput Analysis**

- All accesses are single read accesses only.
- MCKI running at 28 MHz.
- MCKO running at 56 MHz.
- 56-MHz internal operation.
- Five clock internal L-bus access (read)
- Output signals always free (not in middle of transmission) when requested.
- One idle clock between read messages.
- No delay from tool in responding — tool keeps up with READI port.

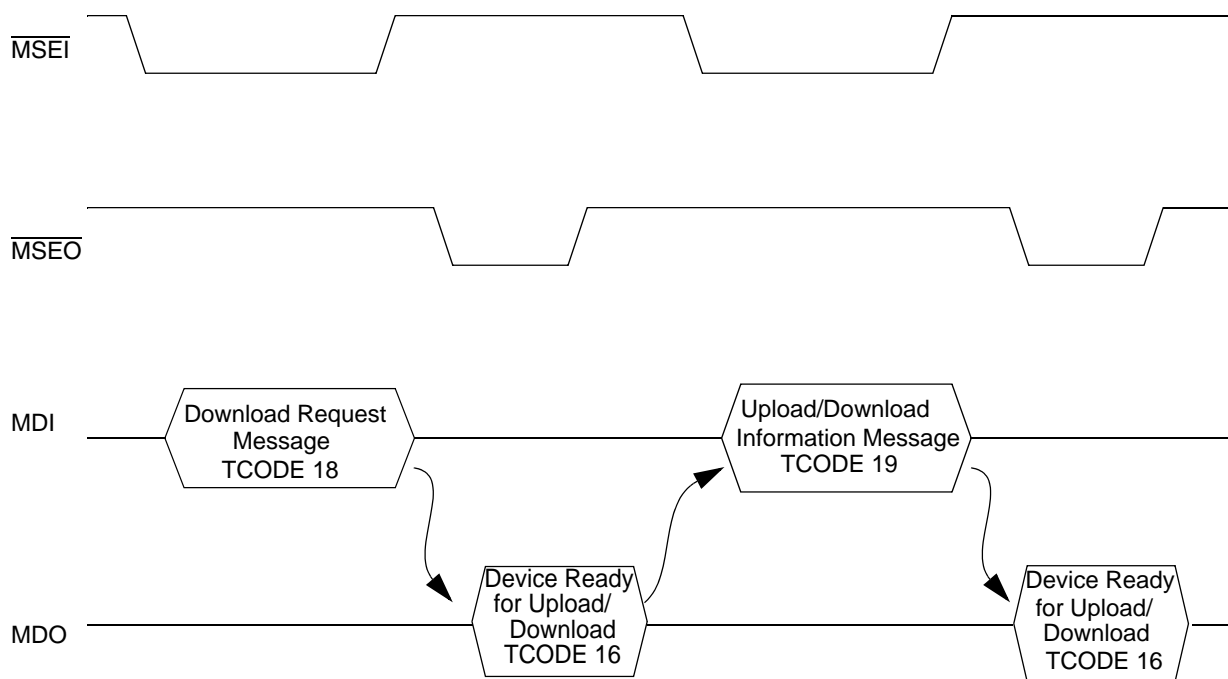
**Table 23-31. Throughput Comparison for FPM and RPM MDO/MDI Configurations**

| Access Type  | Reduced Port Mode<br>2 MDO / 1 MDI pins |                     | Full Port Mode<br>8 MDO / 2 MDI pins |                     |
|--|---|---------------------|--------------------------------------|---------------------|
|  | Full RWAR Update                        | Partial RWAR Update | Full RWAR Update                     | Partial RWAR Update |
| Single Write Access to memory-mapped location – Word and Byte access<br>(In Million Messages Per Second)                             | 0.28                                    | 0.35                | 0.53                                 | 0.65                |
| Single Read Access to memory-mapped location – Word access<br>(In Million Messages Per Second)                                       | 0.25                                    | 0.51                | 0.52                                 | 1.05                |
| Single Read Access to memory-mapped location – Byte access<br>(In Million Messages Per Second)                                       | 0.27                                    | 0.56                | 0.53                                 | 1.05                |
| Block Write Access to memory-mapped locations – 64-Kbyte block (Word and Byte) write access<br>(In 64-Kbyte Block Writes Per Second) | 9                                       | 9                   | 17                                   | 17                  |

**Table 23-31. Throughput Comparison for FPM and RPM MDO/MDI Configurations**

| Access Type  | Reduced Port Mode<br>2 MDO / 1 MDI pins |                     | Full Port Mode<br>8 MDO / 2 MDI pins |                     |
|--|---|---------------------|--------------------------------------|---------------------|
|  | Full RWAR Update                        | Partial RWAR Update | Full RWAR Update                     | Partial RWAR Update |
| Block Read Access to memory-mapped locations – 64-Kbyte block (Word) read access (In 64-Kbyte Block Writes Per Second) | 32                                      | 32                  | 77                                   | 77                  |
| Block Read Access to memory-mapped locations – 64-Kbyte block (Byte) read access (In 64-Kbyte Block Writes Per Second) | 61                                      | 61                  | 95                                   | 95                  |

### 23.11 Read/Write Timing Diagrams



**Figure 23-62. Block Write Access**

READI Module

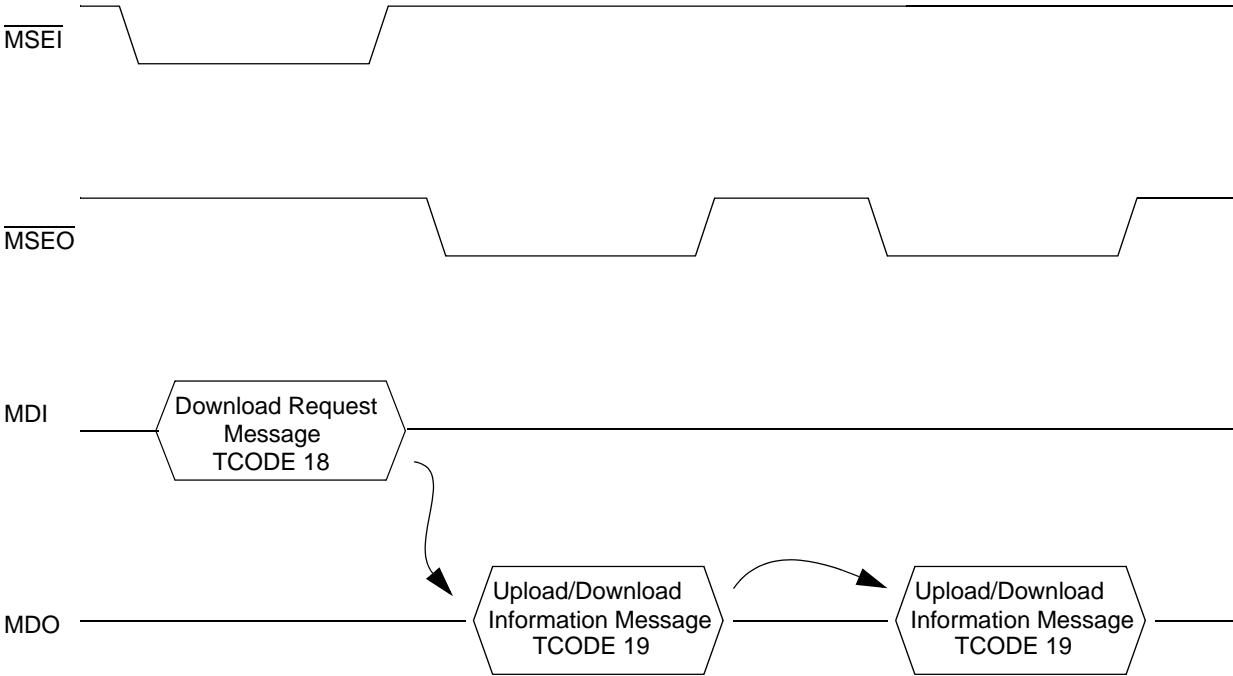


Figure 23-63. Block Read Access

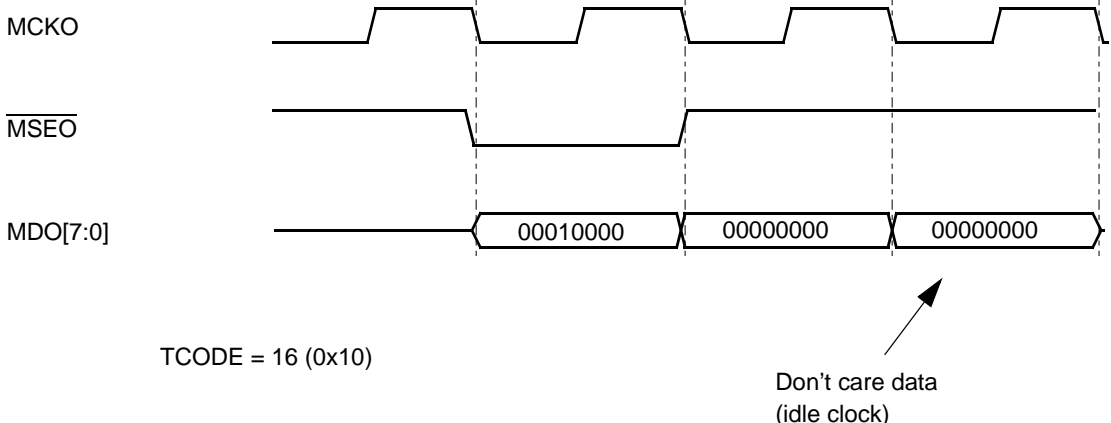
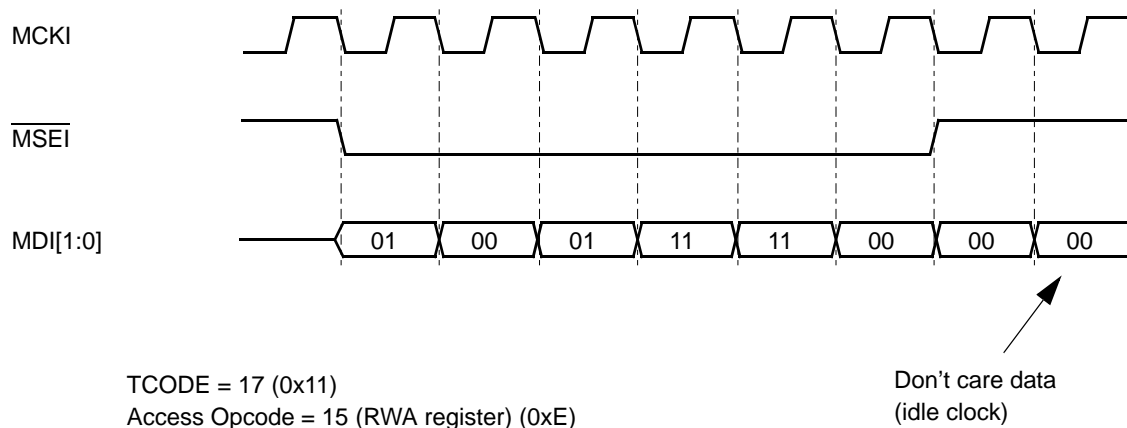
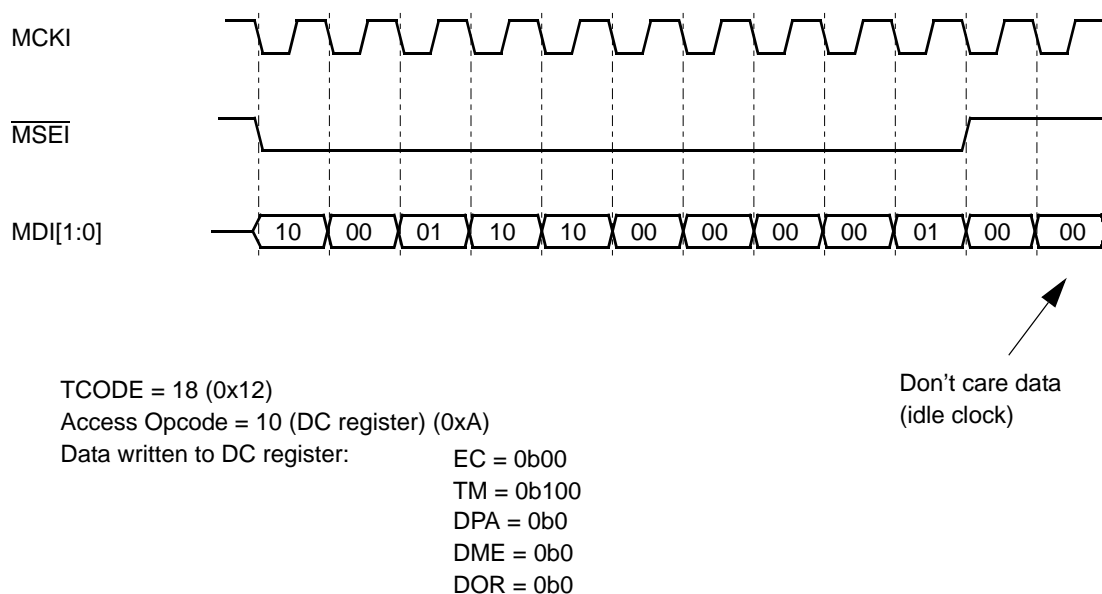


Figure 23-64. Device Ready for Upload/Download Request Message

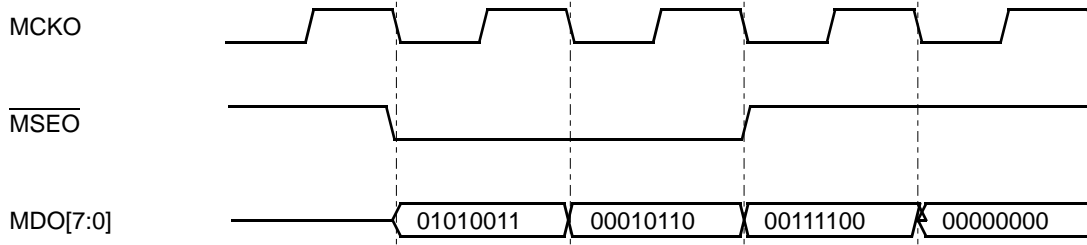


**Figure 23-65. Upload Request Message**



**Figure 23-66. Download Request Message**

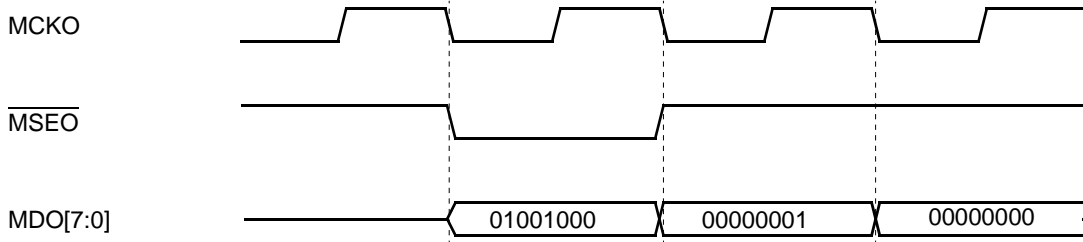
**READI Module**



TCODE = 19 (0x13)  
 DV = 1  
 ERR = 0  
 Data Read = 0x3C16 (16 bit read access)

Don't care data  
 (idle clock)

**Figure 23-67. Upload/Download Information Message**



TCODE = 8  
 Error Code = 0b00101 (Invalid Access Opcode)

Don't care data  
 (idle clock)

**Figure 23-68. Error Message (Invalid Access Opcode)**

## 23.12 Watchpoint Support

This section details the watchpoint support features of the READI module.

The READI module provides watchpoint messaging via the auxiliary port, as defined by the IEEE-ISTO 5001-1999.

READI is not compliant with all the breakpoint/watchpoint requirements defined in the IEEE-ISTO 5001 standard. Watchpoint trigger and breakpoint/watchpoint control registers are not implemented.

Watchpoint setting via READI can only be done using the BDM protocol.

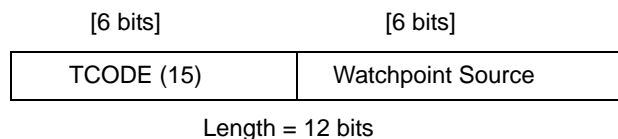
### 23.12.1 Watchpoint Messaging

The READI module provides watchpoint messaging using IEEE-ISTO 5001-1999 defined public messages. The watchpoint status signals from the RCPUs are snooped, and when watchpoints occur, a message is sent to the signal output formatter to be messaged out (the general message queue is bypassed to prevent watchpoint messages from being cancelled in the event of a queue overflow). The watchpoint



message has the second highest priority. Refer to [Section 23.7.3, “Message Priority,”](#) for further details on message priorities. The watchpoint message contains the watchpoint code which indicates all the unique watchpoints have occurred since the last watchpoint message. If duplicate watchpoints occur before the watchpoint message is sent out, a watchpoint overrun message is generated. The watchpoint source field will indicate which watchpoints occurred.

The watchpoint message has the following format:



**Figure 23-69. Watchpoint Message Format**

### 23.12.1.1 Watchpoint Source Field

The watchpoint source field is outlined in [Table 23-32](#).

**Table 23-32. Watchpoint Source**

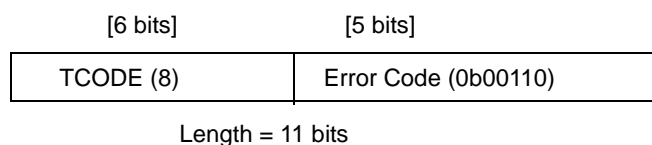
| Watchpoint Source | Description                   |
|-------------------|-------------------------------|
| 0bXXXXX1          | First L-bus watchpoint (LW0)  |
| 0bXXXX1X          | Second L-bus watchpoint (LW1) |
| 0bXXX1XX          | First I-bus watchpoint (IW0)  |
| 0bXX1XXX          | Second I-bus watchpoint (IW1) |
| 0bX1XXXX          | Third I-bus watchpoint (IW2)  |
| 0b1XXXXX          | Fourth I-bus watchpoint (IW3) |

### 23.12.2 Watchpoint Overrun Error Message

A watchpoint overrun error occurs when the same watchpoint occurs multiple times before the first occurrence of that watchpoint has been messaged out. The watchpoint message (which has information of all the watchpoints that occurred prior to the detection of the same watchpoint occurring multiple times) will be sent before the error message can be sent.

The overrun error causes further watchpoint occurrences to be ignored, until the error message has been sent. The error code within the error message indicates that a watchpoint overrun error has occurred. Refer to [Table 23-20](#).

The error message has the following format:

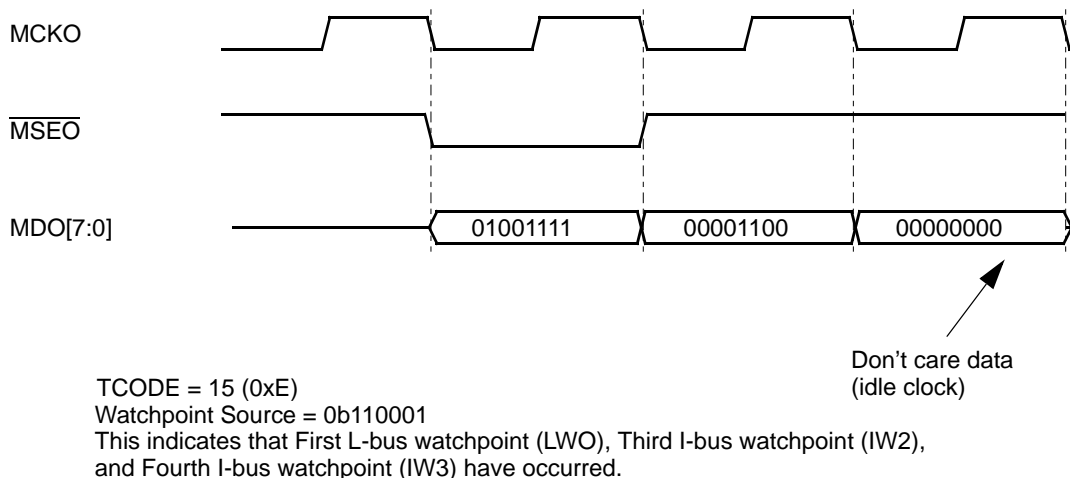


**Figure 23-70. Error Message (Watchpoint Overrun) Format**

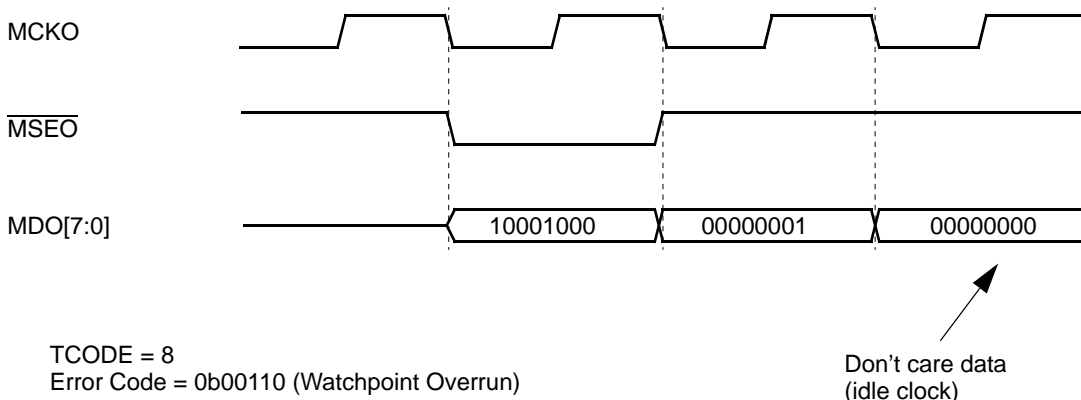
### 23.12.3 Synchronization

Upon occurrence of a watchpoint, the next program and data trace message will be a synchronization message (provided program and data trace are enabled).

### 23.12.4 Watchpoint Timing Diagrams



**Figure 23-71. Watchpoint Message**



**Figure 23-72. Error Message (Watchpoint Overrun)**

### 23.13 Ownership Trace

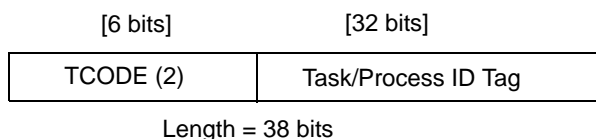
This section details the ownership trace support features of the READI module.

Ownership trace provides a macroscopic view, such as task flow reconstruction, when debugging software written in a high level (or object-oriented) language. It offers the highest level of abstraction for tracking operating system software execution. This is especially useful when the developer is not interested in debugging at lower levels.

## 23.13.1 Ownership Trace Messaging

Ownership trace information is messaged via the auxiliary port using an ownership trace message (OTM). The ownership trace register (OT), which can be accessed via auxiliary port, is updated by the operating system software to provide task/process ID information. When new information is updated in the register by the embedded processor, it is messaged out via the auxiliary port, allowing development tools to trace ownership flow.

Ownership trace information is messaged out in the following format:



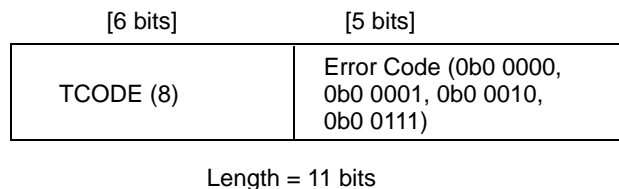
**Figure 23-73. Ownership Trace Message Format**

## 23.13.2 Queue Overflow Ownership Trace Error Message

A program/data/ownership trace overrun error occurs when a trace message cannot be queued due to the queue being full, provided ownership trace is enabled.

The overrun error causes the message queue to be flushed, and a error message to be queued. The error code within the error message indicates that a program/data/ownership trace overrun error has occurred. Refer to [Table 23-20](#).

The error message has the following format:



**Figure 23-74. Error Message Format**

### 23.13.2.1 OTM Flow

Ownership trace messages are generated when the operating system (privileged supervisor task) writes to the memory-mapped ownership trace register.

The following flow describes the OTM process.

1. The OT register is a memory-mapped register, whose address is located in the UBA. The OT register address can be read from the UBA register by the IEEE-ISTO 5001 tool.
2. Only privileged writes (byte/half word or word) initiated by the RCPU to the OT register that terminate normally are valid. The data value (word) written into the register is formed into the ownership trace message that is queued to be transmitted.
3. OT register reads and non-privileged OT register writes, or writes initiated by any source other than the RCPU, do not cause ownership trace messages to be transmitted by the READI module.

### 23.13.2.2 OTM Queueing

READI implements a queue 32 messages deep for program trace, data trace, and ownership trace messages. Messages that enter the queue are transmitted via the output auxiliary port in the order in which they are queued.

#### NOTE

If multiple trace messages need to be queued at the same time, ownership trace messages will have the lowest priority.

### 23.13.3 OTM Timing Diagrams

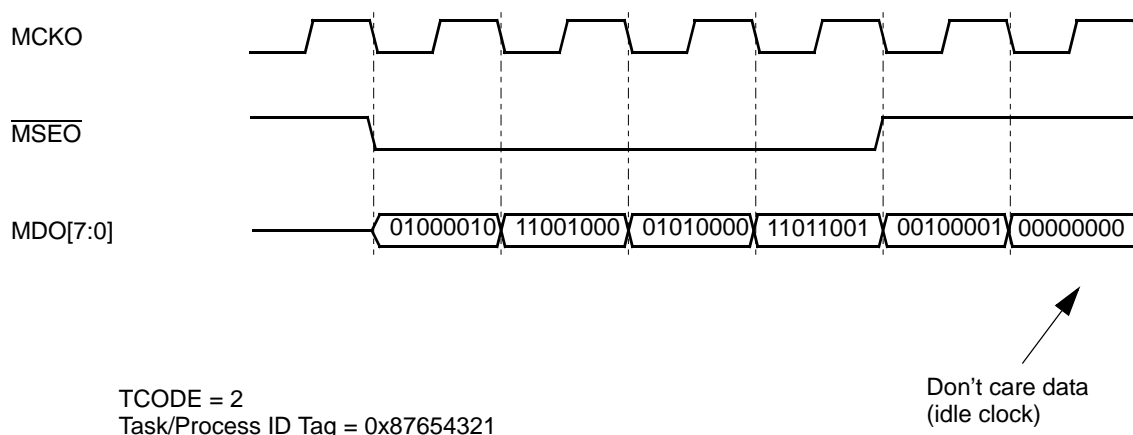


Figure 23-75. Ownership Trace Message

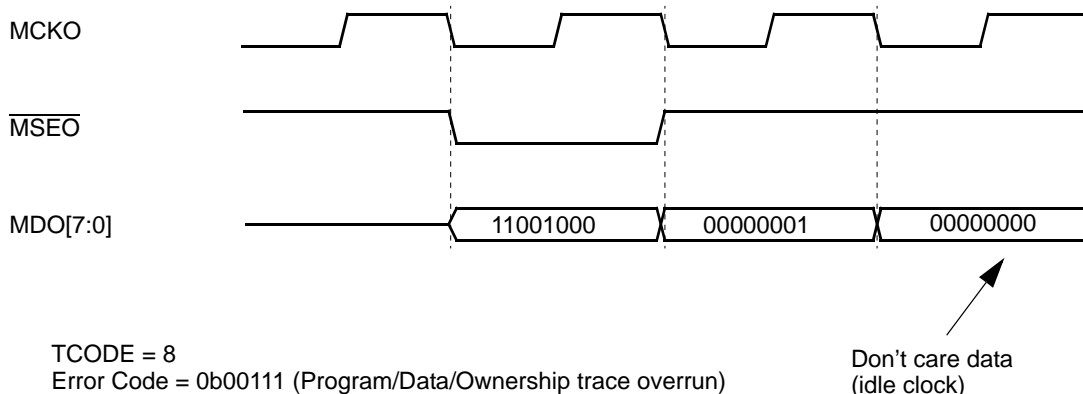


Figure 23-76. Error Message (Program/Data/Ownership Trace Overrun)

## 23.14 RCPU Development Access

This section details the RCPU development access support features of the READI module.

The READI development port provides a full duplex serial interface for accessing existing RCPU user register and development features including BDM (background debug mode).

RCPU development access can be achieved either via the READI signals or the BDM signals on the MCU. The access method is determined during READI module configuration. Figure 23-77 shows how READI and BDM signals are multiplexed for RCP development access.

When the READI module is configured for RCP development access, IEEE-ISTO 5001 compliant vendor-defined messages are used for transmission of data in and out of the MCU.

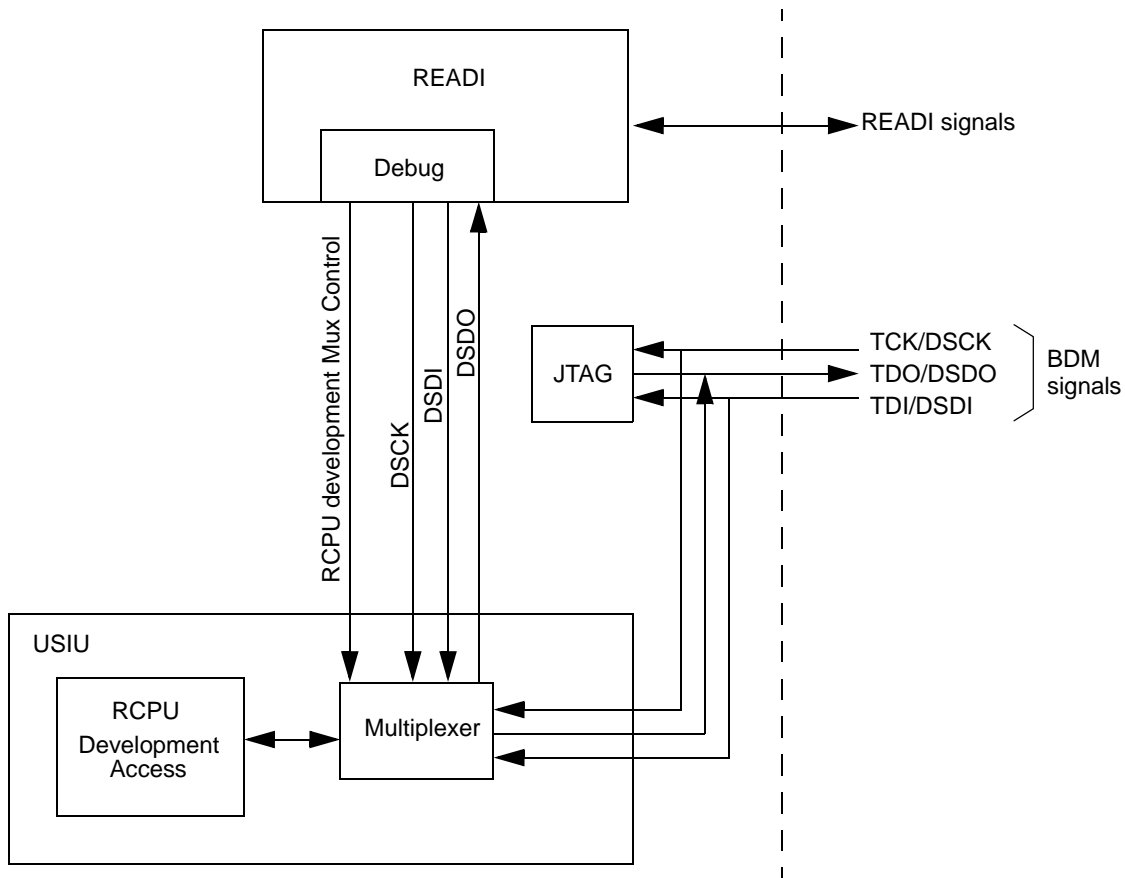


Figure 23-77. RCP Development Access Multiplexing between READI and BDM Signals

### 23.14.1 RCP Development Access Messaging

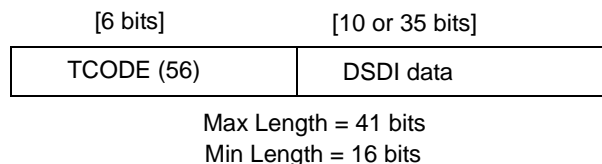
The following RCP development access messages are used for handshaking between the device and the tool — DSDI data message, DSDO data message, and BDM status message.

#### 23.14.1.1 DSDI Message

The DSDI message is used by the tool to download information to the RCP.

The DSDI data field has a 3-bit status header followed by 7 or 32 bits of data/instruction, depending on the RCP development port mode.

The DSDI message has the following format:



**Figure 23-78. DSDI Message Format**

**NOTE**

When sending in a DSDI data message, the DSDI data should contain the control and status bits (start, mode, control), followed by the 7 or 32-bit CPU instruction/data or trap enable, MSB first. See [Figure 23-84](#) for DSDI data message transmission sequence.

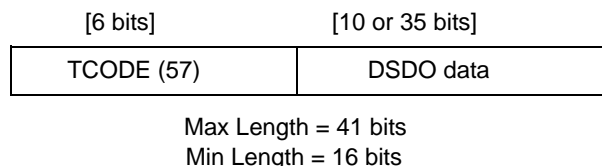
### 23.14.1.2 DSDO Message

The DSDO message is used by the device to upload information from the RCPU.

The DSDO data field has a 3-bit status header followed by 7 or 32 bits of data/instruction, depending on the RCPU development port mode.

The three status bits in the DSDO data indicates if the device is ready to receive the next message from the tool.

The DSDO message has the following format:



**Figure 23-79. DSDO Message Format**

**NOTE**

The DSDO data received will contain the control and status bits and data from the CPU, MSB first. See [Figure 23-84](#) for DSDO data message transmission sequence.

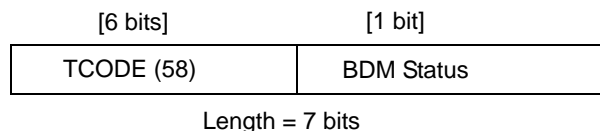
### 23.14.1.3 BDM Status Message

BDM status message is generated by the device to let the tool know about the status of debug mode.

BDM status message (with BDM status field equal to 0b1) is sent when the RCPU is in debug mode and the device is ready to receive debug mode messages.

BDM status message (with BDM status field equal to 0b0) is sent out when the device exits BDM mode and RCPU is in normal operating mode.

The BDM status message has the following format:

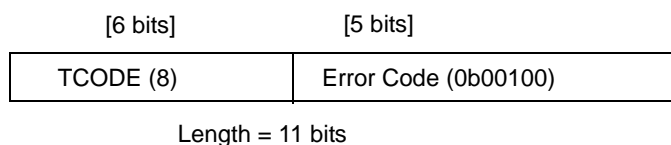


**Figure 23-80. BDM Status Message Format**

### 23.14.1.4 Error Message (Invalid Message)

An error message is sent out when an invalid message is received by READI. The error code within the error message indicates that an invalid TCODE was detected in the auxiliary input messages by the signal input formatter. Refer to [Table 23-20](#).

The error message has the following format:



**Figure 23-81. Error Message (Invalid Message) Format**

## 23.14.2 RCPU Development Access Operation

The RCPU development access can be achieved either via the READI signals or the BDM signals. The default access is via the BDM signals.

To enable RCPU development access via the READI signals, the tool has to configure the DC register during the READI reset (RSTI). Once the READI module takes the control of RCPU development access, the protocol for transmission of development serial data in (DSDI) and out (DSDO) is performed through the IEEE-ISTO 5001-1999 compliant vendor-defined messages.

After enabling RCPU development access via the READI signals, the READI module can enable debug mode and enter debug mode. When debug mode is enabled and entered, READI sends a BDM status message (BDM status field equal to 0b1) to the development tool indicating that the RCPU has entered debug mode and is now expecting instructions from the READI signals.

The development tool then uses the DSDI Data Message to send in the serial transmission data to READI. Data is transmitted to the tool using the DSDO data message.

This process continues until the RCPU exits debug mode and READI sends the BDM status message (BDM status field equal to 0b0) indicating debug mode exit.

### NOTE

Only after the DSDO data message is sent out should another DSDI data message be sent in.

Synchronous self-clocked mode is selected by READI for RCPU development access. In this mode, the internal transmission between READI and the USIU is performed at system frequency.

When the RCPU is in debug mode, program trace is not allowed. If program trace is enabled, a program trace synchronization message is generated when debug mode exits.

When the RCPU is in debug mode, data trace and  $R/\overline{W}$  access are allowed.

The flow chart in [Figure 23-82](#) shows RCPU development access configuration via READI. The modes of RCPU development access via READI are described below. Allowed modes are also summarized in [Table 23-8](#) of [Section 23.14.2.5, “RCPU Development Access Flow Diagram.”](#)

### 23.14.2.1 Enabling RCPU Development Access Via READI Signals

Reset sequencing is done by the tool to initialize the READI signals and registers by asserting  $\overline{RSTI}$  (the device sends out the device ID message after the  $\overline{RSTI}$  negation). System reset is held by the tool until the READI module is reset and initialized with desired RCPU development access setting.

For RCPU development access to be enabled via the READI signals, the tool must configure the DC register (DPA=0b1) after the negation of  $\overline{RSTI}$ , but before the negation of system reset. System reset should be negated at least 16 system clocks after the DC register has been configured.

#### NOTE

If the DC register is not configured such that READI module has control of the RCPU development access signals before the negation of the system reset, then RCPU development access is via debug mode signals. This is the default setting (DPA=0b0, DME=0bX, DOR=0bX in DC register).

The READI module will ignore any incoming DSDI data messages when the module is not configured for RCPU development access.

### 23.14.2.2 Enabling Background Debug Mode (BDM) Via READI Signals

After RCPU development access has been enabled via the READI signals, debug mode is enabled by setting bits in the DC register (DPA=0b1, DME=0b1, DOR=0b0).

### 23.14.2.3 Entering Background Debug Mode (BDM) Via READI Signals

There are three ways to enter debug mode (provided debug mode has been enabled):

1. Enter debug mode (halted state) out-of-system reset through READI module configuration. This is displayed in [Figure 23-83](#).
2. Enter debug mode by downloading breakpoint instructions through RCPU development access when in non-debug (running) mode.
3. Enter debug mode if an exception or interrupt occurs.

When entering debug mode following an exception/breakpoint, the RCPU signals VFLS[0:1] are equal to 0b11. This causes READI to send a BDM status message to the tool indicating that the RCPU has entered debug mode and is now expecting instructions from the READI signals.

Debug mode enabling through READI and entering debug mode out of system reset is done by setting the following bits in the DC register (DPA=0b1, DME=0b1, DOR=0b1) during system reset. Debug mode entry causes RCPU to halt.



#### 23.14.2.4 Non-Debug Mode Access of RCPU Development Access

The RCPU development access can be also be used while the RCPU is not halted (in debug mode). This feature is used to send in breakpoints or synchronization events to the RCPU. Please refer to [Chapter 22, “Development Support”](#) for further details.

Non-debug mode access of RCPU development can be achieved by configuring the READI module to take control of RCPU development access during module configuration of the DC register (DPA=0b1, DME=0b0, DOR=0bx).

#### 23.14.2.5 RCPU Development Access Flow Diagram

[Figure 23-82](#) has flow diagram describing how the RCPU development access can be achieved via READI signals.

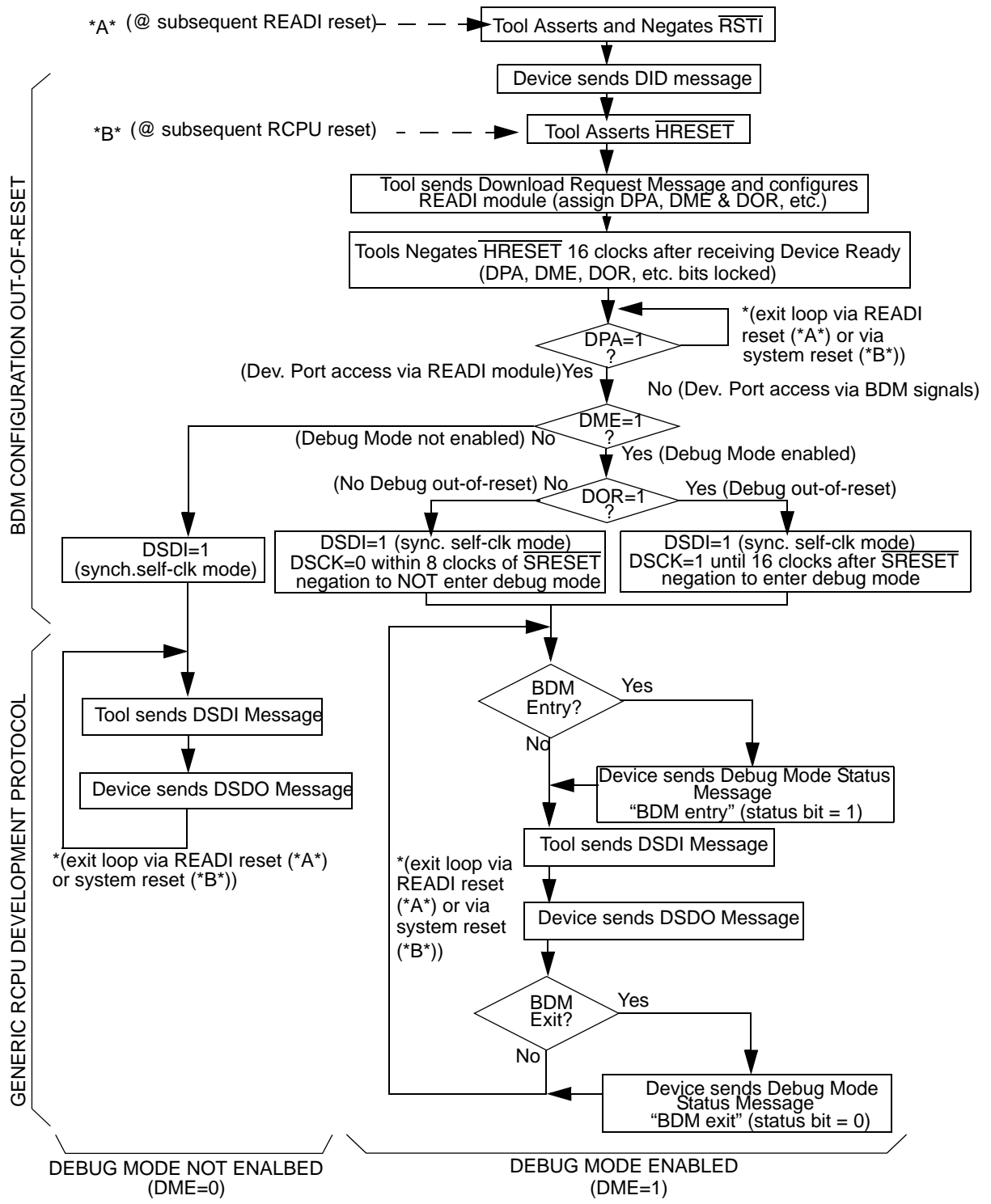


Figure 23-82. RCPU Development Access Flow Diagram

### 23.14.3 Throughput

The tool can send a DSDI data message into device upon the receipt of a DSDO data message as soon as the tool decodes the first two status bits of the DSDO data message just received and confirms valid data from the RCPU.

An example throughput analysis is performed with the following assumptions:

- READI configuration of RCPU development access and debug mode is already entered through READI
- The module is configured for reduced port mode
- MCKI running at 28 MHz
- MCKO running at 56 MHz
- 56-MHz internal operation
- READI auxiliary input and output signals are free (not in middle of transmission)
- No delay from tool in responding — tool keeps up with READI port
- Tool reads the complete DSDO data message before shifting in DSDI data message
- 10 clocks estimated to format and encode/decode DSDI data and DSDO data messages within READI

The DSDI data message is 41 bits (six bits of TCODE and 35 bits of DSDI data.). It takes 41 clocks (41 bits / 1 MDI signals) to shift in the DSDI data message. It is estimated that READI will take approximately 10 clocks to decode the DSDI data message. After the message has been decoded, READI will take 35 clocks to serially shift in the 35 bits of DSDI data to the RCPU development port. Hence, it takes a total of 86 clocks (41 + 10 + 35) to decode and shift in DSDI data from the tool to the RCPU development port.

At 28 MHz, it translates to 3079 ns ( $35.8 \times 81$ ) to decode and shift in DSDI data to RCPU development port

As DSDI bits are shifted into the RCPU development register, DSDO bits are shifted out from the same RCPU development register (DPDR) and these are captured by READI.

It is estimated that READI will take approximately 10 clocks to encode the DSDO data. The DSDO message is 41 bits (6 bits of TCODE and 35 bits of DSDO data). It will take 21 clocks (41 bits / 2 MDO signals) for READI to transmit this message. Hence, it will take a total of 31 clocks (10 + 21) to encode the DSDO data message and shift out the DSDO data message to the tool.

At 56 MHz, it will take 552 ns ( $17.8 \times 31$ ) to encode and shift out DSDO data to the tool.

Thus, it will take 3631 ns ( $3079 + 552$ ) for one complete DSDI data and DSDO data messaging cycle.

### 23.14.4 Development Access Timing Diagrams

Figure 23-83 shows the timing diagram of RCPU development access and entering debug mode out-of-system reset through READI.

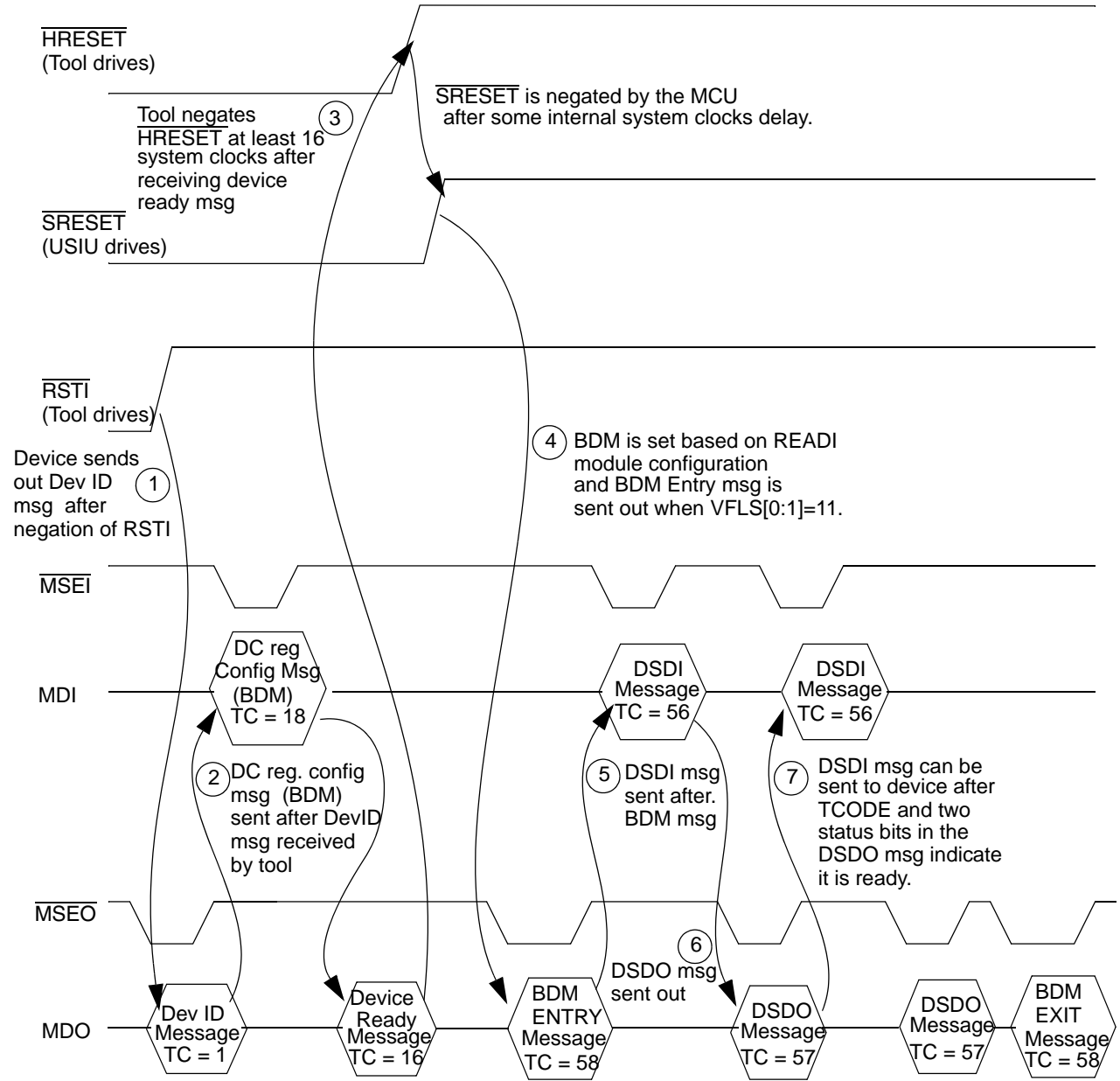


Figure 23-83. RCPU Development Access Timing Diagram — Debug Mode Entry Out-of-Reset

Figure 23-84 shows the transmission sequence of DSDI/DSDO data messages.

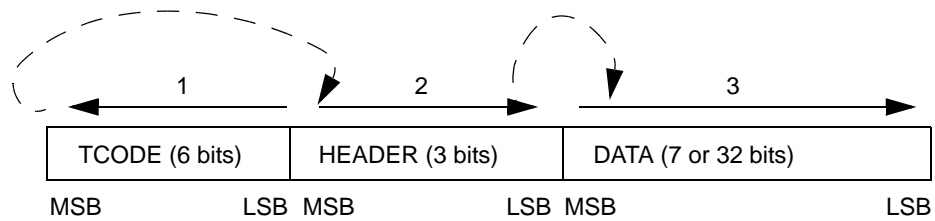


Figure 23-84. Transmission Sequence of DSDx Data Messages

DSDI message fields of the development port access message are explained in [Table 23-33](#).

**Table 23-33. Development Port Access: DSDI Field**

| Header |      |         | Data                         |                | Function                                      |
|--------|------|---------|------------------------------|----------------|---|
| Start  | Mode | Control | Instruction / Data (32 Bits) |                |   |
|        |      |         | Bits 0:6                     | Bits 7:31      |   |
| 1      | 0    | 0       | CPU Instruction              |                | Transfer Instruction to CPU                   |
| 1      | 0    | 1       | CPU Data                     |                | Transfer Data to CPU                          |
| 1      | 1    | 0       | Trap enable                  | Does not exist | Transfer data to Trap Enable Control Register |
| 1      | 1    | 1       | 0011111                      | Does not exist | Negate breakpoint requests to the CPU.        |
| 1      | 1    | 1       | 0                            | Does not exist | NOP   |

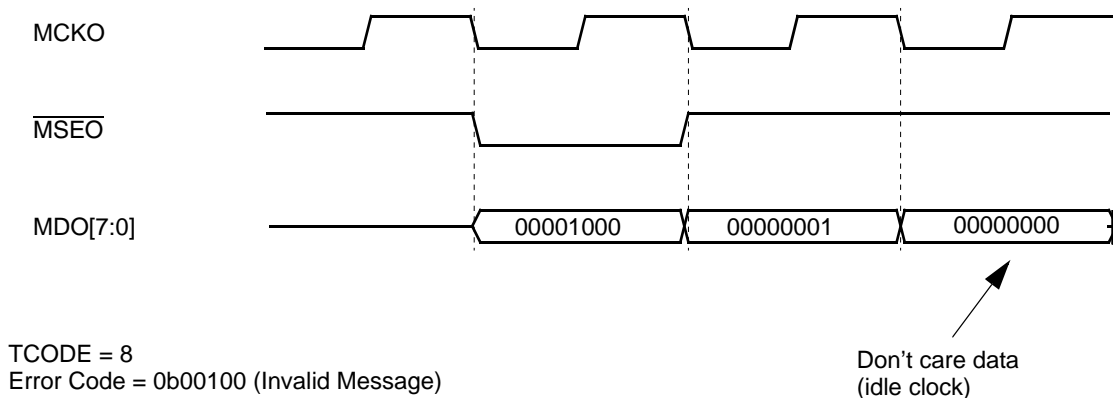
DSDO message fields of the development port access message are explained in [Table 23-34](#).

**Table 23-34. Development Port Access: DSDO Field**

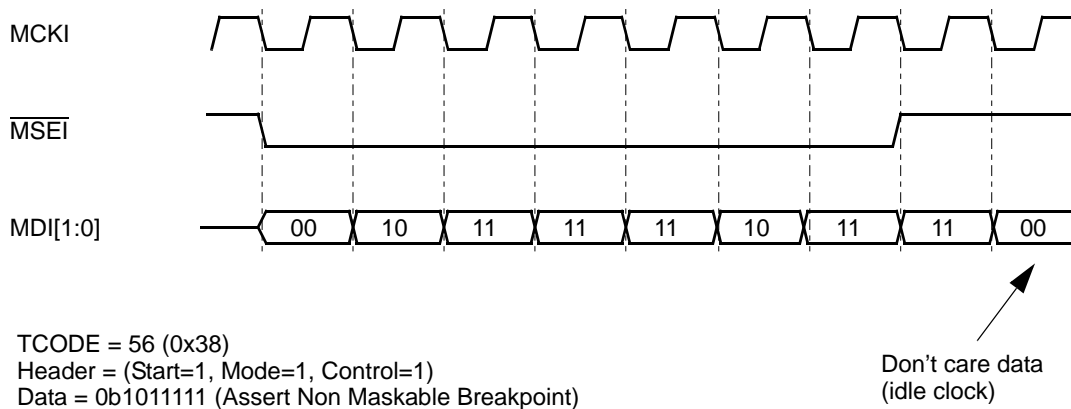
| Header |              |   | Data                       |   |   | Function            |
|--------|--------------|---|----------------------------|---|---|---------------------|
| Ready  | Status [0:1] |   | Bit 0                      | Bit 1                                       | Bits 2:31 or 2:6 —<br>(Depending on Input Mode) |                     |
| (0)    | 0            | 0 | Data                       |   |   | Valid Data from CPU |
| (0)    | 0            | 1 | Freeze status <sup>1</sup> | Download Procedure in progress <sup>2</sup> | 1's   | Sequencing Error    |
| (0)    | 1            | 0 |                            |   | 1's   | CPU Interrupt       |
| (0)    | 1            | 1 |                            |   | 1's   | Null                |

<sup>1</sup> The "Freeze" status is set to (1) when the CPU is in debug mode and to (0) otherwise.

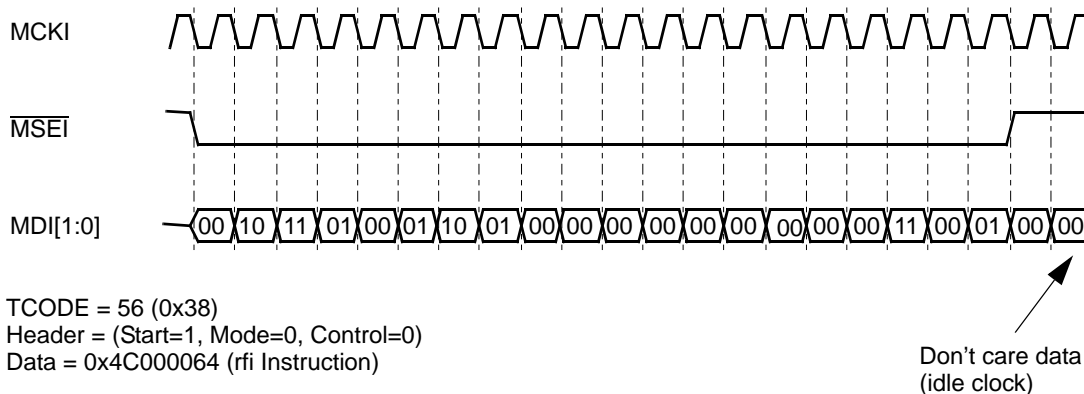
<sup>2</sup> The "Download Procedure in progress" status is asserted (0) when Debug port in the Download procedure and is negated (1) otherwise.



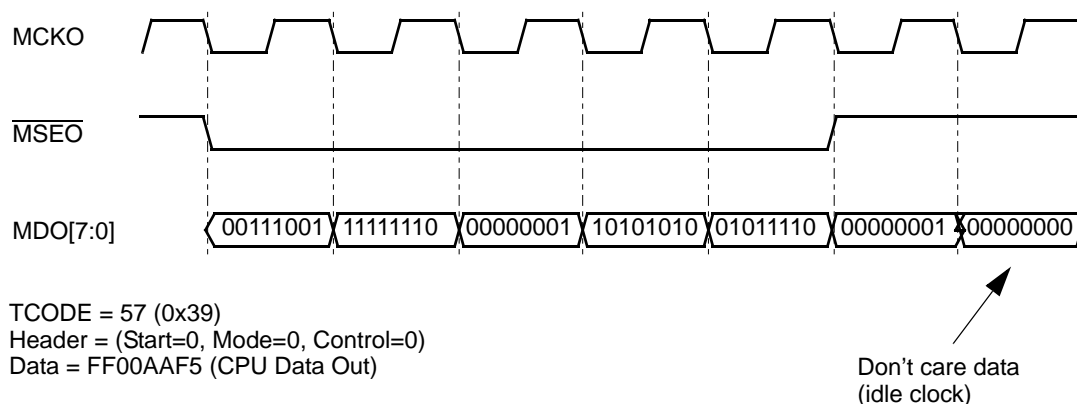
**Figure 23-85. Error Message (Invalid Message)**



**Figure 23-86. DSDI Data Message (Assert Non-Maskable Breakpoint)**



**Figure 23-87. DSDI Data Message (CPU Instruction — rfi)**


**Figure 23-88. DSDO Data Message (CPU Data Out)**

## 23.15 Power Management

This section details the power management features of the READI module.

The READI module is a development interface, and is not expected to function under normal (non-development) conditions. Therefore power management is required to reduce and minimize power consumption during normal operation of the part.

### 23.15.1 Functional Description

The following are the candidates for power management:

**Table 23-35. Power Management Mechanism Overview**

| Feature                                   | Power Saving Mechanism  |
|---|---|
| Disabled Mode                             | If $\overline{\text{EVTI}}$ is negated at negation of $\overline{\text{RSTI}}$ , the READI module will be disabled. No trace output will be provided, and output auxiliary port will be three-stated. |
| Sleep, Deep-Sleep and Low Power-Down Mode | All outputs will be held static.  |
| READI Reset ( $\overline{\text{RSTI}}$ )  | Output auxiliary signals will be three-stated.  |

### 23.15.2 Low Power Modes

When the MCU is in sleep, deep-sleep, or low power-down mode, all internal clocks on the MCU are shut down, including the MCKO. The  $\overline{\text{MSEO}}$  signal will be held negated.

Low power mode entry for the MCU will be held off until the READI module has transmitted all existing messages (in the queues and transmit buffers). During this time, input messages from the development tool are ignored.

Upon restoration of clocks in normal mode, program and data traces will be synchronized, if enabled.





## Chapter 24

# IEEE 1149.1-Compliant Interface (JTAG)

The chip design includes user-accessible test logic that is compatible with the IEEE 1149.1-1994 Standard Test Access Port and Boundary Scan Architecture. The implementation supports circuit-board test strategies based on this standard. An overview of the pins requirement on JTAG is shown in [Figure 24-1](#).

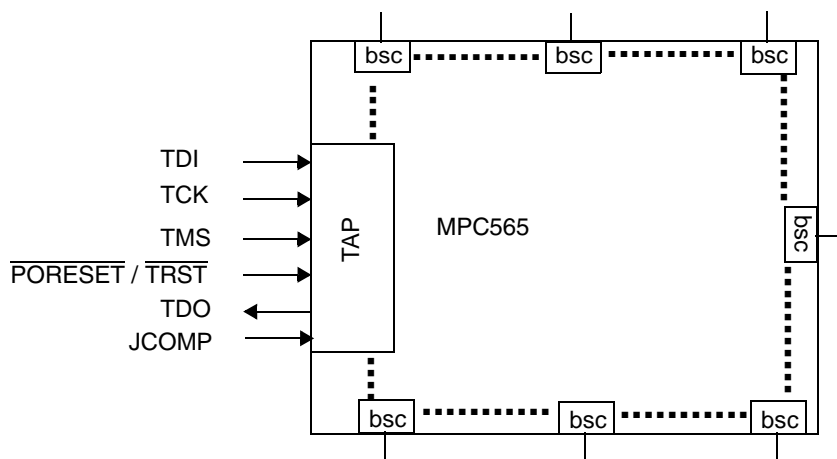


Figure 24-1. Pin Requirement on JTAG

### 24.1 IEEE 1149.1 Test Access Port

The MPC565 provides a dedicated user-accessible test access port (TAP) that is compatible with the IEEE 1149.1 Standard Test Access Port and Boundary Scan Architecture in all but two areas listed below. Problems associated with testing high density circuit boards have led to development of this proposed standard under the sponsorship of the Test Technology Committee of IEEE and the Joint Test Action Group (JTAG). The MPC565 implementation supports circuit-board test strategies based on this standard.

IEEE1149.1 Compatibility Exceptions:

- The MPC565 enters JTAG mode by going through a standard device reset sequence with the JCOMP signal asserted high. Once JTAG has been entered, the MPC565 remains in JTAG mode until another reset sequence is applied to exit JTAG mode, or the device is powered down.
- The JTAG output port, TDO, is configured with a weak pull-up when its output drivers are disabled, rather than being tri-stated.

The TAP consists of five dedicated signal pins, a 16-state TAP controller, and two test data registers. A boundary scan register links all device signal pins into a single shift register. The test logic implemented utilizes static logic design. The MPC565 implementation provides the capability to:

1. Perform boundary scan operations to test circuit-board electrical continuity.

2. Bypass the MPC565 for a given circuit-board test by effectively reducing the boundary scan register to a single cell.
3. Sample the MPC565 system pins during operation and transparently shift out the result in the boundary scan register.
4. Disable the output drive to pins during circuit-board testing.

#### NOTE

Certain precautions must be observed to ensure that the IEEE 1149-like test logic does not interfere with nontest operation. JCOMP should not be asserted when normal operation is desired.

### 24.1.1 Overview

An overview of the MPC565 scan chain implementation is shown in [Figure 24-2](#). The MPC565 implementation includes a TAP controller, a 4-bit instruction register, and two test registers (a one-bit bypass register and a 520-bit boundary scan register). This implementation includes a dedicated TAP consisting of the following signals:

- TCK — a test clock input to synchronize the test logic. (with an internal pull-down resistor)
- TMS — a test mode select input (with an internal pullup resistor) that is sampled on the rising edge of TCK to sequence the TAP controller's state machine.
- TDI — a test data input (with an internal pullup resistor) that is sampled on the rising edge of TCK.
- TDO — a three-state test data output that is actively driven in the shift-IR and shift-DR controller states. TDO changes on the falling edge of TCK. (This pin also has a weak pull-up that is active when output drivers are disabled, except during a HI-Z instruction).
- $\overline{\text{TRST}}$  — an asynchronous reset with an internal pull-up resistor that provides initialization of the TAP controller and other logic required by the standard. This input is multiplexed with the  $\overline{\text{PORESET}}$  signal.
- JCOMP — JTAG Compliancy – This signal provides JTAG IEEE1149.1 compatibility and selects between normal operation (low) and JTAG test mode (high). This pin was  $\overline{\text{TRST}}$  on the K85H mask set of the MPC565.

#### NOTE

JTAG mode does not provide access to the internal MPC565 circuitry. It allows access only to the input or output pad (periphery) circuitry.

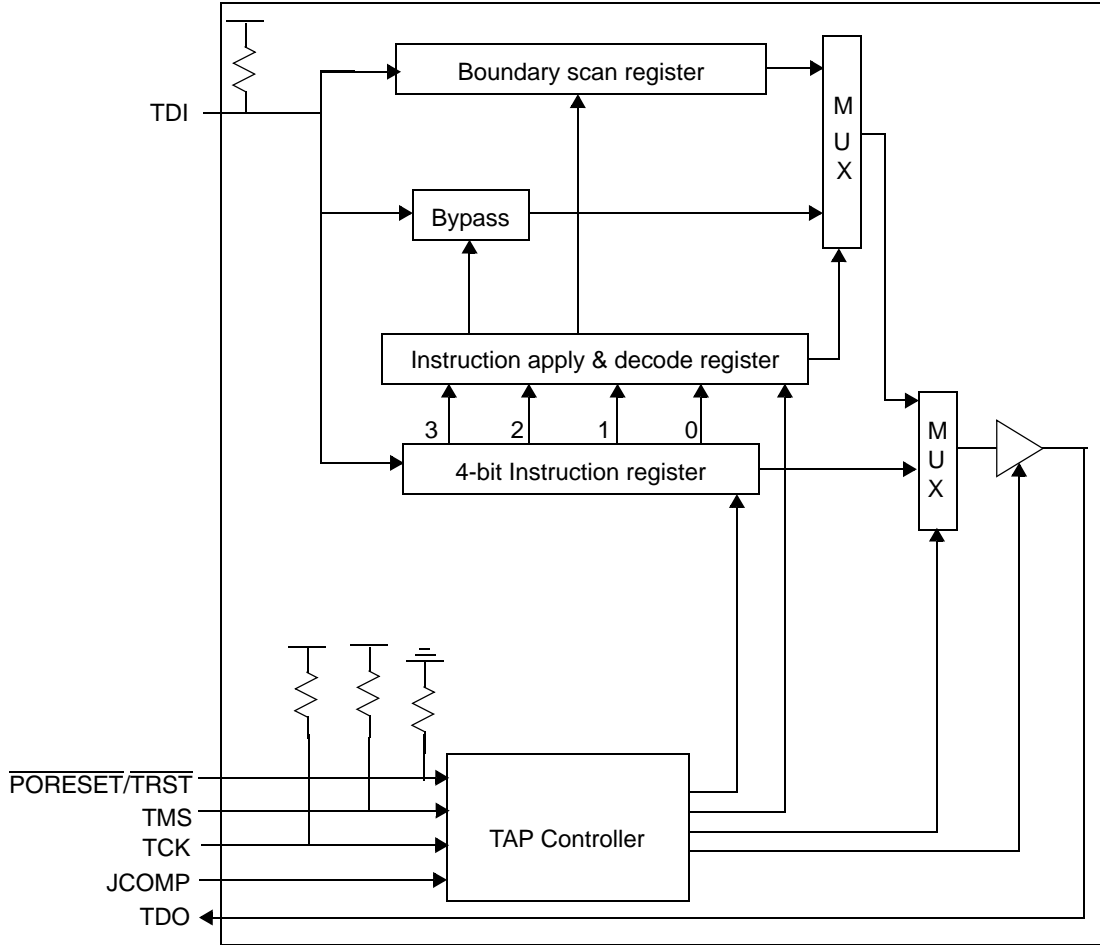


Figure 24-2. Test Logic Block Diagram

**NOTE**

JTAG puts all output pins in fast slew rate mode. Enough current cannot be supplied to allow all the pins to be switched simultaneously, so this should be avoided.

**24.1.1.1 TAP Controller**

The TAP controller is responsible for interpreting the sequence of logical values on the TMS signal. It is a synchronous state machine that controls the operation of the JTAG logic. The state machine is shown in [Figure 24-3](#). The value shown adjacent to each arc represents the value of the TMS signal sampled on the rising edge of the TCK signal.

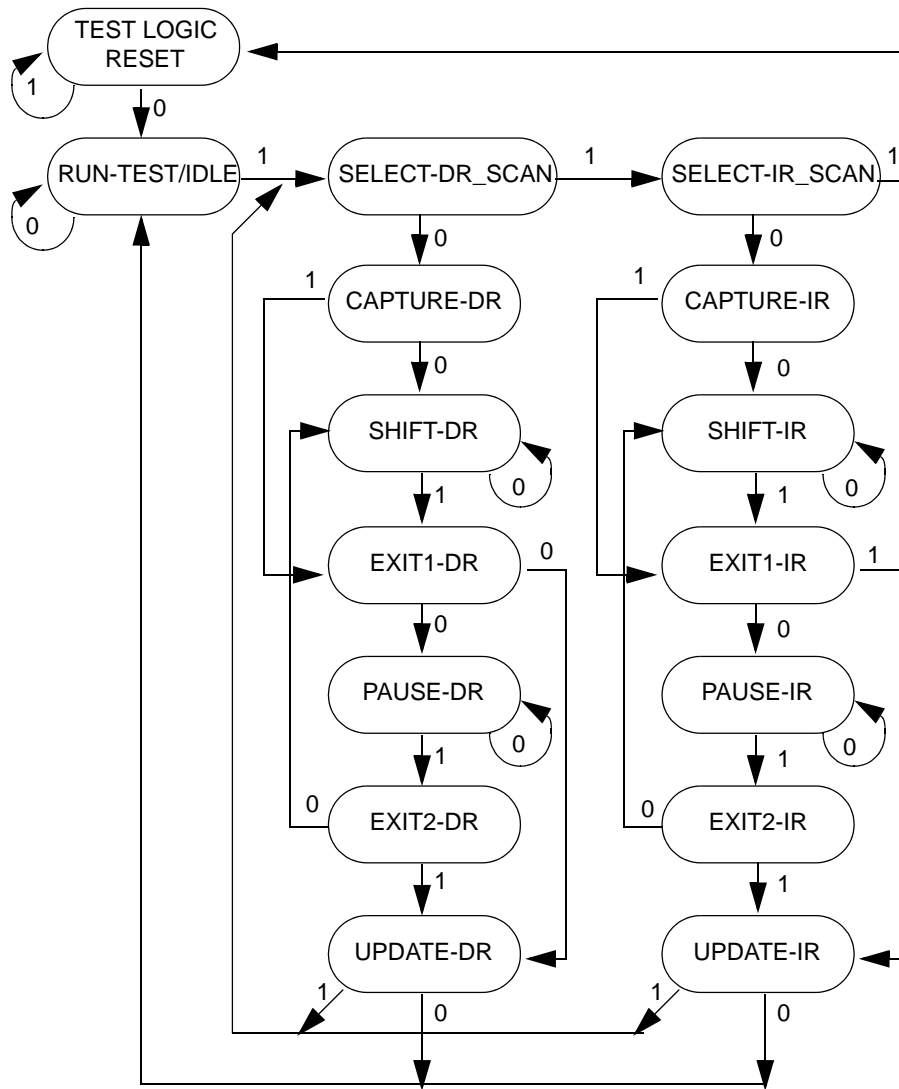


Figure 24-3. TAP Controller State Machine

### 24.1.1.2 Boundary Scan Register

The MPC565 scan chain implementation has a 520-bit boundary scan register. This register contains bits for most device signals, clock pins and associated control signals. The XTAL, EXTAL and XFC pins are associated with analog signals and are not included in the boundary scan register. The PORESET, HRESET, and SRESET pins are also excluded from the boundary scan register.

The 520-bit boundary scan register can be connected between TDI and TDO by selecting the EXTEST or SAMPLE/PRELOAD instructions. This register is used to capturing signal pin data on the input pins, forcing fixed values on the output signal pins, and selecting the direction and drive characteristics (a logic value or high impedance) of the bidirectional and three-state signal pins.

The key to using the boundary scan register is knowing the boundary scan bit order and the pins that are associated with them. shows the bit order starting from the TDO output and going to the TDI input.

Table 24-1 displays boundary scan bit definitions for the MPC565.

**Table 24-1. MPC565 Boundary Scan Bit Definition**

| BSDL Bit | Cell Type | Pin/Port Name     | BSDL Function | Safe Value | Control Cell | Disable Value | Disable Result | Pin Function | Pad Type |
|----------|-----------|-------------------|---------------|------------|--------------|---------------|----------------|--------------|----------|
| 0        | BC_2      | *                 | internal      | 1          |              |               |                |              |          |
| 1        | BC_2      | MDO_2             | output2       | 1          |              |               |                | O            | 26v      |
| 2        | BC_2      | *                 | internal      | 1          |              |               |                |              |          |
| 3        | BC_2      | MDO_3             | output2       | 1          |              |               |                | O            | 26v      |
| 4        | BC_2      | *                 | internal      | 1          |              |               |                |              |          |
| 5        | BC_2      | MSEO_B            | output2       | 1          |              |               |                | O            | 26v      |
| 6        | BC_2      | *                 | internal      | 1          |              |               |                |              |          |
| 7        | BC_2      | IWP0_VFLS0        | output2       | 1          |              |               |                | O            | 26v      |
| 8        | BC_2      | *                 | internal      | 1          |              |               |                |              |          |
| 9        | BC_2      | IWP1_VFLS1        | output2       | 1          |              |               |                | O            | 26v      |
| 10       | BC_2      | *                 | controlr      | 0          |              |               |                |              |          |
| 11       | BC_7      | ADDR_SGPIOA(16)   | bidir         | 0          | 10           | 0             | Z              | I/O          | 26v5vs   |
| 12       | BC_2      | *                 | controlr      | 0          |              |               |                |              |          |
| 13       | BC_7      | ADDR_SGPIOA(17)   | bidir         | 0          | 12           | 0             | Z              | I/O          | 26v5vs   |
| 14       | BC_2      | *                 | controlr      | 0          |              |               |                |              |          |
| 15       | BC_7      | SGPIOC6_FRZ_PTR_B | bidir         | 0          | 14           | 0             | Z              | I/O          | 26v5vs   |
| 16       | BC_2      | *                 | controlr      | 0          |              |               |                |              |          |
| 17       | BC_7      | ADDR_SGPIOA(8)    | bidir         | 0          | 16           | 0             | Z              | I/O          | 26v5vs   |
| 18       | BC_2      | *                 | controlr      | 0          |              |               |                |              |          |
| 19       | BC_7      | ADDR_SGPIOA(18)   | bidir         | 0          | 18           | 0             | Z              | I/O          | 26v5vs   |
| 20       | BC_2      | *                 | controlr      | 0          |              |               |                |              |          |
| 21       | BC_7      | ADDR_SGPIOA(19)   | bidir         | 0          | 20           | 0             | Z              | I/O          | 26v5vs   |
| 22       | BC_2      | *                 | controlr      | 0          |              |               |                |              |          |
| 23       | BC_7      | ADDR_SGPIOA(9)    | bidir         | 0          | 22           | 0             | Z              | I/O          | 26v5vs   |
| 24       | BC_2      | *                 | controlr      | 0          |              |               |                |              |          |
| 25       | BC_7      | ADDR_SGPIOA(10)   | bidir         | 0          | 24           | 0             | Z              | I/O          | 26v5vs   |
| 26       | BC_2      | *                 | controlr      | 0          |              |               |                |              |          |
| 27       | BC_7      | ADDR_SGPIOA(20)   | bidir         | 0          | 26           | 0             | Z              | I/O          | 26v6vs   |
| 28       | BC_2      | *                 | controlr      | 0          |              |               |                |              |          |

**Table 24-1. MPC565 Boundary Scan Bit Definition (continued)**

| BSDL Bit | Cell Type | Pin/Port Name   | BSDL Function | Safe Value | Control Cell | Disable Value | Disable Result | Pin Function | Pad Type |
|----------|-----------|-----------------|---------------|------------|--------------|---------------|----------------|--------------|----------|
| 29       | BC_7      | ADDR_SGPIOA(21) | bidir         | 0          | 28           | 0             | Z              | I/O          | 26v5vs   |
| 30       | BC_2      | *               | controlr      | 0          |              |               |                |              |          |
| 31       | BC_7      | ADDR_SGPIOA(11) | bidir         | 0          | 30           | 0             | Z              | I/O          | 26v5vs   |
| 32       | BC_2      | *               | controlr      | 0          |              |               |                |              |          |
| 33       | BC_7      | ADDR_SGPIOA(12) | bidir         | 0          | 32           | 0             | Z              | I/O          | 26v5vs   |
| 34       | BC_2      | *               | controlr      | 0          |              |               |                |              |          |
| 35       | BC_7      | ADDR_SGPIOA(22) | bidir         | 0          | 34           | 0             | Z              | I/O          | 26v5vs   |
| 36       | BC_2      | *               | controlr      | 0          |              |               |                |              |          |
| 37       | BC_7      | ADDR_SGPIOA(23) | bidir         | 0          | 36           | 0             | Z              | I/O          | 26v5vs   |
| 38       | BC_2      | *               | controlr      | 0          |              |               |                |              |          |
| 39       | BC_7      | ADDR_SGPIOA(13) | bidir         | 0          | 38           | 0             | Z              | I/O          | 26v5vs   |
| 40       | BC_2      | *               | controlr      | 0          |              |               |                |              |          |
| 41       | BC_7      | ADDR_SGPIOA(24) | bidir         | 0          | 40           | 0             | Z              | I/O          | 26v5vs   |
| 42       | BC_2      | *               | controlr      | 0          |              |               |                |              |          |
| 43       | BC_7      | ADDR_SGPIOA(25) | bidir         | 0          | 42           | 0             | Z              | I/O          | 26v5vs   |
| 44       | BC_2      | *               | controlr      | 0          |              |               |                |              |          |
| 45       | BC_7      | ADDR_SGPIOA(14) | bidir         | 0          | 44           | 0             | Z              | I/O          | 26v5vs   |
| 46       | BC_2      | *               | controlr      | 0          |              |               |                |              |          |
| 47       | BC_7      | ADDR_SGPIOA(15) | bidir         | 0          | 46           | 0             | Z              | I/O          | 26v5vs   |
| 48       | BC_2      | *               | controlr      | 0          |              |               |                |              |          |
| 49       | BC_7      | ADDR_SGPIOA(30) | bidir         | 0          | 48           | 0             | Z              | I/O          | 26v5vs   |
| 50       | BC_2      | *               | controlr      | 0          |              |               |                |              |          |
| 51       | BC_7      | ADDR_SGPIOA(26) | bidir         | 0          | 50           | 0             | Z              | I/O          | 26v5vs   |
| 52       | BC_2      | *               | controlr      | 0          |              |               |                |              |          |
| 53       | BC_7      | ADDR_SGPIOA(27) | bidir         | 0          | 52           | 0             | Z              | I/O          | 26v5vs   |
| 54       | BC_2      | *               | controlr      | 0          |              |               |                |              |          |
| 55       | BC_7      | ADDR_SGPIOA(31) | bidir         | 0          | 54           | 0             | Z              | I/O          | 26v5vs   |
| 56       | BC_2      | *               | controlr      | 0          |              |               |                |              |          |
| 57       | BC_7      | ADDR_SGPIOA(28) | bidir         | 0          | 56           | 0             | Z              | I/O          | 26v5vs   |
| 58       | BC_2      | *               | controlr      | 0          |              |               |                |              |          |
| 59       | BC_7      | ADDR_SGPIOA(29) | bidir         | 0          | 58           | 0             | Z              | I/O          | 26v5vs   |

**Table 24-1. MPC565 Boundary Scan Bit Definition (continued)**

| BSDL Bit | Cell Type | Pin/Port Name   | BSDL Function | Safe Value | Control Cell | Disable Value | Disable Result | Pin Function | Pad Type |
|----------|-----------|-----------------|---------------|------------|--------------|---------------|----------------|--------------|----------|
| 60       | BC_2      | *               | controlr      | 0          |              |               |                |              |          |
| 61       | BC_7      | DATA_SGPIOD(0)  | bidir         | 0          | 60           | 0             | Z              | I/O          | 26v5vs   |
| 62       | BC_2      | *               | controlr      | 0          |              |               |                |              |          |
| 63       | BC_7      | DATA_SGPIOD(29) | bidir         | 0          | 62           | 0             | Z              | I/O          | 26v5vs   |
| 64       | BC_2      | *               | controlr      | 0          |              |               |                |              |          |
| 65       | BC_7      | DATA_SGPIOD(1)  | bidir         | 0          | 64           | 0             | Z              | I/O          | 26v5vs   |
| 66       | BC_2      | *               | controlr      | 0          |              |               |                |              |          |
| 67       | BC_7      | DATA_SGPIOD(2)  | bidir         | 0          | 66           | 0             | Z              | I/O          | 26v5vs   |
| 68       | BC_2      | *               | controlr      | 0          |              |               |                |              |          |
| 69       | BC_7      | DATA_SGPIOD(3)  | bidir         | 0          | 68           | 0             | Z              | I/O          | 26v5vs   |
| 70       | BC_2      | *               | controlr      | 0          |              |               |                |              |          |
| 71       | BC_7      | DATA_SGPIOD(27) | bidir         | 0          | 70           | 0             | Z              | I/O          | 26v5vs   |
| 72       | BC_2      | *               | controlr      | 0          |              |               |                |              |          |
| 73       | BC_7      | DATA_SGPIOD(4)  | bidir         | 0          | 72           | 0             | Z              | I/O          | 26v5vs   |
| 74       | BC_2      | *               | controlr      | 0          |              |               |                |              |          |
| 75       | BC_7      | DATA_SGPIOD(28) | bidir         | 0          | 74           | 0             | Z              | I/O          | 26v5vs   |
| 76       | BC_2      | *               | controlr      | 0          |              |               |                |              |          |
| 77       | BC_7      | DATA_SGPIOD(31) | bidir         | 0          | 76           | 0             | Z              | I/O          | 26v5vs   |
| 78       | BC_2      | *               | controlr      | 0          |              |               |                |              |          |
| 79       | BC_7      | DATA_SGPIOD(5)  | bidir         | 0          | 78           | 0             | Z              | I/O          | 26v5vs   |
| 80       | BC_2      | *               | controlr      | 0          |              |               |                |              |          |
| 81       | BC_7      | DATA_SGPIOD(6)  | bidir         | 0          | 80           | 0             | Z              | I/O          | 26v5vs   |
| 82       | BC_2      | *               | controlr      | 0          |              |               |                |              |          |
| 83       | BC_7      | DATA_SGPIOD(30) | bidir         | 0          | 82           | 0             | Z              | I/O          | 26v5vs   |
| 84       | BC_2      | *               | controlr      | 0          |              |               |                |              |          |
| 85       | BC_7      | DATA_SGPIOD(7)  | bidir         | 0          | 84           | 0             | Z              | I/O          | 26v5vs   |
| 86       | BC_2      | *               | controlr      | 0          |              |               |                |              |          |
| 87       | BC_7      | DATA_SGPIOD(25) | bidir         | 0          | 86           | 0             | Z              | I/O          | 26v5vs   |
| 88       | BC_2      | *               | controlr      | 0          |              |               |                |              |          |
| 89       | BC_7      | DATA_SGPIOD(8)  | bidir         | 0          | 88           | 0             | Z              | I/O          | 26v5vs   |
| 90       | BC_2      | *               | controlr      | 0          |              |               |                |              |          |

**Table 24-1. MPC565 Boundary Scan Bit Definition (continued)**

| BSDL Bit | Cell Type | Pin/Port Name   | BSDL Function | Safe Value | Control Cell | Disable Value | Disable Result | Pin Function | Pad Type |
|----------|-----------|-----------------|---------------|------------|--------------|---------------|----------------|--------------|----------|
| 91       | BC_7      | DATA_SGPIOD(24) | bidir         | 0          | 90           | 0             | Z              | I/O          | 26v5vs   |
| 92       | BC_2      | *               | controlr      | 0          |              |               |                |              |          |
| 93       | BC_7      | DATA_SGPIOD(9)  | bidir         | 0          | 92           | 0             | Z              | I/O          | 26v5vs   |
| 94       | BC_2      | *               | controlr      | 0          |              |               |                |              |          |
| 95       | BC_7      | DATA_SGPIOD(10) | bidir         | 0          | 94           | 0             | Z              | I/O          | 26v5vs   |
| 96       | BC_2      | *               | controlr      | 0          |              |               |                |              |          |
| 97       | BC_7      | DATA_SGPIOD(26) | bidir         | 0          | 96           | 0             | Z              | I/O          | 26v5vs   |
| 98       | BC_2      | *               | controlr      | 0          |              |               |                |              |          |
| 99       | BC_7      | DATA_SGPIOD(22) | bidir         | 0          | 98           | 0             | Z              | I/O          | 26v5vs   |
| 100      | BC_2      | *               | controlr      | 0          |              |               |                |              |          |
| 101      | BC_7      | DATA_SGPIOD(11) | bidir         | 0          | 100          | 0             | Z              | I/O          | 26v5vs   |
| 102      | BC_2      | *               | controlr      | 0          |              |               |                |              |          |
| 103      | BC_7      | DATA_SGPIOD(12) | bidir         | 0          | 102          | 0             | Z              | I/O          | 26v5vs   |
| 104      | BC_2      | *               | controlr      | 0          |              |               |                |              |          |
| 105      | BC_7      | DATA_SGPIOD(13) | bidir         | 0          | 104          | 0             | Z              | I/O          | 26v5vs   |
| 106      | BC_2      | *               | controlr      | 0          |              |               |                |              |          |
| 107      | BC_7      | DATA_SGPIOD(20) | bidir         | 0          | 106          | 0             | Z              | I/O          | 26v5vs   |
| 108      | BC_2      | *               | controlr      | 0          |              |               |                |              |          |
| 109      | BC_7      | DATA_SGPIOD(14) | bidir         | 0          | 108          | 0             | Z              | I/O          | 26v5vs   |
| 110      | BC_2      | *               | controlr      | 0          |              |               |                |              |          |
| 111      | BC_7      | DATA_SGPIOD(23) | bidir         | 0          | 110          | 0             | Z              | I/O          | 26v5vs   |
| 112      | BC_2      | *               | controlr      | 0          |              |               |                |              |          |
| 113      | BC_7      | DATA_SGPIOD(15) | bidir         | 0          | 112          | 0             | Z              | I/O          | 26v5vs   |
| 114      | BC_2      | *               | controlr      | 0          |              |               |                |              |          |
| 115      | BC_7      | DATA_SGPIOD(16) | bidir         | 0          | 114          | 0             | Z              | I/O          | 26v5vs   |
| 116      | BC_2      | *               | controlr      | 0          |              |               |                |              |          |
| 117      | BC_7      | DATA_SGPIOD(21) | bidir         | 0          | 116          | 0             | Z              | I/O          | 26v5vs   |
| 118      | BC_2      | *               | controlr      | 0          |              |               |                |              |          |
| 119      | BC_7      | DATA_SGPIOD(17) | bidir         | 0          | 118          | 0             | Z              | I/O          | 26v5vs   |
| 120      | BC_2      | *               | controlr      | 0          |              |               |                |              |          |
| 121      | BC_7      | DATA_SGPIOD(18) | bidir         | 0          | 120          | 0             | Z              | I/O          | 26v5vs   |



Table 24-1. MPC565 Boundary Scan Bit Definition (continued)

| BSDL Bit | Cell Type | Pin/Port Name               | BSDL Function | Safe Value | Control Cell | Disable Value | Disable Result | Pin Function | Pad Type |
|----------|-----------|-----------------------------|---------------|------------|--------------|---------------|----------------|--------------|----------|
| 122      | BC_2      | *                           | controlr      | 0          |              |               |                |              |          |
| 123      | BC_7      | DATA_SGPIOD(19)             | bidir         | 0          | 122          | 0             | Z              | I/O          | 26v5vs   |
| 124      | BC_2      | *                           | controlr      | 0          |              |               |                |              |          |
| 125      | BC_7      | IRQ3_B_KR_B_RETRY_B_SGPIOC3 | bidir         | 0          | 124          | 0             | Z              | I/O          | 26v5vs   |
| 126      | BC_2      | *                           | controlr      | 0          |              |               |                |              |          |
| 127      | BC_7      | IRQ4_B_AT2_SGPIOC4          | bidir         | 0          | 126          | 0             | Z              | I/O          | 26v5vs   |
| 128      | BC_2      | *                           | controlr      | 0          |              |               |                |              |          |
| 129      | BC_7      | IRQ1_B_RSV_B_SGPIOC1        | bidir         | 0          | 128          | 0             | Z              | I/O          | 26v5vs   |
| 130      | BC_2      | *                           | controlr      | 0          |              |               |                |              |          |
| 131      | BC_7      | SGPIOC7_IRQOUT_B_LWP0       | bidir         | 0          | 130          | 0             | Z              | I/O          | 26v5vs   |
| 132      | BC_2      | *                           | controlr      | 0          |              |               |                |              |          |
| 133      | BC_7      | BB_B_VF2_IWP3               | bidir         | 0          | 132          | 0             | Z              | I/O          | 26v      |
| 134      | BC_2      | *                           | controlr      | 0          |              |               |                |              |          |
| 135      | BC_7      | BG_B_VF0_LWP1               | bidir         | 0          | 134          | 0             | Z              | I/O          | 26v      |
| 136      | BC_2      | *                           | controlr      | 0          |              |               |                |              |          |
| 137      | BC_7      | BR_B_VF1_IWP2               | bidir         | 0          | 136          | 0             | Z              | I/O          | 26v      |
| 138      | BC_2      | *                           | controlr      | 0          |              |               |                |              |          |
| 139      | BC_7      | RD_WR_B                     | bidir         | 0          | 138          | 0             | Z              | I/O          | 26v      |
| 140      | BC_2      | *                           | internal      | 1          |              |               |                |              |          |
| 141      | BC_2      | OE_B                        | output2       | 1          |              |               |                | O            | 26v      |
| 142      | BC_2      | *                           | controlr      | 0          |              |               |                |              |          |
| 143      | BC_7      | TEA_B                       | bidir         | 0          | 142          | 0             | Z              | O            | 26v      |
| 144      | BC_2      | *                           | controlr      | 0          |              |               |                |              |          |
| 145      | BC_7      | IRQ2_B_CR_B_SGPIOC2         | bidir         | 0          | 144          | 0             | Z              | I/O          | 26v5vs   |
| 146      | BC_2      | *                           | controlr      | 0          |              |               |                |              |          |
| 147      | BC_7      | IRQ0_B_SGPIOC0              | bidir         | 0          | 146          | 0             | Z              | I/O          | 26v5vs   |
| 148      | BC_2      | *                           | internal      | 1          |              |               |                |              |          |
| 149      | BC_2      | WE_B_AT(0)                  | output2       | 1          |              |               |                | O            | 26v      |
| 150      | BC_2      | *                           | internal      | 1          |              |               |                |              |          |
| 151      | BC_2      | WE_B_AT(1)                  | output2       | 1          |              |               |                | O            | 26v      |

Table 24-1. MPC565 Boundary Scan Bit Definition (continued)

| BSDL Bit | Cell Type | Pin/Port Name | BSDL Function | Safe Value | Control Cell | Disable Value | Disable Result | Pin Function | Pad Type |
|----------|-----------|---------------|---------------|------------|--------------|---------------|----------------|--------------|----------|
| 152      | BC_2      | *             | internal      | 1          |              |               |                |              |          |
| 153      | BC_2      | WE_B_AT(2)    | output2       | 1          |              |               |                | O            | 26v      |
| 154      | BC_2      | *             | internal      | 1          |              |               |                |              |          |
| 155      | BC_2      | WE_B_AT(3)    | output2       | 1          |              |               |                | O            | 26v      |
| 156      | BC_2      | *             | internal      | 1          |              |               |                |              |          |
| 157      | BC_2      | CS0_B         | output2       | 1          |              |               |                | O            | 26v      |
| 158      | BC_2      | *             | internal      | 1          |              |               |                |              |          |
| 159      | BC_2      | CS1_B         | output2       | 1          |              |               |                | O            | 26v      |
| 160      | BC_2      | *             | internal      | 1          |              |               |                |              |          |
| 161      | BC_2      | CS2_B         | output2       | 1          |              |               |                | O            | 26v      |
| 162      | BC_2      | *             | internal      | 1          |              |               |                |              |          |
| 163      | BC_2      | CS3_B         | output2       | 1          |              |               |                | O            | 26v      |
| 164      | BC_2      | *             | controlr      | 0          |              |               |                |              |          |
| 165      | BC_7      | BURST_B       | bidir         | 0          | 164          | 0             | Z              | I/O          | 26v      |
| 166      | BC_2      | *             | controlr      | 0          |              |               |                |              |          |
| 167      | BC_7      | BI_B_STS_B    | bidir         | 0          | 166          | 0             | Z              | I/O          | 26v      |
| 168      | BC_2      | *             | controlr      | 0          |              |               |                |              |          |
| 169      | BC_7      | TSIZ0         | bidir         | 0          | 168          | 0             | Z              | I/O          | 26v      |
| 170      | BC_2      | *             | controlr      | 0          |              |               |                |              |          |
| 171      | BC_7      | TSIZ1         | bidir         | 0          | 170          | 0             | Z              | I/O          | 26v      |
| 172      | BC_2      | *             | controlr      | 0          |              |               |                |              |          |
| 173      | BC_7      | TS_B          | bidir         | 0          | 172          | 0             | Z              | I/O          | 26v      |
| 174      | BC_2      | *             | controlr      | 0          |              |               |                |              |          |
| 175      | BC_7      | TA_B          | bidir         | 0          | 174          | 0             | Z              | I/O          | 26v      |
| 176      | BC_2      | *             | controlr      | 0          |              |               |                |              |          |
| 177      | BC_7      | BDIP_B        | bidir         | 0          | 176          | 0             | Z              | I/O          | 26v      |
| 178      | BC_2      | *             | internal      | 0          |              |               |                |              |          |
| 179      | BC_4      | BOEPEE        | input         | X          |              |               |                | I            | 26v      |
| 180      | BC_2      | *             | internal      | 0          |              |               |                |              |          |
| 181      | BC_4      | EPEE          | input         | X          |              |               |                | I            | 26v      |
| 182      | BC_2      | *             | internal      | 1          |              |               |                |              |          |

Table 24-1. MPC565 Boundary Scan Bit Definition (continued)

| BSDL Bit | Cell Type | Pin/Port Name         | BSDL Function | Safe Value | Control Cell | Disable Value | Disable Result | Pin Function | Pad Type |
|----------|-----------|-----------------------|---------------|------------|--------------|---------------|----------------|--------------|----------|
| 183      | BC_2      | CLKOUT                | output2       | 1          |              |               |                | I/O          | 26vf     |
| 184      | BC_2      | *                     | internal      | 1          |              |               |                |              |          |
| 185      | BC_2      | ENGCLK_BUCLK          | output2       | 1          |              |               |                | O            | 26vs5vr  |
| 186      | BC_2      | *                     | controlr      | 0          |              |               |                |              |          |
| 187      | BC_7      | IRQ5_B_SGPIOC5_MODCK1 | bidir         | 0          | 186          | 0             | Z              | I/O          | 26v      |
| 188      | BC_2      | *                     | controlr      | 0          |              |               |                |              |          |
| 189      | BC_7      | IRQ6_B_MODCK2         | bidir         | 0          | 188          | 0             | Z              | I            | 26v      |
| 190      | BC_2      | *                     | controlr      | 0          |              |               |                |              |          |
| 191      | BC_7      | IRQ7_B_MODCK3         | bidir         | 0          | 190          | 0             | Z              | I            | 26v      |
| 192      | BC_2      | *                     | controlr      | 0          |              |               |                |              |          |
| 193      | BC_7      | RSTCONF_B_TEXP        | bidir         | 0          | 192          | 0             | Z              | I/O          | 26v      |
| 194      | BC_4      | EXTCLK                | input         | X          |              |               |                | I            | extclk   |
| 195      | BC_2      | *                     | controlr      | 0          |              |               |                |              |          |
| 196      | BC_7      | A_CNRX0               | bidir         | 0          | 195          | 0             | Z              | I            | 5vsa     |
| 197      | BC_2      | *                     | internal      | 1          |              |               |                |              |          |
| 198      | BC_2      | A_CNTX0               | output2       | 1          |              |               |                | O            | 5vfa     |
| 199      | BC_2      | *                     | controlr      | 0          |              |               |                |              |          |
| 200      | BC_7      | A_PCS0_SS_B_QGPIO0    | bidir         | 0          | 199          | 0             | Z              | I/O          | 5vfa     |
| 201      | BC_2      | *                     | internal      | 0          |              |               |                |              |          |
| 202      | BC_4      | A_ECK                 | input         | X          |              |               |                | I            | 5vfa     |
| 203      | BC_2      | *                     | controlr      | 0          |              |               |                |              |          |
| 204      | BC_7      | A_PCS1_QGPIO1         | bidir         | 0          | 203          | 0             | Z              | I/O          | 5vfa     |
| 205      | BC_2      | *                     | internal      | 1          |              |               |                |              |          |
| 206      | BC_2      | A_TXD2_QGPO2          | output2       | 1          |              |               |                | O            | 5vfa     |
| 207      | BC_2      | *                     | controlr      | 0          |              |               |                |              |          |
| 208      | BC_7      | A_PCS2_QGPIO2         | bidir         | 0          | 207          | 0             | Z              | I/O          | 5vfa     |
| 209      | BC_4      | A_RXD2_QGPI2          | input         | X          |              |               |                | I            | 5vido    |
| 210      | BC_4      | B_RXD1_QGPI1          | input         | X          |              |               |                | I            | 5vido    |
| 211      | BC_4      | A_RXD1_QGPI1          | input         | X          |              |               |                | I            | 5vido    |
| 212      | BC_2      | *                     | controlr      | 0          |              |               |                |              |          |
| 213      | BC_7      | A_MOSI_QGPIO5         | bidir         | 0          | 212          | 0             | Z              | I/O          | 5vh      |

**Table 24-1. MPC565 Boundary Scan Bit Definition (continued)**

| BSDL Bit | Cell Type | Pin/Port Name      | BSDL Function | Safe Value | Control Cell | Disable Value | Disable Result | Pin Function | Pad Type |
|----------|-----------|--------------------|---------------|------------|--------------|---------------|----------------|--------------|----------|
| 214      | BC_2      | *                  | controlr      | 0          |              |               |                |              |          |
| 215      | BC_7      | A_PCS3_QGPIO3      | bidir         | 0          | 214          | 0             | Z              | I/O          | 5vfa     |
| 216      | BC_2      | *                  | controlr      | 0          |              |               |                |              |          |
| 217      | BC_7      | A_MISO_QGPIO4      | bidir         | 0          | 216          | 0             | Z              | I/O          | 5vh      |
| 218      | BC_2      | *                  | controlr      | 0          |              |               |                |              |          |
| 219      | BC_7      | A_SCK_QGPIO6       | bidir         | 0          | 218          | 0             | Z              | I/O          | 5vh      |
| 220      | BC_2      | *                  | controlr      | 0          |              |               |                |              |          |
| 221      | BC_7      | B_PCS2_QGPIO2      | bidir         | 0          | 220          | 0             | Z              | I/O          | 5vfa     |
| 222      | BC_2      | *                  | internal      | 0          |              |               |                |              |          |
| 223      | BC_4      | B_RXD2_J1850_RX    | input         | X          |              |               |                | I            | 5vsa     |
| 224      | BC_2      | *                  | internal      | 1          |              |               |                |              |          |
| 225      | BC_2      | A_TXD1_QGPO1       | output2       | 1          |              |               |                | O            | 5vsa     |
| 226      | BC_2      | *                  | internal      | 1          |              |               |                |              |          |
| 227      | BC_2      | B_TXD2_QGPO2       | output2       | 1          |              |               |                | O            | 5vsa     |
| 228      | BC_2      | *                  | internal      | 1          |              |               |                |              |          |
| 229      | BC_2      | B_TXD1_QGPO1       | output2       | 1          |              |               |                | O            | 5vsa     |
| 230      | BC_2      | *                  | internal      | 0          |              |               |                |              |          |
| 231      | BC_4      | B_ECK              | input         | X          |              |               |                | I            | 5vsa     |
| 232      | BC_2      | *                  | controlr      | 0          |              |               |                |              |          |
| 233      | BC_7      | B_SCK_QGPIO6       | bidir         | 0          | 232          | 0             | Z              | I/O          | 5vh      |
| 234      | BC_2      | *                  | controlr      | 0          |              |               |                |              |          |
| 235      | BC_7      | B_MOSI_QGPIO5      | bidir         | 0          | 234          | 0             | Z              | I/O          | 5vh      |
| 236      | BC_2      | *                  | controlr      | 0          |              |               |                |              |          |
| 237      | BC_7      | B_MISO_QGPIO4      | bidir         | 0          | 236          | 0             | Z              | I/O          | 5vh      |
| 238      | BC_2      | *                  | controlr      | 0          |              |               |                |              |          |
| 239      | BC_7      | B_PCS3_J1850_TX    | bidir         | 0          | 238          | 0             | Z              | O            | 5vfa     |
| 240      | BC_2      | *                  | controlr      | 0          |              |               |                |              |          |
| 241      | BC_7      | B_PCS1_QGPIO1      | bidir         | 0          | 240          | 0             | Z              | I/O          | 5vfa     |
| 242      | BC_2      | *                  | controlr      | 0          |              |               |                |              |          |
| 243      | BC_7      | B_PCS0_SS_B_QGPIO0 | bidir         | 0          | 242          | 0             | Z              | I/O          | 5vfa     |
| 244      | BC_2      | *                  | controlr      | 0          |              |               |                |              |          |

**Table 24-1. MPC565 Boundary Scan Bit Definition (continued)**

| BSDL Bit | Cell Type | Pin/Port Name     | BSDL Function | Safe Value | Control Cell | Disable Value | Disable Result | Pin Function | Pad Type |
|----------|-----------|-------------------|---------------|------------|--------------|---------------|----------------|--------------|----------|
| 245      | BC_7      | VFLS1_MPIO32B4    | bidir         | 0          | 244          | 0             | Z              | I/O          | 26v5vs   |
| 246      | BC_2      | *                 | controlr      | 0          |              |               |                |              |          |
| 247      | BC_7      | VFLS0_MPIO32B3    | bidir         | 0          | 246          | 0             | Z              | I/O          | 26v5vs   |
| 248      | BC_2      | *                 | controlr      | 0          |              |               |                |              |          |
| 249      | BC_7      | VF2_MPIO32B2      | bidir         | 0          | 248          | 0             | Z              | I/O          | 26v5vs   |
| 250      | BC_2      | *                 | controlr      | 0          |              |               |                |              |          |
| 251      | BC_7      | VF1_MPIO32B1      | bidir         | 0          | 250          | 0             | Z              | I/O          | 26v5vs   |
| 252      | BC_2      | *                 | controlr      | 0          |              |               |                |              |          |
| 253      | BC_7      | VF0_MPIO32B0      | bidir         | 0          | 252          | 0             | Z              | I/O          | 26v5vs   |
| 254      | BC_2      | *                 | controlr      | 0          |              |               |                |              |          |
| 255      | BC_7      | MPWM4_MPIO32B5    | bidir         | 0          | 254          | 0             | Z              | I/O          | 5vsa     |
| 256      | BC_2      | *                 | controlr      | 0          |              |               |                |              |          |
| 257      | BC_7      | MPWM19            | bidir         | 0          | 256          | 0             | Z              | I/O          | 5vsa     |
| 258      | BC_2      | *                 | controlr      | 0          |              |               |                |              |          |
| 259      | BC_7      | MPIO32B15         | bidir         | 0          | 258          | 0             | Z              | I/O          | 5vsa     |
| 260      | BC_2      | *                 | controlr      | 0          |              |               |                |              |          |
| 261      | BC_7      | C_CNRX0_MPIO32B14 | bidir         | 0          | 260          | 0             | Z              | I/O          | 5vsa     |
| 262      | BC_2      | *                 | controlr      | 0          |              |               |                |              |          |
| 263      | BC_7      | C_CNTX0_MPIO32B13 | bidir         | 0          | 262          | 0             | Z              | I/O          | 5vfa     |
| 264      | BC_2      | *                 | controlr      | 0          |              |               |                |              |          |
| 265      | BC_7      | MPWM21_MPIO32B12  | bidir         | 0          | 264          | 0             | Z              | I/O          | 5vsa     |
| 266      | BC_2      | *                 | controlr      | 0          |              |               |                |              |          |
| 267      | BC_7      | MPWM20_MPIO32B11  | bidir         | 0          | 266          | 0             | Z              | I/O          | 5vsa     |
| 268      | BC_2      | *                 | controlr      | 0          |              |               |                |              |          |
| 269      | BC_7      | MDA15             | bidir         | 0          | 268          | 0             | Z              | I/O          | 5vsa     |
| 270      | BC_2      | *                 | controlr      | 0          |              |               |                |              |          |
| 271      | BC_7      | MDA14             | bidir         | 0          | 270          | 0             | Z              | I/O          | 5vsa     |
| 272      | BC_2      | *                 | controlr      | 0          |              |               |                |              |          |
| 273      | BC_7      | MPWM16            | bidir         | 0          | 272          | 0             | Z              | I/O          | 5vsa     |
| 274      | BC_2      | *                 | controlr      | 0          |              |               |                |              |          |
| 275      | BC_7      | MPWM3             | bidir         | 0          | 274          | 0             | Z              | I/O          | 5vsa     |

**Table 24-1. MPC565 Boundary Scan Bit Definition (continued)**

| BSDL Bit | Cell Type | Pin/Port Name | BSDL Function | Safe Value | Control Cell | Disable Value | Disable Result | Pin Function | Pad Type |
|----------|-----------|---------------|---------------|------------|--------------|---------------|----------------|--------------|----------|
| 276      | BC_2      | *             | controlr      | 0          |              |               |                |              |          |
| 277      | BC_7      | MPWM2         | bidir         | 0          | 276          | 0             | Z              | I/O          | 5vsa     |
| 278      | BC_2      | *             | controlr      | 0          |              |               |                |              |          |
| 279      | BC_7      | MPWM1         | bidir         | 0          | 278          | 0             | Z              | I/O          | 5vsa     |
| 280      | BC_2      | *             | controlr      | 0          |              |               |                |              |          |
| 281      | BC_7      | MPWM0         | bidir         | 0          | 280          | 0             | Z              | I/O          | 5vsa     |
| 282      | BC_2      | *             | controlr      | 0          |              |               |                |              |          |
| 283      | BC_7      | MDA31         | bidir         | 0          | 282          | 0             | Z              | I/O          | 5vsa     |
| 284      | BC_2      | *             | controlr      | 0          |              |               |                |              |          |
| 285      | BC_7      | MDA30         | bidir         | 0          | 284          | 0             | Z              | I/O          | 5vsa     |
| 286      | BC_2      | *             | controlr      | 0          |              |               |                |              |          |
| 287      | BC_7      | MDA29         | bidir         | 0          | 286          | 0             | Z              | I/O          | 5vsa     |
| 288      | BC_2      | *             | controlr      | 0          |              |               |                |              |          |
| 289      | BC_7      | MDA28         | bidir         | 0          | 288          | 0             | Z              | I/O          | 5vsa     |
| 290      | BC_2      | *             | controlr      | 0          |              |               |                |              |          |
| 291      | BC_7      | MDA27         | bidir         | 0          | 290          | 0             | Z              | I/O          | 5vsa     |
| 292      | BC_2      | *             | controlr      | 0          |              |               |                |              |          |
| 293      | BC_7      | MDA13         | bidir         | 0          | 292          | 0             | Z              | I/O          | 5vsa     |
| 294      | BC_2      | *             | controlr      | 0          |              |               |                |              |          |
| 295      | BC_7      | MDA12         | bidir         | 0          | 294          | 0             | Z              | I/O          | 5vsa     |
| 296      | BC_2      | *             | controlr      | 0          |              |               |                |              |          |
| 297      | BC_7      | MDA11         | bidir         | 0          | 296          | 0             | Z              | I/O          | 5vsa     |
| 298      | BC_2      | *             | controlr      | 0          |              |               |                |              |          |
| 299      | BC_7      | MPWM18        | bidir         | 0          | 298          | 0             | Z              | I/O          | 5vsa     |
| 300      | BC_2      | *             | controlr      | 0          |              |               |                |              |          |
| 301      | BC_7      | MPWM17        | bidir         | 0          | 300          | 0             | Z              | I/O          | 5vsa     |
| 302      | BC_2      | *             | controlr      | 0          |              |               |                |              |          |
| 303      | BC_7      | B_T2CLK       | bidir         | 0          | 302          | 0             | Z              | I/O          | 5vsa     |
| 304      | BC_2      | *             | controlr      | 0          |              |               |                |              |          |
| 305      | BC_7      | B_TPUCH1      | bidir         | 0          | 304          | 0             | Z              | I/O          | 5vsa     |
| 306      | BC_2      | *             | controlr      | 0          |              |               |                |              |          |

**Table 24-1. MPC565 Boundary Scan Bit Definition (continued)**

| BSDL Bit | Cell Type | Pin/Port Name  | BSDL Function | Safe Value | Control Cell | Disable Value | Disable Result | Pin Function | Pad Type |
|----------|-----------|----------------|---------------|------------|--------------|---------------|----------------|--------------|----------|
| 307      | BC_7      | B_TPUCH0       | bidir         | 0          | 306          | 0             | Z              | I/O          | 5vsa     |
| 308      | BC_2      | *              | controlr      | 0          |              |               |                |              |          |
| 309      | BC_7      | MPWM5_MPIO32B6 | bidir         | 0          | 308          | 0             | Z              | I/O          | 5vsa     |
| 310      | BC_2      | *              | controlr      | 0          |              |               |                |              |          |
| 311      | BC_7      | B_TPUCH2       | bidir         | 0          | 310          | 0             | Z              | I/O          | 5vsa     |
| 312      | BC_2      | *              | controlr      | 0          |              |               |                |              |          |
| 313      | BC_7      | B_TPUCH15      | bidir         | 0          | 312          | 0             | Z              | I/O          | 5vsa     |
| 314      | BC_2      | *              | controlr      | 0          |              |               |                |              |          |
| 315      | BC_7      | B_TPUCH14      | bidir         | 0          | 314          | 0             | Z              | I/O          | 5vsa     |
| 316      | BC_2      | *              | controlr      | 0          |              |               |                |              |          |
| 317      | BC_7      | B_TPUCH13      | bidir         | 0          | 316          | 0             | Z              | I/O          | 5vsa     |
| 318      | BC_2      | *              | controlr      | 0          |              |               |                |              |          |
| 319      | BC_7      | B_TPUCH12      | bidir         | 0          | 318          | 0             | Z              | I/O          | 5vsa     |
| 320      | BC_2      | *              | controlr      | 0          |              |               |                |              |          |
| 321      | BC_7      | B_TPUCH11      | bidir         | 0          | 320          | 0             | Z              | I/O          | 5vsa     |
| 322      | BC_2      | *              | controlr      | 0          |              |               |                |              |          |
| 323      | BC_7      | B_TPUCH10      | bidir         | 0          | 322          | 0             | Z              | I/O          | 5vsa     |
| 324      | BC_2      | *              | controlr      | 0          |              |               |                |              |          |
| 325      | BC_7      | B_TPUCH9       | bidir         | 0          | 324          | 0             | Z              | I/O          | 5vsa     |
| 326      | BC_2      | *              | controlr      | 0          |              |               |                |              |          |
| 327      | BC_7      | B_TPUCH8       | bidir         | 0          | 326          | 0             | Z              | I/O          | 5vsa     |
| 328      | BC_2      | *              | controlr      | 0          |              |               |                |              |          |
| 329      | BC_7      | B_TPUCH7       | bidir         | 0          | 328          | 0             | Z              | I/O          | 5vsa     |
| 330      | BC_2      | *              | controlr      | 0          |              |               |                |              |          |
| 331      | BC_7      | B_TPUCH6       | bidir         | 0          | 330          | 0             | Z              | I/O          | 5vsa     |
| 332      | BC_2      | *              | controlr      | 0          |              |               |                |              |          |
| 333      | BC_7      | B_TPUCH5       | bidir         | 0          | 332          | 0             | Z              | I/O          | 5vsa     |
| 334      | BC_2      | *              | controlr      | 0          |              |               |                |              |          |
| 335      | BC_7      | B_TPUCH4       | bidir         | 0          | 334          | 0             | Z              | I/O          | 5vsa     |
| 336      | BC_2      | *              | controlr      | 0          |              |               |                |              |          |
| 337      | BC_7      | B_TPUCH3       | bidir         | 0          | 336          | 0             | Z              | I/O          | 5vsa     |

**Table 24-1. MPC565 Boundary Scan Bit Definition (continued)**

| BSDL Bit | Cell Type | Pin/Port Name | BSDL Function | Safe Value | Control Cell | Disable Value | Disable Result | Pin Function | Pad Type |
|----------|-----------|---------------|---------------|------------|--------------|---------------|----------------|--------------|----------|
| 338      | BC_2      | *             | controlr      | 0          |              |               |                |              |          |
| 339      | BC_7      | A_TPUCH1      | bidir         | 0          | 338          | 0             | Z              | I/O          | 5vsa     |
| 340      | BC_2      | *             | controlr      | 0          |              |               |                |              |          |
| 341      | BC_7      | A_TPUCH0      | bidir         | 0          | 340          | 0             | Z              | I/O          | 5vsa     |
| 342      | BC_2      | *             | controlr      | 0          |              |               |                |              |          |
| 343      | BC_7      | A_T2CLK       | bidir         | 0          | 342          | 0             | Z              | I/O          | 5vsa     |
| 344      | BC_2      | *             | controlr      | 0          |              |               |                |              |          |
| 345      | BC_7      | A_TPUCH15     | bidir         | 0          | 344          | 0             | Z              | I/O          | 5vsa     |
| 346      | BC_2      | *             | controlr      | 0          |              |               |                |              |          |
| 347      | BC_7      | A_TPUCH14     | bidir         | 0          | 346          | 0             | Z              | I/O          | 5vsa     |
| 348      | BC_2      | *             | controlr      | 0          |              |               |                |              |          |
| 349      | BC_7      | A_TPUCH13     | bidir         | 0          | 348          | 0             | Z              | I/O          | 5vsa     |
| 350      | BC_2      | *             | controlr      | 0          |              |               |                |              |          |
| 351      | BC_7      | A_TPUCH12     | bidir         | 0          | 350          | 0             | Z              | I/O          | 5vsa     |
| 352      | BC_2      | *             | controlr      | 0          |              |               |                |              |          |
| 353      | BC_7      | A_TPUCH11     | bidir         | 0          | 352          | 0             | Z              | I/O          | 5vsa     |
| 354      | BC_2      | *             | controlr      |            |              |               |                |              |          |
| 355      | BC_7      | A_TPUCH10     | bidir         | 0          | 354          | 0             | Z              | I/O          | 5vsa     |
| 356      | BC_2      | *             | controlr      | 0          |              |               |                |              |          |
| 357      | BC_7      | A_TPUCH9      | bidir         | 0          | 356          | 0             | Z              | I/O          | 5vsa     |
| 358      | BC_2      | *             | controlr      | 0          |              |               |                |              |          |
| 359      | BC_7      | A_TPUCH8      | bidir         | 0          | 358          | 0             | Z              | I/O          | 5vsa     |
| 360      | BC_2      | *             | controlr      | 0          |              |               |                |              |          |
| 361      | BC_7      | A_TPUCH7      | bidir         | 0          | 360          | 0             | Z              | I/O          | 5vsa     |
| 362      | BC_2      | *             | controlr      | 0          |              |               |                |              |          |
| 363      | BC_7      | A_TPUCH6      | bidir         | 0          | 362          | 0             | Z              | I/O          | 5vsa     |
| 364      | BC_2      | *             | controlr      | 0          |              |               |                |              |          |
| 365      | BC_7      | A_TPUCH5      | bidir         | 0          | 364          | 0             | Z              | I/O          | 5vsa     |
| 366      | BC_2      | *             | controlr      | 0          |              |               |                |              |          |
| 367      | BC_7      | A_TPUCH4      | bidir         | 0          | 366          | 0             | Z              | I/O          | 5vsa     |
| 368      | BC_2      | *             | controlr      | 0          |              |               |                |              |          |



**Table 24-1. MPC565 Boundary Scan Bit Definition (continued)**

| BSDL Bit | Cell Type | Pin/Port Name   | BSDL Function | Safe Value | Control Cell | Disable Value | Disable Result | Pin Function | Pad Type |
|----------|-----------|-----------------|---------------|------------|--------------|---------------|----------------|--------------|----------|
| 369      | BC_7      | A_TPUCH3        | bidir         | 0          | 368          | 0             | Z              | I/O          | 5vsa     |
| 370      | BC_2      | *               | controlr      | 0          |              |               |                |              |          |
| 371      | BC_7      | A_TPUCH2        | bidir         | 0          | 370          | 0             | Z              | I/O          | 5vsa     |
| 372      | BC_2      | *               | internal      | 0          |              |               |                |              |          |
| 373      | BC_4      | ETRIG1          | input         | X          |              |               |                | I            | 5vsa     |
| 374      | BC_2      | *               | internal      | 0          |              |               |                |              |          |
| 375      | BC_4      | ETRIG2          | input         | X          |              |               |                | I            | 5vsa     |
| 376      | BC_2      | *               | controlr      | 0          |              |               |                |              |          |
| 377      | BC_7      | AN64_B_PQB0     | bidir         | 0          | 376          | 0             | Z              | I/O          | 5vsa     |
| 378      | BC_2      | *               | controlr      | 0          |              |               |                |              |          |
| 379      | BC_7      | AN65_B_PQB1     | bidir         | 0          | 378          | 0             | Z              | I/O          | 5vsa     |
| 380      | BC_2      | *               | controlr      | 0          |              |               |                |              |          |
| 381      | BC_7      | AN66_B_PQB2     | bidir         | 0          | 380          | 0             | Z              | I/O          | 5vsa     |
| 382      | BC_2      | *               | controlr      | 0          |              |               |                |              |          |
| 383      | BC_7      | AN67_B_PQB3     | bidir         | 0          | 382          | 0             | Z              | I/O          | 5vsa     |
| 384      | BC_2      | *               | controlr      | 0          |              |               |                |              |          |
| 385      | BC_7      | AN68_B_PQB4     | bidir         | 0          | 384          | 0             | Z              | I/O          | 5vsa     |
| 386      | BC_2      | *               | controlr      | 0          |              |               |                |              |          |
| 387      | BC_7      | AN69_B_PQB5     | bidir         | 0          | 386          | 0             | Z              | I/O          | 5vsa     |
| 388      | BC_2      | *               | controlr      | 0          |              |               |                |              |          |
| 389      | BC_7      | AN70_B_PQB6     | bidir         | 0          | 388          | 0             | Z              | I/O          | 5vsa     |
| 390      | BC_2      | *               | controlr      | 0          |              |               |                |              |          |
| 391      | BC_7      | AN71_B_PQB7     | bidir         | 0          | 390          | 0             | Z              | I/O          | 5vsa     |
| 392      | BC_2      | *               | controlr      | 0          |              |               |                |              |          |
| 393      | BC_7      | AN72_B_MA0_PQA0 | bidir         | 0          | 392          | 0             | Z              | I/O          | 5vsa     |
| 394      | BC_2      | *               | controlr      | 0          |              |               |                |              |          |
| 395      | BC_7      | AN73_B_MA1_PQA1 | bidir         | 0          | 394          | 0             | Z              | I/O          | 5vsa     |
| 396      | BC_2      | *               | controlr      | 0          |              |               |                |              |          |
| 397      | BC_7      | AN74_B_MA2_PQA2 | bidir         | 0          | 396          | 0             | Z              | I/O          | 5vsa     |
| 398      | BC_2      | *               | controlr      | 0          |              |               |                |              |          |
| 399      | BC_7      | AN75_B_PQA3     | bidir         | 0          | 398          | 0             | Z              | I/O          | 5vsa     |

**Table 24-1. MPC565 Boundary Scan Bit Definition (continued)**

| BSDL Bit | Cell Type | Pin/Port Name   | BSDL Function | Safe Value | Control Cell | Disable Value | Disable Result | Pin Function | Pad Type |
|----------|-----------|-----------------|---------------|------------|--------------|---------------|----------------|--------------|----------|
| 400      | BC_2      | *               | controlr      | 0          |              |               |                |              |          |
| 401      | BC_7      | AN76_B_PQA4     | bidir         | 0          | 400          | 0             | Z              | I/O          | 5vsa     |
| 402      | BC_2      | *               | controlr      | 0          |              |               |                |              |          |
| 403      | BC_7      | AN77_B_PQA5     | bidir         | 0          | 402          | 0             | Z              | I/O          | 5vsa     |
| 404      | BC_2      | *               | controlr      | 0          |              |               |                |              |          |
| 405      | BC_7      | AN78_B_PQA6     | bidir         | 0          | 404          | 0             | Z              | I/O          | 5vsa     |
| 406      | BC_2      | *               | controlr      | 0          |              |               |                |              |          |
| 407      | BC_7      | AN79_B_PQA7     | bidir         | 0          | 406          | 0             | Z              | I/O          | 5vsa     |
| 408      | BC_2      | *               | controlr      | 0          |              |               |                |              |          |
| 409      | BC_7      | AN59_A_PQA7     | bidir         | 0          | 408          | 0             | Z              | I/O          | 5vsa     |
| 410      | BC_2      | *               | controlr      | 0          |              |               |                |              |          |
| 411      | BC_7      | AN58_A_PQA6     | bidir         | 0          | 410          | 0             | Z              | I/O          | 5vsa     |
| 412      | BC_2      | *               | controlr      | 0          |              |               |                |              |          |
| 413      | BC_7      | AN57_A_PQA5     | bidir         | 0          | 412          | 0             | Z              | I/O          | 5vsa     |
| 414      | BC_2      | *               | controlr      | 0          |              |               |                |              |          |
| 415      | BC_7      | AN56_A_PQA4     | bidir         | 0          | 414          | 0             | Z              | I/O          | 5vsa     |
| 416      | BC_2      | *               | controlr      | 0          |              |               |                |              |          |
| 417      | BC_7      | AN55_A_PQA3     | bidir         | 0          | 416          | 0             | Z              | I/O          | 5vsa     |
| 418      | BC_2      | *               | controlr      | 0          |              |               |                |              |          |
| 419      | BC_7      | AN54_A_MA2_PQA2 | bidir         | 0          | 418          | 0             | Z              | I/O          | 5vsa     |
| 420      | BC_2      | *               | controlr      | 0          |              |               |                |              |          |
| 421      | BC_7      | AN53_A_MA1_PQA1 | bidir         | 0          | 420          | 0             | Z              | I/O          | 5vsa     |
| 422      | BC_2      | *               | controlr      | 0          |              |               |                |              |          |
| 423      | BC_7      | AN52_A_MA0_PQA0 | bidir         | 0          | 422          | 0             | Z              | I/O          | 5vsa     |
| 424      | BC_2      | *               | controlr      | 0          |              |               |                |              |          |
| 425      | BC_7      | AN51_A_PQB7     | bidir         | 0          | 424          | 0             | Z              | I/O          | 5vsa     |
| 426      | BC_2      | *               | controlr      | 0          |              |               |                |              |          |
| 427      | BC_7      | AN50_A_PQB6     | bidir         | 0          | 426          | 0             | Z              | I/O          | 5vsa     |
| 428      | BC_2      | *               | controlr      | 0          |              |               |                |              |          |
| 429      | BC_7      | AN49_A_PQB5     | bidir         | 0          | 428          | 0             | Z              | I/O          | 5vsa     |
| 430      | BC_2      | *               | controlr      | 0          |              |               |                |              |          |

Table 24-1. MPC565 Boundary Scan Bit Definition (continued)

| BSDL Bit | Cell Type | Pin/Port Name   | BSDL Function | Safe Value | Control Cell | Disable Value | Disable Result | Pin Function | Pad Type |
|----------|-----------|-----------------|---------------|------------|--------------|---------------|----------------|--------------|----------|
| 431      | BC_7      | AN48_A_PQB4     | bidir         | 0          | 430          | 0             | Z              | I/O          | 5vsa     |
| 432      | BC_2      | *               | controlr      | 0          |              |               |                |              |          |
| 433      | BC_7      | AN47_ANZ_A_PQB3 | bidir         | 0          | 432          | 0             | Z              | I/O          | 5vsa     |
| 434      | BC_2      | *               | controlr      | 0          |              |               |                |              |          |
| 435      | BC_7      | AN46_ANY_A_PQB2 | bidir         | 0          | 434          | 0             | Z              | I/O          | 5vsa     |
| 436      | BC_2      | *               | internal      | 0          |              |               |                |              |          |
| 437      | BC_4      | AN80            | input         | X          |              |               |                | I            | 5vsa     |
| 438      | BC_2      | *               | internal      | 0          |              |               |                |              |          |
| 439      | BC_4      | AN81            | input         | X          |              |               |                | I            | 5vsa     |
| 440      | BC_2      | *               | internal      | 0          |              |               |                |              |          |
| 441      | BC_4      | AN82            | input         | X          |              |               |                | I            | 5vsa     |
| 442      | BC_2      | *               | internal      | 0          |              |               |                |              |          |
| 443      | BC_4      | AN83            | input         | X          |              |               |                | I            | 5vsa     |
| 444      | BC_2      | *               | internal      | 0          |              |               |                |              |          |
| 445      | BC_4      | AN84            | input         | X          |              |               |                | I            | 5vsa     |
| 446      | BC_2      | *               | internal      | 0          |              |               |                |              |          |
| 447      | BC_4      | AN85            | input         | X          |              |               |                | I            | 5vsa     |
| 448      | BC_2      | *               | internal      | 0          |              |               |                |              |          |
| 449      | BC_4      | AN86            | input         | X          |              |               |                | I            | 5vsa     |
| 450      | BC_2      | *               | internal      | 0          |              |               |                |              |          |
| 451      | BC_4      | AN87            | input         | X          |              |               |                | I            | 5vsa     |
| 452      | BC_2      | *               | controlr      | 0          |              |               |                |              |          |
| 453      | BC_7      | AN45_ANX_A_PQB1 | bidir         | 0          | 452          | 0             | Z              | I/O          | 5vsa     |
| 454      | BC_2      | *               | controlr      | 0          |              |               |                |              |          |
| 455      | BC_7      | AN44_ANW_A_PQB0 | bidir         | 0          | 454          | 0             | Z              | I/O          | 5vsa     |
| 456      | BC_2      | *               | controlr      | 0          |              |               |                |              |          |
| 457      | BC_7      | B_CNRX0         | bidir         | 0          | 456          | 0             | Z              | I            | 5vsa     |
| 458      | BC_2      | *               | internal      | 1          |              |               |                |              |          |
| 459      | BC_2      | B_CNTX0         | output2       | 1          |              |               |                | O            | 5vfa     |
| 460      | BC_2      | *               | controlr      | 0          |              |               |                |              |          |
| 461      | BC_7      | C_T2CLK         | bidir         | 0          | 460          | 0             | Z              | I/O          | 5vsa     |

**Table 24-1. MPC565 Boundary Scan Bit Definition (continued)**

| BSDL Bit | Cell Type | Pin/Port Name | BSDL Function | Safe Value | Control Cell | Disable Value | Disable Result | Pin Function | Pad Type |
|----------|-----------|---------------|---------------|------------|--------------|---------------|----------------|--------------|----------|
| 462      | BC_2      | *             | controlr      | 0          |              |               |                |              |          |
| 463      | BC_7      | C_TPUCH15     | bidir         | 0          | 462          | 0             | Z              | I/O          | 5vsa     |
| 464      | BC_2      | *             | controlr      | 0          |              |               |                |              |          |
| 465      | BC_7      | C_TPUCH14     | bidir         | 0          | 464          | 0             | Z              | I/O          | 5vsa     |
| 466      | BC_2      | *             | controlr      | 0          |              |               |                |              |          |
| 467      | BC_7      | C_TPUCH13     | bidir         | 0          | 466          | 0             | Z              | I/O          | 5vsa     |
| 468      | BC_2      | *             | controlr      | 0          |              |               |                |              |          |
| 469      | BC_7      | C_TPUCH12     | bidir         | 0          | 468          | 0             | Z              | I/O          | 5vsa     |
| 470      | BC_2      | *             | controlr      | 0          |              |               |                |              |          |
| 471      | BC_7      | C_TPUCH11     | bidir         | 0          | 470          | 0             | Z              | I/O          | 5vsa     |
| 472      | BC_2      | *             | controlr      | 0          |              |               |                |              |          |
| 473      | BC_7      | C_TPUCH10     | bidir         | 0          | 472          | 0             | Z              | I/O          | 5vsa     |
| 474      | BC_2      | *             | controlr      | 0          |              |               |                |              |          |
| 475      | BC_7      | C_TPUCH9      | bidir         | 0          | 474          | 0             | Z              | I/O          | 5vsa     |
| 476      | BC_2      | *             | controlr      | 0          |              |               |                |              |          |
| 477      | BC_7      | C_TPUCH8      | bidir         | 0          | 476          | 0             | Z              | I/O          | 5vsa     |
| 478      | BC_2      | *             | controlr      | 0          |              |               |                |              |          |
| 479      | BC_7      | C_TPUCH7      | bidir         | 0          | 478          | 0             | Z              | I/O          | 5vsa     |
| 480      | BC_2      | *             | controlr      | 0          |              |               |                |              |          |
| 481      | BC_7      | C_TPUCH6      | bidir         | 0          | 480          | 0             | Z              | I/O          | 5vsa     |
| 482      | BC_2      | *             | controlr      | 0          |              |               |                |              |          |
| 483      | BC_7      | C_TPUCH5      | bidir         | 0          | 482          | 0             | Z              | I/O          | 5vsa     |
| 484      | BC_2      | *             | controlr      | 0          |              |               |                |              |          |
| 485      | BC_7      | C_TPUCH4      | bidir         | 0          | 484          | 0             | Z              | I/O          | 5vsa     |
| 486      | BC_2      | *             | controlr      | 0          |              |               |                |              |          |
| 487      | BC_7      | C_TPUCH3      | bidir         | 0          | 486          | 0             | Z              | I/O          | 5vsa     |
| 488      | BC_2      | *             | controlr      | 0          |              |               |                |              |          |
| 489      | BC_7      | C_TPUCH2      | bidir         | 0          | 488          | 0             | Z              | I/O          | 5vsa     |
| 490      | BC_2      | *             | controlr      | 0          |              |               |                |              |          |
| 491      | BC_7      | C_TPUCH1      | bidir         | 0          | 490          | 0             | Z              | I/O          | 5vsa     |
| 492      | BC_2      | *             | controlr      | 0          |              |               |                |              |          |

**Table 24-1. MPC565 Boundary Scan Bit Definition (continued)**

| BSDL Bit | Cell Type | Pin/Port Name         | BSDL Function | Safe Value | Control Cell | Disable Value | Disable Result | Pin Function | Pad Type |
|----------|-----------|-----------------------|---------------|------------|--------------|---------------|----------------|--------------|----------|
| 493      | BC_7      | C_TPUCH0              | bidir         | 0          | 492          | 0             | Z              | I/O          | 5vsa     |
| 494      | BC_2      | *                     | controlr      |            |              |               |                |              |          |
| 495      | BC_7      | MCKI                  | bidir         | 0          | 494          | 0             | Z              | I            | 26v      |
| 496      | BC_2      | *                     | controlr      | 0          |              |               |                |              |          |
| 497      | BC_7      | MDI_0                 | bidir         | 0          | 496          | 0             | Z              | I            | 26v      |
| 498      | BC_2      | *                     | controlr      | 0          |              |               |                |              |          |
| 499      | BC_7      | MDI_1                 | bidir         | 0          | 498          | 0             | Z              | I            | 26v      |
| 500      | BC_2      | *                     | controlr      | 0          |              |               |                |              |          |
| 501      | BC_7      | MSEI_B                | bidir         | 0          | 500          | 0             | Z              | I            | 26v      |
| 502      | BC_2      | *                     | internal      | 1          |              |               |                |              |          |
| 503      | BC_2      | MDO_1                 | output2       | 1          |              |               |                | O            | 26v      |
| 504      | BC_2      | *                     | internal      | 1          |              |               |                |              |          |
| 505      | BC_2      | MDO_0                 | output2       | 1          |              |               |                | O            | 26v      |
| 506      | BC_2      | *                     | internal      | 1          |              |               |                |              |          |
| 507      | BC_2      | MCKO                  | output2       | 1          |              |               |                | I/O          | 26v      |
| 508      | BC_2      | *                     | controlr      | 0          |              |               |                |              |          |
| 509      | BC_7      | MDO_7_MPIO32B7        | bidir         | 0          | 508          | 0             | Z              | I/O          | 26v5vs   |
| 510      | BC_2      | *                     | controlr      | 0          |              |               |                |              |          |
| 511      | BC_7      | MDO_6_MPIO32B8        | bidir         | 0          | 510          | 0             | Z              | I/O          | 26v5vs   |
| 512      | BC_2      | *                     | controlr      | 0          |              |               |                |              |          |
| 513      | BC_7      | MDO_5_MPIO32B9        | bidir         | 0          | 512          | 0             | Z              | I/O          | 26v5vs   |
| 514      | BC_2      | *                     | controlr      | 0          |              |               |                |              |          |
| 515      | BC_7      | MDO_4_MPIO32B10       | bidir         | 0          | 514          | 0             | Z              | I/O          | 26v5vs   |
| 516      | BC_2      | *                     | internal      | 0          |              |               |                |              |          |
| 517      | BC_4      | * [RSTI_B FORCE TO 0] | internal      | 0          |              |               |                | I            | 26v      |
| 518      | BC_2      | *                     | controlr      | 0          |              |               |                |              |          |
| 519      | BC_7      | EVTI_B                | bidir         | 0          | 518          | 0             | Z              | I            | 26v      |

1. Bi-state outputs (Pin Function = O) such as mdo\_2, and mdo\_3, are incorporated with general I/O pads hard-wired to keep output enable always on in system mode. The JTAG Control cell, indicated by the next lower bsdL bit in the chain, is configured as an "internal" only cell to be held at a "1" value (always driving out) during JTAG testing.
2. Some input-only cells made with generic I/O pads are configured with "internal" control cells to keep them always in input mode, such as epee, b0epee, and input pins that may be attached to analog references. Other input-only cells are configured as bidirectional for JTAG testing, to give the board-level ATPG tools the flexibility to use the pad as an input or output, depending

## IEEE 1149.1-Compliant Interface (JTAG)

on the network of other devices that the pin is connected too. If it is desired to restrict these pins to only act as receivers during JTAG mode, then these JTAG bsdL entries can be converted as shown in the example below:

3. This description allows ATPG tools to use a pin as a driver or receiver:

|     |      |               |          |   |     |   |   |   |     |
|-----|------|---------------|----------|---|-----|---|---|---|-----|
| 188 | BC_2 | *             | controlr | 0 |     |   |   |   |     |
| 189 | BC_7 | irq6_b_modck2 | bidir    | 0 | 188 | 0 | Z | I | 26v |

4. A modification to restrict ATPG tools to use a functional input-only pin as an input receiver only:

|     |      |               |          |   |  |  |  |   |     |
|-----|------|---------------|----------|---|--|--|--|---|-----|
| 188 | BC_2 | *             | internal | 0 |  |  |  |   |     |
| 189 | BC_4 | irq6_b_modck2 | input    | X |  |  |  | I | 26v |

5. The PORESET, HRESET, and SRESET pins are not part of the JTAG boundary scan chain. These pins are used in the reset configuration to enter JTAG. Board-level connections to them will not be testable with the EXTEST and CLAMP instructions. They do respond to the HI-Z JTAG instruction for parametric testing purposes.

6. The XTAL, EXTAL, and XFC pins are associated with analog signals and are excluded from the boundary scan chain.

7. The READI module reset pin, rsti\_b, (bsdL pin 517) is in the JTAG boundary scan chain, but must be kept at a “0” level during JTAG testing, (except for Hi-Z testing), due to system interactions. It is classified as a “linkage” pin, and its data and control cells are configured to advise ATPG tools to drive a “0” value in during JTAG testing.

8. Pad type naming conventions:

- 26 V – 2.6 V
- 5 V – 5 V
- s – slow
- f – fast
- h – high drive
- a – analog input
- i – input only
- d – has direct connection to the pad (may be used for module test)
- r – resized cell instance

9. Column Descriptions:

- Columns 1 through 8 are entries from the boundary-scan description from the BSDL file. The columns and formats for each of these entries are defined in the IEEE Std. 1149.1b-1994 Supplement to the IEEE Std. 1149.1-1990, IEEE Standard Test Access Port and Boundary-Scan Architecture document. Descriptions of these columns are described below:
- Column 1: Defines the bit’s ordinal position in the boundary scan register. The shift register cell nearest TDO (i.e., first to be shifted in) is defined as bit 0; the last bit to be shifted in is 519.
- Column 2: References one of the three standard JTAG Cell Types (BC\_4, BC\_2, and BC\_7) that are used for this JTAG cell in the MPC565. See the IEEE Std. 1149.1-1990, IEEE Standard Test Access Port and Boundary-Scan Architecture document for further description of these standard cell types.
- Column 3: Lists the pin name (also called the PortID) for all pin-related cells. For JTAG control cells or data cells that have been designated as “internal”, an asterisk, is shown in this column.
- Column 4: Lists the BSDL pin function.
- Column 5: The “safe bit” column specifies the value that should be loaded into the capture (and update) flip-flop of a given cell when board-level test generation software might otherwise choose a value randomly.
- Column 6: The “control cell” column identifies the cell number of the control cell that is associated with this data cell, and can disable its output.
- Column 7: The “disable value” column gives the value that must be scanned into the control cell identified by the previous “control cell” (column 6) to disable the port named by the relevant portID.
- Column 8: The “disable result” column identifies a given signal value of the PortID if that signal can be disabled. The values shown specifies the condition of the driver of that signal when it is disabled.
- Column 9: The “pin function” column indicates the normal system pin directionality. (– Input Only Pin, O – Output Only Pin, I/O – Bidirectional I/O pin)
- Column 10: The pad type column describes relevant characteristics about each pad type. See the Pad Type Keys in Note 5 above.

## 24.1.2 Instruction Register

The MPC565 JTAG implementation includes the public instructions (EXTEST, SAMPLE/PRELOAD, and BYPASS), and also supports the CLAMP instruction. One additional public instruction (HI-Z) provides the capability for disabling all device output drivers. The MPC565 includes a 4-bit instruction register without parity consisting of a shift register with four parallel outputs. Data is transferred from the shift register to the parallel outputs during the update-IR controller state. The four bits are used to decode the five unique instructions listed in.

**Table 24-2. Instruction Decoding**

| Code |    |    |                 | Instruction      |
|------|----|----|-----------------|------------------|
| B3   | B2 | B1 | B0 <sup>1</sup> |                  |
| 0    | 0  | 0  | 0               | EXTEST           |
| 0    | 0  | 0  | 1               | SAMPLE/PRELOAD   |
| 0    | X  | 1  | X               | BYPASS           |
| 0    | 1  | 0  | 0               | HI-Z             |
| 0    | 1  | 0  | 1               | CLAMP and BYPASS |

<sup>1</sup> B0 (LSB) is shifted first

The parallel output of the instruction register is reset to all ones in the test-logic-reset controller state.

### NOTE

This preset state is equivalent to the BYPASS instruction.

During the capture-IR controller state, the parallel inputs to the instruction shift register are loaded with the CLAMP command code.

### 24.1.2.1 EXTEST

The external test (EXTEST) instruction selects the 520-bit boundary scan register. EXTEST also asserts internal reset for the MPC565 system logic to force a predictable beginning internal state while performing external boundary scan operations.

By using the TAP, the register is capable of:

- a) scanning user-defined values into the output buffers
- b) capturing values presented to input pins
- c) controlling the output drive of three-state output or bidirectional pins

### 24.1.2.2 SAMPLE/PRELOAD

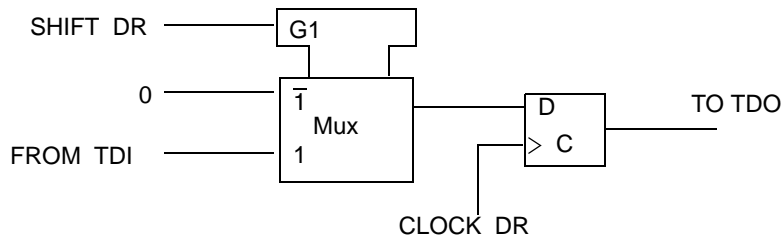
The SAMPLE/PRELOAD instruction initializes the boundary scan register output cells prior to selection of EXTEST. This initialization ensures that known data will appear on the outputs when entering the EXTEST instruction. The SAMPLE/PRELOAD instruction also provides a means to obtain a snapshot of system data and control signals.

## NOTE

Since there is no internal synchronization between the scan chain clock (TCK) and the system clock (CLKOUT), there must be provision of some form of external synchronization to achieve meaningful results.

### 24.1.2.3 BYPASS

The BYPASS instruction selects the single-bit bypass register as shown in [Figure 24-4](#). This creates a shift register path from TDI to the bypass register and, finally, to TDO, circumventing the 520-bit boundary scan register. This instruction is used to enhance test efficiency when a component other than the MPC565 becomes the device under test.



**Figure 24-4. Bypass Register**

When the bypass register is selected by the current instruction, the shift register stage is set to a logic zero on the rising edge of TCK in the capture-DR controller state. Therefore, the first bit to be shifted out after selecting the bypass register will always be a logic zero.

### 24.1.2.4 CLAMP

The CLAMP instruction selects the single-bit bypass register as shown in [Figure 24-4](#), and the state of all signals driven from system output pins is completely defined by the data previously shifted into the boundary scan register (for example, using the SAMPLE/PRELOAD instruction).

### 24.1.3 HI-Z

The HI-Z instruction is provided as a manufacturer's optional public instruction to prevent having to backdrive the output pins during circuit-board testing. When HI-Z is invoked, all output drivers, including the two-state drivers, are turned off (i.e., high impedance). The instruction selects the bypass register.

## 24.2 MPC565 Restrictions

The control afforded by the output enable signals using the boundary scan register and the EXTEST instruction requires a compatible circuit-board test environment to avoid device-destructive configurations. The user must avoid situations in which the MPC565 output drivers are enabled into actively driven networks.



The MPC565 features a low-power stop mode. The interaction of the scan chain interface with low-power stop mode is as follows:

1. The TAP controller must be in the test-logic-reset state to either enter or remain in the low-power stop mode. Leaving the TAP controller in the test-logic-reset state negates the ability to achieve low-power, but does not otherwise affect device functionality.
2. The TCK input is not blocked in low-power stop mode. To consume minimal power, the TCK input should be externally connected to  $V_{DD}$  or ground.
3. The TMS and TDI pins include on-chip pull-up resistors. In low-power stop mode, these three pins should remain either unconnected or connected to  $V_{DD}$  to achieve minimal power consumption.

### 24.2.1 Non-Scan Chain Operation

In non-scan chain operation, there are two constraints. First, the TCK input does not include an internal pull-up resistor and should not be left unconnected to preclude mid-level inputs. The second constraint is to ensure that the scan chain test logic is kept transparent to the system logic by forcing TAP into the test-logic-reset controller state, using either of two methods. Connecting pin JCOMP to logic 0 (or one of the reset pins), or TMS must be sampled as a logic one for five consecutive TCK rising edges. If then TMS either remains unconnected or is connected to  $V_{DD}$ , then the TAP controller cannot leave the test-logic-reset state, regardless of the state of TCK.

### 24.2.2 BSDL Description

The BSDL file for the MPC565 can be found on the Freescale MPC565 web site.



## Appendix A

# MPC566 Compression Features

The MPC566 contains a number of code compression features not found in the MPC565 that function from the burst buffer controller module (BBC) module of the device.

The BBC's instruction code decompressor unit (ICDU) is responsible for on-line (previously compressed) instruction code decompression in the decompression on mode. The ICDU contains a 4-Kbyte RAM (DECRAM) that is used for decompressor vocabulary table storage when compression is enabled or as general-purpose memory on the U-bus when compression is disabled.

### NOTE

The code compression features of the MPC566 are different than the code compression of the MPC565.

## A.1 ICDU Key Features

The following are instruction code decompression unit key features:

- Instruction code on-line decompression is based on an “instruction class” algorithm.
- There is no need for address translation between compressed and non-compressed address spaces — ICDU provides the “next instruction address” to the RCPU.
- In most cases, instruction decompression takes one clock.
- Code decompression is pipelined:
  - No performance penalty during sequential program flow execution
  - Minimal performance penalty due to change of program flow execution
- Two operation modes are available: decompression on and decompression off. Switches between compressed and non-compressed user application software is possible.
- Adaptive vocabularies scheme is supported; each user application can have its own optimum vocabularies.

## A.2 Class-Based Compression Model Main Principles

The operational model used by the MPC566 is explained in the sections below.

### A.2.1 Compression Model Features

- Implemented for MPC56x architecture
- Up to 50% instruction code size reduction
- No need for address translation tables

- No changes in the CPU architecture
- A compressor tool performs compression off-line in software using instruction class-based algorithms optimized for the MPC56x instruction set
- Decompression is done at run-time by special hardware
- Optimized for cache-less systems:
  - Highly effective in system solutions for a low-cache hit ratio environment and for systems with fast embedded program memory
  - Deterministic program execution
  - No performance penalty during sequential program flow execution
  - Minimal performance penalty due to change of program flow execution
- Switches between compressed and non-compressed user application sections is possible. (A compressed subroutine can call a non-compressed one and be called from non-compressed portions of the user application)
- Adaptive vocabularies, generated for a particular application
- Compressed address space is up to 1 Gbyte
- Branch displacement from its target:
  - Conditional branch displacement is up to 4 Kbytes
  - Unconditional branch displacement is up to 4 Mbytes

**NOTE**

Branch displacement is hardware limited. The compiler can enlarge the branch scope by creating branch chains.

## **A.2.2 Model Limitations**

No address arithmetic is allowed for instruction space because the address map changes during compression and no software tool can identify address arithmetic structures in the code. Address arithmetic for data tables is permitted since data space is not compressed. Only instruction space is compressed.

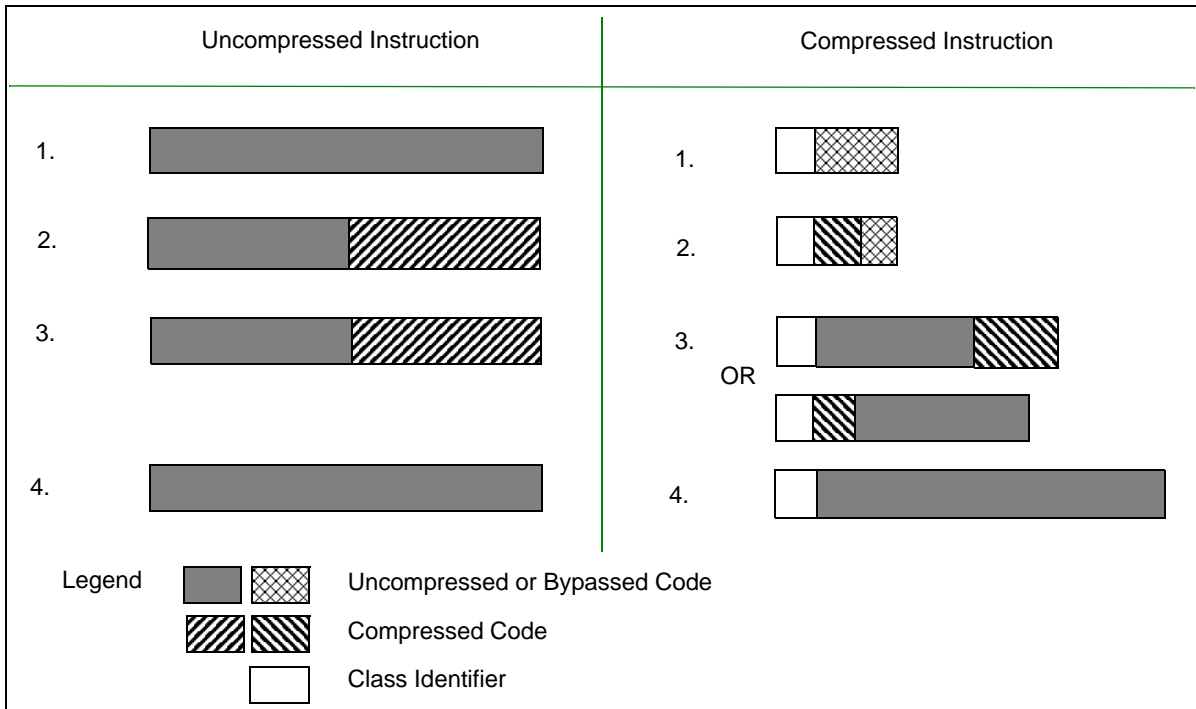
## **A.2.3 Instruction Class-Based Compression Algorithm**

The code compression algorithm is based on creating optimal vocabularies of frequently appearing RCPU RISC instructions or instruction halves and replacing these instructions with pointers to the vocabularies. The system contains several sets of vocabularies for different groups of instructions. These groups are referred to as classes.

Every instruction belongs to exactly one class. Compression of the instructions in a class may be in one of the following modes. Refer to [Figure A-1](#).

1. Compression of the whole instruction into one vocabulary pointer
2. Compression of each half of the instruction into a different vocabulary

3. Compression of one of the instruction's halves into a vocabulary pointer and bypass of the other half. A bypassed field is one for which non-compressed data (16-bit halfword or 32-bit word) is placed in the compressed code. After compression is defined, the non-compressed data field is defined in the class.
4. Bypass of the whole instruction. No compression is permitted.



**Figure A-1. Instruction Compression Alternatives**

A 4-bit class identifier is added to the beginning of each compressed instruction to supply class identification during decompression. Compressed and bypass field lengths may vary. (A fully bypassed instruction, including its 4-bit class identifier, is 36 bits.)

The compressed instruction is guaranteed to start on an even bit. Thus, four bits are needed to find the starting location of the instruction inside a memory word. The instruction address in decompression on mode consists of a 28-bit word address (1 Gbyte of address space) and a 4-bit instruction pointer (IP). See [Figure A-2](#).

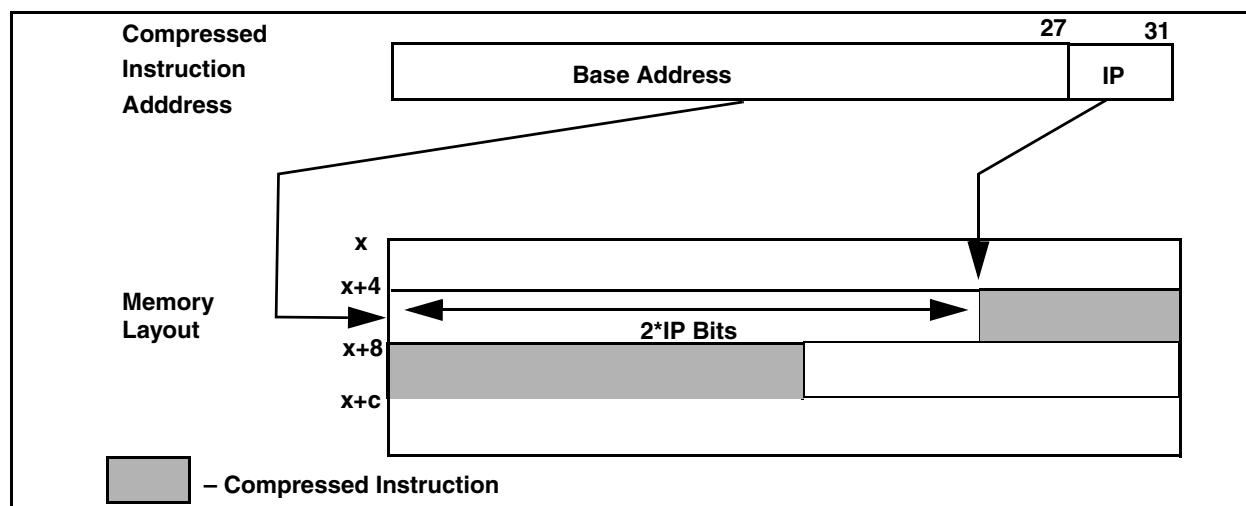


Figure A-2. Addressing Instructions with Compressed Address

## A.2.4 Compressed Address Generation with Direct Branches

During the compression process, compressed instructions change their location in the memory and are not word aligned. Displacement fields in the direct branch instructions have to be updated by the compression tool to make compressed instruction addressing possible. Four LSB bits of the displacement immediate field (LI or BD) in the compressed direct branch instructions are used for bit addressing in the 32-bit memory word. The remaining bits of the fields are used in the branch target calculation of the base address (word address). The RCPU branch unit copies the bit pointer into the IP field of issued compressed branch target address. The branch compressed target base address is calculated according the direct branch addressing mode.

If a branch has absolute addressing mode, the branch target base address is calculated as a sign extension of the base address portion of the LI (or BD) field.

If a branch has relative addressing mode, the branch target base address is calculated as a sum of the base address of the branch and sign extended base address portion of the branch LI (or BD) field.

Figure A-3 illustrates direct branch target address generation in “Decompression On” mode. The base address for the unconditional branch has 20 bits. This yields an unconditional branch displacement limit of 4 Mbytes. The word pointer for the conditional branch has 10 bits. This yields a conditional branch displacement limit of 4 Kbytes.

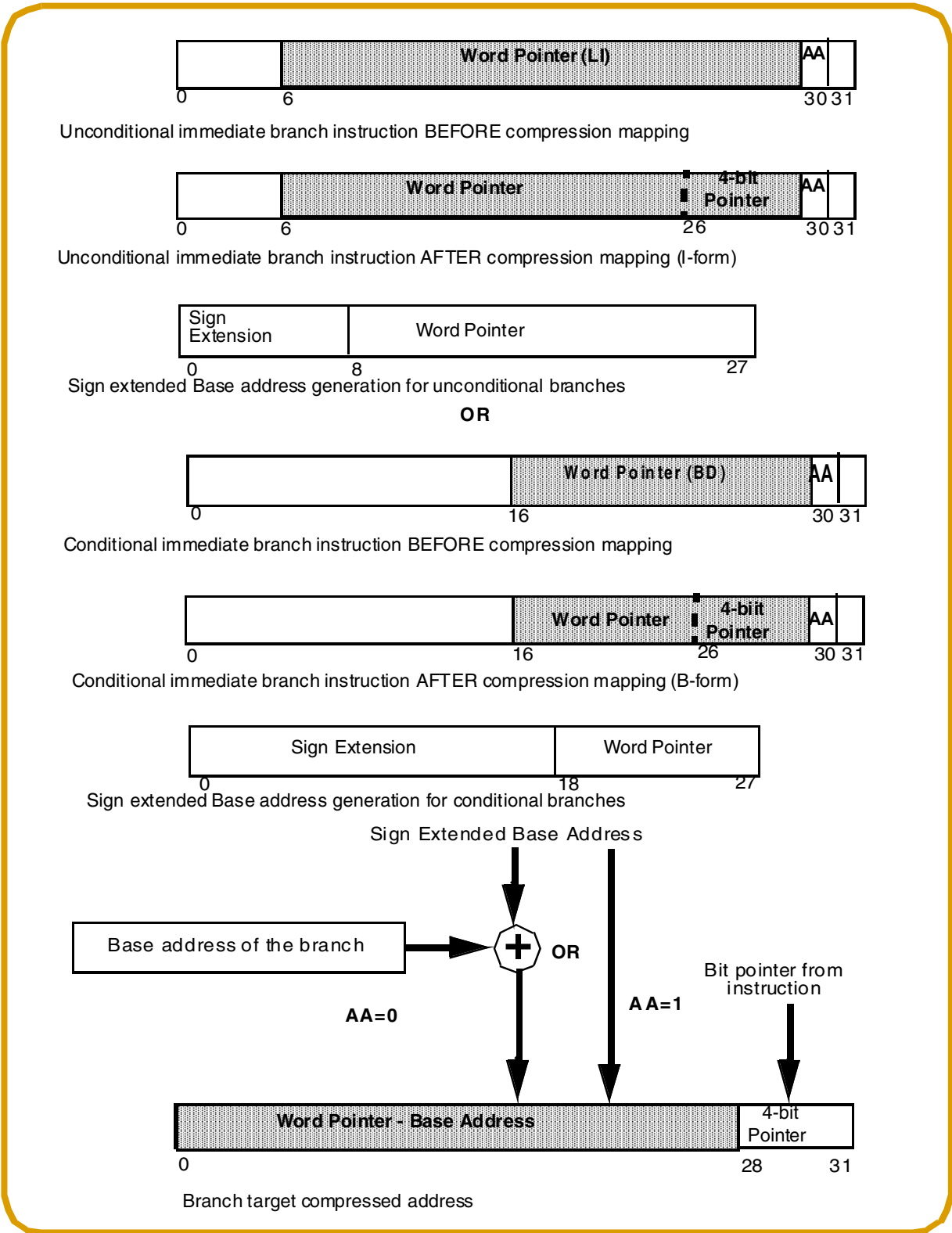


Figure A-3. Compressed Target Address Generation by Direct Branches

When a change of flow occurs, the RCPU issues the new address in compression format. The address extractor unit of the BBC extracts the base address to instruction memory. When the compressed memory word is brought to the BBC from the memory, the ICDU uses the IP field of the RCPU-issued address to decompress the instruction. The BBC provides compressed addresses of the decompressed and next instructions to the RCPU together with the decompressed instruction.

Shortened word pointer fields of direct branches in compressed mode imply some limitations on compilers that implement the PowerPC ISA architecture. They should generate binaries, with limited direct branch displacements to make the compression possible.

If a conditional branch target, generated by a compiler, must be farther than the compression mode limitation of 4 Kbytes, the compiler may generate a sequence of a conditional branch with opposite condition to skip the following unconditional branch to the original target.

If the unconditional branch range is still not big enough, the compiler can use branch chains or indirect branches.

### A.2.5 Compressed Address Generation—Indirect Branches

The indirect branch destination address is copied without any change from one of the following RCPU registers:

- LR
- CTR
- SRR0

See the *RCPU User's Manual* for more details.

These registers should contain (or be loaded by) the 32-bit compressed address of existing compressed instructions to be used for correct branching.

The LR register is automatically updated by the correct value of the “next” instruction compressed address during subroutine calls by using the ‘L’ - form of branch instructions (like *bl* or *bcl*).

The SRR0 register is updated by the correct return compressed address when exceptions are taken by the RCPU, thus the *rfi* instruction obtains the correct return address from an exception handler.

### A.2.6 Compressed Address Generation—Exceptions

Upon an exception, the RCPU core issues a regular 0xFFFF0X00 or 0x00000X00 exception vector as specified in the PowerPC ISA architecture. The compressed exception routines (or branches to them) should start (reside) at the same location in memory as noncompressed ones. The BBC ICDU passes the vectors unchanged to the MCU internal bus and provides corresponding compressed address to the RCPU together with the first exception handler instruction opcode.

This scheme allows use of the BBC exception relocation feature regardless of the MCU operational mode.

The RESET routine vector is relocated differently in decompression on and in decompression off modes. This feature may be used by a software code compression tool to guarantee that a vocabulary table initialization routine is always executed before application code is running.



## A.2.7 Class Code Compression Algorithm Rules

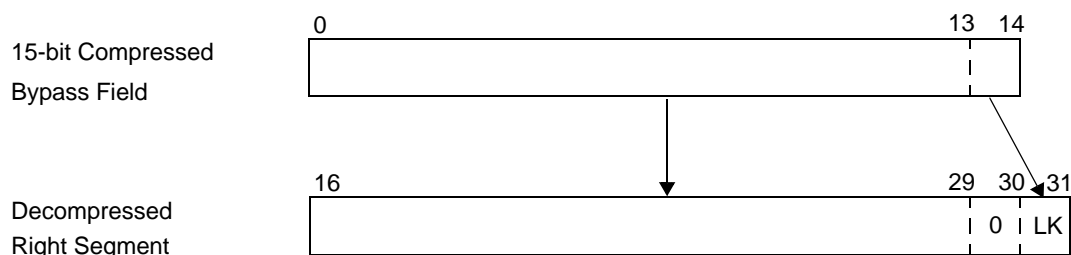
- Compressed instruction length may vary between 6 and 36 bits and is even.
- A compressed instruction can begin at any even location in a memory word.
- An instruction source may be compressed as a single 32-bit segment or as two independent 16-bit segments.
- Possible partitions of an instruction for compression are:
  - One 32-bit bypass segment
  - One 32-bit compressed segment
  - One 16-bit compressed segment and one 16-bit bypass segment
  - Two 16-bit compressed segments
- A bypass field is always the second field of the two possible. Length of a bypass field can be zero, 10, 15, 16 or 32 bits.
- The class prefix in a compressed instruction is 4 bits long and covers up to 16 classes.
- The vocabulary table pointer of each field may be 2 to 9 bits long.
- Vocabulary table pointers are reversed in the code. This means the pointer's LSB will be the first bit.
- In a class with a single segment of full compression, data is fetched from both memories.
- Every vocabulary table in the DECRAM is 16 bytes (8 entries) aligned (3 LSBs zeroed).

## A.2.8 Bypass Field Compression Rules

The bypass field can be either a full bypass, (i.e., the whole segment from the un-compressed instruction appears as is in the compressed instruction), or it can be represented in one of several compression encoding formats. These formats are hard-wired in the decompression module.

### A.2.8.1 Branch Right Segment Compression #1

For the MPC566, a 15-bit bypass is used to indicate that the AA bit of a branch instruction should be inserted with a value of zero. The decompression process is performed as shown in [Figure A-4](#).



**Figure A-4. Branch Right Segment Compression #1**

This bypass is coded by a value of “13” (0xD) in the TP2LEN field of the DCCR register.

### A.2.8.2 Branch Right Segment Compression #2

Also created for branch instructions on the MPC566, a bypass of 10 bits indicates that the AA bit should be inserted with a value of zero and that the 5-bit word offset should be extended to 10 bits. The decompression process is performed as shown in Figure A-5.

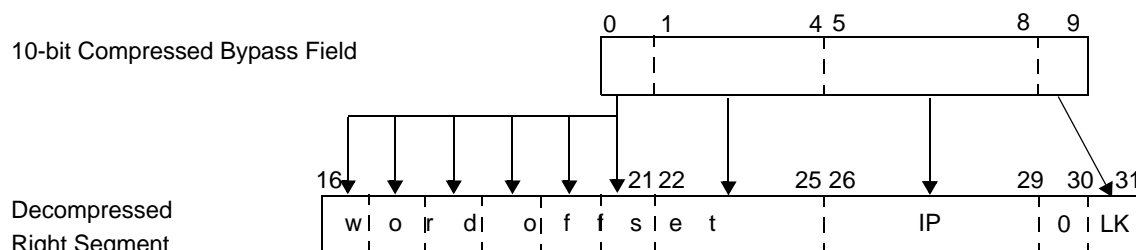


Figure A-5. Branch Right Segment Compression #2

This bypass is coded by a value of “12” (0xC) in the TP2LEN field of the DCCR register.

### A.2.8.3 Right Segment Zero Length Compression Bypass

This MPC566 bypass type indicates that no bypass data exists in the compressed instruction. The bypassed segment is 16 zero bits.

This bypass is coded by a value of “11” (0xB) in the TP2LEN field of the DCCR register.

## A.2.9 Instruction Class Structures and Programming

The four possible compression layouts of an instruction and their attributes are listed in this section. See Section A.4, “Decompressor Class Configuration Registers (DCCR0-15),” for the instruction class attributes and more programming details.

### A.2.9.1 Global Bypass

This MPC566 instruction is not compressed at all.

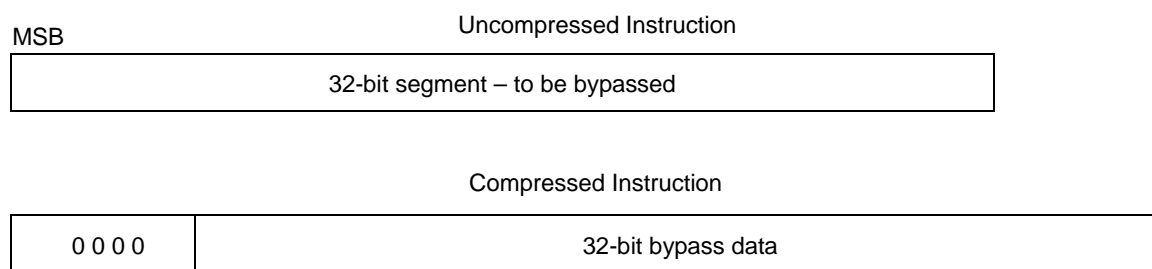
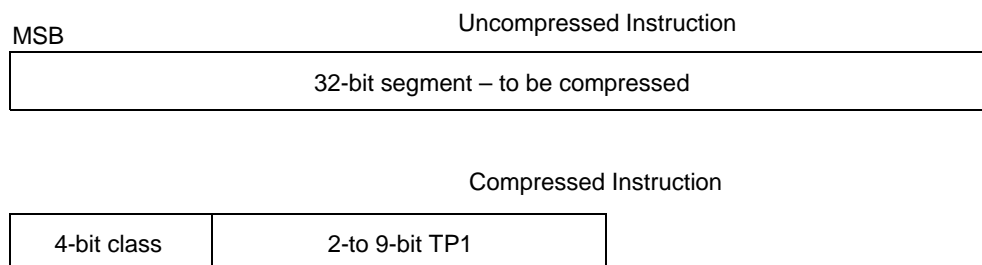


Figure A-6. Global Bypass Instruction Layout

This class does not have a configuration register. Its prefix is hard-wired to ‘0000’ and no other attributes are needed.

### A.2.9.2 Single Segment Full Compression – CLASS\_1

This MPC566 instruction is compressed into a single segment. The vocabulary table pointer points to an offset in tables of all RAMs (DECRAMs).



**Figure A-7. CLASS\_1 Instruction Layout**

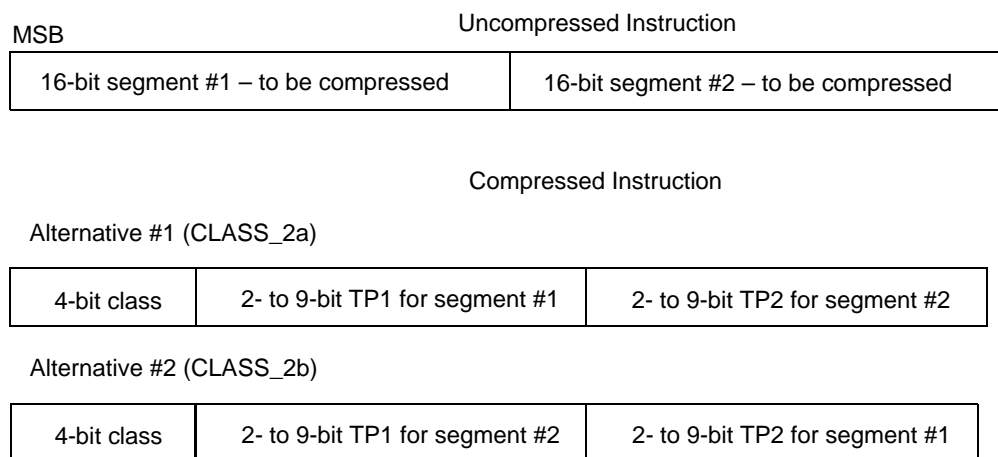
The definition of the class includes:

- TP1 length = 2-9
- TP2 length = 0
- TP1 base address, TP2 base address = the two tables' base addresses for RAM #1 and RAM #2, respectively.
- AS, DS=0

Data brought from RAM#1 is the 16 MSBs of the decompressed instruction and data brought from RAM#2 is the 16 LSBs of the decompressed instruction.

### A.2.9.3 Twin Segment Full Compression – CLASS\_2

This MPC566 instruction is divided into two segments. Each segment is compressed and mapped into a different vocabulary. The vocabularies reside in different RAMs. Proper programming can swap the vocabularies' locations.



**Figure A-8. CLASS\_2 Instruction Layout**

The definition of the class includes:

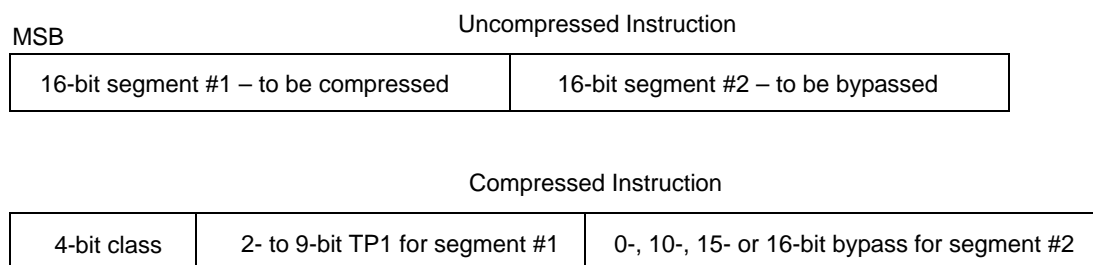
## MPC566 Compression Features

- TP1 length=2-9
- TP2 length=2-9
- AS=0
- For alternative #1:
  - TP1 base address = base address of segment #1 vocabulary in RAM #1
  - TP2 base address = base address of segment #2 vocabulary in RAM #2
  - DS=0
- For alternative #2:
  - TP1 base address = base address of segment #2 vocabulary in RAM #1
  - TP2 base address = base address of segment #1 vocabulary in RAM #2
  - DS=1

Alternatives #1 and #2 are referred to as CLASS\_2a and CLASS\_2b respectively.

### A.2.9.4 Left Segment Compression and Right Segment Bypass – CLASS\_3

For the MPC566, the instruction is divided into two segments. The left segment is compressed and mapped into a vocabulary. The vocabulary location is programmable. The right segment is either fully bypassed by a 16-bit field or by a shorter field which is decompressed according to fixed rules.



**Figure A-9. CLASS\_3 Instruction Layout**

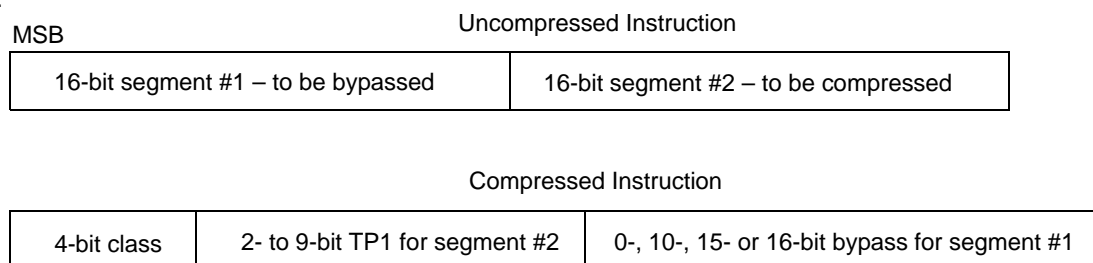
The definition of the class includes

- TP1 length=2-9
- TP2 length=0xB, 0xC, 0xD, or 0xE indicating a 0, 10, 15 or 16 bit bypass, respectively.
- TP1 base address = base address of segment #1 vocabulary in RAM #1, if it exists there.
- TP2 base address = base address of segment #1 vocabulary in RAM #2, if it exists there.
- DS=0
- AS=0 or 1 directing access to the vocabulary in RAM #1 or RAM #2, respectively.

When the vocabulary is located in RAM #1, the class will be referred to as CLASS\_3a and when the vocabulary is located in RAM #2, the class will be referred to as CLASS\_3b.

### A.2.9.5 Left Segment Bypass and Right Segment Compression—CLASS\_4

This MPC566 instruction is divided into two segments. The left segment is either fully bypassed by a 16-bit field or by a shorter field which is decompressed according to fixed rules. The right segment is compressed and mapped into a vocabulary. The vocabulary location is programmable. The compressed fields must be swapped in the compressed instruction order to follow the rule that bypass appears only in the second field of a compressed instruction.



**Figure A-10. CLASS\_4 Instruction Layout**

The definition of the class includes:

- TP1 length=2-9
- TP2 length=0xB, 0xC, 0xD, or 0xE indicating a 0, 10, 15 or 16 bit bypass, respectively.
- TP1 base address = base address of segment #1 vocabulary in RAM #1, if it exists there
- TP2 base address = base address of segment #1 vocabulary in RAM #2, if it exists there
- DS=1
- AS=0 or 1 directing access to the vocabulary in RAM #1 or RAM #2, respectively.

When the vocabulary is located in RAM #1, the class is referred to as CLASS\_4band when the vocabulary is located in RAM #2, the class is referred to as CLASS\_4a. Refer to [Table A-4](#).

### A.2.10 Instruction Layout Programming Summary

[Table A-4](#) summarizes the programming for all possible compressed instruction layouts.

The un-compressed instruction of two half-words are referred as H1 & H2. The compressed instruction can be built out of: (1) X1 field – representing a vocabulary pointer for encoding of either H1 or H1+H2; (2) X2 field – representing a vocabulary pointer for encoding of H2; and (3) BP – representing a bypass field.

Vocabularies V1 and V2 refer to the 16 MSB and 16 LSB of the uncompressed instruction, respectively.

### A.2.11 Compression Process

The compression process is implemented by the following steps. See [Figure A-11](#).

- User code compilation/linking
- Vocabulary and class generation
- User application code compression by a software compression tool

The vocabulary and class configurations are generated by profiling the static code, based on the instruction class algorithm.

The code compression can be created by using either default or specific application vocabularies, generated at the previous step. In case of default vocabularies, the generation step can be omitted, but compression efficiency is reduced.

The compression tool replaces regular PowerPC ISA instructions with a compressed representation that contains fewer bits. The tool also updates offset fields in direct branch instructions to include a compressed format offset (four bits of IP and word offset). Thus, maximum branch offsets in decompression on mode are reduced. The RCPU uses the word offset for direct branch target address computation. The RCPU provides the instruction pointer portion of the branch offset field to the decompression unit as it is represented in the branch instruction.

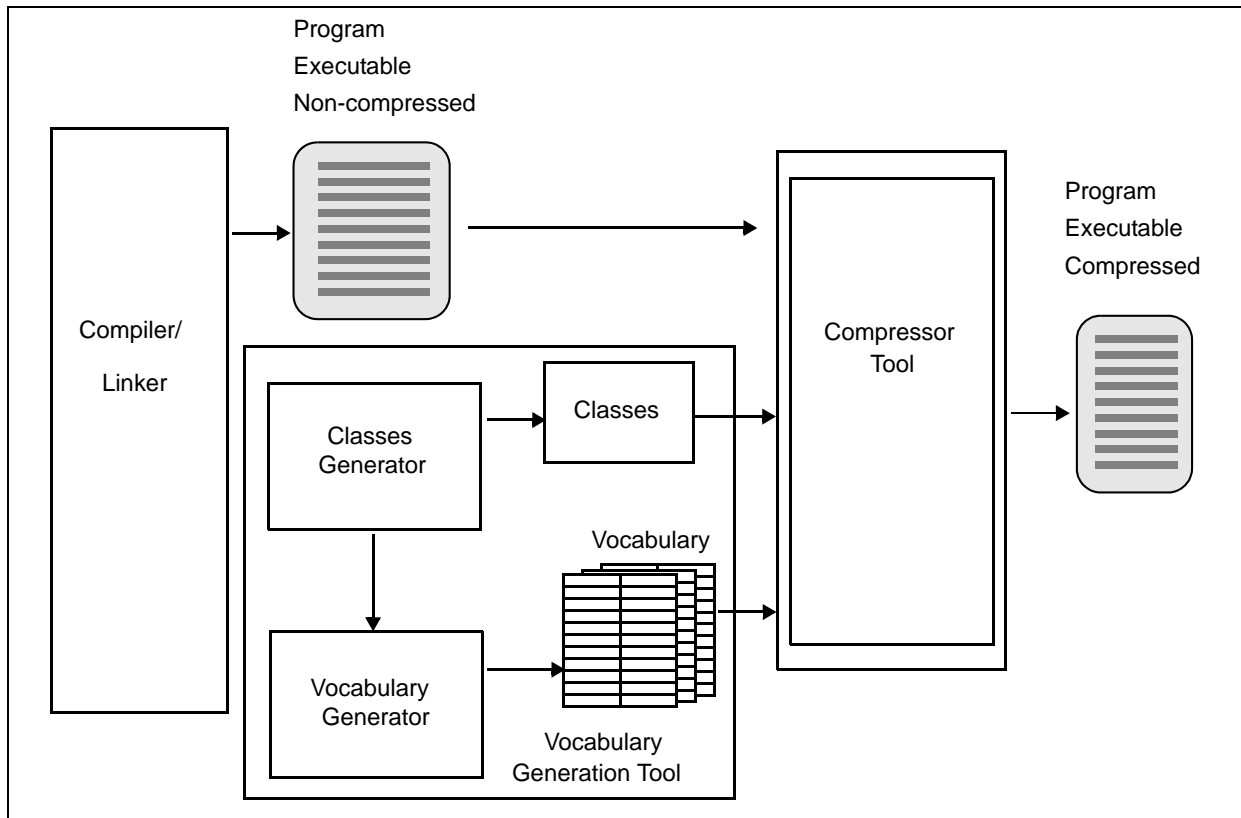


Figure A-11. Code Compression Process

### A.2.12 Decompression

- The instruction code is stored in the memory in the compressed format
- The vocabularies are stored in a dedicated ICDU RAM (DECRAM)
- The class configuration is stored in a dedicated ICDU register (DCCR)
- The decompression is done on-line by the dedicated decompressor unit
- Decompression flow is as follows: (See [Figure A-12](#))
  - RCPU provides to the BBC a 2-bit aligned change of flow (COF) address

- The ICDU:
  - Converts the COF address to a word-aligned physical address to access the memory
  - Fetches the compressed instruction code from the memory, decompresses it and delivers non-compressed instruction code, together with the bit-aligned next instruction address, to the RCPU.

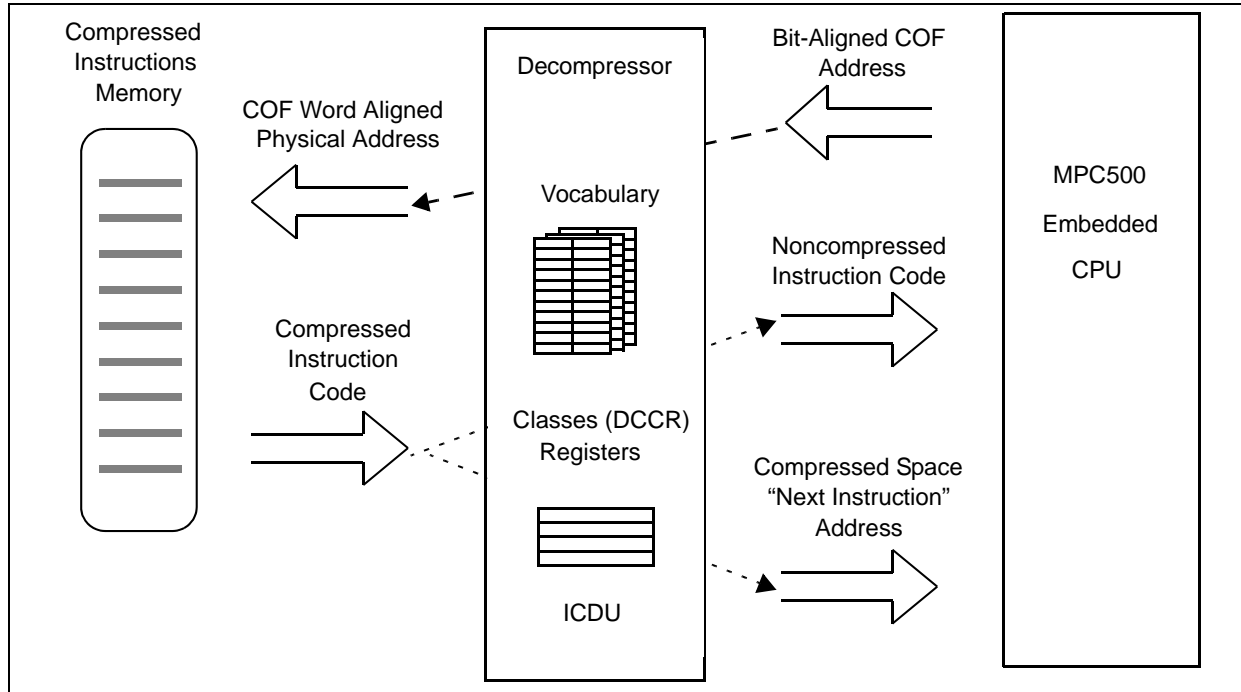


Figure A-12. Code Decompression Process

### A.2.13 Compression Environment Initialization

In order to commence the execution of the compressed code, the DECRAM and the class information (in the DCCR registers) must be programmed. The data to be programmed is supplied by the compressor tool and the vocabulary generator. There are two initialization scenarios:

1. Wake up in decompression off mode — If the chip wakes up with decompression disabled, the initialization routine can be executed at any time before entering decompression on mode. After the compression environment is initialized, the operational mode would be changed to decompression on.
2. Wake up in decompression on mode — If the chip wakes up in decompression on mode, it has to process compressed instructions without the vocabularies and class parameters. Thus, all instructions executed until the end of the initialization routine should be compressed in the global bypass format. DECRAM loading is an essential part of this initialization routine. After DECRAM loading, efficient compressed code may be used.

## A.2.14 Compression/Non-Compression Mode Switch

The MPC566 allows the option to switch between compressed and non-compressed code on the fly. There are two ways to switch between the modes, as shown in [Section A.2.14.1, “Compression Definition for Exception Handlers,”](#) and [Section A.2.14.2, “Running Mixed Code.”](#)

### A.2.14.1 Compression Definition for Exception Handlers

The MPC566 can wake up upon reset with all the exception handlers defined to be compressed (or not), so when any exception occurs or completes, the hardware switches to the appropriate mode without software intervention.

### A.2.14.2 Running Mixed Code

If the compression mode is enabled on the MPC566, the software can switch between compressed and non-compressed code by setting (or clearing) the compression mode bit in the RCPUR MSR register. This is done by setting/clearing bit 29 in the RCPUR SRR1 register (SRR1 gets loaded into the MSR register when the rfi instruction is executed. Bit 29 is the DCOMPEN bit of the MSR). The next step is to load SRR0 with a target address in compressed/non-compressed format and then executing an rfi instruction. Following is a suggested routine to execute the switch in both directions (must be run in supervisor mode when RCPUR MSR[PR] bit is cleared):

```
# R30 contains destination address in appropriate format
.set turn_on_compression_bit_mask, 4
.set turn_off_compression_bit_mask, 0xffffb
mfmsr    r31
# to go to compressed code
ori      r31,r31,turn_on_compression_bit_mask
# or alternative to go to uncompressed code:
andi.   r31,r31,turn_off_compression_bit_mask
mtspr   NRI,r0 # Disable external interrupts
mtspr   SRR1,r31
mtspr   SRR0,r30 # destination address load
rfi     # branch and modify MSR
```

#### NOTE

When BBCMCR[EN\_COMP] (bit 21) is set, modification of MSR[DCMPEN] (bit 29) by mtmsr instruction is strictly forbidden. It may cause the machine to hang until reset.

## A.3 Operation Modes

### A.3.1 Instruction Fetch

The MPC566 provides two instruction fetch modes: decompression off and decompression on.

The operational modes are defined by RCPUR MSR[DCMPEN] bit. If the bit is set, the mode is decompression on. Otherwise, it is in decompression off.



### A.3.1.1 Decompression Off Mode

Refer to [Section 4.2.1.1, “Decompression Off Mode”](#) for an explanation of decompression off.

### A.3.1.2 Decompression On Mode

In this mode, the MPC566's RCPU sends the two-bit aligned change of flow (COF) address to the BBC. The BIU transfers the word portion of the address to the U-bus. The BBC continues to pre-fetch the data from the consequent memory addresses regardless of whether the RCPU requests them in order to supply data to the ICDU.

In the MPC566, the data coming from the instruction memory is not provided directly to the RCPU, but loaded into the ICDU for decompression. Decompressed instruction code together with “next instruction address” are provided to the RCPU whenever it requires another instruction fetch.

All addresses issued by the BIU to the U-bus are transferred in parallel to the IMPU. The IMPU compares the address of the access to its region programming. If any protection violation is detected by the IMPU, the current U-bus access is aborted by the BIU and an instruction storage protection error exception is signaled to the RCPU.

Show cycle and program trace access attributes accompanying the COF RCPU access only are forwarded by the BIU along with the U-bus access. Additional information about the IP of the compressed instruction address is provided on the U-bus data bus. Refer below to [Section A.3.1.2.1, “Show Cycles in Decompression On Mode,”](#) for more details.

In this mode the MPC566's ICDU DEGRAM is used as a decompressor vocabulary storage and may not be used as a general purpose RAM.

#### A.3.1.2.1 Show Cycles in Decompression On Mode

In the MPC566's decompression on mode, the instruction address consists of an instruction base address and four bits of the instruction bit pointer. In order to provide the capability to show full instruction address, including instruction bit pointer on the external bus, show cycle information is presented not only on the address bus, but also on some bits of the data bus:

- ADDR[0:29] – show the value of the base address of compressed instruction (word pointer into the memory)
- DATA[0] – shows in which mode the MPC566 is operating
  - 0 = decompression off mode
  - 1 = decompression on mode
- DATA[1:4] – represent an instruction bit pointer within the word.

Instruction show cycle bus transactions have the following characteristics (see [Figure 9-41](#)):

- One clock cycle
- Address phase only; in decompression on mode part of the compressed address is driven on data lines together with address lines. The external bus interface adds one clock delay between a read cycle and such show cycle.
- $\overline{\text{STS}}$  assertion only (no  $\overline{\text{TA}}$  assertion)

**NOTE**

The BBCMCR[DECOMP\_SC\_EN] bit determines if the data portion (DATA[0:4]) of the instruction show cycle is driven or not, regardless of decompression mode (BBCMCR[EN\_COMP] bit)

**A.3.2 Vocabulary Table Storage Operation**

The MPC566 uses DECRAM for decompressor vocabulary tables (VT1 and VT2) storage in decompression on mode. The ICDU utilizes DECRAM as four separately accessed 2-Kbyte RAM arrays (16 bits wide) that are accessed via internal ICDU buses. The VTs should be loaded before the decompression process starts. In order to allow decompression, the DECRAM must be disabled for the U-bus accesses after VTs and decompressor class configuration registers (DCCRs) are initialized.

**A.3.3 READI Compression**

Setting BBCMCR[DECOMP\_SC\_EN] when decompression is enabled allows READI to track the compressed code (see Chapter 23, “READI Module”). BBCMCR[DECOMP\_SC\_EN] should not be set if there is no intention to use compressed code, as it will degrade U-bus performance. The show cycle may be delayed by one clock by the USIU if the show cycle occurs after an external device read cycle. Refer to Section 23.6.5.2, “Compressed Code Mode Guidelines.”

The ICTRL register must be programmed such that a show cycle will be performed for all changes in the program flow (ISCTL field = 0b01), or the PTM bit must be set and ISCTL must be set to a value other than 0b11. (See Table A-2.)

**A.3.3.1 I-Bus Support Control Register (ICTRL)**

|       |                     |  |      |  |             |  |             |  |             |  |             |  |             |  |             |  |             |  |             |  |     |  |                       |  |    |  |    |  |    |  |     |  |  |  |  |  |  |  |  |  |  |  |  |  |  |
|-------|---------------------|--|------|--|-------------|--|-------------|--|-------------|--|-------------|--|-------------|--|-------------|--|-------------|--|-------------|--|-----|--|-----------------------|--|----|--|----|--|----|--|-----|--|--|--|--|--|--|--|--|--|--|--|--|--|--|
| MSB   |                     |  |      |  |             |  |             |  |             |  |             |  |             |  |             |  |             |  |             |  |     |  |                       |  |    |  |    |  |    |  | LSB |  |  |  |  |  |  |  |  |  |  |  |  |  |  |
|       | 0                   |  | 1    |  | 2           |  | 3           |  | 4           |  | 5           |  | 6           |  | 7           |  | 8           |  | 9           |  | 10  |  | 11                    |  | 12 |  | 13 |  | 14 |  | 15  |  |  |  |  |  |  |  |  |  |  |  |  |  |  |
| Field | CTA                 |  |      |  | CTB         |  |             |  | CTC         |  |             |  | CTD         |  |             |  | IWP0        |  | IWP1        |  |     |  |                       |  |    |  |    |  |    |  |     |  |  |  |  |  |  |  |  |  |  |  |  |  |  |
| Reset | 0000_0000_0000_0000 |  |      |  |             |  |             |  |             |  |             |  |             |  |             |  |             |  |             |  |     |  |                       |  |    |  |    |  |    |  |     |  |  |  |  |  |  |  |  |  |  |  |  |  |  |
| Field | IWP2                |  | IWP3 |  | SIWP0<br>EN |  | SIWP1<br>EN |  | SIWP2<br>EN |  | SIWP3<br>EN |  | DIWP0<br>EN |  | DIWP1<br>EN |  | DIWP2<br>EN |  | DIWP3<br>EN |  | IFM |  | ISCT_SER <sup>1</sup> |  |    |  |    |  |    |  |     |  |  |  |  |  |  |  |  |  |  |  |  |  |  |
| Reset | 0000_0000_0000_0000 |  |      |  |             |  |             |  |             |  |             |  |             |  |             |  |             |  |             |  |     |  |                       |  |    |  |    |  |    |  |     |  |  |  |  |  |  |  |  |  |  |  |  |  |  |
| Addr  | SPR 158             |  |      |  |             |  |             |  |             |  |             |  |             |  |             |  |             |  |             |  |     |  |                       |  |    |  |    |  |    |  |     |  |  |  |  |  |  |  |  |  |  |  |  |  |  |

**Figure A-13. I-Bus Support Control Register (ICTRL)**

<sup>1</sup> Changing the instruction show cycle programming starts to take effect only from the second instruction after the actual mtspr to ICTRL.

**Table A-1. ICTRL Bit Descriptions**

| Bits  | Mnemonic | Description  | Function   |   |
|-------|----------|--|--|---|
|       |          |  | Non-compressed mode  | Compressed Mode <sup>1</sup>  |
| 0:2   | CTA      | Compare type of comparator A   | 0xx = not active (reset value)<br>100 = equal<br>101 = less than<br>110 = greater than<br>111 = not equal  | 1xx = not active<br>000 = equal (reset value)<br>001 = less than<br>010 = greater than<br>011 = not equal |
| 3:5   | CTB      | Compare type of comparator B   |  |   |
| 6:8   | CTC      | Compare type of comparator C   |  |   |
| 9:11  | CTD      | Compare type of comparator D   |  |   |
| 12:13 | IWP0     | I-bus 1st watchpoint programming   | 0x = not active (reset value)<br>10 = match from comparator A<br>11 = match from comparators (A&B)   |   |
| 14:15 | W1       | I-bus 2nd watchpoint programming   | 0x = not active (reset value)<br>10 = match from comparator B<br>11 = match from comparators (A   B)   |   |
| 16:17 | IWP2     | I-bus 3rd watchpoint programming   | 0x = not active (reset value)<br>10 = match from comparator C<br>11 = match from comparators (C&D)   |   |
| 18:19 | IWP3     | I-bus 4th watchpoint programming   | 0x = not active (reset value)<br>10 = match from comparator D<br>11 = match from comparators (C   D)<br>0x = not active (reset value)<br>10 = match from comparator D<br>11 = match from comparators (C   D) |   |
| 20    | SIWP0EN  | Software trap enable selection of the 1st I-bus watchpoint                         | 0 = trap disabled (reset value)<br>1 = trap enabled  | 0 = trap disabled (reset value)<br>1 = trap enabled   |
| 21    | SIWP1EN  | Software trap enable selection of the 2nd I-bus watchpoint                         |  |   |
| 22    | SIWP2EN  | Software trap enable selection of the 3rd I-bus watchpoint                         |  |   |
| 23    | SIWP3EN  | Software trap enable selection of the 4th I-bus watchpoint                         |  |   |
| 24    | DIWP0EN  | Development port trap enable selection of the 1st I-bus watchpoint (read only bit) | 0 = trap disabled (reset value)<br>1 = trap enabled  | 0 = trap disabled (reset value)<br>1 = trap enabled   |
| 25    | DIWP1EN  | Development port trap enable selection of the 2nd I-bus watchpoint (read only bit) |  |   |
| 26    | DIWP2EN  | Development port trap enable selection of the 3rd I-bus watchpoint (read only bit) |  |   |
| 27    | DIWP3EN  | Development port trap enable selection of the 4th I-bus watchpoint (read only bit) |  |   |

**Table A-1. ICTRL Bit Descriptions (continued)**

| Bits  | Mnemonic | Description   | Function   |  |
|-------|----------|---|--|--|
|       |          |   | Non-compressed mode  | Compressed Mode <sup>1</sup>   |
| 28    | IFM      | Ignore first match, only for I-bus breakpoints          | 0 = Do not ignore first match, used for “go to x” (reset value)<br>1 = Ignore first match (used for “continue”)  | 0 = Do not ignore first match, used for “go to x” (reset value)<br>1 = Ignore first match (used for “continue”)  |
| 29:31 | ISCT_SER | RCPU serialize control and Instruction fetch show cycle | These bits control serialization and instruction fetch show cycles. See <a href="#">Table A-2</a> for the bit definitions.<br>NOTE: Changing the instruction show cycle programming starts to take effect only from the second instruction after the actual <b>mtspr</b> to ICTRL. | These bits control serialization and instruction fetch show cycles. See <a href="#">Table A-2</a> for the bit definitions.<br>NOTE: Changing the instruction show cycle programming starts to take effect only from the second instruction after the actual <b>mtspr</b> to ICTRL. |

<sup>1</sup> MPC566 only.

**Table A-2. ISCT\_SER Bit Descriptions**

| Serialize Control (SER) | Instruction Fetch (ISCTL) | Functions Selected  |
|-------------------------|---------------------------|---|
| 0                       | 00                        | RCPU is fully serialized and show cycles will be performed for all fetched instructions (reset value) <sup>1</sup>  |
| 0                       | 01                        | RCPU is fully serialized and show cycles will be performed for all changes in the program flow                      |
| 0                       | 10                        | RCPU is fully serialized and show cycles will be performed for all indirect changes in the program flow             |
| 0                       | 11                        | RCPU is fully serialized and no show cycles will be performed for fetched instructions                              |
| 1                       | 00                        | Illegal. This mode should not be selected.  |
| 1                       | 01                        | RCPU is not serialized (normal mode) and show cycles will be performed for all changes in the program flow          |
| 1                       | 10                        | RCPU is not serialized (normal mode) and show cycles will be performed for all indirect changes in the program flow |
| 1                       | 11                        | RCPU is not serialized (normal mode) and no show cycles will be performed for fetched instructions                  |

<sup>1</sup> In compression mode, the MPC566MPC cannot perform a show cycles of all instructions. Only changes of flow or all indirect changes of flow are supported. If the ISCT\_SER bits are set to 0b000, the RCPU will show changes of flow only (i.e., treat it as if ISCT\_SER were set to 0b001).

If the processor aborts a fetch of the target of a direct branch (due to an exception), the target is not always visible on the external pins. Program trace is not affected by this phenomenon.

## A.4 Decompressor Class Configuration Registers (DCCR0-15)

The DCCR fields are programmed to achieve maximum flexibility in the vocabulary tables placement into the two DECRAM banks under constraints, implied by hardware, which are:

- A bypass field must always be in the second field of the compressed instruction
- When fetching 32 bits of decompressed instruction from the DECRAM, each 16 bits will be read from different RAM banks.

The DCCR registers should be programmed with data supplied by the code compression tool, in order to be correlated with the compressed code.

|       |  | MSB                            |    |    |    |                   |    |            |    |                    |    |           |    |                    |    |       |     |  |  |
|-------|--|--------------------------------|----|----|----|-------------------|----|------------|----|--------------------|----|-----------|----|--------------------|----|-------|-----|--|--|
|       |  | 0                              | 1  | 2  | 3  | 4                 | 5  | 6          | 7  | 8                  | 9  | 10        | 11 | 12                 | 13 | 14    | 15  |  |  |
| Field |  | TP1LEN                         |    |    |    | TP2LEN            |    |            |    | TP1BA              |    |           |    |                    |    | TP2BA |     |  |  |
| Reset |  | Unaffected                     |    |    |    |                   |    |            |    |                    |    |           |    |                    |    |       |     |  |  |
| Addr  |  | DCCR0 <sup>1</sup> 0x2F + A000 |    |    |    | DCCR4 0x2F + A010 |    |            |    | DCCR8 0x2F + A020  |    |           |    | DCCR12 0x2F + A030 |    |       |     |  |  |
|       |  | DCCR1 0x2F + A004              |    |    |    | DCCR5 0x2F + A014 |    |            |    | DCCR9 0x2F + A024  |    |           |    | DCCR13 0x2F + A034 |    |       |     |  |  |
|       |  | DCCR2 0x2F + A008              |    |    |    | DCCR6 0x2F + A018 |    |            |    | DCCR10 0x2F + A028 |    |           |    | DCCR14 0x2F + A038 |    |       |     |  |  |
|       |  | DCCR3 0x2F + A00C              |    |    |    | DCCR7 0x2F + A01C |    |            |    | DCCR11 0x2F + A02C |    |           |    | DCCR15 0x2F + A03C |    |       |     |  |  |
|       |  |                                |    |    |    |                   |    |            |    |                    |    |           |    |                    |    |       | LSB |  |  |
| Field |  | 16                             | 17 | 18 | 19 | 20                | 21 | 22         | 23 | 24                 | 25 | 26        | 27 | 28                 | 29 | 30    | 31  |  |  |
|       |  | TP2BA                          |    |    |    |                   |    | AS         |    | DS                 |    | —         |    |                    |    |       |     |  |  |
| Reset |  | Unaffected                     |    |    |    | 0                 |    | Unaffected |    |                    |    | 0000_0000 |    |                    |    |       |     |  |  |

**Figure A-14. Decompressor Class Configuration Registers<sup>1</sup> (DCCR<sub>x</sub>)**

1. The DCCR0 register is hard coded for the “bypass decompressor class.” Write accesses do not affect the DCCR0 register. The DCCR0 register will always return 0x0000 0000 when read.

**Table A-3. DCCR0-DCCR15 Field Descriptions**

| Bits  | Name   | Description   |
|-------|--------|---|
| 0:3   | TP1LEN | Length and Type of Table Pointer 1. This field's value defines the length of the field that contains a pointer to the first vocabulary table allocated for the class.<br>0x0 Empty field<br>0x1 Reserved<br>0x2 TP1 length is 2 bits<br>0x3 TP1 length is 3 bits<br>0x4 TP1 length is 4 bits<br>0x5 TP1 length is 5 bits<br>0x6 TP1 length is 6 bits<br>0x7 TP1 length is 7 bits<br>0x8 TP1 length is 8 bits<br>0x9 TP1 length is 9 bits<br>0xA to 0xF Reserved   |
| 4:7   | TP2LEN | Length and Type of Table Pointer 2. This field's value defines the length of the field that contains either a pointer to the second vocabulary table allocated for the class or a bypass field.<br>0x0 Empty field<br>0x1 Reserved<br>0x2 TP2 length is 2 bits<br>0x3 TP2 length is 3 bits<br>0x4 TP2 length is 4 bits<br>0x5 TP2 length is 5 bits<br>0x6 TP2 length is 6 bits<br>0x7 TP2 length is 7 bits<br>0x8 TP2 length is 8 bits<br>0x9 TP2 length is 9 bits<br>0xA Reserved<br>0xB TP2 field is a 0 bit compact bypass field<br>0xC TP2 field is a 10 bits compact bypass field<br>0xD TP2 field is a 15 bits compact bypass field<br>0xE TP2 field is a 16 bits bypass field<br>0xF Reserved. |
| 8:14  | TP1BA  | Base address for vocabulary table in RAM Bank 1. This field specifies the base page address of the class' vocabulary table that resides in RAM Bank 1.  |
| 15:21 | TP2BA  | Base address for vocabulary table in RAM Bank 2. This field specifies the base page address of the class' vocabulary table that resides in RAM Bank 2.  |
| 22    | AS     | Address Swap specification<br>0 Address swap operation will not be performed for the class.<br>1 Address swap operation will be performed for the class<br>For further details concerning AS operation refer to <a href="#">Table A-4</a> .   |
| 23    | DS     | Data swap specification<br>0 Data swap operation will not be performed for the class.<br>1 Data swap operation will be performed for the class.<br>For further details concerning DS operation refer to <a href="#">Table A-4</a> .   |
| 24:31 | —      | Reserved  |

Table A-4. Instruction Layout Encoding

| Configuration   | Configuration Code | TP1 Points to RAM # | TP2 Points to RAM # | TP1BA Points to |        | TP2BA Points to |        | AS | DS | Compressed Instruction Layout |
|---|--------------------|---------------------|---------------------|-----------------|--------|-----------------|--------|----|----|-------------------------------|
|   |                    |                     |                     | RAM #           | Vocab. | RAM #           | Vocab. |    |    |                               |
| Single Segment Full Compression   | CLASS 1            | 1 and 2             | —                   | 1               | V1     | 2               | V2     | —  | —  | X1 <sup>1</sup>               |
| Twin Segments Full Compression  | CLASS 2a           | 1                   | 2                   | 1               | V1     | 2               | V2     | —  | 0  | X1 X2                         |
| Twin Segments Full Compression With Swapped Vocabularies (Vocabulary In RAM #2 For MSB Segment) | CLASS 2b           |                     |                     |                 | V2     |                 | V1     |    |    | X2 X1                         |
| Left Segment Compression, Right Segment Bypassed, Vocabulary In RAM #1                          | CLASS 3a           | 1                   | Bypass              | 1               | V1     | —               | —      | 0  | 0  | X1 BP <sup>2</sup>            |
| Left Segment Compression, Right Segment Bypassed, Vocabulary In RAM #2                          | CLASS 3b           | 2                   |                     | —               | —      | 2               | V1     | 1  |    | X1 BP <sup>2</sup>            |
| Left Segment Bypassed, Right Segment Compression, Vocabulary In RAM #1                          | CLASS 4b           | 1                   |                     | 1               | V2     | —               | —      | 0  | 1  | X2 BP <sup>2</sup>            |
| Left Segment Bypassed, Right Segment Compression, Vocabulary In RAM #2                          | CLASS 4a           | 2                   |                     | —               | —      | 2               | V2     | 1  |    | X2 BP <sup>2</sup>            |

<sup>1</sup> X1, X2 - pointers to vocabularies

<sup>2</sup> BP - the bypassed data





## Appendix B

# Internal Memory Map

This appendix includes the following memory maps:

- Table B-1. SPR (Special Purpose Registers)
- Table B-2. UC3F Flash Array
- Table B-3. DECRAM SRAM Array
- Table B-4. BBC (Burst Buffer Controller Module)
- Table B-5. USIU (Unified System Interface Unit)
- Table B-6. CDR3 Flash Control Registers EEPROM (UC3F)
- Table B-7. DPTRAM Control Registers
- Table B-8. DLCMD2 (Data Link Controller Module)
- Table B-9. DPTRAM Memory Arrays
- Table B-10. Time Processor Unit 3 A and B (TPU3 A and B)
- Table B-11. QADC64E A and B (Queued Analog-to-Digital Converter)
- Table B-12. QSMCM A and B (Queued Serial Multi-Channel Module)
- Table B-13. Time Processor Unit 3 C (TPU3\_C)
- Table B-14. MIOS14 (Modular Input/Output Subsystem)
- Table B-15. TouCAN A, B and C (CAN 2.0B Controller)
- Table B-16. UIMB (U-Bus to IMB Bus Interface)
- Table B-17. CALRAM Control Registers
- Table B-18. CALRAM Array
- Table B-19. READI Module Registers

Memory map tables use the notation shown below:

**Notations Used in the Access Column**

- S = Supervisor access only
- U = User access
- T = Test access

**Notations Used in the Reset Column**

- (em dash) = Untouched
- S =  $\overline{\text{SRESET}}$
- H =  $\overline{\text{HRESET}}$
- M =  $\overline{\text{Module Reset}}$
- POR =  $\overline{\text{Power-On Reset}}$
- U = Unchanged
- X = Unknown
- R =  $\overline{\text{RSTI}}$

In each table, the codes in the Reset column indicate which reset affects register values.

**Table B-1. SPR (Special Purpose Registers)**

| Address | Access | Symbol | Register   | Size | Reset |
|---------|--------|--------|--|------|-------|
| CR      | U      | CR     | Condition State Register<br>See <a href="#">Section 3.7.4</a> for bit descriptions.                | 32   | —     |
| FPSCR   | U      | FPSCR  | Floating-Point Status and Control Register<br>See <a href="#">Table 3-5</a> for bit descriptions.  | 32   | —     |
| MSR     | S      | MSR    | Machine State Register<br>See <a href="#">Table 3-11</a> for bit descriptions.                     | 32   | —     |
| SPR 1   | U      | XER    | Integer Exception Register<br>See <a href="#">Table 3-10</a> for bit descriptions.                 | 32   | —     |
| SPR 8   | U      | LR     | Link Register<br>See <a href="#">Section 3.7.6</a> for bit descriptions.                           | 32   | —     |
| SPR 9   | U      | CTR    | Count Register<br>See <a href="#">Section 3.7.7</a> for bit descriptions.                          | 32   | —     |
| SPR 18  | S      | DSISR  | DAE/Source Instruction Service Register<br>See <a href="#">Section 3.9.2</a> for bit descriptions. | 32   | —     |
| SPR 19  | S      | DAR    | Data Address Register<br>See <a href="#">Section 3.9.3</a> for bit descriptions.                   | 32   | —     |
| SPR 22  | S      | DEC    | Decrementer Register<br>See <a href="#">Section 3.9.5</a> for more information.                    | 32   | POR   |
| SPR 26  | S      | SRR0   | Machine Status Save/Restore Register 0<br>See <a href="#">Section 3.9.6</a> for bit descriptions.  | 32   | —     |
| SPR 27  | S      | SRR1   | Machine Status Save/Restore Register1<br>See <a href="#">Section 3.9.7</a> for bit descriptions.   | 32   | —     |
| SPR 80  | S      | EIE    | External Interrupt Enable<br>See <a href="#">Section 3.9.10.1</a> for bit descriptions.            | 32   | —     |

**Table B-1. SPR (Special Purpose Registers) (continued)**

| Address              | Access | Symbol           | Register   | Size | Reset |
|----------------------|--------|------------------|--|------|-------|
| SPR 81               | S      | EID              | External Interrupt Disable<br>See <a href="#">Section 3.9.10.1</a> for bit descriptions.                 | 32   | —     |
| SPR 82               | S      | NRI              | Non-Recoverable Interrupt Register<br>See <a href="#">Section 3.9.10.1</a> for bit descriptions.         | 32   | —     |
| SPR 144 —<br>SPR 147 | —      | CMPA — CMPD      | Comparator A-D Value Register<br>See <a href="#">Table 22-17</a> for bit descriptions.                   | 32   | H     |
| SPR 148              | D, S   | ECR              | Exception Cause Register<br>See <a href="#">Table 22-18</a> for bit descriptions.                        | 32   | —     |
| SPR 149              | D, S   | DER              | Debug Enable Register<br>See <a href="#">Table 22-19</a> for bit descriptions.                           | 32   | —     |
| SPR 150              | D, S   | COUNTA           | Breakpoint Counter A Value and Control Register<br>See <a href="#">Table 22-20</a> for bit descriptions. | 32   | —     |
| SPR 151              | D, S   | COUNTB           | Breakpoint Counter B Value and Control Register<br>See <a href="#">Table 22-21</a> for bit descriptions. | 32   | —     |
| SPR 152 —<br>SPR 153 | —      | CMPE — CMPF      | Comparator E-F Value Register<br>See <a href="#">Table 22-22</a> for bit descriptions.                   | 32   | —     |
| SPR 154 —<br>SPR 155 | —      | CMPG — CMPH      | Comparator G-H Value Register<br>See <a href="#">Table 22-23</a> for bit descriptions.                   | 32   | —     |
| SPR 156              | D, S   | LCTRL1           | L-bus Support Control Register 1<br>See <a href="#">Table 22-24</a> for bit descriptions.                | 32   | S     |
| SPR 157              | D, S   | LCTRL2           | L-bus Support Control Register 2<br>See <a href="#">Table 22-25</a> for bit descriptions.                | 32   | S     |
| SPR 158              | D, S   | ICTRL            | I-bus Support Control Register<br>See <a href="#">Table 22-26</a> for bit descriptions.                  | 32   | S     |
| SPR 159              | D, S   | BAR              | Breakpoint Address Register<br>See <a href="#">Table 22-28</a> for bit descriptions.                     | 32   | —     |
| SPR 268, 269         | U      | TBL/TBU          | Time Base (Read Only) Register<br>See <a href="#">Section 6.2.2.4.2</a> for bit descriptions.            | 32   | —     |
| SPR 272 —<br>SPR 275 | S      | SPRG0 —<br>SPRG3 | General Special-Purpose Registers 0-3<br>See <a href="#">Table 3-13</a> for bit descriptions.            | 32   | —     |
| SPR 284, 285         | S      | TBL/TBU          | Time Base (Write Only) Register<br>See <a href="#">Section 6.2.2.4.2</a> for bit descriptions.           | 32   | —     |
| SPR 287              | S      | PVR              | Processor Version Register<br>See <a href="#">Table 3-14</a> for bit descriptions.                       | 32   | —     |
| SPR 1022             | S      | FPECR            | Floating-Point Exception Cause Register<br>See <a href="#">Table 3-16</a> for bit descriptions.          | 32   | S     |
| SPR 528              | S      | MI_GRA           | MI Global Region Attribute Register<br>See <a href="#">Table 4-8</a> for bit descriptions.               | 32   | —     |

**Table B-1. SPR (Special Purpose Registers) (continued)**

| Address       | Access | Symbol   | Register   | Size | Reset |
|---------------|--------|----------|--|------|-------|
| SPR 529       | S      | EIBADR   | External Interrupt Relocation Table Base Address Register<br>See <a href="#">Table 4-9</a> for bit descriptions. | 32   | —     |
| SPR 536       | S      | L2U_GRA  | L2U Global Region Attribute Register<br>See <a href="#">Table 11-10</a> for bit descriptions.                    | 32   | —     |
| SPR 560       | S      | BBCMCR   | BBC Module Configuration Register<br>See <a href="#">Table 4-4</a> for bit descriptions.                         | 32   | H     |
| SPR 568       | S      | L2U_MCR  | L2U Module Configuration Register<br>See <a href="#">Table 11-7</a> for bit descriptions.                        | 32   | —     |
| SPR 630       | S      | DPDR     | Development Port Data Register<br>See <a href="#">Section 22.4.6</a> for bit descriptions.                       | 32   | —     |
| SPR 638       | S      | IMMR     | Internal Memory Mapping Register<br>See <a href="#">Table 6-12</a> for bit descriptions.                         | 32   | H     |
| SPR 784 – 787 | S      | MI_RBAX  | MI Region x Base Address Register<br>See <a href="#">Table 4-5</a> for bit descriptions.                         | 32   | —     |
| SPR 792 – 795 | S      | L2U_RBAX | L2U Region x Base Address Register<br>See <a href="#">Table 11-8</a> for bit descriptions.                       | 32   | —     |
| SPR 816 – 819 | S      | MI_RAX   | MI Region x Attribute Register<br>See <a href="#">Table 4-6</a> for bit descriptions.                            | 32   | —     |
| SPR 824 – 827 | S      | L2U_RAX  | L2U Region x Attribute Register<br>See <a href="#">Table 11-9</a> for bit descriptions.                          | 32   | —     |

**Table B-2. UC3F Flash Array**

| Address                  | Access | Symbol | Register            | Size | Reset |
|--------------------------|--------|--------|---------------------|------|-------|
| <b>UC3F_A</b>            |        |        |                     |      |       |
| 0x00 0000 —<br>0x07 FFFF | U,S    | UC3F_A | UC3F Flash Array A  | 32   | —     |
| <b>UC3F_B</b>            |        |        |                     |      |       |
| 0x08 0000 —<br>0x0F FFFF | U,S    | UC3F_B | UC3F Flash Array B. | 32   | —     |

**Table B-3. DECRAM SRAM Array**

| Address                  | Access | Symbol | Register    | Size | Reset |
|--------------------------|--------|--------|-------------|------|-------|
| 0x2F 8000 —<br>0x2F 87FF | U,S    | DECRAM | DECRAM SRAM | 32   | —     |

**Table B-4. BBC (Burst Buffer Controller Module)**

| Address   | Access                     | Symbol | Register   | Size | Reset |
|-----------|----------------------------|--------|--|------|-------|
| 0x2F A000 | S (read only) <sup>1</sup> | DCCR0  | Decompressor Class Configuration Register<br>See <a href="#">Table A-3</a> for bit descriptions. | 32   | —     |
| 0x2F A004 | S                          | DCCR1  | Decompressor Class Configuration Register<br>See <a href="#">Table A-3</a> for bit descriptions. | 32   | —     |
| 0x2F A008 | S                          | DCCR2  | Decompressor Class Configuration Register<br>See <a href="#">Table A-3</a> for bit descriptions. | 32   | —     |
| 0x2F A00C | S                          | DCCR3  | Decompressor Class Configuration Register<br>See <a href="#">Table A-3</a> for bit descriptions. | 32   | —     |
| 0x2F A010 | S                          | DCCR4  | Decompressor Class Configuration Register<br>See <a href="#">Table A-3</a> for bit descriptions. | 32   | —     |
| 0x2F A014 | S                          | DCCR5  | Decompressor Class Configuration Register<br>See <a href="#">Table A-3</a> for bit descriptions. | 32   | —     |
| 0x2F A018 | S                          | DCCR6  | Decompressor Class Configuration Register<br>See <a href="#">Table A-3</a> for bit descriptions. | 32   | —     |
| 0x2F A01C | S                          | DCCR7  | Decompressor Class Configuration Register<br>See <a href="#">Table A-3</a> for bit descriptions. | 32   | —     |
| 0x2F A020 | S                          | DCCR8  | Decompressor Class Configuration Register<br>See <a href="#">Table A-3</a> for bit descriptions. | 32   | —     |
| 0x2F A024 | S                          | DCCR9  | Decompressor Class Configuration Register<br>See <a href="#">Table A-3</a> for bit descriptions. | 32   | —     |
| 0x2F A028 | S                          | DCCR10 | Decompressor Class Configuration Register<br>See <a href="#">Table A-3</a> for bit descriptions. | 32   | —     |
| 0x2F A02C | S                          | DCCR11 | Decompressor Class Configuration Register<br>See <a href="#">Table A-3</a> for bit descriptions. | 32   | —     |
| 0x2F A030 | S                          | DCCR12 | Decompressor Class Configuration Register<br>See <a href="#">Table A-3</a> for bit descriptions. | 32   | —     |
| 0x2F A034 | S                          | DCCR13 | Decompressor Class Configuration Register<br>See <a href="#">Table A-3</a> for bit descriptions. | 32   | —     |
| 0x2F A038 | S                          | DCCR14 | Decompressor Class Configuration Register<br>See <a href="#">Table A-3</a> for bit descriptions. | 32   | —     |
| 0x2F A03C | S                          | DCCR15 | Decompressor Class Configuration Register<br>See <a href="#">Table A-3</a> for bit descriptions. | 32   | —     |

<sup>1</sup> Always reads 0x0000 0000.

**Table B-5. USIU (Unified System Interface Unit)**

| Address   | Access         | Symbol | Register   | Size | Reset |
|-----------|----------------|--------|--|------|-------|
| 0x2F C000 | U <sup>1</sup> | SIUMCR | SIU Module Configuration Register<br>See <a href="#">Table 6-7</a> for bit descriptions.   | 32   | H     |
| 0x2F C004 | U <sup>2</sup> | SYPCR  | System Protection Control Register<br>See <a href="#">Table 6-15</a> for bit descriptions. | 32   | H     |

**Table B-5. USIU (Unified System Interface Unit) (continued)**

| Address                            | Access           | Symbol               | Register  | Size | Reset |
|------------------------------------|------------------|----------------------|---|------|-------|
| 0x2F C008                          | —                | —                    | Reserved  | —    | —     |
| 0x2F C00E                          | U,<br>write only | SWSR                 | Software Service Register<br>See <a href="#">Table 6-16</a> for bit descriptions.   | 16   | S     |
| 0x2F C010                          | U                | SIPEND               | Interrupt Pending Register<br>See <a href="#">Section 6.2.2.2.1</a> for bit descriptions.   | 32   | S     |
| 0x2F C014                          | U                | SIMASK               | Interrupt Mask Register<br><br>SIMASK is a 32-bit read/write register. Each bit in the register corresponds to an interrupt request bit in the SIPEND register. | 32   | S     |
| 0x2F C018                          | U                | SIEL                 | Interrupt Edge Level Mask.<br>See <a href="#">Section 6.2.2.2.7</a> for bit descriptions.   | 32   | H     |
| 0x2F C01C                          | U,<br>read only  | SIVEC                | Interrupt Vector.<br>See <a href="#">Section 6.2.2.2.8</a> for bit descriptions.  | 32   | —     |
| 0x2F C020                          | U                | TESR                 | Transfer Error Status Register<br>See <a href="#">Table 6-17</a> for bit descriptions.  | 32   | S     |
| 0x2F C024                          | U                | SGPIODT1             | USIU General-Purpose I/O Data Register 1<br>See <a href="#">Table 6-23</a> for bit descriptions.  | 32   | H     |
| 0x2F C028                          | U                | SGPIODT2             | USIU General-Purpose I/O Data Register 2<br>See <a href="#">Table 6-24</a> for bit descriptions.  | 32   | H     |
| 0x2F C02C                          | U                | SGPIOCR              | USIU General-Purpose I/O Control Register<br>See <a href="#">Table 6-25</a> for bit descriptions.   | 32   | H     |
| 0x2F C030                          | U                | EMCR                 | External Master Mode Control Register<br>See <a href="#">Table 6-13</a> for bit descriptions.   | 32   | H     |
| 0x2F C038                          | U                | PDMCR2               | Pads Module Configuration Register 2<br>See <a href="#">Table 2-5</a> for bit descriptions.   | 32   | H     |
| 0x2F C03C                          | U                | PDMCR                | Pads Module Configuration Register<br>See <a href="#">Table 2-4</a> for bit descriptions.   | 32   | H     |
| 0x2F C040 —<br>0x2F C044           | U                | SIPEND2 —<br>SIPEND3 | Interrupt Pending Registers 2 and 3<br>See <a href="#">Section 6.2.2.2.1</a> for bit descriptions.  | 32   | S     |
| 0x2F C048 —<br>0x2F C04C           | U                | SIMASK2 —<br>SIMASK3 | Interrupt Mask Register and Interrupt Mask Registers 2 and 3<br>See <a href="#">Section 6.2.2.2.9</a> for bit descriptions.                                     | 32   | S     |
| 0x2F C050 —<br>0x2F C054           | U                | SISR2 — SISR3        | SISR2 and SISR3 Registers<br>See <a href="#">Section 6.2.2.2.9</a> for bit descriptions.  | 32   | S     |
| 0x2F C0FC —<br>0x2F C0FF           | —                | —                    | Reserved  | —    | —     |
| <b>Memory Controller Registers</b> |                  |                      |   |      |       |
| 0x2F C100                          | U                | BR0                  | Base Register 0.<br>See <a href="#">Table 10-8</a> for bit descriptions.  | 32   | H     |

**Table B-5. USIU (Unified System Interface Unit) (continued)**

| Address                          | Access         | Symbol | Register  | Size | Reset |
|----------------------------------|----------------|--------|---|------|-------|
| 0x2F C104                        | U              | OR0    | Option Register 0.<br>See <a href="#">Table 10-10</a> for bit descriptions.                 | 32   | H     |
| 0x2F C108                        | U              | BR1    | Base Register 1.<br>See <a href="#">Table 10-8</a> for bit descriptions.                    | 32   | H     |
| 0x2F C10C                        | U              | OR1    | Option Register 1.<br>See <a href="#">Table 10-10</a> for bit descriptions.                 | 32   | H     |
| 0x2F C110                        | U              | BR2    | Base Register 2.<br>See <a href="#">Table 10-8</a> for bit descriptions.                    | 32   | H     |
| 0x2F C114                        | U              | OR2    | Option Register 2.<br>See <a href="#">Table 10-10</a> for bit descriptions.                 | 32   | H     |
| 0x2F C118                        | U              | BR3    | Base Register 3.<br>See <a href="#">Table 10-8</a> for bit descriptions.                    | 32   | H     |
| 0x2F C11C                        | U              | OR3    | Option Register 3.<br>See <a href="#">Table 10-10</a> for bit descriptions.                 | 32   | H     |
| 0x2F C120 –<br>0x2F C13C         | —              | —      | Reserved  | —    | —     |
| 0x2F C140                        | U              | DMBR   | Dual-Mapping Base Register.<br>See <a href="#">Table 10-11</a> for bit descriptions.        | 32   | H     |
| 0x2F C144                        | U              | DMOR   | Dual-Mapping Option Register.<br>See <a href="#">Table 10-12</a> for bit descriptions.      | 32   | H     |
| 0x2F C148 –<br>0x2F C174         | —              | —      | Reserved  | —    | —     |
| 0x2F C178                        | U              | MSTAT  | Memory Status.<br>See <a href="#">Table 10-7</a> for bit descriptions.                      | 16   | H     |
| <b>System Integration Timers</b> |                |        |   |      |       |
| 0x2F C200                        | U <sup>3</sup> | TBSCR  | Time Base Status and Control.<br>See <a href="#">Table 6-18</a> for bit descriptions.       | 16   | H     |
| 0x2F C204                        | U <sup>3</sup> | TBREF0 | Time Base Reference 0.<br>See <a href="#">Section 6.2.2.4.3</a> for bit descriptions.       | 32   | U     |
| 0x2F C208                        | U <sup>3</sup> | TBREF1 | Time Base Reference 1.<br>See <a href="#">Section 6.2.2.4.3</a> for bit descriptions.       | 32   | U     |
| 0x2F C20C –<br>0x2F C21C         | —              | —      | Reserved  | —    | —     |
| 0x2F C220                        | U <sup>4</sup> | RTCSC  | Real-Time Clock Status and Control.<br>See <a href="#">Table 6-19</a> for bit descriptions. | 16   | H     |
| 0x2F C224                        | U <sup>4</sup> | RTC    | Real-Time Clock.<br>See <a href="#">Section 6.2.2.4.6</a> for bit descriptions.             | 32   | U     |
| 0x2F C228                        | T <sup>4</sup> | RTSEC  | Real-Time Alarm Seconds. Reserved   | 32   | —     |
| 0x2F C22C                        | U <sup>4</sup> | RTCAL  | Real-Time Alarm.<br>See <a href="#">Section 6.2.2.4.7</a> for bit descriptions.             | 32   | U     |

**Table B-5. USIU (Unified System Interface Unit) (continued)**

| Address                              | Access             | Symbol  | Register  | Size                  | Reset |
|--------------------------------------|--------------------|---------|---|-----------------------|-------|
| 0x2F C230 –<br>0x2F C23C             | —                  | —       | Reserved  | —                     | —     |
| 0x2F C240                            | U <sup>3</sup>     | PISCR   | PIT Status and Control.<br>See <a href="#">Table 6-20</a> for bit descriptions.                   | 16                    | H     |
| 0x2F C244                            | U <sup>3</sup>     | PITC    | PIT Count.<br>See <a href="#">Table 6-21</a> for bit descriptions.                                | 32<br>(half reserved) | U     |
| 0x2F C248                            | U,<br>read only    | PITR    | PIT Register.<br>See <a href="#">Table 6-22</a> for bit descriptions.                             | 32<br>(half reserved) | U     |
| 0x2F C24C –<br>0x2F C27C             | —                  | —       | Reserved  | —                     | —     |
| <b>Clocks and Reset</b>              |                    |         |   |                       |       |
| 0x2F C280                            | U <sup>2</sup>     | SCCR    | System Clock Control Register.<br>See <a href="#">Table 8-9</a> for bit descriptions.             | 32                    | H     |
| 0x2F C284                            | U <sup>3,5,6</sup> | PLPRCR  | PLL Low Power and Reset Control Register.<br>See <a href="#">Table 8-11</a> for bit descriptions. | 32                    | H     |
| 0x2F C288                            | U <sup>3</sup>     | RSR     | Reset Status Register.<br>See <a href="#">Table 7-3</a> for bit descriptions.                     | 16                    | POR   |
| 0x2F C28C                            | U                  | COLIR   | Change of Lock Interrupt Register.<br>See <a href="#">Table 8-12</a> for bit descriptions.        | 16                    | U     |
| 0x2F C290                            | U                  | VSRMCR  | IRAMSTBY Control Register.<br>See <a href="#">Table 8-13</a> for bit descriptions.                | 16                    | U     |
| 0x2F C294 –<br>0x2F C2FC             | —                  | —       | Reserved  | —                     | —     |
| <b>System Integration Timer Keys</b> |                    |         |   |                       |       |
| 0x2F C300                            | U                  | TBSCRK  | Time Base Status and Control Key.<br>See <a href="#">Table 8-8</a> for bit descriptions.          | 32                    | POR   |
| 0x2F C304                            | U                  | TBREF0K | Time Base Reference 0 Key.<br>See <a href="#">Table 8-8</a> for bit descriptions.                 | 32                    | POR   |
| 0x2F C308                            | U                  | TBREF1K | Time Base Reference 1 Key.<br>See <a href="#">Table 8-8</a> for bit descriptions.                 | 32                    | POR   |
| 0x2F C30C                            | U                  | TBK     | Time Base and Decrementer Key.<br>See <a href="#">Table 8-8</a> for bit descriptions.             | 32                    | POR   |
| 0x2F C310 –<br>0x2F C31C             | —                  | —       | Reserved  | —                     | —     |
| 0x2F C320                            | U                  | RTCSCK  | Real-Time Clock Status and Control Key.<br>See <a href="#">Table 8-8</a> for bit descriptions.    | 32                    | POR   |
| 0x2F C324                            | U                  | RTCK    | Real-Time Clock Key.<br>See <a href="#">Table 8-8</a> for bit descriptions.                       | 32                    | POR   |
| 0x2F C328                            | U                  | RTSECK  | Real-Time Alarm Seconds Key.<br>See <a href="#">Table 8-8</a> for bit descriptions.               | 32                    | POR   |



**Table B-5. USIU (Unified System Interface Unit) (continued)**

| Address                      | Access | Symbol  | Register   | Size | Reset |
|------------------------------|--------|---------|--|------|-------|
| 0x2F C32C                    | U      | RTCALK  | Real-Time Alarm Key.<br>See <a href="#">Table 8-8</a> for bit descriptions.                          | 32   | POR   |
| 0x2F C330 –<br>0x2F C33C     | —      | —       | Reserved   | —    | —     |
| 0x2F C340                    | U      | PISCRK  | PIT Status and Control Key.<br>See <a href="#">Table 8-8</a> for bit descriptions.                   | 32   | POR   |
| 0x2F C344                    | U      | PITCK   | PIT Count Key.<br>See <a href="#">Table 8-8</a> for bit descriptions.                                | 32   | POR   |
| 0x2F C348 –<br>0x2F C37C     | —      | —       | Reserved   | —    | —     |
| <b>Clocks and Reset Keys</b> |        |         |  |      |       |
| 0x2F C380                    | U      | SCCRK   | System Clock Control Key.<br>See <a href="#">Table 8-8</a> for bit descriptions.                     | 32   | POR   |
| 0x2F C384                    | U      | PLPRCRK | PLL Low-Power and Reset Control Register Key.<br>See <a href="#">Table 8-8</a> for bit descriptions. | 32   | POR   |
| 0x2F C388                    | U      | RSRK    | Reset Status Register Key.<br>See <a href="#">Table 8-8</a> for bit descriptions.                    | 32   | POR   |
| 0x2F C38C –<br>0x2F C3F8     | —      | —       | Reserved   | —    | —     |
| <b>Test Register</b>         |        |         |  |      |       |
| 0x2F C3FC                    | S      | SIUTST  | SIU Test Register.<br>See <a href="#">Section 18.4.13, “SIU Test Register (SIUTST).”</a>             | 32   | S     |

- <sup>1</sup> Entire register is locked if bit 15 (DLK) is set.
- <sup>2</sup> Write once after power on reset (POR).
- <sup>3</sup> Must use the key register to unlock if it has been locked by a key register, see [Section 8.8.3.2, “Keep-Alive Power Registers Lock Mechanism.”](#)
- <sup>4</sup> Locked after Power on Reset (POR). A write of 0x55CCAA33 must be performed to the key register to unlock. See [Section 8.8.3.2, “Keep-Alive Power Registers Lock Mechanism.”](#)
- <sup>5</sup> Can have bits 0:11 (MF bits) write-protected by setting bit 4 (MFPDL) in the SCCR register to 1. Bit 21 (CSRC) and bits 22:23 (LPM) can be locked by setting bit 5 (LPML) of the SCCR register to 1.
- <sup>6</sup> Bit 24 (CSR) is write-once after soft reset.

**Table B-6. CDR3 Flash Control Registers EEPROM (UC3F)**

| Address      | Access | Symbol     | Register  | Size | Reset  |
|--------------|--------|------------|---|------|--------|
| <b>C3F_A</b> |        |            |   |      |        |
| 0x2F C800    | S      | UC3FMCR_A  | C3F EEPROM Configuration Register.<br>See <a href="#">Table 20-3</a> for bit descriptions.          | 32   | POR, H |
| 0x2F C804    | S      | UC3FMCRE_A | C3F EEPROM Extended Configuration Register.<br>See <a href="#">Table 20-4</a> for bit descriptions. | 32   | POR, H |

**Table B-6. CDR3 Flash Control Registers EEPROM (UC3F)**

| Address      | Access | Symbol    | Register  | Size | Reset  |
|--------------|--------|-----------|---|------|--------|
| 0x2F C808    | S      | UC3FCTL_A | C3F EEPROM High Voltage Control Register.<br>See <a href="#">Table 20-5</a> for bit descriptions. | 32   | POR, H |
| <b>C3F_B</b> |        |           |   |      |        |
| 0x2F C840    | U, S   | C3FMCR_B  | C3F EEPROM Configuration Register   | 32   | POR, H |
| 0x2F C844    | U, S   | C3FMCRE_B | C3F EEPROM Extended Configuration Register  | 32   | POR, H |
| 0x2F C848    | U, S   | C3FCTL_B  | C3F EEPROM High Voltage Control Register  | 32   | POR, H |

**Table B-7. DPTRAM Control Registers**

| Address                  | Access            | Symbol    | Register  | Size | Reset |
|--------------------------|-------------------|-----------|---|------|-------|
| <b>DPTRAM_AB Control</b> |                   |           |   |      |       |
| 0x30 0000                | U, S <sup>1</sup> | DPTMCR_AB | DPTRAM Module Configuration Register.<br>See <a href="#">Table 19-2</a> for bit descriptions. | 16   | S     |
| 0x30 0002                | S                 | DPTTCR_AB | Test Configuration Register.  | 16   | S     |
| 0x30 0004                | S                 | RAMBAR_AB | RAM Array Base Address Register.<br>See <a href="#">Table 19-3</a> for bit descriptions.      | 16   | S     |
| 0x30 0006                | S                 | MISRH_AB  | Multiple Input Signature Register High.   | 16   | S     |
| 0x30 0008                | S                 | MISRL_AB  | Multiple Input Signature Register Low.  | 16   | S     |
| 0x30 000A                | S                 | MISCNT_AB | MISC Counter Register.  | 16   | S     |
| <b>DPTRAM_C Control</b>  |                   |           |   |      |       |
| 0x30 0040                | U, S <sup>2</sup> | DPTMCR_C  | DPTRAM Module Configuration Register.<br>See <a href="#">Table 19-2</a> for bit descriptions. | 16   | S     |
| 0x30 0042                | S                 | DPTTCR_C  | Test Configuration Register.  | 16   | S     |
| 0x30 0044                | S                 | RAMBAR_C  | RAM Array Base Address Register.<br>See <a href="#">Table 19-3</a> for bit descriptions.      | 16   | S     |
| 0x30 0046                | S                 | MISRH_C   | Multiple Input Signature Register High.   | 16   | S     |
| 0x30 0048                | S                 | MISRL_C   | Multiple Input Signature Register Low.  | 16   | S     |
| 0x30 004A                | S                 | MISCNT_C  | MISC Counter Register.  | 16   | S     |

<sup>1</sup> Access to the DPTRAM\_AB array through the IMB3 bus is disabled once bit 5 (EMU) of either TPUMCR\_A or TPUMCR\_B is set.

<sup>2</sup> Access to the DPTRAM\_C array through the IMB3 bus is disabled once bit 5 (EMU) of TPUMCR\_C is set.

**Table B-8. DLCMD2 (Data Link Controller Module)**

| Address   | Access | Symbol | Register   | Size | Reset |
|-----------|--------|--------|--|------|-------|
| 0x30 0080 | S      | MCR    | Module Configuration Register.<br>See <a href="#">Table 15-7</a> for bit descriptions. | 16   | S, M  |
| 0x30 0084 | S      | IPR    | Interrupt Pending Register.<br>See <a href="#">Table 15-9</a> for bit descriptions.    | 16   | S, M  |

**Table B-8. DLCMD2 (Data Link Controller Module) (continued)**

| Address                  | Access | Symbol       | Register   | Size | Reset |
|--------------------------|--------|--------------|--|------|-------|
| 0x30 0086 —<br>0x30 0087 | S      | ILR — IVR    | Interrupt Level Register and Interrupt Vector Register.<br>See <a href="#">Table 15-10</a> and <a href="#">Table 15-12</a> for bit descriptions. | 16   | S, M  |
| 0x30 0088                | S/U    | SCTL         | Symbol Timing Control and Pre-Scaler Register.<br>See <a href="#">Table 15-13</a> for bit descriptions.  | 16   | S, M  |
| 0x30 008A                | S/U    | SDATA        | Symbol Timing Control and Pre-Scaler Register.<br>See <a href="#">Table 15-15</a> for bit descriptions.  | 16   | S, M  |
| 0x30 008C —<br>0x30 008D | S/U    | CMD — TDATA  | Command Register and Transmit Data Register.<br>See <a href="#">Table 15-17</a> and <a href="#">Table 15-22</a> for bit descriptions.            | 16   | S, M  |
| 0x30 008E —<br>0x30 008F | S/U    | STAT — RDATA | Status Register and Receive Data Register.<br>See <a href="#">Table 15-23</a> and <a href="#">Table 15-29</a> for bit descriptions.              | 16   | S, M  |

**Table B-9. DPTRAM Memory Arrays**

| Address                       | Access            | Symbol    | Register            | Size | Reset |
|-------------------------------|-------------------|-----------|---------------------|------|-------|
| <b>DPTRAM_C Memory Array</b>  |                   |           |                     |      |       |
| 0x30 1000 —<br>0x30 1FFF      | U, S <sup>1</sup> | DPTRAM_C  | DPTRAM Memory Array | 16   | —     |
| <b>DPTRAM_AB Memory Array</b> |                   |           |                     |      |       |
| 0x30 2000 —<br>0x30 37FF      | U, S <sup>2</sup> | DPTRAM_AB | DPTRAM Memory Array | 16   | —     |

<sup>1</sup> Access to the DPTRAM\_C array through the IMB3 bus is disabled once bit 5 (EMU) of TPUMCR\_C is set.

<sup>2</sup> Access to the DPTRAM\_AB array through the IMB3 bus is disabled once bit 5 (EMU) of either TPUMCR\_A or TPUMCR\_B is set.

**Table B-10. Time Processor Unit 3 A and B (TPU3 A and B)**

| Address  | Access         | Symbol   | Register   | Size            | Reset |
|--|----------------|----------|--|-----------------|-------|
| <b>TPU3_A</b><br>(Note: Bit descriptions apply to TPU3_B and TPU3_C as well) |                |          |  |                 |       |
| 0x30 4000  | S <sup>1</sup> | TPUMCR_A | TPU3_A Module Configuration Register.<br>See <a href="#">Table 18-7</a> for bit descriptions.        | 16 only         | S, M  |
| 0x30 4002  | T              | TCR_A    | TPU3_A Test Configuration Register.  | 16              | S, M  |
| 0x30 4004  | T              | DSCR_A   | TPU3_A Development Support Control Register.<br>See <a href="#">Table 18-8</a> for bit descriptions. | 16 <sup>2</sup> | S, M  |
| 0x30 4006  | T              | DSSR_A   | TPU3_A Development Support Status Register.<br>See <a href="#">Table 18-9</a> for bit descriptions.  | 16 <sup>2</sup> | S, M  |
| 0x30 4008  | S              | TICR_A   | TPU3_A Interrupt Configuration Register.<br>See <a href="#">Table 18-10</a> for bit descriptions.    | 16 <sup>2</sup> | S, M  |
| 0x30 400A  | S              | CIER_A   | TPU3_A Channel Interrupt Enable Register.<br>See <a href="#">Table 18-11</a> for bit descriptions.   | 16 <sup>2</sup> | S, M  |

**Table B-10. Time Processor Unit 3 A and B (TPU3 A and B) (continued)**

| Address                  | Access           | Symbol    | Register  | Size                | Reset |
|--------------------------|------------------|-----------|---|---------------------|-------|
| 0x30 400C                | S                | CFSR0_A   | TPU3_A Channel Function Selection Register 0. See <a href="#">Table 18-12</a> . for bit descriptions. | 16 <sup>2</sup>     | S, M  |
| 0x30 400E                | S                | CFSR1_A   | TPU3_A Channel Function Selection Register 1. See <a href="#">Table 18-12</a> . for bit descriptions. | 16 <sup>2</sup>     | S, M  |
| 0x30 4010                | S                | CFSR2_A   | TPU3_A Channel Function Selection Register 2. See <a href="#">Table 18-12</a> . for bit descriptions. | 16 <sup>2</sup>     | S, M  |
| 0x30 4012                | S                | CFSR3_A   | TPU3_A Channel Function Selection Register 3. See <a href="#">Table 18-12</a> . for bit descriptions. | 16 <sup>2</sup>     | S, M  |
| 0x30 4014                | S/U <sup>3</sup> | HSQR0_A   | TPU3_A Host Sequence Register 0. See <a href="#">Table 18-13</a> . for bit descriptions.              | 16 <sup>2</sup>     | S, M  |
| 0x30 4016                | S/U <sup>3</sup> | HSQR1_A   | TPU3_A Host Sequence Register 1. See <a href="#">Table 18-13</a> . for bit descriptions.              | 16 <sup>2</sup>     | S, M  |
| 0x30 4018                | S/U3             | HSRR0_A   | TPU3_A Host Service Request Register 0. See <a href="#">Table 18-14</a> . for bit descriptions.       | 16 <sup>2</sup>     | S, M  |
| 0x30 401A                | S/U3             | HSRR1_A   | TPU3_A Host Service Request Register 1. See <a href="#">Table 18-14</a> . for bit descriptions.       | 16 <sup>2</sup>     | S, M  |
| 0x30 401C                | S                | CPR0_A    | TPU3_A Channel Priority Register 0. See <a href="#">Table 18-15</a> . for bit descriptions.           | 16 <sup>2</sup>     | S, M  |
| 0x30 401E                | S                | CPR1_A    | TPU3_A Channel Priority Register 1. See <a href="#">Table 18-15</a> . for bit descriptions.           | 16 <sup>2</sup>     | S, M  |
| 0x30 4020                | S                | CISR_A    | TPU3_A Channel Interrupt Status Register. See <a href="#">Table 18-17</a> . for bit descriptions.     | 16                  | S, M  |
| 0x30 4022                | T                | LR_A      | TPU3_A Link Register <sup>4</sup>   | 16 <sup>2</sup>     | S, M  |
| 0x30 4024                | T                | SGLR_A    | TPU3_A Service Grant Latch Register <sup>4</sup>  | 16 <sup>2</sup>     | S, M  |
| 0x30 4026                | T                | DCNR_A    | TPU3_A Decoded Channel Number Register <sup>4</sup>   | 16 <sup>2</sup>     | S, M  |
| 0x30 4028                | S <sup>5</sup>   | TPUMCR2_A | TPU3_A Module Configuration Register 2. See <a href="#">Table 18-18</a> . for bit descriptions.       | 16 <sup>2</sup>     | S, M  |
| 0x30 402A                | S                | TPUMCR3_A | TPU3_A Module Configuration Register 3. See <a href="#">Table 18-21</a> . for bit descriptions.       | 16 <sup>2</sup>     | S, M  |
| 0x30 402C                | T                | ISDR_A    | TPU3_A Internal Scan Data Register  | 16, 32 <sup>2</sup> | —     |
| 0x30 402E                | T                | ISCR_A    | TPU3_A Internal Scan Control Register   | 16, 32 <sup>2</sup> | —     |
| 0x30 4100 –<br>0x30 410F | S/U <sup>3</sup> | —         | TPU3_A Channel 0 Parameter Registers. See <a href="#">Section 18.4.15</a> for more information.       | 16, 32 <sup>2</sup> | —     |
| 0x30 4110 –<br>0x30 411F | S/U <sup>3</sup> | —         | TPU3_A Channel 1 Parameter Registers. See <a href="#">Section 18.4.15</a> for more information.       | 16, 32 <sup>2</sup> | —     |
| 0x30 4120 –<br>0x30 412F | S/U <sup>3</sup> | —         | TPU3_A Channel 2 Parameter Registers. See <a href="#">Section 18.4.15</a> for more information.       | 16, 32 <sup>2</sup> | —     |
| 0x30 4130 –<br>0x30 413F | S/U <sup>3</sup> | —         | TPU3_A Channel 3 Parameter Registers. See <a href="#">Section 18.4.15</a> for more information.       | 16, 32 <sup>2</sup> | —     |

**Table B-10. Time Processor Unit 3 A and B (TPU3 A and B) (continued)**

| Address                  | Access           | Symbol   | Register  | Size                | Reset |
|--------------------------|------------------|----------|---|---------------------|-------|
| 0x30 4140 –<br>0x30 414F | S/U <sup>3</sup> | —        | TPU3_A Channel 4 Parameter Registers.<br>See <a href="#">Section 18.4.15</a> for more information.  | 16, 32 <sup>2</sup> | —     |
| 0x30 4150 –<br>0x30 415F | S/U <sup>3</sup> | —        | TPU3_A Channel 5 Parameter Registers.<br>See <a href="#">Section 18.4.15</a> for more information.  | 16, 32 <sup>2</sup> | —     |
| 0x30 4160 –<br>0x30 416F | S/U <sup>3</sup> | —        | TPU3_A Channel 6 Parameter Registers.<br>See <a href="#">Section 18.4.15</a> for more information.  | 16, 32 <sup>2</sup> | —     |
| 0x30 4170 –<br>0x30 417F | S/U <sup>3</sup> | —        | TPU3_A Channel 7 Parameter Registers.<br>See <a href="#">Section 18.4.15</a> for more information.  | 16, 32 <sup>2</sup> | —     |
| 0x30 4180 –<br>0x30 418F | S/U <sup>3</sup> | —        | TPU3_A Channel 8 Parameter Registers.<br>See <a href="#">Section 18.4.15</a> for more information.  | 16, 32 <sup>2</sup> | —     |
| 0x30 4190 –<br>0x30 419F | S/U <sup>3</sup> | —        | TPU3_A Channel 9 Parameter Registers.<br>See <a href="#">Section 18.4.15</a> for more information.  | 16, 32 <sup>2</sup> | —     |
| 0x30 41A0 –<br>0x30 41AF | S/U <sup>3</sup> | —        | TPU3_A Channel 10 Parameter Registers.<br>See <a href="#">Section 18.4.15</a> for more information. | 16, 32 <sup>2</sup> | —     |
| 0x30 41B0 –<br>0x30 41BF | S/U <sup>3</sup> | —        | TPU3_A Channel 11 Parameter Registers.<br>See <a href="#">Section 18.4.15</a> for more information. | 16, 32 <sup>2</sup> | —     |
| 0x30 41C0 –<br>0x30 41CF | S/U <sup>3</sup> | —        | TPU3_A Channel 11 Parameter Registers.<br>See <a href="#">Section 18.4.15</a> for more information. | 16, 32 <sup>2</sup> | —     |
| 0x30 41D0 –<br>0x30 41DF | S/U <sup>3</sup> | —        | TPU3_A Channel 11 Parameter Registers.<br>See <a href="#">Section 18.4.15</a> for more information. | 16, 32 <sup>2</sup> | —     |
| 0x30 41E0 –<br>0x30 41EF | S/U <sup>3</sup> | —        | TPU3_A Channel 14 Parameter Registers.<br>See <a href="#">Section 18.4.15</a> for more information. | 16, 32 <sup>2</sup> | —     |
| 0x30 41F0 –<br>0x30 41FF | S/U <sup>3</sup> | —        | TPU3_A Channel 15 Parameter Registers.<br>See <a href="#">Section 18.4.15</a> for more information. | 16, 32 <sup>2</sup> | —     |
| <b>TPU3_B</b>            |                  |          |   |                     |       |
| 0x30 4400 <sup>1</sup>   | S <sup>1</sup>   | TPUMCR_B | TPU3_B Module Configuration Register  | 16 only             | S, M  |
| 0x30 4402                | T                | TCR_B    | TPU3_B Test Configuration Register  | 16                  | S, M  |
| 0x30 4404                | T                | DSCR_B   | TPU3_B Development Support Control Register   | 16 <sup>2</sup>     | S, M  |
| 0x30 4406                | T                | DSSR_B   | TPU3_B Development Support Status Register  | 16 <sup>2</sup>     | S, M  |
| 0x30 4408                | S                | TICR_B   | TPU3_B Interrupt Configuration Register   | 16 <sup>2</sup>     | S, M  |
| 0x30 440A                | S                | CIER_B   | TPU3_B Channel Interrupt Enable Register  | 16 <sup>2</sup>     | S, M  |
| 0x30 440C                | S                | CFSR0_B  | TPU3_B Channel Function Selection Register 0  | 16 <sup>2</sup>     | S, M  |
| 0x30 440E                | S                | CFSR1_B  | TPU3_B Channel Function Selection Register 1  | 16 <sup>2</sup>     | S, M  |
| 0x30 4410                | S                | CFSR2_B  | TPU3_B Channel Function Selection Register 2  | 16 <sup>2</sup>     | S, M  |
| 0x30 4412                | S                | CFSR3_B  | TPU3_B Channel Function Selection Register 3  | 16 <sup>2</sup>     | S, M  |
| 0x30 4414                | S/U <sup>3</sup> | HSQR0_B  | TPU3_B Host Sequence Register 0   | 16 <sup>2</sup>     | S, M  |
| 0x30 4416                | S/U <sup>3</sup> | HSQR1_B  | TPU3_B Host Sequence Register 1   | 16 <sup>2</sup>     | S, M  |

**Table B-10. Time Processor Unit 3 A and B (TPU3 A and B) (continued)**

| Address                  | Access           | Symbol    | Register                                 | Size                | Reset |
|--------------------------|------------------|-----------|--|---------------------|-------|
| 0x30 4418                | S/U <sup>3</sup> | HSRR0_B   | TPU3_B Host Service Request Register 0   | 16 <sup>2</sup>     | S, M  |
| 0x30 441A                | S/U <sup>3</sup> | HSRR1_B   | TPU3_B Host Service Request Register 1   | 16 <sup>2</sup>     | S, M  |
| 0x30 441C                | S                | CPR0_B    | TPU3_B Channel Priority Register 0       | 16 <sup>2</sup>     | S, M  |
| 0x30 441E                | S                | CPR1_B    | TPU3_B Channel Priority Register 1       | 16 <sup>2</sup>     | S, M  |
| 0x30 4420                | S                | CISR_B    | TPU3_B Channel Interrupt Status Register | 16                  | S, M  |
| 0x30 4422                | T                | LR_B      | TPU3_B Link Register                     | 16 <sup>2</sup>     | S, M  |
| 0x30 4424                | T                | SGLR_B    | TPU3_B Service Grant Latch Register      | 16 <sup>2</sup>     | S, M  |
| 0x30 4426                | T                | DCNR_B    | TPU3_B Decoded Channel Number Register   | 16 <sup>2</sup>     | S, M  |
| 0x30 4428                | S <sup>4</sup>   | TPUMCR2_B | TPU3_B Module Configuration Register 2   | 16 <sup>2</sup>     | S, M  |
| 0x30 442A                | S                | TPUMCR3_B | TPU3_B Module Configuration Register 3   | 16, 32 <sup>2</sup> | S, M  |
| 0x30 442C                | T                | ISDR_B    | TPU3_B Internal Scan Data Register       | 16, 32 <sup>2</sup> | —     |
| 0x30 442E                | T                | ISCR_B    | TPU3_B Internal Scan Control Register    | 16, 32 <sup>2</sup> | —     |
| 0x30 4500 –<br>0x30 450F | S/U <sup>3</sup> | —         | TPU3_B Channel 0 Parameter Registers     | 16, 32 <sup>2</sup> | —     |
| 0x30 4510 –<br>0x30 451F | S/U <sup>3</sup> | —         | TPU3_B Channel 1 Parameter Registers     | 16, 32 <sup>2</sup> | —     |
| 0x30 4520 –<br>0x30 452F | S/U <sup>3</sup> | —         | TPU3_B Channel 2 Parameter Registers     | 16, 32 <sup>2</sup> | —     |
| 0x30 4530 –<br>0x30 453F | S/U <sup>3</sup> | —         | TPU3_B Channel 3 Parameter Registers     | 16, 32 <sup>2</sup> | —     |
| 0x30 4540 –<br>0x30 454F | S/U <sup>3</sup> | —         | TPU3_B Channel 4 Parameter Registers     | 16, 32 <sup>2</sup> | —     |
| 0x30 4550 –<br>0x30 455F | S/U <sup>3</sup> | —         | TPU3_B Channel 5 Parameter Registers     | 16, 32 <sup>2</sup> | —     |
| 0x30 4560 –<br>0x30 456F | S/U <sup>3</sup> | —         | TPU3_B Channel 6 Parameter Registers     | 16, 32 <sup>2</sup> | —     |
| 0x30 4570 –<br>0x30 457F | S/U <sup>3</sup> | —         | TPU3_B Channel 7 Parameter Registers     | 16, 32 <sup>2</sup> | —     |
| 0x30 4580 –<br>0x30 458F | S/U <sup>3</sup> | —         | TPU3_B Channel 8 Parameter Registers     | 16, 32 <sup>2</sup> | —     |
| 0x30 4590 –<br>0x30 459F | S/U <sup>3</sup> | —         | TPU3_B Channel 9 Parameter Registers     | 16, 32 <sup>2</sup> | —     |
| 0x30 45A0 –<br>0x30 45AF | S/U <sup>3</sup> | —         | TPU3_B Channel 10 Parameter Registers    | 16, 32 <sup>2</sup> | —     |
| 0x30 45B0 –<br>0x30 45BF | S/U <sup>3</sup> | —         | TPU3_B Channel 11 Parameter Registers    | 16, 32 <sup>2</sup> | —     |
| 0x30 45C0 –<br>0x30 45CF | S/U <sup>3</sup> | —         | TPU3_B Channel 11 Parameter Registers    | 16, 32 <sup>2</sup> | —     |

**Table B-10. Time Processor Unit 3 A and B (TPU3 A and B) (continued)**

| Address                  | Access           | Symbol | Register                              | Size                | Reset |
|--------------------------|------------------|--------|---------------------------------------|---------------------|-------|
| 0x30 45D0 –<br>0x30 45DF | S/U <sup>3</sup> | —      | TPU3_B Channel 11 Parameter Registers | 16, 32 <sup>2</sup> | —     |
| 0x30 45E0 –<br>0x30 45EF | S/U <sup>3</sup> | —      | TPU3_B Channel 14 Parameter Registers | 16, 32 <sup>2</sup> | —     |
| 0x30 45F0 –<br>0x30 45FF | S/U <sup>3</sup> | —      | TPU3_B Channel 15 Parameter Registers | 16 <sup>2</sup>     | —     |

<sup>1</sup> Bit 10 (TPU3) and bit 11 (T2CSL) are write-once. Bits 1:2 (TCR1P) and bits 3:4 (TCR2P) are write-once if PWOD is not set in the TPUMCR3 register. This register cannot be accessed with a 32-bit read. It can only be accessed with an 8- or 16-bit read.

<sup>2</sup> Some TPU registers can only be read or written with 16- or 32-bit accesses. 8-bit accesses are not allowed.

<sup>3</sup> S/U = Supervisor accessible only if SUPV = 1 or unrestricted if SUPV = 0. Unrestricted registers allow both user and supervisor access. The SUPV bit is in the TPUMCR register.

<sup>4</sup> TPU code development (Debug) register

<sup>5</sup> Bits 9:10 (ETBANK), 14 (T2CF), and 15 (DTPU) are write-once.

**Table B-11. QADC64E A and B (Queued Analog-to-Digital Converter)**

| Address   | Access           | Symbol                | Register  | Size | Reset |
|---|------------------|-----------------------|---|------|-------|
| <b>QADC_A</b><br>(Note: Bit descriptions apply to QADC_B as well) |                  |                       |   |      |       |
| 0x30 4800   | S                | QADC64MCR_A           | QADC64 Module Configuration Register.<br>See <a href="#">Table 13-5</a> for bit descriptions.                             | 16   | S     |
| 0x30 4802   | S                | QADC64TST             | QADC64 Test Register.   | 16   | S     |
| 0x30 4804   | S                | QADC64INT_A           | Interrupt Register.<br>See <a href="#">Section 13.2.2, “QADC64E Interrupt Register (QADCINT)”</a> , for bit descriptions. | 16   | S     |
| 0x30 4806   | S/U              | PORTQA_A/<br>PORTQB_A | Port A and Port B Data.<br>See <a href="#">Table 13-20</a> for bit descriptions.  | 16   | U     |
| 0x30 4808   | S/U              | DDRQA_A/<br>DDRQB_A   | Port A Data and Port B Direction Register.<br>See <a href="#">Table 13-20</a> for more information.                       | 16   | S     |
| 0x30 480A   | S/U              | QACR0_A               | QADC64 Control Register 0.<br>See <a href="#">Table 13-8</a> for bit descriptions.  | 16   | S     |
| 0x30 480C   | S/U <sup>1</sup> | QACR1_A               | QADC64 Control Register 1.<br>See <a href="#">Table 13-8</a> for bit descriptions.  | 16   | S     |
| 0x30 480E   | S/U <sup>1</sup> | QACR2_A               | QADC64 Control Register 2.<br>See <a href="#">Table 13-12</a> <a href="#">Table 13-8</a> for bit descriptions.            | 16   | S     |
| 0x30 4810   | S/U              | QASR0_A               | QADC64 Status Register 0.<br>See <a href="#">Table 13-8</a> for bit descriptions.   | 16   | S     |
| 0x30 4812   | S/U              | QASR1_A               | QADC64 Status Register 1.<br>See <a href="#">Table 13-16</a> for bit descriptions.  | 16   | S     |

**Table B-11. QADC64E A and B (Queued Analog-to-Digital Converter) (continued)**

| Address                  | Access           | Symbol                | Register  | Size | Reset |
|--------------------------|------------------|-----------------------|---|------|-------|
| 0x30 4814 –<br>0x30 49FE | —                | —                     | Reserved  | —    | —     |
| 0x30 4A00 –<br>0x30 4A7E | S/U              | CCW_A                 | Conversion Command Word Table.<br>See <a href="#">Table 13-18</a> for bit descriptions.   | 16   | U     |
| 0x30 4A80 –<br>0x30 4AFE | S/U              | RJURR_A               | Result Word Table<br>Right-Justified, Unsigned Result Register.<br>See <a href="#">Section 13.2.10</a> , “ <a href="#">Result Word Table</a> ” for bit descriptions.  | 16   | X     |
| 0x30 4B00 –<br>0x30 4B7E | S/U              | LJSRR_A               | Result Word Table<br>Left-Justified, Signed Result Register.<br>See <a href="#">Section 13.2.10</a> , “ <a href="#">Result Word Table</a> ,” for bit descriptions.  | 16   | X     |
| 0x30 4B80 –<br>0x30 4BFE | S/U              | LJURR_A               | Result Word Table<br>Left-Justified, Unsigned Result Register.<br>See <a href="#">Section 13.2.10</a> , “ <a href="#">Result Word Table</a> ,”<br><a href="#">Section 13.2.10</a> , “ <a href="#">Result Word Table</a> ” for bit descriptions. | 16   | X     |
| <b>QADC_B</b>            |                  |                       |   |      |       |
| 0x30 4C00                | S                | QADC64MCR_B           | QADC64 Module Configuration Register  | 16   | S     |
| 0x30 4C02                | T                | QADC64TEST_B          | QADC64 Test Register  | 16   | —     |
| 0x30 4C04                | S                | QADC64INT_B           | Interrupt Register  | 16   | S     |
| 0x30 4C06                | S/U              | PORTQA_B/<br>PORTQB_B | Port A and Port B Data  | 16   | U     |
| 0x30 4C08                | S/U              | DDRQA_B/<br>DDRQB_B   | Port A Data and Port B Direction Register   | 16   | S     |
| 0x30 4C0A                | S/U              | QACR0_B               | QADC64 Control Register 0   | 16   | S     |
| 0x30 4C0C                | S/U <sup>1</sup> | QACR1_B               | QADC64 Control Register 1   | 16   | S     |
| 0x30 4C0E                | S/U <sup>1</sup> | QACR2_B               | QADC64 Control Register 2   | 16   | S     |
| 0x30 4C10                | S/U              | QASR0_B               | QADC64 Status Register 0  | 16   | S     |
| 0x30 4C12                | S/U              | QASR1_B               | QADC64 Status Register 1  | 16   | S     |
| 0x30 4C14 –<br>0x30 4DFE | —                | —                     | Reserved  | —    | —     |
| 0x30 4E00 –<br>0x30 4E7E | S/U              | CCW_B                 | Conversion Command Word Table   | 16   | U     |
| 0x30 4E80 –<br>0x30 4EFE | S/U              | RJURR_B               | Result Word Table.<br>Right-Justified, Unsigned Result Register.  | 16   | X     |



**Table B-11. QADC64E A and B (Queued Analog-to-Digital Converter) (continued)**

| Address                  | Access | Symbol  | Register  | Size | Reset |
|--------------------------|--------|---------|---|------|-------|
| 0x30 4F00 –<br>0x30 4F7E | S/U    | LJSRR_B | Result Word Table.<br>Left-Justified, Signed Result Register.   | 16   | X     |
| 0x30 4F80 –<br>0x30 4FFE | S/U    | LJURR_B | Result Word Table.<br>Left-Justified, Unsigned Result Register. | 16   | X     |

<sup>1</sup> Bit 3 (SSEx) is readable in test mode only.

**Table B-12. QSMCM A and B (Queued Serial Multi-Channel Module)**

| Address   | Access | Symbol              | Register  | Size | Reset |
|---|--------|---------------------|---|------|-------|
| <b>QSMCM_A</b><br>(Note: Bit descriptions apply to QSMCM_B as well) |        |                     |   |      |       |
| 0x30 5000   | S      | QSMCMCR_A           | QSMCM Module Configuration Register.<br>See <a href="#">Table 14-7</a> for bit descriptions.  | 16   | S     |
| 0x30 5002   | T      | QTEST_A             | QSMCM Test Register   | 16   | S     |
| 0x30 5004   | S      | QDSCI_IL_A          | Dual SCI Interrupt Level.<br>See <a href="#">Table 14-8</a> for bit descriptions.   | 16   | S     |
| 0x30 5006   | S      | QSPI_IL_A           | Queued SPI Interrupt Level.<br>See <a href="#">Table 14-9</a> for bit descriptions.   | 16   | S     |
| 0x30 5008   | S/U    | SCC1R0_A            | SCI1 Control Register 1.<br>See <a href="#">Table 14-28</a> for bit descriptions.   | 16   | S     |
| 0x30 500A   | S/U    | SCC1R1_A            | SCI1 Control Register 1.<br>See <a href="#">Table 14-28</a> for bit descriptions.   | 16   | S     |
| 0x30 500C   | S/U    | SC1SR_A             | SCI1 Status Register.<br>See <a href="#">Table 14-29</a> for bit descriptions.  | 16   | S     |
| 0x30 500E   | S/U    | SC1DR_A             | SCI1 Data Register.<br>See <a href="#">Table 14-30</a> for bit descriptions.  | 16   | S     |
| 0x30 5010 —<br>0x30 5012  | —      | —                   | Reserved  | —    | —     |
| 0x30 5014   | S/U    | PORTQS_A            | QSMCM Port QS Data Register.<br>See <a href="#">Section 14.5.1, “Port QS Data Register (PORTQS)”</a> , for bit descriptions.              | 16   | S     |
| 0x30 5016   | S/U    | PQSPAR/<br>DDRQST_A | QSMCM Port QS PIn Assignment Register/<br>QSMCM Port QS Data Direction Register.<br>See <a href="#">Table 14-14</a> for bit descriptions. | 16   | S     |
| 0x30 5018   | S/U    | SPCR0_A             | QSPI Control Register 0.<br>See <a href="#">Table 14-17</a> for bit descriptions.   | 16   | S     |
| 0x30 501A   | S/U    | SPCR1_A             | QSPI Control Register 1.<br>See <a href="#">Table 14-17</a> for bit descriptions.   | 16   | S     |
| 0x30 501C   | S/U    | SPCR2_A             | QSPI Control Register 2.<br>See <a href="#">Table 14-20</a> for bit descriptions.   | 16   | S     |

**Table B-12. QSMCM A and B (Queued Serial Multi-Channel Module) (continued)**

| Address                  | Access           | Symbol     | Register  | Size | Reset |
|--------------------------|------------------|------------|---|------|-------|
| 0x30 501E                | S/U              | SPCR3_A    | QSPI Control Register 3.<br>See <a href="#">Table 14-21</a> for bit descriptions. | 8    | S     |
| 0x30 501F                | S/U              | SPSR_A     | QSPI Status Register 3.<br>See <a href="#">Table 14-22</a> for bit descriptions.  | 8    | S     |
| 0x30 5020                | S/U              | SCC2R0_A   | SCI2 Control Register 0.<br>See <a href="#">Table 14-27</a> for bit descriptions. | 16   | S     |
| 0x30 5022                | S/U              | SCC2R1_A   | SCI2 Control Register 1.<br>See <a href="#">Table 14-28</a> for bit descriptions. | 16   | S     |
| 0x30 5024                | S/U              | SC2SR_A    | SCI2 Status Register.<br>See <a href="#">Table 14-29</a> for bit descriptions.    | 16   | S     |
| 0x30 5026                | S/U              | SC2DR_A    | SCI2 Data Register.<br>See <a href="#">Table 14-30</a> for bit descriptions.      | 16   | S     |
| 0x30 5028                | S/U <sup>1</sup> | QSCI1CR_A  | QSCI1 Control Register.<br>See <a href="#">Table 14-35</a> for bit descriptions.  | 16   | S     |
| 0x30 502A                | S/U <sup>2</sup> | QSCI1SR_A  | QSCI1 Status Register.<br>See <a href="#">Table 14-36</a> for bit descriptions.   | 16   | S     |
| 0x30 502C –<br>0x30 504A | S/U              | SCTQ_A     | Transmit Queue Locations  | 16   | S     |
| 0x30 504C –<br>0x30 506A | S/U              | SCRQ_A     | Receive Queue Locations   | 16   | S     |
| 0x30 506C –<br>0x30 513F | —                | —          | Reserved  | —    | —     |
| 0x30 5140 –<br>0x30 517F | S/U              | RECRAM_A   | Receive Data RAM  | 16   | S     |
| 0x30 5180 –<br>0x30 51BF | S/U              | TRAN.RAM_A | Transmit Data RAM   | 16   | S     |
| 0x30 51C0 –<br>0x30 51DF | S/U              | COMD.RAM_A | Command RAM   | 16   | S     |
| <b>QSMCM_B</b>           |                  |            |   |      |       |
| 0x30 5400                | S                | QSMCMCR_B  | QSMCM Module Configuration Register.  | 16   | S     |
| 0x30 5402                | T                | QTEST_B    | QSMCM Test Register   | 16   | S     |
| 0x30 5404                | S                | QDSCI_IL_B | Dual SCI Interrupt Level.   | 16   | S     |
| 0x30 5406                | S                | QSPI_IL_B  | Queued SPI Interrupt Level.   | 16   | S     |
| 0x30 540A                | S/U              | SCC1R1_B   | SCI1 Control Register 1.  | 16   | S     |
| 0x30 540C                | S/U              | SC1SR_B    | SCI1 Status Register.   | 16   | S     |
| 0x30 540E                | S/U              | SC1DR_B    | SCI1 Data Register.   | 16   | S     |
| 0x30 5410 –<br>0x30 5412 | —                | —          | Reserved  | —    | —     |

**Table B-12. QSMCM A and B (Queued Serial Multi-Channel Module) (continued)**

| Address                  | Access           | Symbol              | Register   | Size | Reset |
|--------------------------|------------------|---------------------|--|------|-------|
| 0x30 5414                | S/U              | PORTQS_B            | QSMCM Port QS Data Register.   | 16   | S     |
| 0x30 5416                | S/U              | PQSPAR/<br>DDRQST_B | QSMCM Port QS PIn Assignment Register/<br>QSMCM Port QS Data Direction Register. | 16   | S     |
| 0x30 5418                | S/U              | SPCR0_B             | QSPI Control Register 0.   | 16   | S     |
| 0x30 541A                | S/U              | SPCR1_B             | QSPI Control Register 1.   | 16   | S     |
| 0x30 541C                | S/U              | SPCR2_B             | QSPI Control Register 2.   | 16   | S     |
| 0x30 541E                | S/U              | SPCR3_B             | QSPI Control Register 3.   | 8    | S     |
| 0x30 541F                | S/U              | SPSR_B              | QSPI Status Register 3.  | 8    | S     |
| 0x30 5420                | S/U              | SCC2R0_B            | SCI2 Control Register 0  | 16   | S     |
| 0x30 5422                | S/U              | SCC2R1_B            | SCI2 Control Register 1  | 16   | S     |
| 0x30 5424                | S/U              | SC2SR_B             | SCI2 Status Register   | 16   | S     |
| 0x30 5426                | S/U              | SC2DR_B             | SCI2 Data Register   | 16   | S     |
| 0x30 5428                | S/U <sup>3</sup> | QSCI1CR_B           | QSCI1 Control Register.  | 16   | S     |
| 0x30 542A                | S/U <sup>4</sup> | QSCI1SR_B           | QSCI1 Status Register.   | 16   | S     |
| 0x30 542C –<br>0x30 544A | S/U              | SCTQ_B              | Transmit Queue Locations   | 16   | S     |
| 0x30 544C –<br>0x30 546A | S/U              | SCRQ_B              | Receive Queue Locations  | 16   | S     |
| 0x30 546C –<br>0x30 553F | —                | —                   | Reserved   | —    | —     |
| 0x30 5540 –<br>0x30 557F | S/U              | RECRAM_B            | Receive Data RAM   | 16   | S     |
| 0x30 5580 –<br>0x30 55BF | S/U              | TRAN.RAM_B          | Transmit Data RAM  | 16   | S     |
| 0x30 55C0 –<br>0x30 55DF | S/U              | COMD.RAM_B          | Command RAM  | 16   | S     |

<sup>1</sup> Bits 0–3 writeable only in test mode, otherwise read only.

<sup>2</sup> Bits 3–11 writeable only in test mode, otherwise read only.

<sup>3</sup> Bits 0–3 writeable only in test mode, otherwise read only.

<sup>4</sup> Bits 3–11 writeable only in test mode, otherwise read only.

**Table B-13. Time Processor Unit 3 C (TPU3\_C)**

(See [Table B-10](#) for bit descriptions)

| Address                | Access         | Symbol   | Register                             | Size    | Reset |
|------------------------|----------------|----------|--------------------------------------|---------|-------|
| <b>TPU3_C</b>          |                |          |                                      |         |       |
| 0x30 5C00 <sup>1</sup> | S <sup>1</sup> | TPUMCR_C | TPU3_C Module Configuration Register | 16 only | S, M  |

**Table B-13. Time Processor Unit 3 C (TPU3\_C) (continued)**

(See [Table B-10](#) for bit descriptions)

| Address                  | Access           | Symbol    | Register                                     | Size                | Reset |
|--------------------------|------------------|-----------|--|---------------------|-------|
| 0x30 5C02                | T                | TCR_C     | TPU3_C Test Configuration Register           | 16                  | S, M  |
| 0x30 5C04                | S                | DSCR_C    | TPU3_C Development Support Control Register  | 16 <sup>2</sup>     | S, M  |
| 0x30 5C06                | S                | DSSR_C    | TPU3_C Development Support Status Register   | 16 <sup>2</sup>     | S, M  |
| 0x30 5C08                | S                | TICR_C    | TPU3_C Interrupt Configuration Register      | 16 <sup>2</sup>     | S, M  |
| 0x30 5C0A                | S                | CIER_C    | TPU3_C Channel Interrupt Enable Register     | 16 <sup>2</sup>     | S, M  |
| 0x30 5C0C                | S                | CFSR0_C   | TPU3_C Channel Function Selection Register 0 | 16 <sup>2</sup>     | S, M  |
| 0x30 5C0E                | S                | CFSR1_C   | TPU3_C Channel Function Selection Register 1 | 16 <sup>2</sup>     | S, M  |
| 0x30 5C10                | S                | CFSR2_C   | TPU3_C Channel Function Selection Register 2 | 16 <sup>2</sup>     | S, M  |
| 0x30 5C12                | S                | CFSR3_C   | TPU3_C Channel Function Selection Register 3 | 16 <sup>2</sup>     | S, M  |
| 0x30 5C14                | S/U <sup>3</sup> | HSQR0_C   | TPU3_C Host Sequence Register 0              | 16 <sup>2</sup>     | S, M  |
| 0x30 5C16                | S/U <sup>3</sup> | HSQR1_C   | TPU3_C Host Sequence Register 1              | 16 <sup>2</sup>     | S, M  |
| 0x30 5C18                | S/U <sup>3</sup> | HSRR0_C   | TPU3_C Host Service Request Register 0       | 16 <sup>2</sup>     | S, M  |
| 0x30 5C1A                | S/U <sup>3</sup> | HSRR1_C   | TPU3_C Host Service Request Register 1       | 16 <sup>2</sup>     | S, M  |
| 0x30 5CC                 | S                | CPR0_C    | TPU3_C Channel Priority Register 0           | 16 <sup>2</sup>     | S, M  |
| 0x30 5C1E                | S                | CPR1_C    | TPU3_C Channel Priority Register 1           | 16 <sup>2</sup>     | S, M  |
| 0x30 5C20                | S                | CISR_C    | TPU3_C Channel Interrupt Status Register     | 16                  | S, M  |
| 0x30 5C22                | T                | LR_C      | TPU3_C Link Register                         | 16 <sup>2</sup>     | S, M  |
| 0x30 5C24                | T                | SGLR_C    | TPU3_C Service Grant Latch Register          | 16 <sup>2</sup>     | S, M  |
| 0x30 5C26                | T                | DCNR_C    | TPU3_C Decoded Channel Number Register       | 16 <sup>2</sup>     | S, M  |
| 0x30 5C28                | S <sup>4</sup>   | TPUMCR2_C | TPU3_C Module Configuration Register 2       | 16 <sup>2</sup>     | S, M  |
| 0x30 5C2A                | S                | TPUMCR3_C | TPU3_C Module Configuration Register 3       | 16, 32 <sup>2</sup> | S, M  |
| 0x30 5C2C                | T                | ISDR_C    | TPU3_C Internal Scan Data Register           | 16, 32 <sup>2</sup> |       |
| 0x30 5C2E                | T                | ISCR_C    | TPU3_C Internal Scan Control Register        | 16, 32 <sup>2</sup> |       |
| 0x30 5D00 –<br>0x30 5D0E | S/U <sup>3</sup> | —         | TPU3_C Channel 0 Parameter Registers         | 16, 32 <sup>2</sup> |       |
| 0x30 5D10 –<br>0x30 5D1E | S/U <sup>3</sup> | —         | TPU3_C Channel 1 Parameter Registers         | 16, 32 <sup>2</sup> |       |
| 0x30 5D20 –<br>0x30 5D2E | S/U <sup>3</sup> | —         | TPU3_C Channel 2 Parameter Registers         | 16, 32 <sup>2</sup> |       |

**Table B-13. Time Processor Unit 3 C (TPU3\_C) (continued)**

 (See [Table B-10](#) for bit descriptions)

| Address                  | Access           | Symbol | Register                              | Size                | Reset |
|--------------------------|------------------|--------|---------------------------------------|---------------------|-------|
| 0x30 5D30 –<br>0x30 5D3E | S/U <sup>3</sup> | —      | TPU3_C Channel 3 Parameter Registers  | 16, 32 <sup>2</sup> |       |
| 0x30 5D40 –<br>0x30 5D4E | S/U <sup>3</sup> | —      | TPU3_C Channel 4 Parameter Registers  | 16, 32 <sup>2</sup> |       |
| 0x30 5D50 –<br>0x30 5D5E | S/U <sup>3</sup> | —      | TPU3_C Channel 5 Parameter Registers  | 16, 32 <sup>2</sup> |       |
| 0x30 5D60 –<br>0x30 5C6E | S/U <sup>3</sup> | —      | TPU3_C Channel 6 Parameter Registers  | 16, 32 <sup>2</sup> |       |
| 0x30 5D70 –<br>0x30 5C7E | S/U <sup>3</sup> | —      | TPU3_C Channel 7 Parameter Registers  | 16, 32 <sup>2</sup> |       |
| 0x30 5D80 –<br>0x30 5D8E | S/U <sup>3</sup> | —      | TPU3_C Channel 8 Parameter Registers  | 16, 32 <sup>2</sup> |       |
| 0x30 5D90 –<br>0x30 5D9E | S/U <sup>3</sup> | —      | TPU3_C Channel 9 Parameter Registers  | 16, 32 <sup>2</sup> |       |
| 0x30 5DA0 –<br>0x30 5DAE | S/U <sup>3</sup> | —      | TPU3_C Channel 10 Parameter Registers | 16, 32 <sup>2</sup> |       |
| 0x30 5DB0 –<br>0x30 5DBF | S/U <sup>3</sup> | —      | TPU3_C Channel 11 Parameter Registers | 16, 32 <sup>2</sup> |       |
| 0x30 5DC0 –<br>0x30 5DCF | S/U <sup>3</sup> | —      | TPU3_C Channel 11 Parameter Registers | 16, 32 <sup>2</sup> |       |
| 0x30 5DD0 –<br>0x30 5DDF | S/U <sup>3</sup> | —      | TPU3_C Channel 11 Parameter Registers | 16, 32 <sup>2</sup> |       |
| 0x30 5DE0 –<br>0x30 5DEF | S/U <sup>3</sup> | —      | TPU3_C Channel 14 Parameter Registers | 16, 32 <sup>2</sup> |       |
| 0x30 5DF0 –<br>0x30 5DFF | S/U <sup>3</sup> | —      | TPU3_C Channel 15 Parameter Registers | 16 <sup>2</sup>     |       |

<sup>1</sup> Bit 10 (TPU3) and bit 11 (T2CSL) are write-once. Bits 1:2 (TCR1P) and bits 3:4 (TCR2P) are write-once if PWOD is not set in the TPUMCR3 register. This register cannot be accessed with a 32-bit read. It can only be accessed with an 8- or 16-bit read.

<sup>2</sup> Some TPU registers can only be read or written with 16- or 32-bit accesses. 8-bit accesses are not allowed.

<sup>3</sup> S/U = Supervisor accessible only if SUPV = 1 or unrestricted if SUPV = 0. Unrestricted registers allow both user and supervisor access. The SUPV bit is in the TPUMCR register.

**Table B-14. MIOS14 (Modular Input/Output Subsystem)**

| Address  | Access | Symbol   | Register  | Size | Reset          |
|--|--------|----------|---|------|----------------|
| <b>MPWMSM0 (MIOS Pulse Width Modulation Submodule 0)</b> |        |          |   |      |                |
| 0x30 6000  | S/U    | MPWMPERR | MPWMSM0 Period Register.<br>See <a href="#">Table 17-27</a> for bit descriptions. | 16   | S <sup>1</sup> |

**Table B-14. MIOS14 (Modular Input/Output Subsystem) (continued)**

| Address  | Access | Symbol   | Register  | Size | Reset |
|--|--------|----------|---|------|-------|
| 0x30 6002  | S/U    | MPWMPULR | MPWMSM0 Pulse Width Register.<br>See <a href="#">Table 17-28</a> for bit descriptions.    | 16   | S     |
| 0x30 6004  | S/U    | MPWMCNTR | MPWMSM0 Counter Register.<br>See <a href="#">Table 17-29</a> for bit descriptions.        | 16   | S     |
| 0x30 6006  | S/U    | MPWMSCR  | MPWMSM0 Status/Control Register.<br>See <a href="#">Table 17-30</a> for bit descriptions. | 16   | S     |
| <b>MPWMSM1 (MIOS Pulse Width Modulation Submodule 1)</b> |        |          |   |      |       |
| 0x30 6008  | S/U    | MPWMPERR | MPWMSM1 Period Register.<br>See <a href="#">Table 17-27</a> for bit descriptions.         | 16   | S     |
| 0x30 600A  | S/U    | MPWMPULR | MPWMSM1 Pulse Width Register.<br>See <a href="#">Table 17-28</a> for bit descriptions.    | 16   | S     |
| 0x30 600C  | S/U    | MPWMCNTR | MPWMSM1 Counter Register.<br>See <a href="#">Table 17-29</a> for bit descriptions.        | 16   | S     |
| 0x30 600E  | S/U    | MPWMSCR  | MPWMSM1 Status/Control Register.<br>See <a href="#">Table 17-30</a> for bit descriptions. | 16   | S     |
| <b>MPWMSM2 (MIOS Pulse Width Modulation Submodule 2)</b> |        |          |   |      |       |
| 0x30 6010  | S/U    | MPWMPERR | MPWMSM2 Period Register.<br>See <a href="#">Table 17-27</a> for bit descriptions.         | 16   | S     |
| 0x30 6012  | S/U    | MPWMPULR | MPWMSM2 Pulse Width Register.<br>See <a href="#">Table 17-28</a> for bit descriptions.    | 16   | S     |
| 0x30 6014  | S/U    | MPWMCNTR | MPWMSM2 Counter Register.<br>See <a href="#">Table 17-29</a> for bit descriptions.        | 16   | S     |
| 0x30 6016  | S/U    | MPWMSCR  | MPWMSM2 Status/Control Register.<br>See <a href="#">Table 17-30</a> for bit descriptions. | 16   | S     |
| <b>MPWMSM3 (MIOS Pulse Width Modulation Submodule 3)</b> |        |          |   |      |       |
| 0x30 6018  | S/U    | MPWMPERR | MPWMSM3 Period Register.<br>See <a href="#">Table 17-27</a> for bit descriptions.         | 16   | S     |
| 0x30 601A  | S/U    | MPWMPULR | MPWMSM3 Pulse Width Register.<br>See <a href="#">Table 17-28</a> for bit descriptions.    | 16   | S     |
| 0x30 601C  | S/U    | MPWMCNTR | MPWMSM3 Counter Register.<br>See <a href="#">Table 17-29</a> for bit descriptions.        | 16   | S     |
| 0x30 601E  | S/U    | MPWMSCR  | MPWMSM3 Status/Control Register.<br>See <a href="#">Table 17-30</a> for bit descriptions. | 16   | S     |
| <b>MPWMSM4 (MIOS Pulse Width Modulation Submodule 4)</b> |        |          |   |      |       |
| 0x30 6020  | S/U    | MPWMPERR | MPWMSM4 Period Register.<br>See <a href="#">Table 17-27</a> for bit descriptions.         | 16   | S     |
| 0x30 6022  | S/U    | MPWMPULR | MPWMSM4 Pulse Width Register.<br>See <a href="#">Table 17-28</a> for bit descriptions.    | 16   | S     |

**Table B-14. MIOS14 (Modular Input/Output Subsystem) (continued)**

| Address  | Access | Symbol    | Register  | Size | Reset |
|--|--------|-----------|---|------|-------|
| 0x30 6024  | S/U    | MPWMCNTR  | MPWMSM4 Counter Register.<br>See <a href="#">Table 17-29</a> for bit descriptions.        | 16   | S     |
| 0x30 6026  | S/U    | MPWMSCR   | MPWMSM4 Status/Control Register.<br>See <a href="#">Table 17-30</a> for bit descriptions. | 16   | S     |
| <b>MPWMSM5 (MIOS Pulse Width Modulation Submodule 5)</b> |        |           |   |      |       |
| 0x30 6028  | S/U    | MPWMPERR  | MPWMSM5 Period Register.<br>See <a href="#">Table 17-27</a> for bit descriptions.         | 16   | S     |
| 0x30 602A  | S/U    | MPWMPULR  | MPWMSM5 Pulse Width Register.<br>See <a href="#">Table 17-28</a> for bit descriptions.    | 16   | S     |
| 0x30 602C  | S/U    | MPWMCNTR  | MPWMSM5 Counter Register.<br>See <a href="#">Table 17-29</a> for bit descriptions.        | 16   | S     |
| 0x30 602E  | S/U    | MPWMSCR   | MPWMSM5 Status/Control Register.<br>See <a href="#">Table 17-30</a> for bit descriptions. | 16   | S     |
| <b>MMCSM6 (MIOS Modulus Counter Submodule 6)</b>         |        |           |   |      |       |
| 0x30 6030  | S/U    | MMCSMCNT  | MMCSM6 Up-Counter Register.<br>See <a href="#">Table 17-11</a> for bit descriptions.      | 16   | X     |
| 0x30 6032  | S/U    | MMCSMML   | MMCSM6 Modulus Latch Register.<br>See <a href="#">Table 17-12</a> for bit descriptions.   | 16   | S     |
| 0x30 6034  | S/U    | MMCSMSCRD | MMCSM6 Status/Control Register.<br>See <a href="#">Table 17-13</a> for bit descriptions.  | 16   | S     |
| 0x30 6036  | S/U    | MMCSMSCR  | MMCSM6 Status/Control Register.<br>See <a href="#">Table 17-13</a> for bit descriptions.  | 16   | S     |
| <b>MMCSM7 (MIOS Modulus Counter Submodule 7)</b>         |        |           |   |      |       |
| 0x30 6038  | S/U    | MMCSMCNT  | MMCSM7 Up-Counter Register.<br>See <a href="#">Table 17-11</a> for bit descriptions.      | 16   | X     |
| 0x30 603A  | S/U    | MMCSMML   | MMCSM7 Modulus Latch Register.<br>See <a href="#">Table 17-12</a> for bit descriptions.   | 16   | S     |
| 0x30 603E  | S/U    | MMCSMSCR  | MMCSM7 Status/Control Register.<br>See <a href="#">Table 17-13</a> for bit descriptions.  | 16   | S     |
| <b>MMCSM8 (MIOS Modulus Counter Submodule 8)</b>         |        |           |   |      |       |
| 0x30 6040  | S/U    | MMCSMCNT  | MMCSM8 Up-Counter Register.<br>See <a href="#">Table 17-11</a> for bit descriptions.      | 16   | X     |
| 0x30 6042  | S/U    | MMCSMML   | MMCSM8 Modulus Latch Register.<br>See <a href="#">Table 17-12</a> for bit descriptions.   | 16   | S     |
| 0x30 6046  | S/U    | MMCSMSCR  | MMCSM8 Status/Control Register.<br>See <a href="#">Table 17-13</a> for bit descriptions.  | 16   | S     |
| <b>MRTCSM (MIOS Real-Time Clock Submodule)</b>           |        |           |   |      |       |

**Table B-14. MIOS14 (Modular Input/Output Subsystem) (continued)**

| Address  | Access | Symbol     | Register   | Size | Reset |
|--|--------|------------|--|------|-------|
| 0x30 6050  | S/U    | MRTCSMFRCH | MRTCSM 32-Bit Counter High Buffer Register.<br>See <a href="#">Table 17-45</a> for bit descriptions. | 16   | U     |
| 0x30 6052  | S/U    | MRTCSMFRCL | MRTCSM 32-Bit Counter Low Buffer Register.<br>See <a href="#">Table 17-46</a> for bit descriptions.  | 16   | U     |
| 0x30 6054  | S/U    | MRTCPR     | MRTCSM Prescaler Counter Buffer Register.<br>See <a href="#">Table 17-47</a> for bit descriptions.   | 16   | U     |
| 0x30 6056  | S/U    | MRTCSM     | MRTCSM Status/Control Register.<br>See <a href="#">Table 17-48</a> for bit descriptions.             | 16   | S     |
| <b>MDASM11 (MIOS Double Action Submodule 11)</b> |        |            |  |      |       |
| 0x30 6058  | S/U    | MDASMAR    | MDASM11 DataA Register.<br>See <a href="#">Table 17-20</a> for bit descriptions.                     | 16   | S     |
| 0x30 605A  | S/U    | MDASMBR    | MDASM11 DataA Register.<br>See <a href="#">Table 17-20</a> for bit descriptions.                     | 16   | S     |
| 0x30 605A  | S/U    | MDASMSCR   | MDASM11 Status/Control Register.<br>See <a href="#">Table 17-22</a> for bit descriptions.            | 16   | S     |
| <b>MDASM12 (MIOS Double Action Submodule 12)</b> |        |            |  |      |       |
| 0x30 6060  | S/U    | MDASMAR    | MDASM12 DataA Register.<br>See <a href="#">Table 17-20</a> for bit descriptions.                     | 16   | S     |
| 0x30 6062  | S/U    | MDASMBR    | MDASM12 DataA Register.<br>See <a href="#">Table 17-20</a> for bit descriptions.                     | 16   | S     |
| 0x30 6064  | S/U    | MDASMSCR   | MDASM12 DataA Register.<br>See <a href="#">Table 17-20</a> for bit descriptions.                     | 16   | S     |
| 0x30 6066  | S/U    | MDASMSCR   | MDASM Status/Control Register.<br>See <a href="#">Table 17-22</a> for bit descriptions.              | 16   | S     |
| <b>MDASM13 (MIOS Double Action Submodule 13)</b> |        |            |  |      |       |
| 0x30 6068  | S/U    | MDASMAR    | MDASM13 DataA Register.<br>See <a href="#">Table 17-20</a> for bit descriptions.                     | 16   | S     |
| 0x30 606A  | S/U    | MDASMBR    | MDASM13 DataA Register.<br>See <a href="#">Table 17-20</a> for bit descriptions.                     | 16   | S     |
| 0x30 606E  | S/U    | MDASMSCR   | MDASM13 Status/Control Register.<br>See <a href="#">Table 17-22</a> for bit descriptions.            | 16   | S     |
| <b>MDASM14 (MIOS Double Action Submodule 14)</b> |        |            |  |      |       |
| 0x30 6070  | S/U    | MDASMAR    | MDASM14 DataA Register.<br>See <a href="#">Table 17-20</a> for bit descriptions.                     | 16   | S     |
| 0x30 6072  | S/U    | MDASMBR    | MDASM14 DataA Register.<br>See <a href="#">Table 17-20</a> for bit descriptions.                     | 16   | S     |
| 0x30 6076  | S/U    | MDASMSCR   | MDASM14 Status/Control Register.<br>See <a href="#">Table 17-22</a> for bit descriptions.            | 16   | S     |



**Table B-14. MIOS14 (Modular Input/Output Subsystem) (continued)**

| Address  | Access | Symbol   | Register  | Size | Reset |
|--|--------|----------|---|------|-------|
| <b>MDASM (MIOS Double Action Submodule 15)</b>             |        |          |   |      |       |
| 0x30 6078  | S/U    | MDASMAR  | MDASM15 DataA Register.<br>See <a href="#">Table 17-20</a> for bit descriptions.            | 16   | S     |
| 0x30 607A  | S/U    | MDASMBR  | MDASM15 DataA Register.<br>See <a href="#">Table 17-20</a> for bit descriptions.            | 16   | S     |
| 0x30 607E  | S/U    | MDASMSCR | MDASM15 Status/Control Register.<br>See <a href="#">Table 17-22</a> for bit descriptions.   | 16   | S     |
| <b>MPWMSM16 (MIOS Pulse Width Modulation Submodule 16)</b> |        |          |   |      |       |
| 0x30 6080  | S/U    | MPWMPERR | MPWMSM16 Period Register.<br>See <a href="#">Table 17-27</a> for bit descriptions.          | 16   | S     |
| 0x30 6082  | S/U    | MPWMPULR | MPWMSM16 Pulse Width Register.<br>See <a href="#">Table 17-28</a> for bit descriptions.     | 16   | S     |
| 0x30 6084  | S/U    | MPWMCNTR | MPWMSM16 Counter Register.<br>See <a href="#">Table 17-29</a> for bit descriptions.         | 16   | S     |
| 0x30 6086  | S/U    | MPWMSCR  | MPWMSM16 Status/Control Register.<br>See <a href="#">Table 17-30</a> for bit descriptions.  | 16   | S     |
| <b>MPWMSM17 (MIOS Pulse Width Modulation Submodule 17)</b> |        |          |   |      |       |
| 0x30 6088  | S/U    | MPWMPERR | MPWMSM17 Period Register.<br>See <a href="#">Table 17-27.</a> for bit descriptions.         | 16   | S     |
| 0x30 608A  | S/U    | MPWMPULR | MPWMSM17 Pulse Width Register.<br>See <a href="#">Table 17-28.</a> for bit descriptions.    | 16   | S     |
| 0x30 608C  | S/U    | MPWMCNTR | MPWMSM17 Counter Register.<br>See <a href="#">Table 17-29.</a> for bit descriptions.        | 16   | S     |
| 0x30 608E  | S/U    | MPWMSCR  | MPWMSM17 Status/Control Register.<br>See <a href="#">Table 17-30.</a> for bit descriptions. | 16   | S     |
| <b>MPWMSM18 (MIOS Pulse Width Modulation Submodule 18)</b> |        |          |   |      |       |
| 0x30 6090  | S/U    | MPWMPERR | MPWMSM18 Period Register.<br>See <a href="#">Table 17-27.</a> for bit descriptions.         | 16   | S     |
| 0x30 6092  | S/U    | MPWMPULR | MPWMSM18 Pulse Width Register.<br>See <a href="#">Table 17-28.</a> for bit descriptions.    | 16   | S     |
| 0x30 6094  | S/U    | MPWMCNTR | MPWMSM18 Counter Register.<br>See <a href="#">Table 17-29.</a> for bit descriptions.        | 16   | S     |
| 0x30 6096  | S/U    | MPWMSCR  | MPWMSM18 Status/Control Register.<br>See <a href="#">Table 17-30.</a> for bit descriptions. | 16   | S     |
| <b>MPWMSM19 (MIOS Pulse Width Modulation Submodule 19)</b> |        |          |   |      |       |
| 0x30 6098  | S/U    | MPWMPERR | MPWMSM19 Period Register.<br>See <a href="#">Table 17-27.</a> for bit descriptions.         | 16   | S     |

**Table B-14. MIOS14 (Modular Input/Output Subsystem) (continued)**

| Address  | Access | Symbol   | Register   | Size | Reset |
|--|--------|----------|--|------|-------|
| 0x30 609A  | S/U    | MPWMPULR | MPWMSM19 Pulse Width Register.<br>See <a href="#">Table 17-28</a> . for bit descriptions.    | 16   | S     |
| 0x30 609C  | S/U    | MPWMCNTR | MPWMSM19 Counter Register.<br>See <a href="#">Table 17-29</a> . for bit descriptions.        | 16   | S     |
| 0x30 609E  | S/U    | MPWMSCR  | MPWMSM19 Status/Control Register.<br>See <a href="#">Table 17-30</a> . for bit descriptions. | 16   | S     |
| <b>MPWMSM20 (MIOS Pulse Width Modulation Submodule 20)</b> |        |          |  |      |       |
| 0x30 60A0  | S/U    | MPWMPERR | MPWMSM20 Period Register.<br>See <a href="#">Table 17-27</a> . for bit descriptions.         | 16   | S     |
| 0x30 60A2  | S/U    | MPWMPULR | MPWMSM20 Pulse Width Register.<br>See <a href="#">Table 17-28</a> . for bit descriptions.    | 16   | S     |
| 0x30 60A4  | S/U    | MPWMCNTR | MPWMSM20 Counter Register.<br>See <a href="#">Table 17-29</a> . for bit descriptions.        | 16   | S     |
| 0x30 60A6  | S/U    | MPWMSCR  | MPWMSM20 Status/Control Register.<br>See <a href="#">Table 17-30</a> . for bit descriptions. | 16   | S     |
| <b>MPWMSM21 (MIOS Pulse Width Modulation Submodule 21)</b> |        |          |  |      |       |
| 0x30 60A8  | S/U    | MPWMPERR | MPWMSM21 Period Register.<br>See <a href="#">Table 17-27</a> . for bit descriptions.         | 16   | S     |
| 0x30 60AA  | S/U    | MPWMPULR | MPWMSM21 Pulse Width Register.<br>See <a href="#">Table 17-28</a> . for bit descriptions.    | 16   | S     |
| 0x30 60AC  | S/U    | MPWMCNTR | MPWMSM21 Counter Register.<br>See <a href="#">Table 17-29</a> . for bit descriptions.        | 16   | S     |
| 0x30 60AE  | S/U    | MPWMSCR  | MPWMSM21 Status/Control Register.<br>See <a href="#">Table 17-30</a> . for bit descriptions. | 16   | S     |
| <b>MMCSM22 (MIOS Modulus Counter Submodule 22)</b>         |        |          |  |      |       |
| 0x30 60B0  | S/U    | MMCSMCNT | MMCSM22 Up-Counter Register.<br>See <a href="#">Table 17-11</a> . for bit descriptions.      | 16   | X     |
| 0x30 60B2  | S/U    | MMCSMML  | MMCSM22 Modulus Latch Register.<br>See <a href="#">Table 17-12</a> . for bit descriptions.   | 16   | S     |
| 0x30 60B6  | S/U    | MMCSMSCR | MMCSM22 Status/Control Register.<br>See <a href="#">Table 17-13</a> . for bit descriptions.  | 16   | S     |
| <b>MMCSM23 (MIOS Modulus Counter Submodule 23)</b>         |        |          |  |      |       |
| 0x30 60B8  | S/U    | MMCSMCNT | MMCSM23 Up-Counter Register.<br>See <a href="#">Table 17-11</a> . for bit descriptions.      | 16   | X     |
| 0x30 60BA  | S/U    | MMCSMML  | MMCSM23 Modulus Latch Register.<br>See <a href="#">Table 17-12</a> . for bit descriptions.   | 16   | S     |
| 0x30 60BE  | S/U    | MMCSMSCR | MMCSM23 Status/Control Register.<br>See <a href="#">Table 17-13</a> . for bit descriptions.  | 16   | S     |

**Table B-14. MIOS14 (Modular Input/Output Subsystem) (continued)**

| Address  | Access | Symbol   | Register  | Size | Reset |
|--|--------|----------|---|------|-------|
| <b>MMCSM24 (MIOS Modulus Counter Submodule 24)</b> |        |          |   |      |       |
| 0x30 60C0  | S/U    | MMCSMCNT | MMCSM24 Up-Counter Register.<br>See <a href="#">Table 17-11</a> . for bit descriptions.     | 16   | X     |
| 0x30 60C2  | S/U    | MMCSMML  | MMCSM24 Modulus Latch Register.<br>See <a href="#">Table 17-12</a> . for bit descriptions.  | 16   | S     |
| 0x30 60C6  | S/U    | MMCSMSCR | MMCSM24 Status/Control Register.<br>See <a href="#">Table 17-13</a> . for bit descriptions. | 16   | S     |
| <b>MDASM27 (MIOS Double Action Submodule 27)</b>   |        |          |   |      |       |
| 0x30 60D8  | S/U    | MDASMAR  | MDASM27 DataA Register.<br>See <a href="#">Table 17-20</a> . for bit descriptions.          | 16   | S     |
| 0x30 60DA  | S/U    | MDASMBR  | MDASM27 DataA Register.<br>See <a href="#">Table 17-20</a> . for bit descriptions.          | 16   | S     |
| 0x30 60DE  | S/U    | MDASMSCR | MDASM27 Status/Control Register.<br>See <a href="#">Table 17-22</a> . for bit descriptions. | 16   | S     |
| <b>MDASM28 (MIOS Double Action Submodule 28)</b>   |        |          |   |      |       |
| 0x30 60E0  | S/U    | MDASMAR  | MDASM28 DataA Register.<br>See <a href="#">Table 17-20</a> . for bit descriptions.          | 16   | S     |
| 0x30 60E2  | S/U    | MDASMBR  | MDASM28 DataA Register.<br>See <a href="#">Table 17-20</a> . for bit descriptions.          | 16   | S     |
| 0x30 60E6  | S/U    | MDASMSCR | MDASM28 Status/Control Register.<br>See <a href="#">Table 17-22</a> . for bit descriptions. | 16   | S     |
| <b>MDASM29 (MIOS Double Action Submodule 29)</b>   |        |          |   |      |       |
| 0x30 60E8  | S/U    | MDASMAR  | MDASM29 DataA Register.<br>See <a href="#">Table 17-20</a> . for bit descriptions.          | 16   | S     |
| 0x30 60EA  | S/U    | MDASMBR  | MDASM29 DataA Register.<br>See <a href="#">Table 17-20</a> . for bit descriptions.          | 16   | S     |
| 0x30 60EE  | S/U    | MDASMSCR | MDASM29 Status/Control Register.<br>See <a href="#">Table 17-22</a> . for bit descriptions. | 16   | S     |
| <b>MDASM30 (MIOS Double Action Submodule 30)</b>   |        |          |   |      |       |
| 0x30 60F0  | S/U    | MDASMAR  | MDASM30 DataA Register.<br>See <a href="#">Table 17-20</a> . for bit descriptions.          | 16   | S     |
| 0x30 6F2   | S/U    | MDASMBR  | MDASM30 DataA Register.<br>See <a href="#">Table 17-20</a> . for bit descriptions.          | 16   | S     |
| 0x30 60F6  | S/U    | MDASMSCR | MDASM30 Status/Control Register.<br>See <a href="#">Table 17-22</a> . for bit descriptions. | 16   | S     |
| <b>MDASM31 (MIOS Double Action Submodule 31)</b>   |        |          |   |      |       |
| 0x30 60F8  | S/U    | MDASMAR  | MDASM31 DataA Register.<br>See <a href="#">Table 17-20</a> . for bit descriptions.          | 16   | S     |

**Table B-14. MIOS14 (Modular Input/Output Subsystem) (continued)**

| Address  | Access | Symbol     | Register  | Size | Reset |
|--|--------|------------|---|------|-------|
| 0x30 60FA  | S/U    | MDASMBR    | MDASM31 DataA Register.<br>See <a href="#">Table 17-20</a> . for bit descriptions.              | 16   | S     |
| 0x30 60FE  | S/U    | MDASMSCR   | MDASM31 Status/Control Register.<br>See <a href="#">Table 17-22</a> . for bit descriptions.     | 16   | S     |
| <b>MPIOISM (MIOS 16-bit Parallel Port I/O Submodule)</b> |        |            |   |      |       |
| 0x30 6100  | S/U    | MPIOISMDR  | MPIOISM Data Register.<br>See <a href="#">Table 17-34</a> . for bit descriptions.               | 16   | S     |
| 0x30 6102  | S/U    | MPIOISMDDR | MPIOISM Data Direction Register.<br>See <a href="#">Table 17-35</a> . for bit descriptions.     | 16   | S     |
| <b>MBISM (MIOS Bus Interface Submodule)</b>              |        |            |   |      |       |
| 0x30 6800  | S/U    | MIOS14TPCR | MIOS14 Test and Pin Control Register.<br>See <a href="#">Table 17-3</a> . for bit descriptions. | 16   | X     |
| 0x30 6802  | S/U    | MIOS14VECT | MIOS14 Vector Register.<br>See <a href="#">Figure 17-2</a> . for bit descriptions.              | 16   | X     |
| 0x30 6804  | S/U    | MIOS14VNR  | MIOS14 Vector Register.<br>See <a href="#">Section 17.6.1.3</a> for bit descriptions.           | 16   | S     |
| 0x30 6806  | S/U    | MIOS14MCR  | MIOS14 Module Configuration Register.<br>See <a href="#">Table 17-6</a> . for bit descriptions. | 16   | X     |
| <b>MCPSM (MIOS Status/Control Submodule)</b>             |        |            |   |      |       |
| 0x30 6816  | S/U    | MCPSMSCR   | MCPSM Status/Control Register.<br>See <a href="#">Table 17-8</a> . for bit descriptions.        | 16   | X     |
| <b>MIRSM0 (MIOS Interrupt Status Submodule 0)</b>        |        |            |   |      |       |
| 0x30 6C00  | S/U    | MIOS14SR0  | MIOS14 Interrupt Status Register.<br>See <a href="#">Table 17-36</a> . for bit descriptions.    | 16   | X     |
| 0x30 6C04  | S/U    | MIOS14ER0  | MIOS14 Interrupt Enable Register.<br>See <a href="#">Table 17-37</a> . for bit descriptions.    | 16   | X     |
| 0x30 6C06  | S/U    | MIOS14RPR0 | MIOS14 Request Pending Register.<br>See <a href="#">Table 17-38</a> . for bit descriptions.     | 16   | S     |
| <b>MIRSM1 (MIOS Interrupt Request Submodule 1)</b>       |        |            |   |      |       |
| 0x30 6C40  | S/U    | MIOS14SR1  | MIOS14 Interrupt Status Register.<br>See <a href="#">Table 17-39</a> . for bit descriptions.    | 16   | X     |
| 0x30 6C44  | S/U    | MIOSER1    | MIOS14 Interrupt Enable Register.<br>See <a href="#">Table 17-40</a> . for bit descriptions.    | 16   | X     |
| 0x30 6C46  | S/U    | MIOS14RPR1 | MIOS14 Request Pending Register.<br>See <a href="#">Table 17-41</a> . for bit descriptions.     | 16   | X     |
| <b>MBISM0 (MIOS Interrupt Request Submodule 0)</b>       |        |            |   |      |       |

**Table B-14. MIOS14 (Modular Input/Output Subsystem) (continued)**

| Address   | Access | Symbol     | Register  | Size | Reset |
|-----------|--------|------------|---|------|-------|
| 0x30 6C30 | S/U    | MIOS14LVL0 | MIOS14 Interrupt Level 0 Register.<br>See <a href="#">Table 17-43</a> for bit descriptions. | 16   | S     |
| 0x30 6C70 | S/U    | MIOS14LVL1 | MIOS14 Interrupt Level 1 Register.<br>See <a href="#">Table 17-44</a> for bit descriptions. | 16   | X     |

<sup>1</sup> Only bits WEN, TEST, STB, and WIP affected by reset.

**Table B-15. TouCAN A, B and C (CAN 2.0B Controller)**

| Address  | Access | Symbol                    | Register  | Size | Reset |
|--|--------|---------------------------|---|------|-------|
| <b>TouCAN_A</b><br>(Note: Bit descriptions apply to TouCAN_B and TouCAN_C as well) |        |                           |   |      |       |
| 0x30 7080  | S      | CANMCR_A                  | TouCAN_A Module Configuration Register.<br>See <a href="#">Table 16-11</a> for bit descriptions.  | 16   | S     |
| 0x30 7082  | T      | CANTCR_A                  | TouCAN_A Test Register  | 16   | S     |
| 0x30 7084  | S      | CANICR_A                  | TouCAN_A Interrupt Configuration Register.<br>See <a href="#">Table 16-12</a> for bit descriptions.   | 16   | S     |
| 0x30 7086  | S/U    | CANCTRL0_A/<br>CANCTRL1_A | TouCAN_A Control Register 0/<br>TouCAN_A Control Register 1.<br>See <a href="#">Table 16-13</a> and <a href="#">Table 16-16</a> for bit descriptions.                 | 16   | S     |
| 0x30 7088  | S/U    | PRESDIV_A/<br>CTRL2_A     | TouCAN_A Control and Prescaler Divider Register/TouCAN_A Control Register 2.<br>See <a href="#">Table 16-17</a> and <a href="#">Table 16-18</a> for bit descriptions. | 16   | S     |
| 0x30 708A  | S/U    | TIMER_A                   | TouCAN_A Free-Running Timer Register.<br>See <a href="#">Table 16-19</a> for bit descriptions.  | 16   | S     |
| 0x30 708C —<br>0x30 708E   | —      | —                         | Reserved  | —    | —     |
| 0x30 7090  | S/U    | RXGMSKHI_A                | TouCAN_A Receive Global Mask High.<br>See <a href="#">Table 16-20</a> for bit descriptions.   | 32   | S     |
| 0x30 7092  | S/U    | RXGMSKLO_A                | TouCAN_A Receive Global Mask Low.<br>See <a href="#">Table 16-20</a> for bit descriptions.  | 32   | S     |
| 0x30 7094  | S/U    | RX14MSKHI_A               | TouCAN_A Receive Buffer 14 Mask High.<br>See <a href="#">Table 16-21</a> for bit descriptions.  | 32   | S     |
| 0x30 7096  | S/U    | RX14MSKLO_A               | TouCAN_A Receive Buffer 14 Mask Low.<br>See <a href="#">Table 16-21</a> for bit descriptions.   | 32   | S     |
| 0x30 7098  | S/U    | RX15MSKHI_A               | TouCAN_A Receive Buffer 15 Mask High.<br>See <a href="#">Table 16-22</a> for bit descriptions.  | 32   | S     |
| 0x30 709A  | S/U    | RX15MSKLO_A               | TouCAN_A Receive Buffer 15 Mask Low.<br>See <a href="#">Table 16-22</a> for bit descriptions.   | 32   | S     |

**Table B-15. TouCAN A, B and C (CAN 2.0B Controller) (continued)**

| Address                  | Access | Symbol                 | Register   | Size | Reset |
|--------------------------|--------|------------------------|--|------|-------|
| 0x30 709C —<br>0x30 709E | —      | —                      | Reserved   | —    | —     |
| 0x30 70A0                | S/U    | ESTAT_A                | TouCAN_A Error and Status Register.<br>See <a href="#">Table 16-23</a> for bit descriptions.                                 | 16   | S     |
| 0x30 70A2                | S/U    | IMASK_A                | TouCAN_A Interrupt Masks.<br>See <a href="#">Table 16-26</a> for bit descriptions.   | 16   | S     |
| 0x30 70A4                | S/U    | IFLAG_A                | TouCAN_A Interrupt Flags.<br>See <a href="#">Table 16-27</a> for bit descriptions.   | 16   | S     |
| 0x30 70A6                | S/U    | RxECTR_A/<br>TxECTR_A  | TouCAN_A Receive Error Counter/<br>TouCAN_A Transmit Error Counter.<br>See <a href="#">Table 16-28</a> for bit descriptions. | 16   | S     |
| 0x30 7100 —<br>0x30 710F | S/U    | MBUFF0_A <sup>1</sup>  | TouCAN_A Message Buffer 0 <sup>2</sup>   | —    | U     |
| 0x30 7110 —<br>0x30 711F | S/U    | MBUFF1_A <sup>1</sup>  | TouCAN_A Message Buffer 1 <sup>2</sup>   | —    | U     |
| 0x30 7120 —<br>0x30 712F | S/U    | MBUFF2_A <sup>1</sup>  | TouCAN_A Message Buffer 2 <sup>2</sup>   | —    | U     |
| 0x30 7130 —<br>0x30 713F | S/U    | MBUFF3_A <sup>1</sup>  | TouCAN_A Message Buffer 3 <sup>2</sup>   | —    | U     |
| 0x30 7140 —<br>0x30 714F | S/U    | MBUFF4_A <sup>1</sup>  | TouCAN_A Message Buffer 4 <sup>2</sup>   | —    | U     |
| 0x30 7150 —<br>0x30 715F | S/U    | MBUFF5_A <sup>1</sup>  | TouCAN_A Message Buffer 5 <sup>2</sup>   | —    | U     |
| 0x30 7160 —<br>0x30 716F | S/U    | MBUFF6_A <sup>1</sup>  | TouCAN_A Message Buffer 6 <sup>2</sup>   | —    | U     |
| 0x307170 —<br>0x30717F   | S/U    | MBUFF7_A <sup>1</sup>  | TouCAN_A Message Buffer 7 <sup>2</sup>   | —    | U     |
| 0x30 7180 —<br>0x30 718F | S/U    | MBUFF8_A <sup>1</sup>  | TouCAN_A Message Buffer 8 <sup>2</sup>   | —    | U     |
| 0x30 7190 —<br>0x30 719F | S/U    | MBUFF9_A <sup>1</sup>  | TouCAN_A Message Buffer 9 <sup>2</sup>   | —    | U     |
| 0x30 71A0 —<br>0x30 71AF | S/U    | MBUFF10_A <sup>1</sup> | TouCAN_A Message Buffer 10 <sup>2</sup>  | —    | U     |
| 0x30 71B0 —<br>0x30 71BF | S/U    | MBUFF11_A <sup>1</sup> | TouCAN_A Message Buffer 11 <sup>2</sup>  | —    | U     |
| 0x30 71C0 —<br>0x30 71CF | S/U    | MBUFF12_A <sup>1</sup> | TouCAN_A Message Buffer 12 <sup>2</sup>  | —    | U     |
| 0x30 71D0 —<br>0x30 71DF | S/U    | MBUFF13_A <sup>1</sup> | TouCAN_A Message Buffer 13 <sup>2</sup>  | —    | U     |
| 0x30 71E0 —<br>0x30 71EF | S/U    | MBUFF14_A <sup>1</sup> | TouCAN_A Message Buffer 14 <sup>2</sup>  | —    | U     |

**Table B-15. TouCAN A, B and C (CAN 2.0B Controller) (continued)**

| Address                  | Access | Symbol                    | Register   | Size | Reset |
|--------------------------|--------|---------------------------|--|------|-------|
| 0x30 71F0 —<br>0x30 71FF | S/U    | MBUFF15_A <sup>1</sup>    | TouCAN_A Message Buffer 15 <sup>2</sup>  | —    | U     |
| <b>TouCAN_B</b>          |        |                           |  |      |       |
| 0x30 7480                | S      | CANMCR_B                  | TouCAN_B Module Configuration Register   | 16   | S     |
| 0x30 7482                | T      | CANTCR_B                  | TouCAN_B Test Register   | 16   | S     |
| 0x30 7484                | S      | CANICR_B                  | TouCAN_B Interrupt Configuration Register                                      | 16   | S     |
| 0x30 7486                | S/U    | CANCTRL0_B/<br>CANCTRL1_B | TouCAN_B Control Register 0/<br>TouCAN_B Control Register 1                    | 16   | S     |
| 0x30 7488                | S/U    | PRESDIV_B/<br>CTRL2_B     | TouCAN_B Control and Prescaler Divider<br>Register/TouCAN_B Control Register 2 | 16   | S     |
| 0x30 748A                | S/U    | TIMER_B                   | TouCAN_B Free-Running Timer Register   |      | S     |
| 0x30 748C —<br>0x30 748E | —      | —                         | Reserved   | —    | —     |
| 0x30 7490                | S/U    | RXGMSKHI_B                | TouCAN_B Receive Global Mask High  | 32   | S     |
| 0x30 7492                | S/U    | RXGMSKLO_B                | TouCAN_B Receive Global Mask Low   | 32   | S     |
| 0x30 7494                | S/U    | RX14MSKHI_B               | TouCAN_B Receive Buffer 14 Mask High   | 32   | S     |
| 0x30 7496                | S/U    | RX14MSKLO_B               | TouCAN_B Receive Buffer 14 Mask Low  | 3    | S     |
| 0x30 7498                | S/U    | RX15MSKHI_B               | TouCAN_B Receive Buffer 15 Mask High   | 32   | S     |
| 0x30 749A                | S/U    | RX15MSKLO_B               | TouCAN_B Receive Buffer 15 Mask Low  | 32   | S     |
| 0x30 749C —<br>0x30 749E | —      | —                         | Reserved   | —    | —     |
| 0x30 74A0                | S/U    | ESTAT_B                   | TouCAN_B Error and Status Register   | 16   | S     |
| 0x30 74A2                | S/U    | IMASK_B                   | TouCAN_B Interrupt Masks   | 16   | S     |
| 0x30 74A4                | S/U    | IFLAG_B                   | TouCAN_B Interrupt Flags   | 16   | S     |
| 0x30 74A6                | S/U    | RXECTR_B/<br>TXECTR_B     | TouCAN_B Receive Error Counter/<br>TouCAN_B Transmit Error Counter             | 16   | S     |
| 0x30 7500 —<br>0x30 750F | S/U    | MBUFF0_B <sup>1</sup>     | TouCAN_B Message Buffer 0.   | —    | U     |
| 0x30 7510 —<br>0x30 751F | S/U    | MBUFF1_B <sup>1</sup>     | TouCAN_B Message Buffer 1.   | —    | U     |
| 0x30 7520 —<br>0x30 752F | S/U    | MBUFF2_B <sup>1</sup>     | TouCAN_B Message Buffer 2.   | —    | U     |
| 0x30 7530 —<br>0x30 753F | S/U    | MBUFF3_B <sup>1</sup>     | TouCAN_B Message Buffer 3.   | —    | U     |
| 0x30 7540 —<br>0x30 754F | S/U    | MBUFF4_B <sup>1</sup>     | TouCAN_B Message Buffer 4.   | —    | U     |

**Table B-15. TouCAN A, B and C (CAN 2.0B Controller) (continued)**

| Address                  | Access | Symbol                    | Register   | Size | Reset |
|--------------------------|--------|---------------------------|--|------|-------|
| 0x30 7550 —<br>0x30 755F | S/U    | MBUFF5_B <sup>1</sup>     | TouCAN_B Message Buffer 5.   | —    | U     |
| 0x30 7560 —<br>0x30 756F | S/U    | MBUFF6_B <sup>1</sup>     | TouCAN_B Message Buffer 6.   | —    | U     |
| 0x30 7570 —<br>0x30 757F | S/U    | MBUFF7_B <sup>1</sup>     | TouCAN_B Message Buffer 7.   | —    | U     |
| 0x30 7580 —<br>0x30 758F | S/U    | MBUFF8_B <sup>1</sup>     | TouCAN_B Message Buffer 8.   | —    | U     |
| 0x30 7590 —<br>0x30 759F | S/U    | MBUFF9_B <sup>1</sup>     | TouCAN_B Message Buffer 9.   | —    | U     |
| 0x30 75A0 —<br>0x30 75AF | S/U    | MBUFF10_B <sup>1</sup>    | TouCAN_B Message Buffer 10.  | —    | U     |
| 0x30 75B0 —<br>0x30 75BF | S/U    | MBUFF11_B <sup>1</sup>    | TouCAN_B Message Buffer 11.  | —    | U     |
| 0x30 75C0 —<br>0x30 75CF | S/U    | MBUFF12_B <sup>1</sup>    | TouCAN_B Message Buffer 12.  | —    | U     |
| 0x30 75D0 —<br>0x30 75DF | S/U    | MBUFF13_B <sup>1</sup>    | TouCAN_B Message Buffer 13.  | —    | U     |
| 0x30 75E0 —<br>0x30 75EF | S/U    | MBUFF14_B <sup>1</sup>    | TouCAN_B Message Buffer 14.  | —    | U     |
| 0x30 75F0 —<br>0x30 75FF | S/U    | MBUFF15_B <sup>1</sup>    | TouCAN_B Message Buffer 15.  | —    | U     |
| <b>TouCAN_C</b>          |        |                           |  |      |       |
| 0x30 7880                | S      | CANMCR_C                  | TouCAN_C Module Configuration Register   | 16   | S     |
| 0x30 7882                | T      | CANTCR_C                  | TouCAN_C Test Register   | 16   | S     |
| 0x30 7884                | S      | CANICR_C                  | TouCAN_C Interrupt Configuration Register  | 16   | S     |
| 0x30 7886                | S/U    | CANCTRL0_C/<br>CANCTRL1_C | TouCAN_C Control Register 0/<br>TouCAN_C Control Register 1                        | 16   | S     |
| 0x30 7888                | S/U    | PRESDIV_C/<br>CTRL2_C     | TouCAN_C Control and Prescaler Divider<br>Register/<br>TouCAN_C Control Register 2 | 16   | S     |
| 0x30 788A                | S/U    | TIMER_C                   | TouCAN_C Free-Running Timer Register   |      | S     |
| 0x30 788C —<br>0x30 788E | —      | —                         | Reserved   | —    | —     |
| 0x30 7890                | S/U    | RXGMSKHI_C                | TouCAN_C Receive Global Mask High  | 32   | S     |
| 0x30 7892                | S/U    | RXGMSKLO_C                | TouCAN_C Receive Global Mask Low   | 32   | S     |
| 0x30 7894                | S/U    | RX14MSKHI_C               | TouCAN_C Receive Buffer 14 Mask High   | 32   | S     |
| 0x30 7896                | S/U    | RX14MSKLO_C               | TouCAN_C Receive Buffer 14 Mask Low  | 32   | S     |



**Table B-15. TouCAN A, B and C (CAN 2.0B Controller) (continued)**

| Address                  | Access | Symbol                 | Register   | Size | Reset |
|--------------------------|--------|------------------------|--|------|-------|
| 0x30 7898                | S/U    | RX15MSKHI_C            | TouCAN_C Receive Buffer 15 Mask High                               | 32   | S     |
| 0x30 789A                | S/U    | RX15MSKLO_C            | TouCAN_C Receive Buffer 15 Mask Low                                | 32   | S     |
| 0x30 789C —<br>0x30 789E | —      | —                      | Reserved   | —    | —     |
| 0x30 78A0                | S/U    | ESTAT_C                | TouCAN_C Error and Status Register                                 | 16   | S     |
| 0x30 78A2                | S/U    | IMASK_C                | TouCAN_C Interrupt Masks   | 16   | S     |
| 0x30 78A4                | S/U    | IFLAG_C                | TouCAN_C Interrupt Flags   | 16   | S     |
| 0x30 78A6                | S/U    | RXECTR_C/<br>TXECTR_C  | TouCAN_C Receive Error Counter/<br>TouCAN_C Transmit Error Counter | 16   | S     |
| 0x30 7900 —<br>0x30 790F | S/U    | MBUFF0_C <sup>1</sup>  | TouCAN_C Message Buffer 0.   | —    | U     |
| 0x30 7910 —<br>0x30 791F | S/U    | MBUFF1_C <sup>1</sup>  | TouCAN_B Message Buffer 1.   | —    | U     |
| 0x30 7920 —<br>0x30 792F | S/U    | MBUFF2_C <sup>1</sup>  | TouCAN_C Message Buffer 2.   | —    | U     |
| 0x30 7930 —<br>0x30 793F | S/U    | MBUFF3_C <sup>1</sup>  | TouCAN_C Message Buffer 3.   | —    | U     |
| 0x30 7940 —<br>0x30 794F | S/U    | MBUFF4_C <sup>1</sup>  | TouCAN_C Message Buffer 4.   | —    | U     |
| 0x30 7950 —<br>0x30 795F | S/U    | MBUFF5_C <sup>1</sup>  | TouCAN_C Message Buffer 5.   | —    | U     |
| 0x30 7960 —<br>0x30 796F | S/U    | MBUFF6_C <sup>1</sup>  | TouCAN_C Message Buffer 6.   | —    | U     |
| 0x30 7970 —<br>0x30 797F | S/U    | MBUFF7_C <sup>1</sup>  | TouCAN_C Message Buffer 7.   | —    | U     |
| 0x30 7980 —<br>0x30 798F | S/U    | MBUFF8_C <sup>1</sup>  | TouCAN_C Message Buffer 8.   | —    | U     |
| 0x30 7990 —<br>0x30 799F | S/U    | MBUFF9_C <sup>1</sup>  | TouCAN_C Message Buffer 9.   | —    | U     |
| 0x30 79A0 —<br>0x30 79AF | S/U    | MBUFF10_C <sup>1</sup> | TouCAN_C Message Buffer 10.  | —    | U     |
| 0x30 79B0 —<br>0x30 79BF | S/U    | MBUFF11_C <sup>1</sup> | TouCAN_C Message Buffer 11.  | —    | U     |
| 0x30 79C0 —<br>0x30 79CF | S/U    | MBUFF12_C <sup>1</sup> | TouCAN_C Message Buffer 12.  | —    | U     |
| 0x30 79D0 —<br>0x30 79DF | S/U    | MBUFF13_C <sup>1</sup> | TouCAN_C Message Buffer 13.  | —    | U     |

**Table B-15. TouCAN A, B and C (CAN 2.0B Controller) (continued)**

| Address                  | Access | Symbol                 | Register                    | Size | Reset |
|--------------------------|--------|------------------------|-----------------------------|------|-------|
| 0x30 79E0 —<br>0x30 79EF | S/U    | MBUFF14_C <sup>1</sup> | TouCAN_C Message Buffer 14. | —    | U     |
| 0x30 79F0 —<br>0x30 79FF | S/U    | MBUFF15_C <sup>1</sup> | TouCAN_C Message Buffer 15. | —    | U     |

<sup>1</sup> The last word of each of the MBUFF arrays (address 0x...E) is reserved and may cause a RCPU exception if read.

<sup>2</sup> See [Table 16-3](#) and [Table 16-4](#) for message buffer definitions.

**Table B-16. UIMB (U-Bus to IMB Bus Interface)**

| Address                  | Access         | Symbol   | Register   | Size | Reset |
|--------------------------|----------------|----------|--|------|-------|
| 0x30 7F80                | S <sup>1</sup> | UMCR     | UIMB Module Configuration Register.<br>See <a href="#">Table 12-6</a> for bit descriptions.                                    | 32   | H     |
| 0x30 7F84 —<br>0x30 7F8C | —              | —        | Reserved   | 32   | H     |
| 0x30 7F90                | S/T            | UTSTCREG | UIMB Test Control Register.<br>Reserved  | 32   | H     |
| 0x30 7F94 —<br>0x30 7F9C | —              | —        | Reserved   | 32   | H     |
| 0x30 7FA0                | S              | UIPEND   | Pending Interrupt Request Register.<br>See <a href="#">Section 12.5.3</a> and <a href="#">Table 12-7</a> for bit descriptions. | 32   | H     |

<sup>1</sup> S = Supervisor mode only, T = Test mode only

**Table B-17. CALRAM Control Registers**

| Address         | Access | Symbol      | Register  | Size | Reset |
|-----------------|--------|-------------|---|------|-------|
| <b>CALRAM_A</b> |        |             |   |      |       |
| 0x38 0000       | S      | CRAMMCR_A   | CALRAM_A Module Configuration Register.<br>See <a href="#">Table 21-3</a> for bit descriptions. | 32   | S     |
| 0x38 0004       | S      | CRAMTST_A   | CALRAM_A Test Register.   | 32   | S     |
| 0x38 0008       | S      | CRAM_RBA0_A | CALRAM_A Region Base Address Register <sup>1</sup>  | 32   | S     |
| 0x38 000C       | S      | CRAM_RBA1_A | CALRAM_A Region Base Address Register <sup>1</sup>  | 32   | S     |
| 0x38 0010       | S      | CRAM_RBA2_A | CALRAM_A Region Base Address Register <sup>1</sup>  | 32   | S     |
| 0x38 0014       | S      | CRAM_RBA3_A | CALRAM_A Region Base Address Register <sup>1</sup>  | 32   | S     |
| 0x38 0018       | S      | CRAM_RBA4_A | CALRAM_A Region Base Address Register <sup>1</sup>  | 32   | S     |
| 0x38 001C       | S      | CRAM_RBA5_A | CALRAM_A Region Base Address Register <sup>1</sup>  | 32   | S     |
| 0x38 0020       | S      | CRAM_RBA6_A | CALRAM_A Region Base Address Register <sup>1</sup>  | 32   | S     |
| 0x38 0024       | S      | CRAM_RBA7_A | CALRAM_A Region Base Address Register <sup>1</sup>  | 32   | S     |

**Table B-17. CALRAM Control Registers (continued)**

| Address         | Access            | Symbol       | Register  | Size | Reset |
|-----------------|-------------------|--------------|---|------|-------|
| 0x38 0028       | S                 | CRAM_OLVCR_A | CALRAM_A Overlay Configuration Register. See <a href="#">Table 21-7</a> for bit descriptions.   | 32   | S     |
| 0x38 002C       | S <sup>2</sup>    | READI_OTR    | READI Ownership Trace Register. See <a href="#">Section 23.6.1.1</a> , “User-Mapped Register (OTR),” for more information.                  | 32   | H     |
| <b>CALRAM_B</b> |                   |              |   |      |       |
| 0x38 0040       | S                 | CRAMMCR_B    | CALRAM_B Module Configuration Register. See <a href="#">Table 21-3</a> for bit descriptions.  | 32   | S     |
| 0x38 0044       | S                 | CRAMTST_B    | CALRAM_B Test Register. See <a href="#">Table 21-3</a> for bit descriptions.  | 32   | S     |
| 0x38 0048       | S                 | CRAM_RBA0_B  | CALRAM_B Region Base Address Register <sup>1</sup>  | 32   | S     |
| 0x38 004C       | S                 | CRAM_RBA1_B  | CALRAM_B Region Base Address Register <sup>1</sup>  | 32   | S     |
| 0x38 0050       | S                 | CRAM_RBA2_B  | CALRAM_B Region Base Address Register <sup>1</sup>  | 32   | S     |
| 0x38 0054       | S                 | CRAM_RBA3_B  | CALRAM_B Region Base Address Register <sup>1</sup>  | 32   | S     |
| 0x38 0058       | S                 | CRAM_RBA4_B  | CALRAM_B Region Base Address Register <sup>1</sup>  | 32   | S     |
| 0x38 005C       | S                 | CRAM_RBA5_B  | CALRAM_B Region Base Address Register <sup>1</sup>  | 32   | S     |
| 0x38 0060       | S                 | CRAM_RBA6_B  | CALRAM_B Region Base Address Register <sup>1</sup>  | 15   | S     |
| 0x38 0064       | S                 | CRAM_RBA7_B  | CALRAM_B Region Base Address Register <sup>1</sup>  | 32   | S     |
| 0x38 0068       | S                 | CRAM_OLVCR_B | CALRAM_A Overlay Configuration Register. See <a href="#">Table 21-7</a> for bit descriptions.   | 32   | S     |
| 0x38 006C       | S <sup>1, 3</sup> | CRAM_OTR_B   | CALRAM_B Ownership Trace Register. See <a href="#">Section 21.5.4</a> , “CALRAM Ownership Trace Register (CRAM_OTR),” for more information. | 32   | S     |

<sup>1</sup> See [Section 21.5.2](#), “CALRAM Region Base Address Registers (CRAM\_RBAX),” for more information.

<sup>2</sup> This register is write only.

<sup>3</sup> This register is not used on the MPC565.

**Table B-18. CALRAM Array**

| Address                  | Access | Symbol | Register        | Size      | Reset |
|--------------------------|--------|--------|-----------------|-----------|-------|
| <b>CALRAM_B</b>          |        |        |                 |           |       |
| 0x3F 7000 —<br>0x3F 7FFF | U,S    | CRAM_B | CALRAM Array B. | 4 Kbytes  | —     |
| <b>CALRAM_A</b>          |        |        |                 |           |       |
| 0x3F 8000 —<br>0x3F FFFF | U,S    | CRAM_A | CALRAM Array A  | 32 Kbytes | —     |

**Table B-19. READI Module Registers**

| Address | Access     | Symbol     | Register  | Size | Reset |
|---------|------------|------------|---|------|-------|
| 0x08    | Read Only  | READI_DID  | Device ID Register<br>See <a href="#">Table 23-6</a> for bit descriptions.                    | 32   | R     |
| 0x0A    | Read Only  | READI_DC   | Development Control Register<br>See <a href="#">Table 23-7</a> for bit descriptions.          | 8    | R     |
| 0x0B    | Read/Write | READI_MC   | Mode Control Register <sup>1</sup><br>See <a href="#">Table 23-9</a> for bit descriptions.    | 8    | R     |
| 0x0D    | Read Only  | READI_UBA  | User Base Address Register<br>See <a href="#">Table 23-10</a> for bit descriptions.           | 32   | R     |
| 0x0F    | Read/Write | READI_RWA  | Read/Write Access Register<br>See <a href="#">Table 23-11</a> for bit descriptions.           | 80   | R     |
| 0x10    | Read/Write | READI_UDI  | Upload/Download Information Register<br>See <a href="#">Table 23-12</a> for bit descriptions. | 34   | R     |
| 0x14    | Read/Write | READI_DTA1 | Data Trace Attributes Register 1<br>See <a href="#">Table 23-15</a> for bit descriptions.     | 48   | R     |
| 0x15    | Read/Write | READI_DTA2 | Data Trace Attributes Register 2<br>See <a href="#">Table 23-15</a> for bit descriptions.     | 48   | R     |

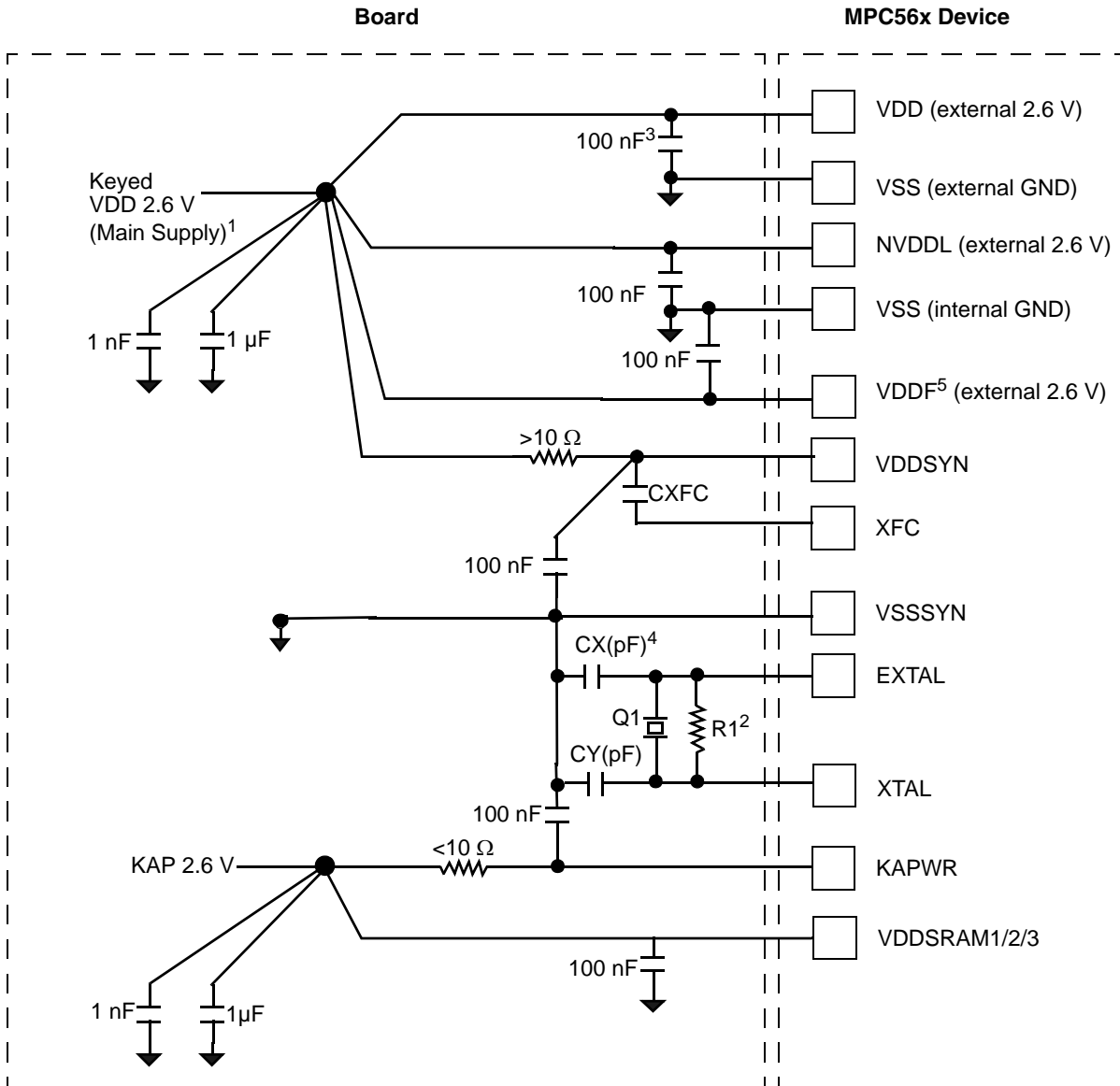
<sup>1</sup> Not available on all revisions. Refer to the device errata for the version of silicon in use.

## Appendix C

### Clock and Board Guidelines

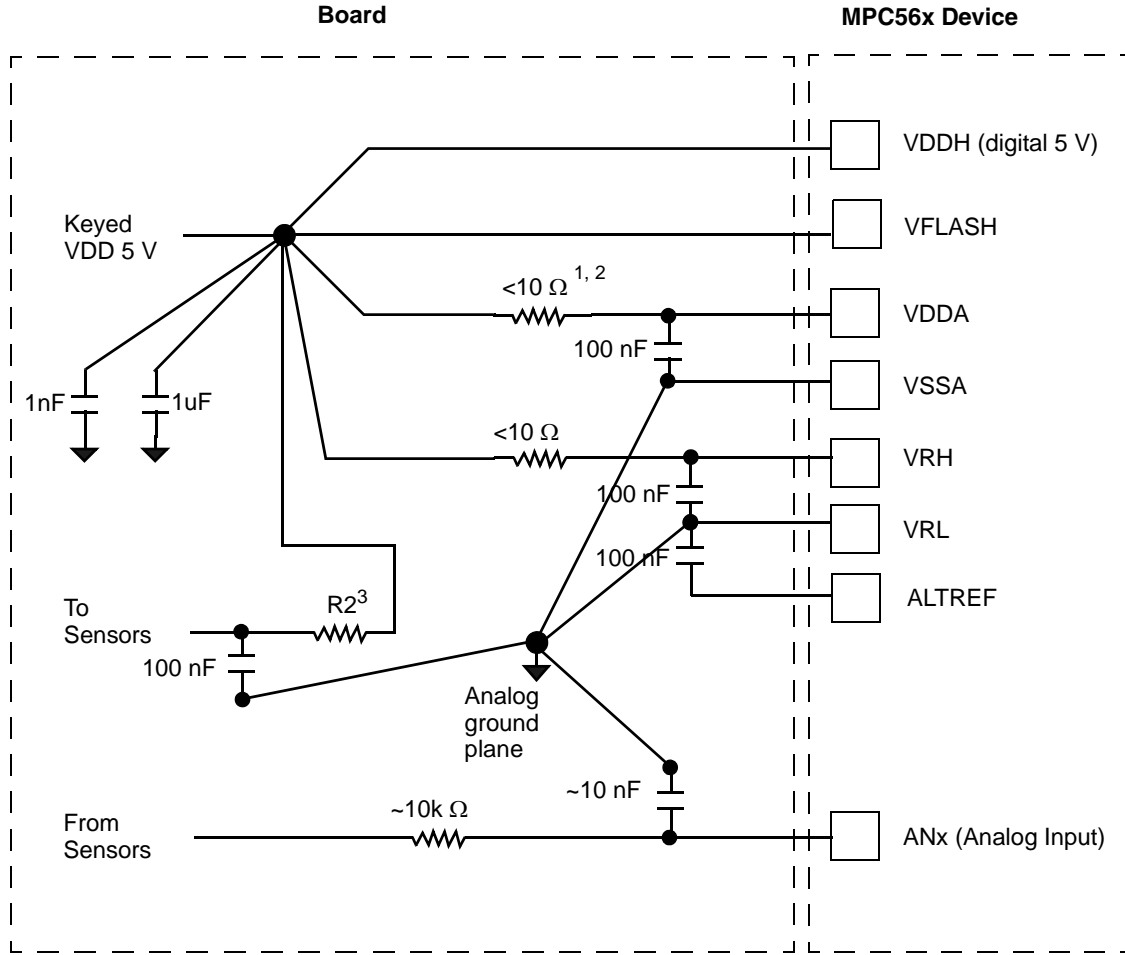
The MPC565 built-in PLL, oscillator, and other analog and sensitive circuits require that the board design follow special layout guidelines to ensure proper operation of the chip clocks. This appendix describes how the clock supplies and external components should be connected in a system. These guidelines must be fulfilled to reduce switching noise which is generated on internal and external buses during operation. Any noise injected into the sensitive clock and PLL logic reduces clock performance. The USIU maintains a PLL loss-of-lock warning indication that can be used to determine the clock stability in the MPC565.

## C.1 MPC56x Device Power Distribution



1. The main power supply may optionally supply operating current to reduce the keep-alive current requirements. See the circuit in [Section 8.11.1, “System Clock Control Register \(SCCR\).”](#)
2. Resistor  $R_1$  is currently not required. Space should be left on the board to add it in the future if necessary.
3. All 100 nF capacitors should be placed close to the pin.
4.  $C_L$  is a function of specific crystal  $C_L = C_X + C_Y$ . See [Section C.2, “Crystal Oscillator External Components.”](#)
5. VDDF5 should be connected to VDD as close as possible to the chip, preferably directly to an inner power plane of the board.

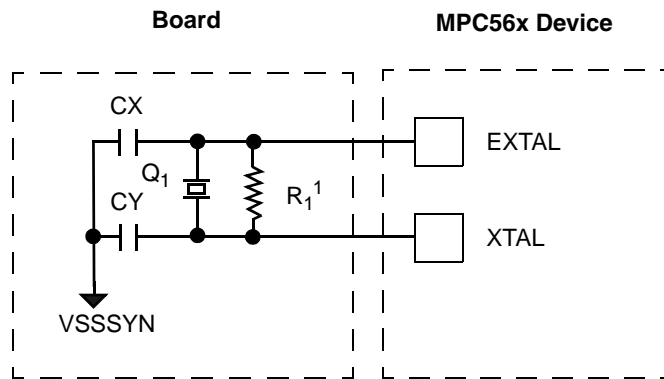
**Figure C-1. MPC565 Power Distribution Diagram — 2.6 V**



1. 10 ohms is recommended because  $I_{REF}$  (max) is  $250 \mu\text{A}$  per QADC64.  $10 \text{ Ohm} \times 2 \text{ modules} \times 250 \mu\text{A} = 5 \text{ mV}$  (approximately one count, or one LSB)
2. The QADC64 circuit design allows for VDDA being less than VRH with a value of up to 10 ohms in this RC filter.
3. This size of resistor  $R_2$  depends on the sensor load current. It should be sized to match the voltage at VRH.

Figure C-2. Power Distribution Diagram — 5 V and Analog

## C.2 Crystal Oscillator External Components



1. Resistor  $R_1$  is currently not required. Space should be left on the board to add it in the future if necessary.

**Figure C-3. Crystal Oscillator Circuit**

**Table C-1. External Components Value For Different Crystals (Q1)**

| Component | NDK CP32C<br>20 MHz | KINSEKI CX-11F<br>20 MHz | MURATA CCSTC<br>4 MHz | Units |
|-----------|---------------------|--------------------------|-----------------------|-------|
| $C_L^1$   | 6                   | 14                       | —                     | pF    |
| $R_1^3$   | 1MEG <sup>3</sup>   | 1MEG <sup>3</sup>        | 1MEG <sup>3</sup>     | Ohm   |
| $C_X$     | 6                   | 16                       | — <sup>2</sup>        | pF    |
| $C_Y$     | 6                   | 16                       | —                     | pF    |

<sup>1</sup>  $C_L$  according to crystal specification,  $C_L = C_X + C_Y$ .

<sup>2</sup> The Murata ceramic resonator includes the load capacitors. (8pF should be selected)

<sup>3</sup> Resistor  $R_1$  is currently not required. Space should be left on the board to add it in the future if necessary.

The load capacitances specified in [Table C-1](#) include all stray capacitance.

Tolerance of the capacitors is  $\pm 10\%$ .

The oscillator capacitors  $C_X$  and  $C_Y$  were calculated as follows:

$$C_A = C_B = 2C_L$$

$$C_A = C_X + C_{PAD} + C_{SOCKET}$$

$$C_B = C_Y + C_{PAD} + C_{SOCKET}$$

Where:

$C_L$  is load capacitance

$C_{PAD}$  is pad capacitance

- XTAL pad capacitance is  $C_{PAD} = \sim 7$  pF



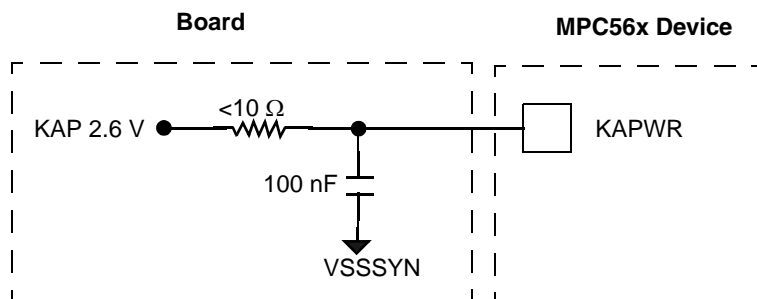
- EXTAL pad capacitance is  $C_{PAD} = \sim 7 \text{ pF}$

$C_{SOCKET}$  is socket and board trace capacitance

- Socket capacitance  $C \leq 1 \text{ pF}$
- Board trace capacitance  $C \leq 1 \text{ pF}$ . This should be low since the crystal must be located very close to the chip.

## C.2.1 KAPWR Filtering

The KAPWR signal is the MPC565 keep-alive power. KAPWR is used for the crystal oscillator circuit, and should be isolated from the noisy supplies. It is recommended that an RC filter be used on KAPWR, or bypass capacitors that are located as close as possible to the part.



Note: A filter cut off frequency of 500Hz is recommended, however this will result in a capacitor size of 33 $\mu$ F using a 10 Ohm resistor. This may be too expensive or large for the system. In this case the filter shown with cut-off frequency of 160kHz will suffice.

Figure C-4. RC Filter Example

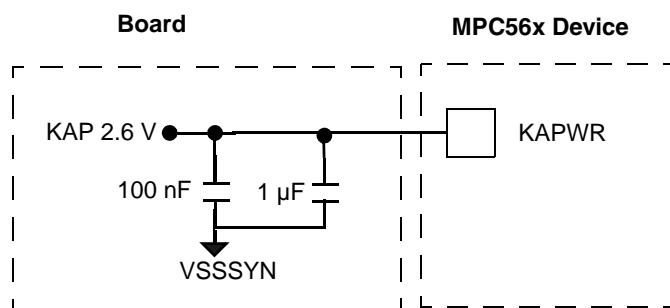
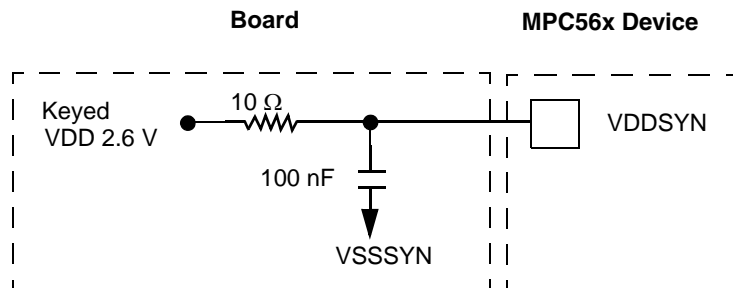


Figure C-5. Bypass Capacitors Example (Alternative)

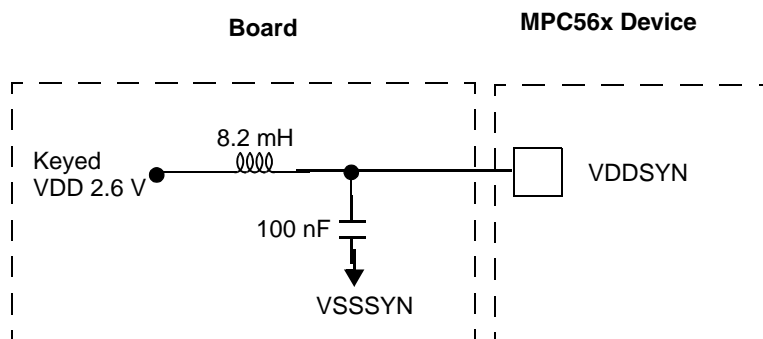
## C.2.2 PLL External Components

VDDSYN and VSSSYN are the PLL dedicated power supplies. These supplies must be used only for the PLL and isolated from all other noisy signals in the board. VDDSYN could be isolated with RC filter (see [Figure C-6](#)), or LC filter. The maximum noise allowed on VDDSYN, and VSSSYN is 50 mV with typical cut-off frequency of 500 Hz.



Note: A filter cut off frequency of 500Hz is recommended, however this will result in a capacitor size of 33uF using a 10 Ohm resistor. This may be too expensive or large for the system. In this case the filter shown with cut- off frequency of 160kHz will suffice.

**Figure C-6. RC Filter Example**



Note: A filter cut off frequency of 500Hz is recommended, however this will result in a capacitor size of 15uF using a 8.2mH inductor. This may be too expensive or large for the system. In this case the filter shown with cut- off frequency of 5.5kHz will suffice.

**Figure C-7. LC Filter Example (Alternative)**

### C.2.3 PLL Off-Chip Capacitor $C_{XFC}$

$C_{XFC}$  is the PLL feedback capacitor. It must be located as close as possible to the XFC and VDDSYN pads. The maximum noise allowed on XFC is 50 mV peak-to-peak with a typical cut-off frequency of 500 Hz.

The XFC capacitor creates a low pass filter in the PLL loop. The filter output feeds the PLL VCO. The capacitor is charged and discharged by short current pulses, generated by the phase detector. So the capacitor leakage and absorption directly affect the AC component in the VCO input voltage that creates PLL output clock jitter. Therefore, the dielectric quality of  $C_{XFC}$  should be high.

Smaller  $C_{XFC}$  makes the PLL faster to gain lock but less stable. Higher  $C_{XFC}$  makes the PLL more stable but slower to gain lock. Because each board layout and application is unique,  $C_{XFC}$  must be evaluated in a system.

The minimum required value (including capacitor tolerance) for  $C_{XFC}$  is determined by the following two cases:

$$0 < (MF+1) < 4$$

$$(MF+1) \geq 4$$

$$C_{XFC} = (1130 * (MF+1) - 80) \text{ pF}$$

$$C_{XFC} = (2100 * (MF+1)) \text{ pF}$$

MF is the multiplication factor in the PLPRCR register (refer to [Section 8.11.2, “PLL, Low-Power, and Reset-Control Register \(PLPRCR\)”](#) for more information).

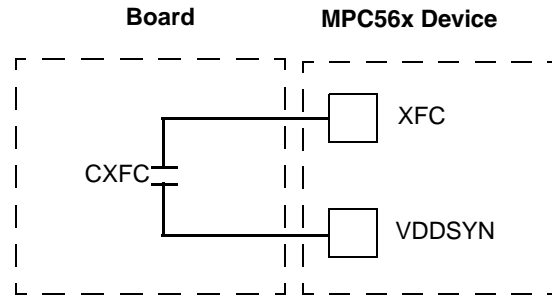


Figure C-8. PLL Off-Chip Capacitor Example

## C.3 PLL and Clock Oscillator External Components Layout Requirements

### C.3.1 Traces and Placement

Traces connecting capacitors, crystal, resistor should be as short as possible. Therefore, the components (crystal, resistor and capacitors) should be placed as close to the oscillator pins of the MPC565 as possible.

The voltage to the VDDSYN pin should be well regulated and the pin should be provided with an extremely low impedance path from the VDDSYN filter to the VDDSYN pad.

The VSSSYN pin should be provided with an extremely low impedance path in the board. All the filters for the supplies should be located as close as possible to the chip package. It is recommended to design individual VSSSYN plane to improve VSSSYN quietness.

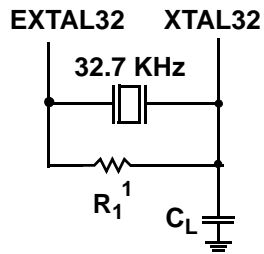
### C.3.2 Grounding/Guarding

The traces from the oscillator pins and PLL pins of the MPC565 should be guarded from all other traces to reduce crosstalk. It can be provided by keeping other traces away from the oscillator circuit and placing a ground plane around the components and traces.

## C.4 MIOS14 RTC Oscillator

The basic time base for the MIOS14 real-time clock submodule, MRTCSM, is a 32.768-KHz dedicated low power oscillator. This oscillator uses an external crystal connected between the XTAL32 and EXTAL32 pads as a reference frequency source. The dedicated 32.768-KHz oscillator is in the chip periphery with the pads for the 32.768-KHz crystal. The EXTAL32 pin has an internal load capacitor, therefore an external load capacitor is not required on EXTAL32. The  $C_L$  on the XTAL32 side of the

crystal should be according to the crystal manufacturer, typically 12 pF. The MIOS RTC oscillator circuit is shown in [Figure C-9](#).



<sup>1</sup> Resistor R<sub>1</sub> is not currently required. Space should be left on the board to add it in the future if necessary.

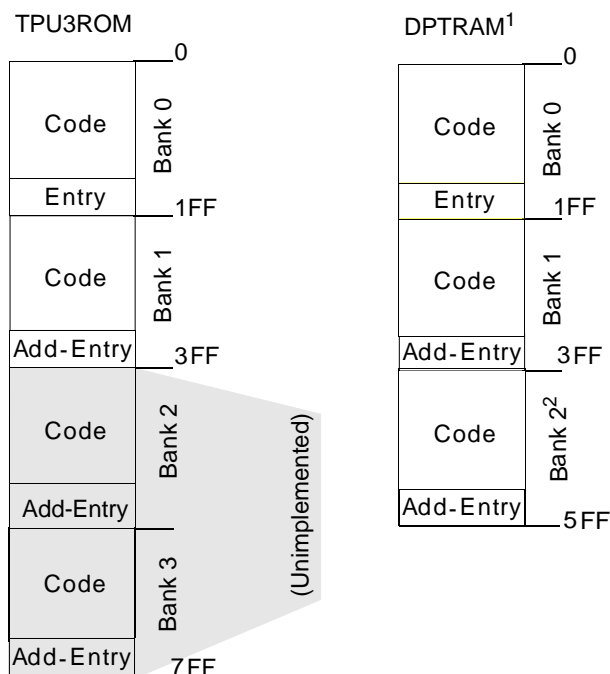
**Figure C-9. MIOS RTC Oscillator Circuit**

## Appendix D TPU3 ROM Functions

The following pages provide brief descriptions of the pre-programmed functions in the TPU3. For detailed descriptions, refer to the programming note for the individual function. The Freescale *TPU Literature Pack* provides a list of available programming notes.

### D.1 Overview

The TPU3 contains 4 Kbytes of microcode ROM. It can have up to 8 Kbytes of memory and a maximum of four entry tables (see [Figure D-1](#)). This appendix defines the standard ROM functions for the MPC565/MPC566.



<sup>1</sup> The DPTRAM is located at 0x30 2000 or 0x30 1000 until it is switched to emulation mode. In emulation mode, only the TPU3 can access the DPTRAM.

<sup>2</sup> DPTRAM\_C does not have bank 2 of memory.

**Figure D-1. TPU3 Memory Map**

The TPU3 can address up to 8 Kbytes of memory at any one time. It has 4 Kbytes of internal ROM, located in banks 0 and 1, and 8 Kbytes of dual-ported SRAM (DPTRAM), located in banks 0, 1, and 2. As only one type of memory can be used at a time, the TPU3 must either use the internal ROM or the SRAM. Functions from both memory types cannot be used in conjunction.

A new feature of the TPU3 microcode ROM is the two 16-function entry tables in the 4 Kbytes of internal ROM. The ETBANK field in the TPUMCR2 register, written once after reset, determines which one of these entry tables the RCPU selects. Though the TPU3 can access either entry table, only one table can be used at a time and functions from the tables cannot be mixed. The default entry table, located in bank 0, is identical to the standard microcode ROM in the TPU2, making any RCPU code written for the TPU2 interchangeable with the TPU3. The functions in the default entry table in bank 0 are listed in [Table D-1](#).

**Table D-1. Bank 0 and Bank 1 Functions**

| Function Number | Bank 0 Functions (Default)                         | Bank 1 Functions                                   |
|-----------------|--|--|
| 0xF             | PTA (Programmable Time Accumulator)                | PTA (Programmable Time Accumulator)                |
| 0xE             | QOM (Queued Output Match)                          | QOM (Queued Output Match)                          |
| 0xD             | TSM (Table Stepper Motor)                          | TSM (Table Stepper Motor)                          |
| 0xC             | FQM (Frequency Measurement)                        | FQM (Frequency Measurement)                        |
| 0xB             | UART (Universal Asynchronous Receiver/Transmitter) | UART (Universal Asynchronous Receiver/Transmitter) |
| 0xA             | NITC (New Input Capture/Input Transition Counter)  | NITC (New Input Capture/Input Transition Counter)  |
| 9               | COMM (Multiphase Motor Commutation)                | COMM (Multiphase Motor Commutation)                |
| 8               | HALLD (Hall Effect Decode)                         | HALLD (Hall Effect Decode)                         |
| 7               | MCPWM (Multi-Channel Pulse Width Modulation)       | MULTI (Multi TPU) <sup>1</sup>                     |
| 6               | FQD (Fast Quadrature Decode)                       | FQD (Fast Quadrature Decode)                       |
| 5               | PPWA (Period/Pulse Width Accumulator)              | ID (Identification)                                |
| 4               | OC (Output Compare)                                | OC (Output Compare)                                |
| 3               | PWM (Pulse Width Modulation)                       | PWM (Pulse Width Modulation)                       |
| 2               | DIO (Discrete Input/Output)                        | DIO (Discrete Input/Output)                        |
| 1               | SPWM (Synchronized Pulse Width Modulation)         | RWTPIN (Read/Write Timers and Pin)                 |
| 0               | SIOP (Serial Input/Output Port)                    | SIOP (Serial Input/Output Port)                    |

<sup>1</sup> The MULTI functions are only on revision D and later of the MPC565/MPC566.

The functions in the bank 1 entry table are identical to those in bank 0, except in three cases. Function 1, SPWM in the bank 0 table, has been replaced by RWTPIN, a function that allows a read and write to the TPU3 timebases and corresponding pin. Function 5, PPWA in the bank 0 table, is an identification (ID) function in the bank 1 table that provides the microcode ROM revision number. Function 7, MCPWM, has been replaced by MULTI in later silicon revisions. The functions in the bank 1 entry table are listed in [Table D-1](#).

The RCPU selects which entry table to use by setting the ETBANK field in the TPUMCR2 register. This register is written once after reset. Although one entry table is specified at start-up, in some cases it is possible to use functions from both tables without resetting the microcontroller. A customer may, for example, wish to use the ID function from bank 1 to verify the TPU3 microcode version but then use the

MCPWM function from bank 0. As a customer will typically only run the ID function during system configuration, and not again after that, the bank 1 entry table can be changed to the bank 0 entry table using the soft reset feature of the TPU3. This procedure is described in the following steps:

1. Set ETBANK field in TPUMCR2 to 0b01 to select the entry table in bank 1
2. Run the ID function
3. Stop the TPU3 by setting the STOP bit in the TPUMCR to one
4. Reset the TPU3 by setting the SOFTRST bit in the TPUMCR2 register
5. Wait at least nine clocks
6. Clear the SOFTRST bit in the TPUMCR2 register

The TPU3 stays in reset until the RCPU clears the SOFTRST bit. After the SOFTRST bit has been cleared, the TPU3 will be reset and the entry table in bank 0 will be selected by default. To select the bank 0 entry table, write 0b00 to the ETBANK field in TPUMCR2. Always initialize any write-once register to ensure that an incorrect value is not accidentally written.

The sections below document the bank 0 and bank 1 functions listed in [Table D-1](#) of the TPU3 ROM module.

## D.2 Programmable Time Accumulator (PTA)

PTA starts on a rising or falling edge and accumulates, over a programmable number of periods or pulses, a 32-bit sum of the total high time, low time, or input signal period. After the specified number of periods or pulses, the PTA generates an interrupt request.

One to 255 period measurements can be accumulated before the TPU3 interrupts the RCPU, providing instantaneous or average frequency measurement capability. See Freescale TPU Programming Note *Programmable Time Accumulator TPU Function (PTA)*, (TPUPN06/D). [Figure D-2](#) shows all of the host interface areas for the PTA function.

|         |                          | CONTROL BITS   |                     |
|---------|--------------------------|--|---------------------|
|         | NAME                     | OPTIONS  | ADDRESSES           |
| 0 1 2 3 | Channel Function Select  | xxxx – PTA Function Number. Assigned during microcode assembly. See <a href="#">Table D-1</a>                              | 0x30YY0C – 0x30YY12 |
| 0 1     | Host Sequence            | 00 – High Time Accumulate<br>01 – Low Time Accumulate<br>10 – Period Accumulate, Rising<br>11 – Period Accumulate, Falling | 0x30YY14 – 0x30YY16 |
| 0 1     | Host Service Request     | 00 – No Host Service (Reset Condition)<br>01 – Not Used<br>10 – Not Used<br>11 – Initialize                                | 0x30YY18 – 0x30YY1A |
| 0 1     | Channel Priority         | 00 – Disabled<br>01 – Low Priority<br>10 – Medium Priority<br>11 – High Priority   | 0x30YY1C – 0x30YY1E |
| 0       | Channel Interrupt Enable | 0 – Channel Interrupt Disabled<br>1 – Channel Interrupt Enabled  | 0x30YY0A            |
| 0       | Channel Interrupt Status | 0 – Channel Interrupt Not Asserted<br>1 – Channel Interrupt Asserted   | 0x30YY20            |

| ADDRESS OFFSETS | PARAMETER RAM |  |  |  |  |  |  |                 |  |  |  |  |  |  |         |  |         |
|-----------------|---------------|--|--|--|--|--|--|-----------------|--|--|--|--|--|--|---------|--|---------|
|                 | BITS          |  |  |  |  |  |  |                 |  |  |  |  |  |  |         |  |         |
| 0x30XXW0        |               |  |  |  |  |  |  | CHANNEL_CONTROL |  |  |  |  |  |  | Param 0 |  |         |
| 0x30XXW2        | MAX_COUNT     |  |  |  |  |  |  | PERIOD_COUNT    |  |  |  |  |  |  | Param 1 |  |         |
| 0x30XXW4        | LAST_TIME     |  |  |  |  |  |  |                 |  |  |  |  |  |  |         |  | Param 2 |
| 0x30XXW6        | ACCUM         |  |  |  |  |  |  |                 |  |  |  |  |  |  |         |  | Param 3 |
| 0x30XXW8        | HW            |  |  |  |  |  |  |                 |  |  |  |  |  |  |         |  | Param 4 |
| 0x30XXWA        | LW            |  |  |  |  |  |  |                 |  |  |  |  |  |  |         |  | Param 5 |
| 0x30XXWC        |               |  |  |  |  |  |  |                 |  |  |  |  |  |  |         |  | Param 6 |
| 0x30XXWE        |               |  |  |  |  |  |  |                 |  |  |  |  |  |  |         |  | Param 7 |

= Written By RCPU     
 = Written by RCPU and TPU     
 W = Channel Number  
 = Written By TPU     
 = Unused Parameters

For address offsets: XX=41 for TPU\_A, 45 for TPU\_B, and 5D for TPU\_C; YY=40 for TPU\_A, 44 for TPU\_B, and 5C for TPU\_C. See [Table 18-24](#) for the PRAM Address Offset Map.

Figure D-2. PTA Parameters



## D.3 Queued Output Match TPU3 Function (QOM)

QOM can generate single- or multiple-output match events from a table of offsets in parameter RAM. Loop modes allow complex pulse trains to be generated once, a specified number of times, or continuously. QOM can be used with other TPU3 channels in a variety of ways: the function can be triggered by a link from the channel, the reference time for the sequence of matches can be obtained from it, or the channel can be used as a discrete output pin. QOM can generate pulse-width modulated waveforms, including waveforms with high times of 0 or 100%. See Freescale TPU3 Programming Note *Queued Output Match TPU Function (QOM)*, (TPUPN01/D).

Figure D-3 shows all of the host interface areas for the QOM function. The bit encodings shown in Table D-2 describe the corresponding fields in parameter RAM.

**Table D-2. QOM Bit Encoding**

| A | Timebase Selection   |
|---|----------------------|
| 0 | Use TCR1 as Timebase |
| 1 | Use TCR2 as Timebase |

|   | Edge Selection        |
|---|-----------------------|
| 0 | Falling Edge at Match |
| 1 | Rising Edge at Match  |

| B:C | Reference for First Match    |
|-----|------------------------------|
| 00  | Immediate TCR Value          |
| 01  | Last Event Time              |
| 10  | Value Pointed to by REF_ADDR |
| 11  | Last Event Time              |

|         |                          | CONTROL BITS  |                     |
|---------|--------------------------|---|---------------------|
|         | NAME                     | OPTIONS   | ADDRESSES           |
| 0 1 2 3 | Channel Function Select  | xxxx – QOM Function Number.<br>Assigned during microcode assembly.<br>See <a href="#">Table D-1</a>                               | 0x30YY0C – 0x30YY12 |
| 0 1     | Host Sequence            | 00 – Single-Shot Mode<br>01 – Loop Mode<br>10 – Continuous Mode<br>11 – Continuous Mode   | 0x30YY14 – 0x30YY16 |
| 0 1     | Host Service Request     | 00 – No Host Service (Reset Condition)<br>01 – Initialize, No Pin Change<br>10 – Initialize, Pin Low<br>11 – Initialize, Pin High | 0x30YY18 – 0x30YY1A |
| 0 1     | Channel Priority         | 00 – Disabled<br>01 – Low Priority<br>10 – Medium Priority<br>11 – High Priority  | 0x30YY1C – 0x30YY1E |
| 0       | Channel Interrupt Enable | 0 – Channel Interrupt Disabled<br>1 – Channel Interrupt Enabled   | 0x30YY0A            |
| 0       | Channel Interrupt Status | 0 – Channel Interrupt Not Asserted<br>1 – Channel Interrupt Asserted  | 0x30YY20            |

| ADDRESS OFFSETS | PARAMETER RAM          |  |  |  |                 |               |  |  |         |   |  |  |   |         |  |   |          |
|-----------------|------------------------|--|--|--|-----------------|---------------|--|--|---------|---|--|--|---|---------|--|---|----------|
|                 | BITS                   |  |  |  |                 |               |  |  |         |   |  |  |   |         |  |   |          |
| 0x30XXW0        | REF_ADDR               |  |  |  | B               | LAST_OFF_ADDR |  |  |         | A |  |  |   | Param 0 |  |   |          |
| 0x30XXW2        | LOOP_CNT               |  |  |  | (LAST_MATCH_TM) |               |  |  | OFF_PTR |   |  |  | C | Param 1 |  |   |          |
| 0x30XXW4        | OFFSET_1               |  |  |  |                 |               |  |  |         |   |  |  |   |         |  | : | Param 2  |
| 0x30XXW6        | OFFSET_2               |  |  |  |                 |               |  |  |         |   |  |  |   |         |  | : | Param 3  |
| 0x30XXW8        | OFFSET_3               |  |  |  |                 |               |  |  |         |   |  |  |   |         |  | : | Param 4  |
| 0x30XXWA        | OFFSET_4               |  |  |  |                 |               |  |  |         |   |  |  |   |         |  | : | Param 5  |
| 0x30XXWC        | OFFSET_5 <sup>1</sup>  |  |  |  |                 |               |  |  |         |   |  |  |   |         |  | : | Param 6  |
| 0x30XXWE        | OFFSET_6 <sup>1</sup>  |  |  |  |                 |               |  |  |         |   |  |  |   |         |  | : | Param 7  |
| 0x30XX(W+1)0    | OFFSET_7 <sup>1</sup>  |  |  |  |                 |               |  |  |         |   |  |  |   |         |  | : | Param 8  |
| 0x30XX(W+1)2    | OFFSET_8 <sup>1</sup>  |  |  |  |                 |               |  |  |         |   |  |  |   |         |  | : | Param 9  |
| :               | :                      |  |  |  |                 |               |  |  |         |   |  |  |   |         |  | : |          |
| 0x30XX(W+1)E    | OFFSET_14 <sup>1</sup> |  |  |  |                 |               |  |  |         |   |  |  |   |         |  | : | Param 15 |

<sup>1</sup> Not available on all channels.

= Written By RCPU      = Written by RCPU and TPU      W = Channel Number

= Written By TPU      = Unused Parameters

For address offsets: XX=41 for TPU\_A, 45 for TPU\_B, and 5D for TPU\_C; YY=40 for TPU\_A, 44 for TPU\_B, and 5C for TPU\_C. See [Table 18-24](#) for the PRAM Address Offset Map.

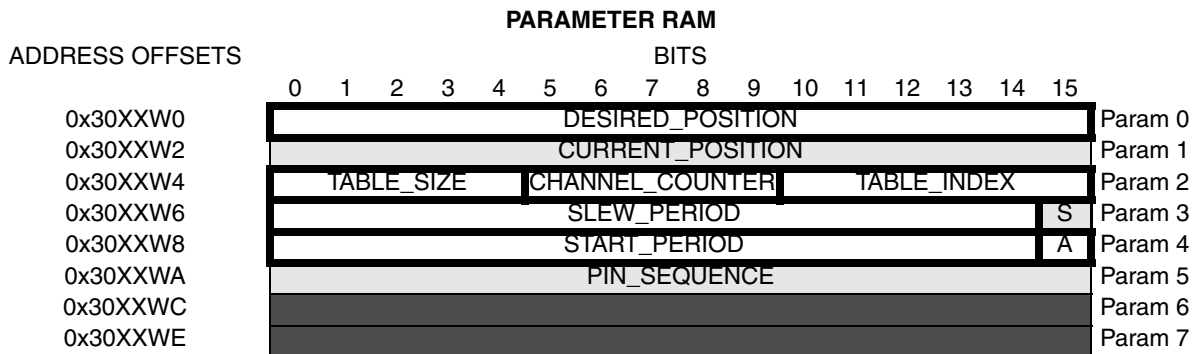
Figure D-3. QOM Parameters

## D.4 Table Stepper Motor (TSM)

The TSM function provides acceleration and deceleration control of a stepper motor with up to 58 programmable step rates. TSM uses a table in parameter RAM, rather than an algorithm, to define the stepper motor acceleration profile, allowing full definition of the profile. In addition, a slew rate parameter allows fine control of the motor's terminal running speed independent of the acceleration table. The RCPU writes a desired position, and the TPU3 accelerates, slews, and decelerates the motor to the required position. Full- and half-step support is provided for two-phase motors. See Freescale TPU3 Programming Note *Table Stepper Motor TPU Function (TSM)*, (TPUPN04/D).

[Figure D-4](#) and [Figure D-5](#) show all of the host interface areas for the TSM function when operating in master or slave mode.

|         |                          | CONTROL BITS  |                     |
|---------|--------------------------|---|---------------------|
|         | NAME                     | OPTIONS   | ADDRESSES           |
| 0 1 2 3 | Channel Function Select  | xxxx – TSM Function Number. Assigned during microcode assembly. See <a href="#">Table D-1</a>   | 0x30YY0C – 0x30YY12 |
| 0 1     | Host Sequence            | x0 – Local Mode Acceleration Table<br>x1 – Split Mode Acceleration Table<br>0x – Rotate Pin_Sequence Once Between Steps<br>1x – Rotate Pin_Sequence Twice Between Steps | 0x30YY14 – 0x30YY16 |
| 0 1     | Host Service Request     | 00 – No Host Service (Reset Condition)<br>01 – Initialize, Pin Low<br>10 – Initialize, Pin High<br>11 – Move Request (Master Only)                                      | 0x30YY18 – 0x30YY1A |
| 0 1     | Channel Priority         | 00 – Disabled<br>01 – Low Priority<br>10 – Medium Priority<br>11 – High Priority  | 0x30YY1C – 0x30YY1E |
| 0       | Channel Interrupt Enable | 0 – Channel Interrupt Disabled<br>1 – Channel Interrupt Enabled   | 0x30YY0A            |
| 0       | Channel Interrupt Status | 0 – Channel Interrupt Not Asserted<br>1 – Channel Interrupt Asserted  | 0x30YY20            |



= Written By RCPU      = Written by RCPU and TPU      W = Channel Number  
 = Written By TPU      = Unused Parameters

For address offsets: XX=41 for TPU\_A, 45 for TPU\_B, and 5D for TPU\_C; YY=40 for TPU\_A, 44 for TPU\_B, and 5C for TPU\_C. See [Table 18-24](#) for the PRAM Address Offset Map.

**Figure D-4. TSM Parameters — Master Mode**

| CONTROL BITS |   |  |                     |
|--------------|---|--|---------------------|
|              | NAME  | OPTIONS  | ADDRESSES           |
| 0 1 2 3      | <input type="checkbox"/> <input type="checkbox"/> <input type="checkbox"/> <input type="checkbox"/> Channel Function Select | xxxx – TSM Function Number. Assigned during microcode assembly. See <a href="#">Table D-1</a>  | 0x30YY0C – 0x30YY12 |
| 0 1          | <input type="checkbox"/> <input type="checkbox"/> Host Sequence   | x0 – Rotate Pin_Sequence Once Between Steps<br>x1 – Split Mode Acceleration Table<br>1x – Rotate Pin_Sequence Once Between Steps<br>1x – Rotate Pin_Sequence Twice Between Steps | 0x30YY14 – 0x30YY16 |
| 0 1          | <input type="checkbox"/> <input type="checkbox"/> Host Service Request  | 00 – No Host Service (Reset Condition)<br>01 – Initialize, Pin Low<br>10 – Initialize, Pin High<br>11 – Move Request (Master Only)   | 0x30YY18 – 0x30YY1A |
| 0 1          | <input type="checkbox"/> <input type="checkbox"/> Channel Priority  | 00 – Disabled<br>01 – Low Priority<br>10 – Medium Priority<br>11 – High Priority   | 0x30YY1C – 0x30YY1E |
| 0            | <input type="checkbox"/> Channel Interrupt Enable   | 0 – Channel Interrupt Disabled<br>1 – Channel Interrupt Enabled  | 0x30YY0A            |
| 0            | <input type="checkbox"/> Channel Interrupt Status   | 0 – Channel Interrupt Not Asserted<br>1 – Channel Interrupt Asserted   | 0x30YY20            |

**PARAMETER RAM**

ADDRESS OFFSETS

BITS

|                           | 0                           | 1 | 2 | 3 | 4 | 5 | 6 | 7                           | 8 | 9 | 10 | 11 | 12 | 13 | 14       | 15 |   |
|---------------------------|-----------------------------|---|---|---|---|---|---|-----------------------------|---|---|----|----|----|----|----------|----|---|
| 0x30XX(W+1)0              | ACCEL_RATIO_2               |   |   |   |   |   |   | ACCEL_RATIO_1               |   |   |    |    |    |    | Param 0  |    |   |
| 0x30XX(W+1)2              | ACCEL_RATIO_4               |   |   |   |   |   |   | ACCEL_RATIO_3               |   |   |    |    |    |    | Param 1  |    |   |
| 0x30XX(W+1)4              | ACCEL_RATIO_6               |   |   |   |   |   |   | ACCEL_RATIO_5               |   |   |    |    |    |    | Param 2  |    |   |
| 0x30XX(W+1)6              | ACCEL_RATIO_8               |   |   |   |   |   |   | ACCEL_RATIO_7               |   |   |    |    |    |    | Param 3  |    |   |
| 0x30XX(W+1)8              | ACCEL_RATIO_10              |   |   |   |   |   |   | ACCEL_RATIO_9               |   |   |    |    |    |    | Param 4  |    |   |
| 0x30XX(W+1)A              | ACCEL_RATIO_12              |   |   |   |   |   |   | ACCEL_RATIO_11              |   |   |    |    |    |    | Param 5  |    |   |
| 0x30XX(W+1)C <sup>1</sup> | ACCEL_RATIO_14 <sup>1</sup> |   |   |   |   |   |   | ACCEL_RATIO_13 <sup>1</sup> |   |   |    |    |    |    | Param 6  |    |   |
| :                         | :                           | : | : | : | : | : | : | :                           | : | : | :  | :  | :  | :  | :        | :  | : |
| 0x30XX(W+3)A <sup>1</sup> | ACCEL_RATIO_36 <sup>1</sup> |   |   |   |   |   |   | ACCEL_RATIO_35 <sup>1</sup> |   |   |    |    |    |    | Param 29 |    |   |

<sup>1</sup> Optional additional parameters not available in all cases. Refer to Freescale Programming Note TPUPN04/D for details.

= Written By RCPU       = Written by RCPU and TPU      W = Channel Number  
 = Written By TPU       = Unused Parameters

For address offsets: XX=41 for TPU\_A, 45 for TPU\_B, and 5D for TPU\_C; YY=40 for TPU\_A, 44 for TPU\_B, and 5C for TPU\_C. See [Table 18-24](#) for the PRAM Address Offset Map.

**Figure D-5. TSM Parameters — Slave Mode**

## D.5 Frequency Measurement (FQM)

FQM counts the number of TPU-channel input pulses during a user-defined window period. The function has single-shot and continuous modes. In continuous mode, no pulses are lost between sample windows, and the user can select whether to detect pulses on the rising or falling edge. This function is intended for high-speed measurement. (Measurement of slow pulses with noise rejection can be made with PTA.) See Freescale TPU Programming Note *Frequent Measurement TPU Function (FQM)*, (TPUPN03/D).

Figure D-6 shows all of the host interface areas for the FQM function.

|         |                          | CONTROL BITS   |                     |
|---------|--------------------------|--|---------------------|
|         | NAME                     | OPTIONS  | ADDRESSES           |
| 0 1 2 3 | Channel Function Select  | xxxx – FQM Function Number. Assigned during microcode assembly. See <a href="#">Table D-1</a>  | 0x30YY0C – 0x30YY12 |
| 0 1     | Host Sequence            | 00 – Begin with Falling Edge, Single-Shot Mode<br>01 – Begin with Falling Edge, Continuous Mode<br>10 – Begin with Rising Edge, Single-Shot Mode<br>11 – Begin with Rising Edge, Continuous Mode | 0x30YY14 – 0x30YY16 |
| 0 1     | Host Service Request     | 00 – No Host Service (Reset Condition)<br>01 – Not Used<br>10 – Initialize<br>11 –Not Used   | 0x30YY18 – 0x30YY1A |
| 0 1     | Channel Priority         | 00 – Disabled<br>01 – Low Priority<br>10 – Medium Priority<br>11 – High Priority   | 0x30YY1C – 0x30YY1E |
| 0       | Channel Interrupt Enable | 0 – Channel Interrupt Disabled<br>1 – Channel Interrupt Enabled  | 0x30YY0A            |
| 0       | Channel Interrupt Status | 0 – Channel Interrupt Not Asserted<br>1 – Channel Interrupt Asserted   | 0x30YY20            |

**PARAMETER RAM**

| ADDRESS OFFSETS | BITS    |   |   |   |   |   |   |   |   |   |    |    |    |    |    |    |         |
|-----------------|---------|---|---|---|---|---|---|---|---|---|----|----|----|----|----|----|---------|
|                 | 0       | 1 | 2 | 3 | 4 | 5 | 6 | 7 | 8 | 9 | 10 | 11 | 12 | 13 | 14 | 15 |         |
| 0x30XXW0        |         |   |   |   |   |   |   |   |   |   |    |    |    |    |    |    | Param 0 |
| 0x30XXW2        |         |   |   |   |   |   |   |   |   |   |    |    |    |    |    |    | Param 1 |
| 0x30XXW4        |         |   |   |   |   |   |   |   |   |   |    |    |    |    |    |    | Param 2 |
| 0x30XXW6        |         |   |   |   |   |   |   |   |   |   |    |    |    |    |    |    | Param 3 |
| 0x30XXW8        |         |   |   |   |   |   |   |   |   |   |    |    |    |    |    |    | Param 4 |
| 0x30XXWA        |         |   |   |   |   |   |   |   |   |   |    |    |    |    |    |    | Param 5 |
| 0x30XXWC        |         |   |   |   |   |   |   |   |   |   |    |    |    |    |    |    | Param 6 |
| 0x30XXWE        | Param 7 |   |   |   |   |   |   |   |   |   |    |    |    |    |    |    |         |

= Written By RCPU     
 = Written by RCPU and TPU     
 W = Primary Channel Number  
 = Written By TPU     
 = Unused Parameters

For address offsets: XX=41 for TPU\_A, 45 for TPU\_B, and 5D for TPU\_C; YY=40 for TPU\_A, 44 for TPU\_B, and 5C for TPU\_C. See [Table 18-24](#) for the PRAM Address Offset Map.

**Figure D-6. FQM Parameters**

## D.6 Universal Asynchronous Receiver/Transmitter (UART)

The UART uses one or two TPU3 channels to provide asynchronous communications. Data word length is programmable from 1 to 14 bits. The function supports detection or generation of even, odd, and no parity. Baud rate is freely programmable and can be higher than 100 Kbaud. Eight bidirectional UART channels running in excess of 9600 baud can be implemented on the TPU3. See Freescale TPU3 Programming Note *Asynchronous Serial Interface TPU Function (UART)*, (TPUPN07/D).

[Figure D-7](#) and [Figure D-8](#) show all of the host interface areas for the UART function in transmitting and receiving modes.



|         |                          | CONTROL BITS   |                     |
|---------|--------------------------|--|---------------------|
|         | NAME                     | OPTIONS  | ADDRESSES           |
| 0 1 2 3 | Channel Function Select  | xxxx – UART Function Number. Assigned during microcode assembly. See <a href="#">Table D-1</a> | 0x30YY0C – 0x30YY12 |
| 0 1     | Host Sequence            | 00 – No Parity<br>01 – No Parity<br>10 – Even Parity<br>11 – Odd Parity                        | 0x30YY14 – 0x30YY16 |
| 0 1     | Host Service Request     | 00 – Not Used<br>01 – Not Used<br>10 – Transmit<br>11 – Receive                                | 0x30YY18 – 0x30YY1A |
| 0 1     | Channel Priority         | 00 – Disabled<br>01 – Low Priority<br>10 – Medium Priority<br>11 – High Priority               | 0x30YY1C – 0x30YY1E |
| 0       | Channel Interrupt Enable | 0 – Channel Interrupt Disabled<br>1 – Channel Interrupt Enabled                                | 0x30YY0A            |
| 0       | Channel Interrupt Status | 0 – Channel Interrupt Not Asserted<br>1 – Channel Interrupt Asserted                           | 0x30YY20            |

**PARAMETER RAM**

| ADDRESS OFFSETS | BITS             |                   |   |   |   |   |   |   |   |   |    |    |    |    |    |    |         |
|-----------------|------------------|-------------------|---|---|---|---|---|---|---|---|----|----|----|----|----|----|---------|
|                 | 0                | 1                 | 2 | 3 | 4 | 5 | 6 | 7 | 8 | 9 | 10 | 11 | 12 | 13 | 14 | 15 |         |
| 0x30XXW0        | PARITY_TEMP      |                   |   |   |   |   |   |   |   |   |    |    |    |    |    |    | Param 0 |
| 0x30XXW2        | MATCH_RATE       |                   |   |   |   |   |   |   |   |   |    |    |    |    |    |    | Param 1 |
| 0x30XXW4        | TDRE             | TRANSMIT_DATA_REG |   |   |   |   |   |   |   |   |    |    |    |    |    |    | Param 2 |
| 0x30XXW6        | DATA_SIZE        |                   |   |   |   |   |   |   |   |   |    |    |    |    |    |    | Param 3 |
| 0x30XXW8        | ACTUAL_BIT_COUNT |                   |   |   |   |   |   |   |   |   |    |    |    |    |    |    | Param 4 |
| 0x30XXWA        | SHIFT_REGISTER   |                   |   |   |   |   |   |   |   |   |    |    |    |    |    |    | Param 5 |
| 0x30XXWC        |                  |                   |   |   |   |   |   |   |   |   |    |    |    |    |    |    | Param 6 |
| 0x30XXWE        |                  |                   |   |   |   |   |   |   |   |   |    |    |    |    |    |    | Param 7 |

= Written By RCPU     
 = Written by RCPU and TPU     
 W = Channel Number  
 = Written By TPU     
 = Unused Parameters

For address offsets: XX=41 for TPU\_A, 45 for TPU\_B, and 5D for TPU\_C; YY=40 for TPU\_A, 44 for TPU\_B, and 5C for TPU\_C. See [Table 18-24](#) for the PRAM Address Offset Map.

**Figure D-7. UART Transmitter Parameters**

|         |                          | CONTROL BITS   |                     |
|---------|--------------------------|--|---------------------|
|         | NAME                     | OPTIONS  | ADDRESSES           |
| 0 1 2 3 | Channel Function Select  | xxxx – UART Function Number. Assigned during microcode assembly. See <a href="#">Table D-1</a> | 0x30YY0C – 0x30YY12 |
| 0 1     | Host Sequence            | 00 – No Parity<br>01 – No Parity<br>10 – Even Parity<br>11 – Odd Parity                        | 0x30YY14 – 0x30YY16 |
| 0 1     | Host Service Request     | 00 – Not Used<br>01 – Not Used<br>10 – Transmit<br>11 – Receive                                | 0x30YY18 – 0x30YY1A |
| 0 1     | Channel Priority         | 00 – Disabled<br>01 – Low Priority<br>10 – Medium Priority<br>11 – High Priority               | 0x30YY1C – 0x30YY1E |
| 0       | Channel Interrupt Enable | 0 – Channel Interrupt Disabled<br>1 – Channel Interrupt Enabled                                | 0x30YY0A            |
| 0       | Channel Interrupt Status | 0 – Channel Interrupt Not Asserted<br>1 – Channel Interrupt Asserted                           | 0x30YY20            |

**PARAMETER RAM**

| ADDRESS OFFSETS | BITS             |    |                   |   |   |   |   |   |   |   |    |    |    |    |    |    |         |
|-----------------|------------------|----|-------------------|---|---|---|---|---|---|---|----|----|----|----|----|----|---------|
|                 | 0                | 1  | 2                 | 3 | 4 | 5 | 6 | 7 | 8 | 9 | 10 | 11 | 12 | 13 | 14 | 15 |         |
| 0x30XXW0        | PARITY_TEMP      |    |                   |   |   |   |   |   |   |   |    |    |    |    |    |    | Param 0 |
| 0x30XXW2        | MATCH_RATE       |    |                   |   |   |   |   |   |   |   |    |    |    |    |    |    | Param 1 |
| 0x30XXW4        | PE               | RE | TRANSMIT_DATA_REG |   |   |   |   |   |   |   |    |    |    |    |    |    | Param 2 |
| 0x30XXW6        | DATA_SIZE        |    |                   |   |   |   |   |   |   |   |    |    |    |    |    |    | Param 3 |
| 0x30XXW8        | ACTUAL_BIT_COUNT |    |                   |   |   |   |   |   |   |   |    |    |    |    |    |    | Param 4 |
| 0x30XXWA        | SHIFT_REGISTER   |    |                   |   |   |   |   |   |   |   |    |    |    |    |    |    | Param 5 |
| 0x30XXWC        |                  |    |                   |   |   |   |   |   |   |   |    |    |    |    |    |    | Param 6 |
| 0x30XXWA        |                  |    |                   |   |   |   |   |   |   |   |    |    |    |    |    |    | Param 7 |

= Written By RCPU      = Written by RCPU and TPU      W = Channel Number  
 = Written By TPU      = Unused Parameters

For address offsets: XX=41 for TPU\_A, 45 for TPU\_B, and 5D for TPU\_C; YY=40 for TPU\_A, 44 for TPU\_B, and 5C for TPU\_C. See [Table 18-24](#) for the PRAM Address Offset Map.

**Figure D-8. UART Receiver Parameters**

## D.7 New Input Capture/Transition Counter (NITC)

NITC allows, for a specified number of transitions, a TPU3 channel to: capture the value of a TCR (test configuration register) or any specified location in parameter RAM and then generate an interrupt request to notify the bus master (times of the two most recent transitions remain in parameter RAM), capture input continually or detect a specific number of transitions and end channel activity until reinitialization, or generate a link to other channels after the transitions have taken place. See Freescale TPU Programming Note *New Input Capture/Input Transition Counter TPU Function (NITC)*, (TPUPN08/D).

Figure D-9 shows all of the host interface areas for the NITC function.

|         |                          | CONTROL BITS   |                     |
|---------|--------------------------|--|---------------------|
|         | NAME                     | OPTIONS  | ADDRESSES           |
| 0 1 2 3 | Channel Function Select  | xxxx – NITC Function Number. Assigned during microcode assembly. See <a href="#">Table D-1</a>                                   | 0x30YY0C – 0x30YY12 |
| 0 1     | Host Sequence            | 00 – Single-Shot Mode, No Links<br>01 – Continuous Mode, No Links<br>10 – Single-Shot Mode, Links<br>11 – Continuous Mode, Links | 0x30YY14 – 0x30YY16 |
| 0 1     | Host Service Request     | 00 – No Host Service (Reset Condition)<br>01 – Initialize TCR Mode<br>10 – Initialize Parameter Mode<br>11 – Not Used            | 0x30YY18 – 0x30YY1A |
| 0 1     | Channel Priority         | 00 – Disabled<br>01 – Low Priority<br>10 – Medium Priority<br>11 – High Priority   | 0x30YY1C – 0x30YY1E |
| 0       | Channel Interrupt Enable | 0 – Channel Interrupt Disabled<br>1 – Channel Interrupt Enabled  | 0x30YY0A            |
| 0       | Channel Interrupt Status | 0 – Channel Interrupt Not Asserted<br>1 – Channel Interrupt Asserted   | 0x30YY20            |

| ADDRESS OFFSETS | PARAMETER RAM      |  |  |                    |  |  |            |                 |  |  |   |  |         |  |         |  |         |
|-----------------|--------------------|--|--|--------------------|--|--|------------|-----------------|--|--|---|--|---------|--|---------|--|---------|
|                 | BITS               |  |  |                    |  |  |            |                 |  |  |   |  |         |  |         |  |         |
| 0x30XXW0        |                    |  |  |                    |  |  |            | CHANNEL_CONTROL |  |  |   |  |         |  | Param 0 |  |         |
| 0x30XXW2        | START_LINK_CHANNEL |  |  | LINK_CHANNEL_COUNT |  |  | PARAM_ADDR |                 |  |  | 0 |  | Param 1 |  |         |  |         |
| 0x30XXW4        | MAX_COUNT          |  |  |                    |  |  |            |                 |  |  |   |  |         |  |         |  | Param 2 |
| 0x30XXW6        | TRANS_COUNT        |  |  |                    |  |  |            |                 |  |  |   |  |         |  |         |  | Param 3 |
| 0x30XXW8        | FINAL_TRANS_TIME   |  |  |                    |  |  |            |                 |  |  |   |  |         |  |         |  | Param 4 |
| 0x30XXWA        | LAST_TRANS_TIME    |  |  |                    |  |  |            |                 |  |  |   |  |         |  |         |  | Param 5 |
| 0x30XXWC        |                    |  |  |                    |  |  |            |                 |  |  |   |  |         |  |         |  | Param 6 |
| 0x30XXWE        |                    |  |  |                    |  |  |            |                 |  |  |   |  |         |  |         |  | Param 7 |

= Written By RCPU     
 = Written by RCPU and TPU     
 W = Channel Number  
 = Written By TPU     
 = Unused Parameters

For address offsets: XX=41 for TPU\_A, 45 for TPU\_B, and 5D for TPU\_C; YY=40 for TPU\_A, 44 for TPU\_B, and 5C for TPU\_C. See [Table 18-24](#) for the PRAM Address Offset Map.

Figure D-9. NITC Parameters

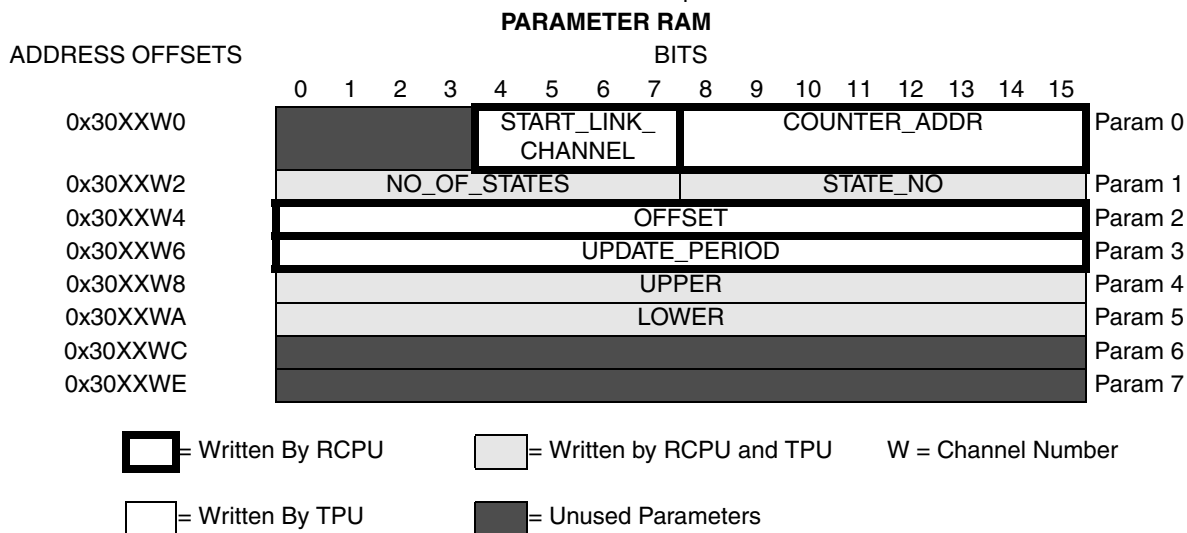
## D.8 Multiphase Motor Commutation (COMM)

The COMM function generates phase commutation signals for a variety of brushless motors, including three-phase brushless direct current motors. It derives the commutation state directly from the position decoded in FQD, eliminating the need for hall effect sensors.

The state sequence is implemented as a user-configurable state machine, providing a flexible approach with other general applications. A RCPU offset parameter is provided to allow the RCPU to advance or retard all switching angles on the fly. This feature is useful for torque maintenance at high speeds. See Freescale TPU Programming Note *Multiphase Motor Commutation TPU Function (COMM)*, (TPUPN09/D).

[Figure D-10](#) and [Figure D-10](#) show all of the host interface areas for the COMM function.

| CONTROL BITS |                          |  |                     |
|--------------|--------------------------|--|---------------------|
|              | NAME                     | OPTIONS  | ADDRESSES           |
| 0 1 2 3<br>  | Channel Function Select  | xxxx – COMM Function Number. Assigned during microcode assembly. See <a href="#">Table D-1</a>   | 0x30YY0C – 0x30YY12 |
| 0 1<br>      | Host Sequence            | 00 – Sensorless Match Update Mode<br>01 – Sensorless Match Update Mode<br>10 – Sensorless Link Update Mode<br>11 – Sensorled Mode          | 0x30YY14 – 0x30YY16 |
| 0 1<br>      | Host Service Request     | 00 – No Host Service (Reset Condition)<br>01 – Not Used<br>10 – Initialize or Force State<br>11 – Initialize or Force Immediate State Test | 0x30YY18 – 0x30YY1A |
| 0 1<br>      | Channel Priority         | 00 – Disabled<br>01 – Low Priority<br>10 – Medium Priority<br>11 – High Priority   | 0x30YY1C – 0x30YY1E |
| 0<br>        | Channel Inerrput Enable  | 0 – Channel Interrupt Disabled<br>1 – Channel Interrupt Enabled  | 0x30YY0A            |
| 0<br>        | Channel Interrupt Status | 0 – Channel Interrupt Not Asserted<br>1 – Channel Interrupt Asserted   | 0x30YY20            |



For address offsets: XX=41 for TPU\_A, 45 for TPU\_B, and 5D for TPU\_C; YY=40 for TPU\_A, 44 for TPU\_B, and 5C for TPU\_C. See [Table 18-24](#) for the PRAM Address Offset Map.

**Figure D-10. COMM Parameters**

| ADDRESS OFFSETS | PARAMETER RAM |   |   |   |       |   |   |   |                 |            |    |    |    |    |    |    |  |          |
|-----------------|---------------|---|---|---|-------|---|---|---|-----------------|------------|----|----|----|----|----|----|--|----------|
|                 | BITS          |   |   |   |       |   |   |   |                 |            |    |    |    |    |    |    |  |          |
|                 | 0             | 1 | 2 | 3 | 4     | 5 | 6 | 7 | 8               | 9          | 10 | 11 | 12 | 13 | 14 | 15 |  |          |
| 0x30XX(W + 1)0  | LENGTH        |   |   |   | STATE |   |   |   | 0               | PIN_CONFIG |    |    |    |    |    |    |  | Param 8  |
| 0x30XX(W + 1)2  | LENGTH        |   |   |   | STATE |   |   |   | 1               | PIN_CONFIG |    |    |    |    |    |    |  | Param 9  |
| 0x30XX(W + 1)4  | LENGTH        |   |   |   | STATE |   |   |   | 2               | PIN_CONFIG |    |    |    |    |    |    |  | Param 10 |
| 0x30XX(W + 1)6  | LENGTH        |   |   |   | STATE |   |   |   | 3               | PIN_CONFIG |    |    |    |    |    |    |  | Param 11 |
| 0x30XX(W + 1)8  | LENGTH        |   |   |   | STATE |   |   |   | 4               | PIN_CONFIG |    |    |    |    |    |    |  | Param 12 |
| 0x30XX(W + 1)A  | LENGTH        |   |   |   | STATE |   |   |   | 5               | PIN_CONFIG |    |    |    |    |    |    |  | Param 13 |
| 0x30XX(W + 1)C  | LENGTH        |   |   |   | STATE |   |   |   | 6 <sup>1</sup>  | PIN_CONFIG |    |    |    |    |    |    |  | Param 14 |
| 0x30XX(W + 1)E  | LENGTH        |   |   |   | STATE |   |   |   | 7 <sup>1</sup>  | PIN_CONFIG |    |    |    |    |    |    |  | Param 15 |
| 0x30XX(W + 2)0  | LENGTH        |   |   |   | STATE |   |   |   | 8 <sup>1</sup>  | PIN_CONFIG |    |    |    |    |    |    |  | Param 16 |
| 0x30XX(W + 2)2  | LENGTH        |   |   |   | STATE |   |   |   | 9 <sup>1</sup>  | PIN_CONFIG |    |    |    |    |    |    |  | Param 17 |
| :               | :             |   |   |   | :     |   |   |   | :               | :          |    |    |    |    |    |    |  | :        |
| :               | :             |   |   |   | :     |   |   |   | :               | :          |    |    |    |    |    |    |  | :        |
| 0x30XX(W + 3)A  | LENGTH        |   |   |   | STATE |   |   |   | 21 <sup>1</sup> | PIN_CONFIG |    |    |    |    |    |    |  | Param 29 |

<sup>1</sup> Not available on all channels.

= Written By RCPU      = Written by RCPU and TPU      W = Master Channel Number

= Written By TPU      = Unused Parameters

For address offsets: XX=41 for TPU\_A, 45 for TPU\_B, and 5D for TPU\_C; YY=40 for TPU\_A, 44 for TPU\_B, and 5C for TPU\_C. See [Table 18-24](#) for the PRAM Address Offset Map.

Figure D-10. COMM Parameters (continued)

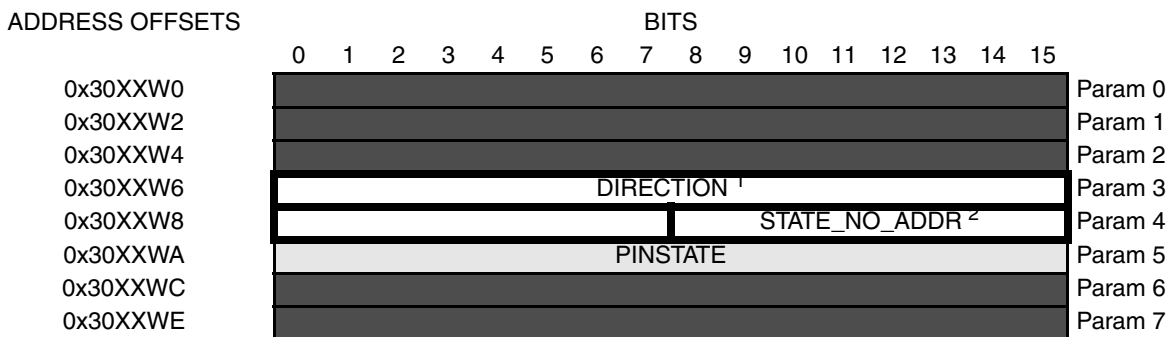
## D.9 Hall Effect Decode (HALLD)

The HALLD function decodes the sensor signals from a brushless motor (the function supports two- or three-sensor decoding) and a direction input from the RCPU into a state number. The decoded state number is written into a COMM channel, which outputs the required commutation drive signals. In addition to brushless motor applications, the function can have more general applications, such as decoding “option” switches. See Freescale TPU Programming Note *Hall Effect Decode TPU Function (HALLD)*, (TPUPN10/D).

Figure D-11 shows all of the host interface areas for the HALLD function.

|         |                          | CONTROL BITS  |                     |
|---------|--------------------------|---|---------------------|
|         | NAME                     | OPTIONS   | ADDRESSES           |
| 0 1 2 3 | Channel Function Select  | xxxx – HALLD Function Number.<br>Assigned during microcode assembly.<br>See <a href="#">Table D-1</a>                         | 0x30YY0C – 0x30YY12 |
| 0 1     | Host Sequence            | 00 – Channel A<br>01 – Channel B<br>10 – Channel B<br>11 – Channel C (3-Channel Mode Only)                                    | 0x30YY14 – 0x30YY16 |
| 0 1     | Host Service Request     | 00 – No Host Service (Reset Condition)<br>01 – Not Used<br>10 – Initialize, 2-Channel Mode<br>11 – Initialize, 3-Channel Mode | 0x30YY18 – 0x30YY1A |
| 0 1     | Channel Priority         | 00 – Disabled<br>01 – Low Priority<br>10 – Medium Priority<br>11 – High Priority  | 0x30YY1C – 0x30YY1E |
| 0       | Channel Interrupt Enable | 0 – Channel Interrupt Disabled<br>1 – Channel Interrupt Enabled   | 0x30YY0A            |
| 0       | Channel Interrupt Status | x – Not Used  | 0x30YY20            |

**PARAMETER RAM**



= Written By RCPU     
 = Written by RCPU and TPU     
 W = Channel Number  
 = Written By TPU     
 = Unused Parameters

For address offsets: XX=41 for TPU\_A, 45 for TPU\_B, and 5D for TPU\_C; YY=40 for TPU\_A, 44 for TPU\_B, and 5C for TPU\_C. See [Table 18-24](#) for the PRAM Address Offset Map.

**Figure D-11. HALLD Parameters**



## D.10 Multichannel Pulse-Width Modulation (MCPWM)

MCPWM generates pulse-width modulated outputs with full 0 to 100% duty cycle range independent of other TPU3 activity. This capability requires two TPU3 channels plus an external gate for one PWM. (A simple one-channel PWM capability is supported by the QOM function.)

Multiple PWMs generated by MCPWM have two types of high time alignment: edge aligned and center aligned. Edge-aligned mode uses  $n + 1$  TPU3 channels for  $n$  PWMs, and center-aligned mode uses  $2n + 1$  channels. Center-aligned mode allows a user to define “dead time” so that two PWMs can be used to drive an H-bridge without destructive current spikes. This feature is important for motor control applications. See Freescale TPU Programming Note *Multichannel PWM TPU Function (MCPWM)*, (TPUPN05/D).

[Figure D-12](#) through [Table D-17](#) shows the host interface areas for the MCPWM function in each mode.

**CONTROL BITS**

|   | NAME                     | OPTIONS   | ADDRESSES           |
|---|--------------------------|---|---------------------|
| <div style="display: flex; justify-content: space-around; width: 100px;"> <span>0</span><span>1</span><span>2</span><span>3</span> </div> | Channel Function Select  | xxxx – MCPWM Function Number.<br>Assigned during microcode assembly.<br>See <a href="#">Table D-1</a>   | 0x30YY0C – 0x30YY12 |
| <div style="display: flex; justify-content: space-around; width: 100px;"> <span>0</span><span>1</span> </div>                             | Host Sequence            | 00 – Edge-Aligned Mode<br>01 – Slave A Type Center-Aligned Mode<br>10 – Slave B Type Center-Aligned Mode<br>11 – Slave C Type Center-Aligned Mode | 0x30YY14 – 0x30YY16 |
| <div style="display: flex; justify-content: space-around; width: 100px;"> <span>0</span><span>1</span> </div>                             | Host Service Request     | 00 – No Host Service (Reset Condition)<br>01 – Initialize as Slave (Inverted)<br>10 – Initialize, as Slave (Normal)<br>11 – Initialize as Master  | 0x30YY18 – 0x30YY1A |
| <div style="display: flex; justify-content: space-around; width: 100px;"> <span>0</span><span>1</span> </div>                             | Channel Priority         | 00 – Disabled<br>01 – Low Priority<br>10 – Medium Priority<br>11 – High Priority  | 0x30YY1C – 0x30YY1E |
| <div style="display: flex; justify-content: space-around; width: 100px;"> <span>0</span> </div>   | Channel Interrupt Enable | 0 – Channel Interrupt Disabled<br>1 – Channel Interrupt Enabled   | 0x30YY0A            |
| <div style="display: flex; justify-content: space-around; width: 100px;"> <span>0</span> </div>   | Channel Interrupt Status | 0 – Channel Interrupt Not Asserted<br>1 – Channel Interrupt Asserted  | 0x30YY20            |

**PARAMETER RAM**

| ADDRESS OFFSETS | BITS           |  |  |  |  |  |  |  |              |  |  |  |  |  |  |  |         |
|-----------------|----------------|--|--|--|--|--|--|--|--------------|--|--|--|--|--|--|--|---------|
| 0x30XXW0        | PERIOD         |  |  |  |  |  |  |  |              |  |  |  |  |  |  |  | Param 0 |
| 0x30XXW2        | IRQ_RATE       |  |  |  |  |  |  |  | PERIOD_COUNT |  |  |  |  |  |  |  | Param 1 |
| 0x30XXW4        | LAST_RISE_TIME |  |  |  |  |  |  |  |              |  |  |  |  |  |  |  | Param 2 |
| 0x30XXW6        | LAST_FALL_TIME |  |  |  |  |  |  |  |              |  |  |  |  |  |  |  | Param 3 |
| 0x30XXW8        | RISE_TIME_PTR  |  |  |  |  |  |  |  |              |  |  |  |  |  |  |  | Param 4 |
| 0x30XXWA        | FALL_TIME_PTR  |  |  |  |  |  |  |  |              |  |  |  |  |  |  |  | Param 5 |
| 0x30XXWC        |                |  |  |  |  |  |  |  |              |  |  |  |  |  |  |  | Param 6 |
| 0x30XXWE        |                |  |  |  |  |  |  |  |              |  |  |  |  |  |  |  | Param 7 |

= Written By RCPU     
 = Written by RCPU and TPU     
 W = Channel Number  
 = Written By TPU     
 = Unused Parameters

For address offsets: XX=41 for TPU\_A, 45 for TPU\_B, and 5D for TPU\_C; YY=40 for TPU\_A, 44 for TPU\_B, and 5C for TPU\_C. See [Table 18-24](#) for the PRAM Address Offset Map.

**Figure D-12. MCPWM Parameters — Master Mode**

**CONTROL BITS**

|   | NAME                     | OPTIONS   | ADDRESSES           |
|---|--------------------------|---|---------------------|
| <div style="display: flex; justify-content: space-around; width: 100px;"> <span>0</span><span>1</span><span>2</span><span>3</span> </div> | Channel Function Select  | xxxx – MCPWM Function Number.<br>Assigned during microcode assembly.<br>See <a href="#">Table D-1</a>   | 0x30YY0A            |
| <div style="display: flex; justify-content: space-around; width: 100px;"> <span>0</span><span>1</span> </div>                             | Host Sequence            | 00 – Edge-Aligned Mode<br>01 – Slave A Type Center-Aligned Mode<br>10 – Slave B Type Center-Aligned Mode<br>11 – Slave C Type Center-Aligned Mode | 0x30YY0C – 0x30YY12 |
| <div style="display: flex; justify-content: space-around; width: 100px;"> <span>0</span><span>1</span> </div>                             | Host Service Request     | 00 – No Host Service (Reset Condition)<br>01 – Initialize As Slave (Inverted)<br>10 – Initialize As Slave (Normal)<br>11 – Initialize As Master   | 0x30YY14 – 0x30YY16 |
| <div style="display: flex; justify-content: space-around; width: 100px;"> <span>0</span><span>1</span> </div>                             | Channel Priority         | 00 – Disabled<br>01 – Low Priority<br>10 – Medium Priority<br>11 – High Priority  | 0x30YY18 – 0x30YY1E |
| <div style="display: flex; justify-content: space-around; width: 100px;"> <span>0</span> </div>   | Channel Interrupt Enable | 0 – Channel Interrupt Disabled<br>1 – Channel Interrupt Enabled   | 0x30YY1C – 0x30YY1E |
| <div style="display: flex; justify-content: space-around; width: 100px;"> <span>0</span> </div>   | Channel Interrupt Status | 0 – Channel Interrupt Not Asserted<br>1 – Channel Interrupt Asserted  | 0x30YY20            |

**PARAMETER RAM**

| ADDRESS OFFSETS | BITS          |   |   |   |   |   |   |   |   |   |    |    |    |    |    |    |         |
|-----------------|---------------|---|---|---|---|---|---|---|---|---|----|----|----|----|----|----|---------|
|                 | 0             | 1 | 2 | 3 | 4 | 5 | 6 | 7 | 8 | 9 | 10 | 11 | 12 | 13 | 14 | 15 |         |
| 0x03XXW0        | PERIOD        |   |   |   |   |   |   |   |   |   |    |    |    |    |    |    | Param 0 |
| 0x30XXW2        | HIGH_TIME     |   |   |   |   |   |   |   |   |   |    |    |    |    |    |    | Param 1 |
| 0x30XXW4        | HIGH_TIME_PTR |   |   |   |   |   |   |   |   |   |    |    |    |    |    |    | Param 2 |
| 0x30XXW6        | RISE_TIME_PTR |   |   |   |   |   |   |   |   |   |    |    |    |    |    |    | Param 3 |
| 0x30XXW8        | FALL_TIME_PTR |   |   |   |   |   |   |   |   |   |    |    |    |    |    |    | Param 4 |
| 0x30XXWA        |               |   |   |   |   |   |   |   |   |   |    |    |    |    |    |    | Param 5 |
| 0x30XXWC        |               |   |   |   |   |   |   |   |   |   |    |    |    |    |    |    | Param 6 |
| 0x30XXWE        |               |   |   |   |   |   |   |   |   |   |    |    |    |    |    |    | Param 7 |

= Written By RCPU     
 = Written by RCPU and TPU     
 W = Channel Number  
 = Written By TPU     
 = Unused Parameters

For address offsets: XX=41 for TPU\_A, 45 for TPU\_B, and 5D for TPU\_C; YY=40 for TPU\_A, 44 for TPU\_B, and 5C for TPU\_C. See [Table 18-24](#) for the PRAM Address Offset Map.

**Figure D-13. MCPWM Parameters — Slave Edge-Aligned Mode**

|         |                          | CONTROL BITS  |                     |
|---------|--------------------------|---|---------------------|
|         | NAME                     | OPTIONS   | ADDRESSES           |
| 0 1 2 3 | Channel Function Select  | xxxx – MCPWM Function Number.<br>Assigned during microcode assembly.<br>See <a href="#">Table D-1</a>   | 0x30YY0A            |
| 0 1     | Host Sequence            | 00 – Edge-Aligned Mode<br>01 – Slave A Type Center-Aligned Mode<br>10 – Slave B Type Center-Aligned Mode<br>11 – Slave C Type Center-Aligned Mode | 0x30YY0C – 0x30YY12 |
| 0 1     | Host Service Request     | 00 – No Host Service (Reset Condition)<br>01 – Initialize As Slave (Inverted)<br>10 – Initialize As Slave (Normal)<br>11 – Initialize As Master   | 0x30YY14 – 0x30YY16 |
| 0 1     | Channel Priority         | 00 – Disabled<br>01 – Low Priority<br>10 – Medium Priority<br>11 – High Priority  | 0x30YY18 – 0x30YY1A |
| 0       | Channel Interrupt Enable | 0 – Channel Interrupt Disabled<br>1 – Channel Interrupt Enabled   | 0x30YY1C – 0x30YY1E |
| 0       | Channel Interrupt Status | 0 – Channel Interrupt Not Asserted<br>1 – Channel Interrupt Asserted  | 0x30YY20            |

|                 |  | PARAMETER RAM                         |         |
|-----------------|--|---------------------------------------|---------|
| ADDRESS OFFSETS |  | BITS                                  |         |
| 0x30XXW0        |  | 0 1 2 3 4 5 6 7 8 9 10 11 12 13 14 15 | Param 0 |
| 0x30XXW2        |  |                                       | Param 1 |
| 0x30XXW4        |  |                                       | Param 2 |
| 0x30XXW6        |  |                                       | Param 3 |
| 0x30XXW8        |  |                                       | Param 4 |
| 0x30XXWA        |  |                                       | Param 5 |
| 0x30XXWC        |  |                                       | Param 6 |
| 0x30XXWE        |  |                                       | Param 7 |

= Written By RCPU     
 = Written by RCPU and TPU     
 W = Channel Number  
 = Written By TPU     
 = Unused Parameters

For address offsets: XX=41 for TPU\_A, 45 for TPU\_B, and 5D for TPU\_C; YY=40 for TPU\_A, 44 for TPU\_B, and 5C for TPU\_C. See [Table 18-24](#) for the PRAM Address Offset Map.

**Figure D-14. MCPWM Parameters — Slave Ch A Non-Inverted Center-Aligned Mode**

|         |                          | CONTROL BITS  |                     |
|---------|--------------------------|---|---------------------|
|         | NAME                     | OPTIONS   | ADDRESSES           |
| 0 1 2 3 | Channel Function Select  | xxxx – MCPWM Function Number.<br>Assigned during microcode assembly.<br>See <a href="#">Table D-1</a>   | 0x30YY0C – 0x30YY12 |
| 0 1     | Host Sequence            | 00 – Edge-Aligned Mode<br>01 – Slave A Type Center-Aligned Mode<br>10 – Slave B Type Center-Aligned Mode<br>11 – Slave C Type Center-Aligned Mode | 0x30YY14 – 0x30YY16 |
| 0 1     | Host Service Request     | 00 – No Host Service (Reset Condition)<br>01 – Initialize As Slave (Inverted)<br>10 – Initialize As Slave (Normal)<br>11 – Initialize As Master   | 0x30YY18 – 0x30YY1A |
| 0 1     | Channel Priority         | 00 – Disabled<br>01 – Low Priority<br>10 – Medium Priority<br>11 – High Priority  | 0x30YY1C – 0x30YY1E |
| 0       | Channel Interrupt Enable | 0 – Channel Interrupt Disabled<br>1 – Channel Interrupt Enabled   | 0x30YY0A            |
| 0       | Channel Interrupt Status | 0 – Channel Interrupt Not Asserted<br>1 – Channel Interrupt Asserted  | 0x30YY20            |

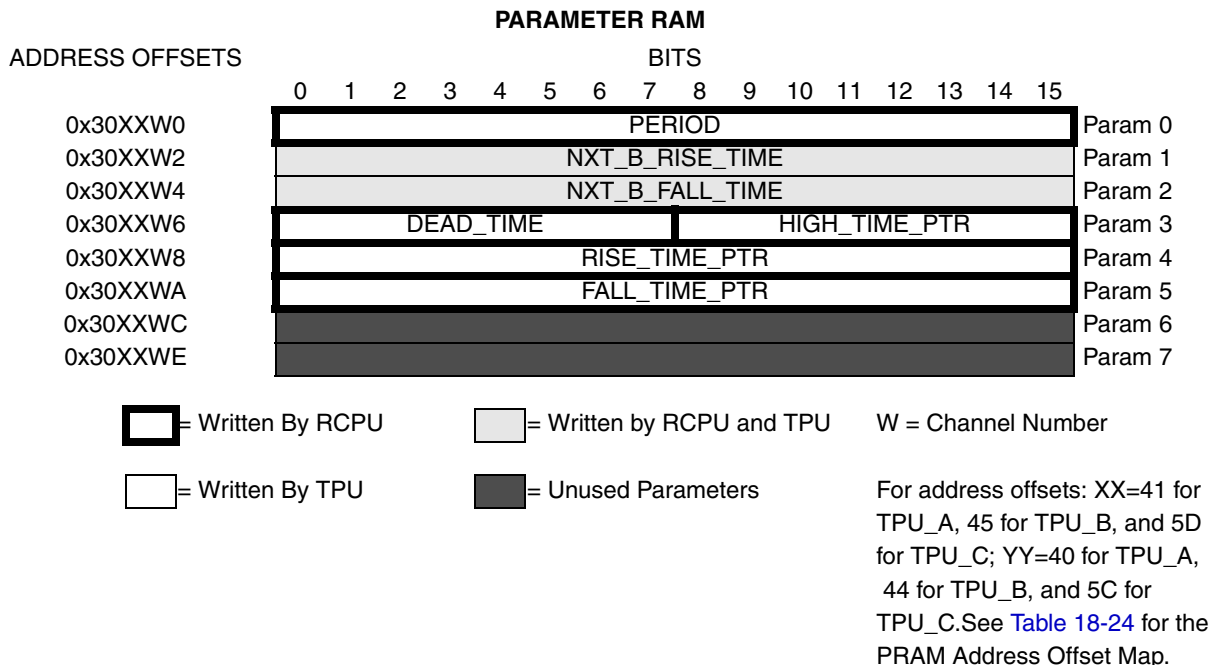
|                 |  | PARAMETER RAM                         |         |
|-----------------|--|---------------------------------------|---------|
| ADDRESS OFFSETS |  | BITS                                  |         |
| 0x30XXW0        |  | 0 1 2 3 4 5 6 7 8 9 10 11 12 13 14 15 | Param 0 |
| 0x30XXW2        |  |                                       | Param 1 |
| 0x30XXW4        |  |                                       | Param 2 |
| 0x30XXW6        |  |                                       | Param 3 |
| 0x30XXW8        |  |                                       | Param 4 |
| 0x30XXWA        |  |                                       | Param 5 |
| 0x30XXWC        |  |                                       | Param 6 |
| 0x30XXWE        |  |                                       | Param 7 |

= Written By RCPU     
 = Written by RCPU and TPU     
 W = Channel Number  
 = Written By TPU     
 = Unused Parameters

For address offsets: XX=41 for TPU\_A, 45 for TPU\_B, and 5D for TPU\_C; YY=40 for TPU\_A, 44 for TPU\_B, and 5C for TPU\_C. See [Table 18-24](#) for the PRAM Address Offset Map.

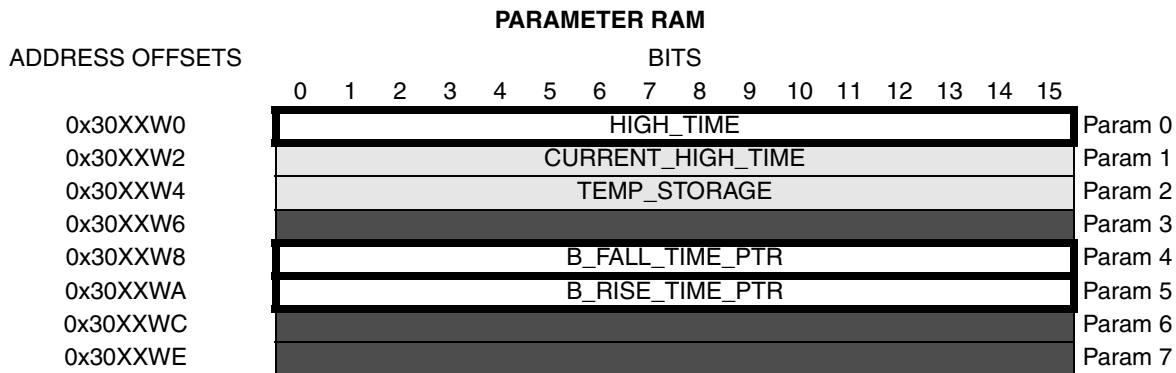
**Figure D-15. MCPWM Parameters — Slave Ch B Non-Inverted Center-Aligned Mode**

|         |                          | CONTROL BITS  |                     |
|---------|--------------------------|---|---------------------|
|         | NAME                     | OPTIONS   | ADDRESSES           |
| 0 1 2 3 | Channel Function Select  | xxxx – MCPWM Function Number<br>Assigned during microcode assembly. See <a href="#">Table D-1</a>   | 0x30YY0A            |
| 0 1     | Host Sequence            | 00 – Edge-Aligned Mode<br>01 – Slave A Type Center-Aligned Mode<br>10 – Slave B Type Center-Aligned Mode<br>11 – Slave C Type Center-Aligned Mode | 0x30YY0C – 0x30YY12 |
| 0 1     | Host Service Request     | 00 – No Host Service (Reset Condition)<br>01 – Initialize As Slave (Inverted)<br>10 – Initialize As Slave (Normal)<br>11 – Initialize As Master   | 0x30YY14 – 0x30YY16 |
| 0 1     | Channel Priority         | 00 – Disabled<br>01 – Low Priority<br>10 – Medium Priority<br>11 – High Priority  | 0x30YY18 – 0x30YY1A |
| 0       | Channel Interrupt Enable | 0 – Channel Interrupt Disabled<br>1 – Channel Interrupt Enabled   | 0x30YY1C – 0x30YY1E |
| 0       | Channel Interrupt Status | 0 – Channel Interrupt Not Asserted<br>1 – Channel Interrupt Asserted  | 0x30YY20            |



**Figure D-16. MCPWM Parameters — Slave Ch A Inverted Center-Aligned Mode**

|         |                          | CONTROL BITS  |                     |
|---------|--------------------------|---|---------------------|
|         | NAME                     | OPTIONS   | ADDRESSES           |
| 0 1 2 3 | Channel Function Select  | xxxx – MCPWM Function Number.<br>Assigned during microcode assembly.<br>See <a href="#">Table D-1</a>   | 0x30YY0C – 0x30YY12 |
| 0 1     | Host Sequence            | 00 – Edge-Aligned Mode<br>01 – Slave A Type Center-Aligned Mode<br>10 – Slave B Type Center-Aligned Mode<br>11 – Slave C Type Center-Aligned Mode | 0x30YY14 – 0x30YY16 |
| 0 1     | Host Service Request     | 00 – No Host Service (Reset Condition)<br>01 – Initialize As Slave (Inverted)<br>10 – Initialize As Slave (Normal)<br>11 – Initialize As Master   | 0x30YY18 – 0x30YY1A |
| 0 1     | Channel Priority         | 00 – Disabled<br>01 – Low Priority<br>10 – Medium Priority<br>11 – High Priority  | 0x30YY1C – 0x30YY1E |
| 0       | Channel Interrupt Enable | 0 – Channel Interrupt Disabled<br>1 – Channel Interrupt Enabled   | 0x30YY0A            |
| 0       | Channel Interrupt Status | 0 – Channel Interrupt Not Asserted<br>1 – Channel Interrupt Asserted  | 0x30YY20            |



= Written By RCPU     
 = Written by RCPU and TPU     
 W = Channel Number  
 = Written By TPU     
 = Unused Parameters

For address offsets: XX=41 for TPU\_A, 45 for TPU\_B, and 5D for TPU\_C; YY=40 for TPU\_A, 44 for TPU\_B, and 5C for TPU\_C. See [Table 18-24](#) for the PRAM Address Offset Map.

**Figure D-17. MCPWM Parameters — Slave Ch B Inverted Center-Aligned Mode**

## D.11 Multi TPU (MULTI)

The MULTI function consists of four sub-functions:

- FRINC:** A free running incrementing 32-bit counter. The counter frequency is determined by a variable parameter 'TICKS' and either TCR1 or TCR2 can be used as a timebase. This function runs continuously without service from the RCPu and can only be stopped by setting its priority to zero.
- FRDEC:** A free running 32-bit decrementing counter, similar to FRINC but with the additional feature that it can be programmed to generate an interrupt when the counter reaches zero.
- PWM\_IN:** This function analyses a PWM-input signal by measuring a selectable number of periods. It adds both periods as well as high-time for the selected number of periods.
- SPEED:** This function measures periods from a defined edge to the next defined edge. The measurement is not specified for a number of periods, but is continuous. If the result is read regularly, the function measures the time for the number of periods detected between the two reads. In other words, the function averages the periods between two consecutive reads. This function uses TCR1 for the timebase.

This function is available only on revision D and later of the MPC565/MPC566.

[Figure D-18](#) through [Figure D-21](#) show all of the host interface areas for the MULTI function.



**CONTROL BITS**

|   | NAME                     | OPTIONS  | ADDRESSES           |
|---|--------------------------|--|---------------------|
| <div style="display: flex; justify-content: space-around; width: 100px;"> <span>0</span><span>1</span><span>2</span><span>3</span> </div> | Channel Function Select  | xxxx – MULTI Function Number.<br>Assigned during microcode assembly.<br>See <a href="#">Table D-1</a>              | 0x30YY0A            |
| <div style="display: flex; justify-content: space-around; width: 100px;"> <span>0</span><span>1</span> </div>                             | Host Sequence            | x0 – Initialize with timebase as TCR1<br>x1 – Initialize with timebase as TCR2                                     | 0x30YY0C – 0x30YY12 |
| <div style="display: flex; justify-content: space-around; width: 100px;"> <span>0</span><span>1</span> </div>                             | Host Service Request     | 00 – Not used<br>01 – PWM_in or SPEED mode<br>10 – Free Running decremter mode<br>11 – Free Running incremter mode | 0x30YY14 – 0x30YY16 |
| <div style="display: flex; justify-content: space-around; width: 100px;"> <span>0</span><span>1</span> </div>                             | Channel Priority         | 00 – Disabled<br>01 – Low Priority<br>10 – Medium Priority<br>11 – High Priority                                   | 0x30YY18 – 0x30YY1A |
| <div style="display: flex; justify-content: space-around; width: 100px;"> <span>0</span> </div>   | Channel Interrupt Enable | x – Not used   | 0x30YY1C – 0x30YY1E |
| <div style="display: flex; justify-content: space-around; width: 100px;"> <span>0</span> </div>   | Channel Interrupt Status | x – Not used   | 0x30YY20            |

**PARAMETER RAM**

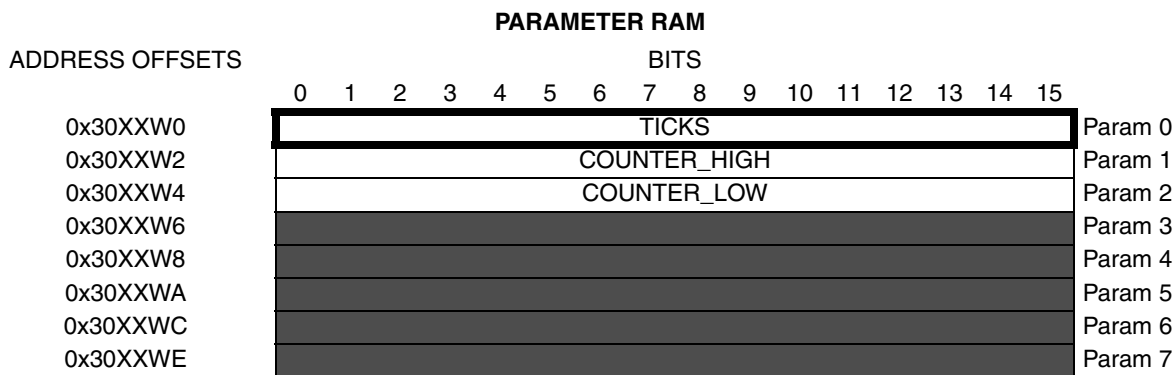
| ADDRESS OFFSETS | BITS         |   |   |   |   |   |   |   |   |   |    |    |    |    |    |    |         |
|-----------------|--------------|---|---|---|---|---|---|---|---|---|----|----|----|----|----|----|---------|
|                 | 0            | 1 | 2 | 3 | 4 | 5 | 6 | 7 | 8 | 9 | 10 | 11 | 12 | 13 | 14 | 15 |         |
| 0x30XXW0        | TICKS        |   |   |   |   |   |   |   |   |   |    |    |    |    |    |    | Param 0 |
| 0x30XXW2        | COUNTER_HIGH |   |   |   |   |   |   |   |   |   |    |    |    |    |    |    | Param 1 |
| 0x30XXW4        | COUNTER_LOW  |   |   |   |   |   |   |   |   |   |    |    |    |    |    |    | Param 2 |
| 0x30XXW6        |              |   |   |   |   |   |   |   |   |   |    |    |    |    |    |    | Param 3 |
| 0x30XXW8        |              |   |   |   |   |   |   |   |   |   |    |    |    |    |    |    | Param 4 |
| 0x30XXWA        |              |   |   |   |   |   |   |   |   |   |    |    |    |    |    |    | Param 5 |
| 0x30XXWC        |              |   |   |   |   |   |   |   |   |   |    |    |    |    |    |    | Param 6 |
| 0x30XXWE        |              |   |   |   |   |   |   |   |   |   |    |    |    |    |    |    | Param 7 |

= Written By RCPU     
 = Written by RCPU and TPU     
 W = Channel Number  
 = Written By TPU     
 = Unused Parameters

For address offsets: XX=41 for TPU\_A, 45 for TPU\_B, and 5D for TPU\_C; YY=40 for TPU\_A, 44 for TPU\_B, and 5C for TPU\_C. See [Table 18-24](#) for the PRAM Address Offset Map.

**Figure D-18. MULTI Parameters — FRINC**

|         |                          | CONTROL BITS   |                     |
|---------|--------------------------|--|---------------------|
|         | NAME                     | OPTIONS  | ADDRESSES           |
| 0 1 2 3 | Channel Function Select  | xxxx – MULTI Function Number.<br>Assigned during microcode assembly.<br>See <a href="#">Table D-1</a>  | 0x30YY0C – 0x30YY12 |
| 0 1     | Host Sequence            | 00 – Timebase TCR1, Interrupt Off<br>01 – Timebase TCR2, Interrupt Off<br>10 – Timebase TCR1, Interrupt On<br>11 – Timebase TCR2, Interrupt On | 0x30YY14 – 0x30YY16 |
| 0 1     | Host Service Request     | 00 – N/A<br>01 – PWM_in or SPEED mode<br>10 – Free running decremter mode<br>11 – Free running incremter mode                                  | 0x30YY18 – 0x30YY1A |
| 0 1     | Channel Priority         | 00 – Disabled<br>01 – Low Priority<br>10 – Medium Priority<br>11 – High Priority   | 0x30YY1C – 0x30YY1E |
| 0       | Channel Interrupt Enable | 0 – Channel Interrupt Disabled<br>1 – Channel Interrupt Enabled  | 0x30YY0A            |
| 0       | Channel Interrupt Status | 0 – Channel Interrupt Not Asserted<br>1 – Channel Interrupt Asserted   | 0x30YY20            |



= Written By RCPU     
 = Written by RCPU and TPU     
 W = Channel Number  
 = Written By TPU     
 = Unused Parameters

For address offsets: XX=41 for TPU\_A, 45 for TPU\_B, and 5D for TPU\_C; YY=40 for TPU\_A, 44 for TPU\_B, and 5C for TPU\_C. See [Table 18-24](#) for the PRAM Address Offset Map.

**Figure D-19. MULTI Parameters — FREDEC**

|         |                          | CONTROL BITS  |  |                     |
|---------|--------------------------|---|--|---------------------|
|         | NAME                     | OPTIONS   |  | ADDRESSES           |
| 0 1 2 3 | Channel Function Select  | xxxx – MULTI Function Number<br>Assigned during microcode assembly.<br>See <a href="#">Table D-1</a>                    |  | 0x30YY0A            |
| 0 1     | Host Sequence            | 00 – PWM_IN with TCR1<br>01 – PWM_IN with TCR2<br>10 – SPEED falling edge triggered<br>11 – SPEED rising edge triggered |  | 0x30YY0C – 0x30YY12 |
| 0 1     | Host Service Request     | 00 – N/A<br>01 – PWM_IN or SPEED mode<br>10 – Free running decrementer mode<br>11 – Free running incrementer mode       |  | 0x30YY14 – 0x30YY16 |
| 0 1     | Channel Priority         | 00 – Disabled<br>01 – Low Priority<br>10 – Medium Priority<br>11 – High Priority  |  | 0x30YY18 – 0x30YY1A |
| 0       | Channel Interrupt Enable | 0 – Channel Interrupt Disabled<br>1 – Channel Interrupt Enabled   |  | 0x30YY1C – 0x30YY1E |
| 0       | Channel Interrupt Status | 0 – Channel Interrupt Not Asserted<br>1 – Channel Interrupt Asserted  |  | 0x30YY20            |

**PARAMETER RAM**

| ADDRESS OFFSETS | BITS                                  |                     |
|-----------------|---------------------------------------|---------------------|
| 0x30XXW0        | 0 1 2 3 4 5 6 7 8 9 10 11 12 13 14 15 | MEASURE TIME        |
| 0x30XXW2        |                                       | LAST EVENT          |
| 0x30XXW4        |                                       | UNDEFINED HIGH_TEMP |
| 0x30XXW6        |                                       | LOW_TEMP            |
| 0x30XXW8        |                                       | PERIODS HIGH_BYTE   |
| 0x30XXWA        |                                       | LOW_WORD            |
| 0x30XXWC        |                                       |                     |
| 0x30XXWE        |                                       |                     |

= Written By RCPU     
 = Written by RCPU and TPU     
 W = Channel Number  
 = Written By TPU     
 = Unused Parameters

For address offsets: XX=41 for TPU\_A, 45 for TPU\_B, and 5D for TPU\_C; YY=40 for TPU\_A, 44 for TPU\_B, and 5C for TPU\_C. See [Table 18-24](#) for the PRAM Address Offset Map.

**Figure D-20. MULTI Parameters — SPEED**

**CONTROL BITS**

|  | NAME                     | OPTIONS   | ADDRESSES           |
|--|--------------------------|---|---------------------|
| <div style="display: flex; justify-content: space-around; width: 100px;"> <span>0</span><span>1</span><span>2</span><span>3</span> </div> <div style="display: flex; justify-content: space-around; width: 100px;"> <div style="border: 1px solid black; width: 20px; height: 15px;"></div> <div style="border: 1px solid black; width: 20px; height: 15px;"></div> <div style="border: 1px solid black; width: 20px; height: 15px;"></div> <div style="border: 1px solid black; width: 20px; height: 15px;"></div> </div> | Channel Function Select  | xxxx – MULTI Function Number.<br>Assigned during microcode assembly.<br>See <a href="#">Table D-1</a>                   | 0x30YY0C – 0x30YY12 |
| <div style="display: flex; justify-content: space-around; width: 100px;"> <span>0</span><span>1</span> </div> <div style="display: flex; justify-content: space-around; width: 100px;"> <div style="border: 1px solid black; width: 20px; height: 15px;"></div> <div style="border: 1px solid black; width: 20px; height: 15px;"></div> </div>   | Host Sequence            | 00 – PWM_IN with TCR1<br>01 – PWM_IN with TCR2<br>10 – SPEED falling edge triggered<br>11 – SPEED rising edge triggered | 0x30YY14 – 0x30YY16 |
| <div style="display: flex; justify-content: space-around; width: 100px;"> <span>0</span><span>1</span> </div> <div style="display: flex; justify-content: space-around; width: 100px;"> <div style="border: 1px solid black; width: 20px; height: 15px;"></div> <div style="border: 1px solid black; width: 20px; height: 15px;"></div> </div>   | Host Service Request     | 00 – N/A<br>01 – PWM_IN or SPEED mode<br>10 – Free running decremter mode<br>11 – Free running incremter mode           | 0x30YY18 – 0x30YY1A |
| <div style="display: flex; justify-content: space-around; width: 100px;"> <span>0</span><span>1</span> </div> <div style="display: flex; justify-content: space-around; width: 100px;"> <div style="border: 1px solid black; width: 20px; height: 15px;"></div> <div style="border: 1px solid black; width: 20px; height: 15px;"></div> </div>   | Channel Priority         | 00 – Disabled<br>01 – Low Priority<br>10 – Medium Priority<br>11 – High Priority  | 0x30YY1C – 0x30YY1E |
| <div style="display: flex; justify-content: space-around; width: 100px;"> <span>0</span> </div> <div style="display: flex; justify-content: space-around; width: 100px;"> <div style="border: 1px solid black; width: 20px; height: 15px;"></div> </div>   | Channel Interrupt Enable | 0 – Channel Interrupt Disabled<br>1 – Channel Interrupt Enabled   | 0x30YY0A            |
| <div style="display: flex; justify-content: space-around; width: 100px;"> <span>0</span> </div> <div style="display: flex; justify-content: space-around; width: 100px;"> <div style="border: 1px solid black; width: 20px; height: 15px;"></div> </div>   | Channel Interrupt Status | 0 – Channel Interrupt Not Asserted<br>1 – Channel Interrupt Asserted  | 0x30YY20            |

**PARAMETER RAM**

| ADDRESS OFFSETS | BITS              |   |   |   |   |   |   |   |           |   |    |    |    |    |    |    |         |
|-----------------|-------------------|---|---|---|---|---|---|---|-----------|---|----|----|----|----|----|----|---------|
|                 | 0                 | 1 | 2 | 3 | 4 | 5 | 6 | 7 | 8         | 9 | 10 | 11 | 12 | 13 | 14 | 15 |         |
| 0x30XXW0        | NUMBER OF PERIODS |   |   |   |   |   |   |   | PER COUNT |   |    |    |    |    |    |    | Param 0 |
| 0x30XXW2        | LAST_RISING       |   |   |   |   |   |   |   |           |   |    |    |    |    |    |    | Param 1 |
| 0x30XXW4        | HIGH_TEMP         |   |   |   |   |   |   |   |           |   |    |    |    |    |    |    | Param 2 |
| 0x30XXW6        | PER_TEMP          |   |   |   |   |   |   |   |           |   |    |    |    |    |    |    | Param 3 |
| 0x30XXW8        | HIGH              |   |   |   |   |   |   |   |           |   |    |    |    |    |    |    | Param 4 |
| 0x30XXWA        | PERIODS           |   |   |   |   |   |   |   |           |   |    |    |    |    |    |    | Param 5 |
| 0x30XXWC        | IRQ_TIME          |   |   |   |   |   |   |   |           |   |    |    |    |    |    |    | Param 6 |
| 0x30XXWE        |                   |   |   |   |   |   |   |   |           |   |    |    |    |    |    |    | Param 7 |

= Written By RCPU       = Written by RCPU and TPU      W = Channel Number

= Written By TPU       = Unused Parameters      For address offsets: XX=41 for

For address offsets: XX=41 for TPU\_A, 45 for TPU\_B, and 5D for TPU\_C; YY=40 for TPU\_A, 44 for TPU\_B, and 5C for TPU\_C. See [Table 18-24](#) for the PRAM Address Offset Map.

**Figure D-21. MULTI Parameters — PWM\_IN**

## D.12 Fast Quadrature Decode TPU3 Function (FQD)

FQD is a position-feedback function for motor control. It provides the RCPMU with a 16-bit free-running position counter by decoding the two signals from a slotted encoder. FQD incorporates a “speed switch” that disables one of the channels at high speed, allowing faster signals to be decoded. Furthermore, every counter update provides a time stamp that is useful for interpolating position and determining velocity at low speed or in instances that implement low-resolution encoders. The ITC function handles the third index channel provided by some encoders. See Freescale TPU Programming Note *Fast Quadrature Decode TPU Function (FQD)*, (TPUPN02/D).

[Figure D-22](#) and [Figure D-23](#) show the host interface areas for the FQD function for primary and secondary channels.

|         |                          | CONTROL BITS   |                     |
|---------|--------------------------|--|---------------------|
|         | NAME                     | OPTIONS  | ADDRESSES           |
| 0 1 2 3 | Channel Function Select  | xxxx – FQD Function Number.<br>Assigned during microcode assembly.<br>See <a href="#">Table D-1</a>  | 0x30YY0C – 0x30YY12 |
| 0 1     | Host Sequence            | 00 – Primary Channel (Normal Mode)<br>01 – Secondary Channel (Normal Mode)<br>10 – Primary Channel (Fast Mode)<br>11 – Secondary Channel (Fast Mode) | 0x30YY14 – 0x30YY16 |
| 0 1     | Host Service Request     | 00 – No Host Service (Reset Condition)<br>01 – Not Used<br>10 – Read TCR1<br>11 – Initialize   | 0x30YY18 – 0x30YY1A |
| 0 1     | Channel Priority         | 00 – Disabled<br>01 – Low Priority<br>10 – Medium Priority<br>11 – High Priority   | 0x30YY1C – 0x30YY1E |
| 0       | Channel Interrupt Enable | x – Not Used   | 0x30YY0A            |
| 0       | Channel Interrupt Status | x – Not Used   | 0x30YY20            |

**PARAMETER RAM**

| ADDRESS OFFSETS | BITS                                  |         |
|-----------------|---------------------------------------|---------|
|                 | 0 1 2 3 4 5 6 7 8 9 10 11 12 13 14 15 |         |
| 0x30XXW0        | EDGE_TIME                             | Param 0 |
| 0x30XXW2        | POSITION_COUNT                        | Param 1 |
| 0x30XXW4        | TCR1_VALUE                            | Param 2 |
| 0x30XXW6        | CHAN_PINSTATE                         | Param 3 |
| 0x30XXW8        | CORR_PINSTATE_ADDR                    | Param 4 |
| 0x30XXWA        | EDGE_TIME_LSB_ADDR                    | Param 5 |
| 0x30XXWC        |                                       | Param 6 |
| 0x30XXWE        |                                       | Param 7 |

= Written By RCPU     
 = Written by RCPU and TPU     
 W = Channel Number  
 = Written By TPU     
 = Unused Parameters

For address offsets: XX=41 for TPU\_A, 45 for TPU\_B, and 5D for TPU\_C; YY=40 for TPU\_A, 44 for TPU\_B, and 5C for TPU\_C. See [Table 18-24](#) for the PRAM Address Offset Map.

**Figure D-22. FQD Parameters — Primary Channel**

| NAME   | CONTROL BITS   | ADDRESSES           |
|--|--|---------------------|
| <div style="display: flex; align-items: center;"> <div style="margin-right: 10px;"> <div style="display: flex; justify-content: space-around; width: 100px;"> <span>0</span><span>1</span><span>2</span><span>3</span> </div> <div style="border: 1px solid black; width: 100px; height: 20px; margin-top: 5px;"></div> </div> <div>Channel Function Select</div> </div> | xxxx – FQD Function Number.<br>Assigned during microcode assembly.<br>See <a href="#">Table D-1</a>  | 0x30YY0C – 0x30YY12 |
| <div style="display: flex; align-items: center;"> <div style="margin-right: 10px;"> <div style="display: flex; justify-content: space-around; width: 60px;"> <span>0</span><span>1</span> </div> <div style="border: 1px solid black; width: 60px; height: 20px; margin-top: 5px;"></div> </div> <div>Host Sequence</div> </div>   | 00 – Primary Channel (Normal Mode)<br>01 – Secondary Channel (Normal Mode)<br>10 – Primary Channel (Fast Mode)<br>11 – Secondary Channel (Fast Mode) | 0x30YY14 – 0x30YY16 |
| <div style="display: flex; align-items: center;"> <div style="margin-right: 10px;"> <div style="display: flex; justify-content: space-around; width: 60px;"> <span>0</span><span>1</span> </div> <div style="border: 1px solid black; width: 60px; height: 20px; margin-top: 5px;"></div> </div> <div>Host Service Request</div> </div>                                  | 00 – No Host Service (Reset Condition)<br>01 – Not Used<br>10 – Read TCR1<br>11 – Initialize   | 0x30YY18 – 0x30YY1A |
| <div style="display: flex; align-items: center;"> <div style="margin-right: 10px;"> <div style="display: flex; justify-content: space-around; width: 60px;"> <span>0</span><span>1</span> </div> <div style="border: 1px solid black; width: 60px; height: 20px; margin-top: 5px;"></div> </div> <div>Channel Priority</div> </div>                                      | 00 – Disabled<br>01 – Low Priority<br>10 – Medium Priority<br>11 – High Priority   | 0x30YY1C – 0x30YY1E |
| <div style="display: flex; align-items: center;"> <div style="margin-right: 10px;"> <div style="display: flex; justify-content: space-around; width: 60px;"> <span>0</span> </div> <div style="border: 1px solid black; width: 60px; height: 20px; margin-top: 5px; background-color: gray;"></div> </div> <div>Channel Interrupt Enable</div> </div>                    | x – Not Used   | 0x30YY0A            |
| <div style="display: flex; align-items: center;"> <div style="margin-right: 10px;"> <div style="display: flex; justify-content: space-around; width: 60px;"> <span>0</span> </div> <div style="border: 1px solid black; width: 60px; height: 20px; margin-top: 5px; background-color: gray;"></div> </div> <div>Channel Interrupt Status</div> </div>                    | x – Not Used   | 0x30YY20            |

**PARAMETER RAM**

| ADDRESS OFFSETS | BITS                                  |         |
|-----------------|---------------------------------------|---------|
|                 | 0 1 2 3 4 5 6 7 8 9 10 11 12 13 14 15 |         |
| 0x30XXW0        |                                       | Param 0 |
| 0x30XXW2        |                                       | Param 1 |
| 0x30XXW4        | TCR1_VALUE                            | Param 2 |
| 0x30XXW6        | CHAN_PINSTATE                         | Param 3 |
| 0x30XXW8        | CORR_PINSTATE_ADDR                    | Param 4 |
| 0x30XXWA        | EDGE_TIME_LSB_ADDR                    | Param 5 |
| 0x30XXWC        |                                       | Param 6 |
| 0x30XXWE        |                                       | Param 7 |

= Written By RCPU     
  = Written by RCPU and TPU     
 W = Channel Number  
 = Written By TPU     
  = Unused Parameters

For address offsets: XX=41 for TPU\_A, 45 for TPU\_B, and 5D for TPU\_C; YY=40 for TPU\_A, 44 for TPU\_B, and 5C for TPU\_C. See [Table 18-24](#) for the PRAM Address Offset Map.

**Figure D-23. FQD Parameters — Secondary Channel**

## D.13 Period/Pulse-Width Accumulator (PPWA)

The period/pulse-width accumulator (PPWA) algorithm accumulates a 16-bit or 24-bit sum of either the period or the pulse width of an input signal over a programmable number of periods or pulses (from one to 255). After an accumulation period, the algorithm can generate a link to a sequential block of up to eight channels. The user specifies a starting channel of the block and number of channels within the block. Generation of links depends on the mode of operation.

Any channel can be used to measure an accumulated number of periods of an input signal. A maximum of 24 bits can be used for the accumulation parameter. From one to 255 period measurements can be made and summed with the previous measurement(s) before the TPU3 interrupts the RCPU, allowing instantaneous or average frequency measurement, and the latest complete accumulation (over the programmed number of periods).

The pulse width (high-time portion) of an input signal can be measured (up to 24 bits) and added to a previous measurement over a programmable number of periods (one to 255). This provides an instantaneous or average pulse-width measurement capability, allowing the latest complete accumulation (over the specified number of periods) to always be available in a parameter.

By using the output compare function in conjunction with PPWA, an output signal can be generated that is proportional to a specified input signal. The ratio of the input and output frequency is programmable. One or more output signals with different frequencies, yet proportional and synchronized to a single input signal, can be generated on separate channels. See Freescale TPU Programming Note *Period/Pulse-Width Accumulator TPU Function (PPWA)*, (TPUPN11/D).

Figure D-24 shows the host interface areas and parameter RAM for the PPWA function.



**CONTROL BITS**

| NAME  | OPTIONS   | ADDRESSES           |
|---|---|---------------------|
| <div style="display: flex; justify-content: space-around; width: 100px;"> <span>0</span><span>1</span><span>2</span><span>3</span> </div> <div style="border: 1px solid black; width: 100px; height: 15px; margin-top: 5px;"></div> | Channel Function Select<br>xxxx – PPWA Function Number<br>Assigned during microcode assembly. See <a href="#">Table D-1</a>   | 0x30YY0C – 0x30YY12 |
| <div style="display: flex; justify-content: space-around; width: 100px;"> <span>0</span><span>1</span> </div> <div style="border: 1px solid black; width: 100px; height: 15px; margin-top: 5px;"></div>                             | Host Sequence<br>00 – Accumulate 24-Bit Periods, No Links<br>01 – Accumulate 16-Bit Periods, Links<br>10 – Accumulate 24-Bit Pulse Widths, No Links<br>11 – Accumulate 16-Bit Pulse Widths, Links | 0x30YY14 – 0x30YY16 |
| <div style="display: flex; justify-content: space-around; width: 100px;"> <span>0</span><span>1</span> </div> <div style="border: 1px solid black; width: 100px; height: 15px; margin-top: 5px;"></div>                             | Host Service Request<br>00 – Not Used<br>01 – Not Used<br>10 – Initialize<br>11 – Not Used  | 0x30YY18 – 0x30YY1A |
| <div style="display: flex; justify-content: space-around; width: 100px;"> <span>0</span><span>1</span> </div> <div style="border: 1px solid black; width: 100px; height: 15px; margin-top: 5px;"></div>                             | Channel Priority<br>00 – Channel Disabled<br>01 – Low Priority<br>10 – Medium Priority<br>11 – High Priority  | 0x30YY1C – 0x30YY1E |
| <div style="display: flex; justify-content: space-around; width: 100px;"> <span>0</span> </div> <div style="border: 1px solid black; width: 100px; height: 15px; margin-top: 5px;"></div>   | Channel Interrupt Enable<br>0 – Channel Interrupt Disabled<br>1 – Channel Interrupt Enabled   | 0x30YY0A            |
| <div style="display: flex; justify-content: space-around; width: 100px;"> <span>0</span> </div> <div style="border: 1px solid black; width: 100px; height: 15px; margin-top: 5px;"></div>   | Channel Interrupt Status<br>0 – Channel Interrupt Not Asserted<br>1 – Channel Interrupt Asserted  | 0x30YY20            |

**PARAMETER RAM**

| ADDRESS OFFSETS | BITS                   |   |   |   |                                 |   |   |   |                 |   |    |    |    |    |    |    |         |
|-----------------|------------------------|---|---|---|---------------------------------|---|---|---|-----------------|---|----|----|----|----|----|----|---------|
|                 | 0                      | 1 | 2 | 3 | 4                               | 5 | 6 | 7 | 8               | 9 | 10 | 11 | 12 | 13 | 14 | 15 |         |
| 0x30XXW0        | START_LINK_CHANNEL     |   |   |   | LINK_CHANNEL_COUNT <sup>1</sup> |   |   |   | CHANNEL_CONTROL |   |    |    |    |    |    |    | Param 0 |
| 0x30XXW2        | MAX_COUNT <sup>2</sup> |   |   |   |                                 |   |   |   | PERIOD_COUNT    |   |    |    |    |    |    |    | Param 1 |
| 0x30XXW4        | LAST_ACCUM             |   |   |   |                                 |   |   |   |                 |   |    |    |    |    |    |    | Param 2 |
| 0x30XXW6        | ACCUM                  |   |   |   |                                 |   |   |   |                 |   |    |    |    |    |    |    | Param 3 |
| 0x30XXW8        | ACCUM_RATE             |   |   |   |                                 |   |   |   | PPWA_UB         |   |    |    |    |    |    |    | Param 4 |
| 0x30XXWA        | PPWA_LW                |   |   |   |                                 |   |   |   |                 |   |    |    |    |    |    |    | Param 5 |
| 0x30XXWC        |                        |   |   |   |                                 |   |   |   |                 |   |    |    |    |    |    |    | Param 6 |
| 0x30XXWE        |                        |   |   |   |                                 |   |   |   |                 |   |    |    |    |    |    |    | Param 7 |

- The TPU does not check the value of LINK\_CHANNEL\_COUNT. If this parameter is not >0 and < 8, results are unpredictable.
- MAX\_COUNT may be written at any time by the host RCPU, but if the value written is < PERIOD\_COUNT, a period or pulse-width accumulation is terminated. If this happens, the number of periods over which the accumulation is performed will not correspond to MAX\_COUNT.

= Written By RCPU       = Written by RCPU and TPU      W = Channel Number

= Written By TPU       = Unused Parameters

For address offsets: XX =41 for TPU\_A, 45 for TPU\_B, and 5D for TPU\_C; YY = 40 for TPU\_A, 44 for TPU\_B, and 5C for TPU\_C. See [Table 18-24](#).

**Figure D-24. PPWA Parameters**

## D.14 ID TPU3 Function (ID)

This is a simple function that returns the version of the TPU3 ROM on the current device.

[Figure D-25](#) shows all of the host interface areas for the ID function.

**CONTROL BITS**

|   | NAME                     | OPTIONS  | ADDRESSES           |
|---|--------------------------|--|---------------------|
| <div style="display: flex; justify-content: space-around; width: 100px;"> <span>0</span><span>1</span><span>2</span><span>3</span> </div> | Channel Function Select  | xxxx – ID Function Number.<br>Assigned during microcode assembly.<br>See <a href="#">Table D-1</a> | 0x30YY0C – 0x30YY12 |
| <div style="display: flex; justify-content: space-around; width: 100px;"> <span>0</span><span>1</span> </div>                             | Host Sequence            | xx – Not Used  | 0x30YY14 – 0x30YY16 |
| <div style="display: flex; justify-content: space-around; width: 100px;"> <span>0</span><span>1</span> </div>                             | Host Service Request     | 00 – No Action<br>01 – Read TPU ROM version<br>10 – Not Used<br>11 – Not Used                      | 0x30YY18 – 0x30YY1A |
| <div style="display: flex; justify-content: space-around; width: 100px;"> <span>0</span><span>1</span> </div>                             | Channel Priority         | 00 – Disabled<br>01 – Low Priority<br>10 – Medium Priority<br>11 – High Priority                   | 0x30YY1C – 0x30YY1E |
| <div style="display: flex; justify-content: space-around; width: 100px;"> <span>0</span> </div>   | Channel Interrupt Enable | 0 – Channel Interrupt Disabled<br>1 – Channel Interrupt Enabled                                    | 0x30YY0A            |
| <div style="display: flex; justify-content: space-around; width: 100px;"> <span>0</span> </div>   | Channel Interrupt Status | 0 – Channel Interrupt Not Asserted<br>1 – Channel Interrupt Asserted                               | 0x30YY20            |

**PARAMETER RAM**

| ADDRESS OFFSETS | BITS    |   |   |   |   |   |   |   |              |   |    |    |    |    |    |    |         |
|-----------------|---------|---|---|---|---|---|---|---|--------------|---|----|----|----|----|----|----|---------|
|                 | 0       | 1 | 2 | 3 | 4 | 5 | 6 | 7 | 8            | 9 | 10 | 11 | 12 | 13 | 14 | 15 |         |
| 0x30XXW0        | TPU3_ID |   |   |   |   |   |   |   | ROM_REVISION |   |    |    |    |    |    |    | Param 0 |
| 0x30XXW2        |         |   |   |   |   |   |   |   |              |   |    |    |    |    |    |    | Param 1 |
| 0x30XXW4        |         |   |   |   |   |   |   |   |              |   |    |    |    |    |    |    | Param 2 |
| 0x30XXW6        |         |   |   |   |   |   |   |   |              |   |    |    |    |    |    |    | Param 3 |
| 0x30XXW8        |         |   |   |   |   |   |   |   |              |   |    |    |    |    |    |    | Param 4 |
| 0x30XXWA        |         |   |   |   |   |   |   |   |              |   |    |    |    |    |    |    | Param 5 |
| 0x30XXWC        |         |   |   |   |   |   |   |   |              |   |    |    |    |    |    |    | Param 6 |
| 0x30XXWE        |         |   |   |   |   |   |   |   |              |   |    |    |    |    |    |    | Param 7 |

= Written By RCPU     
 = Written by RCPU and TPU     
 W = Channel Number  
 = Written By TPU     
 = Unused Parameters

For address offsets: XX=41 for TPU\_A, 45 for TPU\_B, and 5D for TPU\_C; YY=40 for TPU\_A, 44 for TPU\_B, and 5C for TPU\_C. See [Table 18-24](#)

**Figure D-25. ID Parameters**

## D.15 Output Compare (OC)

The output compare (OC) function generates a rising edge, falling edge, or a toggle of the previous edge: immediately upon RCPU initiation (generating a pulse with a length equal to a programmable delay time), after a programmable delay time, or continuously. Upon receiving a link from a channel, OC references, without RCPU interaction, a specifiable period and calculates an offset that is equal to the period  $\times$  the ratio, where the ratio is a supplied parameter.

This algorithm generates, with each high/low time, a 50% duty-cycle continuous square equal to the calculated offset. Due to offset calculation, there is an initial link time before continuous pulse generation begins. See Freescale TPU Programming Note *Output Compare TPU Function (OC)*, (TPUPN12/D).

[Figure D-26](#) shows the host interface areas and parameter RAM for the OC function.

**CONTROL BITS**

|   | NAME                     | OPTIONS  | ADDRESSES           |
|---|--------------------------|--|---------------------|
| <div style="display: flex; justify-content: space-around; width: 100px;"> <span>0</span><span>1</span><span>2</span><span>3</span> </div> <div style="border: 1px solid black; width: 100px; height: 15px; margin-top: 5px;"></div> | Channel Function Select  | xxxx – OC Function Number.<br>Assigned during microcode assembly.<br>See <a href="#">Table D-1</a>               | 0x30YY0C – 0x30YY12 |
| <div style="display: flex; justify-content: space-around; width: 40px;"> <span>0</span><span>1</span> </div> <div style="border: 1px solid black; width: 40px; height: 15px; margin-top: 5px;"></div>                               | Host Sequence            | 0x – Matches and Pulses Scheduled<br>x1 – Only Read TCR1, TCR2   | 0x30YY14 – 0x30YY16 |
| <div style="display: flex; justify-content: space-around; width: 40px;"> <span>0</span><span>1</span> </div> <div style="border: 1px solid black; width: 40px; height: 15px; margin-top: 5px;"></div>                               | Host Service Request     | 00 – No Host Service Request<br>01 – Host-Initiated Pulse<br>10 – Not Used<br>11 – Initialize, Continuous Pulses | 0x30YY18 – 0x30YY1A |
| <div style="display: flex; justify-content: space-around; width: 40px;"> <span>0</span><span>1</span> </div> <div style="border: 1px solid black; width: 40px; height: 15px; margin-top: 5px;"></div>                               | Channel Priority         | 00 – Channel Disabled<br>01 – Low Priority<br>10 – Medium Priority<br>11 – High Priority                         | 0x30YY1C – 0x30YY1E |
| <div style="display: flex; justify-content: space-around; width: 20px;"> <span>0</span> </div> <div style="border: 1px solid black; width: 20px; height: 15px; margin-top: 5px;"></div>   | Channel Interrupt Enable | 0 – Channel Interrupt Disabled<br>1 – Channel Interrupt Enabled  | 0x30YY0A            |
| <div style="display: flex; justify-content: space-around; width: 20px;"> <span>0</span> </div> <div style="border: 1px solid black; width: 20px; height: 15px; margin-top: 5px;"></div>   | Channel Interrupt Status | 0 – Channel Interrupt Not Asserted<br>1 – Interrupt Asserted   | 0x30YY20            |

**PARAMETER RAM**

| ADDRESS OFFSETS | BITS              |   |   |   |   |   |   |                 |           |   |    |    |    |    |    |    |         |         |
|-----------------|-------------------|---|---|---|---|---|---|-----------------|-----------|---|----|----|----|----|----|----|---------|---------|
|                 | 0                 | 1 | 2 | 3 | 4 | 5 | 6 | 7               | 8         | 9 | 10 | 11 | 12 | 13 | 14 | 15 |         |         |
| 0x30XXW0        |                   |   |   |   |   |   |   | CHANNEL_CONTROL |           |   |    |    |    |    |    |    | Param 0 |         |
| 0x30XXW2        | OFFSET            |   |   |   |   |   |   |                 |           |   |    |    |    |    |    |    | Param 1 |         |
| 0x30XXW4        | RATIO             |   |   |   |   |   |   | REF_ADDR1       |           |   |    |    |    |    |    | 0  | Param 2 |         |
| 0x30XXW6        | REF_ADDR2         |   |   |   |   |   |   | 0               | REF_ADDR3 |   |    |    |    |    |    |    | 0       | Param 3 |
| 0x30XXW8        | REF_TIME          |   |   |   |   |   |   |                 |           |   |    |    |    |    |    |    | Param 4 |         |
| 0x30XXWA        | ACTUAL_MATCH_TIME |   |   |   |   |   |   |                 |           |   |    |    |    |    |    |    | Param 5 |         |
| 0x30XXWC        | TCR1              |   |   |   |   |   |   |                 |           |   |    |    |    |    |    |    | Param 6 |         |
| 0x30XXWE        | TCR2              |   |   |   |   |   |   |                 |           |   |    |    |    |    |    |    | Param 7 |         |

= Written By RCPU     
  = Written by RCPU and TPU     
 W = Channel Number  
 = Written By TPU     
  = Unused Parameters

For address offsets: XX=41 for TPU\_A, 45 for TPU\_B, and 5D for TPU\_C; YY=40 for TPU\_A, 44 for TPU\_B, and 5C for TPU\_C. See [Table 18-24](#) for the PRAM Address Offset Map.

**Figure D-26. OC Parameters**

## D.16 Pulse-Width Modulation (PWM)

The TPU3 can generate a pulse-width modulation (PWM) waveform with any duty cycle from 0 to 100% (within the resolution and latency capability of the TPU3). To define the PWM, the RCPU provides one parameter that indicates the period and another that indicates the high time. Updates to one or both of these parameters can effect waveform change immediately, or coherently at the next low-to-high pin transition. See Freescale TPU Programming Note *Pulse-Width Modulation TPU Function (PWM)*, (TPUPN17/D).

[Figure D-27](#) shows the host interface areas and parameter RAM for the PWM function.

**CONTROL BITS**

|   | NAME                    | OPTIONS   | ADDRESSES           |
|---|-------------------------|---|---------------------|
| <div style="display: flex; justify-content: space-around; width: 100px;"> <span>0</span><span>1</span><span>2</span><span>3</span> </div> | Channel Function Select | xxxx – PWM Function Number.<br>Assigned during microcode assembly.<br>See <a href="#">Table D-1</a> | 0x30YY0C – 0x30YY12 |
| <div style="display: flex; justify-content: space-around; width: 100px;"> <span>0</span><span>1</span> </div>                             | Host Sequence           | xx – Not Used   | 0x30YY14 – 0x30YY16 |
| <div style="display: flex; justify-content: space-around; width: 100px;"> <span>0</span><span>1</span> </div>                             | Host Service Request    | 00 – Not Used<br>01 – Immediate Update of PWM<br>10 – Initialize<br>11 – Not Used                   | 0x30YY18 – 0x30YY1A |
| <div style="display: flex; justify-content: space-around; width: 100px;"> <span>0</span><span>1</span> </div>                             | Channel Priority        | 00 – Disabled<br>01 – Low Priority<br>10 – Medium Priority<br>11 – High Priority                    | 0x30YY1C – 0x30YY1E |
| <div style="display: flex; justify-content: space-around; width: 100px;"> <span>0</span> </div>   | Interrupt Enable        | 0 – Channel Interrupt Disabled<br>1 – Channel Interrupt Enabled                                     | 0x30YY0A            |
| <div style="display: flex; justify-content: space-around; width: 100px;"> <span>0</span> </div>   | Interrupt Status        | 0 – Channel Interrupt Not Asserted<br>1 – Channel Interrupt Asserted                                | 0x30YY20            |

**PARAMETER RAM**

| ADDRESS OFFSETS | BITS |   |   |   |   |   |               |                 |        |   |        |    |         |    |    |    |         |
|-----------------|------|---|---|---|---|---|---------------|-----------------|--------|---|--------|----|---------|----|----|----|---------|
|                 | 0    | 1 | 2 | 3 | 4 | 5 | 6             | 7               | 8      | 9 | 10     | 11 | 12      | 13 | 14 | 15 |         |
| 0x30XXW0        |      |   |   |   |   |   |               | CHANNEL_CONTROL |        |   |        |    |         |    |    |    | Param 0 |
| 0x30XXW2        |      |   |   |   |   |   |               |                 | OLDRIS |   |        |    |         |    |    |    | Param 1 |
| 0x30XXW4        |      |   |   |   |   |   | PWMHI (1, 3)  |                 |        |   |        |    | Param 2 |    |    |    |         |
| 0x30XXW6        |      |   |   |   |   |   | PWMPER (2, 3) |                 |        |   |        |    | Param 3 |    |    |    |         |
| 0x30XXW8        |      |   |   |   |   |   |               |                 |        |   | PWMRIS |    |         |    |    |    | Param 4 |
| 0x30XXWA        |      |   |   |   |   |   |               |                 |        |   |        |    |         |    |    |    | Param 5 |
| 0x30XXWC        |      |   |   |   |   |   |               |                 |        |   |        |    |         |    |    |    | Param 6 |
| 0x30XXWE        |      |   |   |   |   |   |               |                 |        |   |        |    |         |    |    |    | Param 7 |

= Written By RCPU     
 = Written by RCPU and TPU     
 W = Channel Number  
 = Written By TPU     
 = Unused Parameters

For address offsets: XX=41 for TPU\_A, 45 for TPU\_B, and 5D for TPU\_C; YY=40 for TPU\_A, 44 for TPU\_B, and 5C for TPU\_C. See [Table 18-24](#) for the PRAM Address Offset Map.

**Figure D-27. PWM Parameters**

## D.17 Discrete Input/Output (DIO)

The DIO function (Bank 0 and Bank 1) allows a TPU3 channel to be used as a digital I/O pin.

When a pin is used as a discrete input, a parameter indicates the current input level and the previous 15 levels of a pin. Bit 15, the most significant bit of the parameter, indicates the most recent state. Bit 14 indicates the next most recent state, and so on. The programmer can update the parameter when a transition occurs, when the RCPU makes a request, or when a rate specified in another parameter is matched.

When a pin is used as a discrete output, it is set high or low only upon request by the RCPU. See Freescale TPU Programming Note *Discrete Input/Output TPU Function (DIO)*, (TPUPN18/D).

[Figure D-28](#) shows the host interface areas for the DIO function.



**CONTROL BITS**

|   | NAME                     | OPTIONS   | ADDRESSES           |
|---|--------------------------|---|---------------------|
| <div style="display: flex; justify-content: space-around; width: 100px;"> <span>0</span><span>1</span><span>2</span><span>3</span> </div> | Channel Function Select  | xxxx – DIO Function Number.<br>Assigned during microcode assembly.<br>See <a href="#">Table D-1</a> | 0x30YY0C – 0x30YY12 |
| <div style="display: flex; justify-content: space-around; width: 100px;"> <span>0</span><span>1</span> </div>                             | Host Sequence            | 00 – Update on Transition<br>01 – Update at Match Rate<br>10 – Update on HSR 11<br>11 – Not Used    | 0x30YY14 – 0x30YY16 |
| <div style="display: flex; justify-content: space-around; width: 100px;"> <span>0</span><span>1</span> </div>                             | Host Service Request     | 00 – Not Used<br>01 – Drive Pin High<br>10 – Drive Pin Low<br>11 – Initialize                       | 0x30YY18 – 0x30YY1A |
| <div style="display: flex; justify-content: space-around; width: 100px;"> <span>0</span><span>1</span> </div>                             | Channel Priority         | 00 – Disabled<br>01 – Low Priority<br>10 – Medium Priority<br>11 – High Priority                    | 0x30YY1C – 0x30YY1E |
| <div style="display: flex; justify-content: space-around; width: 100px;"> <span>0</span> </div>   | Channel Interrupt Enable | 0 – Channel Interrupt Disabled<br>1 – Channel Interrupt Enabled                                     | 0x30YY0A            |
| <div style="display: flex; justify-content: space-around; width: 100px;"> <span>0</span> </div>   | Channel Interrupt Status | 0 – Channel Interrupt Not Asserted<br>1 – Channel Interrupt Asserted                                | 0x30YY20            |

**PARAMETER RAM**

| ADDRESS OFFSETS | BITS       |   |   |   |   |   |   |                 |   |   |    |    |    |    |    |    |         |
|-----------------|------------|---|---|---|---|---|---|-----------------|---|---|----|----|----|----|----|----|---------|
|                 | 0          | 1 | 2 | 3 | 4 | 5 | 6 | 7               | 8 | 9 | 10 | 11 | 12 | 13 | 14 | 15 |         |
| 0x30XXW0        |            |   |   |   |   |   |   | CHANNEL_CONTROL |   |   |    |    |    |    |    |    | Param 0 |
| 0x30XXW2        | PIN_LEVEL  |   |   |   |   |   |   |                 |   |   |    |    |    |    |    |    | Param 1 |
| 0x30XXW4        | MATCH_RATE |   |   |   |   |   |   |                 |   |   |    |    |    |    |    |    | Param 2 |
| 0x30XXW6        |            |   |   |   |   |   |   |                 |   |   |    |    |    |    |    |    | Param 3 |
| 0x30XXW8        |            |   |   |   |   |   |   |                 |   |   |    |    |    |    |    |    | Param 4 |
| 0x30XXWA        |            |   |   |   |   |   |   |                 |   |   |    |    |    |    |    |    | Param 5 |
| 0x30XXWC        |            |   |   |   |   |   |   |                 |   |   |    |    |    |    |    |    | Param 6 |
| 0x30XXWE        |            |   |   |   |   |   |   |                 |   |   |    |    |    |    |    |    | Param 7 |

= Written By RCPU     
 = Written by RCPU and TPU     
 W = Channel Number  
 = Written By TPU     
 = Unused Parameters

For address offsets: XX=41 for TPU\_A, 45 for TPU\_B, and 5D for TPU\_C; YY=40 for TPU\_A, 44 for TPU\_B, and 5C for TPU\_C. See [Table 18-24](#) for the PRAM Address Offset Map.

**Figure D-28. DIO Parameters**

## D.18 Synchronized Pulse-Width Modulation (SPWM)

The SPWM function (Bank 0) generates a pulse-width modulated waveform (PWM). The RCPU can change the period or high time of the waveform at any time. Three different operating modes allow the function to maintain complex timing relationships between channels without RCPU intervention.

The SPWM output waveform duty cycle excludes 0% and 100%. If it is not necessary for a PWM to maintain a time relationship to another PWM, the PWM function should be used instead. See Freescale TPU Programming Note *Synchronized Pulse-Width Modulation TPU Function (SPWM)*, (TPUPN19/D).

[Figure D-29](#) shows all of the host interface areas for the SPWM function.

**CONTROL BITS**

|   | NAME                     | OPTIONS  | ADDRESSES           |
|---|--------------------------|--|---------------------|
| <div style="display: flex; justify-content: space-around; width: 100px;"> <span>0</span><span>1</span><span>2</span><span>3</span> </div> | Channel Function Select  | xxxx – SPWM Function Number.<br>Assigned during microcode assembly.<br>See <a href="#">Table D-1</a> | 0x30YY0C – 0x30YY12 |
| <div style="display: flex; justify-content: space-around; width: 100px;"> <span>0</span><span>1</span> </div>                             | Host Sequence            | 00 – Mode 0<br>01 – Mode 1<br>10 – Mode 2<br>11 – Not Used   | 0x30YY14 – 0x30YY16 |
| <div style="display: flex; justify-content: space-around; width: 100px;"> <span>0</span><span>1</span> </div>                             | Host Service Request     | 00 – No Host Service Request<br>01 – Not Used<br>10 – Initialize<br>11 – Immediate Update (Mode 1)   | 0x30YY18 – 0x30YY1A |
| <div style="display: flex; justify-content: space-around; width: 100px;"> <span>0</span><span>1</span> </div>                             | Channel Priority         | 00 – Disabled<br>01 – Low Priority<br>10 – Medium Priority<br>11 – High Priority                     | 0x30YY1C – 0x30YY1E |
| <div style="display: flex; justify-content: space-around; width: 100px;"> <span>0</span> </div>   | Channel Interrupt Enable | 0 – Channel Interrupt Disabled<br>1 – Channel Interrupt Enabled                                      | 0x30YY0A            |
| <div style="display: flex; justify-content: space-around; width: 100px;"> <span>0</span> </div>   | Channel Interrupt Status | 0 – Channel Interrupt Not Asserted<br>1 – Channel Interrupt Asserted                                 | 0x30YY20            |

**PARAMETER RAM**

| ADDRESS OFFSETS | BIT       |   |   |   |   |   |   |                 |   |   |    |    |    |    |    |    |         |
|-----------------|-----------|---|---|---|---|---|---|-----------------|---|---|----|----|----|----|----|----|---------|
|                 | 0         | 1 | 2 | 3 | 4 | 5 | 6 | 7               | 8 | 9 | 10 | 11 | 12 | 13 | 14 | 15 |         |
| 0x03XXW0        | LASTRISE  |   |   |   |   |   |   | CHANNEL_CONTROL |   |   |    |    |    |    |    |    | Param 0 |
| 0x30XXW2        | NEXTRISE  |   |   |   |   |   |   |                 |   |   |    |    |    |    |    |    | Param 1 |
| 0x30XXW4        | HIGH_TIME |   |   |   |   |   |   |                 |   |   |    |    |    |    |    |    | Param 2 |
| 0x30XXW6        | PERIOD    |   |   |   |   |   |   |                 |   |   |    |    |    |    |    |    | Param 3 |
| 0x30XXW8        |           |   |   |   |   |   |   | REF_ADDR1       |   |   |    |    |    |    |    |    | Param 4 |
| 0x30XXWA        | DELAY     |   |   |   |   |   |   |                 |   |   |    |    |    |    |    |    | Param 5 |
| 0x30XXWC        |           |   |   |   |   |   |   |                 |   |   |    |    |    |    |    |    | Param 6 |
| 0x30XXWE        |           |   |   |   |   |   |   |                 |   |   |    |    |    |    |    |    | Param 7 |

= Written By RCPU     
 = Written by RCPU and TPU     
 W = Channel Number  
 = Written By TPU     
 = Unused Parameters

For address offsets: XX=41 for TPU\_A, 45 for TPU\_B, and 5D for TPU\_C; YY=40 for TPU\_A, 44 for TPU\_B, and 5C for TPU\_C. See [Table 18-24](#) for the PRAM Address Offset Map.

**Figure D-29. SPWM Parameters**

**PARAMETER RAM (MODE 1)**

| ADDRESS OFFSETS | BITS      |   |   |   |   |   |                 |           |   |   |    |    |    |    |    |         |         |
|-----------------|-----------|---|---|---|---|---|-----------------|-----------|---|---|----|----|----|----|----|---------|---------|
|                 | 0         | 1 | 2 | 3 | 4 | 5 | 6               | 7         | 8 | 9 | 10 | 11 | 12 | 13 | 14 | 15      |         |
| 0x30XXW0        | LASTRISE  |   |   |   |   |   | CHANNEL_CONTROL |           |   |   |    |    |    |    |    | Param 0 |         |
| 0x30XXW2        | NEXTRISE  |   |   |   |   |   |                 |           |   |   |    |    |    |    |    |         | Param 1 |
| 0x30XXW4        | HIGH_TIME |   |   |   |   |   |                 |           |   |   |    |    |    |    |    |         | Param 2 |
| 0x30XXW6        | DELAY     |   |   |   |   |   |                 |           |   |   |    |    |    |    |    |         | Param 3 |
| 0x30XXW8        | REF_ADDR1 |   |   |   |   |   |                 | REF_ADDR2 |   |   |    |    |    |    |    |         | Param 4 |
| 0x30XXWA        | REF_VALUE |   |   |   |   |   |                 |           |   |   |    |    |    |    |    |         | Param 5 |
| 0x30XXWC        |           |   |   |   |   |   |                 |           |   |   |    |    |    |    |    |         | Param 6 |
| 0x30XXWE        |           |   |   |   |   |   |                 |           |   |   |    |    |    |    |    |         | Param 7 |

**PARAMETER RAM (MODE 2)**

| ADDRESS OFFSETS | BITS               |   |   |   |                    |   |                 |   |           |   |    |    |    |    |    |         |         |
|-----------------|--------------------|---|---|---|--------------------|---|-----------------|---|-----------|---|----|----|----|----|----|---------|---------|
|                 | 0                  | 1 | 2 | 3 | 4                  | 5 | 6               | 7 | 8         | 9 | 10 | 11 | 12 | 13 | 14 | 15      |         |
| 0x30XXW0        | LASTRISE           |   |   |   |                    |   | CHANNEL_CONTROL |   |           |   |    |    |    |    |    | Param 0 |         |
| 0x30XXW2        | NEXTRISE           |   |   |   |                    |   |                 |   |           |   |    |    |    |    |    |         | Param 1 |
| 0x30XXW4        | HIGH_TIME          |   |   |   |                    |   |                 |   |           |   |    |    |    |    |    |         | Param 2 |
| 0x30XXW6        | PERIOD             |   |   |   |                    |   |                 |   |           |   |    |    |    |    |    |         | Param 3 |
| 0x30XXW8        | START_LINK_CHANNEL |   |   |   | LINK_CHANNEL_COUNT |   |                 |   | REF_ADDR1 |   |    |    |    |    |    |         | Param 4 |
| 0x30XXWA        | DELAY              |   |   |   |                    |   |                 |   |           |   |    |    |    |    |    |         | Param 5 |
| 0x30XXWC        |                    |   |   |   |                    |   |                 |   |           |   |    |    |    |    |    |         | Param 6 |
| 0x30XXWE        |                    |   |   |   |                    |   |                 |   |           |   |    |    |    |    |    |         | Param 7 |

= Written By RCPU     
  = Written by RCPU and TPU     
 W = Channel Number  
 = Written By TPU     
  = Unused Parameters

For address offsets: XX=41 for TPU\_A, 45 for TPU\_B, and 5D for TPU\_C; YY=40 for TPU\_A, 44 for TPU\_B, and 5C for TPU\_C. See [Table 18-24](#) for the PRAM Address Offset Map.

**Figure D-29. SPWM Parameters (continued)**

## D.19 Read/Write Timers and Pin TPU3 Function (RWTPIN)

The RWTPIN Bank 1 TPU3 function enables the RCPU to read, via locations in PRAM, both the TCR1 and TCR2 timer counters, and then selectively load TCR1 or TCR2 with a RCPU-supplied value contained in PRAM. The function also allows control of the pin state and direction of the RWTPIN channel.

A pin-state parameter is maintained in PRAM and is updated upon every service request. It can contain a value of the current pin state whether the pin is programmed as an input or output.

The function also receives links. Upon receipt, it will read the two TCRs into PRAM, updating the pin-state parameter and generating a maskable interrupt request to the RCPU.

The RCPU can control the channel pin, the TCRs, or both. To control the channel pin only, the 'read TCR' option is used and the values returned ignored. Because this function controls the TCRs without affecting the channel pin, it can run on a TPU3 channel whose pin is controlled by a function running on another channel (for example, a slave stepper-motor channel). See Freescale TPU Programming Note *Using The TPU Function Library And TPU Emulation Mode*, (TPUPN00/D).

Figure D-30 shows all of the host interface areas for the PTA function.

### CONTROL BITS

|   | NAME                     | OPTIONS   | ADDRESSES           |
|---|--------------------------|---|---------------------|
| <div style="display: flex; justify-content: space-around; width: 100px;"> <span>0</span><span>1</span><span>2</span><span>3</span> </div> | Channel Function Select  | xxxx – RWTPIN Function Number.<br>Assigned during microcode assembly.<br>See <a href="#">Table D-1</a>  | 0x30YY0C – 0x30YY12 |
| <div style="display: flex; justify-content: space-around; width: 100px;"> <span>0</span><span>1</span> </div>                             | Host Sequence            | XX – Not Used   | 0x30YY14 – 0x30YY16 |
| <div style="display: flex; justify-content: space-around; width: 100px;"> <span>0</span><span>1</span> </div>                             | Host Service Request     | 00 – No Action<br>01 – Read TCRs and read/write pin<br>10 – Write TCR1, read TCRs and read/write pin<br>11 – Write TCR2, read TCRs and read/write pin | 0x30YY18 – 0x30YY1A |
| <div style="display: flex; justify-content: space-around; width: 100px;"> <span>0</span><span>1</span> </div>                             | Channel Priority         | 00 – Disabled<br>01 – Low Priority<br>10 – Medium Priority<br>11 – High Priority  | 0x30YY1C – 0x30YY1E |
| <div style="display: flex; justify-content: space-around; width: 100px;"> <span>0</span> </div>   | Channel Interrupt Enable | 0 – Channel Interrupt Disabled<br>1 – Channel Interrupt Enabled   | 0x30YY0A            |
| <div style="display: flex; justify-content: space-around; width: 100px;"> <span>0</span> </div>   | Channel Interrupt Status | 0 – Channel Interrupt Not Asserted<br>1 – Channel Interrupt Asserted  | 0x30YY20            |

### PARAMETER RAM

| ADDRESS OFFSETS | BITS |   |   |   |   |   |   |   |   |   |    |    |    |    |    |    |         |
|-----------------|------|---|---|---|---|---|---|---|---|---|----|----|----|----|----|----|---------|
|                 | 0    | 1 | 2 | 3 | 4 | 5 | 6 | 7 | 8 | 9 | 10 | 11 | 12 | 13 | 14 | 15 |         |
| 0x30XXW0        |      |   |   |   |   |   |   |   |   |   |    |    |    |    |    |    | Param 0 |
| 0x30XXW2        |      |   |   |   |   |   |   |   |   |   |    |    |    |    |    |    | Param 1 |
| 0x30XXW4        |      |   |   |   |   |   |   |   |   |   |    |    |    |    |    |    | Param 2 |
| 0x30XXW6        |      |   |   |   |   |   |   |   |   |   |    |    |    |    |    |    | Param 3 |
| 0x30XXW8        |      |   |   |   |   |   |   |   |   |   |    |    |    |    |    |    | Param 4 |
| 0x30XXWA        |      |   |   |   |   |   |   |   |   |   |    |    |    |    |    |    | Param 5 |
| 0x30XXWC        |      |   |   |   |   |   |   |   |   |   |    |    |    |    |    |    | Param 6 |
| 0x30XXWE        |      |   |   |   |   |   |   |   |   |   |    |    |    |    |    |    | Param 7 |

= Written By RCPU     
 = Written by RCPU and TPU     
 W = Channel Number  
 = Written By TPU     
 = Unused Parameters

For address offsets: XX=41 for TPU\_A, 45 for TPU\_B, and 5D for TPU\_C; YY=40 for TPU\_A, 44 for TPU\_B, and 5C for TPU\_C. See [Table 18-24](#) for the PRAM Address Offset Map.

**Figure D-30. RWTPIN Parameters**

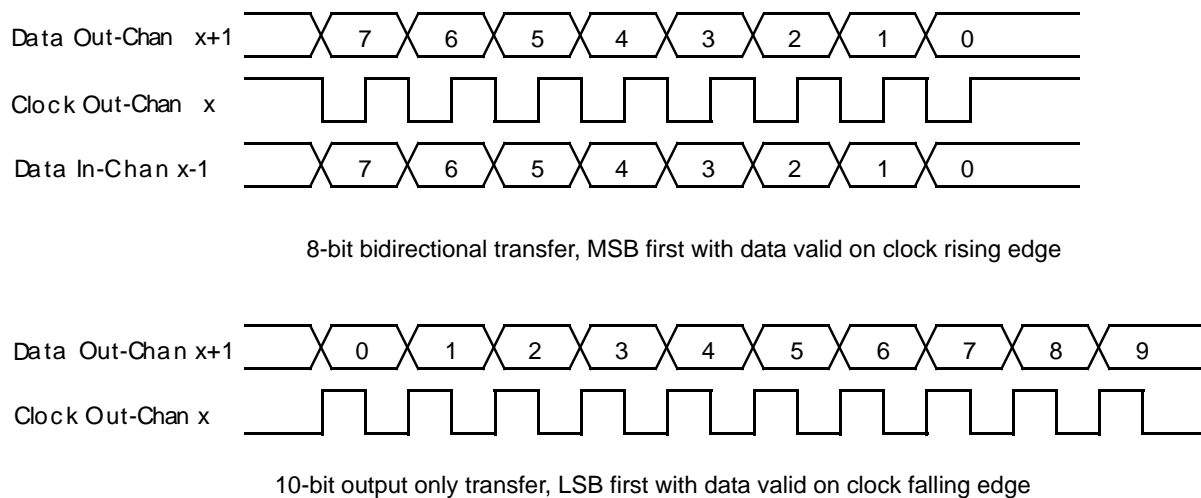
## D.20 Serial Input/Output Port (SIOP)

The serial input/output port (SIOP) TPU3 function uses two or three TPU3 channels to form a uni- or bidirectional synchronous serial port that can be used to communicate with a wide variety of devices. It can be used to add serial capabilities to a device without a serial port, or to extend the capabilities of one with a hardware-synchronous port. The SIOP TPU3 function has been designed to closely resemble the SIOP hardware port found on some Freescale MCUs.

SIOP operates in master mode (the TPU3 always generates the clock) and has the following programmable features:

1. Choice of one-channel clock-only, two-channel clock + transmit, two-channel clock + receive, or three-channel clock + transmit + receive operating modes
2. Freely programmable baud-rate period over a 15-bit range of TCR1 counts
3. Selection of MSB or LSB first shift direction
4. Variable transfer size from 1 to 16 bits
5. Programmable clock polarity

When a transfer of data is complete, the SIOP function notifies the host RCPU by issuing an interrupt request. The arrangement of the multiple SIOP channels is fixed: the data-out channel is the channel above the clock channel and the data-in channel is the channel below the clock channel. In clock-only or uni-directional mode, the unused TPU3 channels are free to run other TPU3 functions. Two possible SIOP configurations are shown in [Figure D-31](#)



**Figure D-31. Two Possible SIOP Configurations**

### D.20.1 Parameters

[Figure D-32](#) shows the host interface areas and parameter RAM for the SIOP function. The following sections describe these parameters.

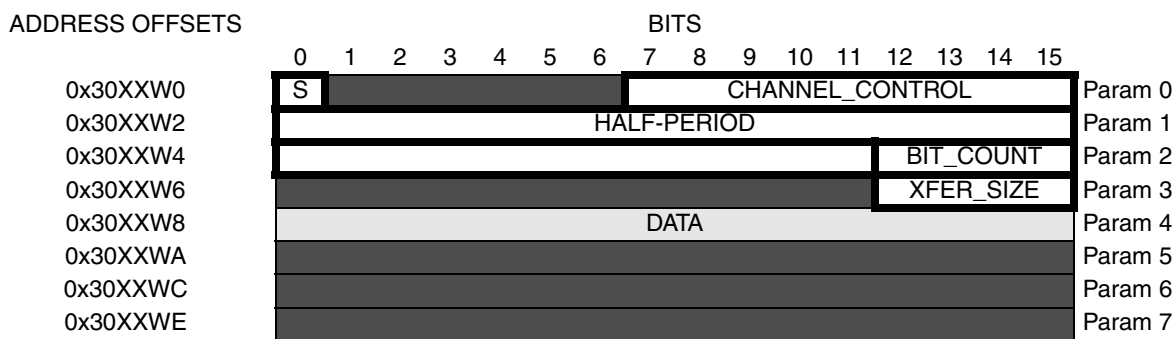
#### NOTE

Only the clock channel requires any programming. The data-in and data-out channels are entirely under TPU3 microcode control.

**CONTROL BITS**

|   | NAME                     | OPTIONS   | ADDRESSES           |
|---|--------------------------|---|---------------------|
| <div style="display: flex; justify-content: space-around; width: 100px;"> <span>0</span><span>1</span><span>2</span><span>3</span> </div> | Channel Function Select  | xxxx – SIOP Function Number.<br>Assigned during microcode assembly.<br>See <a href="#">Table D-1</a>  | 0x30YY0C – 0x30YY12 |
| <div style="display: flex; justify-content: space-around; width: 100px;"> <span>0</span><span>1</span> </div>                             | Host Sequence            | 00 – Clock Channel Active Only,<br>No Data Transfer<br>01 – D <sub>OUT</sub> Channels Active, No Data Receive<br>10 – Clock and D <sub>IN</sub> Channels Active, No Data Transmit<br>11 – Full Bidirectional Transmit and Receive | 0x30YY14 – 0x30YY16 |
| <div style="display: flex; justify-content: space-around; width: 100px;"> <span>0</span><span>1</span> </div>                             | Host Service Request     | 00 – No Host Service (Reset Condition)<br>01 – No Action<br>10 – No Action<br>11 – Initialize Clock Channel and Start Transfer  | 0x30YY18 – 0x30YY1A |
| <div style="display: flex; justify-content: space-around; width: 100px;"> <span>0</span><span>1</span> </div>                             | Channel Priority         | 00 – Disabled<br>01 – Low Priority<br>10 – Medium Priority<br>11 – High Priority  | 0x30YY1C – 0x30YY1E |
| <div style="display: flex; justify-content: space-around; width: 100px;"> <span>0</span> </div>   | Channel Interrupt Enable | 0 – Channel Interrupt Disabled<br>1 – Channel Interrupt Enabled   | 0x30YY0A            |
| <div style="display: flex; justify-content: space-around; width: 100px;"> <span>0</span> </div>   | Channel Interrupt Status | 0 – Channel Interrupt Not Asserted<br>1 – Channel Interrupt Asserted  | 0x30YY20            |

**PARAMETER RAM**



= Written By RCPU     
 = Written by RCPU and TPU      W = Channel Number  
 = Written By TPU     
 = Unused Parameters

For address offsets: XX=41 for TPU\_A, 45 for TPU\_B, and 5D for TPU\_C; YY=40 for TPU\_A, 44 for TPU\_B, and 5C for TPU\_C. See [Table 18-24](#) for the PRAM Address Offset Map

**Figure D-32. SIOP Parameters**



### D.20.1.1 CHAN\_CONTROL

This 9-bit, RCPU-written parameter is used to set up the clock polarity for the SIOP data transfer. The valid values for CHAN\_CONTROL for this function are given in [Table D-3](#). CHAN\_CONTROL must be written by the host before issuing the host service request (HSR) to initialize the function.

**Table D-3. SIOP Function Valid CHAN\_Control Options**

| CHAN_CONTROL <sup>1</sup><br>8 7 6 5 4 3 2 1 0 | Resulting Action                  |
|--|-----------------------------------|
| 0 1 0 0 0 1 1 0 1                              | Data valid on clock Falling edge. |
| 0 1 0 0 0 1 1 1 0                              | Data valid on clock Rising edge.  |

<sup>1</sup> Other values of CHAN\_CONTROL may result in indeterminate operation.

### D.20.1.2 BIT\_D

BIT\_D is a RCPU-written bit that determines the direction of shift of the SIOP data. If BIT\_D is zero, then SIOP\_DATA is right shifted (LSB first). If BIT\_D is one then SIOP\_DATA is left shifted (MSB first).

### D.20.1.3 HALF\_PERIOD

This RCPU-written parameter defines the baud rate of the SIOP function. The value contained in HALF\_PERIOD is the number of TCR1 counts for a half-SIOP clock period (for example, for a 50 baud rate, with a TCR1 period of 240 ns, the value  $[(1/50)/2]/240 \text{ ns} = 42$ ) should be written to HALF\_PERIOD. The range for HALF\_PERIOD is 1 to 0x8000, although the minimum value in practice will be limited by other system conditions. See the notes in [Section D.20.1.6, “SIOP\\_DATA”](#) for information on the use and performance of the SIOP function.

### D.20.1.4 BIT\_COUNT

The TPU3 uses this parameter to count down the number of bits remaining during a transfer in progress. During the SIOP initialization state, BIT\_COUNT is loaded with the value contained in XFER\_SIZE and then decremented as the data is transferred. When it reaches zero, the transfer is complete and the TPU3 issues an interrupt request to the RCPU.

### D.20.1.5 XFER\_SIZE

This RCPU-written parameter determines the number of bits that make up a data transfer. During initialization, XFER\_SIZE is copied into BIT\_COUNT. XFER\_SIZE is shown as a 5-bit parameter to match the maximum size of 16 bits in SIOP\_DATA, although the TPU3 uses the whole word location. For normal use, XFER\_SIZE should be in the 1- to 16-bit range.

### D.20.1.6 SIOP\_DATA

This parameter is the data register for all SIOP transfers. Data is shifted out of one end of SIOP\_DATA and shifted in at the other end, the shift direction being determined by the value of BIT\_D. In output-only

mode, zero will be shifted into SIOP\_DATA and in input-only mode, the data shifted out is ignored. In clock-only mode, SIOP\_DATA is still shifted.

**NOTE**

The TPU3 does not “justify” the data position in SIOP\_DATA (for example, if an 8-bit bidirectional transfer is made, shifting LSB first, then the bottom byte of SIOP\_DATA will be shifted out and the input data will be shifted into the upper byte of SIOP\_DATA).

**NOTE**

SIOP\_DATA is not buffered. The RCPU should only access it between completion of one transfer and the start of the next.

## D.20.2 Host RCPU Initialization of the SIOP Function

The RCPU initializes the SIOP function by:

1. Disabling the channel by clearing the two channel-priority bits
2. Selecting the SIOP function on the channel by writing the assigned SIOP function number to the function-select bits
3. Writing CHAN\_CONTROL in the clock channel parameter RAM
4. Writing HALF\_PERIOD, BIT\_D, and XFER\_SIZE in the clock-channel parameter RAM to determine the speed, shift direction, and size of the transfer
5. Writing SIOP\_DATA if the data output is to be used
6. Selecting the required operating mode via the two host-sequence bits
7. Issuing a host service request type 0b11
8. Enabling service by assigning H, M, or L priority to the clock channel via the two channel-priority bits

The TPU3 then starts the data transfer, and issues an interrupt request when the transfer is complete.

Once the function has been initialized, the RCPU only needs to write SIOP\_DATA with the new data and issue a HSR 0b11 to initiate a new transfer. In input-only or clock-only modes, just the HSR 0b11 is required.

## D.20.3 SIOP Function Performance

Like all TPU3 functions, the performance limit of the SIOP function depends, because of the operational nature of the scheduler, on the service time (latency) associated with other active TPU3 channels. Where two channels are used for a uni-directional system and no other TPU3 channels are active, the maximum baud rate is approximately 230 at a bus speed of 16.77 MHz. A three-channel bidirectional system under the same conditions has a maximum baud rate of approximately 200. When more TPU3 channels are active, these performance figures will be degraded; however, the scheduler assures that the worst-case latency in any TPU3 application can be closely approximated. TPU3 reference manual guidelines and information given in the SIOP-state timing table should be used to perform an analysis on any proposed TPU3 application that appears to approach the TPU’s performance limits.

**Table D-4. SIOP State Timing<sup>1</sup>**

| State Number and Name          | Max. RCPU Clock Cycles | Number of RAM Accesses by TPU3 |
|--------------------------------|------------------------|--------------------------------|
| S1 SIOP_INIT<br>HSQ = X0<br>X1 | 28<br>38               | 7<br>7                         |
| S2 DATA_OUT<br>HSQ = X0<br>X1  | 14<br>24               | 4<br>4                         |
| S3 DATA_IN<br>HSQ = 0X<br>1X   | 14<br>28               | 4<br>6                         |

<sup>1</sup> Execution times do not include the time slot transition time (TST = 10 or 14 RCPU clocks).

### D.20.3.1 XFER\_SIZE Greater Than 16

XFER\_SIZE is normally programmed to be in the 1- to 16-bit range to match the size of SIOP\_DATA, and has thus been shown as a 5-bit value in the host interface diagram. However, the TPU3 actually uses all 16 bits of the XFER\_SIZE parameter when loading BIT\_COUNT. In some unusual circumstances this can be used to an advantage. If an input device is producing a data stream of greater than 16 bits then manipulation of XFER\_SIZE will allow selective capturing of the data. In clock-only mode, the extended XFER\_SIZE can be used to generate up to 0xFFFF clocks.

### D.20.3.2 Data Positioning

As stated above, the TPU3 does not “justify” the data position in SIOP\_DATA. Therefore, in the case of a byte transfer, the data output will be sourced from one byte and the data input will shift into the other byte. This is true for all data sizes except 16 bits, in which case the full SIOP\_DATA register is used for both data output and input.

### D.20.3.3 Data Timing

In the example given in [Figure D-33](#), the data output transitions are shown as being completely synchronous with the relevant clock edge and it is assumed that the data input is latched exactly on the opposite clock edge. This is the simplest way to show the examples, but is not strictly true. Since the TPU3 is a multi-tasking system, and the data channels are manipulated directly by microcode software while servicing the clock edge, there is a finite delay between the relevant clock edge and the data-out being valid or the data-in being latched. This delay is equivalent to the latency in servicing the clock channel due to other TPU3 activity and is shown as ‘Td’ in the timing diagram. Td is the delay between the clock edge and the next output data being valid and also the delay between the opposite clock edge and the input data being read. For the vast majority of applications, the delay Td will not present a problem and can be ignored. Only for a system which heavily loads the TPU3 should the worst case latency be calculated for the SIOP clock channel + actual SIOP service time (= Td) and ensure that the baud rate is chosen such that HALF\_PERIOD - Td is not less than the minimum setup time of the receiving device. A transmitting device must also hold data valid for a minimum time of Td after the clock.

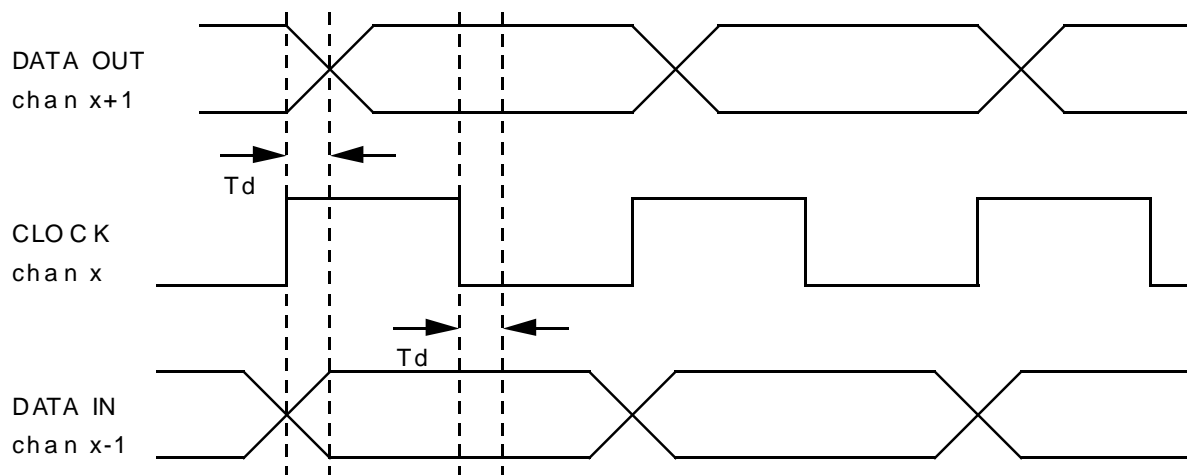


Figure D-33. SIOF Function Data Transition Example

## Appendix E Memory Access Timing

**Table E-1** lists all possible memory access timings for internal and external memory combinations. The clock values show the number of clocks from the moment an address is valid on a specific bus, until data is back on that same bus. The following assumptions were used when compiling the information:

- The arbitration time was ignored. The values assume that the bus (or buses) involved in a transaction was in the IDLE state when the transaction needs that bus.
- The UIMB works in a mode of 1:1. This is relevant for IMB access values. In the case of 2:1 mode, the clock latency for a cycle on the IMB should be doubled (each IMB access takes two clocks).
- The basic delay of an external bus to a U-bus is four clocks (external master case).
- All IMB accesses are assumed to be 16-bit accesses only. If 32-bit accesses are used, then each such IMB access is split into two separate 16-bit cycles with normal IMB performance for each.

**Table E-1. Memory Access Times Using Different Buses**

|   | Internal Buses   |                |            |     |                | External RAM/Flash                       |                                  | Show Cycle |                |
|---|------------------|----------------|------------|-----|----------------|--|----------------------------------|------------|----------------|
|   | Flash            | RAM            | DECRA<br>M | IMB | SIU            | Internal<br>Memory<br>Mapped<br>External | Non-mapped<br>Internal<br>Memory | Write      | Read           |
| RCPU Load/Store   | 3/4 <sup>1</sup> | 1              |            | 6   | 5              | 4+N <sup>2</sup>                         | 4+N                              | 2          | 2              |
| RCPU Instruction Fetches                                      | 2-1-1-1-1..      | 3 <sup>3</sup> | 2          | —   | 1 <sup>4</sup> | 2+N                                      | 2+N                              | —          | 1 <sup>5</sup> |
| Peripheral Mode<br>(only external master is<br>active)        | 4/5              | 6              | 6          | 7   | 6              |  |                                  |            |                |
| Slave Mode<br>(both external and<br>internal CPUs are active) | 5/6              | 7              | 6          | 8   | 7              |  |                                  |            |                |

<sup>1</sup> “/” indicates on/off page Flash access.

<sup>2</sup> N is the number of read cycle clocks from external address valid till external data valid. In the case of zero wait states, N = 2.

<sup>3</sup> Assuming BBC is parked on the U-bus

<sup>4</sup> SIUMCR[BURST\_EN] = 1

<sup>5</sup> Until address is valid on external pins

**Table E-2. Instruction Timing Examples for Different Buses**

**Note:** L = L-bus, U = U-bus, E = E-bus, C = CMF (Flash), IMB = intermodule bus, DC = DEGRAM

| Access  | Number of Clocks |                |     |     |     |   |   |   |   |    |    |    |    | Total          |
|---|------------------|----------------|-----|-----|-----|---|---|---|---|----|----|----|----|----------------|
|   | 1                | 2              | 3   | 4   | 5   | 6 | 7 | 8 | 9 | 10 | 11 | 12 | 13 |                |
| Load/Store -> Ebus  | L                | U              | E   |     |     |   |   |   |   |    |    |    |    | 6 <sup>1</sup> |
|   |                  |                |     | E   | U   | L |   |   |   |    |    |    |    |                |
| Load/Store -> IMB<br>16 bits  | L                | U              | IMB |     |     |   |   |   |   |    |    |    |    | 6              |
|   |                  |                |     | IMB | U   | L |   |   |   |    |    |    |    |                |
| Instruction Fetch-><br>cmf<br>new page<br>3 consecutive<br>accesses | C,U              |                |     |     |     |   |   |   |   |    |    |    |    | 2              |
|   |                  | U <sup>2</sup> |     |     |     |   |   |   |   |    |    |    |    |                |
|   |                  | C,U            |     |     |     |   |   |   |   |    |    |    |    | 1              |
|   |                  | U              |     |     |     |   |   |   |   |    |    |    |    |                |
|   |                  |                |     | C,U |     |   |   |   |   |    |    |    |    | 1              |
|   |                  |                | U   |     |     |   |   |   |   |    |    |    |    |                |
| Instruction Fetch-><br>DEGRAM<br>(Decompression off)                | U                | ICD<br>U       |     |     |     |   |   |   |   |    |    |    |    |                |
|   |                  | ICD<br>U       | U   |     |     |   |   |   |   |    |    |    |    |                |
| Instruction Fetch-><br>cmf<br>new page<br>Load/Store -> IMB         | C,U              |                |     |     |     |   |   |   |   |    |    |    |    | 2              |
|   |                  | U              |     |     |     |   |   |   |   |    |    |    |    |                |
|   | L                | U              | IMB |     |     |   |   |   |   |    |    |    |    | 6              |
|   |                  |                |     | IMB | U   | L |   |   |   |    |    |    |    |                |
| Instruction Fetch-><br>cmf<br>new page<br>Load/Store -> IMB         |                  | C              | U   |     |     |   |   |   |   |    |    |    |    | 6              |
|   |                  |                |     |     |     | U |   |   |   |    |    |    |    |                |
|   | L                | U              | IMB |     |     |   |   |   |   |    |    |    |    | 6              |
|   |                  |                |     | IMB | U   | L |   |   |   |    |    |    |    |                |
| External Bus-> cmf<br>new page                                      | E                |                | U   |     |     |   |   |   |   |    |    |    |    | 5              |
|   |                  |                |     | U   | E   |   |   |   |   |    |    |    |    |                |
| External Bus-> IMB  | E                |                | U   | IMB |     |   |   |   |   |    |    |    |    | 7              |
|   |                  |                |     |     | IMB | U | E |   |   |    |    |    |    |                |
| Load/Store-><br>DEGRAM  | L                | U              |     |     |     |   |   |   |   |    |    |    |    |                |
|   |                  |                | U   | L   |     |   |   |   |   |    |    |    |    |                |

**Table E-2. Instruction Timing Examples for Different Buses (continued)**

**Note:** L = L-bus, U = U-bus, E = E-bus, C = CMF (Flash), IMB = intermodule bus, DC = DECRAM

| Access   | Number of Clocks |     |   |                |                |   |   |   |   |    |    |    |    | Total |
|--|------------------|-----|---|----------------|----------------|---|---|---|---|----|----|----|----|-------|
|  | 1                | 2   | 3 | 4              | 5              | 6 | 7 | 8 | 9 | 10 | 11 | 12 | 13 |       |
| Instruction Fetch-> cmf<br>2 consecutive accesses and External Bus-> cmf |                  | C,U |   |                |                |   |   |   |   |    |    |    |    | 2     |
|  |                  |     | U |                |                |   |   |   |   |    |    |    |    | 11    |
|  |                  |     | C | — <sup>3</sup> | —              | — | — | — | — | —  | —  | U  |    |       |
|  |                  |     |   |                |                |   |   |   |   |    |    |    | U  | 8     |
|  |                  | E   |   | Retr<br>y      | E <sup>4</sup> |   | U |   |   |    |    |    |    |       |
|  |                  |     |   |                |                |   | U | E |   |    |    |    |    |       |

<sup>1</sup> N is the number of read cycle clocks from external address valid until external data valid. In the case of zero wait states, N = 2.

<sup>2</sup> Core instruction fetch data bus is usually the U-bus

<sup>3</sup> 8 clocks are dedicated for external accesses, and internal accesses are denied.

<sup>4</sup> Assuming the external master immediately retries

**Note:** Shaded areas = address phase ; Non-shaded areas = data phase





## Appendix F Electrical Characteristics

This appendix contains detailed information on power considerations, DC/AC electrical characteristics, and AC timing characteristics of the MPC565. The MPC565 is designed to operate at 40 MHz, or optionally at 56 MHz.

**Table F-1. Absolute Maximum Ratings (VSS = 0V)**

|     | Rating   | Symbol   | Min. Value               | Max. Value                | Unit |
|-----|--|--|--------------------------|---------------------------|------|
| 1   | 2.6-V Supply Voltage <sup>1</sup>  | V <sub>DDL</sub>   | -0.3                     | 3.0 <sup>2</sup>          | V    |
| 2   | Flash Supply Voltage <sup>3</sup>  | V <sub>FLASH</sub>   | -0.3                     | 5.6                       | V    |
| 3   | Flash Core Voltage <sup>1</sup>  | V <sub>DDF</sub>   | -0.3                     | 3.0                       | V    |
| 4   | Oscillator, keep-alive Reg. Supply Voltage <sup>1</sup>                                      | KAPWR  | -0.3                     | 3.0                       | V    |
| 5   | SRAM Supply Voltage <sup>1,4</sup>   | V <sub>DDSRAM1</sub> ,<br>V <sub>DDSRAM2</sub> ,<br>V <sub>DDSRAM3</sub> | -0.3                     | 3.0                       | V    |
| 6   | Clock Synthesizer Supply Voltage <sup>1</sup>  | V <sub>DDSYN</sub>   | -0.3                     | 3.0                       | V    |
| 8   | QADC Supply Voltage <sup>5</sup>   | V <sub>DDA</sub>   | -0.3                     | 5.6                       | V    |
| 9   | 5-V Supply Voltage   | V <sub>DDH</sub>   | -0.3                     | 5.6                       | V    |
| 10  | DC Input Voltages <sup>6,7</sup>   | V <sub>IN</sub>  | V <sub>SS</sub> -0.3     | 5.6 <sup>8</sup>          | V    |
| 11  | Reference V <sub>RH</sub> , with reference to V <sub>RL</sub>                                | V <sub>RH</sub>  | -0.3                     | 5.6                       | V    |
| 12  | Reference ALTREF, with reference to V <sub>RL</sub>  | V <sub>ARH</sub>   | -0.3                     | 5.6                       | V    |
| 13  | V <sub>SS</sub> Differential Voltage   | V <sub>SS</sub> - V <sub>SSA</sub>                                       | -0.1                     | 0.1                       | V    |
| 15  | V <sub>REF</sub> Differential Voltage  | V <sub>RH</sub> - V <sub>RL</sub>  | -5.6                     | 5.6                       | V    |
| 16  | V <sub>RL</sub> to V <sub>SSA</sub> Differential Voltage                                     | V <sub>RL</sub> - V <sub>SSA</sub>                                       | -0.3                     | 0.3                       | V    |
| 17  | Maximum Input Current per pin <sup>9, 10, 11</sup>   | I <sub>MA</sub>  | -25 <sup>12</sup>        | 25 <sup>12</sup>          | mA   |
| 18  | QADC Maximum Input Current per Pin   | I <sub>MAX</sub>   | -25 <sup>12</sup>        | 25 <sup>12</sup>          | mA   |
| 19  | Operating Temperature Range – Ambient (Packaged), M temperature range.                       | T <sub>A</sub>   | -40<br>(T <sub>L</sub> ) | +125<br>(T <sub>H</sub> ) | °C   |
| 19a | Operating Temperature Range – Ambient (Packaged), C temperature range.                       | T <sub>A</sub>   | -40<br>(T <sub>L</sub> ) | +85<br>(T <sub>H</sub> )  | °C   |
| 19b | Operating Temperature Range – Ambient (Packaged), A temperature range.                       | T <sub>A</sub>   | -55<br>(T <sub>L</sub> ) | +125<br>(T <sub>H</sub> ) | °C   |
| 20  | Operating Temperature Range – Solder Ball (Packaged any perimeter solder ball) <sup>13</sup> | T <sub>SB</sub>  | -40<br>(T <sub>L</sub> ) | +135<br>(T <sub>H</sub> ) | °C   |
| 21  | Junction Temperature Range   | T <sub>J</sub>   | -40                      | +150                      | °C   |
| 22  | Storage Temperature Range  | T <sub>STG</sub>   | -55                      | +150                      | °C   |

**Table F-1. Absolute Maximum Ratings (VSS = 0V) (continued)**

|    | Rating                                   | Symbol           | Min. Value | Max. Value | Unit |
|----|--|------------------|------------|------------|------|
| 23 | Maximum Solder Temperature <sup>14</sup> | T <sub>SDR</sub> | —          | 235        | °C   |
| 24 | Moisture Sensitivity Level <sup>15</sup> | MSL              | —          | 3          | —    |

- <sup>1</sup> For internal digital supply of V<sub>DDL</sub> = 2.6-V typical.
- <sup>2</sup> 2.6 volt supply pins can withstand up to 3.6 volts for acumulative time of 24 hours over the lifetime of the device.
- <sup>3</sup> During operation the value of V<sub>FLASH</sub> must be 5.0 V ±5%
- <sup>4</sup> Maximum average current into the IRAMSTBY pin must be < 1.75mA.
- <sup>5</sup> V<sub>DDA</sub>=5.0 V ±5%.
- <sup>6</sup> All 2.6-V input-only pins are 5-V tolerant.
- <sup>7</sup> Note that long term reliability may be compromised if 2.6-V output drivers drive a node which has been previously pulled to >3.1 V by an external component. HRESET and SRESET are fully 5-V compatible.
- <sup>8</sup> 6.35 V on 5-V only pins (all QADC, all TPU, all QSMCM and the following MIOS pins: MDA[11:15], MDA[27:31], MPWM16, MPIO32B[7:9]/MPWM[20:21], MPIO32B11/C\_CNRX0, MPIO32B12/C\_CNTX0 ). Internal structures hold the input voltage below this maximum voltage on all of these pins, except the QSMCM\_A RXD[1:2]/QPI[1:2] pins, if the maximum injection current specification is met (1 mA for all pins; exception: 3 mA on QADC pins) and VDDH is within Operating Voltage specifications (see specification 43 in [Table F-4](#)). Exception: The RXD1/QGPI1 and RXD2/GPI2 pins do not have clamp diodes to VDDH. Voltage must be limited to less than 6.5 volts on these 2 pins to prevent damage.
- <sup>9</sup> Maximum continuous current on I/O pins provided the overall power dissipation is below the power dissipation of the package. Proper operation is not guaranteed at this condition.
- <sup>10</sup> Condition applies to one pin at a time.
- <sup>11</sup> Transitions within the limit do not affect device reliability or cause permanent damage. Exceeding limit may cause permanent conversion error on stressed channels and on unstressed channels.
- <sup>12</sup> Maximum transient current per ISO7637.
- <sup>13</sup> Maximum operating temperature on any solder ball in outer four rows of solder balls on the package. These rows are referred to as “Perimeter Balls” to distinguish them from the balls in the center of the package.
- <sup>14</sup> Solder profile per CDF-AEC-Q100, current revision.
- <sup>15</sup> Moisture sensitivity per JEDEC test method J-STD-020-A (April 1999).

Functional operating conditions are given in [Section F.5, “DC Electrical Characteristics.”](#) Absolute maximum ratings are stress ratings only, and functional operation at the maximum is not guaranteed. Stress beyond those listed may affect device reliability or cause permanent damage to the device.

This device contains circuitry protecting against damage due to high static voltage or electrical fields; however, it is advised that normal precautions be taken to avoid application of any voltages higher than maximum-rated voltages to this high-impedance circuit. Reliability of operation is enhanced if unused inputs are tied to an appropriate logic voltage level (e.g., either V<sub>SS</sub> or V<sub>DD</sub>).

**NOTE**

Negative current flows out of the pin and positive current flows into the pin.

**F.1 Package**

The MPC565 is available in packaged form. The package is a 388-ball PBGA having a 1.0 mm ball pitch, Freescale case outline 1164-01 (See [Figure F-63](#) and [Figure F-64](#)).

The following list conveys the differences in the lead-free package of the MPC565.

- Lead- and Halide-free part number for SPC565MZP56D is SPC565MVR56D
- Lead- and Halide-free part number for MPC565MZP56 is MPC565MVR56
- Moisture Sensitivity Level: MSL3/260C (JEDEC STD-020 rev C)
- Ball material composition: 95.5% Sn, 4% Ag, 0.5% Cu

## F.2 EMI Characteristics

### F.2.1 Reference Documents

The document referenced for the EMC testing of MPC565 is SAE J1752/3 Issued 1995-03

### F.2.2 Definitions and Acronyms

EMC – Electromagnetic Compatibility

EMI – Electromagnetic Interference

TEM cell – Transverse Electromagnetic Mode cell

### F.2.3 EMI Testing Specifications

1. Scan range: 150 KHz – 1000 MHz
2. Operating Frequency: 56 MHz
3. Operating Voltages: 2.6 V, 5.0 V
4. Max spikes: TBD dBuV
5. I/O port waveforms: Per J1752/3
6. Temperature: 25 °C

## F.3 Thermal Characteristics

Table F-2. Thermal Characteristics

| Characteristic  | Symbol           | Value                 | Unit |
|---|------------------|-----------------------|------|
| BGA Package Thermal Resistance, Junction to Ambient – Natural Convection                          | $R_{\theta JA}$  | 43.2 <sup>1,2,3</sup> | °C/W |
| BGA Package Thermal Resistance, Junction to Ambient – Four layer (2s2p) board, natural convection | $R_{\theta JMA}$ | 28.4 <sup>3,4,5</sup> | °C/W |
| BGA Package Thermal Resistance, Junction to Board   | $R_{\theta JB}$  | 19.2 <sup>3,6</sup>   | °C/W |
| BGA Package Thermal Resistance, Junction to Case (top)  | $R_{\theta JT}$  | 6.5 <sup>3,7</sup>    | °C/W |
| BGA Package Thermal Resistance, Junction to Package Top, Natural Convection                       | $\Psi_{JT}$      | 1.4 <sup>8</sup>      | °C/W |

- <sup>1</sup> Junction temperature is a function of on-chip power dissipation, package thermal resistance, mounting site (board) temperature, ambient temperature, air flow, power dissipation of other components on the board, and the board thermal resistance.
- <sup>2</sup> Per SEMI G38-87 and JESD51-2 with the board horizontal.
- <sup>3</sup> These values are the mean + 3 standard deviations of characterized data.
- <sup>4</sup> Junction temperature is a function of on-chip power dissipation, package thermal resistance, mounting site (board) temperature, ambient temperature, air flow, power dissipation of other components on the board, and the board thermal resistance.
- <sup>5</sup> Per JESD51-6 with the board horizontal.
- <sup>6</sup> Thermal resistance between the die and the printed circuit board (Four layer (2s2p) board, natural convection).
- <sup>7</sup> Indicates the thermal resistance between the die and the case top surface as measured by the cold plate method (MIL SPEC-883 Method 1012.1) with the cold plate temperature used for the case temperature.
- <sup>8</sup> Thermal characterization parameter indicating the temperature difference between package top and the junction temperature per EIA/JESD51-2.

An estimation of the chip junction temperature,  $T_J$ , in °C can be obtained from the equation:

$$T_J = T_A + (R_{\theta JA} \times P_D)$$

where:

$T_A$  = ambient temperature (°C)

$R_{\theta JA}$  = package junction to ambient resistance (°C/W)

$P_D$  = power dissipation in package

The junction to ambient thermal resistance is an industry standard value which provides a quick and easy estimation of thermal performance. Unfortunately, the answer is only an estimate; test cases have demonstrated that errors of a factor of two are possible. As a result, more detailed thermal characterization is supplied.

Historically, the thermal resistance has frequently been expressed as the sum of a junction to case thermal resistance and a case to ambient thermal resistance:

$$R_{\theta JA} = R_{\theta JC} + R_{\theta CA}$$

where:

$R_{\theta JA}$  = junction to ambient thermal resistance (°C/W)

$R_{\theta JC}$  = junction to case thermal resistance (°C/W)

$R_{\theta CA}$  = case to ambient thermal resistance (°C/W)

$R_{\theta JC}$  is device related and cannot be influenced. The user controls the thermal environment to change the case to ambient thermal resistance,  $R_{\theta CA}$ . For instance, the air flow can be changed around the device, add a heat sink, change the mounting arrangement on printed circuit board, or change the thermal dissipation on the printed circuit board surrounding the device. This description is most useful for ceramic packages with heat sinks where about 90% of the heat flow is through the case to the heat sink to ambient. For most packages, a better model is required.

The simplest thermal model of a package which has demonstrated reasonable accuracy (about 20 percent) is a two resistor model consisting of a junction to board and a junction to case thermal resistance. The junction to case covers the situation where a heat sink will be used or where a substantial amount of heat

is dissipated from the top of the package. The junction to board thermal resistance describes the thermal performance when most of the heat is conducted to the printed circuit board. It has been observed that the thermal performance of most plastic packages and especially PBGA packages is strongly dependent on the board temperature.

If the board temperature is known, an estimate of the junction temperature in the environment can be made using the following equation:

$$T_J = T_B + (R_{\theta JB} \times P_D)$$

where:

$T_B$  = board temperature ( $^{\circ}\text{C}$ )

$R_{\theta JB}$  = package junction to board resistance ( $^{\circ}\text{C}/\text{W}$ )

$P_D$  = power dissipation in package ( $\Omega$ )

If the board temperature is known and the heat loss from the package case to the air can be ignored, acceptable predictions of junction temperature can be made. For this method to work, the board and board mounting must be similar to the test board used to determine the junction to board thermal resistance, namely a 2s2p (board with a power and a ground plane) and vias attaching the thermal balls to the ground plane.

When the board temperature is not known, a thermal simulation of the application is needed. The simple two-resistor model can be used with the thermal simulation of the application (2), or a more accurate and complex model of the package can be used in the thermal simulation. Consultation on the creation of the complex model is available.

To determine the junction temperature of the device in the application after prototypes are available, the thermal characterization parameter ( $\Psi_{JT}$ ) can be used to determine the junction temperature with a measurement of the temperature at the top center of the package case using the following equation:

$$T_J = T_T + (\Psi_{JT} \times P_D)$$

where:

$T_T$  = thermocouple temperature on top of package ( $^{\circ}\text{C}$ )

$\Psi_{JT}$  = thermal characterization parameter

$P_D$  = power dissipation in package

The thermal characterization parameter is measured per JESD51-2 specification published by JEDEC using a 40 gauge type-T thermocouple epoxied to the top center of the package case. The thermocouple should be positioned so that the thermocouple junction rests on the package. A small amount of epoxy is placed over the thermocouple junction and over about one mm of wire extending from the junction. The thermocouple wire is placed flat against the package case to avoid measurement errors caused by cooling effects of the thermocouple wire.

### F.3.1 Thermal References

The website for Semiconductor Equipment and Materials International is [www.semi.org](http://www.semi.org) and their global headquarters address is: 3081 Zanker Road, San Jose CA, 95134; 1-408-943-6900.

MIL-SPEC and EIA/JESD (JEDEC) specifications are available from Global Engineering Documents on the WEB at [www.global.ihs.com](http://www.global.ihs.com) or 800-854-7179 or 303-397-7956.

JEDEC specifications are available on the WEB at [www.jedec.org](http://www.jedec.org).

1. C.E. Triplett and B. Joiner, “*An Experimental Characterization of a 272 PBGA Within an Automotive Engine Controller Module*,” Proceedings of SemiTherm, San Diego, 1998, pp. 47-54.
2. B. Joiner and V. Adams, “*Measurement and Simulation of Junction to Board Thermal Resistance and Its Application in Thermal Modeling*,” Proceedings of SemiTherm, San Diego, 1999, pp. 212-220.

## F.4 ESD Protection

Table F-3. ESD Protection

| Characteristics                             | Symbol | Value | Units |
|---|--------|-------|-------|
| ESD for Human Body Model (HBM) <sup>1</sup> |        | 2000  | V     |
| HBM Circuit Description                     | R1     | 1500  | Ω     |
|   | C      | 100   | pF    |
| ESD for Machine Model (MM)                  |        | 200   | V     |
| MM Circuit Description                      | R1     | 0     | Ω     |
|   | C      | 200   | pF    |
| Number of pulses per pin <sup>2</sup>       |        |       | —     |
| Positive pulses (MM)                        | —      | 3     |       |
| Negative pulses (MM)                        | —      | 3     |       |
| Positive pulses (HBM)                       | —      | 1     |       |
| Negative pulses (HBM)                       | —      | 1     |       |
| Interval of Pulses                          | —      | 1     | S     |

<sup>1</sup> All ESD testing is in conformity with CDF-AEC-Q100 Stress Test Qualification for Automotive Grade Integrated Circuits.

<sup>2</sup> A device will be defined as a failure if after exposure to ESD pulses the device no longer meets the device specification requirements. Complete DC parametric and functional testing shall be performed per applicable device specification at room temperature followed by hot temperature, unless specified otherwise in the device specification.

## F.5 DC Electrical Characteristics

Note: ( $V_{DD} = 2.6\text{ V} \pm 0.1\text{ V}$ ,  $V_{DDH} = 5.0\text{ V} \pm 0.25\text{ V}$ ,  $T_A = T_L$  to  $T_H$ )

Table F-4. DC Electrical Characteristics

|    | Characteristic  | Symbol                     | Min                              | Max                                | Unit          |
|----|---|----------------------------|----------------------------------|------------------------------------|---------------|
| 1  | 2.6-V only Input High Voltage <sup>1</sup><br>except DATA[0:31] and EXTCLK  | $V_{IH2.6}$                | 2.0                              | $V_{DDH} + 0.3$                    | V             |
| 1a | 2.6-V Input High Voltage<br>EXTCLK  | $V_{IHC}$                  | 1.6                              | $V_{DDH} + 0.3$                    | V             |
| 2  | DATA[0:31] Precharge Voltage <sup>2</sup><br>DATA[0:31] Precharge Voltage (Predischage circuit<br>enabled) <sup>3</sup>           | VDATAPC<br>VDATAPC5        |                                  | 3.1<br>5.25                        | V             |
| 3  | 5-V Input only High Voltage <sup>4</sup>  | $V_{IH5}$                  | $0.7 * V_{DDH}$                  | $V_{DDH} + 0.3$                    | V             |
| 4  | 5-V Input High Voltage (QADC PQA, PQB)  | $V_{IH5A}$                 | $0.7 * V_{DDH}$                  | $(V_{DDA}   V_{DDH}) + 0.3^5$      | V             |
| 5  | MUXed 2.6-V/ 5-V pins<br>(GPIO muxed with Addr and Data)<br>2.6-V Input High Voltage Addr., Data<br>5-V Input High Voltage (GPIO) | $V_{IH2.6M}$<br>$V_{IH5M}$ | 2.0<br>$0.7 * V_{DDH}$           | $V_{DDH} + 0.3$<br>$V_{DDH} + 0.3$ | V<br>V        |
| 6  | 2.6-V Input Low Voltage<br>Except EXTCLK  | $V_{IL2.6}$                | $V_{SS} - 0.3$                   | 0.8                                | V             |
| 7  | 2.6-V Input Low Voltage<br>EXTCLK   | $V_{IL2.6C}$               | $V_{SS} - 0.3$                   | 0.4                                | V             |
| 8  | 5-V Input Low Voltage   | $V_{IL5}$                  | $V_{SS} - 0.3$                   | $0.48 * V_{DDH}$                   | V             |
| 9  | 5-V Input Low Voltage (QADC PQA, PQB)   | $V_{IL5A}$                 | $V_{SSA} - 0.3$                  | $0.48 * V_{DDH}$                   | V             |
| 10 | MUXed 2.6-V/ 5-V pins (GPIO muxed with Addr, Data)<br>2.6-V Input Low Voltage (Addr., Data)<br>5-V Input Low Voltage (GPIO)       | $V_{IL2.6M}$<br>$V_{IL5M}$ | $V_{SS} - 0.3$<br>$V_{SS} - 0.3$ | 0.8<br>$0.48 * V_{DDH}$            | V             |
| 11 | QADC Analog Input Voltage <sup>6</sup><br>Note: Assumes $V_{DDA} \geq V_{DDH}$  | VINDC                      | $V_{SSH} - 0.3$                  | $V_{DDH} + 0.3$                    | V             |
| 12 | 2.6-V Weak Pull-up/down Current<br>pull-up @ 0 to $V_{IL2.6}$ , pull-down @ $V_{IH2.6}$ to $V_{DD}$                               | $I_{ACT2.6V}$              | 20                               | 130                                | $\mu\text{A}$ |
| 13 | 5-V Weak Pull-up/down Current <sup>6</sup><br>pull-up @ 0 to $V_{IL5}$ , pull-down @ $V_{IH5}$ to $V_{DDH}$                       | $I_{ACT5V}$                | 20                               | 130                                | $\mu\text{A}$ |
| 14 | 2.6-V Input Leakage Current <sup>6,7</sup><br>pull-up/down inactive – measured @rails   | $I_{INACT2.6V}$            | —                                | 2.5                                | $\mu\text{A}$ |
| 15 | 5V Input Leakage Current <sup>6</sup><br>pull-up/down inactive – measured @rails  | $I_{INACT5V}$              | —                                | 2.5                                | $\mu\text{A}$ |
| 16 | QADC64 Input Current, Channel Off <sup>8</sup><br>PQA,<br>PQB   | $I_{OFF}$                  | -200<br>-200                     | 200<br>200                         | nA            |





Table F-4. DC Electrical Characteristics (continued)

|    | Characteristic   | Symbol   | Min   | Max                                   | Unit                                    |                |
|----|--|--|---|---------------------------------------|---|----------------|
| 34 | Operating Current (5-V supplies) @ 40 MHz <sup>12</sup><br>V <sub>DDH</sub> <sup>13</sup><br>V <sub>DDA</sub><br>V <sub>FLASHF5</sub> (Program or Erase)<br>V <sub>FLASHF5READ</sub><br>V <sub>FLASHF5</sub> (Stopped) | I <sub>DDH5</sub><br>I <sub>DDA</sub><br>I <sub>DDF5</sub><br>I <sub>DDF5R</sub><br>S <sub>DDF5</sub>  | —   | 20<br>5<br>10 <sup>14</sup><br>3<br>1 | mA                                      |                |
|    | V <sub>FLASHF5</sub> (Disabled)  | S <sub>DDF5D</sub>   | —   | 100                                   | μA                                      |                |
| 35 | Operating Current (2.6-V supplies) @ 56 MHz <sup>12</sup><br>V <sub>DD</sub> /Q <sub>VDDL</sub> /N <sub>VDDL</sub><br>KAPWR (Crystal Frequency: 20 MHz)<br>KAPWR (Crystal Frequency: 4 MHz)                            | I <sub>DDL</sub><br>I <sub>DDKAP</sub><br>I <sub>DDKAP</sub>   | —<br>—<br>—   | 230<br>5<br>2                         | mA                                      |                |
|    | V <sub>DDSYN</sub><br>V <sub>DDF</sub> (Read, program, or erase)<br>V <sub>DDFSTOP</sub>   | I <sub>DDSYN</sub><br>I <sub>DDF</sub><br>I <sub>DDFSTOP</sub>   | —<br>—<br>—   | 2<br>35<br>10                         |   |                |
|    | V <sub>DDFDISABLED</sub><br>V <sub>DDSRAM1</sub><br>V <sub>DDSRAM2</sub><br>V <sub>DDSRAM3</sub>   | I <sub>DDFDISB</sub><br>I <sub>DDSRAM1</sub><br>I <sub>DDSRAM2</sub><br>I <sub>DDSRAM3</sub>   | —   | 100<br>25<br>25<br>25                 |   | μA             |
|    | 36   | Operating Current (5-V supplies) @ 56 MHz <sup>12, 13</sup><br>V <sub>DDH</sub> <sup>13</sup><br>V <sub>DDA</sub><br>V <sub>FLASHF5</sub> (Program or Erase)<br>V <sub>FLASHF5READ</sub><br>V <sub>FLASHF5</sub> (Stopped) | I <sub>DDH5</sub><br>I <sub>DDA</sub><br>I <sub>DDF5</sub><br>I <sub>DDF5R</sub><br>S <sub>DDF5</sub> | —                                     | 20<br>5.0<br>10 <sup>14</sup><br>4<br>1 | mA             |
|    |  | V <sub>FLASHF5</sub> (Disabled)  | S <sub>DDF5D</sub>  | —                                     | 100                                     | μA             |
|    | 37   | QADC64 Low Power Stop Mode (V <sub>DDA</sub> )   | I <sub>DDA</sub>  | —                                     | 10                                      | μA             |
|    | 38   | Low Power Current (QV <sub>DDL</sub> + NV <sub>DDI</sub> + V <sub>DD</sub> ) @ 56 MHz<br>DOZE, Active PLL and Active Clocks<br>SLEEP, Active PLL with Clocks off<br>DEEP SLEEP, PLL and Clocks off                         | I <sub>DDZ</sub><br>I <sub>DDSLP</sub><br>I <sub>DDPSLP</sub>   | —                                     | 110<br>15<br>8                          | mA<br>mA<br>mA |
| 39 |  | NV <sub>DDL</sub> , QV <sub>DDL</sub> , V <sub>DD</sub> , V <sub>DDF</sub> Operating Voltage   | NV <sub>DDL</sub> , QV <sub>DDL</sub> ,<br>V <sub>DD</sub> , V <sub>DDF</sub>                         | 2.5                                   | 2.7                                     | V              |
| 40 |  | V <sub>FLASH</sub> Flash Operating/Programming Voltage   | V <sub>FLASH</sub>  | 4.75                                  | 5.25                                    | V              |
| 41 | Oscillator, Keep-Alive Registers Operating Voltage <sup>15,16</sup>  | KAPWR  | V <sub>DD</sub> - 0.2 V   | V <sub>DD</sub> + 0.2 V <sup>17</sup> | V                                       |                |
| 42 | N.A.   | —  | —   | —                                     | —                                       |                |
| 43 | V <sub>DDH</sub> Operating Voltage   | V <sub>DDH</sub>   | 4.75  | 5.25                                  | V                                       |                |
| 44 | QADC Operating Voltage   | V <sub>DDA</sub>   | 4.75  | 5.25                                  | V                                       |                |
| 45 | Clock Synthesizer Operating Voltage Difference <sup>16</sup>   | V <sub>DDSYN</sub>   | V <sub>DD</sub> - 0.2 V   | V <sub>DD</sub> + 0.2 V <sup>17</sup> | V                                       |                |
| 46 | N.A.   | —  | —   | —                                     | —                                       |                |
| 47 | V <sub>SS</sub> Differential Voltage   | V <sub>SS</sub> - V <sub>SSA</sub>   | -100  | 100                                   | mV                                      |                |
| 48 | QADC64 Reference Voltage Low <sup>18</sup>   | V <sub>RL</sub>  | V <sub>SSA</sub>  | V <sub>SSA</sub> + 0.1                | V                                       |                |
| 49 | QADC64 Reference Voltage High <sup>18</sup>  | V <sub>RH</sub>  | 3.0   | V <sub>DDA</sub>                      | V                                       |                |
| 50 | QADC64 V <sub>REF</sub> Differential Voltage   | V <sub>RH</sub> - V <sub>RL</sub>  | 3.0   | 5.25                                  | V                                       |                |
| 51 | QADC64 Reference Supply Current, DC  | I <sub>REF</sub>   | —   | 500                                   | μA                                      |                |
|    | QADC64 Reference Supply Current, Transient   | I <sub>REFT</sub>  | —   | 4.0                                   | mA                                      |                |

Table F-4. DC Electrical Characteristics (continued)

|     | Characteristic   | Symbol  | Min               | Max                              | Unit   |
|-----|--|---|-------------------|----------------------------------|--|
| 52  | QADC64 ALT Reference Voltage <sup>19</sup>   | $V_{ARH}$   | 1.0               | $.75 * V_{DDA}$                  | V  |
| 53  | Standby Supply Current<br>KAPWR only (4 MHz Crystal)<br>KAPWR only (20 MHz Crystal)<br>$V_{DDRTC}$<br>RAM Standby Current (CALRAM) $V_{DDSRAM1}$<br>RAM Standby Current (CALRAM) $V_{DDSRAM2}$<br>RAM Standby Current (DPTRAM) $V_{DDSRAM3}$<br>Measured @ 2.7 V | $ISB_{KAPWR4}$<br>$ISB_{KAPWR20}$<br>$ISB_{RTC}$<br>$ISB_{SRAM1}$<br>$ISB_{SRAM2}$<br>$ISB_{SRAM3}$ | —                 | 2.0<br>5<br>50<br>75<br>50<br>50 | mA<br>mA<br>$\mu$ A<br>$\mu$ A<br>$\mu$ A<br>$\mu$ A |
| 53a | RAM Standby Voltage for Data Retention <sup>15</sup><br>Applies to $V_{DDSRAM1}$ , $V_{DDSRAM2}$ and $V_{DDSRAM3}$<br>(power-down Mode)<br>Specified $V_{DD}$ applied ( $V_{DD} = V_{SS}$ )  | $V_{STBY}$  | 1.4 <sup>20</sup> | 2.7                              | V  |
| 53b | IRAMSTBY Regulator Voltage for Data Retention <sup>15</sup> , (power-down mode) Specified $V_{DD}$ applied ( $V_{DD}$ , $V_{DDH} = V_{SS}$ )   | $V_{STBY}$  | 1.35              | 1.95                             | V  |
| 54  | DC Injection Current per Pin GPIO, TPU, MIOS, QSMCM, EPEE and 5 V pins <sup>6, 21</sup> ,  | $I_{IC5}$   | -1.0              | 1.0                              | mA   |
| 55  | DC Injection Current per Pin 2.6 V <sup>6, 22, 23</sup>  | $I_{IC26}$  | -1.0              | 1.0                              | mA   |
| 56  | QADC64 Disruptive Input Current <sup>24</sup>  | $I_{NA}$  | -3                | 3                                | mA   |
| 57  | Power Dissipation – 56 MHz<br>40 MHz   | PD  |                   | 1.12<br>0.8                      | W<br>W   |

<sup>1</sup> This characteristic is for 2.6-V output and 5-V input friendly pins.

<sup>2</sup> VDATAPC is the maximum voltage the data pins can have been precharged to by an external device when the MPC565 data pins turn on as outputs. The 3.1-V maximum for VDATAPC is to allow the data pins to be driven from an external memory running at a higher voltage. Note that if the data pins are precharged to higher than  $V_{DDL}$ , then the 50-pF maximum load characteristic must be observed.

<sup>3</sup> The predischarge circuit is enabled by setting the PREDIS\_EN bit to a “1” in the PDMCR2 register. VDATAPC is the maximum voltage the data pins can have been precharged to by an external device when the MPC565 data pins turn on as outputs. The 5.25-V maximum for VDATAPC is to allow the data pins to be driven from an external memory running at a higher voltage. Note that if the data pins are precharged to higher than  $V_{DDL}$ , then the maximum load characteristic must match the data bus drive setting and the data bus can withstand up to 3.6 volts for a cumulative time of 24 hours over the lifetime of the device.

<sup>4</sup> This characteristic is for 5-V output and 5-V input pins.

<sup>5</sup>  $0.3V > V_{DDA}$  or  $V_{DDH}$ , whichever is greater.

<sup>6</sup> Within this range, no significant injection will be seen. See QADC64 Disruptive Input Current ( $I_{NA}$ ).

<sup>7</sup> During reset all 2.6V and 2.6V/5V pads will leak up to 10 $\mu$ A to QVDDL if the pad has a voltage > QVDDL.

<sup>8</sup> Maximum leakage occurs at maximum operating temperature. Current decreases by approximately one-half for each 8 to 12 °C, in the ambient temperature range of 50 to 125 °C.

<sup>9</sup> All bus pins support two drive strengths capabilities, 25 pF and 50 pF. Current drive is less at the 25-pF capacitive load. Both modes achieve 40-MHz (or, optionally, 56-MHz) timing.

<sup>10</sup> Only IRQ, TPU, MIOS, GPIO, QADC (when digital inputs) and RESET pins have hysteresis, thus there is no hysteresis specification on all other pins

<sup>11</sup> Values to be characterized. Current consumption values will be updated as information becomes available. Initial values are only estimates based on predicted capacitive differences between CDR1 and CDR3 as well as actual CDR1 measurements.

<sup>12</sup> All power consumption specifications assume 50-pF loads and running a typical application. The power consumption of some modules could go up if they are exercised heavier, but the power consumption of other modules would decrease.

- <sup>13</sup> Current measured at maximum system clock frequency with QADC active.
- <sup>14</sup> Transient currents can reach 50mA.
- <sup>15</sup> KAPWR and VDDSRAM can be powered-up prior to any other supply or at the same time as the other 2.6 V supplies.
- <sup>16</sup> This parameter is periodically sampled rather than 100% tested
- <sup>17</sup> Up to 0.5 V during power up/down.
- <sup>18</sup> To obtain full-range results,  $V_{SSA} \leq V_{RL} \leq V_{INDC} \leq V_{RH} \leq V_{DDA}$
- <sup>19</sup> When using the QADC in legacy mode it is recommended to connect this pin to 2.6V or 3.3V, however it can be connected to 0V or 5V without damage to the device.
- <sup>20</sup> This parameter is guaranteed by design.
- <sup>21</sup> All injection current is transferred to the  $V_{DDH}$ . An external load is required to dissipate this current to maintain the power supply within the specified voltage range.
- <sup>22</sup> Total injection current for all I/O pins on the chip must not exceed 20 mA (sustained current). Exceeding this limit can cause disruption of normal operation.
- <sup>23</sup> Current refers to two QADC64 modules operating simultaneously.
- <sup>24</sup> Below disruptive current conditions, the channel being stressed has conversion values of 0x3FF for analog inputs greater than  $V_{RH}$  and 0x000 for values less than  $V_{RL}$ . This assumes that  $V_{RH} \leq V_{DDA}$  and  $V_{RL} \geq V_{SSA}$  due to the presence of the sample amplifier. Other channels are not affected by non-disruptive conditions.

## F.6 Oscillator and PLL Electrical Characteristics

**Note:** ( $V_{DD} = 2.6 \text{ V} \pm 0.1 \text{ V}$ ,  $V_{DDH} = 5.0 \text{ V} \pm 0.25 \text{ V}$ ,  $T_A = T_L$  to  $T_H$ )

**Table F-5. Oscillator and PLL**

|   | Characteristic   | Symbol                   | Min            | Typical | Max               | Unit            |
|---|--|--------------------------|----------------|---------|-------------------|-----------------|
| 1 | Oscillator Startup time (for typical crystal capacitive load)<br>4-MHz crystal<br>20-MHz crystal | OSCstart4<br>OSCstart20  |                |         | 10<br>10          | ms<br>ms        |
| 2 | PLL Lock Time  | $T_{LOCK}$               |                |         | 1000 <sup>1</sup> | Input<br>Clocks |
| 3 | PLL Operating Range <sup>2</sup>   | $F_{VCOOUT}$             | 30             |         | 112               | MHz             |
| 4 | Crystal Operating Range, MODCK=0b010,0b110<br>MODCK[1:3] = 0b001, 0b011, 0b100, 0b101, 0b111     | $F_{CRYSTAL}$            | 3<br>15        |         | 5<br>25           | MHz<br>MHz      |
| 5 | PLL Jitter<br>PLL Jitter (averaged over 10 $\mu$ s)  | $F_{JIT}$<br>$F_{JIT10}$ | -1%<br>-0.3%   |         | +1%<br>+0.3%      | —               |
| 6 | Limp Mode Clock Out Frequency  | —                        | 3 <sup>3</sup> | 11      | 17 <sup>3</sup>   | MHz             |
| 7 | Oscillator Bias Current (XTAL)<br>4 MHz<br>20 MHz  | $I_{BIAS}$               | —<br>  1.5     |         | 0.8  <br>  4.0    | mA<br>mA        |
| 8 | Oscillator Drive (XTAL)  | $I_{OSC}$                | 7              |         | —                 | mA              |
| 9 | Oscillator Bias Resistor   | $R_{OSC}$                | 0.5            | 1       | 3                 | $M\Omega$       |

<sup>1</sup> Assumes stable power and oscillator.

<sup>2</sup>  $F_{VCOOUT}$  is 2x the system frequency.

<sup>3</sup> Estimated value, real values to be characterized and updated.

## F.7 Flash Electrical Characteristics

Note: ( $V_{DDF} = 2.6\text{ V} \pm 0.1\text{ V}$ ,  $V_{FLASH} = 5.0\text{ V} \pm 0.25\text{ V}$ ,  $T_A = T_L$  to  $T_H$ ,  $T_B = T_L$  to  $T_H$ )

**Table F-6. Array Program and Erase Characteristics**

| Symbol       | Meaning                              | Value   |                      |         | Units         |
|--------------|--------------------------------------|---------|----------------------|---------|---------------|
|              |                                      | Minimum | Typical <sup>1</sup> | Maximum |               |
| $T_{ERASE}$  | Block Erase Time <sup>2</sup>        |         | 3                    | 12      | s             |
| $T_{ERASEM}$ | Module Erase Time <sup>2</sup>       |         | 13                   | 60      | s             |
| $T_{PROG}$   | Word Programming Time <sup>3,4</sup> |         | 15                   | 20      | $\mu\text{s}$ |

<sup>1</sup> Typical program and erase times assume nominal supply values and 25 °C.

<sup>2</sup> Erase time specification does not include pre-programming operation

<sup>3</sup> Word size is 32 bits.

<sup>4</sup> The maximum hardware programming time of the entire Flash (not including the shadow rows) is 20  $\mu\text{s}$  x (512 Kbytes / 4 bytes per word), or 131,072 x 2 words, (no software overhead).

Note: ( $V_{DDF} = 2.6\text{ V} \pm 0.1\text{ V}$ ,  $V_{FLASH} = 5.0\text{ V} \pm 0.25\text{ V}$ ,  $T_A = T_L$  to  $T_H$ ,  $T_B = T_L$  to  $T_H$ )

**Table F-7. CENSOR Cell Program and Erase Characteristics**

| Symbol      | Meaning                            | Value   |                      |         | Units         |
|-------------|------------------------------------|---------|----------------------|---------|---------------|
|             |                                    | Minimum | Typical <sup>1</sup> | Maximum |               |
| $T_{CLEAR}$ | CENSOR Bit Clear Time <sup>2</sup> |         | 13                   | 60      | s             |
| $T_{SET}$   | CENSOR Bit Set Time                |         | 115                  | 250     | $\mu\text{s}$ |

<sup>1</sup> Typical set and clear times assume nominal supply values and 25 °C.

<sup>2</sup> Clear time specification does not include pre-set operation.

**Table F-8. Flash Module Life**

| Symbol                               | Meaning   | Value  |
|--------------------------------------|---|--|
| Array P/E Cycles <sup>1</sup>        | Maximum number of Program/Erase cycles per block to guarantee data retention.   | 1,000  |
| CENSOR Set/Clear Cycles <sup>2</sup> | Minimum number of Program/Erase cycles per bit before failure.  | 100  |
| Array and CENSOR Data Retention      | Minimum data retention at an average of 85 °C junction temperature.<br>Minimum data retention at an average of 125 °C junction temperature. | Min 15 years <sup>3</sup><br>Min 10 years <sup>3</sup> |

<sup>1</sup> A Program/Erase cycle is defined as switching the bits from 1 to 0 to 1.

<sup>2</sup> A CENSOR Set/Clear cycle is defined as switching the bits from 1 to 0 to 1.

<sup>3</sup> Maximum total time @ 150 °C junction temperature  $\leq$  1 year.

## F.8 Power-Up/Down Sequencing

The supply symbols used in this section are described in [Table F-9](#).

**Table F-9. Power Supply Pin Groups**

| Symbol  | Types of Power Pins  |
|---|--|
| V <sub>DDH</sub><br>(High Voltage Supply Group)                         | Supply to the 5-V pads for output driver (V <sub>DDH</sub> )                                     |
|   | Supply to the analog (QADC64E) circuitry (V <sub>DDA</sub> )                                     |
|   | High voltage supply to the flash module (V <sub>FLASH</sub> )                                    |
| V <sub>DDL</sub><br>(Low Voltage Supply Pins)                           | Supply to low voltage pad drivers (QVDDL, NVDDL)   |
|   | Supply to all low voltage internal logic (V <sub>DD</sub> )                                      |
|   | Supply to low voltage flash circuitry (V <sub>DDF</sub> )  |
|   | Supply to system PLL   |
| V <sub>DDKA</sub><br>(Low Voltage Keep-Alive Supply Pins <sup>1</sup> ) | Supply to SRAM arrays only (V <sub>DDSRAM1</sub> , V <sub>DDSRAM2</sub> , V <sub>DDSRAM3</sub> ) |
|   | Supply to oscillator and other circuitry for keep-alive functions (KAPWR).                       |

<sup>1</sup> Any supply in the V<sub>DDKA</sub> group can be powered with the V<sub>DDL</sub> if the function which it supplies is not required during “Keep-alive.”

There are two power-up/down options. Choosing which one is required for an application will depend upon circuitry connected to 2.6-V compliant pins and dual 2.6-V/5-V compliant pins. Power-up/down option A is required if 2.6-V compliant pins and dual 2.6-V/5-V compliant pins are connected to the 5-V supply with a pull-up resistor or driven by 5-V logic during power-up/down. In applications for which this scenario is not true the power-up/down option B may be implemented. Option B is less stringent and easier to ensure over a variety of applications.

The power consumption during power-up/down sequencing will stay below the operating power consumption specifications when following these guidelines.

### NOTE:

The V<sub>DDH</sub> ramp voltage should be kept below 50V/ms and the V<sub>DDL</sub> ramp rate less than 25V/ms.

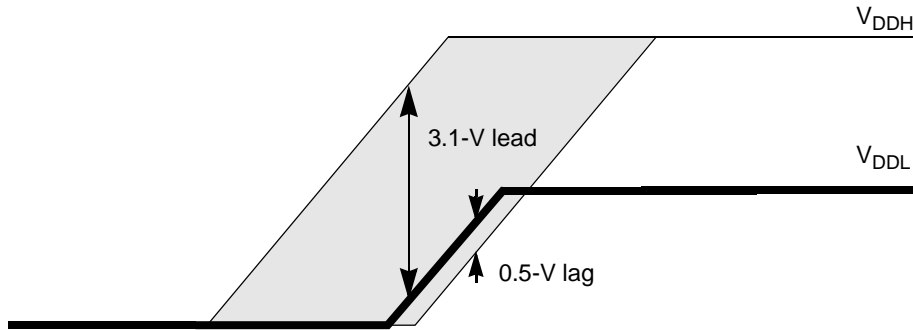
### F.8.1 Power-Up/Down Option A

The Option A power-up sequence (excluding V<sub>DDKA</sub>) is

1.  $V_{DDH} \leq V_{DDL} + 3.1 \text{ V}$  (V<sub>DDH</sub> cannot lead V<sub>DDL</sub> by more than 3.1 V)
2.  $V_{DDH} \geq V_{DDL} - 0.5 \text{ V}$  (V<sub>DDH</sub> cannot lag V<sub>DDL</sub> by more than 0.5 V)

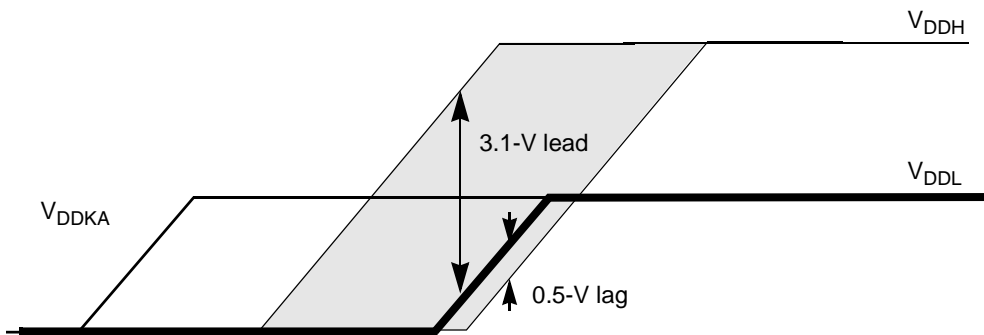
The first step in the sequence is required due to gate-to-drain stress limits for transistors in the pads of 2.6-V compliant pins and dual 2.6-V/5-V compliant pins. Damage can occur if gate-to-drain voltage potential is greater than 3.1 V. This is only a concern at power-up/down. The second step in the sequence is required due to ESD diodes in the pad logic for dual 2.6-V/5-V compliant pins and 2.6-V pins. The diodes are forward biased when V<sub>DDL</sub> is greater than V<sub>DDH</sub> and will start to conduct current.

Figure F-1 illustrates the power-up sequence if no keep-alive supply is required. Figure F-2 illustrates the power-up sequence if a keep-alive supply is required. The keep-alive supply should be powered-up at the same instant or before both the high voltage and low voltage supplies are powered-up.



$V_{DDH}$  cannot lead  $V_{DDL}$  by more than 3.1 V  
 $V_{DDH}$  cannot lag  $V_{DDL}$  by more than 0.5 V

**Figure F-1. Option A Power-Up Sequence Without Keep-Alive Supply**



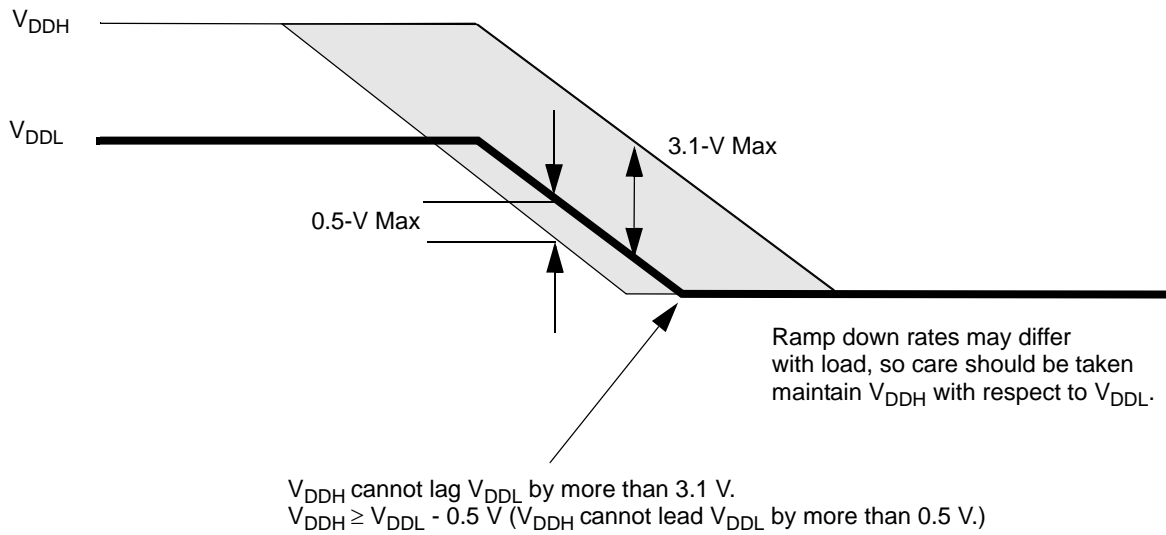
$V_{DDH}$  cannot lead  $V_{DDL}$  by more than 3.1 V  
 $V_{DDH}$  cannot lag  $V_{DDL}$  by more than 0.5 V

**Figure F-2. Option A Power-Up Sequence With Keep-Alive Supply**

The option A power-down sequence (excluding  $V_{DDKA}$ ) is

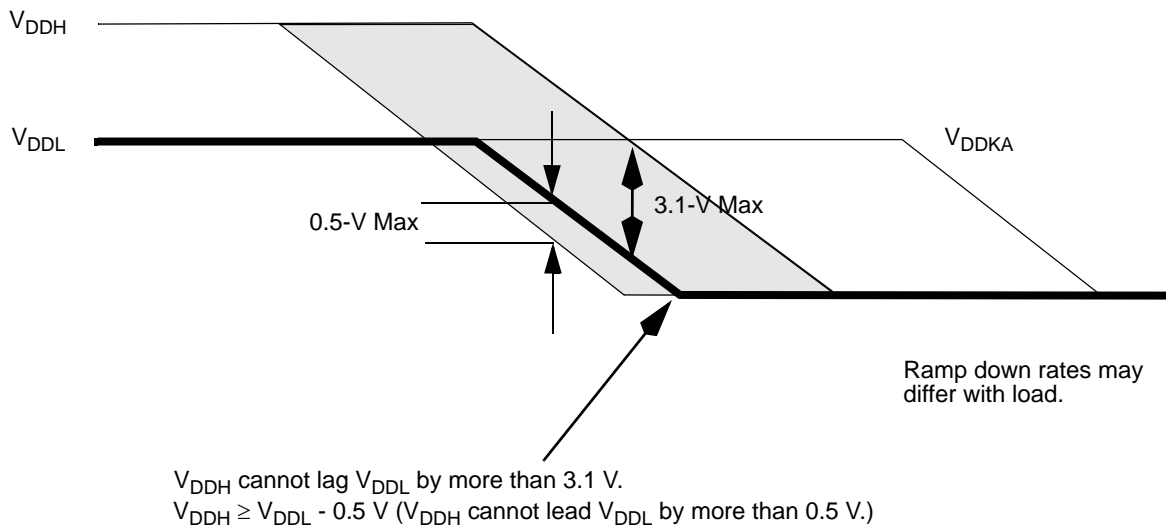
1.  $V_{DDH} \leq V_{DDL} + 3.1 \text{ V}$  ( $V_{DDH}$  cannot lag  $V_{DDL}$  by more than 3.1 V)
2.  $V_{DDH} \geq V_{DDL} - 0.5 \text{ V}$  ( $V_{DDH}$  cannot lead  $V_{DDL}$  by more than 0.5 V)

Figure F-3 illustrates the power-down sequence if no keep-alive supply is required.



**Figure F-3. Option A Power-Down Sequence Without Keep-Alive Supply**

Figure F-4 illustrates the power-down sequence if a keep-alive supply is required.



**Figure F-4. Option A Power-Down Sequence With Keep-Alive Supply**

## F.8.2 Power-Up/Down Option B

A less stringent power-up sequence may be implemented if 2.6-V compliant pins and dual 2.6-V/5-V compliant pins are NOT connected to the 5-V supply with a pull-up resistor or driven by 5-V logic during power-up/down.

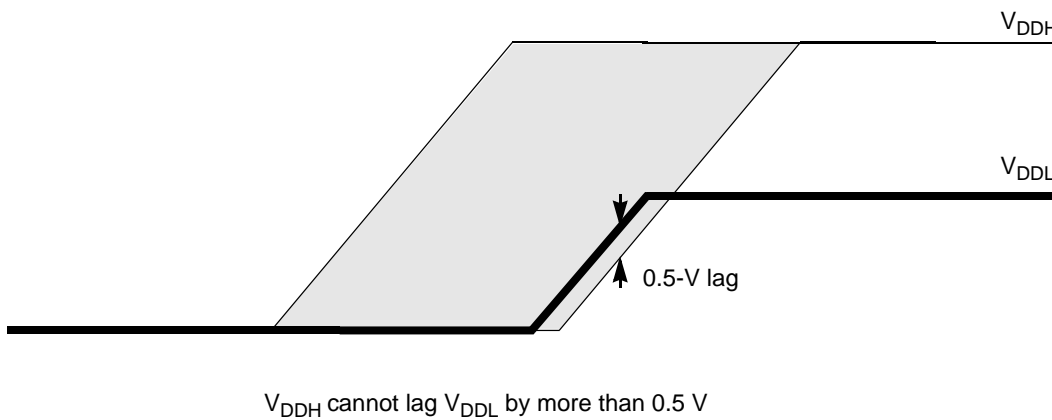
The option B power-up sequence (excluding  $V_{DDKA}$ ) is:

1.  $V_{DDH} > V_{DDL} - 0.5\text{ V}$  ( $V_{DDH}$  cannot lag  $V_{DDL}$  by more than 0.5 V)

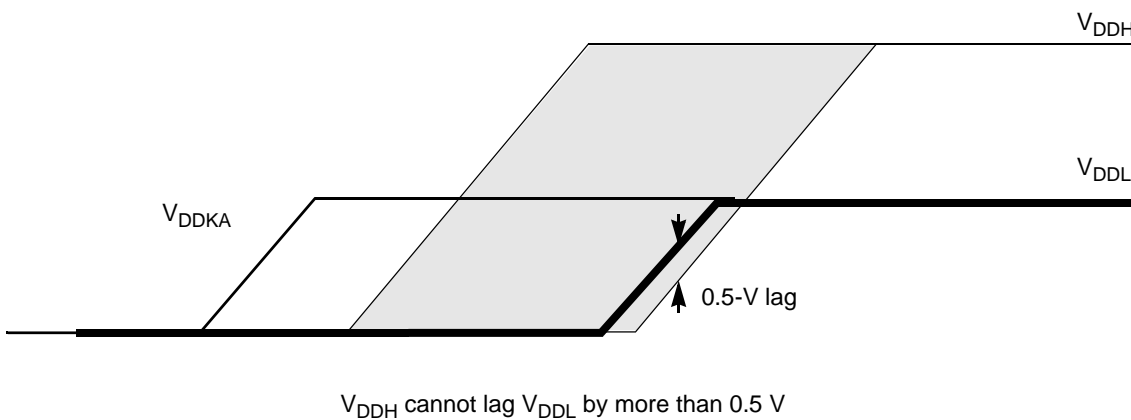
Thus the  $V_{DDH}$  supply group can be fully powered-up prior to power-up of the  $V_{DDL}$  supply group, with no adverse affects to the device.

The requirement that  $V_{DDH}$  cannot lag  $V_{DDL}$  by more than 0.5 V is due to ESD diodes in the pad logic for dual 2.6-V/5-V compliant pins and 2.6-V pins. The diodes are forward biased when  $V_{DDL}$  is greater than  $V_{DDH}$  and will start to conduct current.

Figure F-5 illustrates the power-up sequence if no keep-alive supply is required. Figure F-6 illustrates the power-up sequence if a keep-alive supply is required. The keep-alive supply should be powered-up at the same time or before both the high voltage and low voltage supplies are powered-up.



**Figure F-5. Option B Power-Up Sequence Without Keep-Alive Supply**



**Figure F-6. Option B Power-Up Sequence With Keep-Alive Supply**

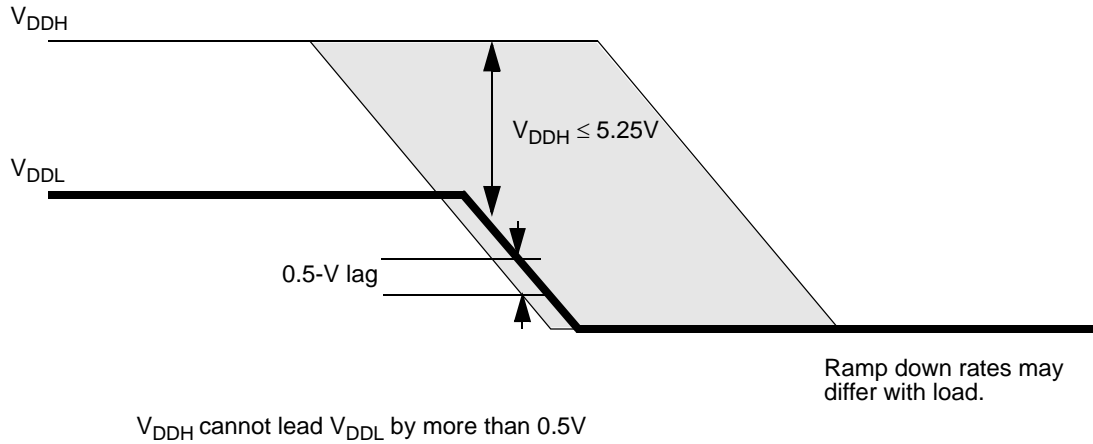
The option B power-down sequence (excluding  $V_{DDKA}$ ) is:

1. The  $V_{DDL}$  supply group can be fully powered-down prior to power-down of the  $V_{DDH}$  supply group, with no adverse affects to the device.

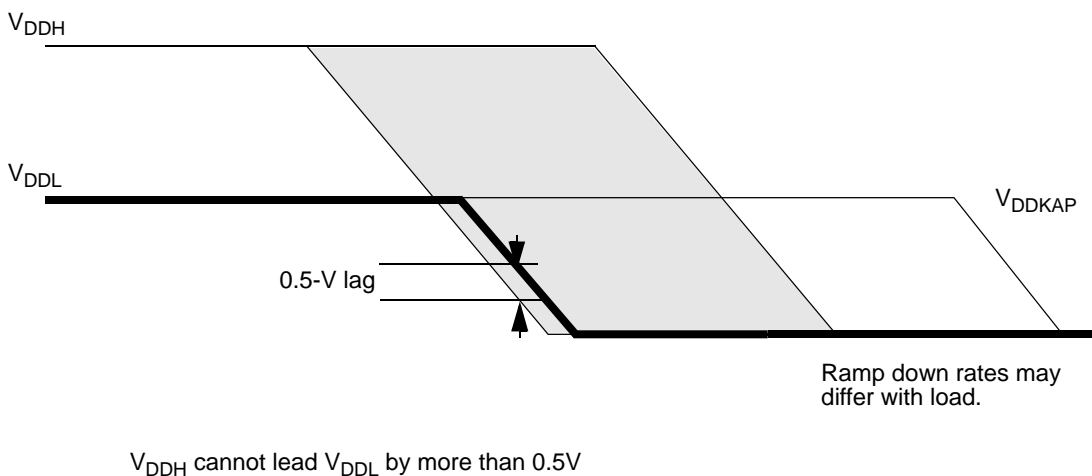


For power-down, the low voltage supply should come down before the high voltage supply, although with varying loads, the high voltage may actually get ahead.

Figure F-7 illustrates the power-down sequence if no keep-alive supply is required. Figure F-8 illustrates the power-down sequence if a keep-alive supply is required.



**Figure F-7. Option B Power-Down Sequence Without Keep-Alive Supply**



**Figure F-8. Option B Power-Down Sequence with Keep-Alive Supply**

## F.9 Issues Regarding Power Sequence

### F.9.1 Application of $\overline{\text{PORESET}}$ or $\overline{\text{HRESET}}$

When  $V_{\text{DDH}}$  is rising and  $V_{\text{DDL}}$  is at 0.0 V, as  $V_{\text{DDH}}$  reaches 1.6 V, all 5 V drivers are tristated. Before  $V_{\text{DDH}}$  reaches 1.6V, all 5 V outputs are unknown. If  $V_{\text{DDL}}$  is rising and  $V_{\text{DDH}}$  is at least 3.1V greater than  $V_{\text{DDL}}$ , then the 5 V drivers can come out of tristate when  $V_{\text{DDL}}$  reaches 1.1V, and the 2.6 V drivers can start driving when  $V_{\text{DDL}}$  reaches 0.5 V. For these reasons, the  $\overline{\text{PORESET}}$  or  $\overline{\text{HRESET}}$  signal must be asserted during power-up before  $V_{\text{DDL}}$  is above 0.5 V.

If the  $\overline{\text{PORESET}}$  or  $\overline{\text{HRESET}}$  signal is not asserted before this condition, there is a possibility of disturbing the programmed state of the flash. In addition, the state of the pads are indeterminate until  $\overline{\text{PORESET}}$  or  $\overline{\text{HRESET}}$  propagates through the device to initialize all circuitry.

## F.9.2 Keep-Alive RAM

$\overline{\text{PORESET}}$  or  $\overline{\text{HRESET}}$  must be asserted during power-down prior to any supply dropping out of specified operating conditions.

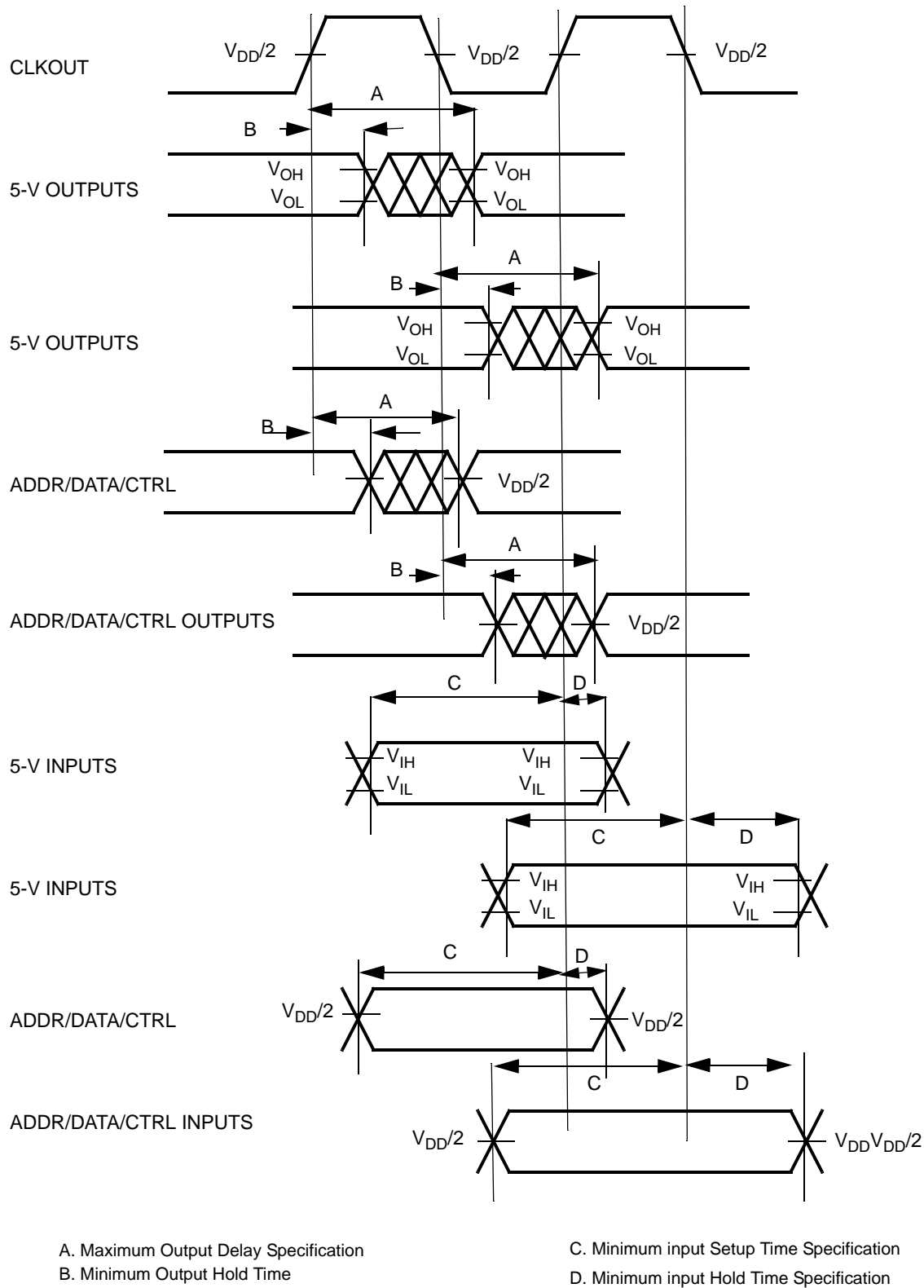
An additional constraint is placed on  $\overline{\text{PORESET}}$  assertion since it is an asynchronous input. To assure that the assertion of  $\overline{\text{PORESET}}$  does not potentially cause stores to keep-alive RAM to be corrupted (store single or store multiple) or non-coherent (store multiple), either of the following solutions is recommended:

- Assert  $\overline{\text{HRESET}}$  at least 0.5  $\mu\text{s}$  prior to when  $\overline{\text{PORESET}}$  is asserted.
- Assert  $\overline{\text{IRQ0}}$  (non-maskable interrupt) at least 0.5  $\mu\text{s}$  prior to when  $\overline{\text{PORESET}}$  is asserted. The service routine for  $\overline{\text{IRQ0}}$  should not perform any writes to keep-alive RAM.

The amount of delay that should be added to  $\overline{\text{PORESET}}$  assertion is dependent upon the frequency of operation and the maximum number of store multiples executed that are required to be coherent. If store multiples of more than 28 registers are needed and if the frequency of operation is lower than 56 MHz, the delay added to  $\overline{\text{PORESET}}$  assertion will need to be greater than 0.5  $\mu\text{s}$ . In addition, if KAPWR features are being used,  $\overline{\text{PORESET}}$  should not be driven low while the  $V_{\text{DDH}}$  and  $V_{\text{DDL}}$  supplies are off.

## F.10 AC Timing

Figure F-9 displays generic examples of MPC565 timing. Specific timing diagrams are shown in Figure F-10 through Figure F-36.


**Figure F-9. Generic Timing Examples**

**Table F-10. Bus Operation Timing**

**Note:** ( $V_{DD} = 2.6\text{ V} \pm 0.1\text{ V}$ ,  $V_{DDH} = 5.0\text{ V} \pm 0.25\text{ V}$ ,  $T_A = T_L$  to  $T_H$ , 50 pF load unless noted otherwise)

|    | Characteristic   | 40 MHz    |            | 56 MHz <sup>1</sup> |            | Unit |
|----|--|-----------|------------|---------------------|------------|------|
|    |  | Min       | Max        | Min                 | Max        |      |
| 1  | CLKOUT Period (TC)   | 25        |            | 17.86               |            | ns   |
| 1a | ENGCLK Frequency<br>5 V – EECLK = 01<br>2. 6 V – EECLK = 00  |           | 10<br>20   |                     | 10<br>28   | MHz  |
| 2  | Clock pulse width low  | 12.5 – 2% | 12.5 + 2%  | 8.93 – 2%           | 8.93 + 2%  | ns   |
| 3  | Clock pulse width high   | 12.5 – 2% | 12.5 + 2%  | 8.93 – 2%           | 8.93 + 2%  | ns   |
| 4  | CLKOUT rise time<br>ABUS/DBUS rise time  |           | 3.5<br>3.0 |                     | 3.5<br>3.0 | ns   |
| 5  | CLKOUT fall time<br>ABUS/DBUS fall time  |           | 3.5<br>3.0 |                     | 3.5<br>3.0 | ns   |
| 6  | Circuit Parameter  | 7         |            | 5                   |            | ns   |
| 7  | CLKOUT to Signal Invalid<br>(Hold Time)<br>ADDR[8:31]<br>RD/ $\overline{WR}$<br>$\overline{BURST}$<br>D[0:31]  | 3.5       |            | 3.5                 |            | ns   |
| 7a | CLKOUT to Signal Invalid:<br>(Hold Time)<br>TSIZ[0:1]<br>$\overline{RSV}$<br>AT[0:3]<br>$\overline{BDIP}$<br>PTR<br>$\overline{RETRY}$   | 3.5       |            | 3.5                 |            | ns   |
| 7b | CLKOUT to Signal Invalid<br>(Hold Time) <sup>2</sup><br>$\overline{BR}$<br>$\overline{BG}$<br>FRZ<br>VFLS[0:1]<br>VF[0:2]<br>IWP[0:2]<br>LWP[0:1]<br>$\overline{STS}$ <sup>3</sup> | 3.5       |            | 3.5                 |            | ns   |
| 7c | Slave mode CLKOUT to<br>Signal Invalid<br>D[0:31]  | 3.5       |            | 3.5                 |            | ns   |

**Table F-10. Bus Operation Timing (continued)**
**Note:** ( $V_{DD} = 2.6\text{ V} \pm 0.1\text{ V}$ ,  $V_{DDH} = 5.0\text{ V} \pm 0.25\text{ V}$ ,  $T_A = T_L$  to  $T_H$ , 50 pF load unless noted otherwise)

|     | Characteristic   | 40 MHz |     | 56 MHz <sup>1</sup> |      | Unit |
|-----|--|--------|-----|---------------------|------|------|
|     |  | Min    | Max | Min                 | Max  |      |
| 8   | CLKOUT to Signal Valid<br>ADDR[8:31]<br>RD/WR<br>BURST<br>D[0:31] <sup>4</sup>                                       | 6.25   | 14  | 4.5                 | 11   | ns   |
| 8a  | CLKOUT to Signal Valid<br>TSIZ[0:1]<br>RSV<br>AT[0:3]<br>BDIP<br>PTR<br>RETRY  | 6.25   | 13  | 4.5                 | 9.5  | ns   |
| 8b  | CLKOUT to Signal Valid <sup>2</sup><br>BR<br>BG<br>VFLS[0:1]<br>VF[0:2]<br>IWP[0:2]<br>FRZ<br>LWP[0:1]<br>STS valid. | 6.25   | 14  | 4.5                 | 10.5 | ns   |
| 8c  | Slave Mode CLKOUT to<br>Signal Valid<br>D[0:31]  |        | 14  |                     | 11   | ns   |
| 8d  | CLKOUT to Data<br>Pre-discharge time   |        | 16  |                     | 16   | ns   |
| 8e  | CLKOUT to Data<br>Pre-discharge start  | 3      |     | 3                   |      | ns   |
| 9   | CLKOUT to High Z<br>ADDR[8:31]<br>RD/WR<br>BURST<br>D[0:31]<br>TSIZ[0:1]<br>RSV<br>AT[0:3]<br>PTR<br>RETRY           | 6.25   | 13  | 4.5                 | 9.5  | ns   |
| 10  | CLKOUT to $\overline{TS}$ , $\overline{BB}$ assertion  | 7.25   | 14  | 5.5                 | 10.5 | ns   |
| 10a | CLKOUT to $\overline{TA}$ , $\overline{BI}$ assertion<br>(when driven by the<br>Memory Controller)                   |        | 8.5 |                     | 8.5  | ns   |

**Table F-10. Bus Operation Timing (continued)**
**Note:** ( $V_{DD} = 2.6 \text{ V} \pm 0.1 \text{ V}$ ,  $V_{DDH} = 5.0 \text{ V} \pm 0.25 \text{ V}$ ,  $T_A = T_L$  to  $T_H$ , 50 pF load unless noted otherwise)

|     | Characteristic   | 40 MHz |     | 56 MHz <sup>1</sup> |      | Unit |
|-----|--|--------|-----|---------------------|------|------|
|     |  | Min    | Max | Min                 | Max  |      |
| 10b | CLKOUT to $\overline{\text{RETRY}}$ assertion<br>(when driven by the<br>Memory Controller)   |        | 10  |                     | 10   | ns   |
| 11  | CLKOUT to $\overline{\text{TS}}$ , $\overline{\text{BB}}$ negation   | 7.25   | 14  | 5.5                 | 10.5 | ns   |
| 11a | CLKOUT to $\overline{\text{TA}}$ , $\overline{\text{BI}}$ negation<br>(when driven by the<br>Memory Controller)  | 2      | 11  | 2                   | 11   | ns   |
| 11b | CLKOUT to $\overline{\text{RETRY}}$ negation<br>(when driven by the<br>Memory Controller)  | 2      | 11  | 2                   | 11   | ns   |
| 12  | CLKOUT to $\overline{\text{TS}}$ , $\overline{\text{BB}}$ High Z   | 6.25   | 20  | 4.5                 | 16   | ns   |
| 12a | CLKOUT to $\overline{\text{TA}}$ , $\overline{\text{BI}}$ High Z<br>(when driven by the<br>Memory Controller)  |        | 15  |                     | 15   | ns   |
| 13  | CLKOUT to $\overline{\text{TEA}}$ assertion  |        | 8.5 |                     | 8.5  | ns   |
| 14  | CLKOUT to $\overline{\text{TEA}}$ High Z   |        | 15  |                     | 15   | ns   |
| 15  | Input Valid to CLKOUT<br>(Setup Time)<br>$\overline{\text{TA}}$<br>$\overline{\text{TEA}}$<br>$\overline{\text{BI}}$ <sup>3</sup>  | 12     |     | 8.5                 |      | ns   |
| 15a | Input Valid to CLKOUT<br>(Setup Time)<br>$\overline{\text{KR}}$<br>$\overline{\text{CR}}$<br>$\overline{\text{RETRY}}$   | 10     |     | 7.25                |      | ns   |
| 15b | Input Valid to CLKOUT<br>(Setup Time)<br>$\overline{\text{BB}}$<br>$\overline{\text{BG}}$<br>$\overline{\text{BR}}$ <sup>2</sup>   | 8      |     | 6.5                 |      | ns   |
| 16  | CLKOUT to Signal Invalid<br>(Hold Time)<br>$\overline{\text{TA}}$<br>$\overline{\text{TEA}}$<br>$\overline{\text{BI}}$<br>$\overline{\text{BB}}$<br>$\overline{\text{BG}}$<br>$\overline{\text{BR}}$ <sup>2, 3</sup> | 2      |     | 2                   |      | ns   |

**Table F-10. Bus Operation Timing (continued)**
**Note:** ( $V_{DD} = 2.6\text{ V} \pm 0.1\text{ V}$ ,  $V_{DDH} = 5.0\text{ V} \pm 0.25\text{ V}$ ,  $T_A = T_L$  to  $T_H$ , 50 pF load unless noted otherwise)

|     | Characteristic  | 40 MHz |     | 56 MHz <sup>1</sup> |       | Unit |
|-----|---|--------|-----|---------------------|-------|------|
|     |   | Min    | Max | Min                 | Max   |      |
| 16a | CLKOUT to Signal Invalid (Hold Time)<br>$\overline{\text{RETRY}}$<br>$\overline{\text{KR}}$<br>$\overline{\text{CR}}$                               | 2      |     | 2                   |       | ns   |
| 17  | Signal Valid to CLKOUT Rising Edge (Setup Time)<br>$\text{D}[0:31]^4$   | 6      |     | 6                   |       | ns   |
| 17b | Signal Valid to CLKOUT Rising Edge (Short Setup Time, SST = 1)<br>$\text{D}[0:31]^4$  | 3      |     | 3                   |       |      |
| 18  | CLKOUT Rising Edge to Signal Invalid (Hold Time)<br>$\text{D}[0:31]^4$  | 2      |     | 2                   |       | ns   |
| 19  | CLKOUT Rising Edge to $\overline{\text{CS}}$ asserted<br>-GPCM- ACS = 00  | 7.25   | 15  | 6.5                 | 11.5  | ns   |
| 19a | CLKOUT Falling Edge to $\overline{\text{CS}}$ asserted<br>-GPCM- ACS = 10, TRLX = 0 or 1  |        | 8   |                     | 6     | ns   |
| 19b | CLKOUT Falling Edge to $\overline{\text{CS}}$ asserted<br>-GPCM- ACS = 11, TRLX = 0 or 1  | 6.25   | 14  | 5.5                 | 10.5  | ns   |
| 19c | CLKOUT Falling Edge to $\overline{\text{CS}}$ asserted<br>-GPCM- ACS = 11, TRLX = 0, EBDF = 1   | 6.25   | 17  | 6.69                | 12.69 | ns   |
| 20  | CLKOUT Rising Edge to $\overline{\text{CS}}$ negated<br>-GPCM- Read Access or Write access when CSNT = 0 or write access when CSNT = 1 and ACS = 00 | 1      | 8   | 1                   | 7     | ns   |
| 21  | ADDR[8:31] to $\overline{\text{CS}}$ asserted<br>-GPCM- ACS = 10, TRLX = 0  | 0.75   |     | 1                   |       | ns   |
| 21a | ADDR[8:31] to $\overline{\text{CS}}$ asserted<br>-GPCM- ACS = 11, TRLX = 0  | 8      |     | 6                   |       | ns   |
| 22  | CLKOUT Rising Edge to $\overline{\text{OE}}$ , $\overline{\text{WE}}[0:3]/\overline{\text{BE}}[0:3]$ asserted                                       | 1      | 8   | 1                   | 6     | ns   |

**Table F-10. Bus Operation Timing (continued)**

**Note:** ( $V_{DD} = 2.6 V \pm 0.1 V$ ,  $V_{DDH} = 5.0 V \pm 0.25 V$ ,  $T_A = T_L$  to  $T_H$ , 50 pF load unless noted otherwise)

|     | Characteristic  | 40 MHz |     | 56 MHz <sup>1</sup> |       | Unit |
|-----|---|--------|-----|---------------------|-------|------|
|     |   | Min    | Max | Min                 | Max   |      |
| 23  | CLKOUT Rising Edge to $\overline{OE}$ negated   | 1      | 8   | 1                   | 6     | ns   |
| 24  | ADDR[8:31] to $\overline{CS}$ asserted<br>-GPCM- ACS = 10, TRLX = 1   | 23     |     | 16.42               |       | ns   |
| 24a | ADDR[8:31] to $\overline{CS}$ asserted<br>-GPCM- ACS = 11, TRLX = 1   | 28     |     | 20                  |       | ns   |
| 25  | CLKOUT Rising Edge to $\overline{WE}[0:3]/\overline{BE}[0:3]$ negated<br>-GPCM-write access CSNT = '0'  |        | 7.5 |                     | 6     | ns   |
| 25a | CLKOUT Falling Edge to $\overline{WE}[0:3]/\overline{BE}[0:3]$ negated<br>-GPCM-write access<br>TRLX = '0' or '1', CSNT = '1',<br>EBDF = 0'.  | 6.25   | 14  | 5.5                 | 10.5  | ns   |
| 25b | CLKOUT Falling Edge to $\overline{CS}$ negated<br>-GPCM-write access<br>TRLX = '0' or '1', CSNT = '1',<br>ACS = '10' or ACS='11',<br>EBDF = 0 | 6.25   | 14  | 5.5                 | 10.5  | ns   |
| 25c | CLKOUT Falling Edge to $\overline{WE}[0:3]/\overline{BE}[0:3]$ negated<br>-GPCM-write access<br>TRLX = '0', CSNT = '1',<br>EBDF = 1'.         | 6.25   | 17  | 5.5                 | 12.69 | ns   |
| 25d | CLKOUT Falling Edge to $\overline{CS}$ negated<br>-GPCM-write access<br>TRLX = '0', CSNT = '1',<br>ACS = '10' or ACS='11',<br>EBDF = 1        | 6.25   | 17  | 6.25                | 17    | ns   |
| 26  | $\overline{WE}[0:3]/\overline{BE}[0:3]$ negated to<br>D[0:31] High Z<br>-GPCM- write access, CSNT =<br>'0'                                    | 3      |     | 2.25                |       | ns   |
| 26a | $\overline{WE}[0:3]/\overline{BE}[0:3]$ negated to<br>D[0:31] High Z<br>-GPCM- write access,<br>TRLX = '0', CSNT = '1',<br>EBDF = 0           | 8      |     | 5.71                |       | ns   |



**Table F-10. Bus Operation Timing (continued)**
**Note:** ( $V_{DD} = 2.6 \text{ V} \pm 0.1 \text{ V}$ ,  $V_{DDH} = 5.0 \text{ V} \pm 0.25 \text{ V}$ ,  $T_A = T_L$  to  $T_H$ , 50 pF load unless noted otherwise)

|     | Characteristic   | 40 MHz |     | 56 MHz <sup>1</sup> |     | Unit |
|-----|--|--------|-----|---------------------|-----|------|
|     |  | Min    | Max | Min                 | Max |      |
| 26b | $\overline{CS}$ negated to D[0:31], High Z<br>-GPCM- write access,<br>ACS = '00',<br>TRLX = '0' & CSNT = '0'                         | 3      |     | 2.25                |     | ns   |
| 26c | $\overline{CS}$ negated to D[0:31], High Z<br>-GPCM- write access,<br>TRLX = '0', CSNT = '1',<br>ACS = '10' or ACS='11',<br>EBDF = 0 | 8      |     | 5.71                |     | ns   |
| 26d | $\overline{WE}[0:3]/\overline{BE}[0:3]$ negated to<br>D[0:31] High Z<br>-GPCM- write access,<br>TRLX = '1', CSNT = '1',<br>EBDF = 0  | 28     |     | 20                  |     | ns   |
| 26e | $\overline{CS}$ negated to D[0:31] High Z<br>-GPCM- write access,<br>TRLX = '1', CSNT = '1',<br>ACS = '10' or ACS='11',<br>EBDF = 0  | 28     |     | 20                  |     | ns   |
| 26f | $\overline{WE}[0:3]/\overline{BE}[0:3]$ negated to<br>D[0:31] HighZ<br>-GPCM- write access,<br>TRLX = '0', CSNT = '1',<br>EBDF = 1   | 5      |     | 3.75                |     | ns   |
| 26g | $\overline{CS}$ negated to D[0:31] High Z<br>-GPCM- write access,<br>TRLX = '0', CSNT = '1',<br>ACS = '10' or ACS='11',<br>EBDF = 1  | 5      |     | 3.75                |     | ns   |
| 26h | $\overline{WE}[0:3]/\overline{BE}[0:3]$ negated to<br>D[0:31] High Z<br>-GPCM- write access,<br>TRLX = '1', CSNT = '1',<br>EBDF = 1  | 24     |     | 17.25               |     | ns   |
| 26i | $\overline{CS}$ negated to D[0:31] High Z<br>-GPCM- write access,<br>TRLX = '1', CSNT = '1',<br>ACS = '10' or ACS='11',<br>EBDF = 1  | 24     |     | 17.25               |     | ns   |
| 27  | $\overline{CS}$ , $\overline{WE}[0:3]/\overline{BE}[0:3]$ negated<br>to ADDR[8:31] invalid -GPCM-<br>write access <sup>5</sup>       | 0.75   |     | 1                   |     | ns   |

**Table F-10. Bus Operation Timing (continued)**
**Note:** ( $V_{DD} = 2.6 \text{ V} \pm 0.1 \text{ V}$ ,  $V_{DDH} = 5.0 \text{ V} \pm 0.25 \text{ V}$ ,  $T_A = T_L$  to  $T_H$ , 50 pF load unless noted otherwise)

|     | Characteristic   | 40 MHz |     | 56 MHz <sup>1</sup> |     | Unit |
|-----|--|--------|-----|---------------------|-----|------|
|     |  | Min    | Max | Min                 | Max |      |
| 27a | $\overline{WE}[0:3]/\overline{BE}[0:3]$ negated to ADDR[8:31]<br>Invalid -GPCM- write access, TRLX='0', CSNT = '1'.<br><br>$\overline{CS}$ negated to ADDR[8:31]<br>Invalid -GPCM- write access, TRLX='0', CSNT = '1', ACS = 10, ACS = ='11', EBDF = 0 | 8      |     | 5.71                |     | ns   |
| 27b | $\overline{WE}[0:3]/\overline{BE}[0:3]$ negated to ADDR[8:31]<br>Invalid -GPCM- write access, TRLX='1', CSNT = '1'.<br><br>$\overline{CS}$ negated to ADDR[8:31]<br>Invalid -GPCM- write access, TRLX='1', CSNT = '1', ACS = 10, ACS = ='11', EBDF = 0 | 28     |     | 20                  |     | ns   |
| 27c | $\overline{WE}[0:3]/\overline{BE}[0:3]$ negated to ADDR[8:31] invalid -GPCM- write access, TRLX='0', CSNT = '1'.<br><br>$\overline{CS}$ negated to ADDR[8:31] Invalid -GPCM- write access, TRLX='0', CSNT = '1', ACS = 10, ACS = ='11', EBDF = 1       | 4      |     | 3                   |     | ns   |
| 27d | $\overline{WE}[0:3]/\overline{BE}[0:3]$ negated to ADDR[8:31]<br>Invalid -GPCM- write access, TRLX='1', CSNT = '1'.<br><br>$\overline{CS}$ negated to ADDR[8:31] Invalid -GPCM- write access, TRLX='1', CSNT = '1', ACS = 10, ACS = ='11', EBDF = 1    | 24     |     | 17.25               |     | ns   |
| 28  | ADDR[8:31], TSIZ[0:1], RD/WR, BURST, valid to CLKOUT Rising Edge. (Slave mode Setup Time)  | 9      |     | 6                   |     | ns   |
| 28a | Slave Mode D[0:31] valid to CLKOUT Rising Edge   | 5      |     | 5                   |     | ns   |

**Table F-10. Bus Operation Timing (continued)**

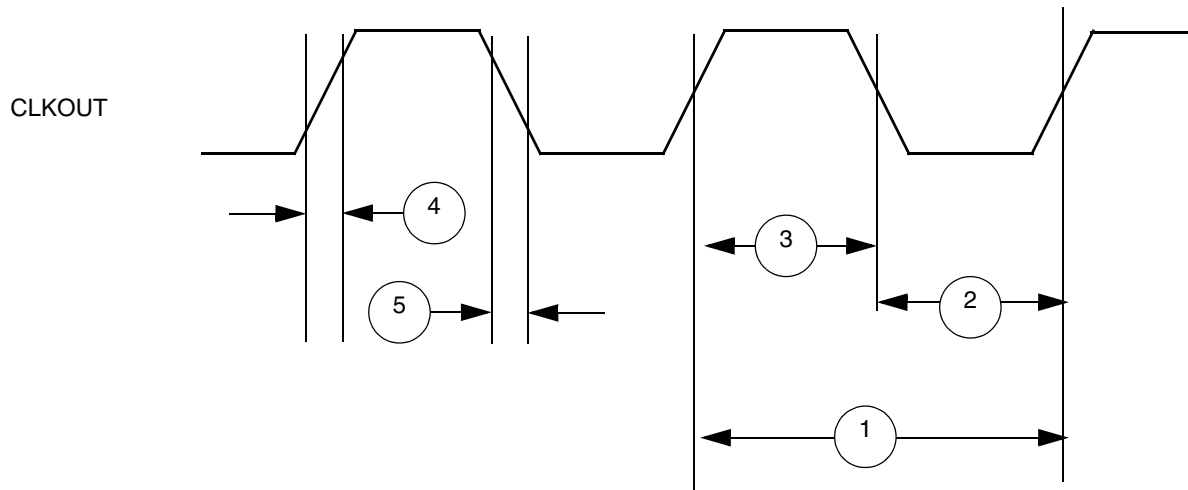
**Note:** ( $V_{DD} = 2.6\text{ V} \pm 0.1\text{ V}$ ,  $V_{DDH} = 5.0\text{ V} \pm 0.25\text{ V}$ ,  $T_A = T_L$  to  $T_H$ , 50 pF load unless noted otherwise)

|    | Characteristic   | 40 MHz |     | 56 MHz <sup>1</sup> |     | Unit |
|----|--|--------|-----|---------------------|-----|------|
|    |  | Min    | Max | Min                 | Max |      |
| 29 | $\overline{TS}$ valid to CLKOUT Rising Edge (Setup Time) | 7      |     | 5                   |     | ns   |
| 30 | CLKOUT Rising Edge to $\overline{TS}$ Valid (Hold Time). | 5      |     | 5                   |     | ns   |

- <sup>1</sup> 56-MHz operation is available as an option. Some parts (without the 56-MHz option) will operate at a maximum frequency of 40 MHz.
- <sup>2</sup> The timing for  $\overline{BR}$  output is relevant when the MPC565 is selected to work with external bus arbiter. The timing for  $\overline{BG}$  output is relevant when the MPC565 is selected to work with internal bus arbiter.
- <sup>3</sup> The setup times required for  $\overline{TA}$ ,  $\overline{TEA}$ , and  $\overline{BI}$  are relevant only when they are supplied by the external device (and not the memory controller).
- <sup>4</sup> The maximum value of spec 8 for DATA[0:31] pins must be extended by 1.1 ns if the pins have been precharged to greater than  $V_{DDL}$ . This is the case if an external slave device on the bus is running at the max. value of VDATAPC. This is currently specified at 3.1 V. The 1.1 ns addition to spec 8 reflects the expected timing degradation for 3.1 V.
- <sup>5</sup> The timing 27 refers to  $\overline{CS}$  when ACS = '00' and to  $\overline{WE}[0:3]/\overline{BE}[0:3]$  when CSNT = '0'.

### NOTE

The D[0:31] input timings 17 and 18 refer to the rising edge of the CLKOUT in which the  $\overline{TA}$  input signal is asserted.


**Figure F-10. CLKOUT Pin Timing**

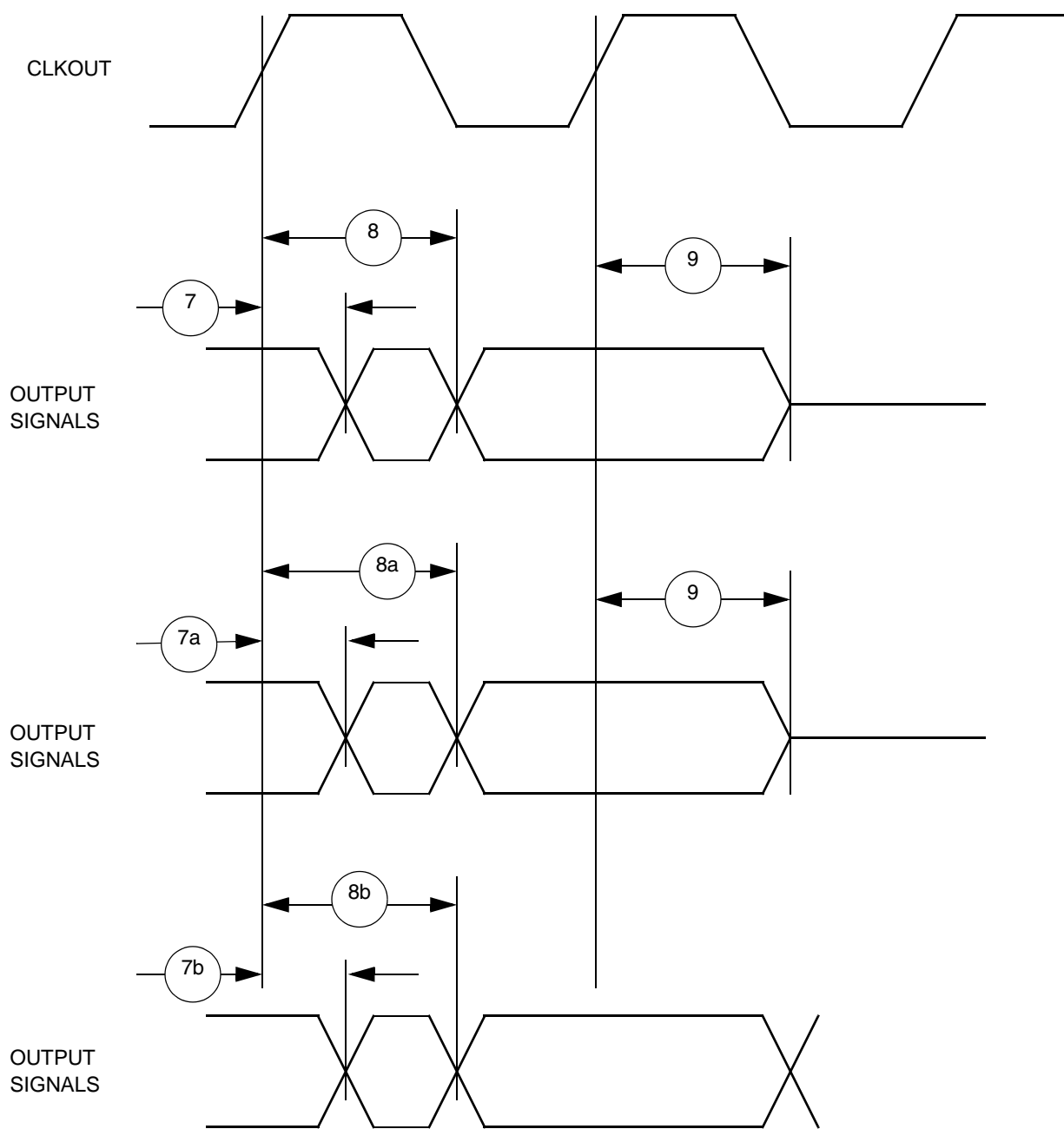
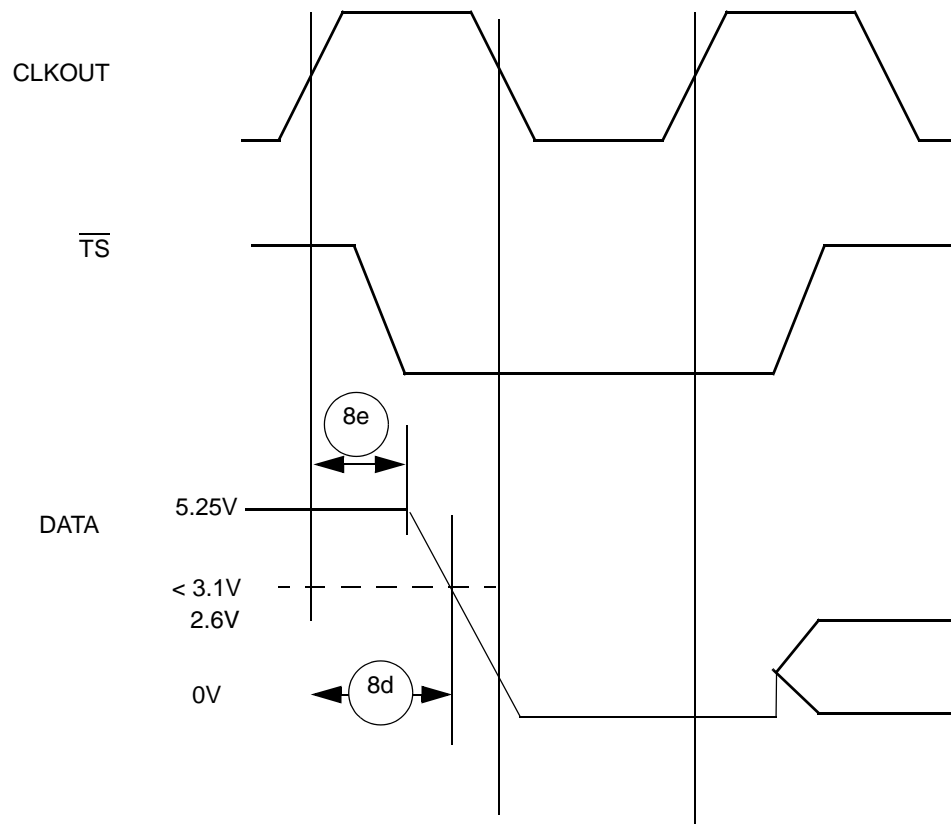


Figure F-11. Synchronous Output Signals Timing



sp8e: clkout to predischarge drivers enabled  
 sp8d: clkout to data below 3.1V

**Figure F-12. Predischarge Timing**

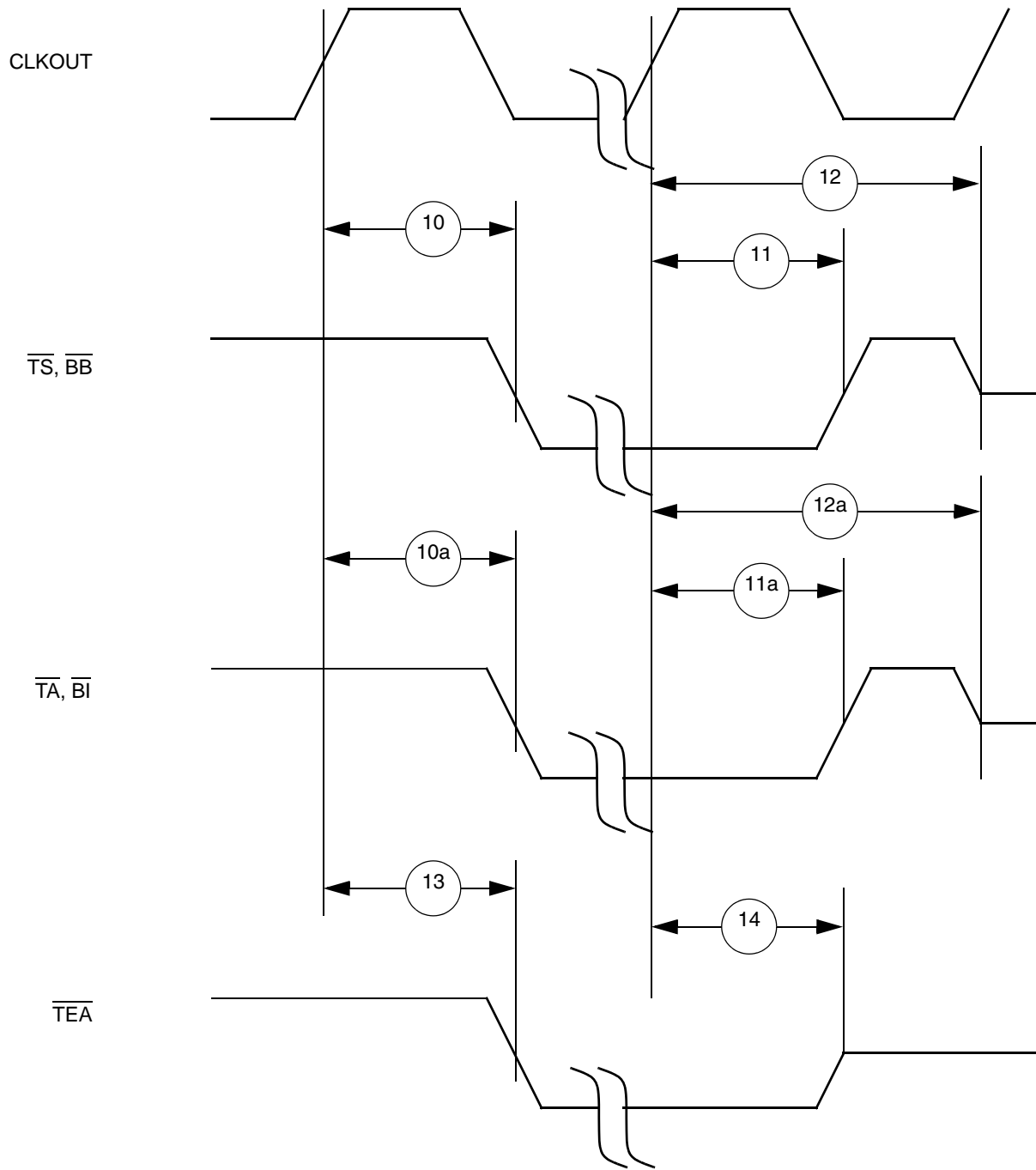


Figure F-13. Synchronous Active Pull-Up And Open Drain Outputs Signals Timing

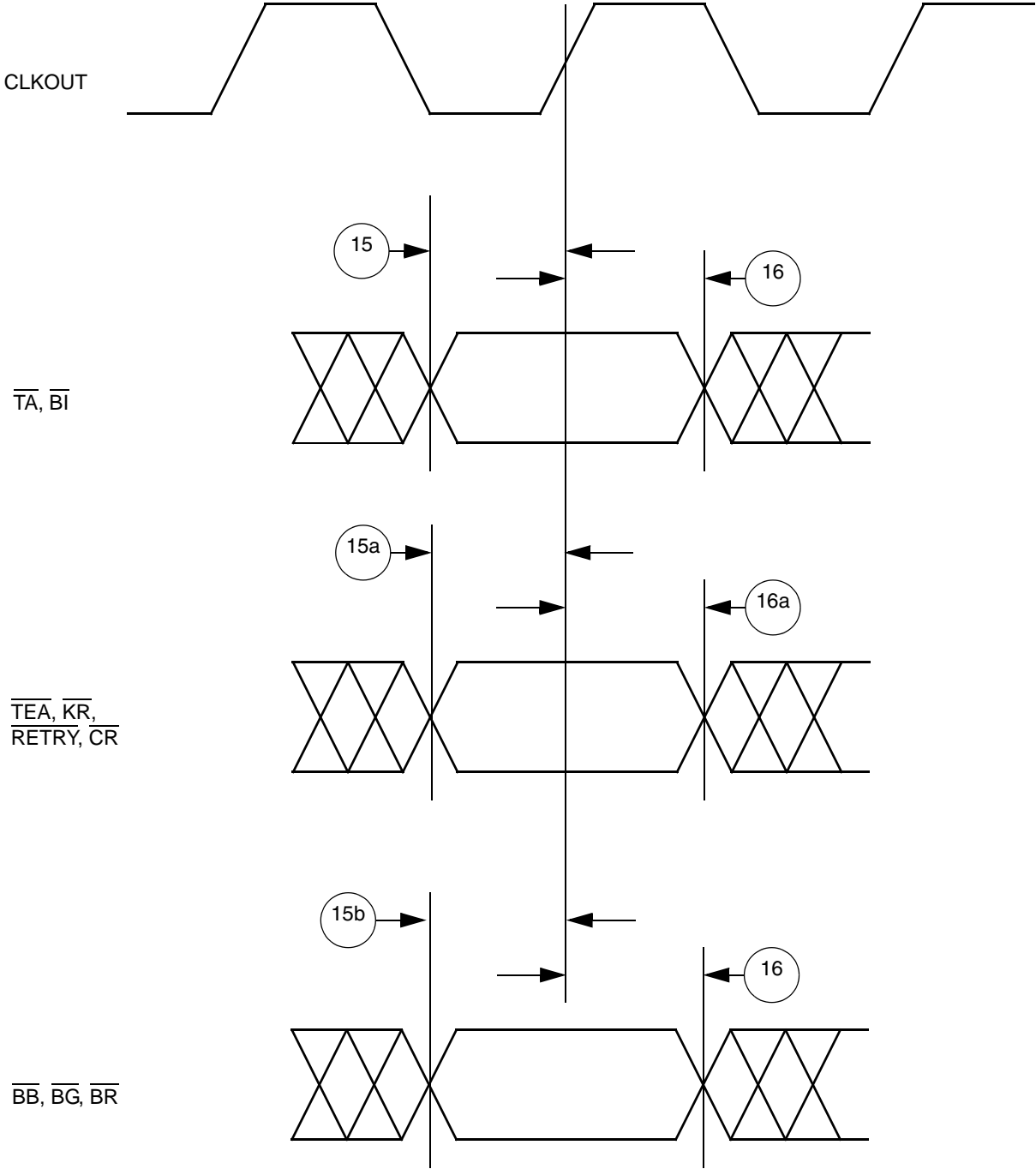


Figure F-14. Synchronous Input Signals Timing

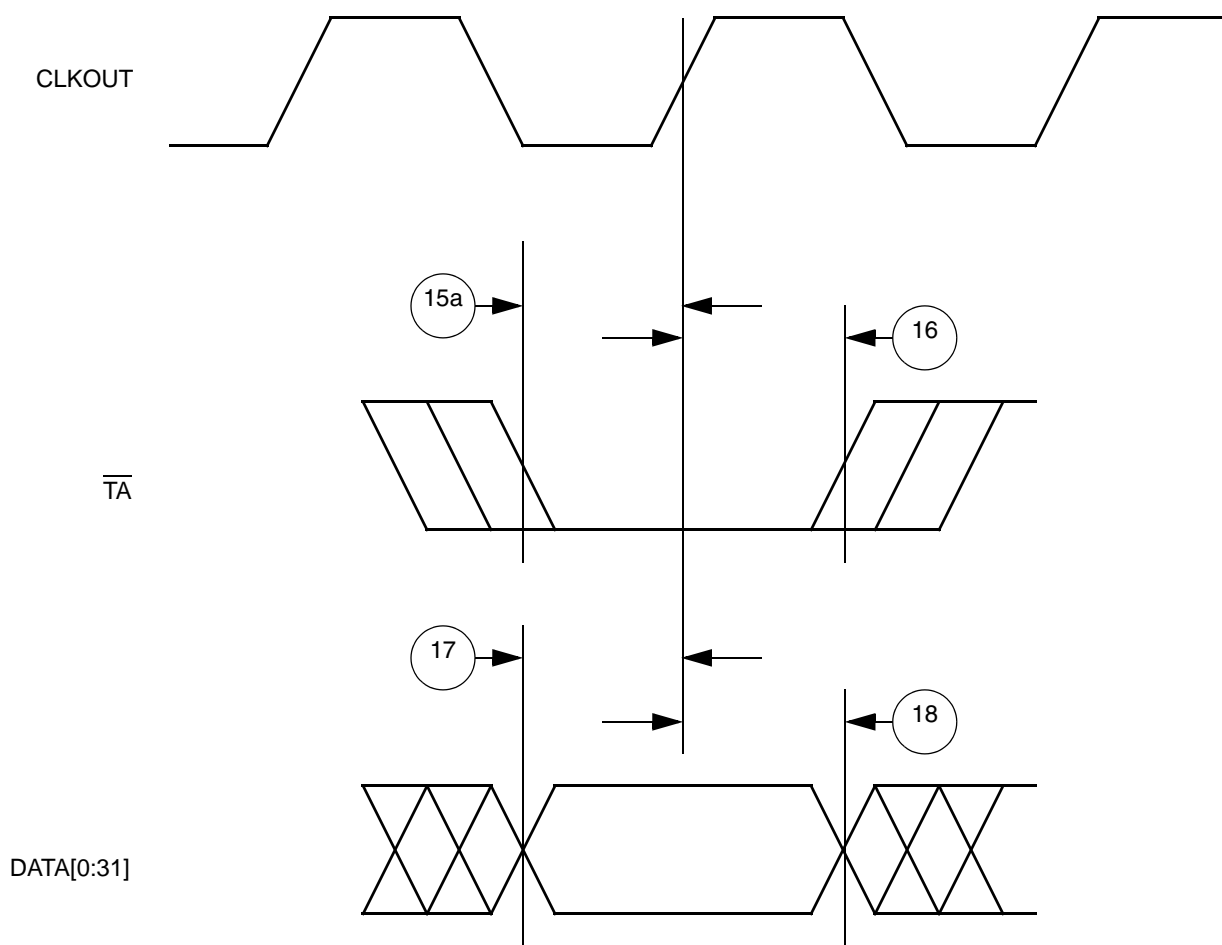


Figure F-15. Input Data Timing In Normal Case



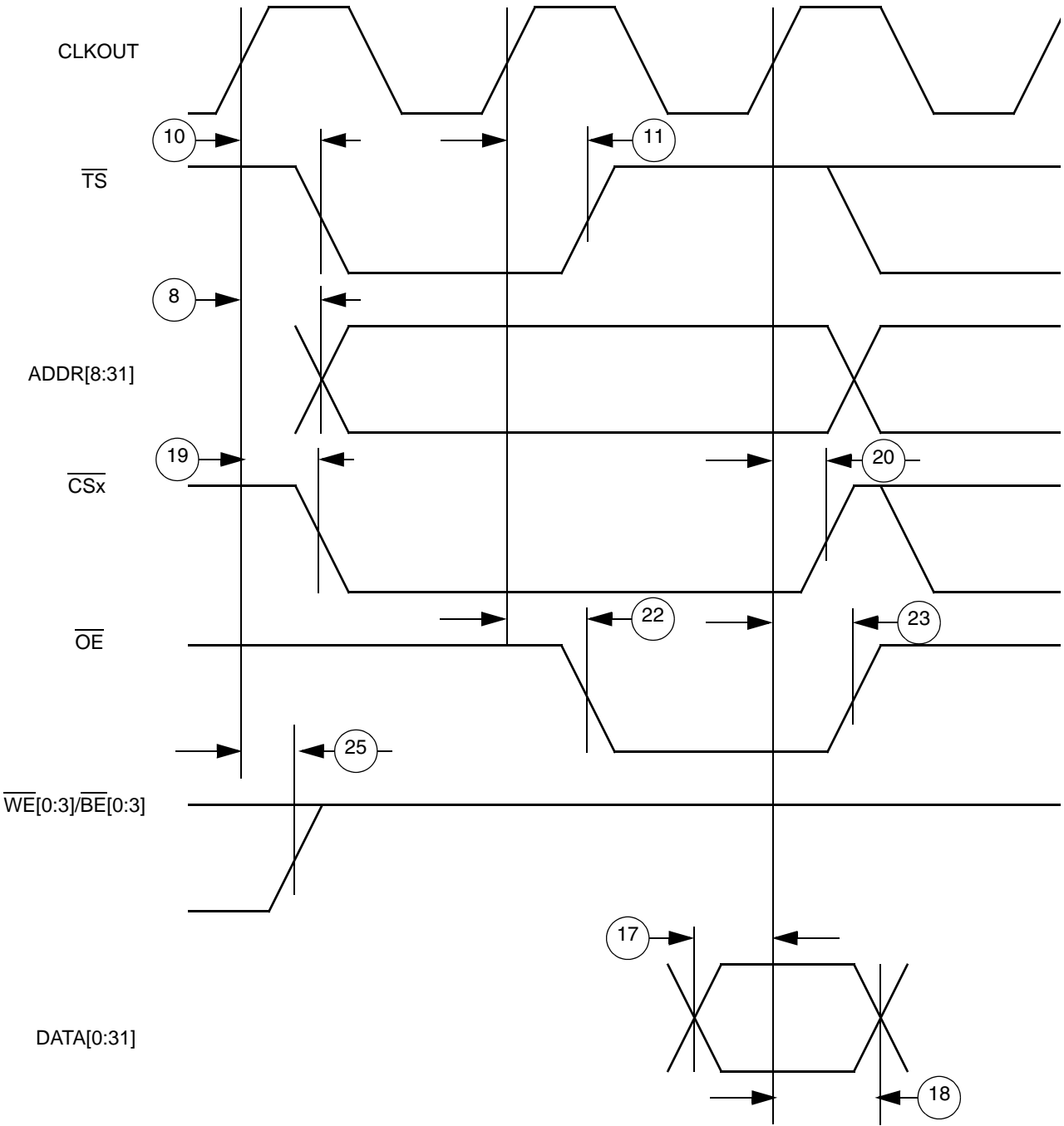


Figure F-16. External Bus Read Timing (GPCM Controlled – ACS = ‘00’)

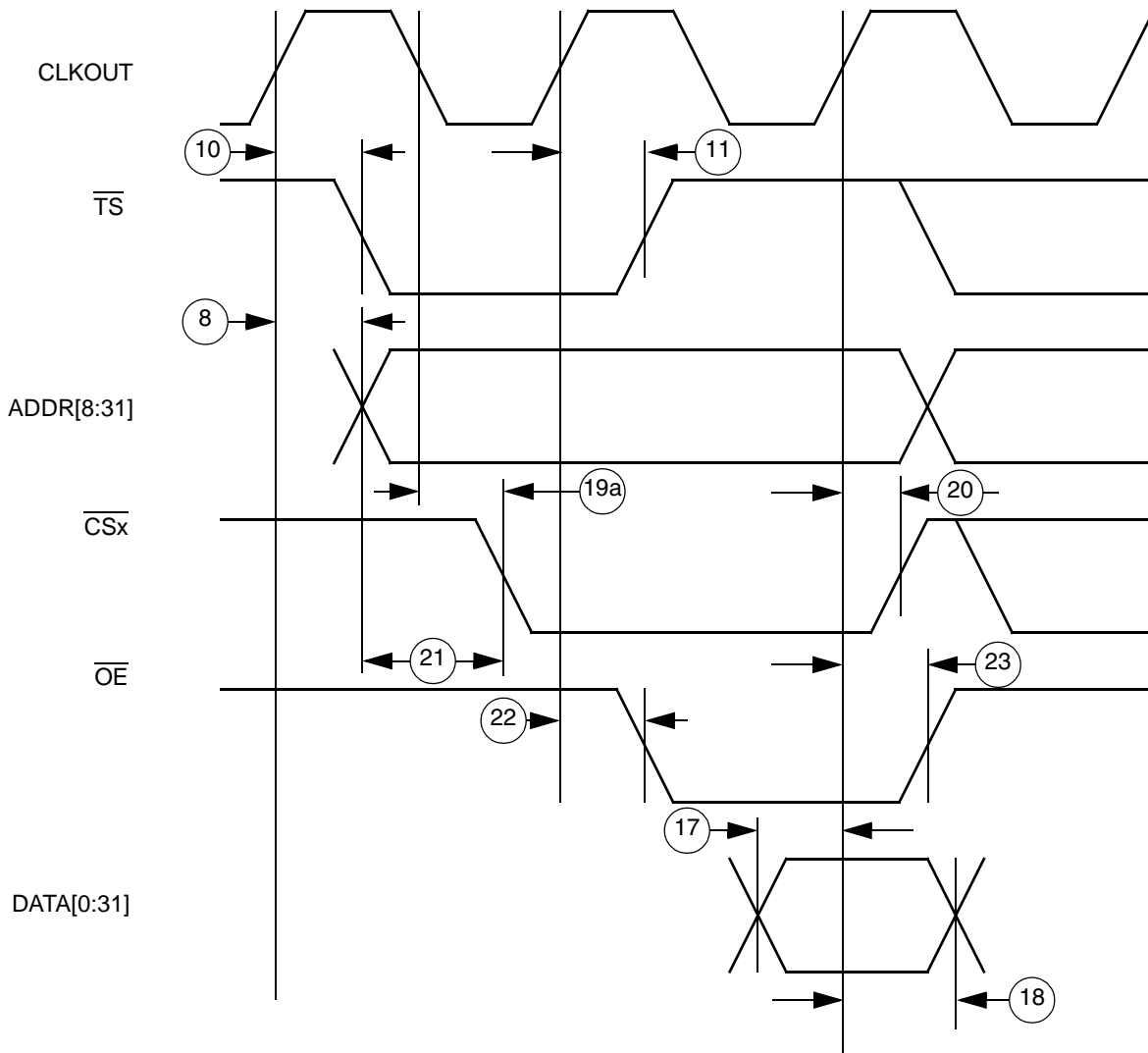


Figure F-17. External Bus Read Timing (GPCM Controlled – TRLX = '0' ACS = '10')

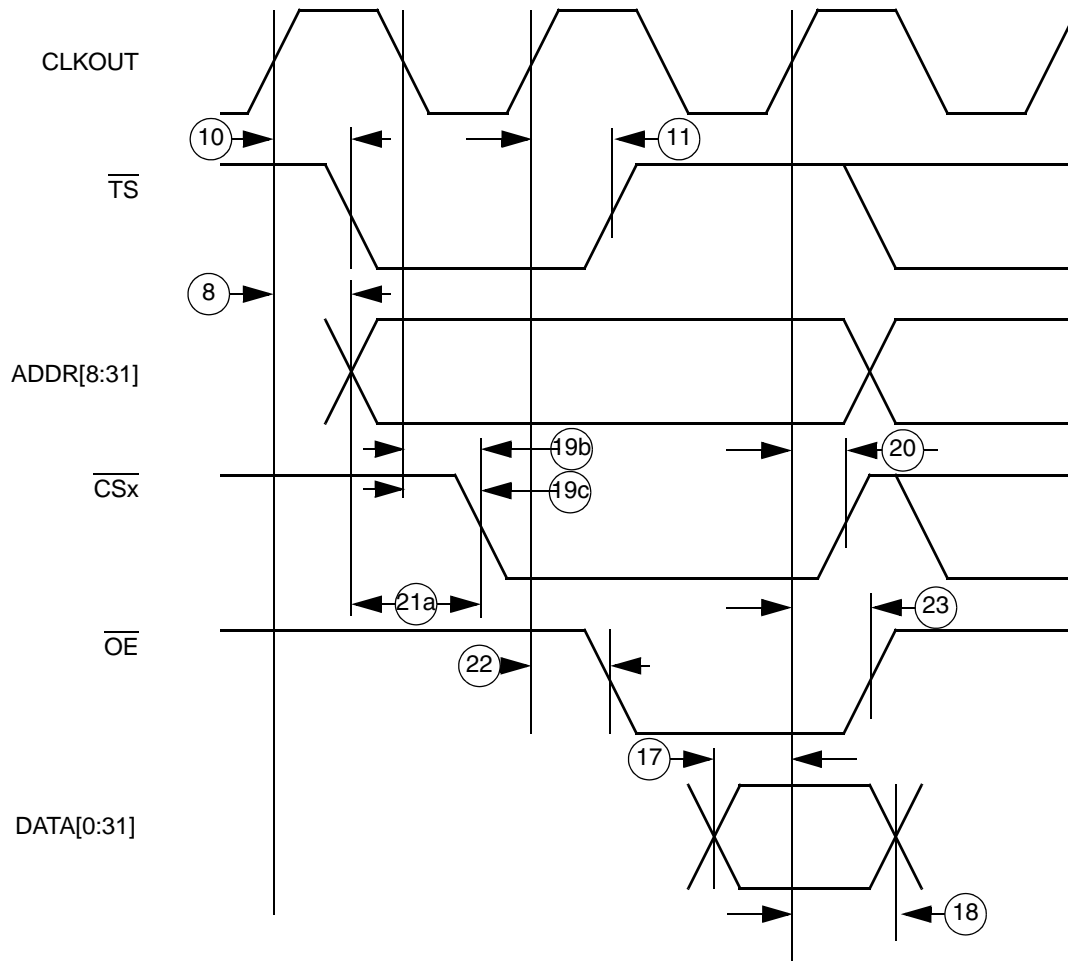


Figure F-18. External Bus Read Timing (GPCM Controlled – TRLX = '0' ACS = '11')

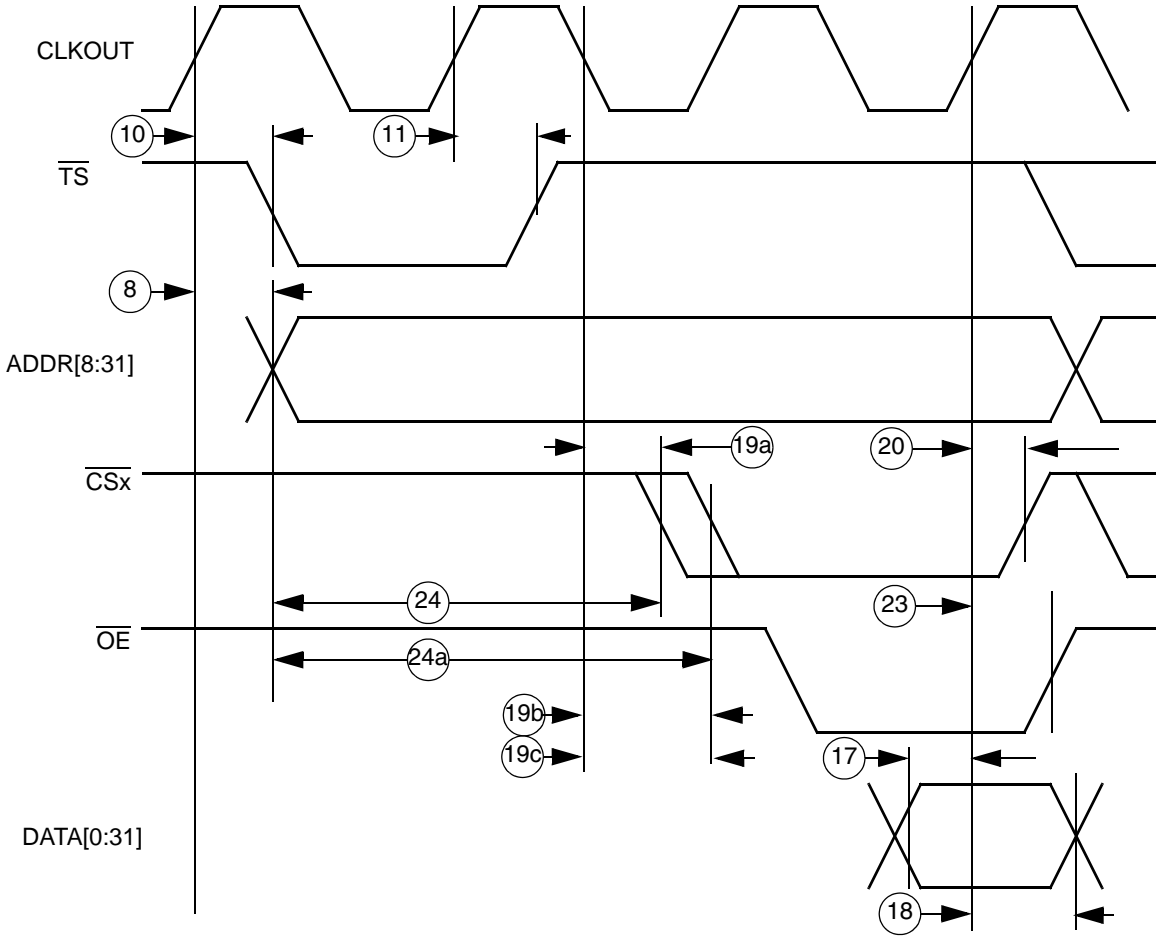


Figure F-19. External Bus Read Timing (GPCM Controlled – TRLX = ‘1’, ACS = ‘10’, ACS = ‘11’)

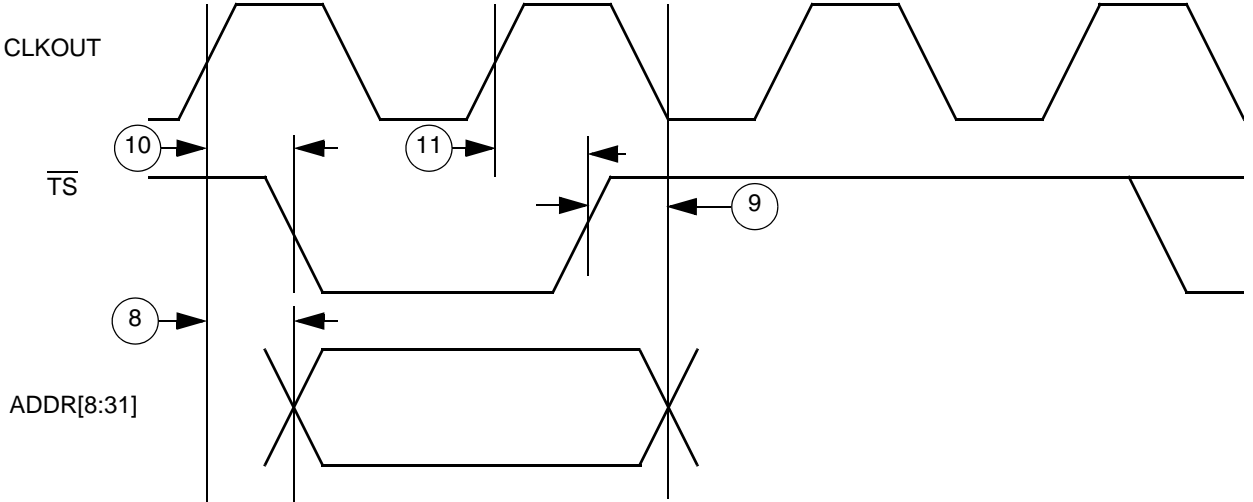


Figure F-20. Address Show Cycle Bus Timing

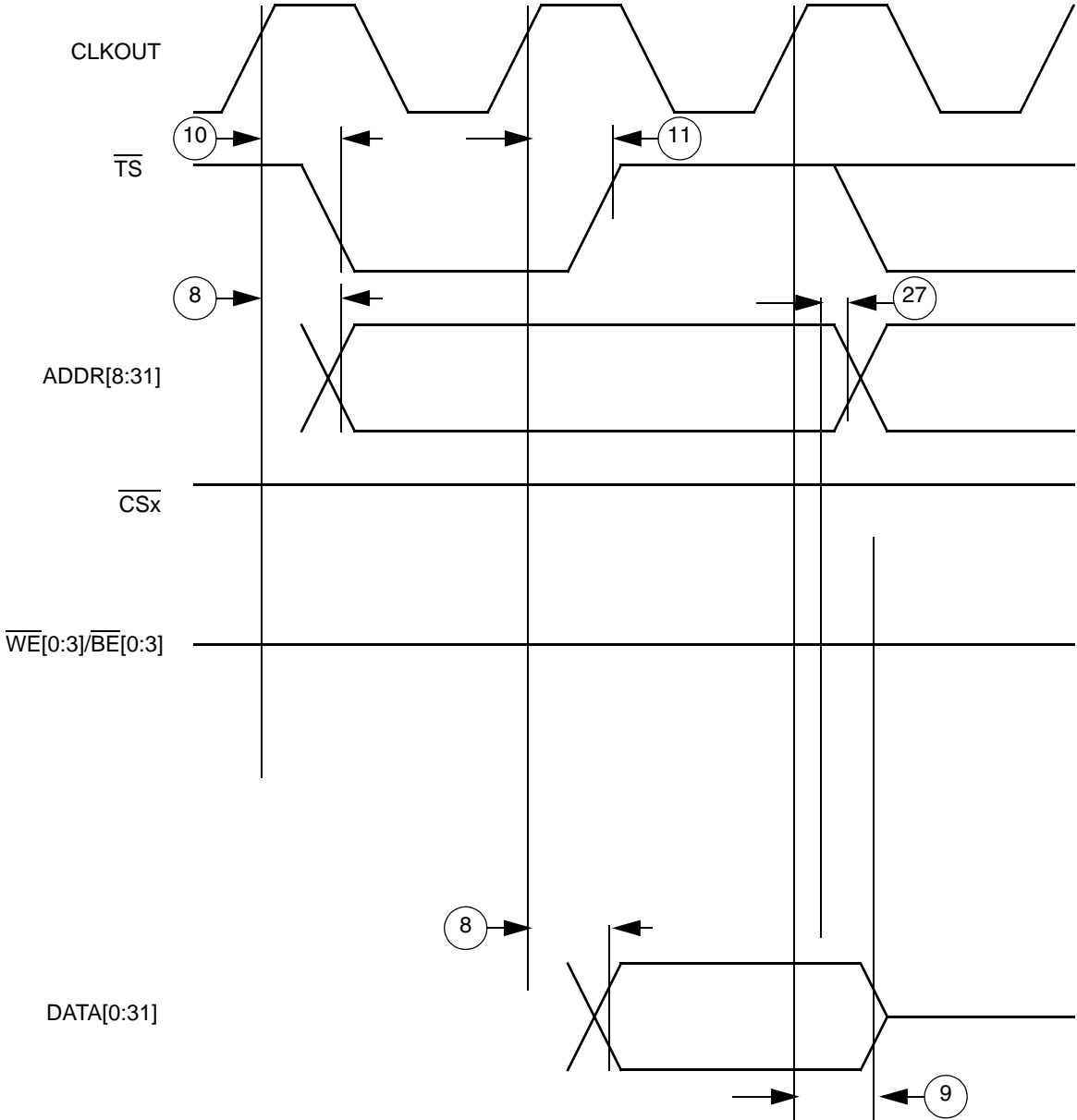


Figure F-21. Address and Data Show Cycle Bus Timing

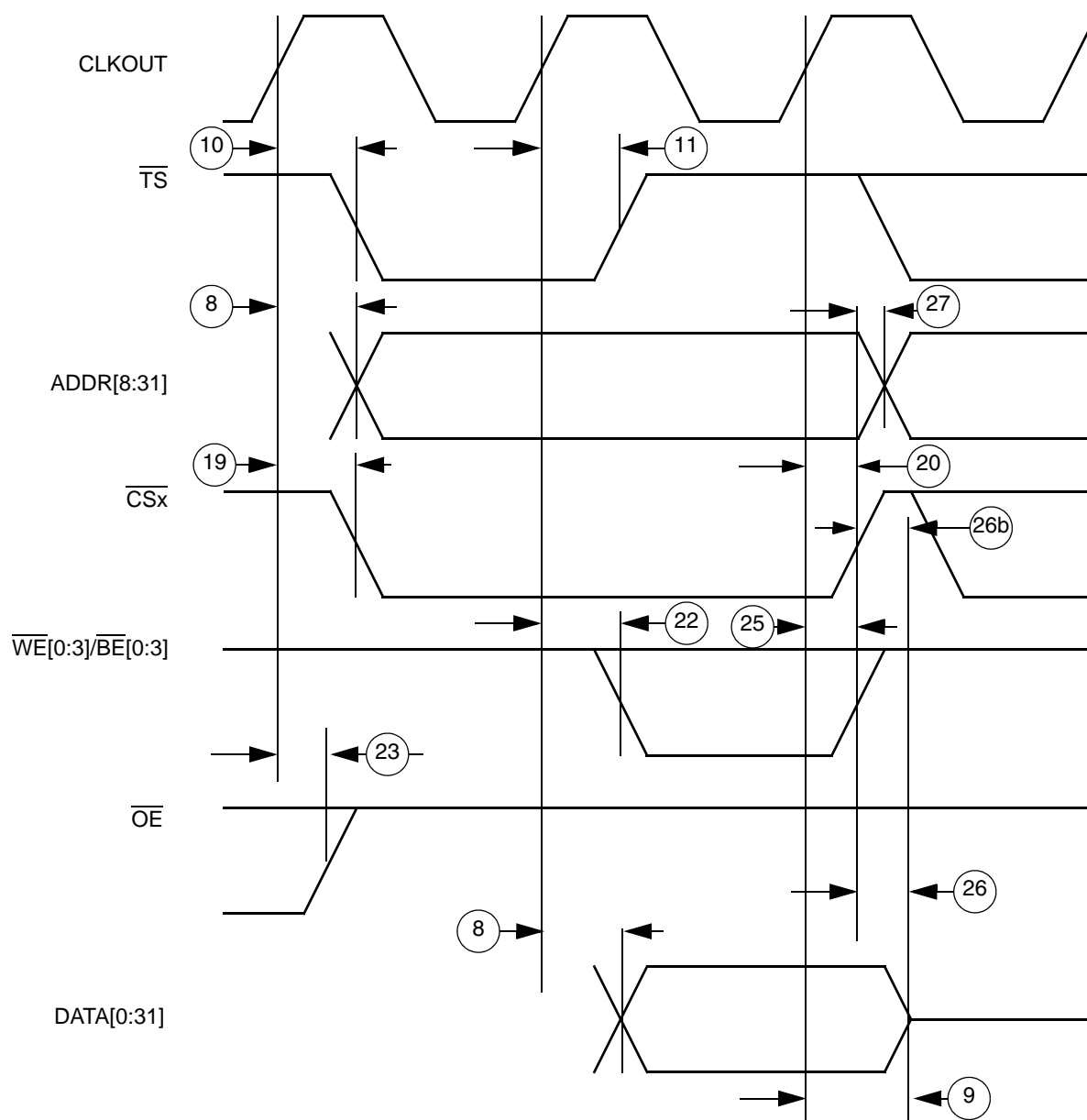


Figure F-22. External Bus Write Timing (GPCM Controlled – TRLX = '0', CSNT = '0')

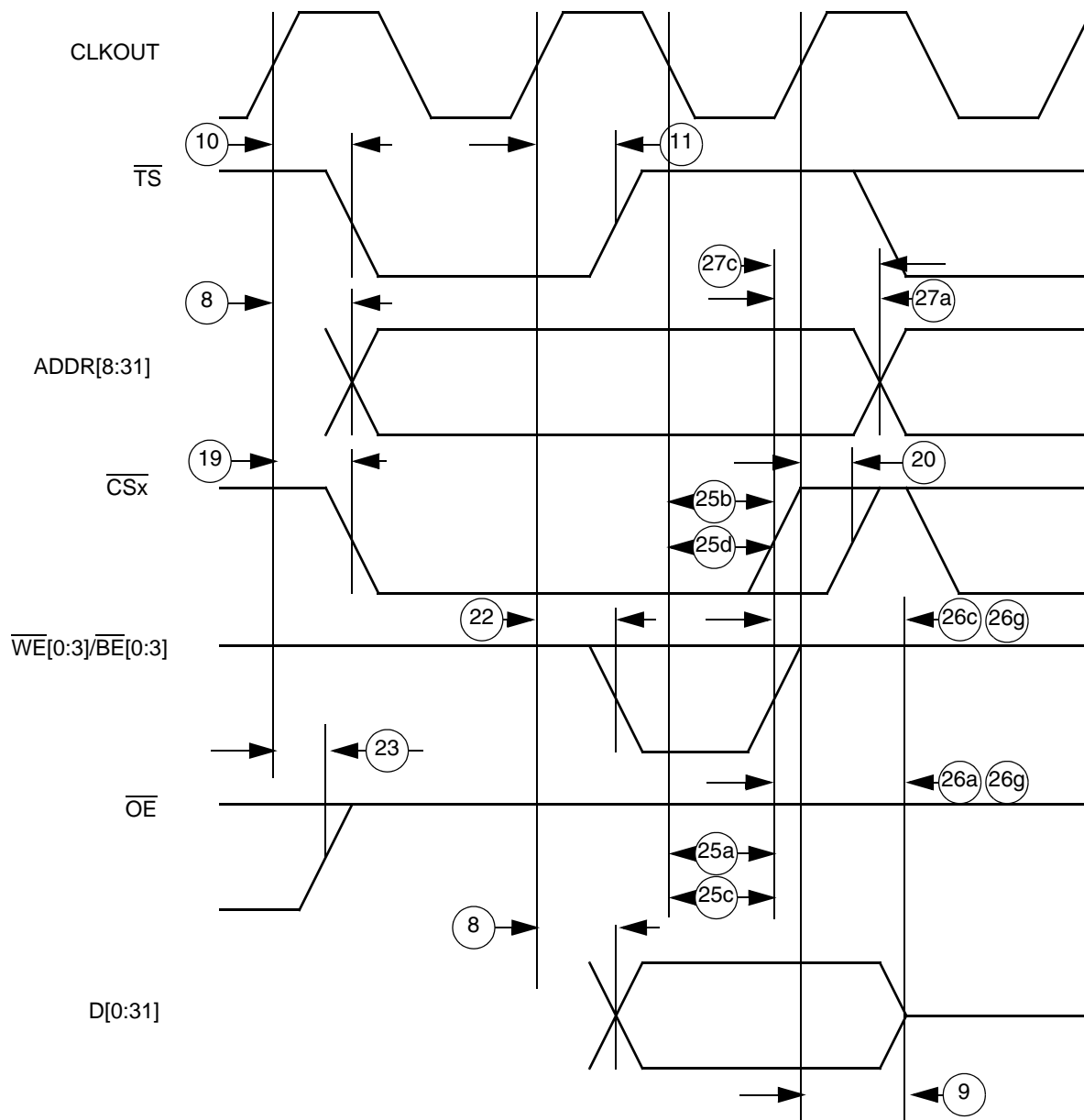


Figure F-23. External Bus Write Timing (GPCM Controlled – TRLX = '0', CSNT = '1')

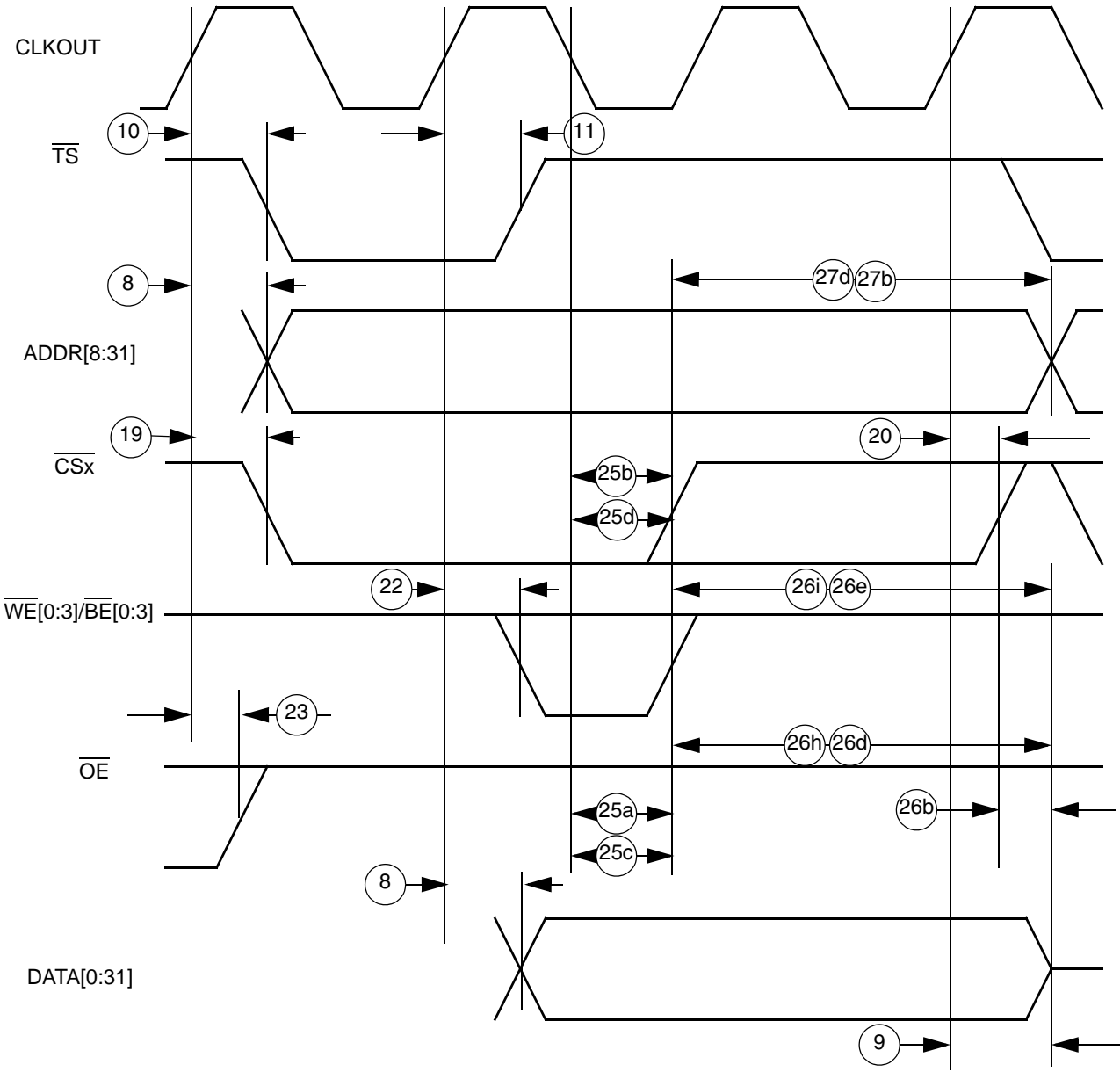


Figure F-24. External Bus Write Timing (GPCM Controlled – TRLX = ‘1’, CSNT = ‘1’)



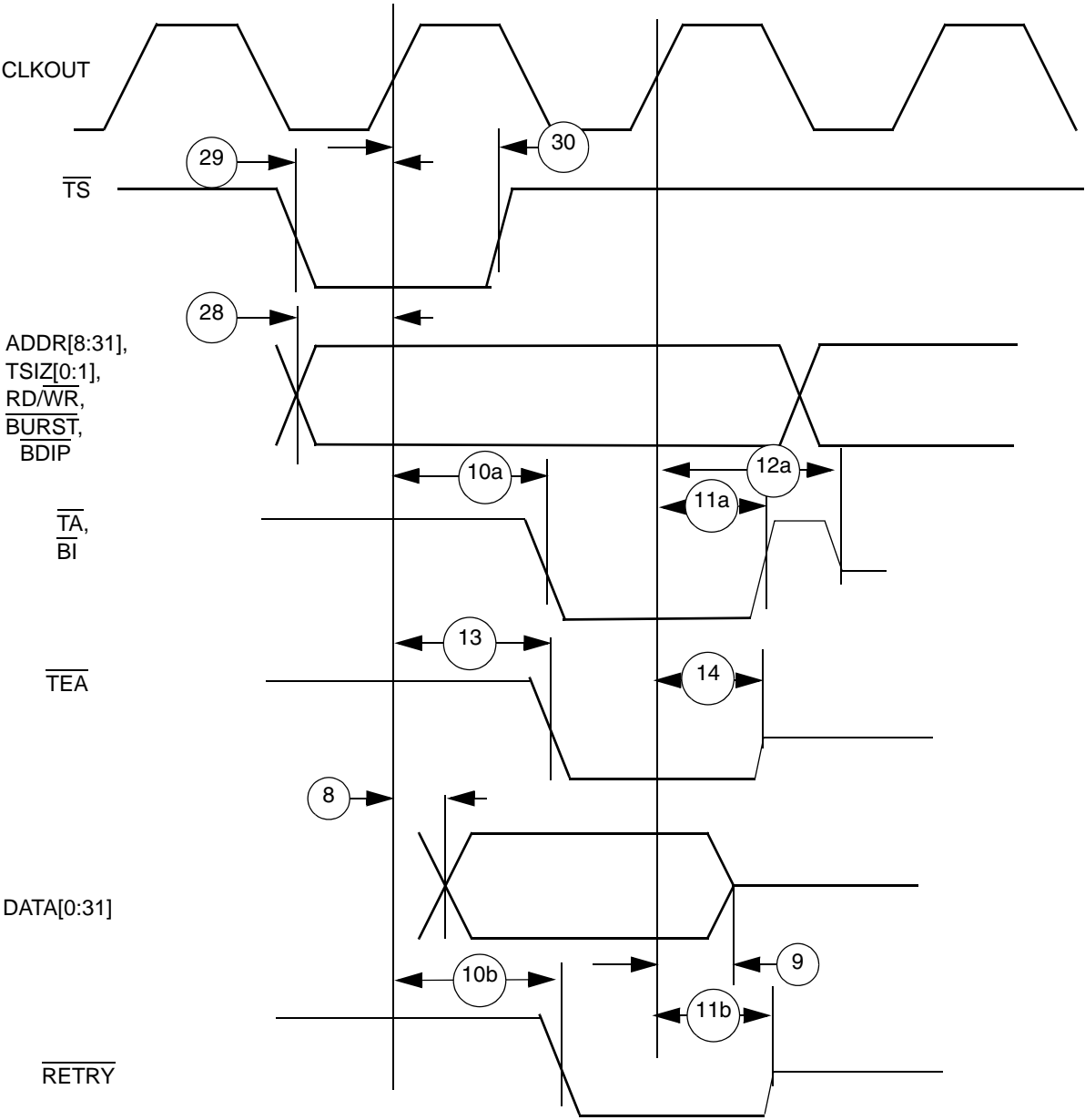


Figure F-25. External Master Read From Internal Registers Timing

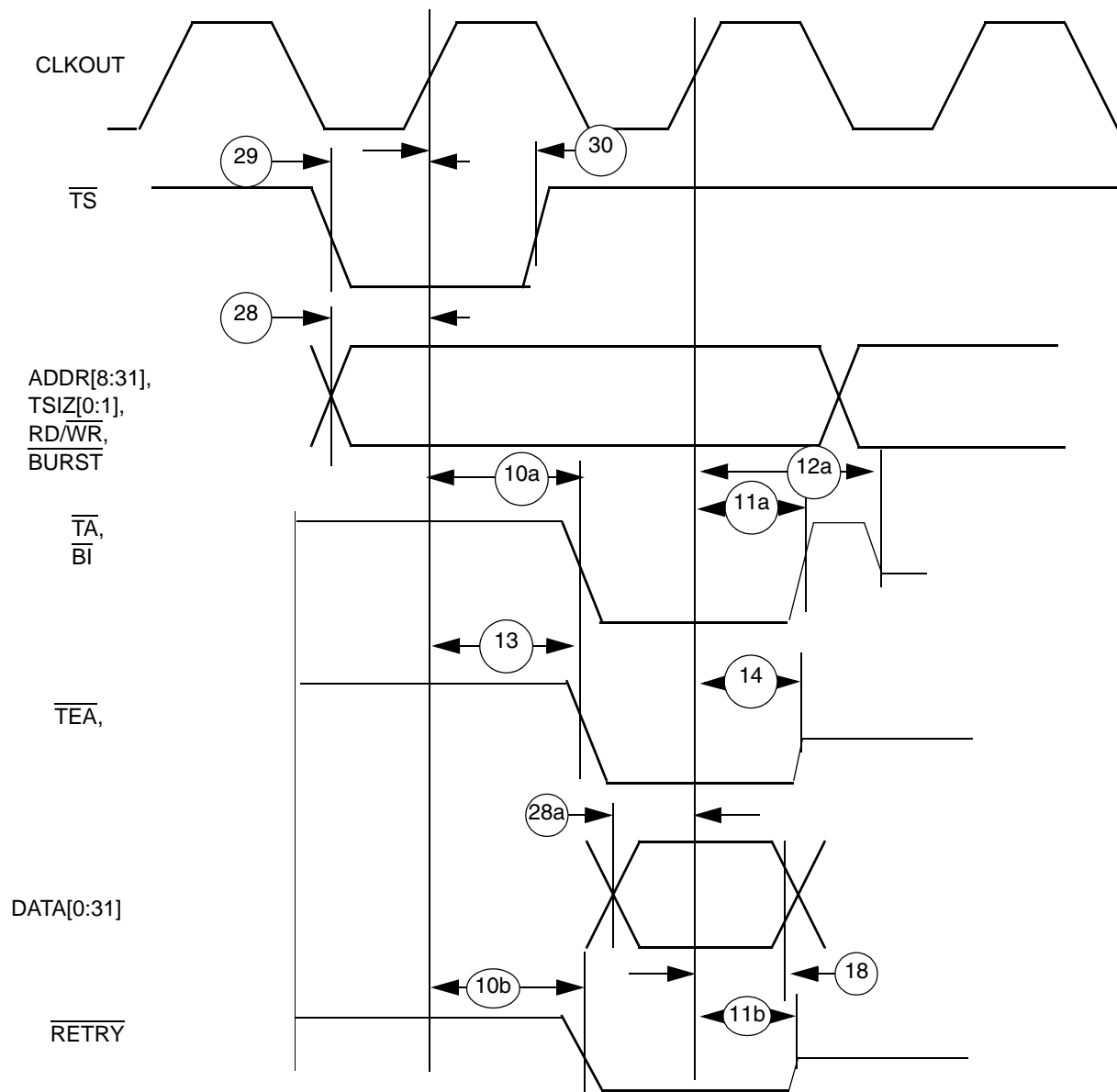
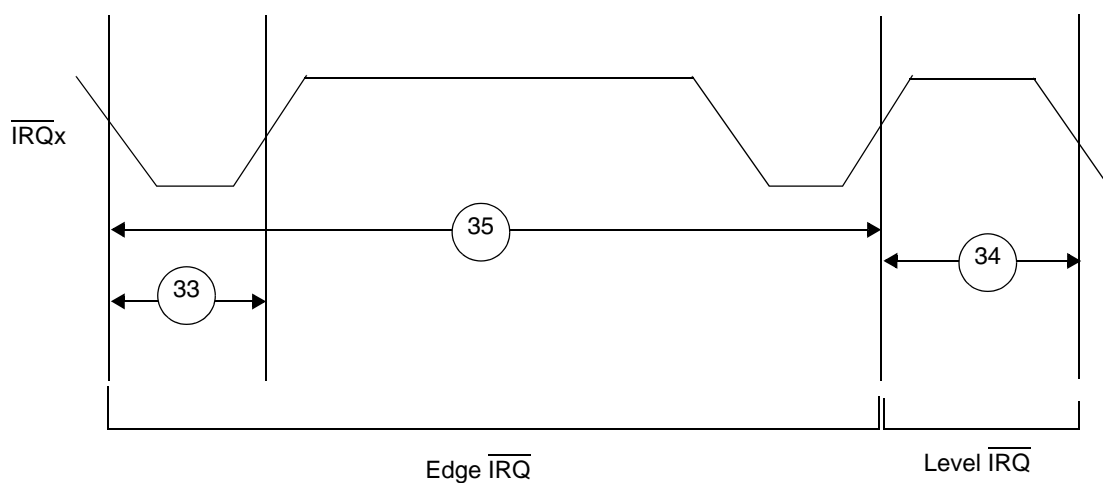


Figure F-26. External Master Write To Internal Registers Timing

**Table F-11. Interrupt Timing**

 Note: ( $T_A = T_L$  to  $T_H$ )

|    | Characteristic   | 40 MHz                 |     | 56 MHz                 |     | Unit |
|----|--|------------------------|-----|------------------------|-----|------|
|    |  | Min                    | Max | Min                    | Max |      |
| 33 | $\overline{\text{IRQx}}$ Pulse width Low   | $\text{TC}^1$          |     | $\text{TC}^1$          |     | ns   |
| 34 | $\overline{\text{IRQx}}$ Pulse width High; Between Level $\overline{\text{IRQ}}$ | $\text{TC}^1$          |     | $\text{TC}^1$          |     | ns   |
| 35 | $\overline{\text{IRQx}}$ Edge to Edge time                                       | $4 \times \text{TC}^1$ |     | $4 \times \text{TC}^1$ |     | ns   |

<sup>1</sup> TC is Spec 1 in [Table F-10](#).

**Figure F-27. Interrupt Detection Timing for External Edge Sensitive Lines**

## F.10.1 Debug Port Timing

**Table F-12. Debug Port Timing**

 Note: ( $T_A = T_L$  to  $T_H$ )

|    | Characteristic              | 40 MHz |     | 56 MHz |     | Unit |
|----|-----------------------------|--------|-----|--------|-----|------|
|    |                             | Min    | Max | Min    | Max |      |
| 36 | DSCK Cycle Time             | 50     | —   | 37.4   | —   | ns   |
| 37 | DSCK Clock Pulse Width      | 25     | —   | 18.7   | —   | ns   |
| 38 | DSCK Rise and Fall Times    | 0      | 7   | 0      | 7   | ns   |
| 39 | DSDI Input Data Setup Time  | 15     | —   | 15     | —   | ns   |
| 40 | DSDI Data Hold Time         | 5      | —   | 5      | —   | ns   |
| 41 | DSCK low to DSDO Data Valid | 0      | 18  | 0      | 18  | ns   |
| 42 | DSCK low to DSDO Invalid    | 0      | —   | 0      | —   | ns   |

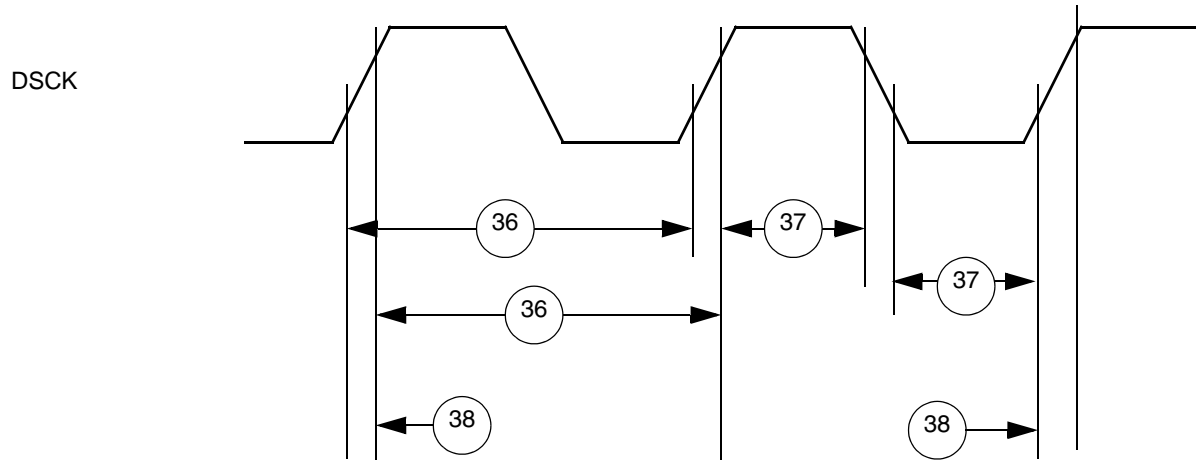


Figure F-28. Debug Port Clock Input Timing

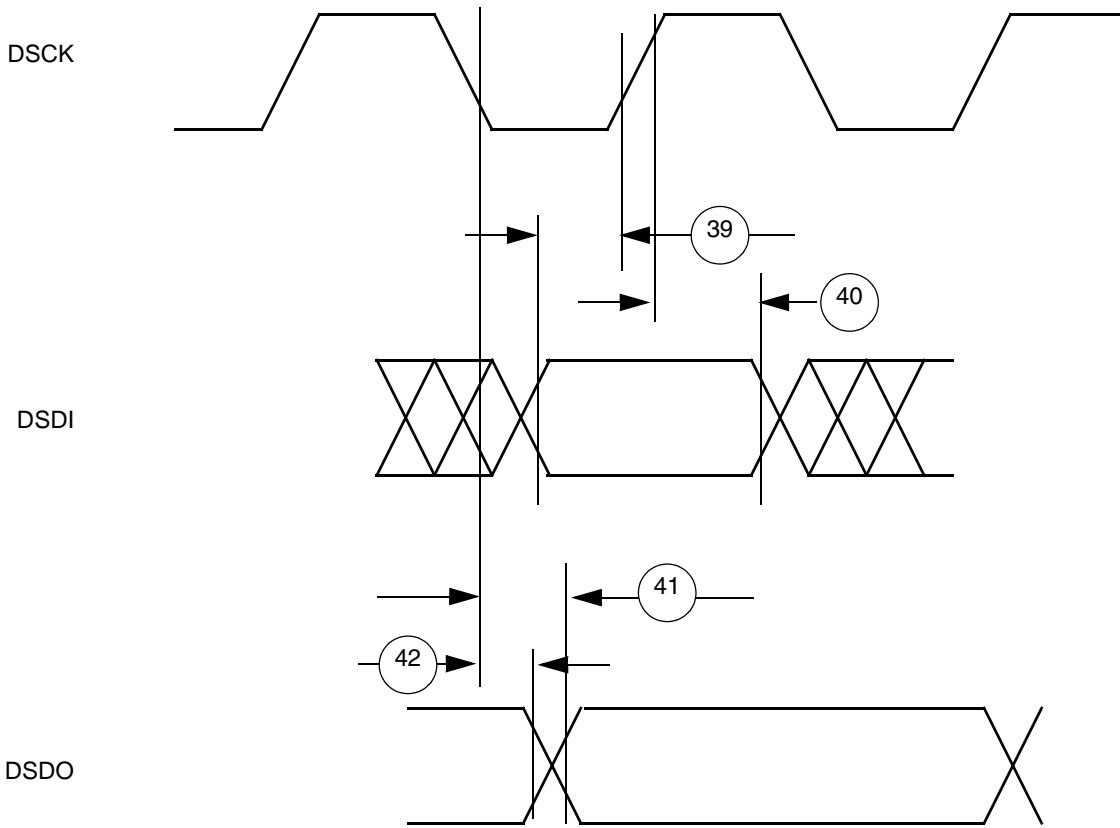


Figure F-29. Debug Port Timings

## F.11 READI Electrical Characteristics

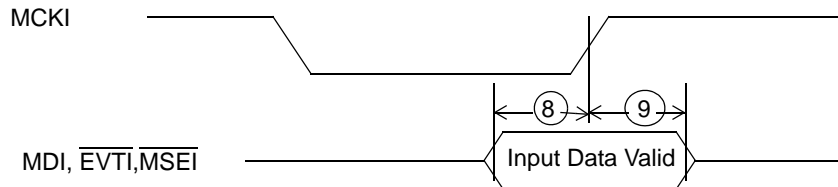
The AC electrical characteristics (56 MHz) are described in the following tables and figures

**Table F-13. READI AC Electrical Characteristics**

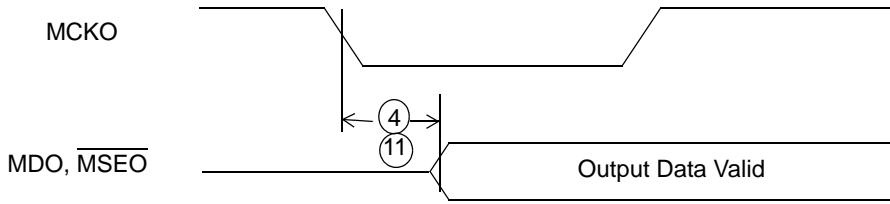
**Note:** ( $V_{DD} = 2.6\text{ V} \pm 0.1\text{ V}$ ,  $V_{DDH} = 5.0\text{ V} \pm 0.25\text{ V}$ ,  $T_A = T_L$  to  $T_H$  50 pF load unless noted otherwise)

| Number | Characteristic   | Min                 | Max  | Unit |
|--------|--|---------------------|------|------|
| 1      | MCKO Cycle Time ( $T_{co}$ )   | 17.9                | —    | ns   |
| 2      | MCKO Duty Cycle  | 40                  | 60   | %    |
| 3      | Output Rise and Fall Times   | 0                   | 3    | ns   |
| 4      | MCKO low to MDO Data Valid   | -1.79               | 3.58 | ns   |
| 5      | MCKI Cycle Time ( $T_{ci}$ )   | 35.6                | —    | ns   |
| 6      | MCKI Duty Cycle  | 40                  | 60   | %    |
| 7      | Input Rise and Fall Times  | 0                   | 3    | ns   |
| 8      | MDI, $\overline{\text{EVTI}}$ , $\overline{\text{MSEI}}$ Setup Time        | 7.12                | —    | ns   |
| 9      | MDI Hold Time  | 3.56                | —    | ns   |
| 10     | $\overline{\text{RSTI}}$ Pulse Width                                       | 71.6                | —    | ns   |
| 11     | MCKO low to $\overline{\text{MSEO}}$ Valid                                 | -1.79               | 3.58 | ns   |
| 12     | $\overline{\text{EVTI}}$ Pulse Width                                       | 71.6                | —    | ns   |
| 13     | $\overline{\text{EVTI}}$ to $\overline{\text{RSTI}}$ Setup (at reset only) | $(4.0) \times TC^1$ | —    | ns   |
| 14     | $\overline{\text{EVTI}}$ to $\overline{\text{RSTI}}$ Hold (at reset only)  | $(4.0) \times TC^1$ | —    | ns   |

<sup>1</sup> TC is Spec 1 in [Table F-10](#).



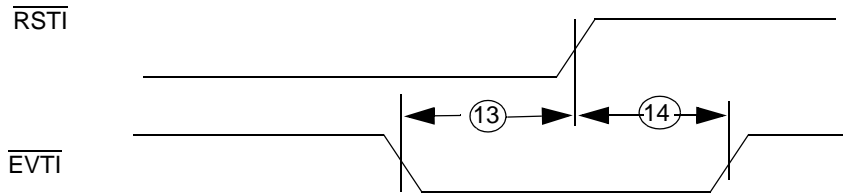
**Figure F-30. Auxiliary Port Data Input Timing Diagram**



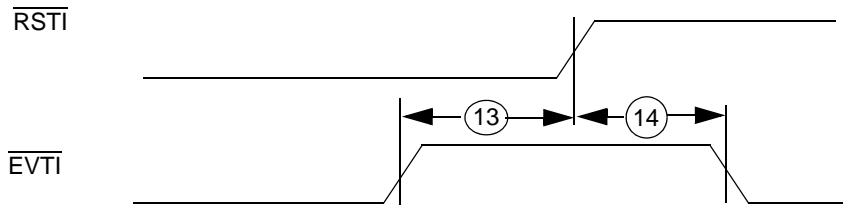
**Figure F-31. Auxiliary Port Data Output Timing Diagram**

MDO and  $\overline{\text{MSEO}}$  data is held valid until the next MCKO low transition.

When  $\overline{\text{RSTI}}$  is asserted,  $\overline{\text{EVTI}}$  is used to enable or disable the auxiliary port. Because MCKO probably is not active at this point, the timing must be based on the system clock. Since the system clock is not realized on the connector, its value must be known by the tool.



**Figure F-32. Enable Auxiliary From  $\overline{\text{RSTI}}$**



**Figure F-33. Disable Auxiliary From  $\overline{\text{RSTI}}$**

## F.12 RESET Timing

**Table F-14. RESET Timing**

Note: ( $V_{DD} = 2.6 V \pm 0.1 V$ ,  $V_{DDH} = 5.0 V \pm 0.25 V$ ,  $T_A = T_L$  to  $T_H$ )

|     | Characteristic   | Expression             | 40 MHz |     | 56 MHz |     | Unit |
|-----|--|------------------------|--------|-----|--------|-----|------|
|     |  |                        | Min    | Max | Min    | Max |      |
| 43  | CLKOUT to $\overline{\text{HRESET}}$ high impedance  |                        |        | 20  |        | 20  | ns   |
| 44  | CLKOUT to $\overline{\text{SRESET}}$ high impedance  |                        |        | 20  |        | 20  | ns   |
| 45  | $\overline{\text{RSTCONF}}$ pulse width  | $17 \times TC^1$       | 425    |     | 302    |     | ns   |
| 46  | Configuration Data to $\overline{\text{HRESET}}$ rising edge Setup Time  | $15 \times TC^1 + TCC$ | 382    |     | 272    |     | ns   |
| 47  | Configuration Data to $\overline{\text{RSTCONF}}$ rising edge set up time                                      | $15 \times TC^1 + TCC$ | 382    |     | 272    |     | ns   |
| 48  | Configuration Data hold time after $\overline{\text{RSTCONF}}$ negation  |                        | 0      |     | 0      |     | ns   |
| 49  | Configuration Data hold time after $\overline{\text{HRESET}}$ negation   |                        | 0      |     | 0      |     | ns   |
| 49a | $\overline{\text{RSTCONF}}$ hold time after $\overline{\text{HRESET}}$ negation <sup>2</sup>                   |                        | 50     |     | 35     |     |      |
| 50  | $\overline{\text{HRESET}}$ and $\overline{\text{RSTCONF}}$ asserted to Data out drive                          |                        | 25     |     | 25     |     | ns   |
| 51  | $\overline{\text{RSTCONF}}$ negated to Data out high impedance   |                        | 25     |     | 25     |     | ns   |
| 52  | CLKOUT of last rising edge before chip tristates $\overline{\text{HRESET}}$ to Data out high impedance         |                        | 25     |     | 25     |     | ns   |
| 53  | DSDI, DSCK set up  | $3 \times TC^1$        | 75     |     | 55     |     | ns   |
| 54  | DSDI, DSCK hold time   |                        | 0      |     | 0      |     | ns   |
| 55  | $\overline{\text{SRESET}}$ negated to CLKOUT rising edge for DSDI and DSCK sample                              | $8 \times TC^1$        | 200    |     | 142    |     | ns   |
| 55a | $\overline{\text{HRESET}}$ , $\overline{\text{SRESET}}$ , $\overline{\text{PORESET}}$ pulse width <sup>3</sup> |                        | 100    |     | 100    |     | ns   |

<sup>1</sup> TC is Spec 1 in [Table F-10](#).

<sup>2</sup> Weak pull-ups and pull-downs used for Reset timing will comply with the 130  $\mu\text{A}$  mode select current outlined in [Table F.5](#) on page F-7 The system requires two clocks of hold time on  $\overline{\text{RSTCONF/TEXP}}$  after negation of  $\overline{\text{HRESET}}$ . The simplest way to insure meeting this requirement in systems that require the use of the  $\overline{\text{TEXP}}$  function, is to connect  $\overline{\text{RSTCONF/TEXP}}$  to  $\overline{\text{SRESET}}$ .

<sup>3</sup>  $\overline{\text{HRESET}}$ ,  $\overline{\text{SRESET}}$  and  $\overline{\text{PORESET}}$  have a glitch detector to ensure that spikes less than 20 ns are rejected. The internal  $\overline{\text{HRESET}}$ ,  $\overline{\text{SRESET}}$  and  $\overline{\text{PORESET}}$  will assert only if these signals are asserted for more than 100 ns

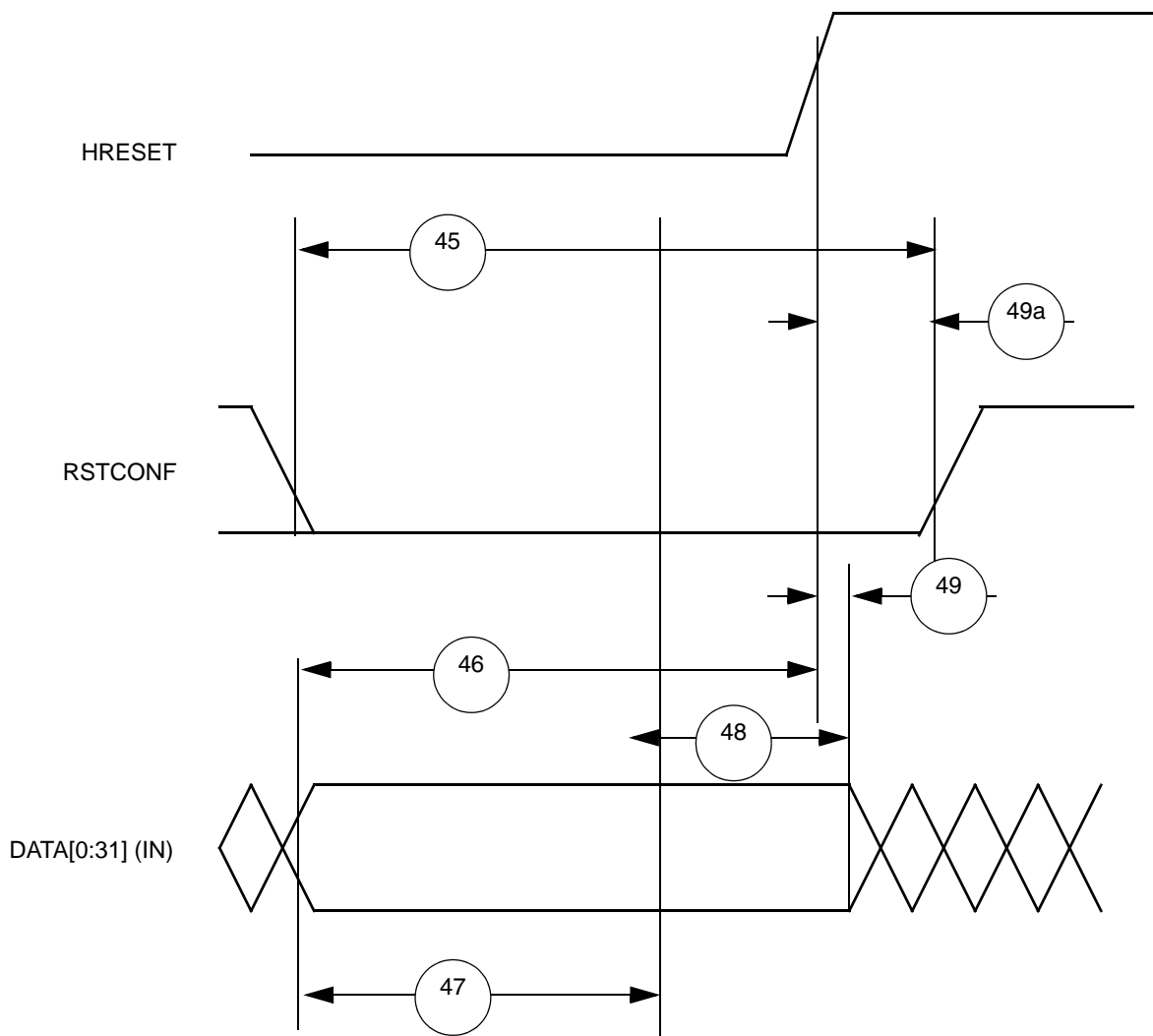


Figure F-34. Reset Timing – Configuration from Data Bus



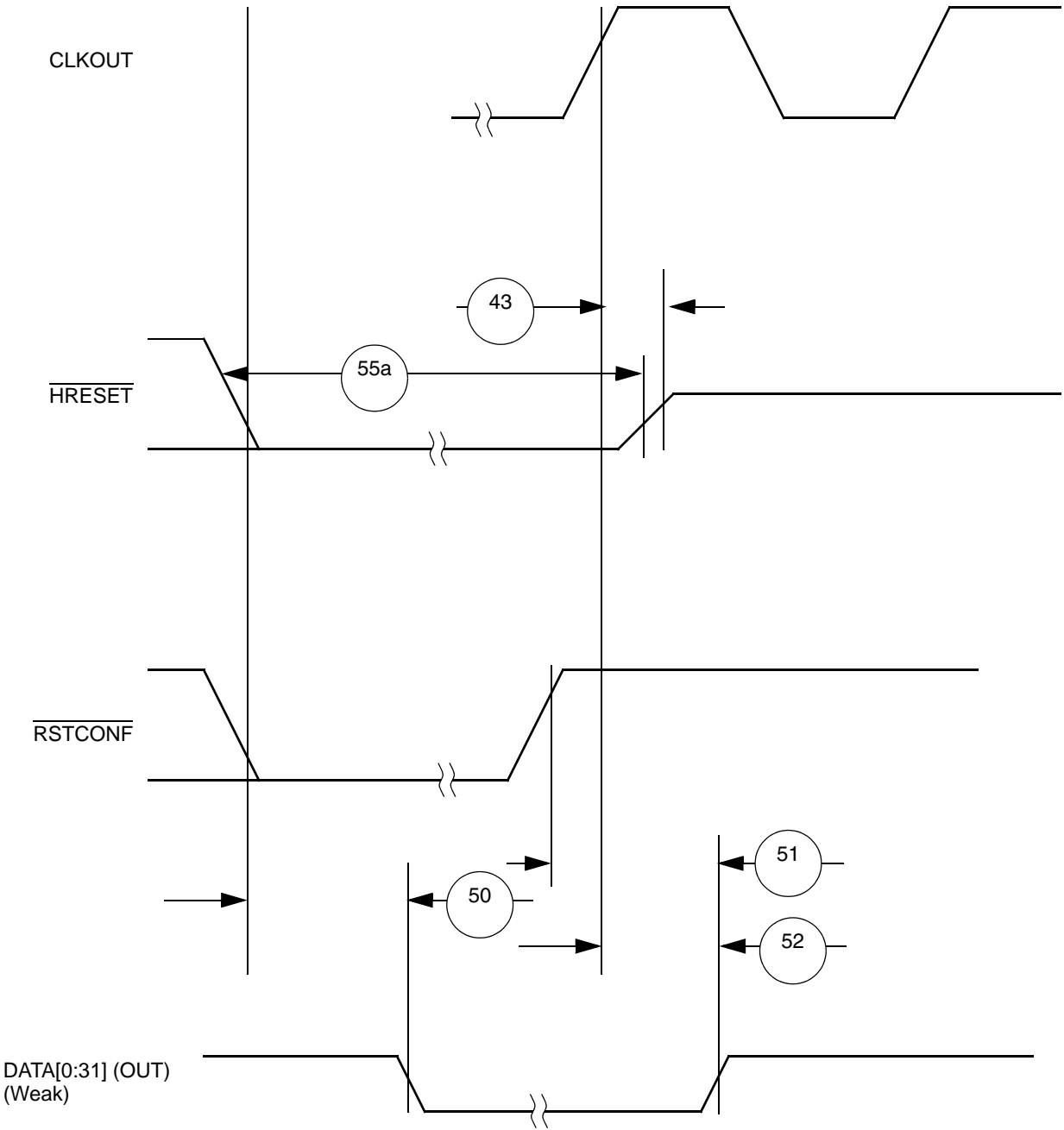


Figure F-35. Reset Timing – Data Bus Weak Drive During Configuration

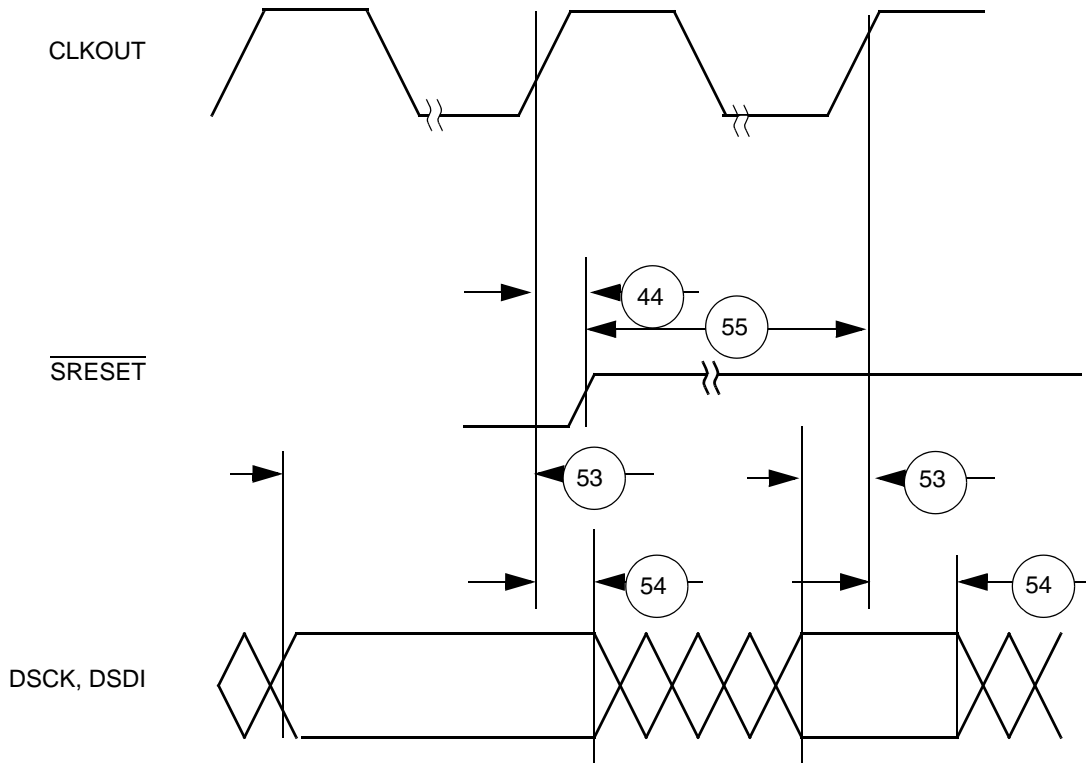


Figure F-36. Reset Timing – Debug Port Configuration

### F.13 IEEE 1149.1 Electrical Characteristics

Table F-15. JTAG Timing

Note: ( $T_A = T_L$  to  $T_H$ )

| Characteristic | 10 MHz <sup>1</sup>                                    |     | Unit |
|----------------|--|-----|------|
|                | Min  | Max |      |
| 56             | TCK Cycle Time <sup>1</sup> (JTAG clock)               |     | ns   |
| 57             | TCK Clock Pulse Width Measured at $V_{DD}/2$           |     | ns   |
| 58             | TCK Rise and Fall Times                                |     | ns   |
| 59             | TMS, TDI Data Setup Time                               |     | ns   |
| 60             | TMS, TDI Data Hold Time                                |     | ns   |
| 61             | TCK Low to TDO Data Valid                              |     | ns   |
| 62             | TCK Low to TDO Data Invalid                            |     | ns   |
| 63             | TCK Low to TDO High Impedance                          |     | ns   |
| 66             | TCK Falling Edge to Output Valid                       |     | ns   |
| 67             | TCK Falling Edge to Output Valid out of High Impedance |     | ns   |
| 68             | TCK Falling Edge to Output High Impedance              |     | ns   |
| 69             | Boundary Scan Input Valid to TCK Rising Edge           |     | ns   |
| 70             | TCK Rising Edge to Boundary Scan Input Invalid         |     | ns   |

<sup>1</sup> JTAG timing (TCK) is only tested at 10 MHz.

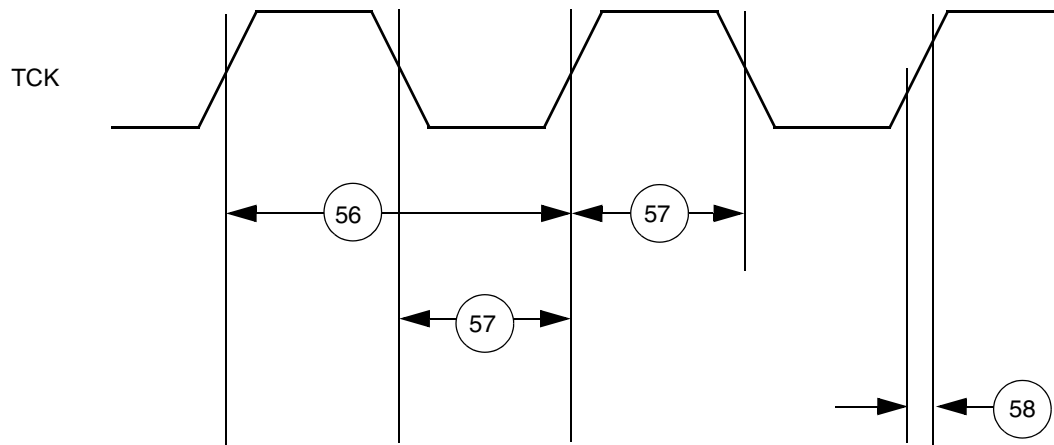


Figure F-37. JTAG Test Clock Input Timing

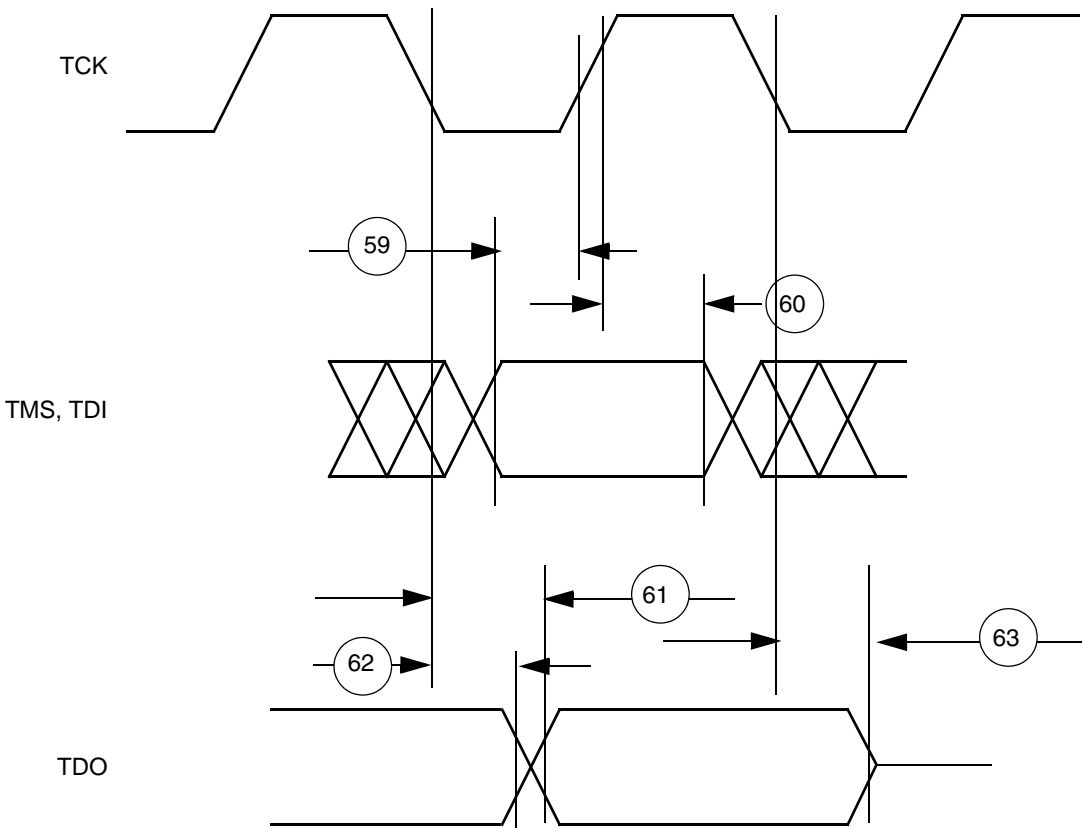


Figure F-38. JTAG Test Access Port Timing Diagram

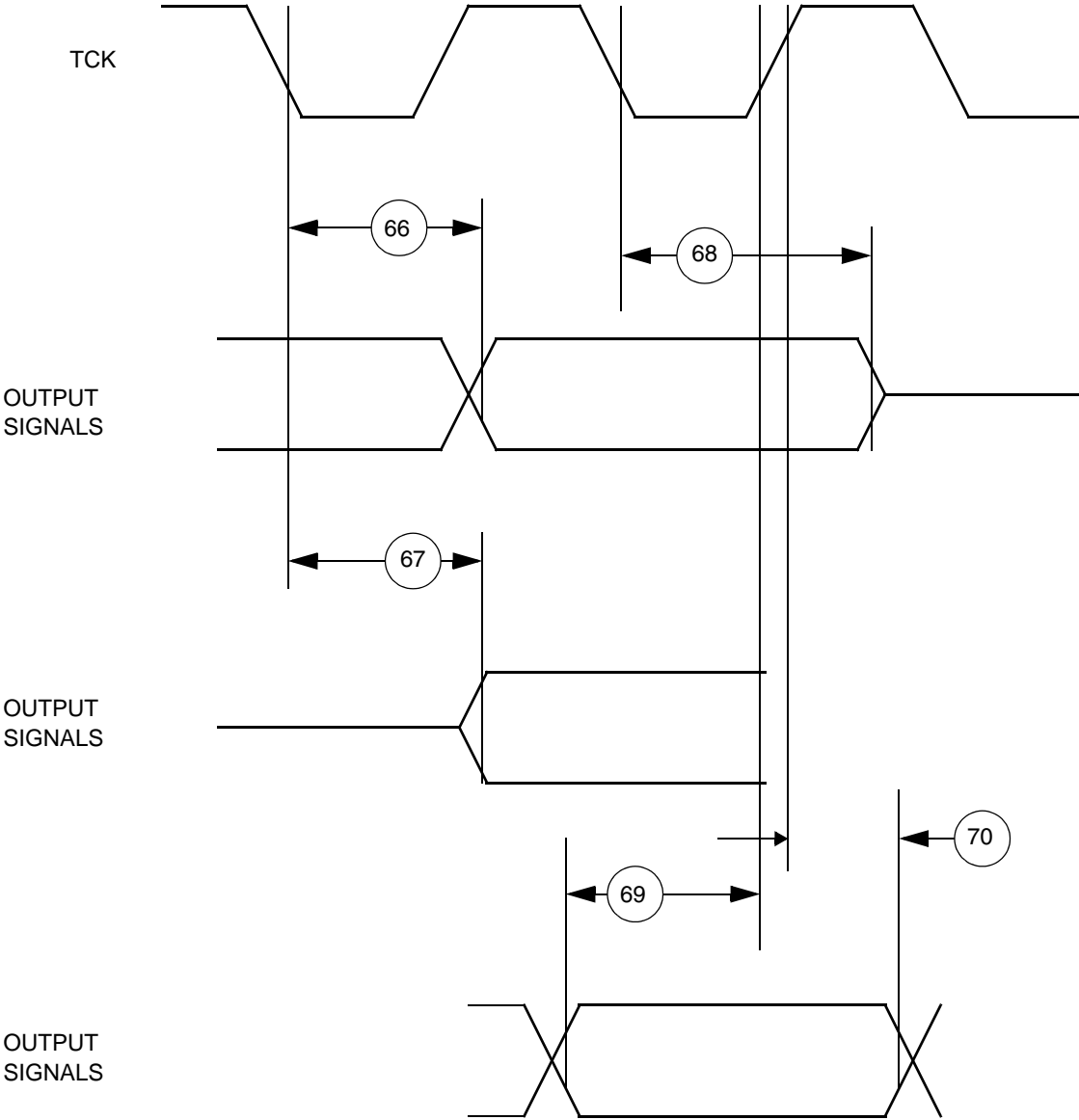


Figure F-39. Boundary Scan (JTAG) Timing Diagram

## F.14 QADC64E Electrical Characteristics

**Table F-16. QADC64E Conversion Characteristics**

Note: ( $V_{DD} = 2.6 \text{ V} \pm 0.1 \text{ V}$ ,  $V_{DDH} = 5.0 \text{ V} \pm 0.25 \text{ V}$ ,  $T_A = T_L$  to  $T_H$ )

| Num  | Parameter   | Symbol                           | Min      | Max                                      | Units                          |
|------|---|----------------------------------|----------|--|--------------------------------|
| 97   | QADC Clock (QCLK) Frequency <sup>1</sup>  | $F_{QCLK}$                       | 0.5      | 3.0                                      | MHz                            |
| 98   | Conversion Cycles <sup>2</sup><br>QADCMCR   | CC                               | 14       | 20                                       | QCLK cycles                    |
| 99   | Conversion Time<br>$F_{QCLK} = 2.0 \text{ MHz}^1$<br><br>Enhanced mode: QADCMCR<br>Min = CCW[IST] = 0b0<br>Max = CCW[IST] = 0b1   | $T_{CONV}$                       | 7.0      | 10                                       | $\mu\text{s}$<br>$\mu\text{s}$ |
| 100  | Stop Mode Recovery Time   | $T_{SR}$                         | —        | 10                                       | $\mu\text{s}$                  |
| 101  | Resolution <sup>3</sup>   | —                                | 5        | —  | mV                             |
| 102  | Absolute (total unadjusted) error <sup>4, 5, 6, 7</sup><br>$F_{QCLK} = 2.0 \text{ MHz}^3$ , 2 clock input sample time   | AE                               | -2       | 2  | Counts                         |
| 102a | Absolute (total unadjusted) error <sup>8, 9, 10, 11</sup><br>$F_{QCLK} = 2.0 \text{ MHz}^3$ , 2 clock input sample time   | $AE_{ALT}$                       | -7.8     | 3.5                                      | mV                             |
| 104  | DC Disruptive Input Injection Current <sup>12, 13, 14, 15, 16</sup>   | $I_{INJ}^{17}$<br>$I_{INJ}^{18}$ | -3<br>-1 | 3<br>1                                   | mA<br>mA                       |
| 105  | Current Coupling Ratio <sup>19</sup><br>PQA<br>PQB  | K                                | —<br>—   | $8 \times 10^{-5}$<br>$8 \times 10^{-5}$ |                                |
| 106  | Incremental error due to injection current<br>All channels have same $10 \text{ K}\Omega < R_s < 100 \text{ k}\Omega$<br>Channel under test has $R_s = 10 \text{ K}\Omega$ , $I_{INJ} = \pm 3 \text{ mA}$ | $E_{INJ}$                        |          | $\pm 1.0$<br>$\pm 1.0$                   | Counts<br>Counts               |
| 107  | Source impedance at input <sup>20</sup>   | $R_S$                            | —        | 100                                      | $\text{K}\Omega$               |
| 107a | Incremental capacitance during Sampling <sup>21</sup>   | $C_{SAMP}$                       | —        | 5  | pF                             |

<sup>1</sup> Conversion characteristics vary with  $F_{QCLK}$  rate. Reduced conversion accuracy occurs at max  $F_{QCLK}$  rate.

<sup>2</sup> The number of conversion cycles is dependent on the IST bit in the CCW register.

<sup>3</sup> At  $V_{RH} - V_{RL} = 5.12 \text{ V}$ , one count = 5 mV.

<sup>4</sup> Accuracy tested and guaranteed at  $V_{RH} - V_{RL} = 5.0 \text{ V} \pm 0.25 \text{ V}$

<sup>5</sup> This parameter is periodically sampled rather than 100% tested.

<sup>6</sup> Absolute error includes 1/2 count (~2.5 mV) of inherent quantization error and circuit (differential, integral, and offset) error. Specification assumes that adequate low-pass filtering is present on analog input pins — capacitive filter with 0.01  $\mu\text{F}$  to 0.1  $\mu\text{F}$  capacitor between analog input and analog ground, typical source isolation impedance of 10  $\text{K}\Omega$ .

<sup>7</sup> Input signals with large slew rates or high frequency noise components cannot be converted accurately. These signals may affect the conversion accuracy of other channels.

<sup>8</sup> Accuracy tested and guaranteed at  $V_{ARH} - V_{RL} = 1.0 \text{ V}$  to  $0.75 \times V_{DDA} \text{ V}$ . See Specification 52 in Table F-4 on page F-7.

<sup>9</sup> This parameter is periodically sampled rather than 100% tested.

- 10 Absolute error includes 1/2 count (~2.5 mV) of inherent quantization error and circuit (differential, integral, and offset) error. Specification assumes that adequate low-pass filtering is present on analog input pins — capacitive filter with 0.01  $\mu\text{F}$  to 0.1  $\mu\text{F}$  capacitor between analog input and analog ground, typical source isolation impedance of 10  $\text{K}\Omega$ .
- 11 Input signals with large slew rates or high frequency noise components cannot be converted accurately. These signals may affect the conversion accuracy of other channels.
- 12 Below disruptive current conditions, the channel being stressed has conversion values of 0x3FF for analog inputs greater than  $V_{RH}$  and 0x000 for values less than  $V_{RL}$ . This assumes that  $V_{RH} \leq V_{DDA}$  and  $V_{RL} \geq V_{SSA}$  due to the presence of the sample amplifier. Other channels are not affected by non-disruptive conditions.
- 13 Exceeding limit may cause conversion error on stressed channels and on unstressed channels. Transitions within the limit do not affect device reliability or cause permanent damage.
- 14 Input must be current limited to the value specified. To determine the value of the required current-limiting resistor, calculate resistance values using  $V_{POSCLAMP} = (\text{the lower of } V_{DDA} \text{ or } V_{DDH}) + 0.3 \text{ V}$  and  $V_{NEGCLAMP} = -0.3 \text{ V}$ , then use the larger of the calculated values. The diode drop voltage is a function of current and varies approximately 0.4 to 0.8 V over temperature
- 15 This parameter is periodically sampled rather than 100% tested.
- 16 Derate linearly to 0.3 mA if  $V_{DDH} - V_{DDA} = 1 \text{ V}$ . This specification is preliminary and may change after further characterization.
- 17 Condition applies to two adjacent pins.
- 18 Condition applies to all analog channels.
- 19 Current Coupling Ratio, K, is defined as the ratio of the output current,  $I_{OUT}$ , measured on the pin under test to the injection current,  $I_{INJ}$ , when both adjacent pins are overstressed with the specified injection current.  $K = I_{OUT} / I_{INJ}$ . The input voltage error on the channel under test is calculated as  $V_{err} = I_{INJ} * K * R_S$ .
- 20 Maximum source impedance is application-dependent. Error resulting from pin leakage depends on junction leakage into the pin and on leakage due to charge-sharing with internal capacitance. Error from junction leakage is a function of external source impedance and input leakage current. In the following expression, expected error in result value due to junction leakage is expressed in voltage ( $V_{ERRJ}$ ):  $V_{ERRJ} = R_S * I_{OFF}$  where  $I_{OFF}$  is a function of operating temperature. Charge-sharing leakage is a function of input source impedance, conversion rate, change in voltage between successive conversions, and the size of the filtering capacitor used. Error levels are best determined empirically. In general, continuous conversion of the same channel may not be compatible with high source impedance
- 21 For a maximum sampling error of the input voltage  $\leq 1\text{LSB}$ , then the external filter capacitor,  $C_f \geq 1024 * C_{SAMP}$ . The value of  $C_{SAMP}$  in the new design may be reduced.

## F.15 QSMCM Electrical Characteristics

**Table F-17. QSPI Timing**

**Note:** ( $T_A = T_L$  to  $T_H$ , 50 pF load on all QSPI pins unless otherwise noted)

| Num   | Function                                     | Symbol     | Min         | Max          | Unit    |
|---|--|------------|-------------|--------------|---------|
| 108   | Operating Frequency <sup>1</sup>             | $f_{OP}$   | —           | $f_{SYS}/4$  | Hz      |
|   | Master                                       |            | —           | $f_{SYS}/4$  | Hz      |
| 109   | Cycle Time                                   | $t_{QCYC}$ | $4*TC$      | $510 * TC^2$ | ns      |
|   | Slave  |            | $4*TC$      | —            | ns      |
| 110   | Enable Lead Time                             | $t_{LEAD}$ | $2*TC$      | $128 * TC$   | ns      |
|   | Slave  |            | $2*TC$      | —            | ns      |
| 111   | Enable Lag Time                              | $t_{LAG}$  | —           | SCK/2        | ns      |
|   | Slave  |            | $2*TC$      | —            | ns      |
| 112   | Clock (SCK) High or Low Time                 | $t_{SW}$   | $2*TC - 60$ | $255 * TC$   | ns      |
|   | Slave <sup>3</sup>                           |            | $2*TC - n$  | —            | ns      |
| 113   | Sequential Transfer Delay                    | $t_{TD}$   | $17*TC$     | $8192 * TC$  | ns      |
|   | Slave (Does Not Require Deselect)            |            | $13*TC$     | -            | ns      |
| 114   | Data Setup Time (Inputs)                     | $t_{SU}$   | 30          | -            | ns      |
|   | Slave  |            | 20          | -            | ns      |
| 115   | Data Hold Time (Inputs)                      | $t_{HI}$   | 0           | -            | ns      |
|   | Slave  |            | 20          | -            | ns      |
| 116   | Slave Access Time                            | $t_A$      | —           | TC           | ns      |
| 117   | Slave MISO Disable Time                      | $t_{DIS}$  | —           | $2 * TC$     | ns      |
| 118   | Data Valid (after SCK Edge)                  | $t_V$      | —           | 50           | ns      |
|   | Slave  |            | —           | 50           | ns      |
| 119   | Data Hold Time (Outputs)                     | $t_{HO}$   | 0           | —            | ns      |
|   | Slave  |            | 0           | —            | ns      |
| 120   | SCK, MOSI, MISO Rise Time                    | $t_{rI}$   | —           | 1            | $\mu s$ |
|   | Input –                                      |            | —           | 200          | ns      |
|   | Output –                                     |            | —           | 21           | ns      |
|   | up to 50 pF, SLRC1 bit of PDMCR = "0" (slow) |            | —           | 300          | ns      |
| up to 200 pF, SLRC1 bit of PDMCR = "1" (fast) | $t_{RO}$                                     | —          | —           | —            | —       |
| up to 200 pF, SLRC1 bit of PDMCR = "0" (slow) | $t_{RO}$                                     | —          | —           | —            | —       |



**Table F-17. QSPI Timing (continued)**

**Note:** ( $T_A = T_L$  to  $T_H$ , 50 pF load on all QSPI pins unless otherwise noted)

| Num  | Function  | Symbol   | Min | Max | Unit          |
|------|---|----------|-----|-----|---------------|
| 120a | PCS[0:1] Rise Time  | $t_{r1}$ | —   | 1   | $\mu\text{s}$ |
|      | Input –   | $t_{FO}$ | —   | 50  | ns            |
|      | Output –<br>up to 50 pF, SLRC1 bit of PDMCR = “0” (slow)<br>up to 50 pF, SLRC1 bit of PDMCR = “1” (fast)  | $t_{FO}$ | —   | 25  | ns            |
| 121  | SCK, MOSI, MISO Fall Time   | $t_{r1}$ | —   | 1   | $\mu\text{s}$ |
|      | Input –   | $t_{FO}$ | —   | 200 | ns            |
|      | Output –<br>up to 50 pF, SLRC1 bit of PDMCR = “0” (slow)<br>up to 200 pF, SLRC1 bit of PDMCR = “1” (fast) | $t_{FO}$ | —   | 21  | ns            |
|      | up to 200 pF, SLRC1 bit of PDMCR = “0” (slow)   | $t_{FO}$ | —   | 300 | ns            |
| 121a | PCS[0:1] Fall Time  | $t_{r1}$ | —   | 1   | $\mu\text{s}$ |
|      | Input –   | $t_{FO}$ | —   | 50  | ns            |
|      | Output –<br>up to 50 pF, SLRC1 bit of PDMCR = “0” (slow)<br>up to 50 pF, SLRC1 bit of PDMCR = “1” (fast)  | $t_{FO}$ | —   | 25  | ns            |

<sup>1</sup> All AC timing is tested to the 5-V levels outlined in Table F.5 on page F-7

<sup>2</sup> TC is defined to be the clock period (see Spec 1 in Table F-10).

<sup>3</sup> For high time, n = External SCK rise time; for low time, n = External SCK fall time.

**Table F-18. QSCI Timing**

**Note:** ( $T_A = T_L$  to  $T_H$ , 50 pF load on all SCI pins unless otherwise noted)

**Note:** All AC timing is tested to the 5-V levels outlined in Table F.5

| Num  | Function   | Symbol   | Min | Max | Unit          |
|------|--|----------|-----|-----|---------------|
| 120b | TXD Rise Time  | $t_{r1}$ | —   | 1   | $\mu\text{s}$ |
|      | Input –  | $t_{FO}$ | —   | 50  | ns            |
|      | Output –<br>up to 50 pF, SLRC2 bit of PDMCR = “0” (slow)<br>up to 50 pF, SLRC2 bit of PDMCR = “1” (fast) | $t_{FO}$ | —   | 25  | ns            |
| 121b | TXD Fall Time  | $t_{r1}$ | —   | 1   | $\mu\text{s}$ |
|      | Input –  | $t_{FO}$ | —   | 50  | ns            |
|      | Output –<br>up to 50 pF, SLRC2 bit of PDMCR = “0” (slow)<br>up to 50 pF, SLRC2 bit of PDMCR = “1” (fast) | $t_{FO}$ | —   | 25  | ns            |

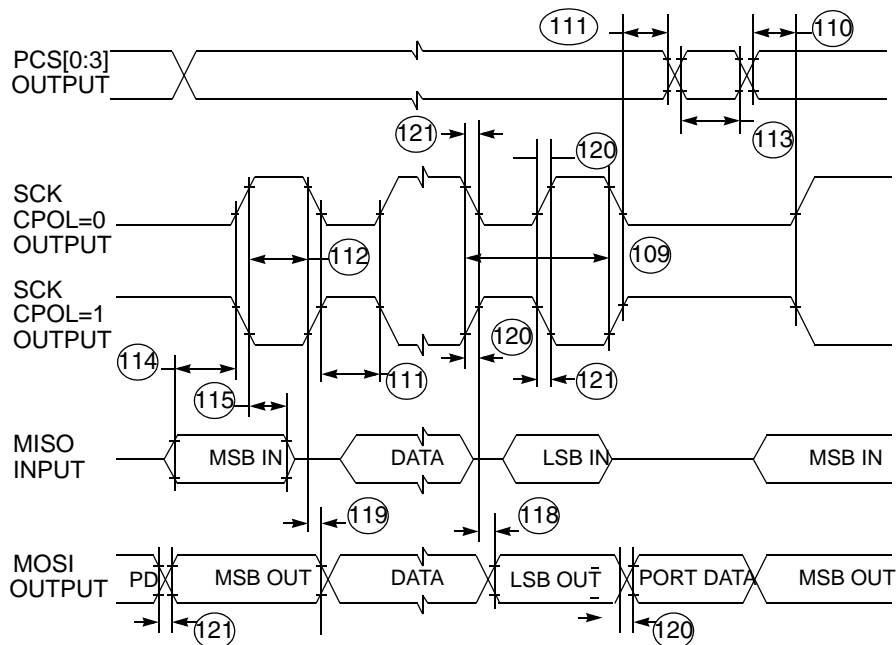


Figure F-40. QSPI Timing – Master, CPHA = 0

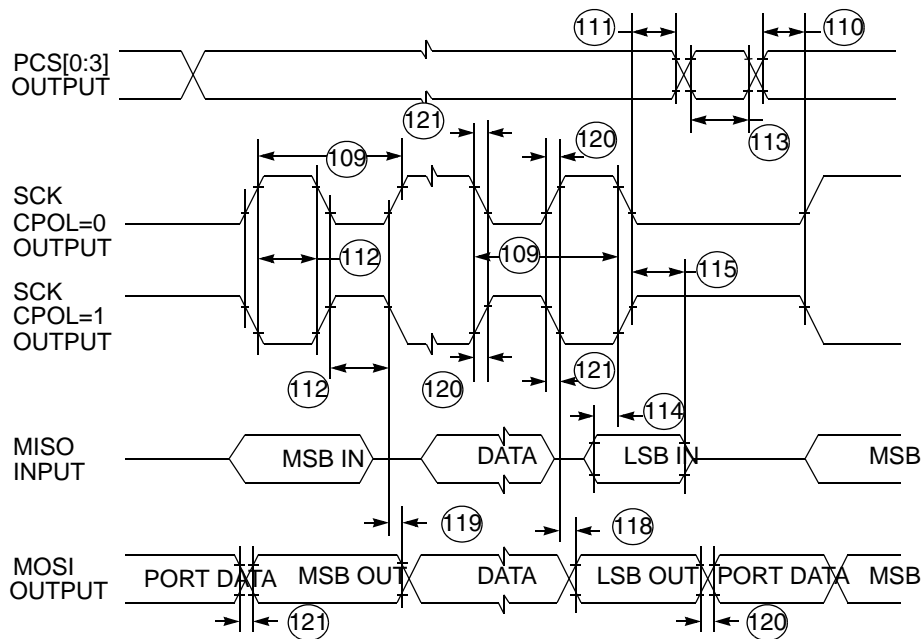


Figure F-41. QSPI Timing – Master, CPHA = 1

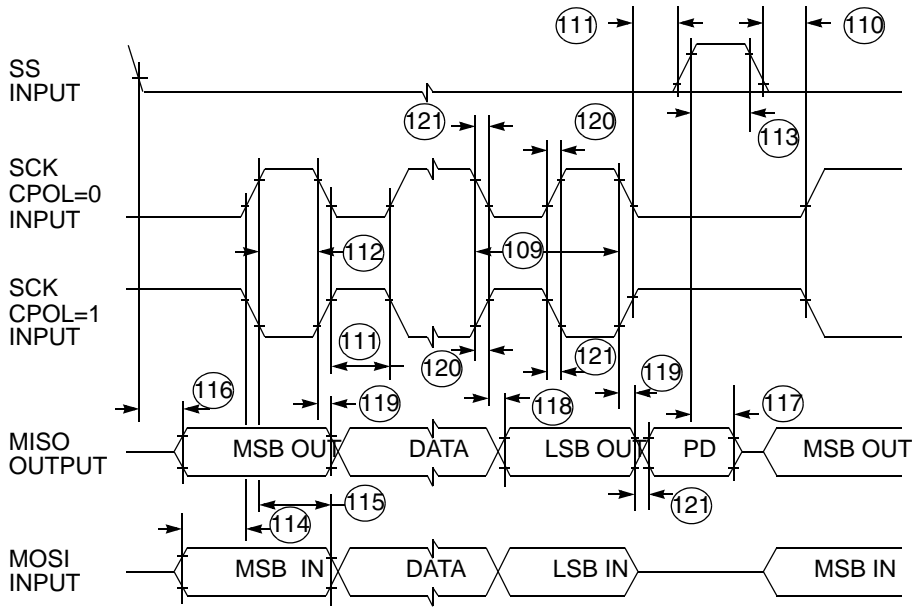


Figure F-42. QSPI Timing – Slave, CPHA = 0

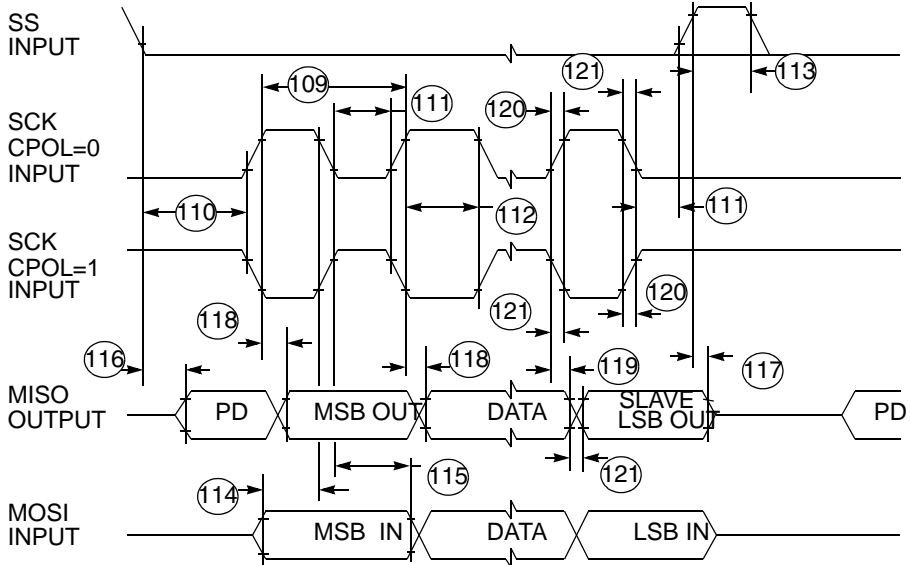


Figure F-43. QSPI Timing – Slave, CPHA = 1

## F.16 GPIO Electrical Characteristics

**Table F-19. GPIO Timing**

**Note:** ( $T_A = T_L$  to  $T_H$ )

**Note:** GPIO applies to all pins used as GPIO: SGPIOA[8:31], SQPIOD[0:31], SGPIOC[0:7], QGPIO[0:6], QGPO[1:2], MPIO[0:15], A\_PQA[0:7], B\_PQA[0:7], A\_PQB[0:7], B\_PQB[0:7]

| Num  | Rating  | Symbol   | Min | Max | Unit          |
|------|---|----------|-----|-----|---------------|
| 122  | SGPIOA[8:31], SGPIOD[0:31], SGPIOC[1:4, 6:7], MPIO32B[0:12, 14:15], A_QGPO[1], B_QGPO[1:2], A_PQA[0:7], A_PQB[0:7], B_PQA[0:7], B_PQB[0:7] rise time. |          |     |     |               |
|      | Input   | $t_{RI}$ | -   | 1   | $\mu\text{s}$ |
|      | Output (PDMCR[SLRC0] = 0), 50 pF Load   | $t_{RO}$ | -   | 200 | ns            |
|      | Output (PDMCR[SLRC0] = 1), 50 pF Load   | $t_{RO}$ | -   | 25  | ns            |
| 122a | A_QGPIO[4:6], B_QGPIO[4:6] rise time.   |          |     |     |               |
|      | Input   | $t_{RI}$ | -   | 1   | $\mu\text{s}$ |
|      | Output (PDMCR[SLRC0] = 0), 50 pF Load   | $t_{RO}$ | -   | 200 | ns            |
|      | Output (PDMCR[SLRC0] = 1), 200 pF Load  | $t_{RO}$ | -   | 21  | ns            |
| 122b | A_QGPIO[0:3], B_QGPIO[0:3] rise time.   |          |     |     |               |
|      | Input   | $t_{RI}$ | -   | 1   | ms            |
|      | Output (PDMCR[SLRC0] = 0), 50 pF Load   | $t_{RO}$ | -   | 50  | ns            |
|      | Output (PDMCR[SLRC0] = 1), 50 pF Load   | $t_{RO}$ | -   | 21  | ns            |
| 122c | MPIO32B13, A_QGPIO2 rise time.  |          |     |     |               |
|      | Input   | $t_{RI}$ | -   | 1   | ms            |
|      | Output (PDMCR[SLRC0] = 0), 50 pF Load   | $t_{RO}$ | -   | 50  | ns            |
|      | Output (PDMCR[SLRC0] = 1), 50 pF Load   | $t_{RO}$ | -   | 25  | ns            |
| 122d | SGPIOC[0, 5] rise time. <sup>1</sup>  |          |     |     |               |
|      | Input   | $t_{RI}$ | -   | 1   | $\mu\text{s}$ |
|      | Output (SCCR[COM] = 0b11), 25 pF Load   | $t_{RO}$ | -   | 10  | ns            |
|      | Output (SCCR[COM] = 0b00), 50 pF Load   | $t_{RO}$ | -   | 10  | ns            |
| 123  | SGPIOA[8:31], SGPIOD[0:31], SGPIOC[1:4, 6:7], MPIO32B[0:12, 14:15], A_QGPO[1], B_QGPO[1:2], A_PQA[0:7], A_PQB[0:7], B_PQA[0:7], B_PQB[0:7] fall time. |          |     |     |               |
|      | Input   | $t_{FI}$ | -   | 1   | $\mu\text{s}$ |
|      | Output (PDMCR[SLRC0] = 0), 50 pF Load   | $t_{FO}$ | -   | 200 | ns            |
|      | Output (PDMCR[SLRC0] = 1), 50 pF Load   | $t_{FO}$ | -   | 25  | ns            |

**Table F-19. GPIO Timing (continued)**

**Note:** ( $T_A = T_L$  to  $T_H$ )

**Note:** GPIO applies to all pins used as GPIO: SGPIOA[8:31], SQPIOD[0:31], SGPIOC[0:7], QGPIO[0:6], QGPO[1:2], MPIO[0:15], A\_PQA[0:7], B\_PQA[0:7], A\_PQB[0:7], B\_PQB[0:7]

|      |  |          |   |     |         |
|------|--|----------|---|-----|---------|
| 123a | A_QGPIO[4:6], B_QGPIO[4:6] fall time.  |          |   |     |         |
|      | Input                                  | $t_{FI}$ | - | 1   | $\mu$ s |
|      | Output (PDMCR[SLRC0] = 0), 50 pF Load  | $t_{FO}$ | - | 200 | ns      |
|      | Output (PDMCR[SLRC0] = 1), 200 pF Load | $t_{FO}$ | - | 21  | ns      |
| 123b | A_QGPIO[0:3], B_QGPIO[0:3] fall time.  |          |   |     |         |
|      | Input                                  | $t_{FI}$ | - | 1   | ms      |
|      | Output (PDMCR[SLRC0] = 0), 50 pF Load  | $t_{FO}$ | - | 50  | ns      |
|      | Output (PDMCR[SLRC0] = 1), 50 pF Load  | $t_{FO}$ | - | 21  | ns      |
| 123c | MPIO32B13, A_QGPIO2 fall time.         |          |   |     |         |
|      | Input                                  | $t_{FI}$ | - | 1   | ms      |
|      | Output (PDMCR[SLRC0] = 0), 50 pF Load  | $t_{FO}$ | - | 50  | ns      |
|      | Output (PDMCR[SLRC0] = 1), 50 pF Load  | $t_{FO}$ | - | 25  | ns      |
| 123d | SGPIOC[0, 5] fall time. <sup>1</sup>   |          |   |     |         |
|      | Input                                  | $t_{FI}$ | - | 1   | $\mu$ s |
|      | Output (SCCR[COM] = 0b11), 25 pF Load  | $t_{FO}$ | - | 10  | ns      |
|      | Output (SCCR[COM] = 0b00), 50 pF Load  | $t_{FO}$ | - | 10  | ns      |

<sup>1</sup> These are 2.6 V GPIO pins.

## F.17 TPU3 Electrical Characteristics

**Table F-20. TPU3 Timing**

**Note:** ( $T_A = T_L$  to  $T_H$ )

| Num | Rating   | Symbol      | Min | Max | Unit      |
|-----|--|-------------|-----|-----|-----------|
| 124 | Slew Rate of TPU Output Channel Valid <sup>1,2</sup><br>(SLRC0 of PDMCR = 0, 50 pF to 200 pF load)<br>(SLRC0 of PDMCR = 1, 50 pF load) | $t_{CHTOV}$ | 92  | 650 | ns        |
|     |  |             | 3   | 25  | ns        |
| 125 | CLKOUT High to TPU Output Channel Hold   | $t_{CHTOH}$ | 0   | 15  | ns        |
| 126 | TPU Input Channel Pulse Width <sup>3</sup>   | $t_{TIPW}$  | 4   | —   | $t_{cyc}$ |

<sup>1</sup> AC timing is shown with respect to 10%  $V_{DD}$  & 90%  $V_{DD}$  levels.

<sup>2</sup> Timing not valid for external T2CLK input.

<sup>3</sup>  $t_{cyc}$  is defined as the CLKOUT Period.

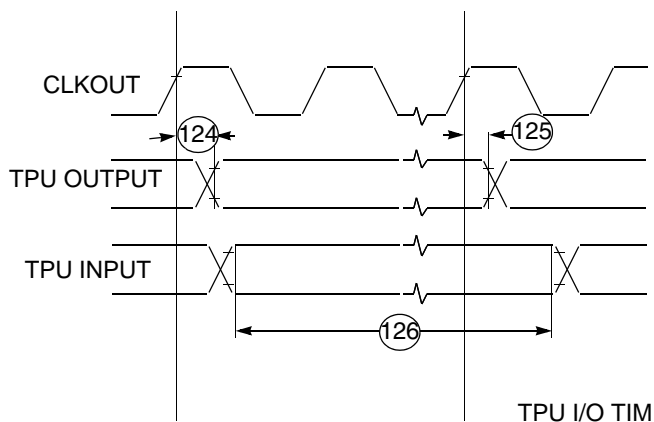


Figure F-44. TPU3 Timing

## F.18 TouCAN Electrical Characteristics

Table F-21. TouCAN Timing<sup>1</sup>

Note: ( $T_A = T_L$  to  $T_H$ )

| Num | Rating   | Symbol      | Min | Max | Unit    |
|-----|--|-------------|-----|-----|---------|
| 127 | CNTX0 (Delay from ICLOCK)                        | $t_{CNTX0}$ |     | 19  | ns      |
| 128 | CNRX0 (Set-Up to ICLOCK rise)                    | $t_{CNRX0}$ |     | 0   | ns      |
| 129 | Rise Time<br>Input                               | $t_{RI}$    |     | 1   | $\mu$ s |
|     | Output –<br>50 pF load, SLRC1 bit of PDMCR = “0” | $t_{RO}$    |     | 50  | ns      |
|     | 200 pF load, SLRC1 bit of PDMCR = “0”            |             | 100 | ns  |         |
|     | 50 pF, SLRC1 bit of PDMCR = “1”                  |             | 25  | ns  |         |
| 130 | Fall Time<br>Input                               | $t_{FI}$    |     | 1   | $\mu$ s |
|     | Output–<br>50 pF load, SLRC1 bit of PDMCR = “0”  | $t_{FO}$    |     | 50  | ns      |
|     | 200 pF load, SLRC1 bit of PDMCR = “0”            |             | 100 | ns  |         |
|     | 50 pF, SLRC1 bit of PDMCR = “1”                  |             | 25  | ns  |         |
|     | Serial Pins (Maximum frequency)                  | $t_F$       | 1   | —   | MHz     |

<sup>1</sup> AC timing is shown is tested to the 3-V levels outlined in Table F-4 on page F-7.

## F.19 MIOS Timing Characteristics

All MIOS output pins are slew rate controlled. Slew rate control circuitry adds 90 ns as minimum to the output timing and 650 ns as a maximum. This slew rate is from 10%  $V_{DD}$  to 90%  $V_{DD}$ , an additional 100 ns should be added for total 0 to  $V_{DD}$  slew rate.

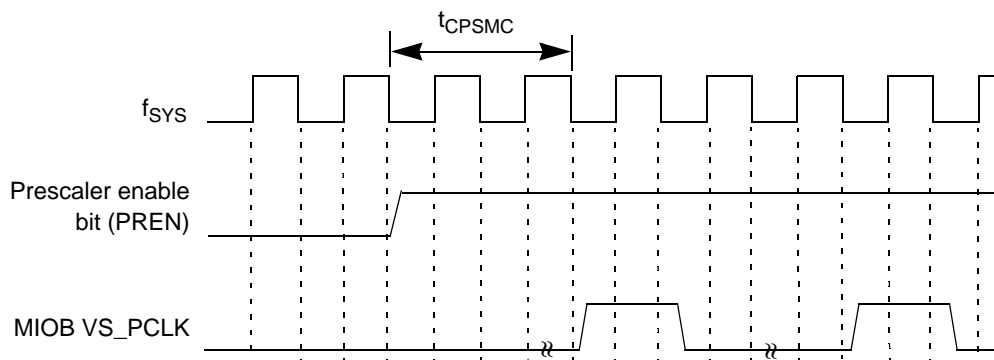
**Table F-22. MCPSM Timing Characteristics**

**Note:** After reset MCPSMSCR\_PSL[3:0] is set to 0b0000.

**Note:** VS\_PCLK is the MIOS prescaler clock which is distributed to all the counter (e.g., MPWMSM and MMCSM) submodules.

| Characteristic                             | Symbol      | Delay                   | Unit                |
|--|-------------|-------------------------|---------------------|
| MCPSM enable to VS_PCLK pulse <sup>1</sup> | $t_{CPSMC}$ | (MCPSMSCR_PSL[3:0]) - 1 | System Clock Cycles |

<sup>1</sup> The MCPSM clock prescaler value (MCPSMSCR\_PSL[3:0]) should be written to the MCPSMSCR (MCPSM Status/Control Register) before rewriting the MCPSMSCR to set the enable bit (MCPSMSCR\_PREN). If this is not done the prescaler will start with the old value in the MCPSMSCR\_PSL[3:0] before reloading the new value into the counter.



Note 1:  $f_{SYS}$  is the internal system clock for the IMB3 bus.

Note 2: The numbers associated with the  $f_{SYS}$  ticks refer to the IMB3 internal state.

Note 3: vs\_pclk is the MIOS prescaler clock which is distributed around the MIOS to counter modules such as the MMCSM and MPWMSM.

**Figure F-45. MCPSM Enable to VS\_PCLK Pulse Timing Diagram**

## F.19.1 MPWMSM Timing Characteristics

**Table F-23. MPWMSM Timing Characteristics**

**Note:** All delays are in system clock periods.

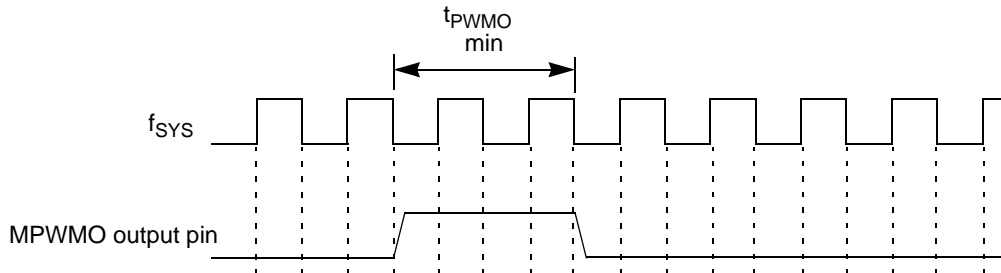
| Characteristic                             | Symbol     | Min   | Max              |
|--|------------|---|------------------|
| PWMSM output resolution                    | $t_{PWMR}$ | — <sup>1</sup>  | 2.0 <sup>2</sup> |
| PWM output pulse <sup>3</sup>              | $t_{PWMO}$ | 2.0   | —                |
| MPWMI input pin to MPWMSMCR_PIN status set | $t_{PIN}$  | 1   | 2                |
| CPSM enable to output set <sup>4</sup>     | $t_{PWMP}$ | $(MPWMPERR - MPWMPULR + 1) * (256 - MPWMSMCR_CP) * MCPSMSCR\_PSL + 1$ |                  |

**Table F-23. MPWMSM Timing Characteristics (continued)**

**Note:** All delays are in system clock periods.

| Characteristic   | Symbol     | Min   | Max |
|--|------------|---|-----|
| MPWMSM Enable to output set (MIN) <sup>5</sup>                 | $t_{PWME}$ | $(MPWMPERR - MPWMPULR) * (256 - MPWMSM\_CP) * MCPSMSCR\_PSL + 3 + (255 - MPWMSM\_CP) * MCPSMSCR\_PSL^6$ |     |
| MPWMSM Enable to output set (MAX) <sup>5</sup>                 | $t_{PWME}$ | $t_{PWME(MIN)} + MCPSMSCR\_PSL - 1^6$   |     |
| Interrupt Flag to output pin reset (period start) <sup>7</sup> | $t_{FLGP}$ | $(256 - MPWMSM\_CP) * MCPSMSCR\_PSL - 1^6$  |     |

- <sup>1</sup> Minimum output resolution depends on MPWMSM and MCPSM prescaler settings.
- <sup>2</sup> Maximum resolution is obtained by setting CPSMPSL[3:0] = 0x2 and MPWMSM\_CP[7:0] = 0xFF.
- <sup>3</sup> Excluding the case where the output is always "0".
- <sup>4</sup> With MPWMSM enabled before enabling the MCPSM. Please also see NOTE 1 on the MCPSM timing information.
- <sup>5</sup> The exact timing from MPWMSM enable to the pin being set depends on the timing of the register write and the MCPSM VS\_PCLK.
- <sup>6</sup> When MCPSMSCR\_PSL = 0x0000, this gives a prescale value of 16 and it is 16 which should be used in these calculations. When MCPSMSCR\_PSL = 0x0001, the CPSM is inactive.
- <sup>7</sup> The interrupt is set before the output pin is reset (Signifying the start of a new period).



**Figure F-46. MPWMSM Minimum Output Pulse Example Timing Diagram**

**NOTE**

$f_{SYS}$  is the internal system clock for the IMB3 bus.



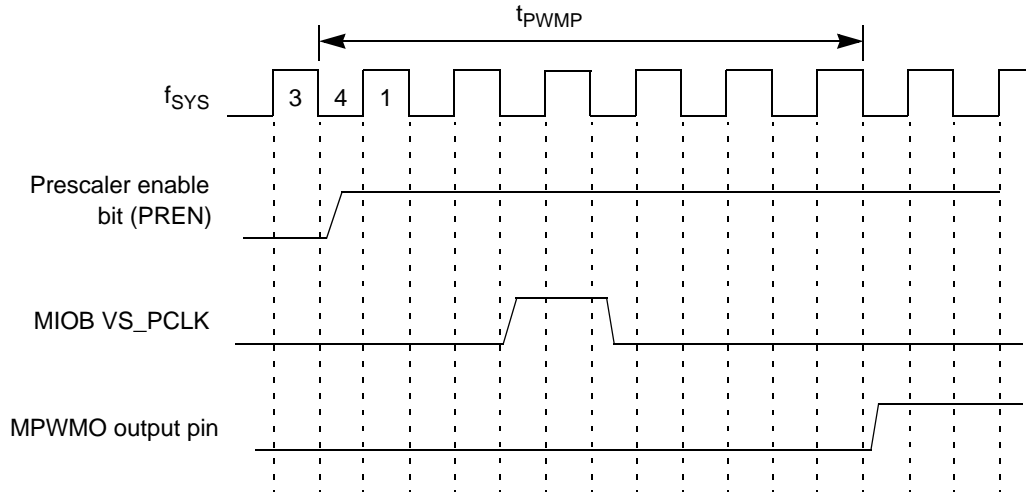


Figure F-47. MCPSM Enable to MPWMO Output Pin Rising Edge Timing Diagram

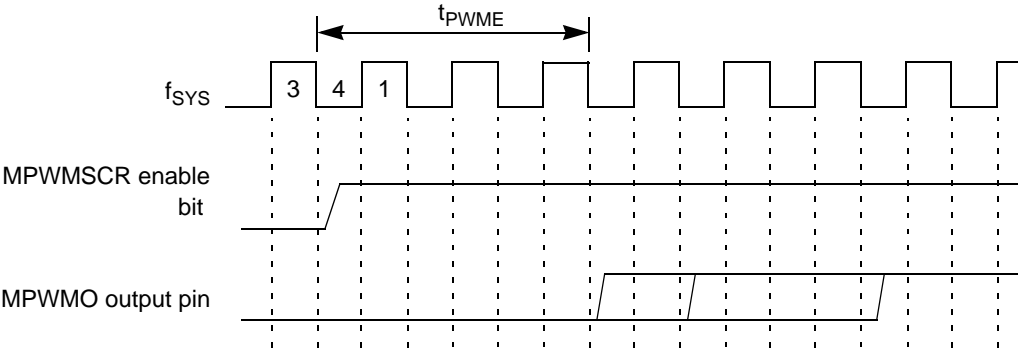


Figure F-48. MPWMSM Enable to MPWMO Output Pin Rising Edge Timing Diagram

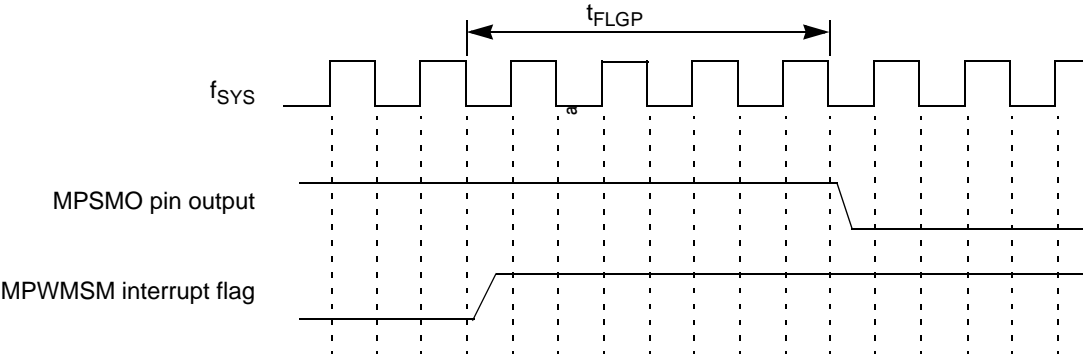


Figure F-49. MPWMSM Interrupt Flag to MPWMO Output Pin Falling Edge Timing Diagram

## F.19.2 MMCSM Timing Characteristics

Table F-24. MMCSM Timing Characteristics

Note: All delays are in system clock periods.

| Characteristic   | Symbol      | Min   | Max            |
|--|-------------|---|----------------|
| MMCSM input pin period                                   | $t_{PPER}$  | 4   | —              |
| MMCSM pin low time                                       | $t_{PLO}$   | 2   | —              |
| MMCSM pin high time                                      | $t_{PHI}$   | 2   | —              |
| clock pin to counter bus increment.                      | $t_{PCCB}$  | 1   | 2              |
| load pin to new counter bus value                        | $t_{PLCB}$  | 1   | 2              |
| clock pin to PINC delay                                  | $t_{PINC}$  | 1   | 2              |
| Load pin to PINL delay                                   | $t_{PINL}$  | 1   | 2              |
| Counter bus resolution                                   | $t_{CBR}$   | — <sup>1</sup>  | 2 <sup>2</sup> |
| Counter bus overflow reload to interrupt flag            | $t_{CBFLG}$ | 1   |                |
| MCPSM enable to counter bus increment.                   | $t_{MCMP}$  | $(256 - \text{MMCSMSCR\_CP}) * \text{MCPSMSCR\_PSL} + 2$                                |                |
| MMCSM Enable to counter bus increment (MIN) <sup>3</sup> | $t_{MCME}$  | $4 + \text{MCPSMSCR\_PSL} * (255 - \text{MMCSMSCR\_CP})^3$                              |                |
| MMCSM Enable to counter bus increment (MAX) <sup>3</sup> | $t_{MCME}$  | $4 + \text{MCPSMSCR\_PSL} * (255 - \text{MMCSMSCR\_CP}) + (\text{MCPSMSCR\_PSL} - 1)^3$ |                |

<sup>1</sup> Minimum output resolution depends on MMCSM and MCPSM prescaler settings.

<sup>2</sup> Maximum resolution is obtained by setting CPSMPSL[3:0] =0x2 and MMCSMSCR\_CP[7:0] =0xFF.

<sup>3</sup> The exact timing from MMCSM enable to the pin being set depends on the timing of the MMCSMSCR register write and the MCPSM VS\_PCLK. The MMCSM enable is taken to mean the MMCSMSCR\_CLS[1:0] being written to 2'b11.

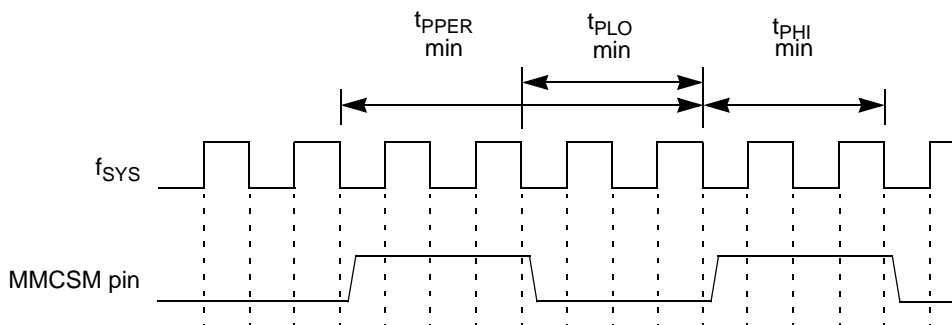
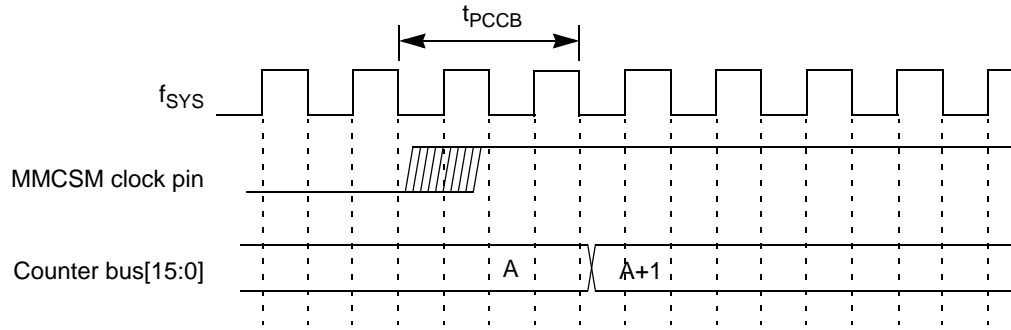
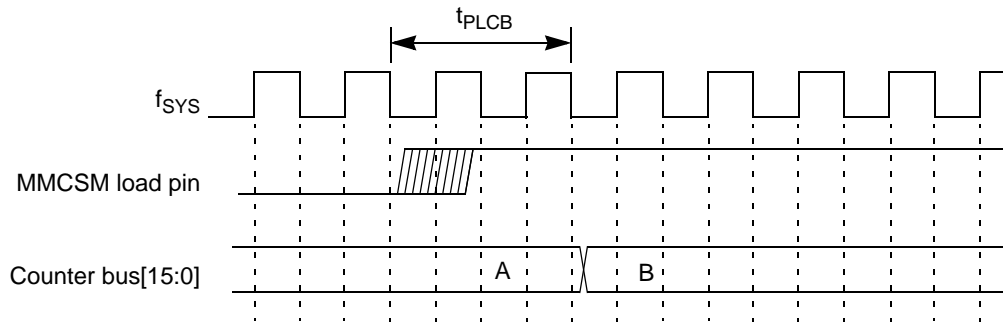
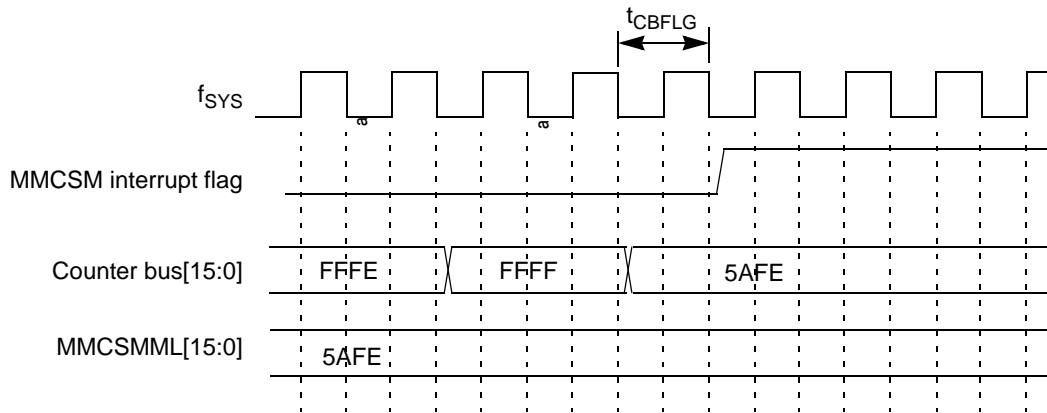


Figure F-50. MMCSM Minimum Input Pin (Either Load Or Clock) Timing Diagram

### NOTE

$f_{SYS}$  is the internal system clock for the IMB3 bus.


**Figure F-51. MMCSM Clock Pin To Counter Bus Increment Timing Diagram**

**Figure F-52. MMCSM Load Pin To Counter Bus Reload Timing Diagram**

**Figure F-53. MMCSM Counter Bus Reload To Interrupt Flag Setting Timing Diagram**

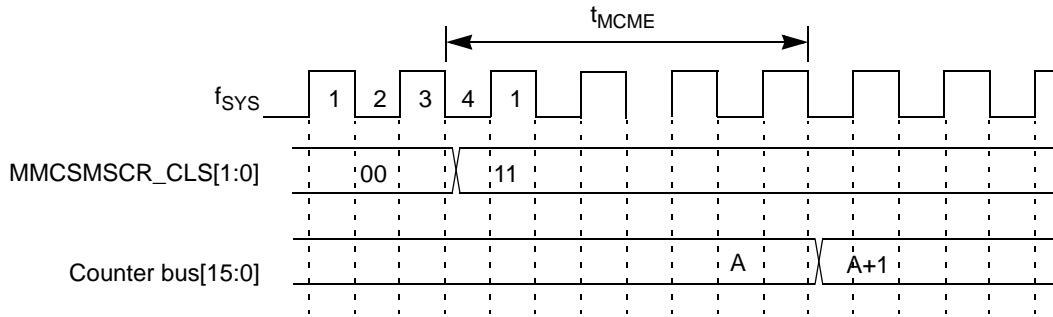


Figure F-54. MMCSM Prescaler Clock Select To Counter Bus Increment Timing Diagram

### F.19.3 MDASM Timing Characteristics

Table F-25. MDASM Timing Characteristics

Note: All delays are in system clock periods.

| Characteristics                          | Symbol      | Min | Max            |
|--|-------------|-----|----------------|
| <b>Input Modes: (IPWM, IPM, IC, DIS)</b> |             |     |                |
| MDASM input pin period                   | $t_{PPER}$  | 4   | —              |
| MDASM pin low time                       | $t_{PLO}$   | 2   | —              |
| MDASM pin high time                      | $t_{PHI}$   | 2   | —              |
| Input capture resolution                 | $t_{CAPR}$  | —   | 2              |
| Input pin to Counter Bus capture delay   | $t_{PCAP}$  | 1   | 3 <sup>1</sup> |
| Input pin to interrupt flag delay        | $t_{PFLG}$  | 2   | 3              |
| Input pin to PIN delay                   | $t_{PIN}$   | 1   | 2              |
| Counter bus resolution                   | $t_{CBR}$   | —   | 2 <sup>2</sup> |
| <b>Output Modes: (OC, OPWM)</b>          |             |     |                |
| Output pulse width <sup>3</sup>          | $t_{PULW}$  | 2   | —              |
| Compare resolution <sup>3</sup>          | $t_{COMR}$  | —   | 2 <sup>2</sup> |
| Counter Bus to pin change                | $t_{CBP}$   | 3   |                |
| Counter Bus to interrupt flag set.       | $t_{CBFLG}$ | 3   |                |

<sup>1</sup> If the counter bus capture occurs when the counter bus is changing then the capture is delayed one cycle. In situations where the counter bus is stable when the input capture occurs the  $t_{PCAP}$  has a maximum delay of two cycles (the one-cycle uncertainty is due to the synchronizer).

<sup>2</sup> Maximum resolution is obtained by setting CPSMPSL[3:0] = 0x2 and MDASMSR\_CP[7:0] = 0xFF.

<sup>3</sup> Maximum output resolution and pulse width depends on counter (e.g., MMCSM) and MCPSM prescaler settings.

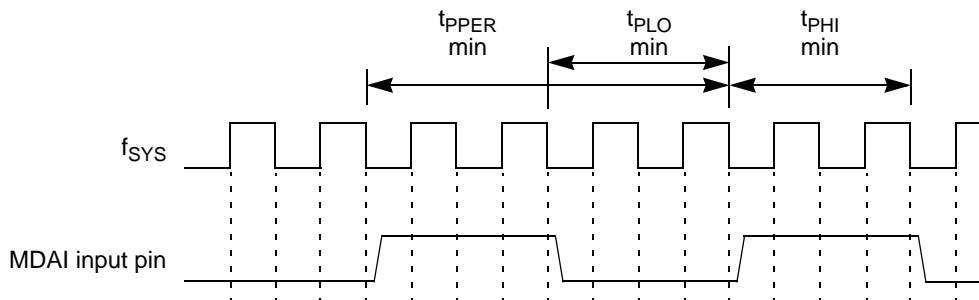


Figure F-55. MDASM Minimum Input Pin Timing Diagram

### NOTE

$f_{SYS}$  is the internal system clock for the IMB3 bus.

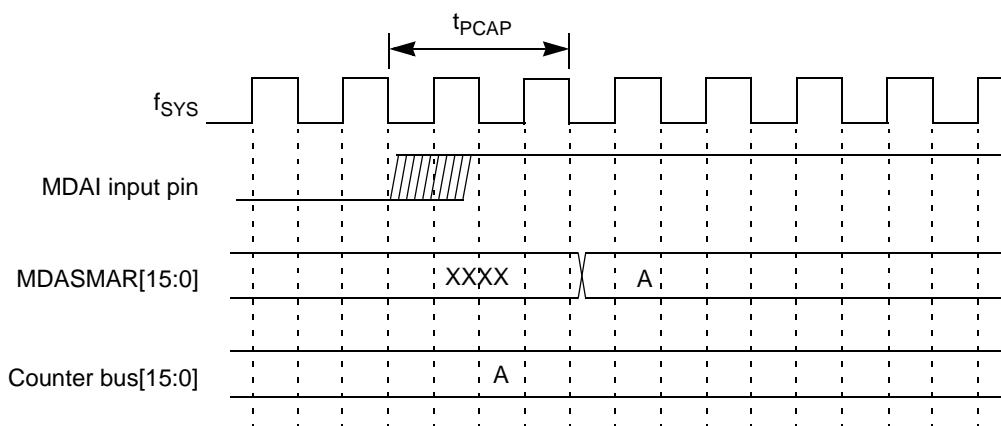


Figure F-56. MDASM Input Pin To Counter Bus Capture Timing Diagram

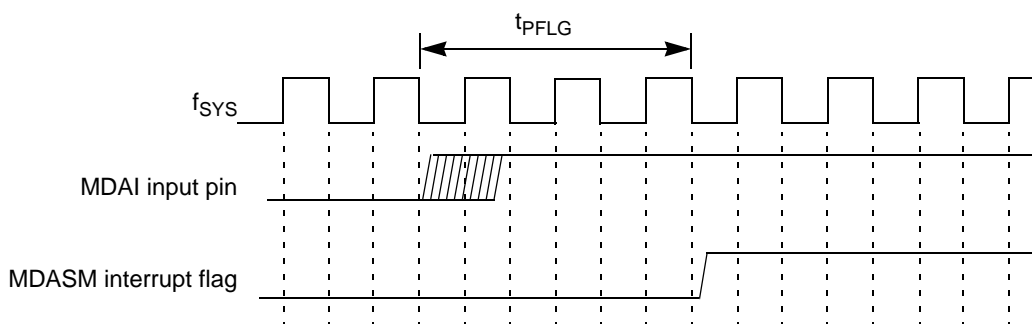


Figure F-57. MDASM Input Pin to MDASM Interrupt Flag Timing Diagram

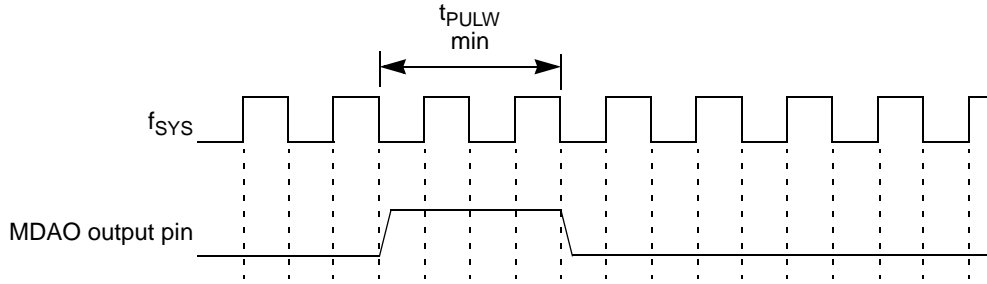


Figure F-58. MDASM Minimum Output Pulse Width Timing Diagram

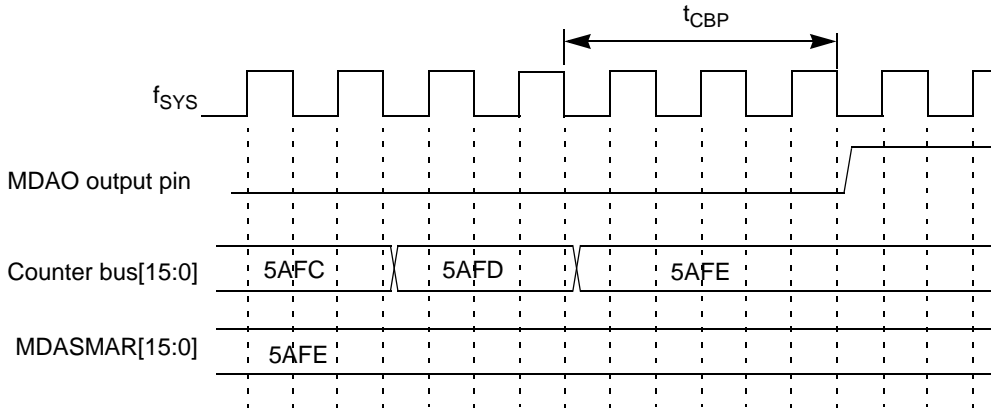


Figure F-59. Counter Bus to MDASM Output Pin Change Timing Diagram

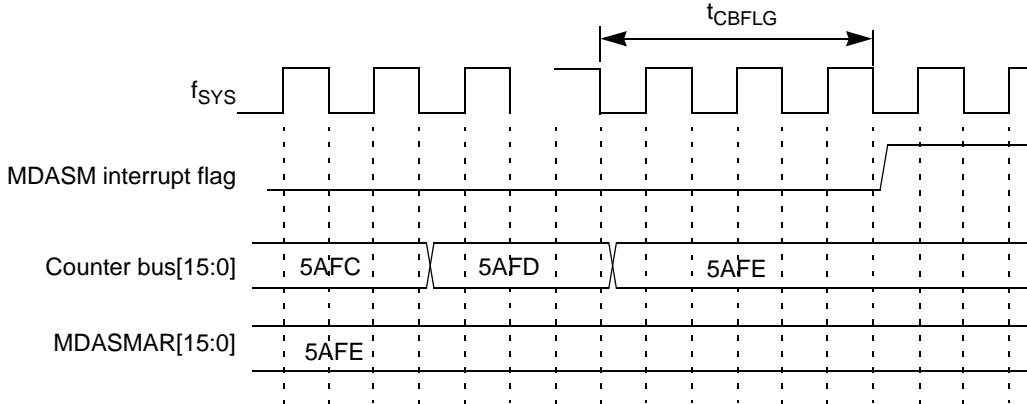


Figure F-60. Counter Bus to MDASM Interrupt Flag Setting Timing Diagram

## F.20 MPIO SM Timing Characteristics

Table F-26. MPIO SM Timing Characteristics

Note: All delays are in system clock periods.

| Characteristic           | Symbol     | Min            | Max |
|--------------------------|------------|----------------|-----|
| <b>Input Mode</b>        |            |                |     |
| MPIO SM input pin period | $t_{PPER}$ | — <sup>1</sup> | —   |

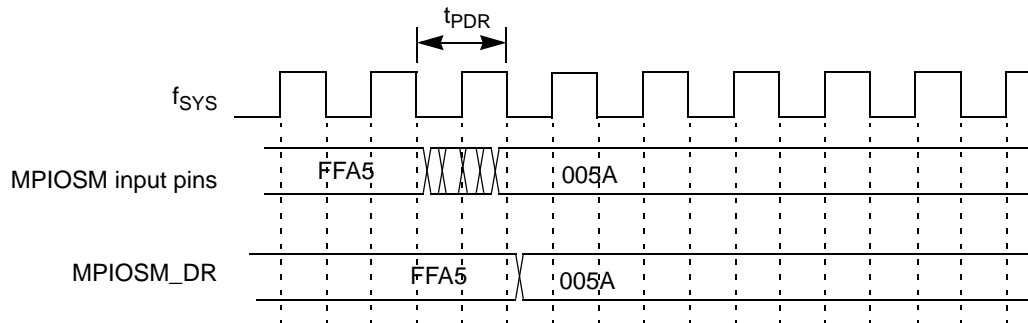
**Table F-26. MPIO SM Timing Characteristics**

**Note:** All delays are in system clock periods.

| Characteristic                  | Symbol     | Min            | Max |
|---------------------------------|------------|----------------|-----|
| MPIO SM pin low time            | $t_{PLO}$  | — <sup>1</sup> | —   |
| MPIO SM pin high time           | $t_{PHI}$  | — <sup>1</sup> | —   |
| Input pin to MPIO SM_DR delay   | $t_{PDR}$  | 0              | 1   |
| <b>Output mode</b>              |            |                |     |
| Output pulse width <sup>2</sup> | $t_{PULW}$ | — <sup>2</sup> | —   |

<sup>1</sup> The minimum input pin period, pin low and pin high times depend on the rate at which the MPIO SM\_DR register is polled.

<sup>2</sup> The minimum output pulse width depends on how quickly the CPU updates the value inside the MPIO SM\_DR register.


**Figure F-61. MPIO SM Input Pin to MPIO SM\_DR (Data Register) Timing Diagram**

### NOTE

$f_{SYS}$  is the internal system clock for the IMB3 bus.

## F.21 Pin Summary

Table F-27 shows the device signal names and pin names.

**Table F-27. MPC565 Signal Names and Pin Names**

| Signal Name             | Pin Name      | BallAssignment |
|-------------------------|---------------|----------------|
| DATA[0:31]/SGPIOD[0:31] | data_sgpiod0  | AF3            |
|                         | data_sgpiod1  | AE4            |
|                         | data_sgpiod2  | AF4            |
|                         | data_sgpiod3  | AE5            |
|                         | data_sgpiod4  | AF5            |
|                         | data_sgpiod5  | AE6            |
|                         | data_sgpiod6  | AF6            |
|                         | data_sgpiod7  | AE7            |
|                         | data_sgpiod8  | AF7            |
|                         | data_sgpiod9  | AE8            |
|                         | data_sgpiod10 | AF8            |
|                         | data_sgpiod11 | AE9            |
|                         | data_sgpiod12 | AF9            |
|                         | data_sgpiod13 | AE10           |
|                         | data_sgpiod14 | AF10           |
|                         | data_sgpiod15 | AE11           |
|                         | data_sgpiod16 | AF11           |
|                         | data_sgpiod17 | AE12           |
|                         | data_sgpiod18 | AF12           |
|                         | data_sgpiod19 | AD13           |
|                         | data_sgpiod20 | AC12           |
|                         | data_sgpiod21 | AD12           |
|                         | data_sgpiod22 | AC11           |
|                         | data_sgpiod23 | AD11           |
|                         | data_sgpiod24 | AC10           |
|                         | data_sgpiod25 | AD10           |
|                         | data_sgpiod26 | AD9            |
|                         | data_sgpiod27 | AC8            |
|                         | data_sgpiod28 | AD8            |
|                         | data_sgpiod29 | AC7            |
|                         | data_sgpiod30 | AD7            |
|                         | data_sgpiod31 | AD6            |



Table F-27. MPC565 Signal Names and Pin Names (continued)

| Signal Name   | Pin Name                    | BallAssignment |
|---|-----------------------------|----------------|
| ADDR[8:31] / SGPIOA[8:31]   | addr_sgpioa8                | U3             |
|   | addr_sgpioa9                | V3             |
|   | addr_sgpioa10               | V4             |
|   | addr_sgpioa11               | W3             |
|   | addr_sgpioa12               | W4             |
|   | addr_sgpioa13               | Y3             |
|   | addr_sgpioa14               | Y4             |
|   | addr_sgpioa15               | AA3            |
|   | addr_sgpioa16               | U1             |
|   | addr_sgpioa17               | U2             |
|   | addr_sgpioa18               | V1             |
|   | addr_sgpioa19               | V2             |
|   | addr_sgpioa20               | W1             |
|   | addr_sgpioa21               | W2             |
|   | addr_sgpioa22               | Y1             |
|   | addr_sgpioa23               | Y2             |
|   | addr_sgpioa24               | AA1            |
|   | addr_sgpioa25               | AA2            |
|   | addr_sgpioa26               | AB1            |
|   | addr_sgpioa27               | AB2            |
|   | addr_sgpioa28               | AC1            |
| addr_sgpioa29   | AD1                         |                |
| addr_sgpioa30   | AA4                         |                |
| addr_sgpioa31   | AB3                         |                |
| $\overline{\text{IRQ0}}$ / SGPIOC0  | irq0_b_sgpioc0              | AF16           |
| $\overline{\text{IRQ1}}$ / $\overline{\text{RSV}}$ / SGPIOC1                            | irq1_b_rsv_b_sgpioc1        | AF13           |
| $\overline{\text{IRQ2}}$ / $\overline{\text{CR}}$ / SGPIOC2 / MTS                       | irq2_b_cr_b_sgpio2_mts      | AD16           |
| $\overline{\text{IRQ3}}$ / $\overline{\text{KR}}$ , $\overline{\text{RETRY}}$ / SGPIOC3 | irq3_b_kr_b_retry_b_sgpioc3 | AE13           |
| $\overline{\text{IRQ4}}$ / AT2 / SGPIOC4  | irq4_b_at2_sgpioc4          | AD14           |
| $\overline{\text{IRQ5}}$ / SGPIOC5 / MODCK1   | irq5_b_sgpioc5_modck1       | AD25           |
| $\overline{\text{IRQ}}[6:7]$ / MODCK[2:3]   | irq6_b_modck2               | AB24           |
|   | irq7_b_modck3               | AC25           |

Table F-27. MPC565 Signal Names and Pin Names (continued)

| Signal Name  | Pin Name              | BallAssignment |
|--|-----------------------|----------------|
| TSIZ[0:1]  | tsiz0                 | AD19           |
|  | tsiz1                 | AF19           |
| $\overline{RD}/\overline{WR}$                                      | rd_wr_b               | AE15           |
| BURST  | burst_b               | AE19           |
| $\overline{BDIP}$  | bdip_b                | AE21           |
| $\overline{TS}$  | ts_b                  | AE20           |
| $\overline{TA}$  | ta_b                  | AF20           |
| $\overline{TEA}$   | tea_b                 | AD15           |
| $\overline{RSTCONF}$ / $\overline{TEXP}$                           | rstconf_b_texp        | AB25           |
| OE   | oe_b                  | AE16           |
| $\overline{BI}$ / $\overline{STS}$                                 | bi_b_sts_b            | AC19           |
| $\overline{CS}[0:3]$   | cs0_b                 | AE18           |
|  | cs1_b                 | AD18           |
|  | cs2_b                 | AF18           |
|  | cs3_b                 | AC18           |
| $\overline{WE}[0:3]$ / $\overline{BE}[0:3]$ / $\overline{AT}[0:3]$ | we0_b_be0_b_at0       | AE17           |
|  | we1_b_be1_b_at1       | AC16           |
|  | we2_b_be2_b_at2       | AD17           |
|  | we3_b_be3_b_at3       | AF17           |
| $\overline{PORESET}$ / $\overline{TRST}$ <sup>1</sup>              | poreset_b_trst_b      | AA23           |
| $\overline{HRESET}$  | hreset_b              | AB23           |
| $\overline{SRESET}$  | sreset_b              | AC24           |
| SGPIOC6 / $\overline{FRZ}$ / $\overline{PTR}$                      | sgpioc6_frz_ptr_b     | T4             |
| SGPIOC7 / $\overline{IRQOUT}$ / LWP0                               | sgpioc7_irqout_b_lwp0 | AC14           |
| $\overline{BG}$ / VF0 / LWP1                                       | bg_b_vf0_lwp1         | AF14           |
| $\overline{BR}$ / VF1 / IWP2                                       | br_b_vf1_iwp2         | AF15           |
| $\overline{BB}$ / VF2 / IWP3                                       | bb_b_vf2_iwp3         | AE14           |
| IWP[0:1] / VFLS[0:1]   | iwp0_vfls0            | T3             |
|  | iwp1_vfls1            | R4             |
| TMS  | tms                   | N1             |
| TDI/DSDI   | tdi_dsdi              | M1             |
| TCK/DSCK   | tck_dsck              | L2             |
| TDO/DSDO   | tdo_dsdo              | R2             |

Table F-27. MPC565 Signal Names and Pin Names (continued)

| Signal Name                       | Pin Name           | BallAssignment |
|-----------------------------------|--------------------|----------------|
| JCOMP <sup>2</sup>                | jcomp_b            | P2             |
| XTAL                              | xtal               | AA26           |
| EXTAL                             | extal              | AB26           |
| XFC                               | xfc                | AD26           |
| CLKOUT                            | clkout             | AD21           |
| EXTCLK                            | extclk             | Y24            |
| VDDSYN                            | vddsyn             | AE26           |
| VSSSYN                            | vsssyn             | AC26           |
| ENGCLK / BUCLK                    | engclk_buclk       | AF22           |
| PULL_SEL <sup>3</sup>             | pullsel            | W26            |
| <b>QSMCM_A</b>                    |                    |                |
| A_PCS0 / $\overline{SS}$ / QGPIO0 | a_pcs0_ss_b_qgpio0 | V23            |
| A_PCS[1:3] / QGPIO[1:3]           | a_pcs1_qgpio1      | W25            |
|                                   | a_pcs2_qgpio2      | U23            |
|                                   | a_pcs3_qgpio3      | U26            |
| MISOA / QGPIO4                    | a_miso_qgpio4      | T24            |
| MOSIA / QGPIO5                    | a_mosi_qgpio5      | U25            |
| A_SCK / QGPIO6                    | a_sck_qgpio6       | T26            |
| A_TXD[1:2] / QGPO[1:2]            | a_txd1_qgpo1       | T23            |
|                                   | a_txd2_qgpo2       | V24            |
| A_RXD[1:2] / QGPI[1:2]            | a_rxd1_qgpi1       | U24            |
|                                   | a_rxd2_qgpi2       | V25            |
| B_PCS0 / $\overline{SS}$ / QGPIO0 | b_pcs0_ss_b_qgpio0 | N25            |
| B_PCS[1:2] / QGPIO[1:2]           | b_pcs1_qgpio1      | N26            |
|                                   | b_pcs2_qgpio2      | R24            |
| B_PCS3 / J1850_TX                 | b_pcs3_j1850_tx    | P25            |
| MISOB / QGPIO4                    | b_miso_qgpio4      | P24            |
| MOSIB / QGPIO5                    | b_mosi_qgpio5      | P26            |
| B_SCK / QGPIO6                    | b_sck_qgpio6       | R23            |
| B_TXD[1:2] / QGPO[1:2]            | b_txd1_qgpo1       | R25            |
|                                   | b_txd2_qgpo2       | R26            |
| B_RXD1 / QGPI1                    | b_rxd1_qgpi1       | V26            |

**Table F-27. MPC565 Signal Names and Pin Names (continued)**

| Signal Name              | Pin Name        | BallAssignment |
|--------------------------|-----------------|----------------|
| B_RXD2 / J1850_RX        | b_rxd2_j1850_rx | T25            |
| ECK                      | b_eck           | P23            |
| <b>MIOS14 / TouCAN_C</b> |                 |                |
| MDA[11:15], MDA[27:31]   | mda11           | F25            |
|                          | mda12           | G23            |
|                          | mda13           | F26            |
|                          | mda14           | K24            |
|                          | mda15           | K23            |
|                          | mda27           | G24            |
|                          | mda28           | G25            |
|                          | mda29           | G26            |
|                          | mda30           | H23            |
| MPWM[0:3], [16:19]       | mda31           | H24            |
|                          | mpwm0           | H25            |
|                          | mpwm1           | H26            |
|                          | mpwm2           | J24            |
|                          | mpwm3           | J23            |
|                          | mpwm16          | J25            |
|                          | mpwm17          | E26            |
|                          | mpwm18          | F24            |
| VF[0:2] / MPIO32B[0:2]   | mpwm19          | L25            |
|                          | vf0_mpio32b0    | L26            |
|                          | vf1_mpio32b1    | M23            |
| VFLS[0:1] / MPIO32B[3:4] | vf2_mpio32b2    | M24            |
|                          | vfls0_mpio32b3  | M26            |
| MPWM[4:5] / MPIO32B[5:6] | vfls1_mpio32b4  | N24            |
|                          | mpwm4_mpio32b5  | M25            |
| MDO[7:4] / MPIO32B[7:10] | mpwm5_mpio32b6  | F23            |
|                          | mdo7_mpio32b7   | P1             |
|                          | mdo6_mpio32b8   | N3             |
|                          | mdo5_mpio32b9   | N4             |
|                          | mdo4_mpio32b10  | N2             |

**Table F-27. MPC565 Signal Names and Pin Names (continued)**

| Signal Name                     | Pin Name          | BallAssignment |
|---------------------------------|-------------------|----------------|
| MPWM[20:21] / MPIO32B[11:12]    | mpwm20_mpio32b11  | J26            |
|                                 | mpwm21_mpio32b12  | K25            |
| C_CNTX0 / MPIO32B13             | c_cntx0_mpio32b13 | K26            |
| C_CNrx0 / MPIO32B14             | c_cnrx0_mpio32b14 | L23            |
| MPIO32B15                       | mpio32b15         | L24            |
| EXTAL32                         | extal32           | D1             |
| XTAL32                          | xtal32            | E1             |
| VDDRtc                          | vddrtc            | C1             |
| VSSRtc                          | vssrtc            | F1             |
| <b>TPU3_A / TPU3_B / TPU3_C</b> |                   |                |
| A_TPUCH[0:15]                   | a_tpuch0          | D20            |
|                                 | a_tpuch1          | A21            |
|                                 | a_tpuch2          | A16            |
|                                 | a_tpuch3          | D17            |
|                                 | a_tpuch4          | A17            |
|                                 | a_tpuch5          | B17            |
|                                 | a_tpuch6          | A18            |
|                                 | a_tpuch7          | D18            |
|                                 | a_tpuch8          | B18            |
|                                 | a_tpuch9          | C18            |
|                                 | a_tpuch10         | A19            |
|                                 | a_tpuch11         | B19            |
|                                 | a_tpuch12         | C19            |
|                                 | a_tpuch13         | D19            |
|                                 | a_tpuch14         | A20            |
| a_tpuch15                       | C20               |                |
| A_T2CLK                         | a_t2clk           | B20            |

**Table F-27. MPC565 Signal Names and Pin Names (continued)**

| Signal Name   | Pin Name  | BallAssignment |
|---------------|-----------|----------------|
| B_TPUCH[0:15] | b_tpuch0  | D26            |
|               | b_tpuch1  | E24            |
|               | b_tpuch2  | D25            |
|               | b_tpuch3  | B21            |
|               | b_tpuch4  | C21            |
|               | b_tpuch5  | A22            |
|               | b_tpuch6  | B22            |
|               | b_tpuch7  | B23            |
|               | b_tpuch8  | C23            |
|               | b_tpuch9  | D21            |
|               | b_tpuch10 | A23            |
|               | b_tpuch11 | C22            |
|               | b_tpuch12 | A24            |
|               | b_tpuch13 | B24            |
|               | b_tpuch14 | A25            |
| b_tpuch15     | C26       |                |
| B_T2CLK       | b_t2clk   | E25            |
| C_TPUCH[0:15] | c_tpuch0  | K3             |
|               | c_tpuch1  | K2             |
|               | c_tpuch2  | K1             |
|               | c_tpuch3  | J3             |
|               | c_tpuch4  | K4             |
|               | c_tpuch5  | J2             |
|               | c_tpuch6  | J1             |
|               | c_tpuch7  | H2             |
|               | c_tpuch8  | H3             |
|               | c_tpuch9  | H1             |
|               | c_tpuch10 | G1             |
|               | c_tpuch11 | G2             |
|               | c_tpuch12 | G3             |
|               | c_tpuch13 | J4             |
|               | c_tpuch14 | F2             |
| c_tpuch15     | F3        |                |

Table F-27. MPC565 Signal Names and Pin Names (continued)

| Signal Name                      | Pin Name        | BallAssignment |
|----------------------------------|-----------------|----------------|
| C_T2CLK                          | c_t2clk         | H4             |
| <b>QADC64_A / QADC64_B</b>       |                 |                |
| ETRIG[1:2]                       | etrig1          | C16            |
|                                  | etrig2          | B16            |
| AN44 / ANW / A_PQB0              | an44_anw_a_pqb0 | B3             |
| AN45 / ANX / A_PQB1              | an45_anx_a_pqb1 | C4             |
| AN46 / ANY / A_PQB2              | an46_any_a_pqb2 | C7             |
| AN47 / ANZ / A_PQB3              | an47_anz_a_pqb3 | D8             |
| AN[48:51] / A_PQB[4:7]           | an48_a_pqb4     | A7             |
|                                  | an49_a_pqb5     | B7             |
|                                  | an50_a_pqb6     | C8             |
|                                  | an51_a_pqb7     | D9             |
| AN[52:54] / A_MA[0:2] / PQA[0:2] | an52_a_ma0_pqa0 | B8             |
|                                  | an53_a_ma1_pqa1 | A8             |
|                                  | an54_a_ma2_pqa2 | C9             |
| AN[55:59] / A_PQA[3:7]           | an55_a_pqa3     | D10            |
|                                  | an56_a_pqa4     | B9             |
|                                  | an57_a_pqa5     | C10            |
|                                  | an58_a_pqa6     | B10            |
|                                  | an59_a_pqa7     | D11            |
| AN[64:71] / B_PQB[0:7]           | an64_b_pqb0     | A2             |
|                                  | an65_b_pqb1     | A14            |
|                                  | an66_b_pqb2     | B14            |
|                                  | an67_b_pqb3     | A13            |
|                                  | an68_b_pqb4     | D14            |
|                                  | an69_b_pqb5     | B13            |
|                                  | an70_b_pqb6     | C14            |
|                                  | an71_b_pqb7     | C13            |
| AN[72:74] / B_MA[0:2] / PQA[0:2] | an72_b_ma0_pqa0 | A12            |
|                                  | an73_b_ma1_pqa1 | B12            |
|                                  | an74_b_ma2_pqa2 | D13            |

**Table F-27. MPC565 Signal Names and Pin Names (continued)**

| Signal Name                | Pin Name    | BallAssignment |
|----------------------------|-------------|----------------|
| AN[75:79] / B_PQA[3:7]     | an75_b_pqa3 | C12            |
|                            | an76_b_pqa4 | A11            |
|                            | an77_b_pqa5 | B11            |
|                            | an78_b_pqa6 | D12            |
|                            | an79_b_pqa7 | C11            |
| AN[80:87]                  | an80        | A6             |
|                            | an81        | B6             |
|                            | an82        | D7             |
|                            | an83        | C6             |
|                            | an84        | A5             |
|                            | an85        | B5             |
|                            | an86        | D6             |
|                            | an87        | C5             |
| VRH                        | vrh         | A3             |
| VRL                        | vrl         | A4             |
| ALTREF                     | altref      | B4             |
| VDDA                       | vdda        | A9             |
| VSSA                       | vssa        | A10            |
| <b>TouCAN_A / TouCAN_B</b> |             |                |
| A_CNTX0                    | a_cntx0     | Y25            |
| B_CNTX0                    | b_cntx0     | E2             |
| A_CNRX0                    | a_cnrx0     | AA24           |
| B_CNRX0                    | b_cnrx0     | C17            |
| <b>UC3F</b>                |             |                |
| EPEE                       | epee        | AF21           |
| B0EPEE                     | b0epee      | AD20           |
| VFLASH                     | vflash      | W24            |
| VDDF                       | vddf        | Y23            |
| VSSF                       | vssf        | AA25           |



Table F-27. MPC565 Signal Names and Pin Names (continued)

| Signal Name                  | Pin Name   | BallAssignment   |
|------------------------------|------------|--|
| <b>READI</b>                 |            |  |
| MSEO                         | mseo_b     | T2   |
| MDO3                         | mdo_3      | T1   |
| MDO2                         | mdo_2      | R3   |
| MDO1                         | mdo_1      | R1   |
| MDO0                         | mdo_0      | P4   |
| MCKO                         | mcko       | P3   |
| RSTI                         | rsti_b     | M3   |
| EVTI                         | evti_b     | M2   |
| MSEI                         | msei_b     | M4   |
| MDI1                         | mdi_1      | L3   |
| MDI0                         | mdi_0      | L1   |
| MCKI                         | mcki       | L4   |
| <b>Global Power Supplies</b> |            |  |
| NVDDL                        | nvddl      | F4, U4, AC9, AC13, D22, W23, AC15, AC17  |
| QVDDL                        | qvddl      | AB4, AC3, AD2, AE1, A15, B15, C15, D15, AC23, AE25, AF26, AD24   |
| VDDH                         | vddh       | AC6, D16, N23, AC20, D5  |
| KAPWR                        | kapwr      | Y26  |
| VDDSRAM1                     | vddsr1     | E3   |
| VDDSRAM2                     | vddsr2     | D2   |
| VDDSRAM3                     | vddsr3     | G4   |
| VDD                          | vdd        | D24, E23, AC21, AD22, AE23, AF24, A1, B2, B26, C25, C3, D4, AC5, AD4, AE3, AF2   |
| VSS                          | vss        | A26, B25, AC22, D23, B1, N14, N15, N16, D3, M14, M15, M16, C2, E4, L14, L15, L16, P14, P15, P16, AD23, AE24, AF25, L11, L12, L13, M11, M12, M13, N11, N12, N13, P11, P12, P13, R11, R12, R13, T11, T12, T13, AC4, AD3, AE2, AF1, R14, R15, R16, T14, T15, T16, C24 |
| NC                           | no_connect | AE22, AF23, AC2, AD5   |

<sup>1</sup> PORESET only on mask set K85H.

<sup>2</sup> TRST in mask set K85H.

<sup>3</sup> A\_ECK in mask set K85H.

### F.21.1 Package Diagrams

The package for the MPC565 is the 352/388 PBGA (27 x 27 mm, 1.0 mm ball pitch) with a total of 388 balls: 36 ground and 352 in the four perimeter rows.

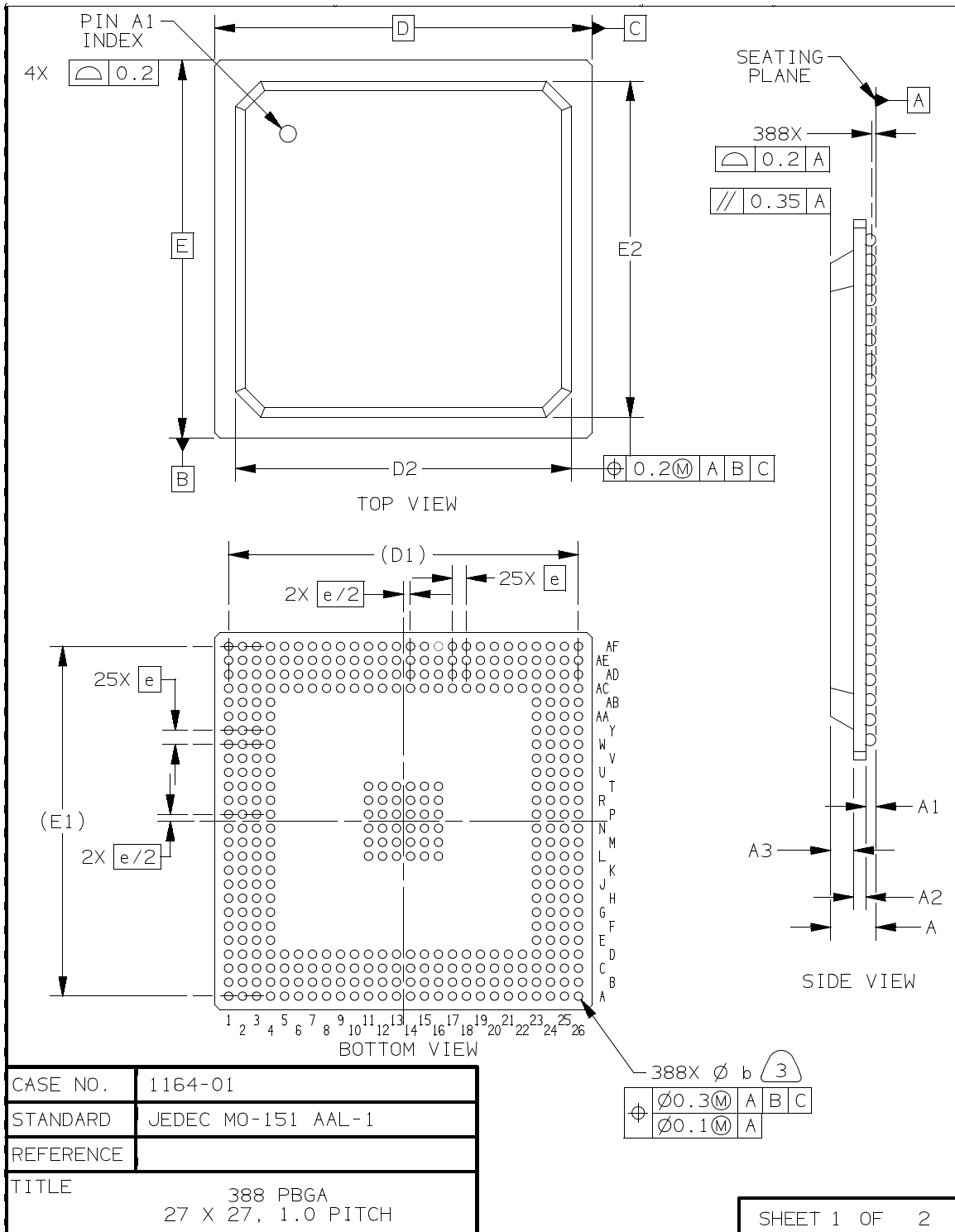


Figure F-62. MPC565 Package Footprint (1 of 2)

| <p>NOTES</p> <ol style="list-style-type: none"> <li>1. DIMENSIONS AND TOLERANCING PER ASME Y14.5M-1994.</li> <li>2. DIMENSIONS IN MILLIMETERS.</li> <li>3. DIMENSION IS MEASURED AT THE MAXIMUM SOLDER BALL DIAMETER, PARALLEL TO PRIMARY DATUM A.</li> <li>4. PRIMARY DATUM A AND THE SEATING PLANE ARE DEFINED BY THE SPHERICAL CROWNS OF THE SOLDER BALLS.</li> </ol> |             |                                |        |     |     |             |     |        |              |
|--|-------------|--------------------------------|--------|-----|-----|-------------|-----|--------|--------------|
| DIM  | MILLIMETERS |                                | INCHES |     | DIM | MILLIMETERS |     | INCHES |              |
|  | MIN         | MAX                            | MIN    | MAX |     | MIN         | MAX | MIN    | MAX          |
| A  | 1.95        | 2.55                           |        |     |     |             |     |        |              |
| A1   | 0.40        | 0.60                           |        |     |     |             |     |        |              |
| A2   | 0.50        | 0.70                           |        |     |     |             |     |        |              |
| A3   | 1.05        | 1.25                           |        |     |     |             |     |        |              |
| b  | 0.50        | 0.70                           |        |     |     |             |     |        |              |
| D  | 27.00       | BSC                            |        |     |     |             |     |        |              |
| D1   | 25.00       | REF                            |        |     |     |             |     |        |              |
| D2   | 23.30       | 24.70                          |        |     |     |             |     |        |              |
| E  | 27.00       | BSC                            |        |     |     |             |     |        |              |
| E1   | 25.00       | REF                            |        |     |     |             |     |        |              |
| E2   | 23.30       | 24.70                          |        |     |     |             |     |        |              |
| e  | 1.00        | BSC                            |        |     |     |             |     |        |              |
| CASE NO.   |             | 1164-01                        |        |     |     |             |     |        |              |
| STANDARD   |             | JEDEC MO-151 AAL-1             |        |     |     |             |     |        |              |
| REFERENCE  |             |                                |        |     |     |             |     |        |              |
| TITLE  |             | 388 PBGA<br>27 X 27, 1.0 PITCH |        |     |     |             |     |        |              |
|  |             |                                |        |     |     |             |     |        | SHEET 2 OF 2 |

Figure F-63. MPC565 Package Footprint (2 of 2)

## F.21.2 MPC565 Ball Diagram

The ball diagram of the MPC565 is shown in [Figure F-64](#).

|    | 1              | 2              | 3               | 4               | 5           | 6           | 7           | 8               | 9           | 10          | 11          | 12              | 13          | 14          | 15          | 16       | 17       | 18       | 19        | 20       | 21       | 22       | 23              | 24              | 25       | 26       |          |   |
|----|----------------|----------------|-----------------|-----------------|-------------|-------------|-------------|-----------------|-------------|-------------|-------------|-----------------|-------------|-------------|-------------|----------|----------|----------|-----------|----------|----------|----------|-----------------|-----------------|----------|----------|----------|---|
| A  | VDD            | ANH_A_PQ08     | VSS             | VBL             | ANH         | ANH         | ANH_A_PQ04  | ANTL_B_MALP_Q01 | VDDA        | VSA         | ANTL_B_PQ04 | ANTL_B_MALP_Q01 | ANH_B_PQ01  | ANH_B_PQ01  | QVDD        | A_TPCX02 | A_TPCX01 | A_TPCX00 | A_TPCX03  | A_TPCX04 | A_TPCX05 | B_TPCX06 | B_TPCX07        | B_TPCX08        | B_TPCX09 | B_TPCX10 | VSS      | A |
| B  | VSS            | VDD            | ANH_ANH_A_P_Q01 | ALTRF           | ANH         | ANH         | ANH_A_PQ01  | ANTL_A_MALP_Q01 | ANH_A_PQ04  | ANH_A_PQ04  | ANTL_B_PQ01 | ANTL_B_MALP_Q01 | ANH_B_PQ01  | ANH_B_PQ02  | QVDD        | ETREQ    | A_TPCX01 | A_TPCX00 | A_TPCX03  | A_TPCX04 | A_TPCX05 | B_TPCX06 | B_TPCX07        | B_TPCX08        | B_TPCX09 | VSS      | VDD      | B |
| C  | VDDTRC         | VSS            | VDD             | ANH_ANH_A_P_Q01 | ANH         | ANH         | ANH_A_PQ01  | ANTL_A_MALP_Q01 | ANH_A_PQ04  | ANH_A_PQ04  | ANTL_B_PQ01 | ANTL_B_MALP_Q01 | ANH_B_PQ01  | ANH_B_PQ02  | QVDD        | ETREQ    | B_CTRX01 | A_TPCX00 | A_TPCX03  | A_TPCX04 | A_TPCX05 | B_TPCX06 | B_TPCX07        | B_TPCX08        | VSS      | VDD      | B_TPCX09 | C |
| D  | XTAL12         | VDDSBM02       | VSS             | VDD             | VDDH        | ANH         | ANH         | ANH_A_PQ01      | ANH_A_PQ01  | ANH_A_PQ01  | ANTL_B_PQ01 | ANTL_B_MALP_Q01 | ANH_B_PQ01  | ANH_B_PQ02  | QVDD        | VDDH     | A_TPCX01 | A_TPCX00 | A_TPCX03  | A_TPCX04 | B_TPCX05 | B_TPCX06 | INVDL           | VSS             | VDD      | B_TPCX07 | B_TPCX08 | D |
| E  | XTAL12         | R_CNTR0        | VDDSBM01        | VSS             |             |             |             |                 |             |             |             |                 |             |             |             |          |          |          |           |          |          |          | VDD             | B_TPCX01        | B_TPCX02 | MPN010   | E        |   |
| F  | VSS007         | C_TPCX04       | C_TPCX03        | INVDL           |             |             |             |                 |             |             |             |                 |             |             |             |          |          |          |           |          |          |          | MPN010          | MPN011          | MPN012   | MPN013   | F        |   |
| G  | C_TPCX09       | C_TPCX08       | C_TPCX07        | VDDSBM01        |             |             |             |                 |             |             |             |                 |             |             |             |          |          |          |           |          |          |          | MPN014          | MPN015          | MPN016   | MPN017   | G        |   |
| H  | C_TPCX09       | C_TPCX07       | C_TPCX08        | C_TPCX01        |             |             |             |                 |             |             |             |                 |             |             |             |          |          |          |           |          |          |          | MPN018          | MPN019          | MPN020   | MPN021   | H        |   |
| J  | C_TPCX06       | C_TPCX05       | C_TPCX04        | C_TPCX01        |             |             |             |                 |             |             |             |                 |             |             |             |          |          |          |           |          |          |          | MPN022          | MPN023          | MPN024   | MPN025   | J        |   |
| K  | C_TPCX02       | C_TPCX01       | C_TPCX00        | C_TPCX01        |             |             |             |                 |             |             |             |                 |             |             |             |          |          |          |           |          |          |          | MPN026          | MPN027          | MPN028   | MPN029   | K        |   |
| L  | MDL0           | TEL_DMX0       | MDL1            | MDL1            |             |             |             |                 |             |             | VSS         | VSS             | VSS         | VSS         | VSS         | VSS      |          |          |           |          |          |          | C_CNTR0         | MPN030          | MPN031   | MPN032   | L        |   |
| M  | TEL_DMX0       | EVTL0          | RSTL0           | MDL0            |             |             |             |                 |             |             | VSS         | VSS             | VSS         | VSS         | VSS         | VSS      |          |          |           |          |          |          | VFL0            | VFL0            | VFL0     | VFL0     | M        |   |
| N  | VSS            | MDL0_MSP002_B0 | MDL0_MSP002_B1  | MDL0_MSP002_B2  |             |             |             |                 |             |             | VSS         | VSS             | VSS         | VSS         | VSS         | VSS      |          |          |           |          |          |          | VDDH            | VFL0            | VFL0     | VFL0     | N        |   |
| P  | MDL0_MSP002_B7 | KOMP           | MDL0            | MDL0            |             |             |             |                 |             |             | VSS         | VSS             | VSS         | VSS         | VSS         | VSS      |          |          |           |          |          |          | B_ECK           | B_MSD0          | B_PCS0   | B_PCS0   | P        |   |
| R  | MDL0           | TEL_DMX0       | MDL0            | HPPL_VFL01      |             |             |             |                 |             |             | VSS         | VSS             | VSS         | VSS         | VSS         | VSS      |          |          |           |          |          |          | B_SCK0          | B_PCS0          | B_PCS0   | B_PCS0   | R        |   |
| T  | MDL0           | MDL0           | HPPL_VFL01      | SPR001_PZL_PPC0 |             |             |             |                 |             |             | VSS         | VSS             | VSS         | VSS         | VSS         | VSS      |          |          |           |          |          |          | A_TSD0          | A_MSD0          | B_PCS0   | B_PCS0   | T        |   |
| U  | ADDR_SSP0A1    | ADDR_SSP0A1    | ADDR_SSP0A1     | INVDL           |             |             |             |                 |             |             |             |                 |             |             |             |          |          |          |           |          |          |          | A_PCS0          | A_PCS0          | A_PCS0   | A_PCS0   | U        |   |
| V  | ADDR_SSP0A1    | ADDR_SSP0A1    | ADDR_SSP0A1     | ADDR_SSP0A1     |             |             |             |                 |             |             |             |                 |             |             |             |          |          |          |           |          |          |          | A_PCS0          | A_PCS0          | A_PCS0   | A_PCS0   | V        |   |
| W  | ADDR_SSP0A2    | ADDR_SSP0A2    | ADDR_SSP0A2     | ADDR_SSP0A2     |             |             |             |                 |             |             |             |                 |             |             |             |          |          |          |           |          |          |          | INVDL           | VFL00           | A_PCS0   | A_PCS0   | W        |   |
| Y  | ADDR_SSP0A2    | ADDR_SSP0A2    | ADDR_SSP0A2     | ADDR_SSP0A2     |             |             |             |                 |             |             |             |                 |             |             |             |          |          |          |           |          |          |          | VDDP            | EXTL0           | A_CNTR0  | KAP00    | Y        |   |
| AA | ADDR_SSP0A2    | ADDR_SSP0A2    | ADDR_SSP0A2     | ADDR_SSP0A2     |             |             |             |                 |             |             |             |                 |             |             |             |          |          |          |           |          |          |          | PORTSET_B_TSTL0 | A_CNTR0         | VDDP     | XTAL     | AA       |   |
| AB | ADDR_SSP0A2    | ADDR_SSP0A2    | ADDR_SSP0A2     | ADDR_SSP0A2     |             |             |             |                 |             |             |             |                 |             |             |             |          |          |          |           |          |          |          | PORTSET_B_TSTL0 | B_PCS0          | B_PCS0   | B_PCS0   | AB       |   |
| AC | ADDR_SSP0A2    | NC             | QVDD            | VSS             | VDD         | VDDH        | DATA_SSP000 | DATA_SSP000     | INVDL       | DATA_SSP000 | DATA_SSP000 | DATA_SSP000     | INVDL       | SGR001_B000 | INVDL       | WE_B_AT1 | INVDL    | CS1_B    | WE_B_STL0 | VDDH     | VDD      | VSS      | QVDD            | PORTSET_B_TSTL0 | B_PCS0   | B_PCS0   | AC       |   |
| AD | ADDR_SSP0A2    | QVDD           | VSS             | VDD             | NC          | DATA_SSP000 | DATA_SSP000 | DATA_SSP000     | DATA_SSP000 | DATA_SSP000 | DATA_SSP000 | DATA_SSP000     | DATA_SSP000 | DATA_SSP000 | DATA_SSP000 | WE_B_AT1 | WE_B_AT1 | CS1_B    | WE_B_STL0 | VDDH     | VDD      | VSS      | QVDD            | B_PCS0          | B_PCS0   | AD       |          |   |
| AE | QVDD           | VSS            | VDD             | DATA_SSP000     | DATA_SSP000 | DATA_SSP000 | DATA_SSP000 | DATA_SSP000     | DATA_SSP000 | DATA_SSP000 | DATA_SSP000 | DATA_SSP000     | DATA_SSP000 | DATA_SSP000 | DATA_SSP000 | WE_B_AT1 | WE_B_AT1 | CS1_B    | WE_B_STL0 | VDDH     | VDD      | VSS      | QVDD            | VDDH            | VDDH     | AE       |          |   |
| AF | VSS            | VDD            | DATA_SSP000     | DATA_SSP000     | DATA_SSP000 | DATA_SSP000 | DATA_SSP000 | DATA_SSP000     | DATA_SSP000 | DATA_SSP000 | DATA_SSP000 | DATA_SSP000     | DATA_SSP000 | DATA_SSP000 | DATA_SSP000 | WE_B_AT1 | WE_B_AT1 | CS1_B    | WE_B_STL0 | VDDH     | VDD      | VSS      | QVDD            | VDDH            | VDDH     | AF       |          |   |

NOTE: This is a top down view of the balls.

Figure F-64. MPC565 Ball Diagram

### F.21.3 MPC565 Ball Maps

Following are the four figures that compose the complete ball map for the MPC565.

|   | 1         | 2                | 3                | 4                | 5   | 6    | 7                | 8                | 9                | 10          | 11          | 12               | 13               |     |     |     |
|---|-----------|------------------|------------------|------------------|---|------|------------------|------------------|------------------|-------------|-------------|------------------|------------------|-----|-----|-----|
| A | VDD       | AN64_B_PQB0      | VRH              | VRL              | AN84  | AN80 | AN48_A_PQB4      | AN53_A_MAI_PQ A1 | VDDA             | VSSA        | AN76_B_PQA4 | AN72_B_MAI_PQ A0 | AN67_B_PQB3      |     |     |     |
| B | VSS       | VDD              | AN44_ANW_A_P QB0 | ALTREF           | AN85  | AN81 | AN49_A_PQB5      | AN52_A_MAI_PQ A0 | AN56_A_PQA4      | AN58_A_PQA6 | AN77_B_PQA5 | AN73_B_MAI_PQ A1 | AN69_B_PQB5      |     |     |     |
| C | VDDRTC    | VSS              | VDD              | AN45_ANX_A_PQ B1 | AN87  | AN83 | AN46_ANY_A_PQ B2 | AN50_A_PQB6      | AN54_A_MAI_PQ A2 | AN57_A_PQA5 | AN79_B_PQA7 | AN75_B_PQA3      | AN71_B_PQB7      |     |     |     |
| D | EXTAL32   | VDDSRAM2         | VSS              | VDD              | VDDH  | AN86 | AN82             | AN47_ANZ_A_PQ B3 | AN51_A_PQB7      | AN55_A_PQA3 | AN59_A_PQA7 | AN78_B_PQA6      | AN74_B_MAI_PQ A2 |     |     |     |
| E | XTAL32    | B_CNTX0          | VDDSRAM1         | VSS              | <p style="text-align: center;">NOTE: This pinout is a top down view of the package.</p> |      |                  |                  |                  |             |             |                  |                  |     |     |     |
| F | VSSRTC    | C_TPUCH14        | C_TPUCH15        | NVDDL            |   |      |                  |                  |                  |             |             |                  |                  |     |     |     |
| G | C_TPUCH10 | C_TPUCH11        | C_TPUCH12        | VDDSRAM3         |   |      |                  |                  |                  |             |             |                  |                  |     |     |     |
| H | C_TPUCH9  | C_TPUCH7         | C_TPUCH8         | C_T2CLK          |   |      |                  |                  |                  |             |             |                  |                  |     |     |     |
| J | C_TPUCH6  | C_TPUCH5         | C_TPUCH3         | C_TPUCH13        |   |      |                  |                  |                  |             |             |                  |                  |     |     |     |
| K | C_TPUCH2  | C_TPUCH1         | C_TPUCH0         | C_TPUCH4         |   |      |                  |                  |                  |             |             |                  |                  |     |     |     |
| L | MDL_0     | TCK_DSCK         | MDL_1            | MCKI             |   |      |                  |                  |                  |             |             |                  |                  | VSS | VSS | VSS |
| M | TDI_DSDI  | EVTI_B           | RSTI_B           | MSEI_B           |   |      |                  |                  |                  |             |             |                  |                  | VSS | VSS | VSS |
| N | TMS       | MDO_4_MPIO32B 10 | MDO_6_MPIO32B 8  | MDO_5_MPIO32B 9  |   |      |                  |                  |                  |             |             |                  |                  | VSS | VSS | VSS |

Figure F-65. MPC565 Ball Map (Black and White, page 1)



| 14          | 15    | 16       | 17       | 18       | 19        | 20        | 21       | 22        | 23                    | 24                 | 25                     | 26                    |   |
|-------------|-------|----------|----------|----------|-----------|-----------|----------|-----------|-----------------------|--------------------|------------------------|-----------------------|---|
| AN65_B_PQB1 | QVDDL | A_TPUCH2 | A_TPUCH4 | A_TPUCH6 | A_TPUCH10 | A_TPUCH14 | A_TPUCH1 | B_TPUCH5  | B_TPUCH10             | B_TPUCH12          | B_TPUCH14              | VSS                   | A |
| AN66_B_PQB2 | QVDDL | ETRIG2   | A_TPUCH5 | A_TPUCH8 | A_TPUCH11 | A_T2CLK   | B_TPUCH3 | B_TPUCH6  | B_TPUCH7              | B_TPUCH13          | VSS                    | VDD                   | B |
| AN70_B_PQB6 | QVDDL | ETRIG1   | B_CNRX0  | A_TPUCH9 | A_TPUCH12 | A_TPUCH15 | B_TPUCH4 | B_TPUCH11 | B_TPUCH8              | VSS                | VDD                    | B_TPUCH15             | C |
| AN68_B_PQB4 | QVDDL | VDDH     | A_TPUCH3 | A_TPUCH7 | A_TPUCH13 | A_TPUCH0  | B_TPUCH9 | NVDDL     | VSS                   | VDD                | B_TPUCH2               | B_TPUCH0              | D |
|             |       |          |          |          |           |           |          |           | VDD                   | B_TPUCH1           | B_T2CLK                | MPWM17                | E |
|             |       |          |          |          |           |           |          |           | MPWM5_MPIO32<br>B6    | MPWM18             | MDA11                  | MDA13                 | F |
|             |       |          |          |          |           |           |          |           | MDA12                 | MDA27              | MDA28                  | MDA29                 | G |
|             |       |          |          |          |           |           |          |           | MDA30                 | MDA31              | MPWM0                  | MPWM1                 | H |
|             |       |          |          |          |           |           |          |           | MPWM3                 | MPWM2              | MPWM16                 | MPWM20_MPIO3<br>2B11  | J |
|             |       |          |          |          |           |           |          |           | MDA15                 | MDA14              | MPWM21_MPIO3<br>2B12   | C_CNTX0_MPIO3<br>2B13 | K |
|             |       |          |          |          |           |           |          |           | C_CNRX0_MPIO3<br>2B14 | MPIO32B15          | MPWM19                 | VF0_MPIO32B0          | L |
|             |       |          |          |          |           |           |          |           | VF1_MPIO32B1          | VF2_MPIO32B2       | MPWM4_MPIO32<br>B5     | VF150_MPIO32B<br>3    | M |
|             |       |          |          |          |           |           |          |           | VDDH                  | VFLS1_MPIO32B<br>4 | B_PCS0_SS_B_Q<br>GPIO0 | B_PCS1_QGPIO1         | N |

NOTE: This pinout is a top down view of the package.

|     |     |     |
|-----|-----|-----|
| VSS | VSS | VSS |
| VSS | VSS | VSS |
| VSS | VSS | VSS |

Figure F-67. MPC565 Ball Map (Black and White, page 3)

|                       |               |                     |          |       |            |        |        |              |       |                    |                       |                 |               |    |
|-----------------------|---------------|---------------------|----------|-------|------------|--------|--------|--------------|-------|--------------------|-----------------------|-----------------|---------------|----|
| VSS                   | VSS           | VSS                 |          |       |            |        |        |              |       | B_ECK              | B_MISO_QGPIO4         | B_PCS3_J1850_TX | B_MOS1_QGPIO5 | P  |
| VSS                   | VSS           | VSS                 |          |       |            |        |        |              |       | B_SCK_QGPIO6       | B_PCS2_QGPIO2         | B_TXD1_QGPO1    | B_TXD2_QGPO2  | R  |
| VSS                   | VSS           | VSS                 |          |       |            |        |        |              |       | A_TXD1_QGPO1       | A_MISO_QGPIO4         | B_RXD2_J1850_RX | A_SCK_QGPIO6  | T  |
|                       |               |                     |          |       |            |        |        |              |       | A_PCS2_QGPIO2      | A_RXD1_QPI1           | A_MOS1_QGPIO5   | A_PCS3_QGPIO3 | U  |
|                       |               |                     |          |       |            |        |        |              |       | A_PCS0_SS_B_QGPIO0 | A_TXD2_QGPO2          | A_RXD2_QPI2     | B_RXD1_QGPI1  | V  |
|                       |               |                     |          |       |            |        |        |              |       | NVDDL              | VFLASH                | A_PCS1_QGPIO1   | PULLSEL       | W  |
|                       |               |                     |          |       |            |        |        |              |       | VDDF               | EXTCLK                | A_CNTXO         | KAPWR         | Y  |
|                       |               |                     |          |       |            |        |        |              |       | PORESET_B_TRST_B   | A_CNRXO               | VSSF            | XTAL          | AA |
|                       |               |                     |          |       |            |        |        |              |       | HRESET_B           | IRQ6_B_MODCK2         | RSTCONF_B_TEXP  | EXTAL         | AB |
| SGPIOC7_IRQOUT_B_LWP0 | NVDDL         | WE_B_AT1            | NVDDL    | CS3_B | BL_B_STS_B | VDDH   | VDD    | VSS          | QVDDL | SRESET_B           | IRQ7_B_MODCK3         | VSSSYN          |               | AC |
| IRQ4_B_AT2_SGPIOC4    | TEA_B         | IRQ2_B_CR_B_SGPIOC2 | WE_B_AT2 | CS1_B | TSIZ0      | BOEPEE | CLKOUT | VDD          | VSS   | QVDDL              | IRQ5_B_SGPIOC5_MODCK1 | XPC             |               | AD |
| BB_B_VF2_IWP3         | RD_WR_B       | OE_B                | WE_B_AT0 | CS0_B | BURST_B    | TS_B   | BDIP_B | NC           | VDD   | VSS                | QVDDL                 | VDDSYN          |               | AE |
| BG_B_VF0_LWP1         | BR_B_VF1_IWP2 | IRQ0_B_SGPIOC0      | WE_B_AT3 | CS2_B | TSIZ1      | TA_B   | EPEE   | ENGCLK_BUCLK | NC    | VDD                | VSS                   | QVDDL           |               | AF |
| 14                    | 15            | 16                  | 17       | 18    | 19         | 20     | 21     | 22           | 23    | 24                 | 25                    | 26              |               |    |

NOTE: This pinout is a top down view of the package.

Figure F-68. MPC565 Ball Map (Black and White, page 4)



# Register Index

## A

Associated registers 4

## B

BAR (breakpoint address register) 53  
 BBCMCR (BBC module configuration register) 19  
 BR0 - BR3 (emory controller base registers 0 -3) 32  
 Breakpoint counter B value and control register  
 (COUNTB) 46

## C

CALRAM\_OTR (CALRAM ownership trace register)  
 19  
 CANCTRL0 (control register 0) 27  
 CANCTRL1 (control register 1) 28  
 CANCTRL2 (control register 2) 30  
 CFSR0 (TPU3 channel function select register 0) 17  
 CFSR1 (TPU3 channel function select register 1) 17  
 CFSR2 (TPU3 channel function select register 2) 17  
 CFSR3 (TPU3 channel function select register 3) 17  
 CIER (TPU3 channel interrupt enable register) 16  
 CISR (TPU3 channel interrupt status register) 20  
 CMD (DLCMD2 command register) 35  
 CMPA-CMPD (comparator A-D value registers) 41  
 CMPE-CMPF (comparator E-F value registers) 46  
 CMPG-CMPH (comparator G-H value registers) 47  
 COLIR (change of lock interrupt register) 39  
 COUNTA (breakpoint counter A value and control  
 register) 45  
 COUNTB (breakpoint counter B value and control  
 register) 46  
 CPR0 (TPU3 channel priority register 0) 19  
 CPR1 (TPU3 channel priority register 1) 19  
 CRAM\_RBAX (CALRAM region base address  
 register) 17  
 CRAMMCR (CALRAM module configuration  
 register) 14, 15  
 CRAMOVL (CALRAM overlay configuration  
 register) 18

## D

DDRQS (PORTQS data direction register) 15  
 DEC (decrementer register) 40

DER (debug enable register) 43  
 DMBR (dual mapping base register) 36  
 DPDR (development port data register) 53  
 DPTRAM  
   module configuration register (DPTMCR) 3  
   ram base address register (RAMBAR) 5  
 DSCR (TPU3 development support control register)  
 13  
 DSSR (TPU3 development support status register) 15  
 Dual mapping option register 37

## E

ECR (exception cause register) 41, 42  
 EIBADR (external interrupt relocation table base  
 address register) 25  
 EMCR (external master control register) 29

## G

General-Purpose I/O registers 46

## H

HSQR0 (TPU3 host sequence register 0) 18  
 HSQR1 (TPU3 host sequence register 1) 18  
 HSSR0 (TPU3 host service request register 0) 18  
 HSSR1 (TPU3 host service request register 1) 18

## I

ICTRL (I-bus support control register) 51, 16  
 ILR (DLCMD2 interrupt level register) 29  
 IMASK (interrupt mask register) 35  
 Internal memory map register 28  
 IPR (DLCMD2 interrupt pending register) 28  
 IVR (DLCMD2 interrupt vector register) 30

## K

Keep alive power registers lock mechanism 25

## L

L2U  
   global region attribute register (L2U\_GRA) 16  
   module configuration register (L2U\_MCR) 13  
   region attribute registers (L2U\_RAx) 15  
   region base address registers (L2U\_RBAX) 14

L2U\_GRA (L2U global region attribute register) 16  
 L2U\_MCR (L2U module configuration register) 14  
 L2U\_RA<sub>x</sub> (L2U region X attribute register) 15  
 L2U\_RBA<sub>x</sub> (L2U region x base address register) 14  
 LCTRL1 (L-bus support control register 1) 47  
 LCTRL1 (L-bus support control register 2) 48  
 LCTRL2 (L-bus support control register 2) 48

## M

### MBISM

interrupt registers 71

MCPSMCR (MCPSM status/control register) 20

MCR (DLCMD2 module configuration register) 26

MDASMSCR (MDASM status/control register) 45

MI\_GRA (global region attribute register) 23

MI\_RA 1 - 3 (region base address registers (1 - 3)) 22

MI\_RBA 0 - 3 (region base address registers (0 - 3)) 21

### MIOS

bus interface (MBISM) Registers 15

### MIOS1

interrupt level register 0 (MIOSLVL0)  
 (MIOS1LVL0) 72

interrupt level register 1 (MIOSLVL1)  
 (MIOS1LVL0) 72

module and version number register (MIOS1VNR)  
 17

MIOS14ER0 interrupt enable register 68

MIOS14ER1 interrupt enable register 70

MIOS14MCR (MIOS14 module configuration  
 register) 17

MIOS14RPR0 request pending register 69

MIOS14RPR1 request pending register 70

MIOS14SR0 (interrupt status register) 68

MIOS14SR0 interrupt status register 68, 8

MIOS14SR1 (interrupt status register) 69, 70, 71

MIOS14SR1 interrupt status register 69

MIOS14TPCR (test and pin control register) 15, 16

MIOS1LVL0 (MIOS1 interrupt level register 0) 72

MIOS1LVL1 (MIOS1 interrupt level 1 register) 72

MISCNT (MISC counter) 6, 10

MISRH (multiple input signature register high) 6

MISRL (multiple input signature register low) 6

MMCSMCNT (MMCSM up-counter register) 25

MMCSMML (MMCSM modulus latch register) 26

MMCSMSCR (MMCSM status/control register) 26

MPIOSMDDR (MPIOSM data direction register) 65

MPIOSMDR (MPIOSM data register) 64

MPWMCNTR (MPWMSM counter register) 60

MPWMPERR (MPWMSM period register) 59

MPWMPULR (MPWMSM pulse width register) 59

MPWMSCR (MPWMSM status/control register) 60

MRTCSMFRCL (MRTCSM 32-bit counter low buffer  
 register) 87

MRTCSMSCR (MRTCSM status/control register) 88

MSTAT (memory controller status registers) 32

## O

OR0 - OR3 (memory controller option registers 0-3)  
 34

## P

PDMCR (pads module configuration register) 23

PDMCR2 (pads module configuration register) 24

PISCR (periodic interrupt status and control register)  
 44

PITC (periodic interrupt timer count register) 44

PITR (periodic interrupt timer register) 45

PLPRCR (PLL, low-power, and reset-control register)  
 36

Port data direction registers 15

Port data registers 14

PORTQS (port QS data register) 13

PQSPAR (PORTQS pin assignment register) 14

PRES DIV (prescaler divide register) 29

## Q

QACR0 (QADC64E control register 0) 16

QACR1 (QADC64E control register 1) 18

QACR2 (QADC64E control register 2) 20

QADCINT (QADC64E interrupt register) 13

QADCMCR (QADC64E module configuration  
 register) 10

QASR (status registers) 23

QSCI1CR (QSCI1 control register) 60

QSCI1SR (QSCI1 status register) 61

### QSMCM

configuration register (QMCMMCR) 9

interrupt level registers (QDSCI\_IL, QSPI\_IL) 10

port QS data register (PORTQS) 12

PORTQS data direction register (DDRQS) 15

PORTQS pin assignment register (PQSPAR) 13

QSCI1 control register (QSCI1CR) 60

QSCI1 status register (QSCI1SR) 61

QSPI command RAM (CR<sub>x</sub>) 24

QSPI control register 0 (SPCR0) 18

QSPI control register 1 (SPCR1) 20

QSPI control register 2 (SPCR2) 21

QSPI control register 3 (SPCR3) 21

QSPI registers 17

QSPI status register (SPSR) 22

queued SCI1 status and control registers 59

SCI control register 0 (SCCxR0) 46

SCI control register 1 (SCCxR1) 46

SCI data register (SCxDR) 50

SCI registers 45

SCI status register (SCxSR) 48

test register (QTEST) 10

QSMCMMCR (QSMCM module configuration register) 9

QSPI\_IL (QSPI interrupt level register) 11

## R

### RCPU

additional implementation-specific registers 26  
 condition register (CR) 16  
 condition register CR0 field definition 17  
 condition register CR1 field definition 17  
 condition register crn field - compare instruction 17  
 count register (CTR) 19  
 dae/source instruction service register (DSISR) 22  
 data address register (DAR) 23  
 decremter register (DEC) 23  
 EIE, EID, and NRI special-purpose registers 25  
 floating-point exception cause register (FPECR) 26  
 floating-point registers (FPRs) 12  
 floating-point status and control register (FPSCR) 13  
 general special-purpose registers (SPRG0-SPRG3) 24  
 general-purpose registers (GPRs) 12  
 implementation-specific special-purpose registers 25  
 integer exception register (XER) 18  
 link register (LR) 19  
 machine state register (MSR) 20  
 machine status save/restore register 0 (SRR0) 23  
 machine status save/restore register 1 (SRR1) 23  
 OEA register set 20  
 processor version register (PVR) 25  
 UISA register set 12  
 VEA register set - time base 20  
 RDATA (DLCMD2 receive data register) 33, 43  
 READI development control register 10, 12  
 READI device ID register 9  
 READI DID 9  
 READI DTA 1 and DTA 2 (READI data trace attributes 1 and 2 registers) 17  
 READI RWA (READI read/write access register) 13  
 READI UBA (READI user base access register) 13  
 READI UDI (READI upload/download information register) 15  
 Region attribute register (0 - 3) 22  
 Register diagrams  
 CALRLAM\_OTR (CALRAM ownership trace register) 19  
 CANCTRL0 (control register 0) 27  
 CANCTRL1 (control register 1) 28  
 CANCTRL2 (control register 2) 30  
 CFSR0 (TPU3 channel function select register 0) 17  
 CFSR1 (TPU3 channel function select register 1) 17  
 CFSR2 (TPU3 channel function select register 2) 17

CFSR3 (TPU3 channel function select register 3) 17  
 CIER (TPU3 channel interrupt enable register) 16  
 CISR (TPU3 channel interrupt status register) 20  
 CMD (DLCMD2 command register) 35  
 CMPG-CMPH (comparator G-H value registers) 47  
 COUNTA (breakpoint counter A value and control register) 45  
 CPR0 (TPU3 channel priority register 0) 19  
 CPR1 (TPU3 channel priority register 1) 19  
 CRAM\_RBAX (CALRAM region base address register) 17  
 CRAMMCR (CALRAM module configuration register) 15  
 CRAMOV (CALRAM overlay configuration register) 18  
 DDRQS (PORTQS data direction register) 15  
 DER (debug enable register) 43  
 DSCR (TPU3 development support control register) 13  
 DSSR (TPU3 development support status register) 15  
 ECR (exception cause register) 42  
 EIBADR (external interrupt relocation table base address register) 25  
 HSQR0 (TPU3 host sequence register 0) 18  
 HSQR1 (TPU3 host sequence register 1) 18  
 HSSR0 (TPU3 host service request register 0) 18  
 HSSR1 (TPU3 host service request register 1) 18  
 IMASK (interrupt mask register) 35  
 IPR (DLCMD2 interrupt pending register) 28  
 L2U\_GRA (L2U global region attribute register) 16  
 L2U\_MCR (L2U module configuration register) 14  
 L2U\_RAX (L2U region X attribute register) 15  
 L2U\_RBAX (L2U region x base address register) 14  
 LCTRL2 (L-bus support control register 2) 48  
 MCR (DLCMD2 module configuration register) 26  
 MIOS14SR0 (interrupt status register) 68  
 MIOS14SR1 (interrupt status register) 69, 70, 71  
 MIOS1LVL0 (MIOS1 interrupt level register 0) 72  
 MIOS1LVL1 (MIOS1 interrupt level 1 register) 72  
 MISCNT (MISC counter) 6, 10  
 MISRH (multiple input signature register high) 6  
 MISRL (multiple input signature register low) 6  
 MRTCSMFRCL (MRTCSM32-bit counter low buffer register) 87  
 PORTQS (port QS data register) 13  
 PQSPAR (PORTQS pin assignment register) 14  
 PRES DIV (prescaler divide register) 29  
 QACR1 (QADC64E control register 1) 18  
 QSCI1CR (QSCI1 control register) 60  
 QSCI1SR (QSCI1 status register) 61  
 QSMCMMCR (QSMCM module configuration register) 9  
 QSPI\_IL (QSPI interrupt level register) 11

- RDATA (DLCMD2 receive data register) 33, 43
- READI DTA 1 and DTA 2 (READI data trace attributes 1 and 2 registers) 17
- Region attribute register (0 - 3) 22
- SCCxR0 (QSMCM SCI control register 0) 46
- SCCxR1 (QSMCM SCI control register 1) 47
- SCDR (QSMCM SCI data register) 51
- SCTL (DLCMD2 symbol timing control and pre-scaler register) 31
- SCxSR (QSMCM SCIx status register) 49
- SPCR0 (QSPI control register 0) 18
- SPCR1 (QSPI control register 1) 20
- SPCR2 (QSPI control register 2) 21
- SPCR3 (QSPI control register) 22
- SPRG0-SPRG3 (general special-purpose registers 0-3) 24
- SPSR (QSPI status register) 22
- SRR0 (machine status save/restore register 0) 23
- STAT (DLCMD2 status register) 40
- TBREF1 (time base reference register 1) 41
- TDATA (DLCMD2 transmit data register) 39
- TICR (TPU3 interrupt configuration register) 15
- TPUMCR (TPU3 module configuration register) 11
- TPUMCR2 (TPU3 module configuration register 2) 20
- TPUMCR3 (TPU3 module configuration register 3) 22, 23
- UC3FCFIG (hard reset configuration word) 17
- UC3FCTL (UC3F EEPROM high voltage control register) 12
- UIPEND (UIMB pending interrupt request register) 9
- UMCR (UIMB module configuration register) 7
- XER (integer exception register) 18
- Registers
  - Associated registers 4
  - BAR (breakpoint address register) 53
  - BBCMCR (BBC module configuration register) 19
  - BR0 - BR3 (memory controller base registers 0-3) 32
  - Breakpoint counter B value and control register (COUNTB) 46
  - CALRLAM\_OTR (CALRAM ownership trace register) 19
  - CMD (DLCMD2 command register) 35
  - CMPA-CMPD (comparator A-D value registers) 41
  - CMPE-CMPF (comparator E-F value registers) 46
  - CMPG-CMPH (comparator G-H value registers) 47
  - COLIR (change of lock register) 39
  - COUNTA (breakpoint counter A value and control register) 45
  - COUNTB (breakpoint counter B value and control register) 46
  - CRAM\_RBAX (CALRAM region base address register) 17
  - CRAMMCR (CALRAM module configuration register) 14
  - CRAMOVL (CALRAM overlay configuration register) 18
  - DEC (decrementer register) 40
  - DER (debug enable register) 43
  - DMBR (dual mapping base register) 36
  - DPDR (development port data register) 53
  - DPTRAM
    - module configuration register (DPTMCR) 3
    - ram base address register (RAMBAR) 5
  - Dual mapping option register 37
  - ECR (exception cause register) 41
  - EIBADR (external interrupt relocation table base address register) 25
  - EMCR (external master control register) 29
  - General-Purpose I/O registers 46
  - ICTRL (I-bus support control register) 51, 16
  - ILR (DLCMD2 interrupt level register) 29
  - Internal memory map register 28
  - IPR (DLCMD2 interrupt pending register) 28
  - IVR (DLCMD2 interrupt vector register) 30
  - Keep alive power registers lock mechanism 25
  - L2U
    - global region attribute register (L2U\_GRA) 16
    - module configuration register (L2U\_MCR) 13
    - region attribute registers (L2U\_RAX) 15
    - region base address registers (L2U\_RBAX) 14
  - LCTRL1 (L-bus support control register 1) 47
  - LCTRL2 (L-bus support control register 2) 48
  - MBISM
    - interrupt registers 71
  - MCPSMSCR (MCPSM status/control register) 20
  - MCR (DLCMD2 module configuration register) 26
  - MDASMSCR (MDASM status/control register) 45
  - MI\_GRA (global region attribute register) 23
  - MI\_RA 1 - 3 (region base address registers (1 - 3)) 22
  - MI\_RBA 0 - 3 (region base address registers (0 - 3)) 21
  - MIOS
    - bus interface (MBISM) Registers 15
  - MIOS1
    - interrupt level register 0 (MIOSLVL0) (MIOS1LVL1) 72
    - interrupt level register 1 (MIOSLVL1) (MIOS1LVL0) 72
    - module and version number register (MIOS1VNR) 17
  - MIOS14ER0 interrupt enable register 68
  - MIOS14ER1 interrupt enable register 70

- MIOS14MCR (MIOS14 module configuration register) 17
- MIOS14RPR0 request pending register 69
- MIOS14RPR1 request pending register 70
- MIOS14SR0 interrupt status register 68, 8
- MIOS14SR1 interrupt status register 69
- MIOS14TPCR (test and pin control register) 15, 16
- MISCNT (MISC counter) 6
- MMCSMCNT (MMCSM up-counter register) 25
- MMCSMML (MMCSM modulus latch register) 26
- MMCSMSCR (MMCSM status/control register) 26
- MPIO SMDDR (MPIO SM data direction register) 65
- MPIO SMDR (MPIO SM data register) 64
- MPWMCNTR (MPWMSM counter register) 60
- MPWMPERR (MPWMSM period register) 59
- MPWMPULR (MPWMSM pulse width register) 59
- MPWMSCR (MPWMSM status/control register) 60
- MRTCSMSCR (MRTCSM status/control register) 88
- MSTAT (memory controller status registers) 32
- OR0 - OR3 (memory controller option registers 0-3) 34
- PDMCR (pads module configuration register) 23
- PDMCR2 (pads module configuration register) 24
- PISCR (periodic interrupt status and control register) 44
- PITC (periodic interrupt timer count register) 44
- PITR (periodic interrupt timer register) 45
- PLPRCR (PLL, low-power, and reset-control register) 36
- Port data direction registers 15
- Port data registers 14
- QACR0 (QADC64E control register 0) 16
- QACR1 (QADC64E control register 1) 18
- QACR2 (QADC64E control register 2) 20
- QADCINT (QADC64E interrupt register) 13
- QADCMCR (QADC64E module configuration register) 10
- QASR (status registers) 23
- QSMCM
  - configuration register (QMCMCR) 9
  - interrupt level registers (QDSCI\_IL, QSPI\_IL) 10
  - port QS data register (PORTQS) 12
  - PORTQS data direction register (DDRQS) 15
  - PORTQS pin assignment register (PQSPAR) 13
  - QSCI1 control register (QSCI1CR) 60
  - QSCI1 status register (QSCI1SR) 61
  - QSPI command RAM (CRx) 24
  - QSPI control register 0 (SPCR0) 18
  - QSPI control register 1 (SPCR1) 20
  - QSPI control register 2 (SPCR2) 21
  - QSPI control register 3 (SPCR3) 21
- QSPI registers 17
- QSPI status register (SPSR) 22
- queued SCI1 status and control registers 59
- SCI control register 0 (SCCxR0) 46
- SCI control register 1 (SCCxR1) 46
- SCI data register (SCxDR) 50
- SCI registers 45
- SCI status register (SCxSR) 48
- test register (QTEST) 10
- RCPU
  - additional implementation-specific registers 26
  - condition register (CR) 16
  - condition register CR0 field definition 17
  - condition register CR1 field definition 17
  - condition register crn field - compare instruction 17
  - count register (CTR) 19
  - dae/source instruction service register (DSISR) 22
  - data address register (DAR) 23
  - decrementer register (DEC) 23
  - EIE, EID, and NRI special-purpose registers 25
  - floating-point exception cause register (FPECR) 26
  - floating-point registers (FPRs) 12
  - floating-point status and control register (FPSCR) 13
  - general special-purpose registers (SPRG0-SPRG3) 24
  - general-purpose registers (GPRs) 12
  - implementation-specific special-purpose registers 25
  - integer exception register (XER) 18
  - link register (LR) 19
  - machine state register (MSR) 20
  - machine status save/restore register 0 (SRR0) 23
  - machine status save/restore register 1 (SRR1) 23
  - OEA register set 20
  - processor version register (PVR) 25
  - UISA register set 12
  - VEA register set - time base 20
- RDATA (DLCMD2 receive data register) 43
- READI development control register 10, 12
- READI DID 9
- READI DTA 1 and DTA 2 (READI data trace attributes 1 and 2 registers) 17
- READI RWA (READI read/write access register) 13
- READI UBA (READI user base address register) 13
- READI UDI (READI upload/download information register) 15
- RSR (reset status register) 5
- RTC (real-time clock register) 43
- RTCAL (real-time clock alarm register) 43

- RTCS (real-time clock status and control register) 42
  - RXECTR (receive error counter) 36
  - SCCR (system clock control register) 32
  - SCTL (DLCMD2 symbol timing control and pre-scaler register) 31
  - SGPIO
    - control register (SGPIOCR) 48
    - data register 1 (SGPIODT1) 46
    - data register 2 (SGPIODT2) 47
  - SIMASK (SIU interrupt mask register) 33
  - SIMASK2 (SIU interrupt mask register 2) 34
  - SIMASK3 (SIU interrupt mask register 3) 35
  - SIPEND (SIU interrupt pending register) 32
  - SIPEND2 (SIU interrupt pending register 2) 32
  - SIPEND3 (SIU interrupt pending register 3) 33
  - SIU
    - interrupt edge level register (SIEL) 35
    - interrupt mask register (SIMASK) 33
    - interrupt registers 31
    - interrupt vector register (SIVVEC) 35
  - SIU interrupt in-service register 37
  - SIUMCR (SIU module configuration register) 25
  - STAT (DLCMD2 status register) 40
  - SWSR (software service register) 38
  - SYPCR (system protection control register) 37
  - System configuration and protection registers 24
  - System configuration registers 24
  - System protection registers 37
  - System timer registers 40
  - TBREF0 (time base reference registers) 41
  - TBSCR (time base control and status register) 41
  - TCR (DLCMD2 test configuration register) 56
  - TDATA (DLCMD2 transmit data register) 39
  - TESR (transfer error status register) 39
  - TIMER (free running timer register) 31
  - TouCAN
    - CANCTRL0 (control register 0) 27
    - CANCTRL1 (control register 1) 28
    - CANCTRL2 (control register 2) 30
    - CANICR (interrupt configuration register) 27
    - CANMCR (module configuration register) 25
    - ESTAT (error and status register) 33
    - IFLAG (interrupt flag register) 36
    - IMASK (interrupt mask register) 35
    - PRESDIV (prescaler divide register) 29
    - receive buffer 14 mask registers 32
    - receive buffer 15 mask registers 33
    - receive mask registers 7
    - RXGMSKHI (receive global mask registers) 31
    - Test configuration register 27
  - TPU3
    - channel function select registers (CFSRx) 16
    - channel interrupt enable register (CIER) 16
    - channel interrupt status register (CISR) 20
    - channel priority registers (CPRx) 19
    - development support control register (DSCR) 13
    - development support status register (DSSR) 14
    - host sequence registers (HSQRx) 17
    - host service request registers (HSSRx) 18
    - interrupt configuration register (TICR) 15
    - module configuration register (TPUMCR) 11
    - module configuration register 2 (TPUMCR2) 10
    - module configuration register 3 (TPUMCR3) 22
    - service grant latch register (SGLR) 23
  - UC3FCFIG (hard reset configuration word) 17
  - UC3FCTL (UC3F EEPROM high voltage control register) 12
  - UIMB
    - module configuration register (UMCR) 7
    - pending interrupt request register (UIPEND) 8
    - test control register (UTSTCREG) 8
  - VSRMSR (VDDSRM sensor register) 40
  - RSR (reset status register) 5
  - RTC (real-time clock register) 43
  - RTCAL (real-time clock alarm register) 43
  - RTCS (real-time clock status and control register) 42
  - RXECTR (receive error counter) 36
- S**
- SCCR (system clock control register) 32
  - SCCxR0 (QSMCM SCI control register 0) 46
  - SCCxR1 (QSMCM SCI control register 1) 47
  - SCDR (QSMCM SCI data register) 51
  - SCTL (DLCMD2 symbol timing control and pre-scaler register) 31
  - SCxSR (QSMCM SCIx status register) 49
  - SGPIO
    - control register (SGPIOCR) 48
    - data register 1 (SGPIODT1) 46
    - data register 2 (SGPIODT2) 47
  - SIMASK (SIU interrupt mask register) 33
  - SIMASK2 (SIU interrupt mask register 2) 34
  - SIMASK3 (SIU interrupt mask register 3) 35
  - SIPEND (SIU interrupt pending register) 32
  - SIPEND2 (SIU interrupt pending register 2) 32
  - SIPEND3 (SIU interrupt pending register 3) 33
  - SIU
    - interrupt edge level register (SIEL) 35
    - interrupt mask register (SIMASK) 33
    - interrupt registers 31
    - interrupt vector register (SIVVEC) 35
  - SIU interrupt in-service register 37
  - SIUMCR (SIU module configuration register) 25
  - SPCR0 (QSPI control register 0) 18
  - SPCR1 (QSPI control register 1) 20
  - SPCR2 (QSPI control register 2) 21
  - SPCR3 (QSPI control register) 22

SPRG0-SPRG3 (general special-purpose registers 0-3) 24

SPSR (QSPI status register) 22

SRR0 (machine status save/restore register 0) 23

STAT (DLCMD2 status register) 40

SWSR (software service register) 38

SYPCR (system protection control register) 37

System configuration and protection registers 24

System configuration registers 24

System protection registers 37

System timer registers 40

## T

TBREF0 (time base reference registers) 41

TBREF1 (time base reference register 1) 41

TBSCR (time base control and status register) 41

TCR (DLCMD2 test configuration register) 56

TDATA (DLCMD2 transmit data register) 39

TESR (transfer error status register) 39

TICR (TPU3 interrupt configuration register) 15

TIMER (free running timer register) 31

## TouCAN

CANCTRL0 (control register 0) 27

CANCTRL1 (control register 1) 28

CANCTRL2 (control register 2) 30

CANICR (interrupt configuration register) 27

CANMCR (module configuration register) 25

ESTAT (error and status register) 33

IFLAG (interrupt flag register) 36

IMASK (interrupt mask register) 35

PRESDIV (prescaler divide register) 29

receive buffer 14 mask registers 32

receive buffer 15 mask registers 33

receive mask registers 7

RXGMSKHI (receive global mask registers) 31

Test configuration register 27

## TPU3

channel function select registers (CFSRx) 16

channel interrupt enable register (CIER) 16

channel interrupt status register (CISR) 20

channel priority registers (CPRx) 19

development support control register (DSCR) 13

development support status register (DSSR) 14

host sequence registers (HSQRx) 17

host service request registers (HSSRx) 18

interrupt configuration register (TICR) 15

module configuration register (TPUMCR) 11

module configuration register 2 (TPUMCR2) 20

module configuration register 3 (TPUMCR3) 22

service grant latch register (SGLR) 23

TPUMCR (TPU3 module configuration register) 11

TPUMCR2 (TPU3 module configuration register 2)  
20

TPUMCR3 (TPU3 module configuration register 3)  
22, 23

## U

UC3FCFIG (hard reset configuration word) 17

UC3FCTL (UC3F EEPROM high voltage control register) 12

## UIMB

module configuration register (UMCR) 7

pending interrupt request register (UIPEND) 8

test control register (UTSTCREG) 8

UIPEND (UIMB pending interrupt request register) 9

UMCR (UIMB module configuration register) 7

## V

VSRMSR (VDDSRM  
sensor register) 40

## X

XER (integer exception register) 18





# Index

## A

- Accesses
  - clock requirements 13-52
- ACKERR 16-34
- Acknowledge error (ACKERR) 16-34
- ADDR[8:31] 9-4, 9-37
- Address
  - mark wakeup 14-59
- address bus 9-37
- Address space 13-11
- address type (AT[0:3]), 9-38
- ALE 22-41
- ALEE 22-43
- Alignment exception 3-49
- ALU-BFU 3-5
- AN 13-7
- Analog
  - front-end multiplexer 13-38
  - input
    - considerations 13-72
    - pins 13-70
  - power pins 13-67
  - reference pins 13-70
  - section contents 13-3
  - submodule block diagram 13-37
  - supply
    - filtering and grounding 13-68
    - pins 13-67
  - to digital converter operation 13-36
- arbitration, 9-32
- AT[0:3] 9-4
- atomic 9-32
- atomic operation
  - reservation of data 11-7
- atomic update primitives, 3-43

## B

- BAR 3-59, 22-52
- Base ID mask bits 16-32, 16-33
- Baud
  - clock 14-52
- BB 9-7
- BBCMCR 4-19
- BDIP, 9-5

- BE bit 3-21
- Beginning of queue 2 (BQ2) 13-20
- BG 9-7
- BI 9-7, 9-40
- Binary
  - divider 13-49
  - weighted capacitors 13-38
- Bit stuff error (STUFFERR) 16-34
- BITERR 16-34
- BITS 14-19
- Bits per transfer
  - enable (BITSE) 14-25
  - field (BITS) 14-19
- BITSE 14-25, 14-39
- Bit-time 14-51
- BIU 13-3, 13-52
- BIUSM
  - BIUTEST — BIUSM test configuration
    - register 17-13
    - selecting the time base bus 17-13
- BKPT (TPU asserted) 18-15
- BLC 18-13
- block diagram
  - CALRAM 21-1
  - DPTRAM 19-2
  - JTAG test logic 24-3
  - L2U 11-2
  - memory controller 10-2
  - MIOS 17-1
  - MPC565 1-3
  - QADC64E 13-2
  - READI 23-3
  - READI signal interface 23-22
  - TouCAN 16-1
  - UC3F EEPROM 20-1
  - UIMB 12-2
  - USIU 6-3
- block diagrams
  - BBC module 4-2
  - clock 8-2
  - DECRAM interfaces 4-13
  - MPC565/566 signals 2-2
  - RCPU 3-1
  - USIU 5-2

- BOFFINT 16-35
- Boundary conditions 13-42
- boundary scan register 24-4
- BPU 3-4, 3-5
- BQ2 13-20, 13-42
- BR 9-7
- Branch
  - prediction 3-5
  - processing unit 3-5
  - trace enable 3-21
- Branch latch control (BLC) 18-13
- Branch processing unit 3-4
- branch target buffer 4-14
- Break frame 14-52
- Breakpoint
  - asserted flag (BKPT) 18-15
  - flag (PCBK) 18-15
- Breakpoint counter A value and control register 22-44
- Breakpoint counter B value and control register 22-45
- breakpoints 22-9
- BRKNOMSK 22-49
- BRx registers 10-31
- BTB 4-14
- BURST 9-4, 9-37
- burst indicator (BURST), 9-37
- burst inhibit (BI), 9-40
- burst read cycle (illustration), 9-21
- burst transfer, 9-17
- burst write cycle (illustration), 9-26
- Bus
  - monitor 6-17
  - off interrupt
    - (BOFFINT) 16-35
- bus busy (BB), 9-34
- bus exception control cycles, 9-45
- bus grant (BG), 9-33
- bus interface
  - bus control signals, 9-2
  - bus operation
    - address transfer phase related signals, 9-37
    - arbitration phase, 9-32
    - basic transfer protocol, 9-8
    - burst mechanism, 9-18
    - burst transfer, 9-17
    - bus exception control cycles, 9-45
    - single beat transfer
      - single beat read flow, 9-9
      - single beat write flow, 9-9, 9-11
    - single beat transfer, 9-9
    - storage reservation, 9-42
    - termination signals, 9-40
  - bus operations, 9-8
  - bus transfer signals, 9-1
  - features, 9-1
    - signal descriptions, 9-3
- Bus interface unit (BIU) 13-3
  - components 13-52
- bus request (BR), 9-33
- bus signals (illustration), 9-3
- BUSY 16-16
  - receive message buffer code 16-5
- BYP 13-32
- BYTES field 3-19
- C**
- CA bit 3-19
- cache control instructions, 3-43
- CALRAM
  - CLPS 21-8, 21-9, 21-10
  - operation modes 21-4
  - privileges 21-5
- CAN2.0B
  - system 16-3
- CANCTRL0 16-27
- CANCTRL1 16-28
- CANCTRL2 16-30
- CANICR 16-27
- Carry 3-19
- CCL 18-14
- CCW 13-3, 13-29
- copyright states 20-32
- C<sub>F</sub> 13-74
- CF1 13-23
- CF2 13-24
- CFSR 18-16
- CGBMSK 22-47
- CH 18-16, 18-19, 18-20
- CHAN 13-33
- CHANNEL 18-17
- Channel
  - assignments (multiplexed) 13-33
  - conditions latch (CCL) 18-14
  - interrupt
    - enable
      - /disable field (CH) 18-16
      - request level (CIRL) 18-16
      - status (CH) 18-20
    - number (CHAN) 13-33
    - orthogonality 18-4
    - priority registers 18-19
    - register breakpoint flag (CHBK) 18-15
- Charge sharing 13-75
- CHBK 18-15
- CHBMSK 22-47
- check stop state 22-25
- checkstop 7-3
- Checkstop enable 3-46
- chip-select

- global 10-22
- CHSTP bit 22-41
- CHSTPE 22-42
- CHSTPE bit 3-46
- CIE1 13-17
- CIE2 13-19
- CIER 18-16, 18-20
- CIRL 18-16
- CISR 18-8, 18-20
- class, instruction, 3-39
- CLKOUT 8-13
- CLKOUT to TA, BI assertion (when driven by the Memory Controller) F-21, F-22
- CLKOUT, 9-8
- CLKS 18-13
- Clock
  - block diagram 13-50
  - frequency 13-50
  - generation 13-49
  - phase (CPHA) 14-19
  - polarity (CPOL) 14-19
  - requirements 13-52
- clocks
  - general system 8-10
- CLPS 21-9
- CLPS bit 21-8, 21-9, 21-10
- CMPA–CMPD 22-40
- CMPE–CMPF 22-45
- CMPG–CMPH 22-46
- CNRX/TX pins 16-2
- CNTC 22-44
- CNTV 22-44
- Code
  - message buffer field 16-4
- code decompression
  - features A-1
  - modes of A-14
- Coherency 13-47
- coherency 13-52, 18-4
  - data coherency during reset 7-4
- COLIR 8-37
- COMM D-17
- Command
  - RAM 14-24
- Command word pointer (CWP) 13-26, 13-29
- Comparator 13-39
- Comparator A–D value registers 22-40
- Comparator E–F value registers 22-45
- Comparator G–H value registers 22-46
- Compare instructions 3-17
- Compare size 22-47
- Compare type 22-46, 22-50, A-17
- Completed queue pointer (CPTQP) 14-23
- compressed address generation
  - direct branches A-4
  - exceptions A-6
  - indirect branches A-6
- compression
  - READI A-16
- compression, code
  - algorithm A-2
  - features of A-1
  - implementation of A-11
- compression, environment
  - initialization of A-13
- Condition register 3-16, 3-17
- configuration
  - soft reset 7-13
- configuration word
  - hard reset (RCW) 7-11
- CONT 14-25
- contention, 9-37
- Continue (CONT) 14-25
- Continuous transfer mode 14-17
- Control registers
  - 0 (QACR0) 13-8
  - 1 (QACR1) 13-8
  - 2 (QACR2) 13-8
  - QADC64E control register 1 (QACR1) 13-17
  - QADC64E control register 2 (QACR2) 13-19
- controlling termination of a bus cycle for a bus error, 9-45
- Conversion
  - command word table (CCW) 13-3, 13-29, 13-39
  - cycle times 13-37
  - stages 13-31
  - timing examples 13-63
- Count register 3-19
- COUNTA 22-44, 22-50
- COUNTB 22-45
- CPHA 14-19, 14-36
- CPOL 14-19, 14-36
- CPR 18-19
- CPTQP 14-23, 14-26
- CPU
  - wait states 13-52
- CR 3-5, 3-16, 3-19, 9-5
  - and compare instructions 3-17
- CR0 field 3-17
- CR1 field 3-17
- CRAM\_OTR register 21-19
- CRAM\_OVLCR register 21-18
- CRAM\_RBAX register 21-17
- CRAMMCR register 21-15
- CRCERR 16-34
- CRWE 22-46
- CRWF 22-46
- CSG 22-47

- CSH 22-47
- CTA 22-50, A-17
- CTB 22-50, A-17
- CTC 22-50, A-17
- CTD 22-50, A-17
- CTE 22-46
- CTF 22-46
- CTG 22-46
- CTH 22-46
- CTR 3-5
- CWP 13-26, 13-29
- Cyclic redundancy check error (CRCERR) 16-34
  
- D**
- DAC 13-3
- DAE/source instruction service register 3-22
- DAR 3-23, 3-47, 3-57
- DAR, 3-47, 3-57
- Data
  - frame 14-52
- DATA [0:31] 9-6
- Data address register 3-23
- data memory protection unit 11-1
- data reservation 11-7
- data storage interrupt, 3-47
- DC 23-10
- DCCR 4-25
- DCCR0-15 A-19
- DDRQS 14-11, 14-35, 14-39
- Debug enable register 22-52
- debug mode 22-20
- DEC 3-23, 6-18, 6-40
- DECE 22-41
- DECEE 22-43
- decompression
  - features A-1
  - modes of A-14
- Decrementer
  - register 3-23
- decrementer 6-18
- Decrementer exception 3-52
- deep-sleep 6-23
- Delay
  - after transfer (DT) 14-25, 14-37
  - before SCK (DSCKL) 14-20
- DER 22-42, 22-52
- Development Port
  - trap enable selection 22-51, A-17
- development port 22-27
- development support
  - debug mode 22-20
  - instruction support 22-14
  - port registers 22-29
  - program trace 22-4
- protection features 22-39
- registers 22-38
- system interface 22-18
- watchpoints 22-9
- DID 23-9
- differences
  - between MPC565 and MPC555 1-9
- Digital
  - control section
    - contents 13-3, ??-13-36, 13-39-??
  - input/output port (PQA) 13-66
  - to analog converter (DAC) 13-3, 13-38
- DIO D-44
- Disable TPU2 pins field (DTPU) 18-21
- Disabled mode 13-43
- Discrete input/output (DIO) D-44
- DIV2 18-20
- DIV8 clock 18-7
- Divide by two control field (DIV2) 18-20
- DIW0EN 22-51, A-17
- DIW1EN 22-51, A-17
- DIW2EN 22-51, A-17
- DIW3EN 22-51, A-17
- DLCMD2 modules 2-25
- DLW0EN 22-49
- DLW1EN 22-49
- DMBR register 10-35
- DMOR register 10-36
- DMPU 11-1
- Double
  - buffered 14-54, 14-57
- doze 6-23
- DPI 22-42
- DPTMCR 19-4
- DPTRAM 19-5
- DPTRAM operation 19-6
- DSCK 14-25
- DSCKL 14-20
- DSCR 18-13
- DSISR 3-22, 3-47, 3-50, 3-57
- DSSR 18-14
- DT 14-25
- DTA1 23-17
- DTA2 23-17
- DTL 14-20
- DTPU 18-21
  
- E**
- EA 3-34
- EBRK 22-42
- ECR 22-40
- EE bit 3-21, 3-25
- EEPROM mapping 10-19
- Effective address 3-34

- EIBADR 4-25
  - EID 3-25
  - EIE 3-25
  - ELE bit 3-21
  - EMCR 6-29
  - EMPTY
    - receive message buffer code 16-5
  - EMU 18-4, 18-12
  - Emulation
    - control (EMU) 18-12
    - support 18-4
  - Encoded
    - one of three channel priority levels (CH) 18-19
    - time function for each channel (CHANNEL) 18-17
    - type of host service (CH) 18-19
  - Ending queue pointer (ENDQP) 14-21
  - End-of-
    - frame (EOF) 16-17
  - End-of-queue condition 13-31
  - ENDQP 14-21, 14-26
  - ENGCLK 8-14
  - Entry
    - table bank select field (ETBANK) 18-21
  - EOF 16-17
  - EOQ 13-42
  - EP bit 3-21, 3-22
  - ERRINT 16-35
  - Error
    - conditions 14-57
    - interrupt (ERRINT) 16-35
    - resulting from leakage 13-74
  - Error counters 16-10
  - ESTAT 16-33
  - ETBANK 18-21
  - ETRIG 13-67, 13-70
  - Event timing 18-3
  - Exception cause register 22-40
  - Exception prefix 3-21, 3-22
  - exception table 4-7
  - Exceptions 3-34
    - alignment 3-49
    - classes 3-35
    - decrementer 3-52
    - external interrupt 3-48
    - little endian mode 3-21
    - ordered 3-35
    - precise 3-36
    - program 3-50
    - system call 3-53
    - unordered 3-35
    - vector table 3-36
  - exceptions
    - compressed address generation A-6
    - data storage 3-47
  - Execution units 3-4
  - Extended message format 16-1
    - frames 16-4
  - External
    - interrupt
      - disable 3-25
      - enable 3-25
    - leakage 13-75
    - trigger continuous-scan mode 13-48
    - trigger pins 13-67
    - trigger single-scan mode 13-45
  - external
    - interface
      - UC3F 20-4
  - external device
    - arbitration phase 9-32
    - priority of 9-35
    - USIU address decoding 6-6
  - External interrupt 3-48
    - enable 3-21, 3-25
  - external interrupt
    - enhanced 4-10
  - external master
    - memory controller 10-23
  - external master control register (EMCR) 6-29
  - EXTI 22-41
  - EXTIE 22-43
- F**
- Fast quadrature decode TPU function (FQD) D-33
  - Fault confinement state (FCS) 16-11, 16-34
  - FCS 16-11, 16-34
  - FE 14-50, 14-57
  - FE bits 3-21, 3-22
  - features
    - BIU 4-2
    - bus interface, 9-1
  - Fetch serialized 22-1
  - FEX bit 3-14
  - FI 3-15
  - Final sample time 13-37
  - Floating-point
    - available 3-21
    - enabled exception summary 3-14
    - exception mode 3-21, 3-22
    - exception summary 3-14
    - fraction inexact 3-15
    - fraction rounded 3-15
    - inexact exception 3-14
      - enable 3-15
    - invalid operation exception
      - enable 3-15
      - for ×\*0 3-14
      - for ×/× 3-14

- for  $\times\times$  3-14
- for 0/0 3-14
- for invalid compare 3-15
- for SNaN 3-14
- summary 3-14
- invalid operation exception for invalid integer
  - convert 3-15
- invalid operation exception for invalid square
  - root 3-15
- invalid operation exception for software
  - request 3-15
- overflow exception 3-14
  - enable 3-15
- registers 3-12
- result flags 3-15
- rounding control 3-16
- status and control register 3-13
- underflow exception 3-14
- unit 3-5
- zero divide exception 3-14, 3-15
- FORMERR 16-34
- FP bit 3-21
- FPECR 3-26
- FPRF 3-15
- FPRs 3-12
- FPSCK 18-21
- FPSCR 3-13
- FPU 3-5
- FPUVE 22-41
- FPUVEE 22-43
- FQCLK 13-49
- FQD D-33
- FQM D-10
- FR 3-15
- Frame 14-52
  - size 14-58
- Frames
  - overload 16-17
  - remote 16-17
- Framing error (FE) flag 14-50, 14-57
- FREEZ ACK 16-18
- FREEZE
  - assertion response (FRZ)
    - QSM 14-7
    - TPU 18-14
- Freeze
  - enable (FRZ) 13-9
  - mode 13-10
- FREEZE (internal signal) 13-10, 13-32
- freeze operation 6-23
- Frequency measurement (FQM) D-10
  - parameters D-12
- FRZ 13-9, 16-13, 18-14, 22-28
- FRZACK 16-13

- FULL
  - receive message buffer code 16-5
- Function
  - library for TPU 18-4
- FX bit 3-14

## G

- general purpose chip-select machine 10-3
- General SPRs 3-24
- General-purpose registers (GPRs) 3-12
- Global registers 13-8
- GPCM 10-3
- grounding analog circuit 13-68

## H

- Hall effect decode (HALLD) D-19
- HALLD D-19
- HALT 14-22, 16-13
- Halt
  - acknowledge flag (HALTA) 14-23
  - QSPI (HALT) 14-22
- HALTA 14-23
- HALTA and MODF Interrupt Enable (HMIE) 14-42
- HALTA/MODF interrupt enable (HMIE) bit 14-22
- Hang on T4 (HOT4) 18-13
- hard reset 7-2
- hard reset configuration word (RCW) 7-11
- HMIE 14-22
- HOT4 18-13
- HRESET 7-2
- HSQR 18-17
- HSSR 18-18

## I

- IBRK 22-42
- I-bus
  - watchpoint programming 22-50, A-17
- ICDU
  - features A-1
- ICTRL A-16
- ID
  - Extended (IDE) field 16-6
  - HIGH field 16-6
  - LOW field 16-6
- IDE 16-6
- Identifier (ID) 16-1
  - bit field for standard format 16-6
- IDLE 14-49, 14-58, 16-34
- Idle
  - CAN status (IDLE) 16-34
  - frame 14-52
  - line
    - detect type (ILT) 14-47

- detected (IDLE) 14-49, 14-58
- detection process 14-58
- interrupt enable (ILIE) 14-47, 14-58
- type (ILT) bit 14-58
- IFLAG 16-36
- Ignore first match 22-51, A-18
- IIFM 22-51, A-18
- ILBS 12-4
- ILIE 14-47, 14-58
- illegal and reserved instructions, 3-39
- ILSCI 14-10, 14-11
- ILT 14-47, 14-58
- IMASK 16-35
- IMB 13-49
- IMB clock 12-2
- IMB3 13-52
- IMMR 6-28
- implementation dependent software emulation
  - interrupt, 3-55
- implementation specific data TLB error
  - interrupt, 3-57
- implementation specific debug interrupt, 3-58
- implementation specific instruction TLB error
  - interrupt, 3-56
- IMUL–IDIV 3-5
- Information processing time (IPT) 16-10
- Initial sample time 13-37
- Input
  - sample time (IST) 13-33
- input
  - leakage 13-74
- Instruction
  - pipeline 3-37
  - sequencer 3-3
  - set summary 3-28
  - timing 3-37
- Instruction fetch
  - show cycle control 22-1
- instruction storage interrupt, 3-48
- instruction support 22-14
- instructions
  - cache control, 3-43
  - storage control, 3-44
- instructions, partially executed, 3-59
- Integer exception register 3-18
- Integer unit 3-5
- interchannel communication 18-4
- Intermission 16-17
- internal bus arbiter 9-35
- Interrupt
  - register (QADCINT) 13-8, 13-12
- interrupt
  - external 3-48
- interrupt controller
  - enhanced 6-8
  - interrupt level byte select 12-4
  - Interrupt Level of SCI (ILSCI) 14-10, 14-11
  - Interrupts
    - TOUCAN 16-20
    - TPU 18-5
  - interrupts
    - MIOS 17-63
    - UIMB 12-3
  - interrupts, 3-44
  - Inter-transfer delay 14-17
  - Interval timer single-scan mode 13-46
  - invalid and preferred instructions, 3-39
  - IPT 16-10
  - IRAMSTBY 21-6
  - IRQ 18-5
  - ISCTL 22-1
  - IST 13-33
  - IU 3-5
  - IW 22-50, A-17
  - IWPn 22-28
  - IWPnand VFLSn 22-28
- J**
  - J1850 module 2-25
  - JTAG
    - instruction register 24-23
    - pin diagram 24-1
    - reset 7-3
- K**
  - KAPWR 8-22
    - registers 8-26
  - keep alive power 8-24
  - keep-alive power 21-6
  - KR/RETRY, 9-5
- L**
  - L2U 11-1
    - modes of operation 11-3
  - L2U module configuration register (L2U\_MCR) 11-13
  - L2U\_GRA 11-16
  - L2U\_MCR 11-13
  - L2U\_RAx 11-15
  - L2U\_RBAX 11-14
  - LBRK 22-42
  - LBUF 16-29
  - L-bus support
    - control register 1 22-46
    - control register 2 22-47
  - L-bus to U-bus interface unit 11-1
  - LCTRL1 22-46

- LCTRL2 22-47
- LE bit 3-22
- leakage 13-74
- Least significant bit (LSB) 13-38
- Length of delay after transfer (DTL) 14-20
- Link register 3-19
- Little endian mode 3-22
- Load/store unit 3-4, 3-6
- Lock
  - /release/busy mechanism 16-16
- Loop
  - mode
    - (LOOPS) 14-47
- LOOPQ 14-22
- LOOPS 14-47
- low power stop 6-23
- Low power stop (LPSTOP)
  - QSM 14-7
- Lowest buffer transmitted first (LBUF) 16-29
- Low-power
  - stop mode enable (STOP)
    - TPU 18-12
- LR 3-5, 3-19
- LSB 13-38
- LSU 3-4, 3-6
- LW0EN 22-48
- LW0IA 22-48
- LW0IADC 22-48
- LW0LA 22-48
- LW0LADC 22-48
- LW0LD 22-48
- LW0LDDC 22-48
- LW1EN 22-48
- LW1IA 22-48
- LW1IADC 22-48
- LW1LA 22-49
- LW1LADC 22-49
- LW1LD 22-49
- LW1LDDC 22-49
  
- M**
- M 14-47, 14-52
- MA 13-14
- Machine
  - check enable 3-21
  - state register 3-20
  - status save/restore register 0 3-23
  - status save/restore register 1 3-23
- Machine check
  - enable 3-46
- machine check
  - exception
    - enable 3-46
  - mapping
    - dual 10-21
    - EEPROM 10-19
- Mask
  - examples for normal/extended messages 16-8
  - registers (RX) 16-7
- Master
  - /slave mode select (MSTR) 14-19
- master
  - external
    - arbitration phase 9-32
- MBISM 17-13
- MC 23-12
- MCE 22-41
- MCEE 22-43
- MCIE bit 3-46
- MCPSM 17-16
- MCPSMSCR 17-18
- MCPWM D-21, D-28
- MDASM submodule 17-71
- MDASMAR 17-41
- MDASMBR 17-42
- MDASMSCR 17-44
- MDASMSCRD 17-43
- ME bit 3-21, 3-46
- memory controller
  - registers 10-30
- memory map
  - MPC565 1-11
  - TPU 18-1
- Message
  - buffer
    - address map 16-24
    - code for RX/TX buffers 16-5
    - deactivation 16-14
    - structure 16-4
  - format error (FORMERR) 16-34
- message
  - CAN bus transmission 16-13
- messaging
  - READI 23-4, 23-22
- MI\_GRA 4-23
- MI\_RA [0:3] 4-22
- MI\_RBA[0:3] 4-21
- MIOS14
  - 16-bit parallel port I/O submodule
    - (MPIO SM) 17-60
  - bus interface submodule (MBISM) 17-13
  - counter prescaler submodule (MCPSM) 17-16
  - double action submodule (MDASM) 17-26, 17-71
  - interrupt request submodule (MIRSM) 17-64
  - interrupts 17-63
  - modulus counter submodule (MMCSM) 17-19
  - pulse width modulation submodule
    - (MPWMSM) 17-46



- real-time clock submodule (MRTCSM) 17-76
- MIOS14ER0 17-66
- MIOS14ER1 17-68
- MIOS14LVL0 17-70
- MIOS14LVL1 17-70
- MIOS14MCR 17-15
- MIOS14RPR0 17-67
- MIOS14RPR1 17-69
- MIOS14SR0 17-66
- MIOS14SR1 17-67
- MIOS14TPCR 17-14
- MIOS14VECT 17-15
- MIOS14VNR 17-15
- MISC 19-8
- MISCNT 19-6
- MISO 14-35, 14-39
- MISRH 19-5
- MISRL 19-5
- MMCSM 17-19
- MMCSMCNT 17-23
- MMCSMML 17-24
- MMCSMSCR 17-24
- MMCSMSCRD 17-24
- Mode
  - fault flag (MODF) 14-23, 14-28
  - select (M) 14-47
- Mode Fault Flag (MODF) 14-42
- Modes
  - disabled 13-43
  - freeze 13-10
  - queue 1 operating 13-18
  - queue 2 operating 13-20
  - reserved 13-43
  - scan. *See Scan modes*
  - stop 13-9
- modes
  - BBC operation 4-4
  - CALRAM operation 21-4
  - copyright modes of UC3F 20-33
  - clock frequency for each 8-17
  - code decompression A-14
  - debug
    - operation of BBC 4-7
  - DEGRAM
    - standby operation 4-14
  - DPTRAM operation 19-6
  - external master 6-4
  - interrupt controller enhanced operation 6-11
  - interrupt controller regular operation 6-10
  - L2U operation 11-3
  - limp support 8-14
  - low power 8-16
  - low-power 6-23
  - MIOS14 MDASM operation 17-3, 17-29
  - MIOS14 MRTCSM operation 17-78, 17-83
  - READI 23-3
  - TOUCAN 16-17
  - MODF 14-23, 14-28, 14-42
  - module configuration register (QADC64E) 13-9
  - module configuration register (QADCMCR) 13-9
  - Modulus
    - counter 14-52
  - MOSI 14-35, 14-39
  - Most significant bit (MSB) 13-38
  - MPC555
    - differences from MPC565 1-9
  - MPC565
    - block diagram 1-3
    - differences from MPC555 1-9
    - memory map 1-11
    - pinout diagram 1-14
  - VFLSn and MPIO32B 22-29
  - MPIO5M 17-60
  - MPIO5MDDR 17-63
  - MPIO5MDR 17-62
  - MPWMCNTR 17-58
  - MPWMPERR 17-57
  - MPWMPULR 17-58
  - MPWMSCR 17-58
  - MQ1 13-18
  - MQ2 13-20
  - MRTCPR 17-86
  - MRTCSM submodule 17-76
  - MRTCSMFRCH 17-85
  - MRTCSMFRCL 17-85
  - MRTCSMSCR 17-86
  - MSB 13-38
  - MSR 3-20, 3-45, 3-47, 3-48, 3-49, 3-51, 3-52, 3-53, 3-54, 3-55, 3-56, 3-57, 3-58
  - MSTAT registers 10-31
  - MSTR 14-19
  - Multichannel pulse-width modulation (MCPWM) D-21, D-28
    - parameters
      - slave channel A
        - non-inverted center aligned mode D-46
        - slave edge-aligned mode D-22
  - Multimaster operation 14-28
  - Multiphase motor commutation (COMM) D-17
  - Multiple end-of-queue 13-42
  - multiple input signature calculator (MISC) 19-8
  - Multiplexed
    - analog inputs 13-7
  - multiplexing
    - QSMCM B 2-25
    - signals 2-22

## N

VFLSn and MPIO32B 22-29  
 Negative stress 13-75  
 New  
   queue pointer value (NEWQP) 14-21  
 New input capture/transistion counter (NITC) D-15  
   parameters D-15  
 NEWQP 14-21, 14-26  
 NF 14-50, 14-57  
 NI bit 3-16  
 NITC D-15  
 Noise  
   error flag (NF) 14-50  
   errors 14-57  
   flag (NF) 14-57  
 Non-IEEE floating-point operation 3-16  
 nonoptional instructions, 3-39  
 Non-recoverable interrupt 3-25  
 NOT ACTIVE  
   receive message buffer code 16-5  
 Not ready (NOTRDY) 16-21  
 NOTRDY 16-18, 16-21  
 NRI 3-25

## O

OC D-40  
 OE bit 3-15  
 OP0 9-30  
 OP1 9-30  
 OP2 9-30  
 OP3 9-30  
 Open drain drivers 13-67  
 operand placement (effects), 3-43  
 operand representation (illustration), 9-30  
 Operating Environment Architecture (Book 3)  
   branch processor, 3-44  
   exceptions, 3-44  
   fixed-point processor  
     special purpose registers, 3-44  
   fixed-point processor, 3-44  
   optional facilities and instructions, 3-59  
   storage control instructions, 3-44  
   timer facilities, 3-59  
 Operating Environment Architecture (OEA) 3-44  
 optional instructions, 3-39  
 OR 14-50  
 OR registers 10-33  
 Ordered exceptions 3-35  
 OTR 23-8  
 Output compare (OC) D-40  
 OV (overflow) bit 3-18  
 Overload frames 16-17  
 OVERRUN

  receive message buffer code 16-5  
 Overrun error (OR) 14-50  
 OX bit 3-14

## P

P 13-32  
 parameter RAM 18-3, 18-24  
 Parity  
   (PF) flag 14-57  
   checking 14-53  
   enable (PE) 14-47  
   error (PF) bit 14-50  
   errors 14-57  
   type (PT) 14-47  
   type (PT) bit 14-53  
 Pause (P) 13-32, 13-40  
 PCBK 18-15  
 PCS 14-25  
   to SCK delay (DSCK) 14-25  
 PCS0/SS 14-39  
 PCS3-PCS0/ $\overline{SS}$  14-42  
 PDMCR 2-23  
 PDMCR2 2-25  
 PE 14-47  
 Performance  
   QADC64E 13-66  
 performance  
   L-bus 11-10  
 Period  
   /pulse-width accumulator (PPWA) D-36  
 Periodic interrupt  
   timer 6-20  
 Periodic/interval timer 13-51  
   continuous-scan mode 13-49  
 Peripheral  
   chip-selects (PCS) 14-25, 14-38  
 Peripheral Chip-Select 3-0/Slave Select  
   (PCS3-PCS0/ $\overline{SS}$ ) 14-42  
 PF 14-50, 14-57  
 PF1 13-23  
 PF2 13-24  
 Phase buffer segment 1/2 (PSEG1/2) bit field 16-30  
 phase-lock loop, 9-8  
 PIE1 13-17  
 PIE2 13-19  
 pinout  
   MPC565 1-14  
 PISCR 6-44  
 PIT 6-20  
 PITC 6-45  
 PITR 6-45  
 PLL 8-3  
   loss of lock 7-2  
 PLL, 9-8

- PLPRCR 8-34
  - Pointer 14-17
  - PORESET 7-1
  - Port
    - A data register (PORTQA) 13-13
    - B data register (PORTQB) 13-13
  - port size device interfaces (illustration), 9-31
  - port width definition 9-1
  - PORTQA 13-13
  - PORTQB 13-13
  - PORTQS 14-12
  - Positive stress 13-75
  - power on reset 7-1
  - PPWA D-36
  - PQA 13-13, 13-66
  - PQB 13-13
  - PQSPAR 14-11, 14-35, 14-39
  - PR bit 3-7, 3-21
  - PRE 22-41
  - Precise exceptions 3-36
  - PREE 22-43
  - Prescaler 13-50
    - clock
      - (PSCK) 18-12
      - clock high time (PSH) 13-15
    - control
      - for TCR1 18-5
      - for TCR2 18-7
    - divide
      - factor field 16-30
      - register (PRESDIV) 16-8, 16-29
  - PRESDIV (bit field) 16-30
  - PRESDIV (register) 16-8, 16-10, 16-29
  - priority
    - CALRAM overlay regions 21-12
    - channel service 18-4
    - queue scheme for conversion 13-54
  - Privilege level 3-7, 3-21
  - Processor version register 3-25
  - Program 3-50
    - exception 3-50
  - Programmable
    - channel service priority 18-4
    - transfer length 14-17
  - Programmable time accumulator (PTA) D-3
    - parameters D-3, D-38, D-49
  - Propagation segment time (PROPSEG) 16-29
  - PROPSEG 16-13, 16-29
  - PSCK 18-12
  - PSEG1 16-30
  - PSEG2 16-10, 16-13, 16-30
  - PSEGS1 16-13
  - PSH 13-15
  - PT 14-47, 14-53
  - PTA D-3
  - PTR, 9-4, 9-38
  - Pulse-width modulation (PWM) D-42
    - parameters D-42
  - PVR 3-25
  - PWM D-42
- Q**
- QACR0 13-8
  - QACR1 13-8, 13-17
  - QACR2 13-8, 13-19
  - QADCINT 13-8, 13-12
  - QADCMCR 13-8, 13-9
  - QADCTEST 13-8
  - QASR 13-8, 13-22
  - QCLK 13-49
    - frequency 13-49
  - QDDR 14-15, 14-42
  - QILR 14-10
  - QOM D-5
  - QPAR 14-13
  - QPDR 14-12, 14-42
  - QS 13-26
  - QSCI
    - receiver 14-69
    - registers 14-59
      - control 14-60
      - status 14-61
    - transmission 14-67
  - QSCI1CR 14-60
  - QSCI1SR 14-61
  - QSM
    - pin function 14-12
  - QSPI 14-16
    - operating modes 14-28
    - operation 14-26
    - RAM 14-23
  - registers
    - global 14-6
    - pin control registers 14-11
    - port QS
      - data direction register (DDRQS) 14-11
      - data register (PORTQS) 14-12
  - QSCI
    - control register 1 (QSCI1CR) 14-59
    - status register 1 (QSCI1SR) 14-59
  - QSPI
    - control register 0 (SPCR0) 14-18
    - control register 1 (SPCR1) 14-20

- control register 2 (SPCR2) 14-21
  - control register 3 (SPCR3) 14-21
  - status register (SPSR) 14-21, 14-22
  - SCI
    - control register 0 (SCCR0) 14-46
    - control register 1 (SCCR1) 14-46
    - data register (SCDR) 14-50
    - status register (SCSR) 14-48
  - SCI 14-42
    - operation 14-51
    - registers 14-45
  - QSM Data Direction Register (QDDR) 14-15, 14-42
  - QSM Global Registers 14-6
  - QSM Interrupt Level Register (QILR) 14-10
  - QSM Pin Assignment Register (QPAR) 14-13
  - QSM Port Data Register (QPDR) 14-12, 14-42
  - QSMCM B signal muxing 2-25
  - QSMCMCR bit settings 14-10
  - QSPI 14-16
    - block diagram 14-16
    - enable (SPE) 14-20
    - finished flag (SPIF) 14-23
    - initialization operation 14-29
    - loop mode (LOOPQ) 14-22
    - master operation flow 14-30
    - operating modes 14-28
      - master mode 14-28, 14-35
      - wraparound mode 14-38
      - slave mode 14-28, 14-39
    - operation 14-26
    - peripheral chip-selects 14-38
  - RAM 14-23, 14-24
    - command RAM 14-24
    - receive RAM 14-24
    - transmit RAM 14-24
  - QSPI Enable (SPE) 14-42
  - QSPI Status Register (SPSR) 14-42
  - Queue 13-39
    - 1 completion flag (CF1) 13-23
    - 1 completion interrupt enable (CIE1) 13-17
    - 1 operating mode (MQ1) 13-18
    - 1 pause flag (PF1) 13-23
    - 1 pause interrupt enable (PIE1) 13-17
    - 1 single-scan enable bit (SSE1) 13-17
    - 1 trigger overrun (TOR1) 13-25
    - 2 completion flag (CF2) 13-24
    - 2 completion software interrupt enable (CIE2) 13-19
    - 2 operating mode (MQ2) 13-20
    - 2 pause flag (PF2) 13-24
    - 2 pause software interrupt enable (PIE2) 13-19
    - 2 single-scan enable bit (SSE2) 13-20
    - 2 trigger overrun (TOR2) 13-25
  - pointers
    - completed queue pointer (CPTQP) 14-26
    - end queue pointer (ENDQP) 14-26
    - new queue pointer (NEWQP) 14-26
  - priority 13-39
  - priority schemes 13-54, 13-63
  - SCI 14-59
    - control register (QSCI1CR) 14-59
    - status register (QSCI1SR) 14-59
  - status (QS) 13-26
  - subqueue 13-40
  - Queue 1
    - mode control register for 13-17
    - operating modes 13-18
  - Queue 2
    - operating modes 13-20
  - Queued
    - serial
      - peripheral interface (QSPI) 14-16
  - Queued output match TPU function (QOM) D-5
- ## R
- RAF 14-49
  - RAMBAR 19-5
  - RCW 7-11
  - RD/WR 9-4, 9-37
  - RDRF 14-49, 14-57
  - RE 14-46, 14-48, 14-57
  - RE bit 3-22, 3-25
  - read cycle, data bus requirements, 9-31
  - read/write (RD/WR), 9-37
  - READI
    - compressed code mode guidelines 23-20, A-16
    - compression A-16
    - features 23-1
    - public messages 23-5
    - register map 23-8
    - signals 23-21
    - vendor-defined messages 23-5
  - real-time clock 6-19
  - Receive
    - data
      - register full (RDRF) 14-49
    - error status flag (RXWARN) 16-34
    - RAM 14-24
    - time sample clock (RT) 14-53, 14-57
  - receive buffer
    - message code 16-5
  - Receiver
    - active (RAF) 14-49
    - data register (RDRF) flag 14-57
    - enable (RE) 14-48, 14-57

- interrupt enable (RIE) 14-47
- wakeup (RWU) 14-48, 14-58
- Receiver Enable (RE) 14-46
- Reception of transmitted frames 16-14
- Recoverable exception 3-22, 3-25
- Register diagrams
  - CMD (DLCMD2 command register) 15-35
  - ILR (DLCMD2 interrupt level register) 15-29
  - IPR (DLCMD2 interrupt pending register) 15-28
  - IVR (DLCMD2 interrupt vector register) 15-30
  - MCR (DLCMD2 module configuration register) 15-26
  - module configuration (QADCMCR) 13-9
  - RDATA (DLCMD2 receive data register) 15-33, 15-43
  - SCTL (DLCMD2 symbol timing control and pre-scaler register) 15-31
  - STAT (DLCMD2 status register) 15-40
  - TDATA (DLCMD2 transmit data register) 15-39
- Registers
  - CMD (DLCMD2 command register) 15-35
  - ILR (DLCMD2 interrupt level register) 15-29
  - interrupt (QADCINT) 13-12
  - IPR (DLCMD2 interrupt pending register) 15-28
  - IVR (DLCMD2 interrupt vector register) 15-30
  - left justified, signed result format (LJSRR) 13-36
  - left justified, unsigned result format (LJURR) 13-36
  - MCR (DLCMD2 module configuration register) 15-26
  - module configuration (QADC64E) 13-9
  - port A data register (PORTQA) 13-13
  - port B data register (PORTQB) 13-13
  - QACR0 control register 13-15
  - QADC64E control register 1 (QACR1) 13-17
  - QADC64E control register 2 (QACR2) 13-19
  - QADC64E module configuration register 13-9
  - QADC64E PORTQA port A data register 13-14, 13-15
  - RDATA (DLCMD2 receive data register) 15-33, 15-43
  - right justified, unsigned result format (RJURR) 13-36
  - SCTL (DLCMD2 symbol timing control and pre-scaler register) 15-31
  - STAT (DLCMD2 status register) 15-40
  - status (QASR) 13-22
  - status (QASR0) 13-22
  - status (QASR1) 13-29
  - TDATA (DLCMD2 transmit data register) 15-39
- registers
  - BBCMCR BBC module configuration register 4-19
  - breakpoint address register (BAR) 22-52
  - breakpoint counter A value and control register (COUNTA) 22-44
  - breakpoint counter B value and control register (COUNTB) 22-45
  - CALRAM\_OTR CALRAM ownership trace register 21-19
  - change of lock interrupt register (COLIR) 8-37
  - CMPA–CMPD 22-40
  - CMPE–CMPF 22-45
  - comparator G-H value registers (CMPG–CMPH) 22-46
  - condition register (CR) 3-16
  - count register (CTR) 3-19
  - CRAM\_RBAX CALRAM region base address register 21-17
  - CRAMMCR CALRAM module configuration register 21-15
  - CRAMOVLCALRAM overlay configuration register 21-18
  - DAE/source instruction service register (DSISR) 3-22
  - data address register (DAR) 3-23
  - DCCR0–DCCR15 decompressor class configuration registers A-19
  - debug enable register (DER) 22-42
  - decompressor class configuration 4-25
  - decrementer register (DEC) 6-40
  - development port data register (DER) 22-52
  - documenter register (DEC) 3-23
  - DPTRAM base address register (RAMBAR) 19-5
  - DPTRAM module configuration register (DPTMCR) 19-4
  - DPTRAM test register (DPTTCR) 19-5
  - dual-mapping base register (DMBR) 10-35
  - dual-mapping option register (DMOR) 10-36
  - EIBADR external interrupt relocation table base address register 4-25
  - exception cause register (ECR) 22-40
  - external master control register (EMCR) 6-29
  - floating point (FPRs) 3-12
  - floating point exception cause register (FPECR) 3-26
  - floating point status and control register (FPSCR) 3-13
  - general purpose registers (GPRs) 3-12
  - general SPRs 3-24
  - hard reset configuration word register (UC3FCFIG) 20-17
  - I-bus support control register (COUNTA) 22-50
  - I-bus support control register (ICTRL) A-16
  - implementation specific SPRs 3-25
  - integer exception register (XER) 3-18
  - internal memory map register (IMMR) 6-28
  - interrupt in-service registers (SISR2 and SISR3) 6-37
  - L2U global region attribute registers (L2U\_GRA) 11-16
  - L2U module configuration register (L2U\_MCR) 11-13
  - L2U region attribute registers (L2U\_RAX) 11-15
  - L2U region base address registers (L2U\_RBAX) 11-14
  - L-bus support control register 1 (LCTRL1) 22-46
  - L-bus support control register 2 (LCTRL2) 22-47
  - link register (LR) 3-19
  - machine state (MSR) 3-20

- machine status save/restore register 0 (SRR0) 3-23
- machine status save/restore register 1 (SRR1) 3-23
- MBISM interrupt registers 17-69
- MBISM registers, list of 17-13
- MCPSM register organization 17-18, 17-62, 17-85
- MCPSMSCR MCPSM status/control register 17-18
- MDASM status/control register (duplicated) (MDASMSCRD) 17-43
- MDASM status/control register (MDASMSCR) 17-44
- MDASMAR MDASM Data A register 17-41
- MDASMBR MDASM Data B register 17-42
- memory controller base registers (BR0-BR3) 10-31
- memory controller option registers (OR0-OR3) 10-33
- memory controller status registers (MSTAT) 10-31
- MI\_GRA global region attribute register 4-23
- MI\_RA [0:3] region attribute register 4-22
- MI\_RBA[0:3] region base address register 4-21
- MIOS14ER0 interrupt enable register 17-66
- MIOS14ER1 interrupt enable register 17-68
- MIOS14LVL0 interrupt level register 0 17-70
- MIOS14LVL1 interrupt level register 1 17-70
- MIOS14MCR module configuration register 17-15
- MIOS14RPR0 interrupt request pending register 0 17-67
- MIOS14RPR1 interrupt request pending register 1 17-69
- MIOS14SR0 interrupt status register 17-66
- MIOS14SR1 interrupt status register 17-67
- MIOS14TPCR test and signal control register 17-14
- MIOS14TVECT vector register 17-15
- MIOS14VNR module and version number register 17-15
- MISC counter register (MISCNT) 19-6
- MISR High register 19-5
- MISR Low register 19-5
- MMCSM registers 17-22
- MMCSMCNT MMCSM up-counter register 17-23
- MMCSMML MMCSM modulus latch register 17-24
- MMCSMSCR MMCSM status/control register 17-24
- MMSCM status/control register duplicated (MMCSMSCRD) 17-24
- MPIOSMDDR MPIOISM data direction register 17-63
- MPIOSMDR MPIOISM data register 17-62
- MPTCSM status/control register 17-86
- MPWMCNTR MPWMSM counter register 17-58
- MPWMPERR MPWMSM period register 17-57
- MPWMPULR MPWMSM pulse width register 17-58
- MPWMSCR MPWMSM status/control register 17-58
- MRTCPR MRTCSM prescaler counter buffer register 17-86
- MRTCSMFRCH MRTCSM 32-bit counter high buffer register 17-85
- MRTCSMFRCL MRTCSM 32-bit counter low buffer register 17-85
- pads module configuration register (PDMCR) 2-23
- pads module configuration register 2 (PDMCR2) 2-25
- pending interrupt request register (UIPEND) 12-8
- periodic interrupt status and control register (PISCR) 6-44
- periodic interrupt timer count register (PITC) 6-45
- periodic interrupt timer register (PITR) 6-45
- PLL, low power, and reset control register (PLPRCR) 8-34
- processor version register (PVR) 3-25
- READI data trace attribute 1 register (DTA1) 23-17
- READI data trace attribute 2 register (DTA2) 23-17
- READI development control register (DC) 23-10
- READI device ID register (DID) 23-9
- READI mode control register (MC) 23-12
- READI ownership trace register (OTR) 23-8
- READI read/write access register (RWA) 23-13
- READI upload/download information register (UDI) 23-15
- READI user base address register (UBA) 23-13
- real-time clock alarm register (RTCAL) 6-44
- real-time clock register (RTC) 6-43
- real-time clock status and control register (RTCSC) 6-42
- receive mask 16-7
- reset status register (RSR) 7-5
- SGPIO control register (SGPIOCR) 6-48
- SGPIO data register 1 (SGPIODT1) 6-46
- SGPIO data register 2 (SGPIODT2) 6-47
- SIU interrupt edge level register (SIEL) 6-35
- SIU interrupt mask registers (SIMASK) 6-33
- SIU interrupt vector register (SIVVEC) 6-35
- SIU module configuration register (SIUMCR) 6-25
- software service register (SWSR) 6-38
- special purpose 3-44
  - added registers, 3-44
  - unsupported registers, 3-44
- system clock and reset control register (SCCR) 8-31
- system protection control register (SYPCR) 6-37
- time base control and status register (TBSCR) 6-42
- time base reference registers (TBREF0 and TBREF1) 6-41
- time base SPR (TB) 3-23
- time base SPR (TBSPR) 6-41
- TOUCAN control register (CANCTRL0) 16-27
- TOUCAN control register 0 (CANCTRL0) 16-27
- TOUCAN control register 1 (CANCTRL1) 16-28
- TOUCAN control register 2 (CANCTRL2) 16-30
- TOUCAN error and status register (ESTAT) 16-33
- TOUCAN error counters 16-36

- TOUCAN free running timer (TIMER) 16-31
- TOUCAN interrupt configuration register (CANICR) 16-27
- TOUCAN interrupt flag register (IFLAG) 16-36
- TOUCAN interrupt mask register (IMASK) 16-35
- TOUCAN module configuration register (CANMCR) 16-25
- TOUCAN prescaler divide register (PRESDIV) 16-29
- TOUCAN receive buffer 14 mask registers 16-32
- TOUCAN receive buffer 15 mask registers 16-33
- TOUCAN receive global mask registers 16-31
- TPU channel interrupt enable register (CIER) 18-16
- TPU channel interrupt status register (CISR) 18-20
- TPU channel priority register (CPR) 18-19
- TPU development support control register (DSCR) 18-13
- TPU function select register (CFSR) 18-16
- TPU host sequence register (HSQR) 18-17
- TPU host service request register (HSRR) 18-18
- TPU interrupt configuration register (TICR) 18-15
- TPU module configuration register (TPUMCR) 18-11
- TPU module configuration register 2 (TPUMCR2) 18-20
- TPU module configuration register 3 (TPUMCR3) 18-22
- TPU support status register (DSSR) 18-14
- transfer error status register (TESR) 6-39
- UC3F configuration register (UC3FMCR) 20-6
- UC3F extended configuration register (UC3FMCRE) 20-9
- UC3F high voltage control register (UC3FCTL) 20-12
- UIMB 12-6
- UIMB module configuration register (UMCR) 12-7
- USIU special purpose registers 5-6
- VDDSRAM control register (VSRMCR) 8-38
- Remote
  - frames 16-17
  - transmission request (RTR) 16-5
  - transmission request field (RTR) 16-6
- reservation of data 11-7
- reservation protocol for a multi-level (local) bus, 9-43
- Reserved
  - mode 13-43
- Reset
  - BBC behavior 4-6
  - configuration 7-7
  - soft reset configuration 7-13
  - sources of 7-3
  - status register 7-5
- Resistor-divider chain 13-38
- Resolution time 13-37
- Result word table 13-3, 13-35, 13-39
- Resynchronization jump width (RJW) bit field 16-30
- RETRY, 9-45
- R<sub>F</sub> 13-74
- RIE 14-47
- RJW 16-13, 16-30
- RN field 3-16
- RSR 7-5
- RSV, 9-38
- RT 14-57
- RTC 6-19
- RTC register 6-43
- RTCAL 6-44
- RTCSC 6-42
- RTR 16-5, 16-17
- RTR field 16-6
- RWA 23-13
- RWU 14-48, 14-58
- RX14MSKHI 16-32
- RX14MSKLO 16-32
- RX15MSKHI 16-33
- RX15MSKLO 16-33
- RXECTR 16-36
- RXGMSKHI 16-31
- RXGMSKLO 16-31
- RXWARN 16-34
- S**
- S0 14-10
- SAMP 16-29
- Sample amplifier bypass (BYP) 13-32
- Sampling mode (SAMP) 16-29
- SAR 13-39
- SBK 14-48, 14-54
- Scan modes
  - continuous-scan modes
    - external trigger 13-48
    - periodic timer continuous-scan mode 13-49
    - software initiated 13-47
  - single-scan modes
    - external trigger 13-45
    - interval timer 13-46
    - software initiated 13-44
- SCBR 14-46
- SCCR 8-31
- SCCR0 14-46
- SCCR1 14-46
- SCDR 14-50
- SCI 14-35, 14-42
- baud
  - clock 14-52
  - rate (SCBR) 14-46
  - equation 14-46

- idle-line detection 14-58
- internal loop 14-59
- operation 14-51
- parity checking 14-53
- queue operation 14-59
- receiver
  - block diagram 14-44
  - enhancements to 14-69
  - operation 14-57
  - wakeup 14-58
- registers 14-45
- SCCR0 14-46
- SCCR1 14-46
- SCI Baud Rates 14-53
- SCI SUBMODULE 14-15
- SCSR 14-45
- signals 14-51
- transmitter
  - block diagram 14-43
  - operation 14-54
- SCI Control Register 0 (SCCR0) 14-46
- SCI Control Register 1 (SCCR1) 14-46
- SCI queue registers 14-59
- SCI Status Register (SCSR) 14-45
- SCK 14-13, 14-35, 14-39
  - actual delay before SCK (equation) 14-37
  - baud rate (equation) 14-36
- S-clock 16-8
- SCSR 14-48
- SE bit 3-21
- SEE 22-41
- Send break (SBK) 14-48, 14-54
- Sequencer, instruction 3-3
- Serial
  - clock baud rate (SPBR) 14-19
  - communication interface (SCI) 14-42
  - formats 14-52
  - mode (M) bit 14-52
  - shifter 14-54
- Serial Clock (SCK) 14-13
- Serialization
  - fetch 22-1
- Service
  - request breakpoint flag (SRBK) 18-15
- SGLR 18-23
- SGPIOCR 6-48
- SGPIODT1 6-46
- SGPIODT2 6-47
- shadow row
  - erasing 20-30
  - programming 20-26
  - select read 20-22
- UC3F 20-16
- show cycles
  - L-bus 11-9
- SIEL 6-35
- Signals
  - internal clock 8-7
  - MPC565 signals 2-3
  - multiplexing 2-22
  - QSPI 14-25
- signals
  - QSPI 14-25
  - SCI 14-51
- SIMASK 6-33
- SIMASK2 6-34
- SIMASK3 6-35
- Simplified mnemonics 3-33
- Single-step trace enable 3-21
- SIPEND 6-32
- SIPEND2 6-32
- SIPEND3 6-33
- SISR2 6-37
- SISR3 6-37
- SIU interrupt pending registers (SIPEND) 6-32
- SIU signals, 9-4
- SIUMCR 6-25
- SIVVEC 6-35
- SIW0EN 22-51, A-17
- SIW1EN 22-51, A-17
- SIW2EN 22-51, A-17
- SIW3EN 22-51, A-17
- Slave Select (SS) 14-42
- Slave select signal (SS) 14-39
- sleep 6-23
- SLW0EN 22-49
- SLW1EN 22-49
- snooping
  - L2U 11-9
- snooping external bus activity, 3-43
- SO bit 3-18
- SOF 16-10
- soft reset 7-2
- Soft reset control field (SOFT\_RST) 18-21
- SOFT\_RST 18-21
- SOFT\_RST 16-12
- Software initiated
  - continuous-scan mode 13-47
  - single-scan mode 13-44
- Software trap enable selection 22-51, A-17
- software watchdog timer 6-21
- SPBR 14-19
- SPCR0 14-18
- SPCR1 14-20



- SPCR2 14-21
- SPCR3 14-21
- SPE 14-20, 14-42
- special purpose registers 5-6
  - BBC 4-17
  - implementation-specific 3-25
- special purpose registers, general 3-24
- SPI
  - finished interrupt enable (SPIFIE) 14-21
- SPIF 14-23
- SPIFIE 14-21
- SPRG0–SPRG3 3-24
- SPRGs 3-24
- SPRs 5-6
  - BBC 4-17
  - general 3-24
- SPSR 14-21, 14-22, 14-42
- SPWM D-46
- SRAM
  - supervisor space only 14-10
- SRBK 18-15
- SRESET 7-2
- SRR field 16-6
- SRR0 3-23, 3-45, 3-46, 3-54, 3-55, 3-56, 3-57, 3-58
- SRR1 3-23, 3-45, 3-47, 3-48, 3-49, 3-51, 3-52, 3-53, 3-54, 3-55, 3-56, 3-57, 3-58
- SS 14-42
- SS 14-39
- SSE1 13-17
- SSE2 13-20
- Standard
  - message format 16-1
  - frames 16-4
- standby operation 21-6
- Star-point ground system 13-69
- Start
  - bit (beginning of data frame) 14-52
  - of-frame (SOF) symbol 16-10
- State machine 13-49, 14-57
- Status register (QASR) 13-8, 13-22
- STF 18-12
- STOP 13-9, 16-18, 18-12
- Stop
  - clocks to TCRs (CLKS) 18-13
  - enable (STOP) 13-9
  - enable (STOP) bit
    - QSM 14-7
    - TOUCAN 16-18
    - TPU 18-12
  - flag (STF) 18-12
  - mode 13-9
  - SCI end of data frame bit 14-52
  - storage control instructions, 3-44
  - storage reservation, 9-42
  - Stress conditions 13-75
  - STUFFERR 16-34
  - subqueues 13-40
  - Substitute remote request field (SRR) 16-6
  - Successive approximation register (SAR) 13-39
  - Summary overflow 3-18
  - Supervisor
    - /unrestricted data space (SUPV)
      - TPU 18-12
  - Supervisor mode
    - and SRAM 14-10
  - SUPV 13-11
  - SUSG 22-47
  - SUSH 22-47
  - SWSR 6-38
  - SWT 6-21
  - Synchronized pulse-width modulation (SPWM) D-46
  - SYPCR 6-37
  - SYSE 22-41
  - SYSEE 22-43
  - System call exception 3-53
  - system clock output, 9-8
  - system reset exception 3-45
  - system reset interrupt, 3-45

**T**

  - T1 13-54
  - T2 13-54
  - T2CFILTER 18-21
  - T2CG 18-7, 18-12
  - T2CLK pin filter control (T2CFILTER) 18-21
  - T2CSL 18-13
  - TA 9-6, 9-40
  - Table stepper motor (TSM) D-7
  - TAP controller 24-3
  - TB 6-19
  - TB register 3-23, 6-41
  - TBREF registers 6-41
  - TBRS1, TBRS0 - bits in BIUMCR 17-13
  - TBSCR 6-42
  - TBSPR 6-41
  - TC 14-49, 14-54
  - TCIE 14-47, 14-55
  - TCNMCR 16-25
  - TCODE 23-4
  - TCR1P 18-12
  - TCR2 clock/gate control (T2CG) 18-12
  - TDRE 14-49
  - TE 14-46, 14-48
  - TEA 9-6, 9-40

- termination signals, 9-40
- TESR 6-39
- test register (DPTTCR) 19-5
- Test register (QADCTEST) 13-8
- TICR 18-15, 18-22
- TIE 14-47, 14-55
- Time
  - quanta clock 16-8
  - stamp 16-4, 16-12
- time base (TB) 6-19
- time base bus
  - selecting 17-13
- time base register (TB) 3-23
- timebase register 3-43
- TIMER 16-31
- Timer
  - count register
    - 1 prescaler control (TCR1P) 18-12
    - synchronize mode (TSYNC) 16-29
- Timing, instruction 3-37
- tool-mapped registers 23-9
- TOR 13-55
- TOR1 13-25
- TOR2 13-25
- TOUCAN
  - address
    - map 16-21
  - bit timing configuration 16-8, 16-10
  - external pins 16-2
  - initialization sequence 16-12
  - interrupts 16-20
  - message buffer address map 16-24
  - operation 16-3
  - receive process 16-14
  - registers
    - control register 0 (CANCTRL0) 16-27
    - control register 1 (CTRL1) 16-8
    - control register 1 (CANCTRL1) 16-28
    - control register 2 (CANCTRL2) 16-30
    - control register 2 (CTRL2) 16-8
    - error and status register (ESTAT) 16-33
    - free running timer register (TIMER) 16-31
    - interrupt
      - configuration register (CANICR) 16-27
      - flag register (IFLAG) 16-36
      - mask register (IMASK) 16-35
    - module configuration register (TCNMCR) 16-25
    - receive
      - buffer 14 mask registers (RX14MSKHI/LO) 16-32
      - buffer 15 mask registers (RX15MSKHI/LO) 16-33
      - global mask registers (RXGMSKLO/HI) 16-31
    - RX/TX error counter registers
      - (RXECTR/TXECTR) 16-36
    - test configuration register (CANTCR) 16-27
    - special operating modes 16-17
      - auto power save mode 16-19
      - debug mode 16-17
      - low-power stop mode 16-18
    - transmit process 16-13
- TouCAN
  - features 16-1
- TPU
  - address map 18-8
  - components 18-2
  - FREEZE flag (TPUF) 18-15
  - function library 18-4
  - host interface 18-2
  - interrupts 18-5
  - microengine 18-2
  - operation 18-3
    - coherency 18-4
    - emulation support 18-4
    - event timing 18-3
    - interchannel communication 18-4
    - programmable channel service priority 18-4
  - parameter RAM 18-2, 18-24
    - address map 18-24
  - registers
    - channel
      - function select registers (CFSR) 18-16
      - interrupt
        - enable register (CIER) 18-5, 18-16
        - status register (CISR) 18-5, 18-20
      - priority registers (CPR) 18-19
    - development
      - support control register (DSCR) 18-13
      - support status register (DSSR) 18-14
    - host
      - sequence registers (HSQR) 18-17
      - service request registers (HSSR) 18-18
    - module configuration register (TPUMCR) 18-11
    - service grant latch register (SGLR) 18-23
    - TPU interrupt configuration register (TICR) 18-15, 18-22
  - scheduler 18-2
  - time
    - bases 18-2
  - timer channels 18-2
- TPU Reference Manual* 18-3, 18-18
- TPU2
  - module configuration register 2 (TPUMCR2) 18-20
- TPU3 Emulation Mode Operation 19-8
- TPUF 18-15

- TPUMCR 18-11
- TPUMCR2 18-20
- TR 22-41
- trace indicators 22-4
- trace interrupt, 3-54
- transaction (bus), 9-8
- Transfer
  - length options 14-38
  - time 13-37
- transfer acknowledge (TA), 9-40
- transfer code 23-4
- transfer error acknowledge (TEA), 9-40
- transfer size (TSIZ), 9-38
- transfer start (TS) 9-37
- transfers
  - alignment and packaging 9-29
  - burst-inhibited 9-18
  - termination signals 9-40
- Transmission
  - complete
    - (TC) flag 14-54
    - interrupt enable (TCIE) 14-55
- Transmit
  - /receive status (TX/RX) 16-34
  - bit error (BITERR) 16-34
  - complete
    - bit (TC) 14-49
    - interrupt enable (TCIE) 14-47
  - data
    - register empty (TDRE) flag 14-49
    - error status flag (TXWARN) 16-34
    - interrupt enable (TIE) 14-47, 14-55
    - pin configuration control (TXMODE) 16-28
    - RAM 14-24
  - Transmitter Enable (TE) 14-46
  - Transmitter enable (TE) 14-48, 14-54
  - TRE 22-43
  - Trigger
    - event 13-30, 13-54
    - overrun error (TOR) 13-55
  - TS signal 9-5, 9-37
  - TSIZ[0:1] 9-4, 9-38
  - TSIZ0 9-1
  - TSIZ1 9-1
  - TSM D-7
  - T<sub>SR</sub> 13-9
  - TSYNC 16-29
  - TX/RX 16-34
  - TXECTR 16-36
  - TXMODE 16-28
  - TXWARN 16-34  
  - U**
  - UART D-12
  - UBA 23-13
  - UC3F
    - 512-Kbyte array 20-20
    - array addressing 20-16
    - ensorship states 20-32
    - features 20-3
    - high voltage operations 20-22
    - operation 20-21
    - program sequencing 20-23
    - registers 20-5
    - shadow row 20-16
    - signals 20-4
  - UC3FCFIG register 20-17
  - UC3FCTL register 20-12
  - UC3FMCR register 20-6
  - UC3FMCRE register 20-9
  - UDI 23-15
  - UIMB interface
    - features 12-1
  - UIMB module configuration register 12-7
  - UIPEND register 12-8
  - UMCR register 12-7
  - Universal asynchronous receiver/transmitter (UART) D-12
    - parameters
      - receiver parameters D-13
      - transmitter parameters D-12
  - Unordered exceptions 3-35
  - User Instruction Set Architecture
    - Book 1
      - instruction fetching, 3-40
  - User Instruction Set Architecture (Book 1)
    - branch instructions, 3-40
    - branch processor, 3-40
    - computation modes, 3-39
    - exceptions, 3-40
    - fixed point-processor, 3-40
    - floating point processor, 3-41
    - instruction classes, 3-39
    - load/store processor, 3-41
    - reserved fields, 3-39
  - user-mapped registers
    - READI 23-8
  - Using the TPU Function Library and TPU Emulation Mode* 18-5
  - UX bit 3-14  
  - V**
  - V<sub>CF</sub> 13-74
  - V<sub>DDA</sub> 13-67, 13-70

- VDDSRAMs 8-23
  - VDDSYN 8-22
  - VE bit 3-15
  - Vector table, exception 3-36
  - Vector table, exceptions 3-36
  - VFLSn 22-28, 22-29
  - VFn 22-2
  - V<sub>IH</sub> 13-66
  - V<sub>IL</sub> 13-66
  - Virtual Environment Architecture (Book 2)
    - operand placement effects, 3-43
    - storage control instructions, 3-43
    - timebase register 3-43
  - Virtual Environment Architecture (VEA) 3-43
  - Voltage
    - inputs 13-66
    - reference pins 13-70
  - V<sub>RH</sub> 13-35, 13-38, 13-70, 13-74
  - V<sub>RL</sub> 13-38, 13-70, 13-74
  - V<sub>SRC</sub> 13-74
  - VSRMCR 8-38
  - VSS 8-23
  - V<sub>SSA</sub> 13-67, 13-70
  - VSSSYN 8-22
  - VX bit 3-14
  - VXCVI 3-15
  - VXIDI 3-14
  - VXIMZ bit 3-14
  - VXISI 3-14
  - VXSNAN 3-14
  - VXSOFT 3-15
  - VXSQRT 3-15
  - VXVC bit 3-15
  - VXZDZ bit 3-14
- W**
- WAKE 14-47, 14-59
  - Wake interrupt (WAKEINT) 16-35
  - WAKEINT 16-18, 16-35
  - WAKEMSK 16-18
  - Wakeup
    - address mark (WAKE) 14-47, 14-59
  - watchpoint counters 22-18
  - watchpoints and breakpoints 22-9
  - Wired-OR
    - mode
      - for QSPI pins (WOMQ) 14-19
      - for SCI pins (WOMS) 14-47, 14-54
  - WOMQ 14-19
  - WOMS 14-47, 14-54
  - Wrap
    - enable (WREN) 14-21
    - to (WRTO) 14-21
  - Wraparound mode 14-17
    - master 14-38
  - WREN 14-21
  - write cycle data bus contents, 9-32
  - WRTO 14-21
- X**
- XE bit 3-15
  - XER 3-18
  - XX bit 3-14
- Z**
- ZE 3-15
  - ZX bit 3-14



Компания «ЭлектроПласт» предлагает заключение долгосрочных отношений при поставках импортных электронных компонентов на взаимовыгодных условиях!

Наши преимущества:

- Оперативные поставки широкого спектра электронных компонентов отечественного и импортного производства напрямую от производителей и с крупнейших мировых складов;
- Поставка более 17-ти миллионов наименований электронных компонентов;
- Поставка сложных, дефицитных, либо снятых с производства позиций;
- Оперативные сроки поставки под заказ (от 5 рабочих дней);
- Экспресс доставка в любую точку России;
- Техническая поддержка проекта, помощь в подборе аналогов, поставка прототипов;
- Система менеджмента качества сертифицирована по Международному стандарту ISO 9001;
- Лицензия ФСБ на осуществление работ с использованием сведений, составляющих государственную тайну;
- Поставка специализированных компонентов (Xilinx, Altera, Analog Devices, Intersil, Interpoint, Microsemi, Aeroflex, Peregrine, Syfer, Eurofarad, Texas Instrument, Miteq, Cobham, E2V, MA-COM, Hittite, Mini-Circuits, General Dynamics и др.);

Помимо этого, одним из направлений компании «ЭлектроПласт» является направление «Источники питания». Мы предлагаем Вам помощь Конструкторского отдела:

- Подбор оптимального решения, техническое обоснование при выборе компонента;
- Подбор аналогов;
- Консультации по применению компонента;
- Поставка образцов и прототипов;
- Техническая поддержка проекта;
- Защита от снятия компонента с производства.



#### Как с нами связаться

**Телефон:** 8 (812) 309 58 32 (многоканальный)

**Факс:** 8 (812) 320-02-42

**Электронная почта:** [org@eplast1.ru](mailto:org@eplast1.ru)

**Адрес:** 198099, г. Санкт-Петербург, ул. Калинина, дом 2, корпус 4, литера А.