

## LOW DROPOUT VOLTAGE REGULATOR

### ■ GENERAL DISCRIPTION

NJU7747/48 is a low dropout voltage regulator with ON/OFF control.

Advanced CMOS technology achieves ultra low quiescent current.

SC-82AB package and 0.1 $\mu$ F small output capacitor make the NJU7747/48 suitable for space conscious applications.

NJU7748 features shunt switch which improves turn off response of output voltage when ON/OFF control is used.

### ■ PACKAGE OUTLINE

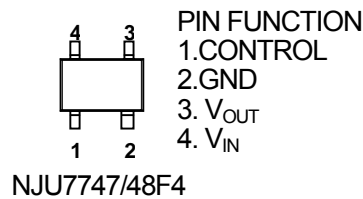


NJU7747/48F4

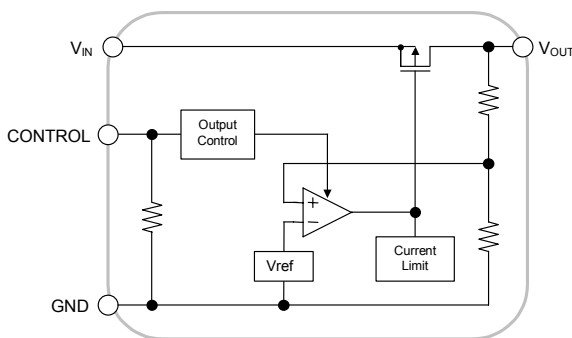
### ■ FEATURES

- Ultra Low quiescent Current  $I_q=1.5\mu A$  typ. ( $I_o=0mA$ )
- Output capacitor with 0.1 $\mu F$  ceramic capacitor
- Output Current  $I_o(max.)=100mA$
- High Precision Output  $V_o\pm 1.0\%$
- Low Dropout Voltage 0.17V typ. ( $I_o=40mA$ ,  $V_o=3V$  version)
- With ON/OFF Control (Active High)
- With Output Shunt Switch Only NJU7748
- Internal Short Circuit Current Limit
- CMOS Technology
- Package Outline SC-82AB

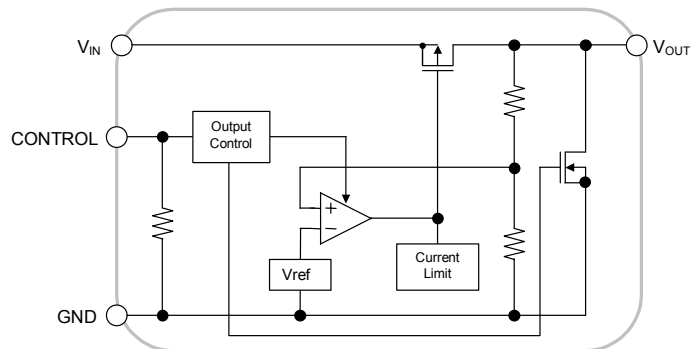
### ■ PIN CONFIGURATION



### ■ EQUIVALENT CIRCUIT



NJU7747



NJU7748

# NJU7747/48

## ■ OUTPUT VOLTAGE RANK LIST

DEVICE NAME	V <sub>OUT</sub>	DEVICE NAME	V <sub>OUT</sub>	DEVICE NAME	V <sub>OUT</sub>
NJU774*F4-15	1.5V	NJU774*F4-28	2.8V	NJU774*F4-04	4.0V
NJU774*F4-18	1.8V	NJU774*F4-29	2.9V	NJU774*F4-45	4.5V
NJU774*F4-19	1.9V	NJU774*F4-03	3.0V	NJU774*F4-05	5.0V
NJU774*F4-02	2.0V	NJU774*F4-31	3.1V		
NJU774*F4-25	2.5V	NJU774*F4-33	3.3V		
NJU774*F4-27	2.7V	NJU774*F4-37	3.7V		

## ■ ABSOLUTE MAXIMUM RATINGS (Ta=25°C)

PARAMETER	SYMBOL	RATINGS	UNIT
Input Voltage	V <sub>IN</sub>	+10	V
Control Voltage	V <sub>CONT</sub>	+10(*1)	V
Power Dissipation	P <sub>D</sub>	250(*2) 390(*3)	mW
Operating Temperature	T <sub>opr</sub>	-40 ~ +85	°C
Storage Temperature	T <sub>stg</sub>	-40 ~ +125	°C
Output Sink Current at OFF-state(*3)	I <sub>o</sub>	10	mA

(\*1) When input voltage is less than +10V, the absolute maximum control voltage is equal to the input voltage.

(\*2): Mounted on glass epoxy board. (76.2×114.3×1.6mm:based on EIA/JDEC standard, 2Layers)

(\*3): Mounted on glass epoxy board. (76.2×114.3×1.6mm:based on EIA/JDEC standard, 4Layers), internal Cu area: 74.2×74.2mm

(\*4): This maximum rating is applied to NJU7748.

## ■ ELECTRICAL CHARACTERISTICS (V<sub>IN</sub>=V<sub>O</sub>+1V, C<sub>IN</sub>=0.1μF, C<sub>O</sub>=0.1μF, Ta=25°C)

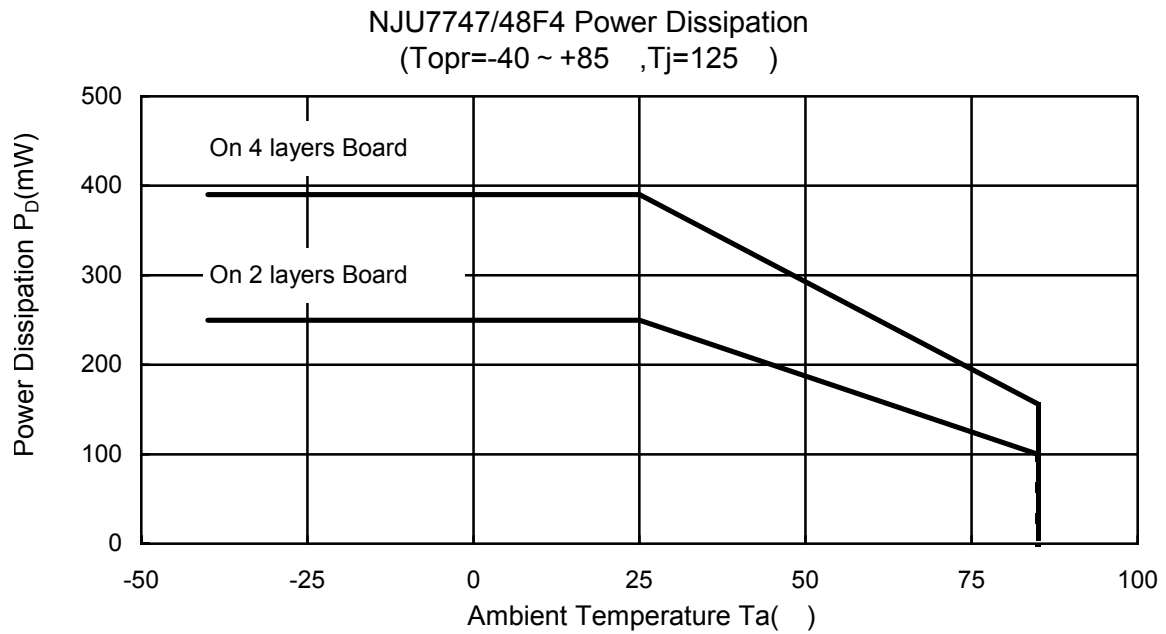
PARAMETER	SYMBOL	TEST CONDITION	MIN.	TYP.	MAX.	UNIT	
Output Voltage	V <sub>O</sub>	I <sub>o</sub> =30mA	-1.0%	-	+1.0%	V	
Input Voltage	V <sub>IN</sub>		-	-	9	V	
Quiescent Current	I <sub>Q</sub>	I <sub>o</sub> =0mA, V <sub>CONT</sub> =V <sub>IN</sub> , Except I <sub>CONT</sub>	-	1.5	3.5	μA	
Quiescent Current at Control OFF	I <sub>Q(OFF)</sub>	V <sub>CONT</sub> =0V	-	0.1	1	μA	
Output Current	I <sub>o</sub>	V <sub>O</sub> -0.3V	100	-	-	mA	
Short Circuit Limit	I <sub>LIM</sub>	V <sub>O</sub> =0V	-	25	-	mA	
Line Regulation	ΔV <sub>O</sub> /ΔV <sub>IN</sub>	V <sub>IN</sub> =V <sub>O</sub> +1V~V <sub>O</sub> +6.0V(V <sub>O</sub> <3.0V) V <sub>IN</sub> =V <sub>O</sub> +1V~9.0V(V <sub>O</sub> ≥3.0V), I <sub>o</sub> =30mA	-	-	0.30	%/V	
Load Regulation	ΔV <sub>O</sub> /ΔV <sub>O</sub>	I <sub>o</sub> =0~100mA	-	-	0.15	%/mA	
Dropout Voltage	ΔV <sub>I-O</sub>	I <sub>o</sub> =40mA	1.5V≤V <sub>O</sub> ≤2.0V	-	0.19	0.60	V
		I <sub>o</sub> =60mA	2.0V≤V <sub>O</sub> ≤2.4V	-	0.19	0.29	V
			2.5V≤V <sub>O</sub> ≤2.7V	-	0.18	0.27	V
			2.8V≤V <sub>O</sub> ≤3.3V	-	0.17	0.26	V
			3.4V≤V <sub>O</sub> ≤5.0V	-	0.16	0.24	V
Average Temperature Coefficient of Output Voltage	ΔV <sub>O</sub> /ΔTa	Ta=0~85°C, I <sub>o</sub> =10mA	-	±100	-	ppm/°C	
Pull-down Resistance	R <sub>CONT</sub>		2	5	10	MΩ	
Control Voltage for ON-State	V <sub>CONT(ON)</sub>		1.6	-	V <sub>IN</sub>	V	
Control Voltage for OFF-State	V <sub>CONT(OFF)</sub>		0	-	0.3	V	
Pull-down Resistance at OFF-state(*4)	R <sub>O(OFF)</sub>	V <sub>CONT</sub> =0V (V <sub>O</sub> =3.0V Version)	-	300	-	Ω	

(\*4) This electrical characteristics is applied to NJU7748.

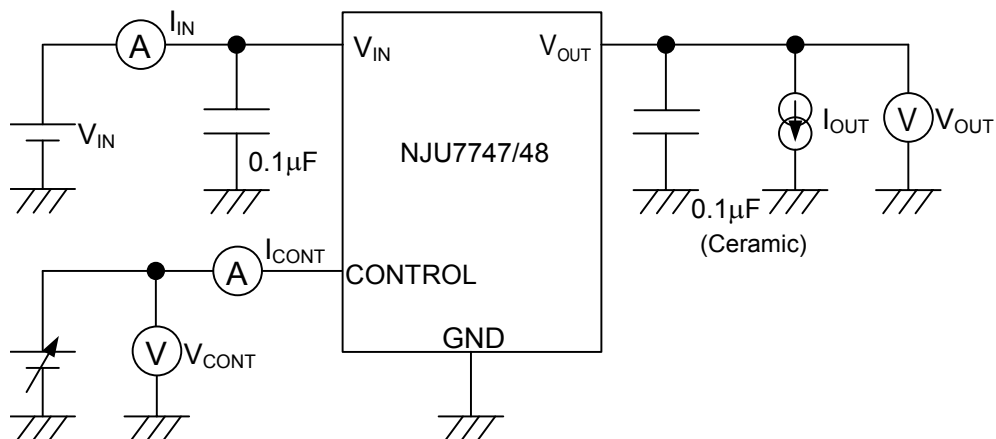
The above specification is a common specification for all voltages.

Therefore, it may be different from the individual specification for a specific output Voltage.

## POWER DISSIPATION vs. AMBIENT TEMPERATURE



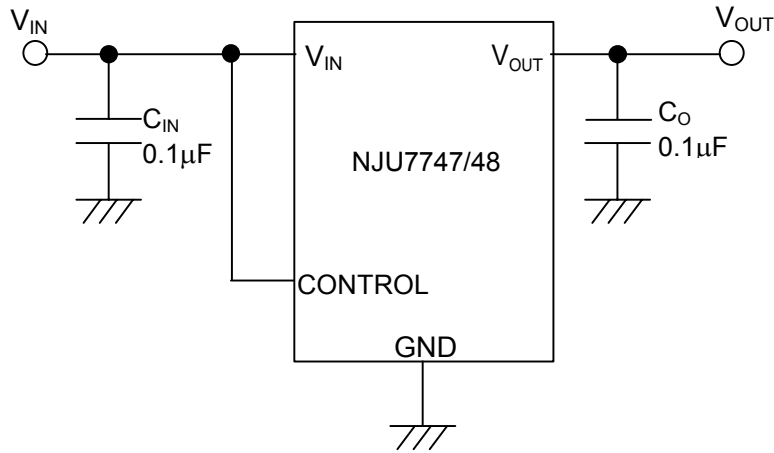
## TEST CIRCUIT



# NJU7747/48

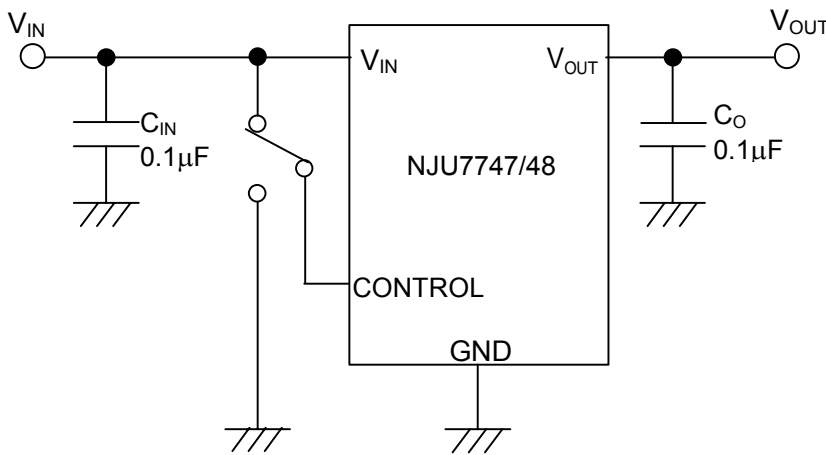
## ■ TYPICAL APPLICATION

① In case that ON/OFF Control is not required:



Connect control pin to  $V_{IN}$  pin.

② In use of ON/OFF Control



State of control pin:

- "H" → output is enabled.
- "L" or "open" → output is disabled.

## \*Input Capacitor $C_{IN}$

Input Capacitor  $C_{IN}$  is required to prevent oscillation and reduce power supply ripple for applications when high power supply impedance or a long power supply line.

Therefore, use the recommended  $C_{IN}$  value (refer to conditions of ELECTRIC CHARACTERISTIC) or larger and should connect between GND and  $V_{IN}$  as shortest path as possible to avoid the problem.

## \*Output Capacitor $C_O$

Output capacitor ( $C_O$ ) will be required for a phase compensation of the internal error amplifier.

The capacitance and the equivalent series resistance (ESR) influence to stable operation of the regulator.

Use of a smaller  $C_O$  may cause excess output noise or oscillation of the regulator due to lack of the phase compensation.

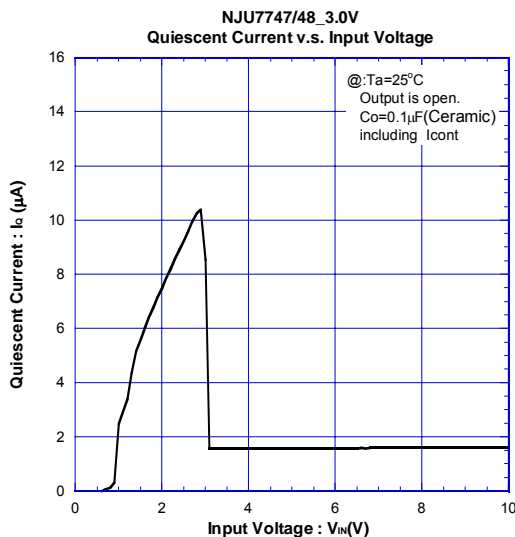
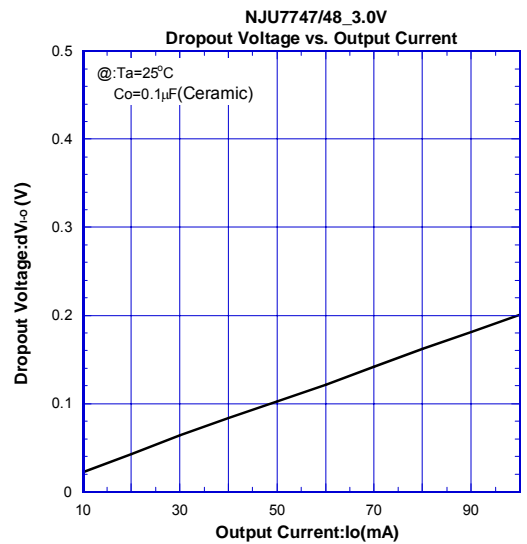
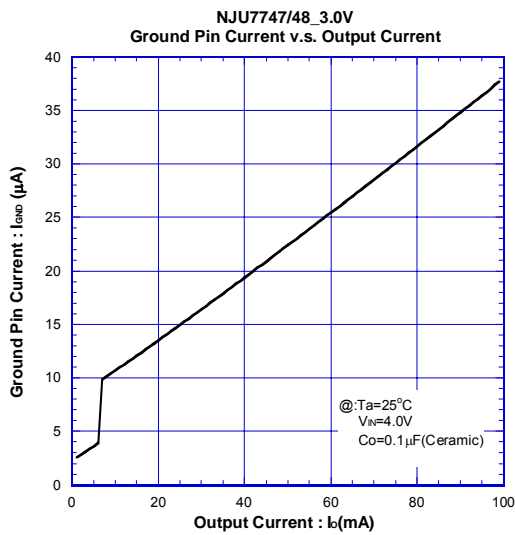
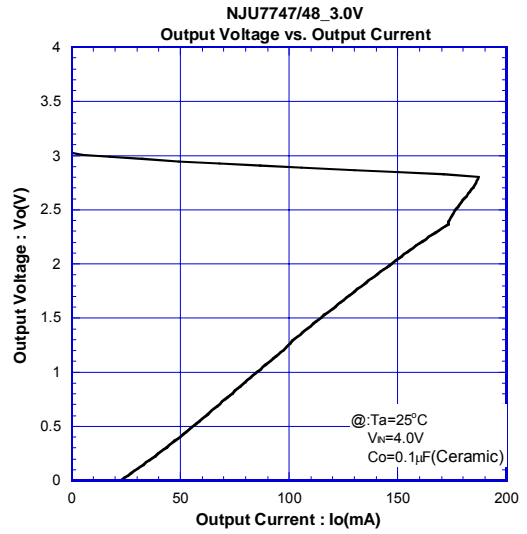
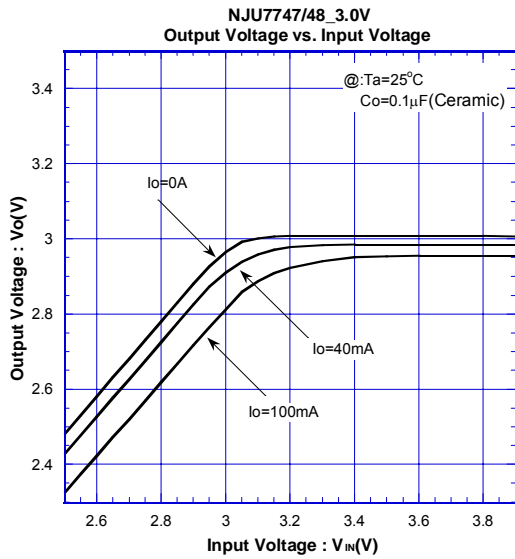
On the other hand, Use of a larger  $C_O$  reduces output noise and ripple output, and also improves output transient response when rapid load change.

Therefore, use the recommended  $C_O$  value (refer to conditions of ELECTRIC CHARACTERISTIC) or larger and should connect between GND and  $V_{OUT}$  as shortest path as possible for stable operation

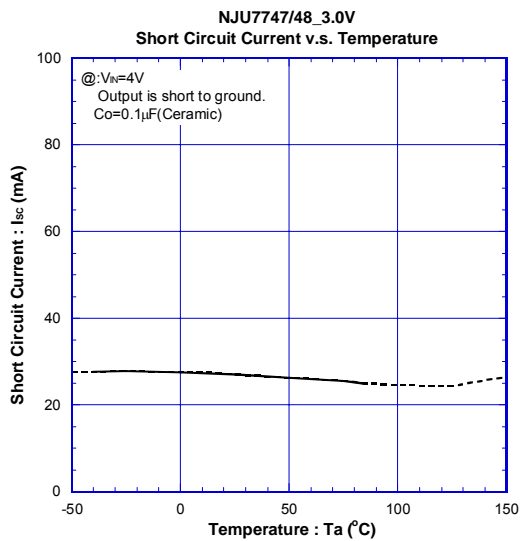
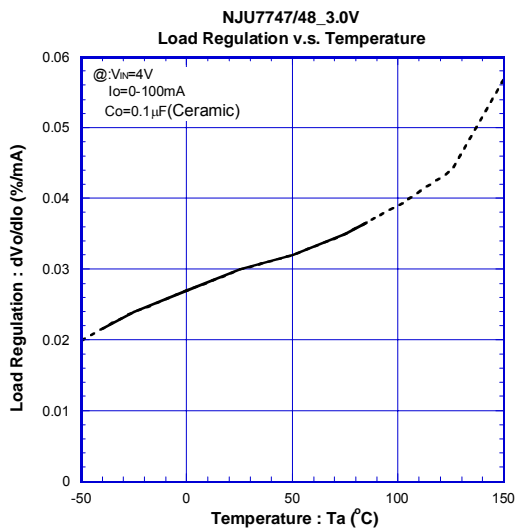
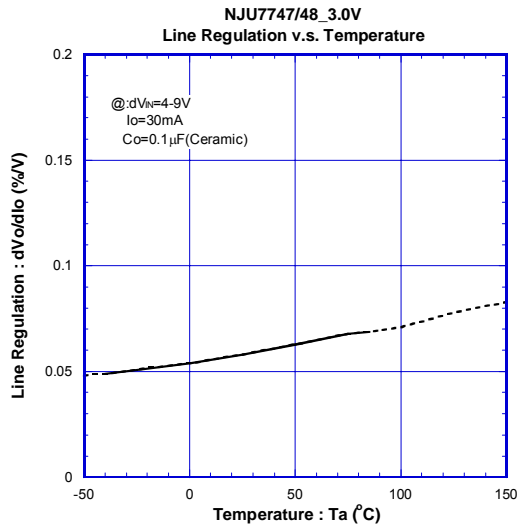
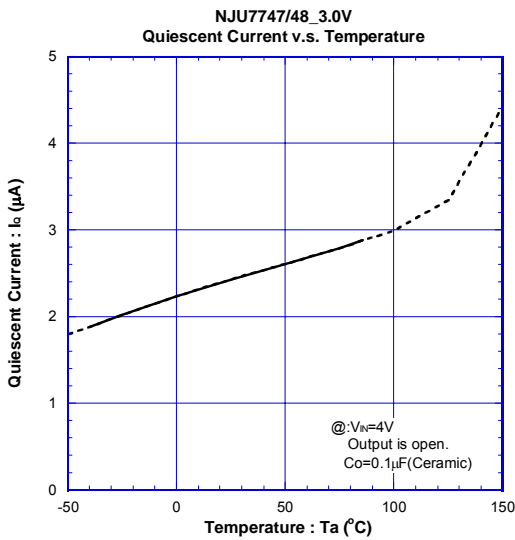
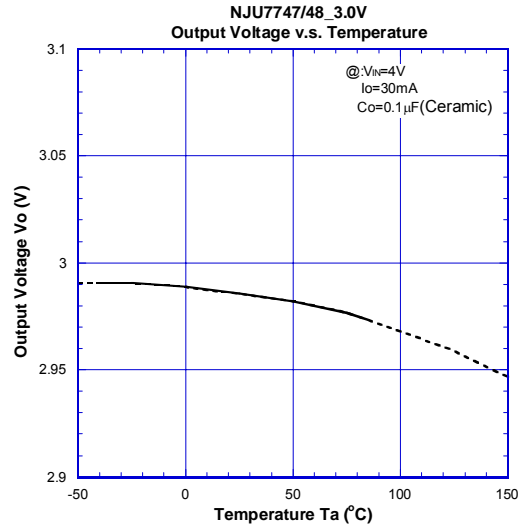
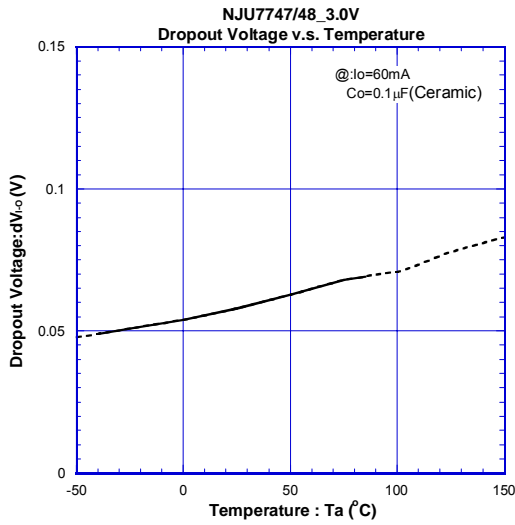
In addition, you should consider varied characteristics of capacitor (a frequency characteristic, a temperature characteristic, a DC bias characteristic and so on) and unevenness peculiar to a capacitor supplier enough.

When selecting  $C_O$ , recommend that have withstand voltage margin against output voltage and superior temperature characteristic though this product is designed stability works with wide range ESR of capacitor including low ESR products.

## TYPICAL CHARACTERISTICS



## TYPICAL CHARACTERISTICS



**[CAUTION]**

The specifications on this databook are only given for information, without any guarantee as regards either mistakes or omissions. The application circuits in this databook are described only to show representative usages of the product and not intended for the guarantee or permission of any right including the industrial rights.



# Mouser Electronics

Authorized Distributor

Click to View Pricing, Inventory, Delivery & Lifecycle Information:

[NJR:](#)

[NJU7748F4-33-TE1](#) [NJU7747F4-25-TE1](#) [NJU7748F4-05-TE1](#) [NJU7747F4-05-TE1](#) [NJU#7748F4-18-TE1](#)  
[NJU#7748F4-15-TE1](#) [NJU#7747F4-25-TE1](#) [NJU#7747F4-18-TE1](#) [NJU#7747F4-05-TE1](#) [NJU#7748F4-25-TE1](#)  
[NJU#7748F4-05-TE1](#) [NJU#7747F4-33-TE1](#) [NJU#7748F4-33-TE1](#)



Компания «ЭлектроПласт» предлагает заключение долгосрочных отношений при поставках импортных электронных компонентов на взаимовыгодных условиях!

Наши преимущества:

- Оперативные поставки широкого спектра электронных компонентов отечественного и импортного производства напрямую от производителей и с крупнейших мировых складов;
- Поставка более 17-ти миллионов наименований электронных компонентов;
- Поставка сложных, дефицитных, либо снятых с производства позиций;
- Оперативные сроки поставки под заказ (от 5 рабочих дней);
- Экспресс доставка в любую точку России;
- Техническая поддержка проекта, помощь в подборе аналогов, поставка прототипов;
- Система менеджмента качества сертифицирована по Международному стандарту ISO 9001;
- Лицензия ФСБ на осуществление работ с использованием сведений, составляющих государственную тайну;
- Поставка специализированных компонентов (Xilinx, Altera, Analog Devices, Intersil, Interpoint, Microsemi, Aeroflex, Peregrine, Syfer, Eurofarad, Texas Instrument, Miteq, Cobham, E2V, MA-COM, Hittite, Mini-Circuits, General Dynamics и др.);

Помимо этого, одним из направлений компании «ЭлектроПласт» является направление «Источники питания». Мы предлагаем Вам помощь Конструкторского отдела:

- Подбор оптимального решения, техническое обоснование при выборе компонента;
- Подбор аналогов;
- Консультации по применению компонента;
- Поставка образцов и прототипов;
- Техническая поддержка проекта;
- Защита от снятия компонента с производства.



#### Как с нами связаться

**Телефон:** 8 (812) 309 58 32 (многоканальный)

**Факс:** 8 (812) 320-02-42

**Электронная почта:** [org@eplast1.ru](mailto:org@eplast1.ru)

**Адрес:** 198099, г. Санкт-Петербург, ул. Калинина, дом 2, корпус 4, литера А.