



ST3243EB ST3243EC

± 15 kV ESD protected 3 to 5.5 V, 400 kbps, RS-232 transceiver with auto power-down

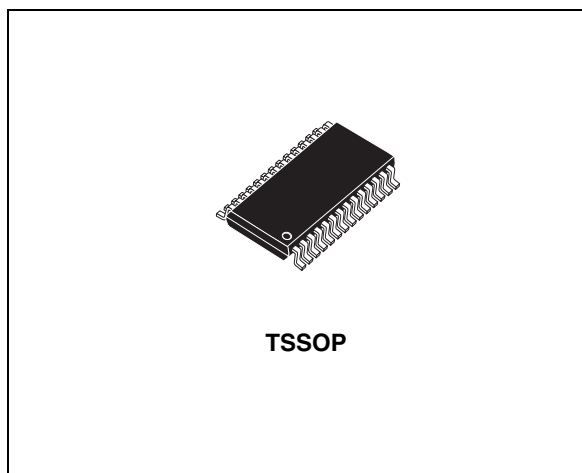
Features

- ESD protection for RS-232 I/O pins:
 - ± 8 kV IEC 1000-4-2 contact discharge
 - ± 15 kV human body model
- 1 µA supply current achieved when in auto power-down
- 250 kbps minimum guaranteed data rate
- Guaranteed 6 V/ms slew rate range
- Guaranteed mouse drive ability
- 0.1 µF external capacitors
- Meet EIA/TIA-232 specifications down to 3 V
- Available in TSSOP28 package

Description

The ST3243E device consists of 3 drivers, 5 receivers and a dual charge-pump circuit. The device meets the requirements of EIA/TIA and V.28/V.24 communication standards providing high data rate capability and enhanced electrostatic discharge (ESD) protection. All transmitter outputs and receiver input are protected to ± 8 kV USING IEC 1000-4-2 contact discharge and ± 15 kV using the human body model. The receiver R2 is always active to implement a wake-up feature for serial port.

The ST3243E has a proprietary low-dropout transmitter output stage enabling true RS-232 performance from a 3.0 V to 5.5 V supply with a dual charge pump. The device is guaranteed to run at data rates of 250 kbps while maintaining RS-232 output levels.



The auto power-down feature functions when FORCEON is low and FORCEOFF is high. During this mode of operation, if the device does not sense a valid RS-232 signal, the driver outputs are disabled. If FORCEOFF is set low, both drivers and receivers (except R2B) are shut off, and supply current is reduced to 1 µA. Disconnecting the serial port or turning off the peripheral drives causes the auto power-down condition to occur.

Auto power-down can be disabled when FORCEON and FORCEOFF are high, and should be done when driving a serial mouse. With auto power-down enabled, the device is activated automatically when a valid signal is applied to any receiver input.

Typical application are in notebook, subnotebook, palmtop computers, battery-powered equipment, handheld equipment, peripherals and printers.

Table 1. Device summary

| Order codes | Temperature range | Package | Packaging |
|--------------|-------------------|-------------------------|---------------------|
| ST3243ECTR-E | 0 to 70 °C | TSSOP28 (tape and reel) | 2500 parts per reel |
| ST3243EBTR | - 40 to 85 °C | TSSOP28 (tape and reel) | 2500 parts per reel |

Contents

| | | |
|---|----------------------------------|----|
| 1 | Pin configuration | 3 |
| 2 | Truth tables | 5 |
| 3 | Maximum ratings | 6 |
| 4 | Electrical characteristics | 7 |
| 5 | Application circuits | 10 |
| 6 | Timing diagrams | 11 |
| 7 | Package mechanical data | 12 |
| 8 | Revision history | 15 |

1 Pin configuration

Figure 1. Pin configuration

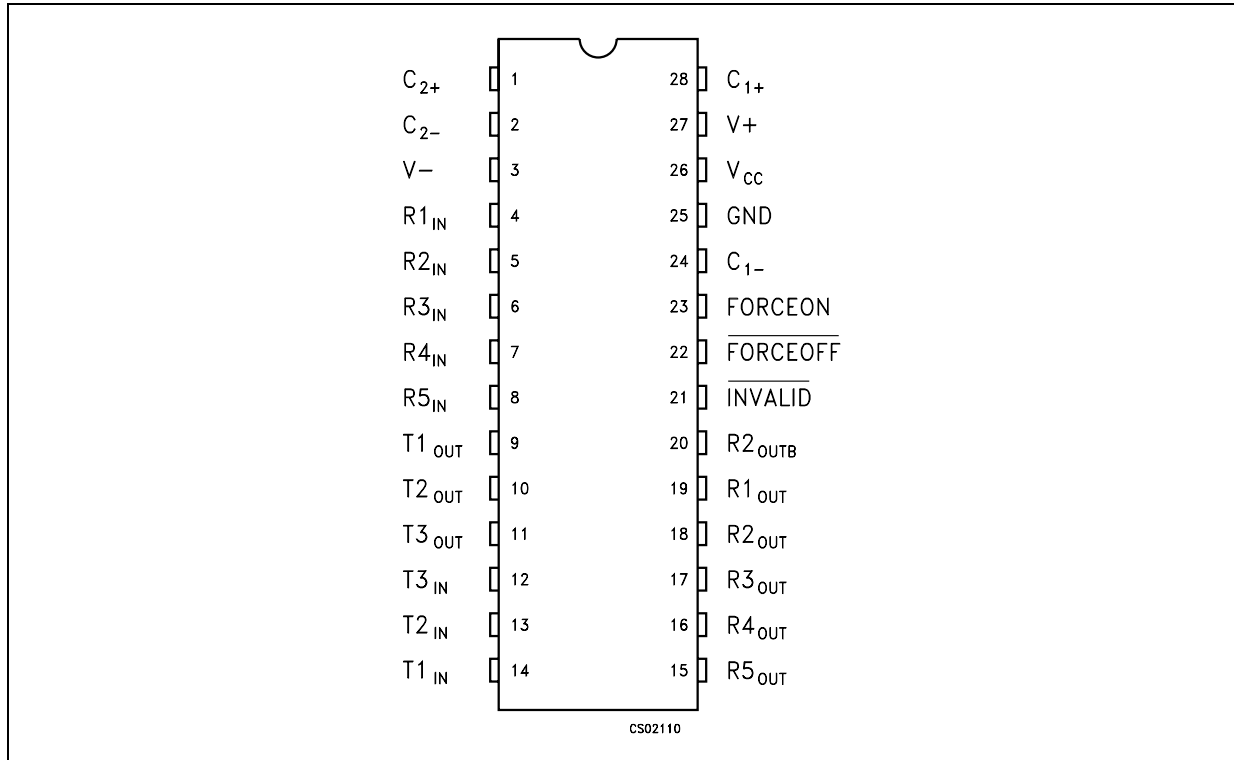


Table 2. Pin description

| Pin n° | Symbol | Name and function |
|--------|-------------------|------------------------------------------------------|
| 1 | C ₂₊ | Positive terminal of inverting charge pump capacitor |
| 2 | C ₂₋ | Negative terminal of inverting charge pump capacitor |
| 3 | V- | -5.5 V Generated by the charge pump |
| 4 | R1 _{IN} | First receiver input voltage |
| 5 | R2 _{IN} | Second receiver input voltage |
| 6 | R3 _{IN} | Third receiver input voltage |
| 7 | R4 _{IN} | Fourth receiver input voltage |
| 8 | R5 _{IN} | Fifth receiver input voltage |
| 9 | T1 _{OUT} | First transmitter output voltage |
| 10 | T2 _{OUT} | Second transmitter output voltage |
| 11 | T3 _{OUT} | Third transmitter output voltage |
| 12 | T3 _{IN} | Third transmitter input voltage |
| 13 | T2 _{IN} | Second transmitter input voltage |
| 14 | T1 _{IN} | First transmitter input voltage |

Table 2. Pin description (continued)

| Pin n° | Symbol | Name and function |
|--------|--------------------|--------------------------------------------------------------------------------------------------------------------|
| 15 | R5 _{OUT} | Fifth receiver output voltage |
| 16 | R4 _{OUT} | Fourth receiver output voltage |
| 17 | R3 _{OUT} | Third receiver output voltage |
| 18 | R2 _{OUT} | Second receiver output voltage |
| 19 | R1 _{OUT} | First receiver output voltage |
| 20 | R2 _{OUTB} | Non-inverting complementary receiver output, always active for wake-up |
| 21 | INVALID | Output of the valid signal detector. Indicates if a valid RS-232 level is present on receiver inputs logic "1" |
| 22 | FORCEOFF | Drive low to shut down transmitters and on-board power supply. This over-rides all automatic circuitry and FORCEON |
| 23 | FORCEON | Drive high to override automatic circuitry keeping transmitters on (FORCEOFF must be high) |
| 24 | C ₁₋ | Negative terminal of voltage-charge pump capacitor |
| 25 | GND | Ground |
| 26 | V _{CC} | Supply voltage |
| 27 | V+ | 5.5 V Generated by the charge pump |
| 28 | C ₁₊ | Positive terminal of voltage-charge pump capacitor |

2 Truth tables

Table 3. Invalid truth table

| RS-232 Signal present at any receiver input | $\overline{\text{INVALID}}$ output |
|---------------------------------------------|------------------------------------|
| YES | H |
| NO | L |

Table 4. Output control truth table

| Force ON | Force OFF | Valid receiver level | Operation status | T _{OUT} | R _{OUT} | R _{2OUTB} |
|----------|-----------|----------------------|------------------------------------|------------------|------------------|--------------------|
| X | 0 | X | Shutdown (Force OFF) | HIGH Z | HIGH Z | ACTIVE |
| 1 | 1 | X | Normal operating (Force ON) | ACTIVE | ACTIVE | ACTIVE |
| 0 | 1 | YES | Normal operating (Auto power-down) | ACTIVE | ACTIVE | ACTIVE |
| 0 | 1 | NO | Shutdown (Auto power-down) | HIGH Z | ACTIVE | ACTIVE |

3 Maximum ratings

Table 5. Absolute maximum ratings

| Symbol | Parameter | Value | Unit |
|-----------------------------------|-----------------------------------------------------|--------------------------|------|
| V_{CC} | Supply voltage | -0.3 to 6 | V |
| V+ | Doubled voltage terminal | $(V_{CC} - 0.3)$ to 7 | V |
| V- | Inverted voltage terminal | 0.3 to -7 | V |
| $V+ + V- $ | | 13 | V |
| FORCEON, FORCEOFF, T_{IN} | Input voltage | -0.3 to 6 | V |
| R_{IN} | Receiver input voltage range | ± 25 | V |
| T_{OUT} | Transmitter output voltage range | ± 13.2 | V |
| R_{OUT} R_{OUTB} INVALID | Receiver output voltage range | -0.3 to $(V_{CC} + 0.3)$ | V |
| t_{SHORT} | Short circuit duration on T_{OUT} (one at a time) | Continuous | |
| T_{stg} | Storage temperature range | -65 to 150 | °C |

Note: Absolute maximum ratings are those values beyond which damage to the device may occur. Functional operation under these condition is not implied.

Table 6. ESD performance: transmitter outputs, receiver inputs

| Symbol | Parameter | Test conditions | Min. | Typ. | Max. | Unit |
|--------|------------------------|----------------------------------|----------|------|------|------|
| ESD | ESD protection voltage | Human body model | ± 15 | | | kV |
| ESD | ESD protection voltage | IEC 1000-4-2 (contact discharge) | ± 8 | | | kV |

4 Electrical characteristics

C1 - C4 = 0.1 μ F, V_{CC} = 3 V to 5.5 V, T_A = -40 to 85 $^{\circ}$ C, unless otherwise specified.
Typical values are referred to T_A = 25 $^{\circ}$ C.

Table 7. Electrical characteristics

| Symbol | Parameter | Test conditions | Min. | Typ. | Max. | Unit |
|--------------|--------------------------------|---------------------------------------------------------------------------------------|------|------|------|---------|
| I_{ASHDN} | Supply current auto power-down | $\overline{FORCEOFF} = GND, \overline{FORCEON} = V_{CC}$ All R_IN open or grounded | | 1 | 10 | μ A |
| I_{SUPPLY} | Supply current | $\overline{FORCEON} = \overline{FORCEOFF} = V_{CC}$ | | 0.3 | 1 | mA |
| I_{SHDN} | Shutdown supply current | $\overline{FORCEOFF} = GND$ | | 1 | 10 | μ A |

C1 - C4 = 0.1 μ F, V_{CC} = 3 V to 5.5 V, T_A = -40 to 85 $^{\circ}$ C, unless otherwise specified.
Typical values are referred to T_A = 25 $^{\circ}$ C.

Table 8. Logic input electrical characteristics

| Symbol | Parameter | Test conditions | Min. | Typ. | Max. | Unit |
|------------|------------------------------|------------------------------------------------------------------------------------------|--------------|--------------|-----------|---------|
| V_{TIL} | Input logic threshold low | T-IN, $\overline{FORCEON}$, $\overline{FORCEOFF}$ | | | 0.8 | V |
| V_{TIH} | Input logic threshold high | T-IN, $\overline{FORCEON}$, $\overline{FORCEOFF}$ $V_{CC} = 3.3$ V $V_{CC} = 5$ V | 2 2.4 | | | V V |
| V_{THYS} | Transmitter input hysteresis | | | 0.5 | | V |
| I_{IL} | Input leakage current | T-IN, $\overline{FORCEON}$, $\overline{FORCEOFF}$ | | ± 0.01 | ± 1.0 | μ A |
| I_{OL} | Output leakage current | Receiver disabled | | ± 0.05 | ± 10 | μ A |
| V_{OL} | Output voltage low | $I_{OUT} = 1.6$ mA | | | 0.4 | V |
| V_{OH} | Output voltage high | $I_{OUT} = -1$ mA | $V_{CC}-0.6$ | $V_{CC}-0.1$ | | V |

C1 - C4 = 0.1 μ F, V_{CC} = 3 V to 5.5 V, T_A = -40 to 85 °C, unless otherwise specified.
 Typical values are referred to T_A = 25 °C, FORCEON = GND, FORCEOFF = V_{CC}.

Table 9. Auto power-down electrical characteristics

| Symbol | Parameter | Test conditions | Min. | Typ. | Max. | Unit |
|-------------------------------------------------|-------------------------------------------------------------------------------------------------------------|---------------------------|----------------------|------|------|---------|
| V _{RITE} | Receiver input threshold to $\overline{\text{INVALID}}$ output voltage HIGH (see Figure 3) | Positive threshold | | | 2.7 | V |
| | | Negative threshold | 2.7 | | | V |
| V _{RITD} | Receiver input threshold to $\overline{\text{INVALID}}$ output voltage LOW (see Figure 3) | | -0.3 | | 0.3 | V |
| V _{IO$\overline{\text{L}}$} | $\overline{\text{INVALID}}$ output voltage LOW | I _{OUT} = 1.6 mA | | | 0.4 | V |
| V _{IO$\overline{\text{H}}$} | $\overline{\text{INVALID}}$ output voltage HIGH | I _{OUT} = -1 mA | V _{CC} -0.6 | | | V |
| t _{WU} | Receiver or transmitter edge transmitter enabled (see Figure 3) | | | 100 | | μ s |
| t _{INVH} | Receiver positive or negative threshold to $\overline{\text{INVALID}}$ HIGH (see Figure 3) | | | 0.2 | | μ s |
| t _{INVL} | Receiver positive or negative threshold to $\overline{\text{INVALID}}$ LOW (see Figure 3) | | | 30 | | μ s |

C1 - C4 = 0.1 μ F, V_{CC} = 3 V to 5.5 V, T_A = -40 to 85 °C, unless otherwise specified.
 Typical values are referred to T_A = 25 °C.

Table 10. Transmitter electrical characteristics

| Symbol | Parameter | Test conditions | Min. | Typ. | Max. | Unit |
|-------------------|------------------------------|------------------------------------------------------------------------------------------------------------------------------|---------|-----------|----------|----------|
| V _{TOUT} | Output voltage swing | All Transmitter outputs are loaded with 3k Ω to GND | ± 5 | ± 5.4 | | V |
| R _{OUT} | Output resistance | V _{CC} = V ₊ = V ₋ = 0 V, V _{OUT} = ± 2 V | 300 | 10M | | Ω |
| I _{SC} | Output short circuit current | V _{CC} = 3.3 V | | ± 40 | ± 60 | mA |
| I _L | Output leakage current | V _{CC} = 0 to 5.5V, transmitter output = ± 12 V, transmitter disabled | | | ± 25 | μ A |
| V _{OT} | Transmitter output voltage | T1IN = T2IN = GND, T3IN = V _{CC} T3OUT loaded with 3 k Ω to GND T1OUT and T2OUT loaded with 2.5mA each | ± 5 | | | V |

C1 - C4 = 0.1 μ F, V_{CC} = 3 V to 5.5 V, T_A = -40 to 85 °C, unless otherwise specified.
 Typical values are referred to T_A = 25 °C.

Table 11. Receiver electrical characteristics

| Symbol | Parameter | Test conditions | Min. | Typ. | Max. | Unit |
|-------------|----------------------------------------|----------------------------------------------------------------------------------------------------------|------------|------------|------------|------------|
| V_{RIN} | Receiver input voltage operating range | | -25 | | 25 | V |
| V_{RIL} | RS-232 Input threshold low | $T_A = 25^\circ\text{C}$, $V_{CC} = 3.3\text{ V}$ $T_A = 25^\circ\text{C}$, $V_{CC} = 5.0\text{ V}$ | 0.6 0.8 | 1.1 1.4 | | V |
| V_{RIH} | RS-232 Input threshold high | $T_A = 25^\circ\text{C}$, $V_{CC} = 3.3\text{ V}$ $T_A = 25^\circ\text{C}$, $V_{CC} = 5.0\text{ V}$ | | 1.6 1.9 | 2.4 2.4 | V |
| V_{RIHYS} | Input hysteresis | | | 0.5 | | V |
| R_{RIN} | Input resistance | $T_A = 25^\circ\text{C}$ | 3 | 5 | 7 | k Ω |

C1 - C4 = 0.1 μ F, V_{CC} = 3 V to 5.5 V, T_A = -40 to 85 °C, unless otherwise specified.
 Typical values are referred to T_A = 25 °C.

Table 12. Timing characteristics

| Symbol | Parameter | Test conditions | Min. | Typ. | Max. | Unit |
|------------------------|----------------------------|-----------------------------------------------------------------------------------------------------------------------------------------------------------------------------------------------------------------------------------|--------|------|----------|--------------------------|
| D_R | Maximum data rate | $R_L = 3\text{k}\Omega$, $C_L = 1000\text{ pF}$ one transmitter switching | 250 | 400 | | kbps |
| t_{PHL} t_{PLH} | Receiver propagation delay | R_{IN} to R_{OUT} , $C_L = 150\text{ pF}$ | | 0.15 | | μ s |
| t_{T_SKEW} | Transmitter skew | | | 150 | | ns |
| t_{R_SKEW} | Receiver skew | | | 70 | | ns |
| S_{RT} | Transition slew rate | $T_A = 25^\circ\text{C}$ $R_L = 3\text{k}$ to $7\text{k}\Omega$, $V_{CC} = 3.3\text{ V}$ measured from +3 V to -3 V or -3 V to +3 V $C_L = 150\text{ pF}$ to 1000 pF $C_L = 150\text{ pF}$ to 2500 pF | 6 4 | | 30 30 | V/ μ s V/ μ s |

5 Application circuits

Figure 2. Application circuits

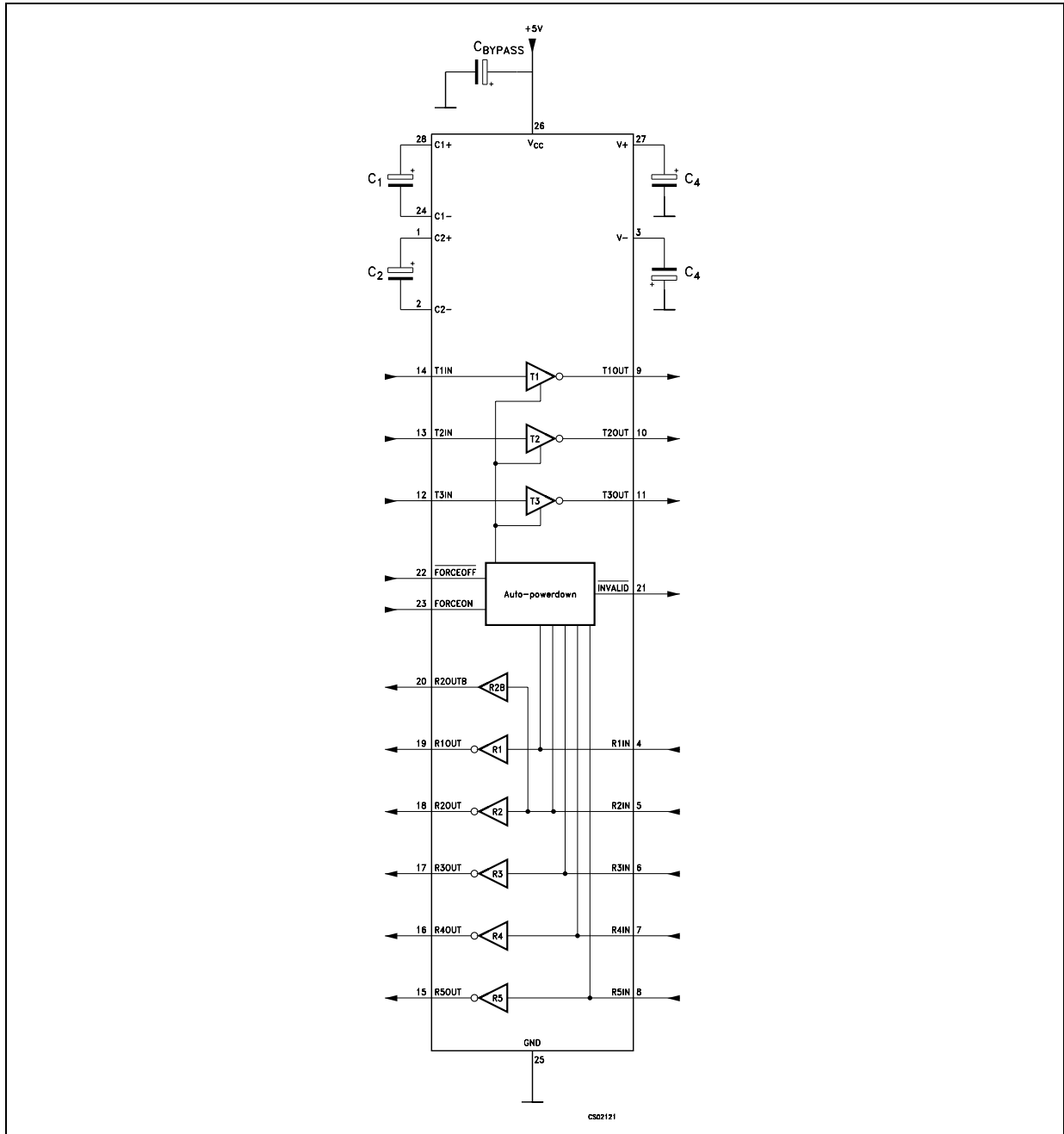


Table 13. Required minimum capacitance value (μF)

| V _{CC} (V) | C ₁ | C ₂ , C ₃ , C ₄ , C _{BYPASS} |
|---------------------|----------------|------------------------------------------------------------------------|
| 3 to 3.6 | 0.1 | 0.1 |
| 4.5 to 5.5 | 0.047 | 0.33 |

6 Timing diagrams

Figure 3. Auto power-down input levels

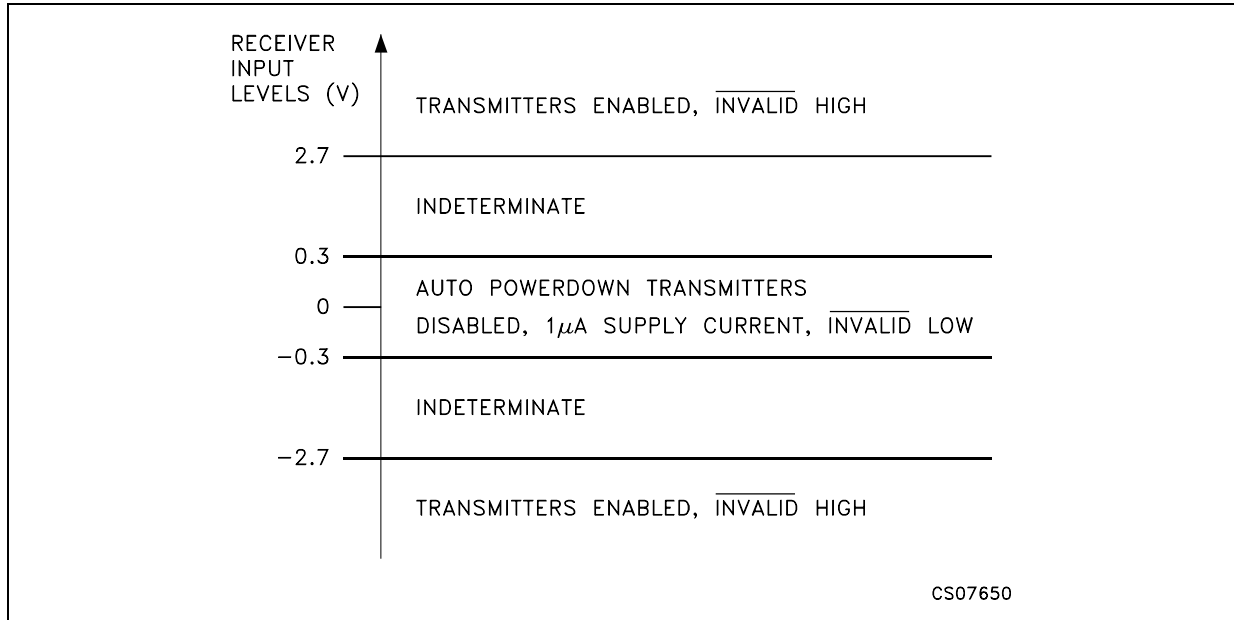
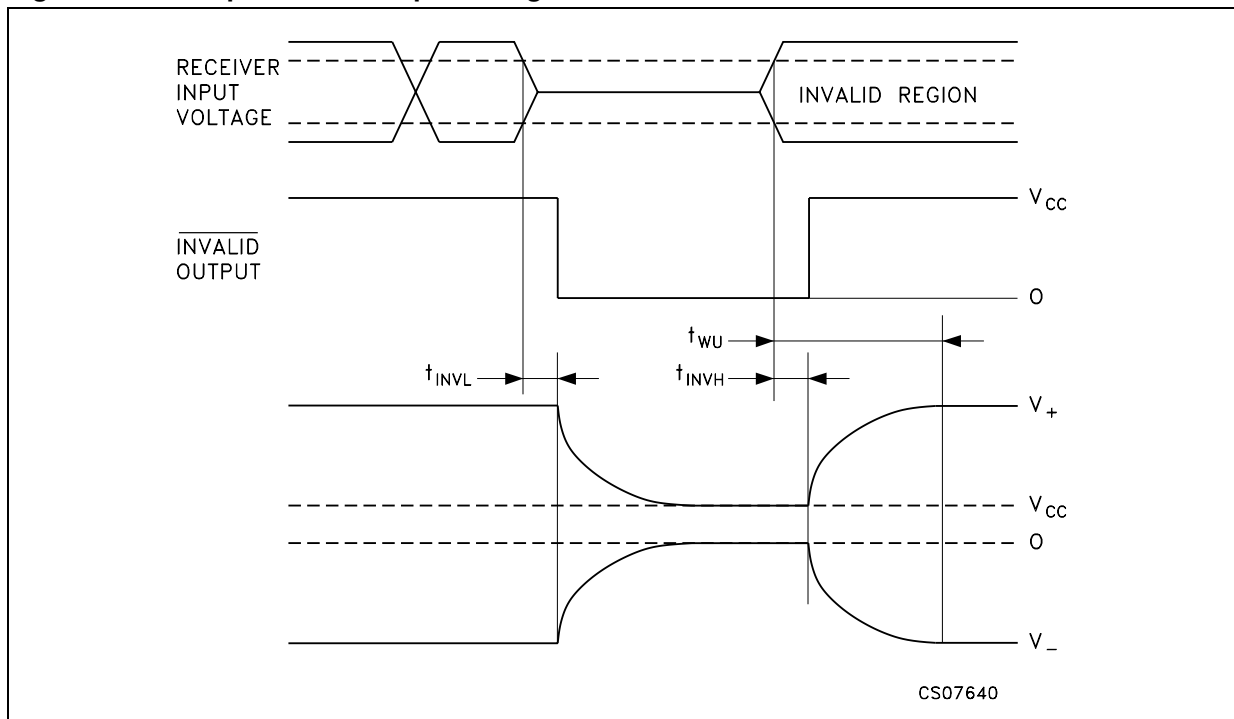


Figure 4. Auto power-down input timing

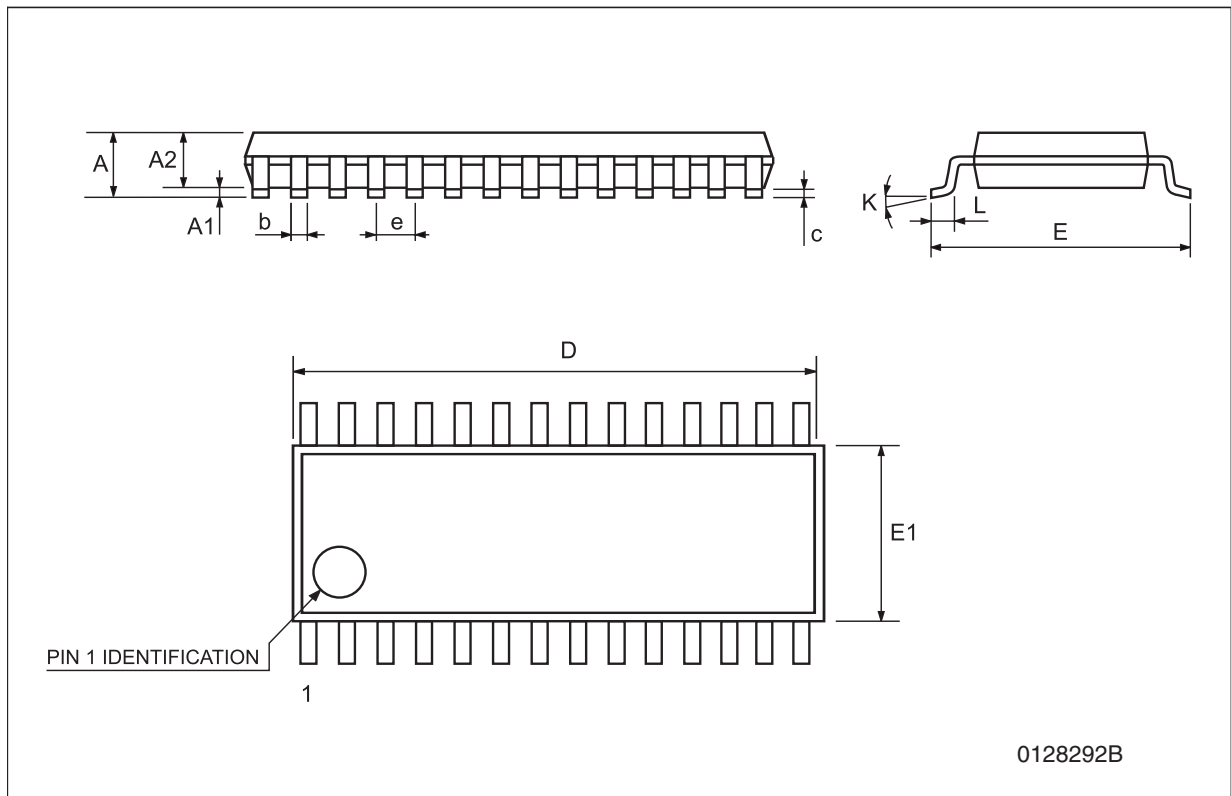


7 Package mechanical data

In order to meet environmental requirements, ST offers these devices in different grades of ECOPACK[®] packages, depending on their level of environmental compliance. ECOPACK[®] specifications, grade definitions and product status are available at: www.st.com. ECOPACK[®] is an ST trademark.

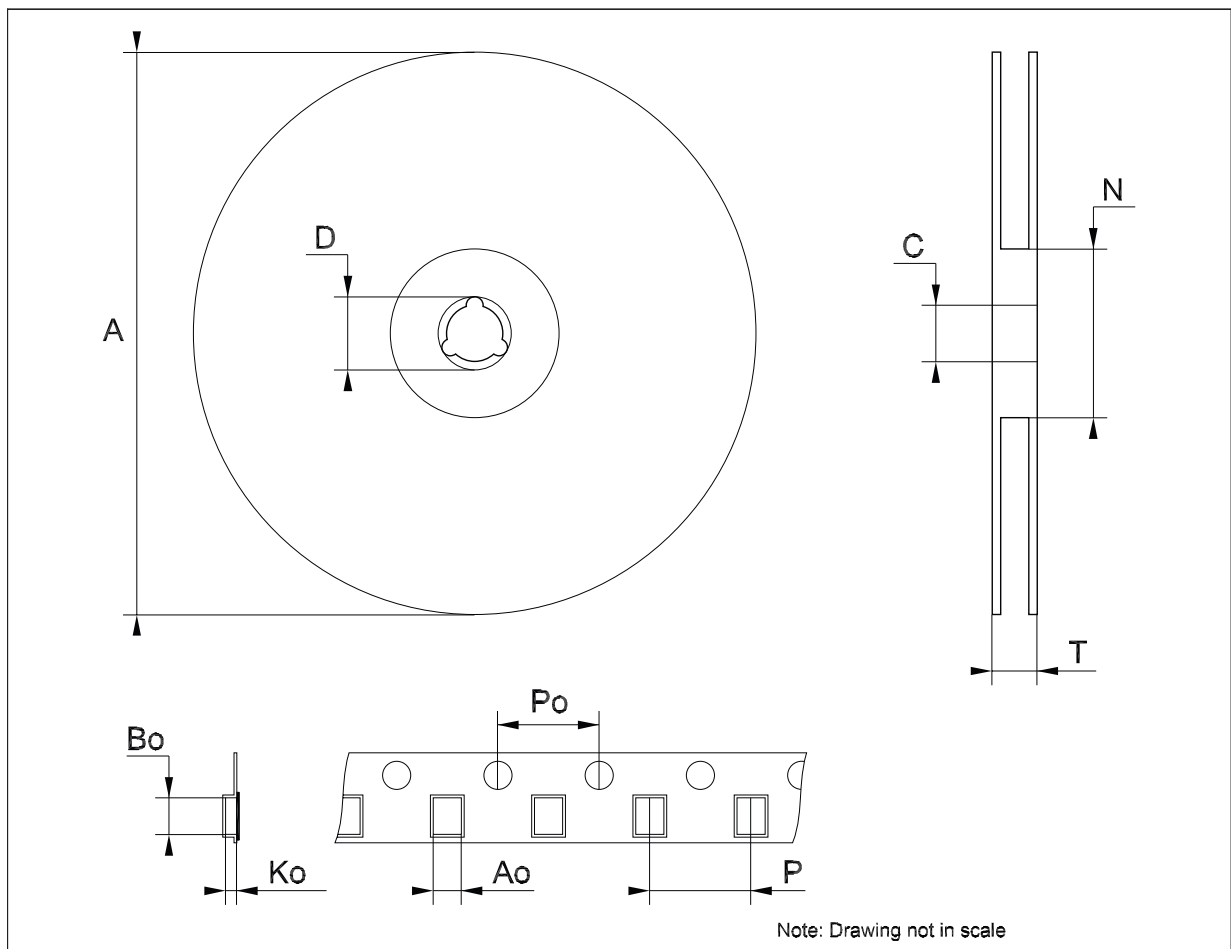
TSSOP28 mechanical data

| Dim. | mm. | | | inch. | | |
|------|------|----------|------|-------|------------|--------|
| | Min. | Typ. | Max. | Min. | Typ. | Max. |
| A | | | 1.2 | | | 0.047 |
| A1 | 0.05 | | 0.15 | 0.002 | 0.004 | 0.006 |
| A2 | 0.8 | 1 | 1.05 | 0.031 | 0.039 | 0.041 |
| b | 0.19 | | 0.30 | 0.007 | | 0.012 |
| c | 0.09 | | 0.20 | 0.004 | | 0.0079 |
| D | 9.6 | 9.7 | 9.8 | 0.378 | 0.382 | 0.386 |
| E | 6.2 | 6.4 | 6.6 | 0.244 | 0.252 | 0.260 |
| E1 | 4.3 | 4.4 | 4.48 | 0.169 | 0.173 | 0.176 |
| e | | 0.65 BSC | | | 0.0256 BSC | |
| K | 0° | | 8° | 0° | | 8° |
| L | 0.45 | 0.60 | 0.75 | 0.018 | 0.024 | 0.030 |



Tape & reel TSSOP28 mechanical data

| Dim. | mm. | | | inch. | | |
|------|------|------|------|-------|------|--------|
| | Min. | Typ. | Max. | Min. | Typ. | Max. |
| A | | | 330 | | | 12.992 |
| C | 12.8 | | 13.2 | 0.504 | | 0.519 |
| D | 20.2 | | | 0.795 | | |
| N | 60 | | | 2.362 | | |
| T | | | 22.4 | | | 0.882 |
| Ao | 6.8 | | 7 | 0.268 | | 0.276 |
| Bo | 10.1 | | 10.3 | 0.398 | | 0.406 |
| Ko | 1.7 | | 1.9 | 0.067 | | 0.075 |
| Po | 3.9 | | 4.1 | 0.153 | | 0.161 |
| P | 11.9 | | 12.1 | 0.468 | | 0.476 |



8 Revision history

Table 14. Document revision history

| Date | Revision | Changes |
|-------------|----------|----------------------------------------------------------------------------|
| 21-Jun-2004 | 6 | Page 6 - I_L (output leakage current) mA ==> μA |
| 31-Mar-2006 | 7 | Order codes updated and new template. |
| 25-Oct-2006 | 8 | Order codes updated. |
| 24-Aug-2007 | 9 | Order codes updated. |
| 09-Jul-2008 | 10 | Removed: SO-28 and SSOP28 packages. |
| 28-Jul-2009 | 11 | Removed: Flip-chip28 package, modified Table 1 on page 1 . |
| 16-Oct-2009 | 12 | Modified Table 9 on page 8 . |

Please Read Carefully:

Information in this document is provided solely in connection with ST products. STMicroelectronics NV and its subsidiaries ("ST") reserve the right to make changes, corrections, modifications or improvements, to this document, and the products and services described herein at any time, without notice.

All ST products are sold pursuant to ST's terms and conditions of sale.

Purchasers are solely responsible for the choice, selection and use of the ST products and services described herein, and ST assumes no liability whatsoever relating to the choice, selection or use of the ST products and services described herein.

No license, express or implied, by estoppel or otherwise, to any intellectual property rights is granted under this document. If any part of this document refers to any third party products or services it shall not be deemed a license grant by ST for the use of such third party products or services, or any intellectual property contained therein or considered as a warranty covering the use in any manner whatsoever of such third party products or services or any intellectual property contained therein.

UNLESS OTHERWISE SET FORTH IN ST'S TERMS AND CONDITIONS OF SALE ST DISCLAIMS ANY EXPRESS OR IMPLIED WARRANTY WITH RESPECT TO THE USE AND/OR SALE OF ST PRODUCTS INCLUDING WITHOUT LIMITATION IMPLIED WARRANTIES OF MERCHANTABILITY, FITNESS FOR A PARTICULAR PURPOSE (AND THEIR EQUIVALENTS UNDER THE LAWS OF ANY JURISDICTION), OR INFRINGEMENT OF ANY PATENT, COPYRIGHT OR OTHER INTELLECTUAL PROPERTY RIGHT.

UNLESS EXPRESSLY APPROVED IN WRITING BY AN AUTHORIZED ST REPRESENTATIVE, ST PRODUCTS ARE NOT RECOMMENDED, AUTHORIZED OR WARRANTED FOR USE IN MILITARY, AIR CRAFT, SPACE, LIFE SAVING, OR LIFE SUSTAINING APPLICATIONS, NOR IN PRODUCTS OR SYSTEMS WHERE FAILURE OR MALFUNCTION MAY RESULT IN PERSONAL INJURY, DEATH, OR SEVERE PROPERTY OR ENVIRONMENTAL DAMAGE. ST PRODUCTS WHICH ARE NOT SPECIFIED AS "AUTOMOTIVE GRADE" MAY ONLY BE USED IN AUTOMOTIVE APPLICATIONS AT USER'S OWN RISK.

Resale of ST products with provisions different from the statements and/or technical features set forth in this document shall immediately void any warranty granted by ST for the ST product or service described herein and shall not create or extend in any manner whatsoever, any liability of ST.

ST and the ST logo are trademarks or registered trademarks of ST in various countries.

Information in this document supersedes and replaces all information previously supplied.

The ST logo is a registered trademark of STMicroelectronics. All other names are the property of their respective owners.

© 2009 STMicroelectronics - All rights reserved

STMicroelectronics group of companies

Australia - Belgium - Brazil - Canada - China - Czech Republic - Finland - France - Germany - Hong Kong - India - Israel - Italy - Japan - Malaysia - Malta - Morocco - Philippines - Singapore - Spain - Sweden - Switzerland - United Kingdom - United States of America

www.st.com



Компания «ЭлектроПласт» предлагает заключение долгосрочных отношений при поставках импортных электронных компонентов на взаимовыгодных условиях!

Наши преимущества:

- Оперативные поставки широкого спектра электронных компонентов отечественного и импортного производства напрямую от производителей и с крупнейших мировых складов;
- Поставка более 17-ти миллионов наименований электронных компонентов;
- Поставка сложных, дефицитных, либо снятых с производства позиций;
- Оперативные сроки поставки под заказ (от 5 рабочих дней);
- Экспресс доставка в любую точку России;
- Техническая поддержка проекта, помощь в подборе аналогов, поставка прототипов;
- Система менеджмента качества сертифицирована по Международному стандарту ISO 9001;
- Лицензия ФСБ на осуществление работ с использованием сведений, составляющих государственную тайну;
- Поставка специализированных компонентов (Xilinx, Altera, Analog Devices, Intersil, Interpoint, Microsemi, Aeroflex, Peregrine, Syfer, Eurofarad, Texas Instrument, Miteq, Cobham, E2V, MA-COM, Hittite, Mini-Circuits, General Dynamics и др.);

Помимо этого, одним из направлений компании «ЭлектроПласт» является направление «Источники питания». Мы предлагаем Вам помощь Конструкторского отдела:

- Подбор оптимального решения, техническое обоснование при выборе компонента;
- Подбор аналогов;
- Консультации по применению компонента;
- Поставка образцов и прототипов;
- Техническая поддержка проекта;
- Защита от снятия компонента с производства.



Как с нами связаться

Телефон: 8 (812) 309 58 32 (многоканальный)

Факс: 8 (812) 320-02-42

Электронная почта: org@eplast1.ru

Адрес: 198099, г. Санкт-Петербург, ул. Калинина, дом 2, корпус 4, литера А.