

**Product Facts**

- Designed to be the smallest, lightest weight, lowest cost sealed contactor in the industry with its current rating.
- Built-in coil economizer – only 1.7W hold power @ 12VDC and it limits back EMF to 0V. (models requiring external economizer also available).
- Optional auxiliary contact for easy monitoring of power contact position.
- Hermetically sealed – intrinsically safe, operates in explosive/harsh environments with no oxidation or contamination of coils or contacts, including long periods of non-operation.
- Versatile coil and power connections.
- UL Recognized for the U.S. and Canada (File E208033).
- CE marked for EC applications.
- AIAG QS9000 designed, built and approved



For factory-direct application assistance, dial 800-253-4560, ext. 2053, or 805-220-2053.

**Performance Data**

| Parameter  | Units   | Value for CAP200 Series  |
|--|---------|--|
| Contact Arrangement, power contacts                  |         | 1 Form A (SPST-NO)   |
| Rated Operating Voltage                              | VDC     | 12 - 900   |
| Continuous (Carry) Current, Typical                  | A       | 500 @ 85°C, 400 mcm conductors<br><i>Consult Factory for required conductors for higher currents</i> |
| Make/Break Current at Various Voltages <sup>1/</sup> | A       | See next page  |
| Break Current at 320VDC <sup>1/</sup>                | A       | 2,000, 1 cycle <sup>3/</sup>   |
| Contact Resistance, Typ. (@200A)                     | mohms   | 0.2  |
| Load Life  | Cycles  | See next page  |
| Mechanical Life                                      | Cycles  | 1 million  |
| Contact Arrangement, auxiliary contacts              |         | 1 Form A (SPST-NO)   |
| Aux. Contact Current, Max.                           | A       | 2A @ 30VDC / 3A @ 125VAC   |
| Aux. Contact Current, Min.                           | mA      | 100mA @ 8V   |
| Aux. Contact Resistance, Max.                        | ohms    | 0.417 @ 30VDC / .150 @ 125VAC  |
| Dielectric Withstanding Voltage                      | Vrms    | 2,200 @ sea level  |
| Insulation Resistance @ 500VDC                       | megohms | 100 <sup>2/</sup>  |
| Shock, 11ms 1/2 sine, peak, operating                | G       | 20   |
| Vibration, sine, 80-2000Hz., peak                    | G       | 20   |
| Operating Temperature                                | °C      | -40 to +85   |
| Weight, Nominal                                      | lb.(kg) | .95 (.43)  |

<sup>1/</sup> Main power contacts

<sup>2/</sup> 50 at end of life

<sup>3/</sup> Does not meet dielectric & IR after test, 1700 amp for unit with Aux. Contacts

<sup>4/</sup> Use with AMP LOUVERTAC 5-192013-9. Consult factory for threaded mount socket.

**Coil Operating Voltage (valid over temperature range)**

|                               |                      |           |           |
|-------------------------------|----------------------|-----------|-----------|
| Voltage (will operate)        | 9-36VDC              | 32-95VDC  | 48-95VDC  |
| Voltage (Max.)                | 36VDC                | 95VDC     | 95VDC     |
| Pickup (close) Voltage Max.   | 9VDC                 | 32VDC     | 48VDC     |
| Hold Voltage (Min.)           | 7.5VDC               | 22VDC     | 34VDC     |
| Dropout (open) Voltage (Min.) | 6VDC                 | 18VDC     | 27VDC     |
| Inrush Current (Max.)         | 3.8A                 | 1.3A      | 0.7A      |
| Holding Current (Avg.)        | 0.13A@12V, 0.07A@24V | 0.03A@48V | 0.02A@72V |
| Inrush Time (Max.)            | 130ms                | 130ms     | 130ms     |

**Part Numbering System**

**Typical Part Number**

**CAP200 A A A N A**

**Series:**

CAP200 = 500 Amp, 12-900VDC Contactor

**Contact Form:**

A = Normally Open H = Normally Open with Aux. Contacts

**Coil Voltage:**

A = 9-36VDC (1 = requires external coil economizer)

D = 32-95VDC (2 = requires external coil economizer)

J = 48-95VDC (3 = requires external coil economizer)

**Coil Wire Length:**

A = 15.3 in (390 mm) B = 6.0 in (152 mm)

**Coil Terminal Connector:**

N = None

E = 9-pin subminiature "D" plug mounted on contactor housing

F = 9-pin subminiature "D" plug mounted on 15.3 in (390 mm) flying leads.

X = Special configuration (consult factory)

**Mounting & Power Terminals:**

A = Bottom Mount & Male 10mm x 8 Terminals

C = Plug-in Terminals <sup>4/</sup>

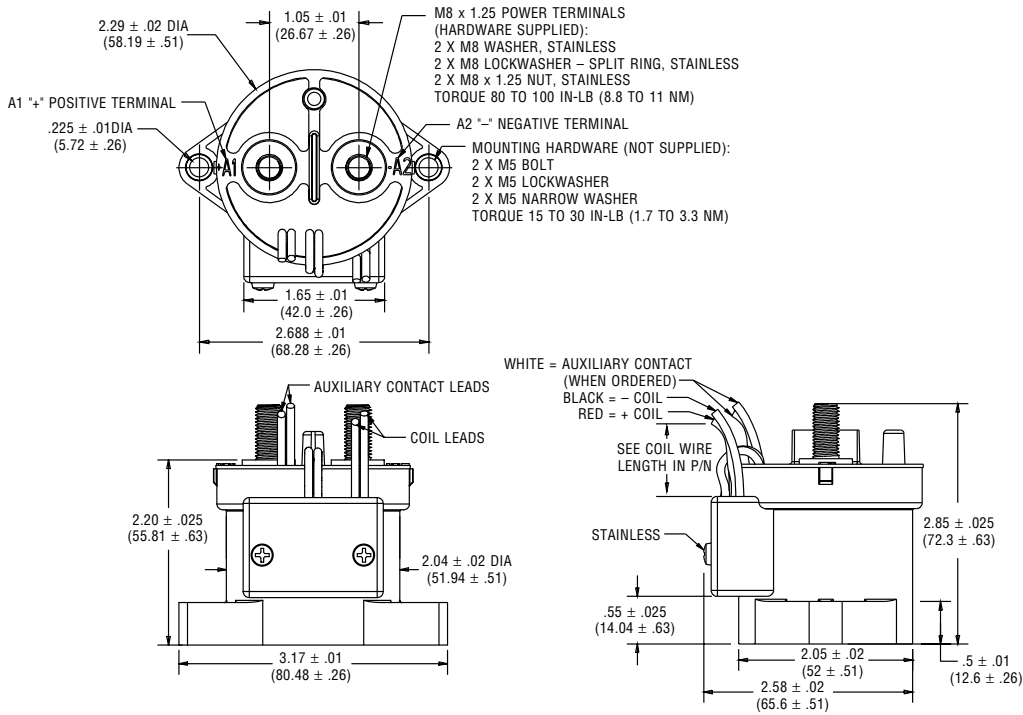
© 2004 by Tyco Electronics Corporation. All Rights Reserved.

KILOVAC, AMP, LOUVERTAC and TYCO are trademarks.

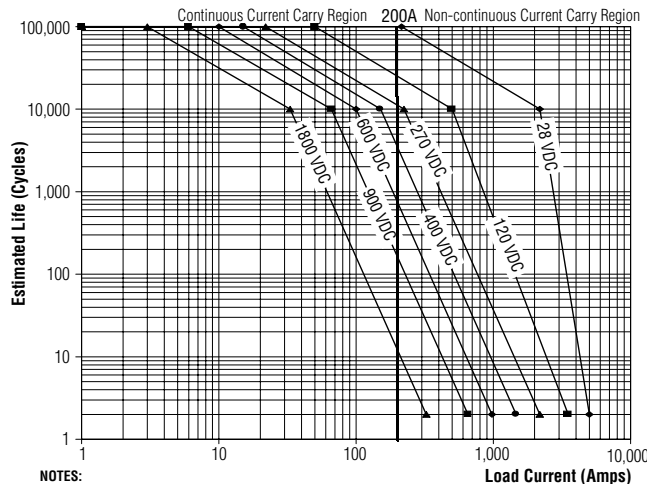
Other products and company names mentioned herein may be trademarks of their respective owners.

**CAP200 Series** (Continued)

**Outline Dimensions**



**Estimated Make & Break Power Switching Ratings**

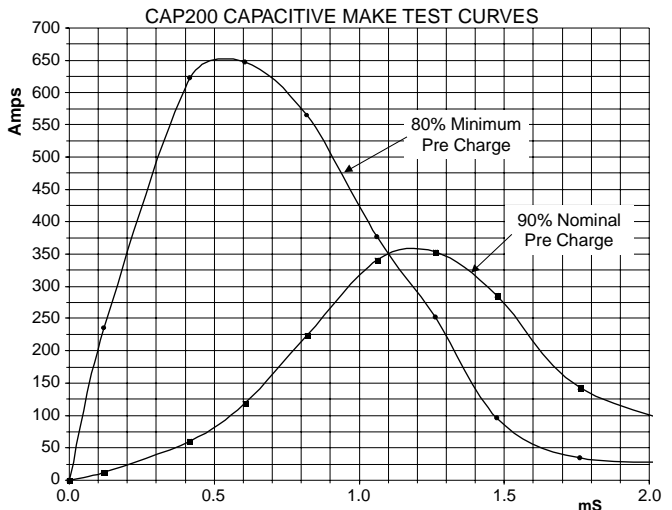


**NOTES:**  
 1) FOR RESISTIVE LOADS WITH 300μH MAXIMUM INDUCTANCE.  
 2) ESTIMATES BASED ON EXTRAPOLATED DATA. USER IS ENCOURAGED TO VERIFY RATING IN ACTUAL APPLICATION.  
 3) END OF LIFE WHEN DIELECTRIC STRENGTH BETWEEN TERMINALS FALLS BELOW 50MEG OHMS @ 500VDC.  
 4) THE MAXIMUM CONTACT MAKE AND BREAK POWER IS ESTIMATED AT 208KW.  
 BREAK ONLY ABOVE 208KW TO AVOID CONTACT WELDING.

**Electrical Load Life Ratings for Typical Applications**

| Make/Break Life Capacitive & Resistive Loads at 320VDC (1) (2) |        |        |
|--|--------|--------|
| @90% capacitive pre-charge (make only) see chart below         | Cycles | 50,000 |
| @80% capacitive pre-charge (make only) see chart below         | Cycles | 50     |
| @200A make/break (2 consecutive, reverse polarity) (1)         | Cycles | 12     |
| 2,000A (break only) (1)  | Cycles | 1*     |

(1) Resistive load includes inductance L = 25μH. Load @ 2500A tested @ 200μH.  
 (2) Life based on projected Weibull Life with 95% reliability.  
 \* Does not meet dielectric and IR after test.





Компания «ЭлектроПласт» предлагает заключение долгосрочных отношений при поставках импортных электронных компонентов на взаимовыгодных условиях!

Наши преимущества:

- Оперативные поставки широкого спектра электронных компонентов отечественного и импортного производства напрямую от производителей и с крупнейших мировых складов;
- Поставка более 17-ти миллионов наименований электронных компонентов;
- Поставка сложных, дефицитных, либо снятых с производства позиций;
- Оперативные сроки поставки под заказ (от 5 рабочих дней);
- Экспресс доставка в любую точку России;
- Техническая поддержка проекта, помощь в подборе аналогов, поставка прототипов;
- Система менеджмента качества сертифицирована по Международному стандарту ISO 9001;
- Лицензия ФСБ на осуществление работ с использованием сведений, составляющих государственную тайну;
- Поставка специализированных компонентов (Xilinx, Altera, Analog Devices, Intersil, Interpoint, Microsemi, Aeroflex, Peregrine, Syfer, Eurofarad, Texas Instrument, Miteq, Cobham, E2V, MA-COM, Hittite, Mini-Circuits, General Dynamics и др.);

Помимо этого, одним из направлений компании «ЭлектроПласт» является направление «Источники питания». Мы предлагаем Вам помощь Конструкторского отдела:

- Подбор оптимального решения, техническое обоснование при выборе компонента;
- Подбор аналогов;
- Консультации по применению компонента;
- Поставка образцов и прототипов;
- Техническая поддержка проекта;
- Защита от снятия компонента с производства.



#### Как с нами связаться

**Телефон:** 8 (812) 309 58 32 (многоканальный)

**Факс:** 8 (812) 320-02-42

**Электронная почта:** [org@eplast1.ru](mailto:org@eplast1.ru)

**Адрес:** 198099, г. Санкт-Петербург, ул. Калинина, дом 2, корпус 4, литера А.