

MPX53, 0 to 50 kPa, Differential and Gauge, Uncompensated, Silicon Pressure Sensors

The MPX53 series silicon piezoresistive pressure sensors provide a very accurate and linear voltage output, directly proportional to the applied pressure. These standard, uncompensated sensors permit manufacturers to design and add their own external temperature compensating and signal conditioning networks. Compensation techniques are simplified because of the predictability of Freescale's single element strain gauge design.

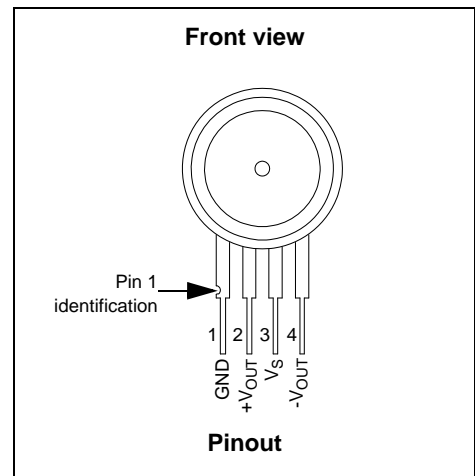
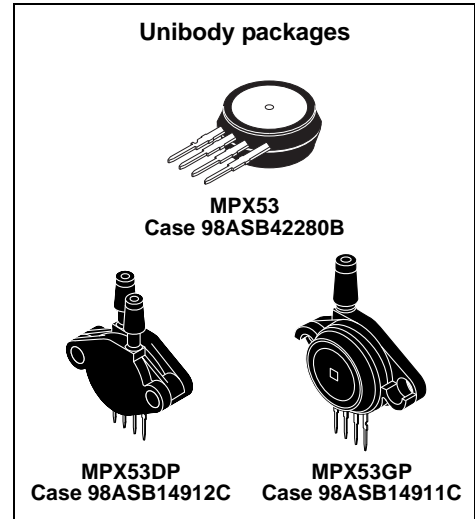
Features

- Patented silicon shear stress strain gauge design
- Ratiometric to supply voltage
- Easy to use chip carrier package options
- 60 mV span (typical)
- Differential and gauge options

Typical applications

- Air movement control
- Environmental control systems
- Level indicators
- Leak detection
- Medical instrumentation
- Industrial controls
- Pneumatic control systems
- Robotics

MPX53



Ordering information									
Device name	Shipping	Package	# of Ports			Pressure type			Device marking
			None	Single	Dual	Gauge	Differential	Absolute	
Unibody package									
MPX53D	Rail	98ASB42280B	•				•		MPX53D
MPX53DP	Rail	98ASB14912C			•		•		MPX53DP
MPX53GP	Rail	98ASB14911C		•		•			MPX53GP

Freescale reserves the right to change the detail specifications as may be required to permit improvements in the design of its products.



Contents

1	General Description	3
1.1	Block diagram	3
1.2	Pinout	3
2	Mechanical and Electrical Specifications	4
2.1	Maximum ratings	4
2.2	Operating characteristics	4
2.3	Voltage output versus applied differential pressure	5
2.4	Temperature compensation	5
2.5	Linearity	5
3	Package Information	7
3.1	Pressure (P1)/Vacuum (P2) side identification	7
3.2	Package dimensions	8
4	Revision History	11

Related Documentation

The MPX53 device features and operations are described in a variety of reference manuals, user guides, and application notes. To find the most-current versions of these documents:

1. Go to the Freescale homepage at:
<http://www.freescale.com/>
2. In the Keyword search box at the top of the page, enter the device number MPX53.
3. In the Refine Your Result pane on the left, click on the Documentation link.

MPX53

1 General Description

1.1 Block diagram

Figure 1 shows a schematic of the internal circuitry on the stand-alone pressure sensor chip.

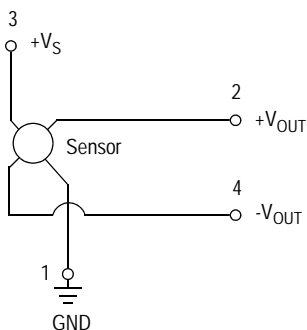


Figure 1. Uncompensated pressure sensor schematic

1.2 Pinout

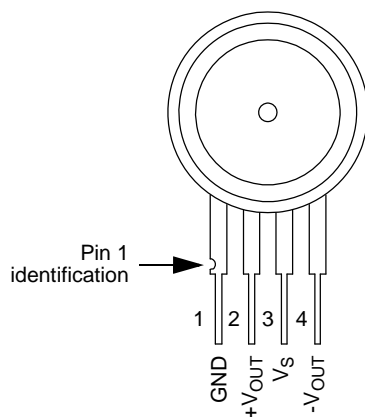


Figure 2. Device pinout (front view)

Table 1. Pin functions

Pin	Name	Function
1	GND	Ground, denoted by notch.
2	+V _{OUT}	Output voltage
3	V _S	Voltage supply
4	-V _{OUT}	Output voltage

2 Mechanical and Electrical Specifications

2.1 Maximum ratings

Table 2. Maximum ratings⁽¹⁾

Rating	Symbol	Value	Unit
Maximum Pressure (P1 > P2)	P_{MAX}	175	kPa
Burst Pressure (P1 > P2)	P_{Burst}	200	kPa
Storage Temperature	T_{STG}	-40 to +125	°C
Operating Temperature	T_A	-40 to +125	°C

1. Exposure beyond the specified limits may cause permanent damage or degradation to the device.

2.2 Operating characteristics

Table 3. Operating characteristics ($V_S = 3.0$ Vdc, $T_A = 25$ °C unless otherwise noted, P1 > P2)

Characteristic	Symbol	Min	Typ	Max	Units
Pressure range ⁽¹⁾	P_{OP}	0	—	50	kPa
Supply voltage ⁽²⁾	V_S	—	3.0	6.0	V_{DC}
Supply current	I_O	—	6.0	—	mAdc
Full-scale span ⁽³⁾	V_{FSS}	45	60	90	mV
Offset ⁽⁴⁾	V_{OFF}	0	20	35	mV
Sensitivity	$\Delta V/\Delta P$	—	1.2	—	mV/kPa
Linearity	—	-0.6	—	0.4	% V_{FSS}
Pressure hysteresis (0 to 50 kPa)	—	—	±0.1	—	% V_{FSS}
Temperature hysteresis	—	—	±0.5	—	% V_{FSS}
Temperature coefficient of full-scale span	TCV_{FSS}	-0.22	—	-0.16	% $V_{FSS}/^{\circ}C$
Temperature coefficient of offset	TCV_{OFF}	—	±15	—	$\mu V/^{\circ}C$
Temperature coefficient of resistance	TCR	0.21	—	0.27	% $Z_{IN}/^{\circ}C$
Input impedance	Z_{IN}	355	—	505	Ω
Output impedance	Z_{OUT}	750	—	1875	Ω
Response time ⁽⁵⁾ (10% to 90%)	t_R	—	1.0	—	ms
Warm-up time ⁽⁶⁾	—	—	20	—	ms
Offset stability ⁽⁷⁾	—	—	±0.5	—	% V_{FSS}

1. 1.0 kPa (kiloPascal) equals 0.145 psi.

2. Device is ratiometric within this specified excitation range. Operating the device above the specified excitation range may induce additional error due to device self-heating.

3. Full-scale span (V_{FSS}) is defined as the algebraic difference between the output voltage at full rated pressure and the output voltage at the minimum rated pressure.

4. Offset (V_{OFF}) is defined as the output voltage at the minimum rated pressure.

5. Response time is defined as the time for the incremental change in the output to go from 10% to 90% of its final value when subjected to a specified step change in pressure.

6. Warm-up time is defined as the time required for the product to meet the specified output voltage after the pressure is stabilized.

7. Offset stability is the product's output deviation when subjected to 1000 hours of pulsed pressure, temperature cycling with bias test.

2.3 Voltage output versus applied differential pressure

The differential voltage output of the sensor is directly proportional to the differential pressure (P1) relative to the vacuum side (P2). Similarly, output voltage increases as increasing vacuum is applied to the vacuum side (P2) relative to the pressure side (P1).

2.4 Temperature compensation

Figure 3 shows the typical output characteristics of the MPX53 series over temperature.

The piezoresistive pressure sensor element is a semiconductor device which gives an electrical output signal proportional to the pressure applied to the device. This device uses a unique transverse voltage diffused semiconductor strain gauge which is sensitive to stresses produced in a thin silicon diaphragm by the applied pressure.

Because this strain gauge is an integral part of the silicon diaphragm, there are no temperature effects due to differences in the thermal expansion of the strain gauge and the diaphragm, as are often encountered in bonded strain gauge pressure sensors. However, the properties of the strain gauge itself are temperature dependent, requiring that the device be temperature compensated if it is to be used over an extensive temperature range.

Temperature compensation and offset calibration can be achieved rather simply with additional resistive components, or by designing your system using the MPX2053 series sensors.

Several approaches to external temperature compensation over -40 to $+125$ °C and 0 to $+80$ °C are presented in Freescale Application Note, AN840.

2.5 Linearity

Linearity refers to how well a transducer's output follows the equation: $V_{OUT} = V_{OFF} + (\text{sensitivity} \times P)$ over the operating pressure range (see Figure 3). There are two basic methods for calculating nonlinearity: (1) end point straight line fit or (2) a least squares best line fit. While a least squares fit gives the "best case" linearity error (lower numerical value), the calculations required are burdensome.

Conversely, an end point fit will give the "worst case" error (often more desirable in error budget calculations) and the calculations are more straightforward for the user. Freescale's specified pressure sensor linearities are based on the end point straight line method measured at the midrange pressure.

Figure 4 illustrates the differential or gauge configuration in the unibody chip carrier (Case 98ASB42280B). A silicone gel isolates the die surface and wire bonds from the environment, while allowing the pressure signal to be transmitted to the silicon diaphragm.

The MPX53 series pressure sensor operating characteristics and internal reliability and qualification tests are based on use of dry air as the pressure media. Media other than dry air may have adverse effects on sensor performance and long term reliability. Refer to application note AN3728, for more information regarding media compatibility.

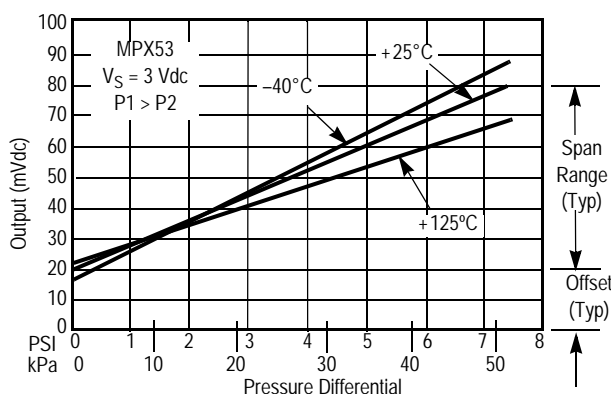


Figure 3. Output vs. pressure differential

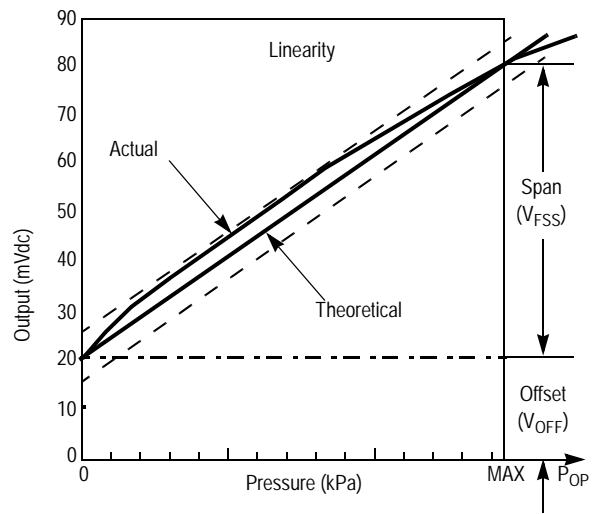


Figure 4. Linearity specification comparison

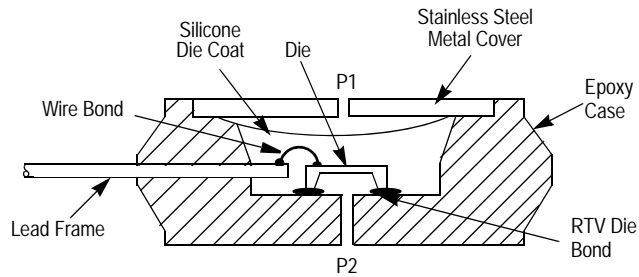


Figure 5. Unibody package — cross-sectional diagram (not to scale)

3 Package Information

3.1 Pressure (P1)/Vacuum (P2) side identification

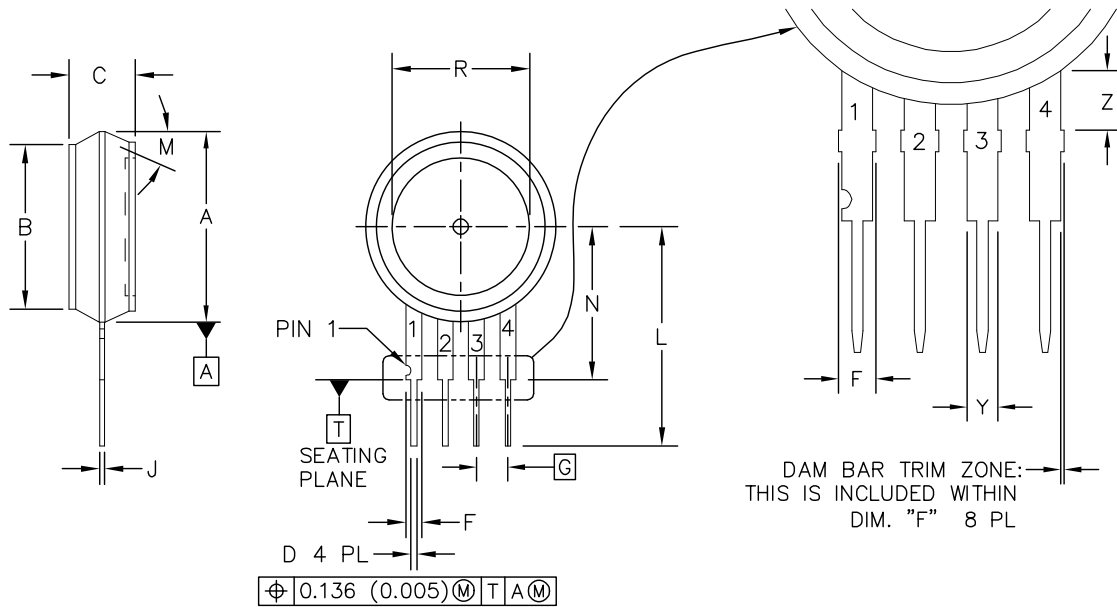
Freescale designates the two sides of the pressure sensor as the Pressure (P1) side and the Vacuum (P2) side. The Pressure (P1) side is the side containing silicone gel which isolates the die from the environment. The Freescale MPX53 pressure sensor is designed to operate with positive differential pressure applied, $P1 > P2$.

The Pressure (P1) side may be identified by using the following table.

Part number	Case number	Pressure (P1) side identifier
MPX53D	98ASB42280B	Stainless steep cap
MPX53DP	98ASB14912C	Side with port marking
MPX53GP	98ASB14911C	Side with port attached

3.2 Package dimensions

This drawing is located at http://cache.freescale.com/files/shared/doc/package_info/98ASB42280B.pdf.



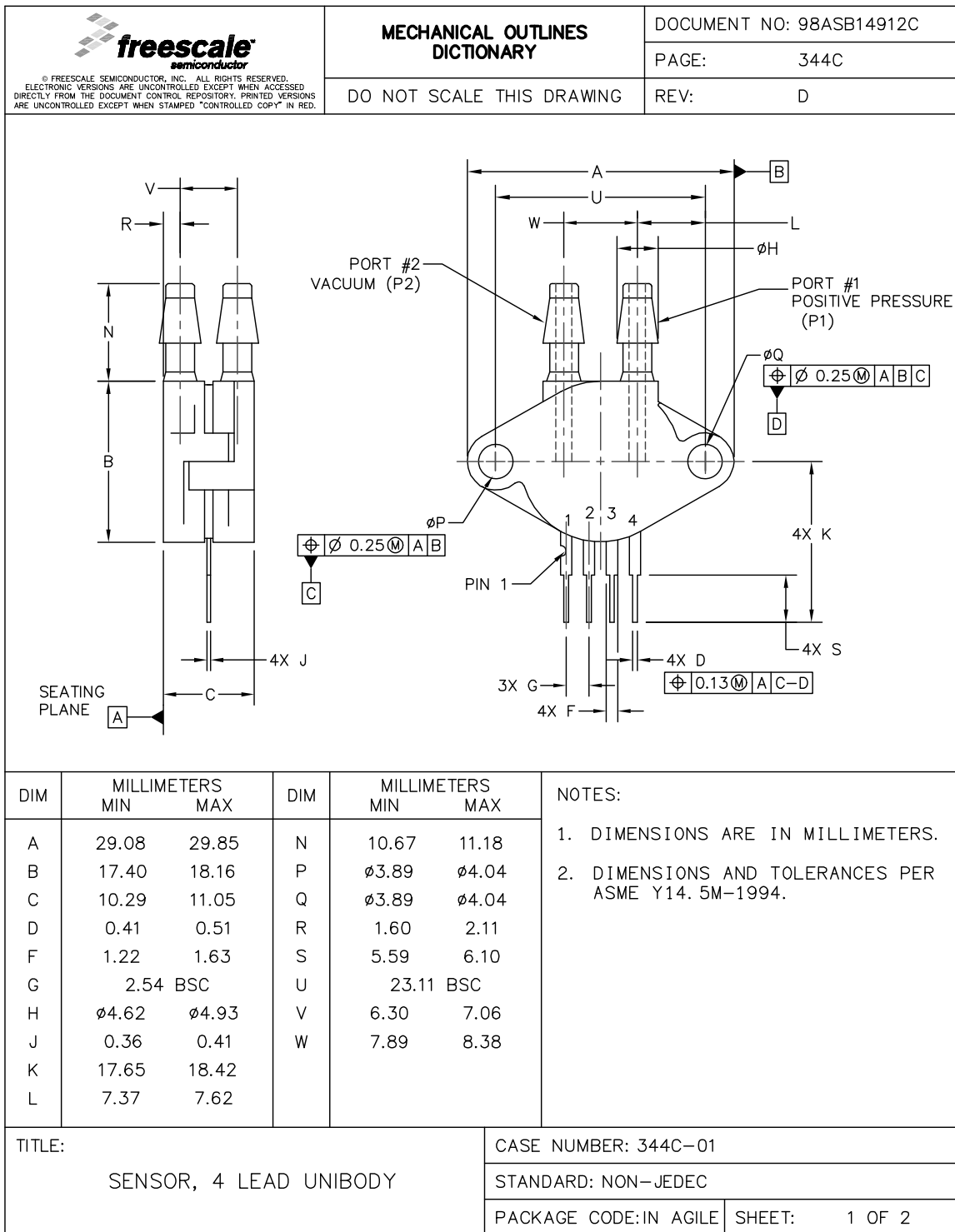
DIM	MILLIMETERS		INCHES	
	MIN	MAX	MIN	MAX
A	15.11	16.00	0.595	0.630
B	13.06	13.56	0.514	0.534
C	5.08	5.59	0.200	0.220
D	0.41	0.51	0.016	0.020
F	1.22	1.63	0.048	0.064
G	2.54	BSC	0.100	BSC
J	0.36	0.40	0.014	0.016
L	17.65	18.42	0.695	0.725
M	30'	NOM	30'	NOM
N	12.07	12.57	0.475	0.495
R	10.92	11.43	0.430	0.450
Y	1.22	1.32	0.048	0.052
Z	2.68	3.00	0.106	0.118

NOTES:

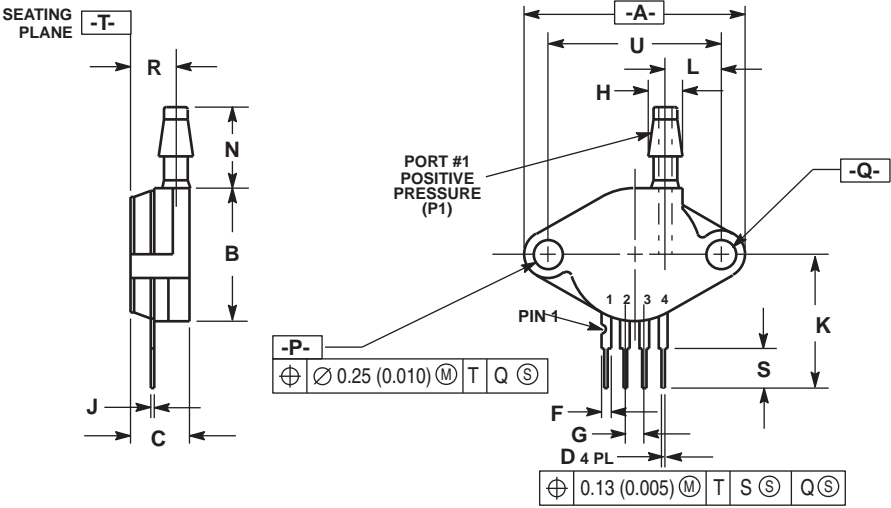
1. DIMENSIONING AND TOLERANCING PER ASME Y14.5M, 1994
2. CONTROLLING DIMENSION: INCH.
3. DIMENSION A IS INCLUSIVE OF THE MOLD STOP RING NOT TO EXCEED 16.00 (0.630)
4. 344-01 THRU -4 OBSOLETE.
5. 344-05 THRU -11 OBSOLETE, NEW STANDARD 344-15.

© FREESCALE SEMICONDUCTOR, INC. ALL RIGHTS RESERVED.		MECHANICAL OUTLINE	PRINT VERSION NOT TO SCALE
TITLE: UNIBODY A & D		DOCUMENT NO: 98ASB42280B	REV: AC
		STANDARD: NON-JEDEC	
		10 DEC 2012	

Case 98ASB42280B, Unibody package



Case 98ASB14912C, Unibody package



NOTES:
 1. DIMENSIONING AND TOLERANCING PER ANSI Y14.5M, 1982.
 2. CONTROLLING DIMENSION: INCH.

DIM	INCHES		MILLIMETERS	
	MIN	MAX	MIN	MAX
A	1.145	1.175	29.08	29.85
B	0.685	0.715	17.40	18.16
C	0.305	0.325	7.75	8.26
D	0.016	0.020	0.41	0.51
F	0.048	0.064	1.22	1.63
G	0.100 BSC		2.54 BSC	
H	0.182	0.194	4.62	4.93
J	0.014	0.016	0.36	0.41
K	0.695	0.725	17.65	18.42
L	0.290	0.300	7.37	7.62
N	0.420	0.440	10.67	11.18
P	0.153	0.159	3.89	4.04
Q	0.153	0.159	3.89	4.04
R	0.230	0.250	5.84	6.35
S	0.220	0.240	5.59	6.10
U	0.910 BSC		23.11 BSC	

Case 98ASB14911C, Unibody package

4 Revision History

Table 4. Revision history

Revision number	Revision date	Description
7.1	06/2015	<ul style="list-style-type: none">• Updated format.• Removed obsolete MPXV53GC7U option and package drawing.• Updated package outline drawings with current versions.



How to Reach Us:

Home Page:

freescale.com

Web Support:

freescale.com/support

Information in this document is provided solely to enable system and software implementers to use Freescale products. There are no express or implied copyright licenses granted hereunder to design or fabricate any integrated circuits based on the information in this document.

Freescale reserves the right to make changes without further notice to any products herein. Freescale makes no warranty, representation, or guarantee regarding the suitability of its products for any particular purpose, nor does Freescale assume any liability arising out of the application or use of any product or circuit, and specifically disclaims any and all liability, including without limitation consequential or incidental damages. "Typical" parameters that may be provided in Freescale data sheets and/or specifications can and do vary in different applications, and actual performance may vary over time. All operating parameters, including "typicals," must be validated for each customer application by customer's technical experts. Freescale does not convey any license under its patent rights nor the rights of others. Freescale sells products pursuant to standard terms and conditions of sale, which can be found at the following address: freescale.com/salestermsandconditions.

Freescale and the Freescale logos are trademarks of Freescale Semiconductor, Inc., Reg. U.S. Pat. & Tm. Off. All other product or service names are the property of their respective owners.

© 2007-2009, 2015 Freescale Semiconductor, Inc.

Document Number: MPX53

Rev. 7.1

07/2015





Компания «ЭлектроПласт» предлагает заключение долгосрочных отношений при поставках импортных электронных компонентов на взаимовыгодных условиях!

Наши преимущества:

- Оперативные поставки широкого спектра электронных компонентов отечественного и импортного производства напрямую от производителей и с крупнейших мировых складов;
- Поставка более 17-ти миллионов наименований электронных компонентов;
- Поставка сложных, дефицитных, либо снятых с производства позиций;
- Оперативные сроки поставки под заказ (от 5 рабочих дней);
- Экспресс доставка в любую точку России;
- Техническая поддержка проекта, помощь в подборе аналогов, поставка прототипов;
- Система менеджмента качества сертифицирована по Международному стандарту ISO 9001;
- Лицензия ФСБ на осуществление работ с использованием сведений, составляющих государственную тайну;
- Поставка специализированных компонентов (Xilinx, Altera, Analog Devices, Intersil, Interpoint, Microsemi, Aeroflex, Peregrine, Syfer, Eurofarad, Texas Instrument, Miteq, Cobham, E2V, MA-COM, Hittite, Mini-Circuits, General Dynamics и др.);

Помимо этого, одним из направлений компании «ЭлектроПласт» является направление «Источники питания». Мы предлагаем Вам помощь Конструкторского отдела:

- Подбор оптимального решения, техническое обоснование при выборе компонента;
- Подбор аналогов;
- Консультации по применению компонента;
- Поставка образцов и прототипов;
- Техническая поддержка проекта;
- Защита от снятия компонента с производства.



Как с нами связаться

Телефон: 8 (812) 309 58 32 (многоканальный)

Факс: 8 (812) 320-02-42

Электронная почта: org@eplast1.ru

Адрес: 198099, г. Санкт-Петербург, ул. Калинина, дом 2, корпус 4, литера А.