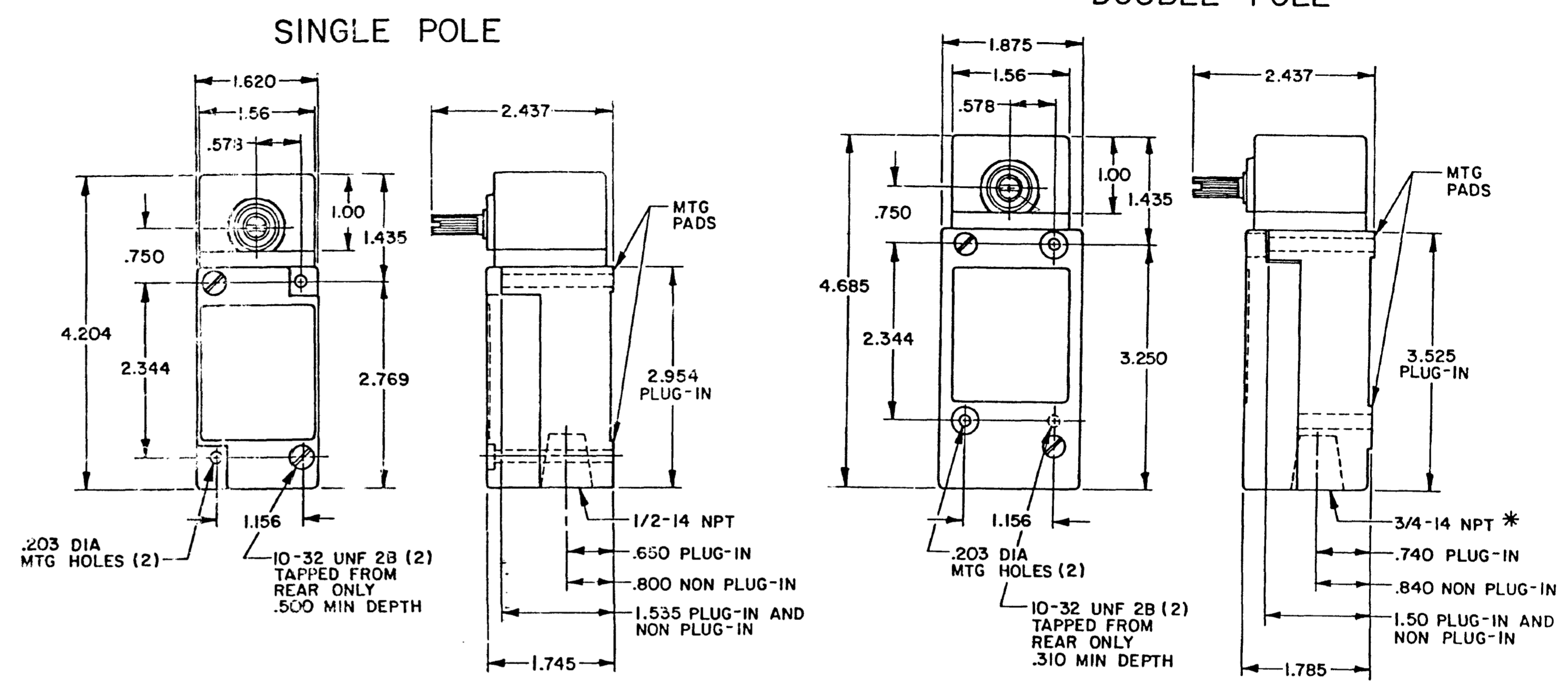


OPERATING CHARACTERISTICS	LSA		LSR		LSN		LSP		LSH	
	MOMENTARY		MOMENTARY LOW TORQUE		MAINTAINED		MOMENTARY LOW PRETRAVEL AND DIFF. TRAVEL		MOMENTARY LOW PRETRAVEL AND LOW TORQUE	
PRETRAVEL(MAX)	15°		15°		65°		9°		9°	
OVERTRAVEL(MIN)	60°		60°		20°		66°		66°	
DIFFERENTIAL TRAVEL(MAX)	SINGLE POLE		SINGLE POLE		40°		SINGLE POLE		SINGLE POLE	
	5°	7°	5°	7°			3°	4°	3°	4°
TOTAL TRAVEL (REF)	75°		75°		90°		75°		75°	
OPERATING TORQUE(MAX)	4 IN. LBS		1.7 IN. LBS		4 IN. LBS		4 IN. LBS		1.7 IN. LBS	
FULL TRAVEL TORQUE(MAX)	4 IN. LBS		1.7 IN. LBS				4 IN. LBS		1.7 IN. LBS	
OPERATING CHARACTERISTICS	LSU		LSL		LSM		LST		LSS	
	LOW PRETRAVEL		SEQUENCE DOUBLE POLE ONLY		CENTER NEUTRAL DOUBLE POLE ONLY		MOMENTARY		GRAVITY RETURN	
PRETRAVEL(MAX)	5°		1ST STEP 15° 2ND STEP 10° ADD'L		18°		15°		NOT APPLICABLE	
OVERTRAVEL(MIN)	70°		48°		57°		60°		NOT APPLICABLE	
DIFFERENTIAL TRAVEL(MAX)	SINGLE POLE		5°		10°		5°		12°	
	5°	4°								
TOTAL TRAVEL (REF)	75°		75°		75°		75°		360°	
OPERATING TORQUE(MAX)	4 IN. LBS		4 IN. LBS		4 IN. LBS		12 IN-OZ		5 IN-OZ	
FULL TRAVEL TORQUE(MAX)	4 IN. LBS		4 IN. LBS		4 IN. LBS		12 IN-OZ		5 IN-OZ	

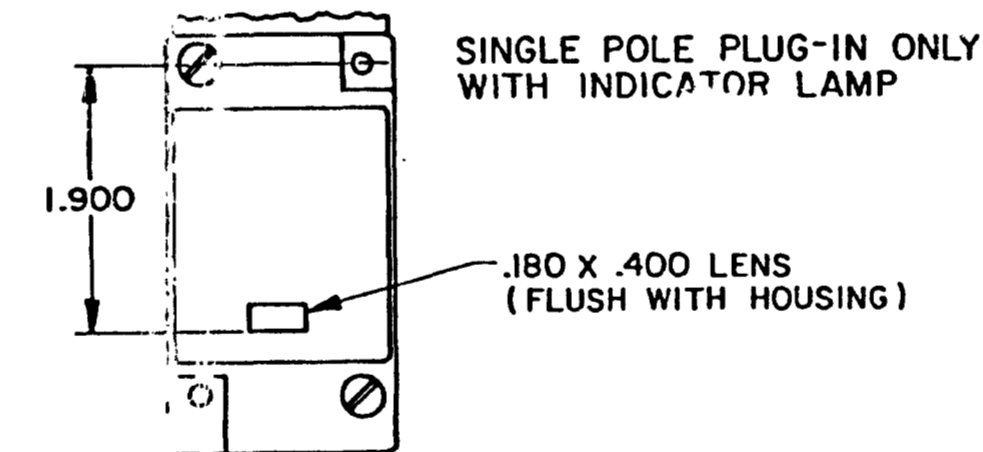
SIDE ROTARY



TYPE: LSA1, LSH1, LSN1, LSP1, LSR1  
LSA3, LSH3, LSN3, LSP3, LSR3  
LSS1, LST1

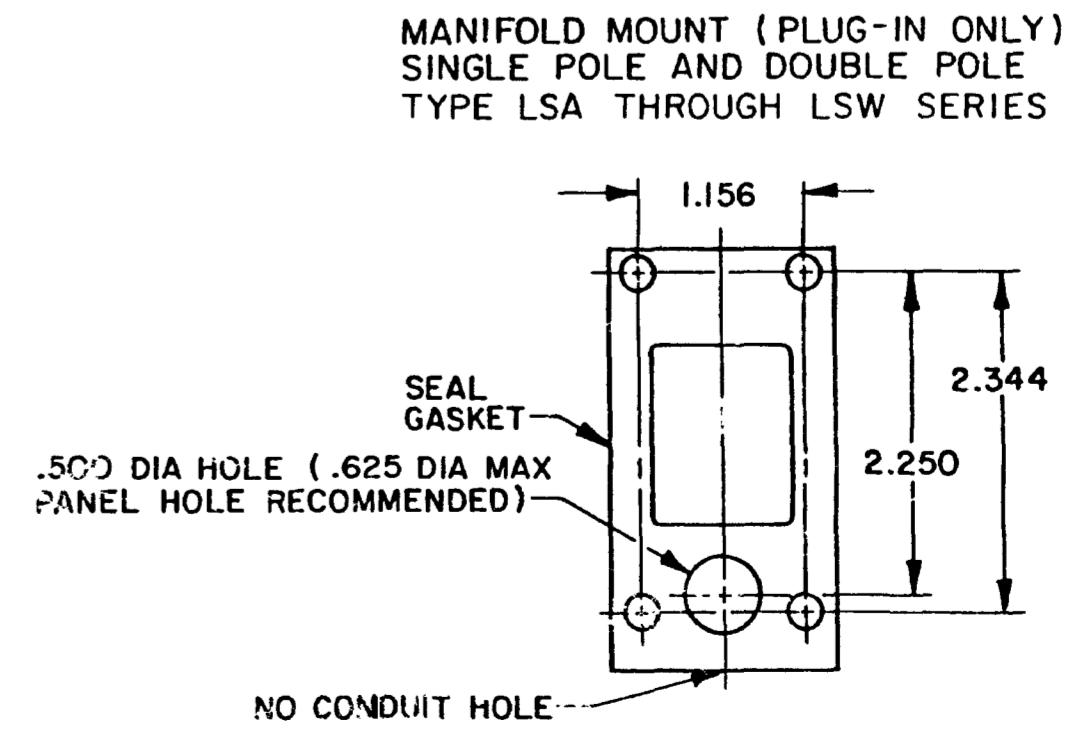
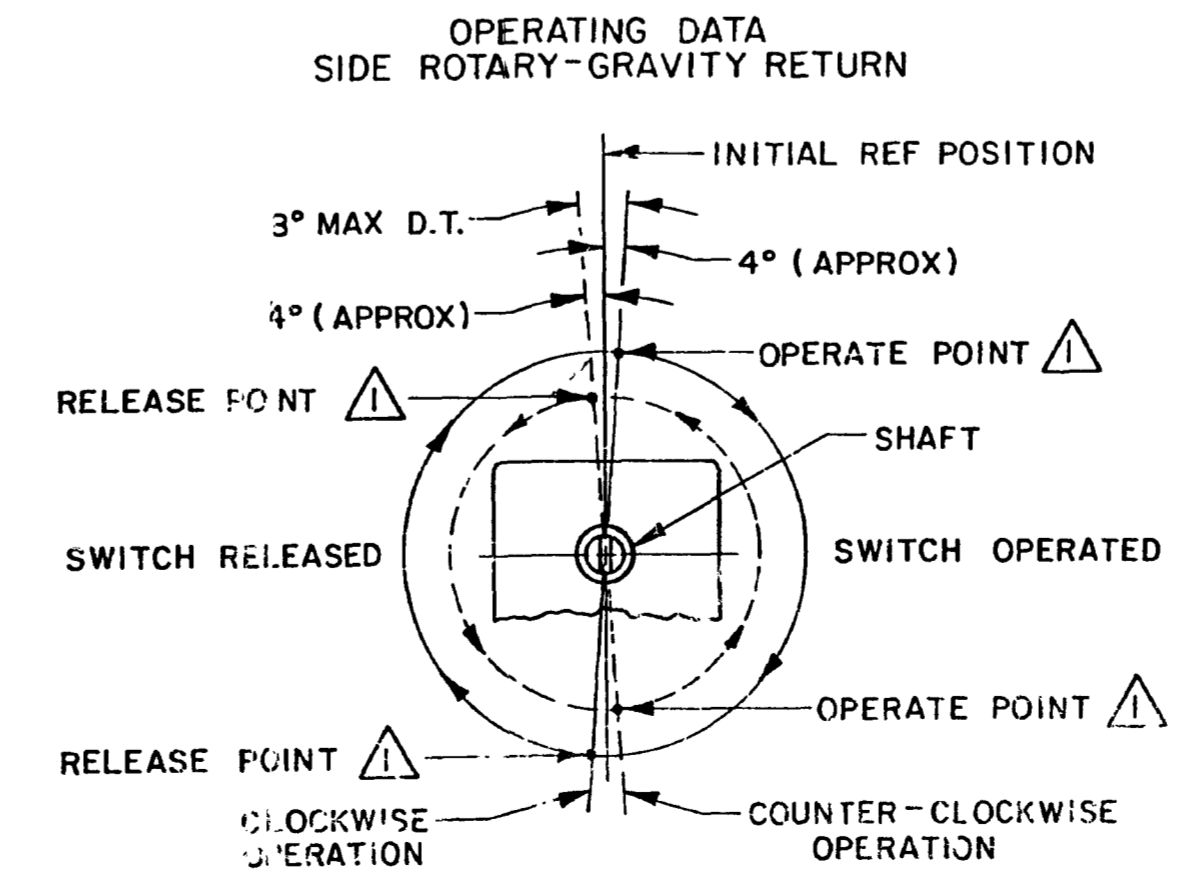
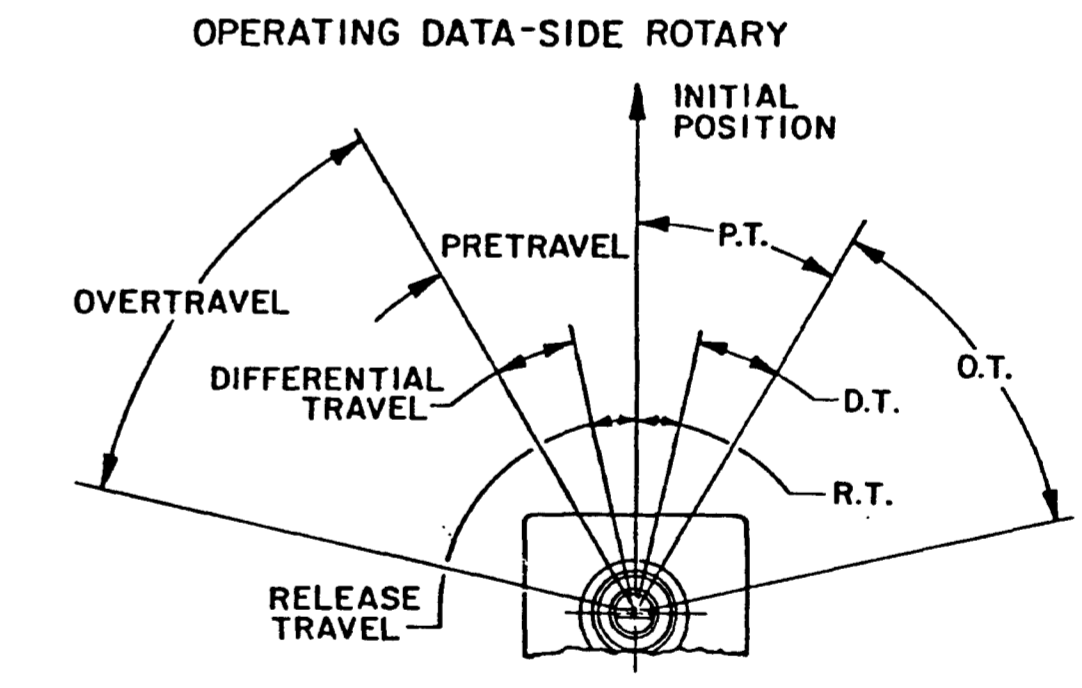
TYPE: LSA2, LSH2, LSM2, LSN2, LSP2, LSR2  
LSA4, LSH4, LSM4, LSN4, LSP4, LSR4

\*LSA6, LSH6, LSM6, LSN6, LSP6, LSR6  
LSA7, LSH7, LSM7, LSN7, LSP7, LSR7 HAVE  
1/2-14 NPT CONDUIT HOLE



120 LAMP VOLTAGE - TYPE LSA5, LSH5, LSN5, LSP5, LSR5

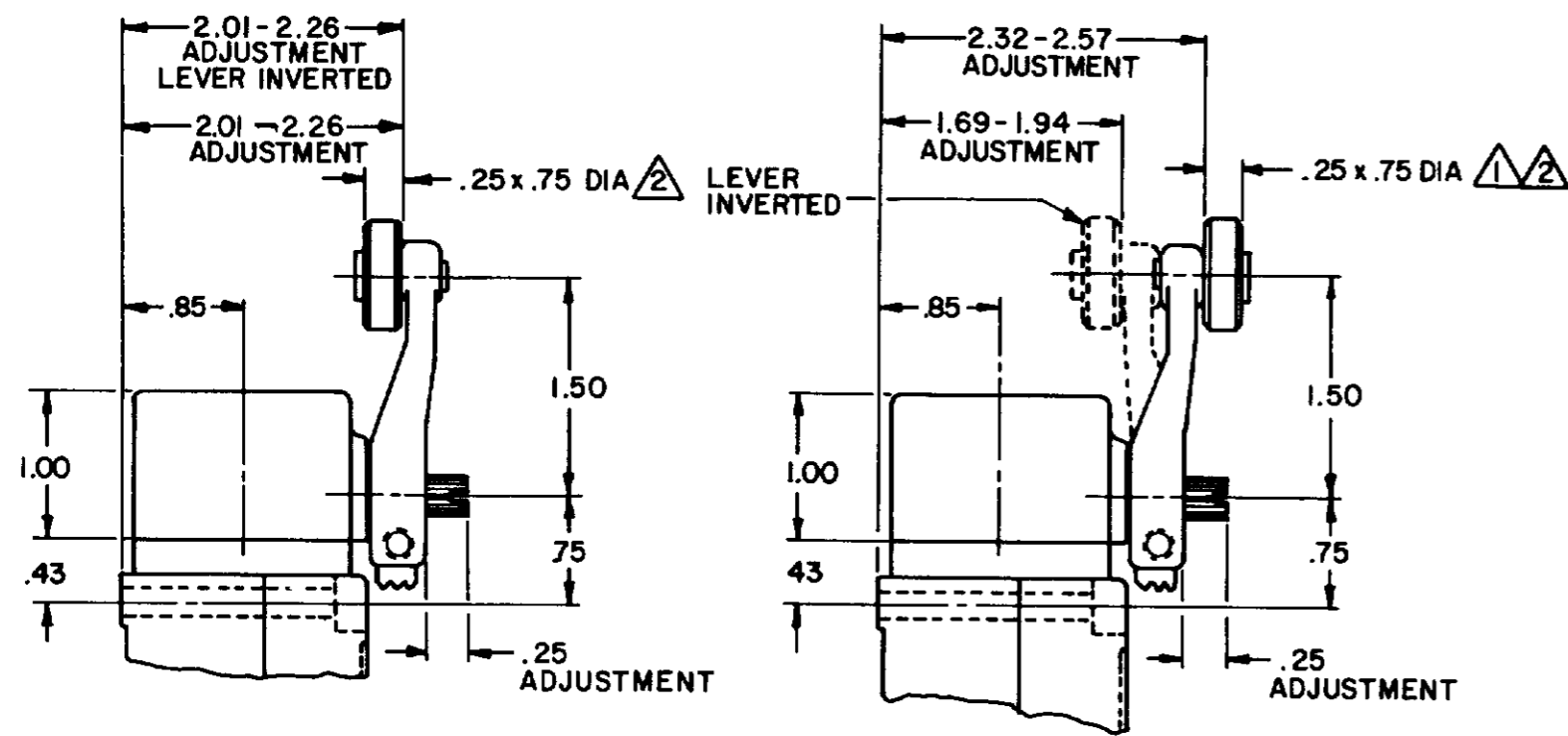
240 LAMP VOLTAGE - TYPE LSA8, LSH8, LSN8, LSP8, LSR8



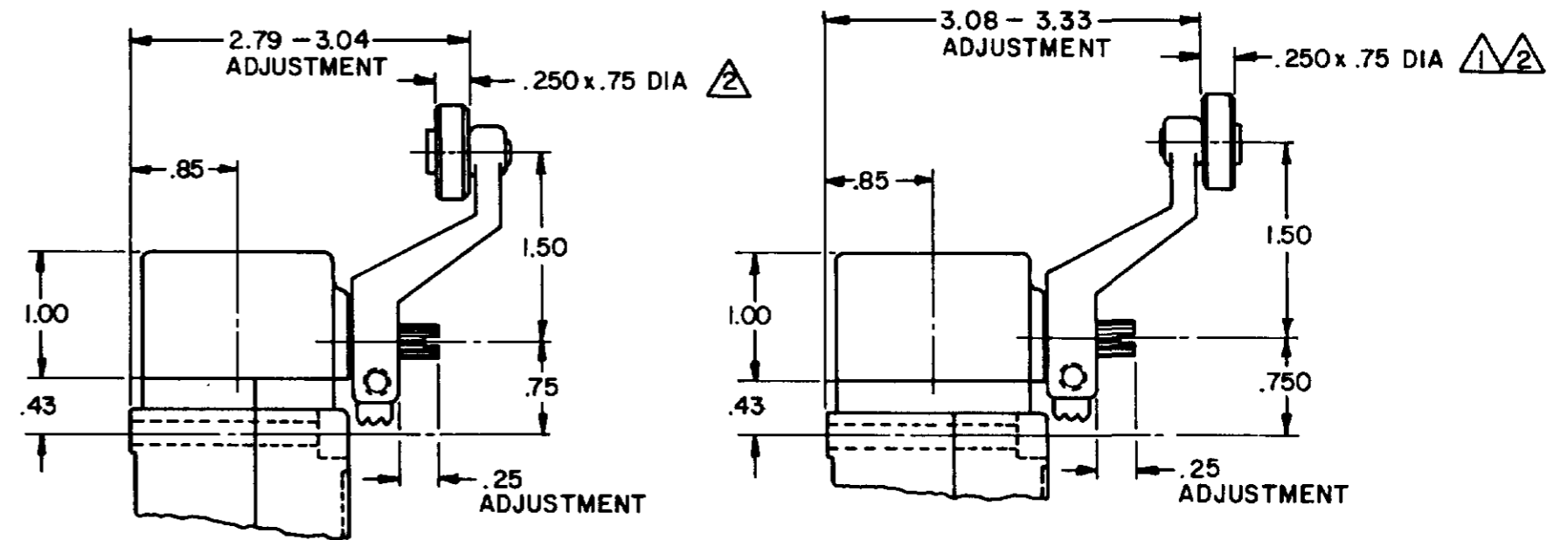
NOTE: OPERATE AND RELEASE POINTS WILL EXCHANGE LOCATIONS IF SHAFT IS ROTATED 180°

CATALOG LISTING LSA-LSW SERIES CHART 1 ISSUE 12 PSR 10JUL07 RELEASE NO. CO-78498 PARTS LSA-LSW SERIES  
REVISIONS  
L 0031958  
M 0031958  
N 0031958  
O 0031958  
P 0031958  
Q 0031958  
R 0031958  
S 0031958  
T 0031958  
U 0031958  
V 0031958  
W 0031958  
X 0031958  
Y 0031958  
Z 0031958  
MAM 15 JUN 94  
RASTER  
11AUG04  
11 JUL 94

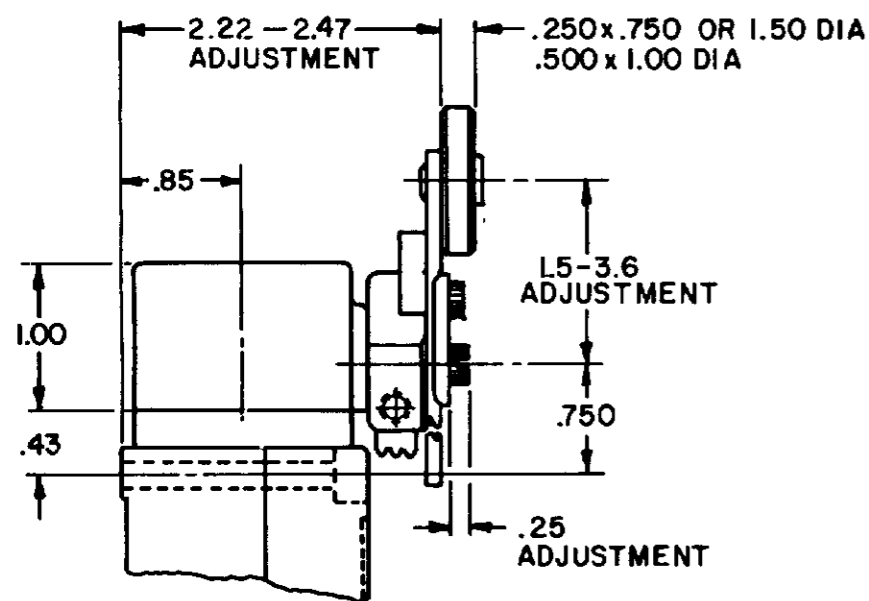
SIDE ROTARY CAM TRACKING



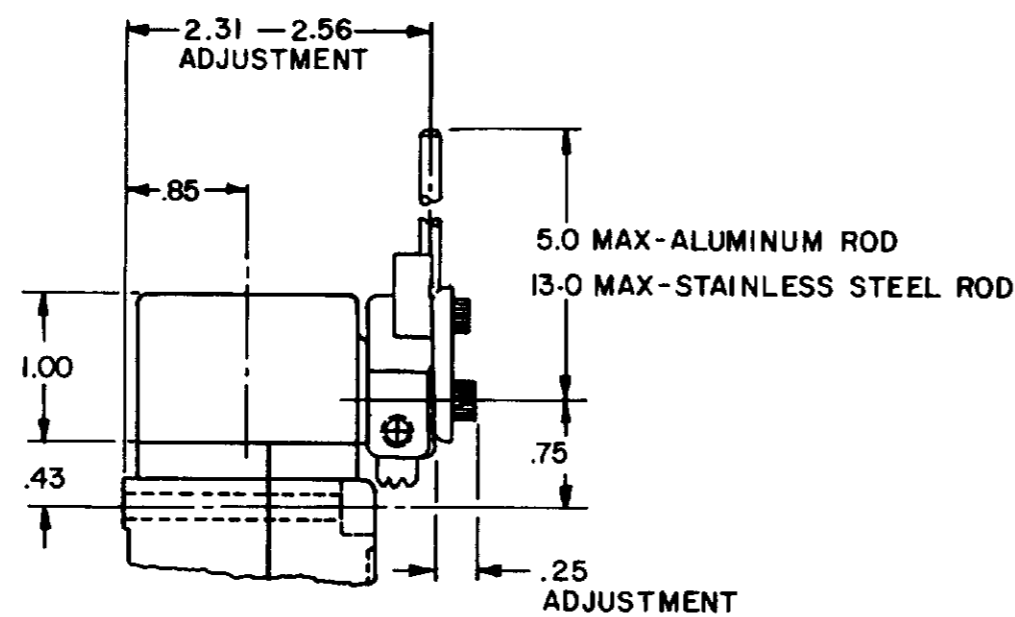
LSZ51 TYPE LEVERS



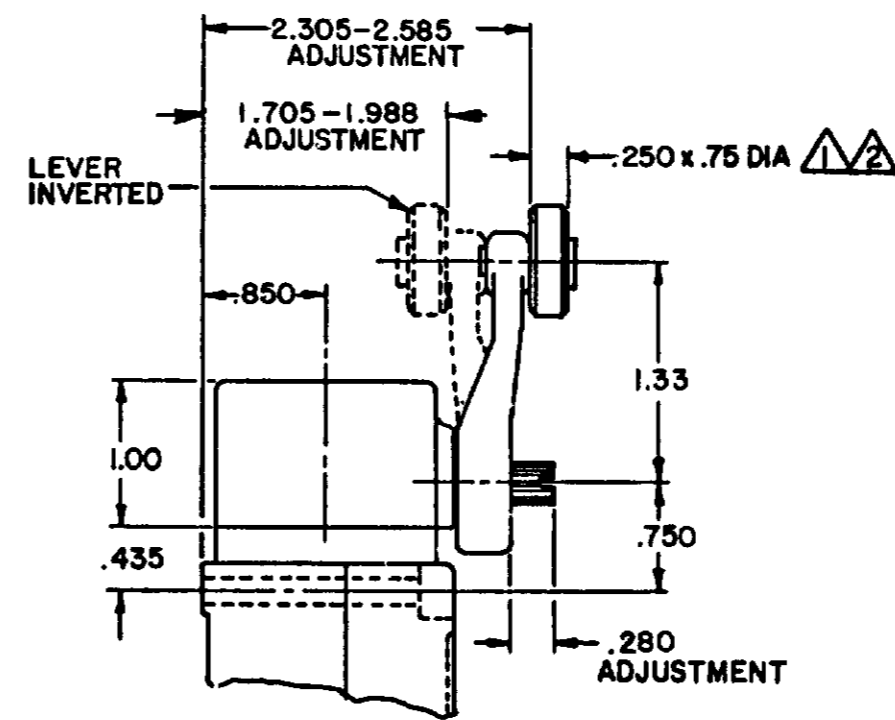
LSZ55 TYPE LEVERS



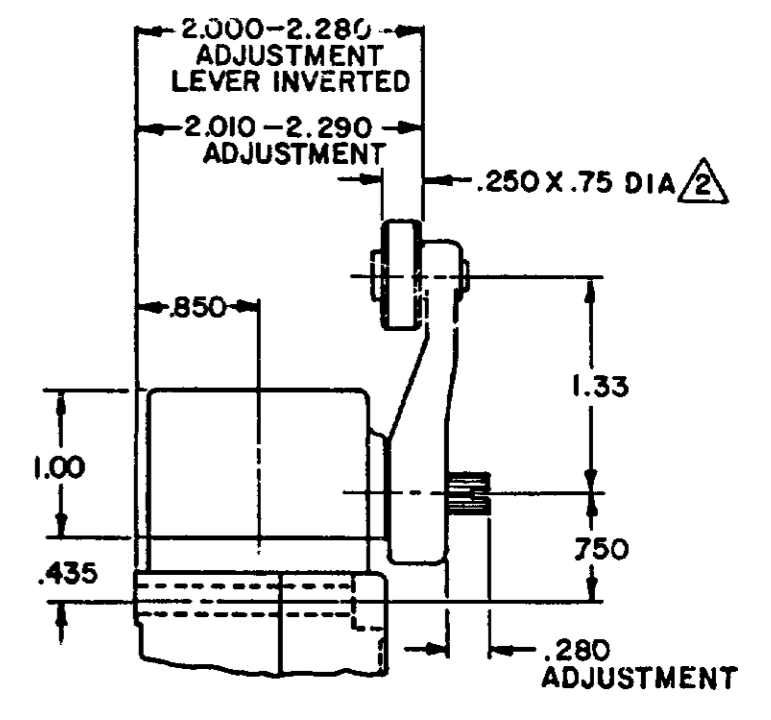
LSZ52 TYPE LEVER



LSZ54 TYPE LEVER



OPEN MOUNTED ROLLER



CLOSED MOUNTED ROLLER

LSZ59 TYPE LEVERS

NOTES

- 1 ALSO AVAILABLE IN Ø.250 X 1.500 NYLON, BUT LEVER CANNOT BE INVERTED
- 2 FOR ADDITIONAL ROLLER WIDTHS AND/OR DIAMETERS REFER TO "M" DRAWING
- 3 - FOR ADDITIONAL TYPES OF ROLLERS AND LEVERS REFER TO LSZ CHART 1 "M" DRAWING

CATALOG LISTING LSA-LSW SERIES CHART 1 PAGE 2 OF 10  
 ISSUE 12  
 REVISIONS:  
 L 0031956 11AUG04  
 B 201004 10JUL07  
 C 201748 10AUG00  
 D 202198 17NOV00  
 E 204871 28JAN01  
 F 206581 14OCT02  
 G 206763 11JUL94  
 H 207179 14JAN03  
 J 207474 18FEB03  
 K 0006871 11JUN94  
 MAM 15 JUN 94  
 RASTER DRAWN

PAGE 2 OF 10

THIS DRAWING COVERS A PROPRIETARY ITEM AND IS THE PROPERTY OF MICRO SWITCH, A DIVISION OF HONEYWELL. THIS DRAWING IS NOT TO BE COPIED OR USED WITHOUT THE APPROVAL OF MICRO SWITCH.

**MICRO SWITCH**  
a Honeywell Division

**SWITCH - ENCLOSED**

CATALOG LISTING  
**LSA-LSW SERIES**  
**CHART 1**

THIRD ANGLE PROJECTION	
SCALE NONE	
DO NOT SCALE PRINT	
UNLESS OTHERWISE SPECIFIED TOLERANCES ARE	
ONE PLACE ( )	±.030
TWO PLACES (.00)	±.015
THREE PLACES (.000)	±.005
ANGLES	±
WEIGHT	

ISSUE 12 PSR 10JUL07 RELEASE NO CO-78498 REPLACES LSA-LSW SERIES

REV. S I O N S  
L 0031958  
M 1 JUL 07  
B 201004  
C 201748  
D 202198  
E 204871  
F 206581  
G 206763  
H 207179  
J 207474  
K 0006871

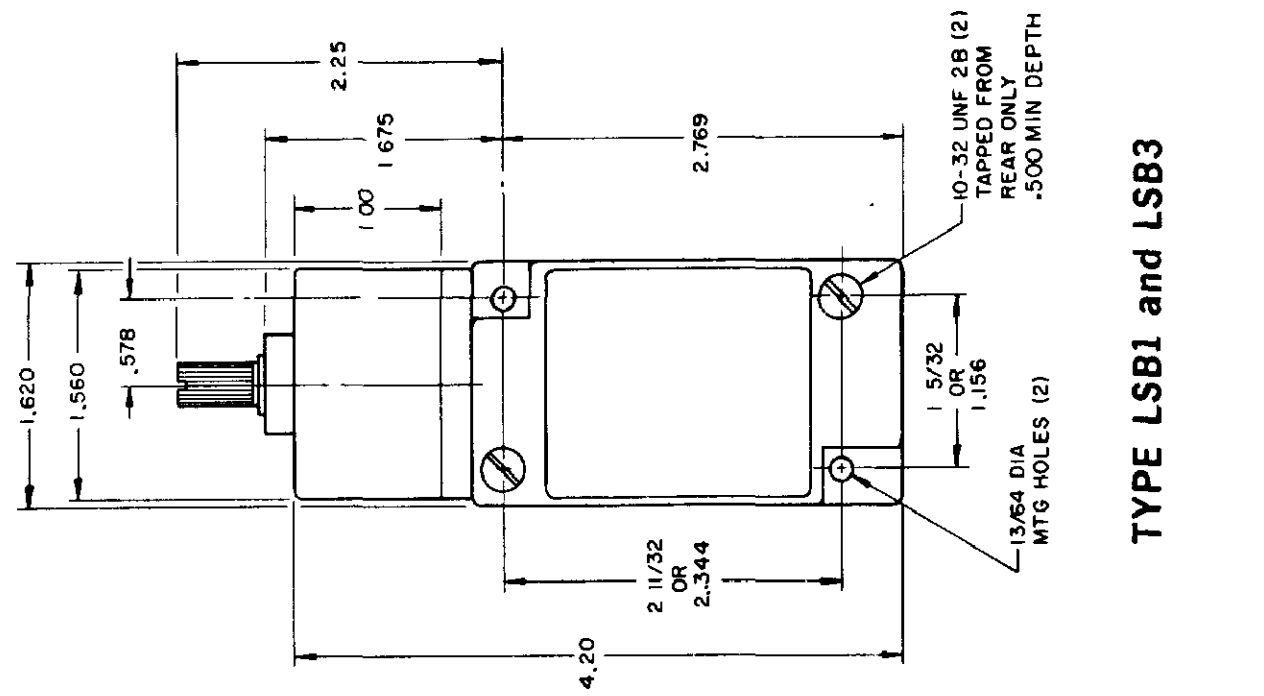
CHECK 11AUG04  
CHECK 1 JUL 94  
CHECK JAF

MAM 15 JUN 94

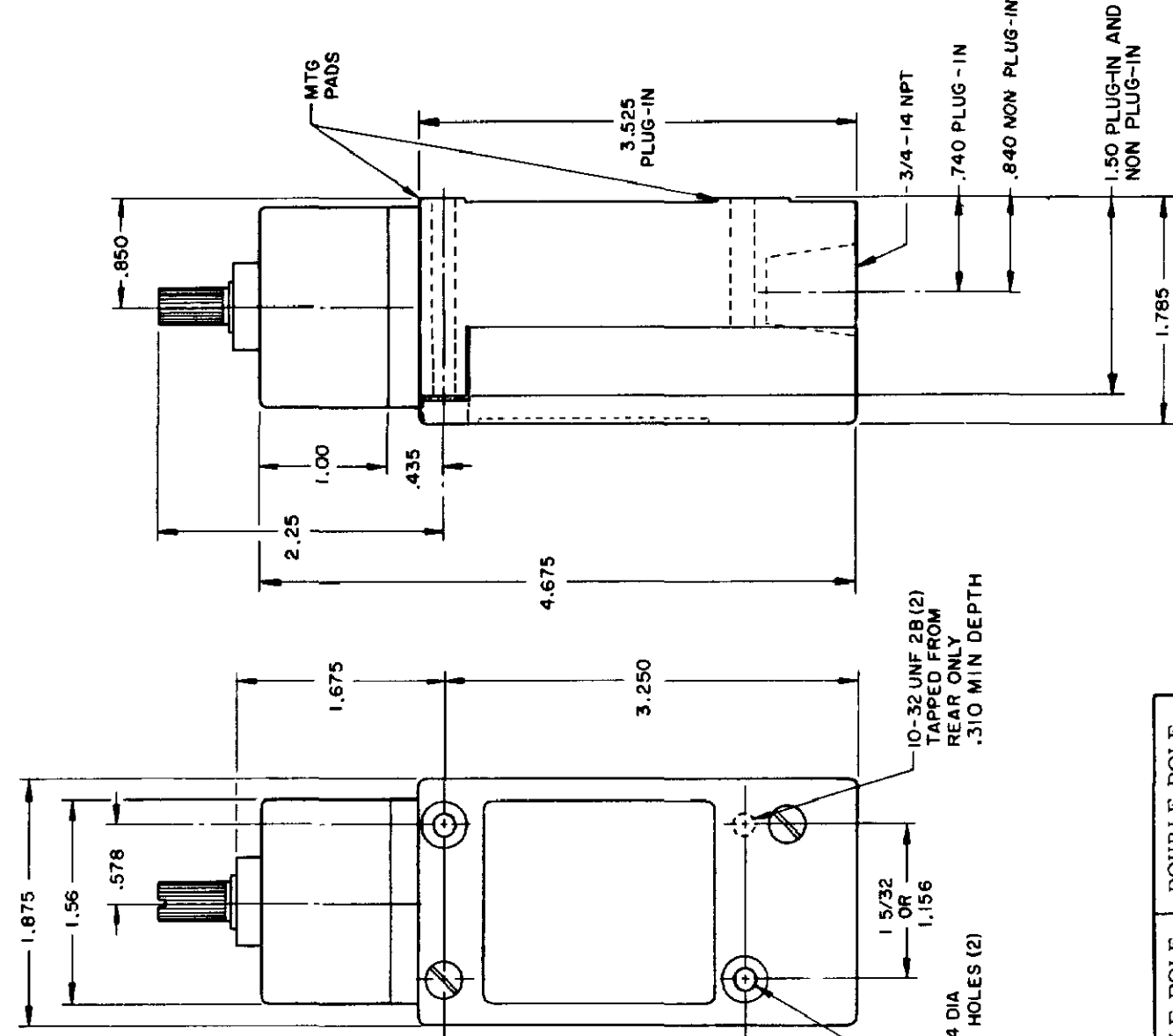
**TOP ROTARY**

**SINGLE POLE**

**DOUBLE POLE**



**TYPE LSB1 and LSB3**



**TYPE LSB2 and LSB4**  
LSB6 and LSB7 have 1/2 - 14 NPT CONDUIT HOLE

	SINGLE POLE	DOUBLE POLE
PRETRAVEL MAX	25°	25°
OVERTRAVEL MIN	110°	110°
DIFFERENTIAL TRAVEL MAX	10°	12°
OPERATING TORQUE MAX	2 5 IN. LBS	2 5 IN. LBS
TOTAL TRAVEL (REF)	135°	135°

**ELECTRICAL RATINGS**

A.C. VOLTAGE	AMPS AT 35 POWER FACTOR			
	SINGL POLE		DOUBLE POLE	
	MAKE	BREAK	MAKE	BREAK
120	60	6	30	3
240	30	3	15	1.5
480	15	1.5	7.5	7.5
600	12	1.2	6	6

D.C. VOLTAGE	MAKE & BREAK	
	INDUCTIVE	RESISTIVE
120	0.25	0.80
240	0.15	0.40

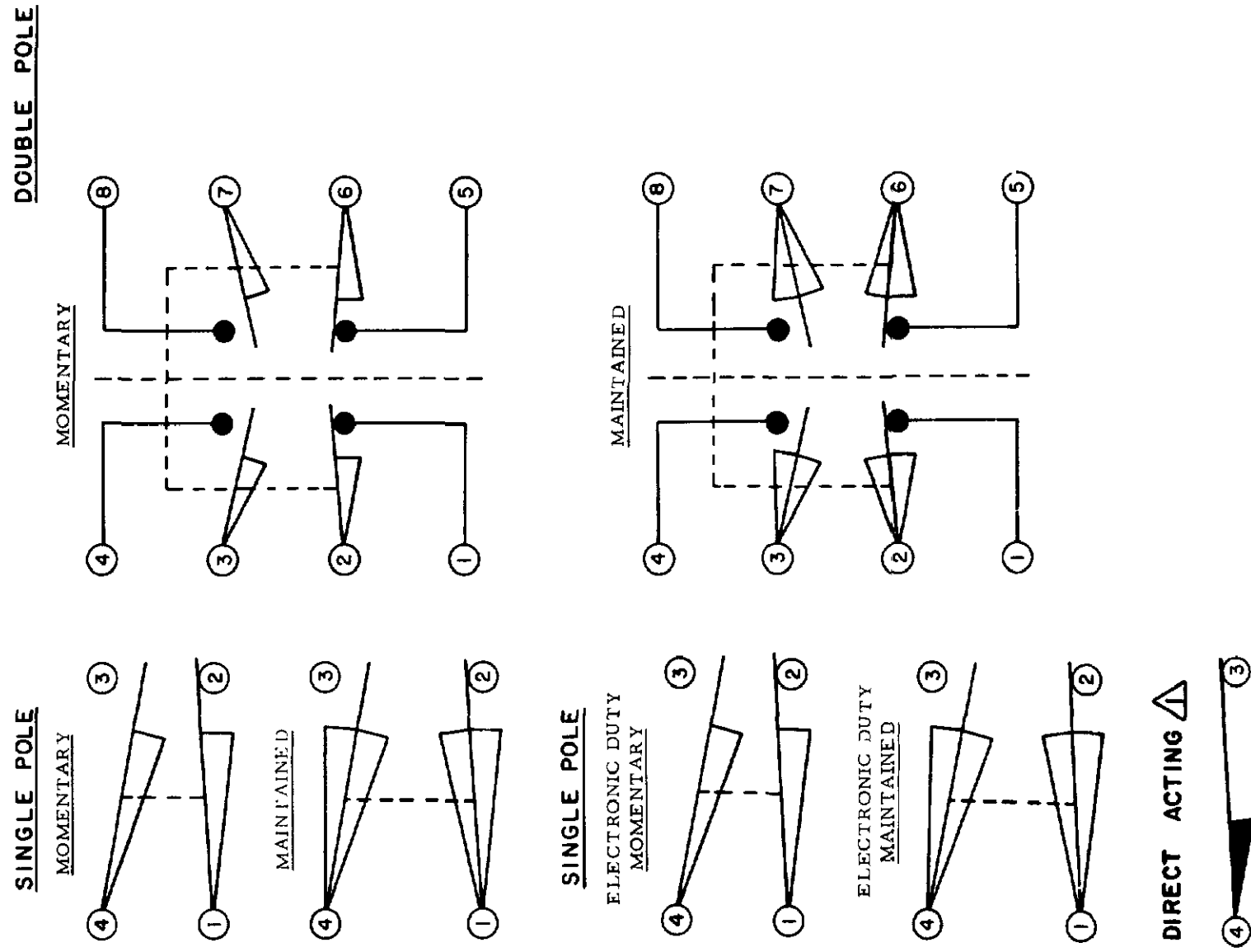
ELECTRONIC DUTY BASIC SWITCH  
10 AMP CONT.

VOLTAGE	MAKE AND BREAK AMPS	
	INDUCTIVE	RESISTIVE
5 AC OR DC MIN	01 AMP MIN	
600 AC	720 VA	
240 DC	30 WATT	

DIRECT ACTING (ALSO RATED AT A.C. 10 AMP CONT.)

D.C. VOLTAGE	MAKE AND BREAK AMPS	
	INDUCTIVE	RESISTIVE
30	4.2	4.2
120	1.1	1.1
240	.55	.55

**WIRING BASIC SWITCH**  
(SAME POLARITY MUST BE OBSERVED FOR EACH POLE)



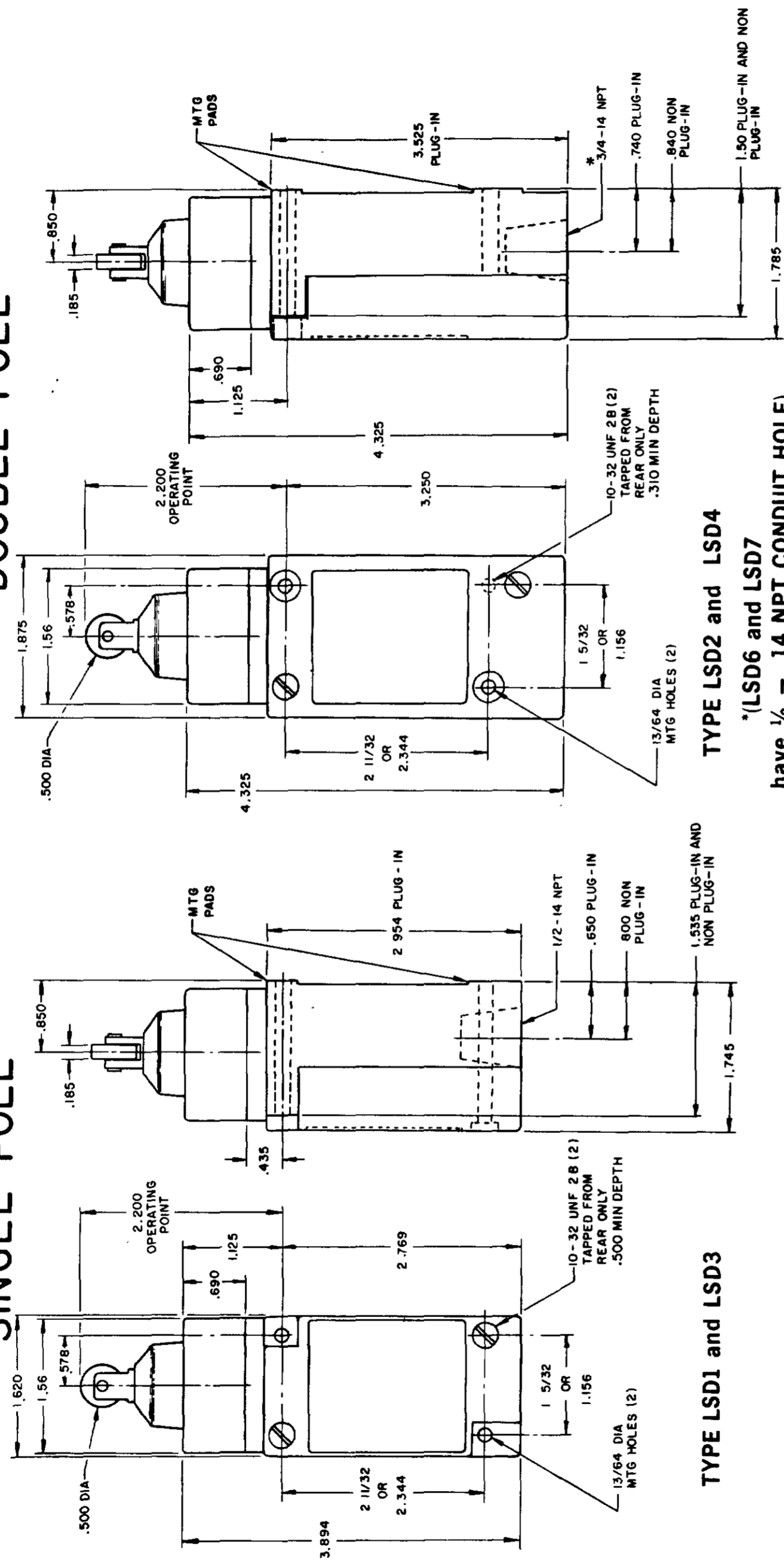
NOTES  
DIFFERENTIAL TRAVEL ON ALL OPERATING CHARACTERISTICS NOT APPLICABLE

DRAWN	MAM	15 JUN 94	11AUG94	11AUG04	11AUG04	11AUG04	10JUL07	CO-78498	REPLACES LSA-LSW SERIES
			11AUG94	11AUG04	11AUG04	11AUG04	10JUL07	CO-78498	REPLACES LSA-LSW SERIES
			11AUG94	11AUG04	11AUG04	11AUG04	10JUL07	CO-78498	REPLACES LSA-LSW SERIES
			11AUG94	11AUG04	11AUG04	11AUG04	10JUL07	CO-78498	REPLACES LSA-LSW SERIES
CHECK	JAF	11 JUL 94	11AUG94	11AUG04	11AUG04	11AUG04	10JUL07	CO-78498	REPLACES LSA-LSW SERIES
			11AUG94	11AUG04	11AUG04	11AUG04	10JUL07	CO-78498	REPLACES LSA-LSW SERIES
			11AUG94	11AUG04	11AUG04	11AUG04	10JUL07	CO-78498	REPLACES LSA-LSW SERIES
			11AUG94	11AUG04	11AUG04	11AUG04	10JUL07	CO-78498	REPLACES LSA-LSW SERIES
REVISIONS	L	0031956	11AUG94	11AUG04	11AUG04	11AUG04	10JUL07	CO-78498	REPLACES LSA-LSW SERIES
			11AUG94	11AUG04	11AUG04	11AUG04	10JUL07	CO-78498	REPLACES LSA-LSW SERIES
			11AUG94	11AUG04	11AUG04	11AUG04	10JUL07	CO-78498	REPLACES LSA-LSW SERIES
			11AUG94	11AUG04	11AUG04	11AUG04	10JUL07	CO-78498	REPLACES LSA-LSW SERIES

PLUNGER TYPE TOP

SINGLE POLE

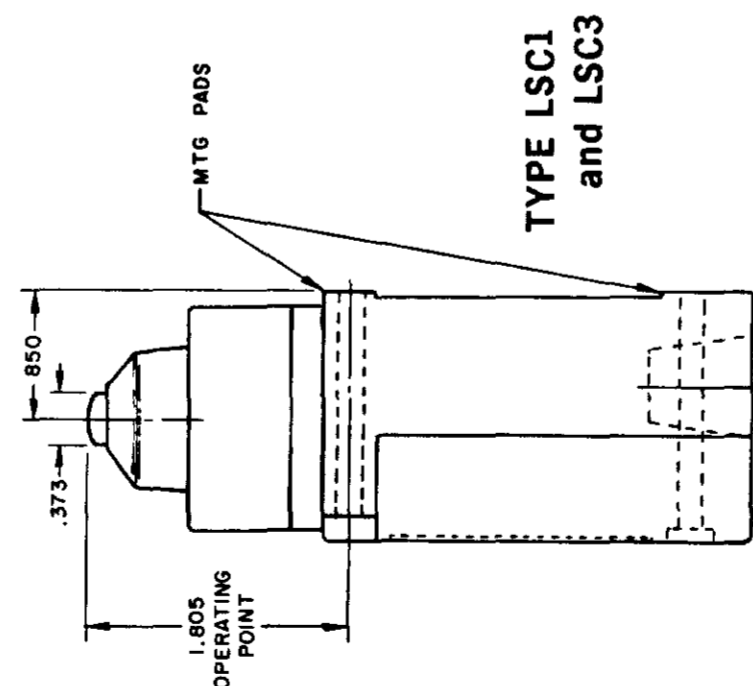
DOUBLE POLE



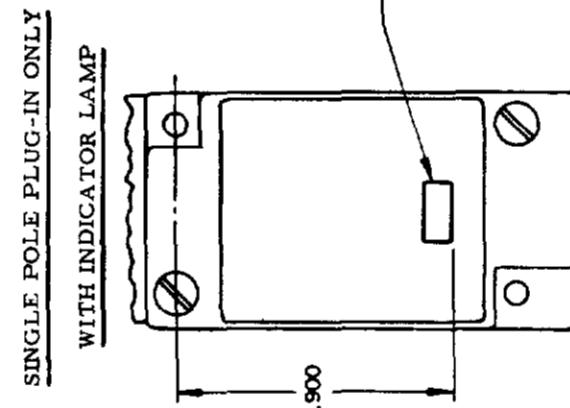
TYPE LSD1 and LSD3

TYPE LSD2 and LSD4

\*(LSD6 and LSD7 have 1/2 - 14 NPT CONDUIT HOLE)

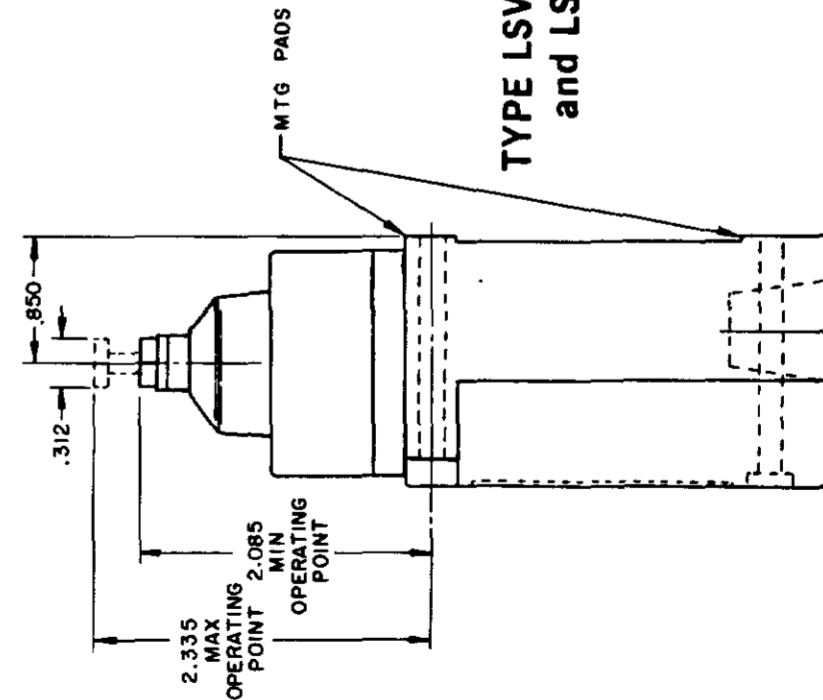


TYPE LSC1 and LSC3

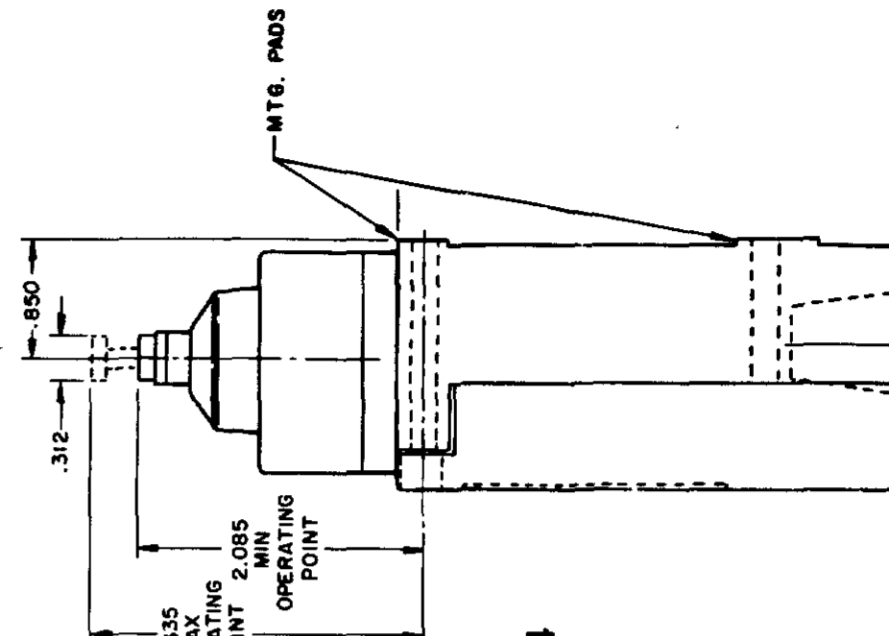


TYPE LSC2 and LSC4

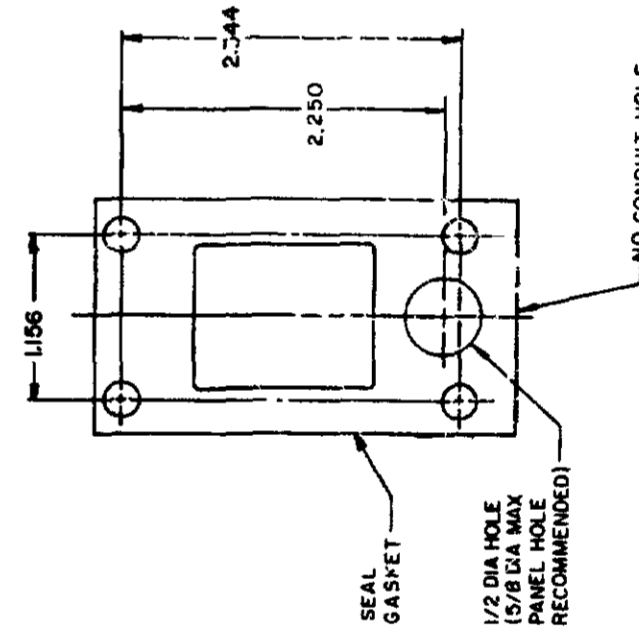
120 LAMP VOLTAGE - TYPE LSC5, LSD5 or LSV5  
240 LAMP VOLTAGE - TYPE LSC8, LSD8 or LSV8



TYPE LSV1 and LSV3



TYPE LSV2 and LSV4



MICRO SWITCH a Honeywell Division

SWITCH - ENCLOSED

LSA-LSW SERIES CHART 1

FED MFG CODE 91929

CATALOG LISTING

PAGE 4 OF 10

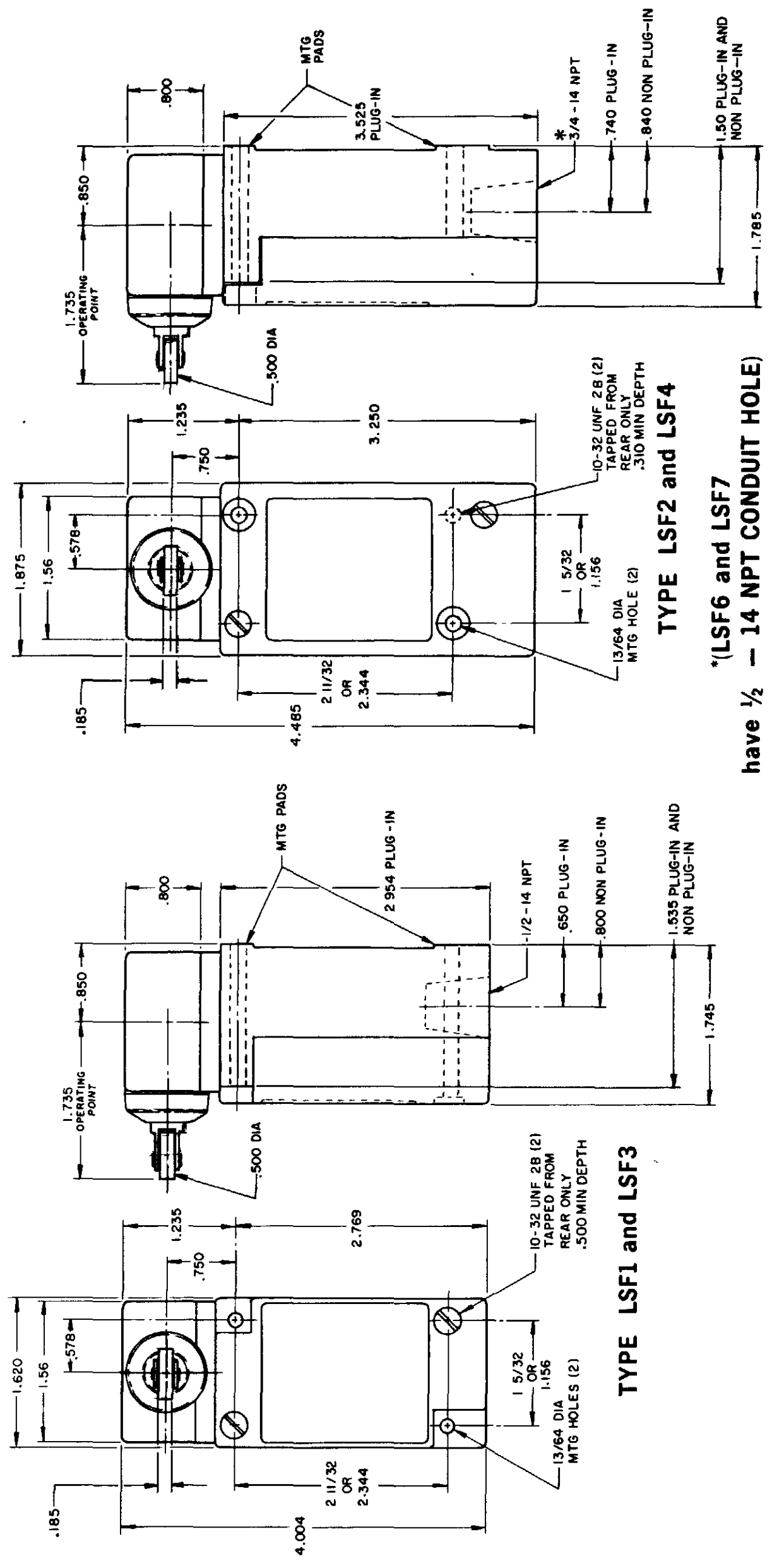
SCALE NONE

FOR FULL SCALE PRINT

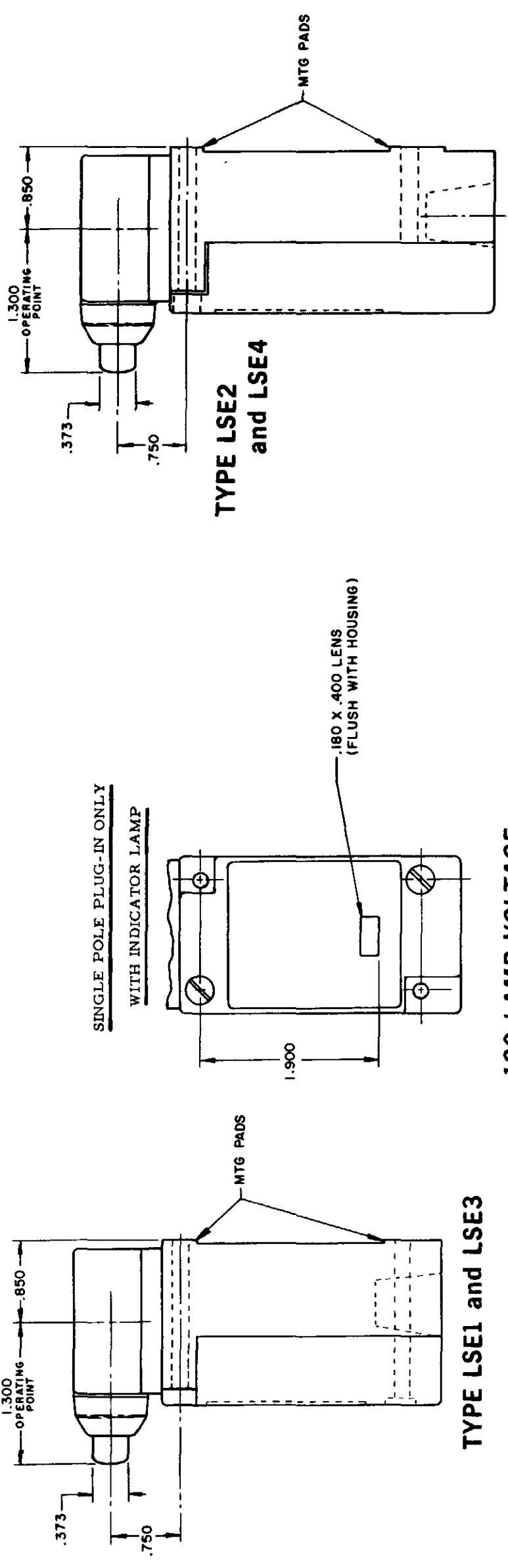
THIS DRAWING COVERS A PROPRIETARY ITEM AND IS THE PROPERTY OF MICRO SWITCH, A DIVISION OF HONEYWELL. THIS DRAWING IS NOT TO BE COPIED OR USED WITHOUT THE APPROVAL OF MICRO SWITCH.

RASTER	15 JUN 94	CHECK	JAF
DRAWN	11 JUL 94	CHECK	AK
MAM	11 AUG 04	CHECK	AK
REV	11 AUG 04	CHECK	AK
12	10 JUL 07	RELEASE NO	CO-78498
12	10 JUL 07	REPLACES	LSA-LSW SERIES
12	10 JUL 07	CATALOG LISTING	LSA-LSW SERIES CHART 1

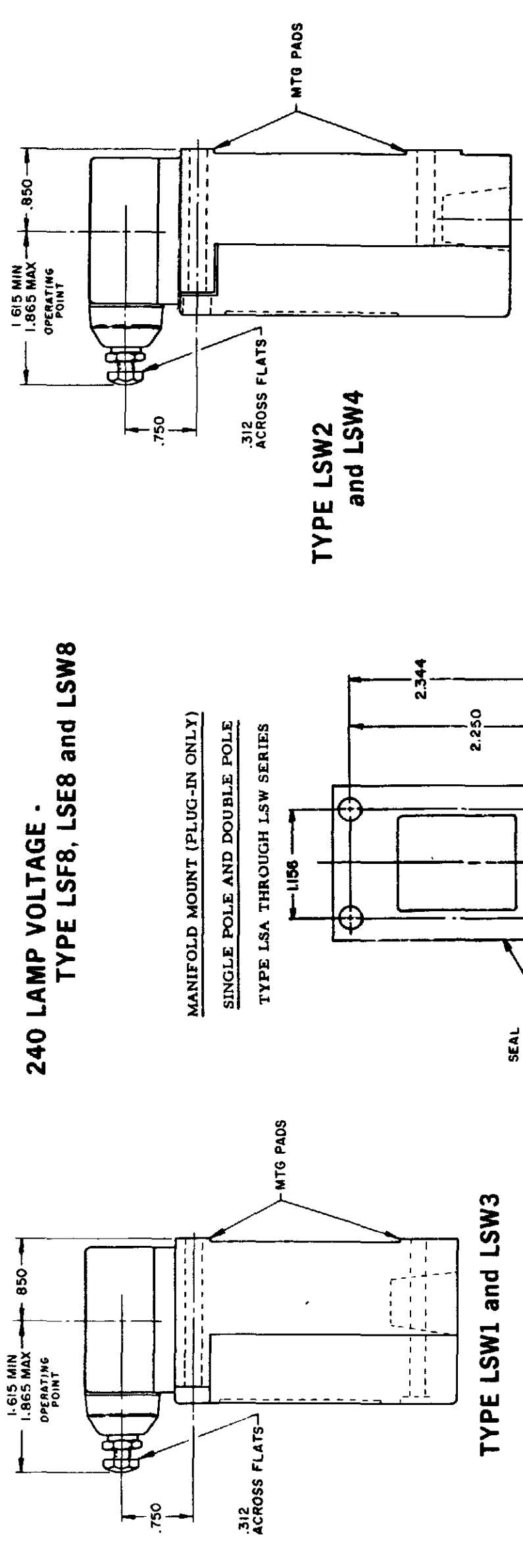
SIDE PLUNGER TYPE DOUBLE POLE



TYPE LSF1 and LSF3  
TYPE LSF2 and LSF4  
TYPE LSF6 and LSF7  
have 1/2 - 14 NPT CONDUIT HOLE)



TYPE LSE1 and LSE3  
TYPE LSE2 and LSE4  
TYPE LSW1 and LSW3  
120 LAMP VOLTAGE - TYPE LSF5, LSE5 and LSW5  
240 LAMP VOLTAGE - TYPE LSF8, LSE8 and LSW8



TYPE LSW2 and LSW4  
MANIFOLD MOUNT (PLUG-IN ONLY)  
SINGLE POLE AND DOUBLE POLE  
TYPE LSA THROUGH LSW SERIES

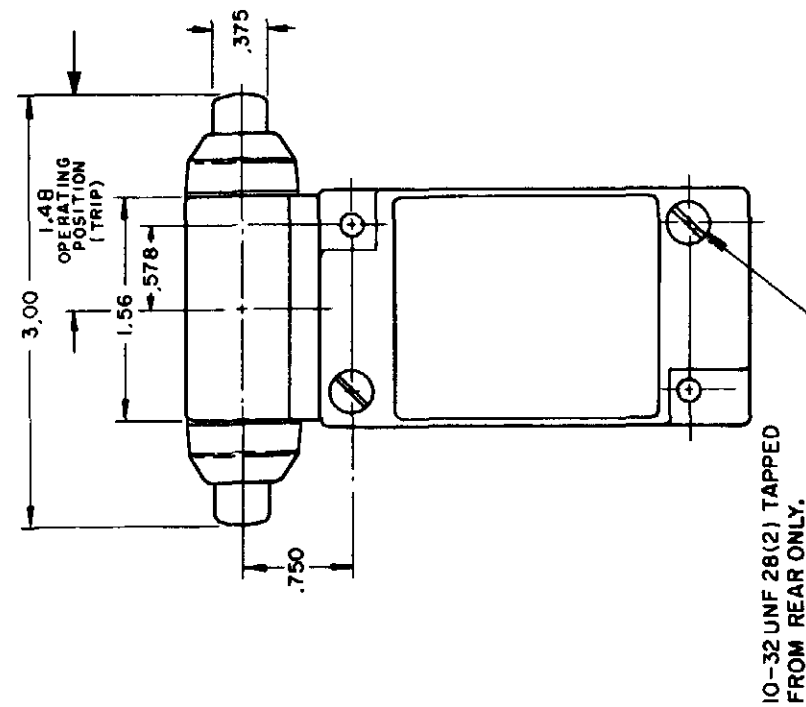
THIS DRAWING COVERS A PROPRIETARY ITEM AND IS THE PROPERTY OF MICRO SWITCH A DIVISION OF HONEYWELL THIS DRAWING IS NOT TO BE COPIED OR USED WITHOUT THE APPROVAL OF MICRO SWITCH

**MICRO SWITCH**  
a Honeywell Division

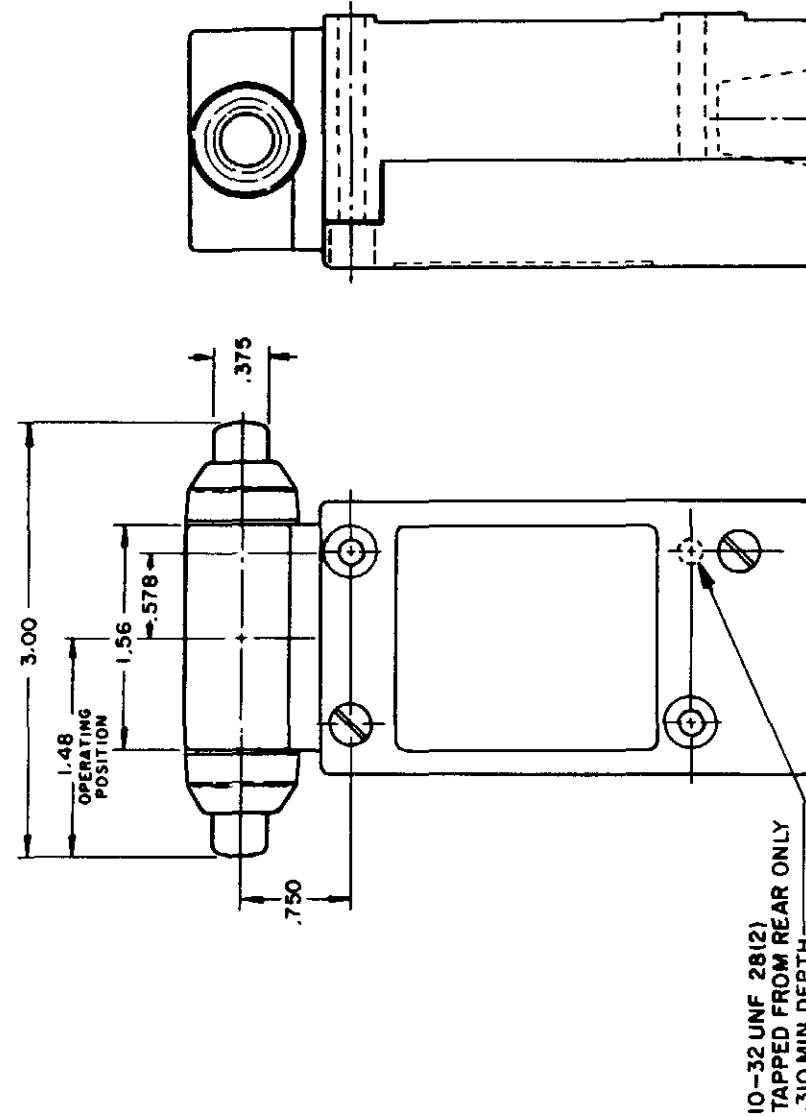
SWITCH - ENCLOSED

CATALOG LISTING  
**LSA-LSW SERIES**  
CHART 1

ISSUE 12 PSR 10JUL07 RELEASE NO CO-78498 REPLACES LSA-LSW SERIES  
 CATALOG LISTING  
**M** LSA-LSW SERIES CHART 1  
 PAGE 6 OF 10  
 REVISIONS  
 L 0031956  
 10 JUL 07  
 B 201004  
 C.S.I.  
 C 201748  
 10 AUG 00  
 C.S.I.  
 D 202198  
 17 NOV 00  
 C.S.I.  
 E 204871  
 23 JAN 01  
 C.S.I.  
 F 206581  
 14 OCT 02  
 G 206763  
 31 OCT 02  
 H 207179  
 14 JAN 03  
 G.H.  
 J 207474  
 TSM  
 18 FEB 03  
 K 0006871  
 11 AUG 04  
 RR  
 11 AUG 04  
 check JAF  
 11 JUL 94  
 check AK  
 11 AUG 04  
 check  
 MAM 15 JUN 94  
 DRAWN  
 RASTER



TYPE LSG1 and LSG3



TYPE LSG2 and LSG4

INITIAL POSITION (FREE POSITION) } PRETRAVEL  
 OPERATING POINT } DIFFERENTIAL TRAVEL  
 FULL TRAVEL } OVERTRAVEL

TOP PLUNGER TYPES

OPERATING POINT GIVEN IN RELATION TO TOP MOUNTING HOLE

CHARACTERISTICS	LSC PLUNGER		LSD ROLLER PLUNGER		LSV ADJ PLUNGER		SEQUENCE BASIC		
							LSC	LSD	LSV
PRETRAVEL (MAX)	.070		.070		.070		1ST STEP .070		
DIFFERENTIAL TRAVEL (MAX)	SINGLE POLE .015 DOUBLE POLE .020		SINGLE POLE .015 DOUBLE POLE .020		SINGLE POLE .015 DOUBLE POLE .020		2ND STEP .016 MIN ADD'L .015 EACH STEP		
OVERTRAVEL (MIN)	.190		.190		.190		.170		
OPERATING FORCE (MAX)	4 LBS		4 LBS		4 LBS		4 LBS		
OPERATING POINT	1.805 ± .030		2.200 ± .040		2.085 MIN		1ST STEP		
FULL OVERTRAVEL FORCE (MAX)	7 LBS		7 LBS		7 LBS		1.815±.030   2.210±.040   2.095 MIN / 2.345 MAX 7 LBS		

SIDE PLUNGER TYPES

OPERATING POINT GIVEN IN RELATION TO CENTER OF HEAD

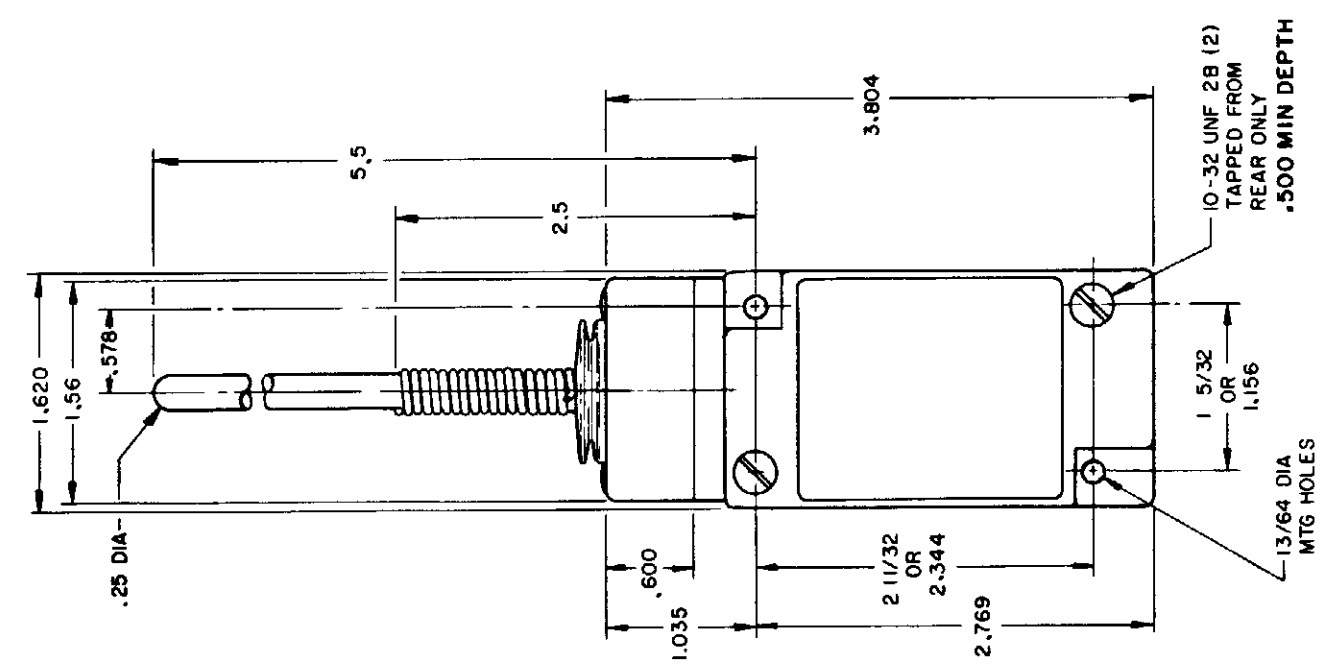
CHARACTERISTICS	LSE PLUNGER		LSF ROLLER PLUNGER		LSW ADJ PLUNGER		SEQUENCE BASIC		
							LSE	LSF	LSW
PRETRAVEL (MAX)	.100		.100		.170		1ST STEP .100		
DIFFERENTIAL TRAVEL (MAX)	.045		.045		.090		2ND STEP .020 MIN ADD'L .025 EACH STEP		
OVERTRAVEL (MIN)	.190		.190		.080		.170		
OPERATING FORCE (MAX)	6 LBS		6 LBS		10 LBS		6 LBS		
OPERATING POINT	1.300 ± .030		ADJUSTABLE FROM 1.615 MIN 1.865 MAX		1.480 ± .030		1ST STEP		
FULL OVERTRAVEL FORCE (MAX)	6 LBS		6 LBS		10 LBS		1.310±.030   1.745±.040   1.625 MIN / 1.875 MAX 6 LBS		

MICRO SWITCH a Honeywell Division  
 SWITCH - ENCLOSED  
 LSA-LSW SERIES CHART 1  
 CATALOG LISTING  
 THIS DRAWING COVERS A PROPRIETARY ITEM AND IS THE PROPERTY OF MICRO SWITCH A DIVISION OF HONEYWELL THIS DRAWING IS NOT TO BE COPIED OR USED WITHOUT THE APPROVAL OF MICRO SWITCH  
 TOLERANCES ARE IN INCHES  
 ONE PLACE (.01)  
 TWO PLACE (.001)  
 THREE PLACE (.000)  
 ANGLES  
 WEIGHT  
 SCALE NONE  
 DO NOT SCALE PRINT  
 UNLESS OTHERWISE SPECIFIED

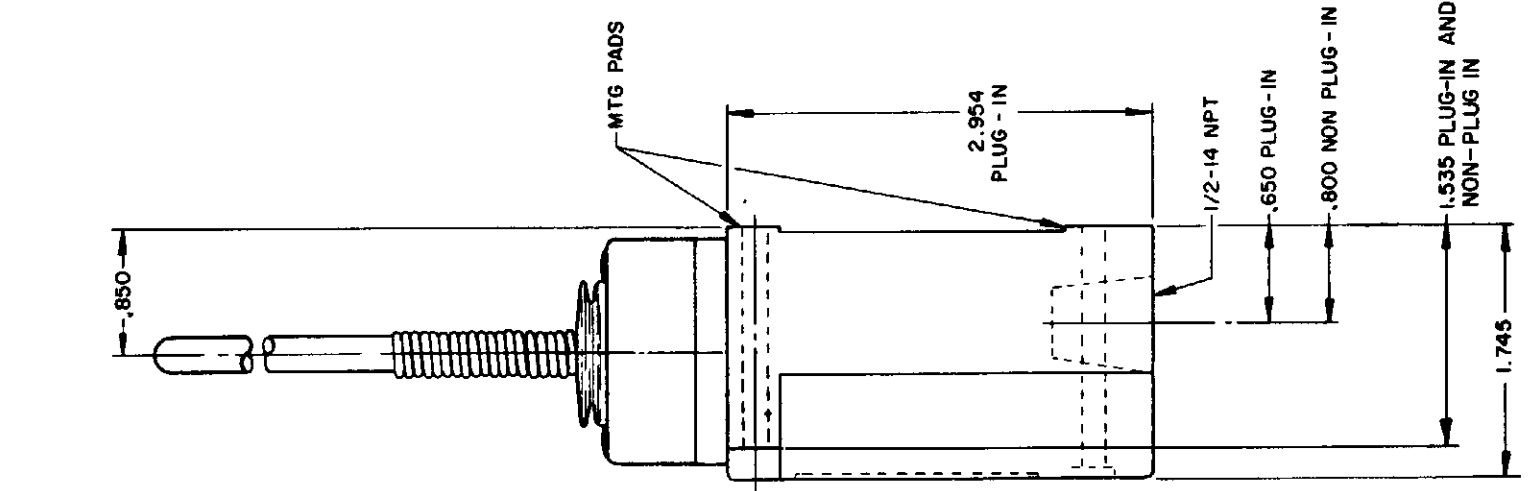
**WOBBLE STICK**

**SINGLE POLE**

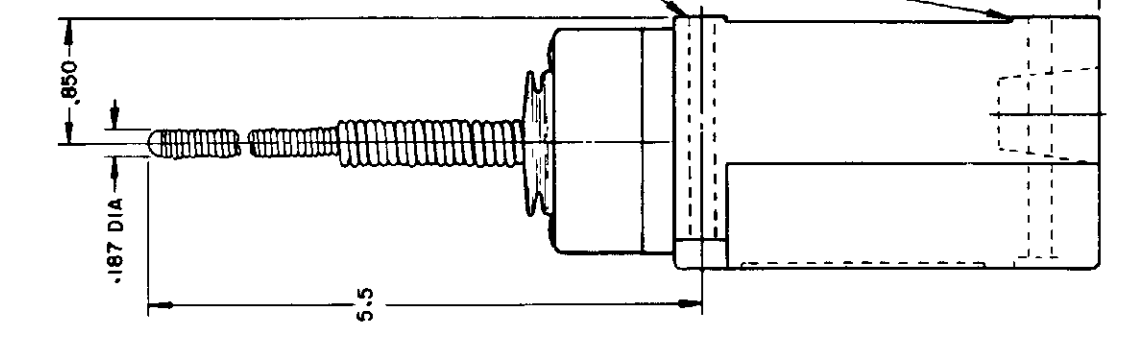
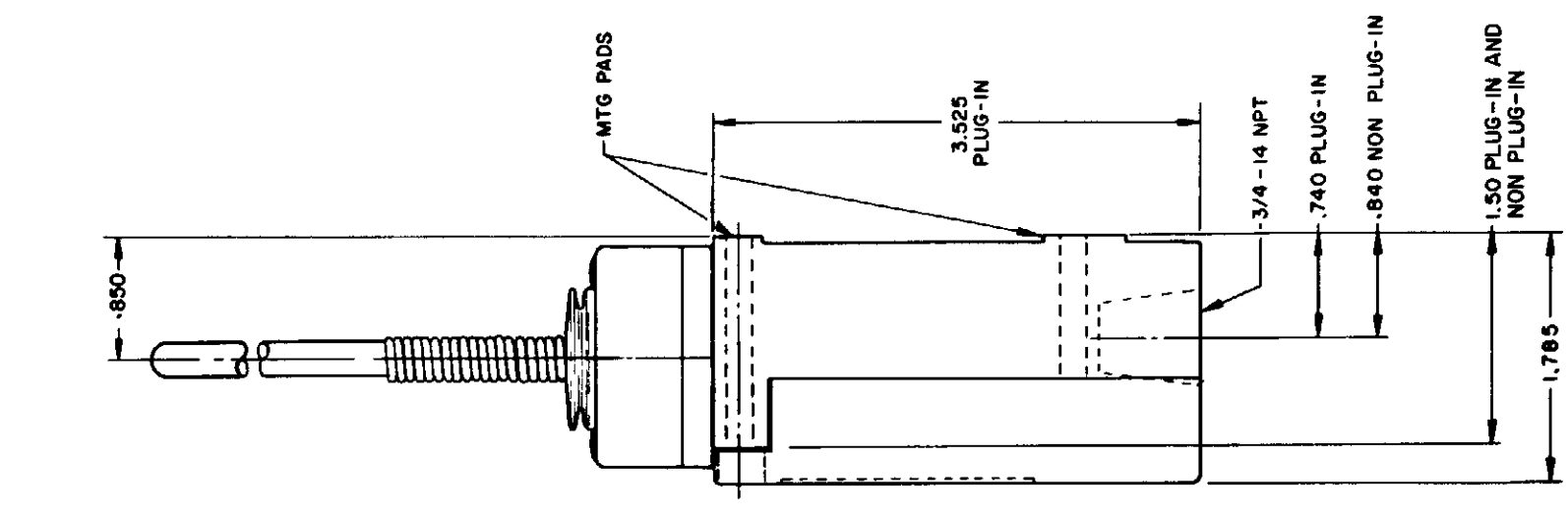
**DOUBLE POLE**



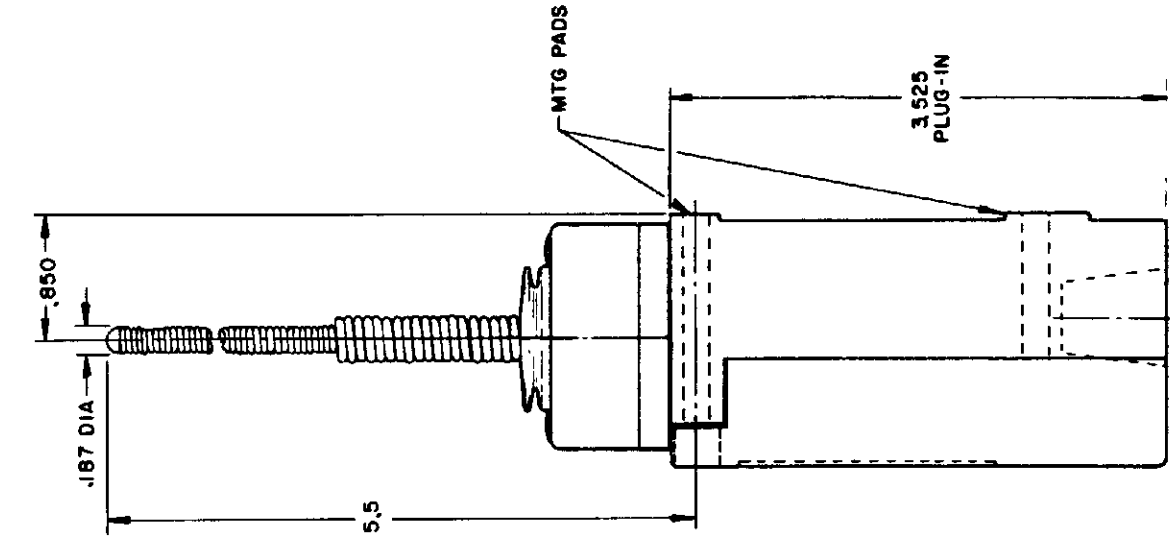
**PLASTIC EXTENSION  
TYPE 7A ACTUATOR**  
TYPE LSJ1 AND LSJ3



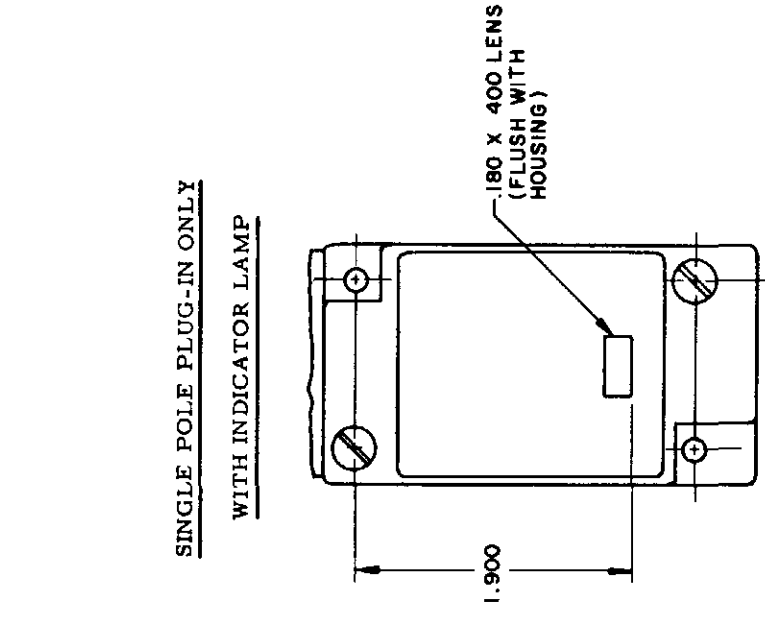
**PLASTIC EXTENSION  
TYPE 7A ACTUATOR**  
TYPE LSJ2 AND LSJ4  
LSJ6 AND LSJ7 HAVE  
1/2 - 14 NPT CONDUIT HOLE



**REPLACEMENT ACTUATOR  
LSZ-4009**

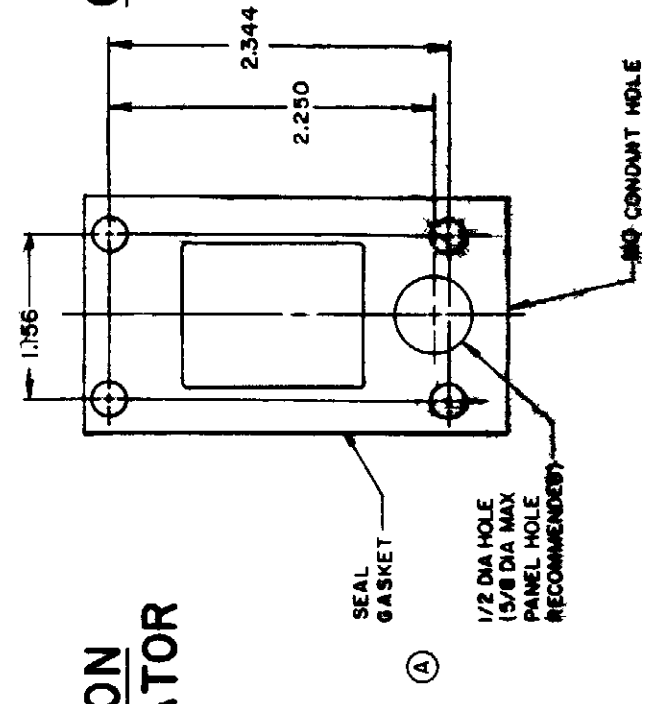


**CABLE EXTENSION  
TYPE 7N ACTUATOR**



**REPLACEMENT ACTUATOR  
LSZ-4011**

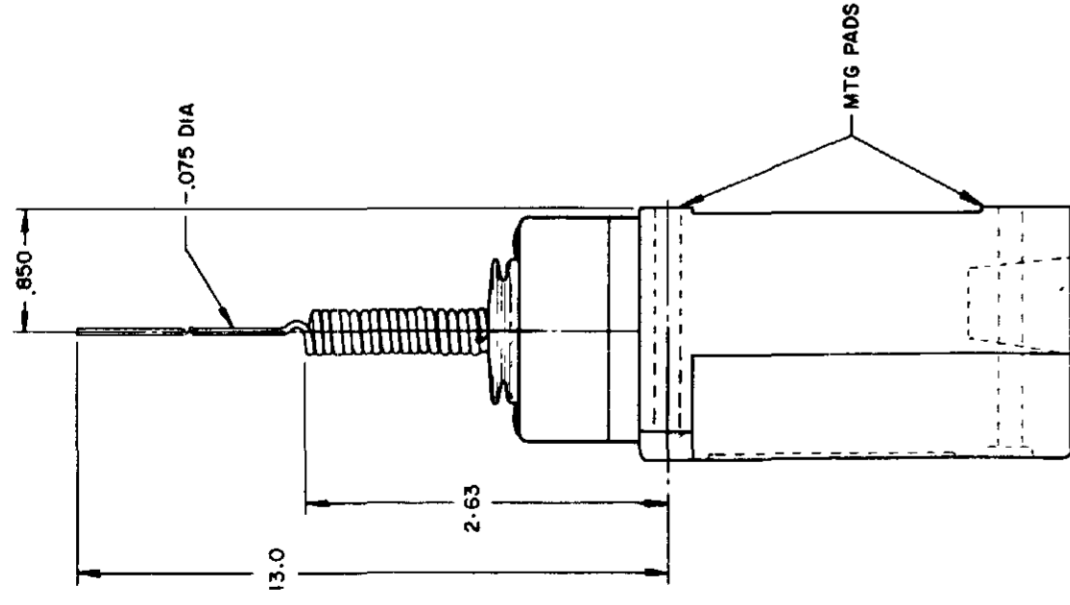
**REPLACEMENT ACTUATOR  
LSZ-4009**



**CABLE EXTENSION  
TYPE 7N ACTUATOR**

**REPLACEMENT ACTUATOR  
LSZ-4011**

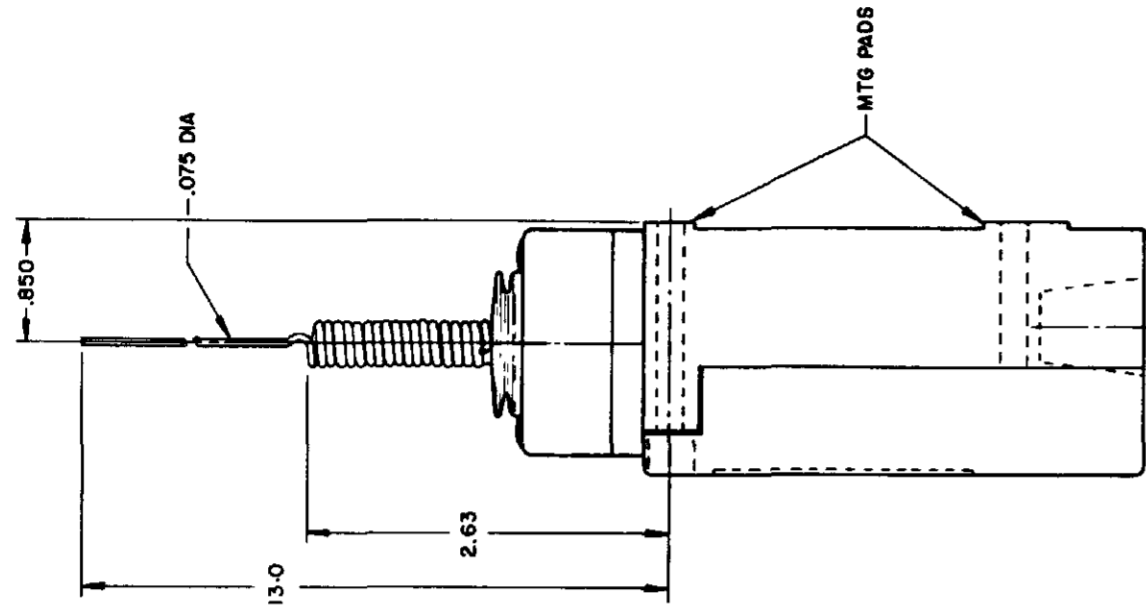
REVISIONS	
L	0031956
BS	10 JUL 07
B	201004
C	10 AUG 00
C	201748
17	10 OCT 00
D	202198
E	204871
F	206581
G	206763
H	207179
J	207474
K	0006871



**WIRE EXTENSION TYPE 7M ACTUATOR**

TYPE LSJ1 and LSJ3

REPLACEMENT ACTUATOR - LSZ 4010

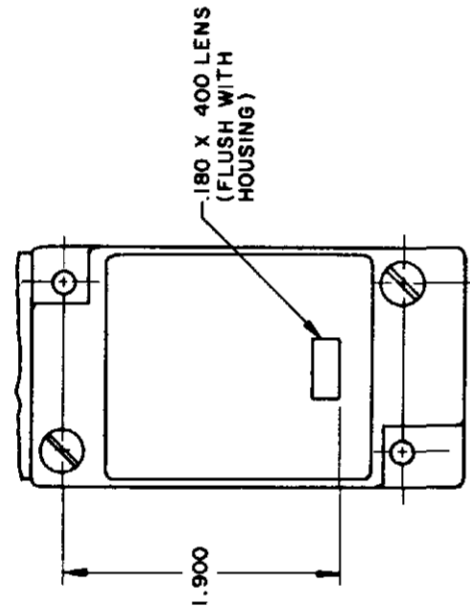


**WIRE EXTENSION TYPE 7M ACTUATOR**

TYPE LSJ2 and LSJ4

LSJ6 and LSJ7 have 1/2 - 14 NPT CONDUIT HOLE

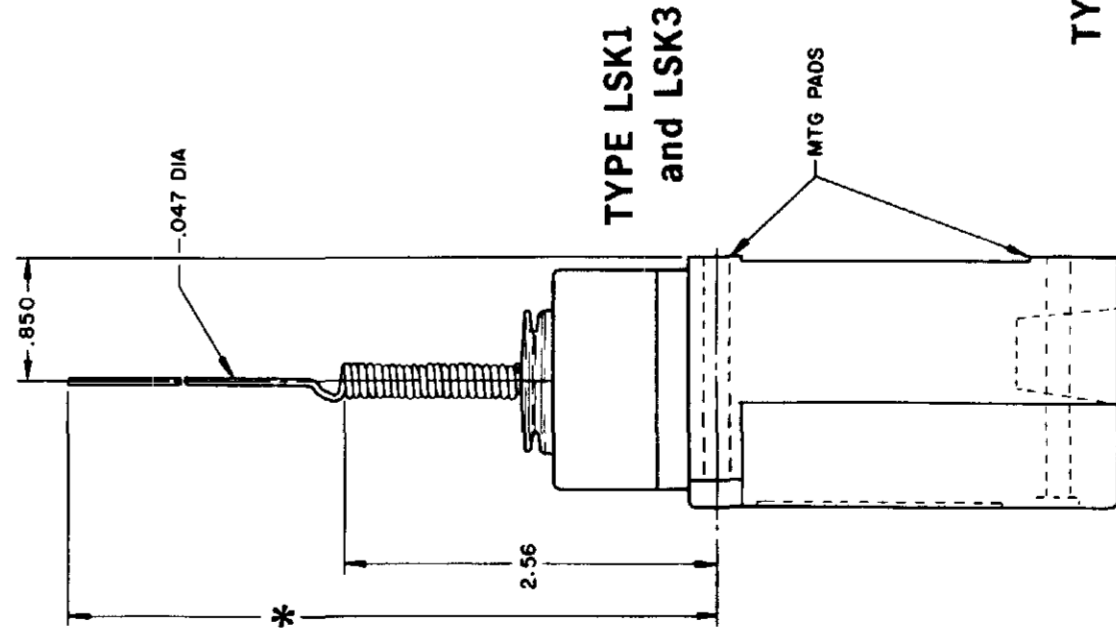
SINGLE POLE PLUG-IN ONLY  
WITH INDICATOR LAMP



120 LAMP VOLTAGE TYPE LSJ5  
240 LAMP VOLTAGE TYPE LSJ8

## CAT WHISKER

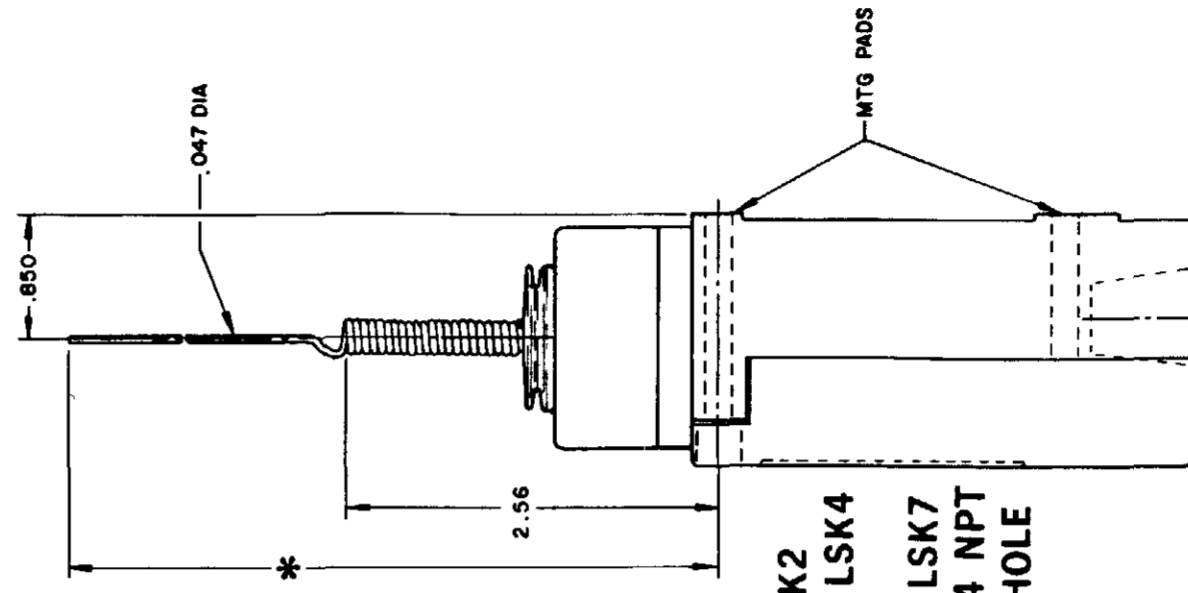
**SINGLE POLE**



**\* WIRE EXTENSION REPLACEMENT ACTUATOR**

TYPE 8A ACTUATOR 5.5 IN.-LSZ 4012  
TYPE 8B ACTUATOR 7.5 IN.-LSZ 4013  
TYPE 8C COIL ACTUATOR 5.5 IN.-LSZ 4014  
ACTUATOR 9.5 IN. - LSZ 4036

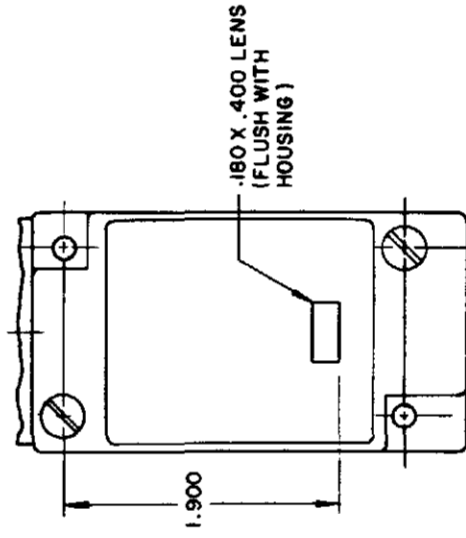
**DOUBLE POLE**



**WIRE EXTENSION**

\*TYPE 8A ACTUATOR 5.5 IN.  
TYPE 8B ACTUATOR 7.5 IN.  
TYPE 8C ACTUATOR 5.5 IN.  
TYPE 8D ROD ACTUATOR 5.5 IN.

SINGLE POLE PLUG-IN ONLY  
WITH INDICATOR LAMP



120 LAMP VOLTAGE  
TYPE LSK5 - CAT WHISKER TYPE LSB5 - TOP ROTARY  
240 LAMP VOLTAGE  
TYPE LSK8 - CAT WHISKER TYPE LSB8 - TOP ROTARY

TYPE LSK2  
and LSK4  
LSK6 and LSK7  
have 1/2 - 14 NPT  
CONDUIT HOLE

SCALE NONE  
DO NOT SCALE PRINT

PRE-TRAVEL (APPROX) IN. RADIUS	CAT. WHISKER		WOBBLE STICK	
	5/16" WIRE	7/16" WIRE	ROD	CABLE
2	2	4.5	1.0	1.5
OPERATING FORCE-OZ (MAX)	7.0	5.0	3.0	10.0
			7.0	5.0

THIS DRAWING COVERS A PROPRIETARY ITEM AND IS THE PROPERTY OF MICRO SWITCH A DIVISION OF HONEYWELL THIS DRAWING IS NOT TO BE COPIED OR USED WITHOUT THE APPROVAL OF MICRO SWITCH

**MICRO SWITCH**  
a Honeywell Division

SWITCH - ENCLOSED

CATALOG LISTING  
**LSA-LSW SERIES**  
CHART 1

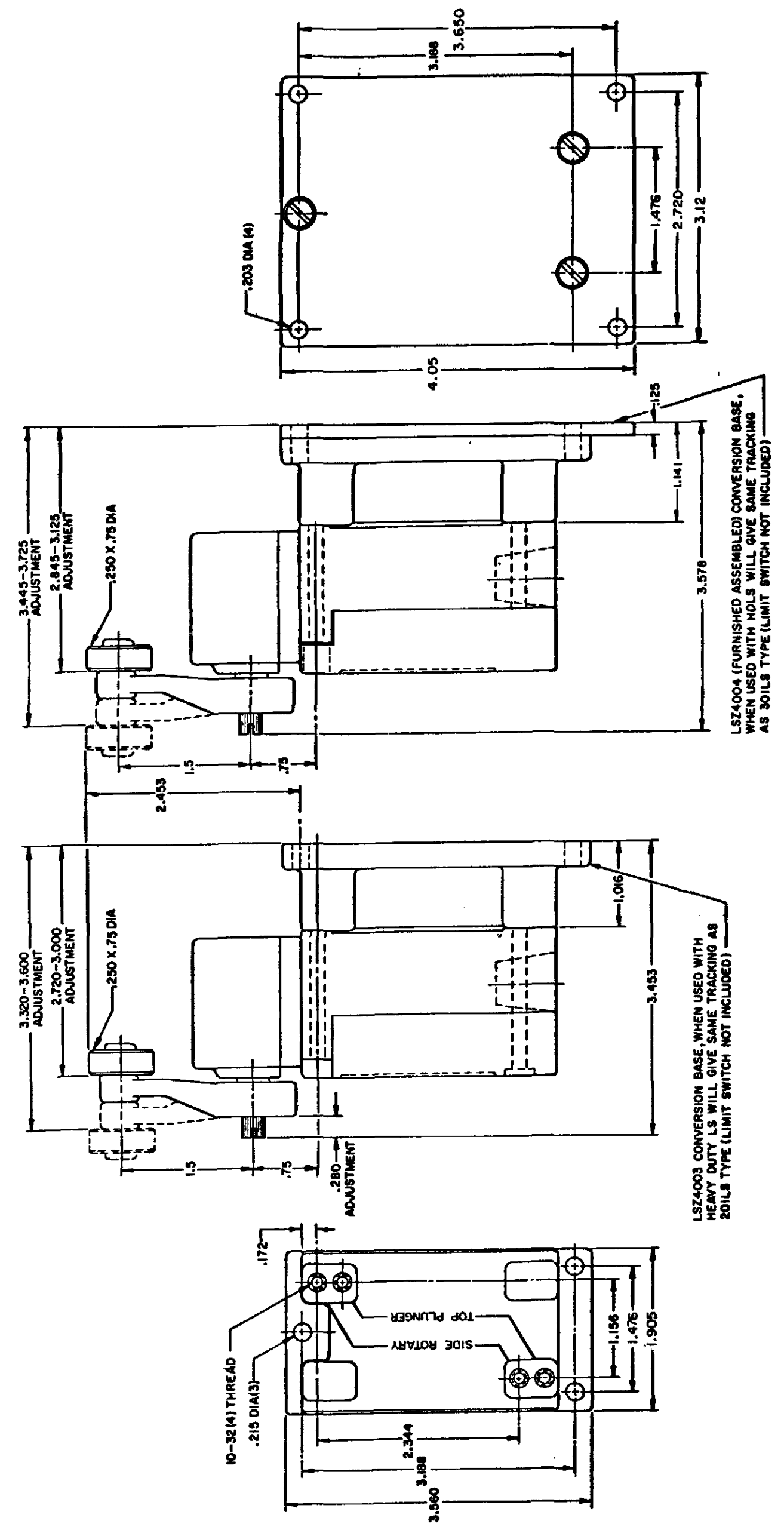


ISSUE	12	PSR	10JUL07	RELEASE NO	CO-78498	REPLACES	LSA-LSW SERIES
CATALOG LISTING	LSA-LSW SERIES CHART 1						
REVISIONS	PAGE 9 OF 10						
L	0031956	BS	10JUL07	11AUG04	AK	11AUG04	check
B	201004	CS	10AUG00	AK	11AUG04	AK	check
C	201748	CS	23JAN01	AK	11AUG04	AK	check
D	202198	CS	23JAN01	AK	11AUG04	AK	check
E	204871	CS	23JAN01	AK	11AUG04	AK	check
F	206581	CS	23JAN01	AK	11AUG04	AK	check
G	206763	CS	23JAN01	AK	11AUG04	AK	check
H	207179	CS	23JAN01	AK	11AUG04	AK	check
J	207474	CS	23JAN01	AK	11AUG04	AK	check
K	0006871	CS	23JAN01	AK	11AUG04	AK	check

# CONVERSION BASES

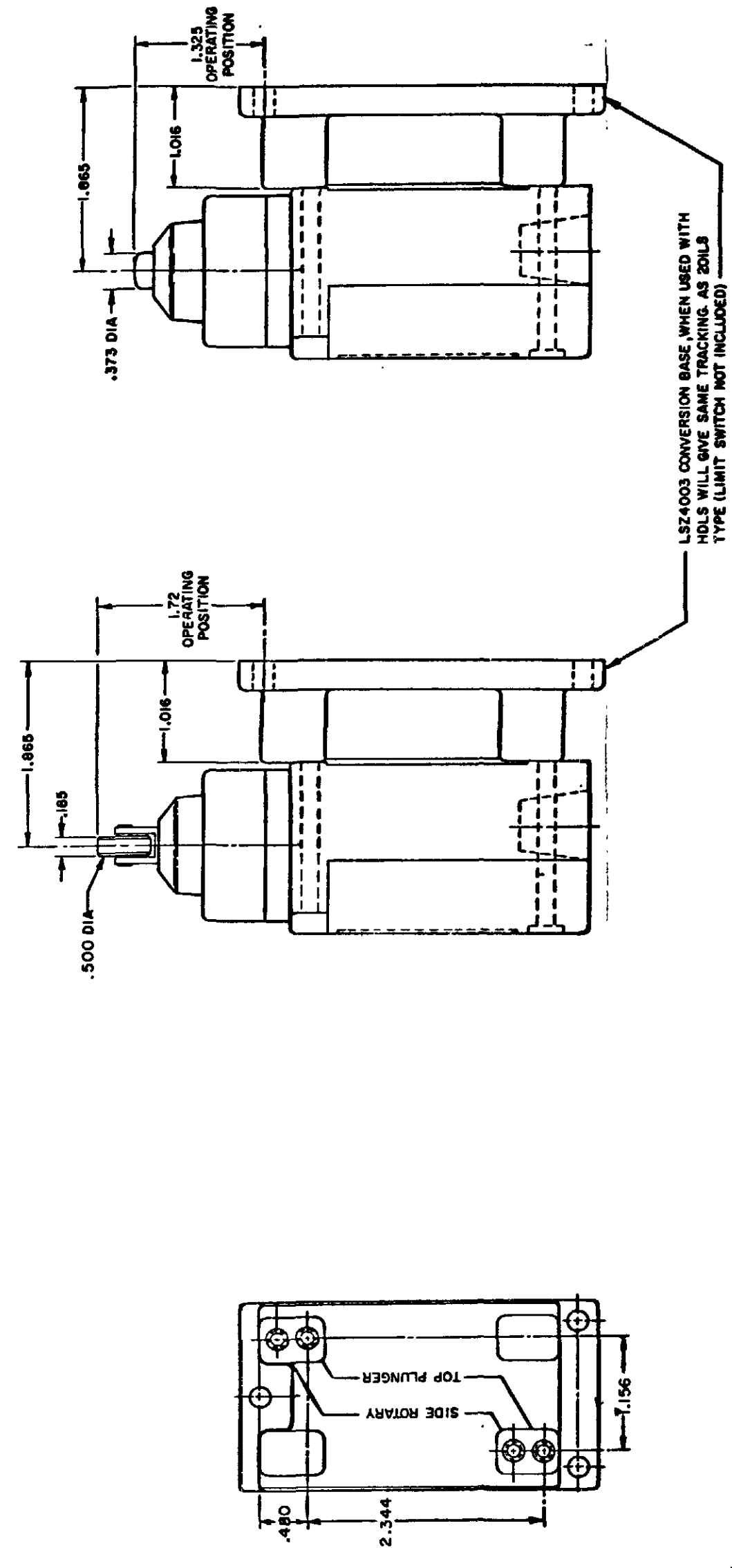
**SINGLE POLE  
(SIDE ROTARY)  
LSZ 4003**

**DOUBLE POLE  
(SIDE ROTARY)  
LSZ 4004**



NOTE  
SEE OTHER PAGES OF LSA-LSW  
(M) DRAWING FOR DIMENSION OF LIMITS

# SINGLE POLE TOP PLUNGER LSZ 4003



NOTE  
SEE OTHER PAGES OF LSA-LSW  
(M) DRAWING FOR DIMENSION OF  
LIMIT SWITCH

SCALE FULL  
DO NOT SCALE PRINT

THIS DRAWING COVERS A PROPRIETARY ITEM AND IS THE PROPERTY OF MICRO SWITCH, A DIVISION OF HONEYWELL. THIS DRAWING IS NOT TO BE COPIED OR USED WITHOUT THE APPROVAL OF MICRO SWITCH.

**MICRO SWITCH**  
a Honeywell Division

SWITCH - ENCLOSED

CATALOG LISTING  
**LSA-LSW SERIES**  
CHART 1

PAGE 9 OF 10

HEAD TYPE	CELLULOSE	DETERGENT	5 STAR	ASTM #1	ASTM #2	ASTM #3	ASTM #4	HOUGHTON SAFE 271	HOUGHTON SAFE 820	HOUGHTON SAFE 1010	HOUGHTON SAFE 1055	MINERAL OIL	PETR. OIL CRUDE	SILICON GR & OIL	SUNSAFE	BEER	STODDARD SOLV.	CHLORINATED SOLVENTS	CITRIC ACID	D-ESTER SYN. LUBRICANTS	OZONE	HYDRAUL	PROGUARD	PETRO. BASE HYDRAULIC OIL	LARD OIL	SILICATE ESTERS
LSA	4	1	1	1	1	2	1	4	1	1	1	1	1	1	1	4	1	2	4	4	4	4	1	1	2	
LSB	4	1	1	1	1	2	1	4	1	1	1	1	1	1	1	4	1	2	4	4	4	4	1	1	2	
LSC	4	2	2	1	2	4	4	2	4	2	2	1	2	1	2	4	1	4	3	4	4	2	2	2	2	
LSD	4	2	2	1	2	4	4	2	4	2	2	1	2	1	2	4	1	4	3	4	4	2	2	2	2	
LSE	4	2	2	1	2	4	4	2	4	2	2	1	2	1	2	4	1	4	3	4	4	2	2	2	2	
LSF	4	2	2	1	2	4	4	2	4	2	2	1	2	1	2	4	1	4	2	4	4	2	2	2	2	
LSG	4	2	2	1	2	4	4	2	4	2	2	1	2	1	2	4	1	4	3	4	4	2	2	2	2	
LSH	4	1	1	1	1	2	1	4	1	1	1	1	1	1	1	4	1	2	4	4	4	1	1	2	2	
LSJ	4	2	2	1	2	4	4	2	4	2	2	1	2	1	2	4	1	4	3	4	4	2	2	2	2	
LSK	4	2	2	1	2	4	4	2	4	2	2	1	2	1	2	4	1	4	3	4	4	2	2	2	2	
LSL	4	1	1	1	1	2	1	4	1	1	1	1	1	1	1	4	1	2	4	4	4	1	1	2	2	
LSM	4	1	1	1	1	2	1	4	1	1	1	1	1	1	1	4	1	2	4	4	4	1	1	2	2	
LSN	4	1	1	1	1	2	1	4	1	1	1	1	1	1	1	4	1	2	4	4	4	1	1	2	2	
LSP	4	1	1	1	1	2	1	4	1	1	1	1	1	1	1	4	1	2	4	4	4	1	1	2	2	
LSR	4	1	1	1	1	2	1	4	1	1	1	1	1	1	1	4	1	2	4	4	4	1	1	2	2	
LSV	4	2	2	1	2	4	4	2	4	2	2	1	2	1	2	4	1	4	3	4	4	2	2	2	2	
LSW	4	2	2	1	2	4	4	2	4	2	2	1	2	1	2	4	1	4	2	4	4	2	2	2	2	
LST	UNSEALED DEVICE, INTENDED TO MEET NEMA 1 ONLY																									
LSS	UNSEALED DEVICE, INTENDED TO MEET NEMA 1 ONLY																									

CODE: 1 SATISFACTORY 2 FAIR 3 DOUBTFUL 4 UNSATISFACTORY

TYPES	LOW LIMIT	HIGH LIMIT
LSA	+10°F	+250°F
LSB	+30°F	+250°F
LSC	+10°F	+200°F
LSD	+10°F	+200°F
LSE	+10°F	+200°F
LSF	+10°F	+200°F
LSG	+30°F	+200°F
LSH	+30°F	+250°F
LSJ	+10°F	+200°F
LSK	+10°F	+200°F
LSL	+10°F	+250°F
LSM	+30°F	+250°F
LSN	+30°F	+250°F
LSP	+10°F	+250°F
LSR	+30°F	+250°F
LSV	+10°F	+200°F
LSW	+10°F	+200°F
LST	+30 F	+170°F
LSS	+30°F	+170°F

CATALOG LISTING  
**M** LSA-LSW SERIES CHART 1  
 PAGE 10 OF 10  
 ISSUE 12  
 PSR 10JUL07  
 RELEASE NO. CO-78498  
 REPLACES LSA-LSW SERIES

REV	DATE	BY	CHKD	DESCRIPTION
L	0031956	BS	10JUL07	
B	201004			
C	201748			
D	202198			
E	204871			
F	206581			
G	206783			
H	207179			
J	207474			
K	0006871			

RASTER  
 DRAWN  
 MAM 15 JUN 94  
 CHECK 11AUG04

THIS DRAWING COVERS A PROPRIETARY ITEM AND IS THE PROPERTY OF MICRO SWITCH A DIVISION OF HONEYWELL THIS DRAWING IS NOT TO BE COPIED OR USED WITHOUT THE APPROVAL OF MICRO SWITCH

**MICRO SWITCH**  
 a Honeywell Division

SWITCH - ENCLOSED

LSA-LSW SERIES  
 CHART 1

FED. MFG. CODE 91929



Компания «ЭлектроПласт» предлагает заключение долгосрочных отношений при поставках импортных электронных компонентов на взаимовыгодных условиях!

Наши преимущества:

- Оперативные поставки широкого спектра электронных компонентов отечественного и импортного производства напрямую от производителей и с крупнейших мировых складов;
- Поставка более 17-ти миллионов наименований электронных компонентов;
- Поставка сложных, дефицитных, либо снятых с производства позиций;
- Оперативные сроки поставки под заказ (от 5 рабочих дней);
- Экспресс доставка в любую точку России;
- Техническая поддержка проекта, помощь в подборе аналогов, поставка прототипов;
- Система менеджмента качества сертифицирована по Международному стандарту ISO 9001;
- Лицензия ФСБ на осуществление работ с использованием сведений, составляющих государственную тайну;
- Поставка специализированных компонентов (Xilinx, Altera, Analog Devices, Intersil, Interpoint, Microsemi, Aeroflex, Peregrine, Syfer, Eurofarad, Texas Instrument, Miteq, Cobham, E2V, MA-COM, Hittite, Mini-Circuits, General Dynamics и др.);

Помимо этого, одним из направлений компании «ЭлектроПласт» является направление «Источники питания». Мы предлагаем Вам помощь Конструкторского отдела:

- Подбор оптимального решения, техническое обоснование при выборе компонента;
- Подбор аналогов;
- Консультации по применению компонента;
- Поставка образцов и прототипов;
- Техническая поддержка проекта;
- Защита от снятия компонента с производства.



#### Как с нами связаться

**Телефон:** 8 (812) 309 58 32 (многоканальный)

**Факс:** 8 (812) 320-02-42

**Электронная почта:** [org@eplast1.ru](mailto:org@eplast1.ru)

**Адрес:** 198099, г. Санкт-Петербург, ул. Калинина, дом 2, корпус 4, литера А.